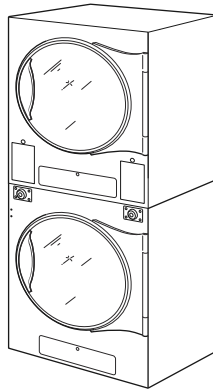


Tumble Dryers

Stacked 45 Pound Capacity
18 Digit Model Numbers with 4 and 5 in 13th Position
Refer to Page 3 for Model Numbers



TMB1289C_70621601

Table of Contents

Title	Page
Parts Ordering Information.....	2
Serial Plate Location	2
Machine Identification	3
Product Overview - Heat Source and Voltage	4
Touch Control - Vend Models with V in the 7th Position.....	6
Coin Drops	8
Coin Drop Kits.....	10
Central Pay and Card Reader Components	12
Door and Hinge Components - Design 4 Models	14
Door and Hinge Components - Design 5 Models	16
Front Panel Assemblies - Design 4 Models	18
Front Panel Assemblies - Design 5 Models	20
Cabinet Front Components.....	22
Lint Drawer Components	24
Cylinder and Trunnion Components	26
Bearing Components	28
Cabinet Components	30
Drive Motor Components	32
Exhaust Components.....	34
Blower Components.....	36
Airflow Switch.....	38
Gas Burner Housing and Secondary Stove Limit	40
Gas Valve and Piping	42
Burner Orifices	44
Control Tray and Accessory Box	46
Labels	48
Harnesses.....	49
Parts Index.....	51

© Copyright 2020, Alliance Laundry Systems LLC

All rights reserved. No part of the contents of this book may be reproduced or transmitted in any form or by any means without the expressed written consent of the publisher.

Parts Ordering Information

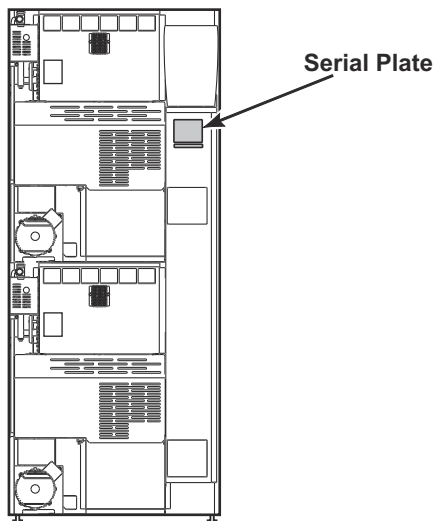
If literature or replacement parts are required, contact the source from whom the machine was purchased or contact Alliance Laundry Systems at (920) 748-3950 for the name and address of the nearest authorized parts distributor.

For technical assistance, call the number listed below:

(920) 748-3121 Ripon, Wisconsin

Serial Plate Location

When calling or writing about your product, be sure to mention model and serial numbers. Model and serial numbers are located on serial plate(s) as shown.



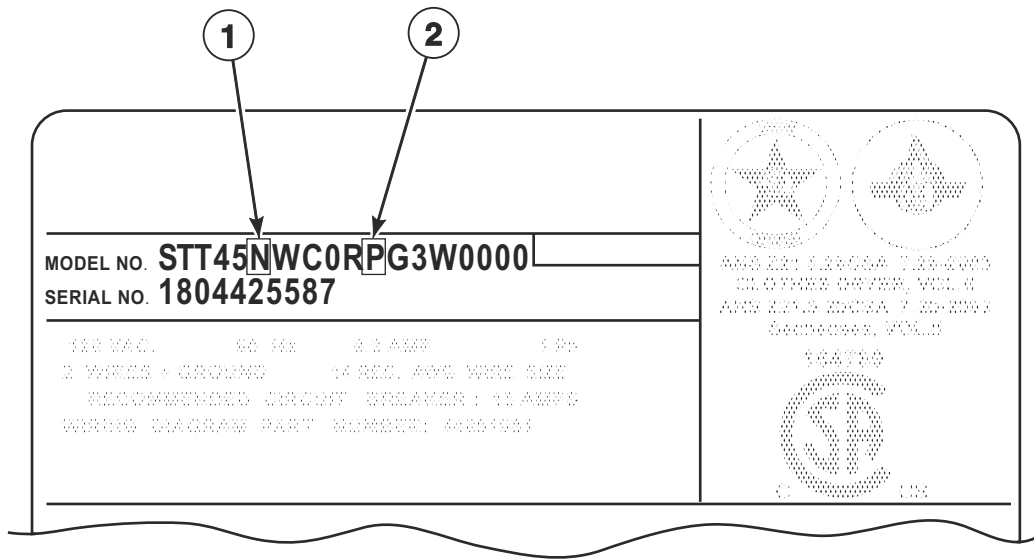
TMB3565P_70621601

Machine Identification

Information in this manual is applicable to these machines:

HAT45L	SAT45L
HAT45N	SAT45N
HAT45R	SAT45R
HGT45D	SGT45D
HGT45L	SGT45L
HGT45N	SGT45N
HGT45R	SGT45R
HHT45L	SHT45L
HHT45N	SHT45N
HHT45R	SHT45R
HJT45D	SJT45D
HJT45L	SJT45L
HJT45N	SJT45N
HJT45R	SJT45R
HKT45L	SKT45L
HKT45N	SKT45N
HKT45R	SKT45R
HLT45L	SLT45L
HTT45L	STT45L
HTT45N	STT45N
HTT45R	STT45R
HUT45L	SUT45L
HUT45N	SUT45N
HUT45R	SUT45R

Product Overview - Heat Source and Voltage

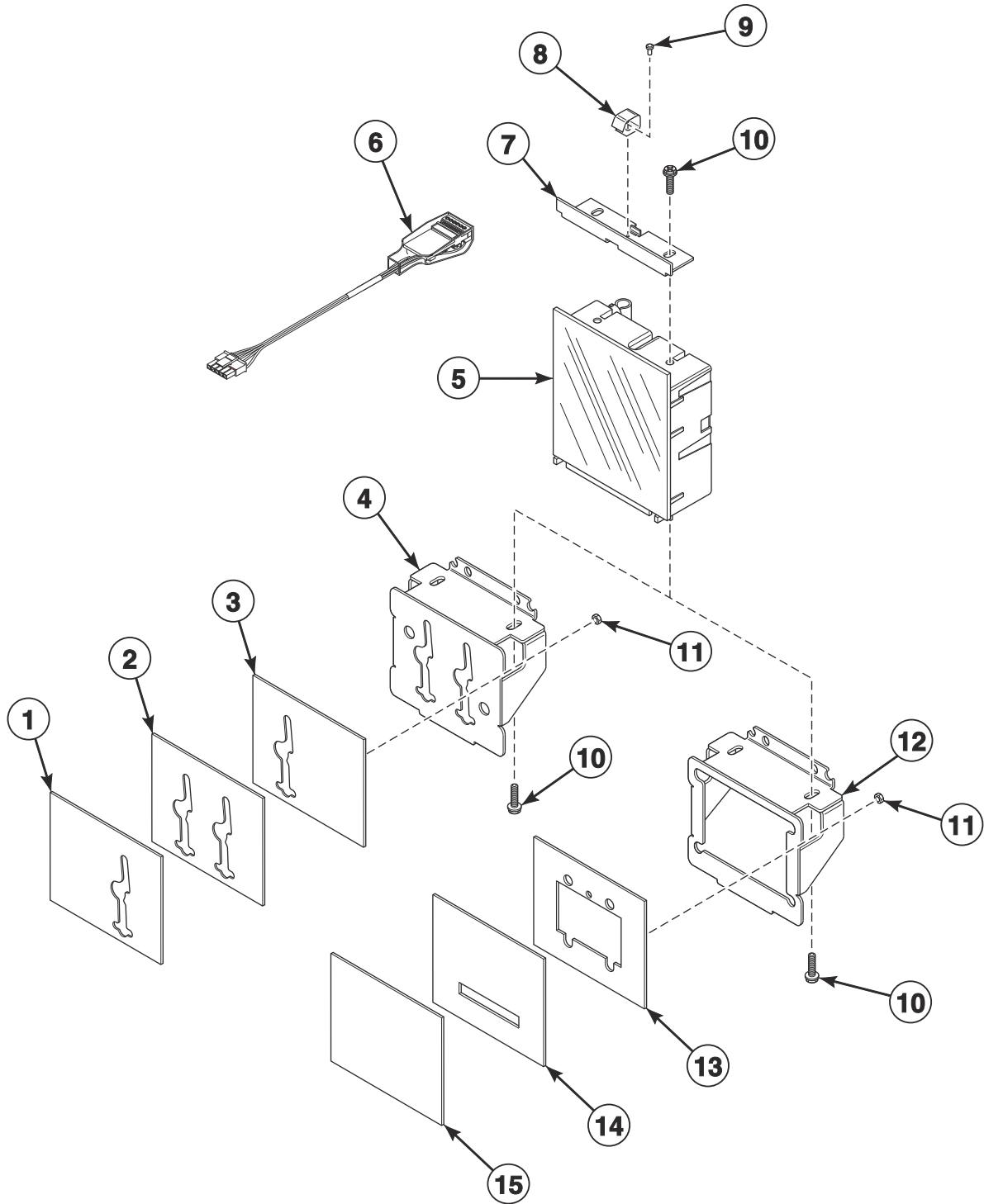


TMB3601P_70621601

Product Overview - Heat Source and Voltage

REF	PART NO.	DESCRIPTION	COMMENTS
1	-	Heat Source	D: Liquid Petroleum Gas (L.P) L: Liquid Petroleum Gas (L.P.) N: Natural Gas (N.G.) R: Reduced Gas, Natural Gas (Eco Line)
2	-	Voltage	N: 440-480 Volt/50-60 Hertz/3 Phase P: 380-415 Volt/50-60 Hertz/3 Phase X: 200-240 Volt/50-60 Hertz/1-3 Phase

Touch Control - Vend Models with V in the 7th Position

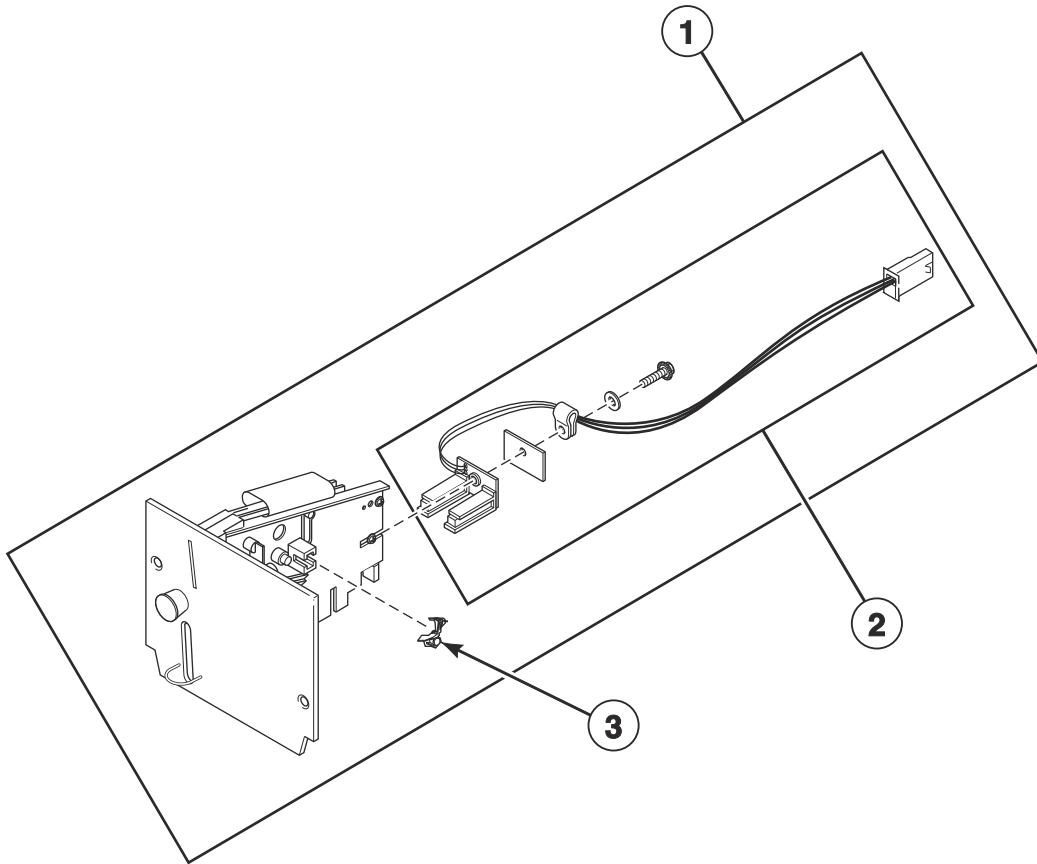


TMB3822P_70621601

Touch Control - Vend Models with V in the 7th Position

REF	PART NO.	DESCRIPTION	COMMENTS
	70577101	Vend Activation Harness	
	203440	USB-Serial Interface Assembly	
	44374701	App Pay Overlay Kit	
1	70633005	Plate Assembly	Coin; Right
2	70633003	Plate Assembly	Dual drop
3	70633002	Plate Assembly	Coin; Left
4	70581001	Control Bracket	Lower; Coin
5	70576201	Control Assembly	
6	203361P	Machine ID Control Assembly	
7	70581101	Control Bracket	Upper
8	431318	Control Door Latch	2 required
9	M400003	Pop Rivet	
10	203799	Screw	
11	44087101	Nut	
12	70581002	Control Bracket	Lower; Card and central pay
13	70633006	Plate Assembly	Card slide
14	70633004	Plate Assembly	Card slot
15	70633001	Plate Assembly	Central pay

Coin Drops

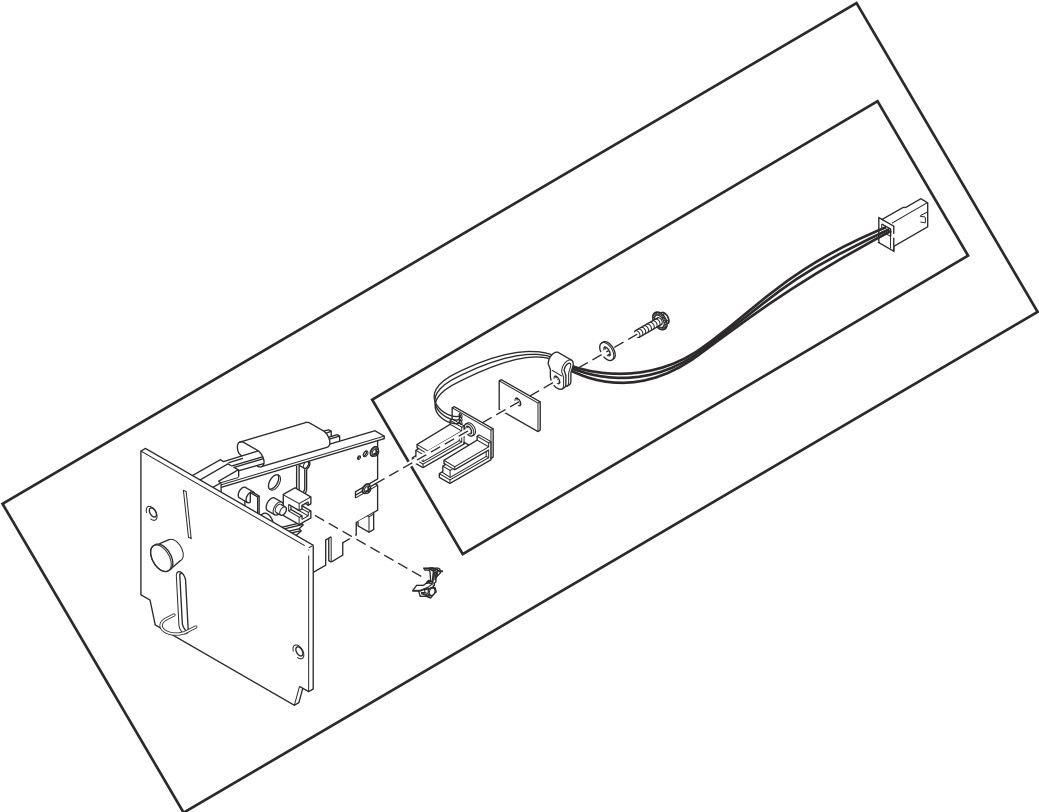


TMB3699P_70621601

Coin Drops

REF	PART NO.	DESCRIPTION	COMMENTS
1	70441601P	Coin Drop	Single; U.S.A.; \$.25
	38475	Coin Drop Assembly	Single; Japan; 100 yen
	38464P	Coin Drop Assembly	Single; Canada; .25
	CK077	Coin Drop Kit	Single; Taiwan; 10 NT
	70506901	Coin Drop Assembly	Single; Singapore; \$1.00 NEW
	70441603	Coin Drop	Dual; U.S.A.; \$.25 and \$1.00
	38519	Coin Drop Assembly	Dual; Japan; 100 yen and 500 yen
	70441602	Coin Drop Assembly	Dual; Canada; .25 and 1.00
	38467	Coin Drop Assembly	Dual; Australia; \$0.20 and \$1.00
	70447301	Coin Drop Assembly	Dual; Australia; \$1.00 and \$2.00
	70283102	Coin Drop Assembly	Dual; 0.20 and 0.50 Euro
	210195	Coin Drop Assembly	Dual; 0.20 and 1.00 Euro
	210196	Coin Drop Assembly	Dual; 0.50 and 1.00 Euro
	F0160737-00	Coin Meter	Dual; 0.50 and 2.00 Euro
	70281102	Coin Drop Assembly	Dual; Taiwan; 10 and 50 NT
	70482401	Coin Drop Assembly	Dual; New Zealand ; \$1.00 and \$2.00
	38462P	Coin Drop Assembly	Single; Token; STD 118-1
	38463	Coin Drop Assembly	Single; Token; STD 118-5
	38963P	Coin Drop	Single; Token STD 118-16
	39748	Coin Drop	Single; Jeton 08MS
	201141	Coin Drop Assembly	Single; Token; Jeton wh121
	70471601	Coin Drop Assembly	Single; Token; 7K
	70513302	Electronic Coin Drop Assembly	Euro and Great Britain coins
	70513310	Electronic Coin Drop Assembly	Japan and Thailand coins
	70513304	Electronic Coin Drop Assembly	Australia, New Zealand, Hong Kong and South Korea coins
	70513303	Electronic Coin Drop Assembly	Denmark, Norway and Euro coins
	70513306	Electronic Coin Drop Assembly	Mexico, Ecuador and U.S.A. coins
	70294107	Electronic Coin Drop Assembly	Lithuania, Latvia and Euro coins
	70513311	Electronic Coin Drop Assembly	China and Malaysia coins
	70513308	Electronic Coin Drop Assembly	South African 1, 2 and 5 rand coins
	70513309	Electronic Coin Drop Assembly	Euro coins
	70513312	Electronic Coin Drop Assembly	Russia coins
	70513313	Electronic Coin Drop Assembly	Phillipines coins
70513314	Electronic Coin Drop Assembly	Thailand coins	
70513315	Electronic Coin Drop Assembly	Chile coins	
70513316	Electronic Coin Drop Assembly	Singapore coins	
2	200674P	Opto Coupler	
3	201595P	Wire Guard	

Coin Drop Kits

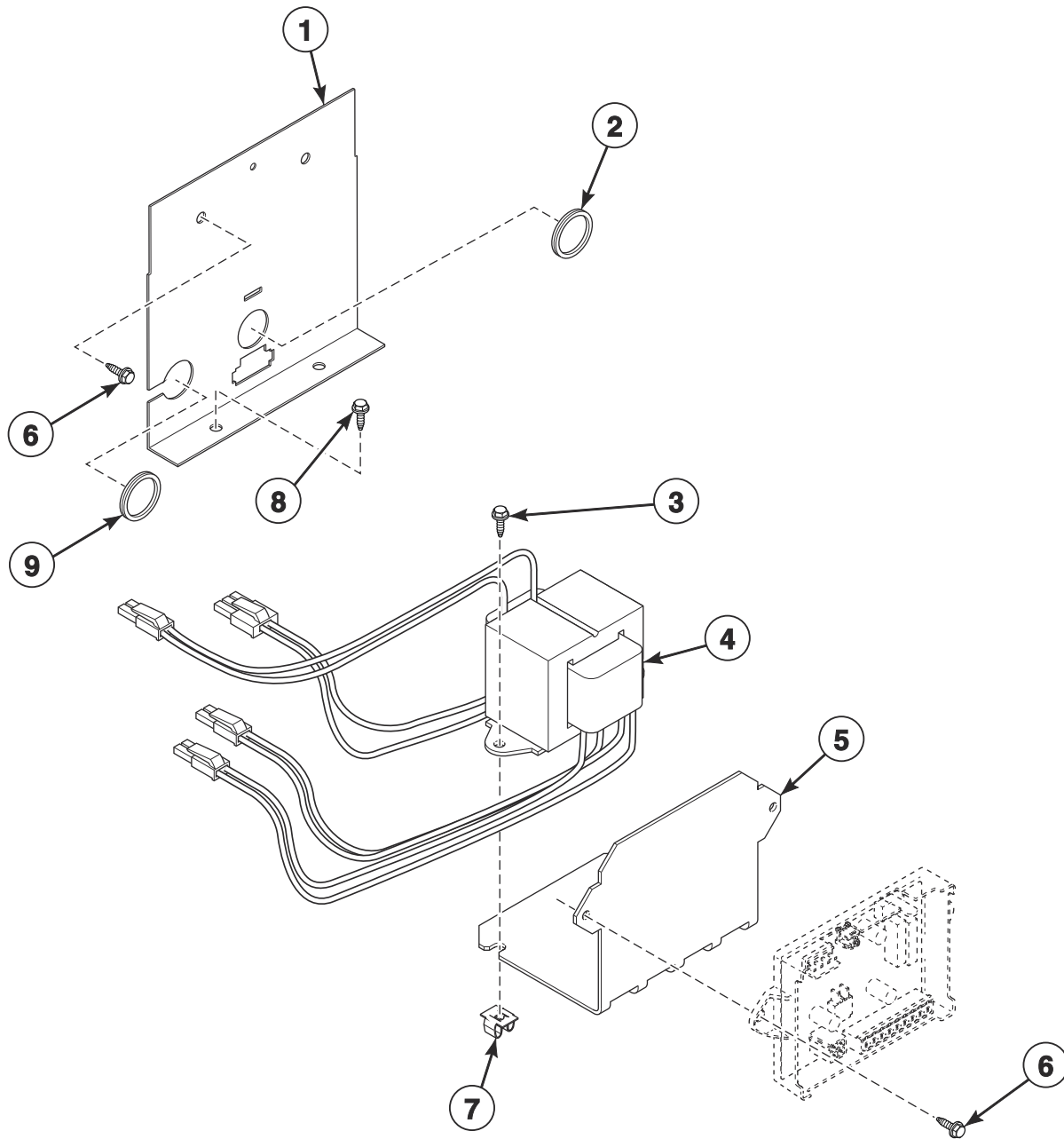


TMB3699PA_70621601

Coin Drop Kits

REF	PART NO.	DESCRIPTION	COMMENTS
	CK115	Electronic Coin Drop Kit	United States and Canada
	CK099	Electronic Coin Drop Kit	Australia (default), New Zealand, Hong Kong, South Korea and Malaysia
	CK100	Electronic Coin Drop Kit	United Kingdom (default) and Europe
	CK101	Electronic Coin Drop Kit	Europe (default), Denmark and Norway
	CK108	Electronic Coin Drop Kit	South Africa
	CK109	Electronic Coin Drop Kit	Euro
	CK110	Electronic Coin Drop Kit	Mexico (default), Ecuador and United States
	CK113	Electronic Coin Drop Kit	Japan and Taiwan
	CK116	Electronic Coin Drop Kit	Malaysia (default) and China
	CK117	Electronic Coin Drop Kit	Russia
	CK118	Electronic Coin Drop Kit	Philippine
	CK119	Electronic Coin Drop Kit	Thailand
	CK120	Electronic Coin Drop Kit	Chile
	CK121	Electronic Coin Drop Kit	Singapore
	CK122	Coin Drop Kit	New Zealand; 1.00 and 2.00

Central Pay and Card Reader Components



TMB3701P_70621601

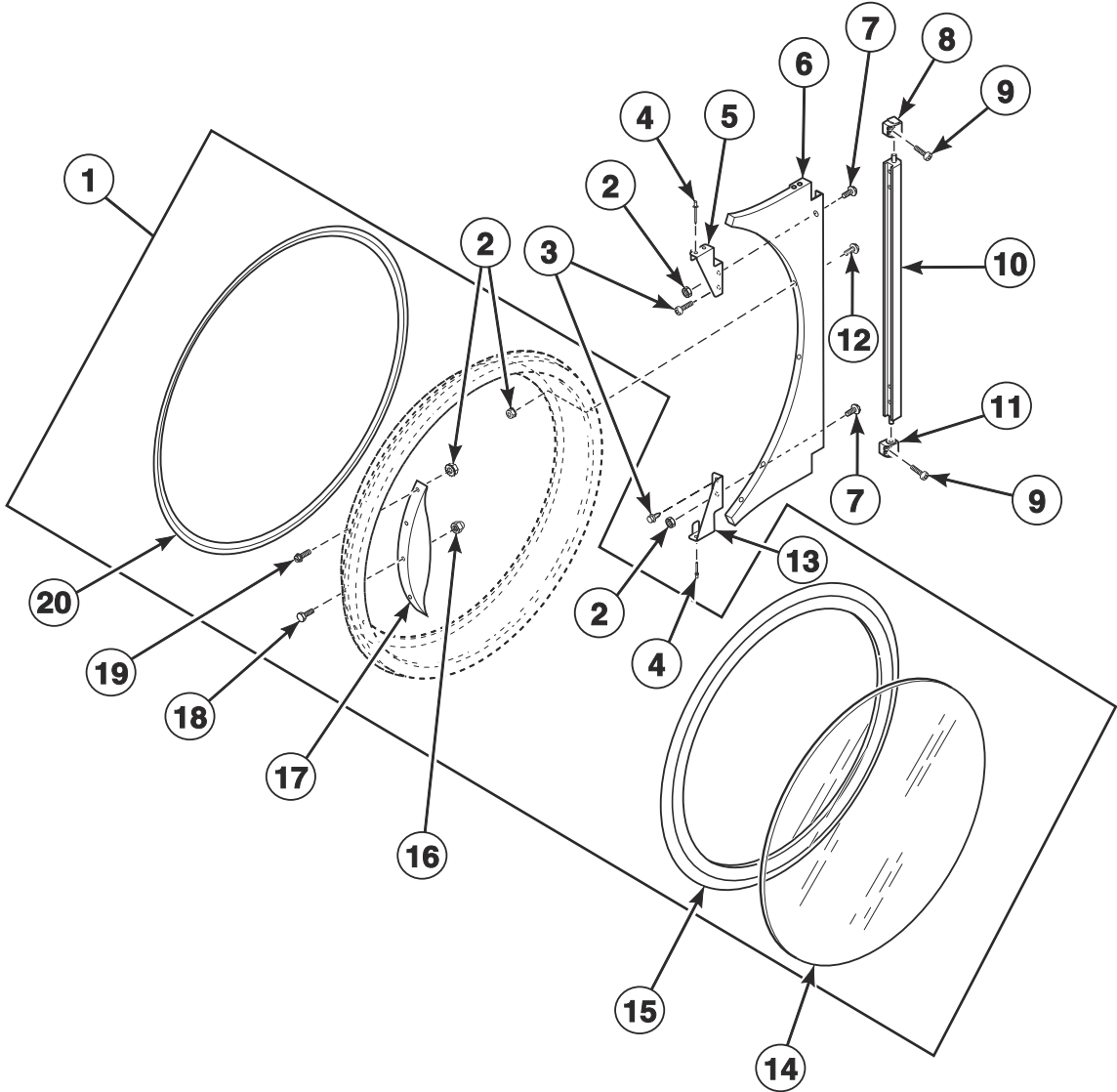
Central Pay and Card Reader Components

REF	PART NO.	DESCRIPTION	COMMENTS
	204145P	Gateway	
	44355603	Central Pay Harness	Routes from central pay board to upper control tray
	44272305	Transformer Harness	200-480 Volt; Routes from transformer to I/O Control Assembly; Card and central pay
	44355604	Central Pay Board Harness	Routes from central pay board to transformer
	44355605	Central Pay Harness	Routes from central pay board to front end control
	44272303	Power Supply Transformer Harness	
	44272306	Supply Harness	24 Volt; Lower
	70366201	Wire Clip	
	205070	Payment Center Kit	H models
	205069	Payment Center Kit	H models; Includes printer
	205068	Payment Center Kit	S models
	205067	Payment Center Kit	S models; Includes printer
1	70307006	Control Housing Cover	Coin
	70307005	Control Housing Cover	Prep for card and central pay
2	44052701	Bushing	Prep for card and coin
3	M411072	Screw	4 required
4	202758	Transformer	200-480 Volt; Card and central pay
5	70604001	Mounting Bracket	2 required
6	51780	Screw	
7	70030501	Expansion Clip	4 required
8	430497	Screw	
9	44071501	Snap Bushing	

Door and Hinge Components - Design 4 Models

REF	PART NO.	DESCRIPTION	COMMENTS
1	44354702	Door Assembly	Chrome
2	70296802	Door Ring Gasket	
3	70598001	Screw	4 required
4	44088001	Nut	
5	70532101	Door Switch Actuator	Bottom
6	70576101	Screw	
7	70532102	Door Switch Actuator	Top
8	70071401	Pin	
9	70622401	Cam and Hinge Kit	Chrome
10	FR004022	Screw	
11	70601005	Door Hinge Lug Assembly	Chrome
12	44349101	Screw	
13	70211902P	Door Seal Kit	Use Loctite 414 for seal
14	44008401P	Door Glass	
15	70436301	Screw	
16	70058501	Pop Rivet	
17	70596601	Hinge/Brace Assembly	Chrome
18	M4221P4	Door Glass Installation Tool	
19	M414215	Nut	For door strike; Mounts between door strike screw and door handle
20	44007901	Door Handle	
21	M400661	Screw	Door Strike

Door and Hinge Components - Design 5 Models

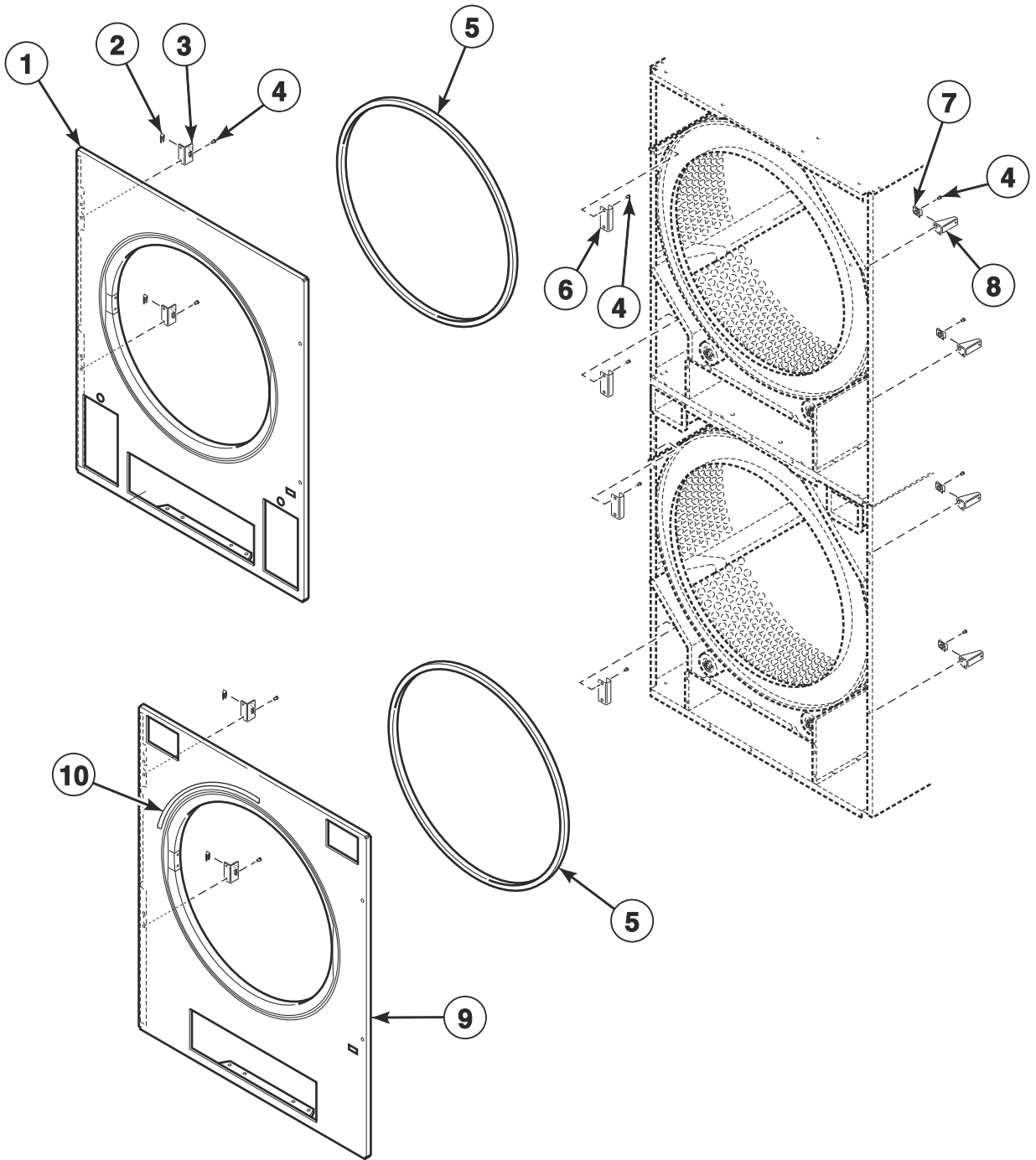


TMB3805P_70621601

Door and Hinge Components - Design 5 Models

REF	PART NO.	DESCRIPTION	COMMENTS
1	44354701	Door Assembly	Chrome
2	44088001	Nut	
3	802822	Screw	
4	70058501	Pop Rivet	
5	70632001	Upper Hinge Gusset	
6	44366605W	Door Hinge Assembly	White
	44366603	Door Hinge Assembly	Stainless steel
	44366607	Door Hinge Assembly	Chrome
7	70640201	Screw	
8	70639301	Upper Lug Assembly	Use with 2 of item 9
9	70640301	Screw	
10	70640401	Center Hinge Lug Assembly	
11	70639302	Lower Lug Assembly	Use with 2 of item 9
12	44349101	Screw	
13	70632002	Lower Hinge Gusset	
14	44008401P	Door Glass	
15	70211902P	Door Seal Kit	Use Loctite 414 for seal
16	M414215	Nut	For door strike; Mounts between door strike screw and door handle
17	44007901	Door Handle	
18	M400661	Screw	Door Strike
19	70598001	Screw	4 required
20	44008201P	Door Ring Gasket	

Front Panel Assemblies - Design 4 Models

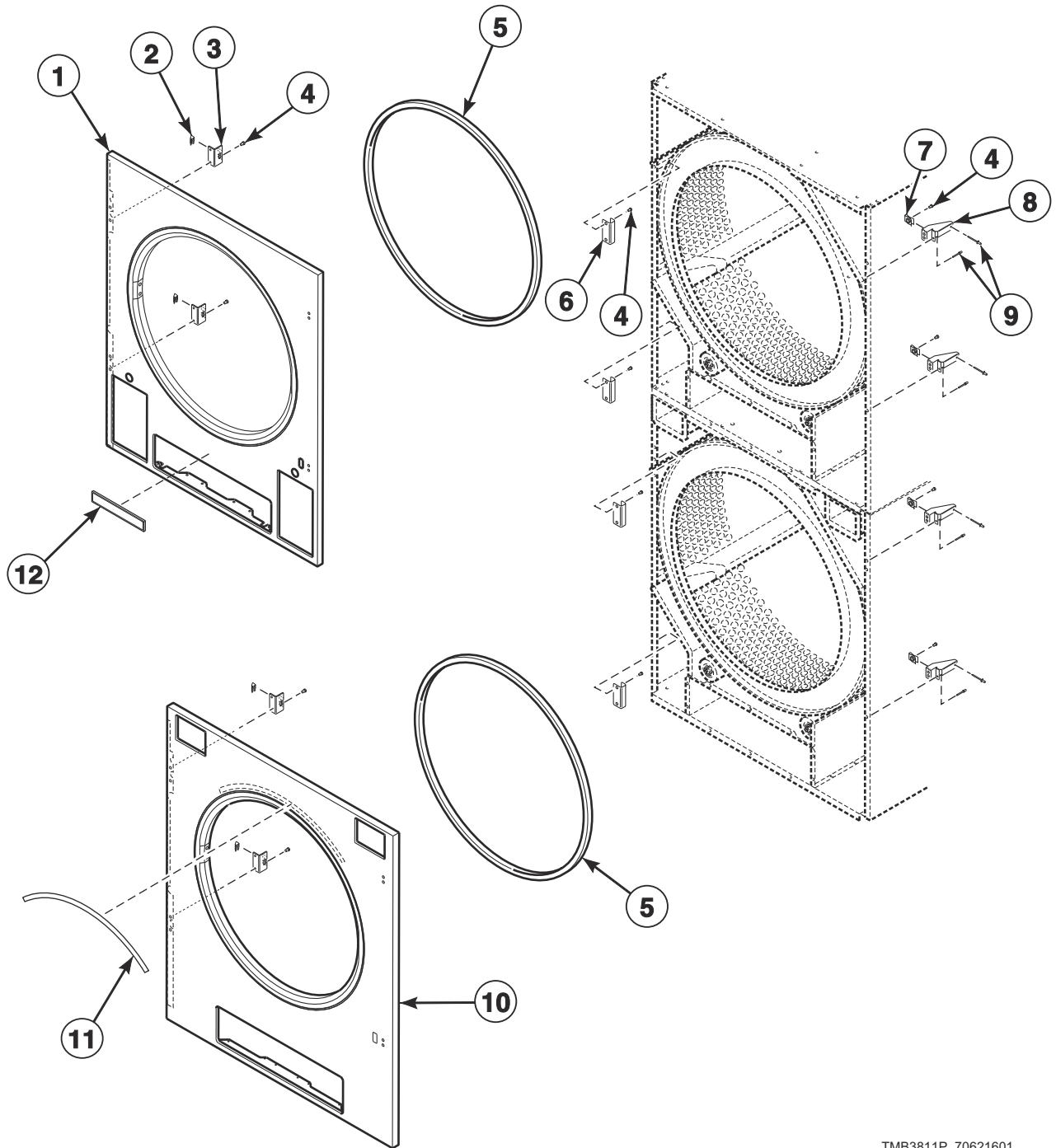


TMB3708P_70621601

Front Panel Assemblies - Design 4 Models

REF	PART NO.	DESCRIPTION	COMMENTS
	70289101P	Gasket	Sold per foot; Used behind items 1 and 9
1	70643401	Upper Front Panel	Stainless steel
2	35865	Hold-Down Clip	2 required
3	70604801	Clip Mount Bracket	2 required
4	70058501	Pop Rivet	
5	70173401P	Front Panel Seal	Requires D511637P Adhesive
6	70604901	Clip Keeper Bracket	2 required
7	70030401	Nut	2 required
8	70610501	Bracket	2 required
9	70643301	Lower Front Panel	Coin; Stainless steel
	70643302	Lower Front Panel	Card and central pay; Stainless steel
10	70534301	Warning Label	English
	70534302	Warning Label	French
	70534300	Label Kit	Warning; IEC models

Front Panel Assemblies - Design 5 Models

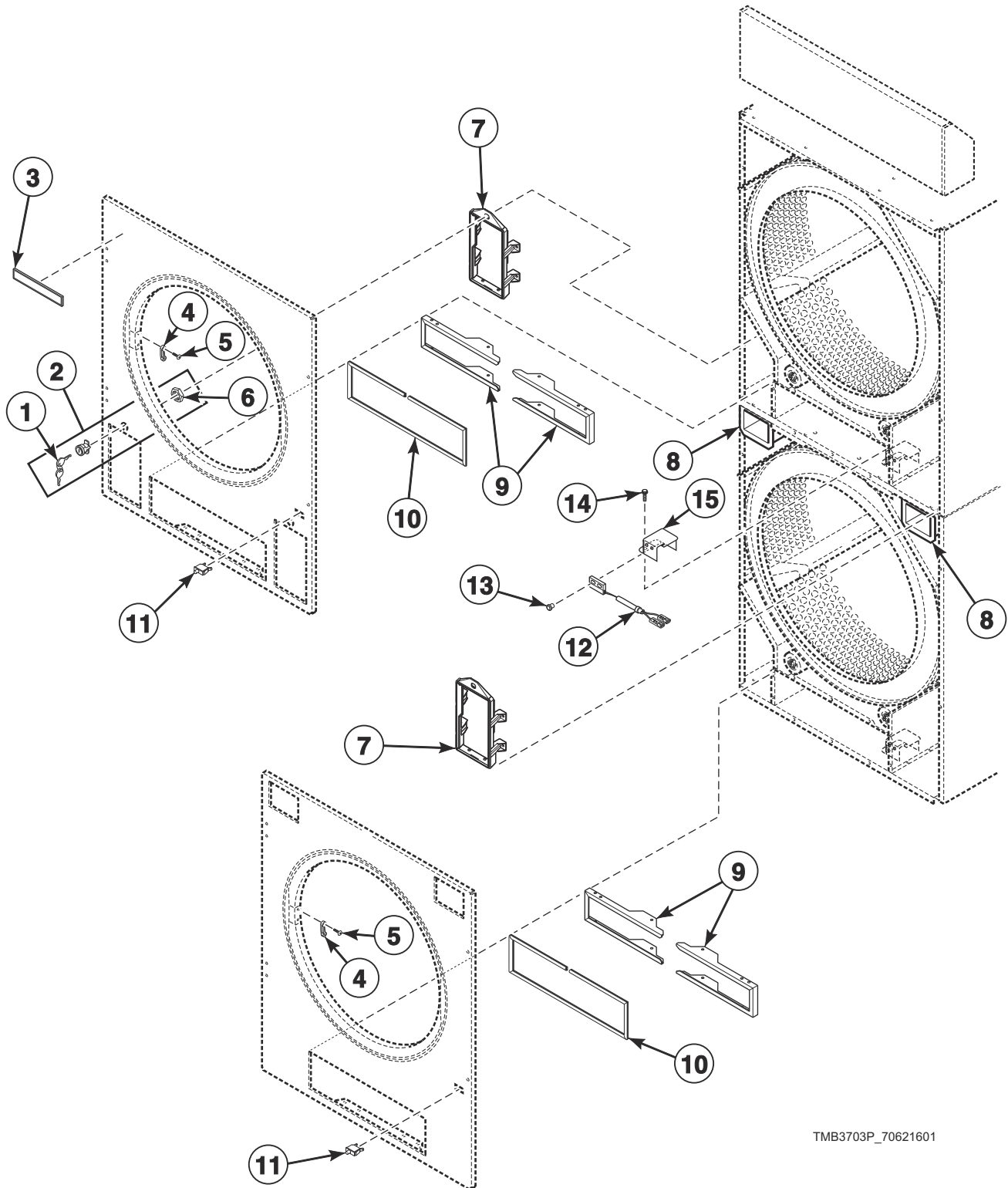


TMB3811P_70621601

Front Panel Assemblies - Design 5 Models

REF	PART NO.	DESCRIPTION	COMMENTS
	70289101P	Gasket	Sold per foot; Used behind items 1 and 10
1	70639703	Upper Front Panel	Stainless steel
	70639701W	Upper Front Panel	
2	35865	Hold-Down Clip	2 required
3	70604801	Clip Mount Bracket	2 required
4	70058501	Pop Rivet	
5	70173401P	Front Panel Seal	Requires D511637P Adhesive
6	70604901	Clip Keeper Bracket	2 required
7	70030401	Nut	2 required
8	70634201	Bracket	
9	70614201	Rivet	
10	70639903	Lower Front Panel	Coin; Stainless steel
	70639906	Lower Front Panel	Card and central pay; Stainless steel
	70639901W	Lower Front Panel	Coin
	70639904W	Lower Front Panel	Card and central pay
11	70534301	Warning Label	English
	70534302	Warning Label	French
12	F8688001	Nameplate	H models
	F8688901	Nameplate	S models

Cabinet Front Components

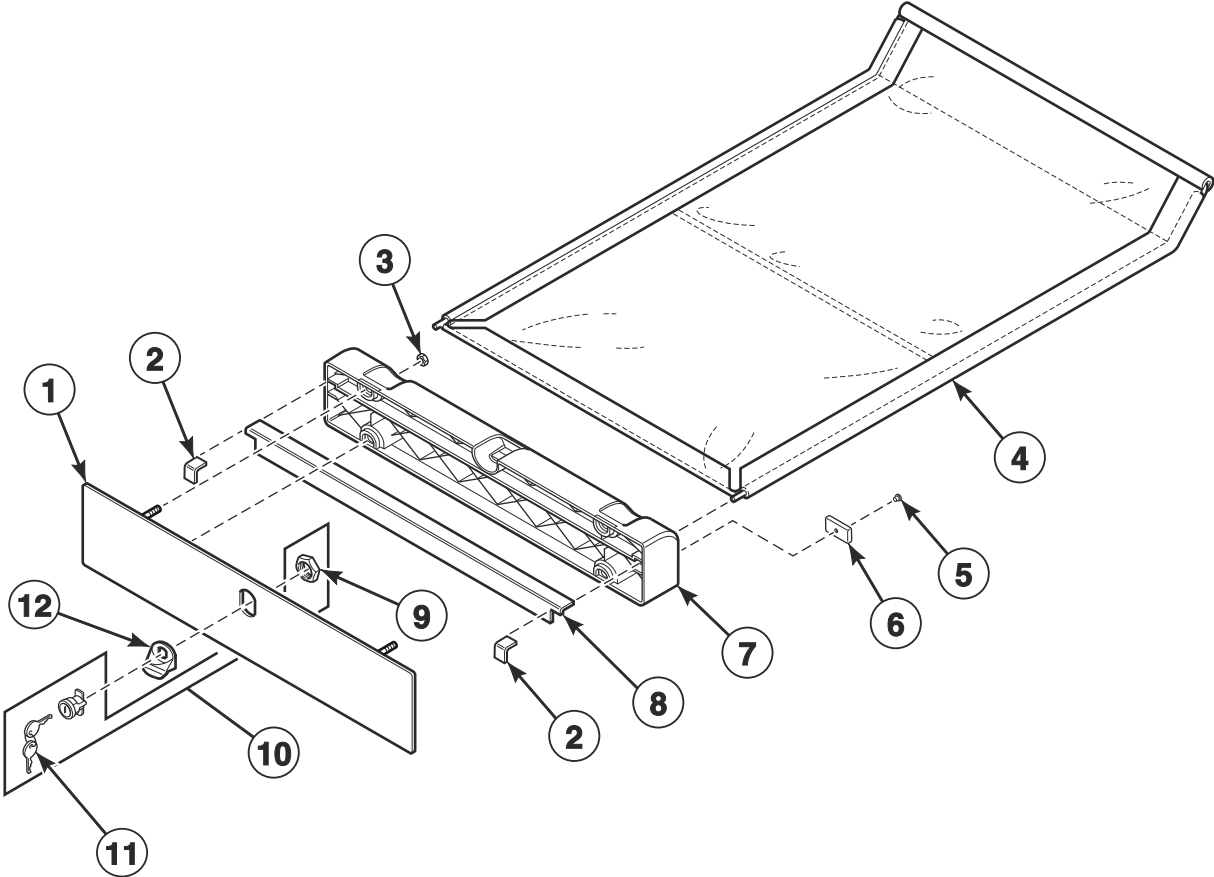


TMB3703P_70621601

Cabinet Front Components

REF	PART NO.	DESCRIPTION	COMMENTS
	44334102	Coin Vault Switch Harness	
	44334103	Bypass Harness	Card
	70482901	Door Catch Kit	
1	70155601	Key	RL001
2	44089301P	Lock, Key and Nut Kit	RL001
	44089304	Panel Lock	RL001; Chrome
3	F8664901	Nameplate	Design 4 S models
	F8688001	Nameplate	H models
4	M401223	Door Latch	
5	44166601	Pop Rivet	2 required for item 4
6	44088801	Nut	Panel lock
7	70593801	Control Bezel	
8	70529501	Coin Vault Assembly	
9	70606401	Lint Seal Shoulder Bracket	
10	70593902	Lint Box Gasket	
11	70413301	Pushbutton Switch	Door switch
12	F8066804	Reed Switch Assembly	
13	F8245101	Blind Rivet	
14	430497	Screw	
15	70606301	Reed Switch Box	

Lint Drawer Components

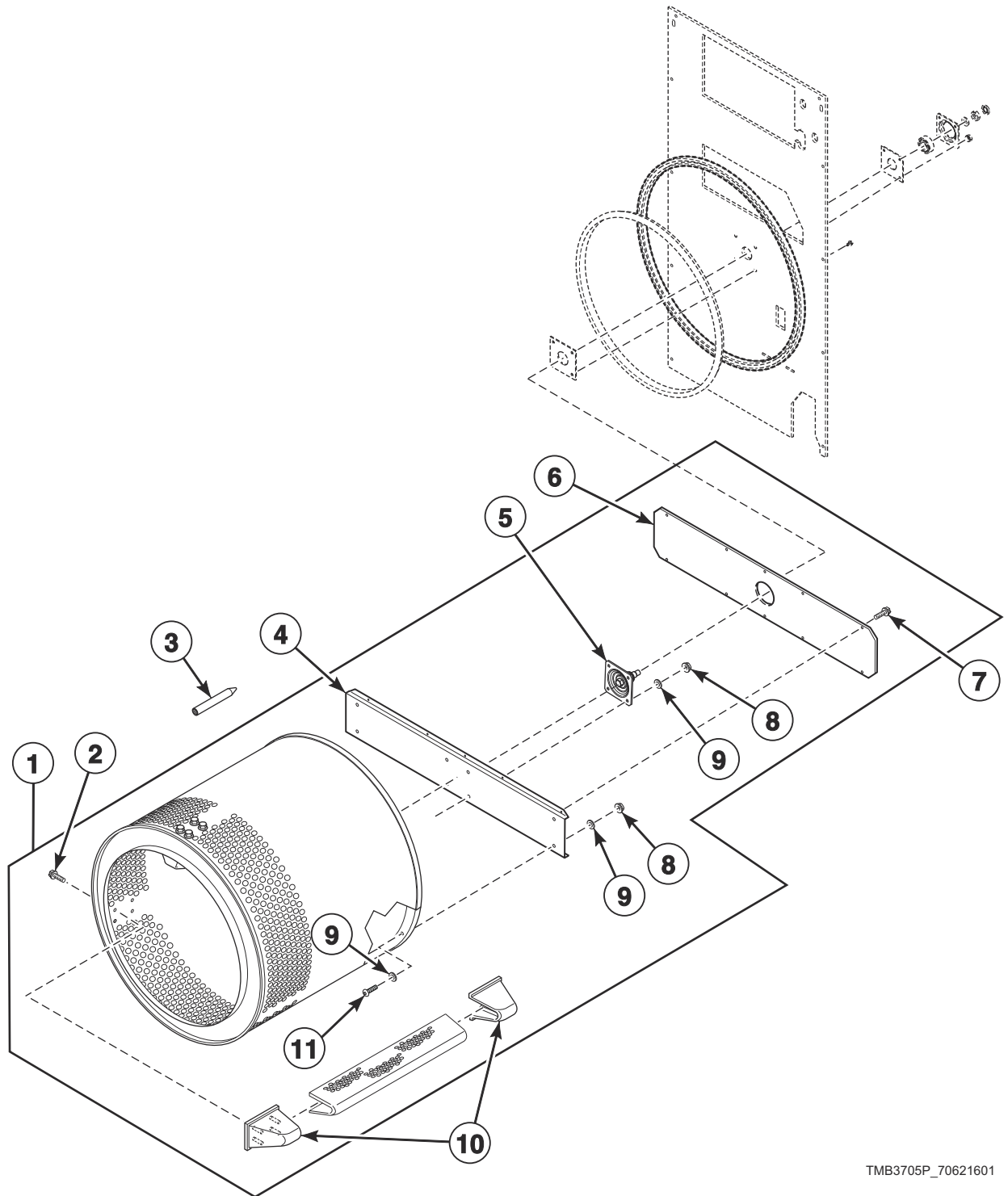


TMB3813P_70621601

Lint Drawer Components

REF	PART NO.	DESCRIPTION	COMMENTS
	70598101	Foam Gasket	
	430497	Screw	
1	70588101	Lint Front Assembly	Stainless steel
	70588102W	Lint Front Assembly	Design 5 models
2	70605601	Lint Screen Shim	
3	44087101	Nut	
4	70596101	Lint Screen Assembly	
5	F8245101	Blind Rivet	
6	70343101	Magnet	
7	70594401	Lint Door Support	
8	70595701	Lint Screen Bracket	
9	44088801	Nut	
10	44089302P	Lock, Key and Nut Kit	RL002
	44089305	Panel Lock	RL002; Chrome
11	70155602	Key	RL002
12	70642201	Lock Pull	

Cylinder and Trunnion Components

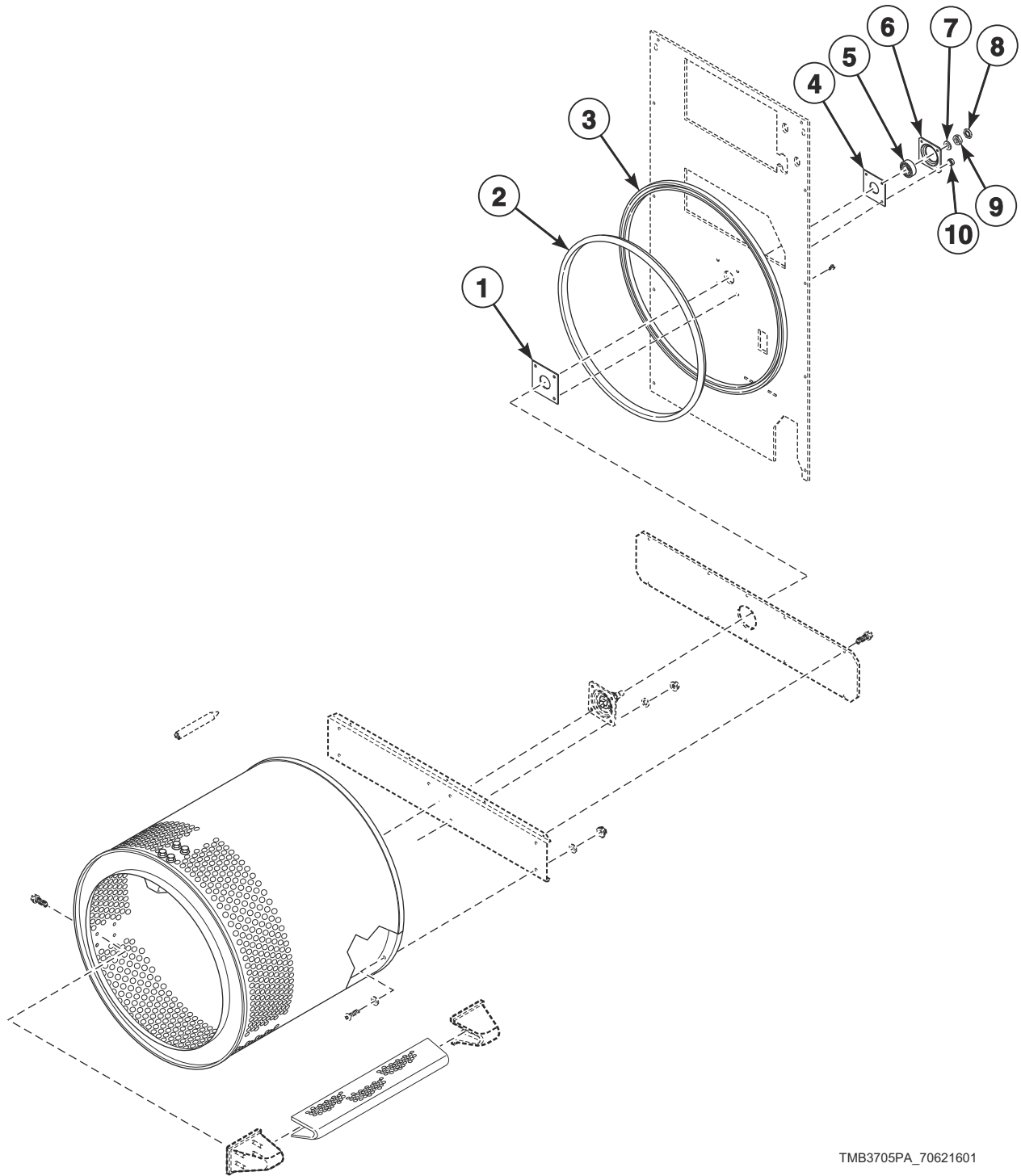


TMB3705P_70621601

Cylinder and Trunnion Components

REF	PART NO.	DESCRIPTION	COMMENTS
	70343101P	Drywall Screw Magnet Kit	Includes 6 magnets and 6 screws
1	70372901P	Cylinder Assembly	Galvanized
	70372902P	Cylinder Assembly	Stainless steel
2	62588	Screw	
3	263P4	Cylinder Guide Tool	
4	70305201	Rear Cylinder Channel	
5	70564805	Trunnion and Seal Kit	
6	70305301	Rear Cylinder Channel Plate	
7	430497	Screw	10 required
8	M412986	Nut	
9	70411301	Washer	
10	70070101	End Cap	
11	70391101	Screw	8 required

Bearing Components

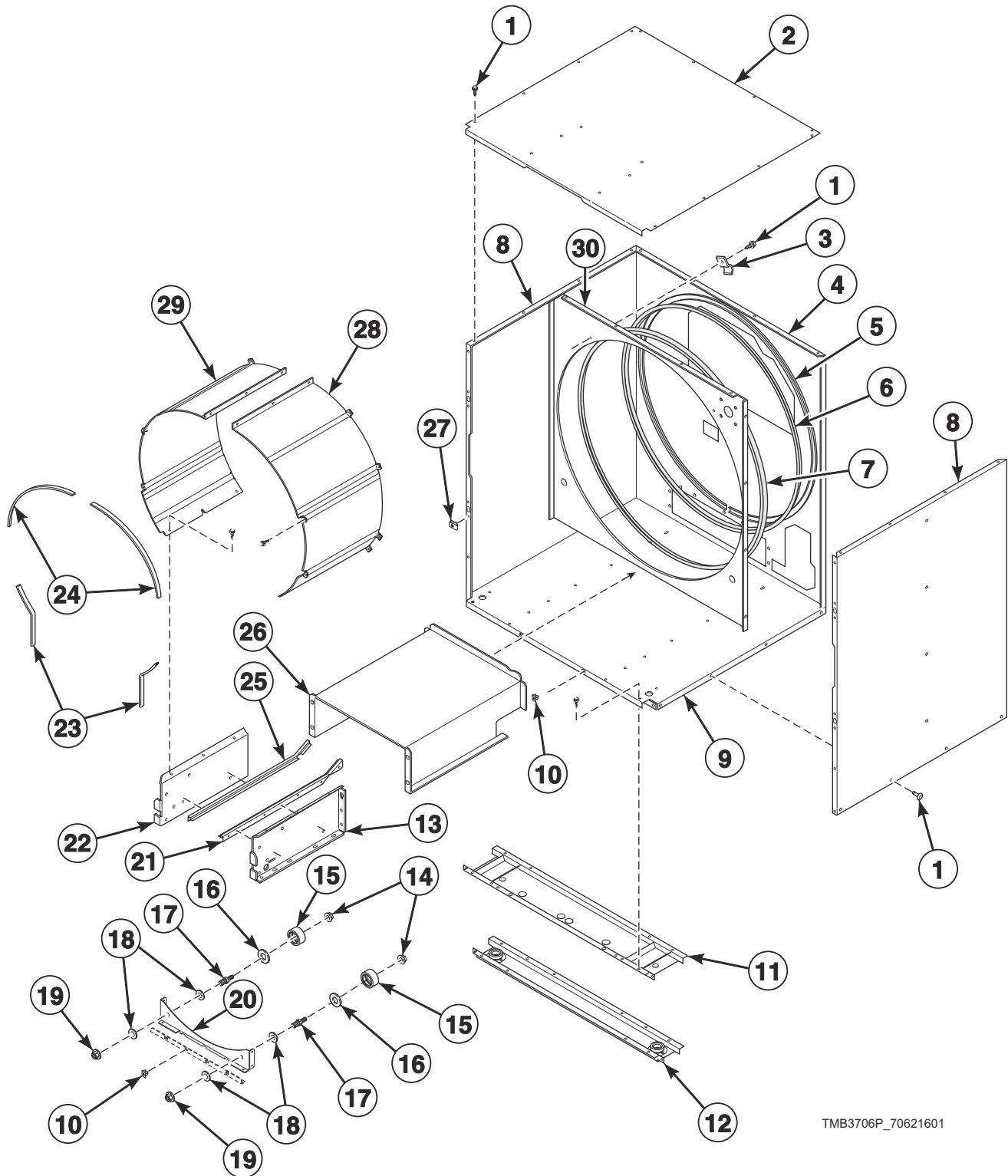


TMB3705PA_70621601

Bearing Components

REF	PART NO.	DESCRIPTION	COMMENTS
1	430352	Cylinder Bearing Stud Plate Assembly	
2	70013701P	Rear Cylinder Seal	Requires D511637P Adhesive
3	70506402	Rear Cylinder Seal Support	
4	70355001	Rear Bearing Shim	
5	70448701	Support Bearing	
6	70013901	Rear Cylinder Bearing Housing	
7	M400991	Washer	
8	M400034	Nut	
9	M400022	Nut	
10	M412986	Nut	

Cabinet Components

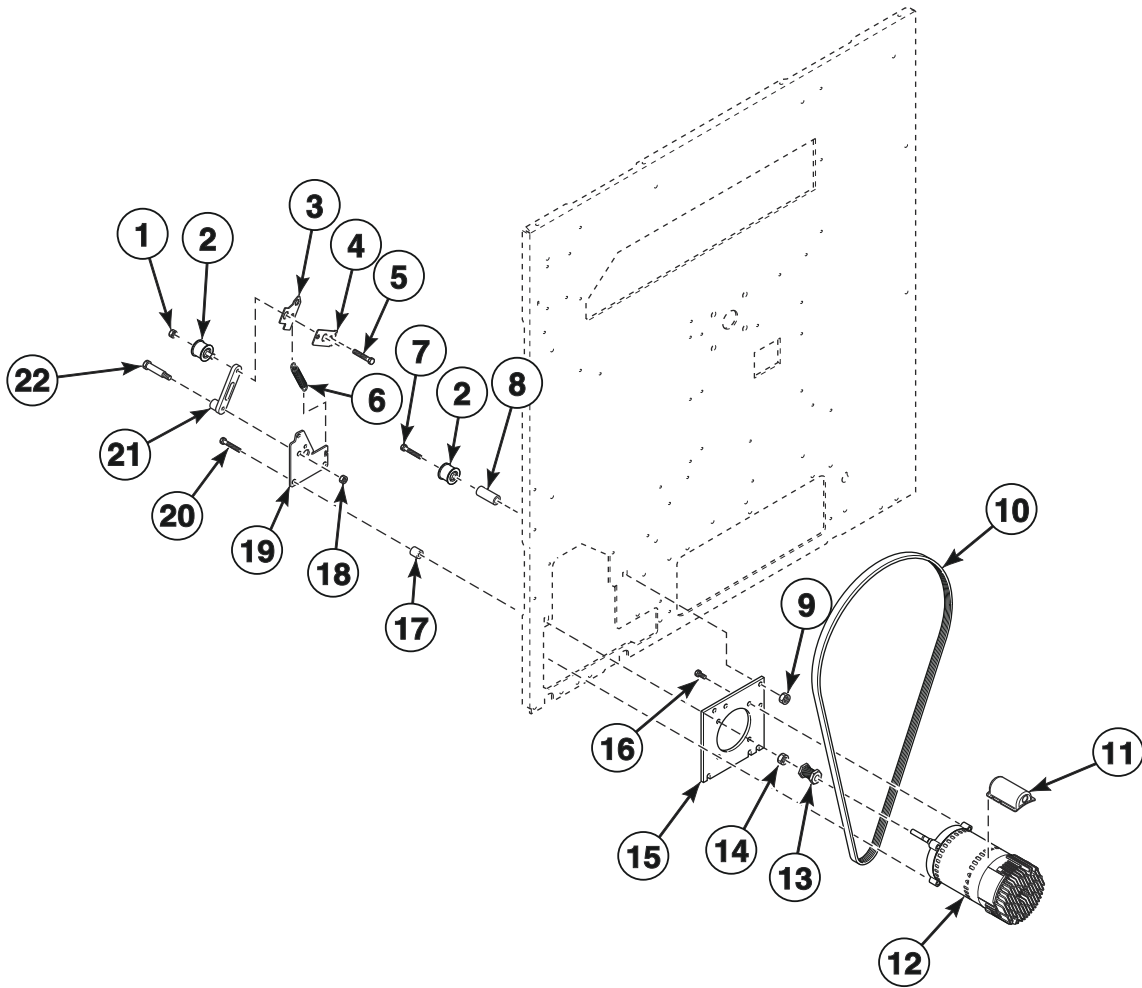


TMB3706P_70621601

Cabinet Components

REF	PART NO.	DESCRIPTION	COMMENTS
	298P4P	Spray Paint	White
	122P4P	Porcelain Touch-Up Paint	White
	430352	Cylinder Bearing Stud Plate Assembly	
	70058501	Pop Rivet	
	21899	Nut	For leveling legs
	70247701	Screw	For leveling legs
	70626901	Top Panel	Top pan of lower pocket
	70606901	Lower Pan	Lower pan of lower pocket
1	430497	Screw	
2	70606501	Top Panel	Upper pocket
3	70226701	Clip	
4	70588501	Rear Panel	
5	70506403	Rear Cylinder Seal Support	
6	70013703P	Rear Cylinder Seal	Requires D511637P Adhesive
7	70066005	Center Cylinder Seal	Includes center cylinder seal support and center cylinder seal
8	70607501W	Side Panel	Design 4 models
	70639601W	Side Panel	Design 5 models
9	70606701	Center Pan	Lower pan of top pocket
10	M400984	Clip	
11	70606801	Center Pan Channel	Located under center pan
12	70300601	Channel Base Assembly	Lower pocket
13	70588301	Front Air Duct	Right
14	430576	Nut	
15	70616701	Roller and Seal Kit	
16	70443601	Roller Seal	
17	70249501	Roller Shaft	
18	70261401	Washer	
19	70288801	Nut	
20	70588901	Roller Support Bracket	
21	70588701	Lint Tray Rail	Right
22	70588302	Front Air Duct	Left
23	70015707	Sheet Metal Edge Gasket	Lower
24	70015708	Sheet Metal Edge Gasket	Upper
25	70588702	Lint Tray Rail	Left
26	70588601	Air Duct	Rear
27	70030401	Nut	
28	70301901	Cylinder Shroud	Right
29	70301902	Cylinder Shroud	Left
30	70639101	Center Partition	

Drive Motor Components

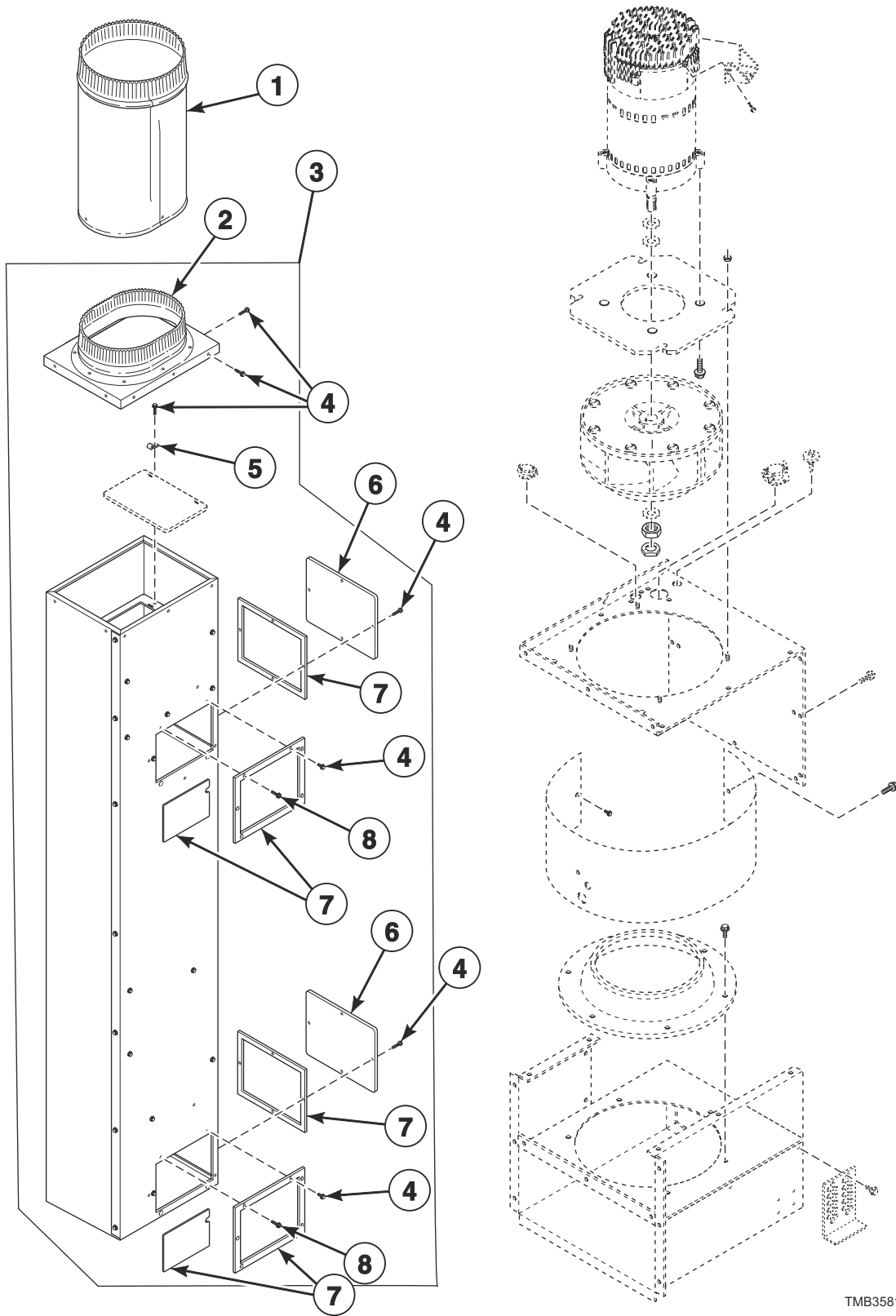


TMB3817P_70621601

Drive Motor Components

REF	PART NO.	DESCRIPTION	COMMENTS
1	56156	Nut	
2	70050401P	Idler Wheel Assembly	
3	70569501	Tensioning Bracket	
4	70543401	Spring Catch Bracket	
5	70508301	Screw	
6	70571801	Spring	
7	F430144	Screw	
8	70569603	Standoff	
9	44087201	Nut	
10	70655103	Lever Arm and Belt Kit	
11	70521901	Motor Conduit Mounting Bracket	
12	44259501P	Drive Motor	.50 HP; 120, 230 Volt/1 Phase
	44259601P	Drive Motor	.50 HP; 380-460 Volt/3 Phase
13	70559101	Motor Pulley	
14	44333202	Nut	
15	70564201	Motor Mount Plate	
16	70126104	Screw	
17	70488403	Spacer	
18	44087301	Nut	
19	70571901	Drive Plate	
20	70546301	Screw	
21	70653801	Lever Arm and Bushing Assembly	
22	70501301	Screw	

Exhaust Components

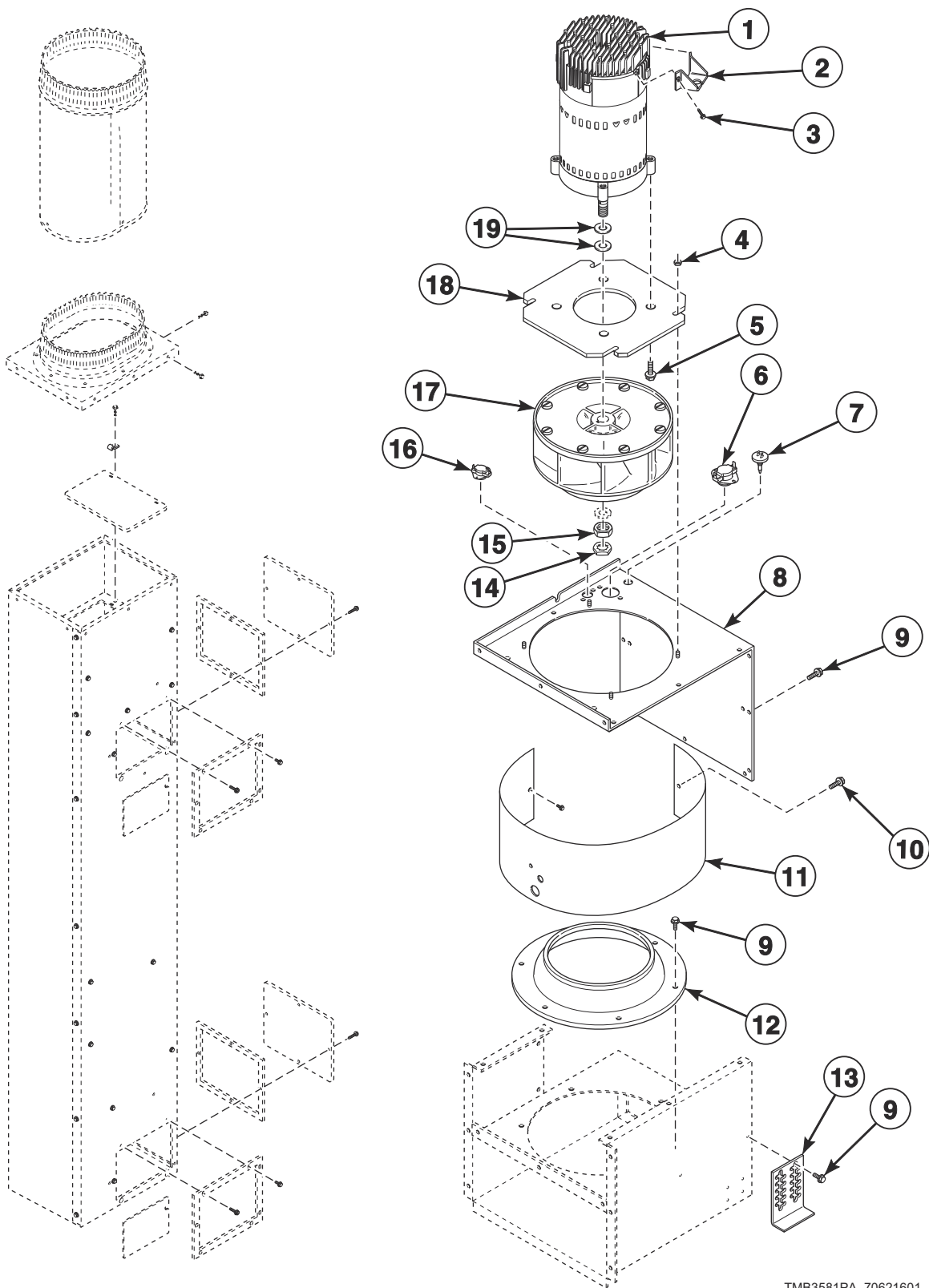


TMB3581P_70621601

Exhaust Components

REF	PART NO.	DESCRIPTION	COMMENTS
	70289101P	Gasket	Sold per foot
1	70425801	Exhaust Pipe Assembly	IEC models
2	70307601	Duct Cover	Top
3	70528501	Exhaust Duct Assembly	CSA models
	70528502	Exhaust Duct Assembly	IEC models
4	430497	Screw	12 required
5	70226701	Clip	
6	70308701	Duct Access Cover	2 required; Bottom
7	70302801P	Exhaust Duct Gaskets Assembly	2 required
8	M411072	Screw	2 required

Blower Components

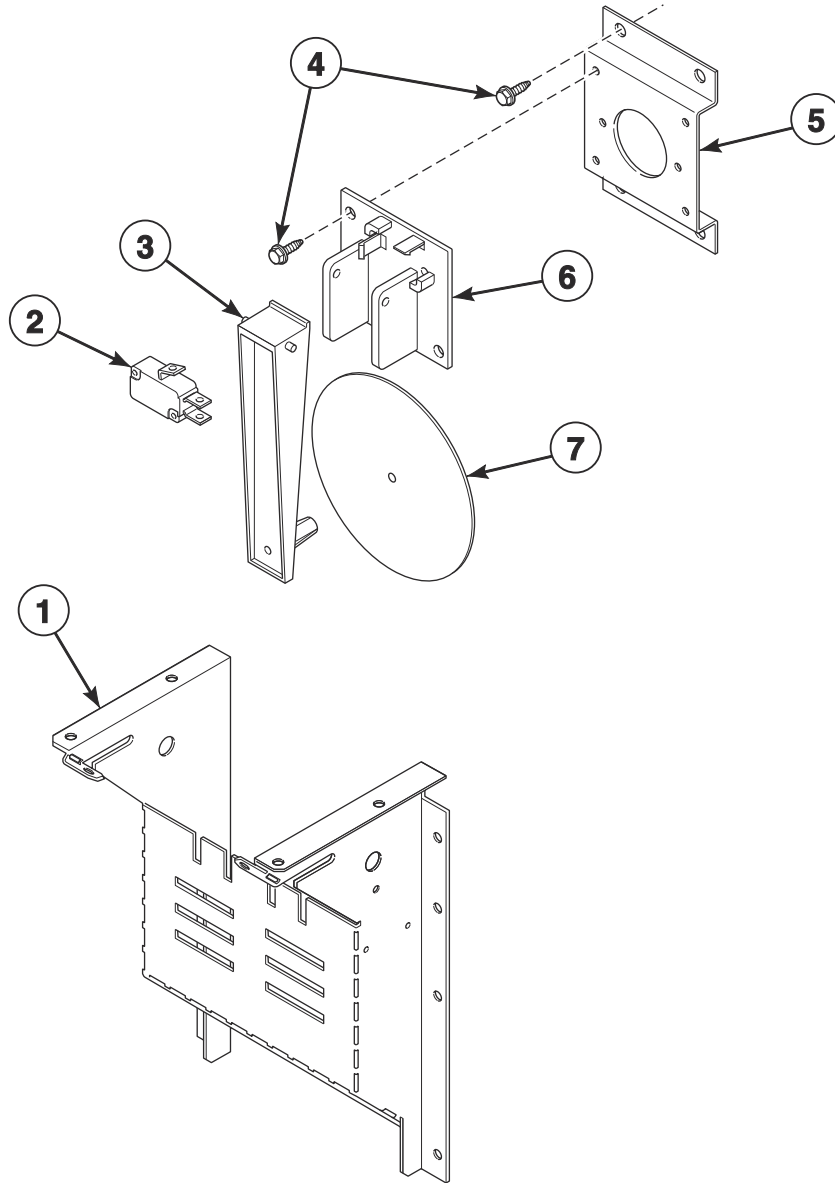


TMB3581PA_70621601

Blower Components

REF	PART NO.	DESCRIPTION	COMMENTS
	70392701P	Gasket	For blower housing opening
1	70478701P	Fan Motor	.50 HP; 120, 230 Volt/1 Phase
	70484901P	Fan Motor	.50 HP; 380-460 Volt/3 Phase
2	44317901	Motor Conduit Bracket	
3	23222	Screw	
4	29786	Nut	4 required
5	70126101	Screw	4 required
6	44328001	Limit Thermostat	
7	M414704	Thermistor	
8	70322802	Blower Housing Cover Assembly	
9	430497	Screw	12 required
10	51780	Screw	
11	70340801	Blower Housing Scroll	
12	70303101	Blower Inlet Cone	
13	70200301	Rear Stabilizer Bracket	
14	M400034	Nut	
15	M400022	Nut	
16	70530901	Limit Thermostat	
17	70302201P	Blower Assembly	
18	70341001	Blower Motor Mounting Plate	
19	M400991	Washer	3 required

Airflow Switch

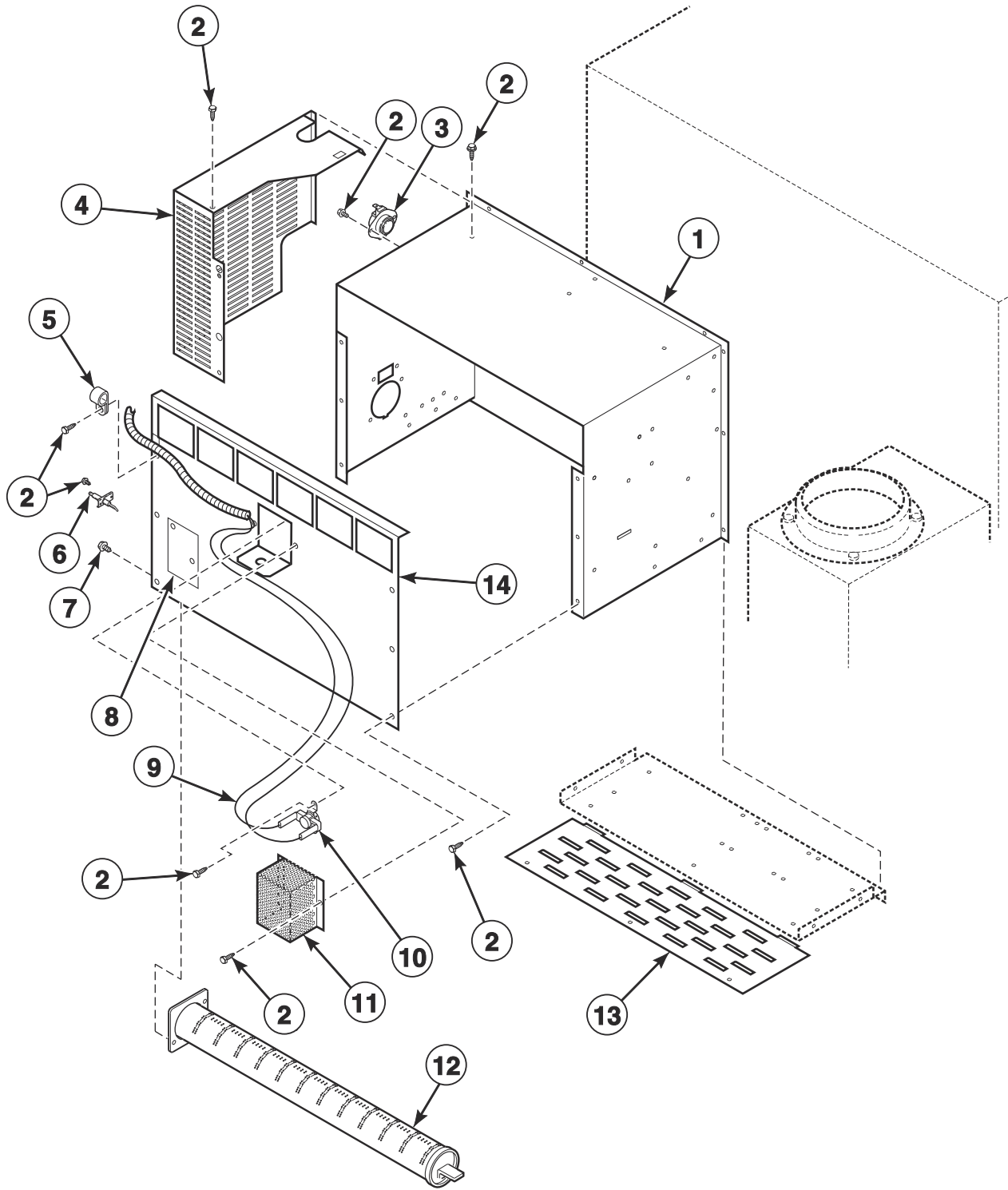


TMB3582P_70621601

Airflow Switch

REF	PART NO.	DESCRIPTION	COMMENTS
1	70356101	Airflow Switch Wrapper	
2	70411901	Switch	
3	70319401	Airflow Switch Arm	
4	430757	Screw	
5	70356301	Switch Bracket	
6	70319602	Airflow Switch and Arm Bracket	
7	70319201	Airflow Switch Vane	

Gas Burner Housing and Secondary Stove Limit

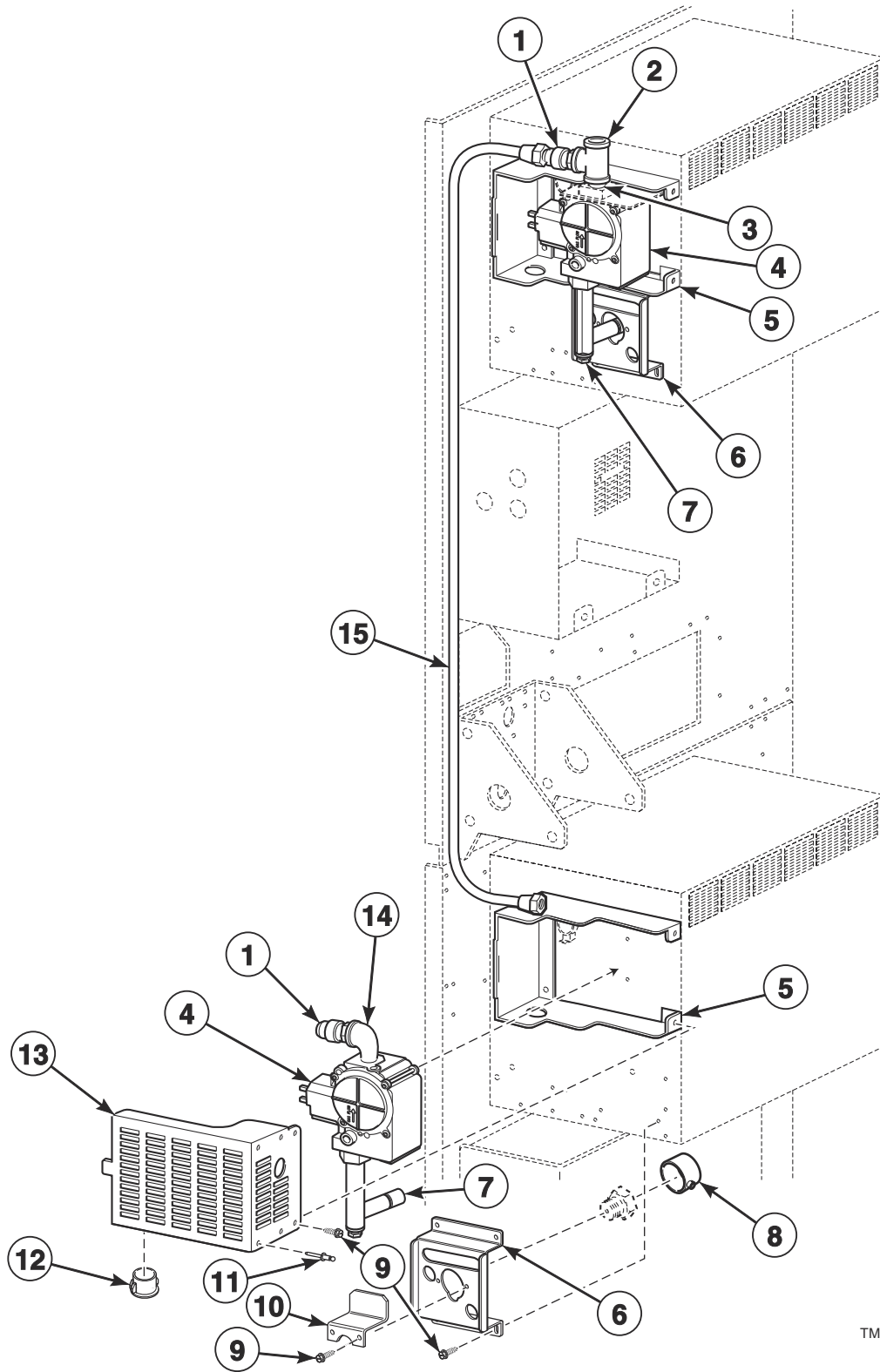


TMB2315P_70621601

Gas Burner Housing and Secondary Stove Limit

REF	PART NO.	DESCRIPTION	COMMENTS
1	70306001	Stove Top and Sides	
2	430497	Screw	
3	44328005	Limit Thermostat	Side
4	70233401	Gas Valve Cover	IEC models
5	70203701	Pipe Clip	
6	70548701P	Spark Electrode	
7	05161	Screw	
8	70159601	Igniter Cover	
9	70564301	Stove Limit Harness	
10	44328104	Limit Thermostat	Rear
11	M414477	Thermostat Cover	
12	70229801P	Gas Burner	
	70546701	Anti-Rattle Burner Assembly	Includes 70229801P Gas Burner, 431318 Control Door Latch and M400003 Pop Rivet
13	70306501	Burner Grill	
14	70375201	Stove Back	

Gas Valve and Piping

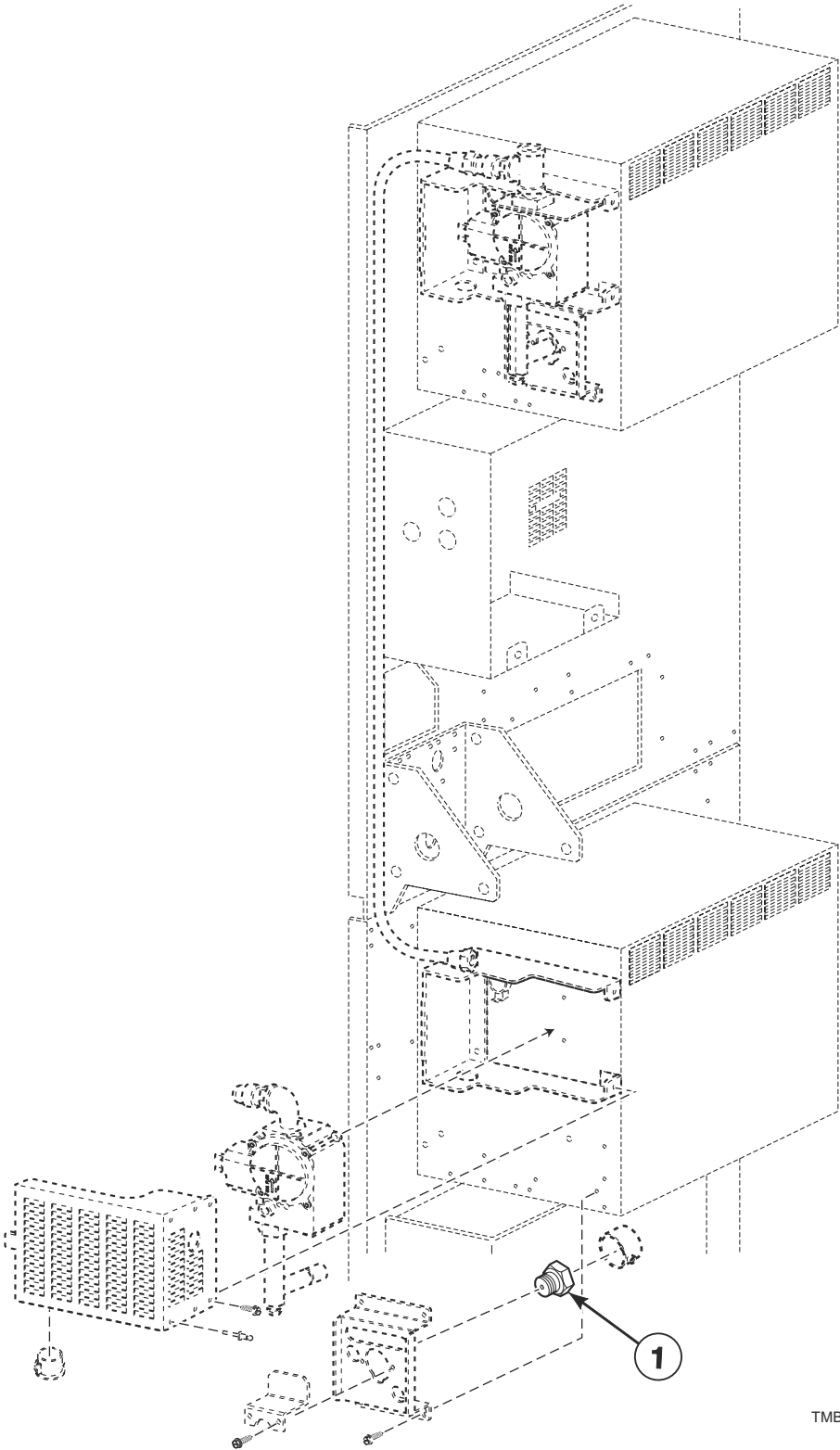


TMB3583P_70621601

Gas Valve and Piping

REF	PART NO.	DESCRIPTION	COMMENTS
	70550206	L.P. Conversion Kit	CSA and AGA models; Natural Gas (N.G.); 0-2,000 feet
	70551906	L.P. Conversion Kit	IEC models; N.G.; 0-2,000 feet
	44239701	High Voltage Suppression Cable	
	70131901	Adapter	IEC models; BPT/NPT
	70131902	Adapter	CSA models; BPT/NPT
	70167601	Plug	
	70500601	Power Harness	
	44273501	Gas Valve Harness	
	70564301	Stove Limit Harness	
	70535901	Notice Label	Australian models; N.G.
	70544901	Notice Label	Australian models; Liquid Petroleum (L.P.)
1	70262601	Pipe	
2	70071801	Tee	
3	431486	Pipe Nipple	
4	44154503	N.G. Valve	CSA models
	44154504	L.P. Valve	CSA models
	44154507	Gas Valve	IEC models; N.G.
	44154508	Gas Valve	IEC models; L.P.
5	70328201	Forward Valve Cover	
6	70248901	Orifice Holder Bracket	
7	70552801P	Orifice Adapter	
8	70239801	Primary Air Adjustment Sleeve	
9	430497	Screw	
10	70539901	Ignition Keeper Orifice Bracket	
11	70058501	Pop Rivet	3/16 inch
12	M400770	Snap Bushing	
13	70282401	Rear Valve Cover	
14	H86070034	Street Elbow	
15	70281602	Tube	

Burner Orifices



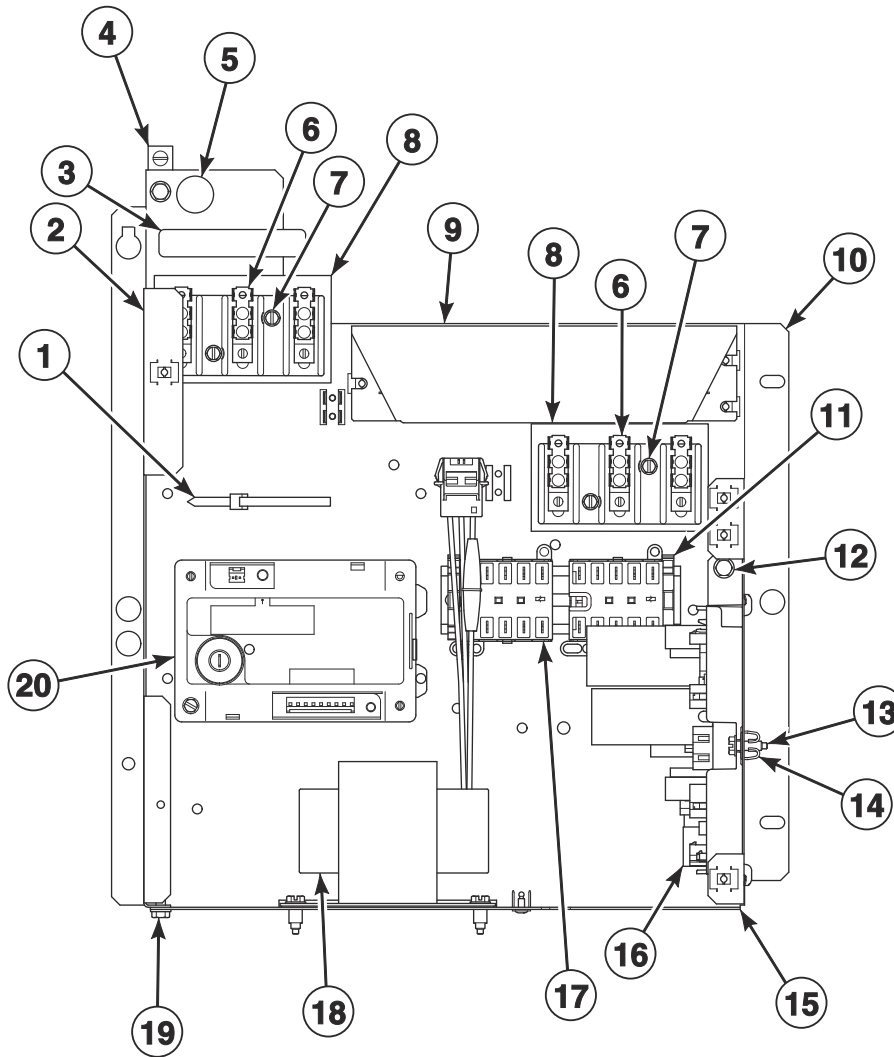
TMB3583PA_70621601

Burner Orifices

REF	PART NO.	DESCRIPTION	COMMENTS
	70609911	High Altitude Orifice Kit	CSA Natural Gas (N.G.) models
	70609912	High Altitude Orifice Kit	CSA Liquid Petroleum Gas (L.P.) models
1	M411371	Burner Orifice	Standard models; N.G.; Drill no. 14 (4.62 mm); 0-2,000 feet
	M411374	Burner Orifice	Standard models; N.G.; Drill no. 17 (4.39 mm); 2,001-4,000 feet
	M402988	Burner Orifice	Standard models; N.G.; Drill no. 18 (4.31 mm); 4,001-6,000 feet
	M401002	Burner Orifice	Standard models; N.G.; Drill no. 20 (4.09 mm); 6,001-8,000 feet
	M401020	Burner Orifice	Standard models; N.G.; Drill no. 23 (3.91 mm); 8,001-10,000 feet
	M411512	Burner Orifice	Standard models with 2nd digit G, H, J, K, L and T; L.P.; Drill no. 34 (2.82 mm); 0-2,000 feet
	M411375	Burner Orifice	Standard models with 2nd digit G, H, J, K, L and T; L.P.; Drill no. 36 (2.71 mm); 2,001-4,000 feet
	M411376	Burner Orifice	Standard models with 2nd digit G, H, J, K, L and T; L.P.; Drill no. 38 (2.58 mm); 4,001-6,000 feet
	M406361	Burner Orifice	Standard models with 2nd digit G, H, J, K, L and T; L.P.; Drill no. 40 (2.49 mm); 6,001-8,000 feet
	M403017	Burner Orifice	Standard models with 2nd digit G, H, J, K, L and T; L.P.; Drill no. 42 (2.37 mm); 8,001-10,000 feet
	M411375	Burner Orifice	Standard Australian models; L.P.; Drill no. 36 (2.71 mm); 0-2,000 feet
	M411376	Burner Orifice	Standard Australian models; L.P.; Drill no. 38 (2.58 mm); 2,001-4,000 feet
	M406361	Burner Orifice	Standard Australian models; L.P.; Drill no. 40 (2.49 mm); 4,001-6,000 feet
	M403017	Burner Orifice	Standard Australian models; L.P.; Drill no. 42 (2.37 mm); 6,001-8,000 feet
	70070905	Burner Orifice	Standard Australian models; L.P.; 2.30 mm; 8,001-10,000 feet
	M401011	Burner Orifice	CE standard models; L.P.; Drill no. 44 (2.18 mm); 0-2,000 feet
	M401027	Burner Orifice	CE standard models; L.P.; Drill no. 45 (2.08 mm); 2,001-4,000 feet
	M400999	Burner Orifice	CE standard models; L.P.; Drill no. 47 (1.99 mm); 4,001-6,000 feet
	M401001	Burner Orifice	CE standard models; L.P.; Drill no. 48 (1.93 mm); 6,001-8,000 feet
	M401018	Burner Orifice	CE standard models; L.P.; Drill no. 49 (1.85 mm); 8,001-10,000 feet
	M401007	Burner Orifice	Standard J market models; L.P.; Drill no. 39 (2.53 mm); 0-2,000 feet
	M403017	Burner Orifice	Standard J market models; L.P.; Drill no. 42 (2.37 mm); 2,001-4,000 feet
	70070905	Burner Orifice	Standard J market models; L.P.; 2.3 mm; 4,001-6,000 feet
	M406184	Burner Orifice	Standard J market models; L.P.; Drill no. 43 (2.26 mm); 6,001-8,000 feet
	M401011	Burner Orifice	Standard J market models; L.P.; Drill no. 44 (2.18 mm); 8,001-10,000 feet
	M402995	Burner Orifice	Eco models; N.G.; Drill no. 19 (4.22 mm); 0-2,000 feet
	M402996	Burner Orifice	Eco models; N.G.; Drill no. 22 (3.99 mm) 2,001-4,000 feet
	M401020	Burner Orifice	Eco models; N.G.; Drill no. 23 (3.91 mm); 4,001-6,000 feet
	M401000	Burner Orifice	Eco models; N.G.; Drill no. 26 (3.73 mm); 6,001-8,000 feet
	M401014	Burner Orifice	Eco models; N.G.; Drill no. 28 (3.57 mm); 8,001-10,000 feet

* NOTE: One orifice required per pocket

Control Tray and Accessory Box



TMB3719P_70621601

Control Tray and Accessory Box

REF	PART NO.	DESCRIPTION	COMMENTS
	44071501	Snap Bushing	Use with item 2; 7/8 inch
	70476001	Snap Bushing	Use with item 2; 1/2 inch
	685837	Screw	Use with item 4
	70610101	EMI Filter Kit	CSA models; 100-240 Volt
	70610102	EMI Filter Kit	CSA models; 380-480 Volt
	70500601	Power Harness	
	M413862	Insulator	Use with item 6 and 8
1	70335601	Cable Tie	
2	70560701	Junction Box Side	Left side
3	44286803	Label	Wire L1, L2, L3
	44286801	Label	Wire L1, N
	44286804	Wire Label	Wire L1 L2, L1 N, L1 L2 L3
4	M411283	Ground Lug Connector	
5	D516100	Label	
6	430642	Terminal Block	IEC models
7	51783	Screw	IEC models
8	70333001	Terminal Block Shield	IEC models
9	F8591601	EMI Filter	IEC models; 100-120 and 200-240 Volt
	F8637501	EMI Filter	IEC models; 380-480 Volt
10	70607201	Junction Box Base Assembly	
11	F8449801	End Stop	2 required
12	430497	Screw	
13	F8206901	Screw	
14	70030501	Expansion Clip	
15	70527101	Control Board Tray	
16	70479201P	I/O Control Assembly	
17	70482601	Contactor	1 required for 120-240 Volt; 2 required for 380-480 Volt
18	F8491101	Transformer	380-480 Volt
19	51780	Screw	
20	70482002	Ignition Control	IEC models
	70482001	Ignition Control	CSA models

Labels

PART NO.	DESCRIPTION	COMMENTS
70535101	Caution Label	Vent/install
F8614501	Danger Label	Shock; English/French
F8614301	Hot Surface Warning Label	English/French
F8609001	Hot Surface Warning Label	Icon
F8611601	Warning Label	
F8614500	Label Kit	Shock
F8605500	Label Kit	
44321501	Notice Label	120/240 Volt
70539601	Notice Label	
70534201	Notice Label	
F8609501	Notice Label	
D516073	Notice Label	Read instructions; Icon
70538401	Pinch Warning Label	English/French
F8615701	Pinch Warning Label	Icon
F8614401	Shock Warning Label	English/French
F8614201	Shock Warning Label	Icon
70536401	Warning Label	Lint
44324101	Warning Label	Fire; Australian models
70534405	Warning Label	Fire; Colombian Spanish; Australian models
44321601	Warning Label	Risk of fire; Icon

Harnesses

PART NO.	DESCRIPTION	COMMENTS
44316009	Filter Output Power Harness	1 Phase; Power distribution block to RFI filter
44316010	Filter Output Power Harness	3 Phase; Power distribution block to RFI filter
70609001	Base Harness	
44334604	Heat Control Harness	
44334702	Inverter Contactor Coil Harness	Secondary; 380-480 Volt
70561501	Junction Box Harness	
44316003	Filter Input Power Harness	1 Phase; Power distribution block to filter
44316004	Filter Input Power Harness	3 Phase; Power distribution block to filter
70608901	Main Harness	
44280004	Motor Contactor Power Harness	3 Phase
44280011	Motor Contactor Power Harness	1 Phase; EMI
44280013	Motor Contactor Power Harness	3 Phase; EMI
44280002	Motor Contactor Power Harness	1 Phase
44280102	Power Harness	380-480 Volt
44272102	Power Harness	100-240 Volt
204454	Ferrite	EMI; Motor circuit, inverter communication circuit

Parts Index

A

Adapter	
70131901	43
70131902	43
Air Duct	
70588601	31
Airflow Switch and Arm Bracket	
70319602	39
Airflow Switch Arm	
70319401	39
Airflow Switch Vane	
70319201	39
Airflow Switch Wrapper	
70356101	39
Anti-Rattle Burner Assembly	
70546701	41
App Pay Overlay Kit	
44374701	7

B

Base Harness	
70609001	49
Blind Rivet	
F8245101	23, 25
Blower Assembly	
70302201P	37
Blower Housing Cover Assembly	
70322802	37
Blower Housing Scroll	
70340801	37
Blower Inlet Cone	
70303101	37
Blower Motor Mounting Plate	
70341001	37
Bracket	
70610501	19
70634201	21
Burner Grill	
70306501	41
Burner Orifice	
M400999	45
M401000	45
M401001	45
M401002	45
M401007	45
M401011	45
M401014	45
M401018	45
M401020	45
M401027	45
M402988	45
M402995	45
M402996	45
M403017	45
M406184	45
M406361	45
M411371	45
M411374	45

M411375	45
M411376	45
M411512	45
70070905	45
Bushing	
44052701	13
Bypass Harness	
44334103	23

C

Cable Tie	
70335601	47
Cam and Hinge Kit	
70622401	15
Caution Label	
70535101	48
Center Cylinder Seal	
70066005	31
Center Hinge Lug Assembly	
70640401	17
Center Pan	
70606701	31
Center Pan Channel	
70606801	31
Center Partition	
70639101	31
Central Pay Board Harness	
44355604	13
Central Pay Harness	
44355603	13
44355605	13
Channel Base Assembly	
70300601	31
Clip	
M400984	31
70226701	31, 35
Clip Keeper Bracket	
70604901	19, 21
Clip Mount Bracket	
70604801	19, 21
Coin Drop	
38963P	9
39748	9
70441601	9
70441603	9
Coin Drop Assembly	
201141	9
210195	9
210196	9
38462P	9
38463	9
38467	9
38519	9
70281102	9
70283102	9
70441602	9
70447301	9
70471601	9
70482401	9
70506901	9

N/A items do not appear in index.

Coin Drop Kit	
CK077	9
CK122	11
Coin Identification Paper	
38464P	9
38475	9
Coin Meter	
F0160737-00	9
Coin Vault Assembly	
70529501	23
Coin Vault Switch Harness	
44334102	23
Contactors	
70482601	47
Control Assembly	
70576201	7
Control Bezel	
70593801	23
Control Board Tray	
70527101	47
Control Bracket	
70581001	7
70581002	7
70581101	7
Control Door Latch	
431318	7
Control Housing Cover	
70307005	13
70307006	13
Cylinder Assembly	
70372901P	27
70372902P	27
Cylinder Bearing Stud Plate Assembly	
430352	29, 31
Cylinder Guide Tool	
263P4	27
Cylinder Shroud	
70301901	31
70301902	31

D

Danger Label	
F8614501	48
Door Assembly	
44354701	17
44354702	15
Door Catch Kit	
70482901	23
Door Glass	
44008401P	15, 17
Door Glass Installation Tool	
M4221P4	15
Door Handle	
44007901	15, 17
Door Hinge Assembly	
44366603	17
44366605W	17
44366607	17
Door Hinge Lug Assembly	
70601005	15
Door Latch	
M401223	23

Door Ring Gasket	
44008201P	17
70296802	15
Door Seal Kit	
70211902P	15, 17
Door Switch Actuator	
70532101	15
70532102	15
Drive Motor	
44259501P	33
44259601P	33
Drive Plate	
70571901	33
Drywall Screw Magnet Kit	
70343101P	27
Duct Access Cover	
70308701	35
Duct Cover	
70307601	35

E

Electronic Coin Drop Assembly	
70294107	9
70513302	9
70513303	9
70513304	9
70513306	9
70513308	9
70513309	9
70513310	9
70513311	9
70513312	9
70513313	9
70513314	9
70513315	9
70513316	9
Electronic Coin Drop Kit	
CK099	11
CK100	11
CK101	11
CK108	11
CK109	11
CK110	11
CK113	11
CK115	11
CK116	11
CK117	11
CK118	11
CK119	11
CK120	11
CK121	11
EMI Filter	
F8591601	47
F8637501	47
EMI Filter Kit	
70610101	47
70610102	47
End Cap	
70070101	27
End Stop	
F8449801	47
Exhaust Duct Assembly	
70528501	35
70528502	35

N/A items do not appear in index.

Exhaust Duct Gaskets Assembly 70302801P	35
Exhaust Pipe Assembly 70425801	35
Expansion Clip 70030501	13, 47

F

Fan Motor 70478701P	37
70484901P	37
Ferrite 204454	49
Filter Input Power Harness 44316003	49
44316004	49
Filter Output Power Harness 44316009	49
44316010	49
Foam Gasket 70598101	25
Forward Valve Cover 70328201	43
Front Air Duct 70588301	31
70588302	31
Front Panel Seal 70173401P	19, 21

G

Gas Burner 70229801P	41
Gas Valve 44154507	43
44154508	43
Gas Valve Cover 70233401	41
Gas Valve Harness 44273501	43
Gasket 70289101P	19, 21, 35
70392701P	37
Gateway 204145P	13
Ground Lug Connector M411283	47

H

Heat Control Harness 44334604	49
High Altitude Orifice Kit 70609911	45
70609912	45
High Voltage Suppression Cable 44239701	43
Hinge/Brace Assembly 70596601	15

Hold-Down Clip 35865	19, 21
Hot Surface Warning Label F8609001	48
F8614301	48

I

Idler Wheel Assembly 70050401P	33
Igniter Cover 70159601	41
Ignition Control 70482001	47
70482002	47
Ignition Keeper Orifice Bracket 70539901	43
Insulator M413862	47
Inverter Contactor Coil Harness 44334702	49
I/O Control Assembly 70479201P	47

J

Junction Box Base Assembly 70607201	47
Junction Box Harness 70561501	49
Junction Box Side 70560701	47

K

Key 70155601	23
70155602	25

L

Label D516100	47
44286801	47
44286803	47
Label Kit F8605500	48
F8614500	48
70534300	19
Lever Arm and Belt Kit 70655103	33
Lever Arm and Bushing Assembly 70653801	33
Limit Thermostat 44328001	37
44328005	41
44328104	41
70530901	37
Lint Box Gasket 70593902	23

N/A items do not appear in index.

Lint Door Support 70594401	25
Lint Front Assembly 70588101	25
70588102W	25
Lint Screen Assembly 70596101	25
Lint Screen Bracket 70595701	25
Lint Screen Shim 70605601	25
Lint Seal Shoulder Bracket 70606401	23
Lint Tray Rail 70588701	31
70588702	31
Lock Pull 70642201	25
Lock, Key and Nut Kit 44089301P	23
44089302P	25
Lower Front Panel 70639901W	21
70639903	21
70639904W	21
70639906	21
70643301	19
70643302	19
Lower Hinge Gusset 70632002	17
Lower Lug Assembly 70639302	17
Lower Pan 70606901	31
L.P. Conversion Kit 70550206	43
70551906	43
L.P. Valve 44154504	43

M

Machine ID Control Assembly 203361P	7
Magnet 70343101	25
Main Harness 70608901	49
Motor Conduit Bracket 44317901	37
Motor Conduit Mounting Bracket 70521901	33
Motor Contactor Power Harness 44280002	49
44280004	49
44280011	49
44280013	49
Motor Mount Plate 70564201	33
Motor Pulley 70559101	33
Mounting Bracket 70604001	13

N/A items do not appear in index.

N

Nameplate F8664901	23
F8688001	21, 23
F8688901	21
Notice Label D516073	48
F8609501	48
44321501	48
70534201	48
70535901	43
70539601	48
70544901	43
Nut M400022	29, 37
M400034	29, 37
M412986	27, 29
M414215	15, 17
21899	31
29786	37
430576	31
44087101	7, 25
44087201	33
44087301	33
44088001	15, 17
44088801	23, 25
44333202	33
56156	33
70030401	19, 21, 31
70288801	31
N.G. Valve 44154503	43

O

Opto Coupler 200674P	9
Orifice Adapter 70552801P	43
Orifice Holder Bracket 70248901	43

P

Panel Lock 44089304	23
44089305	25
Payment Center Kit 205067	13
205068	13
205069	13
205070	13
Pin 70071401	15
Pinch Warning Label F8615701	48
70538401	48
Pipe 70262601	43
Pipe Clip 70203701	41

Pipe Nipple	
431486	43
Plate Assembly	
70633001	7
70633002	7
70633003	7
70633004	7
70633005	7
70633006	7
Plug	
70167601	43
Pop Rivet	
M400003	7
44166601	23
70058501	15, 17, 19, 21, 31, 43
Porcelain Touch-Up Paint	
122P4P	31
Power Harness	
44272102	49
44280102	49
70500601	43, 47
Power Supply Transformer Harness	
44272303	13
Primary Air Adjustment Sleeve	
70239801	43
Pushbutton Switch	
70413301	23

R

Rear Bearing Shim	
70355001	29
Rear Cylinder Bearing Housing	
70013901	29
Rear Cylinder Channel	
70305201	27
Rear Cylinder Channel Plate	
70305301	27
Rear Cylinder Seal	
70013701P	29
70013703P	31
Rear Cylinder Seal Support	
70506402	29
70506403	31
Rear Panel	
70588501	31
Rear Stabilizer Bracket	
70200301	37
Rear Valve Cover	
70282401	43
Reed Switch Assembly	
F8066804	23
Reed Switch Box	
70606301	23
Rivet	
70614201	21
Roller and Seal Kit	
70616701	31
Roller Seal	
70443601	31
Roller Shaft	
70249501	31

Roller Support Bracket	
70588901	31

S

Screw	
FR004022	15
F430144	33
F8206901	47
M400661	15, 17
M411072	13, 35
05161	41
203799	7
23222	37
430497	13, 23, 25, 27, 31, 35, 37, 41, 43, 47
430757	39
44349101	15, 17
51780	13, 37, 47
51783	47
62588	27
685837	47
70126101	37
70126104	33
70247701	31
70391101	27
70436301	15
70501301	33
70508301	33
70546301	33
70576101	15
70598001	15, 17
70640201	17
70640301	17
802822	17
Sheet Metal Edge Gasket	
70015707	31
70015708	31
Shock Warning Label	
F8614201	48
F8614401	48
Side Panel	
70607501W	31
70639601W	31
Snap Bushing	
M400770	43
44071501	13, 47
70476001	47
Spacer	
70488403	33
Spark Electrode	
70548701P	41
Spray Paint	
298P4P	31
Spring	
70571801	33
Spring Catch Bracket	
70543401	33
Standoff	
70569603	33
Stove Back	
70375201	41
Stove Limit Harness	
70564301	41, 43
Stove Top and Sides	
70306001	41

N/A items do not appear in index.

Street Elbow H86070034	43
Supply Harness 44272306	13
Support Bearing 70448701	29
Switch 70411901	39
Switch Bracket 70356301	39

T

Tee 70071801	43
Tensioning Bracket 70569501	33
Terminal Block 430642	47
Terminal Block Shield 70333001	47
Thermistor M414704	37
Thermostat Cover M414477	41
Top Panel 70606501	31
70626901	31
Transformer F8491101	47
202758	13
Transformer Harness 44272305	13
Trunnion and Seal Kit 70564805	27
Tube 70281602	43

U

Upper Front Panel 70639701W	21
70639703	21
70643401	19
Upper Hinge Gusset 70632001	17
Upper Lug Assembly 70639301	17
USB-Serial Interface Assembly 203440	7

V

Vend Activation Harness 70577101	7
---	---

W

Warning Label F8611601	48
44321601	48
44324101	48
70534301	19, 21
70534302	19, 21
70534405	48
70536401	48
Washer M400991	29, 37
70261401	31
70411301	27
Wire Clip 70366201	13
Wire Guard 201595P	9
Wire Label 44286804	47
