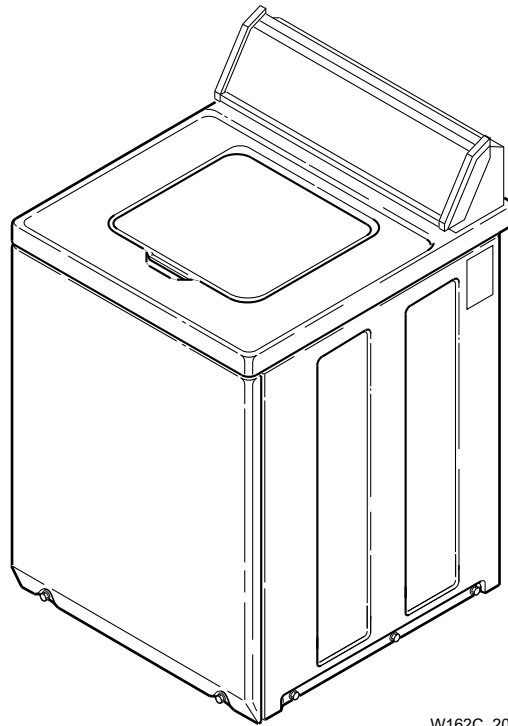


Automatic Washers

Refer to Page 3 for Model Numbers



W162C_200640

Table of Contents

Title	Page
Parts Ordering Information.....	2
Serial Plate Location	2
Model Identification	3
Graphic Panel, Control Hood and Controls.....	4
Control Panel and Controls	6
Cabinet Top, Loading Door and Control Hood Rear Panel.....	8
Cabinet Top, Loading Door and Control Hood.....	10
Switch and Bracket Assembly.....	12
Inlet Hose, Filler Hose, Back Flow Preventer and Mixing Valve Mounting Bracket (Drawing 1 of 2).....	14
Inlet Hose, Filler Hose, Back Flow Preventer and Mixing Valve Mounting Bracket (Drawing 2 of 2).....	16
Mixing Valve Assembly	18
Agitator, Drive Bell and Seal Seat.....	20
Agitator and Post	22
Lint Filter, Washtub and Hub (Drawing 1 of 2).....	24
Lint Filter, Washtub and Hub (Drawing 2 of 2).....	26
Outer Tub, Cover and Pressure Hose	28
Motor, Mounting Bracket, Belts and Idler Assembly	30
Transmission Assembly and Balance Ring - Short Post Models	32
Components for 33227P Transmission Assembly	34
Transmission Assembly and Balance Ring - Long Post Models.....	36
Components for 30946P Transmission Assembly	38
Bearing Housing, Brake, Pulley and Pivot Dome.....	40
Pump Assembly, Bracket, Hoses and Siphon Break Kit.....	42
Front Panel, Cabinet and Base.....	44
Power Cord and Wire Terminals	46
Special Tools	48
Special Tools - Short Post Models.....	50
Parts Index.....	53

© Copyright 2017, Alliance Laundry Systems LLC

All rights reserved. No part of the contents of this book may be reproduced or transmitted in any form or by any means without the expressed written consent of the publisher.

Parts Ordering Information

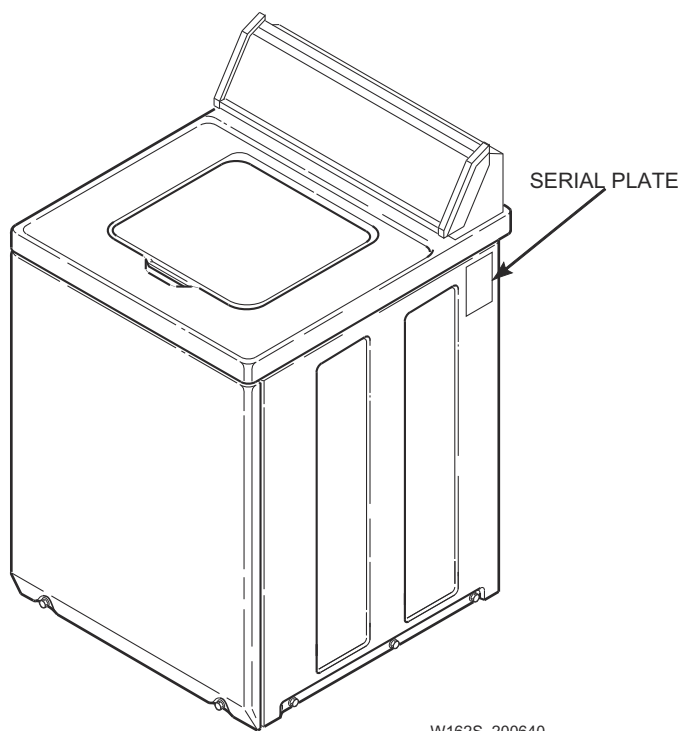
If literature or replacement parts are required, contact the source from whom the machine was purchased or contact Alliance Laundry Systems at (920) 748-3950 for the name and address of the nearest authorized parts distributor.

For technical assistance, call the number listed below:

(920) 748-3121 Ripon, Wisconsin

Serial Plate Location

When calling or writing about your product, be sure to mention model and serial numbers. Model and serial numbers are located on serial plate(s) as shown.



W162S_200640

Model Identification

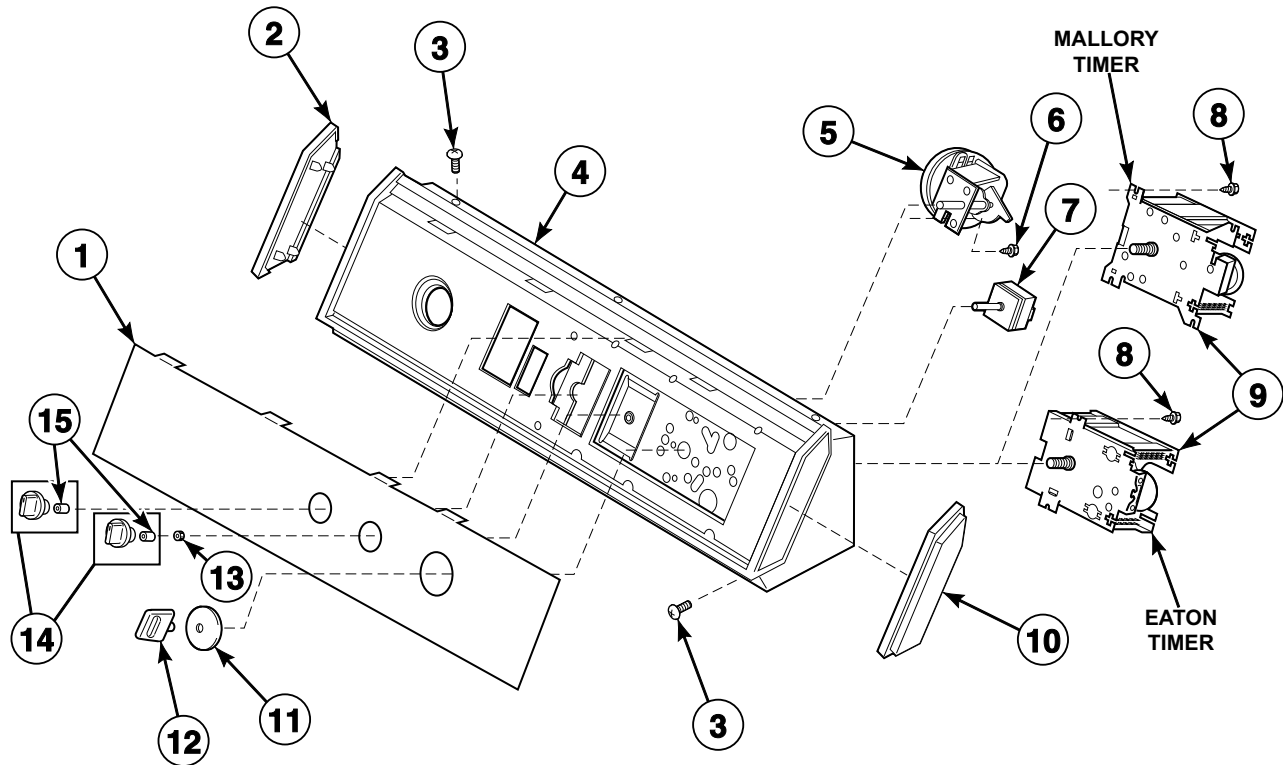
Information in this manual is applicable to these washer models:

BA2300
BA2410
BA2411
BA3110
BA3110-1188
BA3110-3088

BA4120
BA4120-3088
BA4121
BA4121-3088

Graphic Panel, Control Hood and Controls

Models BA3110, BA3110-1188, BA3110-3088, BA4120, BA4120-3088, BA4121 and BA4121-3088



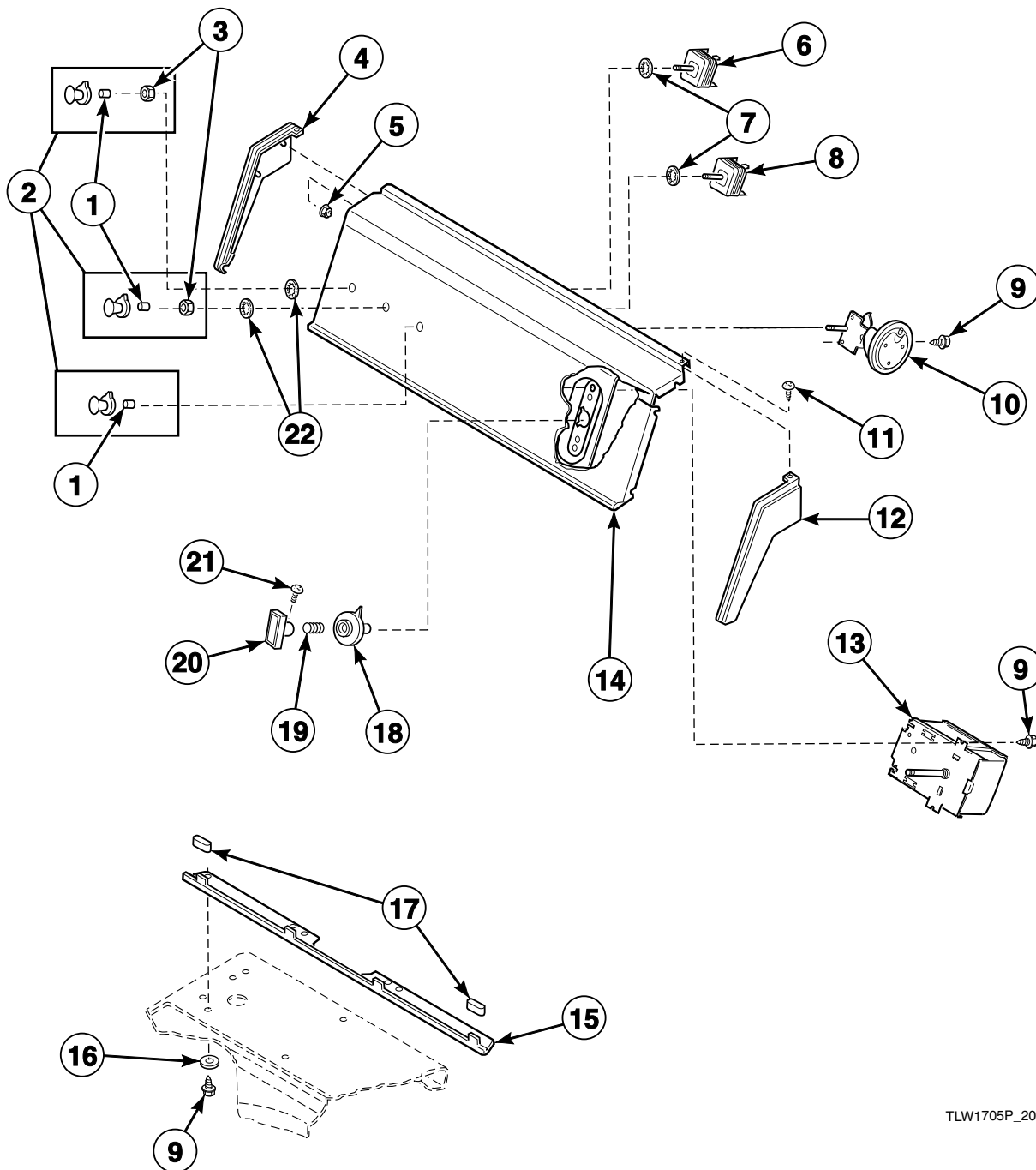
TLW1685P_200640

Graphic Panel, Control Hood and Controls

REF	PART NO.	DESCRIPTION	COMMENTS
1	31205	Graphic Panel	Models BA4120, BA4120-3088, BA4121 and BA4121-3088
	31207	Graphic Panel	All other models
2	34460	End Cap	Left
3	31752	Screw	
4	31735	Control Hood Assembly	
5	31266	Rotary Pressure Switch	
6	31260	Screw	
7	21300	Temperature Switch	
8	23962	Screw	
9	31241P	Timer	Models BA3110-3088, BA4120-3088 and BA4121-3088; Although these timers differ in appearance, they are completely interchangeable when identified by the same part number
	31239P	Timer	All other models; Although these timers differ in appearance, they are completely interchangeable when identified by the same part number
10	34459	End Cap	Right
11	31267	Timer Skirt Assembly	
12	31281	Timer Knob Assembly	
13	57584	Nut	
14	31287	Knob Assembly	
15	10519	Retainer	

Control Panel and Controls

Models BA2300, BA2410 and BA2411



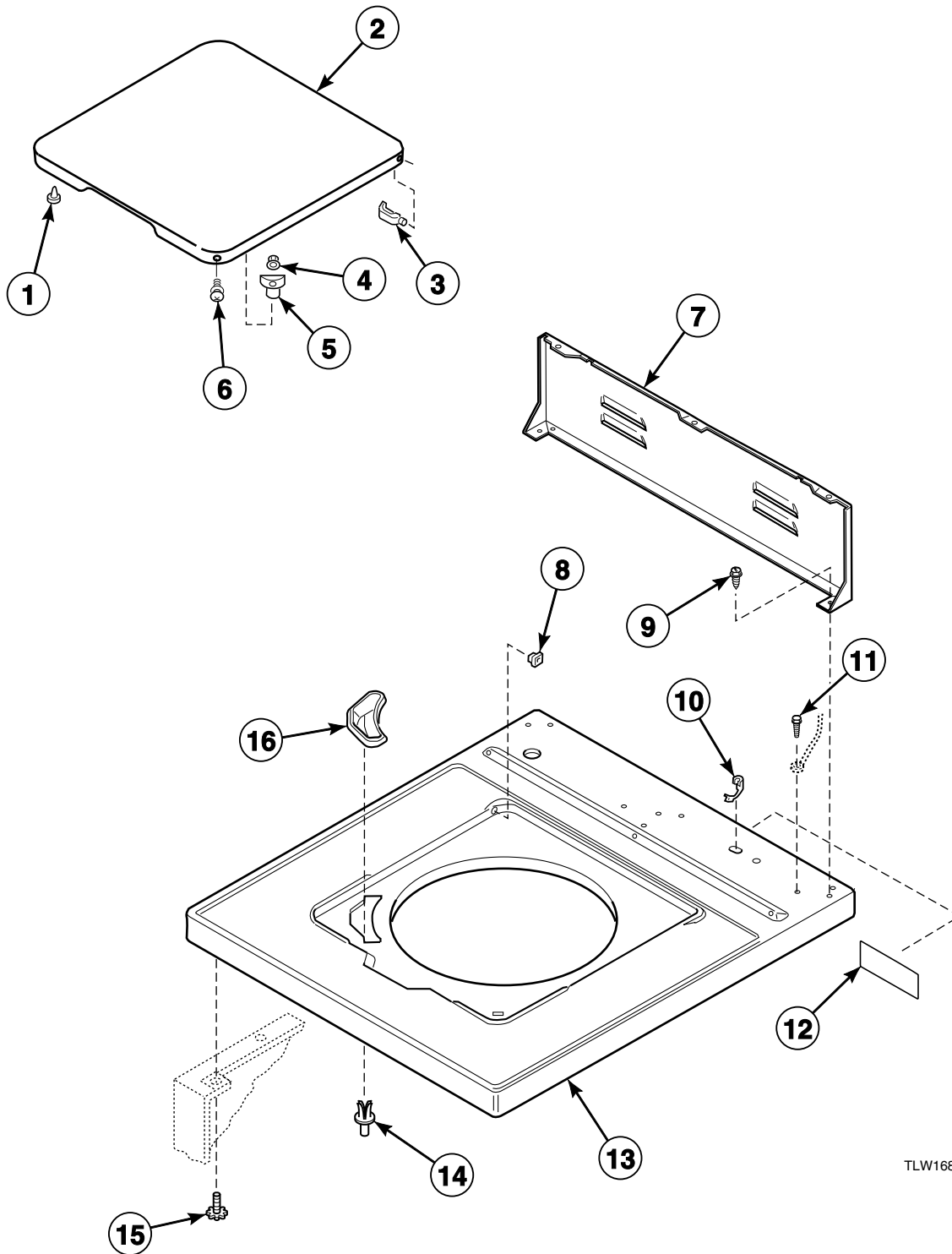
TLW1705P_200640

Control Panel and Controls

REF	PART NO.	DESCRIPTION	COMMENTS
1	10519	Retainer	
2	28124	Switch Knob Assembly	
3	57584	Nut	
4	25124	End Casting	Left
5	25126	Nut	
6	21300	Temperature Switch	
7	91176	Washer	
8	21302	Temperature Switch	Models BA2410 and BA2411
9	23962	Screw	
10	27778	Pressure Switch	
11	25232	Screw	
12	25123	End Casting	Right
13	28918P	Timer	
14	28999	Control Panel Assembly	Models BA2410 and BA2411
	29000	Control Panel Assembly	Model BA2300
15	23360	Panel Support Bracket	
16	20493	Washer	
17	24859	Support Angle Sleeve	
18	28287	Timer Knob Assembly	
19	26319	Spring	
20	27382	Timer Knob Assembly	
21	26318	Screw	
22	91176	Washer	

Cabinet Top, Loading Door and Control Hood Rear Panel

Models BA3110, BA3110-1188, BA3110-3088, BA4120, BA4120-3088, BA4121 and BA4121-3088



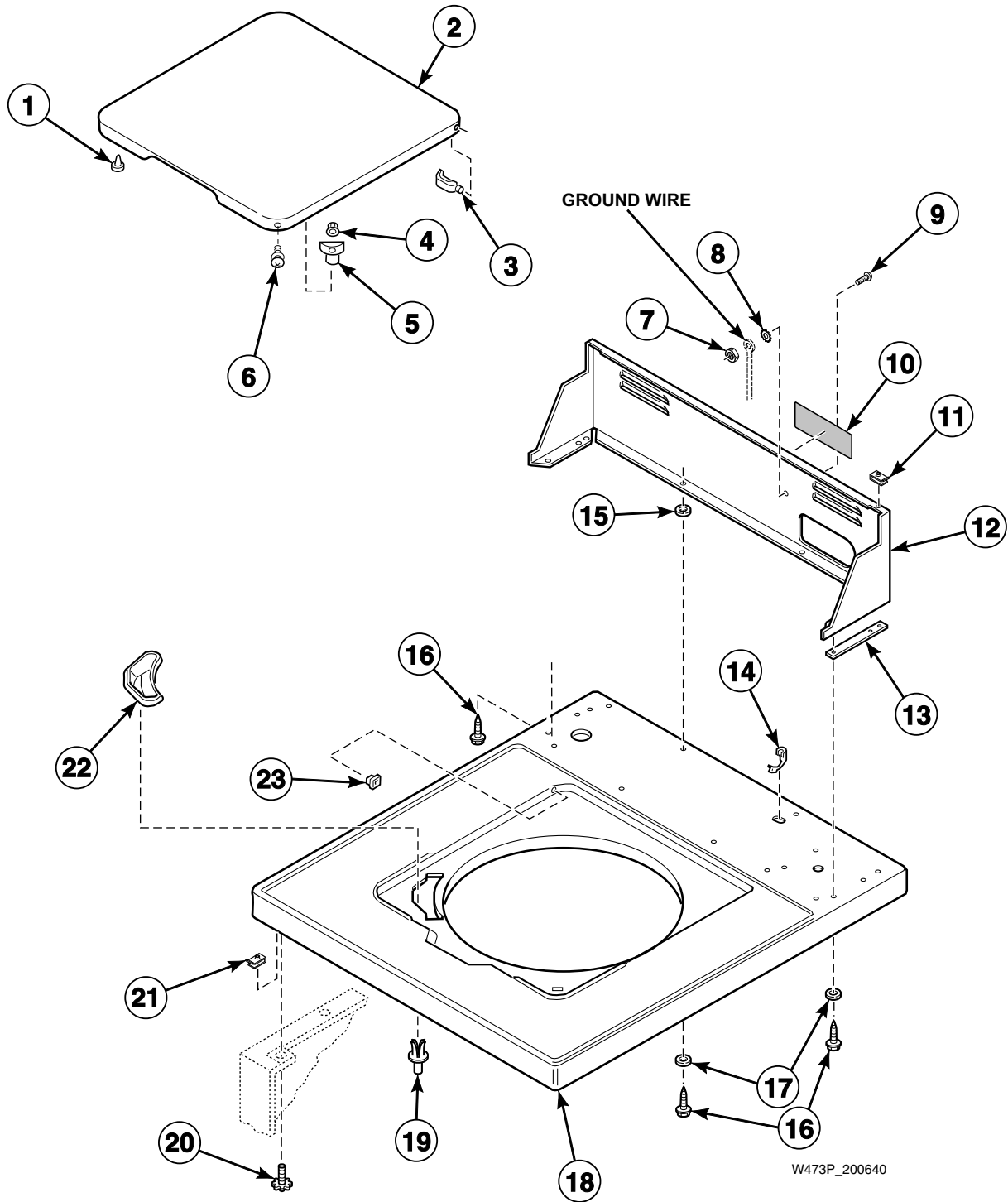
TLW1688P_200640

Cabinet Top, Loading Door and Control Hood Rear Panel

REF	PART NO.	DESCRIPTION	COMMENTS
1	21685	Bumper	
2	31315WP	Lid and Carton Assembly	White
	31315LP	Lid and Carton Assembly	Almond
3	27626	Hinge	
4	21752	Nut	Nylon
5	27149	Lid Switch Catch	
6	27203	Screw and Washer Assembly	
7	37782	Hood Back Panel	
8	27625	Bushing	
9	23962	Screw	
10	38384	Strain Relief	
11	52909	Screw	
12	D505281	Disconnect Power Warning Label	
13	32808WP	Top and Carton Assembly	White
	32808LP	Top and Carton Assembly	Almond
14	56534	Support Barrel	
15	33562	Screw	
16	34776	Bleach Dispenser	Models BA4120, BA4120-3088, BA4121 and BA4121-3088

Cabinet Top, Loading Door and Control Hood

Models BA2300, BA2410 and BA2411

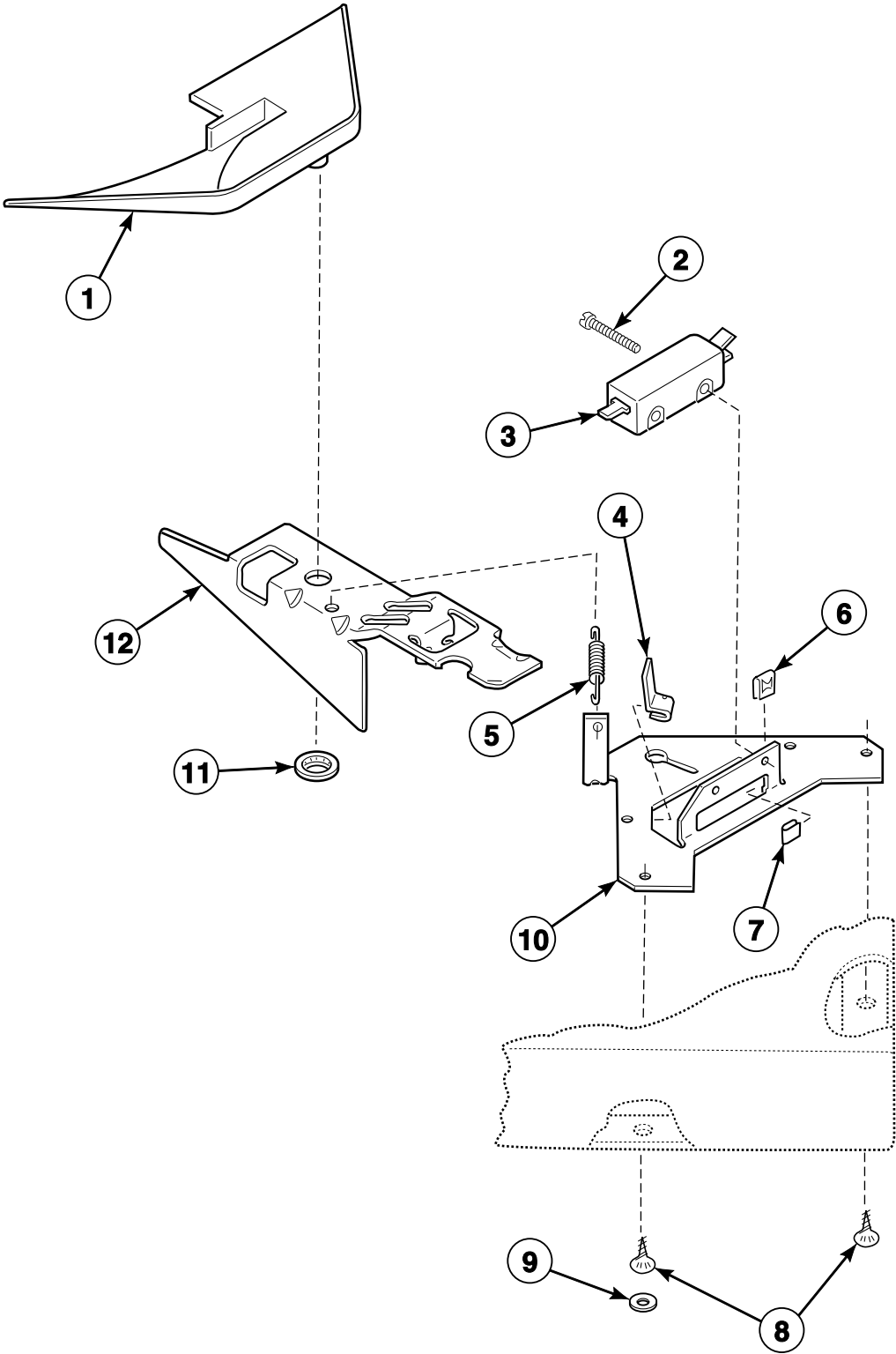


W473P_200640

Cabinet Top, Loading Door and Control Hood

REF	PART NO.	DESCRIPTION	COMMENTS
1	21685	Bumper	
2	27665W	Loading Door	
3	27626	Hinge	
4	21752	Nut	Nylon
5	27149	Lid Switch Catch	
6	27203	Screw and Washer Assembly	
7	03673	Nut	
8	03815	Washer	
9	20267	Screw	
10	D505281	Disconnect Power Warning Label	
11	24522	Nut	
12	29551W	Control Hood	
13	23028	Gasket	
14	38384	Strain Relief	
15	23425	Washer	
16	23962	Screw	
17	20493	Washer	
18	27662W	Top Assembly	Models BA2410 and BA2411
	27663W	Top Assembly	All other models
19	56534	Support Barrel	
20	23008	Screw	
21	36020	Nut	
22	34776	Bleach Dispenser	Models BA2410 and BA2411
23	27625	Bushing	

Switch and Bracket Assembly



W451P_200640

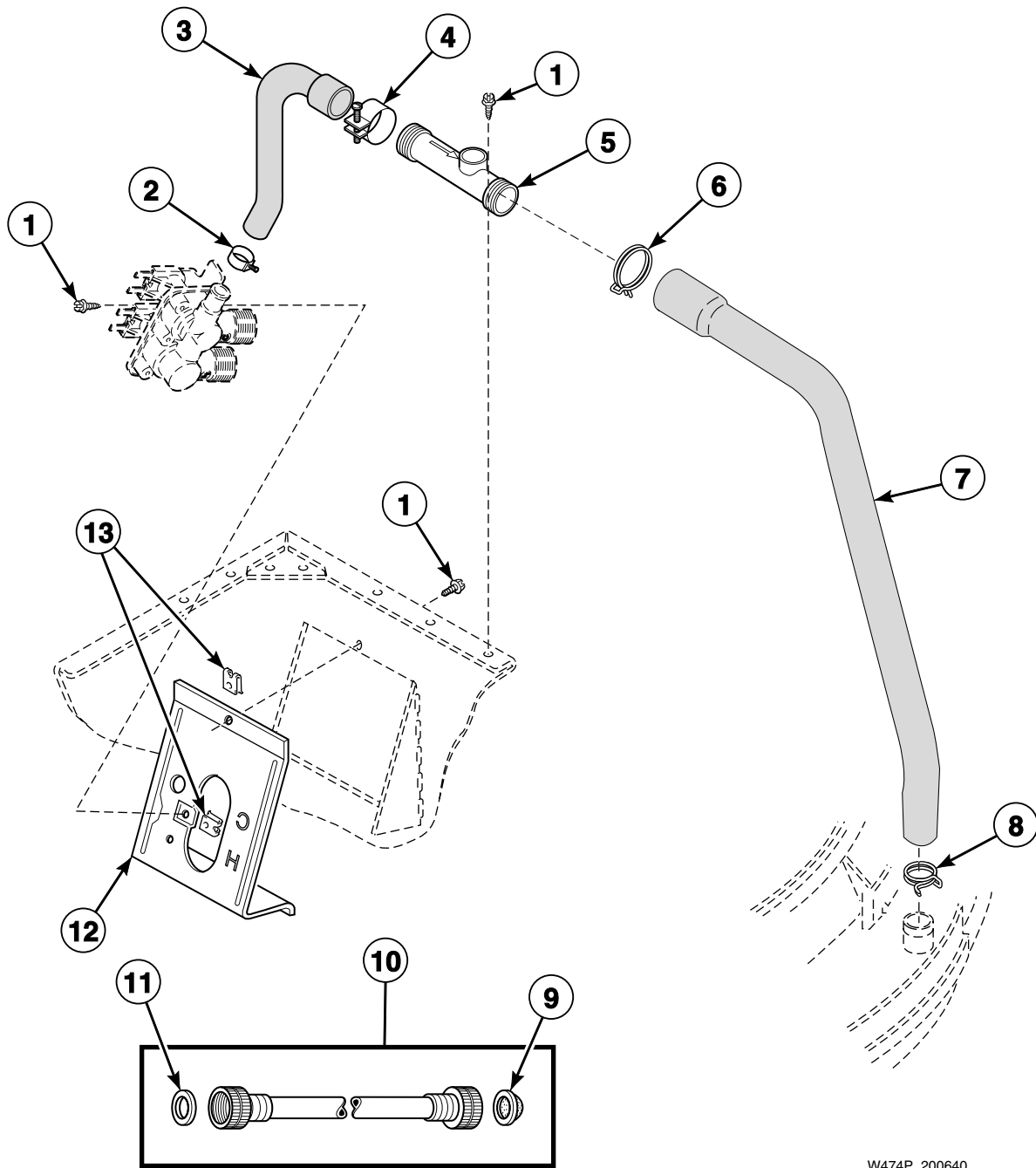
Switch and Bracket Assembly

REF	PART NO.	DESCRIPTION	COMMENTS
1	29042	Lid Switch Shield	
2	Q6516	Screw	
3	27249	Switch	
4	27837	U-Clip	
5	27603	Switch Lever Spring	
6	27248	Nut	
7	27610	U-Clip	
8	28193	Screw	
9	N/A	Washer	
10	27250	Out-of-Balance Switch Bracket	
11	29043	Nut	
12	27602	Out-of-Balance Switch Lever	

N/A = Part no longer available

Inlet Hose, Filler Hose, Back Flow Preventer and Mixing Valve Mounting Bracket (Drawing 1 of 2)

Models BA3110, BA3110-1188, BA3110-3088, BA4120, BA4120-3088, BA4121 and BA4121-3088



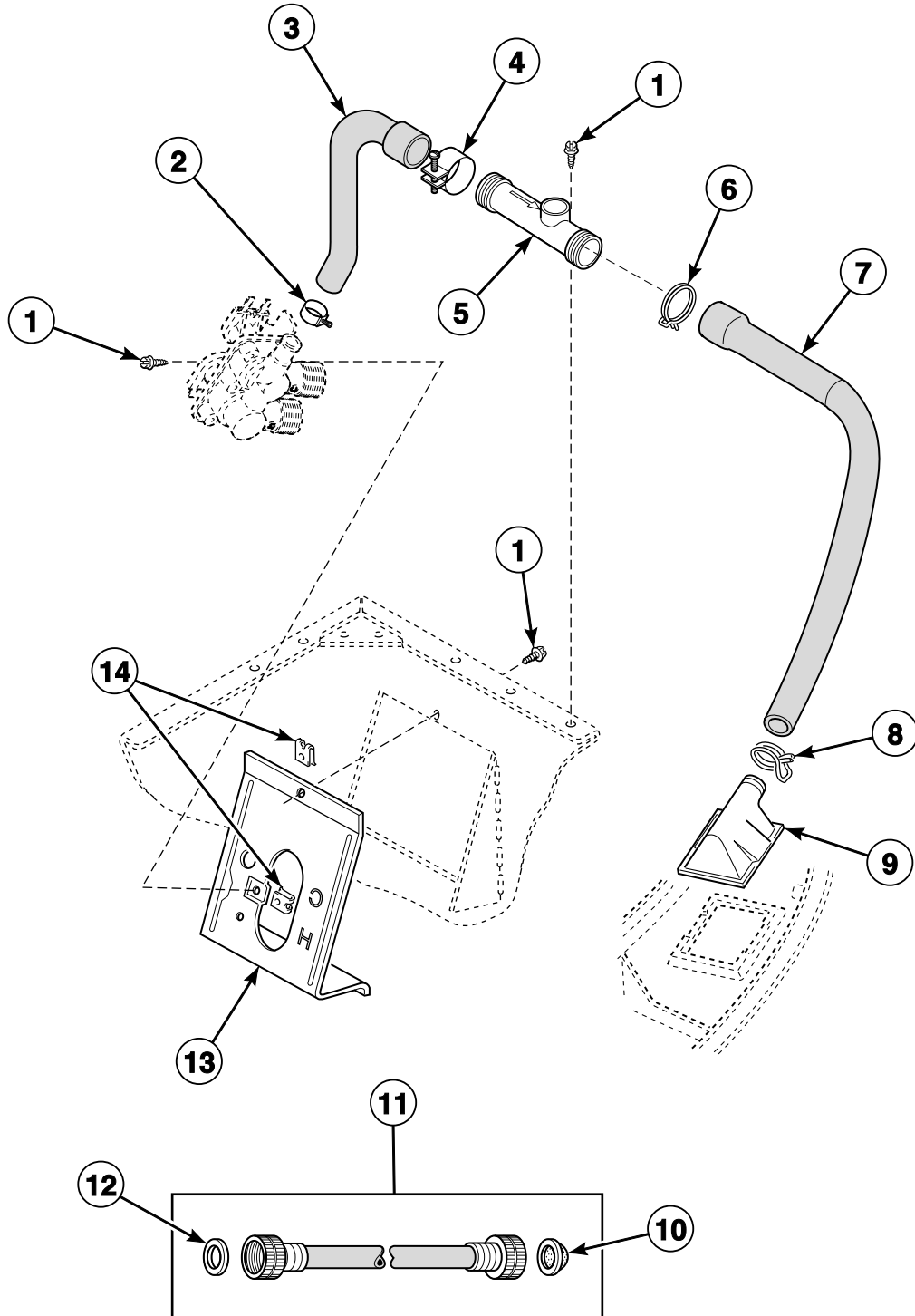
W474P_200640

Inlet Hose, Filler Hose, Back Flow Preventer and Mixing Valve Mounting Bracket (Drawing 1 of 2)

REF	PART NO.	DESCRIPTION	COMMENTS
1	23962	Screw	
2	36801	Hose Clamp	
3	27183	Mixing Valve Hose	
4	20211	Hose Clamp	
5	34280	Backflow Preventer Assembly	
6	35370	Hose Clamp	Green
7	31140	Water Inlet Hose	
8	29210	Hose Clamp	Red
9	803615	Washer	Filter
10	F200116	Water Hose	Hose is equipped with 2 standard hose couplings; Includes items 9 and 11
	38349P	Fill Hose Kit	Hose is equipped with 1 metric and 1 standard hose coupling; Includes item 11
11	20290	Washer	
12	39407	Mixing Valve Mounting Bracket	
13	54038	Nut	

Inlet Hose, Filler Hose, Back Flow Preventer and Mixing Valve Mounting Bracket (Drawing 2 of 2)

Models BA2300, BA2410 and BA2411

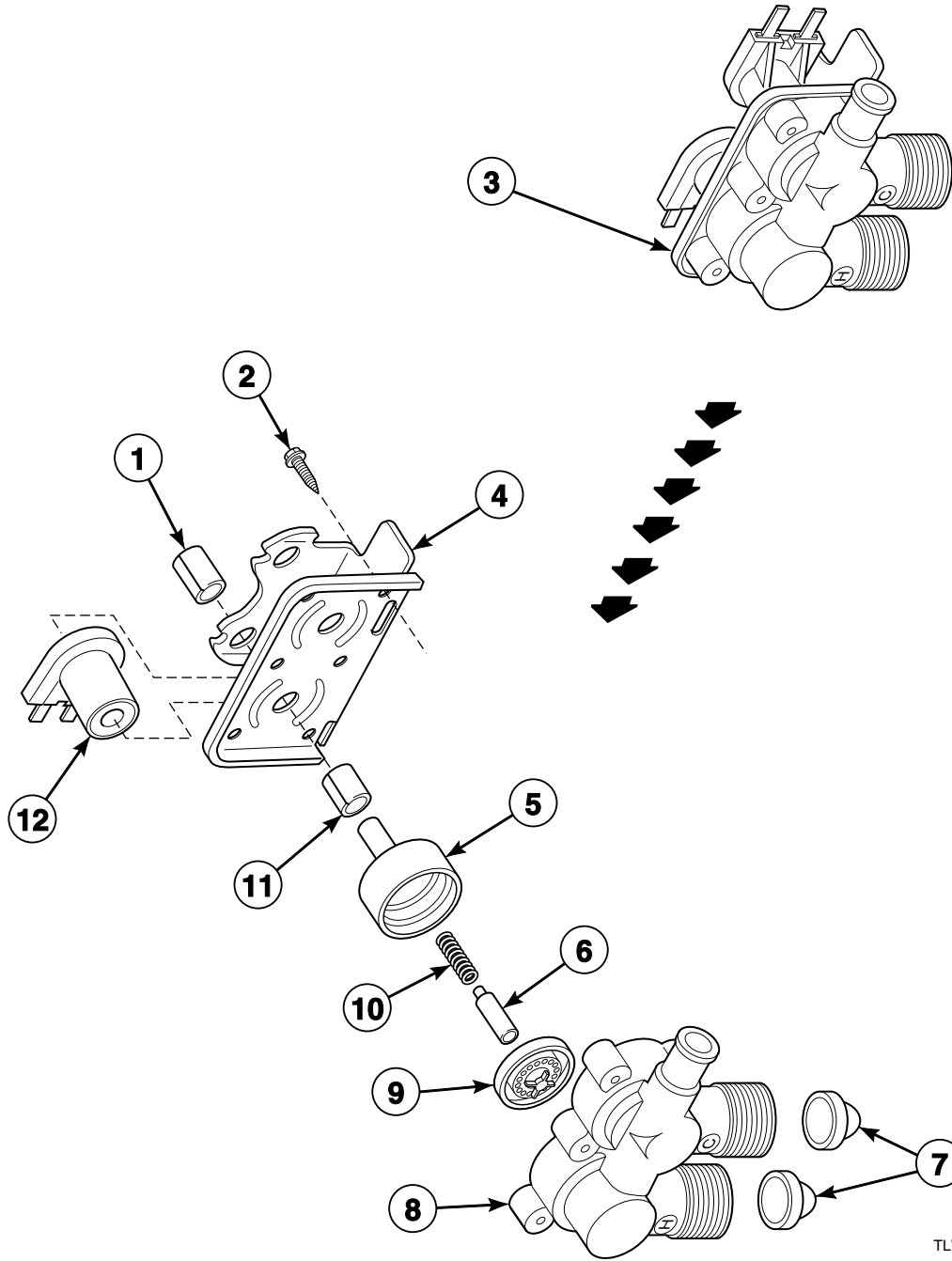


W455P_200640

Inlet Hose, Filler Hose, Back Flow Preventer and Mixing Valve Mounting Bracket (Drawing 2 of 2)

REF	PART NO.	DESCRIPTION	COMMENTS
1	23962	Screw	
2	36801	Hose Clamp	
3	27183	Mixing Valve Hose	
4	20211	Hose Clamp	
5	34280	Backflow Preventer Assembly	
6	35370	Hose Clamp	Green
7	29182	Water Inlet Hose	
8	29210	Hose Clamp	Red
9	29154	Water Inlet Head	
10	803615	Washer	Filter
11	F200116	Water Hose	Includes items 10 and 12
12	20290	Washer	
13	39407	Mixing Valve Mounting Bracket	
14	54038	Nut	

Mixing Valve Assembly



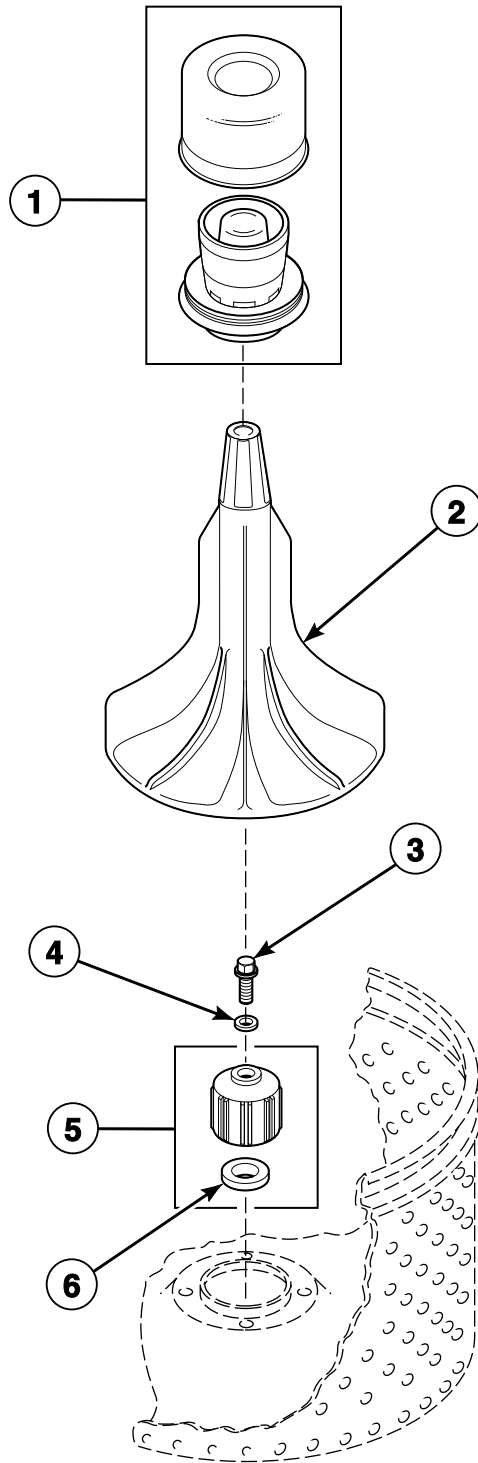
TLW1692P_200640

Mixing Valve Assembly

REF	PART NO.	DESCRIPTION	COMMENTS
1	24128	Sleeve	Long
2	25817C	Screw	
3	35856P	Mixing Valve	Models BA3110-3088, BA4120-3088 and BA4121-3088
	33930P	Mixing Valve	All other models
4	24158	Mounting Bracket	
5	24130	Armature Guide	
6	24132	Armature	
7	F270200	Strainer	
8	24159	Valve Body	
9	24134	Diaphragm	
10	24131	Spring	
11	24129	Sleeve	Short
12	24136	Solenoid	Models BA3110-3088, BA4120-3088 and BA4121-3088
	24126	Solenoid	All other models

Agitator, Drive Bell and Seal Seat

Short Post Models



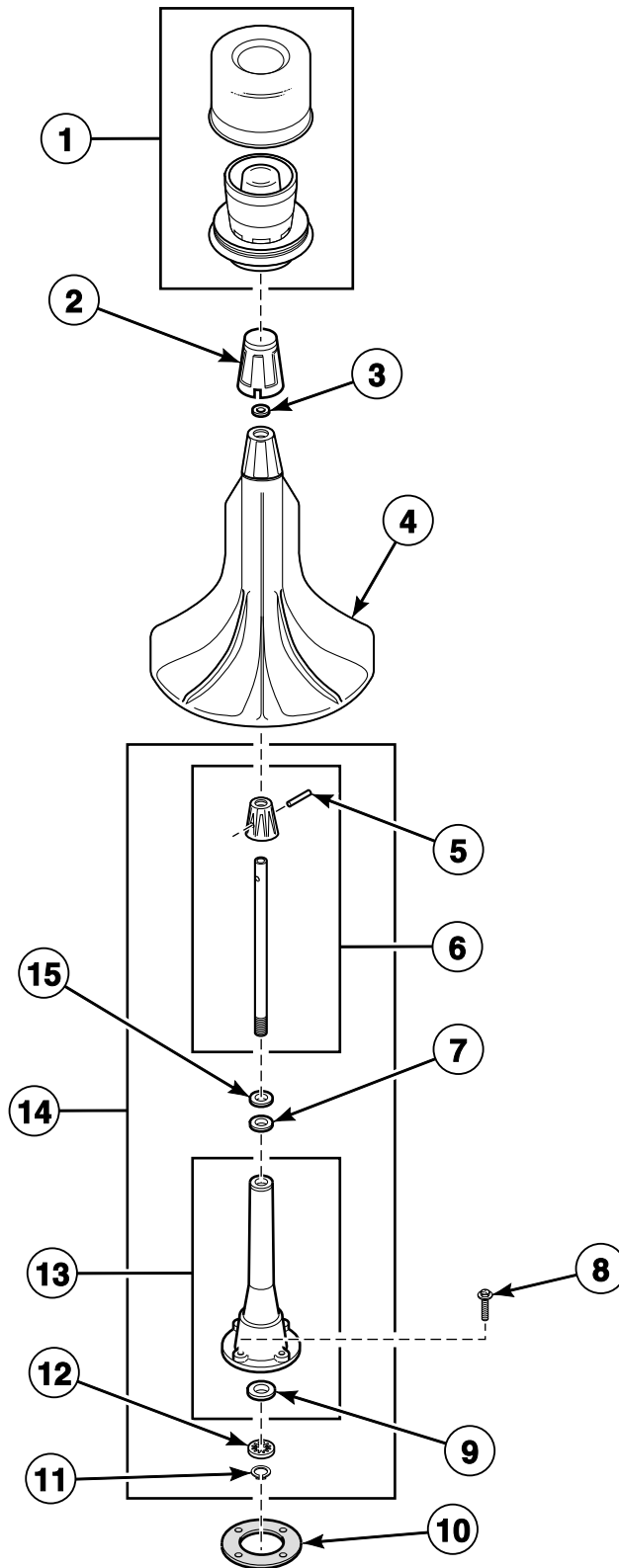
TLW1693P_200640

Agitator, Drive Bell and Seal Seat

REF	PART NO.	DESCRIPTION	COMMENTS
1	33510	Fabric Softener Dispenser Assembly	Optional on some models
2	33514	Agitator	
3	30852	Screw	
4	30853	Seal	
5	39508P	Drive Bell and Seal Kit	
6	30021	Seat Seal Assembly	

Agitator and Post

Long Post Models



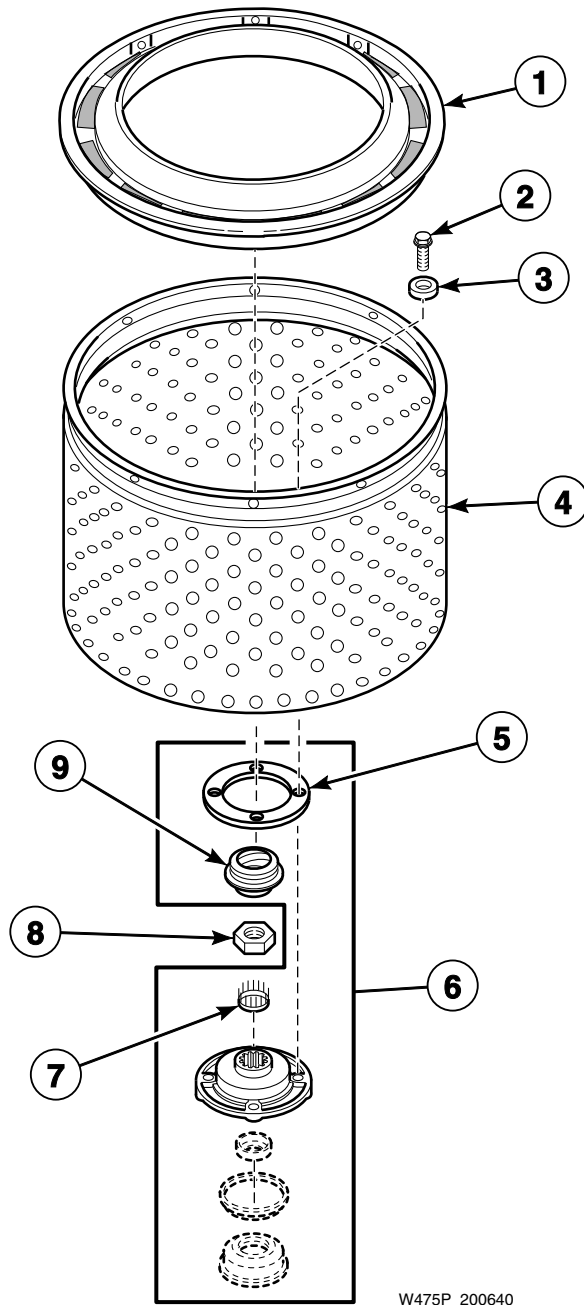
W457P_200640

Agitator and Post

REF	PART NO.	DESCRIPTION	COMMENTS
1	27707	Dispenser Assembly	Optional on some models
2	27138	Agitator Cap Assembly	
3	27189	Washer	
4	27120	Agitator Assembly	
5	20243	Taper Pin	
6	28091	Agitator Shaft Assembly	
7	04704	Washer	Stainless steel
8	27202	Screw	
9	10429	Washer	
10	27020	Gasket	Use with 28933 or 28934 Center Column Assembly
	37577P	Transmission Sealant	Use with item 13 or 14
11	27197	Retaining Ring	
12	27164	Washer	
13	28933	Center Column Assembly	
14	28934	Center Column Assembly	
15	20057	Washer	

Lint Filter, Washtub and Hub (Drawing 1 of 2)

Models BA3110, BA3110-1188, BA3110-3088, BA4120, BA4120-3088, BA4121 and BA4121-3088

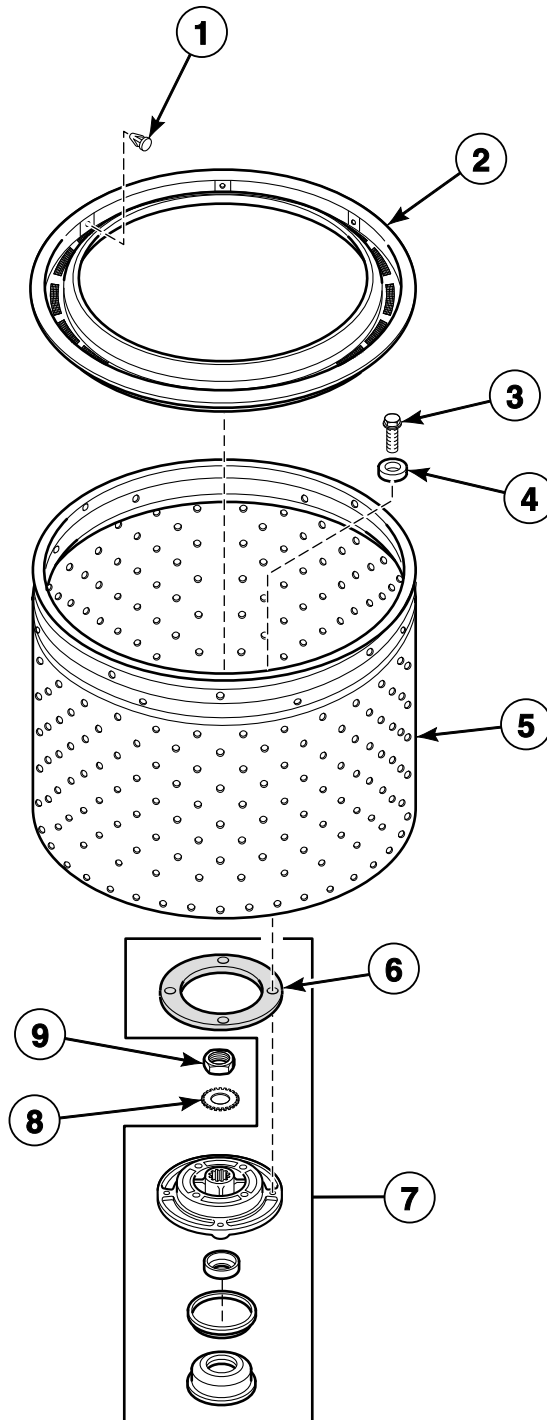


Lint Filter, Washtub and Hub (Drawing 1 of 2)

REF	PART NO.	DESCRIPTION	COMMENTS
1	33521	Lint Filter	
2	27202	Screw	
3	28094	Washer	
4	39252P	Tub Assembly	Porcelain
	39387P	Tub Assembly	Stainless steel
5	39122	Washtub Gasket	
6	495P3	Hub and Seal Kit	Includes 27184 Cover Gasket and 30021 Seat Seal Assembly
7	29728	Spline Insert	
8	29220	Nut	
9	39508P	Drive Bell and Seal Kit	

Lint Filter, Washtub and Hub (Drawing 2 of 2)

Models BA2300, BA2410 and BA2411

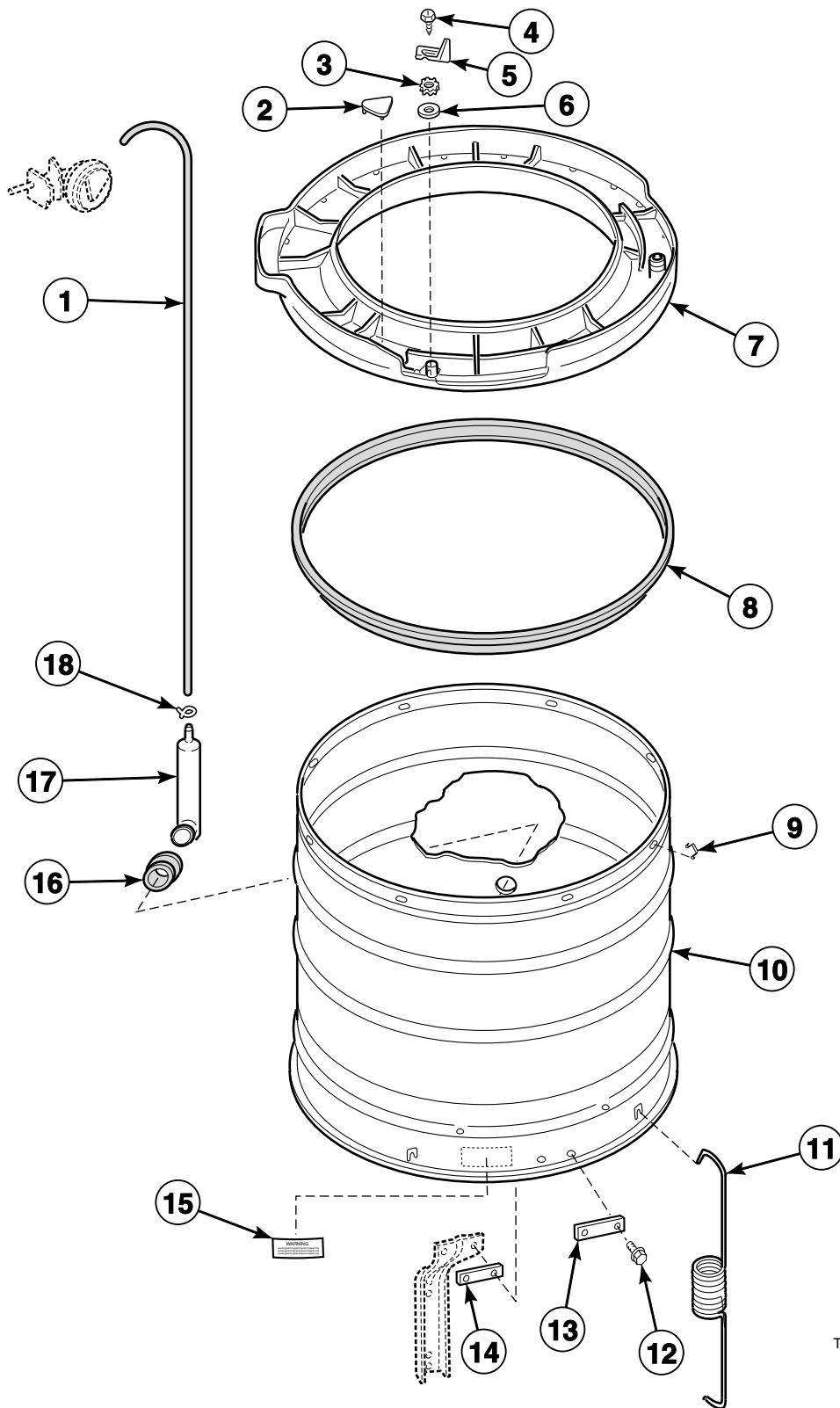


W459P_200640

Lint Filter, Washtub and Hub (Drawing 2 of 2)

REF	PART NO.	DESCRIPTION	COMMENTS
1	29474	Lint Filter Fastener	
2	33521	Lint Filter	
3	27202	Screw	
4	28094	Washer	
5	39252P	Tub Assembly	Porcelain
	39387P	Tub Assembly	Stainless steel
6	39122	Washtub Gasket	
7	356P3	Seal Kit	Includes 27184 Cover Gasket
8	27163	Washer	
9	29220	Nut	

Outer Tub, Cover and Pressure Hose

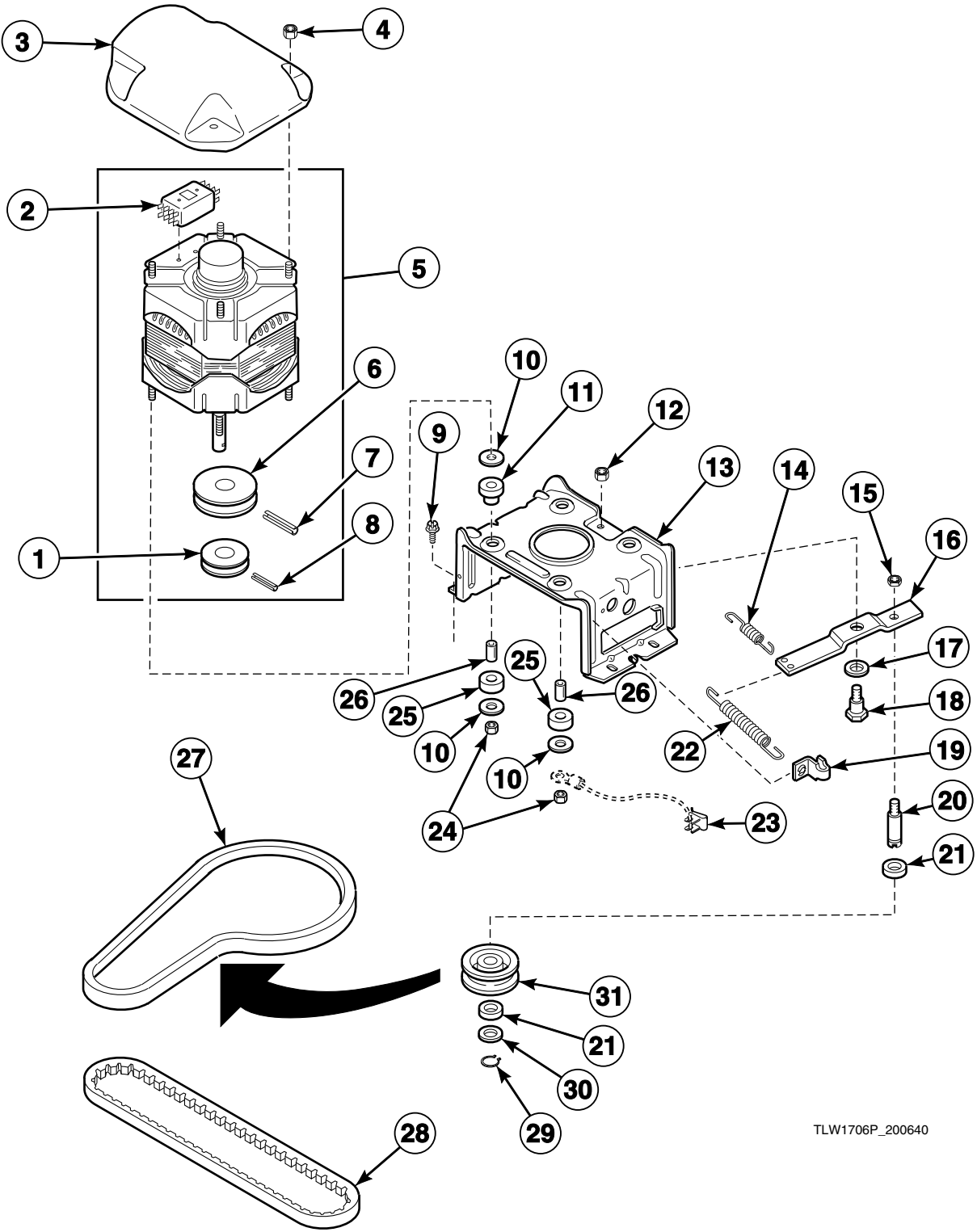


TLW1695P_200640

Outer Tub, Cover and Pressure Hose

REF	PART NO.	DESCRIPTION	COMMENTS
1	202700	Tubing	
2	29901	Plug	
3	03815	Washer	
4	D503661	Screw	
5	27247	Out-of-Balance Switch Trigger	
6	23425	Washer	
7	31153	Outer Tub Cover	Includes item 2
8	27184	Tub Cover Gasket	Included with 356P3 or 495P3 Hub and Seal Kit
9	27017	Spring Clip	
10	507P3	Outer Tub Kit	Models BA3110, BA3110-1188 and BA3110-3088
	30508	Outer Tub	All other models
11	27239	Leg Spring	
12	35369	Screw	
13	27926	Leg Plate	.063 inch thick
14	27927	Leg Plate	.032 inch thick
15	27195	Warning Sticker	
16	29175	Grommet	
17	30907	Pressure Bulb	
18	39282	Hose Clamp	

Motor, Mounting Bracket, Belts and Idler Assembly

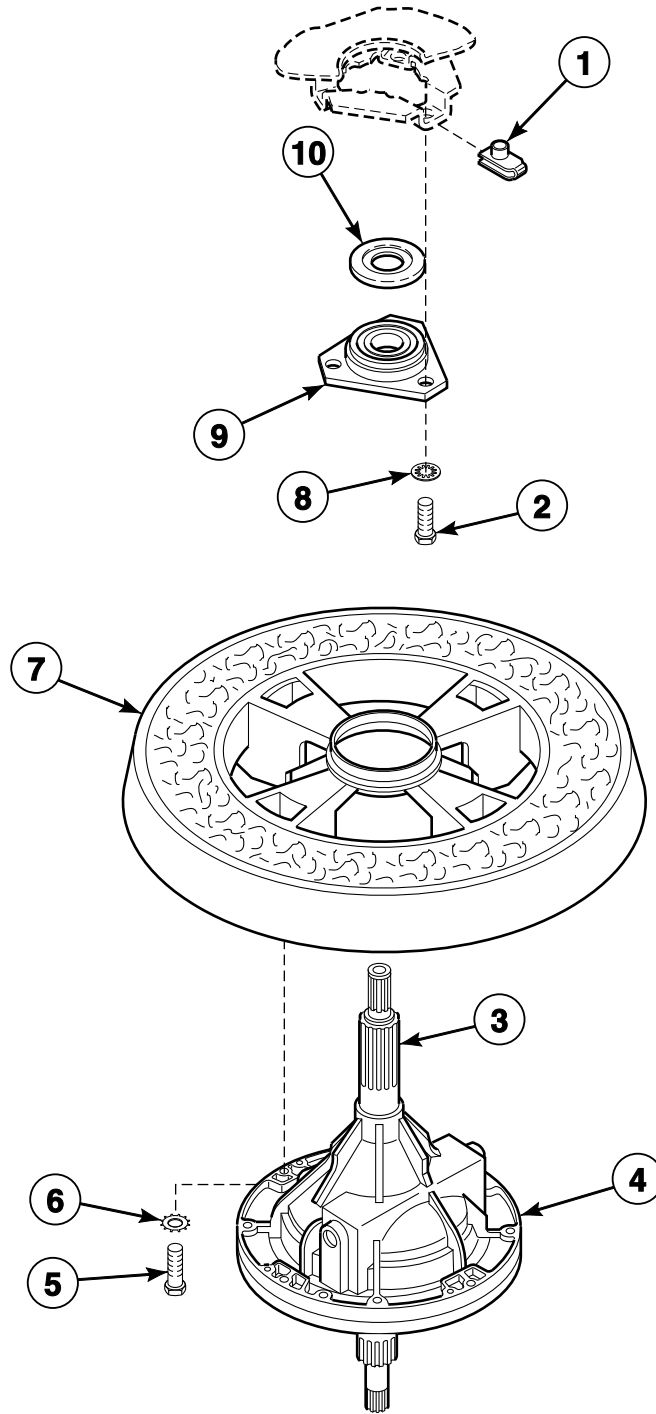


TLW1706P_200640

Motor, Mounting Bracket, Belts and Idler Assembly

REF	PART NO.	DESCRIPTION	COMMENTS
	258P3	Capacitor Kit	For areas where low voltage exists
	20605	Hi-Temp Lube	Use on idler shaft
1	28056	Pump Motor Pulley	Models BA3110-3088, BA4120-3088 and BA4121-3088
	27104	Motor Pulley	Pump; All other models
2	24139	Motor Switch	Used with 30895 Emerson motor
	24140	Motor Switch	Used with 30897 Emerson motor
	30895A	Motor Switch	Used with 30895 General Electric motor
	30897AP	Motor Switch	Used with 30897 General Electric motor
3	27136	Motor Shield	
4	27201	Nut	
5	27658P	Motor Kit	1 speed; 120 Volt/60 Hertz/1 Phase; Models BA2300, BA3110 and BA3110-1188
	27179P	Motor Kit	2 speed; 120 Volt/60 Hertz/1 Phase; All other models
	30010	Motor Assembly	1 speed; 230 Volt/50 Hertz; Model BA3110-3088
	28341	Motor and Pulley Assembly	2 speed; 230 Volt/50 Hertz; Models BA4120-3088 and BA4121-3088
6	27171	Motor Pulley	
7	23750	Roll Pin	
8	28087	Roll Pin	Models BA3110-3088, BA4120-3088 and BA4121-3088
	10416	Roll Pin	All other models
9	D503661	Screw	
10	03888	Washer	
11	01952A	Rubber Motor Mount	Upper
12	52566	Nut	
13	28791	Motor Mounting Bracket	
14	30620	Idler Lever Helper Spring	
15	28803	Nut	
16	31054	Idler Lever	
17	81392	Washer	
18	27229	Screw	
19	28849	Spring Clip	
20	28802P	Idler Shaft	
21	29443	Washer	Felt
22	39666	Idler Lever Spring	
23	00161	Grounding Clip	
24	23604	Nut	
25	01953	Rubber Motor Mount	Lower
26	27181	Motor Spacer	
27	33843	Belt	Agitate and spin; Models BA3110-3088, BA4120-3088 and BA4121-3088
	28808	Belt	Agitate and spin; All other models
28	28043	Pump Belt	Models BA3110-3088, BA4120-3088 and BA4121-3088
	27155	Pump Belt	All other models
29	23748	Retaining Ring	
30	52549	Washer	Nylatron
31	28800P	Idler Pulley	

Transmission Assembly and Balance Ring - Short Post Models



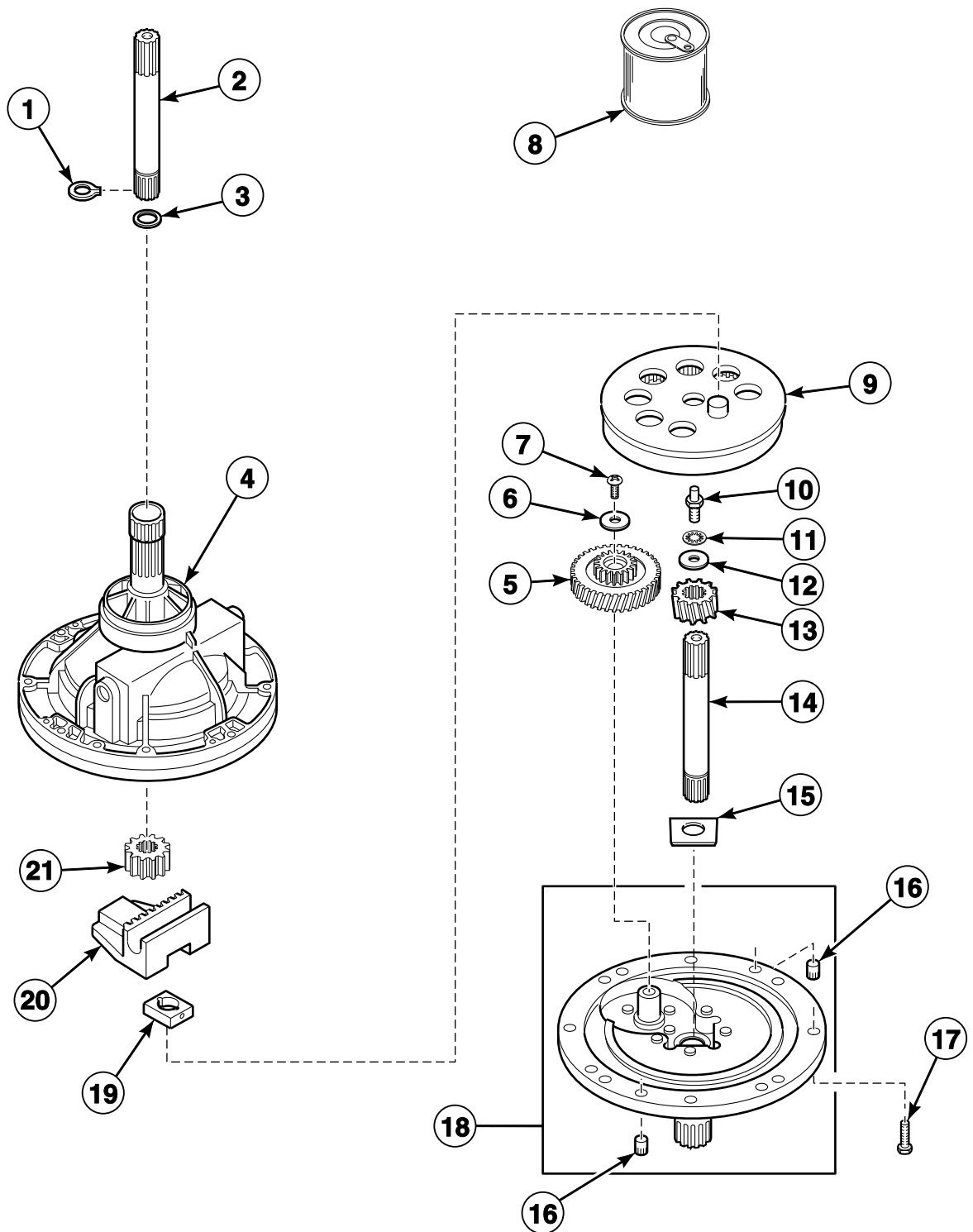
TLW1698P_200640

Transmission Assembly and Balance Ring - Short Post Models

REF	PART NO.	DESCRIPTION	COMMENTS
1	27222	Nut	
2	M400057	Screw	
3	27604P	Anti-Seize Compound	Apply to upper and lower transmission tubes
4	33227P	Transmission Assembly	
5	27200	Screw	
6	24475	Washer	Models BA3110-3088, BA4120-3088 and BA4121-3088
	02431	Washer	All other models
7	34731	Balance Ring Assembly	
8	202010	Washer	
9	27182	Bearing Housing Assembly	Upper
10	27187	Flinger	

Components for 33227P Transmission Assembly

Short Post Models

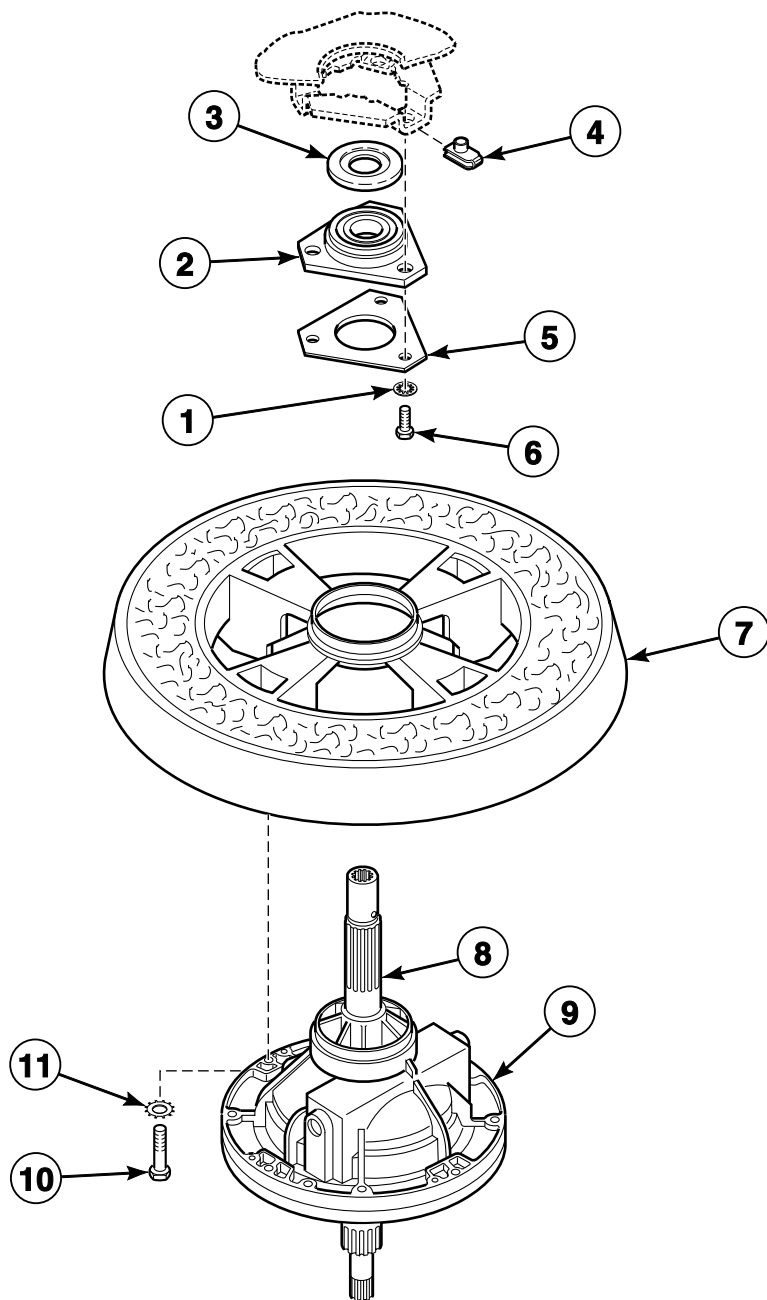


TLW1707P_200640

Components for 33227P Transmission Assembly

REF	PART NO.	DESCRIPTION	COMMENTS
1	27197	Retaining Ring	
2	36570P	Output Shaft	
3	20212	Washer	
4	33223P	Transmission Case Assembly	
5	29161P	Reduction Gear	
6	29260	Washer	
7	29273	Screw	
8	27243P	Transmission Oil	1 fill
9	26577	Gear and Stud Assembly	
10	27030	Screw	
11	21456	Washer	
12	26509	Washer	
13	36562P	Drive Pinion	
14	27081P	Input Shaft	
15	27016	Washer	
16	27172	Dowel Pin	
17	31709	Screw	
18	38287P	Transmission Cover Assembly	
19	26493	Slide	
20	201664	Rack	
21	27003	Agitator Pinion	

Transmission Assembly and Balance Ring - Long Post Models



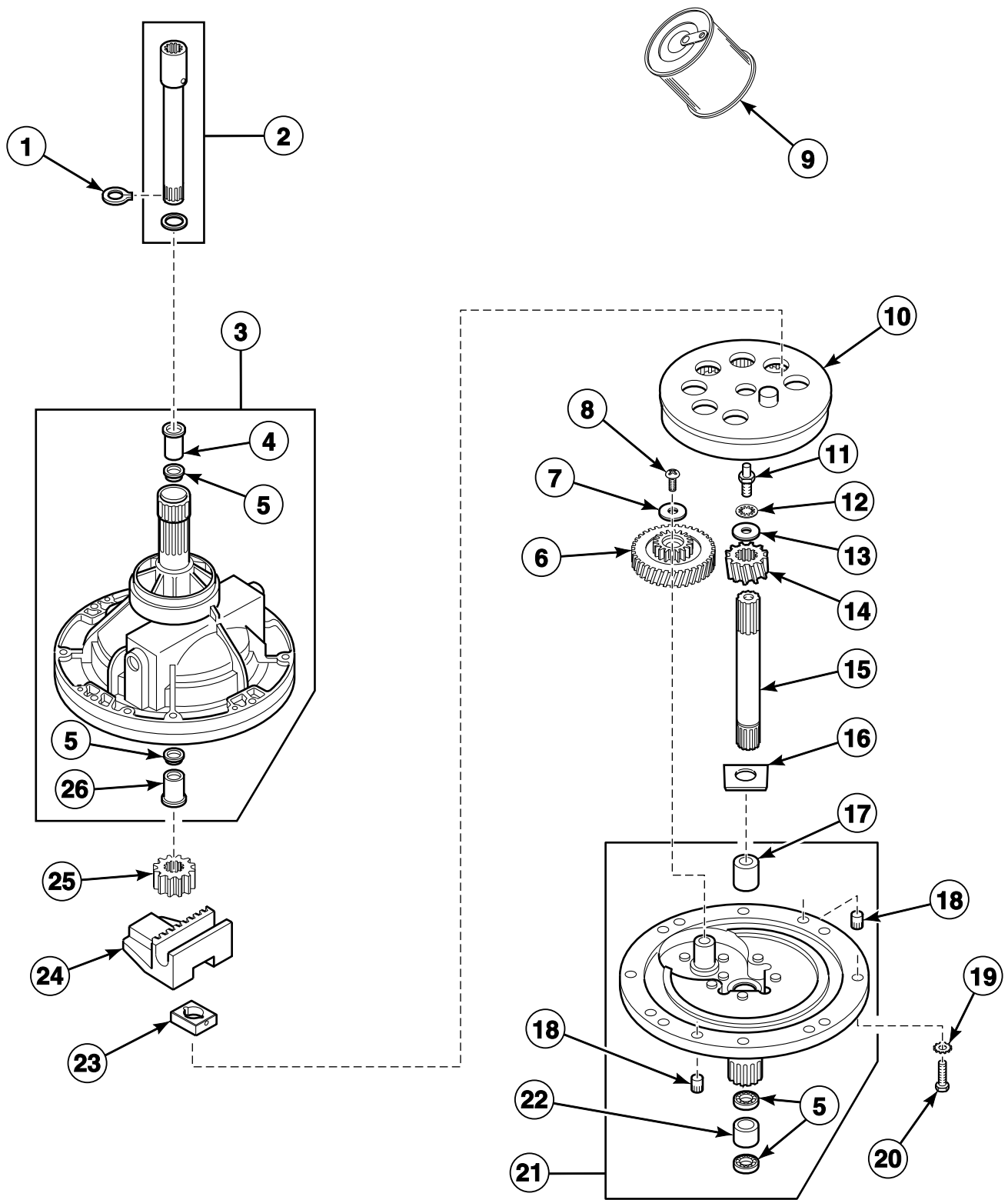
W465P_200640

Transmission Assembly and Balance Ring - Long Post Models

REF	PART NO.	DESCRIPTION	COMMENTS
1	202010	Washer	
2	27182	Bearing Housing Assembly	Upper
3	27187	Flinger	
4	27222	Nut	
5	27166	Washer	
6	M400057	Screw	
7	34731	Balance Ring Assembly	
8	27604P	Anti-Seize Compound	Apply to upper and lower transmission tubes
9	30946P	Transmission Assembly	
10	27200	Screw	
11	24475	Washer	Models BA3110-3088, BA4120-3088 and BA4121-3088
	02431	Washer	All other models

Components for 30946P Transmission Assembly

Long Post Models

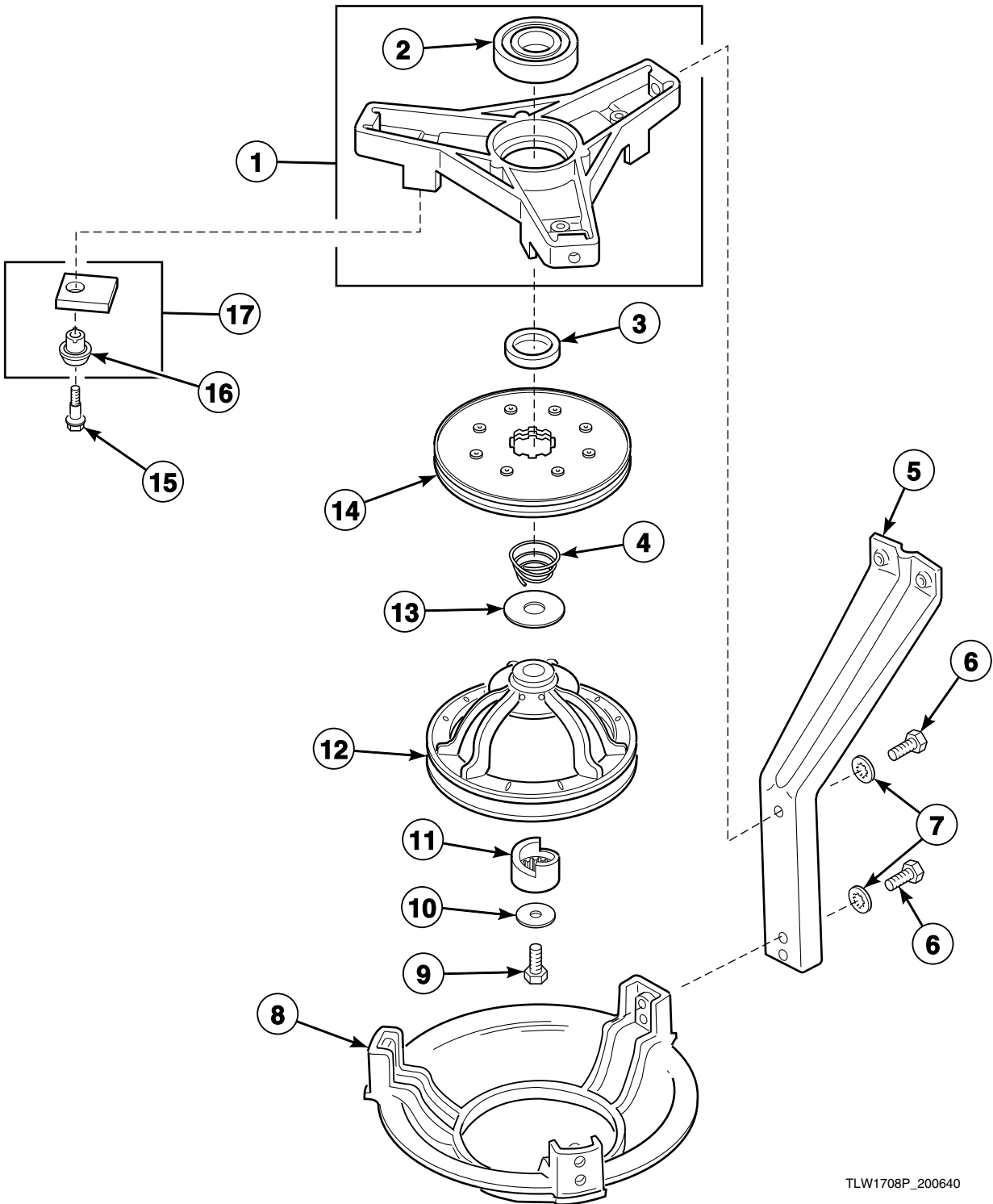


W467P_200640

Components for 30946P Transmission Assembly

REF	PART NO.	DESCRIPTION	COMMENTS
	37577P	Transmission Sealant	Use as a sealant between transmission case and cover
1	27197	Retaining Ring	
2	368P3	Coupling and Shaft Kit	
3	33223P	Transmission Case Assembly	
4	36107P	Bearing	
5	28114	Seal	
6	29161P	Reduction Gear	
7	29260	Washer	
8	29273	Screw	
9	27243P	Transmission Oil	1 fill
10	26577	Gear and Stud Assembly	
11	27030	Screw	
12	21456	Washer	
13	26509	Washer	
14	36562P	Drive Pinion	
15	27081P	Input Shaft	
16	27016	Washer	
17	30893	Clutch and Bearing Assembly	
18	27172	Dowel Pin	
19	02431	Washer	
20	20253	Screw	
21	38287P	Transmission Cover Assembly	
22	27022	Bearing	
23	26493	Slide	
24	201664	Rack	
25	27003	Agitator Pinion	
26	36107P	Bearing	

Bearing Housing, Brake, Pulley and Pivot Dome

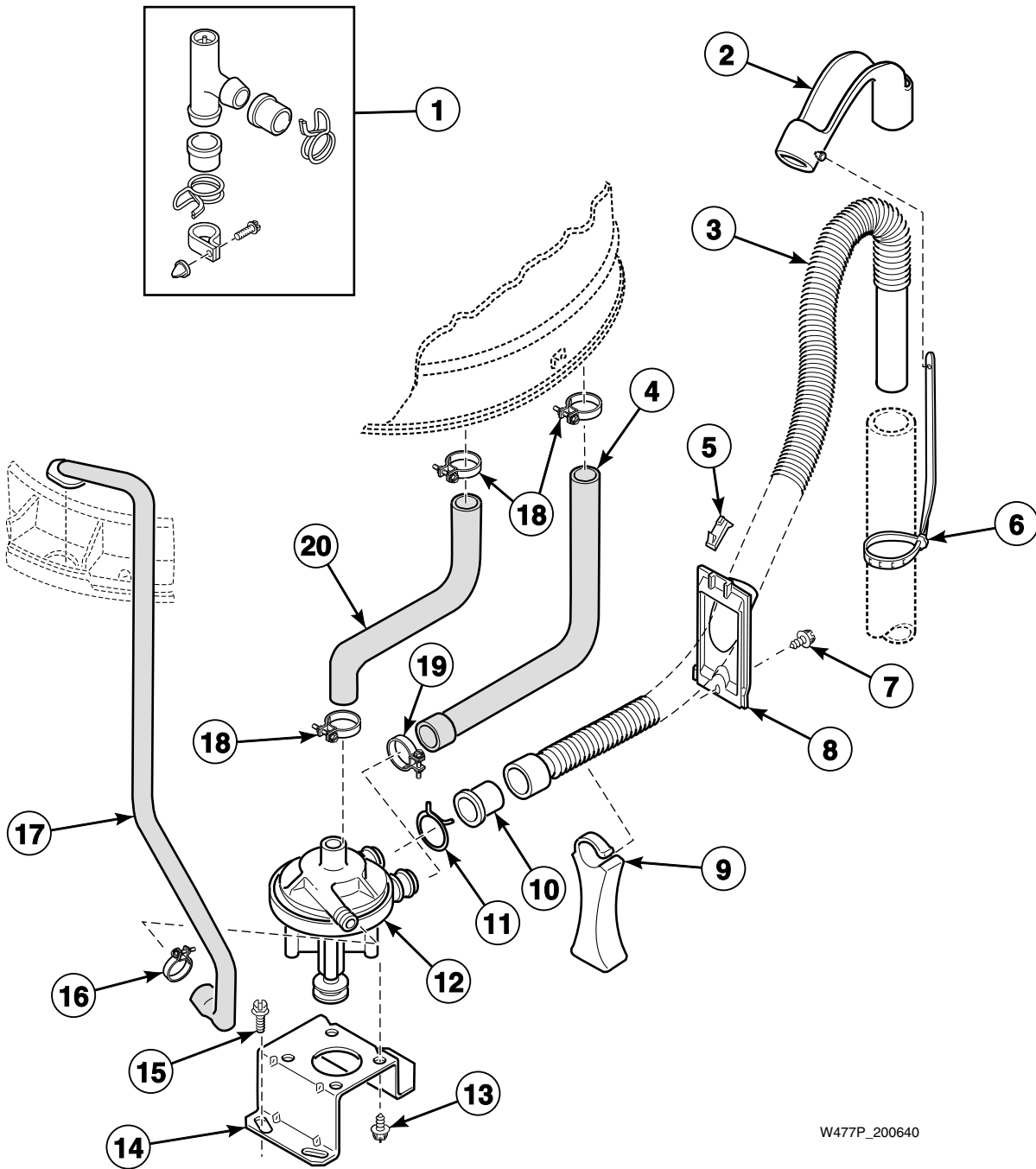


TLW1708P_200640

Bearing Housing, Brake, Pulley and Pivot Dome

REF	PART NO.	DESCRIPTION	COMMENTS
1	35746	Bearing Housing Assembly	
2	28944RP	Lower Bearing	
3	27176	Spacer	
4	33435	Spring	
5	27090	Support Leg	
6	35369	Screw	
7	202010	Washer	
8	27124	Pivot Dome	
9	27220	Screw	
10	26509	Washer	
11	38008	Helix	
12	34232P	Pulley and Washers Kit	
13	27015	Washer	
14	38505P	Brake Kit	
15	26547	Screw	
16	29993	Anti-Rotation Sleeve	
17	548P3	Brake Pad Kit	Includes 3 pads and sleeves

Pump Assembly, Bracket, Hoses and Siphon Break Kit

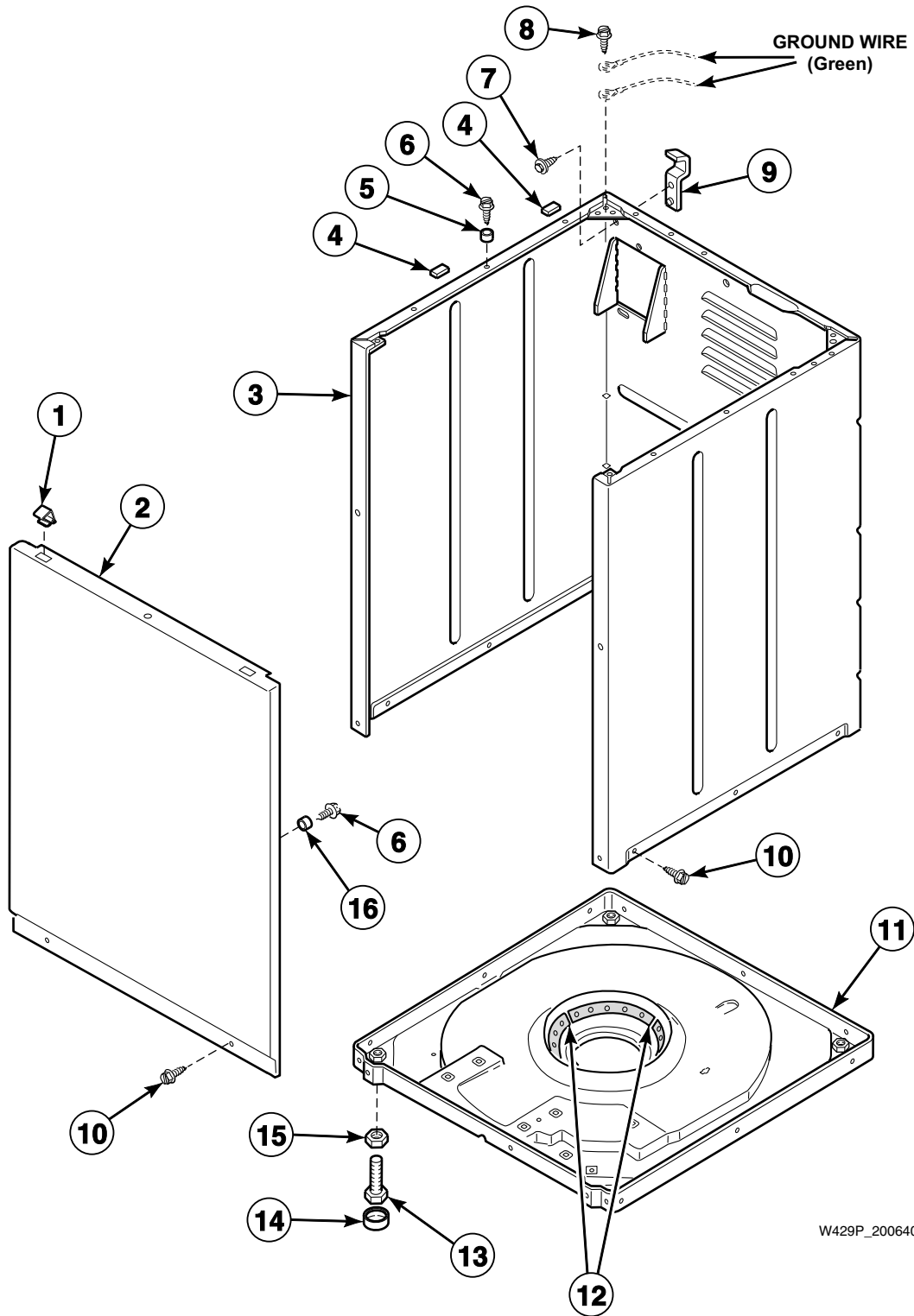


W477P_200640

Pump Assembly, Bracket, Hoses and Siphon Break Kit

REF	PART NO.	DESCRIPTION	COMMENTS
	451P3	Drain Extension Kit	
1	562P3	Siphon Break Kit	Must be installed in drain hose if the drain receptacle is lower than the cabinet top of the washer
2	29144	Drain Hose Sleeve	
3	39952	Drain Hose	
4	27160	Drain Tub-to-Pump Hose	
5	29936	Hose Retainer Clip	
6	33489	Standpipe Strap	
7	27196	Screw	
8	29131	Hose Retainer	
9	29284	Hose Support	Mounts to washer base
10	29143	Hose Adapter	
11	29172	Hose Clamp	
12	31968	Pump Assembly	
13	31098	Screw	
14	27105	Pump Mounting Bracket	
15	D503661	Screw	
16	27644	Hose Clamp	
17	27232	Recirculating Hose	
18	20391	Hose Clamp	
19	20211	Hose Clamp	
20	27159	Tub-to-Pump Hose	

Front Panel, Cabinet and Base

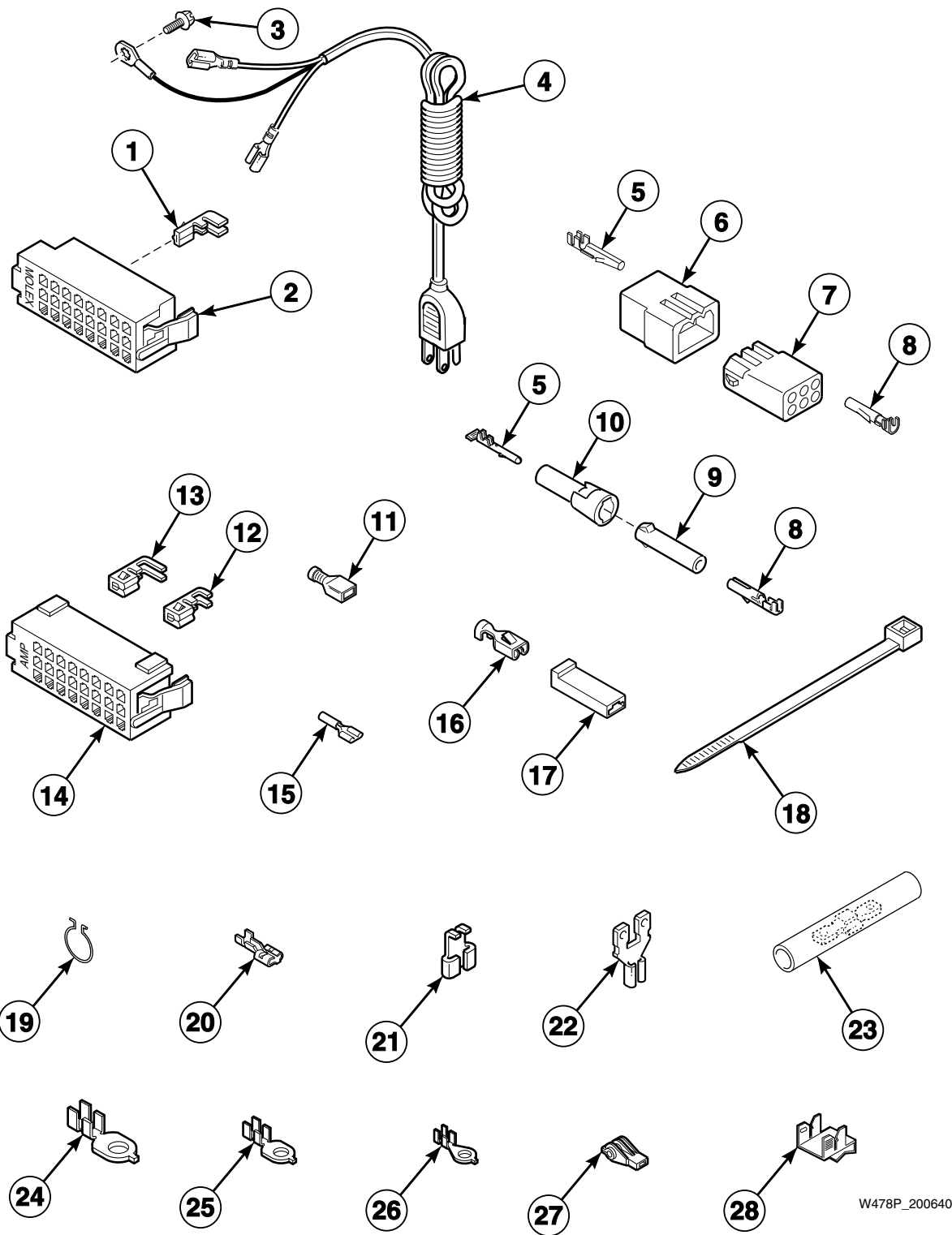


W429P_200640

Front Panel, Cabinet and Base

REF	PART NO.	DESCRIPTION	COMMENTS
	26594P	Silicone Grease	For pads in base
1	28835	Speed Clip	
2	32708WP	Front Panel	White
	32708LP	Front Panel	Almond
3	38612WP	Service Cabinet Kit	White
	38612LP	Service Cabinet Kit	Almond
4	56128	Bumper Pad	
5	56079	Panel Locator	
6	39733	Screw	
7	51780	Screw	
8	23962	Screw	
9	27103	Hold-Down Lug Hinge	
10	27196	Screw	
11	31653P	Base Assembly	Includes snubber pads
12	434P3	Snubber Pad Kit	Includes 4 pads
13	34319	Leveling Leg	
14	21749	Rubber Foot	
15	21899	Nut	
16	28102	Panel Locator	

Power Cord and Wire Terminals

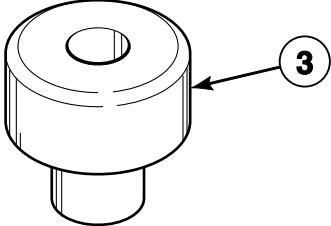
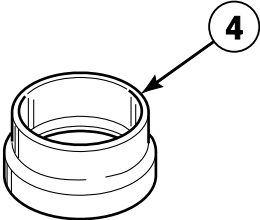
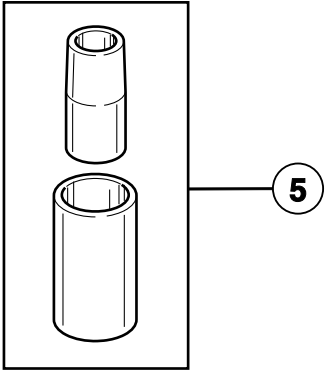
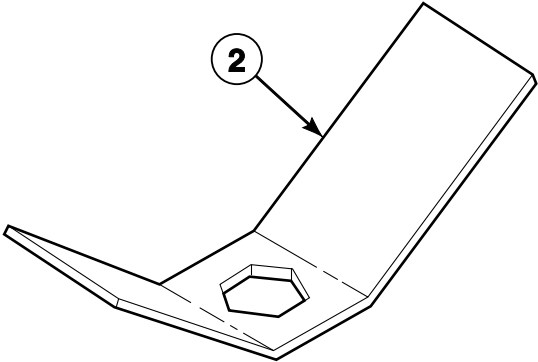
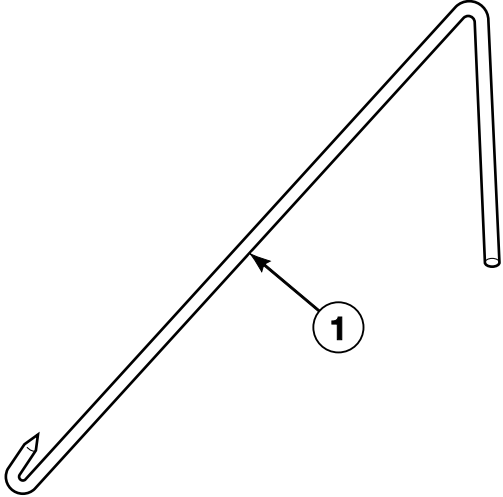


W478P_200640

Power Cord and Wire Terminals

REF	PART NO.	DESCRIPTION	COMMENTS
1	00188	Female Terminal	Used for 1 or 2 wire application
2	32746	24 Position Housing	
3	52909	Screw	
4	34458	Lead-In Cord	
5	00116	Male Pin Terminal	
6	23041	6 Circuit Plug	
7	26708	6 Circuit Receptacle	
8	00117	Female Pin Terminal	
9	26302	1 Circuit Plug	
10	26301	1 Circuit Receptacle	
11	00359	Insulated Female Spade Terminal	1/4 inch
	00165	Insulated Female Terminal	3/16 inch
12	00180	Female Terminal	1 wire
13	00183	Female Terminal	2 wire
14	28856	24 Position Housing	
15	00214	Pre-Insulated Spade Terminal	18 gauge
	00215	Pre-Insulated Spade Terminal	12 gauge
16	00115	Female Spade Terminal	
17	90789	Receptacle Housing	
18	55881	Harness Strap	
19	51291	Wire Clip	
20	00223	Female Spade Terminal	(1) 18 gauge wire
	00121	Female Spade Terminal	(2) 18 gauge wires or (1) 12 gauge wire
21	00120	Female Flag Terminal	
22	29673	Terminal Adapter	
23	21091	Connector	
24	00113	Ring Terminal	1/4 inch ring
25	00111	Ring Terminal	Large shank; (2) 18 gauge wires
26	00110	Ring Terminal	Small shank; (1) 18 gauge wire
27	70210	Insulator	
28	00161	Grounding Clip	

Special Tools

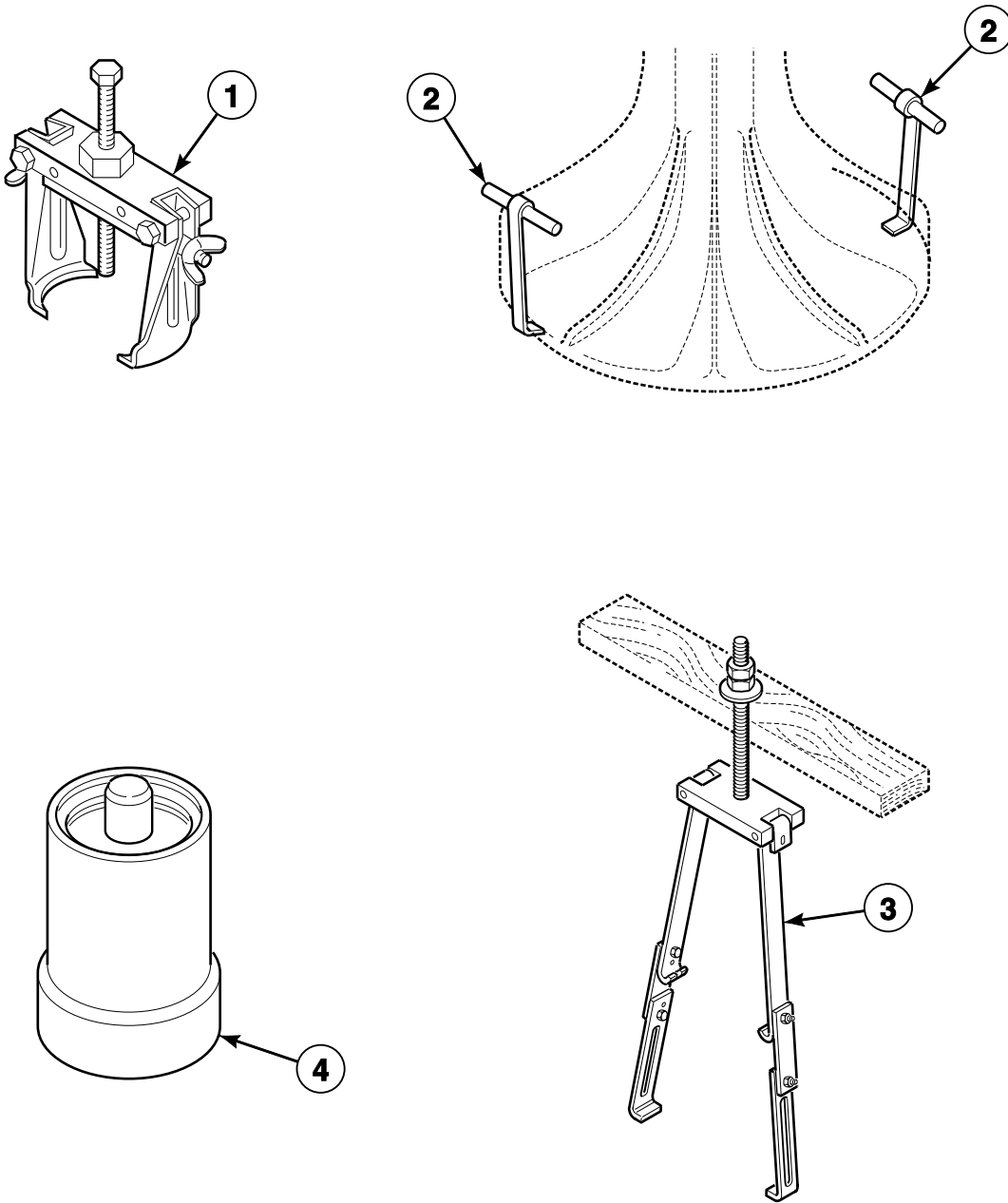


W415P_200640

Special Tools

REF	PART NO.	DESCRIPTION	COMMENTS
1	321P4	Spring Hook Tool	Use to remove 5 centering springs from outer tub
2	306P4	Hex Wrench Tool	Use to remove hex locknut from washtub hub
3	230P4	Guide Spindle	Use to remove hub from transmission; Long post models only
4	241P4	Seal Installer	Use to install 356P3 Washer Seal Kit; Long post models only
5	242P4	Spring Installer	Use to install brake spring

Special Tools - Short Post Models



W418P_200640

Special Tools - Short Post Models

REF	PART NO.	DESCRIPTION	COMMENTS
1	294P4	Agitator Drive Bell Puller	Use to remove and install drive bell to transmission shaft
2	254P4P	Agitator Hook	Set of 2; Use to remove agitator from drive bell by hand
3	256P4P	Agitator Puller Assembly	Use to remove agitator from drive bell
4	255P4	Seal Tool	Use to install the seal seat and the seal head

Parts Index

A

Agitator	
33514	21
Agitator Assembly	
27120	23
Agitator Cap Assembly	
27138	23
Agitator Drive Bell Puller	
294P4	51
Agitator Hook	
254P4P	51
Agitator Pinion	
27003	35, 39
Agitator Puller Assembly	
256P4P	51
Agitator Shaft Assembly	
28091	23
Anti-Rotation Sleeve	
29993	41
Anti-Seize Compound	
27604P	33, 37
Armature	
24132	19
Armature Guide	
24130	19

B

Backflow Preventer Assembly	
34280	15, 17
Balance Ring Assembly	
34731	33, 37
Base Assembly	
31653P	45
Bearing	
27022	39
36107P	39
Bearing Housing Assembly	
27182	33, 37
35746	41
Belt	
28808	31
33843	31
Bleach Dispenser	
34776	9, 11
Brake Kit	
38505P	41
Brake Pad Kit	
548P3	41
Bumper	
21685	9, 11
Bumper Pad	
56128	45
Bushing	
27625	9, 11

C

Capacitor Kit	
258P3	31
Center Column Assembly	
28933	23
28934	23
Clutch and Bearing Assembly	
30893	39
Connector	
21091	47
Control Hood	
29551W	11
Control Hood Assembly	
31735	5
Control Panel Assembly	
28999	7
29000	7
Coupling and Shaft Kit	
368P3	39

D

Diaphragm	
24134	19
Disconnect Power Warning Label	
D505281	9, 11
Dispenser Assembly	
27707	23
Dowel Pin	
27172	35, 39
Drain Extension Kit	
451P3	43
Drain Hose	
39952	43
Drain Hose Sleeve	
29144	43
Drain Tub-to-Pump Hose	
27160	43
Drive Bell and Seal Kit	
39508P	21, 25
Drive Pinion	
36562P	35, 39

E

End Cap	
34459	5
34460	5
End Casting	
25123	7
25124	7

N/A items do not appear in index.

F

Fabric Softener Dispenser Assembly	
33510	21
Female Flag Terminal	
00120	47
Female Pin Terminal	
00117	47
Female Spade Terminal	
00115	47
00121	47
00223	47
Female Terminal	
00180	47
00183	47
00188	47
Fill Hose Kit	
38349P	15
Flinger	
27187	33, 37
Front Panel	
32708LP	45
32708WP	45

G

Gasket	
23028	11
27020	23
Gear and Stud Assembly	
26577	35, 39
Graphic Panel	
31205	5
31207	5
Grommet	
29175	29
Grounding Clip	
00161	31, 47
Guide Spindle	
230P4	49

H

Harness Strap	
55881	47
Helix	
38008	41
Hex Wrench Tool	
306P4	49
Hinge	
27626	9, 11
Hi-Temp Lube	
20605	31
Hold-Down Lug Hinge	
27103	45
Hood Back Panel	
37782	9
Hose Adapter	
29143	43
Hose Clamp	
20211	15, 17, 43

N/A items do not appear in index.

20391	43
27644	43
29172	43
29210	15, 17
35370	15, 17
36801	15, 17
39282	29
Hose Retainer	
29131	43
Hose Retainer Clip	
29936	43
Hose Support	
29284	43
Housing, 24 Position	
28856	47
32746	47
Hub and Seal Kit	
495P3	25

I

Idler Lever	
31054	31
Idler Lever Helper Spring	
30620	31
Idler Lever Spring	
39666	31
Idler Pulley	
28800P	31
Idler Shaft	
28802P	31
Input Shaft	
27081P	35, 39
Insulated Female Spade Terminal	
00359	47
Insulated Female Terminal	
00165	47
Insulator	
70210	47

K

Knob Assembly	
31287	5

L

Lead-In Cord	
34458	47
Leg Plate	
27926	29
27927	29
Leg Spring	
27239	29
Leveling Leg	
34319	45
Lid and Carton Assembly	
31315LP	9
31315WP	9
Lid Switch Catch	
27149	9, 11

Lid Switch Shield 29042	13
Lint Filter 33521	25, 27
Lint Filter Fastener 29474	27
Loading Door 27665W	11
Lower Bearing 28944RP	41

M

Male Pin Terminal 00116	47
Mixing Valve 33930P	19
35856P	19
Mixing Valve Hose 27183	15, 17
Mixing Valve Mounting Bracket 39407	15, 17
Motor and Pulley Assembly 28341	31
Motor Assembly 30010	31
Motor Kit 27179P	31
27658P	31
Motor Mounting Bracket 28791	31
Motor Pulley 27104	31
27171	31
Motor Shield 27136	31
Motor Spacer 27181	31
Motor Switch 24139	31
24140	31
30895A	31
30897AP	31
Mounting Bracket 24158	19

N

Nut	
03673	11
21752	9, 11
21899	45
23604	31
24522	11
25126	7
27201	31
27222	33, 37
27248	13
28803	31
29043	13
29220	25, 27
36020	11
52566	31

54038	15, 17
57584	5, 7

O

Outer Tub 30508	29
Outer Tub Cover 31153	29
Outer Tub Kit 507P3	29
Out-of-Balance Switch Bracket 27250	13
Out-of-Balance Switch Lever 27602	13
Out-of-Balance Switch Trigger 27247	29
Output Shaft 36570P	35

P

Panel Locator 28102	45
56079	45
Panel Support Bracket 23360	7
Pivot Dome 27124	41
Plug 29901	29
Plug, 1 Circuit 26302	47
Plug, 6 Circuit 23041	47
Pre-Insulated Spade Terminal 00214	47
00215	47
Pressure Bulb 30907	29
Pressure Switch 27778	7
Pulley and Washers Kit 34232P	41
Pump Assembly 31968	43
Pump Belt 27155	31
28043	31
Pump Motor Pulley 28056	31
Pump Mounting Bracket 27105	43

R

Rack 201664	35, 39
Receptacle Housing 90789	47

N/A items do not appear in index.

Receptacle, 1 Circuit 26301	47
Receptacle, 6 Circuit 26708	47
Recirculating Hose 27232	43
Reduction Gear 29161P	35, 39
Retainer 10519	5, 7
Retaining Ring 23748	31
27197	23, 35, 39
Ring Terminal 00110	47
00111	47
00113	47
Roll Pin 10416	31
23750	31
28087	31
Rotary Pressure Switch 31266	5
Rubber Foot 21749	45
Rubber Motor Mount 01952A	31
01953	31

S

Screw	
D503661	29, 31, 43
M400057	33, 37
Q6516	13
20253	39
20267	11
23008	11
23962	5, 7, 9, 11, 15, 17, 45
25232	7
25817C	19
26318	7
26547	41
27030	35, 39
27196	43, 45
27200	33, 37
27202	23, 25, 27
27220	41
27229	31
28193	13
29273	35, 39
30852	21
31098	43
31260	5
31709	35
31752	5
33562	9
35369	29, 41
39733	45
51780	45
52909	9, 47
Screw and Washer Assembly 27203	9, 11
Seal 28114	39

30853	21
Seal Installer 241P4	49
Seal Kit 356P3	27
Seal Tool 255P4	51
Seat Seal Assembly 30021	21
Service Cabinet Kit 38612LP	45
38612WP	45
Silicone Grease 26594P	45
Siphon Break Kit 562P3	43
Sleeve 24128	19
24129	19
Slide 26493	35, 39
Snubber Pad Kit 434P3	45
Solenoid 24126	19
24136	19
Spacer 27176	41
Speed Clip 28835	45
Spline Insert 29728	25
Spring 24131	19
26319	7
33435	41
Spring Clip 27017	29
28849	31
Spring Hook Tool 321P4	49
Spring Installer 242P4	49
Standpipe Strap 33489	43
Strain Relief 38384	9, 11
Strainer F270200	19
Support Angle Sleeve 24859	7
Support Barrel 56534	9, 11
Support Leg 27090	41
Switch 27249	13
Switch Knob Assembly 28124	7
Switch Lever Spring 27603	13

N/A items do not appear in index.

T

Taper Pin	
20243	23
Temperature Switch	
21300	5, 7
21302	7
Terminal Adapter	
29673	47
Timer	
28918P	7
31239P	5
31241P	5
Timer Knob Assembly	
27382	7
28287	7
31281	5
Timer Skirt Assembly	
31267	5
Top and Carton Assembly	
32808LP	9
32808WP	9
Top Assembly	
27662W	11
27663W	11
Transmission Assembly	
30946P	37
33227P	33
Transmission Case Assembly	
33223P	35, 39
Transmission Cover Assembly	
38287P	35, 39
Transmission Oil	
27243P	35, 39
Transmission Sealant	
37577P	23, 39
Tub Assembly	
39252P	25, 27
39387P	25, 27
Tub Cover Gasket	
27184	29
Tubing	
202700	29
Tub-to-Pump Hose	
27159	43

U

U-Clip	
27610	13
27837	13

V

Valve Body	
24159	19

W

Warning Sticker	
27195	29
Washer	
02431	33, 37, 39
03815	11, 29
03888	31
04704	23
10429	23
20057	23
202010	33, 37, 41
20212	35
20290	15, 17
20493	7, 11
21456	35, 39
23425	11, 29
24475	33, 37
26509	35, 39, 41
27015	41
27016	35, 39
27163	27
27164	23
27166	37
27189	23
28094	25, 27
29260	35, 39
29443	31
52549	31
803615	15, 17
81392	31
91176	7
Washtub Gasket	
39122	25, 27
Water Hose	
F200116	15, 17
Water Inlet Head	
29154	17
Water Inlet Hose	
29182	17
31140	15
Wire Clip	
51291	47

N/A items do not appear in index.

