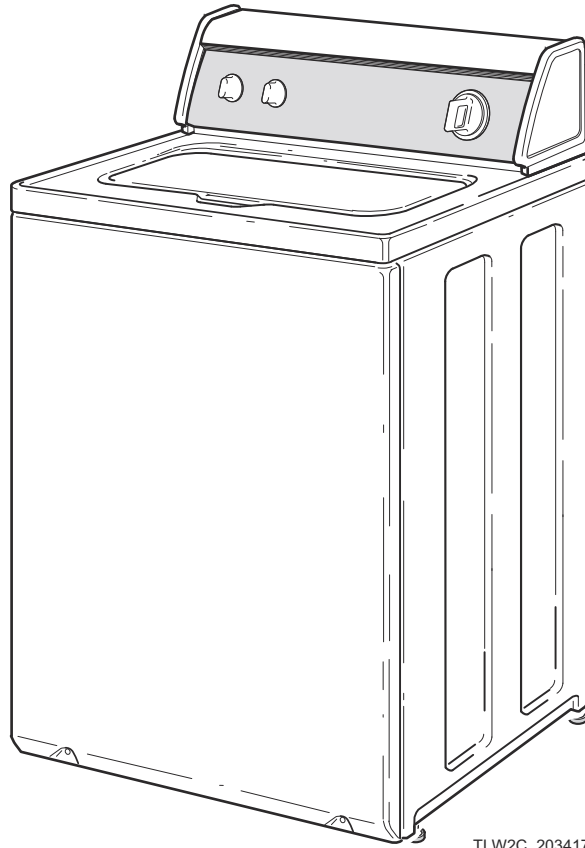


Home Topload Washers

Refer to Page 3 for Model Numbers



TLW2C_203417

Table of Contents

Title	Page
Parts Ordering Information.....	2
Serial Plate Location	2
Model Identification	3
Graphic Panel, Control Support Panel and Controls (Drawing 1 of 5).....	4
Graphic Panel, Control Support Panel and Controls (Drawing 2 of 5).....	6
Graphic Panel, Control Support Panel and Controls (Drawing 3 of 5).....	8
Graphic Panel, Control Support Panel and Controls (Drawing 4 of 5).....	10
Graphic Panel, Control Support Panel and Controls (Drawing 5 of 5).....	12
Lid Switch Assembly	14
Top, Lid and Hood Back Panel	16
Junction Box	18
Fill Hose, Mixing Valve-to-Tub Cover Hose, Mixing Valve and Bracket.....	20
Motor, Mounting Bracket, Belt, Pump and Idler Assembly.....	22
Motor, Mounting Bracket, Belt, and Idler Assembly	24
Agitator, Fabric Softener Dispenser, Drive Bell, Hub and Lip Seal Kit and Washtub.....	26
Outer Tub, Cover, Bearing and Seal Housing, Pressure Hose and Counterweight.....	28
Drain Hose and Siphon Break Kit	30
Electric Drain Pump, Drain Hose and Siphon Break Kit.....	32
Electric Drain Pump, Drain Hose and Siphon Break Kit Through Serial No. 1912999999	34
Electric Drain Pump, Drain Hose and Siphon Break Kit Starting Serial No. 2001000001	36
Weldment and Bearing Assembly, Brake and Pulley.....	38
Transmission Assembly	40
Front Panel, Base Assembly and Cabinet Kit.....	42
Mixing Valve and Motor Connection Blocks, Terminals and Extractor Tool.....	44
Lead-In Cord and Terminals	46
Terminals	48
Shipping Brace, Plug and Special Tools.....	50
Special Tools	52
Output Board, Wire Harnesses and Wires	54
Wire Harnesses and Wires	56
Parts Index.....	59

© Copyright 2023, Alliance Laundry Systems LLC

All rights reserved. No part of the contents of this book may be reproduced or transmitted in any form or by any means without the expressed written consent of the publisher.

Parts Ordering Information

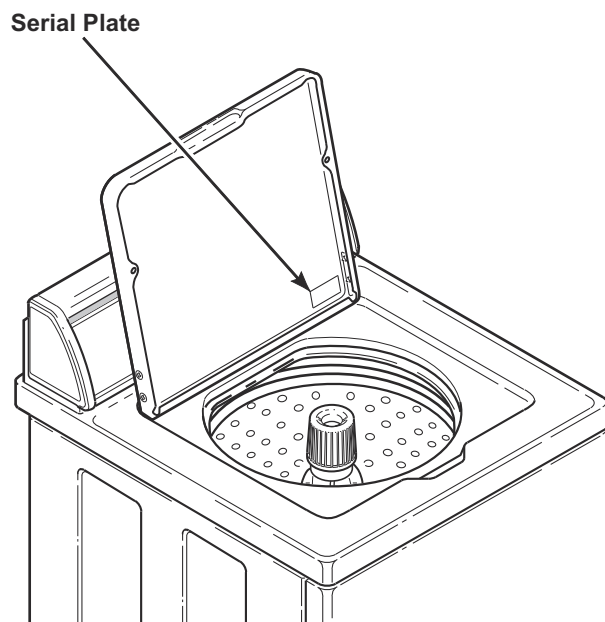
If literature or replacement parts are required, contact the source from whom the machine was purchased or contact Alliance Laundry Systems at (920) 748-3950 for the name and address of the nearest authorized parts distributor.

For technical assistance, call the number listed below:

(920) 748-3121 Ripon, Wisconsin

Serial Plate Location

When calling or writing about your product, be sure to mention model and serial numbers. Model and serial numbers are located on serial plate(s) as shown.



W429S_203417

Model Identification

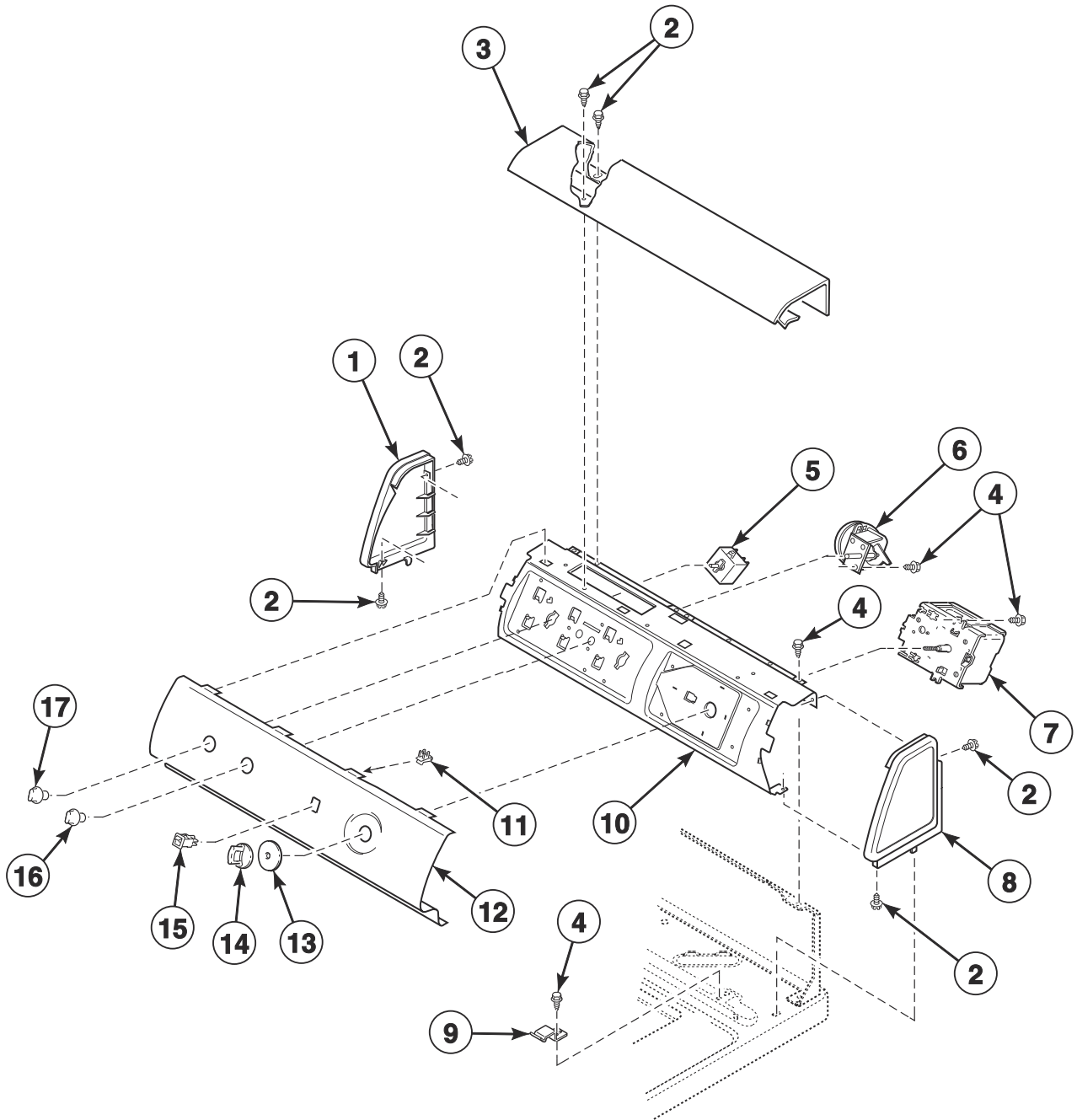
Information in this manual is applicable to these washer models:

AWN432SP113TW01
AWN432SP113TW04
AWNA62SN303AW01
AWNA62SN305AW01
AWNE82SN303AW01
AWNE82SP113TW01
AWNE92SN303AW01
AWNE92SN305AW01
AWNE92SP113TW01

LWNA62SP303LW01
LWNA62SP305AW01

Graphic Panel, Control Support Panel and Controls (Drawing 1 of 5)

Models AWN432SP113TW01 and AWN432SP113TW04



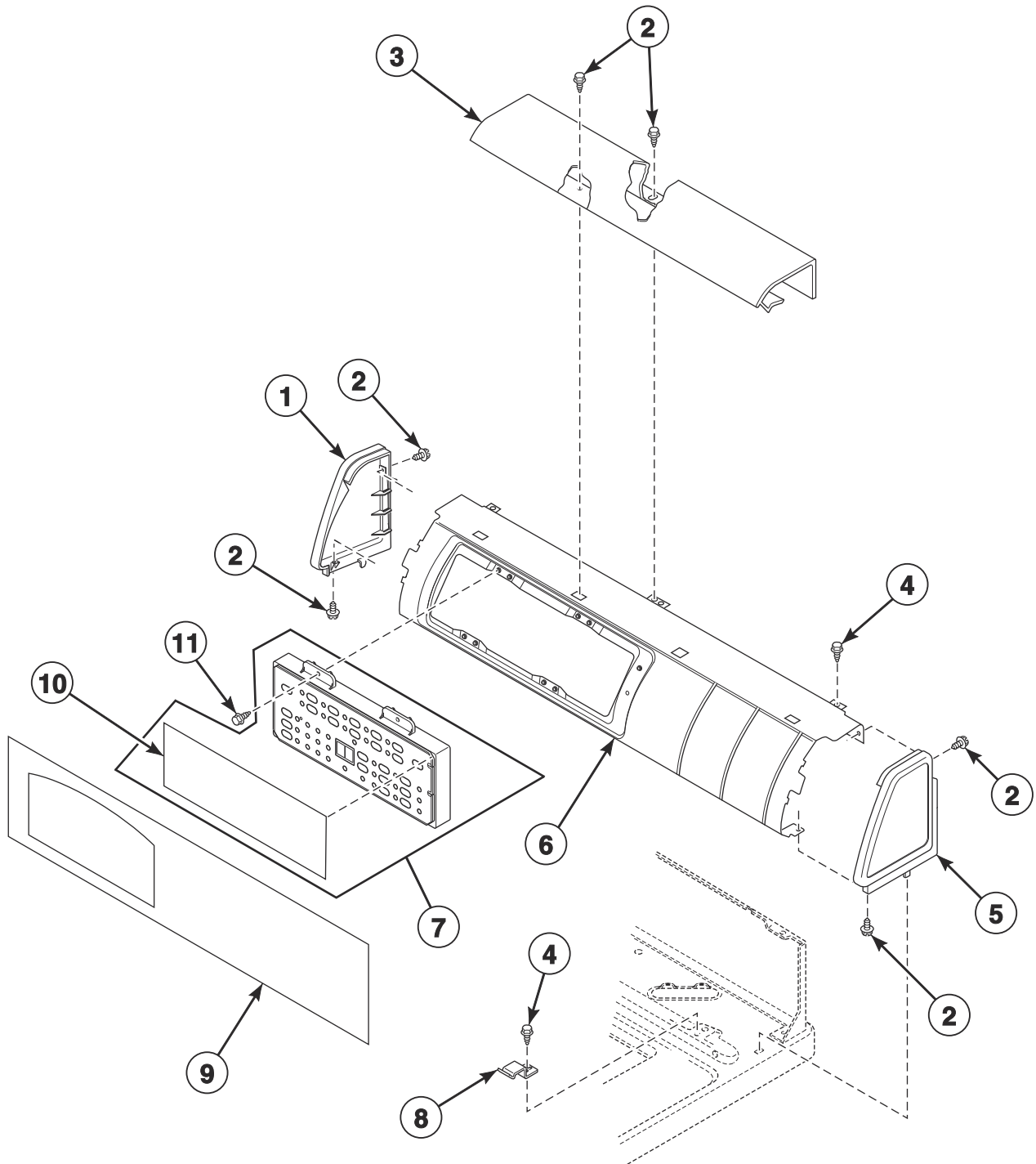
TLW1774P_203417

Graphic Panel, Control Support Panel and Controls (Drawing 1 of 5)

REF	PART NO.	DESCRIPTION	COMMENTS
1	D504009WP	End Panel	Left
2	D501086	Screw	
3	39905W	Top Cover	
4	23962	Screw	
5	35115	Temperature Switch	3 position
6	202937	Pressure Switch	
7	202705P	Timer	Model AWN432SP113TW01
	203387P	Timer	Model AWN432SP113TW04
8	D504008WP	End Panel	Right
9	205340	Hold-Down Clip	
10	38565	Control Support Panel	
11	00161	Grounding Clip	
12	203606W	Graphic Panel	
13	803116	Timer Skirt Assembly	
14	202133	Timer Knob Assembly	
15	38424W	Rocker Switch	
16	803118P	Knob Assembly	
17	803119P	Control Knob Assembly	

Graphic Panel, Control Support Panel and Controls (Drawing 2 of 5)

Models AWNE82SN303AW01, AWNE82SP113TW01, AWNE92SN303AW01 and AWNE92SP113TW01



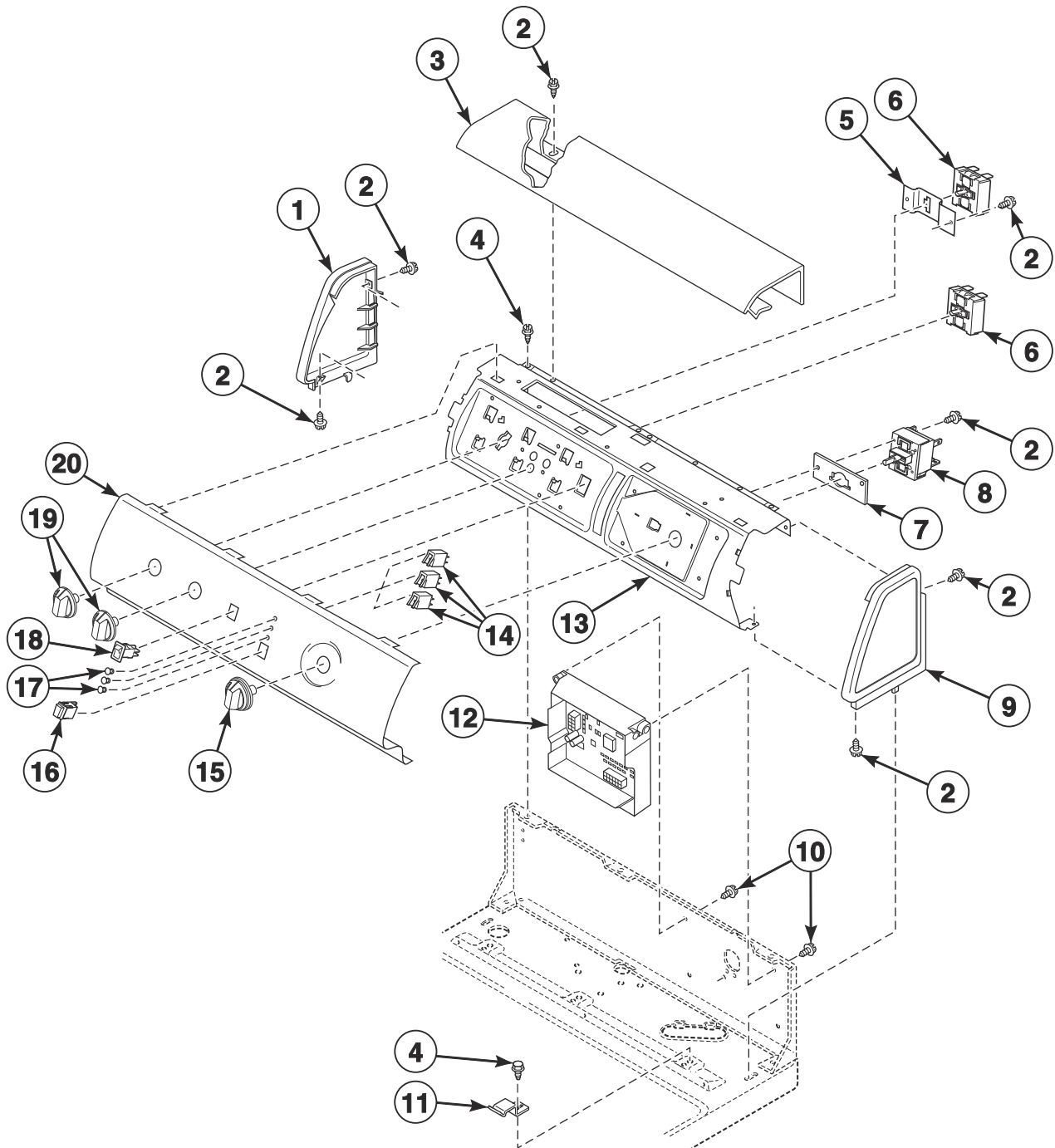
TLW1772P_203417

Graphic Panel, Control Support Panel and Controls (Drawing 2 of 5)

REF	PART NO.	DESCRIPTION	COMMENTS
	203111P	EMI Filter Assembly	Models AWNE82SN303AW01 and AWNE92SN303AW01; Includes 29787 Nut, 80262 Grommet, 203068 Junction Box, 800258 Screw and 804864 Line Filter
1	D504009WP	End Panel	Left
2	D501086	Screw	
3	39905W	Top Cover	
4	23962	Screw	
5	D504008WP	End Panel	Right
6	202942	Control Support Panel	
7	202771P	Control Assembly	Model AWNE92SN303AW01; Includes item 10
	202769P	Control Assembly	Model AWNE92SP113TW01; Includes item 10
	202772P	Control Assembly	Model AWNE82SN303AW01; Includes item 10
	202770P	Control Assembly	Model AWNE82SP113TW01; Includes item 10
8	205340	Hold-Down Clip	
9	202797P	Graphic Panel	
10	202628	Overlay	Models AWNE92SN303AW01 and AWNE92SP113TW01
	202751	Control Overlay	Models AWNE82SN303AW01 and AWNE82SP113TW01
11	804667	Screw	

Graphic Panel, Control Support Panel and Controls (Drawing 3 of 5)

Models AWNA62SN303AW01, LWNA62SP303LW01 and LWNA62SP305AW01



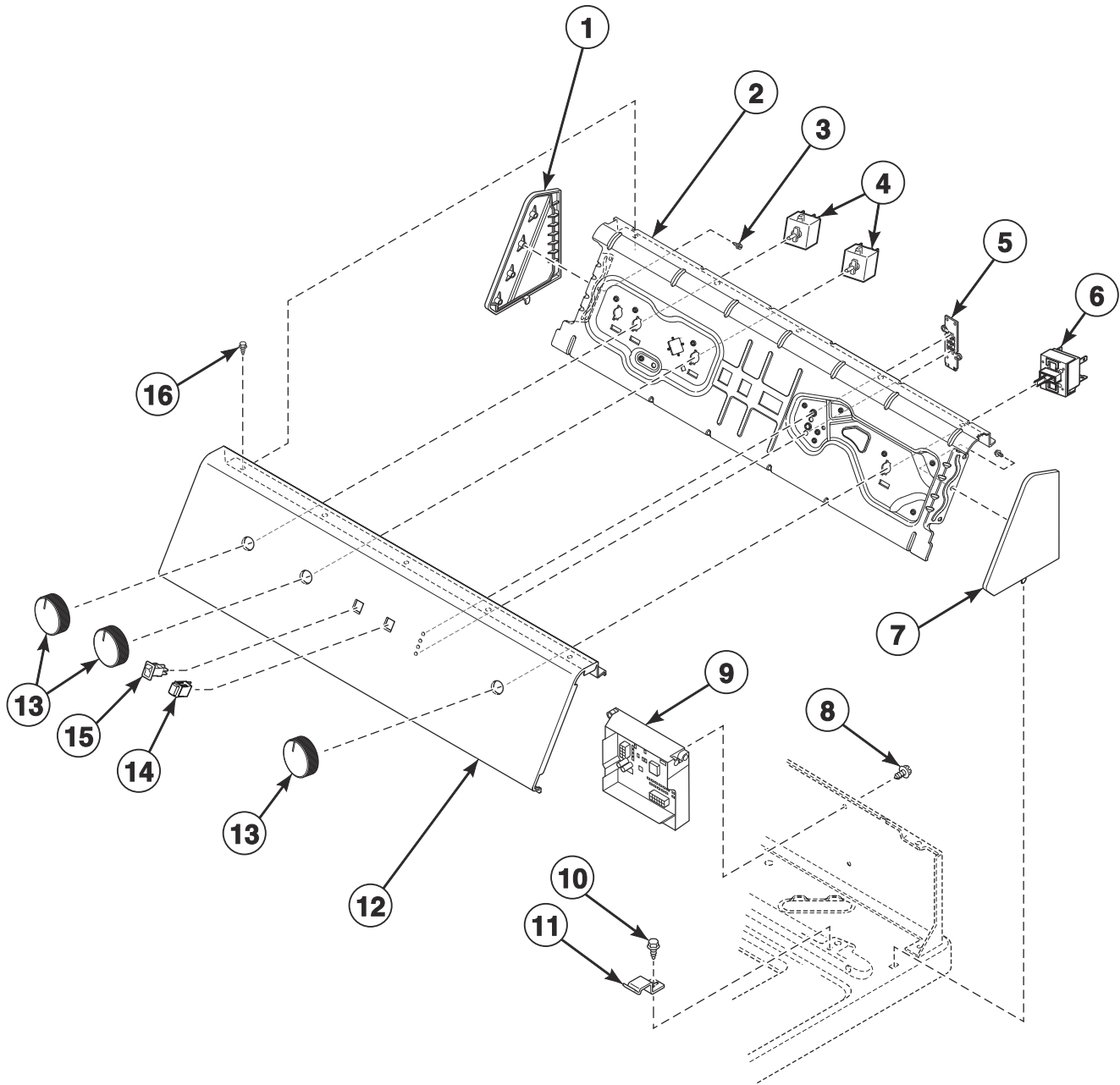
TLW1874P_203417

Graphic Panel, Control Support Panel and Controls (Drawing 3 of 5)

REF	PART NO.	DESCRIPTION	COMMENTS
1	D504009WP	End Panel	Left
2	D501086	Screw	
3	39905W	Top Cover	
4	23962	Screw	
5	203483	Bracket	
6	35115	Temperature Switch	3 position
7	801390	Cycle Switch Bracket	
8	801240	Cycle Switch	
9	D504008WP	End Panel	Right
10	804608	Screw	
11	205340	Hold-Down Clip	
12	202792P	Control Assembly	
13	38565	Control Support Panel	
14	801356	Indicator Light	
15	803168P	Knob Assembly	Model AWNA62SN303AW01
	D512117W	Timer Knob Assembly	Models LWNA62SP303LW01 and LWNA62SP305AW01
16	801434W	Push-to-Start Switch	
17	801435	Indicator Light Lens	
18	38424W	Rocker Switch	Model AWNA62SN303AW01
19	803119P	Control Knob Assembly	Model AWNA62SN303AW01
	36701W	Knob Assembly	Models LWNA62SP303LW01 and LWNA62SP305AW01
20	203495W	Graphic Panel	Model AWNA62SN303AW01
	204341W	Graphic Panel	Models LWNA62SP303LW01 and LWNA62SP305AW01

Graphic Panel, Control Support Panel and Controls (Drawing 4 of 5)

Model AWWA62SN305AW01



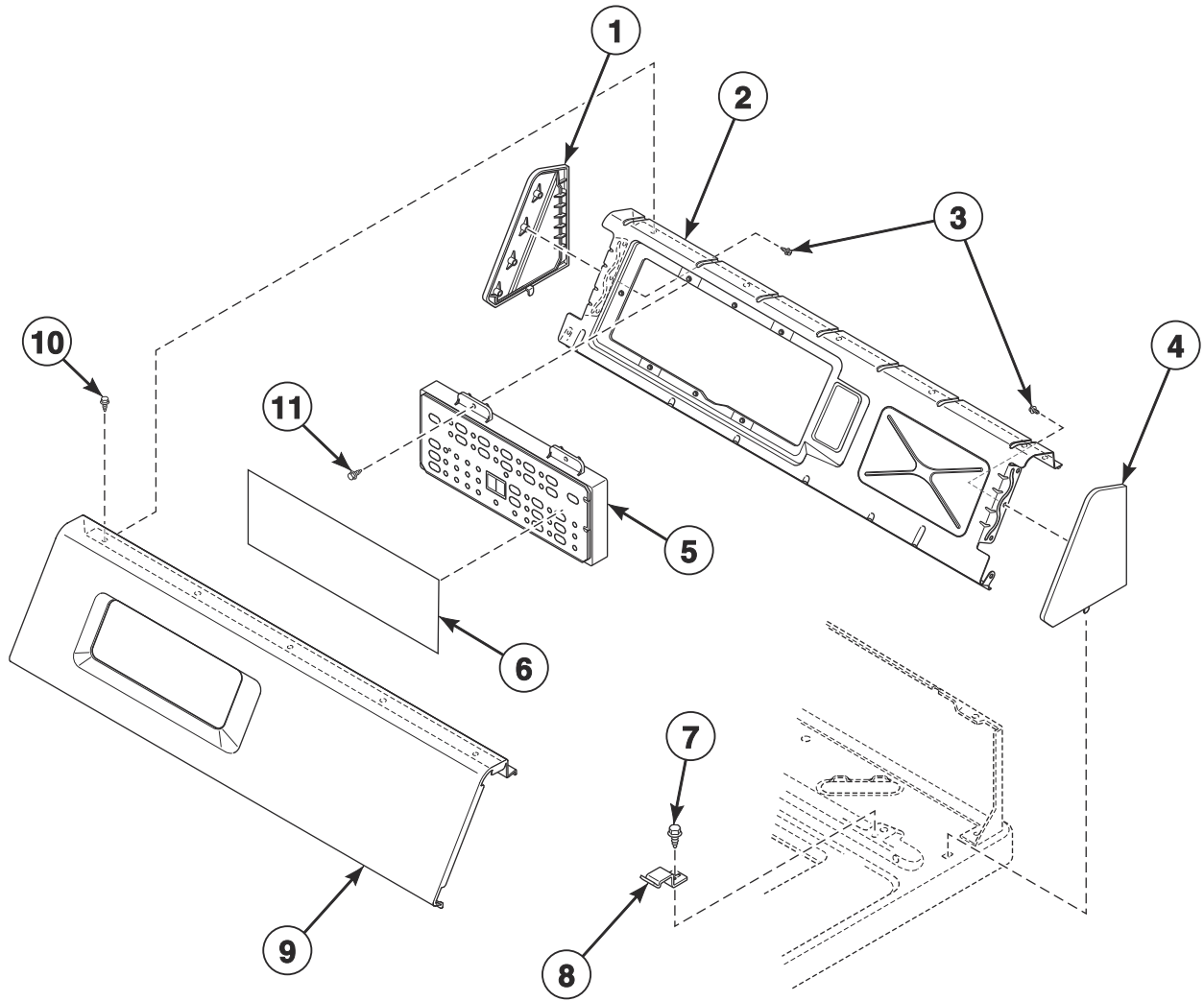
TLW1881P_203417

Graphic Panel, Control Support Panel and Controls (Drawing 4 of 5)

REF	PART NO.	DESCRIPTION	COMMENTS
1	203962	End Cap	Left
2	203840	Control Support Panel	
3	203799	Screw	
4	35115	Temperature Switch	
5	205130	LED Display Assembly	
6	203976	Cycle Selector Switch	
7	203961	End Cap	Right
8	804608	Screw	
9	202792P	Control Assembly	
10	23962	Screw	
11	205340	Hold-Down Clip	
12	204595	Graphic Panel	
13	204046	Knob Assembly	
14	203935	Push Button Switch	
15	203934	Rocker Switch	
16	807075	Screw	

Graphic Panel, Control Support Panel and Controls (Drawing 5 of 5)

Model AWNE92SN305AW01

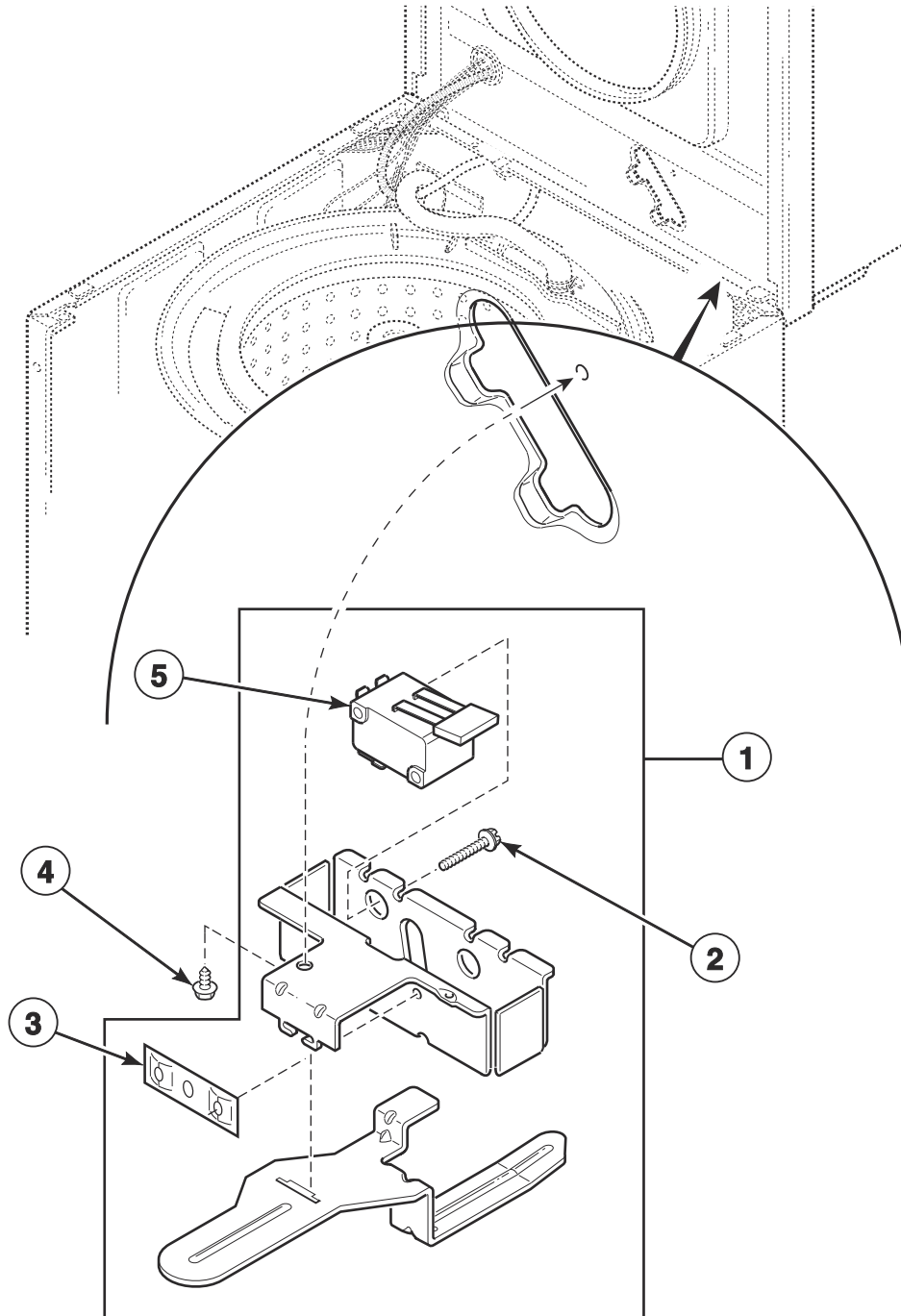


TLW1852P_203417

Graphic Panel, Control Support Panel and Controls (Drawing 5 of 5)

REF	PART NO.	DESCRIPTION	COMMENTS
1	203962	End Cap	Left
2	203708	Control Support Panel	
3	203799	Screw	
4	203961	End Cap	Right
5	204637	Control Assembly	Includes item 6
6	204596	Overlay	
7	23962	Screw	
8	205340	Hold-Down Clip	
9	203712	Graphic Panel	
10	807075	Screw	
11	804667	Screw	

Lid Switch Assembly

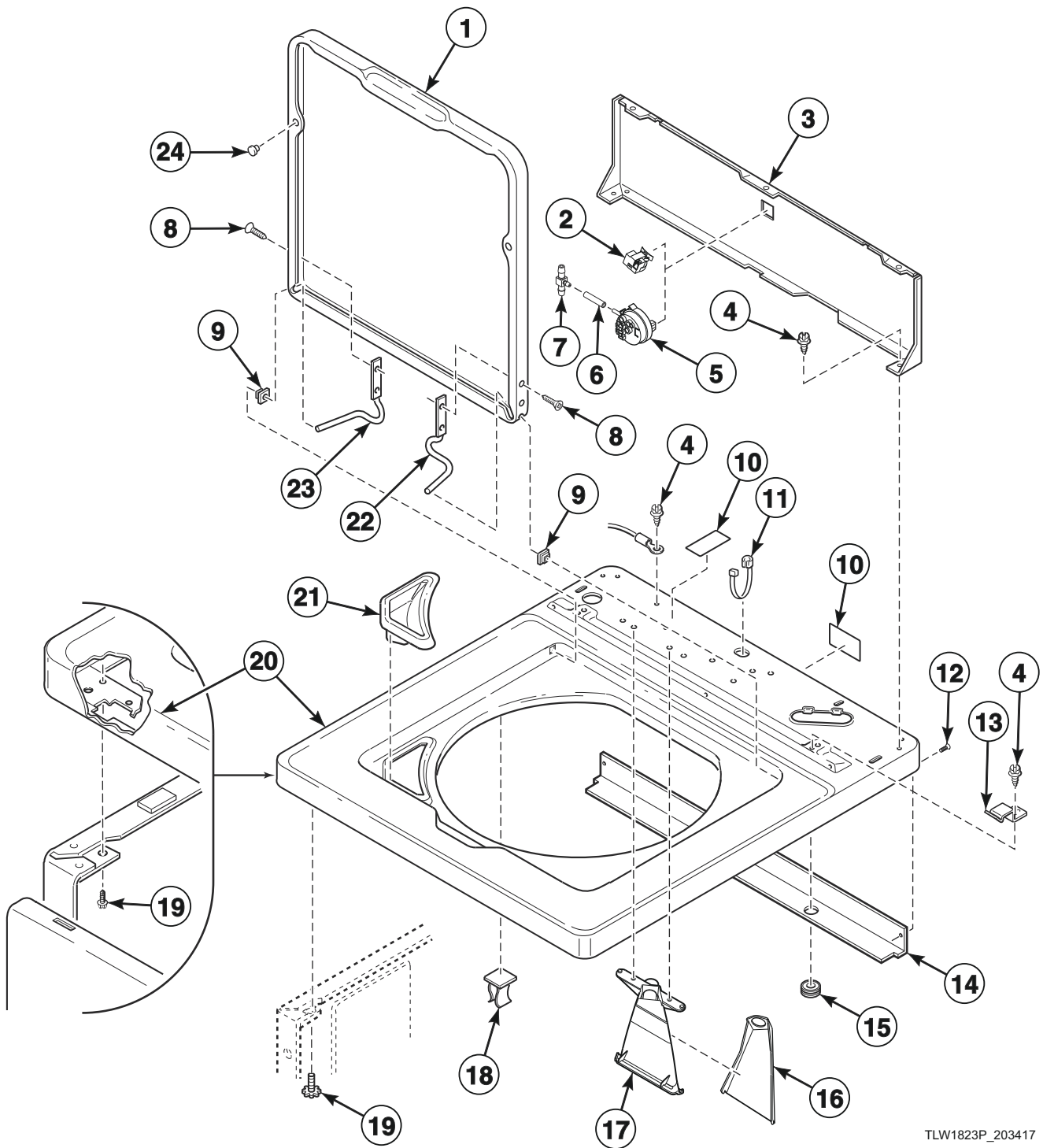


TLW1893P_203417

Lid Switch Assembly

REF	PART NO.	DESCRIPTION	COMMENTS
1	204538	Lid Switch Drip Shield	Models AWNA62SN303AW01, AWNA62SN305AW01, AWNE82SN303AW01, AWNE92SN303AW01, AWNE92SN305AW01, LWNA62SP303LW01 and LWNA62SP305AW01
2	M402574	Screw	Use with single switch
	204656	Screw	Use with dual switch
3	M400981	Nut	Use with single switch
	M400979	Nut	Use with dual switch
4	23962	Screw	
5	204696	Lid Switch Kit	

Top, Lid and Hood Back Panel



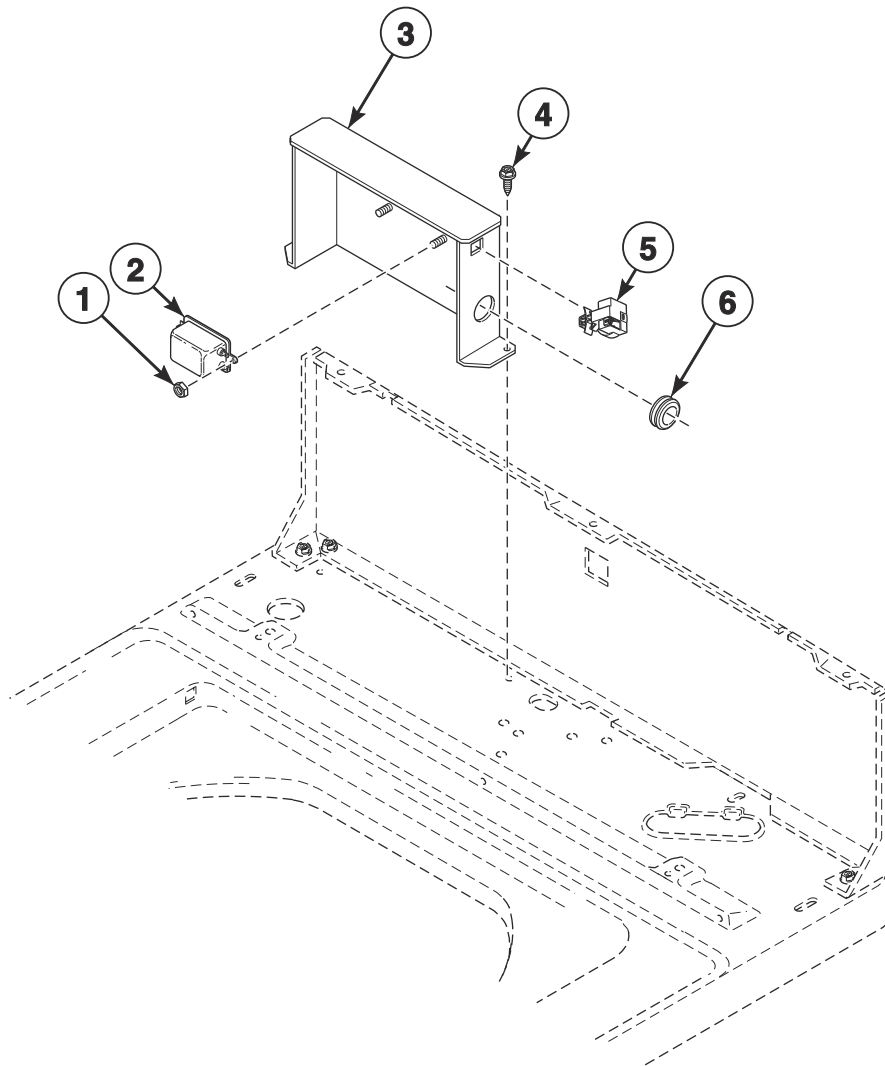
TLW1823P_203417

Top, Lid and Hood Back Panel

REF	PART NO.	DESCRIPTION	COMMENTS
1	37395WP	Lid	
	203045	Lid Warning Label	
2	203843	Pressure Sensor	Models AWNE82SP113TW01, AWNE92SN305AW01 and AWNE92SP113TW01
3	203525	Hood Back Panel	Models AWNA62SN303AW01, LWNA62SP303LW01 and LWNA62SP305AW01
	203110	Hood Back Panel	Models AWNE82SN303AW01 and AWNE92SN303AW01
	37782	Hood Back Panel	Model AWN432SP113TW01
	204665	Hood Back Panel	Model AWNA62SN305AW01
	204664	Hood Back Panel	Model AWNE92SN305AW01
	202549	Hood Back Panel	All other models
4	23962	Screw	
5	B12548401	Pressure Switch	Model AWN432SP113TW04
6	203511	Tubing	Model AWN432SP113TW04
7	203464	Barbed Tee	Model AWN432SP113TW04
8	34337	Screw	
9	33446	Bushing	
10	D505281	Disconnect Power Warning Label	
11	38384	Strain Relief	
12	431287	Screw	Models AWNA62SN303AW01, AWNA62SN305AW01, AWNE82SN303AW01, AWNE92SN303AW01, AWNE92SN305AW01, LWNA62SP303LW01 and LWNA62SP305AW01
13	205340	Hold-Down Clip	
14	203946	Top Shield	Models AWNA62SN303AW01, AWNA62SN305AW01, AWNE82SN303AW01, AWNE92SN303AW01, AWNE92SN305AW01, LWNA62SP303LW01 and LWNA62SP305AW01
15	80262	Grommet	Models AWNA62SN303AW01, AWNA62SN305AW01, AWNE82SN303AW01, AWNE92SN303AW01, AWNE92SN305AW01, LWNA62SP303LW01 and LWNA62SP305AW01
16	202894	Inlet Cover	
17	202900	Inlet Deflector	
18	36519	Hinge Stop Clip	
19	33562	Screw	
20	37992WP	Top	
21	38382	Bleach Dispenser	
22	36437	Lid Hinge	Right
23	36513	Lid Hinge	Left
24	21685	Bumper	

Junction Box

Models AWNA62SN303AW01, AWNA62SN305AW01, AWNE82SN303AW01, AWNE92SN303AW01, AWNE92SN305AW01, LWNA62SP303LW01 and LWNA62SP305AW01

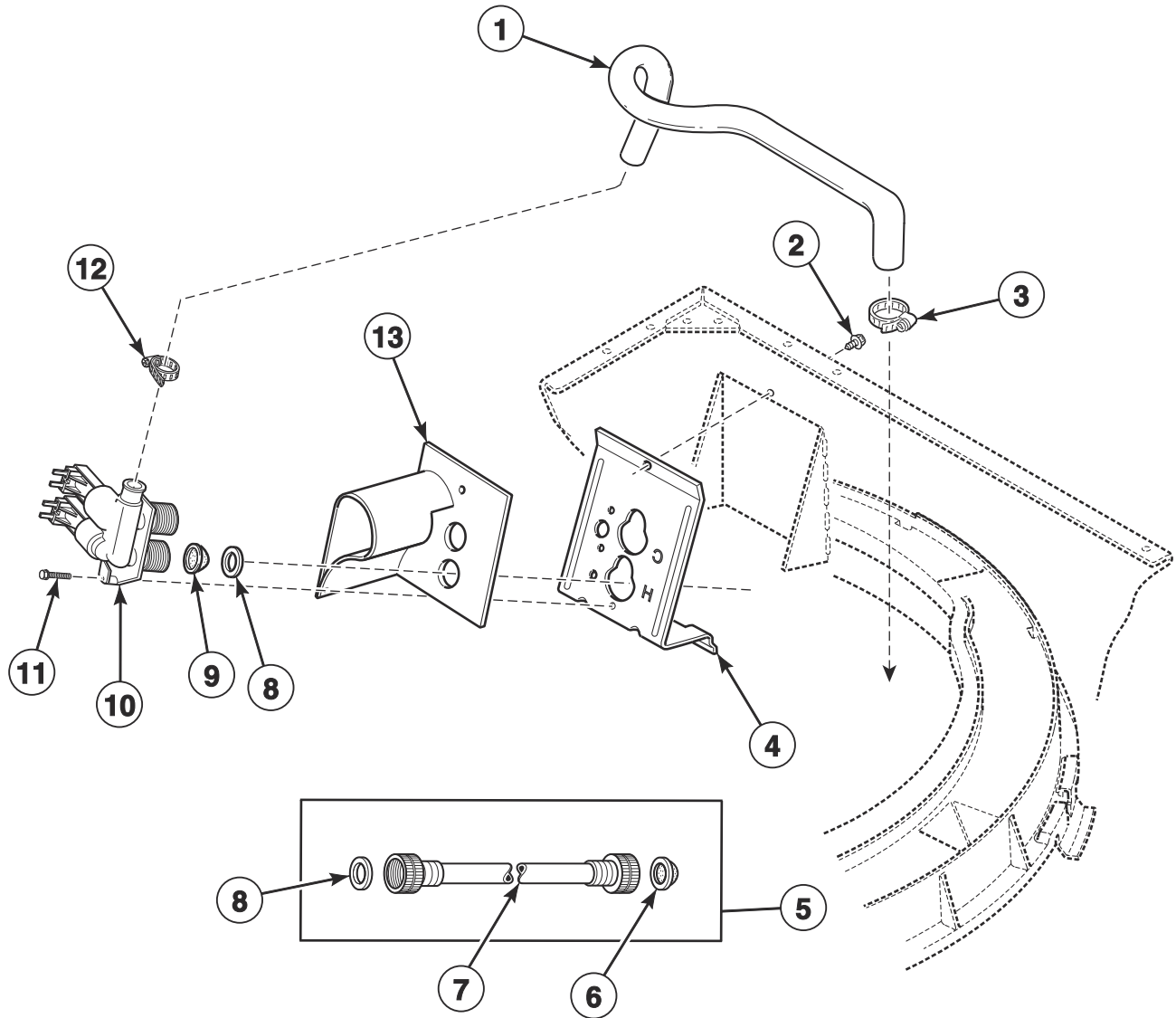


TLW1875P_203417

Junction Box

REF	PART NO.	DESCRIPTION	COMMENTS
	804724	Cable Tie	
1	29787	Nut	
2	804864	Line Filter	
3	203068	Junction Box	Models AWNA62SN303AW01, AWNE82SN303AW01, AWNE92SN303AW01, LWNA62SP303LW01 and LWNA62SP305AW01
4	800258	Screw	Models AWNA62SN303AW01, AWNE82SN303AW01, AWNE92SN303AW01, LWNA62SP303LW01 and LWNA62SP305AW01
5	203843	Pressure Sensor	Models AWNA62SN303AW01, AWNE82SN303AW01, AWNE92SN303AW01, LWNA62SP303LW01 and LWNA62SP305AW01
6	80262	Grommet	Models AWNA62SN303AW01, AWNE82SN303AW01, AWNE92SN303AW01, LWNA62SP303LW01 and LWNA62SP305AW01

Fill Hose, Mixing Valve-to-Tub Cover Hose, Mixing Valve and Bracket



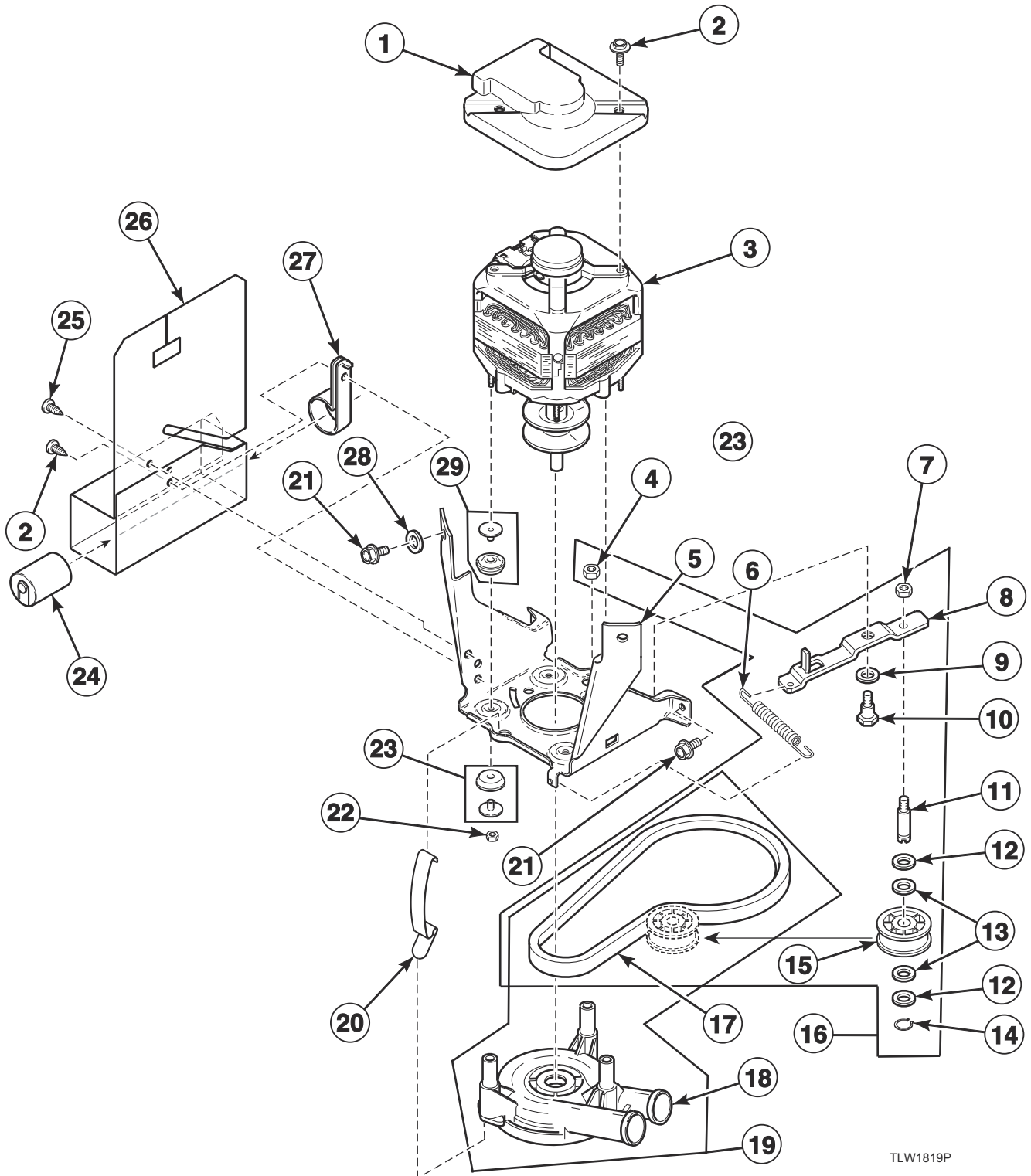
TLW1798P_203417

Fill Hose, Mixing Valve-to-Tub Cover Hose, Mixing Valve and Bracket

REF	PART NO.	DESCRIPTION	COMMENTS
1	202884	Valve to Inlet Hose	Models AWN432SP113TW01, AWN432SP113TW04, AWNE82SP113TW01 and AWNE92SP113TW01 through Serial No. 1812016076; All other models through Serial No. 1809999999
	204400	Valve to Inlet Hose	Models AWN432SP113TW01, AWN432SP113TW04, AWNE82SP113TW01 and AWNE92SP113TW01 starting Serial No. 1812016077; All other models through Serial No. 1810000001
2	33562	Screw	
3	800803	Hose Clamp	
4	39407	Mixing Valve Mounting Bracket	Models AWN432SP113TW01, AWN432SP113TW04, AWNE82SP113TW01 and AWNE92SP113TW01 through Serial No. 1812016076; All other models through Serial No. 1809999999
	203558	Mixing Valve Mounting Bracket	Models AWN432SP113TW01, AWN432SP113TW04, AWNE82SP113TW01 and AWNE92SP113TW01 starting Serial No. 1812016077; All other models through Serial No. 1810000001
5	F200116	Water Hose	5 feet; Models AWN432SP113TW01, AWN432SP113TW04, AWNE82SP113TW01 and AWNE92SP113TW01
6	803615	Washer	Filter screen
	802254	Washer	Flow restrictor; Water pressure reducer; Available for water pressure up to but not exceeding 120 psi
7	203720	Fill Hose	Marked for cold water; 4 feet; 2 GHT thread hose couplings
	203719	Fill Hose	Marked for hot water; 4 feet; 2 GHT thread hose couplings
	203750	Fill Hose	Marked for cold water; 4 feet; 1 BSPP thread hose coupling and 1 GHT thread hose coupling
	203718	Fill Hose	Marked for hot water; 4 feet; 1 BSPP thread hose coupling and 1 GHT thread hose coupling
	204103	Fill Hose	Marked for cold water; 4 feet; 2 BSPP thread hose couplings and 1 GHT thread hose coupling
	204102	Fill Hose	Marked for hot water; 4 feet; 2 BSPP thread hose couplings and 1 GHT thread hose coupling
8	20290	Washer	
9	24122	Mixing Valve Screen	
10	202396P	Mixing Valve	Models AWNA62SN303AW01, AWNA62SN305AW01, AWNE82SN303AW01, AWNE92SN303AW01, AWNE92SN305AW01, LWNA62SP303LW01 and LWNA62SP305AW01 through Serial No. 1809999999
	203928	Mixing Valve	Models AWNA62SN303AW01, AWNA62SN305AW01, AWNE82SN303AW01, AWNE92SN303AW01, AWNE92SN305AW01, LWNA62SP303LW01 and LWNA62SP305AW01 starting Serial No. 1810000001
	202395P	Mixing Valve	All other models through Serial No. 1812016076
	203741	Mixing Valve	All other models starting Serial No. 1812016077
11	39397	Screw	
12	36801	Hose Clamp	
13	202899	Mixing Valve Shield	Models AWNA62SN303AW01, AWNA62SN305AW01, AWNE82SN303AW01, AWNE92SN303AW01, AWNE92SN305AW01, LWNA62SP303LW01 and LWNA62SP305AW01

Motor, Mounting Bracket, Belt, Pump and Idler Assembly

Models AWN432SP113TW01, AWN432SP113TW04, AWNE82SP113TW01, AWNE92SP113TW01, LWNA62SP303LW01 and LWNA62SP305AW01



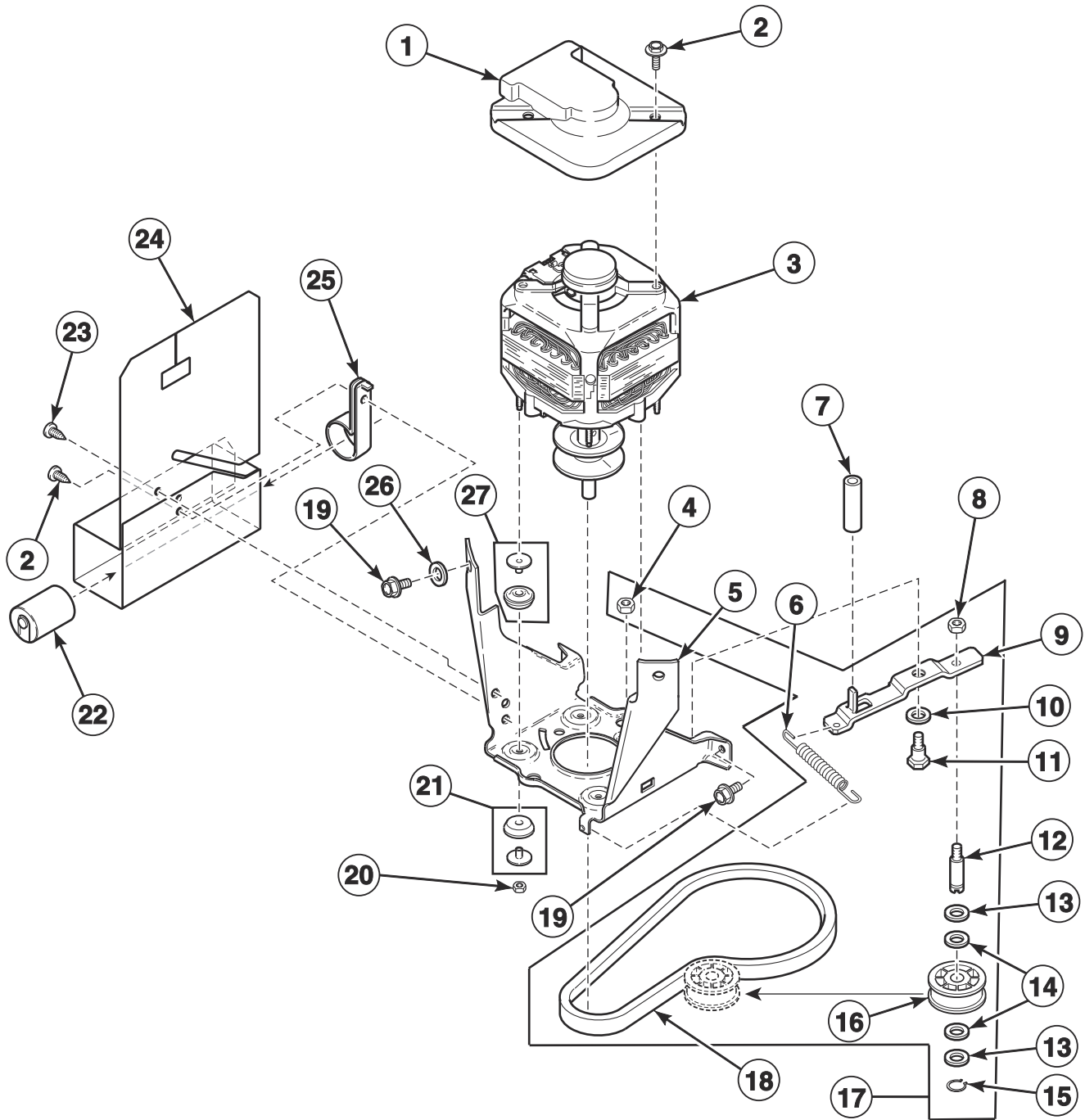
TLW1819P

Motor, Mounting Bracket, Belt, Pump and Idler Assembly

REF	PART NO.	DESCRIPTION	COMMENTS
	20530	Screw	
1	34754	Motor Shield	
2	31645	Screw	
3	202544P	Motor Assembly	Models LWNA62SP303LW01 and LWNA62SP305AW01; 2 Speed; 240 Volt/50 Hertz
	38034P	Motor Kit	All other models; Includes 37377 Capacitor
4	52566	Nut	
5	200941	Motor Mount Bracket	
6	201189	Idler Lever Spring	Models LWNA62SP303LW01 and LWNA62SP305AW01
	202032	Idler Lever Spring	All other models
7	28803	Nut	
8	38011	Idler Lever	
	202333	Tube	Models LWNA62SP303LW01 and LWNA62SP305AW01
9	81392	Washer	
10	27229	Screw	
11	210186	Idler Shaft	
12	D504082	Washer	
13	52549	Washer	Nylatron
14	23748	Retaining Ring	
15	38225P	Idler Pulley	
16	202972	Idler Lever and Belt Kit	Models LWNA62SP303LW01 and LWNA62SP305AW01; Includes items 4, 6, 7-15 and 17
	959P3	Idler Lever Kit	All other models; Includes items 4, 6, 7-15 and 17
17	200923	Agitate and Spin Belt	Models LWNA62SP303LW01 and LWNA62SP305AW01
	38174	Agitate and Spin Belt	All other models
18	205217P	Pump	
19	RB150003	Belt and Pump Kit	Includes items 17 and 18; All models except LWNA62SP303LW01 and LWNA62SP305AW01
20	210202	Spring Clip	
21	35369	Screw	
22	35423	Nut	
23	204062	Motor Mount and Isolator Assembly	Lower
24	203140	Capacitor	Models LWNA62SP303LW01 and LWNA62SP305AW01
	37377	Capacitor	All other models
25	52909	Screw	
26	203053	Motor Drip Shield	Through Serial No. 1811000001
27	37535	Capacitor Clamp	
28	37772	Washer	
29	204063	Motor Mount and Isolator Assembly	Upper

Motor, Mounting Bracket, Belt, and Idler Assembly

Models AWNA62SN303AW01, AWNA62SN305AW01, AWNE82SN303AW01, AWNE92SN303AW01 and AWNE92SN305AW01

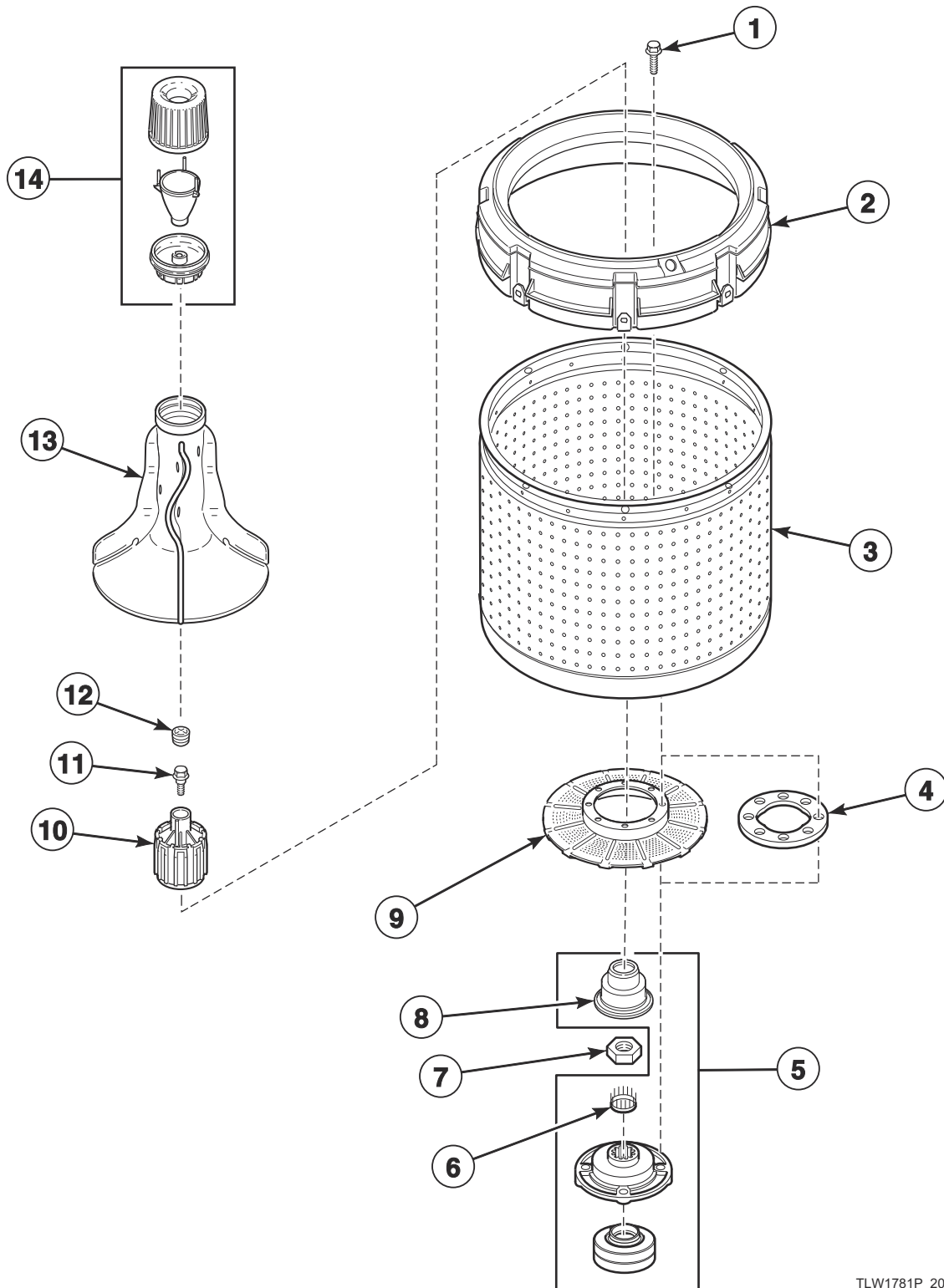


TLW1820P

Motor, Mounting Bracket, Belt, and Idler Assembly

REF	PART NO.	DESCRIPTION	COMMENTS
1	34754	Motor Shield	
2	31645	Screw	
3	202544P	Motor Assembly	2 speed; 240Volt/50 Hertz
4	52566	Nut	
5	200941	Motor Mount Bracket	
6	202032	Idler Lever Spring	Models AWNA62SN305AW01 and AWNE92SN305AW01
	201189	Idler Lever Spring	All other models
7	202333	Tube	
8	28803	Nut	
9	38011	Idler Lever	
10	81392	Washer	
11	27229	Screw	
12	210186	Idler Shaft	
13	D504082	Washer	
14	52549	Washer	Nylatron
15	23748	Retaining Ring	
16	38225P	Idler Pulley	
17	202972	Idler Lever and Belt Kit	Includes items 4, 6, 8-16 and 18
18	200923	Agitate and Spin Belt	
19	35369	Screw	
20	35423	Nut	
21	204062	Motor Mount and Isolator Assembly	Lower
22	203140	Capacitor	
23	52909	Screw	
24	203053	Motor Drip Shield	Through Serial No. 1811000001
25	37535	Capacitor Clamp	
26	37772	Washer	
27	204063	Motor Mount and Isolator Assembly	Upper

Agitator, Fabric Softener Dispenser, Drive Bell, Hub and Lip Seal Kit and Washtub

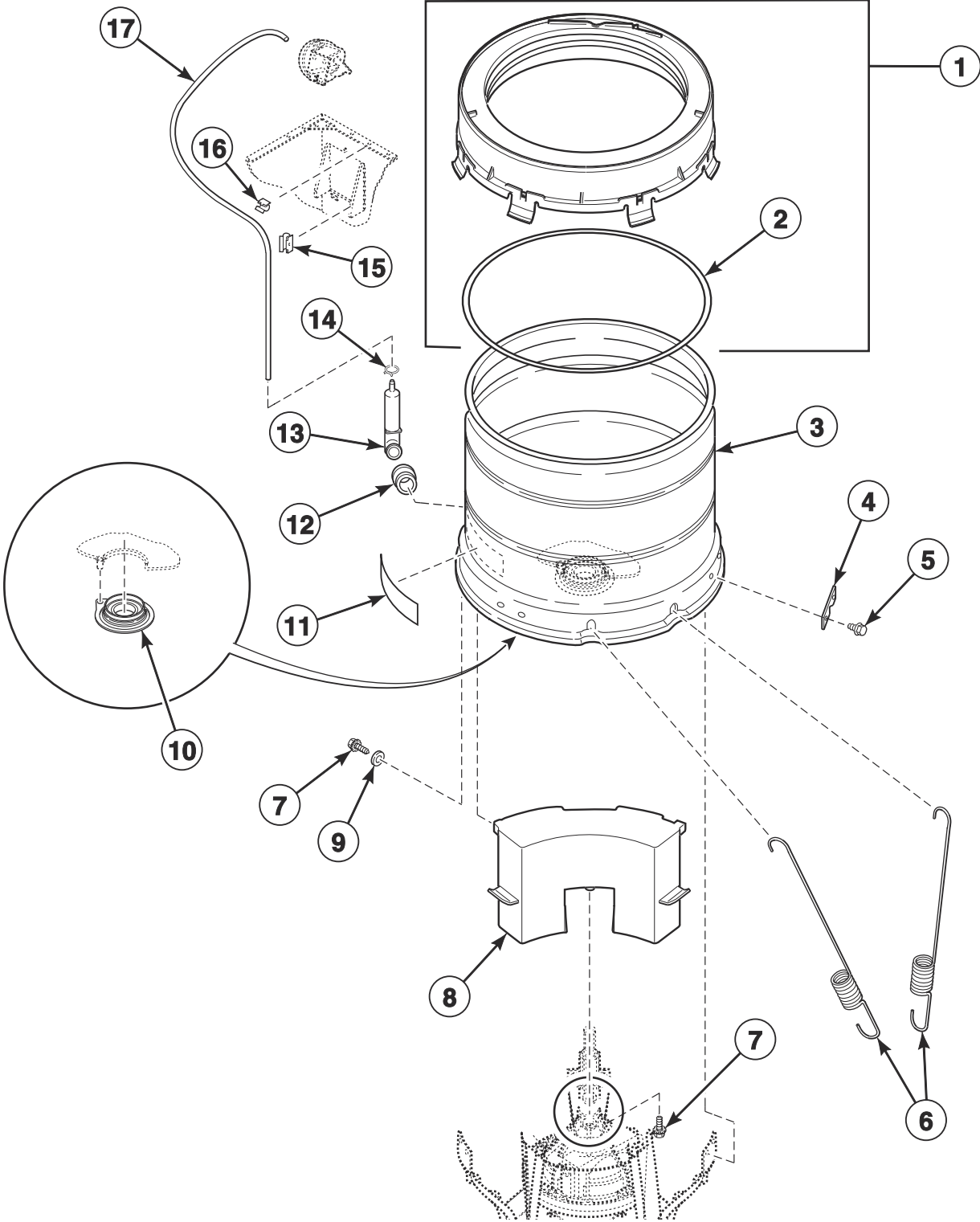


TLW1781P_203417

Agitator, Fabric Softener Dispenser, Drive Bell, Hub and Lip Seal Kit and Washtub

REF	PART NO.	DESCRIPTION	COMMENTS
1	27202	Screw	
2	39837	Balance Ring Assembly	
3	719P3	Washtub Kit	Stainless steel
4	39122	Washtub Gasket	
5	766P3A	Hub and Lip Seal Kit	DO NOT use any sealant other than 200996P Sealant; Includes installation tool
	200996P	Sealant	Use with hub and lip seal kit
6	29728	Spline Insert	
7	29220	Nut	
8	36425	Bell and Transmission Tube Seal	
9	39371	Lint Filter	Models AWNE92SN303AW01, AWNE92SN305AW01 and AWNE92SP113TW01; Models through Serial Nos. beginning 1503
10	39508P	Drive Bell and Seal Kit	Includes items 8, 11 and 12
11	39432	Screw	
12	36511	Bell Plug	
13	33174	Agitator	Models LWNA62SP303LW01 and LWNA62SP305AW01
	36507	Flex Vane Agitator	All other models
14	205225	Fabric Softener Dispenser Assembly	

Outer Tub, Cover, Bearing and Seal Housing, Pressure Hose and Counterweight



TLW1807P_203417

Outer Tub, Cover, Bearing and Seal Housing, Pressure Hose and Counterweight

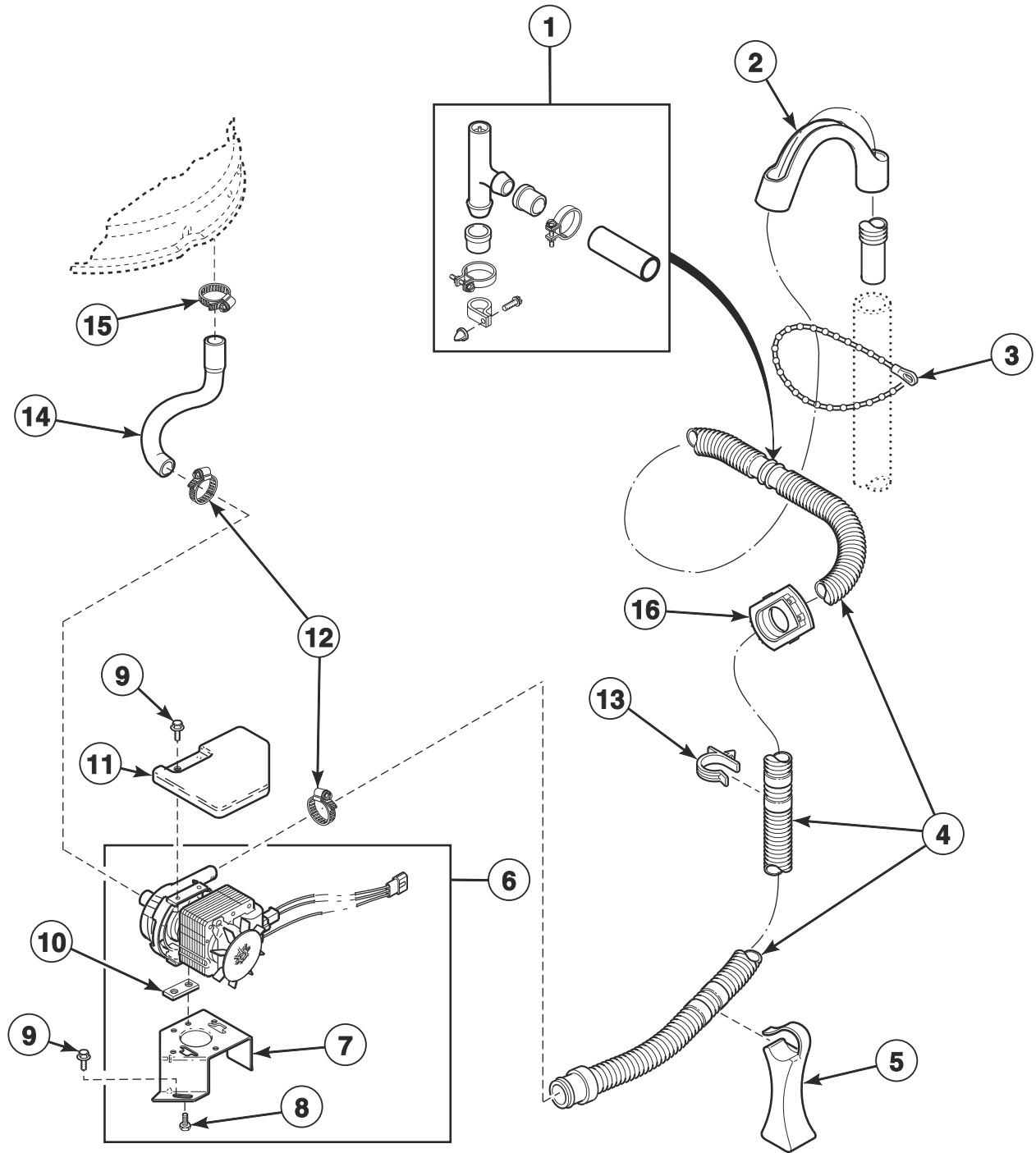
REF	PART NO.	DESCRIPTION	COMMENTS
1	202888	Tub Cover Assembly	Includes item 2
2	38359	Tub Cover Gasket	
3	203603P	Outer Tub Assembly	
	204383	Outer Tub Kit	Includes item 10 installed
	204568	Outer Tub and Transmission Kit	Includes item 10 installed and transmission
4	27926	Leg Plate	
5	35369	Screw	
6	37575	Leg Spring	
7	39566	Screw	
8	38769	Counterweight Assembly	
9	39249	Washer	
10	766P3A	Hub and Lip Seal Kit	
	200996P	Sealant	Use with hub and lip seal kit
11	D500049	Warning Label	
12	29175	Grommet	
13	205241	Pressure Bulb	
14	39282	Hose Clamp	
15	36985	Hose Clip	
16	21036	Cable Clip	
17	203478	Tubing	Model AWN432SP113TW04
	202700	Tubing	All other models

Drain Hose and Siphon Break Kit

REF	PART NO.	DESCRIPTION	COMMENTS
	451P3	Drain Extension Kit	
1	562P3	Siphon Break Kit	Siphon break kit MUST be installed in drain hose if drain receptacle is lower than cabinet top of washer; Optional
2	33489	Standpipe Strap	
3	33615	Drain Hose Sleeve	
4	36878	Standpipe Adapter	
5	32219	Strain Relief	
6	39894	Drain Hose	Models LWNA62SP303LW01 and LWNA62SP305AW01
	39893	Drain Hose	All other models
7	38732	Hose Stand	
8	F200204	Hose Clamp	
9	38351	Tub-to-Pump Hose	
10	36014	Retainer Clip	

Electric Drain Pump, Drain Hose and Siphon Break Kit

Models AWNA62SN303AW01, AWNE82SN303AW01, AWNE92SN303AW01



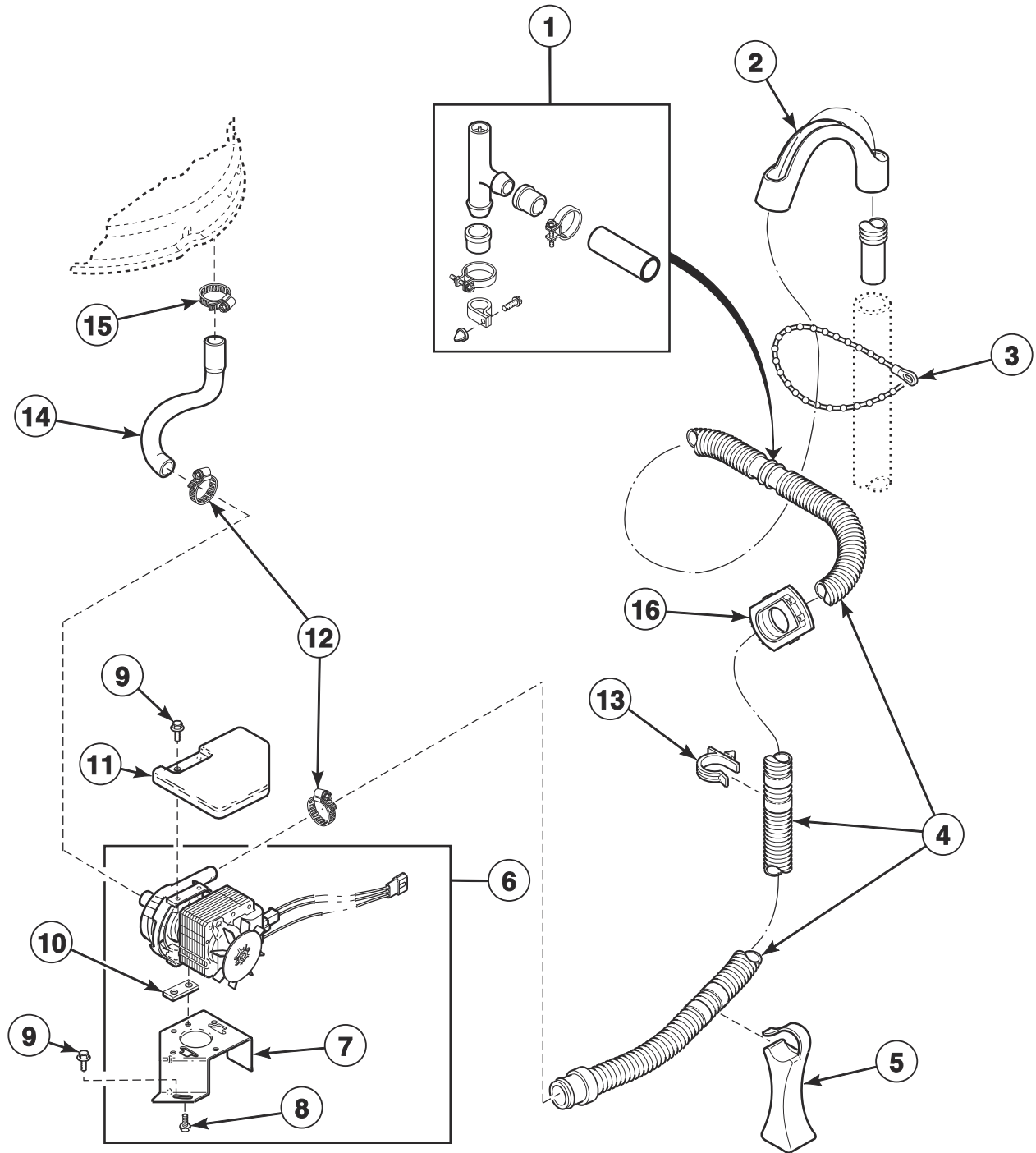
W378P_203417

Electric Drain Pump, Drain Hose and Siphon Break Kit

REF	PART NO.	DESCRIPTION	COMMENTS
	451P3	Drain Extension Kit	
1	562P3	Siphon Break Kit	Siphon break kit MUST be installed in drain hose if drain receptacle is lower than cabinet top of washer
2	33615	Drain Hose Sleeve	
3	33489	Standpipe Strap	
4	39864	Drain Hose	
5	38732	Hose Stand	
6	39255P	Drain Pump	
7	38789	Pump Bracket	
8	38096	Screw	Metric
9	D503661	Screw	
10	38095	Pump Isolator	
11	38768	Pump Shield	
12	20391	Hose Clamp	
13	36014	Retainer Clip	
14	38759	Tub-to-Pump Hose	
15	F200204	Hose Clamp	
16	32219	Strain Relief	

Electric Drain Pump, Drain Hose and Siphon Break Kit Through Serial No. 191299999

Models AWNA62SN305AW01 and AWNE92SN305AW01



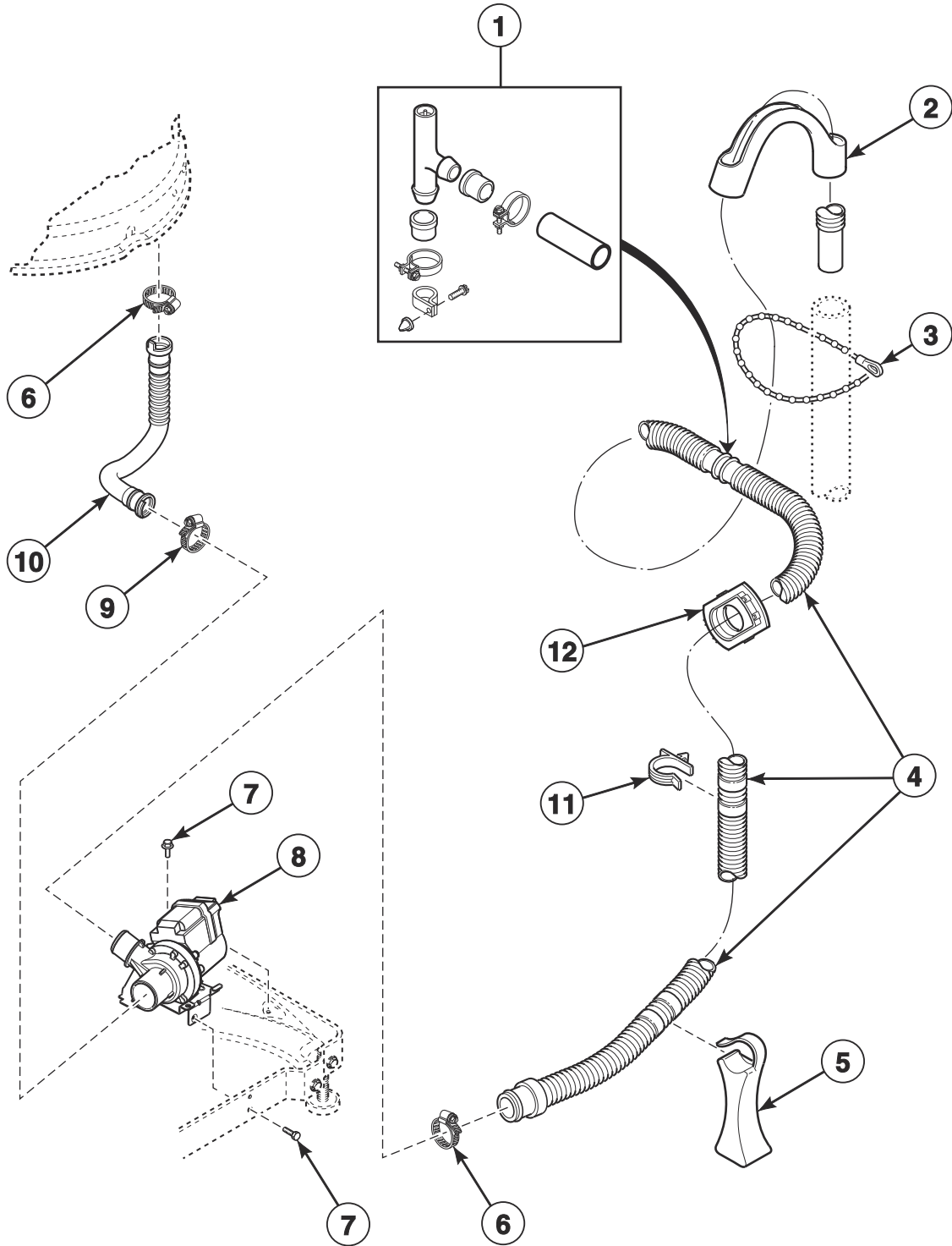
W378P_203417

Electric Drain Pump, Drain Hose and Siphon Break Kit Through Serial No. 191299999

REF	PART NO.	DESCRIPTION	COMMENTS
	451P3	Drain Extension Kit	
1	562P3	Siphon Break Kit	Siphon break kit MUST be installed in drain hose if drain receptacle is lower than cabinet top of washer
2	33615	Drain Hose Sleeve	
3	33489	Standpipe Strap	
4	39864	Drain Hose	
5	38732	Hose Stand	
6	39255P	Drain Pump	
7	38789	Pump Bracket	
8	38096	Screw	Metric
9	D503661	Screw	
10	38095	Pump Isolator	
11	38768	Pump Shield	
12	20391	Hose Clamp	
13	36014	Retainer Clip	
14	38759	Tub-to-Pump Hose	
15	F200204	Hose Clamp	
16	32219	Strain Relief	

Electric Drain Pump, Drain Hose and Siphon Break Kit Starting Serial No. 2001000001

Models AWNA62SN305AW01 and AWNE92SN305AW01 starting Serial No. 2001000001

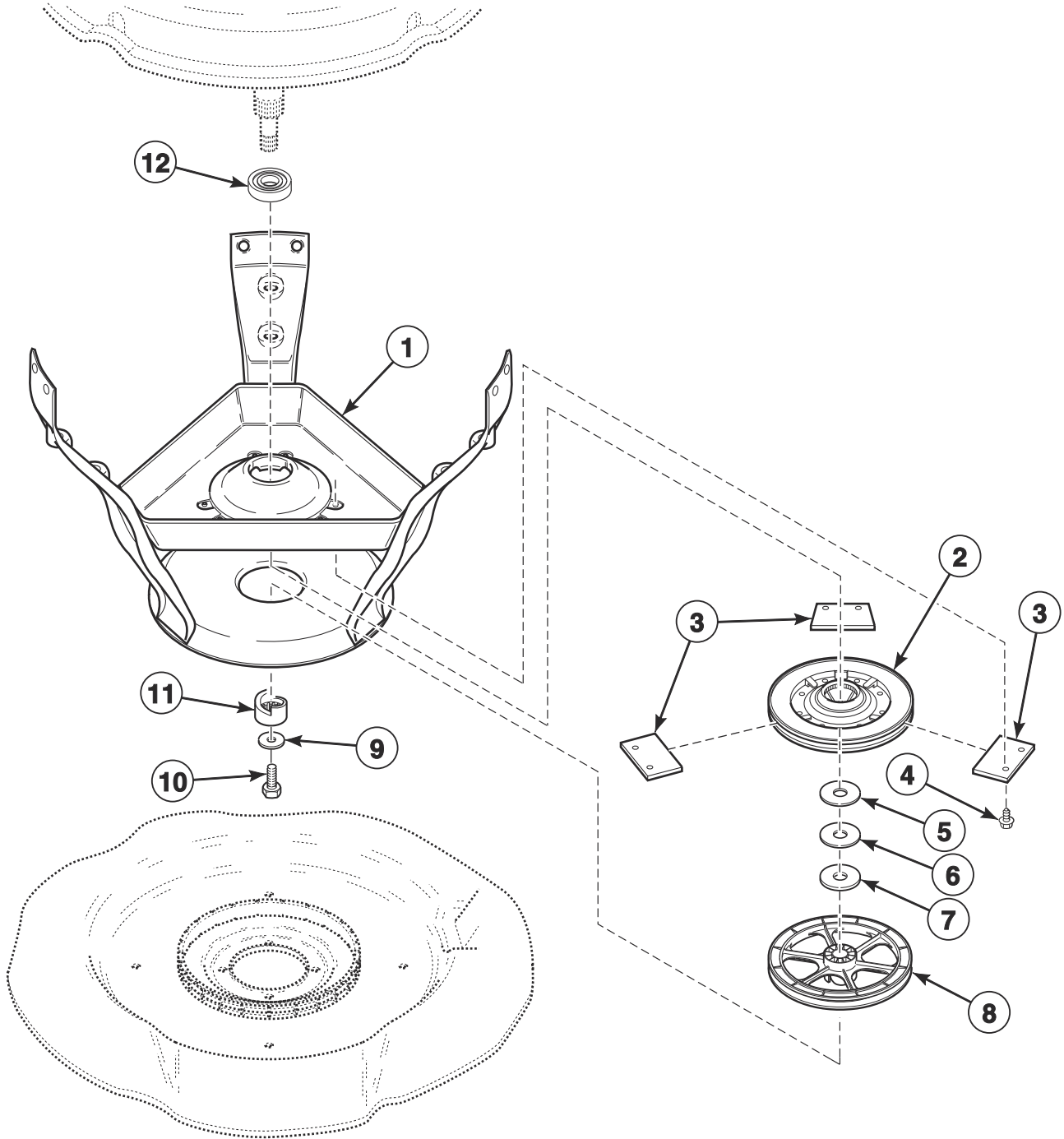


TLW1857P_203417

Electric Drain Pump, Drain Hose and Siphon Break Kit Starting Serial No. 2001000001

REF	PART NO.	DESCRIPTION	COMMENTS
	204512	Drain Extension Kit	
1	562P3	Siphon Break Kit	Siphon break kit MUST be installed in drain hose if drain receptacle is lower than cabinet top of washer
2	33615	Drain Hose Sleeve	
3	33489	Standpipe Strap	
4	203588	Drain Hose	
5	38732	Hose Stand	
6	F200204	Hose Clamp	
7	31645	Screw	
8	203886	Pump and Bracket	
9	90554	Hose Clamp	
10	203560	Tub-to-Pump Hose	
11	36014	Retainer Clip	
12	32219	Strain Relief	

Weldment and Bearing Assembly, Brake and Pulley

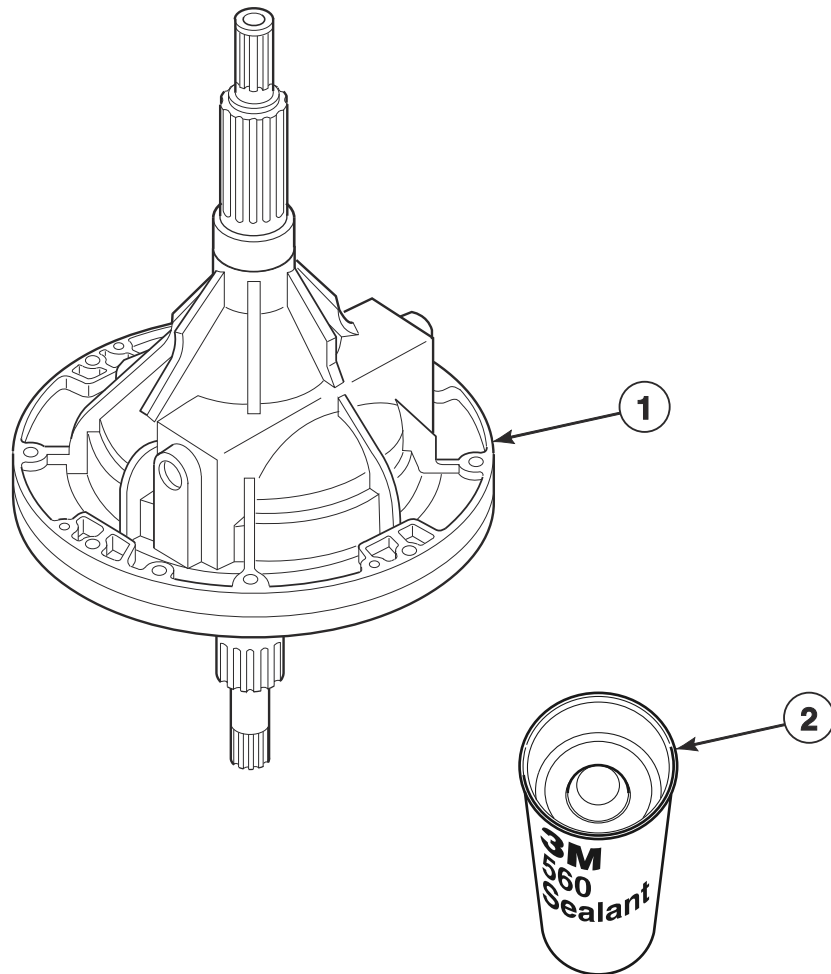


TLW1841P_203417

Weldment and Bearing Assembly, Brake and Pulley

REF	PART NO.	DESCRIPTION	COMMENTS
1	39253	Weldment and Bearing Assembly	
2	38505P	Brake Kit	
3	735P3	Brake Pad Kit	Includes 3 pads
	204253	Silicone Grease	Apply small amount to each new brake pad
4	39739	Screw	
5	35535	Washer	Thin
6	27015	Washer	Thick
7	35535	Washer	For machines experiencing squeaking during agitation; Through Serial Nos. beginning 1612
	203950	Washer	Starting Serial Nos. beginning 1701
	204253	Silicone Grease	Apply small amount to washer
8	204942	Pulley	Models AWNA62SN303AW01, AWNA62SN305AW01, AWNE82SN303AW01, AWNE92SN303AW01, AWNE92SN305AW01, LWNA62SP303LW01 and LWNA62SP305AW01
	204486	Pulley	All other models
9	26509	Washer	
10	27220	Screw	
11	38008	Helix	
12	28944RP	Lower Bearing	

Transmission Assembly

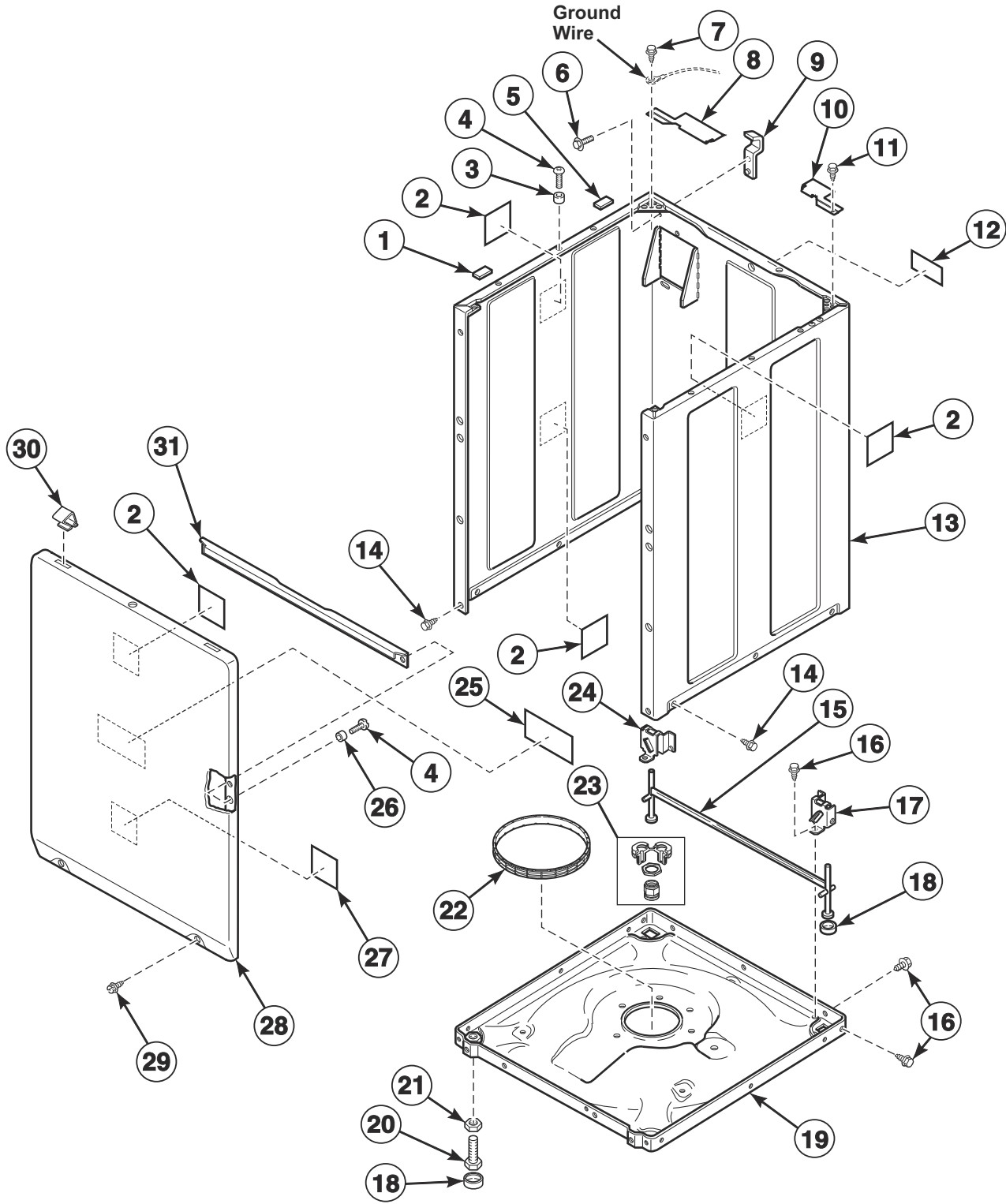


TLW1838P_203417

Transmission Assembly

REF	PART NO.	DESCRIPTION	COMMENTS
	27604P	Anti-Seize Compound	Apply to smooth area of both the upper and lower transmission tube that will be contacting the upper and lower bearings and apply to spline area of upper and lower transmission tube that will be contacting the washtub
1	203768	Transmission Assembly	Includes item 2 and Hub and Lip Seal Kit; Lip seal models only
2	200996P	Sealant	

Front Panel, Base Assembly and Cabinet Kit

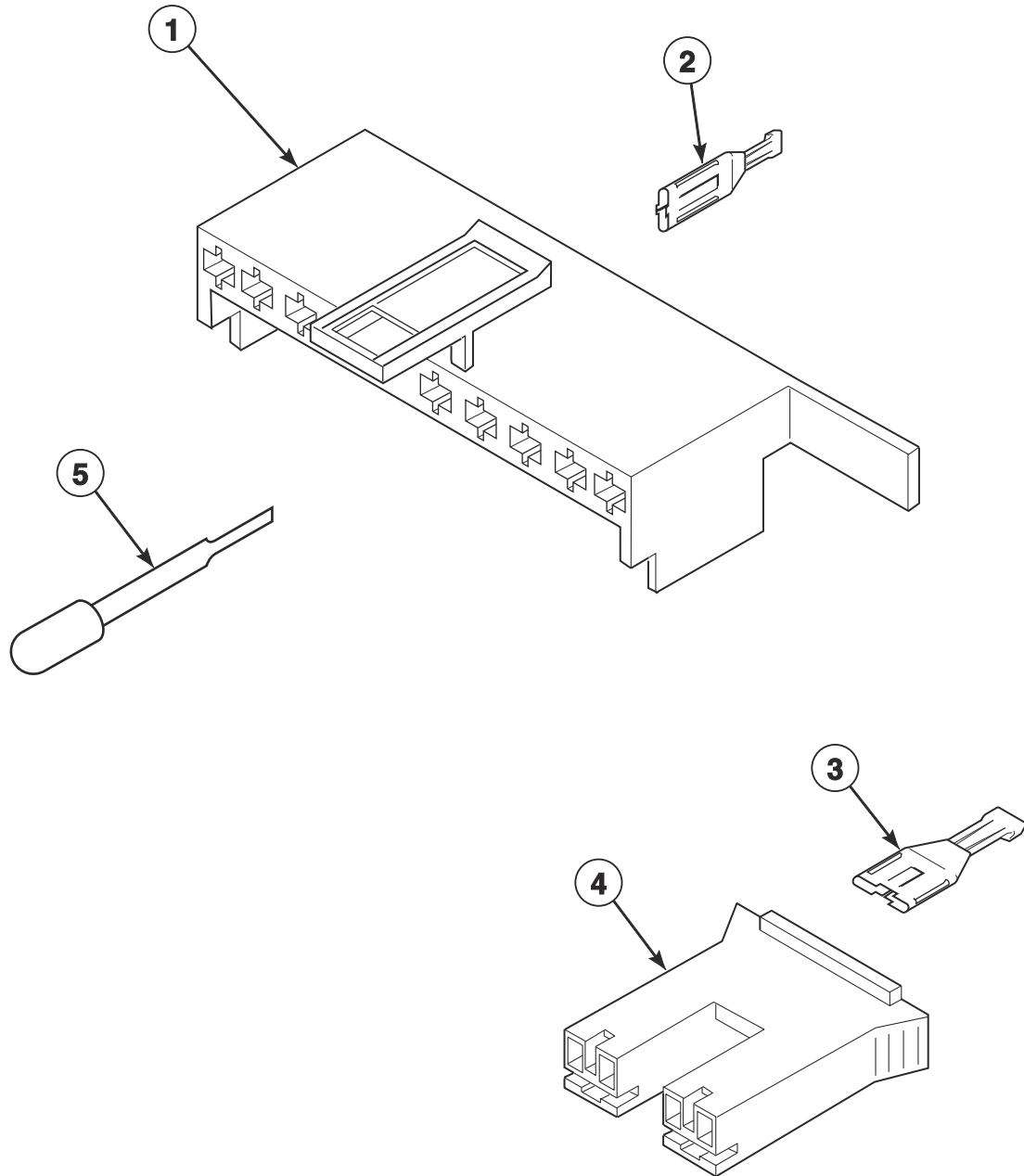


TLW1898P_203417

Front Panel, Base Assembly and Cabinet Kit

REF	PART NO.	DESCRIPTION	COMMENTS
	122P4P	Porcelain Touch-Up Paint	
1	56128	Bumper Pad	
2	39480	Foam Pad	
3	56079	Panel Locator	
4	39733	Screw	
5	36226	Bumper Pad	
6	51780	Screw	
7	D501086	Screw	
8	204245	EMI Bracket	Left; Models AWNA62SN305AW01, AWNE92SN305AW01, LWNA62SP303LW01 and LWNA62SP305AW01 starting Serial No. 2001000001
9	27103	Hold-Down Lug Hinge	
10	204246	EMI Bracket	Right; Models AWNA62SN305AW01, AWNE92SN305AW01, LWNA62SP303LW01 and LWNA62SP305AW01 starting Serial No. 2001000001
11	D501086	Screw	Models AWNA62SN305AW01, AWNE92SN305AW01, LWNA62SP303LW01 and LWNA62SP305AW01 starting Serial No. 2001000001
12	803260	Warning Label	
13	38612WP	Service Cabinet Kit	
14	27196	Screw	
15	34443	Leg and Stabilizer Assembly	
16	35148	Screw	
17	36036	Bracket	Right
18	34318	Rubber Foot	
19	39788	Base Assembly	
20	34319	Leveling Leg	
21	21899	Nut	
22	37937	Friction Ring	
23	566P3	Adjustable Leg Extension Kit	
24	36037	Bracket	Left
25	36204	Front Panel Pad	
26	28102	Panel Locator	
27	203484	Foam Pad	
28	204870	Front Panel	
29	38272	Screw	
30	35865	Hold-Down Clip	
31	35097	Front Panel Brace	

Mixing Valve and Motor Connection Blocks, Terminals and Extractor Tool

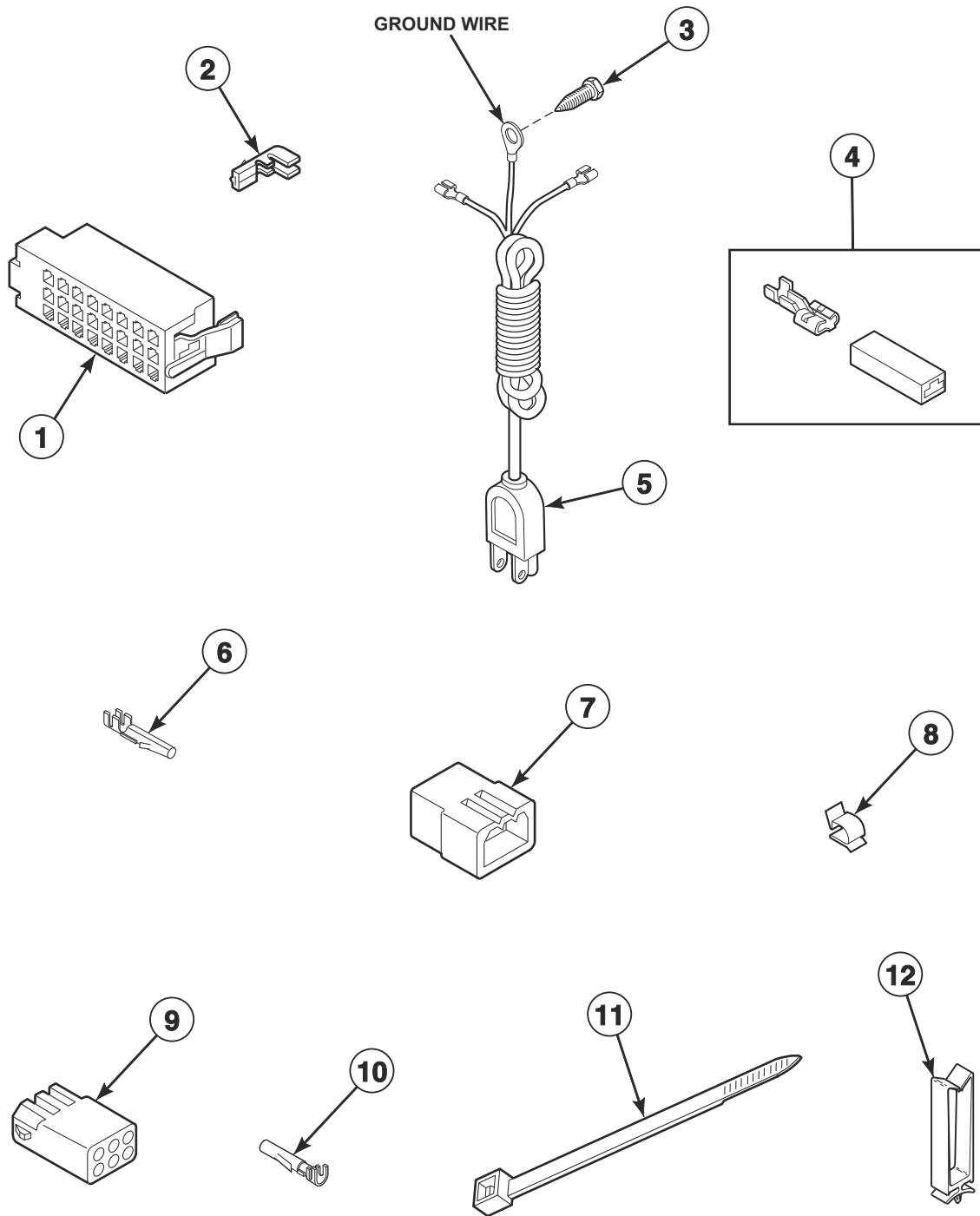


W134PZ3A_203417

Mixing Valve and Motor Connection Blocks, Terminals and Extractor Tool

REF	PART NO.	DESCRIPTION	COMMENTS
1	34677	10 Circuit Plug	Motor
2	00188	Female Terminal	For 1 or 2 wire application
3	00121	Female Spade Terminal	1/4 inch
4	34675	Mixing Valve Plug	Natural
	34676	Mixing Valve Plug	Red
5	283P4	Terminal Extractor Tool	

Lead-In Cord and Terminals

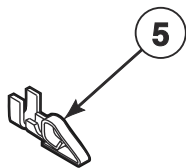
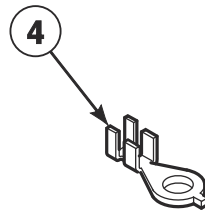
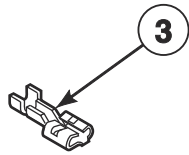
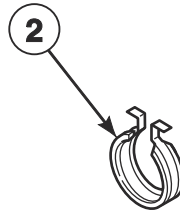
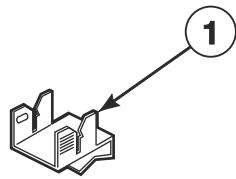


TLW1518P_203417

Lead-In Cord and Terminals

REF	PART NO.	DESCRIPTION	COMMENTS
1	32746	24 Position Housing	Right; Black
2	00188	Female Terminal	For 1 or 2 wire application
	00568SG	Terminal	
3	D503688	Screw	
4	00359	Insulated Female Spade Terminal	
5	203120	Lead-In Cord	Models AWNA62SN303AW01, AWNA62SN305AW01, AWNE82SN303AW01, AWNE92SN303AW01, AWNE92SN305AW01 and LWNA62SP305AW01
	203315	Lead-In Cord	Model LWNA62SP303LW01
	202777	Lead-In Cord	All other models
6	00116	Male Pin Terminal	
7	23033	9 Circuit Plug	
8	21036	Cable Clip	
9	26163	9 Circuit Receptacle	
10	00574SG	Female Pin Terminal	
11	55881	Harness Strap	
12	70296701	Wire Tie	

Terminals

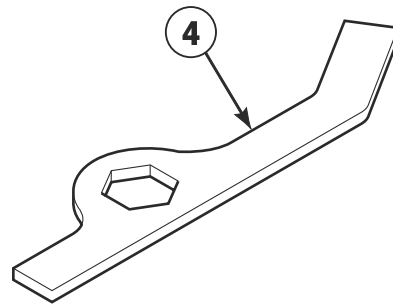
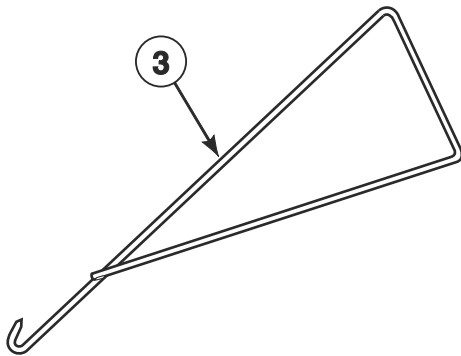
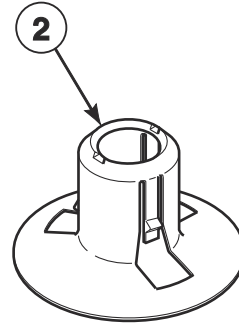
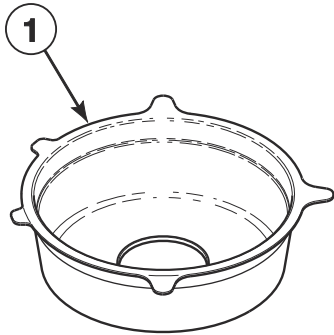


TLW1780P_203417

Terminals

REF	PART NO.	DESCRIPTION	COMMENTS
1	00161	Grounding Clip	
	00569SG	Terminal Grounding Clip	
2	D504034	Wire Clip	
3	00223	Female Spade Terminal	Large spade
	00577	Terminal Tab	
4	00319	Ring Terminal	Small shank
5	00257	Pressure Switch Terminal	

Shipping Brace, Plug and Special Tools

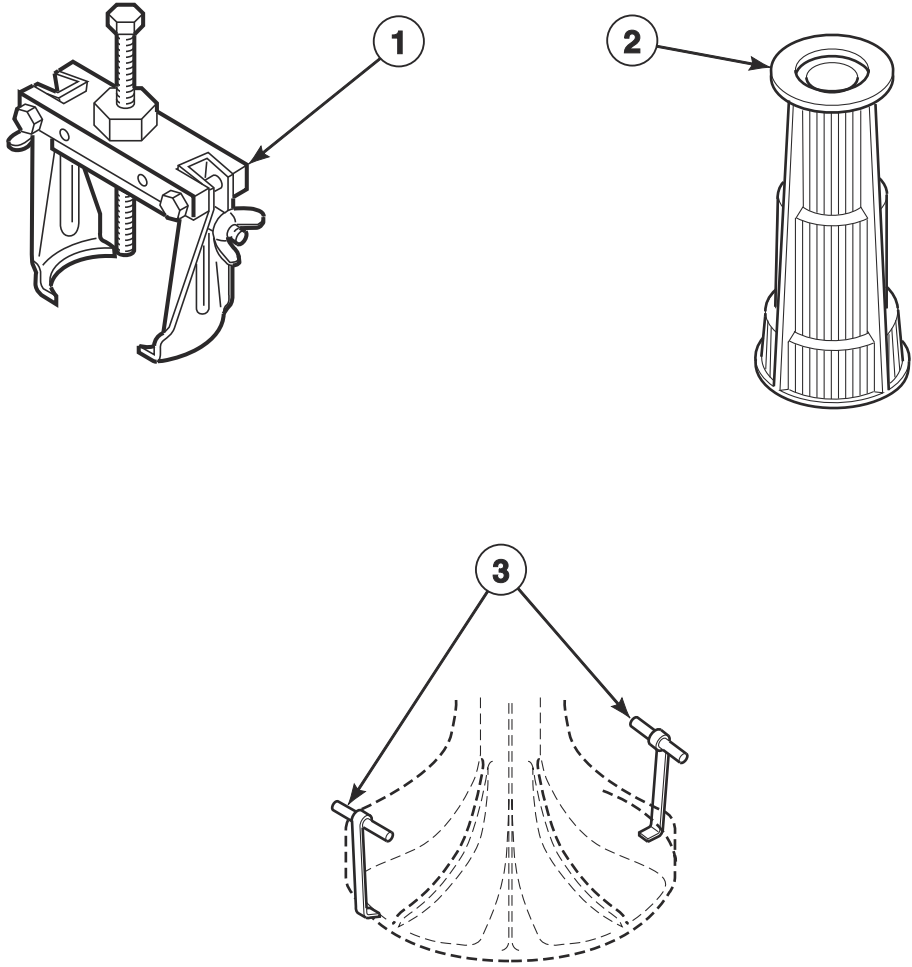


TLW1661P_203417

Shipping Brace, Plug and Special Tools

REF	PART NO.	DESCRIPTION	COMMENTS
	725P3	Tool Kit	Includes items 3, 4, drive bell seal tool, tub cover removal tool, agitator hook and torx bit
	202890	Foam Shipping Brace	Install before moving washer
1	204678	Shipping Brace	Install whenever moving washer; Remove before use
2	38149	Shipping Plug	Install before moving washer to prevent tub from damaging cabinet
3	321P4	Spring Hook Tool	For removal of module springs from outer tub
4	306P4	Hex Wrench Tool	For removal of locknut from washtub hub

Special Tools



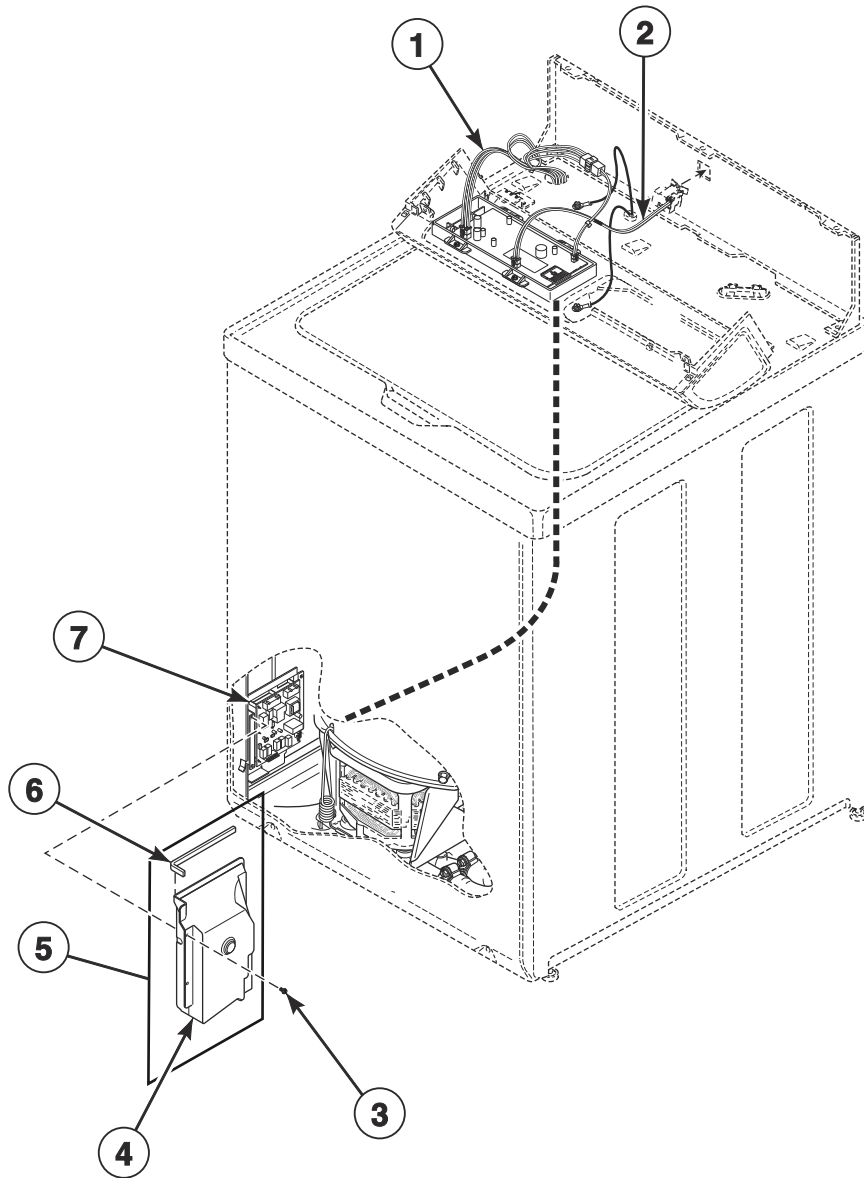
TLW1534P_203417

Special Tools

REF	PART NO.	DESCRIPTION	COMMENTS
	725P3	Tool Kit	Includes items 4, 5, spring hook, hex wrench, tub cover removal tool and Torx bit
1	294P4	Agitator Drive Bell Puller	For removal and installation of drive bell to transmission shaft
2	293P4	Drive Bell Seal Tool	For installation of 36425 Bell and Transmission Tube Seal
3	254P4P	Agitator Hook	Set of 2; Use to remove agitator from drive bell

Output Board, Wire Harnesses and Wires

Models AWWA62SN303AW01, AWWA62SN305AW01, AWNE82SN303AW01, AWNE82SP113TW01, AWNE92SN303AW01, AWNE92SN305AW01, AWNE92SP113TW01, LWNA62SP303LW01 and LWNA62SP305AW01



TLW1776P_203417

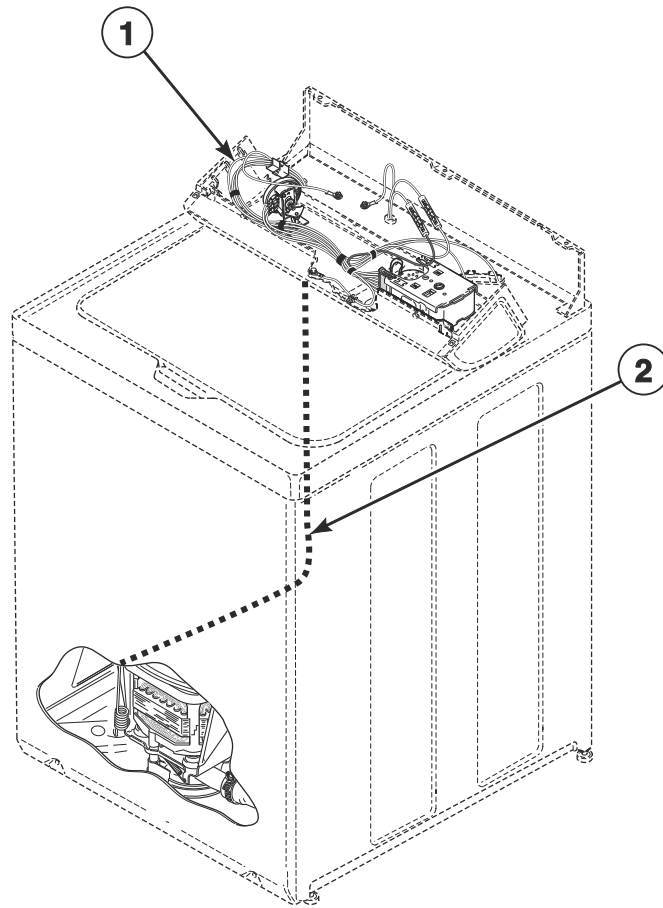
Output Board, Wire Harnesses and Wires

REF	PART NO.	DESCRIPTION	COMMENTS
	45001	18 Gauge Wire	Black; Order wire by foot and terminals as required
	45380	12 Gauge Wire	Orange; Order wire by foot and terminals as required
	203014	Hood Harness	Model AWNA62SN303AW01
	204348	Hood Harness	Models LWNA62SP303LW01 and LWNA62SP305AW01
	203808	Hood Harness	Model AWNA62SN305AW01 through Serial No. 1903999999
	204836	Hood Harness	Model AWNA62SN305AW01 starting Serial No. 1904000001
1	202685	Control Harness	Models AWNA62SN303AW01, AWNA62SN305AW01, AWNE82SN303AW01, AWNE92SN303AW01 and AWNE92SN305AW01 through Serial No. 1912999999
	204710	Control Harness	Models AWNE82SP113TW01 and AWNE92SP113TW01 through Serial No. 1912999999
	204711	Control Harness	Model LWNA62SP305AW01; Models AWNA62SN303AW01, AWNE82SN303AW01, AWNE92SN303AW01, LWNA62SP303LW01 and LWNA62SP305AW01 starting Serial No. 2001000001
	204712	Control Harness	Models AWNA62SN305AW01 and AWNE92SN305AW01 starting Serial No. 2001000001
	204714	Control Harness	Models AWNE82SP113TW01 and AWNE92SP113TW01 starting Serial No. 2001000001
2	804432	Pressure Sensor Harness	
3	804667	Screw	
4	202939	Output Control Shield	
5	202965	Shield Assembly	Includes items 4 and 6
6	202964	Output Board Cover Gasket	
7	202508P	Output Board Control Assembly	Models AWNA62SN305AW01, AWNE92SN305AW01 and LWNA62SP305AW01 through Serial No. 1912999999; All other models
	204783	Output Board Control Assembly	Models AWNA62SN305AW01, AWNE92SN305AW01 and LWNA62SP305AW01 starting Serial No. 2001000001

NOTE: Individual wires are not available separately. Order complete wire harness, or order wire by the foot. When applying terminals to wires, it is recommended that the terminals be soldered to the wires.

Wire Harnesses and Wires

Models AWN432SP113TW01 and AWN432SP113TW04



TLW1777P_203417

Wire Harnesses and Wires

REF	PART NO.	DESCRIPTION	COMMENTS
	45001	18 Gauge Wire	Black; Order wire by foot and terminals as required
	45380	12 Gauge Wire	Orange; Order wire by foot and terminals as required
1	203035	Hood Timer Harness	Model AWN432SP113TW01
	203428	Hood Timer Harness	Model AWN432SP113TW04
2	38661P	Wire Harness Assembly	

NOTE: Individual wires are not available separately. Order complete wire harness, or order wire by the foot. When applying terminals to wires, it is recommended that the terminals be soldered to the wires.

Parts Index

A

Adjustable Leg Extension Kit	
566P3	43
Agitate and Spin Belt	
200923	23, 25
38174	23
Agitator	
33174	27
Agitator Drive Bell Puller	
294P4	53
Agitator Hook	
254P4P	53
Anti-Seize Compound	
27604P	41

B

Balance Ring Assembly	
39837	27
Barbed Tee	
203464	17
Base Assembly	
39788	43
Bell and Transmission Tube Seal	
36425	27
Bell Plug	
36511	27
Belt and Pump Kit	
RB150003	23
Bleach Dispenser	
38382	17
Bracket	
203483	9
36036	43
36037	43
Brake Kit	
38505P	39
Brake Pad Kit	
735P3	39
Bumper	
21685	17
Bumper Pad	
36226	43
56128	43
Bushing	
33446	17

C

Cable Clip	
21036	29, 47
Cable Tie	
804724	19
Capacitor	
203140	23, 25
37377	23

Capacitor Clamp	
37535	23, 25
Control Assembly	
202769P	7
202770P	7
202771P	7
202772P	7
202792P	9, 11
204637	13
Control Harness	
202685	55
204710	55
204711	55
204712	55
204714	55
Control Knob Assembly	
803119P	5, 9
Control Support Panel	
202942	7
203708	13
203840	11
38565	5, 9
Counterweight Assembly	
38769	29
Cycle Selector Switch	
203976	11
Cycle Switch	
801240	9
Cycle Switch Bracket	
801390	9

D

Disconnect Power Warning Label	
D505281	17
Drain Extension Kit	
204512	37
451P3	31, 33, 35
Drain Hose	
203588	37
39864	33, 35
39893	31
39894	31
Drain Hose Sleeve	
33615	31, 33, 35, 37
Drain Pump	
39255P	33, 35
Drive Bell and Seal Kit	
39508P	27
Drive Bell Seal Tool	
293P4	53

E

EMI Bracket	
204245	43
204246	43
EMI Filter Assembly	
203111	7

N/A items do not appear in index.

End Cap	
203961	11, 13
203962	11, 13
End Panel	
D504008WP	5, 7, 9
D504009WP	5, 7, 9

F

Fabric Softener Dispenser Assembly	
205225	27
Female Pin Terminal	
00574SG	47
Female Spade Terminal	
00121	45
00223	49
Female Terminal	
00188	45, 47
Fill Hose	
203718	21
203719	21
203720	21
203750	21
204102	21
204103	21
Flex Vane Agitator	
36507	27
Foam Pad	
203484	43
39480	43
Foam Shipping Brace	
202890	51
Friction Ring	
37937	43
Front Panel	
204870	43
Front Panel Brace	
35097	43
Front Panel Pad	
36204	43

G

Graphic Panel	
202797P	7
203495W	9
203606W	5
203712	13
204341W	9
204595	11
Grommet	
29175	29
80262	17, 19
Grounding Clip	
00161	5, 49

H

Harness Strap	
55881	47

Helix	
38008	39
Hex Wrench Tool	
306P4	51
Hinge Stop Clip	
36519	17
Hold-Down Clip	
205340	5, 7, 9, 11, 13, 17
35865	43
Hold-Down Lug Hinge	
27103	43
Hood Back Panel	
202549	17
203110	17
203525	17
204664	17
204665	17
37782	17
Hood Harness	
203014	55
203808	55
204348	55
204836	55
Hood Wire Harness Assembly	
203035	57
203428	57
Hose Clamp	
F200204	31, 33, 35, 37
20391	33, 35
36801	21
39282	29
800803	21
90554	37
Hose Clip	
36985	29
Hose Stand	
38732	31, 33, 35, 37
Housing, 24 Position	
32746	47
Hub and Lip Seal Kit	
766P3A	27, 29

I

Idler Lever	
38011	23, 25
Idler Lever and Belt Kit	
202972	23, 25
Idler Lever Kit	
959P3	23
Idler Lever Spring	
201189	23, 25
202032	23, 25
Idler Pulley	
38225P	23, 25
Idler Shaft	
210186	23, 25
Indicator Light	
801356	9
Indicator Light Lens	
801435	9
Inlet Cover	
202894	17

N/A items do not appear in index.

Inlet Deflector	
202900	17
Insulated Female Spade Terminal	
00359	47

J

Junction Box	
203068	19

K

Knob Assembly	
204046	11
36701W	9
803118P	5
803168P	9

L

Lead-In Cord	
202777	47
203120	47
203315	47
LED Display Assembly	
205130	11
Leg and Stabilizer Assembly	
34443	43
Leg Plate	
27926	29
Leg Spring	
37575	29
Leveling Leg	
34319	43
Lid	
37395WP	17
Lid Hinge	
36437	17
36513	17
Lid Switch Drip Shield	
204538	15
Lid Switch Kit	
204696	15
Lid Warning Label	
203045	17
Line Filter	
804864	19
Lint Filter	
39371	27
Lower Bearing	
28944RP	39

M

Male Pin Terminal	
00116	47
Mixing Valve	
202395P	21
202396P	21

203741	21
203928	21
Mixing Valve Mounting Bracket	
203558	21
39407	21
Mixing Valve Plug	
34675	45
34676	45
Mixing Valve Screen	
24122	21
Mixing Valve Shield	
202899	21
Motor Assembly	
202544P	25
38034	23
Motor Drip Shield	
203053	23, 25
Motor Mount and Isolator Assembly	
204062	23, 25
204063	23, 25
Motor Mount Bracket	
200941	23, 25
Motor Shield	
34754	23, 25

N

Nut	
M400979	15
M400981	15
21899	43
28803	23, 25
29220	27
29787	19
35423	23, 25
52566	23, 25

O

Outer Tub and Transmission Kit	
204568	29
Outer Tub Assembly	
203603P	29
Outer Tub Kit	
204383	29
Output Board Control Assembly	
202508P	55
204783	55
Output Board Cover Gasket	
202964	55
Output Control Shield	
202939	55
Overlay	
202628	7
202751	7
204596	13

P

Panel Locator	
28102	43

N/A items do not appear in index.

56079	43
Plug, 10 Circuit 34677	45
Plug, 9 Circuit 23033	47
Porcelain Touch-Up Paint 122P4P	43
Pressure Bulb 205241	29
Pressure Sensor 203843	17, 19
Pressure Sensor Harness 804432	55
Pressure Switch B12548401	17
202937	5
Pressure Switch Terminal 00257	49
Pulley 204486	39
204942	39
Pump 205217P	23
Pump and Bracket 203886	37
Pump Bracket 38789	33, 35
Pump Isolator 38095	33, 35
Pump Shield 38768	33, 35
Push Button Switch 203935	11
Push-to-Start Switch 801434W	9

R

Receptacle, 9 Circuit 26163	47
Retainer Clip 36014	31, 33, 35, 37
Retaining Ring 23748	23, 25
Ring Terminal 00319	49
Rocker Switch 203934	11
38424W	5, 9
Rubber Foot 34318	43

S

Screw D501086	5, 7, 9, 43
D503661	33, 35
D503688	47
M402574	15
203799	11, 13
204656	15
20530	23

23962	5, 7, 9, 11, 13, 15, 17
27196	43
27202	27
27220	39
27229	23, 25
31645	23, 25, 37
33562	17, 21
34337	17
35148	43
35369	23, 25, 29
38096	33, 35
38272	43
39397	21
39432	27
39566	29
39733	43
39739	39
431287	17
51780	43
52909	23, 25
800258	19
804608	9, 11
804667	7, 13, 55
807075	11, 13

Sealant 200996P	27, 29, 41
Service Cabinet Kit 38612WP	43
Shield Assembly 202965	55
Shipping Brace 204678	51
Shipping Plug 38149	51
Silicone Grease 204253	39
Siphon Break Kit 562P3	31, 33, 35, 37
Spline Insert 29728	27
Spring Clip 210202	23
Spring Hook Tool 321P4	51
Standpipe Adapter 36878	31
Standpipe Strap 33489	31, 33, 35, 37
Strain Relief 32219	31, 33, 35, 37
38384	17

T

Temperature Switch 35115	5, 9, 11
Terminal 00568SG	47
Terminal Extractor Tool 283P4	45
Terminal Grounding Clip 00569SG	49
Terminal Tab 00577	49

N/A items do not appear in index.

Timer	
202705P	5
203387P	5
Timer Knob Assembly	
D512117W	9
202133	5
Timer Skirt Assembly	
803116	5
Tool Kit	
725P3	51, 53
Top	
37992WP	17
Top Cover	
39905W	5, 7, 9
Top Shield	
203946	17
Transmission Assembly	
203768	41
Tub Cover Assembly	
202888	29
Tub Cover Gasket	
38359	29
Tube	
202333	23, 25
Tubing	
202700	29
203478	29
203511	17
Tub-to-Pump Hose	
203560	37
38351	31
38759	33, 35

V

Valve to Inlet Hose	
202884	21
204400	21

W

Warning Label	
D500049	29
803260	43
Washer	
D504082	23, 25
20290	21
203950	39
26509	39
27015	39
35535	39
37772	23, 25
39249	29
52549	23, 25
802254	21
803615	21
81392	23, 25
Washtub Gasket	
39122	27
Washtub Kit	
719P3	27
Water Hose	
F200116	21

Weldment and Bearing Assembly	
39253	39
Wire Clip	
D504034	49
Wire Harness Assembly	
38661	57
Wire Tie	
70296701	47
Wire, 12 Gauge	
45380	55, 57
Wire, 18 Gauge	
45001	55, 57

N/A items do not appear in index.

