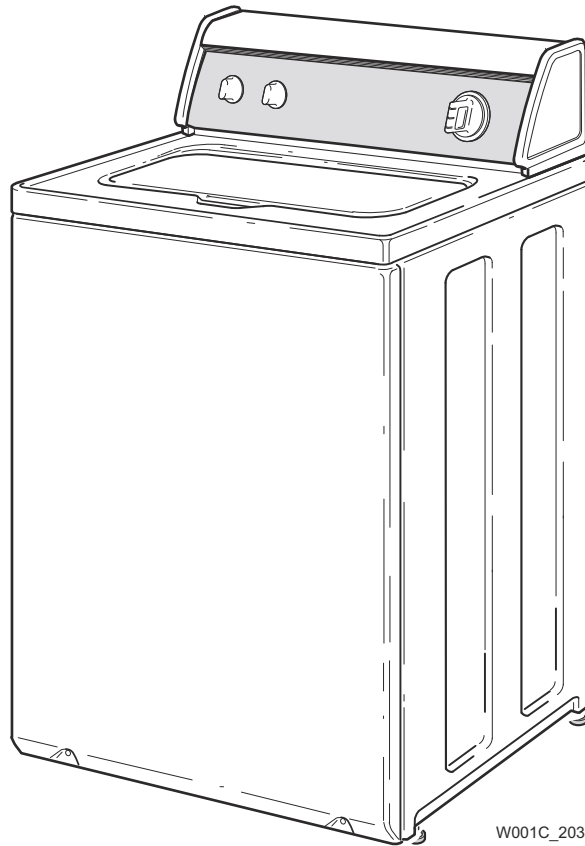


Home Automatic Washers

Refer to Page 3 for Model Numbers



W001C_203418

Parts

Alliance[™]
Laundry Systems

www.alliancelaundry.com

Part No. 203418R15
March 2023

Table of Contents

Title	Page
Parts Ordering Information.....	2
Serial Plate Location	2
Model Identification	3
Graphic Panel, Control Support Panel and Controls	4
Graphic Panel and Control Support Panel.....	6
Controls and Overlay	8
Lid Switch Assembly	10
Top, Lid and Lid Lock (Drawing 1 of 2)	12
Top, Lid and Lid Lock (Drawing 2 of 2)	14
Lid and Hood Back Panel	16
Top.....	18
Junction Box	20
Mixing Valve-to-Tub Cover Hose and Mixing Valve Bracket.....	22
Mixing Valve.....	24
Fill Hose	26
Belt, Pump and Idler Assembly (Drawing 1 of 2)	28
Belt, Pump and Idler Assembly (Drawing 2 of 2)	30
Motor and Mounting Bracket (Drawing 1 of 2)	32
Motor and Mounting Bracket (Drawing 2 of 2)	34
Agitator, Fabric Softener Dispenser, Drive Bell, Hub and Lip Seal Kit and Washtub.....	36
Outer Tub, Cover, Bearing and Seal Housing, Pressure Hose and Counterweight.....	38
Drain Hose and Siphon Break Kit	40
Weldment and Bearing Assembly, Brake and Pulley.....	42
Transmission Assembly (Drawing 1 of 2).....	44
Transmission Assembly (Drawing 2 of 2).....	46
Front Panel, Base Assembly and Cabinet Kit.....	48
Mixing Valve and Motor Connection Blocks, Terminals and Extractor Tool.....	50
Power Cord	52
Terminals and Clips	54
Terminals	56
Shipping Materials and Special Tools	58
Special Tools	60
Output Board, Wire Harnesses and Wires (Drawing 1 of 2)	62
Output Board, Wire Harnesses and Wires (Drawing 2 of 2)	64
Wire Harnesses and Wires	66
Parts Index.....	69

© Copyright 2023, Alliance Laundry Systems LLC

All rights reserved. No part of the contents of this book may be reproduced or transmitted in any form or by any means without the expressed written consent of the publisher.

Parts Ordering Information

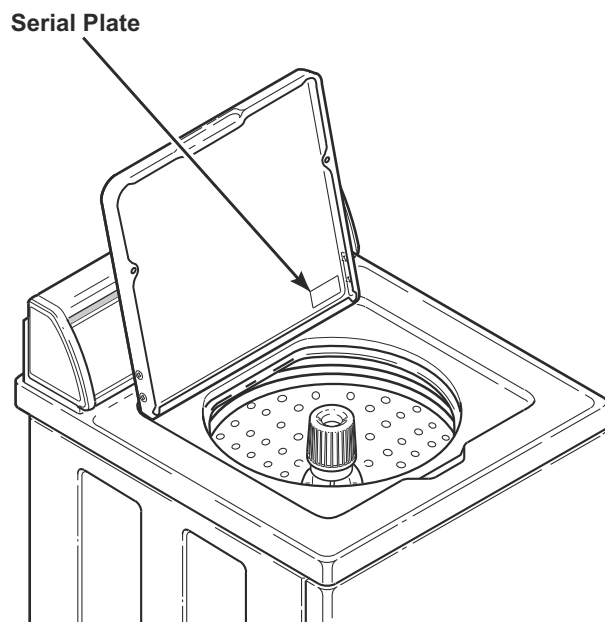
If literature or replacement parts are required, contact the source from whom the machine was purchased or contact Alliance Laundry Systems at (920) 748-3950 for the name and address of the nearest authorized parts distributor.

For technical assistance, call the number listed below:

(920) 748-3121 Ripon, Wisconsin

Serial Plate Location

When calling or writing about your product, be sure to mention model and serial numbers. Model and serial numbers are located on serial plate(s) as shown.



W429S_203418

Model Identification

Information in this manual is applicable to these washer models:

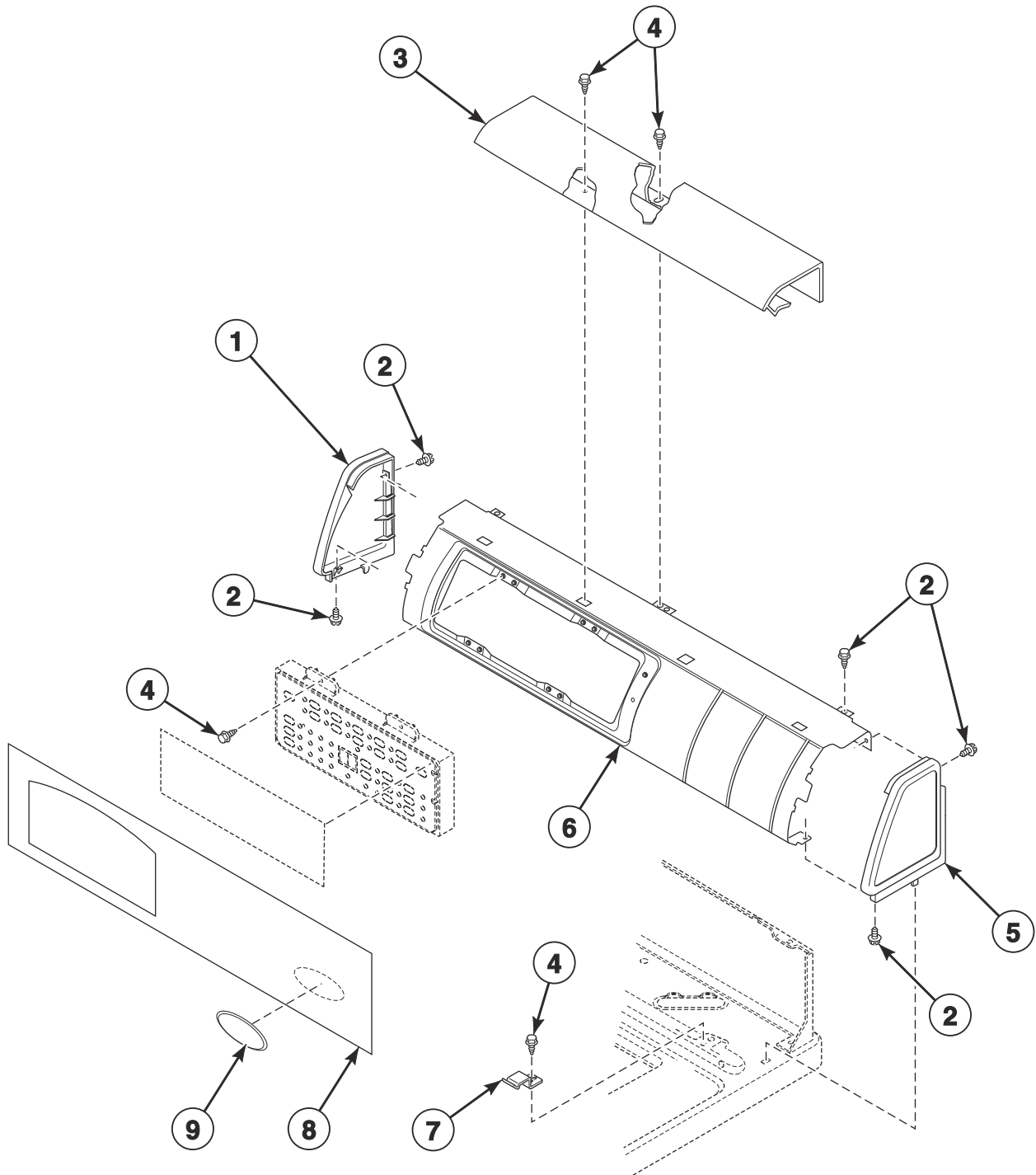
AWN312SP303LW22	LWN432PP113FW28	MWNE52SP303WW37
AWN432SP113CW04	LWN432SP113CW04	MWNE52SP543RW01
AWN432SP113FW28	LWN432SP113FW28	PWNE12PP115CG01
AWNE82SP113CW01	LWN432SP115CW01	PWNE12PP115CW01
AWNE82SP113FW01	LWNE22SP115CW01	PWNE32PP113CG01
AWNE92SP113FW01	LWNE52PP113ZW01	PWNE32PP303AG01
AWNE92SP123DW01	LWNE52PP303SW01	PWNE32SP303AG01
AWNE92SP543DW01	LWNE52SP103ZW01	YWN432SP113CW04
AWNE92SP303NW29	LWNE52SP113CW01	YWN432SP115CW01
AWNE92SP303NW36	LWNE52SP113FQ01	YWNE22PP115CW01
AWNE92SP303XW01	LWNE52SP113FW01	YWNE22SP115CW01
AWNE92SP303XW26	LWNE52SP113ZW01	YWNE52PP113CW01
AWNE92SP303XW34	LWNE52SP123MW01	YWNE52SP303EW01
DWN432SP113CW01	LWNE52SP303AW01	YWNE52SP303NW26
DWN432SP113CW04	LWNE52SP303BW01	YWNE52SP303UW01
FWNE52SP123MW01	LWNE52SP303EW01	YWNE52SP303WW01
FWNE52SP303LW01	LWNE52SP303LW01	YWNE52SP543RW01
FWNE52SP303NW26	LWNE52SP303NW26	YWNE52SP543ZW01
FWNE52SP303WW01	LWNE52SP303NW35	ZWN432SP113CW01
FWNE52SP303ZW01	LWNE52SP303SW01	ZWN432SP113CW04
FWNE52SP303ZW14	LWNE52SP303UW01	ZWN432SP113FW28
	LWNE52SP303VW26	ZWNE82SP113CW01
	LWNE52SP303WW01	ZWNE82SP113FW01
	LWNE52SP303WW37	ZWNE92SP113FW01
	LWNE52SP303XW01	
	LWNE52SP303ZW01	
	LWNE52SP543RW01	
	LWNE52SP543ZW01	
	LWNE52WP113FW01	
	LWNE52WP303ZW01	
	LWNE52WP543RW01	
	LWNE52WP543ZW01	

Graphic Panel, Control Support Panel and Controls

REF	PART NO.	DESCRIPTION	COMMENTS
1	D504009WP	End Panel	White; Left
2	D501086	Screw	
3	39905W	Top Cover	White
4	35115	Temperature Switch	3 position
5	201927P	Pressure Switch	Model AWN312SP303LW22
	204156	Pressure Switch	Models LWN432SP115CW01 and YWN432SP115CW01
	202937	Pressure Switch	All other models
6	23962	Screw	
7	37925P	Timer	Model AWN312SP303LW22
	203387P	Timer	Models AWN432SP113CW04, DWN432SP113CW04, LWN432SP113CW04, LWN432SP115CW01, YWN432SP113CW04, YWN432SP115CW01 and ZWN432SP113CW04
	202705P	Timer	All other models
8	D504008WP	End Panel	White; Right
9	205340	Hold-Down Clip	
10	203672W	Graphic Panel	Models DWN432SP113CW01 and DWN432SP113CW04
	203671W	Control Panel	Models ZWN432SP113CW01, ZWN432SP113CW04 and ZWN432SP113FW28
	203673W	Graphic Panel	Models LWN432PP113FW28, LWN432SP113CW04 and LWN432SP113FW28
	203678W	Graphic Panel	Model YWN432SP113CW04
	203606W	Graphic Panel	Model AWN432SP113FW28
	203822W	Graphic Panel	Model AWN312SP303LW22
	203713W	Graphic Panel	Model AWN432SP113CW04
	203826W	Graphic Panel	Model LWN432SP115CW01
	204938	Graphic Panel	Model YWN432SP115CW01
11	38171	Control Support Panel	Model AWN312SP303LW22
	38565	Control Support Panel	All other models
12	00161	Grounding Clip	
13	803116	Timer Skirt Assembly	Models AWN312SP303LW22, AWN432SP113CW04, AWN432SP113FW28, ZWN432SP113CW01, ZWN432SP113CW04 and ZWN432SP113FW28
	36700W	Timer Skirt Assembly	White; All other models
14	202133	Timer Knob Assembly	Models AWN312SP303LW22, AWN432SP113CW04, AWN432SP113FW28, ZWN432SP113CW01, ZWN432SP113CW04 and ZWN432SP113FW28
	201501W	Timer Knob	White; All other models
15	38424W	Rocker Switch	White; All models except AWN312SP303LW22
16	803118P	Knob Assembly	Models AWN312SP303LW22, AWN432SP113CW04, AWN432SP113FW28, ZWN432SP113CW01, ZWN432SP113CW04 and ZWN432SP113FW28
	203323	Knob Assembly	All other models except LWN432SP115CW01 and YWN432SP115CW01
17	803119P	Control Knob Assembly	Models AWN312SP303LW22, AWN432SP113CW04, AWN432SP113FW28, ZWN432SP113CW01, ZWN432SP113CW04 and ZWN432SP113FW28
	36701W	Knob Assembly	All other models

Graphic Panel and Control Support Panel

All Models Except AWN432SP113CW04, AWN432SP113FW28, DWN432SP113CW01, DWN432SP113CW04, LWN432PP113FW28, LWN432SP113CW04, LWN432SP113FW28, LWN432SP115CW01, YWN432SP113CW04, YWN432SP115CW01, ZWN432SP113CW01, ZWN432SP113CW04 and ZWN432SP113FW28



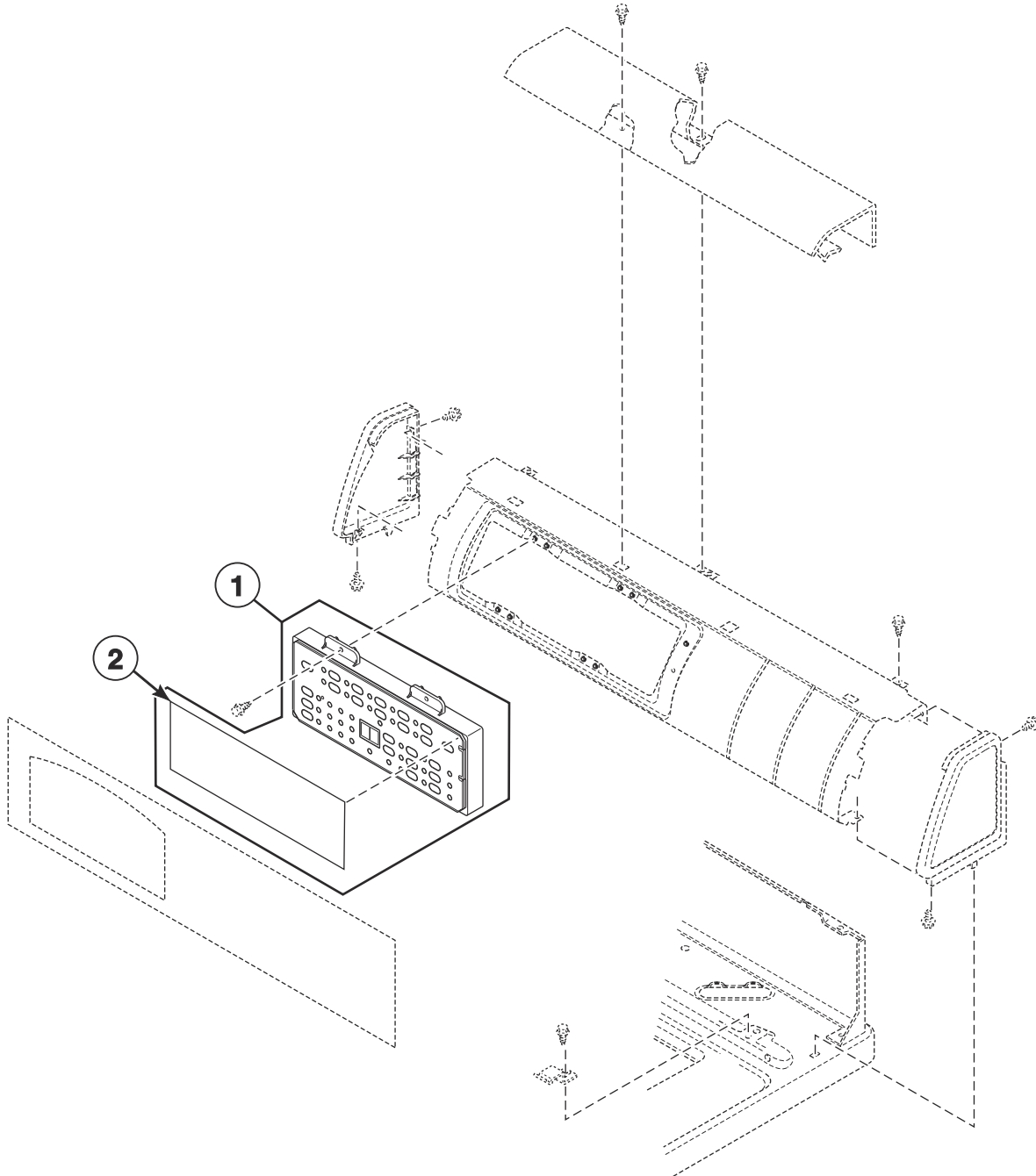
TLW1879P_203418

Graphic Panel and Control Support Panel

REF	PART NO.	DESCRIPTION	COMMENTS
1	D504009WP	End Panel	Left; White
	D504007P	End Panel	Left; Slate
2	D501086	Screw	
3	39905W	Top Cover	White
	39905DG	Top Cover	Dark gray
4	23962	Screw	
5	D504008WP	End Panel	Right; White
	D504006P	End Panel	Right; Slate
6	202942	Control Support Panel	
7	205340	Hold-Down Clip	
8	202797P	Graphic Panel	Models AWNE82SP113CW01, AWNE82SP113FW01, AWNE92SP113FW01, AWNE92SP123DW01, AWNE92SP543DW01, AWNE92SP303NW36, AWNE92SP303XW01, AWNE92SP303XW26 and AWNE92SP303XW34
	203167	Graphic Panel	Models ZWNE82SP113CW01, ZWNE82SP113FW01 and ZWNE92SP113FW01
	203165	Graphic Panel	Models YWNE22PP115CW01, YWNE22SP115CW01, YWNE52PP113CW01, YWNE52SP303EW01, YWNE52SP303NW26, YWNE52SP303UW01, YWNE52SP303WW01, YWNE52SP543RW01 and YWNE52SP543ZW01
	203166	Graphic Panel	Models FWNE52SP303LW01, FWNE52SP303NW26, FWNE52SP303WW01, FWNE52SP303ZW01, FWNE52SP303ZW14, LWNE52SP123MW01, MWNE52SP303WW37 and MWNE52SP543RW01
	203523	Graphic Panel	Models PWNE12PP115CG01, PWNE12PP115CW01, PWNE32PP113CG01, PWNE32PP303AG01 and PWNE32SP303AG01
	205347	Graphic Panel	Model FWNE52SP123MW01
	203151	Graphic Panel	All other models
	204166	Domed Label	Models MWNE52SP303WW37 and MWNE52SP543RW01
9	804969	Label	Models FWNE52SP123MW01 and LWNE52SP123MW01

Controls and Overlay

All Models Except AWN432SP113CW04, AWN432SP113FW28, DWN432SP113CW01, DWN432SP113CW04, LWN432PP113FW28, LWN432SP113CW04, LWN432SP113FW28, LWN432SP115CW01, YWN432SP113CW04, YWN432SP115CW01, ZWN432SP113CW01, ZWN432SP113CW04 and ZWN432SP113FW28

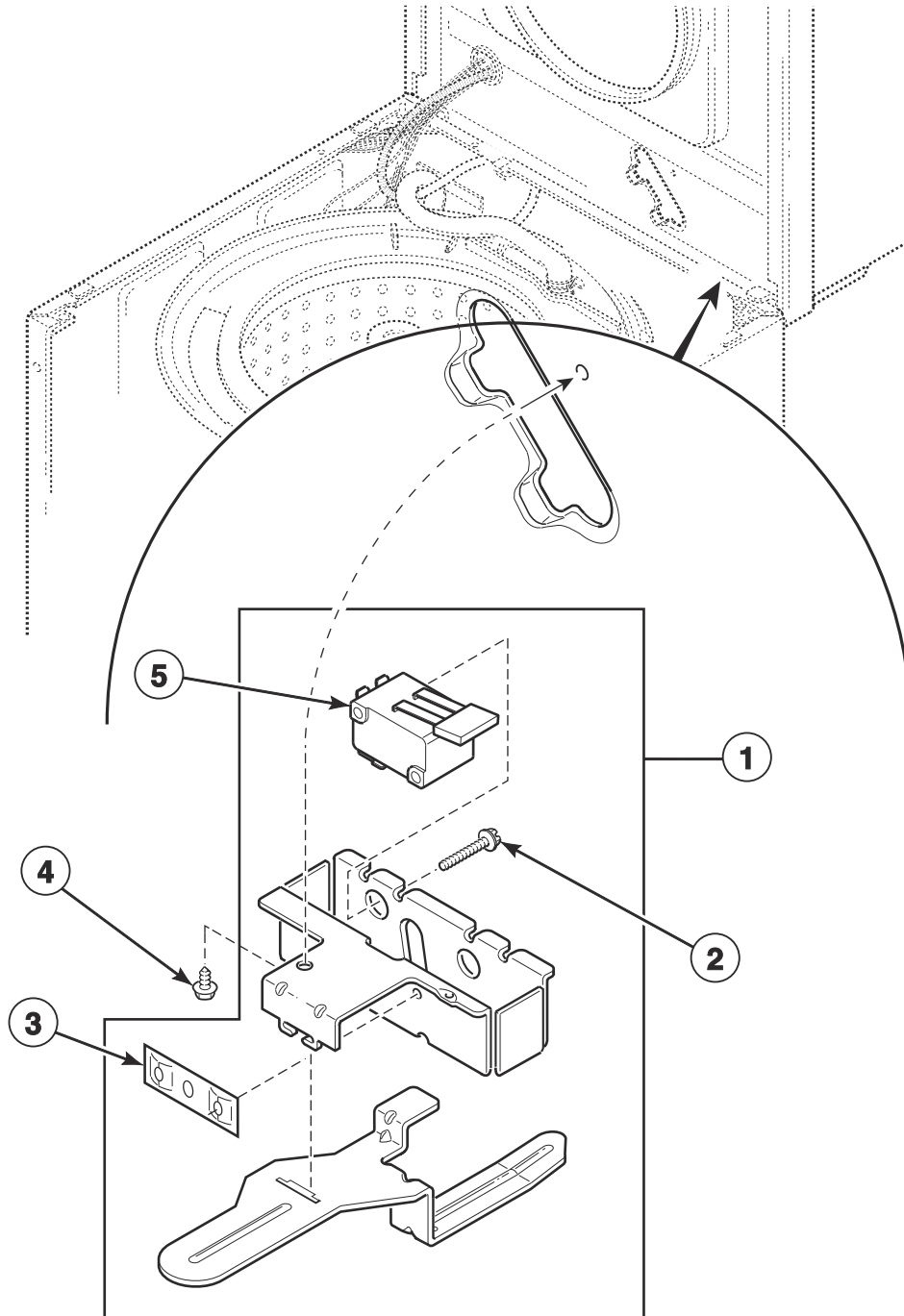


TLW1784P_203418

Controls and Overlay

REF	PART NO.	DESCRIPTION	COMMENTS
1	202904P	Control Assembly	Includes item 2; Models AWNE82SP113CW01 and ZWNE82SP113CW01
	202907P	Control Assembly	Includes item 2; Models LWNE52SP303UW01 and YWNE52SP303UW01
	202905P	Control Assembly	Includes item 2; Models FWNE52SP303LW01, FWNE52SP303NW26, FWNE52SP303WW01, FWNE52SP303ZW14, LWNE52PP303SW01, LWNE52SP113CW01, LWNE52SP113FQ01, LWNE52SP113FW01, LWNE52SP303AW01, LWNE52SP303NW35, LWNE52SP303SW01, LWNE52SP303WW01, LWNE52SP303WW37, LWNE52SP303XW01, LWNE52WP113FW01, MWNE52SP303WW37, YWNE52SP303NW26 and YWNE52SP303WW01
	203146P	Control Assembly	Includes item 2; Models LWNE52SP543RW01, LWNE52WP543RW01, MWNE52SP543RW01 and YWNE52SP543RW01
	203087P	Control Assembly	Includes item 2; Models LWNE52SP303EW01 and YWNE52SP303EW01
	202770P	Control Assembly	Includes item 2; Models AWNE82SP113FW01 and ZWNE82SP113FW01
	202769P	Control Assembly	Includes item 2; Models AWNE92SP113FW01, AWNE92SP303NW36, AWNE92SP303XW34 and ZWNE92SP113FW01
	203581	Control Assembly	Includes item 2; Models PWNE32PP113CG01, PWNE32PP303AG01 and PWNE32SP303AG01
	203702P	Control Assembly	Includes item 2; Models AWNE92SP303XW01 and AWNE92SP303XW26
	202903P	Control Assembly	Includes item 2; Models AWNE92SP123DW01 and AWNE92SP543DW01
	204025	Control Assembly	Model AWNE92SP303NW29
	204289	Control Assembly	Includes item 2; Models PWNE12PP115CG01 and PWNE12PP115CW01
	204293	Control Assembly	Includes item 2; Models YWNE22PP115CW01 and YWNE22SP115CW01
	204288	Control Assembly	Includes item 2; Model LWNE22SP115CW01
	202906P	Control Assembly	Includes item 2; All other models
	2	202754	Overlay
202750		Control Overlay	Models FWNE52SP303LW01, FWNE52SP303NW26, FWNE52SP303WW01, FWNE52SP303ZW14, LWNE52PP303SW01, LWNE52SP113CW01, LWNE52SP113FQ01, LWNE52SP113FW01, LWNE52SP303AW01, LWNE52SP303NW35, LWNE52SP303SW01, LWNE52SP303VW26, LWNE52SP303WW01, LWNE52SP303WW37, LWNE52SP303XW01, LWNE52SP543RW01, LWNE52WP113FW01, LWNE52WP543RW01, MWNE52SP303WW37, MWNE52SP543RW01, YWNE52SP303NW26, YWNE52SP303WW01 and YWNE52SP543RW01
202922		Overlay	Models LWNE52SP303UW01 and YWNE52SP303UW01
203077		Overlay	Models LWNE52SP303EW01 and YWNE52SP303EW01
202751		Control Overlay	Models AWNE82SP113FW01 and ZWNE82SP113FW01
202628		Overlay	Models AWNE92SP113FW01, AWNE92SP303NW36, AWNE92SP303XW01, AWNE92SP303XW26, AWNE92SP303XW34 and ZWNE92SP113FW01
202755		Overlay	Models AWNE92SP123DW01 and AWNE92SP543DW01
203541		Overlay	Models PWNE32PP113CG01, PWNE32PP303AG01 and PWNE32SP303AG01
203973		Overlay	Model AWNE92SP303NW29
204168		Overlay	Models PWNE12PP115CG01 and PWNE12PP115CW01
204165		Overlay	Model LWNE22SP115CW01
204167		Overlay	Models YWNE22PP115CW01 and YWNE22SP115CW01
202753		Overlay	All other models

Lid Switch Assembly



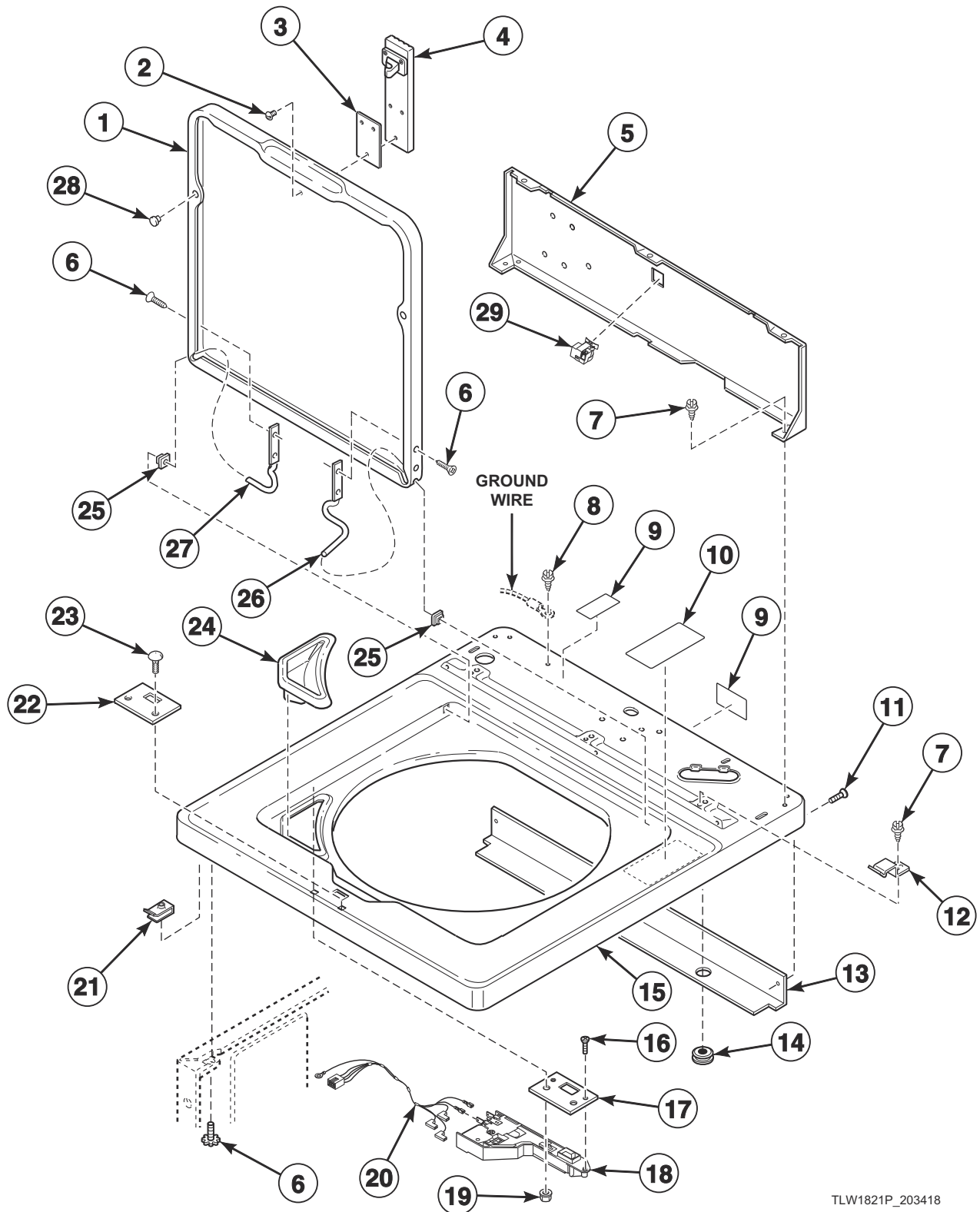
TLW1893P

Lid Switch Assembly

REF	PART NO.	DESCRIPTION	COMMENTS
1	204538	Lid Switch Drip Shield	Models AWNE82SP113FW01, AWNE92SP113FW01, AWNE92SP123DW01, AWNE92SP303NW29, AWNE92SP303NW36, AWNE92SP303XW01, AWNE92SP303XW26, AWNE92SP303XW34, AWNE92SP543DW01, FWNE52SP123MW01, FWNE52SP303LW01, FWNE52SP303NW26, FWNE52SP303WW01, FWNE52SP303ZW01, FWNE52SP303ZW14, LWNE52PP113ZW01, LWNE52PP303SW01, LWNE52SP113FQ01, LWNE52SP113FW01, LWNE52SP113ZW01, LWNE52SP123MW01, LWNE52SP303AW01, LWNE52SP303BW01, LWNE52SP303LW01, LWNE52SP303NW26, LWNE52SP303SW01, LWNE52SP303UW01, LWNE52SP303VW26, LWNE52SP303WW01, LWNE52SP303WW37, LWNE52SP303ZW01, LWNE52SP543RW01, LWNE52SP543ZW01, LWNE52WP113FW01, LWNE52WP303ZW01, LWNE52WP543RW01, LWNE52WP543ZW01, MWNE52SP303WW37, MWNE52SP543RW01, PWNE32PP303AG01, PWNE32SP303AG01, YWNE52SP303EW01, YWNE52SP303NW26, YWNE52SP303UW01, YWNE52SP303WW01, YWNE52SP543RW01, YWNE52SP543ZW01, ZWNE82SP113FW01 and ZWNE92SP113FW01
2	M402574	Screw	Use with single switch
	204656	Screw	Use with dual switch
3	M400981	Nut	Use with single switch
	M400979	Nut	Use with dual switch
4	23962	Screw	
5	204980	Switch Assembly	Models LWNE52SP303EW01, LWNE52SP303UW01, YWNE52SP303EW01 and YWNE52SP303UW01
	204696	Lid Switch Kit	All other models

Top, Lid and Lid Lock (Drawing 1 of 2)

Models LWNE52SP303EW01, LWNE52SP303UW01, YWNE52SP303EW01 and YWNE52SP303UW01
Through Serial No. 1907999999



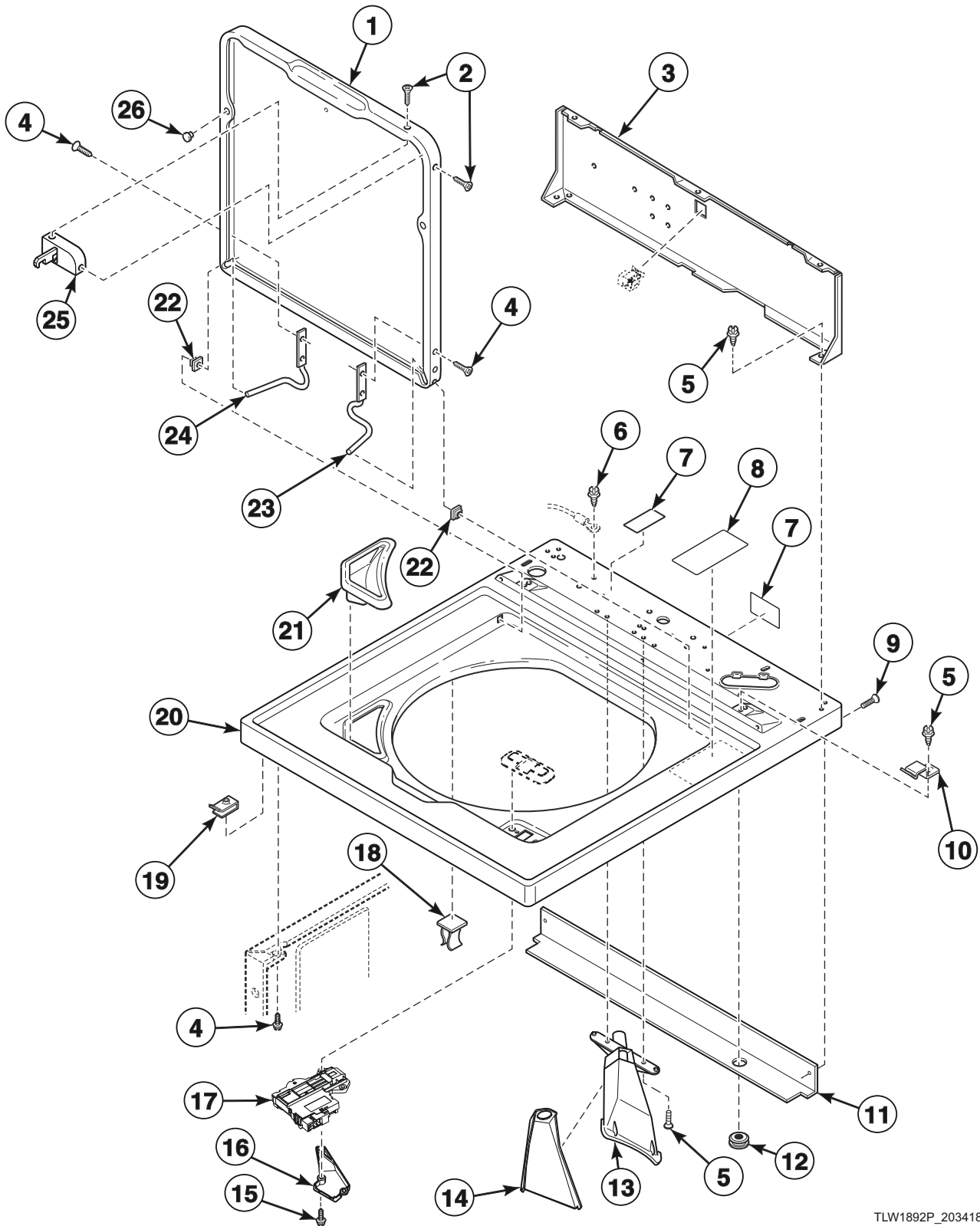
TLW1821P_203418

Top, Lid and Lid Lock (Drawing 1 of 2)

REF	PART NO.	DESCRIPTION	COMMENTS
1	202896W	Lid	White
2	201415	Screw	
3	202934	Door Lock Spacer	
4	202930	Lid Lock Catch Assembly	Includes item 3 and attaching hardware
5	203110	Hood Back Panel	
6	34337	Screw	
7	23962	Screw	
8	52909	Screw	
9	F8211201	Electrical Shock Label	
10	36592	Warning Sticker	
11	431287	Screw	
12	205340	Hold-Down Clip	
13	203946	Top Shield	
14	80262	Grommet	
15	202966W	Top Assembly	Models YWNE52SP303EW01 and YWNE52SP303UW01
	202929W	Top Assembly	Models LWNE52SP303EW01 and LWNE52SP303UW01
16	202623	Screw	
17	29676	Switch Mounting Plate	
18	202933	Lid Lock Kit	
19	22001	Nut	
20	203389	Lid Lock Wire Harness Assembly	Through Serial No. 1912999999
	204718	Lid Lock Harness	Starting Serial No. 2001000001
21	22001	Nut	
22	37828P	Cover Plate	
23	32184	Bolt	
24	38382	Bleach Dispenser	
25	33446	Bushing	
26	36437	Lid Hinge	Right
27	36513	Lid Hinge	Left
28	21685	Bumper	
29	203843	Pressure Sensor	Mounted here through Serial No. 1805999999; Mounted to mixing valve bracket starting Serial No. 1806000001

Top, Lid and Lid Lock (Drawing 2 of 2)

Models LWNE52SP303EW01, LWNE52SP303UW01, YWNE52SP303EW01 and YWNE52SP303UW01
Starting Serial No. 1908000001



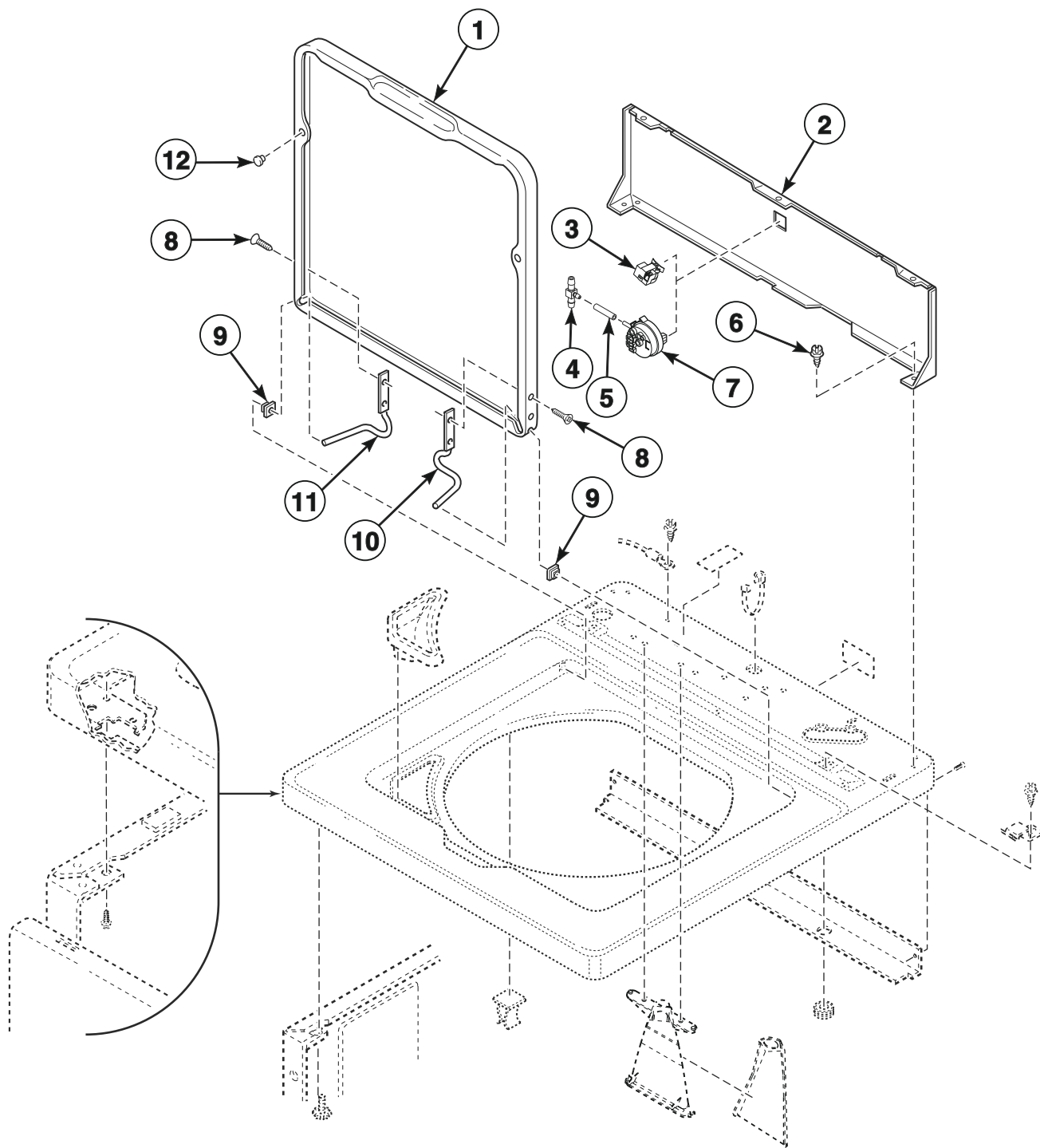
TLW1892P_203418

Top, Lid and Lid Lock (Drawing 2 of 2)

REF	PART NO.	DESCRIPTION	COMMENTS
1	202896W	Lid	White
2	201415	Screw	
3	203110	Hood Back Panel	
4	34337	Screw	
5	23962	Screw	
6	52909	Screw	
7	F8211201	Electrical Shock Label	
8	36592	Warning Sticker	
9	431287	Screw	
10	205340	Hold-Down Clip	
11	203946	Top Shield	
12	80262	Grommet	
13	202900	Inlet Deflector	
14	202984	Inlet Cover	
15	800548	Screw	
16	204038	Drip Tray	
17	205222	Lid Lock Kit	
18	36519	Hinge Stop Clip	
19	22001	Nut	
20	202966W	Top Assembly	Models YWNE52SP303EW01 and YWNE52SP303UW01
	202929W	Top Assembly	Models LWNE52SP303EW01 and LWNE52SP303UW01
21	38382	Bleach Dispenser	
22	33446	Bushing	
23	36437	Lid Hinge	Right
24	36513	Lid Hinge	Left
25	203573	Lid Lock Catch	
26	21685	Bumper	

Lid and Hood Back Panel

All Models Except LWNE52SP303EW01, LWNE52SP303UW01, YWNE52SP303EW01 and YWNE52SP303UW01



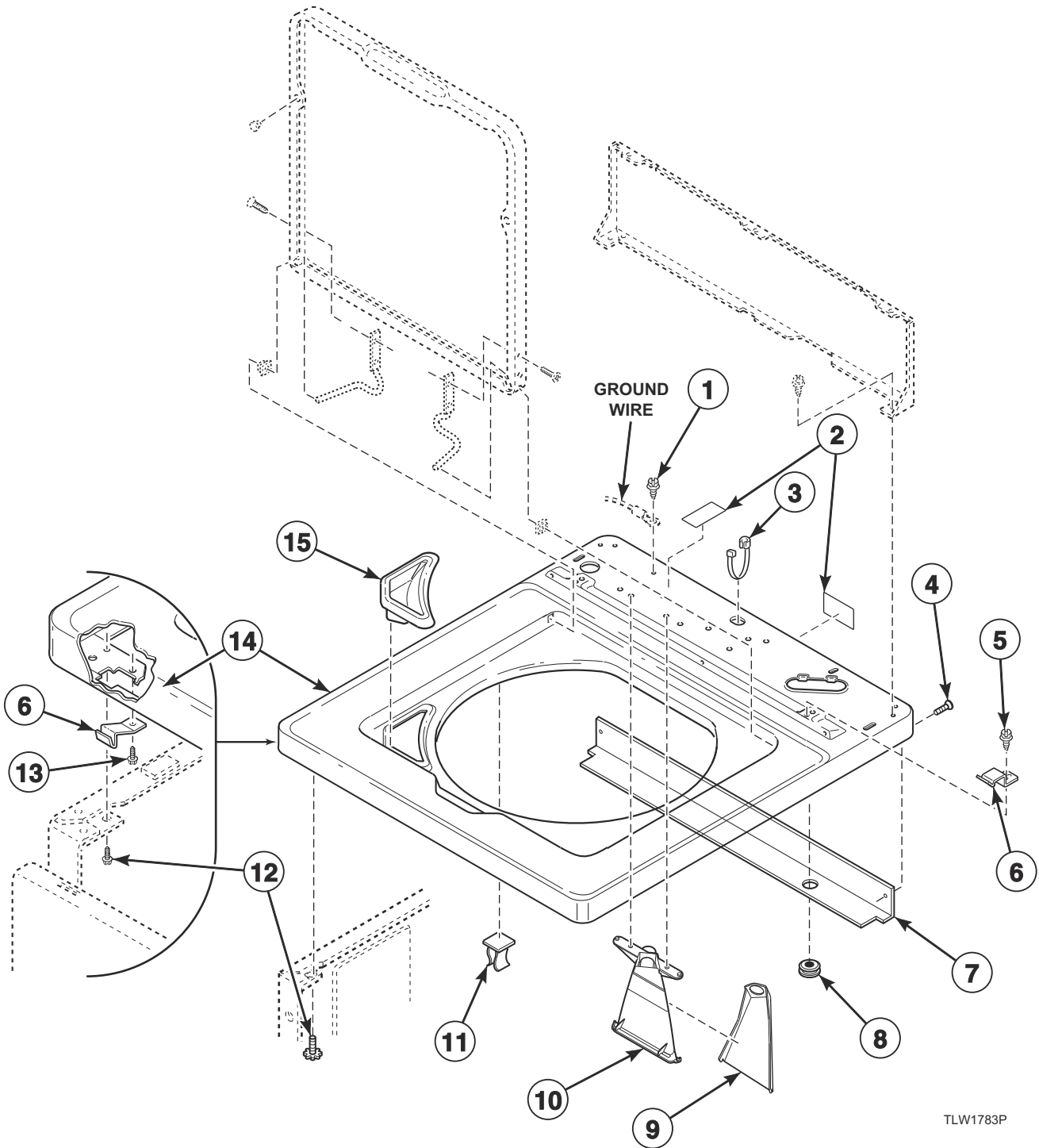
TLW1823P_203418

Lid and Hood Back Panel

REF	PART NO.	DESCRIPTION	COMMENTS
1	37395WP	Lid	White
	37395QP	Lid	Bisque
	37395DG	Lid	Dark gray
	203045	Lid Warning Label	
2	202549	Hood Back Panel	Models AWN432SP113CW04, AWNE82SP113CW01, DWN432SP113CW04, LWN432SP113CW04, LWNE22SP115CW01, LWNE52SP113CW01, PWNE12PP115CG01, PWNE12PP115CW01, PWNE32PP113CG01, YWN432SP113CW04, YWNE22PP115CW01, YWNE22SP115CW01, YWNE52PP113CW01, ZWN432SP113CW04 and ZWNE82SP113CW01
	39921	Hood Back Panel	Model AWNE92SP303NW36
	204259	Hood Back Panel	Models LWN432SP115CW01 and YWN432SP115CW01
	37782	Hood Back Panel	Models AWN312SP303LW22, AWN432SP113FW28, DWN432SP113CW01, LWN432PP113FW28, LWN432SP113FW28, ZWN432SP113CW01 and ZWN432SP113FW28
	203110	Hood Back Panel	All other models
3	203843	Pressure Sensor	All models except AWNE312SP303LW22,AWN432SP113CW04, AWN432SP113FW28, DWN432SP113CW01, DWN432SP113CW04, LWN432PP113FW28, LWN432SP113CW04, LWN432SP113FW28, LWN432SP115CW01, YWN432SP113CW04, YWN432SP115CW01, ZWN432SP113CW01, ZWN432SP113CW04 and ZWN432SP113FW28; Mounted here through Serial No. 1805999999; Mounted to mixing valve bracket starting Serial No. 1806000001
4	203464	Barbed Tee	Models AWN432SP113CW04, DWN432SP113CW04, LWN432SP113CW04, YWN432SP113CW04 and ZWN432SP113CW04
5	203511	Tubing	Models AWN432SP113CW04, DWN432SP113CW04, LWN432SP113CW04, YWN432SP113CW04 and ZWN432SP113CW04
6	23962	Screw	
7	B12548401	Pressure Switch	Models AWN432SP113CW04, DWN432SP113CW04, LWN432SP113CW04, YWN432SP113CW04 and ZWN432SP113CW04
8	34337	Screw	
9	33446	Bushing	
10	36437	Lid Hinge	Right
11	36513	Lid Hinge	Left
12	21685	Bumper	

Top

All Models Except LWNE52SP303EW01, LWNE52SP303UW01, YWNE52SP303EW01 and YWNE52SP303UW01



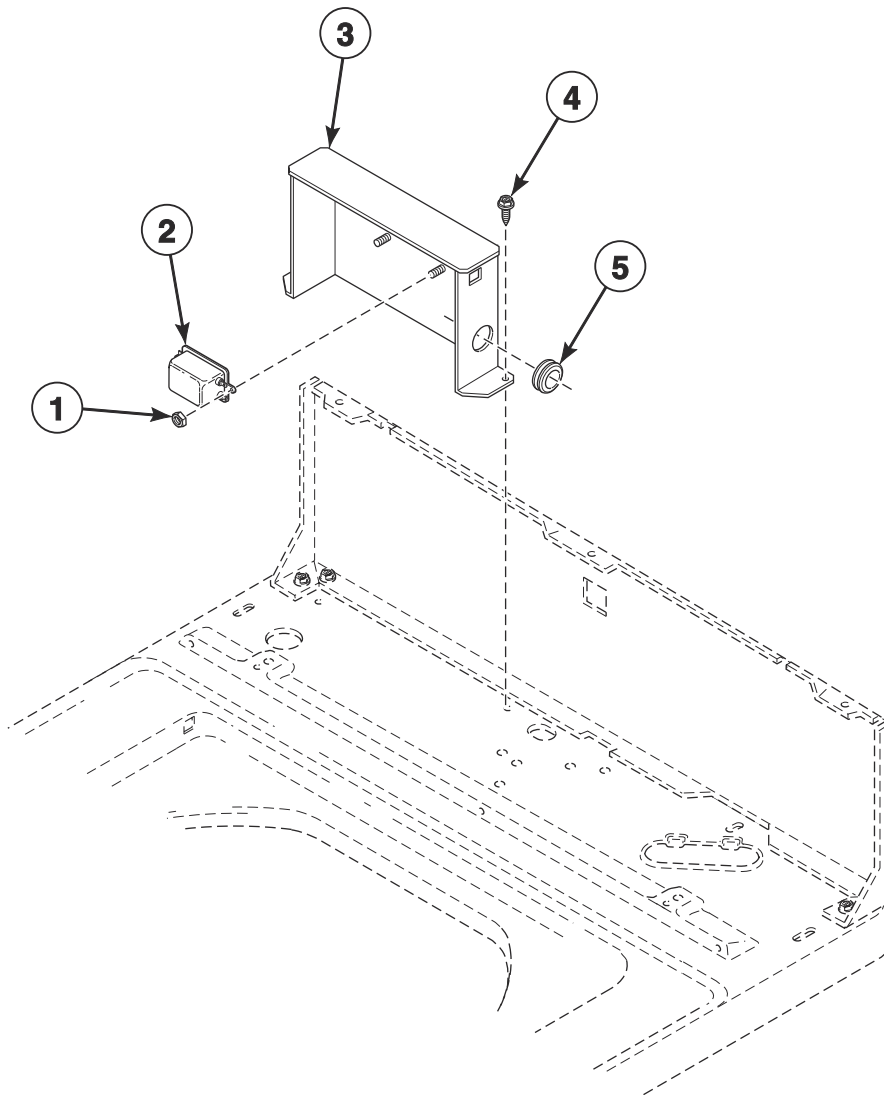
TLW1783P

Top

REF	PART NO.	DESCRIPTION	COMMENTS
1	52909	Screw	
2	D500316	Warning Label	Models AWN432SP113CW04, AWNE82SP113CW01, DWN432SP113CW01, DWN432SP113CW04, LWN432SP113CW04, LWN432SP115CW01, LWNE22SP115CW01, LWNE52SP113CW01, PWNE12PP115CG01, PWNE12PP115CW01, PWNE32PP113CG01, YWN432SP113CW04, YWN432SP115CW01, YWNE22PP115CW01, YWNE22SP115CW01, YWNE52PP113CW01, ZWN432SP113CW01, ZWN432SP113CW04 and ZWNE82SP113CW01
	F8211201	Electrical Shock Label	All other models
3	38384	Strain Relief	
4	431287	Screw	Models AWNE82SP113FW01, AWNE92SP113FW01, AWNE92SP123DW01, AWNE92SP303NW29, AWNE92SP303NW36, AWNE92SP303XW01, AWNE92SP303XW26, AWNE92SP303XW34, AWNE92SP543DW01, FWNE52SP123MW01, FWNE52SP303LW01, FWNE52SP303NW26, FWNE52SP303WW01, FWNE52SP303ZW01, FWNE52SP303ZW14, LWNE52PP113ZW01, LWNE52PP303SW01, LWNE52SP103ZW01, LWNE52SP113FQ01, LWNE52SP113FW01, LWNE52SP113ZW01, LWNE52SP123MW01, LWNE52SP303AW01, LWNE52SP303BW01, LWNE52SP303LW01, LWNE52SP303NW26, LWNE52SP303SW01, LWNE52SP303VW26, LWNE52SP303WW01, LWNE52SP303WW37, LWNE52SP303ZW01, LWNE52SP543RW01, LWNE52SP543ZW01, LWNE52WP113FW01, LWNE52WP303ZW01, LWNE52WP543RW01, LWNE52WP543ZW01, MWNE52SP303WW37, MWNE52SP543RW01, PWNE32PP303AG01, PWNE32SP303AG01, YWNE52SP303NW26, YWNE52SP303WW01, ZWNE82SP113FW01 and ZWNE92SP113FW01
5	23962	Screw	
6	205340	Hold-Down Clip	
7	203946	Top Shield	Models AWNE82SP113FW01, AWNE92SP113FW01, AWNE92SP123DW01, AWNE92SP303NW29, AWNE92SP303NW36, AWNE92SP303XW01, AWNE92SP303XW26, AWNE92SP303XW34, AWNE92SP543DW01, FWNE52SP123MW01, FWNE52SP303LW01, FWNE52SP303NW26, FWNE52SP303WW01, FWNE52SP303ZW01, FWNE52SP303ZW14, LWNE52PP113ZW01, LWNE52PP303SW01, LWNE52SP103ZW01, LWNE52SP113FQ01, LWNE52SP113FW01, LWNE52SP113ZW01, LWNE52SP123MW01, LWNE52SP303AW01, LWNE52SP303BW01, LWNE52SP303LW01, LWNE52SP303NW26, LWNE52SP303SW01, LWNE52SP303VW26, LWNE52SP303WW01, LWNE52SP303WW37, LWNE52SP303ZW01, LWNE52SP543RW01, LWNE52SP543ZW01, LWNE52WP113FW01, LWNE52WP303ZW01, LWNE52WP543RW01, LWNE52WP543ZW01, MWNE52SP303WW37, MWNE52SP543RW01, PWNE32PP303AG01, PWNE32SP303AG01, YWNE52SP303NW26, YWNE52SP303WW01, ZWNE82SP113FW01 and ZWNE92SP113FW01
8	80262	Grommet	Use with item 7
9	202894	Inlet Cover	
10	202900	Inlet Deflector	
11	36519	Hinge Stop Clip	
12	33562	Screw	
13	D501086	Screw	
14	37992WP	Top	White
	37992QP	Top	Bisque
	37992DG	Top	Dark gray
15	38382	Bleach Dispenser	

Junction Box

Models AWNE82SP113FW01, AWNE92SP113FW01, AWNE92SP123DW01, AWNE92SP303NW29, AWNE92SP303NW36, AWNE92SP303XW01, AWNE92SP303XW26, AWNE92SP303XW34, AWNE92SP543DW01, FWNE52SP123MW01, FWNE52SP303LW01, FWNE52SP303NW26, FWNE52SP303WW01, FWNE52SP303ZW01, FWNE52SP303ZW14, LWNE52PP113ZW01, LWNE52PP303SW01, LWNE52SP113FQ01, LWNE52SP113FW01, LWNE52SP113ZW01, LWNE52SP123MW01, LWNE52SP303AW01, LWNE52SP303BW01, LWNE52SP303EW01, LWNE52SP303LW01, LWNE52SP303NW26, LWNE52SP303SW01, LWNE52SP303UW01, LWNE52SP303VW26, LWNE52SP303WW01, LWNE52SP303WW37, LWNE52SP303ZW01, LWNE52SP543RW01, LWNE52SP543ZW01, LWNE52WP113FW01, LWNE52WP303ZW01, LWNE52WP543RW01, LWNE52WP543ZW01, MWNE52SP303WW37, MWNE52SP543RW01, PWNE32PP303AG01, PWNE32SP303AG01, YWNE52SP303EW01, YWNE52SP303NW26, YWNE52SP303UW01, YWNE52SP303WW01, YWNE52SP543RW01, YWNE52SP543ZW01, ZWNE82SP113FW01 and ZWNE92SP113FW01

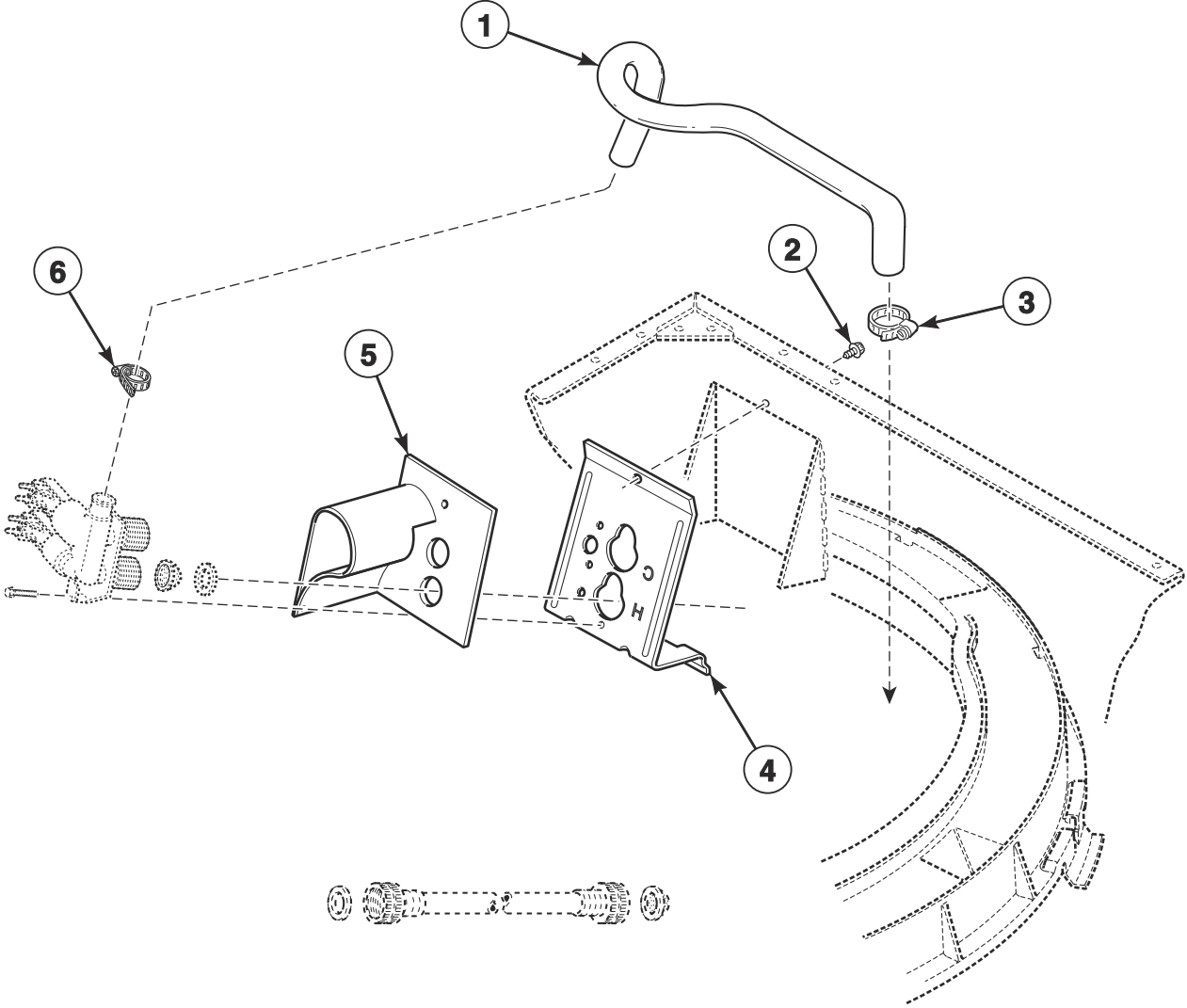


TLW1809P_203418

Junction Box

REF	PART NO.	DESCRIPTION	COMMENTS
	202756	Filter Harness	Model AWNE92SP303NW36
	804724	Cable Tie	
1	29787	Nut	
2	804864	Line Filter	
3	203068	Junction Box	
4	800258	Screw	
5	80262	Grommet	

Mixing Valve-to-Tub Cover Hose and Mixing Valve Bracket

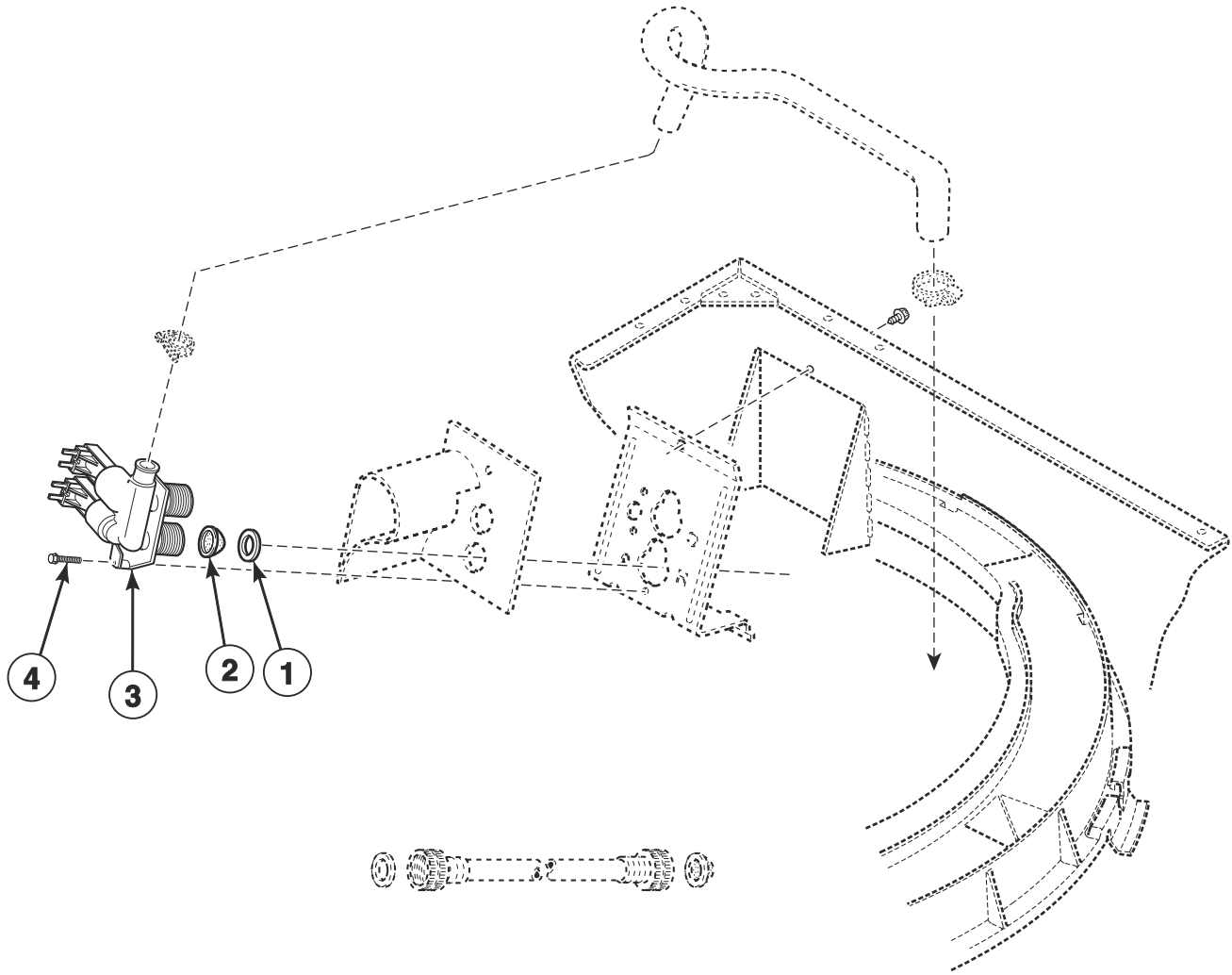


TLW1798P_203418

Mixing Valve-to-Tub Cover Hose and Mixing Valve Bracket

REF	PART NO.	DESCRIPTION	COMMENTS
1	202884	Valve to Inlet Hose	Models AWN432SP113CW04, AWNE82SP113CW01, DWN432SP113CW01, DWN432SP113CW04, LWN432SP113CW04, LWN432SP115CW01, LWNE22SP115CW01, LWNE52SP113CW01, PWNE12PP115CG01, PWNE12PP115CW01, PWNE32PP113CG01, YWN432SP113CW04, YWN432SP115CW01, YWNE22PP115CW01, YWNE22SP115CW01, YWNE52PP113CW01, ZWN432SP113CW01, ZWN432SP113CW04 and ZWNE82SP113CW01 through Serial No. 1812016076; All other models through Serial No. 1809999999
	204400	Valve to Inlet Hose	Models AWN432SP113CW04, AWNE82SP113CW01, DWN432SP113CW01, DWN432SP113CW04, LWN432SP113CW04, LWN432SP115CW01, LWNE22SP115CW01, LWNE52SP113CW01, PWNE12PP115CG01, PWNE12PP115CW01, PWNE32PP113CG01, YWN432SP113CW04, YWN432SP115CW01, YWNE22PP115CW01, YWNE22SP115CW01, YWNE52PP113CW01, ZWN432SP113CW01, ZWN432SP113CW04 and ZWNE82SP113CW01 starting Serial No. 1812016077; All other models starting Serial No. 1810000001
2	33562	Screw	
3	800803	Hose Clamp	
4	39407	Mixing Valve Mounting Bracket	Through Serial No. 1805999999
	204117	Mixing Valve Mounting Bracket	Models AWN432SP113CW04, AWNE82SP113CW01, DWN432SP113CW01, DWN432SP113CW04, LWN432SP113CW04, LWN432SP115CW01, LWNE22SP115CW01, LWNE52SP113CW01, PWNE12PP115CG01, PWNE12PP115CW01, PWNE32PP113CG01, YWN432SP113CW04, YWN432SP115CW01, YWNE22PP115CW01, YWNE22SP115CW01, YWNE52PP113CW01, ZWN432SP113CW01, ZWN432SP113CW04 and ZWNE82SP113CW01 starting Serial No. 1806000001 and continuing through Serial No. 1812016076; All other models starting Serial No. 1806000001 and continuing through Serial No. 1809999999
	203558	Mixing Valve Mounting Bracket	Models AWN432SP113CW04, AWNE82SP113CW01, DWN432SP113CW01, DWN432SP113CW04, LWN432SP113CW04, LWN432SP115CW01, LWNE22SP115CW01, LWNE52SP113CW01, PWNE12PP115CG01, PWNE12PP115CW01, PWNE32PP113CG01, YWN432SP113CW04, YWN432SP115CW01, YWNE22PP115CW01, YWNE22SP115CW01, YWNE52PP113CW01, ZWN432SP113CW01, ZWN432SP113CW04 and ZWNE82SP113CW01 starting Serial No. 1812016077; All other models starting Serial No. 1810000001
5	202899	Mixing Valve Shield	Models AWNE82SP113FW01, AWNE92SP113FW01, AWNE92SP123DW01, AWNE92SP303NW29, AWNE92SP303NW36, AWNE92SP303XW01, AWNE92SP303XW26, AWNE92SP303XW34, AWNE92SP543DW01, FWNE52SP123MW01, FWNE52SP303LW01, FWNE52SP303NW26, FWNE52SP303WW01, FWNE52SP303ZW01, FWNE52SP303ZW14, LWNE52PP113ZW01, LWNE52PP303SW01, LWNE52SP103ZW01, LWNE52SP113FQ01, LWNE52SP113FW01, LWNE52SP113ZW01, LWNE52SP123MW01, LWNE52SP303AW01, LWNE52SP303BW01, LWNE52SP303EW01, LWNE52SP303LW01, LWNE52SP303NW26, LWNE52SP303SW01, LWNE52SP303UW01, LWNE52SP303VW26, LWNE52SP303WW01, LWNE52SP303WW37, LWNE52SP303ZW01, LWNE52SP543RW01, LWNE52SP543ZW01, LWNE52WP113FW01, LWNE52WP303ZW01, LWNE52WP543RW01, LWNE52WP543ZW01, MWNE52SP303WW37, MWNE52SP543RW01, PWNE32PP303AG01, PWNE32SP303AG01, YWNE52SP303EW01, YWNE52SP303NW26, YWNE52SP303UW01, YWNE52SP303WW01, YWNE52SP543RW01, YWNE52SP543ZW01, ZWNE82SP113FW01 and ZWNE92SP113FW01
6	36801	Hose Clamp	

Mixing Valve

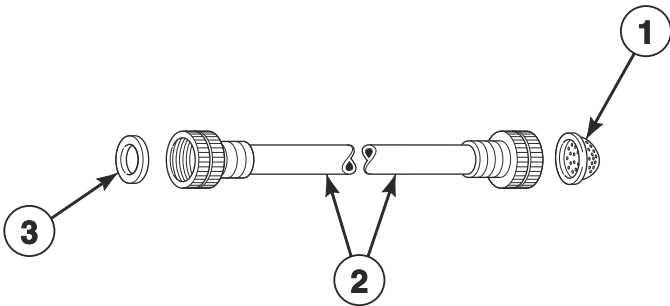


TLW1798PA_203418

Mixing Valve

REF	PART NO.	DESCRIPTION	COMMENTS
1	20290	Washer	
2	24122	Mixing Valve Screen	
3	202395P	Mixing Valve	Models AWN432SP113FW28, AWNE82SP113FW01, AWNE92SP113FW01, AWNE92SP123DW01, LWN432PP113FW28, LWN432SP113FW28, LWNE52PP113ZW01, LWNE52SP113FQ01, LWNE52SP113FW01, LWNE52SP113ZW01, LWNE52SP123MW01, LWNE52WP113FW01, ZWN432SP113FW28, ZWNE82SP113FW01 and ZWNE92SP113FW01 through Serial No. 1809999999; Models AWN432SP113CW04, AWNE82SP113CW01, DWN432SP113CW01, DWN432SP113CW04, LWN432SP113CW04, LWN432SP115CW01, LWNE22SP115CW01, LWNE52SP113CW01, PWNE12PP115CG01, PWNE12PP115CW01, PWNE32PP113CG01, YWN432SP113CW04, YWN432SP115CW01, YWNE22PP115CW01, YWNE22SP115CW01, YWNE52PP113CW01, ZWN432SP113CW01, ZWN432SP113CW04 and ZWNE82SP113CW01 through Serial No. 1812016076
	203741	Mixing Valve	Models AWN432SP113FW28, AWNE82SP113FW01, AWNE92SP113FW01, AWNE92SP123DW01, LWN432PP113FW28, LWN432SP113FW28, LWNE52PP113ZW01, LWNE52SP113FQ01, LWNE52SP113FW01, LWNE52SP113ZW01, LWNE52SP123MW01, LWNE52WP113FW01, ZWN432SP113FW28, ZWNE82SP113FW01 and ZWNE92SP113FW01 starting Serial No. 1810000001; Models AWN432SP113CW04, AWNE82SP113CW01, DWN432SP113CW01, DWN432SP113CW04, LWN432SP113CW04, LWN432SP115CW01, LWNE22SP115CW01, LWNE52SP113CW01, PWNE12PP115CG01, PWNE12PP115CW01, PWNE32PP113CG01, YWN432SP113CW04, YWN432SP115CW01, YWNE22PP115CW01, YWNE22SP115CW01, YWNE52PP113CW01, ZWN432SP113CW01, ZWN432SP113CW04 and ZWNE82SP113CW01 starting Serial No. 1812016077; Model FWNE52SP123MW01
	202396P	Mixing Valve	All other models; Through Serial No. 1809999999
	203928	Mixing Valve	All other models; Starting Serial No. 1810000001
4	39397	Screw	

Fill Hose



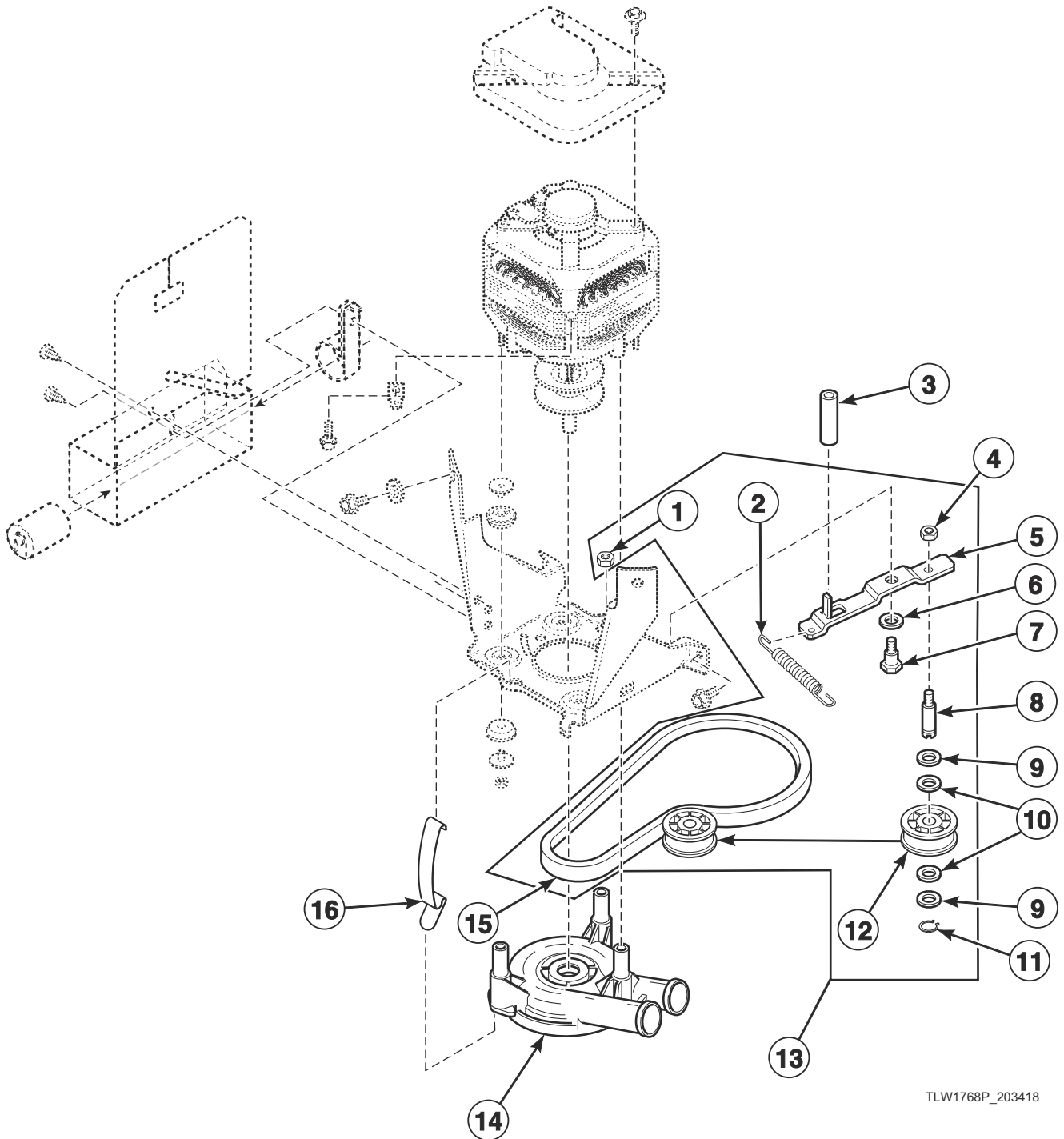
TLW1833P_203418

Fill Hose

REF	PART NO.	DESCRIPTION	COMMENTS
1	803615	Washer	Filter screen
	802254	Washer	Flow restrictor; Water pressure reducer; Available for water pressure up to but not exceeding 120 psi
2	203720	Fill Hose	Marked for cold water; 4 feet; 2 GHT thread hose couplings
	203719	Fill Hose	Marked for hot water; 4 feet; 2 GHT thread hose couplings
	203750	Fill Hose	Marked for cold water; 4 feet; 1 BSPP thread hose coupling and 1 GHT thread hose coupling
	203718	Fill Hose	Marked for hot water; 4 feet; 1 BSPP thread hose coupling and 1 GHT thread hose coupling
	204103	Fill Hose	Marked for cold water; 4 feet; 2 BSPP thread hose couplings
	204102	Fill Hose	Marked for hot water; 4 feet; 2 BSPP thread hose couplings
3	20290	Washer	

Belt, Pump and Idler Assembly (Drawing 1 of 2)

Models AWN312SP303LW22, AWNE92SP303NW29, AWNE92SP303NW36, AWNE92SP303XW01, AWNE92SP303XW26, AWNE92SP303XW34, FWNE52SP303LW01, FWNE52SP303NW26, FWNE52SP303WW01, FWNE52SP303ZW01, FWNE52SP303ZW14, LWNE52PP303SW01, LWNE52SP103ZW01, LWNE52SP303AW01, LWNE52SP303BW01, LWNE52SP303EW01, LWNE52SP303LW01, LWNE52SP303NW26, LWNE52SP303NW35, LWNE52SP303SW01, LWNE52SP303UW01, LWNE52SP303VW26, LWNE52SP303WW01, LWNE52SP303WW37, LWNE52SP303XW01, LWNE52SP303ZW01, LWNE52WP303ZW01, MWNE52SP303WW37, PWNE32PP303AG01, PWNE32SP303AG01, YWNE52SP303EW01, YWNE52SP303NW26, YWNE52SP303UW01 and YWNE52SP303WW01



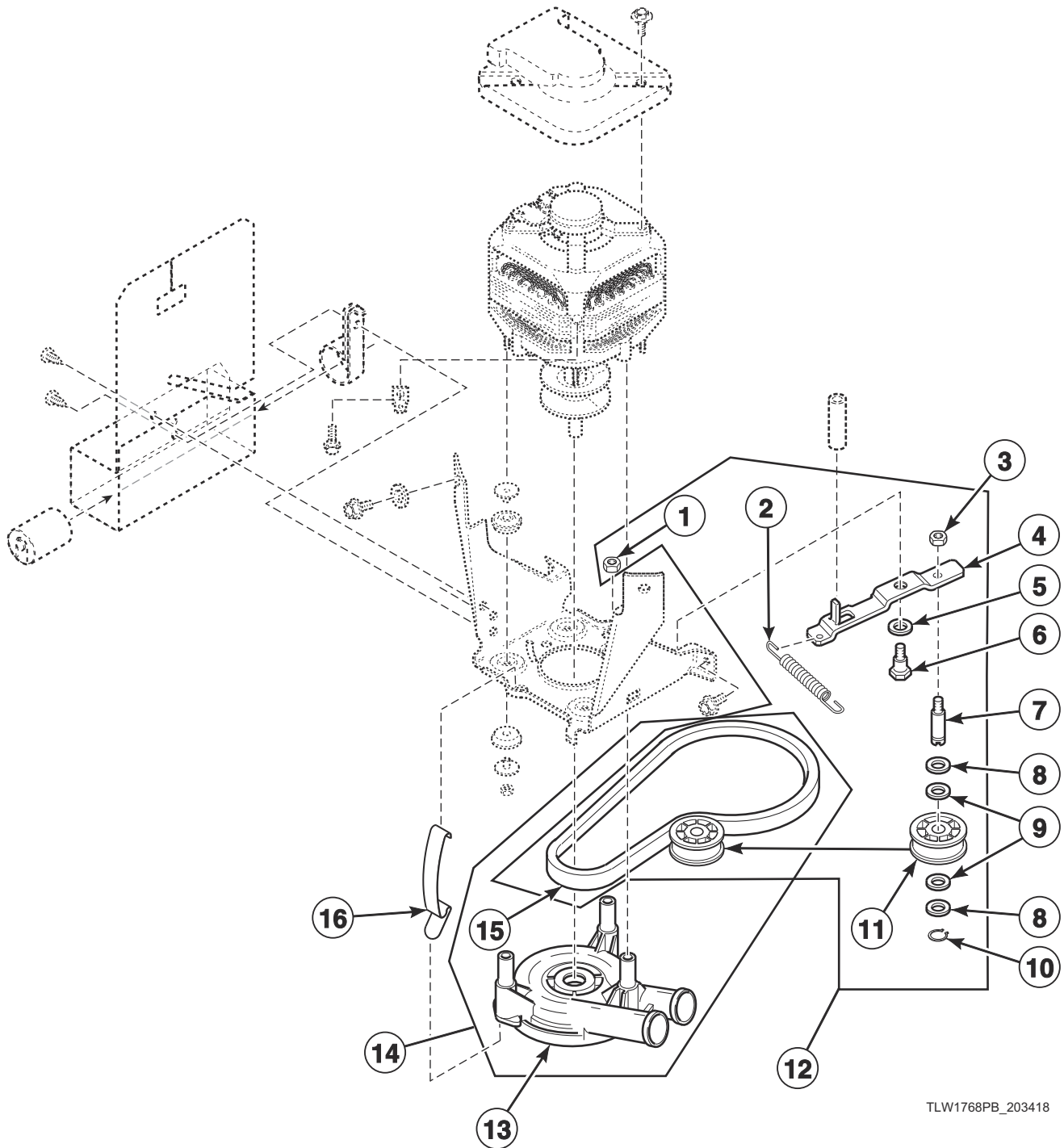
TLW1768P_203418

Belt, Pump and Idler Assembly (Drawing 1 of 2)

REF	PART NO.	DESCRIPTION	COMMENTS
	202378	Idler Lever Assembly	Includes items 3-5 and 8-12
1	52566	Nut	
2	201189	Idler Lever Spring	
3	202333	Tube	Models FWNE52SP303LW01, FWNE52SP303NW26, FWNE52SP303ZW01, FWNE52SP303ZW14, LWNE52PP303SW01, LWNE52SP303AW01, LWNE52SP303LW01, LWNE52SP303NW26, LWNE52SP303NW35, LWNE52SP303SW01, LWNE52SP303VW26, LWNE52SP303XW01, LWNE52SP303ZW01, LWNE52WP303ZW01, PWNE32PP303AG01, PWNE32SP303AG01 and YWNE52SP303NW26
4	28803	Nut	
5	38011	Idler Lever	
6	81392	Washer	
7	27229	Screw	
8	210186	Idler Shaft	
9	D504082	Washer	
10	52549	Washer	Nylatron
11	23748	Retaining Ring	
12	38225P	Idler Pulley	
13	202972	Idler Lever and Belt Kit	Includes items 1, 2, 4-12 and 15
14	205217P	Pump	
	205218P	Pump Assembly Kit	Heavy Duty
15	200923	Agitate and Spin Belt	
16	210202	Spring Clip	

Belt, Pump and Idler Assembly (Drawing 2 of 2)

Models AWN432SP113CW04, AWN432SP113FW28, AWNE82SP113CW01, AWNE82SP113FW01, AWNE92SP113FW01, AWNE92SP123DW01, AWNE92SP543DW01, DWN432SP113CW01, DWN432SP113CW04, FWNE52SP123MW01, LWN432PP113FW28, LWN432SP113CW04, LWN432SP113FW28, LWN432SP115CW01, LWNE22SP115CW01, LWNE52PP113ZW01, LWNE52SP113CW01, LWNE52SP113FQ01, LWNE52SP113FW01, LWNE52SP113ZW01, LWNE52SP123MW01, LWNE52SP543RW01, LWNE52SP543ZW01, LWNE52WP113FW01, LWNE52WP543RW01, LWNE52WP543ZW01, MWNE52SP543RW01, PWNE12PP115CG01, PWNE12PP115CW01, PWNE32PP113CG01, YWN432SP113CW04, YWN432SP115CW01, YWNE22PP115CW01, YWNE22SP115CW01, YWNE52PP113CW01, YWNE52SP543RW01, YWNE52SP543ZW01, ZWN432SP113CW01, ZWN432SP113CW04, ZWN432SP113FW28, ZWNE82SP113CW01, ZWNE82SP113FW01 and ZWNE92SP113FW01

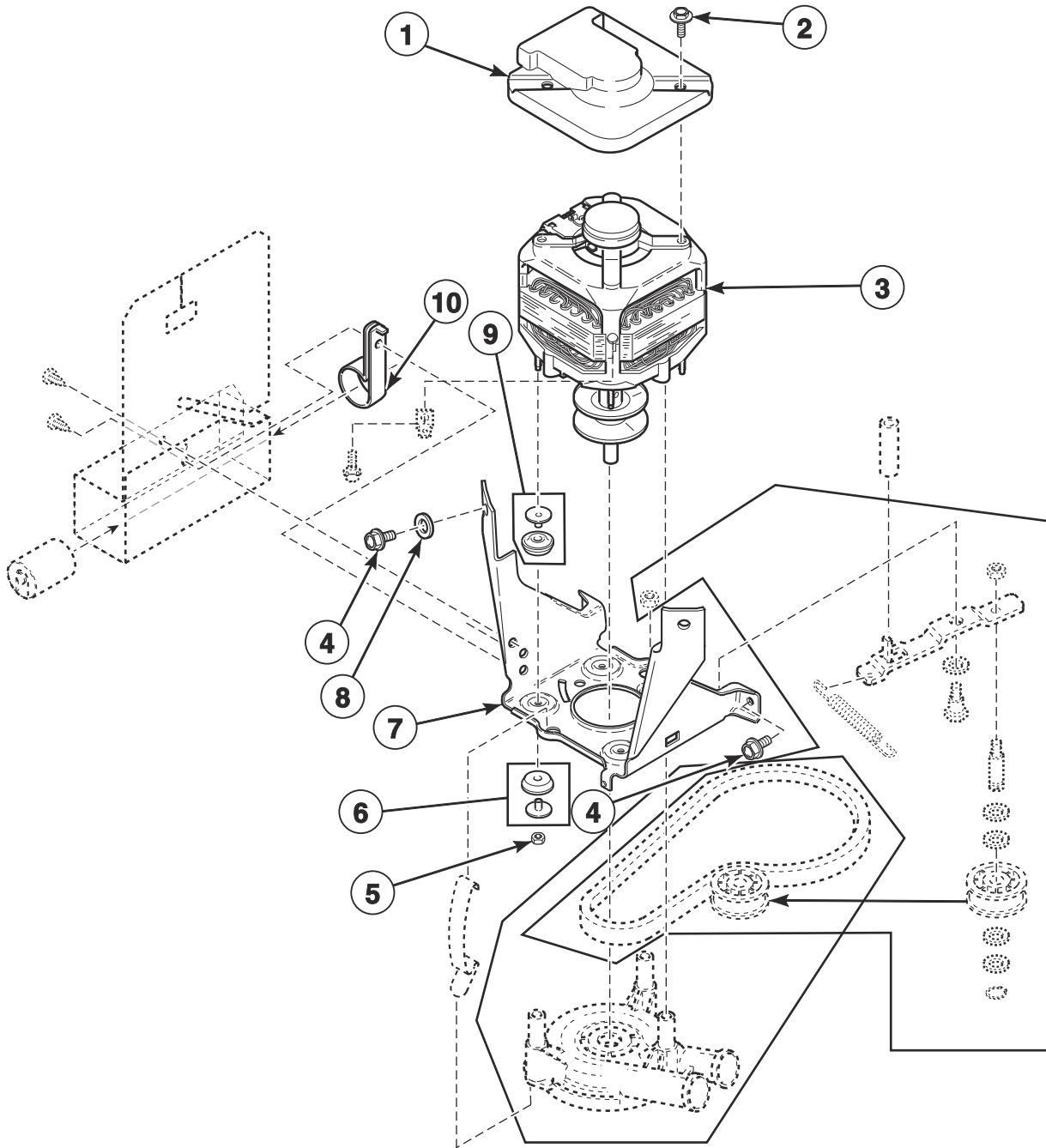


TLW1768PB_203418

Belt, Pump and Idler Assembly (Drawing 2 of 2)

REF	PART NO.	DESCRIPTION	COMMENTS
	202378	Idler Lever Assembly	Includes items 3, 4 and 7-11
1	52566	Nut	
2	202032	Idler Lever Spring	
3	28803	Nut	
4	38011	Idler Lever	
5	81392	Washer	
6	27229	Screw	
7	210186	Idler Shaft	
8	D504082	Washer	
9	52549	Washer	Nylatron
10	23748	Retaining Ring	
11	38225P	Idler Pulley	
12	959P3	Idler Lever Kit	Includes items 1, 2, 3-11 and 15
13	205217P	Pump	
	205218P	Pump Assembly Kit	Heavy Duty
14	RB150003	Belt and Pump Kit	Includes items 13 and 15
15	38174	Agitate and Spin Belt	
16	210202	Spring Clip	

Motor and Mounting Bracket (Drawing 1 of 2)

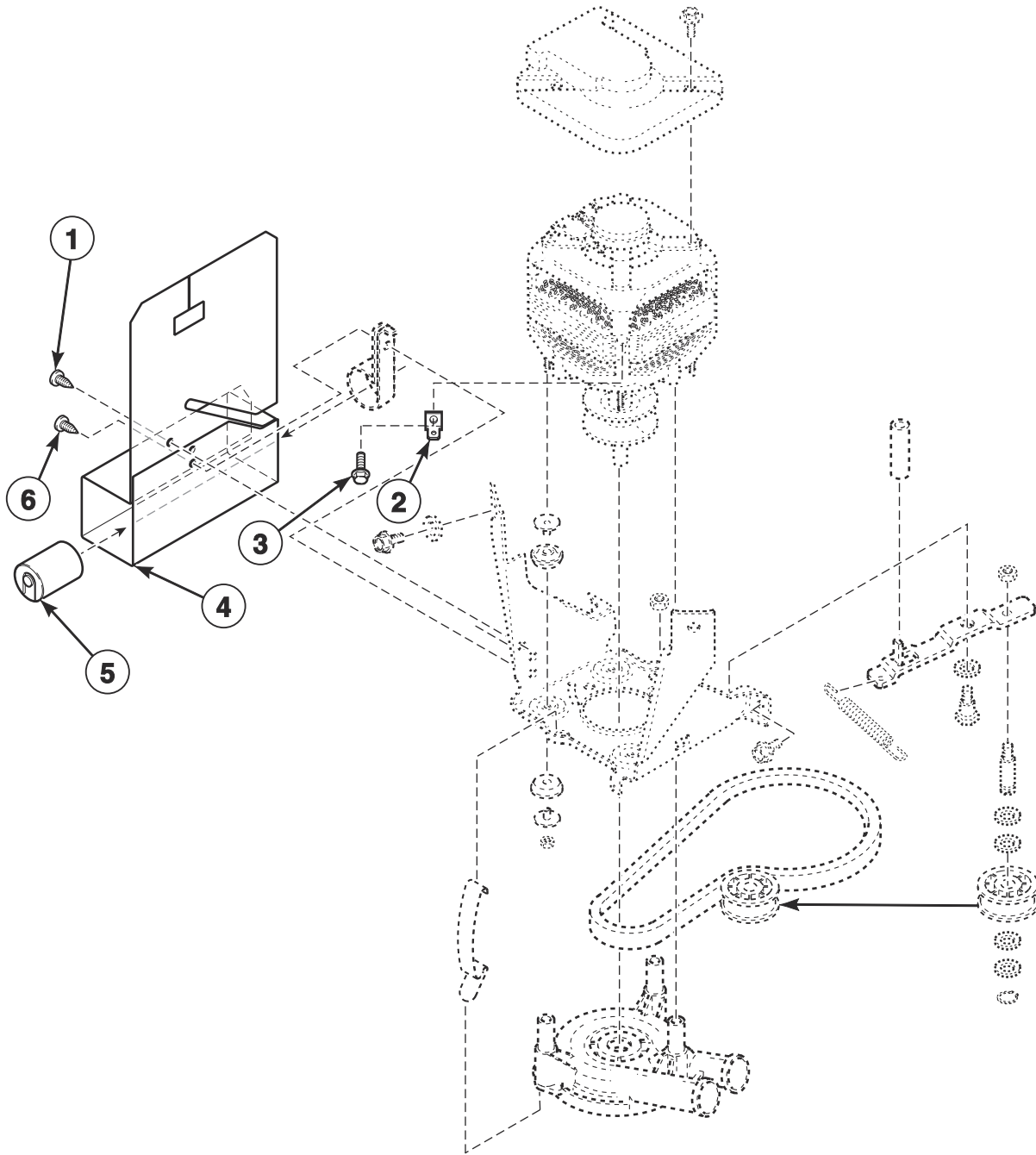


TLW1768PA_203418

Motor and Mounting Bracket (Drawing 1 of 2)

REF	PART NO.	DESCRIPTION	COMMENTS
1	34754	Motor Shield	
2	31645	Screw	
3	201433P	Motor Kit	2 speed; 240 Volt/50 Hertz; Model AWN312SP303LW22
	202960	Motor Assembly	2 speed; 220 Volt/60 Hertz; Models AWNE92SP543DW01, LWNE52SP543RW01, LWNE52SP543ZW01, LWNE52WP543RW01, LWNE52WP543ZW01, MWNE52SP543RW01, YWNE52SP543RW01 and YWNE52SP543ZW01
	38034P	Motor Kit	2 speed; 120 Volt/60 Hertz; Models AWN432SP113CW04, AWN432SP113FW28, AWNE82SP113CW01, AWNE82SP113FW01, AWNE92SP113FW01, DWN432SP113CW01, DWN432SP113CW04, LWN432PP113FW28, LWN432SP113CW04, LWN432SP113FW28, LWN432SP115CW01, LWNE22SP115CW01, LWNE52PP113ZW01, LWNE52SP113CW01, LWNE52SP113FQ01, LWNE52SP113FW01, LWNE52SP113ZW01, LWNE52WP113FW01, PWNE12PP115CG01, PWNE12PP115CW01, PWNE32PP113CG01, YWN432SP113CW04, YWN432SP115CW01, YWNE22PP115CW01, YWNE22SP115CW01, YWNE52PP113CW01, ZWN432SP113CW01, ZWN432SP113CW04, ZWN432SP113FW28, ZWNE82SP113CW01, ZWNE82SP113FW01 and ZWNE92SP113FW01
	202961	Motor Assembly	2 speed; Model LWNE52SP103ZW01
	202971	Motor Assembly	2 speed; 127 Volt/60 Hertz; Models AWNE92SP123DW01, FWNE52SP123MW01 and LWNE52SP123MW01
	202544P	Motor Assembly	2 speed; All other models
4	35369	Screw	
5	35423	Nut	
6	204062	Motor Mount and Isolator Assembly	
7	200941	Motor Mount Bracket	
8	37772	Washer	
9	204063	Motor Mount and Isolator Assembly	
10	37535	Capacitor Clamp	

Motor and Mounting Bracket (Drawing 2 of 2)

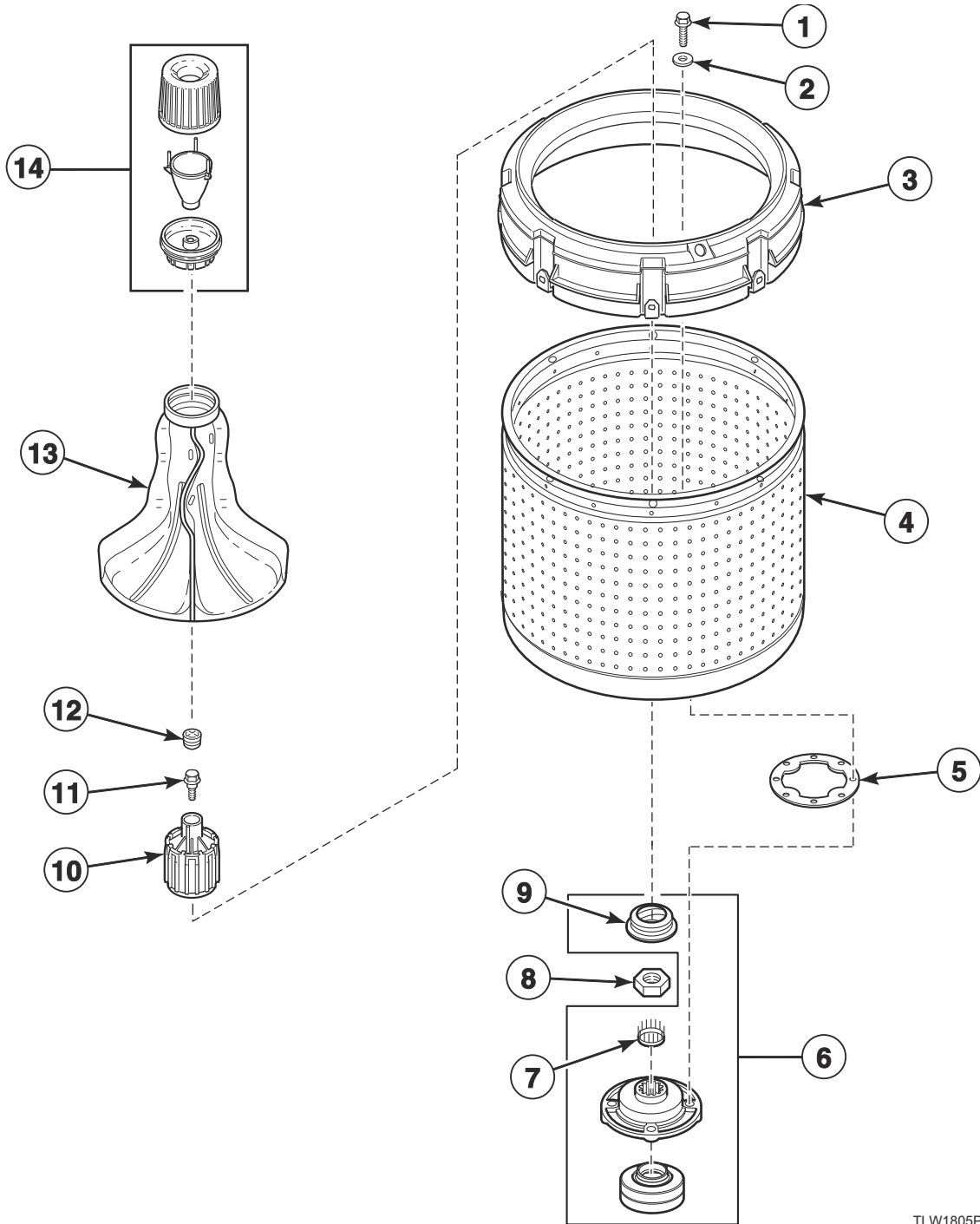


TLW1768PC_203418

Motor and Mounting Bracket (Drawing 2 of 2)

REF	PART NO.	DESCRIPTION	COMMENTS
1	52909	Screw	
2	00177	Male Tab Terminal	Models AWN312SP303LW22, AWNE92SP303NW29, AWNE92SP303NW36, AWNE92SP303XW01, AWNE92SP303XW26, AWNE92SP303XW34, FWNE52SP303LW01, FWNE52SP303NW26, FWNE52SP303WW01, FWNE52SP303ZW01, FWNE52SP303ZW14, LWNE52PP303SW01, LWNE52SP303AW01, LWNE52SP303BW01, LWNE52SP303NW26, LWNE52SP303SW01, LWNE52SP303VW26, LWNE52SP303WW01, LWNE52SP303WW37, LWNE52SP303ZW01, MWNE52SP303WW37, MWNE52SP543RW01, PWNE32PP303AG01, PWNE32SP303AG01, YWNE52SP303NW26 and YWNE52SP303WW01
3	20530	Screw	Models AWN312SP303LW22, AWNE92SP303NW29, AWNE92SP303NW36, AWNE92SP303XW01, AWNE92SP303XW26, AWNE92SP303XW34, FWNE52SP303LW01, FWNE52SP303NW26, FWNE52SP303WW01, FWNE52SP303ZW01, FWNE52SP303ZW14, LWNE52PP303SW01, LWNE52SP303AW01, LWNE52SP303BW01, LWNE52SP303NW26, LWNE52SP303SW01, LWNE52SP303VW26, LWNE52SP303WW01, LWNE52SP303WW37, LWNE52SP303ZW01, MWNE52SP303WW37, MWNE52SP543RW01, PWNE32PP303AG01, PWNE32SP303AG01, YWNE52SP303NW26 and YWNE52SP303WW01
4	203053	Motor Drip Shield	All models except AWN312SP303LW22; Through Serial No. 1811000001
5	39259P	Capacitor and Clamp Kit	Models LWNE52SP303NW35 and LWNE52SP303XW01
	37377	Capacitor	Models AWN432SP113CW04, AWNE82SP113CW01, DWN432SP113CW01, DWN432SP113CW04, FWNE52SP123MW01, LWN432PP113FW28, LWN432SP113CW04, LWN432SP115CW01, LWNE22SP115CW01, LWNE52SP113CW01, LWNE52SP123MW01, PWNE12PP115CG01, PWNE12PP115CW01, PWNE32PP113CG01, YWN432SP113CW04, YWN432SP115CW01, YWNE22PP115CW01, YWNE22SP115CW01, YWNE52PP113CW01, ZWN432SP113CW01, ZWN432SP113CW04 and ZWNE82SP113CW01
	203141	Capacitor	Models AWN432SP113FW28, AWNE82SP113FW01, AWNE92SP113FW01, AWNE92SP123DW01, AWNE92SP543DW01, LWN432SP113FW28, LWNE52PP113ZW01, LWNE52SP103ZW01, LWNE52SP113FQ01, LWNE52SP113FW01, LWNE52SP113ZW01, LWNE52WP113FW01, ZWN432SP113FW28, ZWNE82SP113FW01 and ZWNE92SP113FW01
	203140	Capacitor	All other models except AWN312SP303LW22
6	31645	Screw	

Agitator, Fabric Softener Dispenser, Drive Bell, Hub and Lip Seal Kit and Washtub

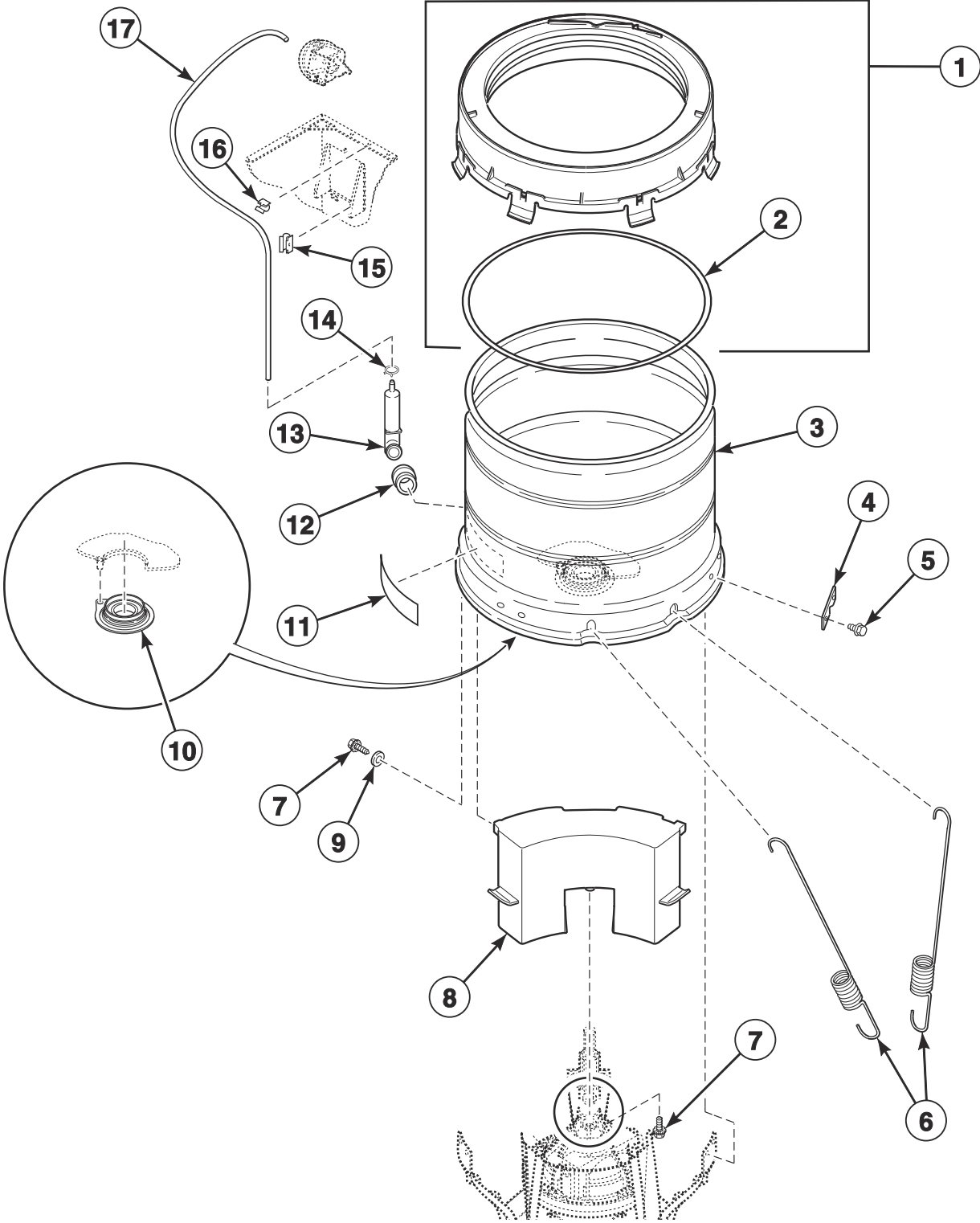


TLW1805P_203418

Agitator, Fabric Softener Dispenser, Drive Bell, Hub and Lip Seal Kit and Washtub

REF	PART NO.	DESCRIPTION	COMMENTS
1	27202	Screw	
2	28094	Washer	Rubber; Use with porcelain washtub; Models LWN432PP113FW28, LWNE52PP113ZW01, LWNE52PP303SW01, LWNE52WP113FW01, LWNE52WP303ZW01, LWNE52WP543RW01, LWNE52WP543ZW01, PWNE12PP115CG01, PWNE12PP115CW01, PWNE32PP113CG01, PWNE32PP303AG01, YWNE22PP115CW01 and YWNE52PP113CW01
3	39837	Balance Ring Assembly	
4	203882P	Tub Kit	Blue porcelain; Models LWN432PP113FW28, LWNE52PP113ZW01, LWNE52PP303SW01, LWNE52WP113FW01, LWNE52WP303ZW01, LWNE52WP543RW01, LWNE52WP543ZW01, PWNE12PP115CG01, PWNE12PP115CW01, PWNE32PP113CG01, PWNE32PP303AG01, YWNE22PP115CW01 and YWNE52PP113CW01
	719P3	Washtub Kit	Stainless steel; All other models
5	39122	Washtub Gasket	
6	766P3A	Hub and Lip Seal Kit	DO NOT use any sealant other than 200996P Sealant; Includes item 10 and installation tool
	200996P	Sealant	Use with hub and lip seal kit
7	29728	Spline Insert	
8	29220	Nut	
9	36425	Bell and Transmission Tube Seal	
10	39508P	Drive Bell and Seal Kit	Includes items 9, 11 and 12
11	39432	Screw	
12	36511	Bell Plug	
13	33174	Agitator	Curved vane; Models LWNE52SP303EW01, LWNE52SP303UW01, YWNE52SP303EW01 and YWNE52SP303UW01
	36507	Flex Vane Agitator	All other models
14	205225	Fabric Softener Dispenser Assembly	

Outer Tub, Cover, Bearing and Seal Housing, Pressure Hose and Counterweight

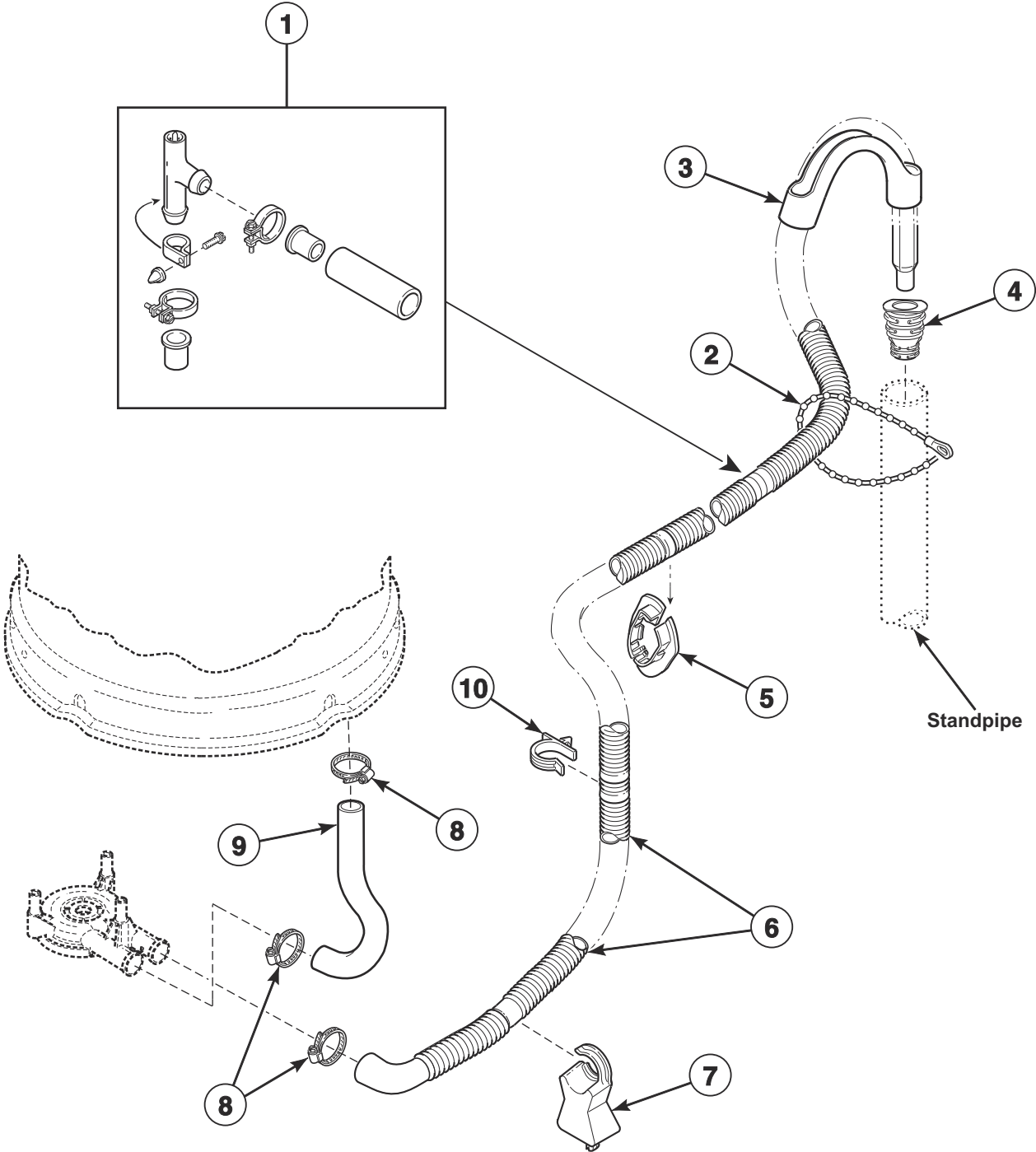


TLW1807P_203418

Outer Tub, Cover, Bearing and Seal Housing, Pressure Hose and Counterweight

REF	PART NO.	DESCRIPTION	COMMENTS
1	202888	Tub Cover Assembly	Includes item 2
2	38359	Tub Cover Gasket	
3	203603P	Outer Tub Assembly	
4	27926	Leg Plate	
5	35369	Screw	
6	201521	Leg Spring	Marked with green paint; Use to replace two rear springs (closest to counterweight); Models AWN312SP303LW22, AWNE92SP303NW29, AWNE92SP303NW36, AWNE92SP303XW01, AWNE92SP303XW26, AWNE92SP303XW34, FWNE52SP303LW01, FWNE52SP303NW26, FWNE52SP303WW01, FWNE52SP303ZW01, FWNE52SP303ZW14, LWNE52PP303SW01, LWNE52SP103ZW01, LWNE52SP303AW01, LWNE52SP303BW01, LWNE52SP303EW01, LWNE52SP303LW01, LWNE52SP303NW26, LWNE52SP303NW35, LWNE52SP303SW01, LWNE52SP303UW01, LWNE52SP303VW26, LWNE52SP303WW01, LWNE52SP303WW37, LWNE52SP303XW01, LWNE52SP303ZW01, LWNE52SP543RW01, LWNE52SP543ZW01, LWNE52WP303ZW01, LWNE52WP543RW01, LWNE52WP543ZW01, MWNE52SP303WW37, MWNE52SP543RW01, PWNE32PP303AG01, PWNE32SP303AG01, YWNE52SP303EW01, YWNE52SP303NW26, YWNE52SP303UW01, YWNE52SP303WW01, YWNE52SP543RW01 and YWNE52SP543ZW01
	37575	Leg Spring	Marked with blue paint
7	39566	Screw	
8	38769	Counterweight Assembly	
9	39249	Washer	
10	766P3A	Hub and Lip Seal Kit	Do NOT use any sealant other than 200996P Sealant
	200996P	Sealant	Use with hub and lip seal kit
11	F8615701	Pinch Warning Label	
12	29175	Grommet	
13	205241	Pressure Bulb	
14	39282	Hose Clamp	
15	36985	Hose Clip	
16	21036	Cable Clip	
17	203478	Tubing	Models AWN432SP113CW04, DWN432SP113CW04, LWN432SP113CW04, YWN432SP113CW04 and ZWN432SP113CW04
	202700	Tubing	All other models through Serial No. 1805999999
	203802	Tubing	All other models starting Serial No. 1806000001

Drain Hose and Siphon Break Kit

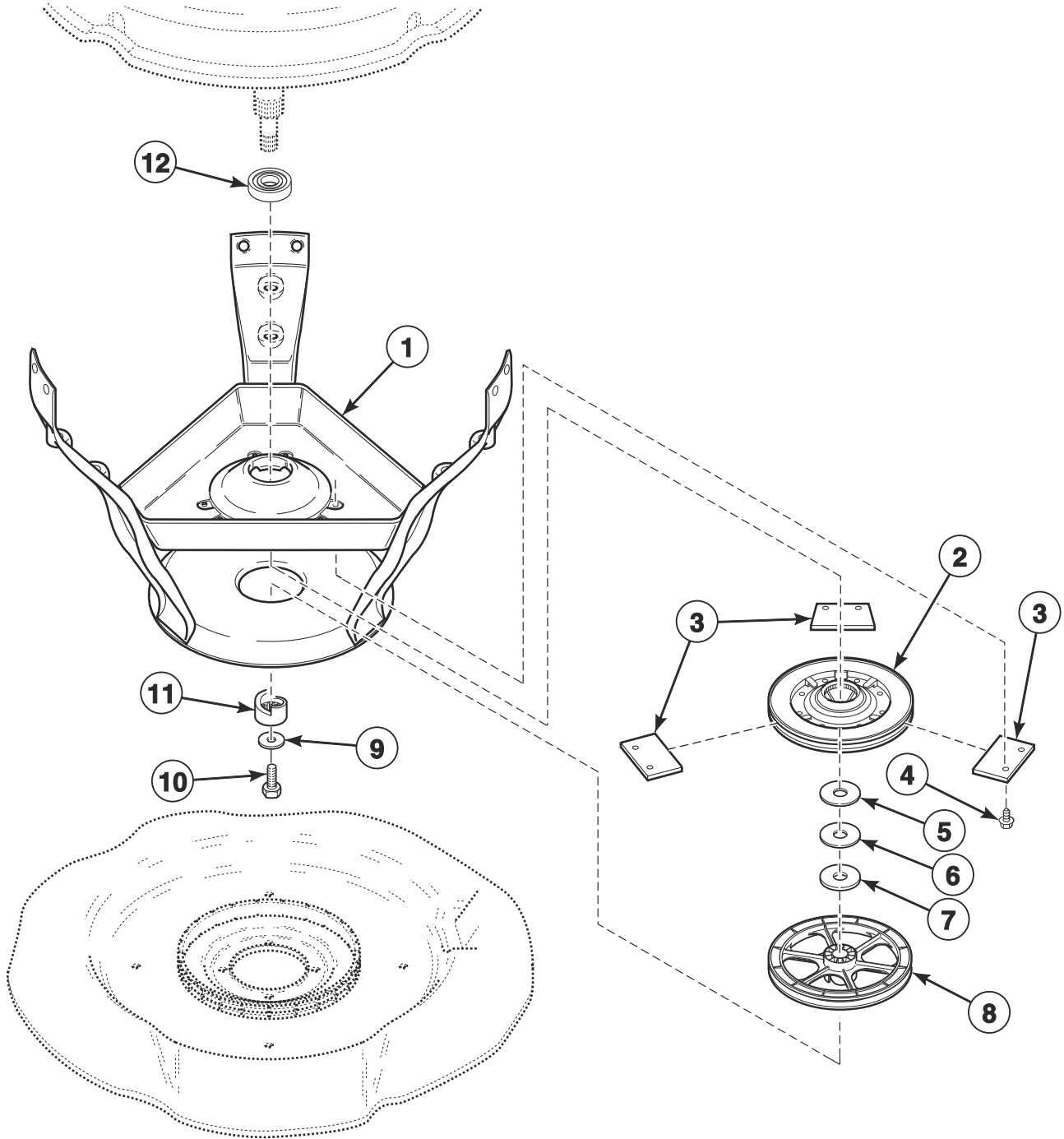


W329P_203418

Drain Hose and Siphon Break Kit

REF	PART NO.	DESCRIPTION	COMMENTS
	451P3	Drain Extension Kit	
1	562P3	Siphon Break Kit	Siphon break kit MUST be installed in drain hose if drain receptacle is lower than cabinet top of washer
2	33489	Standpipe Strap	
3	33615	Drain Hose Sleeve	
4	36878	Standpipe Adapter	Models AWN432SP113CW04, AWN432SP113FW28, AWNE82SP113CW01, DWN432SP113CW01, DWN432SP113CW04, LWN432PP113FW28, LWN432SP113CW04, LWN432SP113FW28, LWN432SP115CW01, LWNE22SP115CW01, LWNE52SP113CW01, PWNE12PP115CG01, PWNE12PP115CW01, PWNE32PP113CG01, YWN432SP113CW04, YWN432SP115CW01, YWNE22PP115CW01, YWNE22SP115CW01, YWNE52PP113CW01, ZWN432SP113CW01, ZWN432SP113CW04, ZWN432SP113FW28 and ZWNE82SP113CW01
5	32219	Strain Relief	
6	39893	Drain Hose	Models AWN432SP113CW04, AWN432SP113FW28, AWNE82SP113CW01, AWNE82SP113FW01, AWNE92SP113FW01, AWNE92SP123DW01, AWNE92SP543DW01, DWN432SP113CW01, DWN432SP113CW04, FWNE52SP123MW01, LWN432PP113FW28, LWN432SP113CW04, LWN432SP113FW28, LWN432SP115CW01, LWNE22SP115CW01, LWNE52PP113ZW01, LWNE52SP113CW01, LWNE52SP113FQ01, LWNE52SP113FW01, LWNE52SP113ZW01, LWNE52SP123MW01, LWNE52SP543RW01, LWNE52SP543ZW01, LWNE52WP113FW01, LWNE52WP543RW01, LWNE52WP543ZW01, MWNE52SP543RW01, PWNE12PP115CG01, PWNE12PP115CW01, PWNE32PP113CG01, YWN432SP113CW04, YWN432SP115CW01, YWNE22PP115CW01, YWNE22SP115CW01, YWNE52PP113CW01, YWNE52SP543RW01, YWNE52SP543ZW01, ZWN432SP113CW01, ZWN432SP113CW04, ZWN432SP113FW28, ZWNE82SP113CW01, ZWNE82SP113FW01 and ZWNE92SP113FW01
	39894	Drain Hose	All other models
7	38732	Hose Stand	
8	F200204	Hose Clamp	
9	38351	Tub-to-Pump Hose	
10	36014	Retainer Clip	

Weldment and Bearing Assembly, Brake and Pulley



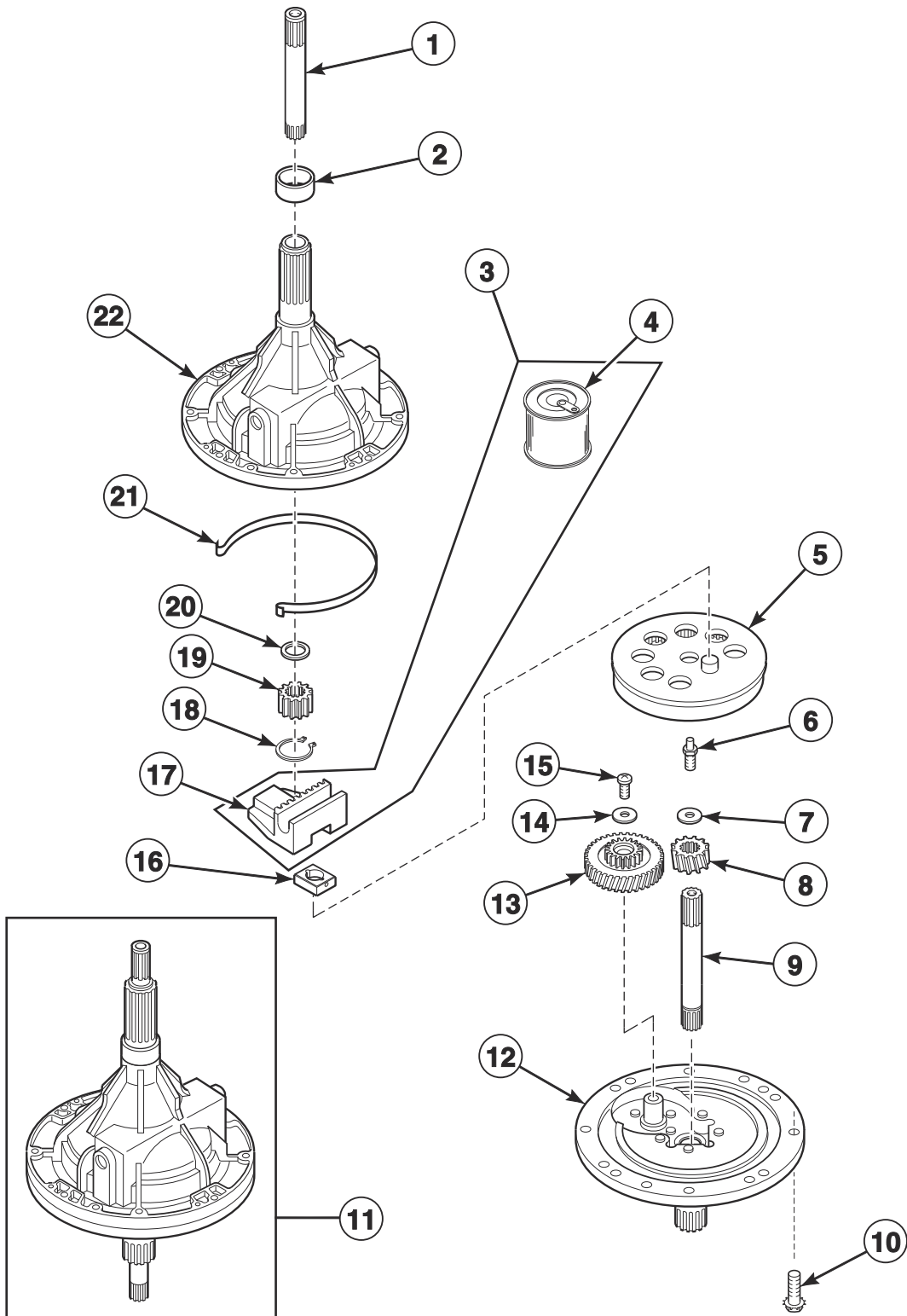
TLW1841P_203418

Weldment and Bearing Assembly, Brake and Pulley

REF	PART NO.	DESCRIPTION	COMMENTS
1	39253	Weldment and Bearing Assembly	
2	38505P	Brake Kit	
3	735P3	Brake Pad Kit	Includes 3 pads and 6 of item 4
	204253	Silicone Grease	Apply small amount to each new brake pad
4	39739	Screw	
5	35535	Washer	Thin
6	27015	Washer	Thick
7	35535	Washer	For machines experiencing squeaking during agitation; Through Serial Nos. beginning 1612
	203950	Washer	Starting Serial Nos. beginning 1701
	204253	Silicone Grease	Apply small amount to washer
8	204486	Pulley	Models AWN432SP113CW04, AWN432SP113FW28, AWNE82SP113CW01, AWNE82SP113FW01, AWNE92SP113FW01, AWNE92SP123DW01, AWNE92SP543DW01, DWN432SP113CW01, DWN432SP113CW04, FWNE52SP123MW01, LWN432PP113FW28, LWN432SP113CW04, LWN432SP113FW28, LWN432SP115CW01, LWNE22SP115CW01, LWNE52PP113ZW01, LWNE52SP103ZW01, LWNE52SP113CW01, LWNE52SP113FQ01, LWNE52SP113FW01, LWNE52SP113ZW01, LWNE52SP123MW01, LWNE52SP543RW01, LWNE52SP543ZW01, LWNE52WP113FW01, LWNE52WP543RW01, LWNE52WP543ZW01, MWNE52SP543RW01, PWNE12PP115CG01, PWNE12PP115CW01, PWNE32PP113CG01, YWN432SP113CW04, YWN432SP115CW01, YWNE22PP115CW01, YWNE22SP115CW01, YWNE52PP113CW01, YWNE52SP543RW01, YWNE52SP543ZW01, ZWN432SP113CW01, ZWN432SP113CW04, ZWN432SP113FW28, ZWNE82SP113CW01, ZWNE82SP113FW01 and ZWNE92SP113FW01
	204942	Pulley	All other models
9	26509	Washer	
10	27220	Screw	
11	38008	Helix	
12	28944RP	Lower Bearing	

Transmission Assembly (Drawing 1 of 2)

All Models Except AWN432SP113CW04, AWNE82SP113CW01, ZWN432SP113CW01, ZWN432SP113CW04 and ZWNE82SP113CW01



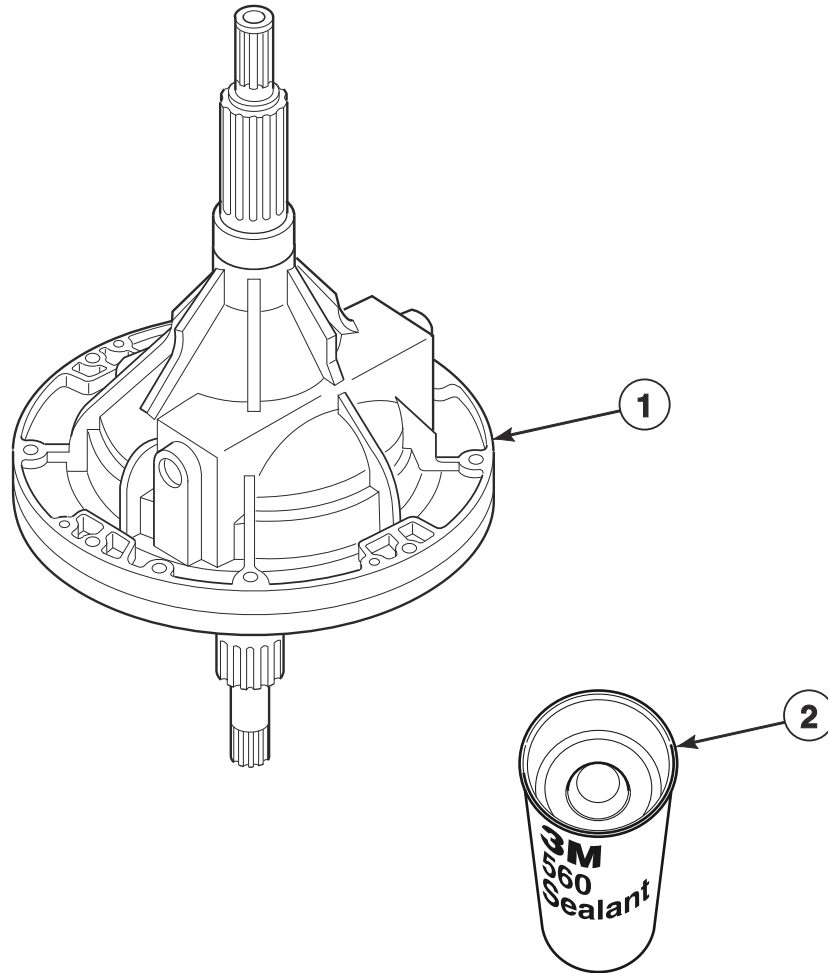
TLW1720P_203418

Transmission Assembly (Drawing 1 of 2)

REF	PART NO.	DESCRIPTION	COMMENTS
	27604P	Anti-Seize Compound	Apply to smooth area of both the upper and lower transmission tube that will be contacting the upper and lower bearings and apply to spline area of upper and lower transmission tube that will be contacting the washtub
	37577P	Transmission Sealant	Use between transmission case and cover
1	36570P	Output Shaft	
2	201212	Hub Spacer	
3	RB150004	Transmission Rebuild Kit	Includes items 4, 17 and 37577P Transmission Sealant
4	27243P	Transmission Oil	1 fill
5	26577	Gear and Stud Assembly	
6	201773	Screw	
7	26509	Washer	
8	37405	Drive Pinion	
9	38268P	Input Shaft	
10	32814	Screw	
11	38165P	Transmission Assembly	
12	37471	Transmission Cover Assembly	
13	37404P	Reduction Gear	
14	29260	Washer	
15	29273	Screw	
16	26493	Slide	
17	201664	Rack	
18	27197	Retaining Ring	
19	27003	Agitator Pinion	
20	35092	Washer	
21	38864	Gear Sleeve	
22	33223P	Transmission Case Assembly	

Transmission Assembly (Drawing 2 of 2)

Models AWN432SP113CW04, AWNE82SP113CW01, ZWN432SP113CW01,
ZWN432SP113CW04 and ZWNE82SP113CW01

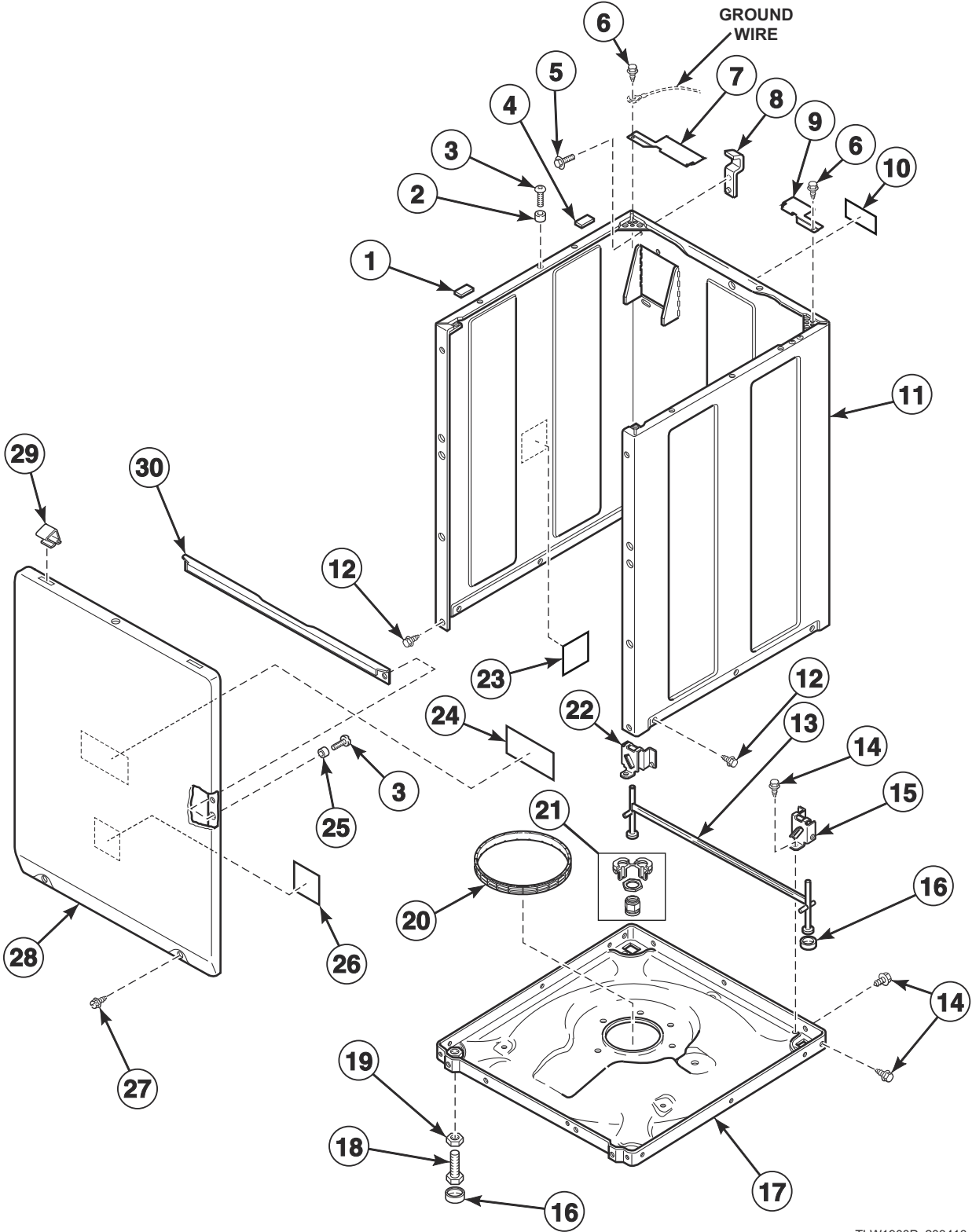


TLW1838P_203418

Transmission Assembly (Drawing 2 of 2)

REF	PART NO.	DESCRIPTION	COMMENTS
	27604P	Anti-Seize Compound	Apply to smooth area of both the upper and lower transmission tube that will be contacting the upper and lower bearings and apply to spline area of upper and lower transmission tube that will be contacting the washtub
1	203768	Transmission Assembly	Includes item 2 and Hub and Lip Seal Kit; Lip seal units only
2	200996P	Sealant	

Front Panel, Base Assembly and Cabinet Kit

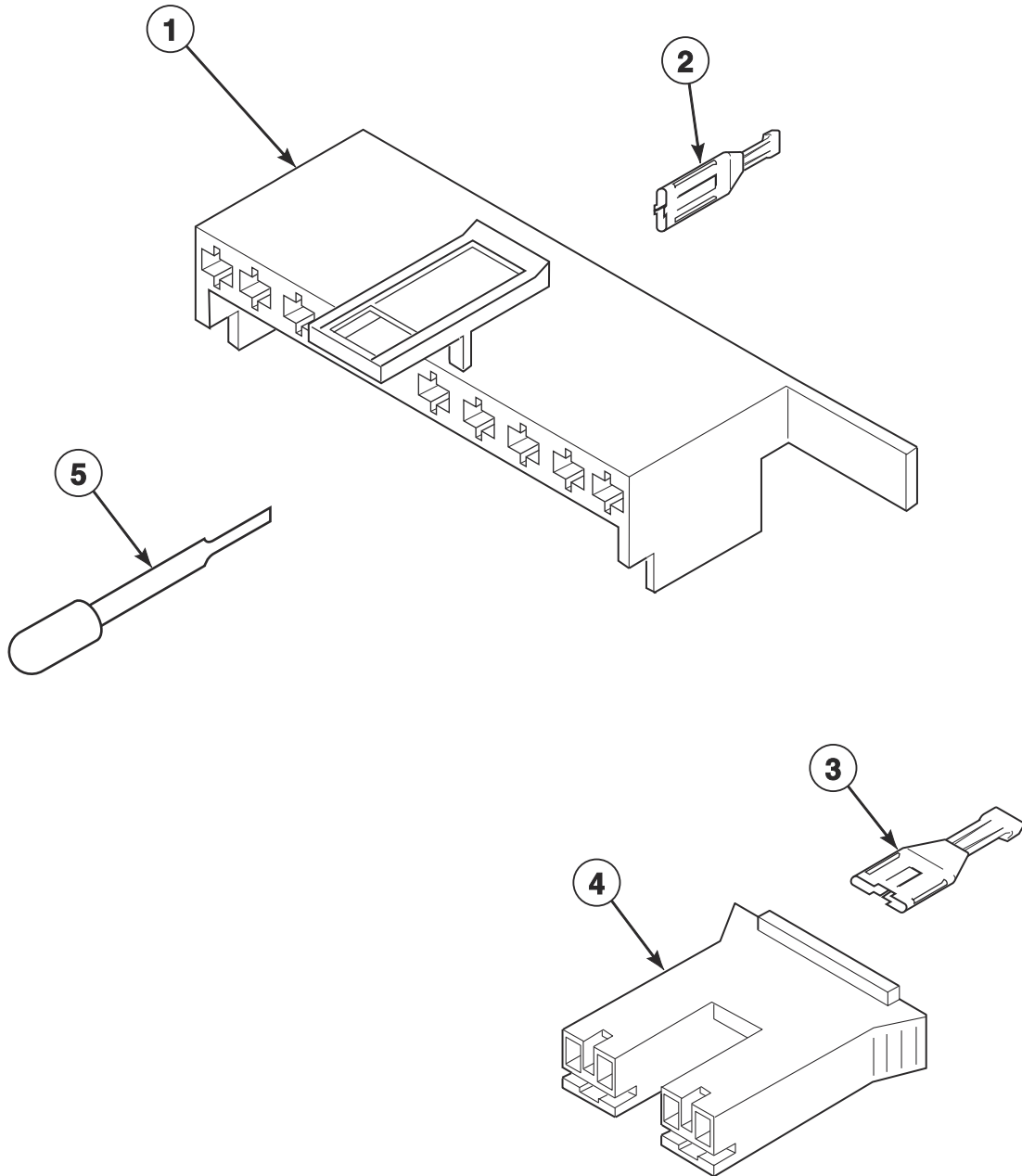


TLW1900P_203418

Front Panel, Base Assembly and Cabinet Kit

REF	PART NO.	DESCRIPTION	COMMENTS
	122P4P	Porcelain Touch-Up Paint	White
	370P4P	Porcelain Touch-Up Paint	Bisque
	806436P	Paint	Dark gray
1	56128	Bumper Pad	
2	56079	Panel Locator	
3	39733	Screw	
4	36226	Bumper Pad	
5	51780	Screw	
6	D501086	Screw	
7	204245	EMI Bracket	Left; Models FWNE52SP303NW26, FWNE52SP303WW01, FWNE52SP303ZW01, LWNE52SP103ZW01, LWNE52SP113FW01, LWNE52SP113ZW01, LWNE52SP303AW01, LWNE52SP303BW01, LWNE52SP303EW01, LWNE52SP303NW26, LWNE52SP303UW01, LWNE52SP303VW26, LWNE52SP303WW01, LWNE52SP303WW37, LWNE52SP303ZW01, MWNE52SP303WW37, PWNE32SP303AG01, YWNE52SP303EW01, YWNE52SP303NW26, YWNE52SP303UW01, YWNE52SP303WW01 and YWNE52SP543ZW01 starting Serial No. 2001000001
8	27103	Hold-Down Lug Hinge	
9	204246	EMI Bracket	Right; Models FWNE52SP303NW26, FWNE52SP303WW01, FWNE52SP303ZW01, LWNE52SP103ZW01, LWNE52SP113FW01, LWNE52SP113ZW01, LWNE52SP303AW01, LWNE52SP303BW01, LWNE52SP303EW01, LWNE52SP303NW26, LWNE52SP303UW01, LWNE52SP303VW26, LWNE52SP303WW01, LWNE52SP303WW37, LWNE52SP303ZW01, MWNE52SP303WW37, PWNE32SP303AG01, YWNE52SP303EW01, YWNE52SP303NW26, YWNE52SP303UW01, YWNE52SP303WW01 and YWNE52SP543ZW01 starting Serial No. 2001000001
10	803260	Warning Label	
11	38612WP	Service Cabinet Kit	White
	38612QP	Service Cabinet Kit	Bisque
	38612DG	Service Cabinet Kit	Dark gray
12	27196	Screw	
13	34443	Leg and Stabilizer Assembly	
14	35148	Screw	
15	36036	Bracket	Right
16	34318	Rubber Foot	
17	39788	Base Assembly	
18	34319	Leveling Leg	
19	21899	Nut	
20	37937	Friction Ring	
21	566P3	Adjustable Leg Extension Kit	
22	36037	Bracket	Left
23	39480	Foam Pad	
24	36204	Front Panel Pad	
25	28102	Panel Locator	
26	203484	Foam Pad	
27	38272	Screw	
28	204870	Front Panel	White
	38335QP	Front Panel	Bisque
	38335DG	Front Panel	Dark gray
29	35865	Hold-Down Clip	
30	35097	Front Panel Brace	

Mixing Valve and Motor Connection Blocks, Terminals and Extractor Tool

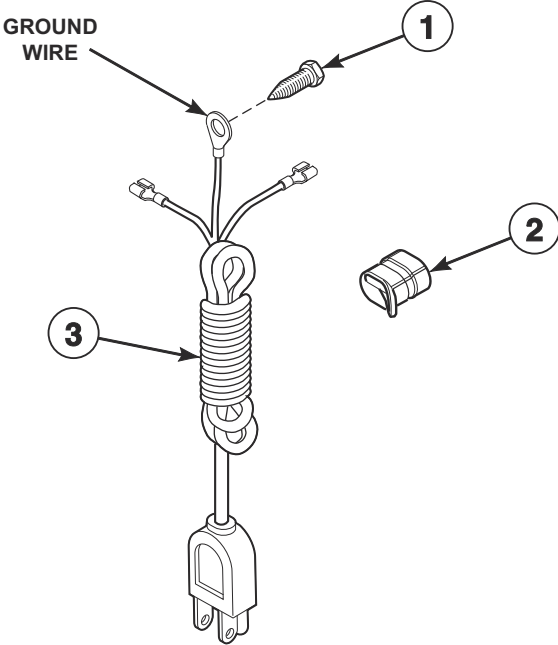


W134PZ3A_203418

Mixing Valve and Motor Connection Blocks, Terminals and Extractor Tool

REF	PART NO.	DESCRIPTION	COMMENTS
1	34677	10 Circuit Plug	Motor
2	00188	Female Terminal	For 1 or 2 wire application
3	00121	Female Spade Terminal	1/4 inch
4	34675	Mixing Valve Plug	Natural
	34676	Mixing Valve Plug	Red
5	283P4	Terminal Extractor Tool	

Power Cord

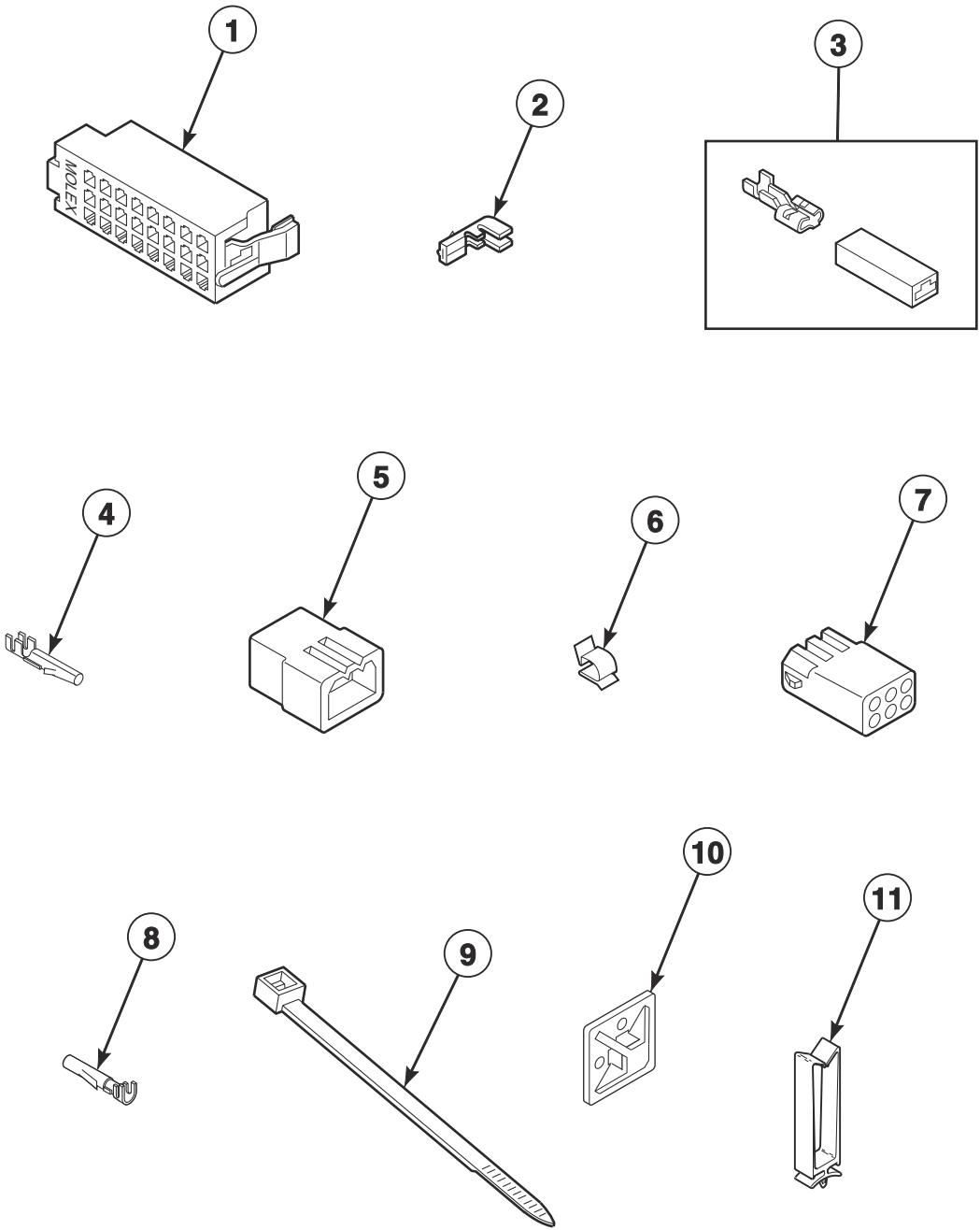


TLW1526P_203418

Power Cord

REF	PART NO.	DESCRIPTION	COMMENTS
	39922	Cable Connection Box	Model AWNE92SP303NW36; Mounts to hood back panel
1	52909	Screw	
2	38384	Strain Relief	
3	203119	Power Cord Assembly	Models AWNE92SP303XW01, AWNE92SP303XW26, AWNE92SP303XW34, FWNE52SP303WW01, LWNE52SP303EW01, LWNE52SP303WW01, LWNE52SP303WW37, LWNE52SP543RW01, LWNE52WP543RW01, MWNE52SP303WW37, MWNE52SP543RW01, YWNE52SP303EW01, YWNE52SP303WW01 and YWNE52SP543RW01
	203122	Lead-In Cord	Models AWNE82SP113FW01, AWNE92SP113FW01, FWNE52SP123MW01, LWNE52SP113FQ01, LWNE52SP113FW01, LWNE52WP113FW01, ZWNE82SP113FW01 and ZWNE92SP113FW01
	203121	Lead-In Cord	Models FWNE52SP303NW26, LWNE52SP303NW26, LWNE52SP303UW01, LWNE52SP303VW26, YWNE52SP303NW26 and YWNE52SP303UW01
	203717	Lead-In Cord	Model LWNE52SP303BW01
	203208	Lead-In Cord	Models FWNE52SP303ZW01, FWNE52SP303ZW14, LWNE52PP113ZW01, LWNE52SP103ZW01, LWNE52SP113ZW01, LWNE52SP303ZW01, LWNE52SP543ZW01, LWNE52WP303ZW01, LWNE52WP543ZW01 and YWNE52SP543ZW01
	203108	Lead-In Cord	Models LWNE52PP303SW01 and LWNE52SP303SW01
	203120	Lead-In Cord	Models LWNE52SP303AW01, PWNE32PP303AG01 and PWNE32SP303AG01
	202777	Lead-In Cord	Models AWN432SP113CW04, AWNE82SP113CW01, DWN432SP113CW01, DWN432SP113CW04, LWN432SP113CW04, LWN432SP115CW01, LWNE22SP115CW01, LWNE52SP113CW01, LWNE52SP123MW01, PWNE12PP115CG01, PWNE12PP115CW01, PWNE32PP113CG01, YWN432SP113CW04, YWNE22PP115CW01, YWNE22SP115CW01, YWNE52PP113CW01, ZWN432SP113CW01, ZWN432SP113CW04 and ZWNE82SP113CW01
	203106	Lead-In Cord Assembly	Models AWNE92SP123DW01 and AWNE92SP543DW01
	204781	Lead-In Cord	Models AWN432SP113FW28, LWN432PP113FW28, LWN432SP113FW28 and ZWN432SP113FW28
	203841	Lead-In Cord	Models LWNE52SP303NW35 and LWNE52SP303XW01
	203830	Lead-In Cord	Model AWN312SP303LW22
	808046	Power Cord Assembly	Model AWNE92SP303NW36
	203266	Lead-In Cord	Model AWNE92SP303NW29
	203315	Lead-In Cord	Models FWNE52SP303LW01 and LWNE52SP303LW01

Terminals and Clips

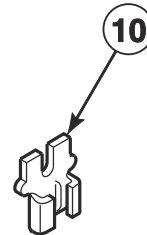
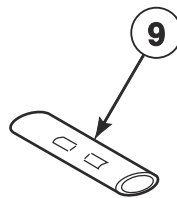
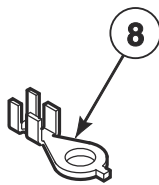
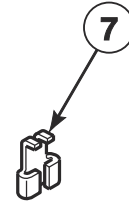
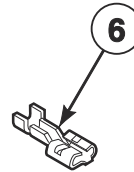
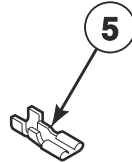
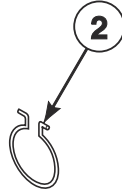
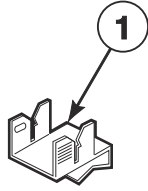


TLW1792P_203418

Terminals and Clips

REF	PART NO.	DESCRIPTION	COMMENTS
1	32746	24 Position Housing	Right; Black
	34123	24 Position Housing	Left; White
2	00188	Female Terminal	Used for 1 or 2 wire application
	00568SG	Terminal	
3	00359	Insulated Female Spade Terminal	
4	00116	Male Pin Terminal	
5	23033	9 Circuit Plug	
	23041	6 Circuit Plug	
	44370401	1 Circuit Plug	
6	21036	Cable Clip	
7	26163	9 Circuit Receptacle	
	26301	1 Circuit Receptacle	
	26708	6 Circuit Receptacle	
8	00117	Female Pin Terminal	
	00574SG	Female Pin Terminal	
9	55881	Harness Strap	
10	F140602	Tie Wrap Mounting Clamp	
11	70366201	Wire Clip	0.93 inch wide

Terminals

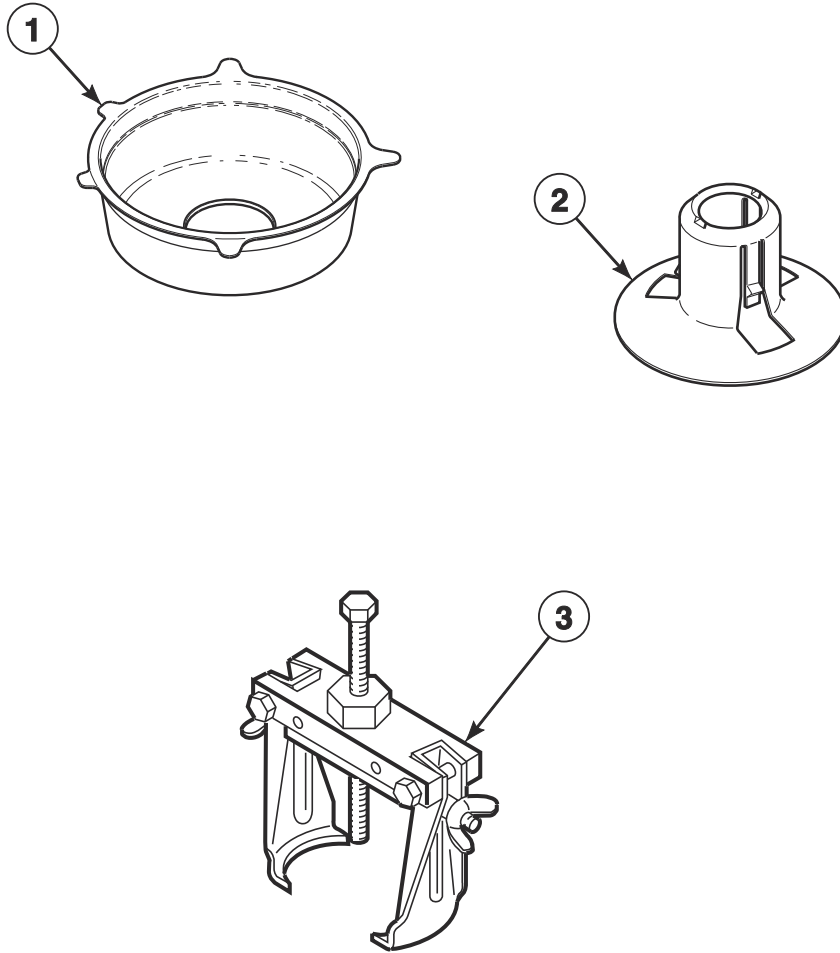


TLW1796P_203418

Terminals

REF	PART NO.	DESCRIPTION	COMMENTS
1	00161	Grounding Clip	
	00569SG	Terminal Grounding Clip	
2	51291	Wire Clip	
3	687500	Wire Clip	
4	70210	Insulator	
5	00112	Female Spade Terminal	Small spade
6	00223	Female Spade Terminal	Large spade
	00577	Terminal Tab	
7	00120	Female Flag Terminal	
8	00110	Ring Terminal	Small shank
9	21091	Connector	(2) 1/4 inch male spades
10	F140562	Connector	

Shipping Materials and Special Tools

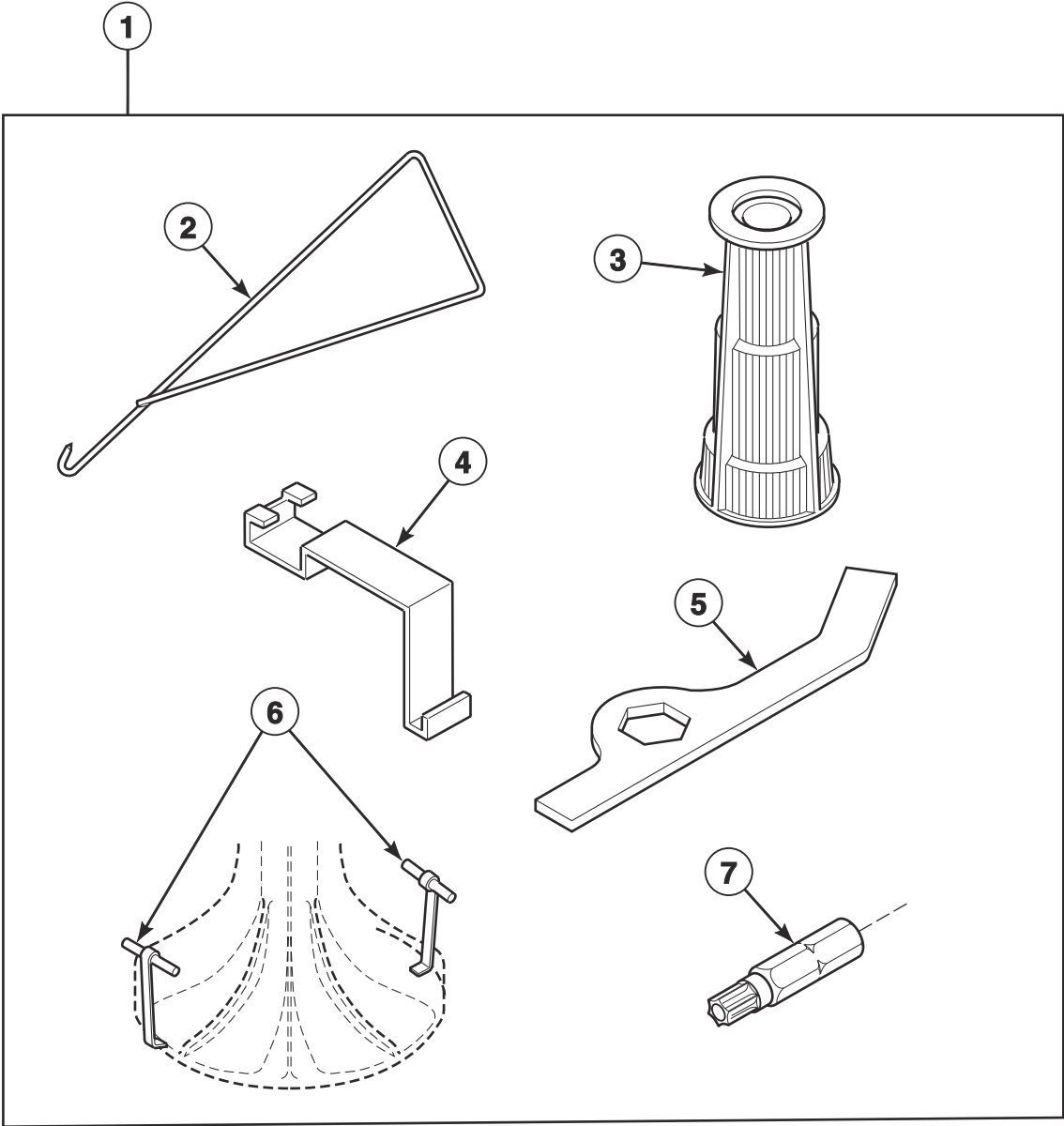


TLW1678P_203418

Shipping Materials and Special Tools

REF	PART NO.	DESCRIPTION	COMMENTS
1	200553	Shipping Brace	Use through Serial No. 1906999999; Install whenever moving washer; Remove before use
	204678	Shipping Brace	Use starting Serial No. 1907000001; Install whenever moving washer; Remove before use
2	38149	Shipping Plug	Install before moving washer to prevent tub from damaging cabinet
3	294P4	Agitator Drive Bell Puller	For removal and installation of drive bell to transmission shaft

Special Tools



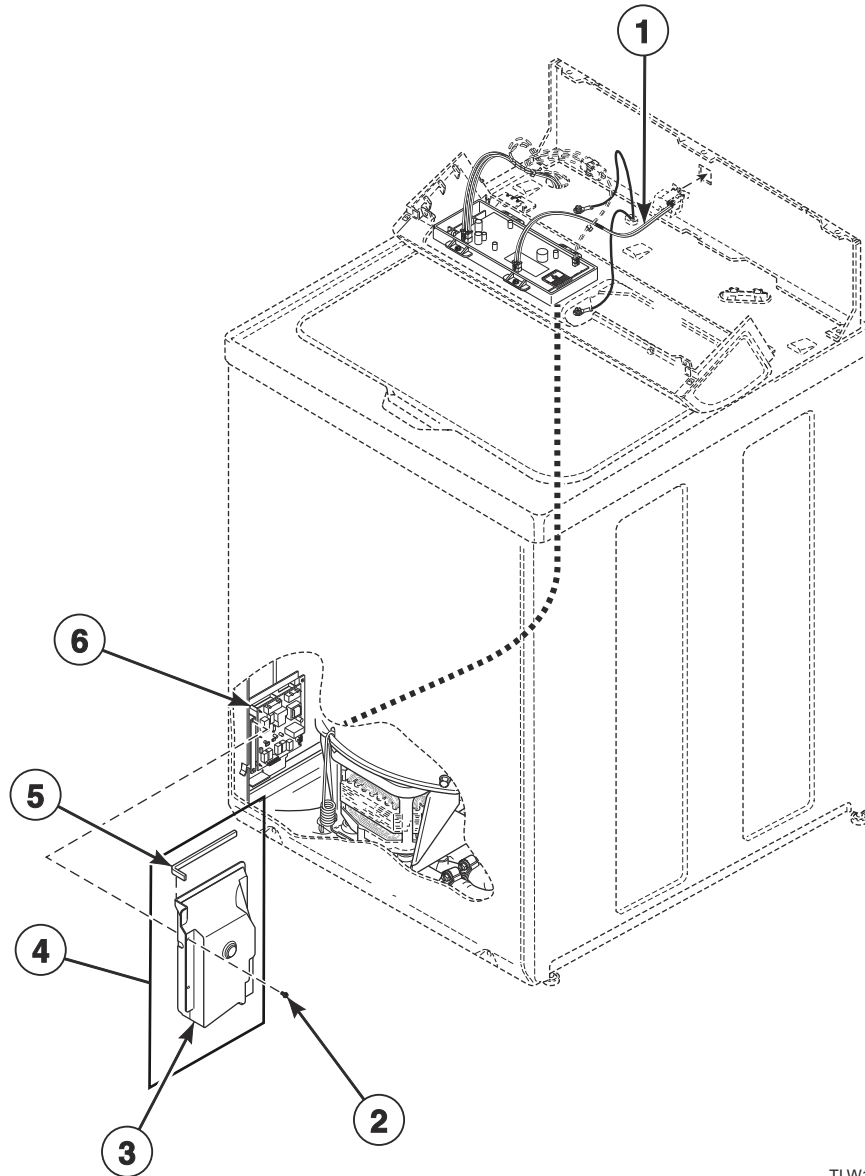
TLW1794P_203418

Special Tools

REF	PART NO.	DESCRIPTION	COMMENTS
1	725P3	Tool Kit	Includes items 2-7
2	321P4	Spring Hook Tool	For removal of module springs from outer tub
3	293P4	Drive Bell Seal Tool	For installation of 36425 Bell and Transmission Tube Seal
4	273P4	Tub Cover Removal Tool	Use to install 38359 Tub Cover Gasket in outer tub cover
5	306P4	Hex Wrench Tool	For removal of locknut from washtub hub
6	254P4P	Agitator Hook	Set of 2; Use to remove agitator from drive bell
7	282P4	Torx Bit	T25; For removal and installation of pump attaching screws

Output Board, Wire Harnesses and Wires (Drawing 1 of 2)

All Models Except AWN312SP303LW22, AWN432SP113CW04, AWN432SP113FW28, DWN432SP113CW01, DWN432SP113CW04, LWN432PP113FW28, LWN432SP113CW04, LWN432SP113FW28, LWN432SP115CW01, YWN432SP113CW04, YWN432SP115CW01, ZWN432SP113CW01, ZWN432SP113CW04 and ZWN432SP113FW28



TLW1850P_203418

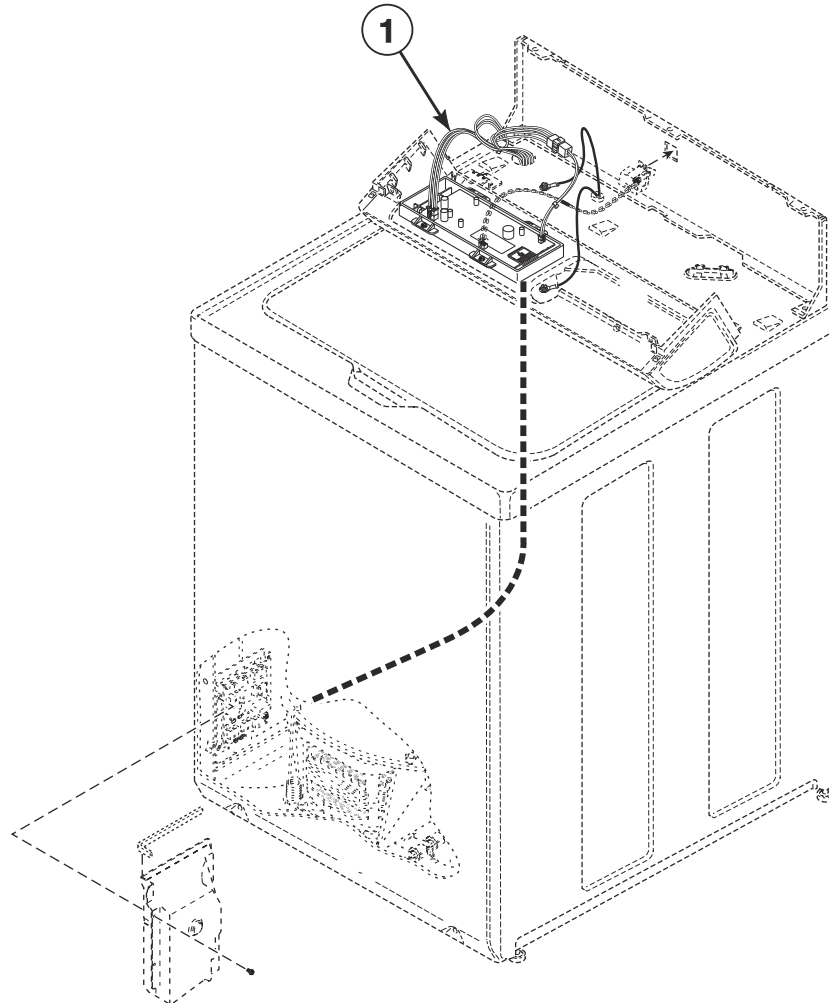
Output Board, Wire Harnesses and Wires (Drawing 1 of 2)

REF	PART NO.	DESCRIPTION	COMMENTS
	45001	18 Gauge Wire	Black; Order wire by foot and terminals as required
	45380	12 Gauge Wire	Orange; Order wire by foot and terminals as required
1	804432	Pressure Sensor Harness	Through Serial No. 1805999999
	204572	Pressure Sensor Harness	Starting Serial No. 1806000001; Pressure sensor mounted to mixing valve
2	804667	Screw	
3	202939	Output Control Shield	
4	202965	Shield Assembly	Includes items 4 and 6
5	202964	Output Board Cover Gasket	
6	202508P	Output Board Control Assembly	Through Serial No. 1912999999
	204782	Output Board Control Assembly	Models LWNE52SP303EW01, LWNE52SP303UW01, YWNE52SP303EW01 and YWNE52SP303UW01 starting Serial No. 2001000001
	204783	Output Board Control Assembly	All other models starting Serial No. 2001000001

NOTE: Individual wires are not available separately. Order complete harness, or order wire by the foot. When applying terminals to wires, it is recommended that the terminals be soldered to the wires.

Output Board, Wire Harnesses and Wires (Drawing 2 of 2)

All Models Except AWN312SP303LW22, AWN432SP113CW04, AWN432SP113FW28, DWN432SP113CW01, DWN432SP113CW04, LWN432PP113FW28, LWN432SP113CW04, LWN432SP113FW28, LWN432SP115CW01, YWN432SP113CW04, YWN432SP115CW01, ZWN432SP113CW01, ZWN432SP113CW04 and ZWN432SP113FW28



TLW1850PA_203418

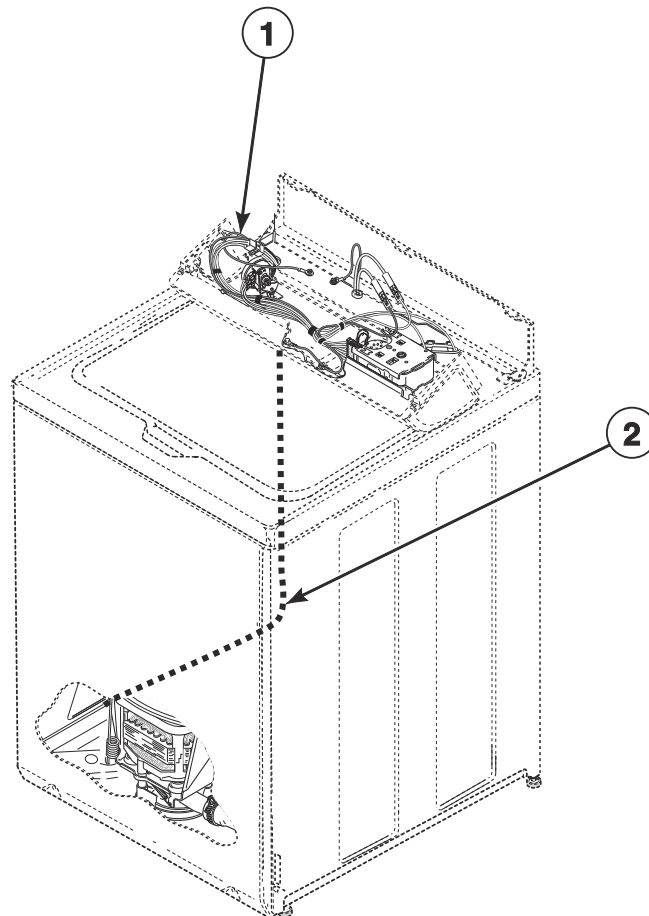
Output Board, Wire Harnesses and Wires (Drawing 2 of 2)

REF	PART NO.	DESCRIPTION	COMMENTS
	45001	18 Gauge Wire	Black; Order wire by foot and terminals as required
	45380	12 Gauge Wire	Orange; Order wire by foot and terminals as required
1	204710	Control Harness	Models AWNE82SP113CW01, LWNE22SP115CW01, LWNE52PP113ZW01, LWNE52SP103ZW01, LWNE52SP113CW01, LWNE52SP113ZW01, LWNE52SP123MW01, LWNE52SP303NW35, PWNE12PP115CG01, PWNE12PP115CW01, PWNE32PP113CG01, YWNE22PP115CW01, YWNE22SP115CW01, YWNE52PP113CW01 and ZWNE82SP113CW01 through Serial No. 1912999999; Model LWNE52SP303NW35 starting Serial No. 2001000001; Models FWNE52SP123MW01 and LWNE52SP303XW01
	204711	Control Harness	Models AWNE92SP303NW29, AWNE92SP303NW36, AWNE92SP303XW01, AWNE92SP303XW26, AWNE92SP303XW34, FWNE52SP303LW01, FWNE52SP303NW26, FWNE52SP303WW01, FWNE52SP303ZW01, FWNE52SP303ZW14, LWNE52PP303SW01, LWNE52SP303AW01, LWNE52SP303BW01, LWNE52SP303EW01, LWNE52SP303LW01, LWNE52SP303NW26, LWNE52SP303SW01, LWNE52SP303VW26, LWNE52SP303WW01, LWNE52SP303WW37, LWNE52SP303ZW01, LWNE52WP303ZW01, MWNE52SP303WW37, PWNE32PP303AG01, PWNE32SP303AG01, YWNE52SP303EW01, YWNE52SP303NW26, YWNE52SP303UW01 and YWNE52SP303WW01 through Serial No. 2204999999
	203079	Wire Harness Assembly	Models AWNE82SP113FW01, AWNE92SP113FW01, AWNE92SP123DW01, AWNE92SP543DW01, LWNE52SP113FQ01, LWNE52SP113FW01, LWNE52SP543RW01, LWNE52SP543ZW01, LWNE52WP113FW01, LWNE52WP543RW01, LWNE52WP543ZW01, MWNE52SP543RW01, YWNE52SP543RW01, YWNE52SP543ZW01, ZWNE82SP113FW01 and ZWNE92SP113FW01 through Serial No. 1912999999
	204714	Control Harness	Models AWNE82SP113CW01, LWNE22SP115CW01, LWNE52SP113CW01, PWNE12PP115CG01, PWNE12PP115CW01, PWNE32PP113CG01, YWNE22PP115CW01, YWNE22SP115CW01, YWNE52PP113CW01 and ZWNE82SP113CW01 staritng Serial No. 2001000001
	204713	Control Harness	Models AWNE82SP113FW01, AWNE92SP113FW01, AWNE92SP123DW01, AWNE92SP543DW01, FWNE52SP303ZW01, FWNE52SP303ZW14, LWNE52PP113ZW01, LWNE52SP103ZW01, LWNE52SP113FQ01, LWNE52SP113FW01, LWNE52SP113ZW01, LWNE52SP303ZW01, LWNE52SP543ZW01, LWNE52WP113FW01, LWNE52WP303ZW01, LWNE52WP543ZW01, YWNE52SP543ZW01, ZWNE82SP113FW01 and ZWNE92SP113FW01 staritng Serial No. 2001000001
	205289	Control Harness	Models AWNE92SP303NW29, AWNE92SP303NW36, AWNE92SP303XW01, AWNE92SP303XW26, AWNE92SP303XW34, FWNE52SP303LW01, FWNE52SP303NW26, FWNE52SP303WW01, FWNE52SP303ZW01, FWNE52SP303ZW14, LWNE52PP303SW01, LWNE52SP303AW01, LWNE52SP303BW01, LWNE52SP303EW01, LWNE52SP303LW01, LWNE52SP303NW26, LWNE52SP303SW01, LWNE52SP303VW26, LWNE52SP303WW01, LWNE52SP303WW37, LWNE52SP303ZW01, LWNE52WP303ZW01, MWNE52SP303WW37, PWNE32PP303AG01, PWNE32SP303AG01, YWNE52SP303EW01, YWNE52SP303NW26, YWNE52SP303UW01 and YWNE52SP303WW01 starting Serial No. 2205000001

NOTE: Individual wires are not available separately. Order complete harness, or order wire by the foot. When applying terminals to wires, it is recommended that the terminals be soldered to the wires.

Wire Harnesses and Wires

Models AWN312SP303LW22, AWN432SP113CW04, AWN432SP113FW28, DWN432SP113CW01, DWN432SP113CW04, LWN432PP113FW28, LWN432SP113CW04, LWN432SP113FW28, LWN432SP115CW01, YWN432SP113CW04, YWN432SP115CW01, ZWN432SP113CW01, ZWN432SP113CW04 and ZWN432SP113FW28



TLW1533P_203418

Wire Harnesses and Wires

REF	PART NO.	DESCRIPTION	COMMENTS
	45001	18 Gauge Wire	Black; Order wire by foot and terminals as required
	45380	12 Gauge Wire	Orange; Order wire by foot and terminals as required
1	203428	Hood Timer Harness	Models AWN432SP113CW04, DWN432SP113CW04, LWN432SP113CW04, YWN432SP113CW04 and ZWN432SP113CW04
	38651	Hood Wire Harness Assembly	Model AWN312SP303LW22
	204154	Hood Timer Harness	Models LWN432SP115CW01 and YWN432SP115CW01
	203035	Hood Timer Harness	Models AWN432SP113FW28, DWN432SP113CW01, LWN432PP113FW28, LWN432SP113FW28, ZWN432SP113CW01 and ZWN432SP113FW28
2	201466	Base Wire Harness Assembly	Model AWN312SP303LW22
	38661P	Wire Harness Assembly	All other models

NOTE: Individual wires are not available separately. Order complete harness, or order wire by the foot. When applying terminals to wires, it is recommended that the terminals be soldered to the wires.

Parts Index

A

Adjustable Leg Extension Kit 566P3	49
Agitate and Spin Belt 200923	29
38174	31
Agitator 33174	37
Agitator Drive Bell Puller 294P4	59
Agitator Hook 254P4P	61
Agitator Pinion 27003	45
Anti-Seize Compound 27604P	45, 47

B

Balance Ring Assembly 39837	37
Barbed Tee 203464	17
Base Assembly 39788	49
Base Wire Harness Assembly 201466	67
Bell and Transmission Tube Seal 36425	37
Bell Plug 36511	37
Belt and Pump Kit RB150003	31
Bleach Dispenser 38382	13, 15, 19
Bolt 32184	13
Bracket 36036	49
36037	49
Brake Kit 38505P	43
Brake Pad Kit 735P3	43
Bumper 21685	13, 15, 17
Bumper Pad 36226	49
56128	49
Bushing 33446	13, 15, 17

C

Cable Clip 21036	39, 55
---------------------------	--------

Cable Connection Box 39922	53
Cable Tie 804724	21
Capacitor 203140	35
203141	35
37377	35
Capacitor and Clamp Kit 39259P	35
Capacitor Clamp 37535	33
Connector F140562	57
21091	57
Control Assembly 202769P	9
202770P	9
202903P	9
202904P	9
202905P	9
202906P	9
202907P	9
203087P	9
203146P	9
203581	9
203702P	9
204025	9
204288	9
204289	9
204293	9
Control Harness 204710	65
204711	65
204713	65
204714	65
205289	65
Control Knob Assembly 803119P	5
Control Overlay 202750	9
202751	9
Control Panel 203671W	5
Control Support Panel 202942	7
38171	5
38565	5
Counterweight Assembly 38769	39
Cover Plate 37828P	13

D

Domed Label 204166	7
Door Lock Spacer 202934	13
Drain Extension Kit 451P3	41

N/A items do not appear in index.

Drain Hose	
39893	41
39894	41
Drain Hose Sleeve	
33615	41
Drip Tray	
204038	15
Drive Bell and Seal Kit	
39508P	37
Drive Bell Seal Tool	
293P4	61
Drive Pinion	
37405	45

E

Electrical Shock Label	
F8211201	13, 15, 19
EMI Bracket	
204245	49
204246	49
End Panel	
D504006P	7
D504007P	7
D504008WP	5, 7
D504009WP	5, 7

F

Fabric Softener Dispenser Assembly	
205225	37
Female Flag Terminal	
00120	57
Female Pin Terminal	
00117	55
00574SG	55
Female Spade Terminal	
00112	57
00121	51
00223	57
Female Terminal	
00188	51, 55
Fill Hose	
203718	27
203719	27
203720	27
203750	27
204102	27
204103	27
Filter Harness	
202756	21
Flex Vane Agitator	
36507	37
Foam Pad	
203484	49
39480	49
Friction Ring	
37937	49
Front Panel	
204870	49
38335DG	49
38335QP	49

Front Panel Brace	
35097	49
Front Panel Pad	
36204	49

G

Gear and Stud Assembly	
26577	45
Gear Sleeve	
38864	45
Graphic Panel	
202797P	7
203151	7
203165	7
203166	7
203167	7
203523	7
203606W	5
203672W	5
203673W	5
203678W	5
203713W	5
203822W	5
203826W	5
204938	5
205347	7
Grommet	
29175	39
80262	13, 15, 19, 21
Grounding Clip	
00161	5, 57

H

Harness Strap	
55881	55
Helix	
38008	43
Hex Wrench Tool	
306P4	61
Hinge Stop Clip	
36519	15, 19
Hold-Down Clip	
205340	5, 7, 13, 15, 19
35865	49
Hold-Down Lug Hinge	
27103	49
Hood Back Panel	
202549	17
203110	13, 15, 17
204259	17
37782	17
39921	17
Hood Timer Harness	
203035	67
203428	67
204154	67
Hood Wire Harness Assembly	
38651	67
Hose Clamp	
F200204	41
36801	23

N/A items do not appear in index.

39282	39
800803	23
Hose Clip	
36985	39
Hose Stand	
38732	41
Housing, 24 Position	
32746	55
34123	55
Hub and Lip Seal Kit	
766P3A	37, 39
Hub Spacer	
201212	45

I

Idler Lever	
38011	29, 31
Idler Lever and Belt Kit	
202972	29
Idler Lever Assembly	
202378	29, 31
Idler Lever Kit	
959P3	31
Idler Lever Spring	
201189	29
202032	31
Idler Pulley	
38225P	29, 31
Idler Shaft	
210186	29, 31
Inlet Cover	
202894	19
202984	15
Inlet Deflector	
202900	15, 19
Input Shaft	
38268P	45
Insulated Female Spade Terminal	
00359	55
Insulator	
70210	57

J

Junction Box	
203068	21

K

Knob Assembly	
203323	5
36701W	5
803118P	5

L

Label	
804969	7

Lead-In Cord	
202777	53
203108	53
203120	53
203121	53
203122	53
203208	53
203266	53
203315	53
203717	53
203830	53
203841	53
204781	53
Lead-In Cord Assembly	
203106	53
Leg and Stabilizer Assembly	
34443	49
Leg Plate	
27926	39
Leg Spring	
201521	39
37575	39
Leveling Leg	
34319	49
Lid	
202896W	13, 15
37395DG	17
37395QP	17
37395WP	17
Lid Hinge	
36437	13, 15, 17
36513	13, 15, 17
Lid Lock Catch	
203573	15
Lid Lock Catch Assembly	
202930	13
Lid Lock Harness	
204718	13
Lid Lock Kit	
202933	13
205222	15
Lid Lock Wire Harness Assembly	
203389	13
Lid Switch Drip Shield	
204538	11
Lid Switch Kit	
204696	11
Lid Warning Label	
203045	17
Line Filter	
804864	21
Lower Bearing	
28944RP	43

M

Male Pin Terminal	
00116	55
Male Tab Terminal	
00177	35
Mixing Valve	
202395P	25
202396P	25
203741	25

N/A items do not appear in index.

203928	25
Mixing Valve Mounting Bracket	
203558	23
204117	23
39407	23
Mixing Valve Plug	
34675	51
34676	51
Mixing Valve Screen	
24122	25
Mixing Valve Shield	
202899	23
Motor Assembly	
202544P	33
202960	33
202961	33
202971	33
Motor Drip Shield	
203053	35
Motor Kit	
201433P	33
38034P	33
Motor Mount and Isolator Assembly	
204062	33
204063	33
Motor Mount Bracket	
200941	33
Motor Shield	
34754	33

N

Nut	
M400979	11
M400981	11
21899	49
22001	13, 15
28803	29, 31
29220	37
29787	21
35423	33
52566	29, 31

O

Outer Tub Assembly	
203603P	39
Output Board Control Assembly	
202508P	63
204782	63
204783	63
Output Board Cover Gasket	
202964	63
Output Control Shield	
202939	63
Output Shaft	
36570P	45
Overlay	
202628	9
202753	9
202754	9
202755	9
202922	9

203077	9
203541	9
203973	9
204165	9
204167	9
204168	9

P

Paint	
806436P	49
Panel Locator	
28102	49
56079	49
Pinch Warning Label	
F8615701	39
Plug, 1 Circuit	
44370401	55
Plug, 10 Circuit	
34677	51
Plug, 6 Circuit	
23041	55
Plug, 9 Circuit	
23033	55
Porcelain Touch-Up Paint	
122P4P	49
370P4P	49
Power Cord Assembly	
203119	53
808046	53
Pressure Bulb	
205241	39
Pressure Sensor	
203843	13, 17
Pressure Sensor Harness	
204572	63
804432	63
Pressure Switch	
B12548401	17
201927P	5
202937	5
Pulley	
204486	43
204942	43
Pump	
205217P	29, 31
Pump Assembly Kit	
205218P	29, 31

R

Rack	
201664	45
Receptacle, 1 Circuit	
26301	55
Receptacle, 6 Circuit	
26708	55
Receptacle, 9 Circuit	
26163	55
Reduction Gear	
37404P	45

N/A items do not appear in index.

Retainer Clip 36014	41
Retaining Ring 23748	29, 31
27197	45
Ring Terminal 00110	57
Rocker Switch 38424W	5
Rubber Foot 34318	49

S

Screw	
D501086	5, 7, 19, 49
M402574	11
201415	13, 15
201773	45
202623	13
204656	11
20530	35
23962	5, 7, 11, 13, 15, 17, 19
27196	49
27202	37
27220	43
27229	29, 31
29273	45
31645	33, 35
32814	45
33562	19, 23
34337	13, 15, 17
35148	49
35369	33, 39
38272	49
39397	25
39432	37
39566	39
39733	49
39739	43
431287	13, 15, 19
51780	49
52909	13, 15, 19, 35, 53
800258	21
800548	15
804667	63
Sealant	
200996P	37, 39, 47
Service Cabinet Kit	
38612DG	49
38612QP	49
38612WP	49
Shield Assembly 202965	63
Shipping Brace	
200553	59
204678	59
Shipping Plug 38149	59
Silicone Grease 204253	43
Siphon Break Kit 562P3	41
Slide 26493	45

Spline Insert 29728	37
Spring Clip 210202	29, 31
Spring Hook Tool 321P4	61
Standpipe Adapter 36878	41
Standpipe Strap 33489	41
Strain Relief 32219	41
38384	19, 53
Switch Assembly 204980	11
Switch Mounting Plate 29676	13

T

Temperature Switch 35115	5
Terminal 00568SG	55
Terminal Extractor Tool 283P4	51
Terminal Grounding Clip 00569SG	57
Terminal Tab 00577	57
Tie Wrap Mounting Clamp F140602	55
Timer	
202705P	5
203387P	5
37925P	5
Timer Knob 201501W	5
Timer Knob Assembly 202133	5
Timer Skirt Assembly 36700W	5
803116	5
Tool Kit 725P3	61
Top	
37992DG	19
37992QP	19
37992WP	19
Top Assembly 202929W	13, 15
202966W	13, 15
Top Cover 39905DG	7
39905W	5, 7
Top Shield 203946	13, 15, 19
Torx Bit 282P4	61
Transmission Assembly 203768	47
38165P	45

N/A items do not appear in index.

Transmission Case Assembly 33223P	45
Transmission Cover Assembly 37471	45
Transmission Oil 27243P	45
Transmission Rebuild Kit RB150004	45
Transmission Sealant 37577P	45
Tub Cover Assembly 202888	39
Tub Cover Gasket 38359	39
Tub Cover Removal Tool 273P4	61
Tub Kit 203882P	37
Tube 202333	29
Tubing 202700	39
203478	39
203511	17
203802	39
Tub-to-Pump Hose 38351	41

Wire Clip 51291	57
687500	57
70366201	55
Wire Harness Assembly 203079	65
38661P	67
Wire, 12 Gauge 45380	63, 65, 67
Wire, 18 Gauge 45001	63, 65, 67

V

Valve to Inlet Hose 202884	23
204400	23

W

Warning Label D500316	19
803260	49
Warning Sticker 36592	13, 15
Washer D504082	29, 31
20290	25, 27
203950	43
26509	43, 45
27015	43
28094	37
29260	45
35092	45
35535	43
37772	33
39249	39
52549	29, 31
802254	27
803615	27
81392	29, 31
Washtub Gasket 39122	37
Washtub Kit 719P3	37
Weldment and Bearing Assembly 39253	43

N/A items do not appear in index.