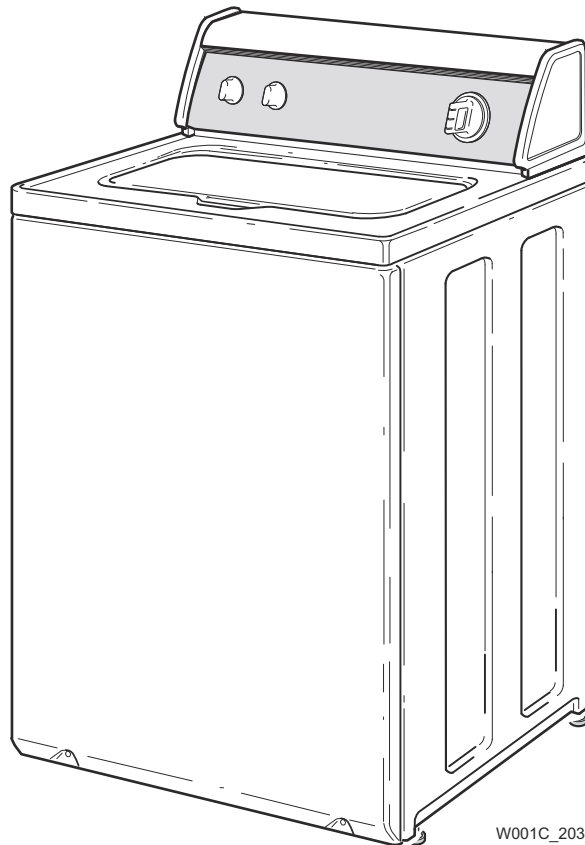


# Homestyle Automatic Washers

Refer to Page 3 for Model Numbers



W001C\_203430



# Table of Contents

Title	Page
Parts Ordering Information.....	2
Serial Plate Location .....	2
Model Identification .....	3
Graphic Panel, Control Support Panel and Controls (Drawing 1 of 2).....	4
Graphic Panel, Control Support Panel and Controls (Drawing 2 of 2).....	6
Lid Switch Assembly .....	8
Top, Lid and Hood Back Panel .....	10
Fill Hose, Mixing Valve-to-Tub Cover Hose, Mixing Valve and Bracket.....	12
Motor, Mounting Bracket, Belt, Pump and Idler Assembly.....	14
Agitator, Fabric Softener Dispenser, Drive Bell, Hub and Lip Seal Kit and Washtub.....	16
Outer Tub, Cover, Pressure Hose and Counterweight .....	18
Outer Tub, Cover, Bearing and Seal Housing, Pressure Hose and Counterweight.....	20
Drain Hose and Siphon Break Kit .....	22
Weldment and Bearing Assembly, Brake and Pulley.....	24
Transmission Assembly .....	26
Front Panel, Base Assembly and Cabinet Kit.....	28
Mixing Valve and Motor Connection Blocks, Terminals and Extractor Tool.....	30
Lead-In Cord and Terminals .....	32
Terminals .....	34
Shipping Materials and Special Tools.....	36
Special Tools .....	38
Output Board, Wire Harnesses and Wires.....	40
Parts Index.....	43

© Copyright 2020, Alliance Laundry Systems LLC

All rights reserved. No part of the contents of this book may be reproduced or transmitted in any form or by any means without the expressed written consent of the publisher.

## Parts Ordering Information

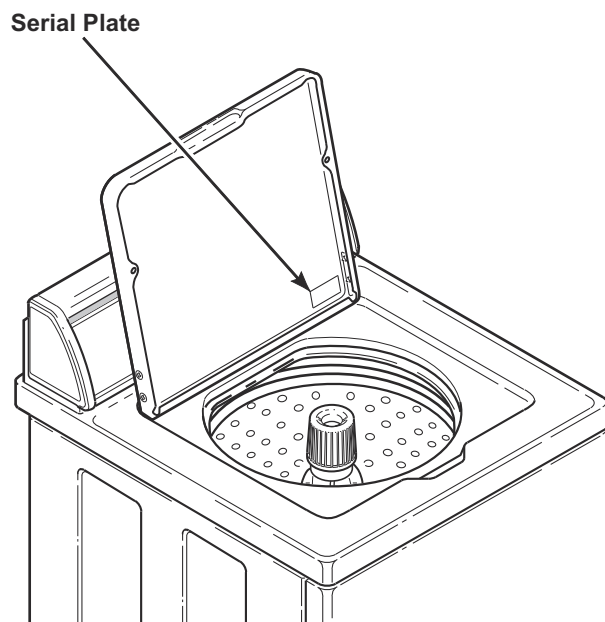
If literature or replacement parts are required, contact the source from whom the machine was purchased or contact Alliance Laundry Systems at (920) 748-3950 for the name and address of the nearest authorized parts distributor.

For technical assistance, call the number listed below:

(920) 748-3121 Ripon, Wisconsin

## Serial Plate Location

When calling or writing about your product, be sure to mention model and serial numbers. Model and serial numbers are located on serial plate(s) as shown.



W429S\_203430

## Model Identification

Information in this manual is applicable to these washer models:

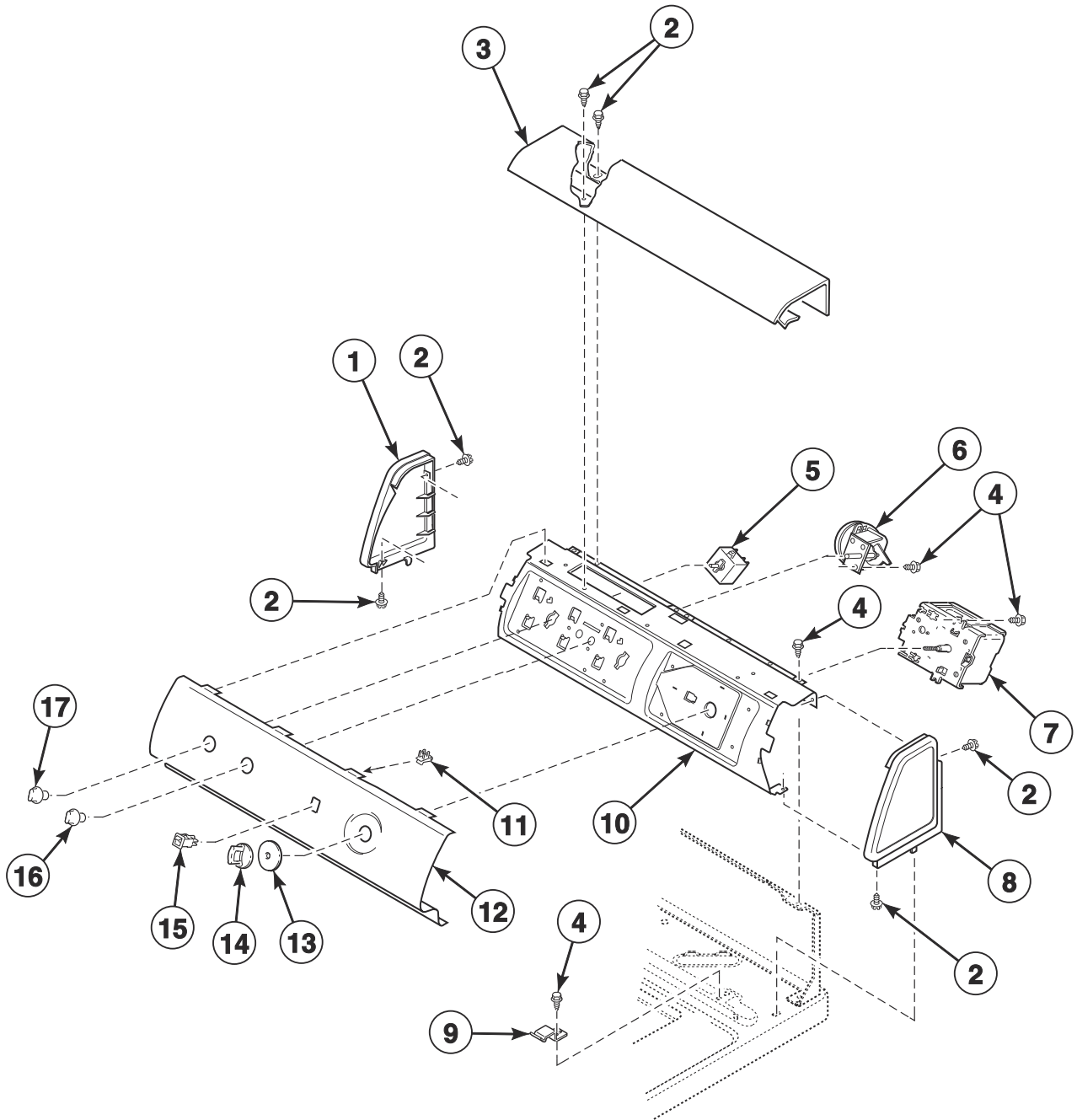
FWNE22SP125MW01  
LWN432SP113TW01  
LWN432SP113TW04  
LWN432SP115TW01  
LWNA52SP113TW01  
LWNE22SP115TW01  
LWNE52PP113TW01  
LWNE52SP113TW01  
LWNE52WP113TW01

PWNE12PP115TG01  
PWNE32PP113TG01

YWNE22PP115TW01  
YWNE22SP115TW01  
YWNE52PP113TW01

# Graphic Panel, Control Support Panel and Controls (Drawing 1 of 2)

Models LWN432SP113TW01, LWN432SP113TW04 and LWN432SP115TW01



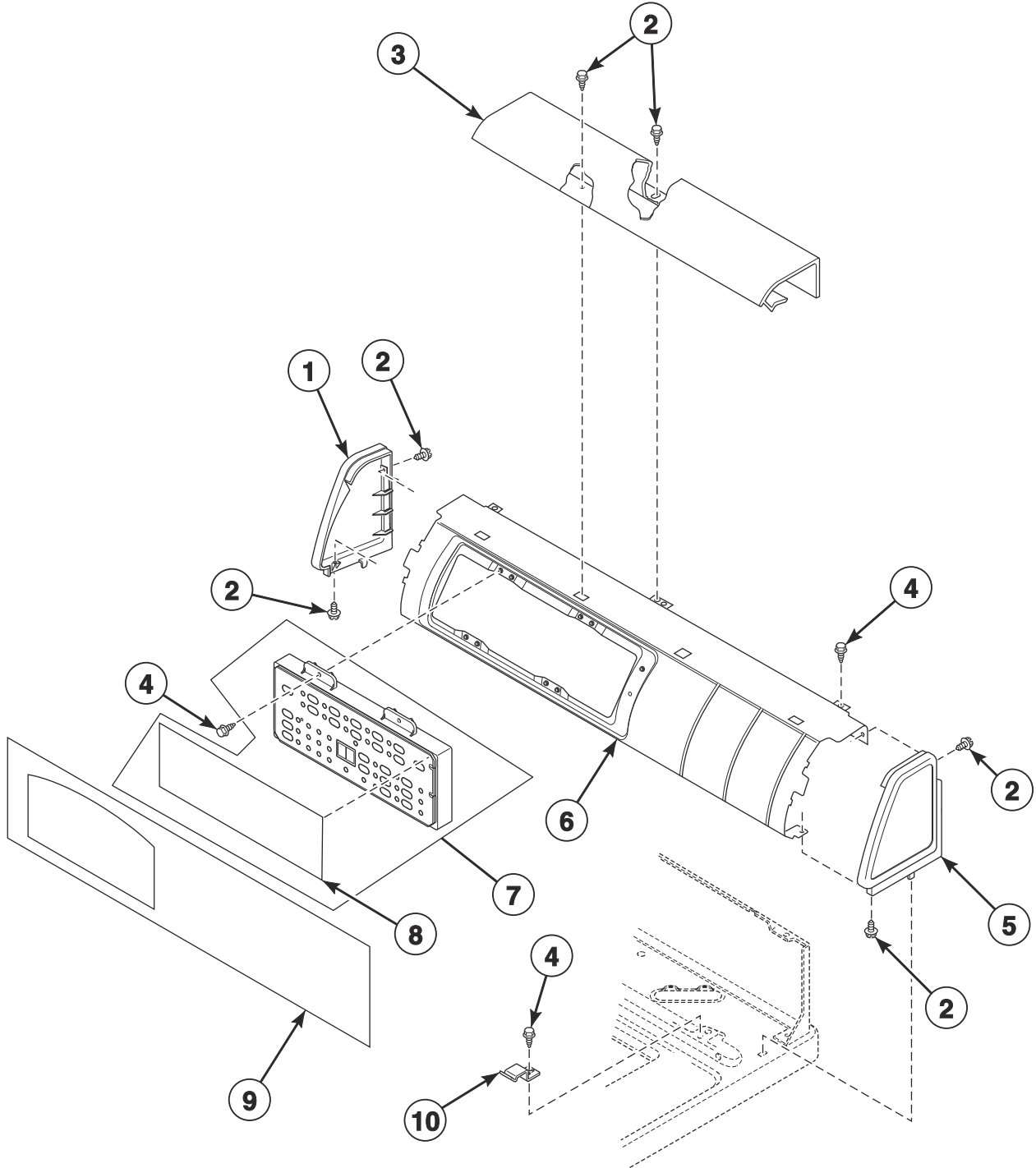
TLW1774P\_203430

## Graphic Panel, Control Support Panel and Controls (Drawing 1 of 2)

REF	PART NO.	DESCRIPTION	COMMENTS
1	D504009WP	End Panel	White; Left
2	D501086	Screw	
3	39905W	Top Cover	White
4	23962	Screw	
5	35115	Temperature Switch	3 position
6	204156	Pressure Switch	Model LWN432SP115TW01
	202937	Pressure Switch	Models LWN432SP113TW01 and LWN432SP113TW04
7	203387P	Timer	Models LWN432SP113TW04 and LWN432SP115TW01
	202705P	Timer	Model LWN432SP113TW01
8	D504008WP	End Panel	White; Right
9	35358	Hold-Down Clip	
10	38565	Control Support Panel	
11	00161	Grounding Clip	
12	203826W	Graphic Panel	White; Model LWN432SP115TW01
	203673W	Graphic Panel	White; All other models
13	36700W	Timer Skirt Assembly	White
14	201501W	Timer Knob	White
15	38424W	Rocker Switch	
16	203323	Knob Assembly	White; Models LWN432SP113TW01 and LWN432SP113TW04
17	36701W	Knob Assembly	White

# Graphic Panel, Control Support Panel and Controls (Drawing 2 of 2)

Models FWNE22SP125MW01, LWNA52SP113TW01, LWNE22SP115TW01, LWNE52PP113TW01, LWNE52SP113TW01, LWNE52WP113TW01, PWNE12PP115TG01, PWNE32PP113TG01, YWNE22PP115TW01, YWNE22SP115TW01 and YWNE52PP113TW01



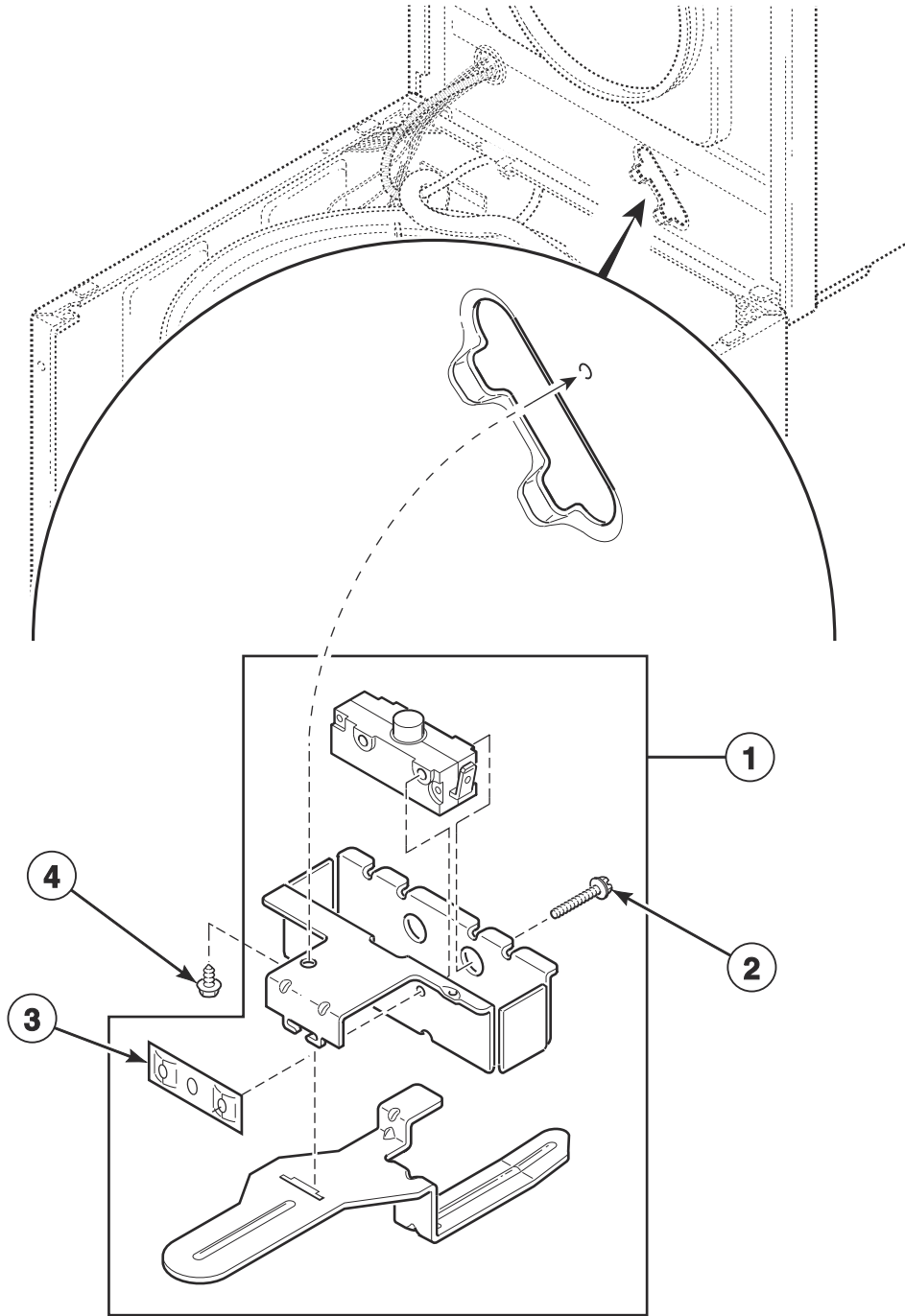
TLW1784P\_203430



## Graphic Panel, Control Support Panel and Controls (Drawing 2 of 2)

REF	PART NO.	DESCRIPTION	COMMENTS
1	D504007P	End Panel	Left; Models PWNE12PP115TG01 and PWNE32PP113TG01
	D504009WP	End Panel	Left; All other models
2	D501086	Screw	
3	39905DG	Top Cover	Models PWNE12PP115TG01 and PWNE32PP113TG01
	39905W	Top Cover	All other models
4	23962	Screw	
5	D504006P	End Panel	Right; Models PWNE12PP115TG01 and PWNE32PP113TG01
	D504008WP	End Panel	Right; All other models
6	202942	Control Support Panel	
7	203358P	Control Assembly	Includes item 8; Model LWNA52SP113TW01
	203581	Control Assembly	Includes item 8; Model PWNE32PP113TG01
	204288	Control Assembly	Includes item 8; Models FWNE22SP125MW01, LWNE22SP115TW01, YWNE22PP115TW01 and YWNE22SP115TW01
	204289	Control Assembly	Includes item 8; Model PWNE12PP115TG01
	202905P	Control Assembly	Includes item 8; All other models
8	203330	Overlay	Model LWNA52SP113TW01
	203541	Overlay	Model PWNE32PP113TG01
	204165	Overlay	Models FWNE22SP125MW01, LWNE22SP115TW01, YWNE22PP115TW01 and YWNE22SP115TW01
	204168	Overlay	Model PWNE12PP115TG01
	202750	Control Overlay	All other models
9	203523	Graphic Panel	Models PWNE12PP115TG01 and PWNE32PP113TG01
	203165	Graphic Panel	Models YWNE22PP115TW01, YWNE22SP115TW01 and YWNE52PP113TW01
	203166	Graphic Panel	Model LWNE22SP115TW01
	203151	Graphic Panel	All other models
10	35358	Hold-Down Clip	

# Lid Switch Assembly

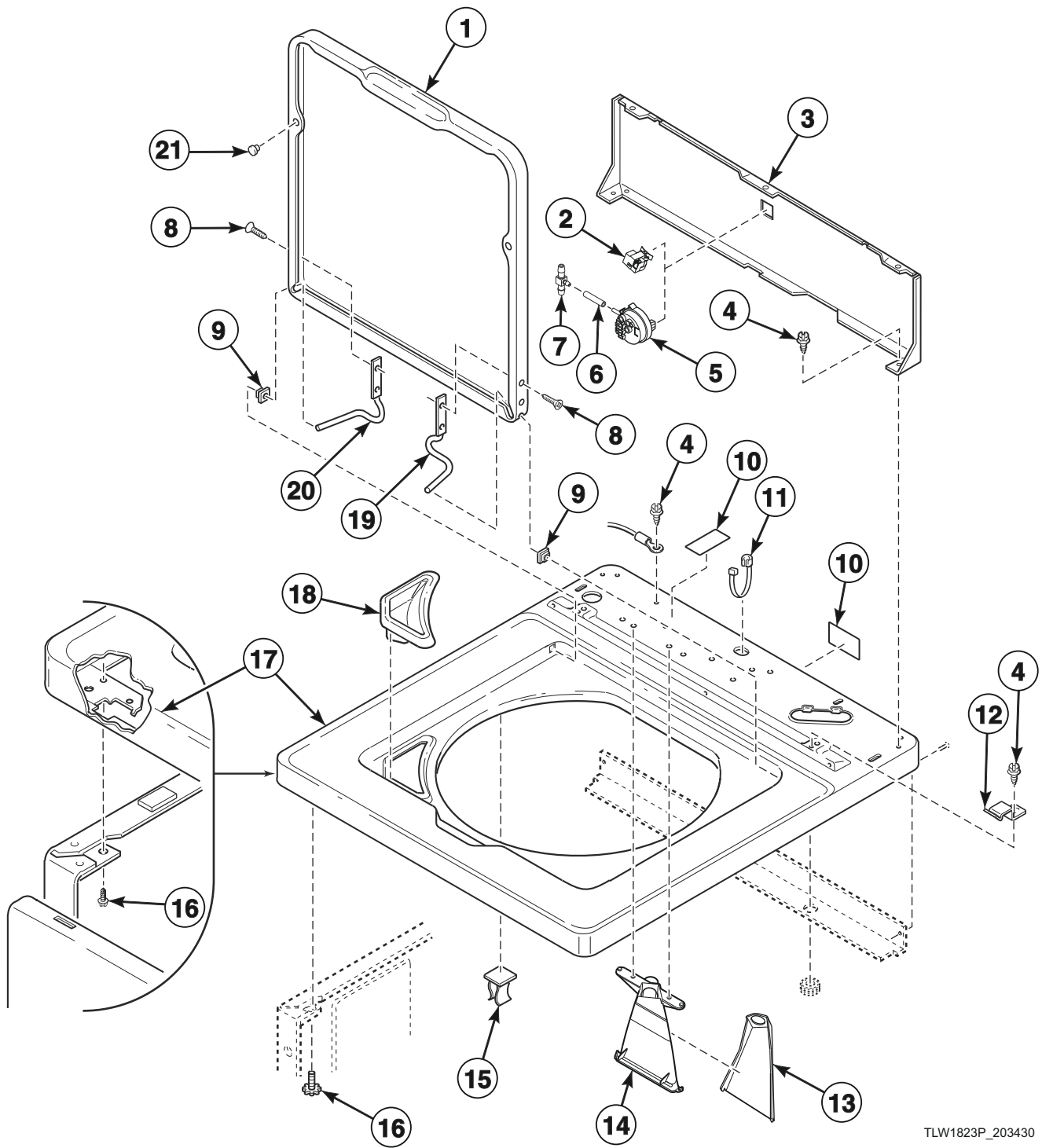


TLW1832P\_203430

# Lid Switch Assembly

REF	PART NO.	DESCRIPTION	COMMENTS
1	204696	Lid Switch Kit	
2	M402574	Screw	
3	M400981	Nut	
4	23962	Screw	

# Top, Lid and Hood Back Panel

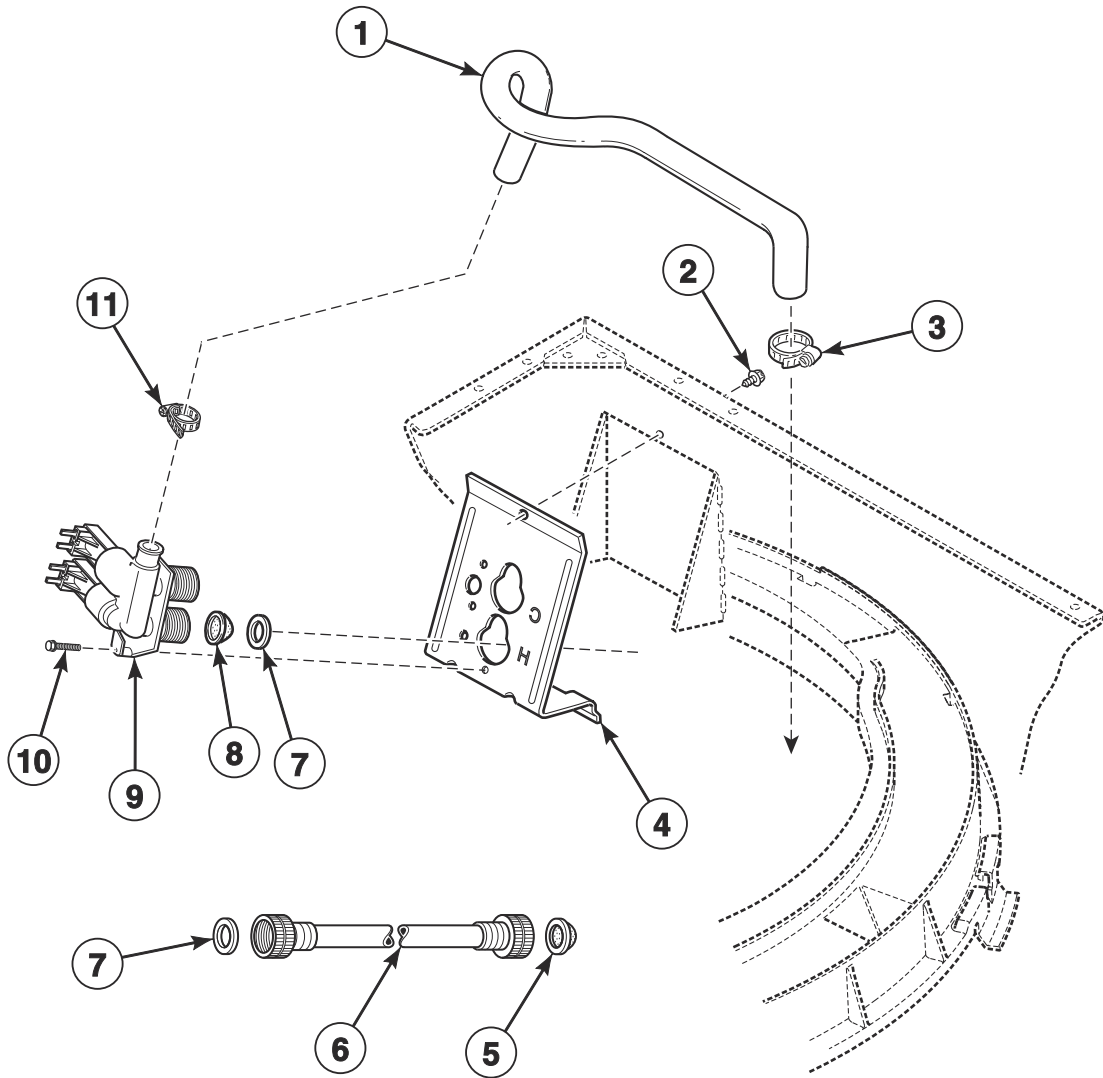


TLW1823P\_203430

## Top, Lid and Hood Back Panel

REF	PART NO.	DESCRIPTION	COMMENTS
	34338	Hinge Gasket	
1	33450W	Lid	White; Model LWNA52SP113TW01
	37395DG	Lid	Models PWNE12PP115TG01 and PWNE32PP113TG01
	37395WP	Lid	White; All other models
	203045	Lid Warning Label	
2	203843	Pressure Sensor	All models except LWN432SP113TW01, LWN432SP113TW04 and LWN432SP114TW01; Mounted here through Serial No. 1805999999; Mounted to mixing valve bracket starting Serial No. 1806000001
3	37782	Hood Back Panel	Model LWN432SP113TW01
	204259	Hood Back Panel	Model LWN432SP115TW01
	202549	Hood Back Panel	All other models through Serial No. 1805999999
	203110	Hood Back Panel	All other models starting Serial No. 1806000001
4	23962	Screw	
5	B12548401	Pressure Switch	Model LWN432SP113TW04
6	203511	Tubing	Model LWN432SP113TW04
7	203464	Barbed Tee	Model LWN432SP113TW04
8	34337	Screw	
9	33446	Bushing	
10	D500049	Warning Label	
11	38384	Strain Relief	
12	35358	Hold-Down Clip	
13	202894	Inlet Cover	
14	202900	Inlet Deflector	
15	36519	Hinge Stop Clip	
16	33562	Screw	
17	202481WP	Top Assembly	White; Model LWNA52SP113TW01
	37992DG	Top	Models PWNE12PP115TG01 and PWNE32PP113TG01
	37992WP	Top	White; All other models
18	34776	Bleach Dispenser	Model LWNA52SP113TW01
	38382	Bleach Dispenser	All other models
19	36437	Lid Hinge	Right
20	36438	Lid Hinge	Left; Model LWNA52SP113TW01
	36513	Lid Hinge	Left; All other models
21	21685	Bumper	

# Fill Hose, Mixing Valve-to-Tub Cover Hose, Mixing Valve and Bracket

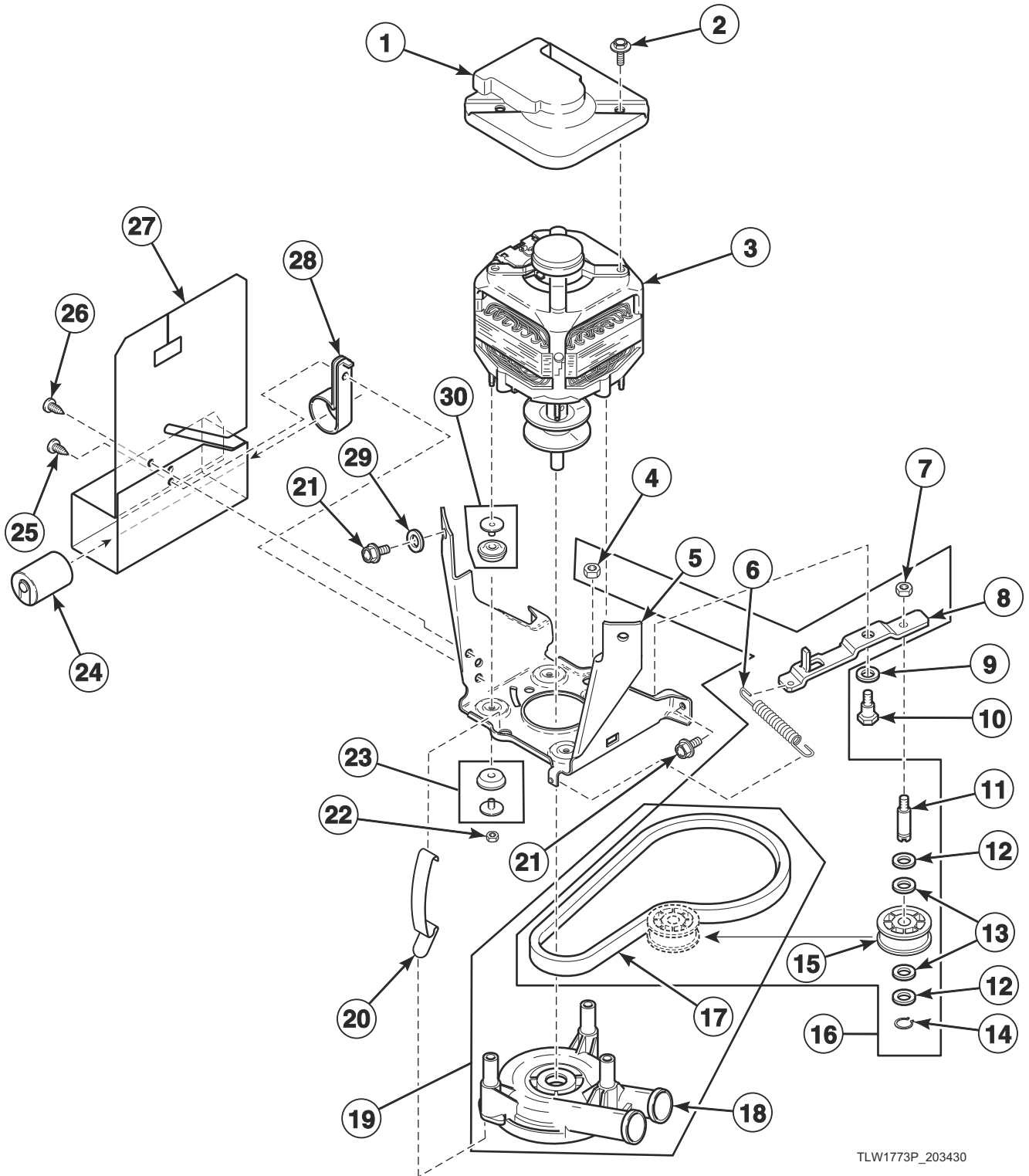


TLW1799P\_203430

## Fill Hose, Mixing Valve-to-Tub Cover Hose, Mixing Valve and Bracket

REF	PART NO.	DESCRIPTION	COMMENTS
1	202472	Mixing Valve-to-Tub Cover Hose	Model LWNA52SP113TW01
	202884	Valve to Inlet Hose	All other models; Through Serial No. 1812016076
	204400	Valve to Inlet Hose	All other models; Starting Serial No. 1812016077
2	33562	Screw	
3	800803	Hose Clamp	
4	39407	Mixing Valve Mounting Bracket	Through Serial No. 1805999999
	204117	Mixing Valve Mounting Bracket	Starting Serial No. 1806000001 and continuing through Serial No. 1812016076
	203558	Mixing Valve Mounting Bracket	Starting Serial No. 1812016077
5	803615	Washer	Filter screen
	802254	Washer	Flow restrictor; Water pressure reducer; Available for water pressure up to but not exceeding 120 psi
6	F200116	Water Hose	
7	20290	Washer	
8	24122	Mixing Valve Screen	
9	203144P	Mixing Valve	Model LWNA52SP113TW01
	202395P	Mixing Valve	All other models; Through Serial No. 1812016076
	203741	Mixing Valve	All other models; Starting Serial No. 1812016077
10	39397	Screw	
11	36801	Hose Clamp	

# Motor, Mounting Bracket, Belt, Pump and Idler Assembly



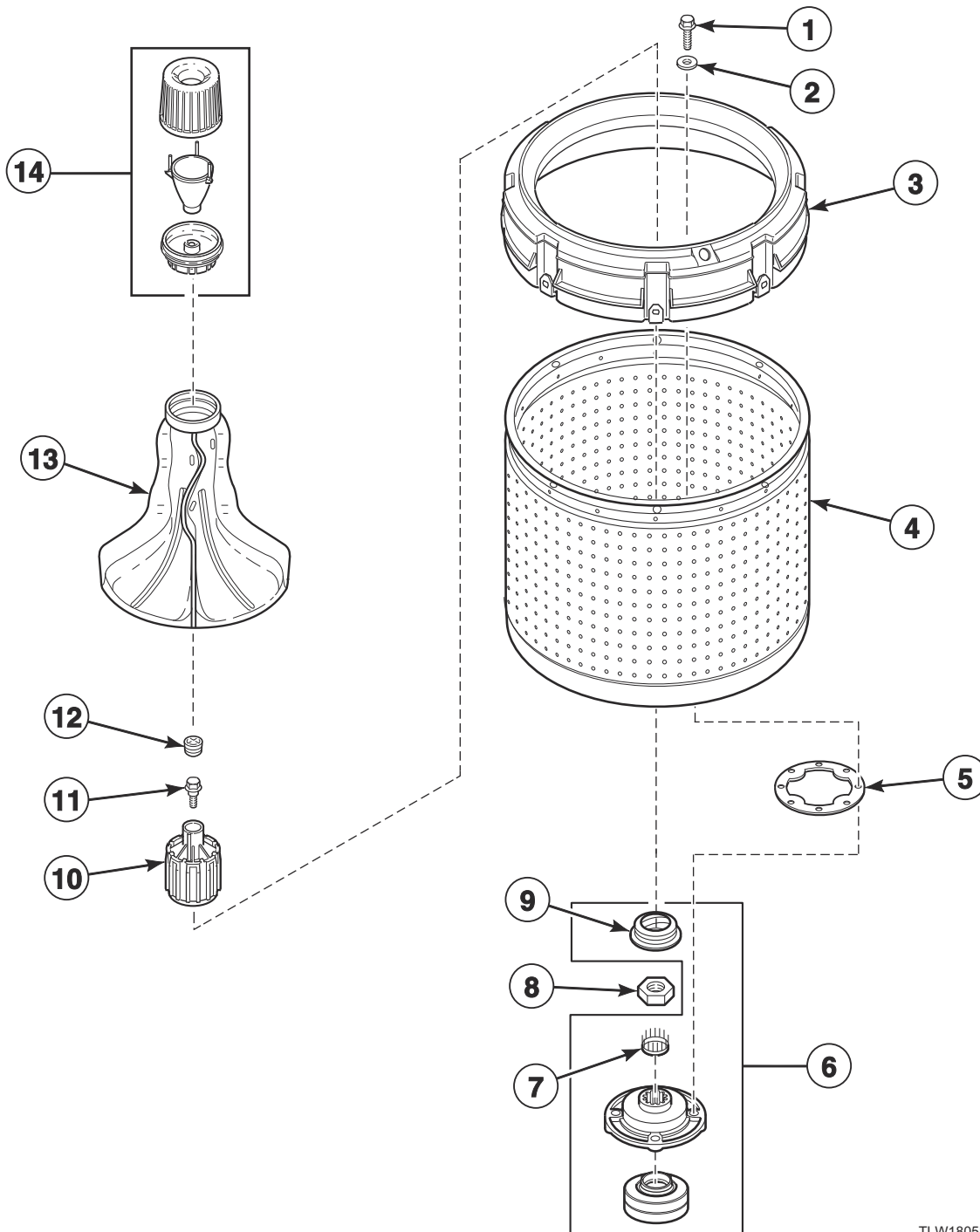
TLW1773P\_203430



# Motor, Mounting Bracket, Belt, Pump and Idler Assembly

REF	PART NO.	DESCRIPTION	COMMENTS
1	34754	Motor Shield	
2	36639	Screw	
3	203196	Motor Assembly	2 speed; 120Volt/60 Hertz; Model LWNA52SP113TW01
	202971	Motor Assembly	2 speed; 127Volt/60 Hertz; Model LWNE22SP115TW01
	38034P	Motor Kit	2 speed; 120Volt/60 Hertz; All other models
4	52566	Nut	
5	200941	Motor Mount Bracket	
6	201189	Idler Lever Spring	Model LWNA52SP113TW01
	202032	Idler Lever Spring	All other models
7	28803	Nut	
8	38011	Idler Lever	
9	81392	Washer	
10	27229	Screw	
11	210186	Idler Shaft	
12	D504082	Washer	
13	52549	Washer	Nylatron
14	23748	Retaining Ring	
15	38225P	Idler Pulley	
16	959P3	Idler Lever Kit	Includes items 4, 7-8, 11-15, 202032 Idler Lever Spring and 38174 Agitate and Spin Belt
17	200923	Agitate and Spin Belt	Model LWNA52SP113TW01
	38174	Agitate and Spin Belt	All other models
18	205217P	Pump	
	201442P	Pump Assembly	Heavy duty
19	RB150003	Belt and Pump Kit	Includes 201566P Pump and 38174 Agitate and Spin Belt; All models except LWNA52SP113TW01
20	210202	Spring Clip	
21	35369	Screw	
22	35423	Nut	
23	204062	Motor Mount and Isolator Assembly	
24	37377	Capacitor	
25	31645	Screw	
26	52909	Screw	
27	203053	Motor Drip Shield	Through Serial No. 1811000001
28	37535	Capacitor Clamp	
29	37772	Washer	
30	204063	Motor Mount and Isolator Assembly	

# Agitator, Fabric Softener Dispenser, Drive Bell, Hub and Lip Seal Kit and Washtub



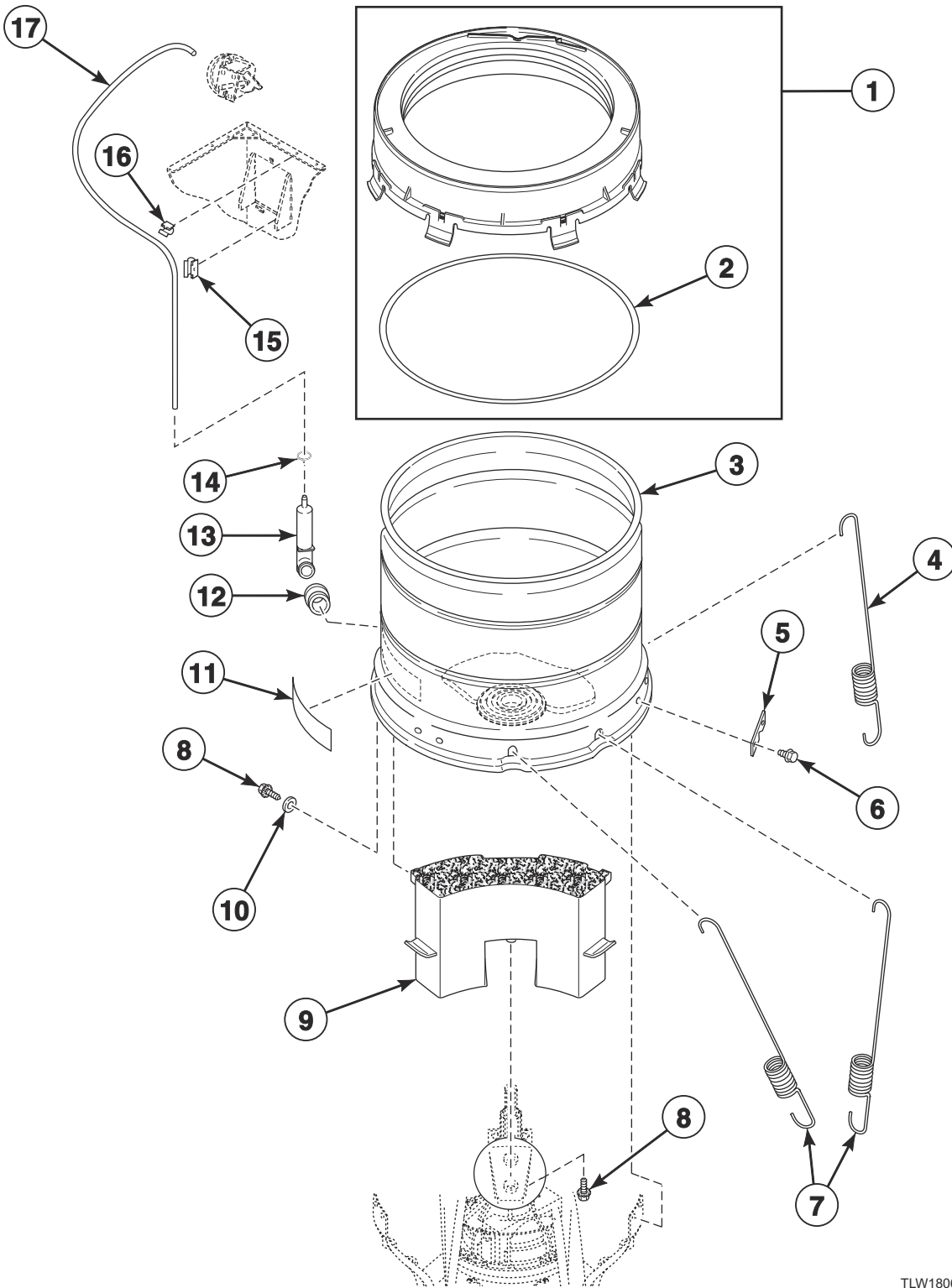
TLW1805P\_203430

## Agitator, Fabric Softener Dispenser, Drive Bell, Hub and Lip Seal Kit and Washtub

REF	PART NO.	DESCRIPTION	COMMENTS
1	27202	Screw	
2	28094	Washer	Rubber; Use with porcelain washtub
3	39837	Balance Ring Assembly	
4	39240P	Tub Assembly	White porcelain; Model LWNE52WP113TW01
	204451	Tub Assembly	Stainless steel; Model LWNA52SP113TW01
	719P3	Washtub Kit	Stainless steel; Models FWNE22SP125MW01, LWN432SP113TW01, LWN432SP113TW04, LWN432SP115TW01, LWNE22SP115TW01, LWNE52SP113TW01 and YWNE22SP115TW01
	203882P	Tub Kit	Blue porcelain; Models LWNE52PP113TW01, PWNE12PP115TG01, PWNE32PP113TG01 and YWNE52PP113TW01
5	39122	Washtub Gasket	
6	766P3A	Hub and Lip Seal Kit	DO NOT use any sealant other than 200996P Sealant; Includes item 10 and installation tool
	200996P	Sealant	Use with hub and lip seal kit
7	29728	Spline Insert	
8	29220	Nut	
9	36425	Bell and Transmission Tube Seal	
10	39508P	Drive Bell and Seal Kit	Includes items 9, 11 and 12
11	39432	Screw	
12	36511	Bell Plug	
13	36507	Flex Vane Agitator	
14	204214	Fabric Softener Dispenser Assembly	

# Outer Tub, Cover, Pressure Hose and Counterweight

Model LWNA52SP113TW01



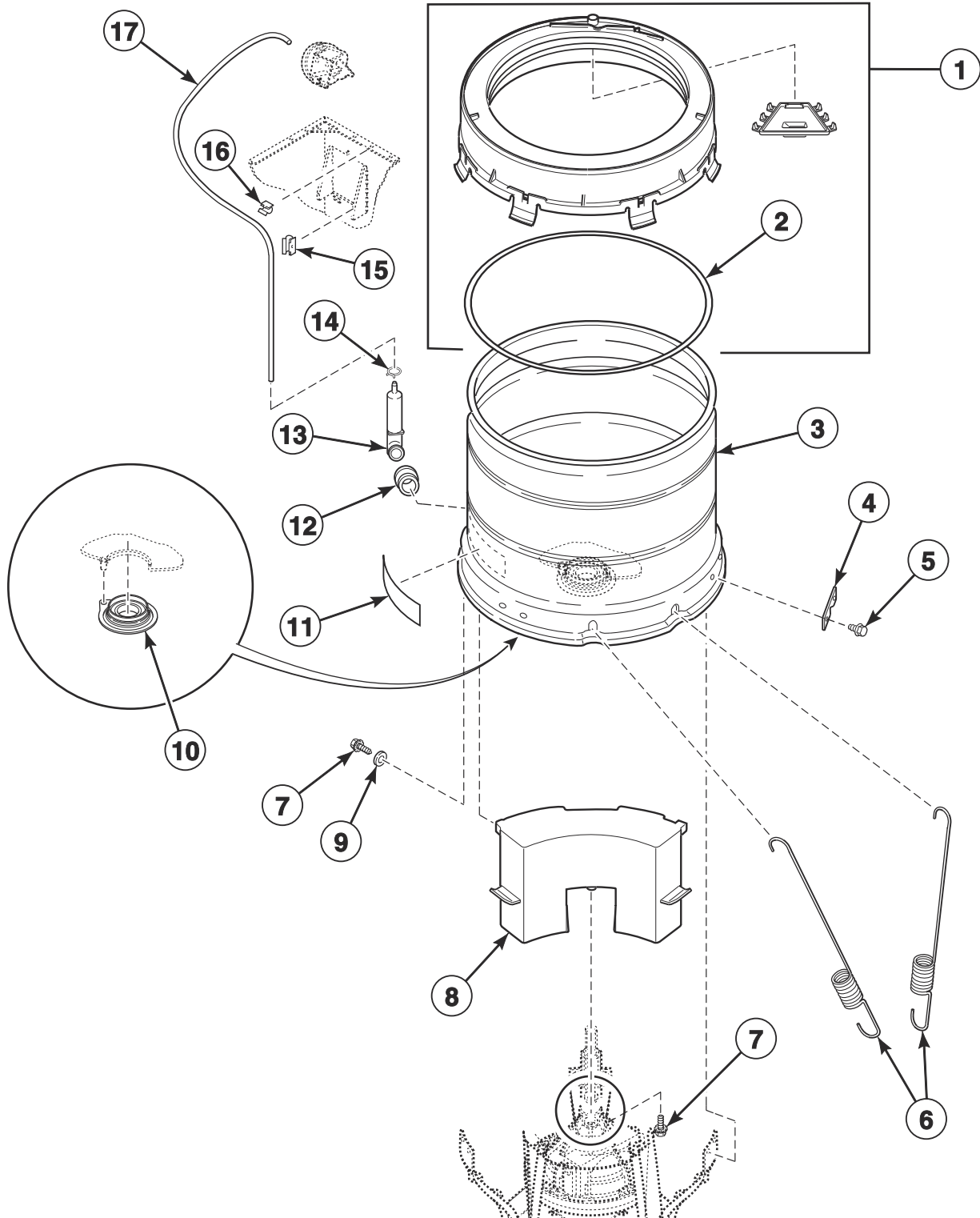
TLW1806P\_203430

## Outer Tub, Cover, Pressure Hose and Counterweight

REF	PART NO.	DESCRIPTION	COMMENTS
1	202461	Tub Cover Assembly	Through Serial No. 1801000001; Includes item 2
	203539	Tub Cover Assembly	Starting Serial No. 1801000001; Includes item 2
2	38359	Tub Cover Gasket	
3	204452P	Tub Assembly	Includes 28944RP Lower Bearing
4	201521	Leg Spring	Use to replace two rear springs (closest to counterweight)
5	27926	Leg Plate	
6	35369	Screw	
7	37575	Leg Spring	
8	39566	Screw	
9	38769	Counterweight Assembly	
10	39249	Washer	
11	D500049	Warning Label	
12	29175	Grommet	
13	30907	Pressure Bulb	
14	39282	Hose Clamp	
15	36985	Hose Clip	
16	21036	Cable Clip	
17	202700	Tubing	

# Outer Tub, Cover, Bearing and Seal Housing, Pressure Hose and Counterweight

Models FWNE22SP125MW01, LWN432SP113TW01, LWN432SP113TW04, LWN432SP115TW01, LWNE22SP115TW01, LWNE52PP113TW01, LWNE52SP113TW01, LWNE52WP113TW01, PWNE12PP115TG01, PWNE32PP113TG01, YWNE22PP115TW01, YWNE22SP115TW01 and YWNE52PP113TW01

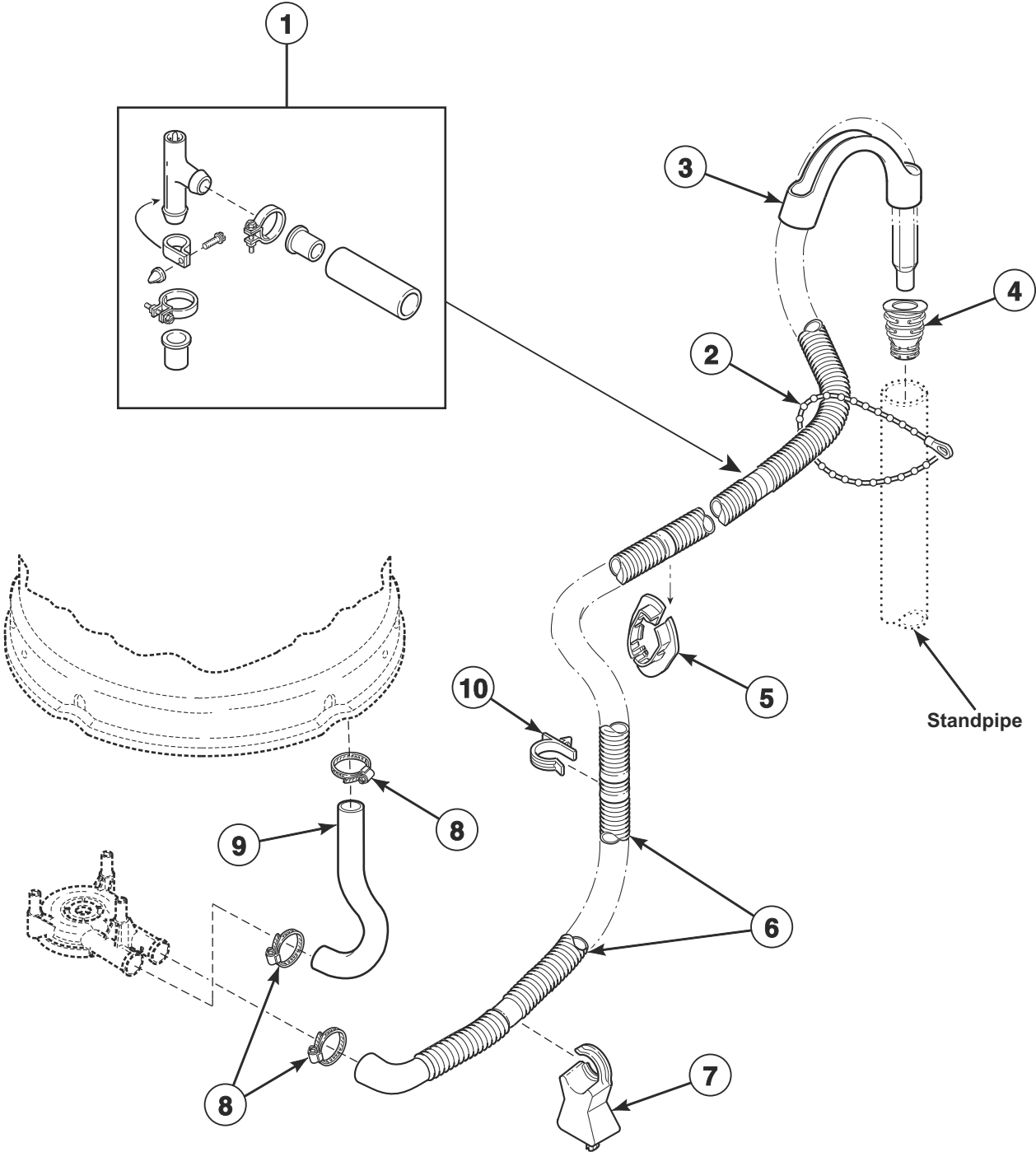


TLW1464P\_203430

## Outer Tub, Cover, Bearing and Seal Housing, Pressure Hose and Counterweight

REF	PART NO.	DESCRIPTION	COMMENTS
1	202888	Tub Cover Assembly	Includes item 2
2	38359	Tub Cover Gasket	
3	203603P	Outer Tub Assembly	
4	27926	Leg Plate	
5	35369	Screw	
6	37575	Leg Spring	
7	39566	Screw	
8	38769	Counterweight Assembly	
9	39249	Washer	
10	766P3A	Hub and Lip Seal Kit	
	200996P	Sealant	Use with hub and lip seal kit
11	D500049	Warning Label	
12	29175	Grommet	
13	30907	Pressure Bulb	
14	39282	Hose Clamp	
15	36985	Hose Clip	
16	21036	Cable Clip	
17	203478	Tubing	Model LWN432SP113TW04
	202700	Tubing	All other models through Serial No. 1805999999
	203802	Tubing	All other models starting Serial No. 1806000001

# Drain Hose and Siphon Break Kit



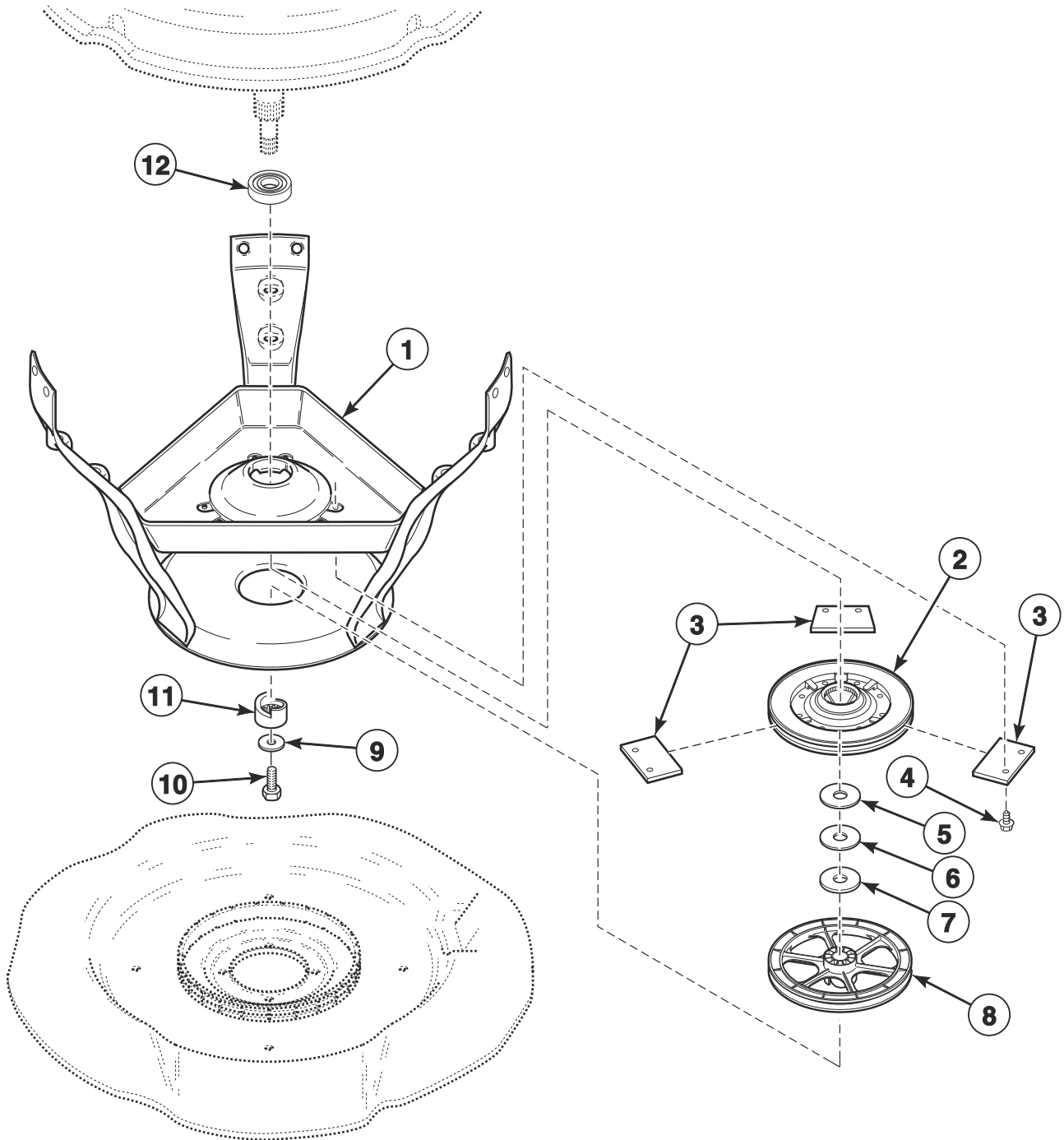
W329P\_203430



## Drain Hose and Siphon Break Kit

REF	PART NO.	DESCRIPTION	COMMENTS
	451P3	Drain Extension Kit	
1	562P3	Siphon Break Kit	Siphon break kit MUST be installed in drain hose if drain receptacle is lower than cabinet top of washer
2	33489	Standpipe Strap	
3	33615	Drain Hose Sleeve	
4	36878	Standpipe Adapter	
5	32219	Strain Relief	
6	39893	Drain Hose	
7	38732	Hose Stand	
8	F200204	Hose Clamp	
9	38351	Tub-to-Pump Hose	
10	36014	Retainer Clip	

# Weldment and Bearing Assembly, Brake and Pulley

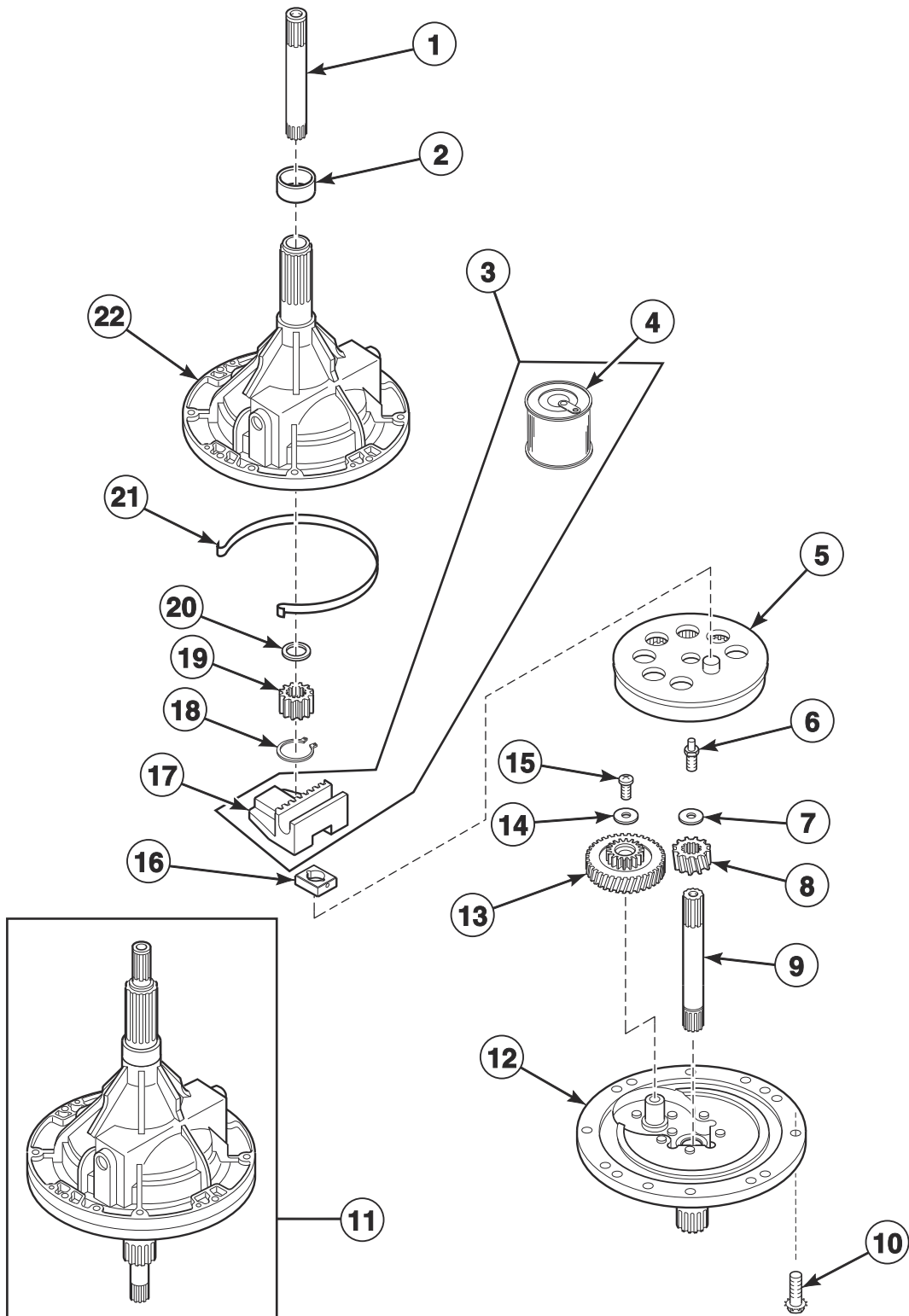


TLW1841P\_203430

## Weldment and Bearing Assembly, Brake and Pulley

REF	PART NO.	DESCRIPTION	COMMENTS
1	39253	Weldment and Bearing Assembly	
2	38505P	Brake Kit	
3	735P3	Brake Pad Kit	Includes 3 pads and 6 of item 4
	204253	Silicone Grease	Apply small amount to each new brake pad
4	39739	Screw	
5	35535	Washer	Thin
6	27015	Washer	Thick
7	35535	Washer	For machines experiencing squeaking during agitation; Through Serial Nos. beginning 1612
	203950	Washer	Starting Serial Nos. beginning 1701
	204253	Silicone Grease	Apply small amount to washer
8	204486	Pulley	
9	26509	Washer	
10	27220	Screw	
11	38008	Helix	
12	28944RP	Lower Bearing	

# Transmission Assembly

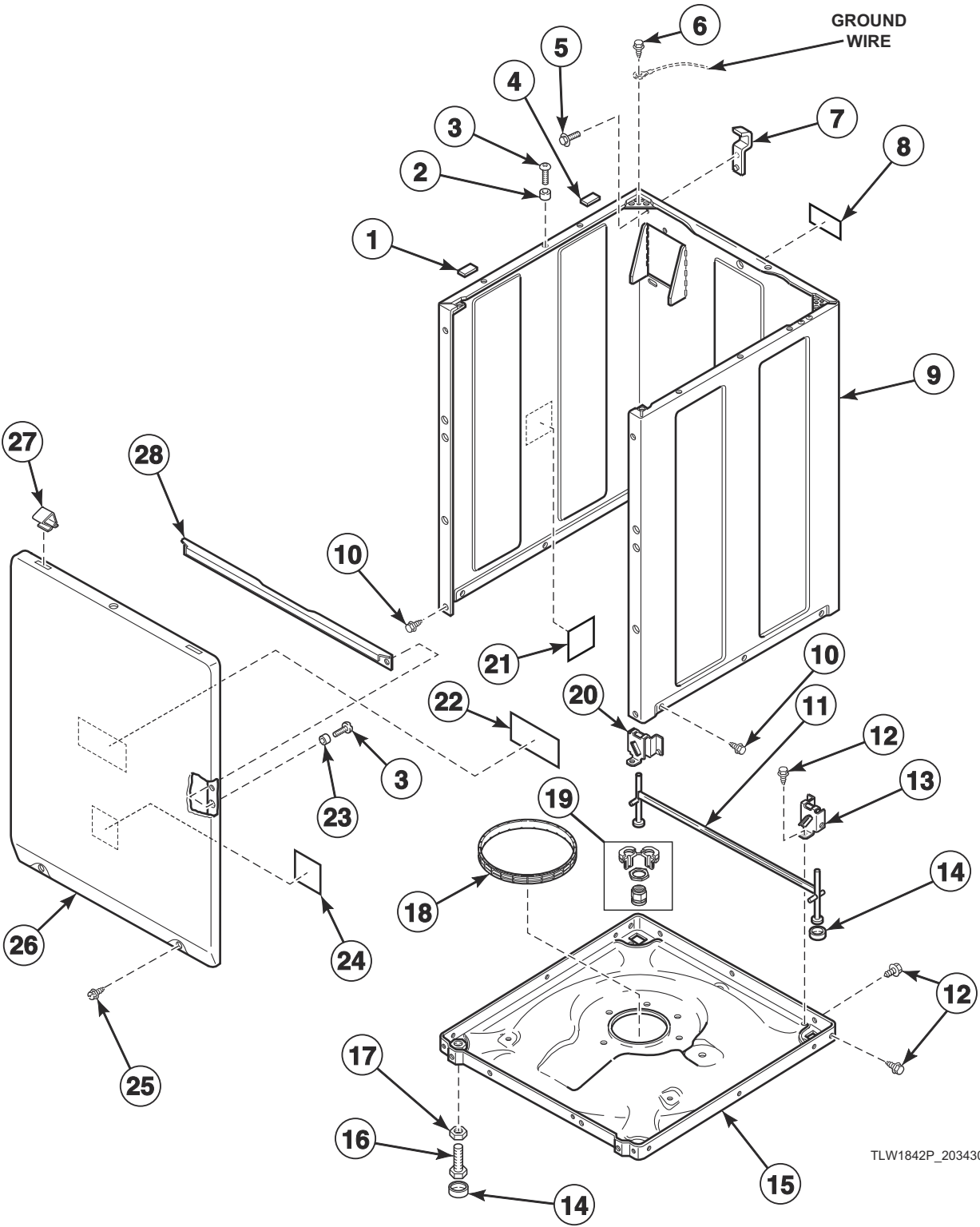


TLW1720P\_203430

# Transmission Assembly

REF	PART NO.	DESCRIPTION	COMMENTS
	27604P	Anti-Seize Compound	Apply to smooth area of both the upper and lower transmission tube that will be contacting the upper and lower bearings and apply to spline area of upper and lower transmission tube that will be contacting the washtub
	37577P	Transmission Sealant	Use between transmission case and cover
1	36570P	Output Shaft	
2	201212	Hub Spacer	Included in 766P3A Hub and Lip Seal Kit
3	RB150004	Transmission Rebuild Kit	Includes items 4, 17 and 37577P Transmission Sealant
4	27243P	Transmission Oil	1 fill
5	26577	Gear and Stud Assembly	
6	201773	Screw	
7	26509	Washer	
8	37406P	Drive Pinion	Use with 38826P Transmission Assembly
	37405	Drive Pinion	
9	38268P	Input Shaft	
10	32814	Screw	
11	38165P	Transmission Assembly	
12	37471	Transmission Cover Assembly	
13	37403P	Reduction Gear	Use with 38826P Transmission Assembly
	37404P	Reduction Gear	
14	29260	Washer	
15	29273	Screw	
16	26493	Slide	
17	201664	Rack	
18	27197	Retaining Ring	
19	27003	Agitator Pinion	
20	35092	Washer	
21	38864	Gear Sleeve	
22	201180	Transmission Case Assembly	

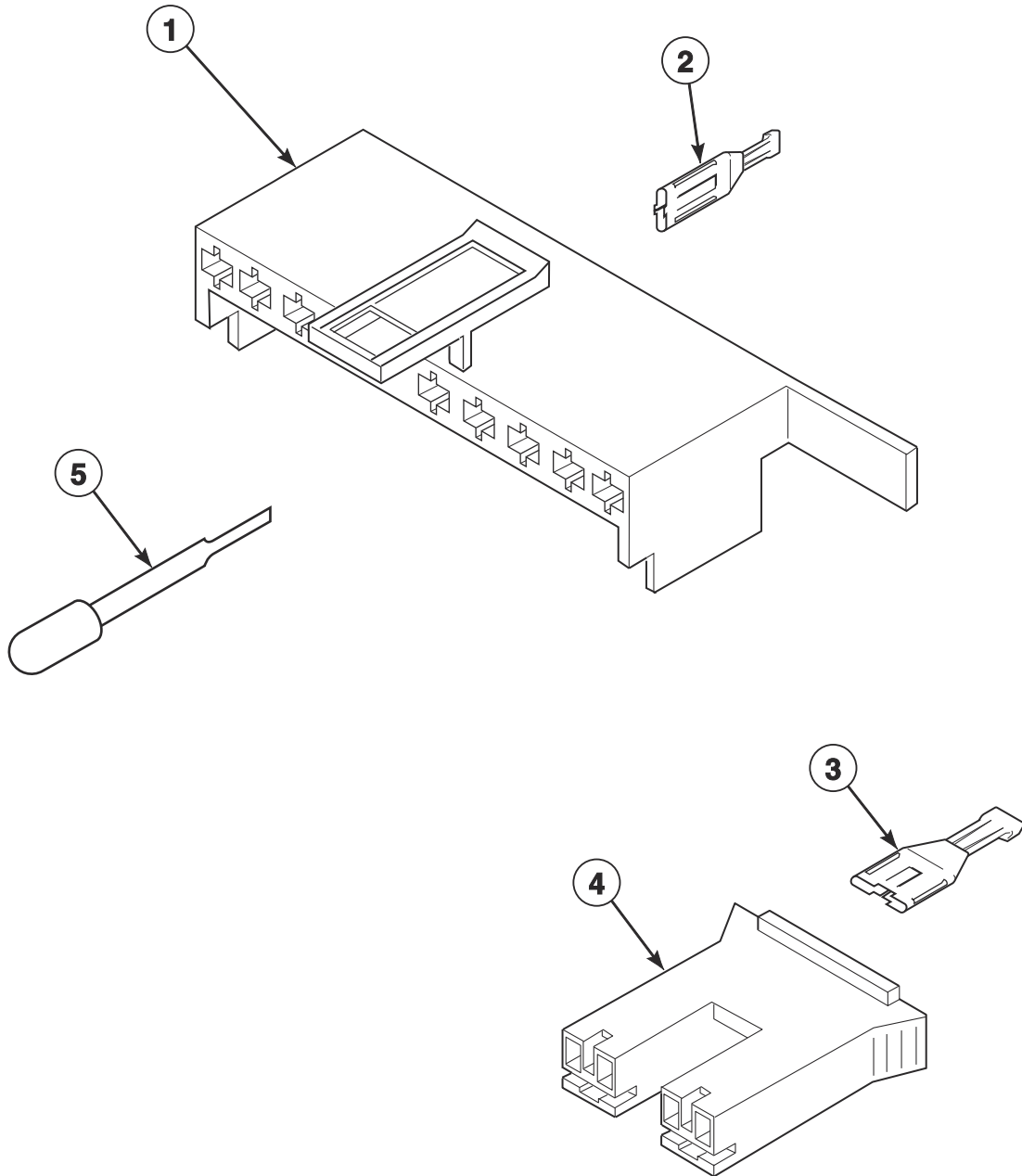
# Front Panel, Base Assembly and Cabinet Kit



## Front Panel, Base Assembly and Cabinet Kit

REF	PART NO.	DESCRIPTION	COMMENTS
	122P4P	Porcelain Touch-Up Paint	White
	806436P	Paint	Dark gray
1	56128	Bumper Pad	
2	56079	Panel Locator	
3	39733	Screw	
4	36226	Bumper Pad	
5	51780	Screw	
6	D501086	Screw	
7	27103	Hold-Down Lug Hinge	
8	803260	Warning Label	
9	38612DG	Service Cabinet Kit	Models PWNE12PP115TG01 and PWNE32PP113TG01
	38612WP	Service Cabinet Kit	White; All other models
10	27196	Screw	
11	34443	Leg and Stabilizer Assembly	
12	35148	Screw	
13	36036	Bracket	Right
14	34318	Rubber Foot	
15	39788	Base Assembly	
16	34319	Leveling Leg	
17	21899	Nut	
18	37937	Friction Ring	
19	566P3	Adjustable Leg Extension Kit	
20	36037	Bracket	Left
21	39480	Foam Pad	
22	36204	Front Panel Pad	
23	28102	Panel Locator	
24	203484	Foam Pad	
25	38272	Screw	
26	38335DG	Front Panel	Models PWNE12PP115TG01 and PWNE32PP113TG01
	204870	Front Panel	White; All other models
27	35865	Hold-Down Clip	
28	35097	Front Panel Brace	

# Mixing Valve and Motor Connection Blocks, Terminals and Extractor Tool



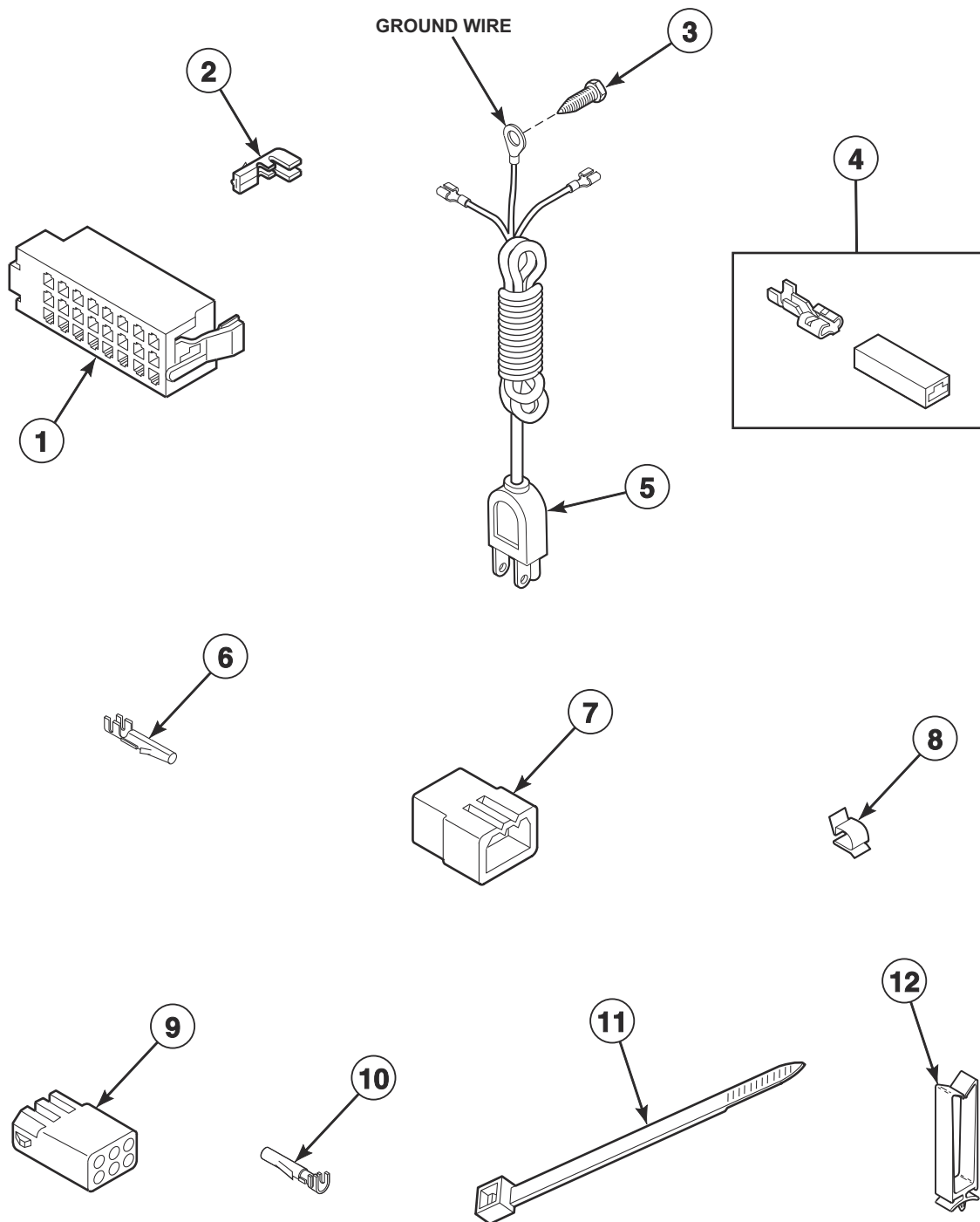
W134PZ3A\_203430



## Mixing Valve and Motor Connection Blocks, Terminals and Extractor Tool

REF	PART NO.	DESCRIPTION	COMMENTS
1	34677	10 Circuit Plug	Motor
2	00188	Female Terminal	For 1 or 2 wire application
3	00121	Female Spade Terminal	1/4 inch
4	34675	Mixing Valve Plug	Natural
	34676	Mixing Valve Plug	Red
5	283P4	Terminal Extractor Tool	

# Lead-In Cord and Terminals

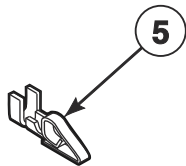
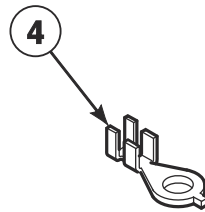
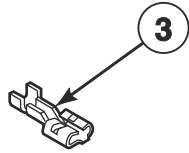
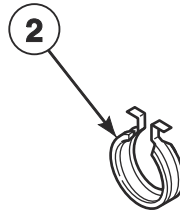
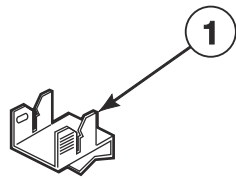


TLW1518P\_203430

## Lead-In Cord and Terminals

REF	PART NO.	DESCRIPTION	COMMENTS
1	32746	24 Position Housing	Right; Black
2	00188	Female Terminal	For 1 or 2 wire application
	00568SG	Terminal	
3	D503688	Screw	
4	00359	Insulated Female Spade Terminal	
5	202777	Lead-In Cord	
6	00116	Male Pin Terminal	
7	23033	9 Circuit Plug	
8	21036	Cable Clip	
9	26163	9 Circuit Receptacle	
10	00574SG	Female Pin Terminal	
11	55881	Harness Strap	
12	70296701	Wire Tie	

# Terminals

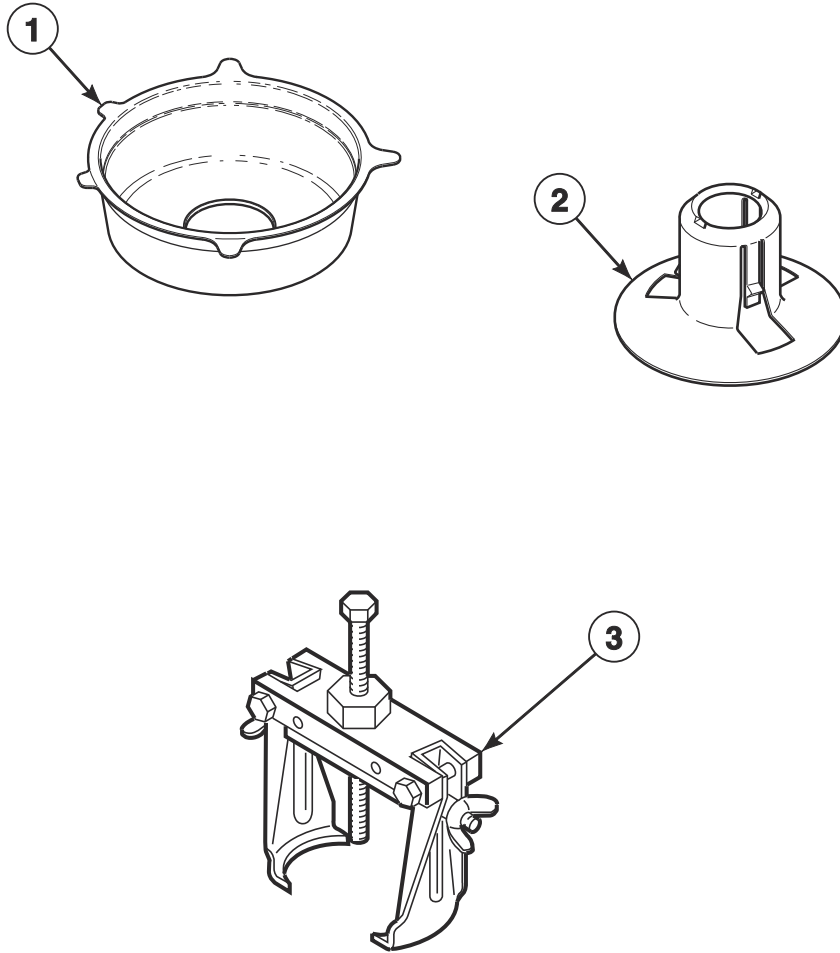


TLW1780P\_203430

# Terminals

REF	PART NO.	DESCRIPTION	COMMENTS
1	00161	Grounding Clip	
	00569SG	Terminal Grounding Clip	
2	51291	Wire Clip	
	D504034	Wire Clip	
3	00223	Female Spade Terminal	Large spade
	00577	Terminal Tab	
4	00110	Ring Terminal	Small shank
	00319	Ring Terminal	
5	00257	Pressure Switch Terminal	

# Shipping Materials and Special Tools

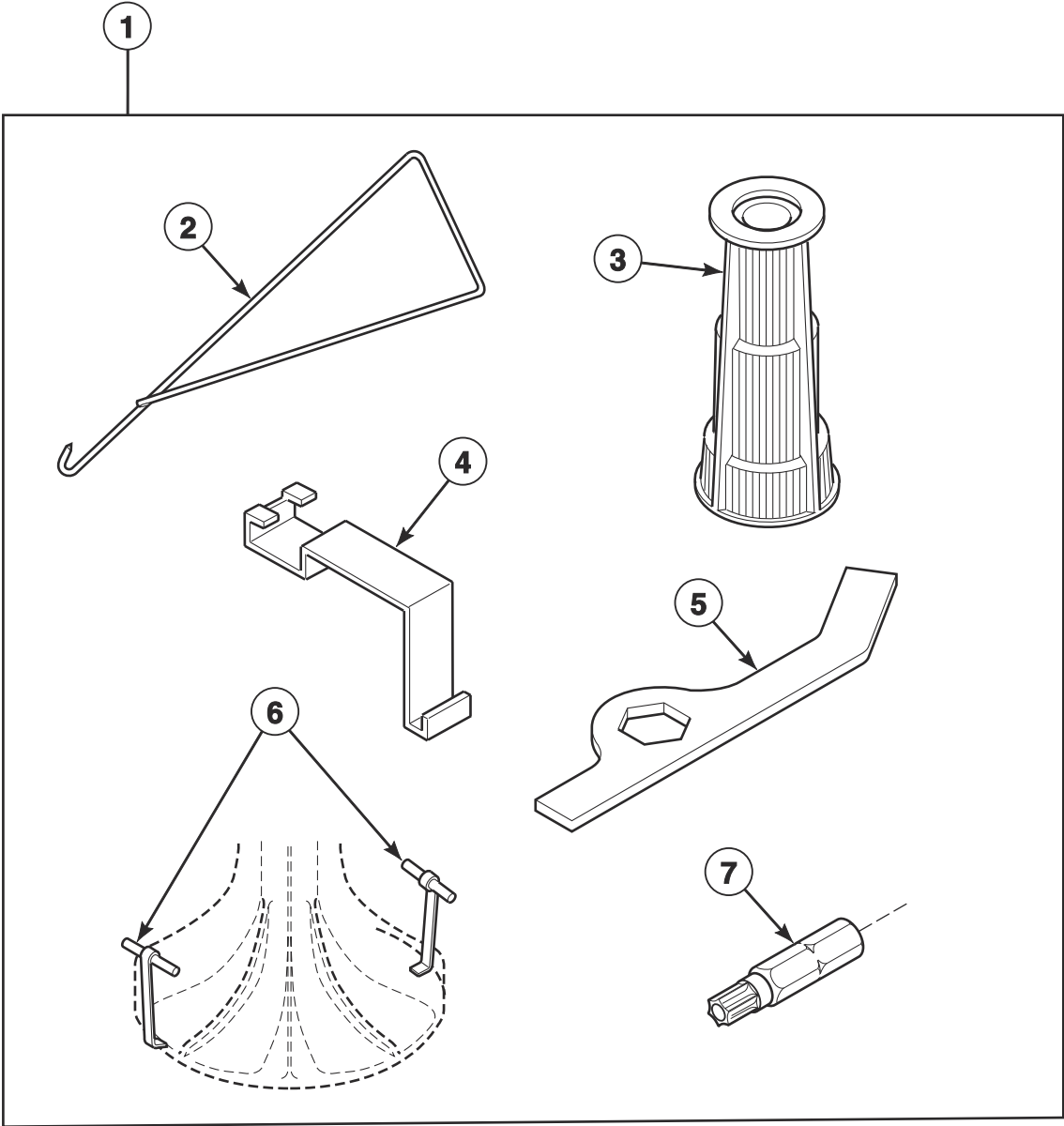


TLW1678P\_203430

## Shipping Materials and Special Tools

REF	PART NO.	DESCRIPTION	COMMENTS
1	200552	Shipping Brace	Install whenever moving washer; Remove before use; Model LWNA52SP113TW01
	204678	Shipping Brace	Install whenever moving washer; Remove before use; All other models
2	38149	Shipping Plug	Install before moving washer to prevent tub from damaging cabinet
3	294P4	Agitator Drive Bell Puller	For removal and installation of drive bell to transmission shaft

# Special Tools



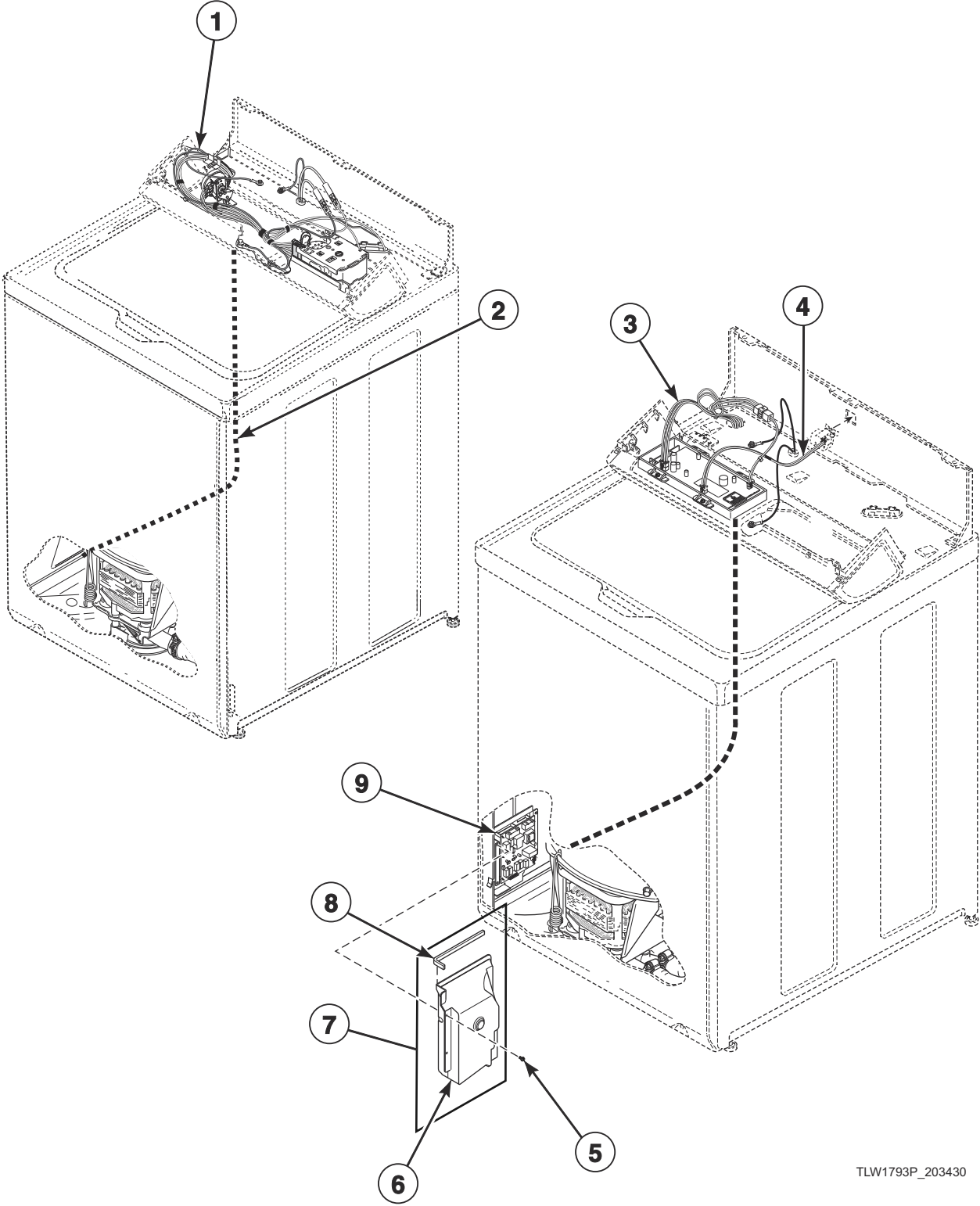
TLW1794P\_203430



## Special Tools

REF	PART NO.	DESCRIPTION	COMMENTS
1	725P3	Tool Kit	Includes items 2-7
2	321P4	Spring Hook Tool	For removal of module springs from outer tub
3	293P4	Drive Bell Seal Tool	For installation of 36425 Bell and Transmission Tube Seal
4	273P4	Tub Cover Removal Tool	Use to install 38359 Tub Cover Gasket in outer tub cover
5	306P4	Hex Wrench Tool	For removal of locknut from washtub hub
6	254P4P	Agitator Hook	Set of 2; Use to remove agitator from drive bell
7	282P4	Torx Bit	T25; For removal and installation of pump attaching screws

# Output Board, Wire Harnesses and Wires



TLW1793P\_203430

## Output Board, Wire Harnesses and Wires

REF	PART NO.	DESCRIPTION	COMMENTS
	45001	18 Gauge Wire	Black; Order wire by foot and terminals as required
	45380	12 Gauge Wire	Orange; Order wire by foot and terminals as required
1	204154	Hood Timer Harness	Model LWN432SP115TW01
	203428	Hood Timer Harness	Model LWN432SP113TW04
	203035	Hood Timer Harness	Model LWN432SP113TW01
2	38661P	Wire Harness Assembly	Models LWN432SP113TW01, LWN432SP113TW04 and LWN432SP115TW01
3	202684	Control Harness	All models except LWN432SP113TW01, LWN432SP113TW04 and LWN432SP114TW01; Through Serial No. 1912999999
	204714	Control Harness	Starting Serial No. 2001000001
4	804432	Pressure Sensor Harness	All models except LWN432SP113TW01, LWN432SP113TW04 and LWN432SP114TW01; Through Serial No. 1805999999
	204572	Pressure Sensor Harness	All models except LWN432SP113TW01, LWN432SP113TW04 and LWN432SP114TW01; Starting Serial No. 1806000001; Pressure sensor mounted to mixing valve bracket
5	804667	Screw	All models except LWN432SP113TW01, LWN432SP113TW04 and LWN432SP115TW01
6	202939	Output Control Shield	All models except LWN432SP113TW01, LWN432SP113TW04 and LWN432SP115TW01
7	202965	Shield Assembly	Includes items 7 and 9; All models except LWN432SP113TW01, LWN432SP113TW04 and LWN432SP115TW01
8	202964	Output Board Cover Gasket	All models except LWN432SP113TW01, LWN432SP113TW04 and LWN432SP115TW01
9	202508P	Output Board Control Assembly	All models except LWN432SP113TW01, LWN432SP113TW04 and LWN432SP114TW01; Through Serial No. 1912999999
	204783	Output Board Control Assembly	Starting Serial No. 2001000001

**NOTE: Individual wires are not available separately. Order complete wire harness, or order wire by the foot. When applying terminals to wires, it is recommended that the terminals be soldered to the wires.**



# Parts Index

## A

Adjustable Leg Extension Kit	
566P3 .....	29
Agitate and Spin Belt	
200923 .....	15
38174 .....	15
Agitator Drive Bell Puller	
294P4 .....	37
Agitator Hook	
254P4P .....	39
Agitator Pinion	
27003 .....	27
Anti-Seize Compound	
27604P .....	27

## B

Balance Ring Assembly	
39837 .....	17
Barbed Tee	
203464 .....	11
Base Assembly	
39788 .....	29
Bell and Transmission Tube Seal	
36425 .....	17
Bell Plug	
36511 .....	17
Belt and Pump Kit	
RB150003 .....	15
Bleach Dispenser	
34776 .....	11
38382 .....	11
Bracket	
36036 .....	29
36037 .....	29
Brake Kit	
38505P .....	25
Brake Pad Kit	
735P3 .....	25
Bumper	
21685 .....	11
Bumper Pad	
36226 .....	29
56128 .....	29
Bushing	
33446 .....	11

## C

Cable Clip	
21036 .....	19, 21, 33
Capacitor	
37377 .....	15
Capacitor Clamp	
37535 .....	15

Control Assembly	
202905P .....	7
203358P .....	7
203581 .....	7
204288 .....	7
204289 .....	7
Control Harness	
202684 .....	41
204714 .....	41
Control Overlay	
202750 .....	7
Control Support Panel	
202942 .....	7
38565 .....	5
Counterweight Assembly	
38769 .....	19, 21

## D

Drain Extension Kit	
451P3 .....	23
Drain Hose	
39893 .....	23
Drain Hose Sleeve	
33615 .....	23
Drive Bell and Seal Kit	
39508P .....	17
Drive Bell Seal Tool	
293P4 .....	39
Drive Pinion	
37405 .....	27
37406P .....	27

## E

End Panel	
D504006P .....	7
D504007P .....	7
D504008WP .....	5, 7
D504009WP .....	5, 7

## F

Fabric Softener Dispenser Assembly	
204214 .....	17
Female Pin Terminal	
00574SG .....	33
Female Spade Terminal	
00121 .....	31
00223 .....	35
Female Terminal	
00188 .....	31, 33
Flex Vane Agitator	
36507 .....	17
Foam Pad	
203484 .....	29
39480 .....	29

N/A items do not appear in index.

Friction Ring 37937 .....	29
Front Panel 204870 .....	29
38335DG .....	29
Front Panel Brace 35097 .....	29
Front Panel Pad 36204 .....	29

## G

Gear and Stud Assembly 26577 .....	27
Gear Sleeve 38864 .....	27
Graphic Panel 203151 .....	7
203165 .....	7
203166 .....	7
203523 .....	7
203673W .....	5
203826W .....	5
Grommet 29175 .....	19, 21
Grounding Clip 00161 .....	5, 35

## H

Harness Strap 55881 .....	33
Helix 38008 .....	25
Hex Wrench Tool 306P4 .....	39
Hinge Gasket 34338 .....	11
Hinge Stop Clip 36519 .....	11
Hold-Down Clip 35358 .....	5, 7, 11
35865 .....	29
Hold-Down Lug Hinge 27103 .....	29
Hood Back Panel 202549 .....	11
203110 .....	11
204259 .....	11
37782 .....	11
Hood Timer Harness 203035 .....	41
203428 .....	41
204154 .....	41
Hose Clamp F200204 .....	23
36801 .....	13
39282 .....	19, 21
800803 .....	13
Hose Clip 36985 .....	19, 21

Hose Stand 38732 .....	23
Housing, 24 Position 32746 .....	33
Hub and Lip Seal Kit 766P3A .....	17, 21
Hub Spacer 201212 .....	27

## I

Idler Lever 38011 .....	15
Idler Lever Kit 959P3 .....	15
Idler Lever Spring 201189 .....	15
202032 .....	15
Idler Pulley 38225P .....	15
Idler Shaft 210186 .....	15
Inlet Cover 202894 .....	11
Inlet Deflector 202900 .....	11
Input Shaft 38268P .....	27
Insulated Female Spade Terminal 00359 .....	33

## K

Knob Assembly 203323 .....	5
36701W .....	5

## L

Lead-In Cord 202777 .....	33
Leg and Stabilizer Assembly 34443 .....	29
Leg Plate 27926 .....	19, 21
Leg Spring 201521 .....	19
37575 .....	19, 21
Leveling Leg 34319 .....	29
Lid 33450W .....	11
37395DG .....	11
37395WP .....	11
Lid Hinge 36437 .....	11
36438 .....	11
36513 .....	11
Lid Switch Kit 204696 .....	9

N/A items do not appear in index.

Lid Warning Label	
203045 .....	11
Lower Bearing	
28944RP .....	25

## M

Male Pin Terminal	
00116 .....	33
Mixing Valve	
202395P .....	13
203144P .....	13
203741 .....	13
Mixing Valve Mounting Bracket	
203558 .....	13
204117 .....	13
39407 .....	13
Mixing Valve Plug	
34675 .....	31
34676 .....	31
Mixing Valve Screen	
24122 .....	13
Mixing Valve-to-Tub Cover Hose	
202472 .....	13
Motor Assembly	
202971 .....	15
203196 .....	15
Motor Drip Shield	
203053 .....	15
Motor Kit	
38034P .....	15
Motor Mount and Isolator Assembly	
204062 .....	15
204063 .....	15
Motor Mount Bracket	
200941 .....	15
Motor Shield	
34754 .....	15

## N

Nut	
M400981 .....	9
21899 .....	29
28803 .....	15
29220 .....	17
35423 .....	15
52566 .....	15

## O

Outer Tub Assembly	
203603P .....	21
Output Board Control Assembly	
202508P .....	41
204783 .....	41
Output Board Cover Gasket	
202964 .....	41
Output Control Shield	
202939 .....	41

Output Shaft	
36570P .....	27
Overlay	
203330 .....	7
203541 .....	7
204165 .....	7
204168 .....	7

## P

Paint	
806436P .....	29
Panel Locator	
28102 .....	29
56079 .....	29
Plug, 10 Circuit	
34677 .....	31
Plug, 9 Circuit	
23033 .....	33
Porcelain Touch-Up Paint	
122P4P .....	29
Pressure Bulb	
30907 .....	19, 21
Pressure Sensor	
203843 .....	11
Pressure Sensor Harness	
204572 .....	41
804432 .....	41
Pressure Switch	
B12548401 .....	11
202937 .....	5
204156 .....	5
Pressure Switch Terminal	
00257 .....	35
Pulley	
204486 .....	25
Pump	
205217P .....	15
Pump Assembly	
201442P .....	15

## R

Rack	
201664 .....	27
Receptacle, 9 Circuit	
26163 .....	33
Reduction Gear	
37403P .....	27
37404P .....	27
Retainer Clip	
36014 .....	23
Retaining Ring	
23748 .....	15
27197 .....	27
Ring Terminal	
00110 .....	35
00319 .....	35
Rocker Switch	
38424W .....	5
Rubber Foot	
34318 .....	29

N/A items do not appear in index.

---

**S**

Screw	
D501086	5, 7, 29
D503688	33
M402574	9
201773	27
23962	5, 7, 9, 11
27196	29
27202	17
27220	25
27229	15
29273	27
31645	15
32814	27
33562	11, 13
34337	11
35148	29
35369	15, 19, 21
36639	15
38272	29
39397	13
39432	17
39566	19, 21
39733	29
39739	25
51780	29
52909	15
804667	41
Sealant	
200996P	17, 21
Service Cabinet Kit	
38612DG	29
38612WP	29
Shield Assembly	
202965	41
Shipping Brace	
200552	37
204678	37
Shipping Plug	
38149	37
Silicone Grease	
204253	25
Siphon Break Kit	
562P3	23
Slide	
26493	27
Spline Insert	
29728	17
Spring Clip	
210202	15
Spring Hook Tool	
321P4	39
Standpipe Adapter	
36878	23
Standpipe Strap	
33489	23
Strain Relief	
32219	23
38384	11

---

**T**

Temperature Switch	
35115	5
Terminal	
00568SG	33
Terminal Extractor Tool	
283P4	31
Terminal Grounding Clip	
00569SG	35
Terminal Tab	
00577	35
Timer	
202705P	5
203387P	5
Timer Knob	
201501W	5
Timer Skirt Assembly	
36700W	5
Tool Kit	
725P3	39
Top	
37992WP	11
Top Assembly	
202481WP	11
Top Cover	
39905DG	7
39905W	5, 7
Torx Bit	
282P4	39
Transmission Assembly	
38165P	27
Transmission Case Assembly	
201180	27
Transmission Cover Assembly	
37471	27
Transmission Oil	
27243P	27
Transmission Rebuild Kit	
RB150004	27
Transmission Sealant	
37577P	27
Tub Assembly	
204451	17
204452P	19
39240P	17
Tub Cover Assembly	
202461	19
202888	21
203539	19
Tub Cover Gasket	
38359	19, 21
Tub Cover Removal Tool	
273P4	39
Tub Kit	
203882P	17
Tubing	
202700	19, 21
203478	21
203511	11
203802	21
Tub-to-Pump Hose	
38351	23

N/A items do not appear in index.



---

## V

Valve to Inlet Hose	
202884 .....	13
204400 .....	13

---

## W

Warning Label	
D500049 .....	11, 19, 21
803260 .....	29
Washer	
D504082 .....	15
20290 .....	13
203950 .....	25
26509 .....	25, 27
27015 .....	25
28094 .....	17
29260 .....	27
35092 .....	27
35535 .....	25
37772 .....	15
39249 .....	19, 21
52549 .....	15
802254 .....	13
803615 .....	13
81392 .....	15
Washtub	
719P3 .....	17
Washtub Gasket	
39122 .....	17
Water Hose	
F200116 .....	13
Weldment and Bearing Assembly	
39253 .....	25
Wire Clip	
D504034 .....	35
51291 .....	35
Wire Harness Assembly	
38661P .....	41
Wire Tie	
70296701 .....	33
Wire, 12 Gauge	
45380 .....	41
Wire, 18 Gauge	
45001 .....	41

---

