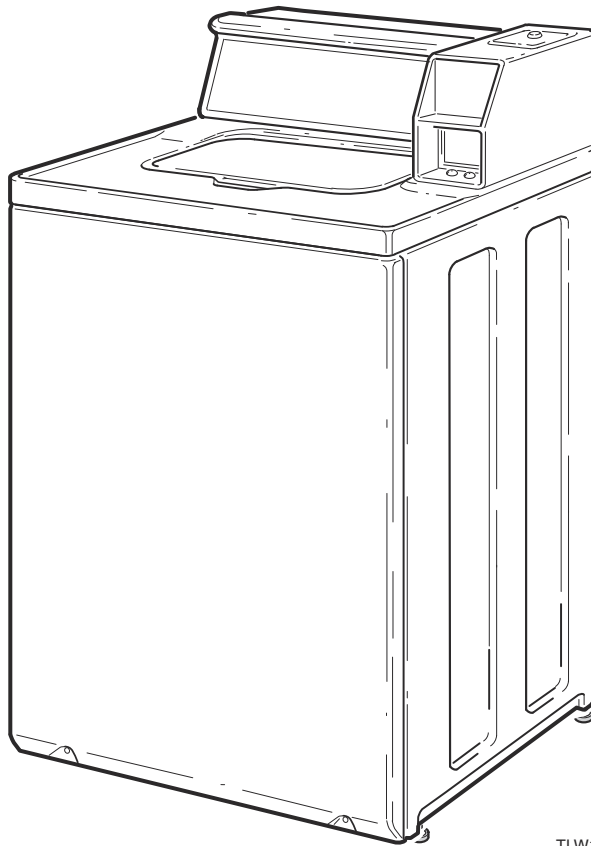


Commercial Topload Washers

Metered and Nonmetered
Refer to Page 3 for Model Numbers



TLW13C_203745

Table of Contents

Title	Page
Parts Ordering Information.....	2
Serial Plate Location	2
Model Identification	3
Coin Slide Extension, Meter Case and Control.....	4
Meter Case Assembly	6
Non-Electronic Coin Drop	8
Electronic Coin Drop	10
Control Panel, Control Hood and Controls (Drawing 1 of 4)	12
Control Panel, Control Hood and Controls (Drawing 2 of 4)	14
Control Panel, Control Hood and Controls (Drawing 3 of 4)	16
Control Panel, Control Hood and Controls (Drawing 4 of 4)	18
Lid and Cabinet Top.....	20
Lid Switch.....	22
Mixing Valve and Valve-to-Inlet Hose	24
Fill Hose	26
Motor, Belt, Pump and Idler Assembly.....	28
Idler Lever Kits	30
Agitator, Drive Bell, Hub and Lip Seal Kit and Washtub	32
Outer Tub, Cover, Bearing and Seal Housing and Counterweight	34
Transmission Assembly	36
Drain Hoses and Siphon Break Kit	38
Weldment and Bearing Assembly, Brake and Pulley.....	40
Front Panel, Base Assembly and Cabinet Kit.....	42
Mixing Valve and Motor Disconnect Blocks, Terminals and Terminal Extractor Tool	44
Lead-In Cord	46
Terminals	48
Shipping Materials and Special Tools	50
Special Tools	52
Wire Harnesses and Wires	54
Parts Index.....	57

© Copyright 2022, Alliance Laundry Systems LLC

All rights reserved. No part of the contents of this book may be reproduced or transmitted in any form or by any means without the expressed written consent of the publisher.

Parts Ordering Information

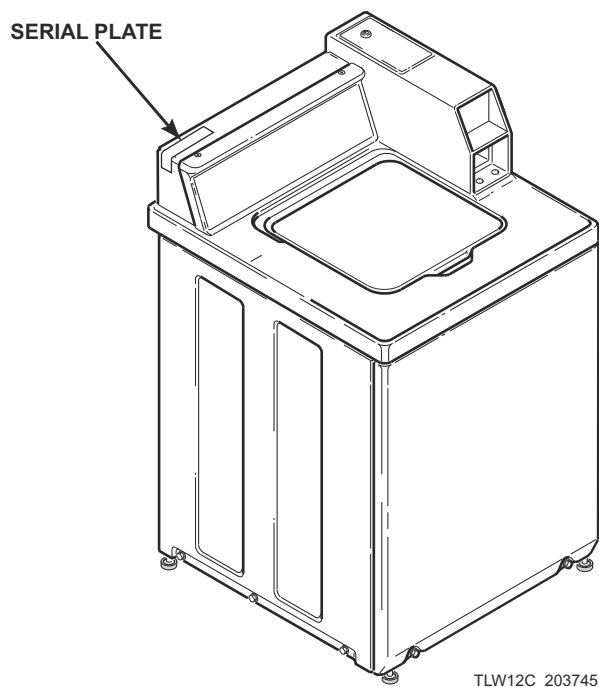
If literature or replacement parts are required, contact the source from whom the machine was purchased or contact Alliance Laundry Systems at (920) 748-3950 for the name and address of the nearest authorized parts distributor.

For technical assistance, call the number listed below:

(920) 748-3121 Ripon, Wisconsin

Serial Plate Location

When calling or writing about your product, be sure to mention model and serial numbers. Model and serial numbers are located on serial plate(s) as shown.



TLW12C_203745

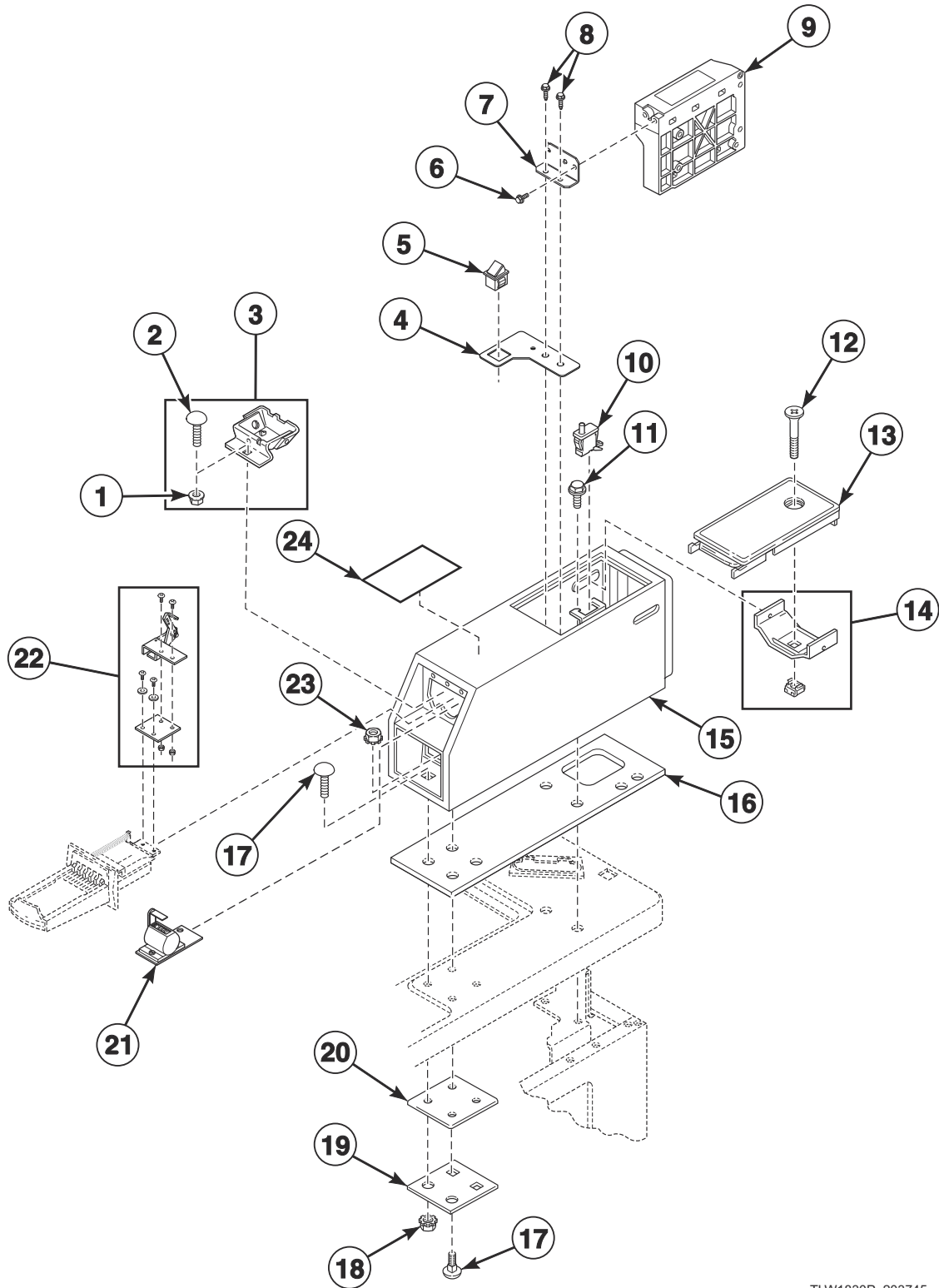
Model Identification

Information in this manual is applicable to these washer models:

BWNBC2PP113TW01
HWNBC2PP113TW01
PWNBC2PP113TG02
SWNDC2HP113TW02
SWNDC2SP113TW01
SWNDC2SP113TW02
SWNDX2HP113TW02
SWNDX2SP113TW02
SWNMN2PP113TW01
SWNSX2PP113TW01
SWNSX2SP113TW01

Coin Slide Extension, Meter Case and Control

Models SWNSX2PP113TW01 and SWNSX2SP113TW01



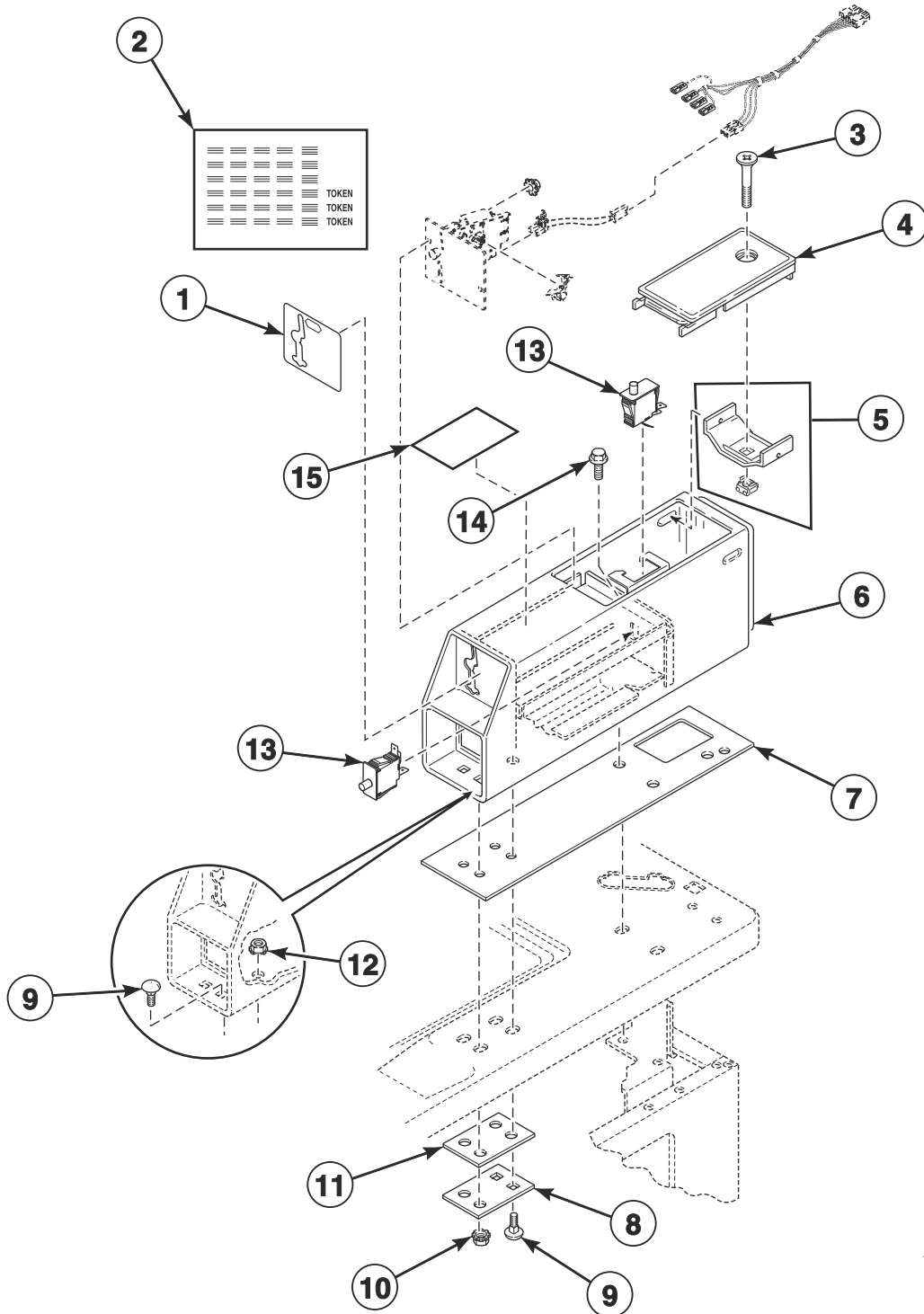
TLW1830P_203745

Coin Slide Extension, Meter Case and Control

REF	PART NO.	DESCRIPTION	COMMENTS
1	29796	Nut	
2	29651	Bolt	
3	523P3	Coin Funnel Kit	
4	803662	Bracket	
5	70529301	Switch	
6	D501524	Screw	
7	201581	Chassis Mounting Bracket	
8	D503688	Screw	
9	202792P	Control Assembly	
10	D512973	Switch	
11	36048	Screw	
12	D503673	Screw	
13	39874WP	Service Door Assembly	White
14	204616	Meter Case Locking Bracket Kit	
15	801330W	Meter Case Assembly	
16	26354	Meter Case Gasket	
17	203798	Bolt	
18	29786	Nut	
19	35525	Meter Case Lockdown Bracket	
20	35526	Meter Case Bracket Gasket	
21	201280P	Mechanical Counter Kit Assembly	
22	200913	Coin Slide Extension Kit	Includes spring and items 4 and 5
	804794	Spring	
23	802337	Nut	
24	203152	Operation Instruction Label	

Meter Case Assembly

Models BWNBC2PP113TW01, HWNBC2PP113TW01, PWNBC2PP113TG02, SWNDC2HP113TW02, SWNDC2SP113TW01, SWNDC2SP113TW02, SWNDX2HP113TW02 and SWNDX2SP113TW02



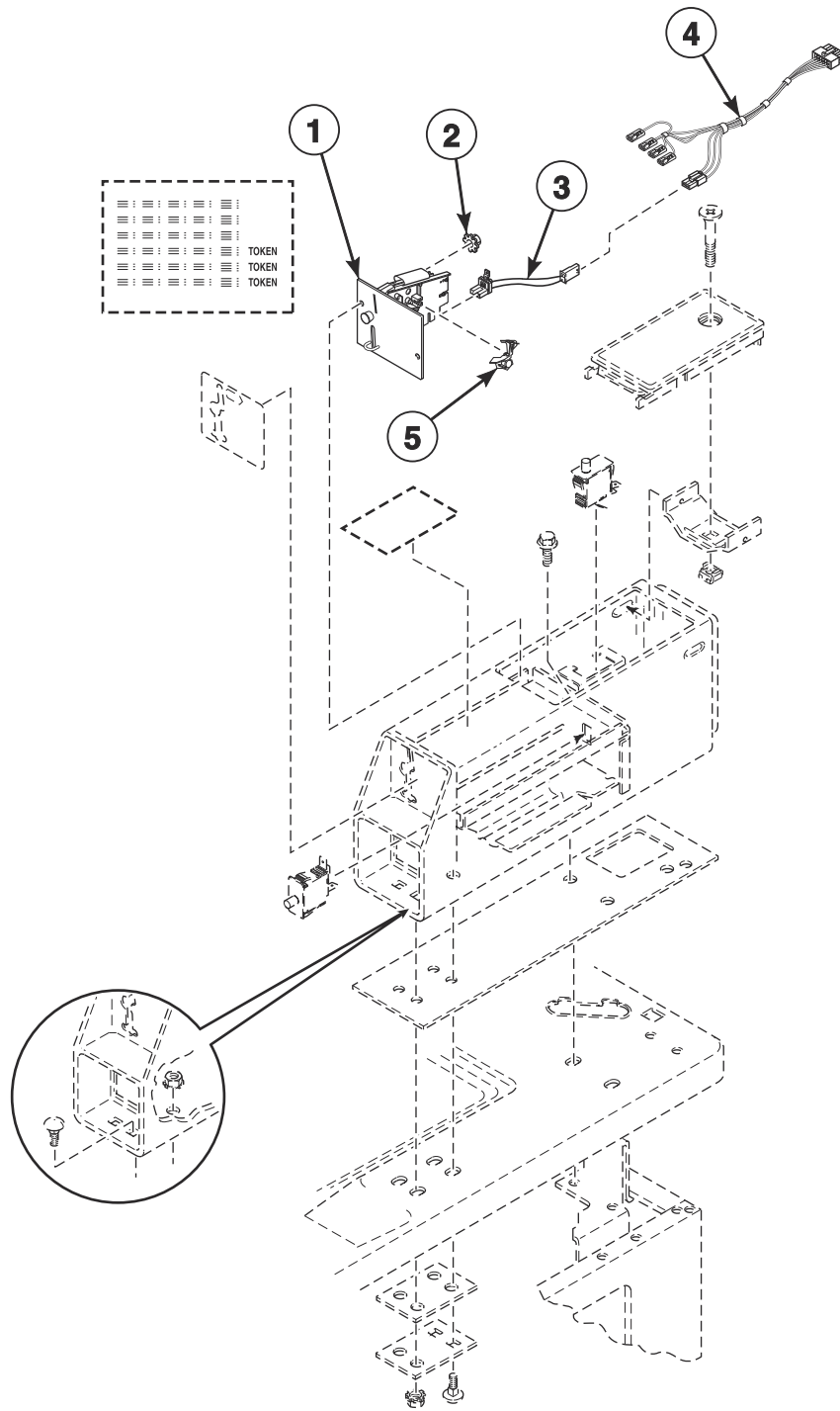
TLW1741P_203745

Meter Case Assembly

REF	PART NO.	DESCRIPTION	COMMENTS
1	38717	Single Overlay	\$.25
	38676	Overlay Kit	Dual; Includes item 2
	39073	Dual Overlay	\$.25 and \$1.00
2	38725	Coin Identification Paper	
3	D503673	Screw	
4	39874WP	Service Door Assembly	White
	39874DG	Service Door Assembly	Gray
5	204616	Meter Case Locking Bracket Kit	
6	807401DG	Meter Case Assembly	Model PWNBC2PP113TG02
	807401W	Meter Case Assembly Kit	Models SWNDC2HP113TW02, SWNDC2SP113TW02, SWNDX2HP113TW02 and SWNDX2SP113TW02
	803578P	Coin Box Extension Kit	Use with 803063W Meter Case Assembly to extend shorter 7 inch coin boxes; Models PWNBC2PP113TG02, SWNDC2HP113TW02, SWNDC2SP113TW02, SWNDX2HP113TW02 and SWNDX2SP113TW02
	202877W	Meter Case Assembly	White; All other models
7	26354	Meter Case Gasket	
8	35525	Meter Case Lockdown Bracket	
9	203798	Bolt	
10	29786	Nut	
11	35526	Meter Case Bracket Gasket	
12	802337	Nut	
13	D512973	Switch	
14	36048	Screw	
15	203152	Operation Instruction Label	

Non-Electronic Coin Drop

Models BWNBC2PP113TW01, HWNBC2PP113TW01, PWNBC2PP113TG02, SWNDC2HP113TW02, SWNDC2SP113TW01, SWNDC2SP113TW02, SWNDX2HP113TW02 and SWNDX2SP113TW02



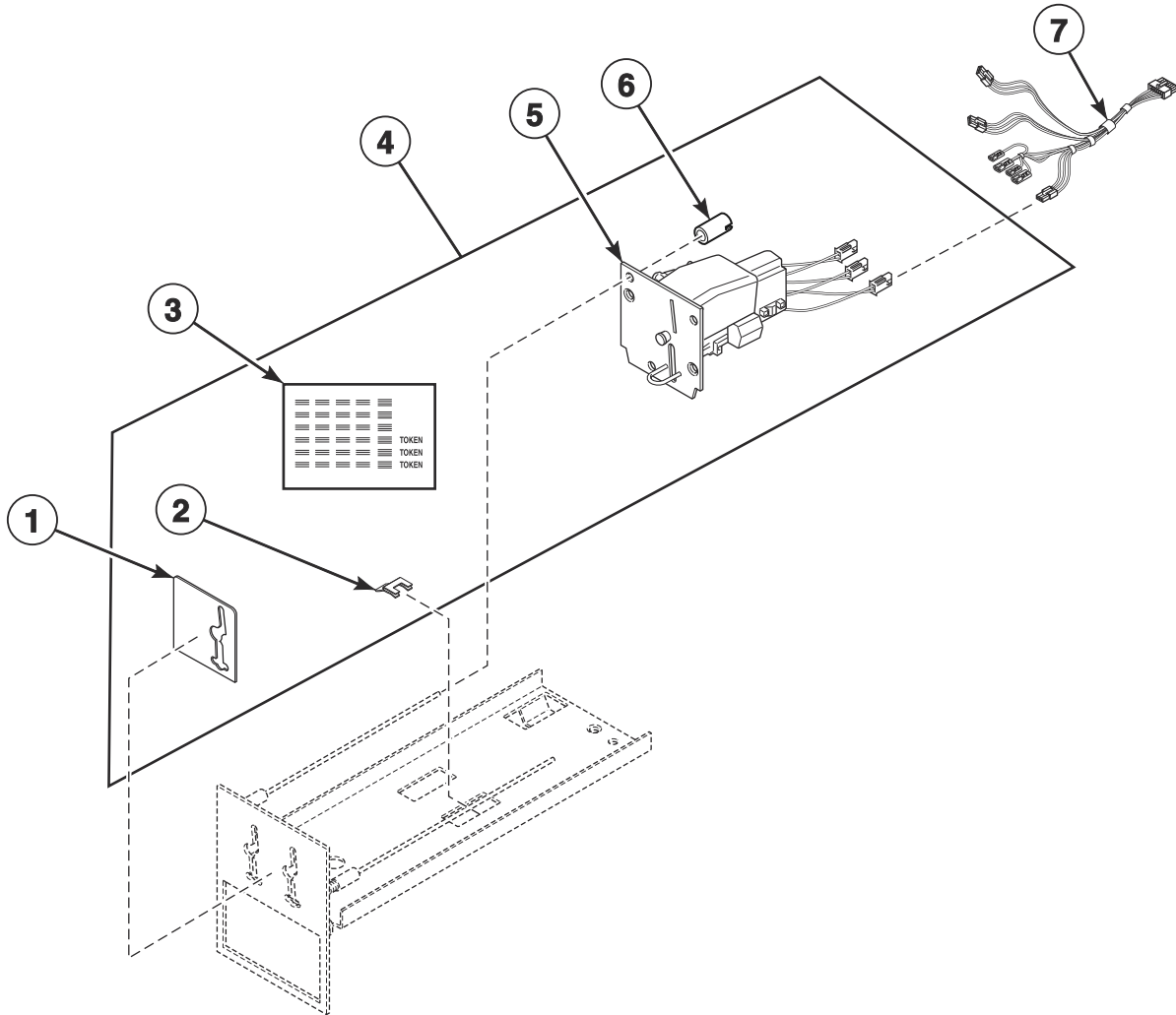
TLW1741PA_203745

Non-Electronic Coin Drop

REF	PART NO.	DESCRIPTION	COMMENTS
1	70441601P	Coin Drop	Single; U.S.A.; \$.25
	70441603	Coin Drop	Dual; U.S.A.; \$.25 and \$1.00
	38467	Coin Drop Assembly	Dual; Australia; .20 and 1.00
	70447301	Coin Drop Assembly	Dual; Australia; 1.00 and 2.00
	38464P	Coin Drop Assembly	Single; Canada; .25
	70441602	Coin Drop Assembly	Dual; Canada; .25 and 1.00
	38472	Coin Drop Assembly	Dual; England; 20 pence and 1 pound
	38519	Coin Drop Assembly	Dual; Japan; 100 yen and 500 yen
	38521	Coin Drop Assembly	Dual; Korea; 100 won and 500 won
	CK114	Coin Drop Assembly	Single; Singapore; Old 1.00
	CK123	Coin Drop Kit	Single; Singapore; New 1.00
	CK077	Coin Drop Kit	Single; Taiwan; 10 NT
	70281102	Coin Drop Assembly	Dual; Taiwan; 10 and 50 NT
	70482401	Coin Drop Assembly	Dual; New Zealand ; 1.00 and 2.00
	38462P	Coin Drop Assembly	Single; Token; STD-118-1
	38463	Coin Drop Assembly	Single; Token; STD 118-5
	38963P	Coin Drop	Single; Token 118-16 not available; Replacement for 38963P Coin Drop only
2	29786	Nut	
3	200674P	Opto Coupler	
4	202870	Single Coin Harness Assembly	
5	201595P	Wire Guard	Anti-stringing security device

Electronic Coin Drop

Models BWNBC2PP113TW01, HWNBC2PP113TW01, PWNBC2PP113TG02, SWNDC2HP113TW02, SWNDC2SP113TW01, SWNDC2SP113TW02, SWNDX2HP113TW02 and SWNDX2SP113TW02



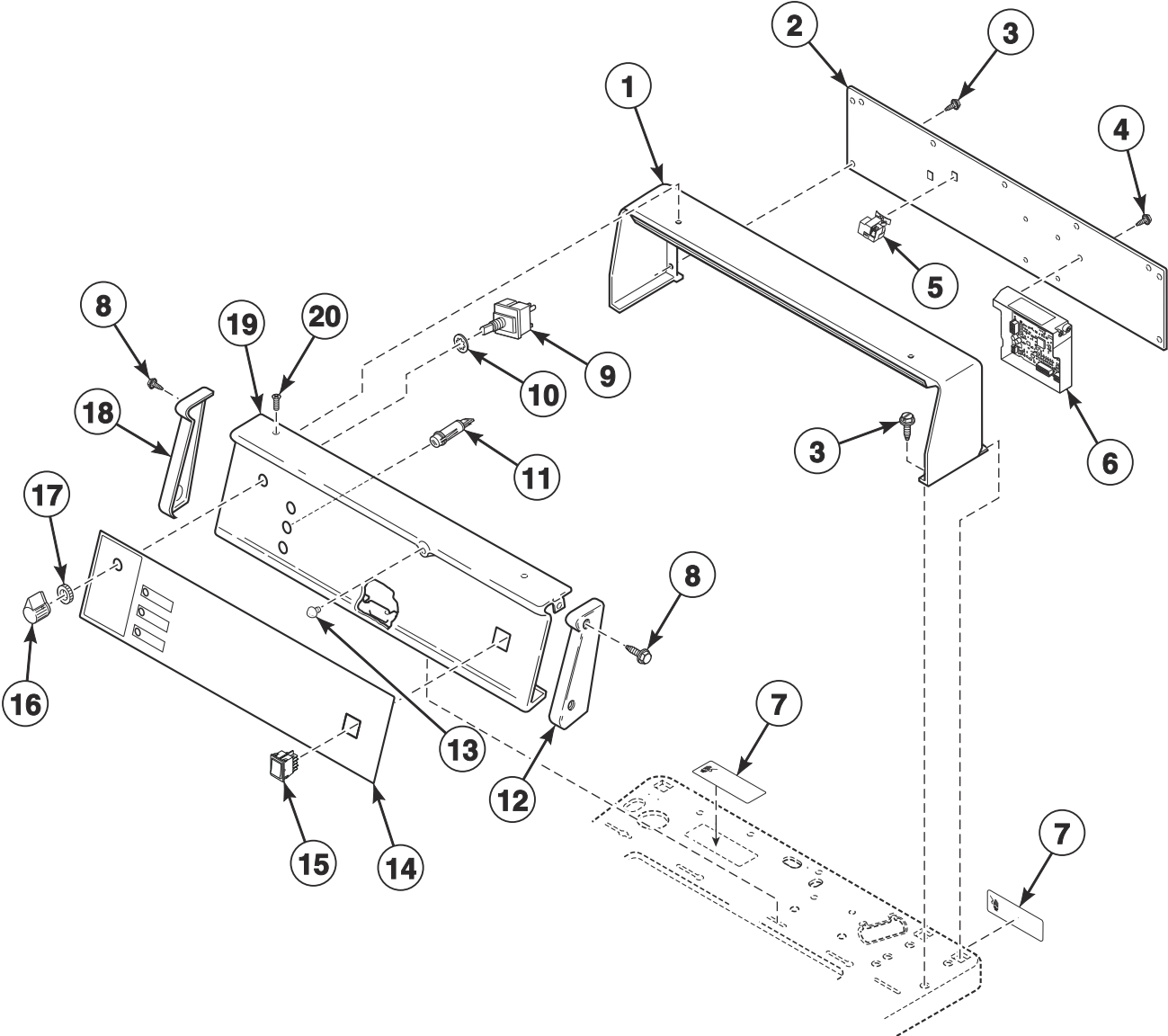
FLW1769P_203745

Electronic Coin Drop

REF	PART NO.	DESCRIPTION	COMMENTS
1	201091	Overlay	
2	201572	Clip	
3	38725	Coin Identification Paper	
4	CK115	Electronic Coin Drop Kit	Includes items 1-3 and 5-7; United States and Canada coins; Must also order 203423 Transformer Kit
	CK099	Electronic Coin Drop Kit	Includes items 1-3 and 5-7; Australia, New Zealand, Hong Kong and South Korea coins
	CK100	Electronic Coin Drop Kit	Includes items 1-3 and 5-7; Euro and Great Britain coins
	CK101	Electronic Coin Drop Kit	Includes items 1-3 and 5-7; Euro, Denmark and Norway coins
	CK103	Electronic Coin Drop Kit	Includes items 1-3 and 5-7; Euro, Lithuania and Latvia coins
	CK106	Electronic Coin Drop Kit	Includes items 1-3 and 5-7; Malaysia, China, Russia and Singapore coins
	CK108	Electronic Coin Drop Kit	Includes items 1-3 and 5-7; South African 1, 2, 5 rand coins
	CK109	Electronic Coin Drop Kit	Includes items 1-3 and 5-7; Euro coins
	CK110	Electronic Coin Drop Kit	Includes items 1-3 and 5-7; Mexico, Ecuador and United States coins
	CK113	Electronic Coin Drop Kit	Includes items 1-3 and 5-7; Japan and Taiwan coins
	CK120	Electronic Coin Drop Kit	Includes items 1-3 and 5-7; Chile coins
	CK121	Electronic Coin Drop Kit	Includes items 1-3 and 5-7; Singapore coins
5	70294103P	Electronic Coin Drop Assembly	Euro and Great Britain coins
	70294104	Electronic Coin Drop Assembly	Euro, Denmark and Norway coins
	70294107	Electronic Coin Drop Assembly	Euro, Lithuania and Latvia coins
	70294109	Electronic Coin Drop Assembly	Malaysia, China, Russia and Singapore coins
	70294110	Electronic Coin Drop Assembly	South African 1, 2, 5 rand coins
	70294111	Electronic Coin Drop Assembly	Euro coins
	70513306	Electronic Coin Drop Assembly	Mexico, Ecuador and United States coins
	70294120	Electronic Coin Drop Assembly	Chile coins
	70294121	Electronic Coin Drop Assembly	Singapore coins
6	201216	Nut	
7	202871	Dual Coin Harness Assembly	

Control Panel, Control Hood and Controls (Drawing 1 of 4)

Model SWNMN2PP113TW01



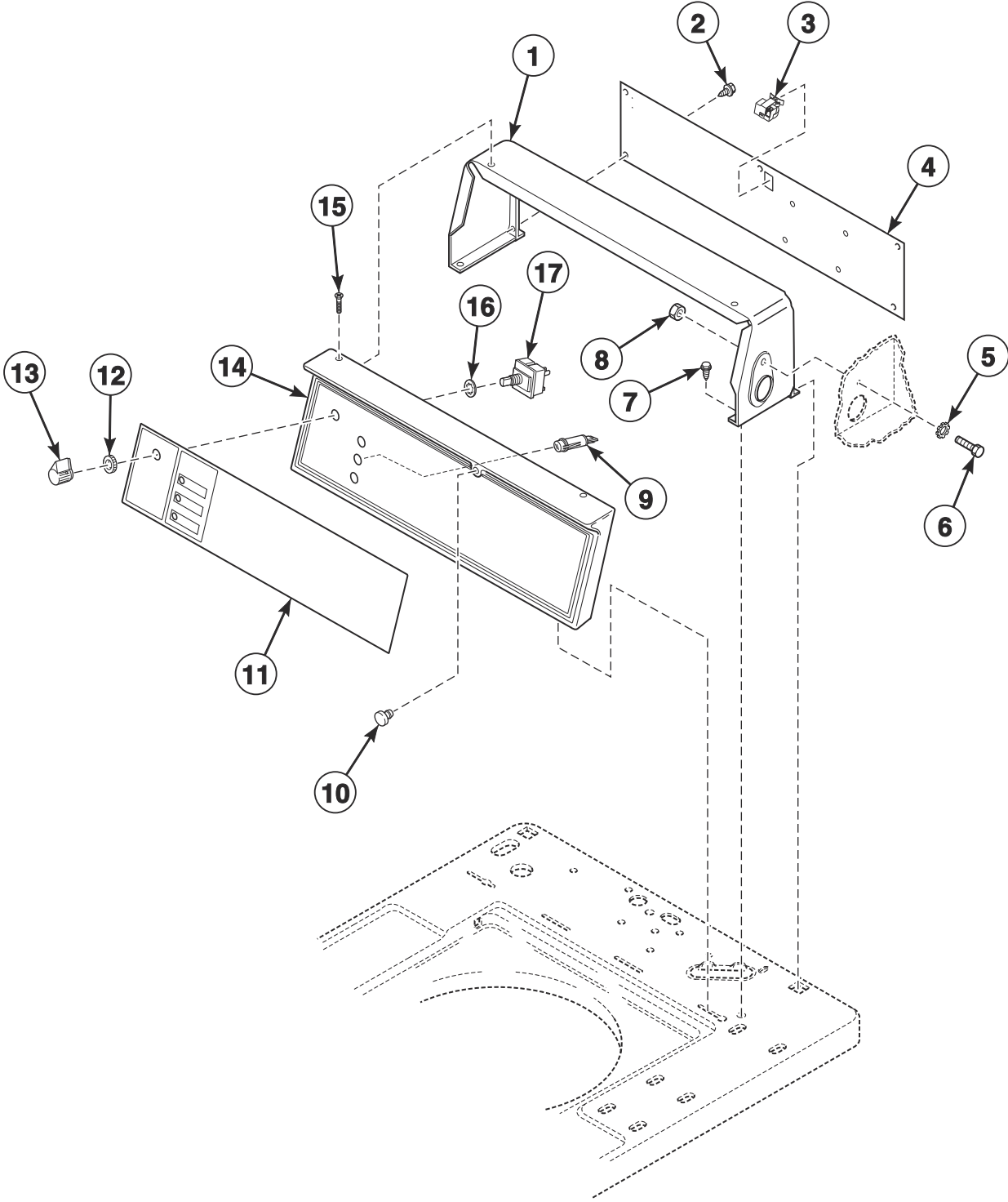
TLW1829P_203745

Control Panel, Control Hood and Controls (Drawing 1 of 4)

REF	PART NO.	DESCRIPTION	COMMENTS
1	210142W	Control Hood	
2	201732	Rear Panel	
3	D501086	Screw	
4	804608	Screw	
5	203843	Pressure Sensor	
6	202792P	Control Assembly	
7	D505281	Disconnect Power Warning Label	
8	23222	Screw	
9	201686	Cycle Selector Switch	
10	91176	Washer	
11	801431	Light	
12	210108W	End Cap	Right
13	202469	Control Panel Bumper	
	M400795	Bumper	Extra thick
14	203494	Control Overlay	
15	70455101	Rocker Switch	
16	39897	Switch Knob	
17	24205	Nut	
18	210109W	End Cap	Left
19	201742W	Control Panel Assembly	
20	52864	Screw	

Control Panel, Control Hood and Controls (Drawing 2 of 4)

Models SWNSX2PP113TW01 and SWNSX2SP113TW01



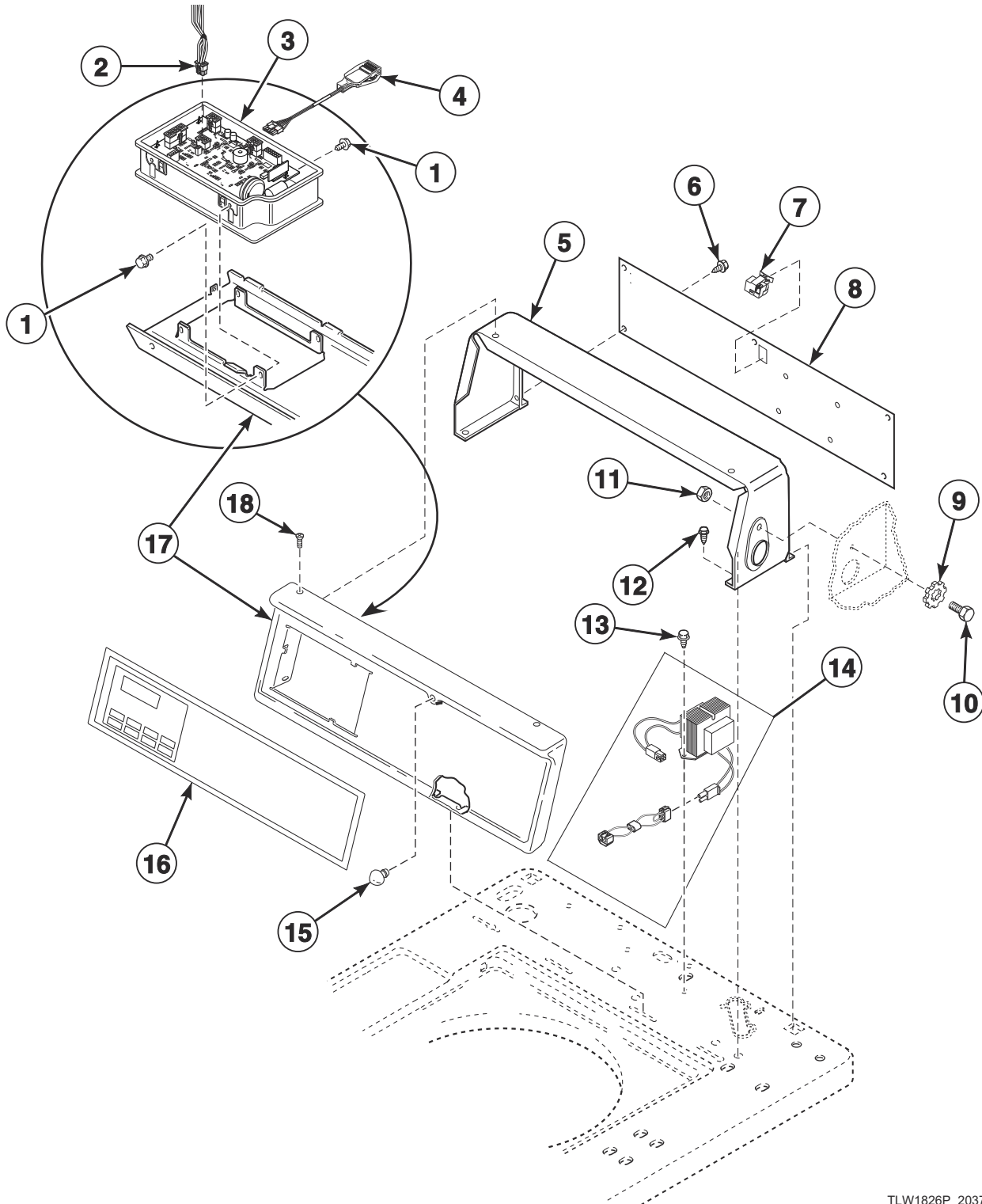
TLW1831P_203745

Control Panel, Control Hood and Controls (Drawing 2 of 4)

REF	PART NO.	DESCRIPTION	COMMENTS
1	37075W	Control Hood	
2	23222	Screw	
3	203843	Pressure Sensor	
4	202465	Hood Back Panel	
5	M400017	Washer	
6	02916	Screw	
7	D501086	Screw	
8	44087101	Nut	
9	801431	Light	
10	202469	Control Panel Bumper	
	M400795	Bumper	Extra thick
11	203493	Control Overlay	
12	24205	Nut	
13	39897	Switch Knob	
14	36521WP	Control Panel and Bracket Assembly	
15	D500226	Screw	Phillips head
	35528	Screw	Torx head
16	91176	Washer	
17	201686	Cycle Selector Switch	

Control Panel, Control Hood and Controls (Drawing 3 of 4)

Models BWNBC2PP113TW01, HWNBC2PP113TW01 and PWNBC2PP113TG02



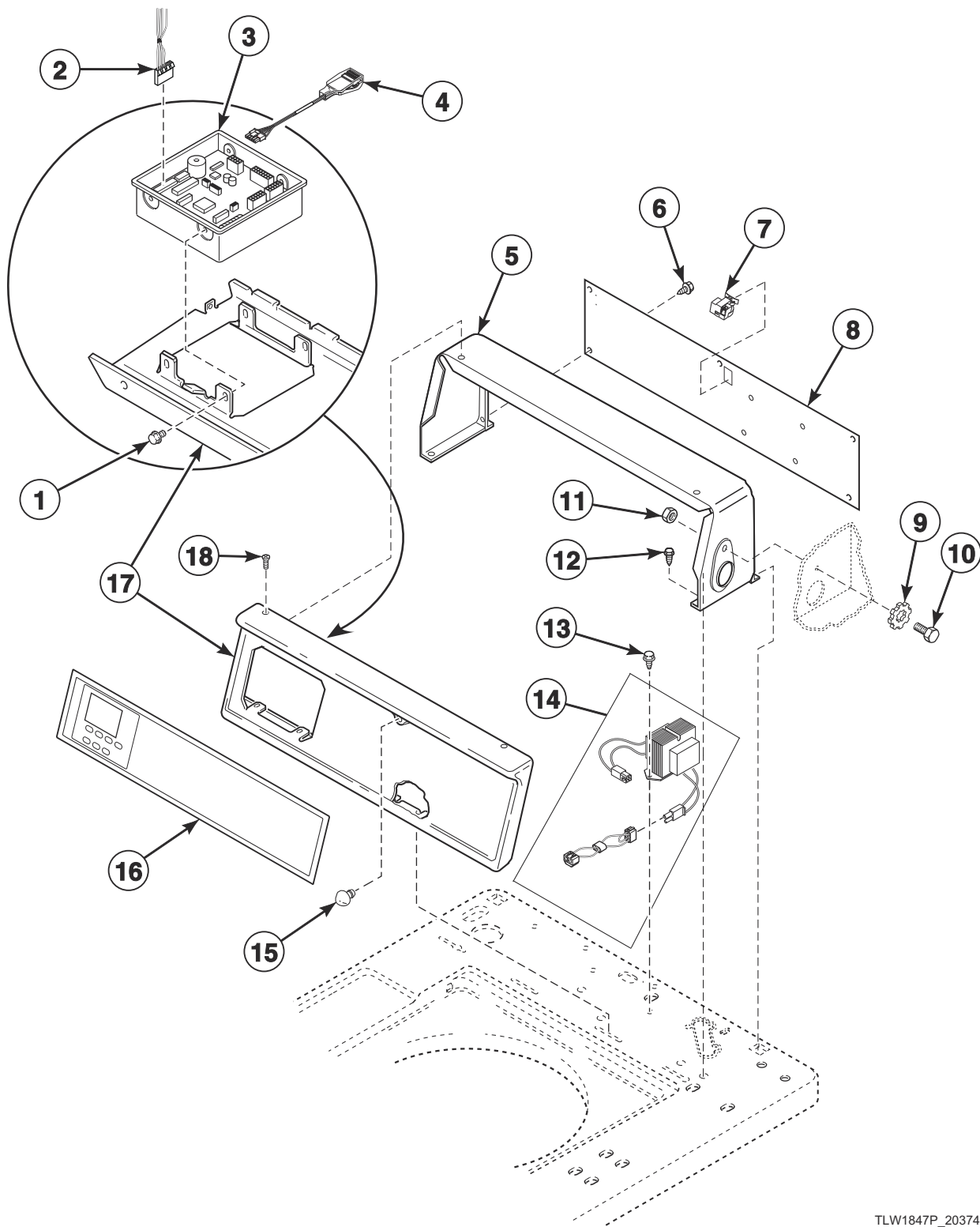
TLW1826P_203745

Control Panel, Control Hood and Controls (Drawing 3 of 4)

REF	PART NO.	DESCRIPTION	COMMENTS
1	804608	Screw	
2	805427	Central Pay Harness	
3	203566	Control Assembly	Model PWNBC2PP113TG02
	203565P	Control Assembly	Model BWNBC2PP113TW01
	203564P	Control Assembly	Model HWNBC2PP113TW01
4	203361P	Machine ID Control Assembly	Model or serial number is required when ordering
5	37075DG	Control Hood	Gray
	37075W	Control Hood	White
6	23222	Screw	
7	203843	Pressure Sensor	
8	202465	Hood Back Panel	
9	M400017	Washer	
10	02916	Screw	
11	44087101	Nut	
12	D501086	Screw	
13	D503661	Screw	
14	203423	Transformer Kit	120 Volt
15	202469	Control Panel Bumper	
	M400795	Bumper	Extra thick
16	203477	Control Overlay	Model BWNBC2PP113TW01
	203476	Control Overlay	Model HWNBC2PP113TW01
	203682	Control Overlay	Model PWNBC2PP113TG02
17	210042DG	Control Panel Assembly	Gray
	210042W	Control Panel Assembly	White
18	52864	Screw	Phillips head
	35528	Screw	Torx head

Control Panel, Control Hood and Controls (Drawing 4 of 4)

Models SWNDC2HP113TW02, SWNDC2SP113TW01, SWNDC2SP113TW02, SWNDX2HP113TW02 and SWNDX2SP113TW02

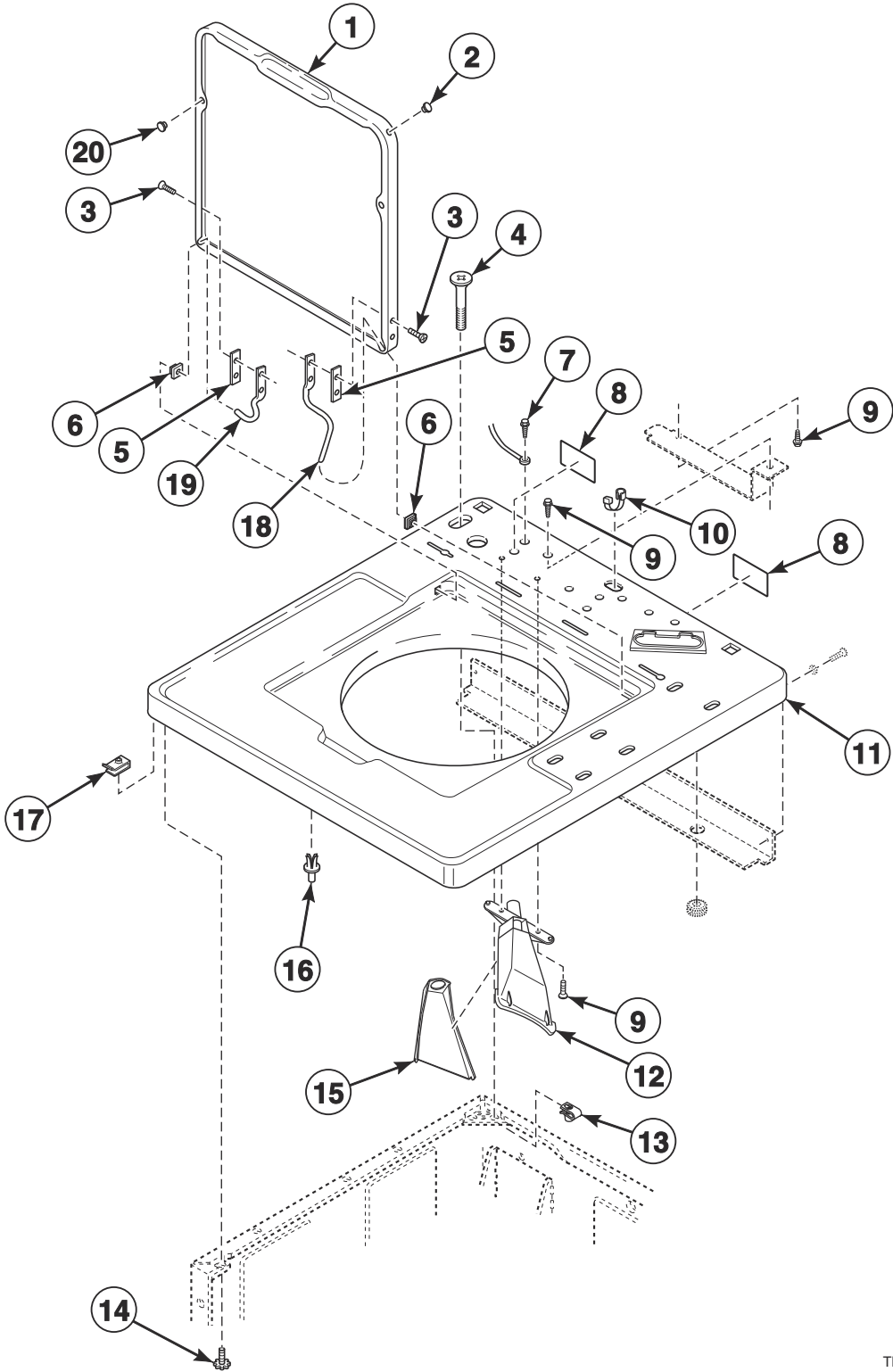


TLW1847P_203745

Control Panel, Control Hood and Controls (Drawing 4 of 4)

REF	PART NO.	DESCRIPTION	COMMENTS
1	804608	Screw	
2	805427	Central Pay Harness	
3	203746	Control Assembly	
4	203361P	Machine ID Control Assembly	Model or serial number is required when ordering
5	37075W	Control Hood	White
6	23222	Screw	
7	203843	Pressure Sensor	
8	202465	Hood Back Panel	
9	M400017	Washer	
10	02916	Screw	
11	44087101	Nut	
12	D501086	Screw	
13	D503661	Screw	
14	203423	Transformer Kit	120 Volt
15	202469	Control Panel Bumper	
	M400795	Bumper	Extra thick
16	204521	Control Overlay	
17	203355W	Control Panel Assembly	White
18	52864	Screw	Phillips head
	35528	Screw	Torx head

Lid and Cabinet Top

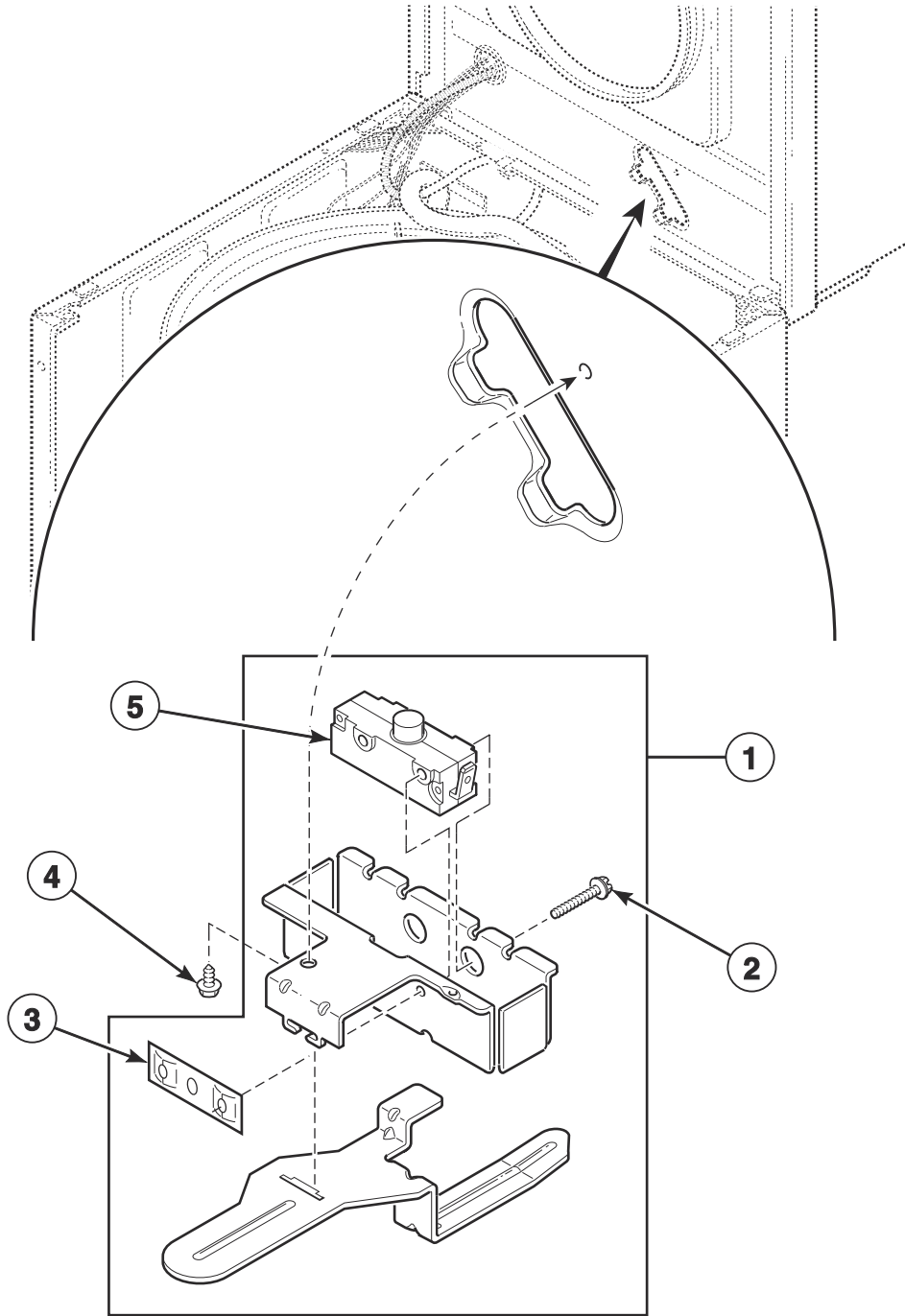


TLW1832P_203745

Lid and Cabinet Top

REF	PART NO.	DESCRIPTION	COMMENTS
1	33450DG	Lid	Gray; Model PWNBC2PP113TG02
	204615W	Lid	White; All other models
	203045	Lid Warning Label	
2	34153	Lid Plug	
3	34337	Screw	
4	D503673	Screw	Optional; For added security
5	34338	Hinge Gasket	
6	33446	Bushing	
7	52909	Screw	
8	D505281	Disconnect Power Warning Label	
9	23962	Screw	
10	38384	Strain Relief	
11	210173WP	Top Assembly	Model SWNMN2PP113TW01
	203579DG	Top	Gray; Model PWNBC2PP113TG02
	39167WP	Top	White; All other models
12	203509	Inlet Deflector	
13	27222	Nut	Optional; For added security
14	23008	Screw	
15	202894	Inlet Cover	
16	56534	Support Barrel	
17	36020	Nut	
18	36437	Lid Hinge	Right
19	36438	Lid Hinge	Left
20	21685	Bumper	

Lid Switch

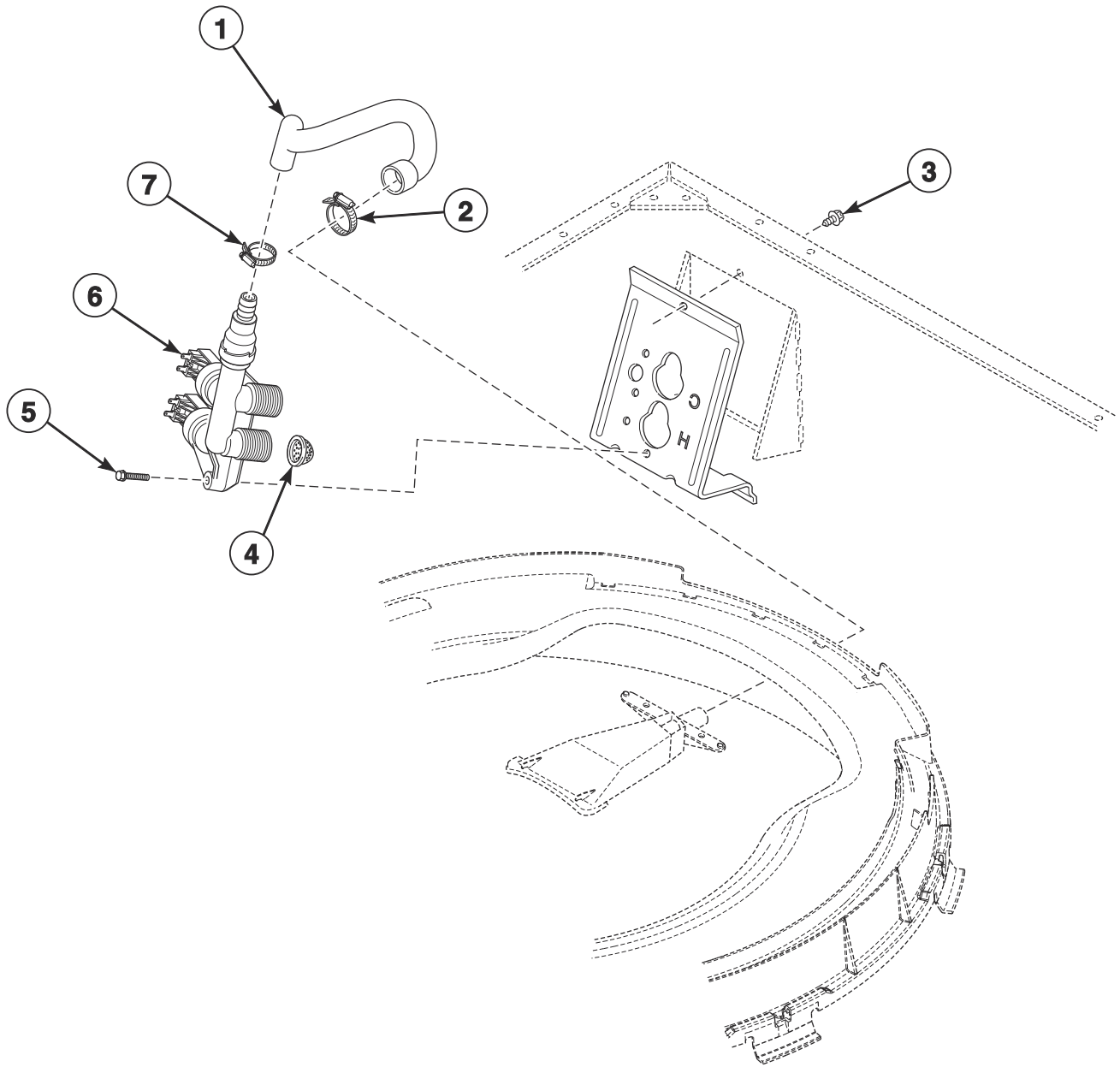


TLW1832B_203745

Lid Switch

REF	PART NO.	DESCRIPTION	COMMENTS
1	204979	Lid Switch Assembly	
2	M402574	Screw	
3	M400981	Nut	
4	23962	Screw	
5	33445	Switch	

Mixing Valve and Valve-to-Inlet Hose

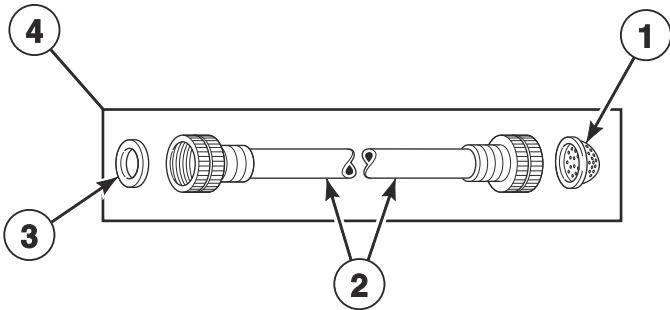


TLW1872P_203745

Mixing Valve and Valve-to-Inlet Hose

REF	PART NO.	DESCRIPTION	COMMENTS
1	202884	Valve to Inlet Hose	
2	800803	Hose Clamp	
3	33562	Screw	
4	24122	Mixing Valve Screen	
5	39397	Screw	
6	202395P	Mixing Valve	
7	36801	Hose Clamp	

Fill Hose

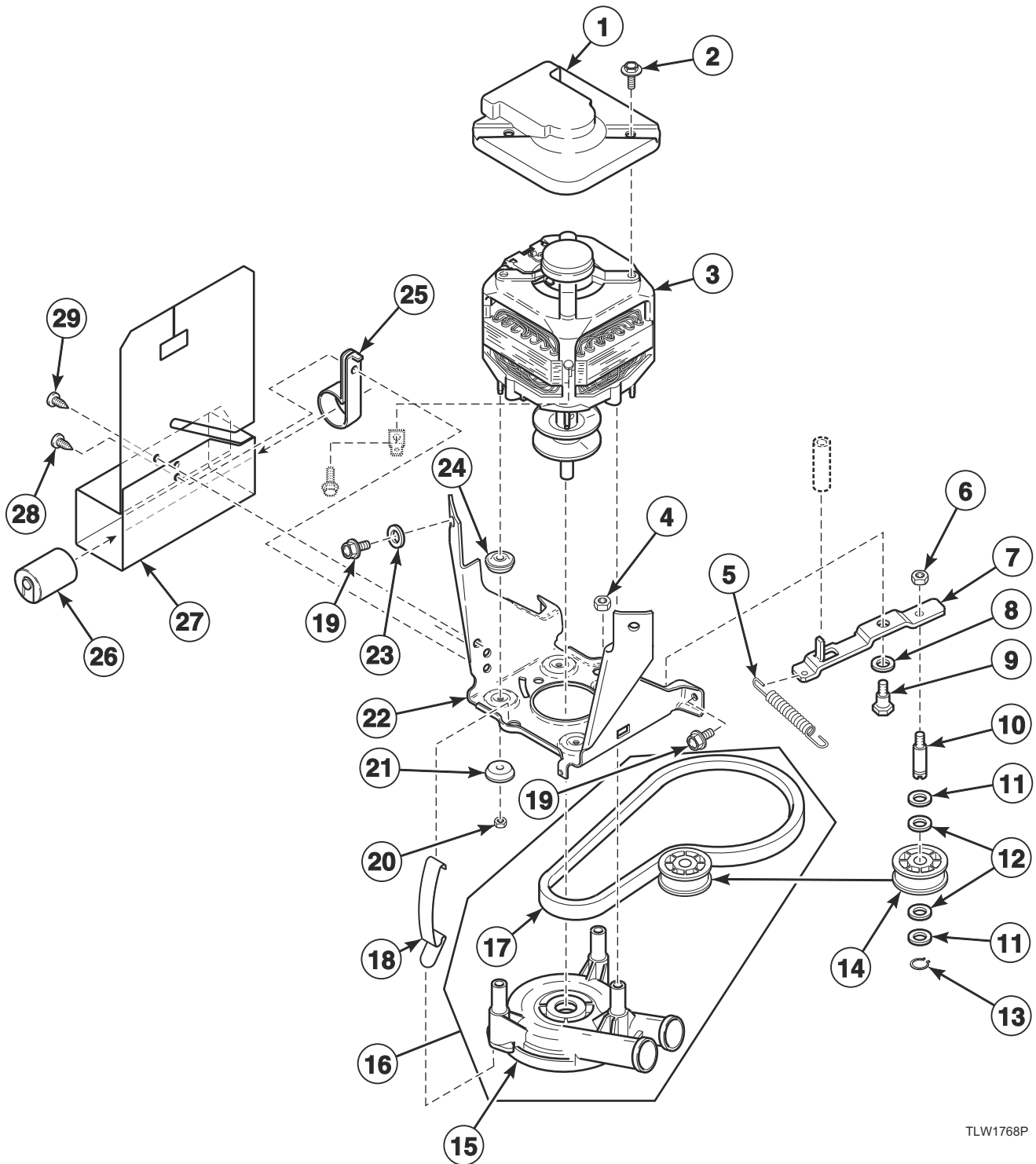


TLW1833P_203745

Fill Hose

REF	PART NO.	DESCRIPTION	COMMENTS
1	803615	Washer	Filter screen
	802254	Washer	Flow restrictor; Water pressure reducer; Available for water pressure up to but not exceeding 120 psi
2	202799	Fill Hose	4 feet; 2 standard thread hose couplings
3	20290	Washer	
4	203676	Hose and Washers Kit	4 feet; Includes 2 of item 3; 2 GHT hose couplings

Motor, Belt, Pump and Idler Assembly

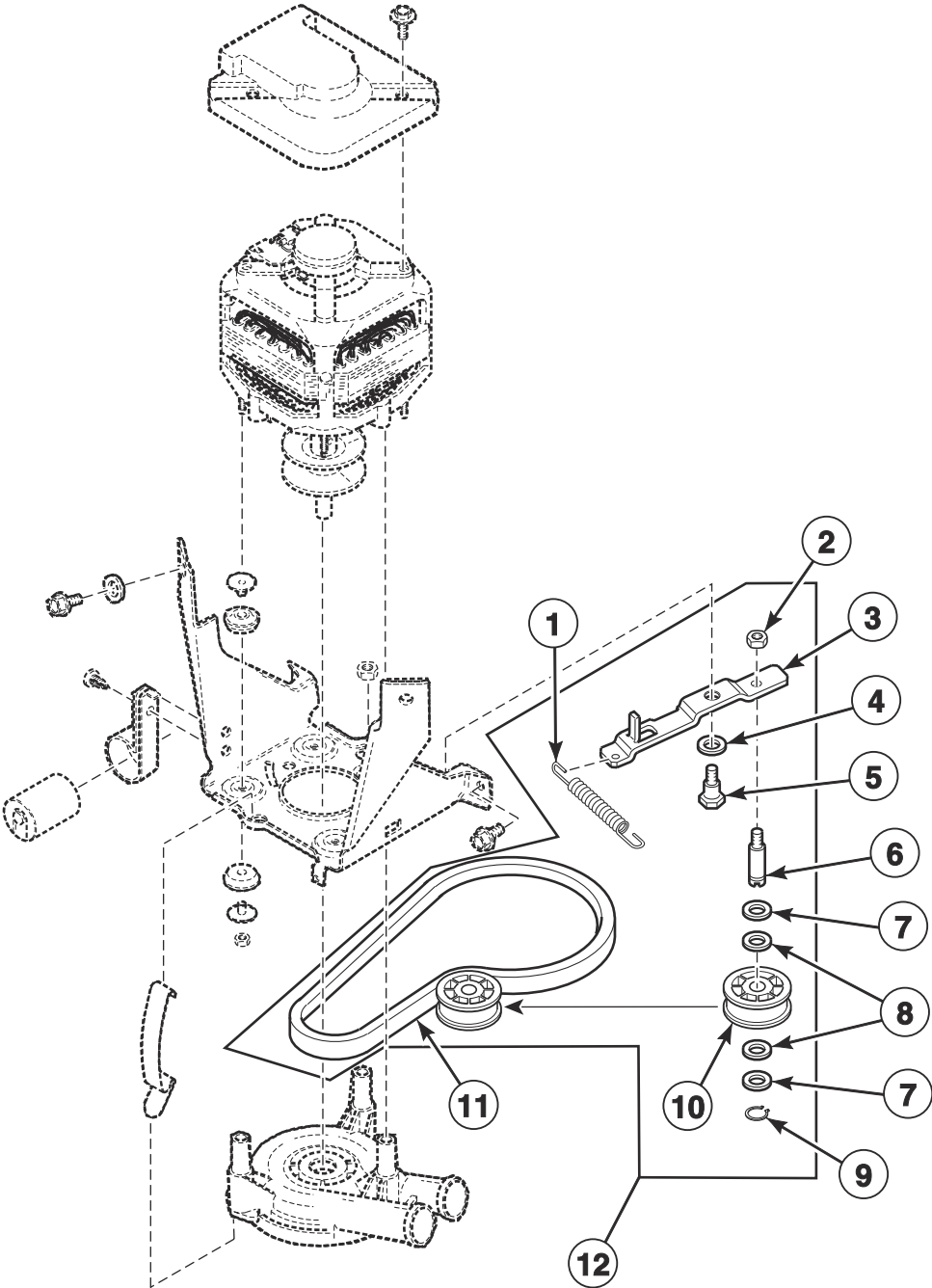


TLW1768P

Motor, Belt, Pump and Idler Assembly

REF	PART NO.	DESCRIPTION	COMMENTS
1	34754	Motor Shield	
2	31645	Screw	
3	38034P	Motor Kit	2 speed
4	52566	Nut	
5	201189	Idler Lever Spring	
	202032	Idler Lever Spring	Use on units experiencing low RPM
6	28803	Nut	
7	38011	Idler Lever	
8	81392	Washer	
9	27229	Screw	
10	210186	Idler Shaft	
11	D504082	Washer	
12	52549	Washer	Nylatron
13	23748	Retaining Ring	
14	38225P	Idler Pulley	
15	205217P	Pump	
	205218P	Pump Assembly Kit	Heavy duty
16	RB150003	Belt and Pump Kit	Includes items 14 and 16
17	38174	Agitate and Spin Belt	
18	210202	Spring Clip	
19	35369	Screw	
20	35423	Nut	
21	204062	Motor Mount and Isolator Assembly	
22	200941	Motor Mount Bracket	
23	37772	Washer	
24	204449	Motor Mount	Includes isolator post
25	37535	Capacitor Clamp	
26	37377	Capacitor	
27	203053	Motor Drip Shield	Through Serial No. 1811000001
28	52909	Screw	
29	31645	Screw	

Idler Lever Kits

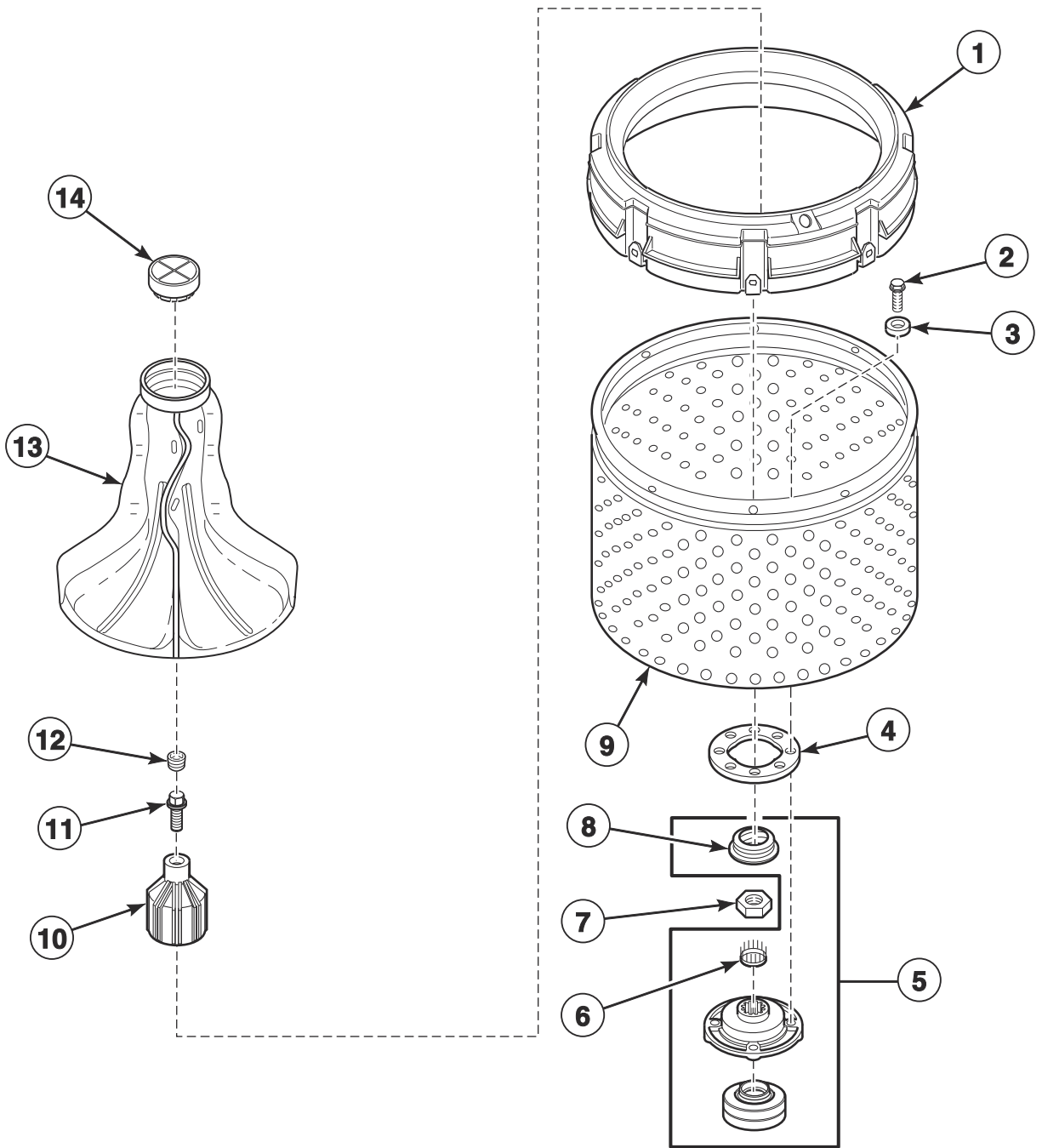


TLW1731P_203745

Idler Lever Kits

REF	PART NO.	DESCRIPTION	COMMENTS
1	202032	Idler Lever Spring	
2	28803	Nut	
3	38011	Idler Lever	
4	81392	Washer	
5	27229	Screw	
6	210186	Idler Shaft	
7	D504082	Washer	
8	52549	Washer	Nylatron
9	23748	Retaining Ring	
10	38225P	Idler Pulley	
11	38174	Agitate and Spin Belt	
12	959P3	Idler Lever Kit	Includes items 1-11

Agitator, Drive Bell, Hub and Lip Seal Kit and Washtub

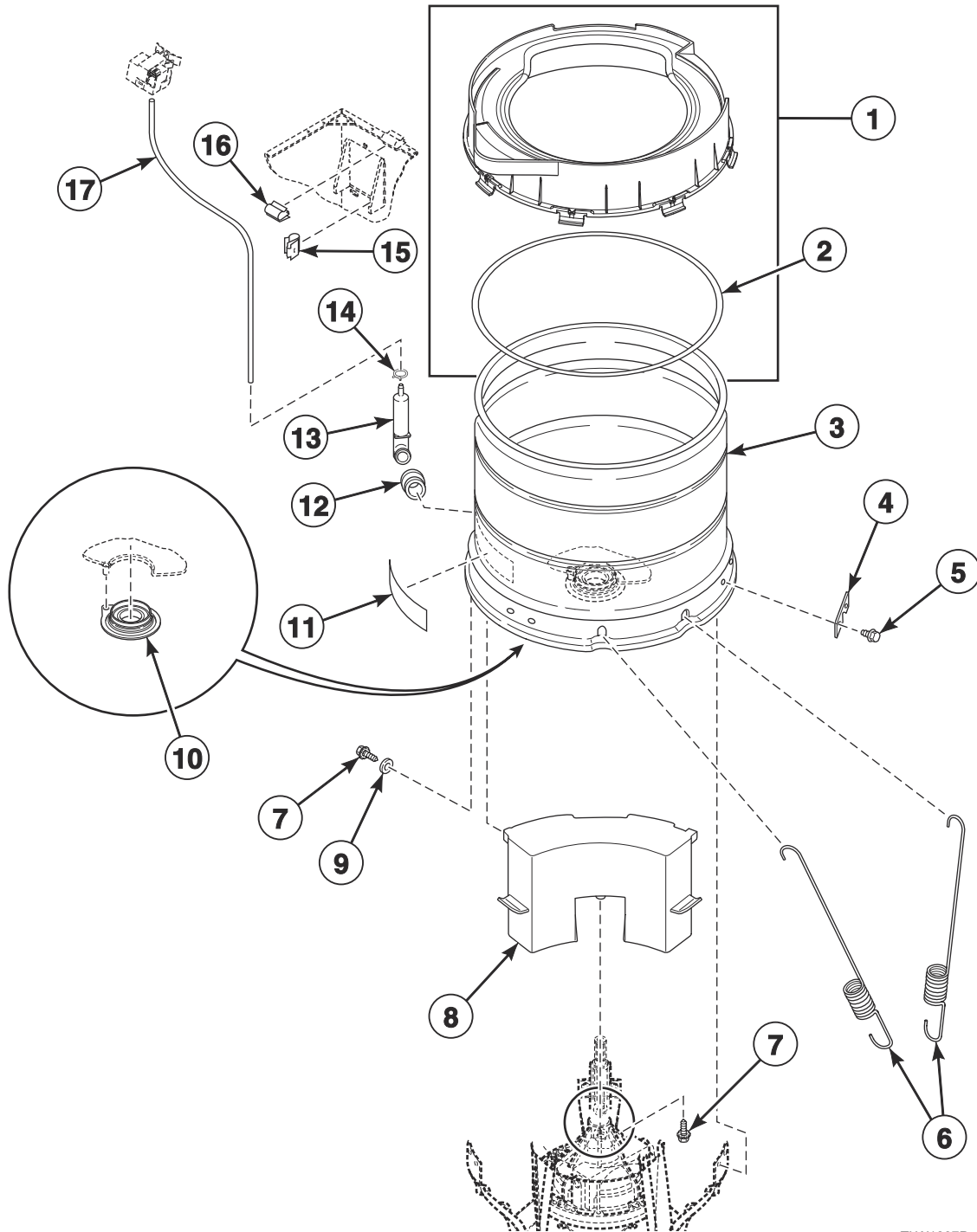


TLW1483P_203745

Agitator, Drive Bell, Hub and Lip Seal Kit and Washtub

REF	PART NO.	DESCRIPTION	COMMENTS
1	39837	Balance Ring Assembly	
2	27202	Screw	
3	28094	Washer	Rubber; Use with porcelain washtub
4	39122	Washtub Gasket	
5	766P3A	Hub and Lip Seal Kit	DO NOT use any sealant other than 200996P Sealant; Includes item 10 and installation tool
	200996P	Sealant	Use with hub and lip seal kit
6	29728	Spline Insert	
7	29220	Nut	
8	36425	Bell and Transmission Tube Seal	
	36765P	Grease	Use with bell and transmission tube seal
9	203882P	Tub Kit	Blue porcelain; Models BWNBC2PP113TW01, HWNBC2PP113TW01, PWNBC2PP113TG02, SWNMN2PP113TW01 and SWNSX2PP113TW01
	204429P	Tub Assembly	Stainless steel; Models SWNDC2HP113TW02 and SWNDX2HP113TW02
	719P3	Washtub Kit	Stainless steel; All other models
10	39508P	Drive Bell and Seal Kit	Includes items 8, 11 and 12
11	39432	Screw	
12	36511	Bell Plug	
13	33174	Agitator	
14	36515	Agitator Cap	

Outer Tub, Cover, Bearing and Seal Housing and Counterweight

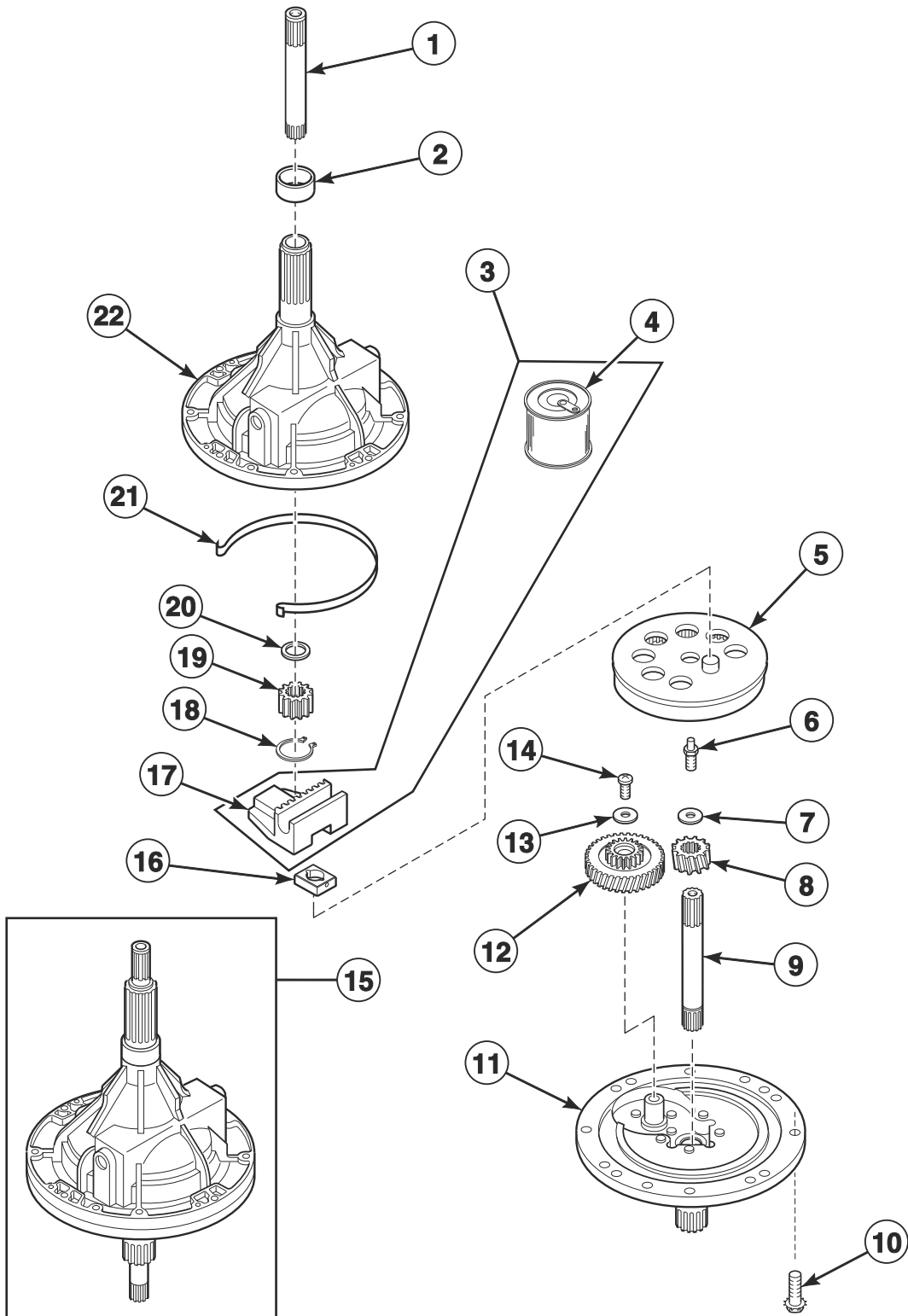


TLW1837P_203745

Outer Tub, Cover, Bearing and Seal Housing and Counterweight

REF	PART NO.	DESCRIPTION	COMMENTS
1	205300	Tub Cover Assembly	
2	38359	Tub Cover Gasket	
3	203604P	Outer Tub Assembly	Models SWNDC2HP113TW02 and SWNDX2HP113TW02
	203603P	Outer Tub Assembly	All other models
4	27926	Leg Plate	
5	35369	Screw	
6	37576	Leg Spring	Models SWNDC2HP113TW02 and SWNDX2SP113TW02
	37575	Leg Spring	All other models
7	39566	Screw	
8	38769	Counterweight Assembly	
9	39249	Washer	
10	766P3A	Hub and Lip Seal Kit	
	200996P	Sealant	Use with hub and lip seal kit
11	D500049	Warning Label	
12	29175	Grommet	
13	205241	Pressure Bulb	
14	39282	Hose Clamp	
15	36985	Hose Clip	
16	21036	Cable Clip	
17	202700	Tubing	

Transmission Assembly

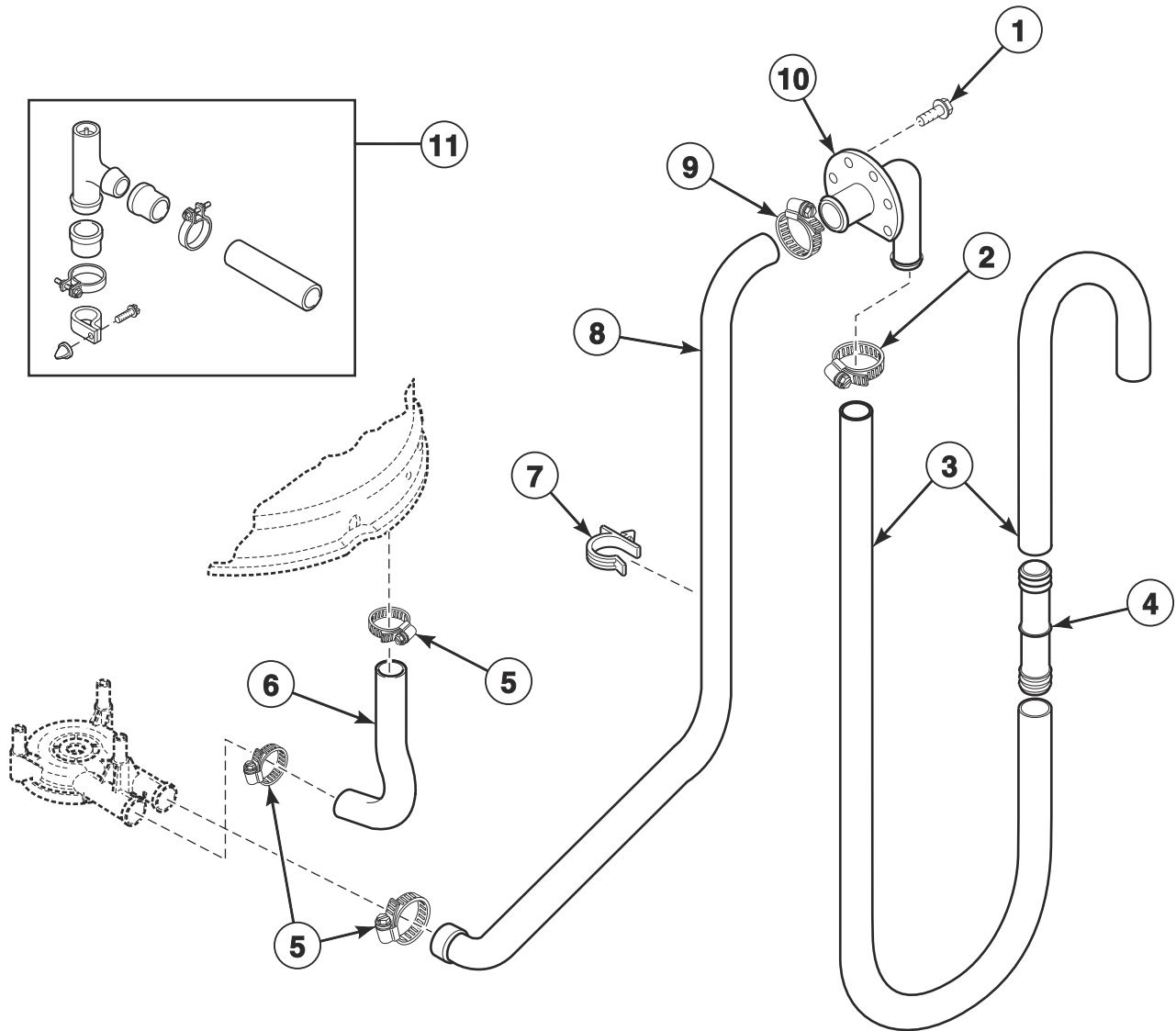


TLW1720P_203745

Transmission Assembly

REF	PART NO.	DESCRIPTION	COMMENTS
	27604P	Anti-Seize Compound	Apply to the smooth area of both the upper and lower transmission shafts
	37577P	Transmission Sealant	Use between transmission case and cover
1	36570P	Output Shaft	
2	201212	Hub Spacer	
3	RB150004	Transmission Rebuild Kit	Includes 37577P Transmission Sealant
4	27243P	Transmission Oil	1 fill
5	26577	Gear and Stud Assembly	
6	201773	Screw	
7	26509	Washer	
8	37405	Drive Pinion	
9	38268P	Input Shaft	
10	32814	Screw	
11	37471	Transmission Cover Assembly	
12	37404P	Reduction Gear	
13	29260	Washer	
14	29273	Screw	
15	38165P	Transmission Assembly	
16	26493	Slide	
17	201664	Rack	
18	27197	Retaining Ring	
19	27003	Agitator Pinion	
20	35092	Washer	
21	38864	Gear Sleeve	
22	33223P	Transmission Case Assembly	

Drain Hoses and Siphon Break Kit

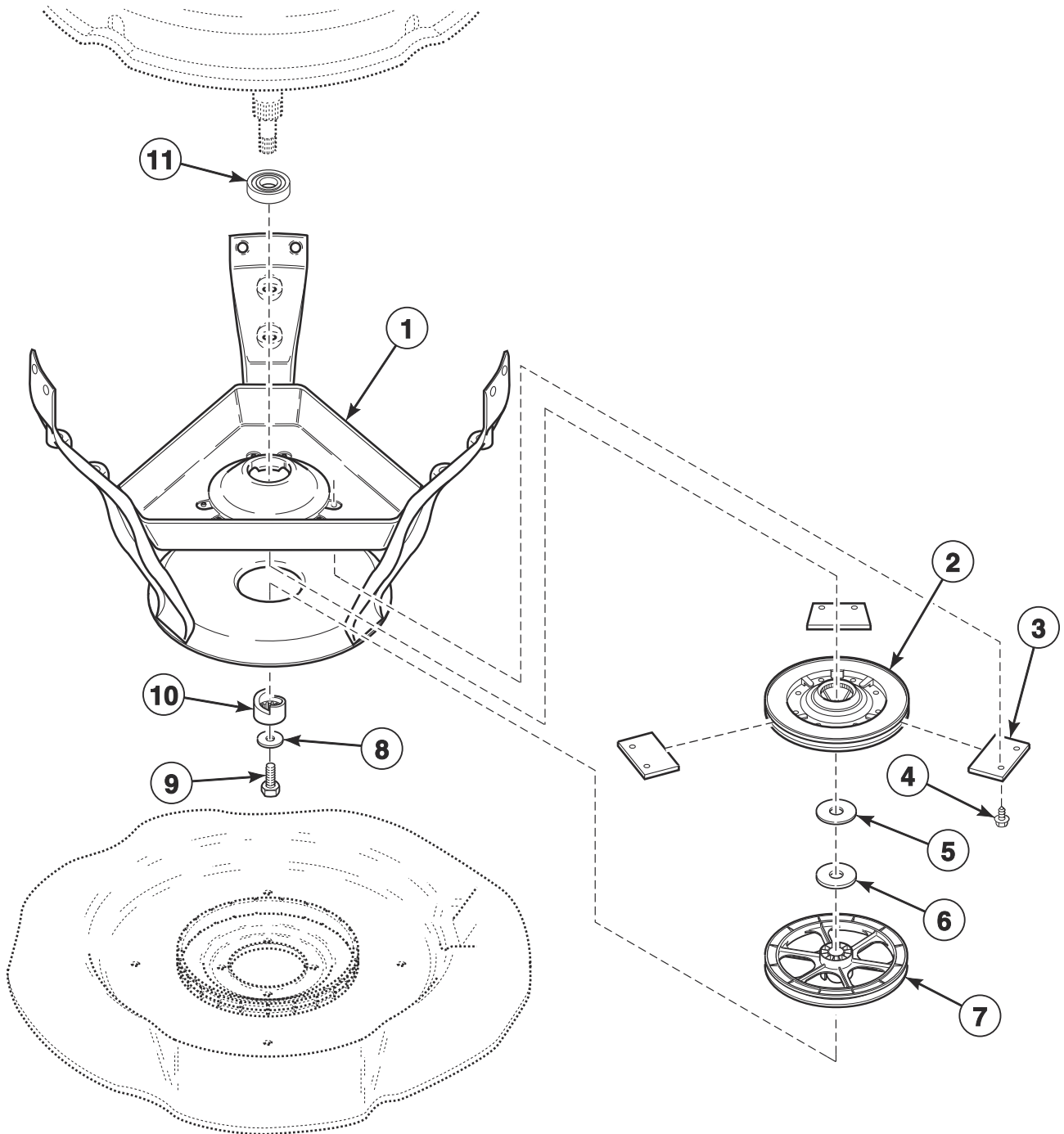


W354P_203745

Drain Hoses and Siphon Break Kit

REF	PART NO.	DESCRIPTION	COMMENTS
	451P3	Drain Extension Kit	
1	52909	Screw	
2	20211	Hose Clamp	
3	28293	Drain Hose	
4	25863	Hose Coupler	If drain hose must be shortened, cut hose between molded end and molded elbow; Use (1) 25863 Hose Coupler to splice hose
5	F200204	Hose Clamp	
6	38351	Tub-to-Pump Hose	
7	36014	Retainer Clip	
8	38273	Pump-to-Drain Elbow Hose	
9	20391	Hose Clamp	
10	36990	Drain Hose Elbow	
11	562P3	Siphon Break Kit	Siphon break kit must be installed in drain hose if drain receptacle is lower than cabinet top of washer

Weldment and Bearing Assembly, Brake and Pulley

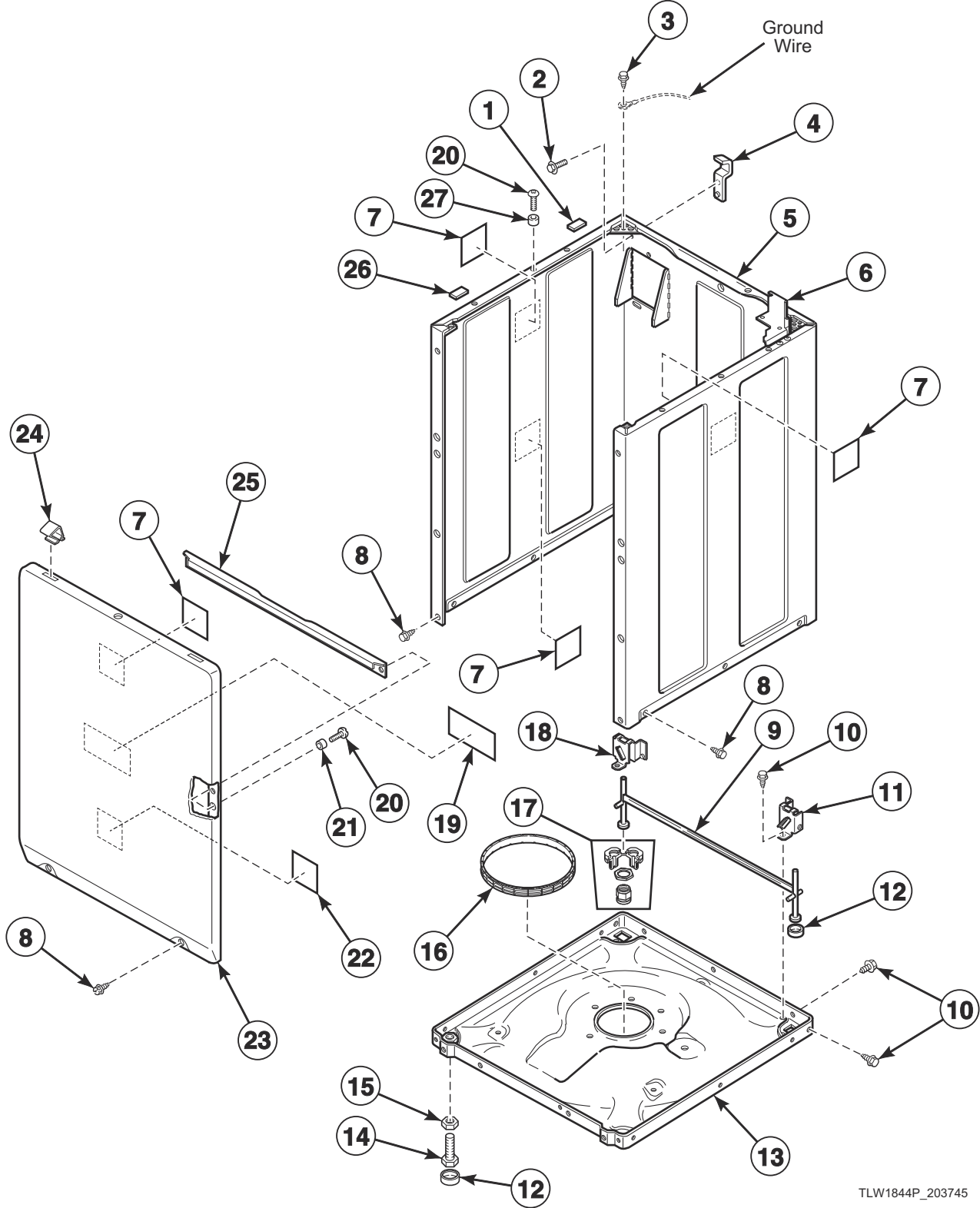


W333P_203745

Weldment and Bearing Assembly, Brake and Pulley

REF	PART NO.	DESCRIPTION	COMMENTS
1	39254	Weldment and Bearing Assembly	Models SWNDC2HP113TW02 and SWNDX2HP113TW02
	39253	Weldment and Bearing Assembly	All other models
2	38505P	Brake Kit	
3	735P3	Brake Pad Kit	Includes 3 pads
	204253	Silicone Grease	Apply small amount to each new brake pad
4	39739	Screw	
5	35535	Washer	Thin
6	27015	Washer	Thick
7	204486	Pulley	
8	26509	Washer	
9	27220	Screw	
10	38008	Helix	
11	28944RP	Lower Bearing	

Front Panel, Base Assembly and Cabinet Kit

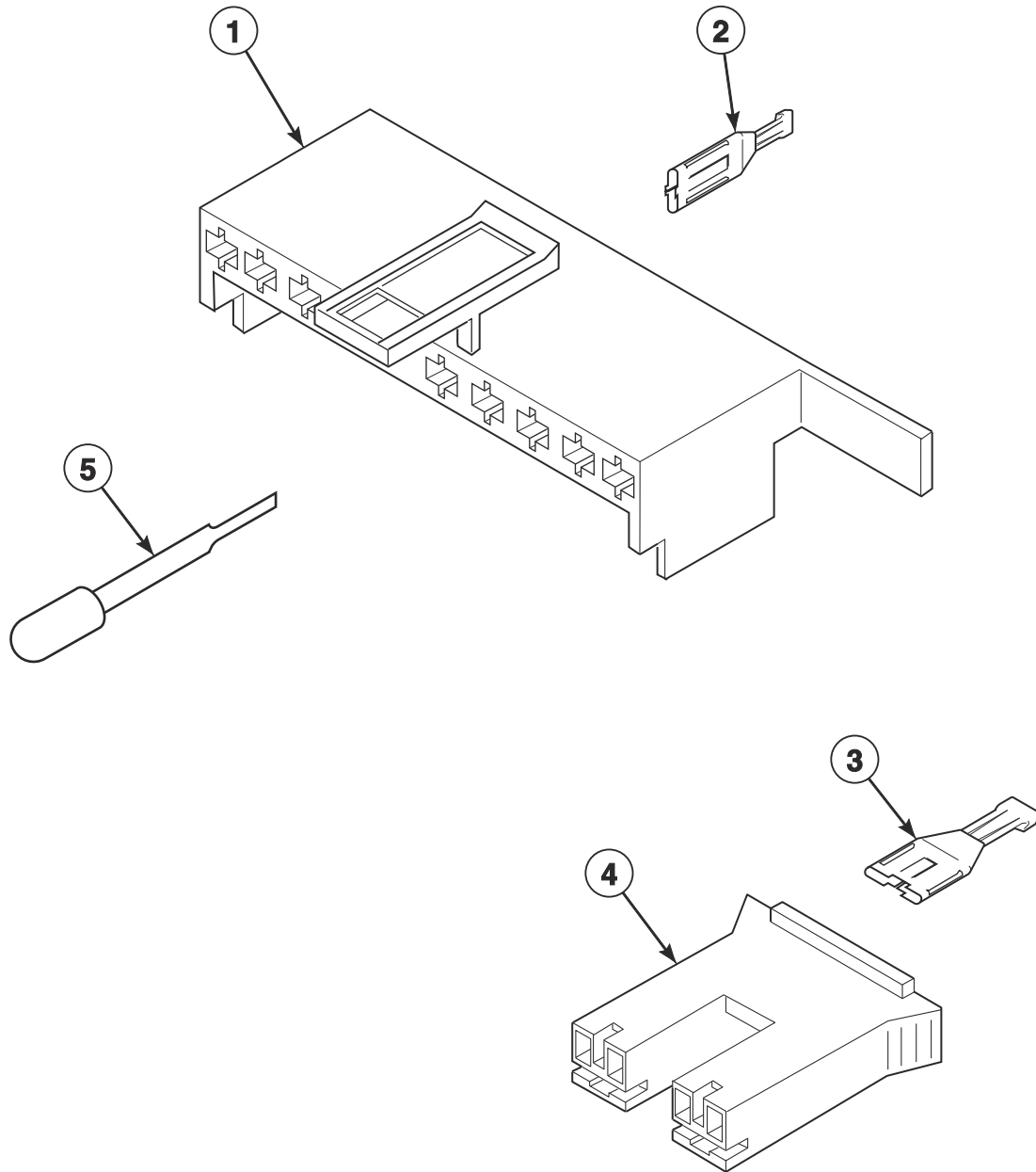


TLW1844P_203745

Front Panel, Base Assembly and Cabinet Kit

REF	PART NO.	DESCRIPTION	COMMENTS
	806436P	Paint	Gray
	122P4P	Porcelain Touch-Up Paint	White
	803260	Warning Label	Disconnect power
1	36226	Bumper Pad	
2	D501524	Screw	
3	52909	Screw	
4	27103	Hold-Down Lug Hinge	
5	38612WP	Service Cabinet Kit	White
	38612DG	Service Cabinet Kit	Gray
6	35915	Meter Case Mounting Bracket Assembly	
7	39480	Foam Pad	
8	27196	Screw	Slotted hex head
	431287	Screw	Torx head
9	34443	Leg and Stabilizer Assembly	
10	35148	Screw	
11	36036	Bracket	Right
12	34318	Rubber Foot	
13	39788	Base Assembly	
14	34319	Leveling Leg	
15	21899	Nut	
16	37937	Friction Ring	
17	566P3	Adjustable Leg Extension Kit	Provides adjustment capabilities to rear self-leveling legs
18	36037	Bracket	Left
19	36204	Front Panel Pad	
20	39733	Screw	
21	28102	Panel Locator	
22	203484	Foam Pad	
23	204870	Front Panel	White
	38335DG	Front Panel	Gray
24	35865	Hold-Down Clip	
25	35097	Front Panel Brace	
26	56128	Bumper Pad	
27	56079	Panel Locator	

Mixing Valve and Motor Disconnect Blocks, Terminals and Terminal Extractor Tool

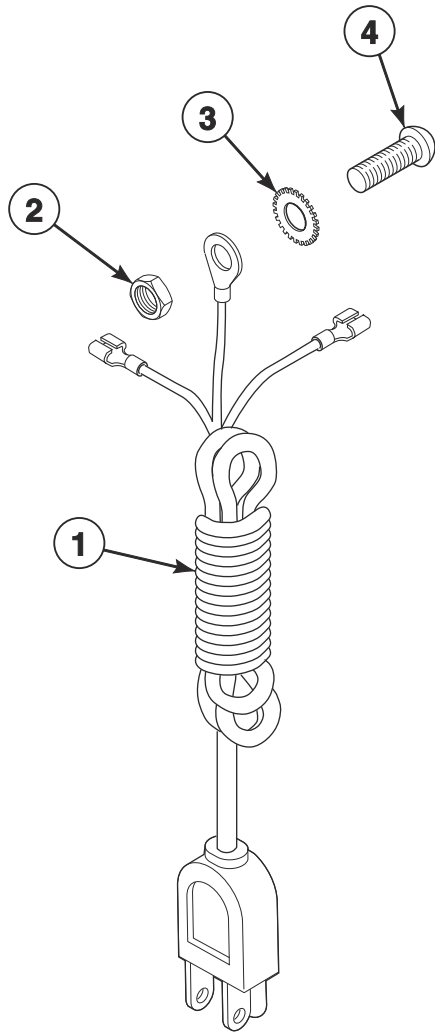


W134PZ3A_203745

Mixing Valve and Motor Disconnect Blocks, Terminals and Terminal Extractor Tool

REF	PART NO.	DESCRIPTION	COMMENTS
1	34677	10 Circuit Plug	Motor
2	00188	Female Terminal	For 1 or 2 wire application
3	00121	Female Spade Terminal	1/4 inch
4	34675	Mixing Valve Plug	Natural
	34676	Mixing Valve Plug	Red
5	283P4	Terminal Extractor Tool	

Lead-In Cord

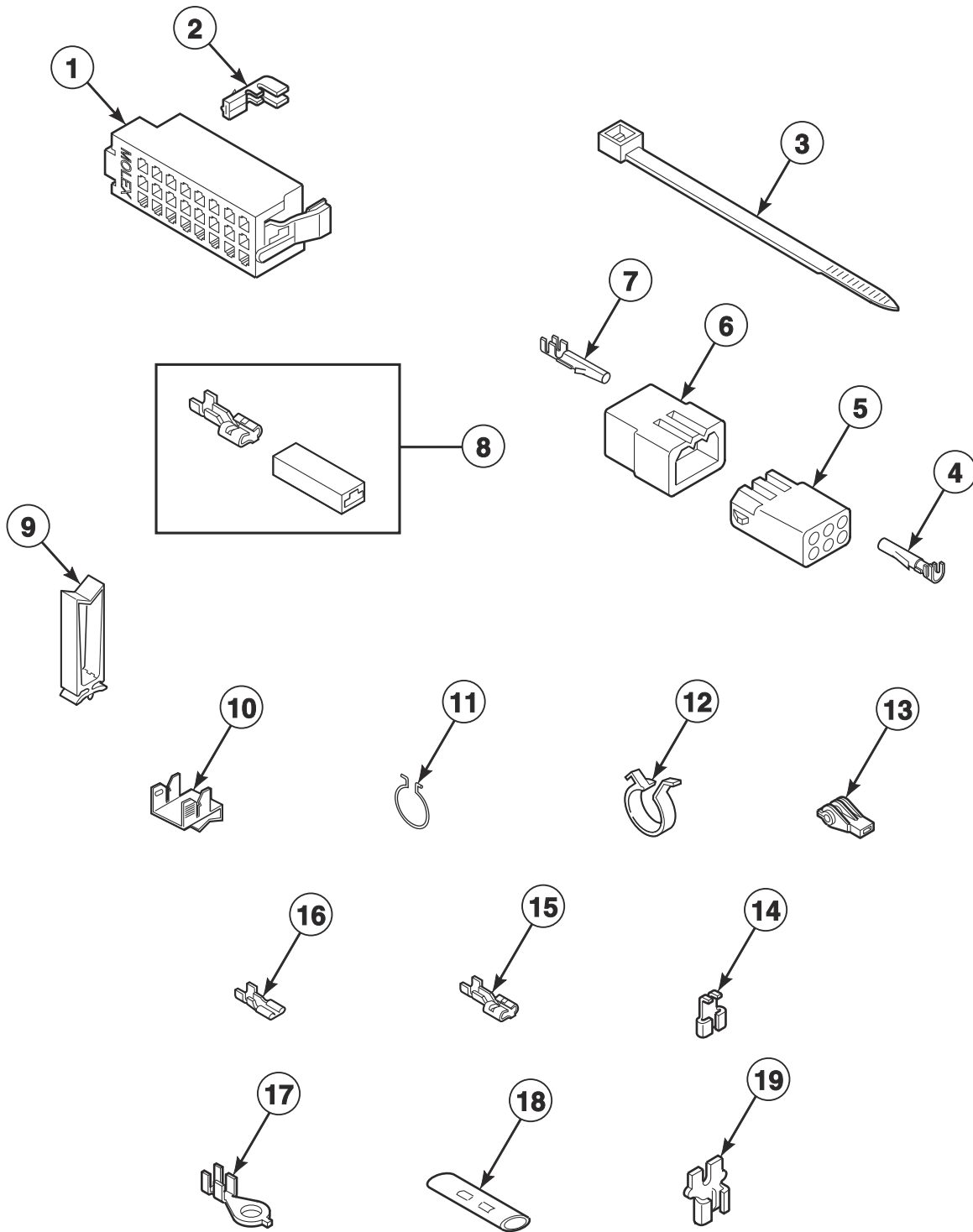


TLW1089P_203745

Lead-In Cord

REF	PART NO.	DESCRIPTION	COMMENTS
1	202777	Lead-In Cord	
2	03673	Nut	
3	21735	Washer	
4	20267	Screw	

Terminals

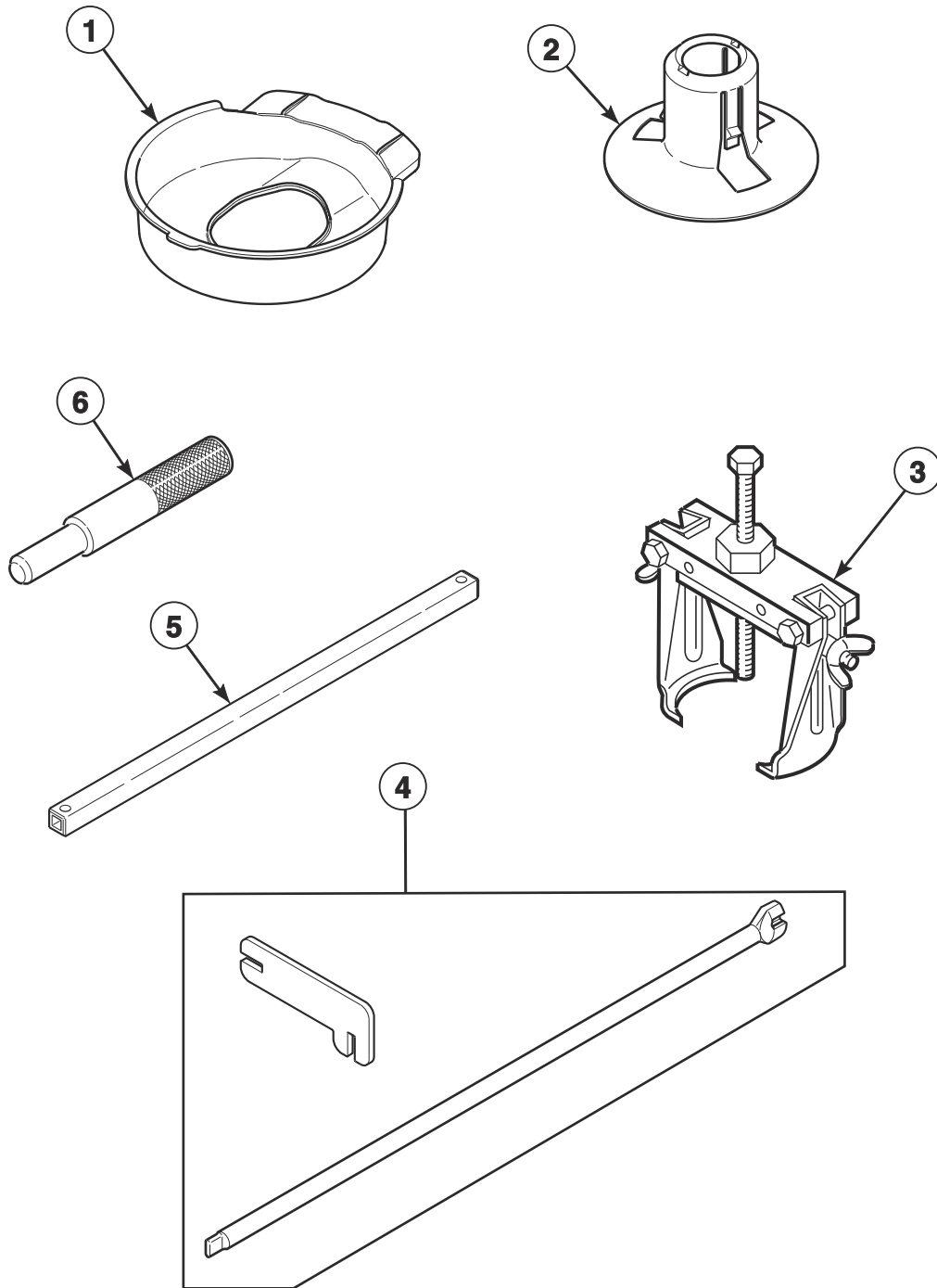


TLW1645P_203745

Terminals

REF	PART NO.	DESCRIPTION	COMMENTS
1	32746	24 Position Housing	Right; Black
	34123	24 Position Housing	Left; White
2	00188	Female Terminal	Used for 1 or 2 wire application
3	55881	Harness Strap	4 inches
	M405829	Cable Tie	Push-mount; 6.13 inches
4	00117	Female Pin Terminal	
5	26301	1 Circuit Receptacle	
	26708	6 Circuit Receptacle	
	26163	9 Circuit Receptacle	
6	44370401	1 Circuit Plug Housing	
	23041	6 Circuit Plug	
	23033	9 Circuit Plug	
7	00116	Male Pin Terminal	
8	00359	Insulated Female Spade Terminal	
9	70366201	Wire Clip	
10	00161	Grounding Clip	
11	51291	Wire Clip	
12	D504034	Wire Clip	
13	70210	Insulator	
14	00120	Female Flag Terminal	
15	00223	Female Spade Terminal	Large spade
16	00112	Female Spade Terminal	Small spade
17	00110	Ring Terminal	Small shank
18	21091	Connector	
19	F140562	Connector	

Shipping Materials and Special Tools

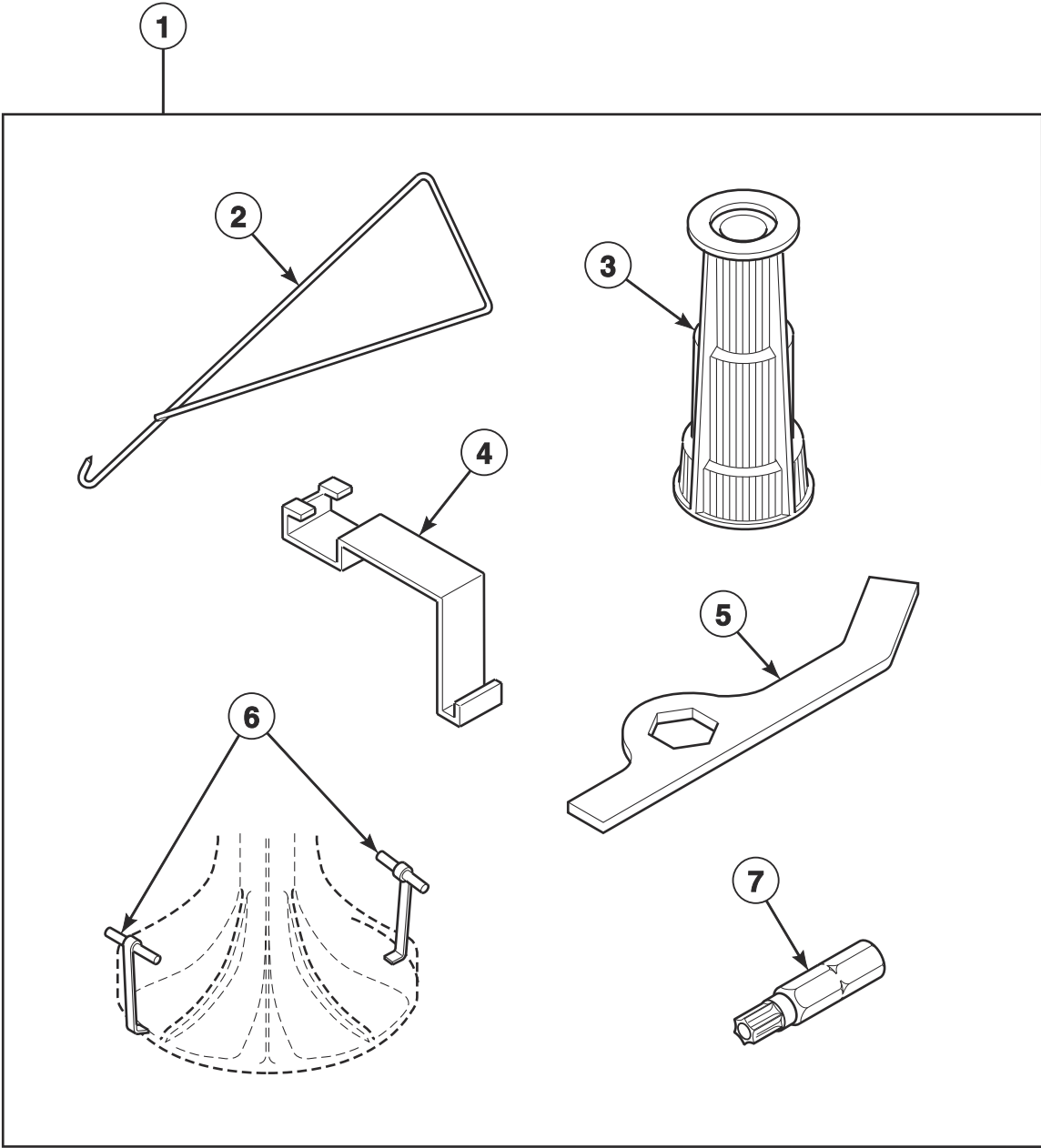


TLW1834P_203745

Shipping Materials and Special Tools

REF	PART NO.	DESCRIPTION	COMMENTS
1	203517	Shipping Brace	Install whenever moving washer; Remove before use
2	38149	Shipping Plug	Install whenever moving washer; Remove before use
3	294P4	Agitator Drive Bell Puller	For removal and installation of drive bell to transmission shaft
4	CK096	Mounting Tool Kit	Use to install and remove electronic coin drops
5	310P4	Ratchet Extension Tool	1/4 inch; Use to install and remove non-electronic coin drops
6	305P4	Transmission Pin Tool	Use pin tools in place of dowel pins when reassembling transmission cover and case; 2 required

Special Tools

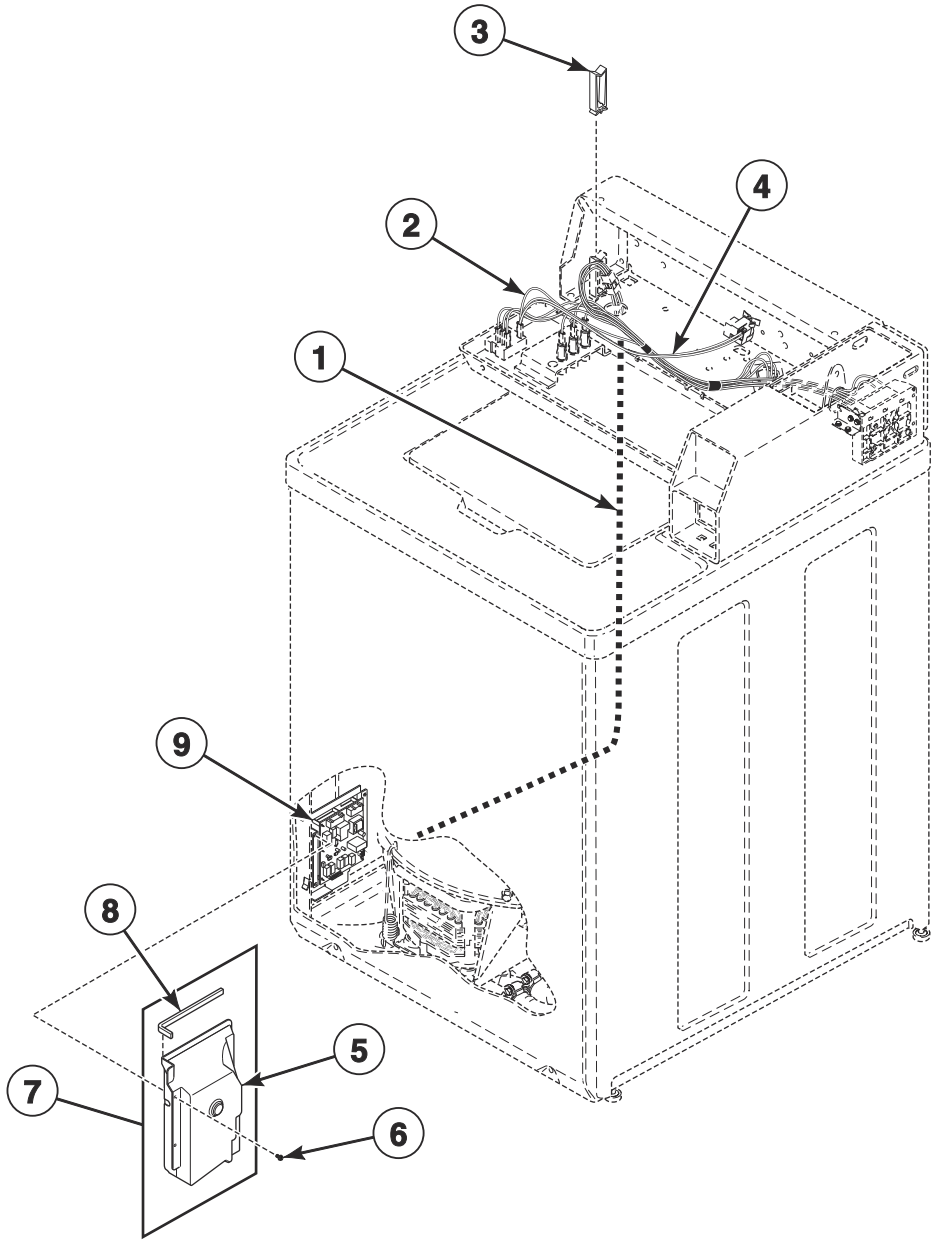


TLW1845P_203745

Special Tools

REF	PART NO.	DESCRIPTION	COMMENTS
1	725P3	Tool Kit	Includes items 2-7
2	321P4	Spring Hook Tool	For removal of centering springs from outer tub
3	293P4	Drive Bell Seal Tool	For installation of 36426 Bell and Transmission Tube Seal
4	273P4	Tub Cover Removal Tool	Use to install 38359 Tub Cover Gasket in outer tub cover
5	306P4	Hex Wrench Tool	For removal of locknut from washtub hub
6	254P4P	Agitator Hook	Use to remove agitator from drive bell; Set of 2
7	281P4	Torx Bit	T15; For removal and installation of control hood security screws
	282P4	Torx Bit	T25; For removal and installation of front panel security screws

Wire Harnesses and Wires



TLW1835P_203745

Wire Harnesses and Wires

REF	PART NO.	DESCRIPTION	COMMENTS
	45001	18 Gauge Wire	Black; Order wire by foot and terminals as required
	45380	12 Gauge Wire	Orange; Order wire by foot and terminals as required
1	204710	Control Harness	
2	203507	Hood Harness	Model SWNMN2PP113TW01
	203013	Hood Harness	Models SWNSX2PP113TW01 and SWNSX2SP113TW01
3	70366201	Wire Clip	
4	203645	Pressure Sensor Harness	Models SWNSX2PP113TW01 and SWNSX2SP113TW01
	804432	Pressure Sensor Harness	All other models
5	202939	Output Control Shield	
6	804667	Screw	
7	202965	Shield Assembly	Includes items 5 and 8
8	202964	Output Board Cover Gasket	
9	202508P	Output Board Control Assembly	

NOTE: Individual wires are not available separately. Order complete harness, or order wire by the foot. When applying terminals to wires, it is recommended that the terminals be soldered to the wires.

Parts Index

A

Adjustable Leg Extension Kit 566P3	43
Agitate and Spin Belt 38174	29, 31
Agitator 33174	33
Agitator Cap 36515	33
Agitator Drive Bell Puller 294P4	51
Agitator Hook 254P4P	53
Agitator Pinion 27003	37
Anti-Seize Compound 27604P	37

B

Balance Ring Assembly 39837	33
Base Assembly 39788	43
Bell and Transmission Tube Seal 36425	33
Bell Plug 36511	33
Belt and Pump Kit RB150003	29
Bolt 203798	5, 7
29651	5
Bracket 36036	43
36037	43
803662	5
Brake Kit 38505P	41
Brake Pad Kit 735P3	41
Bumper M400795	13, 15, 17, 19
21685	21
Bumper Pad 36226	43
56128	43
Bushing 33446	21

C

Cable Clip 21036	35
Cable Tie M405829	49

Capacitor 37377	29
Capacitor Clamp 37535	29
Central Pay Harness 805427	17, 19
Chassis Mounting Bracket 201581	5
Clip 201572	11
Coin Box Extension Kit 803578P	7
Coin Drop 38963P	9
70441601P	9
70441603	9
Coin Drop Assembly CK114	9
38462P	9
38463	9
38464P	9
38467	9
38472	9
38519	9
38521	9
70281102	9
70441602	9
70447301	9
70482401	9
Coin Drop Kit CK077	9
CK123	9
Coin Funnel Kit 523P3	5
Coin Identification Paper 38725	7, 11
Coin Slide Extension Kit 200913	5
Connector F140562	49
21091	49
Control Assembly 202792P	5, 13
203564P	17
203565P	17
203566	17
203746	19
Control Harness 204710	55
Control Hood 210142W	13
37075DG	17
37075W	15, 17, 19
Control Overlay 203476	17
203477	17
203493	15
203494	13
203682	17
204521	19
Control Panel and Bracket Assembly 36521WP	15

N/A items do not appear in index.

Control Panel Assembly	
201742W.....	13
203355W.....	19
210042DG.....	17
210042W.....	17
Control Panel Bumper	
202469.....	13, 15, 17, 19
Counterweight Assembly	
38769.....	35
Cycle Selector Switch	
201686.....	13, 15

D

Disconnect Power Warning Label	
D505281.....	13, 21
Drain Extension Kit	
451P3.....	39
Drain Hose	
28293.....	39
Drain Hose Elbow	
36990.....	39
Drive Bell and Seal Kit	
39508P.....	33
Drive Bell Seal Tool	
293P4.....	53
Drive Pinion	
37405.....	37
Dual Coin Harness Assembly	
202871.....	11
Dual Overlay	
39073.....	7

E

Electronic Coin Drop Assembly	
70294103P.....	11
70294104.....	11
70294107.....	11
70294109.....	11
70294110.....	11
70294111.....	11
70294120.....	11
70294121.....	11
70513306.....	11
Electronic Coin Drop Kit	
CK099.....	11
CK100.....	11
CK101.....	11
CK103.....	11
CK106.....	11
CK108.....	11
CK109.....	11
CK110.....	11
CK113.....	11
CK115.....	11
CK120.....	11
CK121.....	11
End Cap	
210108W.....	13
210109W.....	13

F

Female Flag Terminal	
00120.....	49
Female Pin Terminal	
00117.....	49
Female Spade Terminal	
00112.....	49
00121.....	45
00223.....	49
Female Terminal	
00188.....	45, 49
Fill Hose	
202799.....	27
Foam Pad	
203484.....	43
39480.....	43
Friction Ring	
37937.....	43
Front Panel	
204870.....	43
38335DG.....	43
Front Panel Brace	
35097.....	43
Front Panel Pad	
36204.....	43

G

Gear and Stud Assembly	
26577.....	37
Gear Sleeve	
38864.....	37
Grease	
36765P.....	33
Grommet	
29175.....	35
Grounding Clip	
00161.....	49

H

Harness Strap	
55881.....	49
Helix	
38008.....	41
Hex Wrench Tool	
306P4.....	53
Hinge Gasket	
34338.....	21
Hold-Down Clip	
35865.....	43
Hold-Down Lug Hinge	
27103.....	43
Hood Back Panel	
202465.....	15, 17, 19
Hood Harness	
203013.....	55
203507.....	55

N/A items do not appear in index.

Hose and Washers Kit	
203676	27
Hose Clamp	
F200204	39
20211	39
20391	39
36801	25
39282	35
800803	25
Hose Clip	
36985	35
Hose Coupler	
25863	39
Housing, 24 Position	
32746	49
34123	49
Hub and Lip Seal Kit	
766P3A	33, 35
Hub Spacer	
201212	37

I

Idler Lever	
38011	29, 31
Idler Lever Kit	
959P3	31
Idler Lever Spring	
201189	29
202032	29, 31
Idler Pulley	
38225P	29, 31
Idler Shaft	
210186	29, 31
Inlet Cover	
202894	21
Inlet Deflector	
203509	21
Input Shaft	
38268P	37
Insulated Female Spade Terminal	
00359	49
Insulator	
70210	49

L

Lead-In Cord	
202777	47
Leg and Stabilizer Assembly	
34443	43
Leg Plate	
27926	35
Leg Spring	
37575	35
37576	35
Leveling Leg	
34319	43
Lid	
204615W	21
33450DG	21

Lid Hinge	
36437	21
36438	21
Lid Plug	
34153	21
Lid Switch Assembly	
204979	23
Lid Warning Label	
203045	21
Light	
801431	13, 15
Lower Bearing	
28944RP	41

M

Machine ID Control Assembly	
203361P	17, 19
Male Pin Terminal	
00116	49
Mechanical Counter Kit Assembly	
201280P	5
Meter Case Assembly	
202877W	7
801330W	5
807401DG	7
Meter Case Assembly Kit	
807401W	7
Meter Case Bracket Gasket	
35526	5, 7
Meter Case Gasket	
26354	5, 7
Meter Case Lockdown Bracket	
35525	5, 7
Meter Case Locking Bracket Kit	
204616	5, 7
Meter Case Mounting Bracket Assembly	
35915	43
Mixing Valve	
202395P	25
Mixing Valve Plug	
34675	45
34676	45
Mixing Valve Screen	
24122	25
Motor Drip Shield	
203053	29
Motor Kit	
38034P	29
Motor Mount	
204449	29
Motor Mount and Isolator Assembly	
204062	29
Motor Mount Bracket	
200941	29
Motor Shield	
34754	29
Mounting Tool Kit	
CK096	51

N/A items do not appear in index.

N

Nut	
M400981	23
03673	47
201216	11
21899	43
24205	13, 15
27222	21
28803	29, 31
29220	33
29786	5, 7, 9
29796	5
35423	29
36020	21
44087101	15, 17, 19
52566	29
802337	5, 7

O

Operation Instruction Label	
203152	5, 7
Opto Coupler	
200674P	9
Outer Tub Assembly	
203603P	35
203604P	35
Output Board Control Assembly	
202508P	55
Output Board Cover Gasket	
202964	55
Output Control Shield	
202939	55
Output Shaft	
36570P	37
Overlay	
201091	11
Overlay Kit	
38676	7

P

Paint	
806436P	43
Panel Locator	
28102	43
56079	43
Plug Housing, 1 Circuit	
44370401	49
Plug, 10 Circuit	
34677	45
Plug, 6 Circuit	
23041	49
Plug, 9 Circuit	
23033	49
Porcelain Touch-Up Paint	
122P4P	43
Pressure Bulb	
205241	35

Pressure Sensor	
203843	13, 15, 17, 19
Pressure Sensor Harness	
203645	55
804432	55
Pulley	
204486	41
Pump	
205217P	29
Pump Assembly Kit	
205218P	29
Pump-to-Drain Elbow Hose	
38273	39

R

Rack	
201664	37
Ratchet Extension Tool	
310P4	51
Rear Panel	
201732	13
Receptacle, 1 Circuit	
26301	49
Receptacle, 6 Circuit	
26708	49
Receptacle, 9 Circuit	
26163	49
Reduction Gear	
37404P	37
Retainer Clip	
36014	39
Retaining Ring	
23748	29, 31
27197	37
Ring Terminal	
00110	49
Rocker Switch	
70455101	13
Rubber Foot	
34318	43

S

Screw	
D500226	15
D501086	13, 15, 17, 19
D501524	5, 43
D503661	17, 19
D503673	5, 7, 21
D503688	5
M402574	23
02916	15, 17, 19
201773	37
20267	47
23008	21
23222	13, 15, 17, 19
23962	21, 23
27196	43
27202	33
27220	41
27229	29, 31
29273	37

N/A items do not appear in index.

31645	29
32814	37
33562	25
34337	21
35148	43
35369	29, 35
35528	15, 17, 19
36048	5, 7
39397	25
39432	33
39566	35
39733	43
39739	41
431287	43
52864	13, 17, 19
52909	21, 29, 39, 43
804608	13, 17, 19
804667	55
Sealant	
200996P	33, 35
Service Cabinet Kit	
38612DG	43
38612WP	43
Service Door Assembly	
39874DG	7
39874WP	5, 7
Shield Assembly	
202965	55
Shipping Brace	
203517	51
Shipping Plug	
38149	51
Silicone Grease	
204253	41
Single Coin Harness Assembly	
202870	9
Single Overlay	
38717	7
Siphon Break Kit	
562P3	39
Slide	
26493	37
Spline Insert	
29728	33
Spring	
804794	5
Spring Clip	
210202	29
Spring Hook Tool	
321P4	53
Strain Relief	
38384	21
Support Barrel	
56534	21
Switch	
D512973	5, 7
33445	23
70529301	5
Switch Knob	
39897	13, 15

T

Terminal Extractor Tool	
283P4	45
Tool Kit	
725P3	53
Top	
203579DG	21
39167WP	21
Top Assembly	
210173WP	21
Torx Bit	
281P4	53
282P4	53
Transformer Kit	
203423	17, 19
Transmission Assembly	
38165P	37
Transmission Case Assembly	
33223P	37
Transmission Cover Assembly	
37471	37
Transmission Oil	
27243P	37
Transmission Pin Tool	
305P4	51
Transmission Rebuild Kit	
RB150004	37
Transmission Sealant	
37577P	37
Tub Assembly	
204429P	33
Tub Cover Assembly	
205300	35
Tub Cover Gasket	
38359	35
Tub Cover Removal Tool	
273P4	53
Tub Kit	
203882P	33
Tubing	
202700	35
Tub-to-Pump Hose	
38351	39

V

Valve to Inlet Hose	
202884	25

W

Warning Label	
D500049	35
803260	43
Washer	
D504082	29, 31
M400017	15, 17, 19
20290	27
21735	47

N/A items do not appear in index.

26509	37, 41
27015	41
28094	33
29260	37
35092	37
35535	41
37772	29
39249	35
52549	29, 31
802254	27
803615	27
81392	29, 31
91176	13, 15
Washtub Gasket	
39122	33
Washtub Kit	
719P3	33
Weldment and Bearing Assembly	
39253	41
39254	41
Wire Clip	
D504034	49
51291	49
70366201	49, 55
Wire Guard	
201595P	9
Wire, 12 Gauge	
45380	55
Wire, 18 Gauge	
45001	55
