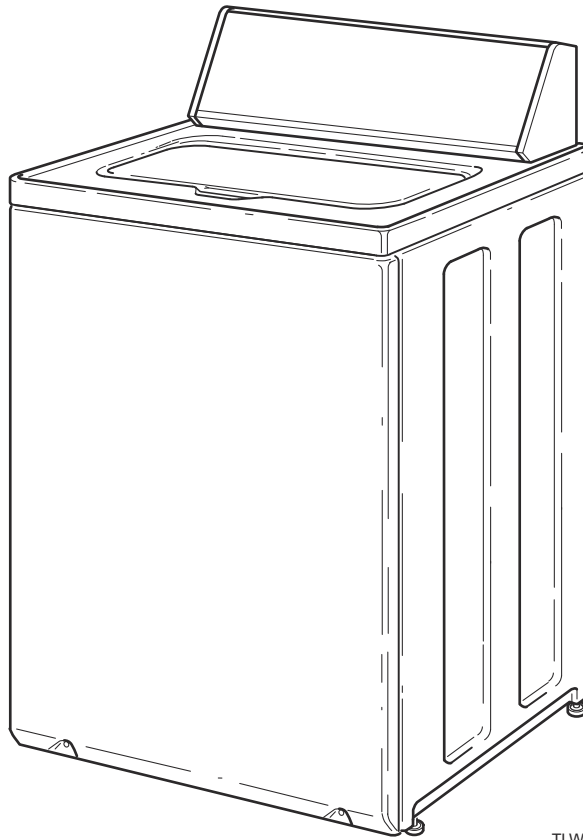


Home Topload Washers

Refer to Page 3 for Model Numbers



TLW24C_204240

Parts

Alliance[™]
Laundry Systems

www.alliancelandry.com

Part No. 204240R9
September 2022

Table of Contents

Title	Page
Parts Ordering Information.....	2
Serial Plate Location	2
Model Identification	3
Graphic Panel, Control Support Panel and Controls Through Serial Nos. Beginning 1809.....	4
Graphic Panel, Control Support Panel and Controls Starting Serial No. 1810000001	6
Graphic Panel, Control Support Panel and Controls and Electronic.....	8
Lid Switch Assembly	10
Top, Lid and Hood Back Panel	12
Fill Hose, Mixing Valve-to-Tub Cover Hose, Mixing Valve and Bracket.....	14
Motor, Mounting Bracket and Belt.....	16
Agitator, Fabric Softener Dispenser, Drive Bell, Hub and Lip Seal Kit and Washtub.....	18
Outer Tub, Cover, Bearing and Seal Housing, Pressure Hose and Counterweight.....	20
Drain Pump, Drain Hose and Siphon Break Kit	22
Weldment and Bearing Assembly, Drive Shaft and Pulley	24
Front Panel, Base Assembly and Cabinet Kit	26
Lead-In Cord and Cable Ties	28
Shipping Brace, Plug and Special Tools	30
Output Board, Wire Harnesses and Wires	32
Drive Control, Wire Harnesses and Wires	34
Parts Index.....	37

© Copyright 2022, Alliance Laundry Systems LLC

All rights reserved. No part of the contents of this book may be reproduced or transmitted in any form or by any means without the expressed written consent of the publisher.

Parts Ordering Information

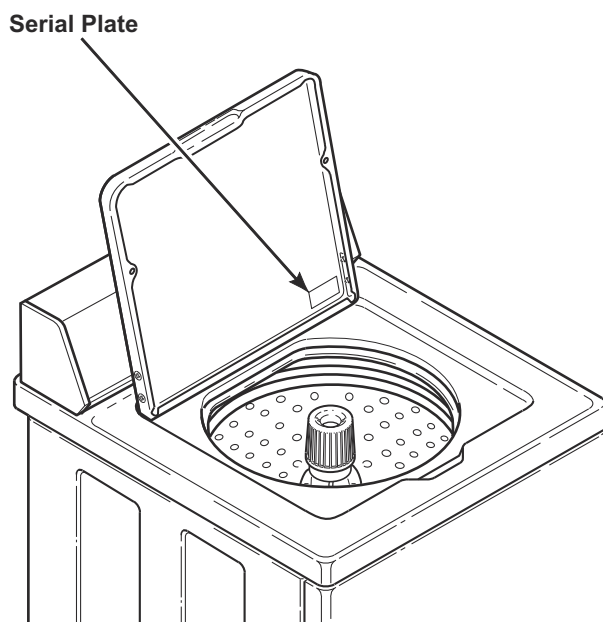
If literature or replacement parts are required, contact the source from whom the machine was purchased or contact Alliance Laundry Systems at (920) 748-3950 for the name and address of the nearest authorized parts distributor.

For technical assistance, call the number listed below:

(920) 748-3121 Ripon, Wisconsin

Serial Plate Location

When calling or writing about your product, be sure to mention model and serial numbers. Model and serial numbers are located on serial plate(s) as shown.



TLW1851P_204240

Model Identification

Information in this manual is applicable to these washer models:

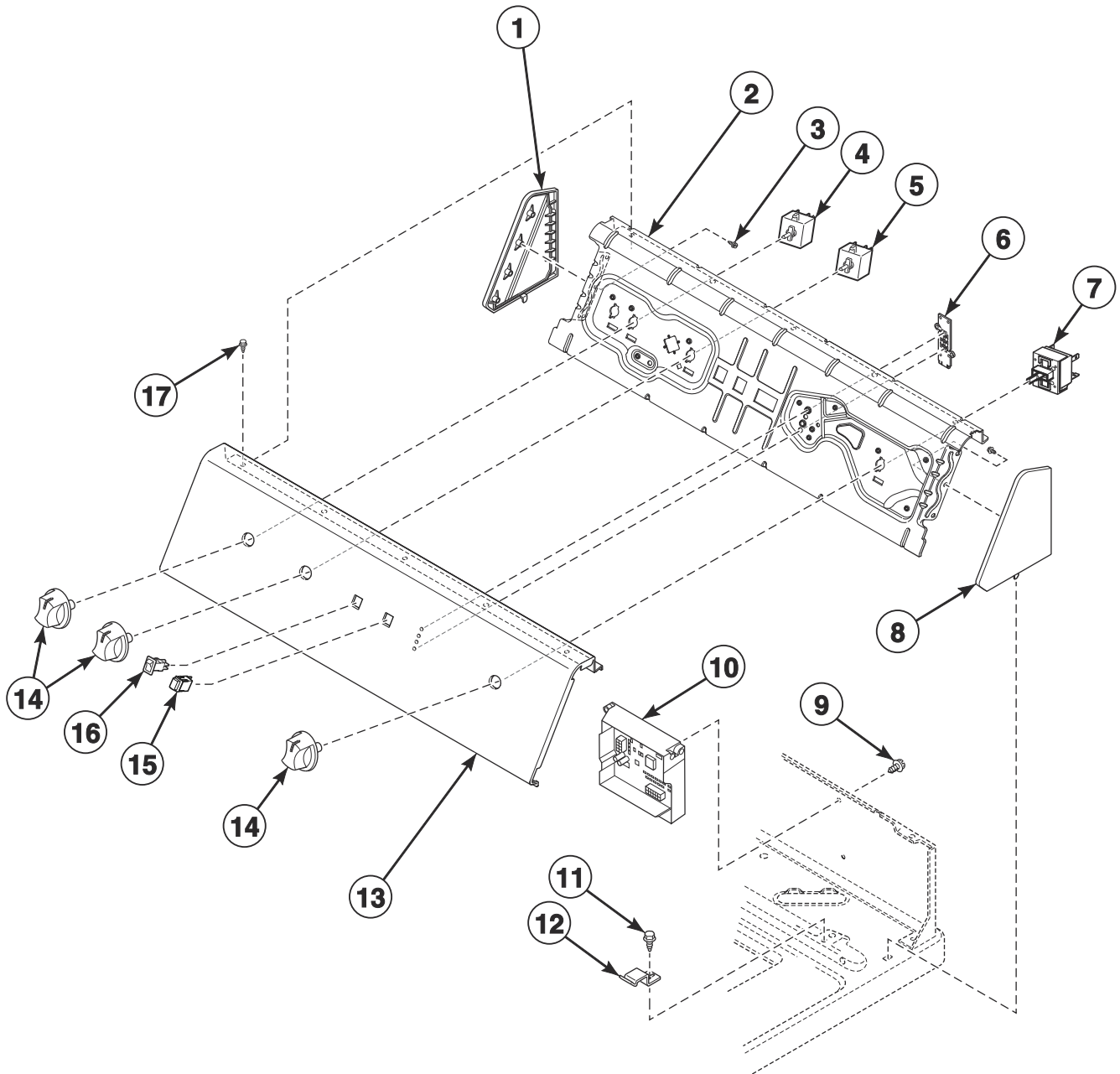
AWN43RSN115CW01
AWN43RSN115CW14
AWN43RSN115TW01
AWN43RSN116TW01
AWN43RSN116TW02
AWN63RSN115CW01
AWN63RSN115CW14
AWN63RSN115TW01
AWN63RSN116TW01
AWNE9RSN115CW01
AWNE9RSN115CW14
AWNE9RSN115TW01
AWNE9RSN116TW01

FWN6ZRSN116TW01
LWN6ZRSN116TW01

ZWN43RSN115CW01
ZWN43RSN116CW01
ZWN63RSN115CW01
ZWN63RSN116CW01
ZWNE9RSN115CW01
ZWNE9RSN116CW01

Graphic Panel, Control Support Panel and Controls Through Serial Nos. Beginning 1809

Models AWN43RSN115CW01, AWN43RSN115CW14, AWN43RSN115TW01, AWN63RSN115CW01, AWN63RSN115CW14
and AWN63RSN115TW01



TLW1862P_204240

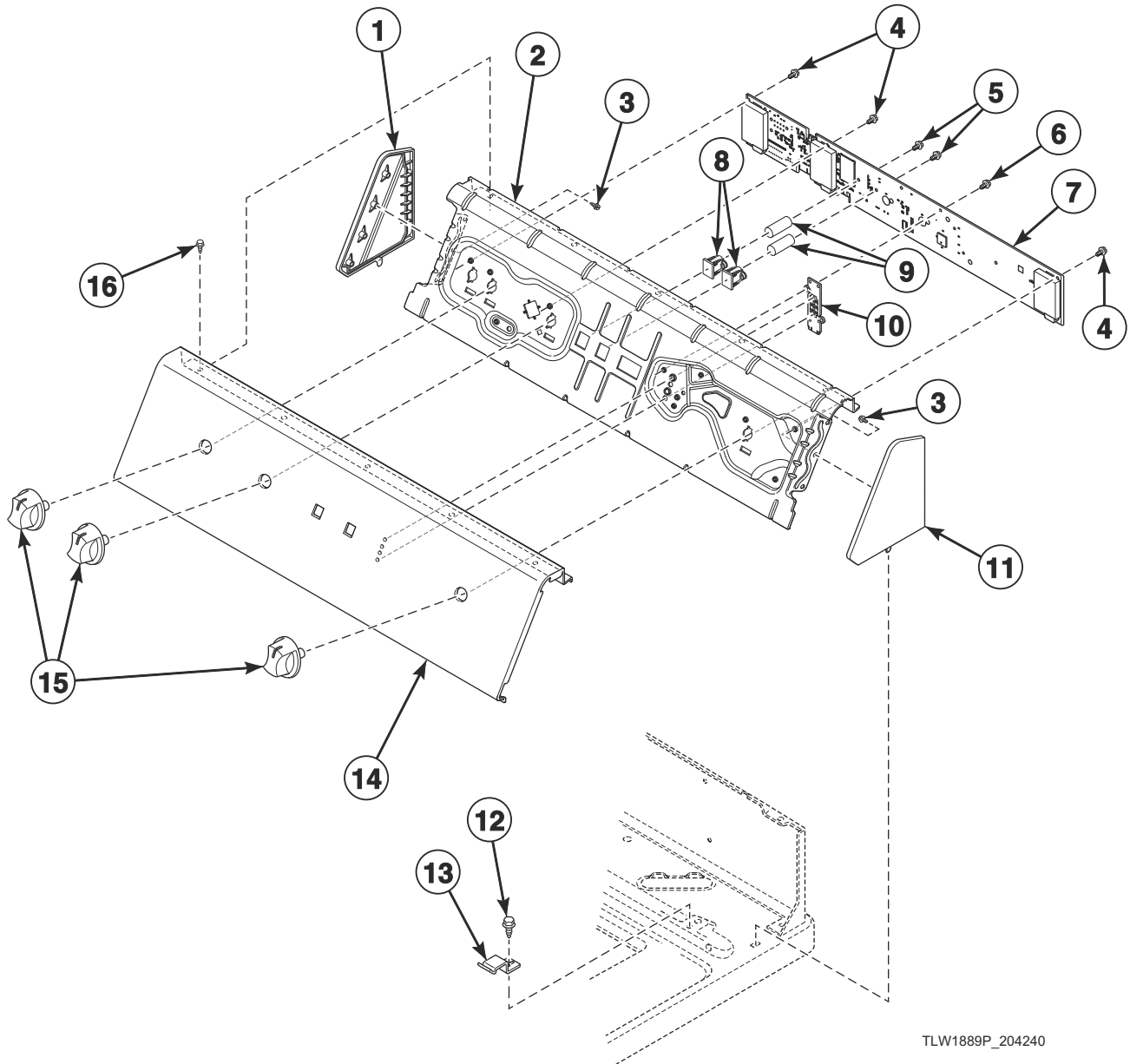
Graphic Panel, Control Support Panel and Controls Through Serial Nos. Beginning 1809

REF	PART NO.	DESCRIPTION	COMMENTS
1	203730W	End Cap	Left
2	203840	Control Support Panel	
3	203799	Screw	
4	35115	Temperature Switch	Model AWN43RSN115TW01
	36335	Temperature Switch	Model AWN63RSN115TW01
5	36335	Temperature Switch	For load size knob
6	204396	LED Display Assembly	
7	203977	Cycle Selector Switch	Models AWN43RSN115CW01, AWN43RSN115CW14 and AWN43RSN115TW01
	203976	Cycle Selector Switch	Models AWN63RSN115CW01, AWN63RSN115CW14 and AWN63RSN115TW01
8	203729W	End Cap	Right
9	804608	Screw	
10	204141P	Control Assembly	Models AWN43RSN115CW01, AWN43RSN115CW14 and AWN43RSN115TW01
	204163P	Control Assembly	Models AWN63RSN115CW01, AWN63RSN115CW14 and AWN63RSN115TW01
11	23962	Screw	
12	35358	Hold-Down Clip	
13	203989	Graphic Panel	Models AWN43RSN115CW01 and AWN43RSN115TW01
	203735	Graphic Panel	Models AWN63RSN115CW01 and AWN63RSN115TW01
	204010	Graphic Panel	Model AWN43RSN115CW14
	204009	Graphic Panel	Model AWN63RSN115CW14
14	806597	Knob Assembly	
15	203935	Push Button Switch	
16	203934	Rocker Switch	
17	D501086	Screw	

Graphic Panel, Control Support Panel and Controls

Starting Serial No. 181000001

Models AWN43RSN115CW01, AWN43RSN115CW14, AWN43RSN115TW01, AWN43RSN116TW01, AWN43RSN116TW02, AWN63RSN115CW01, AWN63RSN115CW14, AWN63RSN115TW01, AWN63RSN116TW01, FWN6ZRSN116TW01, LWN6ZRSN116TW01, ZWN43RSN115CW01, ZWN43RSN116CW01, ZWN63RSN115CW01 and ZWN63RSN116CW01

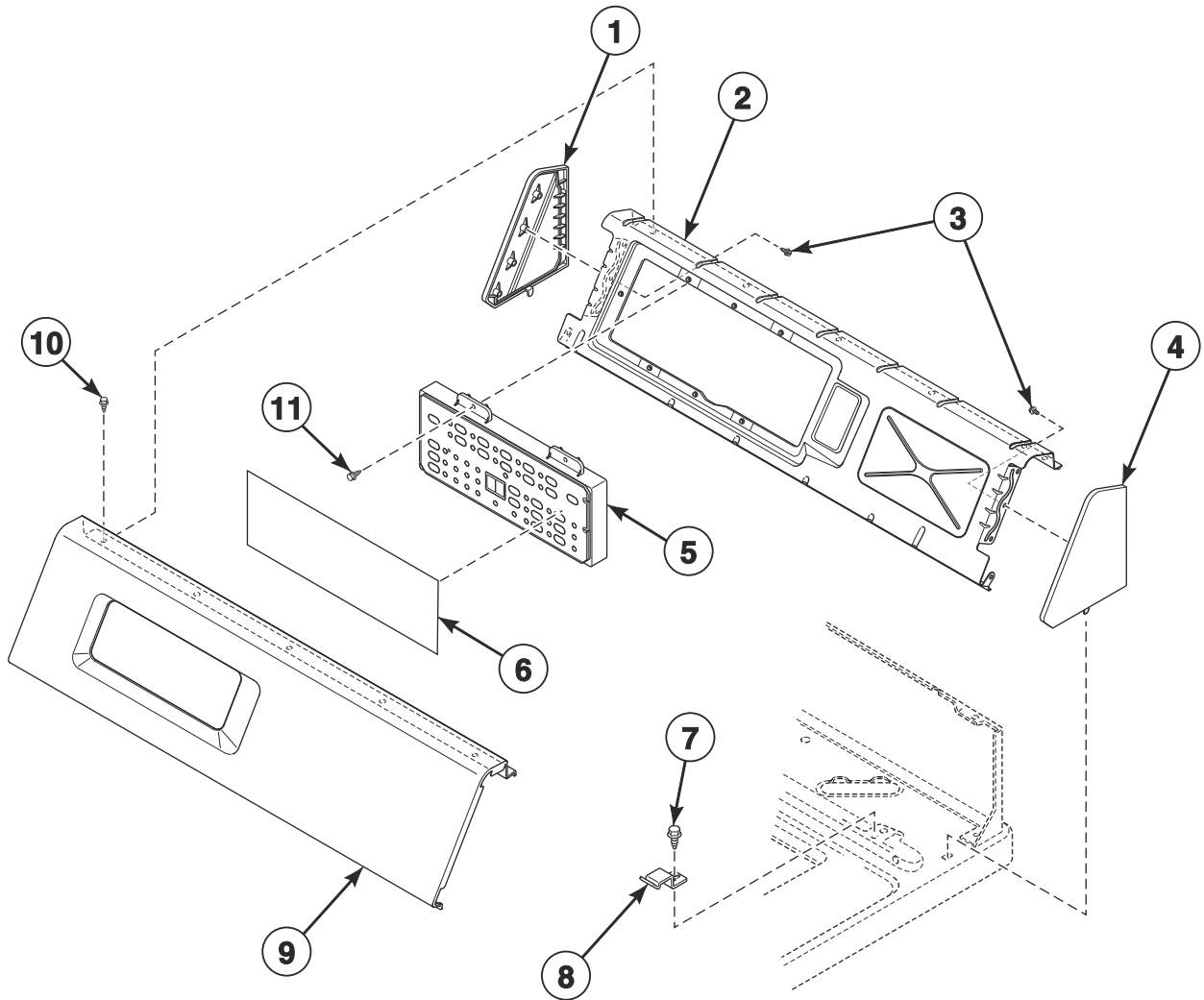


Graphic Panel, Control Support Panel and Controls Starting Serial No. 181000001

REF	PART NO.	DESCRIPTION	COMMENTS
1	203730W	End Cap	Left
2	203840	Control Support Panel	
3	203799	Screw	
4	204342	Screw	
5	800548	Screw	
6	204503	Screw	
7	204064P	Control Assembly	Models AWN43RSN115CW01, AWN43RSN115CW14, AWN43RSN115TW01 and ZWN43RSN115CW01
	205076P	Control Assembly	Models AWN43RSN116TW01, AWN43RSN116TW02 and ZWN43RSN116CW01
	205078P	Control Assembly	Models AWN63RSN116TW01 and ZWN63RSN116CW01
	205337	Control Assembly	Model FWN6ZRSN116TW01 through Serial No. 2107999999
	205351	Control Assembly	Model FWN6ZRSN116TW01 starting Serial No. 2108000001
	205202	Control Assembly	Model LWN6ZRSN116TW01 through Serial No. 2107999999
	205353	Control Assembly	Model LWN6ZRSN116TW01 starting Serial No. 2108000001
	204065P	Control Assembly	All other models
8	204266	Capacitive Touch Switch	
9	204365	Foam	
10	204488	LED Display Assembly	
11	203729W	End Cap	Right
12	23962	Screw	
13	35358	Hold-Down Clip	
14	204586	Graphic Panel	Models AWN43RSN115CW01 and AWN43RSN115TW01
	204610	Graphic Panel	Model AWN43RSN115CW14
	204609	Graphic Panel	Model AWN63RSN115CW14
	204996	Graphic Panel	Model AWN43RSN116TW01
	204997	Graphic Panel	Model AWN63RSN116TW01
	204998	Graphic Panel	Model ZWN43RSN116CW01
	204999	Graphic Panel	Model ZWN63RSN116CW01
	204910	Graphic Panel	Model ZWN43RSN115CW01
	204912	Graphic Panel	Model ZWN63RSN115CW01
	205182	Graphic Panel	Model FWN6ZRSN116TW01 through Serial No. 2107999999
	205355	Graphic Panel	Model FWN6ZRSN116TW01 starting Serial No. 2108000001
	205183	Graphic Panel	Model LWN6ZRSN116TW01 through serial No. 2107999999
	205356	Graphic Panel	Model LWN6ZRSN116TW01 starting Serial No. 2108000001
	205418	Graphic Panel	Model AWN43RSN116TW02
	204587	Graphic Panel	All other models
15	205106	Knob Assembly	Models FWN6ZRSN116TW01 and LWN6ZRSN116TW01
	806597	Knob Assembly	All other models
16	807075	Screw	

Graphic Panel, Control Support Panel and Controls and Electronic

Models AWNE9RSN115CW01, AWNE9RSN115CW14, AWNE9RSN115TW01, AWNE9RSN116TW01, ZWNE9RSN115CW01 and ZWNE9RSN116CW01

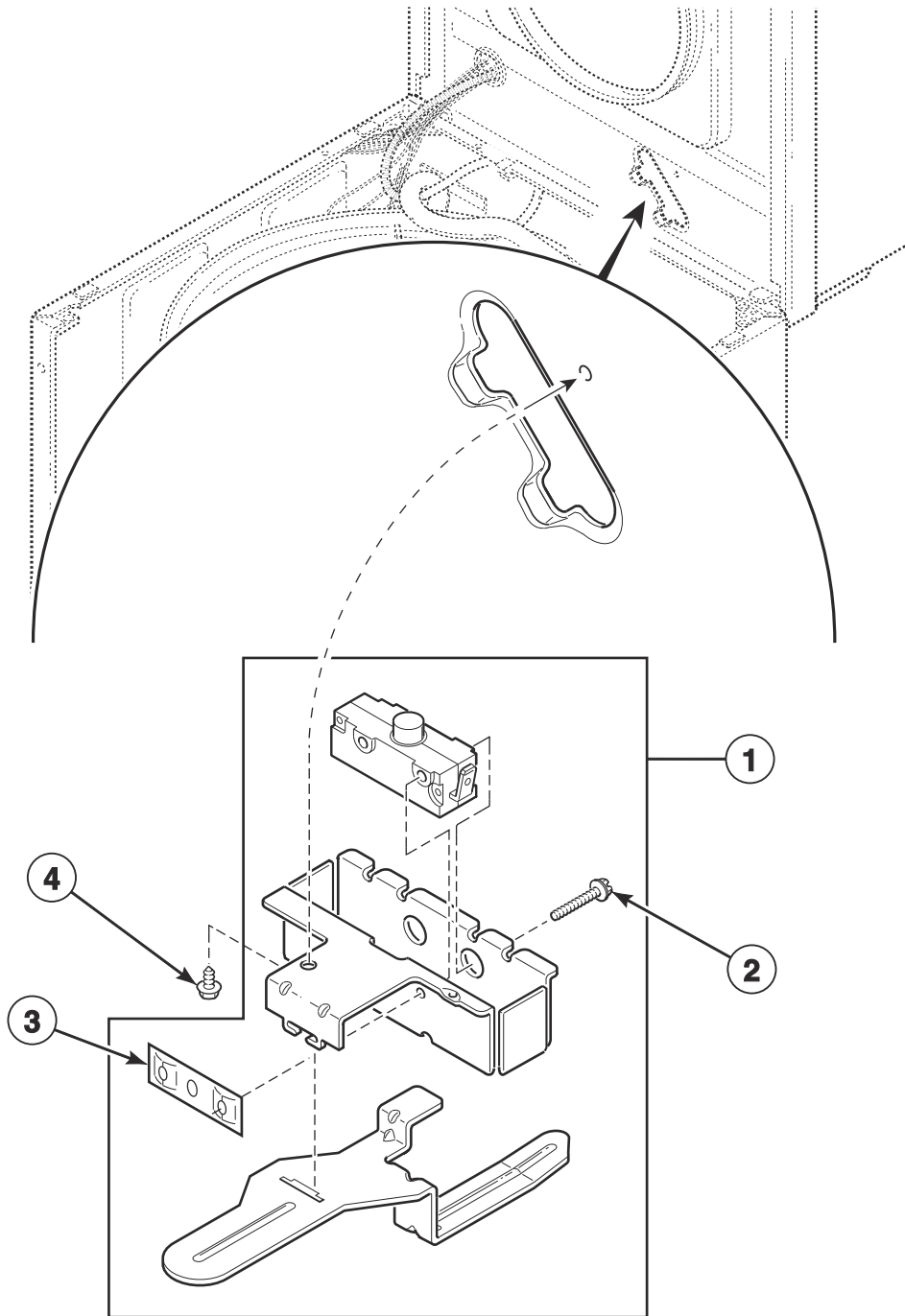


TLW1852P_204240

Graphic Panel, Control Support Panel and Controls and Electronic

REF	PART NO.	DESCRIPTION	COMMENTS
1	203730W	End Cap	Left
2	203708	Control Support Panel	
3	203799	Screw	
4	203729W	End Cap	Right
5	204852	Control Assembly	Models AWNE9RSN116TW01 and ZWNE9RSN116CW01; Includes item 6
	204074P	Control Assembly	Includes item 6; All other models
6	204405	Overlay	Model AWNE9RSN115CW14
	204404	Overlay	All other models
7	23962	Screw	
8	35358	Hold-Down Clip	
9	204051	Graphic Panel	Models ZWNE9RSN115CW01 and ZWNE9RSN116CW01
	203712	Graphic Panel	All other models
10	D501086	Screw	
11	804667	Screw	

Lid Switch Assembly

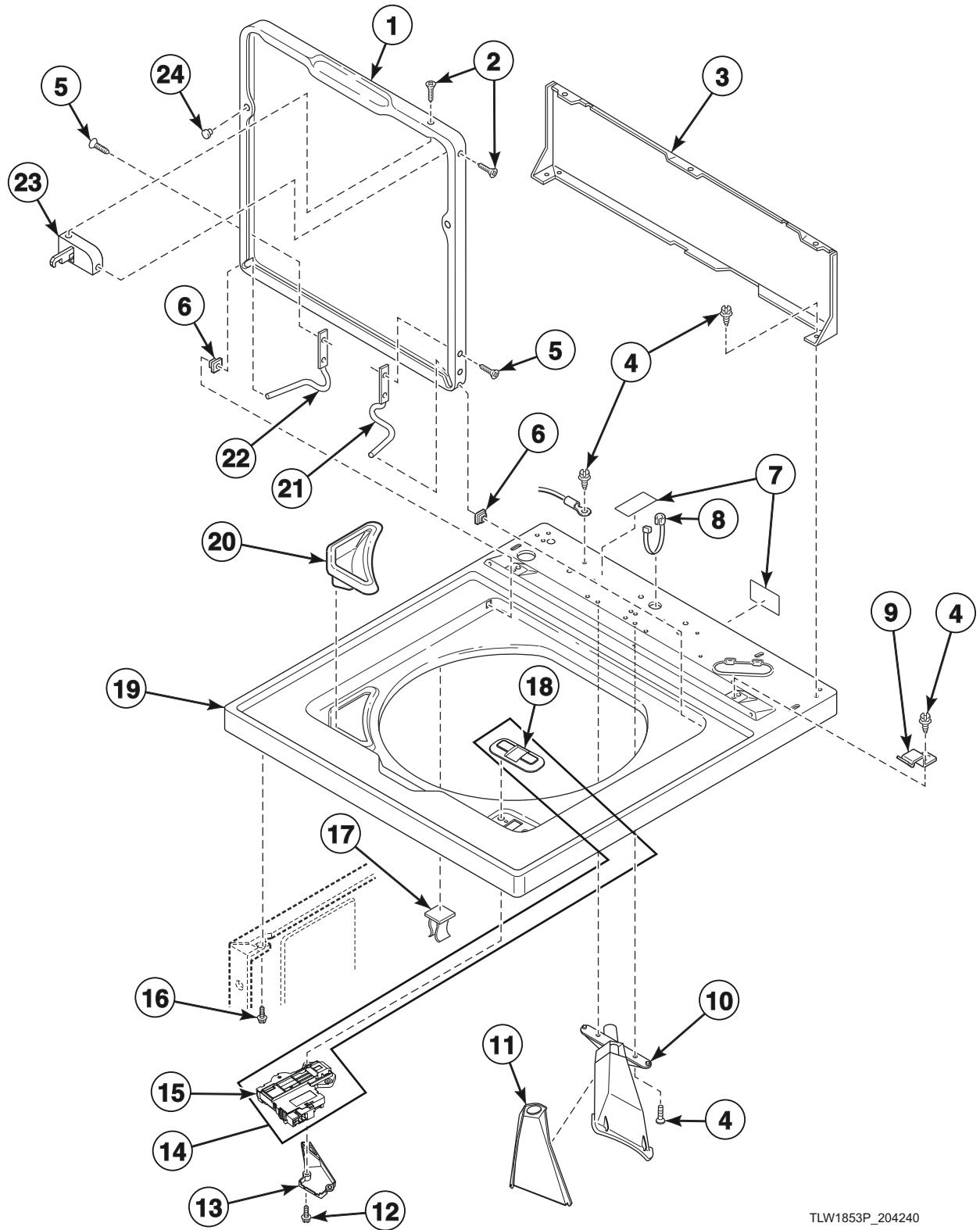


TLW1832B_204240

Lid Switch Assembly

REF	PART NO.	DESCRIPTION	COMMENTS
1	204696	Lid Switch Kit	
2	M402574	Screw	Use with single switch
	204656	Screw	Use with dual switch
3	M400981	Nut	Use with single switch
	M400979	Nut	Use with dual switch
4	23962	Screw	

Top, Lid and Hood Back Panel

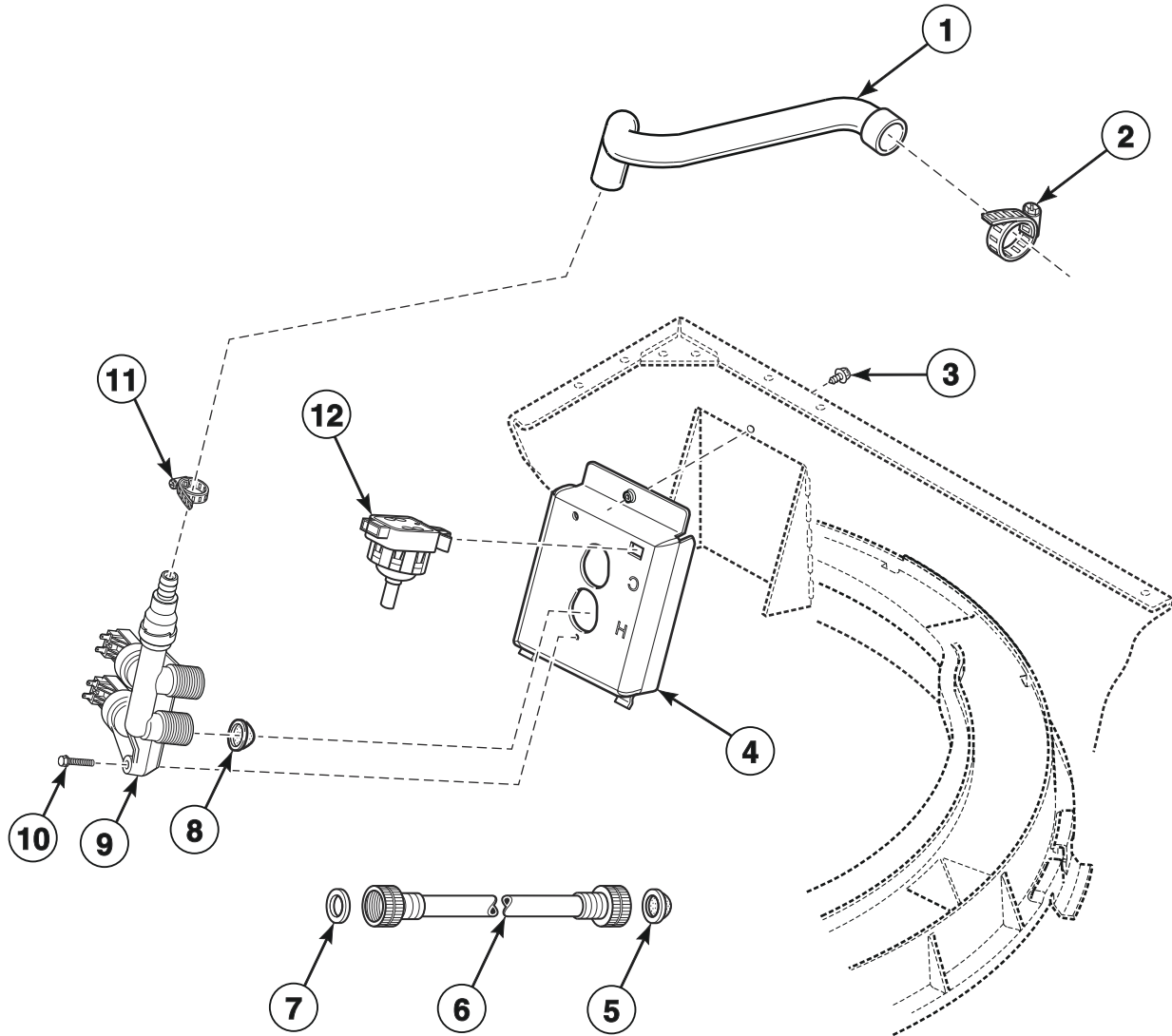


TLW1853P_204240

Top, Lid and Hood Back Panel

REF	PART NO.	DESCRIPTION	COMMENTS
1	203575W	Lid	
2	203755	Screw	
3	203733	Hood Back Panel	AWNE9RSN115CW01, AWNE9RSN115CW14, AWNE9RSN115TW01; All other models starting Serial No. 1810000001
	203915	Hood Back Panel	All other models through Serial Nos. beginning 1809
4	23962	Screw	
5	34337	Screw	
6	33446	Bushing	
7	D505281	Disconnect Power Warning Label	Models AWN43RSN115TW01, AWN43RSN116TW01, AWN43RSN116TW02, AWN63RSN115TW01, AWN63RSN116TW01, AWNE9RSN115TW01, AWNE9RSN116TW01, FWN6ZRSN116TW01 and LWN6ZRSN116TW01
	D500316	Warning Label	English/French; All other models
8	38384	Strain Relief	
9	35358	Hold-Down Clip	
10	202900	Inlet Deflector	
11	202894	Inlet Cover	
12	800548	Screw	
13	204038	Drip Tray	
14	205222	Lid Lock Kit	Starting Serial No. 1906000001; Includes items 18
15	204698	Lid Lock	Through Serial No. 1905999999
16	33562	Screw	
17	36519	Hinge Stop Clip	
18	203643	Lid Lock Bezel	
19	203632WP	Top Panel	
20	38382	Bleach Dispenser	
21	36437	Lid Hinge	Right
22	36513	Lid Hinge	Left
23	203573	Lid Lock Catch	
24	21685	Bumper	

Fill Hose, Mixing Valve-to-Tub Cover Hose, Mixing Valve and Bracket

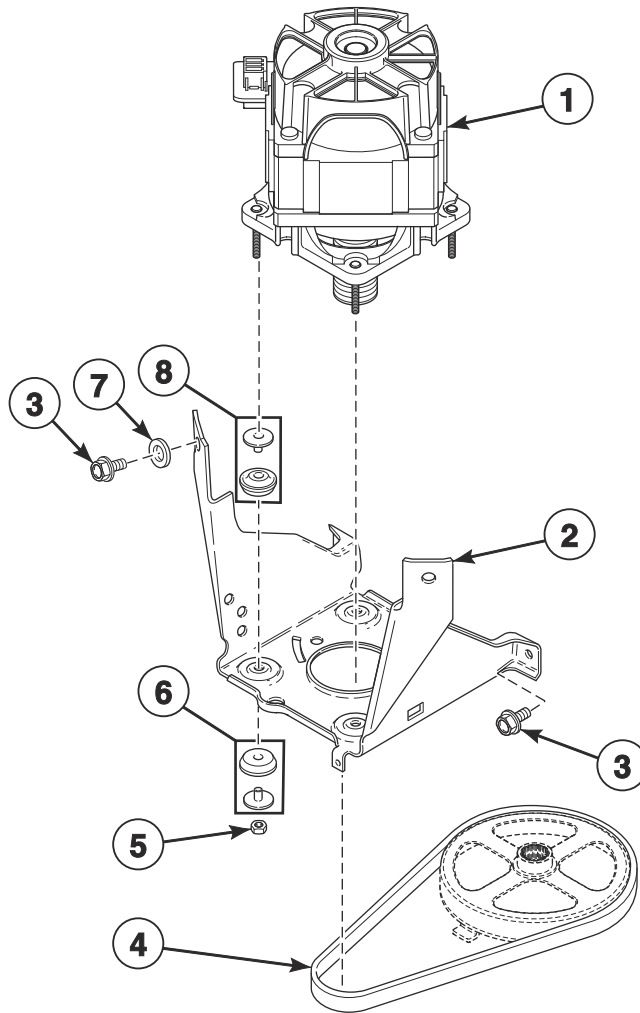


TLW1861P_204240

Fill Hose, Mixing Valve-to-Tub Cover Hose, Mixing Valve and Bracket

REF	PART NO.	DESCRIPTION	COMMENTS
1	202884	Valve to Inlet Hose	Through Serial No. 1812016076
	204400	Valve to Inlet Hose	Starting Serial No. 1812016077
2	800803	Hose Clamp	
3	33562	Screw	
4	204117	Mixing Valve Mounting Bracket	Through Serial No. 1812016076
	203558	Mixing Valve Mounting Bracket	Starting Serial No. 1812016077
5	803615	Washer	Filter screen
	802254	Washer	Flow restrictor; Water pressure reducer; Available for water pressure up to but not exceeding 120 psi
6	203719	Fill Hose	4 feet; Marked red for hot water
	203720	Fill Hose	4 feet; Marked blue for cold water
7	20290	Washer	
8	24122	Mixing Valve Screen	
9	202395P	Mixing Valve	Through Serial No. 1812016076
	203741	Mixing Valve	Starting Serial No. 1812016077
10	39397	Screw	
11	36801	Hose Clamp	
12	203843	Pressure Sensor	

Motor, Mounting Bracket and Belt

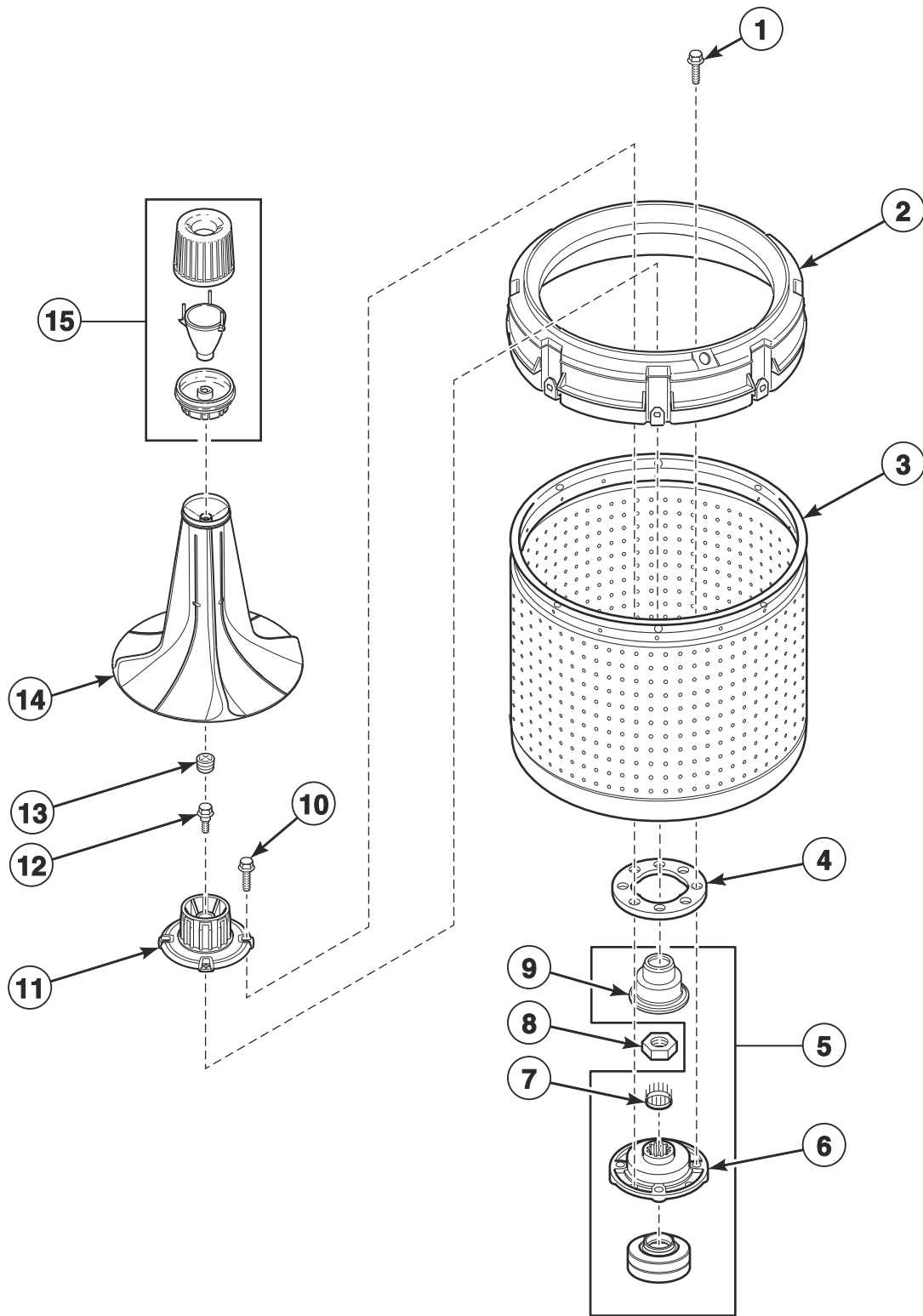


TLW1854P_204240

Motor, Mounting Bracket and Belt

REF	PART NO.	DESCRIPTION	COMMENTS
1	204556P	Motor	Models AWN43RSN116TW01, AWN43RSN116TW02, AWN63RSN116TW01, AWNE9RSN116TW01, FWN6ZRSN116TW01, LWN6ZRSN116TW01, ZWN43RSN116CW01, ZWN63RSN116CW01 and ZWNE9RSN116CW01
	204011P	Motor	All other models
2	200941	Motor Mount Bracket	
3	35369	Screw	
4	204690	Belt	
5	35423	Nut	
6	205322	Motor Mount and Isolator Assembly	Lower; Models FWN6ZRSN116TW01 and LWN6ZRSN116TW01
	204062	Motor Mount and Isolator Assembly	Lower; All other models
7	37772	Washer	
8	205323	Motor Mount and Isolator Assembly	Upper; Models FWN6ZRSN116TW01 and LWN6ZRSN116TW01
	204063	Motor Mount and Isolator Assembly	Upper; All other models

Agitator, Fabric Softener Dispenser, Drive Bell, Hub and Lip Seal Kit and Washtub

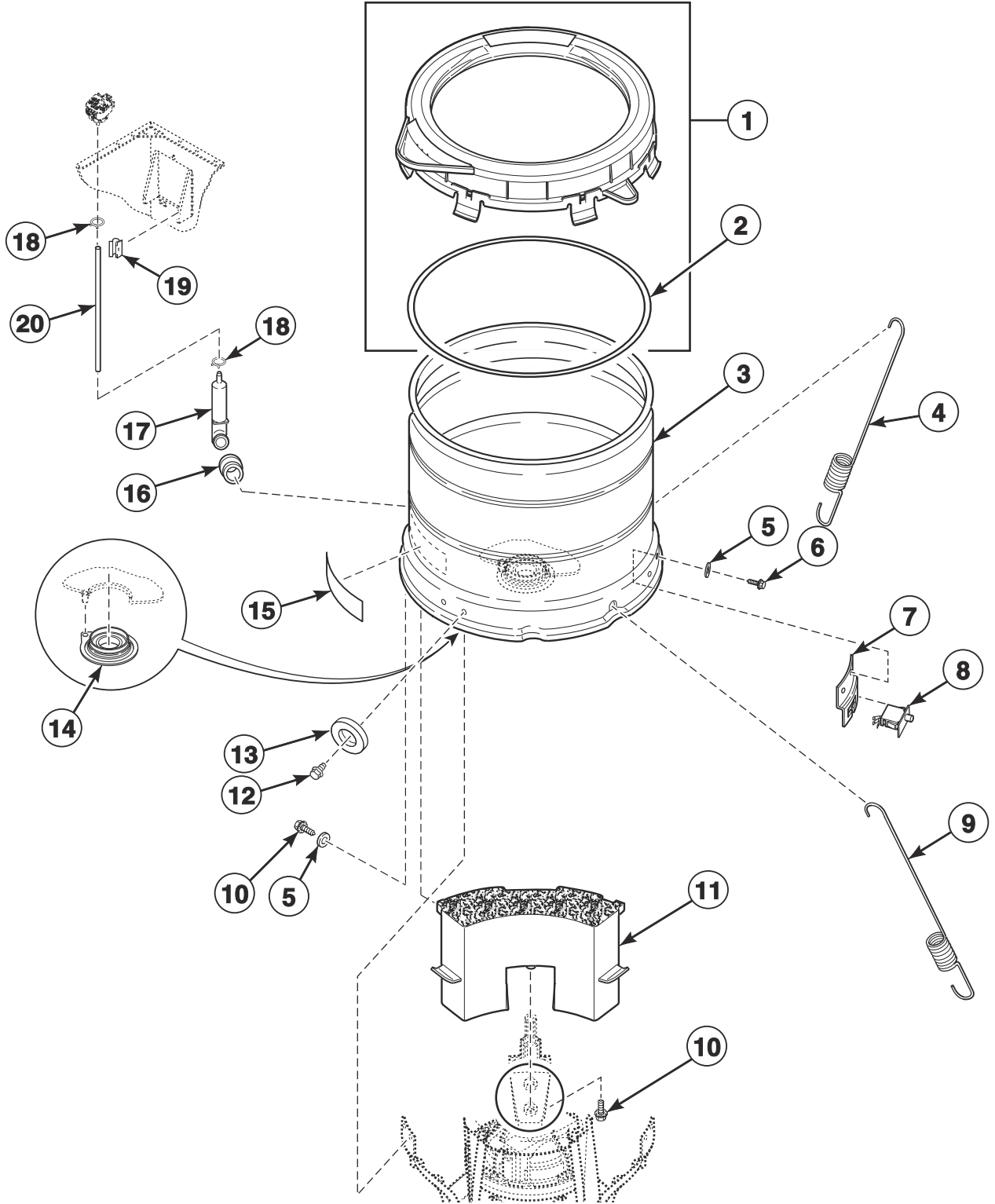


TLW1855P_204240

Agitator, Fabric Softener Dispenser, Drive Bell, Hub and Lip Seal Kit and Washtub

REF	PART NO.	DESCRIPTION	COMMENTS
1	27202	Screw	
2	39837	Balance Ring Assembly	
3	719P3	Washtub Kit	Stainless steel
4	39122	Washtub Gasket	
5	766P3A	Hub and Lip Seal Kit	DO NOT use any sealant other than 200996P Sealant; Includes item 10 and installation tool
	200996P	Sealant	Use with hub and lip seal kit
6	205306	Washtub Hub	
7	29728	Spline Insert	
8	29220	Nut	
9	36425	Bell and Transmission Tube Seal	Through Serial No. 1912999999
	205061	Drive Bell and Seal Kit	Starting Serial No. 2001000001
10	203792	Screw	
11	203851	Drive Bell	
12	39432	Screw	
13	36511	Bell Plug	
14	203852	Straight Agitator	
15	205225	Fabric Softener Dispenser Assembly	

Outer Tub, Cover, Bearing and Seal Housing, Pressure Hose and Counterweight

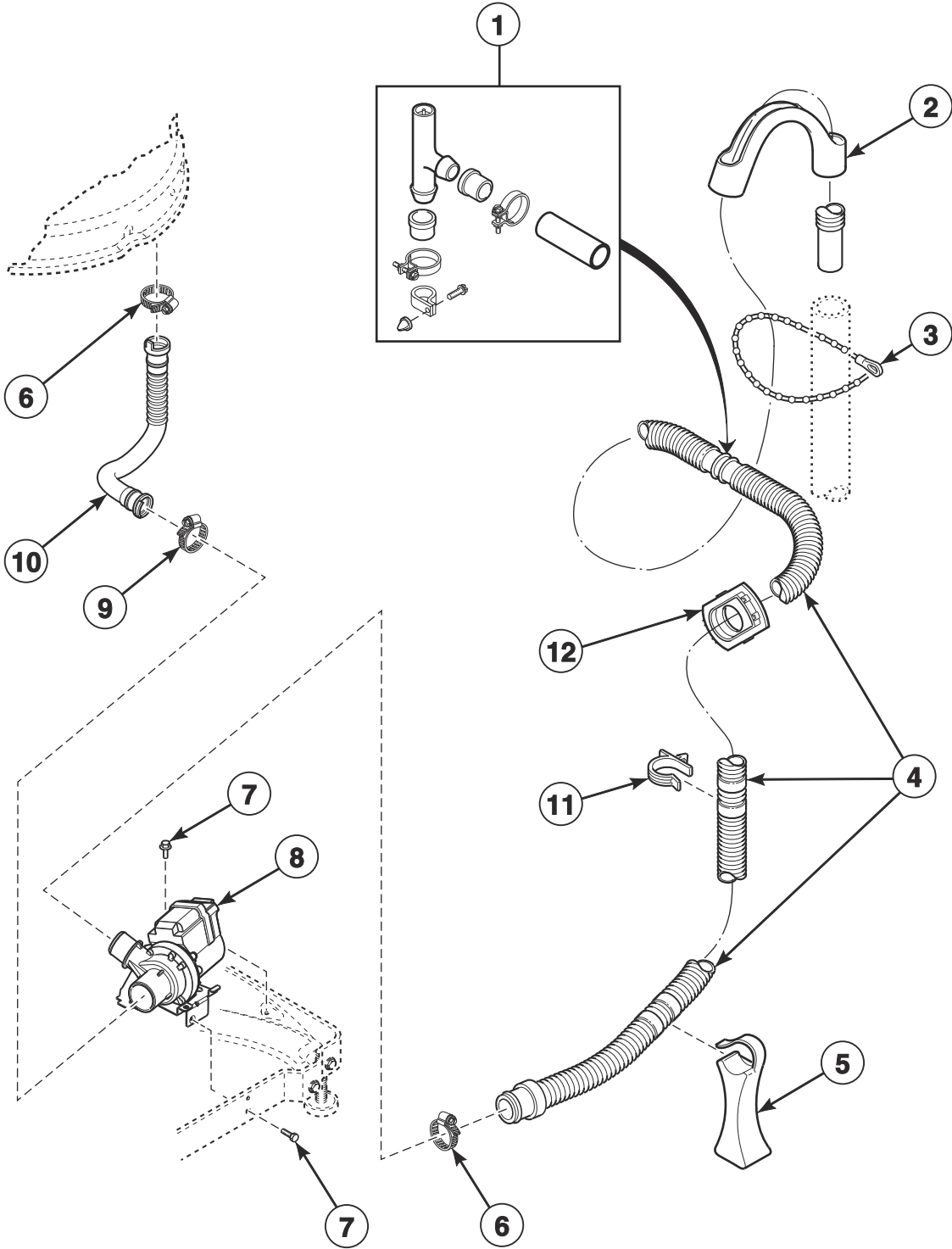


TLW1899P_204240

Outer Tub, Cover, Bearing and Seal Housing, Pressure Hose and Counterweight

REF	PART NO.	DESCRIPTION	COMMENTS
	204837	Out-of-Balance Kit	Includes items 6, 7, 8 and 204770 Drain Pump Harness, 204698 Lid Lock, 204717 Lid Lock Harness and 4-19-35 Important Instructions
1	203968	Tub Cover Assembly	Includes item 2
2	38359	Tub Cover Gasket	
3	203603P	Outer Tub Assembly	
	204383	Outer Tub Kit	Includes item 14 installed
4	37575	Leg Spring	Marked with blue paint; Use to replace four rear springs
5	39249	Washer	
6	35148	Screw	
7	203599	Bracket	Through Serial No. 1905999999
	204661	Bracket	Starting Serial No. 1906000001
8	803415	Out-of-Balance Switch Assembly	Through Serial No. 1905999999
	807384	Out-of-Balance Switch Assembly	Starting Serial No. 1906000001
9	37575	Leg Spring	Marked with blue paint; Use to replace two front springs; If either of two front springs are marked with green paint, must replace BOTH green springs
10	39566	Screw	
11	38769	Counterweight Assembly	
12	35369	Screw	
13	37772	Washer	
14	766P3A	Hub and Lip Seal Kit	
	200996P	Sealant	Use with hub and lip seal kit
15	D500049	Warning Label	Models AWN43RSN115TW01, AWN43RSN116TW01, AWN43RSN116TW02, AWN63RSN115TW01, AWN63RSN116TW01, AWNE9RSN115TW01, AWNE9RSN116TW01, FWN6ZRSN116TW01 and LWN6ZRSN116TW01
	D500314	Warning Label	English/French; All other models
16	29175	Grommet	
17	205241	Pressure Bulb	
18	39282	Hose Clamp	
19	21036	Cable Clip	
20	203802	Tubing	

Drain Pump, Drain Hose and Siphon Break Kit

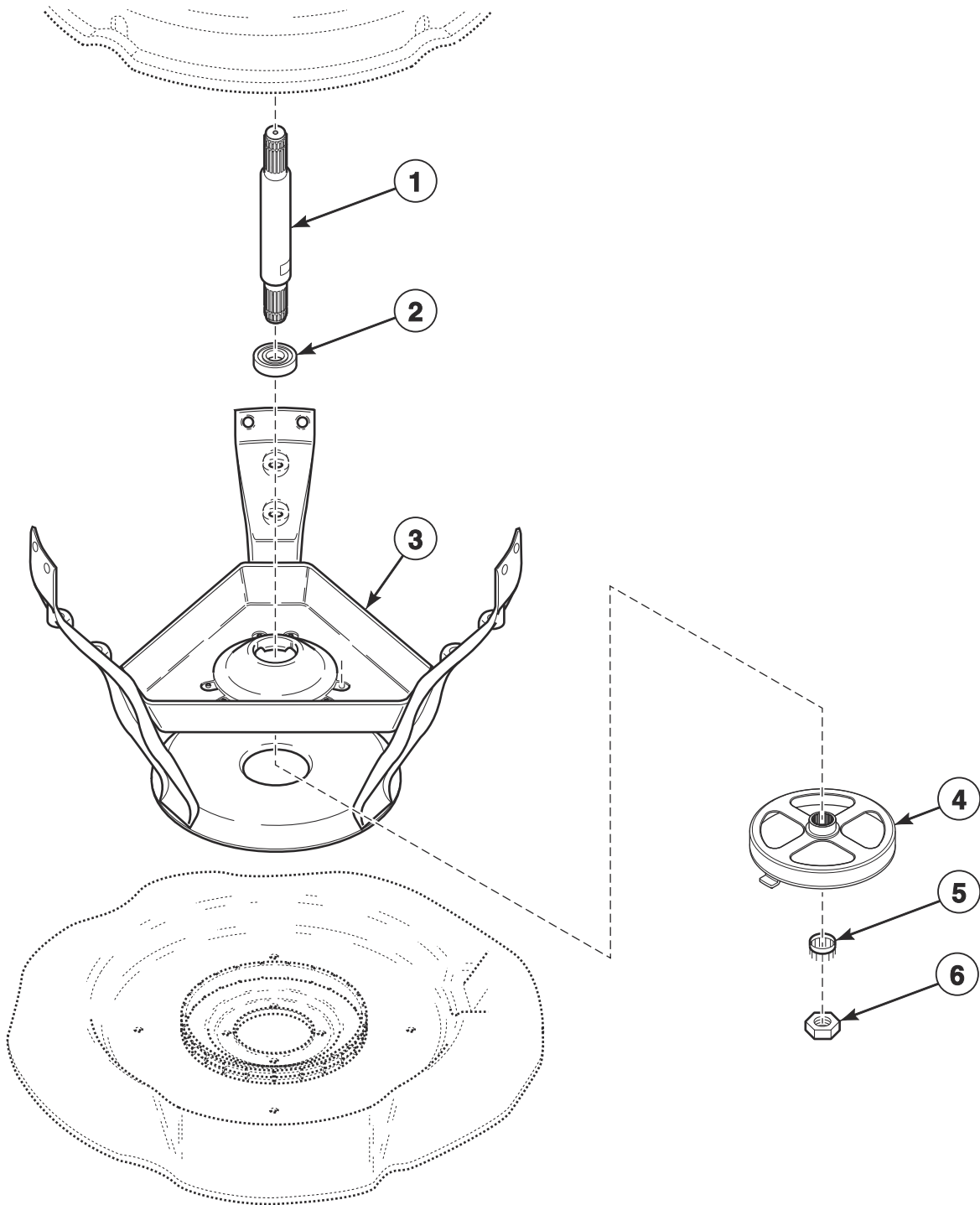


TLW1857P_204240

Drain Pump, Drain Hose and Siphon Break Kit

REF	PART NO.	DESCRIPTION	COMMENTS
	204512	Drain Extension Kit	
1	562P3	Siphon Break Kit	Siphon break kit MUST be installed in drain hose if drain receptacle is lower than cabinet top of washer
2	33615	Drain Hose Sleeve	
3	33489	Standpipe Strap	
4	203588	Drain Hose	
5	38732	Hose Stand	
6	F200204	Hose Clamp	
7	31645	Screw	
8	203885	Pump and Bracket	
9	90554	Hose Clamp	
10	203560	Tub-to-Pump Hose	
11	36014	Retainer Clip	
12	32219	Strain Relief	

Weldment and Bearing Assembly, Drive Shaft and Pulley

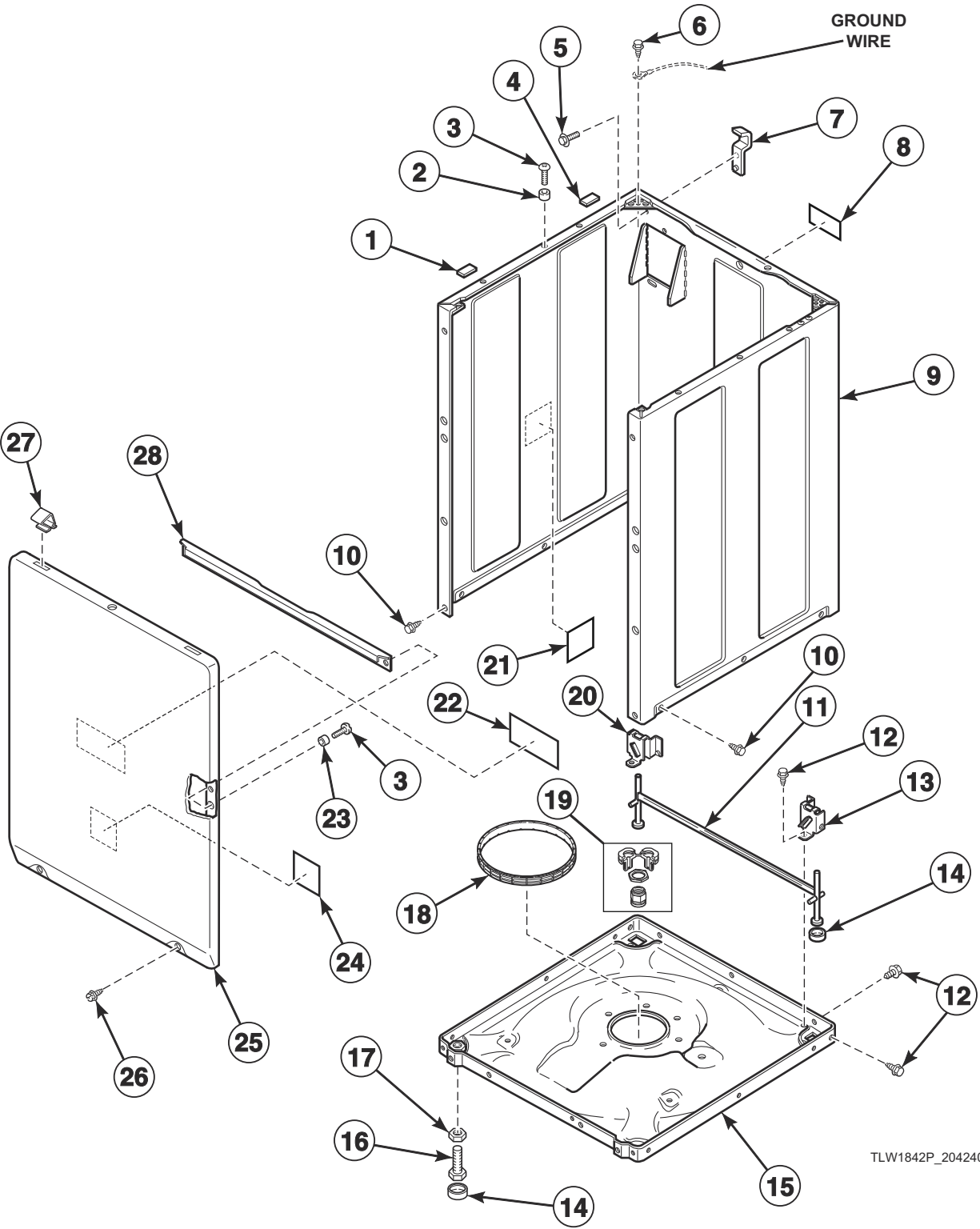


TLW1858P_204240

Weldment and Bearing Assembly, Drive Shaft and Pulley

REF	PART NO.	DESCRIPTION	COMMENTS
1	204901	Drive Shaft	
2	28944RP	Lower Bearing	
3	39253	Weldment and Bearing Assembly	
4	204667	Drive Pulley	
5	29728	Spline Insert	
6	29220	Nut	

Front Panel, Base Assembly and Cabinet Kit

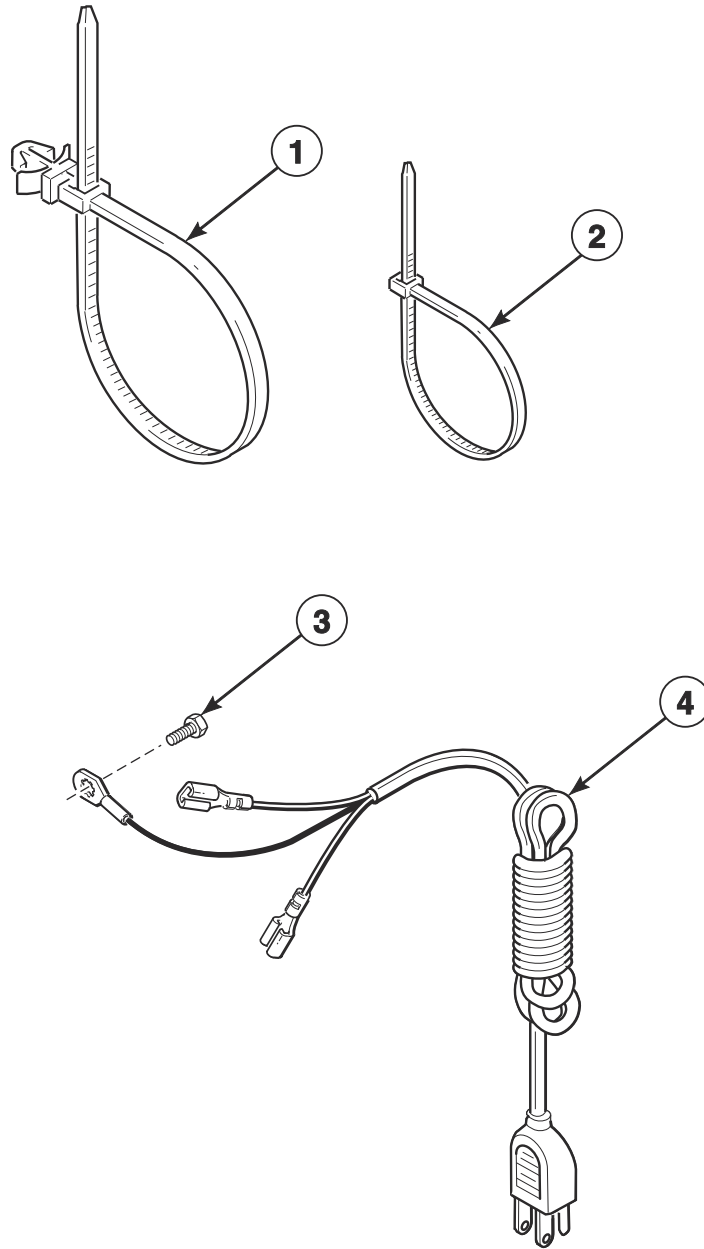


TLW1842P_204240

Front Panel, Base Assembly and Cabinet Kit

REF	PART NO.	DESCRIPTION	COMMENTS
	122P4P	Porcelain Touch-Up Paint	
1	56128	Bumper Pad	
2	56079	Panel Locator	
3	39733	Screw	
4	36226	Bumper Pad	
5	51780	Screw	
6	D501086	Screw	
7	27103	Hold-Down Lug Hinge	
8	803260	Warning Label	
9	38612WP	Service Cabinet Kit	
10	27196	Screw	
11	34443	Leg and Stabilizer Assembly	
12	35148	Screw	
13	36036	Bracket	Right
14	34318	Rubber Foot	
15	39788	Base Assembly	
16	34319	Leveling Leg	
17	21899	Nut	
18	37937	Friction Ring	
19	566P3	Adjustable Leg Extension Kit	
20	36037	Bracket	Left
21	39480	Foam Pad	
22	36204	Front Panel Pad	
23	28102	Panel Locator	
24	203484	Foam Pad	
25	204870	Front Panel	
26	38272	Screw	
27	35865	Hold-Down Clip	
28	35097	Front Panel Brace	

Lead-In Cord and Cable Ties

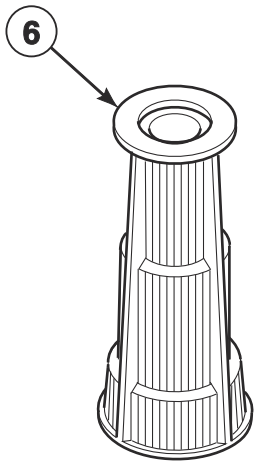
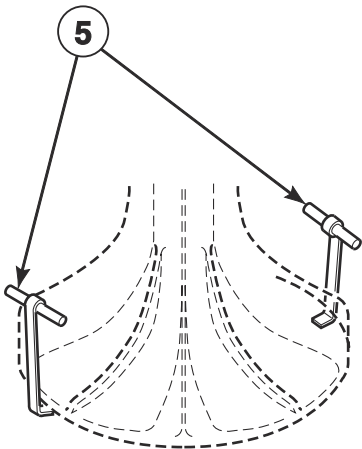
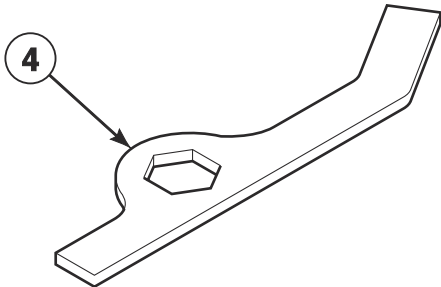
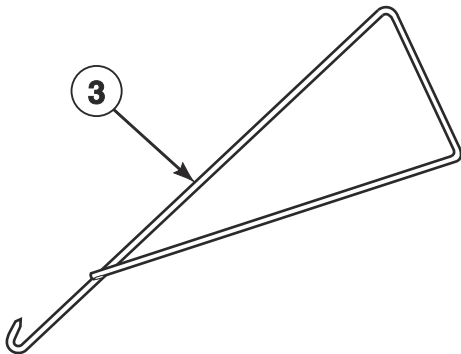
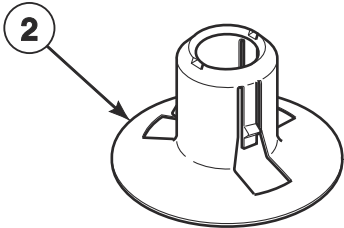
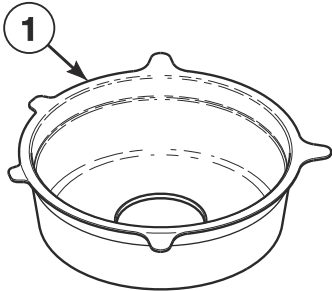


TLW1865P_204240

Lead-In Cord and Cable Ties

REF	PART NO.	DESCRIPTION	COMMENTS
1	804724	Cable Tie	6 inches: Push mount
2	F140605	Cable Tie	6 inches
3	D503688	Screw	
4	202777	Lead-In Cord	

Shipping Brace, Plug and Special Tools



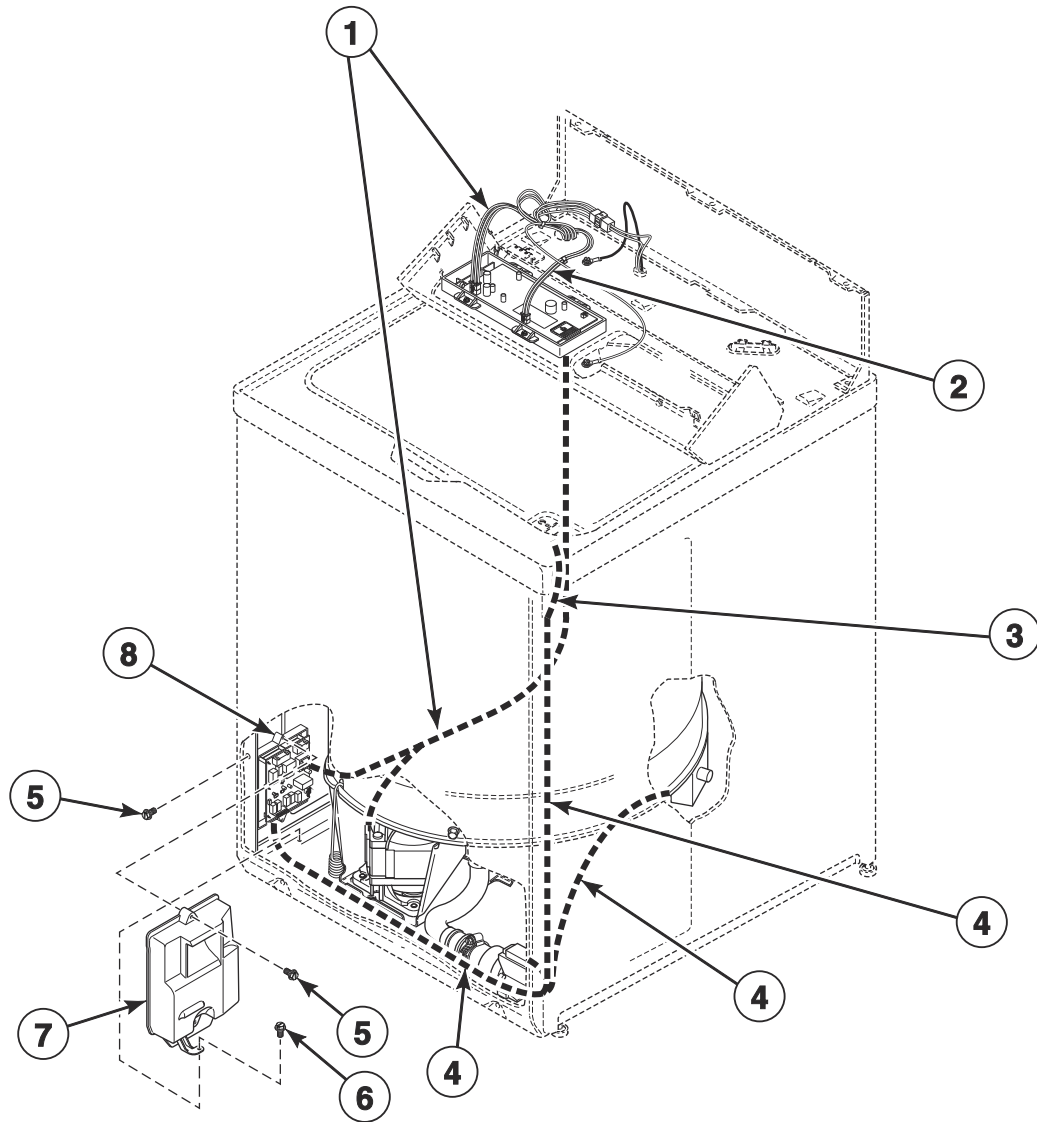
TLW1859P_204240

Shipping Brace, Plug and Special Tools

REF	PART NO.	DESCRIPTION	COMMENTS
	392P4	Wrench	
1	204678	Shipping Brace	Install whenever moving washer; Remove before use
2	38149	Shipping Plug	Install before moving washer to prevent tub from damaging cabinet
3	321P4	Spring Hook Tool	For removal of module springs from outer tub
4	306P4	Hex Wrench Tool	For removal of locknut from washtub hub
5	254P4P	Agitator Hook	Set of 2; Use to remove agitator from drive bell
6	293P4	Drive Bell Seal Tool	For installation of 36425 Bell and Transmission Tube Seal

Output Board, Wire Harnesses and Wires

Models AWNE9RSN115CW01, AWNE9RSN115CW14, AWNE9RSN115TW01, AWNE9RSN116TW01, ZWNE9RSN115CW01 and ZWNE9RSN116CW01



TLW1860P_204240

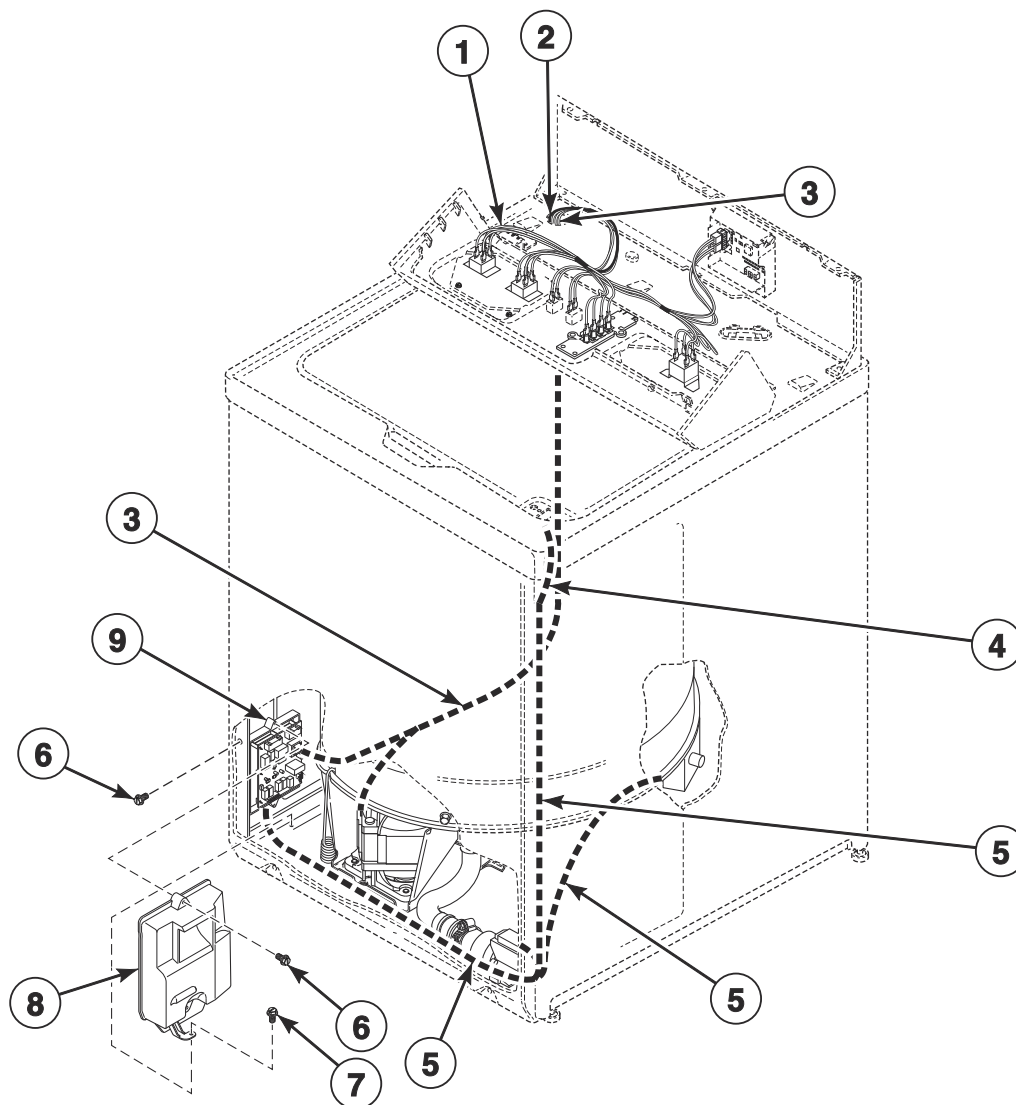
Output Board, Wire Harnesses and Wires

REF	PART NO.	DESCRIPTION	COMMENTS
1	204715	Control Drive Harness	
2	204572	Pressure Sensor Harness	
3	203664	Lid Lock Harness	Through Serial No. 1905999999
	204717	Lid Lock Harness	Starting Serial No. 1906000001
4	203661	Drain Pump Harness	Through Serial No. 1905999999
	204770	Drain Pump Harness	Starting Serial No. 1906000001
5	203799	Screw	
6	31645	Screw	
7	203612	Drive Cover	
8	203657P	Drive Control Assembly	Through Serial No. 2001999999
	204659P	Drive Control Assembly	Starting Serial No. 2002000001

NOTE: Individual wires are not available separately. Order complete wire harness, or order wire by the foot. When applying terminals to wires, it is recommended that the terminals be soldered to the wires.

Drive Control, Wire Harnesses and Wires

Models AWN43RSN115CW01, AWN43RSN115CW14, AWN43RSN115TW01, AWN43RSN116TW01, AWN43RSN116TW02, AWN63RSN115CW01, AWN63RSN115CW14, AWN63RSN115TW01, AWN63RSN116TW01, FWN6ZRSN116TW01, LWN6ZRSN116TW01, ZWN43RSN115CW01, ZWN43RSN116CW01, ZWN63RSN115CW01 and ZWN63RSN116CW01



TLW1863P_204240

Drive Control, Wire Harnesses and Wires

REF	PART NO.	DESCRIPTION	COMMENTS
	45001	18 Gauge Wire	Black; Order wire by foot and terminals as required
	45380	12 Gauge Wire	Orange; Order wire by foot and terminals as required
1	203808	Hood Harness	Used through Serial No. 1809999999
2	204572	Pressure Sensor Harness	Through Serial No. 1809999999
	204113	Pressure Sensor Harness	Starting Serial No. 1810000001
3	204715	Control Drive Harness	
4	203664	Lid Lock Harness	Through Serial No. 1905999999
	204717	Lid Lock Harness	Starting Serial No. 1906000001
5	203661	Drain Pump Harness	Through Serial No. 1905999999
	204770	Drain Pump Harness	Starting Serial No. 1906000001
6	203799	Screw	
7	31645	Screw	
8	203612	Drive Cover	
9	204659P	Drive Control Assembly	Models AWN43RSN116TW01, AWN43RSN116TW02, AWN63RSN116TW01, FWN6ZRSN116TW01, LWN6ZRSN116TW01, ZWN43RSN116CW01 and ZWN63RSN116CW01
	203657P	Drive Control Assembly	All other models

NOTE: Individual wires are not available separately. Order complete wire harness, or order wire by the foot. When applying terminals to wires, it is recommended that the terminals be soldered to the wires.

Parts Index

A

Adjustable Leg Extension Kit	
566P3	27
Agitator Hook	
254P4P	31

B

Balance Ring Assembly	
39837	19
Base Assembly	
39788	27
Bell and Transmission Tube Seal	
36425	19
Bell Plug	
36511	19
Belt	
204690	17
Bleach Dispenser	
38382	13
Bracket	
203599	21
204661	21
36036	27
36037	27
Bumper	
21685	13
Bumper Pad	
36226	27
56128	27
Bushing	
33446	13

C

Cable Clip	
21036	21
Cable Tie	
F140605	29
804724	29
Capacitive Touch Switch	
204266	7
Control Assembly	
204064P	7
204065P	7
204074P	9
204141P	5
204163P	5
204852	9
205076P	7
205078P	7
205202	7
205337	7
205351	7
205353	7
Control Drive Harness	
204715	33, 35

Control Support Panel	
203708	9
203840	5, 7
Counterweight Assembly	
38769	21
Cycle Selector Switch	
203976	5
203977	5

D

Disconnect Power Warning Label	
D505281	13
Drain Extension Kit	
204512	23
Drain Hose	
203588	23
Drain Hose Sleeve	
33615	23
Drain Pump Harness	
203661	33, 35
204770	33, 35
Drip Tray	
204038	13
Drive Bell	
203851	19
Drive Bell and Seal Kit	
205061	19
Drive Bell Seal Tool	
293P4	31
Drive Control Assembly	
203657P	33, 35
204659P	33, 35
Drive Cover	
203612	33, 35
Drive Pulley	
203531	25
Drive Shaft	
204901	25

E

End Cap	
203729W	5, 7, 9
203730W	5, 7, 9

F

Fabric Softener Dispenser Assembly	
205225	19
Fill Hose	
203719	15
203720	15
Foam	
204365	7
Foam Pad	
203484	27
39480	27

N/A items do not appear in index.

Friction Ring 37937	27
Front Panel 204870	27
Front Panel Brace 35097	27
Front Panel Pad 36204	27

G

Graphic Panel 203712	9
203735	5
203989	5
204009	5
204010	5
204051	9
204586	7
204587	7
204609	7
204610	7
204910	7
204912	7
204996	7
204997	7
204998	7
204999	7
205182	7
205183	7
205355	7
205356	7
205418	7
Grommet 29175	21

H

Hex Wrench Tool 306P4	31
Hinge Stop Clip 36519	13
Hold-Down Clip 35358	5, 7, 9, 13
35865	27
Hold-Down Lug Hinge 27103	27
Hood Back Panel 203733	13
203915	13
Hood Harness 203808	35
Hose Clamp F200204	23
36801	15
39282	21
800803	15
90554	23
Hose Stand 38732	23
Hub and Lip Seal Kit 766P3A	19, 21

I

Inlet Cover 202894	13
Inlet Deflector 202900	13

K

Knob Assembly 205106	7
806597	5, 7

L

Lead-In Cord 202777	29
LED Display Assembly 204396	5
204488	7
Leg and Stabilizer Assembly 34443	27
Leg Spring 37575	21
Leveling Leg 34319	27
Lid 203575W	13
Lid Hinge 36437	13
36513	13
Lid Lock 204698	13
Lid Lock Bezel 203643	13
Lid Lock Catch 203573	13
Lid Lock Harness 203664	33, 35
204717	33, 35
Lid Lock Kit 205222	13
Lid Switch Kit 204696	11
Lower Bearing 28944RP	25

M

Mixing Valve 202395P	15
203741	15
Mixing Valve Mounting Bracket 203558	15
204117	15
Mixing Valve Screen 24122	15
Motor 204011P	17

N/A items do not appear in index.

204556P.....	17
Motor Mount and Isolator Assembly	
204062.....	17
204063.....	17
Motor Mount Bracket	
200941.....	17

N

Nut	
M400979.....	11
M400981.....	11
21899.....	27
29220.....	19, 25
35423.....	17

O

Outer Tub Assembly	
203603P.....	21
Outer Tub Kit	
204383.....	21
Out-of-Balance Kit	
204837.....	21
Out-of-Balance Switch Assembly	
803415.....	21
807384.....	21
Overlay	
204404.....	9
204405.....	9

P

Panel Locator	
28102.....	27
56079.....	27
Porcelain Touch-Up Paint	
122P4P.....	27
Pressure Bulb	
205241.....	21
Pressure Sensor	
203843.....	15
Pressure Sensor Harness	
204113.....	35
204572.....	33, 35
Pump and Bracket	
203885.....	23
Push Button Switch	
203935.....	5

R

Retainer Clip	
36014.....	23
Rocker Switch	
203934.....	5
Rubber Foot	
34318.....	27

S

Screw	
D501086.....	5, 9, 27
D503688.....	29
M402574.....	11
203755.....	13
203792.....	19
203799.....	5, 7, 9, 33, 35
204342.....	7
204503.....	7
204656.....	11
23962.....	5, 7, 9, 11, 13
27196.....	27
27202.....	19
31645.....	23, 33, 35
33562.....	13, 15
34337.....	13
35148.....	21, 27
35369.....	17, 21
38272.....	27
39397.....	15
39432.....	19
39566.....	21
39733.....	27
51780.....	27
800548.....	7, 13
804608.....	5
804667.....	9
807075.....	7

Sealant	
200996P.....	19, 21
Service Cabinet Kit	
38612WP.....	27
Shipping Brace	
204678.....	31
Shipping Plug	
38149.....	31
Siphon Break Kit	
562P3.....	23
Spline Insert	
29728.....	19, 25
Spring Hook Tool	
321P4.....	31
Standpipe Strap	
33489.....	23
Straight Agitator	
203852.....	19
Strain Relief	
32219.....	23
38384.....	13

T

Temperature Switch	
35115.....	5
36335.....	5
Top Panel	
203632WP.....	13
Tub Cover Assembly	
203968.....	21
Tub Cover Gasket	
38359.....	21

N/A items do not appear in index.

Tubing	
203802	21
Tub-to-Pump Hose	
203560	23

V

Valve to Inlet Hose	
202884	15
204400	15

W

Warning Label	
D500049	21
D500314	21
D500316	13
803260	27
Washer	
20290	15
37772	17, 21
39249	21
802254	15
803615	15
Washtub Gasket	
39122	19
Washtub Hub	
205306	19
Washtub Kit	
719P3	19
Weldment and Bearing Assembly	
39253	25
Wire, 12 Gauge	
45380	35
Wire, 18 Gauge	
45001	35
Wrench	
392P4	31
