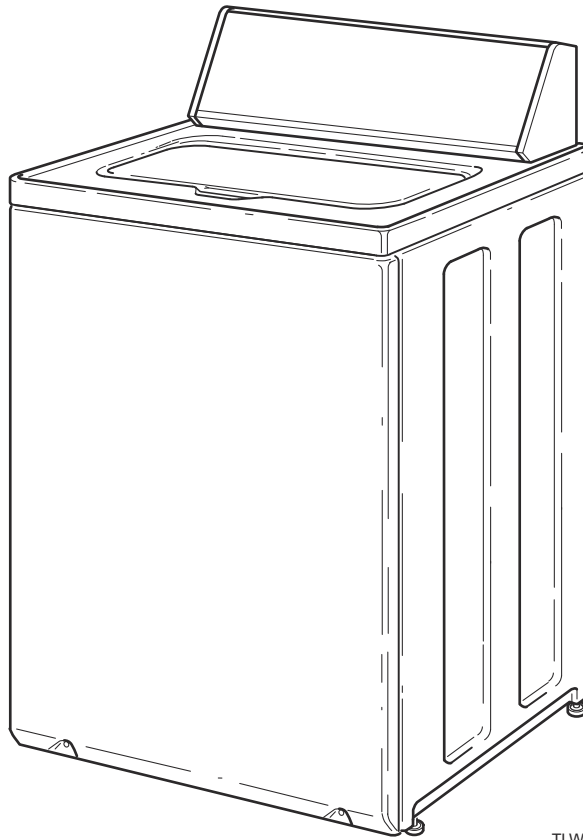


Home Topload Washers

Refer to Page 3 for Model Numbers



TLW24C_204589

Parts

Alliance[™]
Laundry Systems

www.alliancelaundry.com

Part No. 204589R5
September 2021

Table of Contents

Title	Page
Parts Ordering Information.....	2
Serial Plate Location	2
Model Identification	3
Graphic Panel, Control Support Panel and Controls (Drawing 1 of 3).....	4
Graphic Panel, Control Support Panel and Controls (Drawing 2 of 3).....	6
Graphic Panel, Control Support Panel and Controls (Drawing 3 of 3).....	8
Lid Switch Assembly	10
Top, Lid and Hood Back Panel	12
Fill Hose, Mixing Valve-to-Tub Cover Hose, Mixing Valve and Bracket.....	14
Motor, Mounting Bracket and Belt.....	16
Agitator, Fabric Softener Dispenser, Drive Bell, Hub and Lip Seal Kit and Washtub.....	18
Outer Tub, Cover, Bearing and Seal Housing, Pressure Hose and Counterweight.....	20
Drain Pump, Drain Hose and Siphon Break Kit	22
Weldment and Bearing Assembly, Drive Shaft and Pulley	24
Front Panel, Base Assembly and Cabinet Kit	26
Lead-In Cord and Cable Ties	28
Shipping Brace, Plug and Special Tools	30
Output Board, Wire Harnesses and Wires	32
Drive Control, Wire Harnesses and Wires	34
Parts Index.....	37

© Copyright 2021, Alliance Laundry Systems LLC

All rights reserved. No part of the contents of this book may be reproduced or transmitted in any form or by any means without the expressed written consent of the publisher.

Parts Ordering Information

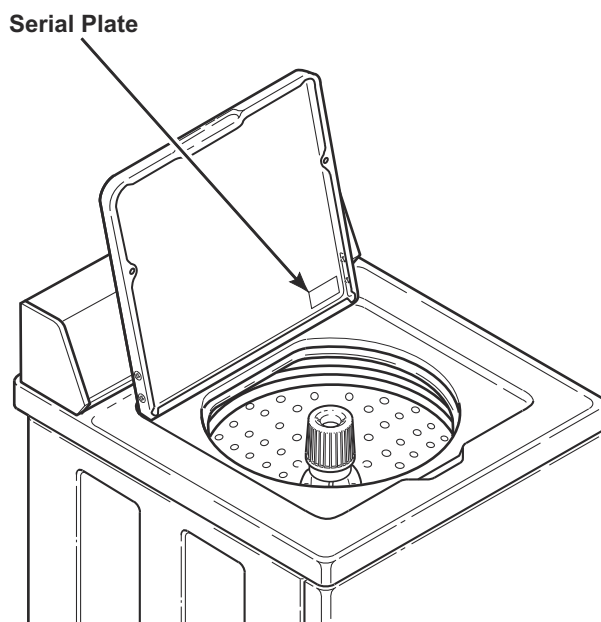
If literature or replacement parts are required, contact the source from whom the machine was purchased or contact Alliance Laundry Systems at (920) 748-3950 for the name and address of the nearest authorized parts distributor.

For technical assistance, call the number listed below:

(920) 748-3121 Ripon, Wisconsin

Serial Plate Location

When calling or writing about your product, be sure to mention model and serial numbers. Model and serial numbers are located on serial plate(s) as shown.



TLW1851P_204589

Model Identification

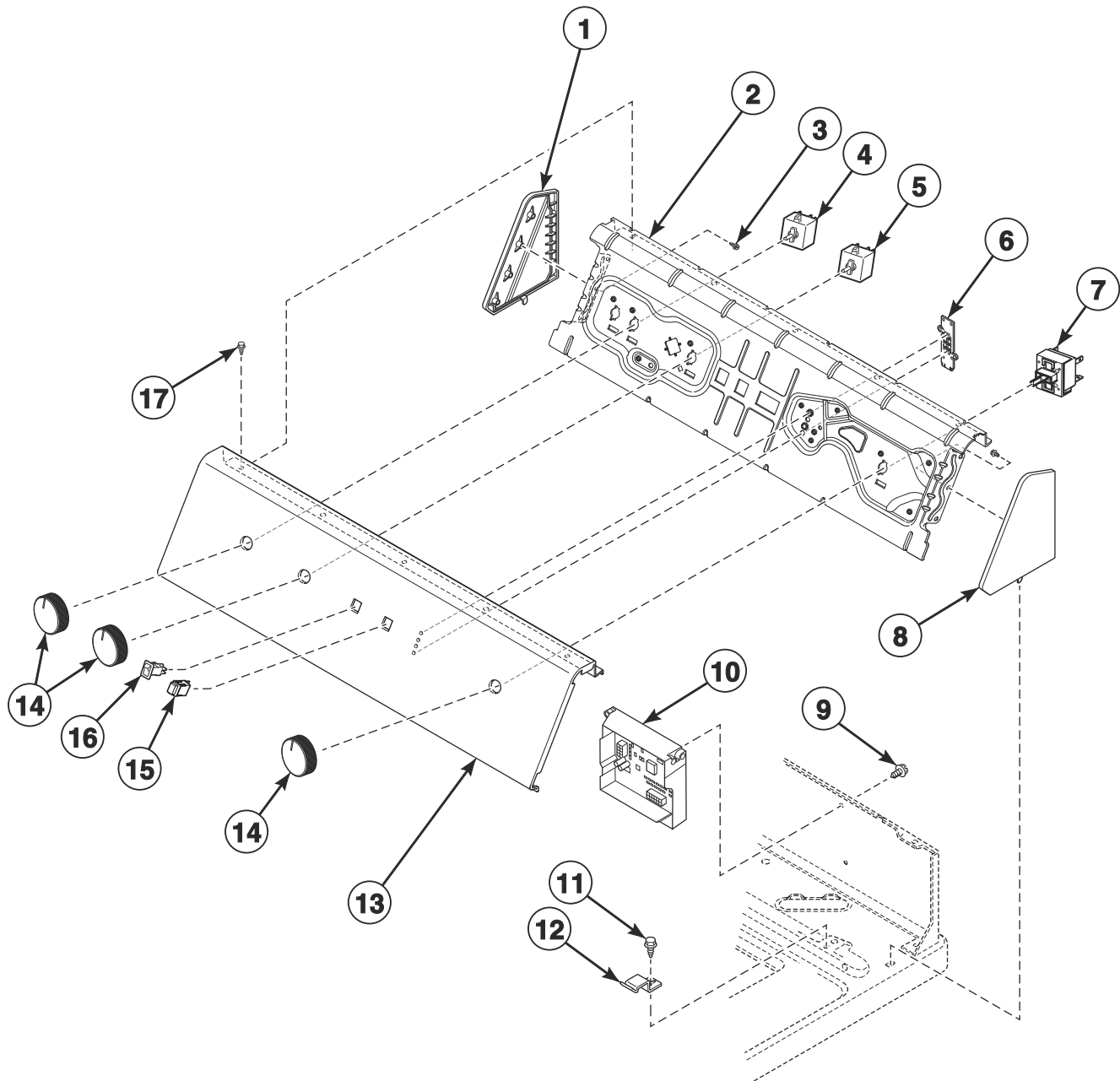
Information in this manual is applicable to these washer models:

AWN43RSN305LW01
AWN43RSN305NW29
AWN43RSN305NW49
AWN43RSN305XW01
AWN63RSN125DW01
AWN63RSN545DW01
AWNE8RSN115FW01
AWNE8RSN305SW01
AWNE8RSN545RW01
AWNE9RSN115FW01
AWNE9RSN125DW01
AWNE9RSN305LW01
AWNE9RSN305NW29
AWNE9RSN305NW36
AWNE9RSN305SW01
AWNE9RSN305XW01
AWNE9RSN305XW34
AWNE9RSN545DW01
AWNE9RSN545RW01

ZWNE8RSN115FW01
ZWNE8RSN545RW01
ZWNE9RSN115FW01
ZWNE9RSN305NW29

Graphic Panel, Control Support Panel and Controls (Drawing 1 of 3)

Models AWN43RSN305LW01, AWN43RSN305XW01, AWN63RSN125DW01 and AWN63RSN545DW01
Through Serial No. 1810000000



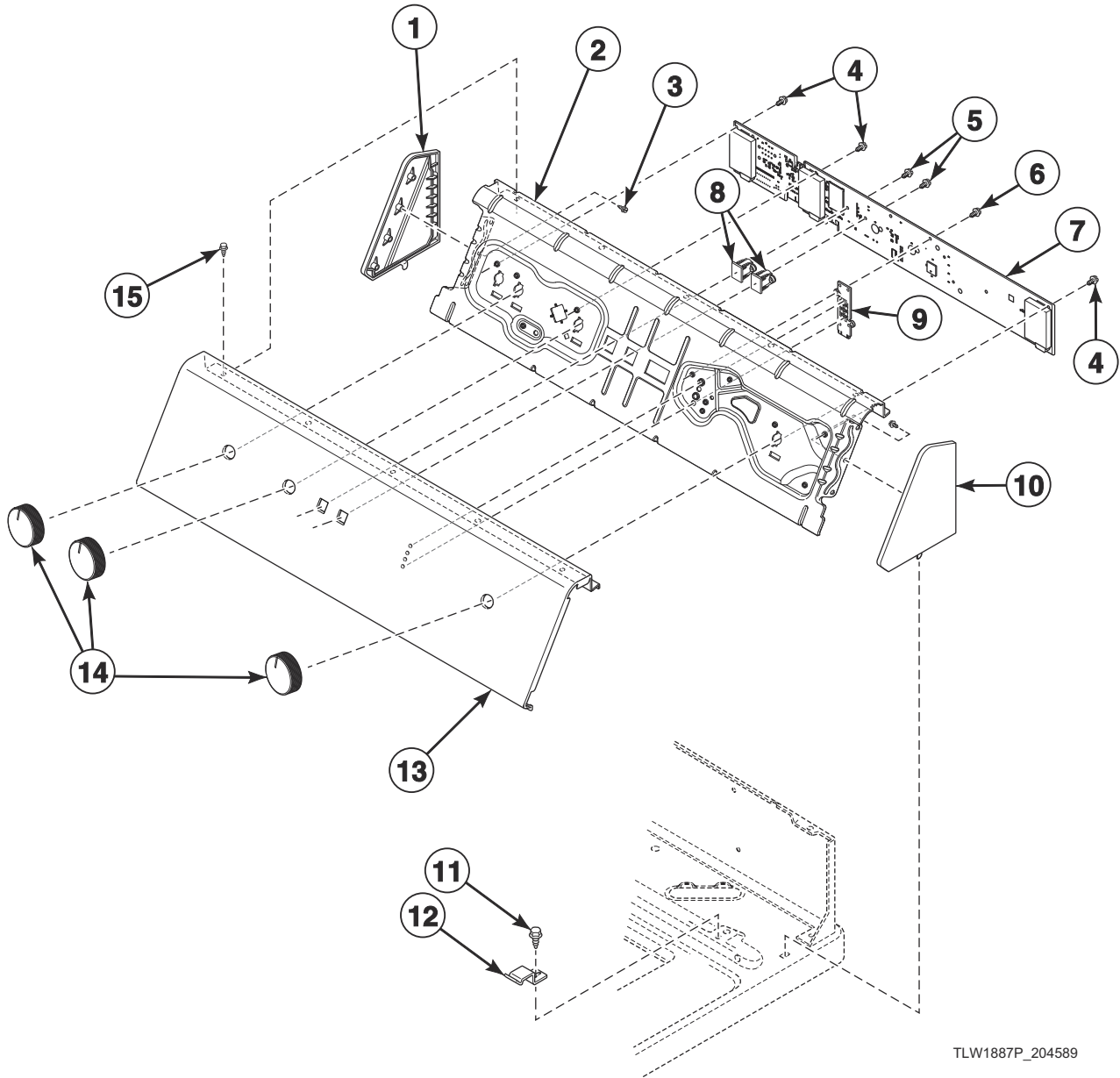
TLW1881P_204589

Graphic Panel, Control Support Panel and Controls (Drawing 1 of 3)

REF	PART NO.	DESCRIPTION	COMMENTS
1	203962	End Cap	Left
2	203840	Control Support Panel	
3	203799	Screw	
4	35115	Temperature Switch	
5	36335	Temperature Switch	For load size knob
6	204396	LED Display Assembly	
7	203977	Cycle Selector Switch	
8	203961	End Cap	Right
9	804608	Screw	
10	204141P	Control Assembly	
	204163P	Control Assembly	
11	23962	Screw	
12	35358	Hold-Down Clip	
13	203989	Graphic Panel	Models AWN43RSN305LW01 and AWN43RSN305XW01
	204588	Graphic Panel	Models AWN63RSN125DW01 and AWN63RSN545DW01
14	204046	Knob Assembly	
15	203935	Push Button Switch	
16	203934	Rocker Switch	
17	D501086	Screw	

Graphic Panel, Control Support Panel and Controls (Drawing 2 of 3)

Models AWN43RSN305LW01, AWN43RSN305NW29, AWN43RSN305NW49, AWN43RSN305XW01, AWN63RSN125DW01
and AWN63RSN545DW01 Starting Serial No. 1810000000



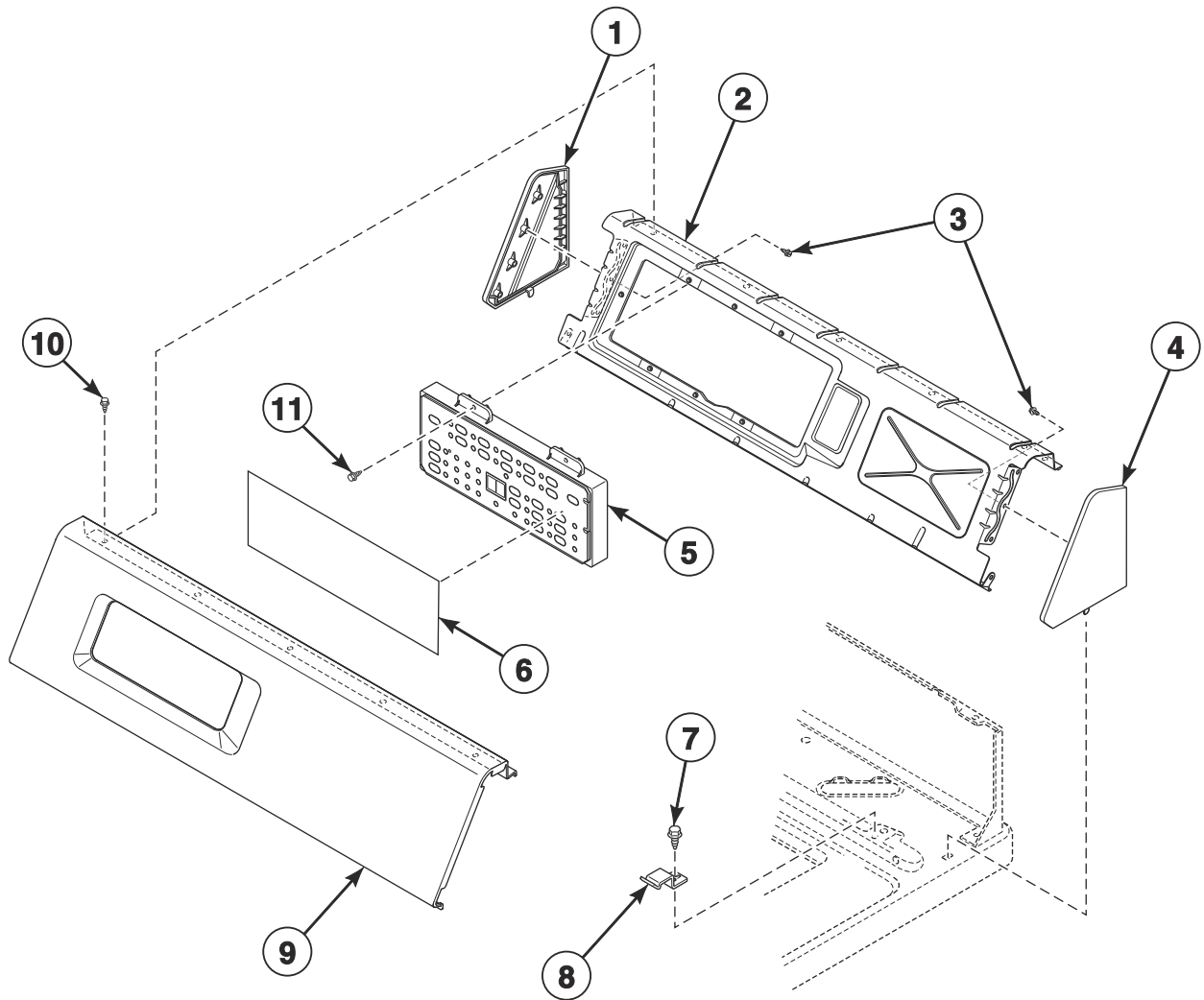
TLW1887P_204589

Graphic Panel, Control Support Panel and Controls (Drawing 2 of 3)

REF	PART NO.	DESCRIPTION	COMMENTS
1	203962	End Cap	Left
2	203840	Control Support Panel	
3	203799	Screw	
4	204342	Screw	
5	800548	Screw	
6	204503	Screw	
7	204631	Control Assembly	Model AWN43RSN305LW01 through Serial No. 2001999999
	204683	Control Assembly	Models AWN43RSN305NW29 and AWN43RSN305XW01 through Serial No. 2001999999
	204930	Control Assembly	Models AWN43RSN305LW01, AWN43RSN305NW29 and AWN43RSN305NW49 starting Serial No. 2002000001
	204936	Control Assembly	Model AWN43RSN305XW01 starting Serial No. 2002000001
	204633	Control Assembly	Model AWN63RSN125DW01
	204635	Control Assembly	Model AWN63RSN545DW01
8	204266	Capacitive Touch Switch	
9	204488	LED Display Assembly	
10	203961	End Cap	Right
11	23962	Screw	
12	35358	Hold-Down Clip	
13	204586	Graphic Panel	Models AWN43RSN305LW01 and AWN43RSN305XW01
	204588	Graphic Panel	Models AWN63RSN125DW01 and AWN63RSN545DW01
	204902	Graphic Panel	Models AWN43RSN305NW29 and AWN43RSN305NW49
14	806597	Knob Assembly	Model AWN43RSN305NW49
	204046	Knob Assembly	All other models
15	D501086	Screw	

Graphic Panel, Control Support Panel and Controls (Drawing 3 of 3)

All Models Except AWN43RSN305LW01, AWN43RSN305NW29, AWN43RSN305NW49, AWN43RSN305XW01,
AWN63RSN125DW01 and AWN63RSN545DW01

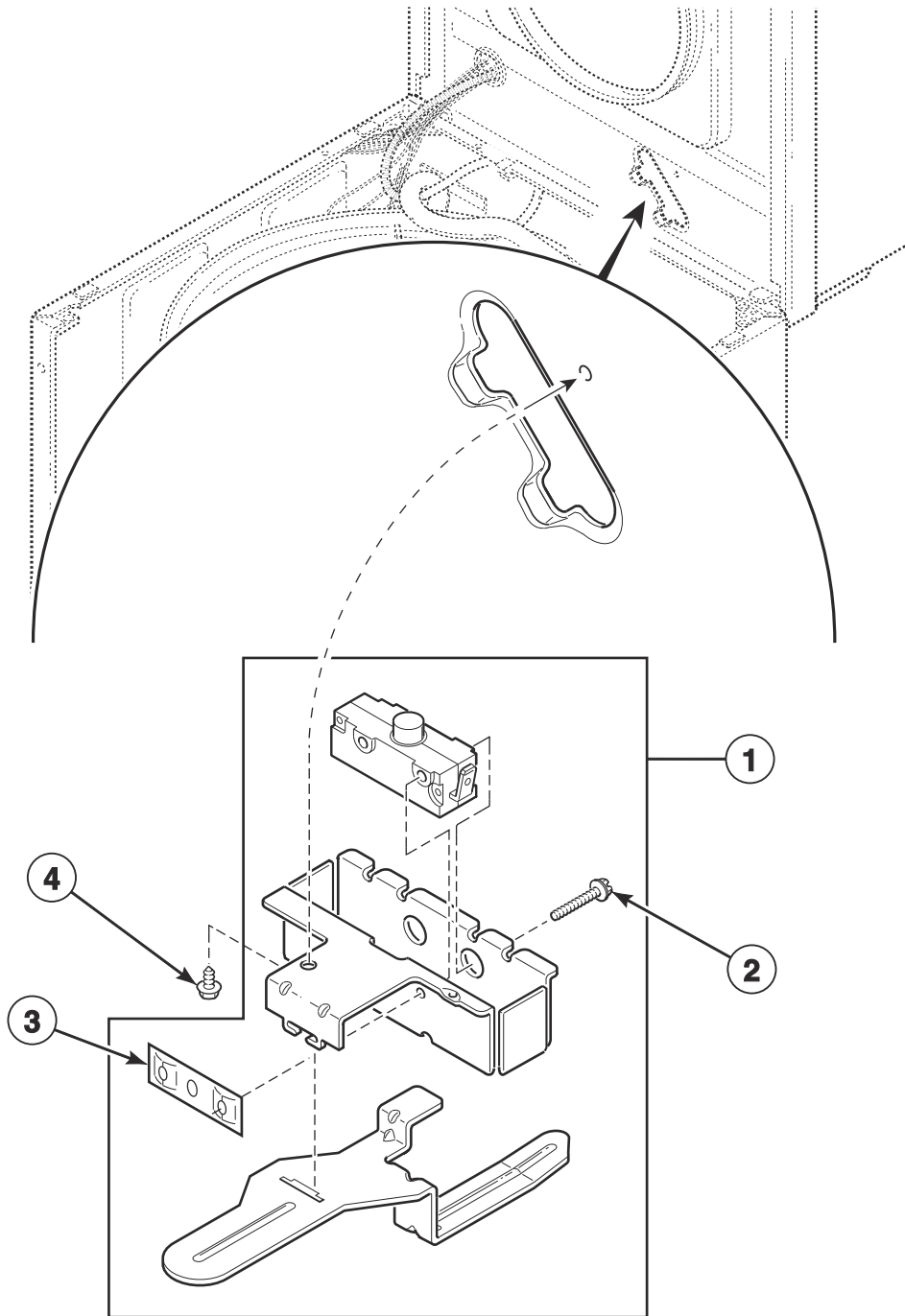


TLW1852P_204589

Graphic Panel, Control Support Panel and Controls (Drawing 3 of 3)

REF	PART NO.	DESCRIPTION	COMMENTS
1	203962	End Cap	Left
2	203708	Control Support Panel	
3	203799	Screw	
4	203961	End Cap	Right
5	204074P	Control Assembly	Includes item 6; Models AWNE9RSN305NW36 and AWNE9RSN305XW34 through Serial No. 2001999999; Models AWNE9RSN115FW01, AWNE9RSN305SW01 and AWNE9RSN545RW01
	204852	Control Assembly	Models AWNE9RSN305NW36 and AWNE9RSN305XW34 starting Serial No. 2002000001
	204088	Control Assembly	Includes item 6; Model AWNE9RSN305XW01 through Serial No. 2001999999
	204860	Control Assembly	Includes item 6; Model AWNE9RSN305XW01 starting Serial No. 2002000001
	204090	Control Assembly	Includes item 6; Model AWNE8RSN305SW01
	204076	Control Assembly	Includes item 6; Models AWNE8RSN115FW01 and AWNE8RSN545RW01
	204084	Control Assembly	Includes item 6; Models ZWNE8RSN115FW01 and ZWNE8RSN545RW01
	204082	Control Assembly	Includes item 6; Model ZWNE9RSN115FW01
	204546	Control Assembly	Includes item 6; Models AWNE9RSN125DW01 and AWNE9RSN545DW01
	204092	Control Assembly	Includes item 6; Models AWNE9RSN305NW29 and ZWNE9RSN305NW29 through Serial No. 2001999999
	204864	Control Assembly	Includes item 6; Models AWNE9RSN305NW29 and ZWNE9RSN305NW29 starting Serial No. 2002000001
	204774	Control Assembly	Includes item 6; Model AWNE9RSN305LW01 through Serial No. 2001999999
	204868	Control Assembly	Includes item 6; Model AWNE9RSN305LW01 starting Serial No. 2002000001
6	204150	Overlay	Models AWNE8RSN115FW01, AWNE8RSN305SW01 and AWNE8RSN545RW01
	204052	Overlay	Models ZWNE8RSN115FW01 and ZWNE8RSN545RW01
	204405	Overlay	Models AWNE9RSN125DW01, AWNE9RSN545DW01 and ZWNE9RSN115FW01
	204406	Overlay	Model AWNE9RSN305NW29
	204404	Overlay	All other models
7	23962	Screw	
8	35358	Hold-Down Clip	
9	204051	Graphic Panel	Models ZWNE8RSN115FW01, ZWNE8RSN545RW01 and ZWNE9RSN115FW01
	203712	Graphic Panel	All other models
10	D501086	Screw	
11	804667	Screw	

Lid Switch Assembly

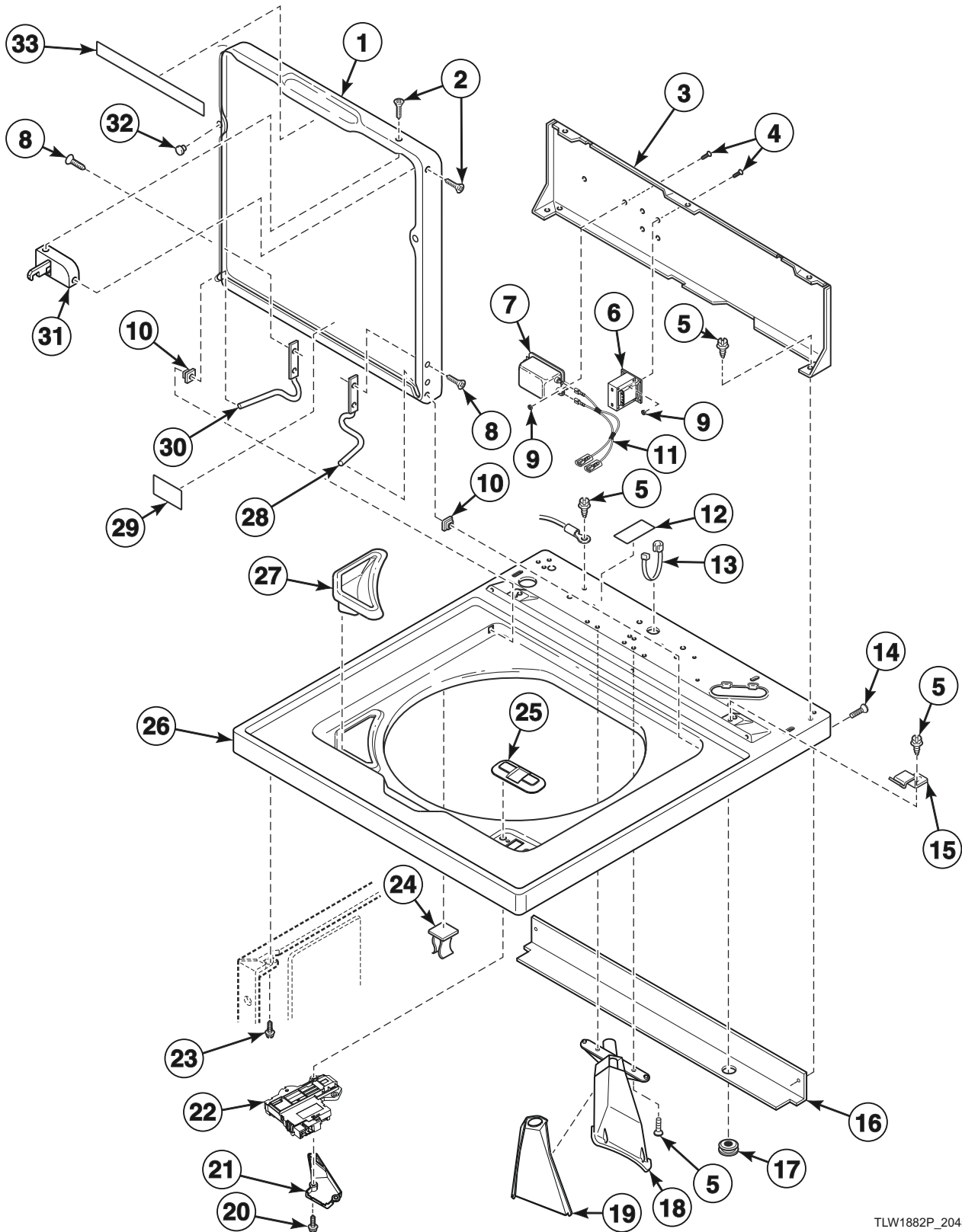


TLW1832B_204589

Lid Switch Assembly

REF	PART NO.	DESCRIPTION	COMMENTS
1	204696	Lid Switch Kit	
2	M402574	Screw	Use with single switch
	204656	Screw	Use with dual switch
3	M400981	Nut	Use with single switch
	M400979	Nut	Use with dual switch
4	23962	Screw	

Top, Lid and Hood Back Panel

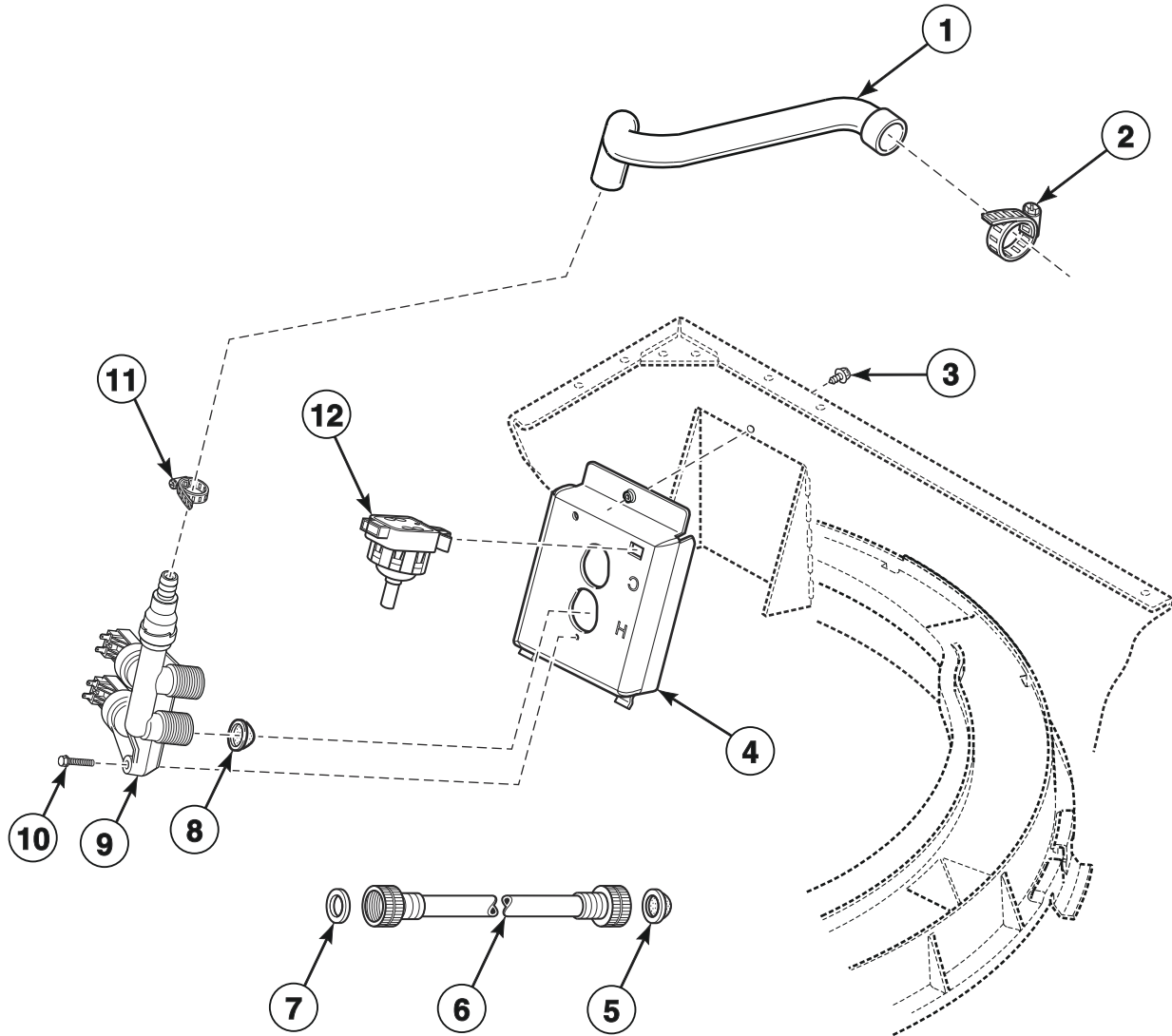


TLW1882P_204589

Top, Lid and Hood Back Panel

REF	PART NO.	DESCRIPTION	COMMENTS
1	203575W	Lid	
2	203755	Screw	
3	203733	Hood Back Panel	Model AWNE9RSN305NW36
	204513	Hood Back Panel	Models AWNE8RSN545RW01, AWNE9RSN545RW01 and ZWNE8RSN545RW01
	204834	Hood Back Panel	Models AWN43RSN305LW01, AWN43RSN305NW29, AWN43RSN305NW49, AWN43RSN305XW01, AWNE9RSN305LW01, AWNE9RSN305XW01 and AWNE9RSN305XW34
	204833	Hood Back Panel	All other models
4	800258	Screw	
5	23962	Screw	
6	204565	Harmonics Coil	Models AWN43RSN305LW01, AWN43RSN305XW01, AWNE8RSN545RW01, AWNE9RSN305LW01, AWNE9RSN305XW01, AWNE9RSN305XW34, AWNE9RSN545RW01 and ZWNE8RSN545RW01
7	805633	Line Filter	Models AWN43RSN305LW01, AWN43RSN305NW29, AWN43RSN305XW01, AWN63RSN545DW01, AWNE8RSN305SW01, AWNE9RSN305LW01, AWNE9RSN305NW29, AWNE9RSN305SW01, AWNE9RSN305XW01, AWNE9RSN305XW34, AWNE9RSN545DW01 and ZWNE9RSN305NW29 through Serial No. 1912999999; Models AWNE8RSN545RW01, AWNE9RSN305NW36, AWNE9RSN545RW01 and ZWNE8RSN545RW01
	204796	Line Filter	Models AWN43RSN305LW01, AWN43RSN305NW29, AWN43RSN305NW49, AWN43RSN305XW01, AWN63RSN545DW01, AWNE8RSN305SW01, AWNE9RSN305LW01, AWNE9RSN305NW29, AWNE9RSN305SW01, AWNE9RSN305XW01, AWNE9RSN305XW34, AWNE9RSN545DW01 and ZWNE9RSN305NW29 starting Serial No. 2002000001; All other models
8	34337	Screw	
9	29787	Nut	
10	33446	Bushing	
11	804797	Filter Harness	
12	F8614201	Shock Warning Label	Icon
	D516100	Label	Earth/Ground
13	38384	Strain Relief	
14	431287	Screw	
15	35358	Hold-Down Clip	
16	203946	Top Shield	
17	80262	Grommet	
18	202900	Inlet Deflector	
19	202894	Inlet Cover	
20	800548	Screw	
21	204038	Drip Tray	
22	203504	Lid Lock	Through Serial No. 1906000000
	205222	Lid Lock Kit	Starting Serial No. 1906000001
23	33562	Screw	
24	36519	Hinge Stop Clip	
25	203643	Lid Lock Bezel	
26	203632WP	Top Panel	
27	38382	Bleach Dispenser	
28	36437	Lid Hinge	Right
29	203008	Warning Label	Models AWNE8RSN545RW01, AWNE9RSN545RW01 and ZWNE8RSN545RW01
30	36513	Lid Hinge	Left
31	203573	Lid Lock Catch	
32	21685	Bumper	
33	203045	Lid Warning Label	All models except AWNE9RSN305NW29 and ZWNE9RSN305NW29

Fill Hose, Mixing Valve-to-Tub Cover Hose, Mixing Valve and Bracket

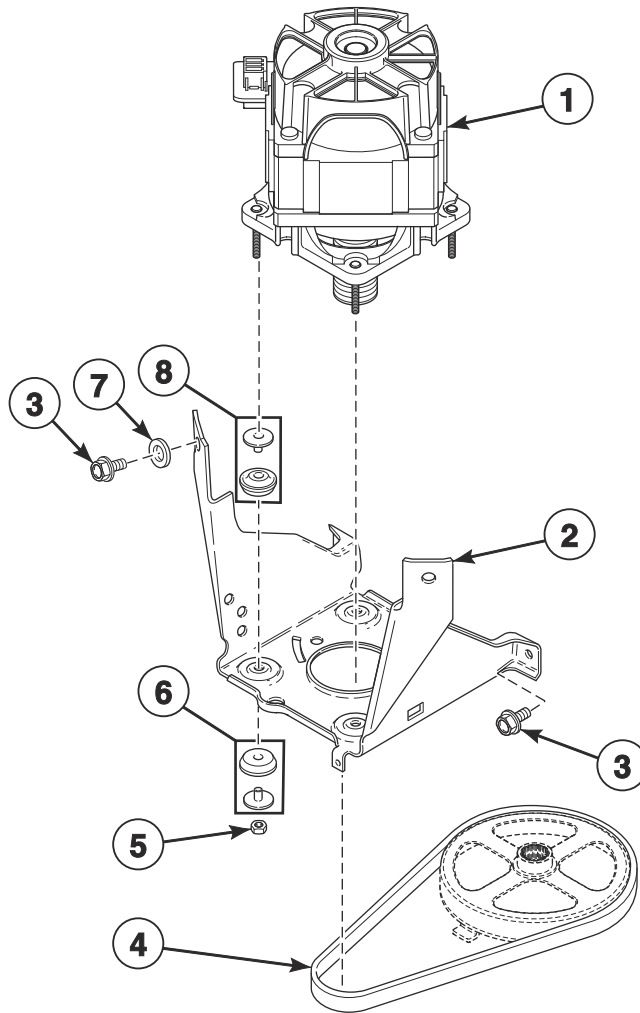


TLW1861P_204589

Fill Hose, Mixing Valve-to-Tub Cover Hose, Mixing Valve and Bracket

REF	PART NO.	DESCRIPTION	COMMENTS
	204508	Y Assembly	Cold Only
	204458	Y Fitting	Models AWN43RSN305NW29, AWN43RSN305NW49, AWNE9RSN305NW29 and ZWNE9RSN305NW29
	F8244901	Washer	Models AWN43RSN305NW29, AWN43RSN305NW49, AWNE9RSN305NW29 and ZWNE9RSN305NW29
	204247	Mixing Valve Shield	All models except AWNE9RSN305NW36
1	202884	Valve to Inlet Hose	Through Serial No. 1810000001
	204400	Valve to Inlet Hose	Starting Serial No. 1810000001
2	800803	Hose Clamp	
3	33562	Screw	
4	204117	Mixing Valve Mounting Bracket	
5	803615	Washer	Filter screen
	802254	Washer	Flow restrictor; Water pressure reducer; Available for water pressure up to but not exceeding 120 psi
6	203719	Fill Hose	4 feet; Marked red for hot water; 2 GHT hose couplings
	203720	Fill Hose	4 feet; Marked blue for cold water; 2 GHT hose couplings
	203718	Fill Hose	4 feet; Marked red for hot water; 1 BSPP and 1 GHT hose coupling
	203750	Fill Hose	4 feet; Marked blue for cold water; 1 BSPP and 1 GHT hose coupling
7	20290	Washer	
8	24122	Mixing Valve Screen	
9	203741	Mixing Valve	Models AWN63RSN125DW01, AWNE8RSN115FW01, AWNE9RSN115FW01, AWNE9RSN125DW01, ZWNE8RSN115FW01 and ZWNE9RSN115FW01
	203742	Mixing Valve	Models AWN63RSN545DW01 and AWNE9RSN545DW01
	203928	Mixing Valve	All other models
10	39397	Screw	
11	36801	Hose Clamp	
12	203843	Pressure Sensor	

Motor, Mounting Bracket and Belt

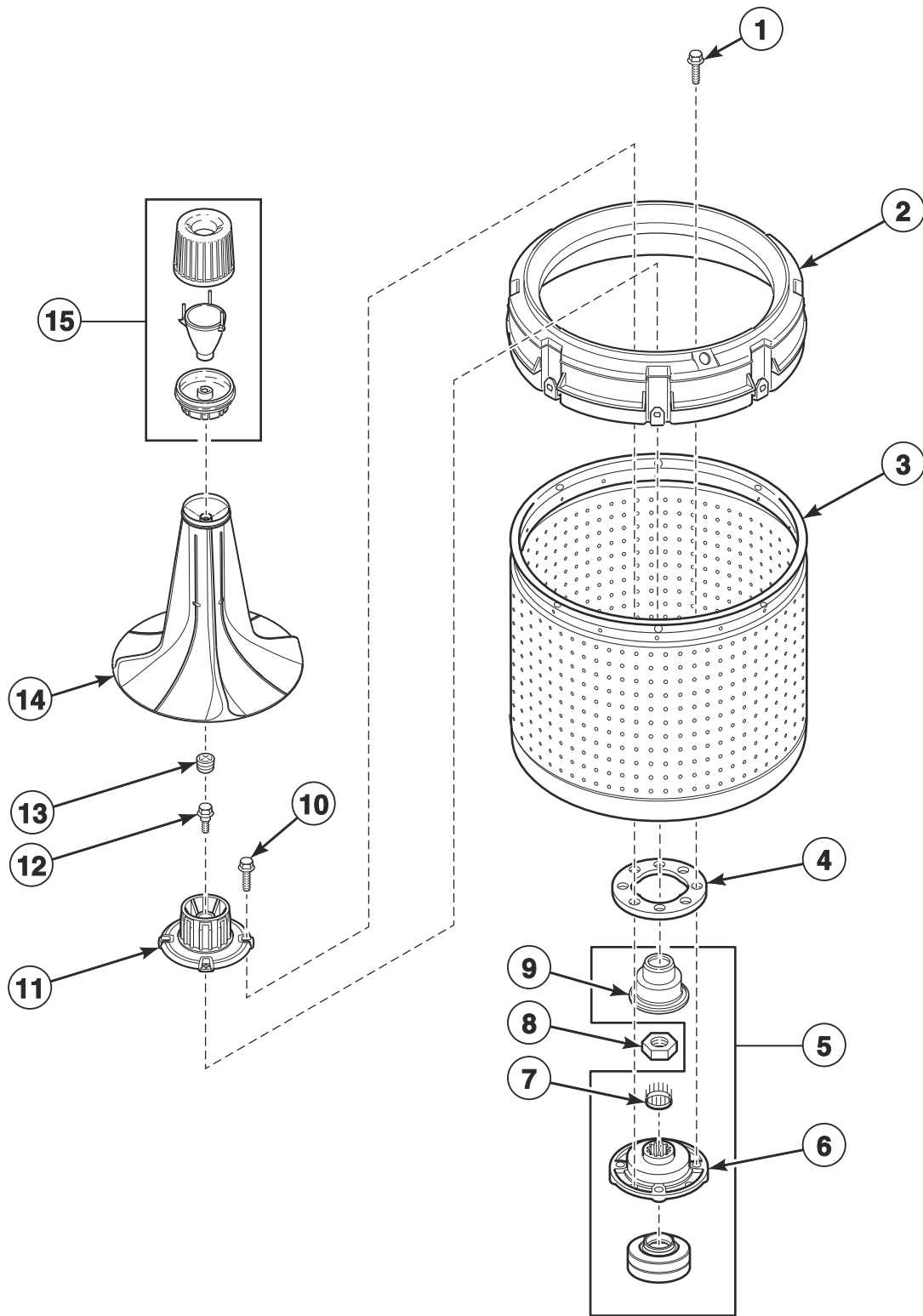


TLW1854P_204589

Motor, Mounting Bracket and Belt

REF	PART NO.	DESCRIPTION	COMMENTS
1	204011P	Motor	Models AWN43RSN305LW01, AWN43RSN305NW29, AWN43RSN305XW01, AWNE9RSN305LW01, AWNE9RSN305NW29, AWNE9RSN305NW36, AWNE9RSN305XW01, AWNE9RSN305XW34 and ZWNE9RSN305NW29 through Serial No.2001999999; All other models
	204556P	Motor	Models AWN43RSN305LW01, AWN43RSN305NW29, AWN43RSN305NW49, AWN43RSN305XW01, AWNE9RSN305LW01, AWNE9RSN305NW29, AWNE9RSN305NW36, AWNE9RSN305XW01, AWNE9RSN305XW34 and ZWNE9RSN305NW29 starting Serial No.202000001
2	200941	Motor Mount Bracket	
3	35369	Screw	
4	204690	Belt	
5	35423	Nut	
6	204062	Motor Mount and Isolator Assembly	Lower
7	37772	Washer	
8	204063	Motor Mount and Isolator Assembly	Upper

Agitator, Fabric Softener Dispenser, Drive Bell, Hub and Lip Seal Kit and Washtub

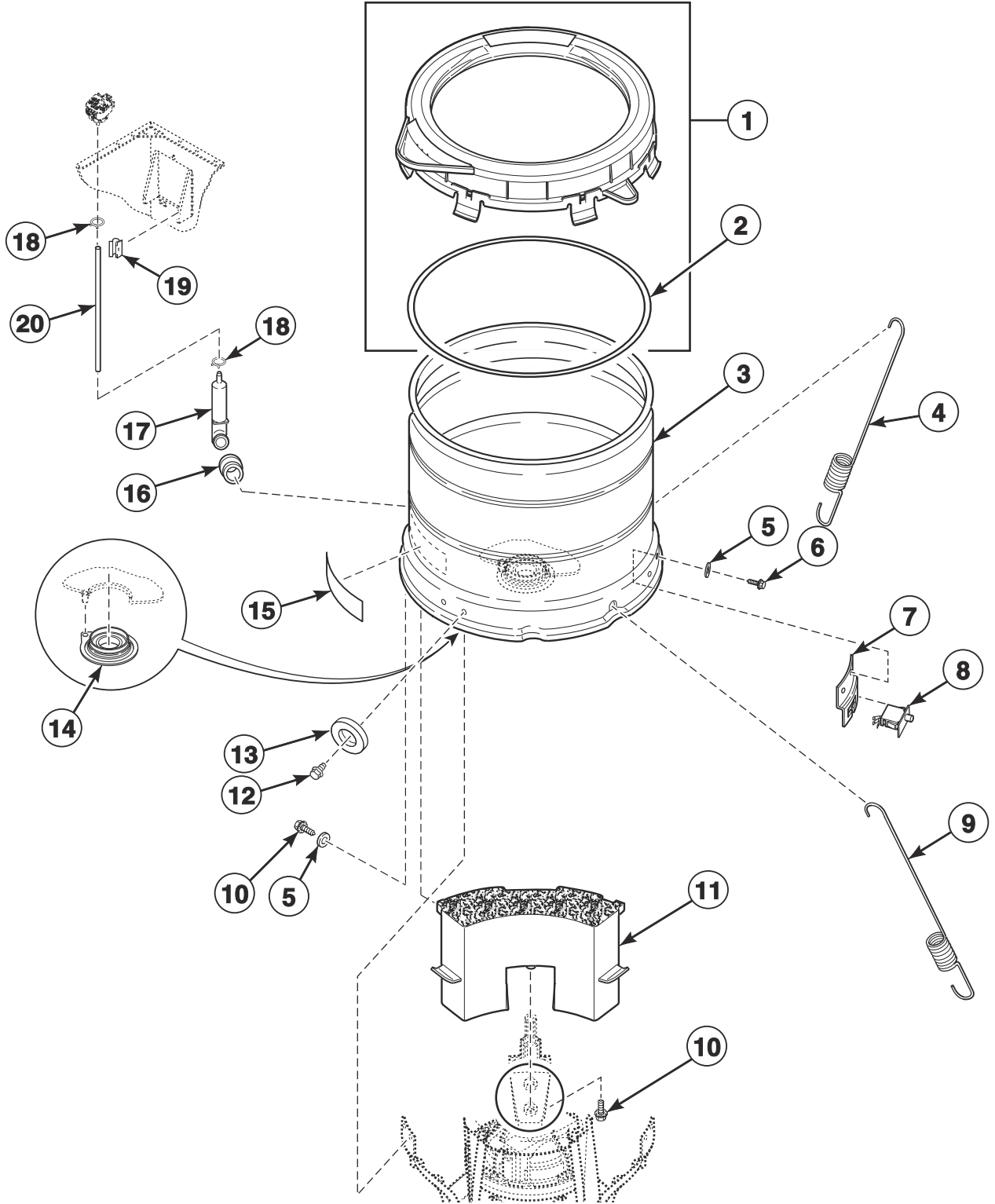


TLW1855P_204589

Agitator, Fabric Softener Dispenser, Drive Bell, Hub and Lip Seal Kit and Washtub

REF	PART NO.	DESCRIPTION	COMMENTS
1	27202	Screw	
2	39837	Balance Ring Assembly	
3	719P3	Washtub Kit	Stainless steel
4	39122	Washtub Gasket	
5	766P3A	Hub and Lip Seal Kit	DO NOT use any sealant other than 200996P Sealant; Includes item 10 and installation tool
	200996P	Sealant	Use with hub and lip seal kit
6	205306	Washtub Hub	
7	29728	Spline Insert	
8	29220	Nut	
9	36425	Bell and Transmission Tube Seal	Through Serial No.1912999999
	205061	Drive Bell and Seal Kit	Starting Serial No.2001000001
10	203792	Screw	
11	203851	Drive Bell	
12	39432	Screw	
13	36511	Bell Plug	
14	203852	Straight Agitator	
15	205225	Fabric Softener Dispenser Assembly	

Outer Tub, Cover, Bearing and Seal Housing, Pressure Hose and Counterweight

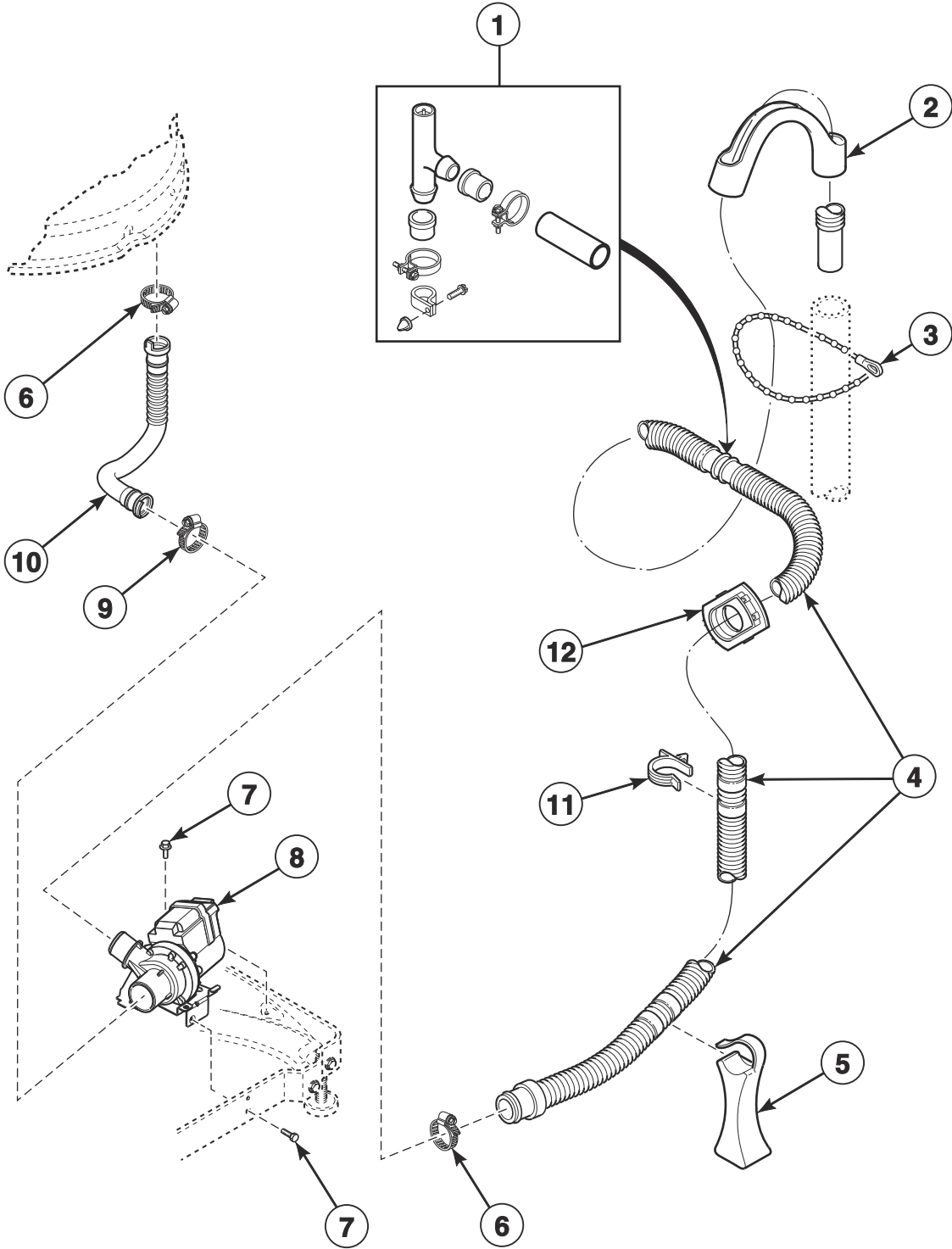


TLW1899P_204589

Outer Tub, Cover, Bearing and Seal Housing, Pressure Hose and Counterweight

REF	PART NO.	DESCRIPTION	COMMENTS
	204837	Out-of-Balance Kit	Includes items 6, 7, 8, 204770 Drain Pump Harness, 205222 Lid Lock Kit, 204717 Lid Lock Harness and 4-19-35 Important Instructions
1	203968	Tub Cover Assembly	Includes item 2
2	38359	Tub Cover Gasket	
3	203603P	Outer Tub Assembly	
	204383	Outer Tub Kit	Includes item 14 installed
4	37575	Leg Spring	Marked with blue paint; Use to replace four rear springs
5	39249	Washer	
6	35148	Screw	
7	203599	Bracket	Through Serial No.1905999999
	204661	Bracket	Starting Serial No.1906000001
8	806512	Out-of-Balance Switch Assembly Kit	Through Serial No.1905999999
	807384	Out-of-Balance Switch Assembly	Starting Serial No.1906000001
9	201521	Leg Spring	Marked with green paint; Use to replace two front springs
10	39566	Screw	
11	38769	Counterweight Assembly	
12	35369	Screw	
13	37772	Washer	
14	766P3A	Hub and Lip Seal Kit	
	200996P	Sealant	Use with hub and lip seal kit
15	F8614201	Shock Warning Label	
	F8615701	Pinch Warning Label	
16	29175	Grommet	
17	205241	Pressure Bulb	
18	39282	Hose Clamp	
19	21036	Cable Clip	
20	203802	Tubing	

Drain Pump, Drain Hose and Siphon Break Kit

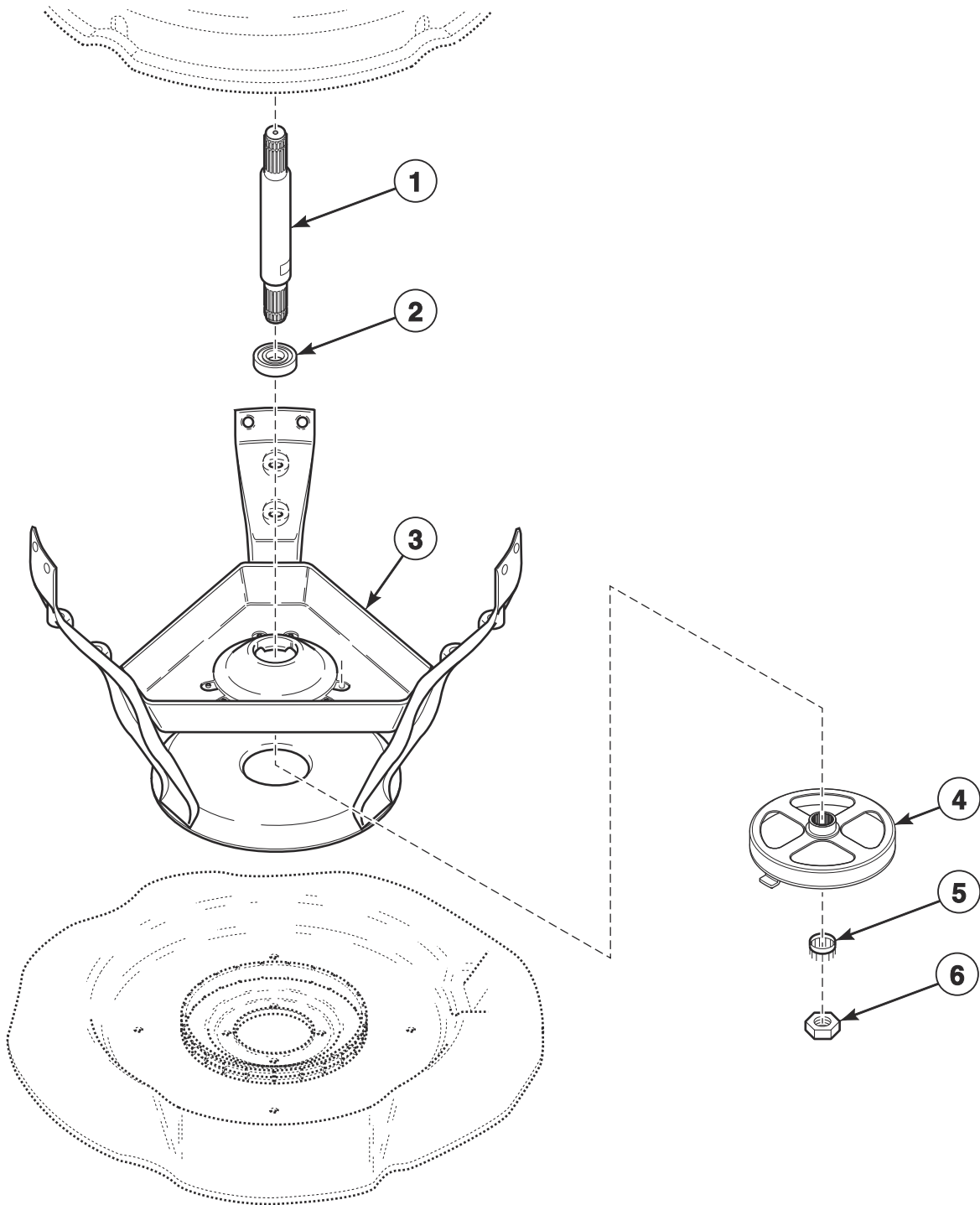


TLW1857P_204589

Drain Pump, Drain Hose and Siphon Break Kit

REF	PART NO.	DESCRIPTION	COMMENTS
	204512	Drain Extension Kit	
1	562P3	Siphon Break Kit	Siphon break kit MUST be installed in drain hose if drain receptacle is lower than cabinet top of washer
2	33615	Drain Hose Sleeve	
3	33489	Standpipe Strap	
4	203588	Drain Hose	
5	38732	Hose Stand	
6	F200204	Hose Clamp	
7	31645	Screw	
8	203885	Pump and Bracket	Models AWN63RSN125DW01, AWNE8RSN115FW01, AWNE9RSN115FW01, AWNE9RSN125DW01, ZWNE8RSN115FW01 and ZWNE9RSN115FW01
	203887	Pump and Bracket	Models AWN63RSN545DW01, AWNE8RSN545RW01, AWNE9RSN545DW01, AWNE9RSN545RW01 and ZWNE8RSN545RW01
	203886	Pump and Bracket	All other models
9	90554	Hose Clamp	
10	203560	Tub-to-Pump Hose	
11	36014	Retainer Clip	
12	32219	Strain Relief	

Weldment and Bearing Assembly, Drive Shaft and Pulley

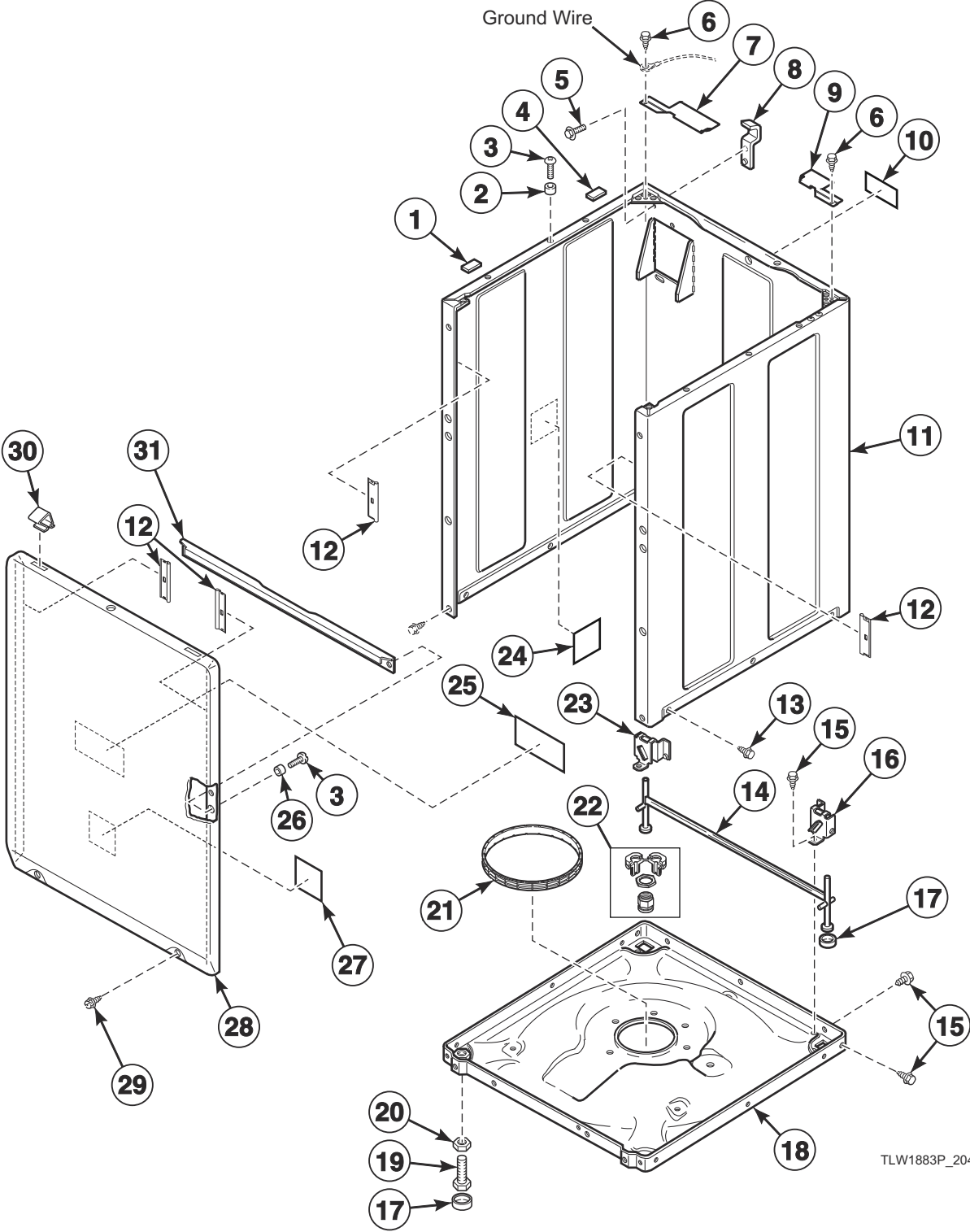


TLW1858P_204589

Weldment and Bearing Assembly, Drive Shaft and Pulley

REF	PART NO.	DESCRIPTION	COMMENTS
1	204901	Drive Shaft	
2	28944RP	Lower Bearing	
3	39253	Weldment and Bearing Assembly	
4	203531	Drive Pulley	
5	29728	Spline Insert	
6	29220	Nut	

Front Panel, Base Assembly and Cabinet Kit

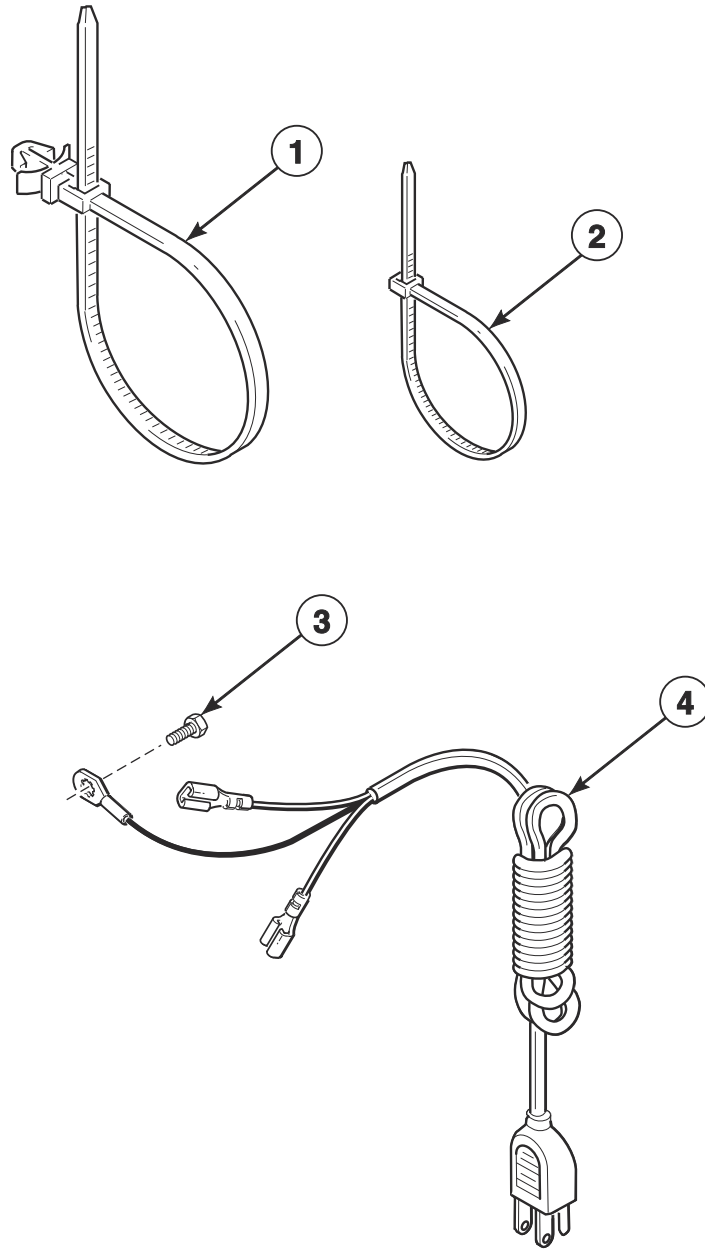


TLW1883P_204589

Front Panel, Base Assembly and Cabinet Kit

REF	PART NO.	DESCRIPTION	COMMENTS
	122P4P	Porcelain Touch-Up Paint	
1	56128	Bumper Pad	
2	56079	Panel Locator	
3	39733	Screw	
4	36226	Bumper Pad	
5	51780	Screw	
6	D501086	Screw	
7	204245	EMI Bracket	Left; Models AWN43RSN305LW01, AWN43RSN305XW01, AWNE8RSN115FW01, AWNE8RSN545RW01, AWNE9RSN115FW01, AWNE9RSN305LW01, AWNE9RSN305XW01, AWNE9RSN305XW34, AWNE9RSN545RW01, ZWNE8RSN115FW01, ZWNE8RSN545RW01 and ZWNE9RSN115FW01
8	27103	Hold-Down Lug Hinge	
9	204246	EMI Bracket	Right; Models AWN43RSN305LW01, AWN43RSN305XW01, AWNE8RSN115FW01, AWNE8RSN545RW01, AWNE9RSN115FW01, AWNE9RSN305LW01, AWNE9RSN305XW01, AWNE9RSN305XW34, AWNE9RSN545RW01, ZWNE8RSN115FW01, ZWNE8RSN545RW01 and ZWNE9RSN115FW01
10	F8614201	Shock Warning Label	
	D516073	Notice Label	Read Instructions
11	38612WP	Service Cabinet Kit	
12	204455	EMI Clip	Cabinet; Models AWN43RSN305LW01, AWN43RSN305XW01, AWNE8RSN115FW01, AWNE8RSN545RW01, AWNE9RSN115FW01, AWNE9RSN305LW01, AWNE9RSN305XW01, AWNE9RSN305XW34, AWNE9RSN545RW01, ZWNE8RSN115FW01, ZWNE8RSN545RW01 and ZWNE9RSN115FW01
13	27196	Screw	
14	34443	Leg and Stabilizer Assembly	
15	35148	Screw	
16	36036	Bracket	Right
17	34318	Rubber Foot	
18	39788	Base Assembly	
19	34319	Leveling Leg	
20	21899	Nut	
21	37937	Friction Ring	
22	566P3	Adjustable Leg Extension Kit	
23	36037	Bracket	Left
24	39480	Foam Pad	
25	36204	Front Panel Pad	
26	28102	Panel Locator	
27	203484	Foam Pad	
28	204870	Front Panel	
29	38272	Screw	
30	35865	Hold-Down Clip	
31	35097	Front Panel Brace	

Lead-In Cord and Cable Ties

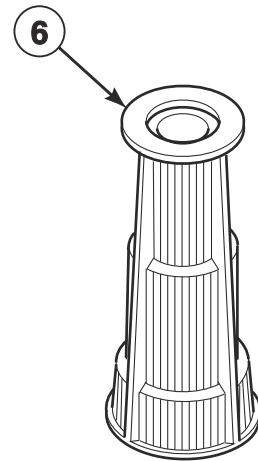
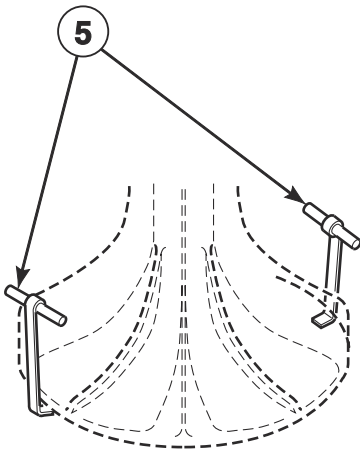
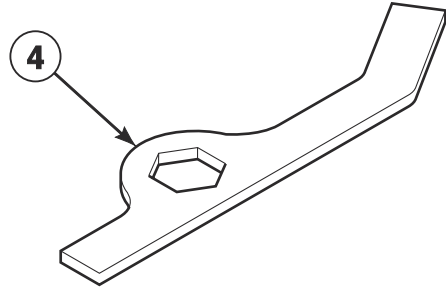
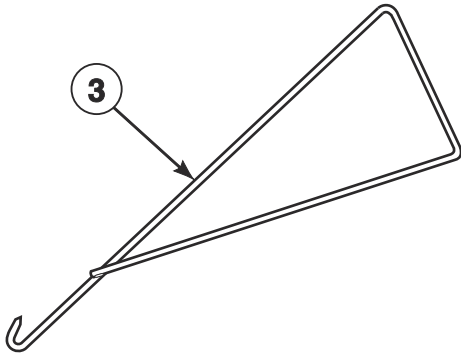
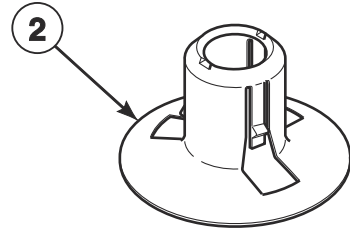
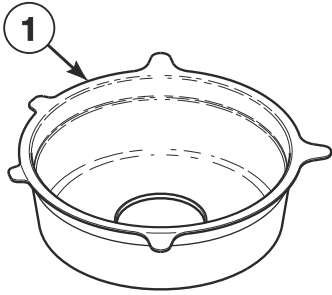


TLW1865P_204589

Lead-In Cord and Cable Ties

REF	PART NO.	DESCRIPTION	COMMENTS
	38384	Strain Relief	Models AWN43RSN305LW01 and AWNE9RSN305LW01
1	804724	Cable Tie	6 inches: Push mount
2	F140605	Cable Tie	6 inches
3	D503688	Screw	
4	203315	Lead-In Cord	Models AWN43RSN305LW01 and AWNE9RSN305LW01
	203122	Lead-In Cord	Models AWNE8RSN115FW01, AWNE9RSN115FW01, ZWNE8RSN115FW01 and ZWNE9RSN115FW01
	203106	Lead-In Cord Assembly	Models AWN63RSN125DW01, AWN63RSN545DW01, AWNE9RSN125DW01 and AWNE9RSN545DW01
	203108	Lead-In Cord	Models AWNE8RSN305SW01 and AWNE9RSN305SW01
	203119	Power Cord Assembly	Models AWN43RSN305XW01, AWNE8RSN545RW01, AWNE9RSN305XW01, AWNE9RSN305XW34, AWNE9RSN545RW01 and ZWNE8RSN545RW01
	203266	Lead-In Cord	Models AWN43RSN305NW29, AWN43RSN305NW49, AWNE9RSN305NW29 and ZWNE9RSN305NW29
	204594	Lead-In Cord	Model AWNE9RSN305NW36

Shipping Brace, Plug and Special Tools



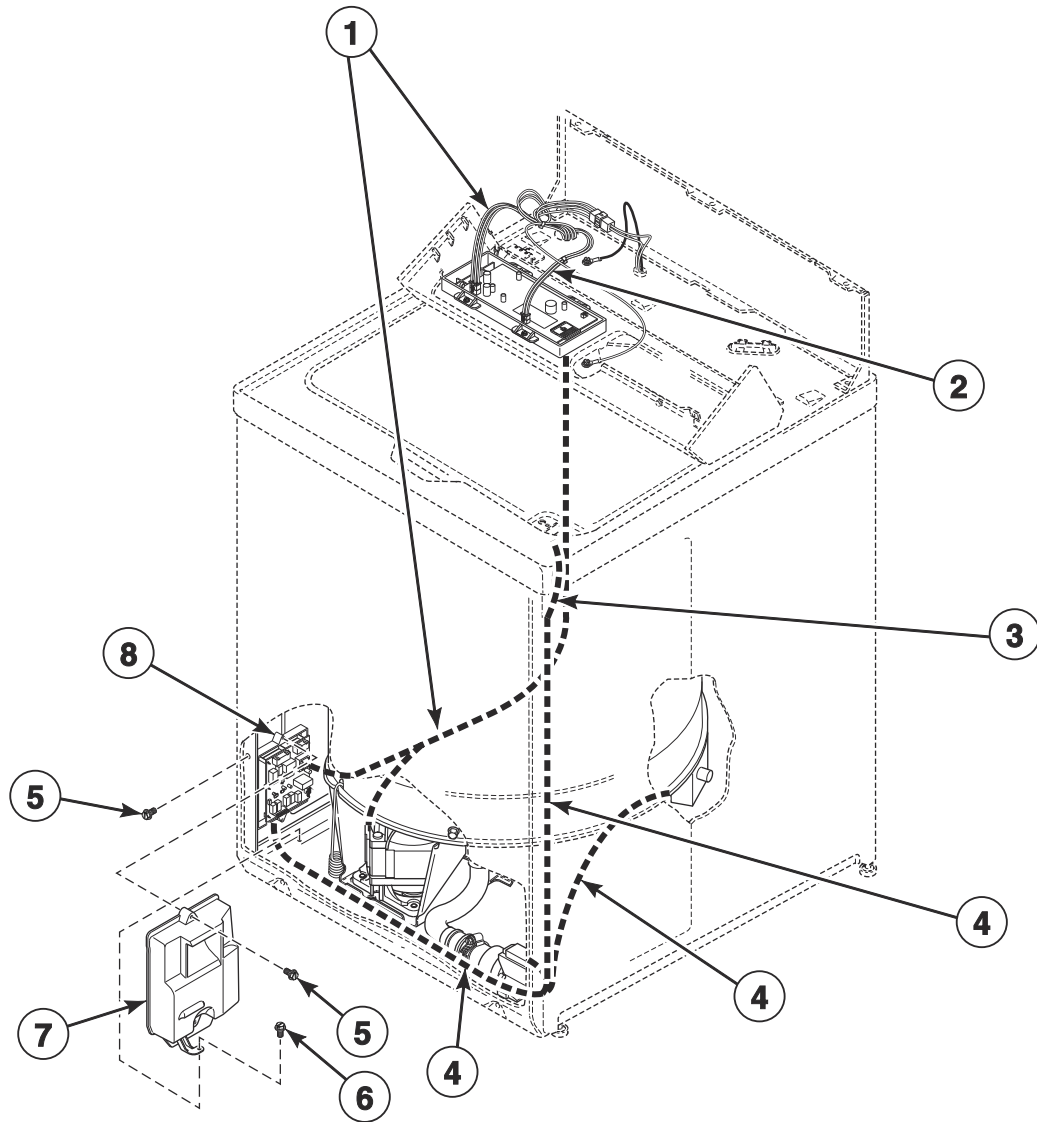
TLW1859P_204589

Shipping Brace, Plug and Special Tools

REF	PART NO.	DESCRIPTION	COMMENTS
	392P4	Wrench	
1	204678	Shipping Brace	Install whenever moving washer; Remove before use
2	38149	Shipping Plug	Install before moving washer to prevent tub from damaging cabinet
3	321P4	Spring Hook Tool	For removal of module springs from outer tub
4	306P4	Hex Wrench Tool	For removal of locknut from washtub hub
5	254P4P	Agitator Hook	Set of 2; Use to remove agitator from drive bell
6	293P4	Drive Bell Seal Tool	For installation of 36425 Bell and Transmission Tube Seal

Output Board, Wire Harnesses and Wires

All Models Except AWN43RSN305LW01, AWN43RSN305NW29, AWN43RSN305NW49, AWN43RSN305XW01, AWN63RSN125DW01 and AWN63RSN545DW01



TLW1860P_204589

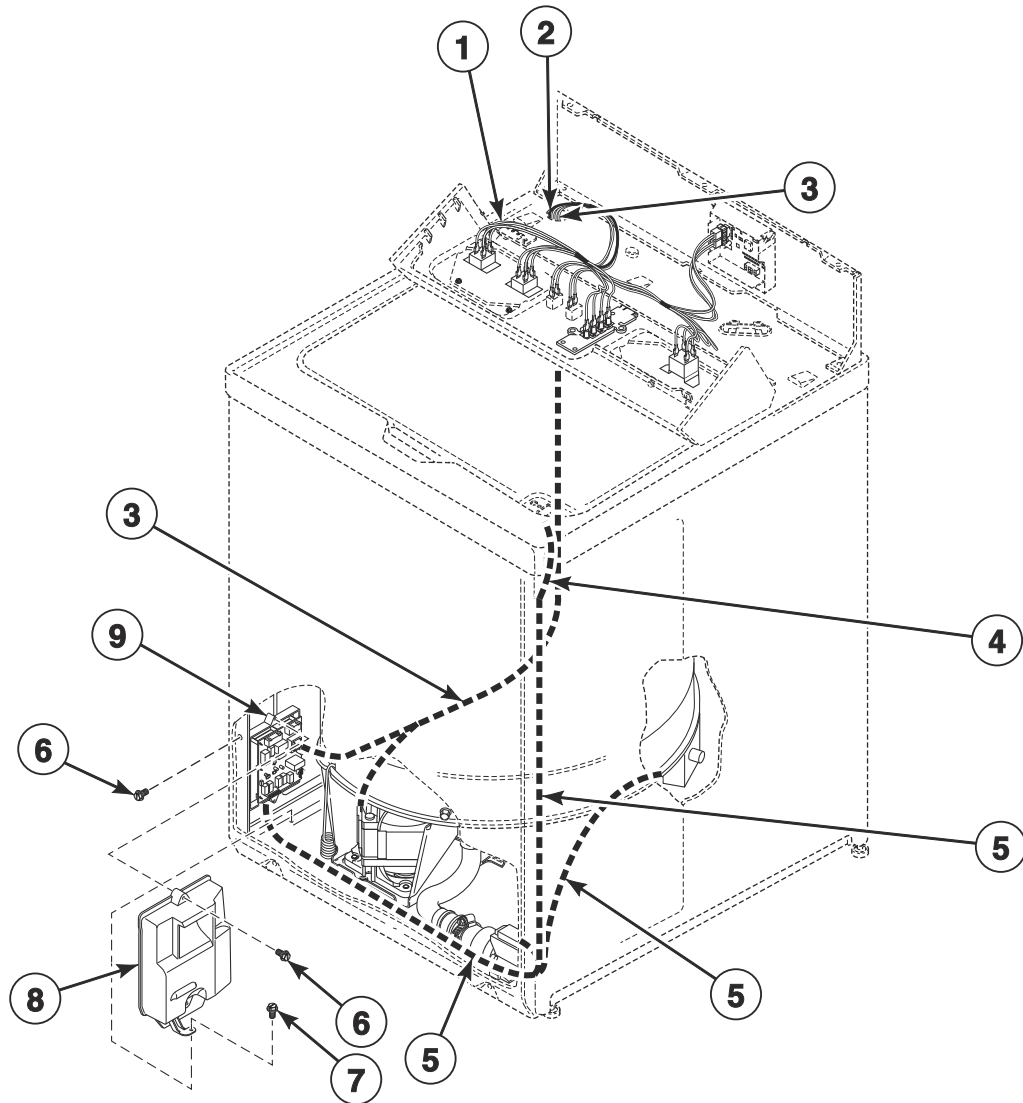
Output Board, Wire Harnesses and Wires

REF	PART NO.	DESCRIPTION	COMMENTS
1	204456	Control Drive Harness	Models AWNE8RSN115FW01, AWNE8RSN545RW01, AWNE9RSN115FW01, AWNE9RSN305LW01, AWNE9RSN305XW01, AWNE9RSN305XW34, AWNE9RSN545RW01, ZWNE8RSN115FW01, ZWNE8RSN545RW01 and ZWNE9RSN115FW01 through Serial No.1912999999
	204715	Control Drive Harness	All other models through Serial No.1912999999
	204715	Control Drive Harness	Starting Serial No. 2001000001
2	204572	Pressure Sensor Harness	
3	203664	Lid Lock Harness	Through Serial No. 1905999999
	204717	Lid Lock Harness	Starting Serial No. 1906000001
4	203661	Drain Pump Harness	Models AWNE8RSN305SW01, AWNE9RSN125DW01, AWNE9RSN305NW29, AWNE9RSN305NW36, AWNE9RSN305SW01, AWNE9RSN545DW01 and ZWNE9RSN305NW29; Through Serial No. 1905999999
	204457	Drain Pump Harness	All other models; Through Serial No. 1905999999
	204727	Drain Pump Harness	Models AWNE8RSN305SW01, AWNE9RSN125DW01, AWNE9RSN305NW29, AWNE9RSN305NW36, AWNE9RSN305SW01, AWNE9RSN545DW01 and AWNE9RSN545RW01 through Serial No. 1912999999
	204728	Drain Pump Harness	All other models through Serial No. 1912999999
	204770	Drain Pump Harness	Starting Serial No. 2001000001
5	203799	Screw	
6	31645	Screw	
7	203612	Drive Cover	
8	203657P	Drive Control Assembly	Models AWNE8RSN115FW01, AWNE9RSN115FW01, AWNE9RSN125DW01, ZWNE8RSN115FW01 and ZWNE9RSN115FW01
	203975	Drive Control Assembly	Models AWNE9RSN305NW29, AWNE9RSN305NW36, AWNE9RSN305XW01, AWNE9RSN305XW34 and ZWNE9RSN305NW29 through Serial No.1912999999; Models AWNE8RSN305SW01, AWNE9RSN305SW01 and AWNE9RSN545DW01
	204660	Drive Control Assembly	Models AWNE9RSN305LW01, AWNE9RSN305NW29, AWNE9RSN305NW36, AWNE9RSN305XW01, AWNE9RSN305XW34 and ZWNE9RSN305NW29 starting Serial No.2001000001
	204783	Output Board Control Assembly	Models AWNE8RSN545RW01, AWNE9RSN545RW01 and ZWNE8RSN545RW01 starting Serial No.2001000001

NOTE: Individual wires are not available separately. Order complete wire harness, or order wire by the foot. When applying terminals to wires, it is recommended that the terminals be soldered to the wires.

Drive Control, Wire Harnesses and Wires

Models AWN43RSN305LW01, AWN43RSN305NW29, AWN43RSN305NW49, AWN43RSN305XW01, AWN63RSN125DW01 and AWN63RSN545DW01



TLW1863P_204589

Drive Control, Wire Harnesses and Wires

REF	PART NO.	DESCRIPTION	COMMENTS
	45001	18 Gauge Wire	Black; Order wire by foot and terminals as required
	45380	12 Gauge Wire	Orange; Order wire by foot and terminals as required
1	203808	Hood Harness	
2	204572	Pressure Sensor Harness	Through Serial No. 1809999999
	204113	Pressure Sensor Harness	Starting Serial No. 1810000001
3	204715	Control Drive Harness	Models AWN43RSN305NW29, AWN63RSN125DW01 and AWN63RSN545DW01 through Serial No.1912999999
	204456	Control Drive Harness	All other models through Serial No.1912999999
	204715	Control Drive Harness	Starting Serial No. 2001000001
4	203664	Lid Lock Harness	Through Serial No. 1905999999
	204717	Lid Lock Harness	Starting Serial No. 1906000001
5	203661	Drain Pump Harness	Models AWN63RSN125DW01 and AWN63RSN545DW01; Through Serial No. 1905999999
	204457	Drain Pump Harness	All other models; Through Serial No. 1905999999
	204727	Drain Pump Harness	Models AWN43RSN305NW29, AWN43RSN305NW49, AWN63RSN125DW01 and AWN63RSN545DW01; Starting Serial No. 1906000001
	204728	Drain Pump Harness	All other models; Starting Serial No. 1906000001
6	203799	Screw	
7	31645	Screw	
8	203612	Drive Cover	
9	203657P	Drive Control Assembly	Model AWN63RSN125DW01
	203975	Drive Control Assembly	Models AWN43RSN305LW01, AWN43RSN305NW29 and AWN43RSN305XW01 through Serial No.1912999999; Model AWN63RSN545DW01
	204660	Drive Control Assembly	Models AWN43RSN305LW01, AWN43RSN305NW29, AWN43RSN305NW49 and AWN43RSN305XW01 starting Serial No.2001000001

NOTE: Individual wires are not available separately. Order complete wire harness, or order wire by the foot. When applying terminals to wires, it is recommended that the terminals be soldered to the wires.

Parts Index

A

Adjustable Leg Extension Kit 566P3	27
Agitator Hook 254P4P	31

B

Balance Ring Assembly 39837	19
Base Assembly 39788	27
Bell and Transmission Tube Seal 36425	19
Bell Plug 36511	19
Belt 204690	17
Bleach Dispenser 38382	13
Bracket 203599	21
36036	27
36037	27
Bumper 21685	13
Bumper Pad 36226	27
56128	27
Bushing 33446	13

C

Cable Clip 21036	21
Cable Tie F140605	29
804724	29
Capacitive Touch Switch 204266	7
Control Assembly 204074P	9
204076	9
204082	9
204084	9
204088	9
204090	9
204092	9
204141P	5
204163P	5
204546	9
204631	7
204633	7
204635	7
204683	7
204774	9
204852	9

204860	9
204864	9
204868	9
204930	7
204936	7
Control Drive Harness 204456	33, 35
204715	33, 35
Control Support Panel 203708	9
203840	5, 7
Counterweight Assembly 38769	21
Cycle Selector Switch 203977	5

D

Drain Extension Kit 204512	23
Drain Hose 203588	23
Drain Hose Sleeve 33615	23
Drain Pump Harness 203661	33, 35
204457	33, 35
204727	33, 35
204728	33, 35
204770	33
Drip Tray 204038	13
Drive Bell 203851	19
Drive Bell and Seal Kit 205061	19
Drive Bell Seal Tool 293P4	31
Drive Control Assembly 203657P	33, 35
203975	33, 35
204660	33, 35
Drive Cover 203612	33, 35
Drive Pulley 203531	25
Drive Shaft 204901	25

E

EMI Bracket 204245	27
204246	27
EMI Clip 204455	27
End Cap 203961	5, 7, 9
203962	5, 7, 9

N/A items do not appear in index.

F

Fabric Softener Dispenser Assembly	
205225	19
Fill Hose	
203718	15
203719	15
203720	15
203750	15
Filter Harness	
804797	13
Foam Pad	
203484	27
39480	27
Friction Ring	
37937	27
Front Panel	
204870	27
Front Panel Brace	
35097	27
Front Panel Pad	
36204	27

G

Graphic Panel	
203712	9
203989	5
204051	9
204586	7
204588	5, 7
204902	7
Grommet	
29175	21
80262	13

H

Harmonics Coil	
204565	13
Hex Wrench Tool	
306P4	31
Hinge Stop Clip	
36519	13
Hold-Down Clip	
35358	5, 7, 9, 13
35865	27
Hold-Down Lug Hinge	
27103	27
Hood Back Panel	
203733	13
204513	13
204833	13
204834	13
Hood Harness	
203808	35
Hose Clamp	
F200204	23
36801	15
39282	21
800803	15
90554	23

Hose Stand	
38732	23
Hub and Lip Seal Kit	
766P3A	19, 21

I

Inlet Cover	
202894	13
Inlet Deflector	
202900	13

K

Knob Assembly	
204046	5, 7
806597	7

L

Label	
D516100	13
Lead-In Cord	
203108	29
203122	29
203266	29
203315	29
204594	29
Lead-In Cord Assembly	
203106	29
LED Display Assembly	
204396	5
204488	7
Leg and Stabilizer Assembly	
34443	27
Leg Spring	
201521	21
37575	21
Leveling Leg	
34319	27
Lid	
203575W	13
Lid Hinge	
36437	13
36513	13
Lid Lock	
203504	13
Lid Lock Bezel	
203643	13
Lid Lock Catch	
203573	13
Lid Lock Harness	
203664	33, 35
Lid Lock Kit	
205222	13
Lid Switch Kit	
204696	11
Lid Warning Label	
203045	13
Line Filter	
204796	13

N/A items do not appear in index.

805633	13
Lower Bearing 28944RP	25

M

Mixing Valve 203741	15
203742	15
203928	15
Mixing Valve Mounting Bracket 204117	15
Mixing Valve Screen 24122	15
Mixing Valve Shield 204247	15
Motor 204011P	17
204556P	17
Motor Mount and Isolator Assembly 204062	17
204063	17
Motor Mount Bracket 200941	17

N

Notice Label D516073	27
Nut M400979	11
M400981	11
21899	27
29220	19, 25
29787	13
35423	17

O

Outer Tub Assembly 203603P	21
Outer Tub Kit 204383	21
Out-of-Balance Switch Assembly 803415	21
807384	21
Out-of-Balance Switch Assembly kit 806512	21
Output Board Control Assembly 204783	33
Overlay 204052	9
204150	9
204404	9
204405	9
204406	9

P

Panel Locator 28102	27
56079	27
Pinch Warning Label F8615701	21
Porcelain Touch-Up Paint 122P4P	27
Power Cord Assembly 203119	29
Pressure Bulb 205241	21
Pressure Sensor 203843	15
Pressure Sensor Harness 204113	35
204572	33, 35
Pump and Bracket 203885	23
203886	23
203887	23
Push Button Switch 203935	5

R

Retainer Clip 36014	23
Rocker Switch 203934	5
Rubber Foot 34318	27

S

Screw D501086	5, 7, 9, 27
D503688	29
M402574	11
203755	13
203792	19
203799	5, 7, 9, 33, 35
204342	7
204503	7
204656	11
23962	5, 7, 9, 11, 13
27196	27
27202	19
31645	23, 33, 35
33562	13, 15
34337	13
35148	21, 27
35369	17, 21
38272	27
39397	15
39432	19
39566	21
39733	27
431287	13
51780	27
800258	13

N/A items do not appear in index.

800548	7, 13
804608	5
804667	9
Sealant	
200996P	19, 21
Service Cabinet Kit	
38612WP	27
Shipping Brace	
204678	31
Shipping Plug	
38149	31
Shock Warning Label	
F8614201	13, 21, 27
Siphon Break Kit	
562P3	23
Spline Insert	
29728	19, 25
Spring Hook Tool	
321P4	31
Standpipe Strap	
33489	23
Straight Agitator	
203852	19
Strain Relief	
32219	23
38384	13, 29, 31

T

Temperature Switch	
35115	5
36335	5
Top Panel	
203632WP	13
Top Shield	
203946	13
Tub Cover Assembly	
203968	21
Tub Cover Gasket	
38359	21
Tubing	
203802	21
Tub-to-Pump Hose	
203560	23

V

Valve to Inlet Hose	
202884	15
204400	15

W

Warning Label	
203008	13
Washer	
F8244901	15
20290	15
37772	17, 21
39249	21
802254	15

N/A items do not appear in index.

803615	15
Washtub Gasket	
39122	19
Washtub Hub	
205306	19
Washtub Kit	
719P3	19
Weldment and Bearing Assembly	
39253	25
Wire, 12 Gauge	
45380	35
Wire, 18 Gauge	
45001	35

Y

Y Assembly	
204508	15
Y Fitting	
204458	15
