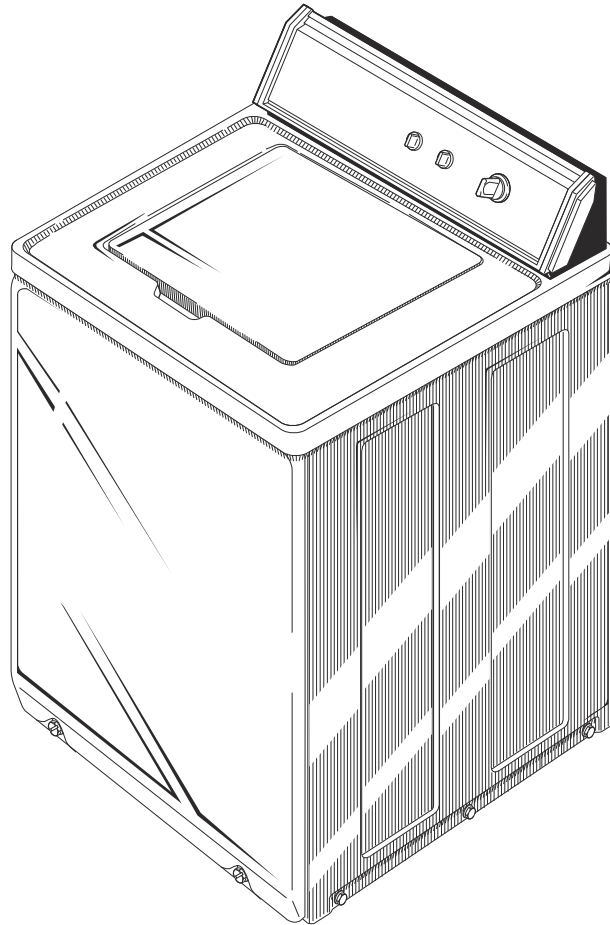


Automatic Washers

Refer to Page 3 for Model Numbers



W194PE1A_36418

Parts

Alliance[™]
Laundry Systems

www.alliancelandry.com

Part No. 36418R7
January 2019

Table of Contents

| Title | Page |
|--|------|
| Parts Ordering Information..... | 2 |
| Serial Plate Location | 2 |
| Model Identification | 3 |
| Timer, Case and Plate | 4 |
| Control Panel, Control Hood and Controls..... | 6 |
| Graphic Panel, Control Hood and Controls (Drawing 1 of 3)..... | 8 |
| Graphic Panel, Control Hood and Controls (Drawing 2 of 3)..... | 10 |
| Graphic Panel, Control Hood and Controls (Drawing 3 of 3)..... | 12 |
| Cabinet Top, Loading Door and Control Hood Rear Panel..... | 14 |
| Cabinet Top and Loading Door | 16 |
| Out-of-Balance Switch | 18 |
| Inlet Hose, Fill Hose, Mixing Valve and Mounting Bracket..... | 20 |
| Motor, Mounting Bracket, Belt and Pump | 22 |
| Agitator, Drive Bell, Seal Kit, Washtub and Hub | 24 |
| Outer Tub, Cover and Pressure Hose | 26 |
| Transmission Assembly and Balance Ring..... | 28 |
| 34526P Transmission Assembly..... | 30 |
| Drain Hose and Siphon Break Kit | 32 |
| Bearing Housing, Brake, Pulley and Pivot Dome..... | 34 |
| Front Panel, Base Assembly and Cabinet Assembly..... | 36 |
| Mixing Valve and Motor Connection Blocks, Terminals and Terminal Extractor Tool..... | 38 |
| Power Cord and Terminals | 40 |
| Special Tools (Drawing 1 of 2)..... | 42 |
| Special Tools (Drawing 2 of 2)..... | 44 |
| Wire Harnesses and Wires | 46 |
| Parts Index..... | 47 |

© Copyright 2019, Alliance Laundry Systems LLC

All rights reserved. No part of the contents of this book may be reproduced or transmitted in any form or by any means without the expressed written consent of the publisher.

Parts Ordering Information

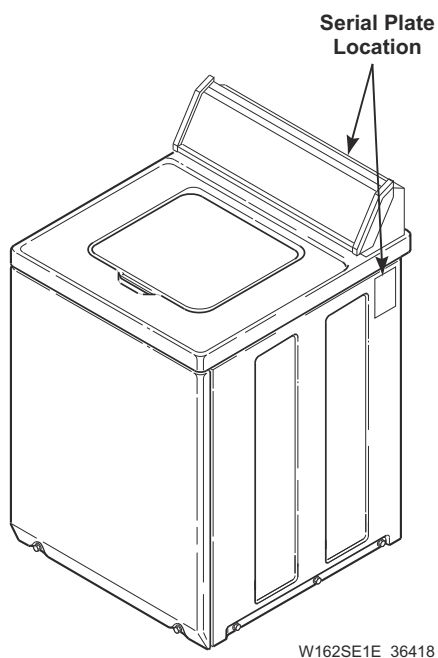
If literature or replacement parts are required, contact the source from whom the machine was purchased or contact Alliance Laundry Systems at (920) 748-3950 for the name and address of the nearest authorized parts distributor.

For technical assistance, call the number listed below:

(920) 748-3121 Ripon, Wisconsin

Serial Plate Location

When calling or writing about your product, be sure to mention model and serial numbers. Model and serial numbers are located on serial plate(s) as shown.



Model Identification

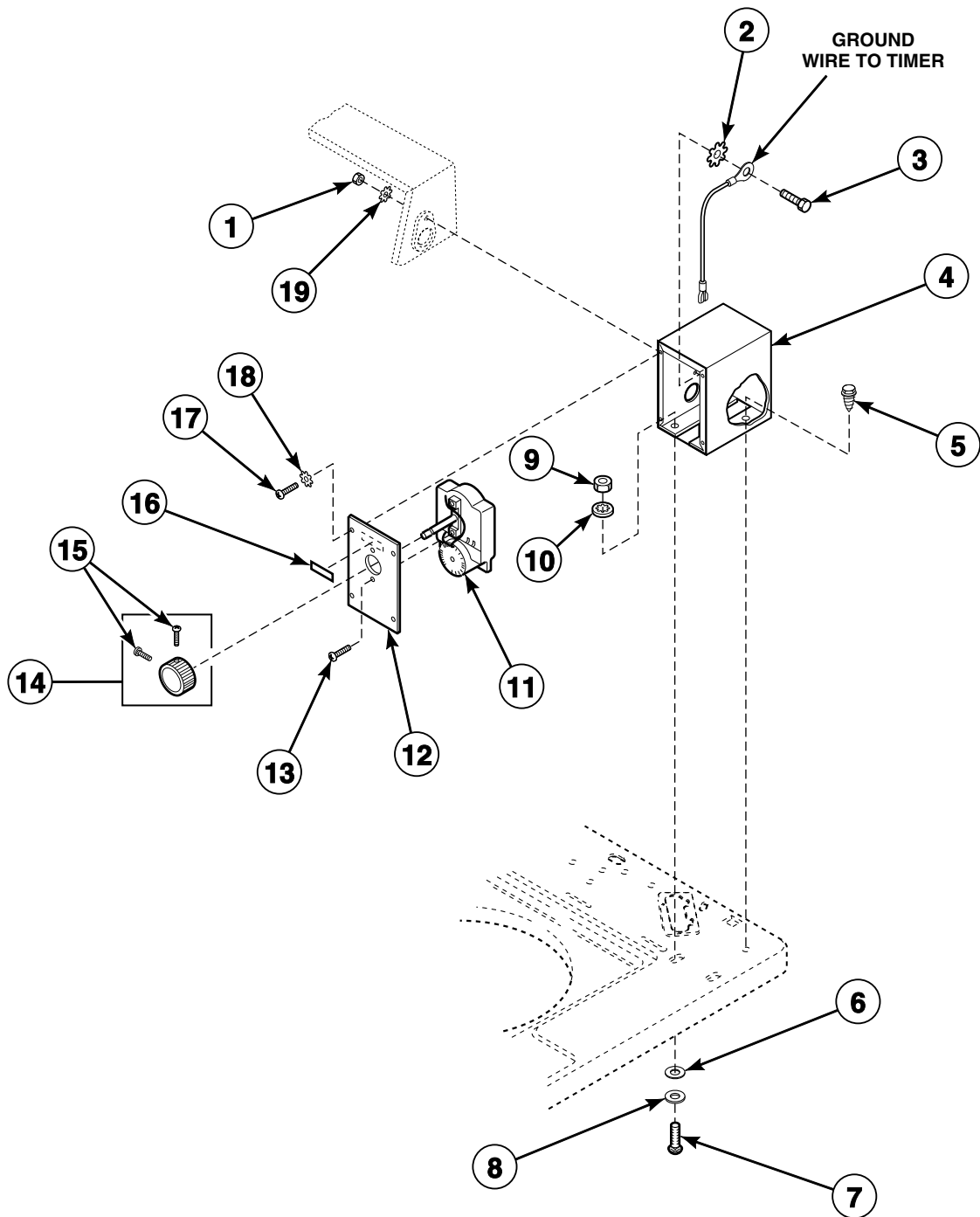
Information in this manual is applicable to these washer models:

AWG100*
AWG200*
AWG200*2
AWG202*
AWG204*2
AWG390*
AWG392*
AWM392*-1088
AWM392*21088
AWM392*-3088
AWM392*23088
AWM593*299F5
AWM593*299F7
EA2010*A3088

* Add Letter To Designate Color. L - Almond W - White

Timer, Case and Plate

Model EA2010*A3088



W116PZ3C_36418

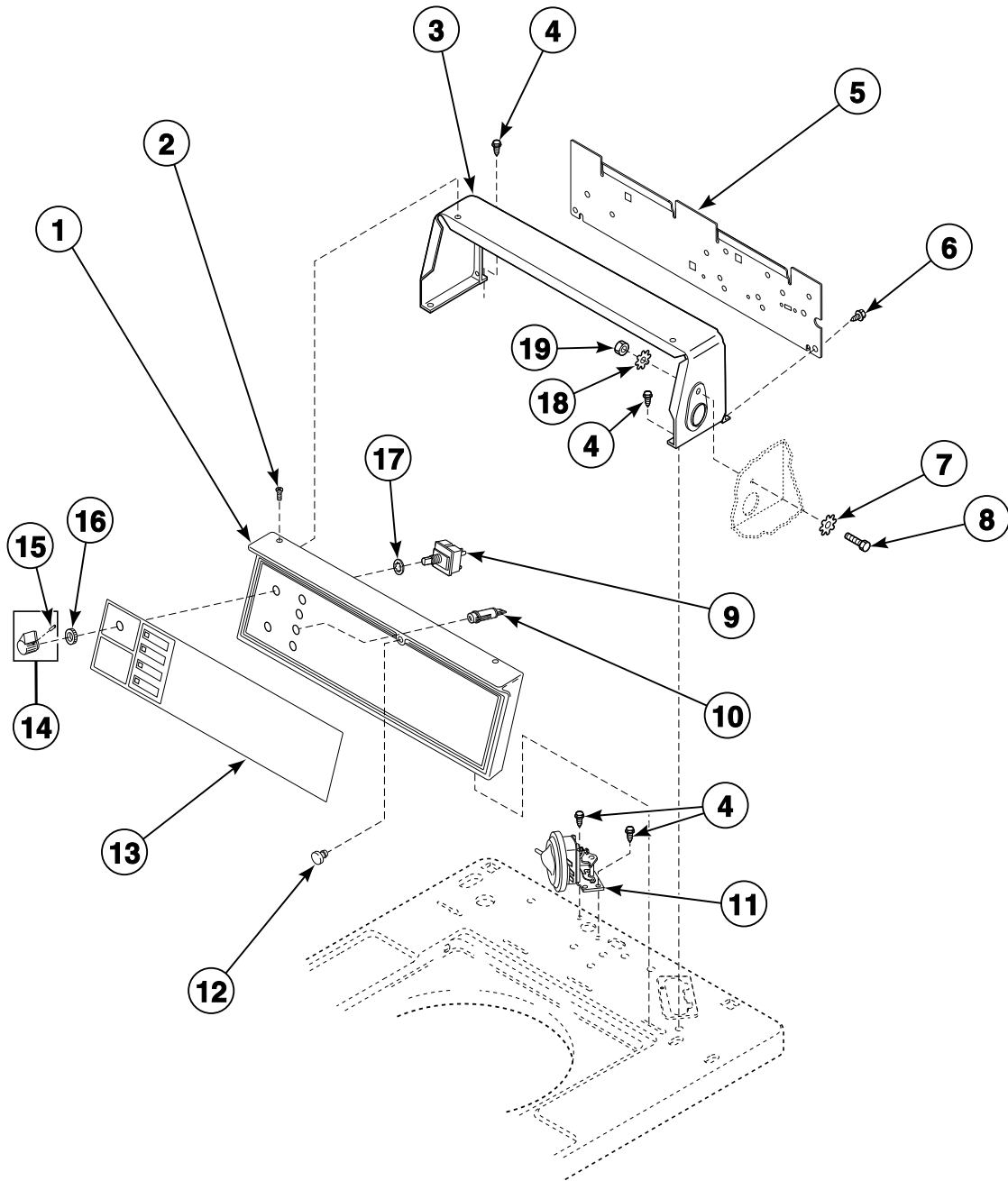
Timer, Case and Plate

| REF | PART NO. | DESCRIPTION | COMMENTS |
|-----|----------|-----------------------|----------|
| 1 | 52566 | Nut | |
| 2 | M400017 | Washer | |
| 3 | 02916 | Screw | |
| 4 | 37733W | Timer Case Assembly | |
| 5 | 23962 | Screw | |
| 6 | 23225 | Washer | |
| 7 | 203798 | Bolt | |
| 8 | 30627 | Washer | |
| 9 | 20275 | Nut | |
| 10 | 21456 | Washer | |
| 11 | 28719P | Timer | |
| 12 | 31864W | Timer Plate | |
| 13 | 27328 | Screw | |
| 14 | 26256 | Timer Knob Assembly | |
| 15 | 80399 | Screw | |
| 16 | 53738 | Push-to-Start Sticker | |
| 17 | 51778 | Screw | |
| 18 | 21734 | Washer | |
| 19 | 02431 | Washer | |

* Add Letter To Designate Color. L - Almond W - White

Control Panel, Control Hood and Controls

Model EA2010*A3088



W265PZ3A_36418

Control Panel, Control Hood and Controls

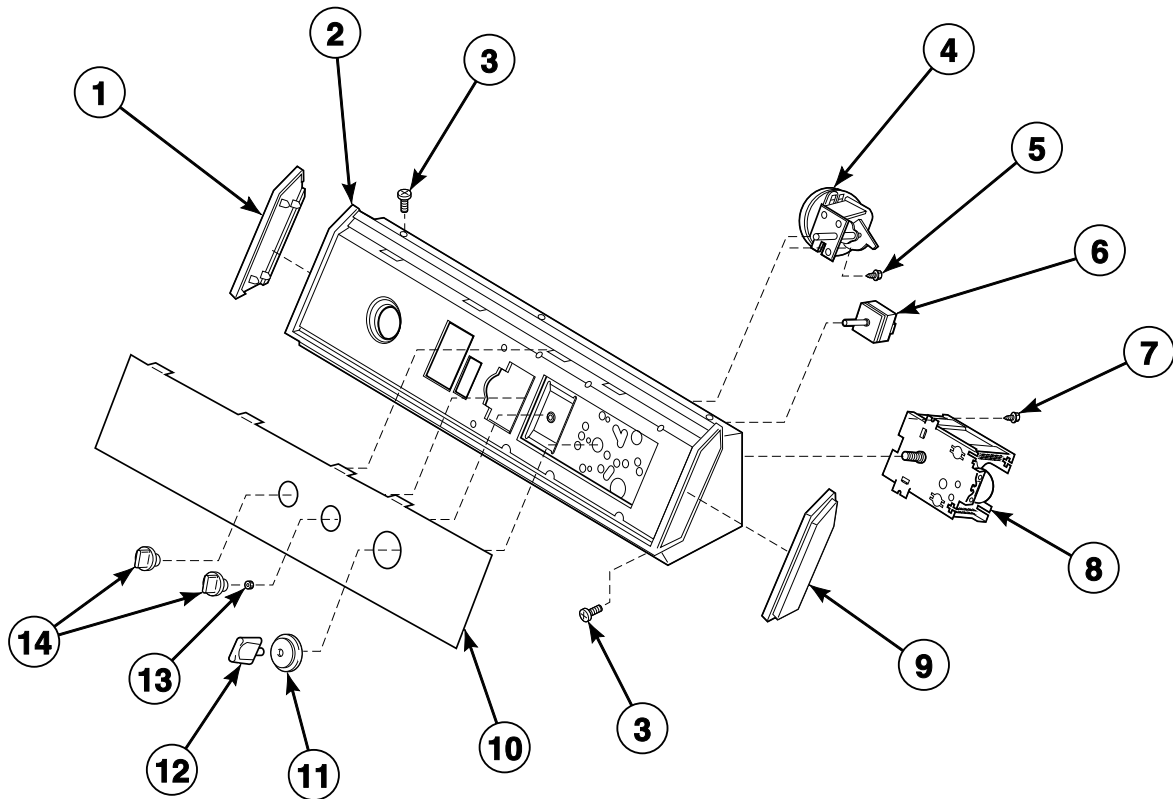
| REF | PART NO. | DESCRIPTION | COMMENTS |
|-----|----------|------------------------------------|--|
| 1 | 36521*P | Control Panel and Bracket Assembly | |
| 2 | D500226 | Screw | Phillips Head |
| | 35528 | Screw | Torx Head; Optional, for added security; Refer to <i>Special Tools</i> section for Torx Bit and Holder |
| 3 | 37075* | Control Hood | |
| 4 | 23962 | Screw | |
| 5 | 38267 | Hood Back Panel | |
| 6 | 23222 | Screw | |
| 7 | M400017 | Washer | |
| 8 | 02916 | Screw | |
| 9 | 27761 | Switch | |
| 10 | 32519 | Light | |
| 11 | 35889P | Pressure Switch | |
| 12 | 202469 | Control Panel Bumper | |
| 13 | 32460 | Graphic Overlay | |
| 14 | 39897 | Switch Knob | |
| 15 | N/A | Setscrew | |
| 16 | 24205 | Nut | |
| 17 | 91176 | Washer | |
| 18 | 02431 | Washer | |
| 19 | 52566 | Nut | |

* Add Letter To Designate Color. L - Almond W - White

N/A = Part no longer available

Graphic Panel, Control Hood and Controls (Drawing 1 of 3)

Models AWG100*, AWG200*, AWG200*2, AWG202*, AWG204*2, AWG390* and AWG392*



W186P_36418

Graphic Panel, Control Hood and Controls (Drawing 1 of 3)

| REF | PART NO. | DESCRIPTION | COMMENTS |
|-----|----------|------------------------------------|--|
| 1 | 34460 | End Cap | Left |
| 2 | 31811 | Hood and Mounting Bracket Assembly | Through Serial No. 9511021617 |
| | N/A | Control Hood Assembly | Starting Serial No. 9511021618 |
| 3 | 31752 | Screw | |
| 4 | 39035P | Pressure Switch | |
| 5 | 31260 | Screw | |
| 6 | 21300 | Temperature Switch | Model AWG100*; Through Serial No. 9511021617 |
| | 35115 | Temperature Switch | Model AWG100*; Starting Serial No. 9511021618 |
| | 32189 | Water Temperature Switch | All other models; Through Serial No. 9511021617 |
| | 36335 | Temperature Switch | All other models; Starting Serial No. 9511021618 |
| 7 | 23962 | Screw | |
| 8 | 31239P | Timer | |
| 9 | 34459 | End Cap | Right |
| 10 | N/A | Graphic Panel | Model AWG100* |
| | N/A | Graphic Panel | Models AWG200* and AWG202* |
| | 37933 | Graphic Panel | Model AWG200*2 |
| | N/A | Graphic Panel | Model AWG204*2 |
| | N/A | Graphic Panel | Models AWG390* and AWG392* |
| 11 | 33817 | Timer Skirt Assembly | |
| 12 | 33897 | Timer Knob | |
| 13 | 57584 | Nut | Through Serial No. 9511021617 |
| 14 | 33610 | Knob Assembly | |

* Add Letter To Designate Color. L - Almond W - White

N/A = Part no longer available

Graphic Panel, Control Hood and Controls (Drawing 2 of 3)

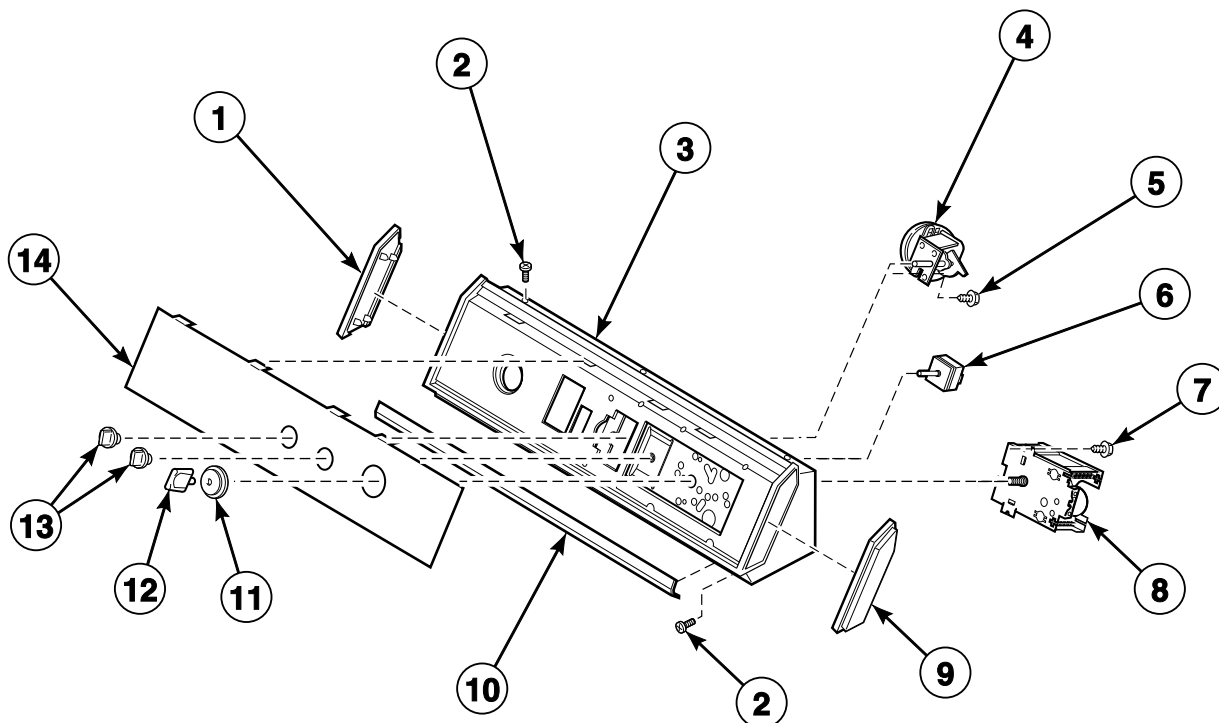
| REF | PART NO. | DESCRIPTION | COMMENTS |
|-----|----------|------------------------------------|--------------------------------------|
| 1 | 31249 | End Cap | Left |
| 2 | 31811 | Hood and Mounting Bracket Assembly | Through Serial No. 9511021617 |
| | N/A | Control Hood Assembly | Starting Serial No. 9511021618 |
| 3 | 31752 | Screw | |
| 4 | 39035P | Pressure Switch | |
| 5 | 31260 | Screw | |
| 6 | 21300 | Temperature Switch | Through Serial No. 9511021617 |
| | 35115 | Temperature Switch | Starting Serial No. 9511021618 |
| 7 | 23962 | Screw | |
| 8 | 31243P | Timer | Models AWM392*-1088 and AWM392*21088 |
| | 31241P | Timer | Models AWM392*-3088 and AWM392*23088 |
| 9 | 31248 | End Cap | Right |
| 10 | 35235 | Graphic Panel | Models AWM392*-1088 and AWM392*-3088 |
| | 36620 | Graphic Panel | Models AWM392*21088 and AWM392*23088 |
| 11 | 33817 | Timer Skirt Assembly | |
| 12 | 33897 | Timer Knob | |
| 13 | 57584 | Nut | Through Serial No. 9511021617 |
| 14 | 33610 | Knob Assembly | |

* Add Letter To Designate Color. L - Almond W - White

N/A = Part no longer available

Graphic Panel, Control Hood and Controls (Drawing 3 of 3)

Models AWM593*299F5 and AWM593*299F7



W405PZ3A_36418

Graphic Panel, Control Hood and Controls (Drawing 3 of 3)

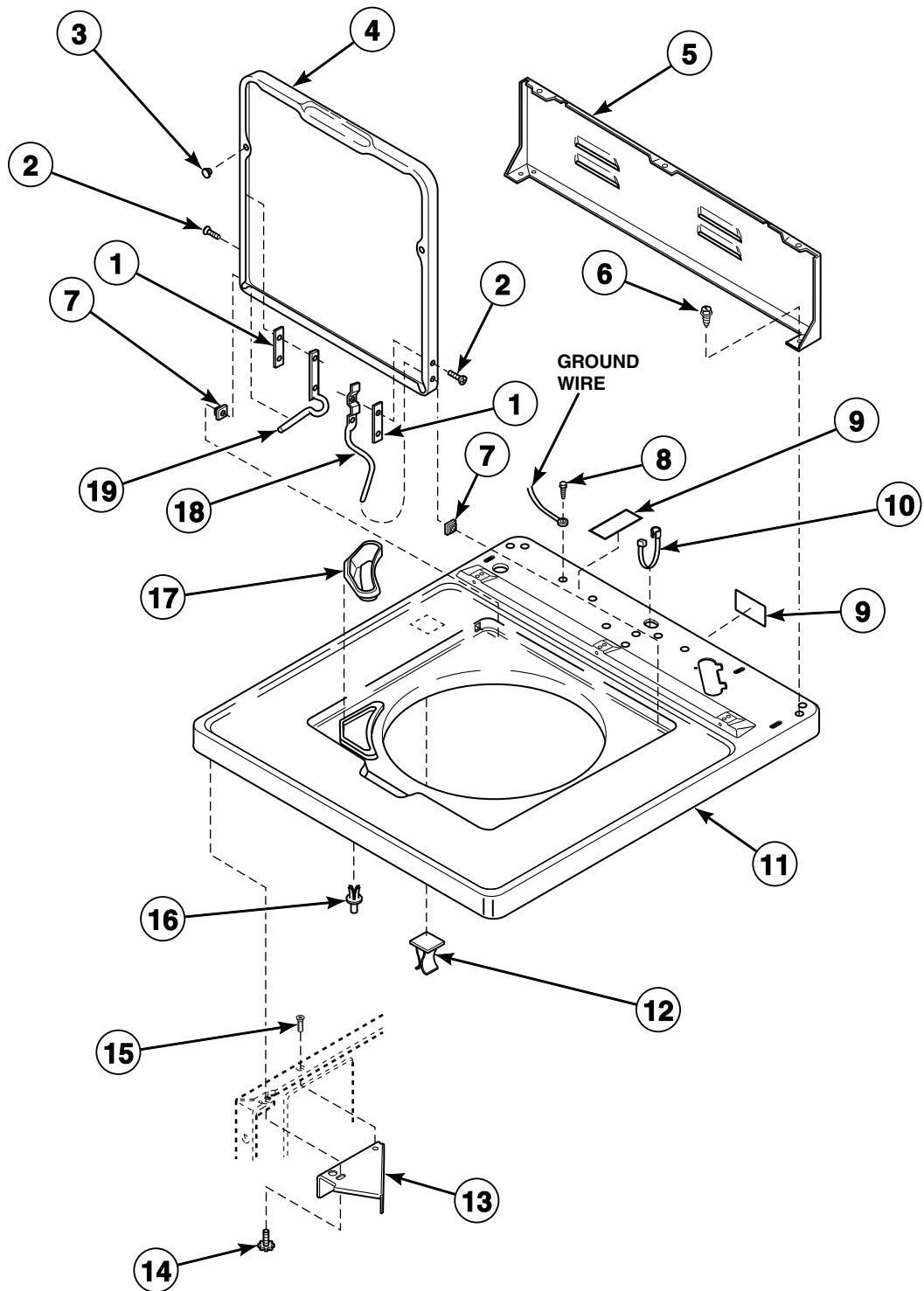
| REF | PART NO. | DESCRIPTION | COMMENTS |
|-----|----------|-----------------------|----------|
| 1 | 31249 | End Cap | Left |
| 2 | 31752 | Screw | |
| 3 | N/A | Control Hood Assembly | |
| 4 | 201927P | Pressure Switch | |
| 5 | 31260 | Screw | |
| 6 | 36335 | Temperature Switch | |
| 7 | 23962 | Screw | |
| 8 | 36608P | Timer | |
| 9 | 31248 | End Cap | Right |
| 10 | 33123R | Trim | |
| 11 | 33817 | Timer Skirt Assembly | |
| 12 | 33897 | Timer Knob | |
| 13 | 33610 | Knob Assembly | |
| 14 | N/A | Graphic Panel | |

* Add Letter To Designate Color. L - Almond W - White

N/A = Part no longer available

Cabinet Top, Loading Door and Control Hood Rear Panel

All Models Except EA2010*A3088



W211PZ3C_36418

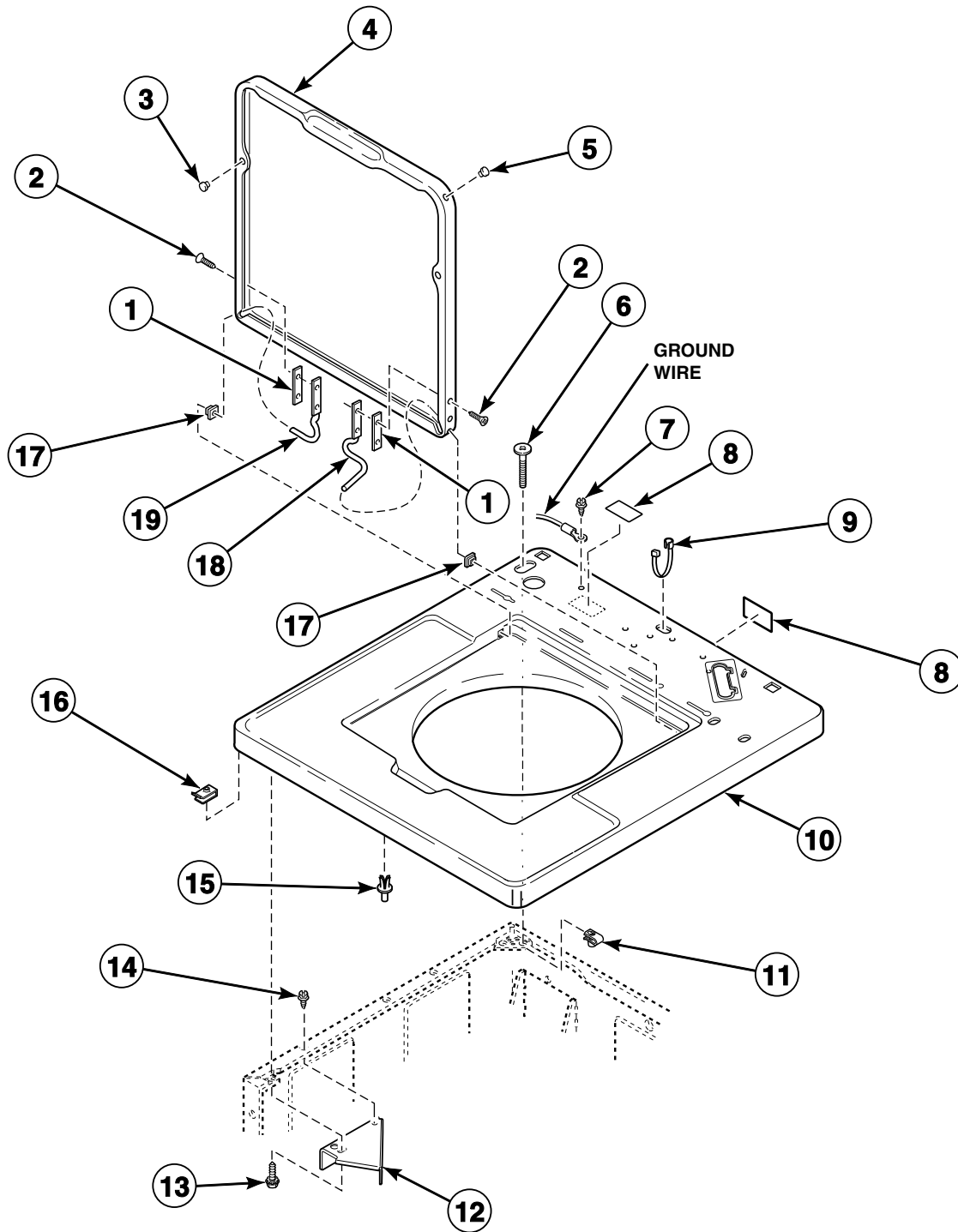
Cabinet Top, Loading Door and Control Hood Rear Panel

| REF | PART NO. | DESCRIPTION | COMMENTS |
|-----|----------|--------------------------------|---|
| 1 | 34338 | Hinge Gasket | |
| 2 | 34337 | Screw | |
| 3 | 21685 | Bumper | |
| 4 | 33541*P | Lid | |
| 5 | 37782 | Hood Back Panel | |
| 6 | 23962 | Screw | |
| 7 | 33446 | Bushing | |
| 8 | 52909 | Screw | |
| 9 | D505281 | Disconnect Power Warning Label | |
| 10 | 38384 | Strain Relief | |
| 11 | 34902*P | Top Assembly | |
| 12 | 36519 | Hinge Stop Clip | Models AWG100*, AWG200*2, AWG202*, AWG204*2, AWG390*, AWG392*, AWM593*299F5 and AWM593*299F7 |
| 13 | 36034 | Director Bracket | |
| 14 | 33562 | Screw | |
| 15 | N/A | Screw | |
| 16 | 56534 | Support Barrel | |
| 17 | 34776 | Bleach Dispenser | All models except AWG100*, AWG200* and AWG200*2 |
| 18 | 36437 | Lid Hinge | Right |
| 19 | 36513 | Lid Hinge | Left; Models AWG100*, AWG200*, AWG200*2, AWG202*, AWG204*2, AWG390*, AWG392*, AWM593*299F5 and AWM593*299F7 |
| | 36438 | Lid Hinge | Left; All other models |

* Add Letter To Designate Color. L - Almond W - White
 N/A = Part no longer available

Cabinet Top and Loading Door

Model EA2010*A3088



W406PZ3A_36418

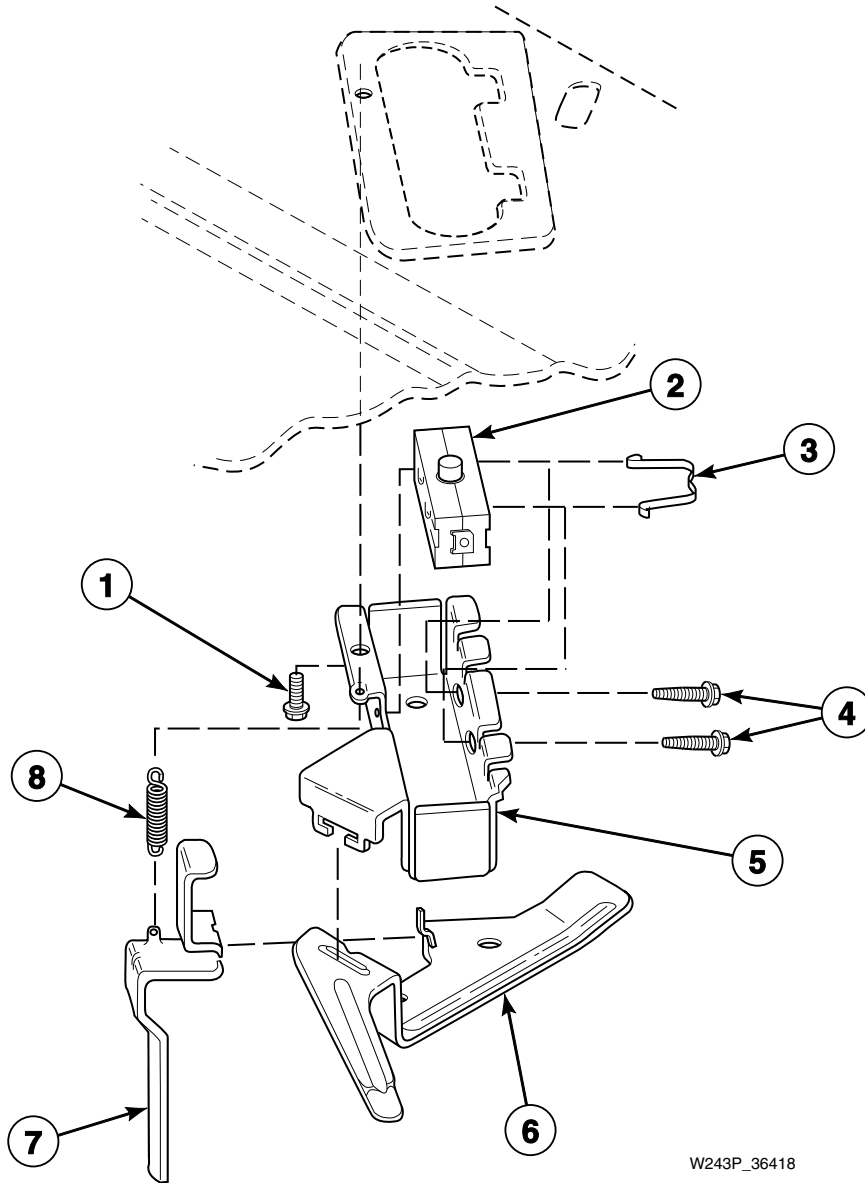
Cabinet Top and Loading Door

| REF | PART NO. | DESCRIPTION | COMMENTS |
|-----|----------|--------------------------------|------------------------------|
| 1 | 34338 | Hinge Gasket | |
| 2 | 34337 | Screw | |
| 3 | 21685 | Bumper | |
| 4 | 201760*P | Lid | Porcelain |
| 5 | 34153 | Lid Plug | |
| 6 | D503673 | Screw | |
| 7 | 52909 | Screw | |
| 8 | D505281 | Disconnect Power Warning Label | |
| 9 | 38384 | Strain Relief | |
| 10 | 36273*P | Top Assembly | Porcelain |
| 11 | 27222 | Nut | Optional; For added security |
| 12 | 36034 | Director Bracket | |
| 13 | 23008 | Screw | |
| 14 | N/A | Screw | |
| 15 | 56534 | Support Barrel | |
| 16 | 36020 | Nut | |
| 17 | 36474 | Hinge Bushing | |
| 18 | 36437 | Lid Hinge | Right |
| 19 | 36438 | Lid Hinge | Left |

* Add Letter To Designate Color. L - Almond W - White

N/A = Part no longer available

Out-of-Balance Switch

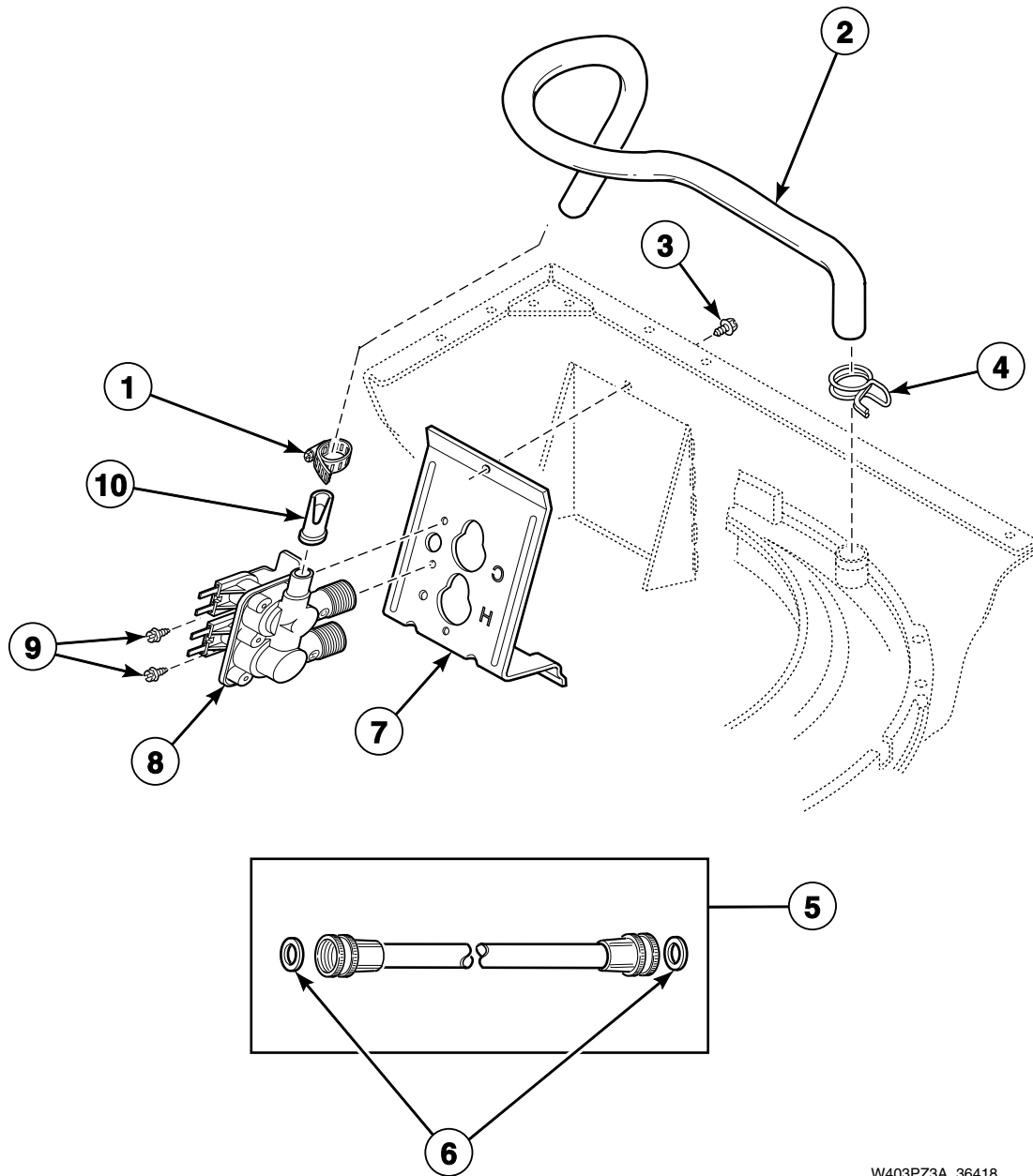


W243P_36418

Out-of-Balance Switch

| REF | PART NO. | DESCRIPTION | COMMENTS |
|-----|----------|-----------------------|---|
| 1 | 23962 | Screw | |
| 2 | 33445 | Switch | |
| 3 | 33433 | Switch Holder Clip | For Models using 33440 Switch Holder |
| 4 | 36510 | Screw | For Models using 36497P Switch Holder Kit |
| 5 | 36497P | Switch Holder Kit | Replaces 33440 Switch Holder |
| 6 | 33441 | Actuator Arm | |
| 7 | 33442 | Unbalanced Load Lever | |
| 8 | 33443 | Spring | |

Inlet Hose, Fill Hose, Mixing Valve and Mounting Bracket



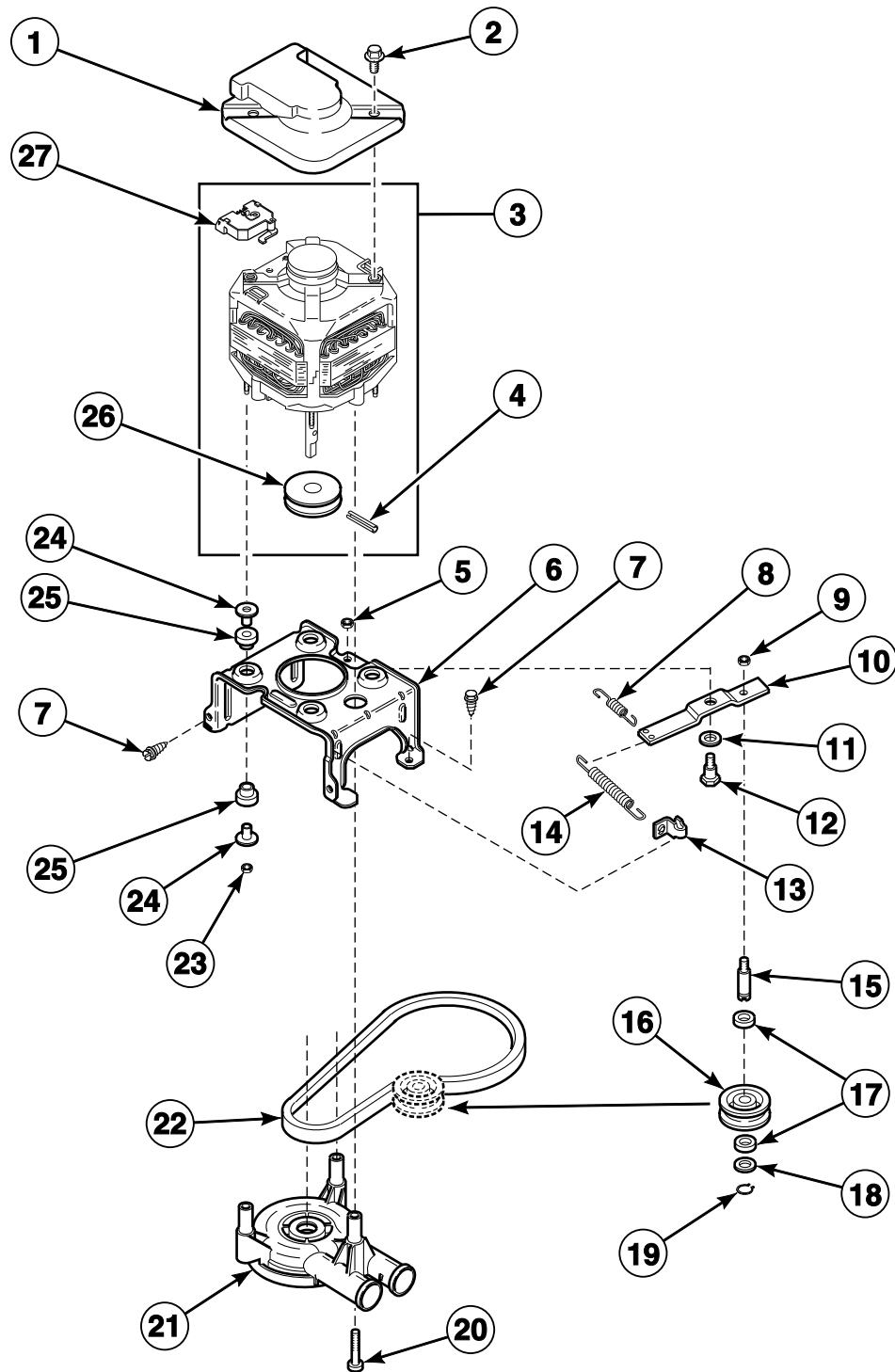
W403PZ3A_36418

Inlet Hose, Fill Hose, Mixing Valve and Mounting Bracket

| REF | PART NO. | DESCRIPTION | COMMENTS |
|-----|----------|--------------------------------|--------------------------------------|
| 1 | 36801 | Hose Clamp | |
| 2 | 38155 | Mixing Valve-to-Tub Cover Hose | |
| 3 | 33562 | Screw | |
| 4 | 29210 | Hose Clamp | Gold Color |
| 5 | F200116 | Water Hose | 60 Hertz; 4 Foot |
| | 38349P | Fill Hose Kit | 50 Hertz; 4 Foot |
| | 37380 | Fill Hose | 50 Hertz; 8 Foot |
| | 37381 | Fill Hose | 50 Hertz; 10 Foot |
| 6 | 20290 | Washer | |
| 7 | 39407 | Mixing Valve Mounting Bracket | |
| 8 | 34997P | Mixing Valve | Models AWM392*-3088 and AWM392*23088 |
| | 34963P | Mixing Valve | All other models |
| 9 | 23962 | Screw | |
| 10 | 34500 | Backflow Preventer | |

* Add Letter To Designate Color. L - Almond W - White

Motor, Mounting Bracket, Belt and Pump



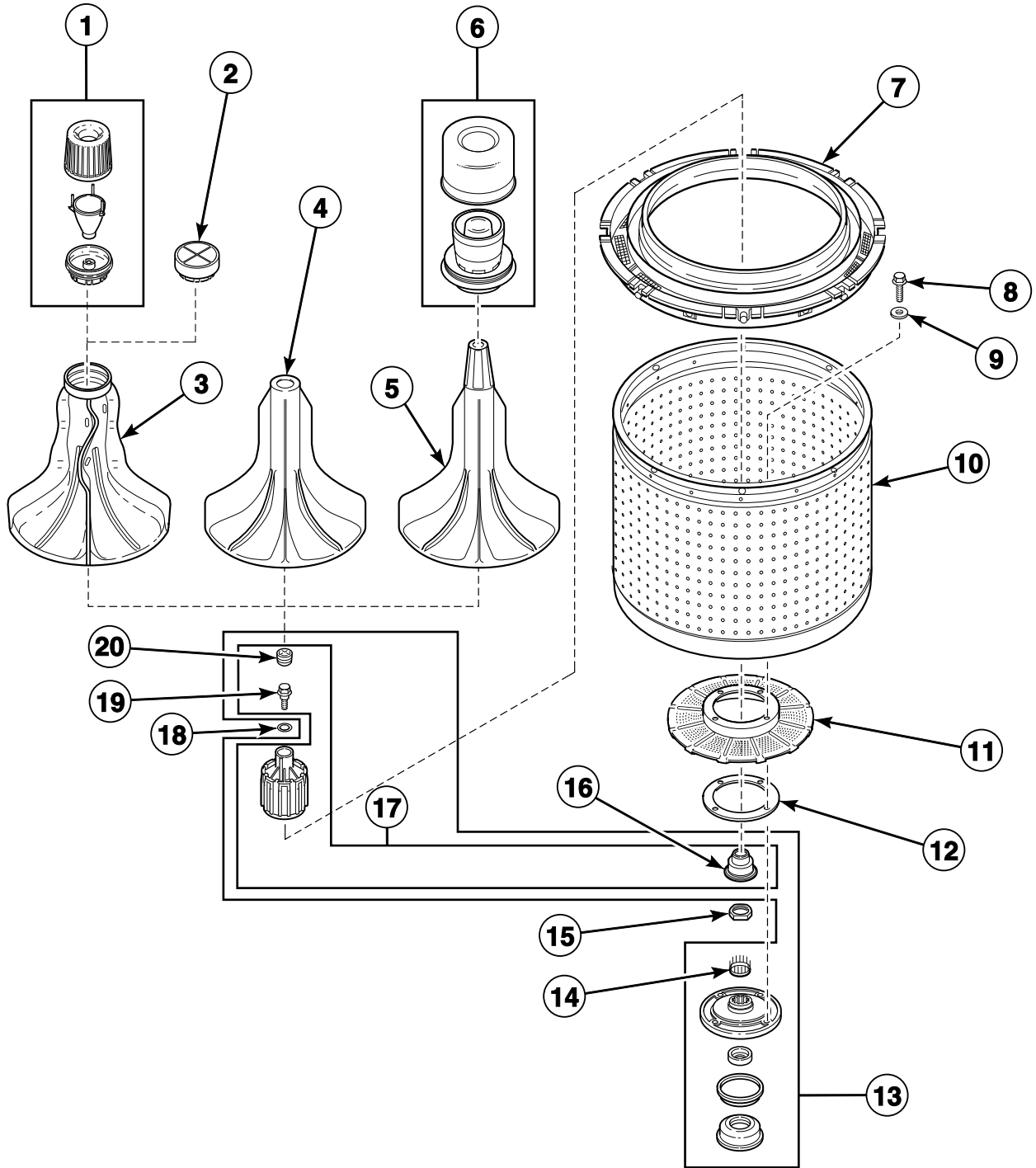
W241PZ3B_36418

Motor, Mounting Bracket, Belt and Pump

| REF | PART NO. | DESCRIPTION | COMMENTS |
|-----|----------|-----------------------------------|---|
| | 258P3 | Capacitor Kit | For use in areas where low voltage exists |
| 1 | 34754 | Motor Shield | |
| 2 | 36639 | Screw | Attachment Varies by Model |
| | N/A | Palnut | Attachment Varies by Model |
| 3 | 36256P | Motor Assembly | 120 Volt, 50 Hertz, 1 Speed |
| | 35030P | Motor Assembly | 240 Volt, 50/60 Hertz, 1 Speed |
| | 38036P | Motor Kit | 115 Volt, 60 Hertz, 1 Speed |
| | 201615P | Motor Kit | 115 Volt, 60 Hertz, 2 Speed |
| 4 | N/A | Roll Pin | |
| 5 | 52566 | Nut | |
| 6 | N/A | Motor Mounting Bracket | Through Serial No. 9502022146 |
| | 37415P | Motor Bracket and Idler Lever Kit | Starting Serial No. 9502022147 |
| 7 | D503661 | Screw | |
| 8 | 30620 | Idler Lever Helper Spring | Used through Serial No. 9506091526 |
| 9 | 28803 | Nut | |
| 10 | 31054 | Idler Lever | Through Serial No. 9507005924 |
| | 37443 | Idler Lever | Starting Serial No. 9507005925 |
| 11 | 81392 | Washer | |
| 12 | 27229 | Screw | |
| 13 | 28849 | Spring Clip | |
| 14 | 39666 | Idler Lever Spring | Through Serial No. 9507005924 |
| | 37606 | Idler Lever Spring | Starting Serial No. 9507005925 |
| 15 | 28802P | Idler Shaft | |
| 16 | 28800P | Idler Pulley | |
| 17 | 29443 | Washer | Felt |
| 18 | 52549 | Washer | Nylatron |
| 19 | 23748 | Retaining Ring | |
| 20 | 34565 | Screw | |
| 21 | 201566P | Pump | |
| 22 | 28808 | Belt | Agitate and Spin; 60 Hertz Models |
| | 35517 | Belt | Agitate and Spin; 50 Hertz Models |
| 23 | 35423 | Nut | |
| 24 | 34791 | Motor Mount Post | |
| 25 | 34788 | Motor Mount | Rubber |
| 26 | N/A | Motor Pulley | Gold Color |
| 27 | 35632 | Motor Switch | |

N/A = Part no longer available

Agitator, Drive Bell, Seal Kit, Washtub and Hub



W407PZ3A_36418

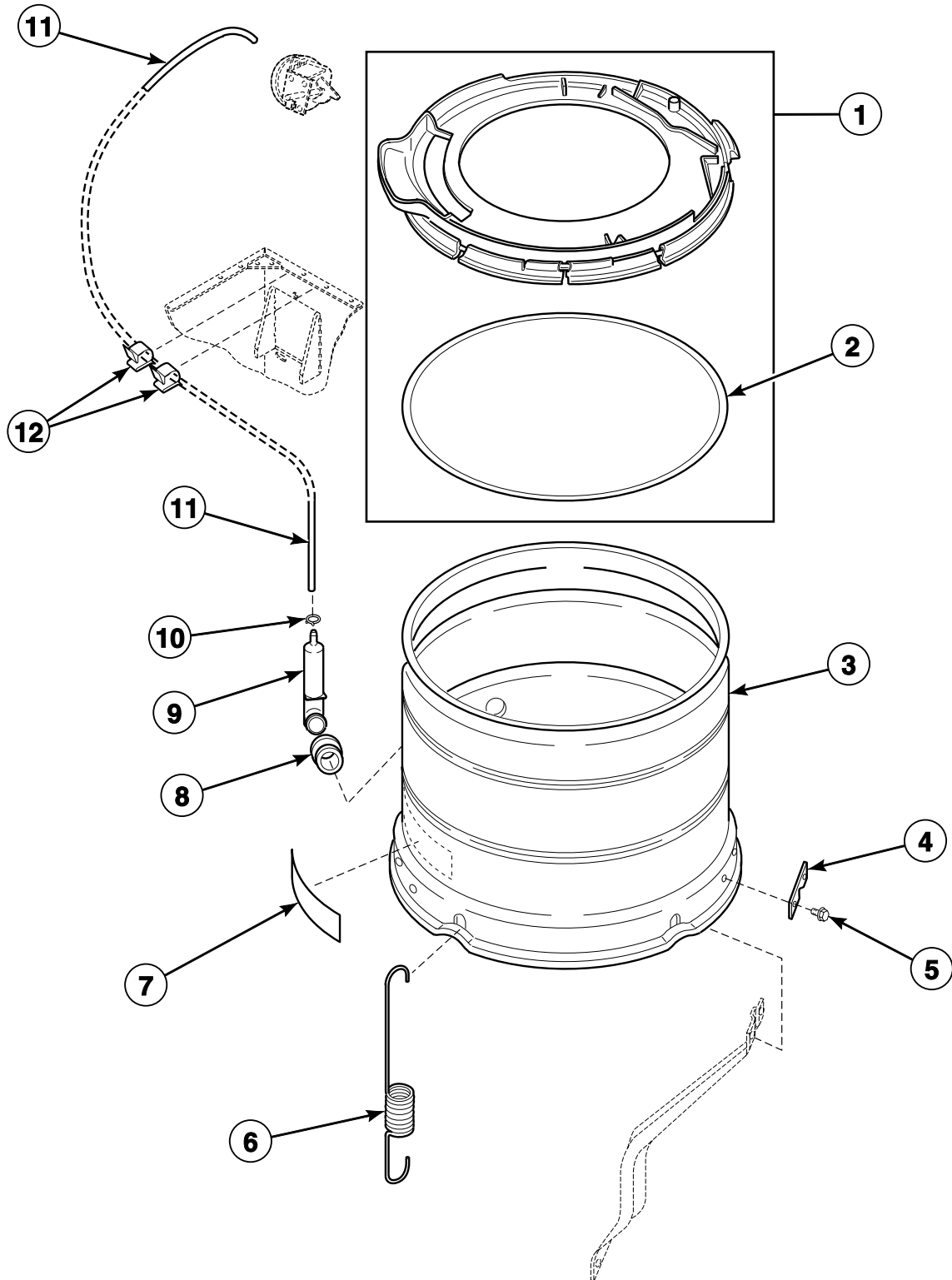
Agitator, Drive Bell, Seal Kit, Washtub and Hub

| REF | PART NO. | DESCRIPTION | COMMENTS |
|-----|----------|------------------------------------|--|
| 1 | 36542 | Fabric Softener Dispenser Assembly | Model AWM593*299F7 |
| 2 | 36515 | Agitator Cap | Model AWM593*299F5 |
| 3 | 33174 | Agitator | Model AWM593*299F5 |
| 4 | 33513 | Agitator | Model EA2010*A3088 |
| 5 | 33514 | Agitator | All other models |
| 6 | 33510 | Fabric Softener Dispenser Assembly | |
| 7 | 35035 | Clothes Guard | |
| 8 | 27202 | Screw | |
| 9 | 28094 | Washer | |
| 10 | 719P3 | Washtub Kit | Stainless Steel; Models AWM593*299F5 and AWM593*299F7 |
| | N/A | Washtub | Blue Porcelain; Model AWG204*2 |
| | 39252P | Tub Assembly | Blue Porcelain; Models AWG100*, AWG200* and AWG200*2 |
| | 39240P | Tub Assembly | White Porcelain; All other models |
| 11 | 39371 | Lint Filter | All Models not using 39122 Gasket |
| 12 | 39122 | Washtub Gasket | Models AWG100*, AWG200*, AWG200*2 and EA2010*A3088 |
| 13 | 495P3 | Hub and Seal Kit | Includes 29728 Insert, 32857 Cover Gasket and items 14 and 17 |
| 14 | 29728 | Spline Insert | |
| 15 | 29220 | Nut | |
| 16 | 36425 | Bell and Transmission Tube Seal | |
| 17 | 39508P | Drive Bell and Seal Kit | Includes items 16, 17, 19 and 20; Replaces 30071, 34504, 36527 and 36443 Drive Bells |
| 18 | 36472 | O-Ring | Used with 30071, 34504, 36527 and 36443 Drive Bells only |
| 19 | 39432 | Screw | |
| 20 | 36511 | Bell Plug | |

* Add Letter To Designate Color. L - Almond W - White

N/A = Part no longer available

Outer Tub, Cover and Pressure Hose



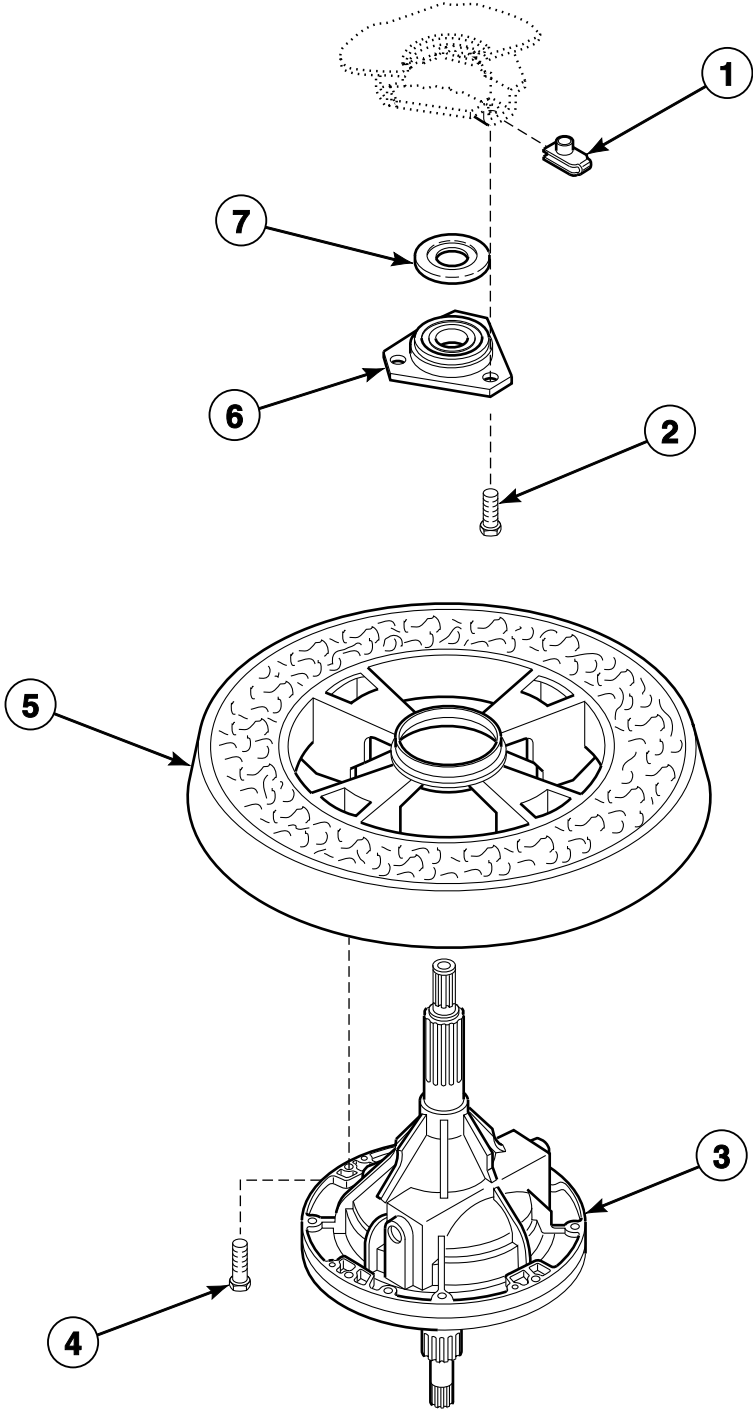
W404PZ3A_36418

Outer Tub, Cover and Pressure Hose

| REF | PART NO. | DESCRIPTION | COMMENTS |
|-----|----------|--------------------|--|
| 1 | 36025P | Tub Cover Kit | Includes Item 2 |
| 2 | 32857 | Tub Cover Gasket | |
| 3 | 34439P | Outer Tub Kit | Models AWG100*, AWG200*, AWG200*2 and EA2010*A3088 |
| | 34438P | Outer Tub Assembly | All other models |
| 4 | 27926 | Leg Plate | |
| 5 | 35369 | Screw | |
| 6 | 35947 | Tub Spring | Models AWG100*, AWG200*, AWG200*2 and EA2010*A3088 |
| | 35948 | Leg Spring | All other models |
| 7 | D500049 | Warning Label | |
| 8 | 29175 | Grommet | |
| 9 | 30907 | Pressure Bulb | |
| 10 | 39282 | Hose Clamp | |
| 11 | 39124 | Tubing | Model EA2010*A3088 |
| | 202700 | Tubing | All other models |
| 12 | 21036 | Cable Clip | |

* Add Letter To Designate Color. L - Almond W - White

Transmission Assembly and Balance Ring



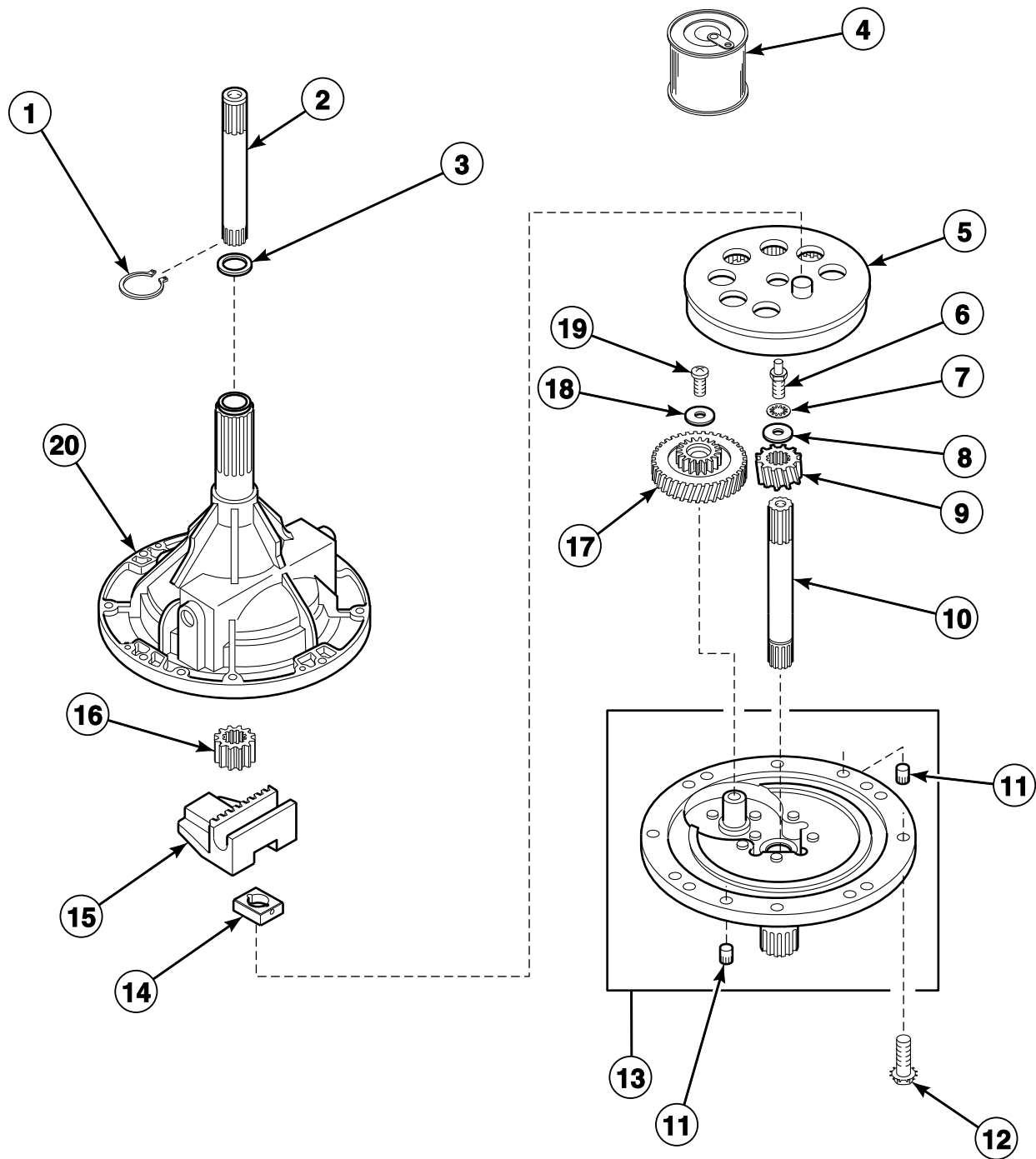
W234PZ3C_36418

Transmission Assembly and Balance Ring

| REF | PART NO. | DESCRIPTION | COMMENTS |
|-----|----------|--------------------------|---|
| | 27604P | Anti-Seize Compound | Apply to smooth area of both the upper and lower transmission tubes |
| 1 | 27222 | Nut | |
| 2 | M400057 | Screw | |
| 3 | 34526P | Transmission Assembly | Refer to <i>Transmission Assembly</i> section for component parts |
| 4 | N/A | Cap Screw | |
| 5 | 34731 | Balance Ring Assembly | |
| 6 | 27182 | Bearing Housing Assembly | |
| 7 | 27187 | Flinger | Used through Serial No. 9510053576 |

N/A = Part no longer available

34526P Transmission Assembly

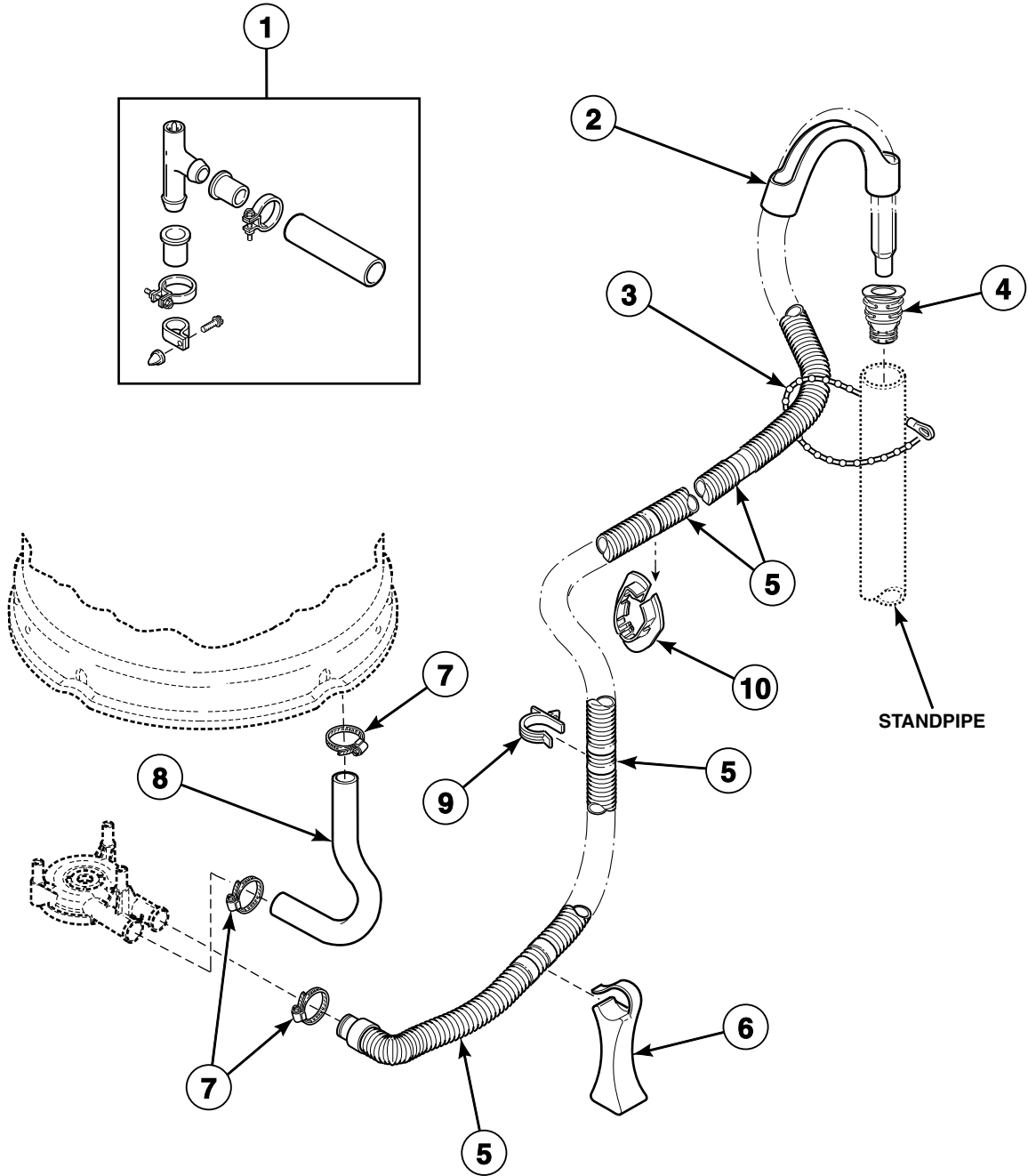


W157P_36418

34526P Transmission Assembly

| REF | PART NO. | DESCRIPTION | COMMENTS |
|-----|----------|-----------------------------|---|
| | 37577P | Transmission Sealant | Use between Transmission Case and Cover |
| 1 | 27197 | Retaining Ring | |
| 2 | 36570P | Output Shaft | |
| 3 | 35092 | Washer | |
| 4 | 27243P | Transmission Oil | 1 Fill |
| 5 | 26577 | Gear and Stud Assembly | |
| 6 | 27030 | Screw | |
| 7 | 21456 | Washer | Used through Serial No. 9712011370 |
| 8 | 26509 | Washer | |
| 9 | 36562P | Drive Pinion | |
| 10 | 34853P | Input Shaft | |
| 11 | 27172 | Dowel Pin | Used through Serial No. 9404069378 |
| 12 | 32814 | Screw | |
| 13 | 38290P | Transmission Cover Assembly | |
| 14 | 26493 | Slide | |
| 15 | 201664 | Rack | |
| 16 | 27003 | Agitator Pinion | |
| 17 | 29161P | Reduction Gear | |
| 18 | 29260 | Washer | |
| 19 | 29273 | Screw | |
| 20 | 33223P | Transmission Case Assembly | |

Drain Hose and Siphon Break Kit



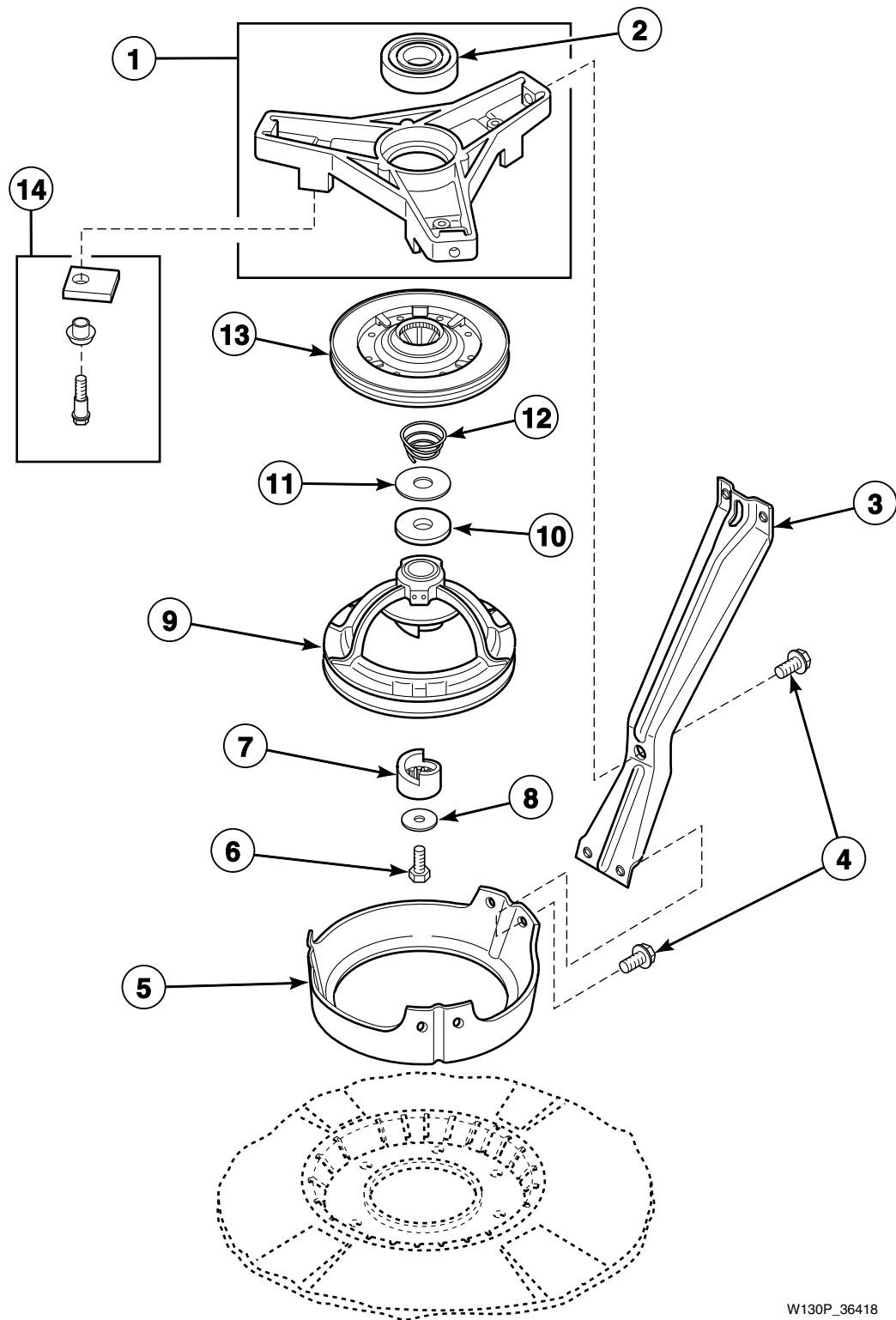
W408P_36418

Drain Hose and Siphon Break Kit

| REF | PART NO. | DESCRIPTION | COMMENTS |
|-----|----------|---------------------|--|
| | 451P3 | Drain Extension Kit | |
| 1 | 562P3 | Siphon Break Kit | Siphon break kit MUST be installed in drain hose if drain receptacle is lower than cabinet top of washer |
| 2 | 33615 | Drain Hose Sleeve | |
| 3 | 33489 | Standpipe Strap | |
| 4 | 36878 | Standpipe Adapter | |
| 5 | 39950 | Drain Hose | |
| 6 | 35487 | Hose Support | Through Serial No. 9502022146 |
| | 36522 | Hose Support | Starting Serial No. 9502022147 |
| 7 | 36802 | Hose Clamp | |
| 8 | 35752 | Tub-to-Pump Hose | Models AWG100*, AWG200* and AWG200*2 |
| | 35753 | Tub-to-Pump Hose | All other models |
| 9 | 36014 | Retainer Clip | |
| 10 | 32219 | Strain Relief | |

* Add Letter To Designate Color. L - Almond W - White

Bearing Housing, Brake, Pulley and Pivot Dome



W130P_36418

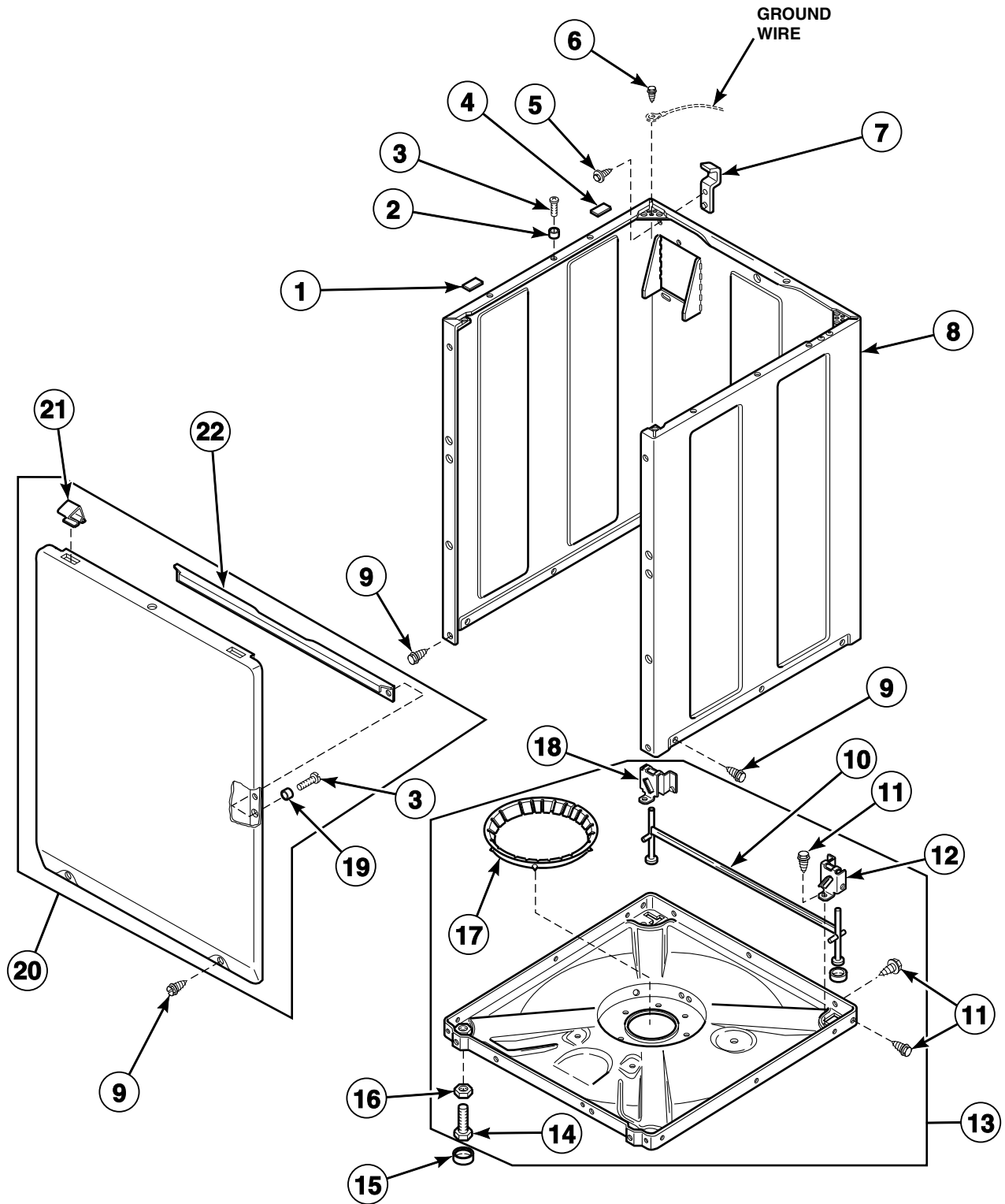
Bearing Housing, Brake, Pulley and Pivot Dome

| REF | PART NO. | DESCRIPTION | COMMENTS |
|-----|----------|--------------------------|--|
| | 26594P | Silicone Grease | Apply small amount to each new brake pad |
| 1 | 35746 | Bearing Housing Assembly | |
| 2 | 28944RP | Lower Bearing | |
| 3 | 34792 | Support Leg | Models AWG100*, AWG200*, AWG200*2 and EA2010*A3088 |
| | N/A | Support Leg | All other models |
| 4 | 35369 | Screw | |
| 5 | 34470 | Pivot Dome | |
| 6 | 27220 | Screw | |
| 7 | 38008 | Helix | |
| 8 | 26509 | Washer | |
| 9 | 34923 | Pulley Assembly | Models AWG100*, AWG200* and AWG200*2 |
| | 34921 | Pulley Assembly | Models AWG202* and AWG204*2 |
| | 35310 | Pulley Assembly | Model EA2010*A3088 |
| | 35308 | Pulley Assembly | All other models |
| 10 | 27015 | Washer | Thick |
| 11 | 35535 | Washer | Thin |
| 12 | 33435 | Spring | |
| 13 | 38505P | Brake Kit | |
| 14 | 548P3 | Brake Pad Kit | Includes three pads, sleeves and screws |

* Add Letter To Designate Color. L - Almond W - White

N/A = Part no longer available

Front Panel, Base Assembly and Cabinet Assembly



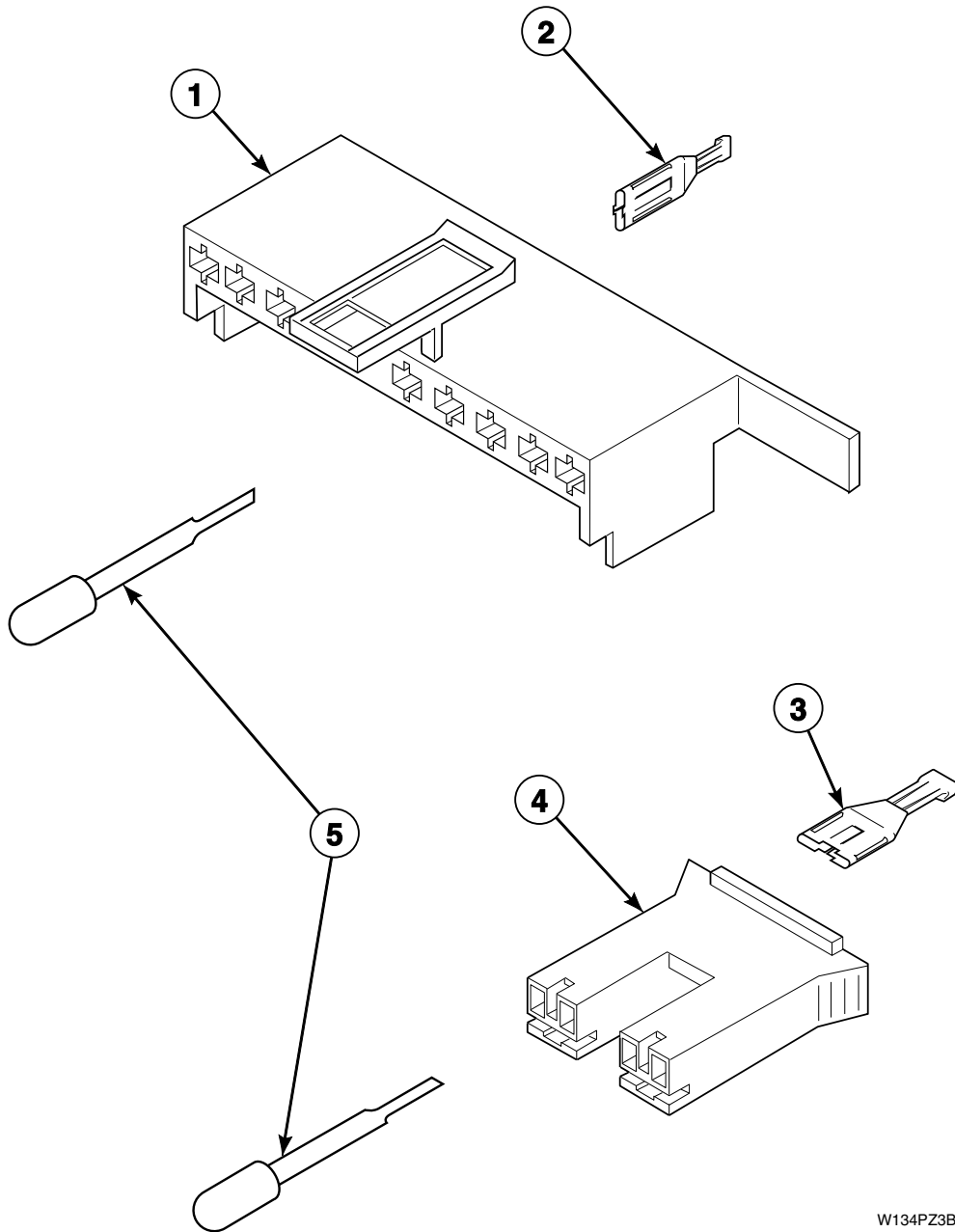
W184PZ3B_36418

Front Panel, Base Assembly and Cabinet Assembly

| REF | PART NO. | DESCRIPTION | COMMENTS |
|-----|----------|-----------------------------|---|
| 1 | 56128 | Bumper Pad | Thin |
| 2 | 56079 | Panel Locator | |
| 3 | 39733 | Screw | |
| 4 | 36226 | Bumper Pad | Thick |
| 5 | 51780 | Screw | |
| 6 | 23962 | Screw | |
| 7 | 27103 | Hold-Down Lug Hinge | |
| 8 | 38612*P | Service Cabinet Kit | |
| 9 | 27196 | Screw | Slotted Hex Head |
| | 431287 | Screw | Torx Head; Optional, for added security of front panel; Refer to <i>Special Tools</i> section for Torx Bit and Holder |
| 10 | 34443 | Leg and Stabilizer Assembly | |
| 11 | 35148 | Screw | |
| 12 | 36036 | Bracket | Right |
| 13 | 34434P | Base Kit | Through Serial No. 9502022146; Includes Items 10, 11, 12, 14, 16, 17 and 18 |
| | 36599P | Base Kit | Starting Serial No. 9502022147; Includes Items 10, 11, 12, 14, 16, 17 and 18 |
| 14 | 34319 | Leveling Leg | |
| 15 | 34318 | Rubber Foot | |
| 16 | 21899 | Nut | |
| 17 | 36108 | Snubber Pad Assembly | |
| 18 | 36037 | Bracket | Left |
| 19 | 28102 | Panel Locator | |
| 20 | 34656*P | Front Panel Assembly | Includes Items 21, 22 and attaching hardware |
| 21 | 35865 | Hold-Down Clip | |
| 22 | 35097 | Front Panel Brace | |

* Add Letter To Designate Color. L - Almond W - White

Mixing Valve and Motor Connection Blocks, Terminals and Terminal Extractor Tool

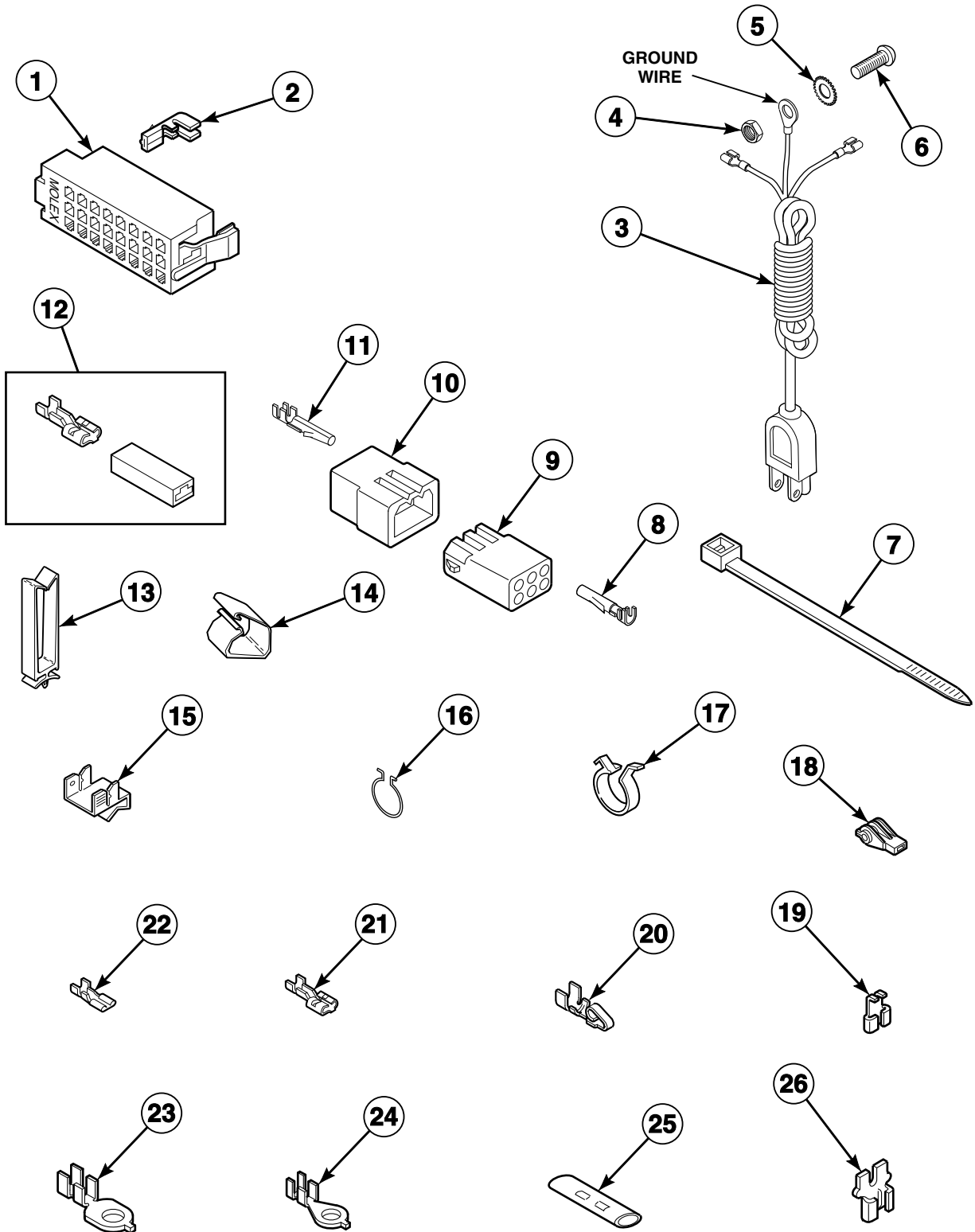


W134PZ3B_36418

Mixing Valve and Motor Connection Blocks, Terminals and Terminal Extractor Tool

| REF | PART NO. | DESCRIPTION | COMMENTS |
|-----|----------|-------------------------|---------------------------------|
| 1 | 34677 | 10 Circuit Plug | Motor |
| 2 | 00188 | Female Terminal | For One or Two Wire Application |
| 3 | 00121 | Female Spade Terminal | 1/4 Inch |
| 4 | 34675 | Mixing Valve Plug | Natural |
| | 34676 | Mixing Valve Plug | Red |
| 5 | 283P4 | Terminal Extractor Tool | |

Power Cord and Terminals



W135PZ3A_36418

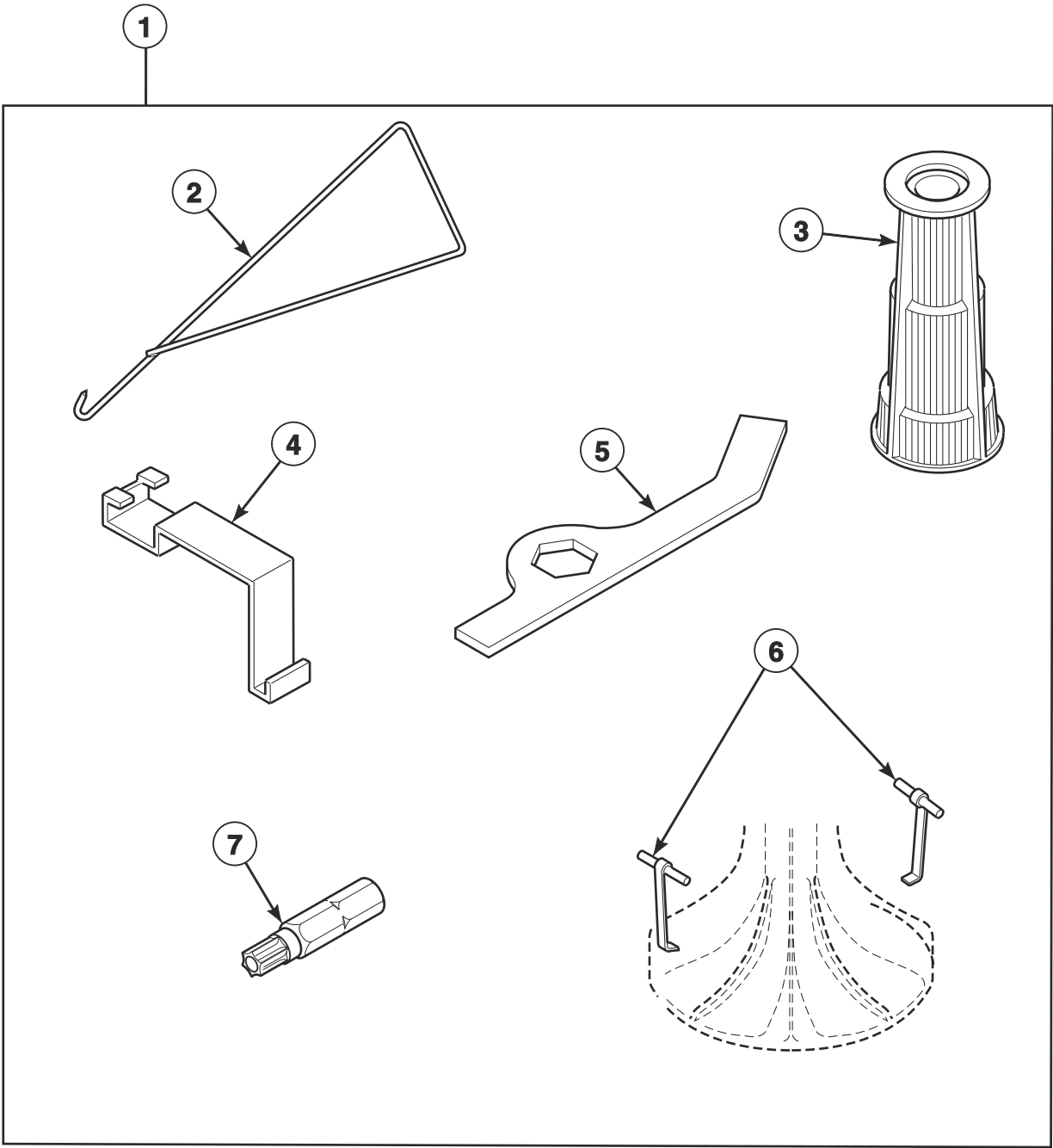
Power Cord and Terminals

| REF | PART NO. | DESCRIPTION | COMMENTS |
|-----|----------|---------------------------------|--|
| 1 | 32746 | 24 Position Housing | Right; Black |
| | 34123 | 24 Position Housing | Left; White |
| 2 | 00188 | Female Terminal | Used for One or Two Wire Application |
| 3 | 38363 | Lead-In Cord | Models AWM392*-3088, AWM392*23088 and EA2010*A3088 |
| | 34458 | Lead-In Cord | All other models |
| 4 | 03673 | Nut | |
| 5 | 21735 | Washer | |
| 6 | 20267 | Screw | |
| 7 | 55881 | Harness Strap | |
| 8 | 00117 | Female Pin Terminal | |
| 9 | 26301 | 1 Circuit Receptacle | |
| | 26708 | 6 Circuit Receptacle | |
| | 26163 | 9 Circuit Receptacle | |
| 10 | 26302 | 1 Circuit Plug | |
| | 23041 | 6 Circuit Plug | |
| | 23033 | 9 Circuit Plug | |
| 11 | 00116 | Male Pin Terminal | |
| 12 | 00359 | Insulated Female Spade Terminal | |
| 13 | 70366201 | Wire Clip | |
| 14 | N/A | Harness Clip | |
| 15 | 00161 | Grounding Clip | |
| 16 | 51291 | Wire Clip | |
| 17 | D504034 | Wire Clip | |
| 18 | 70210 | Insulator | |
| 19 | 00120 | Female Flag Terminal | |
| 20 | N/A | Spade Terminal | Female; 1/4 inch |
| 21 | 00223 | Female Spade Terminal | Large Spade |
| 22 | 00112 | Female Spade Terminal | Small Spade |
| 23 | 00113 | Ring Terminal | 1/4 inch Ring |
| 24 | 00110 | Ring Terminal | Small Shank |
| 25 | 21091 | Connector | |
| 26 | 29673 | Terminal Adapter | |

* Add Letter To Designate Color. L - Almond W - White

N/A = Part no longer available

Special Tools (Drawing 1 of 2)

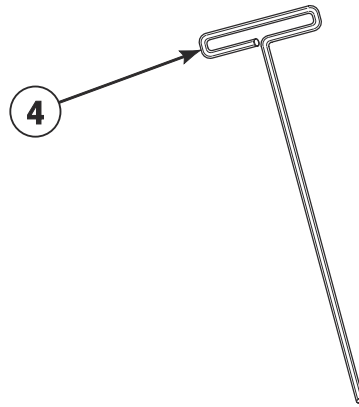
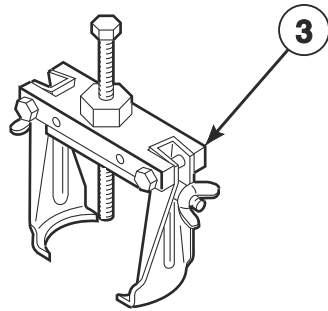
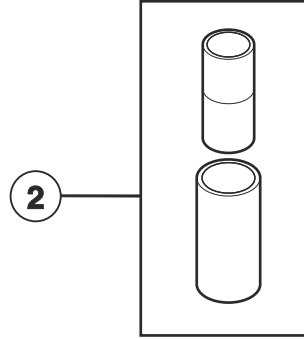
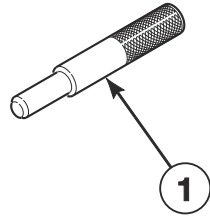


TLW1818P_36418

Special Tools (Drawing 1 of 2)

| REF | PART NO. | DESCRIPTION | COMMENTS |
|-----|----------|------------------------|---|
| 1 | 725P3 | Tool Kit | Includes items 2-7 |
| 2 | 321P4 | Spring Hook Tool | For removal of centering springs from outer tub |
| 3 | 293P4 | Drive Bell Seal Tool | For installation of 36425 Bell and Transmission Tube Seal |
| 4 | 273P4 | Tub Cover Removal Tool | Use to remove 36025P Tub Cover Kit and install 32857 Tub Cover Gasket |
| 5 | 306P4 | Hex Wrench Tool | For removal of locknut from washtub hub |
| 6 | 254P4P | Agitator Hook | Use to remove agitator from drive bell; Set of 2 |
| 7 | 281P4 | Torx Bit | For removal and installation of control hood security screws |
| | 282P4 | Torx Bit | For removal and installation of pump and front panel attaching screws |

Special Tools (Drawing 2 of 2)



TLW1663P_36418

Special Tools (Drawing 2 of 2)

| REF | PART NO. | DESCRIPTION | COMMENTS |
|-----|----------|----------------------------|--|
| 1 | 305P4 | Transmission Pin Tool | Use pin tools in place of dowel pins when reassembling transmission cover and case; 2 required |
| 2 | 242P4 | Spring Installer | For installing brake spring |
| 3 | 294P4 | Agitator Drive Bell Puller | Replaces 253P4 Bell Puller; For removal and installation of drive bell to transmission shaft |
| 4 | 291P4 | T-Handle Allen Wrench | For removal and installation of 3 pump assembly attaching screws |

Wire Harnesses and Wires

| PART NO. | DESCRIPTION | COMMENTS |
|----------|-----------------------------|---|
| 36278P | Base Wire Harness Assembly | |
| 33804 | Wire Harness Assembly | Model EA2010*A3088 |
| 34833 | Hood Wire Harness Assembly | Models AWM593*299F5 and AWM593*299F7 |
| N/A | Hood Harness | Models AWG200*, AWG200*2, AWG202* and AWG204*2 |
| 34971P | Hood Wire Harness Assembly | All other models |
| 39811 | Timer Wire Harness Assembly | Model EA2010*A3088 |
| 45001 | 18 Gauge Wire | Black; Order wire by foot and terminals and connectors as required |
| 45380 | 12 Gauge Wire | Orange; Order wire by foot and terminals and connectors as required |

* Add Letter To Designate Color. L - Almond W - White

N/A = Part no longer available

NOTE: Individual wires not serviced separately. Order complete wire harness. When applying terminals to wires, it is recommended that the terminals be soldered to the wires.

Parts Index

A

| | |
|----------------------------|----|
| Actuator Arm | |
| 33441 | 19 |
| Agitator | |
| 33174 | 25 |
| 33513 | 25 |
| 33514 | 25 |
| Agitator Cap | |
| 36515 | 25 |
| Agitator Drive Bell Puller | |
| 294P4 | 45 |
| Agitator Hook | |
| 254P4P | 43 |
| Agitator Pinion | |
| 27003 | 31 |
| Anti-Seize Compound | |
| 27604P | 29 |

B

| | |
|---------------------------------|--------|
| Backflow Preventer | |
| 34500 | 21 |
| Balance Ring Assembly | |
| 34731 | 29 |
| Base Kit | |
| 34434P | 37 |
| 36599P | 37 |
| Base Wire Harness Assembly | |
| 36278P | 46 |
| Bearing Housing Assembly | |
| 27182 | 29 |
| 35746 | 35 |
| Bell and Transmission Tube Seal | |
| 36425 | 25 |
| Bell Plug | |
| 36511 | 25 |
| Belt | |
| 28808 | 23 |
| 35517 | 23 |
| Bleach Dispenser | |
| 34776 | 15 |
| Bolt | |
| 203798 | 5 |
| Bracket | |
| 36036 | 37 |
| 36037 | 37 |
| Brake Kit | |
| 38505P | 35 |
| Brake Pad Kit | |
| 548P3 | 35 |
| Bumper | |
| 21685 | 15, 17 |
| Bumper Pad | |
| 36226 | 37 |
| 56128 | 37 |
| Bushing | |
| 33446 | 15 |

C

| | |
|------------------------------------|----|
| Cable Clip | |
| 21036 | 27 |
| Capacitor Kit | |
| 258P3 | 23 |
| Clothes Guard | |
| 35035 | 25 |
| Connector | |
| 21091 | 41 |
| Control Hood | |
| 37075* | 7 |
| Control Panel and Bracket Assembly | |
| 36521*P | 7 |
| Control Panel Bumper | |
| 202469 | 7 |

D

| | |
|--------------------------------|--------|
| Director Bracket | |
| 36034 | 15, 17 |
| Disconnect Power Warning Label | |
| D505281 | 15, 17 |
| Dowel Pin | |
| 27172 | 31 |
| Drain Extension Kit | |
| 451P3 | 33 |
| Drain Hose | |
| 39950 | 33 |
| Drain Hose Sleeve | |
| 33615 | 33 |
| Drive Bell and Seal Kit | |
| 39508P | 25 |
| Drive Bell Seal Tool | |
| 293P4 | 43 |
| Drive Pinion | |
| 36562P | 31 |

E

| | |
|-------------|--------|
| End Cap | |
| 31248 | 11, 13 |
| 31249 | 11, 13 |
| 34459 | 9 |
| 34460 | 9 |

F

| | |
|------------------------------------|----|
| Fabric Softener Dispenser Assembly | |
| 33510 | 25 |
| 36542 | 25 |
| Female Flag Terminal | |
| 00120 | 41 |
| Female Pin Terminal | |
| 00117 | 41 |

N/A items do not appear in index.

| | |
|-----------------------|--------|
| Female Spade Terminal | |
| 00112 | 41 |
| 00121 | 39 |
| 00223 | 41 |
| Female Terminal | |
| 00188 | 39, 41 |
| Fill Hose | |
| 37380 | 21 |
| 37381 | 21 |
| Fill Hose Kit | |
| 38349P | 21 |
| Flinger | |
| 27187 | 29 |
| Front Panel Assembly | |
| 34656*P | 37 |
| Front Panel Brace | |
| 35097 | 37 |

G

| | |
|------------------------|----|
| Gear and Stud Assembly | |
| 26577 | 31 |
| Graphic Overlay | |
| 32460 | 7 |
| Graphic Panel | |
| 35235 | 11 |
| 36620 | 11 |
| 37933 | 9 |
| Grommet | |
| 29175 | 27 |
| Grounding Clip | |
| 00161 | 41 |

H

| | |
|------------------------------------|--------|
| Harness Strap | |
| 55881 | 41 |
| Helix | |
| 38008 | 35 |
| Hex Wrench Tool | |
| 306P4 | 43 |
| Hinge Bushing | |
| 36474 | 17 |
| Hinge Gasket | |
| 34338 | 15, 17 |
| Hinge Stop Clip | |
| 36519 | 15 |
| Hold-Down Clip | |
| 35865 | 37 |
| Hold-Down Lug Hinge | |
| 27103 | 37 |
| Hood and Mounting Bracket Assembly | |
| 31811 | 9, 11 |
| Hood Back Panel | |
| 37782 | 15 |
| 38267 | 7 |
| Hood Wire Harness Assembly | |
| 34833 | 46 |
| 34971P | 46 |
| Hose Clamp | |
| 29210 | 21 |
| 36801 | 21 |

N/A items do not appear in index.

| | |
|----------------------|----|
| 36802 | 33 |
| 39282 | 27 |
| Hose Support | |
| 35487 | 33 |
| 36522 | 33 |
| Housing, 24 Position | |
| 32746 | 41 |
| 34123 | 41 |
| Hub and Seal Kit | |
| 495P3 | 25 |

I

| | |
|---------------------------------|----|
| Idler Lever | |
| 31054 | 23 |
| 37443 | 23 |
| Idler Lever Helper Spring | |
| 30620 | 23 |
| Idler Lever Spring | |
| 37606 | 23 |
| 39666 | 23 |
| Idler Pulley | |
| 28800P | 23 |
| Idler Shaft | |
| 28802P | 23 |
| Input Shaft | |
| 34853P | 31 |
| Insulated Female Spade Terminal | |
| 00359 | 41 |
| Insulator | |
| 70210 | 41 |

K

| | |
|---------------|-----------|
| Knob Assembly | |
| 33610 | 9, 11, 13 |

L

| | |
|-----------------------------|--------|
| Lead-In Cord | |
| 34458 | 41 |
| 38363 | 41 |
| Leg and Stabilizer Assembly | |
| 34443 | 37 |
| Leg Plate | |
| 27926 | 27 |
| Leg Spring | |
| 35948 | 27 |
| Leveling Leg | |
| 34319 | 37 |
| Lid | |
| 201760*P | 17 |
| 33541*P | 15 |
| Lid Hinge | |
| 36437 | 15, 17 |
| 36438 | 15, 17 |
| 36513 | 15 |
| Lid Plug | |
| 34153 | 17 |
| Light | |
| 32519 | 7 |

| | |
|---------------|----|
| Lint Filter | |
| 39371 | 25 |
| Lower Bearing | |
| 28944RP | 35 |

M

| | |
|-----------------------------------|----|
| Male Pin Terminal | |
| 00116 | 41 |
| Mixing Valve | |
| 34963P | 21 |
| 34997P | 21 |
| Mixing Valve Mounting Bracket | |
| 39407 | 21 |
| Mixing Valve Plug | |
| 34675 | 39 |
| 34676 | 39 |
| Mixing Valve-to-Tub Cover Hose | |
| 38155 | 21 |
| Motor Assembly | |
| 35030P | 23 |
| 36256P | 23 |
| Motor Bracket and Idler Lever Kit | |
| 37415P | 23 |
| Motor Kit | |
| 201615P | 23 |
| 38036P | 23 |
| Motor Mount | |
| 34788 | 23 |
| Motor Mount Post | |
| 34791 | 23 |
| Motor Shield | |
| 34754 | 23 |
| Motor Switch | |
| 35632 | 23 |

N

| | |
|-------------|----------|
| Nut | |
| 03673 | 41 |
| 20275 | 5 |
| 21899 | 37 |
| 24205 | 7 |
| 27222 | 17, 29 |
| 28803 | 23 |
| 29220 | 25 |
| 35423 | 23 |
| 36020 | 17 |
| 52566 | 5, 7, 23 |
| 57584 | 9, 11 |

O

| | |
|--------------------|----|
| O-Ring | |
| 36472 | 25 |
| Outer Tub Assembly | |
| 34438P | 27 |
| Outer Tub Kit | |
| 34439P | 27 |
| Output Shaft | |
| 36570P | 31 |

P

| | |
|-----------------------|-------|
| Panel Locator | |
| 28102 | 37 |
| 56079 | 37 |
| Pivot Dome | |
| 34470 | 35 |
| Plug, 1 Circuit | |
| 26302 | 41 |
| Plug, 10 Circuit | |
| 34677 | 39 |
| Plug, 6 Circuit | |
| 23041 | 41 |
| Plug, 9 Circuit | |
| 23033 | 41 |
| Pressure Bulb | |
| 30907 | 27 |
| Pressure Switch | |
| 201927P | 13 |
| 35889P | 7 |
| 39035P | 9, 11 |
| Pulley Assembly | |
| 34921 | 35 |
| 34923 | 35 |
| 35308 | 35 |
| 35310 | 35 |
| Pump | |
| 201566P | 23 |
| Push-to-Start Sticker | |
| 53738 | 5 |

R

| | |
|-----------------------|----|
| Rack | |
| 201664 | 31 |
| Receptacle, 1 Circuit | |
| 26301 | 41 |
| Receptacle, 6 Circuit | |
| 26708 | 41 |
| Receptacle, 9 Circuit | |
| 26163 | 41 |
| Reduction Gear | |
| 29161P | 31 |
| Retainer Clip | |
| 36014 | 33 |
| Retaining Ring | |
| 23748 | 23 |
| 27197 | 31 |
| Ring Terminal | |
| 00110 | 41 |
| 00113 | 41 |
| Rubber Foot | |
| 34318 | 37 |

S

| | |
|---------------|----|
| Screw | |
| D500226 | 7 |
| D503661 | 23 |
| D503673 | 17 |
| M400057 | 29 |

N/A items do not appear in index.

| | |
|----------------------|---------------------------------|
| 02916 | 5, 7 |
| 20267 | 41 |
| 23008 | 17 |
| 23222 | 7 |
| 23962 | 5, 7, 9, 11, 13, 15, 19, 21, 37 |
| 27030 | 31 |
| 27196 | 37 |
| 27202 | 25 |
| 27220 | 35 |
| 27229 | 23 |
| 27328 | 5 |
| 29273 | 31 |
| 31260 | 9, 11, 13 |
| 31752 | 9, 11, 13 |
| 32814 | 31 |
| 33562 | 15, 21 |
| 34337 | 15, 17 |
| 34565 | 23 |
| 35148 | 37 |
| 35369 | 27, 35 |
| 35528 | 7 |
| 36510 | 19 |
| 36639 | 23 |
| 39432 | 25 |
| 39733 | 37 |
| 431287 | 37 |
| 51778 | 5 |
| 51780 | 37 |
| 52909 | 15, 17 |
| 80399 | 5 |
| Service Cabinet Kit | |
| 38612*P | 37 |
| Silicone Grease | |
| 26594P | 35 |
| Siphon Break Kit | |
| 562P3 | 33 |
| Slide | |
| 26493 | 31 |
| Snubber Pad Assembly | |
| 36108 | 37 |
| Spline Insert | |
| 29728 | 25 |
| Spring | |
| 33435 | 35 |
| 33443 | 19 |
| Spring Clip | |
| 28849 | 23 |
| Spring Hook Tool | |
| 321P4 | 43 |
| Spring Installer | |
| 242P4 | 45 |
| Standpipe Adapter | |
| 36878 | 33 |
| Standpipe Strap | |
| 33489 | 33 |
| Strain Relief | |
| 32219 | 33 |
| 38384 | 15, 17 |
| Support Barrel | |
| 56534 | 15, 17 |
| Support Leg | |
| 34792 | 35 |
| Switch | |
| 27761 | 7 |
| 33445 | 19 |

| | |
|--------------------|----|
| Switch Holder Clip | |
| 33433 | 19 |
| Switch Holder Kit | |
| 36497P | 19 |
| Switch Knob | |
| 39897 | 7 |

T

| | |
|-----------------------------|-----------|
| Temperature Switch | |
| 21300 | 9, 11 |
| 35115 | 9, 11 |
| 36335 | 9, 13 |
| Terminal Adapter | |
| 29673 | 41 |
| Terminal Extractor Tool | |
| 283P4 | 39 |
| T-Handle Allen Wrench | |
| 291P4 | 45 |
| Timer | |
| 28719P | 5 |
| 31239P | 9 |
| 31241P | 11 |
| 31243P | 11 |
| 36608P | 13 |
| Timer Case Assembly | |
| 37733W | 5 |
| Timer Knob | |
| 33897 | 9, 11, 13 |
| Timer Knob Assembly | |
| 26256 | 5 |
| Timer Plate | |
| 31864W | 5 |
| Timer Skirt Assembly | |
| 33817 | 9, 11, 13 |
| Timer Wire Harness Assembly | |
| 39811 | 46 |
| Tool Kit | |
| 725P3 | 43 |
| Top Assembly | |
| 34902*P | 15 |
| 36273*P | 17 |
| Torx Bit | |
| 281P4 | 43 |
| 282P4 | 43 |
| Transmission Assembly | |
| 34526P | 29 |
| Transmission Case Assembly | |
| 33223P | 31 |
| Transmission Cover Assembly | |
| 38290P | 31 |
| Transmission Oil | |
| 27243P | 31 |
| Transmission Pin Tool | |
| 305P4 | 45 |
| Transmission Sealant | |
| 37577P | 31 |
| Trim | |
| 33123R | 13 |
| Tub Assembly | |
| 39240P | 25 |
| 39252P | 25 |

N/A items do not appear in index.

| | |
|---------------------------------------|----|
| Tub Cover Gasket 32857 | 27 |
| Tub Cover Kit 36025P | 27 |
| Tub Cover Removal Tool 273P4 | 43 |
| Tub Spring 35947 | 27 |
| Tubing 202700 | 27 |
| 39124 | 27 |
| Tub-to-Pump Hose 35752 | 33 |
| 35753 | 33 |

U

| | |
|--------------------------------------|----|
| Unbalanced Load Lever 33442 | 19 |
|--------------------------------------|----|

W

| | |
|---|--------|
| Warning Label D500049 | 27 |
| Washer M400017 | 5, 7 |
| 02431 | 5, 7 |
| 20290 | 21 |
| 21456 | 5, 31 |
| 21734 | 5 |
| 21735 | 41 |
| 23225 | 5 |
| 26509 | 31, 35 |
| 27015 | 35 |
| 28094 | 25 |
| 29260 | 31 |
| 29443 | 23 |
| 30627 | 5 |
| 35092 | 31 |
| 35535 | 35 |
| 52549 | 23 |
| 81392 | 23 |
| 91176 | 7 |
| Washtub Gasket 39122 | 25 |
| Washtub Kit 719P3 | 25 |
| Water Hose F200116 | 21 |
| Water Temperature Switch 32189 | 9 |
| Wire Clip D504034 | 41 |
| 51291 | 41 |
| 70366201 | 41 |
| Wire Harness Assembly 33804 | 46 |
| Wire, 12 Gauge 45380 | 46 |
| Wire, 18 Gauge 45001 | 46 |

N/A items do not appear in index.

