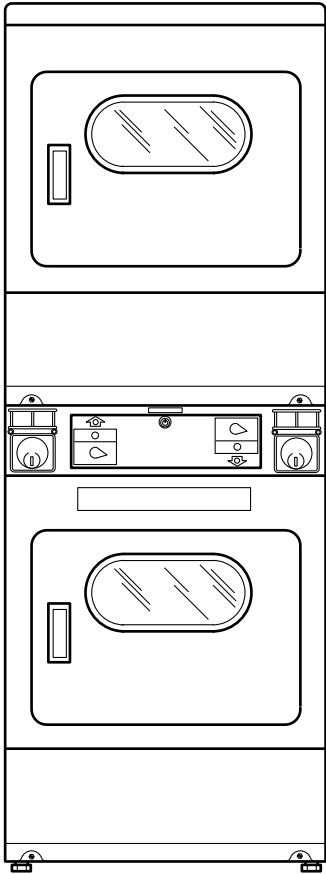


Stacked Dryers

Metered and Nonmetered
Refer to Page 3 for Model Numbers



D187E2C_502012

Table of Contents

Title	Page
Parts Ordering Information.....	2
Serial Plate Location	2
Model Identification	3
Control Panel and Controls - Nonmetered Models	4
Control Panel and Controls - Coin Drop Models.....	6
Control Panel and Controls - Coin Slide Models.....	8
Control Cabinet - Nonmetered Models	10
Control Cabinet - Coin Drop Models	12
Control Cabinet - Coin Slide Models.....	14
Accumulator (Drawing 1 of 2)	16
Accumulator (Drawing 2 of 2)	18
Loading Door without Window	20
Loading Door with Window	22
Lower Access Panel, Front Panel and Seal - Upper Dryer	24
Lower Access Panel, Front Panel and Seal - Lower Dryer.....	26
Front Bulkhead, Air Duct, Felt Seal and Cylinder	28
Rear Bulkhead, Felt Seal, Cylinder Roller and Terminal Block.....	30
Heat Duct - Electric Models	32
Heat Duct - Gas Models.....	34
Gas Valve, Igniter and Gas Conversion Kits (Drawing 1 of 2).....	36
Gas Valve, Igniter and Gas Conversion Kits (Drawing 2 of 2).....	38
Motor, Exhaust Fan and Belt (Drawing 1 of 2).....	40
Motor, Exhaust Fan and Belt (Drawing 2 of 2).....	42
Cabinet Top, Cabinet, Exhaust Duct and Base - Upper Dryer.....	44
Cabinet, Exhaust Duct and Base - Lower Dryer	46
Label Location on Rear of Cabinet	48
Motor Connection Block, Terminals and Terminal Extractor Tool.....	50
Terminals (Drawing 1 of 2).....	52
Terminals (Drawing 2 of 2).....	54
Wire Harnesses and Wires	56
Parts Index.....	59

© Copyright 2014, Alliance Laundry Systems LLC

All rights reserved. No part of the contents of this book may be reproduced or transmitted in any form or by any means without the expressed written consent of the publisher.

Parts Ordering Information

If literature or replacement parts are required, contact the source from whom the machine was purchased or contact Alliance Laundry Systems at (920) 748-3950 for the name and address of the nearest authorized parts distributor.

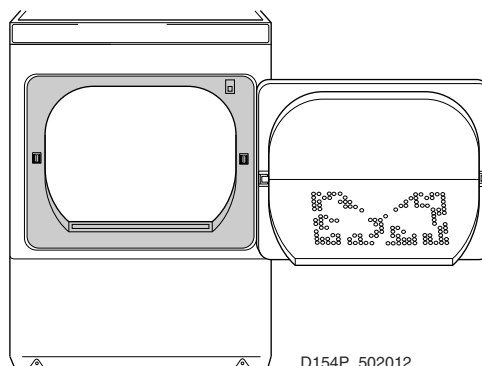
For technical assistance, call either of the numbers listed below:

(920) 748-3121 Ripon, Wisconsin

+32 56 41 20 54 Wevelgem, Belgium

Serial Plate Location

When calling or writing about your product, be sure to mention model and serial numbers. Model and serial numbers are located on serial plate(s) as shown.



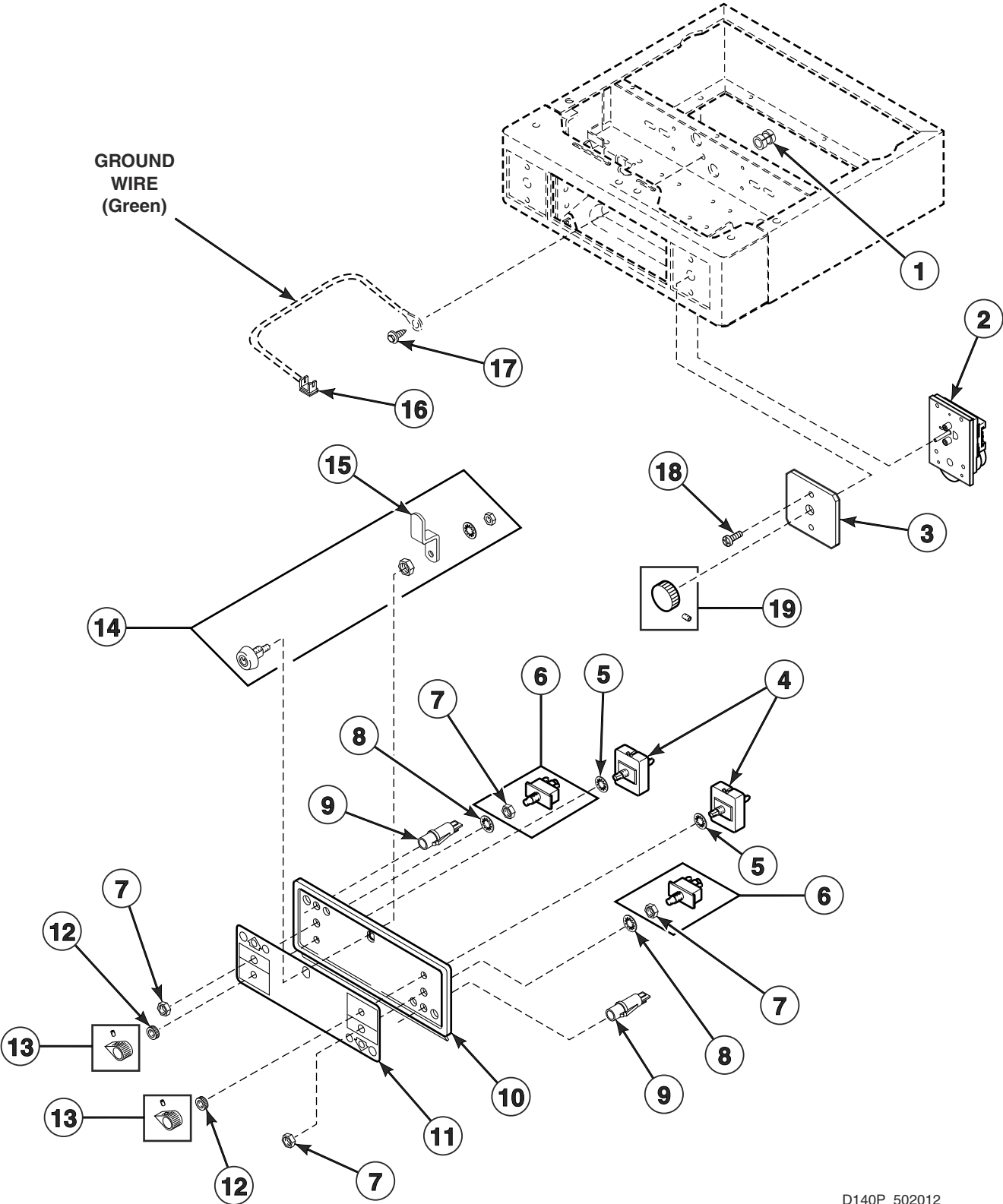
Model Identification

Information in this manual is applicable to these dryer models:

EE5007*-1500	EE5907*-1500	EG5119*-3013	ZE5117*-2902	ZG5119*-3013
EE5107*-1500	EE5917*-1500	EG5119*-5412	ZE5117*-3000	ZG5819*-1116
EE5107*-5412	EE5917*-3000	EG5819*-3000	ZE5117*99E4	ZG5919*-0902
EE5117*-1500	EE6011*-1500	EG5919*-3000	ZE5817*-2916	ZG5919*-3000
EE5117*-3000	EE6017*-1500	EG5919*-3013	ZE5917*-2802	ZG5919*-3013
EE5117*-5412	EE6111*-1500	EGC511*-3013	ZE5917*-2902	ZGC511*-3013
EE5507*-1500	EE6117	EGC591*-3013	ZE5917*-3000	ZGC591*-3013
EE5807*-1500	EE6117*-1500	ZE5111*-2802	ZEC511*-3000	
EE5817*-1500	EEC511*-3000	ZE5111*-2902	ZEC591*-3000	
EE5817*-3000	EEC591*-3000	ZE5117*-2802	ZG5119*-1102	
	EG5119*-3000			

Control Panel and Controls - Nonmetered Models

Models EE5007*-1500, EE6011*-1500 and EE6017*-1500



D140P_502012

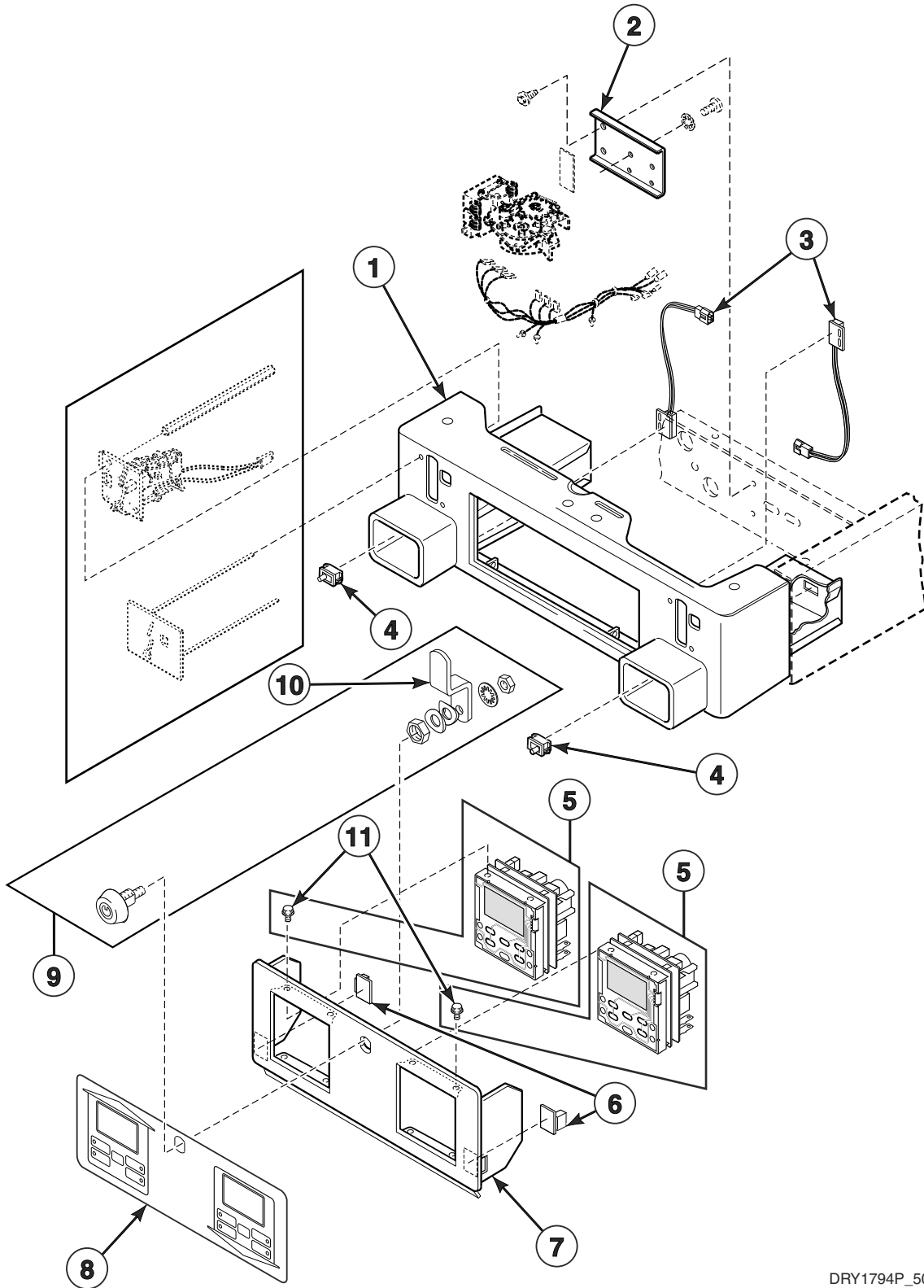
Control Panel and Controls - Nonmetered Models

REF	PART NO.	DESCRIPTION	COMMENTS
1	52151	Strain Relief	
2	510524P	Timer	120 Volt/60 Hertz
3	500814	Timer Overlay	
4	61512	Fabric Selector Switch	
5	91176	Washer	
6	55882	Switch Assembly	Includes item 7
7	52947	Nut	
8	25820	Washer	
9	32464	Light	
10	500228W	Control Panel and Bracket Assembly	White
	500228L	Control Panel and Bracket Assembly	Almond
11	504590	Graphic Overlay	
12	24205	Nut	
13	39897	Switch Knob	
14	27260P	Lock Kit	Includes item 15
15	27261	Lock Cam	
16	00161	Grounding Clip	
17	20530	Screw	
18	27328	Screw	
19	54678	Timer Knob	

* Add Letter To Designate Color. L - Almond W - White

Control Panel and Controls - Coin Drop Models

Models EE5807*-1500, EE5817*-1500, EE5817*-3000, EE5907*-1500, EE5917*-1500, EE5917*-3000, EEC511*-3000, EEC591*-3000, EG5819*-3000, EG5919*-3000, EG5919*-3013, EGC511*-3013, EGC591*-3013, ZE5817*-2916, ZE5917*-2802, ZE5917*-2902, ZE5917*-3000, ZEC511*-3000, ZEC591*-3000, ZG5819*-1116, ZG5919*-0902, ZG5919*-3000, ZG5919*-3013, ZGC511*-3013 and ZGC591*-3013



DRY1794P_502012

Control Panel and Controls - Coin Drop Models

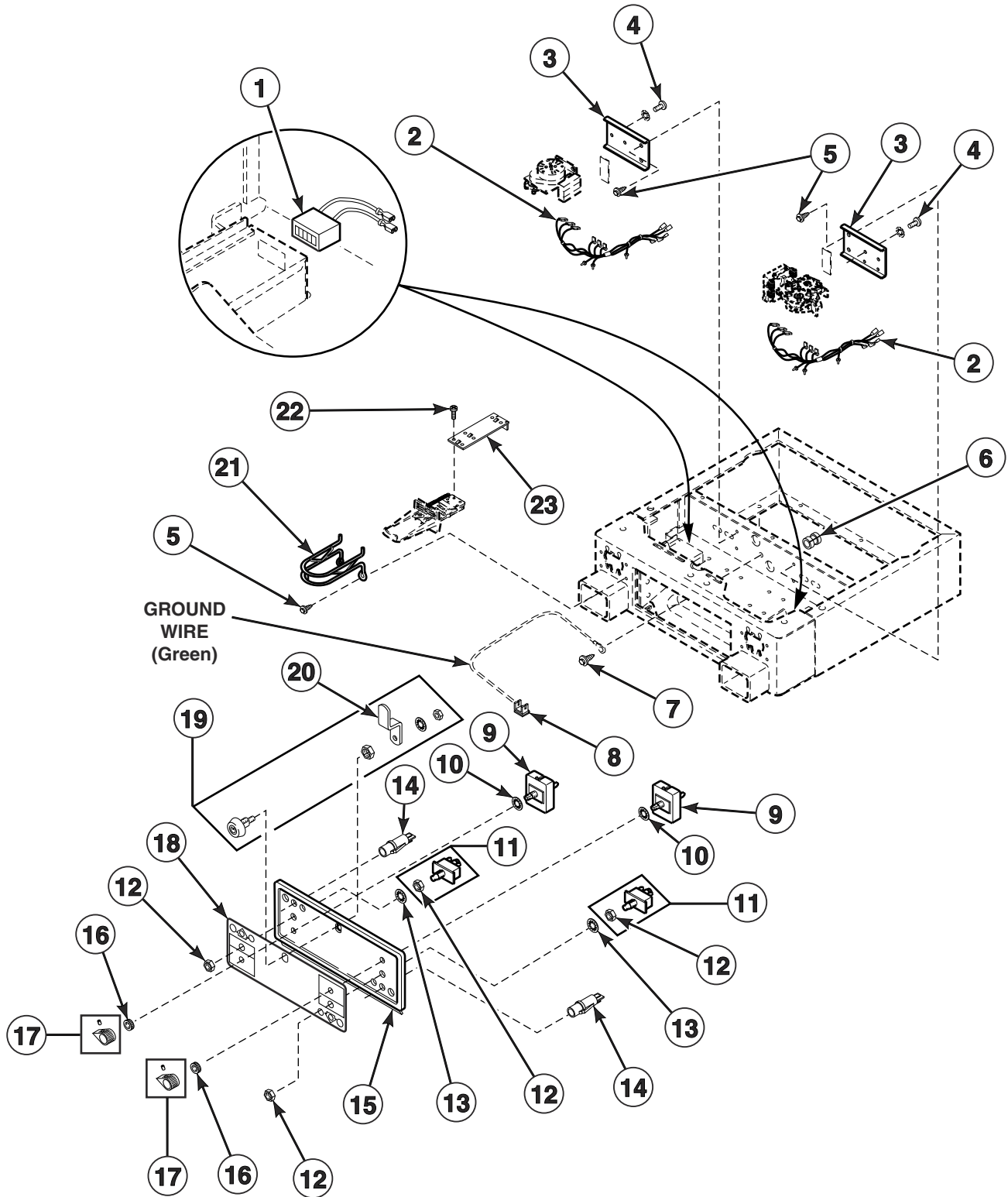
REF	PART NO.	DESCRIPTION	COMMENTS
1	511524W	Security Cabinet Front Assembly	White
	511524L	Security Cabinet Front Assembly	Almond
2	503017	Timer Bracket	
3	34599	Reed Switch	
4	512973	Switch	
5	M411883P	Control Kit	240 Volt; Includes item 11; Models EE5817*-3000, EE5917*-3000, EEC591*-3000, EG5819*-3000, EG5919*-3000, EG5919*-3013, EGC591*-3013, ZE5917*-3000, ZEC591*-3000, ZG5919*-3000, ZG5919*-3013 and ZGC591*-3013
	M414050P	Control Kit	120 Volt; Includes item 11; All other models
6	501453	Magnet	
7	N/A	Control Panel and Bracket Assembly	
8	504117	Graphic Overlay	Models EE5807*-1500, EE5817*-1500, EE5817*-3000, EE5907*-1500, EE5917*-1500, EE5917*-3000, EG5819*-3000, EG5919*-3000 and EG5919*-3013
	502647	Overlay	Models ZEC511*-3000 and ZGC511*-3013
	502655	Overlay	Models EEC511*-3000 and EGC511*-3013
	N/A	Control Panel Overlay	Models EEC591*-3000, EGC591*-3013, ZE5817*-2916, ZE5917*-2802, ZE5917*-2902, ZE5917*-3000, ZEC591*-3000, ZG5819*-1116, ZG5919*-0902, ZG5919*-3000, ZG5919*-3013 and ZGC591*-3013
9	N/A	Lock Assembly	Models EEC511*-3000, EEC591*-3000, EGC511*-3013, EGC591*-3013, ZEC511*-3000, ZEC591*-3000, ZGC511*-3013 and ZGC591*-3013
	27260P	Lock Kit	Includes item 10; All other models
10	27261	Lock Cam	
11	501524	Screw	

* Add Letter To Designate Color. L - Almond W - White

N/A = Part no longer available

Control Panel and Controls - Coin Slide Models

Models EE5107*-1500, EE5107*-5412, EE5117*-1500, EE5117*-3000, EE5117*-5412, EE5507*-1500, EE6111*-1500, EE6117, EE6117*-1500, EG5119*-3000, EG5119*-3013, EG5119*-5412, ZE5111*-2802, ZE5111*-2902, ZE5117*-2802, ZE5117*-2902, ZE5117*-3000, ZE5117*99E4, ZG5119*-1102 and ZG5119*-3013



D142P_502012

Control Panel and Controls - Coin Slide Models

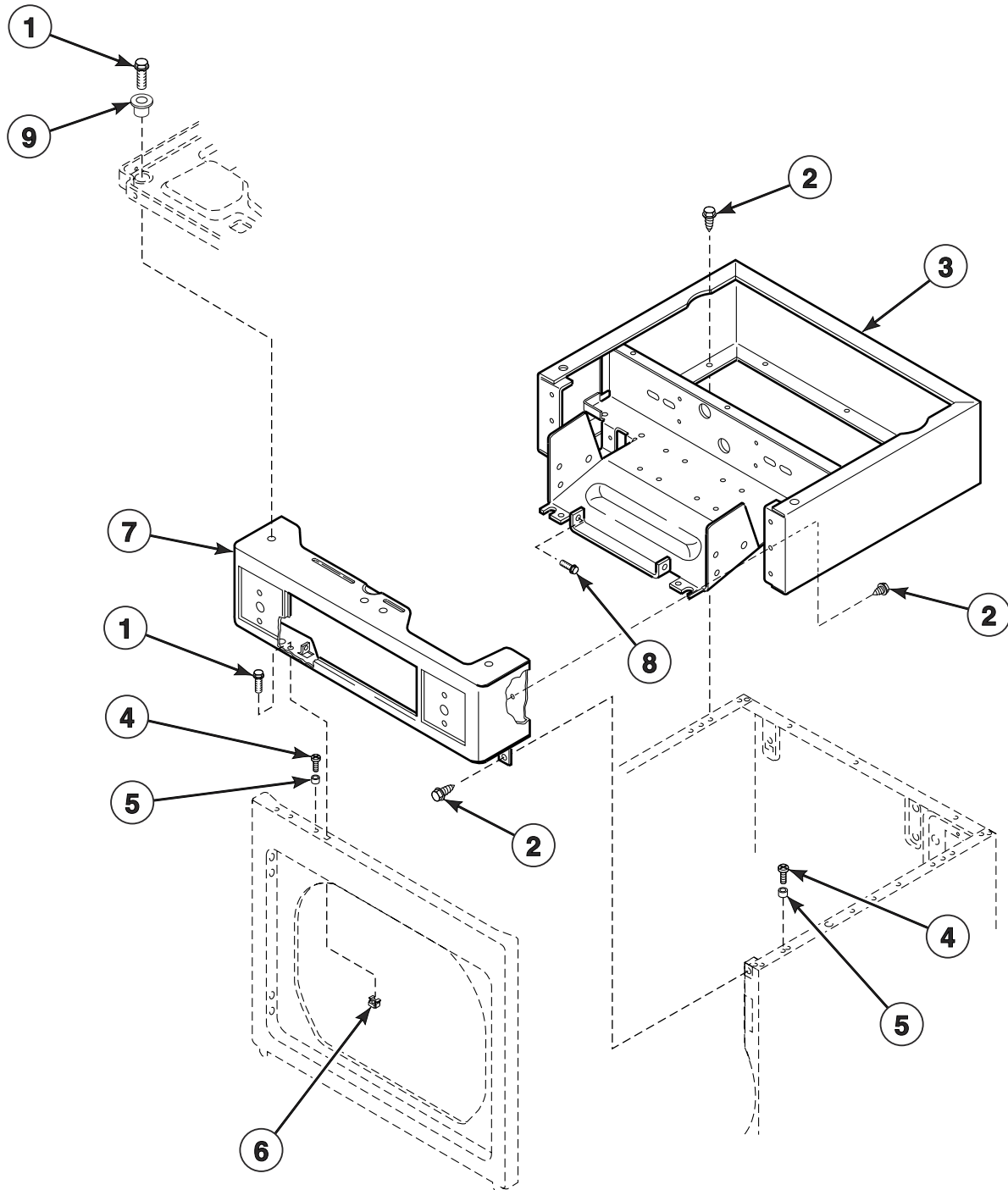
REF	PART NO.	DESCRIPTION	COMMENTS
1	62113P	Counter Kit	Models EE5507*-1500 and ZE5117*99E4
2	510661P	Harness Replacement Kit	Models EE5507*-1500 and ZE5117*99E4
	510534P	Harness Replacement Kit	All other models
3	N/A	Accumulator Bracket	
4	03203	Screw	
5	33562	Screw	
6	52151	Strain Relief	Electric models
	52113	Strain Relief	Gas models
7	20530	Screw	
8	00161	Grounding Clip	
9	61512	Fabric Selector Switch	
10	91176	Washer	
11	55882	Switch Assembly	Includes item 12
12	52947	Nut	
13	25820	Washer	
14	38280	Indicator Light	Models EE5107*-5412, EE5117*-3000, EE5117*-5412, EG5119*-3000, EG5119*-3013, EG5119*-5412 and ZG5119*-3013
	32464	Light	All other models
15	500228W	Control Panel and Bracket Assembly	White
	500228L	Control Panel and Bracket Assembly	Almond
16	24205	Nut	
17	39897	Switch Knob	
18	N/A	Graphic Overlay	Models EE5107*-5412, EE5117*-5412, EG5119*-5412, ZE5111*-2802, ZE5111*-2902, ZE5117*-2802, ZE5117*-2902, ZG5119*-1102 and ZG5119*-3013
	504590	Graphic Overlay	All other models
19	27260P	Lock Kit	Includes item 20
20	27261	Lock Cam	
21	58181	Coin Slide Guard	
22	03950	Screw	
23	503455	Coin Slide Extension	

* Add Letter To Designate Color. L - Almond W - White

N/A = Part no longer available

Control Cabinet - Nonmetered Models

Models EE5007*-1500, EE6011*-1500 and EE6017*-1500



DRY1795P_502012

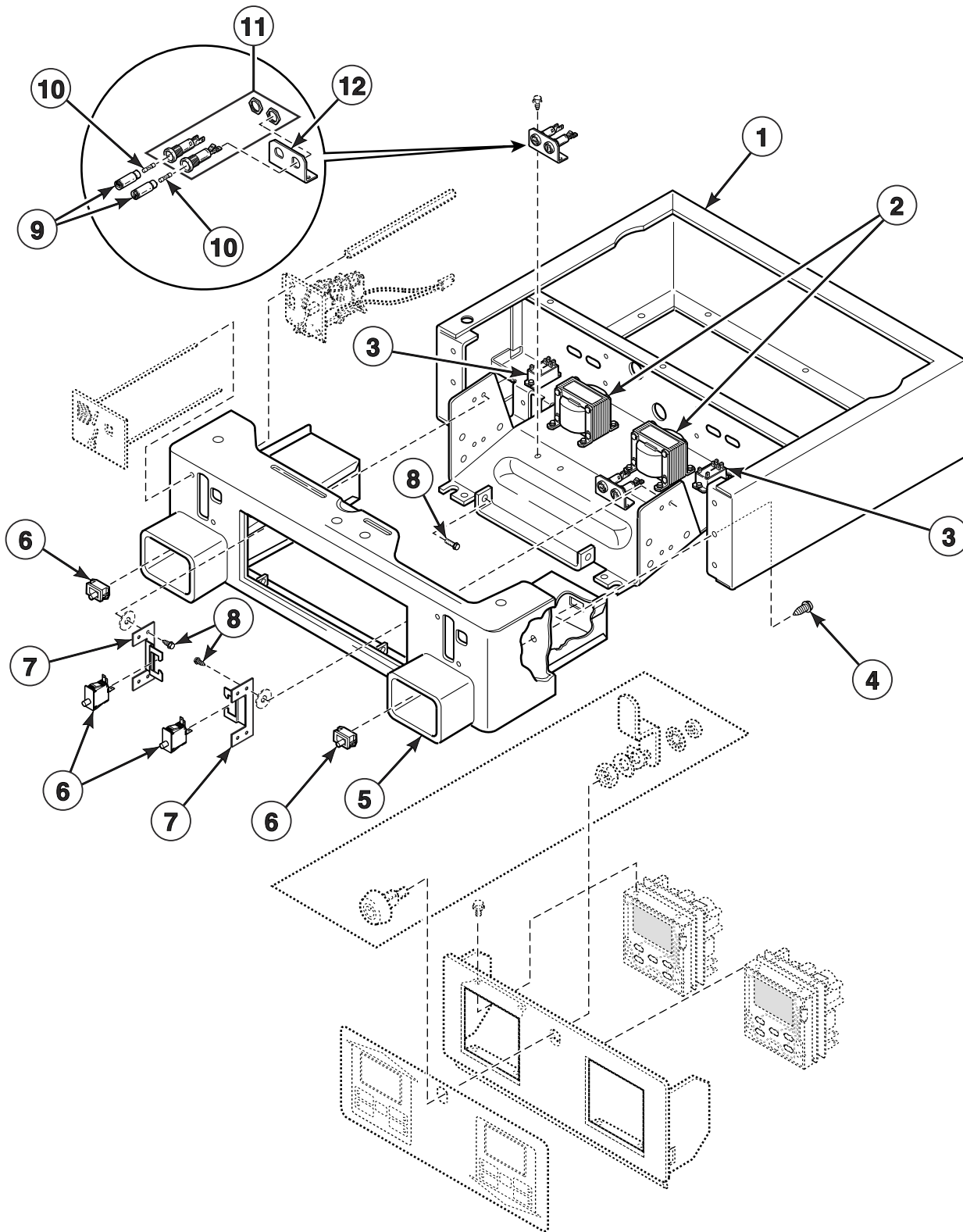
Control Cabinet - Nonmetered Models

REF	PART NO.	DESCRIPTION	COMMENTS
1	36048	Screw	
2	33562	Screw	
3	505753WP	Wrapper and Channel Assembly	
4	39733	Screw	
5	56079	Panel Locator	
6	80077	Nut	
7	500225WP	Security Cabinet Front	White
	500225LP	Security Cabinet Front	Almond
8	503688	Screw	
9	501307	Washer	

* Add Letter To Designate Color. L - Almond W - White

Control Cabinet - Coin Drop Models

Models EE5807*-1500, EE5817*-1500, EE5817*-3000, EE5907*-1500, EE5917*-1500, EE5917*-3000, EEC511*-3000, EEC591*-3000, EG5819*-3000, EG5919*-3000, EG5919*-3013, EGC511*-3013, EGC591*-3013, ZE5117*99E4, ZE5817*-2916, ZE5917*-2802, ZE5917*-2902, ZE5917*-3000, ZEC511*-3000, ZEC591*-3000, ZG5819*-1116, ZG5919*-0902, ZG5919*-3000, ZG5919*-3013, ZGC511*-3013 and ZGC591*-3013



DRY663P_502012

Control Cabinet - Coin Drop Models

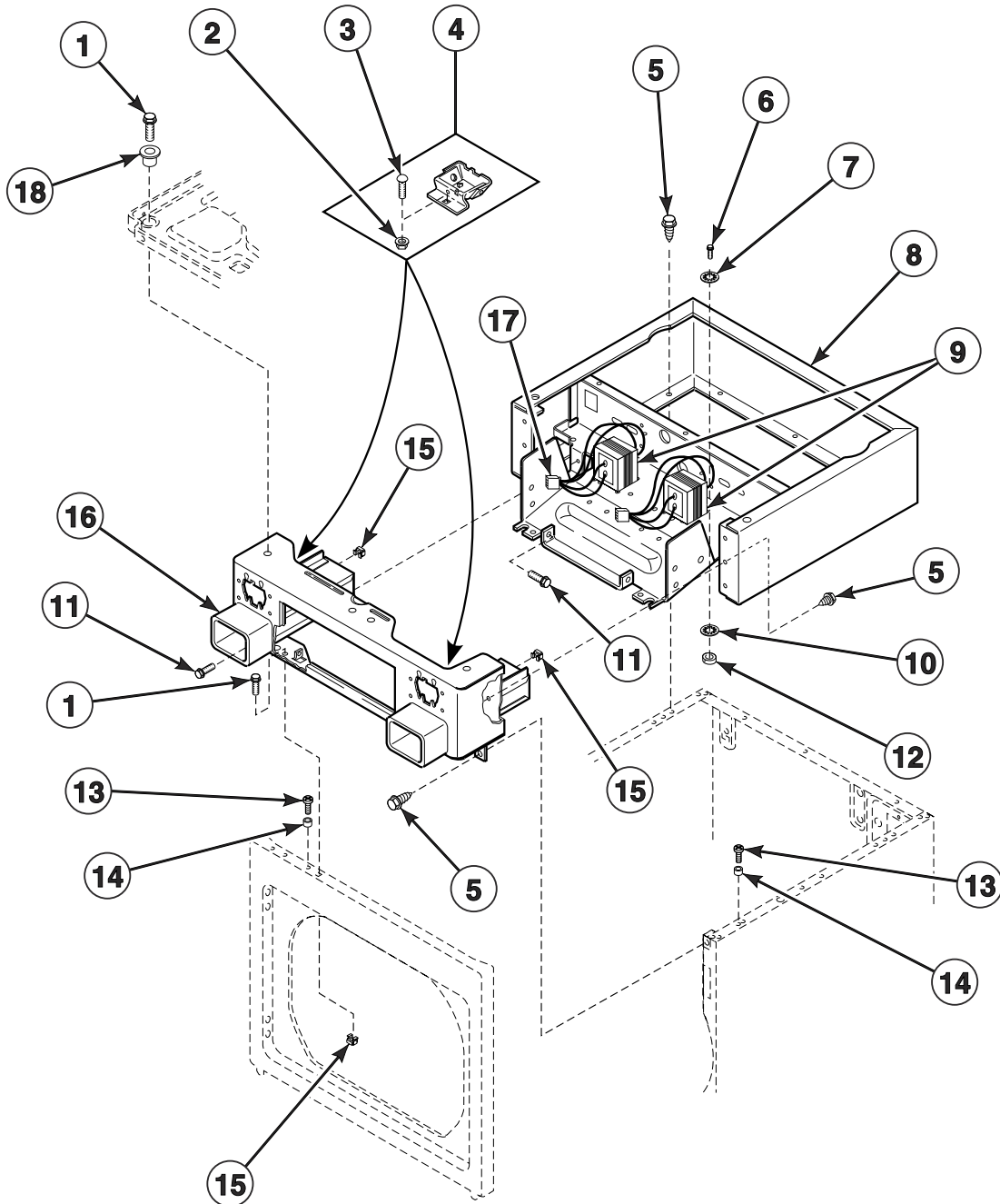
REF	PART NO.	DESCRIPTION	COMMENTS
1	N/A	Control Cabinet Wrapper	Models EEC591*-3000, EGC591*-3013, ZE5917*-2802, ZE5917*-2902, ZEC591*-3000 and ZGC591*-3013
	505753WP	Wrapper and Channel Assembly	White; All other models
	505753L	Wrapper and Channel Assembly	Almond; All other models
2	M412477P	Transformer	240 Volt primary, 24 Volt secondary; Models EEC511*-3000, EEC591*-3000, EGC511*-3013, EGC591*-3013, ZEC511*-3000, ZEC591*-3000, ZGC511*-3013 and ZGC591*-3013
	511658P	Transformer Kit	All other models
3	502501	Relay	24 Volt; Models EEC511*-3000, EEC591*-3000, EGC511*-3013, EGC591*-3013, ZEC511*-3000, ZEC591*-3000, ZGC511*-3013 and ZGC591*-3013
4	33562	Screw	
5	511524W	Security Cabinet Front Assembly	White
	511524L	Security Cabinet Front Assembly	Almond
6	512973	Switch	
7	38087	Door Switch Bracket	
8	503688	Screw	
9	502811	Fuse Carrier	Models EEC511*-3000, EEC591*-3000, EGC511*-3013, EGC591*-3013, ZEC511*-3000, ZEC591*-3000, ZGC511*-3013 and ZGC591*-3013
10	502593	Fuse	Primary; Models EEC511*-3000, EEC591*-3000, EGC511*-3013, EGC591*-3013, ZEC511*-3000, ZEC591*-3000, ZGC511*-3013 and ZGC591*-3013
	502592	Fuse	Secondary; Models EEC511*-3000, EEC591*-3000, EGC511*-3013, EGC591*-3013, ZEC511*-3000, ZEC591*-3000, ZGC511*-3013 and ZGC591*-3013
11	502591P	Fuse Holder Kit	Models EEC511*-3000, EEC591*-3000, EGC511*-3013, EGC591*-3013, ZEC511*-3000, ZEC591*-3000, ZGC511*-3013 and ZGC591*-3013
12	502589	Fuse Holder Bracket	Models EEC511*-3000, EEC591*-3000, EGC511*-3013, EGC591*-3013, ZEC511*-3000, ZEC591*-3000, ZGC511*-3013 and ZGC591*-3013

* Add Letter To Designate Color. L - Almond W - White

N/A = Part no longer available

Control Cabinet - Coin Slide Models

Models EE5107*-1500, EE5107*-5412, EE5117*-1500, EE5117*-3000, EE5117*-5412, EE5507*-1500, EE6111*-1500, EE6117, EE6117*-1500, EG5119*-3000, EG5119*-3013, EG5119*-5412, ZE5111*-2802, ZE5111*-2902, ZE5117*-2802, ZE5117*-2902, ZE5117*-3000, ZE5117*99E4, ZG5119*-1102 and ZG5119*-3013



DRY1847P_502012

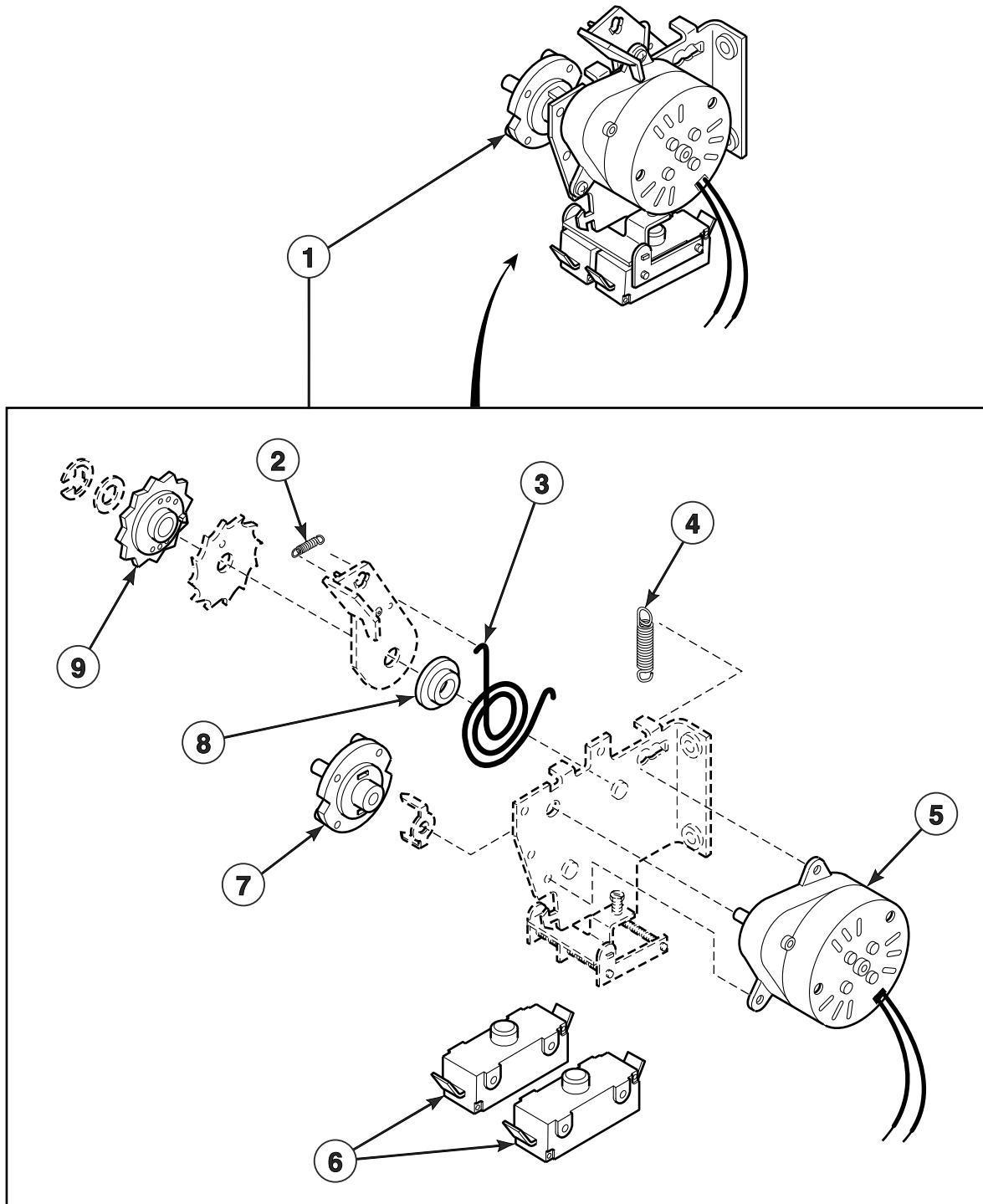
Control Cabinet - Coin Slide Models

REF	PART NO.	DESCRIPTION	COMMENTS
1	36048	Screw	
2	29796	Nut	
3	29651	Bolt	
4	523P3	Coin Funnel Kit	Includes items 2 and 3
5	33562	Screw	
6	20267	Screw	
7	02431	Washer	
8	505753WP	Wrapper and Channel Assembly	
9	511658P	Transformer Kit	
10	03815	Washer	
11	503688	Screw	
12	23951	Nut	
13	39733	Screw	
14	56079	Panel Locator	
15	80077	Nut	
16	511522WP	Security Cabinet Front Assembly	White
	511522LP	Security Cabinet Front Assembly	Almond
17	23041	6 Circuit Plug	
18	501307	Washer	

* Add Letter To Designate Color. L - Almond W - White

Accumulator (Drawing 1 of 2)

All Electromechanical Models Except EE5507*-1500



D125P_502012

Accumulator (Drawing 1 of 2)

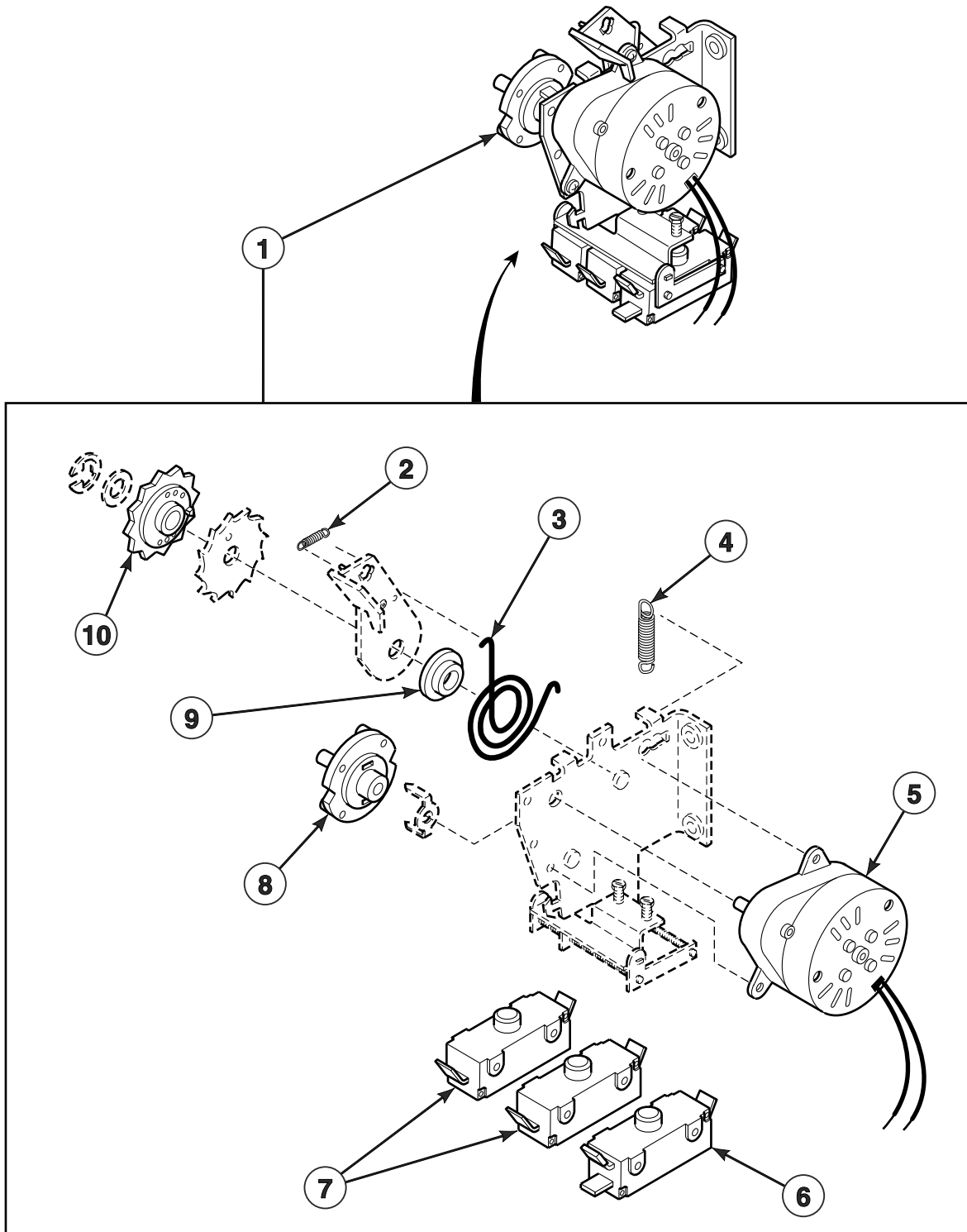
REF	PART NO.	DESCRIPTION	COMMENTS
1	510631P	Accumulator Replacement Kit	Models EE5107*-5412, EE5117*-5412 and EG5119*-5412
	501626P	Timer	240 Volt/50 Hertz; Models EEC511*-3000, EGC511*-3013, ZEC511*-3000 and ZGC511*-3013
	510628P	Accumulator Replacement Kit	All other models
2	53244	Pawl Spring	
3	53261	Spring	
4	N/A	Index Spring	
5	N/A	Timer Motor	Models EEC511*-3000, EEC591*-3000, EGC511*-3013, EGC591*-3013, ZEC511*-3000, ZEC591*-3000, ZGC511*-3013 and ZGC591*-3013
	512017P	Timer Motor	All other models
6	34599	Reed Switch	Models EEC511*-3000, EEC591*-3000, EGC511*-3013, EGC591*-3013, ZEC511*-3000, ZEC591*-3000, ZGC511*-3013 and ZGC591*-3013
	N/A	Switch	All other models
7	53240	Timing Cam	60 minute; 3 pin
	53241	Timing Cam	45 minute; 4 pin
	53242	Timing Cam	30 minute; 6 pin
	53243	Timing Cam	20 minute; 9 pin
8	N/A	Bushing	
9	53239	Ratchet Wheel	

* Add Letter To Designate Color. L - Almond W - White

N/A = Part no longer available

Accumulator (Drawing 2 of 2)

Model EE5507*-1500



D126P_502012

Accumulator (Drawing 2 of 2)

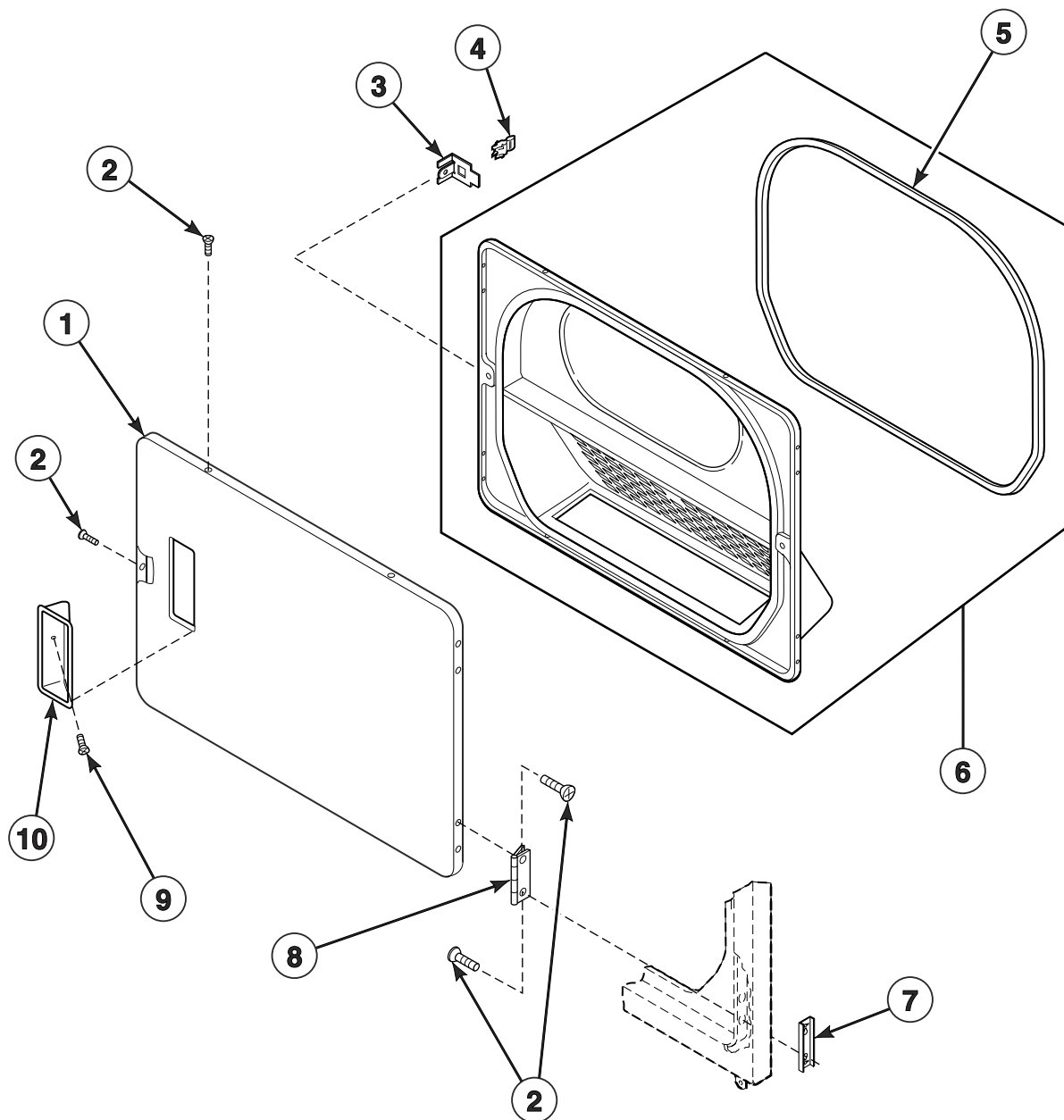
REF	PART NO.	DESCRIPTION	COMMENTS
1	510630P	Accumulator Replacement Kit	
2	53244	Pawl Spring	
3	53261	Spring	
4	N/A	Index Spring	
5	512017P	Timer Motor	
6	61468	Snap Switch	
7	N/A	Switch	
8	53240	Timing Cam	60 minute; 3 pin
	53241	Timing Cam	45 minute; 4 pin
	53242	Timing Cam	30 minute; 6 pin
	53243	Timing Cam	20 minute; 9 pin
9	N/A	Bushing	
10	53239	Ratchet Wheel	

* Add Letter To Designate Color. L - Almond W - White

N/A = Part no longer available

Loading Door without Window

Models EE5007*-1500, EE5107*-1500, EE5107*-5412, EE5507*-1500, EE6011*-1500 and EE6017*-1500



D146P_502012

Loading Door without Window

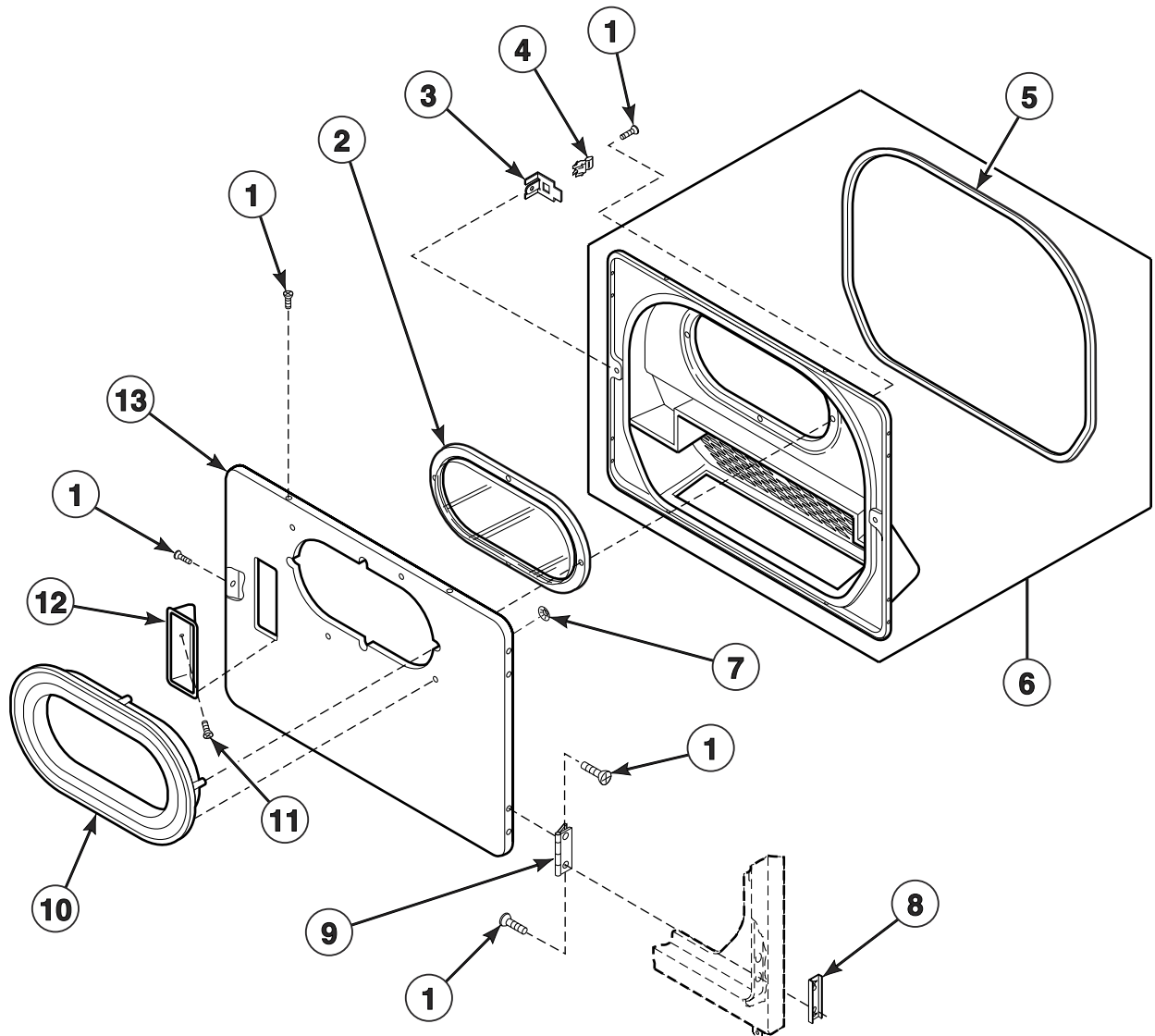
REF	PART NO.	DESCRIPTION	COMMENTS
1	500040W	Dryer Door	White
	500040L	Dryer Door	Almond
2	500226	Screw	
3	510127	Door Strike Mount	
4	510181	Door Strike	Metal
5	500200P	Door Seal	
6	500199P	Liner and Seal Assembly	Includes item 5
7	500236	Door Hinge Mounting Clip	
8	510519	Door Hinge	
9	N/A	Screw	
10	500042W	Door Pull	White

* Add Letter To Designate Color. L - Almond W - White

N/A = Part no longer available

Loading Door with Window

All Models Except EE5007*-1500, EE5107*-1500, EE5107*-5412, EE5507*-1500, EE6011*-1500 and EE6017*-1500



D147P_502012

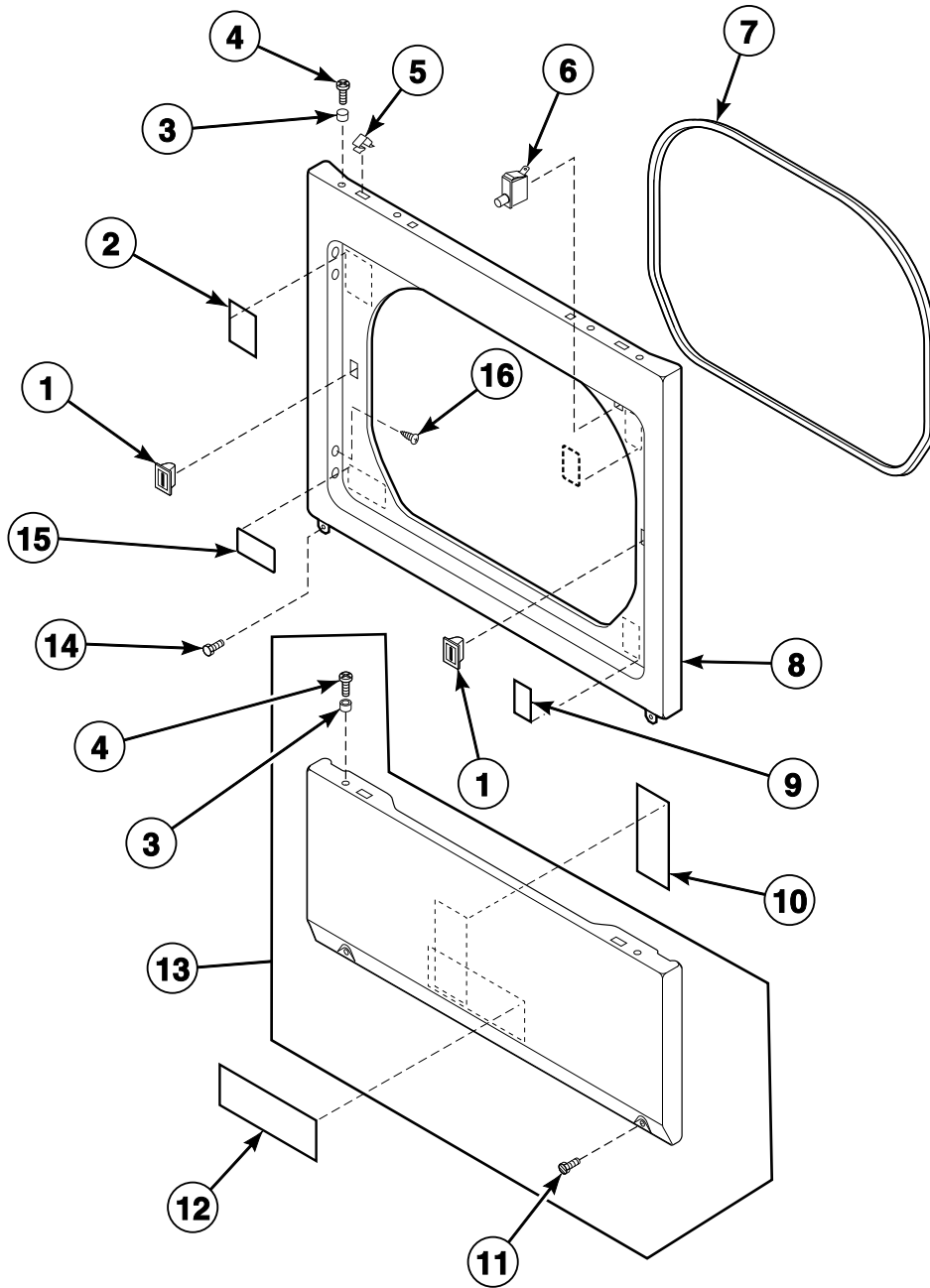
Loading Door with Window

REF	PART NO.	DESCRIPTION	COMMENTS
1	505870	Screw	Models EEC511*-3000, EEC591*-3000, EGC511*-3013, EGC591*-3013, ZEC511*-3000, ZEC591*-3000, ZGC511*-3013 and ZGC591*-3013
	500226	Screw	All other models
2	500231	Dryer Door Window	
3	510127	Door Strike Mount	
4	510181	Door Strike	Metal
5	500200P	Door Seal	
6	500410	Glass Door Liner and Seal Assembly	Includes item 5
7	58030	Nut	
8	500236	Door Hinge Mounting Clip	
9	510519	Door Hinge	
10	500202W	Door Trim	White
	N/A	Door Trim	Almond
11	N/A	Screw	
12	500042W	Door Pull	White
13	500201W	Dryer Door	With window; White
	N/A	Dryer Door	With window; Almond

* Add Letter To Designate Color. L - Almond W - White

N/A = Part no longer available

Lower Access Panel, Front Panel and Seal - Upper Dryer



D198P_502012

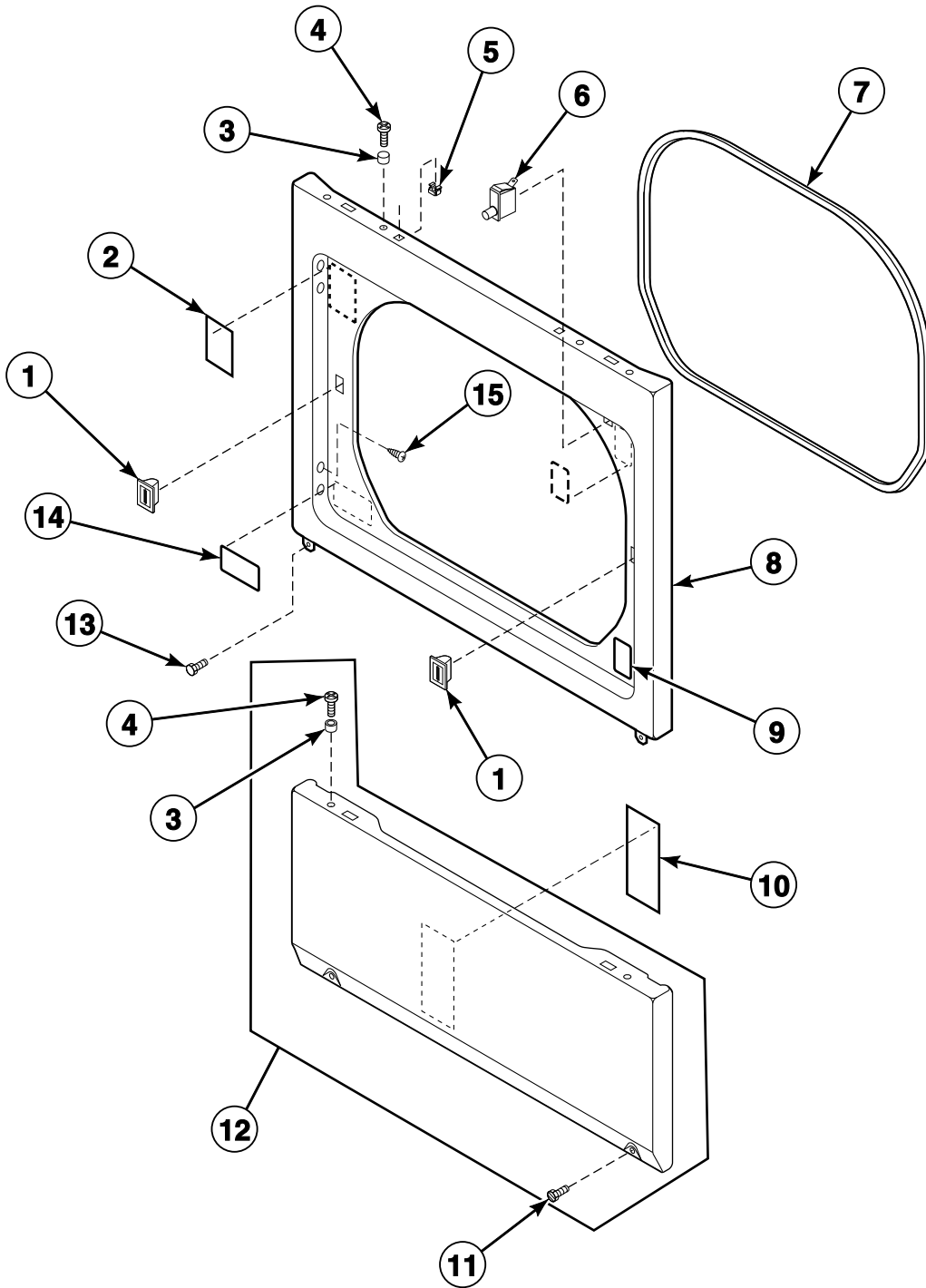
Lower Access Panel, Front Panel and Seal - Upper Dryer

REF	PART NO.	DESCRIPTION	COMMENTS
1	510177	Door Catch Assembly	
2	500253	Caution Label	Models ZE5117*-2802, ZE5117*-2902 and ZG5119*-1102
	500281	Warning/Caution Label	All other models
3	56079	Panel Locator	
4	39733	Screw	
5	28835	Speed Clip	
6	512973	Switch	
7	500034	Front Panel Seal	
8	500033W	Front Panel	White
	N/A	Front Panel	Almond
9	500240	Natural/L.P. Gas Label	Model ZG5119*-1102
10	511004	Gas Clearance Label	Gas models
11	33562	Screw	Slotted hex head
	62853	Screw	Torx head; Optional for added security
	282P4	Torx Bit	For 62853 Screw
	24161	Bit Holder	
12	500389	Operating Instructions Label	Models ZE5117*-2802, ZE5117*-2902 and ZG5119*-1102
	500498	Instructions for Use Label	Model EE5007*-1500
13	514250WP	Access Panel Assembly	
14	503688	Screw	
15	502804	Clean Lint Label	
16	505870	Screw	

* Add Letter To Designate Color. L - Almond W - White

N/A = Part no longer available

Lower Access Panel, Front Panel and Seal - Lower Dryer



D197P_502012

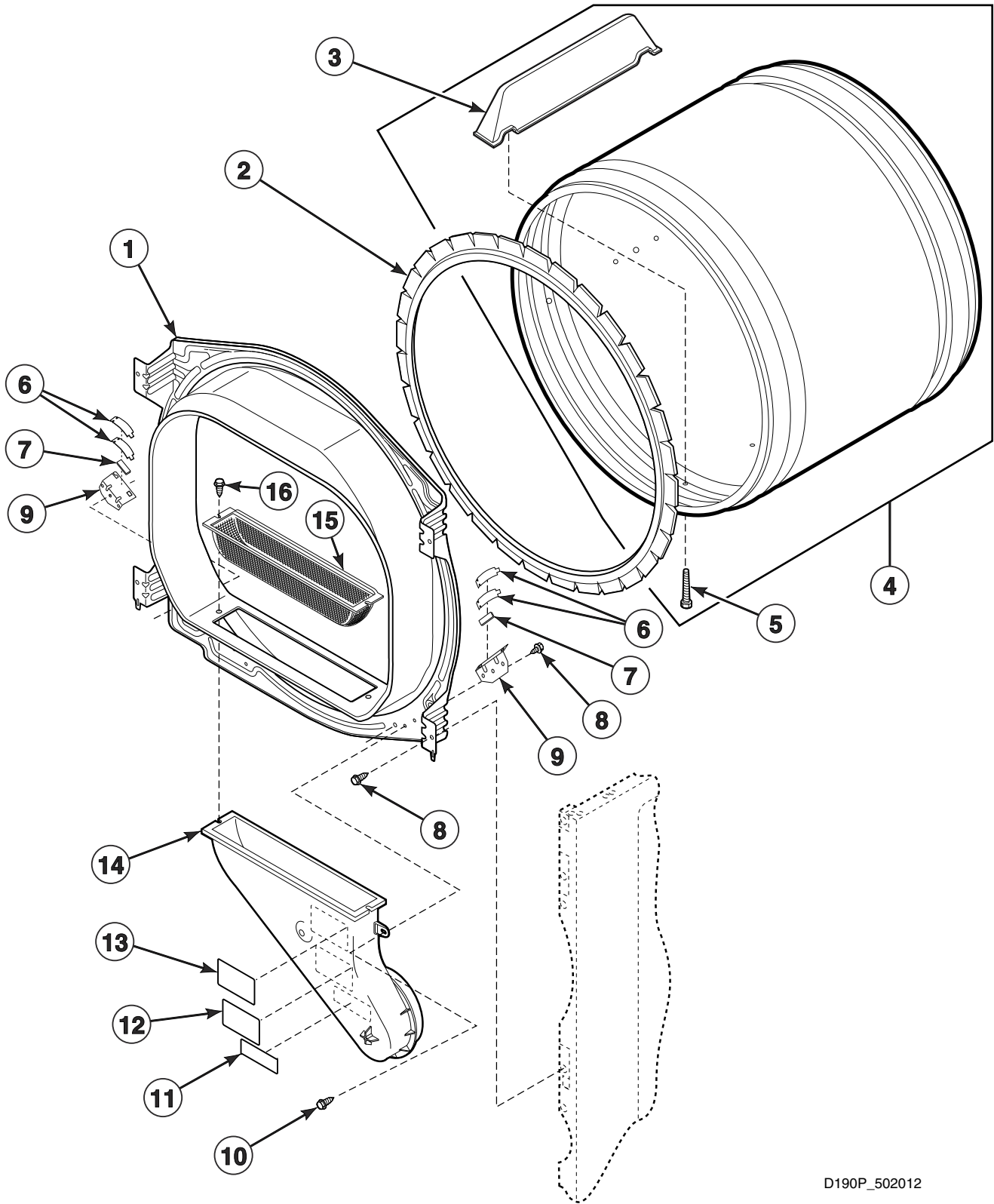
Lower Access Panel, Front Panel and Seal - Lower Dryer

REF	PART NO.	DESCRIPTION	COMMENTS
1	510177	Door Catch Assembly	
2	500253	Caution Label	Models ZE5117*-2802, ZE5117*-2902 and ZG5119*-1102
	500281	Warning/Caution Label	All other models
3	56079	Panel Locator	
4	39733	Screw	
5	80077	Nut	Optional
6	512973	Switch	
7	500034	Front Panel Seal	
8	500033W	Front Panel	White
	N/A	Front Panel	Almond
9	500240	Natural/L.P. Gas Label	Model ZG5119*-1102
10	511004	Gas Clearance Label	Gas models
11	33562	Screw	Slotted hex head
	62853	Screw	Torx head; Optional for added security
	282P4	Torx Bit	For 62853 Screw
	24161	Bit Holder	
12	514250WP	Access Panel Assembly	
13	503688	Screw	
14	502804	Clean Lint Label	
15	505870	Screw	

* Add Letter To Designate Color. L - Almond W - White

N/A = Part no longer available

Front Bulkhead, Air Duct, Felt Seal and Cylinder



D190P_502012

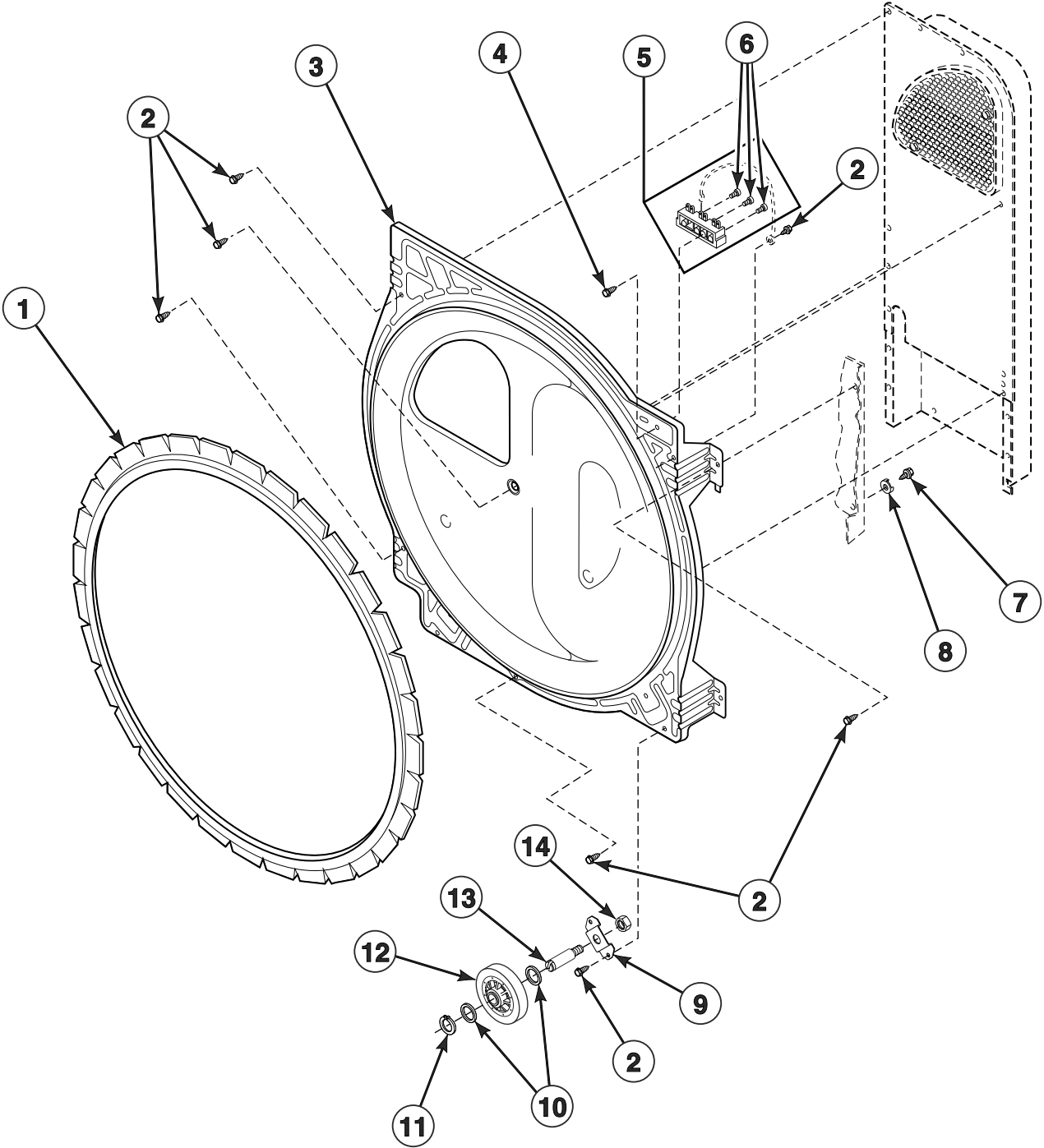
Front Bulkhead, Air Duct, Felt Seal and Cylinder

REF	PART NO.	DESCRIPTION	COMMENTS
1	500091P	Front Bulkhead Assembly	Includes items 2 and 6-9
2	510207P	Cylinder Seal Assembly	
3	510102W	Cylinder Baffle	
4	500735P	Cylinder Assembly	Includes 3 of item 3 and 6 of item 5
5	62588	Screw	
6	510188	Cylinder Glide	
7	510189	Felt Pad	
8	503688	Screw	
9	510145	Cylinder Glide Bracket	
10	503661	Screw	
11	N/A	Label	
12	500049	Warning Label	
13	500314	Warning Label	Models ZE5117*-2802, ZE5117*-2902 and ZG5119*-1102
14	502231	Front Air Duct	
15	502140P	Lint Filter	
16	500226	Screw	

* Add Letter To Designate Color. L - Almond W - White

N/A = Part no longer available

Rear Bulkhead, Felt Seal, Cylinder Roller and Terminal Block



D134P_502012

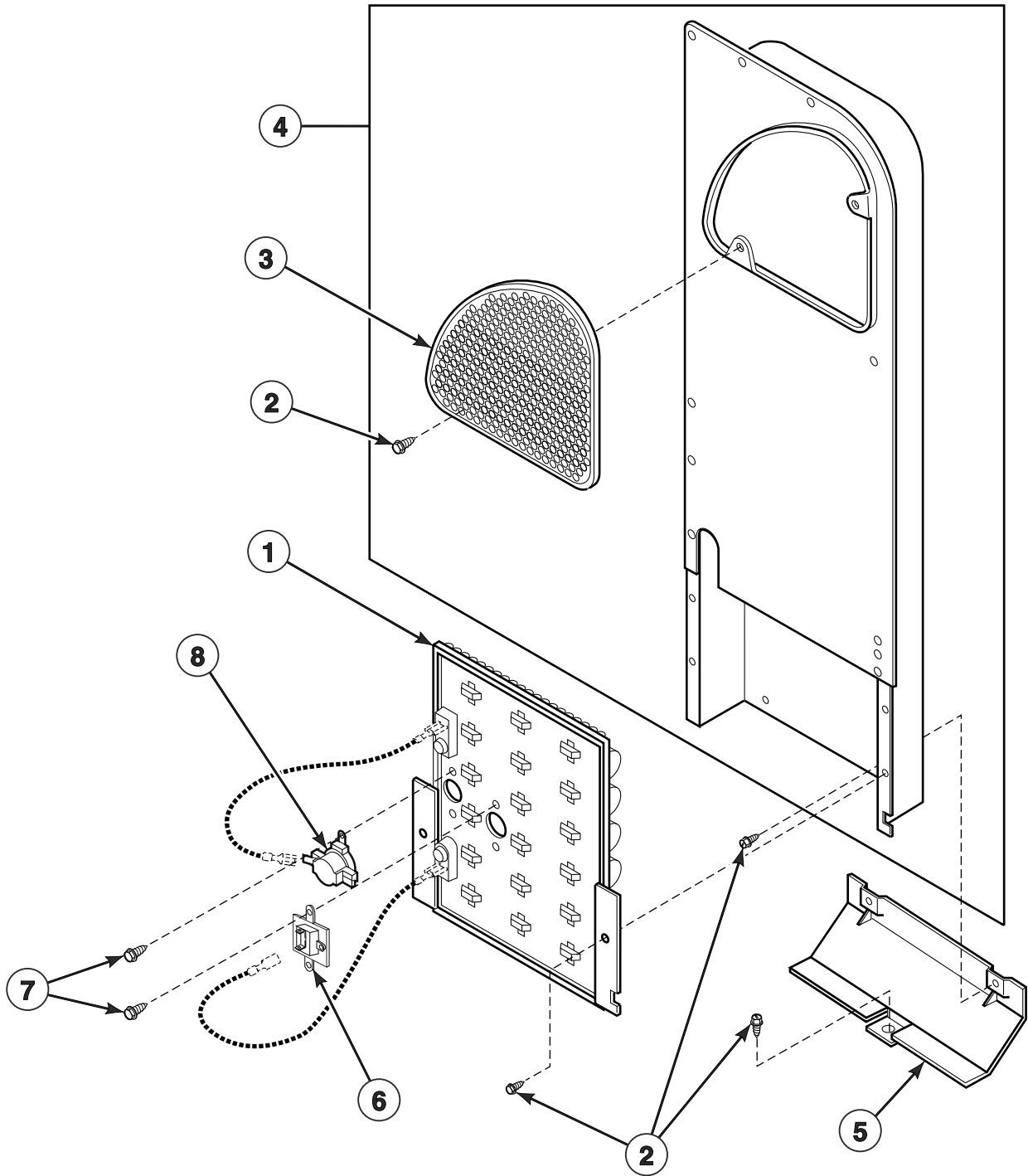
Rear Bulkhead, Felt Seal, Cylinder Roller and Terminal Block

REF	PART NO.	DESCRIPTION	COMMENTS
1	510207P	Cylinder Seal Assembly	
2	503688	Screw	
3	N/A	Rear Bulkhead	Includes item 1; Models EEC511*-3000, EEC591*-3000, EGC511*-3013, EGC591*-3013, ZEC511*-3000, ZEC591*-3000, ZGC511*-3013 and ZGC591*-3013
	511082P	Rear Bulkhead Assembly	Includes item 1; All other models
4	501285	Screw	
5	502517	Terminal Block	Models EEC511*-3000, EEC591*-3000, EGC511*-3013, EGC591*-3013, ZEC511*-3000, ZEC591*-3000, ZGC511*-3013 and ZGC591*-3013
	510190P	Terminal Block Assembly	Includes 3 of item 6; All other models
6	61199	Screw	
7	20530	Screw	
8	51474	Washer	
9	510100	Cylinder Roller Bracket	
10	52549	Washer	
11	23748	Retaining Ring	
12	510708P	Cylinder Roller	
13	56461P	Shaft	
14	56156	Nut	

* Add Letter To Designate Color. L - Almond W - White

N/A = Part no longer available

Heat Duct - Electric Models



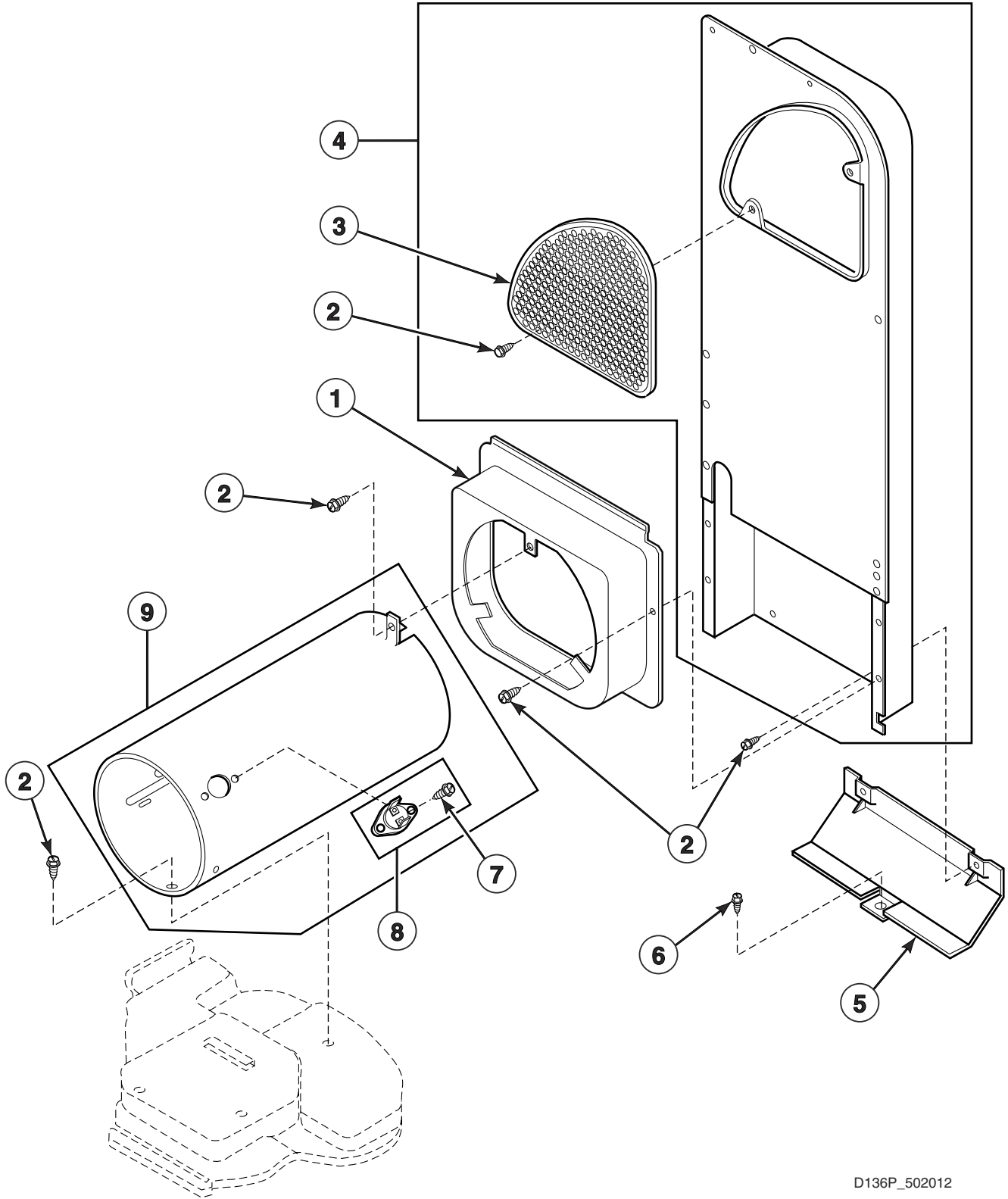
D135P_502012

Heat Duct - Electric Models

REF	PART NO.	DESCRIPTION	COMMENTS
1	61928	Heater Kit Assembly	White; 4.75kW; 208 Volt/60 Hertz
	61927	Heater Kit Assembly	Red; 5.0 kW; 240 Volt/60 Hertz
	61930	Heater Kit Assembly	4.0 kW; 240 Volt/50 Hertz
	61931	Heater Kit Assembly	3.1 kW; 240 Volt/50 Hertz
	61929	Heater Kit Assembly	Green; 4800 kW; 240 Volt/50 Hertz
2	503688	Screw	
3	500820	Outlet Cover	
4	510025P	Heater Duct and Screw Assembly	Includes items 2 and 3
5	60952	Heat Duct Shield	
6	511412	Thermal Fuse Assembly	
7	23222	Screw	
8	500807	Thermostat	Models ZE5117*-2802 and ZE5117*-2902
	510701	Limit Thermostat	All other models

* Add Letter To Designate Color. L - Almond W - White

Heat Duct - Gas Models



D136P_502012

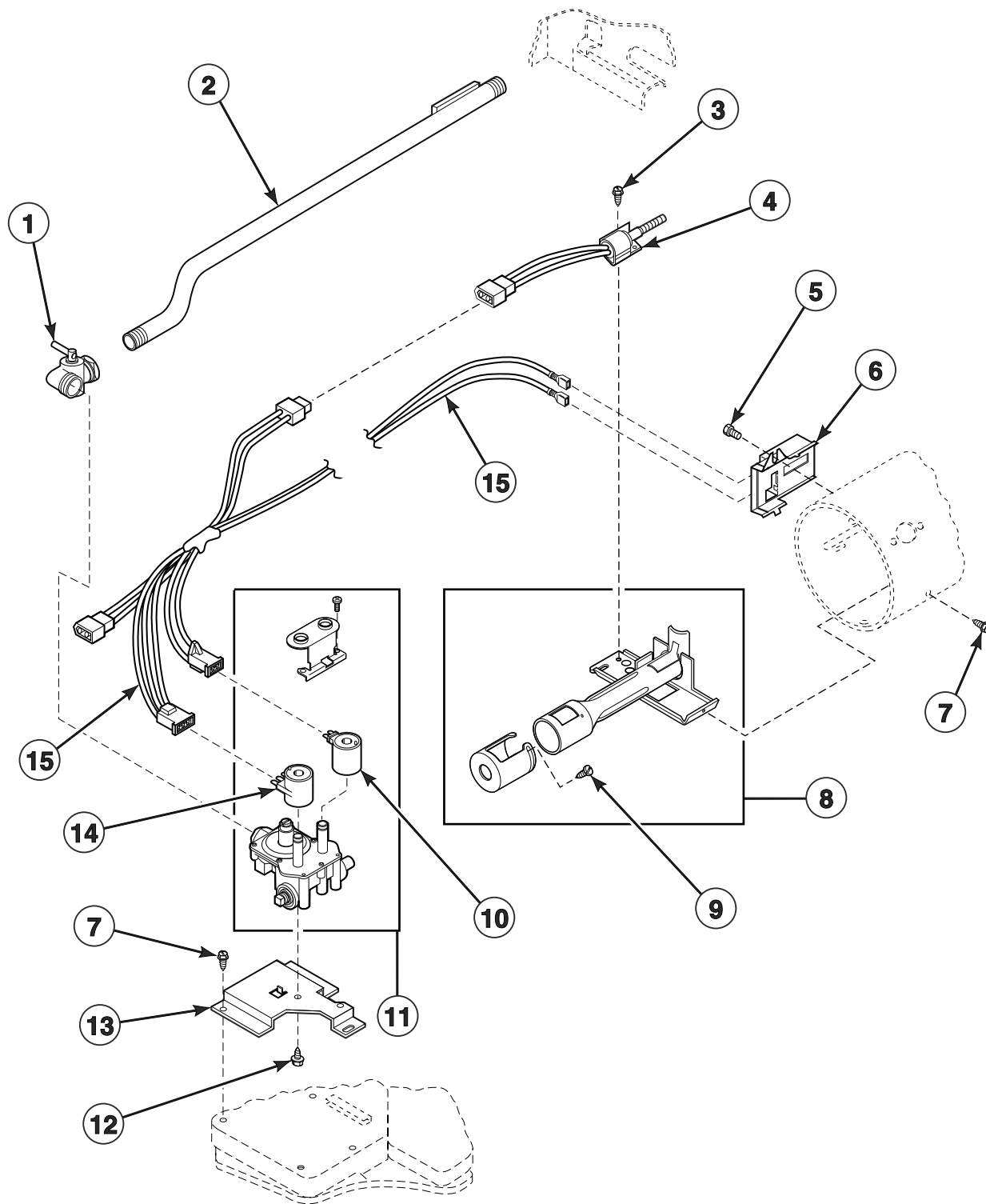
Heat Duct - Gas Models

REF	PART NO.	DESCRIPTION	COMMENTS
1	510101	Heat Duct Shroud	
2	503688	Screw	
3	500820	Outlet Cover	
4	510025P	Heater Duct and Screw Assembly	Includes items 2 and 3
5	60952	Heat Duct Shield	
6	33562	Screw	
7	51782	Screw	
8	489P3	Thermostat and Plate Kit	Includes 2 of item 7
9	N/A	Combustion Duct Assembly	Includes item 8

N/A = Part no longer available

Gas Valve, Igniter and Gas Conversion Kits (Drawing 1 of 2)

Models EG5119*-3000, EG5119*-3013, EG5119*-5412, EG5819*-3000, EG5919*-3000, EG5919*-3013, ZG5119*-1102, ZG5119*-3013, ZG5819*-1116, ZG5919*-0902, ZG5919*-3000 and ZG5919*-3013



D137P_502012

Gas Valve, Igniter and Gas Conversion Kits (Drawing 1 of 2)

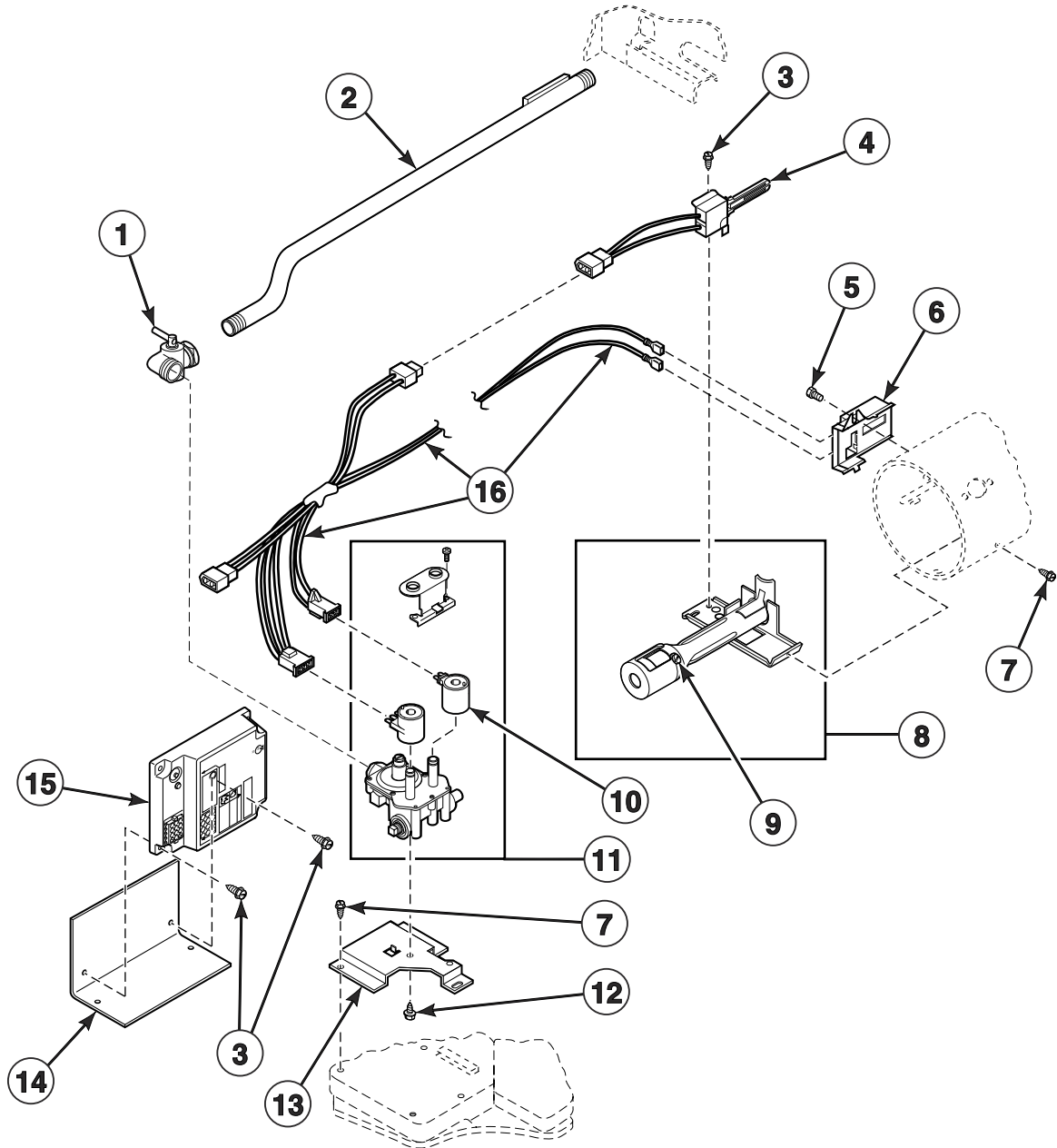
REF	PART NO.	DESCRIPTION	COMMENTS
	458P3	L.P. Conversion Kit	To convert from Natural Gas (N.G.) or Mixed Gas to Liquid Petroleum Gas (L.P.)
	459P3	N.G. Conversion Kit	To convert from L.P. to N.G. or Mixed Gas
1	510205	Elbow Shut-Off Valve	
2	510204	Lead-In Pipe Assembly	
3	51782	Screw	
4	510184P	Igniter and Bracket Assembly	
5	23222	Screw	
6	510213	Sensor	
7	503688	Screw	
8	510149P	Burner Assembly	Includes item 9
9	N/A	Screw	
10	59063B	Secondary Coil	50 Hertz
	58804B	Secondary Coil	60 Hertz
11	58804P	Gas Valve Assembly	N.G. or Mixed Gas; Includes items 10 and 14; Model EG5119*-5412
	60353P	Gas Valve Assembly	N.G. or Mixed Gas; Includes items 10 and 14; Model ZG5119*-1102
	60443P	Valve Assembly	N.G. or Mixed Gas; Includes items 10 and 14; All other models
12	56124	Screw	
13	510128	Gas Valve Mounting Bracket	
14	59063A	Booster and Holding Coil	50 Hertz
	58804A	Booster and Holding Coil	60 Hertz
15	510530	Gas Valve Wire Harness Assembly	

* Add Letter To Designate Color. L - Almond W - White

N/A = Part no longer available

Gas Valve, Igniter and Gas Conversion Kits (Drawing 2 of 2)

Models EGC511*-3013, EGC591*-3013, ZGC511*-3013 and ZGC591*-3013



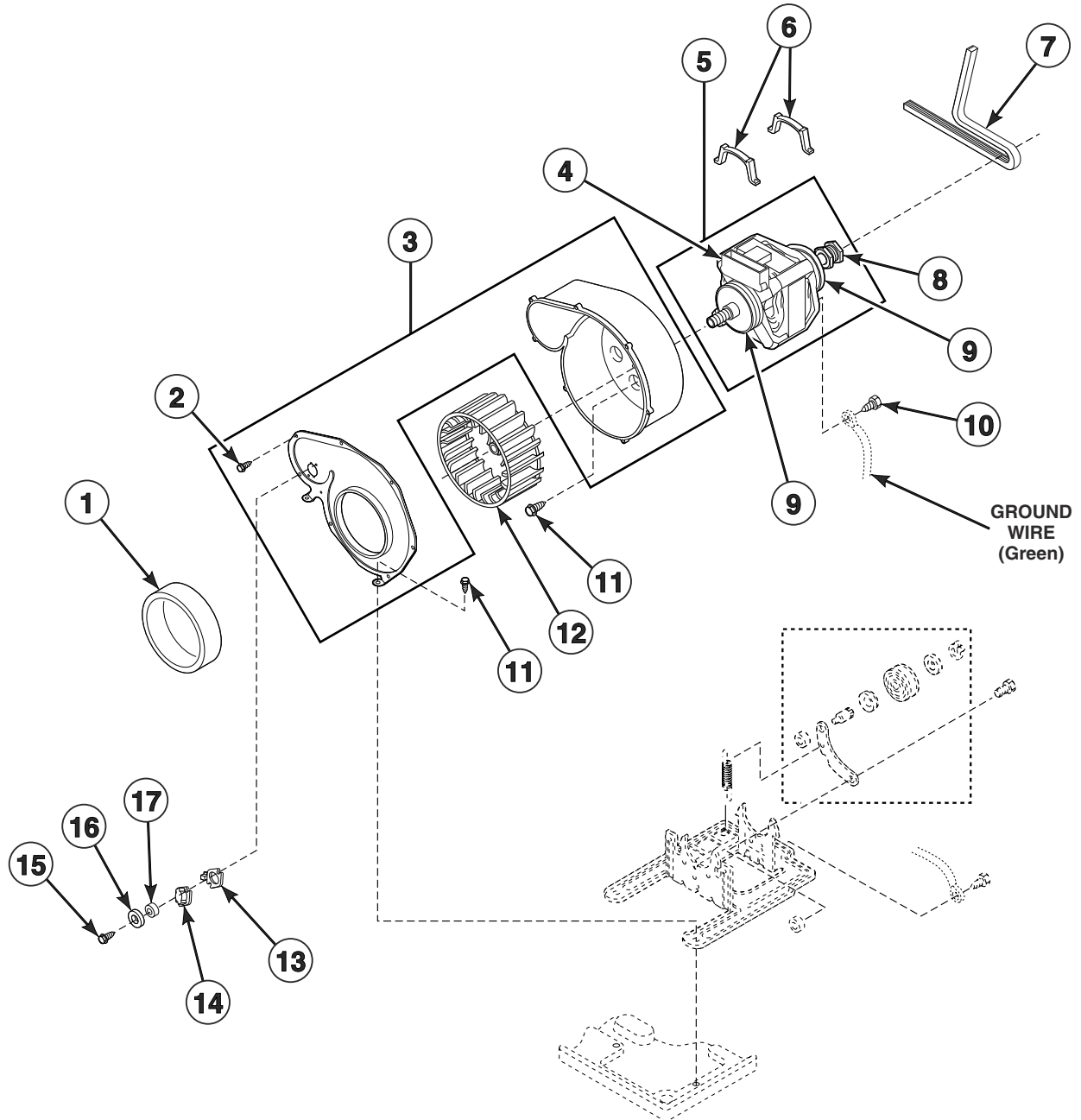
DRY645P_502012

Gas Valve, Igniter and Gas Conversion Kits (Drawing 2 of 2)

REF	PART NO.	DESCRIPTION	COMMENTS
1	510205	Elbow Shut-Off Valve	
2	510204	Lead-In Pipe Assembly	
3	502535	Screw	
4	510184P	Igniter and Bracket Assembly	
5	23222	Screw	
6	510213	Sensor	
7	503688	Screw	
8	510149P	Burner Assembly	Includes item 9
9	N/A	Screw	
10	502423A	Main and Redundant Coil	
11	502478P	Gas Valve Assembly	Includes item 10
12	56124	Screw	
13	510128	Gas Valve Mounting Bracket	
14	502425	Ignition Control Bracket	
15	502995P	Igniter and Sensor Assembly	
16	502609	Gas Valve Wire Harness Assembly	

N/A = Part no longer available

Motor, Exhaust Fan and Belt (Drawing 1 of 2)



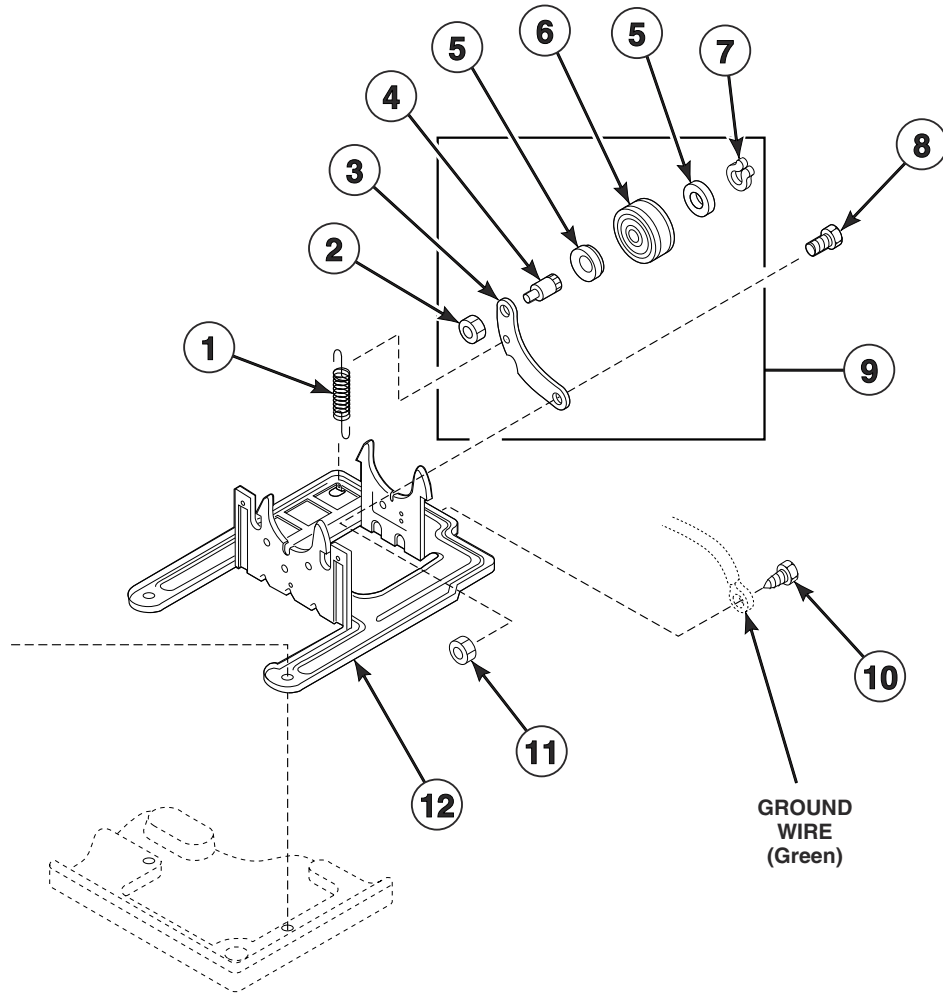
DRY1846P_502012

Motor, Exhaust Fan and Belt (Drawing 1 of 2)

REF	PART NO.	DESCRIPTION	COMMENTS
	27604P	Anti-Seize Compound	Apply to motor shaft before installing the exhaust fan impeller
	511637P	Adhesive	Use to install seal to cover
1	500313	Blower Housing Seal	
2	31260	Screw	
3	511969WP	Blower Housing	Includes item 2
4	501218	Motor Switch	External
5	505843P	Motor and Pulley Assembly	240 Volt/50 Hertz; Includes items 4, 8 and 9
	511629P	Motor and Pulley Assembly	120 Volt/60 Hertz; Includes items 4, 8 and 9
	505869P	Motor and Pulley Assembly	240 Volt/60 Hertz; Includes items 4, 8 and 9
6	510180	Motor Mount Clamp	
7	511255P	Cylinder Belt	
8	500222	Motor Pulley	50 Hertz
	500011	Motor Pulley	60 Hertz
9	590P3	Motor Hub Ring Kit	
10	20530	Screw	
11	503688	Screw	
12	510139P	Blower Fan Assembly	
13	61622	Thermostat Heater	Use with 61556 Thermostat
	61623	Thermostat Heater	Use with 503552 Thermostat
	502498	Thermostat Heater	Green; Models EEC511*-3000, EGC511*-3013, ZEC511*-3000 and ZGC511*-3013
14	510523	Thermistor Assembly	Black; Models EE5907*-1500, EE5917*-1500, ZE5117*-2802, ZE5117*-2902, ZE5917*-2802, ZE5917*-2902, ZG5119*-1102 and ZG5919*-0902
	M414704	Thermistor	Models EE5917*-3000, EEC591*-3000, EG5919*-3000, EG5919*-3013, EGC591*-3013, ZE5917*-3000, ZEC591*-3000, ZG5919*-3000, ZG5919*-3013 and ZGC591*-3013
	502366	Thermistor Assembly	Models EEC511*-3000, EEC591*-3000, EGC511*-3013, EGC591*-3013, ZEC511*-3000, ZEC591*-3000, ZGC511*-3013 and ZGC591*-3013
	503552	Thermostat	Green; Models EE5007*-1500, EE5107*-1500, EE5117*-1500, EE5507*-1500, EE6017*-1500, EE6117, EE6117*-1500 and ZE5117*-2902
	61556	Thermostat	Models EE5107*-5412, EE5117*-3000, EE5117*-5412, EG5119*-3000, EG5119*-3013, EG5119*-5412 and ZG5119*-3013
15	23222	Screw	Use with 510523 Thermistor Assembly
	501086	Screw	Use with 503552 Thermostat or 61556 Thermostat
	502535	Screw	Thermostat heater
16	29443	Washer	Models EEC511*-3000, EEC591*-3000, EGC511*-3013, EGC591*-3013, ZEC511*-3000, ZEC591*-3000, ZGC511*-3013 and ZGC591*-3013
17	56156	Nut	Models EEC511*-3000, EEC591*-3000, EGC511*-3013, EGC591*-3013, ZEC511*-3000, ZEC591*-3000, ZGC511*-3013 and ZGC591*-3013

* Add Letter To Designate Color. L - Almond W - White

Motor, Exhaust Fan and Belt (Drawing 2 of 2)

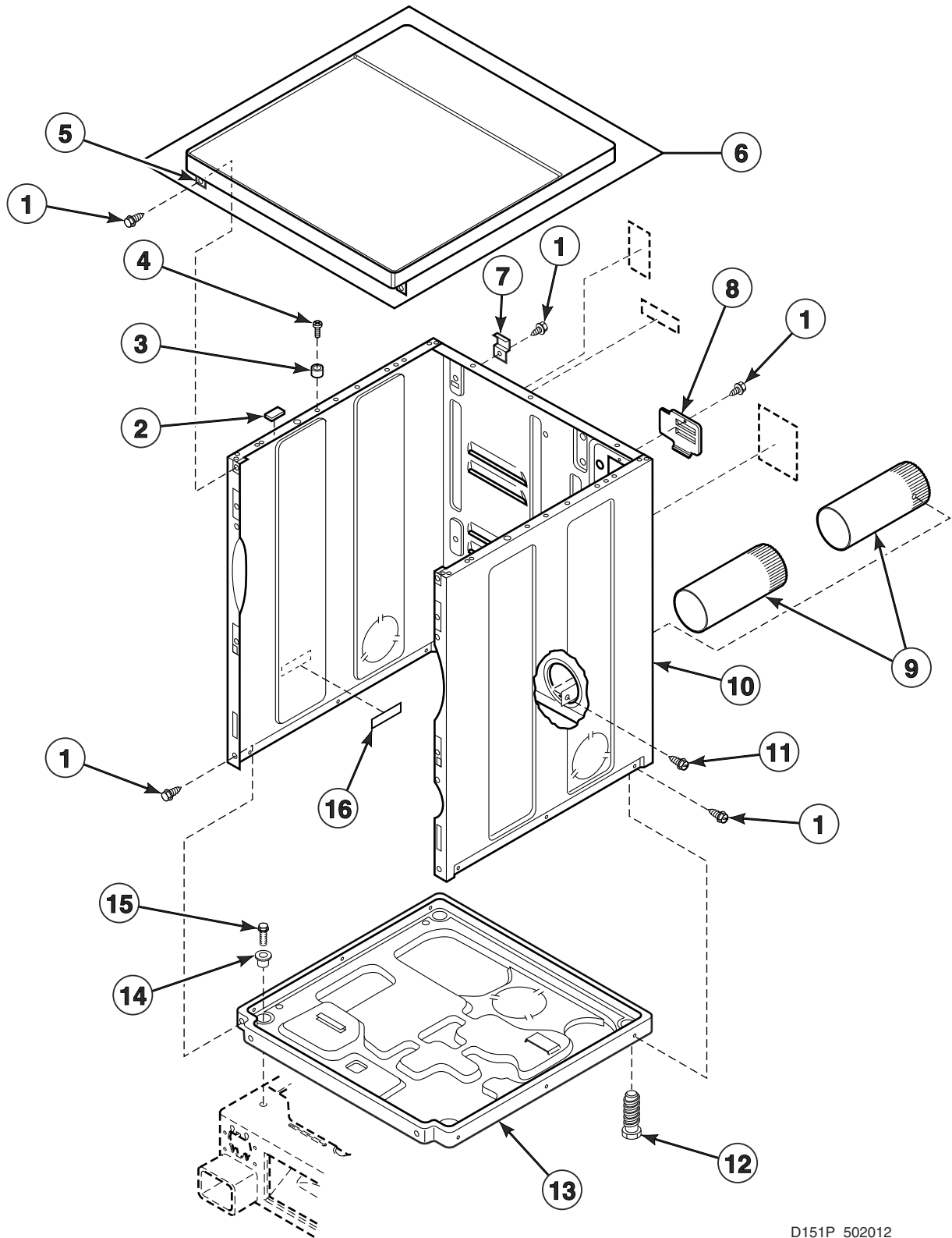


DRY1753P_502012

Motor, Exhaust Fan and Belt (Drawing 2 of 2)

REF	PART NO.	DESCRIPTION	COMMENTS
1	510185	Idler Spring	
2	56156	Nut	
3	510133	Idler Lever	
4	56461P	Shaft	
5	52549	Washer	
6	510142P	Idler Wheel and Bearing Assembly	
7	23748	Retaining Ring	
8	500824	Screw	
9	510158	Idler Lever and Wheel Assembly	Includes items 2-7
10	20530	Screw	
11	52566	Nut	
12	510060	Motor Mount	

Cabinet Top, Cabinet, Exhaust Duct and Base - Upper Dryer



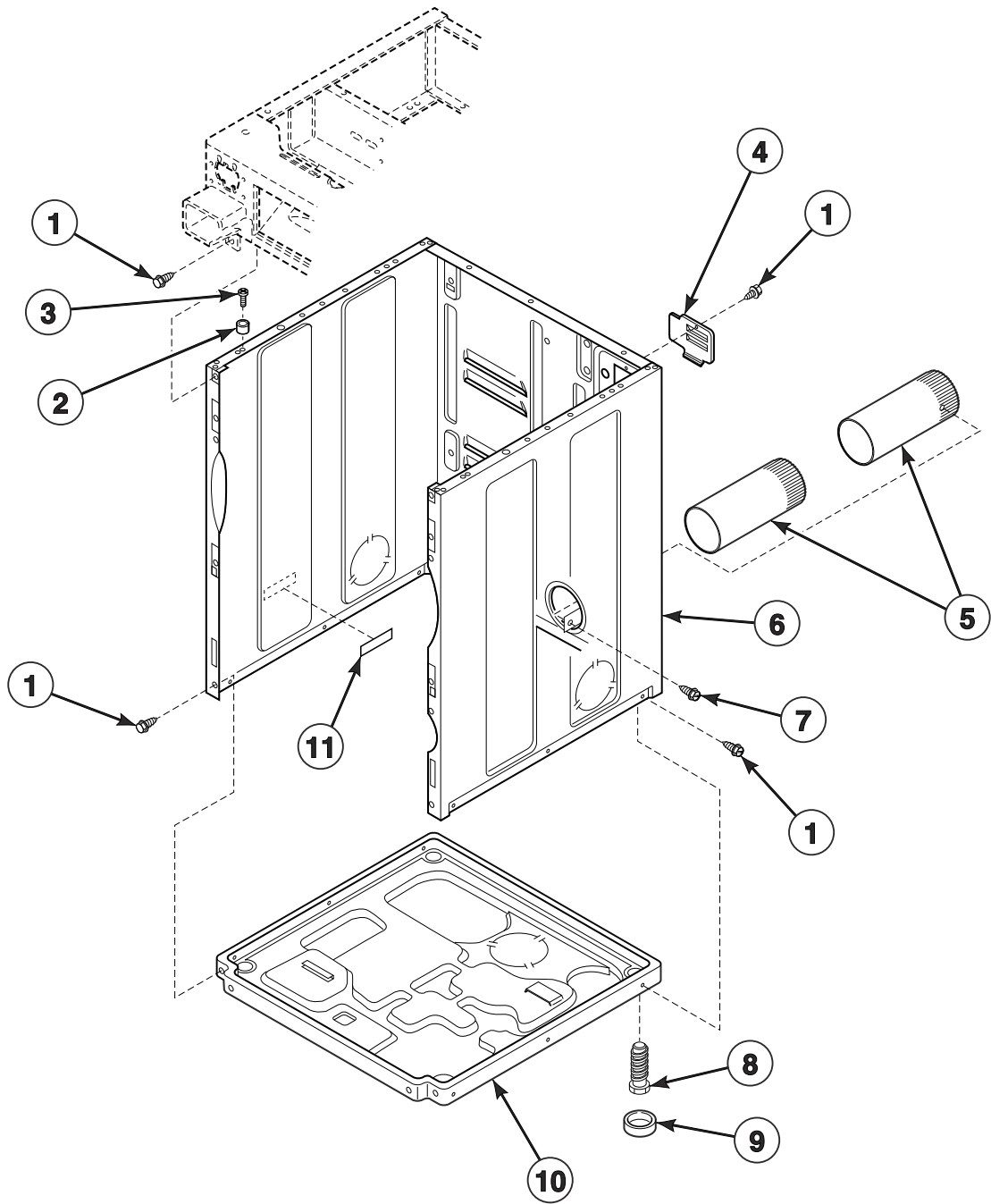
D151P_502012

Cabinet Top, Cabinet, Exhaust Duct and Base - Upper Dryer

REF	PART NO.	DESCRIPTION	COMMENTS
	58786	Damper	Backdraft; For 4 inch diameter vertical duct system only; Use in multiple dryer installations where each dryer has its own exhaust system
1	33562	Screw	
2	56128	Bumper Pad	
3	56079	Panel Locator	
4	39733	Screw	
5	510146	Bracket	
6	510032WP	Top Kit	White; Includes item 5
	510032LP	Top Kit	Almond; Includes item 5
7	510136	Top Hinge	
8	510903	Access Panel Plate	
9	510137	Exhaust Duct	
10	727P3W	Panel Kit	
11	503688	Screw	
12	510135	Leveling Leg	
13	513901	Dryer Base	
14	501307	Washer	
15	502431	Screw	Models EEC511*-3000, EEC591*-3000, EGC511*-3013, EGC591*-3013, ZEC511*-3000, ZEC591*-3000, ZGC511*-3013 and ZGC591*-3013
	36048	Screw	All other models
16	61294	Fuse Notice Label	Electric models

* Add Letter To Designate Color. L - Almond W - White

Cabinet, Exhaust Duct and Base - Lower Dryer



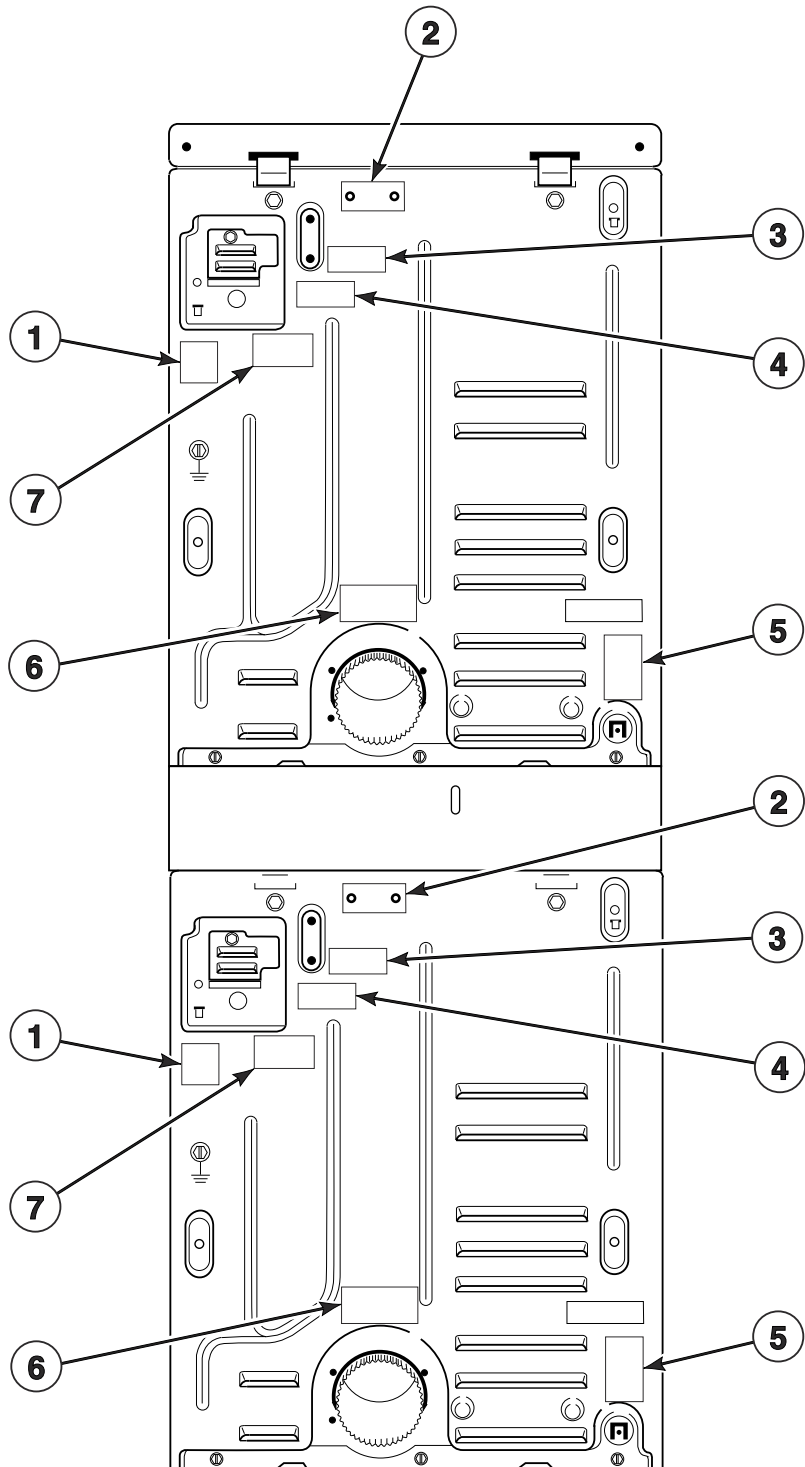
DRY1848P_502012

Cabinet, Exhaust Duct and Base - Lower Dryer

REF	PART NO.	DESCRIPTION	COMMENTS
	58786	Damper	Backdraft; For 4 inch diameter vertical duct system only; Use in multiple dryer installations where each dryer has its own exhaust system
1	33562	Screw	
2	56079	Panel Locator	
3	39733	Screw	
4	510903	Access Panel Plate	
5	510137	Exhaust Duct	
6	727P3W	Panel Kit	
7	503688	Screw	
8	510135	Leveling Leg	
9	501855	Rubber Foot	
10	513901	Dryer Base	
11	61294	Fuse Notice Label	Electric models

* Add Letter To Designate Color. L - Almond W - White

Label Location on Rear of Cabinet



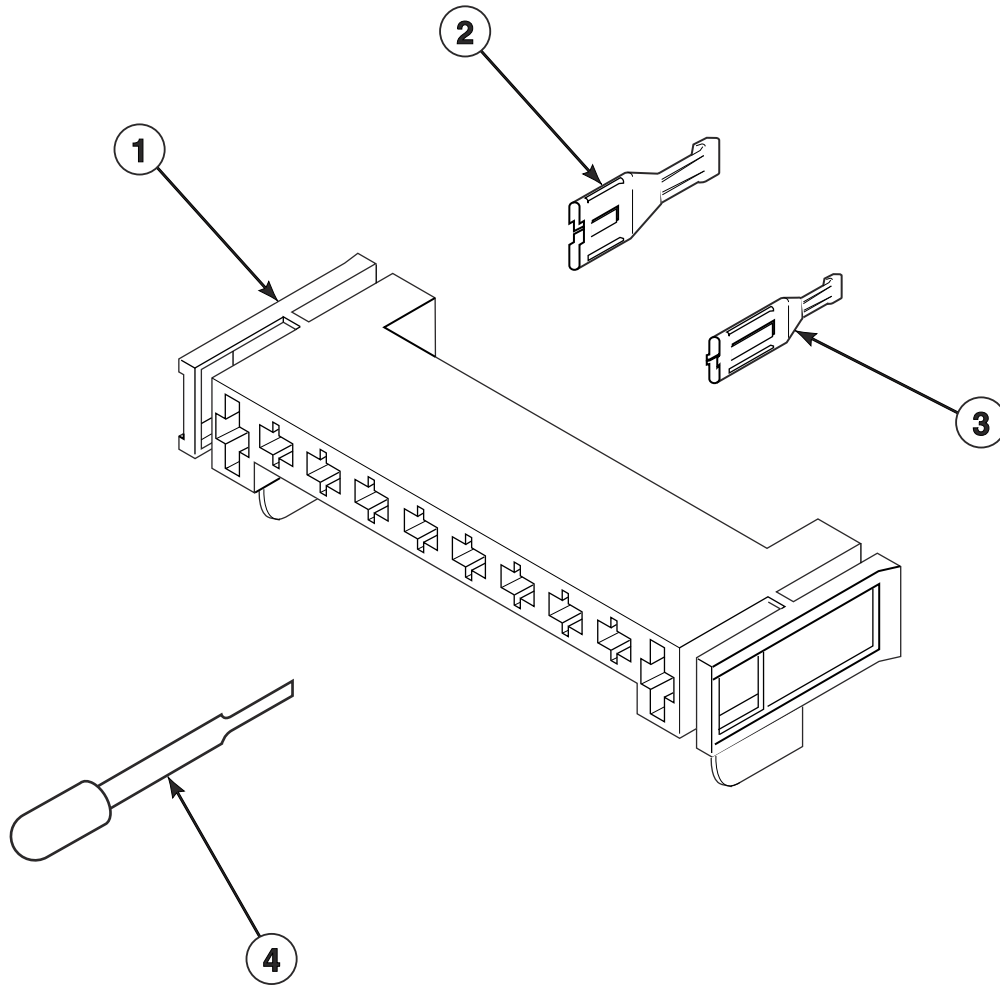
D199P_502012

Label Location on Rear of Cabinet

REF	PART NO.	DESCRIPTION	COMMENTS
1	511005	Electric Clearance Label	Models EE5007*-1500, EE5107*-1500, EE5117*-1500, EE5507*-1500, EE6017*-1500, EE6117 and EE6117*-1500
2	62104	Voltage Warning Label	Models EE5007*-1500, EE5107*-1500, EE5117*-1500, EE5507*-1500, EE6017*-1500, EE6117 and EE6117*-1500
3	500316	Warning Label	Models ZE5117*-2802, ZE5117*-2902 and ZG5119*-1102
4	505281	Disconnect Power Warning Label	
5	511004	Gas Clearance Label	Gas models
6	500497	Exhaust Warning Label	
7	500495	15 Amp Notice Label	
	500493	30 Amp Notice Label	
	500494	60 Amp Notice Label	

* Add Letter To Designate Color. L - Almond W - White

Motor Connection Block, Terminals and Terminal Extractor Tool

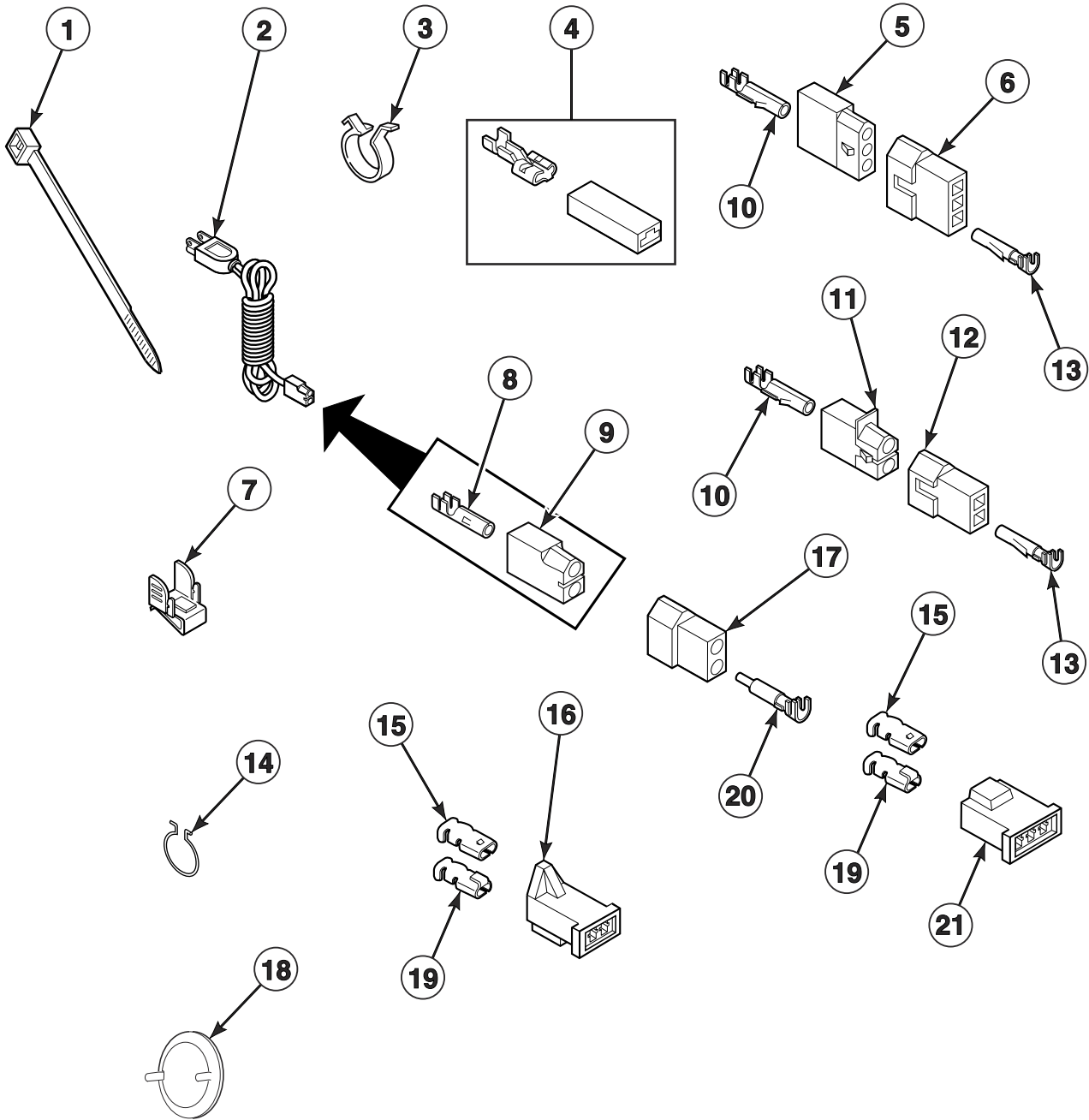


D153P_502012

Motor Connection Block, Terminals and Terminal Extractor Tool

REF	PART NO.	DESCRIPTION	COMMENTS
1	500338	10 Position Housing	
2	00255	Female Terminal	1/4 inch; (1)12 gauge wire
	00256	Female Terminal	1/4 inch; (1) or (2) 18 gauge wires
3	00188	Female Terminal	1 or 2 wire application
4	283P4	Terminal Extractor Tool	

Terminals (Drawing 1 of 2)



DRY1792P_502012

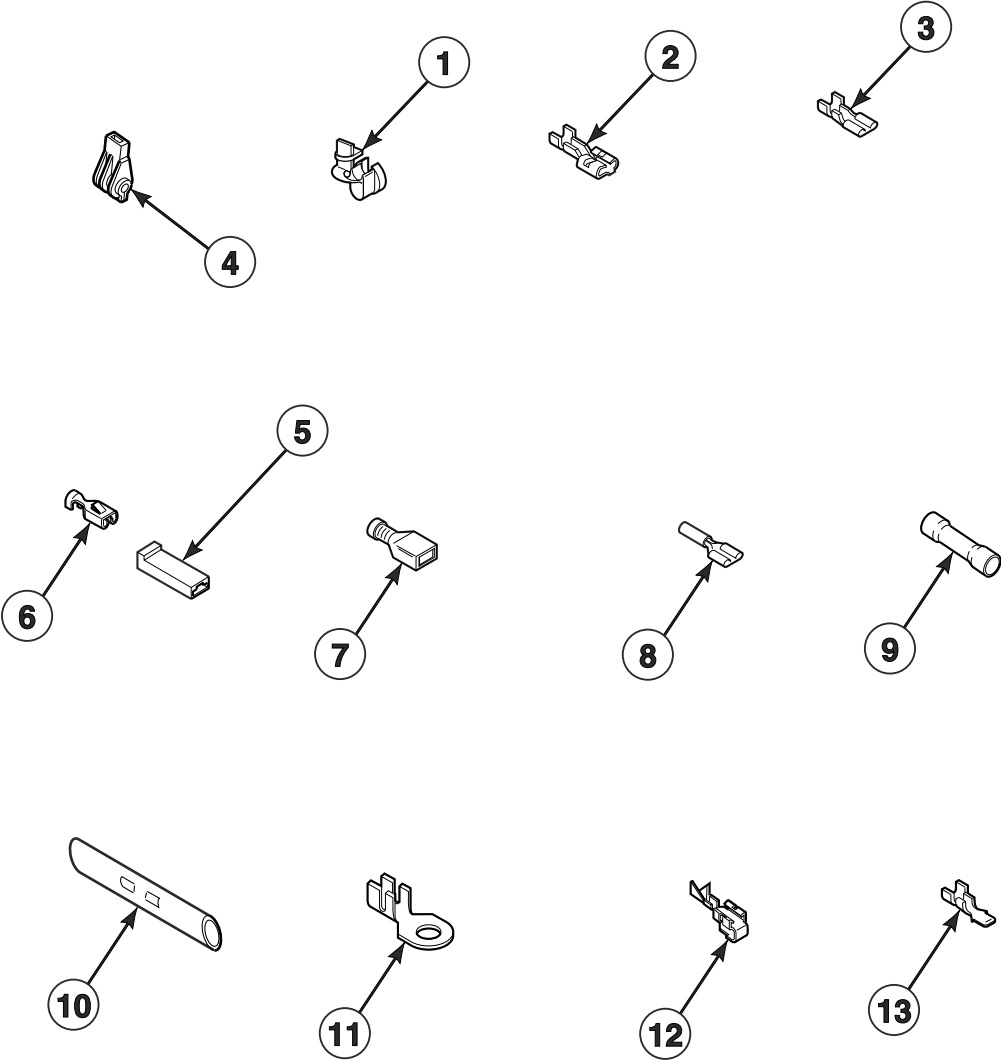
Terminals (Drawing 1 of 2)

REF	PART NO.	DESCRIPTION	COMMENTS
1	55881	Harness Strap	
2	57397	Power Cord Assembly	Models ZE5117*-2802 and ZE5117*-2902
	58992	Power Cord Assembly	Model ZG5119*-1102
	502786	Power Cord Assembly	Models EGC511*-3013, EGC591*-3013, ZGC511*-3013 and ZGC591*-3013
	N/A	Power Cord Assembly	Models EEC511*-3000, EEC591*-3000, EG5119*-3013, ZEC511*-3000, ZEC591*-3000 and ZG5119*-3013
3	504034	Wire Clip	
4	00360	Insulated Female Spade Terminal	(1) 12 gauge wire or (2) 18 gauge wires
5	23039	3 Circuit Receptacle	
6	23040	Plug	
7	00161	Grounding Clip	
8	00130	Female Pin Terminal	
9	56265	2 Circuit Receptacle	
10	00117	Female Pin Terminal	
11	56451	2 Circuit Receptacle	
12	56448	2 Circuit Plug	
13	00116	Male Pin Terminal	
14	51291	Wire Clip	
15	00189	Female Spade Terminal	
16	58799	2 Circuit Connector	
17	56266	2 Circuit Plug	
18	502496	Strain Relief Adapter	
19	00361	Female Piggyback Terminal	
20	00127	Male Pin Terminal	
21	58800	3 Circuit Connector	

* Add Letter To Designate Color. L - Almond W - White

N/A = Part no longer available

Terminals (Drawing 2 of 2)



DRY1793P_502012

Terminals (Drawing 2 of 2)

REF	PART NO.	DESCRIPTION	COMMENTS
1	N/A	Strain Relief	Models EG5119*-3013 and ZG5119*-3013
	502500	Strain Relief	Models EEC511*-3000, EEC591*-3000, EGC511*-3013, EGC591*-3013, ZEC511*-3000, ZEC591*-3000, ZGC511*-3013 and ZGC591*-3013
	52113	Strain Relief	All other models
2	00245	Spade Terminal	1/4 inch; (1) 22 gauge wire
	00223	Female Spade Terminal	1/4 inch; (1) 18 gauge wire
	00121	Female Spade Terminal	1/4 inch; (2) 18 gauge wires or (1) 12 gauge wire
3	00124	Female Spade Terminal	3/16 inch; (1) 18 gauge wire; .020 tab
	00209	Female Spade Terminal	3/16 inch; (2) 18 gauge wires; .020 tab
	00156	Female Spade Terminal	3/16 inch
4	70210	Insulator	
5	90789	Receptacle Housing	
6	00115	Female Spade Terminal	(1) 18 gauge wire
	00321	Female Spade Terminal	(2) 18 gauge wires or (1) 12 gauge wire
7	00165	Insulated Female Terminal	3/16 inch
	00359	Insulated Female Spade Terminal	1/4 inch
8	N/A	Pre-Insulated Spade Terminal	18 gauge
	00215	Pre-Insulated Spade Terminal	12 gauge
9	N/A	Butt Splice Connector	
10	21091	Connector	
11	00110	Ring Terminal	(1) 18 gauge wire
	00111	Ring Terminal	(2) 18 gauge wires or (1) 12 gauge wire
12	00114	Female Spade Terminal	1/4 inch
13	00139	Male Tab Terminal	(2) 18 gauge wires or (1) 12 gauge wire

* Add Letter To Designate Color. L - Almond W - White

N/A = Part no longer available

Wire Harnesses and Wires

PART NO.	DESCRIPTION	COMMENTS
500866	Upper Wire Harness Assembly	Models EE5007*-1500, EE5107*-1500, EE5107*-5412, EE5117*-1500, EE5117*-3000, EE5117*-5412, EE5507*-1500, EE6017*-1500, EE6117, EE6117*-1500 and ZE5117*-3000
500431	Upper Wire Harness Assembly	Models ZE5117*-2802 and ZE5117*-2902
500964	Upper Wire Harness Assembly	Model ZG5119*-1102
501376P	Wire Harness Assembly	Upper; Models EE5807*-1500, EE5817*-1500, EE5907*-1500, EE5917*-1500, EE5917*-3000 and ZE5917*-3000
501789	Upper Wire Harness Assembly	Models ZG5819*-1116 and ZG5919*-0902
502727	Upper Wire Harness Assembly	Models EEC511*-3000 and ZEC511*-3000
502735	Upper Wire Harness Assembly	Models EEC591*-3000 and ZEC591*-3000
61796	Upper Wire Harness Assembly	Models EE6011*-1500 and EE6111*-1500
N/A	Upper Wire Harness Assembly	Models EG5119*-3000, EG5119*-3013, EG5119*-5412, EG5919*-3000, EG5919*-3013, EGC511*-3013, ZE5111*-2802, ZE5111*-2902, ZE5817*-2916, ZE5917*-2802, ZE5917*-2902, ZG5119*-3013, ZG5919*-3000, ZG5919*-3013 and ZGC511*-3013
500953	Lower Wire Harness Assembly	Model EE5007*-1500
500865P	Wire Harness Assembly	Lower; Models EE5107*-1500, EE5107*-5412, EE5117*-1500, EE5117*-3000, EE5117*-5412, EE5507*-1500 and ZE5117*-3000
500392	Wire Harness Assembly	Lower; Models ZE5117*-2802 and ZE5117*-2902
502165	Lower Wire Harness Assembly	Models EE5907*-1500, EE5917*-1500, EE5917*-3000 and ZE5917*-3000
502726	Lower Wire Harness Assembly	Models EEC511*-3000 and ZEC511*-3000
N/A	Lower Wire Harness Assembly	Models EE5807*-1500, EE5817*-1500, EG5119*-3000, EG5119*-3013, EG5119*-5412, EG5919*-3000, EG5919*-3013, EGC511*-3013, ZE5111*-2802, ZE5111*-2902, ZE5817*-2916, ZE5917*-2802, ZE5917*-2902, ZG5119*-1102, ZG5119*-3013, ZG5819*-1116, ZG5919*-0902, ZG5919*-3000, ZG5919*-3013 and ZGC511*-3013
510662P	Harness Replacement Kit	Control cabinet; Models EE5107*-1500, EE5107*-5412, EE5117*-1500, EE5117*-3000, EE5117*-5412, EE5507*-1500, EE6117, EE6117*-1500 and ZE5117*-3000
510647P	Harness Replacement Kit	Control cabinet; Models ZE5117*-2802 and ZE5117*-2902
510651P	Harness Replacement Kit	Control cabinet; Models EG5119*-3000, EG5119*-3013, EG5119*-5412 and ZG5119*-3013
510645P	Harness Replacement Kit	Control cabinet; Model ZG5119*-1102
510654P	Security Cabinet Wire Harness Assembly	Models EE5007*-1500 and EE6017*-1500
501378P	Security Cabinet Harness Assembly	Models EE5807*-1500, EE5817*-1500, EE5907*-1500, EE5917*-1500, EE5917*-3000 and ZE5917*-3000
501785	Security Cabinet Wire Harness Assembly	Models ZE5817*-2916, ZE5917*-2802 and ZE5917*-2902

* Add Letter To Designate Color. L - Almond W - White

N/A = Part no longer available

NOTE: Individual wires are not available separately. Order complete wire harness or order wire by the foot. When applying terminals to wires, it is recommended that the terminals be soldered to the wires.

Wire Harnesses and Wires

PART NO.	DESCRIPTION	COMMENTS
501790	Security Cabinet Wire Harness Assembly	Models ZG5819*-1116 and ZG5919*-0902
502728	Security Cabinet Wire Harness Assembly	Models EEC511*-3000, EGC511*-3013, ZEC511*-3000 and ZGC511*-3013
N/A	Security Cabinet Wire Harness Assembly	Models EEC591*-3000, EG5919*-3000, EG5919*-3013, ZEC591*-3000, ZG5919*-3000 and ZG5919*-3013
45001	18 Gauge Wire	Black; Order by the foot; Order terminals and connectors as required.
45380	12 Gauge Wire	Orange; Order by the foot; Order terminals and connectors as required.

* Add Letter To Designate Color. L - Almond W - White

N/A = Part no longer available

NOTE: Individual wires are not available separately. Order complete wire harness or order wire by the foot. When applying terminals to wires, it is recommended that the terminals be soldered to the wires.

Parts Index

A

Access Panel Assembly	
514250WP	25, 27
Access Panel Plate	
510903	45, 47
Accumulator Replacement Kit	
510628P	17
510630P	19
510631P	17
Adhesive	
511637P	41
Anti-Seize Compound	
27604P	41

B

Bit Holder	
24161	25, 27
Blower Fan Assembly	
510139P	41
Blower Housing and Cover Kit	
511969P	41
Blower Housing Seal	
500313	41
Bolt	
29651	15
Booster and Holding Coil	
58804A	37
59063A	37
Bracket	
510146	45
Bumper Pad	
56128	45
Burner Assembly	
510149P	37, 39

C

Caution Label	
500253	25, 27
Clean Lint Label	
502804	25, 27
Coin Funnel Kit	
523P3	15
Coin Slide Extension	
503455	9
Coin Slide Guard	
58181	9
Connector	
21091	55
Connector, 2 Circuit	
58799	53
Connector, 3 Circuit	
58800	53
Control Kit	
M411883P	7

M414050P	7
Control Panel and Bracket Assembly	
500228L	5, 9
500228W	5, 9
Counter Kit	
62113P	9
Cylinder Assembly	
500735P	29
Cylinder Baffle	
510102W	29
Cylinder Belt	
511255P	41
Cylinder Glide	
510188	29
Cylinder Glide Bracket	
510145	29
Cylinder Roller	
510708P	31
Cylinder Roller Bracket	
510100	31
Cylinder Seal Assembly	
510207P	29, 31

D

Damper	
58786	45, 47
Disconnect Power Warning Label	
505281	49
Door Catch Assembly	
510177	25, 27
Door Hinge	
510519	21, 23
Door Hinge Mounting Clip	
500236	21, 23
Door Pull	
500042W	21, 23
Door Seal	
500200P	21, 23
Door Strike	
510181	21, 23
Door Strike Mount	
510127	21, 23
Door Switch Bracket	
38087	13
Door Trim	
500202W	23
Dryer Base	
513901	45, 47
Dryer Door	
500040L	21
500040W	21
500201W	23
Dryer Door Window	
500231	23

N/A items do not appear in index.

E

Elbow Shut-Off Valve	
510205	37, 39
Electric Clearance Label	
511005	49
Exhaust Duct	
510137	45, 47
Exhaust Warning Label	
500497	49

F

Fabric Selector Switch	
61512	5, 9
Felt Pad	
510189	29
Female Piggyback Terminal	
00361	53
Female Pin Terminal	
00117	53
00130	53
Female Spade Terminal	
00114	55
00115	55
00121	55
00124	55
00156	55
00189	53
00209	55
00223	55
00321	55
Female Terminal	
00188	51
00255	51
00256	51
Front Air Duct	
502231	29
Front Bulkhead Assembly	
500091P	29
Front Panel	
500033W	25, 27
Front Panel Seal	
500034	25, 27
Fuse	
502592	13
502593	13
Fuse Carrier	
502811	13
Fuse Holder Bracket	
502589	13
Fuse Holder Kit	
502591P	13
Fuse Notice Label	
61294	45, 47

G

Gas Clearance Label	
511004	25, 27, 49

Gas Valve Assembly	
502478P	39
58804P	37
60353P	37
Gas Valve Mounting Bracket	
510128	37, 39
Gas Valve Wire Harness Assembly	
502609	39
510530	37
Glass Door Liner and Seal Assembly	
500410	23
Graphic Overlay	
504117	7
504590	5, 9
Grounding Clip	
00161	5, 9, 53

H

Harness Replacement Kit	
510534P	9
510645P	56
510647P	56
510651P	56
510661P	9
510662P	56
Harness Strap	
55881	53
Heat Duct Shield	
60952	33, 35
Heat Duct Shroud	
510101	35
Heater Duct and Screw Assembly	
510025P	33, 35
Heater Kit Assembly	
61927	33
61928	33
61929	33
61930	33
61931	33
Housing, 10 Position	
500338	51

I

Idler Lever	
510133	43
Idler Lever and Wheel Assembly	
510158	43
Idler Spring	
510185	43
Idler Wheel and Bearing Assembly	
510142P	43
Igniter and Bracket Assembly	
510184P	37, 39
Igniter and Sensor Assembly	
502995P	39
Ignition Control Bracket	
502425	39
Indicator Light	
38280	9

N/A items do not appear in index.

Instructions for Use Label 500498	25
Insulated Female Spade Terminal 00359	55
00360	53
Insulated Female Terminal 00165	55
Insulator 70210	55

L

Lead-In Pipe Assembly 510204	37, 39
Leveling Leg 510135	45, 47
Light 32464	5, 9
Limit Thermostat 510701	33
Liner and Seal Assembly 500199P	21
Lint Filter 502140P	29
Lock Cam 27261	5, 7, 9
Lock Kit 27260P	5, 7, 9
Lower Wire Harness Assembly 500953	56
502165	56
502726	56
L.P. Conversion Kit 458P3	37

M

Magnet 501453	7
Main and Redundant Coil 502423A	39
Male Pin Terminal 00116	53
00127	53
Male Tab Terminal 00139	55
Motor and Pulley Assembly 505843P	41
505869P	41
511629P	41
Motor Hub Ring Kit 590P3	41
Motor Mount 510060	43
Motor Mount Clamp 510180	41
Motor Pulley 500011	41
500222	41
Motor Switch 501218	41

N

Natural/L.P. Gas Label 500240	25, 27
Notice Label, 15 Amp 500495	49
Notice Label, 30 Amp 500493	49
Notice Label, 60 Amp 500494	49
Nut 23951	15
24205	5, 9
29796	15
52566	43
52947	5, 9
56156	31, 41, 43
58030	23
80077	11, 15, 27
N.G. Conversion Kit 459P3	37

O

Operating Instructions Label 500389	25
Outlet Cover 500820	33, 35
Overlay 502647	7
502655	7

P

Panel Kit 727P3W	45, 47
Panel Locator 56079	11, 15, 25, 27, 45, 47
Pawl Spring 53244	17, 19
Plug 23040	53
Plug, 2 Circuit 56266	53
56448	53
Plug, 6 Circuit 23041	15
Power Cord Assembly 502786	53
57397	53
58992	53
Pre-Insulated Spade Terminal 00215	55

R

Ratchet Wheel 53239	17, 19
Rear Bulkhead Assembly 511082P	31

N/A items do not appear in index.

Receptacle Housing	
90789	55
Receptacle, 2 Circuit	
56265	53
56451	53
Receptacle, 3 Circuit	
23039	53
Reed Switch	
34599	7, 17
Relay	
502501	13
Retaining Ring	
23748	31, 43
Ring Terminal	
00110	55
00111	55
Rubber Foot	
501855	47

S

Screw	
03203	9
03950	9
20267	15
20530	5, 9, 31, 41, 43
23222	33, 37, 39, 41
27328	5
31260	41
33562	9, 11, 13, 15, 25, 27, 35, 45, 47
36048	11, 15, 45
39733	11, 15, 25, 27, 45, 47
500226	21, 23, 29
500824	43
501086	41
501285	31
501524	7
502431	45
502535	39, 41
503661	29
503688	11, 13, 15, 25, 27, 29, 31, 33, 35, 37, 39, 41, 45, 47
505870	23, 25, 27
51782	35, 37
56124	37, 39
61199	31
62588	29
62853	25, 27
Secondary Coil	
58804B	37
59063B	37
Security Cabinet Front	
500225LP	11
500225WP	11
Security Cabinet Front Assembly	
511522LP	15
511522WP	15
511524L	7, 13
511524W	7, 13
Security Cabinet Harness Assembly	
501378P	56
Security Cabinet Wire Harness Assembly	
501785	56
501790	57
502728	57

510654P	56
Sensor	
510213	37, 39
Shaft	
56461P	31, 43
Snap Switch	
61468	19
Spade Terminal	
00245	55
Speed Clip	
28835	25
Spring	
53261	17, 19
Strain Relief	
502500	55
52113	9, 55
52151	5, 9
Strain Relief Adapter	
502496	53
Switch	
512973	7, 13, 25, 27
Switch Assembly	
55882	5, 9
Switch Knob	
39897	5, 9

T

Terminal Block	
502517	31
Terminal Block Assembly	
510190P	31
Terminal Extractor Tool	
283P4	51
Thermal Fuse Assembly	
511412	33
Thermistor	
M414704	41
Thermistor Assembly	
502366	41
510523	41
Thermostat	
500807	33
503552	41
61556	41
Thermostat and Plate Kit	
489P3	35
Thermostat Heater	
502498	41
61622	41
61623	41
Timer	
501626P	17
510524P	5
Timer Bracket	
503017	7
Timer Knob	
54678	5
Timer Motor	
512017P	17, 19
Timer Overlay	
500814	5

N/A items do not appear in index.

Timing Cam	
53240	17, 19
53241	17, 19
53242	17, 19
53243	17, 19
Top Hinge	
510136	45
Top Kit	
510032LP	45
510032WP	45
Torx Bit	
282P4	25, 27
Transformer	
M412477P	13
Transformer Kit	
511658P	13, 15

Wire, 18 Gauge	
45001	57
Wrapper and Channel Assembly	
505753L	13
505753WP	11, 13, 15

U

Upper Wire Harness Assembly	
500431	56
500866	56
500964	56
501789	56
502727	56
502735	56
61796	56

V

Valve Assembly	
60443P	37
Voltage Warning Label	
62104	49

W

Warning Label	
500049	29
500314	29
500316	49
Warning/Caution Label	
500281	25, 27
Washer	
02431	15
03815	15
25820	5, 9
29443	41
501307	11, 15, 45
51474	31
52549	31, 43
91176	5, 9
Wire Clip	
504034	53
51291	53
Wire Harness Assembly	
500392	56
500865P	56
501376P	56
Wire, 12 Gauge	
45380	57

N/A items do not appear in index.

