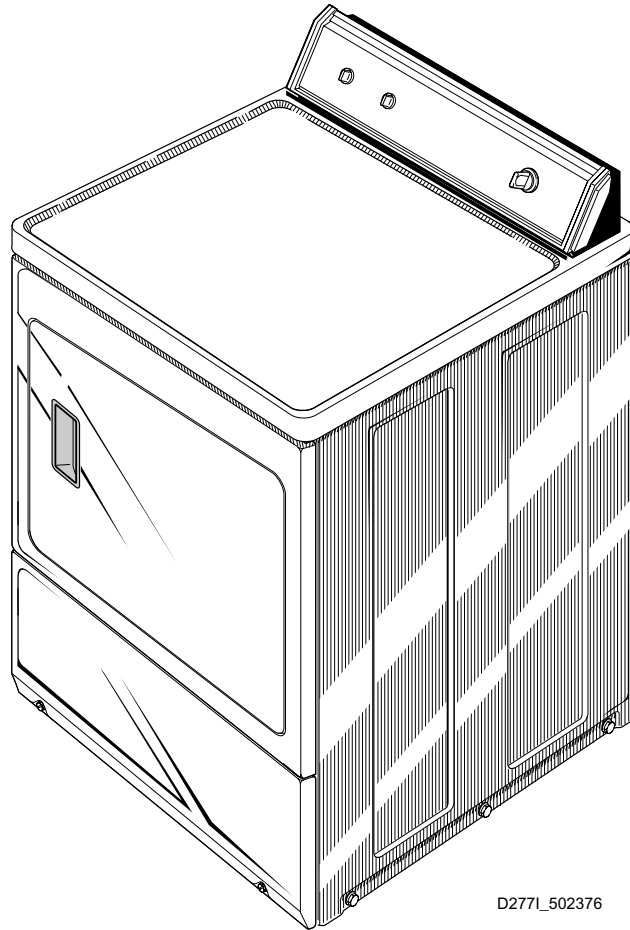


# Automatic Dryers

Refer to Page 3 for Model Numbers



D277L\_502376



# Table of Contents

| Title  | Page |
|--|------|
| Parts Ordering Information.....                                      | 2    |
| Nameplate Location .....   | 2    |
| Model Identification .....   | 3    |
| Graphic Panel, Control Hood and Controls - 1 Cycle Timer .....       | 4    |
| Graphic Panel, Control Hood and Controls - 1 and 2 Cycle Timers..... | 6    |
| Graphic Panel, Control Hood and Controls - 3 Cycle Timer .....       | 8    |
| Graphic Panel, Control Hood and Controls - 5 Cycle Timer .....       | 10   |
| Top Panel and Hood Back Panel.....                                   | 12   |
| Loading Door .....   | 14   |
| Lower Access Panel, Front Panel and Seal.....                        | 16   |
| Motor, Exhaust Fan and Belt .....                                    | 18   |
| Front Bulkhead, Air Duct, Felt Seal and Cylinder .....               | 20   |
| Rear Bulkhead, Felt Seal, Cylinder Roller and Terminal Block.....    | 22   |
| Heater Duct Assembly - Electric Models.....                          | 24   |
| Heater Duct Assembly - Gas Models .....                              | 26   |
| Gas Valve and Igniter .....  | 28   |
| Cabinet, Exhaust Duct and Base .....                                 | 30   |
| Lead-In Cord .....   | 32   |
| Terminals .....  | 34   |
| Terminals and Terminal Extractor Tools .....                         | 36   |
| Wire Harnesses and Wires .....                                       | 38   |
| Parts Index.....   | 39   |

© Copyright 2005, Alliance Laundry Systems LLC

All rights reserved. No part of the contents of this book may be reproduced or transmitted in any form or by any means without the expressed written consent of the publisher.

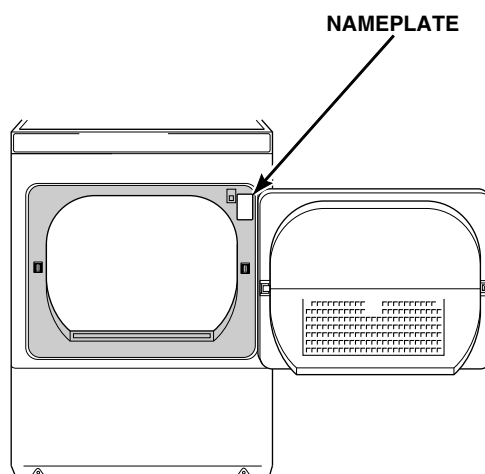
## Parts Ordering Information

If literature or replacement parts are required, contact the source from whom the machine was purchased or contact Alliance Laundry Systems at (920) 748-3950 for the name and address of the nearest authorized parts distributor.

For technical assistance, call (920) 748-3121.

## Nameplate Location

When calling or writing about your product, be sure to mention model and serial numbers. Model and serial numbers are located on nameplate(s) as shown.



D801P\_502376

## Model Identification

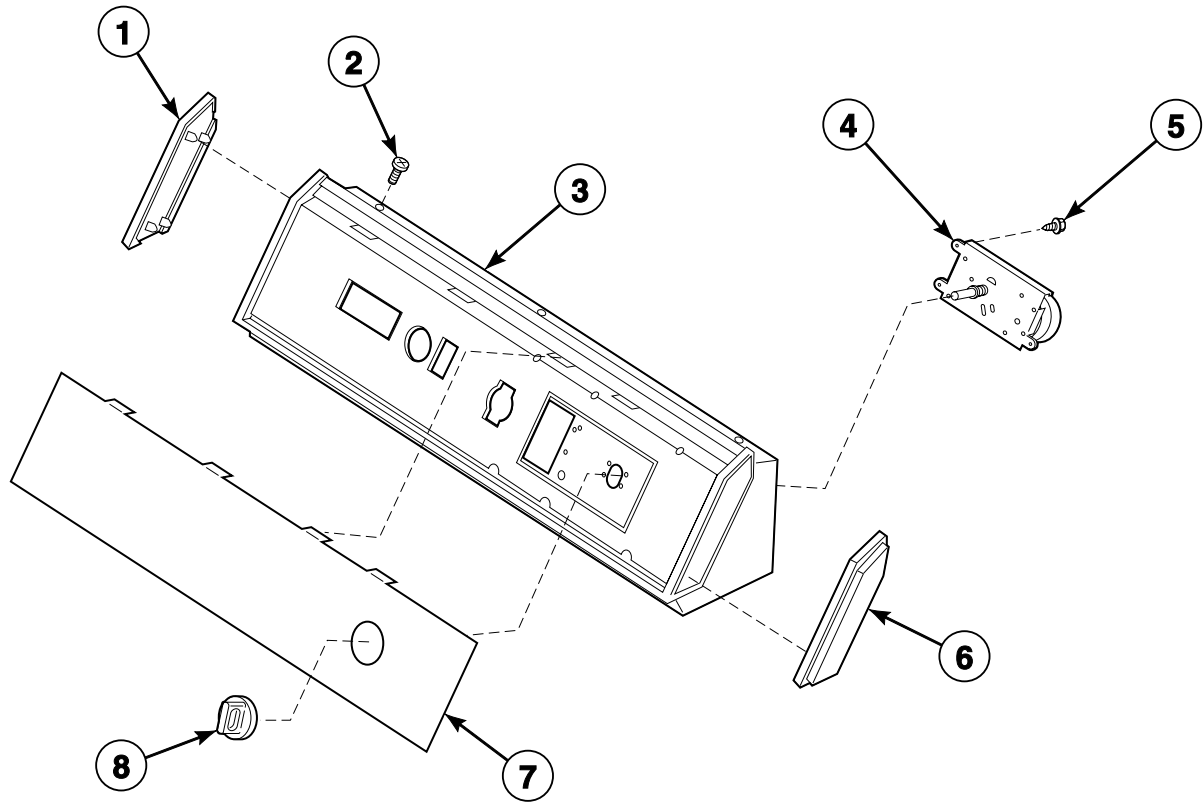
Information in this manual is applicable to these dryer models:

|        |              |
|--------|--------------|
| AEM197 | AGM199       |
| AEM377 | AGM379       |
| AEM397 | AGM399       |
| AEM407 | AGM409       |
| AEM427 | AGM429       |
| AEM477 | AGM479       |
| AEM497 | AGM499       |
| AEM697 | AGM499*299D4 |
|        | AGM699       |

\* Add Letter To Designate Color. L - Almond W - White

# Graphic Panel, Control Hood and Controls - 1 Cycle Timer

Models AEM197 and AGM199



D155P\_502376

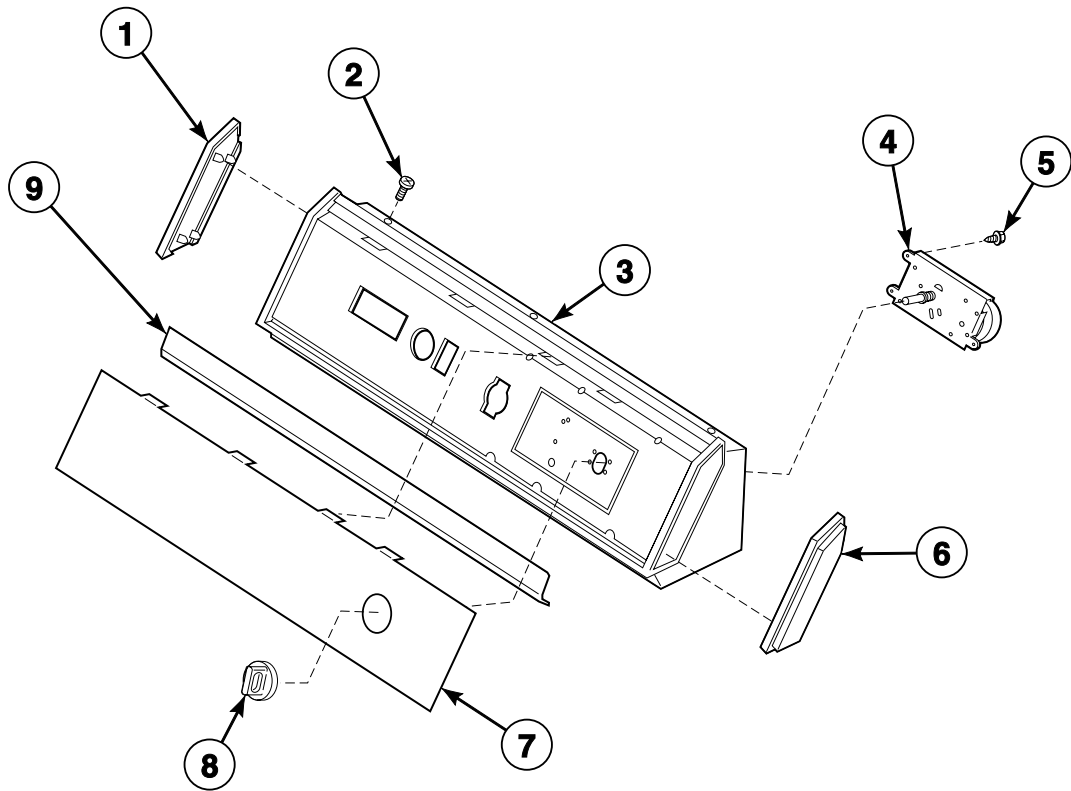
## Graphic Panel, Control Hood and Controls - 1 Cycle Timer

| REF | PART NO. | DESCRIPTION                      | COMMENTS     |
|-----|----------|----------------------------------|--------------|
| 1   | 34460    | End Cap                          | Left; Black  |
| 2   | 31752    | Screw                            |              |
| 3   | N/A      | Hood and Mounting Plate Assembly |              |
| 4   | 59420    | Timer                            | 1 cycle      |
| 5   | 501086   | Screw                            |              |
| 6   | 34459    | End Cap                          | Right; Black |
| 7   | N/A      | Graphic Panel                    |              |
| 8   | 62176    | Timer Knob Assembly              | Black        |

**N/A = Part no longer available**

# Graphic Panel, Control Hood and Controls - 1 and 2 Cycle Timers

Models AEM377, AEM397, AEM407, AEM427, AGM379, AGM399, AGM409 and AGM429



DRY1962P\_502376



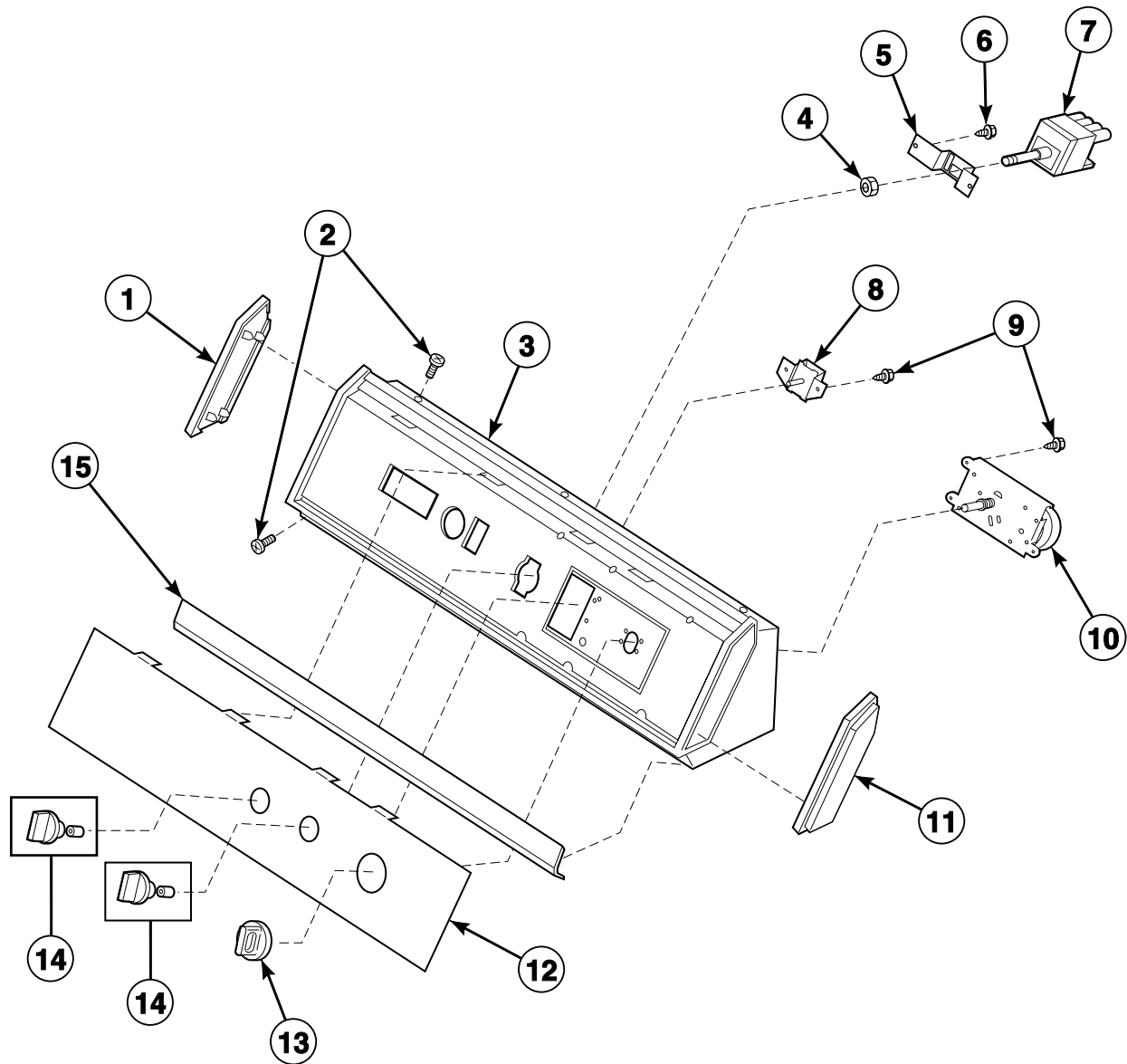
## Graphic Panel, Control Hood and Controls - 1 and 2 Cycle Timers

| REF | PART NO. | DESCRIPTION                      | COMMENTS  |
|-----|----------|----------------------------------|---|
| 1   | 31249    | End Cap                          | Left; Chrome  |
| 2   | 32993    | Screw                            | Models AEM377 and AGM379  |
|     | 31752    | Screw                            | Models AEM397, AEM407, AEM427, AGM399, AGM409 and AGM429        |
| 3   | N/A      | Hood and Mounting Plate Assembly |   |
| 4   | 59420    | Timer                            | 1 cycle; Models AEM377, AEM397, AGM379 and AGM399               |
|     | 501881   | Timer                            | 2 cycle; Models AEM407, AEM427, AGM409 and AGM429               |
| 5   | 501086   | Screw                            |   |
| 6   | 31248    | End Cap                          | Right; Chrome   |
| 7   | N/A      | Graphic Panel                    |   |
| 8   | 62176    | Timer Knob Assembly              | Black; Models AEM397, AEM407, AEM427, AGM399, AGM409 and AGM429 |
|     | 62234    | Timer Knob Assembly              | White; Models AEM377 and AGM379                                 |
| 9   | N/A      | Control Panel Trim               | Models AEM427 and AGM429  |

**N/A = Part no longer available**

# Graphic Panel, Control Hood and Controls - 3 Cycle Timer

Models AEM477, AEM497, AGM479, AGM499 and AGM499\*299D4



D157P\_502376

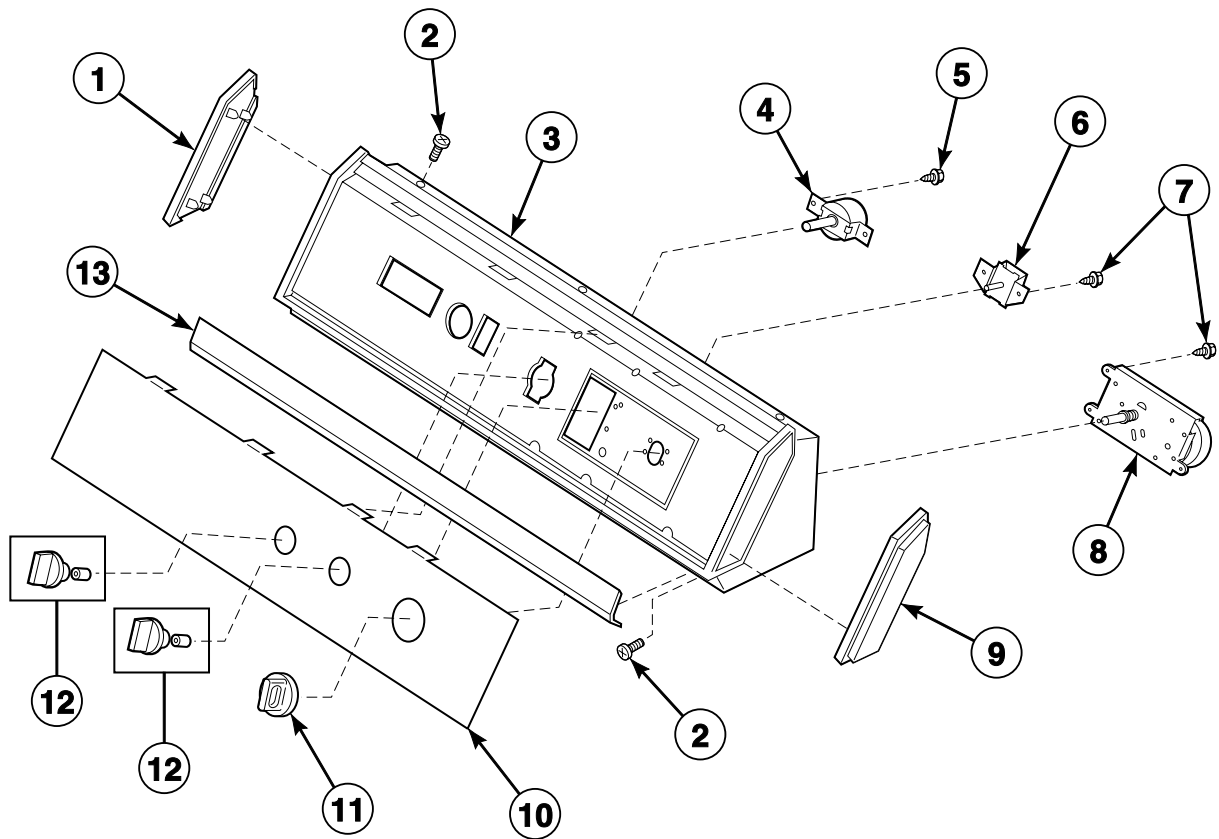
## Graphic Panel, Control Hood and Controls - 3 Cycle Timer

| REF | PART NO. | DESCRIPTION                      | COMMENTS                                      |
|-----|----------|----------------------------------|---|
| 1   | 31249    | End Cap                          | Left; Chrome                                  |
| 2   | 32993    | Screw                            | Models AEM477 and AGM479                      |
|     | 31752    | Screw                            | Models AEM497, AGM499 and AGM499*299D4        |
| 3   | N/A      | Hood and Mounting Plate Assembly |   |
| 4   | 57584    | Nut                              |   |
| 5   | N/A      | Switch Mount Bracket             |   |
| 6   | 31260    | Screw                            |   |
| 7   | 61511    | Fabric Selector Switch           |   |
| 8   | 500823   | Rotary Signal                    |   |
| 9   | 501086   | Screw                            |   |
| 10  | 502963   | Timer                            | 3 cycle                                       |
| 11  | 31248    | End Cap                          | Right; Chrome                                 |
| 12  | N/A      | Graphic Panel                    |   |
| 13  | 62176    | Timer Knob Assembly              | Black; Models AEM497, AGM499 and AGM499*299D4 |
|     | 62234    | Timer Knob Assembly              | White; Models AEM477 and AGM479               |
| 14  | N/A      | Knob Assembly                    | Black; Models AEM497, AGM499 and AGM499*299D4 |
|     | 33688    | Knob Assembly                    | White; Models AEM477 and AGM479               |
| 15  | N/A      | Trim Strip                       |   |

**N/A = Part no longer available**

# Graphic Panel, Control Hood and Controls - 5 Cycle Timer

Models AEM697 and AGM699



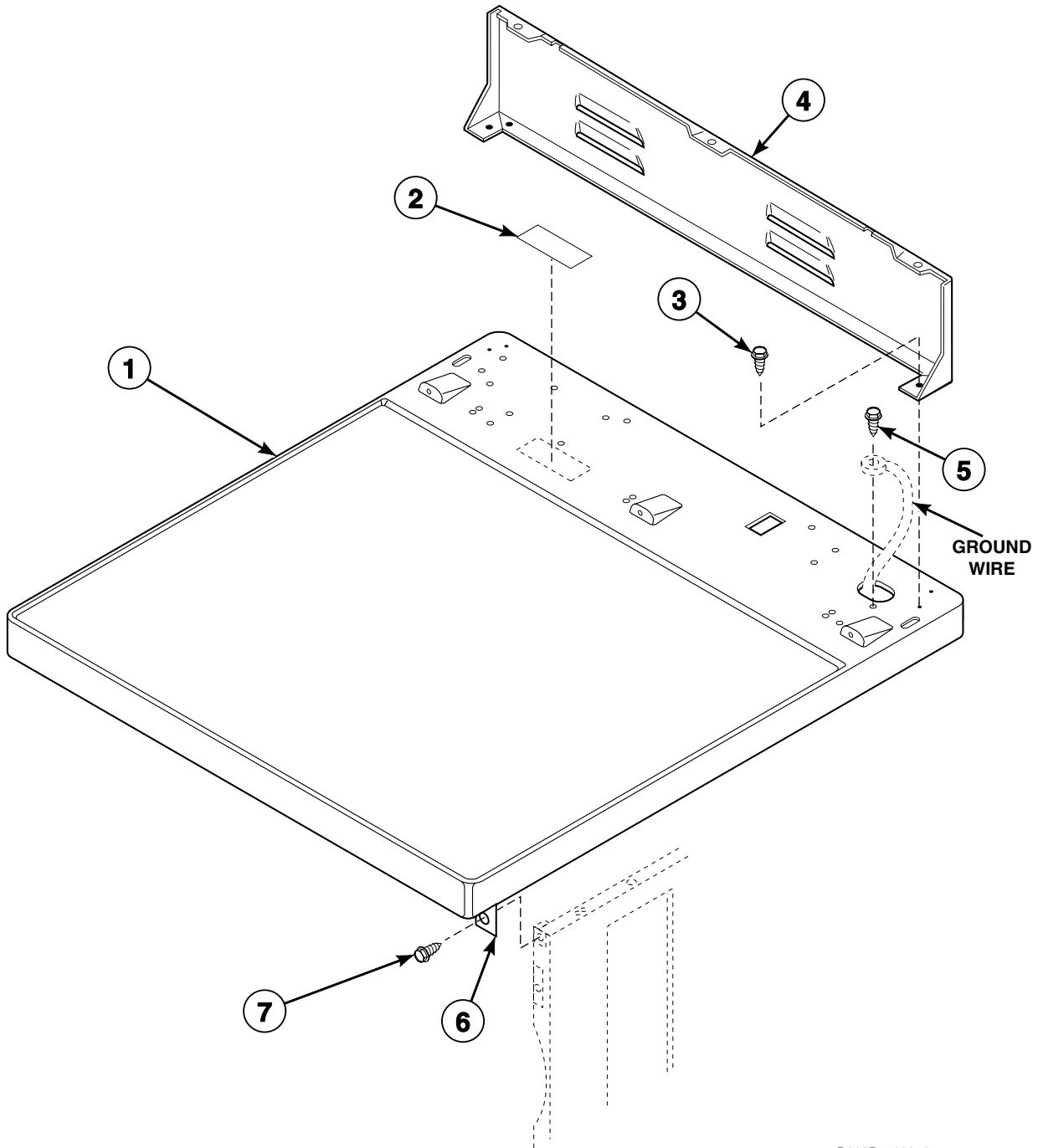
D158P\_502376

## Graphic Panel, Control Hood and Controls - 5 Cycle Timer

| REF | PART NO. | DESCRIPTION                      | COMMENTS      |
|-----|----------|----------------------------------|---------------|
| 1   | 31249    | End Cap                          | Left; Chrome  |
| 2   | 31752    | Screw                            |               |
| 3   | N/A      | Hood and Mounting Plate Assembly |               |
| 4   | N/A      | Selector Switch                  |               |
| 5   | 31260    | Screw                            |               |
| 6   | 500823   | Rotary Signal                    |               |
| 7   | 501086   | Screw                            |               |
| 8   | 502967   | Timer                            | 5 cycle       |
| 9   | 31248    | End Cap                          | Right; Chrome |
| 10  | N/A      | Graphic Panel                    |               |
| 11  | 62176    | Timer Knob Assembly              | Black         |
| 12  | N/A      | Knob Assembly                    | Black         |
| 13  | N/A      | Trim Strip                       |               |

**N/A = Part no longer available**

# Top Panel and Hood Back Panel

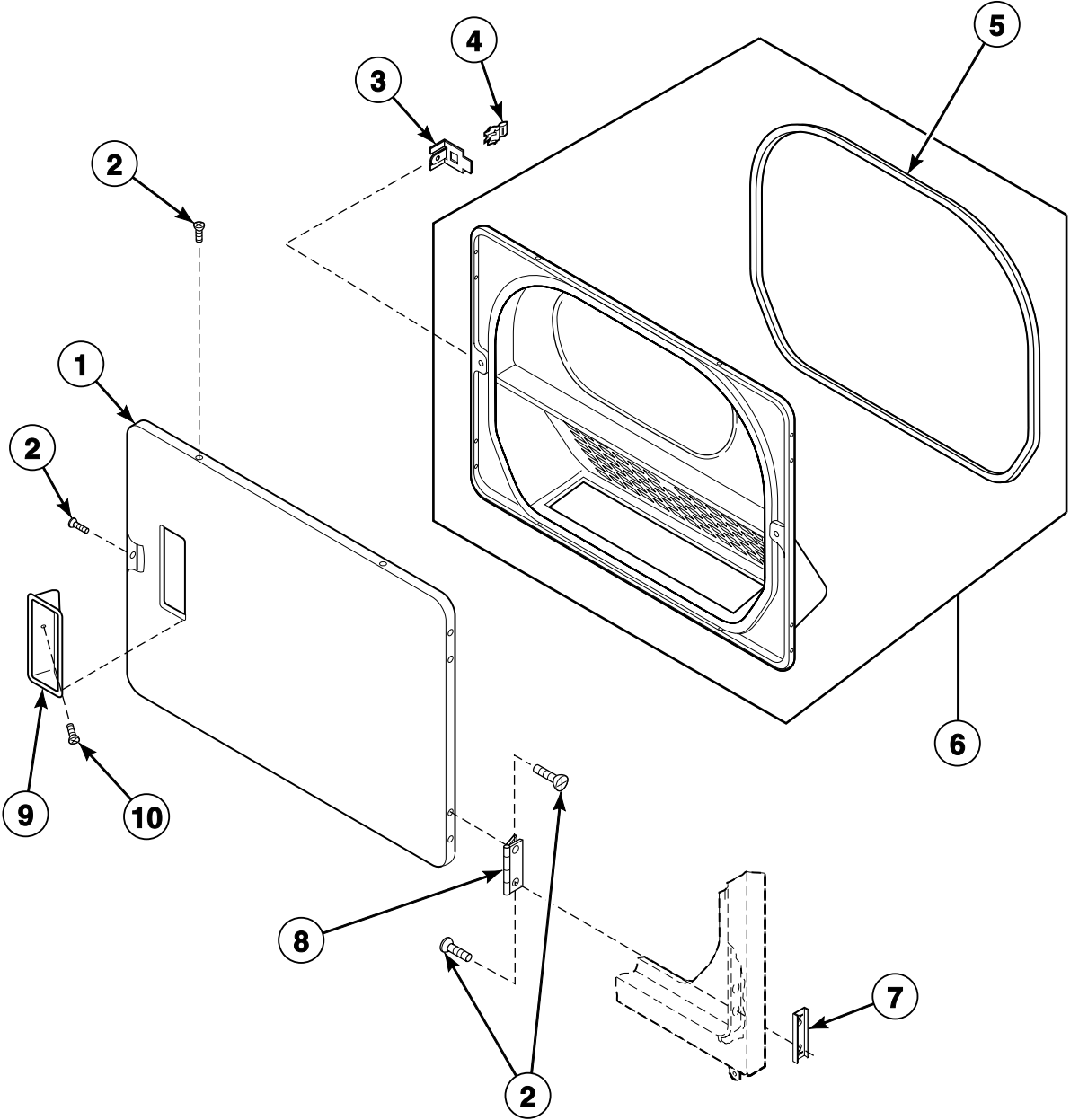


D162P\_502376

## Top Panel and Hood Back Panel

| REF | PART NO. | DESCRIPTION                    | COMMENTS                     |
|-----|----------|--------------------------------|------------------------------|
| 1   | 510029WP | Top Panel Kit                  | Includes 2 of item 6; White  |
|     | 510029LP | Top Panel Kit                  | Includes 2 of item 6; Almond |
| 2   | 505281   | Disconnect Power Warning Label |                              |
| 3   | 501086   | Screw                          |                              |
| 4   | 510099   | Hood Back Panel                |                              |
| 5   | 20530    | Screw                          |                              |
| 6   | 510146   | Bracket                        |                              |
| 7   | 33562    | Screw                          |                              |

# Loading Door



D146P\_502376

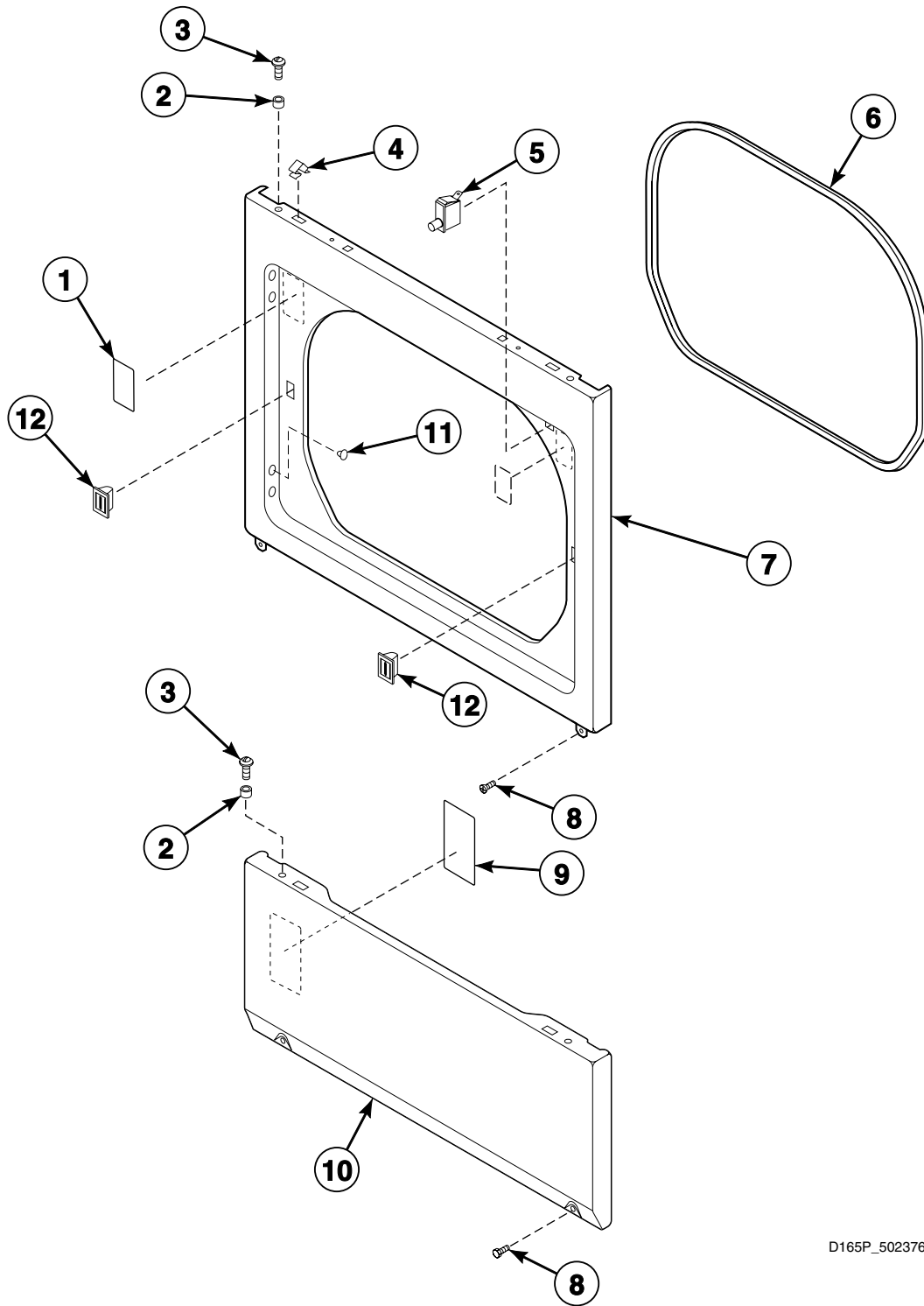


# Loading Door

| REF | PART NO. | DESCRIPTION              | COMMENTS |
|-----|----------|--------------------------|----------|
| 1   | 500040W  | Dryer Door               | White    |
|     | 500040L  | Dryer Door               | Almond   |
| 2   | 500226   | Screw                    |          |
| 3   | 510127   | Door Strike Mount        |          |
| 4   | 510181   | Door Strike              |          |
| 5   | 500200   | Door Seal                |          |
| 6   | 500199   | Liner and Seal Assembly  |          |
| 7   | 500236   | Door Hinge Mounting Clip |          |
| 8   | 510519   | Door Hinge               |          |
| 9   | 500042W  | Door Pull                |          |
| 10  | N/A      | Screw                    |          |

**N/A = Part no longer available**

# Lower Access Panel, Front Panel and Seal



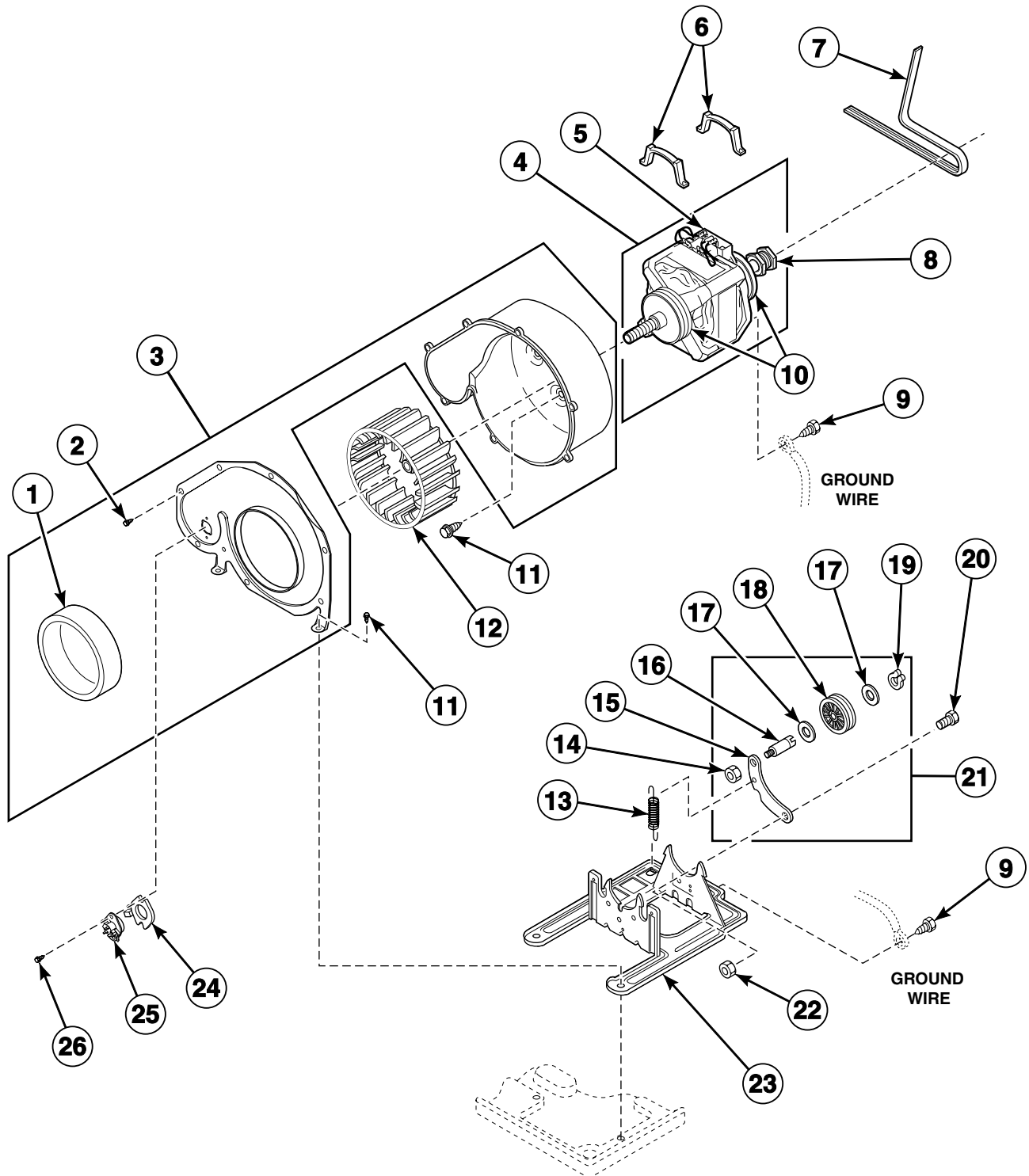
D165P\_502376

## Lower Access Panel, Front Panel and Seal

| REF | PART NO. | DESCRIPTION           | COMMENTS   |
|-----|----------|-----------------------|------------|
| 1   | 500281   | Warning/Caution Label |            |
| 2   | 56079    | Panel Locator         |            |
| 3   | 39733    | Screw                 |            |
| 4   | 28835    | Speed Clip            |            |
| 5   | 504570   | Switch                |            |
| 6   | 500034   | Front Panel Seal      |            |
| 7   | 500033W  | Front Panel           | White      |
|     | N/A      | Front Panel           | Almond     |
| 8   | 33562    | Screw                 |            |
| 9   | 511004   | Gas Clearance Label   | Gas models |
| 10  | 510069W  | Access Panel          | White      |
|     | 510069L  | Access Panel          | Almond     |
| 11  | 505870   | Screw                 |            |
| 12  | 510177   | Door Catch Assembly   |            |

**N/A = Part no longer available**

# Motor, Exhaust Fan and Belt

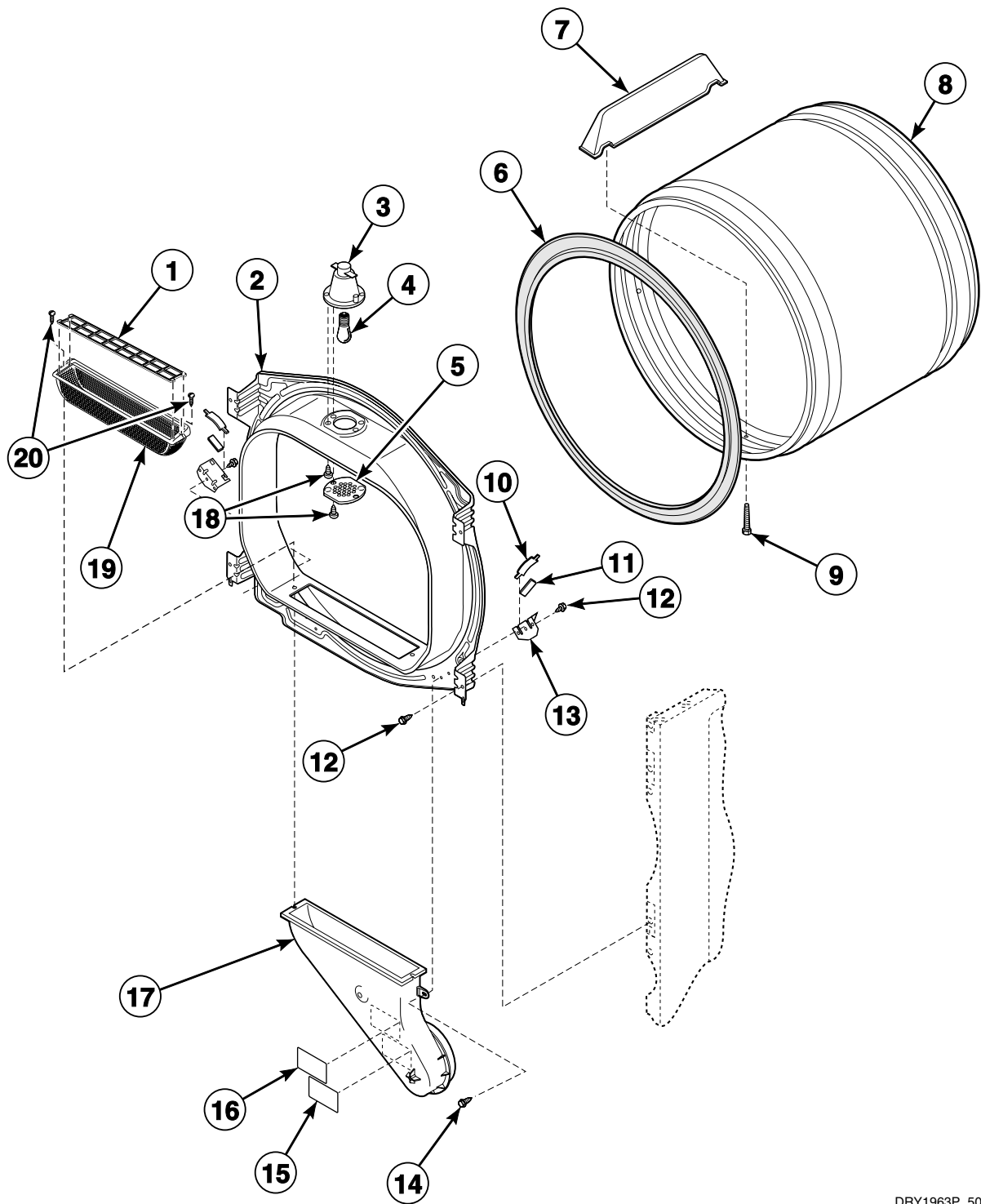


DRY1918P\_502376

## Motor, Exhaust Fan and Belt

| REF | PART NO. | DESCRIPTION                      | COMMENTS   |
|-----|----------|----------------------------------|--|
| 1   | 500313   | Blower Housing Seal              |  |
| 2   | 31260    | Screw                            |  |
| 3   | 511969P  | Blower Housing and Cover Kit     |  |
| 4   | 511629P  | Motor and Pulley Assembly        |  |
| 5   | 501218P  | Motor Switch Kit                 |  |
| 6   | 510180   | Motor Mount Clamp                |  |
| 7   | 511255   | Cylinder Belt                    |  |
| 8   | 512196   | Motor Pulley                     |  |
| 9   | 20530    | Screw                            |  |
| 10  | 590P3    | Motor Hub Ring Kit               |  |
| 11  | 503688   | Screw                            |  |
| 12  | 510139   | Blower Fan Assembly              |  |
| 13  | 510185   | Idler Spring                     |  |
| 14  | 56156    | Nut                              |  |
| 15  | 510133   | Idler Lever                      |  |
| 16  | 56461    | Shaft                            |  |
| 17  | 52549    | Washer                           |  |
| 18  | 510142   | Idler Wheel and Bearing Assembly |  |
| 19  | 23748    | Retaining Ring                   |  |
| 20  | 500824   | Screw                            |  |
| 21  | 510158   | Idler Lever and Wheel Assembly   |  |
| 22  | 52566    | Nut                              |  |
| 23  | 510060   | Motor Mount                      |  |
| 24  | 61401    | Thermostat Heater                | Use with 61372 Thermostat  |
| 25  | 56410    | Thermostat                       | Models AEM197, AEM377, AEM397, AEM407, AGM199, AGM399 and AGM409 |
|     | 61372    | Thermostat                       | All other models   |
| 26  | 23222    | Screw                            | Use with 56410 Thermostat  |
|     | 501086   | Screw                            | Use with 61372 Thermostat  |

# Front Bulkhead, Air Duct, Felt Seal and Cylinder



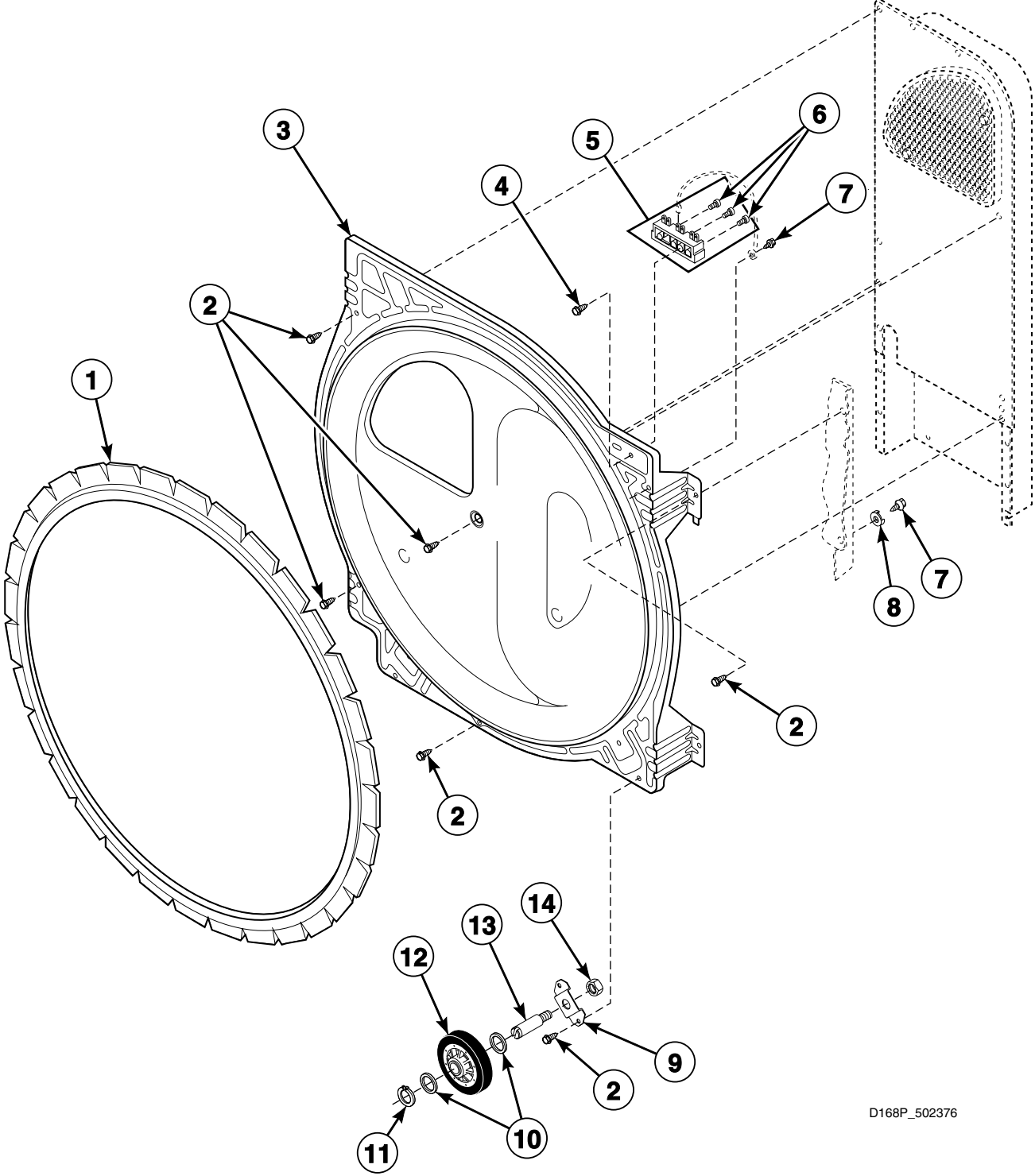
DRY1963P\_502376

## Front Bulkhead, Air Duct, Felt Seal and Cylinder

| REF | PART NO. | DESCRIPTION             | COMMENTS   |
|-----|----------|-------------------------|--|
|     | 511637   | Adhesive                | For cylinder seal                                |
| 1   | 502092   | Lint Filter Cover       |  |
| 2   | 500091P  | Front Bulkhead Assembly | Includes items 6 and 10-13; Unpainted            |
|     | 500016W  | Front Bulkhead Assembly | Includes items 6 and 10-13; White; With light    |
|     | 500117W  | Front Bulkhead Assembly | Includes items 6 and 10-13; White; Without light |
| 3   | N/A      | Cylinder Light Assembly | Models AEM697 and AGM699                         |
| 4   | 60954    | Drum Light Lamp         | Models AEM697 and AGM699                         |
| 5   | N/A      | Drum Light Lens         | Models AEM697 and AGM699                         |
| 6   | 510207P  | Cylinder Seal Assembly  |  |
| 7   | 510102   | Cylinder Baffle         |  |
| 8   | 500735P  | Cylinder Assembly       |  |
| 9   | 62588    | Screw                   |  |
| 10  | 510187   | Cylinder Glide          | 1 required per side                              |
| 11  | 500121   | Felt Pad                |  |
| 12  | 503688   | Screw                   |  |
| 13  | 510145   | Cylinder Glide Bracket  |  |
| 14  | 503661   | Screw                   |  |
| 15  | N/A      | Notice Seal Sticker     |  |
| 16  | 500049   | Warning Label           |  |
| 17  | N/A      | Front Air Duct          |  |
| 18  | 500227   | Screw                   | Models AEM697 and AGM699                         |
| 19  | 502140P  | Lint Filter             |  |
| 20  | 500226   | Screw                   |  |

**N/A = Part no longer available**

# Rear Bulkhead, Felt Seal, Cylinder Roller and Terminal Block



D168P\_502376

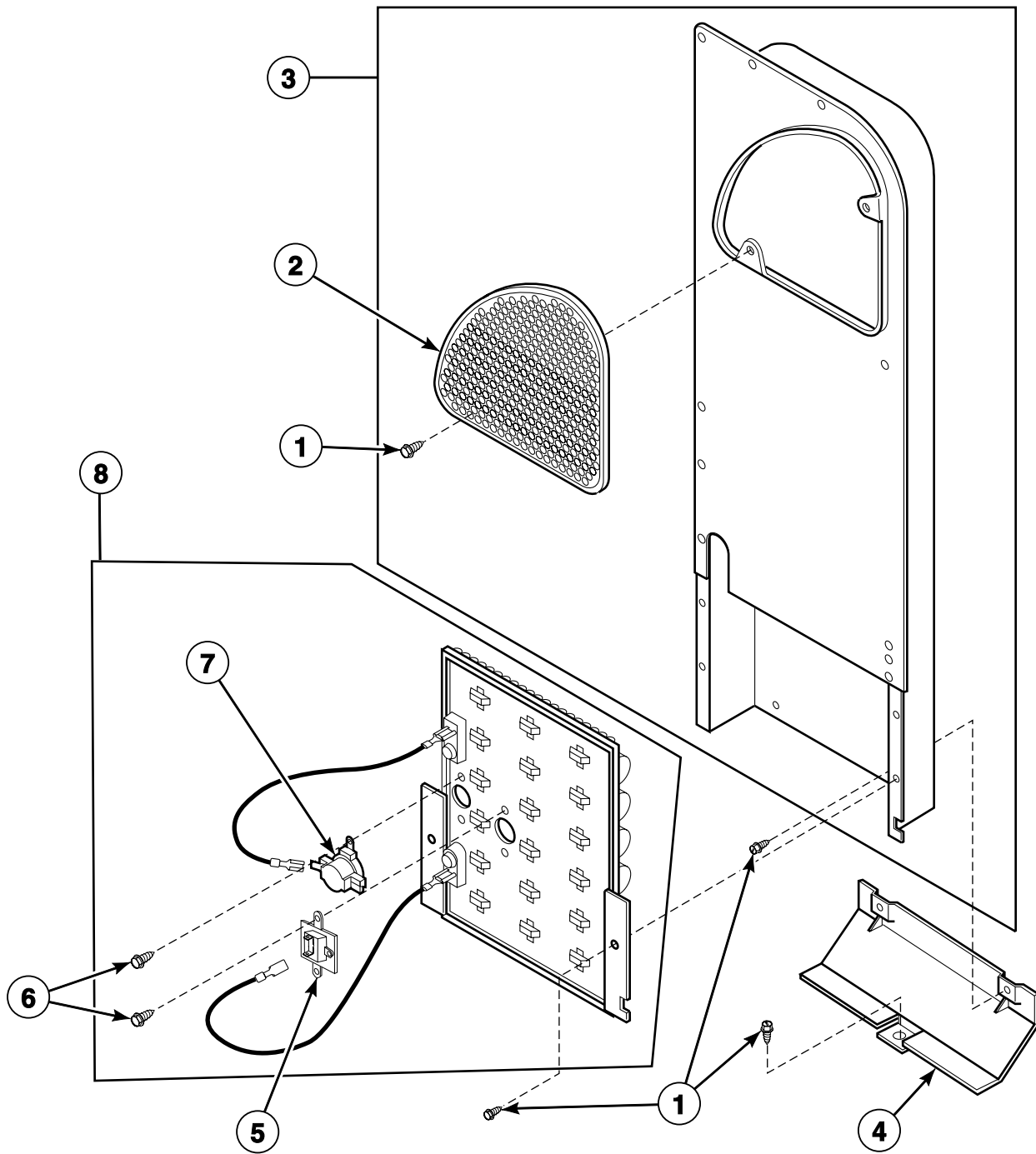


## Rear Bulkhead, Felt Seal, Cylinder Roller and Terminal Block

| REF       | PART NO. | DESCRIPTION             | COMMENTS  |
|-----------|----------|-------------------------|---|
|           | 511637   | Adhesive                | For cylinder seal                                       |
| <b>1</b>  | 510207P  | Cylinder Seal Assembly  |   |
| <b>2</b>  | 503688   | Screw                   |   |
| <b>3</b>  | 511082   | Rear Bulkhead Assembly  | Includes item 1; Models AEM197, AGM199 and AGM499*299D4 |
|           | 510905W  | Rear Bulkhead Assembly  | Includes item 1; All other models                       |
| <b>4</b>  | 501285   | Screw                   |   |
| <b>5</b>  | 510190P  | Terminal Block Assembly | Includes 3 of item 6; Electric models                   |
| <b>6</b>  | 61199    | Screw                   |   |
| <b>7</b>  | 20530    | Screw                   |   |
| <b>8</b>  | 51474    | Washer                  |   |
| <b>9</b>  | 510100   | Cylinder Roller Bracket |   |
| <b>10</b> | 52549    | Washer                  |   |
| <b>11</b> | 23748    | Retaining Ring          |   |
| <b>12</b> | 510708P  | Cylinder Roller         |   |
| <b>13</b> | 56461    | Shaft                   |   |
| <b>14</b> | 56156    | Nut                     |   |

\* Add Letter To Designate Color. L - Almond W - White

# Heater Duct Assembly - Electric Models

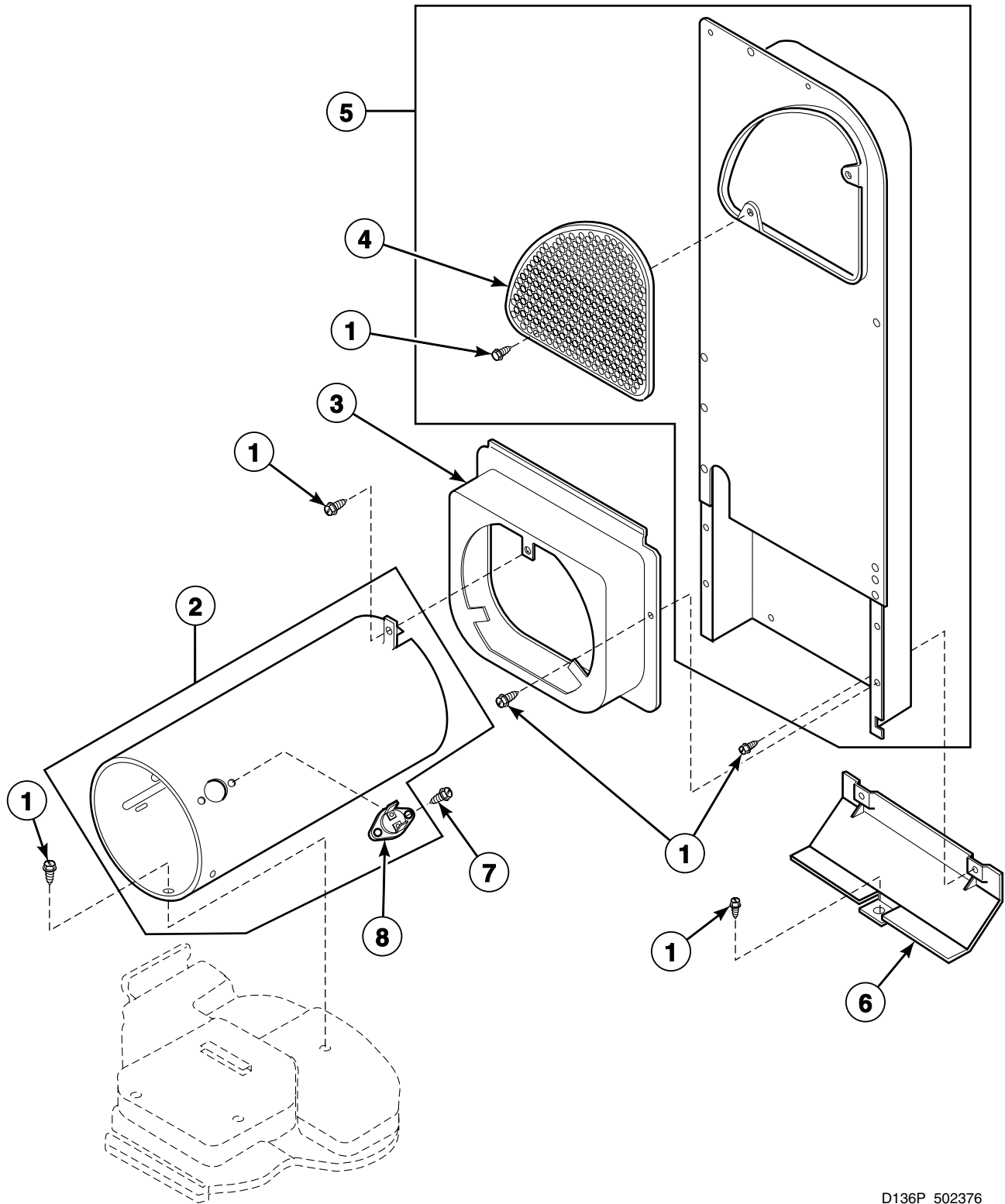


D135P\_502376

## Heater Duct Assembly - Electric Models

| REF | PART NO. | DESCRIPTION                    | COMMENTS                   |
|-----|----------|--------------------------------|----------------------------|
| 1   | 503688   | Screw                          |                            |
| 2   | 500820   | Outlet Cover                   |                            |
| 3   | 510025P  | Heater Duct and Screw Assembly | Includes items 1 and 2     |
| 4   | 60952    | Heat Duct Shield               |                            |
| 5   | 511412   | Thermal Fuse Assembly          |                            |
| 6   | 23222    | Screw                          |                            |
| 7   | 510701   | Limit Thermostat               |                            |
| 8   | 61928    | Heater Kit Assembly            | 208 Volt; 4750 Watt; White |
|     | 61927    | Heater Kit Assembly            | 240 Volt; 5000 Watt; Red   |

# Heater Duct Assembly - Gas Models



D136P\_502376

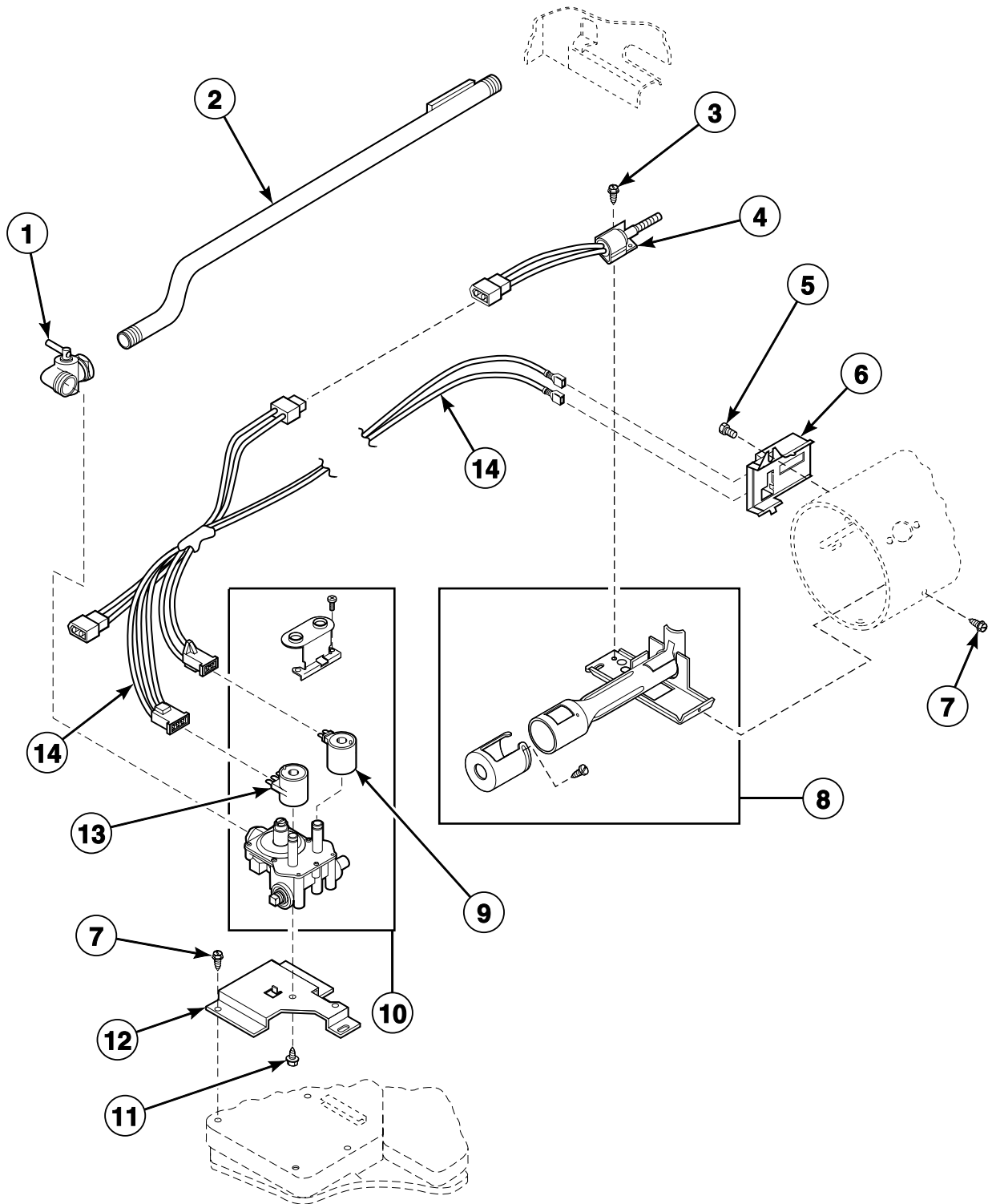
## Heater Duct Assembly - Gas Models

| REF | PART NO. | DESCRIPTION                    | COMMENTS        |
|-----|----------|--------------------------------|-----------------|
| 1   | 503688   | Screw                          |                 |
| 2   | N/A      | Combustion Duct Assembly       | Includes item 8 |
| 3   | 510101   | Heat Duct Shroud               |                 |
| 4   | 500820   | Outlet Cover                   |                 |
| 5   | 510025P  | Heater Duct and Screw Assembly |                 |
| 6   | 60952    | Heat Duct Shield               |                 |
| 7   | 51782    | Screw                          |                 |
| 8   | 510702   | Limit Thermostat               | Auto reset      |

**N/A = Part no longer available**

# Gas Valve and Igniter

Gas Models

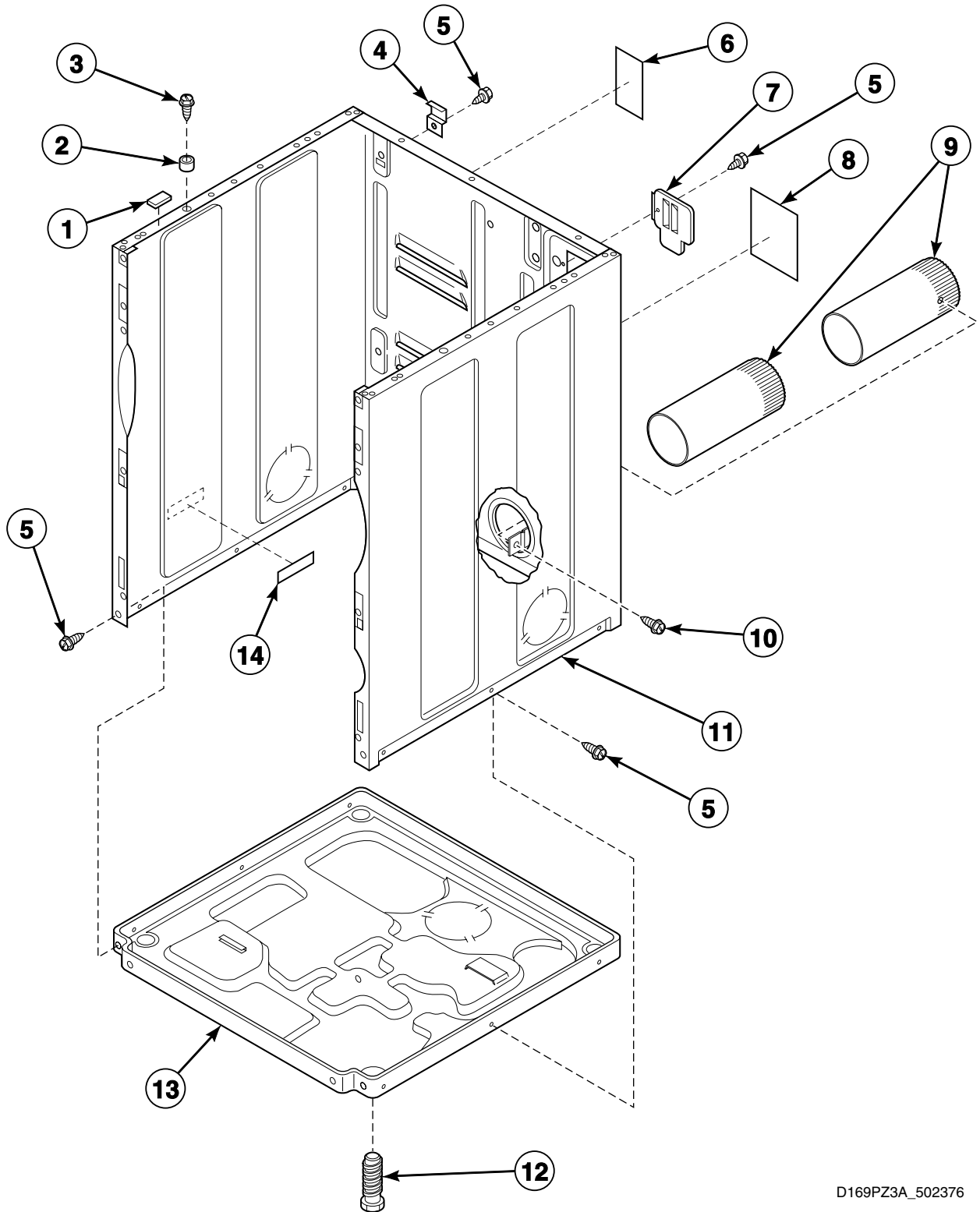


D137P\_502376

## Gas Valve and Igniter

| REF       | PART NO. | DESCRIPTION                     | COMMENTS   |
|-----------|----------|---------------------------------|--|
|           | 401P3    | L.P. Conversion Kit             | Used to convert dryers from Natural Gas (N.G.) or Mixed Gas to Liquid Petroleum Gas (L.P.) |
|           | 402P3    | N.G. Conversion Kit             | Used to convert dryers from L.P. to N.G. or Mixed Gas                                      |
| <b>1</b>  | 510205   | Elbow Shut-Off Valve            |  |
| <b>2</b>  | 510204   | Lead-In Pipe Assembly           |  |
| <b>3</b>  | 51782    | Screw                           |  |
| <b>4</b>  | 510184P  | Igniter and Bracket Assembly    |  |
| <b>5</b>  | 23222    | Screw                           |  |
| <b>6</b>  | 510213   | Sensor                          |  |
| <b>7</b>  | 503688   | Screw                           |  |
| <b>8</b>  | 510149   | Burner Assembly                 |  |
| <b>9</b>  | 58804B   | Secondary Coil                  |  |
| <b>10</b> | 58804    | Gas Valve Assembly              | N.G. or Mixed Gas  |
| <b>11</b> | 56124    | Screw                           |  |
| <b>12</b> | 510128   | Gas Valve Mounting Bracket      |  |
| <b>13</b> | 58804A   | Booster and Holding Coil        |  |
| <b>14</b> | 510530   | Gas Valve Wire Harness Assembly |  |

# Cabinet, Exhaust Duct and Base



D169PZ3A\_502376

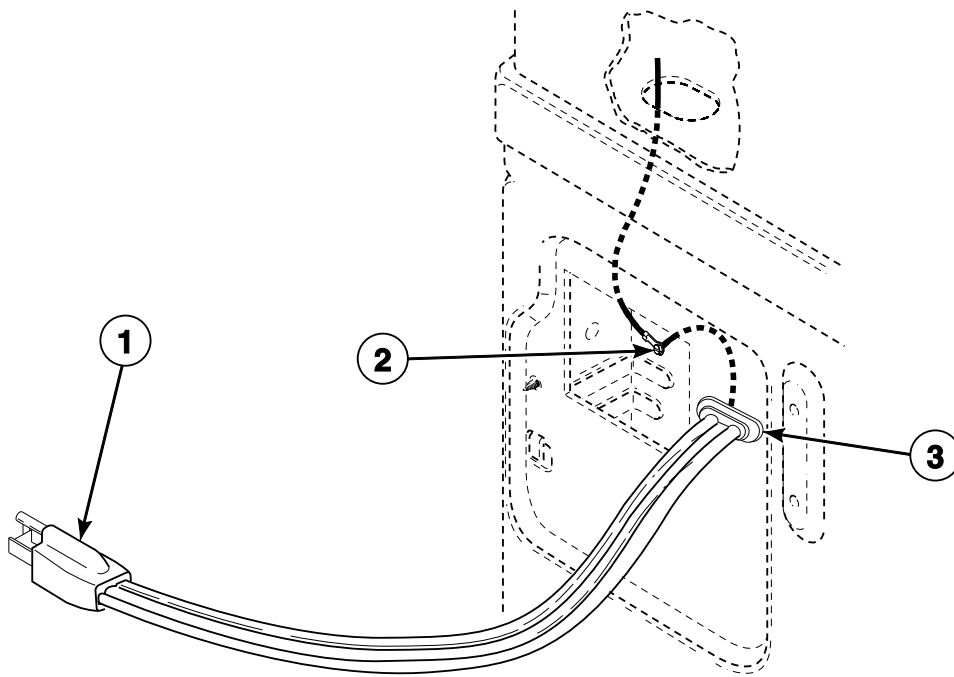


## Cabinet, Exhaust Duct and Base

| REF | PART NO. | DESCRIPTION              | COMMENTS                              |
|-----|----------|--------------------------|---------------------------------------|
|     | 528P3    | Directional Exhaust Kit  | To vent dryer out the sides or bottom |
| 1   | 56128    | Bumper Pad               |                                       |
| 2   | 56079    | Panel Locator            |                                       |
| 3   | 39733    | Screw                    |                                       |
| 4   | 510136   | Top Hinge                |                                       |
| 5   | 33562    | Screw                    |                                       |
| 6   | 511004   | Gas Clearance Label      | Gas models                            |
| 7   | 510903   | Access Panel Plate       |                                       |
| 8   | 511005   | Electric Clearance Label | Electric models                       |
| 9   | 510137   | Exhaust Duct             |                                       |
| 10  | 503688   | Screw                    |                                       |
| 11  | 727P3W   | Panel Kit                | White                                 |
|     | 727P3L   | Panel Kit                | Almond                                |
| 12  | 510135   | Leveling Leg             |                                       |
| 13  | 510084   | Dryer Base               |                                       |
| 14  | 61294    | Fuse Notice Label        | Electric models                       |

# Lead-In Cord

Gas Models

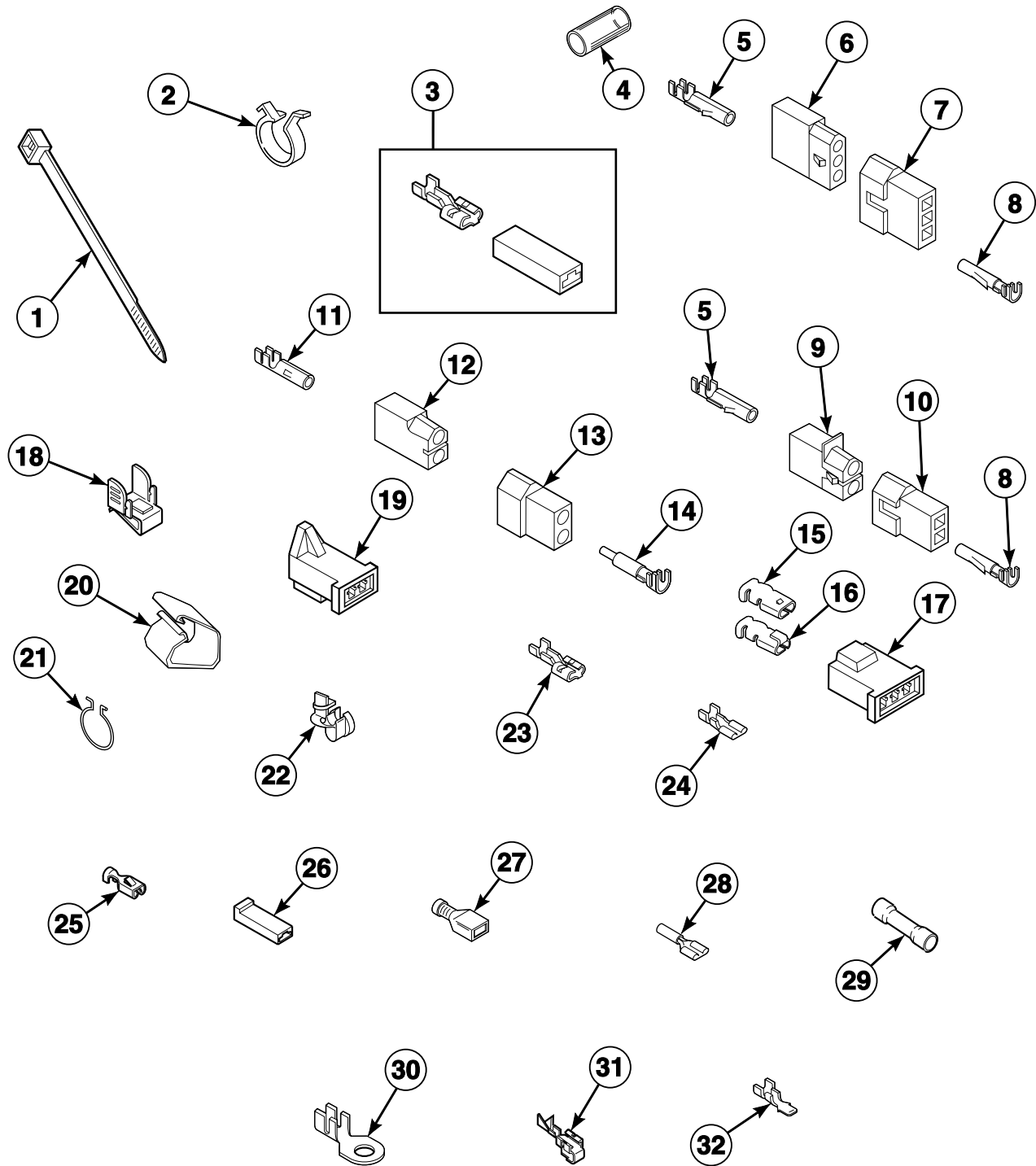


D099GZ3C\_502376

## Lead-In Cord

| REF | PART NO. | DESCRIPTION   | COMMENTS                                |
|-----|----------|---------------|---|
| 1   | 56222    | Lead-In Cord  |   |
| 2   | 20530    | Screw         | Use with painted and unpainted bulkhead |
|     | 503688   | Screw         | Use with stainless steel bulkhead       |
| 3   | 38384    | Strain Relief |   |

# Terminals



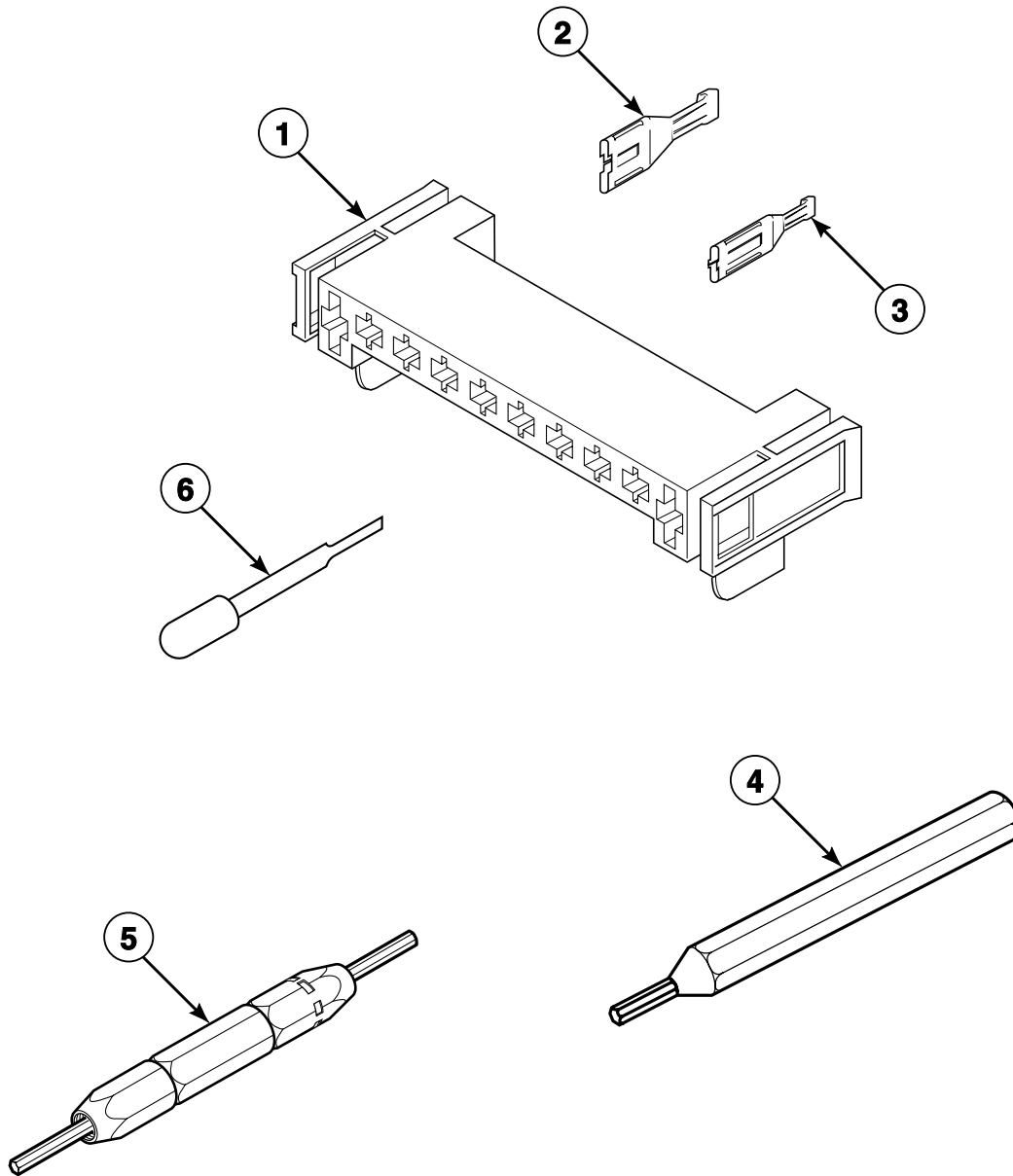
DRY1919P\_502376

# Terminals

| REF | PART NO. | DESCRIPTION                  | COMMENTS  |
|-----|----------|------------------------------|---|
| 1   | 55881    | Harness Strap                |   |
| 2   | 504034   | Wire Clip                    |   |
| 3   | 00360    | Ultra Pod Terminal           | (1) 12 gauge wire or (2) 18 gauge wires           |
| 4   | 503670   | Insulator Sleeve             |   |
| 5   | 00117    | Female Pin Terminal          |   |
| 6   | 23039    | 3 Circuit Receptacle         |   |
| 7   | 23040    | Plug                         |   |
| 8   | 00116    | Male Pin Terminal            |   |
| 9   | 56451    | 2 Circuit Receptacle         |   |
| 10  | 56448    | 2 Circuit Plug               |   |
| 11  | 00130    | Female Pin Terminal          |   |
| 12  | 56265    | 2 Circuit Receptacle         |   |
| 13  | 56266    | 2 Circuit Plug               |   |
| 14  | 00127    | Male Pin Terminal            |   |
| 15  | 00189    | Female Spade Terminal        |   |
| 16  | 00361    | Female Piggyback Terminal    |   |
| 17  | 58800    | 3 Circuit Connector          |   |
| 18  | 00161    | Grounding Clip               |   |
| 19  | 58799    | 2 Circuit Connector          |   |
| 20  | N/A      | Harness Holder Clip          |   |
| 21  | 51291    | Wire Clip                    |   |
| 22  | 38384    | Strain Relief                |   |
| 23  | 00245    | Spade Terminal               | 1/4 inch; (1) 22 gauge wire                       |
|     | 00223    | Female Spade Terminal        | 1/4 inch; (1) 18 gauge wire                       |
|     | 00121    | Female Spade Terminal        | 1/4 inch; (2) 18 gauge wires or (1) 12 gauge wire |
| 24  | 00124    | Female Spade Terminal        | 3/16 inch; (1) 18 gauge wire; .020 tab            |
|     | 00209    | Female Spade Terminal        | 3/16 inch; (2) 18 gauge wires; .020 tab           |
|     | 00156    | Female Spade Terminal        | 3/16 inch; Thermostat wire; .032 tab              |
| 25  | 00115    | Female Spade Terminal        | (1) 18 gauge wire                                 |
|     | 00321    | Female Spade Terminal        | (2) 18 gauge wires or (1) 12 gauge wire           |
| 26  | 90789    | Receptacle Housing           |   |
| 27  | 00165    | Insulated Female Terminal    | 3/16 inch   |
|     | 00359    | Ultra Pod Terminal           | 1/4 inch  |
| 28  | 00215    | Pre-Insulated Spade Terminal | 12 gauge  |
| 29  | N/A      | Butt Splice Connector        |   |
| 30  | 00110    | Ring Terminal                | No. 10; (1) 18 gauge wire                         |
|     | 00111    | Ring Terminal                | No. 10; (2) 18 gauge wires or (1) 12 gauge wire   |
| 31  | 00114    | Female Spade Terminal        |   |
| 32  | 00139    | Male Tab Terminal            | 1/4 inch; (2) 18 gauge wires or (1) 12 gauge wire |

N/A = Part no longer available

# Terminals and Terminal Extractor Tools



D153PZ3B\_502376

## Terminals and Terminal Extractor Tools

| REF | PART NO. | DESCRIPTION             | COMMENTS                            |
|-----|----------|-------------------------|-------------------------------------|
| 1   | 500338   | 10 Position Housing     |                                     |
| 2   | 00255    | Female Terminal         | 1/4 inch; (1) 12 gauge wire         |
|     | 00256    | Female Terminal         | 1/4 inch; (1) or (2) 18 gauge wires |
| 3   | 00188    | Female Terminal         | For 1 or 2 wire application         |
| 4   | 128P4    | Extractor Tool          | For use on gas dryer terminals      |
| 5   | 190P4    | Extractor Tool          | For use on electric dryer terminals |
| 6   | 283P4    | Terminal Extractor Tool |                                     |

## Wire Harnesses and Wires

| PART NO. | DESCRIPTION           | COMMENTS   |
|----------|-----------------------|--|
| N/A      | Wire Harness Assembly | Models AEM697 and AGM699   |
| 500694   | Wire Harness Assembly | Models AEM477 and AEM497   |
| 500695   | Wire Harness Assembly | Models AGM479 and AGM499   |
| 500698   | Wire Harness Assembly | Models AEM197, AEM377 and AEM397                                       |
| 500699   | Wire Harness Assembly | Models AGM199, AGM379 and AGM399                                       |
| 501885   | Wire Harness Assembly | Models AEM407 and AEM427   |
| 501886   | Wire Harness Assembly | Models AGM409 and AGM429   |
| 45001    | 18 Gauge Wire         | Black; Order wire by foot; Order terminals and connectors as required  |
| 45380    | 12 Gauge Wire         | Orange; Order wire by foot; Order terminals and connectors as required |

**N/A = Part no longer available**

**NOTE: Individual wires are not available separately. Order complete harness, or order wire by the foot. When applying terminals to wires, it is recommended that the terminals be soldered to the wires.**



# Parts Index

## A

|                    |        |
|--------------------|--------|
| Access Panel       |        |
| 510069L .....      | 17     |
| 510069W .....      | 17     |
| Access Panel Plate |        |
| 510903 .....       | 31     |
| Adhesive           |        |
| 511637 .....       | 21, 23 |

## B

|                              |    |
|------------------------------|----|
| Blower Fan Assembly          |    |
| 510139 .....                 | 19 |
| Blower Housing and Cover Kit |    |
| 511969P .....                | 19 |
| Blower Housing Seal          |    |
| 500313 .....                 | 19 |
| Booster and Holding Coil     |    |
| 58804A .....                 | 29 |
| Bracket                      |    |
| 510146 .....                 | 13 |
| Bumper Pad                   |    |
| 56128 .....                  | 31 |
| Burner Assembly              |    |
| 510149 .....                 | 29 |

## C

|                         |        |
|-------------------------|--------|
| Connector, 2 Circuit    |        |
| 58799 .....             | 35     |
| Connector, 3 Circuit    |        |
| 58800 .....             | 35     |
| Cylinder Assembly       |        |
| 500735P .....           | 21     |
| Cylinder Baffle         |        |
| 510102 .....            | 21     |
| Cylinder Belt           |        |
| 511255 .....            | 19     |
| Cylinder Glide          |        |
| 510187 .....            | 21     |
| Cylinder Glide Bracket  |        |
| 510145 .....            | 21     |
| Cylinder Roller         |        |
| 510708P .....           | 23     |
| Cylinder Roller Bracket |        |
| 510100 .....            | 23     |
| Cylinder Seal Assembly  |        |
| 510207P .....           | 21, 23 |

## D

|                                |    |
|--------------------------------|----|
| Directional Exhaust Kit        |    |
| 528P3 .....                    | 31 |
| Disconnect Power Warning Label |    |
| 505281 .....                   | 13 |

|                          |    |
|--------------------------|----|
| Door Catch Assembly      |    |
| 510177 .....             | 17 |
| Door Hinge               |    |
| 510519 .....             | 15 |
| Door Hinge Mounting Clip |    |
| 500236 .....             | 15 |
| Door Pull                |    |
| 500042W .....            | 15 |
| Door Seal                |    |
| 500200 .....             | 15 |
| Door Strike              |    |
| 510181 .....             | 15 |
| Door Strike Mount        |    |
| 510127 .....             | 15 |
| Drum Light Lamp          |    |
| 60954 .....              | 21 |
| Dryer Base               |    |
| 510084 .....             | 31 |
| Dryer Door               |    |
| 500040L .....            | 15 |
| 500040W .....            | 15 |

## E

|                          |          |
|--------------------------|----------|
| Elbow Shut-Off Valve     |          |
| 510205 .....             | 29       |
| Electric Clearance Label |          |
| 511005 .....             | 31       |
| End Cap                  |          |
| 31248 .....              | 7, 9, 11 |
| 31249 .....              | 7, 9, 11 |
| 34459 .....              | 5        |
| 34460 .....              | 5        |
| Exhaust Duct             |          |
| 510137 .....             | 31       |
| Extractor Tool           |          |
| 128P4 .....              | 37       |
| 190P4 .....              | 37       |

## F

|                           |    |
|---------------------------|----|
| Fabric Selector Switch    |    |
| 61511 .....               | 9  |
| Felt Pad                  |    |
| 500121 .....              | 21 |
| Female Piggyback Terminal |    |
| 00361 .....               | 35 |
| Female Pin Terminal       |    |
| 00117 .....               | 35 |
| 00130 .....               | 35 |
| Female Spade Terminal     |    |
| 00114 .....               | 35 |
| 00115 .....               | 35 |
| 00121 .....               | 35 |
| 00124 .....               | 35 |
| 00156 .....               | 35 |
| 00189 .....               | 35 |
| 00209 .....               | 35 |
| 00223 .....               | 35 |

N/A items do not appear in index.

|                         |    |
|-------------------------|----|
| 00321 .....             | 35 |
| Female Terminal         |    |
| 00188 .....             | 37 |
| 00255 .....             | 37 |
| 00256 .....             | 37 |
| Front Bulkhead Assembly |    |
| 500016W .....           | 21 |
| 500091P .....           | 21 |
| 500117W .....           | 21 |
| Front Panel             |    |
| 500033W .....           | 17 |
| Front Panel Seal        |    |
| 500034 .....            | 17 |
| Fuse Notice Label       |    |
| 61294 .....             | 31 |

## G

|                                 |        |
|---------------------------------|--------|
| Gas Clearance Label             |        |
| 511004 .....                    | 17, 31 |
| Gas Valve Assembly              |        |
| 58804 .....                     | 29     |
| Gas Valve Mounting Bracket      |        |
| 510128 .....                    | 29     |
| Gas Valve Wire Harness Assembly |        |
| 510530 .....                    | 29     |
| Grounding Clip                  |        |
| 00161 .....                     | 35     |

## H

|                                |        |
|--------------------------------|--------|
| Harness Strap                  |        |
| 55881 .....                    | 35     |
| Heat Duct Shield               |        |
| 60952 .....                    | 25, 27 |
| Heat Duct Shroud               |        |
| 510101 .....                   | 27     |
| Heater Duct and Screw Assembly |        |
| 510025P .....                  | 25, 27 |
| Heater Kit Assembly            |        |
| 61927 .....                    | 25     |
| 61928 .....                    | 25     |
| Hood Back Panel                |        |
| 510099 .....                   | 13     |
| Housing, 10 Position           |        |
| 500338 .....                   | 37     |

## I

|                                  |    |
|----------------------------------|----|
| Idler Lever                      |    |
| 510133 .....                     | 19 |
| Idler Lever and Wheel Assembly   |    |
| 510158 .....                     | 19 |
| Idler Spring                     |    |
| 510185 .....                     | 19 |
| Idler Wheel and Bearing Assembly |    |
| 510142 .....                     | 19 |
| Igniter and Bracket Assembly     |    |
| 510184P .....                    | 29 |

|                           |    |
|---------------------------|----|
| Insulated Female Terminal |    |
| 00165 .....               | 35 |
| Insulator Sleeve          |    |
| 503670 .....              | 35 |

## K

|               |   |
|---------------|---|
| Knob Assembly |   |
| 33688 .....   | 9 |

## L

|                         |    |
|-------------------------|----|
| Lead-In Cord            |    |
| 56222 .....             | 33 |
| Lead-In Pipe Assembly   |    |
| 510204 .....            | 29 |
| Leveling Leg            |    |
| 510135 .....            | 31 |
| Limit Thermostat        |    |
| 510701 .....            | 25 |
| 510702 .....            | 27 |
| Liner and Seal Assembly |    |
| 500199 .....            | 15 |
| Lint Filter             |    |
| 502140P .....           | 21 |
| Lint Filter Cover       |    |
| 502092 .....            | 21 |
| L.P. Conversion Kit     |    |
| 401P3 .....             | 29 |

## M

|                           |    |
|---------------------------|----|
| Male Pin Terminal         |    |
| 00116 .....               | 35 |
| 00127 .....               | 35 |
| Male Tab Terminal         |    |
| 00139 .....               | 35 |
| Motor and Pulley Assembly |    |
| 511629P .....             | 19 |
| Motor Hub Ring Kit        |    |
| 590P3 .....               | 19 |
| Motor Mount               |    |
| 510060 .....              | 19 |
| Motor Mount Clamp         |    |
| 510180 .....              | 19 |
| Motor Pulley              |    |
| 512196 .....              | 19 |
| Motor Switch Kit          |    |
| 501218P .....             | 19 |

## N

|                     |        |
|---------------------|--------|
| Nut                 |        |
| 52566 .....         | 19     |
| 56156 .....         | 19, 23 |
| 57584 .....         | 9      |
| N.G. Conversion Kit |        |
| 402P3 .....         | 29     |

N/A items do not appear in index.

---

**O**

|              |        |
|--------------|--------|
| Outlet Cover |        |
| 500820 ..... | 25, 27 |

---

**P**

|                              |        |
|------------------------------|--------|
| Panel Kit                    |        |
| 727P3L .....                 | 31     |
| 727P3W .....                 | 31     |
| Panel Locator                |        |
| 56079 .....                  | 17, 31 |
| Plug                         |        |
| 23040 .....                  | 35     |
| Plug, 2 Circuit              |        |
| 56266 .....                  | 35     |
| 56448 .....                  | 35     |
| Pre-Insulated Spade Terminal |        |
| 00215 .....                  | 35     |

---

**R**

|                        |        |
|------------------------|--------|
| Rear Bulkhead Assembly |        |
| 510905W .....          | 23     |
| 511082 .....           | 23     |
| Receptacle Housing     |        |
| 90789 .....            | 35     |
| Receptacle, 2 Circuit  |        |
| 56265 .....            | 35     |
| 56451 .....            | 35     |
| Receptacle, 3 Circuit  |        |
| 23039 .....            | 35     |
| Retaining Ring         |        |
| 23748 .....            | 19, 23 |
| Ring Terminal          |        |
| 00110 .....            | 35     |
| 00111 .....            | 35     |
| Rotary Signal          |        |
| 500823 .....           | 9, 11  |

---

**S**

|              |                                |
|--------------|--------------------------------|
| Screw        |                                |
| 20530 .....  | 13, 19, 23, 33                 |
| 23222 .....  | 19, 25, 29                     |
| 31260 .....  | 9, 11, 19                      |
| 31752 .....  | 5, 7, 9, 11                    |
| 32993 .....  | 7, 9                           |
| 33562 .....  | 13, 17, 31                     |
| 39733 .....  | 17, 31                         |
| 500226 ..... | 15, 21                         |
| 500227 ..... | 21                             |
| 500824 ..... | 19                             |
| 501086 ..... | 5, 7, 9, 11, 13, 19            |
| 501285 ..... | 23                             |
| 503661 ..... | 21                             |
| 503688 ..... | 19, 21, 23, 25, 27, 29, 31, 33 |
| 505870 ..... | 17                             |
| 51782 .....  | 27, 29                         |
| 56124 .....  | 29                             |
| 61199 .....  | 23                             |

---

|                |        |
|----------------|--------|
| 62588 .....    | 21     |
| Secondary Coil |        |
| 58804B .....   | 29     |
| Sensor         |        |
| 510213 .....   | 29     |
| Shaft          |        |
| 56461 .....    | 19, 23 |
| Spade Terminal |        |
| 00245 .....    | 35     |
| Speed Clip     |        |
| 28835 .....    | 17     |
| Strain Relief  |        |
| 38384 .....    | 33, 35 |
| Switch         |        |
| 504570 .....   | 17     |

---

**T**

|                         |             |
|-------------------------|-------------|
| Terminal Block Assembly |             |
| 510190P .....           | 23          |
| Terminal Extractor Tool |             |
| 283P4 .....             | 37          |
| Thermal Fuse Assembly   |             |
| 511412 .....            | 25          |
| Thermostat              |             |
| 56410 .....             | 19          |
| 61372 .....             | 19          |
| Thermostat Heater       |             |
| 61401 .....             | 19          |
| Timer                   |             |
| 501881 .....            | 7           |
| 502963 .....            | 9           |
| 502967 .....            | 11          |
| 59420 .....             | 5, 7        |
| Timer Knob Assembly     |             |
| 62176 .....             | 5, 7, 9, 11 |
| 62234 .....             | 7, 9        |
| Top Hinge               |             |
| 510136 .....            | 31          |
| Top Panel Kit           |             |
| 510029LP .....          | 13          |
| 510029WP .....          | 13          |

---

**U**

|                    |    |
|--------------------|----|
| Ultra Pod Terminal |    |
| 00359 .....        | 35 |
| 00360 .....        | 35 |

---

**W**

|                       |        |
|-----------------------|--------|
| Warning Label         |        |
| 500049 .....          | 21     |
| Warning/Caution Label |        |
| 500281 .....          | 17     |
| Washer                |        |
| 51474 .....           | 23     |
| 52549 .....           | 19, 23 |
| Wire Clip             |        |
| 504034 .....          | 35     |

---

N/A items do not appear in index.

|                       |    |
|-----------------------|----|
| 51291 .....           | 35 |
| Wire Harness Assembly |    |
| 500694 .....          | 38 |
| 500695 .....          | 38 |
| 500698 .....          | 38 |
| 500699 .....          | 38 |
| 501885 .....          | 38 |
| 501886 .....          | 38 |
| Wire, 12 Gauge        |    |
| 45380 .....           | 38 |
| Wire, 18 Gauge        |    |
| 45001 .....           | 38 |

---