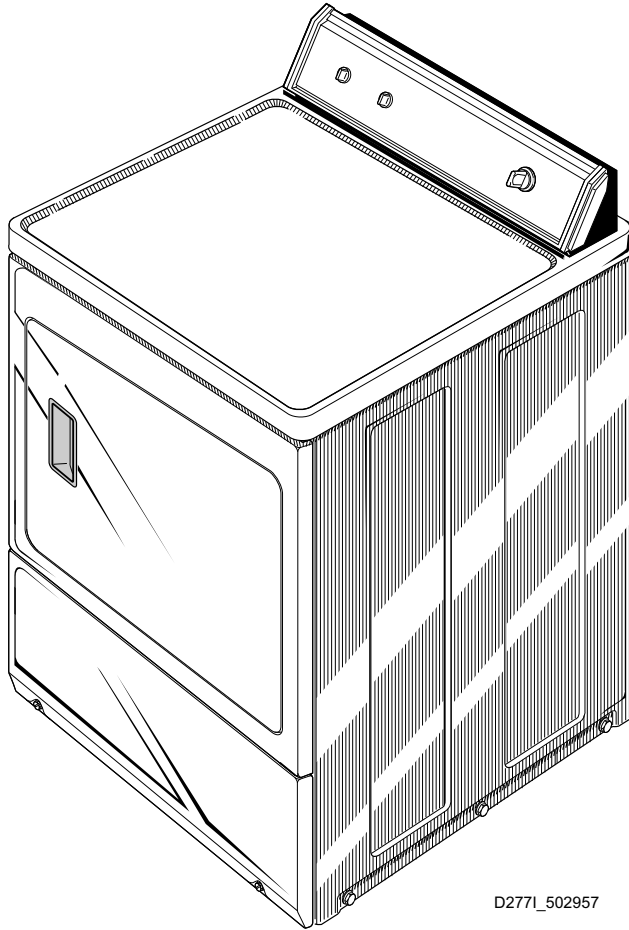


Dryers

Refer to Page 3 for Model Numbers



D2771_502957

Table of Contents

Title	Page
Parts Ordering Information.....	2
Nameplate Location	2
Model Identification	3
Graphic Panel, Control Hood and Controls (Drawing 1 of 4)	4
Graphic Panel, Control Hood and Controls (Drawing 2 of 4)	6
Graphic Panel, Control Hood and Controls (Drawing 3 of 4)	8
Graphic Panel, Control Hood and Controls (Drawing 4 of 4)	10
Cabinet Top and Control Hood Rear Panel	12
Loading Door with Drying Rack	14
Lower Access Panel, Front Panel and Seal.....	16
Motor, Exhaust Fan and Belt	18
Front Bulkhead, Air Duct, Felt Seal and Cylinder	20
Rear Bulkhead, Felt Seal, Cylinder Roller and Terminal Block.....	22
Heater Box Assembly (Drawing 1 of 2).....	24
Heater Box Assembly (Drawing 2 of 2).....	26
Gas Valve, Igniter and Gas Conversion Kits.....	28
Cabinet, Exhaust Duct and Base	30
Power Cord (Drawing 1 of 2)	32
Power Cord (Drawing 2 of 2)	34
Terminals (Drawing 1 of 2).....	36
Terminals (Drawing 2 of 2).....	38
Motor Connection Block and Terminal Extractor Tools.....	40
Wire Harnesses	42
Parts Index.....	43

© Copyright 2012, Alliance Laundry Systems LLC

All rights reserved. No part of the contents of this book may be reproduced or transmitted in any form or by any means without the expressed written consent of the publisher.

Parts Ordering Information

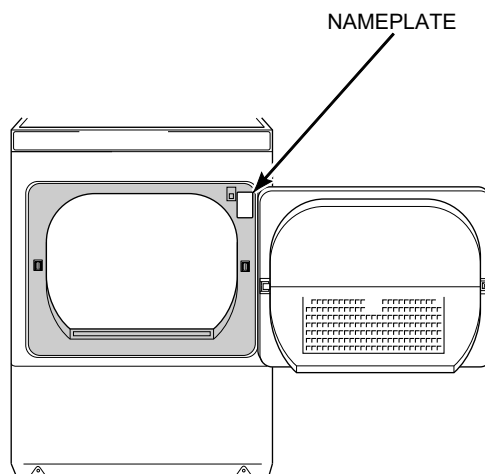
If literature or replacement parts are required, contact the source from whom the machine was purchased or contact Alliance Laundry Systems at (920) 748-3950 for the name and address of the nearest authorized parts distributor.

For technical assistance, call either of the numbers listed below:

(920) 748-3121 Ripon, Wisconsin
+32 56 41 20 54 Wevelgem, Belgium

Nameplate Location

When calling or writing about your product, be sure to mention model and serial numbers. Model and serial numbers are located on nameplate(s) as shown.



D801P_502957

Model Identification

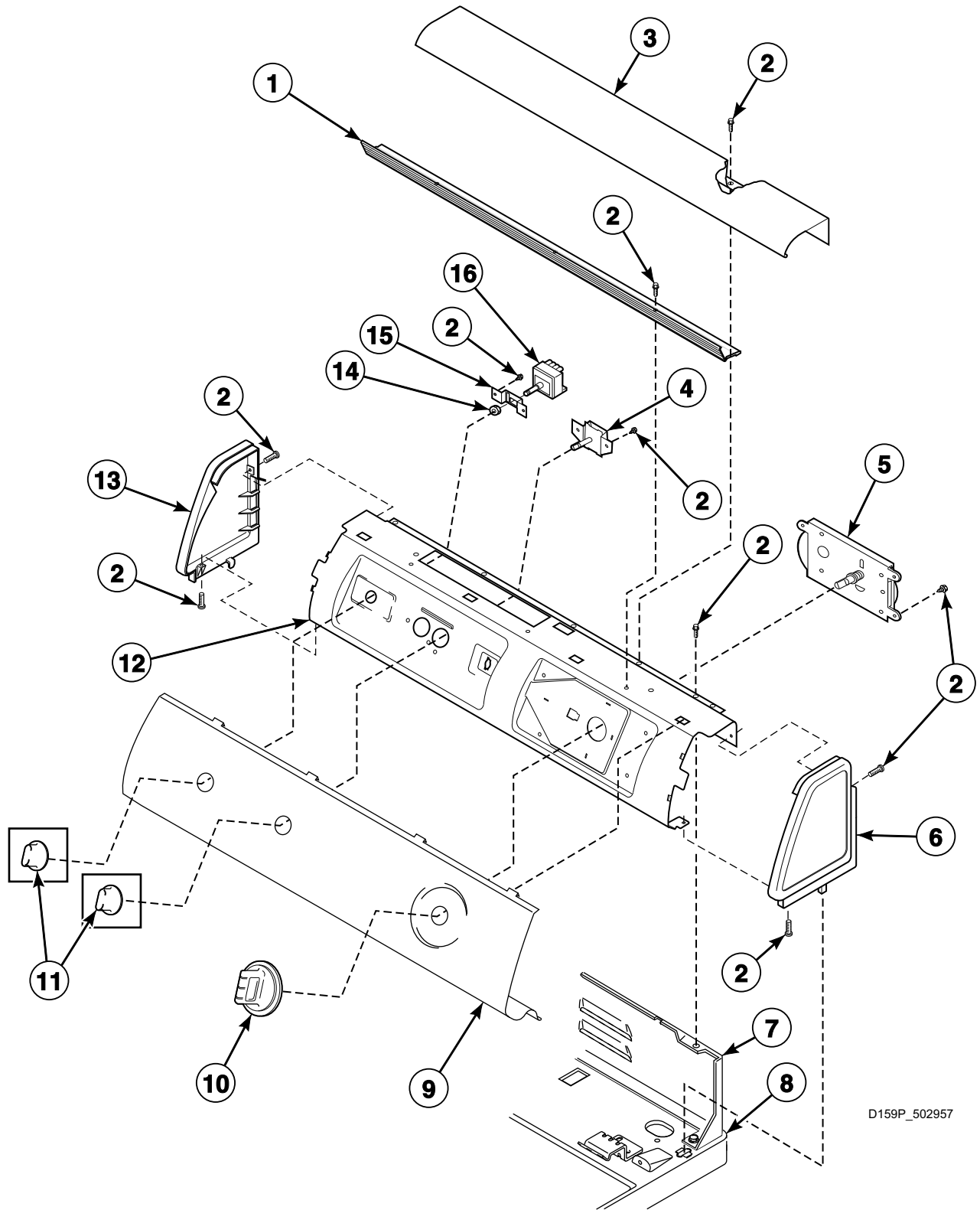
Information in this manual is applicable to these dryer models:

CE4317*2	LE4207*2	LG4209*2
CE8317*2	LE4217*2	LG4219*2
CE8407*2	LE4317*2	LG4319*2
CE8517*2	LE7101*B	LG8101*B
CE9207*2	LE7111*B	LG8109*2
CG8409*2	LE7111*M	LG8111*B
	LE7121*M	LG8111*M
	LE7153*B	LG8121*M
	LE7153*M	LG8153*B
	LE7163*M	LG8153*M
	LE8107*2	LG8163*M
	LE8207*2	LG8209*2
	LE8207*3	LG8209*3
	LE8217*2	LG8219*2
	LE8317*2	LG8319*2
	LE8407*2	LG8409*2
	LE8457*2	LG8459*2
	LE8517*2	LG8519*2
	LE8607*2	LG8609*2
	LE9207*2	LG9209*2

* Add Letter To Designate Color. L - Almond W - White

Graphic Panel, Control Hood and Controls (Drawing 1 of 4)

Models CE4317*2, CE8317*2, CE8407*2, CE8517*2, CG8409*2, LE4217*2, LE4317*2, LE7111*B,
LE7111*M, LE8217*2, LE8317*2, LE8407*2, LE8457*2, LE8517*2, LG4219*2, LG4319*2, LG8111*B,
LG8111*M, LG8219*2, LG8319*2, LG8409*2, LG8459*2 and LG8519*2



D159P_502957

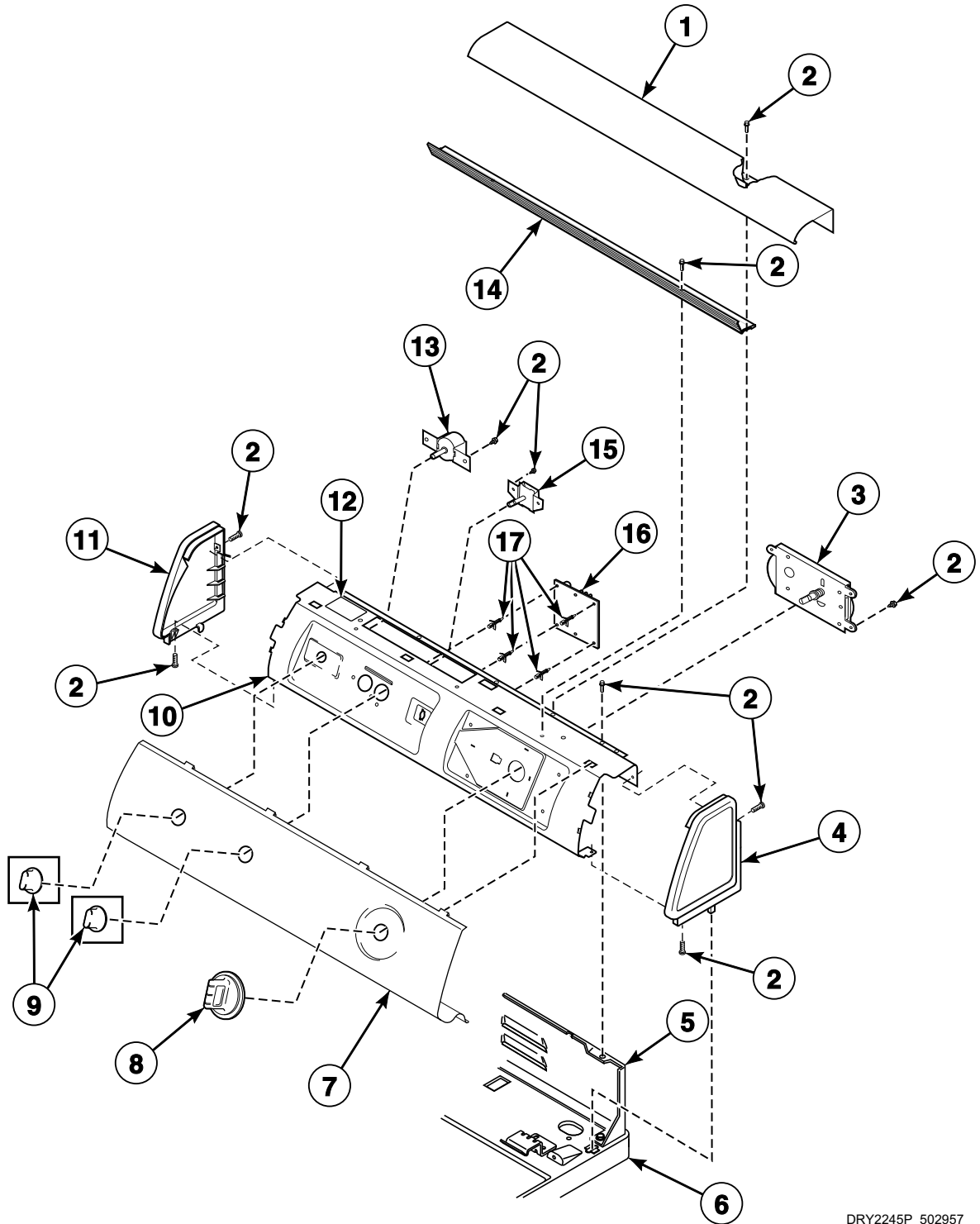
Graphic Panel, Control Hood and Controls (Drawing 1 of 4)

REF	PART NO.	DESCRIPTION	COMMENTS
1	500305	Diffuser	Without hole
2	501086	Screw	
3	500302	Top Cover	Models CE4317*2, LE4217*2, LE4317*2, LE7111*B, LG4219*2, LG4319*2 and LG8111*B
	500303*	Top Cover	All other models
4	500823	Rotary Signal	Models CE4317*2, CE8317*2, CE8407*2, CE8517*2, LE4217*2, LE4317*2, LE7111*B, LE7111*M, LE8217*2, LE8407*2, LE8457*2, LE8517*2, LG4219*2, LG8219*2, LG8409*2, LG8459*2 and LG8519*2
5	502967P	Timer	Models CE8407*2, CE8517*2, LE8407*2, LE8457*2, LE8517*2, LG8409*2, LG8459*2 and LG8519*2
	501881	Timer	Models LE4217*2, LE8217*2, LG4219*2 and LG8219*2
	502963	Timer	Models CE4317*2, CE8317*2, LE4317*2, LE7111*B, LE7111*M, LE8317*2, LG4319*2, LG8111*B, LG8111*M and LG8319*2
6	34815	End Panel	Right; Models CE4317*2, LE4217*2, LE4317*2, LE7111*B, LG4219*2, LG4319*2 and LG8111*B
	504008*P	End Panel	Right; All other models
7	510099	Hood Back Panel	
8	510029*P	Top Panel Kit	Includes (2) 510146 Brackets
9	502206*	Graphic Panel	Models CE8407*2, CE8517*2, CG8409*2, LE8407*2, LE8517*2 and LG8409*2
	502208	Graphic Panel	Models CE4317*2, LE4317*2 and LG4319*2
	502211	Graphic Panel	Models LE7111*B and LG8111*B
	502629*	Graphic Panel	Models LE7111*M and LG8111*M
	502630*	Graphic Panel	Models CE8317*2, LE8317*2 and LG8319*2
	502210*	Graphic Panel	Models LE8457*2 and LG8459*2
	503145	Graphic Panel	Models LE4217*2 and LG4219*2
	503146*	Graphic Panel	Models LE8217*2 and LG8219*2
10	500311	Timer Knob Assembly	Models CE4317*2, LE4217*2, LE4317*2, LE7111*B, LG4219*2, LG4319*2 and LG8111*B
	512117*	Timer Knob Assembly	All other models
11	34847	Knob Assembly	Models CE4317*2, LE4217*2, LE4317*2, LE7111*B, LG4219*2, LG4319*2 and LG8111*B
	36701*	Knob Assembly	All other models
12	500300	Control Mounting Plate	
13	34816	End Panel	Left; Models CE4317*2, LE4217*2, LE4317*2, LE7111*B, LG4219*2, LG4319*2 and LG8111*B
	504009*P	End Panel	Left; All other models
14	57584	Nut	
15	59704	Switch Mount Bracket	
16	61511	Fabric Selector Switch	

* Add Letter To Designate Color. L - Almond W - White

Graphic Panel, Control Hood and Controls (Drawing 2 of 4)

Models LE4207*2, LE7101*B, LE7121*M, LE7153*B, LE7153*M, LE8107*2, LE8207*2, LE8207*3, LE8607*2, LG4209*2, LG8101*B, LG8109*2, LG8121*M, LG8153*B, LG8153*M, LG8209*2, LG8209*3 and LG8609*2



DRY2245P_502957

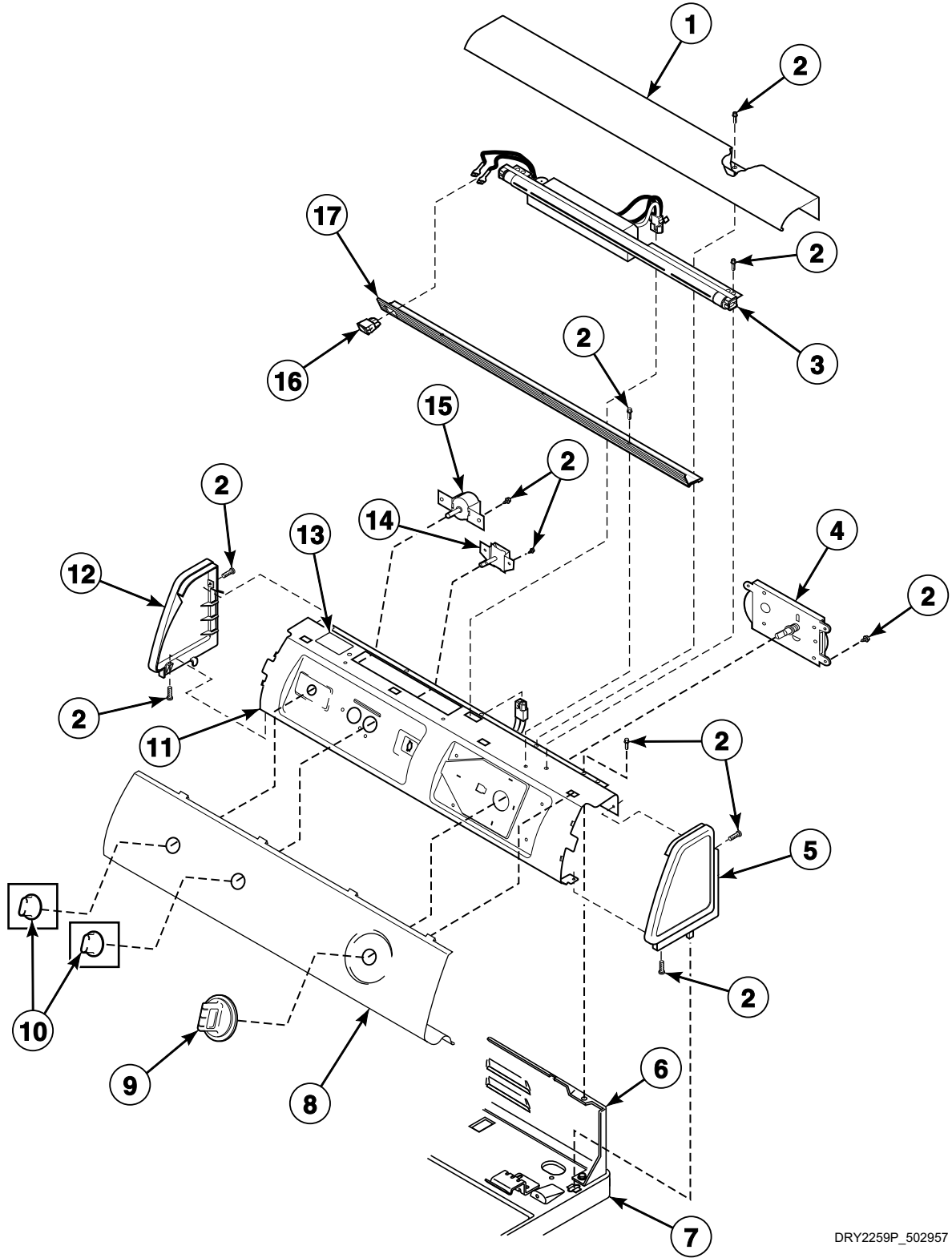
Graphic Panel, Control Hood and Controls (Drawing 2 of 4)

REF	PART NO.	DESCRIPTION	COMMENTS
1	500303*	Top Cover	Models LE7121*M, LE7153*M, LE8207*2, LE8207*3, LE8607*2, LG8121*M, LG8153*M, LG8209*2, LG8209*3 and LG8609*2
	500302	Top Cover	All other models
2	501086	Screw	
3	501881	Timer	Models LE4207*2, LE7101*B, LE8107*2, LE8207*2, LE8207*3, LG4209*2, LG8101*B, LG8109*2, LG8209*2 and LG8209*3
	502968P	Timer	Models LE8607*2 and LG8609*2
	502967P	Timer	All other models
4	504008*P	End Panel	Right; Models LE7121*M, LE7153*M, LE8207*2, LE8207*3, LE8607*2, LG8121*M, LG8153*M, LG8209*2, LG8209*3 and LG8609*2
	34815	End Panel	Right; All other models
5	510099	Hood Back Panel	
6	510029*P	Top Panel Kit	Includes (2) 510146 Brackets
7	502209	Graphic Panel	Models LE4207*2 and LG4209*2
	502383	Graphic Panel	Models LE7153*B and LG8153*B
	502420	Graphic Panel	Models LE7101*B and LG8101*B
	502205*	Graphic Panel	Models LE8607*2 and LG8609*2
	502212*	Graphic Panel	Models LE7121*M and LG8121*M
	502213*	Graphic Panel	Models LE7153*M and LG8153*M
	503127*	Graphic Panel	Models LE8107*2, LE8207*2, LE8207*3, LG8109*2, LG8209*2 and LG8209*3
8	500311	Timer Knob Assembly	Models LE4207*2, LE7101*B, LE7153*B, LE8107*2, LG4209*2, LG8109*2 and LG8153*B
	512117*	Timer Knob Assembly	All other models
9	34847	Knob Assembly	Models LE4207*2, LE7101*B, LE7153*B, LE8107*2, LG4209*2, LG8109*2 and LG8153*B
	36701*	Knob Assembly	All other models
10	500300	Control Mounting Plate	
11	34816	End Panel	Left; Models LE4207*2, LE7101*B, LE7153*B, LE8107*2, LG4209*2, LG8109*2 and LG8153*B
	504009*P	End Panel	Left; All other models
12	505281	Disconnect Power Warning Label	
13	62173	Selector Switch	
14	500305	Diffuser	Without hole
15	500823	Rotary Signal	
16	501266P	Electronic Control Board Assembly	Models LE8607*2 and LG8609*2
17	501523	Circuit Board Support	Models LE8607*2 and LG8609*2

* Add Letter To Designate Color. L - Almond W - White

Graphic Panel, Control Hood and Controls (Drawing 3 of 4)

Models LE7163*M and LG8163*M



DRY2259P_502957

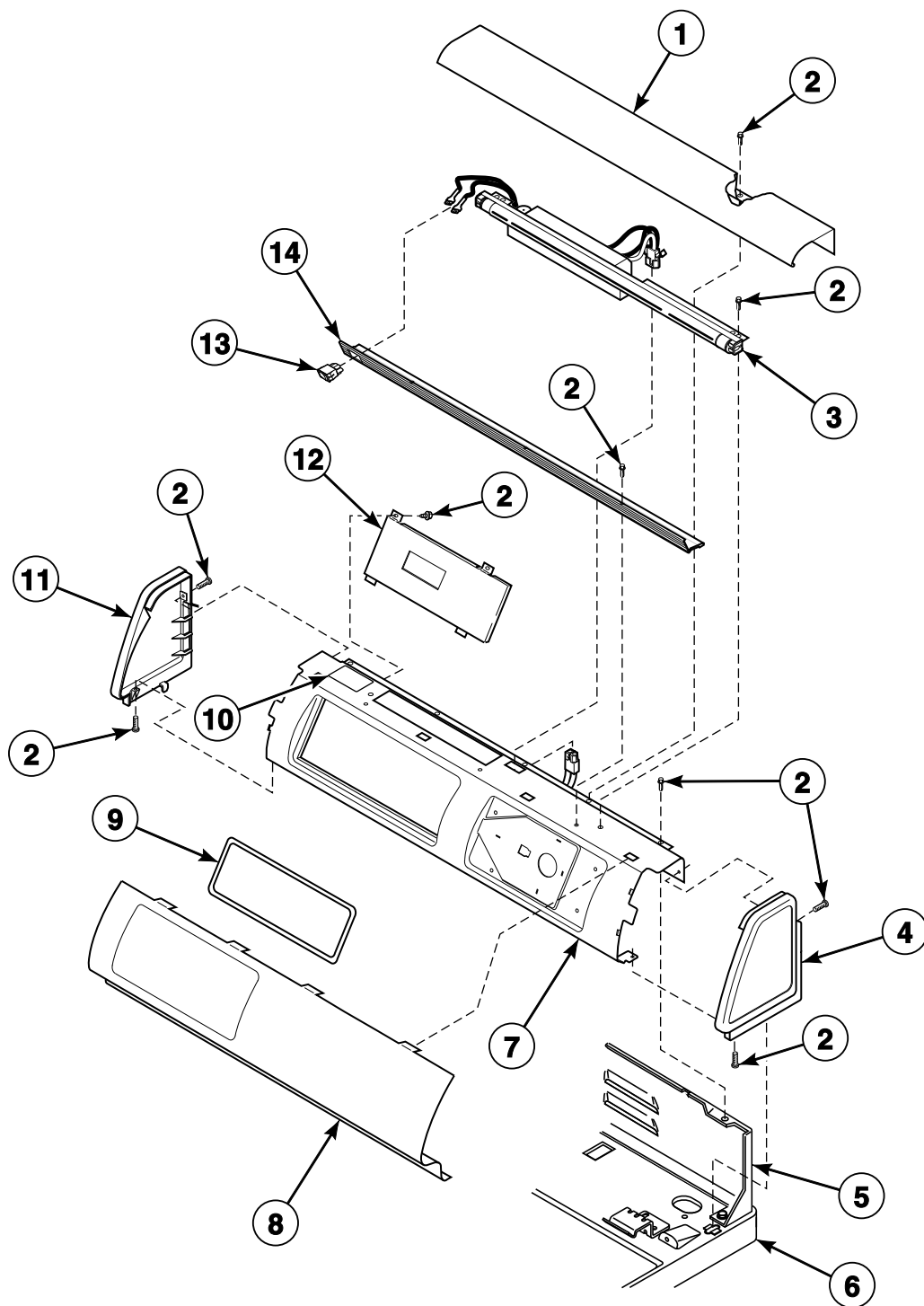
Graphic Panel, Control Hood and Controls (Drawing 3 of 4)

REF	PART NO.	DESCRIPTION	COMMENTS
1	500303*	Top Cover	
2	501086	Screw	
3	34836	Fluorescent Light Assembly	Includes 34837 Light Bult and 34841 Starter
4	502967P	Timer	
5	504008*P	End Panel	Right
6	510099	Hood Back Panel	
7	510029*P	Top Panel Kit	Includes (2) 510146 Brackets
8	502214*	Graphic Panel	
9	512117*	Timer Knob Assembly	
10	36701*	Knob Assembly	
11	500300	Control Mounting Plate	
12	504009*P	End Panel	Left
13	505281	Disconnect Power Warning Label	
14	500823	Rotary Signal	
15	62173	Selector Switch	
16	35038	Rocker Switch	
17	500308	Diffuser	Without hole

* Add Letter To Designate Color. L - Almond W - White

Graphic Panel, Control Hood and Controls (Drawing 4 of 4)

Models CE9207*2, LE9207*2 and LG9209*2



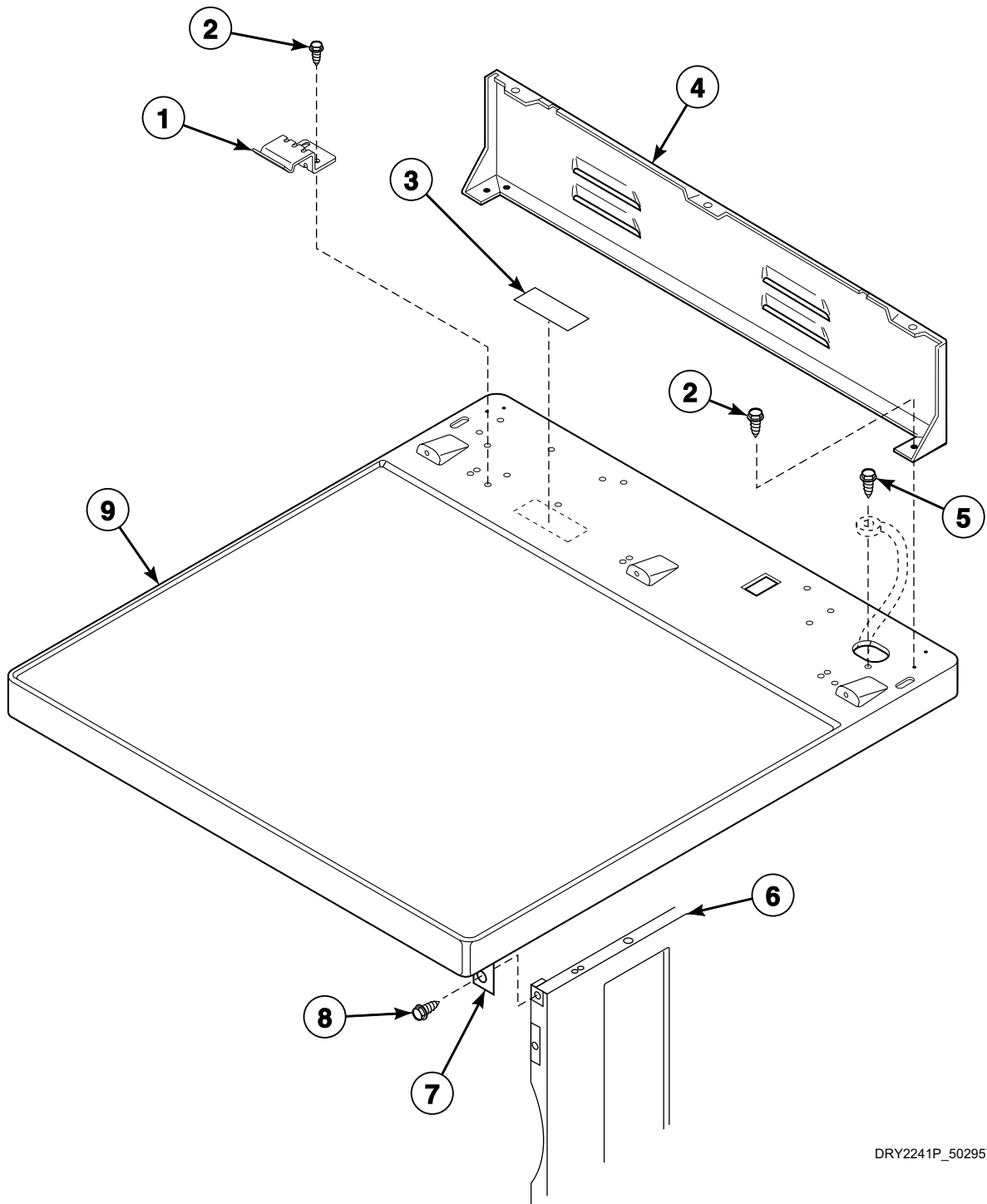
DRY2253P_502957

Graphic Panel, Control Hood and Controls (Drawing 4 of 4)

REF	PART NO.	DESCRIPTION	COMMENTS
1	500303*	Top Cover	
2	501086	Screw	
3	34836	Fluorescent Light Assembly	Includes 34837 Light Bult and 34841 Starter
4	504008*P	End Panel	Right
5	510099	Hood Back Panel	
6	510029*P	Top Panel Kit	Includes (2) 510146 Brackets
7	500301	Control Mounting Plate	
8	500529*	Graphic Panel	
9	500528	Gasket	
10	505281	Disconnect Power Warning Label	
11	504009*P	End Panel	Left
12	504184*P	Electronic Control Assembly	
13	35038	Rocker Switch	
14	500308	Diffuser	Without hole

* Add Letter To Designate Color. L - Almond W - White

Cabinet Top and Control Hood Rear Panel



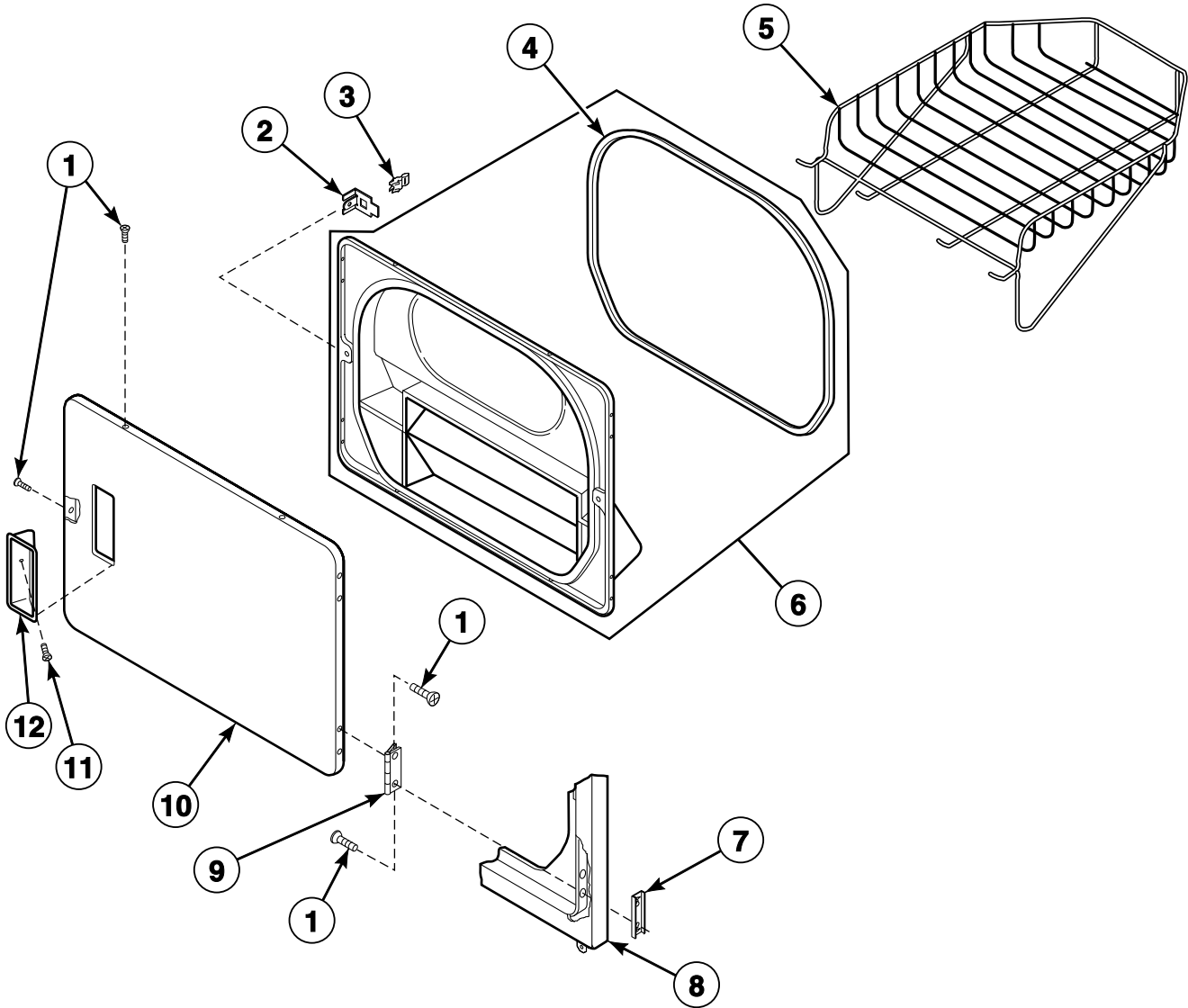
DRY2241P_502957

Cabinet Top and Control Hood Rear Panel

REF	PART NO.	DESCRIPTION	COMMENTS
1	503876	Hold-Down Spring Clip	
2	501086	Screw	
3	500314	Warning Label	French; Models CE4317*2, CE8407*2, CE8517*2, CE9207*2 and CG8409*2
	505281	Disconnect Power Warning Label	All other models
4	510099	Hood Back Panel	
5	20530	Screw	
6	500001*P	Cabinet Assembly	
7	510146	Bracket	
8	33562	Screw	
9	510029*P	Top Panel Kit	Includes (2) 510146 Brackets

* Add Letter To Designate Color. L - Almond W - White

Loading Door with Drying Rack



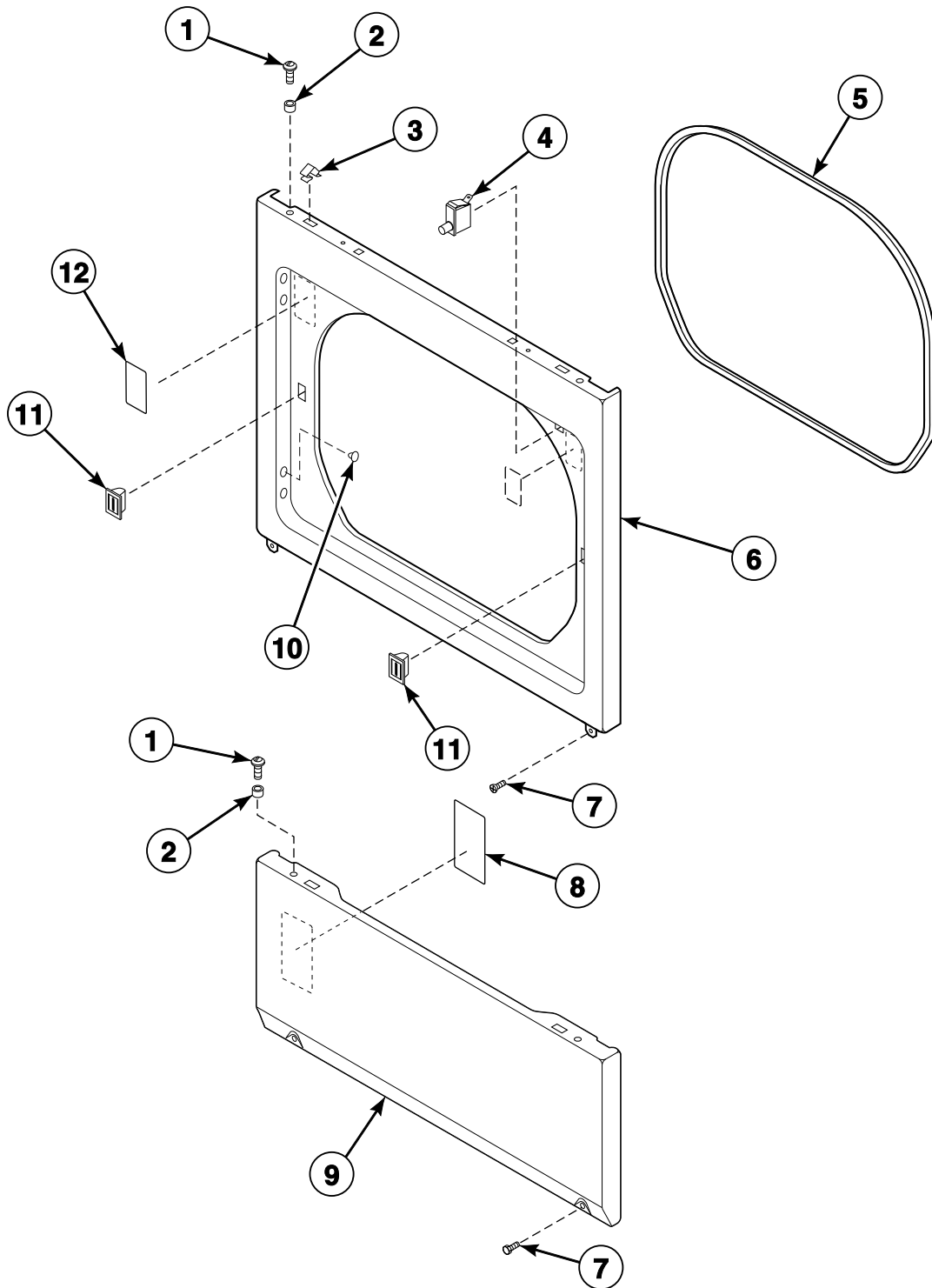
D248P_502957

Loading Door with Drying Rack

REF	PART NO.	DESCRIPTION	COMMENTS
	500035*	Door Assembly	Does not include 500236 Door Hinge Mounting Clips, 500226 Screws or 501295P Drying Rack
1	500226	Screw	
2	510127	Door Strike Mount	
3	510181	Door Strike	
4	500200P	Door Seal	
5	501295P	Drying Rack	Optional; Only included on CE9207*2, LE8457*2, LE8459*2, LE9207*2 and LG9209*2 models
6	500199P	Liner and Seal Assembly	Includes 500200P Door Seal
7	500236	Door Hinge Mounting Clip	Not included with 500035* Door Assembly
8	500033*	Front Panel	
9	510519	Door Hinge	
10	500040*	Dryer Door	
11	500297	Screw	
12	500042*	Door Pull	

* Add Letter To Designate Color. L - Almond W - White

Lower Access Panel, Front Panel and Seal



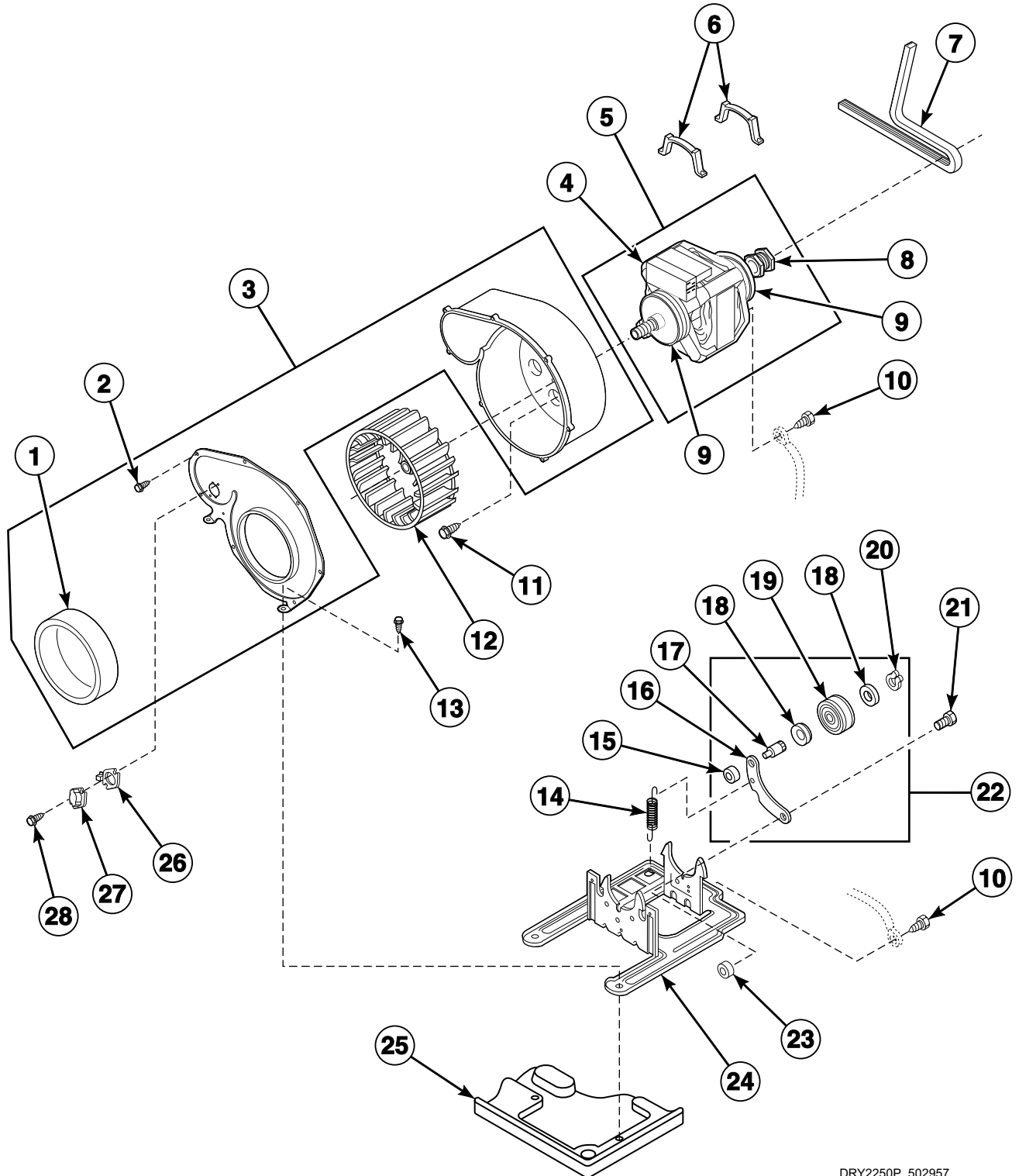
D165P_502957

Lower Access Panel, Front Panel and Seal

REF	PART NO.	DESCRIPTION	COMMENTS
1	39733	Screw	
2	56079	Panel Locator	
3	28835	Speed Clip	
4	512973	Switch	
5	500034	Front Panel Seal	
6	500033*	Front Panel	
7	33562	Screw	
8	511004	Gas Clearance Label	Gas models
9	510069*P	Access Panel	
10	500227	Screw	
11	510177	Door Catch Assembly	
12	500281	Warning/Caution Label	

* Add Letter To Designate Color. L - Almond W - White

Motor, Exhaust Fan and Belt



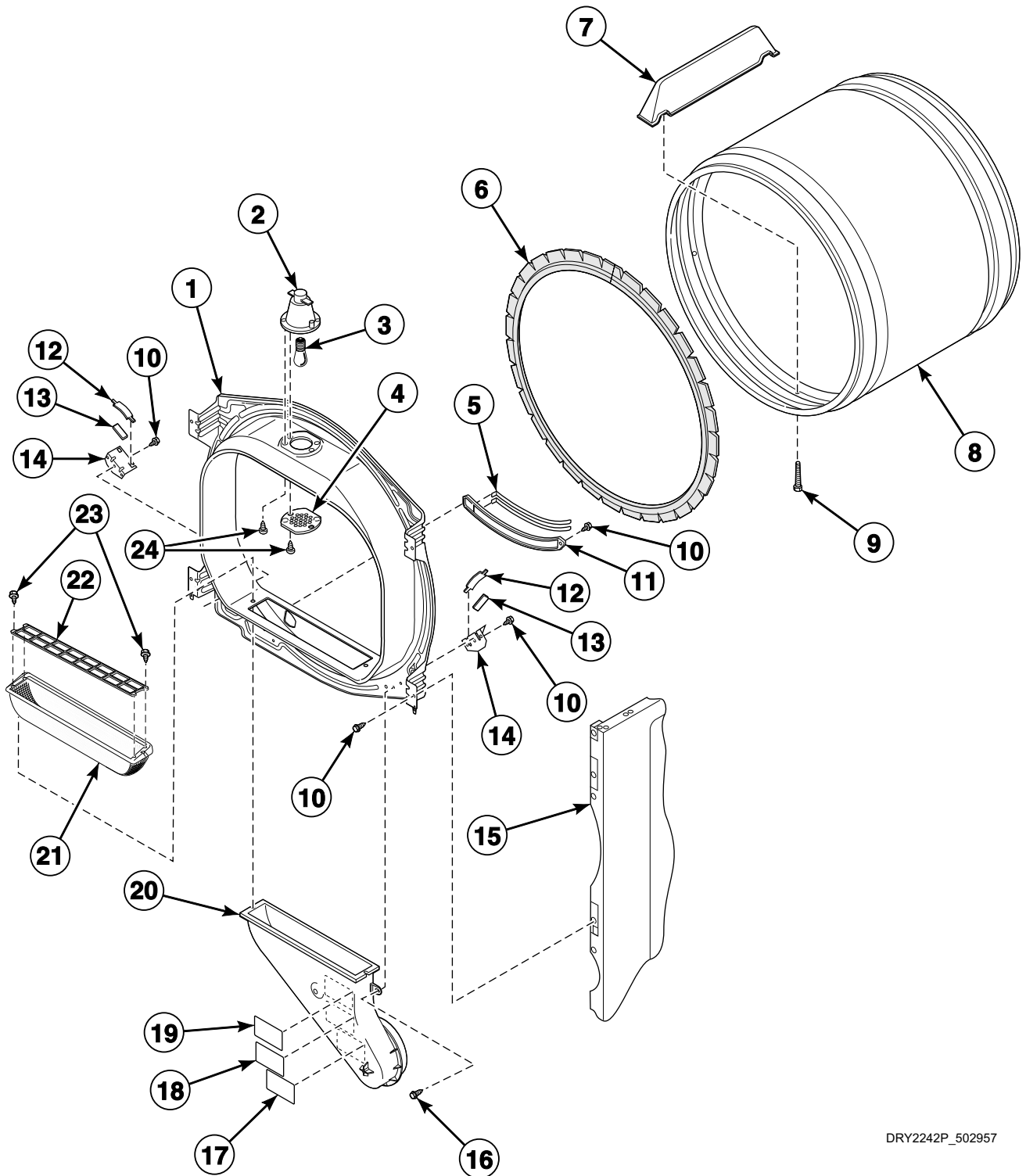
DRY2250P_502957

Motor, Exhaust Fan and Belt

REF	PART NO.	DESCRIPTION	COMMENTS
	510717P	Blower and Fan Kit	120 Volt/60 Hertz models only
	559P3	Motor Adapter Harness Kit	Gas models
	560P3	Motor Adapter Harness Kit	Electric models
1	500313	Blower Housing Seal	
2	31260	Screw	
3	511969P	Blower Housing and Cover Kit	
4	501218	Motor Switch	Does not include thermal protector
5	511629P	Motor and Pulley Assembly	
6	510180	Motor Mount Clamp	
7	511255P	Cylinder Belt	
8	500011	Motor Pulley	
9	590P3	Motor Hub Ring Kit	
10	20530	Screw	
11	31645	Screw	
12	510139P	Blower Fan Assembly	
13	33562	Screw	
14	510185	Idler Spring	
15	56156	Nut	
16	510133	Idler Lever	
17	56461P	Shaft	
18	52549	Washer	
19	510142P	Idler Wheel and Bearing Assembly	
20	23748	Retaining Ring	
21	500824	Screw	
22	510158	Idler Lever and Wheel Assembly	
23	52566	Nut	
24	510060	Motor Mount	
25	510084	Dryer Base	
26	61401	Thermostat Heater	Use with 61372 Thermostat
27	510523	Thermistor Assembly	Models CE9207*2, LE8607*2, LE9207*2, LG8609*2 and LG9209*2
	56410	Thermostat	Models LE4207*2, LE7101*B, LE8107*2, LE8207*2, LE8207*3, LG4209*2, LG8109*2, LG8209*2 and LG8209*3
	503551	Thermostat	All other models; Models through Serial No. 9606
	61372	Thermostat	All other models; Models starting Serial No. 9607
28	23222	Screw	Use with 56410 Thermostat or 510523 Thermistor Assembly
	502535	Screw	Use with 61372 Thermostat

* Add Letter To Designate Color. L - Almond W - White

Front Bulkhead, Air Duct, Felt Seal and Cylinder



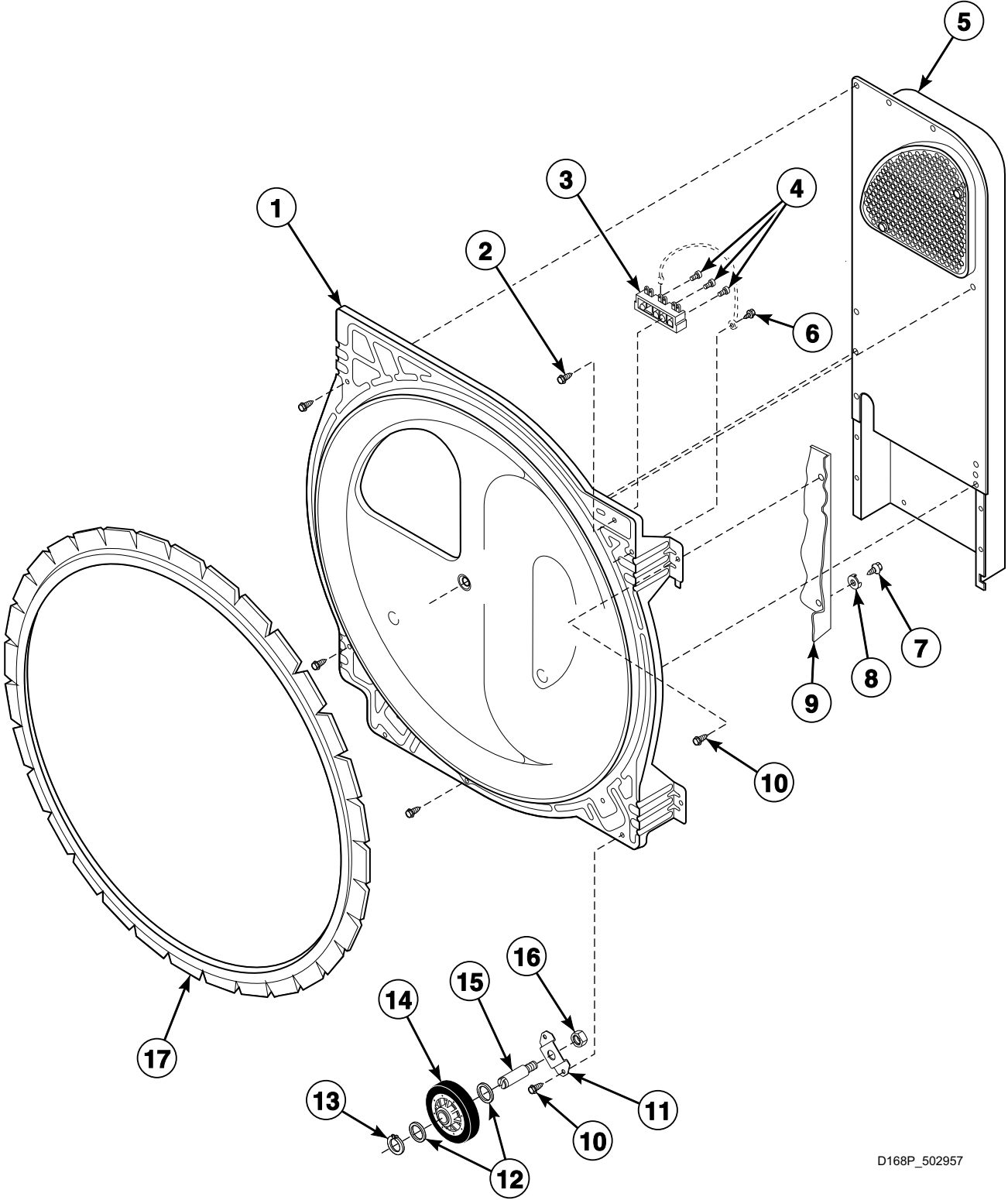
DRY2242P_502957

Front Bulkhead, Air Duct, Felt Seal and Cylinder

REF	PART NO.	DESCRIPTION	COMMENTS
	511637P	Adhesive	
1	500116W	Front Bulkhead Assembly	White bulkhead with light
	500091P	Front Bulkhead Assembly	Unpainted bulkhead without light or moisture sensor openings
	500117W	Front Bulkhead Assembly	White bulkhead without light or moisture sensor openings
	501556WP	Front Bulkhead Assembly	White bulkhead with extra glides for stainless steel cylinder with light and moisture sensor openings
	501570WP	Front Bulkhead Assembly	White bulkhead with extra glides for stainless steel cylinder with light opening
2	500153	Cylinder Light Housing	Models CE8407*2, CE8517*2, CE9207*2, CG8409*2, LE7121*M, LE7153*B, LE7153*M, LE7163*M, LE8407*2, LE8457*2, LE8517*2, LE8607*2, LE9207*2, LG8121*M, LG8153*B, LG8153*M, LG8163*M, LG8409*2, LG8459*2, LG8519*2, LG8609*2 and LG9209*2
3	60954	Drum Light Lamp	Used on models with 500153 Cylinder Light Housing
4	500094	Drum Light Lens	Used on models with 500153 Cylinder Light Housing
5	501247	Moisture Sensor	Models CE9207*2, LE8607*2, LE9207*2, LG8609*2 and LG9209*2
6	510207P	Cylinder Seal Assembly	
7	510102	Cylinder Baffle	
8	500013WP	Cylinder Assembly	Painted white; Includes baffles
	500095P	Cylinder Assembly	Unpainted; Includes baffles
	500735P	Cylinder Assembly	Stainless steel; Includes baffles
9	62588	Screw	
10	33562	Screw	
11	501246	Moisture Sensor Mounting	Models CE9207*2, LE8607*2, LE9207*2, LG8609*2 and LG9209*2
12	501553	Cylinder Glide	Stainless steel; 2 required per side
	510188	Cylinder Glide	Painted and unpainted cylinder; 1 required per side
13	510189	Felt Pad	
14	510145	Cylinder Glide Bracket	
15	500001*P	Cabinet Assembly	
16	31645	Screw	
17	56259	Notice Seal Sticker	
18	500049	Warning Label	All models except CE4317*2, CE8317*2, CE8407*2, CE8517*2, CE9207*2 and CG8409*2
19	500314	Warning Label	French; Models CE4317*2, CE8317*2, CE8407*2, CE8517*2, CE9207*2 and CG8409*2
20	502231	Front Air Duct	
21	502140P	Lint Filter	Poly mesh
22	502092	Lint Filter Cover	
23	500226	Screw	
24	505870	Screw	Used on models with 500153 Cylinder Light Housing

* Add Letter To Designate Color. L - Almond W - White

Rear Bulkhead, Felt Seal, Cylinder Roller and Terminal Block



D168P_502957

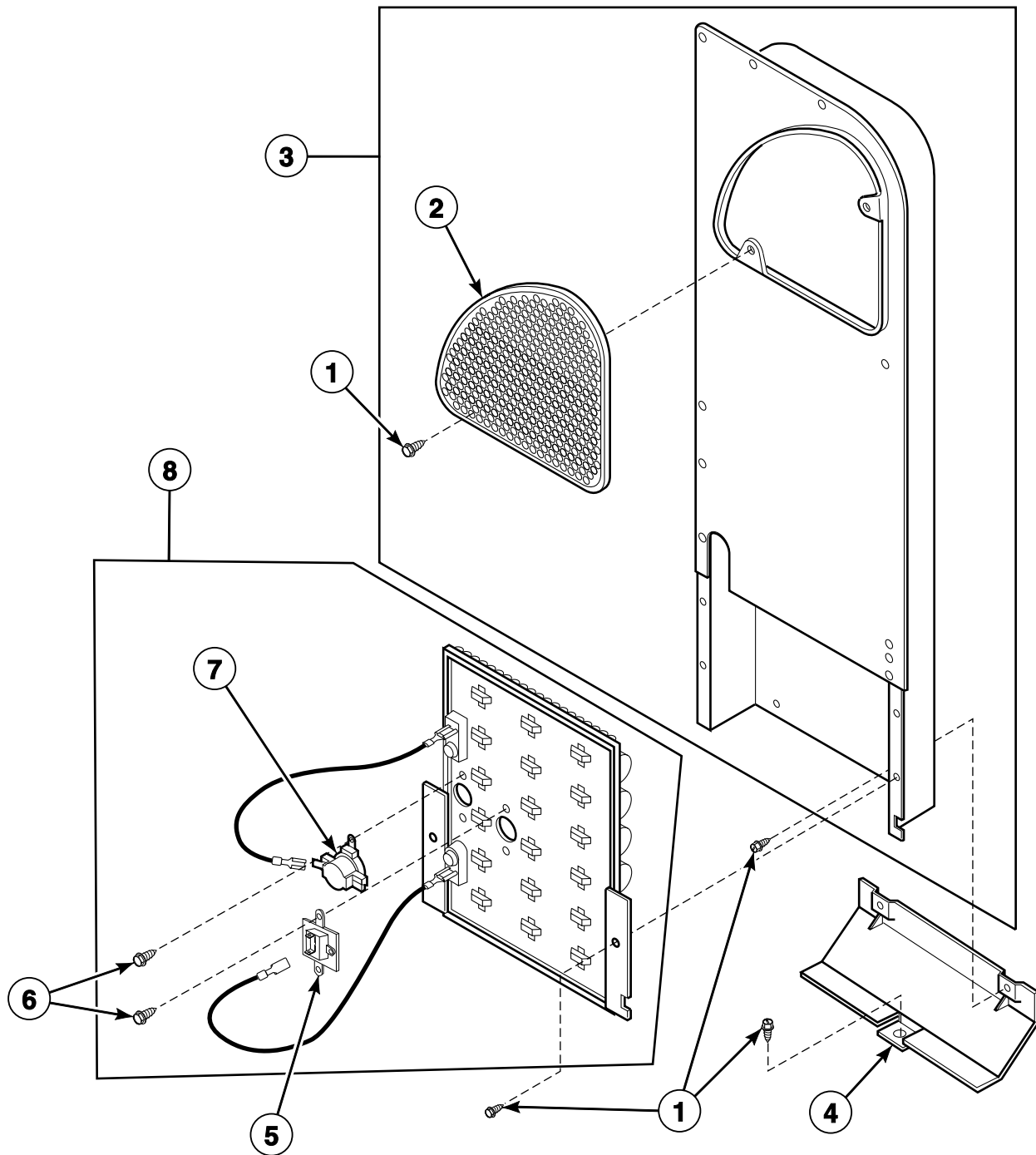
Rear Bulkhead, Felt Seal, Cylinder Roller and Terminal Block

REF	PART NO.	DESCRIPTION	COMMENTS
	511637P	Adhesive	
1	501154	Rear Bulkhead Assembly	Models CE8517*2, CE9207*2, LE7153*B, LE7153*M, LE8517*2, LE8607*2, LE9207*2, LG8153*B, LG8153*M, LG8163*M, LG8519*2, LG8609*2 and LG9209*2
	511082P	Rear Bulkhead Assembly	Models LE8107*2 and LG8109*2
	510905WP	Rear Bulkhead Assembly	All other models
2	501285	Screw	
3	510190P	Terminal Block Assembly	Electric models; Includes 3 of item 4
4	61199	Screw	
5	510025P	Heater Duct and Screw Assembly	
6	20530	Screw	Use with painted and unpainted bulkheads
	33562	Screw	Use with stainless steel bulkhead
7	20530	Screw	
8	51474	Washer	
9	500001*P	Cabinet Assembly	
10	503688	Screw	Use with painted and unpainted cylinders
11	510100	Cylinder Roller Bracket	
12	52549	Washer	
13	23748	Retaining Ring	
14	510708P	Cylinder Roller	
15	56461P	Shaft	
16	56156	Nut	
17	510207P	Cylinder Seal Assembly	

* Add Letter To Designate Color. L - Almond W - White

Heater Box Assembly (Drawing 1 of 2)

Electric Models



D135P_502957

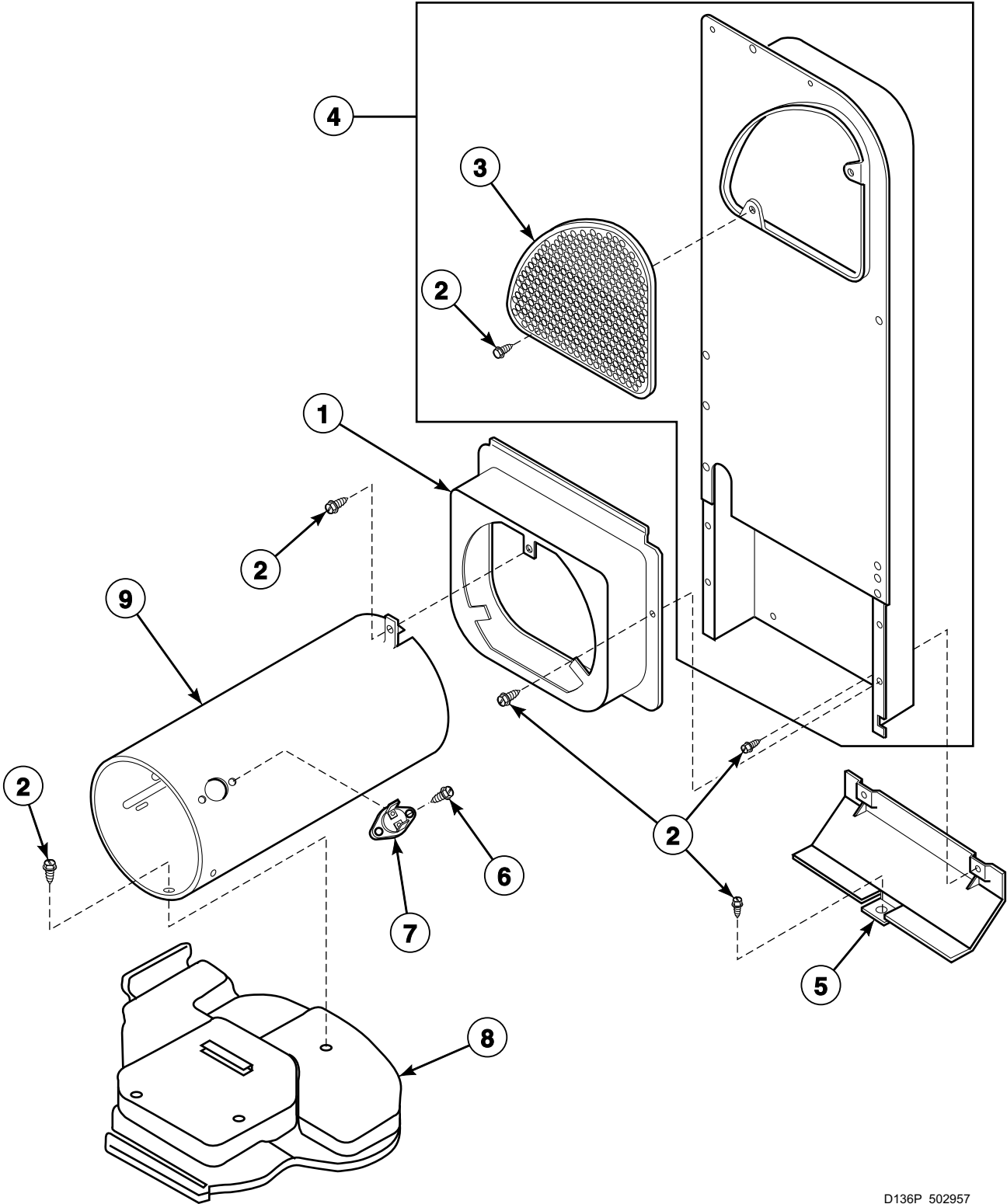
Heater Box Assembly (Drawing 1 of 2)

REF	PART NO.	DESCRIPTION	COMMENTS
1	503688	Screw	
2	500820	Outlet Cover	Replaceable on the 510025P Heater Box Assembly only
3	510025P	Heater Duct and Screw Assembly	Includes items 1 and 2
4	60952	Heat Duct Shield	
5	511412	Thermal Fuse Assembly	
	490P3	Thermal Fuse Kit	Includes items 6 and 7
6	23222	Screw	
7	500807	Thermostat	Models CE4317*2, CE8407*2, CE8517*2 and CE9207*2
	510701	Limit Thermostat	All other models
8	61928	Heater Kit Assembly	208 Volt; 4750 Watt; White
	61927	Heater Kit Assembly	240 Volt; 5000 Watt; Red
	61929	Heater Kit Assembly	240 Volts; 4800 Watts; Green

* Add Letter To Designate Color. L - Almond W - White

Heater Box Assembly (Drawing 2 of 2)

Gas Models



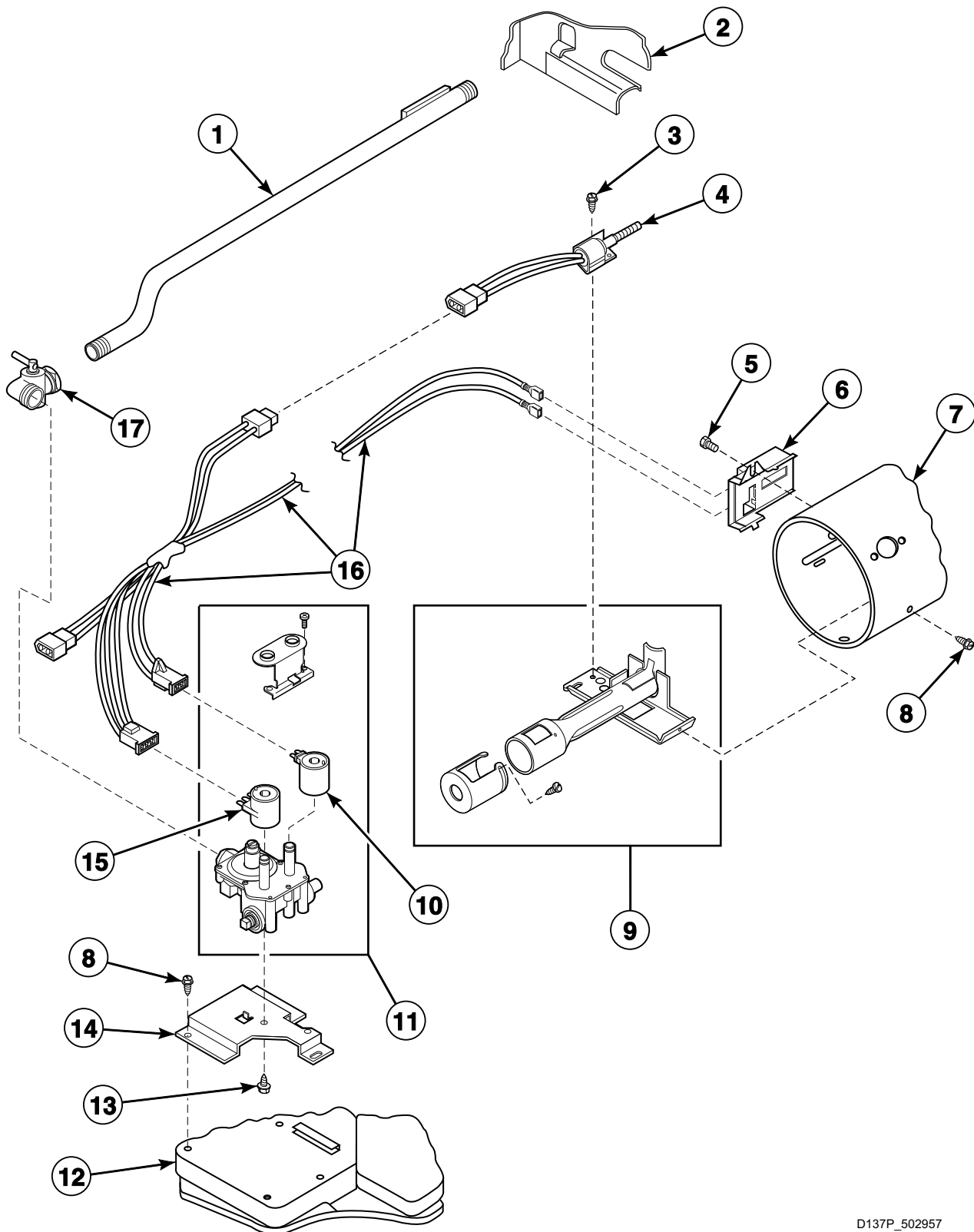
D136P_502957

Heater Box Assembly (Drawing 2 of 2)

REF	PART NO.	DESCRIPTION	COMMENTS
1	510101	Heat Duct Shroud	
2	503688	Screw	
3	500820	Outlet Cover	Replaceable on the 510025P Heater Box Assembly only
4	510025P	Heater Duct and Screw Assembly	Includes items 2 and 3
5	60952	Heat Duct Shield	
6	51782	Screw	
7	510702	Limit Thermostat	
8	510084	Dryer Base	
9	61974	Combustion Duct Assembly	Includes item 6

Gas Valve, Igniter and Gas Conversion Kits

Gas Models



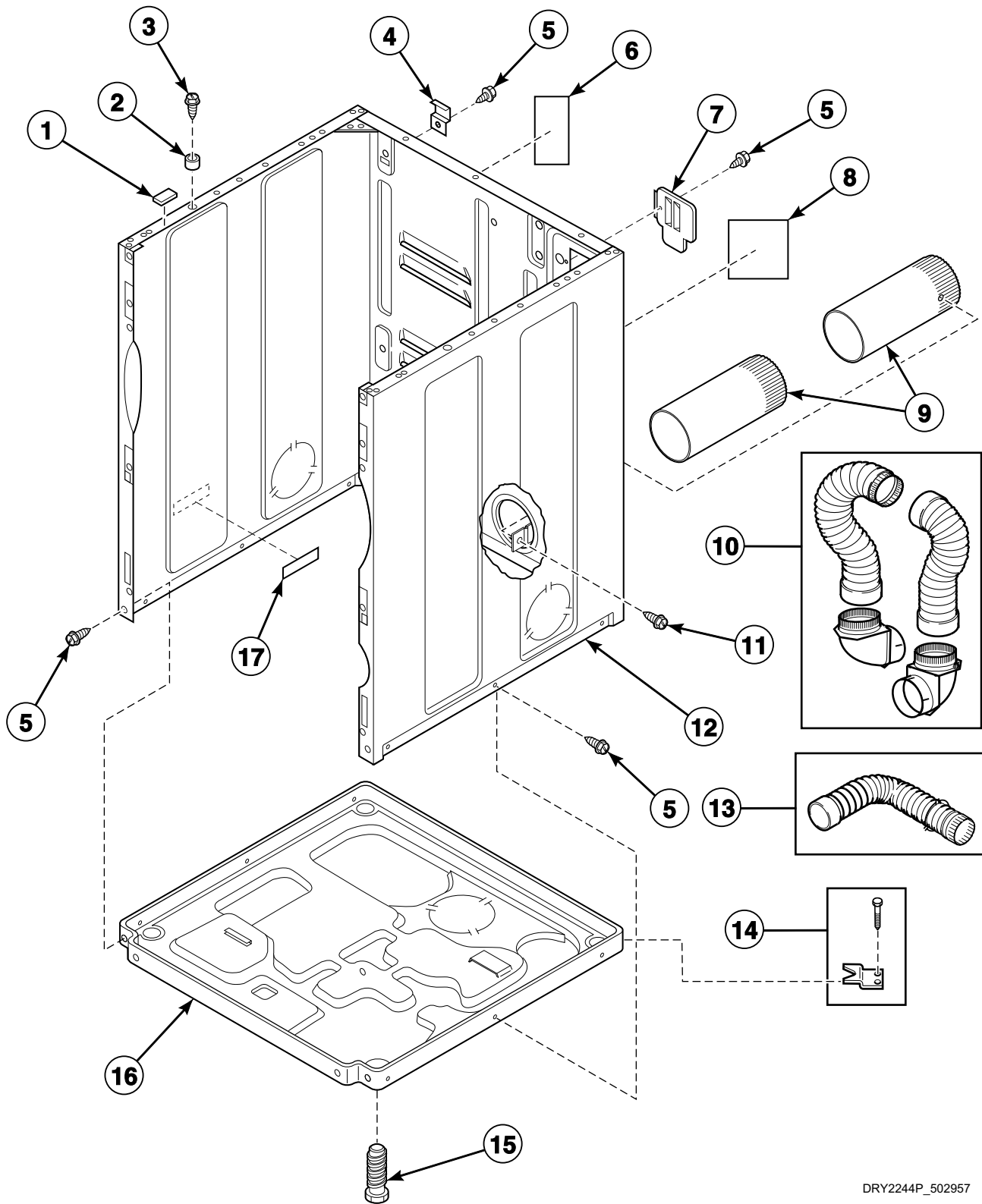
D137P_502957

Gas Valve, Igniter and Gas Conversion Kits

REF	PART NO.	DESCRIPTION	COMMENTS
	401P3	L.P. Conversion Kit	Used to convert dryers from Natural Gas (N.G.) or Mixed Gas to Liquid Petroleum Gas (L.P.)
	402P3	N.G. Conversion Kit	Used to convert dryers from L.P. to N.G. or Mixed Gas
1	510204	Lead-In Pipe Assembly	
2	500001*P	Cabinet Assembly	
3	51782	Screw	
4	510184P	Igniter and Bracket Assembly	
5	23222	Screw	
6	510213	Sensor	
7	61974	Combustion Duct Assembly	
8	503688	Screw	
9	510149P	Burner Assembly	
10	58804B	Secondary Coil	
11	58804P	Gas Valve Assembly	
12	510084	Dryer Base	
13	56124	Screw	
14	510128	Gas Valve Mounting Bracket	
15	58804A	Booster and Holding Coil	
14	510530	Gas Valve Wire Harness Assembly	
17	510205	Elbow Shut-Off Valve	

* Add Letter To Designate Color. L - Almond W - White

Cabinet, Exhaust Duct and Base



DRY2244P_502957

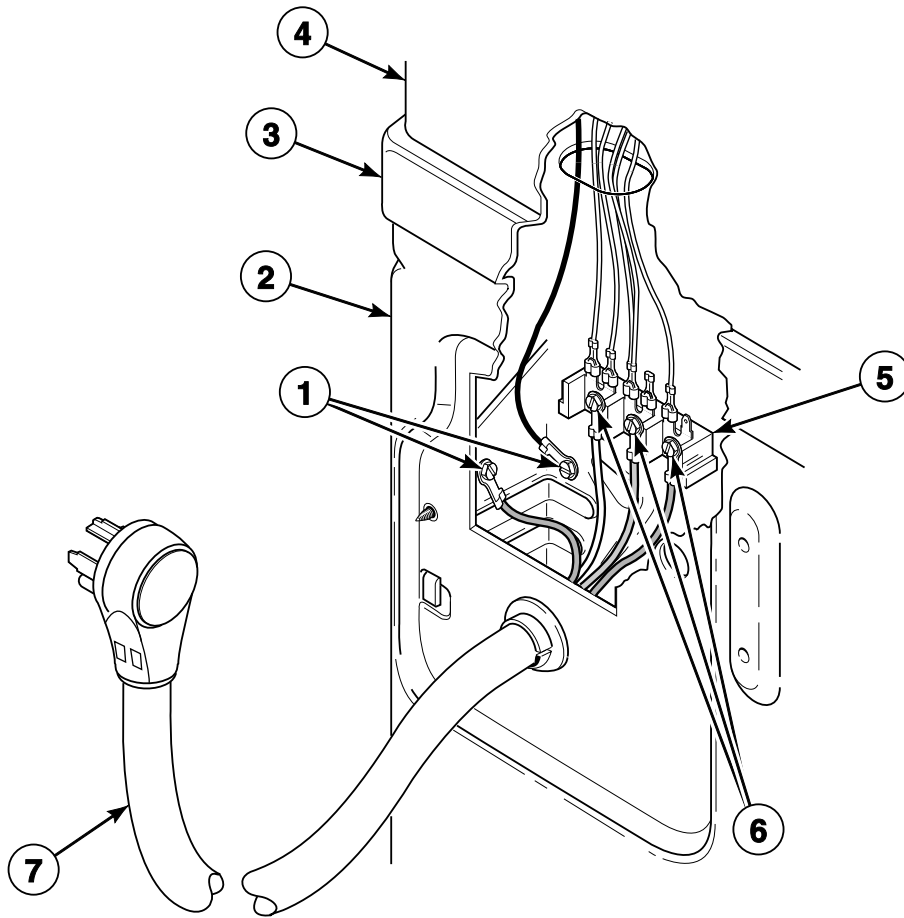
Cabinet, Exhaust Duct and Base

REF	PART NO.	DESCRIPTION	COMMENTS
1	56128	Bumper Pad	
2	56079	Panel Locator	
3	39733	Screw	
4	510136	Top Hinge	
5	33562	Screw	
6	511004	Gas Clearance Label	Gas models
7	510903	Access Panel Plate	
8	511005	Electric Clearance Label	Electric models
9	510137	Exhaust Duct	2 required
10	521P3	Flexible Venting Kit	
11	503688	Screw	
12	500001*P	Cabinet Assembly	
13	528P3	Directional Exhaust Kit	Used to vent dryer out the sides or bottom
14	526P3	Hold Down Kit	For mobile home installations
15	510135	Leveling Leg	
16	510084	Dryer Base	
17	61294	Fuse Notice Label	Electric models

* Add Letter To Designate Color. L - Almond W - White

Power Cord (Drawing 1 of 2)

Models CE4317*2, CE8407*2, CE8517*2 and CE9207*2



D256P_502957

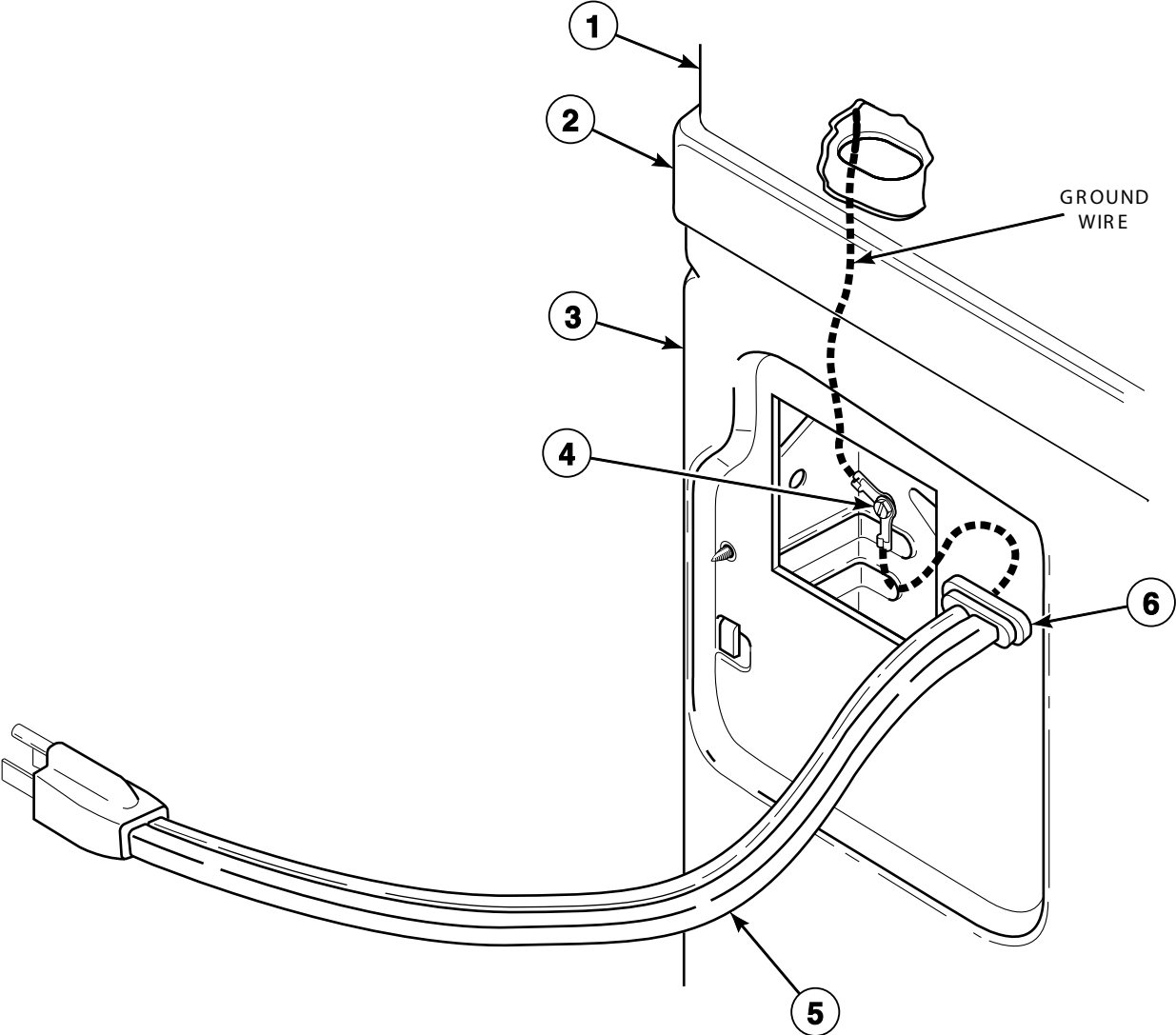
Power Cord (Drawing 1 of 2)

REF	PART NO.	DESCRIPTION	COMMENTS
1	20530	Screw	Use with painted and unpainted bulkhead
	33562	Screw	Use with stainless steel bulkhead
2	500001*P	Cabinet Assembly	
3	510029*P	Top Panel Kit	Includes (2) 510146 Brackets
4	510099	Hood Back Panel	
5	510190P	Terminal Block Assembly	
6	61199	Screw	
7	510505P	Lead-In Cord Assembly	

* Add Letter To Designate Color. L - Almond W - White

Power Cord (Drawing 2 of 2)

Gas Models



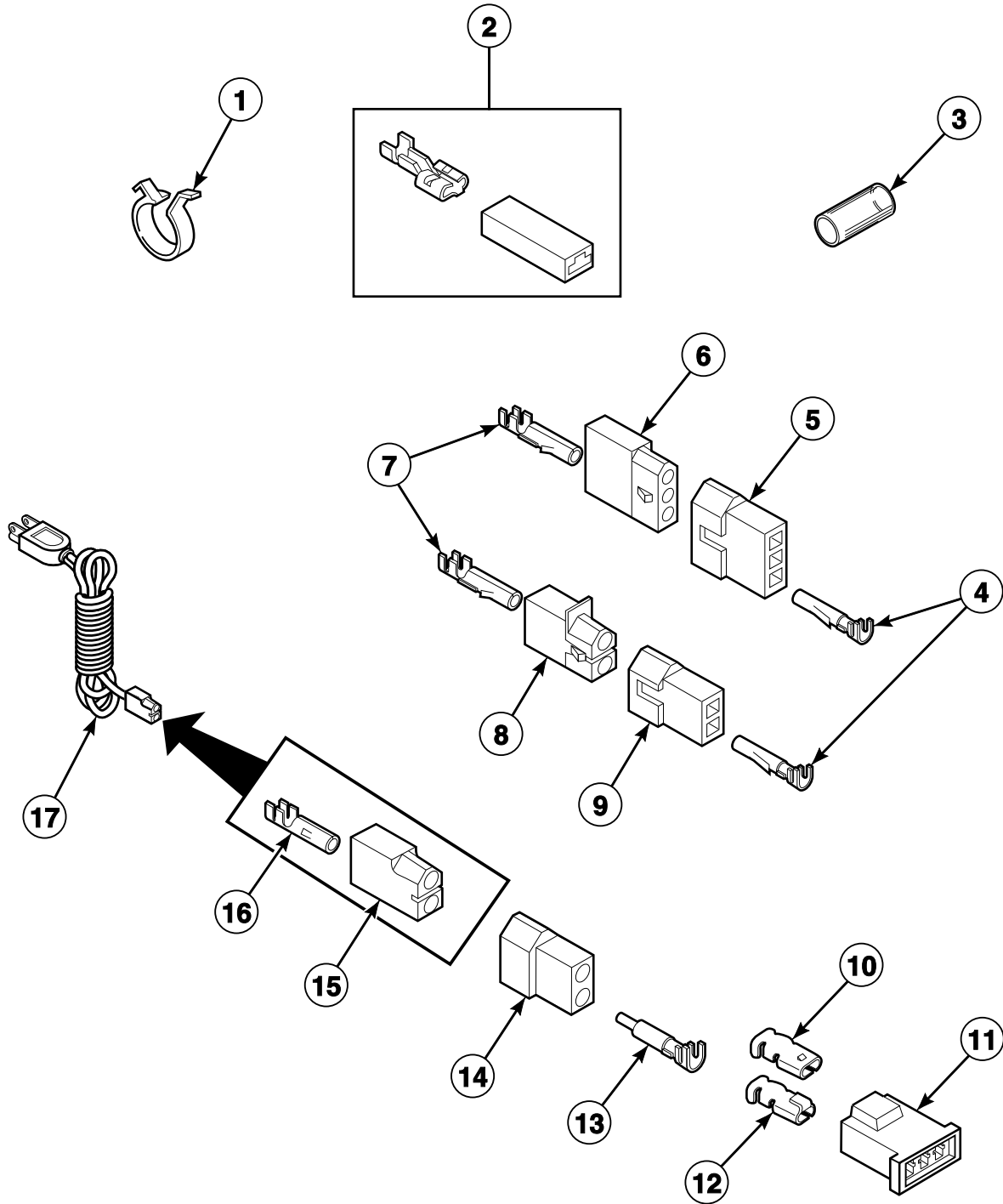
D298P_502957

Power Cord (Drawing 2 of 2)

REF	PART NO.	DESCRIPTION	COMMENTS
1	510099	Hood Back Panel	
2	510029*P	Top Panel Kit	Includes (2) 510146 Brackets
3	500001*P	Cabinet Assembly	
4	20530	Screw	Use with painted and unpainted bulkhead
	33562	Screw	Use with stainless steel bulkhead
5	56222	Lead-In Cord	
6	38384	Strain Relief	

* Add Letter To Designate Color. L - Almond W - White

Terminals (Drawing 1 of 2)

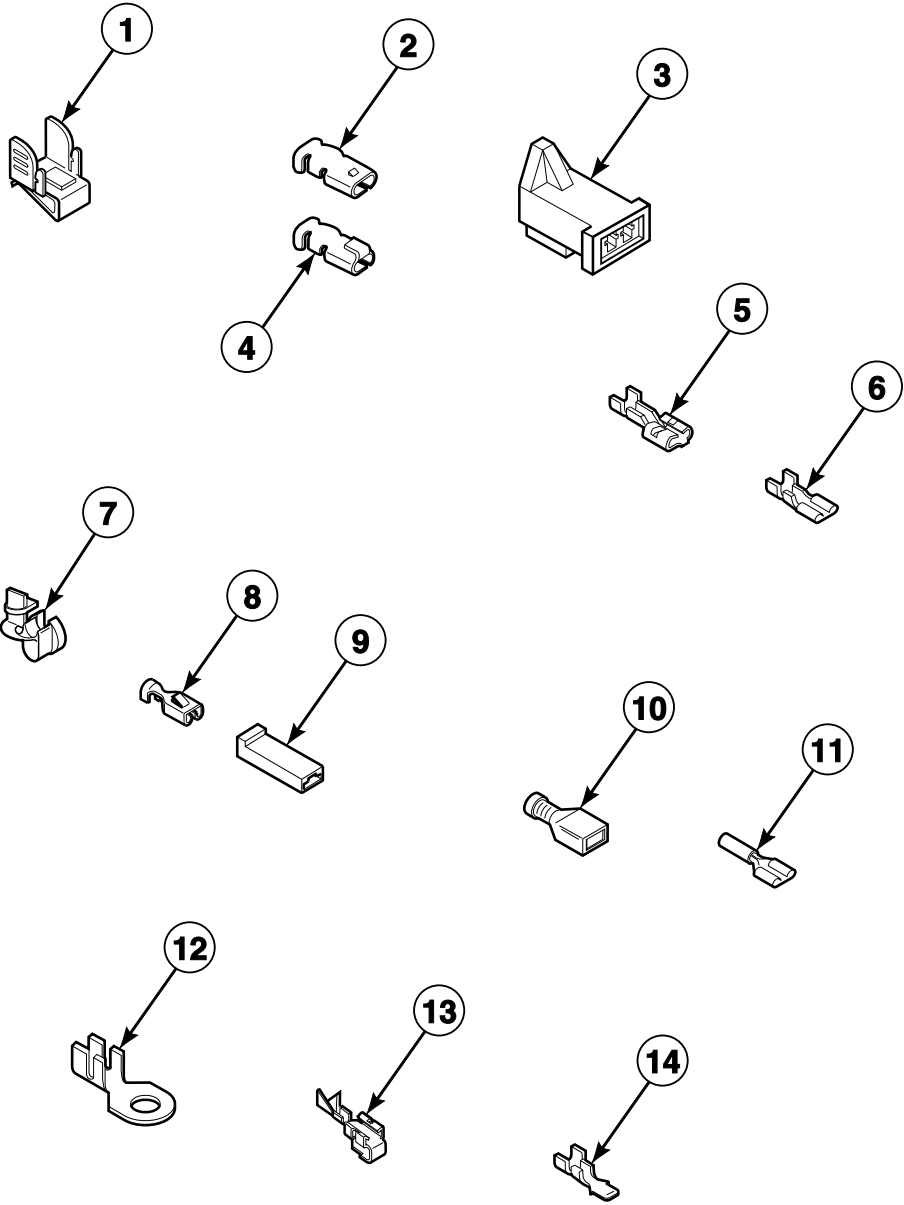


D250P_502957

Terminals (Drawing 1 of 2)

REF	PART NO.	DESCRIPTION	COMMENTS
1	504034	Wire Clip	
2	00360	Insulated Female Spade Terminal	1/4 inch; (1) 12 gauge wire or (2) 18 gauge wires
3	503670	Insulator Sleeve	
4	00116	Male Pin Terminal	
5	23040	Plug	3 circuit
6	23039	3 Circuit Receptacle	
7	00117	Female Pin Terminal	
8	56451	2 Circuit Receptacle	
9	56448	2 Circuit Plug	
10	00189	Female Spade Terminal	
11	58800	3 Circuit Connector	
12	00361	Female Piggyback Terminal	Receptacle connector
13	00127	Male Pin Terminal	
14	56266	2 Circuit Plug	
15	56265	2 Circuit Receptacle	
16	00130	Female Pin Terminal	
17	56222	Lead-In Cord	Gas models

Terminals (Drawing 2 of 2)

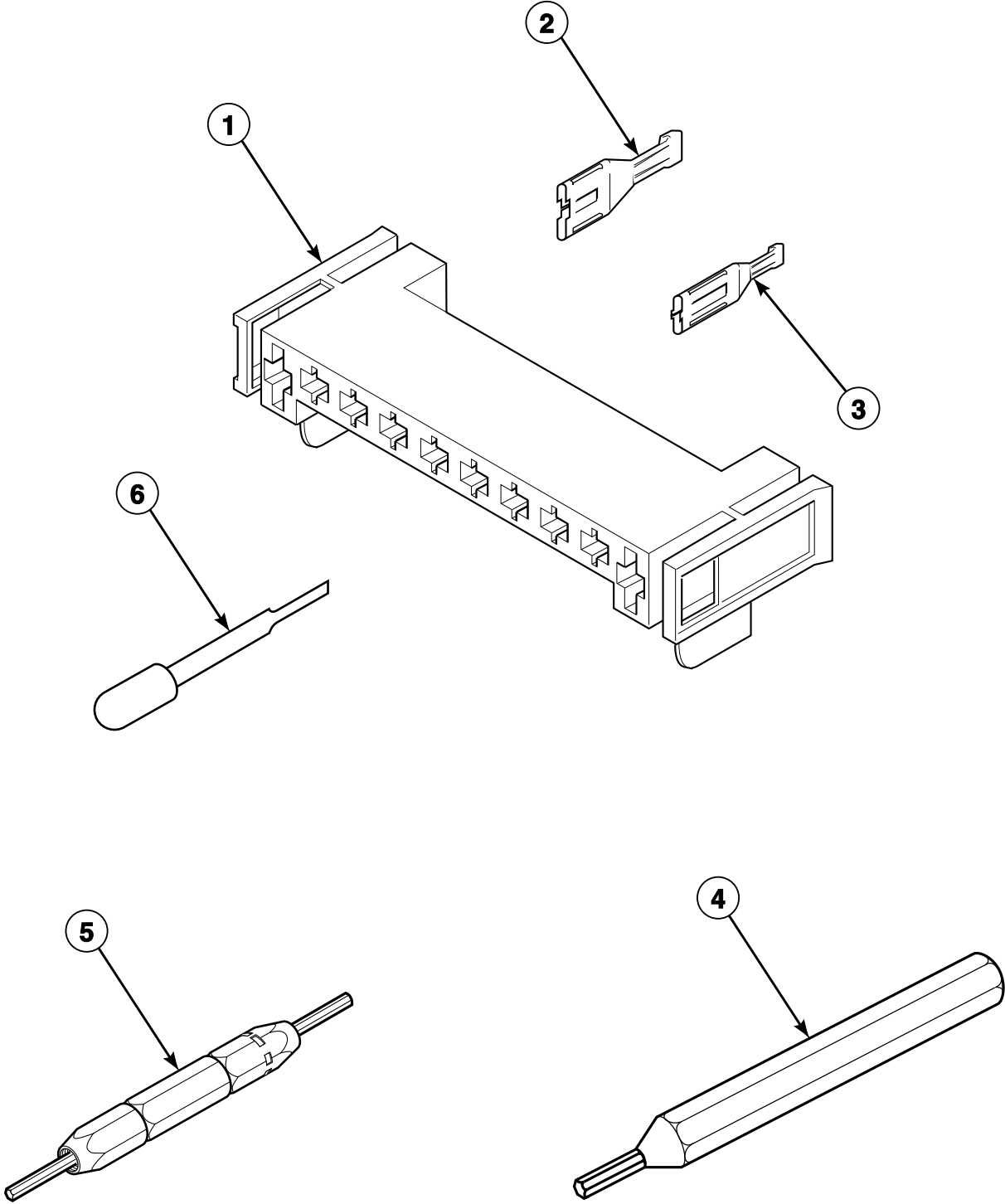


D251P_502957

Terminals (Drawing 2 of 2)

REF	PART NO.	DESCRIPTION	COMMENTS
1	00161	Grounding Clip	
2	00189	Female Spade Terminal	
3	58799	2 Circuit Connector	
4	00361	Female Piggyback Terminal	Receptacle connector
5	00119	Female Spade Terminal	1/4 inch; (1) 18 gauge wire
	00121	Female Spade Terminal	1/4 inch; (2) 18 gauge wires or (1) 12 gauge wire
	00245	Spade Terminal	1/4 inch; (1) 22 gauge wire
6	00124	Female Spade Terminal	3/16 inch; (1) 18 gauge wire; 020 tab
	00156	Female Spade Terminal	3/16 inch; Thermostat wire; 032 tab
	00209	Female Spade Terminal	3/16 inch; (2) 18 gauge wires; 020 tab
7	38384	Strain Relief	
8	00115	Female Spade Terminal	1/4 inch; (1) 18 gauge wire
	00122	Female Spade Terminal	1/4 inch; (2) 18 gauge wires or (1) 12 gauge wire
9	90789	Receptacle Housing	
10	00359	Insulated Female Spade Terminal	1/4 inch
	00165	Insulated Female Terminal	3/16 inch
11	00214	Pre-Insulated Spade Terminal	1/4 inch; 18 gauge wire
	00215	Pre-Insulated Spade Terminal	1/4 inch; 12 gauge wire
12	00110	Ring Terminal	No. 10; (1) 18 gauge wire
	00111	Ring Terminal	No. 10; (2) 18 gauge wires or (1) 12 gauge wire
13	00114	Female Spade Terminal	1/4 inch; Double connector
14	00139	Male Tab Terminal	1/4 inch; (2) 18 gauge wires or (1) 12 gauge wire

Motor Connection Block and Terminal Extractor Tools



D301P_502957

Motor Connection Block and Terminal Extractor Tools

REF	PART NO.	DESCRIPTION	COMMENTS
1	500338	10 Position Housing	Molex; 10 circuit
2	00255	Female Terminal	1/4 inch; (1) 12 gauge wire
	00256	Female Terminal	1/4 inch; (1) or (2) 18 gauge wires
3	00188	Female Terminal	1 or 2 wire application
4	128P4	Extractor Tool	For use on gas dryer terminals
5	190P4	Extractor Tool	For use on electric dryer terminals
6	283P4	Terminal Extractor Tool	

Wire Harnesses

PART NO.	DESCRIPTION	COMMENTS
500734	Wire Harness Assembly	Model LE9207*2
500739	Wire Harness Assembly	Model LG9209*2
500741	Wire Harness Assembly	Model LE8607*2
500742	Wire Harness Assembly	Model LG8609*2
500744	Wire Harness Assembly	Models LE8407*2 and LE8517*2
500745	Wire Harness Assembly	Models CG8409*2, LG8409*2 and LG8519*2
500747	Wire Harness Assembly	Models LE4217*2 and LE8217*2
500748	Wire Harness Assembly	Models LG4219*2 and LG8219*2
500797	Wire Harness Assembly	Model CE9207*2
501336	Wire Harness Assembly	Models CE9207*2, LE8607*2, LE9207*2, LG8609*2 and LG9209*2
501397	Wire Harness Assembly	Models LE7121*M, LE7153*B, LE7153*M, LE7163*M and LE8457*2
501400	Wire Harness Assembly	Models LG8121*M, LG8153*B, LG8153*M, LG8163*M and LG8459*2
501885	Wire Harness Assembly	Models LE4207*2, LE7101*B, LE8107*2, LE8207*2 and LE8207*3
501886	Wire Harness Assembly	Models LG4209*2, LG8101*B, LG8109*2, LG8209*2 and LG8209*3
502137	Wire Harness Assembly	Models CE8407*2 and CE8517*2
502229	Wire Harness Assembly	Models LG4319*2, LG8111*B and LG8319*2
502267	Wire Harness Assembly	Model CE4317*2
502378	Wire Harness Assembly	Models LE4317*2, LE7111*B, LE7111*M and LE8317*2

* Add Letter To Designate Color. L - Almond W - White

Parts Index

A

Access Panel 510069*P	17
Access Panel Plate 510903	31
Adhesive 511637P	21, 23

B

Blower and Fan Kit 510717P	19
Blower Fan Assembly 510139P	19
Blower Housing and Cover Kit 511969P	19
Blower Housing Seal 500313	19
Booster and Holding Coil 58804A	29
Bracket 510146	13
Bumper Pad 56128	31
Burner Assembly 510149P	29

C

Cabinet Assembly 500001*P	13, 21, 23, 29, 31, 33, 35
Circuit Board Support 501523	7
Combustion Duct Assembly 61974	27, 29
Connector, 2 Circuit 58799	39
Connector, 3 Circuit 58800	37
Control Mounting Plate 500300	5, 7, 9
500301	11
Cylinder Assembly 500013WP	21
500095P	21
500735P	21
Cylinder Baffle 510102	21
Cylinder Belt 511255P	19
Cylinder Glide 501553	21
510188	21
Cylinder Glide Bracket 510145	21

Cylinder Light Housing 500153	21
Cylinder Roller 510708P	23
Cylinder Roller Bracket 510100	23
Cylinder Seal Assembly 510207P	21, 23

D

Diffuser 500305	5, 7
500308	9, 11
Directional Exhaust Kit 528P3	31
Disconnect Power Warning Label 505281	7, 9, 11, 13
Door Assembly 500035*	15
Door Catch Assembly 510177	17
Door Hinge 510519	15
Door Hinge Mounting Clip 500236	15
Door Pull 500042*	15
Door Seal 500200P	15
Door Strike 510181	15
Door Strike Mount 510127	15
Drum Light Lamp 60954	21
Drum Light Lens 500094	21
Dryer Base 510084	19, 27, 29, 31
Dryer Door 500040*	15
Drying Rack 501295P	15

E

Elbow Shut-Off Valve 510205	29
Electric Clearance Label 511005	31
Electronic Control Assembly 504184*P	11
Electronic Control Board Assembly 501266P	7
End Panel 34815	5, 7
34816	5, 7

N/A items do not appear in index.

504008*P	5, 7, 9, 11
504009*P	5, 7, 9, 11
Exhaust Duct 510137	31
Extractor Tool 128P4	41
190P4	41

F

Fabric Selector Switch 61511	5
Felt Pad 510189	21
Female Piggyback Terminal 00361	37, 39
Female Pin Terminal 00117	37
00130	37
Female Spade Terminal 00114	39
00115	39
00119	39
00121	39
00122	39
00124	39
00156	39
00189	37, 39
00209	39
Female Terminal 00188	41
00255	41
00256	41
Flexible Venting Kit 521P3	31
Fluorescent Light Assembly 34836	9, 11
Front Air Duct 502231	21
Front Bulkhead Assembly 500091P	21
500116W	21
500117W	21
501556WP	21
501570WP	21
Front Panel 500033*	15, 17
Front Panel Seal 500034	17
Fuse Notice Label 61294	31

G

Gas Clearance Label 511004	17, 31
Gas Valve Assembly 58804P	29
Gas Valve Mounting Bracket 510128	29
Gas Valve Wire Harness Assembly 510530	29

Gasket 500528	11
Graphic Panel 500529*	11
502205*	7
502206*	5
502208	5
502209	7
502210*	5
502211	5
502212*	7
502213*	7
502214*	9
502383	7
502420	7
502629*	5
502630*	5
503127*	7
503145	5
503146*	5
Grounding Clip 00161	39

H

Heat Duct Shield 60952	25, 27
Heat Duct Shroud 510101	27
Heater Duct and Screw Assembly 510025P	23, 25, 27
Heater Kit Assembly 61927	25
61928	25
61929	25
Hold Down Kit 526P3	31
Hold-Down Spring Clip 503876	13
Hood Back Panel 510099	5, 7, 9, 11, 13, 33, 35
Housing, 10 Position 500338	41

I

Idler Lever 510133	19
Idler Lever and Wheel Assembly 510158	19
Idler Spring 510185	19
Idler Wheel and Bearing Assembly 510142P	19
Igniter and Bracket Assembly 510184P	29
Insulated Female Spade Terminal 00359	39
00360	37
Insulated Female Terminal 00165	39
Insulator Sleeve 503670	37

N/A items do not appear in index.

K

Knob Assembly	
34847	5, 7
36701*	5, 7, 9

L

Lead-In Cord	
56222	35, 37
Lead-In Cord Assembly	
510505P	33
Lead-In Pipe Assembly	
510204	29
Leveling Leg	
510135	31
Limit Thermostat	
510701	25
510702	27
Liner and Seal Assembly	
500199P	15
Lint Filter	
502140P	21
Lint Filter Cover	
502092	21
L.P. Conversion Kit	
401P3	29

M

Male Pin Terminal	
00116	37
00127	37
Male Tab Terminal	
00139	39
Moisture Sensor	
501247	21
Moisture Sensor Mounting	
501246	21
Motor Adapter Harness Kit	
559P3	19
560P3	19
Motor and Pulley Assembly	
511629P	19
Motor Hub Ring Kit	
590P3	19
Motor Mount	
510060	19
Motor Mount Clamp	
510180	19
Motor Pulley	
500011	19
Motor Switch	
501218	19

N

Notice Seal Sticker	
56259	21

Nut	
52566	19
56156	19, 23
57584	5
N.G. Conversion Kit	
402P3	29

O

Outlet Cover	
500820	25, 27

P

Panel Locator	
56079	17, 31
Plug	
23040	37
Plug, 2 Circuit	
56266	37
56448	37
Pre-Insulated Spade Terminal	
00214	39
00215	39

R

Rear Bulkhead Assembly	
501154	23
510905WP	23
511082P	23
Receptacle Housing	
90789	39
Receptacle, 2 Circuit	
56265	37
56451	37
Receptacle, 3 Circuit	
23039	37
Retaining Ring	
23748	19, 23
Ring Terminal	
00110	39
00111	39
Rocker Switch	
35038	9, 11
Rotary Signal	
500823	5, 7, 9

S

Screw	
20530	13, 19, 23, 33, 35
23222	19, 25, 29
31260	19
31645	19, 21
33562	13, 17, 19, 21, 23, 31, 33, 35
39733	17, 31
500226	15, 21
500227	17
500297	15

N/A items do not appear in index.

500824	19
501086	5, 7, 9, 11, 13
501285	23
502535	19
503688	23, 25, 27, 29, 31
505870	21
51782	27, 29
56124	29
61199	23, 33
62588	21
Secondary Coil	
58804B	29
Selector Switch	
62173	7, 9
Sensor	
510213	29
Shaft	
56461P	19, 23
Spade Terminal	
00245	39
Speed Clip	
28835	17
Strain Relief	
38384	35, 39
Switch	
512973	17
Switch Mount Bracket	
59704	5

T

Terminal Block Assembly	
510190P	23, 33
Terminal Extractor Tool	
283P4	41
Thermal Fuse Assembly	
511412	25
Thermal Fuse Kit	
490P3	25
Thermistor Assembly	
510523	19
Thermostat	
500807	25
503551	19
56410	19
61372	19
Thermostat Heater	
61401	19
Timer	
501881	5, 7
502963	5
502967P	5, 7, 9
502968P	7
Timer Knob Assembly	
500311	5, 7
512117*	5, 7, 9
Top Cover	
500302	5, 7
500303*	5, 7, 9, 11
Top Hinge	
510136	31
Top Panel Kit	
510029*P	5, 7, 9, 11, 13, 33, 35

W

Warning Label	
500049	21
500314	13, 21
Warning/Caution Label	
500281	17
Washer	
51474	23
52549	19, 23
Wire Clip	
504034	37
Wire Harness Assembly	
500734	42
500739	42
500741	42
500742	42
500744	42
500745	42
500747	42
500748	42
500797	42
501336	42
501397	42
501400	42
501885	42
501886	42
502137	42
502229	42
502267	42
502378	42

N/A items do not appear in index.