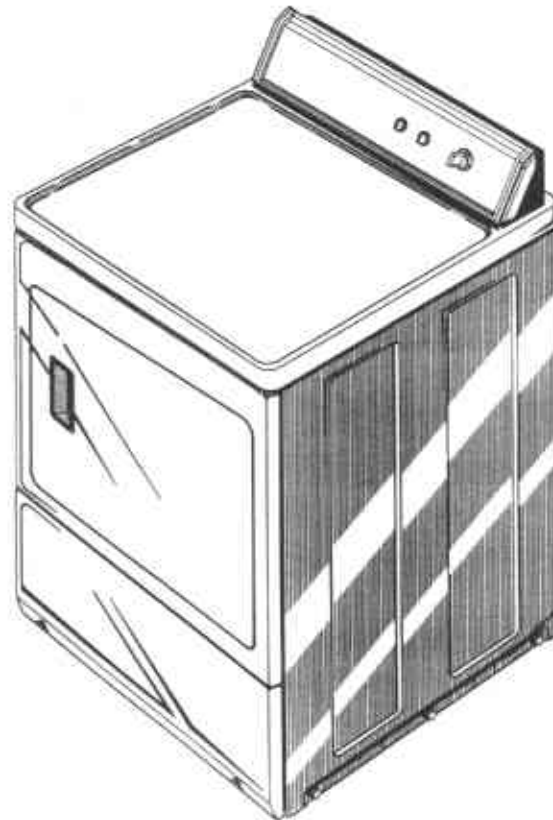


Models and manufacturing numbers in this manual are shown on pages 4 and 5.

Service

Home Laundry Dryers

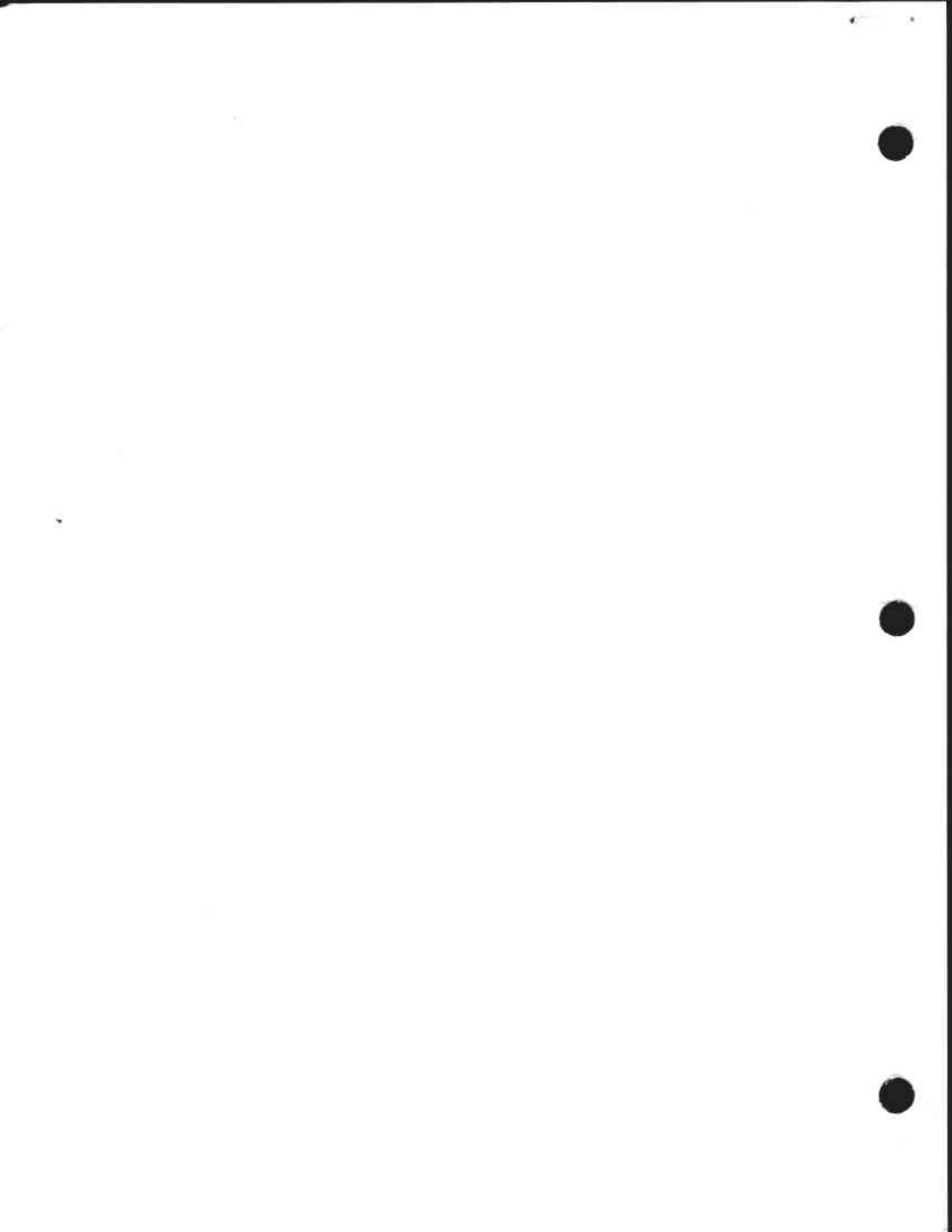
Service Manual for
Amana®



This manual is to be used by qualified appliance technicians only. Amana does not assume any responsibility for property damage or personal injury for improper service procedures done by an unqualified person.

Amana
Raytheon Appliances

RS3200001
Revision 3
(502992R3)
December 1996



▲WARNING

Failure to install, maintain, and/or operate this product according to the manufacturer's instructions may result in conditions which can produce serious injury, death and/or property damage.

Do not repair or replace any part of the product or attempt any servicing unless specifically recommended or published in this Service Manual and that you understand and have the skills to carry out.

Whenever ground wires are removed during servicing, these ground wires must be reconnected to ensure that the product is properly grounded and to reduce the risk of fire, electric shock, serious injury, or death.

W006R1

▲WARNING

Repairs that are made to your products by unqualified persons can result in hazards due to improper assembly or adjustments subjecting you, or the inexperienced person making such repairs, to the risk of serious injury, electrical shock, or death.

W007

▲CAUTION

If you or an unqualified person perform service on your product, you must assume the responsibility for any personal injury or property damage which may result. The manufacturer will not be responsible for any injury or property damage arising from improper service and/or service procedures.

W008

NOTE: The WARNINGS and IMPORTANT INSTRUCTIONS appearing in this manual are not meant to cover all possible conditions and situations that may occur. It must be understood that common sense, caution and carefulness are factors which CANNOT be built into these products. These factors MUST BE supplied by the person(s) installing, maintaining or operating the product.

Always contact your dealer, distributor, service agent or the manufacturer about any problems or conditions you do not understand.

In order to locate an authorized service agency, contact the dealer from whom you purchased this product or:

| | | |
|------------------------------------|-----------|------------------------------------|
| Consumer Affairs Dept. | or | 1-800-628-5782 |
| 2800 220th Trail | | CALL and ask for the |
| P.O. Box 8901 | | Consumer Affairs Department |
| Amana, Iowa 52204-0001 | | |

Users of products outside of the United States and Canada should contact:

**INTERNATIONAL DIVISION
AMANA REFRIGERATION, INC.
2800 220th TRAIL
P.O. BOX 8901
AMANA, IOWA 52204-0001, USA
Telephone: (319) 622-5511
Facsimile: (319) 622-2180**

Recognize Safety Symbols, Words and Labels

▲DANGER — Immediate hazards which WILL result in serious injury or death.

▲WARNING — Hazards or unsafe practices which COULD result in serious injury or death.

▲CAUTION — Hazards or unsafe practices which COULD result in minor or moderate injury or product or property damage.

W009

©Copyright 1996, Raytheon Appliances

All rights reserved. No part of the contents of this book may be reproduced or transmitted in any form or by any means without the written permission of the publisher.

Table of Contents

| | |
|----------------------------|---|
| Nameplate Location | 4 |
| Model Identification | 4 |

SECTION I — Grounding

| | |
|---|---|
| 1. Motor Mounting Bracket to Motor | 6 |
| 2. Neutral at Terminal Block to Rear Bulkhead and from Rear Bulkhead to Control housing | 7 |
| 3. Power Cord to Rear Bulkhead and from Rear Bulkhead to Control Housing. Wall Receptacle Polarity Check | 7 |
| 4. From Rear Bulkhead to Timer Mounting Bracket to Dryer Cabinet Top. Timer Mounting Bracket to Graphic Panel | 8 |
| From Rear Bulkhead to Dryer Cabinet Top to Electronic Control to Graphic Panel | 8 |

SECTION II — Service Procedures

| | |
|--|----|
| 5. Control Hood Assembly | 9 |
| 6. Fluorescent Light Assembly | 9 |
| 7. Control Hood End Caps | 9 |
| 8. Graphics Panel | 10 |
| 9. Timer | 10 |
| 10. Temperature Switch | 10 |
| 11. Signal Control | 10 |
| 12. Printed Circuit Board | 10 |
| 13. Electronic Control | 10 |
| 14. Lint Filter | 15 |
| 15. Inner and Outer Door Panels and Door Pull | 16 |
| 16. Loading Door | 16 |
| 17. Door Strike | 19 |
| 18. Door Seal | 19 |
| 19. Front Panel and Panel Seal | 20 |
| 20. Door Switch | 20 |
| 21. Strike Catch | 20 |
| 22. Door Hinge | 22 |
| 23. Hold-Down Clips and Guide Lugs | 22 |
| 24. Burner System Components | 23 |
| 25. Burner Housing and Heat Shroud | 25 |
| 26. Limit Thermostat | 25 |
| 27. Heating Element | 25 |
| 28. Thermister or Thermostat and Heater | 26 |
| 29. Front Air Duct | 26 |

| | |
|--|----|
| 30. Motor and Exhaust Assembly | 27 |
| 31. Cabinet Top | 30 |
| 32. Cylinder Light | 31 |
| 33. Cylinder Light Receptacle | 31 |
| 34. Front Bulkhead Assembly | 32 |
| 35. Moisture Sensor | 33 |
| 36. Cylinder Belt | 34 |
| 37. Cylinder Assembly | 35 |
| 38. Rear Seal | 36 |
| 39. Cylinder Rollers | 38 |
| 40. Outlet Cover | 38 |
| 41. Rear Bulkhead and Heater Box | 39 |
| 42. Terminal Block or Power Cord | 41 |
| 43. Terminal Block Terminals | 43 |
| 44. Cabinet | 43 |
| 45. Base | 45 |

SECTION III — Adjustments

| | |
|-------------------------|----|
| 46. Leveling Legs | 46 |
| 47. Burner Flame | 47 |

SECTION IV — Test Procedures

| | |
|---|----|
| 48. Drive Motor | 49 |
| 49. Burner System Operation | 52 |
| 50. Electrical Circuit to Ignition System | 53 |
| 51. Gas Valve Coils | 54 |
| 52. Sensor | 55 |
| 53. Igniter | 55 |
| 54. Temperature Switch | 55 |
| 55. Door Switch | 56 |
| 56. Signal Control | 56 |
| 57. Timer Contact Points | 56 |
| 58. Cycling or Limit Thermostat | 56 |
| 59. Thermostat Heater | 58 |
| 60. Thermal Fuse | 59 |
| 61. Heater Assembly | 59 |

SECTION V — Service Helps

| | |
|---|----|
| 62. Motor Does Not Run | 60 |
| 63. Unit Stops in Cycle; Quits after a Couple Loads; Has a Burning Smell; Cycles on Motor Thermal Protector | 61 |
| 64. Motor Runs But Cylinder Does Not Turn | 61 |
| 65. Motor Does Not Stop | 62 |

| | |
|---|----|
| 66. Heating Assembly Does Not Heat or Burner Does Not Ignite | 62 |
| 67. Igniter Does Not Glow | 63 |
| 68. Burner Ignites and Goes Out Repeatedly | 63 |
| 69. Igniter Glows But Burner Does Not Ignite | 63 |
| 70. Heater Assembly or Burner Shuts Off Prematurely | 64 |
| 71. Heater Assembly or Burner Repeatedly Cycles Off On Limit Thermostat | 64 |
| 72. Heater Assembly or Burner Does Not Shut Off | 65 |
| 73. Clothes Do Not Dry | 65 |
| 74. Timer Does Not Advance in Automatic Cycle | 66 |
| 75. Clothes Are Too Hot When Removed From Dryer | 66 |

| | |
|---|-----------|
| SECTION VI — Internal Wiring of Dryer Motor Switch | 67 |
|---|-----------|

SECTION VII — Service Procedures Unique to the Electronic Control Model Dryers

| | |
|---|----|
| 76. Electrical Service | 68 |
| 77. Grounding Instructions | 74 |
| 78. Failure Symptoms | 75 |
| 79. Blown Fuse or Tripped Circuit Breaker | 77 |
| 80. Control Will Not Wake Up (No LED's Light) After SELECT CYCLE Pad is Pressed | 78 |
| 81. Control Wakes Up (When SELECT CYCLE Pad is Pressed (But Motor Does Not Start) | 79 |

| | |
|---|----|
| 82. Heater Does Not Turn On or No Heat | 80 |
| 83. Improper Drying Temperature or Dry Times | 81 |
| 84. "oP" Appears in Time Display | 83 |
| 85. "SH" Appears in Time Display | 84 |
| 86. Dryer Goes Into Cool-Down in About Five Minutes and Load is Not Dry | 85 |
| 87. Control Replacement | 86 |
| Electronic Control Board Replacement Report | 87 |

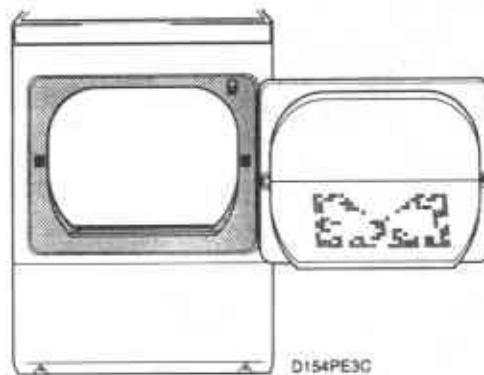
SECTION VIII — Service Procedures Unique to the Electromechanical Dryers with Moisture Sensor

| | |
|---|----|
| 88. Dryer Operation | 88 |
| 89. Automatic Cycles | 88 |
| 90. No Heat | 88 |
| 91. Time Dry | 88 |
| 92. Control Replacement | 89 |
| 93. Timer Contact Points | 90 |
| 94. Temp/Dryness Control Resistance Chart | 91 |
| 95. Timer Does Not Advance | 92 |
| 96. Heater Does Not Turn On or No Heat | 93 |
| 97. Heater Assembly or Burner Shuts Off Prematurely | 94 |
| 98. Clothes are Too Hot When Removed From Dryer | 95 |

| | |
|---|-----------|
| SECTION IX — Wiring Diagrams | 96 |
|---|-----------|

Nameplate Location

When calling or writing about your dryer, be sure to mention model, manufacturing, and serial numbers. Model, manufacturing and serial numbers are located on nameplate. Nameplate is in one of the four corners of the door well. The door well is the shaded area shown.



Model Identification

Information in this manual is applicable to these dryer models:

| Model Number | Manufacturing Number | Timer Model | Electronic Model | Cylinder | Electric Heat | Gas Heat | Moisture Sensor |
|--------------|----------------------|-------------|------------------|----------|---------------|----------|-----------------|
| CE4317L2 | PCE4317L2 | X | | P. | X | | |
| CE4317W2 | PCE4317W2 | X | | P. | X | | |
| CE8317W2 | PCE8317W2 | X | | P. | X | | |
| CE8407W2 | PCE8407W2 | X | | P. | X | | |
| CE8517W2 | PCE8517W2 | X | | S.S. | X | | |
| CE9207W2 | PCE9207W2 | | X | S.S. | X | | X |
| CG8409W2 | PCG8409W2 | X | | P. | | X | |
| LE4207L2 | PLE4207L2 | X | | P. | X | | |
| LE4217*2 | PLE4217*2 | X | | P. | X | | |
| LE4207W2 | PLE4207W2 | X | | P. | X | | |
| LE4317L2 | PLE4317L2 | X | | P. | X | | |
| LE7101LB | PLE7101LB | X | | P. | X | | |
| LE7101WB | PLE7101WB | X | | P. | X | | |
| LE7111LB | PLE7111LB | X | | P. | X | | |
| LE7111LM | PLE7111LM | X | | P. | X | | |
| LE7111WB | PLE7111WB | X | | P. | X | | |
| LE7111WM | PLE7111WM | X | | P. | X | | |
| LE7121LM | PLE7121LM | X | | P. | X | | |
| LE7121WM | PLE7121WM | X | | P. | X | | |
| LE7153LB | PLE7153LB | X | | S.S. | X | | |
| LE7153LM | PLE7153LM | X | | S.S. | X | | |
| LE7153WB | PLE7153WB | X | | S.S. | X | | |
| LE7153WM | PLE7153WM | X | | S.S. | X | | |
| LE7163LM | PLE7163LM | X | | S.S. | X | | |
| LE7163WM | PLE7163WM | X | | S.S. | X | | |
| LE8107*2 | PLE8107*2 | X | | U.P. | X | | |
| LE8207*2 | PLE8207*2 | X | | P. | X | | |
| LE8207*3 | PLE8207*3 | X | | P. | X | | |
| LE8217*2 | PLE8217*2 | X | | P. | X | | |
| LE8317L2 | PLE8317L2 | X | | P. | X | | |
| LE8317W2 | PLE8317W2 | X | | P. | X | | |

P. Painted
 S.S. Stainless Steel
 U.P. Unpainted

| Model Number | Manufacturing Number | Timer Model | Electronic Model | Cylinder | Electric Heat | Gas Heat | Moisture Sensor |
|--------------|----------------------|-------------|------------------|----------|---------------|----------|-----------------|
| LE8407L2 | PLE8407L2 | X | | P. | X | | |
| LE8407W2 | PLE8407W2 | X | | P. | X | | |
| LE8457L2 | PLE8457L2 | X | | P. | X | | |
| LE8457W2 | PLE8457W2 | X | | P. | X | | |
| LE8517L2 | PLE8517L2 | X | | S.S. | X | | |
| LE8517W2 | PLE8517W2 | X | | S.S. | X | | |
| LE8607L2 | PLE8607L2 | X | | S.S. | X | | |
| LE8607W2 | PLE8607W2 | X | | S.S. | X | | |
| LE9207L2 | PLE9207L2 | | X | S.S. | X | | |
| LE9207W2 | PLE9207W2 | | X | S.S. | X | | |
| LG4209L2 | PLG4209L2 | X | | P. | | X | |
| LG4209W2 | PLG4209W2 | X | | P. | | X | |
| LG4219*2 | PLG4219*2 | X | | P. | | X | |
| LG4319L2 | PLG4319L2 | X | | P. | | X | |
| LG4319W2 | PLG4319W2 | X | | P. | | X | |
| LG8101LB | PLG8101LB | X | | P. | | X | |
| LG8101WB | PLG8101WB | X | | P. | | X | |
| LG8109*2 | PLG8109*2 | X | | U.P. | | X | |
| LG8111LB | PLG8111LB | X | | P. | | X | |
| LG8111LM | PLG8111LM | X | | P. | | X | |
| LG8111WB | PLG8111WB | X | | P. | | X | |
| LG8111WM | PLG8111WM | X | | P. | | X | |
| LG8121LM | PLG8121LM | X | | P. | | X | |
| LG8121WM | PLG8121WM | X | | P. | | X | |
| LG8153LB | PLG8153LB | X | | S.S. | | X | |
| LG8153LM | PLG8153LM | X | | S.S. | | X | |
| LG8153WB | PLG8153WB | X | | S.S. | | X | |
| LG8153WM | PLG8153WM | X | | S.S. | | X | |
| LG8163LM | PLG8163LM | X | | S.S. | | X | |
| LG8163WM | PLG8163WM | X | | S.S. | | X | |
| LG8209*2 | PLG8209*2 | X | | P. | | X | |
| LG8209*3 | PLG8209*3 | X | | P. | | X | |
| LG8219*2 | PLG8219*2 | X | | P. | | X | |
| LG8319L2 | PLG8319L2 | X | | P. | | X | |
| LG8319W2 | PLG8319W2 | X | | P. | | X | |
| LG8409L2 | PLG8409L2 | X | | P. | | X | |
| LG8409W2 | PLG8409W2 | X | | P. | | X | |
| LG8459L2 | PLG8459L2 | X | | P. | | X | |
| LG8459W2 | PLG8459W2 | X | | P. | | X | |
| LG8519L2 | PLG8519L2 | X | | S.S. | | X | |
| LG8519W2 | PLG8519W2 | X | | S.S. | | X | |
| LG8609L2 | PLG8609L2 | X | | S.S. | | X | X |
| LG8609W2 | PLG8609W2 | X | | S.S. | | X | X |
| LG9209L2 | PLG9209L2 | | X | S.S. | | X | X |
| LG9209W2 | PLG9209W2 | | X | S.S. | | X | X |

P. Painted
S.S. Stainless Steel
U.P. Unpainted

SECTION I

Grounding

WARNING

To reduce the risk of electric shock, fire, explosion, serious injury or death:

- Disconnect electric power to the dryer before servicing.
- Close gas shut-off valve to gas dryer before servicing.
- Never start the dryer with any guards/panels removed.
- Whenever ground wires are removed during servicing, these ground wires must be reconnected to ensure that the dryer is properly grounded.

W001

1. MOTOR MOUNTING BRACKET TO MOTOR (Gas and Electric Models — Figure 1).

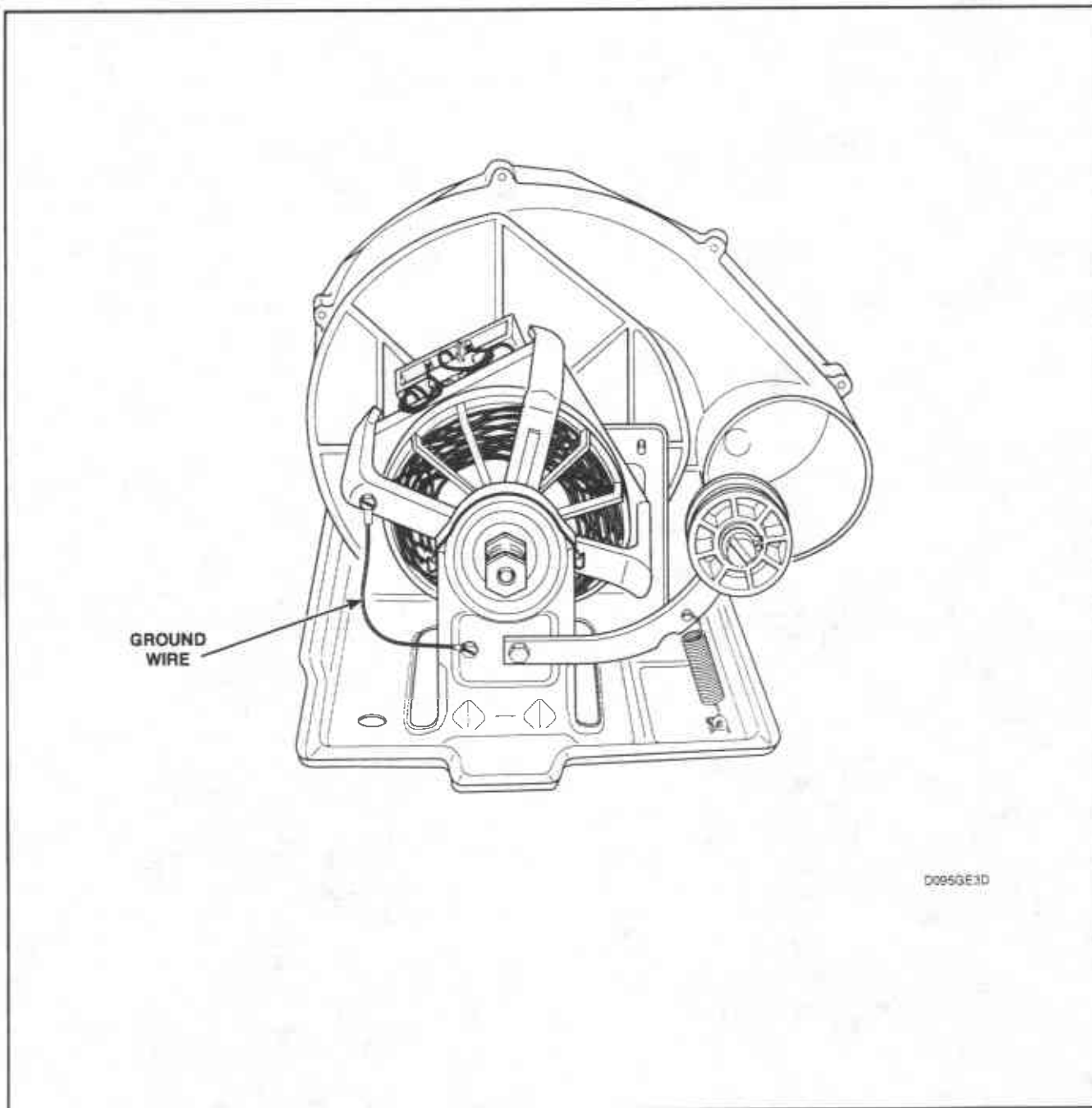


Figure 1

WARNING

To reduce the risk of electric shock, fire, explosion, serious injury or death:

- Disconnect electric power to the dryer before servicing.
- Close gas shut-off valve to gas dryer before servicing.
- Never start the dryer with any guards/panels removed.
- Whenever ground wires are removed during servicing, these ground wires must be reconnected to ensure that the dryer is properly grounded.

W001

2. NEUTRAL AT TERMINAL BLOCK TO REAR BULKHEAD AND FROM REAR BULKHEAD TO CONTROL HOUSING (Electric Models Only — Figure 2).

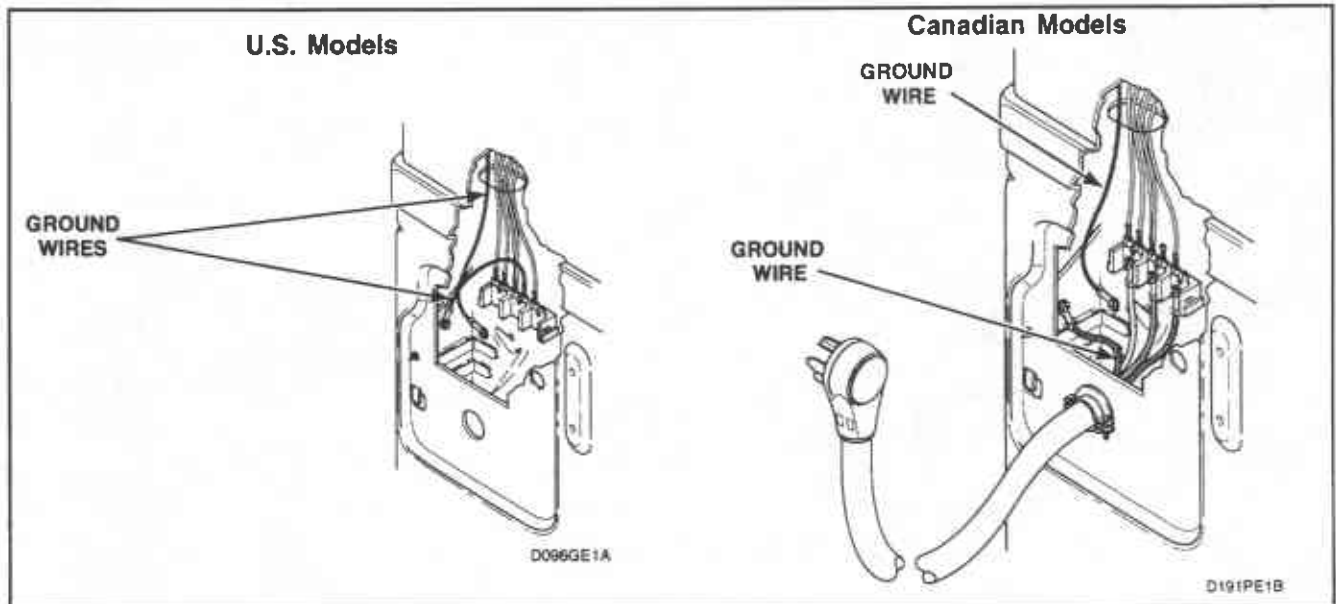


Figure 2

3. POWER CORD TO REAR BULKHEAD AND FROM REAR BULKHEAD TO CONTROL HOUSING. WALL RECEPTACLE POLARITY CHECK (Gas Models Only — Figure 3).

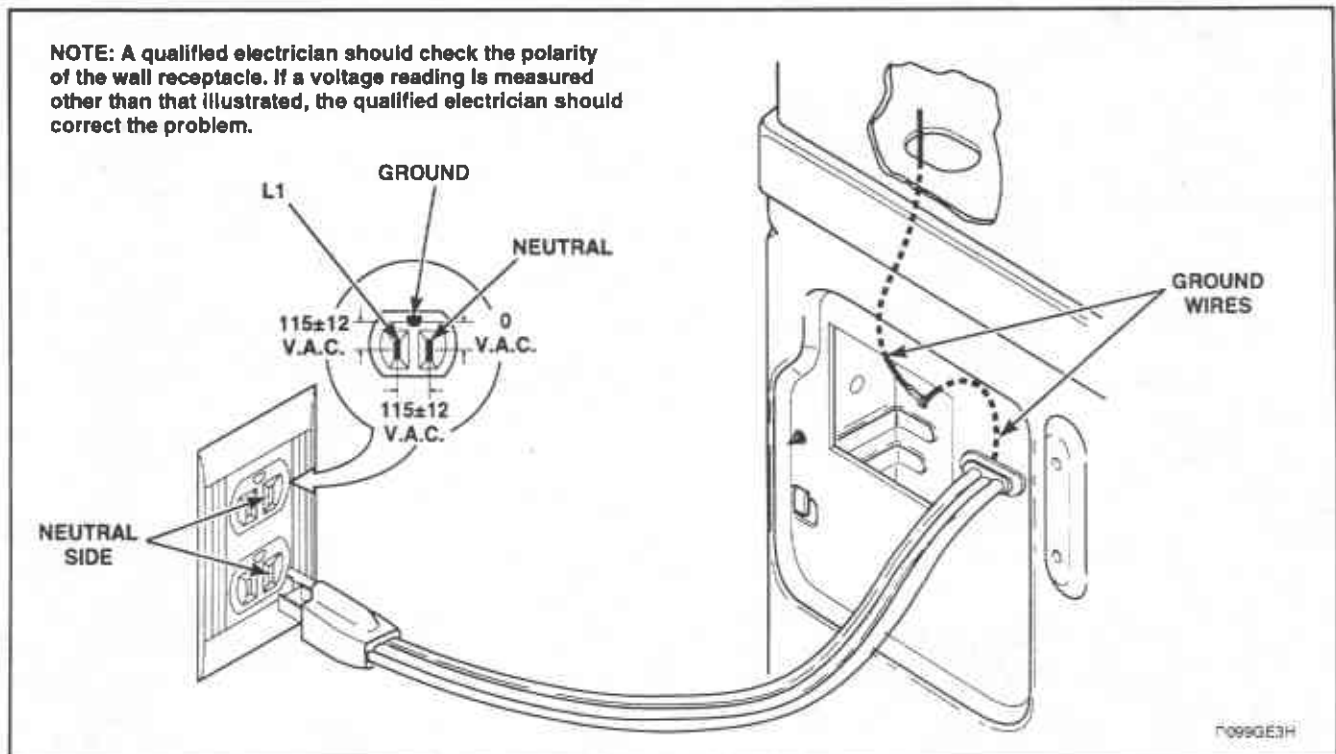


Figure 3

▲WARNING

To reduce the risk of electric shock, fire, explosion, serious injury or death:

- Disconnect electric power to the dryer before servicing.
- Close gas shut-off valve to gas dryer before servicing.
- Never start the dryer with any guards/panels removed.
- Whenever ground wires are removed during servicing, these ground wires must be reconnected to ensure that the dryer is properly grounded.

W001

4. FROM REAR BULKHEAD TO TIMER MOUNTING BRACKET TO DRYER CABINET TOP. TIMER MOUNTING BRACKET TO GRAPHIC PANEL (Mechanical Timer Model Dryers — *Figure 4*).

FROM REAR BULKHEAD TO DRYER CABINET TOP TO ELECTRONIC CONTROL TO GRAPHICS PANEL (Electronic Control Model Dryers — *Figure 4*).

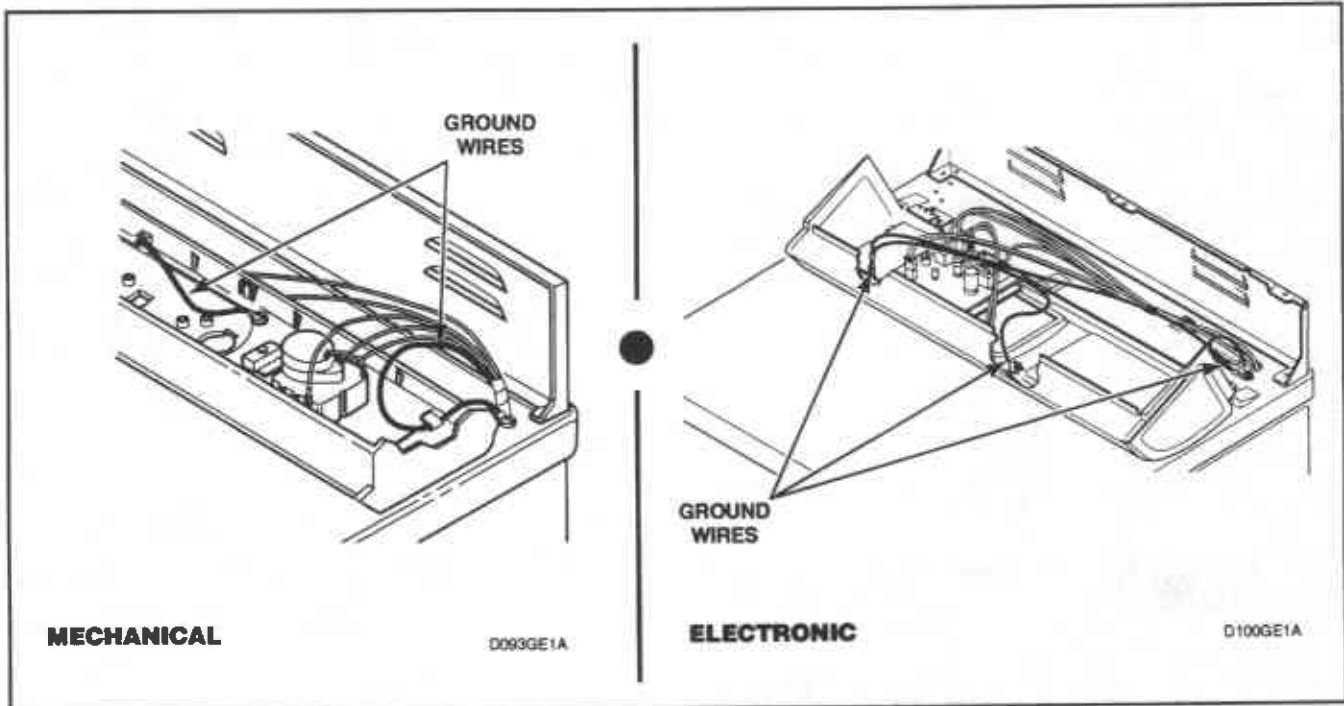


Figure 4

SECTION II

Service Procedures

▲WARNING

To reduce the risk of electric shock, fire, explosion, serious injury or death:

- **Disconnect electric power to the dryer before servicing.**
- **Close gas shut-off valve to gas dryer before servicing.**
- **Never start the dryer with any guards/panels removed.**
- **Whenever ground wires are removed during servicing, these ground wires must be reconnected to ensure that the dryer is properly grounded.**

W001

IMPORTANT: When reference to direction (right or left) is made in this manual, it is from the operator's position facing the front of the dryer.

5. CONTROL HOOD ASSEMBLY

(Figures 5, 6, 7 and 8)

- a. Remove three screws holding control hood assembly to control hood rear panel.
- b. Rotate assembly forward to access inner wiring.
- c. Disconnect wiring from inner components and carefully remove components from control hood assembly.

NOTE: Refer to appropriate wiring diagram when rewiring component parts.

- d. Rotate control hood assembly forward and lift to free assembly from hold-down clips.

6. FLUORESCENT LIGHT ASSEMBLY (Models containing fluorescent light only)

(Figures 6 and 7)

- a. Remove three screws holding top cover to control mounting plate. Rotate top cover forward to release front edge of top cover from top edge of diffuser, *Figures 5, 6, 7 and 8.*
- b. Disconnect two wires from rocker switch (located in diffuser).
- c. Disconnect wires at disconnect blocks located in control mounting plate.
- d. Remove two screws holding fluorescent light to control mounting plate.
- e. Lift fluorescent light out of control mounting plate.

7. CONTROL HOOD END CAPS

(Figures 5, 6, 7 and 8)

- a. Remove three screws holding control hood assembly to control hood rear panel.
- b. Rotate assembly forward to access inner wiring.
- c. Disconnect wiring from inner components and carefully remove components from control hood assembly.

NOTE: Refer to appropriate wiring diagram when rewiring component parts.

- d. Remove two screws holding end cap to end of mounting plate.
- e. Carefully pry end cap from control mounting plate and control panel.

NOTE: To re-assemble reverse the steps.

▲WARNING

To reduce the risk of electric shock, fire, explosion, serious injury or death:

- **Disconnect electric power to the dryer before servicing.**
- **Close gas shut-off valve to gas dryer before servicing.**
- **Never start the dryer with any guards/panels removed.**
- **Whenever ground wires are removed during servicing, these ground wires must be reconnected to ensure that the dryer is properly grounded.**

W001

8. GRAPHICS PANEL

(Figures 5, 6, 7 and 8)

- Remove three screws holding control hood assembly to control hood rear panel.
- Rotate assembly forward to access inner wiring.
- Disconnect wiring from inner components and carefully remove components from control hood assembly.

NOTE: Refer to appropriate wiring diagram when rewiring component parts.

- Remove three screws holding top cover to mounting plate. Rotate top cover forward to release front edge of top cover from top edge of diffuser, *Figure 5, 6, 7 and 8*.
- Carefully remove two control knobs and timer knob by pulling forward.
- Remove screws holding end caps to mounting plate and pry caps off mounting plate.
- With graphics panel facing forward, rotate control hood assembly forward to access tabs holding graphics panel.
- Behind graphics panel tabs until straight and pull panel away from control mounting plate.

NOTE: To re-assemble reverse the steps.

9. TIMER

(Figures 5, 6 and 8)

- Remove the three screws holding the control assembly to the control hood rear panel, *Figures 5, 6 and 8*.
- Rotate assembly forward to access inner wiring.
- Disconnect wiring from inner components and carefully remove components from control hood assembly.

NOTE: Refer to appropriate wiring diagram when rewiring component parts.

- Remove two screws holding timer to mounting plate.
- Remove knobs.

10. TEMPERATURE SWITCH

(Not included in electronic control models)
(Refer to Figures 5, 6 and 8)

- Remove three screws holding control hood assembly to control hood rear panel.
- Rotate assembly forward to access inner wiring.

- Disconnect wiring from inner components and carefully remove components from control hood assembly.

NOTE: Refer to appropriate wiring diagram when rewiring component parts.

- Remove nut holding temperature switch to control mounting plate.
- Remove two screws holding temperature switch bracket (if separate from temperature switch) to control mounting plate.
- Using a needle nose pliers, press in on locking tabs holding temperature switch to control mounting plate.
- With locking tabs pressed in, rotate temperature switch counterclockwise 1/4 turn and remove switch out rear of control mounting plate.

11. SIGNAL CONTROL

(Figures 5, 6 and 8)

- Remove three screws holding control hood assembly to control hood rear panel.
- Rotate assembly forward to access inner wiring.
- Disconnect wires to the signal control.

NOTE: Refer to appropriate wiring diagram when rewiring component parts.

- Remove signal control knob.
- Remove two screws holding the signal control to the control mounting plate.

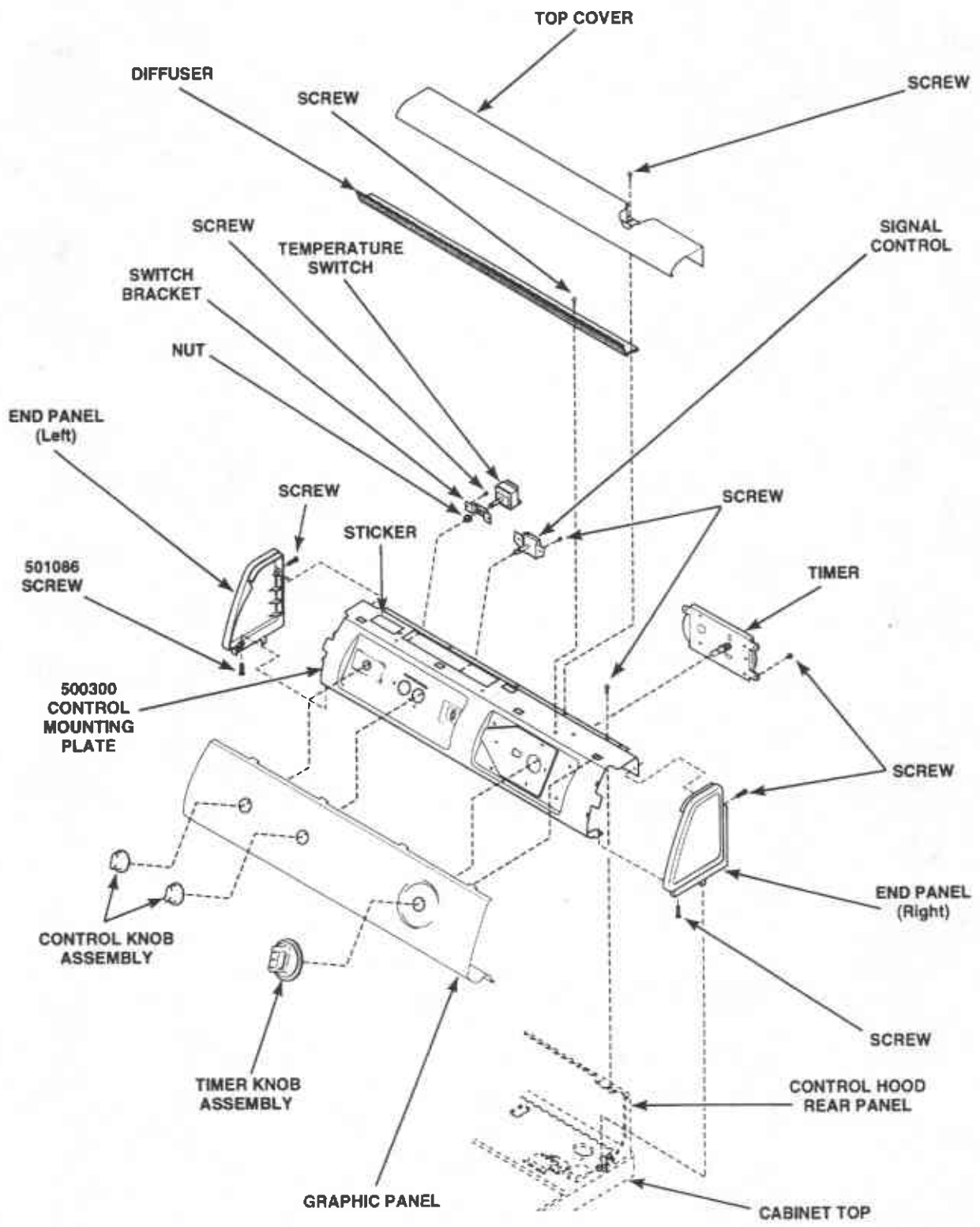
12. PRINTED CIRCUIT BOARD

(Models with Moisture Sensor Only)

- Remove three screws holding control hood assembly to control hood rear panel.
- Rotate assembly forward to access inner wiring.
- Pull printed circuit board forward to slide off plastic support pegs.

13. ELECTRONIC CONTROL

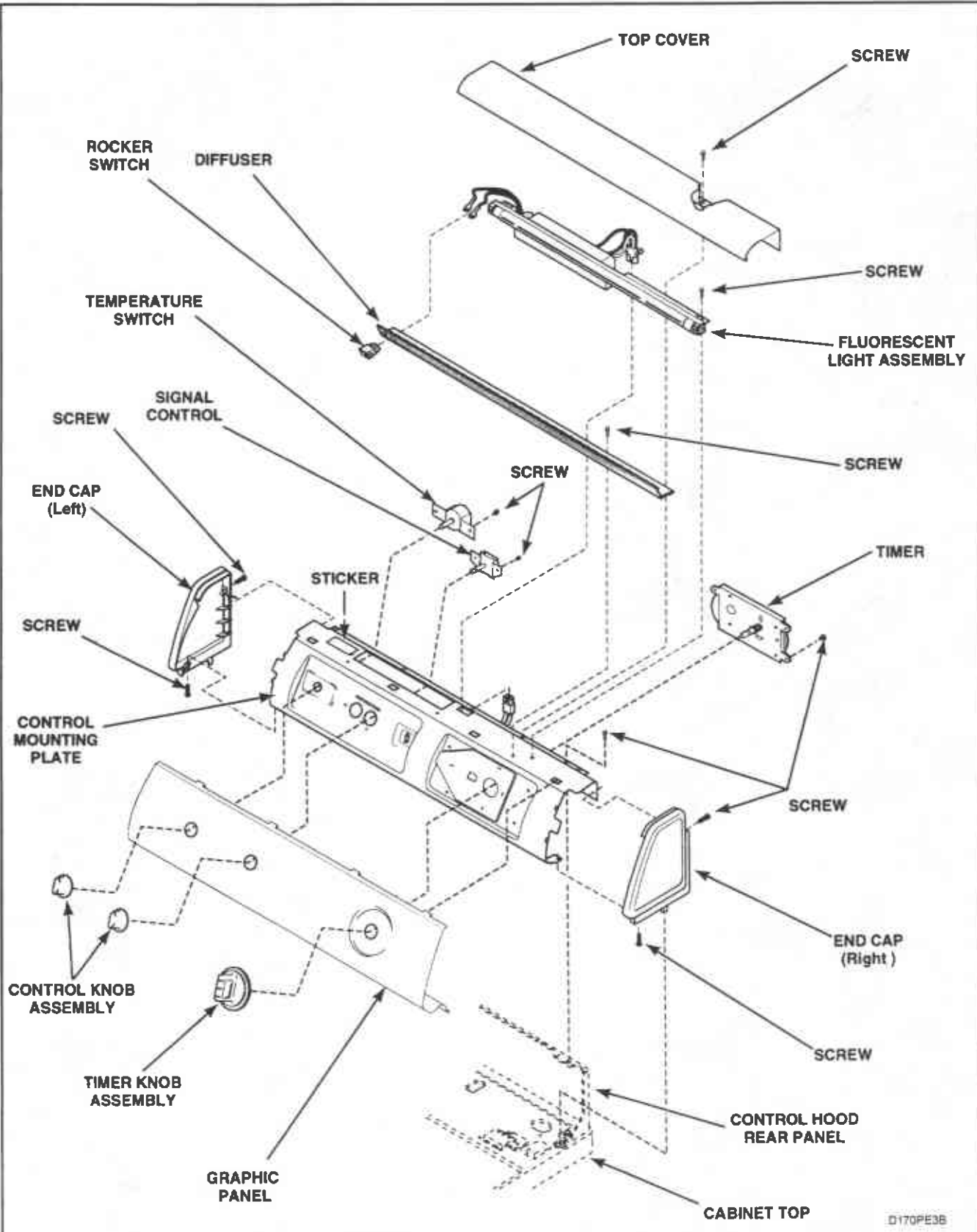
(Figure 7)



GRAPHIC PANEL, CONTROL HOOD AND CONTROLS
 (Models LE7111*M, LG8111*M, LE8317*2, LG8319*2, LE4317*2, LE8407*2, LE8567*2, LE8517*2, LG4319*2, LG8409*2, LG8459*2, LG8569*2, LG8519*2, CE4317*2, CE8407*2, CE8517*2, CG8409*2, LE7111*B, LG8111*B and LE8457*2)
 * Is for the color designator, "L" indicates ALMOND and "W" indicates WHITE color.

D159PE3C

Figure 5

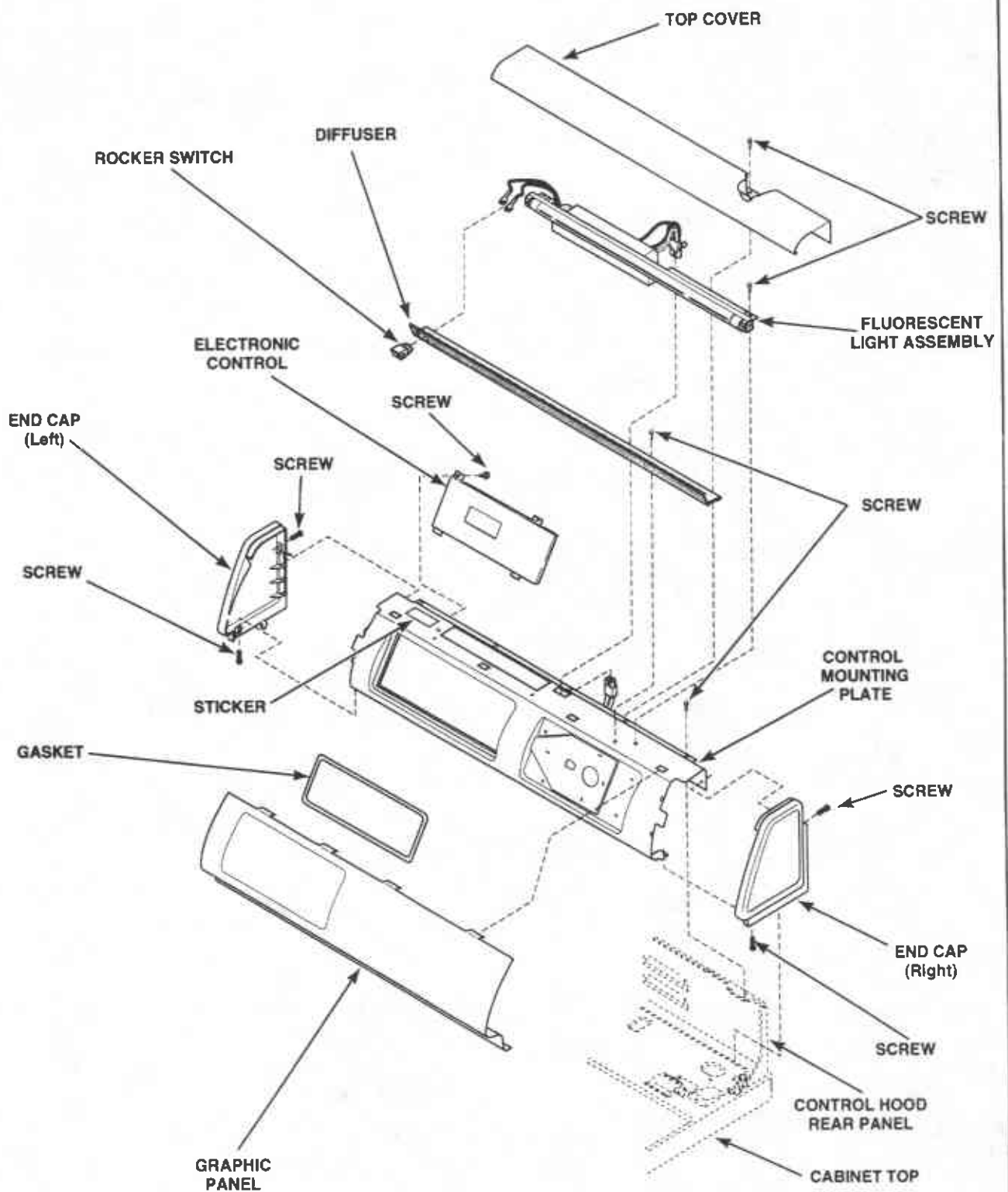


D170PE3B

**GRAPHIC PANEL, CONTROL HOOD AND CONTROLS
(Models LE7163*M and LG8163*M)**

* Is for the color designator, "L" Indicates ALMOND and "W" Indicates WHITE color.

Figure 6

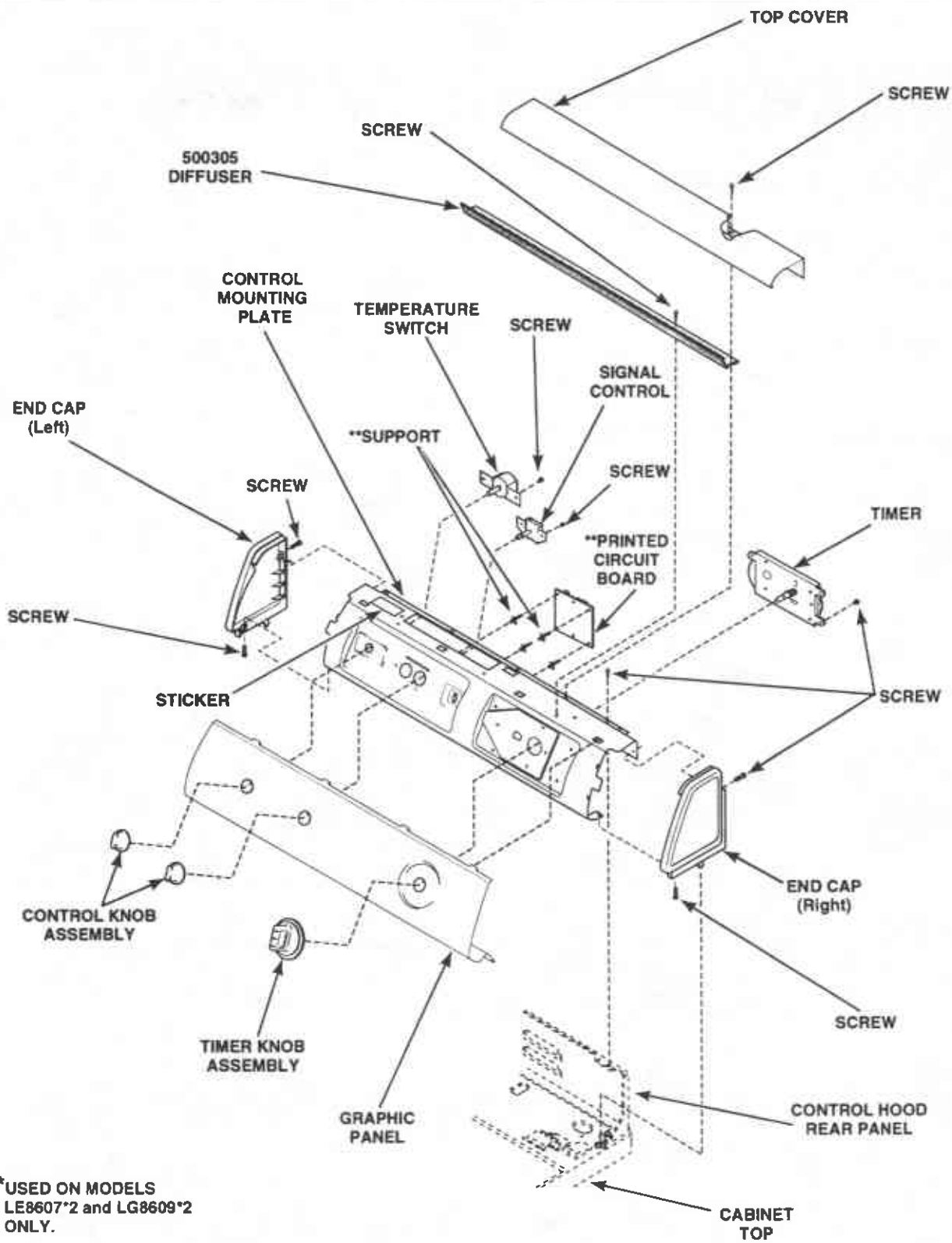


D161PE3B

GRAPHIC PANEL, CONTROL HOOD AND CONTROLS
 (Models LE9207*2, LG9209*2 and CE9207*2)

* Is for the color designator, "L" indicates ALMOND and "W" indicates WHITE color.

Figure 7



**USED ON MODELS
LE8607*2 and LG8609*2
ONLY.

GRAPHIC PANEL, CONTROL HOOD AND CONTROLS
 (Models LE8207*3, LG8209*3, LE8207*2, LG8209*2, L34217*2, LG4219*2, LE8217*2, LG8219*2,
 LE8107*2, LG8109*2, LE4207*2, LE8607*2, LG4209*2, LG8609*2, LE7101*B, LG8101*B, LE7121*M,
 LG8121*M, LE7153*M, LE7153*B, LG8153*M and LG8153*B)

D160PE38

* Is for the color designator, "L" indicates ALMOND and "W" indicates WHITE color.

Figure 8

▲WARNING

To reduce the risk of electric shock, fire, explosion, serious injury or death:

- Disconnect electric power to the dryer before servicing.
- Close gas shut-off valve to gas dryer before servicing.
- Never start the dryer with any guards/panels removed.
- Whenever ground wires are removed during servicing, these ground wires must be reconnected to ensure that the dryer is properly grounded.

W001

14. LINT FILTER (Figure 9)

- Open loading door.
- Remove lint filter screws.
- Lift lint filter cover out of lint filter.
- Lift lint filter out of air duct.

▲WARNING

When installing lint filter, be sure to install the filter with the word "FRONT" facing the front of the dryer. If filter is installed backwards, lint will accumulate in exhaust system, increasing the risk of fire and machine malfunction.

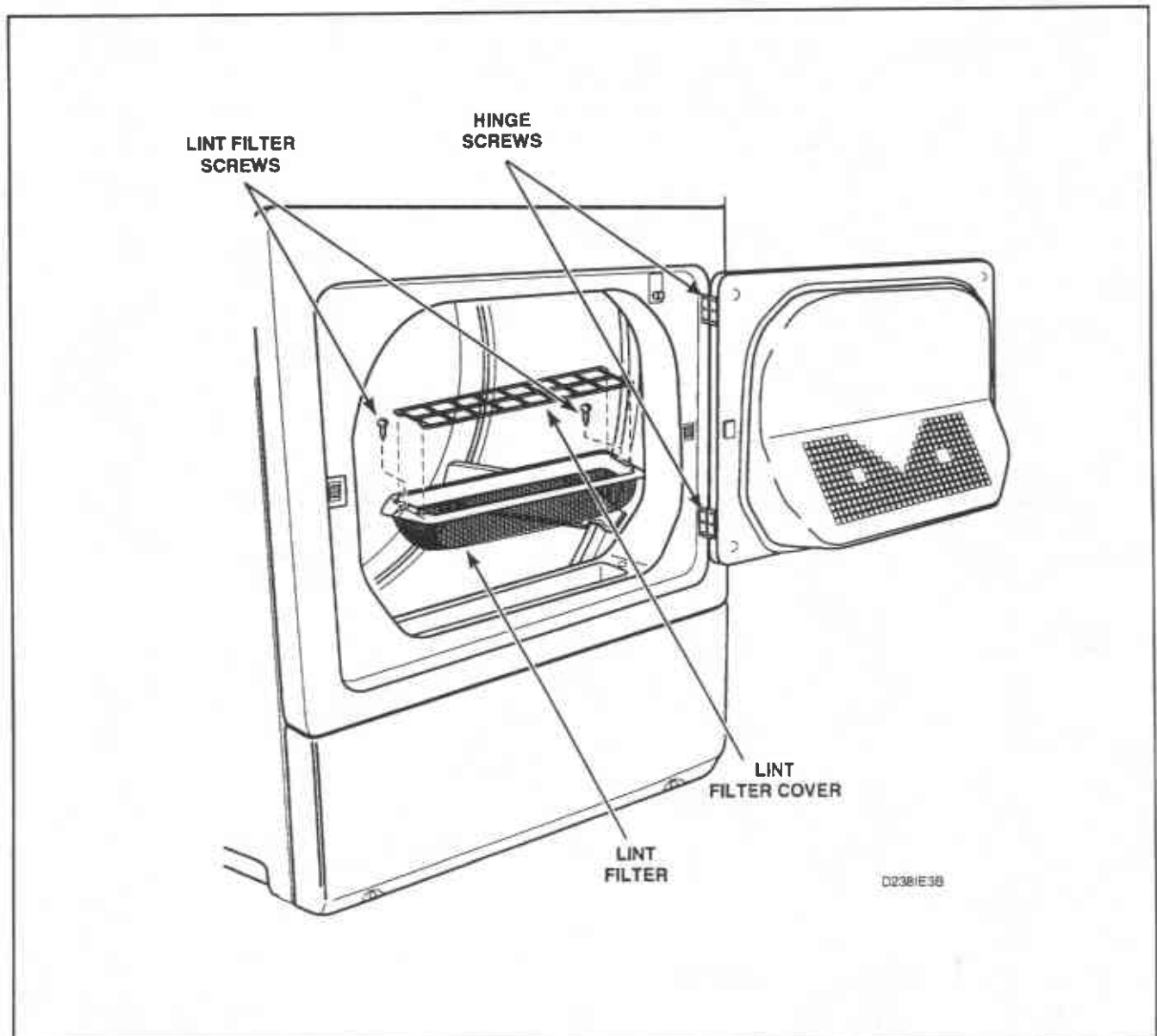


Figure 9

▲WARNING

To reduce the risk of electric shock, fire, explosion, serious injury or death:

- Disconnect electric power to the dryer before servicing.
- Close gas shut-off valve to gas dryer before servicing.
- Never start the dryer with any guards/panels removed.
- Whenever ground wires are removed during servicing, these ground wires must be reconnected to ensure that the dryer is properly grounded.

W001

15. INNER AND OUTER DOOR PANELS AND DOOR PULL

- Remove four screws holding door assembly to hinges, *Figure 9*.
- Remove screw from door pull, *Figure 11*, and the remaining screws around the door perimeter and separate panels, *Figure 11*.

NOTE: All screws are interchangeable except for the screw in the recessed door pull.

IMPORTANT: Do not over-tighten screws when reinstalling door pull.

16. LOADING DOOR

- Open loading door.
- Remove screws holding loading door to hinges, *Figure 9*.

REVERSING DOOR PROCEDURE

The door on this dryer is completely reversible. To reverse door proceed as follows:

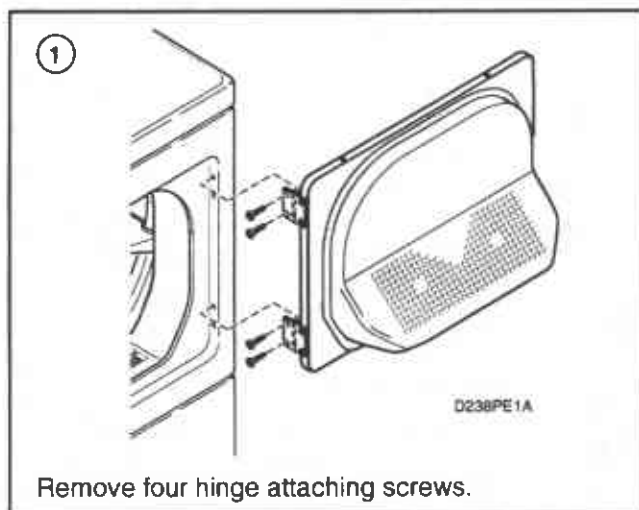


Figure 10

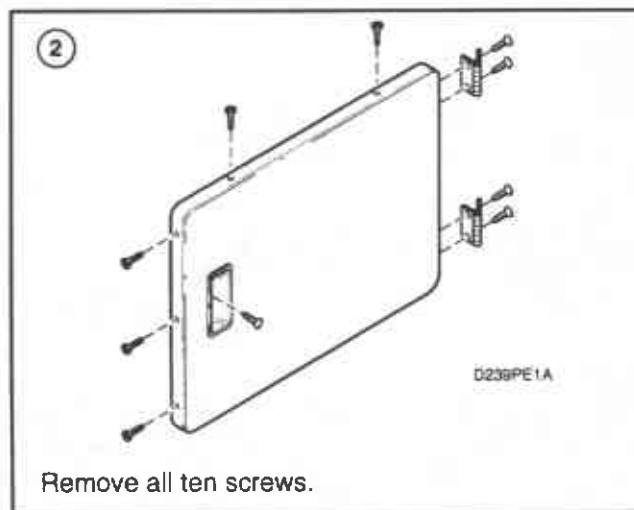


Figure 11

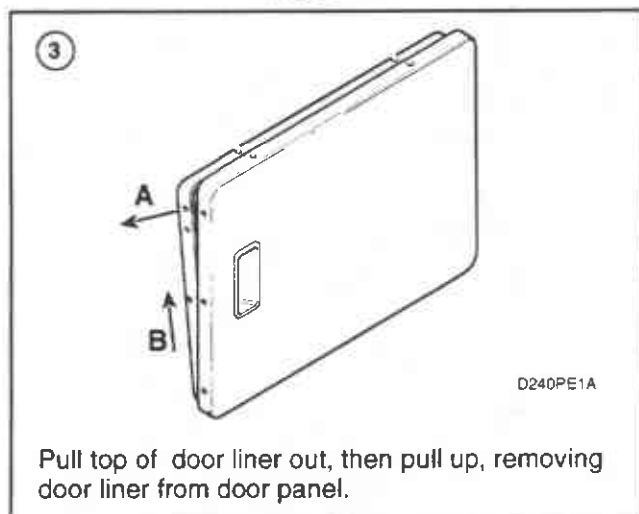


Figure 12

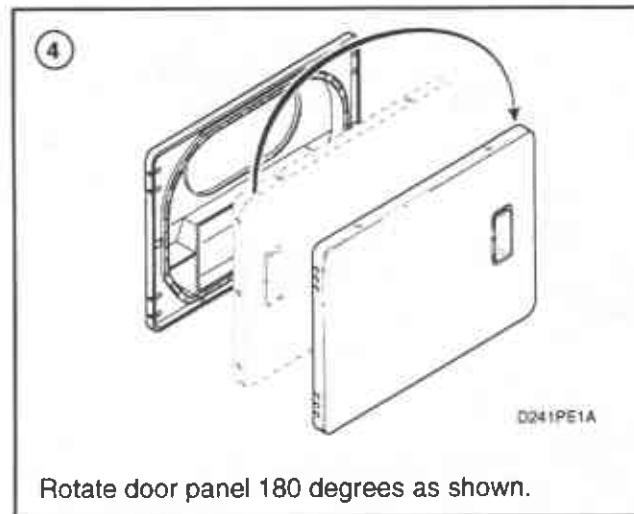


Figure 13