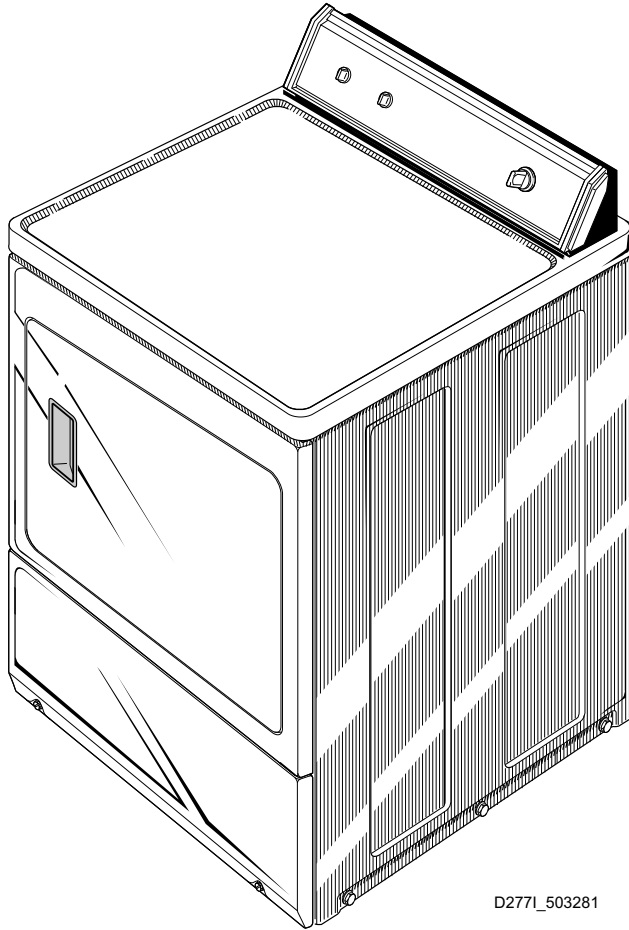


# Dryers

Refer to Page 3 for Model Numbers



D2771\_503281



# Table of Contents

Title	Page
Parts Ordering Information.....	2
Nameplate Location .....	2
Model Identification .....	3
Graphic Panel, Control Hood and Controls (Drawing 1 of 2) .....	4
Graphic Panel, Control Hood and Controls (Drawing 2 of 2) .....	6
Cabinet Top and Control Hood Rear Panel .....	8
Loading Door with Drying Rack .....	10
Lower Access Panel, Front Panel and Seal.....	12
Motor, Exhaust Fan and Belt .....	14
Front Bulkhead, Air Duct, Felt Seal and Cylinder .....	16
Rear Bulkhead, Felt Seal, Cylinder Roller and Terminal Block.....	18
Heater Box Assembly (Drawing 1 of 2).....	20
Heater Box Assembly (Drawing 2 of 2).....	22
Gas Valve, Igniter and Gas Conversion Kits.....	24
Cabinet, Exhaust Duct and Base .....	26
Power Cord .....	28
Terminals (Drawing 1 of 2).....	30
Terminals (Drawing 2 of 2).....	32
Motor Connection Block, Terminals and Terminal Extractor Tool.....	34
Wire Harnesses .....	36
Parts Index.....	37

© Copyright 2012, Alliance Laundry Systems LLC

All rights reserved. No part of the contents of this book may be reproduced or transmitted in any form or by any means without the expressed written consent of the publisher.

## Parts Ordering Information

If literature or replacement parts are required, contact the source from whom the machine was purchased or contact Alliance Laundry Systems at (920) 748-3950 for the name and address of the nearest authorized parts distributor.

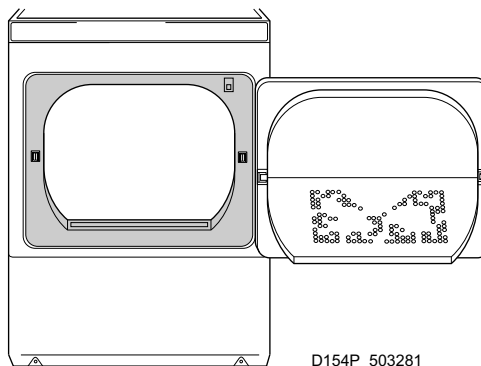
For technical assistance, call either of the numbers listed below:

(920) 748-3121 Ripon, Wisconsin

+32 56 41 20 54 Wevelgem, Belgium

## Nameplate Location

When calling or writing about your product, be sure to mention model and serial numbers. Model and serial numbers are located on nameplate(s). Nameplate is in one of the four corners of the door well. The door well is the shaded area shown.



D154P\_503281

## Model Identification

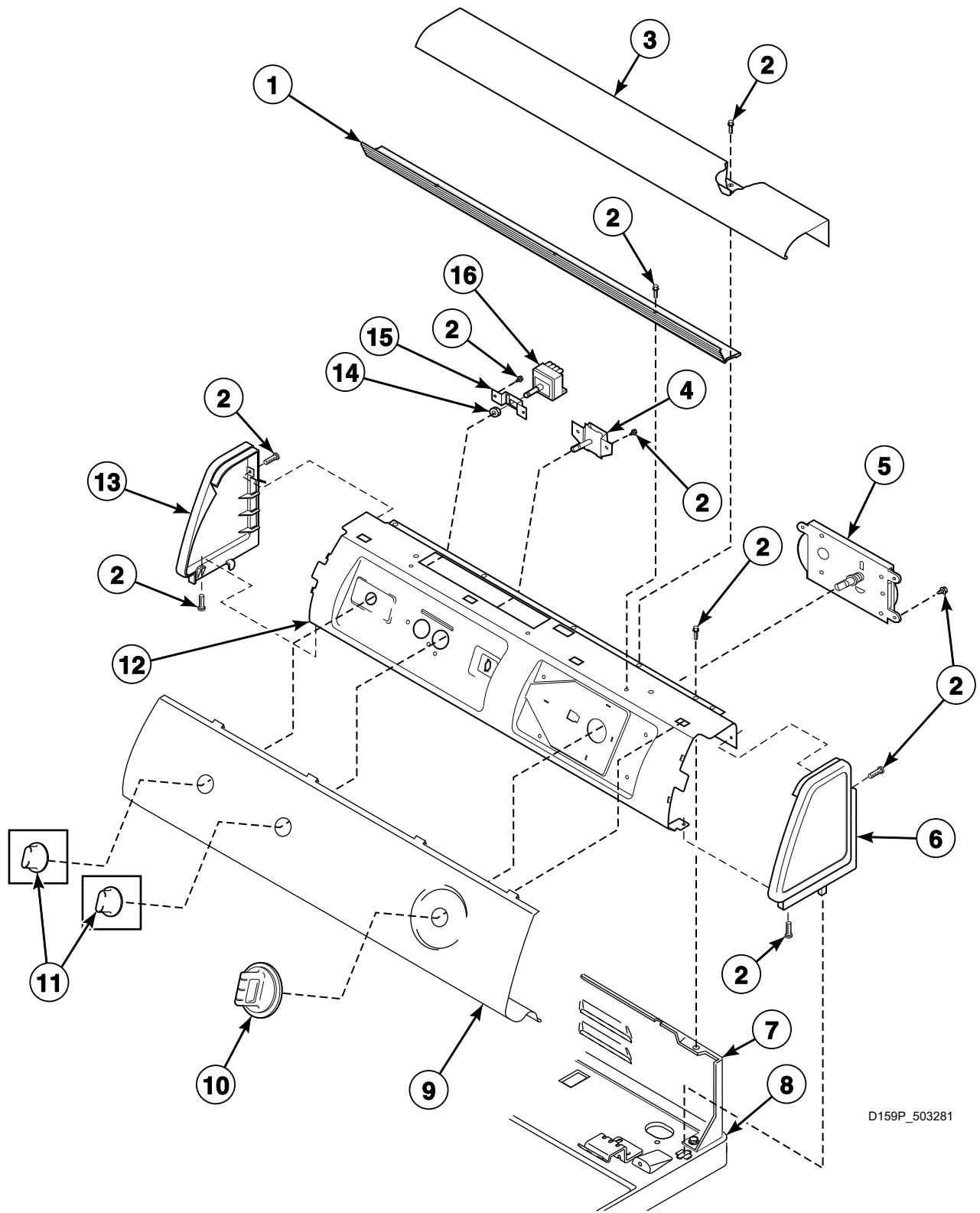
Information in this manual is applicable to these dryer models:

LE8267*2	LG8269*2
LE8367*2	LG8369*2
LE8467*2	LG8469*2
LE8567*2	LG8569*2

\* Add Letter To Designate Color. L - Almond W - White

# Graphic Panel, Control Hood and Controls (Drawing 1 of 2)

Models LE8367\*2, LE8467\*2, LE8567\*2, LG8369\*2, LG8469\*2 and LG8569\*2



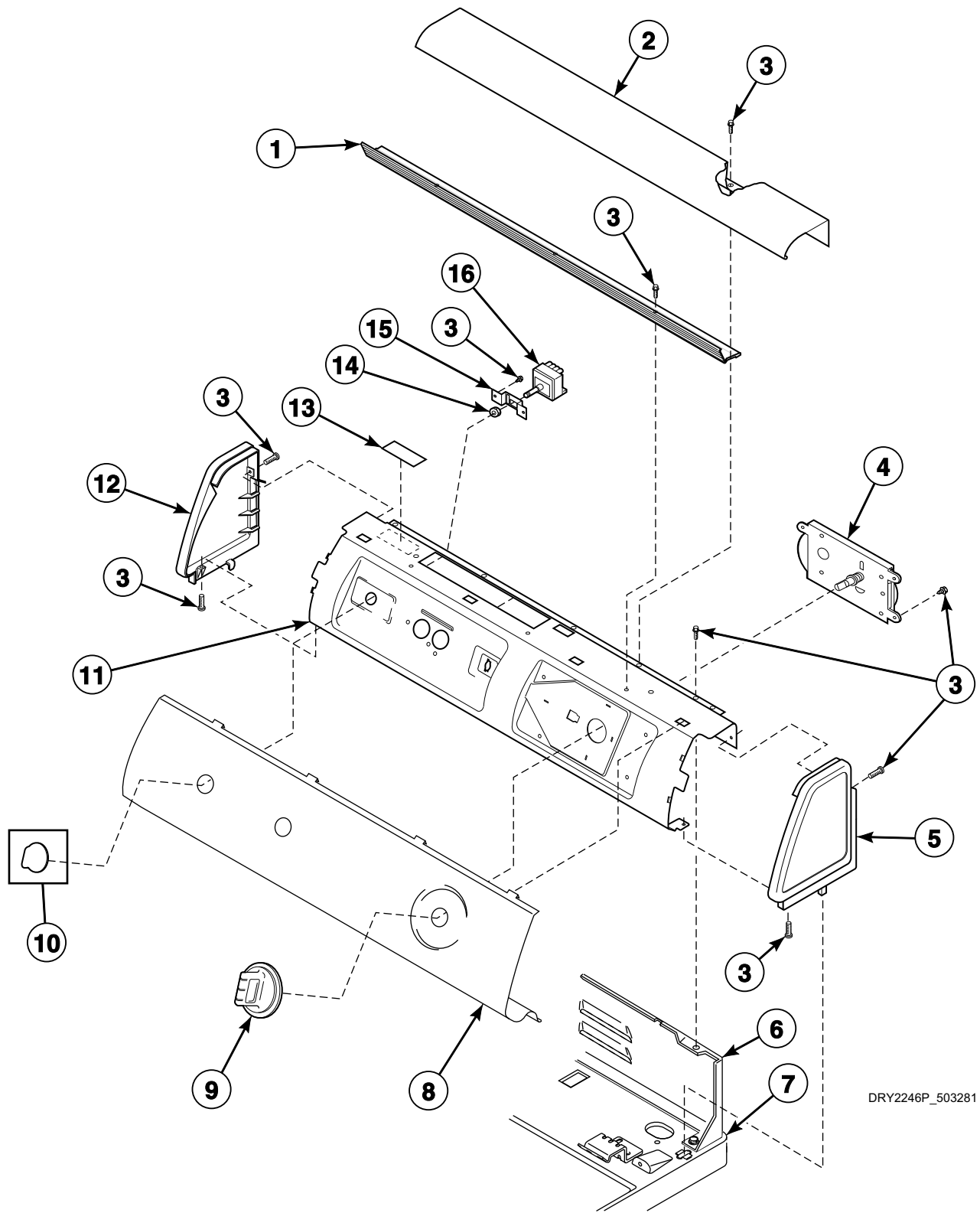
## Graphic Panel, Control Hood and Controls (Drawing 1 of 2)

REF	PART NO.	DESCRIPTION	COMMENTS
1	500305	Diffuser	
2	501086	Screw	
3	500303*	Top Cover	
4	500823	Rotary Signal	
5	502963	Timer	Models LE8367*2 and LG8369*2
	502967P	Timer	Models LE8467*2, LE8567*2, LG8469*2 and LG8569*2
6	504008*P	End Panel	Right
7	510099	Hood Back Panel	
8	510029*P	Top Panel Kit	Includes (2) 510146 Bracket
9	503255*	Graphic Panel	Models LE8367*2 and LG8369*2
	502216*	Graphic Panel	Models LE8467*2, LE8567*2, LG8469*2 and LG8569*2
10	512117*	Timer Knob Assembly	
11	36701*	Knob Assembly	
12	500300	Control Mounting Plate	
13	504009*P	End Panel	Left
14	57584	Nut	
15	59704	Switch Mount Bracket	
16	61511	Fabric Selector Switch	

\* Add Letter To Designate Color. L - Almond W - White

# Graphic Panel, Control Hood and Controls (Drawing 2 of 2)

Models LE8267\*2 and LG8269\*2



DRY2246P\_503281

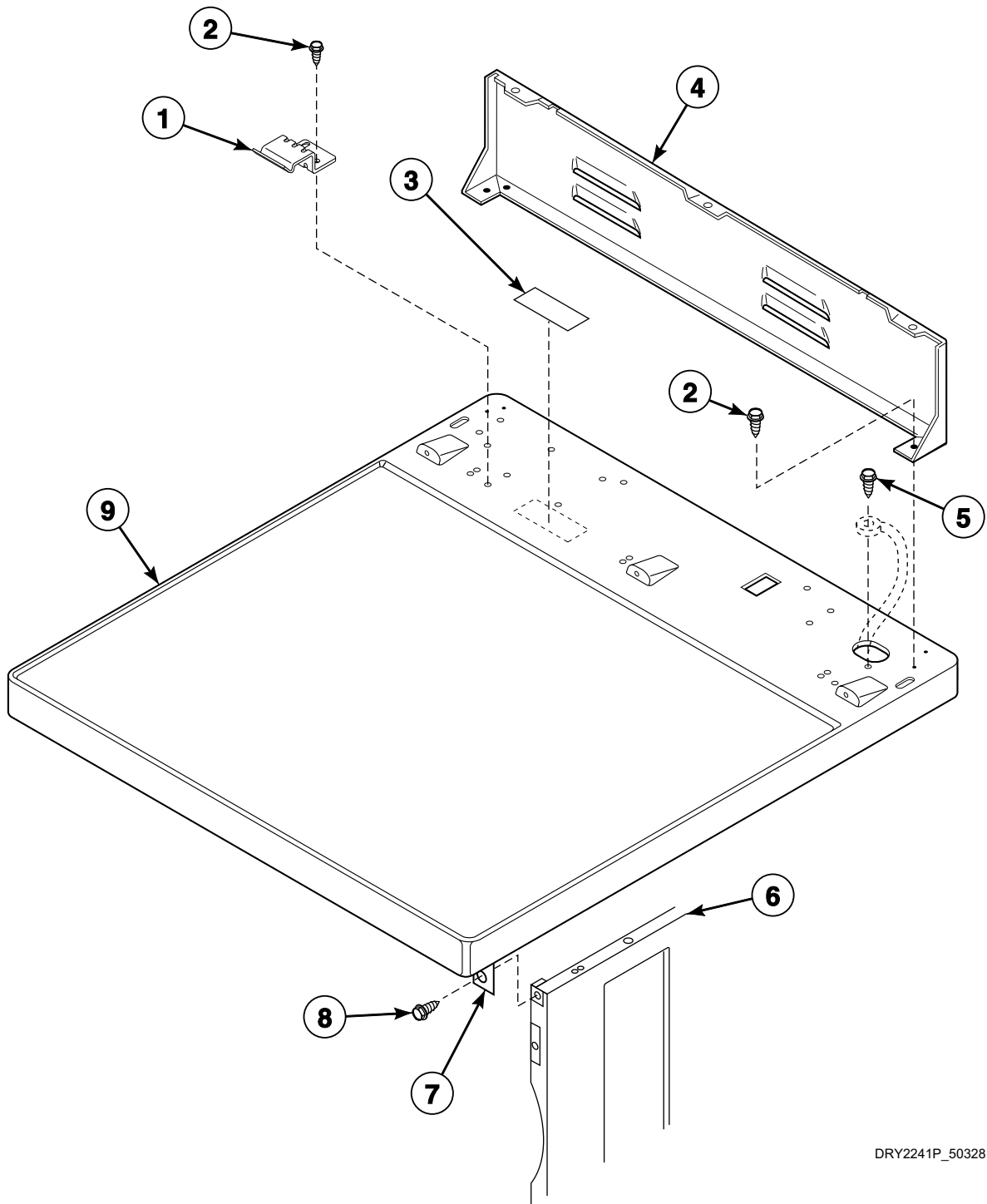


## Graphic Panel, Control Hood and Controls (Drawing 2 of 2)

REF	PART NO.	DESCRIPTION	COMMENTS
1	500305	Diffuser	
2	500303*	Top Cover	
3	501086	Screw	
4	501881	Timer	
5	504008*P	End Panel	Right
6	510099	Hood Back Panel	
7	510029*P	Top Panel Kit	Includes (2) 510146 Bracket
8	503254*	Graphic Panel	
9	512117*	Timer Knob Assembly	
10	36701*	Knob Assembly	
11	500300	Control Mounting Plate	
12	504009*P	End Panel	Left
13	505281	Disconnect Power Warning Label	
14	57584	Nut	
15	59704	Switch Mount Bracket	
16	61511	Fabric Selector Switch	

\* Add Letter To Designate Color. L - Almond W - White

# Cabinet Top and Control Hood Rear Panel



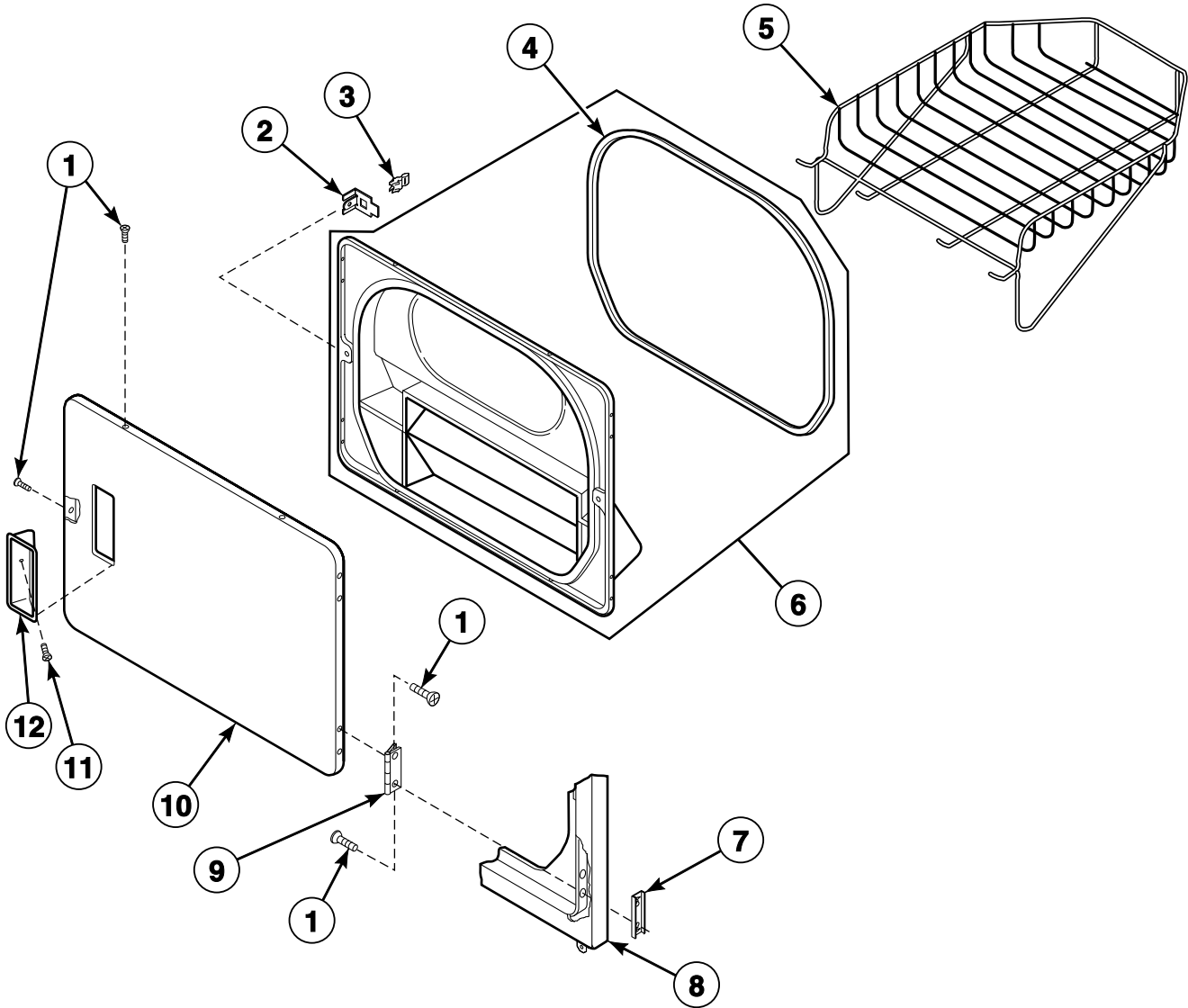
DRY2241P\_503281

## Cabinet Top and Control Hood Rear Panel

REF	PART NO.	DESCRIPTION	COMMENTS
1	503876	Hold-Down Spring Clip	
2	501086	Screw	
3	505281	Disconnect Power Warning Label	
4	510099	Hood Back Panel	
5	20530	Screw	
6	500001*P	Cabinet Assembly	
7	510146	Bracket	
8	33562	Screw	
9	510229*P	Cabinet Top	

\* Add Letter To Designate Color. L - Almond W - White

# Loading Door with Drying Rack



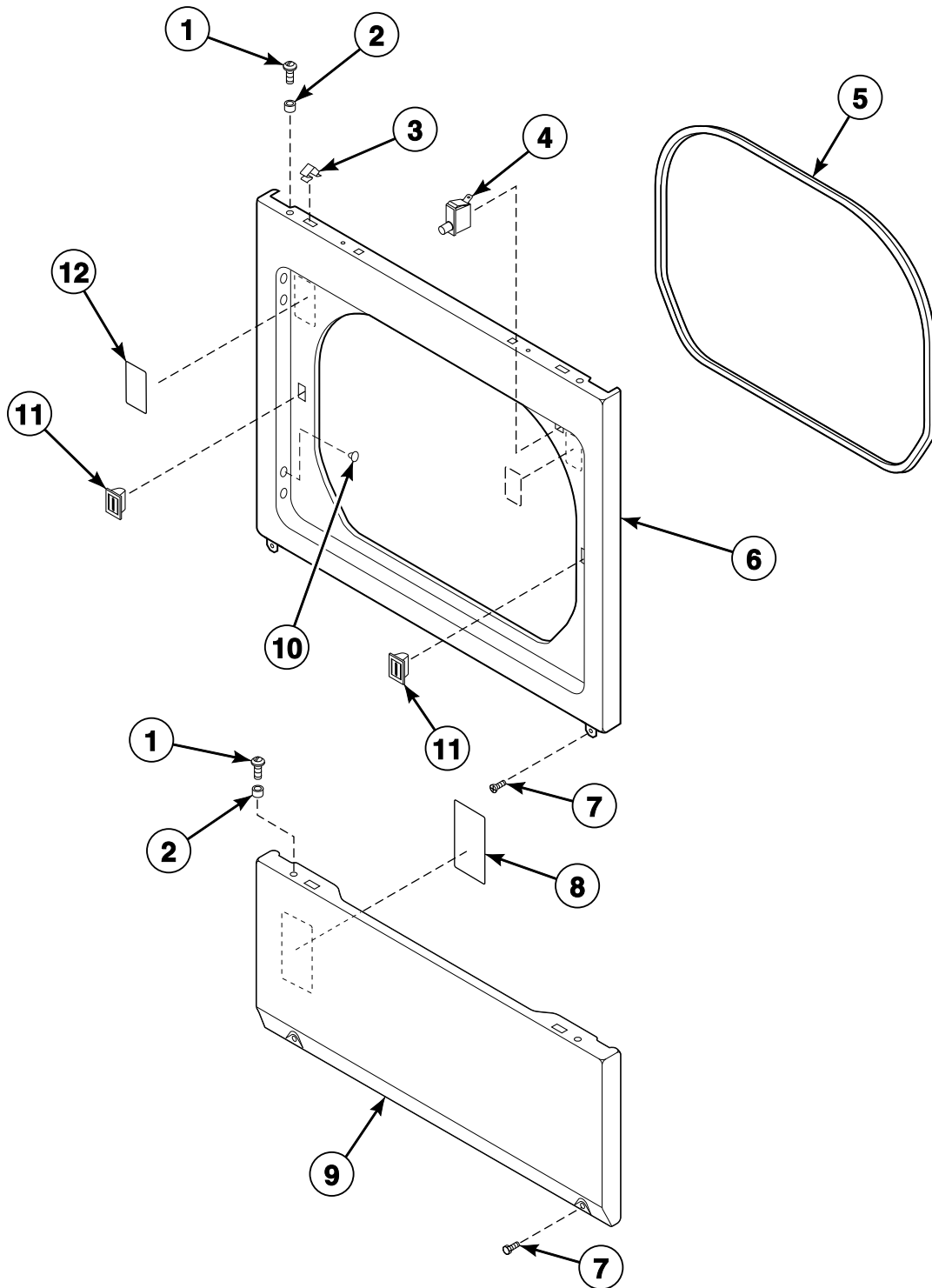
D248P\_503281

## Loading Door with Drying Rack

REF	PART NO.	DESCRIPTION	COMMENTS
	500035*	Door Assembly	Does <b>not</b> include 500236 Door Hinge Mounting Clips, 500226 Screws or 501295P Drying Rack
1	500226	Screw	
2	510127	Door Strike Mount	
3	510181	Door Strike	
4	500200P	Door Seal	
5	501295P	Drying Rack	
6	500199P	Liner and Seal Assembly	Includes 500200P Door Seal
7	500236	Door Hinge Mounting Clip	Not included with 500035* Door Assembly
8	500033*	Front Panel	
9	510519	Door Hinge	
10	500040*	Dryer Door	
11	500297	Screw	
12	500042*	Door Pull	

\* Add Letter To Designate Color. L - Almond W - White

# Lower Access Panel, Front Panel and Seal



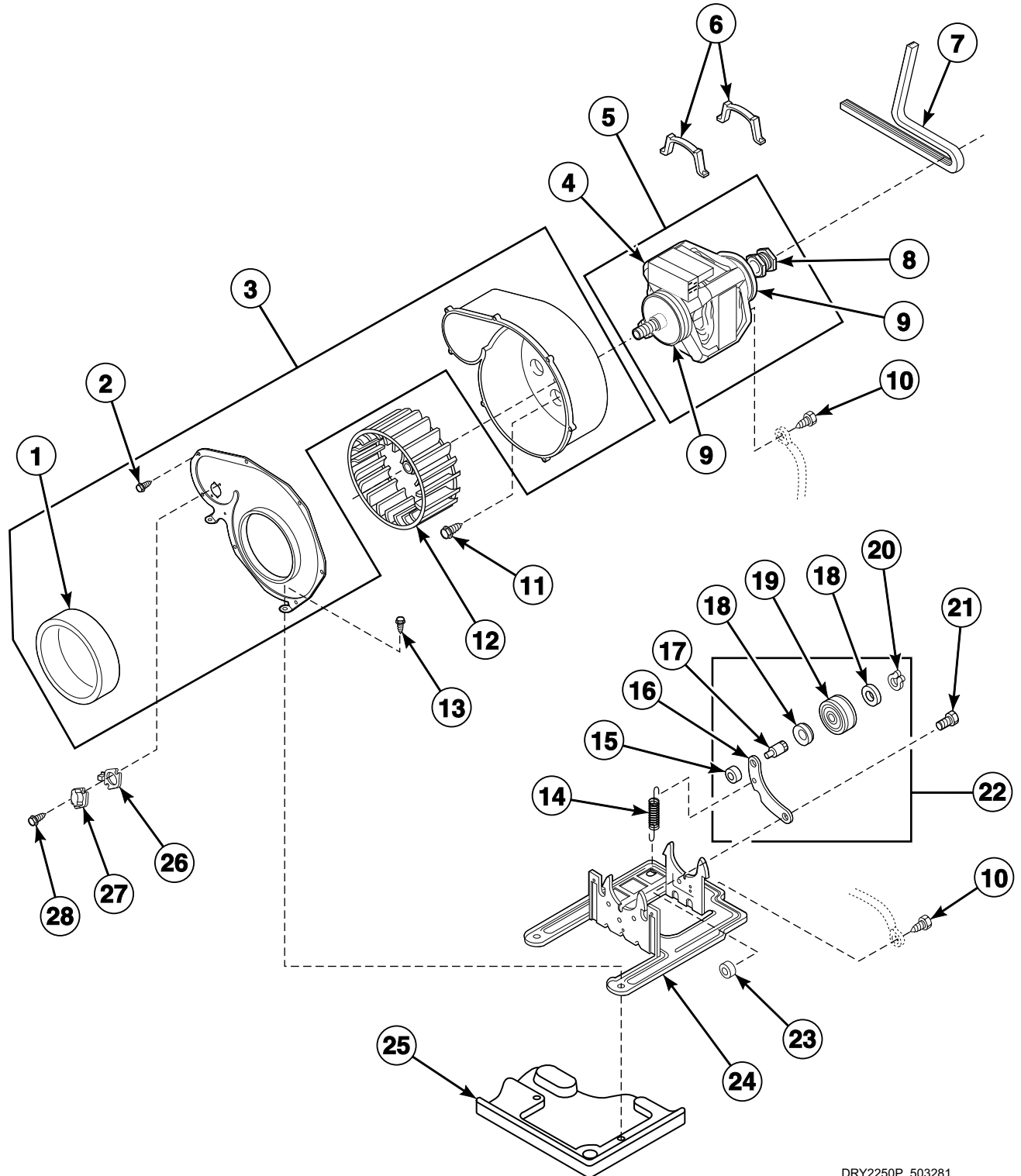
D165P\_503281

## Lower Access Panel, Front Panel and Seal

REF	PART NO.	DESCRIPTION	COMMENTS
1	39733	Screw	
2	56079	Panel Locator	
3	28835	Speed Clip	
4	512973	Switch	
5	500034	Front Panel Seal	
6	500033*	Front Panel	
7	33562	Screw	
8	511004	Gas Clearance Label	Gas models
9	510069*P	Access Panel	
10	500227	Screw	
11	510177	Door Catch Assembly	
12	500281	Warning/Caution Label	

\* Add Letter To Designate Color. L - Almond W - White

# Motor, Exhaust Fan and Belt



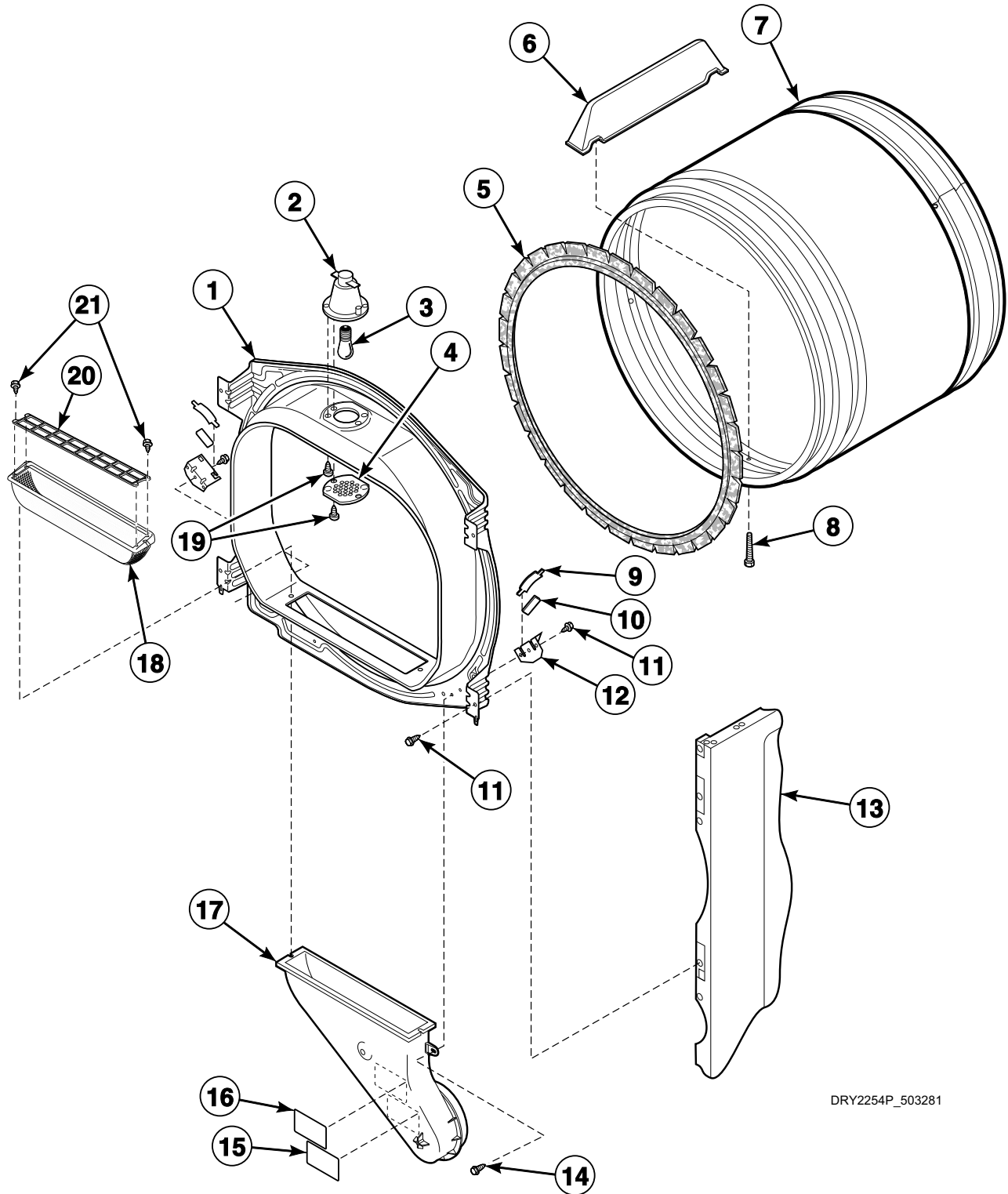
DRY2250P\_503281



## Motor, Exhaust Fan and Belt

REF	PART NO.	DESCRIPTION	COMMENTS
	510717P	Blower and Fan Kit	120 Volt/60 Hertz models
	559P3	Motor Adapter Harness Kit	Gas models
	560P3	Motor Adapter Harness Kit	Electric models
1	500313	Blower Housing Seal	
2	31260	Screw	
3	511969P	Blower Housing and Cover Kit	
4	501218	Motor Switch	Does not include thermal protector
5	511629P	Motor and Pulley Assembly	
6	510180	Motor Mount Clamp	
7	511255P	Cylinder Belt	
8	500011	Motor Pulley	
9	590P3	Motor Hub Ring Kit	
10	20530	Screw	
11	31645	Screw	
12	510139P	Blower Fan Assembly	
13	33562	Screw	
14	510185	Idler Spring	
15	56156	Nut	
16	510133	Idler Lever	
17	55461	Shaft	
18	52549	Washer	
19	510142P	Idler Wheel and Bearing Assembly	
20	23748	Retaining Ring	
21	500824	Screw	
22	510158	Idler Lever and Wheel Assembly	
23	52566	Nut	
24	510060	Motor Mount	
25	510084	Dryer Base	
26	61372	Thermostat	Models starting Serial No. 9607
	503551	Thermostat	Models through Serial No. 9606
27	502535	Screw	Use with 61372 Thermostat
28	61401	Thermostat Heater	Use with 61372 Thermostat

# Front Bulkhead, Air Duct, Felt Seal and Cylinder



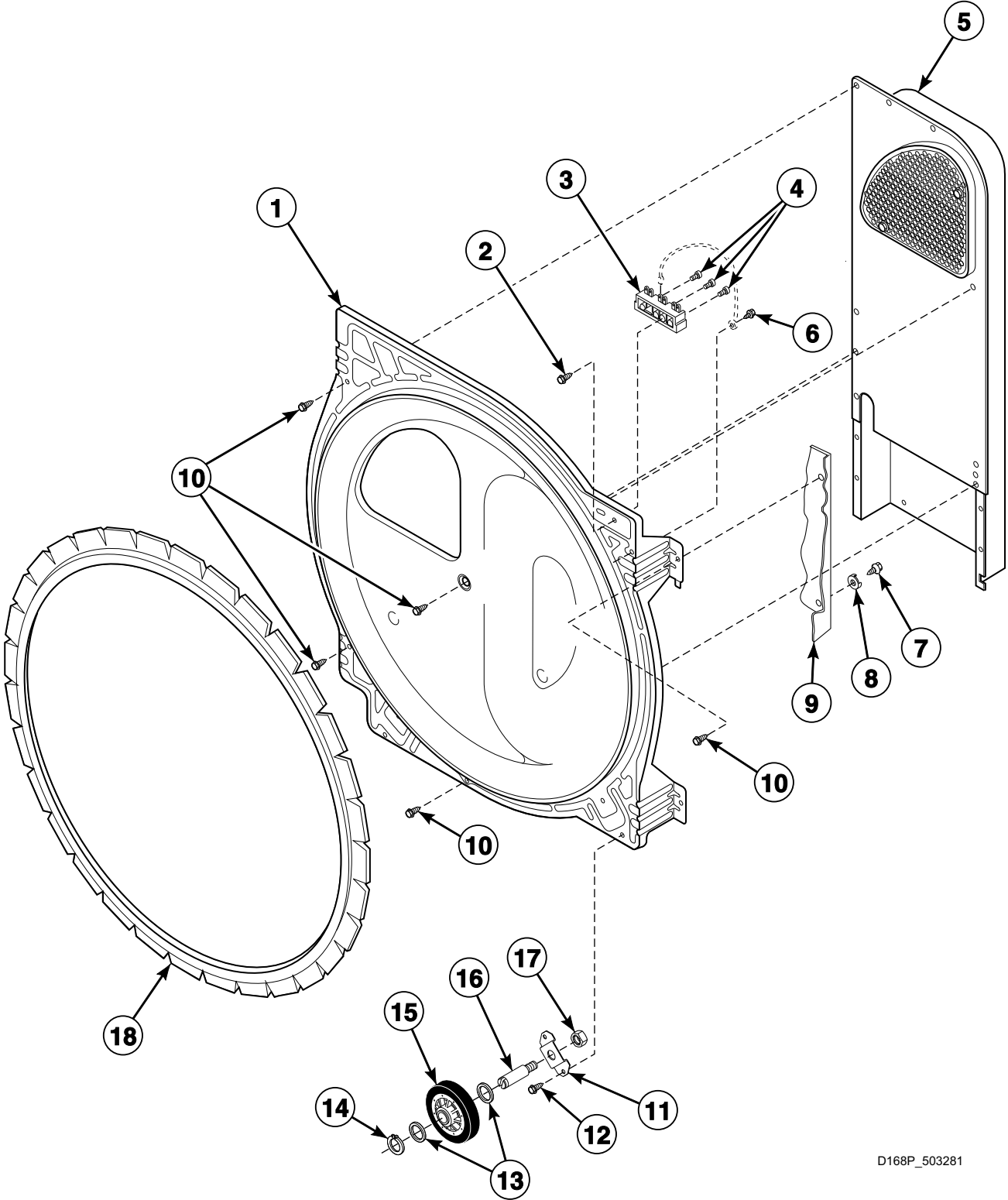
DRY2254P\_503281

## Front Bulkhead, Air Duct, Felt Seal and Cylinder

REF	PART NO.	DESCRIPTION	COMMENTS
	511637P	Adhesive	Used with cylinder seal
1	500116W	Front Bulkhead Assembly	White bulkhead with light
	500117W	Front Bulkhead Assembly	White bulkhead without light or moisture sensor openings
	501570WP	Front Bulkhead Assembly	White bulkhead with extra glides for stainless steel cylinder with light opening
2	500153	Cylinder Light Housing	Models LE8467*2, LE8567*2, LG8469*2 and LG8569*2
3	510207P	Cylinder Seal Assembly	
4	60954	Drum Light Lamp	
5	500094	Drum Light Lens	
6	510102	Cylinder Baffle	
7	500013WP	Cylinder Assembly	Painted white; Includes baffles
	500735P	Cylinder Assembly	Stainless steel; Includes baffles
8	62588	Screw	
9	510189	Felt Pad	
10	503688	Screw	
11	501553	Cylinder Glide	Stainless steel; 2 required per side
	510188	Cylinder Glide	Painted and unpainted cylinder; 1 required per side
12	510145	Cylinder Glide Bracket	
13	500001*P	Cabinet Assembly	
14	31645	Screw	
15	56259	Notice Seal Sticker	
16	500049	Warning Label	
17	502231	Front Air Duct	
18	502140P	Lint Filter	Poly mesh
19	500227	Screw	
20	502092	Lint Filter Cover	
21	500226	Screw	

\* Add Letter To Designate Color. L - Almond W - White

# Rear Bulkhead, Felt Seal, Cylinder Roller and Terminal Block



D168P\_503281

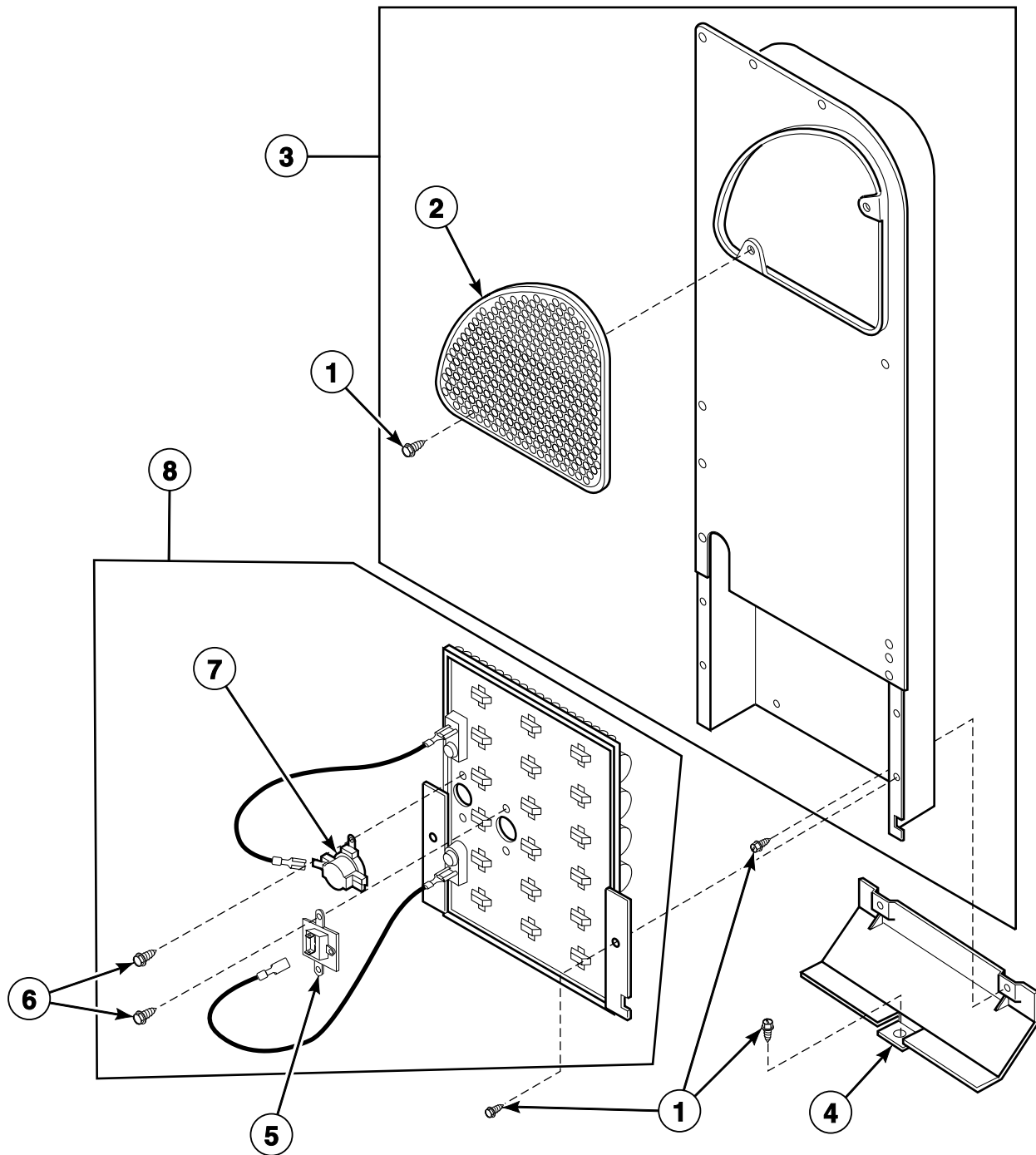
## Rear Bulkhead, Felt Seal, Cylinder Roller and Terminal Block

REF	PART NO.	DESCRIPTION	COMMENTS
	511637P	Adhesive	Used with cylinder seal
<b>1</b>	501154	Rear Bulkhead Assembly	Models LE8567*2 and LG8569*2
	510905WP	Rear Bulkhead Assembly	All other models
<b>2</b>	501285	Screw	
<b>3</b>	510190P	Terminal Block Assembly	Electric models; Includes 3 of item 4
<b>4</b>	61199	Screw	
<b>5</b>	510025P	Heater Duct and Screw Assembly	
<b>6</b>	20530	Screw	Use with painted and unpainted bulkheads
	33562	Screw	Use with stainless steel bulkhead
<b>7</b>	20530	Screw	
<b>8</b>	51474	Washer	
<b>9</b>	500001*P	Cabinet Assembly	
<b>10</b>	503688	Screw	Use with painted and unpainted cylinders
<b>11</b>	510100	Cylinder Roller Bracket	
<b>12</b>	33562	Screw	
<b>13</b>	52549	Washer	
<b>14</b>	23748	Retaining Ring	
<b>15</b>	510708P	Cylinder Roller	
<b>16</b>	56461P	Shaft	
<b>17</b>	56156	Nut	
<b>18</b>	510207P	Cylinder Seal Assembly	

\* Add Letter To Designate Color. L - Almond W - White

# Heater Box Assembly (Drawing 1 of 2)

Electric Models



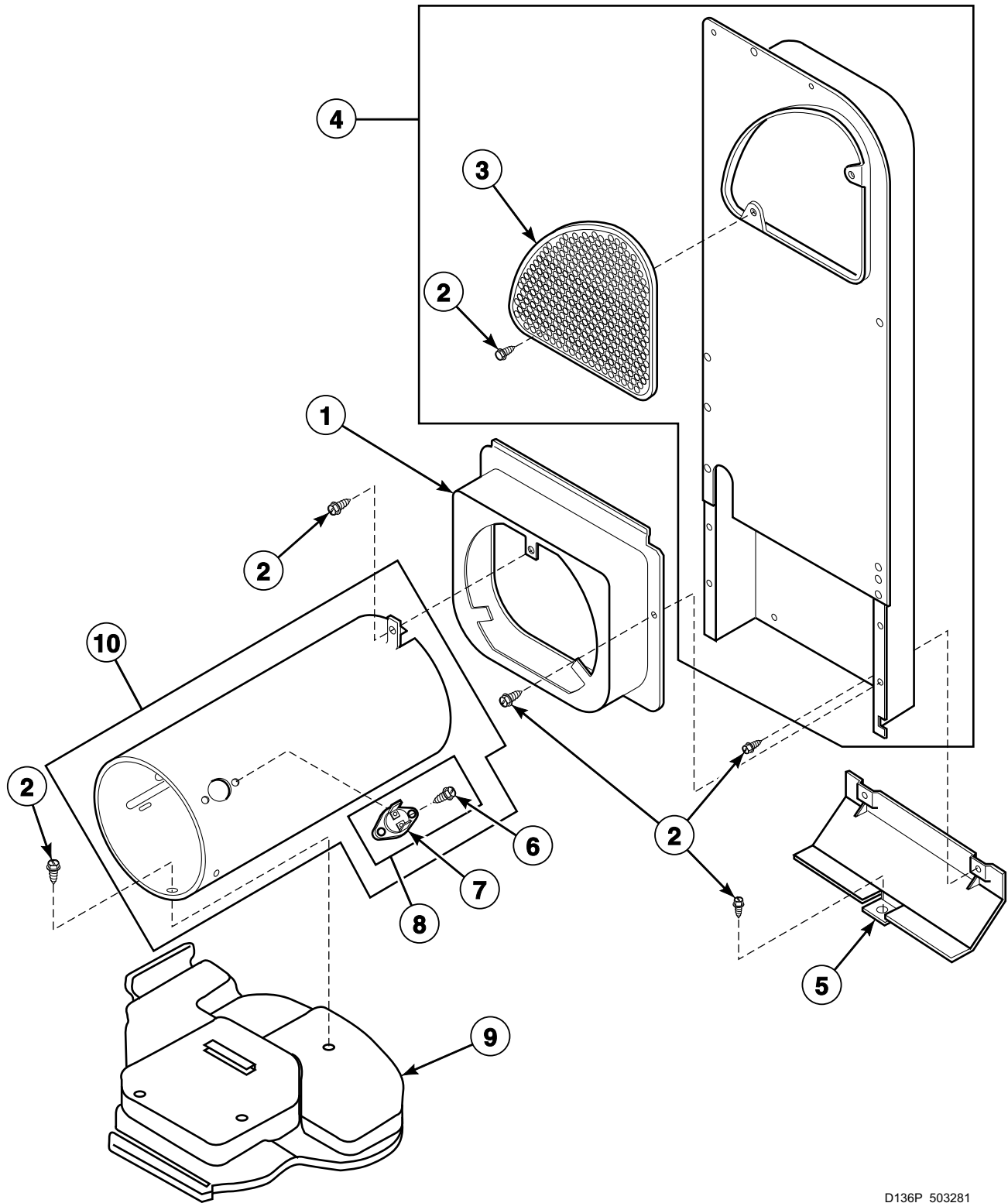
D135P\_503281

## Heater Box Assembly (Drawing 1 of 2)

REF	PART NO.	DESCRIPTION	COMMENTS
1	503688	Screw	
2	500820	Outlet Cover	Replaceable on the 510025P Heater Duct Assembly only
3	510025P	Heater Duct and Screw Assembly	Includes outlet cover and screws
4	60952	Heat Duct Shield	
5	511412	Thermal Fuse Assembly	
	490P3	Thermal Fuse Kit	Includes items 6 and 7
6	23222	Screw	
7	510701	Limit Thermostat	
8	61927	Heater Kit Assembly	240 Volt; 5000 Watt; Red
	61928	Heater Kit Assembly	208 Volts; 4750 Watts; White

# Heater Box Assembly (Drawing 2 of 2)

Gas Models



D136P\_503281

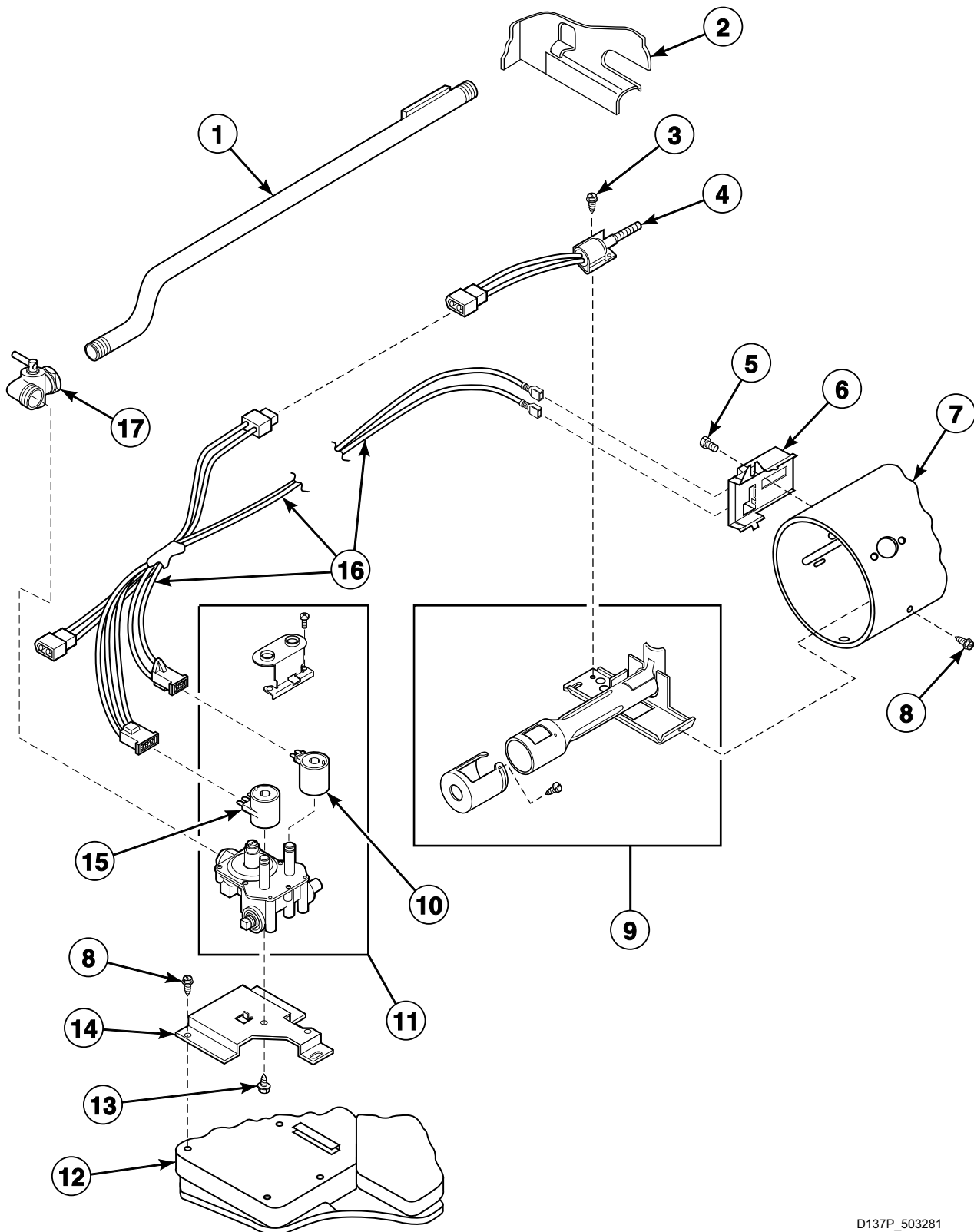


## Heater Box Assembly (Drawing 2 of 2)

REF	PART NO.	DESCRIPTION	COMMENTS
1	510101	Heat Duct Shroud	
2	503688	Screw	
3	500820	Outlet Cover	Replaceable on the 510025P Heater Duct Assembly only
4	510025P	Heater Duct and Screw Assembly	Includes outlet cover and screws
5	60952	Heat Duct Shield	
6	51782	Screw	
7	510702	Limit Thermostat	
8	489P3	Thermostat and Plate Kit	Replaces 56221 and 58366 Thermostats
9	510084	Dryer Base	
10	61974	Combustion Duct Assembly	

# Gas Valve, Igniter and Gas Conversion Kits

Gas Models



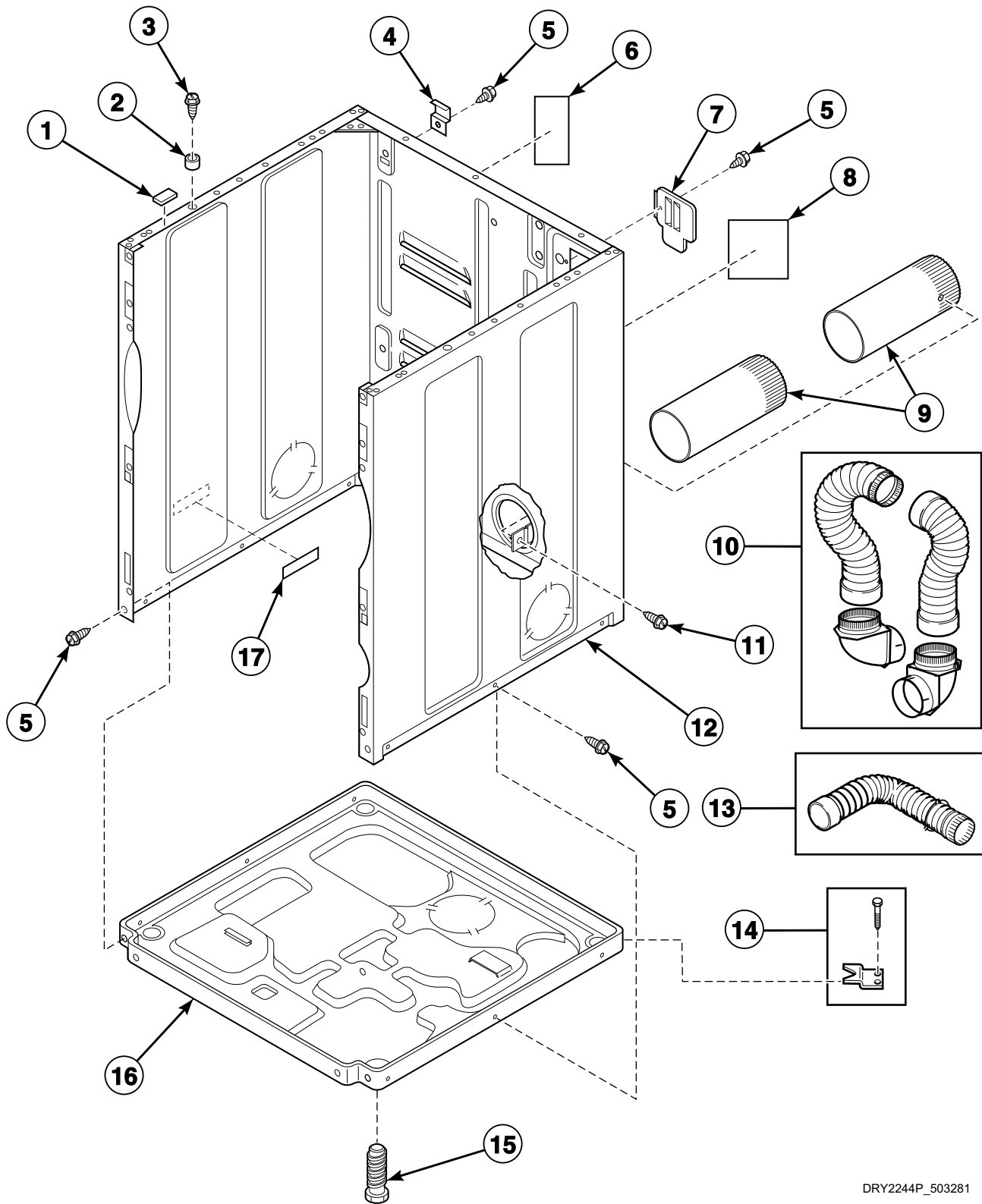
D137P\_503281

## Gas Valve, Igniter and Gas Conversion Kits

REF	PART NO.	DESCRIPTION	COMMENTS
	401P3	L.P. Conversion Kit	Used to convert dryers from Natural Gas (N.G.) or Mixed Gas to Liquid Petroleum Gas (L.P.)
	402P3	N.G. Conversion Kit	Used to convert dryers from L.P. to N.G. or Mixed Gas
<b>1</b>	510204	Lead-In Pipe Assembly	
<b>2</b>	500001*P	Cabinet Assembly	
<b>3</b>	51782	Screw	
<b>4</b>	510184P	Igniter and Bracket Assembly	
<b>5</b>	23222	Screw	
<b>6</b>	510213	Sensor	
<b>7</b>	61974	Combustion Duct Assembly	
<b>8</b>	503688	Screw	
<b>9</b>	510149P	Burner Assembly	
<b>10</b>	58804B	Secondary Coil	
<b>11</b>	58804P	Gas Valve Assembly	Natural/mixed gas
<b>12</b>	56124	Screw	
<b>13</b>	510084	Dryer Base	
<b>14</b>	510128	Gas Valve Mounting Bracket	
<b>15</b>	58804A	Booster and Holding Coil	
<b>16</b>	510530	Gas Valve Wire Harness Assembly	
<b>17</b>	510205	Elbow Shut-Off Valve	

\* Add Letter To Designate Color. L - Almond W - White

# Cabinet, Exhaust Duct and Base



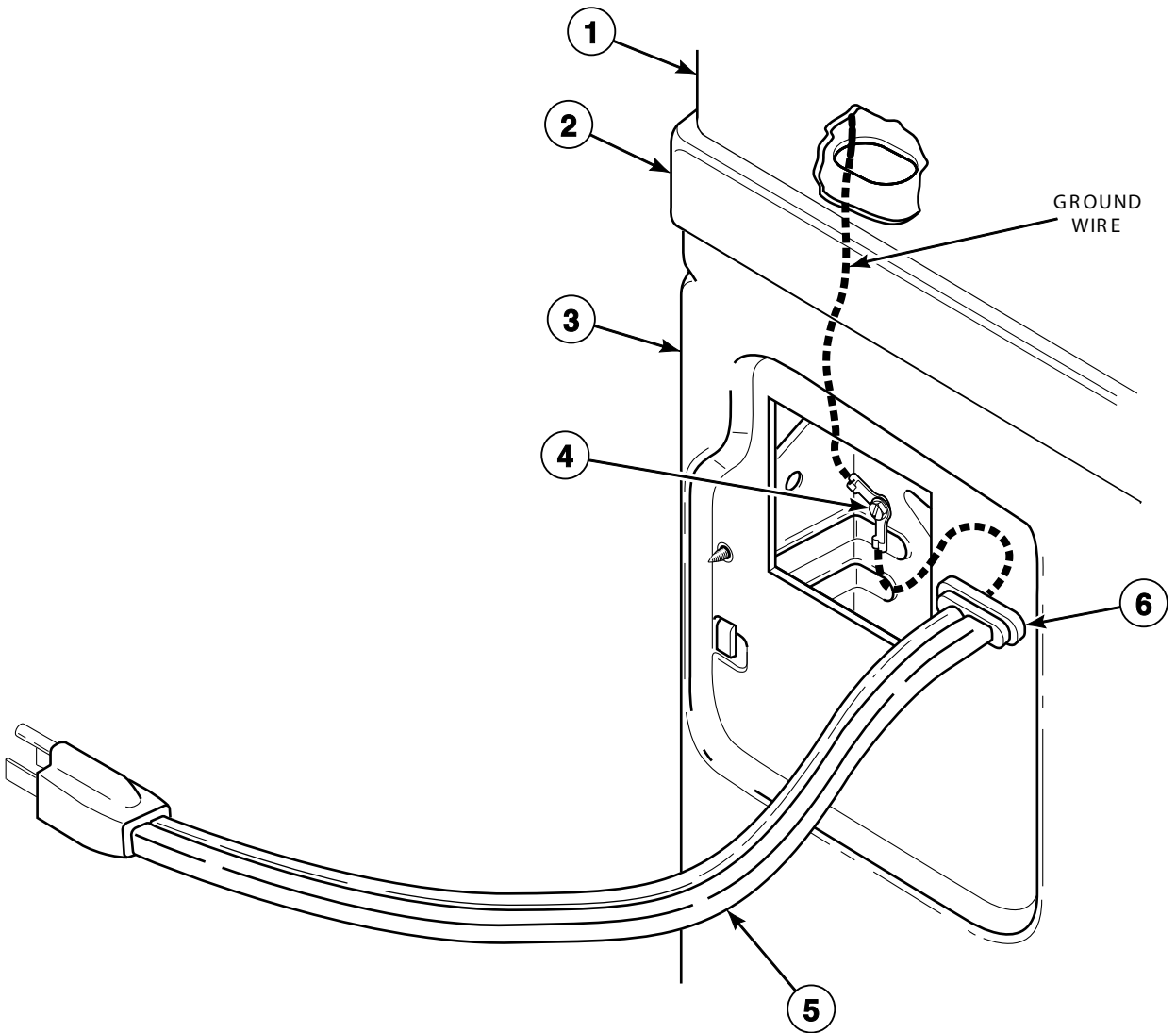
DRY2244P\_503281

## Cabinet, Exhaust Duct and Base

REF	PART NO.	DESCRIPTION	COMMENTS
1	56128	Bumper Pad	
2	56079	Panel Locator	
3	39733	Screw	
4	510136	Top Hinge	
5	33562	Screw	
6	511004	Gas Clearance Label	Gas models
7	510903	Access Panel Plate	
8	511005	Electric Clearance Label	Electric models
9	510137	Exhaust Duct	2 required
10	521P3	Flexible Venting Kit	
11	503688	Screw	
12	500001*P	Cabinet Assembly	
13	528P3	Directional Exhaust Kit	Used to vent dryer out the sides or bottom
14	526P3	Hold Down Kit	For mobile home installations
15	510135	Leveling Leg	
16	510084	Dryer Base	
17	61294	Fuse Notice Label	Electric models

\* Add Letter To Designate Color. L - Almond W - White

# Power Cord



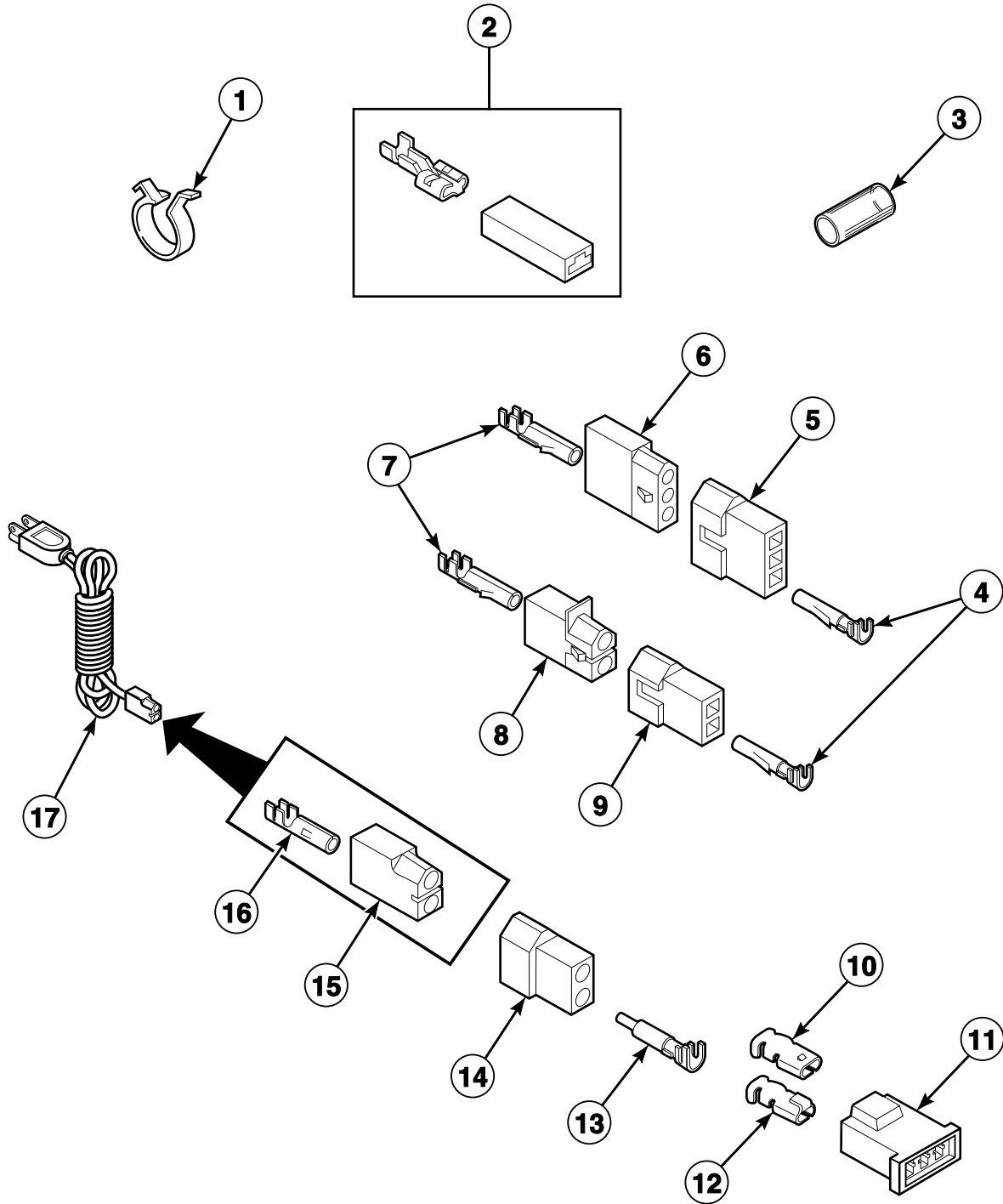
D298P\_503281

# Power Cord

REF	PART NO.	DESCRIPTION	COMMENTS
1	510099	Hood Back Panel	
2	510029*P	Top Panel Kit	Includes (2) 510146 Bracket
3	500001*P	Cabinet Assembly	
4	20530	Screw	Use with painted and unpainted bulkhead
	33562	Screw	Use with stainless steel bulkhead
5	56222	Lead-In Cord	
6	38384	Strain Relief	

\* Add Letter To Designate Color. L - Almond W - White

# Terminals (Drawing 1 of 2)



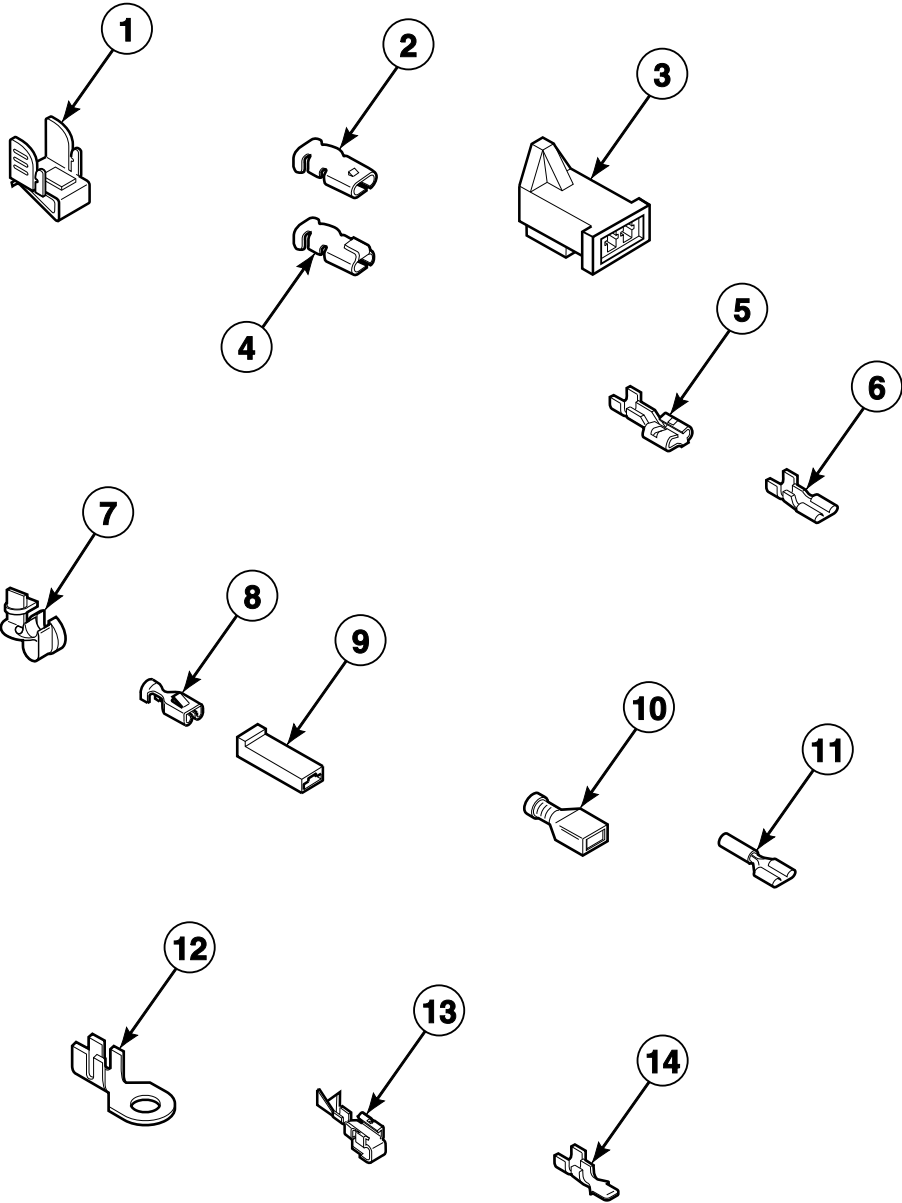
D250P\_503281



## Terminals (Drawing 1 of 2)

REF	PART NO.	DESCRIPTION	COMMENTS
1	504034	Wire Clip	
2	00360	Insulated Female Spade Terminal	(1) 12 gauge wire or (2) 18 gauge wires
3	503670	Insulator Sleeve	
4	00116	Male Pin Terminal	
5	23040	Plug	3 circuit
6	23039	3 Circuit Receptacle	
7	00117	Female Pin Terminal	
8	56451	2 Circuit Receptacle	
9	56448	2 Circuit Plug	
10	00189	Female Spade Terminal	
11	58800	3 Circuit Connector	
12	00361	Female Piggyback Terminal	Receptacle connector
13	00127	Male Pin Terminal	
14	56266	2 Circuit Plug	
15	56265	2 Circuit Receptacle	
16	00130	Female Pin Terminal	
17	56222	Lead-In Cord	Gas models

# Terminals (Drawing 2 of 2)

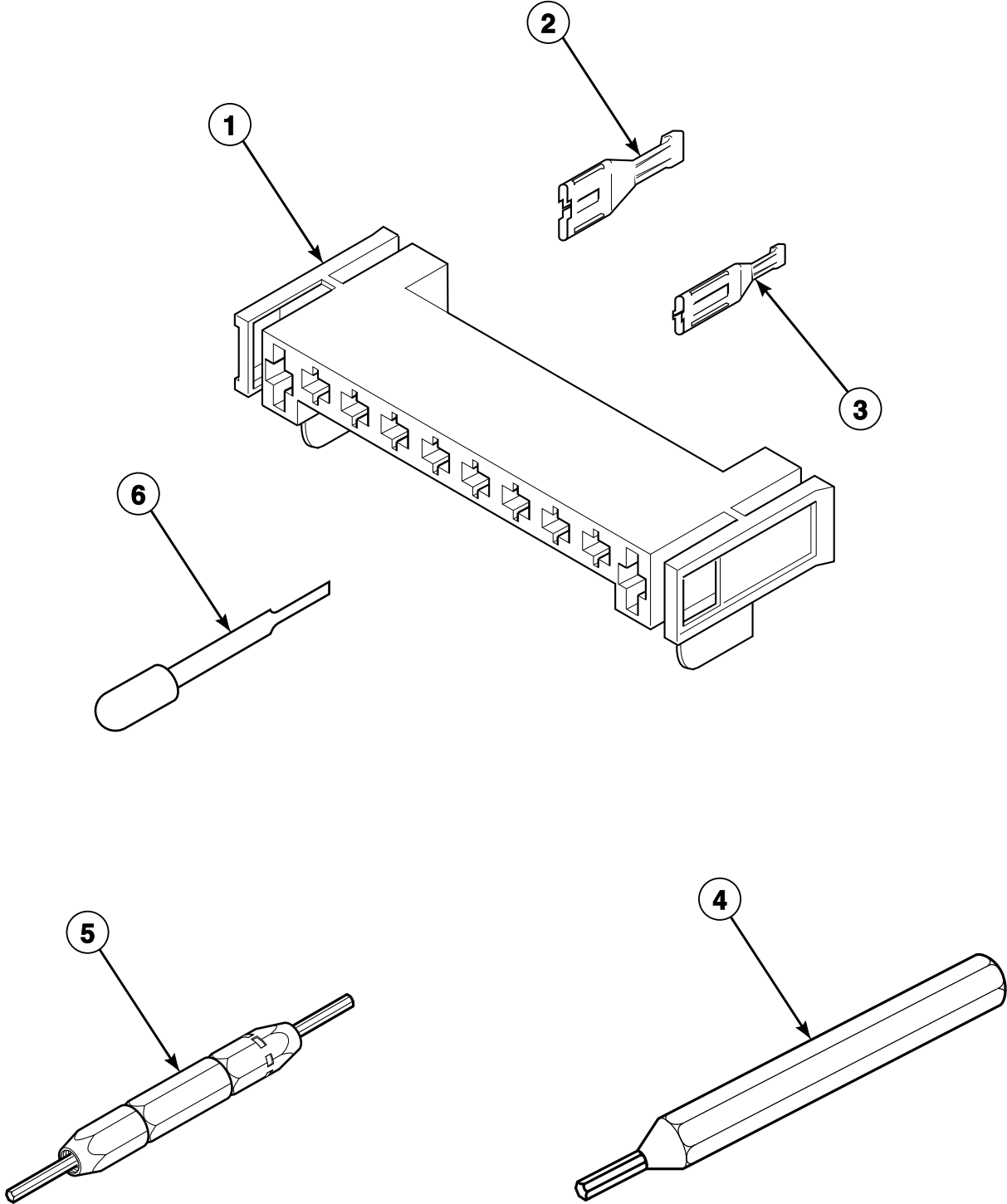


D251P\_503281

## Terminals (Drawing 2 of 2)

REF	PART NO.	DESCRIPTION	COMMENTS
1	00161	Grounding Clip	
2	00189	Female Spade Terminal	
3	58799	2 Circuit Connector	
4	00361	Female Piggyback Terminal	Receptacle connector
5	00119	Female Spade Terminal	1/4 inch; (1) 18 gauge wire
	00121	Female Spade Terminal	1/4 inch; (2) 18 gauge wires or (1) 12 gauge wire
	00245	Spade Terminal	1/4 inch; (1) 22 gauge wire
6	00124	Female Spade Terminal	3/16 inch; (1) 18 gauge wire; 020 tab
	00156	Female Spade Terminal	3/16 inch; Thermostat wire; 032 tab
	00209	Female Spade Terminal	3/16 inch; (2) 18 gauge wires; 020 tab
7	38384	Strain Relief	
8	00115	Female Spade Terminal	1/4 inch; (1) 18 gauge wire
	00122	Female Spade Terminal	1/4 inch; (2) 18 gauge wires or (1) 12 gauge wire
9	90789	Receptacle Housing	
10	00359	Insulated Female Spade Terminal	1/4 inch
	00165	Insulated Female Terminal	3/16 inch
11	00214	Pre-Insulated Spade Terminal	1/4 inch; 18 gauge wire
	00215	Pre-Insulated Spade Terminal	1/4 inch; 12 gauge wire
12	00110	Ring Terminal	No. 10; (1) 18 gauge wire
	00111	Ring Terminal	No. 10; (2) 18 gauge wires or (1) 12 gauge wire
13	00114	Female Spade Terminal	1/4 inch; Double connector
14	00139	Male Tab Terminal	1/4 inch; (2) 18 gauge wires or (1) 12 gauge wire

# Motor Connection Block, Terminals and Terminal Extractor Tool



D301P\_503281

# Motor Connection Block, Terminals and Terminal Extractor Tool

REF	PART NO.	DESCRIPTION	COMMENTS
1	500338	10 Position Housing	Molex; 10 circuit
2	00255	Female Terminal	1/4 inch; (1) 12 gauge wire
	00256	Female Terminal	1/4 inch; (1) or (2) 18 gauge wires
3	00188	Female Terminal	1 or 2 wire application
4	128P4	Extractor Tool	For use on gas dryer terminals
5	190P4	Extractor Tool	For use on electric dryer terminals
6	283P4	Terminal Extractor Tool	

# Wire Harnesses

<b>PART NO.</b>	<b>DESCRIPTION</b>	<b>COMMENTS</b>
500744	Wire Harness Assembly	Models LE8467*2 and LE8567*2
500745	Wire Harness Assembly	Models LG8469*2 and LG8569*2
500747	Wire Harness Assembly	Model LE8267*2
500748	Wire Harness Assembly	Model LG8269*2
502229	Wire Harness Assembly	Model LG8369*2
502378	Wire Harness Assembly	Model LE8367*2

\* Add Letter To Designate Color. L - Almond W - White

# Parts Index

## A

Access Panel 510069*P .....	13
Access Panel Plate 510903 .....	27
Adhesive 511637P .....	17, 19

## B

Blower and Fan Kit 510717P .....	15
Blower Fan Assembly 510139P .....	15
Blower Housing and Cover Kit 511969P .....	15
Blower Housing Seal 500313 .....	15
Booster and Holding Coil 58804A .....	25
Bracket 510146 .....	9
Bumper Pad 56128 .....	27
Burner Assembly 510149P .....	25

## C

Cabinet Assembly 500001*P .....	9, 17, 19, 25, 27, 29
Cabinet Top 510229*P .....	9
Combustion Duct Assembly 61974 .....	23, 25
Connector, 2 Circuit 58799 .....	33
Connector, 3 Circuit 58800 .....	31
Control Mounting Plate 500300 .....	5, 7
Cylinder Assembly 500013WP .....	17
500735P .....	17
Cylinder Baffle 510102 .....	17
Cylinder Belt 511255P .....	15
Cylinder Glide 501553 .....	17
510188 .....	17
Cylinder Glide Bracket 510145 .....	17
Cylinder Light Housing 500153 .....	17

Cylinder Roller 510708P .....	19
Cylinder Roller Bracket 510100 .....	19
Cylinder Seal Assembly 510207P .....	17, 19

## D

Diffuser 500305 .....	5, 7
Directional Exhaust Kit 528P3 .....	27
Disconnect Power Warning Label 505281 .....	7, 9
Door Assembly 500035* .....	11
Door Catch Assembly 510177 .....	13
Door Hinge 510519 .....	11
Door Hinge Mounting Clip 500236 .....	11
Door Pull 500042* .....	11
Door Seal 500200P .....	11
Door Strike 510181 .....	11
Door Strike Mount 510127 .....	11
Drum Light Lamp 60954 .....	17
Drum Light Lens 500094 .....	17
Dryer Base 510084 .....	15, 23, 25, 27
Dryer Door 500040* .....	11
Drying Rack 501295P .....	11

## E

Elbow Shut-Off Valve 510205 .....	25
Electric Clearance Label 511005 .....	27
End Panel 504008*P .....	5, 7
504009*P .....	5, 7
Exhaust Duct 510137 .....	27
Extractor Tool 128P4 .....	35
190P4 .....	35

N/A items do not appear in index.

---

**F**

Fabric Selector Switch	
61511 .....	5, 7
Felt Pad	
510189 .....	17
Female Piggyback Terminal	
00361 .....	31, 33
Female Pin Terminal	
00117 .....	31
00130 .....	31
Female Spade Terminal	
00114 .....	33
00115 .....	33
00119 .....	33
00121 .....	33
00122 .....	33
00124 .....	33
00156 .....	33
00189 .....	31, 33
00209 .....	33
Female Terminal	
00188 .....	35
00255 .....	35
00256 .....	35
Flexible Venting Kit	
521P3 .....	27
Front Air Duct	
502231 .....	17
Front Bulkhead Assembly	
500116W .....	17
500117W .....	17
501570WP .....	17
Front Panel	
500033* .....	11, 13
Front Panel Seal	
500034 .....	13
Fuse Notice Label	
61294 .....	27

---

**G**

Gas Clearance Label	
511004 .....	13, 27
Gas Valve Assembly	
58804P .....	25
Gas Valve Mounting Bracket	
510128 .....	25
Gas Valve Wire Harness Assembly	
510530 .....	25
Graphic Panel	
502216* .....	5
503254* .....	7
503255* .....	5
Grounding Clip	
00161 .....	33

---

**H**

Heat Duct Shield	
60952 .....	21, 23

Heat Duct Shroud	
510101 .....	23
Heater Duct and Screw Assembly	
510025P .....	19, 21, 23
Heater Kit Assembly	
61927 .....	21
61928 .....	21
Hold Down Kit	
526P3 .....	27
Hold-Down Spring Clip	
503876 .....	9
Hood Back Panel	
510099 .....	5, 7, 9, 29
Housing, 10 Position	
500338 .....	35

---

**I**

Idler Lever	
510133 .....	15
Idler Lever and Wheel Assembly	
510158 .....	15
Idler Spring	
510185 .....	15
Idler Wheel and Bearing Assembly	
510142P .....	15
Igniter and Bracket Assembly	
510184P .....	25
Insulated Female Spade Terminal	
00359 .....	33
00360 .....	31
Insulated Female Terminal	
00165 .....	33
Insulator Sleeve	
503670 .....	31

---

**K**

Knob Assembly	
36701* .....	5, 7

---

**L**

Lead-In Cord	
56222 .....	29, 31
Lead-In Pipe Assembly	
510204 .....	25
Leveling Leg	
510135 .....	27
Limit Thermostat	
510701 .....	21
510702 .....	23
Liner and Seal Assembly	
500199P .....	11
Lint Filter	
502140P .....	17
Lint Filter Cover	
502092 .....	17
L.P. Conversion Kit	
401P3 .....	25

N/A items do not appear in index.



---

**M**

Male Pin Terminal	
00116 .....	31
00127 .....	31
Male Tab Terminal	
00139 .....	33
Motor Adapter Harness Kit	
559P3 .....	15
560P3 .....	15
Motor and Pulley Assembly	
511629P .....	15
Motor Hub Ring Kit	
590P3 .....	15
Motor Mount	
510060 .....	15
Motor Mount Clamp	
510180 .....	15
Motor Pulley	
500011 .....	15
Motor Switch	
501218 .....	15

---

**N**

Notice Seal Sticker	
56259 .....	17
Nut	
52566 .....	15
56156 .....	15, 19
57584 .....	5, 7
N.G. Conversion Kit	
402P3 .....	25

---

**O**

Outlet Cover	
500820 .....	21, 23

---

**P**

Panel Locator	
56079 .....	13, 27
Plug	
23040 .....	31
Plug, 2 Circuit	
56266 .....	31
56448 .....	31
Pre-Insulated Spade Terminal	
00214 .....	33
00215 .....	33

---

**R**

Rear Bulkhead Assembly	
501154 .....	19
510905WP .....	19

Receptacle Housing	
90789 .....	33
Receptacle, 2 Circuit	
56265 .....	31
56451 .....	31
Receptacle, 3 Circuit	
23039 .....	31
Retaining Ring	
23748 .....	15, 19
Ring Terminal	
00110 .....	33
00111 .....	33
Rotary Signal	
500823 .....	5

---

**S**

Screw	
20530 .....	9, 15, 19, 29
23222 .....	21, 25
31260 .....	15
31645 .....	15, 17
33562 .....	9, 13, 15, 19, 27, 29
39733 .....	13, 27
500226 .....	11, 17
500227 .....	13, 17
500297 .....	11
500824 .....	15
501086 .....	5, 7, 9
501285 .....	19
502535 .....	15
503688 .....	17, 19, 21, 23, 25, 27
51782 .....	23, 25
56124 .....	25
61199 .....	19
62588 .....	17
Secondary Coil	
58804B .....	25
Sensor	
510213 .....	25
Shaft	
55461 .....	15
56461P .....	19
Spade Terminal	
00245 .....	33
Speed Clip	
28835 .....	13
Strain Relief	
38384 .....	29, 33
Switch	
512973 .....	13
Switch Mount Bracket	
59704 .....	5, 7

---

**T**

Terminal Block Assembly	
510190P .....	19
Terminal Extractor Tool	
283P4 .....	35
Thermal Fuse Assembly	
511412 .....	21

N/A items do not appear in index.

Thermal Fuse Kit	
490P3 .....	21
Thermostat	
503551 .....	15
61372 .....	15
Thermostat and Plate Kit	
489P3 .....	23
Thermostat Heater	
61401 .....	15
Timer	
501881 .....	7
502963 .....	5
502967P .....	5
Timer Knob Assembly	
512117* .....	5, 7
Top Cover	
500303* .....	5, 7
Top Hinge	
510136 .....	27
Top Panel Kit	
510029*P .....	5, 7, 29

---

## **W**

Warning Label	
500049 .....	17
Warning/Caution Label	
500281 .....	13
Washer	
51474 .....	19
52549 .....	15, 19
Wire Clip	
504034 .....	31
Wire Harness Assembly	
500744 .....	36
500745 .....	36
500747 .....	36
500748 .....	36
502229 .....	36
502378 .....	36

---