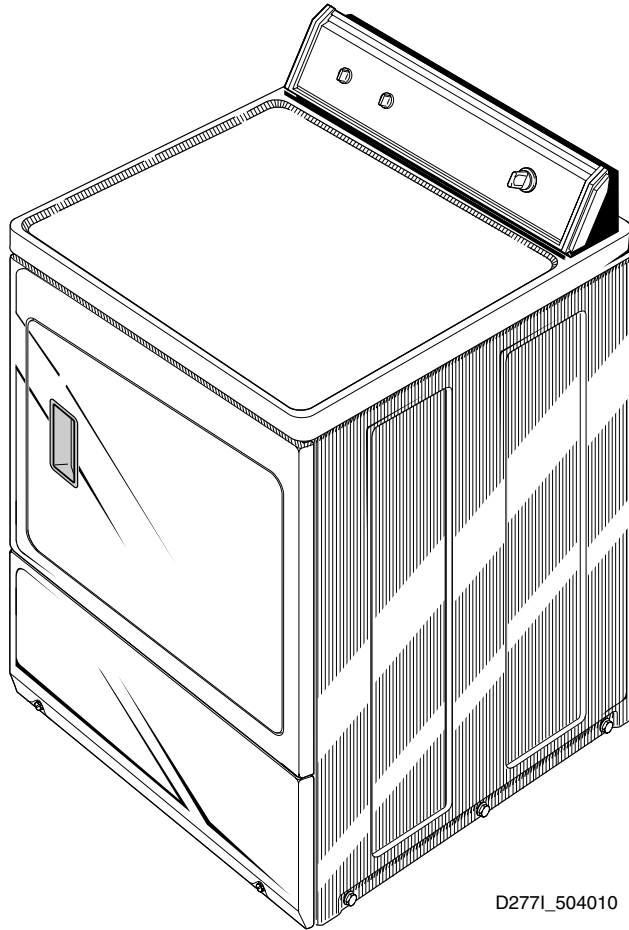


Home Laundry Dryers

Refer to Page 3 for Model Numbers



D2771_504010

Parts

Table of Contents

Title	Page
Parts Ordering Information.....	2
Nameplate Location	2
Model Identification	3
Graphic Panel, Control Hood and Controls - Models LES10A* and LGS10A*	4
Graphic Panel, Control Hood and Controls - Models LES34A* and LGS34A*	6
Cabinet Top and Control Hood Rear Panel	8
Loading Door	10
Access Panel, Front Panel and Seal	12
Motor, Exhaust Fan and Belt	14
Front Bulkhead, Air Duct, Felt Seal and Cylinder	16
Rear Bulkhead, Felt Seal, Cylinder Roller and Terminal Block.....	18
Heater Duct and Element Assembly	20
Heater Duct Assembly	22
Gas Valve, Igniter and Gas Conversion Kits.....	24
Cabinet, Exhaust Duct and Base	26
Lead-In Cord - Electric Models	28
Lead-In Cord - Gas Models.....	30
Terminals (Drawing 1 of 2).....	32
Terminals (Drawing 2 of 2).....	34
Motor Connection Block and Terminal Extractor Tools.....	36
Wire Harnesses and Wires	38
Parts Index.....	39

© Copyright 2005, Alliance Laundry Systems LLC

All rights reserved. No part of the contents of this book may be reproduced or transmitted in any form or by any means without the expressed written consent of the publisher.

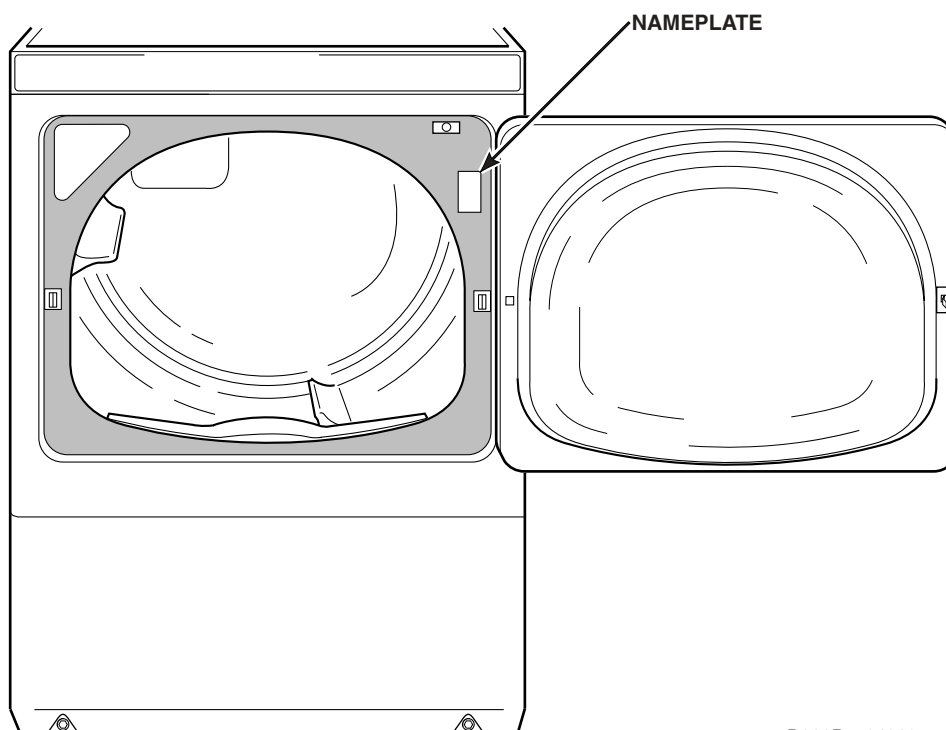
Parts Ordering Information

If literature or replacement parts are required, contact the source from whom the machine was purchased or contact Alliance Laundry Systems at (920) 748-3950 for the name and address of the nearest authorized parts distributor.

For technical assistance, call (920) 748-3121.

Nameplate Location

When calling or writing about your product, be sure to mention model and serial numbers. Model and serial numbers are located on nameplate(s) as shown.



D282P_504010

Model Identification

Information in this manual is applicable to these dryer models:

LES10A*

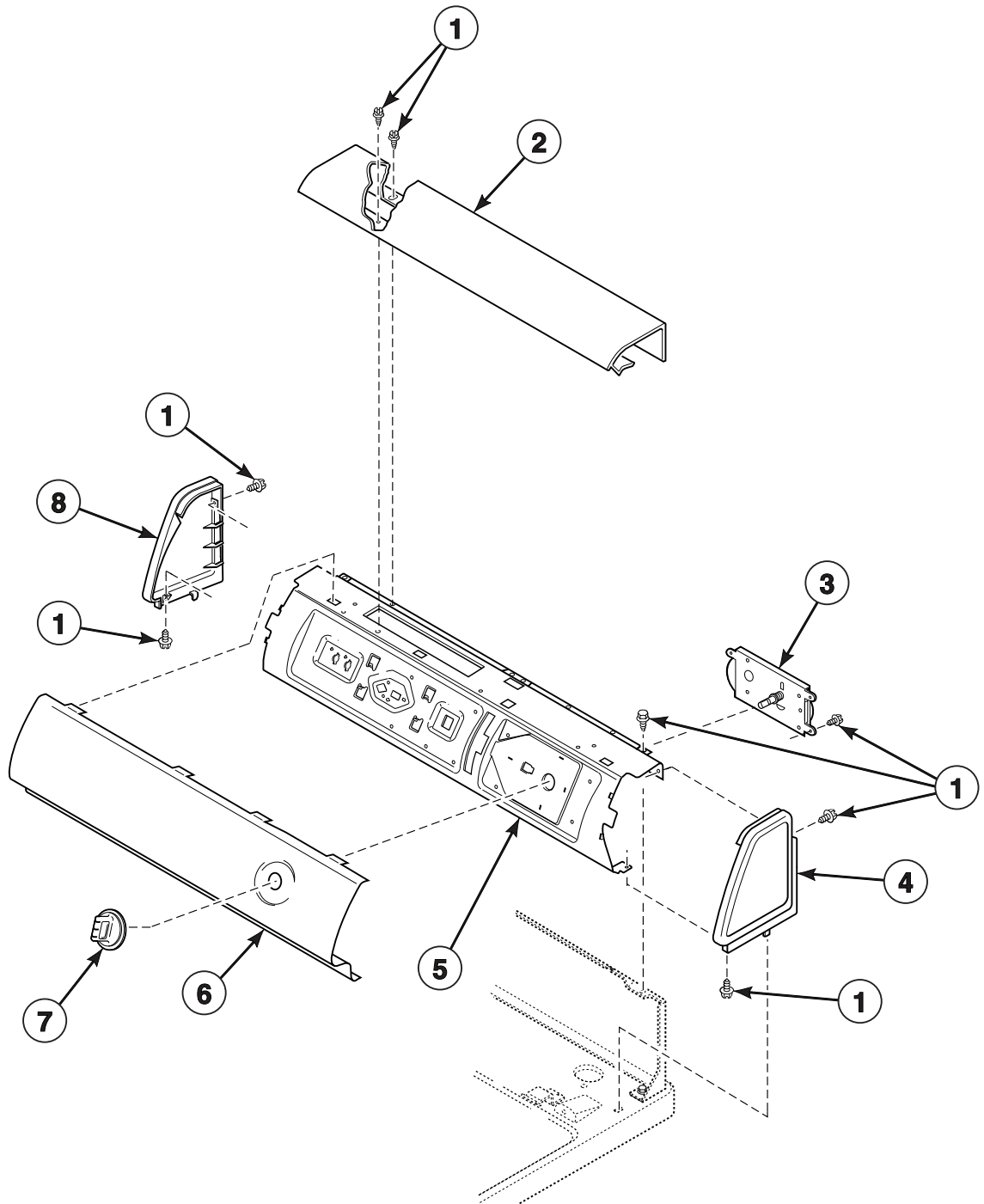
LES34A*

LGS10A*

LGS34A*

* Add Letter To Designate Color. L - Almond W - White

Graphic Panel, Control Hood and Controls - Models LES10A* and LGS10A*



D283PZ3D_504010

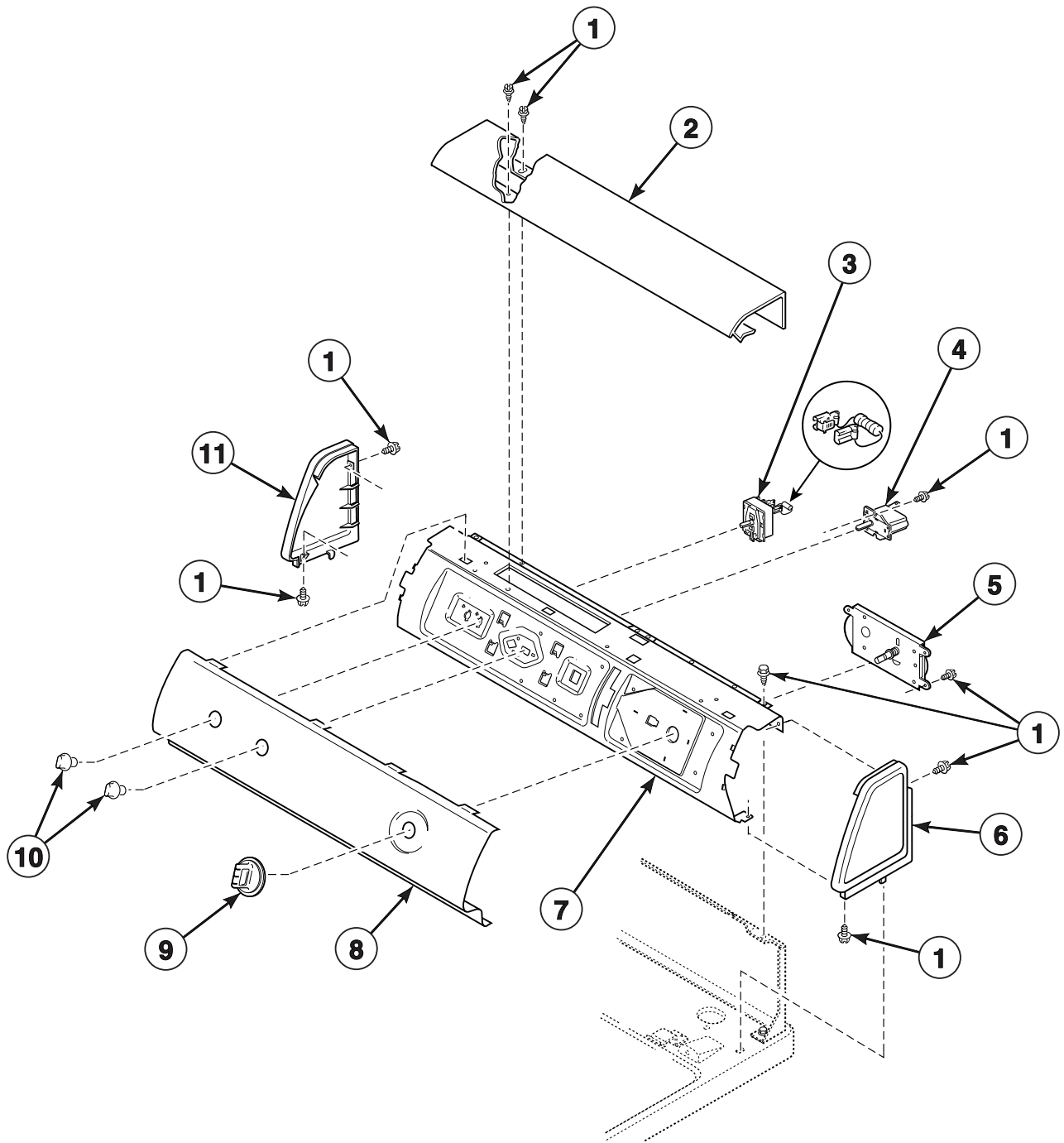
Graphic Panel, Control Hood and Controls - Models LES10A* and LGS10A*

REF	PART NO.	DESCRIPTION	COMMENTS
1	501086	Screw	
2	505808W	Top Cover	White
	505808L	Top Cover	Almond
3	505793P	Timer and Harness Kit	Model LES10A*
	N/A	Timer	Model LGS10A*
4	504008W	End Panel	White; Right
	504008L	End Panel	Almond; Right
5	503901	Control Support Panel	
6	N/A	Graphic Panel	
7	512117W	Timer Knob Assembly	White
	510287L	Timer Knob Assembly	Almond
8	504009W	End Panel	White; Left
	504009L	End Panel	Almond; Left

* Add Letter To Designate Color. L - Almond W - White

N/A = Part no longer available

Graphic Panel, Control Hood and Controls - Models LES34A* and LGS34A*



D283PZ3C_504010

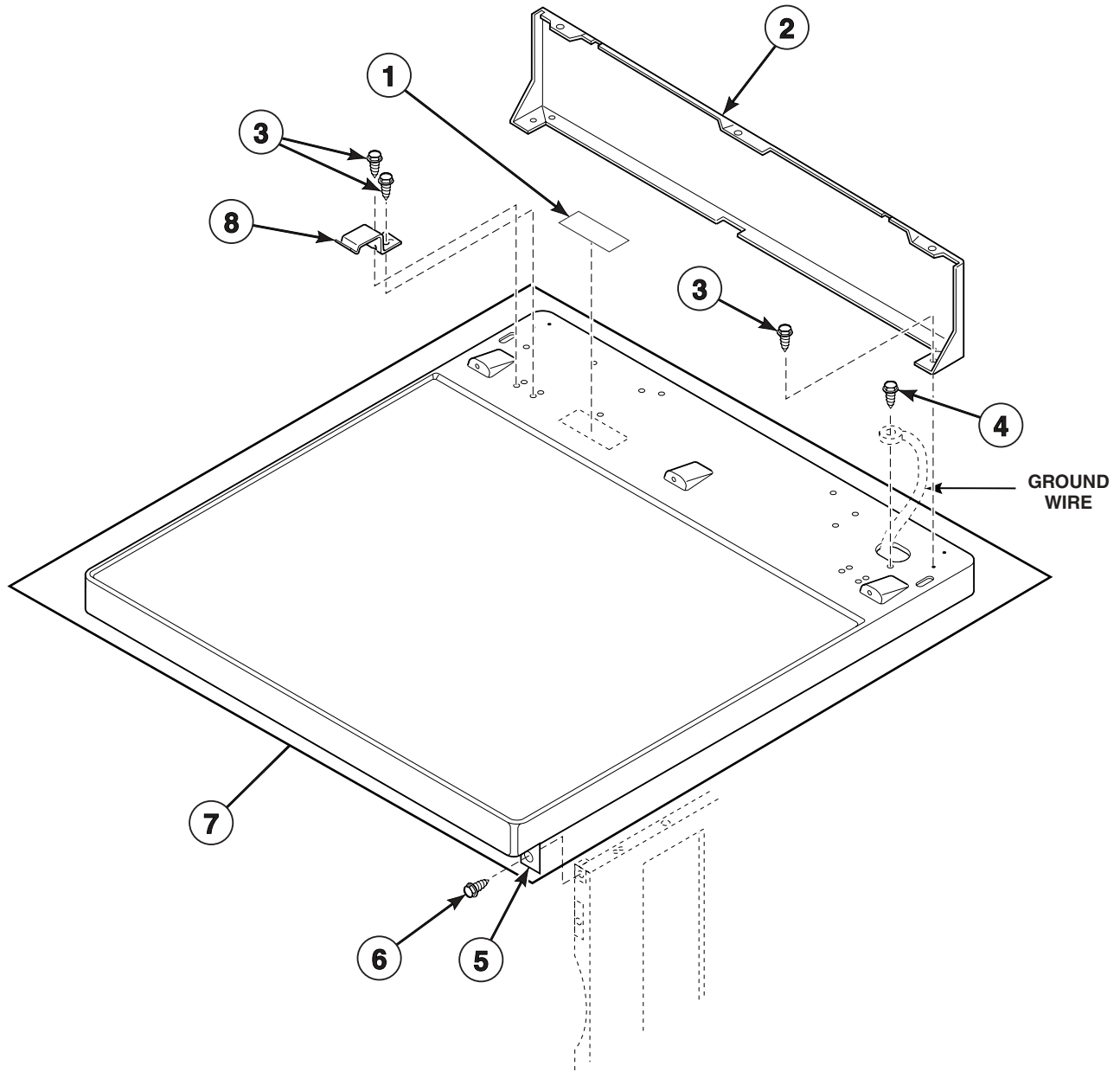
Graphic Panel, Control Hood and Controls - Models LES34A* and LGS34A*

REF	PART NO.	DESCRIPTION	COMMENTS
1	501086	Screw	
2	505808W	Top Cover	White
	505808L	Top Cover	Almond
3	510212	Fabric Selector Switch	
4	510211	Buzzer	
5	N/A	Timer	
6	504008W	End Panel	White, Right
	504008L	End Panel	Almond; Right
7	503901	Control Support Panel	
8	504569W	Graphic Panel	
9	512117W	Timer Knob Assembly	White
	510287L	Timer Knob Assembly	Almond
10	33688	Knob Assembly	
11	504009W	End Panel	White; Left
	504009L	End Panel	Almond; Left

* Add Letter To Designate Color. L - Almond W - White

N/A = Part no longer available

Cabinet Top and Control Hood Rear Panel

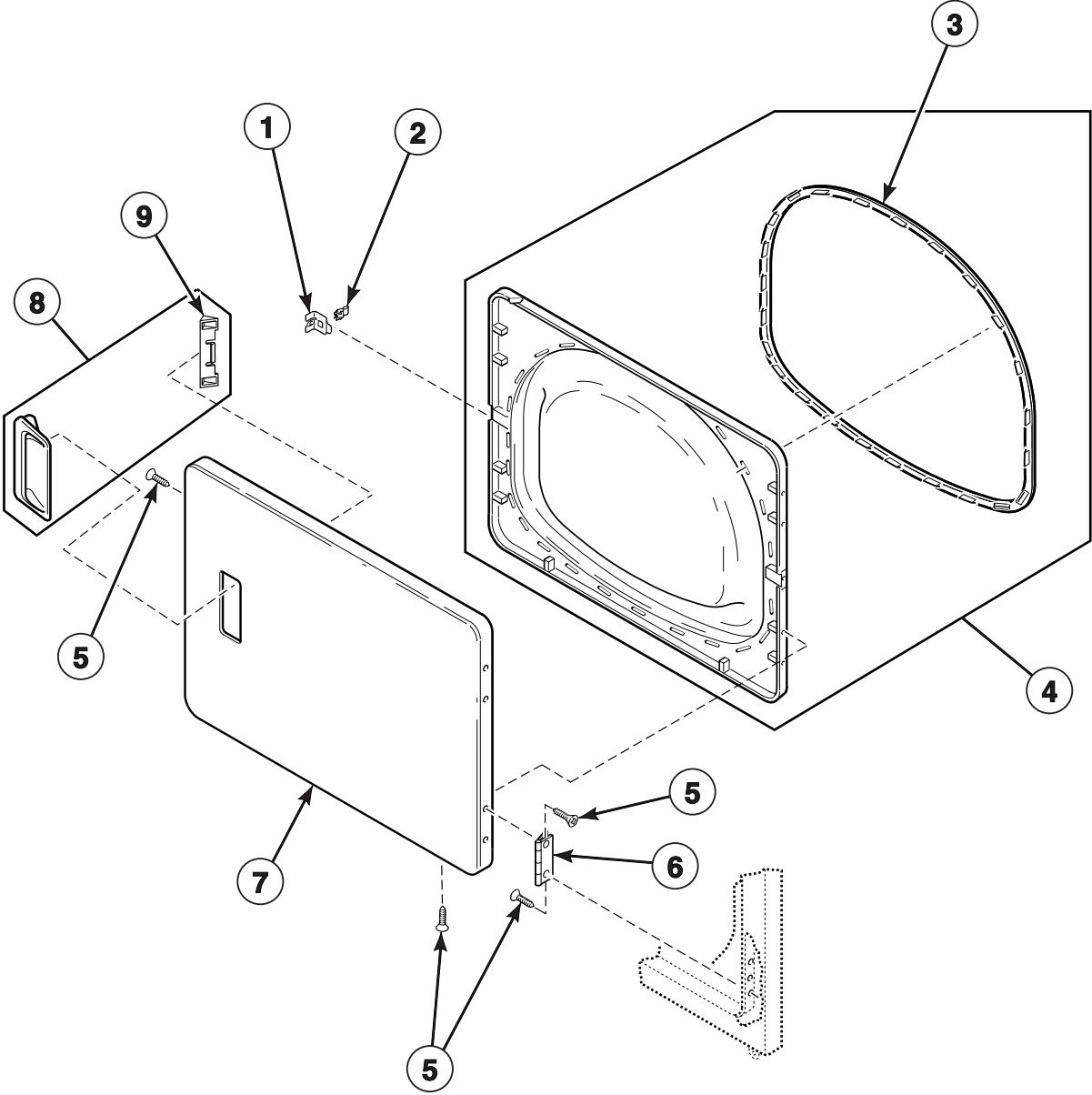


D286PZ3B_504010

Cabinet Top and Control Hood Rear Panel

REF	PART NO.	DESCRIPTION	COMMENTS
1	505281	Disconnect Power Warning Label	
2	510099	Hood Back Panel	
3	501086	Screw	
4	503688	Screw	
5	510146	Bracket	
6	503661	Screw	
7	510029WP	Top Panel Kit	White; Includes 2 of item 5
	510029LP	Top Panel Kit	Almond; Includes 2 of item 5
8	503876	Hold-Down Spring Clip	

Loading Door

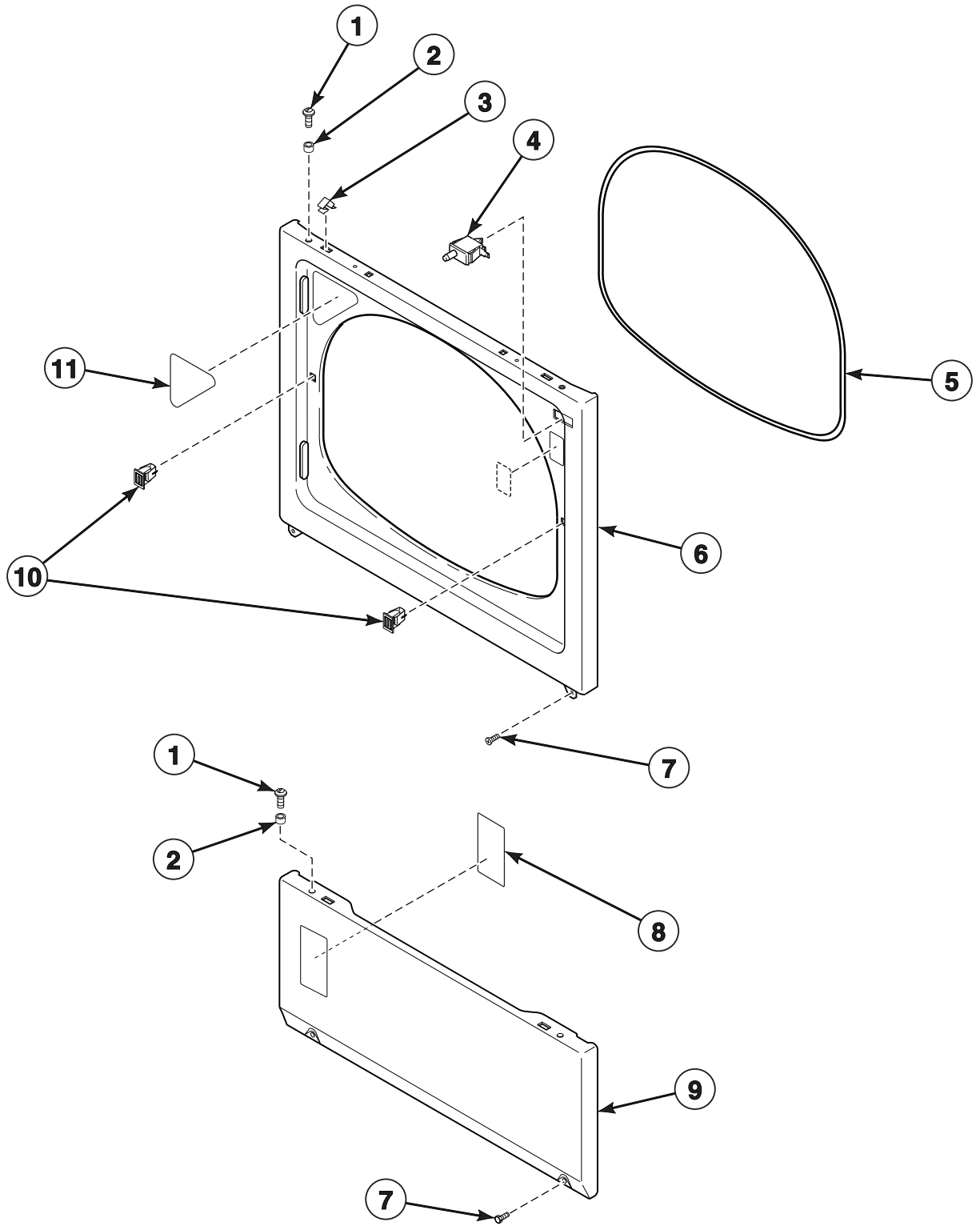


DRY1851P_504010

Loading Door

REF	PART NO.	DESCRIPTION	COMMENTS
1	510127	Door Strike Mount	
2	510181	Door Strike	
3	510147P	Liner Door Seal	
4	510289W	Liner and Seal Assembly	Includes item 3
5	505295	Screw	
6	511036	Door Hinge	
7	510013W	Dryer Door	White
	510013L	Dryer Door	Almond
8	510103WP	Door Pull and Wedge Kit	White; Includes item 9
	510103LP	Door Pull and Wedge Kit	Almond; Includes item 9
9	510129	Door Handle Wedge	

Access Panel, Front Panel and Seal

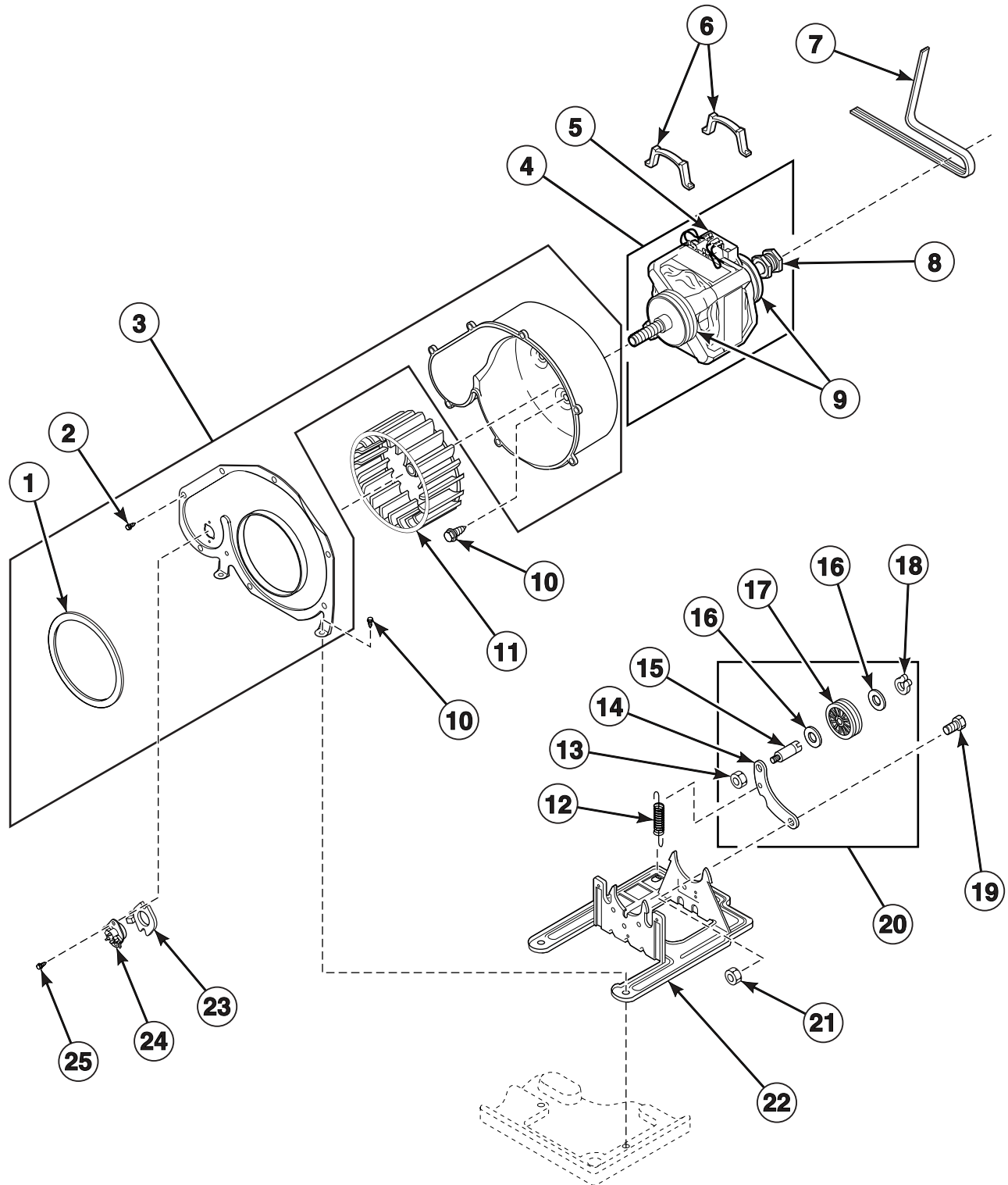


D288PZ3A_504010

Access Panel, Front Panel and Seal

REF	PART NO.	DESCRIPTION	COMMENTS
1	39733	Screw	
2	56079	Panel Locator	
3	28835	Speed Clip	
4	504570	Switch	
5	511056	Front Panel Seal	
6	510066W	Front Panel	White
	510066L	Front Panel	Almond
7	503661	Screw	
8	511004	Gas Clearance Label	Gas models
9	510069W	Access Panel	White
	510069L	Access Panel	Almond
10	510177	Door Catch Assembly	
11	500281	Warning/Caution Label	

Motor, Exhaust Fan and Belt



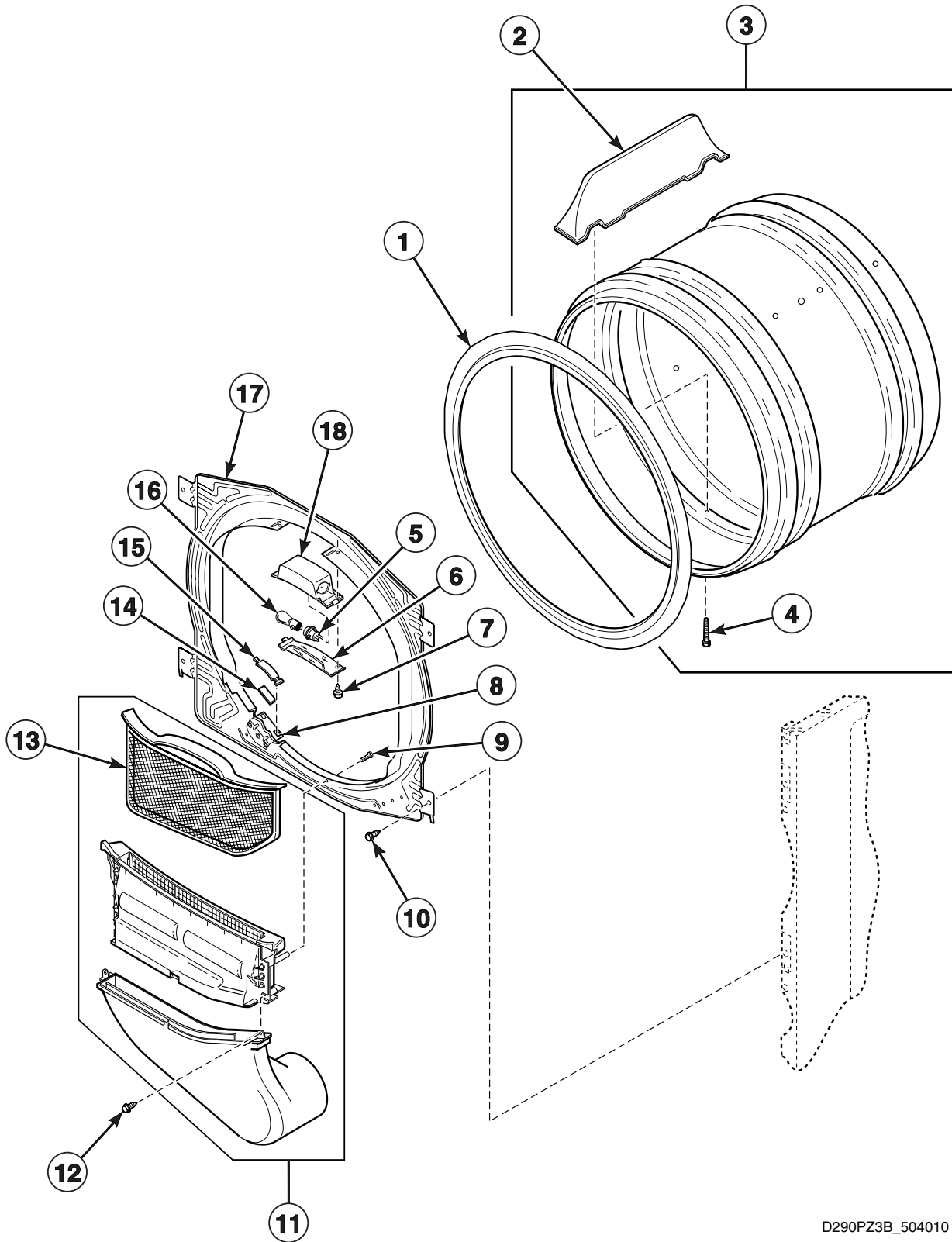
D289P_504010

Motor, Exhaust Fan and Belt

REF	PART NO.	DESCRIPTION	COMMENTS
	510717P	Blower and Fan Kit	Includes items 1-6 and 8-22
1	510238P	Blower Housing Seal	
2	31260	Screw	
3	511969P	Blower Housing and Cover Kit	Includes items 1 and 2
4	511629P	Motor and Pulley Assembly	120 Volt/60 Hertz; Includes items 5, 8 and 9
5	501218P	Motor Switch Kit	Does not include thermal protector
6	510180	Motor Mount Clamp	
7	511255	Cylinder Belt	
8	512196	Motor Pulley	
9	590P3	Motor Hub Ring Kit	
10	503661	Screw	
11	510139P	Blower Fan Assembly	
12	510185	Idler Spring	
13	56156	Nut	
14	510133	Idler Lever	
15	56461	Shaft	
16	52549	Washer	
17	510142P	Idler Wheel and Bearing Assembly	
18	23748	Retaining Ring	
19	500824	Screw	
20	510158	Idler Lever and Wheel Assembly	Includes items 13-18
21	52566	Nut	
22	510060	Motor Mount	
23	61623	Thermostat Heater	Model LGS34A*
24	510707P	Thermostat	Pink/White; Models LGS10A* and LGS34A*
	504514	Thermostat	Orange; Models LES10A* and LES34A*
25	33561	Screw	

* Add Letter To Designate Color. L - Almond W - White

Front Bulkhead, Air Duct, Felt Seal and Cylinder



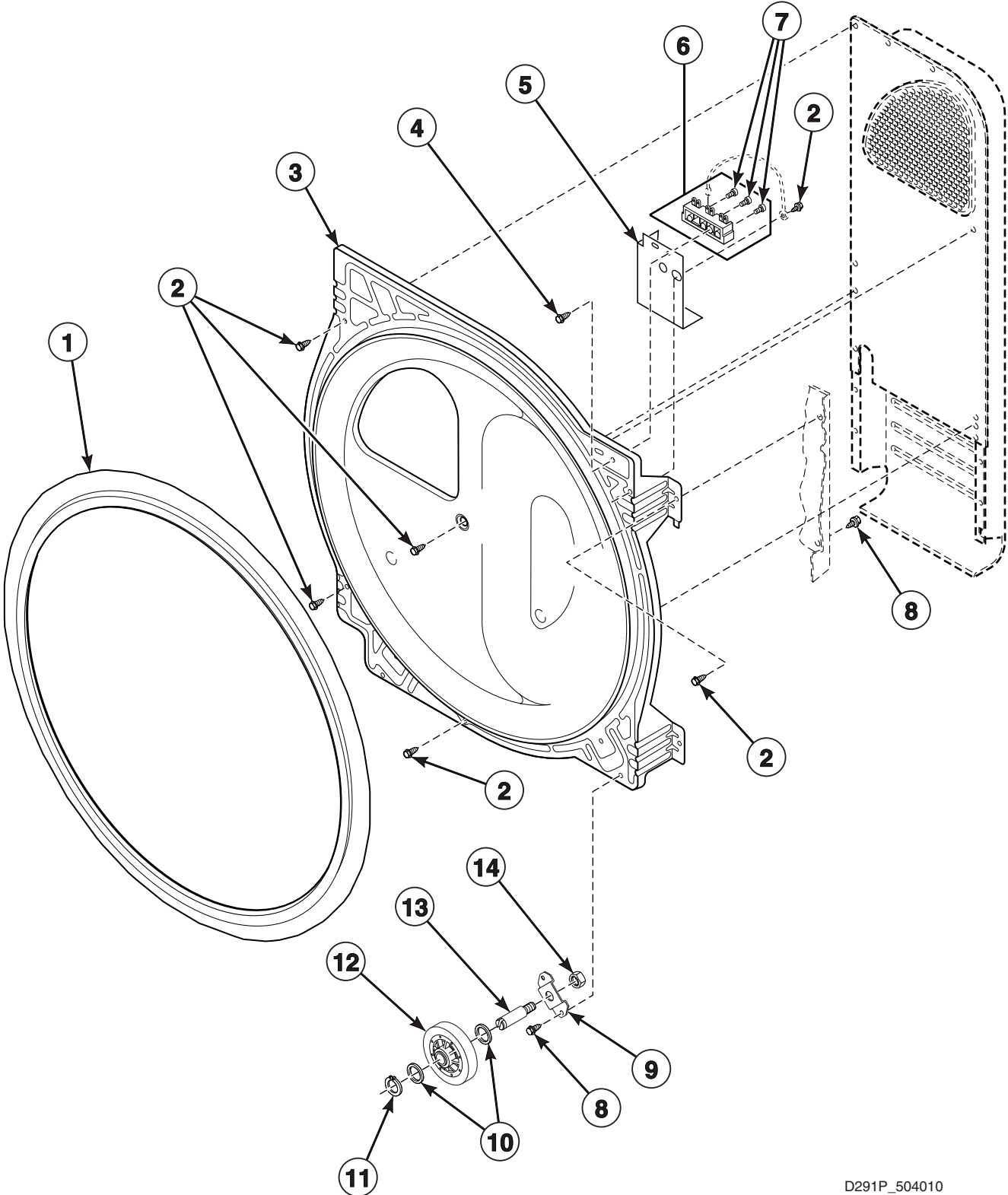
D290PZ3B_504010

Front Bulkhead, Air Duct, Felt Seal and Cylinder

REF	PART NO.	DESCRIPTION	COMMENTS
	511637	Adhesive	Cylinder seal to bulkhead
1	510207P	Cylinder Seal Assembly	
2	503703	Cylinder Baffle	
3	510159W	Cylinder Assembly	White; Includes items 2 and 4
4	62588	Screw	
5	504452	Light Housing Assembly	
6	503623	Drum Light Lens	
7	505870	Screw	
8	510145	Cylinder Glide Bracket	
9	500226	Screw	
10	503661	Screw	
11	750P3	Air Duct and Door Liner Kit	Includes item 13
12	501285	Screw	
13	503627	Lint Filter	
14	510189	Felt Pad	
15	510187	Cylinder Glide	1 required per side
16	60954	Drum Light Lamp	
17	511033W	Front Bulkhead Assembly	White
18	N/A	Cylinder Light Housing	

N/A = Part no longer available

Rear Bulkhead, Felt Seal, Cylinder Roller and Terminal Block



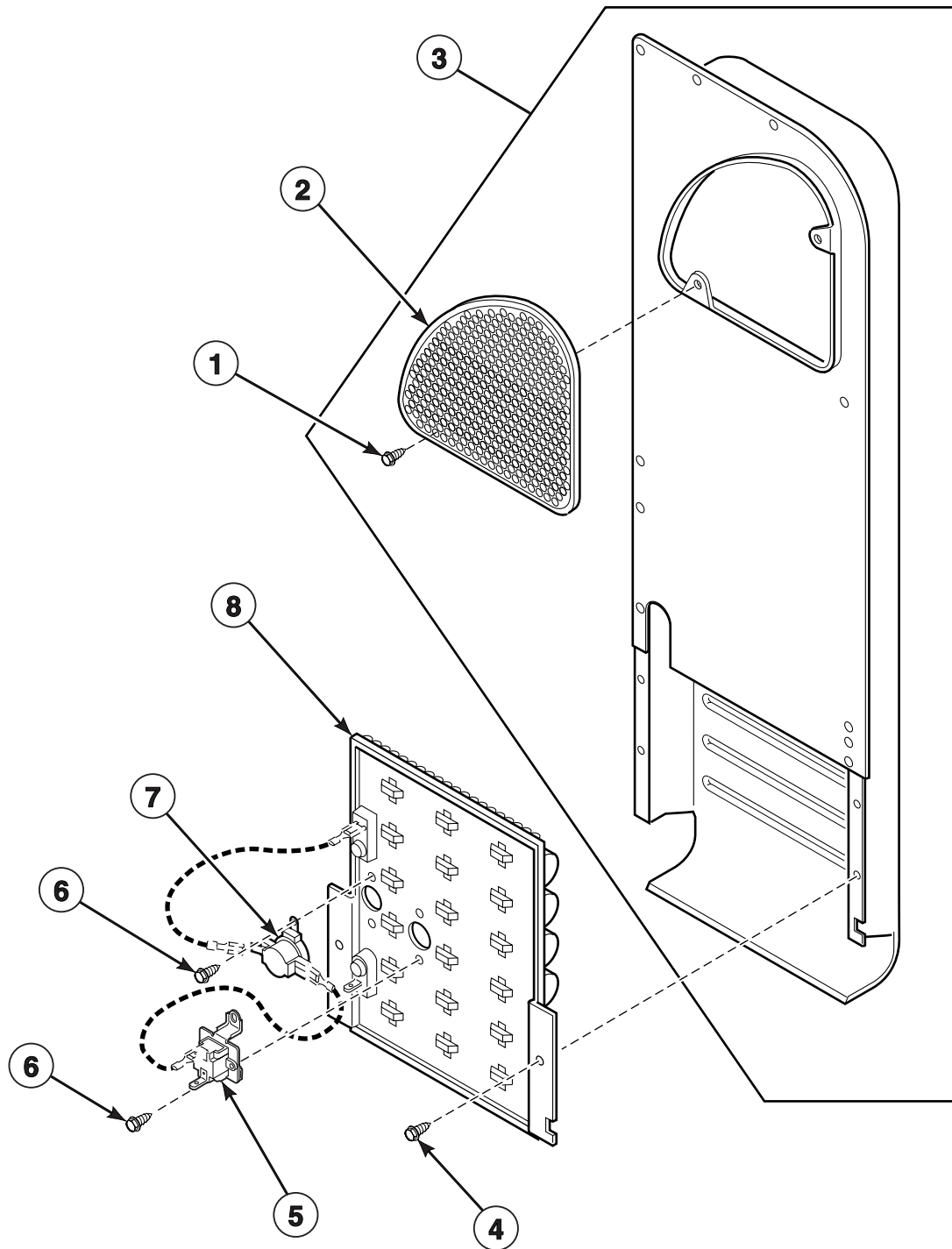
D291P_504010

Rear Bulkhead, Felt Seal, Cylinder Roller and Terminal Block

REF	PART NO.	DESCRIPTION	COMMENTS
	511637	Adhesive	Cylinder seal to bulkhead
1	510207P	Cylinder Seal Assembly	
2	503661	Screw	
3	510905W	Rear Bulkhead Assembly	Painted; Includes item 1
4	501285	Screw	
5	510237	Terminal Block Shield	
6	510190P	Terminal Block Assembly	Includes 3 of item 7; Electric models
7	61199	Screw	
8	503688	Screw	
9	510100	Cylinder Roller Bracket	
10	52549	Washer	
11	23748	Retaining Ring	
12	510708P	Cylinder Roller	
13	56461	Shaft	
14	56156	Nut	

Heater Duct and Element Assembly

Electric Models



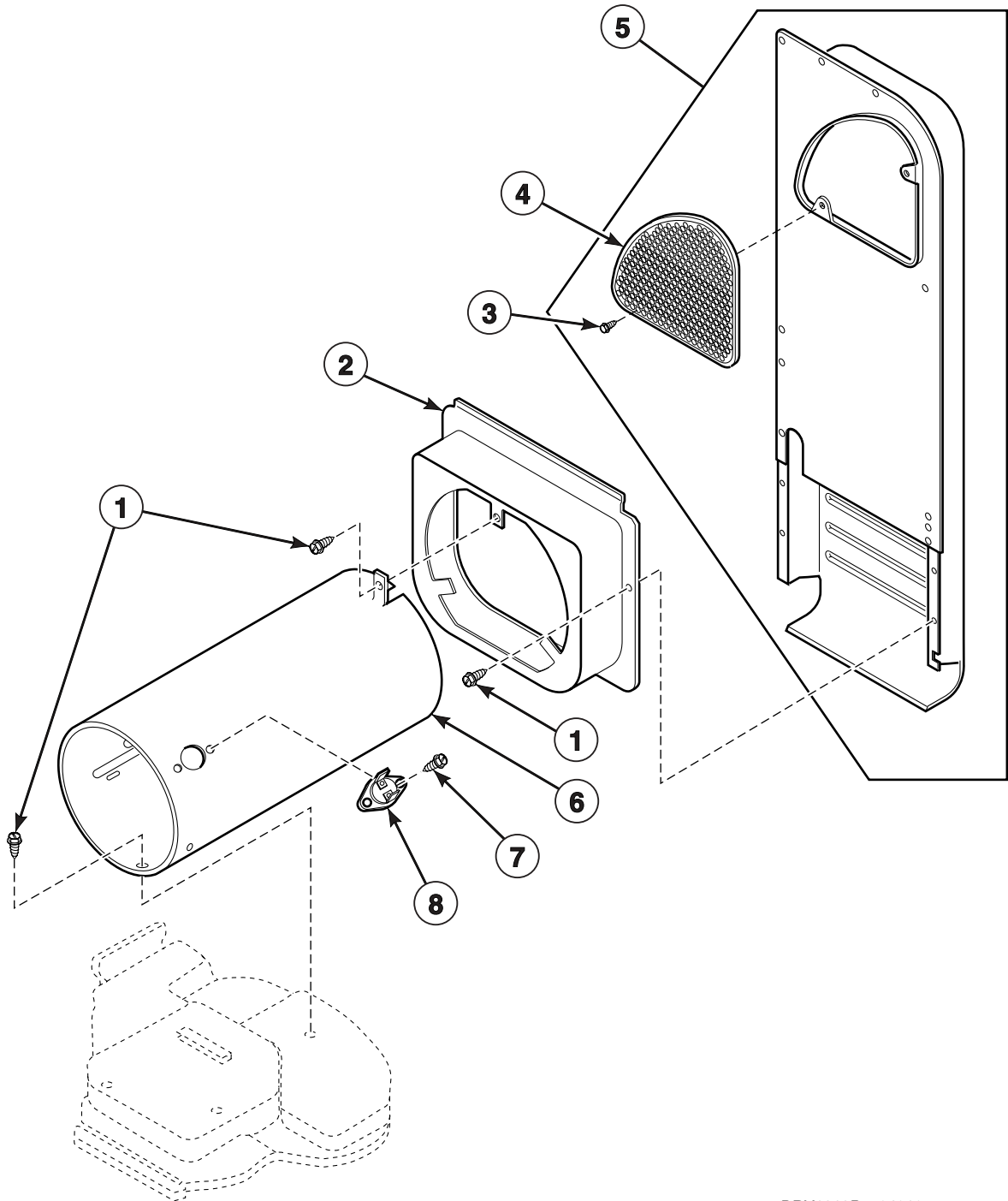
D292P_504010

Heater Duct and Element Assembly

REF	PART NO.	DESCRIPTION	COMMENTS
1	23962	Screw	
2	500820	Outlet Cover	
3	510025P	Heater Duct and Screw Assembly	Includes items 1 and 2
4	503688	Screw	
5	511412	Thermal Fuse Assembly	
6	23222	Screw	
7	510701	Limit Thermostat	
8	510329P	Heater Assembly	

Heater Duct Assembly

Gas Models



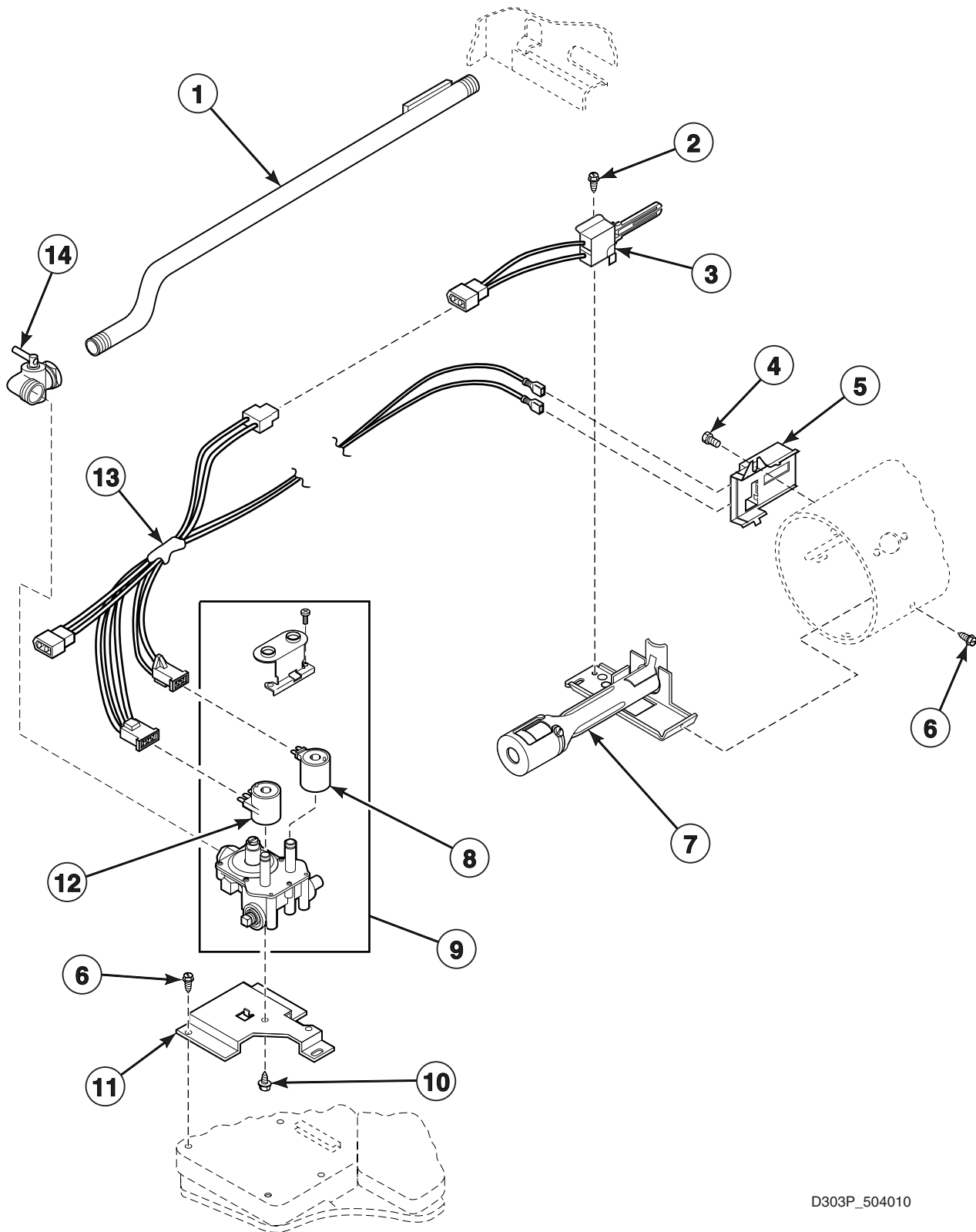
DRY1819P_504010

Heater Duct Assembly

REF	PART NO.	DESCRIPTION	COMMENTS
1	503688	Screw	
2	510101	Heat Duct Shroud	
3	23962	Screw	
4	500820	Outlet Cover	
5	510025P	Heater Duct and Screw Assembly	Includes items 3 and 4
6	510131	Combustion Duct	
7	51782	Screw	
8	510702	Limit Thermostat	Auto reset

Gas Valve, Igniter and Gas Conversion Kits

Gas Models

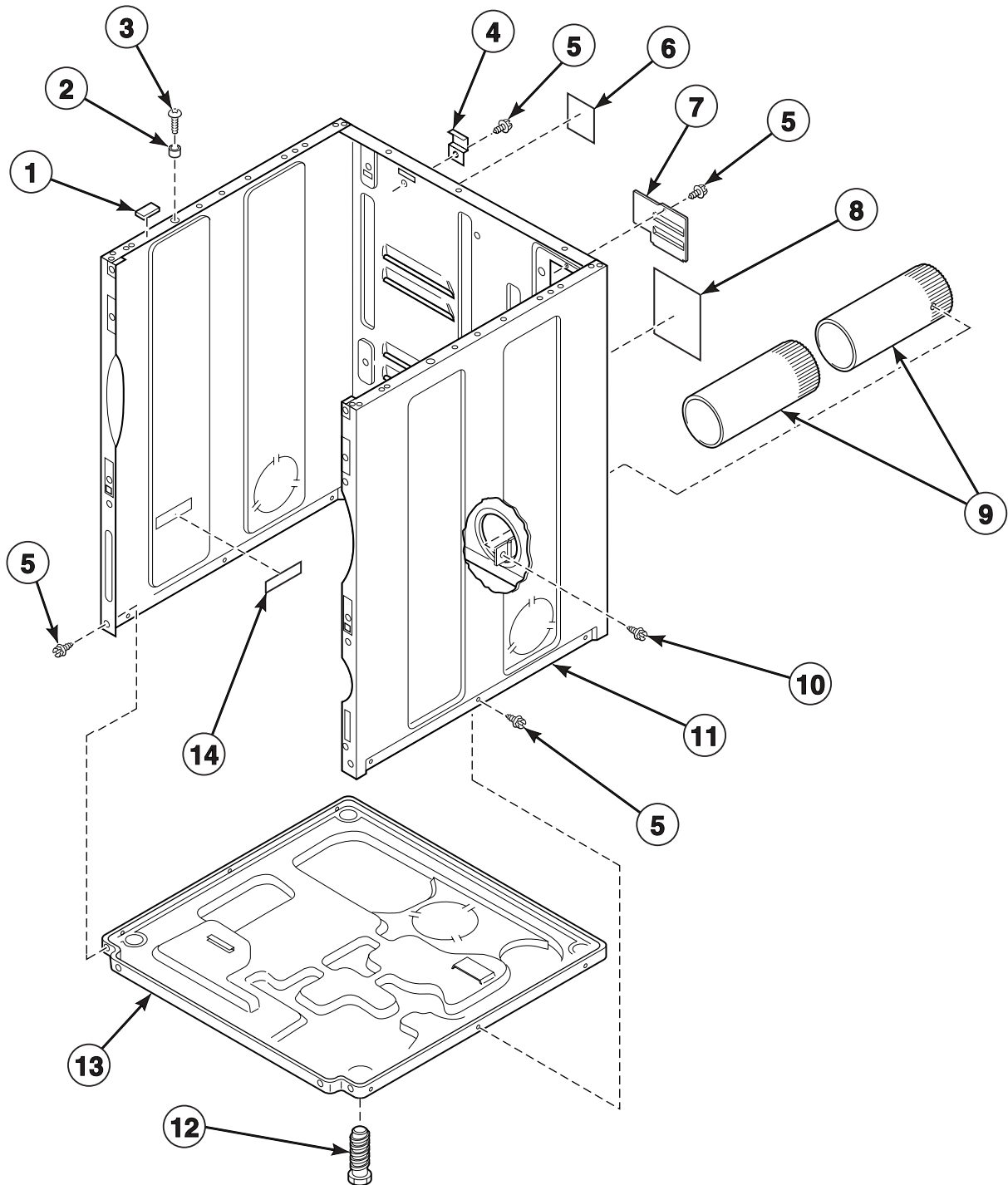


D303P_504010

Gas Valve, Igniter and Gas Conversion Kits

REF	PART NO.	DESCRIPTION	COMMENTS
	649P3	L.P. Conversion Kit	Used to convert dryers from Natural Gas (N.G.) or Mixed Gas to Liquid Petroleum (L.P.)
	650P3	N.G. Conversion Kit	Used to convert dryers from L.P to N.G. or Mixed Gas
1	510204	Lead-In Pipe Assembly	
2	51782	Screw	
3	510184P	Igniter and Bracket Assembly	
4	23222	Screw	
5	510213	Sensor	
6	503688	Screw	
7	510149	Burner Assembly	
8	58804B	Secondary Coil	
9	510506P	Gas Valve Assembly	Includes items 8 and 12
10	56124	Screw	
11	510128	Gas Valve Mounting Bracket	
12	58804A	Booster and Holding Coil	
13	510530	Gas Valve Wire Harness Assembly	
14	510205	Elbow Shut-Off Valve	

Cabinet, Exhaust Duct and Base

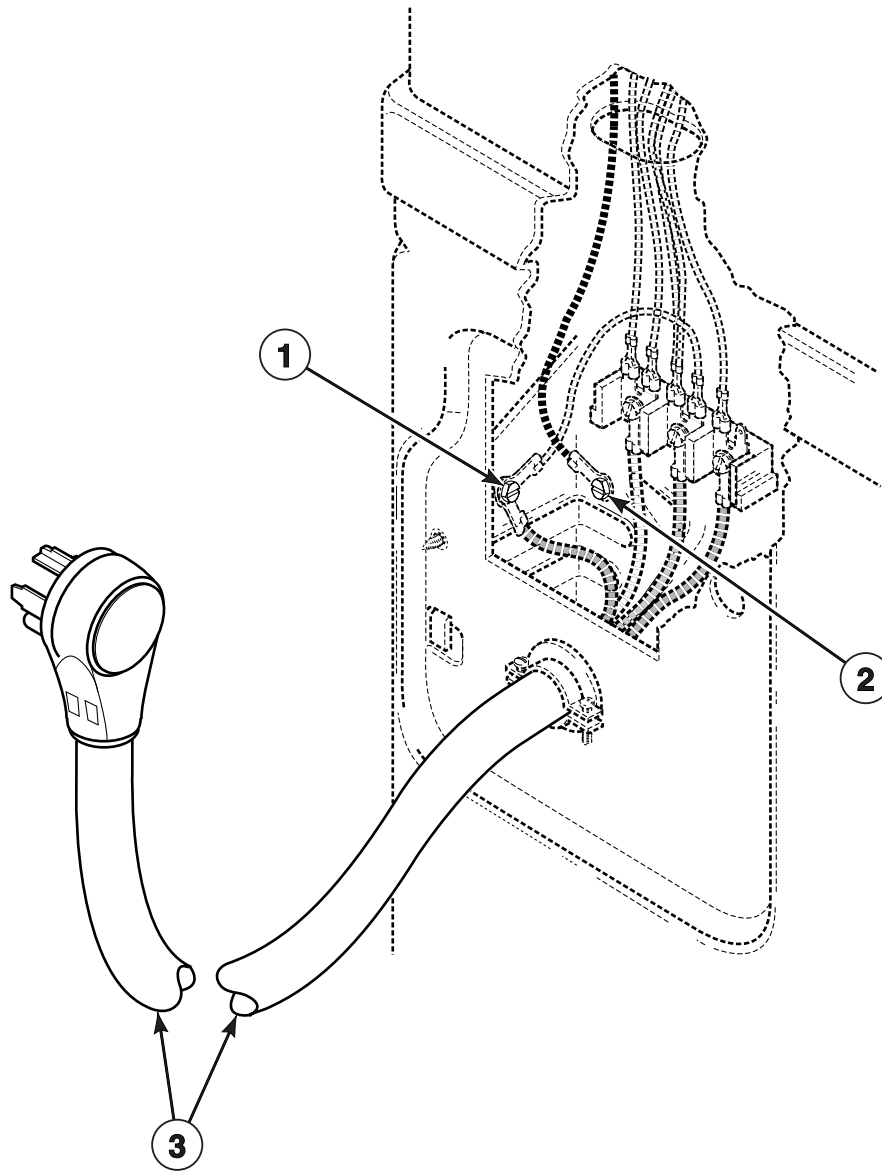


D296P_504010

Cabinet, Exhaust Duct and Base

REF	PART NO.	DESCRIPTION	COMMENTS
	521P3	Flexible Venting Kit	
	528P3	Directional Exhaust Kit	Used to vent dryer out the sides or bottom
1	56128	Bumper Pad	
2	56079	Panel Locator	
3	39733	Screw	
4	510136	Top Hinge	
5	503661	Screw	
6	500495	15 Amp Notice Label	Gas models
7	510903	Access Panel Plate	
8	511005	Electric Clearance Label	Electric models
9	510137	Exhaust Duct	Each dryer requires 2 pieces
10	503688	Screw	
11	727P3W	Panel Kit	White
	727P3L	Panel Kit	Almond
12	510135	Leveling Leg	
13	510084	Dryer Base	
14	61294	Fuse Notice Label	Electric models

Lead-In Cord - Electric Models

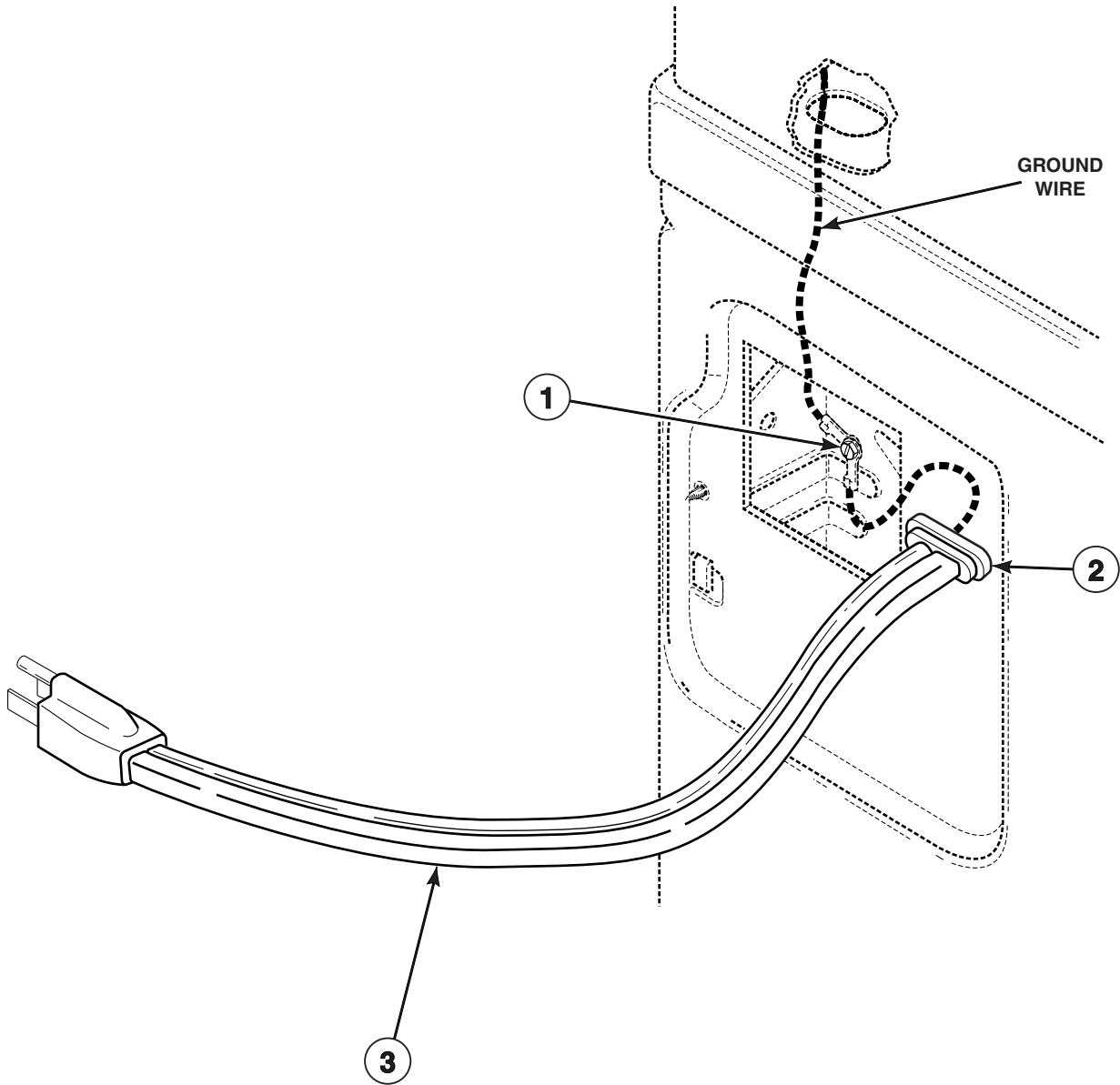


D297P_504010

Lead-In Cord - Electric Models

REF	PART NO.	DESCRIPTION	COMMENTS
1	20530	Screw	
2	503688	Screw	
3	510505	Lead-In Cord Assembly	

Lead-In Cord - Gas Models

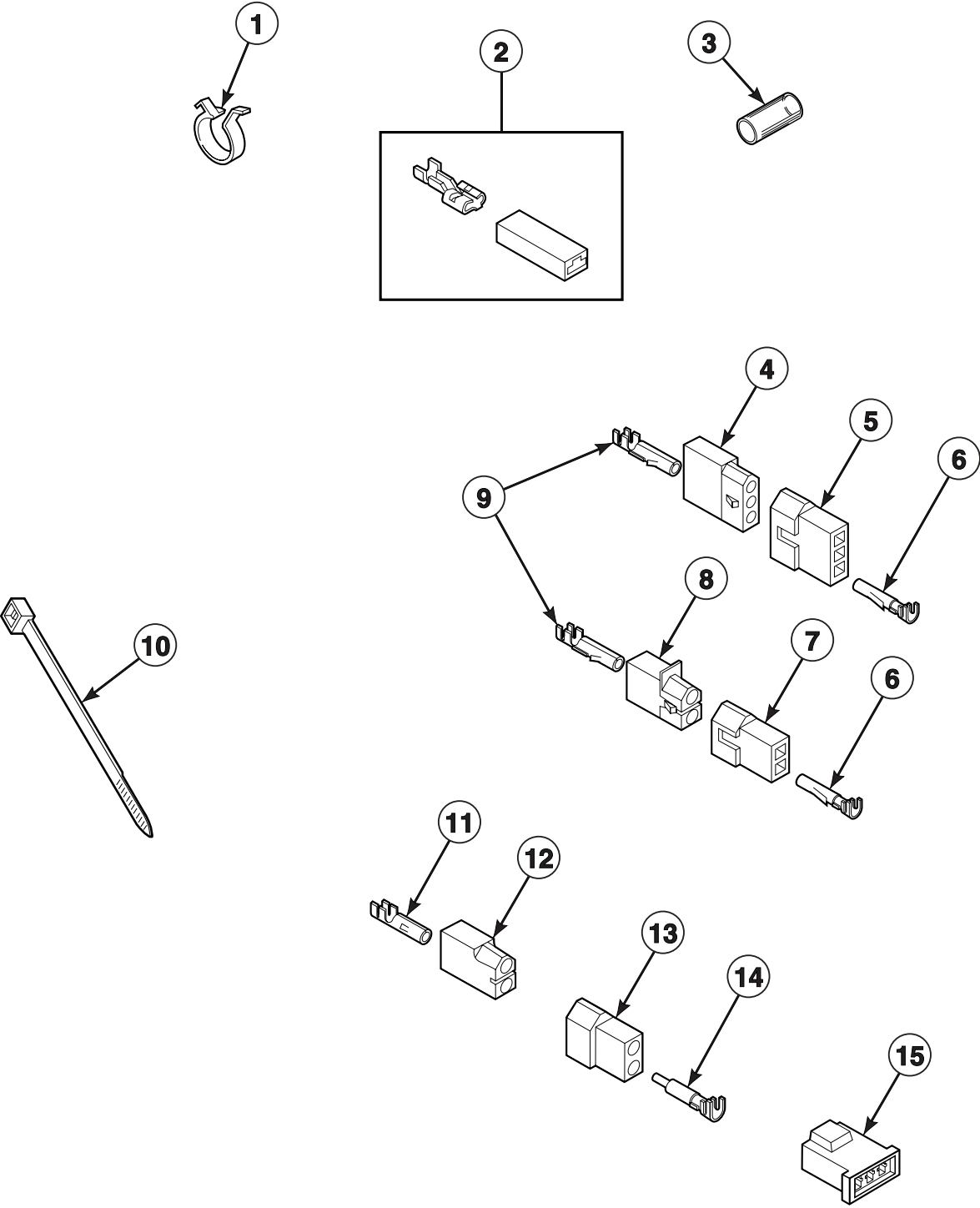


D298P_504010

Lead-In Cord - Gas Models

REF	PART NO.	DESCRIPTION	COMMENTS
1	20530	Screw	
2	38384	Strain Relief	
3	56222	Lead-In Cord	

Terminals (Drawing 1 of 2)

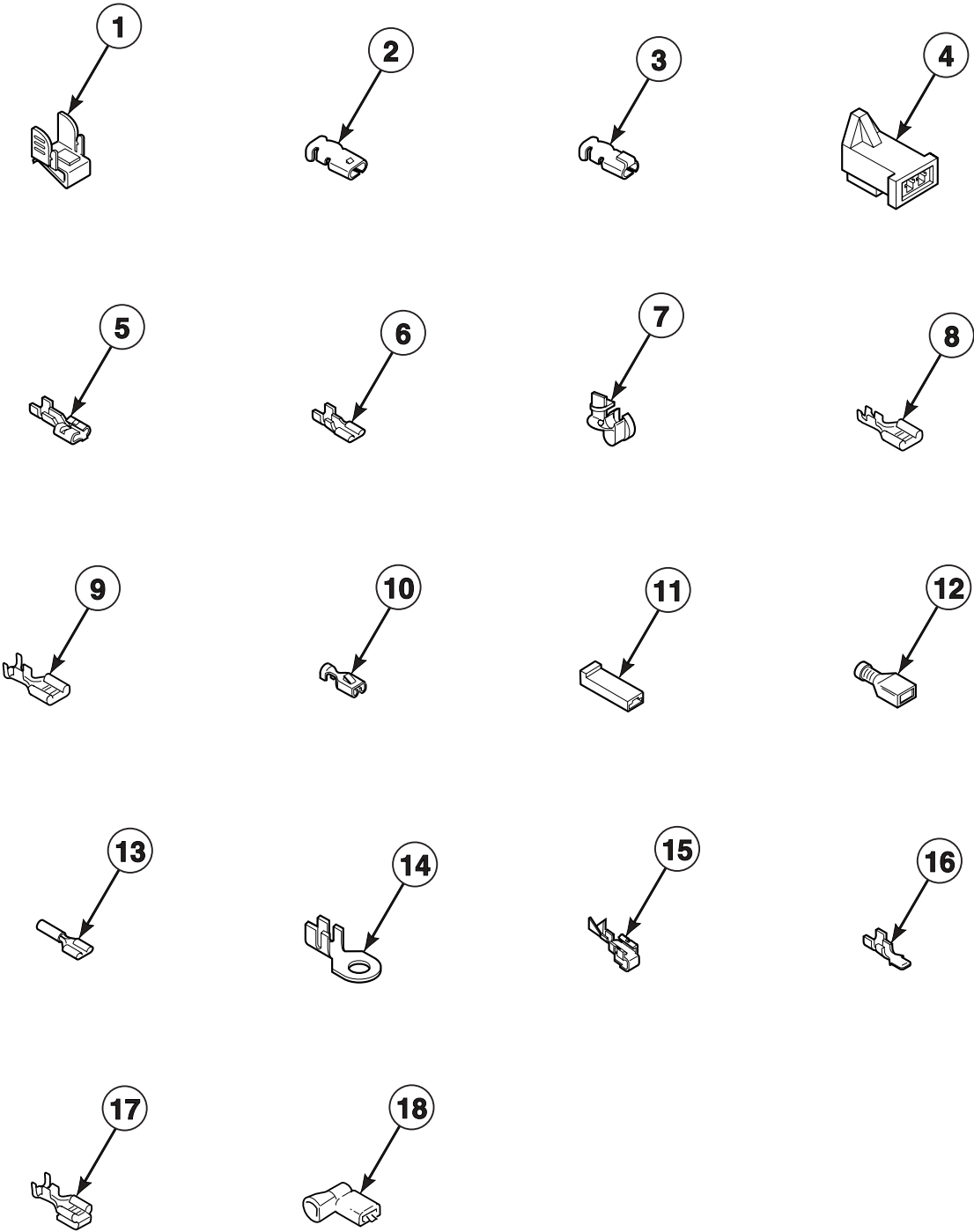


DRY1901P_504010

Terminals (Drawing 1 of 2)

REF	PART NO.	DESCRIPTION	COMMENTS
1	504034	Wire Clip	
2	00360	Ultra Pod Terminal	1/4 inch; (1) 12 gauge wire or (2) 18 gauge wires
3	503670	Insulator Sleeve	
4	23039	3 Circuit Receptacle	
5	23040	Plug	
6	00116	Male Pin Terminal	
7	56448	2 Circuit Plug	
8	56451	2 Circuit Receptacle	
9	00117	Female Pin Terminal	
10	55881	Harness Strap	
11	00130	Female Pin Terminal	
12	56265	2 Circuit Receptacle	
13	56266	2 Circuit Plug	
14	00127	Male Pin Terminal	
15	58800	3 Circuit Connector	

Terminals (Drawing 2 of 2)



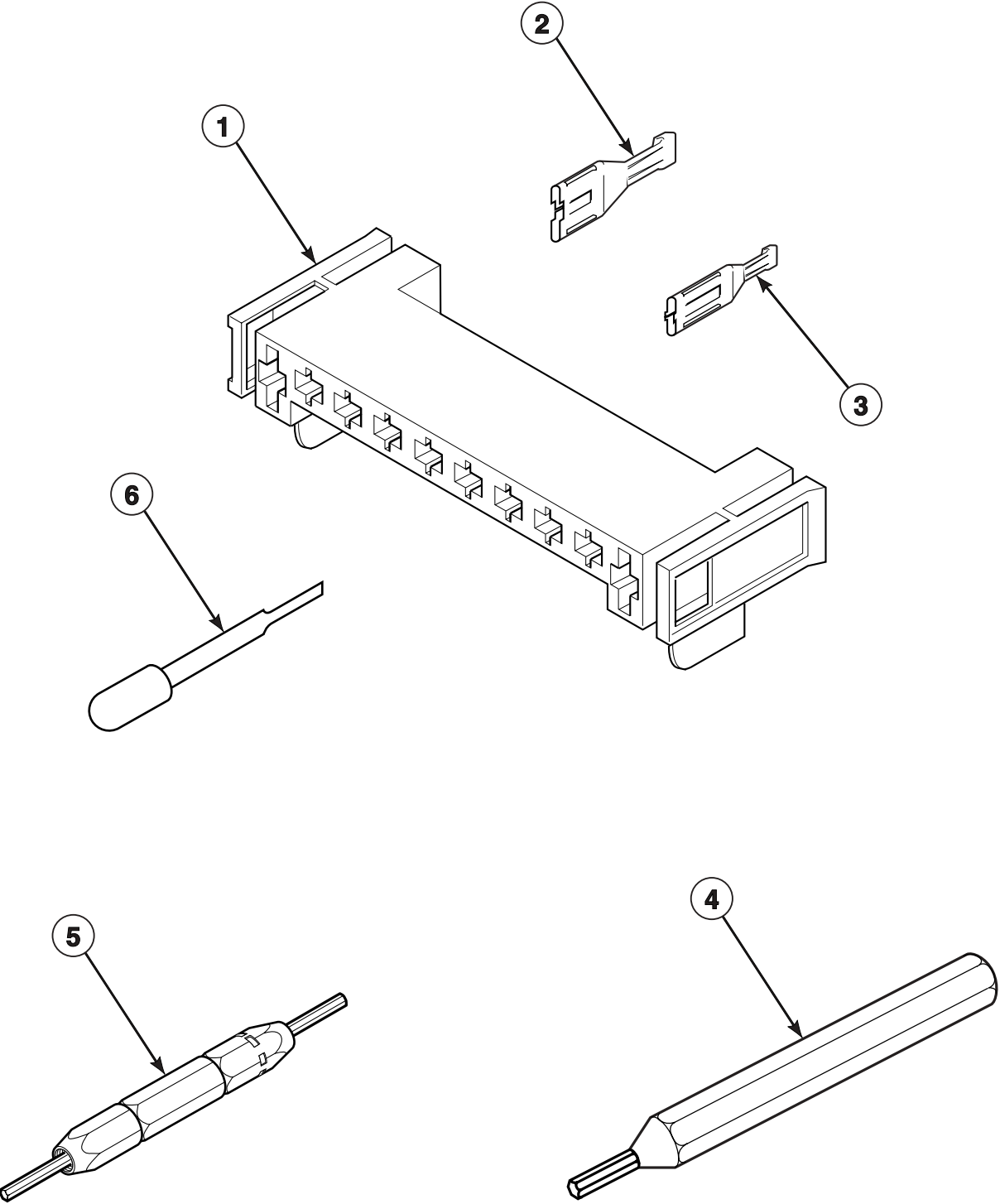
D300PZ3A_504010

Terminals (Drawing 2 of 2)

REF	PART NO.	DESCRIPTION	COMMENTS
1	00161	Grounding Clip	
2	00189	Female Spade Terminal	
3	00361	Female Piggyback Terminal	
4	58799	2 Circuit Connector	
5	00223	Female Spade Terminal	1/4 inch; (1) 18 gauge wire
	00121	Female Spade Terminal	1/4 inch; (2) 18 gauge wires or (1) 12 gauge wire
	00245	Spade Terminal	1/4 inch; (1) 22 gauge wire
6	00124	Female Spade Terminal	3/16 inch; (1) 18 gauge wire; .020 tab
	00156	Female Spade Terminal	3/16 inch; Thermostat wire; .032 tab
	00209	Female Spade Terminal	3/16 inch; (2) 18 gauge wires; .020 tab
7	38384	Strain Relief	
8	00346	Terminal	
9	00347	Terminal	
10	00115	Female Spade Terminal	1/4 inch; (1) 18 gauge wire
	00321	Female Spade Terminal	1/4 inch; (2) 18 gauge wires or (1) 12 gauge wire
11	90789	Receptacle Housing	
12	00359	Ultra Pod Terminal	1/4 inch
	00165	Insulated Female Terminal	3/16 inch
13	N/A	Pre-Insulated Spade Terminal	1/4 inch; 18 gauge wire
	00215	Pre-Insulated Spade Terminal	1/4 inch; 12 gauge wire
14	00110	Ring Terminal	10 stud; (1) 18 gauge wire
	00111	Ring Terminal	10 stud; (2) 18 gauge wires or (1) 12 gauge wire
15	00114	Female Spade Terminal	1/4 inch; Double connector
16	00139	Male Tab Terminal	1/4 inch; (2) 18 gauge wires or (1) 12 gauge wire
17	00344	Female Tab Terminal	
18	00345	Flag Insulated Terminal	

N/A = Part no longer available

Motor Connection Block and Terminal Extractor Tools



D301P_504010

Motor Connection Block and Terminal Extractor Tools

REF	PART NO.	DESCRIPTION	COMMENTS
1	500338	10 Position Housing	
2	00255	Female Terminal	1/4 inch; For (1) 12 gauge wire
	00256	Female Terminal	1/4 inch; For (1) or (2) 18 gauge wires
3	00188	Female Terminal	For 1 or 2 wire application
4	128P4	Extractor Tool	For use on gas dryer terminals
5	190P4	Extractor Tool	For use on electric dryer terminals
6	283P4	Terminal Extractor Tool	For use on Molex connectors

Wire Harnesses and Wires

PART NO.	DESCRIPTION	COMMENTS
N/A	Wire Harness Assembly	Models LES34A* and LGS10A*
503769	Wire Harness Assembly	Model LES10A*
510443	Wire Harness Assembly	Model LGS34A*
45001	18 Gauge Wire	Black; Order wire by foot; Order terminals and connectors as required
45380	12 Gauge Wire	Orange; Order wire by foot; Order terminals and connectors as required

* Add Letter To Designate Color. L - Almond W - White

N/A = Part no longer available

NOTE: Individual wires are not available separately. Order complete wire harness, or order wire by the foot. When applying terminals to wires, it is recommended that the terminals be soldered to the wires.

Parts Index

A

Access Panel	
510069L	13
510069W	13
Access Panel Plate	
510903	27
Adhesive	
511637	17, 19
Air Duct and Door Liner Kit	
750P3	17

B

Blower and Fan Kit	
510717P	15
Blower Fan Assembly	
510139P	15
Blower Housing and Cover Kit	
511969P	15
Blower Housing Seal	
510238P	15
Booster and Holding Coil	
58804A	25
Bracket	
510146	9
Bumper Pad	
56128	27
Burner Assembly	
510149	25
Buzzer	
510211	7

C

Combustion Duct	
510131	23
Connector, 2 Circuit	
58799	35
Connector, 3 Circuit	
58800	33
Control Support Panel	
503901	5, 7
Cylinder Assembly	
510159W	17
Cylinder Baffle	
503703	17
Cylinder Belt	
511255	15
Cylinder Glide	
510187	17
Cylinder Glide Bracket	
510145	17
Cylinder Roller	
510708P	19
Cylinder Roller Bracket	
510100	19

Cylinder Seal Assembly	
510207P	17, 19

D

Directional Exhaust Kit	
528P3	27
Disconnect Power Warning Label	
505281	9
Door Catch Assembly	
510177	13
Door Handle Wedge	
510129	11
Door Hinge	
511036	11
Door Pull and Wedge Kit	
510103LP	11
510103WP	11
Door Strike	
510181	11
Door Strike Mount	
510127	11
Drum Light Lamp	
60954	17
Drum Light Lens	
503623	17
Dryer Base	
510084	27
Dryer Door	
510013L	11
510013W	11

E

Elbow Shut-Off Valve	
510205	25
Electric Clearance Label	
511005	27
End Panel	
504008L	5, 7
504008W	5, 7
504009L	5, 7
504009W	5, 7
Exhaust Duct	
510137	27
Extractor Tool	
128P4	37
190P4	37

F

Fabric Selector Switch	
510212	7
Felt Pad	
510189	17
Female Piggyback Terminal	
00361	35

N/A items do not appear in index.

Female Pin Terminal	
00117	33
00130	33
Female Spade Terminal	
00114	35
00115	35
00121	35
00124	35
00156	35
00189	35
00209	35
00223	35
00321	35
Female Tab Terminal	
00344	35
Female Terminal	
00188	37
00255	37
00256	37
Flag Insulated Terminal	
00345	35
Flexible Venting Kit	
521P3.....	27
Front Bulkhead Assembly	
511033W.....	17
Front Panel	
510066L.....	13
510066W.....	13
Front Panel Seal	
511056.....	13
Fuse Notice Label	
61294	27

G

Gas Clearance Label	
511004	13
Gas Valve Assembly	
510506P.....	25
Gas Valve Mounting Bracket	
510128	25
Gas Valve Wire Harness Assembly	
510530	25
Graphic Panel	
504569W.....	7
Grounding Clip	
00161	35

H

Harness Strap	
55881	33
Heat Duct Shroud	
510101	23
Heater Assembly	
510329P.....	21
Heater Duct and Screw Assembly	
510025P.....	21, 23
Hold-Down Spring Clip	
503876	9
Hood Back Panel	
510099	9

Housing, 10 Position	
500338	37

I

Idler Lever	
510133	15
Idler Lever and Wheel Assembly	
510158	15
Idler Spring	
510185	15
Idler Wheel and Bearing Assembly	
510142P.....	15
Igniter and Bracket Assembly	
510184P.....	25
Insulated Female Terminal	
00165	35
Insulator Sleeve	
503670	33

K

Knob Assembly	
33688	7

L

Label, 15 Amp Notice	
500495	27
Lead-In Cord	
56222	31
Lead-In Cord Assembly	
510505	29
Lead-In Pipe Assembly	
510204	25
Leveling Leg	
510135	27
Light Housing Assembly	
504452	17
Limit Thermostat	
510701	21
510702	23
Liner and Seal Assembly	
510289W.....	11
Liner Door Seal	
510147P.....	11
Lint Filter	
503627	17
L.P. Conversion Kit	
649P3	25

M

Male Pin Terminal	
00116	33
00127	33
Male Tab Terminal	
00139	35

N/A items do not appear in index.

Motor and Pulley Assembly 511629P.....	15
Motor Hub Ring Kit 590P3.....	15
Motor Mount 510060.....	15
Motor Mount Clamp 510180.....	15
Motor Pulley 512196.....	15
Motor Switch Kit 501218P.....	15

N

Nut 52566.....	15
56156.....	15, 19
N.G. Conversion Kit 650P3.....	25

O

Outlet Cover 500820.....	21, 23
-----------------------------	--------

P

Panel Kit 727P3L.....	27
727P3W.....	27
Panel Locator 56079.....	13, 27
Plug 23040.....	33
Plug, 2 Circuit 56266.....	33
56448.....	33
Pre-Insulated Spade Terminal 00215.....	35

R

Rear Bulkhead Assembly 510905W.....	19
Receptacle Housing 90789.....	35
Receptacle, 2 Circuit 56265.....	33
56451.....	33
Receptacle, 3 Circuit 23039.....	33
Retaining Ring 23748.....	15, 19
Ring Terminal 00110.....	35
00111.....	35

S

Screw 20530.....	29, 31
23222.....	21, 25
23962.....	21, 23
31260.....	15
33561.....	15
39733.....	13, 27
500226.....	17
500824.....	15
501086.....	5, 7, 9
501285.....	17, 19
503661.....	9, 13, 15, 17, 19, 27
503688.....	9, 19, 21, 23, 25, 27, 29
505295.....	11
505870.....	17
51782.....	23, 25
56124.....	25
61199.....	19
62588.....	17
Secondary Coil 58804B.....	25
Sensor 510213.....	25
Shaft 56461.....	15, 19
Spade Terminal 00245.....	35
Speed Clip 28835.....	13
Strain Relief 38384.....	31, 35
Switch 504570.....	13

T

Terminal 00346.....	35
00347.....	35
Terminal Block Assembly 510190P.....	19
Terminal Block Shield 510237.....	19
Terminal Extractor Tool 283P4.....	37
Thermal Fuse Assembly 511412.....	21
Thermostat 504514.....	15
510707P.....	15
Thermostat Heater 61623.....	15
Timer and Harness Kit 505793P.....	5
Timer Knob Assembly 510287L.....	5, 7
512117W.....	5, 7
Top Cover 505808L.....	5, 7
505808W.....	5, 7

N/A items do not appear in index.

Top Hinge	
510136	27
Top Panel Kit	
510029LP	9
510029WP	9

U

Ultra Pod Terminal	
00359	35
00360	33

W

Warning/Caution Label	
500281	13
Washer	
52549	15, 19
Wire Clip	
504034	33
Wire Harness Assembly	
503769	38
510443	38
Wire, 12 Gauge	
45380	38
Wire, 18 Gauge	
45001	38
