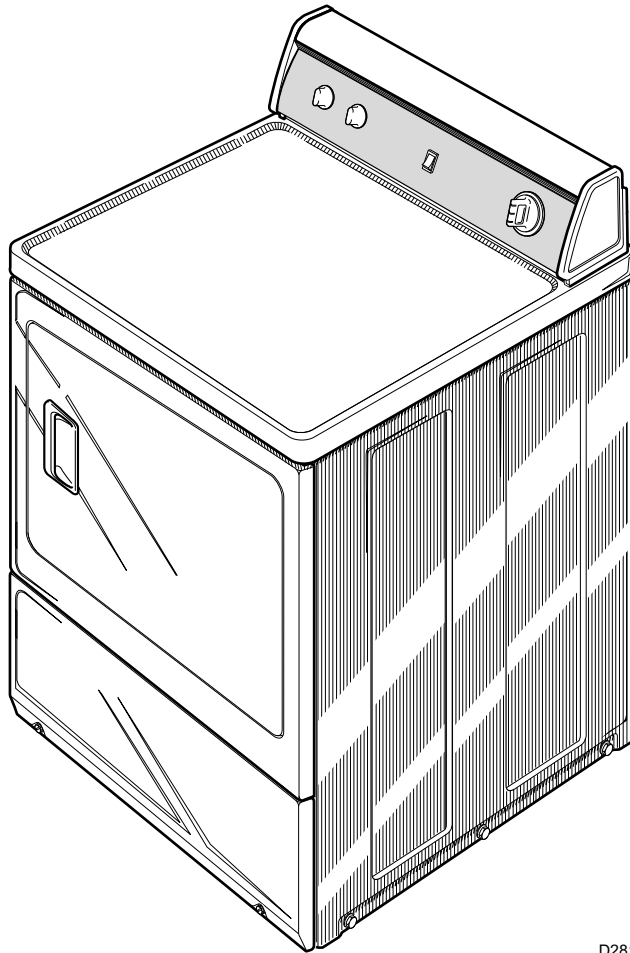


Home Laundry Dryers

Refer to Page 3 for Model Numbers



D281P_504011

Parts

Table of Contents

Title	Page
Parts Ordering Information.....	2
Nameplate Location	2
Model Identification	3
Graphic Panel, Control Hood and Controls (Drawing 1 of 3)	4
Graphic Panel, Control Hood and Controls (Drawing 2 of 3)	6
Graphic Panel, Control Hood and Controls (Drawing 3 of 3)	8
Cabinet Top and Control Hood Rear Panel	10
Loading Door with Drying Rack	12
Lower Access Panel, Front Panel and Seal.....	14
Motor, Exhaust Fan and Belt	16
Front Bulkhead, Air Duct, Felt Seal and Cylinder	18
Rear Bulkhead, Felt Seal, Cylinder Roller and Terminal Block.....	20
Heater Duct and Element Assembly	22
Heater Duct Assembly	24
Gas Valve, Igniter and Gas Conversion Kits.....	26
Cabinet, Exhaust Duct and Base	28
Power Cord (Drawing 1 of 2)	30
Power Cord (Drawing 2 of 2)	32
Terminals (Drawing 1 of 2).....	34
Terminals (Drawing 2 of 2).....	36
Motor Connection Block and Terminal Extractor Tools.....	38
Wire Harnesses and Wire	40
Parts Index.....	41

© Copyright 2012, Alliance Laundry Systems LLC

All rights reserved. No part of the contents of this book may be reproduced or transmitted in any form or by any means without the expressed written consent of the publisher.

Parts Ordering Information

If literature or replacement parts are required, contact the source from whom the machine was purchased or contact Alliance Laundry Systems at (920) 748-3950 for the name and address of the nearest authorized parts distributor.

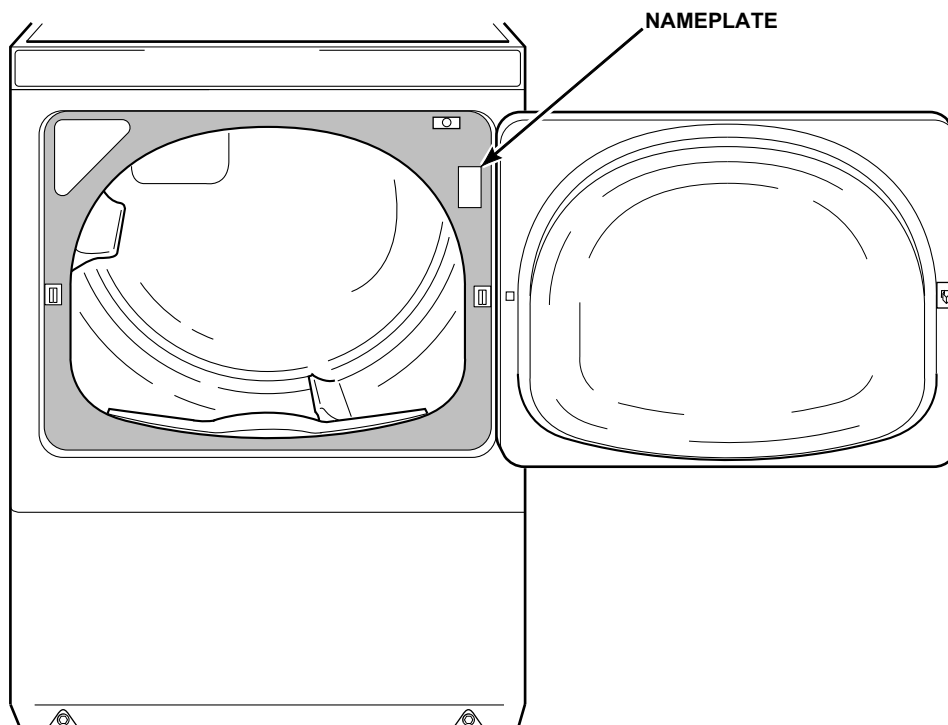
For technical assistance, call either of the numbers listed below:

(920) 748-3121 Ripon, Wisconsin

+32 56 41 20 54 Wevelgem, Belgium

Nameplate Location

When calling or writing about your product, be sure to mention model and serial numbers. Model and serial numbers are located on nameplate(s) as shown.



D282P_504011

Model Identification

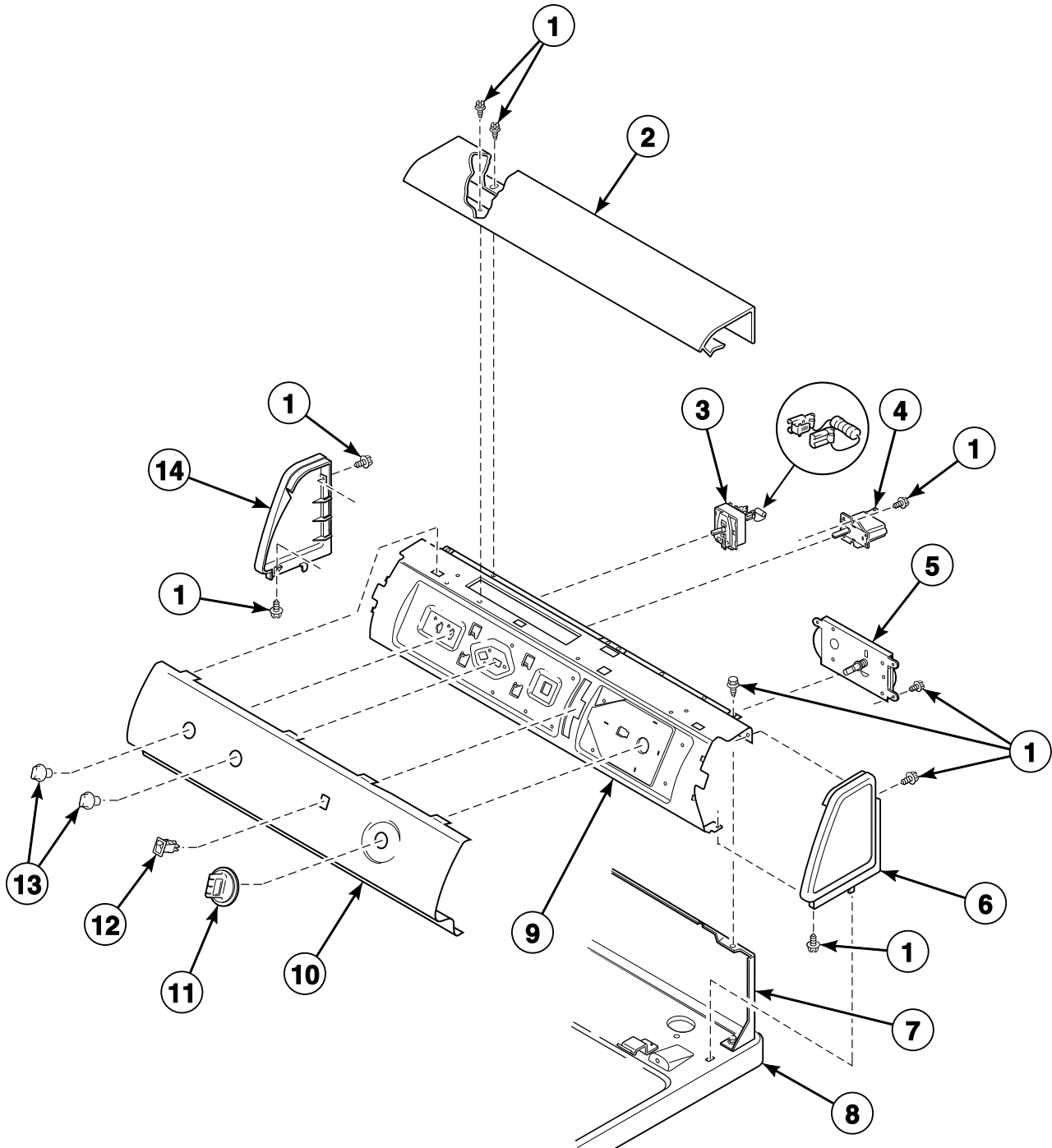
Information in this manual is applicable to these dryer models:

LEA10AW	LGA10AW
LEA50A*	LGA50A*
LEA80A*	LGA80A*
LEC10AW	LGC20AW
LEC20AW	LGC50AW
LEC30AW	LGD20AW
LEC32AW	LGD32AW
LEC50AW	LGD57AW
LEC60AW	LGD65AW
LEC80AW	
LEC90AW	
LED20AW	
LED32AW	
LED57AW	
LED65AW	

* Add Letter To Designate Color. L - Almond W - White

Graphic Panel, Control Hood and Controls (Drawing 1 of 3)

Models LEA10AW, LEA50A*, LEC10AW, LEC20AW, LEC30AW, LEC32AW, LEC50AW,
LEC60AW, LED20AW, LED32AW, LED57AW, LGA10AW, LGA50A*, LGC20AW,
LGC50AW, LGD20AW, LGD32AW and LGD57AW



D283P_504011

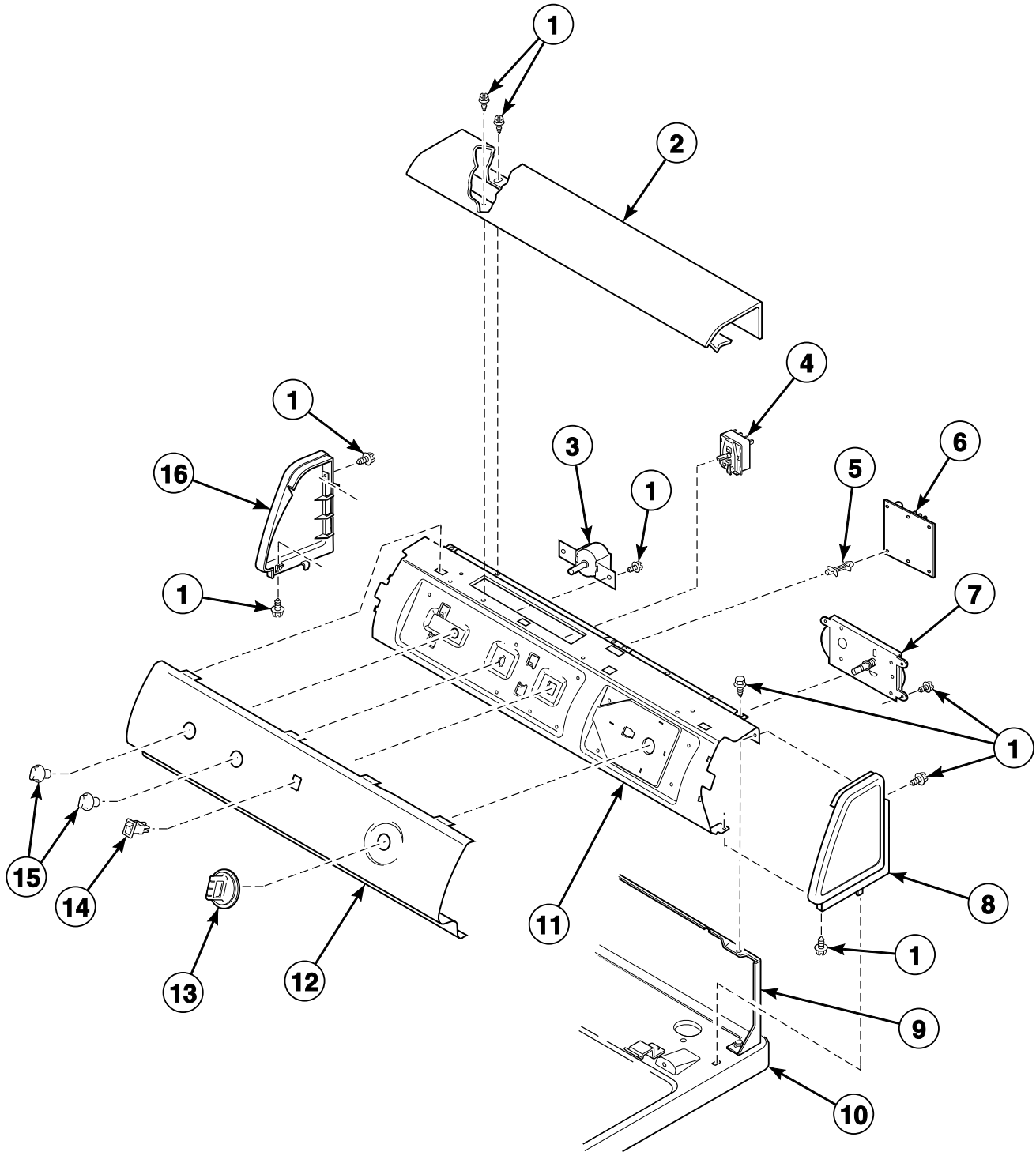
Graphic Panel, Control Hood and Controls (Drawing 1 of 3)

REF	PART NO.	DESCRIPTION	COMMENTS
1	501086	Screw	
2	505808*	Top Cover	
3	513506	Fabric Selector Switch	Models LEA50A*, LEC50AW, LEC60AW, LED57AW, LGA50A*, LGC50AW and LGD57AW
	513505	Fabric Selector Switch	Models LEC20AW, LEC30AW, LEC32AW, LED20AW, LED32AW, LGC20AW, LGD20AW and LGD32AW
4	510211	Buzzer	Models LEC30AW, LEC32AW, LED32AW, LGA50A*, LGC50AW, LGD32AW and LGD57AW
5	503739	Timer	Models LEA50A*, LEC50AW and LEC60AW
	503767	Timer	Models LEA10AW and LEC10AW
	503793	Timer	Models LEC32AW and LED32AW
	503873	Timer	Models LEC30AW and LED57AW
	505797P	Timer and Harness Kit	Models LEC20AW and LED20AW
	504178	Timer	Model LGA10AW
	504179	Timer	Model LGD57AW
	504180	Timer	Models LGA50A* and LGC50AW
	504545	Timer	Model LGD32AW
6	505794P	Timer	Models LGC20AW and LGD20AW
	504008*P	End Panel	Right
7	510099	Hood Back Panel	
8	510029*P	Top Panel Kit	
9	503901	Control Support Panel	
10	503591*	Graphic Panel	Models LEA10AW, LEC10AW and LGA10AW
	503592*	Graphic Panel	Models LEC20AW, LED20AW, LGC20AW and LGD20AW
	503593*	Graphic Panel	Models LEC32AW, LED32AW and LGD32AW
	503594*	Graphic Panel	Models LEA50A*, LEC50AW, LEC60AW, LGA50A* and LGC50AW
	503595*	Graphic Panel	Model LEC30AW
	503787*	Graphic Panel	Models LED57AW and LGD57AW
11	512117*	Timer Knob Assembly	
12	38424*	Rocker Switch	Models LEA50A*, LEC50AW, LEC60AW, LED32AW, LGA50A*, LGC50AW and LGD32AW
13	36701*	Knob Assembly	
14	504009*P	End Panel	Left

* Add Letter To Designate Color. L - Almond W - White

Graphic Panel, Control Hood and Controls (Drawing 2 of 3)

Models LEA80A*, LEC80AW, LED65AW, LGA80A* and LGD65AW



D284P_504011

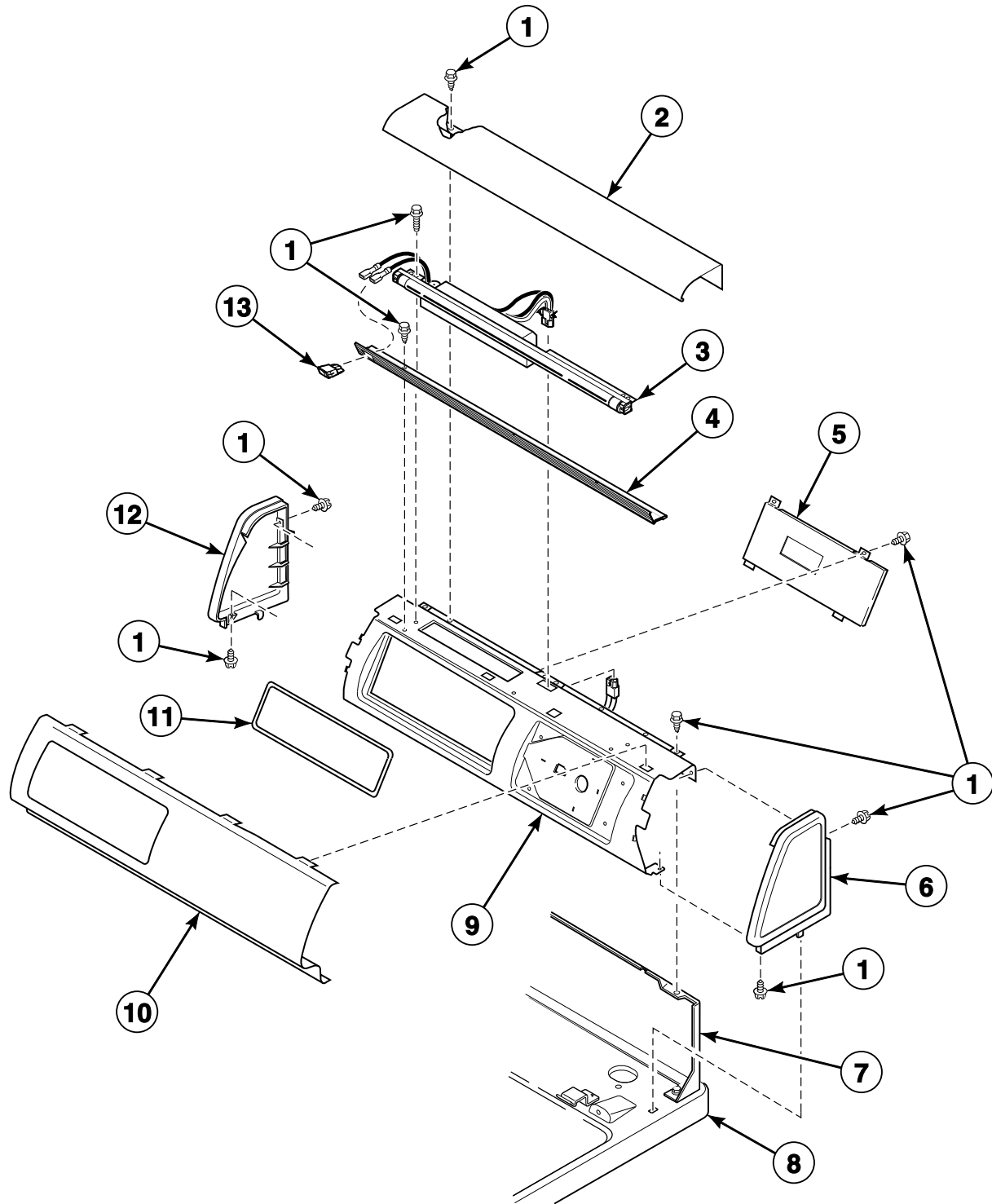
Graphic Panel, Control Hood and Controls (Drawing 2 of 3)

REF	PART NO.	DESCRIPTION	COMMENTS
1	501086	Screw	
2	505808*	Top Cover	
3	62173	Selector Switch	
4	504166	Signal Selector Switch	
5	501523	Circuit Board Support	
6	504175	Moisture Sensor Assembly	
7	503632	Timer	
8	504008*P	End Panel	Right
9	510099	Hood Back Panel	
10	510029*P	Top Panel Kit	
11	504170	Control Support Panel	
12	503596*	Graphic Panel	
13	512117*	Timer Knob Assembly	
14	38424*	Rocker Switch	
15	36701*	Knob Assembly	
16	504009*P	End Panel	Left

* Add Letter To Designate Color. L - Almond W - White

Graphic Panel, Control Hood and Controls (Drawing 3 of 3)

Model LEC90AW



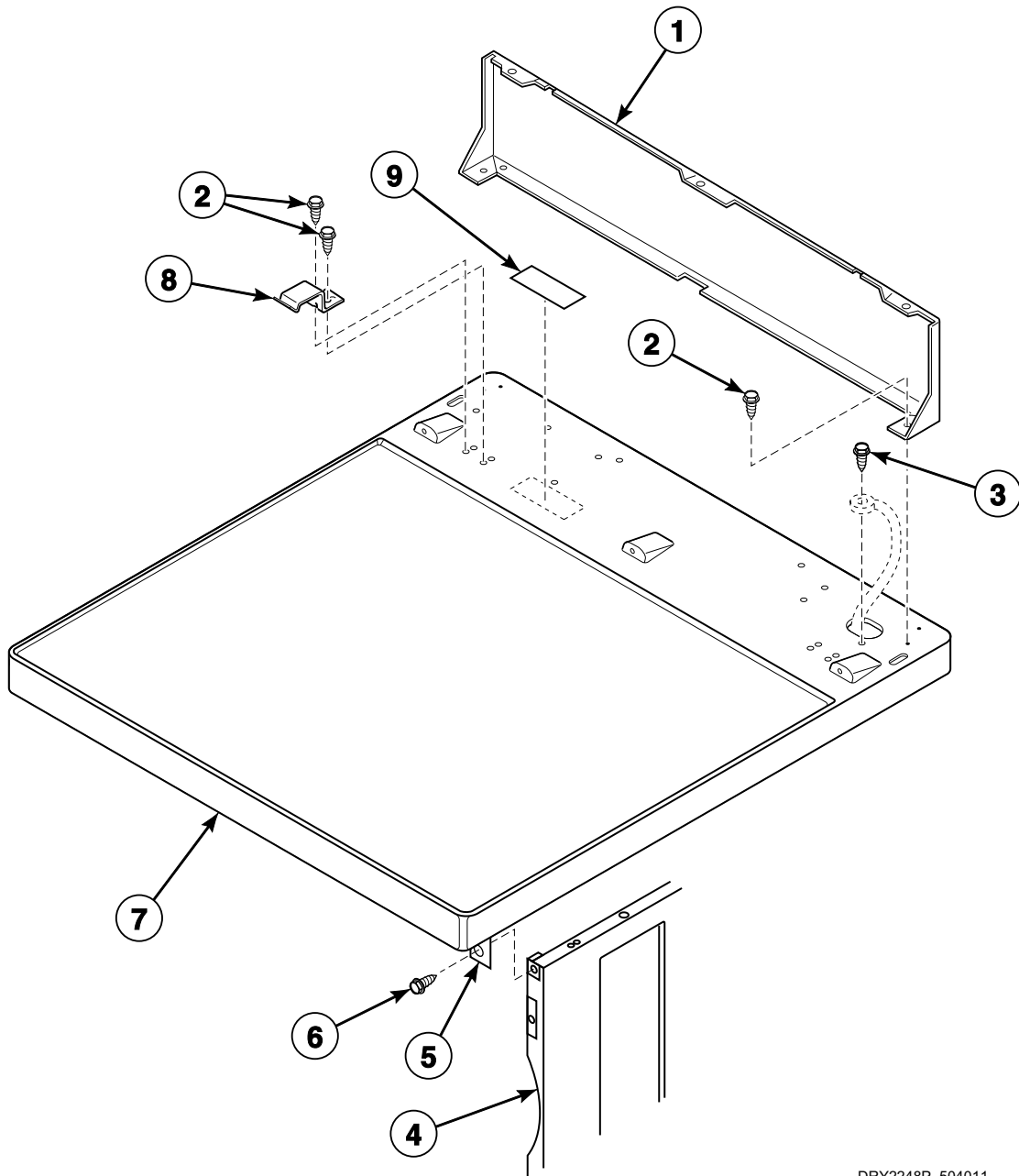
D285P_504011

Graphic Panel, Control Hood and Controls (Drawing 3 of 3)

REF	PART NO.	DESCRIPTION	COMMENTS
1	501086	Screw	
2	500303*	Top Cover	
3	34836	Fluorescent Light Assembly	Includes 34837 Fluorescent Bulb and 34841 Fluorescent Starter
4	500308	Diffuser	With hole
5	504184*	Electronic Control Assembly	
6	504008*P	End Panel	Right
7	510099	Hood Back Panel	
8	510029*P	Top Panel Kit	
9	500301	Control Mounting Plate	
10	500529*	Graphic Panel	
11	500528	Gasket	
12	504009*P	End Panel	Left
13	38424*	Rocker Switch	

* Add Letter To Designate Color. L - Almond W - White

Cabinet Top and Control Hood Rear Panel



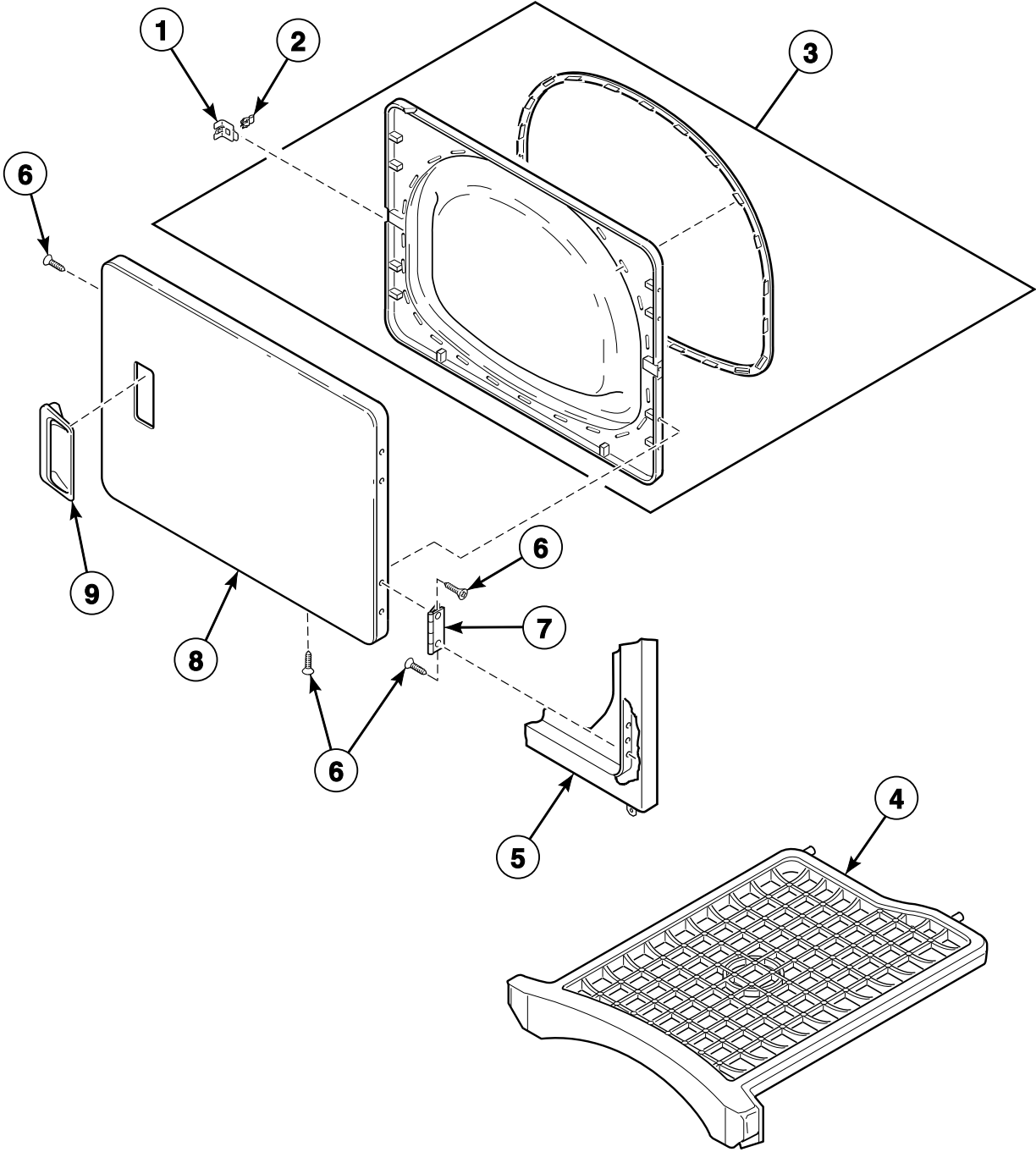
DRY2248P_504011

Cabinet Top and Control Hood Rear Panel

REF	PART NO.	DESCRIPTION	COMMENTS
1	510099	Hood Back Panel	
2	501086	Screw	
3	503688	Screw	
4	500001*P	Cabinet Assembly	
5	510146	Bracket	
6	503661	Screw	
7	510029*P	Top Panel Kit	Includes (2) of item 5
8	503876	Hold-Down Spring Clip	
9	505281	Disconnect Power Warning Label	

* Add Letter To Designate Color. L - Almond W - White

Loading Door with Drying Rack



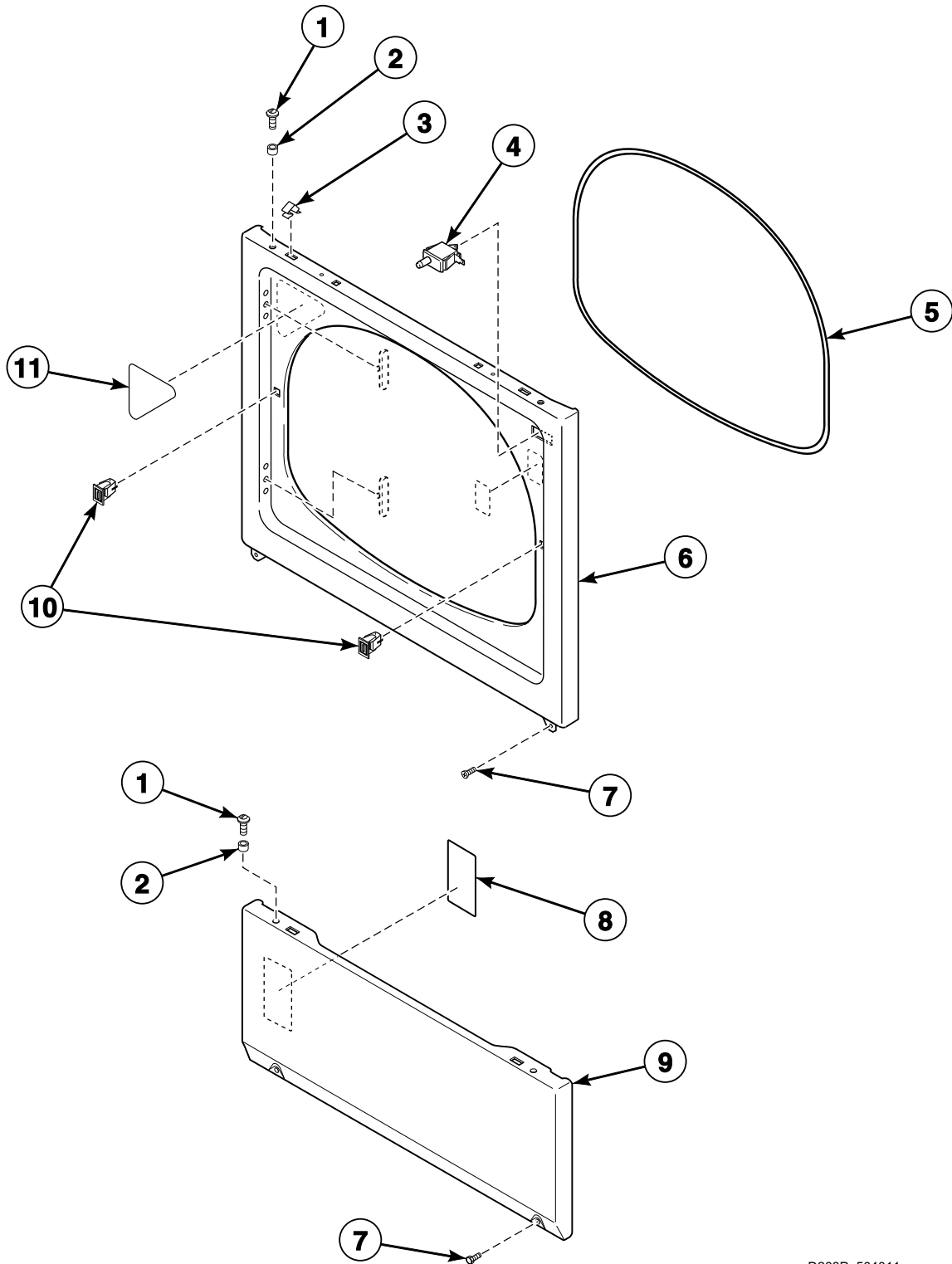
D287P_504011

Loading Door with Drying Rack

REF	PART NO.	DESCRIPTION	COMMENTS
1	510127	Door Strike Mount	
2	510181	Door Strike	
3	510289W	Liner and Seal Assembly	Includes 510147P Door Seal
4	504105	Drying Rack	Optional
5	510066*P	Front Panel	
6	505295	Screw	
7	503676	Hinge	
8	510013*P	Dryer Door	
9	510103*P	Door Pull and Wedge Kit	

* Add Letter To Designate Color. L - Almond W - White

Lower Access Panel, Front Panel and Seal



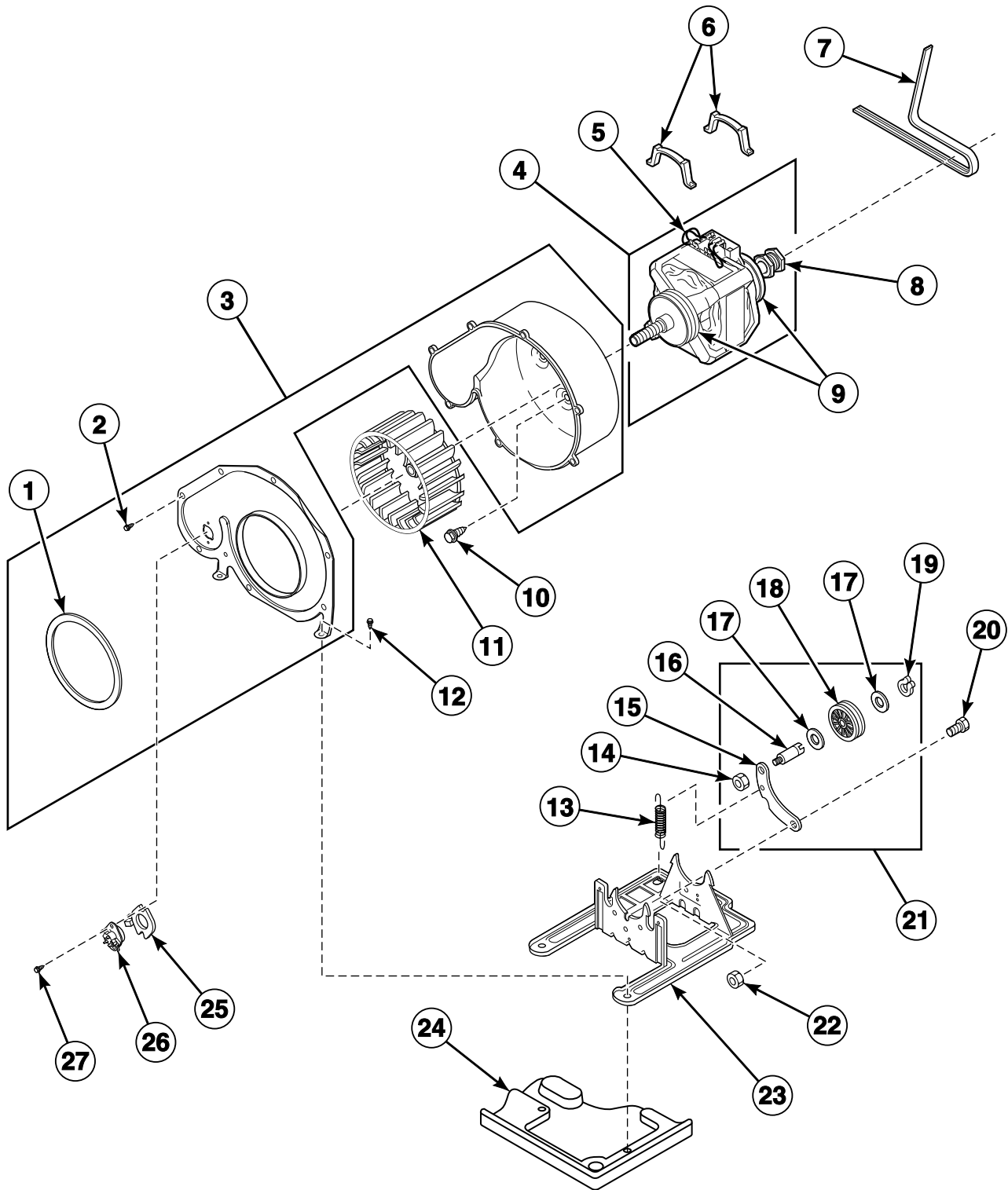
D288P_504011

Lower Access Panel, Front Panel and Seal

REF	PART NO.	DESCRIPTION	COMMENTS
1	39733	Screw	
2	56079	Panel Locator	
3	28835	Speed Clip	
4	512973	Switch	
5	511056	Front Panel Seal	
6	510066*P	Front Panel	
7	503661	Screw	
8	511004	Gas Clearance Label	Gas models
9	510069*P	Access Panel	
10	510177	Door Catch Assembly	
11	500281	Warning/Caution Label	

* Add Letter To Designate Color. L - Almond W - White

Motor, Exhaust Fan and Belt



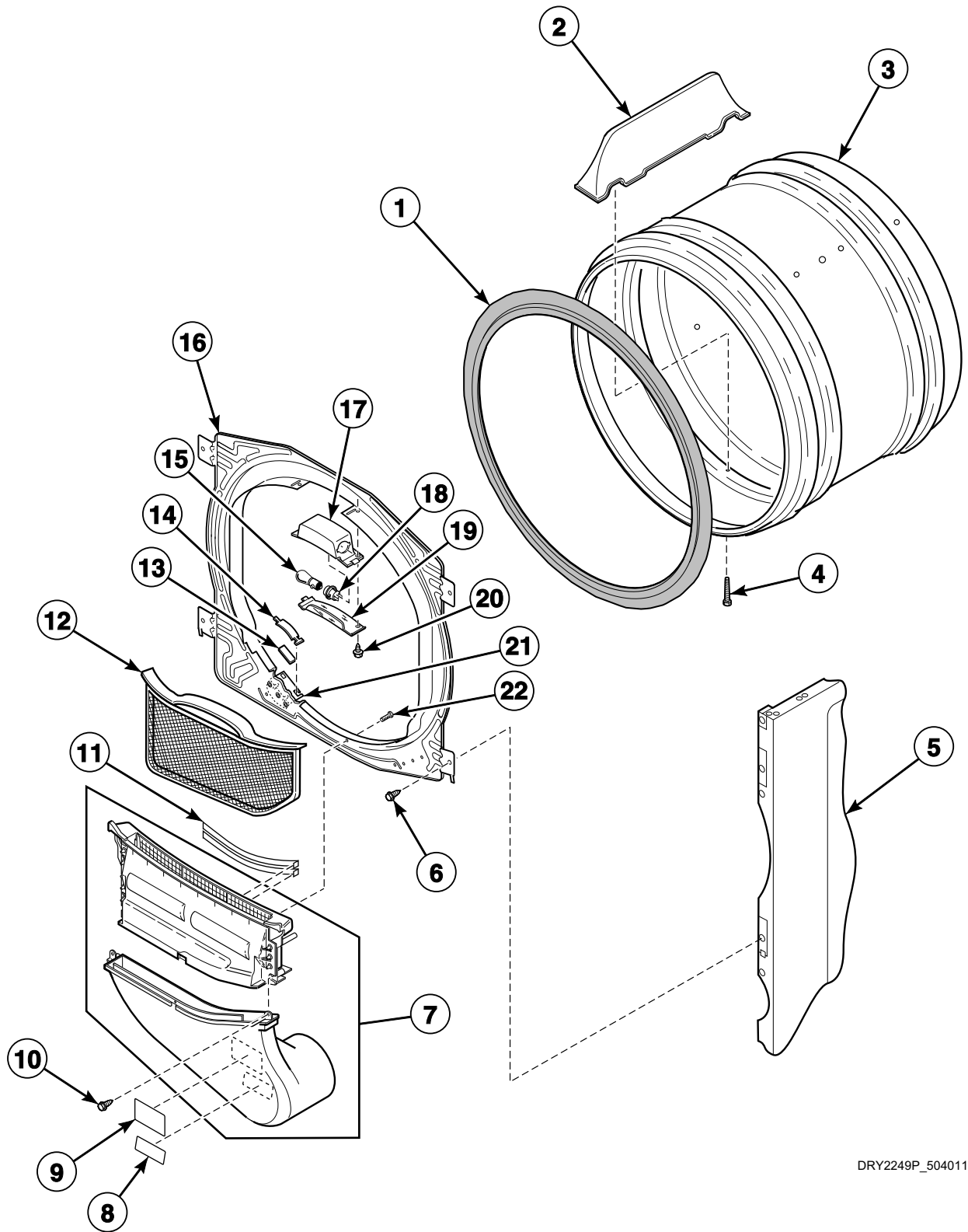
D289P_504011

Motor, Exhaust Fan and Belt

REF	PART NO.	DESCRIPTION	COMMENTS
	510717P	Blower and Fan Kit	120 Volt/60 Hertz models
1	510238P	Blower Housing Seal	
2	31260	Screw	
3	511969P	Blower Housing and Cover Kit	Includes items 1 and 2
4	511629P	Motor and Pulley Assembly	Includes items 5 and 8
5	501218	Motor Switch	Does not include thermal protector
6	510180	Motor Mount Clamp	
7	511255P	Cylinder Belt	
8	500011	Motor Pulley	
9	590P3	Motor Hub Ring Kit	
10	31645	Screw	
11	510139P	Blower Fan Assembly	
12	503661	Screw	
13	510185	Idler Spring	
14	56156	Nut	
15	510133	Idler Lever	
16	56461P	Shaft	
17	52549	Washer	
18	510142P	Idler Wheel and Bearing Assembly	
19	23748	Retaining Ring	
20	500824	Screw	
21	510158	Idler Lever and Wheel Assembly	
22	52566	Nut	
23	510060	Motor Mount	
24	510084	Dryer Base	
25	61623	Thermostat Heater	All models except LEA10AW, LEC10AW and LGA10AW
26	504514	Thermostat	Models LEA10AW, LEA50A*, LEC10AW, LEC20AW, LEC30AW, LEC32AW, LEC50AW, LEC60AW, LED20AW, LED32AW, LED57AW and LED65AW
	510523	Thermistor Assembly	Model LEC90AW
	510707P	Thermostat	Models LEA80A*, LEC80AW, LGA10AW, LGA50A*, LGA80A*, LGC20AW, LGC50AW, LGD20AW, LGD32AW, LGD57AW and LGD65AW
27	502535	Screw	

* Add Letter To Designate Color. L - Almond W - White

Front Bulkhead, Air Duct, Felt Seal and Cylinder



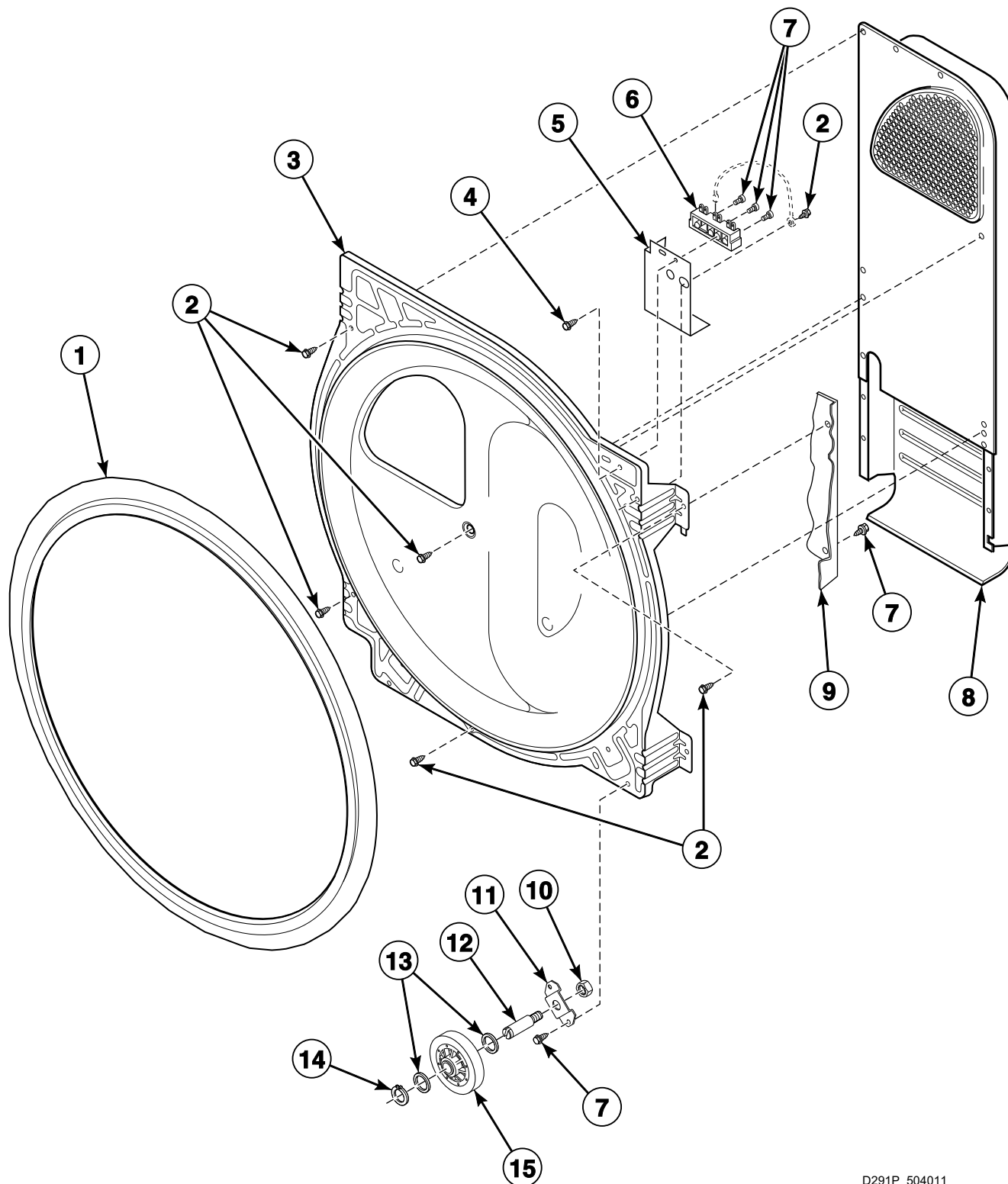
DRY2249P_504011

Front Bulkhead, Air Duct, Felt Seal and Cylinder

REF	PART NO.	DESCRIPTION	COMMENTS
	511637P	Adhesive	
1	510207P	Cylinder Seal Assembly	
2	503703	Cylinder Baffle	
3	510159WP	Cylinder Assembly	White; Includes baffles
	504468P	Cylinder Assembly	Stainless steel; Includes baffles
4	62588	Screw	
5	500001*P	Cabinet Assembly	
6	503661	Screw	Used on models with 503622 Cylinder Light Housing
7	750P3	Air Duct and Door Liner Kit	
8	56259	Notice Seal Sticker	
9	500049	Warning Label	
10	501285	Screw	
11	503625	Moisture Sensor	Models LEA80A*, LEC80AW, LEC90AW, LED65AW, LGA80A* and LGD65AW
12	503627	Lint Filter	
13	510189	Felt Pad	
14	501553	Cylinder Glide	Stainless steel; 2 required per side
	510188	Cylinder Glide	Painted and unpainted cylinder; 1 required per side
15	60954	Drum Light Lamp	Used on models with 503622 Cylinder Light Housing
16	503737W	Front Bulkhead Assembly	Models LEA80A*, LEC60AW, LEC80AW, LED65AW, LGA80A* and LGD65AW
	511033WP	Front Bulkhead Assembly	All other models
17	503622	Cylinder Light Housing	
18	512108	Light Housing Assembly	
19	503623	Drum Light Lens	Used on models with 503622 Cylinder Light Housing
20	500227	Screw	
21	510145	Cylinder Glide Bracket	
22	500226	Screw	

* Add Letter To Designate Color. L - Almond W - White

Rear Bulkhead, Felt Seal, Cylinder Roller and Terminal Block



D291P_504011

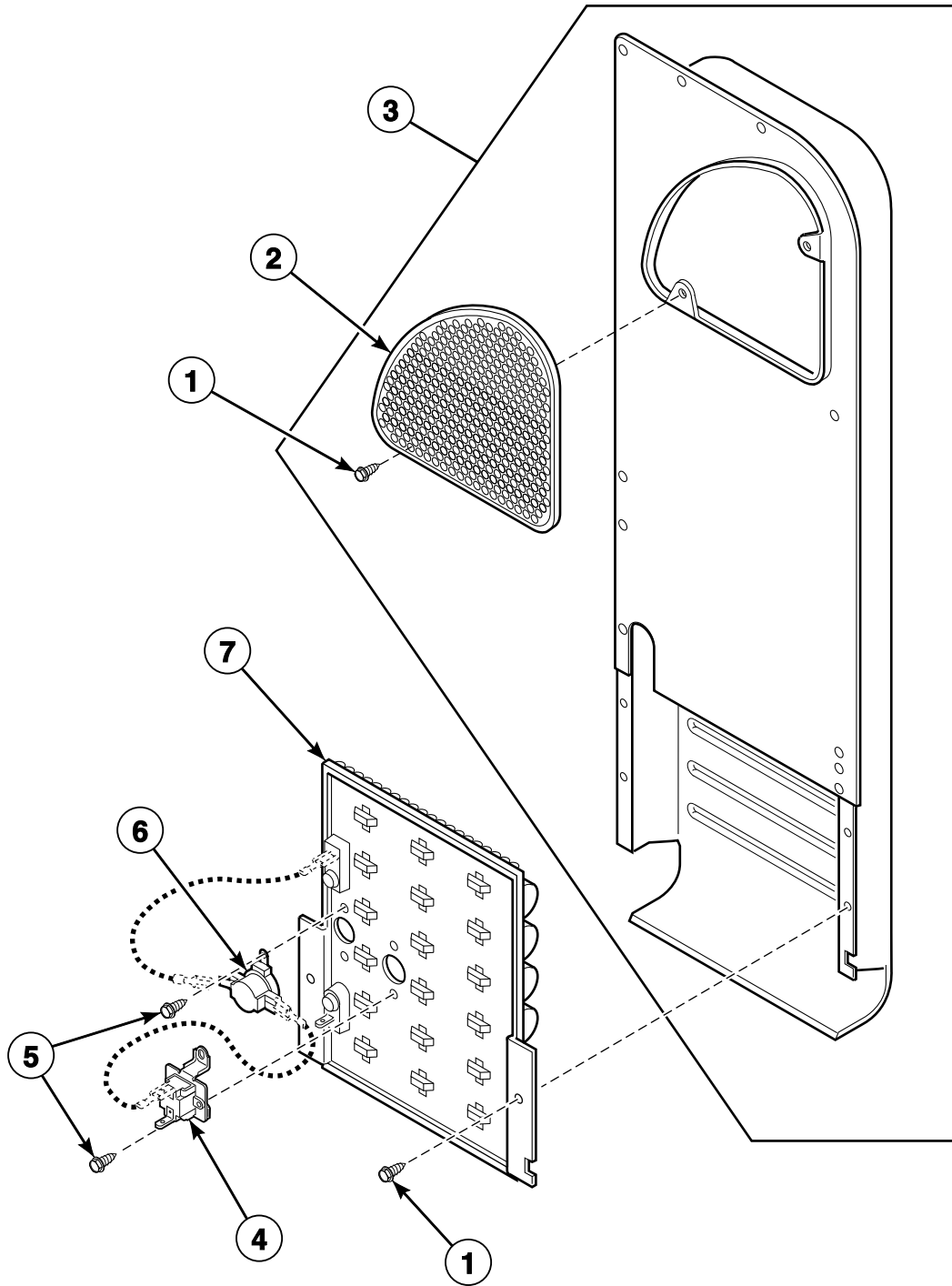
Rear Bulkhead, Felt Seal, Cylinder Roller and Terminal Block

REF	PART NO.	DESCRIPTION	COMMENTS
	511637P	Adhesive	
1	510207P	Cylinder Seal Assembly	
2	503661	Screw	
3	501154	Rear Bulkhead Assembly	Stainless steel
	510905WP	Rear Bulkhead Assembly	Painted
4	501285	Screw	
5	510237	Terminal Block Shield	
6	510190P	Terminal Block Assembly	Electric models; Includes (3) 61199 Screws
7	503688	Screw	
8	510025P	Heater Duct and Screw Assembly	
9	500001*P	Cabinet Assembly	
10	56156	Nut	
11	510100	Cylinder Roller Bracket	
12	56461P	Shaft	
13	52549	Washer	
14	23748	Retaining Ring	
15	510708P	Cylinder Roller	

* Add Letter To Designate Color. L - Almond W - White

Heater Duct and Element Assembly

Electric Models



D292P_504011

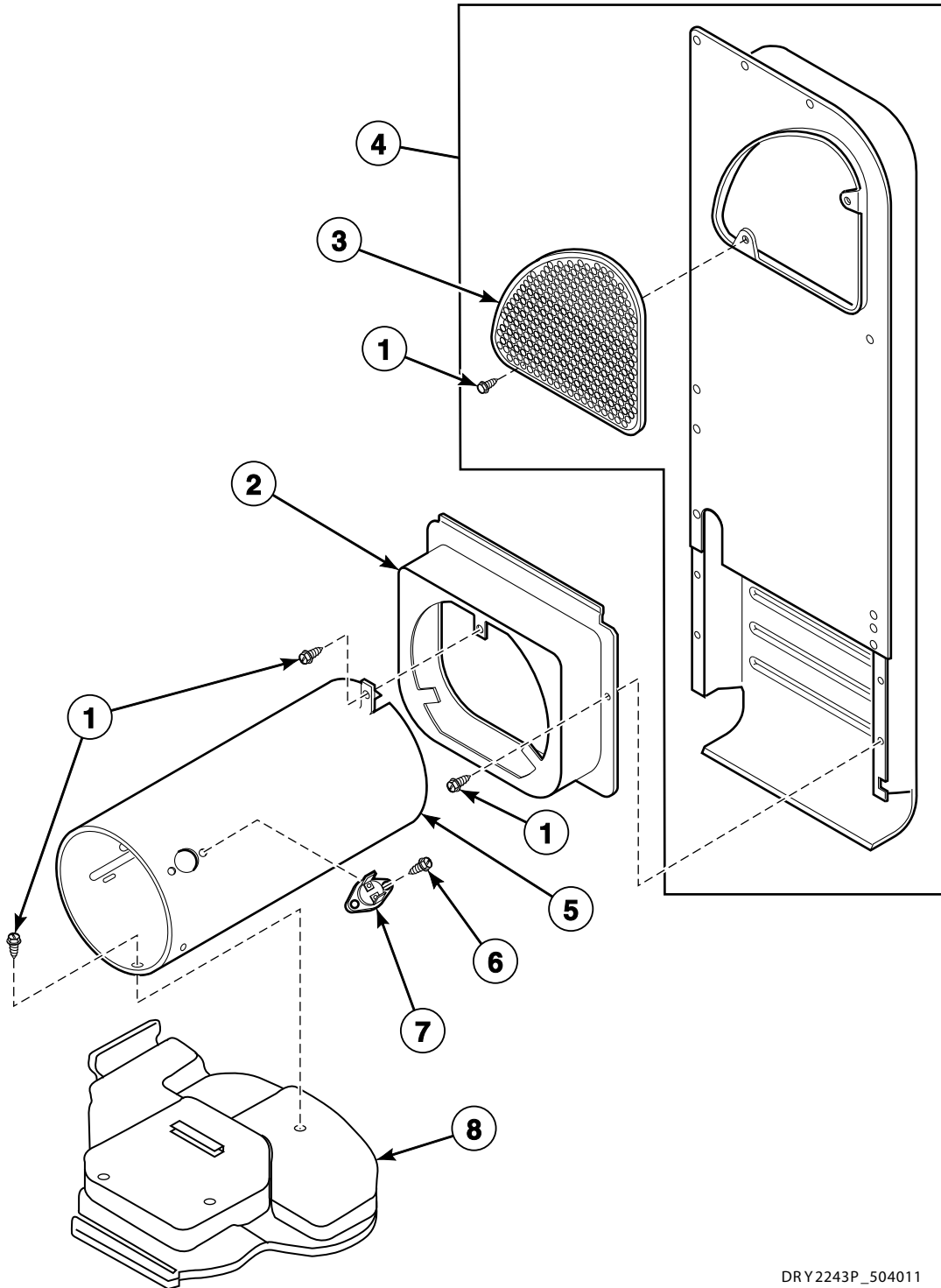
Heater Duct and Element Assembly

REF	PART NO.	DESCRIPTION	COMMENTS
1	503688	Screw	
2	500820	Outlet Cover	Replaceable on 510025P Heater Duct Assembly only
3	510025P	Heater Duct and Screw Assembly	Includes items 1 and 2
4	511412	Thermal Fuse Assembly	
5	23222	Screw	
6	504237	Limit Thermostat	Models LEA80A*, LEC80AW and LED65AW
	510701	Limit Thermostat	All other models
7	510329P	Heater Assembly	Models LEA10AW, LEA50A* and LEA80A*; Orange
	510324P	Heater Assembly	Models LEC10AW, LEC20AW, LEC30AW, LEC32AW, LEC50AW, LEC60AW, LEC80AW and LEC90AW; Red

* Add Letter To Designate Color. L - Almond W - White

Heater Duct Assembly

Gas Models



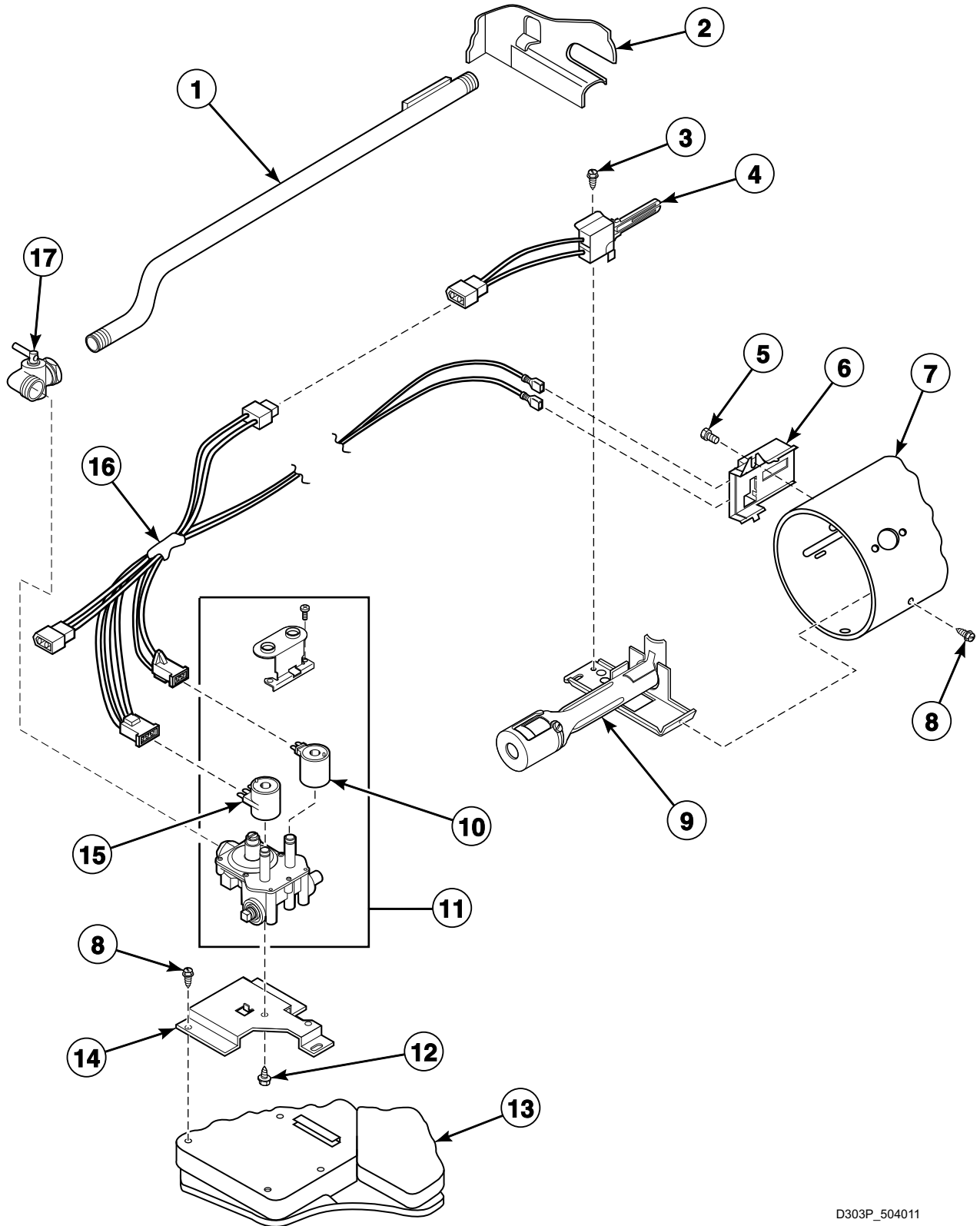
DRY2243P_504011

Heater Duct Assembly

REF	PART NO.	DESCRIPTION	COMMENTS
1	503688	Screw	
2	510101	Heat Duct Shroud	
3	500820	Outlet Cover	Replaceable on 510025P Heater Duct Assembly only
4	510025P	Heater Duct and Screw Assembly	Includes items 1 and 3
5	510131	Combustion Duct	Includes item 7
6	51782	Screw	
7	510702	Limit Thermostat	
8	510084	Dryer Base	

Gas Valve, Igniter and Gas Conversion Kits

Gas Models



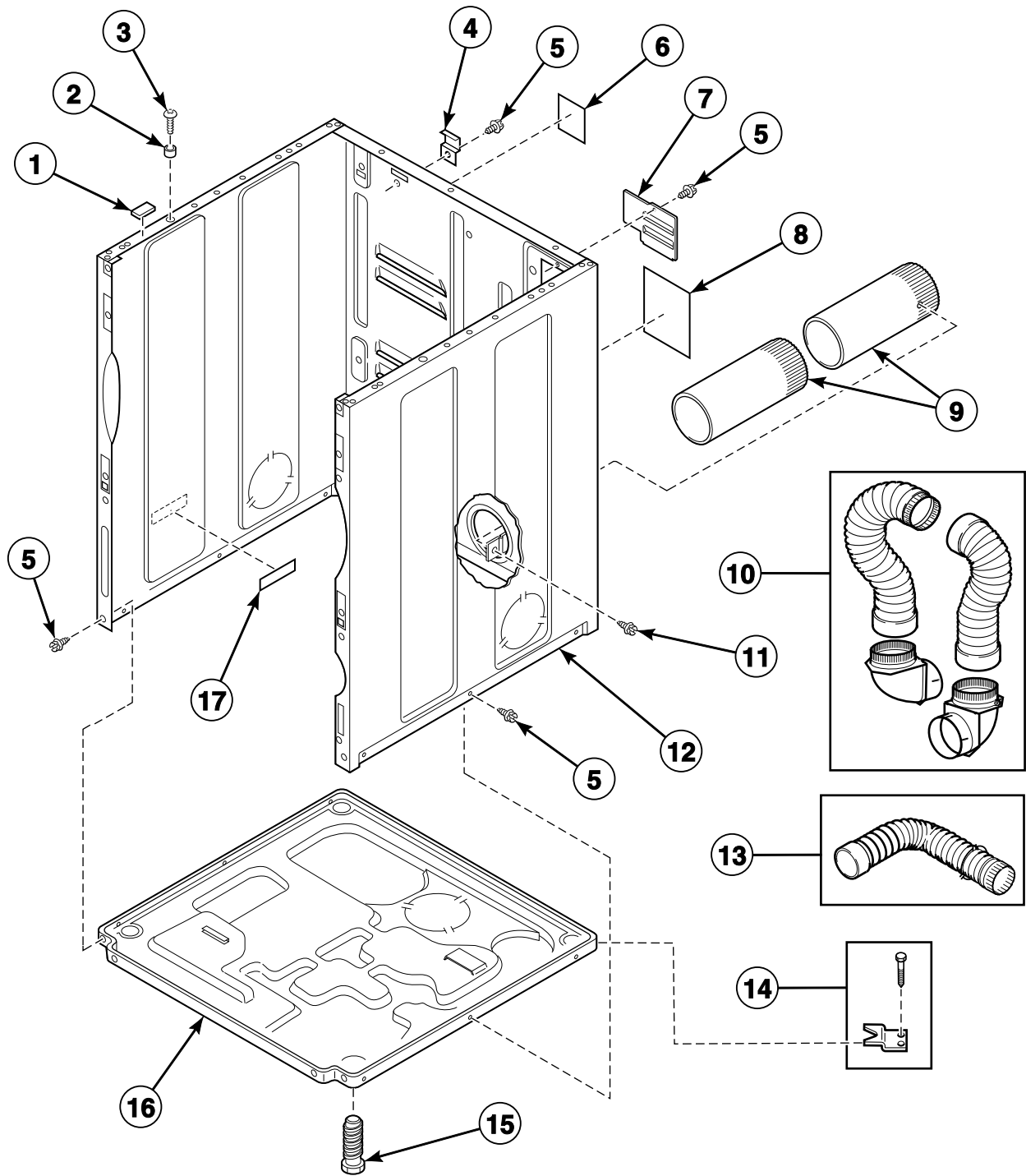
D303P_504011

Gas Valve, Igniter and Gas Conversion Kits

REF	PART NO.	DESCRIPTION	COMMENTS
	649P3	L.P. Conversion Kit	Used to convert dryers from Natural Gas (N.G.) or Mixed Gas to Liquid Petroleum (L.P.)
	650P3	N.G. Conversion Kit	Used to convert dryers from L.P. to N.G. or Mixed Gas
1	510204	Lead-In Pipe Assembly	
2	500001*P	Cabinet Assembly	
3	51782	Screw	
4	510184P	Igniter and Bracket Assembly	
5	23222	Screw	
6	510213	Sensor	
7	510131	Combustion Duct	
8	503688	Screw	
9	510149P	Burner Assembly	
10	58804B	Secondary Coil	
11	510506P	Gas Valve Assembly	
12	56124	Screw	
13	510084	Dryer Base	
14	510128	Gas Valve Mounting Bracket	
15	58804A	Booster and Holding Coil	
16	510530	Gas Valve Wire Harness Assembly	
17	510205	Elbow Shut-Off Valve	

* Add Letter To Designate Color. L - Almond W - White

Cabinet, Exhaust Duct and Base



DRY2262P_504011

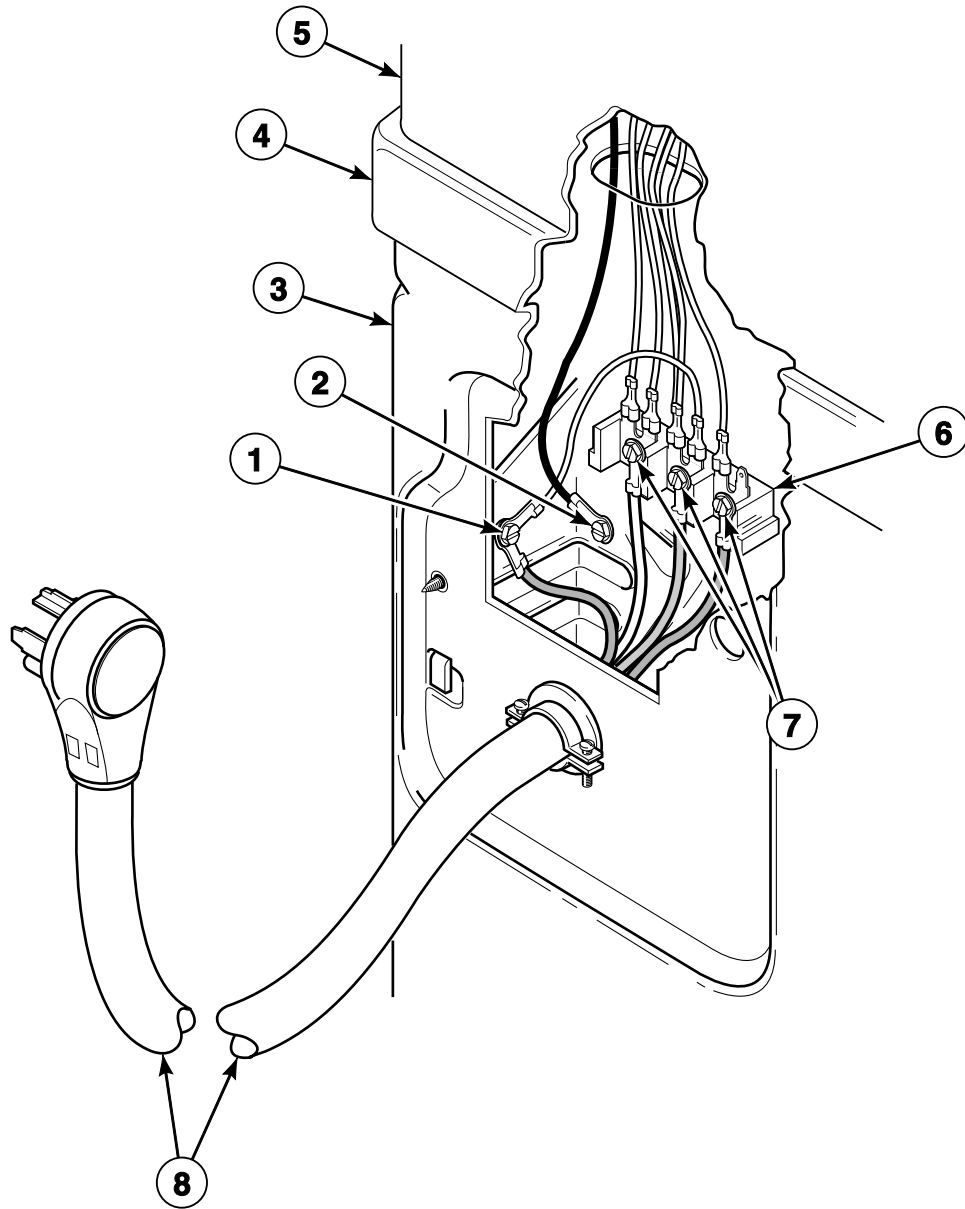
Cabinet, Exhaust Duct and Base

REF	PART NO.	DESCRIPTION	COMMENTS
1	56128	Bumper Pad	
2	56079	Panel Locator	
3	39733	Screw	
4	510136	Top Hinge	
5	503661	Screw	
6	500495	15 Amp Notice Label	Gas models
7	510903	Access Panel Plate	
8	511005	Electric Clearance Label	Electric models
9	510137	Exhaust Duct	2 required
10	521P3	Flexible Venting Kit	
11	503688	Screw	
12	500001*P	Cabinet Assembly	
13	528P3	Directional Exhaust Kit	Used to vent dryer out the sides or bottom
14	526P3	Hold Down Kit	For mobile home installations
15	510135	Leveling Leg	
16	510084	Dryer Base	
17	61294	Fuse Notice Label	Electric models

* Add Letter To Designate Color. L - Almond W - White

Power Cord (Drawing 1 of 2)

Models LEC10AW, LEC20AW, LEC30AW, LEC32AW, LEC50AW, LEC60AW, LEC80AW and LEC90AW



D297P_504011

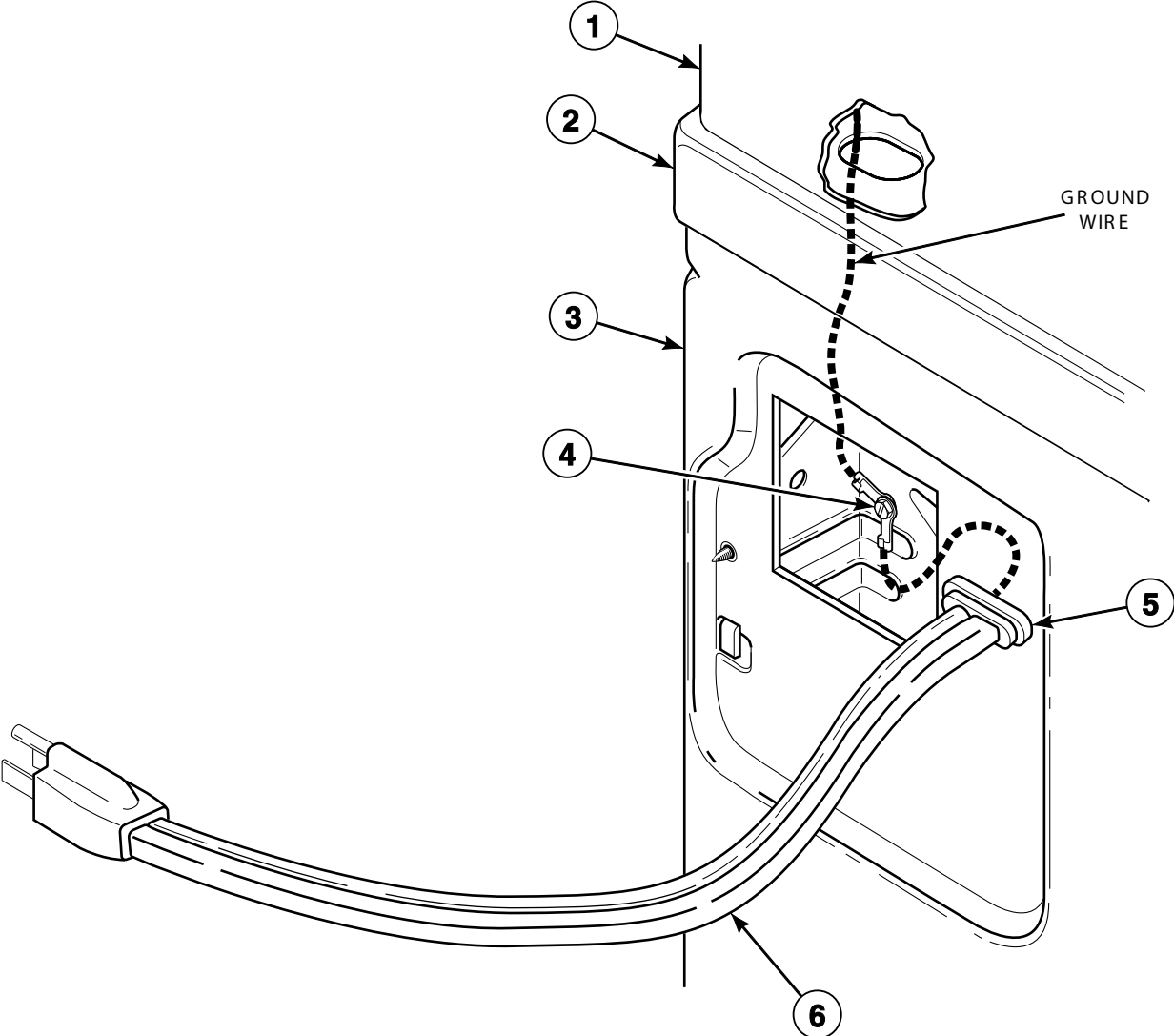
Power Cord (Drawing 1 of 2)

REF	PART NO.	DESCRIPTION	COMMENTS
1	20530	Screw	
2	503688	Screw	
3	500001*P	Cabinet Assembly	
4	510029*P	Top Panel Kit	
5	510099	Hood Back Panel	
6	510190P	Terminal Block Assembly	
7	61199	Screw	
8	510505P	Lead-In Cord Assembly	

* Add Letter To Designate Color. L - Almond W - White

Power Cord (Drawing 2 of 2)

Gas Models



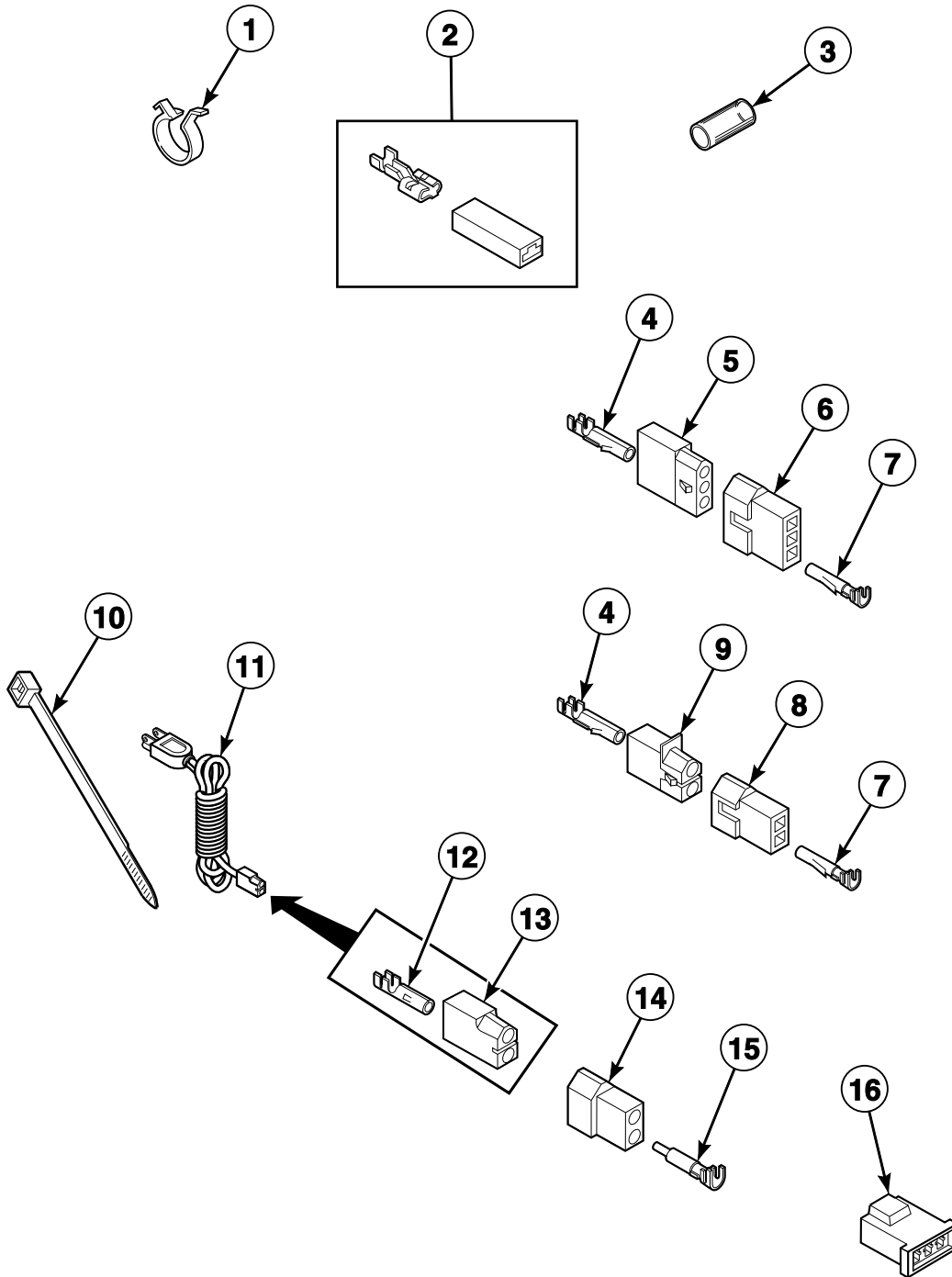
D298P_504011

Power Cord (Drawing 2 of 2)

REF	PART NO.	DESCRIPTION	COMMENTS
1	510099	Hood Back Panel	
2	510029*P	Top Panel Kit	
3	500001*P	Cabinet Assembly	
4	20530	Screw	
5	38384	Strain Relief	
6	56222	Lead-In Cord	

* Add Letter To Designate Color. L - Almond W - White

Terminals (Drawing 1 of 2)

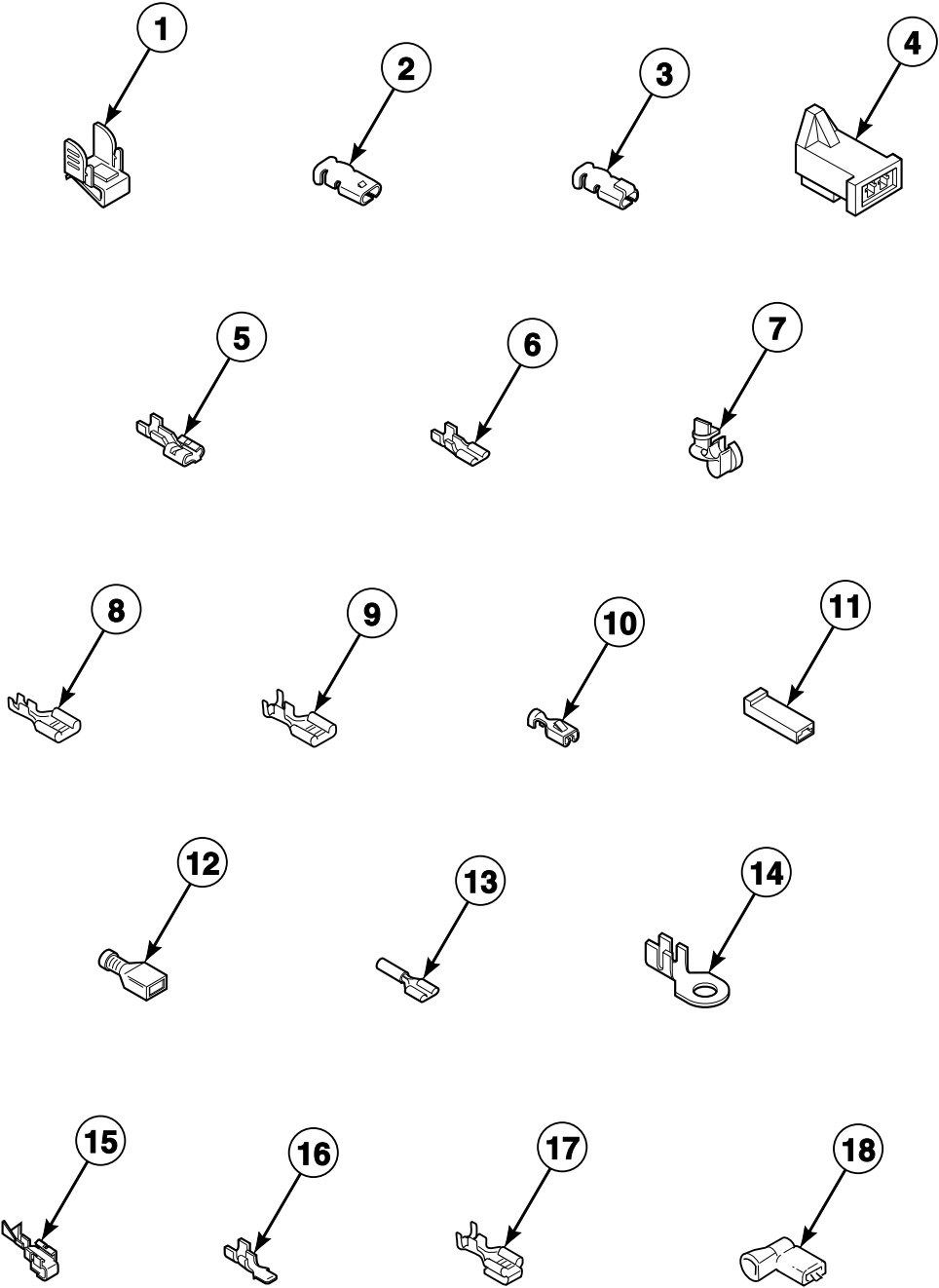


D299P_504011

Terminals (Drawing 1 of 2)

REF	PART NO.	DESCRIPTION	COMMENTS
1	504034	Wire Clip	
2	00360	Insulated Female Spade Terminal	(1) 12 gauge wire or (2) 18 gauge wires
3	503670	Insulator Sleeve	
4	00117	Female Pin Terminal	
5	23039	3 Circuit Receptacle	
6	23040	Plug	3 circuit
7	00116	Male Pin Terminal	
8	56448	2 Circuit Plug	
9	56451	2 Circuit Receptacle	
10	55881	Harness Strap	
11	56222	Lead-In Cord	Gas models
12	00130	Female Pin Terminal	
13	56265	2 Circuit Receptacle	
14	56266	2 Circuit Plug	
15	00127	Male Pin Terminal	
16	58800	3 Circuit Connector	

Terminals (Drawing 2 of 2)

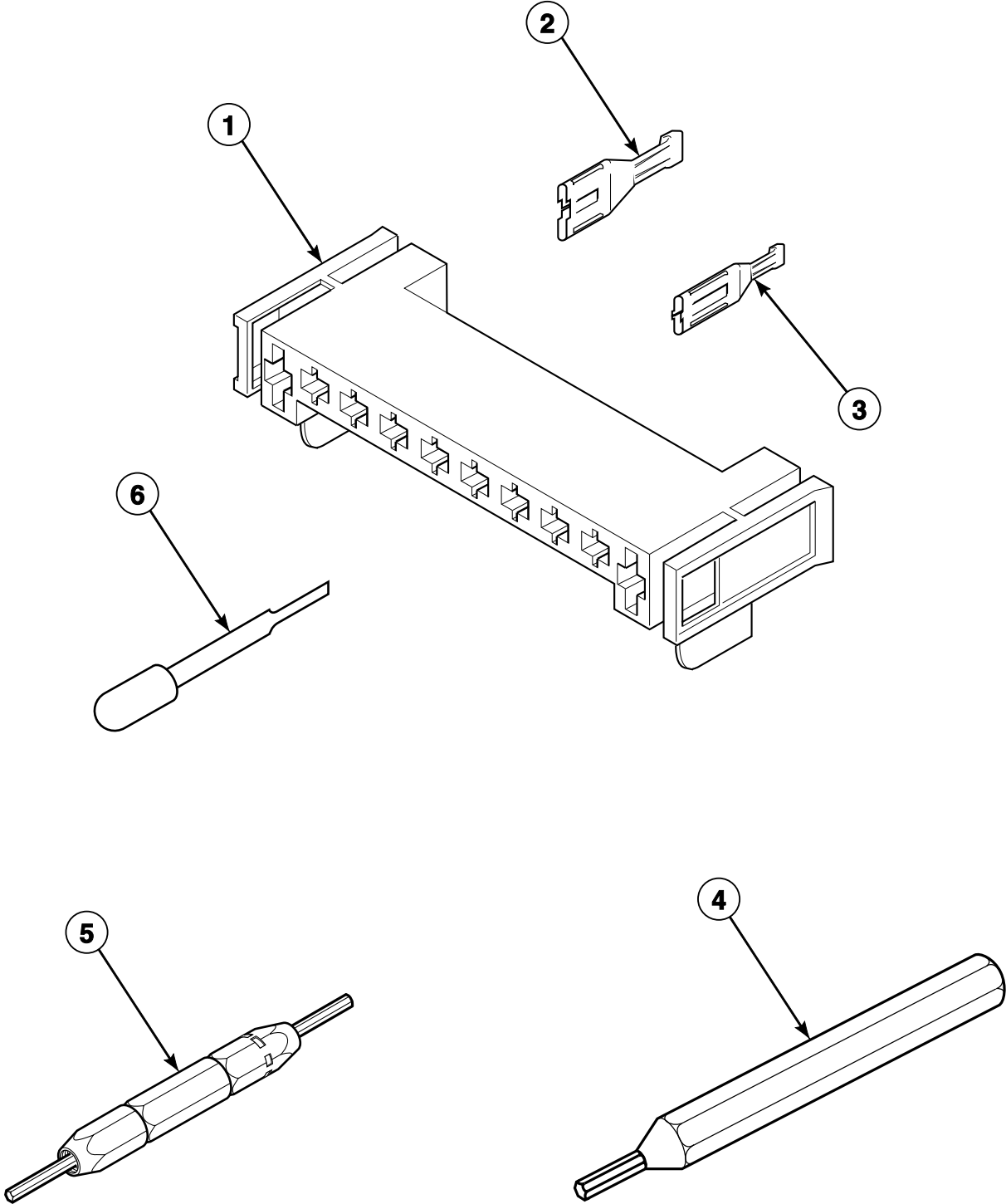


DRY2251P_504011

Terminals (Drawing 2 of 2)

REF	PART NO.	DESCRIPTION	COMMENTS
1	00161	Grounding Clip	
2	00189	Female Spade Terminal	
3	00361	Female Piggyback Terminal	Receptacle connector
4	58799	2 Circuit Connector	
5	00119	Female Spade Terminal	1/4 inch; (1) 18 gauge wire
	00121	Female Spade Terminal	1/4 inch; (2) 18 gauge wires or (1) 12 gauge wire
	00245	Spade Terminal	1/4 inch; (1) 22 gauge wire
6	00124	Female Spade Terminal	3/16 inch; (1) 18 gauge wire; .020 tab
	00156	Female Spade Terminal	3/16 inch; Thermostat wire; .032 tab
	00209	Female Spade Terminal	3/16 inch; (2) 18 gauge wires; .020 tab
7	38384	Strain Relief	
8	00346	Terminal	
9	00347	Terminal	
10	00115	Female Spade Terminal	1/4 inch; (1) 18 gauge wire
	00122	Female Spade Terminal	1/4 inch; (2) 18 gauge wires or (1) 12 gauge wire
11	90789	Receptacle Housing	
12	00359	Insulated Female Spade Terminal	1/4 inch
	00165	Insulated Female Terminal	3/16 inch
13	00214	Pre-Insulated Spade Terminal	1/4 inch; 18 gauge wire
	00215	Pre-Insulated Spade Terminal	1/4 inch; 12 gauge wire
14	00110	Ring Terminal	(1) 18 gauge wire
	00111	Ring Terminal	(2) 18 gauge wires or (1) 12 gauge wire
15	00114	Female Spade Terminal	1/4 inch; Double connector
16	00139	Male Tab Terminal	1/4 inch; (2) 18 gauge wires or (1) 12 gauge wire
17	00344	Female Tab Terminal	
18	00345	Flag Insulated Terminal	

Motor Connection Block and Terminal Extractor Tools



D301P_504011

Motor Connection Block and Terminal Extractor Tools

REF	PART NO.	DESCRIPTION	COMMENTS
1	500338	10 Position Housing	Molex; 10 circuit
2	00255	Female Terminal	1/4 inch; (1) 12 gauge wire
	00256	Female Terminal	1/4 inch; (1) or (2) 18 gauge wires
3	00188	Female Terminal	1 or 2 wire application
4	128P4	Extractor Tool	For use on gas dryer terminals
5	190P4	Extractor Tool	For use on electric dryer terminals
6	283P4	Terminal Extractor Tool	For use on Molex connectors

Wire Harnesses and Wire

PART NO.	DESCRIPTION	COMMENTS
503614	Wire Harness Assembly	Models LEA80A*, LEC80AW and LED65AW
503726	Wire Harness Assembly	Model LEC90AW
503763	Wire Harness Assembly	Models LEC20AW and LED20AW
503769	Wire Harness Assembly	Models LEA10AW and LEC10AW
503926	Wire Harness Assembly	Models LEC30AW, LEC32AW and LED32AW
503922	Wire Harness Assembly	Models LEA50A*, LEC50AW, LEC60AW and LED57AW
503903	Wire Harness Assembly	Models LGA80A* and LGD65AW
510425P	Wire Harness Assembly	Models LGC20AW and LGD20AW
503910	Wire Harness Assembly	Model LGA10AW
503923	Wire Harness Assembly	Models LGA50A*, LGC50AW and LGD57AW
510403	Wire Harness Assembly	Model LGD32AW

* Add Letter To Designate Color. L - Almond W - White

NOTE: Individual wires are not available separately. Order complete harness, or order wire by the foot. When applying terminals to wires, it is recommended that the terminals be soldered to the wires.

Parts Index

A

Access Panel 510069*P	15
Access Panel Plate 510903	29
Adhesive 511637P	19, 21
Air Duct and Door Liner Kit 750P3	19

B

Blower and Fan Kit 510717P	17
Blower Fan Assembly 510139P	17
Blower Housing and Cover Kit 511969P	17
Blower Housing Seal 510238P	17
Booster and Holding Coil 58804A	27
Bracket 510146	11
Bumper Pad 56128	29
Burner Assembly 510149P	27
Buzzer 510211	5

C

Cabinet Assembly 500001*P	11, 19, 21, 27, 29, 31, 33
Circuit Board Support 501523	7
Combustion Duct 510131	25, 27
Connector, 2 Circuit 58799	37
Connector, 3 Circuit 58800	35
Control Mounting Plate 500301	9
Control Support Panel 503901	5
504170	7
Cylinder Assembly 504468P	19
510159WP	19
Cylinder Baffle 503703	19
Cylinder Belt 511255P	17

Cylinder Glide 501553	19
510188	19
Cylinder Glide Bracket 510145	19
Cylinder Light Housing 503622	19
Cylinder Roller 510708P	21
Cylinder Roller Bracket 510100	21
Cylinder Seal Assembly 510207P	19, 21

D

Diffuser 500308	9
Directional Exhaust Kit 528P3	29
Disconnect Power Warning Label 505281	11
Door Catch Assembly 510177	15
Door Pull and Wedge Kit 510103*P	13
Door Strike 510181	13
Door Strike Mount 510127	13
Drum Light Lamp 60954	19
Drum Light Lens 503623	19
Dryer Base 510084	17, 25, 27, 29
Dryer Door 510013*P	13
Drying Rack 504105	13

E

Elbow Shut-Off Valve 510205	27
Electric Clearance Label 511005	29
Electronic Control Assembly 504184*	9
End Panel 504008*P	5, 7, 9
504009*P	5, 7, 9
Exhaust Duct 510137	29
Extractor Tool 128P4	39
190P4	39

N/A items do not appear in index.

F

Fabric Selector Switch	
513505	5
513506	5
Felt Pad	
510189	19
Female Piggyback Terminal	
00361	37
Female Pin Terminal	
00117	35
00130	35
Female Spade Terminal	
00114	37
00115	37
00119	37
00121	37
00122	37
00124	37
00156	37
00189	37
00209	37
Female Tab Terminal	
00344	37
Female Terminal	
00188	39
00255	39
00256	39
Flag Insulated Terminal	
00345	37
Flexible Venting Kit	
521P3	29
Fluorescent Light Assembly	
34836	9
Front Bulkhead Assembly	
503737W	19
511033WP	19
Front Panel	
510066*P	13, 15
Front Panel Seal	
511056	15
Fuse Notice Label	
61294	29

G

Gas Clearance Label	
511004	15
Gas Valve Assembly	
510506P	27
Gas Valve Mounting Bracket	
510128	27
Gas Valve Wire Harness Assembly	
510530	27
Gasket	
500528	9
Graphic Panel	
500529*	9
503591*	5
503592*	5
503593*	5
503594*	5
503595*	5

N/A items do not appear in index.

503596*	7
503787*	5
Grounding Clip	
00161	37

H

Harness Strap	
55881	35
Heat Duct Shroud	
510101	25
Heater Assembly	
510324P	23
510329P	23
Heater Duct and Screw Assembly	
510025P	21, 23, 25
Hinge	
503676	13
Hold Down Kit	
526P3	29
Hold-Down Spring Clip	
503876	11
Hood Back Panel	
510099	5, 7, 9, 11, 31, 33
Housing, 10 Position	
500338	39

I

Idler Lever	
510133	17
Idler Lever and Wheel Assembly	
510158	17
Idler Spring	
510185	17
Idler Wheel and Bearing Assembly	
510142P	17
Igniter and Bracket Assembly	
510184P	27
Insulated Female Spade Terminal	
00359	37
00360	35
Insulated Female Terminal	
00165	37
Insulator Sleeve	
503670	35

K

Knob Assembly	
36701*	5, 7

L

Label, 15 Amp Notice	
500495	29
Lead-In Cord	
56222	33, 35

Lead-In Cord Assembly 510505P	31
Lead-In Pipe Assembly 510204	27
Leveling Leg 510135	29
Light Housing Assembly 512108	19
Limit Thermostat 504237	23
510701	23
510702	25
Liner and Seal Assembly 510289W	13
Lint Filter 503627	19
L.P. Conversion Kit 649P3	27

M

Male Pin Terminal 00116	35
00127	35
Male Tab Terminal 00139	37
Moisture Sensor 503625	19
Moisture Sensor Assembly 504175	7
Motor and Pulley Assembly 511629P	17
Motor Hub Ring Kit 590P3	17
Motor Mount 510060	17
Motor Mount Clamp 510180	17
Motor Pulley 500011	17
Motor Switch 501218	17

N

Notice Seal Sticker 56259	19
Nut 52566	17
56156	17, 21
N.G. Conversion Kit 650P3	27

O

Outlet Cover 500820	23, 25
------------------------------	--------

P

Panel Locator 56079	15, 29
Plug 23040	35
Plug, 2 Circuit 56266	35
56448	35
Pre-Insulated Spade Terminal 00214	37
00215	37

R

Rear Bulkhead Assembly 501154	21
510905WP	21
Receptacle Housing 90789	37
Receptacle, 2 Circuit 56265	35
56451	35
Receptacle, 3 Circuit 23039	35
Retaining Ring 23748	17, 21
Ring Terminal 00110	37
00111	37
Rocker Switch 38424*	5, 7, 9

S

Screw 20530	31, 33
23222	23, 27
31260	17
31645	17
39733	15, 29
500226	19
500227	19
500824	17
501086	5, 7, 9, 11
501285	19, 21
502535	17
503661	11, 15, 17, 19, 21, 29
503688	11, 21, 23, 25, 27, 29, 31
505295	13
51782	25, 27
56124	27
61199	31
62588	19
Secondary Coil 58804B	27
Selector Switch 62173	7
Sensor 510213	27
Shaft 56461P	17, 21

N/A items do not appear in index.

Signal Selector Switch	
504166	7
Spade Terminal	
00245	37
Speed Clip	
28835	15
Strain Relief	
38384	33, 37
Switch	
512973	15

T

Terminal	
00346	37
00347	37
Terminal Block Assembly	
510190P	21, 31
Terminal Block Shield	
510237	21
Terminal Extractor Tool	
283P4	39
Thermal Fuse Assembly	
511412	23
Thermistor Assembly	
510523	17
Thermostat	
504514	17
510707P	17
Thermostat Heater	
61623	17
Timer	
503632	7
503739	5
503767	5
503793	5
503873	5
504178	5
504179	5
504180	5
504545	5
505794P	5
Timer and Harness Kit	
505797P	5
Timer Knob Assembly	
512117*	5, 7
Top Cover	
500303*	9
505808*	5, 7
Top Hinge	
510136	29
Top Panel Kit	
510029*P	5, 7, 9, 11, 31, 33

W

Warning Label	
500049	19
Warning/Caution Label	
500281	15
Washer	
52549	17, 21

Wire Clip	
504034	35
Wire Harness Assembly	
503614	40
503726	40
503763	40
503769	40
503903	40
503910	40
503922	40
503923	40
503926	40
510403	40
510425P	40

N/A items do not appear in index.