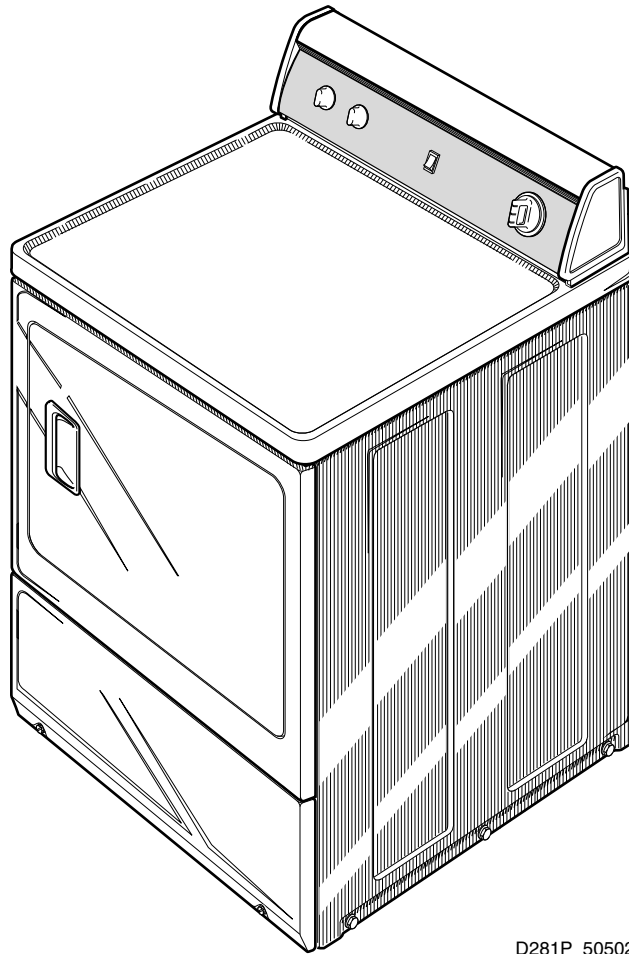


# Dryers

Nonmetered

Refer to Page 3 for Model Numbers



D281P\_505023



# Table of Contents

Title	Page
Parts Ordering Information.....	2
Serial Plate Location .....	2
Model Identification .....	3
Graphic Panel, Control Hood and Controls.....	4
Cabinet Top and Control Hood Rear Panel .....	6
Loading Door .....	8
Access Panel, Front Panel and Seal .....	10
Motor, Exhaust Fan and Belt .....	12
Front Bulkhead, Air Duct, Cylinder and Removable Lint Filter.....	14
Front Bulkhead, Air Duct, Cylinder, and Secured Lint Filter.....	16
Rear Bulkhead, Felt Seal, Cylinder Roller and Terminal Block.....	18
Heater Duct and Element Assembly .....	20
Heater Duct Assembly .....	22
Heater Duct Assembly Replacement .....	24
Gas Valve, Igniter and Gas Conversion Kits.....	26
Gas Valve, Igniter, Ignition Control and Gas Conversion Kits.....	28
Cabinet, Exhaust Duct and Base .....	30
Terminals and Clips .....	32
Terminals .....	34
Motor Connection Block, Terminal Extractor Tools.....	36
Strain Relief, Adapter, Power Cord .....	38
Wire Harnesses and Wires .....	38
Parts Index.....	39

© Copyright 2017, Alliance Laundry Systems LLC

All rights reserved. No part of the contents of this book may be reproduced or transmitted in any form or by any means without the expressed written consent of the publisher.

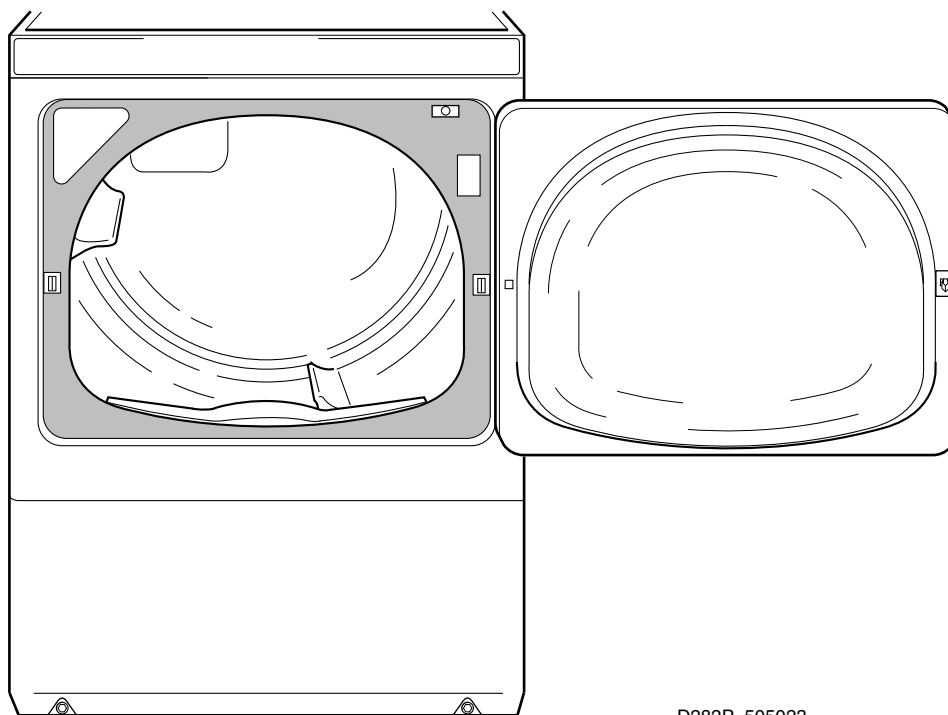
## Parts Ordering Information

If literature or replacement parts are required, contact the source from whom the machine was purchased or contact Alliance Laundry Systems at (920) 748-3950 for the name and address of the nearest authorized parts distributor.

For technical assistance, call (920) 748-3121.

## Serial Plate Location

When calling or writing about your product, be sure to mention model and serial numbers. Model and serial numbers are located on serial plate(s) as shown.



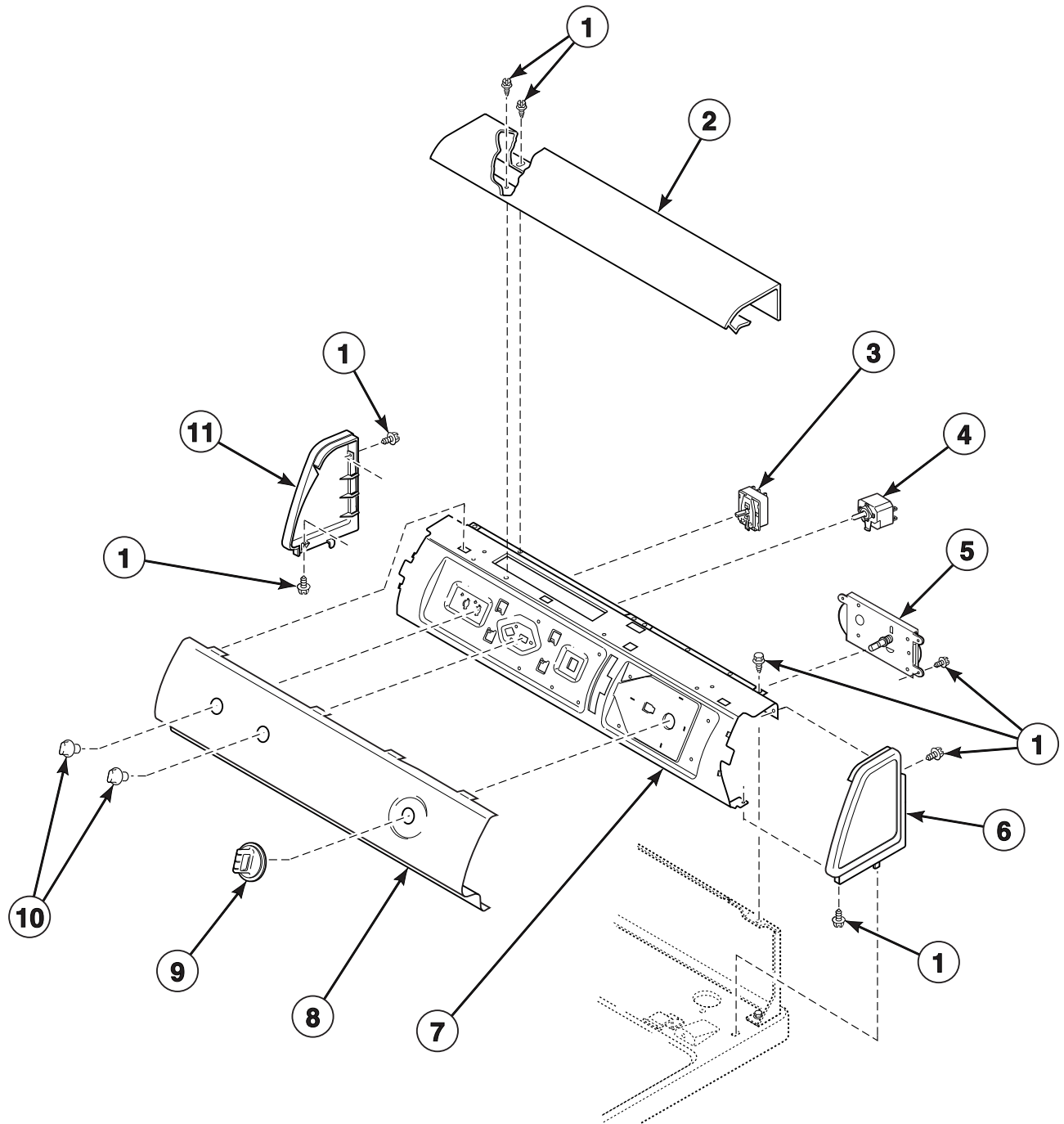
## Model Identification

Information in this manual is applicable to these dryer models:

LEB07A*-1709	LGK33A*-3058
LEK33A*-4350	LGS19A*-3088
LES19A*-3000	LGS33A*-3000
LES19A*-4500	LGS33A*-3058
LES33A*-3000	LGS33A*-3080
LES33A*-3300	LGS33A*B3013
LES33A*-4350	LGS33A*B3080
LES33A*-4562	LGY47A*-1109
LES33A*B3018	LGZ33A*-3000
LEY47A*-1709	LGZ33A*B3013
LEZ33A*-3000	
LEZ33A*B3018	

\* Add Letter To Designate Color. L - Almond W - White

# Graphic Panel, Control Hood and Controls



D378P\_505023

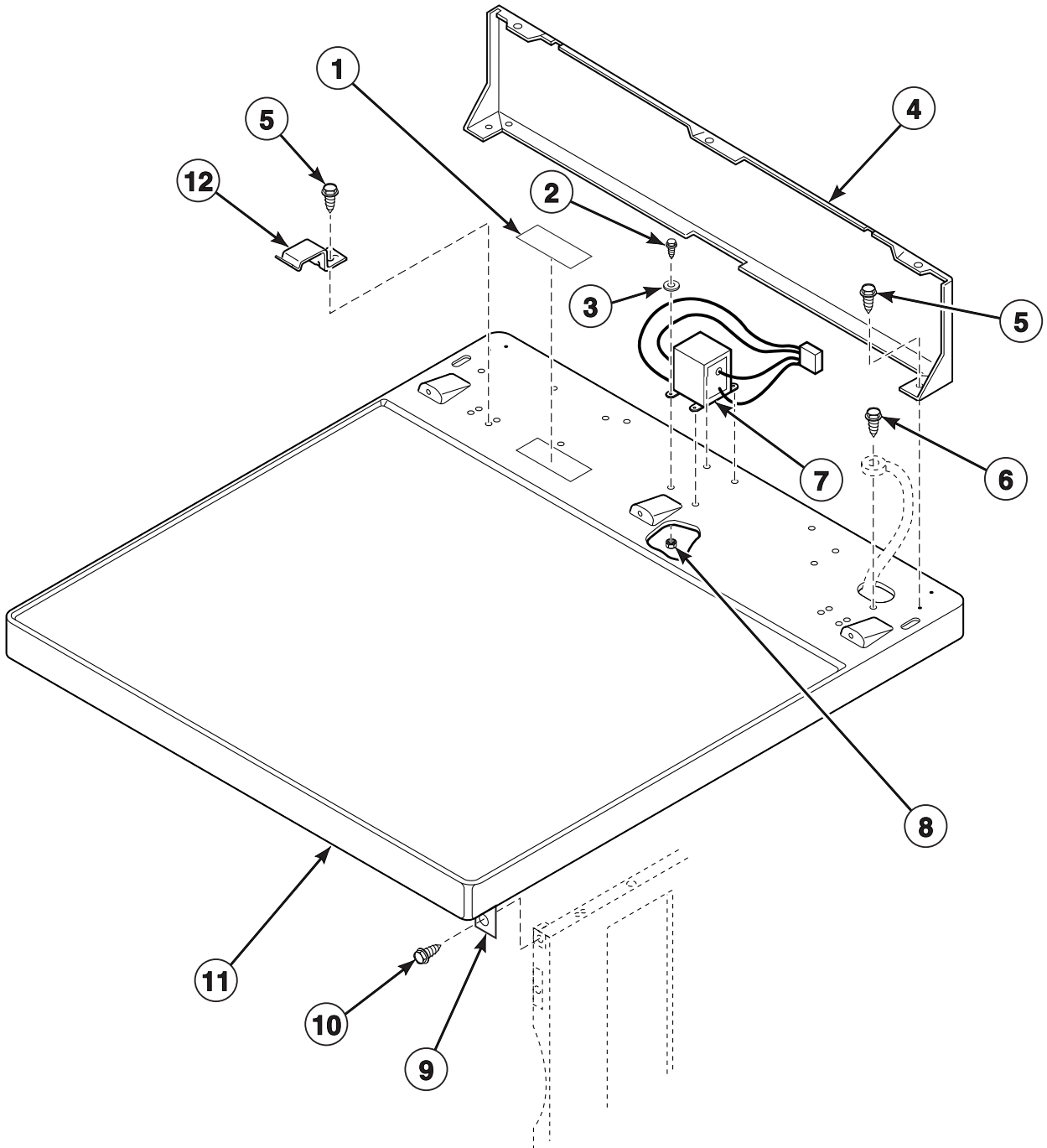
## Graphic Panel, Control Hood and Controls

REF	PART NO.	DESCRIPTION	COMMENTS
1	501086	Screw	
2	505808*	Top Cover	
3	513506	Fabric Selector Switch	All models except LES33A*-4562, LGY47A*-1109, LEY47A*-1709, LEB07A*-1709, LES33A*-4562, LEK33A*-4350 and LGK33A*-3058
	513505	Fabric Selector Switch	Models LGY47A*-1109 and LEY47A*-1709
	513504	Fabric Selector Switch	Model LES33A*-4562
4	504103	Adjustable Buzzer	All models except LES33A*-3300, LEY47A*-1709, LGY47A*-1109, LGS33A*B3013, LGS33A*B3080, LGZ33A*B3013, LEB07A*-1709, LES19A*-4500, LES19A*-3000, LGS19A*-3088, LEK33A*-4350 and LGK33A*-3058
	510211	Buzzer	Models LES33A*-3300, LEY47A*-1709 and LGY47A*-1109
	505447	Adjustable Buzzer	Models LGS33A*B3013, LGS33A*B3080 and LGZ33A*B3013
5	502964P	Timer	Models LES33A*-4562, LES33A*B3018, LEZ33A*B3018, LEK33A*-4350 and LGK33A*-3058
	502966P	Timer	Models LGS33A*B3013, LGS33A*B3080 and LGZ33A*B3013
	505795P	Timer	Models LES19A*-3000, LES19A*-4500, LES33A*-3000, LES33A*-4350, LEZ33A*-3000, LGS19A*-3088, LGS33A*-3000, LGS33A*-3058, LGS33A*-3080 and LGZ33A*-3000
	505796P	Timer	Model LES33A*-3300
	505792	Timer	Model LGY47A*-1109
	505793P	Timer and Harness Kit	Model LEB07A*-1709
	N/A	Timer	Model LEY47A*-1709
	6	504008*	End Panel
7	503901	Control Support Panel	
8	503394	Graphic Panel	Model LES33A*-4562
	504020*	Graphic Panel	Models LES33A*-3000, LES33A*-3300, LES33A*-4350, LGS33A*-3000, LGS33A*-3058, LGS33A*-3080 and LGZ33A*-3000
	504070*	Graphic Panel	Models LES33A*B3018, LGS33A*B3013 and LGS33A*B3080
	504072*	Graphic Panel	Model LEZ33A*-3000
	504107*	Graphic Panel	Models LGZ33A*B3013 and LEZ33A*B3018
	504197*	Graphic Panel	Models LES19A*-3000, LES19A*-4500, LES33A*-3000 and LGS19A*-3088
	505627	Graphic Panel	Models LGY47A*-1109 and LEY47A*-1709
	505636	Graphic Panel	Model LEB07A*-1709
505157*	Graphic Panel	Models LEK33A*-4350 and LGK33A*-3058	
9	510287*	Timer Knob Assembly	
10	33688	Knob Assembly	All models except LES33A*-4562 and LEB07A*-1709
	36701*	Knob Assembly	Model LES33A*-4562
11	504009*	End Panel	Gap left

\* Add Letter To Designate Color. L - Almond W - White

N/A = Part no longer available

# Cabinet Top and Control Hood Rear Panel



D327P\_505023

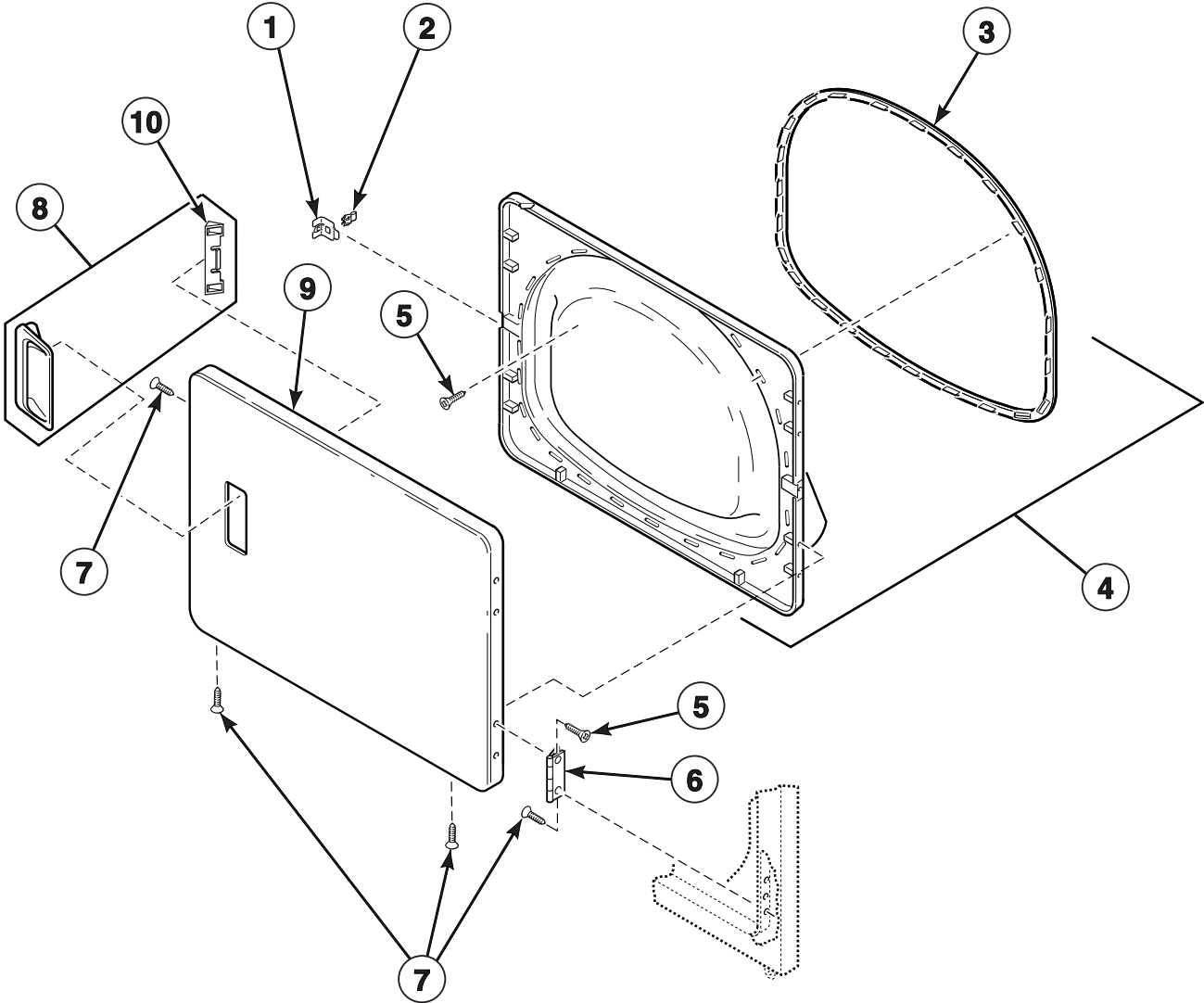


## Cabinet Top and Control Hood Rear Panel

REF	PART NO.	DESCRIPTION	COMMENTS
1	505281	Disconnect Power Warning Label	
2	20267	Screw	4 Required; Models LGS19A*-3088, LGS33A*-3000 and LGS33A*-3080
3	03815	Washer	4 Required; Models LGS19A*-3088, LGS33A*-3000 and LGS33A*-3080
4	510099	Hood Back Panel	
5	501086	Screw	
6	503688	Screw	
7	511658	Transformer Assembly	Models LGS19A*-3088, LGS33A*-3000 and LGS33A*-3080
8	23951	Nut	Models LGS19A*-3088, LGS33A*-3000 and LGS33A*-3080
9	510146	Bracket	2 Required
10	503661	Screw	2 Required
11	510029*P	Top Panel Kit	Includes item 9
12	503876	Hold-Down Spring Clip	2 Required

\* Add Letter To Designate Color. L - Almond W - White

# Loading Door



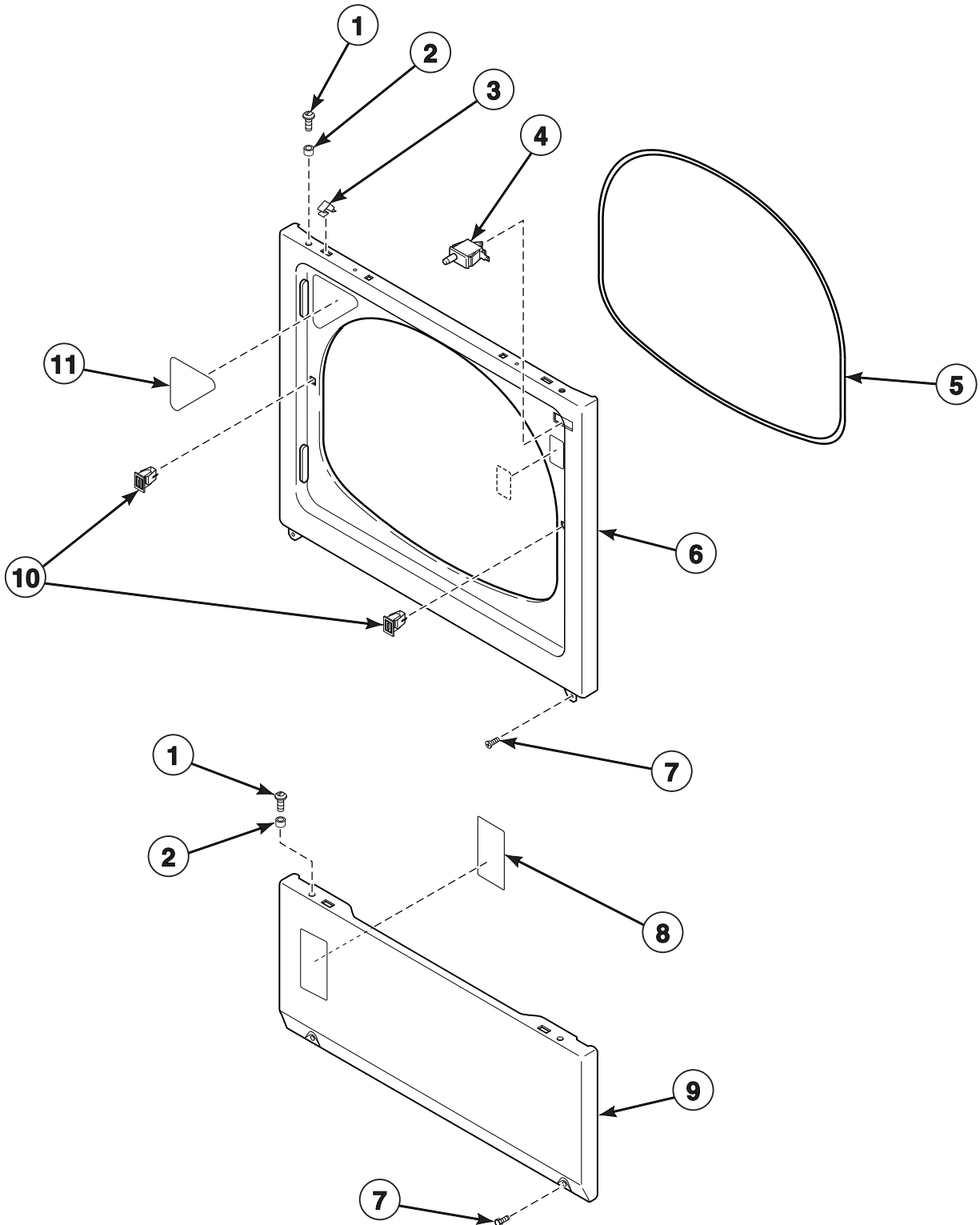
DRY1737P\_505023

# Loading Door

REF	PART NO.	DESCRIPTION	COMMENTS
1	510127	Door Strike Mount	
2	510181	Door Strike	
3	510147P	Liner Door Seal	
4	510163WP	Liner, Seal and Grill Assembly	Models LEB07A*-1709, LEY47A*-1709 and LGY47A*-1109
	510289W	Liner and Seal Assembly	All models except LEB07A*-1709, LEY47A*-1709 and LGY47A*-1109
5	514461	Screw	
6	503676	Hinge	
7	500226	Screw	
8	510103*P	Door Pull and Wedge Kit	Includes item 10
9	510013*	Dryer Door	
10	510129	Door Handle Wedge	

\* Add Letter To Designate Color. L - Almond W - White

# Access Panel, Front Panel and Seal



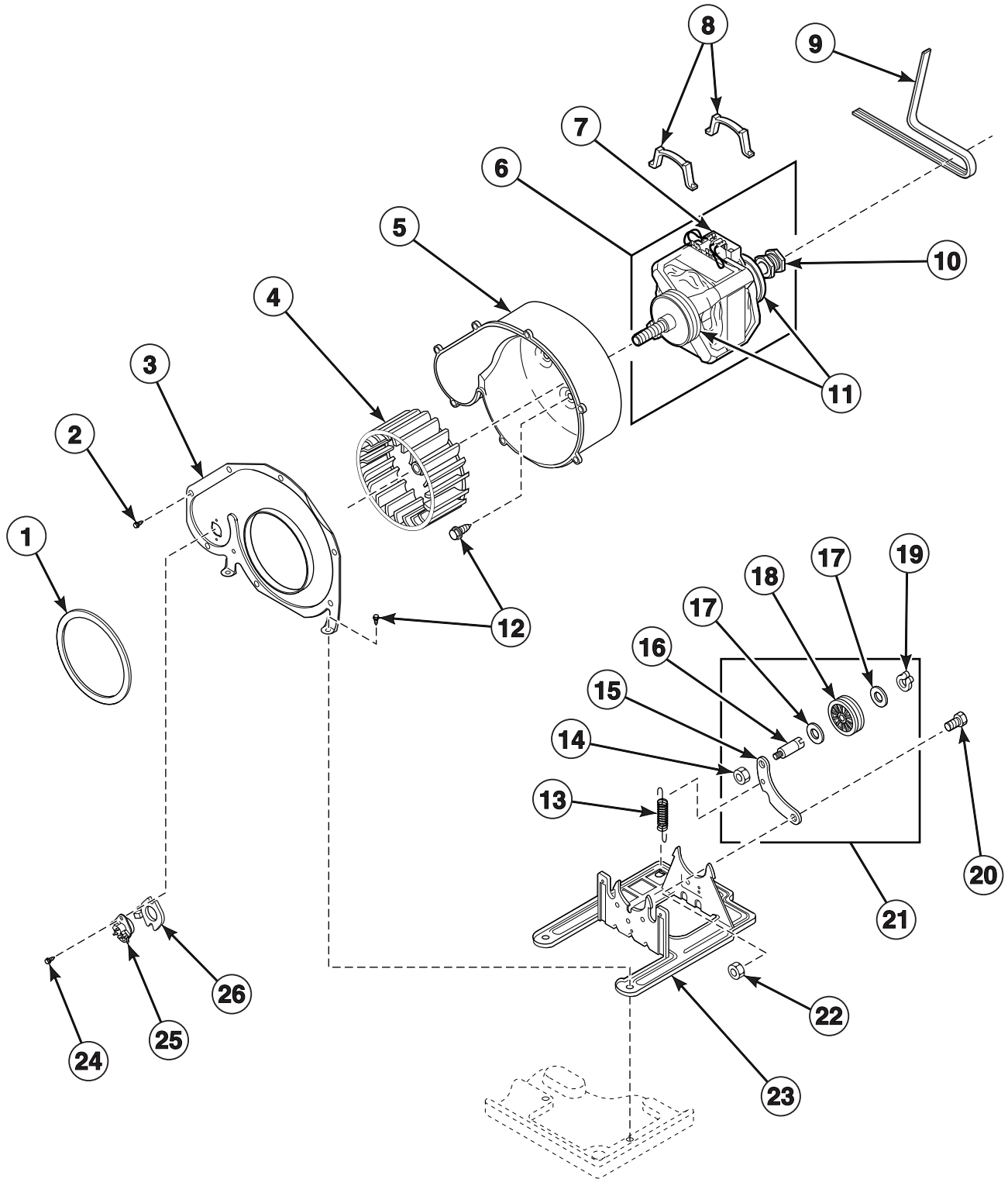
D288PZ3A\_505023

## Access Panel, Front Panel and Seal

REF	PART NO.	DESCRIPTION	COMMENTS
1	39733	Screw	
2	56079	Panel Locator	
3	28835	Speed Clip	2 Required
4	512973	Switch	
5	511056	Front Panel Seal	
6	510066*	Front Panel	
7	503661	Screw	2 Required
8	511004	Gas Clearance Label	Gas Models
9	510069*	Access Panel	
10	510177	Door Catch Assembly	
11	500281	Warning/Caution Label	

\* Add Letter To Designate Color. L - Almond W - White

# Motor, Exhaust Fan and Belt



D289P\_505023

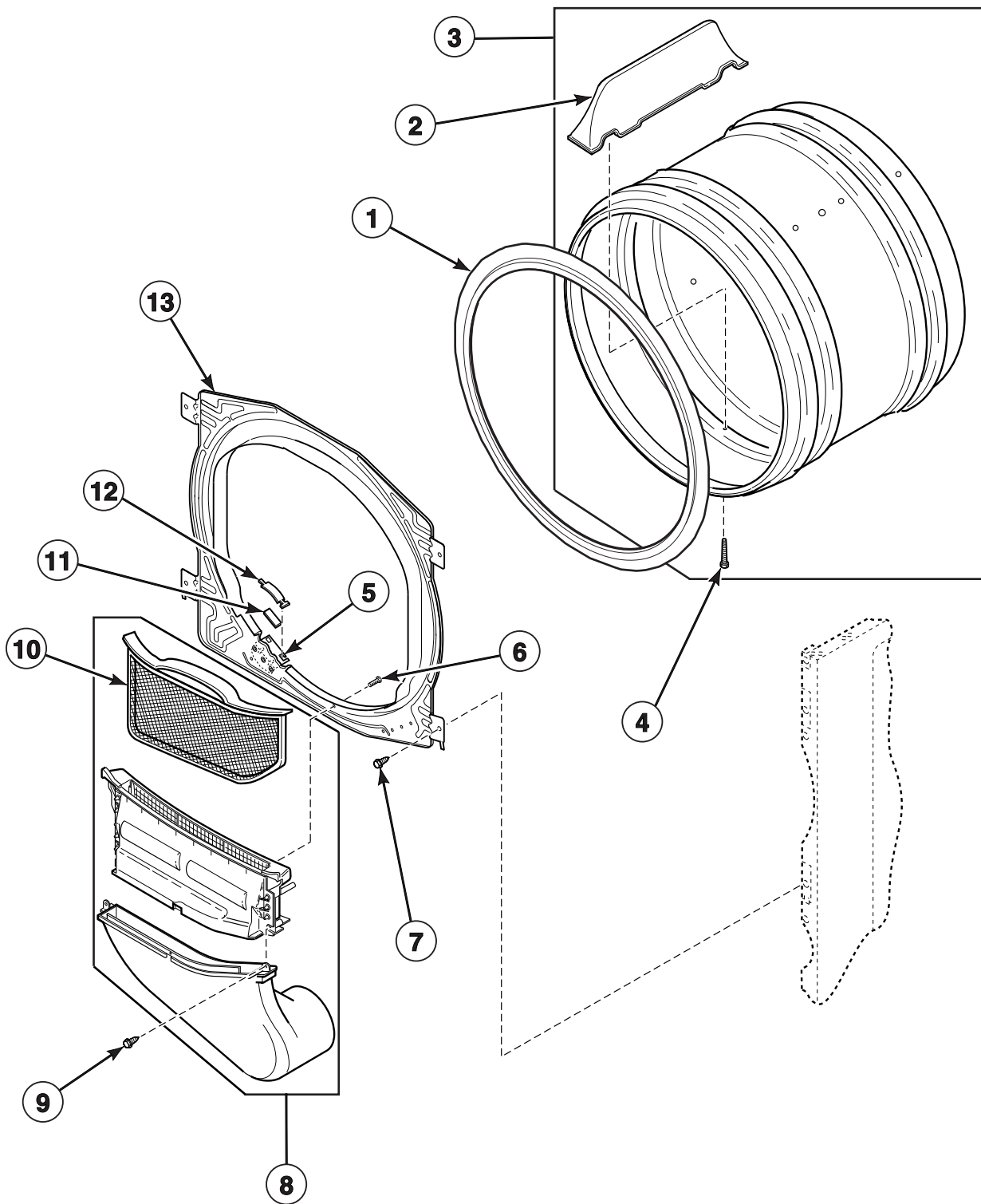
## Motor, Exhaust Fan and Belt

REF	PART NO.	DESCRIPTION	COMMENTS
1	510238P	Blower Housing Seal	
2	31260	Screw	
3	500078	Exhaust Fan Cover	All models except LES33A*-4562
	500128	Exhaust Fan Cover	Model LES33A*-4562
4	510139P	Blower Fan Assembly	
5	511969WP	Blower Housing	
6	511629P	Motor and Pulley Assembly	Models LEB07A*-1709, LEY47A*-1709 and LGY47A*-1109
	505843P	Motor and Pulley Assembly	All models except LEB07A*-1709, LES33A*-3300, LEY47A*-1709, LGY47A*-1109, LEK33A*-4350 and LGK33A*-3058
	505869P	Motor and Pulley Assembly	Model LES33A*-3300
7	501218P	Motor Switch Kit	Does not include thermal protector
8	510180	Motor Mount Clamp	
9	511255P	Cylinder Belt	
10	500011	Motor Pulley	Models LEB07A*-1709, LES33A*-3300, LEY47A*-1709 and LGY47A*-1109
11	590P3	Motor Hub Ring Kit	
12	503661	Screw	
13	510185	Idler Spring	
14	56156	Nut	
15	510133	Idler Lever	
16	56461P	Shaft	
17	52549	Washer	
18	510142P	Idler Wheel and Bearing Assembly	
19	23748	Retaining Ring	
20	500824	Screw	
21	510158	Idler Lever and Wheel Assembly	
22	52566	Nut	
23	510060	Motor Mount	
24	502535	Screw	
25	504514	Thermostat	Models LEB07A*-1709 and LEY47A*-1709
	510707P	Thermostat	Model LGY47A*-1109
	511957	Thermostat	Models LES19A*-3000, LES19A*-4500, LES33A*-3000, LES33A*-3300, LES33A*-4350, LES33A*B3018, LEZ33A*-3000, LEZ33A*B3018, LGS19A*-3088, LGS33A*-3000, LGS33A*-3058, LGS33A*-3080, LGZ33A*-3000, LEK33A*-4350 and LGK33A*-3058
	504519	Thermostat	Models LGS33A*B3013, LGS33A*B3080 and LGZ33A*B3013
	504520	Thermostat	Low (Pink); Model LES33A*-4562
	504521	Thermostat	High (Yellow/White); Model LES33A*-4562
26	61623	Thermostat Heater	Models LEY47A*-1709 and LGY47A*-1109

\* Add Letter To Designate Color. L - Almond W - White

# Front Bulkhead, Air Duct, Cylinder and Removable Lint Filter

All Models Except LEB07A\*-1709, LEY47A\*-1709 and LGY47A\*-1109



D373P\_505023



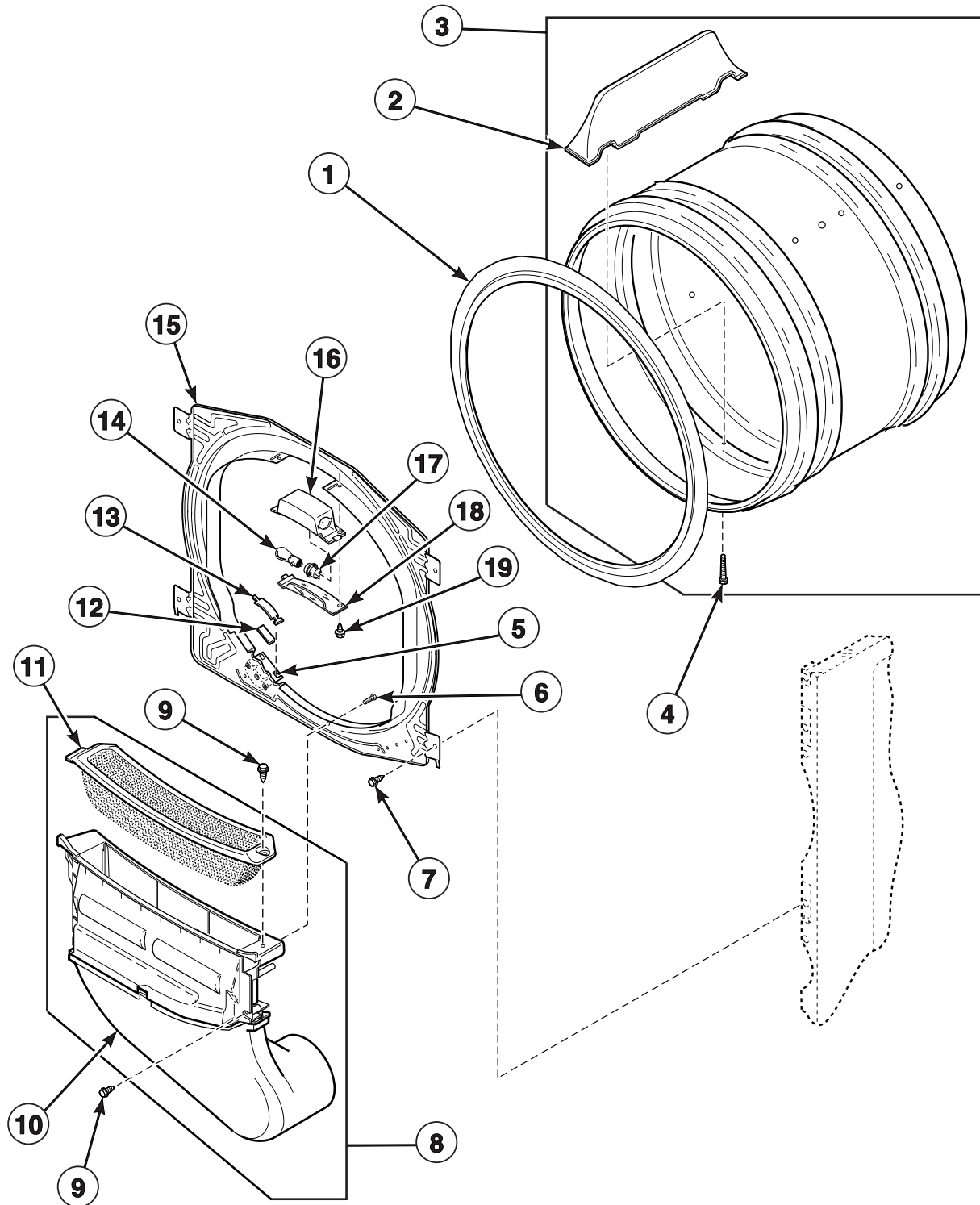
# Front Bulkhead, Air Duct, Cylinder and Removable Lint Filter

REF	PART NO.	DESCRIPTION	COMMENTS
	511637P	Adhesive	
1	510207P	Cylinder Seal Assembly	
2	503703	Cylinder Baffle	
3	510159WP	Cylinder Assembly	All models except LES19A*-3000, LES19A*-4500 and LGS19A*-3088; ; Includes items 2 and 4
	510265WP	Cylinder Assembly	Models LES19A*-3000 and LES19A*-4500; Includes items 2 and 4
4	62588	Screw	
5	510145	Cylinder Glide Bracket	
6	500226	Screw	
7	503661	Screw	
8	750P3W	Air Duct and Door Liner Kit	
9	501285	Screw	
10	503627	Lint Filter	
11	510189	Felt Pad	
12	513710	Cylinder Glide	Painted and unpainted cylinder; one required per side
13	511033WP	Front Bulkhead Assembly	

\* Add Letter To Designate Color. L - Almond W - White

# Front Bulkhead, Air Duct, Cylinder, and Secured Lint Filter

Models LEB07A\*-1709, LEY47A\*-1709 and LGY47A\*-1109



D382P\_505023

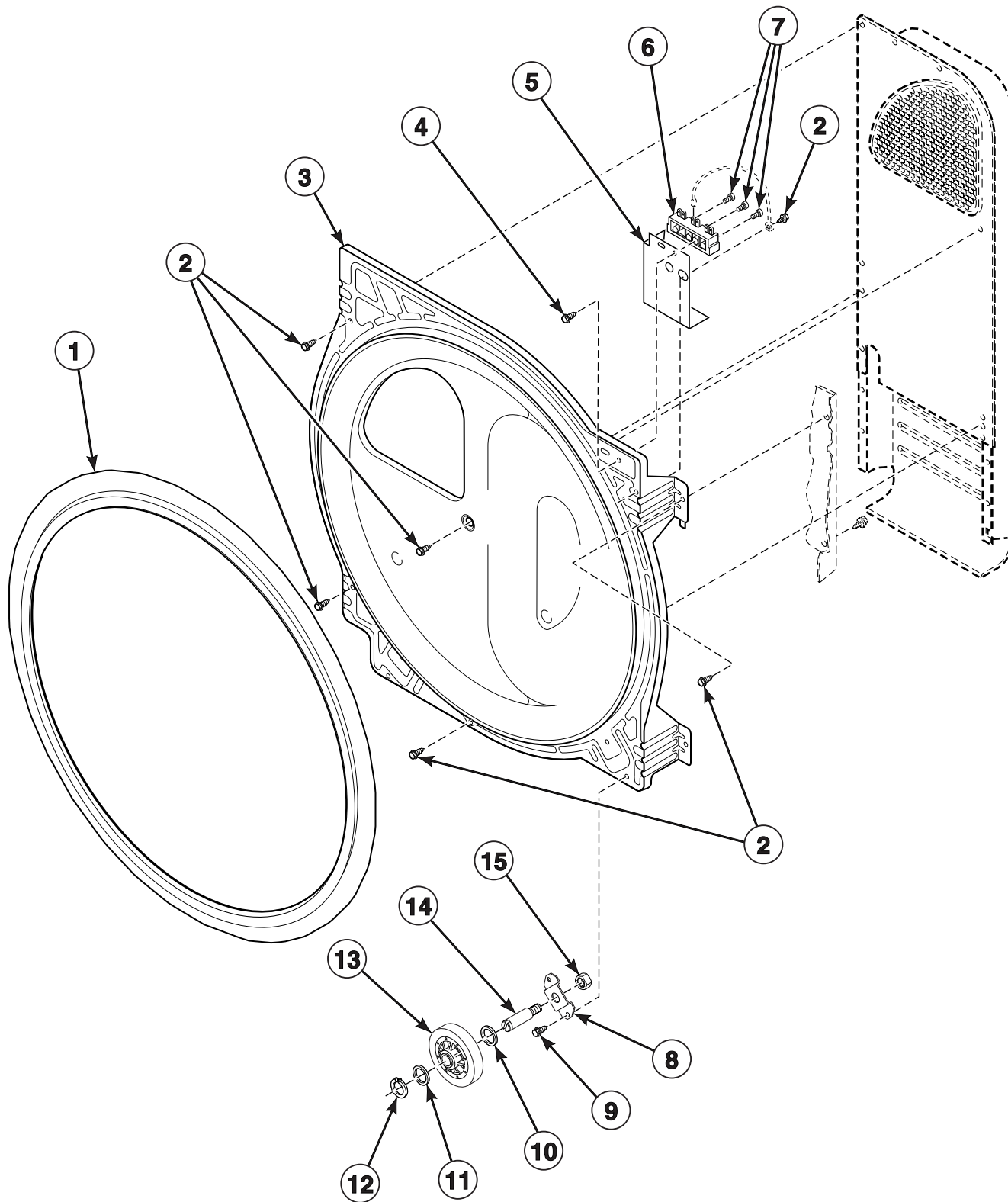
## Front Bulkhead, Air Duct, Cylinder, and Secured Lint Filter

REF	PART NO.	DESCRIPTION	COMMENTS
	511637P	Adhesive	
1	510207P	Cylinder Seal Assembly	
2	503703	Cylinder Baffle	
3	510159WP	Cylinder Assembly	Includes items 2 and 4
4	62588	Screw	
5	510145	Cylinder Glide Bracket	
6	500226	Screw	
7	503688	Screw	
8	750P3W	Air Duct and Door Liner Kit	
9	501285	Screw	
10	510151	Air Duct Assembly	
11	503980W	Lint Filter	
12	510189	Felt Pad	
13	513710	Cylinder Glide	
14	60954	Drum Light Lamp	Models LEY47A*-1709 and LGY47A*-1109
15	511033WP	Front Bulkhead Assembly	
16	N/A	Cylinder Light Housing	Models LEY47A*-1709 and LGY47A*-1109
17	504452	Light Housing Assembly	Models LEY47A*-1709 and LGY47A*-1109
18	512106	Cylinder Light Lens	Models LEY47A*-1709 and LGY47A*-1109
19	500227	Screw	Models LEY47A*-1709 and LGY47A*-1109

\* Add Letter To Designate Color. L - Almond W - White

N/A = Part no longer available

# Rear Bulkhead, Felt Seal, Cylinder Roller and Terminal Block



D291P\_505023

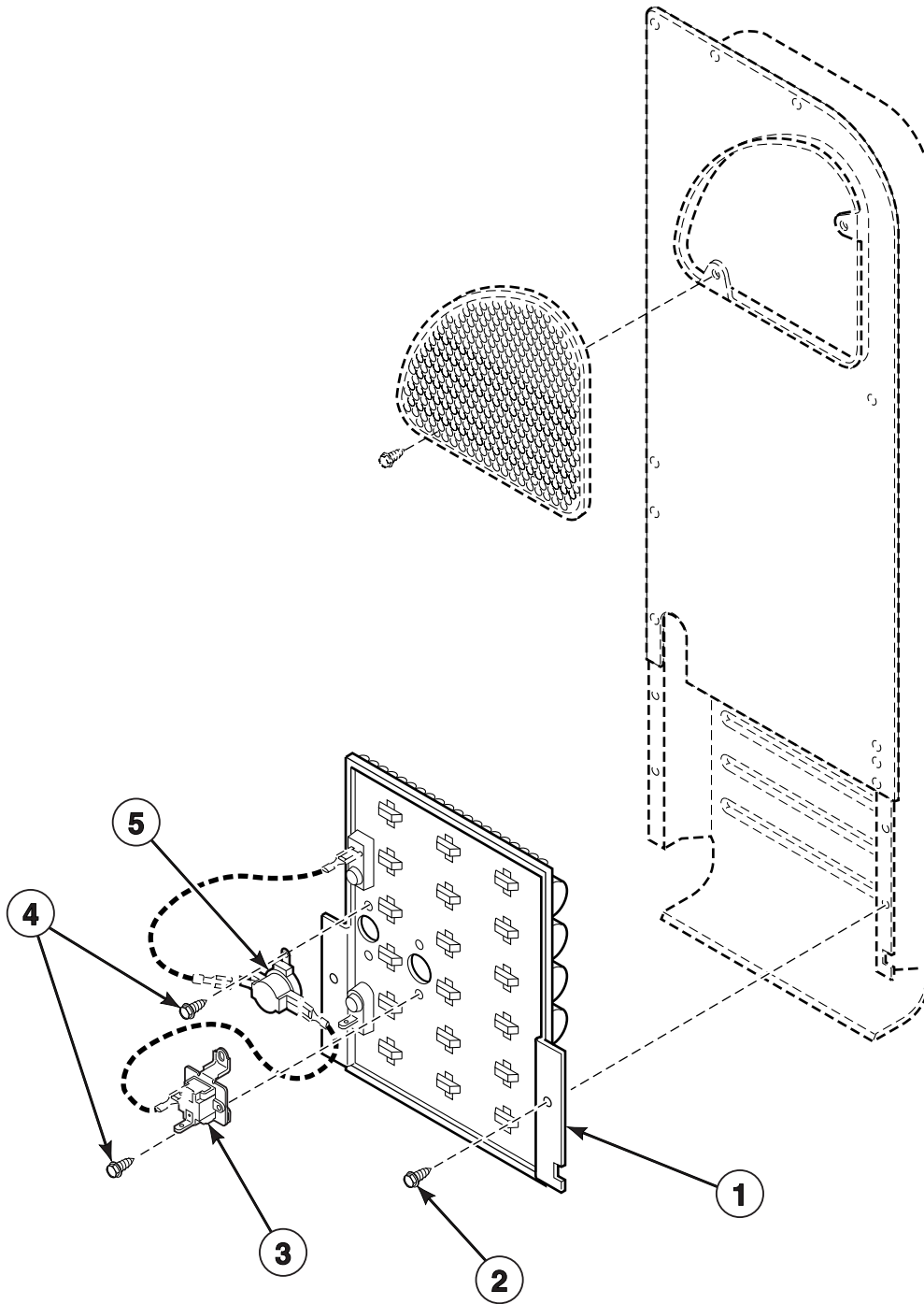
## Rear Bulkhead, Felt Seal, Cylinder Roller and Terminal Block

REF	PART NO.	DESCRIPTION	COMMENTS
	511637P	Adhesive	
1	510207P	Cylinder Seal Assembly	
2	503661	Screw	
3	510905WP	Rear Bulkhead Assembly	Painted; Includes item 1; All models except LES19A*-3000, LES19A*-4500 and LGS19A*-3088
	511082P	Rear Bulkhead Assembly	Includes item 1; Models LES19A*-3000, LES19A*-4500 and LGS19A*-3088
4	501285	Screw	
5	510237	Terminal Block Shield	All electric models except LES33A*-4562
6	510190P	Terminal Block Assembly	All models except LGS33A*B3013, LGS33A*B3080, LGY47A*-1109 and LGZ33A*B3013; ; Includes item 7
	502517	Terminal Block	Models LGS33A*B3013, LGS33A*B3080 and LGZ33A*B3013
7	61199	Screw	All models except LGS33A*B3013, LGS33A*B3080, LGY47A*-1109 and LGZ33A*B3013
8	510100	Cylinder Roller Bracket	
9	503688	Screw	
10	504082	Washer	
11	52549	Washer	
12	23748	Retaining Ring	
13	510708P	Cylinder Roller	
14	56461P	Shaft	
15	56156	Nut	

\* Add Letter To Designate Color. L - Almond W - White

# Heater Duct and Element Assembly

Electric Model Dryers



D292P\_505023

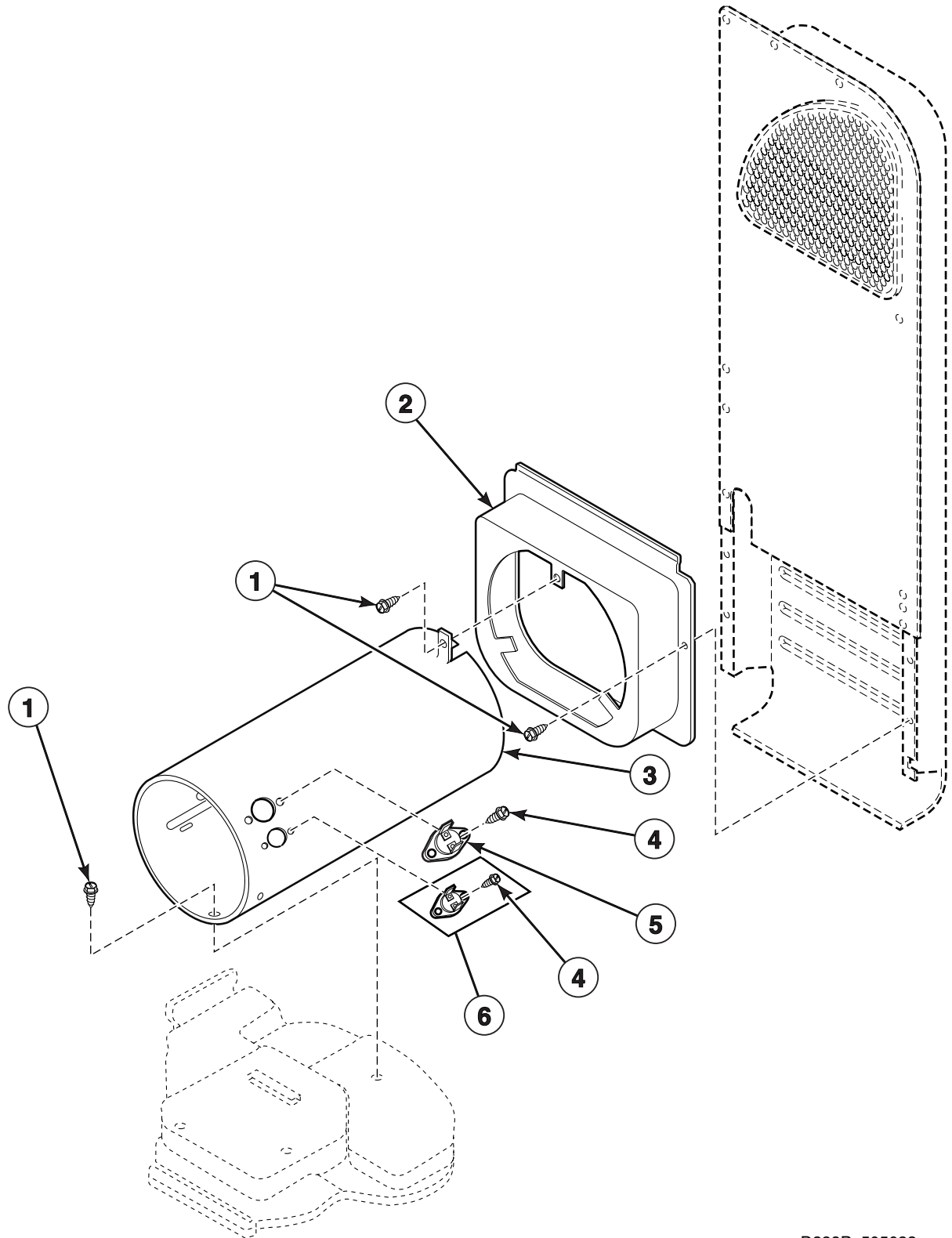
## Heater Duct and Element Assembly

REF	PART NO.	DESCRIPTION	COMMENTS
1	510324P	Heater Assembly	Models LEB07A*-1709 and LES33A*-3300
	510326P	Heater Assembly	Models LES19A*-3000, LES33A*-3000, LES33A*B3018, LEZ33A*-3000 and LEZ33A*B3018
	510327P	Heater Assembly	Models LES33A*-4350 and LEK33A*-4350
	510328P	Heater Assembly	Models LES19A*-4500 and LES33A*-4562
2	503688	Screw	
3	511412	Thermal Fuse Assembly	
4	23222	Screw	
5	510701	Limit Thermostat	All electric models except LES19A*-4500 and LES33A*-4562
	510700	Limit Thermostat	Models LES19A*-4500 and LES33A*-4562

\* Add Letter To Designate Color. L - Almond W - White

# Heater Duct Assembly

Gas Model Dryers



D328P\_505023

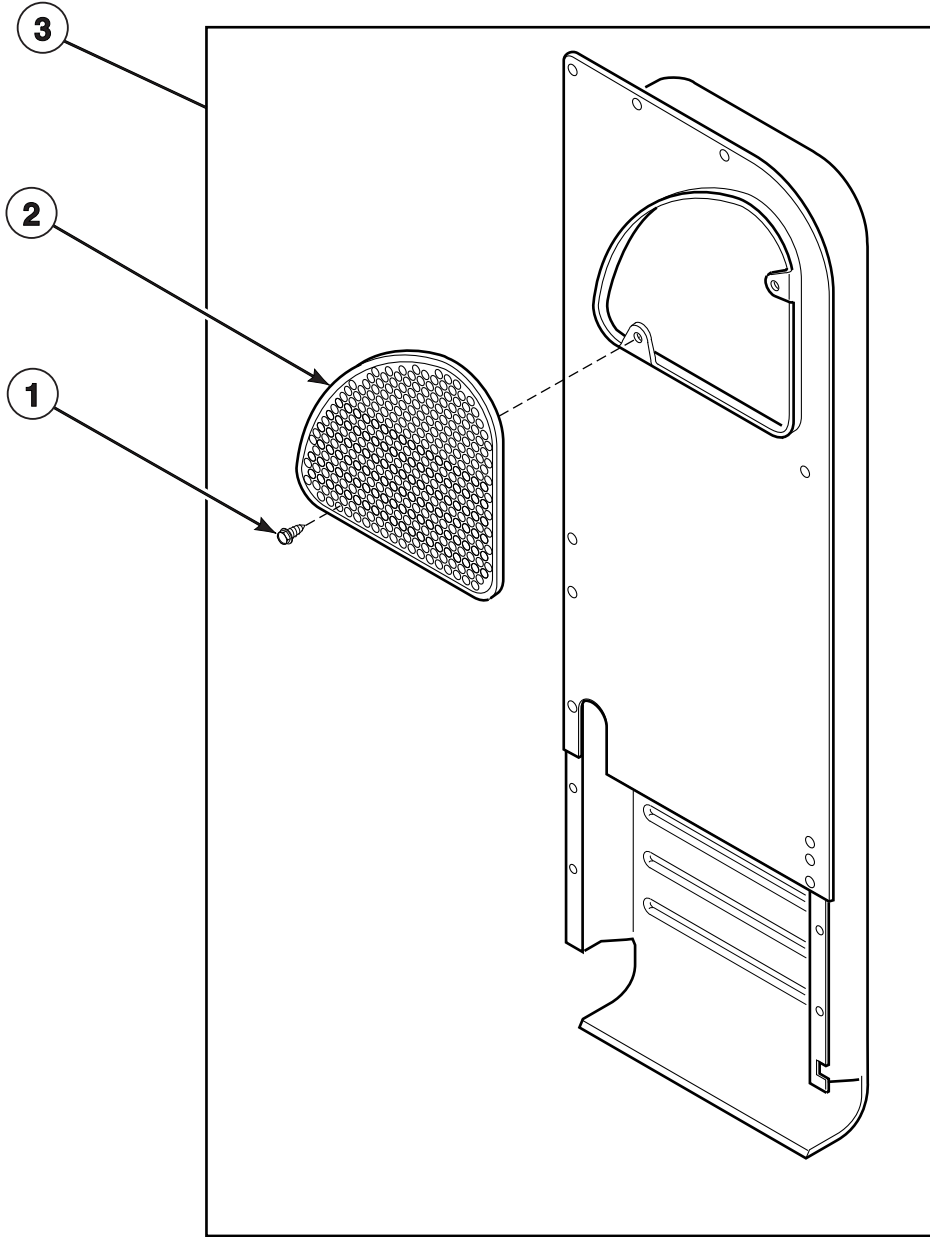


# Heater Duct Assembly

REF	PART NO.	DESCRIPTION	COMMENTS
1	503688	Screw	
2	510101	Heat Duct Shroud	All models except LGS33A*-3058
3	510131	Combustion Duct	All models except LGS33A*-3058 and LGK33A*-3058
	510132	Combustion Duct	Model LGK33A*-3058
	794P3	Duct and Thermostats Kit	Model LGS33A*-3058; Includes items 4 and 5
4	51782	Screw	
5	510702	Limit Thermostat	
6	492P3	Thermostat and Plate Kit	Model LGS33A*-3058; Includes item 4

\* Add Letter To Designate Color. L - Almond W - White

# Heater Duct Assembly Replacement



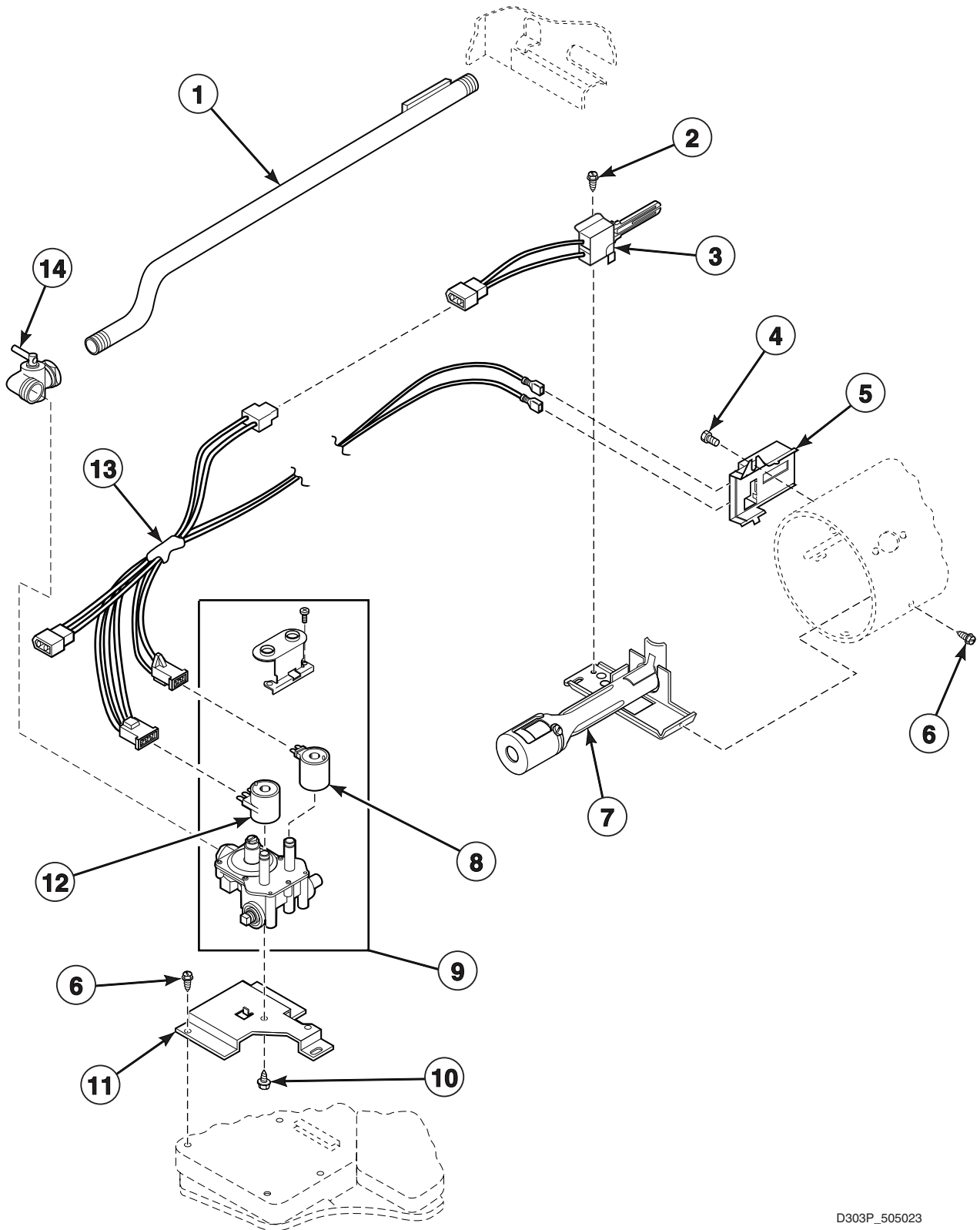
D294P\_505023

# Heater Duct Assembly Replacement

REF	PART NO.	DESCRIPTION	COMMENTS
1	503688	Screw	
2	500820	Outlet Cover	Replaceable on the 50179P Heater Box Assembly only
3	510025P	Heater Duct and Screw Assembly	Includes outlet cover and screws

# Gas Valve, Igniter and Gas Conversion Kits

Gas Dryer Models LGS19A\*-3088, LGS33A\*-3000, LGS33A\*-3080, LGY47A\*-1109 and LGZ33A\*-3000



D303P\_505023

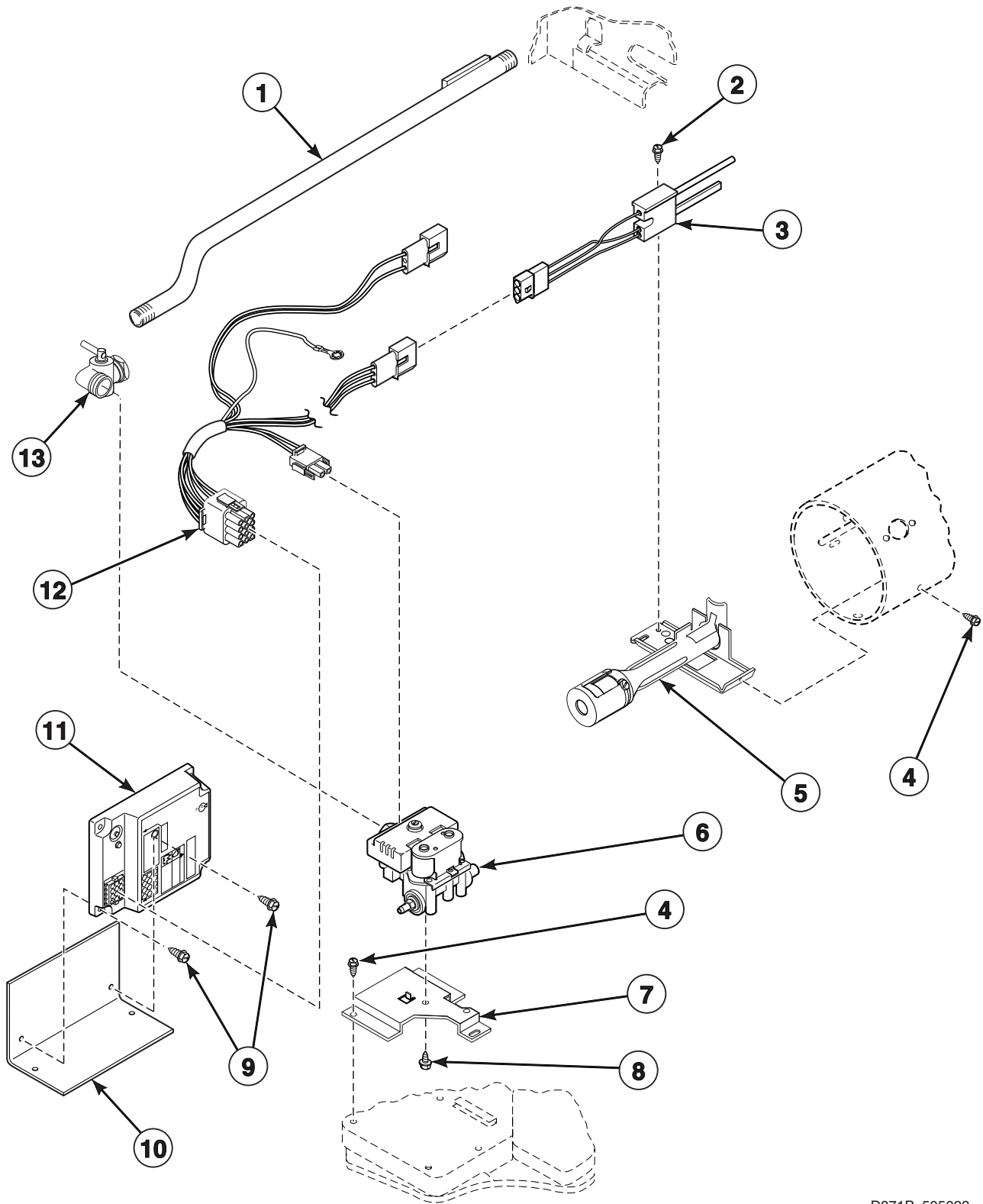
## Gas Valve, Igniter and Gas Conversion Kits

REF	PART NO.	DESCRIPTION	COMMENTS
	649P3	L.P. Conversion Kit	Used to convert dryers from Natural/Mixed to LP Gas
	650P3	N.G. Conversion Kit	Used to convert dryers from LP to Natural/Mixed Gas
<b>1</b>	510204	Lead-In Pipe Assembly	
<b>2</b>	51782	Screw	
<b>3</b>	510184P	Igniter and Bracket Assembly	
<b>4</b>	23222	Screw	
<b>5</b>	510213	Sensor	
<b>6</b>	503688	Screw	
<b>7</b>	510149P	Burner Assembly	
<b>8</b>	58804B	Secondary Coil	
<b>9</b>	510506P	Gas Valve Assembly	Model LGY47A*-1109
	59063P	Gas Valve Assembly	Models LGS19A*-3088, LGS33A*-3000, LGS33A*-3080 and LGZ33A*-3000
<b>10</b>	56124	Screw	
<b>11</b>	510128	Gas Valve Mounting Bracket	
<b>12</b>	58804A	Booster and Holding Coil	
<b>13</b>	510530	Gas Valve Wire Harness Assembly	
<b>14</b>	510205	Elbow Shut-Off Valve	

\* Add Letter To Designate Color. L - Almond W - White

# Gas Valve, Igniter, Ignition Control and Gas Conversion Kits

Gas Dryer Models LGS33A\*-3058, LGS33A\*B3013, LGS33A\*B3080, LGZ33A\*B3013 and LGK33A\*-3058



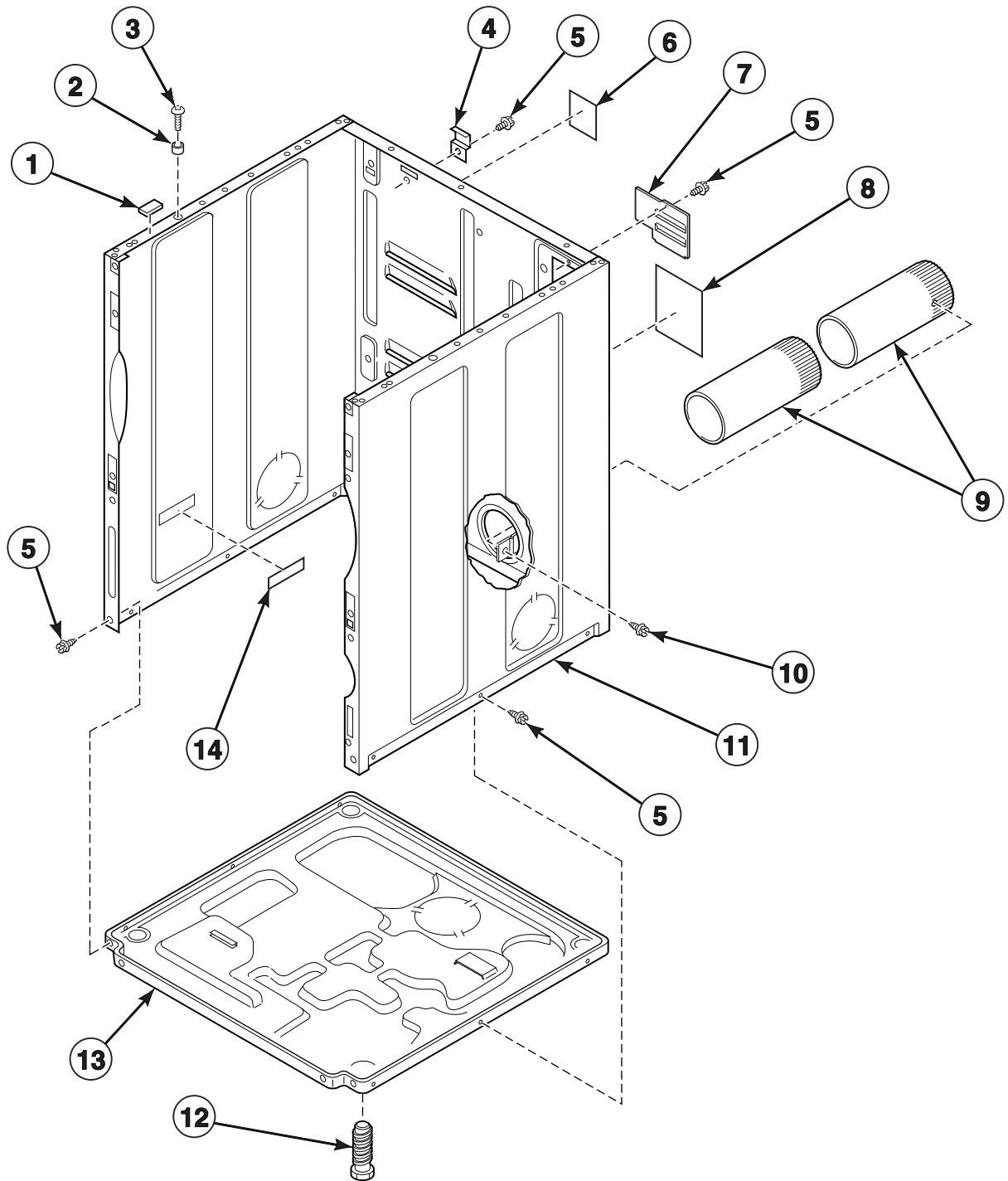
D371P\_505023

## Gas Valve, Igniter, Ignition Control and Gas Conversion Kits

REF	PART NO.	DESCRIPTION	COMMENTS
	649P3	L.P. Conversion Kit	Used to convert dryers from Natural/Mixed to LP Gas
	650P3	N.G. Conversion Kit	Used to convert dryers from LP to Natural/Mixed Gas
<b>1</b>	510204	Lead-In Pipe Assembly	
<b>2</b>	51782	Screw	
<b>3</b>	502995P	Igniter And Sensor Assembly	
<b>4</b>	503688	Screw	
<b>5</b>	510149P	Burner Assembly	
<b>6</b>	502423P	Gas Valve Assembly	
<b>7</b>	510128	Gas Valve Mounting Bracket	
<b>8</b>	56124	Screw	
<b>9</b>	502535	Screw	
<b>10</b>	502425	Ignition Control Bracket	
<b>11</b>	502994P	Igniter Control	
<b>12</b>	502609	Gas Valve Wire Harness Assembly	
<b>13</b>	510205	Elbow Shut-Off Valve	

\* Add Letter To Designate Color. L - Almond W - White

# Cabinet, Exhaust Duct and Base



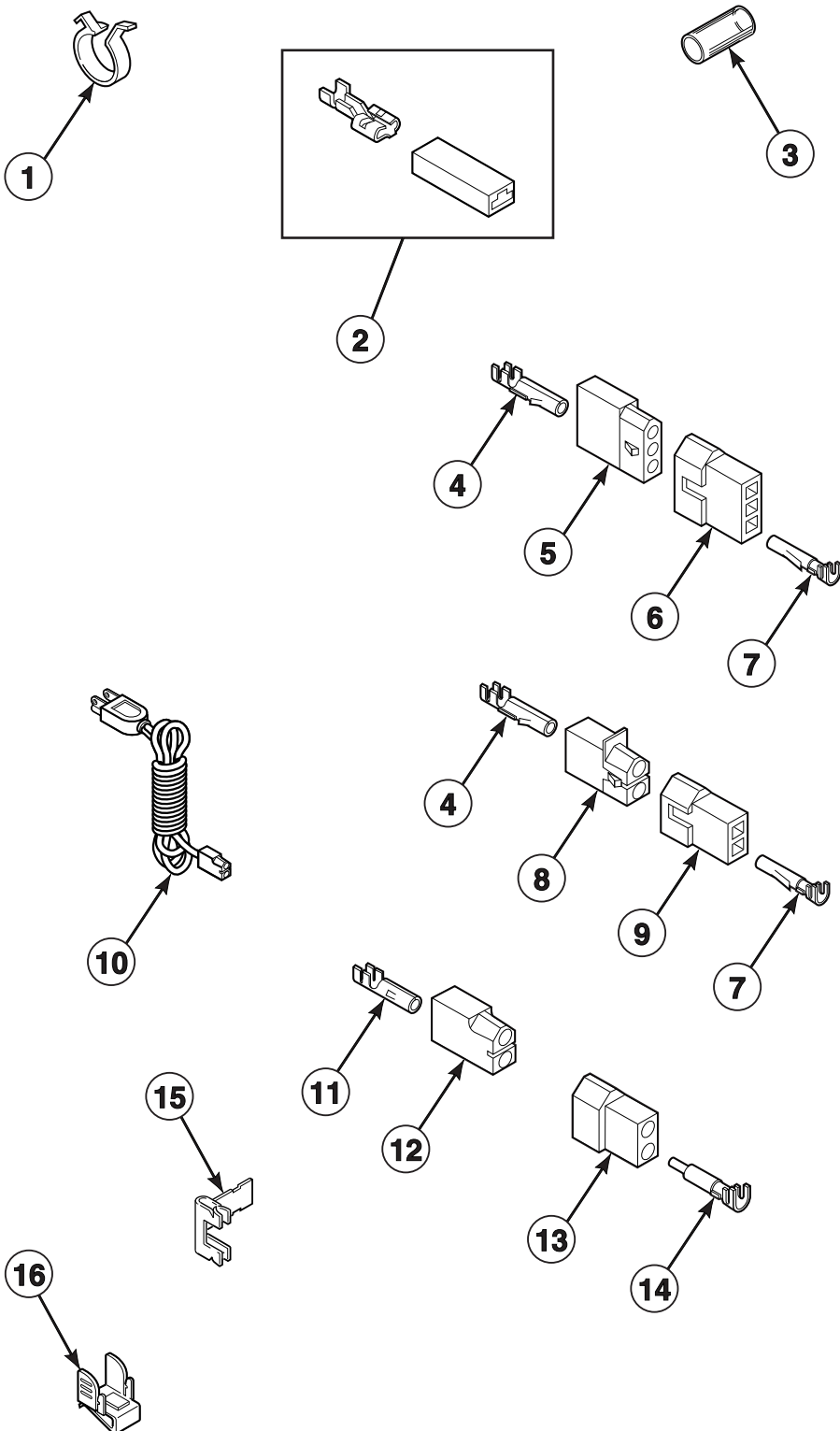
D296P\_505023



## Cabinet, Exhaust Duct and Base

REF	PART NO.	DESCRIPTION	COMMENTS
	521P3	Flexible Venting Kit	
	528P3	Directional Exhaust Kit	Used to vent dryer out the sides or bottom
<b>1</b>	56128	Bumper Pad	
<b>2</b>	56079	Panel Locator	
<b>3</b>	39733	Screw	
<b>4</b>	510136	Top Hinge	
<b>5</b>	503661	Screw	
<b>6</b>	500495	15 Amp Notice Label	Gas Models
<b>7</b>	510903	Access Panel Plate	
<b>8</b>	511005	Electric Clearance Label	Electric Models
<b>9</b>	510137	Exhaust Duct	Each dryer requires two pieces
<b>10</b>	503688	Screw	
<b>11</b>	727P3*	Panel Kit	
<b>12</b>	510135	Leveling Leg	
<b>13</b>	510084	Dryer Base	
<b>14</b>	61294	Fuse Notice Label	Electric Models

# Terminals and Clips



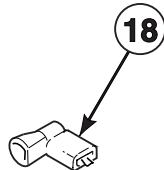
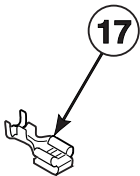
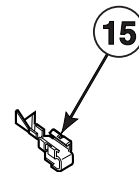
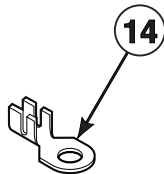
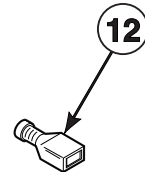
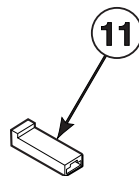
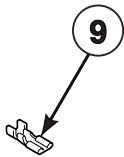
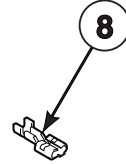
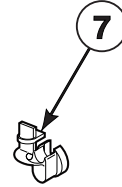
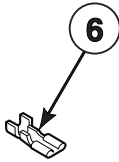
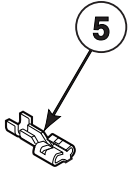
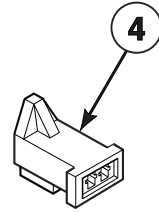
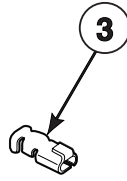
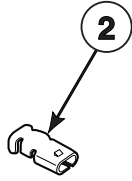
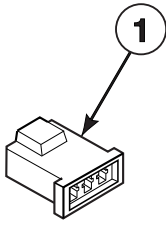
D381P\_505023

## Terminals and Clips

REF	PART NO.	DESCRIPTION	COMMENTS
1	504034	Wire Clip	
2	00360	Insulated Female Spade Terminal	(1) 12 Gauge Wire or (2) 18 Gauge Wires; All models except LES33A*-4562, LGS19A*-3088, LGS33A*-3000, LGS33A*-3058, LGS33A*-3080 and LGZ33A*-3000
3	503670	Insulator Sleeve	All models except LEB07A*-1709 and LEY47A*-1709
4	00117	Female Pin Terminal	Gas Models
5	23039	3 Circuit Receptacle	Gas Models
6	23040	Plug	3 Circuit; Gas Models
7	00116	Male Pin Terminal	Gas Models
8	56451	2 Circuit Receptacle	All gas models except LGS33A*-3058 and LGK33A*-3058
9	56448	2 Circuit Plug	All gas models except LGS33A*-3058 and LGK33A*-3058
10	56222	Lead-In Cord	Model LGY47A*-1109
11	00130	Female Pin Terminal	Model LGY47A*-1109
12	56265	2 Circuit Receptacle	Model LGY47A*-1109
13	56266	2 Circuit Plug	Model LGY47A*-1109
14	00127	Male Pin Terminal	Model LGY47A*-1109
15	510182	Harness Retaining Clip	
16	00161	Grounding Clip	

\* Add Letter To Designate Color. L - Almond W - White

# Terminals



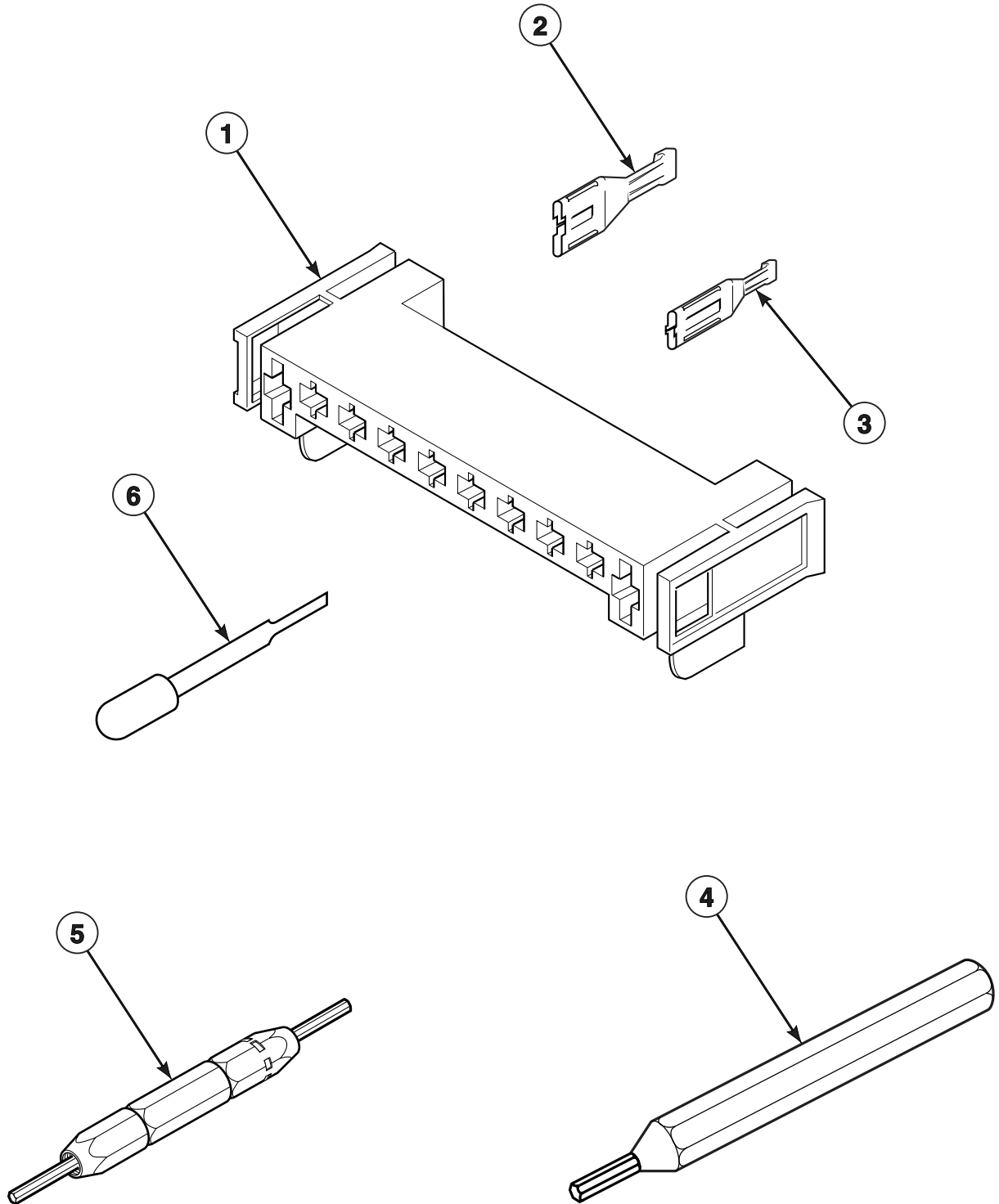
D379P\_505023

# Terminals

REF	PART NO.	DESCRIPTION	COMMENTS
1	58800	3 Circuit Connector	Models LGS19A*-3088, LGS33A*-3000, LGS33A*-3080, LGY47A*-1109 and LGZ33A*-3000
2	00189	Female Spade Terminal	Models LGS19A*-3088, LGS33A*-3000, LGS33A*-3080, LGY47A*-1109 and LGZ33A*-3000
3	00361	Female Piggyback Terminal	Receptacle connector; Models LGS19A*-3088, LGS33A*-3000, LGS33A*-3080, LGY47A*-1109 and LGZ33A*-3000
4	58799	2 Circuit Connector	Models LGS19A*-3088, LGS33A*-3000, LGS33A*-3080, LGY47A*-1109 and LGZ33A*-3000
5	00223	Female Spade Terminal	1/4 Inch; (1) 18 Gauge Wire; Models LEB07A*-1709 and LEY47A*-1709
	00121	Female Spade Terminal	1/4 Inch; (2) 18 Gauge Wires or (1) 12 Gauge Wire
6	00124	Female Spade Terminal	3/16 Inch; (1) 18 Gauge Wire; .020 Tab
	00156	Female Spade Terminal	3/16 Inch; Thermostat Wire; .032 Tab; Models LEB07A*-1709 and LEY47A*-1709
	00209	Female Spade Terminal	3/16 Inch; (2) 18 Gauge Wires; .020 Tab; Model LES33A*-4562
7	38384	Strain Relief	Model LGY47A*-1109
8	00346	Terminal	Gas Models
9	00347	Terminal	All electric models except LEB07A*-1709
10	00115	Female Spade Terminal	1/4 Inch; (1) 18 Gauge Wire; Models LGS33A*B3013, LGS33A*B3080 and LGZ33A*B3013
	00321	Female Spade Terminal	1/4 Inch; (2) 18 Gauge Wires or (1) 12 Gauge Wire
11	90789	Receptacle Housing	
12	00359	Insulated Female Spade Terminal	1/4 Inch
	00165	Insulated Female Terminal	3/16 Inch
13	00214	Pre-Insulated Spade Terminal	1/4 Inch; 18 Gauge Wire
	00215	Pre-Insulated Spade Terminal	1/4 Inch; 12 Gauge Wire
14	00110	Ring Terminal	(1) 18 Gauge Wire; Models LGK33A*-3058, LGS33A*-3058 and LGY47A*-1109
	00111	Ring Terminal	(2) 18 Gauge Wires or (1) 12 Gauge Wire; Models LES33A*-4350, LES33A*B3018, LEZ33A*B3018 and LEK33A*-4350
15	00114	Female Spade Terminal	1/4 Inch; Double connector; Model LES33A*-4562
16	00139	Male Tab Terminal	1/4 Inch; (2) 18 Gauge Wires or (1) 12 Gauge Wire
17	00344	Female Tab Terminal	Electric models
18	00345	Flag Insulated Terminal	

\* Add Letter To Designate Color. L - Almond W - White

# Motor Connection Block, Terminal Extractor Tools



D301P\_505023

## Motor Connection Block, Terminal Extractor Tools

REF	PART NO.	DESCRIPTION	COMMENTS
1	500338	10 Position Housing	Molex; 10 Circuit
2	00256	Female Terminal	1/4 Inch; For (1) or (2) 18 Gauge Wires; Gas Models
	00255	Female Terminal	1/4 Inch; For (1) 12 Gauge Wire; Electric Models
3	00188	Female Terminal	For one or two wire application
4	128P4	Extractor Tool	For use on gas dryer terminals
5	190P4	Extractor Tool	For use on electric dryer terminals
6	283P4	Terminal Extractor Tool	For use on Molex Connectors

## Strain Relief, Adapter, Power Cord

PART NO.	DESCRIPTION	COMMENTS
52113	Strain Relief	Models LES33A*-4350, LES33A*-4562, LES33A*B3018, LEZ33A*B3018, LGS19A*-3088 and LEK33A*-4350
38384	Strain Relief	Model LGY47A*-1109
502496	Strain Relief Adapter	Models LES33A*-4350, LES33A*-4562, LES33A*B3018, LEZ33A*B3018, LGS19A*-3088, LGS33A*-3058, LGS33A*B3013, LGS33A*B3080, LGZ33A*-3000, LGZ33A*B3013, LEK33A*-4350 and LGK33A*-3058
510505P	Lead-In Cord Assembly	Models LEB07A*-1709 and LEY47A*-1709
61605P	Lead-In Cord Kit	Models LES33A*-4350 and LEK33A*-4350
513632	Lead-In Cord	Model LES33A*-4562
503597	Lead-In Cord Assembly	Models LES33A*B3018 and LEZ33A*B3018
59373	Lead-In Cord	Model LGS19A*-3088
61604	Lead-In Cord	Models LGS33A*-3058 and LGK33A*-3058
502786	Power Cord Assembly	Models LGS33A*B3013 and LGZ33A*B3013
56222	Lead-In Cord	Model LGY47A*-1109
501425	Lead-In Cord	Model LGZ33A*-3000

\* Add Letter To Designate Color. L - Almond W - White

## Wire Harnesses and Wires

PART NO.	DESCRIPTION	COMMENTS
510420P	Wire Harness Assembly	Models LEK33A*-4350, LES19A*-3000, LES19A*-4500, LES33A*-3000, LES33A*-3300, LES33A*-4350 and LEZ33A*-3000
510422P	Wire Harness Assembly	Model LES33A*-4562
510460	Wire Harness Assembly	Models LES33A*B3018 and LEZ33A*B3018
510421	Wire Harness Assembly	Models LGS33A*-3058 and LGK33A*-3058
510437P	Wire Harness Assembly	Model LGS19A*-3088
510423	Wire Harness Assembly	Models LGS33A*-3000, LGS33A*-3080 and LGZ33A*-3000
510461P	Wire Harness Assembly	Models LGS33A*B3013, LGS33A*B3080 and LGZ33A*B3013
510443P	Wire Harness Assembly	Model LGY47A*-1109
505466	Wire Harness Assembly	Model LEB07A*-1709
45001	18 Gauge Wire	Black; Order by the foot; Order terminals and connectors as required.
45380	12 Gauge Wire	Orange; Order by the foot; Order terminals and connectors as required.

\* Add Letter To Designate Color. L - Almond W - White

**NOTE:** Individual wires are not available separately. Order complete wire harness or order wire by the foot. When applying terminals to wires it is recommended that the terminals be soldered to the wires.



# Parts Index

## A

Access Panel 510069*	11	
Access Panel Plate 510903	31	
Adhesive 511637P	15, 17, 19	
Adjustable Buzzer 504103	5	
	505447	5
Air Duct and Door Liner Kit 750P3W	15, 17	
Air Duct Assembly 510151	17	

## B

Blower Fan Assembly 510139P	13
Blower Housing 511969WP	13
Blower Housing Seal 510238P	13
Booster and Holding Coil 58804A	27
Bracket 510146	7
Bumper Pad 56128	31
Burner Assembly 510149P	27, 29
Buzzer 510211	5

## C

Combustion Duct 510131	23	
	510132	23
Connector, 2 Circuit 58799	35	
Connector, 3 Circuit 58800	35	
Control Support Panel 503901	5	
Cylinder Assembly 510159WP	15, 17	
	510265WP	15
Cylinder Baffle 503703	15, 17	
Cylinder Belt 511255P	13	
Cylinder Glide 513710	15, 17	
Cylinder Glide Bracket 510145	15, 17	

Cylinder Light Lens 512106	17
Cylinder Roller 510708P	19
Cylinder Roller Bracket 510100	19
Cylinder Seal Assembly 510207P	15, 17, 19

## D

Directional Exhaust Kit 528P3	31
Disconnect Power Warning Label 505281	7
Door Catch Assembly 510177	11
Door Handle Wedge 510129	9
Door Pull and Wedge Kit 510103*P	9
Door Strike 510181	9
Door Strike Mount 510127	9
Drum Light Lamp 60954	17
Dryer Base 510084	31
Dryer Door 510013*	9
Duct and Thermostats Kit 794P3	23

## E

Elbow Shut-Off Valve 510205	27, 29	
Electric Clearance Label 511005	31	
End Cap Left 504009*	5	
End Panel 504008*	5	
Exhaust Duct 510137	31	
Exhaust Fan Cover 500078	13	
	500128	13
Extractor Tool 128P4	37	
	190P4	37

## F

Fabric Selector Switch 513504	5
----------------------------------	---

N/A items do not appear in index.

513505	5
513506	5
Felt Pad	
510189	15, 17
Female Piggyback Terminal	
00361	35
Female Pin Terminal	
00117	33
00130	33
Female Spade Terminal	
00114	35
00115	35
00121	35
00124	35
00156	35
00189	35
00209	35
00223	35
00321	35
Female Tab Terminal	
00344	35
Female Terminal	
00188	37
00255	37
00256	37
Flad Insulated Terminal	
00345	35
Flexible Venting Kit	
521P3	31
Front Bulkhead Assembly	
511033WP	15, 17
Front Panel	
510066*	11
Front Panel Seal	
511056	11
Fuse Notice Label	
61294	31

## G

Gas Clearance Label	
511004	11
Gas Valve Assembly	
502423P	29
510506P	27
59063P	27
Gas Valve Mounting Bracket	
510128	27, 29
GAs Valve Wire Harness Assembly	
510530	27
Gas Valve Wire Harness Assembly	
502609	29
Graphic Panel	
503394	5
504020*	5
504070*	5
504072*	5
504107*	5
504197*	5
505157*	5
505627	5
505636	5
Grounding Clip	
00161	33

N/A items do not appear in index.

## H

Harness Retaining Clip	
510182	33
Heat Duct Shroud	
510101	23
Heater Assembly	
510324P	21
510326P	21
510327P	21
510328P	21
Heater Duct and Screw Assembly	
510025P	25
Hinge	
503676	9
Hold-Down Spring Clip	
503876	7
Hood Back Panel	
510099	7
Housing, 10 Position	
500338	37

## I

Idler Lever	
510133	13
Idler Lever and Wheel Assembly	
510158	13
Idler Spring	
510185	13
Idler Wheel and Bearing Assembly	
510142P	13
Igniter and Bracket Assembly	
510184P	27
Igniter And Sensor Assembly	
502995P	29
Igniter Control	
502994P	29
Ignition Control Bracket	
502425	29
Insulated Female Spade Terminal	
00359	35
00360	33
Insulated Female Terminal	
00165	35
Insulator Sleeve	
503670	33

## L

Lead-In Cord	
501425	38
513632	38
56222	33, 38
59373	38
61604	38
Lead-In Cord Assembly	
503597	38
510505P	38
Lead-In Cord Kit	
61605P	38

Lead-In Pipe Assembly 510204 .....	27, 29
Leveling Leg 510135 .....	31
Light Housing Assembly 504452 .....	17
Limit Thermostat 510700 .....	21
510701 .....	21
510702 .....	23
Liner and Seal Assembly 510289W .....	9
Liner Door Seal 510147P .....	9
Liner, Seal and Grill Assembly 510163WP .....	9
Lint Filter 503627 .....	15
503980W .....	17
L.P. Conversion Kit 649P3 .....	27, 29

## M

Male Pin Terminal 00116 .....	33
00127 .....	33
Male Tab Terminal 00139 .....	35
Motor and Pulley Assembly 505843P .....	13
505869P .....	13
511629P .....	13
Motor Hub Ring Kit 590P3 .....	13
Motor Mount 510060 .....	13
Motor Mount Clamp 510180 .....	13
Motor Pulley 500011 .....	13
Motor Switch Kit 501218P .....	13

## N

Notice Label, 15 Amp 500495 .....	31
Nut 23951 .....	7
52566 .....	13
56156 .....	13, 19
N.G. Conversion Kit 650P3 .....	27, 29

## O

Outlet Cover 500820 .....	25
------------------------------	----

## P

Panel Kit 727P3* .....	31
Panel Locator 56079 .....	11, 31
Plug 23040 .....	33
Plug, 2 Circuit 56266 .....	33
56448 .....	33
Power Cord Assembly 502786 .....	38
Pre-Insulated Spade Terminal 00214 .....	35
00215 .....	35

## R

Rear Bulkhead Assembly 510905WP .....	19
511082P .....	19
Receptacle Housing 90789 .....	35
Receptacle, 2 Circuit 56265 .....	33
56451 .....	33
Receptacle, 3 Circuit 23039 .....	33
Retaining Ring 23748 .....	13, 19
Ring Terminal #10 00110 .....	35
00111 .....	35

## S

Screw 20267 .....	7
23222 .....	21, 27
31260 .....	13
39733 .....	11, 31
500226 .....	9, 15, 17
500227 .....	17
500824 .....	13
501086 .....	5, 7
501285 .....	15, 17, 19
502535 .....	13, 29
503661 .....	7, 11, 13, 15, 19, 31
503688 .....	7, 17, 19, 21, 23, 25, 27, 29, 31
514461 .....	9
51782 .....	23, 27, 29
56124 .....	27, 29
61199 .....	19
62588 .....	15, 17
Secondary Coil 58804B .....	27
Sensor 510213 .....	27
Shaft 56461P .....	13, 19

N/A items do not appear in index.

Speed Clip	
28835 .....	11
Strain Relief	
38384 .....	35, 38
52113 .....	38
Strain Relief Adapter	
502496 .....	38
Switch	
512973 .....	11
Switch Knob Assembly	
33688 .....	5
36701* .....	5

---

## T

Terminal	
00346 .....	35
00347 .....	35
Terminal Block	
502517 .....	19
Terminal Block Assembly	
510190P .....	19
Terminal Block Shield	
510237 .....	19
Terminal Extractor Tool	
283P4 .....	37
Thermal Fuse Assembly	
511412 .....	21
Thermostat	
504514 .....	13
504519 .....	13
504520 .....	13
504521 .....	13
510707P .....	13
511957 .....	13
Thermostat and Plate Kit	
492P3 .....	23
Thermostat Heater	
61623 .....	13
Timer	
502964P .....	5
502966P .....	5
505792 .....	5
505795P .....	5
505796P .....	5
Timer and Harness Kit	
505793P .....	5
Timer Knob Assembly	
510287* .....	5
Top Cover	
505808* .....	5
Top Hinge	
510136 .....	31
Top Panel Kit	
510029*P .....	7
Transformer Assembly	
511658 .....	7

---

## W

Warning/Caution Label	
500281 .....	11

Washer	
03815 .....	7
504082 .....	19
52549 .....	13, 19
Wire Clip	
504034 .....	33
Wire Harness Assembly	
505466 .....	38
510420 .....	38
510421 .....	38
510422 .....	38
510423 .....	38
510437P .....	38
510443P .....	38
510460 .....	38
510461P .....	38
Wire, 12 Gauge	
45380 .....	38
Wire, 18 Gauge	
45001 .....	38

---

N/A items do not appear in index.