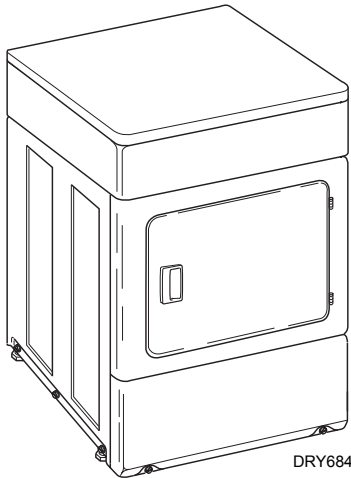
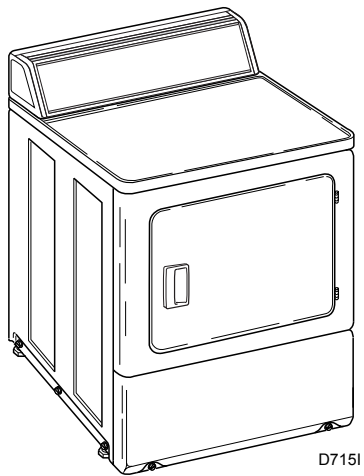


Home Dryers

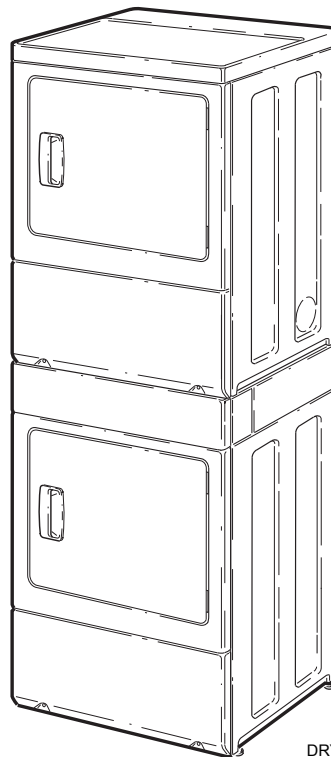
Refer to Page 6 for Model Numbers



DRY684C



D715I



DRY688C

Table of Contents

Section 1 – Safety Information	
Locating an Authorized Servicer	4
Section 2 – Introduction	
Customer Service	5
Nameplate Location	5
Model Identification	6
How Your Dryer Works	7
Section 3 – Dryer Troubleshooting	
1. No Timer Advance In Automatic Cycles	8
2. Dryer Motor Does Not Run	10
3. Dryer Stops in Cycle; Quits After the First Few Loads; Has a Burning Smell; Cycles On Motor Thermal Protector	12
4. Dryer Motor Runs But Cylinder Does Not Turn	13
5. Dryer Motor Does Not Stop	14
6. Dryer Runs Only When Door is Open	15
7. Dryer Heating Assembly Does Not Heat or Burner Does Not Ignite	16
8. Igniter Does Not Glow (Gas Supply Sufficient) – Gas Dryer Models	18
9. Burner Ignites and Goes Out Repeatedly – Gas Dryer Models	19
10. Igniter Glows But Burner Does Not Ignite – Gas Dryer Models	20
11. Dryer Heater Assembly or Burner Shuts Off Prematurely	21
12. Dryer Heater Assembly or Burner Repeatedly Cycles Off On Limit Thermostat	22
13. Dryer Heater Assembly or Burner Does Not Shut Off	24
14. Clothes Do Not Dry in Dryer	25
15. Timer Does Not Advance in Automatic Cycle	26
16. Clothes Are Too Hot When Removed From Dryer	27
17. Excessive Chattering or Vibrating Noise in Dryer	28
18. Excessive Humming or Whistling Noise in Dryer	29
Section 4 – Adjustments	
19. Leveling Legs	30
20. Burner Flame (Gas Models)	31
Section 5 – Test Procedures	
21. Timer Contacts	32
22. Fabric Selector Switch	33
23. Drive Motor	34
24. Motor Switch	37
25. Burner System Operation	39
26. Electrical Circuit To Ignition System (Gas Models)	40

© Copyright 2012 Alliance Laundry Systems LLC

All rights reserved. No part of the contents of this book may be reproduced or transmitted in any form or by any means without the expressed written consent of the publisher.

27. Gas Valve Coils Check (Gas Models) 40
28. Sensor Check (Gas Models) 41
29. Igniter Check (Gas Models) 41
30. Thermal Fuse (Electric Models) 42
31. Heater Assembly (Electric Models) 42
32. Cycling or Limit Thermostat 42
33. Door Switch 43

Section 6 – Internal Wiring of Dryer Motor Switch

Section 1

Safety Information

Throughout this manual and on machine decals, you will find precautionary statements (“CAUTION,” “WARNING” and “DANGER”) followed by specific instructions. These precautions are intended for the personal safety of the operator, user, servicer, and those maintaining the machine.

DANGER

Danger indicates an imminently hazardous situation that, if not avoided, will cause severe personal injury or death.

WARNING

Warning indicates a hazardous situation that, if not avoided, could cause severe personal injury or death.

CAUTION

Caution indicates a hazardous situation that, if not avoided, may cause minor or moderate personal injury or property damage.

Additional precautionary statements (“IMPORTANT” and “NOTE”) are followed by specific instructions.

IMPORTANT

The word “IMPORTANT” is used to inform the reader of specific procedures where minor machine damage will occur if the procedure is not followed.

NOTE

The word “NOTE” is used to communicate installation, operation, maintenance or servicing information that is important but not hazard related.

In the interest of safety, some general precautions relating to the operation of this machine follow.



WARNING

To reduce the risk of electric shock, fire, explosion, serious injury or death:

- Disconnect electric power to the dryer(s) before servicing.
- Close gas shut-off valve to gas dryer(s) before servicing.
- Never start the dryer(s) with any guards/panels removed.
- Whenever ground wires are removed during servicing, these ground wires must be reconnected to ensure that the dryer is properly grounded.

W001R1



WARNING

- Failure to install, maintain, and/or operate this machine according to the manufacturer's instructions may result in conditions which can produce serious injury, death and/or property damage.
- Do not repair or replace any part of the machine or attempt any servicing unless specifically recommended or published in this Service Manual and that you understand and have the skills to carry out.
- Whenever ground wires are removed during servicing, these ground wires must be reconnected to ensure that the machine is properly grounded and to reduce the risk of fire, electric shock, serious injury, or death.

W284



WARNING

Repairs that are made to your products by unqualified persons can result in hazards due to improper assembly or adjustments subjecting you, or the inexperienced person making such repairs, to the risk of serious injury, electrical shock, or death.

W007



WARNING

If you or an unqualified person perform service on your machine, you must assume the responsibility for any personal injury or property damage which may result. The manufacturer will not be responsible for any injury or property damage arising from improper service and/or service procedures.

W286

NOTE: The WARNINGS and IMPORTANT INSTRUCTIONS appearing in this manual are not meant to cover all possible conditions and situations that may occur. Common sense, caution and care must be exercised when installing, maintaining or operating the machine.

Always contact your dealer, distributor, service agent or the manufacturer about any problems or conditions you do not understand.

Locating an Authorized Servicer

Alliance Laundry Systems is not responsible for personal injury or property damage resulting from improper service. Review all service information before beginning repairs.

Warranty service must be performed by an authorized technician, using authorized factory parts. If service is required after the warranty expires, Alliance Laundry Systems also recommends contacting an authorized technician and using authorized factory parts.

Section 2

Introduction

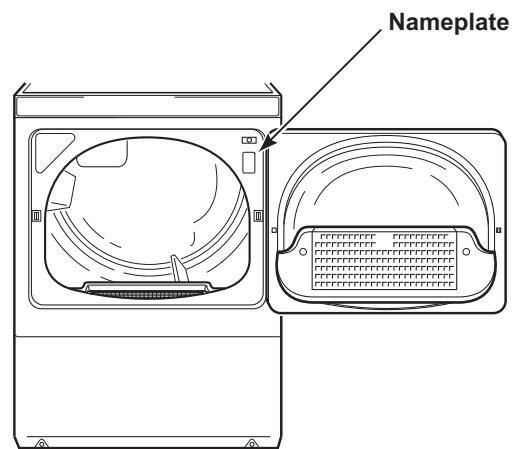
Customer Service

If literature or replacement parts are required, contact the source from whom the machine was purchased or contact Alliance Laundry Systems at (920) 748-3950 for the name and address of the nearest authorized parts distributor.

For technical assistance, call (920) 748-3121.

Nameplate Location

When calling or writing about your product, be sure to mention model and serial numbers. Model and serial numbers are located on nameplate(s) as shown.



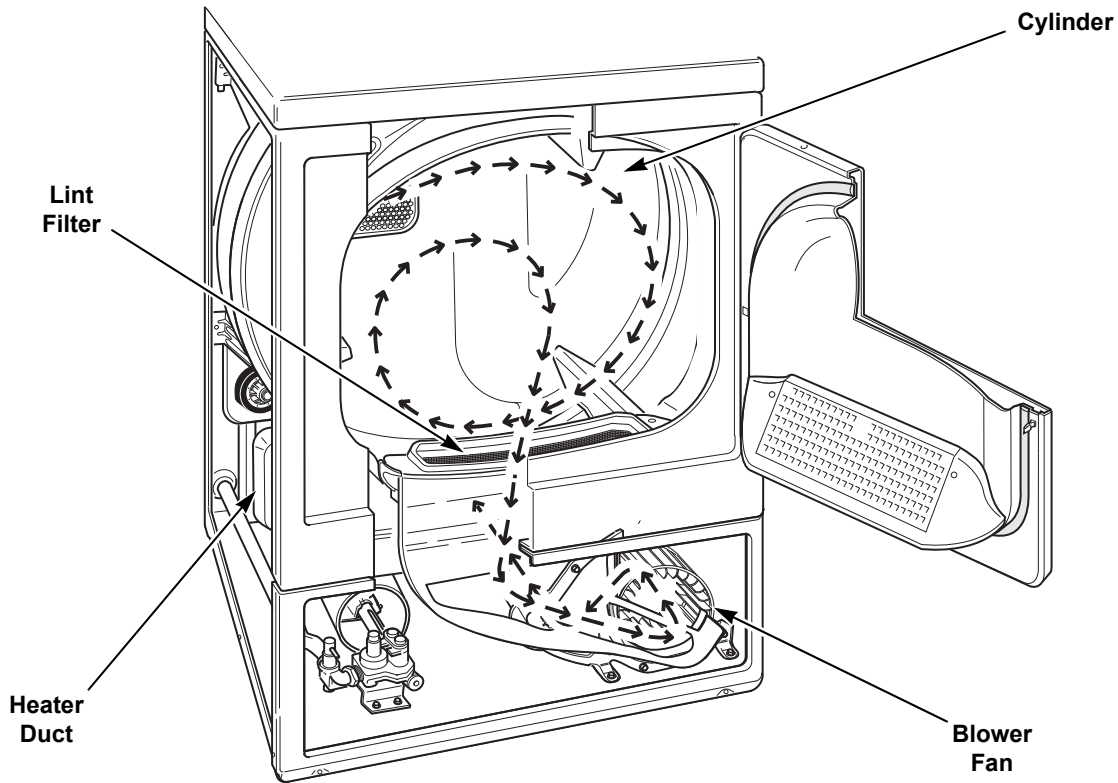
D412PE1A

Model Identification

Information in this manual is applicable to these dryers:

ADE30RGS171TW01
ADE3LRGS171TW01
ADE41FSS171TN01
ADE4BFGS171TW01
ADE4BRGS171TW01
ADG30RGS111TW01
ADG3LRGS111TW01
ADG41FSS111TN01
ADG4BFGS111TW01
ADG4BRGS111TW01
AES17AWF
AES20AWF
AES28AWF
AES28AWF1500
AES68AWF
AES68AWF1500
AGS17AWF
AGS20AWF
AGS28AWF
AGS68AWF
ASE30FGW171TW01
ASG30FGW111TW01
CES68AWF
CES68AWF1500
CGS68AWF
KES18AWF
KES18AWF1500
KGS18AWF

How Your Dryer Works



DRY1819S

The dryer uses heated air to dry loads of laundry. When the motor is started, the exhaust fan pulls room temperature air in through louvers at the rear of the dryer and over the heat source (burner flame for gas and heating element for electric). The heated air moves through the heater duct and into the cylinder, where it circulates through the wet load. The air then passes through the lint filter, air duct, and exhaust fan, where it is vented to the outdoors.

The dryer has an automatic drying feature. At cycle start, when fabric is wet and the temperature inside dryer is cool, the heat source (burner on gas models and heating element on electric models) is energized and heats the cylinder until operating temperature (as set on Fabric Selector) is reached. Power is not supplied to timer motor while heat source is energized during an automatic cycle. The heat source runs for longer periods of time in the beginning of the cycle, when it is working to reach the operating temperature, resulting in **very little timer advancement**. As the fabric dries and the cylinder heat is maintained, the heat source is powered less, allowing the timer to advance to cycle end. If dryer heats but timer does not advance, refer to *Paragraph 1*.

Section 3

Troubleshooting



WARNING

To reduce the risk of electric shock, fire, explosion, serious injury or death:

- Disconnect electric power to the dryer(s) before servicing.
- Close gas shut-off valve to gas dryer(s) before servicing.
- Never start the dryer(s) with any guards/panels removed.
- Whenever ground wires are removed during servicing, these ground wires must be reconnected to ensure that the dryer is properly grounded.

W001R1

IMPORTANT: Refer to wiring diagram for aid in testing dryer components.

1. NO TIMER ADVANCE IN AUTOMATIC CYCLES

For a description of Automatic drying feature, refer to *SECTION 2*. If dryer heats but the timer does not advance, perform the following service procedures:

Electric Dryers

1. Remove any damp clothing from the dryer.
2. Set the timer to an Automatic cycle. Set fabric selector switch to Regular.
3. Remove the top 3 screws holding the control hood to the rear panel.
4. Start dryer by pushing in timer knob.
5. Using a volt/ohm meter set to AC voltage, measure the voltage across terminal “T” and terminal “M” on timer. Refer to *Figure 1*.
6. Meter should read no voltage when the unit is first started and the dryer is still heating. Continue to monitor these points until the heating element has shut off (this will take several minutes even with an empty load). When the heating element shuts off, meter should read 120 Volts and the timer motor should advance the cycle.
7. If meter does not read 120 Volts after the unit has reached proper operating temperature use meter to check for 120 AC Voltage between terminal “A” and terminal “N” (neutral) on the timer.
8. If voltage is present, recheck voltage between “T” and “M”.
9. If voltage is present, but timer does not advance, replace timer.
10. If meter does not read 120 Volts at “A” and “N”, check the wire connections at the heating element and timer (blue/black wire). If the connections are good, UNPLUG dryer, remove wire at terminal “A” on timer and perform an ohms check on wire continuity between the heating element and timer. If the wire shows continuity, replace timer.

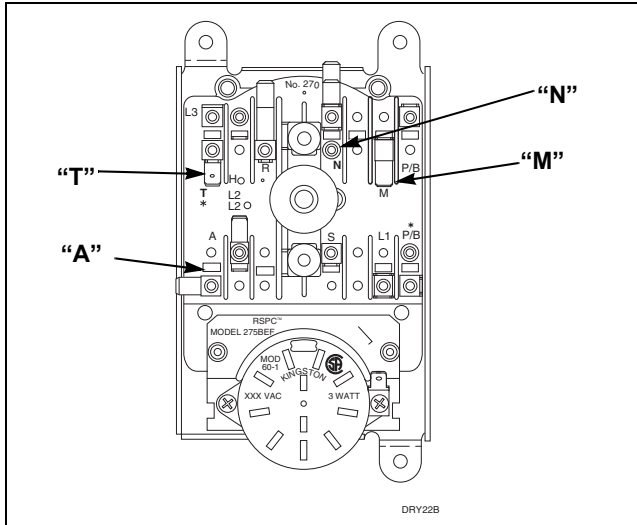
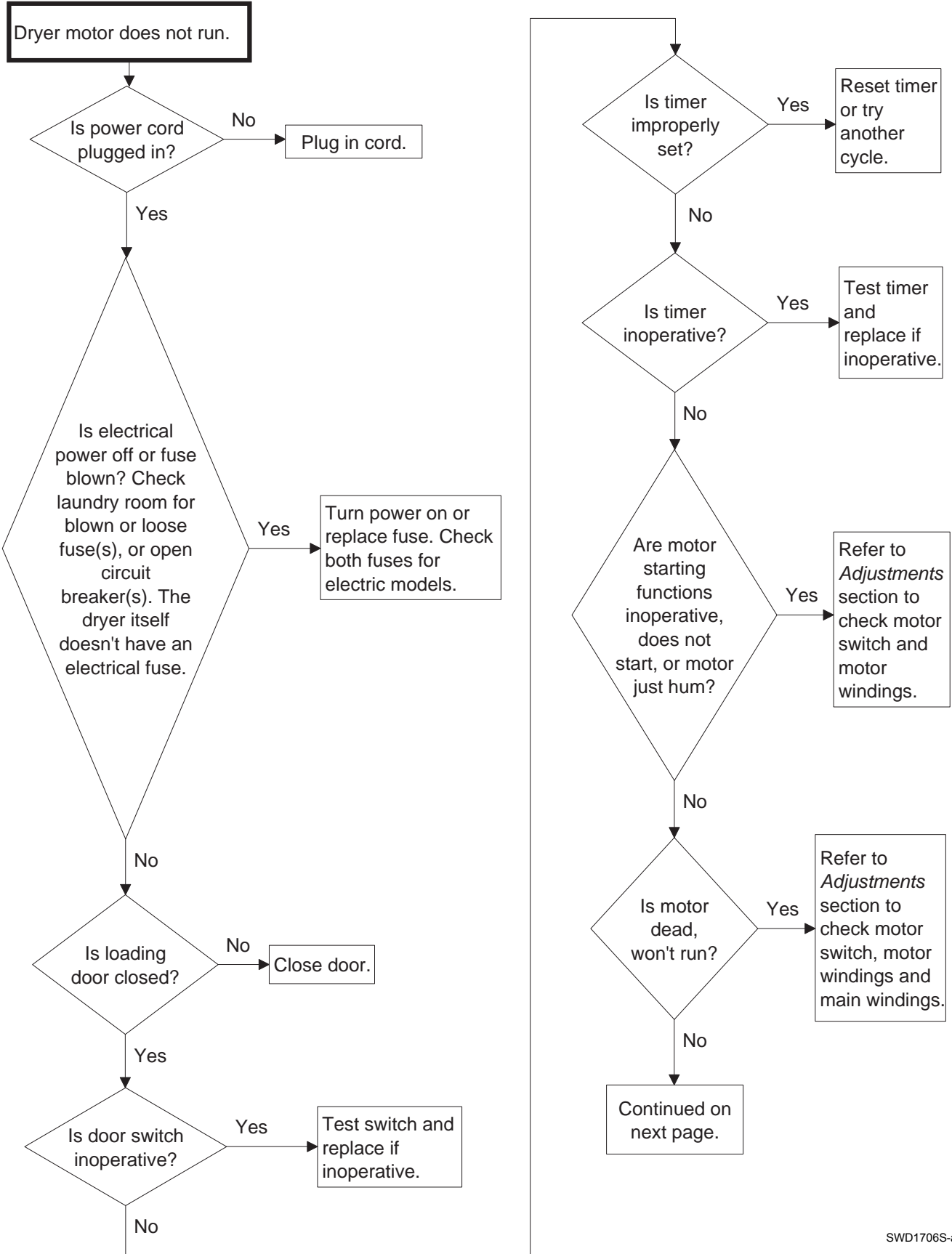


Figure 1

Gas Dryers

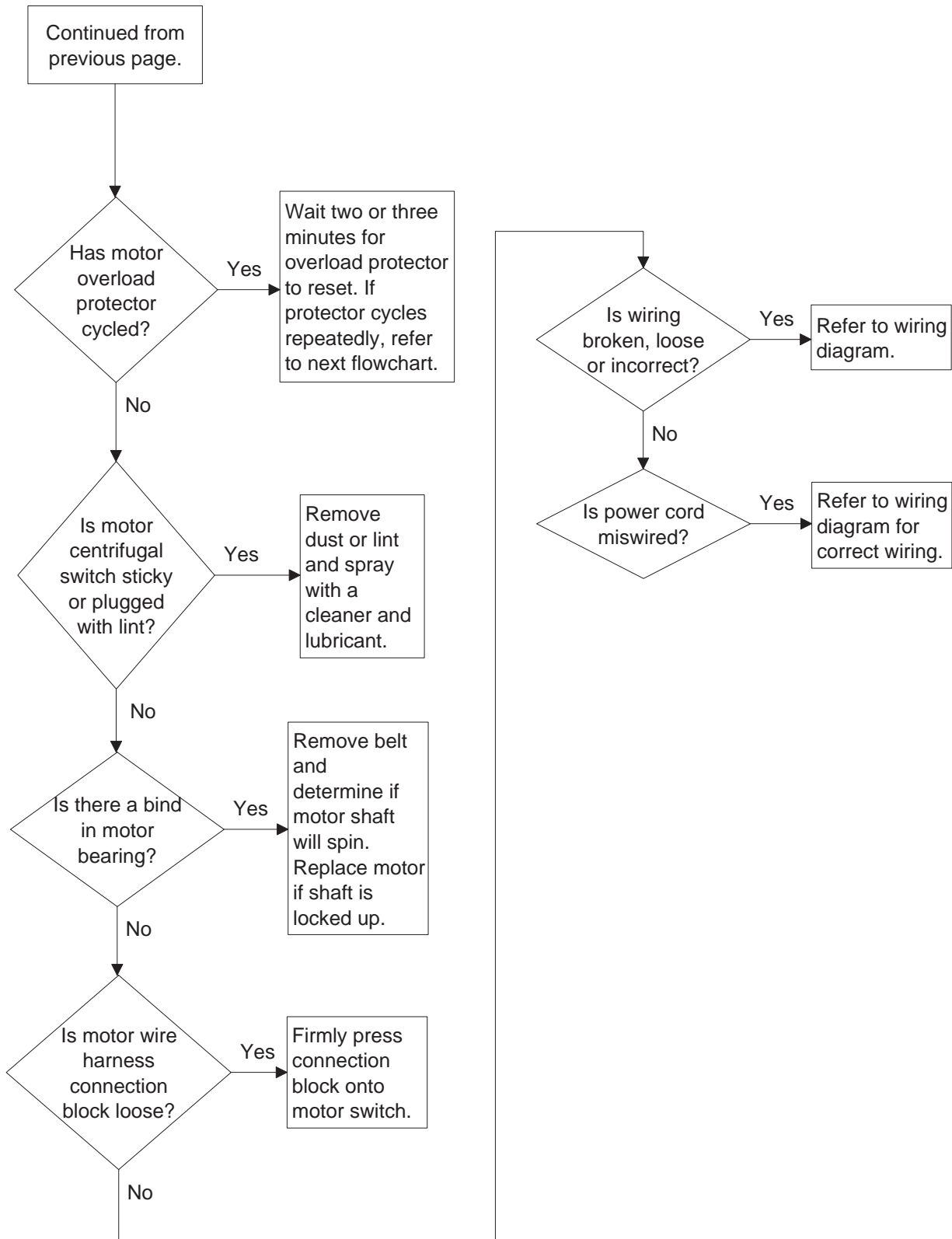
1. Remove any damp clothing from the dryer.
2. Set the timer to an Automatic cycle. Set fabric selector switch to Regular.
3. Remove the top 3 screws holding the control hood to the rear panel.
4. Start dryer by pushing in timer knob.
5. Using a volt/ohm meter set to AC voltage, measure the voltage across terminal "T" and terminal "N" on timer. Refer to *Figure 1*.
6. Meter should read no voltage when the unit is first started and the dryer is still heating. Continue to monitor these points until the burner has shut off (this will take several minutes even with an empty load). When the burner shuts off, meter should read 120 Volts and the timer motor should advance the cycle.
7. If voltage is present, but the timer does not advance, replace timer.
8. If meter does not read voltage, check the wiring continuity using ohm scale on meter. UNPLUG dryer. Remove Red/Black striped wire from terminal "T" on timer and perform an ohms check between the timer wire and the cycling thermostat terminal, where the Red/Black stripe wire attaches on the cycling thermostat (located on the blower assembly). If the wire shows continuity, reattach the wire on terminal "T" of timer. Replace cycling thermostat and check for proper operation.

2. DRYER MOTOR DOES NOT RUN



SWD1706S-a

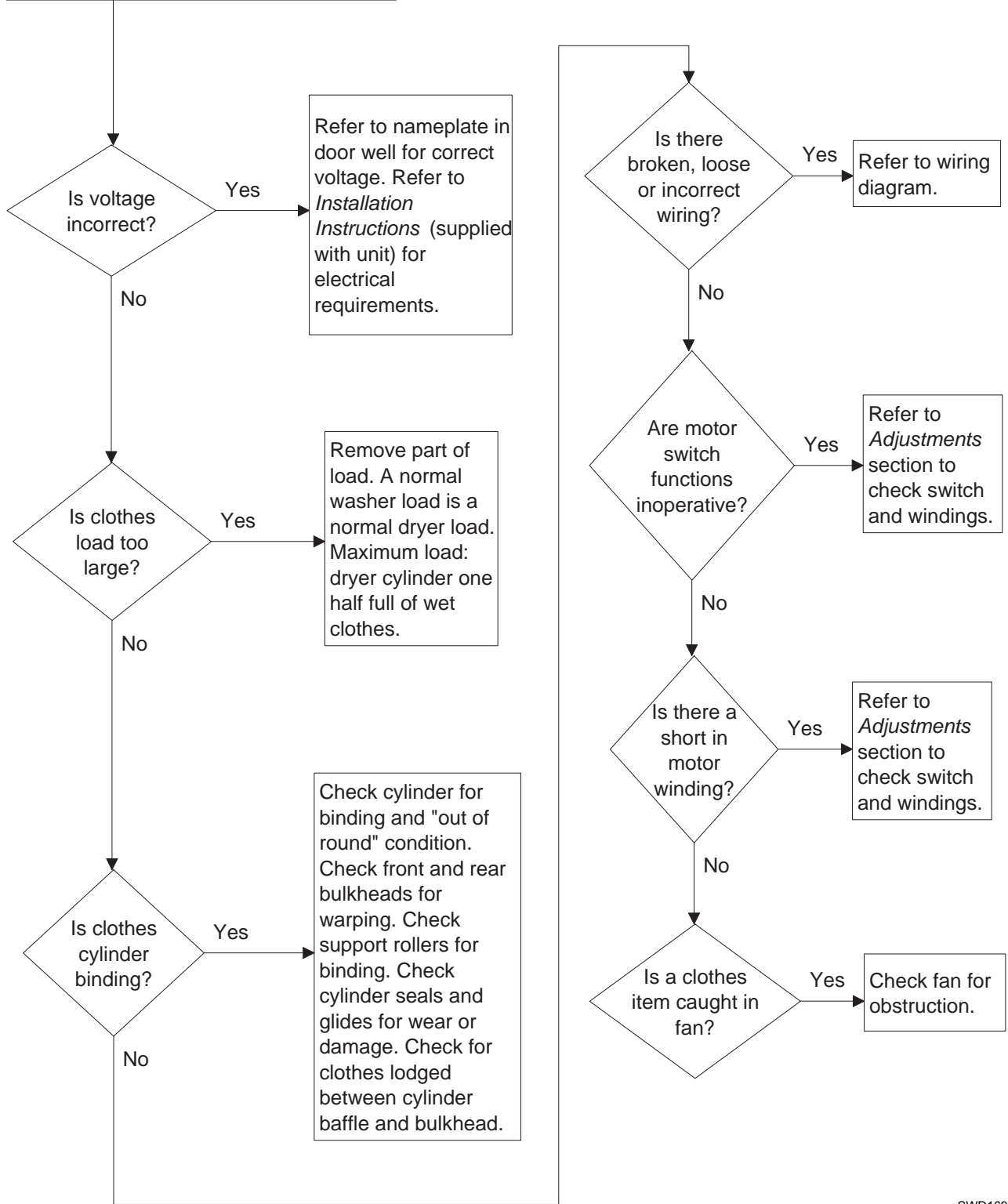
DRYER MOTOR DOES NOT RUN (CONTINUED)



SWD1706S-b

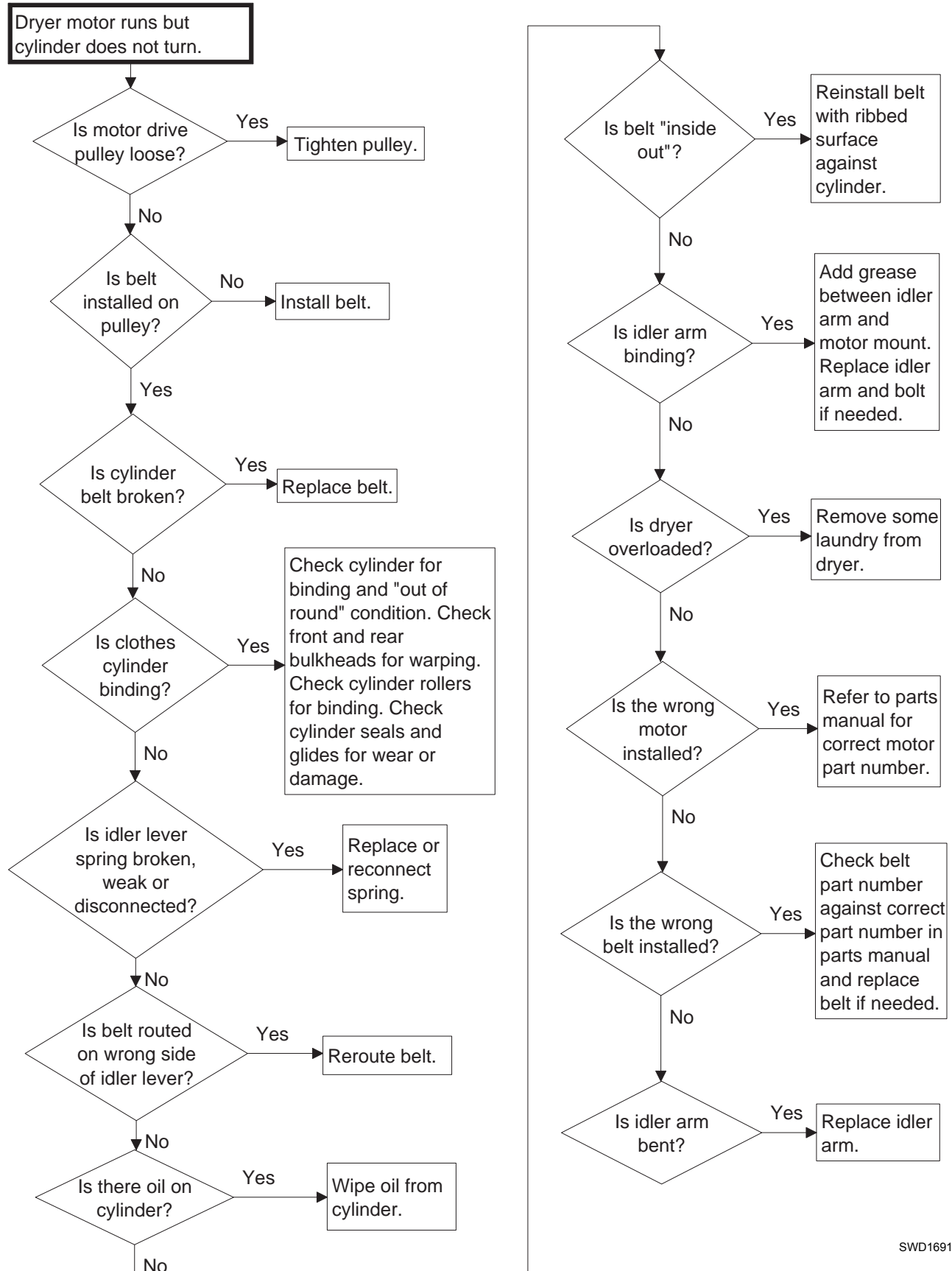
3. DRYER STOPS IN CYCLE; QUILTS AFTER THE FIRST FEW LOADS; HAS A BURNING SMELL; CYCLES ON MOTOR THERMAL PROTECTOR

Dryer stops in cycle, quits after first few loads, has burning smell or cycles on motor thermal protector.



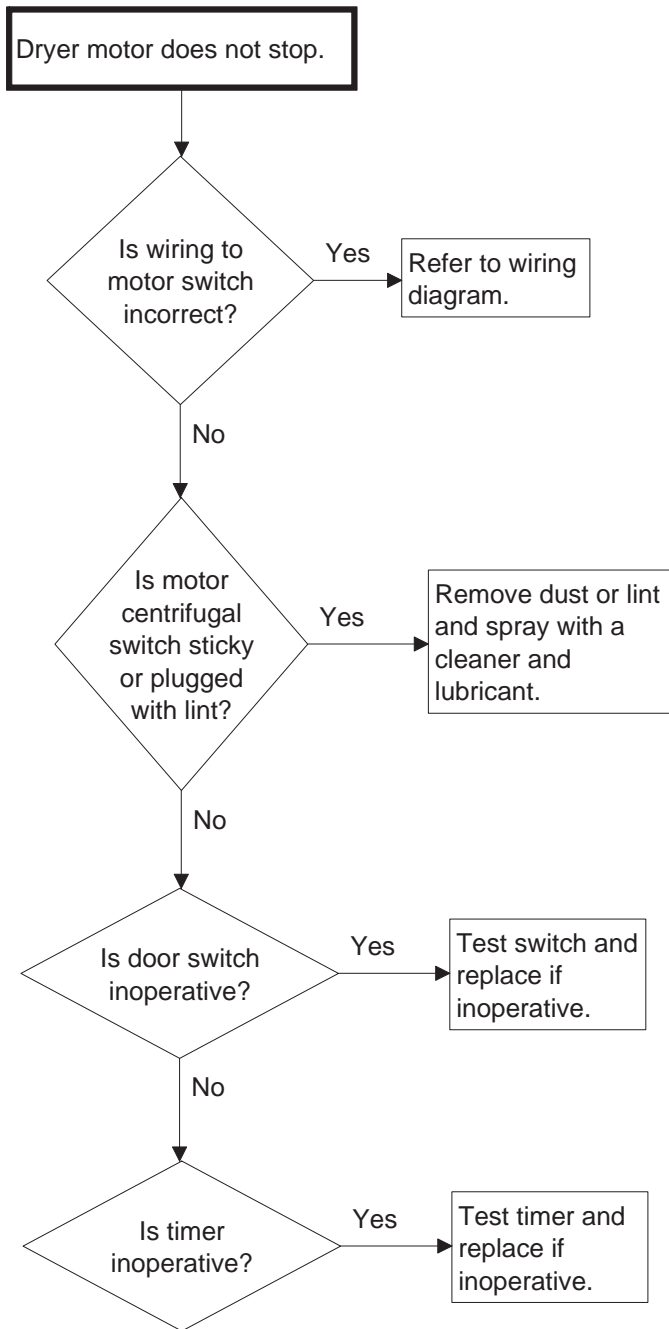
SWD1690S

4. DRYER MOTOR RUNS BUT CYLINDER DOES NOT TURN

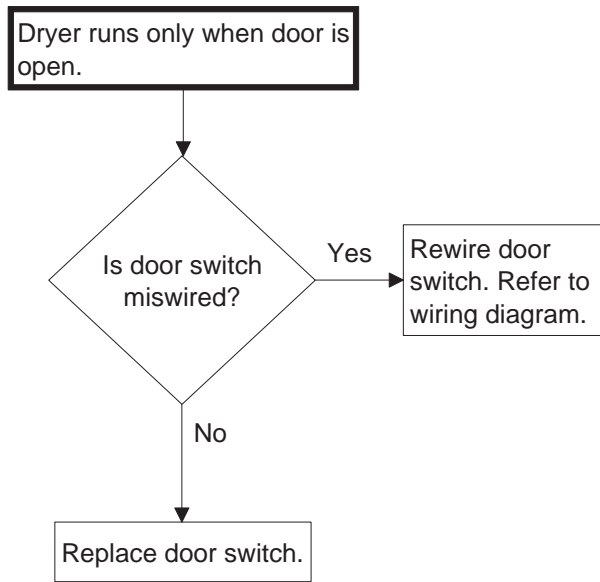


SWD1691S

5. DRYER MOTOR DOES NOT STOP

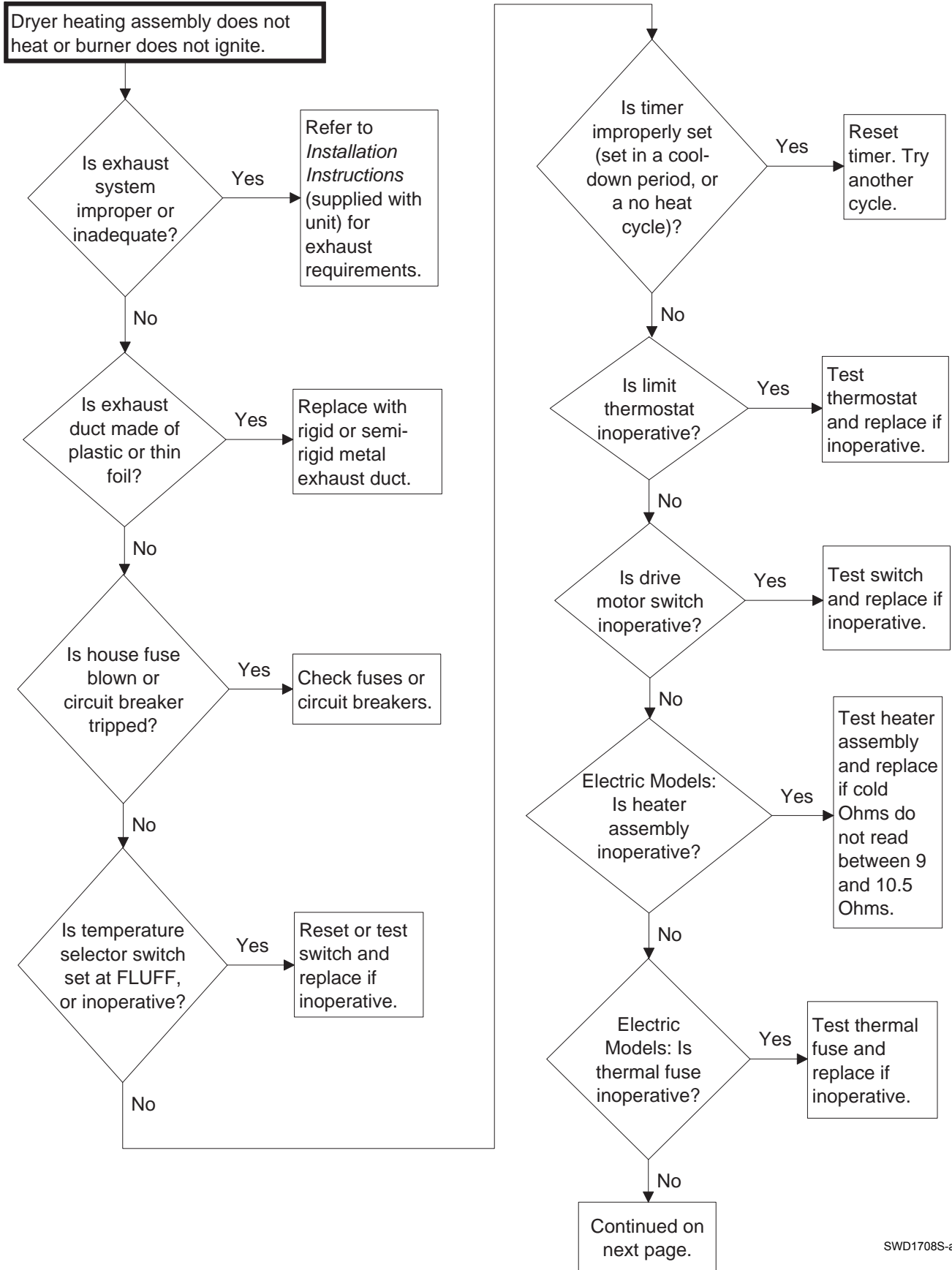


6. DRYER RUNS ONLY WHEN DOOR IS OPEN



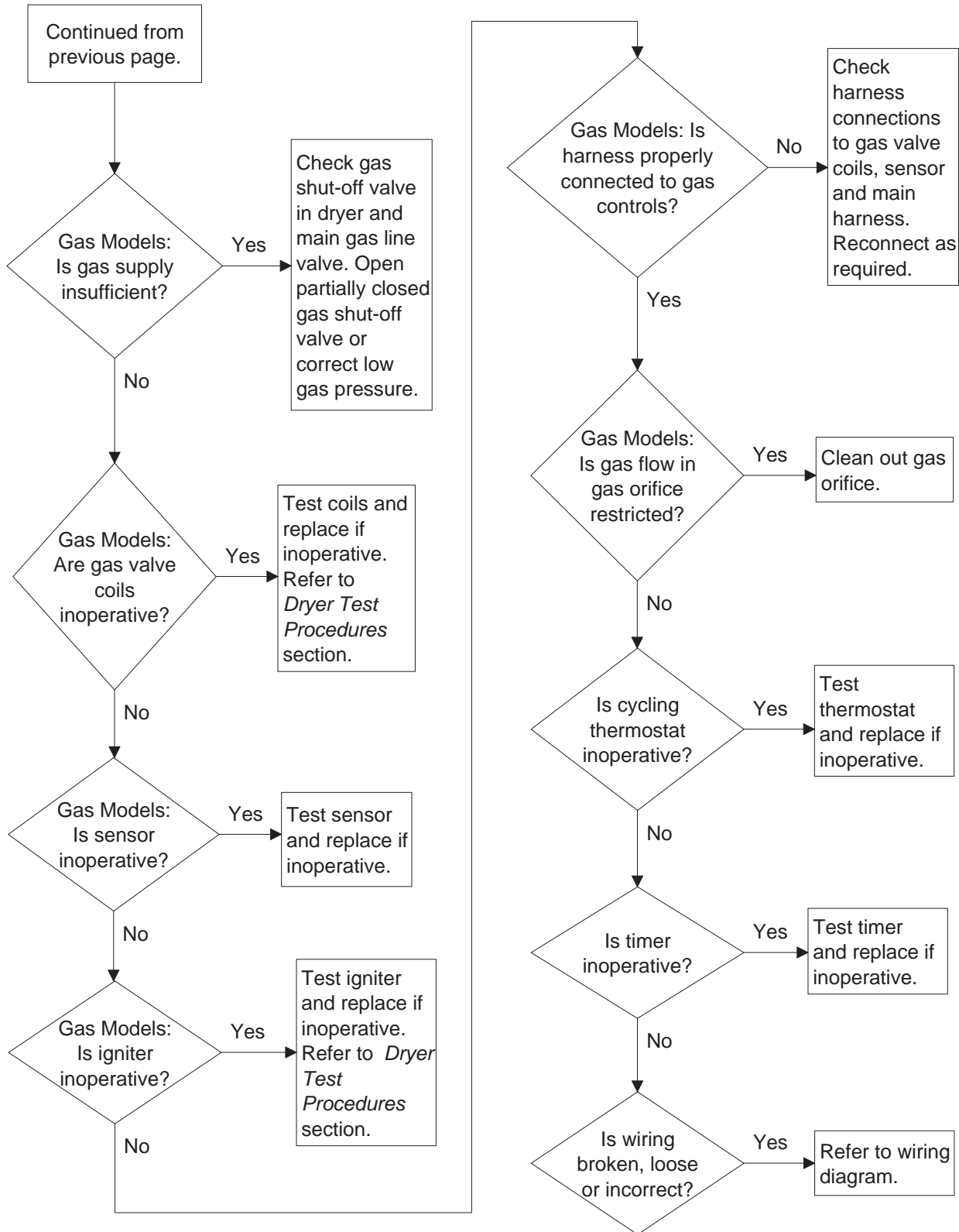
SWD1693S

7. DRYER HEATING ASSEMBLY DOES NOT HEAT OR BURNER DOES NOT IGNITE



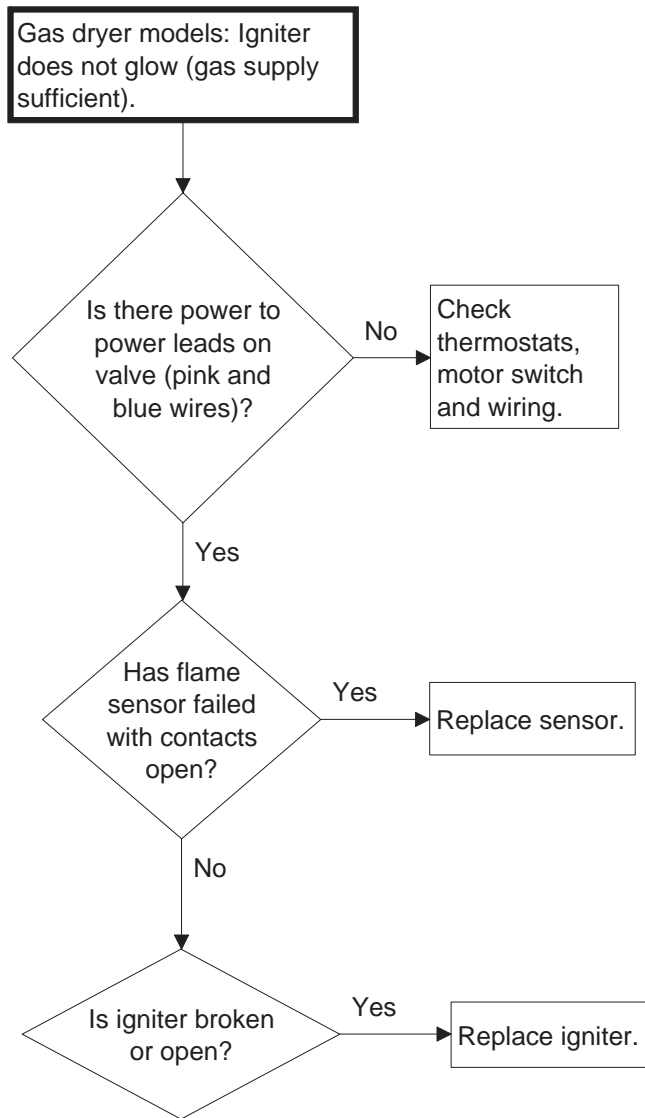
SWD1708S-a

**DRYER HEATING ASSEMBLY DOES NOT HEAT OR BURNER DOES NOT IGNITE
(CONTINUED)**

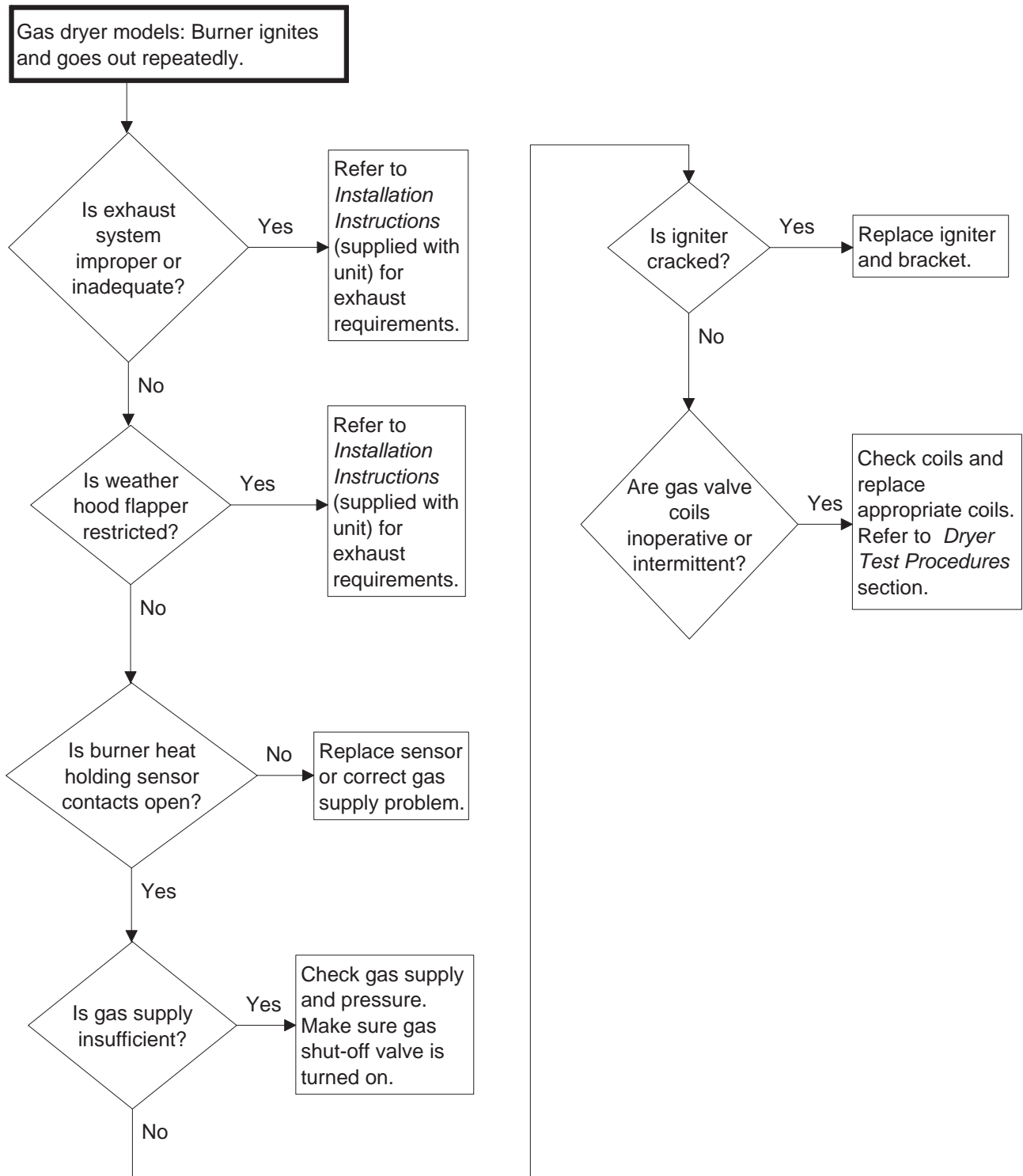


SWD1708S-b

8. IGNITER DOES NOT GLOW (GAS SUPPLY SUFFICIENT) – GAS DRYER MODELS

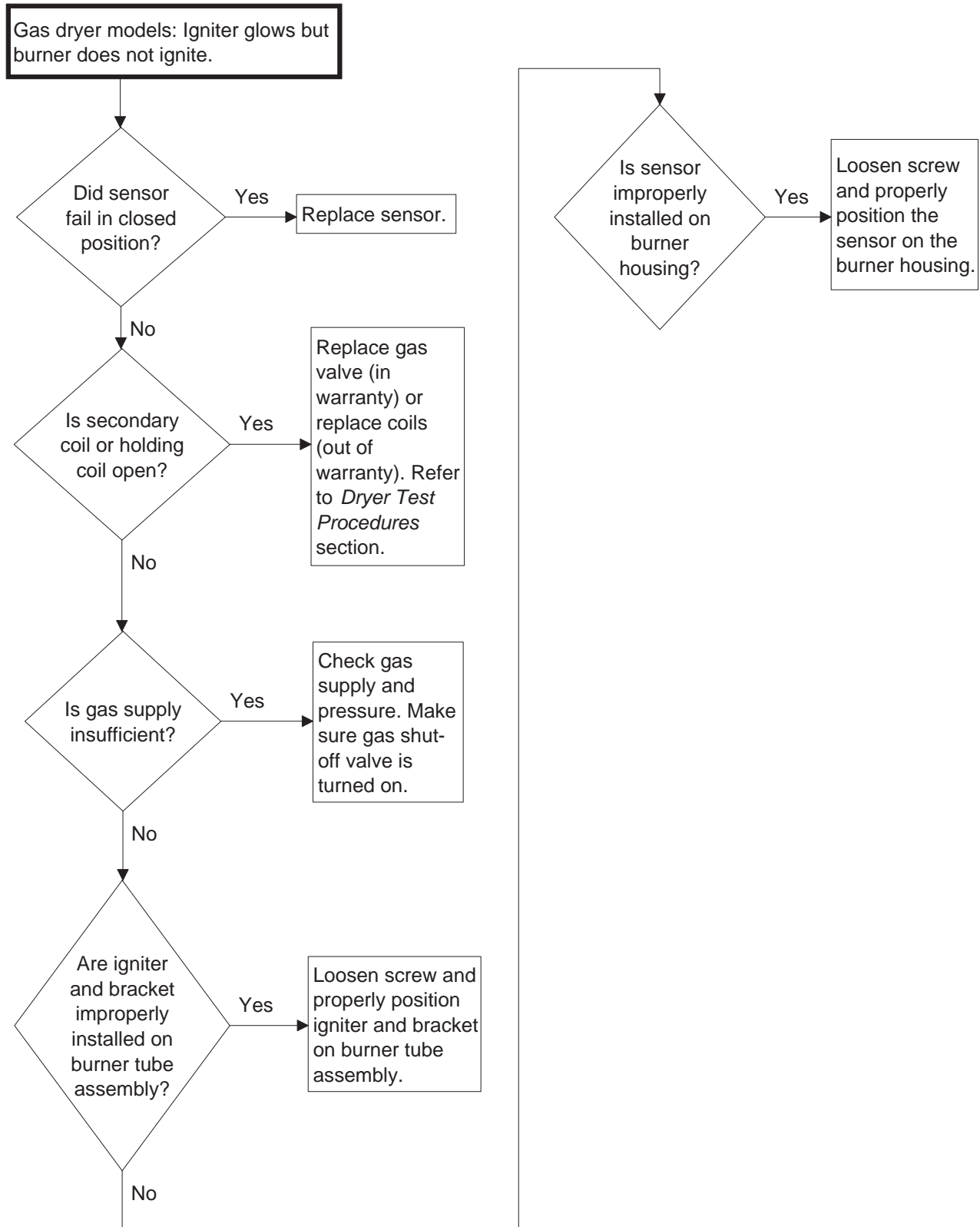


9. BURNER IGNITES AND GOES OUT REPEATEDLY – GAS DRYER MODELS



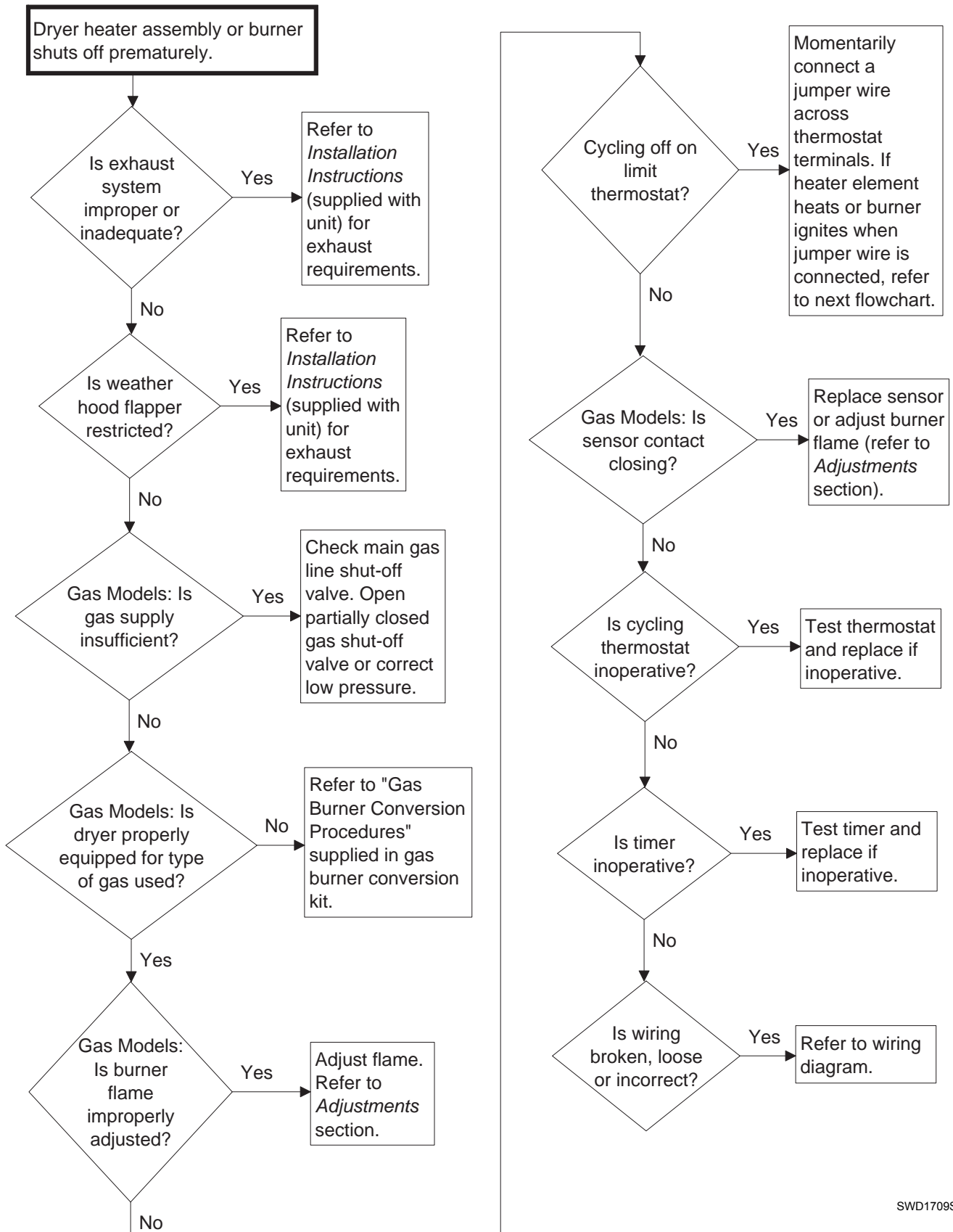
SWD1696S

10. IGNITER GLOWS BUT BURNER DOES NOT IGNITE – GAS DRYER MODELS



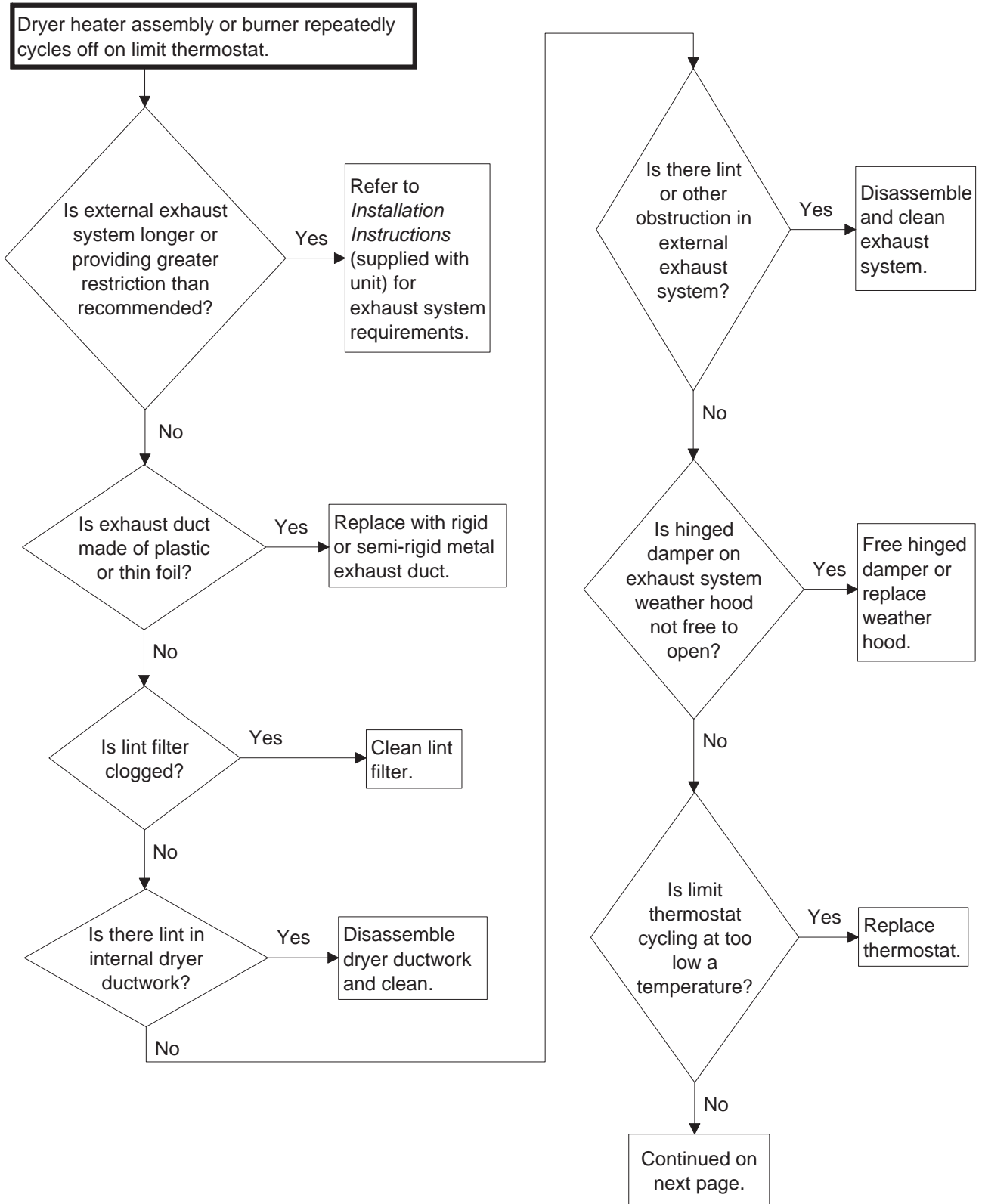
SWD1697S

11. DRYER HEATER ASSEMBLY OR BURNER SHUTS OFF PREMATURELY



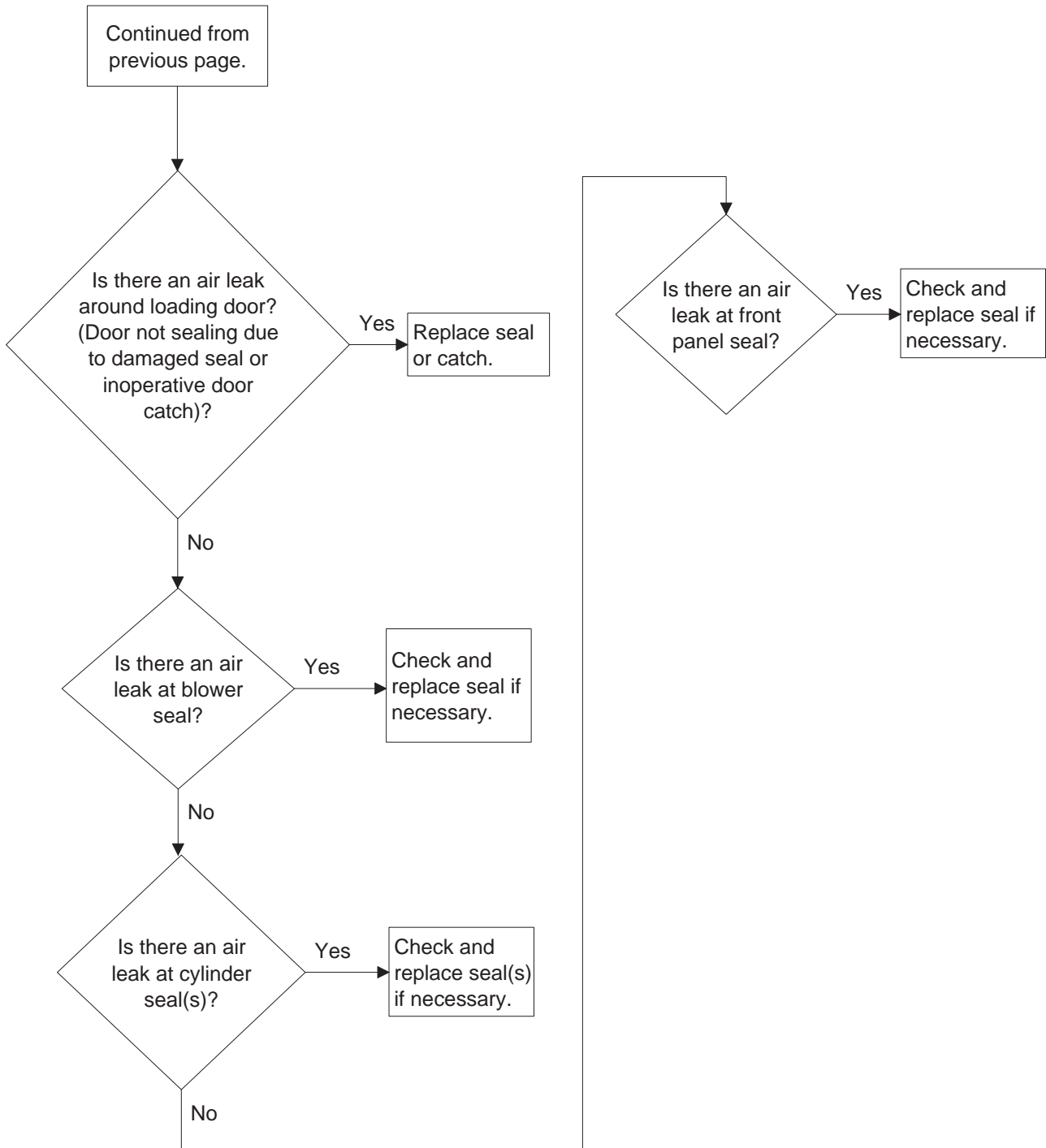
SWD1709S

12. DRYER HEATER ASSEMBLY OR BURNER REPEATEDLY CYCLES OFF ON LIMIT THERMOSTAT



SWD1710S-a

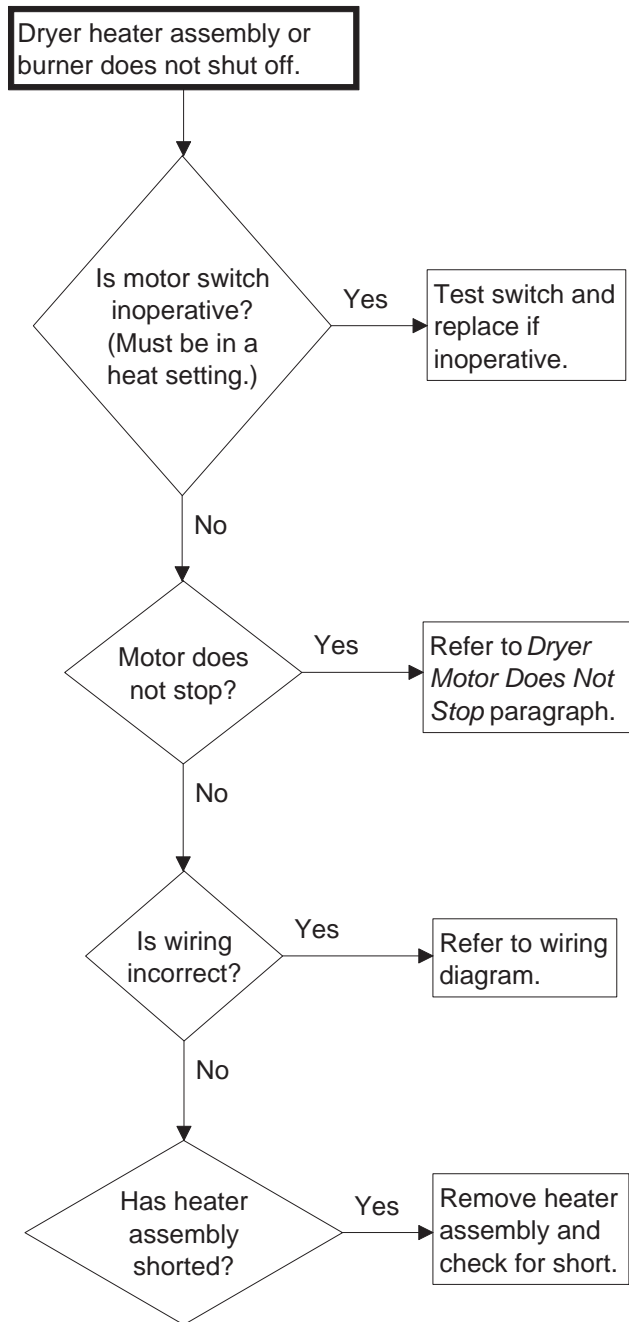
DRYER HEATER ASSEMBLY OR BURNER REPEATEDLY CYCLES OFF ON LIMIT THERMOSTAT (CONTINUED)



SWD1710S-b

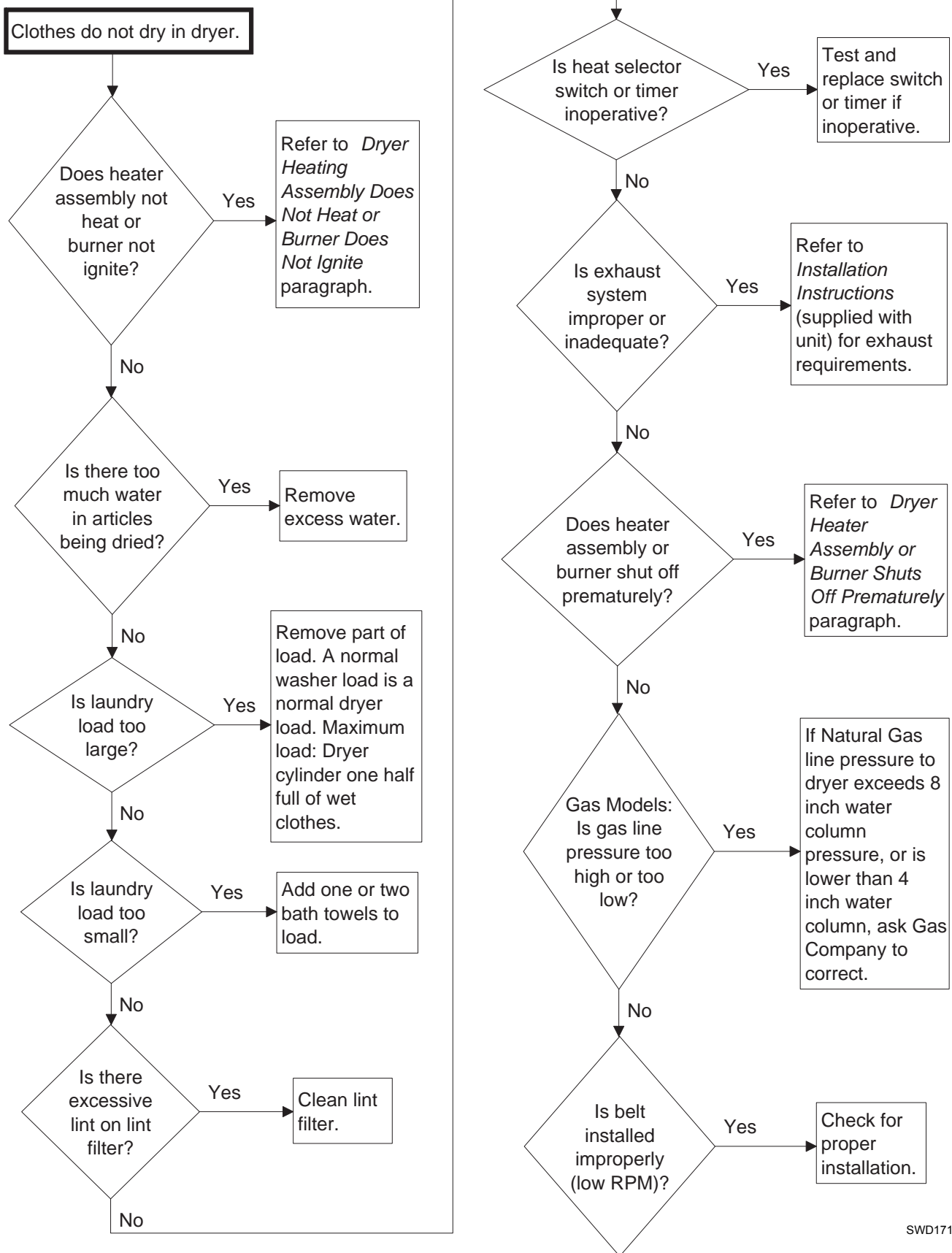
Section 3 Troubleshooting

13. DRYER HEATER ASSEMBLY OR BURNER DOES NOT SHUT OFF



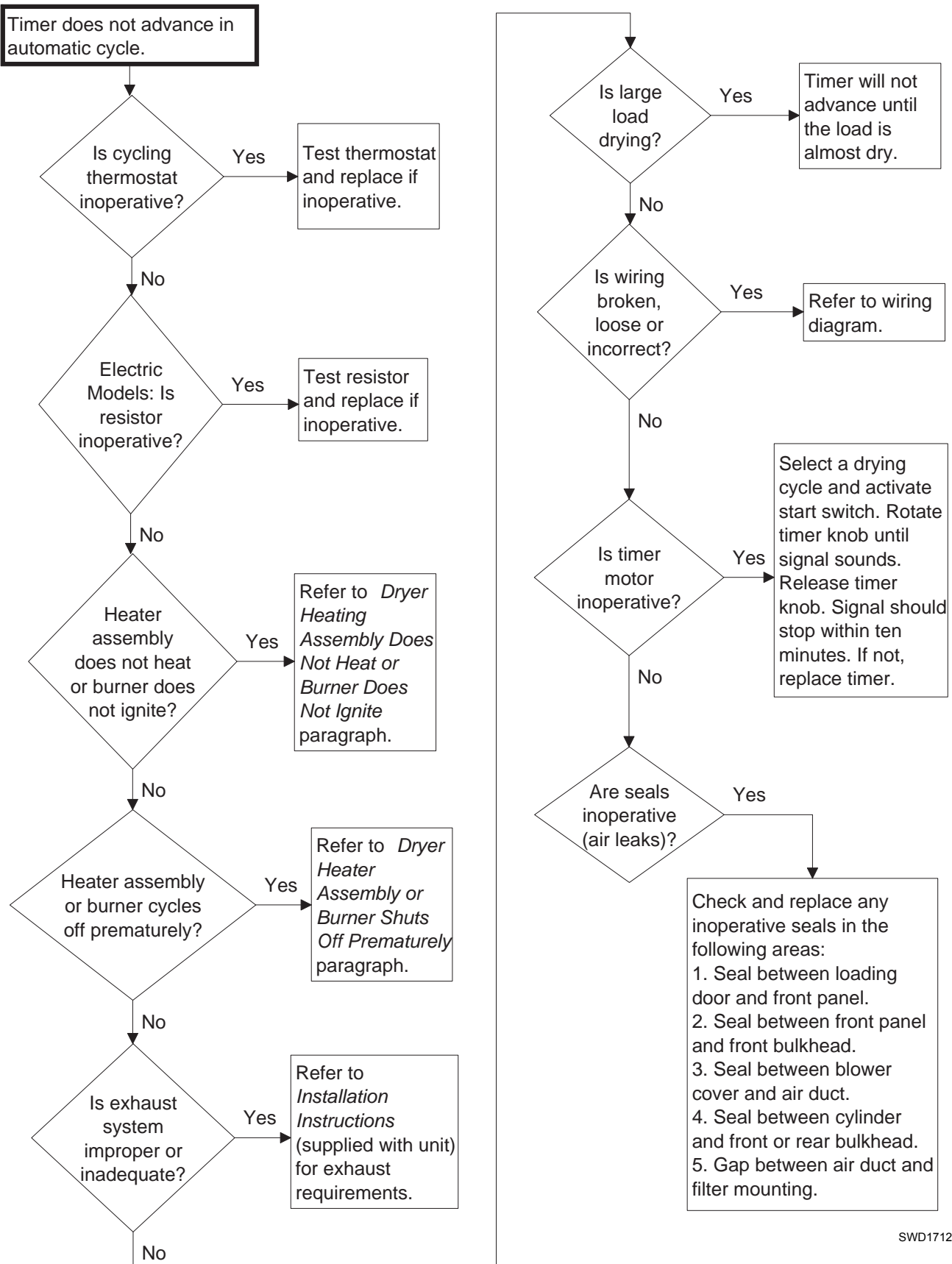
SWD1700S

14. CLOTHES DO NOT DRY IN DRYER



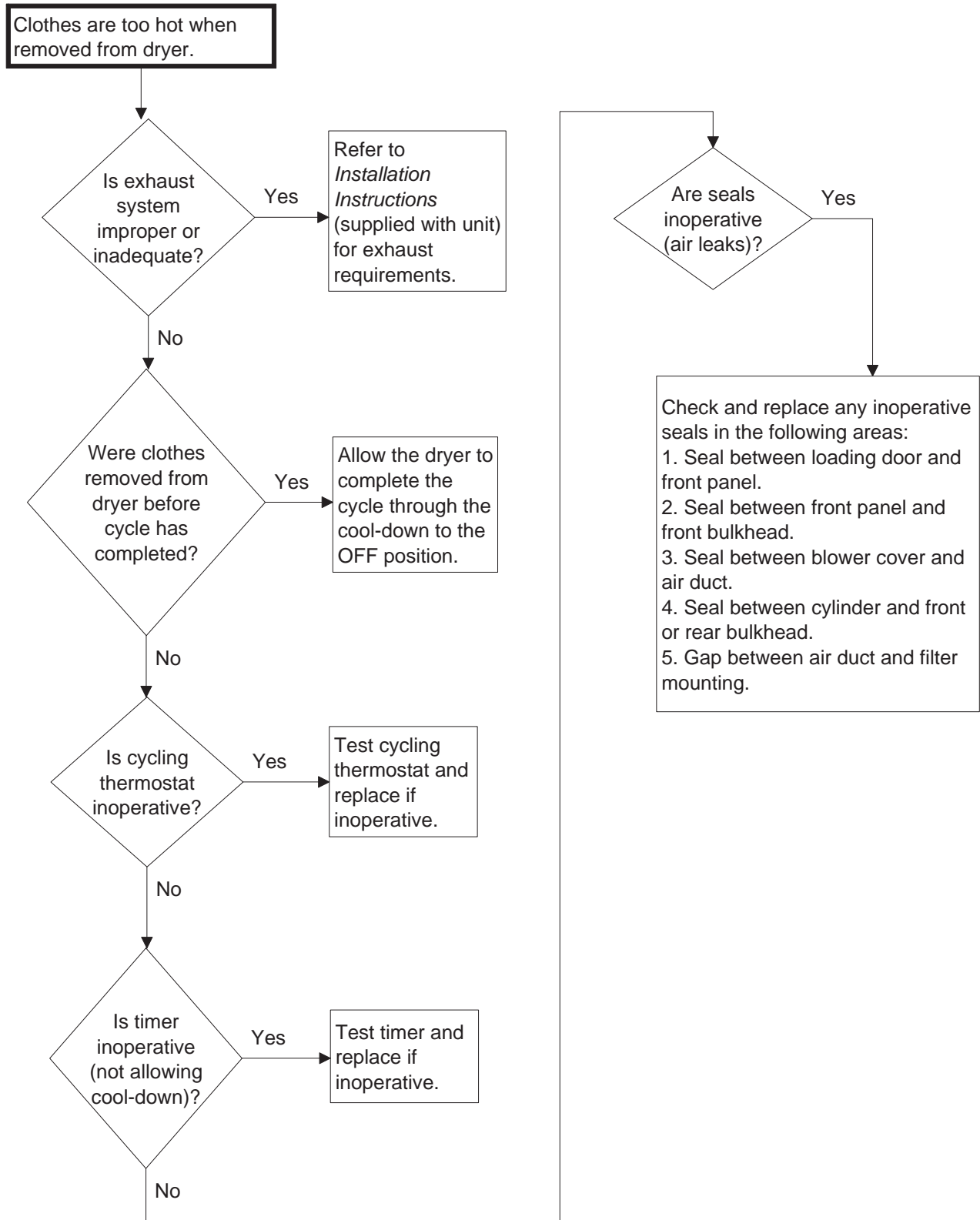
SWD1711S

15. TIMER DOES NOT ADVANCE IN AUTOMATIC CYCLE



SWD1712S

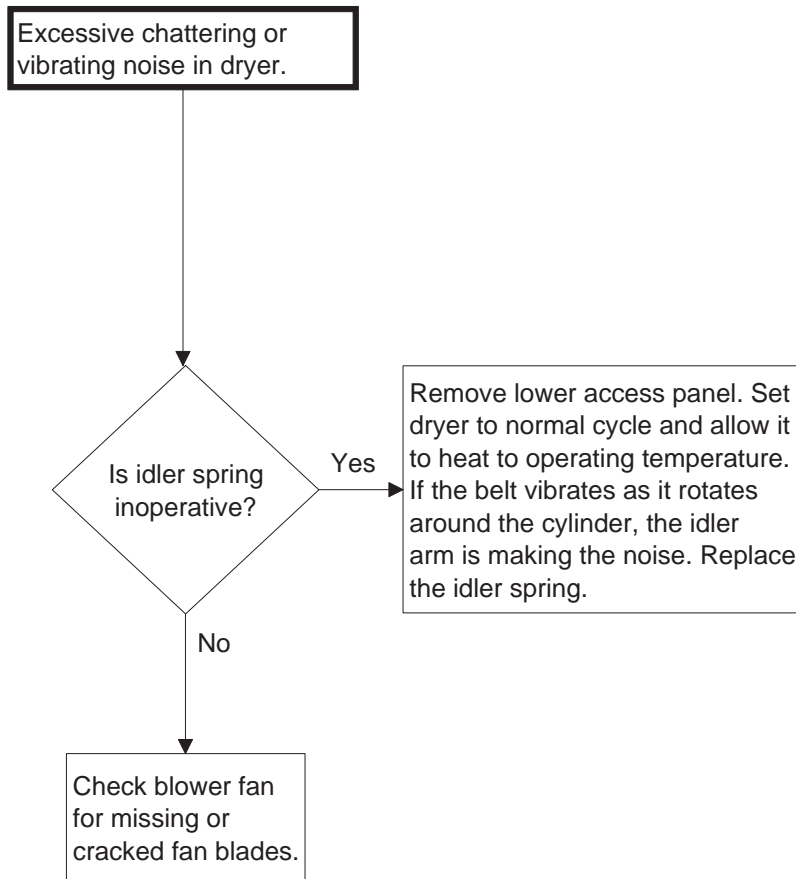
16. CLOTHES ARE TOO HOT WHEN REMOVED FROM DRYER



SWD1713S

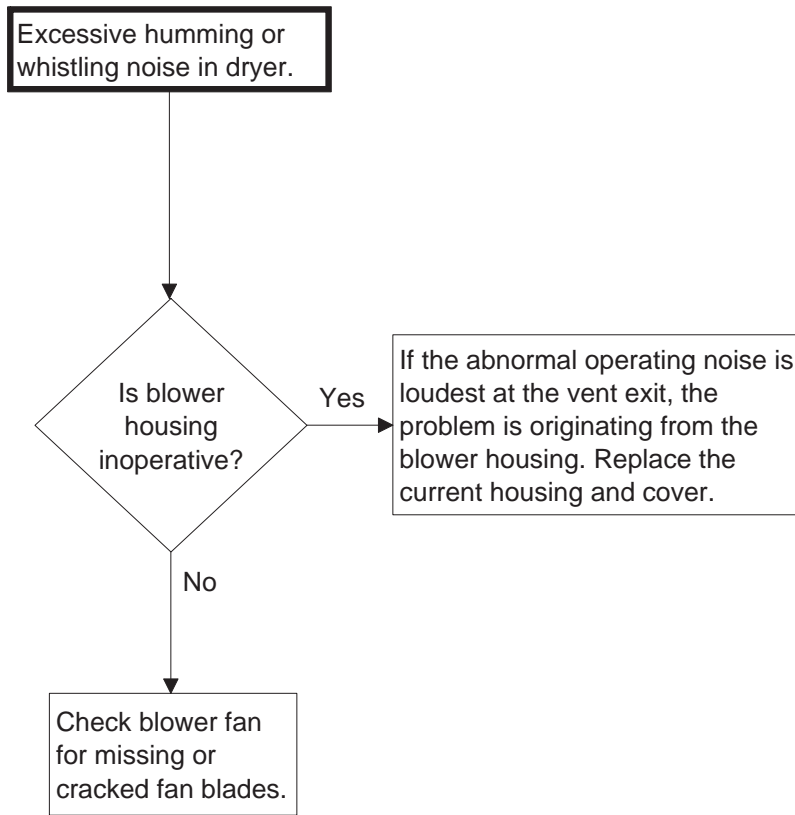
Section 3 Troubleshooting

17. EXCESSIVE CHATTERING OR VIBRATING NOISE IN DRYER



SWD1703S

18. EXCESSIVE HUMMING OR WHISTLING NOISE IN DRYER



SWD1704S

Section 4 Adjustments



WARNING

To reduce the risk of electric shock, fire, explosion, serious injury or death:

- Disconnect electric power to the dryer(s) before servicing.
- Close gas shut-off valve to gas dryer(s) before servicing.
- Never start the dryer(s) with any guards/panels removed.
- Whenever ground wires are removed during servicing, these ground wires must be reconnected to ensure that the dryer is properly grounded.

W001R1

IMPORTANT: When reference is made to directions (right or left) in this manual, it is from operator's position facing front of washer.

19. LEVELING LEGS

Refer to *Figure 2*.

NOTE: Dryer should be installed on a solid and level floor.

- a. Place dryer in position, adjusting the legs until dryer is level.

NOTE: Legs can be adjusted outside the dryer by using a 1-1/4 inch size wrench, or from inside the dryer (with lower front access panel removed) by using a 1/4 inch drive ratchet with extension.

- b. Keep dryer as close to the floor as possible. All four legs must rest firmly on the floor so weight of the dryer is evenly distributed. The dryer **MUST NOT** rock.

IMPORTANT: **DO NOT** move the dryer at any time unless the dryer is completely assembled. **DO NOT** slide the dryer across the floor once the leveling legs have been extended as the legs and base could become damaged



WARNING

To reduce the risk of serious injury or death by carbon monoxide and other gases in gas dryers, carefully read and follow all instructions given in this section.

W005

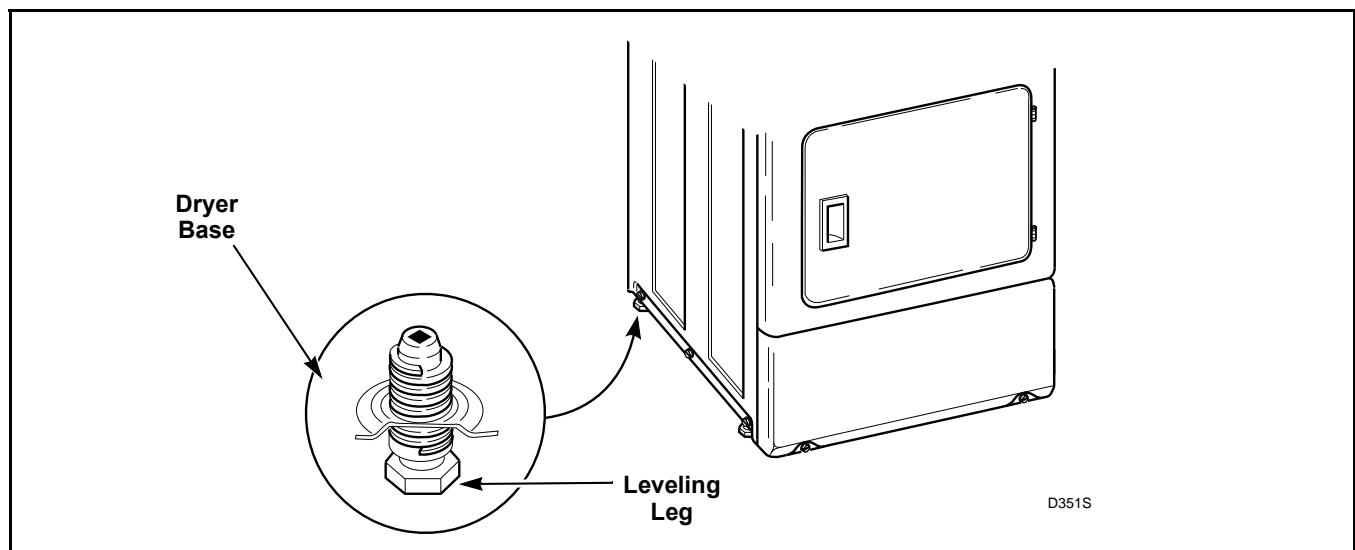


Figure 2



WARNING

To reduce the risk of electric shock, fire, explosion, serious injury or death:

- Disconnect electric power to the dryer(s) before servicing.
- Close gas shut-off valve to gas dryer(s) before servicing.
- Never start the dryer(s) with any guards/panels removed.
- Whenever ground wires are removed during servicing, these ground wires must be reconnected to ensure that the dryer is properly grounded.

W001R1

20. BURNER FLAME (Gas Models)

- a. While supporting the access panel, remove two screws from bottom edge of access panel.
- b. Gently lower the access panel to disengage locators from bottom edge of front panel.
- c. Set timer to 60 minutes.
- d. Close the loading door. Start the dryer in a heat setting (refer to Operating Instructions supplied with the dryer). The dryer will start, the igniter will glow red, and the main burner will ignite.
- e. Allow the dryer to operate for approximately five minutes, then loosen the air shutter lock screw. Refer to *Figure 3*.
- f. Turn the air shutter to the left to get a luminous yellow tipped flame, then turn it back slowly to the right to obtain a steady blue flame.

- g. After proper flame is obtained, tighten air shutter lock screw firmly. Refer to *Figure 3*.
- h. Reinstall access panel and screws.



WARNING

To reduce the risk of fire or serious injury, the access panel must be in place during normal operation.

W262

NOTE: After the dryer has operated for approximately three minutes, exhaust air or exhaust pipe should be warm.

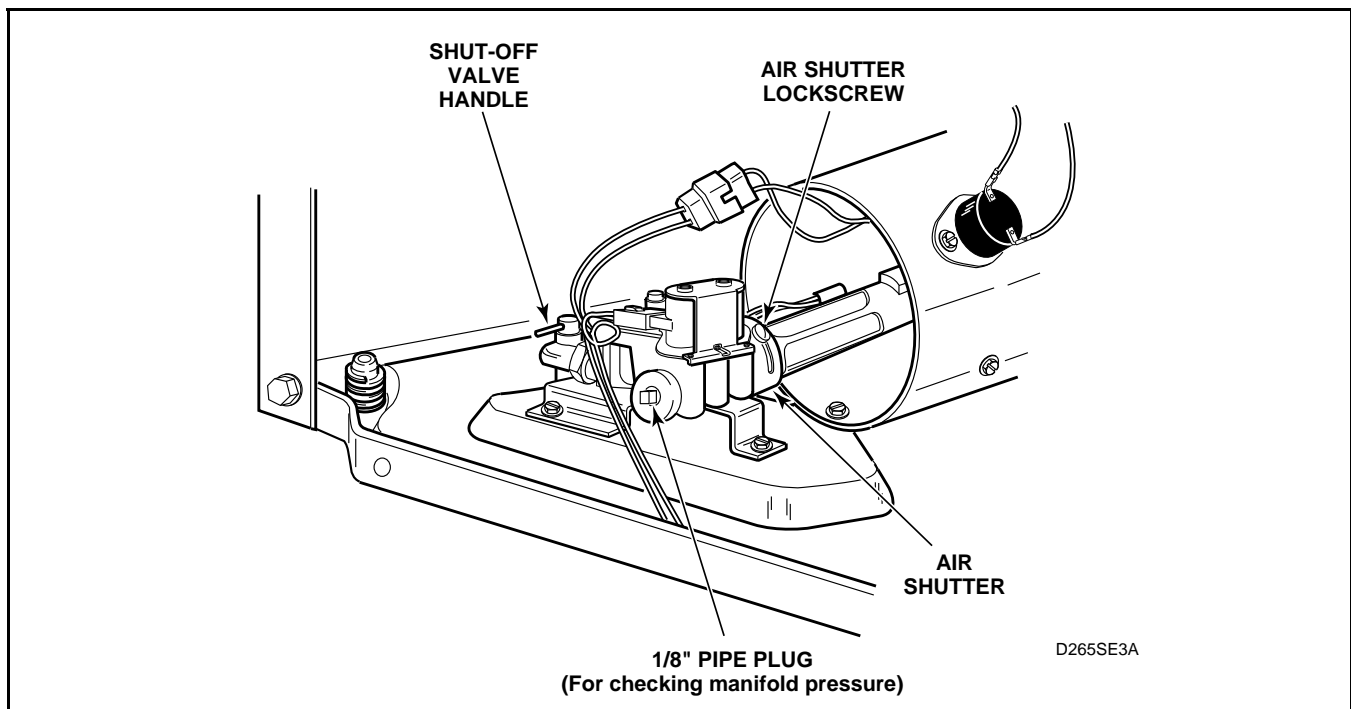


Figure 3

Section 5

Test Procedures



WARNING

To reduce the risk of electric shock, fire, explosion, serious injury or death:

- Disconnect electric power to the dryer(s) before servicing.
- Close gas shut-off valve to gas dryer(s) before servicing.
- Never start the dryer(s) with any guards/panels removed.
- Whenever ground wires are removed during servicing, these ground wires must be reconnected to ensure that the dryer is properly grounded.

W001R1

IMPORTANT: Electrical test procedures in this service manual are performed by using a Volt-Ohm meter. Tests can also be performed using a multi-meter or any other electrical testing equipment with which the service person is familiar.

21. TIMER CONTACTS

Refer to *Figure 4*.

- a. Disconnect wires from timer, except timer motor wires.

NOTE: Refer to appropriate wiring diagram when rewiring timer.

- b. Manually rotate timer out of “OFF” position and into cycle.
- c. Set test meter to read Ohms. The following readings should be found:
 - (1) Motor circuit test –
L1 and M = “zero” Ohms (closed)
 - (2) Heat circuit test –
L2 and H = “zero” Ohms (closed)
 - (3) Timer motor test –
T and M (electric models) or T and N (gas models) = approximately 2462-2714 Ohms or apply live power to timer motor terminals and motor should run.

NOTE: Timer Motor Resistance:

120 Volt, 60 Hz	2,462 – 2,714 Ohms
240 Volt	10,900 – 13,300 Ohms
24 Volt	108 – 132 Ohms

- (4) Rotate timer to “cooldown” (5 minutes before “OFF”). “Infinite” (open) reading should be found between L2 and H.
- (5) Rotate timer to “OFF” position. “Infinite” (open) reading should be found between L1 and M and between L2 and H.

NOTE: Timer motor power is supplied through M (electric models) or N (gas models) terminal.



WARNING

To reduce the risk of electric shock, fire, explosion, serious injury or death:

- Disconnect electric power to the dryer(s) before servicing.
- Close gas shut-off valve to gas dryer(s) before servicing.
- Never start the dryer(s) with any guards/panels removed.
- Whenever ground wires are removed during servicing, these ground wires must be reconnected to ensure that the dryer is properly grounded.

W001R1

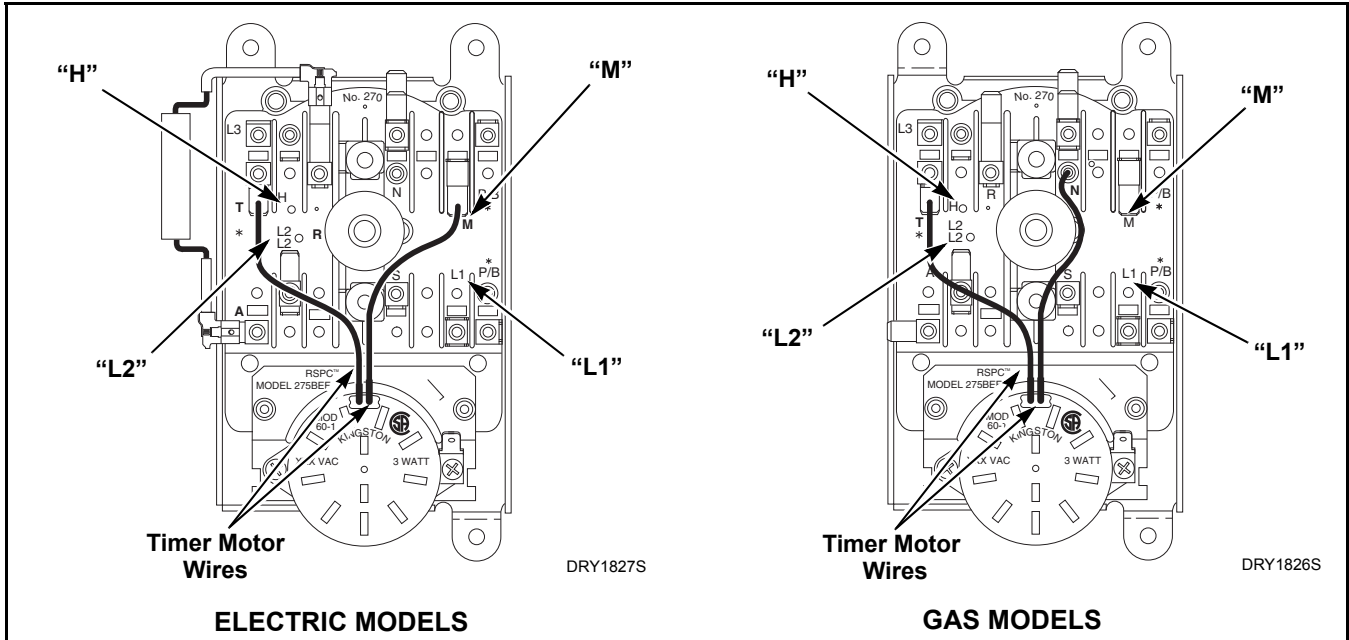


Figure 4

22. FABRIC SELECTOR SWITCH

NOTE: Refer to proper model wiring diagram when rewiring switch.

- Set test meter to read Ohms and apply meter probes to switch terminals.

NOTE: Refer to proper model wiring diagram when reconnecting wires.

	L1-1	L1-2
No Heat	–	–
Delicate	X	X
Perm. Press	–	X
Regular	–	X
X indicates closed		

	L1-2	L1-3	L1-1
No Heat	–	X	–
Delicate	X	–	X
Perm. Press/Regular	X	–	–
X indicates closed			



WARNING

To reduce the risk of electric shock, fire, explosion, serious injury or death:

- Disconnect electric power to the dryer(s) before servicing.
- Close gas shut-off valve to gas dryer(s) before servicing.
- Never start the dryer(s) with any guards/panels removed.
- Whenever ground wires are removed during servicing, these ground wires must be reconnected to ensure that the dryer is properly grounded.

W001R1

23. DRIVE MOTOR

Refer to *Figure 5*.

- a. Remove motor and exhaust assembly.
- b. Disconnect motor wire harness at motor disconnect block.

NOTE: Refer to wiring schematic, Section 6, for internal motor switch wires.

NOTE: Drive Motor Resistance

120 Volt	2,460 – 3,100 Ohms
240 Volt	10,000 - 13,000 Ohms

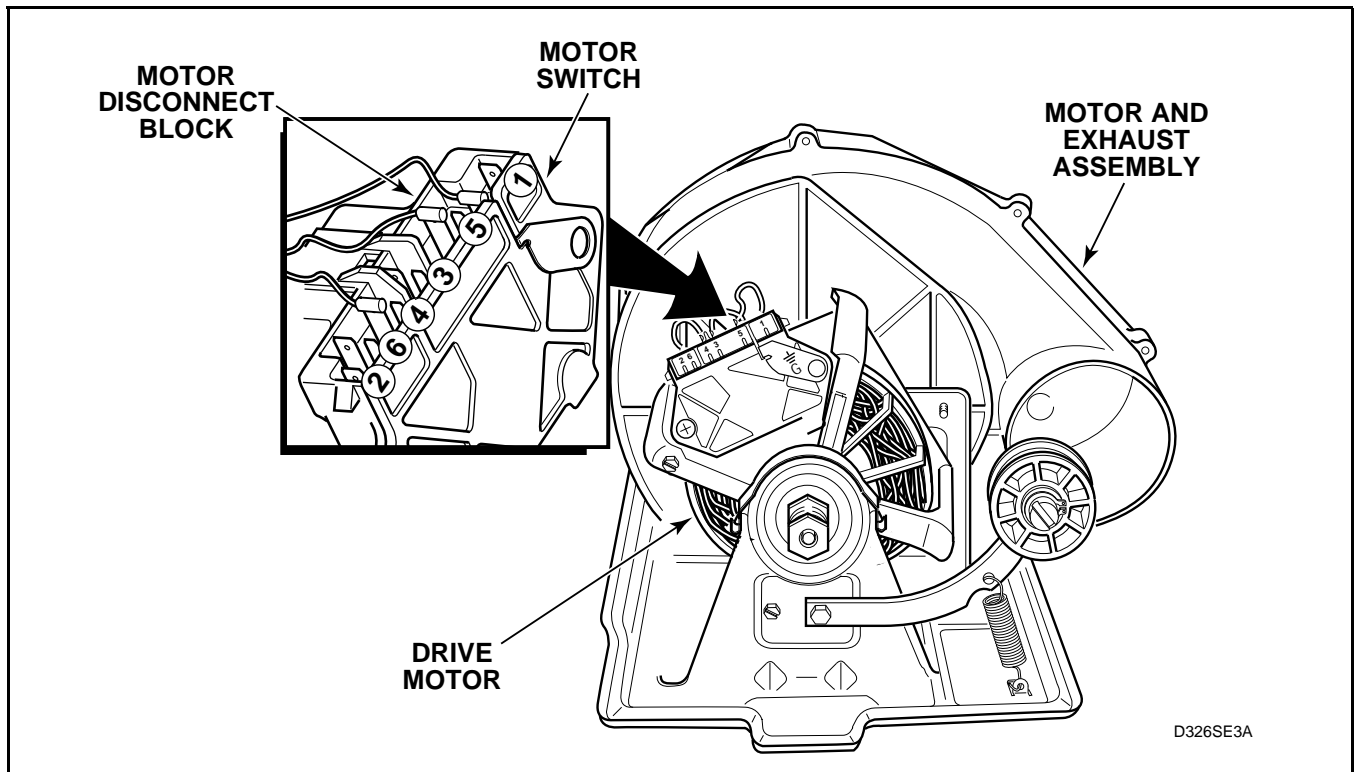


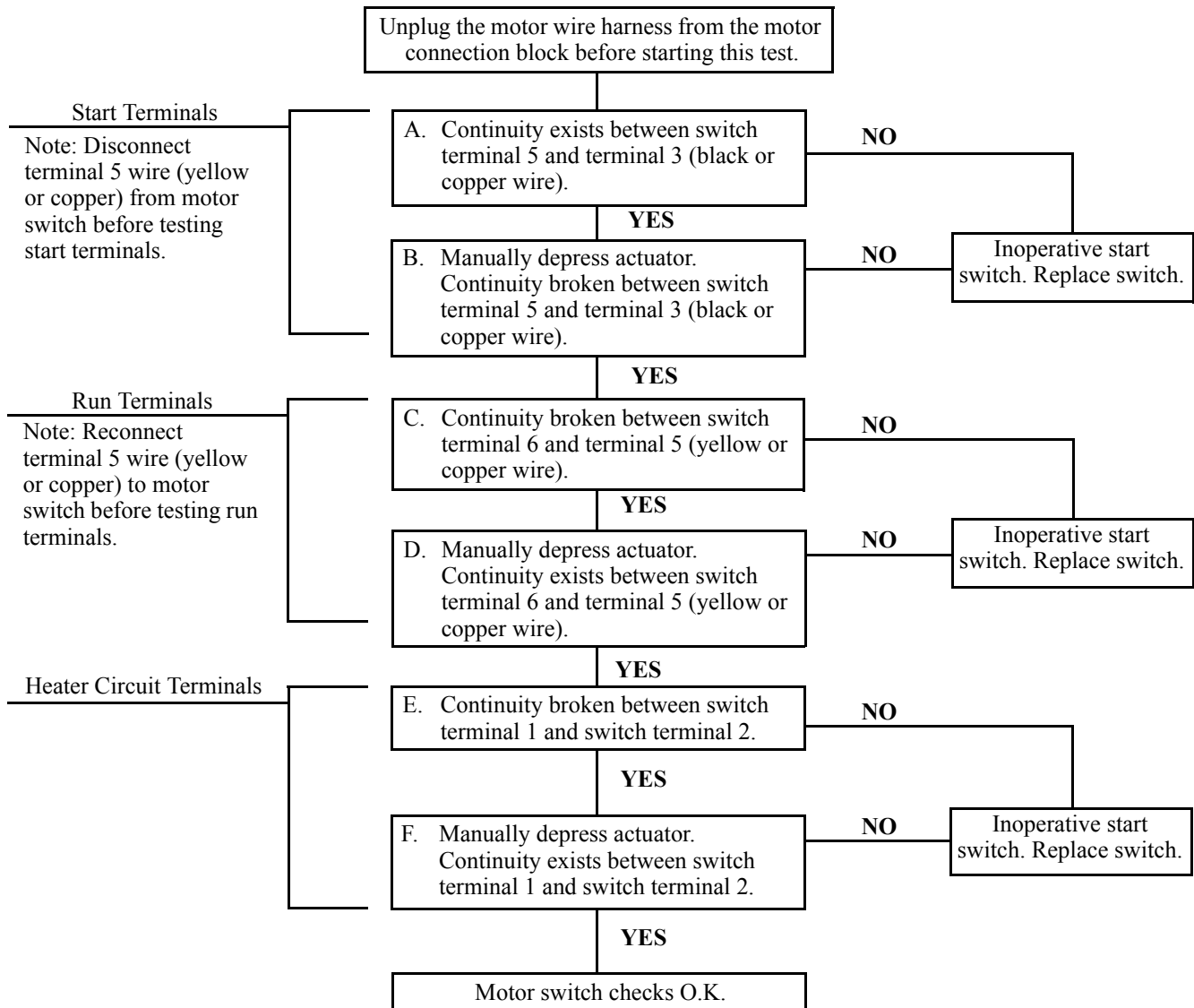


Figure 5

	<h2 style="margin: 0;">WARNING</h2>
<p>To reduce the risk of electric shock, fire, explosion, serious injury or death:</p> <ul style="list-style-type: none"> • Disconnect electric power to the dryer(s) before servicing. • Close gas shut-off valve to gas dryer(s) before servicing. • Never start the dryer(s) with any guards/panels removed. • Whenever ground wires are removed during servicing, these ground wires must be reconnected to ensure that the dryer is properly grounded. 	
<small>W001R1</small>	

c. **Motor Switch** (Refer to *SECTION 6* for Internal Wiring of the Dryer Motor Switch.)

	<h2 style="margin: 0;">WARNING</h2>
<p>Disconnect electric power to dryer before performing any of the following steps or when replacing inoperative motor switch.</p>	
<small>W290</small>	





WARNING

To reduce the risk of electric shock, fire, explosion, serious injury or death:

- Disconnect electric power to the dryer(s) before servicing.
- Close gas shut-off valve to gas dryer(s) before servicing.
- Never start the dryer(s) with any guards/panels removed.
- Whenever ground wires are removed during servicing, these ground wires must be reconnected to ensure that the dryer is properly grounded.

W001R1

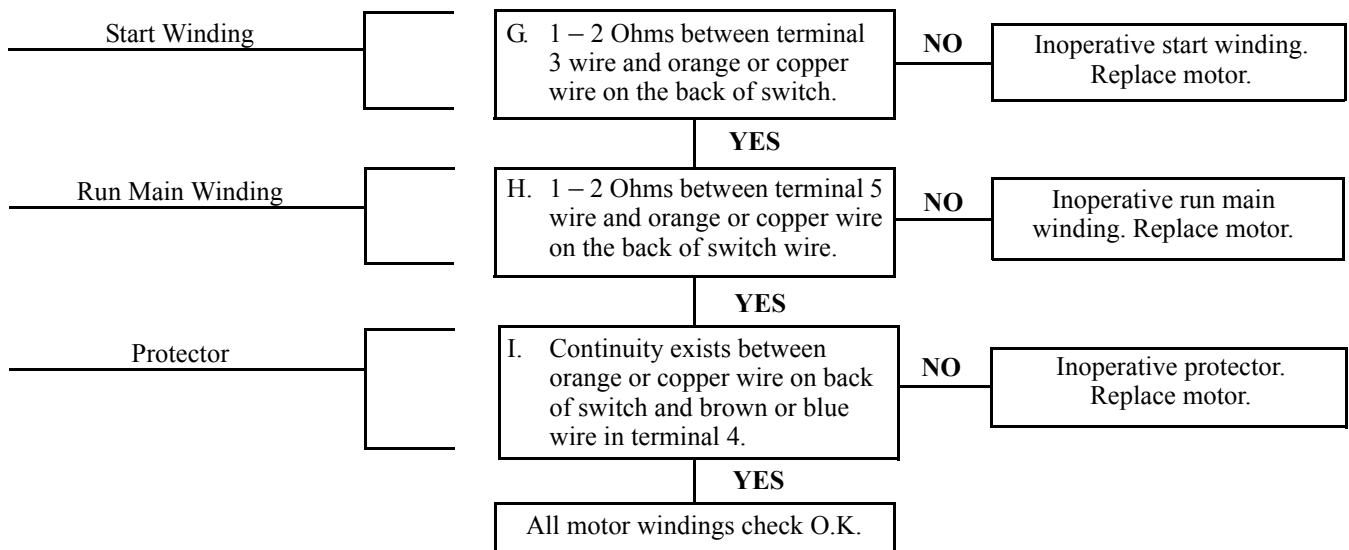
d. **Motor Windings** (Refer to *SECTION 6* for Internal Wiring of the Dryer Motor Switch.)



WARNING

Disconnect electric power to dryer before performing any of the following steps or when replacing inoperative motor switch.

W290





WARNING

To reduce the risk of electric shock, fire, explosion, serious injury or death:

- Disconnect electric power to the dryer(s) before servicing.
- Close gas shut-off valve to gas dryer(s) before servicing.
- Never start the dryer(s) with any guards/panels removed.
- Whenever ground wires are removed during servicing, these ground wires must be reconnected to ensure that the dryer is properly grounded.

W001R1

24. MOTOR SWITCH

- Remove motor and exhaust fan assembly.
- Remove the two motor switch attaching screws.
Refer to *Figure 6*. Disconnect switch leads.
Remove motor switch.
- Remove thermal overload protector.

NOTE: The thermal overload protector is unique to the motor from which it was removed and should only be used on that motor. To reduce the risk of overheating the motor, do not use any thermal overload protector other than the one taken from the inoperative motor switch in step 3.

(1) Motor with Switch on Blower End

Using a small bladed screwdriver, press the thermal overload protector mounting tab downward and remove the thermal overload protector from the inoperative motor switch. Refer to *Figure 6*.

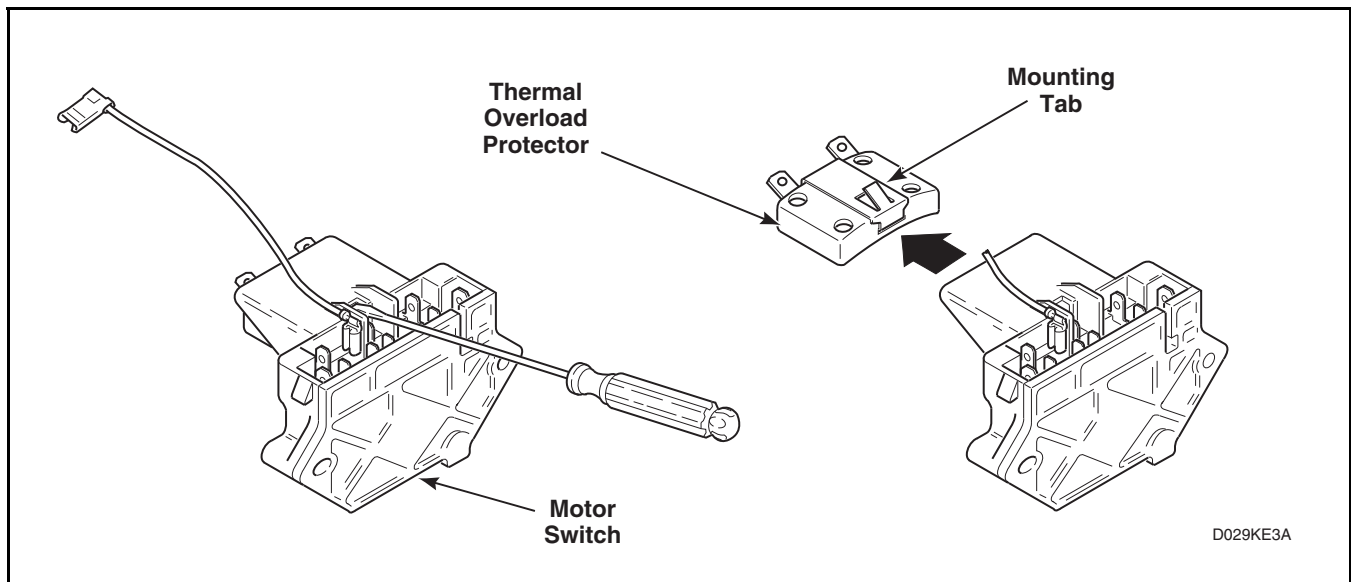


Figure 6



WARNING

To reduce the risk of electric shock, fire, explosion, serious injury or death:

- Disconnect electric power to the dryer(s) before servicing.
- Close gas shut-off valve to gas dryer(s) before servicing.
- Never start the dryer(s) with any guards/panels removed.
- Whenever ground wires are removed during servicing, these ground wires must be reconnected to ensure that the dryer is properly grounded.

W001R1

(2) **Motor with switch on pulley end**

Press the tip of a small bladed screwdriver into the slot located between top of motor switch and plastic clip. Lift up on handle of screwdriver until both clip and thermal overload protector detach from motor switch. Refer to *Figure 7*.

- d. Attach the thermal overload protector removed in Step “c” to the new motor switch.
- e. Install new motor switch onto motor and reconnect motor switch leads removed in Step “b”. Refer to *Figure 6*.

- f. Test motor switch by following the step-by-step procedures included in *Paragraph 23*.
- g. Before reinstalling the motor assembly, apply power (120 VAC) directly to motor terminals 4 and 5. Then start and run the motor at least 6 times, making sure the motor and switch are operating properly.

NOTE: The dryer manufacturer and parts suppliers are not liable for improper switch installation.

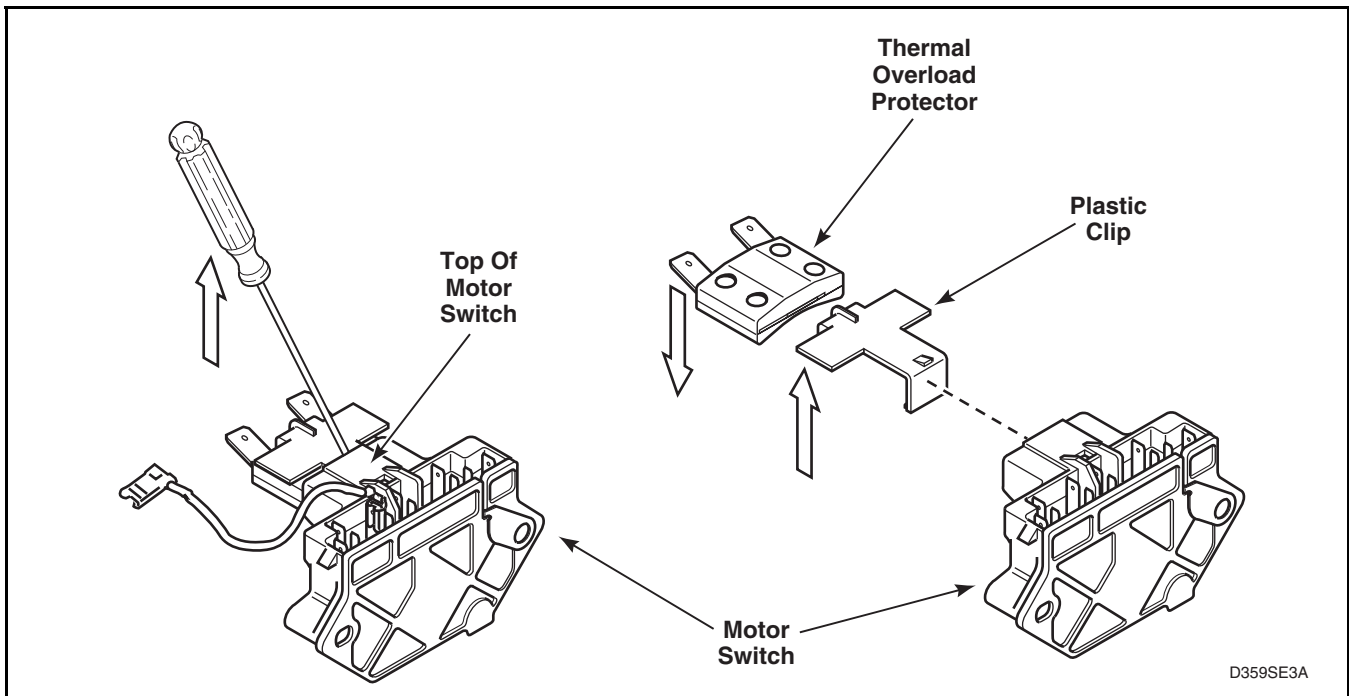


Figure 7



WARNING

To reduce the risk of electric shock, fire, explosion, serious injury or death:

- Disconnect electric power to the dryer(s) before servicing.
- Close gas shut-off valve to gas dryer(s) before servicing.
- Never start the dryer(s) with any guards/panels removed.
- Whenever ground wires are removed during servicing, these ground wires must be reconnected to ensure that the dryer is properly grounded.

W001R1

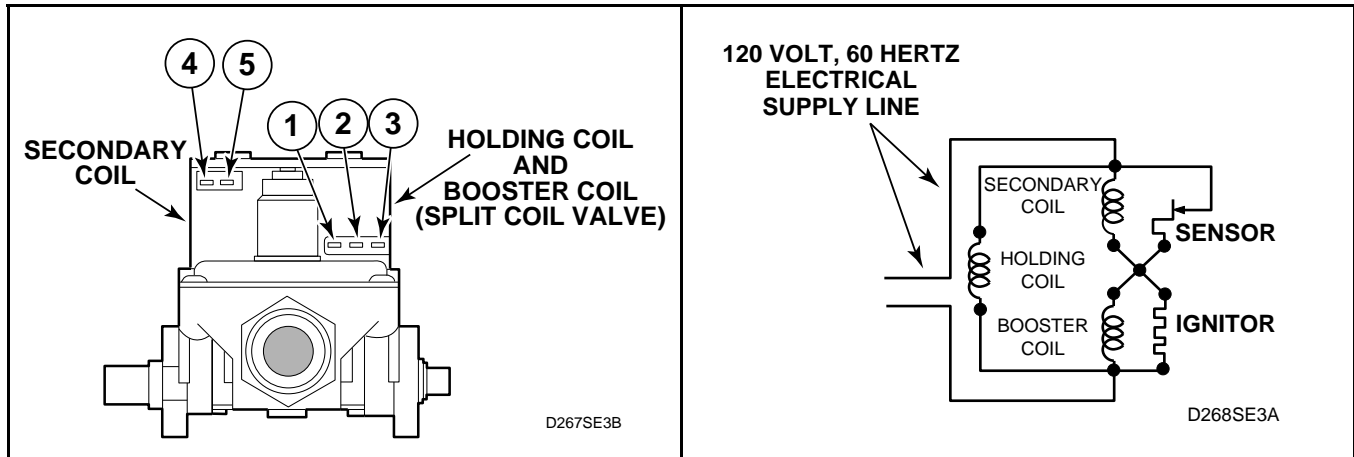


Figure 8

25. BURNER SYSTEM OPERATION

(Gas Models – Refer to *Figure 8*.)

a. Components

This burner has four basic components: a silicon carbide (glow bar) igniter, burner tube, sensor, and a two-stage gas valve consisting of a split-coil valve and a secondary coil valve. The split-coil valve is opened when the dryer thermostat calls for heat, while the secondary valve does not open until the igniter has attained ignition temperature.

b. Pre-Ignition Circuits

When the dryer thermostat calls for heat, circuits are completed through the holding coil, sensor, booster coil and igniter. Both coils must be energized to open the split-coil valve. Once opened, the holding coil can hold the valve open without assistance from the booster coil. The sensor triggers the current to travel around the secondary coil and through the igniter, causing the igniter to get hot.

c. Burner Circuit

In approximately 30 seconds, the igniter attains ignition temperature and ignition is made. The heat from the burner flame causes the sensor contacts (located on burner housing beside the

igniter) to open. A circuit is then completed through the secondary valve coil, opening the valve and allowing gas to flow.

d. Momentary Power Interruption

Upon resumption of power, sensor contacts will still be open, permitting secondary valve to open. However, with the secondary coil in the circuit, the booster coil cannot draw enough current to open the split-coil valve. When sensor contacts do re-close, the secondary valve will close, and the burner system will be in the normal pre-ignition circuit.

e. Flame Failure

In case of flame failure, the sensor contacts will re-close in about 45 seconds. This will close the secondary valve and the burner system will be in the normal pre-ignition circuit.

f. Ignition Failure

If flame is not established as sensor contacts open, secondary valve will remain open until sensor contacts re-close. Sensor will continue to recycle the igniter and secondary valve (about once per minute) until ignition is made or dryer is turned off.



WARNING

To reduce the risk of electric shock, fire, explosion, serious injury or death:

- Disconnect electric power to the dryer(s) before servicing.
- Close gas shut-off valve to gas dryer(s) before servicing.
- Never start the dryer(s) with any guards/panels removed.
- Whenever ground wires are removed during servicing, these ground wires must be reconnected to ensure that the dryer is properly grounded.

W001R1

26. ELECTRICAL CIRCUIT TO IGNITION SYSTEM (Gas Models)

- a. While supporting the access panel, remove two screws from bottom edge of access panel.
- b. Gently lower the access panel to disengage locators from bottom edge of front panel.
- c. Close main gas shut-off valve. Refer to *Figure 3*.
- d. Remove valve wire harness disconnect block from the holding and booster coil. Refer to *Figure 9*.
- e. Plug dryer power cord into wall receptacle, and start the dryer in a heat setting (refer to the Operating Instructions supplied with dryer).
- f. Set test meter to read AC voltage and apply meter probes into terminals on the dryer harness plug that would correspond to terminals “1” and “2” on the coil. *Figure 8*. Meter should register line voltage in all Fabric settings, except NO HEAT which should read “zero” VAC.
- g. If meter does not read line voltage in step “f”, check motor switch, thermostats, fabric switch, accumulator, or timer.

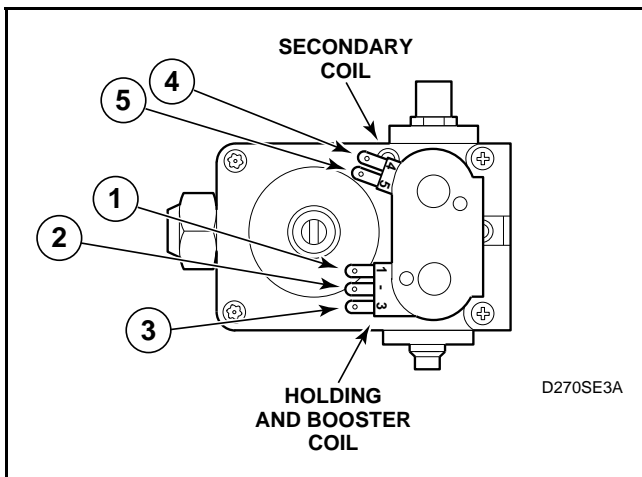


Figure 9



WARNING

To reduce the risk of fire, explosion and electric shock, close the valve in the gas supply line to the gas dryer and disconnect the electrical power unless gas or power supplies are required to perform test procedure.

W263

27. GAS VALVE COILS CHECK (Gas Models)

- a. While supporting the access panel, remove two screws from bottom edge of access panel.
- b. Gently lower the access panel to disengage locators from bottom edge of front panel.
- c. Close main gas shut-off valve. Refer to *Figure 3*.
- d. Remove disconnect blocks from gas valve coils.
- e. Set test meter to read Ohms and put meter probes to terminals shown in *Figure 9*, and in the following chart.

COIL TOLERANCE READINGS

Meter probes to terminals:	Meter should read:
Holding Coil – Terminals 1 & 2	1365 ± 230 Ohms
Booster Coil – Terminals 1 & 3	560 ± 100 Ohms
Secondary Coil – Terminals 4 & 5	1325 ± 230 Ohms

NOTE: If meter registers any other readings than those listed above, the respective coil(s) should be replaced.



WARNING

To reduce the risk of electric shock, fire, explosion, serious injury or death:

- Disconnect electric power to the dryer(s) before servicing.
- Close gas shut-off valve to gas dryer(s) before servicing.
- Never start the dryer(s) with any guards/panels removed.
- Whenever ground wires are removed during servicing, these ground wires must be reconnected to ensure that the dryer is properly grounded.

W001R1

28. SENSOR CHECK (Gas Models)

- a. While supporting the access panel, remove two screws from bottom edge of access panel.
- b. Gently lower the access panel to disengage locators from bottom edge of front panel.
- c. Close main gas shut-off valve. Refer to *Figure 3*.
- d. Remove wires from sensor terminals.
- e. Set test meter to read Ohms and put meter probes on sensor terminals. Meter should read “zero” Ohms. If meter registers an Ohm reading of any amount, replace sensor.

29. IGNITER CHECK (Gas Models)

- a. While supporting the access panel, remove two screws from bottom edge of access panel.
- b. Gently lower the access panel to disengage locators from bottom edge of front panel.
- c. Close main gas shut-off valve. Refer to *Figure 3*.
- d. Disconnect igniter wires at disconnect block.
- e. Set test meter to read Ohms and put meter probes on terminals of igniter wires.
- f. Meter should read between 45 – 200 Ohms. Refer to *Figure 10*.

NOTE: If meter does not read appropriate Ohms, then replace the igniter.

IMPORTANT: Always examine all wires, terminals and connectors to be sure wiring is correct before replacing any components.

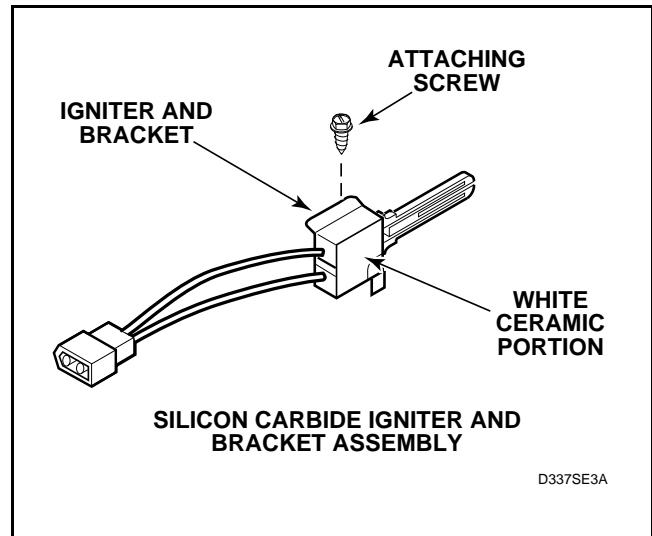


Figure 10



WARNING

To reduce the risk of electric shock, fire, explosion, serious injury or death:

- Disconnect electric power to the dryer(s) before servicing.
- Close gas shut-off valve to gas dryer(s) before servicing.
- Never start the dryer(s) with any guards/panels removed.
- Whenever ground wires are removed during servicing, these ground wires must be reconnected to ensure that the dryer is properly grounded.

W001R1

30. THERMAL FUSE (Electric Models)

- a. While supporting the access panel, remove two screws from bottom edge of front access panel.
- b. Gently lower the access panel to disengage panel locators from bottom edge of front panel.
- c. Label and disconnect wires from thermal fuse.

NOTE: Refer to wiring diagram when rewiring thermal fuse.

- d. Set multimeter to read Ohms. Apply meter probes to thermal fuse terminals. Multimeter should read 0 Ohms. If the meter does not show any reading (infinite Ohms), then the fuse is open. If the fuse is open, then replace BOTH the thermal fuse and the limit thermostat.

31. HEATER ASSEMBLY (Electric Models)

- a. While supporting the access panel, remove two screws from bottom edge of access panel.
- b. Gently lower the access panel to disengage panel locators from bottom edge of front panel.
- c. Disconnect wires from heater assembly.

NOTE: Refer to wiring diagram when rewiring heater assembly.

- d. Set meter to read Ohms. Apply meter probes to the heater assembly terminals. Meter should read as follows: (Cold Ohms).

Element Color Code	KW	Voltage/Hz.	Resistance Reading
Red	5	240 V 60 Hz.	10.39 ± .31 Ohms Cold
White	4.75	208 V 60 Hz.	8.2 ± .5 Ohms Cold
Orange	5.35	240 V 60 Hz.	9.72 ± .3 Ohms Cold
Purple	4.25	208 V 60 Hz.	9.27 ± .3 Ohms Cold

32. CYCLING OR LIMIT THERMOSTAT

- a. While supporting the access panel, remove two screws from bottom edge of access panel.
- b. Gently lower the access panel to disengage panel locators from bottom edge of front panel.
- c. Label and disconnect wires from thermostat.

NOTE: Refer to wiring diagram when rewiring thermostat.

Cycling Thermostat (S.P.S.T. – 2 Terminals) or Limit Thermostat

- d. Set meter to read Ohms.
 - (1) Apply meter probes to the thermostat terminals.
 - (2) Meter should read “zero.”



WARNING

To reduce the risk of electric shock, fire, explosion, serious injury or death:

- **Disconnect electric power to the dryer(s) before servicing.**
- **Close gas shut-off valve to gas dryer(s) before servicing.**
- **Never start the dryer(s) with any guards/panels removed.**
- **Whenever ground wires are removed during servicing, these ground wires must be reconnected to ensure that the dryer is properly grounded.**

W001R1

33. DOOR SWITCH

- a. While supporting the access panel, remove two screws from bottom edge of access panel.
- b. Gently lower the access panel to disengage locators from bottom edge of front panel.
- c. Remove two screws holding bottom tabs on front panel to dryer side panels. Swing bottom of front panel away from dryer far enough to disengage hold-down clips and locators from cabinet top.
- d. Disconnect wires from door switch.

NOTE: Refer to model wiring diagram when rewiring door switch.

- e. Set meter to read Ohms and apply meter probes on switch terminals 1 and 3 with door closed. You should get “zero” reading.
- f. Apply probes to terminals 1 and 2 with door closed. The meter should read “infinite”.
- g. Open door. Meter should read “infinite” between 1 and 3 and “zero” between 1 and 2.

Section 6

Internal Wiring of Dryer Motor Switch



WARNING

To reduce the risk of electric shock, fire, explosion, serious injury or death:

- Disconnect electric power to the dryer(s) before servicing.
- Close gas shut-off valve to gas dryer(s) before servicing.
- Never start the dryer(s) with any guards/panels removed.
- Whenever ground wires are removed during servicing, these ground wires must be reconnected to ensure that the dryer is properly grounded.

W001R1

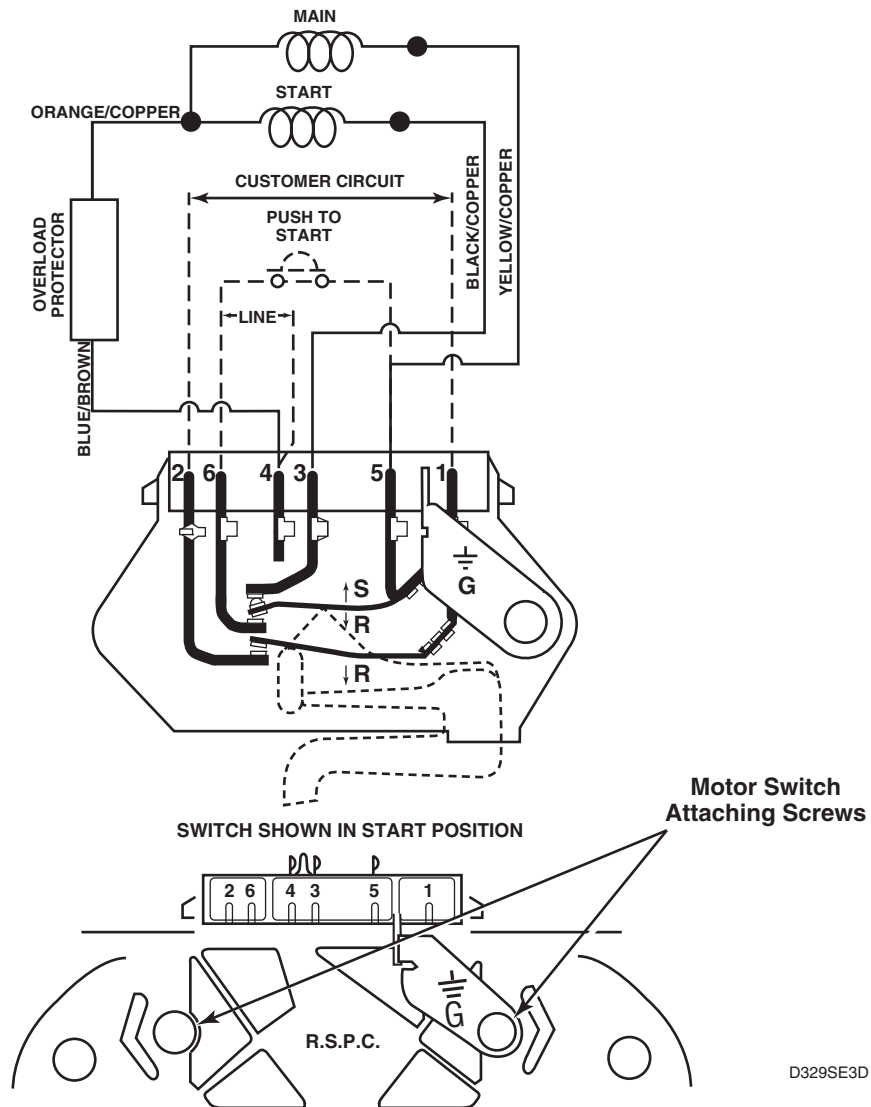


Figure 11