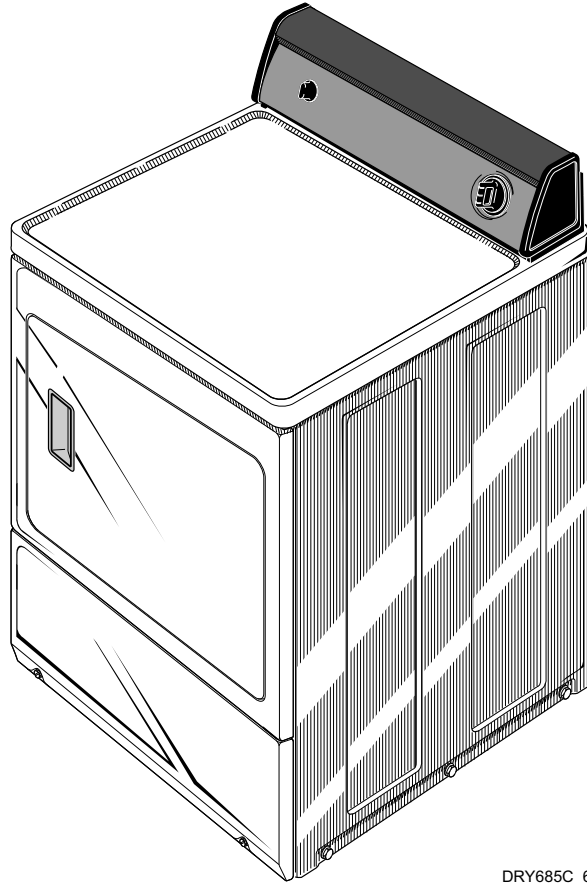


Dryers

Refer to Page 3 for Model Numbers



DRY685C_62848

Table of Contents

Title	Page
Parts Ordering Information.....	2
Nameplate Location	2
Model Identification	3
Graphic Panel, Control Hood and Controls (Drawing 1 of 5)	4
Graphic Panel, Control Hood and Controls (Drawing 2 of 5)	6
Graphic Panel, Control Hood and Controls (Drawing 3 of 5)	8
Graphic Panel, Control Hood and Controls (Drawing 4 of 5)	10
Graphic Panel, Control Hood and Controls (Drawing 5 of 5)	12
Cabinet Top and Control Hood Rear Panel	14
Loading Door with Drying Rack	16
Lower Access Panel, Front Panel and Seal.....	18
Motor, Exhaust Fan and Belt	20
Front Bulkhead, Air Duct, Felt Seal and Cylinder	22
Rear Bulkhead, Felt Seal, Cylinder Roller and Terminal Block.....	24
Heater Box Assembly (Drawing 1 of 2)	26
Heater Box Assembly (Drawing 2 of 2)	28
Gas Valve, Igniter and Gas Conversion Kits.....	30
Cabinet, Exhaust Duct and Base	32
Power Cord (Drawing 1 of 2)	34
Power Cord (Drawing 2 of 2)	36
Terminals	38
Motor Connection Block and Terminal Extractor Tools.....	40
Parts Index.....	43

© Copyright 2018, Alliance Laundry Systems LLC

All rights reserved. No part of the contents of this book may be reproduced or transmitted in any form or by any means without the expressed written consent of the publisher.

Parts Ordering Information

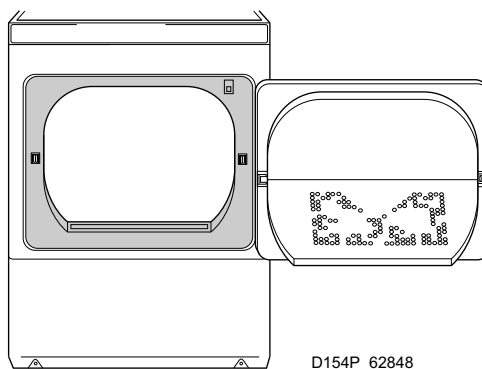
If literature or replacement parts are required, contact the source from whom the machine was purchased or contact Alliance Laundry Systems at (920) 748-3950 for the name and address of the nearest authorized parts distributor.

For technical assistance, call the number listed below:

(920) 748-3121 Ripon, Wisconsin

Serial Plate Location

When calling or writing about your product, be sure to mention model and serial numbers. Model and serial numbers are located on serial plate(s) as shown.



Model Identification

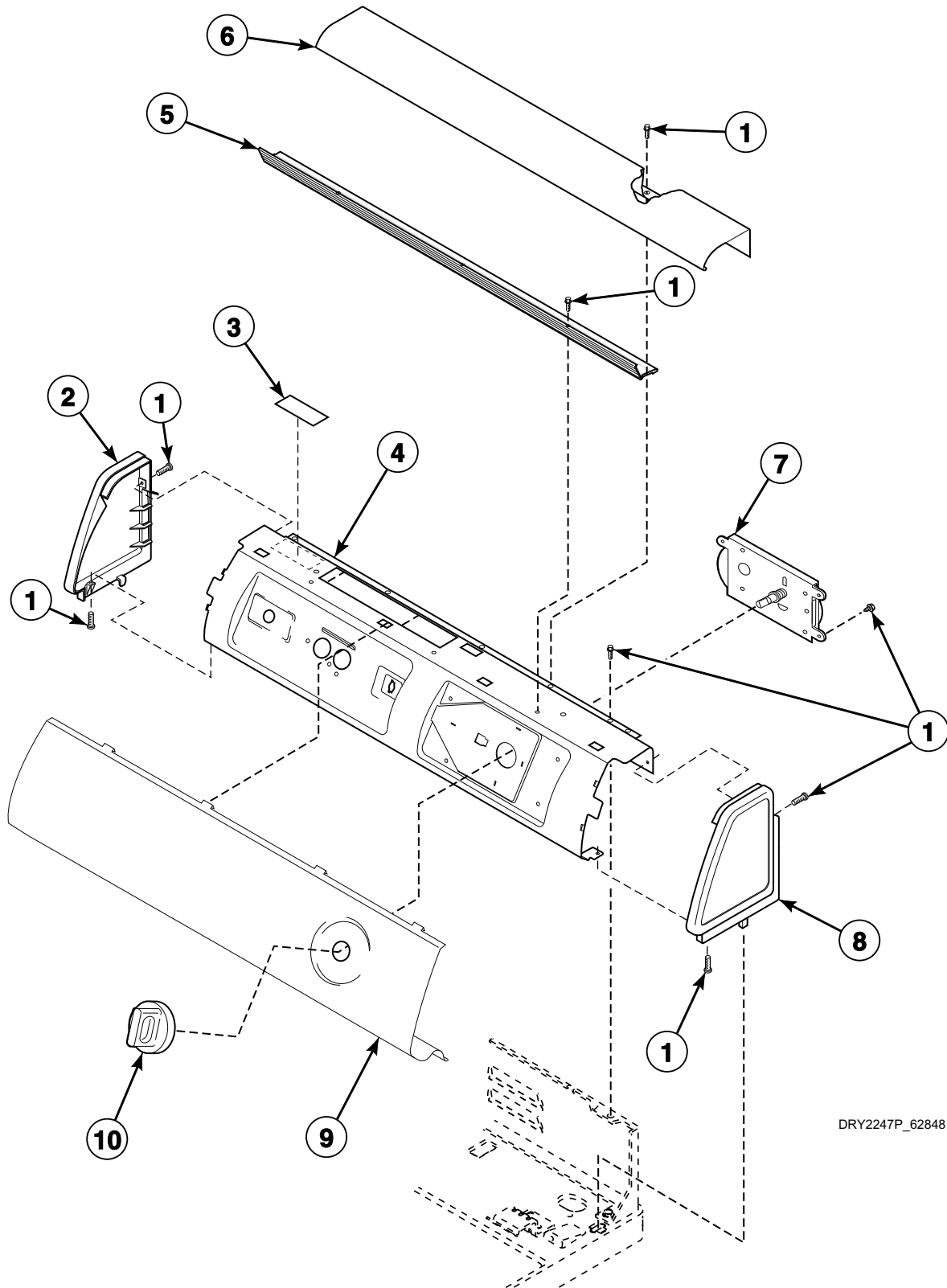
Information in this manual is applicable to these dryer models:

CE4307*	LE1007*	LG1009*
CE8407*	LE4207*	LG4209*
CE8427*	LE4307*	LG4309*
CE8507*	LE4407*	LG4409*
CE9107*	LE4427*	LG4429*
CE9207*	LE4507*	LG4509*
CG8409*	LE4607*	LG4609*
	LE4807*	LG4809*
	LE4907*	LG4909*
	LE8327*	LG8329*
	LE8407*	LG8409*
	LE8457*	LG8459*
	LE8507*	LG8509*
	LE8607*	LG8609*
	LE9107*	LG9109*
	LE9207*	LG9209*
	LEM427*	LGM429*
	LEM437*	LGM439*
	LEM447*	LGM449*
	LEM547*	LGM549*
	LEM847*	LGM849*

* Add Letter To Designate Color. L - Almond W - White

Graphic Panel, Control Hood and Controls (Drawing 1 of 5)

Models LE1007* and LG1009*



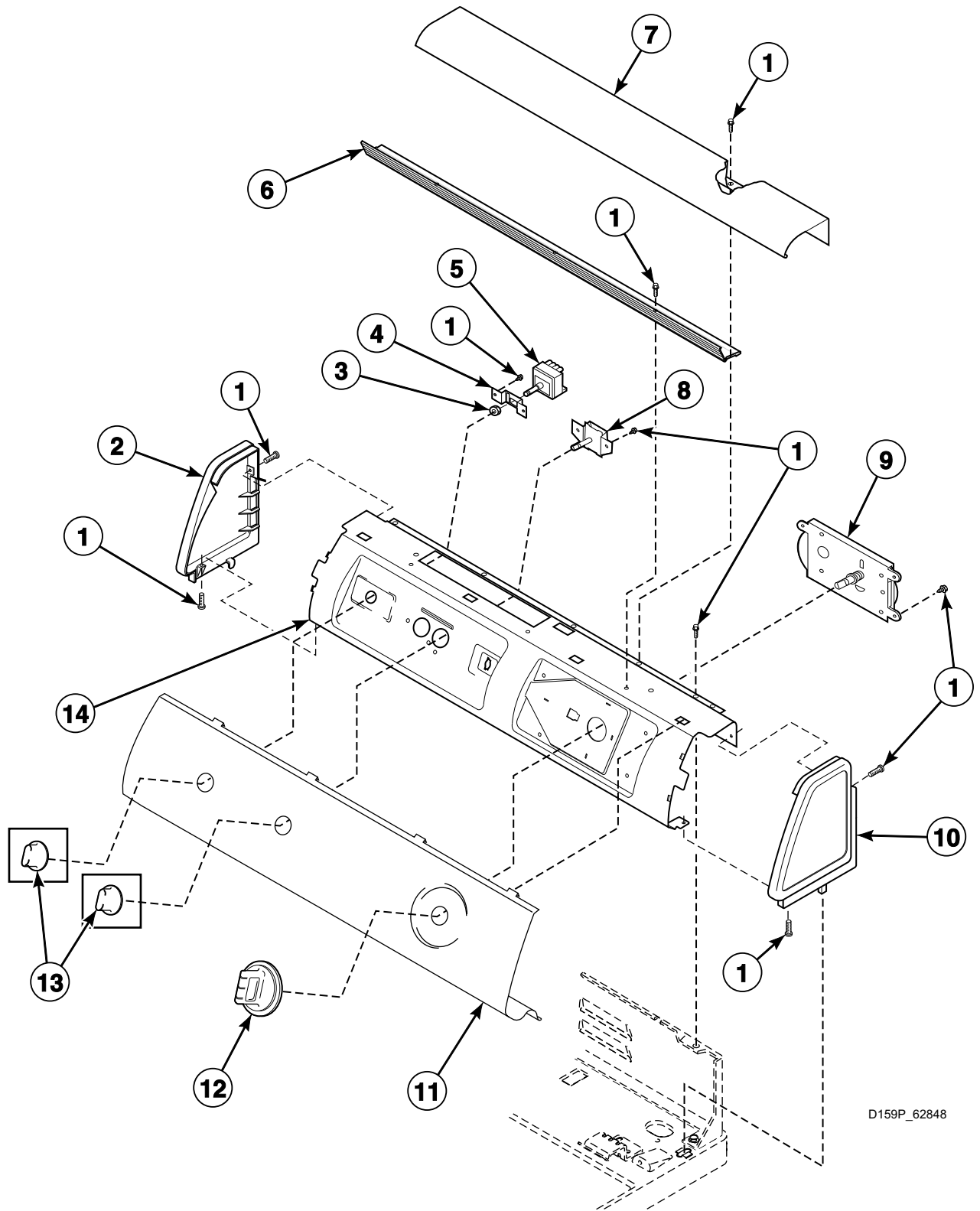
DRY2247P_62848

Graphic Panel, Control Hood and Controls (Drawing 1 of 5)

REF	PART NO.	DESCRIPTION	COMMENTS
1	D501086	Screw	
2	34816	End Panel	Left
3	D505281	Disconnect Power Warning Label	
4	D500300	Control Mounting Plate	
5	D500305	Diffuser	
6	D500302	Top Cover	
7	59420P	Timer	
8	34815	End Panel	Right
9	D501548	Graphic Panel	
10	62176	Timer Knob Assembly	

Graphic Panel, Control Hood and Controls (Drawing 2 of 5)

Models CE4307*, CE8407*, CE8427*, CG8409*, LE4307*, LE4407*, LE4427*, LE8327*, LE8407*, LE8457*, LEM437*, LG4309*, LG4409*, LG4429*, LG8329*, LG8409*, LG8459* and LGM439*



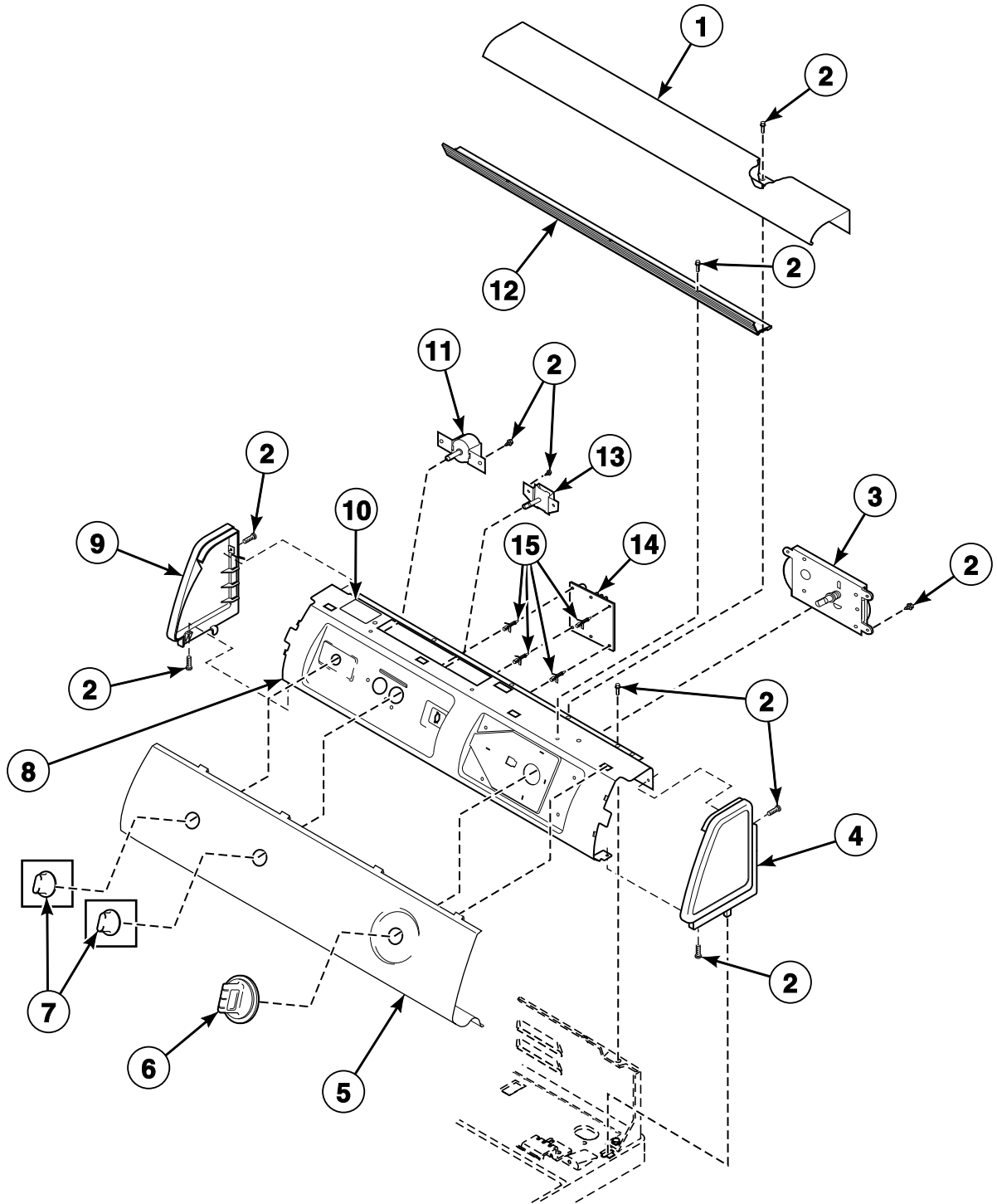
D159P_62848

Graphic Panel, Control Hood and Controls (Drawing 2 of 5)

REF	PART NO.	DESCRIPTION	COMMENTS
1	D501086	Screw	
2	D504009WP	End Panel	Models CE8407*, CE8427*, CG8409*, LE8327*, LE8407*, LE8457*, LG8329*, LG8409* and LG8459*
	34816	End Panel	All other models
3	57584	Nut	
4	59704	Switch Mount Bracket	
5	61511	Fabric Selector Switch	
6	D500305	Diffuser	
7	D500303W	Top Cover	Models CE8407*, CE8427*, CG8409*, LE8327*, LE8407*, LE8457*, LG8329*, LG8409* and LG8459*
	D500302	Top Cover	All other models
8	D500823	Rotary Signal	Models CE8407*, CE8427*, CG8409*, LE4407*, LE4427*, LE8407*, LE8457*, LG4409*, LG4429*, LG8409* and LG8459*
9	59419	Timer	Models CE4307*, LE4307*, LEM437*, LG4309*, LG8329* and LGM439*
	D502967P	Timer	Models CE8407*, CE8427*, CG8409*, LE4407*, LE4427*, LE8407*, LE8457*, LG4409*, LG4429*, LG8409* and LG8459*
10	D504008WP	End Panel	Models CE8407*, CE8427*, CG8409*, LE8327*, LE8407*, LE8457*, LG8329*, LG8409* and LG8459*
	34815	End Panel	All other models
11	D501386	Graphic Panel	Models LEM437* and LGM439*
	D500784	Graphic Panel	Models CE4307*, LE4307* and LG4309*
	D500531	Graphic Panel	Models LE4407*, LE4427*, LG4409* and LG4429*
	D501564W	Graphic Panel	Models CE8407*, CE8427*, CG8409*, LE8407* and LG8409*
	D501990W	Graphic Panel	Models LE8327* and LG8329*
	D501980W	Graphic Panel	Models LE8457* and LG8459*
12	D500775W	Timer Knob Assembly	Models CE8407*, CE8427*, CG8409*, LE8327*, LE8407*, LE8457*, LG8329*, LG8409* and LG8459*
	D500311	Timer Knob Assembly	All other models
13	35330W	Rotary Knob Assembly	Models CE8407*, CE8427*, CG8409*, LE8327*, LE8407*, LE8457*, LG8329*, LG8409* and LG8459*
	34847	Knob Assembly	All other models
14	D500300	Control Mounting Plate	

Graphic Panel, Control Hood and Controls (Drawing 3 of 5)

Models CE8507*, LE4207*, LE4507*, LE4607*, LE8507*, LE8607*, LEM427*, LEM447*, LEM547*, LG4209*, LG4509*, LG4609*, LG8509*, LG8609*, LGM429*, LGM449* and LGM549*



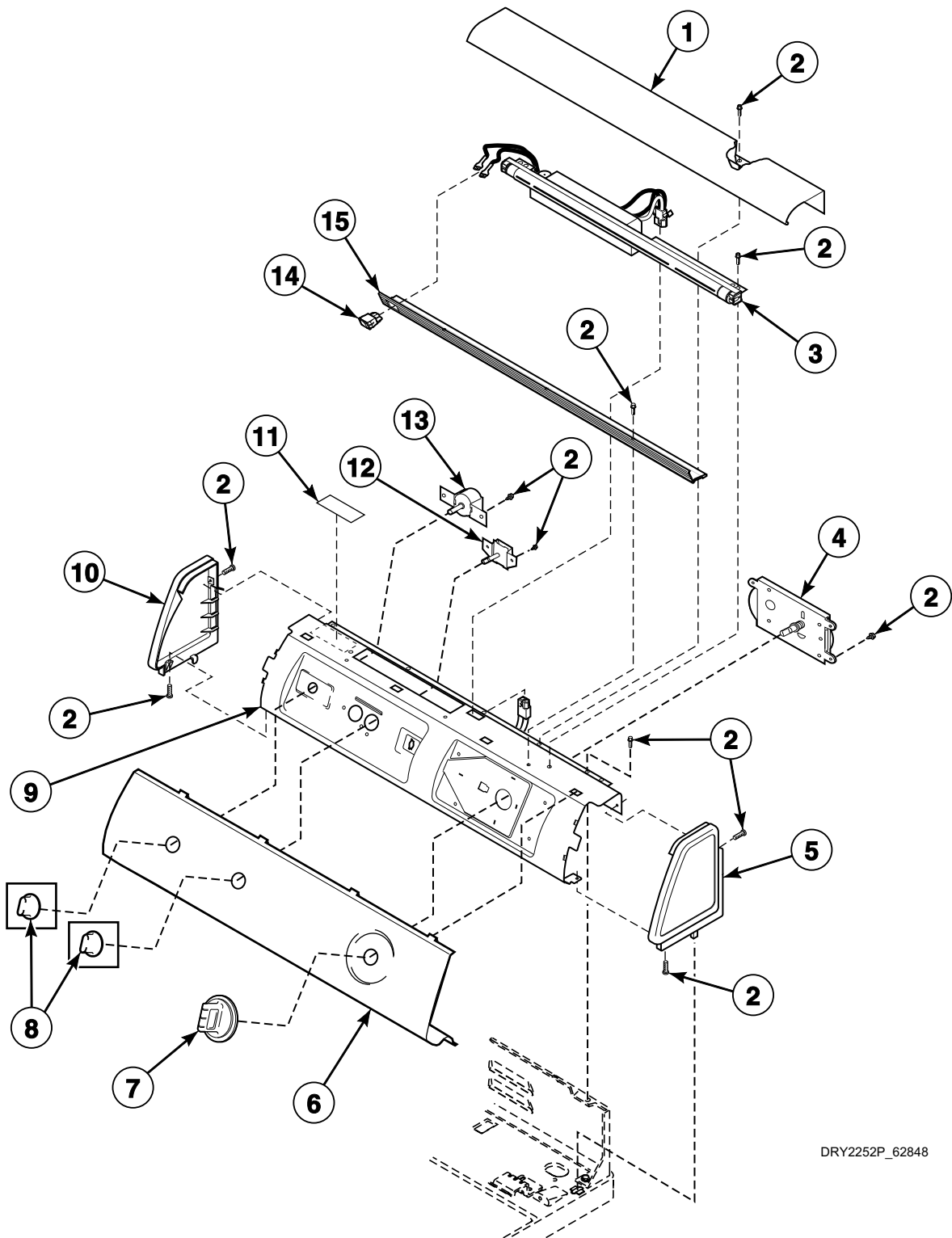
DRY2245P_62848

Graphic Panel, Control Hood and Controls (Drawing 3 of 5)

REF	PART NO.	DESCRIPTION	COMMENTS
1	D500303W	Top Cover	Models CE8507*, LE8507*, LE8607* and LG8609*
	D500302	Top Cover	All other models
2	D501086	Screw	
3	D501861	Timer	Models LE4207*, LEM427*, LG4209* and LGM429*
	D502967P	Timer	Models LEM447*, LEM547*, LGM449* and LGM549*
	D502968P	Timer	All other models
4	D504008WP	End Panel	Models CE8507*, LE8507*, LE8607*, LG8509* and LG8609*
	34815	End Panel	All other models
5	D501402	Graphic Panel	Models LEM447* and LGM449*
	D501459	Graphic Panel	Models LEM547* and LGM549*
	D501261	Graphic Panel	Models LE4507*, LE4607*, LG4509* and LG4609*
	D501287W	Graphic Panel	Models CE8507*, LE8507*, LE8607*, LG8509* and LG8609*
	D501900	Graphic Panel	Models LE4207* and LG4209*
	D501895	Graphic Panel	Models LEM427* and LGM429*
6	D500775W	Timer Knob Assembly	Models CE8507*, LE8507*, LE8607*, LG8509* and LG8609*
	D500311	Timer Knob Assembly	All other models
7	35330W	Rotary Knob Assembly	Models CE8507*, LE8507*, LE8607*, LG8509* and LG8609*
	34847	Knob Assembly	All other models
8	D505281	Disconnect Power Warning Label	
9	D504009WP	End Panel	Models LE8507*, LE8607*, LG8509* and LG8609*
	34816	End Panel	All other models
10	D500300	Control Mounting Plate	
11	62173	Selector Switch	
12	D500305	Diffuser	
13	M411883P	Rotary Signal	
14	D501266P	Electronic Control Board Assembly	
15	D501523	Circuit Board Support	

Graphic Panel, Control Hood and Controls (Drawing 4 of 5)

Models LEM847* and LGM849*



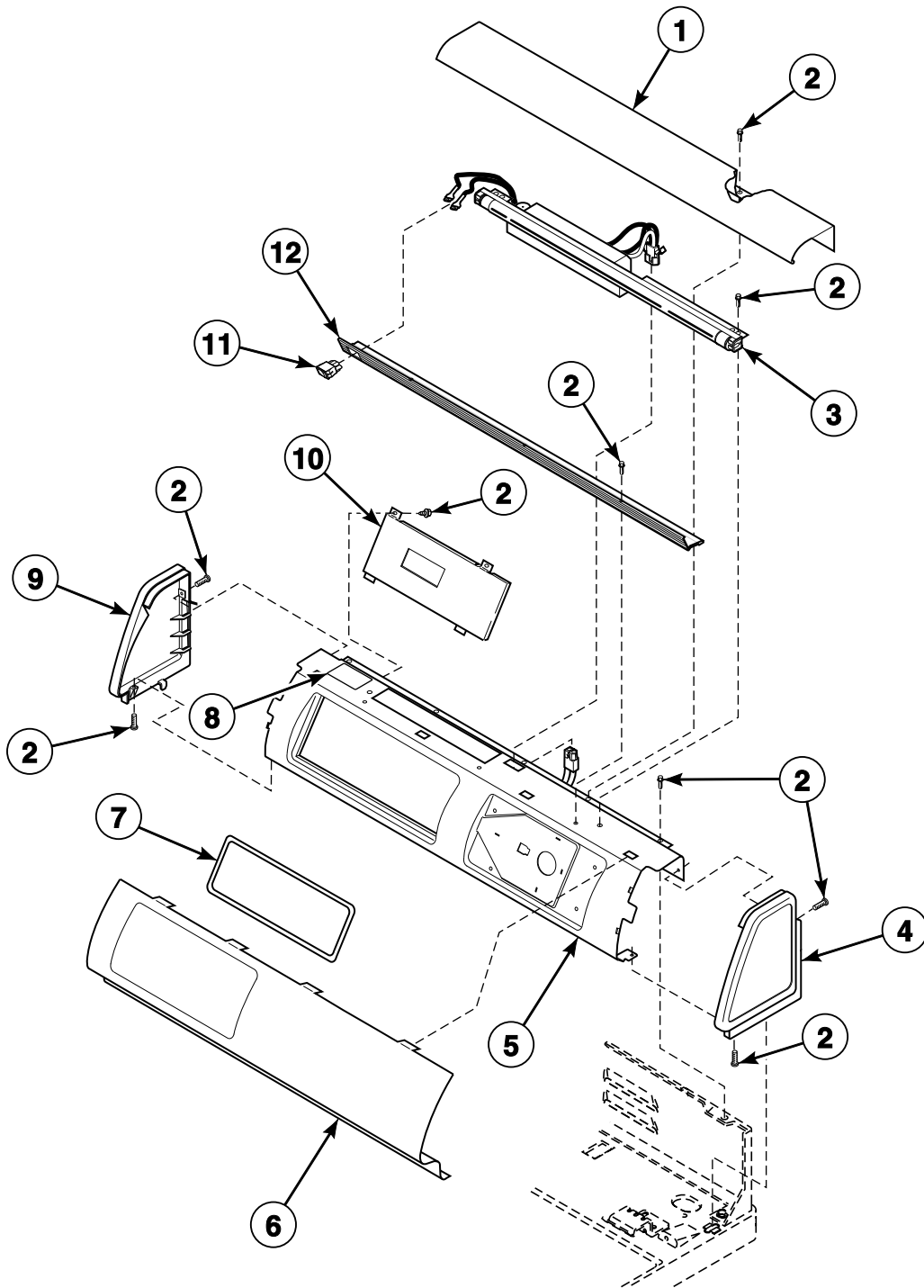
DRY2252P_62848

Graphic Panel, Control Hood and Controls (Drawing 4 of 5)

REF	PART NO.	DESCRIPTION	COMMENTS
1	D500303W	Top Cover	
2	D501086	Screw	
3	34836	Fluorescent Light Assembly	Includes 34837 Fluorescent Bulb and 34841 Fluorescent Starter
	34837	Fluorescent Bulb	
	34841	Fluorescent Starter	
4	D502967P	Timer	
5	D504008WP	End Panel	
6	D501419W	Graphic Panel	
7	D500775W	Timer Knob Assembly	
8	35330W	Rotary Knob Assembly	
9	D500300	Control Mounting Plate	
10	D504009WP	End Panel	
11	D505281	Disconnect Power Warning Label	
12	D500823	Rotary Signal	
13	62173	Selector Switch	
14	35036	Rocker Switch	
15	D500308	Diffuser	

Graphic Panel, Control Hood and Controls (Drawing 5 of 5)

Models CE9107*, CE9207*, LE4807*, LE4907*, LE9107*, LE9207*, LG4809*, LG4909*, LG9109* and LG9209*



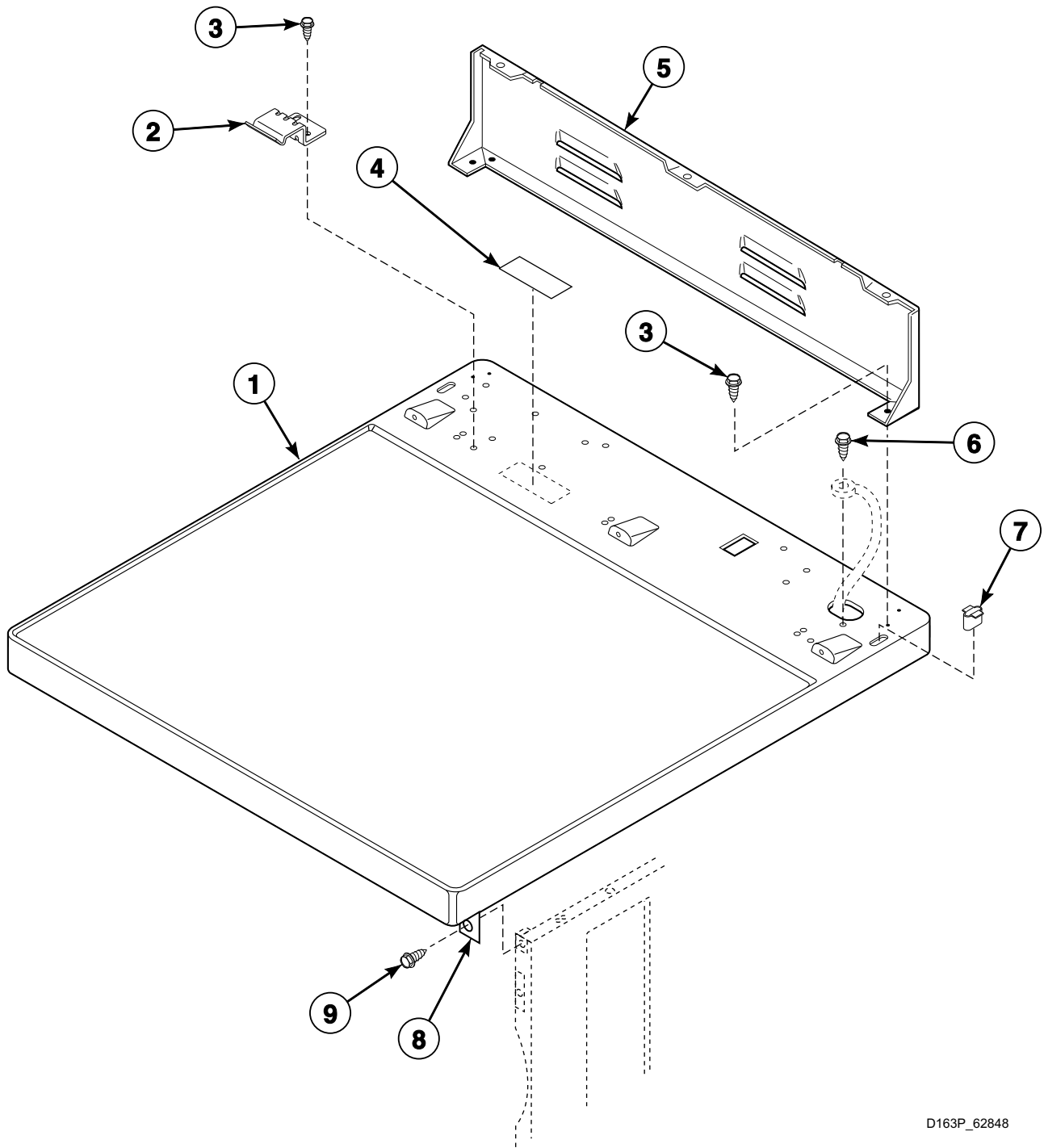
DRY2253P_62848

Graphic Panel, Control Hood and Controls (Drawing 5 of 5)

REF	PART NO.	DESCRIPTION	COMMENTS
1	D500302	Top Cover	Models LE4807*, LE4907*, LG4809* and LG4909*
	D500303W	Top Cover	All other models
2	D501086	Screw	
3	34836	Fluorescent Light Assembly	Includes 34837 Fluorescent Bulb and 34841 Fluorescent Starter
4	34815	End Panel	Models LE4807*, LE4907*, LG4809* and LG4909*
	D504008WP	End Panel	All other models
5	D500301	Control Mounting Plate	
6	D500757	Graphic Panel	Models LE4807*, LE4907*, LG4809* and LG4909*
	D500529*	Graphic Panel	All other models
7	D500528	Gasket	
8	D505281	Disconnect Power Warning Label	
9	34816	End Panel	Models LE4907*, LG4809* and LG4909*
	D504009WP	End Panel	All other models
10	D501273	Electronic Control Assembly	Models LE4807*, LE4907*, LG4809* and LG4909*
	D500540W	Electronic Control Assembly	All other models
11	35037	Rocker Switch	Models LE4807*, LE4907*, LG4809* and LG4909*
	35038	Rocker Switch	All other models
12	D500308	Diffuser	

* Add Letter To Designate Color. L - Almond W - White

Cabinet Top and Control Hood Rear Panel



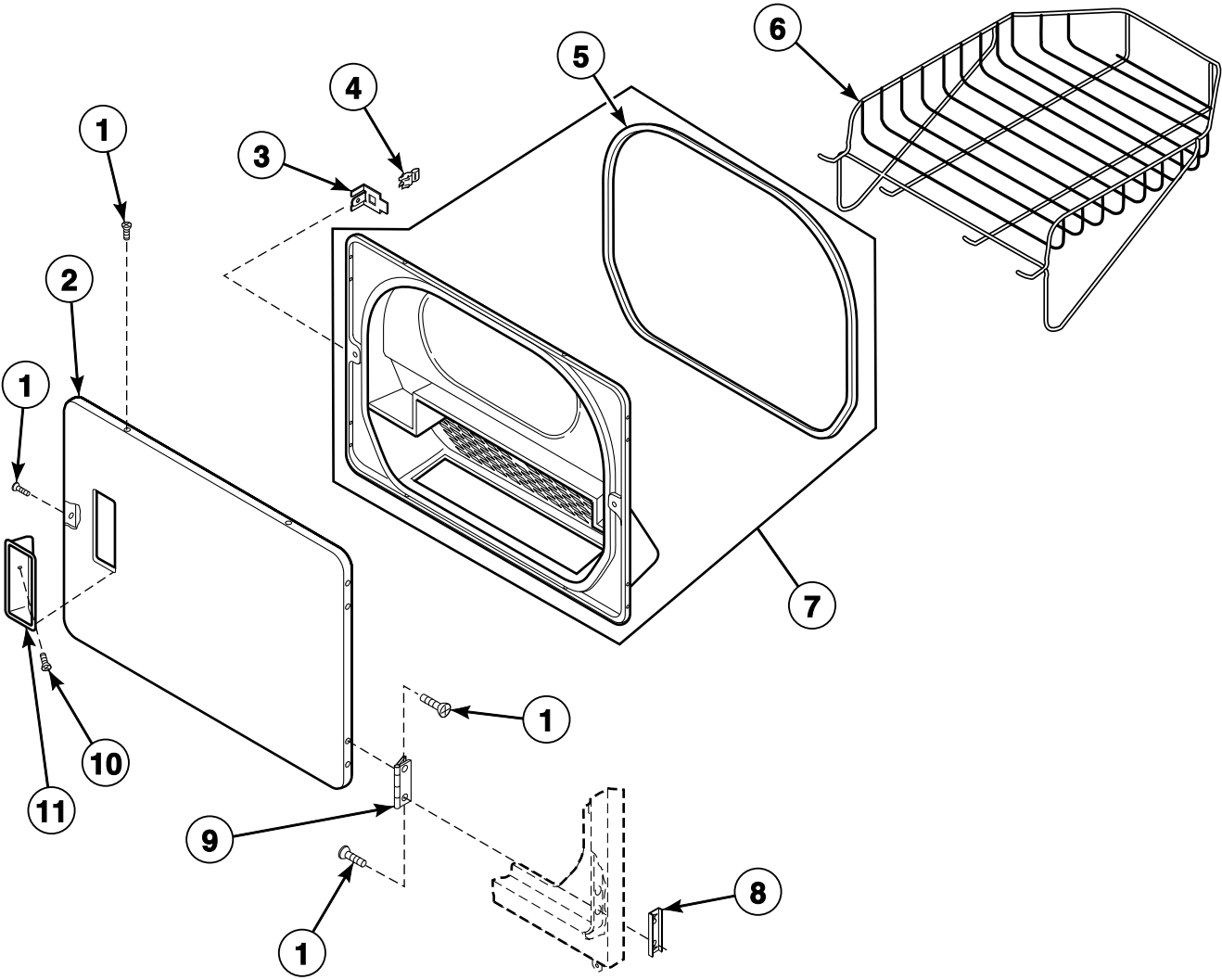
D163P_62848

Cabinet Top and Control Hood Rear Panel

REF	PART NO.	DESCRIPTION	COMMENTS
1	D510029*P	Top Panel Kit	Includes (2) 510146 Bracket
2	D503876	Hold-Down Spring Clip	
3	D501086	Screw	
4	D500314	Warning Label	Models CE4307*, CE8407*, CE8427*, CE8507*, CE9107*, CE9207* and CG8409*
	D505281	Disconnect Power Warning Label	All other models
5	D510099	Hood Back Panel	
6	20530	Screw	
7	D501242	Insert Clip	
8	D510146	Bracket	
9	33562	Screw	

* Add Letter To Designate Color. L - Almond W - White

Loading Door with Drying Rack



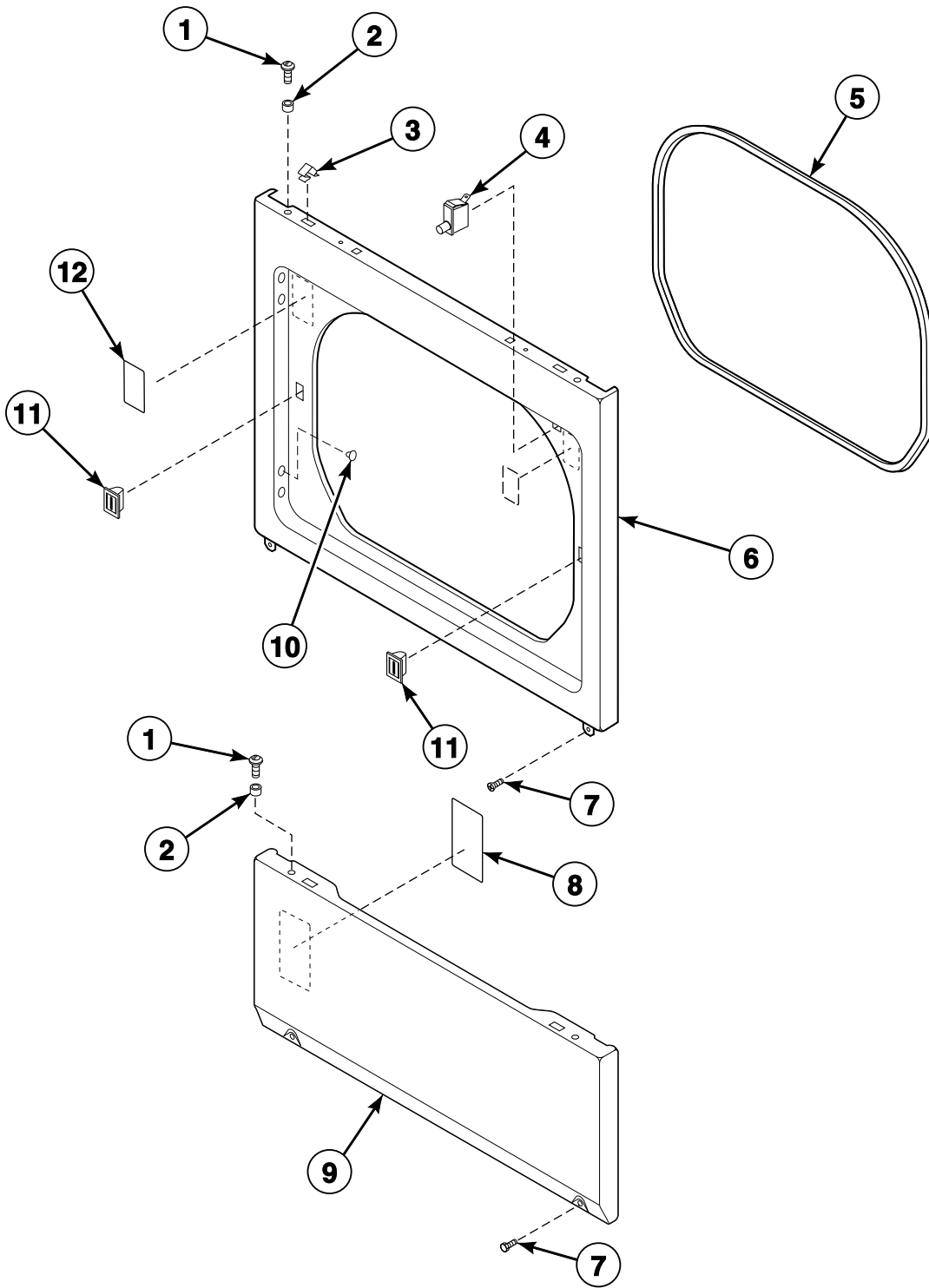
DRY2255P_62848

Loading Door with Drying Rack

REF	PART NO.	DESCRIPTION	COMMENTS
	D500035*	Door Assembly	Does not include D500236 Door Hinge Mounting Clips, D500226 Screws or D501295P Drying Rack
1	D500226	Screw	
2	D500040*	Dryer Door	
3	D510127	Door Strike Mount	
4	D510181	Door Strike	
5	D500200P	Door Seal	
6	D501295P	Drying Rack	Optional; All models except CE4307*, CE8407*, CE8427*, CG8409*, LE1007*, LE4307*, LE4407*, LE8407*, LEM437*, LEM447*, LEM547*, LEM847*, LG1009*, LG4309*, LG4409*, LG8409*, LGM439*, LGM449*, LGM549* and LGM849*
7	D500199P	Liner and Seal Assembly	Includes D500200P Door Seal
8	D500236	Door Hinge Mounting Clip	Not included with D500035* Door Assembly
9	D510519	Door Hinge	
10	D500297	Screw	
11	D500042*	Door Pull	

* Add Letter To Designate Color. L - Almond W - White

Lower Access Panel, Front Panel and Seal



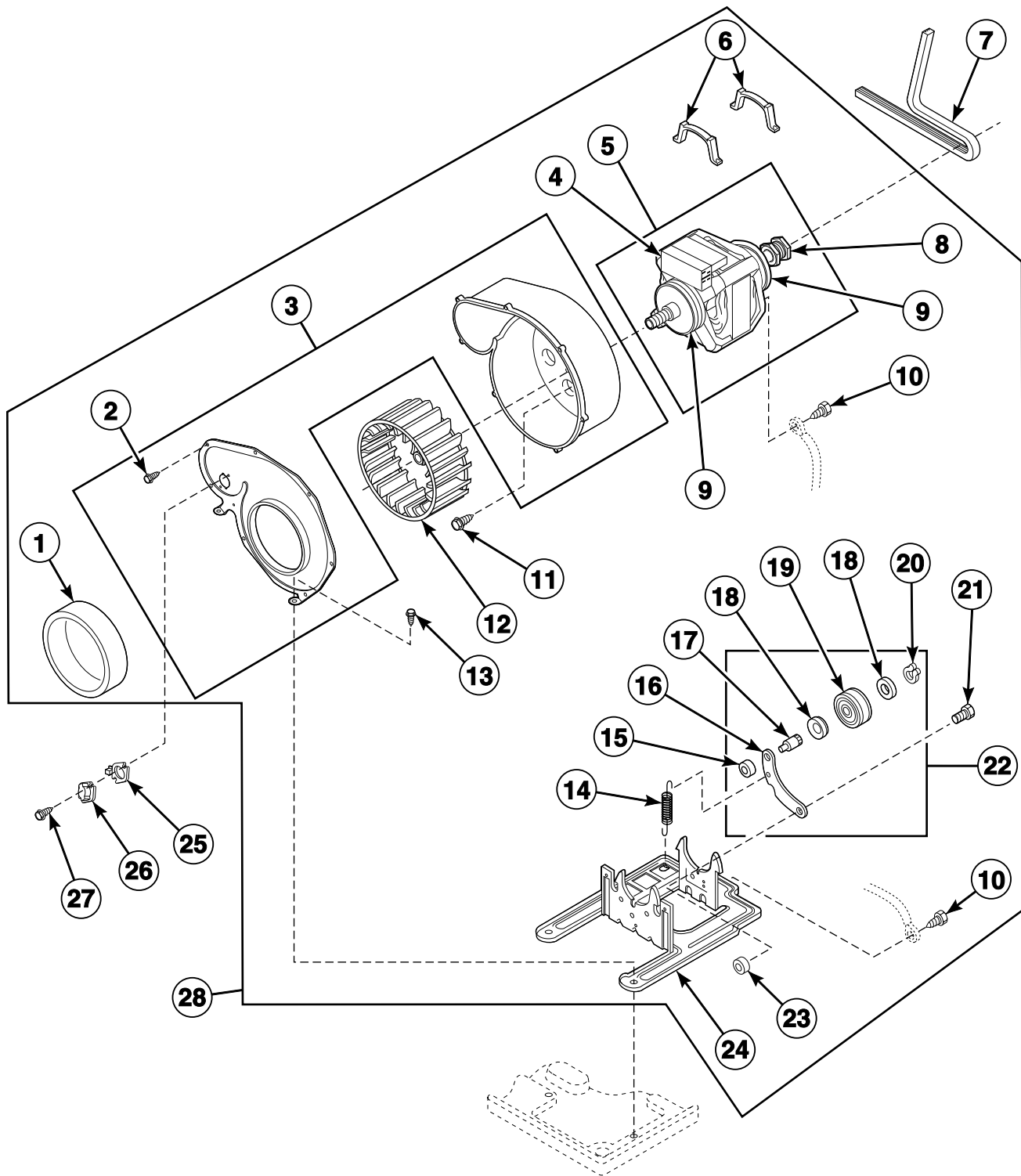
D165P_62848

Lower Access Panel, Front Panel and Seal

REF	PART NO.	DESCRIPTION	COMMENTS
1	39733	Screw	
2	56079	Panel Locator	
3	28835	Speed Clip	
4	D512973	Switch	
5	D500034	Front Panel Seal	
6	D500033*	Front Panel	
7	32562	Screw	
8	D511004	Gas Clearance Label	Gas models
9	D510069*P	Access Panel	
10	D500227	Screw	
11	D510177	Door Catch Assembly	
12	D500281	Warning/Caution Label	

* Add Letter To Designate Color. L - Almond W - White

Motor, Exhaust Fan and Belt

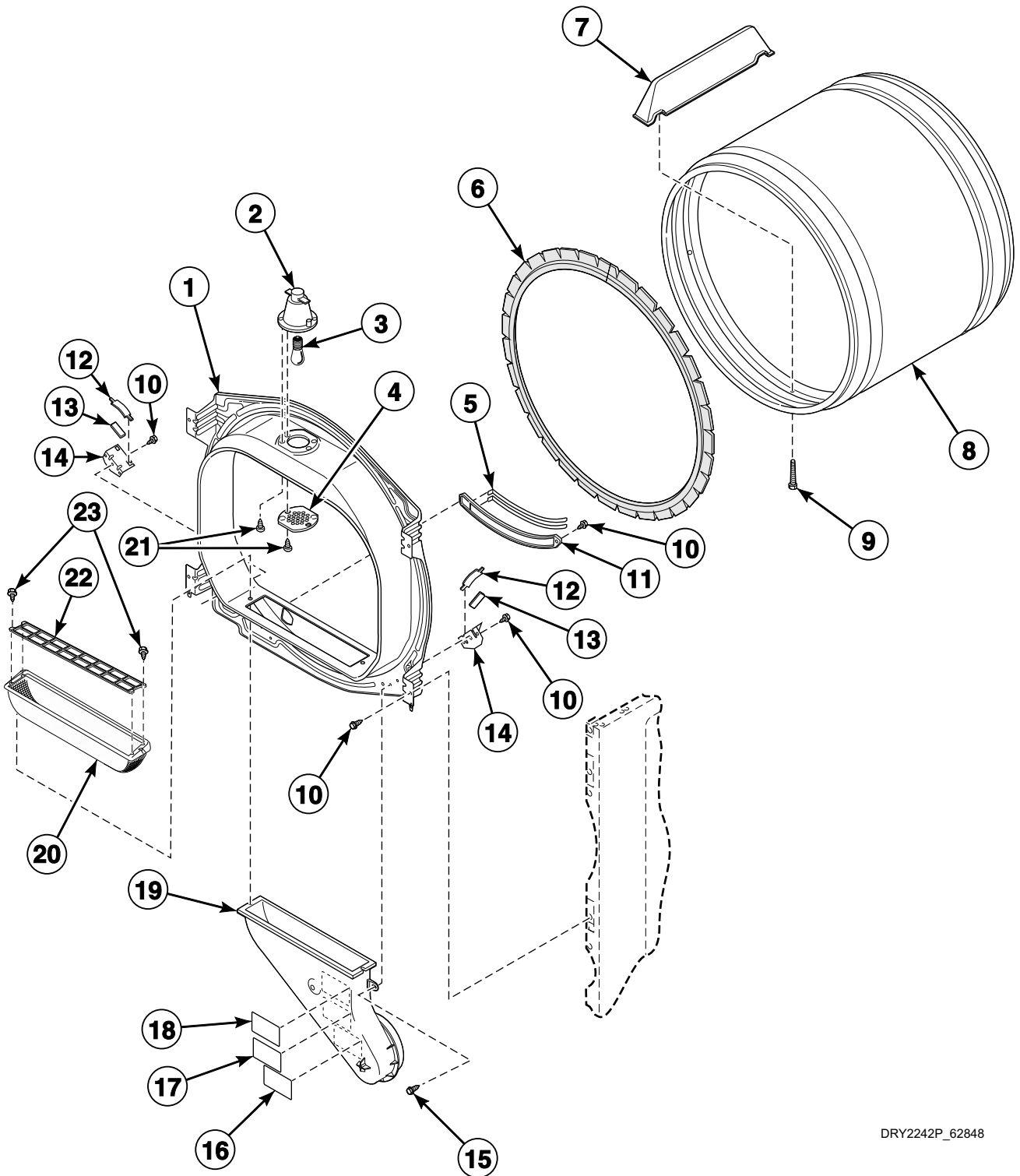


D132P_62848

Motor, Exhaust Fan and Belt

REF	PART NO.	DESCRIPTION	COMMENTS
	559P3	Motor Adapter Harness Kit	Gas models
	560P3	Motor Adapter Harness Kit	Electric models
1	D500313	Blower Housing Seal	
2	31260	Screw	
3	D511969WP	Blower Housing and Cover Kit	
4	D501218	Motor Switch	
5	D511629P	Motor and Pulley Assembly	
6	D510180	Motor Mount Clamp	
7	D511255P	Cylinder Belt	
8	D500011	Motor Pulley	
9	58044A	Motor Locking Mount	
10	20530	Screw	
11	31645	Screw	
12	D510139P	Blower Fan Assembly	
13	33562	Screw	
14	D510185	Idler Spring	
15	56156	Nut	
16	D510133	Idler Lever	
17	56461P	Shaft	
18	52549	Washer	
19	D510142P	Idler Wheel and Bearing Assembly	
20	23748	Retaining Ring	
21	D500824	Screw	
22	D510158	Idler Lever and Wheel Assembly	
23	52566	Nut	
24	D510060	Motor Mount	
25	61401	Thermostat Heater	Use with 61372 Thermostat
26	D510523	Thermistor Assembly	Models CE8507*, CE9107*, LE4507*, LE4607*, LE4807*, LE4907*, LE8507*, LE8607*, LE9107*, LE9207*, LG4509*, LG4609*, LG4809*, LG4909*, LG8509*, LG8609*, LG9109* and LG9209*
	56410	Thermostat	Models LE1007*, LE4207*, LEM427*, LG1009*, LG4209* and LGM429*
	61372	Thermostat	All other models
27	23222	Screw	Use with 56410 Thermostat
	D501086	Screw	Use with 61372 Thermostat
28	D510717P	Blower and Fan Kit	Includes items 1-6 and 8-24; 120 Volt/60 Hertz models only

Front Bulkhead, Air Duct, Felt Seal and Cylinder

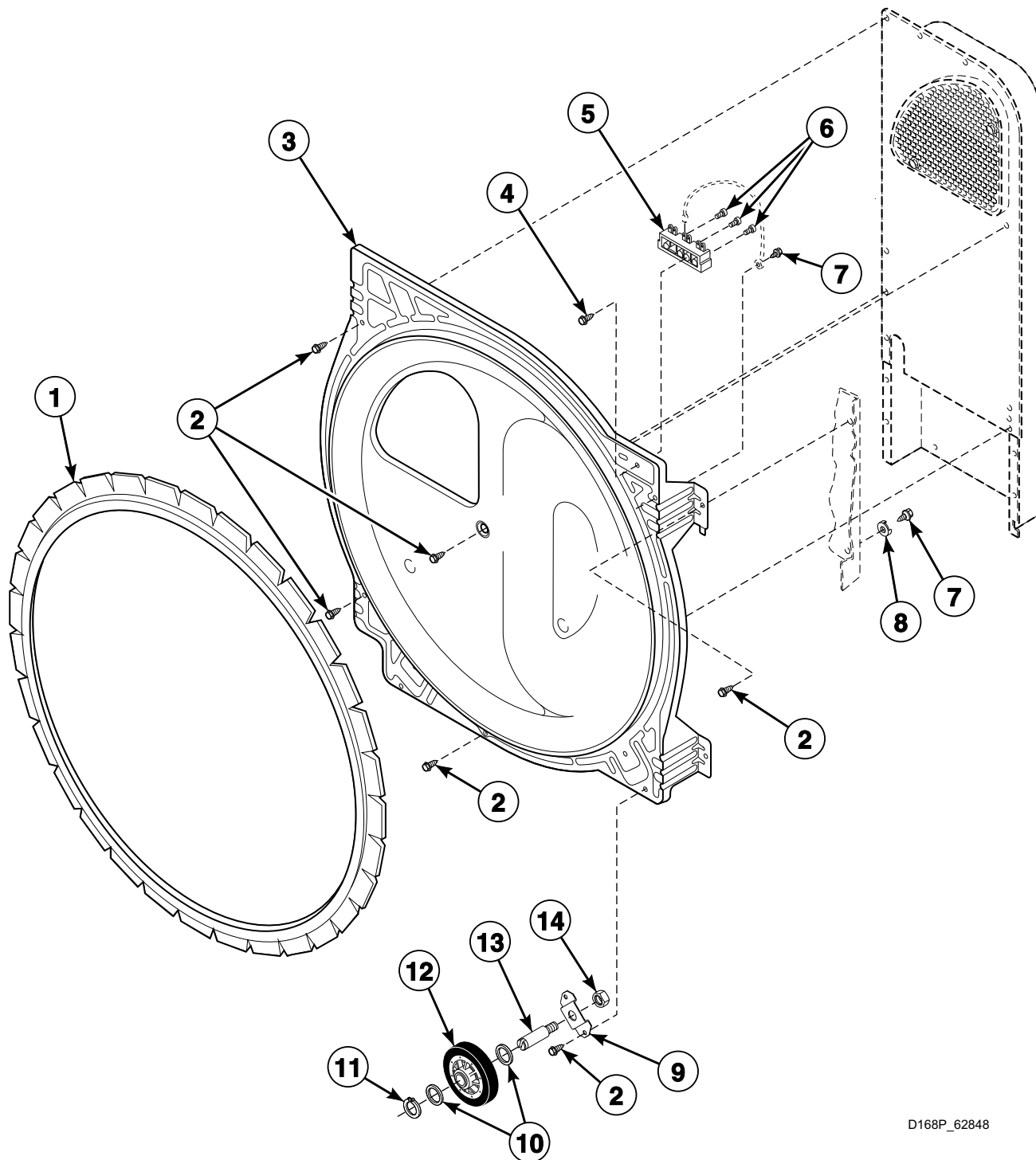


DRY2242P_62848

Front Bulkhead, Air Duct, Felt Seal and Cylinder

REF	PART NO.	DESCRIPTION	COMMENTS
	D511637P	Adhesive	
1	D500091P	Front Bulkhead Assembly	Unpainted bulkhead without light or moisture sensor openings
	D500016W	Front Bulkhead Assembly	White bulkhead with light
	D500117W	Front Bulkhead Assembly	White bulkhead without light or moisture sensor openings
	D501243W	Front Bulkhead Assembly	White bulkhead with light and moisture sensor openings
	D501556WP	Front Bulkhead Assembly	White bulkhead with extra glides for stainless steel cylinder with light and moisture sensor openings
	D5015701WP	Front Bulkhead Assembly	White bulkhead with extra glides for stainless steel cylinder with light opening
2	D500153	Cylinder Light Housing	All models except CE4307*, LE1007*, LE4307*, LEM437*, LG1009*, LG4309* and LGM439*
3	60954	Drum Light Lamp	
4	D500094	Drum Light Lens	
5	D501247	Moisture Sensor	Models CE8507*, CE9107*, LE4507*, LE4607*, LE4807*, LE4907*, LE8507*, LE8607*, LE9107*, LE9207*, LG4509*, LG4609*, LG4809*, LG4909*, LG8509*, LG8609*, LG9109* and LG9209*
6	D510207P	Cylinder Seal Assembly	
7	D510102W	Cylinder Baffle	
8	D500095P	Cylinder Assembly	Unpainted; Includes baffles
	D500013WP	Cylinder Assembly	Painted white; Includes baffles
	D500735P	Cylinder Assembly	Stainless steel; Includes baffles
9	62588	Screw	
10	D503688	Screw	Models CE8507*, CE9107*, LE4507*, LE4607*, LE4807*, LE4907*, LE8507*, LE8607*, LE9107*, LE9207*, LG4509*, LG4609*, LG4809*, LG4909*, LG8509*, LG8609*, LG9109* and LG9209*
11	D501246	Moisture Sensor Mounting	Models CE8507*, CE9107*, LE4507*, LE4607*, LE4807*, LE4907*, LE8507*, LE8607*, LE9107*, LE9207*, LG4509*, LG4609*, LG4809*, LG4909*, LG8509*, LG8609*, LG9109* and LG9209*
12	D510188	Cylinder Glide	Painted and unpainted cylinder; 1 required per side
	D501553	Cylinder Glide	Stainless steel; 2 required per side
13	D510189	Felt Pad	
14	D510145	Cylinder Glide Bracket	
15	31645	Screw	
16	56259	Notice Seal Sticker	
17	D500049	Warning Label	
18	D500314	Warning Label	Models CE4307*, CE8507* and CE9107*
19	D500241	Air Duct	
20	D502140P	Lint Filter	Poly mesh or metal mesh
21	D505870	Screw	Used on models with D500153 Cylinder Light Housing
22	D502092	Lint Filter Cover	
23	D500226	Screw	

Rear Bulkhead, Felt Seal, Cylinder Roller and Terminal Block



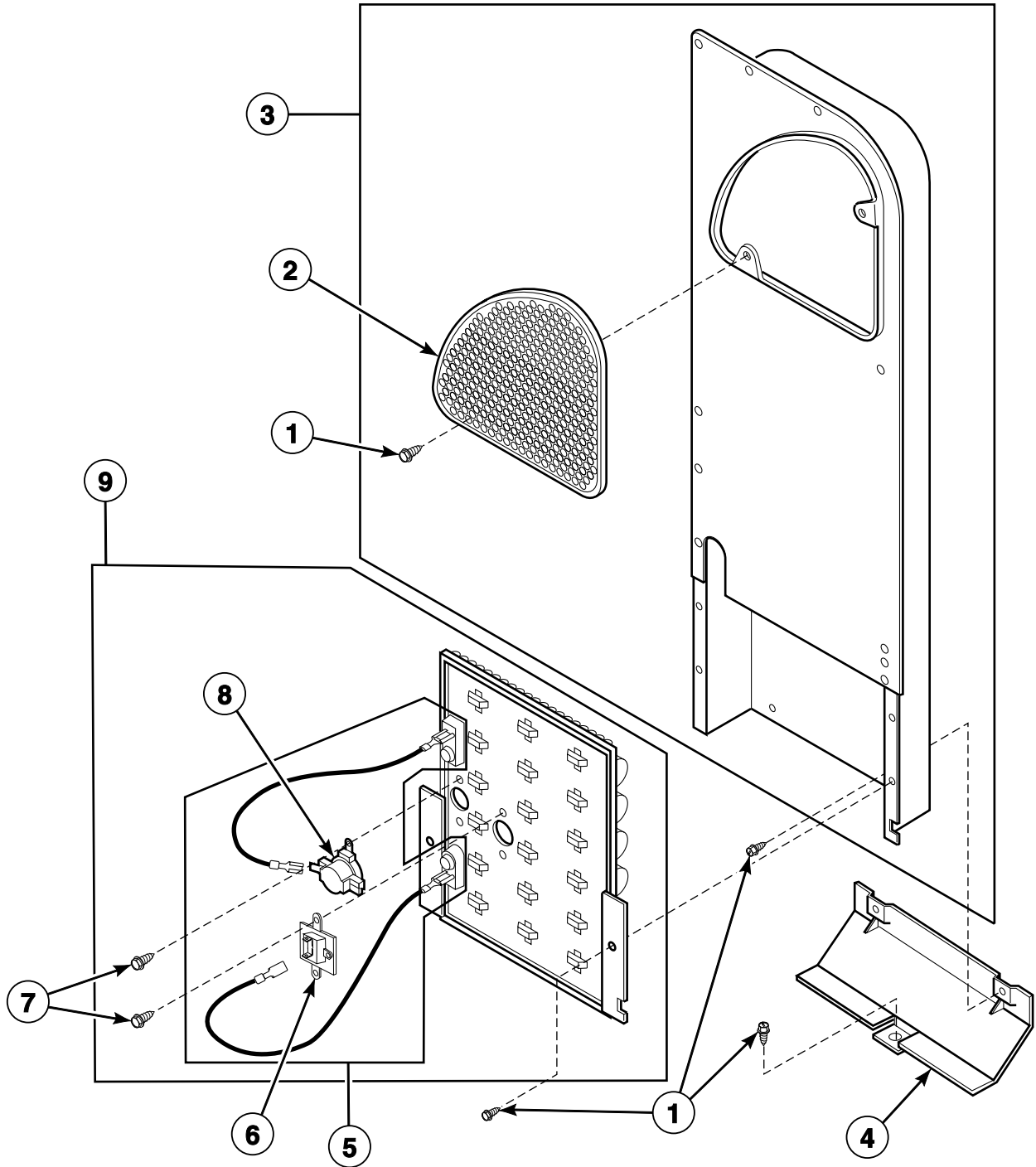
D168P_62848

Rear Bulkhead, Felt Seal, Cylinder Roller and Terminal Block

REF	PART NO.	DESCRIPTION	COMMENTS
	D511637P	Adhesive	
1	D510207P	Cylinder Seal Assembly	
2	D503688	Screw	Use with painted and unpainted cylinders
	33562	Screw	Use with stainless steel cylinder
3	D511082P	Rear Bulkhead Assembly	Includes cylinder seal; Models LE1007* and LG1009*
	D501154	Rear Bulkhead Assembly	Includes cylinder seal; Models LE4427*, LE4607*, LE4907*, LE8327*, LE8607*, LE9207*, LEM547*, LEM847*, LG4429*, LG4609*, LG4909*, LG8329*, LG8609*, LG9209*, LGM549* and LGM849*
	D510905WP	Rear Bulkhead Assembly	Includes cylinder seal; All other models
4	D501285	Screw	
5	D510190P	Terminal Block Assembly	Electric models; Includes 3 of item 6
6	61199	Screw	
7	20530	Screw	Use with non-stainless steel bulkhead
8	51474	Washer	
9	D510100	Cylinder Roller Bracket	
10	52549	Washer	
11	23748	Retaining Ring	
12	D510708P	Cylinder Roller	
13	56461P	Shaft	
14	56156	Nut	

Heater Box Assembly (Drawing 1 of 2)

Electric Models



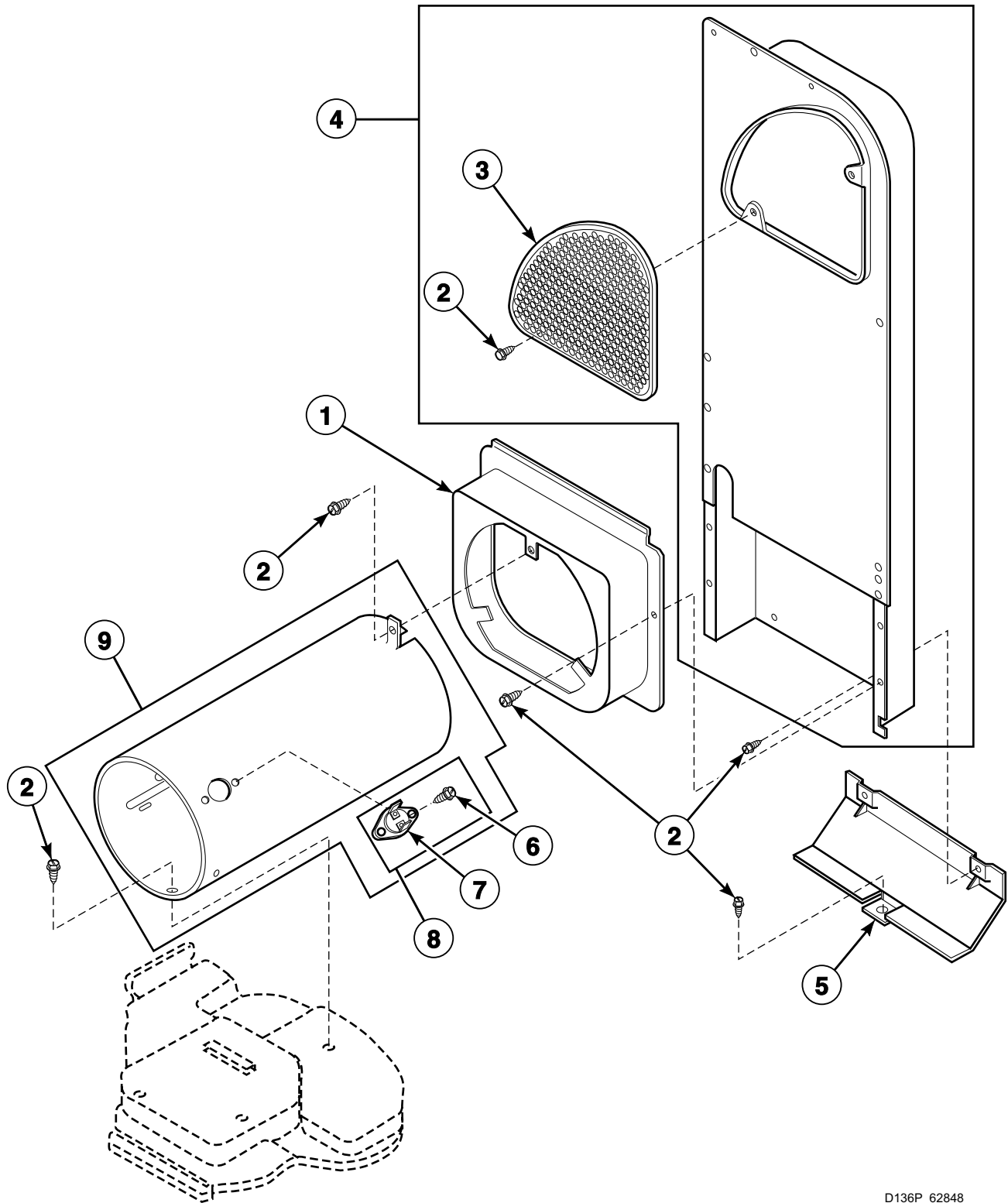
D135P_62848

Heater Box Assembly (Drawing 1 of 2)

REF	PART NO.	DESCRIPTION	COMMENTS
1	D503688	Screw	
2	D500820	Outlet Cover	Replaceable on the D500179P Heater Box Assembly only
3	D510025P	Heater Duct and Screw Assembly	Includes items 1 and 2
4	60952	Heat Duct Shield	
5	490P3	Thermal Fuse Kit	Replaces thermal fuse and limit thermostat on 61927 Heater Kit Assembly, 61928 Heater Kit Assembly, 61929 Heater Kit Assembly and 61930 Heater Kit Assembly
6	D511412	Thermal Fuse Assembly	
7	23222	Screw	
8	D500807	Thermostat	Models CE4307*, CE8407*, CE8427*, CE8507*, CE9107* and CE9207*
	D510701	Limit Thermostat	All other models
9	61928	Heater Kit Assembly	208 Volt; 4750 Watt; White
	61927	Heater Kit Assembly	240 Volt; 5000 Watt; Red

Heater Box Assembly (Drawing 2 of 2)

Gas Models



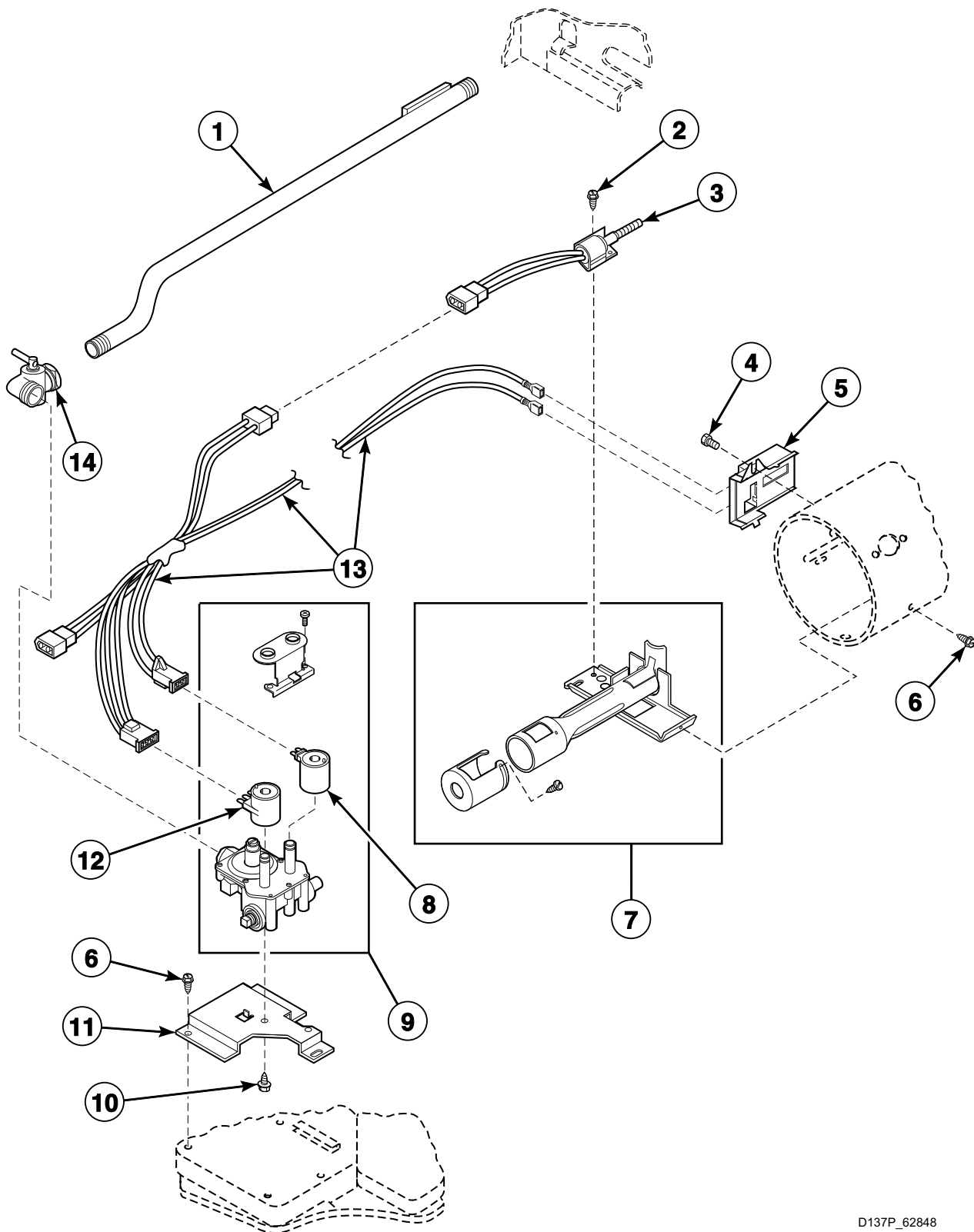
D136P_62848

Heater Box Assembly (Drawing 2 of 2)

REF	PART NO.	DESCRIPTION	COMMENTS
1	D510101	Heat Duct Shroud	
2	D503688	Screw	
3	D500820	Outlet Cover	Replaceable on the D500179P Heater Box Assembly only
4	D510025P	Heater Duct and Screw Assembly	Includes items 2 and 3
5	60952	Heat Duct Shield	
6	51782	Screw	
7	D510702	Limit Thermostat	
8	489P3	Thermostat and Plate Kit	Replaces 56221 Thermostat and 58366 Thermostat
9	61974	Combustion Duct Assembly	Includes item 7

Gas Valve, Igniter and Gas Conversion Kits

Gas Models

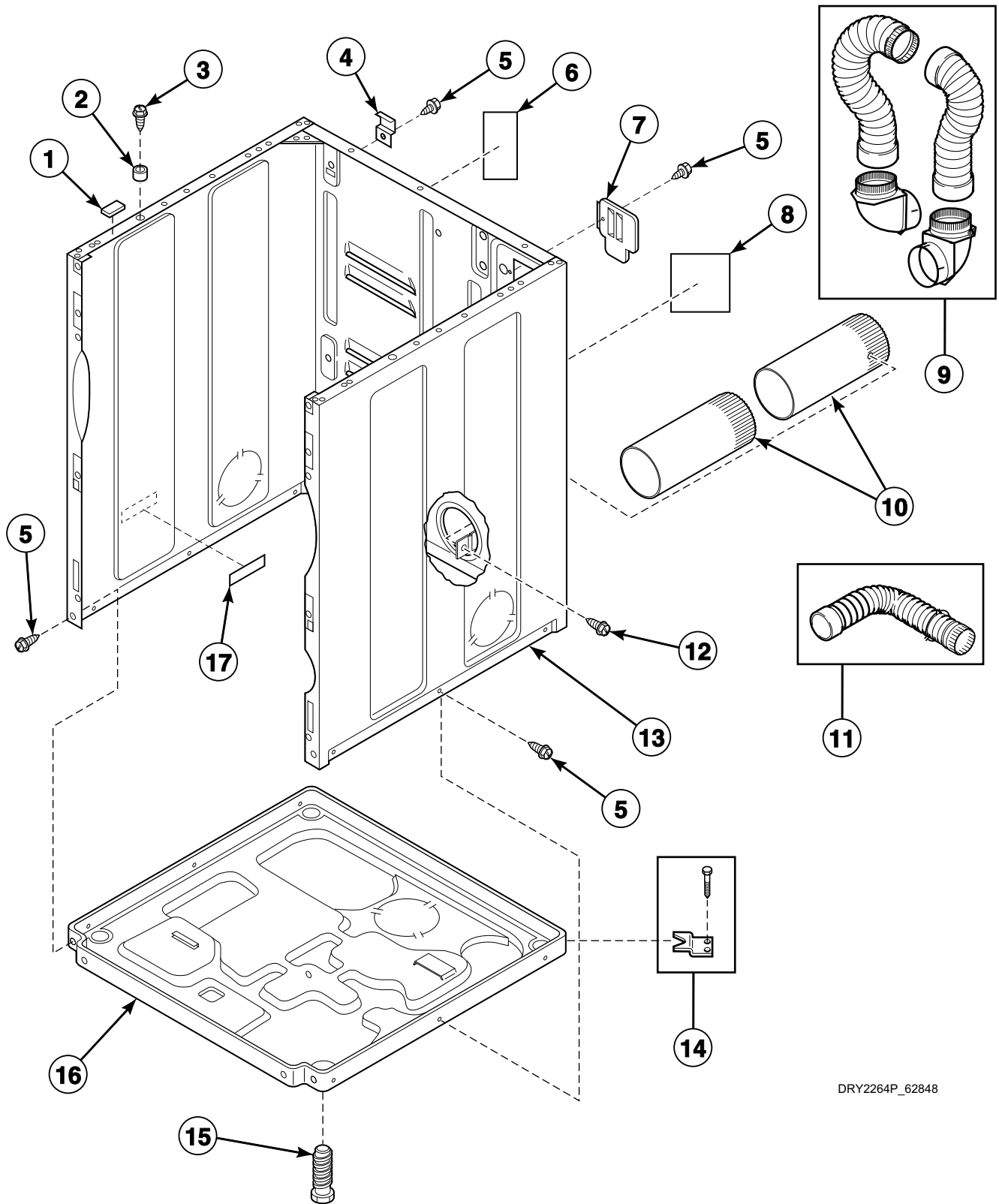


D137P_62848

Gas Valve, Igniter and Gas Conversion Kits

REF	PART NO.	DESCRIPTION	COMMENTS
	401P3	L.P. Conversion Kit	Used to convert dryers from Natural Gas (N.G.) or Mixed Gas to Liquid Petroleum Gas (L.P.)
	402P3	N.G. Conversion Kit	Used to convert dryers from L.P. to N.G. or Mixed Gas
1	D510204	Lead-In Pipe Assembly	
2	51782	Screw	
3	D510184P	Igniter and Bracket Assembly	
4	23222	Screw	
5	D510213	Sensor	
6	D503688	Screw	
7	D510149P	Burner Assembly	
8	58804B	Secondary Coil	
9	58804P	Gas Valve Assembly	
10	56124	Screw	
11	D510128	Gas Valve Mounting Bracket	
12	58804A	Booster and Holding Coil	
13	D510530	Gas Valve Wire Harness Assembly	
14	D510205	Elbow Shut-Off Valve	

Cabinet, Exhaust Duct and Base



DRY2264P_62848

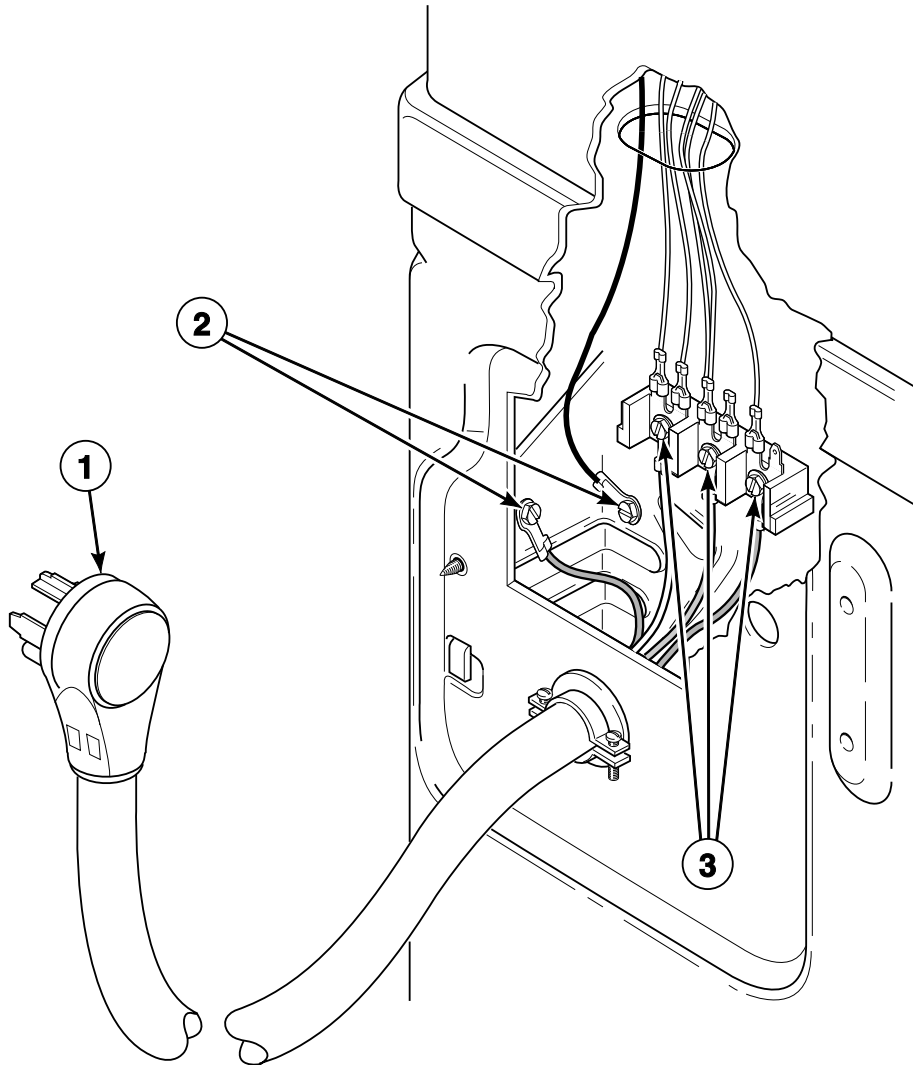
Cabinet, Exhaust Duct and Base

REF	PART NO.	DESCRIPTION	COMMENTS
1	56128	Bumper Pad	
2	56079	Panel Locator	
3	39733	Screw	
4	D510136	Top Hinge	
5	33562	Screw	
6	D511004	Gas Clearance Label	Gas models
7	D510903	Access Panel Plate	
8	D511005	Electric Clearance Label	Electric models
9	521P3	Flexible Venting Kit	
10	D510137	Exhaust Duct	
11	528P3	Directional Exhaust Kit	Used to vent dryer out the sides or bottom
12	D503688	Screw	
13	D500001*P	Cabinet Assembly	
14	526P3	Hold Down Kit	For mobile home installations
15	D510135	Leveling Leg	
16	D510084	Dryer Base	
17	61294	Fuse Notice Label	Electric models

* Add Letter To Designate Color. L - Almond W - White

Power Cord (Drawing 1 of 2)

Models CE4307*, CE8407*, CE8427*, CE8507*, CE9107* and CE9207*



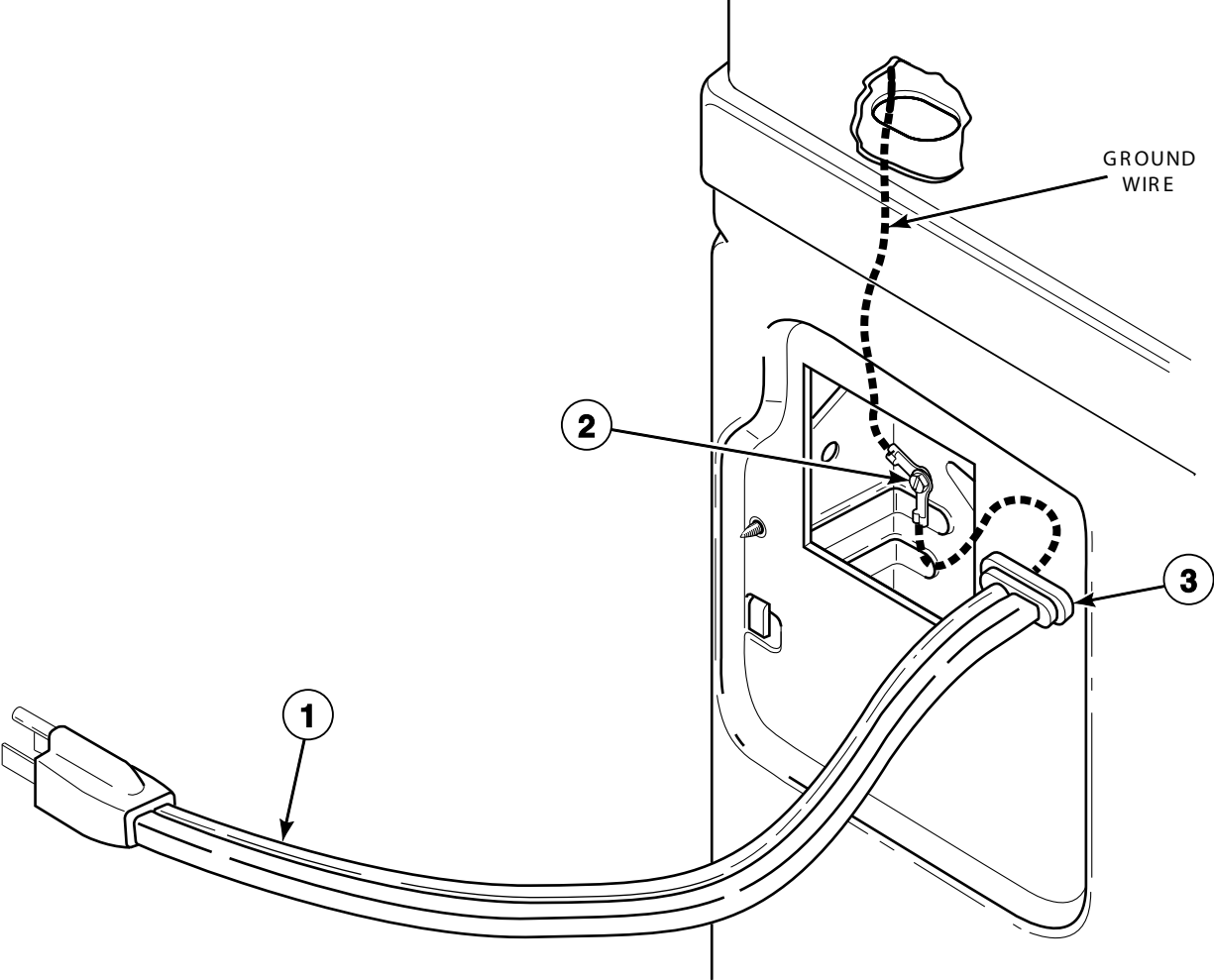
DRY2265P_62848

Power Cord (Drawing 1 of 2)

REF	PART NO.	DESCRIPTION	COMMENTS
1	D510505P	Lead-In Cord Assembly	
2	20530	Screw	
3	61199	Screw	

Power Cord (Drawing 2 of 2)

Gas Models

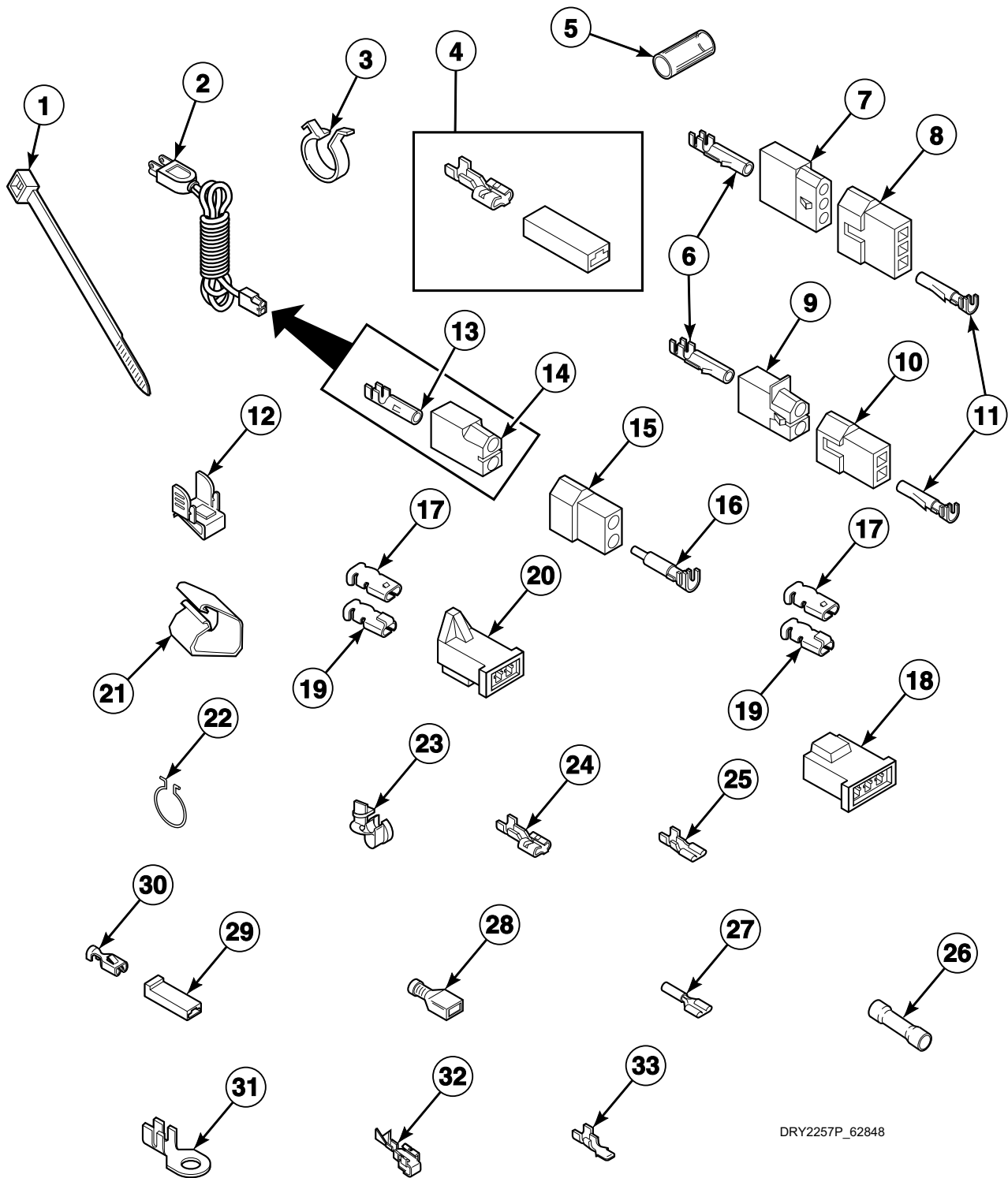


D298P_62848

Power Cord (Drawing 2 of 2)

REF	PART NO.	DESCRIPTION	COMMENTS
1	56222	Lead-In Cord	
2	20530	Screw	Use with painted and unpainted bulkhead
	D503688	Screw	Use with stainless steel bulkhead
3	38384	Strain Relief	

Terminals

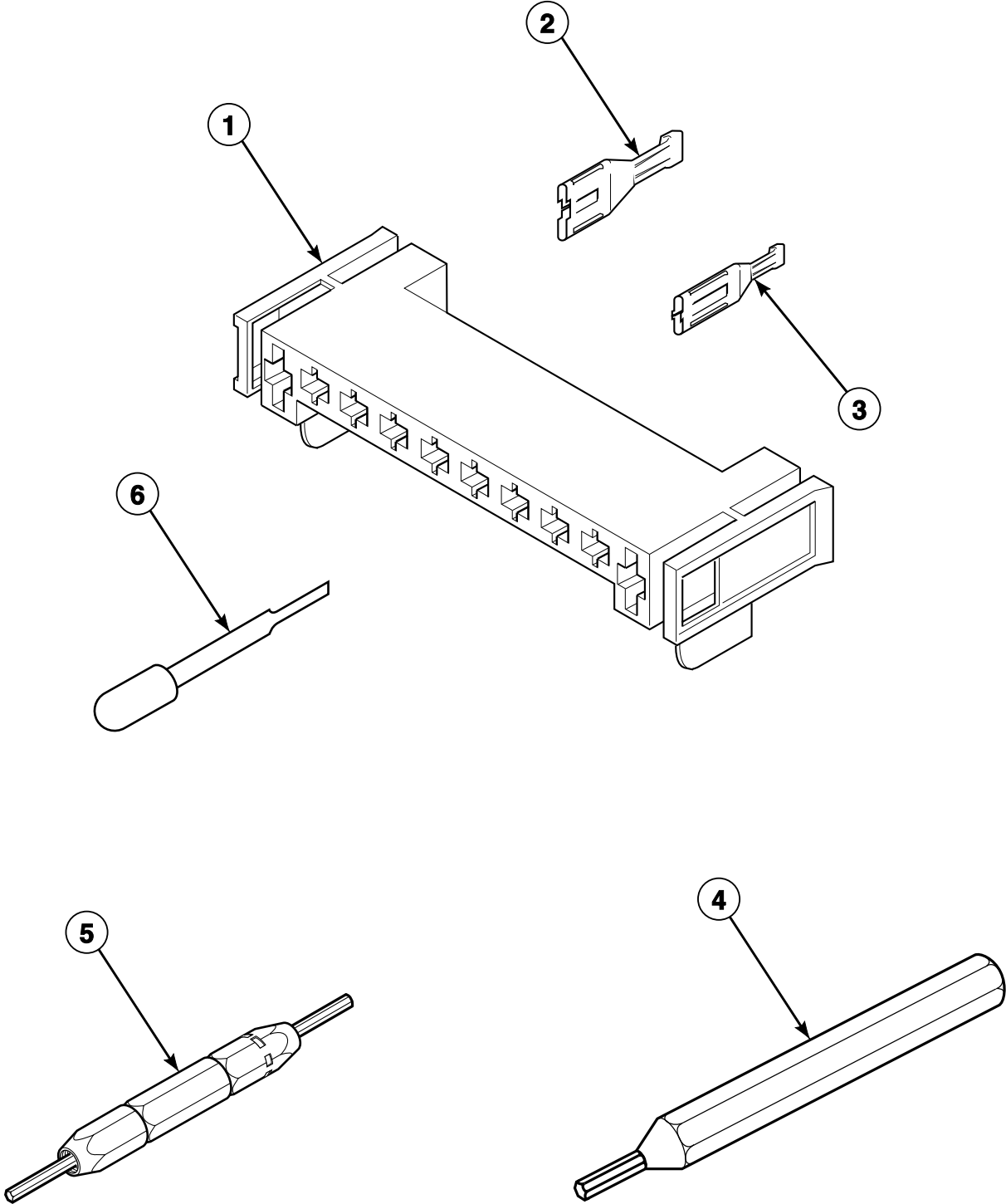


DRY2257P_62848

Terminals

REF	PART NO.	DESCRIPTION	COMMENTS
1	55881	Harness Strap	
2	56222	Lead-In Cord	
3	D504034	Wire Clip	
4	00360	Insulated Female Spade Terminal	1/4 inch; (1) 12 gauge wire or (2) 18 gauge wires
5	D503670	Insulator Sleeve	
6	00117	Female Pin Terminal	
7	23039	3 Circuit Receptacle	
8	23040	Plug	3 circuit
9	56451	2 Circuit Receptacle	
10	56448	2 Circuit Plug	
11	00116	Male Pin Terminal	
12	00161	Grounding Clip	
13	00130	Female Pin Terminal	
14	56265	2 Circuit Receptacle	
15	56266	2 Circuit Plug	
16	00127	Male Pin Terminal	
17	00189	Female Spade Terminal	
18	58800	3 Circuit Connector	
19	00361	Female Piggyback Terminal	Receptacle connector
20	58799	2 Circuit Connector	
21	35521	Harness Holder Clip	
22	51291	Wire Clip	
23	38384	Strain Relief	
24	00119	Female Spade Terminal	1/4 inch; (1) 18 gauge wire
	00121	Female Spade Terminal	1/4 inch; (2) 18 gauge wires or (1) 12 gauge wire
	00245	Spade Terminal	1/4 inch; (1) 22 gauge wire
25	00124	Female Spade Terminal	3/16 inch; (1) 18 gauge wire; 020 tab
	00156	Female Spade Terminal	3/16 inch; Thermostat wire; 032 tab
	00209	Female Spade Terminal	3/16 inch; (2) 18 gauge wires; 020 tab
26	30865	Butt Splice Connector	
27	00214	Pre-Insulated Spade Terminal	1/4 inch; 18 gauge wire
	00215	Pre-Insulated Spade Terminal	1/4 inch; 12 gauge wire
28	00359	Insulated Female Spade Terminal	1/4 inch
	00165	Insulated Female Terminal	3/16 inch
29	90789	Receptacle Housing	
30	00115	Female Spade Terminal	1/4 inch; (1) 18 gauge wire
	00122	Female Spade Terminal	1/4 inch; (2) 18 gauge wires or (1) 12 gauge wire
31	00110	Ring Terminal	No. 10; (1) 18 gauge wire
	00111	Ring Terminal	No. 10; (2) 18 gauge wires or (1) 12 gauge wire
32	00114	Female Spade Terminal	
33	00139	Male Tab Terminal	1/4 inch; (2) 18 gauge wires or (1) 12 gauge wire

Motor Connection Block and Terminal Extractor Tools



D301P_62848

Motor Connection Block and Terminal Extractor Tools

REF	PART NO.	DESCRIPTION	COMMENTS
1	D500338	10 Position Housing	Molex; 10 circuit
2	00255	Female Terminal	1/4 inch; (1) 12 gauge wire
	00256	Female Terminal	1/4 inch; (1) or (2) 18 gauge wires
3	00188	Female Terminal	1 or 2 wire application
4	128P4	Extractor Tool	For use on gas dryer terminals
5	190P4	Extractor Tool	For use on electric dryer terminals
6	283P4	Terminal Extractor Tool	

Parts Index

A

Access Panel D510069*P	19
Access Panel Plate D510903	33
Adhesive D511637P	23, 25
Air Duct D500241	23

B

Blower and Fan Kit D510717P	21
Blower Fan Assembly D510139P	21
Blower Housing and Cover Kit D511969WP	21
Blower Housing Seal D500313	21
Booster and Holding Coil 58804A	31
Bracket D510146	15
Bumper Pad 56128	33
Burner Assembly D510149P	31
Butt Splice Connector 30865	39

C

Cabinet Assembly D500001*P	33
Circuit Board Support D501523	9
Combustion Duct Assembly 61974	29
Connector, 2 Circuit 58799	39
Connector, 3 Circuit 58800	39
Control Mounting Plate D500300	5, 7, 9, 11
D500301	13
Cylinder Assembly D500013WP	23
D500095P	23
D500735P	23
Cylinder Baffle D510102W	23
Cylinder Belt D511255P	21
Cylinder Glide D501553	23

D510188	23
Cylinder Glide Bracket D510145	23
Cylinder Light Housing D500153	23
Cylinder Roller D510708P	25
Cylinder Roller Bracket D510100	25
Cylinder Seal Assembly D510207P	23, 25

D

Diffuser D500305	5, 7, 9
D500308	11, 13
Directional Exhaust Kit 528P3	33
Disconnect Power Warning Label D505281	5, 9, 11, 13, 15
Door Assembly D500035*	17
Door Catch Assembly D510177	19
Door Hinge D510519	17
Door Hinge Mounting Clip D500236	17
Door Pull D500042*	17
Door Seal D500200P	17
Door Strike D510181	17
Door Strike Mount D510127	17
Drum Light Lamp 60954	23
Drum Light Lens D500094	23
Dryer Base D510084	33
Dryer Door D500040*	17
Drying Rack D501295P	17

E

Elbow Shut-Off Valve D510205	31
Electric Clearance Label D511005	33
Electronic Control Assembly D500540W	13
D501273	13

N/A items do not appear in index.

Electronic Control Board Assembly D501266P	9
End Panel	
D504008WP	7, 9, 11, 13
D504009WP	7, 9, 11, 13
34815	5, 7, 9, 13
34816	5, 7, 9, 13
Exhaust Duct	
D510137	33
Extractor Tool	
128P4	41
190P4	41

F

Fabric Selector Switch	
61511	7
Felt Pad	
D510189	23
Female Piggyback Terminal	
00361	39
Female Pin Terminal	
00117	39
00130	39
Female Spade Terminal	
00114	39
00115	39
00119	39
00121	39
00122	39
00124	39
00156	39
00189	39
00209	39
Female Terminal	
00188	41
00255	41
00256	41
Flexible Venting Kit	
521P3	33
Fluorescent Bulb	
34837	11
Fluorescent Light Assembly	
34836	11, 13
Fluorescent Starter	
34841	11
Front Bulkhead Assembly	
D500016W	23
D500091P	23
D500117W	23
D501243W	23
D501556WP	23
D5015701WP	23
Front Panel	
D500033*	19
Front Panel Seal	
D500034	19
Fuse Notice Label	
61294	33

G

Gas Clearance Label	
D511004	19, 33
Gas Valve Assembly	
58804P	31
Gas Valve Mounting Bracket	
D510128	31
Gas Valve Wire Harness Assembly	
D510530	31
Gasket	
D500528	13
Graphic Panel	
D500529*	13
D500531	7
D500757	13
D500784	7
D501261	9
D501287W	9
D501386	7
D501402	9
D501419W	11
D501459	9
D501548	5
D501564W	7
D501895	9
D501900	9
D501980W	7
D501990W	7
Grounding Clip	
00161	39

H

Harness Holder Clip	
35521	39
Harness Strap	
55881	39
Heat Duct Shield	
60952	27, 29
Heat Duct Shroud	
D510101	29
Heater Duct and Screw Assembly	
D510025P	27, 29
Heater Kit Assembly	
61927	27
61928	27
Hold Down Kit	
526P3	33
Hold-Down Spring Clip	
D503876	15
Hood Back Panel	
D510099	15
Housing, 10 Position	
D500338	41

I

Idler Lever	
D510133	21

Idler Lever and Wheel Assembly D510158	21
Idler Spring D510185	21
Idler Wheel and Bearing Assembly D510142P	21
Igniter and Bracket Assembly D510184P	31
Insert Clip D501242	15
Insulated Female Spade Terminal 00359	39
00360	39
Insulated Female Terminal 00165	39
Insulator Sleeve D503670	39

K

Knob Assembly 34847	7, 9
------------------------------	------

L

Lead-In Cord 56222	37, 39
Lead-In Cord Assembly D510505P	35
Lead-In Pipe Assembly D510204	31
Leveling Leg D510135	33
Limit Thermostat D510701	27
D510702	29
Liner and Seal Assembly D500199P	17
Lint Filter D502140P	23
Lint Filter Cover D502092	23
L.P. Conversion Kit 401P3	31

M

Male Pin Terminal 00116	39
00127	39
Male Tab Terminal 00139	39
Moisture Sensor D501247	23
Moisture Sensor Mounting D501246	23
Motor Adapter Harness Kit 559P3	21
560P3	21

Motor and Pulley Assembly D511629P	21
Motor Locking Mount 58044A	21
Motor Mount D510060	21
Motor Mount Clamp D510180	21
Motor Pulley D500011	21
Motor Switch D501218	21

N

Notice Seal Sticker 56259	23
Nut 52566	21
56156	21, 25
57584	7
N.G. Conversion Kit 402P3	31

O

Outlet Cover D500820	27, 29
-------------------------------	--------

P

Panel Locator 56079	19, 33
Plug 23040	39
Plug, 2 Circuit 56266	39
56448	39
Pre-Insulated Spade Terminal 00214	39
00215	39

R

Rear Bulkhead Assembly D501154	25
D510905WP	25
D511082P	25
Receptacle Housing 90789	39
Receptacle, 2 Circuit 56265	39
56451	39
Receptacle, 3 Circuit 23039	39
Retaining Ring 23748	21, 25
Ring Terminal 00110	39

N/A items do not appear in index.

00111.....	39
Rocker Switch	
35036	11
35037	13
35038	13
Rotary Knob Assembly	
35330W.....	7, 9, 11
Rotary Signal	
D500823	7, 11
M411883P.....	9

S

Screw	
D500226	17, 23
D500227	19
D500297	17
D500824	21
D501086	5, 7, 9, 11, 13, 15, 21
D501285	25
D503688	23, 25, 27, 29, 31, 33, 37
D505870	23
20530	15, 21, 25, 35, 37
23222	21, 27, 31
31260	21
31645	21, 23
32562	19
33562	15, 21, 25, 33
39733	19, 33
51782	29, 31
56124	31
61199	25, 35
62588	23
Secondary Coil	
58804B.....	31
Selector Switch	
62173	9, 11
Sensor	
D510213	31
Shaft	
56461P.....	21, 25
Spade Terminal	
00245	39
Speed Clip	
28835	19
Strain Relief	
38384	37, 39
Switch	
D512973	19
Switch Mount Bracket	
59704	7

T

Terminal Block Assembly	
D510190P.....	25
Terminal Extractor Tool	
283P4.....	41
Thermal Fuse Assembly	
D511412.....	27
Thermal Fuse Kit	
490P3.....	27

Thermistor Assembly	
D510523.....	21
Thermostat	
D500807	27
56410	21
61372	21
Thermostat and Plate Kit	
489P3	29
Thermostat Heater	
61401	21
Timer	
D501861	9
D502967P	7, 9, 11
D502968P	9
59419	7
59420P	5
Timer Knob Assembly	
D500311	7, 9
D500775W	7, 9, 11
62176	5
Top Cover	
D500302.....	5, 7, 9, 13
D500303W	7, 9, 11, 13
Top Hinge	
D510136.....	33
Top Panel Kit	
D510029WP	15

W

Warning Label	
D500049.....	23
D500314.....	15, 23
Warning/Caution Label	
D500281	19
Washer	
51474	25
52549	21, 25
Wire Clip	
D504034.....	39
51291	39

N/A items do not appear in index.