

Electronic Coin Drop

Tumble Dryer

Refer to Page 3 for Model Numbers

— Programming —

Keep These Instructions for Future Reference.

(If this machine changes ownership, this manual must accompany machine.)



WARNING

Failure to install, maintain, and/or operate this machine according to the manufacturer's instructions may result in conditions which can produce bodily injury and/or property damage.

W030

NOTE: The WARNING and IMPORTANT instructions appearing in this manual are not meant to cover all possible conditions and situations that may occur. It must be understood that common sense, caution, and carefulness are factors which cannot be built into these tumble dryers. These factors MUST BE supplied by the person(s) installing, maintaining, or operating the tumble dryers.

Always contact the distributor, service agent, or the manufacturer about any problems or conditions you do not understand.

Table of Contents

Model Identification	3
Applying Overlay and Coin Label	5
Setting Dipswitches	6
Electronic Coin Drop 70294101	6
Preset 70294101 Dipswitch Settings	6
Electronic Coin Drop 70294103	7
Preset 70294103 Dipswitch Settings	7
Electronic Coin Drop 70294104	8
Preset 70294104 Dipswitch Settings	8
Electronic Coin Drop 70294105	9
Preset 70294105 Dipswitch Settings	9
Electronic Coin Drop 70294106	10
Preset 70294106 Dipswitch Settings	10
Electronic Coin Drop 70294107	11
Preset 70294107 Dipswitch Settings	11
Electronic Coin Drop 70294108	12
Preset 70294108 Dipswitch Settings	12
Electronic Coin Drop 70294109	13
Preset 70294109 Dipswitch Settings	13
Electronic Coin Drop 70294110	14
Preset 70294110 Dipswitch Settings	14
Electronic Coin Drop 70294111	15
Preset 70294111 Dipswitch Settings	15
Electronic Coin Drop 70294113 and 70294115	16
Preset 70294113 and 70294115 Dipswitch Settings	16
Electronic Coin Drop 70294114	17
Preset 70294114 Dipswitch Settings	17
Electronic Coin Drop 70294116	18
Preset 70294116 Dipswitch Settings	18
Electronic Coin Drop 70294117	19
Preset 70294117 Dipswitch Settings	19
Electronic Coin Drop 70294118	20
Preset 70294118 Dipswitch Settings	20
Electronic Coin Drop 70294119	21
Preset 70294119 Dipswitch Settings	21
Teachmode.....	22
Troubleshooting and Cleaning Coin Drop	23
Troubleshooting Coin Drop.....	23
Cleaning Coin Drop.....	23

© Published by permission of the copyright owner.

All rights reserved. No part of the contents of this book may be reproduced or transmitted in any form or by any means without the expressed written consent of the publisher.

Model Identification

Information in this manual is applicable to these models:

	Gas				Steam/Thermal Oil		Electric	
25 Pound	HA025L	LA025L	PA025L	SA025L	HT025S	PT025S	HT025E	PT025E
	HA025N	LA025N	PA025N	SA025N	HU025S	PU025S	HU025E	PU025E
	HT025L	LT025L	PT025L	ST025L	LT025S	ST025S	LT025E	ST025E
	HT025N	LT025N	PT025N	ST025N	LU025S	SU025S	LU025E	SU025E
	HU025L	LU025L	PU025L	SU025L				
	HU025N	LU025N	PU025N	SU025N				
30 Pound	HA030L	LA030L	PA030N	ST030D	HT030S	PT030S	HT030E	PT030E
	HA030N	LA030N	PT030L	ST030L	HU030S	PU030S	HU030E	PU030E
	HT030D	LT030L	PT030N	ST030N	LT030S	ST030S	LT030E	ST030E
	HT030L	LT030N	PU030L	SU030L	LU030S	SU030S	LU030E	SU030E
	HT030N	LU030L	PU030N	SU030N				
	HU030L	LU030N	SA030L					
HU030N	PA030L	SA030N						
30 Pound Stacked	HAT30L	LAT30L	PAT30N	STT30D	HTT30S	PTT30S	HTT30E	PTT30E
	HAT30N	LAT30N	PTT30L	STT30L	HUT30S	PUT30S	HUT30E	PUT30E
	HTT30D	LTT30L	PTT30N	STT30N	LTT30S	STT30S	LTT30E	STT30E
	HTT30L	LTT30N	PUT30L	SUT30L	LUT30S	SUT30S	LUT30E	SUT30E
	HTT30N	LUT30L	PUT30N	SUT30N				
	HUT30L	LUT30N	SAT30L					
HUT30N	PAT30L	SAT30N						
35 Pound	HA035L	LA035L	PA035L	SA035L	HT035S	PT035S	HT035E	PT035E
	HA035N	LA035N	PA035N	SA035N	HU035S	PU035S	HU035E	PU035E
	HT035L	LT035L	PT035L	ST035L	LT035S	ST035S	LT035E	ST035E
	HT035N	LT035N	PT035N	ST035N	LU035S	SU035S	LU035E	SU035E
	HU035L	LU035L	PU035L	SU035L				
	HU035N	LU035N	PU035N	SU035N				
45 Pound Stacked	HAT45L	HTT45N	SAT45N	SUT45L	Not Applicable	Not Applicable	Not Applicable	Not Applicable
	HAT45N	HUT45L	STT45D	SUT45N				
	HTT45D	HUT45N	STT45L					
	HTT45L	SAT45L	STT45N					
50 Pound	HA050L	LA050N	PT050L	ST050L	HT050S	PT050S	HT050E	PT050E
	HA050N	LT050L	PT050N	ST050N	HT050T	PT050T	HU050E	PU050E
	HT050L	LT050N	PU050L	SU050L	HU050S	PU050S	LT050E	ST050E
	HT050N	LU050L	PU050N	SU050N	HU050T	PU050T	LU050E	SU050E
	HU050L	LU050N	SA050L		LT050S	ST050S		
	HU050N	PA050L	SA050N		LT050T	ST050T		
	LA050L	PA050N	ST050D		LU050S	SU050S		
					LU050T	SU050T		
55 Pound	HA055L	HT055N	SA055N	SU055L	Not Applicable	Not Applicable	HT055E	ST055E
	HA055N	HU055L	ST055D	SU055N			HU055E	SU055E
	HT055D	HU055N	ST055L					
	HT055L	SA055L	ST055N					
75 Pound	HA075L	LA075N	PT075L	ST075L	HT075S	PT075S	HT075E	PT075E
	HA075N	LT075L	PT075N	ST075N	HT075T	PT075T	HU075E	PU075E
	HT075L	LT075N	PU075L	SU075L	HU075S	PU075S	LU075E	ST075E
	HT075N	LU075L	PU075N	SU075N	HU075T	PU075T	LT075E	SU075E
	HU075L	LU075N	SA075L		LT075S	ST075S		
	HU075N	PA075L	SA075N		LT075T	ST075T		
	LA075L	PA075N	ST075D		LU075S	SU075S		
					LU075T	SU075T		

(Control suffixes listed on next page.)

Model Identification

Includes models with the following control suffixes:

BB – reversing basic electronic coin
BC – basic electronic coin
LB – reversing network adaptable
coin

LC – network adaptable coin
NC – NetMaster coin
WB – reversing network ready coin

WC – network ready coin
ZC – NetMaster coin network

Applying Overlay and Coin Label

To add overlay and coin drop denomination label (supplied in accessories bag), perform the following steps:

1. Remove coin drop label and insert sheet from accessories bag.
2. Cut out appropriate label or create a label with appropriate coins if desired label is not available on 38725 insert sheet.
3. Slide appropriate label into window of adhesive backed overlay.
4. Remove paper backing from adhesive backed coin drop overlay.
5. Align and apply overlay to front of control panel.

For stacked tumble dryers, this procedure must be followed for BOTH the upper and lower pockets.

Setting Dipswitches

To set a dipswitch to determine which coins the machine will accept, refer to information below for your coin drop.

Electronic Coin Drop 70294101

The electronic coin drop comes preset from the factory ready to accept US and Canadian coins (dipswitches 13 and 14 in OFF [Accept] position) and preset to block currency for Japan and Taiwan (dipswitches 11 and 12 in ON [Blocked] position). To change drop to accept another currency, the appropriate dipswitch must be in OFF (Accept) position and the remaining dipswitches must be in ON (Blocked) position.

NOTE: Switch is in up position when ON (Blocked) and is in down position when OFF (Accept).

The electronic coin drop is capable of accepting or blocking coins based on the electronic signal generated by the coins. If the drop is accepting invalid coins (slugs, foreign coins, etc.), the tolerances can be narrowed (valid coins may be occasionally rejected, but they will be returned to the customer). To set the drop to accept only medium tolerances, the dipswitch

for the wide tolerance must be in the ON (Blocked) position. For instance, 0.25 USD wide (dipswitch 1) should be in ON (Blocked) position. To completely block a specific coin, the wide, medium and narrow (1.00 CAD only) tolerance dipswitches for that coin must be in the ON (Blocked) position.

Coin Output 1 of the drop is used for coins listed below. For US and Canada coins, the drop gives one signal for 0.25 USD/CAD, two signals for 0.50 CAD, four signals for 1.00 USD/CAD and eight signals for 2.00 CAD. (Coin Value 1 on the electronic control must be set for 0.25. Refer to the control's Programming manual for instructions on setting coin values.) For Japan coins, the drop gives one signal for 100 JPY and five signals for 500 JPY. (Coin Value 1 on the electronic control must be set for 100. Refer to the control's Programming manual for instructions on setting coin values.) For Taiwan coins, the drop gives one signal for 10 TWD and five signals for 50 TWD. (Coin Value 1 on the electronic control must be set for 10. Refer to the control's Programming manual for instructions on setting coin values.)

Preset 70294101 Dipswitch Settings

Dipswitch	Coin/Token Type	Blocked (ON position)	Accept (OFF position)
1	0.25 CAD/0.25USD/100 JPY/10 TWD <i>wide</i>		X
2	0.25 CAD/0.25USD/100 JPY/10 TWD <i>medium</i>		X
3	0.50 CAD/500 JPY old/50 TWD old <i>wide</i>		X
4	0.50 CAD/500 JPY old/50 TWD old <i>medium</i>		X
5	1.00 CAD/1.00 USD/500 JPY new/50 TWD new/ 50 TWD 2002 <i>wide</i>		X
6	1.00 CAD/1.00 USD/500 JPY new/50 TWD new/ 50 TWD 2002 <i>medium</i>		X
7	1.00 CAD <i>narrow</i>		X
8	Teachmode		X
9	2.00 CAD <i>wide</i>		X
10	2.00 CAD <i>medium</i>		X
11	Taiwan currency	X	
12	Japan currency	X	
13	US currency		X
14	Canada currency		X
15	Teachmode 15		X
16	Teachmode 16		X

Electronic Coin Drop 70294103

The electronic coin drop comes preset from the factory ready to accept Great Britain coins (dipswitch 13 in OFF [Accept] position) and preset to block Euro currency (dipswitch 14 in ON [Blocked] position). To change drop to accept Euro coins, dipswitch 14 must be in OFF (Accept) position and dipswitch 13 must be in ON (Blocked) position.

NOTE: Switch is in up position when ON (Blocked) and is in down position when OFF (Accept).

The electronic coin drop is capable of accepting or blocking coins based on the electronic signal generated by the coins. If the drop is accepting invalid coins (slugs, foreign coins, etc.), the tolerances can be narrowed (valid coins may be occasionally rejected,

but they will be returned to the customer). To set the drop to accept only medium tolerances, the dipswitch for the wide tolerance must be in the ON (Blocked) position. For instance, 0.20 GBP wide (dipswitch 1) should be in ON (Blocked) position. To completely block a specific coin, the wide, medium and narrow (0.50, 1.00 and 2.00 EUR only) tolerance dipswitches for that coin must be in the ON (Blocked) position.

Coin Output 1 of the drop is used for coins listed below. The drop gives two signals for 0.20 GBP/EUR, five signals for 0.50 GBP/EUR, ten signals for 1.00 GBP/EUR, and 20 signals for 2.00 GBP/EUR. (Coin Value 1 on the electronic control must be set for 0.10. Refer to the control's Programming manual for instructions on setting coin values.)

Preset 70294103 Dipswitch Settings

Dipswitch	Coin/Token Type	Blocked (ON position)	Accept (OFF position)
1	0.20 GBP/0.20 EUR <i>wide</i>		X
2	0.20 GBP/0.20 EUR <i>medium</i>		X
3	0.50 GBP/0.50 EUR <i>wide</i>		X
4	0.50 GBP/0.50 EUR <i>medium</i>		X
5	1.00 GBP/1.00 EUR <i>wide</i>		X
6	1.00 GBP/1.00 EUR <i>medium</i>		X
7	2.00 GBP/2.00 EUR <i>wide</i>		X
8	Teachmode		X
9	2.00 GBP/2.00 EUR <i>medium</i>		X
10	0.50 EUR <i>narrow</i>		X
11	1.00 EUR <i>narrow</i>		X
12	2.00 EUR <i>narrow</i>		X
13	Great Britain currency		X
14	Euro currency	X	
15	Teachmode 15		X
16	Teachmode 16		X

Setting Dipswitches

Electronic Coin Drop 70294104

The electronic coin drop comes preset from the factory ready to accept Euro coins (dipswitch 15 in OFF [Accept] position) and preset to block currency for Denmark and Norway (dipswitches 13 and 14 in ON [Blocked] position). To change drop to accept another currency, the appropriate dipswitch must be in OFF (Accept) position and the remaining dipswitches must be in ON (Blocked) position.

NOTE: Switch is in up position when ON (Blocked) and is in down position when OFF (Accept).

The electronic coin drop is capable of accepting or blocking coins based on the electronic signal generated by the coins. If the drop is accepting invalid coins (slugs, foreign coins, etc.), the tolerances can be narrowed (valid coins may be occasionally rejected, but they will be returned to the customer). To set the drop to accept only medium tolerances, the dipswitch for the wide tolerance must be in the ON (Blocked)

position. For instance, 0.20 EUR wide (dipswitch 1) should be in ON (Blocked) position. To completely block a specific coin, the wide, medium and narrow (0.50, 1.00 and 2.00 EUR only) tolerance dipswitches for that coin must be in the ON (Blocked) position.

Coin Output 1 of the drop is used for coins listed below. For Euro coins, the drop gives two signals for 0.20 EUR, five signals for 0.50 EUR, 10 signals for 1.00 EUR, and 20 signals for 2.00 EUR. (Coin Value 1 on the electronic control must be set for 0.10. Refer to the control's Programming manual for instructions on setting coin values.) For Denmark and Norway coins, the drop gives one signal for 1.00 DKK/NOK, two signals for 2.00 DKK, five signals for 5.00 DKK/NOK, 10 signals for 10.00 DKK/NOK, and 20 signals for 20.00 DKK/NOK. (Coin Value 1 on the electronic control must be set for 1.00. Refer to the control's Programming manual for instructions on setting coin values.)

Preset 70294104 Dipswitch Settings

Dipswitch	Coin/Token Type	Blocked (ON position)	Accept (OFF position)
1	1.00 DKK new/ 2.00 DKK new/1.00 NOK new/0.20 EUR <i>wide</i>		X
2	1.00 DKK new/1.00 NOK new/0.20 EUR <i>medium</i>		X
3	2.00 DKK new <i>medium</i>		X
4	5.00 DKK new/5.00 NOK new/0.50 EUR <i>wide</i>		X
5	5.00 DKK new/5.00 NOK new/0.50 EUR <i>medium</i>		X
6	10.00 DKK/20.00 DKK/10.00 NOK new/20.00 NOK/1.00 EUR/2.00 EUR <i>wide</i>		X
7	10.00 DKK/10.00 NOK new/1.00 EUR <i>medium</i>		X
8	Teachmode		X
9	20.00 DKK/20.00 NOK/2.00 EUR <i>medium</i>		X
10	0.50 EUR <i>narrow</i>		X
11	1.00 EUR <i>narrow</i>		X
12	2.00 EUR <i>narrow</i>		X
13	Denmark currency	X	
14	Norway currency	X	
15	Euro currency		X
16	Teachmode 16		X

Electronic Coin Drop 70294105

The electronic coin drop comes preset from the factory ready to accept .20, 1.00 and 2.00 Australian coins and .20 New Zealand old coins (dipswitches 11 and 12 in OFF [Accept] position). It is also preset to block currency for New Zealand 1.00, 2.00 and .20 2006, Hong Kong and South Korea (dipswitches 9, 13 and 14 in ON [Blocked] position). To change drop to accept another currency, the appropriate dipswitch must be in OFF (Accept) position and the remaining dipswitches must be in ON (Blocked) position.

NOTE: Switch is in up position when ON (Blocked) and is in down position when OFF (Accept).

The electronic coin drop is capable of accepting or blocking coins based on the electronic signal generated by the coins. If the drop is accepting invalid coins (slugs, foreign coins, etc.), the tolerances can be narrowed (valid coins may be occasionally rejected, but they will be returned to the customer). To set the drop to accept only medium tolerances, the dipswitch for the wide tolerance must be in the ON (Blocked)

position. For instance, 0.20 AUD wide (dipswitch 2) should be in ON (Blocked) position. To completely block a specific coin, the wide and medium tolerance dipswitches for that coin must be in the ON (Blocked) position.

Coin Output 1 of the drop is used for coins listed below. For Australia and New Zealand, the drop gives one signal for 0.20 AUD/NZD (old and 2006), five signals for 1.00 AUD/NZD, and 10 signals for 2.00 AUD/NZD. (Coin Value 1 on the electronic control must be set for 0.20. Refer to the control's Programming manual for instructions on setting coin values.) For Hong Kong coins, the drop gives one signal for 5.00 HKD and two signals for 10.00 HKD. (Coin Value 1 on the electronic control must be set for 5.00. Refer to the control's Programming manual for instructions on setting coin values.) For South Korea coins, the drop gives one signal for 500 KRW. (Coin Value 1 on the electronic control must be set for 500. Refer to the control's Programming manual for instructions on setting coin values.)

Preset 70294105 Dipswitch Settings

Dipswitch	Coin/Token Type	Blocked (ON position)	Accept (OFF position)
1	5.00 HKD old/ 500 KRW <i>wide</i>		X
2	0.20 AUD/0.20 NZD old/.20 NZD 2006 <i>wide</i> /5.00 HKD old/500 KRW <i>medium</i>		X
3	0.20 AUD/0.20 NZD old/.20 NZD 2006 <i>medium</i> /5.00 HKD new <i>wide</i>		X
4	1.00 AUD/1.00 NZD <i>wide</i> /5.00 HKD new <i>medium</i>		X
5	10.00 HKD <i>wide</i> /1.00 AUD/1.00 NZD <i>medium</i>		X
6	2.00 AUD/2.00 NZD <i>wide</i> /10.00 HKD <i>medium</i>		X
7	2.00 AUD/2.00 NZD <i>medium</i>		X
8	Teachmode		X
9	South Korea currency	X	
10	Not Used	X	
11	New Zealand .20 old and Australia .20 currency		X
12	Australia 1.00 and 2.00 currency		X
13	New Zealand .20 2006, 1.00 and 2.00 currency	X	
14	Hong Kong currency	X	
15	Teachmode 15		X
16	Teachmode 16		X

Setting Dipswitches

Electronic Coin Drop 70294106

The electronic coin drop comes preset from the factory ready to accept US and Ecuador coins (dipswitches 13 and 14 in OFF [Accept] position) and preset to block currency for Mexico (dipswitch 12 in ON [Blocked] position). To change drop to accept another currency, the appropriate dipswitch must be in OFF (Accept) position and the remaining dipswitches must in ON (Blocked) position.

NOTE: Switch is in up position when ON (Blocked) and is in down position when OFF (Accept).

The electronic coin drop is capable of accepting or blocking coins based on the electronic signal generated by the coins. If the drop is accepting invalid coins (slugs, foreign coins, etc.), the tolerances can be narrowed (valid coins may be occasionally rejected, but they will be returned to the customer). To set the

drop to accept only medium tolerances, the dipswitch for the wide tolerance must be in the ON (Blocked) position. For instance, 0.25 USD wide (dipswitch 1) should be in ON (Blocked) position. To completely block a specific coin, the wide and medium tolerance dipswitches for that coin must be in the ON (Blocked) position.

Coin Output 1 of the drop is used for coins listed below. For US and Ecuador coins, the drop gives one signal for 0.25 USD/ECS and four signals for 1.00 USD. (Coin Value 1 on the electronic control must be set for 0.25. Refer to the control's Programming manual for instructions on setting coin values.) For Mexico coins, the drop gives two signals for 2.00 MXN, five signals for 5.00 MXN and ten signals for 10.00 MXN. (Coin Value 1 on the electronic control must be set for 100. Refer to the control's Programming manual for instructions on setting coin values).

Preset 70294106 Dipswitch Settings

Dipswitch	Coin/Token Type	Blocked (ON position)	Accept (OFF position)
1	0.25 ECS/0.25 USD <i>wide</i>		X
2	0.25 ECS/0.25 USD <i>medium</i>		X
3	1.00 USD <i>wide</i>		X
4	1.00 USD <i>medium</i>		X
5	2.00 MXN <i>wide</i>		X
6	2.00 MXN <i>medium</i>		X
7	5.00 MXN <i>wide</i>		X
8	Teachmode		X
9	5.00 MXN <i>medium</i>		X
10	10.00 MXN 92-95/10.00 MXN 97-98 <i>wide</i>		X
11	10.00 MXN 92-95/10.00 MXN 97-98 <i>medium</i>		X
12	Mexico currency	X	
13	Ecuador currency		X
14	United States currency		X
15	Teachmode 16		X
16	Teachmode 17		X

Electronic Coin Drop 70294107

The electronic coin drop comes preset from the factory ready to accept Lithuanian coins (dipswitch 13 in OFF [Accept] position) and preset to block currency for Latvian and Euro coins (dipswitches 14 and 15 in ON [Blocked] position). To change drop to accept another currency, the appropriate dipswitch must be in OFF (Accept) position and the remaining dipswitches must be in ON (Blocked) position.

NOTE: Switch is in up position when ON (Blocked) and is in down position when OFF (Accept).

The electronic coin drop is capable of accepting or blocking coins based on the electronic signal generated by the coins. If the drop is accepting invalid coins (slugs, foreign coins, etc.), the tolerances can be narrowed (valid coins may be occasionally rejected, but they will be returned to the customer). To set the drop to accept only medium tolerances, the dipswitch

for the wide tolerance must be in the ON (Blocked) position. For instance, 0.50 LTL wide (dipswitch 2) should be in ON (Blocked) position. To completely block a specific coin, the wide and medium tolerance dipswitches for that coin must be in the ON (Blocked) position.

Coin Output 1 of the drop is used for coins listed below. For Lithuanian and Latvian coins, the drop gives one signal for 0.50 LTL/LVL, two signals for 1.00 coins, and four signals for 2.00 LTL/LVL. (Coin Value 1 on the electronic control must be set for 0.50. Refer to the control's Programming manual for instructions on setting coin values.) For Euro coins, the drop gives two signals for 0.20 EURO, five signals for 0.50 EURO, ten signals for 1.00 EURO, and 20 signals for 2.00 EURO. (CoinValue 1 on the electronic control must be set for 0.10. Refer to the control's Programming manual for instructions on setting coin values.)

Preset 70294107 Dipswitch Settings

Dipswitch	Coin/Token Type	Blocked (ON position)	Accept (OFF position)
1	0.20 Euro <i>wide</i>		X
2	0.50 LTL/LVL/EURO <i>wide</i>		X
3	1.00 LTL/LVL/EURO <i>wide</i>		X
4	2.00 Old LVL <i>wide</i>		X
5	2.00 LTL/New LVL/EURO <i>wide</i>		X
6	0.20 EURO <i>medium</i>		X
7	0.50/1.00/2.00 EURO <i>medium</i>		X
8	Teachmode		X
9	0.50 LTL/LVL <i>medium</i> /0.50 EURO <i>narrow</i>		X
10	1.00 LTL/LVL <i>medium</i> /1.00 EURO <i>narrow</i>		X
11	2.00 Old LVL <i>medium</i>		X
12	2.00 LTL/new LVL <i>medium</i> /2.00 EURO <i>narrow</i>		X
13	Lithuanian currency		X
14	Latvian currency	X	
15	Euro currency	X	
16	Teachmode 16		X

Setting Dipswitches

Electronic Coin Drop 70294108

The electronic coin drop comes preset from the factory ready to accept Malaysian coins (dipswitch 14 in OFF [Accept] position) and preset to block Chinese and Russian currency (dipswitches 12 and 13 in ON [Blocked] position). To change drop to accept another currency, the appropriate dipswitch must be in OFF (Accept) position and the remaining dipswitches must be in ON (Blocked) position.

NOTE: Switch is in up position when ON (Blocked) and is in down position when OFF (Accept).

The electronic coin drop is capable of accepting or blocking coins based on the electronic signal generated by the coins. If the drop is accepting invalid coins (slugs, foreign coins, etc.), the tolerances can be narrowed (valid coins may be occasionally rejected, but they will be returned to the customer). To set the drop to accept only medium tolerances, the dipswitch for the wide tolerance must be in the ON (Blocked) position. For instance, 0.10 MYR wide (dipswitch 1) should be in ON (Blocked) position. To completely

block a specific coin, the wide and medium tolerance dipswitches for that coin must be in the ON (Blocked) position.

Coin Output 1 of the drop is used for coins listed below. For Malaysian coins, the drop gives one signal for .10 MYR, two signals for 0.20 MYR and five signals for .50 MYR. (Coin Value 1 on the electronic control must be set for .10. Refer to the control's Programming manual for instructions on setting coin values.) For Chinese coins, the drop gives one signal for 1.00 CNY. (Coin Value 1 on the electronic control must be set for 1.00. Refer to the control's Programming manual for instructions on setting coin values.) For Russian coins, the drop gives one signal for 5.00 RUB and two signals for 10.00 RUB. (Coin Value 1 on the electronic control must be set for 5.00. Refer to the control's Programming manual for instructions on setting coin values.)

Preset 70294108 Dipswitch Settings

Dipswitch	Coin/Token Type	Blocked (ON position)	Accept (OFF position)
1	1.00 CNY/5.00 RUB/.10 MYR <i>wide</i>		X
2	1.00 CNY/5.00 RUB/.10 MYR <i>medium</i>		X
3	10.00 RUB/.20 MYR <i>wide</i>		X
4	10.00 RUB/.20 MYR <i>medium</i>		X
5	.50 MYR <i>wide</i>		X
6	.50 MYR <i>medium</i>		X
7	Not used		X
8	Teachmode		X
9	Not used		X
10	Not used		X
11	Not used		X
12	Chinese currency	X	
13	Russian currency	X	
14	Malaysian currency		X
15	Teachmode 15		X
16	Teachmode 16		X

Electronic Coin Drop 70294109

The electronic coin drop comes preset from the factory ready to accept Malaysian coins (dipswitch 14 in OFF [Accept] position) and preset to block Singapore, Chinese and Russian currency (dipswitches 11, 12 and 13 in ON [Blocked] position). To change drop to accept another currency, the appropriate dipswitch must be in OFF (Accept) position and the remaining dipswitches must be in ON (Blocked) position.

NOTE: Switch is in up position when ON (Blocked) and is in down position when OFF (Accept).

The electronic coin drop is capable of accepting or blocking coins based on the electronic signal generated by the coins. If the drop is accepting invalid coins (slugs, foreign coins, etc.), the tolerances can be narrowed (valid coins may be occasionally rejected, but they will be returned to the customer). To set the drop to accept only medium tolerances, the dipswitch for the wide tolerance must be in the ON (Blocked) position. For instance, 0.10 MYR wide (dipswitch 1) should be in ON (Blocked) position. To completely block a specific coin, the wide and medium tolerance dipswitches for that coin must be in the ON (Blocked) position.

Coin Output 1 of the drop is used for coins listed below. For Malaysian coins, the drop gives one signal for .10 MYR, two signals for 0.20 MYR and five signals for .50 MYR. (Coin Value 1 on the electronic control must be set for .10. Refer to the control's Programming manual for instructions on setting coin values.) For Singapore coins, the drop gives one signal for .10 SGD, two signals for .20 SGD, five signals for .50 SGD and ten signals for 1.00 SGD. (Coin value 1 on the electronic control must be set for .10. Refer to the Control's Programming manual for instructions on setting coin values.)

For Chinese coins, the drop gives one signal for 1.00 CNY. (Coin Value 1 on the electronic control must be set for 1.00. Refer to the control's Programming manual for instructions on setting coin values.) For Russian coins, the drop gives one signal for 5.00 RUB and two signals for 10.00 RUB. (Coin Value 1 on the electronic control must be set for 5.00. Refer to the control's Programming manual for instructions on setting coin values.)

Preset 70294109 Dipswitch Settings

Dipswitch	Coin/Token Type	Blocked (ON position)	Accept (OFF position)
1	1.00 CNY/5.00 RUB non-magnetic <i>wide</i> / **5.00 RUB magnetic <i>wide</i> /.10 MYR/.10 SGD <i>wide</i>		X
2	1.00 CNY/5.00 RUB non-magnetic <i>medium</i> /.10 MYR/.10 SGD <i>medium</i>		X
3	10.00 RUB/.20 MYR/.20 SGD <i>wide</i>		X
4	10.00 RUB/.20 MYR/.20 SGD <i>medium</i>		X
5	.50 MYR/.50 SGD/*10.00 RUB '09 t1 <i>wide</i>		X
6	.50 MYR/.50 SGD/*10.00 RUB '09 t1 <i>medium</i>		X
7	1.00 SGD/*10.00 RUB '09 t2 <i>wide</i>		X
8	Teachmode		X
9	1.00 SGD/*10.00 RUB '09 t2 <i>medium</i>		X
10	**5.00 RUB magnetic <i>medium</i>		X
11	Singapore currency	X	
12	Chinese currency	X	
13	Russian currency	X	
14	Malaysian currency		X
15	Teachmode 15		X
16	Teachmode 16		X

* This currency setting is available starting coin drop Serial No. 99600 and date code 12/10.

** This currency setting is available starting coin drop Serial No. 111196 and date code 10/10.

Setting Dipswitches

Electronic Coin Drop 70294110

The electronic coin drop comes preset from the factory ready to accept South African coins (dipswitch 14 in OFF [Accept] position).

NOTE: Switch is in up position when ON (Blocked) and is in down position when OFF (Accept).

The electronic coin drop is capable of accepting or blocking coins based on the electronic signal generated by the coins. If the drop is accepting invalid coins (slugs, foreign coins, etc.), the tolerances can be narrowed (valid coins may be occasionally rejected, but they will be returned to the customer). To set the

drop to accept only medium tolerances, the dipswitch for the wide tolerance must be in the ON (Blocked) position. For instance, 1.00 ZAR wide (dipswitch 1) should be in ON (Blocked) position. To completely block a specific coin, the wide and medium tolerance dipswitches for that coin must be in the ON (Blocked) position.

Coin Output 1 of the drop is used for coins listed below. The drop gives one signal for 1.00 ZAR, two signals for 2.00 ZAR and five signals for 5.00 ZAR. (Coin Value 1 on the electronic control must be set for 1.00. Refer to the control's Programming manual for instructions on setting coin values.)

Preset 70294110 Dipswitch Settings

Dipswitch	Coin/Token Type	Blocked (ON position)	Accept (OFF position)
1	1.00 ZAR <i>wide</i>		X
2	1.00 ZAR <i>medium</i>		X
3	2.00 ZAR <i>wide</i>		X
4	2.00 ZAR <i>medium</i>		X
5	5.00 ZAR <i>wide</i>		X
6	5.00 ZAR <i>medium</i>		X
7	Not used		X
8	Teachmode		X
9	Not used		X
10	Not used		X
11	Not used		X
12	Not used		X
13	Not used		X
14	South African currency		X
15	Teachmode 15		X
16	Teachmode 16		X

Electronic Coin Drop 70294111

The electronic coin drop comes preset from the factory ready to accept Euro coins (dipswitch 14 in OFF [Accept] position). To change drop to block Euro coins, dipswitch 14 must be in ON (Blocked) position.

NOTE: Switch is in up position when ON (Blocked) and is in down position when OFF (Accept).

The electronic coin drop is capable of accepting or blocking coins based on the electronic signal generated by the coins. If the drop is accepting invalid coins (slugs, foreign coins, etc.), the tolerances can be narrowed (valid coins may be occasionally rejected, but they will be returned to the customer). To set the

drop to accept only medium tolerances, the dipswitch for the wide tolerance must be in the ON (Blocked) position. For instance, 0.10 EUR wide (dipswitch 1) should be in ON (Blocked) position. To completely block a specific coin, all tolerance dipswitches for that coin must be in the ON (Blocked) position.

Coin Output 1 of the drop is used for coins listed below. The drop gives one signal for .10 EUR, two signals for 0.20 EUR, five signals for 0.50 EUR, ten signals for 1.00 EUR, and 20 signals for 2.00 EUR. (Coin Value 1 on the electronic control must be set for 0.10. Refer to the control's Programming manual for instructions on setting coin values.)

Preset 70294111 Dipswitch Settings

Dipswitch	Coin/Token Type	Blocked (ON position)	Accept (OFF position)
1	0.10 EUR <i>wide</i>		X
2	0.10 EUR <i>medium</i>		X
3	0.20 EUR <i>wide</i>		X
4	0.20 EUR <i>medium</i>		X
5	0.50 EUR <i>wide</i>		X
6	0.50 EUR <i>narrow</i>		X
7	1.00 EUR <i>wide</i>		X
8	Teachmode		X
9	1.00 EUR <i>narrow</i>		X
10	2.00 EUR <i>wide</i>		X
11	2.00 EUR <i>narrow</i>		X
12	Not used		X
13	Not used		X
14	Euro currency		X
15	Teachmode 15		X
16	Teachmode 16		X

Setting Dipswitches

Electronic Coin Drop 70294113 and 70294115

The electronic coin drop comes preset from the factory ready to accept US and Canadian coins (dipswitches 13 and 14 in OFF [Accept] position). To change drop to accept another currency, the appropriate dipswitch must be in OFF (Accept) position and the remaining dipswitches must be in ON (Blocked) position.

NOTE: Switch is in up position when ON (Blocked) and is in down position when OFF (Accept).

The electronic coin drop is capable of accepting or blocking coins based on the electronic signal generated by the coins. If the drop is accepting invalid coins (slugs, foreign coins, etc.), the tolerances can be

narrowed (valid coins may be occasionally rejected, but they will be returned to the customer). To set the drop to accept only medium tolerances, the dipswitch for the wide tolerance must be in the ON (Blocked) position. For instance, 0.25 USD wide (dipswitch 1) should be in ON (Blocked) position. To completely block a specific coin, the wide, medium and narrow (1.00 CAD only) tolerance dipswitches for that coin must be in the ON (Blocked) position.

Coin Output 1 of the drop is used for coins listed below. For US and Canada coins, the drop gives one signal for .25 USD/CAD, two signals for .50 CAD, four signals for 1.00 USD/CAD and eight signals for 2.00 CAD. (Coin Value 1 on the electronic control must be set for .25. Refer to the control's Programming manual for instructions on setting coin values.)

Preset 70294113 and 70294115 Dipswitch Settings

Dipswitch	Coin/Token Type	Blocked (ON position)	Accept (OFF position)
1	0.25 CAD old/0.25 CAD 1999/0.25 USD <i>wide</i>		X
2	0.25 CAD old/0.25 CAD 1999/0.25 USD <i>medium</i>		X
3	0.50 CAD 1999 <i>wide</i>		X
4	0.50 CAD 1999 <i>medium</i>		X
5	1.00 CAD/1.00 CAD 2011/1.00 USD <i>wide</i>		X
6	1.00 CAD <i>medium</i>		X
7	1.00 CAD <i>narrow</i> /1.00 USD <i>medium</i>		X
8	Teachmode		X
9	1.00 CAD 2011 <i>medium</i>		X
10	2.00 CAD/2.00 CAD 2011 <i>wide</i>		X
11	2.00 CAD <i>medium</i>		X
12	2.00 CAD 2011 <i>medium</i>		X
13	US currency		X
14	Canada currency		X
15	Teachmode 15		X
16	Teachmode 16		X

Electronic Coin Drop 70294114

The electronic coin drop comes preset from the factory ready to accept Japan coins (dipswitch 12 in OFF [Accept] position) and preset to block currency for Taiwan (dipswitch 11 in ON [Blocked] position). To change drop to accept another currency, the appropriate dipswitch must be in OFF (Accept) position and the remaining dipswitches must be in ON (Blocked) position.

NOTE: Switch is in up position when ON (Blocked) and is in down position when OFF (Accept).

The electronic coin drop is capable of accepting or blocking coins based on the electronic signal generated by the coins. If the drop is accepting invalid coins (slugs, foreign coins, etc.), the tolerances can be narrowed (valid coins may be occasionally rejected, but they will be returned to the customer). To set the

drop to accept only medium tolerances, the dipswitch for the wide tolerance must be in the ON (Blocked) position. For instance, 100 JPY wide (dipswitch 1) should be in ON (Blocked) position. To completely block a specific coin, the wide and medium tolerance dipswitches for that coin must be in the ON (Blocked) position.

Coin Output 1 of the drop is used for coins listed below. For Japan coins, the drop gives one signal for 100 JPY and five signals for 500 JPY. (Coin Value 1 on the electronic control must be set for 100. Refer to the control's Programming manual for instructions on setting coin values.) For Taiwan coins, the drop gives one signal for 10 TWD and five signals for 50 TWD. (Coin Value 1 on the electronic control must be set for 10. Refer to the control's Programming manual for instructions on setting coin values.)

Preset 70294114 Dipswitch Settings

Dipswitch	Coin/Token Type	Blocked (ON position)	Accept (OFF position)
1	100 JPY/10 TWD <i>wide</i>		X
2	100 JPY/10 TWD <i>medium</i>		X
3	Unused		X
4	Unused		X
5	500 JPY new/50 TWD 2002 <i>wide</i>		X
6	500 JPY new/50 TWD 2002 <i>medium</i>		X
7	Unused		X
8	Teachmode		X
9	Unused		X
10	Unused		X
11	Taiwan currency	X	
12	Japan currency		X
13	Unused		X
14	Unused		X
15	Teachmode 15		X
16	Teachmode 16		X

Setting Dipswitches

Electronic Coin Drop 70294116

The electronic coin drop comes preset from the factory ready to accept Malaysian coins (dipswitches 13 and 14 in OFF [Accept] position) and preset to block Singapore and Chinese currency (dipswitches 11 and 12 in ON [Blocked] position). To change drop to accept another currency, the appropriate dipswitch must be in OFF (Accept) position and the remaining dipswitches must be in ON (Blocked) position.

NOTE: Switch is in up position when ON (Blocked) and is in down position when OFF (Accept).

The electronic coin drop is capable of accepting or blocking coins based on the electronic signal generated by the coins. If the drop is accepting invalid coins (slugs, foreign coins, etc.), the tolerances can be narrowed (valid coins may be occasionally rejected, but they will be returned to the customer). To set the drop to accept only medium tolerances, the dipswitch for the wide tolerance must be in the ON (Blocked) position. For instance, 0.10 MYR wide (dipswitch 1)

should be in ON (Blocked) position. To completely block a specific coin, the wide and medium tolerance dipswitches for that coin must be in the ON (Blocked) position.

Coin Output 1 of the drop is used for coins listed below. For Malaysian coins, the drop gives one signal for .10 MYR, two signals for 0.20 MYR and five signals for .50 MYR. (Coin Value 1 on the electronic control must be set for .10. Refer to the control's Programming manual for instructions on setting coin values.) For Singapore coins, the drop gives one signal for .10 SGD, two signals for .20 SGD, five signals for .50 SGD, and ten signals for 1.00 SGD. (Coin Value 1 on the electronic control must be set for .10. Refer to the control's Programming manual for instructions on setting coin values.) For Chinese coins, the drop gives one signal for 1.00 CNY. (Coin Value 1 on the electronic control must be set for 1.00. Refer to the control's Programming manual for instructions on setting coin values.)

Preset 70294116 Dipswitch Settings

Dipswitch	Coin/Token Type	Blocked (ON position)	Accept (OFF position)
1	1.00 CNY/.10 MYR/.10 SGD <i>wide</i>		X
2	1.00 CNY/.10 MYR/.10 SGD <i>medium</i>		X
3	.20 MYR/.20 SGD <i>wide</i>		X
4	.20 MYR/.20 SGD <i>medium</i>		X
5	.50 MYR/.50 SGD <i>wide</i>		X
6	.50 MYR/.50 SGD <i>medium</i>		X
7	1.00 SGD <i>wide</i>		X
8	Teachmode		X
9	1.00 SGD <i>medium</i>		X
10	Unused	X	
11	Singapore currency	X	
12	Chinese currency	X	
13	New Malaysian currency		X
14	Old Malaysian currency		X
15	Teachmode 15		X
16	Teachmode 16		X

Electronic Coin Drop 70294117

The electronic coin drop comes preset from the factory ready to accept Russian coins (dipswitch 14 in OFF [Accept] position). To change drop to block Russian coins, dipswitch 14 must be in ON (Blocked) position.

NOTE: Switch is in up position when ON (Blocked) and is in down position when OFF (Accept).

The electronic coin drop is capable of accepting or blocking coins based on the electronic signal generated by the coins. If the drop is accepting invalid coins (slugs, foreign coins, etc.), the tolerances can be narrowed (valid coins may be occasionally rejected, but they will be returned to the customer). To set the

drop to accept only medium tolerances, the dipswitch for the wide tolerance must be in the ON (Blocked) position. For instance, 5.00 RUB wide (dipswitch 1) should be in ON (Blocked) position. To completely block a specific coin, the wide and medium tolerance dipswitches for that coin must be in the ON (Blocked) position.

Coin Output 1 of the drop is used for coins listed below. The drop gives one signal for 5.00 RUB and two signals for 10.00 RUB. (Coin Value 1 on the electronic control must be set for 5.00. Refer to the control's Programming manual for instructions on setting coin values.)

Preset 70294117 Dipswitch Settings

Dipswitch	Coin/Token Type	Blocked (ON position)	Accept (OFF position)
1	5.00 RUB non-magnetic <i>wide</i>		X
2	5.00 RUB non-magnetic <i>medium</i>		X
3	5.00 RUB magnetic <i>wide</i>		X
4	5.00 RUB magnetic <i>medium</i>		X
5	10.00 RUB <i>wide</i>		X
6	10.00 RUB <i>medium</i>		X
7	10.00 RUB '09 t1 <i>wide</i>		X
8	Teachmode		X
9	10.00 RUB '09 t1 <i>medium</i>		X
10	10.00 RUB '09 t2 <i>wide</i>		X
11	10.00 RUB '09 t2 <i>medium</i>		X
12	Unused		X
13	Unused		X
14	Russian currency		X
15	Teachmode 15		X
16	Teachmode 16		X

Setting Dipswitches

Electronic Coin Drop 70294118

The electronic coin drop comes preset from the factory ready to accept Philippine coins.

NOTE: Switch is in up position when ON (Blocked) and is in down position when OFF (Accept).

The electronic coin drop is capable of accepting or blocking coins based on the electronic signal generated by the coins. If the drop is accepting invalid coins (slugs, foreign coins, etc.), the tolerances can be narrowed (valid coins may be occasionally rejected, but they will be returned to the customer). To set the drop to accept only medium tolerances, the dipswitch

for the wide tolerance must be in the ON (Blocked) position. For instance, 5.00 PHP wide (dipswitch 1) should be in ON (Blocked) position. To completely block a specific coin, the wide and medium tolerance dipswitches for that coin must be in the ON (Blocked) position.

Coin Output 1 of the drop is used for coins listed below. The drop gives five signals for 5.00 PHP and ten signals for 10.00 PHP. (Coin Value 1 on the electronic control must be set for 1.00. Refer to the control's Programming manual for instructions on setting coin values.)

Preset 70294118 Dipswitch Settings

Dipswitch	Coin/Token Type	Blocked (ON position)	Accept (OFF position)
1	5.00 PHP <i>wide</i>		X
2	5.00 PHP <i>medium</i>		X
3	10.00 PHP <i>wide</i>		X
4	10.00 PHP <i>medium</i>		X
5	Not used		X
6	Not used		X
7	Not used		X
8	Teachmode		X
9	Not used		X
10	Not used		X
11	Not used		X
12	Not used		X
13	Not used		X
14	Not used		X
15	Teachmode 15		X
16	Teachmode 16		X

Electronic Coin Drop 70294119

The electronic coin drop comes preset from the factory ready to accept Thailand coins.

NOTE: Switch is in up position when ON (Blocked) and is in down position when OFF (Accept).

The electronic coin drop is capable of accepting or blocking coins based on the electronic signal generated by the coins. If the drop is accepting invalid coins (slugs, foreign coins, etc.), the tolerances can be narrowed (valid coins may be occasionally rejected, but they will be returned to the customer). To set the drop to accept only medium tolerances, the dipswitch for the wide tolerance must be in the ON (Blocked)

position. For instance, 5.00 THB wide (dipswitch 10) should be in ON (Blocked) position. To completely block a specific coin, the wide and medium tolerance dipswitches for that coin must be in the ON (Blocked) position.

Coin Output 1 of the drop is used for coins listed below. The drop gives one signal for 1.00 THB, two signals for 2.00 THB, five signals for 5.00 THB and ten signals for 10.00 THB. (Coin Value 1 on the electronic control must be set for 1.00. Refer to the control's Programming manual for instructions on setting coin values.)

Preset 70294119 Dipswitch Settings

Dipswitch	Coin/Token Type	Blocked (ON position)	Accept (OFF position)
1	1.00 THB non-magnetic <i>wide</i>		X
2	1.00 THB non-magnetic <i>medium</i>		X
3	1.00 THB magnetic <i>wide</i>		X
4	1.00 THB magnetic <i>medium</i>		X
5	2.00 THB <05' <i>wide</i>	X	
6	2.00 THB <05' <i>medium</i>	X	
7	2.00 THB 07' <i>wide</i>	X	
8	Teachmode		X
9	2.00 THB 07' <i>medium</i>	X	
10	5.00 THB <i>wide</i>		X
11	5.00 THB <i>medium</i>		X
12	10.00 THB <i>wide</i>		X
13	10.00 THB <i>medium</i>		X
14	Not used		X
15	Teachmode 15		X
16	Teachmode 16		X

Setting Dipswitches

Teachmode

The Teachmode option allows the owner to program the coin drop to accept coins or tokens that differ from those shown in tables above. Refer to the following steps to set the coin selector to accept the new coins or tokens.

NOTE: The steps for setting Teachmode must be followed in the exact order shown below for the Teachmode to work properly.

1. Set dipswitch 8 to ON (Blocked) position.
2. Set dipswitch 15 **OR** dipswitch 16 to ON (Blocked) position (only dipswitches 15 and 16 are available for new coins or tokens).

IMPORTANT: DO NOT set both dipswitches 15 and 16 to ON (Blocked) position at same time.

NOTE: Dipswitch 15 is not available for Teachmode on Electronic Coin Drops 70294104 and 70294107.

3. Insert at least 10 different coins or tokens into the coin drop to program the coin selector.
4. Set dipswitch selected in step 2 to OFF (Accept) position.

NOTE: A click should be heard after setting dipswitch to OFF (Accept) position. If no click is heard, repeat steps 2-4.

5. Set dipswitch 8 to OFF (Accept) position.
6. Wait 15 seconds before testing meter with coins or tokens.

NOTE: When setting control to accept two (2) coins, repeat steps 1-6 for second coin.

When the teaching procedure has been completed, the coin drop magnet will operate briefly one time to indicate the Teachmode was successful.

If the coin or token used for the Teachmode has a signal that overlaps the signal of an already programmed coin, the coin selector magnet will operate twice briefly, indicating the new coin or token is not stored in the drop.

Coins or tokens programmed using the Teachmode will use coin output 2 of the drop and will give one signal for each coin or token entered into the drop. (Coin Value 2 on the electronic control must be set to the value desired for the coin or token. Refer to the control's Programming manual for instructions on setting coin values.)

Troubleshooting and Cleaning Coin Drop

When a coin is placed into coin slot, the coin should roll down drop and be heard dropping into coin vault. If coin does not fall into coin vault or if coin drop sensor does not register that coin has been entered, follow troubleshooting instructions below.

Troubleshooting Coin Drop

Is proper electrical power supplied to coin drop? Incorrect electrical connection may prevent coins from registering in coin drop. Refer to wiring diagram and service manual for proper connections.

Is machine level? Machines that are not level may prevent coins from following through required check stages of drop. Refer to Installation Instructions for instructions on leveling machine.

Is coin drop clean? Residue or lint build-up may prevent coins from following through required check stages of drop. Refer to **Cleaning Coin Drop** instructions below.

IMPORTANT: Never use oil to correct coin drop problems. Oil residue will prevent coins from rolling properly.

IMPORTANT: Do not bend or damage mechanical parts within coin drop.

Cleaning Coin Drop

The electronic coin drop should be cleaned once a year. Clean the drop more often if it is exposed to high levels of residue or lint build-up. Follow the instructions below for cleaning the coin drop.

1. Disconnect electrical power to machine and drop.
2. Remove coin drop from machine.
3. Open cover of coin drop. Refer to instructions for your coin drop below.

Coin Drops with Old-Style Spring (Refer to Figure 1.)

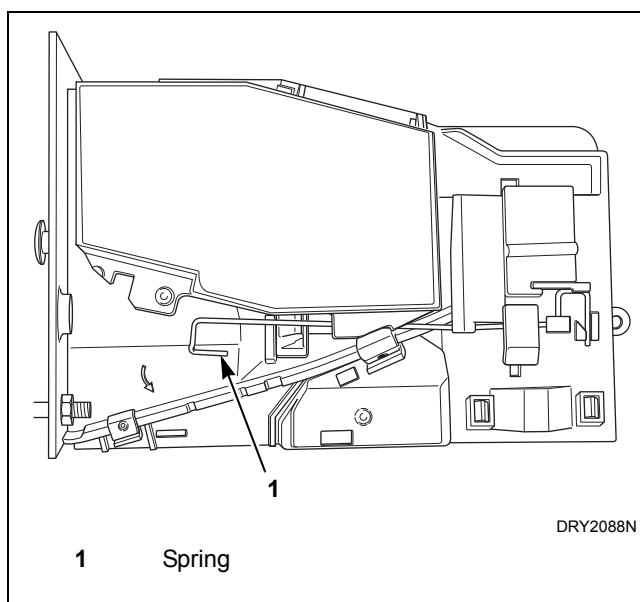


Figure 1

- a. Move spring downward until cover catch is free. Refer to Figure 2.

NOTE: Do not lift or overbend the spring in any direction.

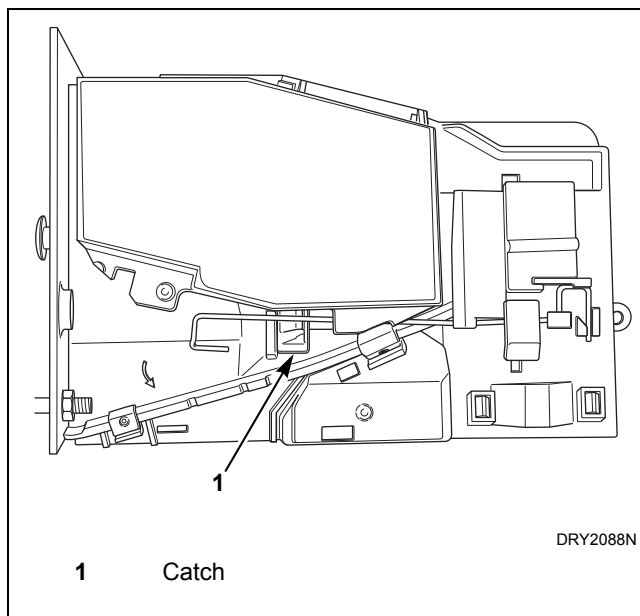


Figure 2

Troubleshooting and Cleaning Coin Drop

b. Open cover for coin drop. Refer to *Figure 3*.

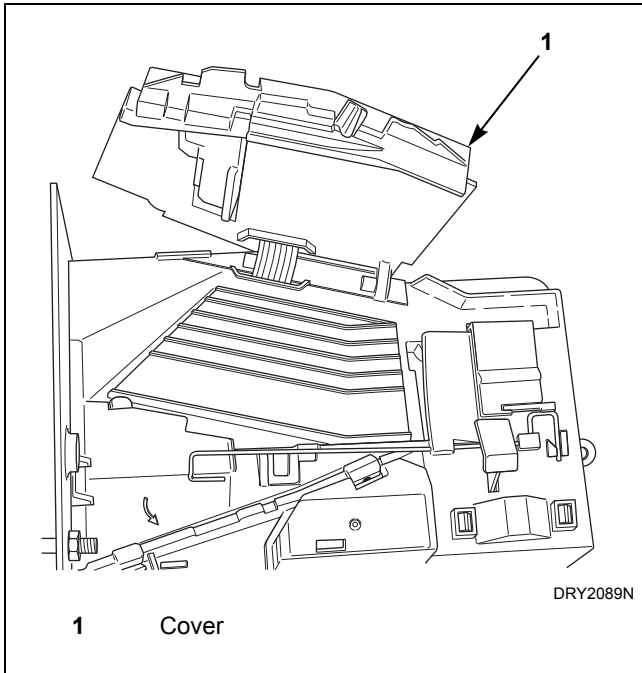


Figure 3

Coin Drops with New-Style Spring (Refer to *Figure 4*.)

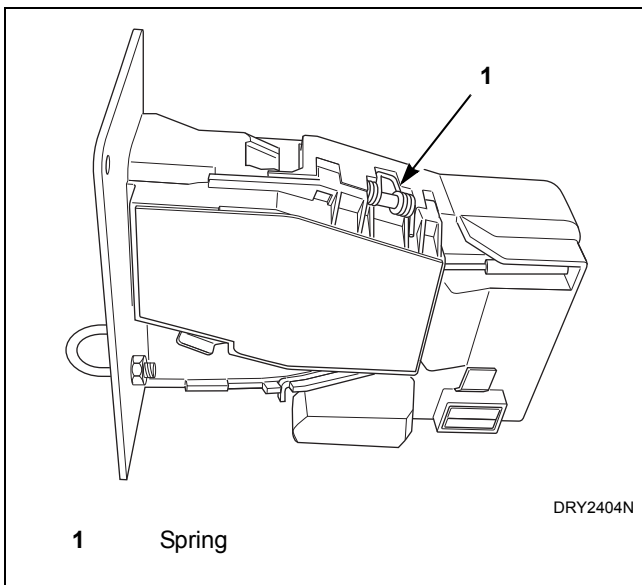


Figure 4

c. Open cover of coin drop. Refer to *Figure 5*.

NOTE: Do not overbend the spring by opening cover too far.

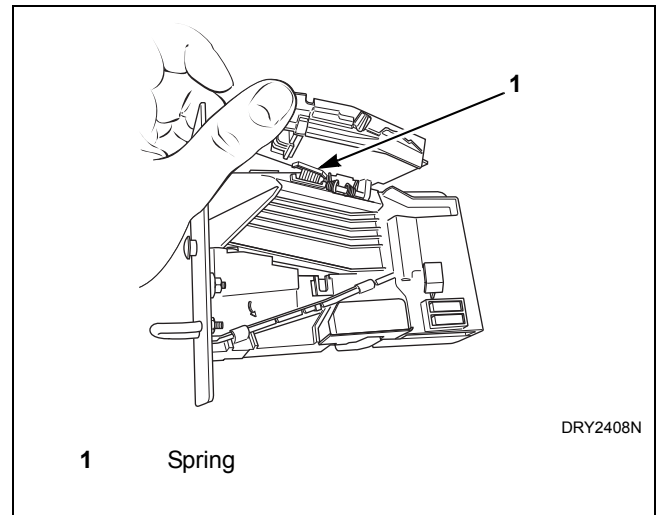


Figure 5

4. Clean the coin path with a soft brush and wipe exposed surfaces with an alcohol moistened cloth. Refer to *Figure 6* and *Figure 7*.

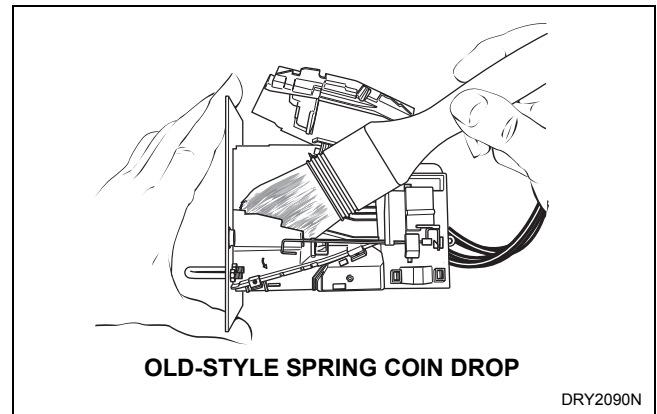


Figure 6



Figure 7

Troubleshooting and Cleaning Coin Drop

5. Clean residue from coin rail with an alcohol moistened cloth. Refer to *Figure 8*.

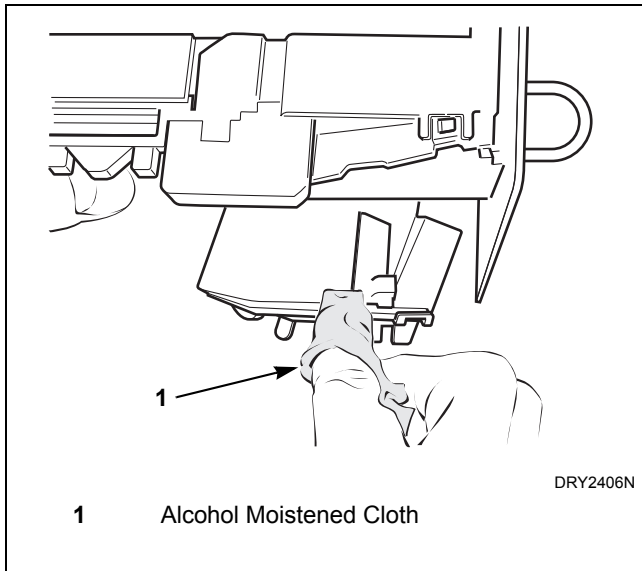


Figure 8

6. Clean light sensors with a soft brush or air spray duster. Refer to *Figure 9*.

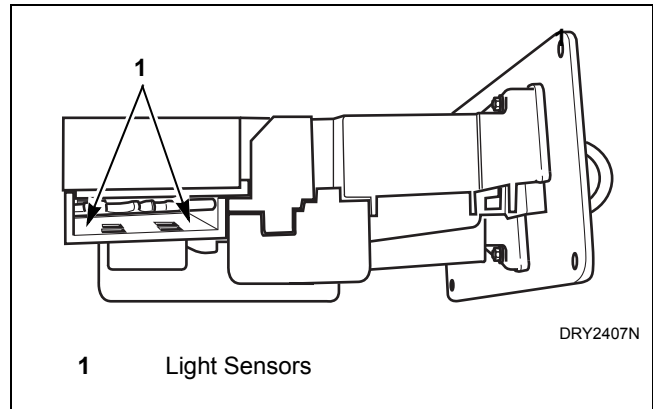


Figure 9

7. Close cover for coin drop.
8. **Coin Drops with OLD-Style Spring** – Move spring back over cover catch.
9. Reinstall coin drop into machine.
10. Reconnect electrical power to machine and drop.
11. Add a coin to drop to verify that coin drop is operating properly and that electrical connection is working properly.

