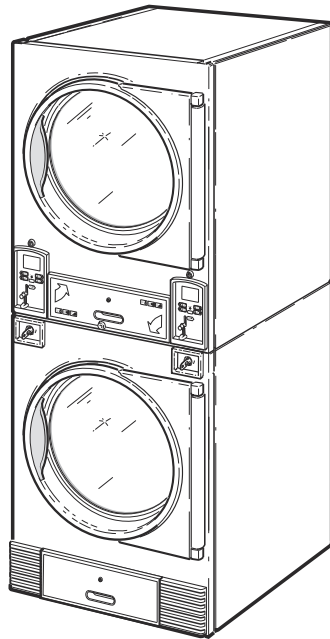


Drying Tumblers

Stacked 45 Pound Capacity
15 Digit Model Numbers with 2 in 12th Position
Refer to Page 5 for Model Numbers



T477C_70573401

Table of Contents

Title	Page
Parts Ordering Information.....	3
Serial Plate Location	3
Model Identification	5
Product Overview - Heat Source and Voltage	6
Product Overview - Control Suffixes (Drawing 1 of 3).....	8
Product Overview - Control Suffixes (Drawing 2 of 3).....	10
Product Overview - Control Suffixes (Drawing 3 of 3).....	12
Dual Digital Timer Components	14
DX4 Control Components	16
Coin Drop Components for MDC Models.....	18
Card Reader Components for MDC Models	20
Coin Drops	22
Coin Drop Kits	24
Electronic Coin Drop Components.....	26
Card Reader Components for Micro Models.....	28
Coin Drop Components for NetMaster Models	30
Card Reader Components for NetMaster Models.....	32
Network Board for NetMaster Models	34
Coin Drop Components for Quantum Models.....	36
Card Reader Components for Quantum Models	38
Network Board	40
Communication Board	42
Coin Drop Components for Galaxy 600 Models	44
Card Reader Components for Galaxy 600 Models	46
LED OPL Control	48
Door Assemblies.....	50
Door Ring and Handle	52
Door Components.....	54
Door Hinge Components	56
Upper Front Panel Assemblies and False Fronts	58
Lower Front Panel Assemblies	60
Upper Cabinet Front Components (Drawing 1 of 2).....	62
Upper Cabinet Front Components (Drawing 2 of 2).....	64
Lower Cabinet Front Components	66
Emergency Stop Button for CE Models	68
Lint Drawer Components	70
Lint Drawer Overlays	72
Cylinder and Trunnion Components	74
Bearing Components	76
Cabinet Components	78
Touch-Up Paint	80

© Copyright 2023, Alliance Laundry Systems LLC

All rights reserved. No part of the contents of this book may be reproduced or transmitted in any form or by any means without the expressed written consent of the publisher.

Drive Motor Components	82
Drive Motors and Motor Capacitors	84
Exhaust Components.....	86
Blower Components.....	88
Moisture Sensing Components.....	90
Gas Burner Housing and Secondary Stove Limit	92
Airflow Switch.....	94
Gas Valve and Piping - All Non-CE and Non-Australian Gas Models and CE and Australian Models Starting 1/1/14 96	
Burner Orifices - Non-CE and Non-Australian Gas Models	98
Gas Valve and Piping - CE and Australian Gas Models Through 12/31/13.....	100
Control Tray Harness.....	102
Control Tray Components - Non-CE and Non-Australian Models (Drawing 1 of 2).....	104
Control Tray Components - Non-CE and Non-Australian Models (Drawing 2 of 2).....	106
Control Tray Components - CE and Australian Models (Drawing 1 of 2).....	108
Control Tray Components - CE and Australian Models (Drawing 2 of 2).....	110
Parts Index.....	113

Parts Ordering Information

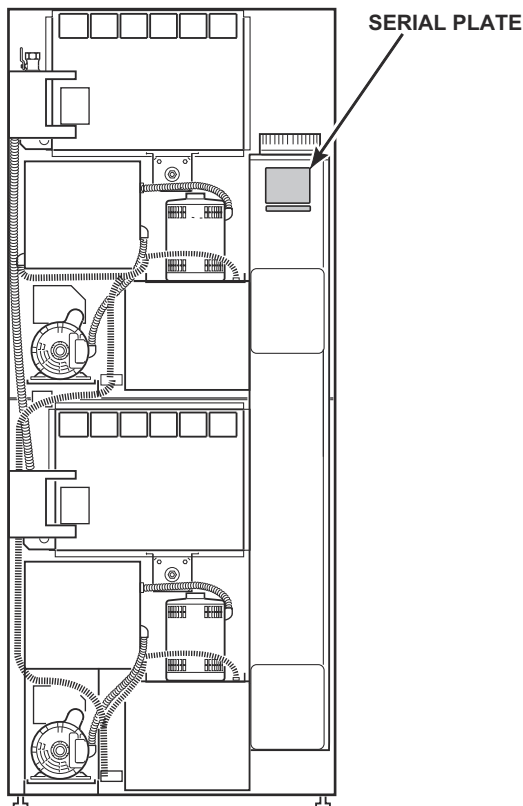
If literature or replacement parts are required, contact the source from whom the machine was purchased or contact Alliance Laundry Systems at (920) 748-3950 for the name and address of the nearest authorized parts distributor.

For technical assistance, call the number listed below:

(920) 748-3121 Ripon, Wisconsin

Serial Plate Location

When calling or writing about your product, be sure to mention model and serial numbers. Model and serial numbers are located on serial plate(s) as shown.



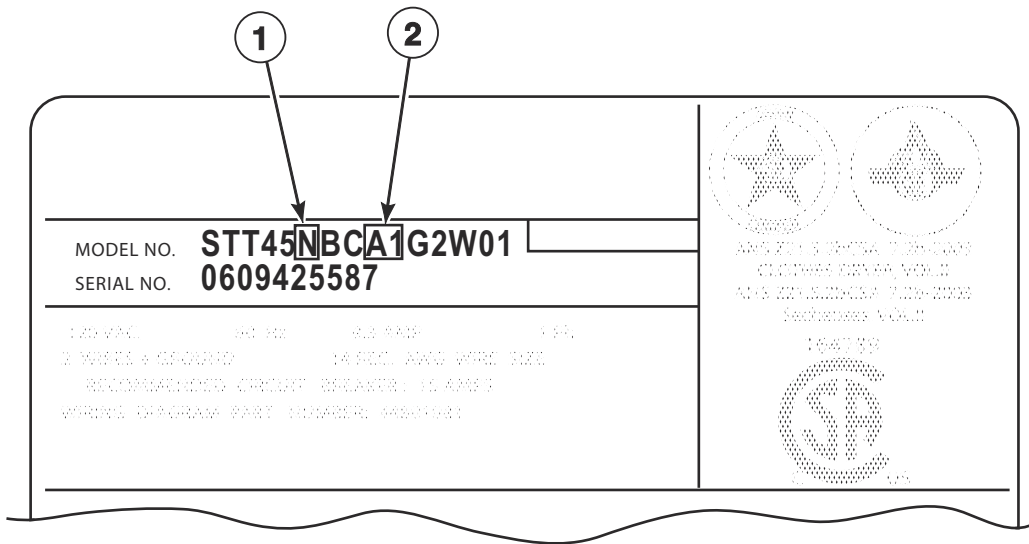
TMB1974N_70573401

Model Identification

Information in this manual is applicable to these tumbler models:

BAT45L	GAT45L	ITT45L	MTT45L	SAT45L
BAT45N	GAT45N	ITT45N	MTT45N	SAT45N
BHT45L	GHT45L	ITT45R	MTT45R	SHT45L
BHT45N	GHT45N	KAT45L	NHT45L	SHT45N
BHT45R	GKT45N	KAT45N	NHT45N	SHT45R
BKT45N	GTT45L	KKT45N	NTT45L	SKT45N
BKT45R	GTT45N	KTT45L	NTT45N	SKT45R
BTT45D	GUT45L	KTT45N	NTT45N_SERIAL_THROUGH_0904	STT45D
BTT45L	GUT45N	KUT45L	NUT45L	STT45L
BTT45N	HAT45L	KUT45N	NUT45N	STT45N
BTT45R	HAT45N	LAT45L	PAT45L	STT45R
BUT45L	HHT45L	LAT45N	PAT45N	SUT45L
BUT45N	HHT45N	LKT45N	PHT45L	SUT45N
BUT45R	HHT45R	LTT45L	PHT45N	SUT45R
CKT45N	HKT45N	LTT45N	PKT45N	UAT45L
CTT45L	HKT45R	LUT45L	PTT45L	UAT45N
CTT45N	HTT45D	LUT45N	PTT45N	UHT45L
	HTT45L		PUT45L	UHT45N
	HTT45N		PUT45N	UHT45R
	HTT45R			UKT45N
	HUT45L			UKT45R
	HUT45N			UTT45L
	HUT45R			UTT45N
				UTT45R
				UUT45L
				UUT45N
				UUT45R

Product Overview - Heat Source and Voltage

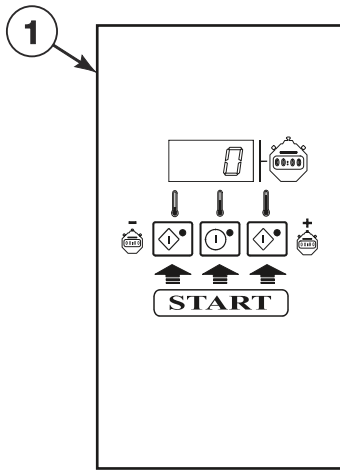
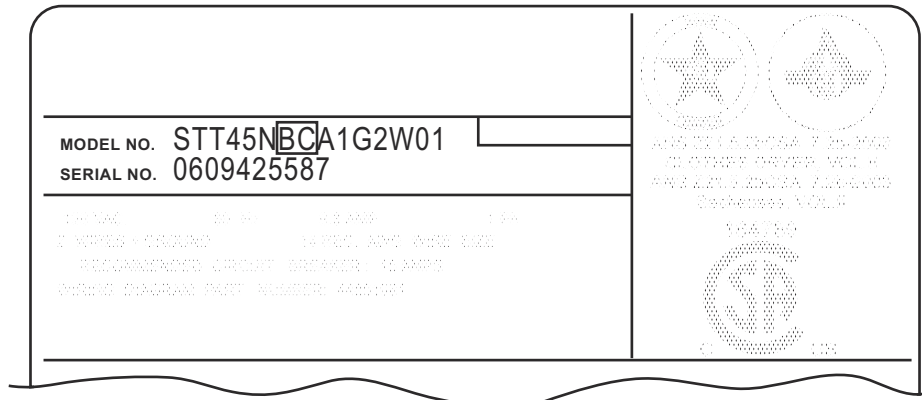


TMB3445P_70573401

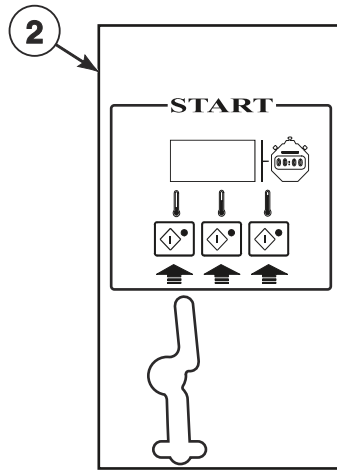
Product Overview - Heat Source and Voltage

REF	PART NO.	DESCRIPTION	COMMENTS
1	-	Heat Source	L: Liquid Petroleum Gas (L.P.) N: Natural Gas (N.G.) R: Reduced Gas, Natural Gas (Eco Line)
2	-	Voltage	A1: 100, 200 Volt/50 Hertz/1 Phase A2: 100, 200-220 Volt/60Hertz/1 Phase B2: 120, 208-240 Volt/60 Hertz/1 Phase F1: 200 Volt/50 Hertz/1 Phase F2: 200 Volt/60 Hertz/1 Phase F4: 200 Volt/50 Hertz/3 Phase F5: 200-208 Volt/60 Hertz/3 Phase F6: 200-208, 240 Volt/60 Hertz/3 Phase G1: 208 Volt/60 Hertz/1 Phase G2: 208-240 Volt/60 Hertz/1 Phase J1: 230 Volt/50 Hertz/1 Phase J2: 230-240 Volt/50 Hertz/1 Phase J4: 240 Volt/60 Hertz/1 Phase J5: 230 Volt/50 Hertz/3 Phase J6: 230-240 Volt/50 Hertz/3 Phase J8: 240 Volt/60 Hertz/3 Phase M1: 380 Volt/50 Hertz/3 Phase M2: 380, 400-415 Volt/50 Hertz/3 Phase M3: 380 Volt/60 Hertz/3 Phase N1: 400-415 Volt/50 Hertz/3 Phase P1: 440 Volt/60 Hertz/3 Phase Q1: 460-480 Volt/60 Hertz/3 Phase

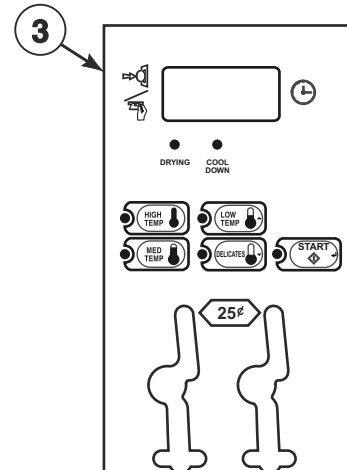
Product Overview - Control Suffixes (Drawing 1 of 3)



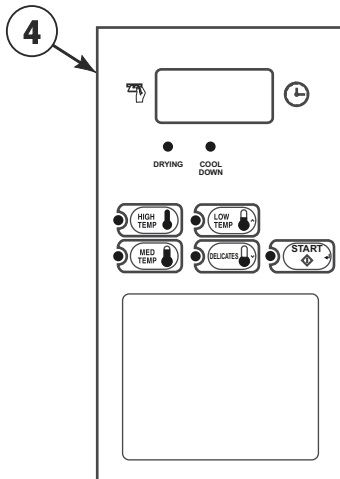
**3L and 3O
Control Suffixes**



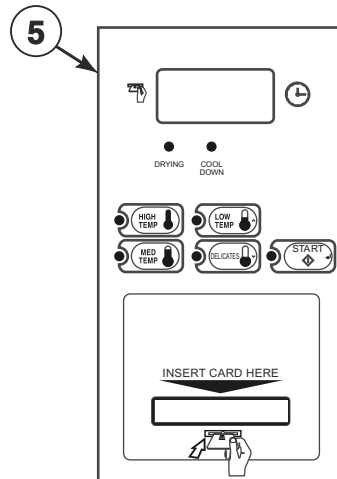
**3V and 3X
Control Suffixes**



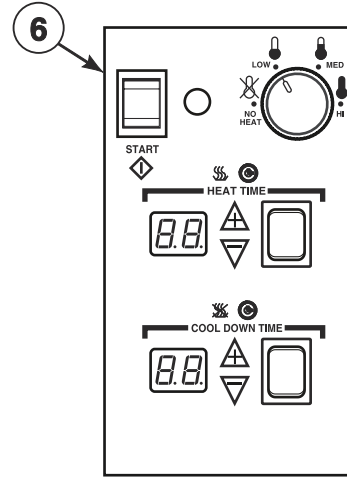
**BC and BX
Control Suffixes**



**BG and BL
Control Suffixes**



**BY
Control Suffix**



**QT
Control Suffix**

TMB3446P_70573401

Product Overview - Control Suffixes (Drawing 1 of 3)

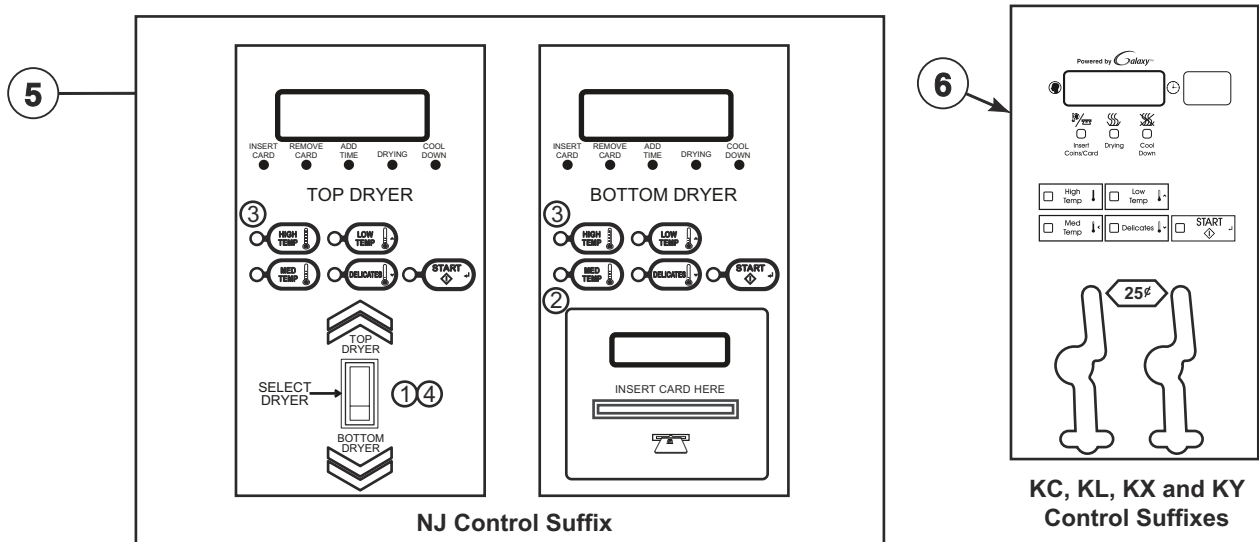
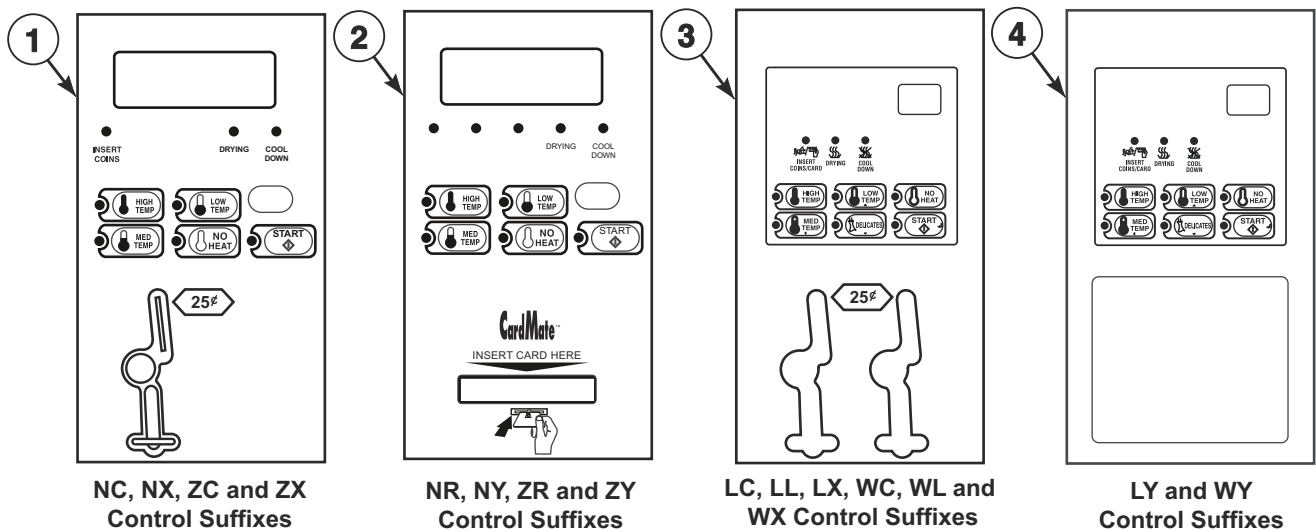
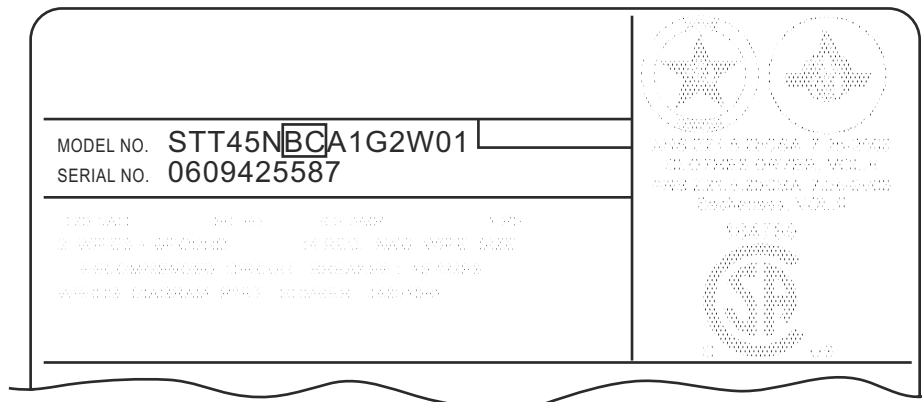
REF	PART NO.	DESCRIPTION	COMMENTS
1	-	Control - Nonreversing	3L: DX4 prep for central pay 3O: DX4 OPL
2	-	Control - Nonreversing	3V: DX4 vended 3X: DX4 prep for coin
3	-	Control - Nonreversing	BC: basic electronic, coin BX: basic electronic, prep for coin
4	-	Control - Nonreversing	BG: basic electronic, OPL BL: basic electronic, central pay
5	-	Control - Nonreversing	BY: basic electronic, prep for card
6	-	Control - Nonreversing	QT: dual digital timer

NOTE: Coin models have the following control suffixes: 3V, 3X, BC and BX

NOTE: OPL models have the following control suffixes: 3L, 3O, BG, BL, BY and QT

Product Overview - Control Suffixes (Drawing 2 of 3)

All Models Except L and N Models



TMB3447P_70573401

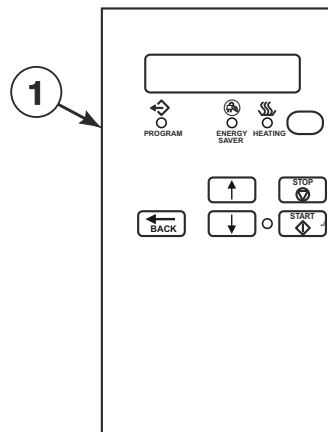
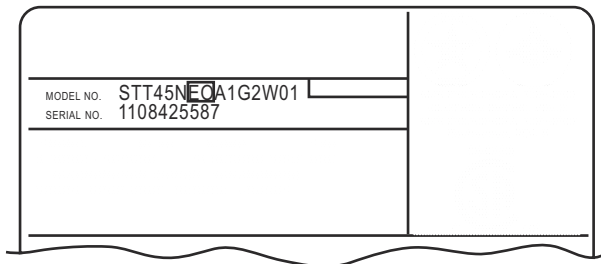
Product Overview - Control Suffixes (Drawing 2 of 3)

REF	PART NO.	DESCRIPTION	COMMENTS
1	-	Control - Nonreversing	NC: NetMaster coin NX: NetMaster, prep for coin ZC: NetMaster network coin ZX: NetMaster network, prep for coin
2	-	Control - Nonreversing	NR: NetMaster card NY: NetMaster, prep for card ZR: NetMaster network card ZY: NetMaster network, prep for card
3	-	Control - Nonreversing	LC: network adaptable coin LL: network adaptable, prep for central pay LX: network adaptable, prep for coin WC: network ready coin WL: network ready, prep for central pay WX: network ready, prep for coin
4	-	Control - Nonreversing	LY: network adaptable, prep for card WY: network ready, prep for card
5	-	Control - Nonreversing	NJ: micro, prep single card reader
6	-	Control - Nonreversing	KC: single coin KL: prep for central pay KX: prep for coin KY: prep for card

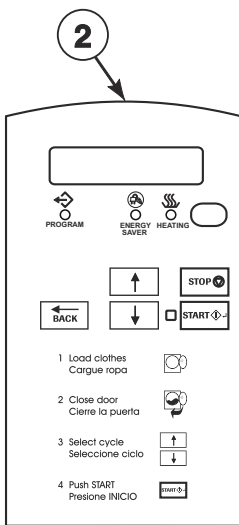
NOTE: Coin models have the following control suffixes: KC, KL, KX, KY, LC, LL, LX, LY, NC, NX, WC, WL, WX, WY, ZC and ZX

NOTE: OPL models have the following control suffixes: NJ, NR, NY, ZR and ZY

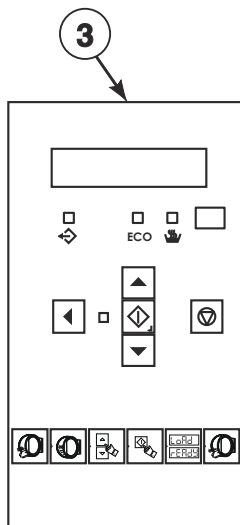
Product Overview - Control Suffixes (Drawing 3 of 3)



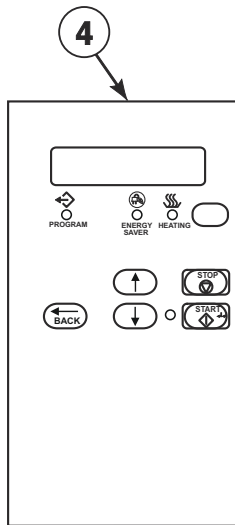
EO Control Suffix



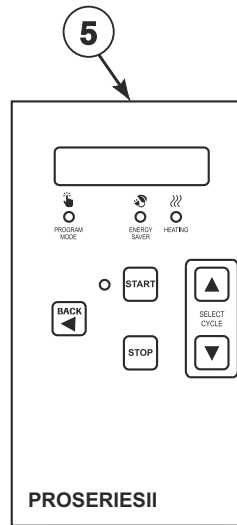
EO Control Suffix



EO Control Suffix

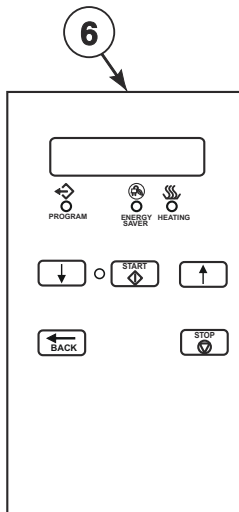


EO Control Suffix

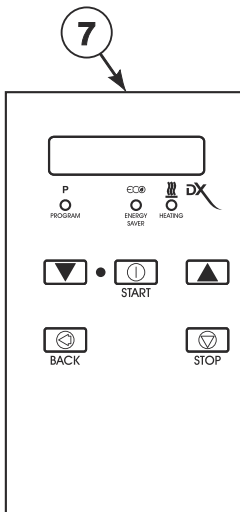


EO Control Suffix

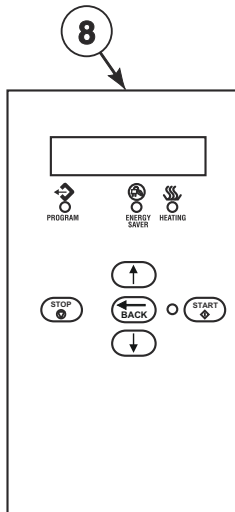
PROSERIESII



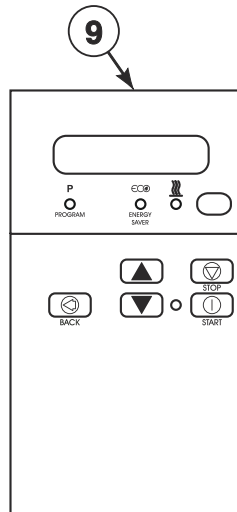
EO Control Suffix



EO Control Suffix



EO Control Suffix



EO Control Suffix

TMB3448P_70573401

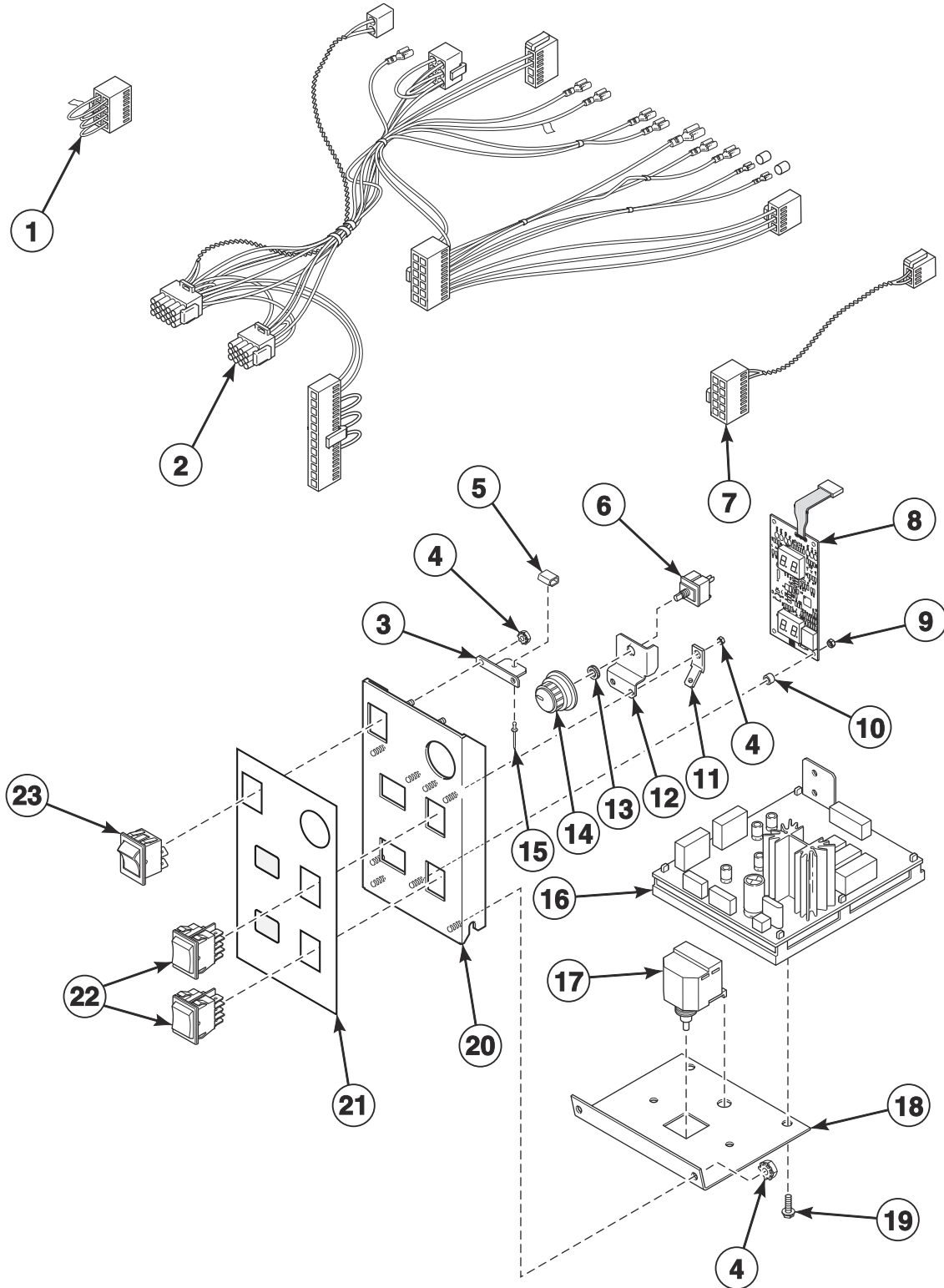
Product Overview - Control Suffixes (Drawing 3 of 3)

REF	PART NO.	DESCRIPTION	COMMENTS
1	-	Control - Nonreversing	S models; EO: LED OPL
2	-	Control - Nonreversing	H models; EO: LED OPL
3	-	Control - Nonreversing	B, C and I models; EO: LED OPL
4	-	Control - Nonreversing	U models; EO: LED OPL
5	-	Control - Nonreversing	G and K models; EO: LED OPL
6	-	Control - Nonreversing	P models; Models through 9/30/14; EO: LED OPL
7	-	Control - Nonreversing	P models; Models starting 10/1/14 through 5/31/15; EO: LED OPL
8	-	Control - Nonreversing	N models; L models through 5/31/15; EO: LED OPL
9	-	Control - Nonreversing	L and P models starting 6/1/15; EO: LED OPL

NOTE: OPL models have the following control suffixes: EO

Dual Digital Timer Components

C, H, I, L, N, P, S and U Models
G and K Models Starting 1/16/12
Models with QT Control Suffix



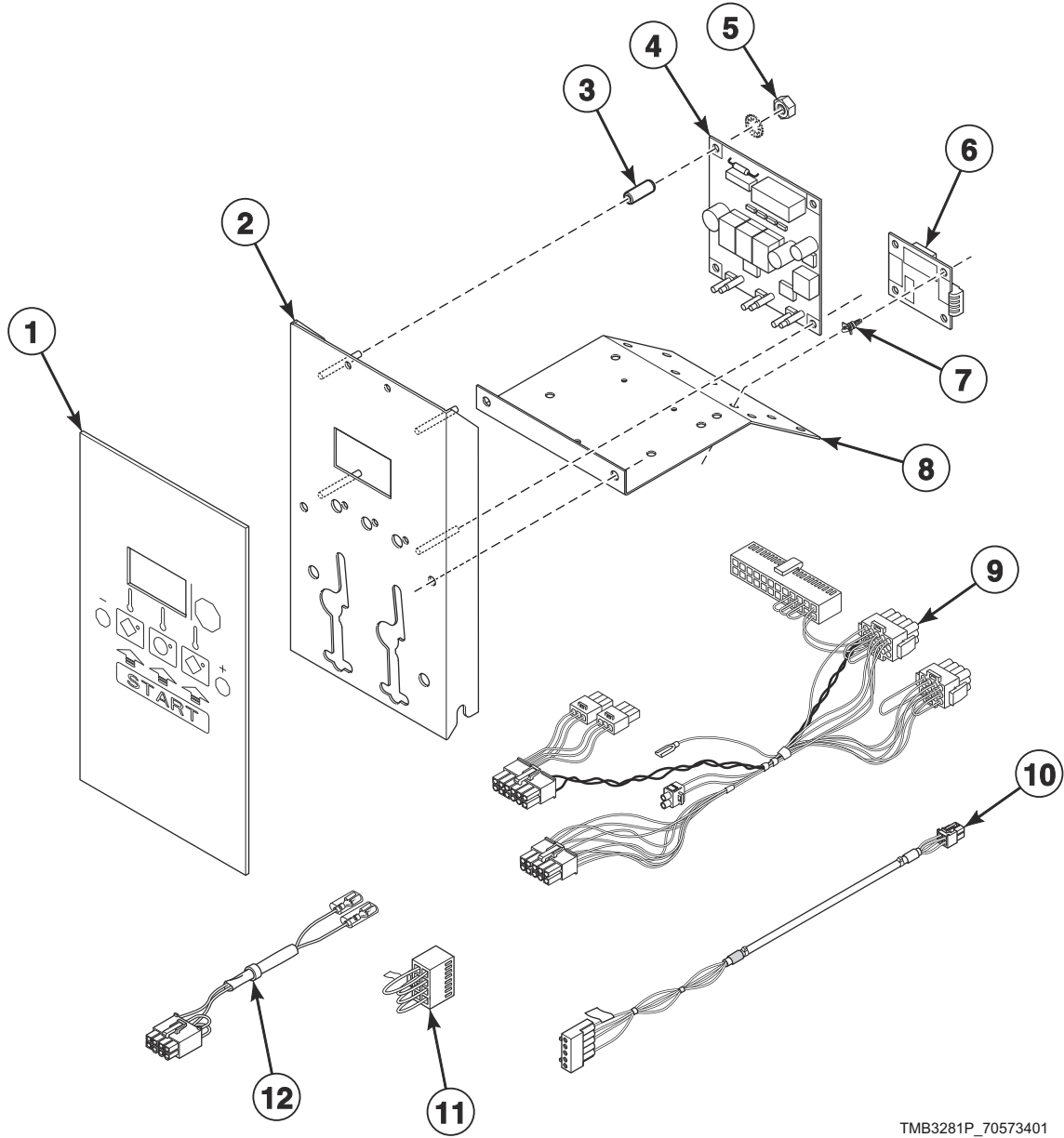
TMB2397P_70573401

Dual Digital Timer Components

REF	PART NO.	DESCRIPTION	COMMENTS
	70346001P	Main Harness	Electric models need 55881 Harness Strap; Models through 1/15/12
	70441401	Main Harness	Electric models need 55881 Harness Strap; Models starting 1/16/12
1	70364103	Bypass Harness	Non-CE models
2	70367001P	Control Panel Harness	
3	70119801	Latch Mounting Bracket	
4	70054	Nut	
5	431318	Control Door Latch	
6	D511711	Temperature Selector Switch	
7	70324603	Jumper Calibration Wire	
8	D512218P	Display Assembly	C and I models through 7/14/14; All other models
	70503101P	Control Assembly	C and I models starting 7/15/14
9	29787	Nut	4 required
10	56079	Panel Locator	4 required
11	00177	Male Tab Terminal	
12	70391701	Temperature Selector Switch Bracket	
13	24205	Nut	
14	44104601	Temperature Knob	
15	M400003	Pop Rivet	
16	D512202P	Control Assembly	
17	M4860P3	Buzzer Kit	Includes harness
18	70357901	Control Chassis Mounting Bracket	
19	D501524	Screw	
20	70365601	Control Plate Assembly	H models; Includes studs
	70361201	Control Door Assembly	All other models; Includes studs
21	70361401	Overlay	H models
	70493901	Overlay	U models starting 8/18/14
	70361301	Overlay	U models through 8/17/14; C and I models through 7/14/14; All other models
	70504801	Overlay	C and I models starting 7/15/14
22	70461301	Rocker Switch	Black button
23	70455101	Rocker Switch	Green button; Start

DX4 Control Components

B, C and I Models with 3L, 3O, 3V and 3X Control Suffixes



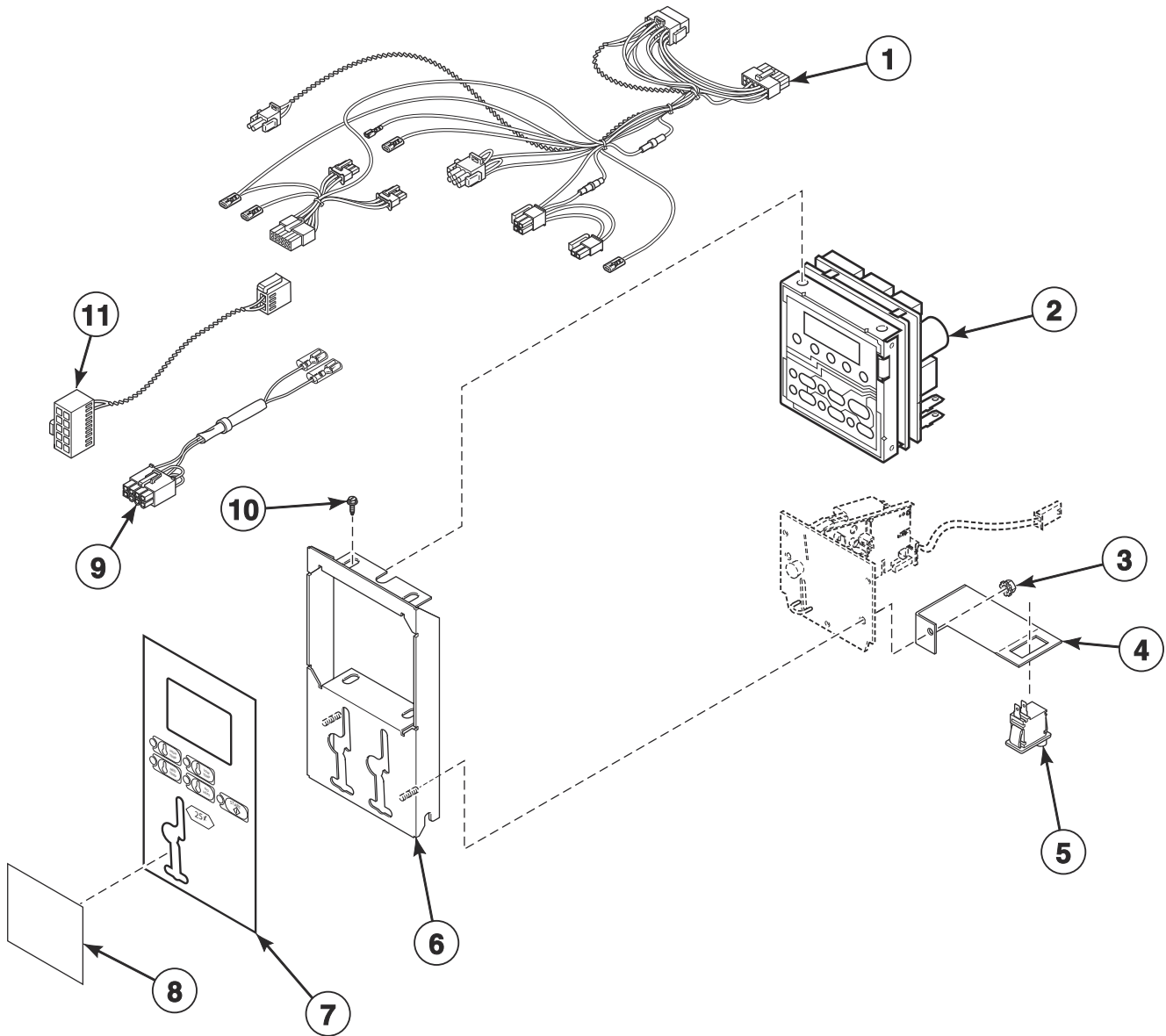
TMB3281P_70573401

DX4 Control Components

REF	PART NO.	DESCRIPTION	COMMENTS
	70441401	Main Harness	Models starting 1/16/12
	70559502	Control Door Latch Kit	Coin
1	70279101	Graphic Overlay	OPL; Models through 7/31/11
	70468201	Graphic Overlay	OPL; Models starting 8/1/11
	70279201	Graphic Overlay	Coin; Single drop; Models through 7/31/11
	70462601	Graphic Overlay	Coin; Single drop; Models starting 8/1/11
	70279202	Graphic Overlay	Coin; Dual drop; Models through 7/31/11
	70462602	Graphic Overlay	Coin; Dual drop; Models starting 8/1/11
	70462603	Graphic Overlay	Prep for central pay
2	70279301P	Control Plate Kit	
3	44050601	Sleeve	4 required
4	70462303P	Control Assembly	Non-CE and non-Australian models; 3O control suffix
	70462304P	Control Assembly	CE and Australian models; 3O control suffix
	70462367P	Control Assembly	Non-CE and non-Australian models; 3V and 3X control suffixes
	70462368P	Control Assembly	CE and Australian models; 3V and 3X control suffixes
	70462370	Control Assembly	Non-CE and non-Australian models; 3L control suffix
	70462371	Control Assembly	CE and Australian models; 3L control suffix
5	29787	Nut	
6	209/00471/75	Central Pay Interface Control Assembly	3L control suffix
7	211/00119/00	Standoff	3L control suffix; 4 required
8	70179001	Mounting Bracket	CE models; All other models with 3L control suffix
9	70485301	Control Panel Harness	Non-CE and non-Australian models
	70489901	Control Panel Harness	CE and Australian models
10	70491501	Central Pay Harness	Lower; 3L control suffix
	70491502	Central Pay Harness	Upper; 3L control suffix
11	70364103	Bypass Harness	Non-CE models; 3O, 3W, 3X and R3 control suffixes
12	70364104P	Coin Vault Switch Harness	Non-CE models; 3V and 3B control suffixes

Coin Drop Components for MDC Models

G, H, I, K, L, N, P and S Models with BC and BX Control Suffixes



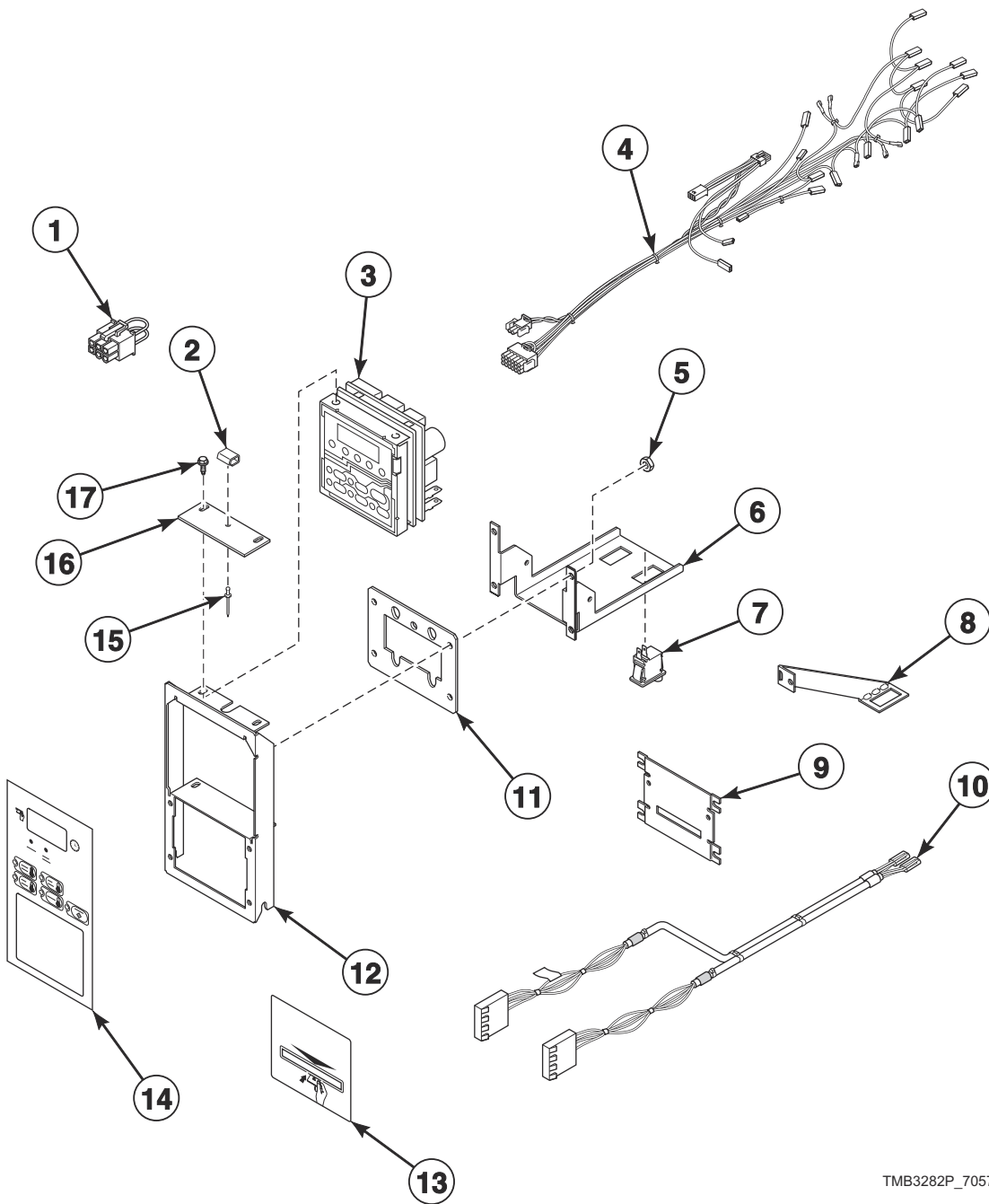
TMB3255P_70573401

Coin Drop Components for MDC Models

REF	PART NO.	DESCRIPTION	COMMENTS
	70346001P	Main Harness	Electric models need 55881 Harness Strap; Models through 1/15/12
	70441401	Main Harness	Electric models need 55881 Harness Strap; Models starting 1/16/12
	70559502	Control Door Latch Kit	
1	70315501P	Control Panel Harness	Control panel to main harness
2	D514273P	Control Assembly	I models; Models starting 7/15/14
	D511867P	Control Assembly	I models through 7/14/14; All other models
	D510036P	Membrane Switch	Order to replace touchpad for D511867P Control Assembly
3	29786	Nut	3 required
4	70183901	Audit Switch Bracket	
5	70413301	Pushbutton Switch	Coin vault switch
6	70498201P	Control Plate Kit	H models
	70705401	Control Plate Kit	All other models
7	70257801	Overlay	S models; L models through 1/28/15; Single drop; Text
	70257802	Overlay	S models; Dual drop; Text
	70261101	Overlay	N and S models; L models through 1/28/15; Single drop; Icon
	70261102	Overlay	N and S models; Dual drop; Icon
	70258101	Overlay	H models; Single drop
	70258102	Overlay	H models; Dual drop
	70261301	Overlay	H models; Single drop; Icon
	70452601	Overlay	G and K models; Upper; Single drop; Text
	70452602	Overlay	G and K models; Upper; Dual drop; Text
	70452701	Overlay	G and K models; Lower; Single drop; Text
	70452702	Overlay	G and K models; Lower; Dual drop; Text
	70492001	Overlay	I models; Models through 7/14/14; Single drop
	70505301	Overlay	I models; Models starting 7/15/14; Single drop
	70492002	Overlay	I models; Models through 7/14/14; Dual drop
	70505302	Overlay	I models; Models starting 7/15/14; Dual drop
	70283301	Overlay	P models through 9/30/14; Upper
	70283401	Overlay	P models through 9/30/14; Lower
	70508901	Overlay	PT models in non-North America starting 10/1/14; L models starting 1/29/15
	70537501	Overlay	PT models in North America starting 10/1/14
8	70321001	Overlay	P models; Models through 9/30/14; Upper; World drop
	70129501	Overlay	P models; Models through 9/30/14; Upper; Single drop
	70129601	Overlay	P models; Models through 9/30/14; Upper; Dual drop
	70129701	Overlay	P models; Models through 9/30/14; Lower; Single drop
	70129801	Overlay	P models; Models through 9/30/14; Lower; Dual drop
	70509901	Overlay	P models starting 10/1/14; L models starting 1/29/15; Upper; Single drop
	70510001	Overlay	P models starting 10/1/14; L models starting 1/29/15; Upper; Dual drop
	70510101	Overlay	P models starting 10/1/14; L models starting 1/29/15; Upper; World drop
	70510201	Overlay	P models starting 10/1/14; L models starting 1/29/15; Lower; Single drop
	70510301	Overlay	P models starting 10/1/14; L models starting 1/29/15; Lower; Dual drop
	70510401	Overlay	P models starting 10/1/14; L models starting 1/29/15; Lower; World drop
	70511301	Overlay	P models starting 10/1/14; Upper/Lower; Central pay
9	70364104P	Coin Vault Switch Harness	Non-CE models
10	D501524	Screw	4 required for mounting control
11	70324603	Jumper Calibration Wire	

Card Reader Components for MDC Models

G, H, I, K, L, MTT45N, N, P and S Models with BG, BL and BY Control Suffixes



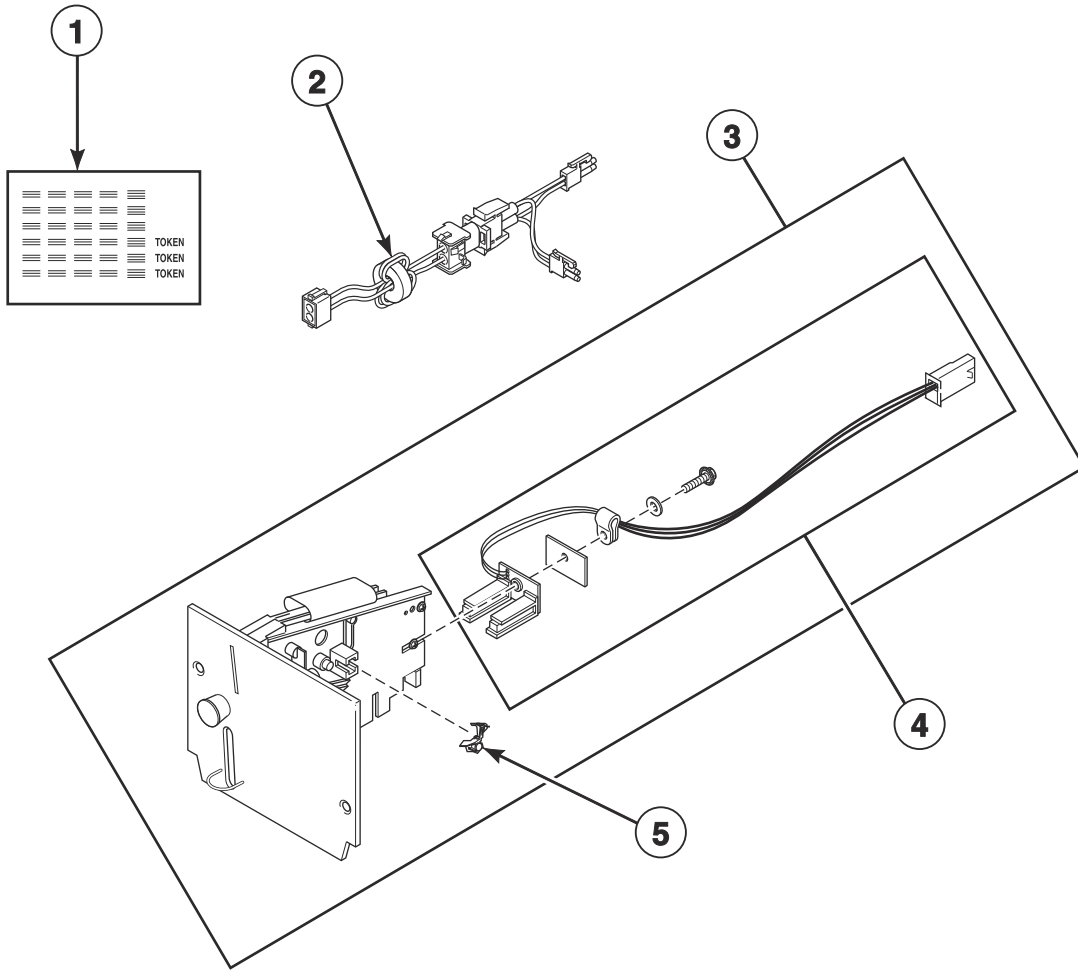
TMB3282P_70573401

Card Reader Components for MDC Models

REF	PART NO.	DESCRIPTION	COMMENTS
	70346001P	Main Harness	Electric models need 55881 Harness Strap; Models through 1/15/12
	70441401	Main Harness	Electric models need 55881 Harness Strap; Models starting 1/16/12
1	70364103	Bypass Harness	Non-CE models
2	431318	Control Door Latch	
3	D514273P	Control Assembly	I models; Models starting 7/15/14
	D511867P	Control Assembly	I models through 7/14/14; All other models
	D510036P	Membrane Switch	Order to replace touchpad for D511867P Control Assembly
4	70368001P	Control Panel Harness	Non-CE and non-Australian models
	70315501P	Control Panel Harness	CE and Australian models
5	70054	Nut	
6	70119001	Chassis Mounting Bracket	Use with item 1
7	70413301	Pushbutton Switch	Coin vault switch
8	70183901	Audit Switch Bracket	Use with item 7
9	44089501	Slot Card Plate Assembly	
10	70484501	Central Pay Harness	BL control suffix
11	70208801	Mounting Plate	
12	70497401	Control Door and Studs Assembly	G, I, K, L, M, N, P and S models
	70498401	Control Door and Studs Assembly	NTT45N_SERIAL_THROUGH_0904 and H models
13	70334201	Card Reader Overlay	N and S models; Black; Included in literature packet
	70334301	Card Reader Overlay	H models; Gray; Included in literature packet
	70275401	Overlay	H models; Models with BL control suffix
	70286701	Overlay	P models; Models through 9/30/14; Models with BL control suffix; Upper
	70286801	Overlay	P models; Models through 9/30/14; Models with BL control suffix; Lower
	70511101	Overlay	P models starting 10/1/14; L models starting 1/29/15; Models with BY control suffix; Upper
	70511201	Overlay	P models starting 10/1/14; L models starting 1/29/15; Models with BY control suffix; Lower
	70511401	Overlay	P models starting 10/1/14; L models starting 1/29/15; Convert card models to central pay; Upper/Lower
	70246301	Coin Cover Overlay	I models; Models with BL control suffix
14	70335801	Overlay	N and S models; P models through 9/30/14; L models through 1/28/15; Text and icon
	70509801	Overlay	P models starting 10/1/14; L models starting 1/29/15
	70336001	Overlay	H models; Text and icon
	70492001	Overlay	I models; Models through 7/14/14
	70506801	Overlay	I models; Models starting 7/15/14
	70351501	Overlay	M models
	70304201	Overlay	N models; Text and icon
	70452801	Overlay	G and K models; Upper; BY control suffix
	70452901	Overlay	G and K models; Lower; BY control suffix
	70411801	Overlay	G and K models; Text; BG and BL control suffixes
15	M400003	Pop Rivet	
16	70184501	Latch Mounting Bracket	
17	D501524	Screw	4 required

Coin Drops

All Models Except U Models



TMB2921P_70573401

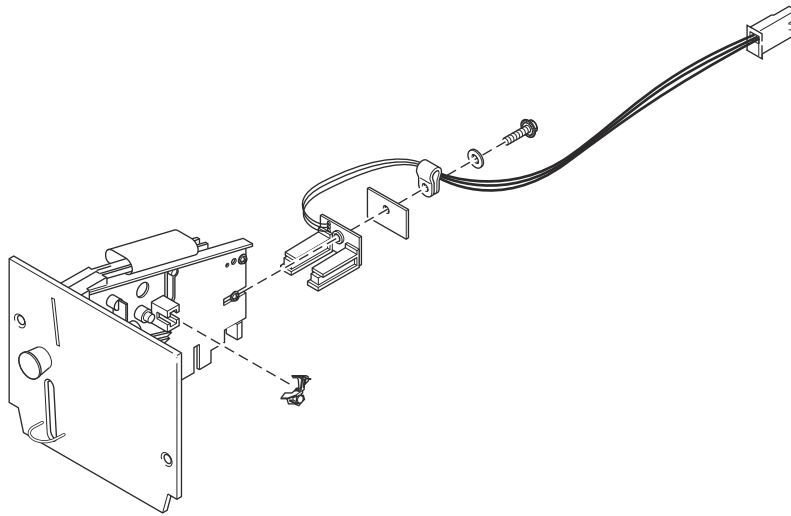
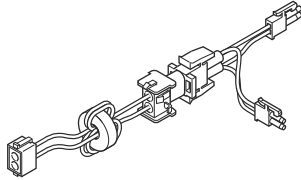
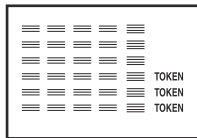
Coin Drops

REF	PART NO.	DESCRIPTION	COMMENTS
1	38725	Coin Identification Paper	
2	44065801	Electronic Coin Drop Harness	Models through 4/14/09
3	70294103P	Electronic Coin Drop Assembly	United Kingdom (default) and Europe
	70294104	Electronic Coin Drop Assembly	Europe (default), Denmark and Norway
	CK099	Electronic Coin Drop Kit	Australia (default), New Zealand, Hong Kong, South Korea and Malaysia
	70513306	Electronic Coin Drop Assembly	Mexico (default), Ecuador and United States
	70294107	Electronic Coin Drop Assembly	Lithuania (default), Latvia and Europe
	70513311	Electronic Coin Drop Assembly	Malaysia (default) and China
	70294117	Electronic Coin Drop Assembly	Russia; 5.00 and 10.00
	70294119	Electronic Coin Drop Assembly	Thailand; 1, 5 and 10 Baht
	70294120	Electronic Coin Drop Assembly	Chile; Chilean peso
	70294121	Electronic Coin Drop Assembly	Singapore
	70294111	Electronic Coin Drop Assembly	Euro; .10 - 2.00
	70441601P	Coin Drop	USA; \$.25
	70256402P	Coin Drop	USA; Dual; \$.25 and \$1.00
	70429001	Coin Drop	B models; USA
	38475	Coin Drop Assembly	Japan; 100 yen
	38519	Coin Drop Assembly	Japan; 100 and 500 yen
	38467	Coin Drop Assembly	Australia; .20 and 1.00
	70447301	Coin Drop Assembly	Australia; 1.00 and 2.00
	70482401	Coin Drop Assembly	New Zealand; 1.00 and 2.00
	39748	Coin Drop	HU, PU and SU models; Token; Jeton; Grooves on the face of the token
	210195	Coin Drop Assembly	Euro; .20 and 1.00
	210196	Coin Drop Assembly	Euro; .50 and 1.00
	38462P	Coin Drop Assembly	Token; STD-118-1; .880 diameter x .079 thick; Brass
	38463	Coin Drop Assembly	Token; STD-118-5; .990 diameter x .081 thick; Silver
	70471601	Coin Drop Assembly	Token; 7K
	38464P	Coin Drop Assembly	Canada; .25
70441602	Coin Drop Assembly	Canada; .25 and 1.00	
38472	Coin Drop Assembly	England; 20 pence and 1 pound	
N/A	Coin Drop Assembly	Denmark; 1 and 5 DKK; May replace with 70294104 Electronic Coin Drop Assembly	
38521	Coin Drop Assembly	Korea; 100 and 500 won	
38963P	Coin Drop	Token STD-118-16 not available; Replacement for 38963P Coin Drop only	
N/A	Coin Drop Assembly	Taiwan; Dual; 5 and 10 NT; May replace with CK113 Electronic Coin Drop Kit	
39157	Coin Drop Assembly	Israel; Shekel	
CK077	Coin Drop Kit	Taiwan; 10 NT	
CK114	Coin Drop Assembly	Singapore; Old 1.00	
CK123	Coin Drop Kit	Singapore; New 1.00	
4	200674P	Opto Coupler	
5	201595P	Wire Guard	

N/A = Part no longer available

Coin Drop Kits

All Models Except U Models



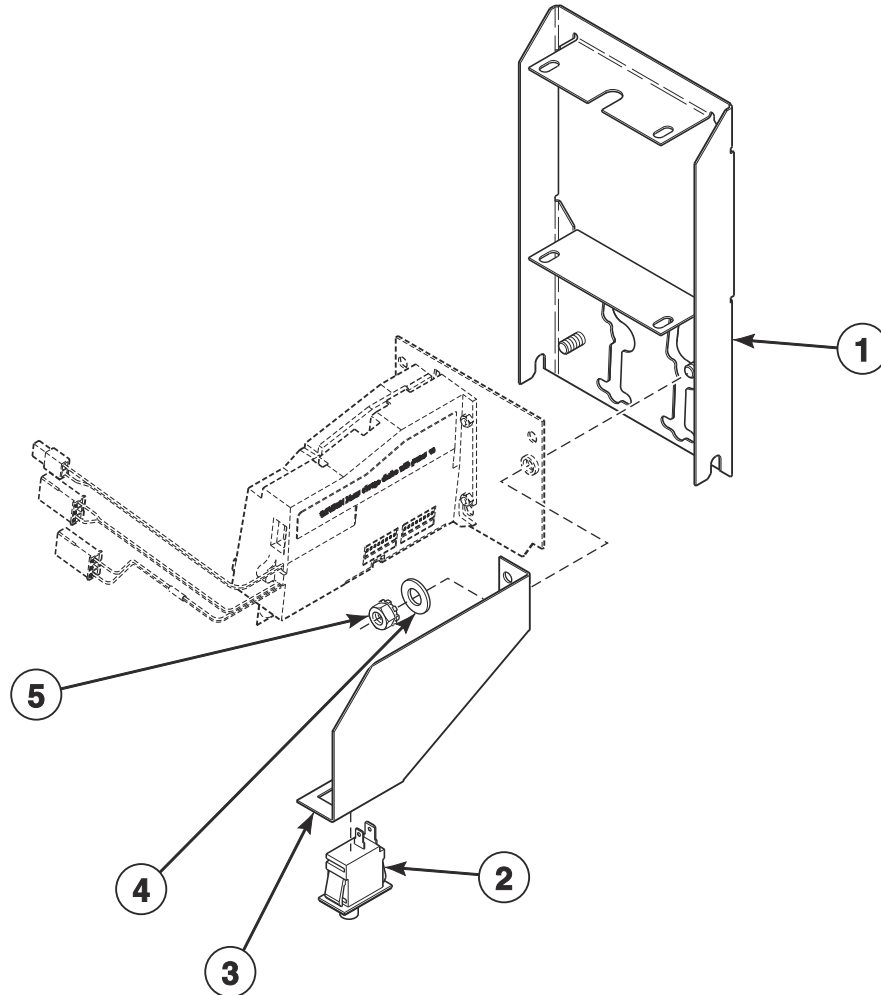
TMB2921PA_70573401

Coin Drop Kits

REF	PART NO.	DESCRIPTION	COMMENTS
	CK115	Electronic Coin Drop Kit	United States and Canada
	CK113	Electronic Coin Drop Kit	Japan and Taiwan
	CK099	Electronic Coin Drop Kit	Australia (default), New Zealand, Hong Kong, South Korea and Malaysia
	CK100	Electronic Coin Drop Kit	United Kingdom (default) and Europe
	CK101	Electronic Coin Drop Kit	Europe (default), Denmark and Norway
	CK103	Electronic Coin Drop Kit	Lithuania (default), Latvia and Europe
	CK108	Electronic Coin Drop Kit	South Africa
	CK109	Electronic Coin Drop Kit	Euro
	CK116	Electronic Coin Drop Kit	Malaysia (default) and China
	CK117	Electronic Coin Drop Kit	Russia
	CK118	Electronic Coin Drop Kit	Philippine
	CK119	Electronic Coin Drop Kit	Thailand
	CK120	Electronic Coin Drop Kit	Chile
	CK121	Electronic Coin Drop Kit	Singapore
	CK122	Coin Drop Kit	New Zealand; 1.00 and 2.00

Electronic Coin Drop Components

B, C, G, H, I, K, L, N, P and S Models with 3V, BC, KC, LC, NC, WC and ZC Control Suffixes



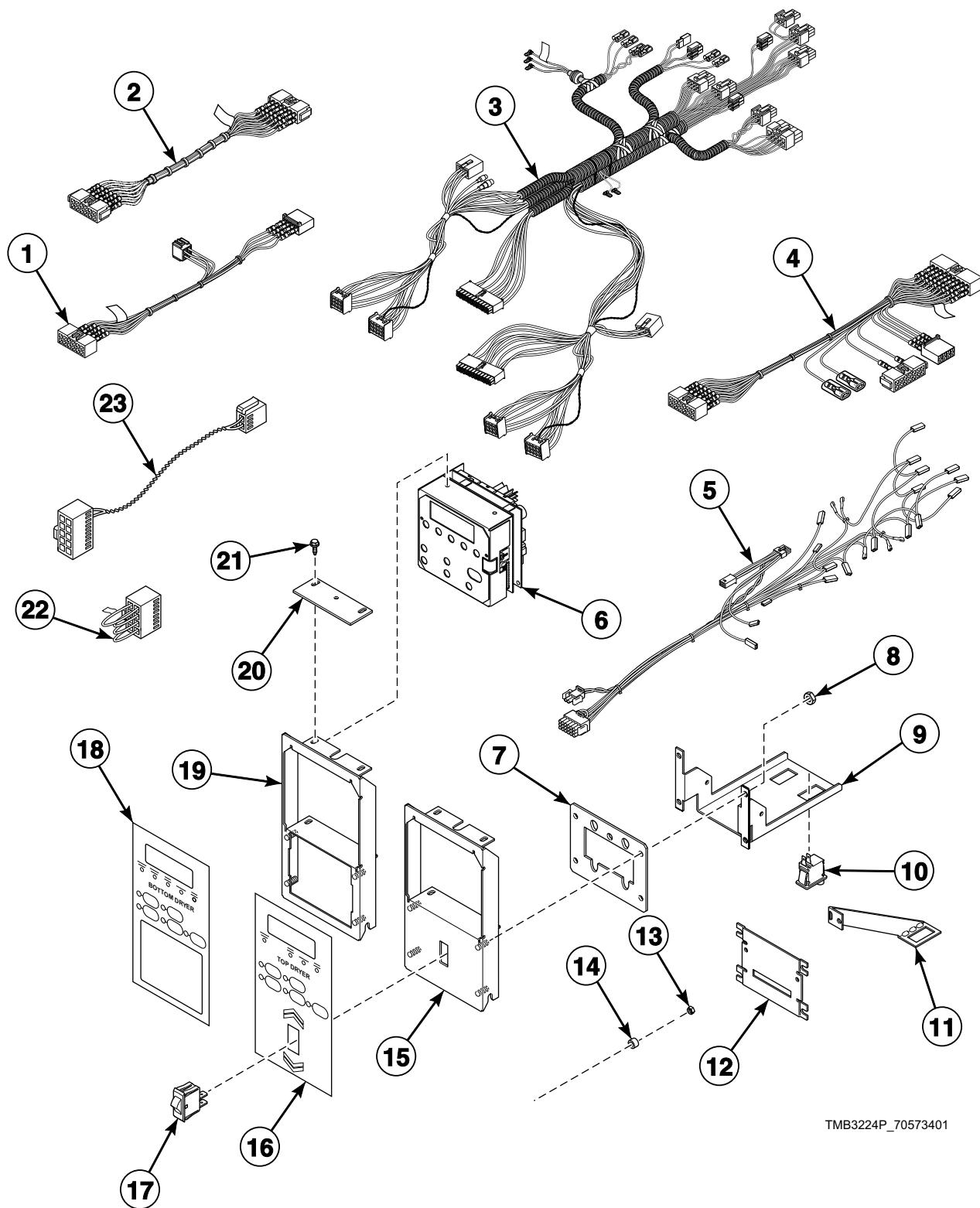
TMB1984K_70573401

Electronic Coin Drop Components

REF	PART NO.	DESCRIPTION	COMMENTS
1	70498201P	Control Plate Kit	H models
	70705401	Control Plate Kit	All other models
2	70413301	Pushbutton Switch	Coin vault switch
3	70292601	Audit Switch Bracket	
4	70292801	Washer	2 required
5	29786	Nut	2 required

Card Reader Components for Micro Models

K Models Through Serial No. 1101018349 with NJ Control Suffix



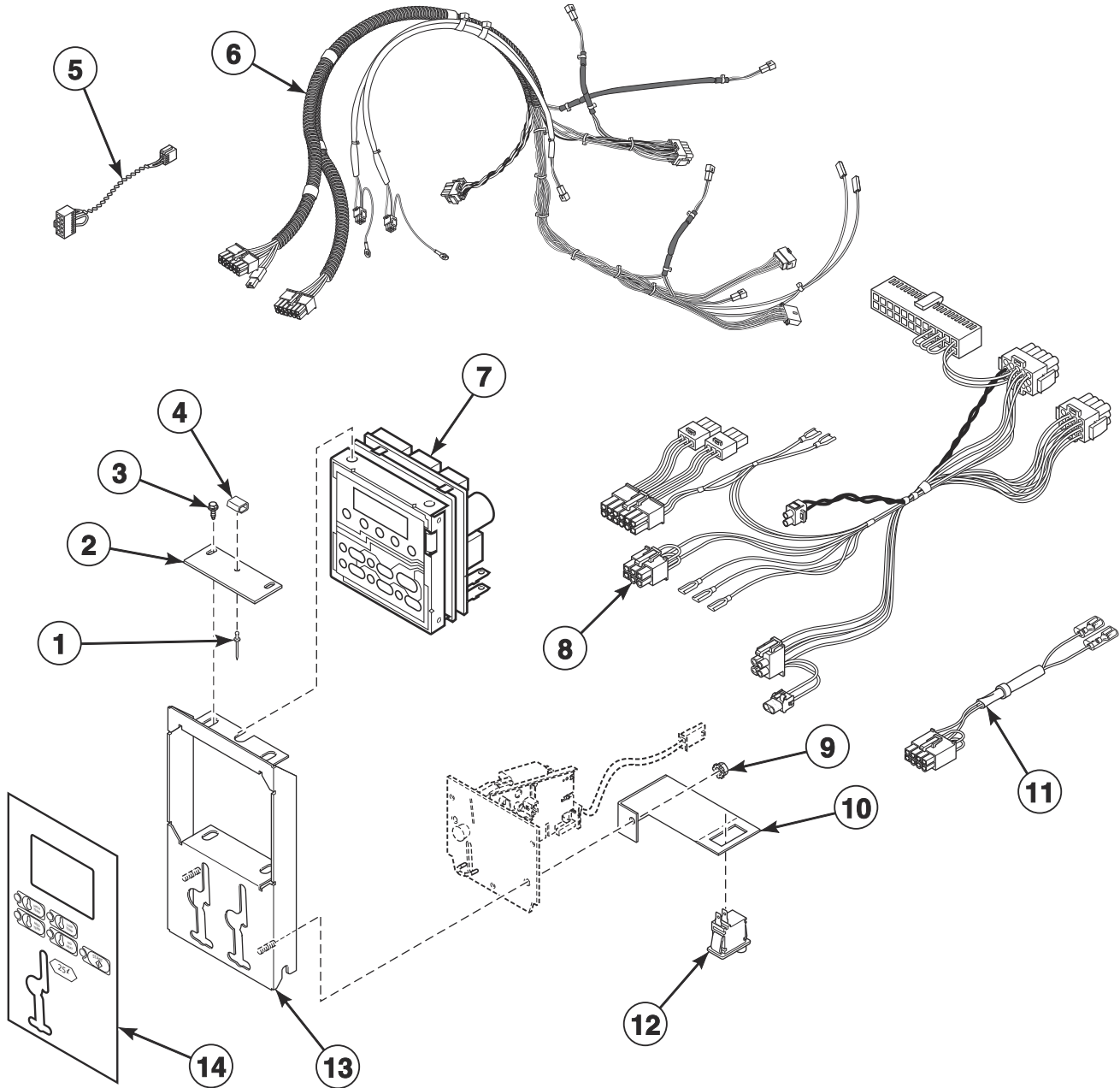
TMB3224P_70573401

Card Reader Components for Micro Models

REF	PART NO.	DESCRIPTION	COMMENTS
	430497	Screw	
	70366201	Wire Clip	
	70307003	Control Housing Cover	
1	70420101P	Lower Card Reader Harness	
2	70419901P	Main Harness	Single card reader; Electric models need 55881 Harness Strap
3	70346001P	Main Harness	Electric models need 55881 Harness Strap
4	70420001P	Upper Card Reader Harness	
5	70368001P	Control Panel Harness	Non-CE and non-Australian models
	70315501P	Control Panel Harness	CE and Australian models
6	D505905P	Control Kit	
	D510036P	Membrane Switch	Order to replace touchpad for D510034 Control Assembly in D505905P Control Kit
7	70208801	Mounting Plate	
8	70054	Nut	
9	70119001	Chassis Mounting Bracket	
10	70413301	Pushbutton Switch	Coin vault switch
11	70183901	Audit Switch Bracket	Use with item 10
12	44089501	Slot Card Plate Assembly	
13	29787	Nut	
14	56079	Panel Locator	
15	70420201	Control Mounting Bracket Assembly	
16	70418001	Overlay	Upper
17	44099601	Rocker Switch	
18	70417901	Overlay	Bottom
19	70497401	Control Door and Studs Assembly	
20	70184501	Latch Mounting Bracket	
21	D501524	Screw	4 required
22	70364103	Bypass Harness	Non-CE models
23	70324603	Jumper Calibration Wire	

Coin Drop Components for NetMaster Models

KT Models Through Serial No. 1101018349 and ST Models Through Serial No. 0904004427
NC, NX, ZC and ZX Control Suffixes



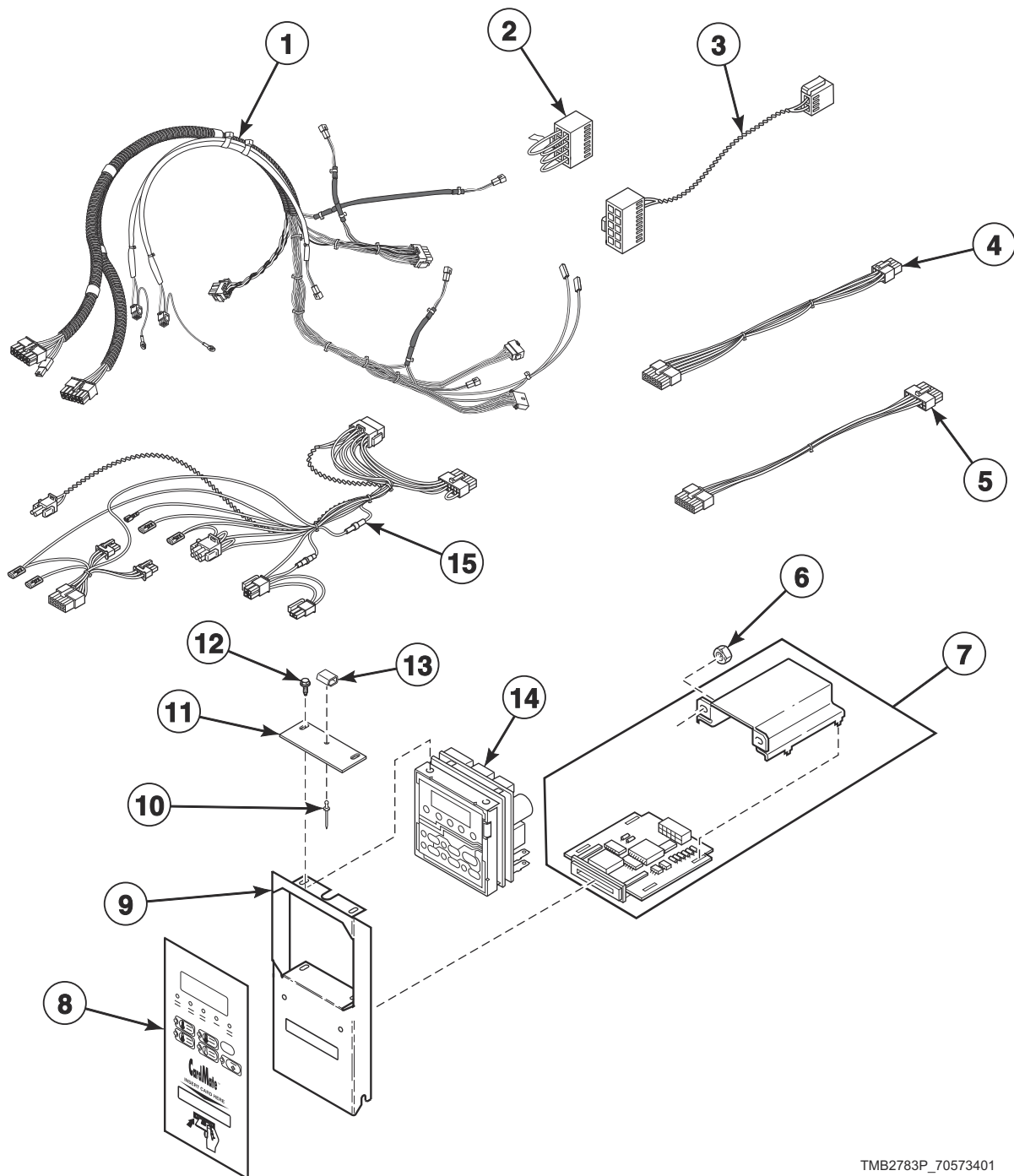
TMB2782P_70573401

Coin Drop Components for NetMaster Models

REF	PART NO.	DESCRIPTION	COMMENTS
	44147801	Overlay	K models
	70559502	Control Door Latch Kit	
1	M400003	Pop Rivet	
2	70184501	Latch Mounting Bracket	
3	D501524	Screw	4 required
4	431318	Control Door Latch	
5	70211703P	Jumper Calibration Assembly	
6	70346002P	Main Harness	Electric models need 55881 Harness Strap
7	D505905P	Control Kit	Includes tape
	D510036P	Membrane Switch	Order to replace touchpad for D510034 Control Assembly in D505905P Control Kit
8	70368001P	Control Panel Harness	
9	29786	Nut	
10	70292601	Audit Switch Bracket	
11	70364104P	Coin Vault Switch Harness	NC and ZC control suffixes; Non-CE models
12	70413301	Pushbutton Switch	Coin vault switch
13	70705401	Control Plate Kit	
	70498001	Control Door and Studs Assembly	K models
14	70184101	Overlay	Single drop
	70184102	Overlay	Dual drop
	70413601	Overlay	K models; NC and NX control suffixes; Single drop; Bottom
	70413602	Overlay	K models; NC and NX control suffixes; Dual drop; Bottom
	70413901	Overlay	K models; NC and NX control suffixes; Single drop; Upper
	70413902	Overlay	K models; NC and NX control suffixes; Dual drop; Upper

Card Reader Components for NetMaster Models

KT Models Through Serial No. 1101018349 and SA and ST Models Through Serial No. 0904004427
NR, NY, ZR and ZY Control Suffixes



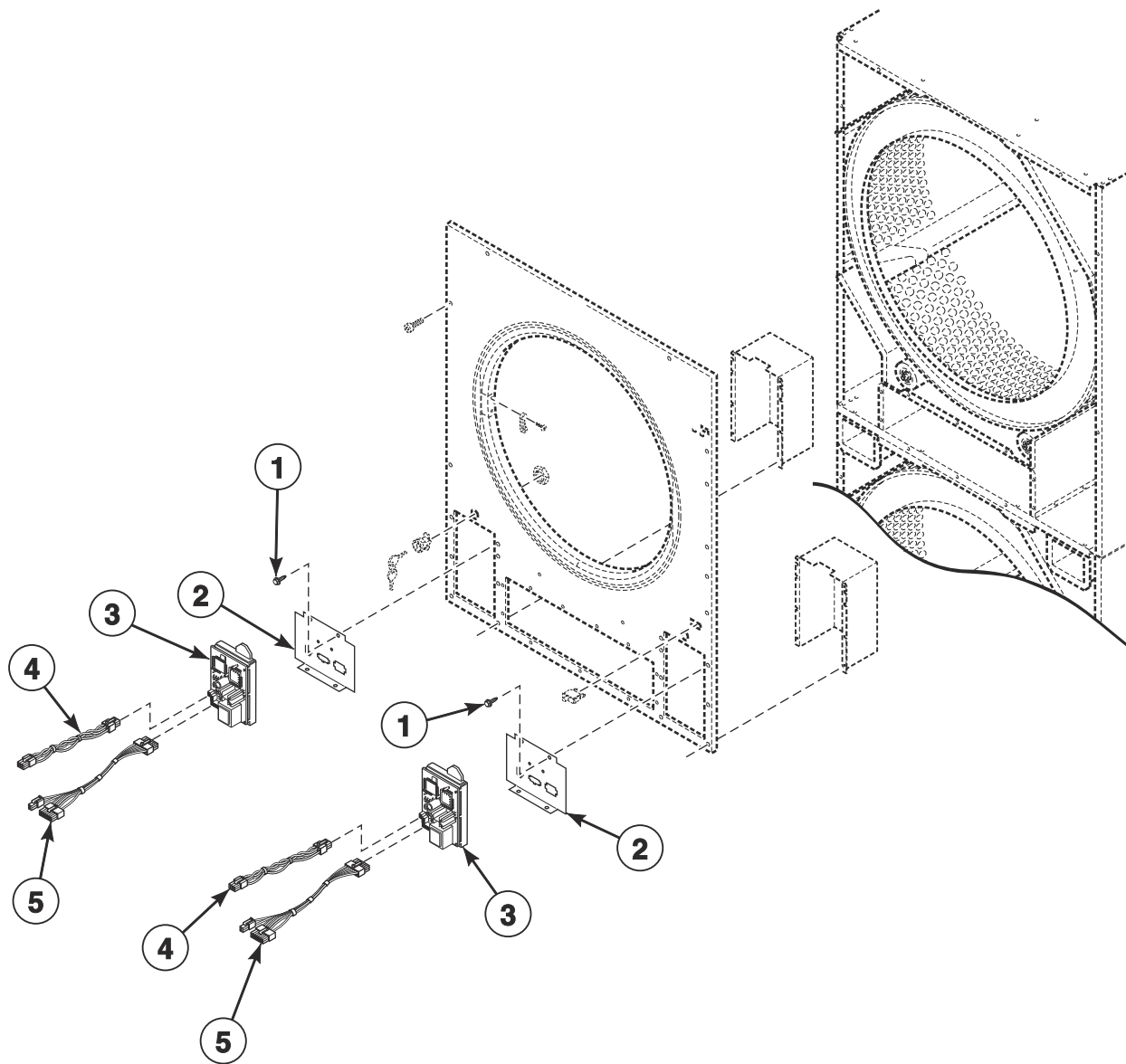
TMB2783P_70573401

Card Reader Components for NetMaster Models

REF	PART NO.	DESCRIPTION	COMMENTS
1	70346002P	Main Harness	ZR and ZY control suffixes; Electric models need 55881 Harness Strap
2	70364103	Bypass Harness	Non-CE models
3	70211703P	Jumper Calibration Assembly	
4	70206601	Card Reader Network Harness Assembly	Card reader or network
5	70211801	Card Reader Harness Assembly	
6	70054	Nut	2 required
7	D510068P	Card Reader and Bracket Assembly	
8	70184201	Overlay	Card reader installed
	70235101	Overlay	Card reader ready
	70416301	Overlay	K models; NY control suffix; Upper
	70416401	Overlay	K models; NY control suffix; Bottom
9	70175911	Control Door Assembly	NR control suffix
10	M400003	Pop Rivet	
11	70184501	Latch Mounting Bracket	
12	D501524	Screw	4 required
13	431318	Control Door Latch	
14	D505905P	Control Kit	Includes tape
	D510036P	Membrane Switch	Order to replace touchpad for D510034 Control Assembly in D505905P Control Kit
15	70368001P	Control Panel Harness	KT and ST models
	70315501P	Control Panel Harness	SA models

Network Board for NetMaster Models

SA and ST Models Through Serial No. 0904004427 with ZC, ZR, ZX and ZY Control Suffixes



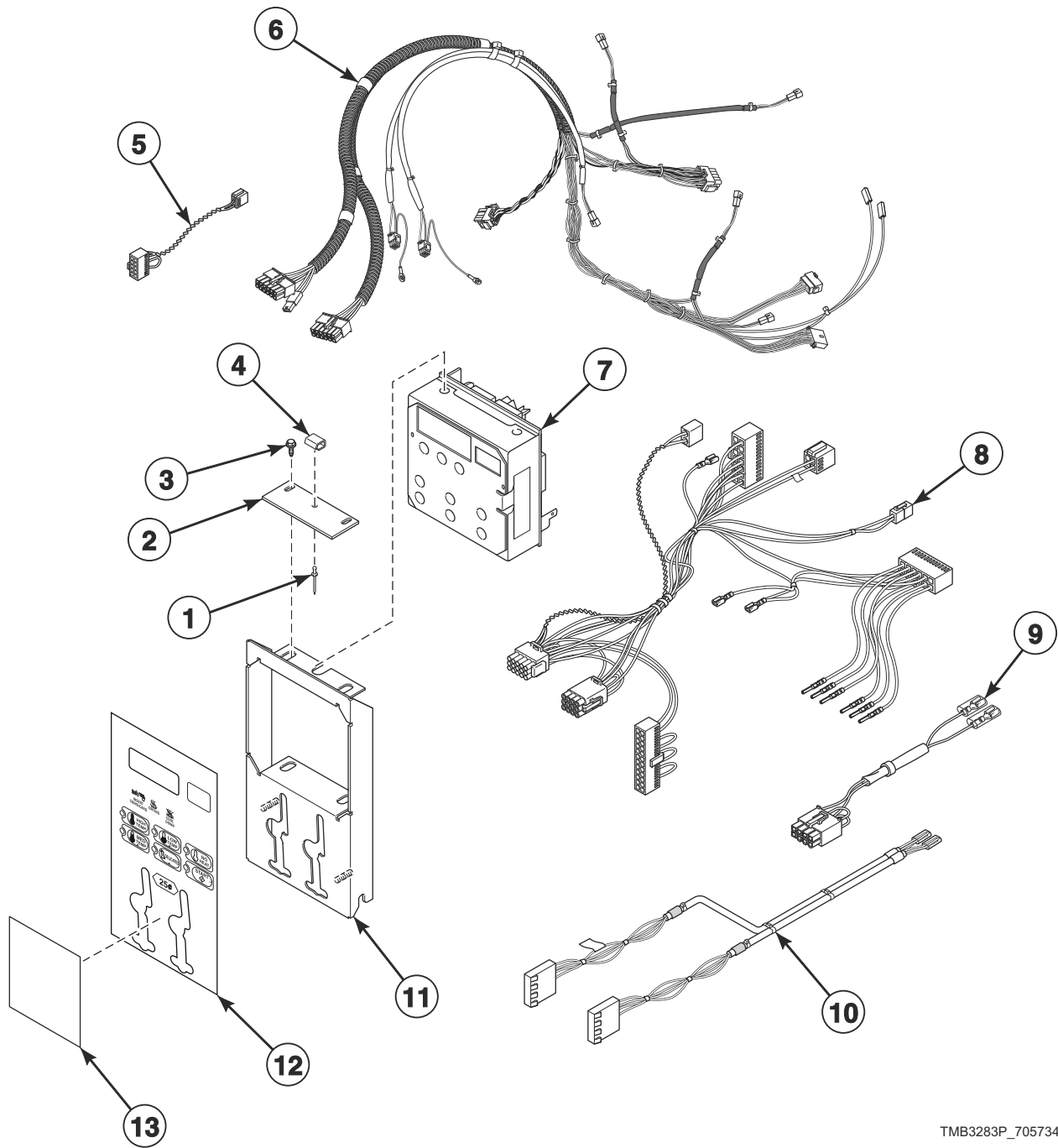
TMB2308P_70573401

Network Board for NetMaster Models

REF	PART NO.	DESCRIPTION	COMMENTS
	210157P	Network Board	For desktop PC
	210165	Network Cable	For laptop PC
	210095P	Communication Board	
1	52909	Screw	
2	70307002	Control Housing Cover	
3	210016P	Network Board Assembly	
4	70211101	Communication Harness Assembly	Network board to main harness at control bulkhead
5	800217	Network Wire Harness Assembly	

Coin Drop Components for Quantum Models

M and S Models with LC, LL, LX, WC, WL and WX Control Suffixes



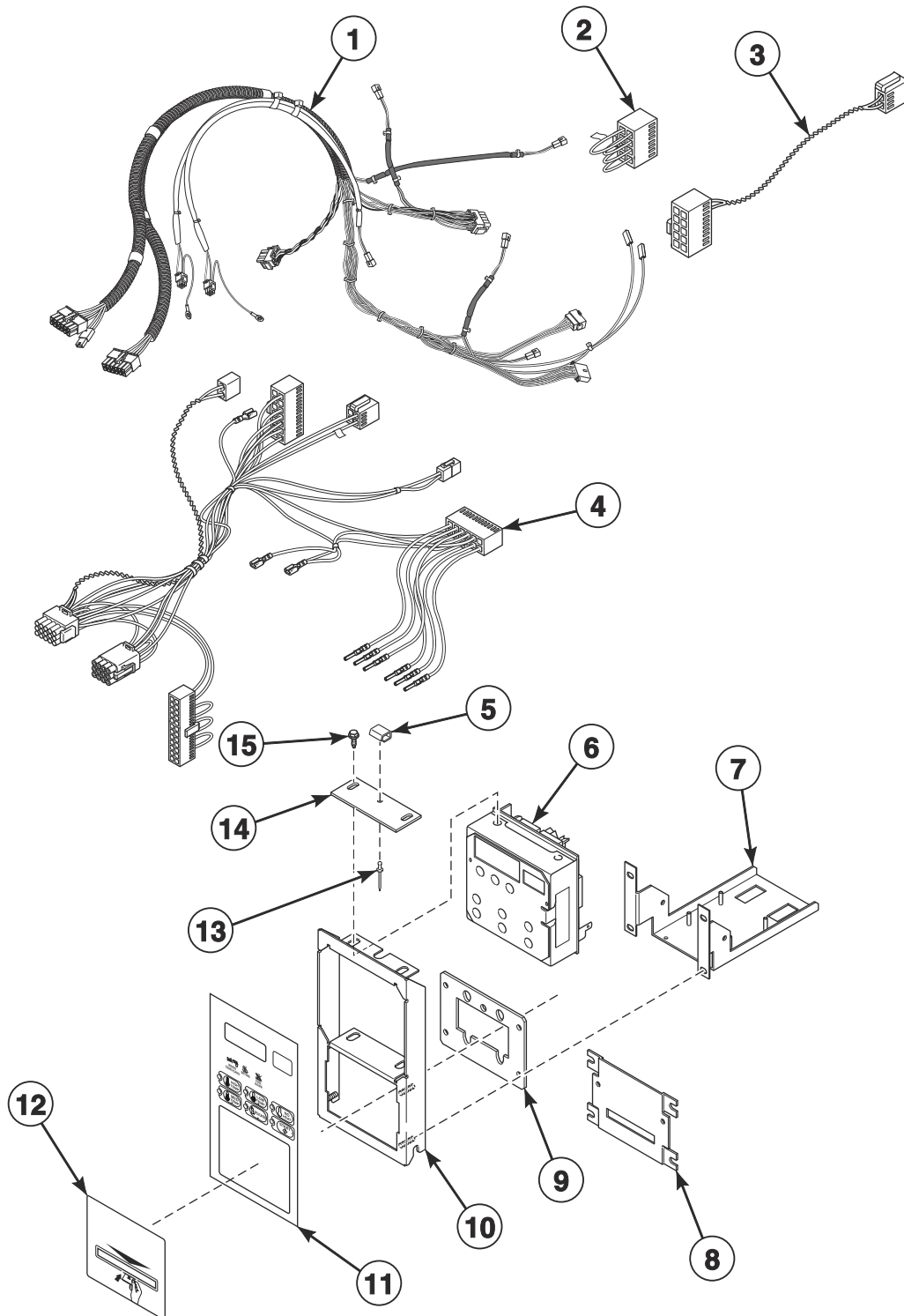
TMB3283P_70573401

Coin Drop Components for Quantum Models

REF	PART NO.	DESCRIPTION	COMMENTS
	NK207	Network Retrofit Kit	LC and LX control suffixes; Wired
	NK220	Network Controller Kit	LC and LX control suffixes; Wired
	NK301	Wireless Network Kit	LC and LX control suffixes
	NK320	Ethernet Gateway Kit	LC and LX control suffixes; Wireless
	NK330	USB Gateway Kit	LC and LX control suffixes; Wireless
	203346	USB IR Interface Kit	
	70559502	Control Door Latch Kit	
1	M400003	Pop Rivet	
2	70184501	Latch Mounting Bracket	
3	D501524	Screw	4 required
4	431318	Control Door Latch	
5	70324603	Jumper Calibration Wire	
6	70346001P	Main Harness	LC and LX control suffixes; Electric models need 55881 Harness Strap; Models through 1/15/12
	70346002P	Main Harness	WC and WX control suffixes; Electric models need 55881 Harness Strap; Models through 1/15/12
	70441401	Main Harness	Electric models need 55881 Harness Strap; Models starting 1/16/12
7	70450501P	Control Assembly	Includes tape
8	70410401P	Control Panel Harness	
9	70364104P	Coin Vault Switch Harness	Non-CE models
10	70484501	Central Pay Harness	LL and WL control suffixes
11	70705401	Control Plate Kit	
12	70449401	Control Overlay	STT45D and M models
	70443401	Control Overlay	Model STT45D; Upper
	70443501	Control Overlay	Model STT45D; Lower
	70410101	Control Overlay	All other models; Single drop
	70410102	Control Overlay	All other models; Dual drop
13	39564	Nameplate	LL and WL control suffixes; Cover

Card Reader Components for Quantum Models

M and S Models with LY and WY Control Suffixes



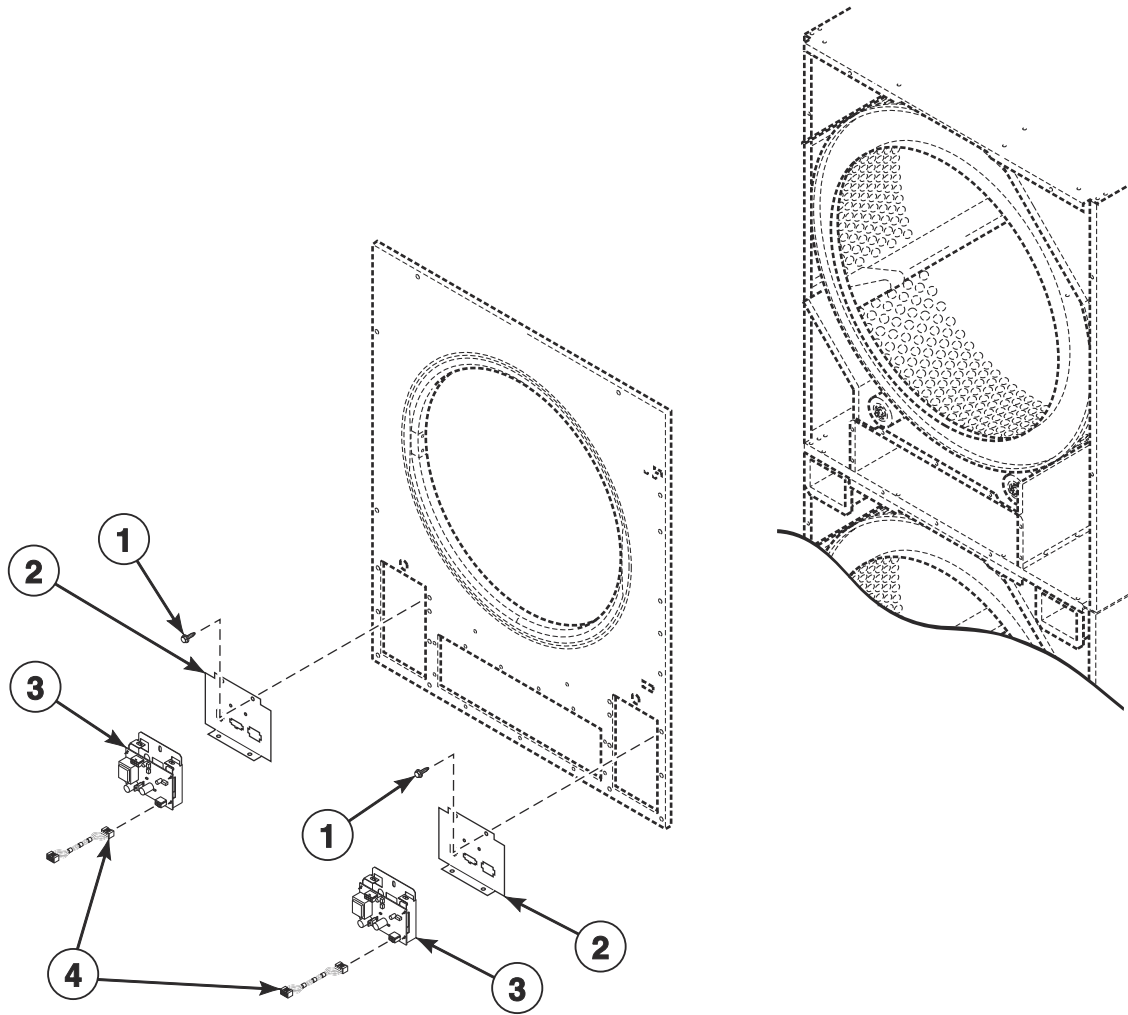
TMB3351P_70573401

Card Reader Components for Quantum Models

REF	PART NO.	DESCRIPTION	COMMENTS
	NK207	Network Retrofit Kit	LY control suffix; Wired
	NK220	Network Controller Kit	LY control suffix: Wired
	NK301	Wireless Network Kit	LY control suffix
	NK320	Ethernet Gateway Kit	LY control suffix; Wireless
	NK330	USB Gateway Kit	LY control suffix; Wireless
	203346	USB IR Interface Kit	
1	70346001P	Main Harness	LY control suffix; Electric models need 55881 Harness Strap; Models through 1/15/12
	70346002P	Main Harness	WY control suffix; Electric models need 55881 Harness Strap; Models through 1/15/12
	70441401	Main Harness	Electric models need 55881 Harness Strap; Models starting 1/16/12
2	70364103	Bypass Harness	Non-CE models
3	70324603	Jumper Calibration Wire	
4	70410401P	Control Panel Harness	
5	431318	Control Door Latch	
6	70450501P	Control Assembly	Includes tape
7	70419201	Chassis Mounting Bracket Assembly	
8	44089501	Slot Card Plate Assembly	
9	70208801	Mounting Plate	
10	70497401	Control Door and Studs Assembly	
11	70417601	Control Overlay	English
12	70334201	Card Reader Overlay	
13	M400003	Pop Rivet	
14	70184501	Latch Mounting Bracket	
15	D501524	Screw	4 required

Network Board

H, M and S Models with WC, WX, WY, ZC, ZX and ZY Control Suffixes



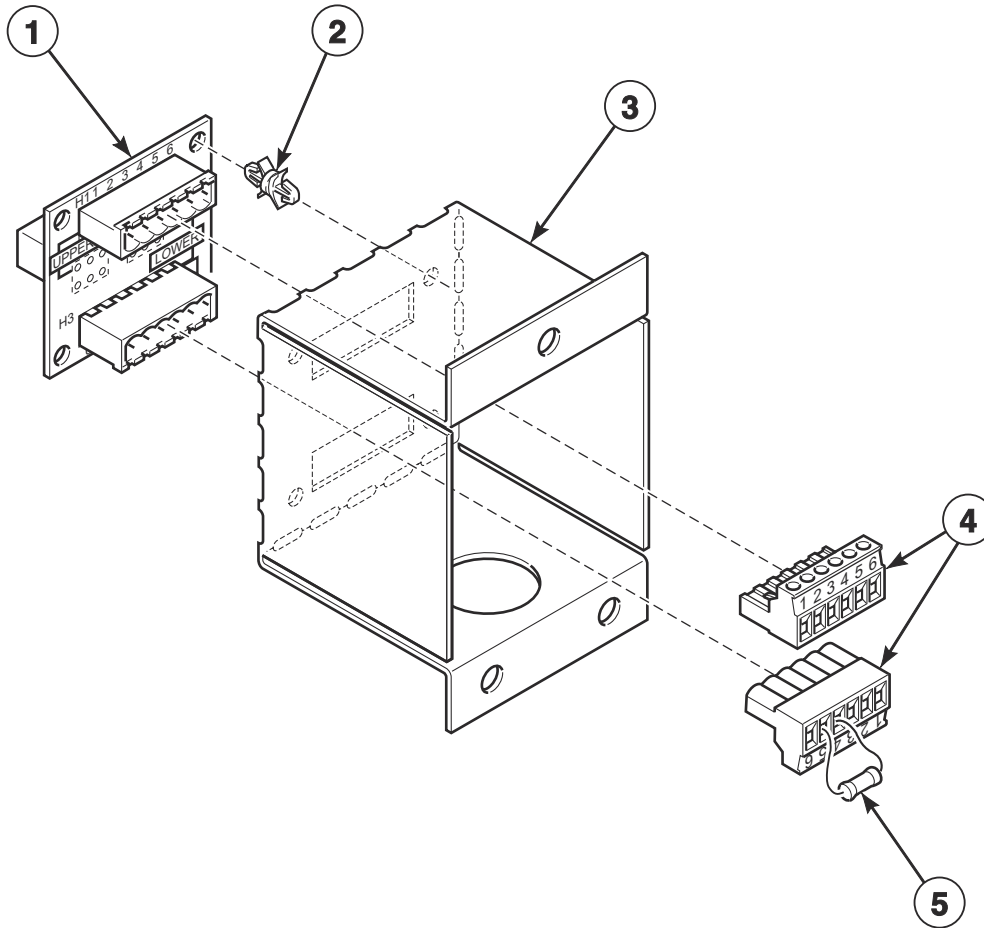
TMB2935P_70573401

Network Board

REF	PART NO.	DESCRIPTION	COMMENTS
1	52909	Screw	Wired; M and S models
	D503661	Screw	Wireless
2	70307002	Control Housing Cover	
3	201341	Network Board Assembly	Wired; M and S models
	202335	Wireless Transceiver Assembly	Wireless
4	44088501P	Network Wire Harness Assembly	

Communication Board

M and S Models with WC, ZC and ZR Control Suffixes



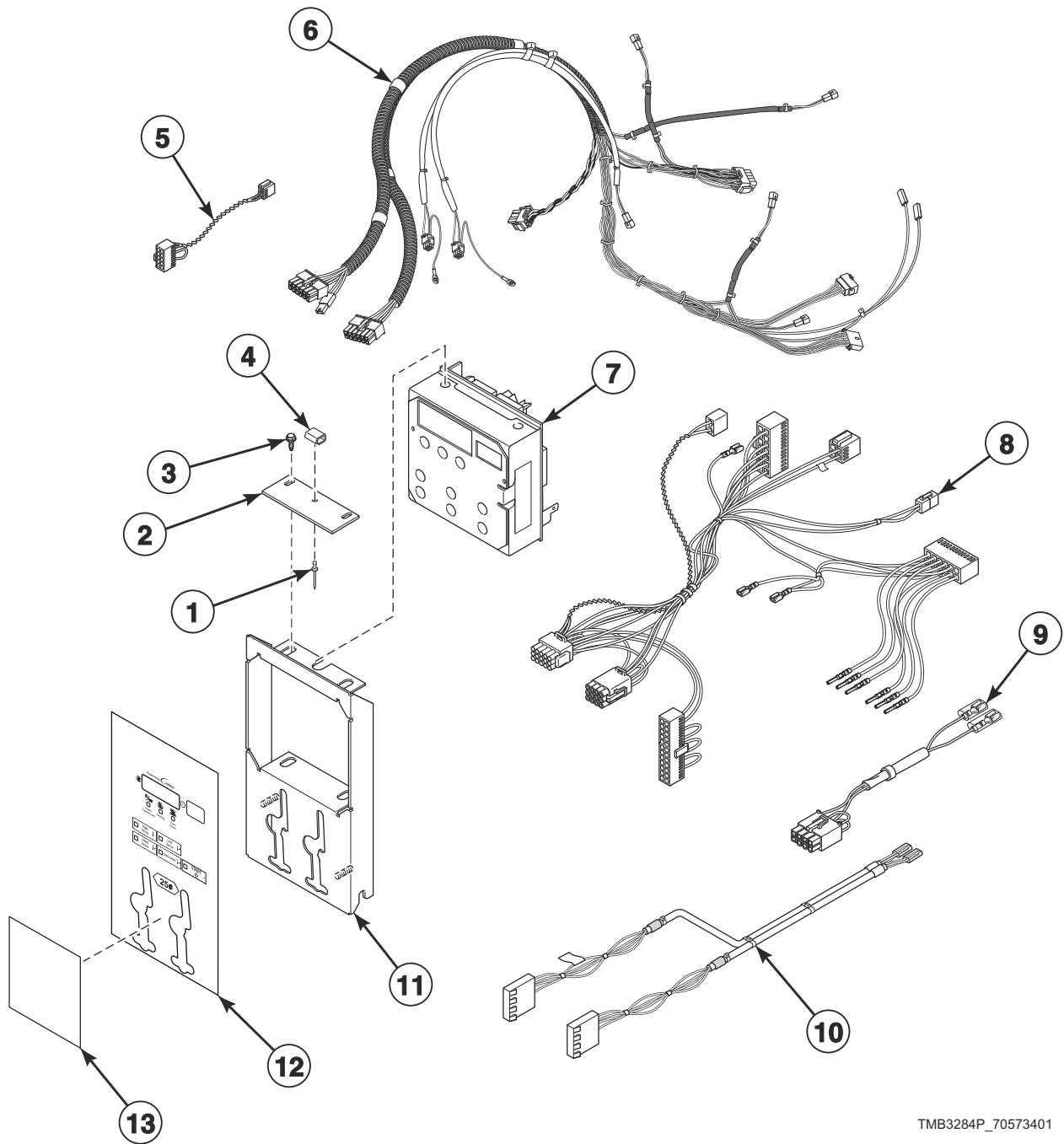
TMB2351P_70573401

Communication Board

REF	PART NO.	DESCRIPTION	COMMENTS
1	210097	Communication Board	
2	210098	PC Board Standoff	4 required
3	70323101	Communication Board Bracket	
4	210099	Communication Connector	
5	210162	Terminating Resistor	120 Ohms

Coin Drop Components for Galaxy 600 Models

H Models with KC, KL, KX, ZC, ZL and ZX Control Suffixes



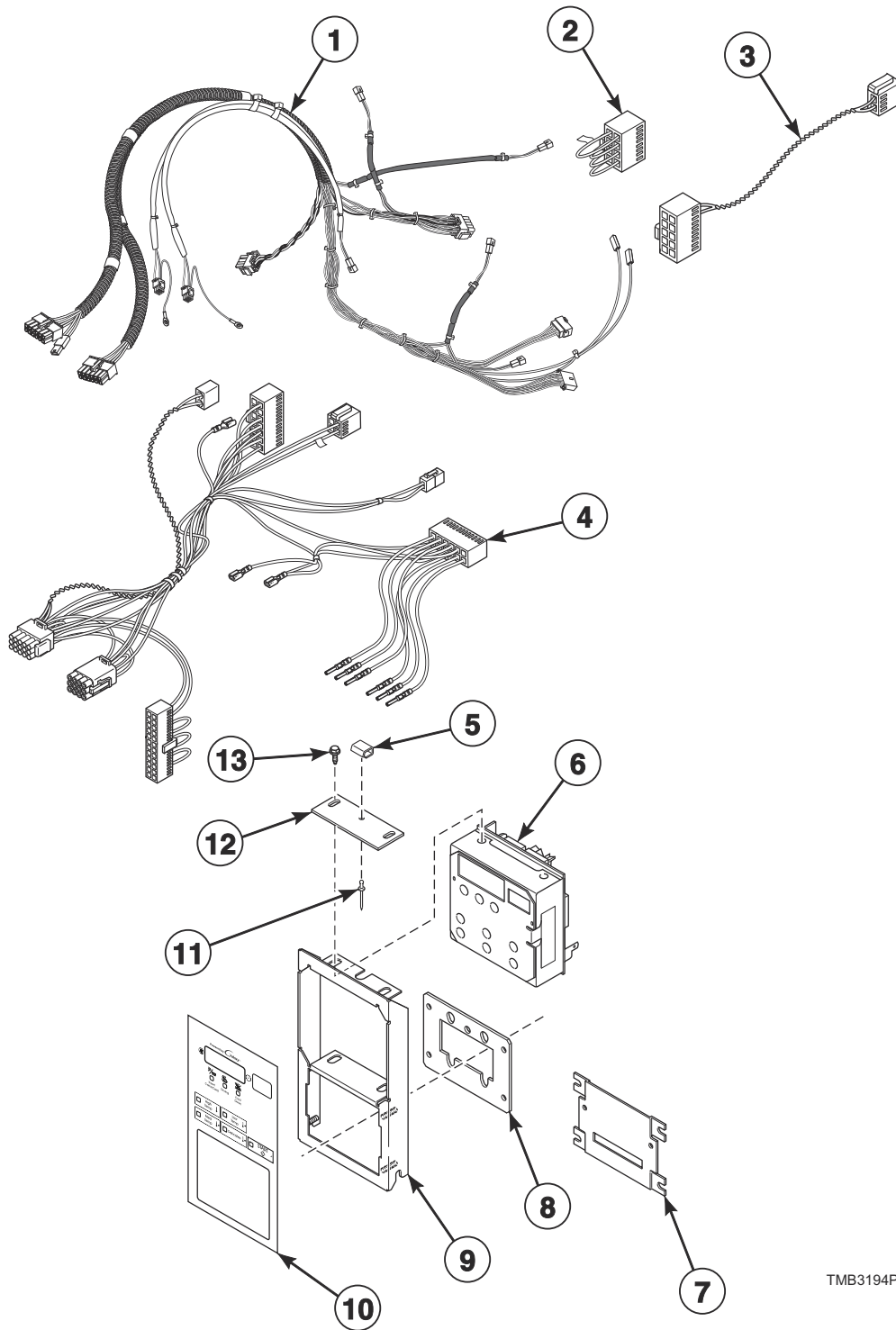
TMB3284P_70573401

Coin Drop Components for Galaxy 600 Models

REF	PART NO.	DESCRIPTION	COMMENTS
	NK301	Wireless Network Kit	ZC and ZX control suffixes; Wireless
	NK320	Ethernet Gateway Kit	ZC and ZX control suffixes; Wireless
	203346	USB IR Interface Kit	
	70559502	Control Door Latch Kit	
1	M400003	Pop Rivet	
2	70184501	Latch Mounting Bracket	
3	D501524	Screw	4 required
4	431318	Control Door Latch	
5	70324603	Jumper Calibration Wire	
6	70441401	Main Harness	Electric models need 55881 Harness Strap
7	70450502P	Control Assembly	Includes tape
8	70410401P	Control Panel Harness	
9	70364104P	Coin Vault Switch Harness	Non-CE models
10	70484501	Central Pay Harness	KL and ZL control suffixes
11	70498201P	Control Plate Kit	
12	70472101	Control Overlay	Single drop
	70472102	Control Overlay	Dual drop
13	70246301	Coin Cover Overlay	KL and ZL control suffixes; Cover

Card Reader Components for Galaxy 600 Models

H Models with KY and ZY Control Suffixes



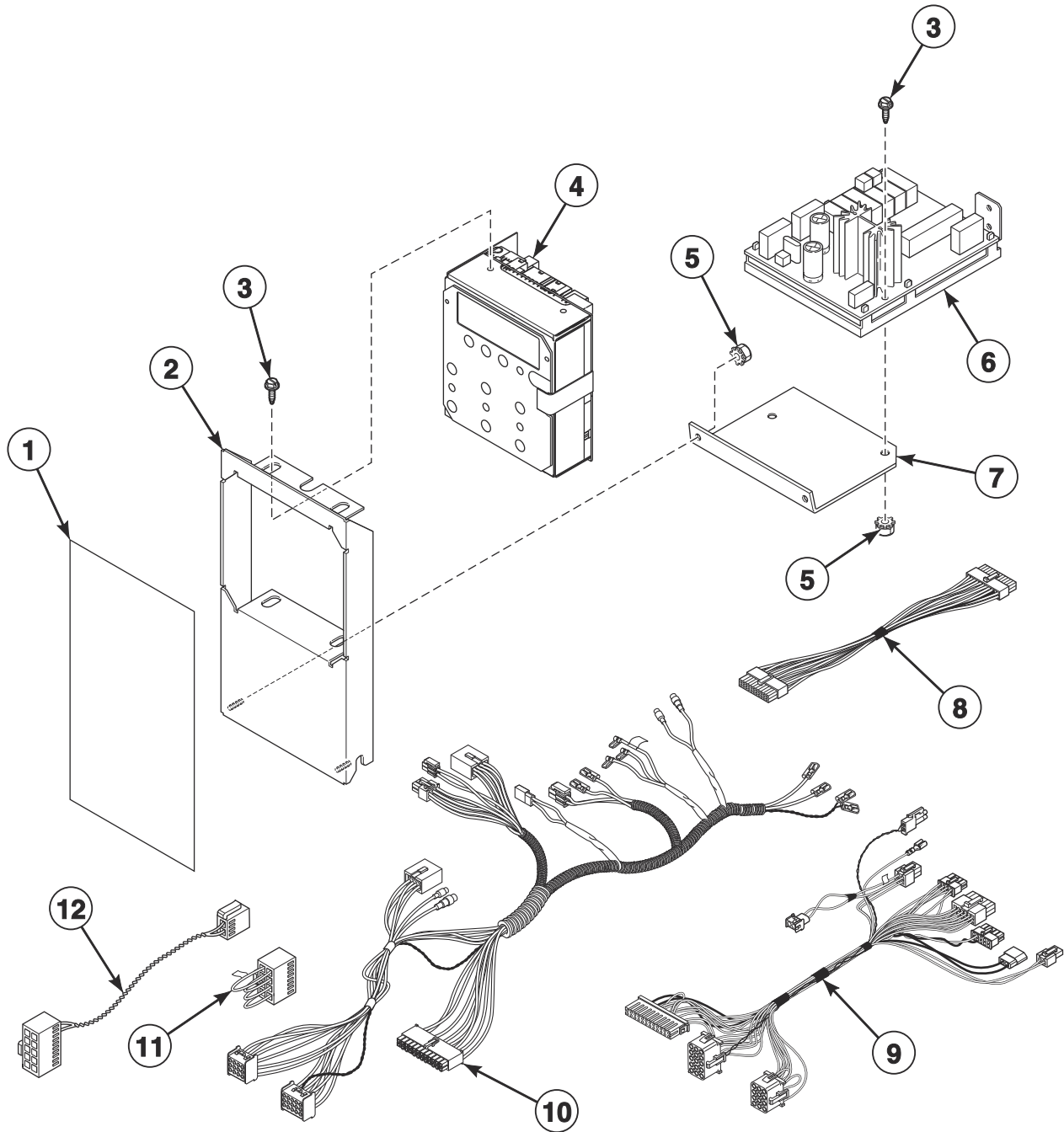
TMB3194P_70573401

Card Reader Components for Galaxy 600 Models

REF	PART NO.	DESCRIPTION	COMMENTS
	NK301	Wireless Network Kit	ZY control suffix; Wireless
	NK320	Ethernet Gateway Kit	ZY control suffix; Wireless
	203346	USB IR Interface Kit	
1	70441401	Main Harness	Electric models need 55881 Harness Strap
2	70364103	Bypass Harness	Non-CE models
3	70324603	Jumper Calibration Wire	
4	70410401P	Control Panel Harness	
5	431318	Control Door Latch	
6	70450502P	Control Assembly	Includes tape
7	44089501	Slot Card Plate Assembly	
8	70208801	Mounting Plate	
9	70498401	Control Door and Studs Assembly	
10	70472901	Control Overlay	
11	M400003	Pop Rivet	
12	70184501	Latch Mounting Bracket	
13	D501524	Screw	4 required

LED OPL Control

B, C, H, I, N, S and U Models
G, K, L and P Models Starting 1/16/12
Models with EO Control Suffix

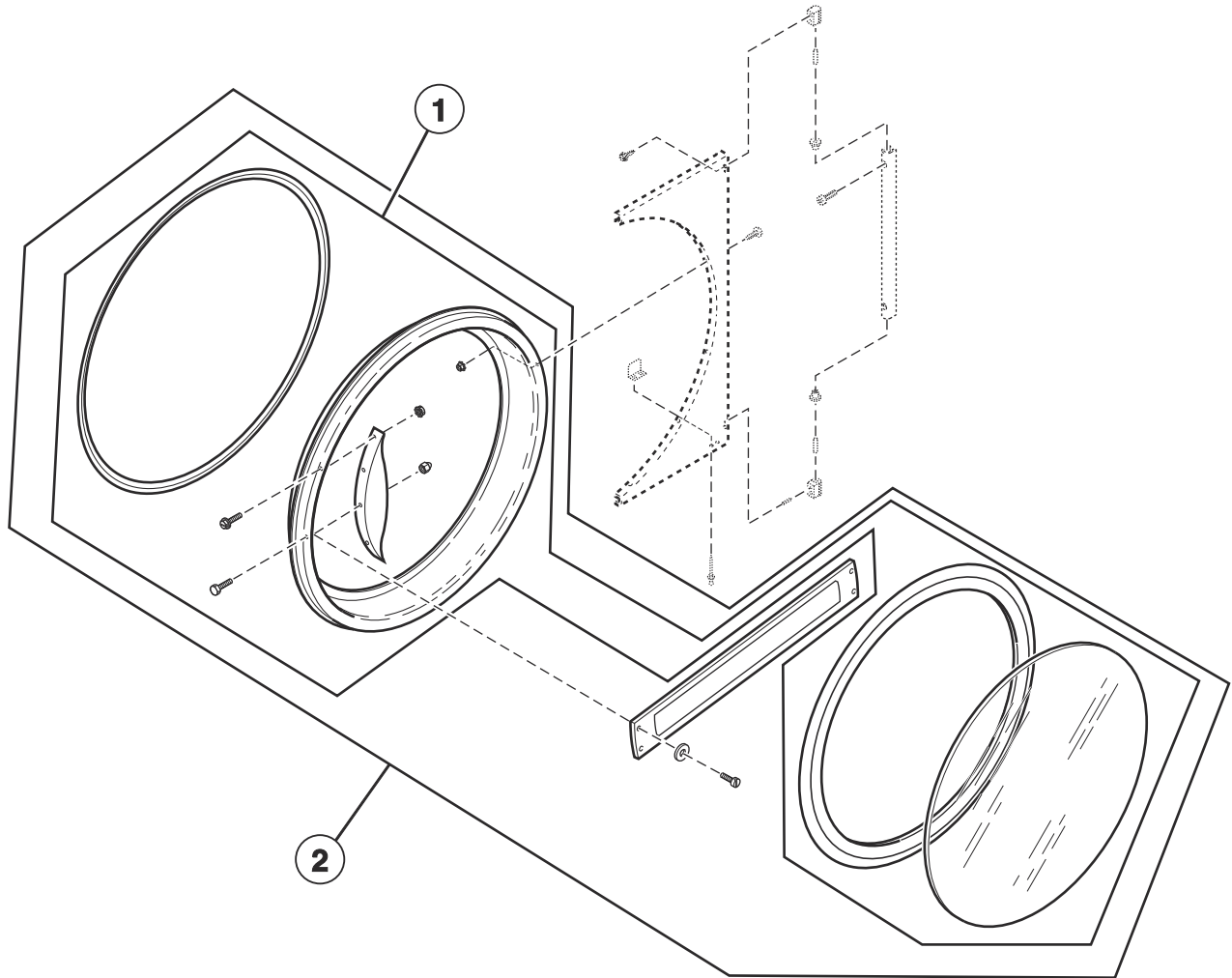


TMB3314P_70573401

LED OPL Control

REF	PART NO.	DESCRIPTION	COMMENTS
	203346	USB IR Interface Kit	
1	70467102	Overlay	S models
	70445102	Overlay	H models
	70466702	Overlay	B, C and I models; Models through 7/14/14
	70505001	Overlay	B, C and I models; Models starting 7/15/14
	70462801	Overlay	U models; Models through 8/17/14
	70493801	Overlay	U models; Models starting 8/18/14
	70463002	Overlay	G and K models
	70472502	Overlay	P models; Models through 9/30/14
	70509101	Overlay	L and P models; Models starting 10/1/14 through 5/31/15
	70472302	Overlay	N models; L models through 9/30/14
	70525901	Overlay	L and P models starting 6/1/15
2	70441001	Control Door and Studs Assembly	B, C, I, N, S and U models
	70441101	Control Door and Studs Assembly	H models
3	D501524	Screw	
4	70454101P	Control Assembly	H, S and U models; L and P models starting 6/1/15
	70437102P	Control Assembly	B, C and I models; Models through 7/14/14
	70503702P	Control Assembly	B, C and I models; Models starting 7/15/14
	70437103P	Control Assembly	P models through 5/31/15; L models starting 10/1/14 through 5/31/15
	70437104P	Control Assembly	G and K models
	70437105P	Control Assembly	N models; L models through 9/30/14
5	70054	Nut	
6	70434101P	Control Assembly	
7	44223101	Output Bracket	
8	44186101	Output Harness	Use between item 4 and item 6
9	44240301	Control Panel Harness	Goes from item 4 to main harness
10	70441401	Main Harness	
11	70364103	Bypass Harness	Non-CE models
12	70324603	Jumper Calibration Wire	

Door Assemblies

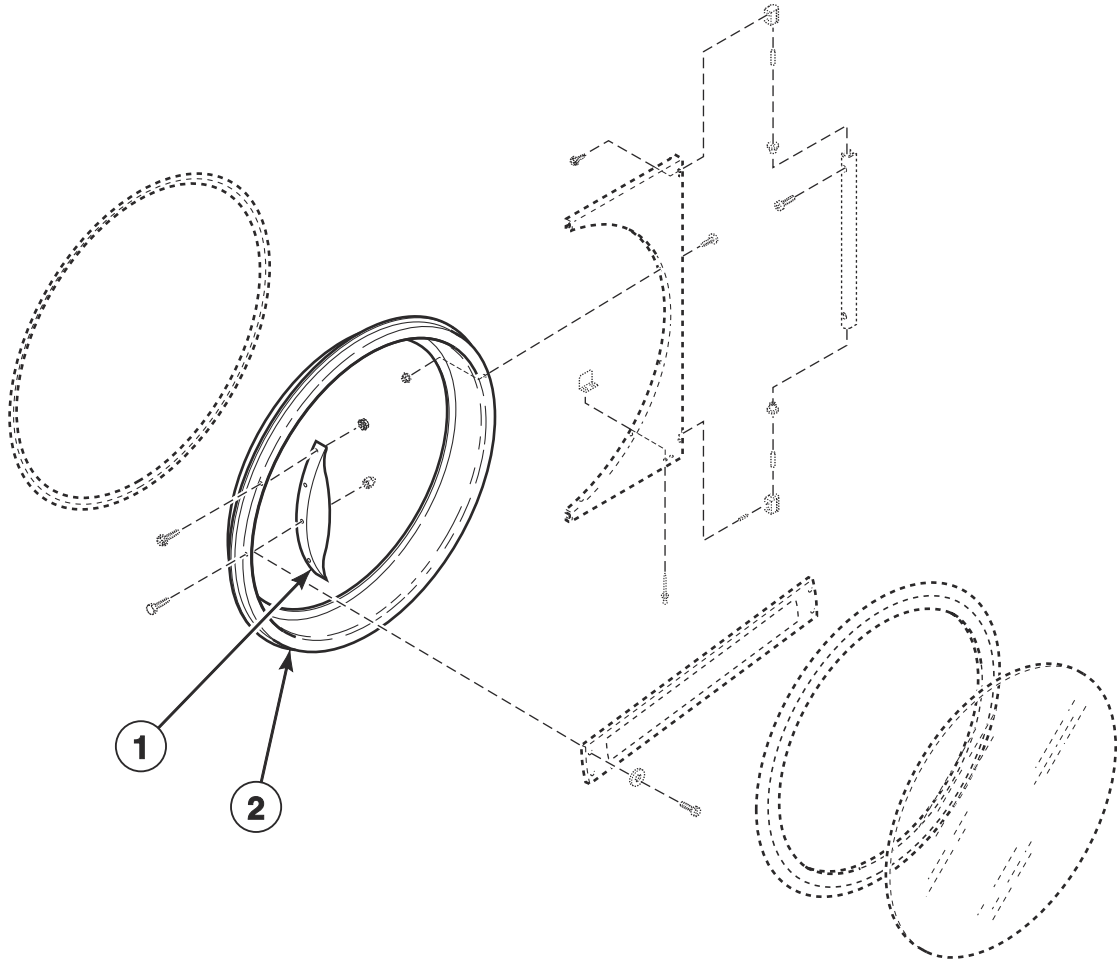


TMB3086P_70573401

Door Assemblies

REF	PART NO.	DESCRIPTION	COMMENTS
1	44058102P	Door Assembly	H models; Includes items listed on <i>Door Ring and Handle</i> and <i>Door Components</i> pages
	44058104P	Door Assembly	H models; Chrome option; Includes items listed on <i>Door Ring and Handle</i> and <i>Door Components</i> pages
	44028905P	Door Assembly	S models; Chrome option; Includes items listed on <i>Door Ring and Handle</i> and <i>Door Components</i> pages
	44266702P	Door Assembly	U models; Chrome option; Includes items listed on <i>Door Ring and Handle</i> and <i>Door Components</i> pages
	44028902P	Door Assembly	M, N, S and U models; Includes items listed on <i>Door Ring and Handle</i> and <i>Door Components</i> pages
	44112101	Door Assembly	B, C and I models; Models through 7/31/11; Includes items listed on <i>Door Ring and Handle</i> and <i>Door Components</i> pages
	44028903	Door Assembly	B, C and I models starting 8/1/11; N and S models; Includes black door ring; Includes items listed on <i>Door Ring and Handle</i> and <i>Door Components</i> pages
	44029101	Door Assembly	P models through 9/30/14; Includes items listed on <i>Door Ring and Handle</i> and <i>Door Components</i> pages
	44292301LG	Door Assembly	P models starting 10/1/14; L models starting 1/29/15; Includes items listed on <i>Door Ring and Handle</i> and <i>Door Components</i> pages
	44292301B	Door Assembly	P models starting 7/5/16; Use with stainless steel front panel; Includes items listed on <i>Door Ring and Handle</i> and <i>Door Components</i> pages
2	70407401	Door Assembly	K models; Includes door ring and straight handle bar

Door Ring and Handle

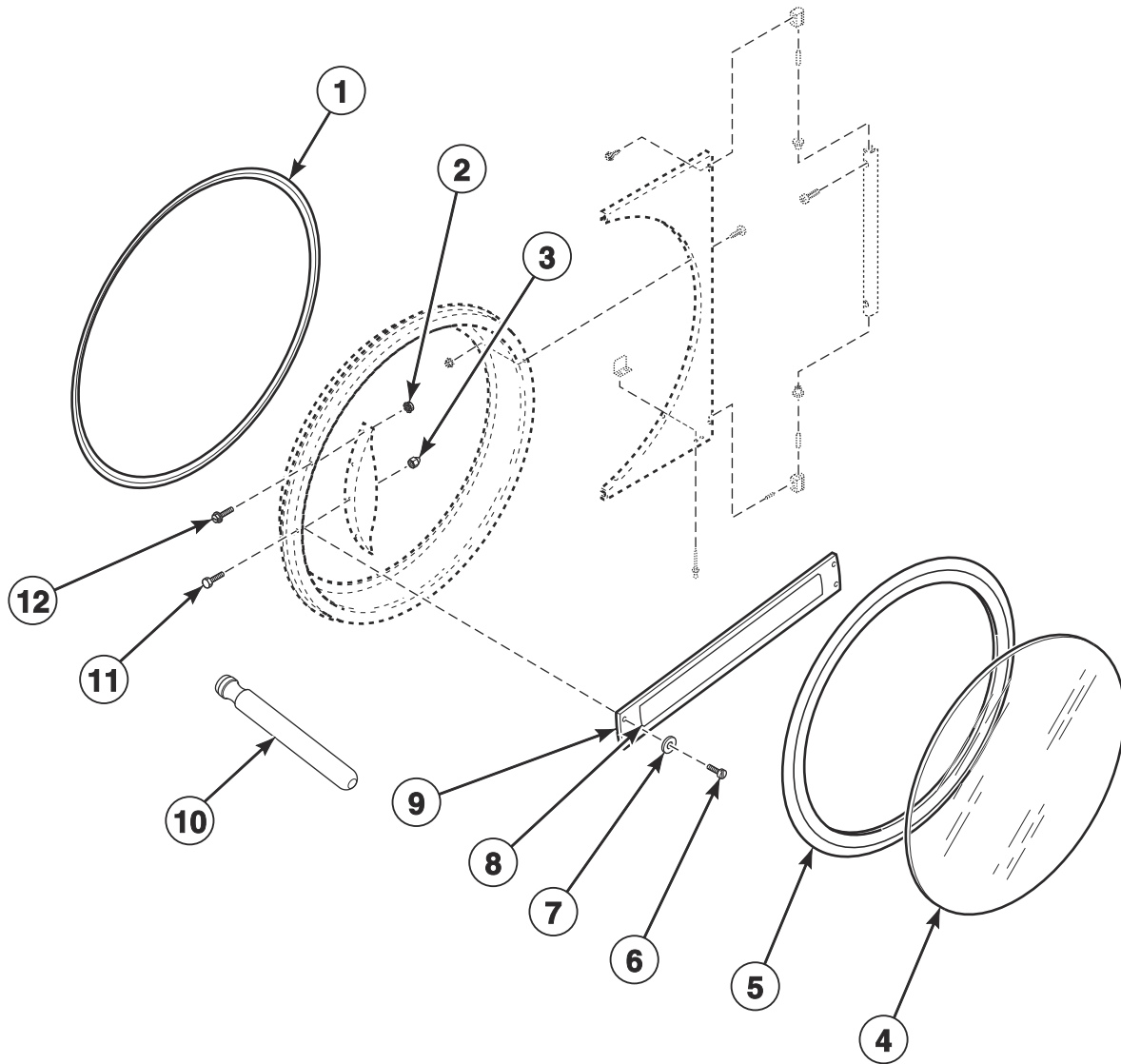


TMB3086PA_70573401

Door Ring and Handle

REF	PART NO.	DESCRIPTION	COMMENTS
1	44007901	Door Handle	M, N and S models; U models through 8/17/14
	44057702	Door Handle	H models
	44111901	Door Handle	B, C and I models
	44263801	Door Handle	U models; Models starting 8/18/14
2	44112001	Door Ring and Handle Assembly	C and I models; Models through 7/31/11
	44326004B	Door Ring Assembly	B, C and I models starting 8/1/11; S models without stainless steel front panel
	44028902P	Door Assembly	H, M, N and S models; P models through 9/30/14; U models through 8/17/14
	44326002	Door Ring Assembly	U models; Models starting 8/18/14
	44326005	Door Ring Assembly	H and S models; Chrome option
	44326006	Door Ring Assembly	U models; Chrome option
	44326003B	Door Ring Assembly	G and K models
	44326007LG	Door Ring and Handle Assembly	P models starting 10/1/14; L models starting 1/29/15
	44326007B	Door Ring and Handle Assembly	P models starting 7/5/16; Use with stainless steel and white front panel
	44326004HG	Door Ring Assembly	H and U models without stainless steel front panel

Door Components

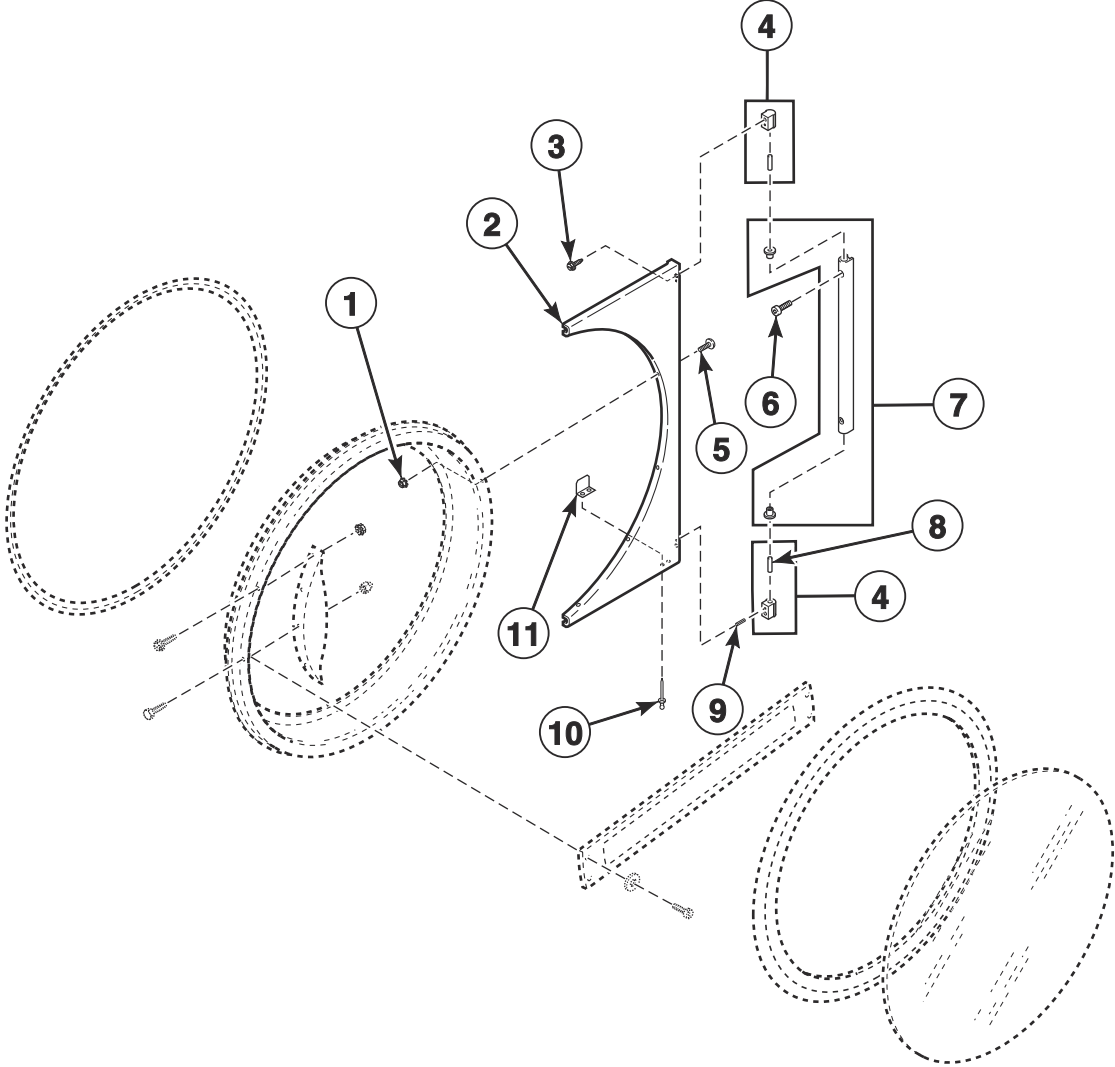


TMB3393P_70573401

Door Components

REF	PART NO.	DESCRIPTION	COMMENTS
1	44008201P	Door Ring Gasket	
2	44088001	Nut	
3	M414215	Nut	Door strike
4	44008402P	Door Glass	H models; Use Loctite 414 or equivalent adhesive to attach to item 5
	44008401P	Door Glass	All other models; Use Loctite 414 or equivalent adhesive to attach to item 5
5	70211902P	Door Seal Kit	Use Loctite 414 for seal
6	70412601	Pop Rivet	G and K models; Attaches door handle to door ring
7	70409301	Washer	G and K models
8	70411401	Nameplate Overlay	G models; Coin
	44144401	Nameplate Overlay	K models; Coin
9	70399501B	Handle Bar	G and K models
10	M4221P4	Door Glass Installation Tool	
11	M400661	Screw	Door strike
12	430756	Screw	2 required for left side of door handle for L models
	70442101	Screw	H, M, N, S and U models
	70126301	Pop Rivet	G and K models; 4 required

Door Hinge Components



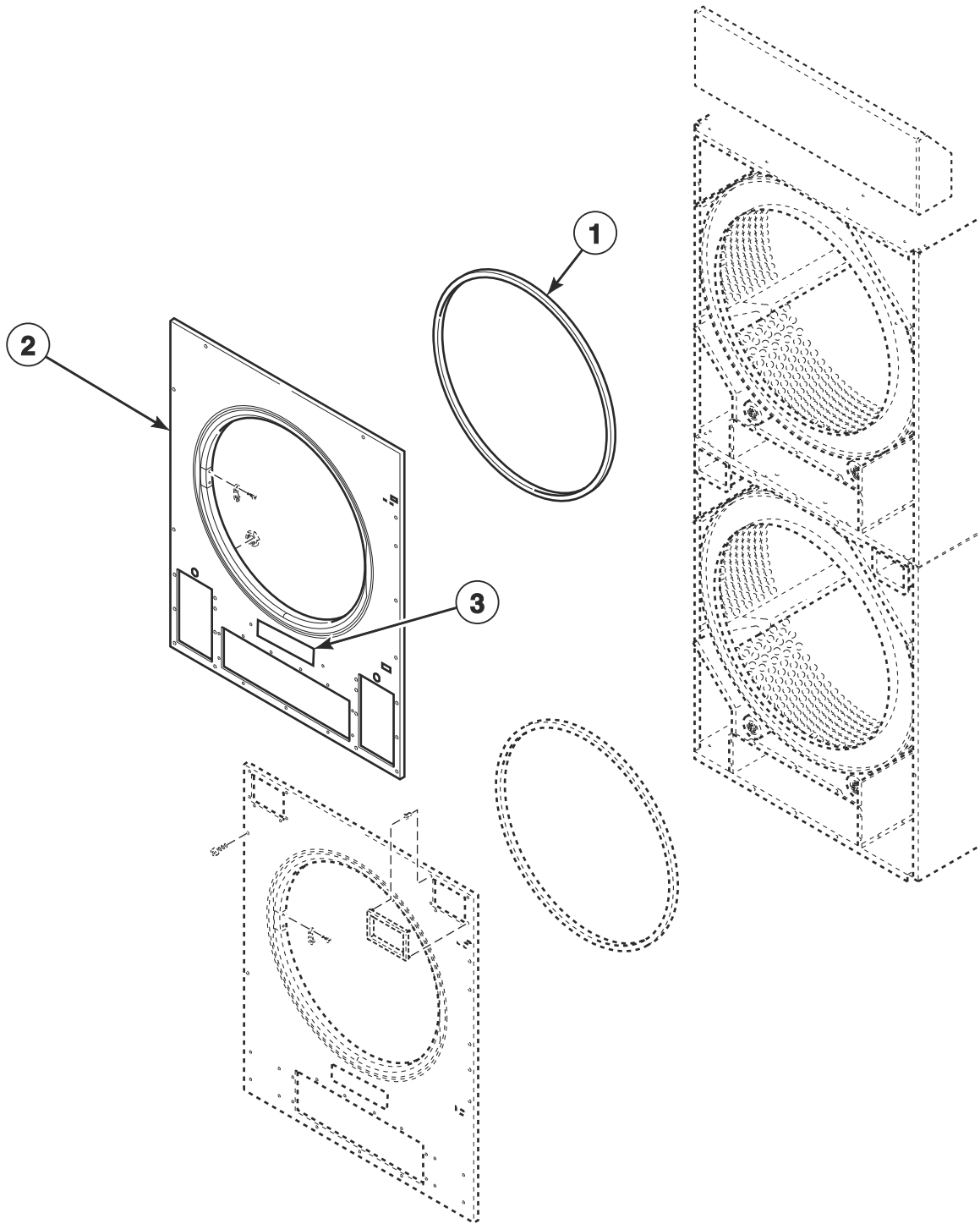
TMB3086PC_70573401

Door Hinge Components

REF	PART NO.	DESCRIPTION	COMMENTS
1	23951	Nut	
2	44075209B	Door Hinge Assembly	Black; G and K models; B and I models starting 8/1/11; P models through 9/30/14; P models starting 7/1/17 with white front panel and starting 7/5/16 with stainless steel front panel
	44075205*	Door Hinge Assembly	H, M, N, S and U models; P models through 9/30/14; C models starting 8/1/11
	44075206	Door Hinge Assembly	C, H, M, S and U models through 3/31/15; I models through 7/31/11; Stainless steel
	44075212	Door Hinge Assembly	H, M, S and U models starting 4/1/15; Stainless steel
	44075209LG	Door Hinge Assembly	U models starting 8/18/14; P models starting 10/1/14; L models starting 1/29/15; Light gray
3	70442101	Screw	
4	M4773P3	Hinge Cam Kit	Black; G and K models; B and I models starting 8/1/11; P models starting 7/1/17 with white front panel and starting 7/5/16 with stainless steel front panel
	M4772P3	Hinge Cam Kit	C, H, L, M, N, P, S and U models; I models through 7/31/11
5	44349101	Screw	
6	70407301	Screw	Black; G and K models; B and I models starting 8/1/11; P models starting 7/1/17 with white front panel and starting 7/5/16 with stainless steel front panel
	70033502	Screw	C, H, L, M, N, P, S and U models; I models through 7/31/11
7	44035002	Door Hinge Lug Assembly	Black; G and K models; B and I models starting 8/1/11; P models starting 7/1/17 with white front panel and starting 7/5/16 with stainless steel front panel
	44035001	Door Hinge Lug Assembly	C, H, L, M, N, P, S and U models; I models through 7/31/11
8	70071401	Pin	
9	70071401	Pin	
10	70058501	Pop Rivet	
11	70215001P	Door Switch Actuator Kit	

* Add Letter To Designate Color. L - Almond Q - Bisque W - White

Upper Front Panel Assemblies and False Fronts



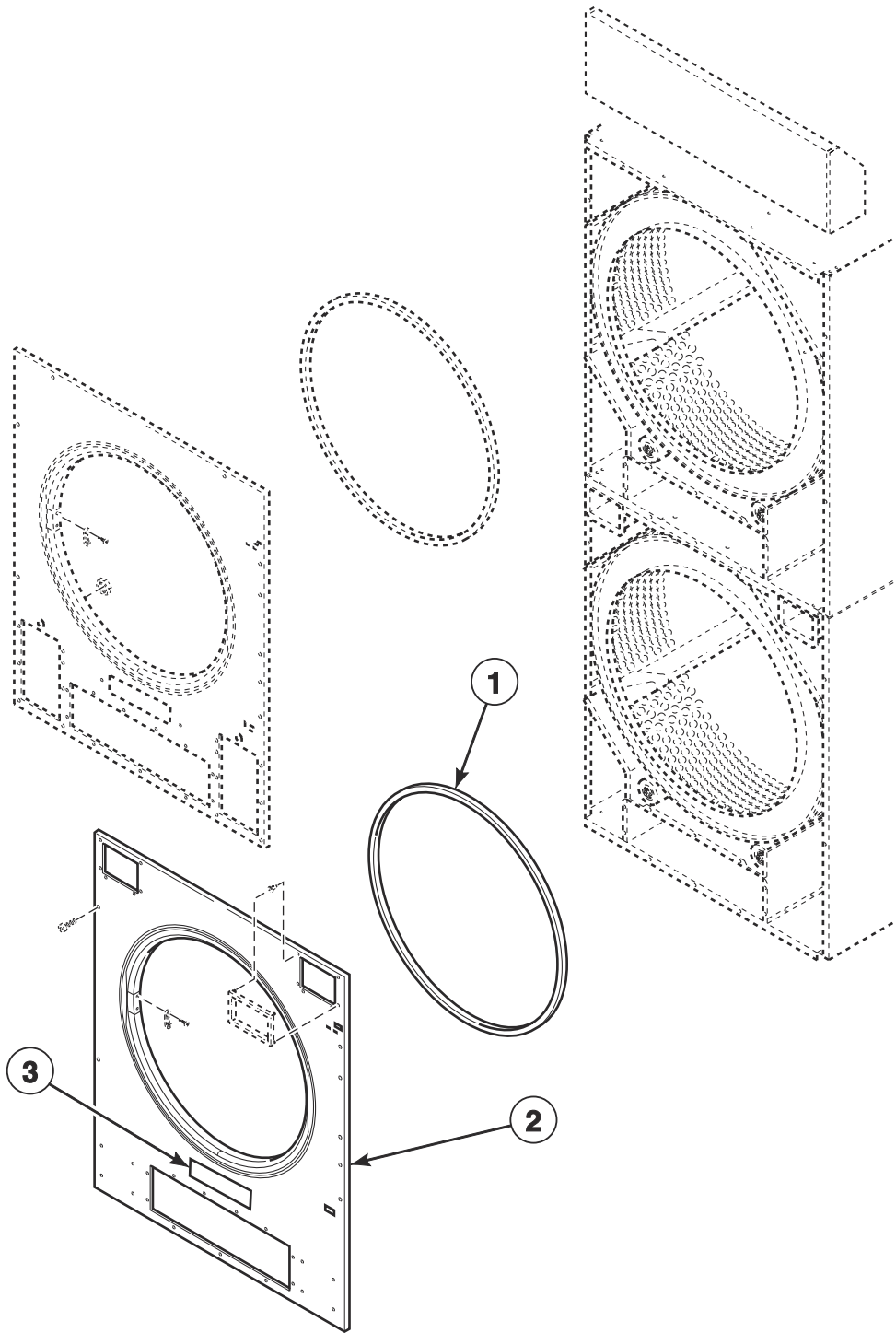
TMB3161P_70573401

Upper Front Panel Assemblies and False Fronts

REF	PART NO.	DESCRIPTION	COMMENTS
	70399406	Access Panel Trim	G and K models
1	70173402	Front Cylinder Seal	Requires 511637P Adhesive
2	70391501*P	Upper Front Panel Assembly	B, C, G, H, I, K, M, N and S models; U models through 8/17/14; P models starting 7/1/17 with white front panel
	70391502P	Upper Front Panel Assembly	B, C, G, H, I, K, M and N models through 3/31/15; U models through 8/17/14; Stainless steel
	70391504	Upper Front Panel Assembly	B, G, H, I, K, M and P models starting 4/1/15; Stainless steel
	70617901LG	Upper Front Panel	U models; Models starting 8/18/14; Light gray
	70617801W	Upper Front Panel	U models; Models starting 8/18/14; White
	70304007	Upper Front Panel Assembly	U models; Models starting 8/18/14 through 3/31/15; Stainless steel
	70532901	Upper Front Panel	U models; Models starting 4/1/15; Stainless steel
	70391503P	Upper Front Panel Assembly	S models through 3/31/15; Stainless steel
	70391505	Upper Front Panel Assembly	S models; Models starting 4/1/15; Stainless steel
	70617901DG	Upper Front Panel	L and P models; Dark gray
3	70418101	Instruction Label	Card models

* Add Letter To Designate Color. L - Almond Q - Bisque W - White

Lower Front Panel Assemblies



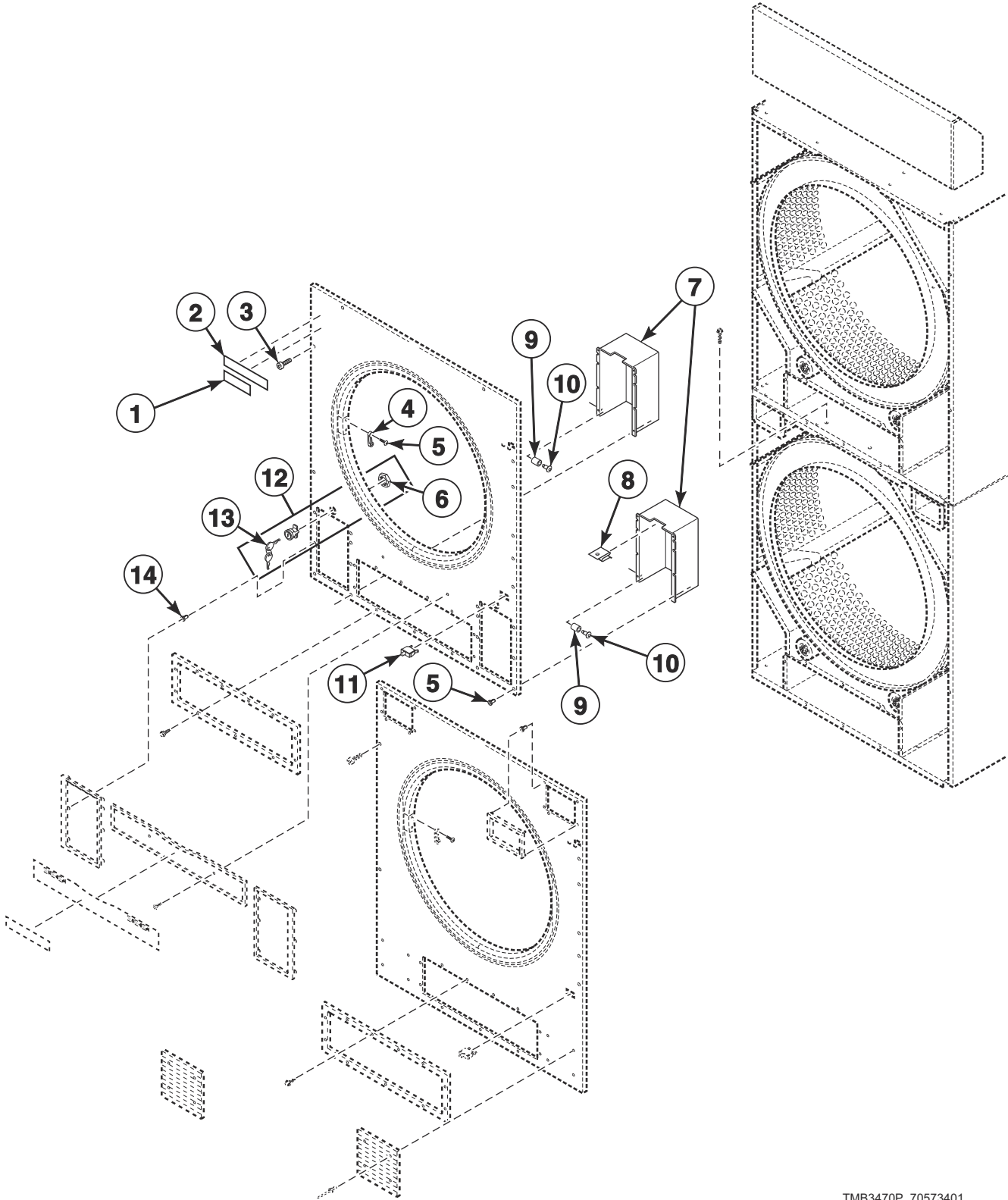
TMB3161PA_70573401

Lower Front Panel Assemblies

REF	PART NO.	DESCRIPTION	COMMENTS
	70399406	Access Panel Trim	G and K models
1	70173402	Front Cylinder Seal	Requires 511637P Adhesive
2	70391401*P	Lower Front Panel Assembly	All models except U models; P models starting 7/1/17; Coin
	70391405	Lower Front Panel	All models except L, N and U models; P models starting 7/1/17; Coin; Stainless steel
	70391403*P	Lower Front Panel Assembly	All models except P models; OPL and card
	70391404P	Lower Front Panel Assembly	All models except P models through 3/31/15; OPL and card; Stainless steel
	70391406	Lower Front Panel	All models except L, N and U models starting 4/1/15; P models starting 7/1/17; OPL and card; Stainless steel
	70303909LG	Lower Front Panel	U non-CE models; OPL; Light gray
	70303910LG	Lower Front Panel	U CE models; OPL; Light gray
	70303909DG	Lower Front Panel	L and P non-CE models; OPL and card; Dark gray
	70303910DG	Lower Front Panel	L and P CE models; OPL and card; Dark gray
	70303911DG	Lower Front Panel	L and P models; Coin; Dark gray
3	70418101	Instruction Label	Card

* Add Letter To Designate Color. L - Almond Q - Bisque W - White

Upper Cabinet Front Components (Drawing 1 of 2)

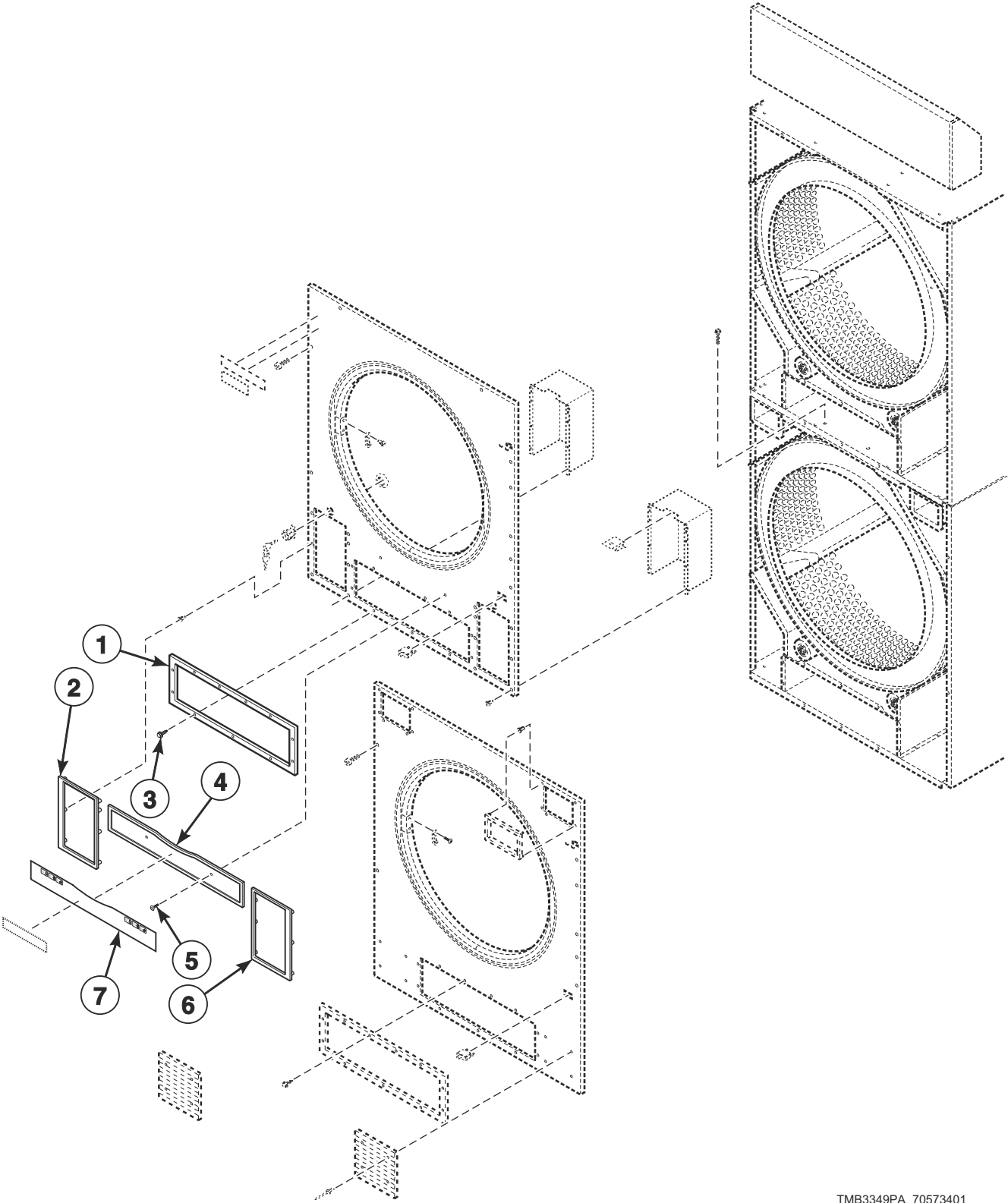


TMB3470P_70573401

Upper Cabinet Front Components (Drawing 1 of 2)

REF	PART NO.	DESCRIPTION	COMMENTS
	70017301	Front Panel Baffle Seal	2 required
	70534301	Warning Label	
1	44129908	Nameplate	C models
	70286602	Label	B models through 7/8/12
	70289802	Label	I models through 7/8/12
2	44062901	Nameplate	C models
	44046801	Nameplate	B and I models through 7/9/12
	B12389801	Nameplate	B and I models starting 7/10/12
	70414001	Label	G and K models; Coin
3	70033502	Screw	For painted front panels
	70182601	Screw	For stainless steel front panels
4	M401223	Door Latch	
5	M400003	Pop Rivet	2 required for item 4; 4 required for item 8
6	44088801	Nut	Panel lock
7	70119901	Control Housing	
8	M406494	Panel Clip	2 required per control housing
9	431264	Spacer	2 required
10	44251101	Pop Rivet	2 required
11	70413301	Pushbutton Switch	Door switch
12	44089301P	Lock, Key and Nut Kit	RL001
13	70155601	Key	RL001
14	M400972	Shadow Box Clip	6 required per coin vault trim

Upper Cabinet Front Components (Drawing 2 of 2)

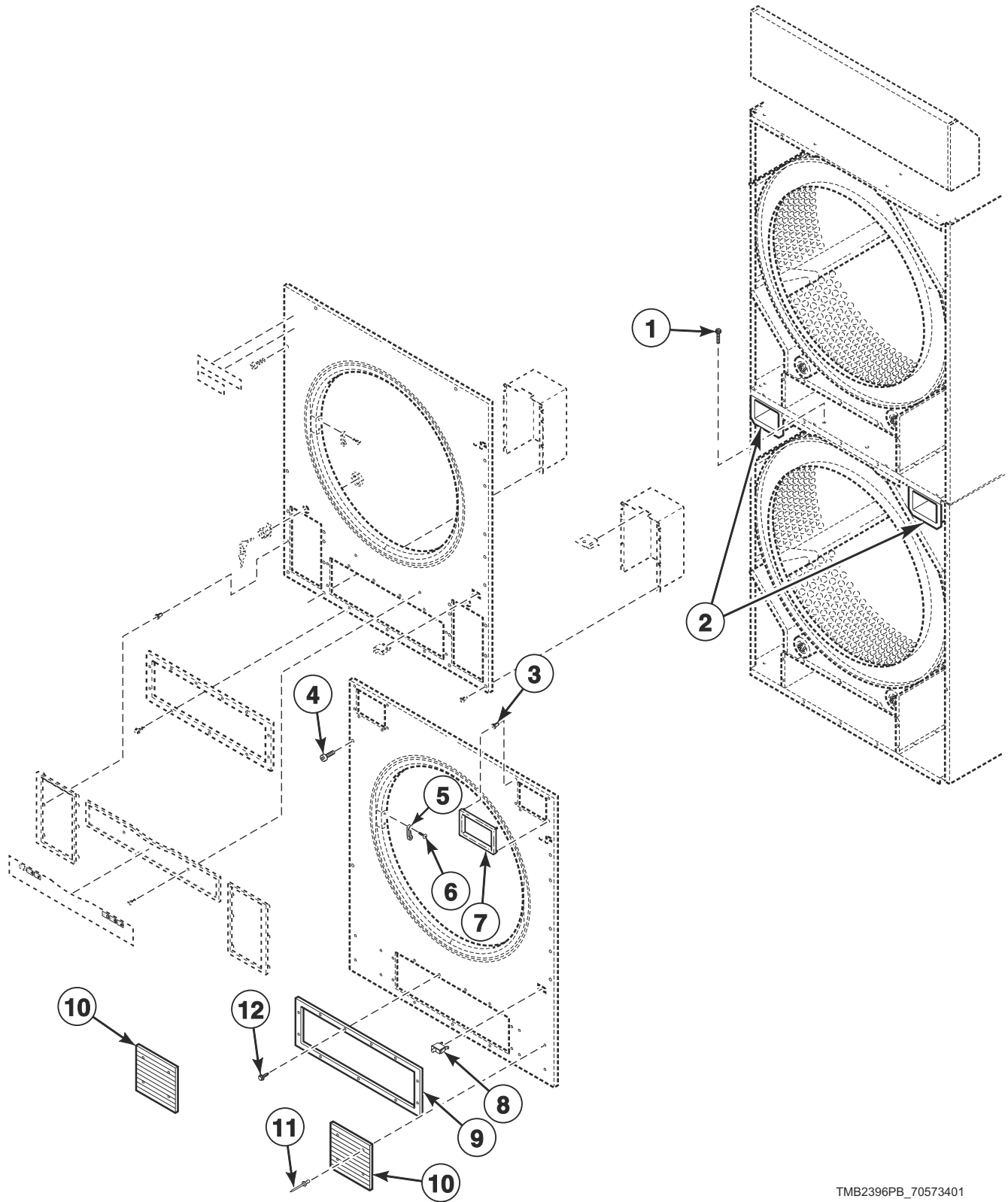


TMB3349PA_70573401

Upper Cabinet Front Components (Drawing 2 of 2)

REF	PART NO.	DESCRIPTION	COMMENTS
	70017301	Front Panel Baffle Seal	2 required
	70534301	Warning Label	
1	70300201P	Lint Drawer Gasket	
2	70117001	Control Trim	NTT45N_SERIAL_THROUGH_0904 and H models; Gray; Left
	70116904	Control Trim	U models; Models starting 8/18/14; Gray; Left
	70116902	Control Trim	U models through 8/17/14; All other models; Black; Left
3	70275801	Screw	8 required
4	70299601	Center Trim	L, N, P and S models; Center
5	M405188	Screw	N, S and U models; 2 required
6	70117001	Control Trim	NTT45N_SERIAL_THROUGH_0904 and H models; Gray; Right
	70116903	Control Trim	U models; Models starting 8/18/14; Gray; Right
	70116901	Control Trim	U models through 8/17/14; All other models; Black; Right
7	70299701	Center Trim Overlay	N and S models; Coin
	70362701	Overlay	N and S models; Card
	70362301	Overlay	N and S models; U models through 8/17/14; Blank
	70509301	Overlay	P models starting 10/1/14; L models; Coin
	70509501	Overlay	P models starting 10/1/14; L models; OPL

Lower Cabinet Front Components

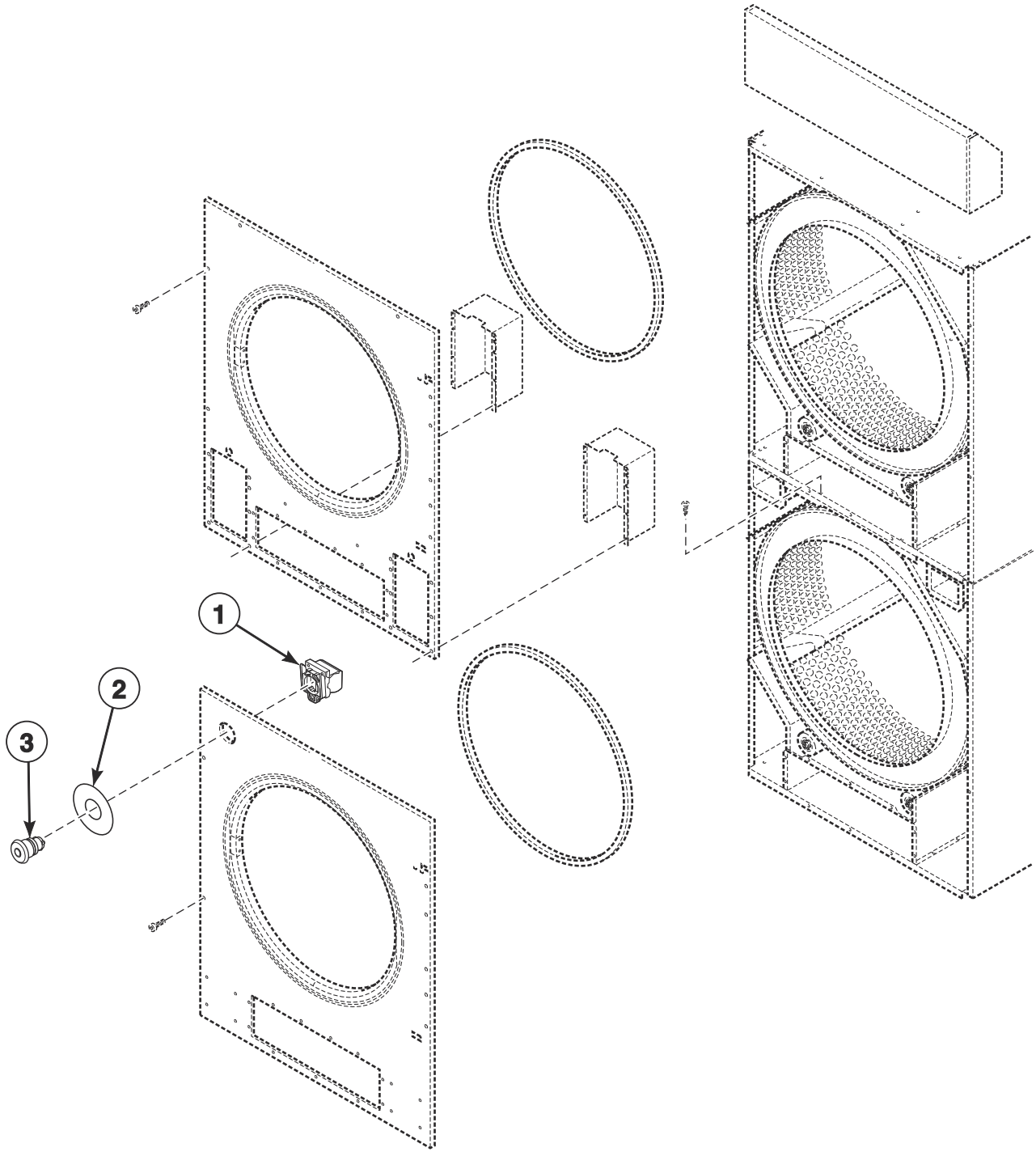


TMB2396PB_70573401

Lower Cabinet Front Components

REF	PART NO.	DESCRIPTION	COMMENTS
	M4379P4	Tumbler Dolly Kit	
	70534301	Warning Label	
	70449001	Base Harness	
	70017301	Front Panel Baffle Seal	2 required
1	70069901	Screw	
2	70180101	Coin Vault Assembly	
3	M400972	Shadow Box Clip	6 required per coin vault trim
4	70033502	Screw	For painted front panels
	70182601	Screw	For stainless steel front panels
5	M401223	Door Latch	
6	44166601	Pop Rivet	2 required per latch; 4 required per control housing
7	70117501	Coin Vault Trim	NTT45N_SERIAL_THROUGH_0904 and H models; Gray
	70117502	Coin Vault Trim	All other models except U models; Black
8	70413301	Pushbutton Switch	Door switch
9	70300201P	Lint Drawer Gasket	
10	70117606	Kickplate	NTT45N_SERIAL_THROUGH_0904 and H models; U models starting 8/18/14; Gray
	70117605	Kickplate	U models through 8/17/14; All other models; Black
11	70126401	Pop Rivet	NTT45N_SERIAL_THROUGH_0904 and H models; U models starting 8/18/14; 4 required per kickplate; Gray
	70126301	Pop Rivet	U models through 8/17/14; All other models; 4 required per kickplate; Black
12	70275801	Screw	8 required

Emergency Stop Button for CE Models

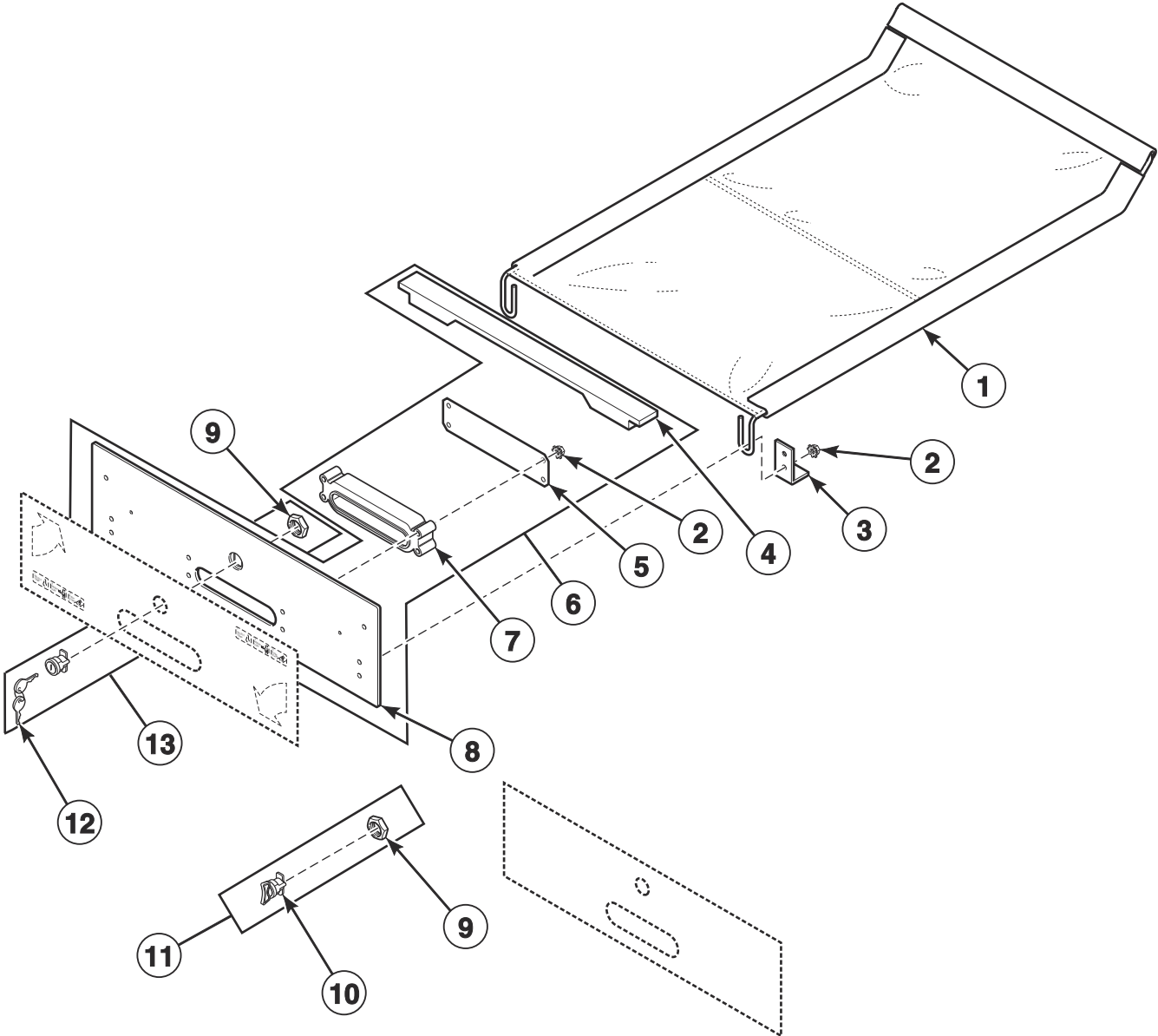


TMB2347P_70573401

Emergency Stop Button for CE Models

REF	PART NO.	DESCRIPTION	COMMENTS
	70364102	Emergency Stop Harness	2 contacts
	70364101P	Emergency Stop Harness	4 contacts
	F200233700P	Emergency Stop Button Kit	Models starting 10/1/07
1	44018701	Contact Block	Models through 9/30/07; With base
	44018901	Contact Block	Models through 9/30/07; Without base
	F200233401P	Contact Block Switch	Models starting 10/1/07 through 8/17/14
	F8069501	Contact Switch	Models starting 8/18/14
	F8538101	Contact Base	Models starting 8/18/14
2	44012901	Emergency Stop Label	
3	44018801	Pushbutton	Models through 9/30/07
	F200233500	Emergency Stop Pushbutton	Models starting 10/1/07

Lint Drawer Components

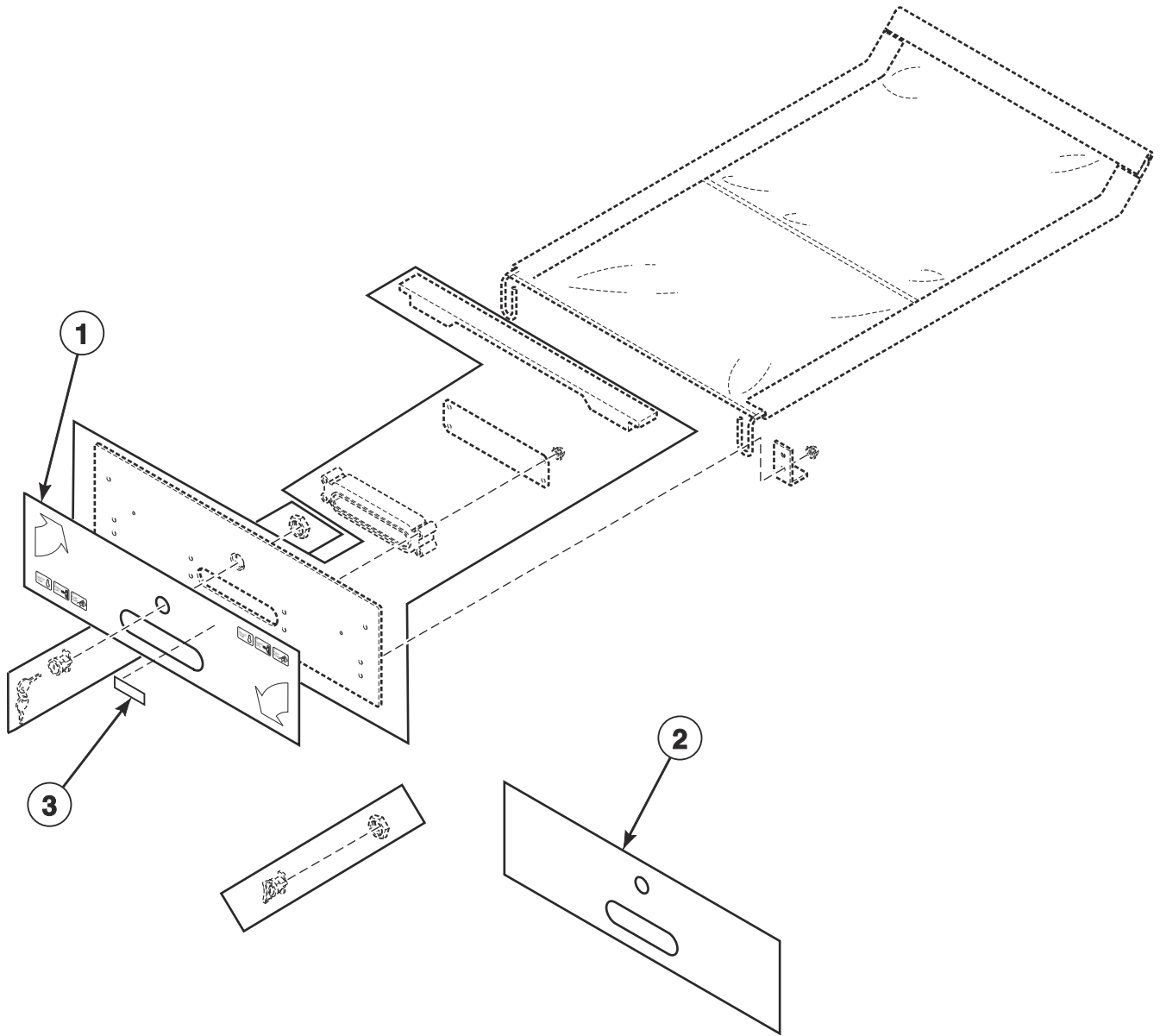


TMB2735P_70573401

Lint Drawer Components

REF	PART NO.	DESCRIPTION	COMMENTS
1	70301201	Lint Screen Assembly	
2	44087101	Nut	6 required
3	70026901	Lint Screen Bracket	2 required
4	70333103	Lint Frame Gasket	
5	70323201	Lint Drawer Handle Plate	
6	70323001	Lint Drawer Front Assembly	Black
	70323002	Lint Drawer Front Assembly	Gray
7	70320801	Lint Drawer Handle	Black
	70320802	Lint Drawer Handle	Gray
8	70323004	Lint Panel and Studs Assembly	U models; Models starting 8/18/14; Gray
9	44088801	Nut	
10	70399201	Panel Latch	B, C, G, H, I, K, N, S and U models; 3O, BG and QT control suffixes
11	70399201P	Panel Latch Kit	B, C, G, H, I, K, N, S and U models
12	70155602	Key	RL002
13	44089302P	Lock, Key and Nut Kit	RL002

Lint Drawer Overlays

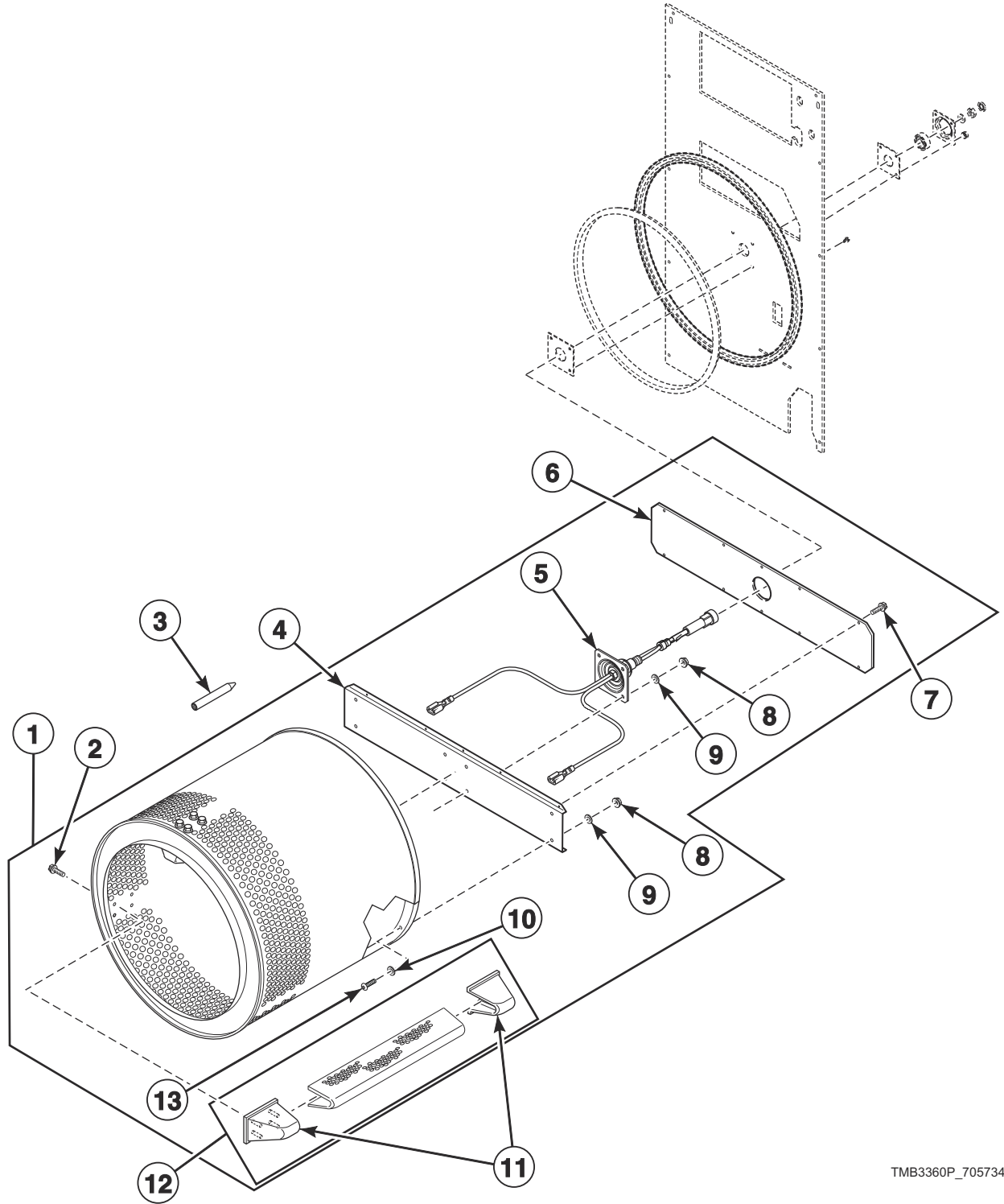


TMB3350P_70573401

Lint Drawer Overlays

REF	PART NO.	DESCRIPTION	COMMENTS
1	70299901	Overlay	S models; Upper lint drawer; Text
	70428701	Overlay	S models; Upper lint drawer; Icon
	70461001	Overlay	U models; Models through 8/17/14; Upper lint drawer
	70494101	Overlay	U models; Models starting 8/18/14; Upper lint drawer
	70506201	Overlay	H models; Gray/Green; Upper lint drawer
	70506301	Overlay	H models; Green; Upper lint drawer
	70363101	Overlay	H models; Gray; Upper lint drawer; OPL
	70428901	Overlay	H models; Gray; Upper lint drawer; OPL; Icon
	70396001	Overlay	H models; Gray; Upper lint drawer; Coin
	70428801	Overlay	H models; Gray; Upper lint drawer; Coin; Icon
	70381101	Overlay	M models; Upper lint drawer
	70408001	Overlay	B, C and I models; Upper lint drawer; Text
	70408002	Overlay	B and N models; Upper lint drawer; Icon
	70413801	Overlay	G and K models; Upper lint drawer
	70511501	Overlay	L and P models; Upper lint drawer
	2	70300001	Overlay
70325301		Overlay	H models; U models starting 8/18/14; Lower lint drawer
70428702		Overlay	N and S models; Lower lint drawer; Icon
70428802		Overlay	H models; Lower lint drawer; Icon
70381201		Overlay	M models; Lower lint drawer
3	70521201	Nameplate	L models

Cylinder and Trunnion Components

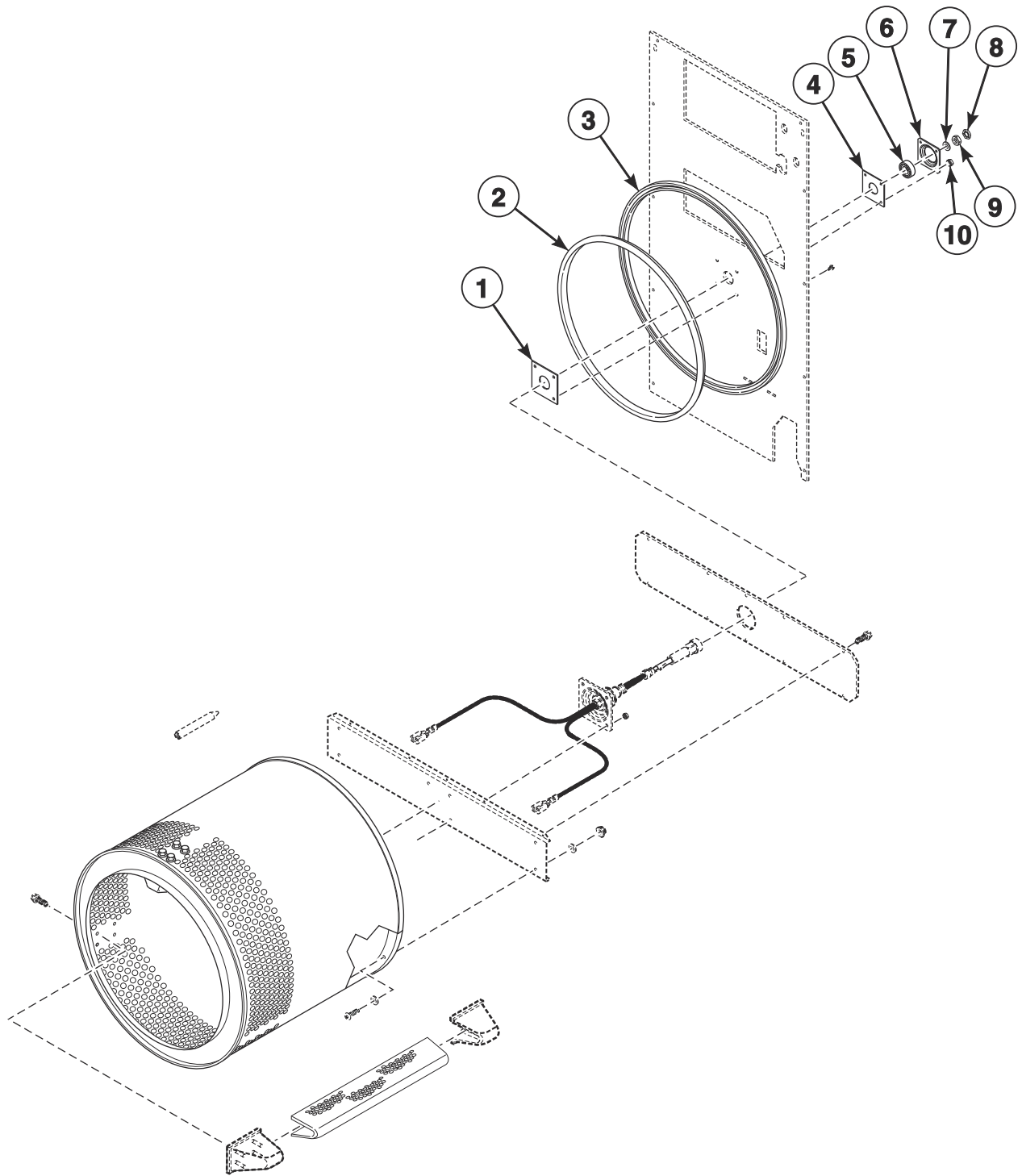


TMB3360P_70573401

Cylinder and Trunnion Components

REF	PART NO.	DESCRIPTION	COMMENTS
	70343101P	Drywall Screw Magnet Kit	Includes 6 magnets and 6 screws
1	70372903	Cylinder Assembly	K models; Non-moisture sensing
	70372901P	Cylinder Assembly	All models except K models; Galvanized; Non-moisture sensing
	70372902P	Cylinder Assembly	All models except K models; Stainless steel; Non-moisture sensing
	70444003	Cylinder and Trunnion Assembly	G and K models; Moisture sensing
	70444001P	Cylinder and Trunnion Assembly	All models except G and K models; Galvanized; Moisture sensing
	70444002	Cylinder and Trunnion Assembly	All models except G and K models; Stainless steel; Moisture sensing
2	62588	Screw	
3	263P4	Cylinder Guide Tool	
4	70305201	Rear Cylinder Channel	Non-moisture sensing
	70305202	Rear Cylinder Channel	Moisture sensing
5	70564805	Trunnion and Seal Kit	Non-moisture sensing
	70564806	Trunnion and Seal Kit	Moisture sensing; Includes 70454601 Trunnion and Wire Assembly
6	70305301	Rear Cylinder Channel Plate	
7	430497	Screw	10 required
8	M412986	Nut	
9	M400080	Washer	Models through Serial No. 0708006765
10	70411301	Washer	Models starting Serial No. 0708006766
11	70070101	End Cap	Non-moisture sensing
	70070102	End Cap	Moisture sensing
12	70433001	Cylinder Rib Assembly	Moisture sensing
13	70391101	Screw	8 required

Bearing Components

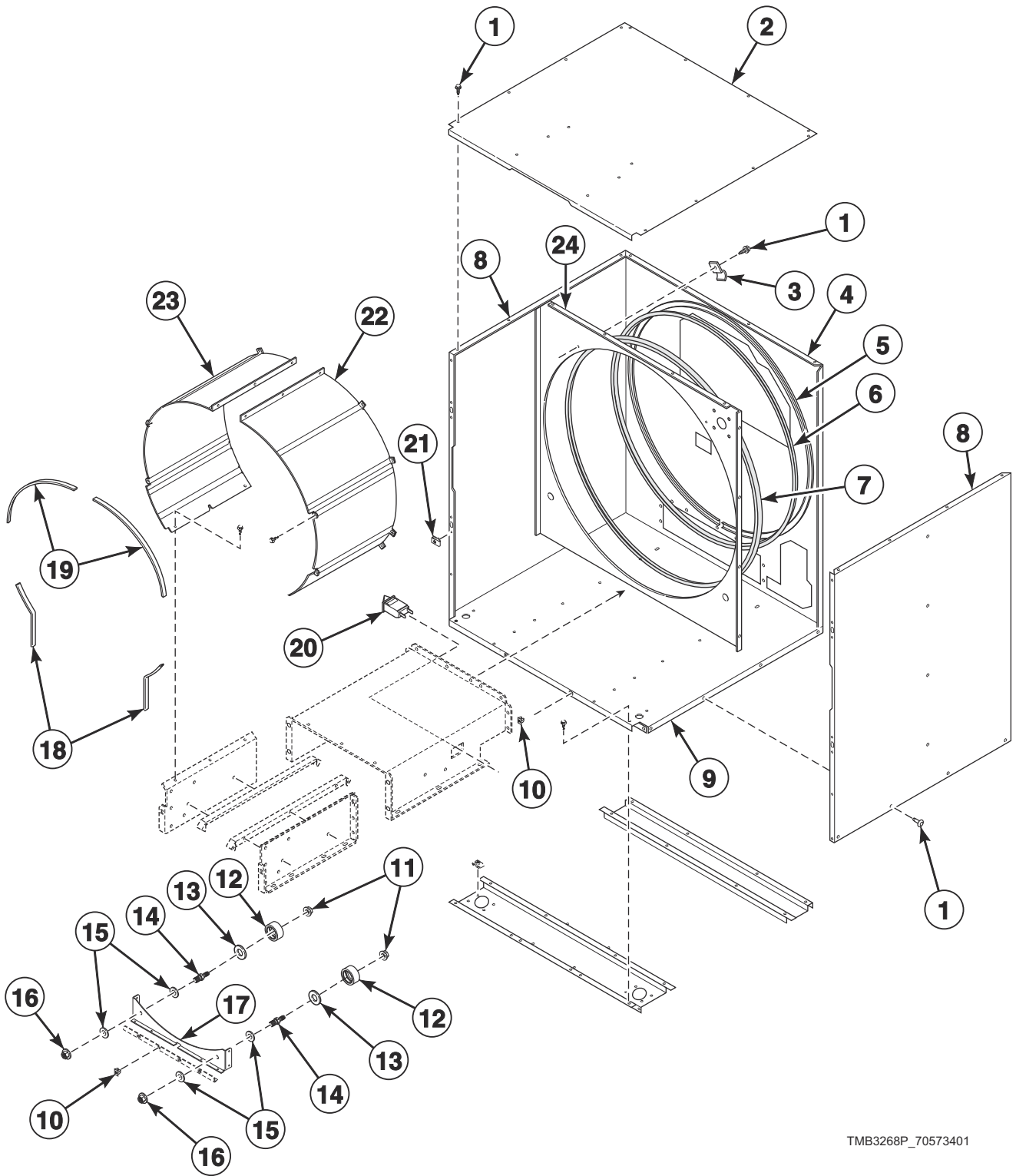


TMB3163PA_70573401

Bearing Components

REF	PART NO.	DESCRIPTION	COMMENTS
1	430352	Cylinder Bearing Stud Plate Assembly	
2	70013703	Rear Cylinder Seal	Requires Adhesive
3	70506403	Rear Cylinder Seal Support	
4	70355001	Rear Bearing Shim	
5	70448701	Support Bearing	
6	70013901	Rear Cylinder Bearing Housing	
7	M400991	Washer	
8	M400034	Nut	
9	M400022	Nut	
10	M412986	Nut	
	70411301	Washer	Models starting Serial No. 0708006766

Cabinet Components



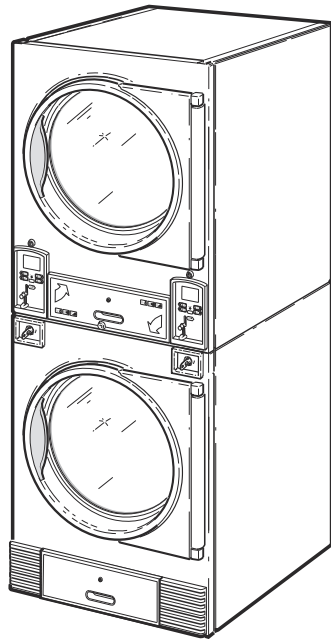
TMB3268P_70573401

Cabinet Components

REF	PART NO.	DESCRIPTION	COMMENTS
	430352	Cylinder Bearing Stud Plate Assembly	
	70058501	Pop Rivet	
	21899	Nut	For leveling legs
	70247701	Screw	For leveling legs
	70560601	Lower Pan	Lower pan of lower pocket
1	430497	Screw	
2	70357801	Top Panel Assembly	Upper; Includes threaded insert
3	70226701	Clip	
4	70301701	Rear Panel	
5	70506403	Rear Cylinder Seal Support	
6	70013703	Rear Cylinder Seal	Requires Adhesive
7	70066005	Center Cylinder Seal	Includes center cylinder seal support and center cylinder seal
8	70301801LG	Side Panel	U models; Light gray
	70301801DG	Side Panel	P models starting 10/1/14; L models; Dark gray
	70301801*P	Side Panel	P models through 9/30/14; All models except L and P models
9	70302001	Top Panel	Lower
10	70030501	Expansion Clip	
11	430576	Nut	
12	70616701	Roller and Seal Kit	
13	70443601	Roller Seal	Models starting 3/1/10
14	70249501	Roller Shaft	
15	70261401	Washer	
16	70288801	Nut	
17	70301401	Roller Support Bracket	
18	70015707	Sheet Metal Edge Gasket	Lower
19	70015708	Sheet Metal Edge Gasket	Upper
20	431159	Switch	For lint drawer
21	70030401	Nut	
22	70301901	Cylinder Shroud	Right
23	70301902	Cylinder Shroud	Left
24	70639101	Center Partition	

* Add Letter To Designate Color. L - Almond Q - Bisque W - White

Touch-Up Paint

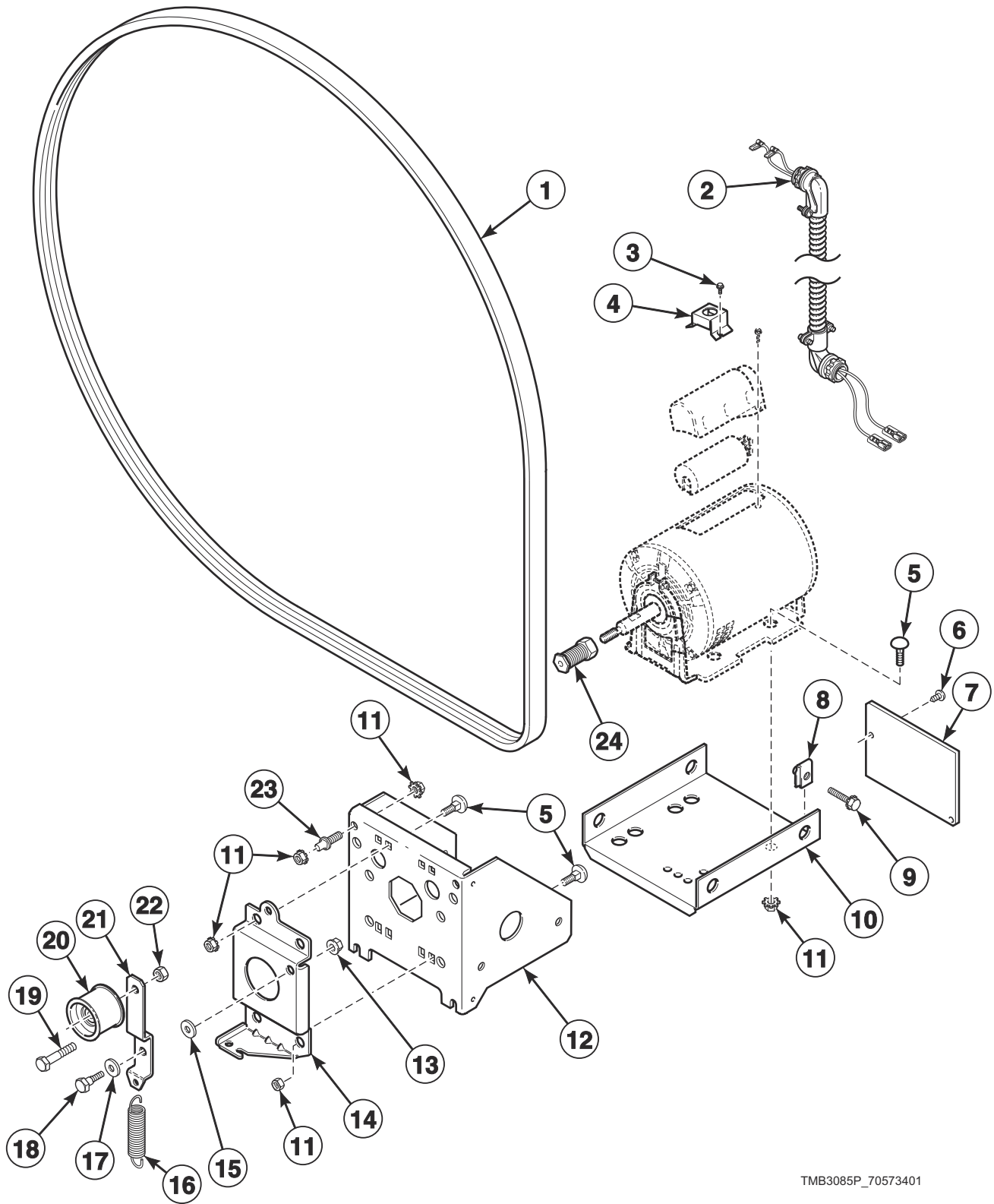


T477C_70573401

Touch-Up Paint

REF	PART NO.	DESCRIPTION	COMMENTS
	298P4P	Spray Paint	White
	297P4	Spray Paint	Almond
	381P4	Spray Paint	Bisque
	382P4	Spray Paint	Cream
	122P4P	Porcelain Touch-Up Paint	White
	215P4P	Porcelain Touch-Up Paint	Almond
	370P4P	Porcelain Touch-Up Paint	Bisque

Drive Motor Components

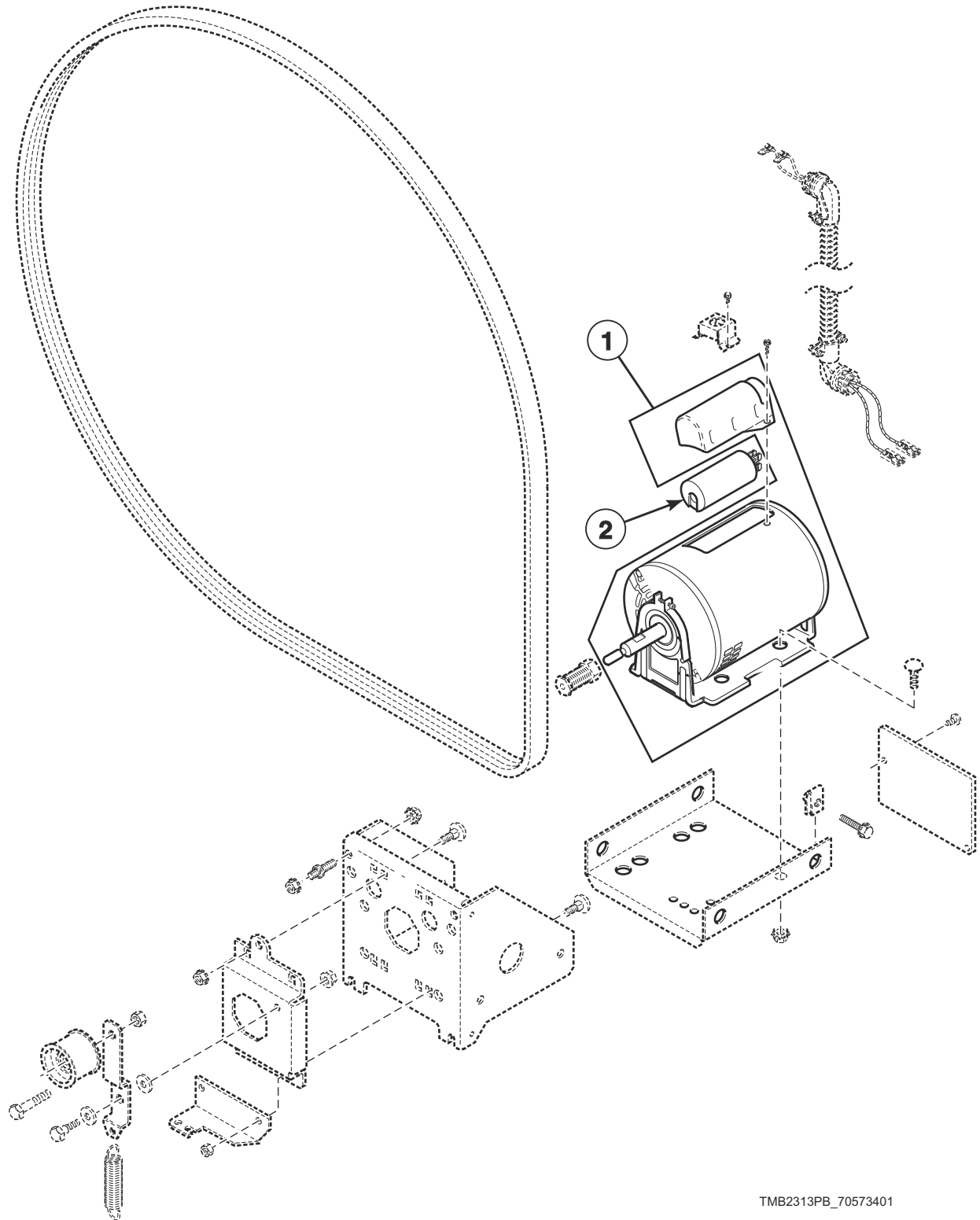


TMB3085P_70573401

Drive Motor Components

REF	PART NO.	DESCRIPTION	COMMENTS
	M4853P3	Belt Tension Tool Kit	
1	70276204P	Belt	
2	70316701P	Cylinder Motor Harness	Models through 2/28/10; 1 Phase models; 3 Phase electric models with 240 Volt and below
	70316801P	Cylinder Motor Harness	Models through 2/28/10; 3 Phase models except electric models with 240 Volt and below
	70439901	Cylinder Motor Harness	Models starting 3/1/10; 1 Phase models; 3 Phase electric models with 240 Volt and below
	70440301	Cylinder Motor Harness	Models starting 3/1/10; 3 Phase models except electric models with 240 Volt and below
3	23222	Screw	
4	70321701	Motor Conduit Mounting Bracket	
5	70062401	Bolt	
6	430497	Screw	
7	70202501	Drive Access Cover	
8	27222	Nut	4 required
9	70566401	Screw	
10	70312001	Motor Mount Bracket	
11	M412986	Nut	
12	70261701	Motor Channel	
13	29796	Nut	
14	70443301	Idler Bracket	
15	70270301	Washer	
16	70045301	Drum Idler Spring	With silencer
17	70265901	Washer	
18	431539	Screw	
19	430648	Screw	
20	70050401P	Idler Wheel Assembly	
21	70259901	Cylinder Idler Arm	
22	56156	Nut	
23	70334701	Double Ended Stud	
24	70284204	Motor Pulley	50 Hertz
	70284208	Motor Pulley	60 Hertz

Drive Motors and Motor Capacitors

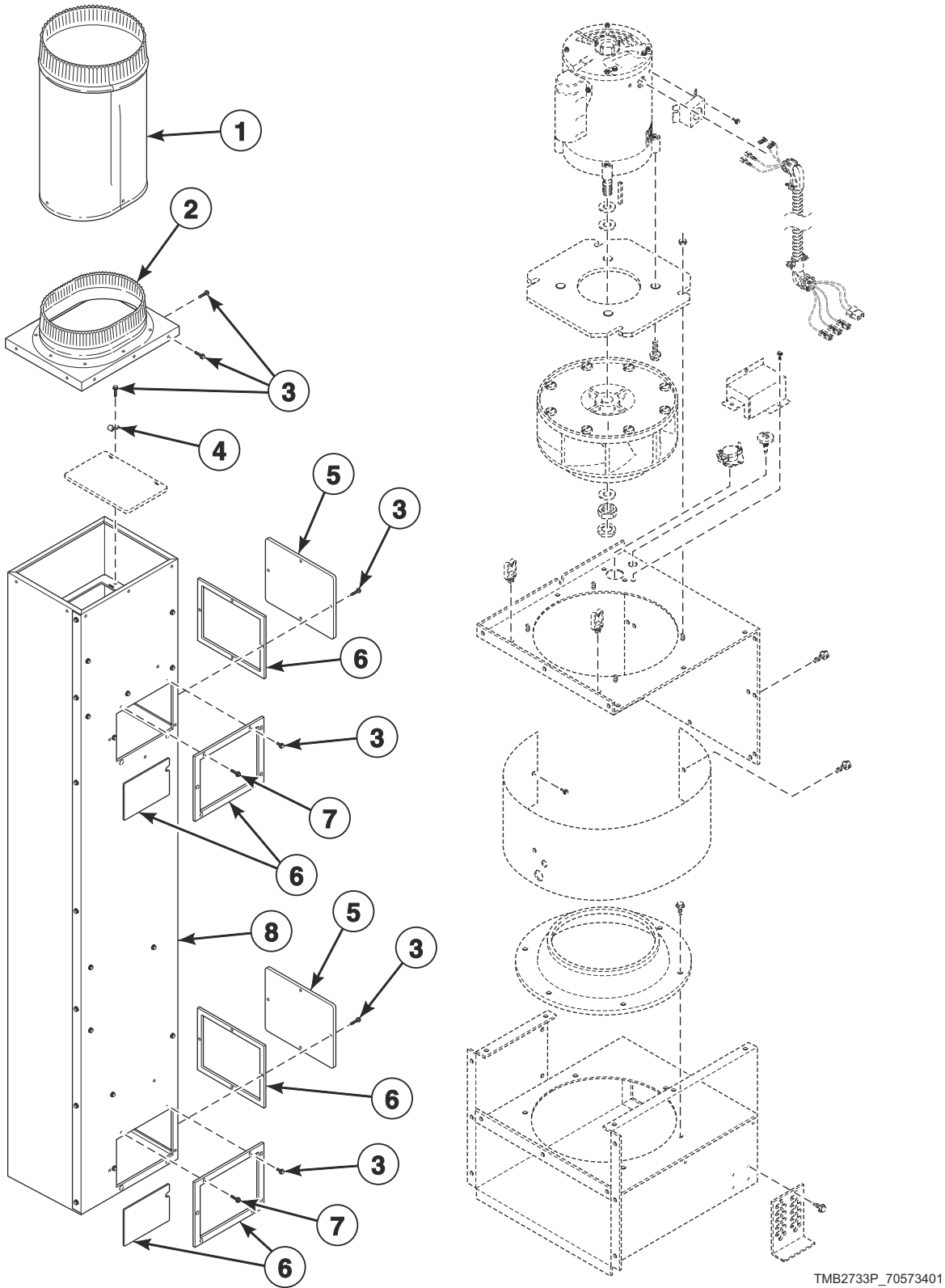


TMB2313PB_70573401

Drive Motors and Motor Capacitors

REF	PART NO.	DESCRIPTION	COMMENTS
1	70392901P	Drive Motor	100-120 or 208-240 Volt/60 Hertz/1 Phase
	70298401P	Drive Motor	200-240 Volt/60 Hertz/3 Phase; No capacitors
	70401501	Drive Motor	100 or 200 Volt/50 Hertz/1 Phase; No run capacitor
	70401601	Drive Motor	230-240 Volt/50 Hertz/1 Phase; No run capacitor
	70401701	Drive Motor	380 Volt/50 Hertz/3 Phase; No capacitors
	70401801	Drive Motor	400-415 Volt/50 Hertz/3 Phase; No capacitors
2	70413101	Motor Capacitor	Start; For 70392901P Drive Motor
	70413201	Motor Capacitor	Run; For 70392901P Drive Motor
	70435702	Motor Capacitor	Start; For 70401501 Drive Motor
	70435701	Motor Capacitor	Start; For 70401601 Drive Motor

Exhaust Components

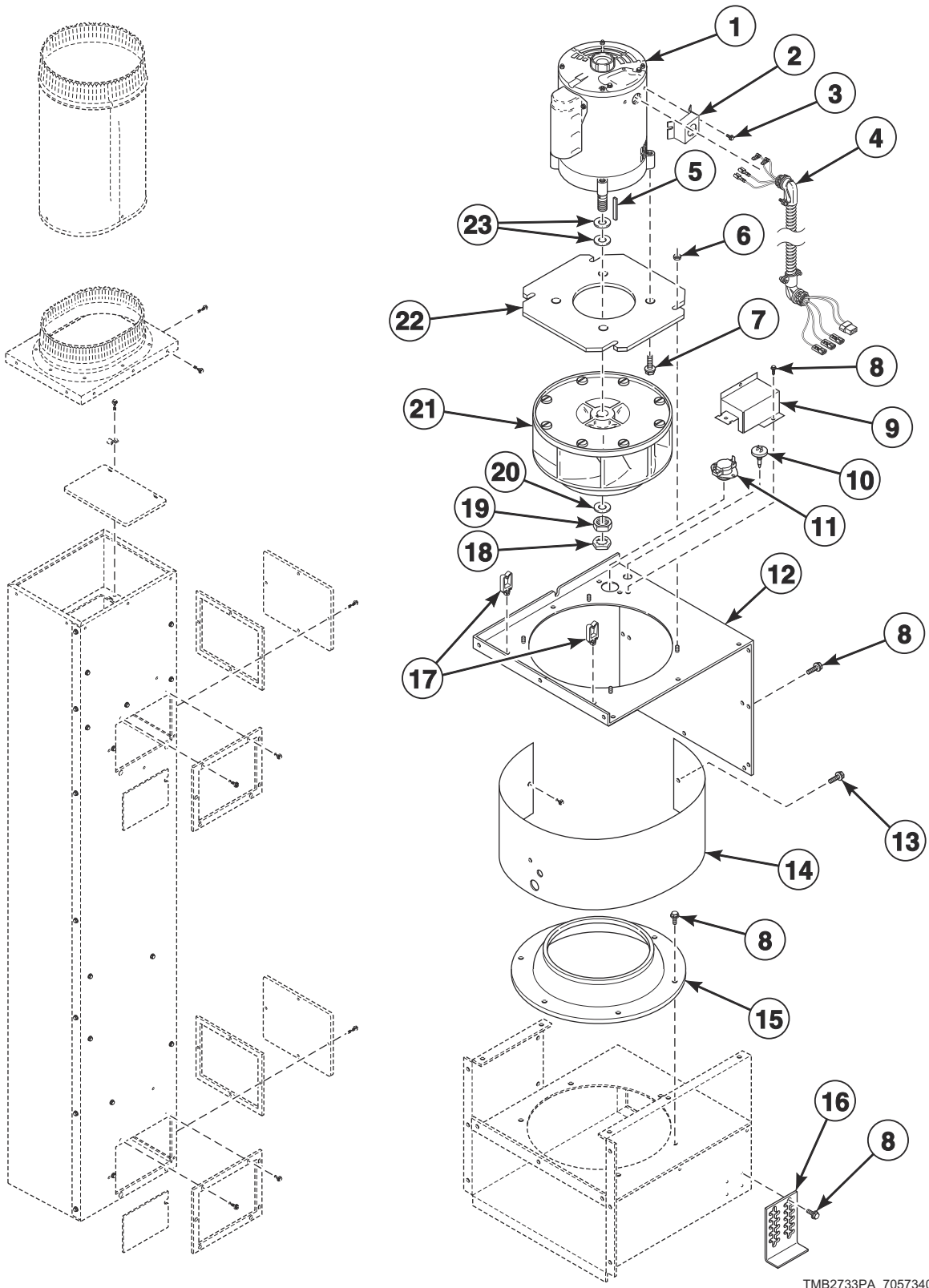


TMB2733P_70573401

Exhaust Components

REF	PART NO.	DESCRIPTION	COMMENTS
	70289101P	Gasket	Sold per foot
1	70425801	Exhaust Pipe Assembly	CE models
2	70307601	Duct Cover	
3	430497	Screw	12 required
4	70226701	Clip	
5	70308701	Duct Access Cover	
6	70302801P	Exhaust Duct Gaskets Assembly	2 required
7	M411072	Screw	2 required
8	70311902	Exhaust Duct Assembly	CE models; Includes cap, dampers and gaskets; Order blower housing scroll separately
	70662607	Exhaust Duct Assembly	All other models; Includes cap, dampers and gaskets; Order blower housing scroll separately

Blower Components

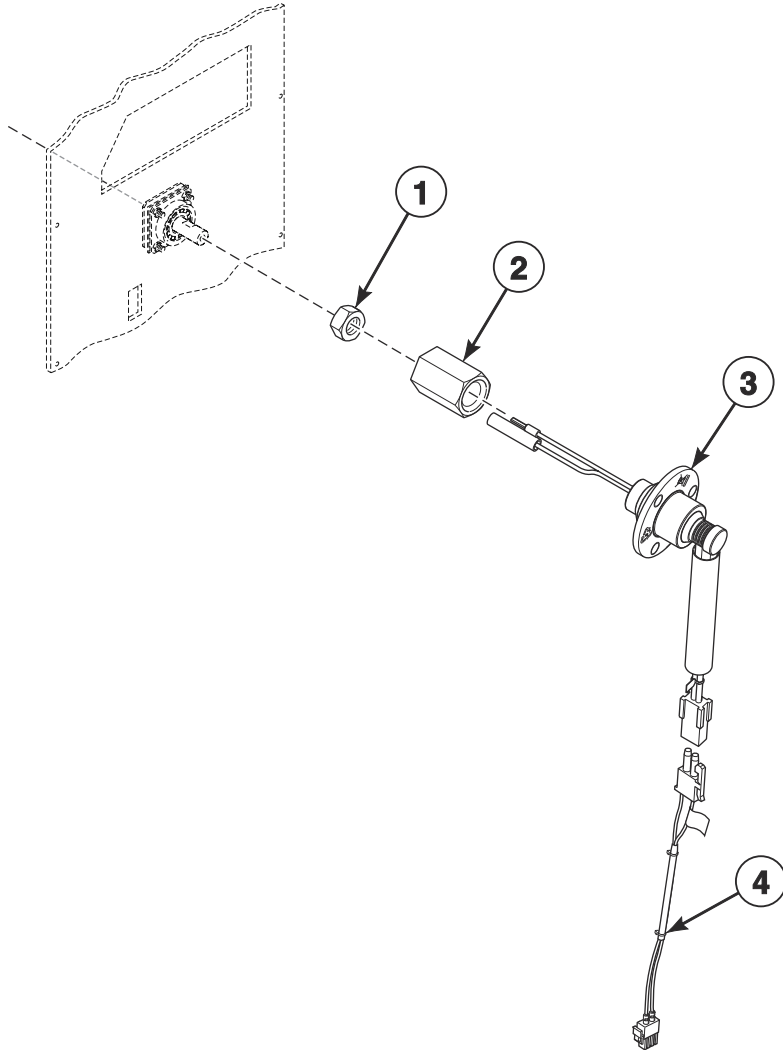


TMB2733PA_70573401

Blower Components

REF	PART NO.	DESCRIPTION	COMMENTS
	70392701P	Gasket	For blower housing opening
1	70342601P	Blower Motor	200-480 Volt/60 Hertz/3 Phase and 200-415 Volt/50 Hertz/3 Phase
	70297901P	Blower Motor	100-120 or 208-240 Volt/60 Hertz/1 Phase; Use 70435701 Motor Capacitor (start)
	70401401	Blower Motor	100 or 200 Volt/50 Hertz/1 Phase
2	70321701	Motor Conduit Mounting Bracket	
3	23222	Screw	
4	70440001P	Fan Motor Harness	1 Phase models; 3 Phase electric models with 240 Volt and below
	70317001	Fan Motor Harness	Models through 2/28/10; 3 Phase models except electric models with 240 Volt and below
	70440401	Fan Motor Harness	Models starting 3/1/10; 3 Phase models except electric models with 240 Volt and below
5	70144101	Key	
6	29786	Nut	4 required
7	70126101	Screw	4 required
8	430497	Screw	12 required
9	70346301	Thermistor Cover	
10	M414704	Thermistor	
11	M411307	Limit Thermostat	Auto reset
12	70322801	Blower Housing Cover Assembly	
13	51780	Screw	
14	70303201	Blower Housing Scroll	
15	70303101	Blower Inlet Cone	
16	70200301	Rear Stabilizer Bracket	
17	70366201	Wire Clip	2 required
18	M400034	Nut	
19	M400022	Nut	
20	F431131	Washer	
21	70302201P	Blower Assembly	
22	70303401	Blower Motor Mounting Plate	
23	70599301	Fan Spacer	

Moisture Sensing Components

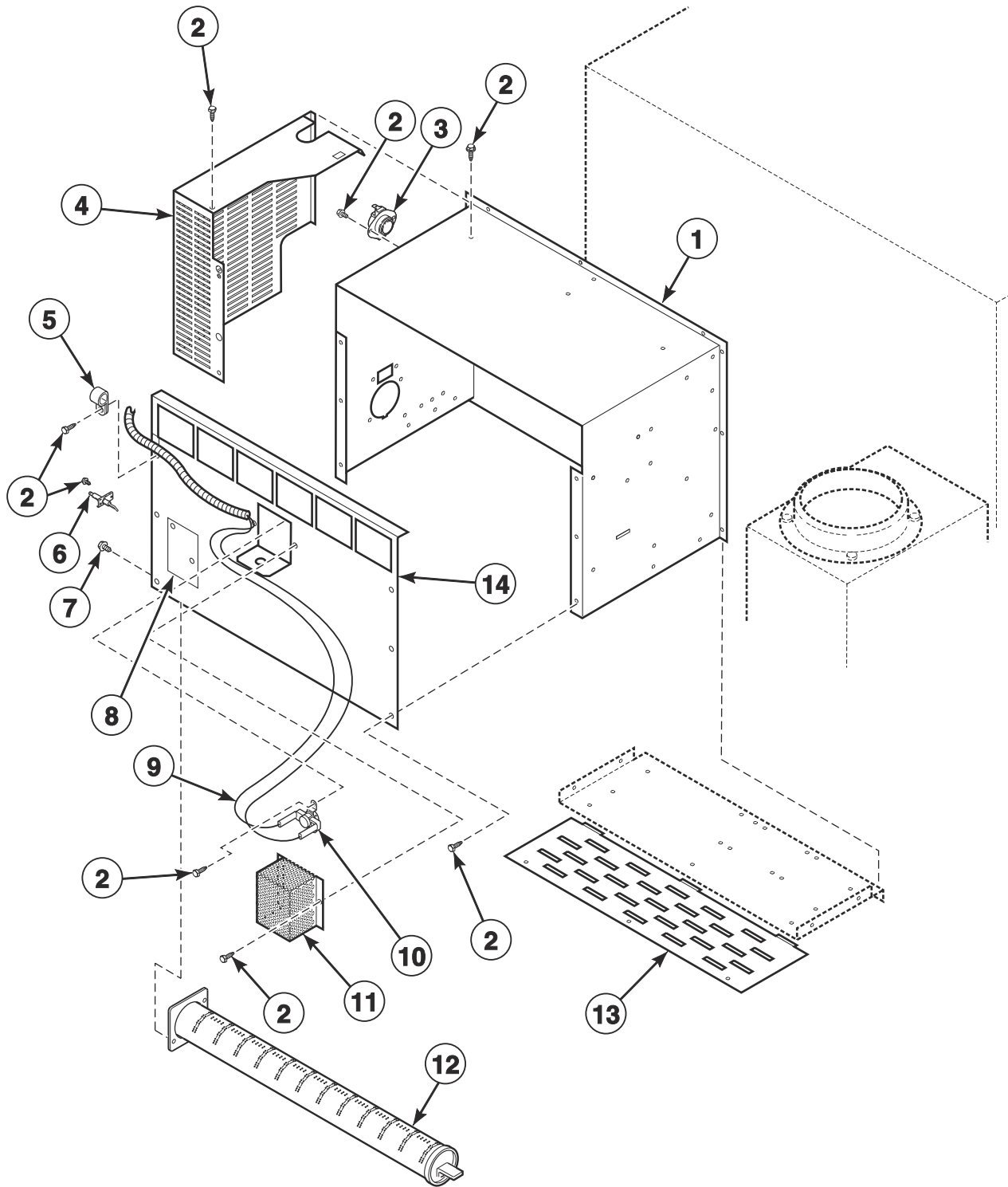


TMB3147P_70573401

Moisture Sensing Components

REF	PART NO.	DESCRIPTION	COMMENTS
	70468901	Moisture Sensor Test Wires	Use to troubleshoot the moisture sensor circuit
1	M400035	Nut	
2	70455401	Slip Ring Holder	
3	44222702	Slip Ring Assembly	
4	70448902	Moisture Sensor Harness Assembly	

Gas Burner Housing and Secondary Stove Limit

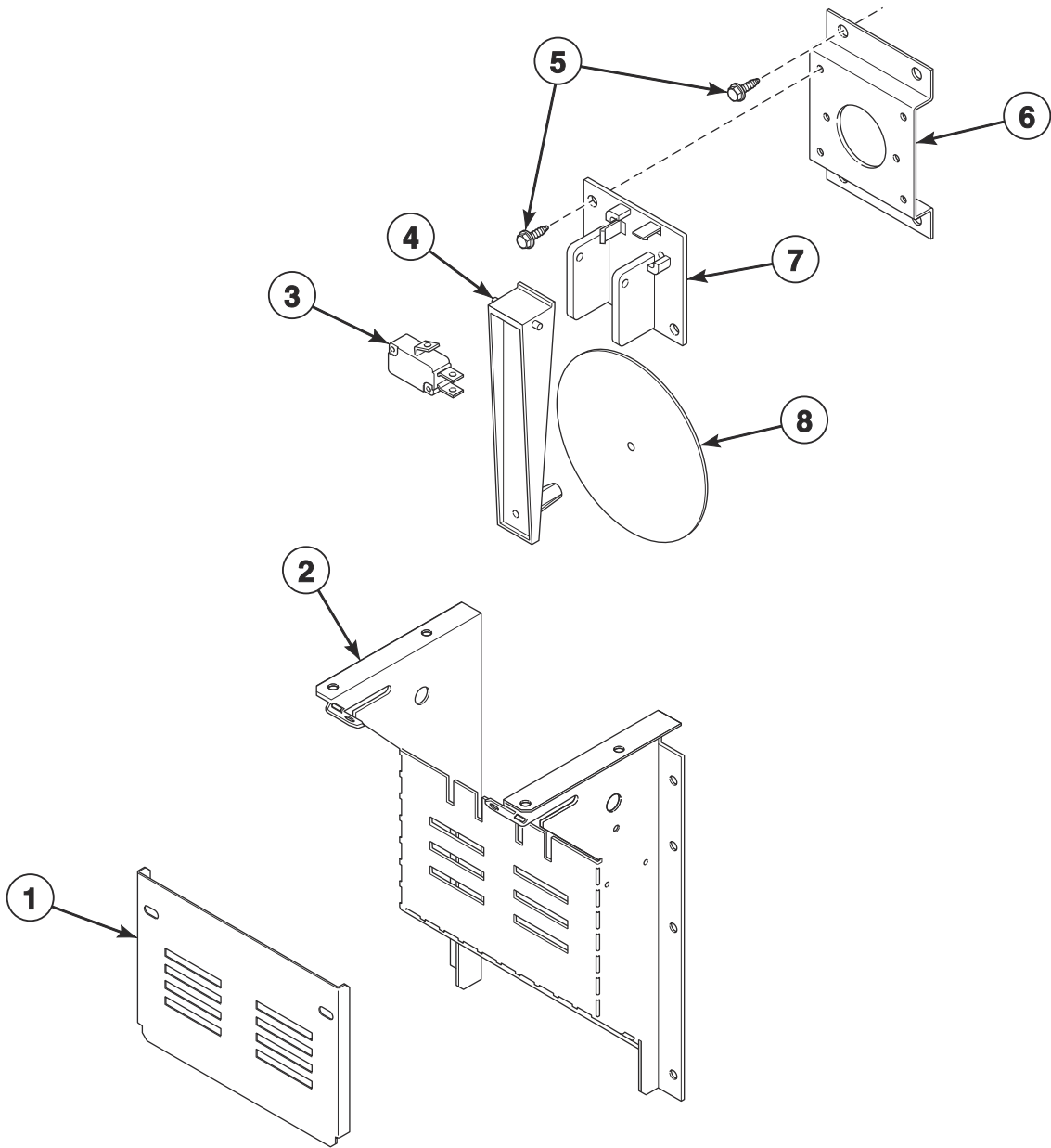


TMB2315P_70573401

Gas Burner Housing and Secondary Stove Limit

REF	PART NO.	DESCRIPTION	COMMENTS
	70316501	Stove Limit Harness	
	M4903P3	Stove Limits Kit	Models through Serial No. 0311000078; In addition, order 70299101 Secondary Stove Limit Kit
	70522901P	Direct Air Kit	2 required
1	70306001	Stove Top and Sides	
2	430497	Screw	
3	M409219	Limit Thermostat	Non-CE models
	70186301	Manual Reset Thermostat	Australian and Korean models
4	70425001	Gas Valve Cover	Australian and CE models
5	70203701	Pipe Clip	
6	70032801P	Spark Electrode	Models through 9/16/12
	70548701P	Spark Electrode	Models starting 9/17/12
7	05161	Screw	
8	70159601	Igniter Cover	
9	70316501	Stove Limit Harness	
10	70299001	Limit Thermostat	
11	M414477	Thermostat Cover	
12	70229801P	Gas Burner	
	70546701	Anti-Rattle Burner Assembly	Includes 70229801P Gas Burner, 431318 Control Door Latch and M400003 Pop Rivet
13	70306501	Burner Grill	
14	70375201	Stove Back	

Airflow Switch

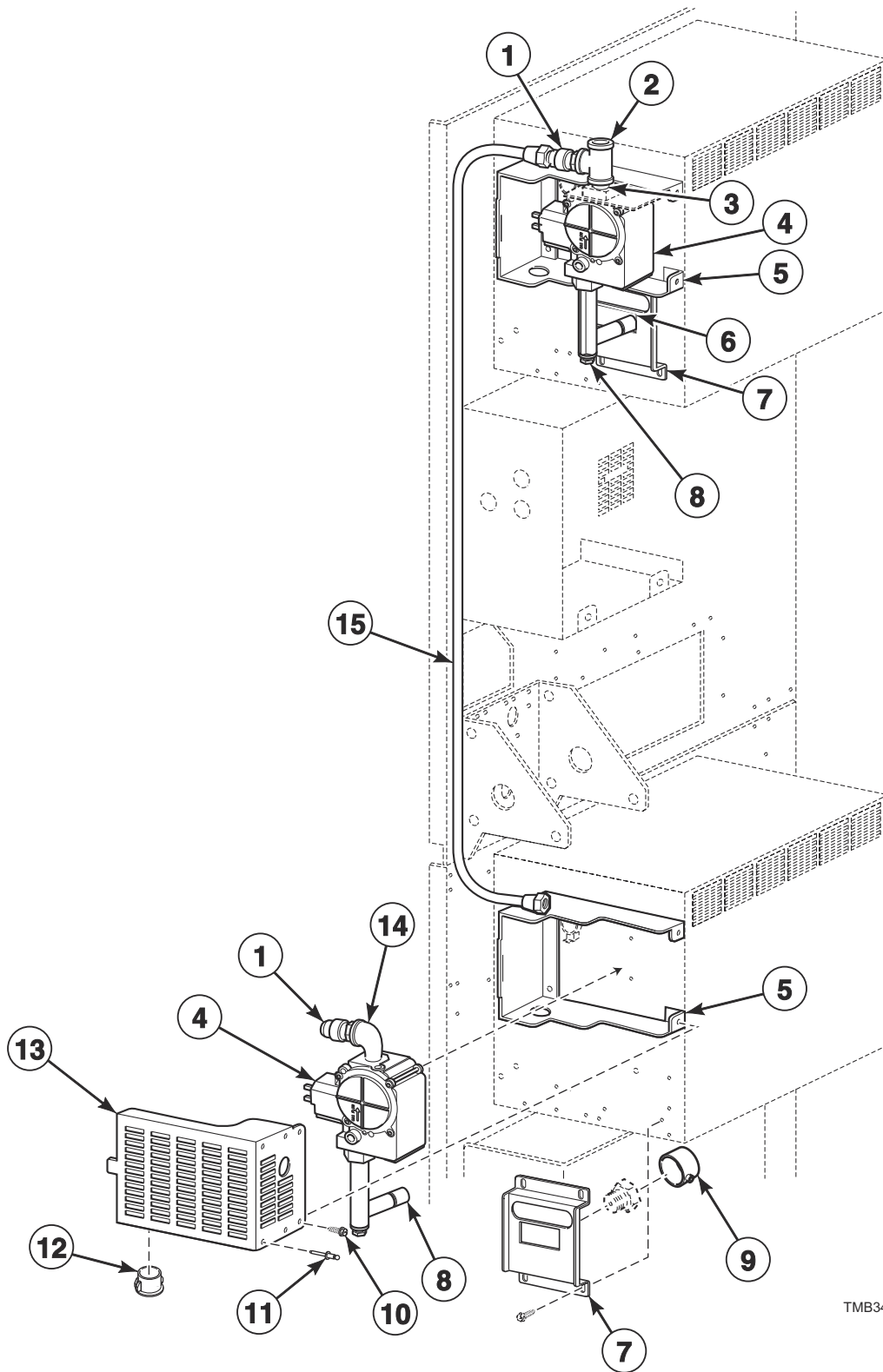


TMB3126P_70573401

Airflow Switch

REF	PART NO.	DESCRIPTION	COMMENTS
1	70356601	Airflow Switch Cover	Non-moisture sensing
	70465701	Airflow Switch Cover	Moisture sensing
2	70356101	Airflow Switch Wrapper	
3	70411901	Switch	
4	70319401	Airflow Switch Arm	
5	430497	Screw	
6	70356301	Switch Bracket	
7	70319602	Airflow Switch and Arm Bracket	
8	70319201	Airflow Switch Vane	

Gas Valve and Piping - All Non-CE and Non-Australian Gas Models and CE and Australian Models Starting 1/1/14

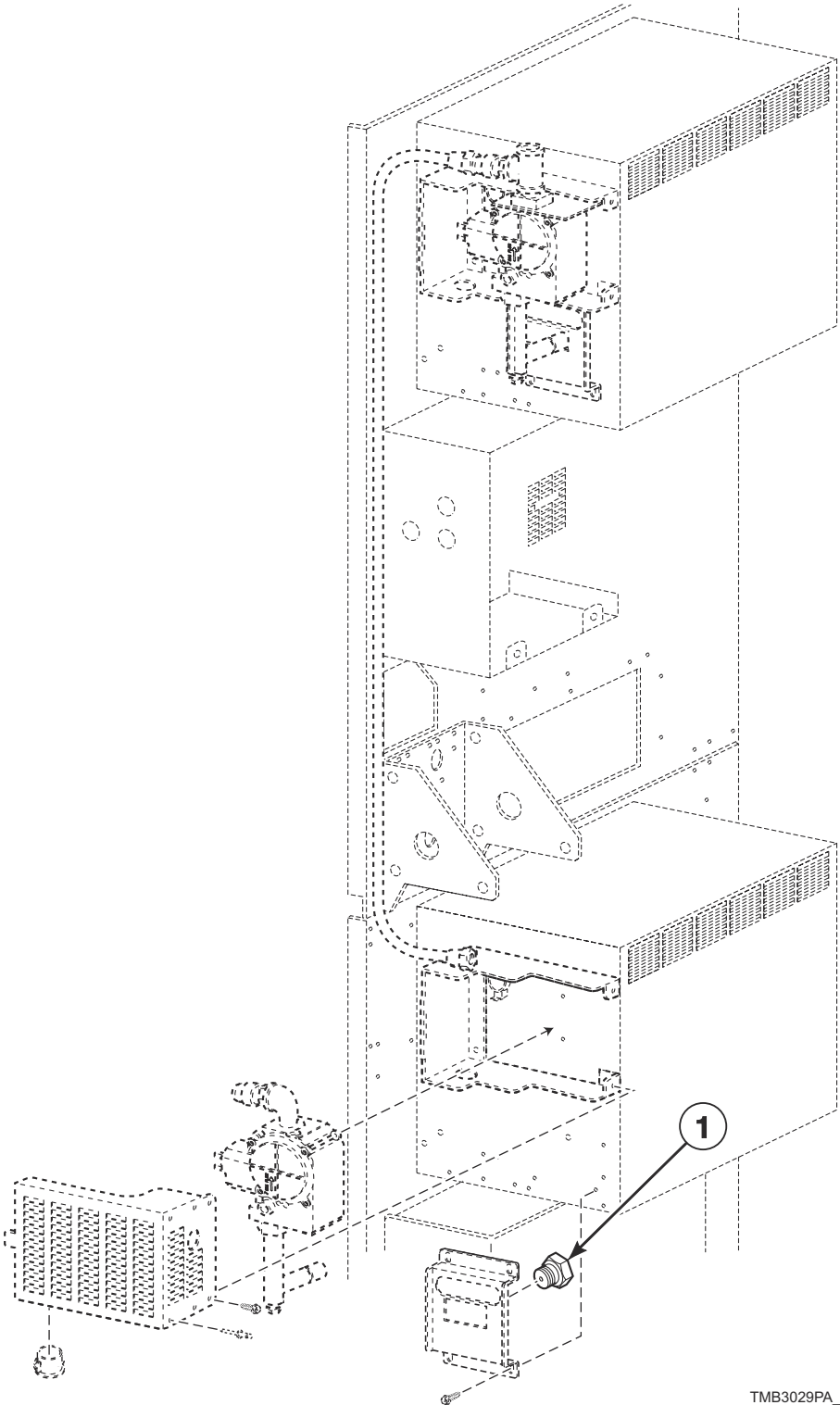


TMB3431P_70573401

Gas Valve and Piping - All Non-CE and Non-Australian Gas Models and CE and Australian Models Starting 1/1/14

REF	PART NO.	DESCRIPTION	COMMENTS
	M4970P3	Replacement Gas Valve Kit	Natural Gas (N.G.); Use to replace old valve before 12/15/09 with new valve
	M4972P3	Replacement Gas Valve Kit	Liquid Petroleum Gas (L.P.); Use to replace old valve before 12/15/09 with new valve
	M4880P3	L.P. Conversion Kit	0-2,000 feet
	M412997	Harness Assembly	
1	70262601	Pipe	
2	70267501	Pipe Tee	Models through 1/31/10
	70071801	Tee	Models starting 2/1/10
3	431486	Pipe Nipple	
4	44154501P	Gas Valve	N.G.; Models through 12/31/13
	44154502P	Gas Valve	L.P.; Models through 12/31/13
	44154503	N.G. Valve	Models starting 1/1/14
	44154504	L.P. Valve	Models starting 1/1/14
5	70328201	Forward Valve Cover	
6	70249001	Orifice Keeper Bracket	
7	70248901	Orifice Holder Bracket	
8	70552801P	Orifice Adapter	
9	70239801	Primary Air Adjustment Sleeve	
10	430497	Screw	
11	70058501	Pop Rivet	3/16 inch
12	M400770	Snap Bushing	
13	70282401	Rear Valve Cover	
14	H86070034	Street Elbow	
15	70281602	Tube	

Burner Orifices - Non-CE and Non-Australian Gas Models



TMB3029PA_70573401

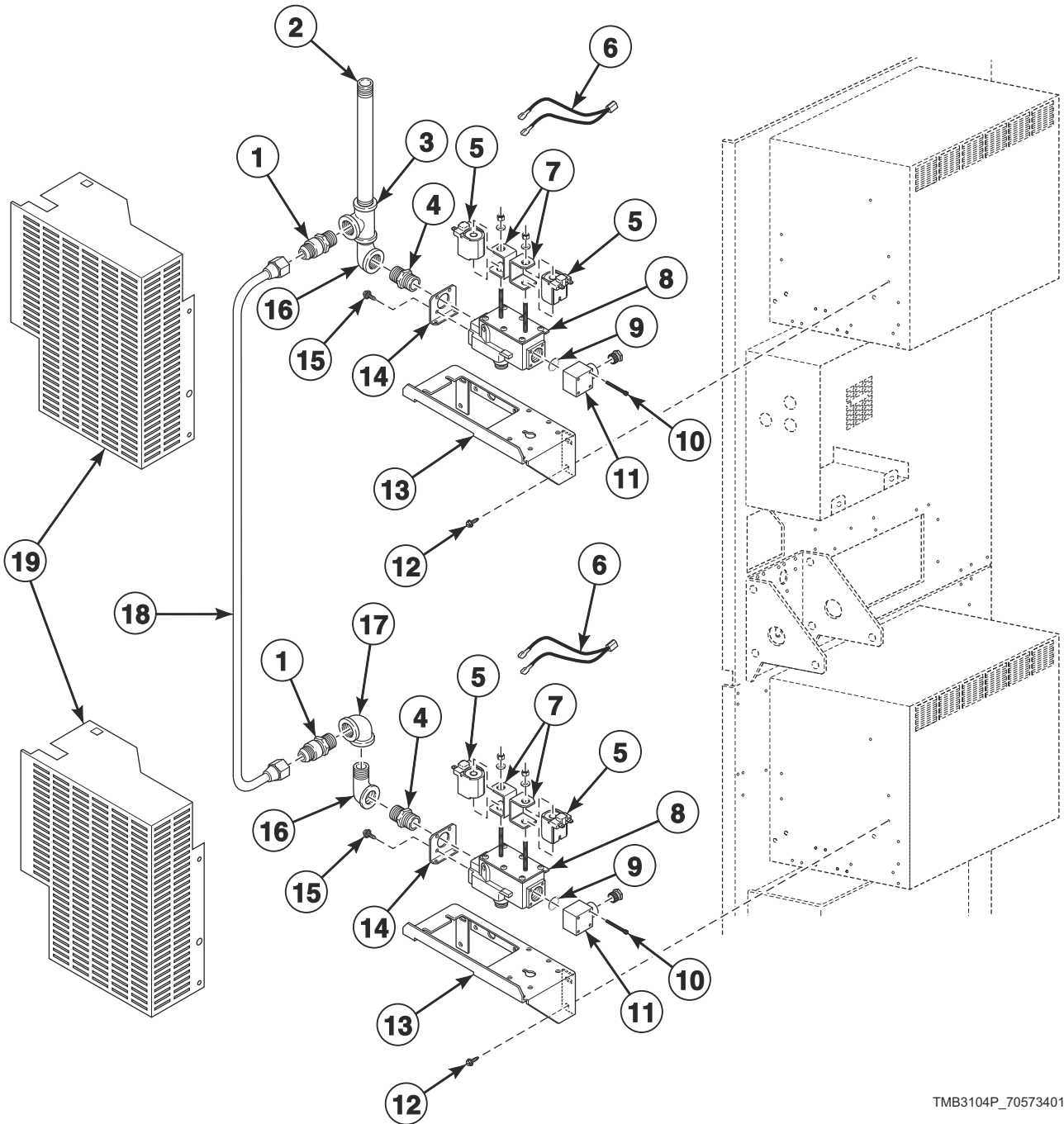
Burner Orifices - Non-CE and Non-Australian Gas Models

REF	PART NO.	DESCRIPTION	COMMENTS
1	70684120	Burner Orifice	Standard models; 50 Hertz; Liquid Petroleum Gas (L.P.); Drill no. 36 (2.7 mm); 0-2,000 feet; *
	70684123	Burner Orifice	Standard models; 60 Hertz; L.P.; Drill no. 34 (2.8 mm); 0-2,000 feet; *
	70684120	Burner Orifice	Standard models; L.P.; Drill no. 36 (2.7 mm); 2,001-6,000 feet; *
	70684118	Burner Orifice	Standard models; L.P.; Drill no. 38 (2.6 mm); 6,001-8,000 feet; *
	70684116	Burner Orifice	Standard models; L.P.; Drill no. 40 (2.5 mm); 8,001-10,000 feet; *
	70684147	Burner Orifice	Standard models; 50 Hertz; Natural Gas (N.G.); Drill no. 16 (4.5 mm); 0-2,000 feet; *
	70684150	Burner Orifice	Standard models; 60 Hertz; N.G.; Drill no. 13 (4.7 mm); 0-2,000 feet; *
	70684148	Burner Orifice	Standard models; N.G.; Drill no. 15 (4.6 mm); 2,001-4,000 feet; *
	70684147	Burner Orifice	Standard models; N.G.; Drill no. 16 (4.5 mm); 4,001-6,000 feet; *
	70684144	Burner Orifice	Standard models; N.G.; Drill no. 18 (4.3 mm); 6,001-8,000 feet; *
	70684142	Burner Orifice	Standard models; N.G.; Drill no. 20 (4.1 mm); 8,001-10,000 feet; *
	70684117	Burner Orifice	Models HTT45D and STT45D; 50 Hertz; Drill no. 39 (2.5 mm); *
	N/A	Burner Orifice	Models HTT45D and STT45D; 60 Hertz; Drill no. 37 (2.6 mm); *
	70684141	Burner Orifice	Eco models; 50 Hertz; N.G.; Drill no 21 (4.0 mm) ; 0-2,000 feet; *
	70684138	Burner Orifice	Eco models; 50 Hertz; N.G.; Drill no. 24 (3.9 mm); 2,001-4,000 feet; *
	70684136	Burner Orifice	Eco models; 50 Hertz; N.G.; Drill no. 26 (3.7 mm); 4,001-6,000 feet; *
	70684134	Burner Orifice	Eco models; 50 Hertz; N.G.; Drill no. 28 (3.6 mm); 6,001-8,000 feet; *
	70684132	Burner Orifice	Eco models; 50 Hertz; N.G.; Drill no. 29; 8,001-10,000 feet; *
	70684143	Burner Orifice	Eco models; 60 Hertz; N.G.; Drill no. 19 (4.2 mm); 0-2,000 feet; *
	70684141	Burner Orifice	Eco models; 60 Hertz; N.G.; Drill no. 21 (4.0 mm); 2,001-4,000 feet; *
	70684139	Burner Orifice	Eco models; 60 Hertz; N.G.; Drill no. 23 (3.9 mm); 4,001-6,000 feet; *
	70684136	Burner Orifice	Eco models; 60 Hertz; N.G.; Drill no. 26 (3.7 mm); 6,001-8,000 feet; *
	70684134	Burner Orifice	Eco models; 60 Hertz; N.G.; Drill no. 28 (3.6 mm); 8,001-10,000 feet; *

N/A = Part no longer available

*** NOTE: One orifice required per pocket**

Gas Valve and Piping - CE and Australian Gas Models Through 12/31/13



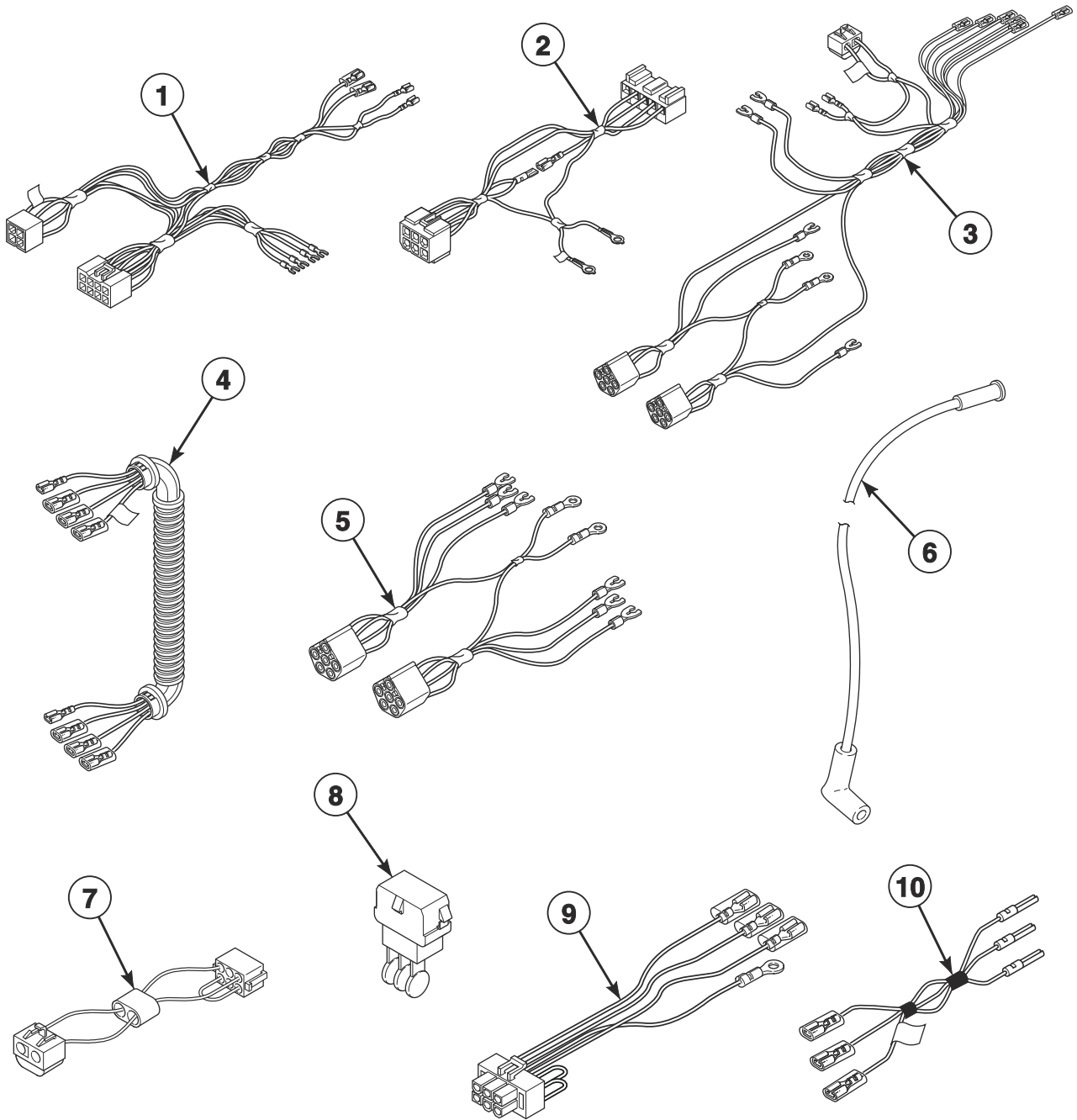
TMB3104P_70573401

Gas Valve and Piping - CE and Australian Gas Models Through 12/31/13

REF	PART NO.	DESCRIPTION	COMMENTS
	M4880P3	L.P. Conversion Kit	0-2,000 feet; Australian models
	M405434P	L.P. Valve Conversion Kit	Unregulated; Must also order orifice, refer to Installation Manual; Use with 44154503 N.G. Valve
	M4746P3	Valve Bracket and Cover Kit	Includes items 13 and 19
	M413650	Gas Valve Harness Assembly	Australian models; Use with item 8
	70184001	Gas Valve Harness	CE models; Use with item 8
	70239801	Primary Air Adjustment Sleeve	
	44257501	Gas Valve Coil Kit	Use to replace gas valve coils on 70457301P and 70457302P Valves
1	70262601	Pipe	
2	70139601	Pipe Nipple	
3	70071801	Tee	
4	70131901	Adapter	
5	70260101	Gas Valve Coil	24 Volt
6	M413650	Gas Valve Harness Assembly	
7	70260601	Valve Coil Bracket	
8	70457301P	N.G. Valve	
	70457302P	L.P. Valve	
9	431482	O-Ring	
10	431484	Screw	
11	70223501	Spud Adapter	
12	430497	Screw	
13	70233301	Gas Valve Bracket	
14	70457701	Valve Support Bracket	
15	23222	Screw	8 required
16	H86070034	Street Elbow	
17	70079601	Elbow	
18	70281603	Tube	
19	70233401	Gas Valve Cover	

NOTE: For CE gas and orifice information, refer to installation manual.

Control Tray Harness

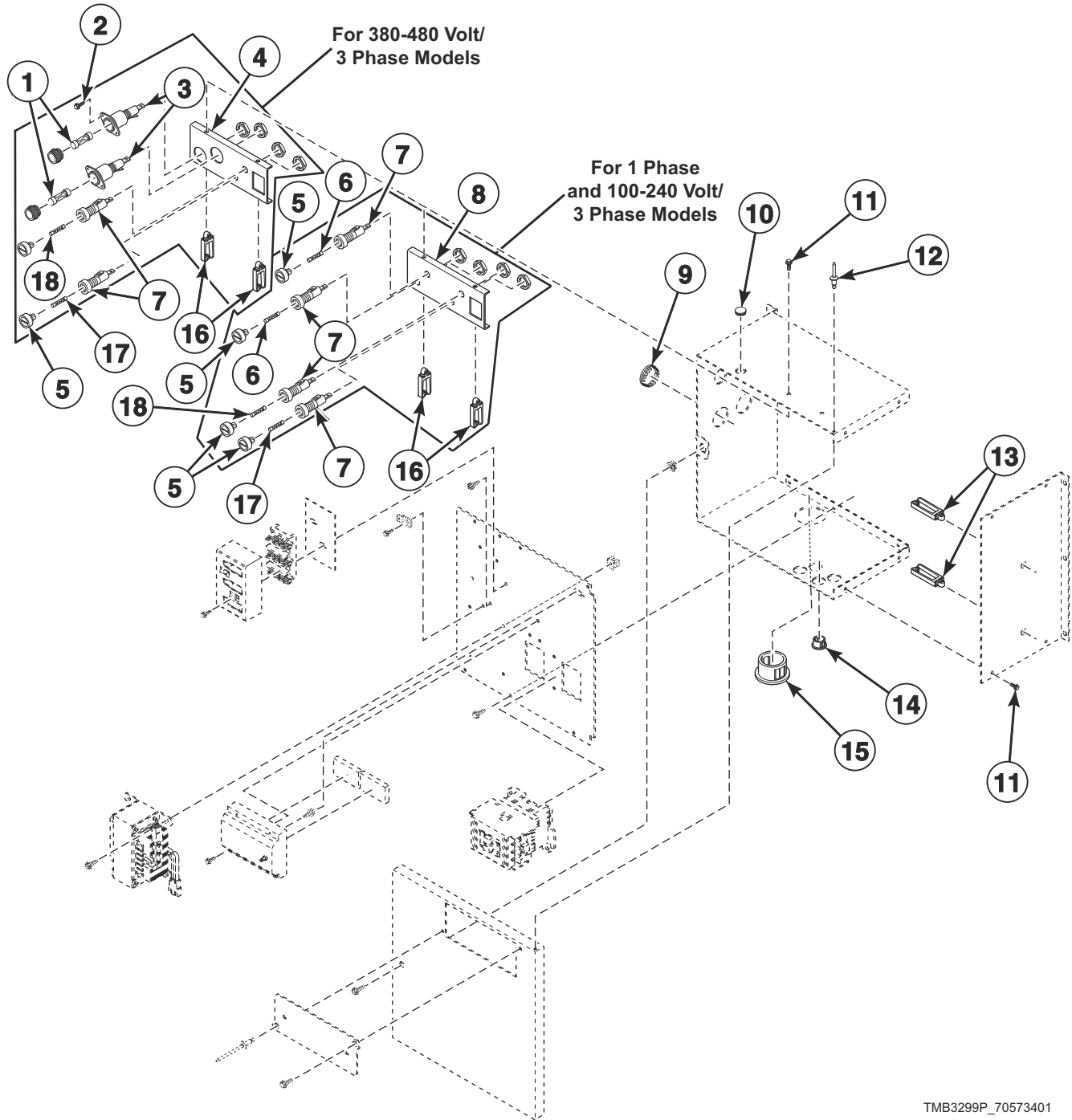


TMB3102P_70573401

Control Tray Harness

REF	PART NO.	DESCRIPTION	COMMENTS
1	70315801	Junction Box Harness	Dual secondary
2	44186701	Ignition Control Harness	Non-CE models
	44186901	Ignition Control Harness	CE and Australian models; Models with EO, RE, RU and UO control suffixes
	44136601P	Ignition Control Harness	CE and Australian models; Models with all other control suffixes
3	70347701P	Power Harness	Models through 2/28/10; Contactor; 1 Phase
	70316101P	Power Harness	Non-CE models; Models through 2/28/10; 3 Phase models with less than 380 Volts
	70332201	Power Harness	Models through 2/28/10; 3 Phase models with 380 Volts or more
	70445501	Power Harness	Models starting 3/1/10; Contactor; 1 Phase
	70439001	Power Harness	Non-CE models; Models starting 3/1/10; 3 Phase models with less than 380 Volts
	70438901	Power Harness	Models starting 3/1/10; 3 Phase models with 380 Volts or more
4	70316201	Power Harness	Models through 2/28/10; Upper pocket to lower pocket
	70439501	Power Harness	Models starting 3/1/10; Upper pocket to lower pocket
5	70320201	Motor Contactor Harness	Models through 2/28/10; 3 Phase
	44142601P	Motor Contactor Harness	Models starting 3/1/10; 3 Phase
6	70323601	High Voltage Lead	Models through 9/16/12; Use with 70367301P or 70367401P Ignition Control
	44239701	High Voltage Suppression Cable	Models starting 9/17/12; Use with 70458601, 70458701 or 70483201 Ignition Control
7	M413505	Jumper Harness Assembly	Non-CE models; 208 Volt/60 Hertz/1 Phase and 240 Volt/60 Hertz/1 Phase
	M413507	Jumper Configuration Assembly	CE models; Non-CE models with 230-240 Volt/50 Hertz/1 Phase, 200-208, 240 Volt/60 Hertz/3 Phase and 230-240 Volt/50 Hertz/3 Phase models with less than 380 Volts
	M413506	Jumper Harness Assembly	Non-CE models; 100, 200, 220 Volt/60 Hertz/1 Phase, 100, 200 Volt/50 Hertz/1 Phase and 200 Volt/50 Hertz/3 Phase models with less than 380 Volts
	M413508	Jumper Harness Assembly	Non-CE models with 380, 400-415 Volt/50 Hertz/3 Phase models with 380 Volts or more; CE 3 Phase models with 380 Volts or more
	M413510	Jumper Configuration Assembly	Non-CE models; 460-480 Volt/60 Hertz/3 Phase models with 380 Volts or more
8	M413863	Network Capacitor Assembly	3L, 3O, 3V and 3X control suffixes
9	M413878	Network Capacitor Harness Assembly	Models through 7/8/12; 3L, 3O, 3V and 3X control suffixes
	44143401P	Network Capacitor Harness Assembly	Models starting 7/9/12; Also order 00177 Male Tab Terminal; 3L, 3O, 3V and 3X control suffixes
10	70342101	Gas Disconnect Harness	CE models; Models through 2/28/10; Upper pocket
	70440501	Gas Disconnect Harness	CE models; Models starting 3/1/10; Upper pocket

Control Tray Components - Non-CE and Non-Australian Models (Drawing 1 of 2)

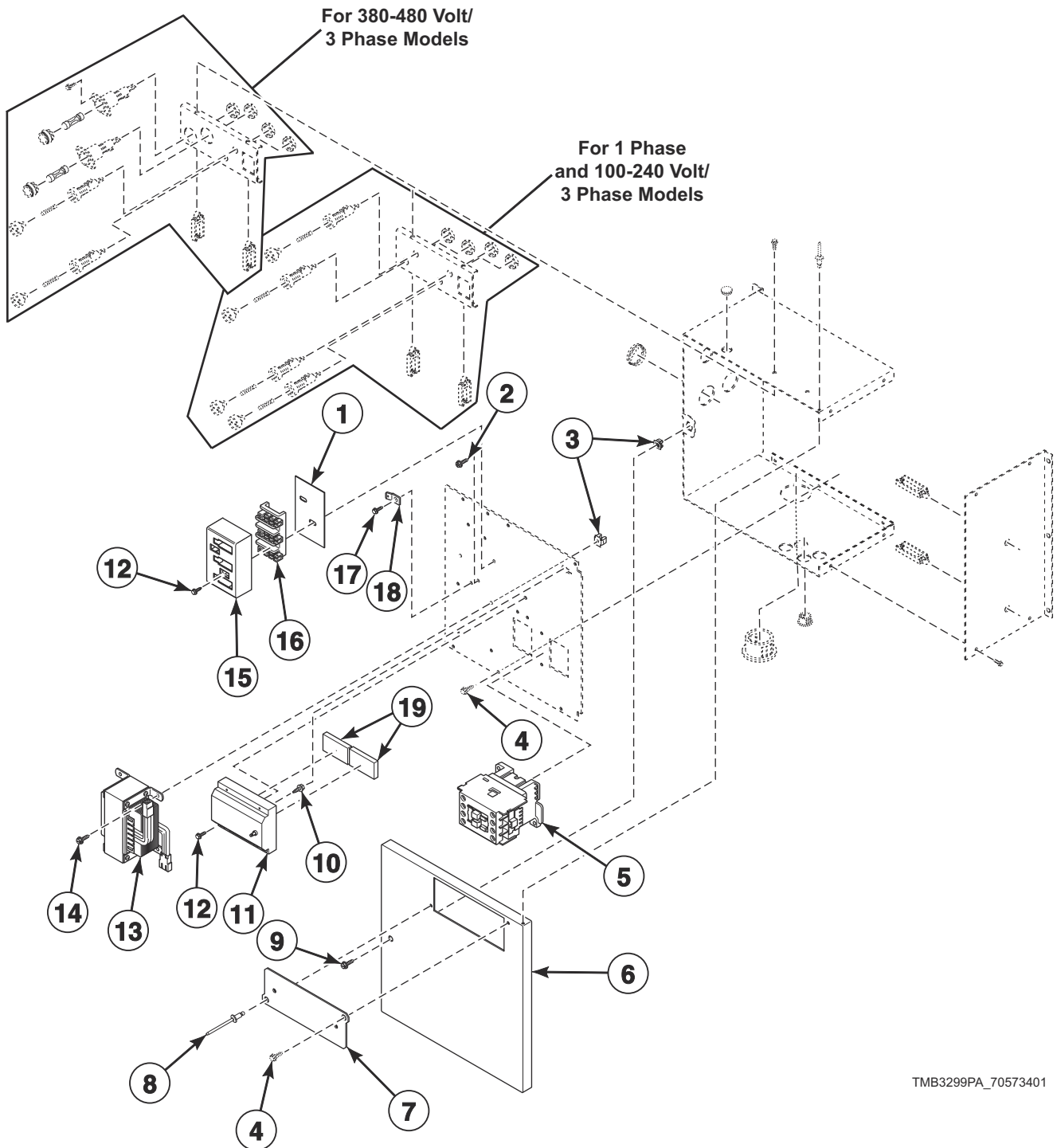


TMB3299P_70573401

Control Tray Components - Non-CE and Non-Australian Models (Drawing 1 of 2)

REF	PART NO.	DESCRIPTION	COMMENTS
1	44310001	Fuse	2 required; 3 Phase models with 380 Volts or more
2	D501086	Screw	4 required; 3 Phase models with 380 Volts or more
3	M413544P	Fuse Holder	2 required; 3 Phase models with 380 Volts or more; Models through 2/28/10
	44155601P	Fuse Holder	2 required; 3 Phase models with 380 Volts or more; Models starting 3/1/10
4	70313601	Fuse Bracket	3 Phase models with 380 Volts or more; Models through 2/28/10
	70313602	Fuse Bracket	3 Phase models with 380 Volts or more; Models starting 3/1/10
5	70329501	Fuse Holder Cap	3 required 1 Phase models; 4 required 3 Phase models with less than 380 Volts; 2 required 3 Phase models with 380 Volts or more
6	70406701	Fuse	1 required for 1 Phase; 2 required for 3 Phase models with less than 380 Volts; 2 Amp
7	70329401P	Fuse Holder Body	3 required 1 Phase models; 4 required 3 Phase models with less than 380 Volts; 2 required 3 Phase models with 380 Volts or more
8	70306901	Fuse Bracket	1 Phase and 3 Phase models with less than 380 Volts
9	M400985	Plug	2 required
10	M406124	Bushing	
11	51780	Screw	11 required
12	70058502	Pop Rivet	2 required
13	70366201	Wire Clip	3 required
14	70178701	Snap Bushing	Models with 3L, BL,KL, LL or WL control suffixes
15	M402542	Snap Bushing	
16	70347601	Wire Clip	2 required
17	70406601	Fuse	3.5 Amp
18	70406501	Fuse	1.25 Amp

Control Tray Components - Non-CE and Non-Australian Models (Drawing 2 of 2)

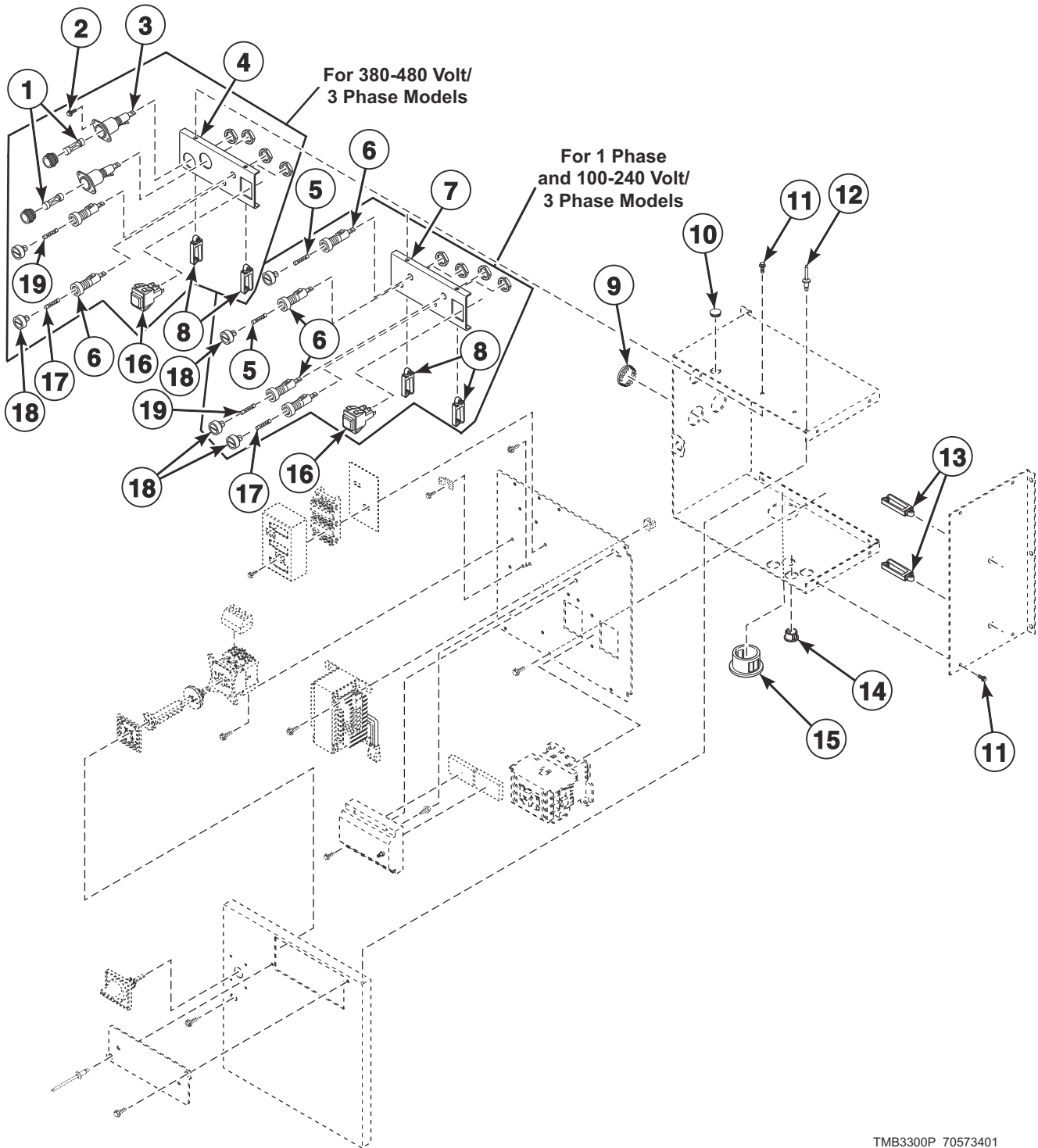


TMB3299PA_70573401

Control Tray Components - Non-CE and Non-Australian Models (Drawing 2 of 2)

REF	PART NO.	DESCRIPTION	COMMENTS
1	M413862	Insulator	
2	M402917	Screw	
3	70030501	Expansion Clip	5 required
4	51780	Screw	11 required
5	70323701P	Contactator	24 Volt
6	70313401	Contactator Box Cover	
7	70313301	Fuse Cover	
8	70058501	Pop Rivet	
9	33562	Screw	
10	38272	Screw	
11	70492501	Ignition Control Kit	Models through 9/16/12; Use with 44239701 High Voltage Suppression Cable
	70458601P	Ignition Control	Models starting 9/17/12; Use with 44239701 High Voltage Suppression Cable
12	51783	Screw	2 required
13	M414228P	Transformer	Multitap; 100, 200, 220 Volt/60 Hertz/1 Phase, 100, 200 Volt/50 Hertz/1 Phase and 230-240 Volt/50 Hertz/1 Phase models with 3L, 3O, 3V, 3X, LC, LL, LX, LY, NC, NJ, NR, NX, NY, WC, WL, WX, WY, ZC, ZR, ZX and ZY control suffixes; 3 Phase models with less than 380 Volts
	M414230P	Transformer	208-240 Volt/60 Hertz/1 Phase models with QT and SD control suffixes; 120, 208-240 Volt/60 Hertz/1 Phase models QT and SD control suffixes
	M414312P	Transformer	208-240 Volt/60 Hertz/1 Phase 3L, 3O, 3V, 3X, BC, BG, BL, BX, BY, KC, KL, KX, KY, LC, LL, LX, LY, NC, NJ, NR, NX, NY, WC, WL, WX, WY, ZC, ZR, ZX and ZY control suffixes
	M414229P	Transformer	Multitap; 3 Phase models with 380 Volts or more
14	M411072	Screw	4 required
15	70333001	Terminal Block Shield	
16	430642	Terminal Block	
17	430497	Screw	
18	00177	Male Tab Terminal	Ground
19	56128	Bumper Pad	2 required

Control Tray Components - CE and Australian Models (Drawing 1 of 2)

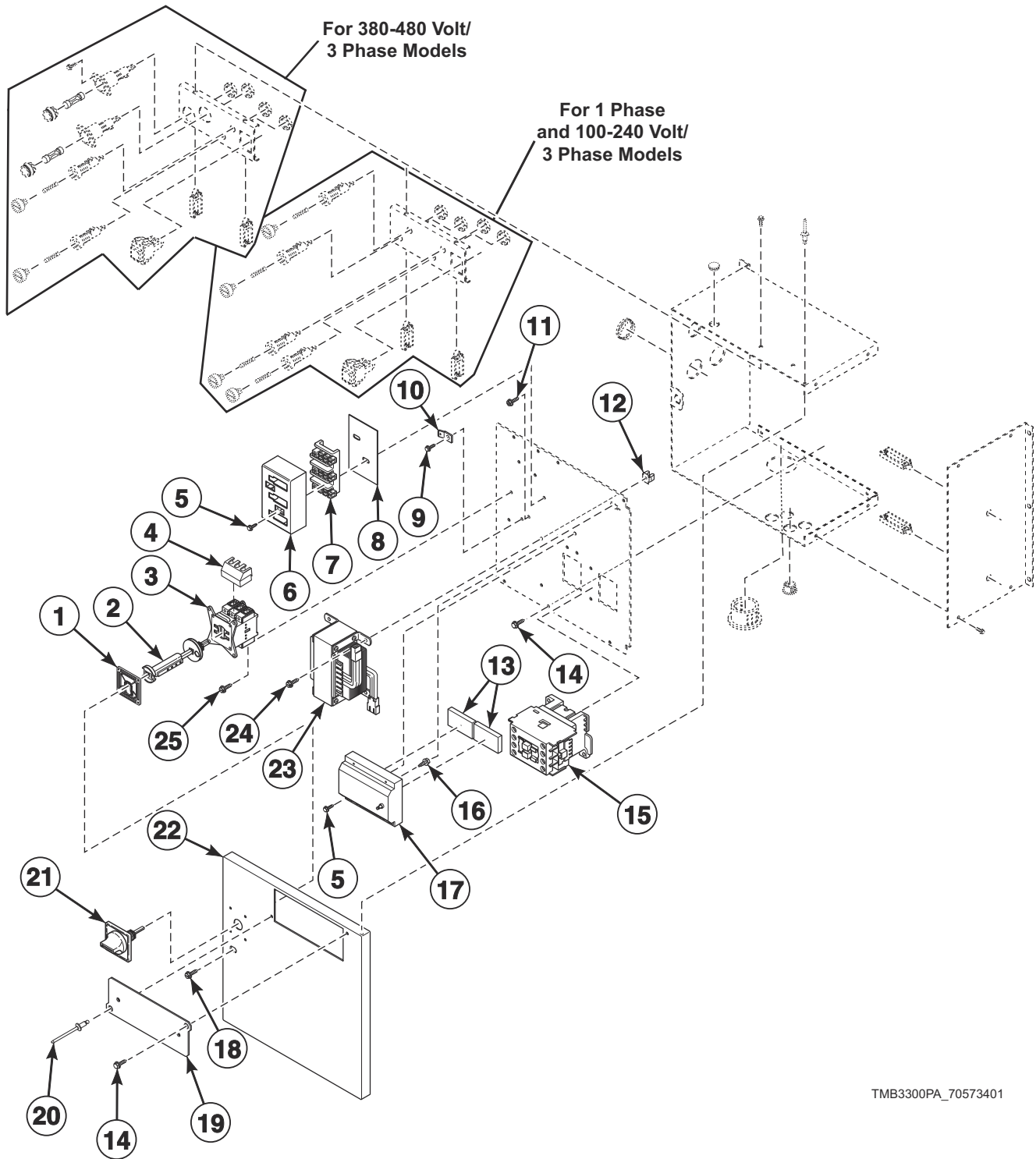


TMB3300P_70573401

Control Tray Components - CE and Australian Models (Drawing 1 of 2)

REF	PART NO.	DESCRIPTION	COMMENTS
1	44310001	Fuse	2 required for 3 Phase models with 380 Volts or more
2	D501086	Screw	3 Phase models with 380 Volts or more
3	M413544P	Fuse Holder	2 required for 3 Phase models with 380 Volts or more; Models through 2/28/10
	44155601P	Fuse Holder	2 required for 3 Phase models with 380 Volts or more; Models starting 3/1/10
4	70313601	Fuse Bracket	3 Phase models with 380 Volts or more; Models through 2/28/10
	70313602	Fuse Bracket	3 Phase models with 380 Volts or more; Models starting 3/1/10
5	70406701	Fuse	1 required 1 Phase models; 2 required 3 Phase models with less than 380 Volts; 2 Amp
6	70329401P	Fuse Holder Body	3 required 1 Phase models; 4 required 3 Phase models with less than 380 Volts; 2 required 3 Phase models with 380 Volts or more
7	70306901	Fuse Bracket	1 Phase and 3 Phase models with less than 380 Volts
8	70347601	Wire Clip	2 required
9	M400985	Plug	2 required
10	M406124	Bushing	
11	51780	Screw	11 required
12	70058502	Pop Rivet	2 required
13	70366201	Wire Clip	3 required
14	70178701	Snap Bushing	Models with 3L, BL, KL, LL and WL control suffixes
15	M402542	Snap Bushing	
16	M413431	Pushbutton Switch	
17	70406601	Fuse	3.5 Amp
18	70329501	Fuse Holder Cap	3 required 1 Phase models; 4 required 3 Phase models with less than 380 Volts; 2 required 3 Phase models with 380 Volts or more
19	70406501	Fuse	1.25 Amp

Control Tray Components - CE and Australian Models (Drawing 2 of 2)



TMB3300PA_70573401

Control Tray Components - CE and Australian Models (Drawing 2 of 2)

REF	PART NO.	DESCRIPTION	COMMENTS
	70411001	ICM Reset Label	Ignition control
1	M412368	Door Interlock	Upper pocket; Models through 7/31/11
2	70342501P	Extension Handle	Upper pocket; Models through 7/31/11
3	M412187P	Mounting Switch Base	Upper pocket; Models through 7/31/11
4	M412366	Finger Guard	Upper pocket; Models through 7/31/11
5	51783	Screw	2 required
6	70333001	Terminal Block Shield	
7	430642	Terminal Block	
8	M413862	Insulator	
9	430497	Screw	
10	00177	Male Tab Terminal	Ground
11	M402917	Screw	
12	70030501	Expansion Clip	
13	56128	Bumper Pad	2 required
14	51780	Screw	11 required
15	70323701P	Contactactor	
16	38272	Screw	
17	70492601	Ignition Control Kit	CE models through 1/16/13; Australian models through 1/16/13 and starting again 4/1/13 through 7/31/13; Use with 44239701 High Voltage Suppression Cable
	70483201P	Ignition Control	CE models starting 1/17/13; Australian models starting 1/17/13 through 3/31/13 and starting again 8/1/13; Use with 44239701 High Voltage Suppression Cable
18	33562	Screw	Lower pocket
19	70313301	Fuse Cover	
20	70058501	Pop Rivet	
21	M412208	Handle	Upper pocket; Models through 7/31/11
22	70313402	Contactactor Box Cover	
23	M414228P	Transformer	Multitap; 1 Phase and 3 Phase models with less than 380 Volts
	M414229P	Transformer	Multitap; 3 Phase models with 380 Volts or more
24	M411072	Screw	4 required
25	51782	Screw	2 required; Upper pocket

Parts Index

A

Access Panel Trim	
70399406	59, 61
Adapter	
70131901	101
Airflow Switch and Arm Bracket	
70319602	95
Airflow Switch Arm	
70319401	95
Airflow Switch Cover	
70356601	95
70465701	95
Airflow Switch Vane	
70319201	95
Airflow Switch Wrapper	
70356101	95
Anti-Rattle Burner Assembly	
70546701	93
Audit Switch Bracket	
70183901	19, 21, 29
70292601	27, 31

B

Base Harness	
70449001	67
Belt	
70276204P	83
Belt Tension Tool Kit	
M4853P3	83
Blower Assembly	
70302201P	89
Blower Housing Cover Assembly	
70322801	89
Blower Housing Scroll	
70303201	89
Blower Inlet Cone	
70303101	89
Blower Motor	
70297901P	89
70342601P	89
70401401	89
Blower Motor Mounting Plate	
70303401	89
Bolt	
70062401	83
Bumper Pad	
56128	107, 111
Burner Grill	
70306501	93
Burner Orifice	
70684116	99
70684117	99
70684118	99
70684120	99
70684123	99
70684132	99
70684134	99

70684136	99
70684138	99
70684139	99
70684141	99
70684142	99
70684143	99
70684144	99
70684147	99
70684148	99
70684150	99

Bushing	
M406124	105, 109
Buzzer Kit	
M4860P3	15
Bypass Harness	
70364103	15, 17, 21, 29, 33, 39, 47, 49

C

Card Reader and Bracket Assembly	
D510068P	33
Card Reader Harness Assembly	
70211801	33
Card Reader Network Harness Assembly	
70206601	33
Card Reader Overlay	
70334201	21, 39
70334301	21
Center Cylinder Seal	
70066005	79
Center Partition	
70639101	79
Center Trim	
70299601	65
Center Trim Overlay	
70299701	65
Central Pay Harness	
70484501	21, 37, 45
70491501	17
70491502	17
Central Pay Interface Control Assembly	
209/00471/75	17
Chassis Mounting Bracket	
70119001	21, 29
Chassis Mounting Bracket Assembly	
70419201	39
Clip	
70226701	79, 87
Coin Cover Overlay	
70246301	21, 45
Coin Drop	
38963P	23
39748	23
70256402P	23
70429001	23
70441601P	23
Coin Drop Assembly	
CK114	23
210195	23
210196	23
38462P	23

N/A items do not appear in index.

38463	23	70503101P	15
38464P	23	70503702P	49
38467	23	Control Chassis Mounting Bracket	
38472	23	70357901	15
38475	23	Control Door and Studs Assembly	
38519	23	70441001	49
38521	23	70441101	49
39157	23	70497401	21, 29, 39
70441602	23	70498001	31
70447301	23	70498401	21, 47
70471601	23	Control Door Assembly	
70482401	23	70175911	33
Coin Drop Kit		70361201	15
CK077	23	Control Door Latch	
CK122	25	431318	15, 21, 31, 33, 37, 39, 45, 47
CK123	23	Control Door Latch Kit	
Coin Identification Paper		70559502	17, 19, 31, 37, 45
38725	23	Control Housing	
Coin Vault Assembly		70119901	63
70180101	67	Control Housing Cover	
Coin Vault Switch Harness		70307002	35, 41
70364104P	17, 19, 31, 37, 45	70307003	29
Coin Vault Trim		Control Kit	
70117501	67	D505905P	29, 31, 33
70117502	67	Control Mounting Bracket Assembly	
Communication Board		70420201	29
210095P	35	Control Overlay	
210097	43	70410101	37
Communication Board Bracket		70410102	37
70323101	43	70417601	39
Communication Connector		70443401	37
210099	43	70443501	37
Communication Harness Assembly		70449401	37
70211101	35	70472101	45
Contact Base		70472102	45
F8538101	69	70472901	47
Contact Block		Control Panel Harness	
44018701	69	44240301	49
44018901	69	70315501P	19, 21, 29, 33
Contact Block Switch		70367001P	15
F200233401P	69	70368001P	21, 29, 31, 33
Contact Switch		70410401P	37, 39, 45, 47
F8069501	69	70485301	17
Contact Kit		70489901	17
70323701P	107, 111	Control Plate Assembly	
Contact Kit Box Cover		70365601	15
70313401	107	Control Plate Kit	
70313402	111	70279301P	17
Control Assembly		70498201P	19, 27, 45
D511867P	19, 21	70705401	19, 27, 31, 37
D512202P	15	Control Trim	
D514273P	19, 21	70116901	65
70434101P	49	70116902	65
70437102P	49	70116903	65
70437103P	49	70116904	65
70437104P	49	70117001	65
70437105P	49	Cylinder and Trunnion Assembly	
70450501P	37, 39	70444001P	75
70450502P	45, 47	70444002	75
70454101P	49	70444003	75
70462303P	17	Cylinder Assembly	
70462304P	17	70372901P	75
70462367P	17	70372902P	75
70462368P	17	70372903	75
70462370	17	Cylinder Bearing Stud Plate Assembly	
70462371	17	430352	77, 79

N/A items do not appear in index.

Cylinder Guide Tool 263P4	75
Cylinder Idler Arm 70259901	83
Cylinder Motor Harness 70316701P	83
70316801P	83
70439901	83
70440301	83
Cylinder Rib Assembly 70433001	75
Cylinder Shroud 70301901	79
70301902	79

D

Direct Air Kit 70522901P	93
Display Assembly D512218P	15
Door Assembly 44028902P	51, 53
44028903	51
44028905P	51
44029101	51
44058102P	51
44058104P	51
44112101	51
44266702P	51
44292301B	51
44292301LG	51
70407401	51
Door Glass 44008401P	55
44008402P	55
Door Glass Installation Tool M4221P4	55
Door Handle 44007901	53
44057702	53
44111901	53
44263801	53
Door Hinge Assembly 44075205*	57
44075206	57
44075209B	57
44075209LG	57
44075212	57
Door Hinge Lug Assembly 44035001	57
44035002	57
Door Interlock M412368	111
Door Latch M401223	63, 67
Door Ring and Handle Assembly 44112001	53
44326007B	53
44326007LG	53
Door Ring Assembly 44326002	53
44326003B	53
44326004B	53
44326004HG	53

44326005	53
44326006	53
Door Ring Gasket 44008201P	55
Door Seal Kit 70211902P	55
Door Switch Actuator Kit 70215001P	57
Double Ended Stud 70334701	83
Drive Access Cover 70202501	83
Drive Motor 70298401P	85
70392901P	85
70401501	85
70401601	85
70401701	85
70401801	85
Drum Idler Spring 70045301	83
Drywall Screw Magnet Kit 70343101P	75
Duct Access Cover 70308701	87
Duct Cover 70307601	87

E

Elbow 70079601	101
Electronic Coin Drop Assembly 70294103P	23
70294104	23
70294107	23
70294111	23
70294117	23
70294119	23
70294120	23
70294121	23
70513306	23
70513311	23
Electronic Coin Drop Harness 44065801	23
Electronic Coin Drop Kit CK099	23, 25
CK100	25
CK101	25
CK103	25
CK108	25
CK109	25
CK113	25
CK115	25
CK116	25
CK117	25
CK118	25
CK119	25
CK120	25
CK121	25
Emergency Stop Button Kit F200233700P	69
Emergency Stop Harness 70364101P	69

N/A items do not appear in index.

70364102	69
Emergency Stop Label 44012901	69
Emergency Stop Pushbutton F200233500	69
End Cap 70070101	75
70070102	75
Ethernet Gateway Kit NK320	37, 39, 45, 47
Exhaust Duct Assembly 70311902	87
70662607	87
Exhaust Duct Gaskets Assembly 70302801P	87
Exhaust Pipe Assembly 70425801	87
Expansion Clip 70030501	79, 107, 111
Extension Handle 70342501P	111

F

Fan Motor Harness 70317001	89
70440001P	89
70440401	89
Fan Spacer 70599301	89
Finger Guard M412366	111
Forward Valve Cover 70328201	97
Front Cylinder Seal 70173402	59, 61
Front Panel Baffle Seal 70017301	63, 65, 67
Fuse 44310001	105, 109
70406501	105, 109
70406601	105, 109
70406701	105, 109
Fuse Bracket 70306901	105, 109
70313601	105, 109
70313602	105, 109
Fuse Cover 70313301	107, 111
Fuse Holder M413544P	105, 109
44155601P	105, 109
Fuse Holder Body 70329401P	105, 109
Fuse Holder Cap 70329501	105, 109

G

Gas Burner 70229801P	93
-------------------------------	----

Gas Disconnect Harness 70342101	103
70440501	103
Gas Valve 44154501P	97
44154502P	97
Gas Valve and E-Clip Kit 44257501	101
Gas Valve Bracket 70233301	101
Gas Valve Coil 70260101	101
Gas Valve Cover 70233401	101
70425001	93
Gas Valve Harness 70184001	101
Gas Valve Harness Assembly M413650	101
Gasket 70289101P	87
70392701P	89
Graphic Overlay 70279101	17
70279201	17
70279202	17
70462601	17
70462602	17
70462603	17
70468201	17

H

Handle M412208	111
Handle Bar 70399501B	55
Harness Assembly M412997	97
High Voltage Lead 70323601	103
High Voltage Suppression Cable 44239701	103
Hinge Cam Kit M4772P3	57
M4773P3	57

I

ICM Reset Label 70411001	111
Idler Bracket 70443301	83
Idler Wheel Assembly 70050401P	83
Igniter Cover 70159601	93
Ignition Control 70458601P	107
70483201P	111
Ignition Control Harness 44136601P	103

N/A items do not appear in index.

44186701	103
44186901	103
Ignition Control Kit	
70492501	107
70492601	111
Instruction Label	
70418101	59, 61
Insulator	
M413862	107, 111

J

Jumper Calibration Assembly	
70211703P	31, 33
Jumper Calibration Wire	
70324603	15, 19, 29, 37, 39, 45, 47, 49
Jumper Configuration Assembly	
M413507	103
M413510	103
Jumper Harness Assembly	
M413505	103
M413506	103
M413508	103
Junction Box Harness	
70315801	103

K

Key	
70144101	89
70155601	63
70155602	71
Kickplate	
70117605	67
70117606	67

L

Label	
70286602	63
70289802	63
70414001	63
Latch Mounting Bracket	
70119801	15
70184501	21, 29, 31, 33, 37, 39, 45, 47
Limit Thermostat	
M409219	93
M411307	89
70299001	93
Lint Drawer Front Assembly	
70323001	71
70323002	71
Lint Drawer Gasket	
70300201P	65, 67
Lint Drawer Handle	
70320801	71
70320802	71
Lint Drawer Handle Plate	
70323201	71
Lint Frame Gasket	
70333103	71

Lint Panel and Studs Assembly	
70323004	71
Lint Screen Assembly	
70301201	71
Lint Screen Bracket	
70026901	71
Lock, Key and Nut Kit	
44089301P	63
44089302P	71
Lower Card Reader Harness	
70420101P	29
Lower Front Panel	
70303909DG	61
70303909LG	61
70303910DG	61
70303910LG	61
70303911DG	61
70391405	61
70391406	61
Lower Front Panel Assembly	
70391401*P	61
70391403*P	61
70391404P	61
Lower Pan	
70560601	79
L.P. Conversion Kit	
M4880P3	97, 101
L.P. Valve	
44154504	97
70457302P	101
L.P. Valve Conversion Kit	
M405434P	101

M

Main Harness	
70346001P	15, 19, 21, 29, 37, 39
70346002P	31, 33, 37, 39
70419901P	29
70441401	15, 17, 19, 21, 37, 39, 45, 47, 49
Male Tab Terminal	
00177	15, 107, 111
Manual Reset Thermostat	
70186301	93
Membrane Switch	
D510036P	19, 21, 29, 31, 33
Moisture Sensor Harness Assembly	
70448902	91
Moisture Sensor Test Wires	
70468901	91
Motor Capacitor	
70413101	85
70413201	85
70435701	85
70435702	85
Motor Channel	
70261701	83
Motor Conduit Mounting Bracket	
70321701	83, 89
Motor Contactor Harness	
44142601P	103
70320201	103
Motor Mount Bracket	
70312001	83

N/A items do not appear in index.

Motor Pulley	
70284204	83
70284208	83
Mounting Bracket	
70179001	17
Mounting Plate	
70208801	21, 29, 39, 47
Mounting Switch Base	
M412187P	111

N

Nameplate	
B12389801	63
39564	37
44046801	63
44062901	63
44129908	63
70521201	73
Nameplate Overlay	
44144401	55
70411401	55
Network Board	
210157P	35
Network Board Assembly	
201341	41
210016P	35
Network Cable	
210165	35
Network Capacitor Assembly	
M413863	103
Network Capacitor Harness Assembly	
M413878	103
44143401P	103
Network Controller Kit	
NK220	37, 39
Network Retrofit Kit	
NK207	37, 39
Network Wire Harness Assembly	
44088501P	41
800217	35
Nut	
M400022	77, 89
M400034	77, 89
M400035	91
M412986	75, 77, 83
M414215	55
21899	79
23951	57
24205	15
27222	83
29786	19, 27, 31, 89
29787	15, 17, 29
29796	83
430576	79
44087101	71
44088001	55
44088801	63, 71
56156	83
70030401	79
70054	15, 21, 29, 33, 49
70288801	79
N.G. Valve	
44154503	97
70457301P	101

O

Opto Coupler	
200674P	23
Orifice Adapter	
70552801P	97
Orifice Holder Bracket	
70248901	97
Orifice Keeper Bracket	
70249001	97
O-Ring	
431482	101
Output Bracket	
44223101	49
Output Harness	
44186101	49
Overlay	
44147801	31
70129501	19
70129601	19
70129701	19
70129801	19
70184101	31
70184102	31
70184201	33
70235101	33
70257801	19
70257802	19
70258101	19
70258102	19
70261101	19
70261102	19
70261301	19
70275401	21
70283301	19
70283401	19
70286701	21
70286801	21
70299901	73
70300001	73
70304201	21
70321001	19
70325301	73
70335801	21
70336001	21
70351501	21
70361301	15
70361401	15
70362301	65
70362701	65
70363101	73
70381101	73
70381201	73
70396001	73
70408001	73
70408002	73
70411801	21
70413601	31
70413602	31
70413801	73
70413901	31
70413902	31
70416301	33
70416401	33
70417901	29
70418001	29
70428701	73

N/A items do not appear in index.

70428702	73
70428801	73
70428802	73
70428901	73
70445102	49
70452601	19
70452602	19
70452701	19
70452702	19
70452801	21
70452901	21
70461001	73
70462801	49
70463002	49
70466702	49
70467102	49
70472302	49
70472502	49
70492001	19, 21
70492002	19
70493801	49
70493901	15
70494101	73
70504801	15
70505001	49
70505301	19
70505302	19
70506201	73
70506301	73
70506801	21
70508901	19
70509101	49
70509301	65
70509501	65
70509801	21
70509901	19
70510001	19
70510101	19
70510201	19
70510301	19
70510401	19
70511101	21
70511201	21
70511301	19
70511401	21
70511501	73
70525901	49
70537501	19

P

Panel Clip	
M406494	63
Panel Latch	
70399201	71
Panel Latch Kit	
70399201P	71
Panel Locator	
56079	15, 29
PC Board Standoff	
210098	43
Pin	
70071401	57
Pipe	
70262601	97, 101

Pipe Clip	
70203701	93
Pipe Nipple	
431486	97
70139601	101
Pipe Tee	
70267501	97
Plug	
M400985	105, 109
Pop Rivet	
M400003	15, 21, 31, 33, 37, 39, 45, 47, 63
44166601	67
44251101	63
70058501	57, 79, 97, 107, 111
70058502	105, 109
70126301	55, 67
70126401	67
70412601	55
Porcelain Touch-Up Paint	
122P4P	81
215P4P	81
370P4P	81
Power Harness	
70316101P	103
70316201	103
70332201	103
70347701P	103
70438901	103
70439001	103
70439501	103
70445501	103
Primary Air Adjustment Sleeve	
70239801	97, 101
Pushbutton	
44018801	69
Pushbutton Switch	
M413431	109
70413301	19, 21, 27, 29, 31, 63, 67

R

Rear Bearing Shim	
70355001	77
Rear Cylinder Bearing Housing	
70013901	77
Rear Cylinder Channel	
70305201	75
70305202	75
Rear Cylinder Channel Plate	
70305301	75
Rear Cylinder Seal	
70013703	77, 79
Rear Cylinder Seal Support	
70506403	77, 79
Rear Panel	
70301701	79
Rear Stabilizer Bracket	
70200301	89
Rear Valve Cover	
70282401	97
Replacement Gas Valve Kit	
M4970P3	97
M4972P3	97

N/A items do not appear in index.

Rocker Switch	
44099601	29
70455101	15
70461301	15
Roller and Seal Kit	
70616701	79
Roller Seal	
70443601	79
Roller Shaft	
70249501	79
Roller Support Bracket	
70301401	79

S

Screw	
D501086	105, 109
D501524	15, 19, 21, 29, 31, 33, 37, 39, 45, 47, 49
D503661	41
M400661	55
M402917	107, 111
M405188	65
M411072	87, 107, 111
05161	93
23222	83, 89, 101
33562	107, 111
38272	107, 111
430497	29, 75, 79, 83, 87, 89, 93, 95, 97, 101, 107, 111
430648	83
430756	55
431484	101
431539	83
44349101	57
51780	89, 105, 107, 109, 111
51782	111
51783	107, 111
52909	35, 41
62588	75
70033502	57, 63, 67
70069901	67
70126101	89
70182601	63, 67
70247701	79
70275801	65, 67
70391101	75
70407301	57
70442101	55, 57
70566401	83
Shadow Box Clip	
M400972	63, 67
Sheet Metal Edge Gasket	
70015707	79
70015708	79
Side Panel	
70301801DG	79
70301801LG	79
70301801*P	79
Sleeve	
44050601	17
Slip Ring Assembly	
44222702	91
Slip Ring Holder	
70455401	91

Slot Card Plate Assembly	
44089501	21, 29, 39, 47
Snap Bushing	
M400770	97
M402542	105, 109
70178701	105, 109
Spacer	
431264	63
Spark Electrode	
70032801P	93
70548701P	93
Spray Paint	
297P4	81
298P4P	81
381P4	81
382P4	81
Spud Adapter	
70223501	101
Standoff	
211/00119/00	17
Stove Back	
70375201	93
Stove Limit Harness	
70316501	93
Stove Limits Harness	
70316501	93
Stove Limits Kit	
M4903P3	93
Stove Top and Sides	
70306001	93
Street Elbow	
H86070034	97, 101
Support Bearing	
70448701	77
Switch	
431159	79
70411901	95
Switch Bracket	
70356301	95

T

Tee	
70071801	97, 101
Temperature Knob	
44104601	15
Temperature Selector Switch	
D511711	15
Temperature Selector Switch Bracket	
70391701	15
Terminal Block	
430642	107, 111
Terminal Block Shield	
70333001	107, 111
Terminating Resistor	
210162	43
Thermistor	
M414704	89
Thermistor Cover	
70346301	89
Thermostat Cover	
M414477	93

N/A items do not appear in index.

Top Panel	
70302001	79
Top Panel Assembly	
70357801	79
Transformer	
M414228P	107, 111
M414229P	107, 111
M414230P	107
M414312P	107
Trunnion and Seal Kit	
70564805	75
70564806	75
Tube	
70281602	97
70281603	101
Tumbler Dolly Kit	
M4379P4	67

Wire Clip	
70347601	105, 109
70366201	29, 89, 105, 109
Wire Guard	
201595P	23
Wireless Network Kit	
NK301	37, 39, 45, 47
Wireless Transceiver Assembly	
202335	41

U

Upper Card Reader Harness	
70420001P	29
Upper Front Panel	
70532901	59
70617801W	59
70617901DG	59
70617901LG	59
Upper Front Panel Assembly	
70304007	59
70391501*P	59
70391502P	59
70391503P	59
70391504	59
70391505	59
USB Gateway Kit	
NK330	37, 39
USB IR Interface Kit	
203346	37, 39, 45, 47, 49

V

Valve Bracket and Cover Kit	
M4746P3	101
Valve Coil Bracket	
70260601	101
Valve Support Bracket	
70457701	101

W

Warning Label	
70534301	63, 65, 67
Washer	
F431131	89
M400080	75
M400991	77
70261401	79
70265901	83
70270301	83
70292801	27
70409301	55
70411301	75, 77

N/A items do not appear in index.

