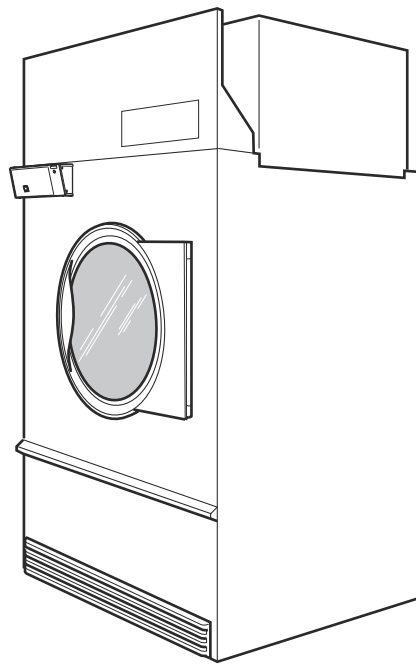


# Tumble Dryer

200 Pound Capacity

15 Digit Model Numbers with 2 in 12th Position

Refer to Page 5 for Model Numbers



TMB1268C\_70574101



# Table of Contents

Title	Page
Parts Ordering Information.....	3
Serial Plate Location .....	3
Model Identification .....	5
Product Overview - Heat Source and Voltage .....	6
Product Overview - Control Suffixes (Drawing 1 of 2).....	8
Product Overview - Control Suffixes (Drawing 2 of 2).....	10
Interior Control Box .....	12
Exterior Control Box - RQ Control Suffix (Drawing 1 of 2) .....	14
Exterior Control Box - RQ Control Suffix (Drawing 2 of 2) .....	16
DX4 Control Box - B Models with R3 Control Suffix.....	18
Exterior Control Box - RE Control Suffix (Drawing 1 of 2).....	20
Exterior Control Box - RE Control Suffix (Drawing 2 of 2).....	22
Exterior Control Box - RU Control Suffix .....	24
Fire Suppression System Control Box .....	26
Cabinet Front Components .....	28
Cabinet Front Panel .....	30
Cabinet Front Panels and Nameplates .....	32
Door Assembly.....	34
Door Components .....	36
Hinge Components .....	38
Lint Panel Components.....	40
Lint Panel Switch Assembly .....	42
Lint Screen and Drive Guard .....	44
Cylinder and Trunnion Assembly .....	46
Trunnion Bearings.....	48
Drive Sheave, Step Pulley and Belts .....	50
Cylinder Drive Motor .....	52
Moisture Sensing Components .....	54
Fan Assembly .....	56
Fan Motor Assembly .....	58
Airflow Switch.....	60
Gas Heater Components .....	62
Burner Orifices for Non-CE and Non-Australian Gas Models .....	64
Steam Heater Components - Except B, C and I Models.....	66
Steam Heater Components - B, C and I Models.....	68
Steam Solenoid Valve.....	70
Rotation Sensor .....	72
Control Tray Wrap Components .....	74
Control Tray Fuses .....	76
Control Tray Harnesses .....	78
Control Tray Components for Gas Models .....	80

© Copyright 2023, Alliance Laundry Systems LLC

All rights reserved. No part of the contents of this book may be reproduced or transmitted in any form or by any means without the expressed written consent of the publisher.

Control Tray Components for Steam Models.....	82
Parts Index.....	85

## Parts Ordering Information

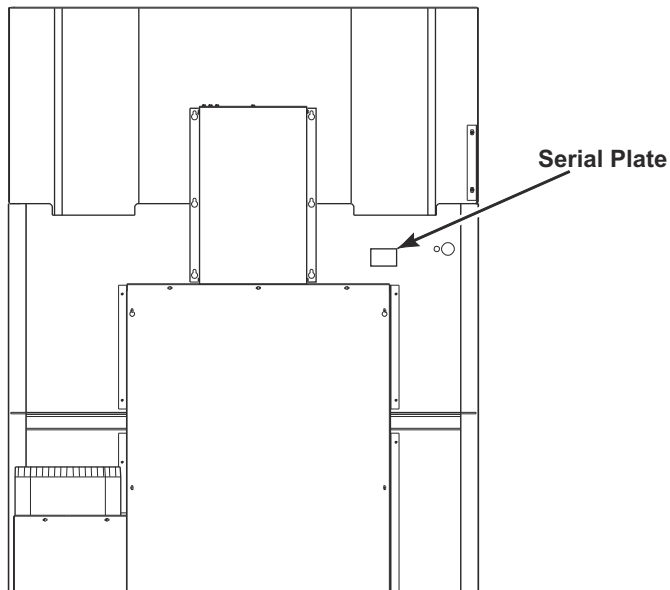
If literature or replacement parts are required, contact the source from whom the machine was purchased or contact Alliance Laundry Systems at (920) 748-3950 for the name and address of the nearest authorized parts distributor.

For technical assistance, call the number listed below:

(920) 748-3121 Ripon, Wisconsin

## Serial Plate Location

When calling or writing about your product, be sure to mention model and serial numbers. Model and serial numbers are located on serial plate(s) as shown.



TMB3212P\_70574101

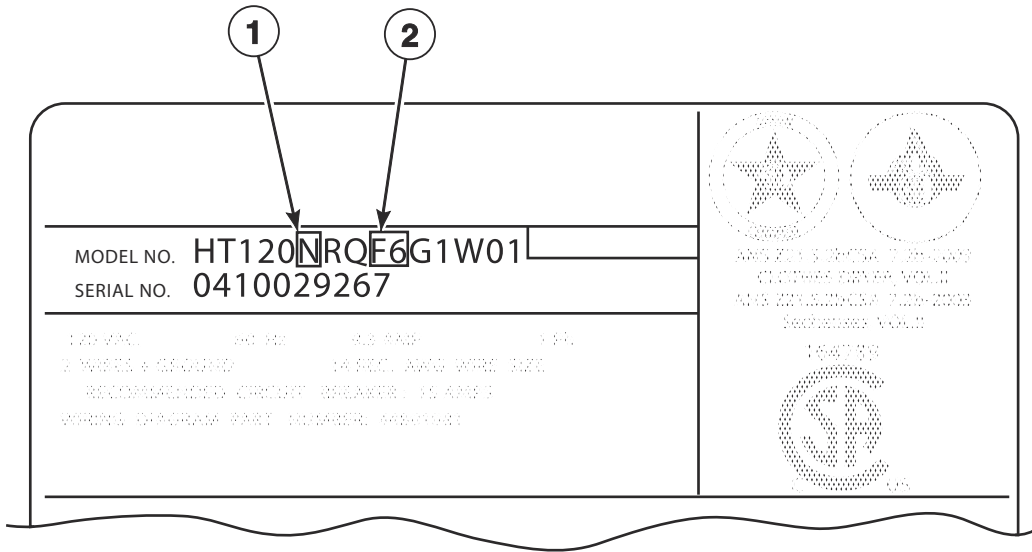


## Model Identification

Information in this manual is applicable to these tumble dryer models:

BA200L	GA200L	IT200L	LA200L	PA200L	UA200L
BA200N	GA200N	IT200N	LA200N	PA200N	UA200N
BH200L	GH200L	IT200S	LT200L	PH200L	UH200L
BH200N	GH200N	IT200T	LT200N	PH200N	UH200N
BH200S	GH200S	KA200L	LT200S	PH200S	UH200S
BK200N	GK200N	KA200N	LT200T	PT200L	UK200N
BT200L	GT200L	KK200N	LU200L	PT200N	UT200L
BT200N	GT200N	KT200L	LU200N	PT200S	UT200N
BT200S	GT200S	KT200N	LU200S	PT200T	UT200S
BT200T	GT200T	KT200S	LU200T	PU200L	UT200T
BU200L	GU200L	KT200T	NH200L	PU200N	UU200L
BU200N	GU200N	KU200L	NH200N	PU200S	UU200N
BU200S	GU200S	KU200N	NH200S	PU200T	UU200S
BU200T	GU200T	KU200S	NT200L	SA200L	UU200T
CA200L	HA200L	KU200T	NT200N	SA200N	
CA200N	HA200N		NT200S	SH200L	
CK200N	HH200L		NU200L	SH200N	
CT200L	HH200N		NU200N	SH200S	
CT200N	HH200S		NU200S	SK200N	
CT200S	HK200N			ST200L	
CT200T	HT200L			ST200N	
CU200L	HT200N			ST200S	
CU200N	HT200S			ST200T	
CU200S	HT200T			SU200L	
CU200T	HU200L			SU200N	
	HU200N			SU200S	
	HU200S			SU200T	
	HU200T				

# Product Overview - Heat Source and Voltage



TMB2907P\_70574101

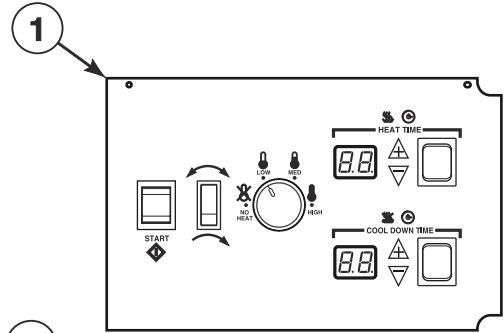
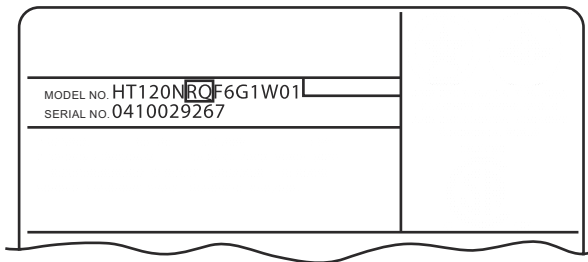


## Product Overview - Heat Source and Voltage

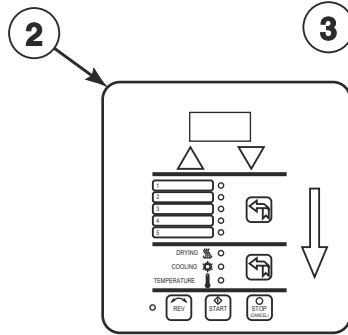
REF	PART NO.	DESCRIPTION	COMMENTS
1	-	Heat Source	L: Liquid Petroleum Gas (L.P.) N: Natural Gas (N.G.) S: Steam T: Thermal Oil
2	-	Voltage	F6: 200-208 or 240 Volt/60 Hertz/3 Phase J5: 230 Volt/50 Hertz/3 Phase J8: 240 Volt/60 Hertz/3 Phase M1: 380 Volt/50 Hertz/3 Phase M2: 380 or 400-415 Volt/50 Hertz/3 Phase M3: 380 Volt/60 Hertz/3 Phase N1: 400-415 Volt/50 Hertz/3 Phase P1: 440 Volt/60 Hertz/3 Phase Q1: 460-480 Volt/60 Hertz/3 Phase Q2: 480 Volt/60 Hertz/3 Phase

# Product Overview - Control Suffixes (Drawing 1 of 2)

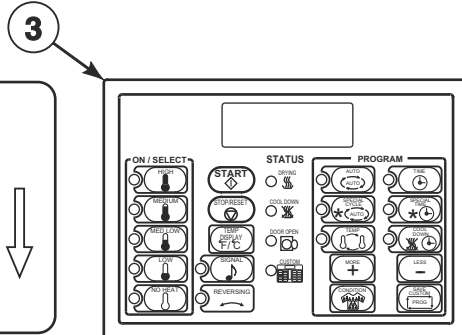
All Models Except G and K Models



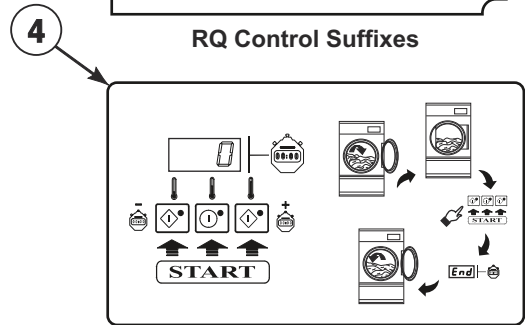
**RQ Control Suffixes**



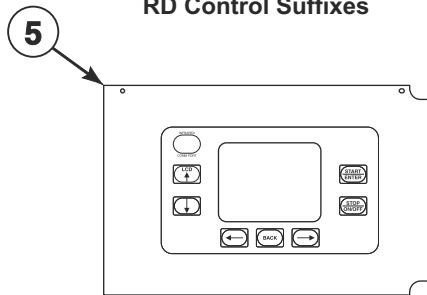
**RD Control Suffixes**



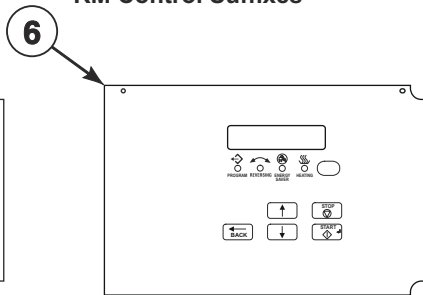
**RM Control Suffixes**



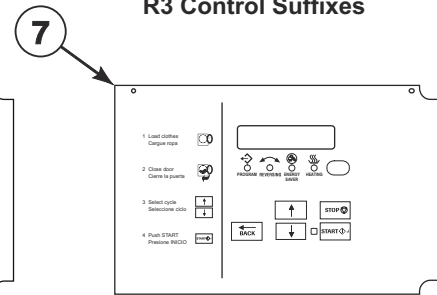
**R3 Control Suffixes**



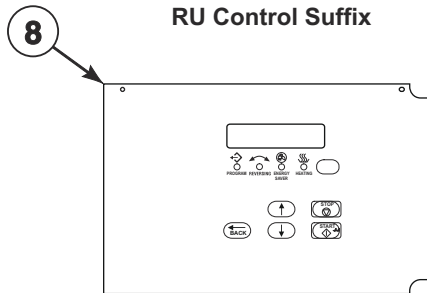
**RU Control Suffix**



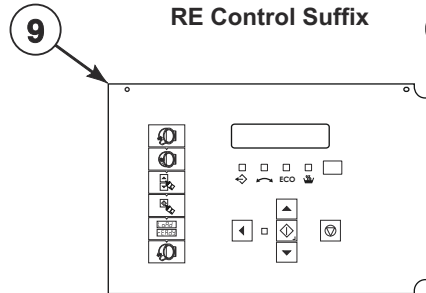
**RE Control Suffix**



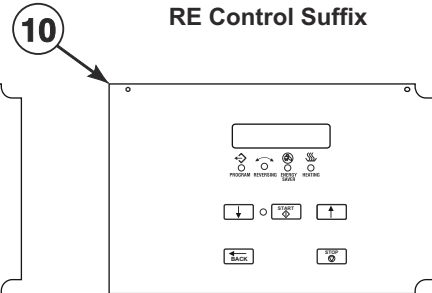
**RE Control Suffix**



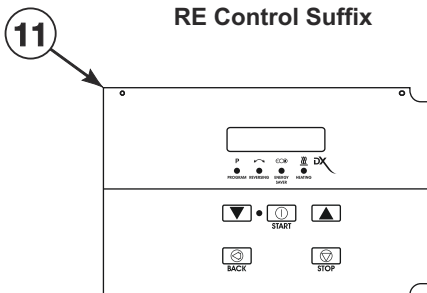
**RE Control Suffix**



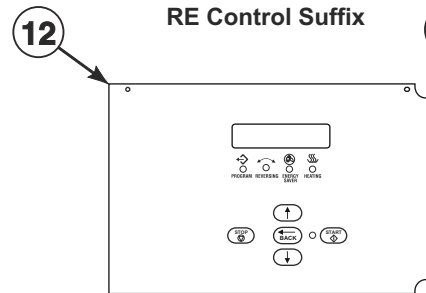
**RE Control Suffix**



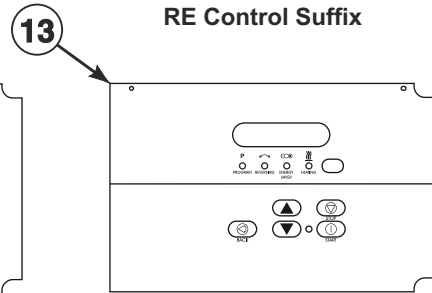
**RE Control Suffix**



**RE Control Suffix**



**RE Control Suffix**



**RE Control Suffix**

TMB3355P\_70574101

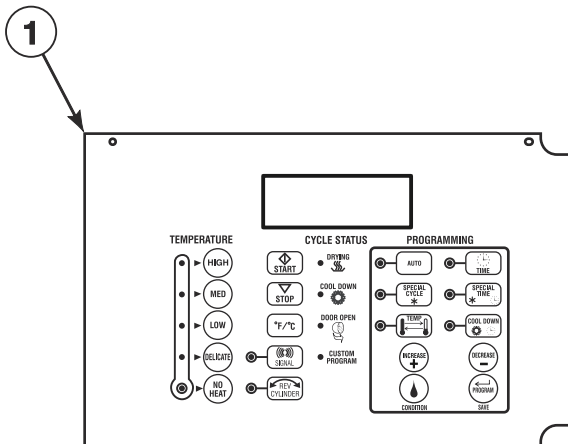
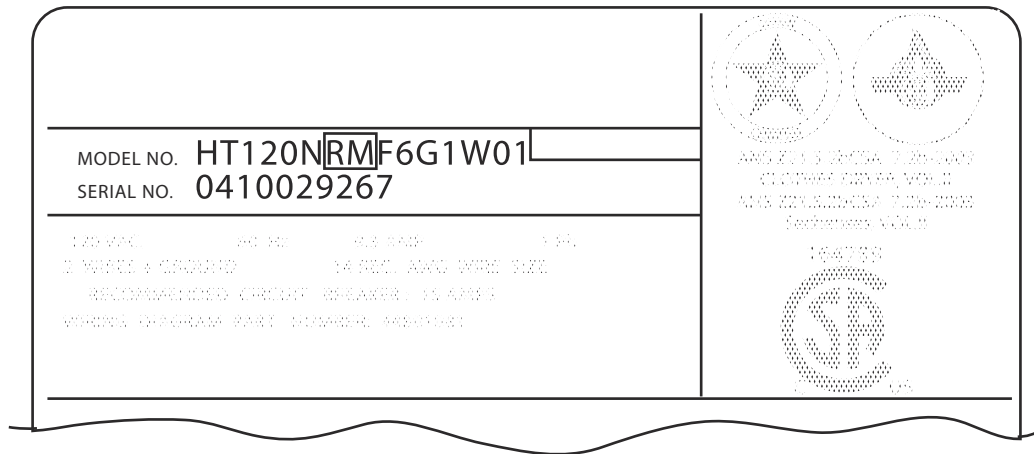
## Product Overview - Control Suffixes (Drawing 1 of 2)

REF	PART NO.	DESCRIPTION	COMMENTS
1	-	Control - Reversing	RQ: reversing dual digital timer
2	-	Control - Reversing	RD: reversing DMP OPL
3	-	Control - Reversing	RM: reversing OPL micro
4	-	Control - Reversing	R3: reversing DX4 OPL
5	-	Control - Reversing	U models; RU: reversing UniLinc OPL
6	-	Control - Reversing	S models; RE: reversing LED OPL
7	-	Control - Reversing	H models; RE: reversing LED OPL
8	-	Control - Reversing	U models; RE: reversing LED OPL
9	-	Control - Reversing	B, C and I models; RE: reversing LED OPL
10	-	Control - Reversing	P models; Models through 9/30/14; RE: reversing LED OPL
11	-	Control - Reversing	P models; Models starting 10/1/14 through 5/31/15; RE: reversing LED OPL
12	-	Control - Reversing	N models; L models through 5/31/15; RE: reversing LED OPL
13	-	Control - Reversing	L and P models; Models starting 6/1/15; RE: reversing LED OPL

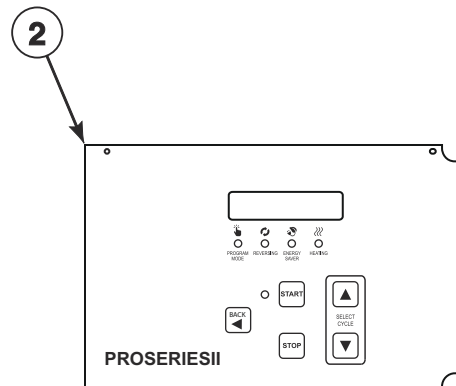
**NOTE: OPL models have the following control suffixes: R3, RD, RE, RM, RQ and RU.**

# Product Overview - Control Suffixes (Drawing 2 of 2)

G and K Models



RM Control Suffixes



RE Control Suffix

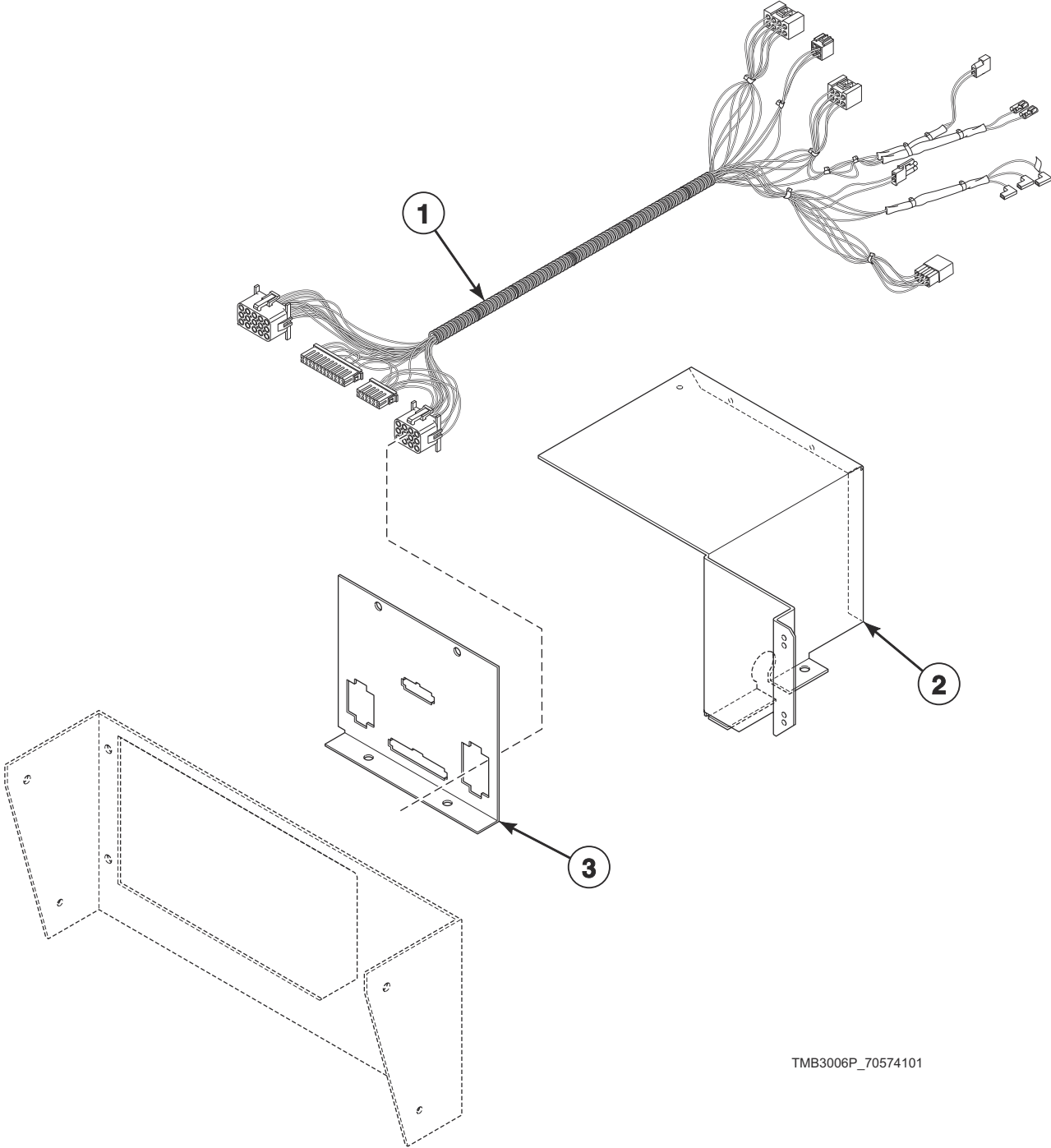
TMB3145P\_70574101

# Product Overview - Control Suffixes (Drawing 2 of 2)

REF	PART NO.	DESCRIPTION	COMMENTS
1	-	Control - Reversing	RM: reversing OPL micro
2	-	Control - Reversing	RE: reversing LED OPL

**NOTE: OPL models have the following control suffixes: RE and RM.**

# Interior Control Box



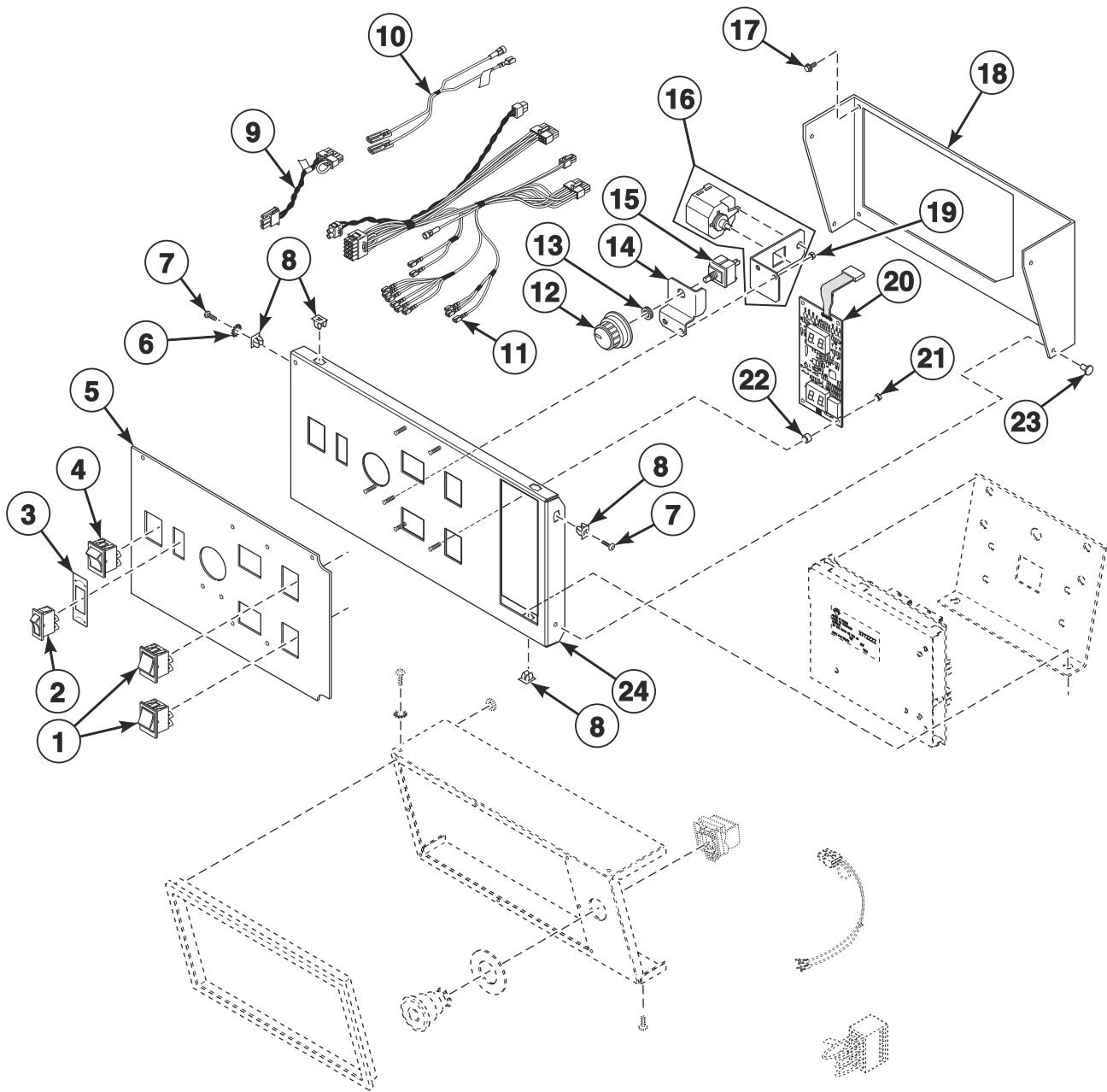
TMB3006P\_70574101

# Interior Control Box

REF	PART NO.	DESCRIPTION	COMMENTS
1	44251501	Main Harness	Gas models
	44226901	Main Harness	Steam models
2	44161001	Control Box	
3	44161101	Control Housing Cover	

# Exterior Control Box - RQ Control Suffix (Drawing 1 of 2)

C, G, H, I, K, L, N, P, S and U Models



TMB3295P\_70574101



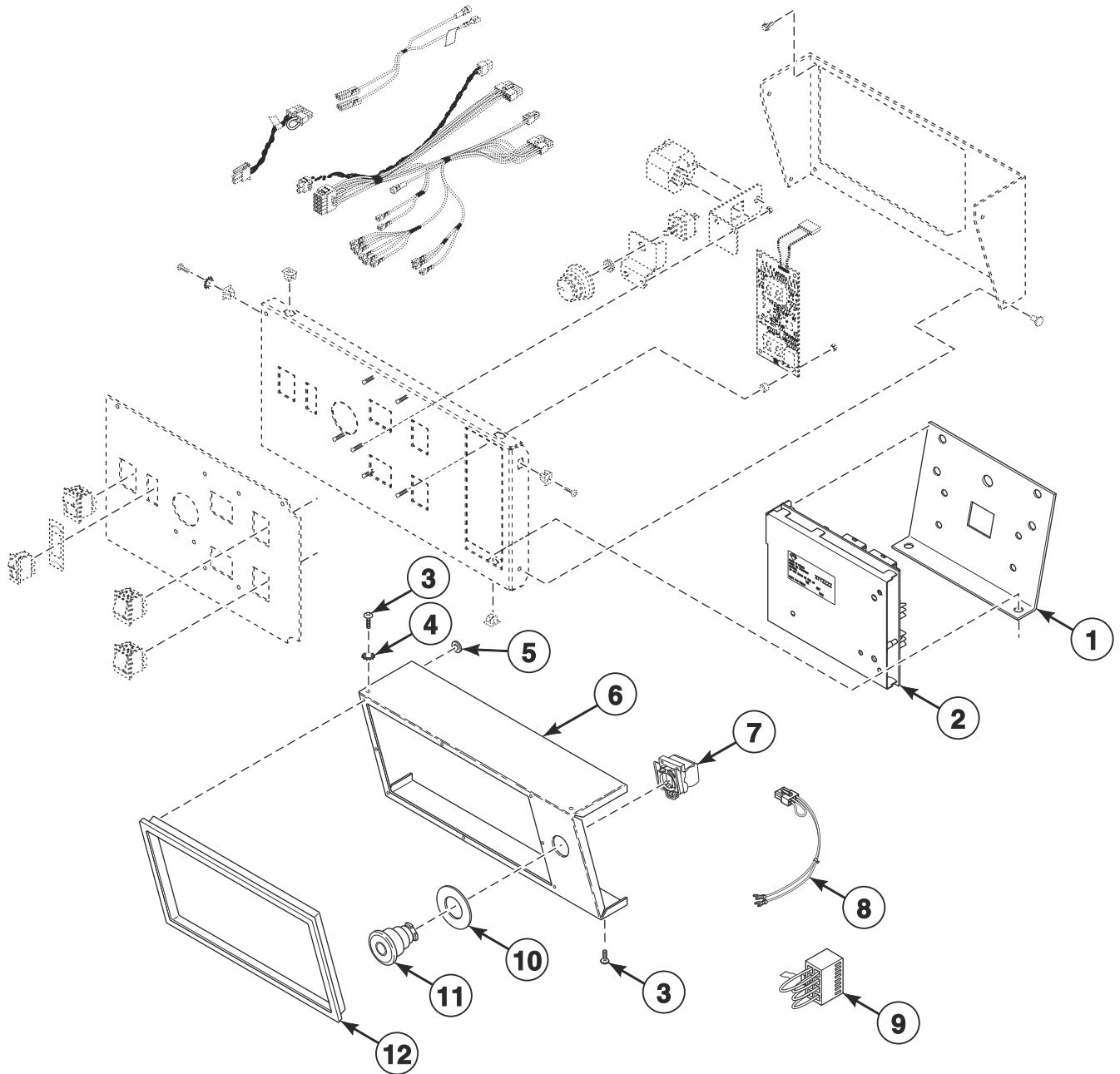
## Exterior Control Box - RQ Control Suffix (Drawing 1 of 2)

REF	PART NO.	DESCRIPTION	COMMENTS
	M4795P3W	Security Cover Kit	
1	70461301	Rocker Switch	2 required
2	44099601	Rocker Switch	Reversing
3	M413236	Switch Plate	Reversing
4	70455101	Rocker Switch	Start
5	70362202	Overlay	G, K, L, N and S models; C and I models through 7/14/14; U models through 8/17/14; P models starting 1/15/15
	70504702	Overlay	C and I models starting 7/15/14; Reversing
	70494002	Overlay	U models; Models starting 8/18/14
	70362502	Overlay	H models
	70362402	Overlay	P models through 1/14/15
6	03815	Washer	
7	800930	Screw	
8	70030501	Expansion Clip	6 required
9	70324604	Jumper Calibration Wire	
10	44100101P	Control Harness	Jumper
11	70367001P	Control Panel Harness	
12	44104601	Temperature Knob	
13	24205	Nut	
14	70391701	Temperature Selector Switch Bracket	
15	D511711	Temperature Selector Switch	
16	M4860P3	Buzzer Kit	Includes bracket, buzzer and wire harness
17	430497	Screw	
18	44099501*	Control Mounting Bracket	
	44099504LG	Control Mounting Bracket	U models; Light gray
	44099502	Control Mounting Bracket	Stainless steel; Models through 3/31/15
	44099505	Control Mounting Bracket	Stainless steel; Models starting 4/1/15
19	70054	Nut	2 required
20	D512218P	Display Assembly	C and I models through 7/14/14; All other models
	70503101P	Control Assembly	C and I models starting 7/15/14
21	29787	Nut	4 required
22	56079	Panel Locator	4 required
23	M400713	Drive Rivet	2 required
24	44099201	Control Plate and Studs Assembly	Includes studs

\* Add Letter To Designate Color. Q - Bisque W - White

# Exterior Control Box - RQ Control Suffix (Drawing 2 of 2)

C, G, H, I, K, L, N, P, S and U Models



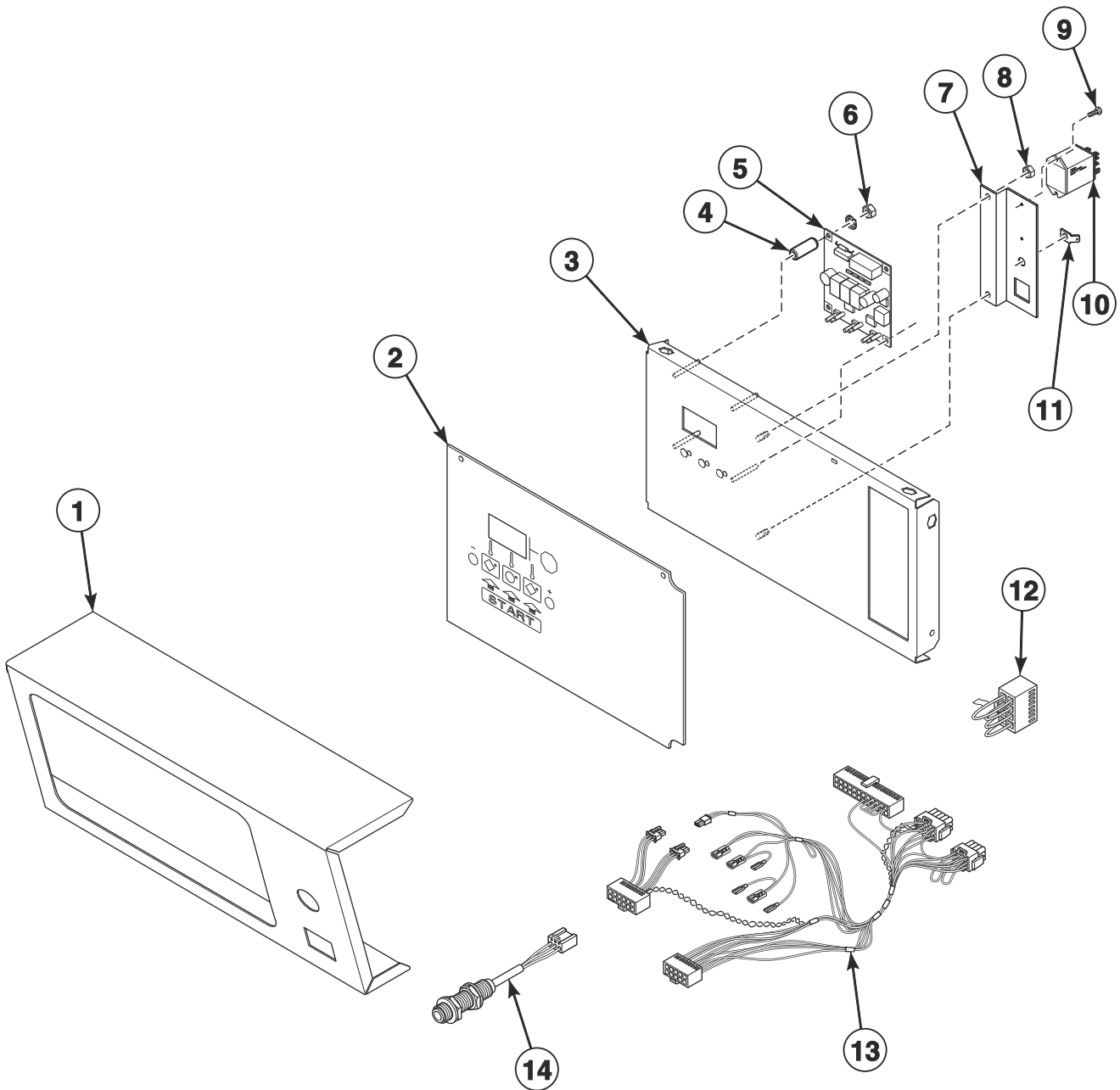
TMB3295PA\_70574101

## Exterior Control Box - RQ Control Suffix (Drawing 2 of 2)

REF	PART NO.	DESCRIPTION	COMMENTS
	M4795P3W	Security Cover Kit	
<b>1</b>	70357901	Control Chassis Mounting Bracket	
<b>2</b>	D512202P	Control Assembly	
<b>3</b>	800930	Screw	
<b>4</b>	03815	Washer	
<b>5</b>	M400977	Nut	
<b>6</b>	44013307*	Control Cover	Non-CE models
	44111713LG	Control Cover	Non-CE and non-Australian U models; Light gray
	44013308	Control Cover	Non-CE models through 3/31/15; Stainless steel
	44013317	Control Cover	Non-CE models starting 4/1/15; Stainless steel
	44013311*	Control Cover	CE models
	44111714LG	Control Cover	CE U gas models; Light gray
	44111715LG	Control Cover	CE U steam models; Light gray
	44111716LG	Control Cover	Australian U models; Light gray
	44013319	Control Cover	CE models; Stainless steel
<b>7</b>	F200233400	Contact Block Switch	CE models; Models through 8/17/14
	F8069501	Contact Switch	CE models; Models starting 8/18/14
	F8538101	Contact Base	CE models; Models starting 8/18/14
<b>8</b>	70364105P	Emergency Stop Contact Harness	CE models; 1 contact
	70364106P	Emergency Stop Harness	CE models; 2 contacts
<b>9</b>	70364103	Bypass Harness	Non-CE models
<b>10</b>	44012901	Emergency Stop Label	CE models
<b>11</b>	F200233500	Emergency Stop Pushbutton	CE models
<b>12</b>	44016401	Control Trim	N, S and U models; Black
	44016402	Control Trim	H models; Gray

\* Add Letter To Designate Color. **Q** - Bisque **W** - White

# DX4 Control Box - B Models with R3 Control Suffix



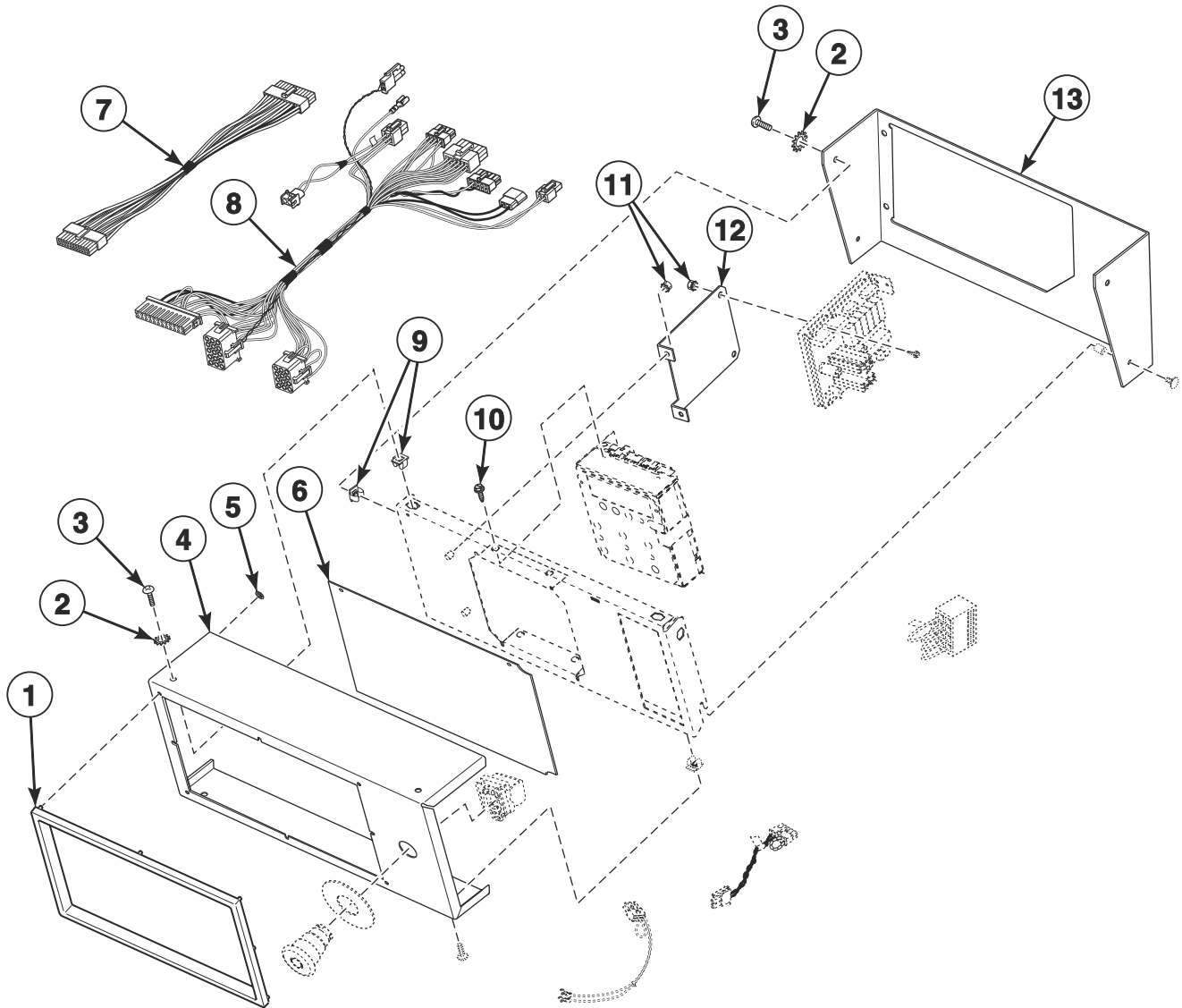
TMB3801P\_70574101

## DX4 Control Box - B Models with R3 Control Suffix

REF	PART NO.	DESCRIPTION	COMMENTS
	M413930P	Ferrite Core Assembly	Use with item 11
<b>1</b>	44111701*	Control Cover	Non-CE models
	44111717	Control Cover	Non-CE models; Stainless steel
	44111705*	Control Cover	CE models
	44111706	Control Cover	CE models through 3/31/15; Stainless steel
	44111719	Control Cover	CE models starting 4/1/15; Stainless steel
<b>2</b>	44240501	Graphic Overlay	
<b>3</b>	44038601	Control Plate Assembly	CE models
<b>4</b>	44050601	Sleeve	4 required
<b>5</b>	70462307P	Control Assembly	
<b>6</b>	29787	Nut	4 required
<b>7</b>	44041701	Relay/Buzzer Bracket	
<b>8</b>	70054	Nut	
<b>9</b>	D501086	Screw	
<b>10</b>	M412534	Relay	CE models
<b>11</b>	00177	Male Tab Terminal	
<b>12</b>	70364103	Bypass Harness	Non-CE models
<b>13</b>	70485301	Control Panel Harness	Non-CE and non-Australian models
	70489901	Control Panel Harness	CE and Australian models
<b>14</b>	7010P	Rotation Sensor Kit	

\* Add Letter To Designate Color. Q - Bisque W - White

# Exterior Control Box - RE Control Suffix (Drawing 1 of 2)



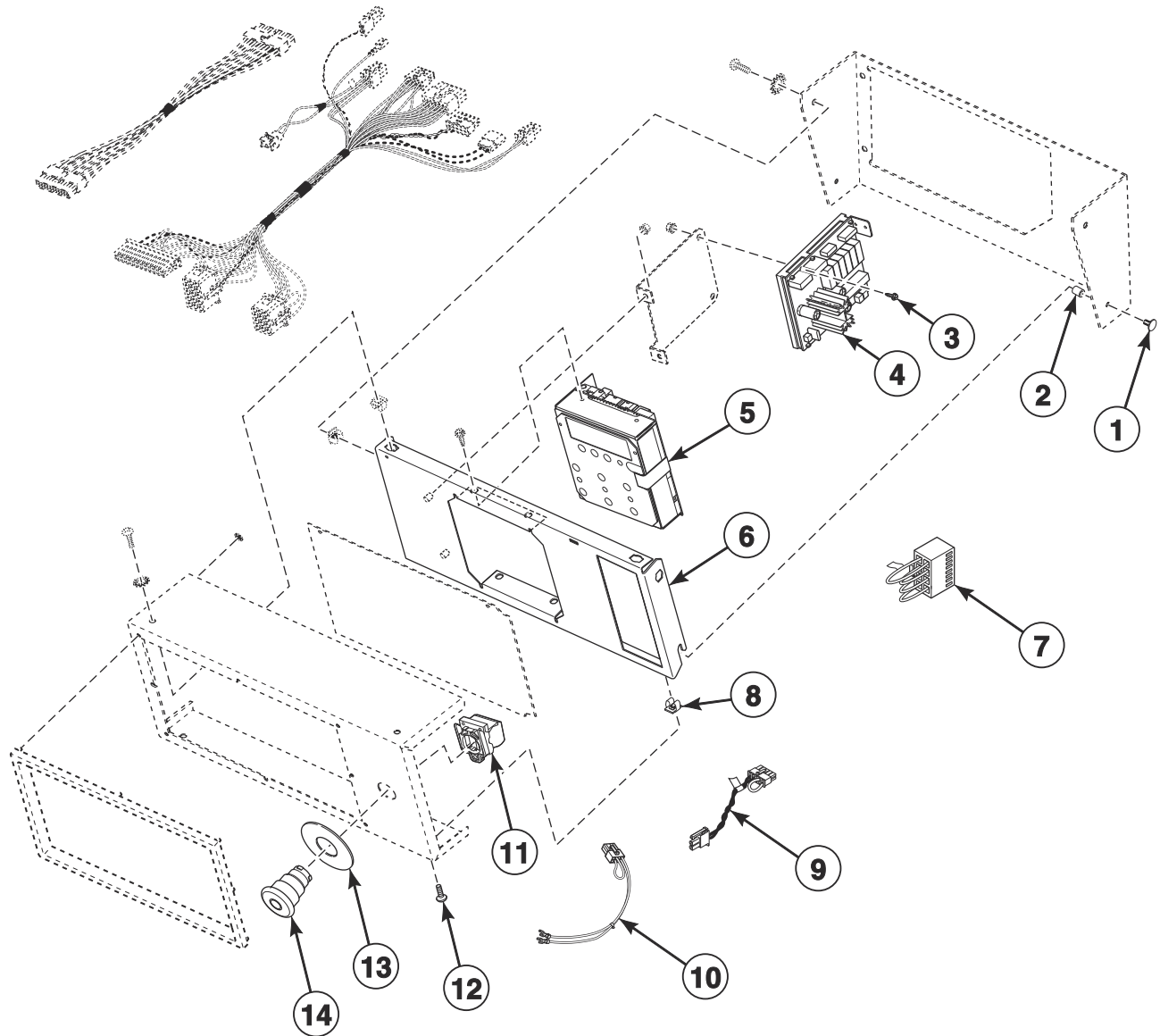
TMB3296P\_70574101

## Exterior Control Box - RE Control Suffix (Drawing 1 of 2)

REF	PART NO.	DESCRIPTION	COMMENTS
	203346	USB IR Interface Kit	
1	44016401	Control Trim	N, S and U models; Black
	44016402	Control Trim	H models; Gray
2	03815	Washer	2 required
3	800930	Screw	6 required
4	44013315DG	Control Cover	Non-CE P models starting 10/1/14; Dark gray
	44111713LG	Control Cover	Non-CE U models; Light gray
	44013307*	Control Cover	Non-CE P models through 9/30/14; All other non-CE models
	44013308	Control Cover	Non-CE models through 3/31/15; Stainless steel
	44013317	Control Cover	Non-CE models starting 4/1/15; Stainless steel
	44013316DG	Control Cover	CE P models starting 10/1/14; Dark gray
	44111715LG	Control Cover	CE U models; Light gray
	44013311*	Control Cover	CE P models through 9/30/14; All other CE models
	44013319	Control Cover	CE models; Stainless steel
5	M400977	Nut	
6	70445002	Overlay	S models
	70445004	Overlay	H models
	70462401	Overlay	B, C and I models; Models through 7/14/14
	70504901	Overlay	B, C and I models; Models starting 7/15/14
	70462701	Overlay	U models; Models through 8/17/14
	70493701	Overlay	U models; Models starting 8/18/14
	70462901	Overlay	G and K models
	70472401	Overlay	P models through 9/30/14
	70508601	Overlay	P models starting 10/1/14 through 5/31/15; L models starting 1/29/15 through 5/31/15
	70472201	Overlay	N models; L models through 1/28/15
	70526001	Overlay	L and P models starting 6/1/15
7	44186101	Output Harness	Use between control assemblies
8	44240301	Control Panel Harness	Goes from control assembly to main harness
9	70030501	Expansion Clip	6 required per control plate
10	D501524	Screw	
11	70054	Nut	
12	44223101	Output Bracket	
13	44099504DG	Control Mounting Bracket	P models starting 10/1/14; Dark gray
	44099504LG	Control Mounting Bracket	U models; Light gray
	44099501W	Control Mounting Bracket	P models through 9/30/14; All other models
	44099502	Control Mounting Bracket	All models except P models through 3/31/15; Stainless steel
	44099505	Control Mounting Bracket	All models except P models starting 4/1/15; Stainless steel

\* Add Letter To Designate Color. Q - Bisque W - White

# Exterior Control Box - RE Control Suffix (Drawing 2 of 2)



TMB3296PA\_70574101

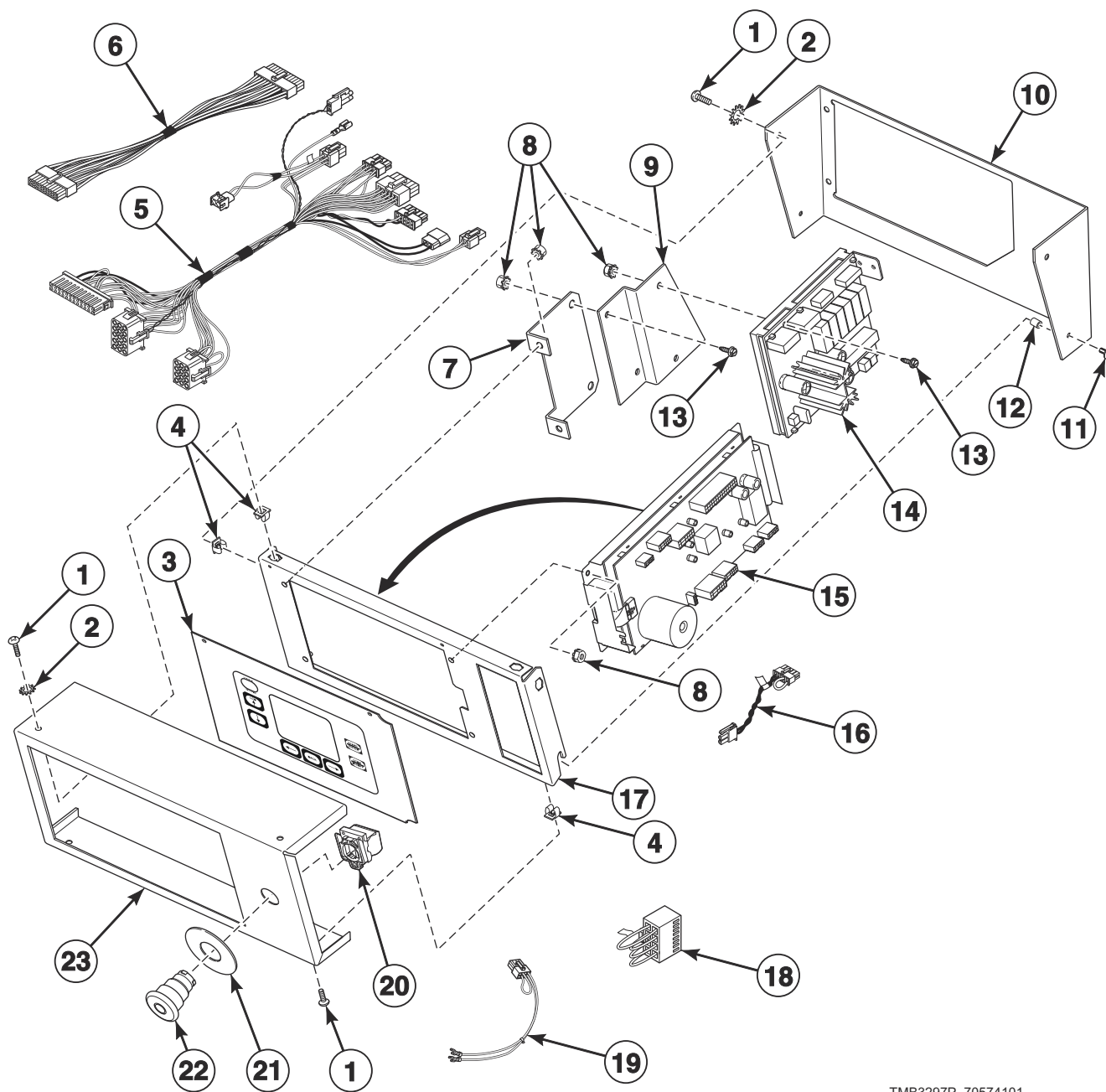


## Exterior Control Box - RE Control Suffix (Drawing 2 of 2)

REF	PART NO.	DESCRIPTION	COMMENTS
1	430725	Pop Rivet	2 required
2	431264	Spacer	2 required
3	D501524	Screw	
4	70434101P	Control Assembly	
5	70454101P	Control Assembly	H, S and U models; L and P models starting 6/1/15
	70437102P	Control Assembly	B, C and I models; Models through 7/14/14
	70503702P	Control Assembly	B, C and I models; Models starting 7/15/14
	70437103P	Control Assembly	P models through 5/31/15; L models starting 1/29/15 through 5/31/15
	70437104P	Control Assembly	G and K models
	70437105P	Control Assembly	N models; L models through 1/28/15
6	44185701	Control Plate and Studs Assembly	
7	70364103	Bypass Harness	Non-CE models
8	70030501	Expansion Clip	6 required per control plate
9	70324604	Jumper Calibration Wire	
10	70364106P	Emergency Stop Harness	CE models; 2 contacts
11	F200233400	Contact Block Switch	CE models; Models through 8/17/14
	F8069501	Contact Switch	CE models; Models starting 8/18/14
	F8538101	Contact Base	CE models; Models starting 8/18/14
12	800930	Screw	6 required
13	44012901	Emergency Stop Label	CE models
14	F200233500	Emergency Stop Pushbutton	CE models

# Exterior Control Box - RU Control Suffix

U Models



TMB3297P\_70574101

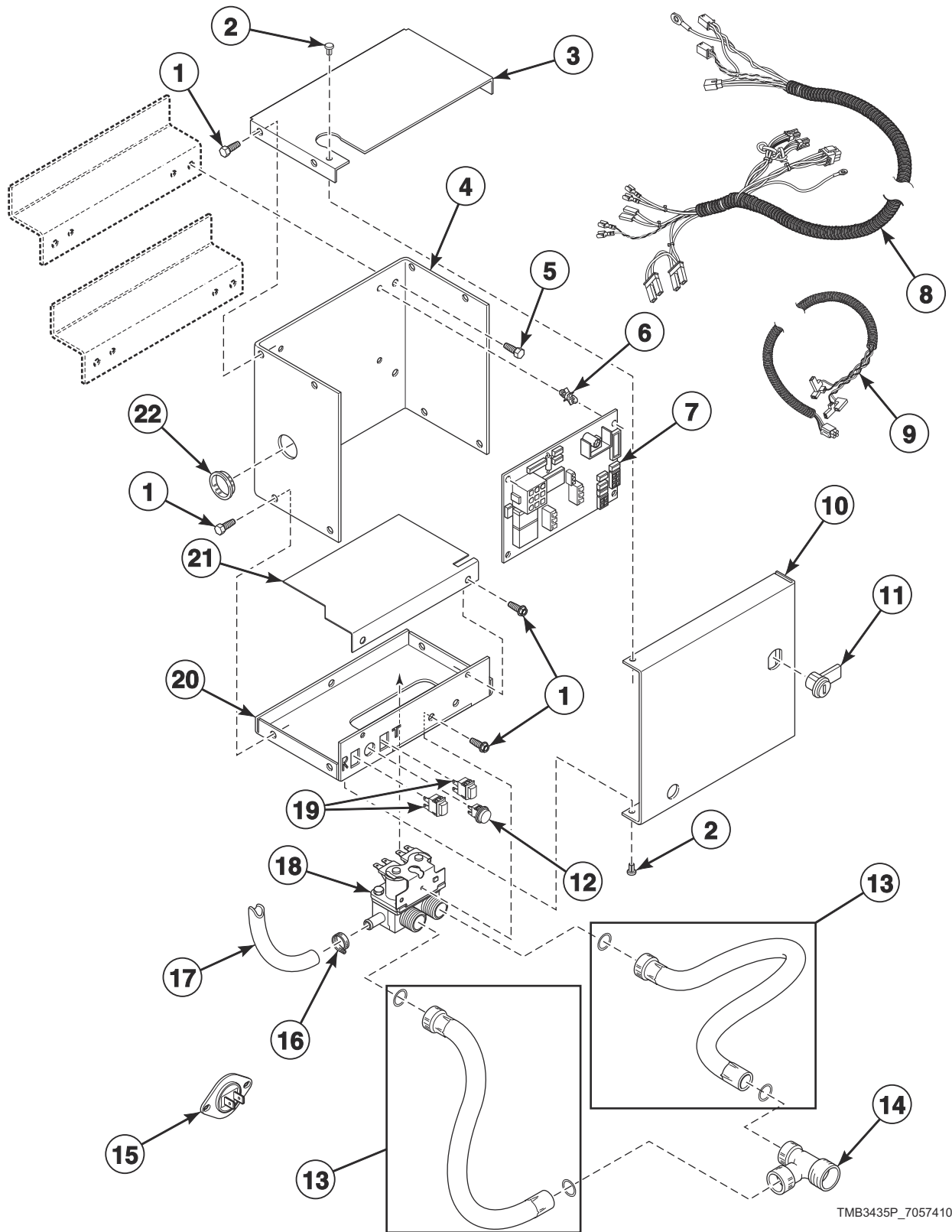
## Exterior Control Box - RU Control Suffix

REF	PART NO.	DESCRIPTION	COMMENTS
	NK209	Network Retrofit Kit	Wired
	NK220	Network Controller Kit	Wired
	NK309	Wireless Network Kit	Wireless
	NK320	Ethernet Gateway Kit	Wireless
	NK330	USB Gateway Kit	Wireless
	203346	USB IR Interface Kit	
<b>1</b>	800930	Screw	6 required
<b>2</b>	03815	Washer	2 required
<b>3</b>	70432201	Overlay	Models through 8/17/14
	70499001	Overlay	Models starting 8/18/14
<b>4</b>	70030501	Expansion Clip	6 required per control plate
<b>5</b>	44240301	Control Panel Harness	Goes from item 15 to main harness
<b>6</b>	44186101	Output Harness	Use between item 14 and item 15
<b>7</b>	44223201	Output Bracket	
<b>8</b>	70054	Nut	
<b>9</b>	44223401	Output Bracket	
<b>10</b>	44099501W	Control Mounting Bracket	Models through 8/17/14
	44099504LG	Control Mounting Bracket	Models starting 8/18/14; Light gray
	44099502	Control Mounting Bracket	Models through 3/31/15; Stainless steel
	44099505	Control Mounting Bracket	Models starting 4/1/15; Stainless steel
<b>11</b>	430725	Pop Rivet	2 required
<b>12</b>	431264	Spacer	2 required
<b>13</b>	D501524	Screw	
<b>14</b>	70434101P	Control Assembly	
<b>15</b>	70454001P	Control Assembly	
<b>16</b>	70324604	Jumper Calibration Wire	
<b>17</b>	44224601	Control Plate Assembly	
<b>18</b>	70364103	Bypass Harness	Non-CE models
<b>19</b>	70364106P	Emergency Stop Harness	CE models; 2 contacts
<b>20</b>	F200233400	Contact Block Switch	CE models; Models through 8/17/14
	F8069501	Contact Switch	CE models; Models starting 8/18/14
	F8538101	Contact Base	CE models; Models starting 8/18/14
<b>21</b>	44012901	Emergency Stop Label	CE models
<b>22</b>	F200233500	Emergency Stop Pushbutton	CE models
<b>23</b>	44013307*	Control Cover	Non-CE models; Models through 8/17/14
	44111701*	Control Cover	Non-CE models; Models starting 8/18/14
	44111713LG	Control Cover	Non-CE models; Models starting 8/18/14
	44013308	Control Cover	Non-CE models; Models through 3/31/15; Stainless steel
	44013317	Control Cover	Non-CE models; Models starting 4/1/15; Stainless steel
	44013311*	Control Cover	CE models; Models through 8/17/14
	44111705*	Control Cover	CE steam models; Models starting 8/18/14
	44111703*	Control Cover	CE gas models; Models starting 8/18/14
	44111715LG	Control Cover	CE models; Models starting 8/18/14
44013319	Control Cover	CE models; Stainless steel	

\* Add Letter To Designate Color. Q - Bisque W - White

# Fire Suppression System Control Box

B, C, G, H, I, K, L, P, S and U Models  
Models with a C, D or Y in the 11th Character

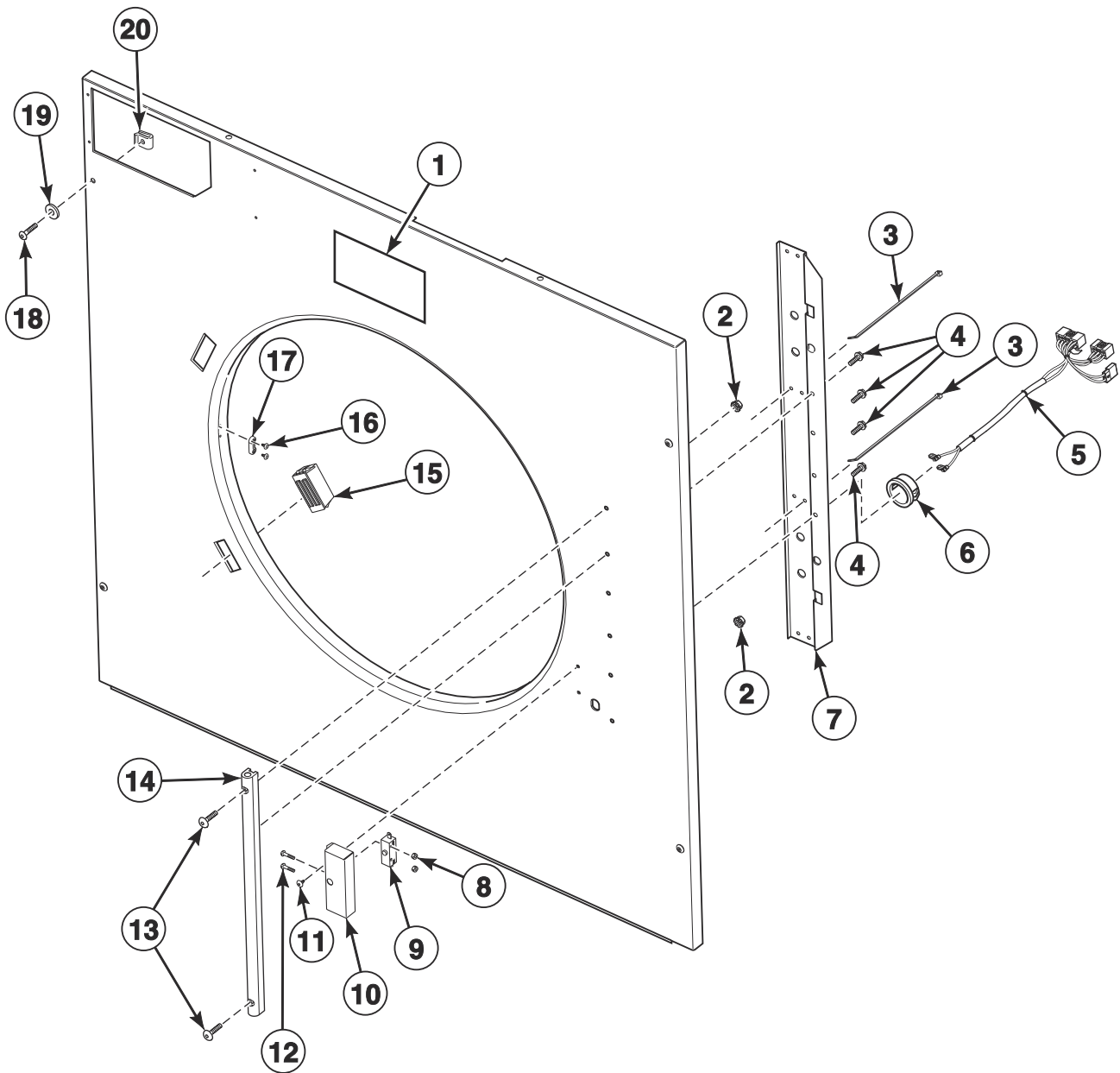


TMB3435P\_70574101

## Fire Suppression System Control Box

REF	PART NO.	DESCRIPTION	COMMENTS
	44079603	Manifold	
1	430497	Screw	
2	M400713	Drive Rivet	
3	44065401	Control Box Top	Top
4	44065101	Control Box Housing	
5	51780	Screw	
6	D501523	Circuit Board Support	4 required
7	44063801P	Control	
8	44162601	Control Harness	
9	44166801	Sensor Harness Assembly	
10	44065201	Control Box Cover	
11	44089301P	Lock, Key and Nut Kit	RL001 key code
	70155601	Key	RL001
12	801432	Light	Red
13	F200116	Water Hose	Non-CE and non-Australian models; 2 required
	38349P	Fill Hose Kit	CE and Australian models
14	44069101	Hose Fitting	Non-CE and non-Australian models
15	44064701	Thermistor	2 required
16	36801	Hose Clamp	
17	44073303	Hose	31 inches; Outlet hose
18	36958P	Mixing Valve	
19	801434W	Push-to-Start Switch	2 required
20	44065301	Control Box Base	
21	44065701	Mixing Valve Shield Bracket	
22	70178701	Snap Bushing	

# Cabinet Front Components

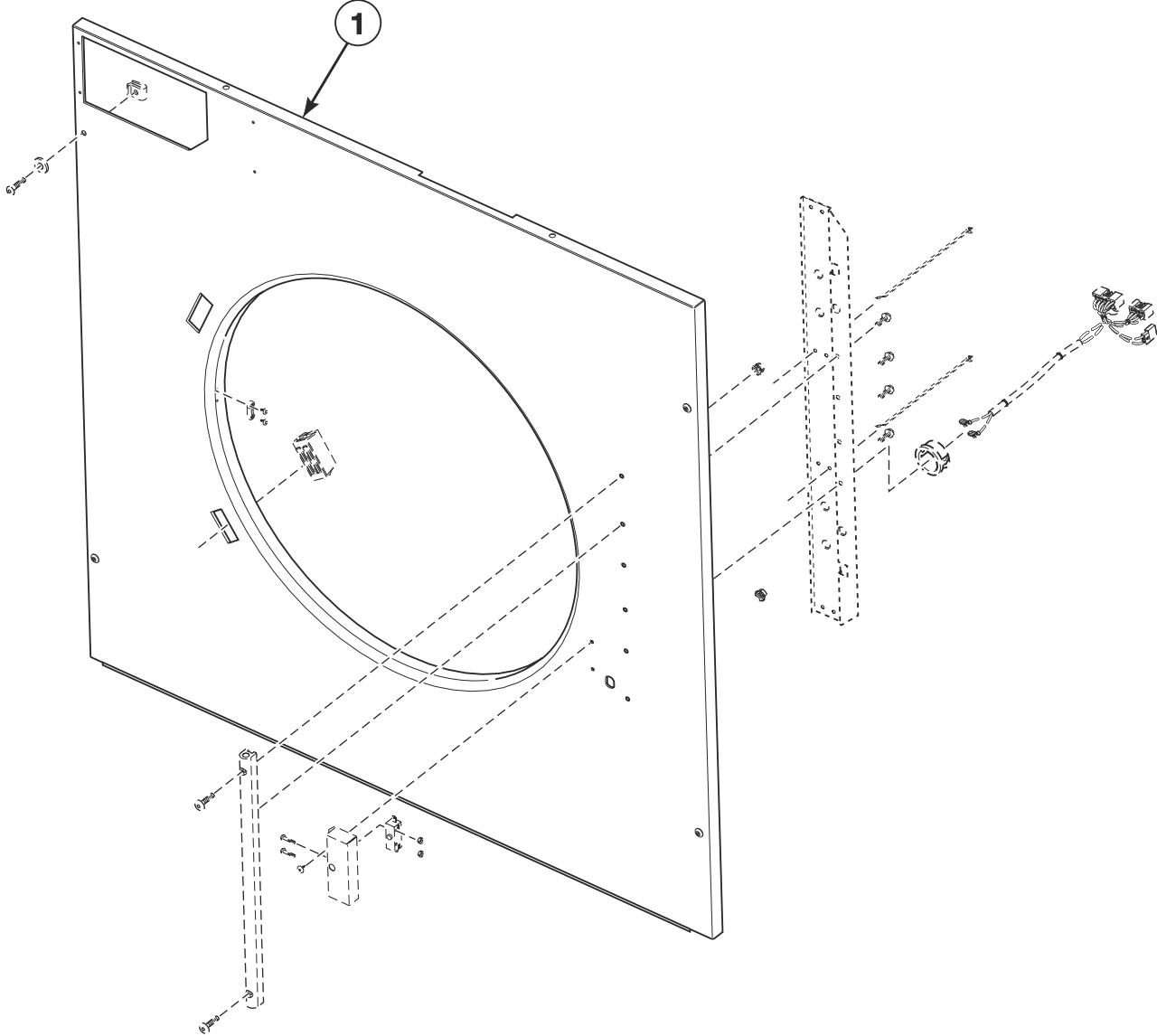


TMB3291P\_70574101

## Cabinet Front Components

REF	PART NO.	DESCRIPTION	COMMENTS
	298P4P	Spray Paint	White
	381P4	Spray Paint	Bisque
	382P4	Spray Paint	Cream
	122P4P	Porcelain Touch-Up Paint	White
	370P4P	Porcelain Touch-Up Paint	Bisque
<b>1</b>	70537001	Label	B, C, H, I, S and U models; C.A.R.E.
	70537101	Label	G and K models; F.S.S.
	44190901	Label	L and P models; Safe Tech
<b>2</b>	29786	Nut	2 required
<b>3</b>	55881	Harness Strap	2 required; Front panel harness to door switch wire channel
<b>4</b>	44023301	Screw	4 required
<b>5</b>	44227101	Door Switch Harness	
<b>6</b>	M400770	Snap Bushing	Required for door switch harness going through frame
<b>7</b>	44231401	Door Switch Harness Channel	
<b>8</b>	02788	Nut	2 required
<b>9</b>	44018201	Door Switch	
<b>10</b>	44001301	Door Switch Cover	
<b>11</b>	431287	Screw	2 required
<b>12</b>	M402574	Screw	2 required
<b>13</b>	70033504	Screw	2 required
<b>14</b>	44035001	Door Hinge Lug Assembly	C, H, L, N, P, S and U models; Includes bushings
	44035002	Door Hinge Lug Assembly	B, G, I and K models; Black
<b>15</b>	44220501	Door Latch Magnet	
<b>16</b>	44166601	Pop Rivet	2 required
<b>17</b>	M401223	Door Latch	
<b>18</b>	70182601	Screw	4 required per panel
<b>19</b>	800465	Washer	4 required per panel
<b>20</b>	70030401	Nut	Access and front panel attachment

# Cabinet Front Panel



TMB3291PA\_70574101

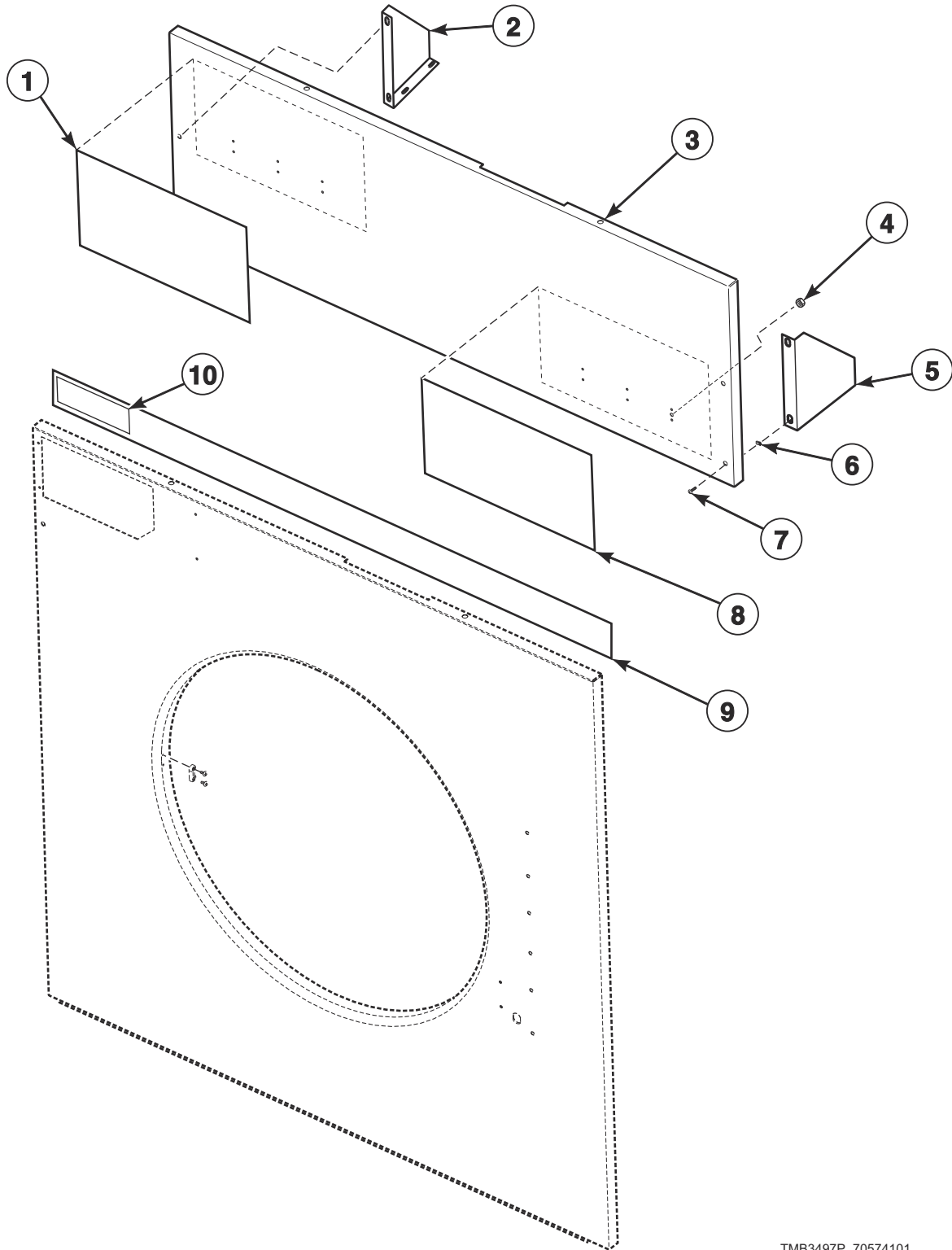


# Cabinet Front Panel

REF	PART NO.	DESCRIPTION	COMMENTS
1	44078103	Front Panel	G and K models; Stainless steel
	44218406DG	Front Panel	P models; Models starting 10/1/14; Dark gray
	44218406W	Front Panel	P models through 9/30/14 and starting again 7/1/17; All other models
	44218402	Front Panel	U models through 8/17/14; All other models through 3/31/15; Stainless steel
	44218407	Front Panel	All models except P and U; Models starting 4/1/15; Stainless steel
	44218403LG	Front Panel	U models; Models starting 8/18/14; Light gray
	44218404	Front Panel	U models; Models starting 8/18/14 through 3/31/15; Stainless steel
	44218408	Front Panel	U models; Models starting 4/1/15; Stainless steel

\* Add Letter To Designate Color. Q - Bisque W - White

# Cabinet Front Panels and Nameplates



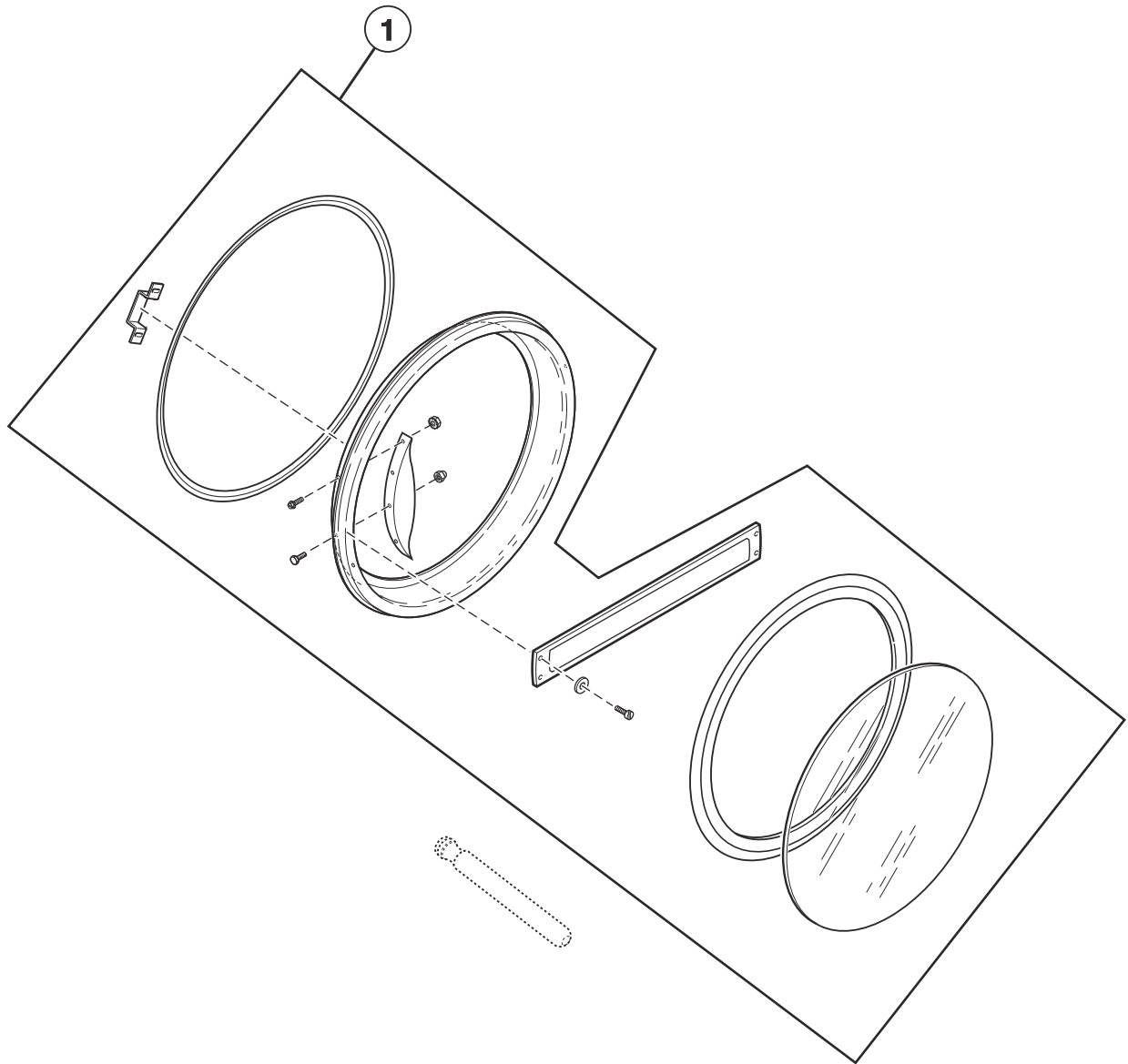
TMB3497P\_70574101

## Cabinet Front Panels and Nameplates

REF	PART NO.	DESCRIPTION	COMMENTS
	M4787P3	Front Access Panel and Door Hinge Kit	B and I models; To change from old look to new look
1	70348501	Nameplate	C models
	B12389801	Nameplate	B and I models
2	44028302DG	Top Access Panel Gusset	P models starting 10/1/14; L models starting 1/29/15; Left; Dark gray
	44028302LG	Top Access Panel Gusset	U models; Left; Light gray
	44028302*	Top Access Panel Gusset	P models through 9/30/14; L models through 1/28/15; All other models; Left
3	44012701*P	Front Access Panel	LU models; P models through 9/30/14
	44012702P	Access Panel	L models through 3/31/15; PH, PK, PT and PU models through 9/30/14; Stainless steel
	44012713	Front Access Panel	L and P models; Models starting 4/1/15; Stainless steel
	44012712DG	Front Access Panel	P models; Models starting 10/1/14; Dark gray
	44012707*P	Front Access Panel	CK, CT, G, H, K, N and S models; U models through 8/17/14
	44012709LG	Front Access Panel	U models; Models starting 8/18/14; Light gray
	44012709B	Front Access Panel	B and I models
	44012714	Front Access Panel	CK, CT, H, S and U models; Stainless steel
4	M400977	Nut	L and P models require 2 for access panel trim; U models starting 8/18/14 require 5
5	44028301DG	Top Access Panel Gusset	P models starting 10/1/14; L models starting 1/29/15; Right; Dark gray
	44028301LG	Top Access Panel Gusset	U models; Right; Light gray
	44028301*	Top Access Panel Gusset	P models through 9/30/14; L models through 1/28/15; All other models; Right
6	70030401	Nut	
7	70182601	Screw	4 required
8	44010401	Nameplate	H models
	44010601	Nameplate	S models
	44235401	Nameplate Overlay	U models; Models through 8/17/14
	F8443102	Nameplate	U models; Models starting 8/18/14
	70128901	Nameplate Overlay	P models; Models through 9/30/14
	70509601	Nameplate	P models; Models starting 10/1/14
	70243901	Nameplate	L models; Models through 3/27/15
	70522001	Nameplate	L models; Models starting 3/28/15
	70410201	Nameplate Overlay	G models
	44331401	Nameplate Overlay	K models
9	70399404	Access Panel Trim	G and K models; Mounts over front panel assembly and control panel
10	70414001	Label	G and K models; Coin

\* Add Letter To Designate Color. Q - Bisque W - White

# Door Assembly

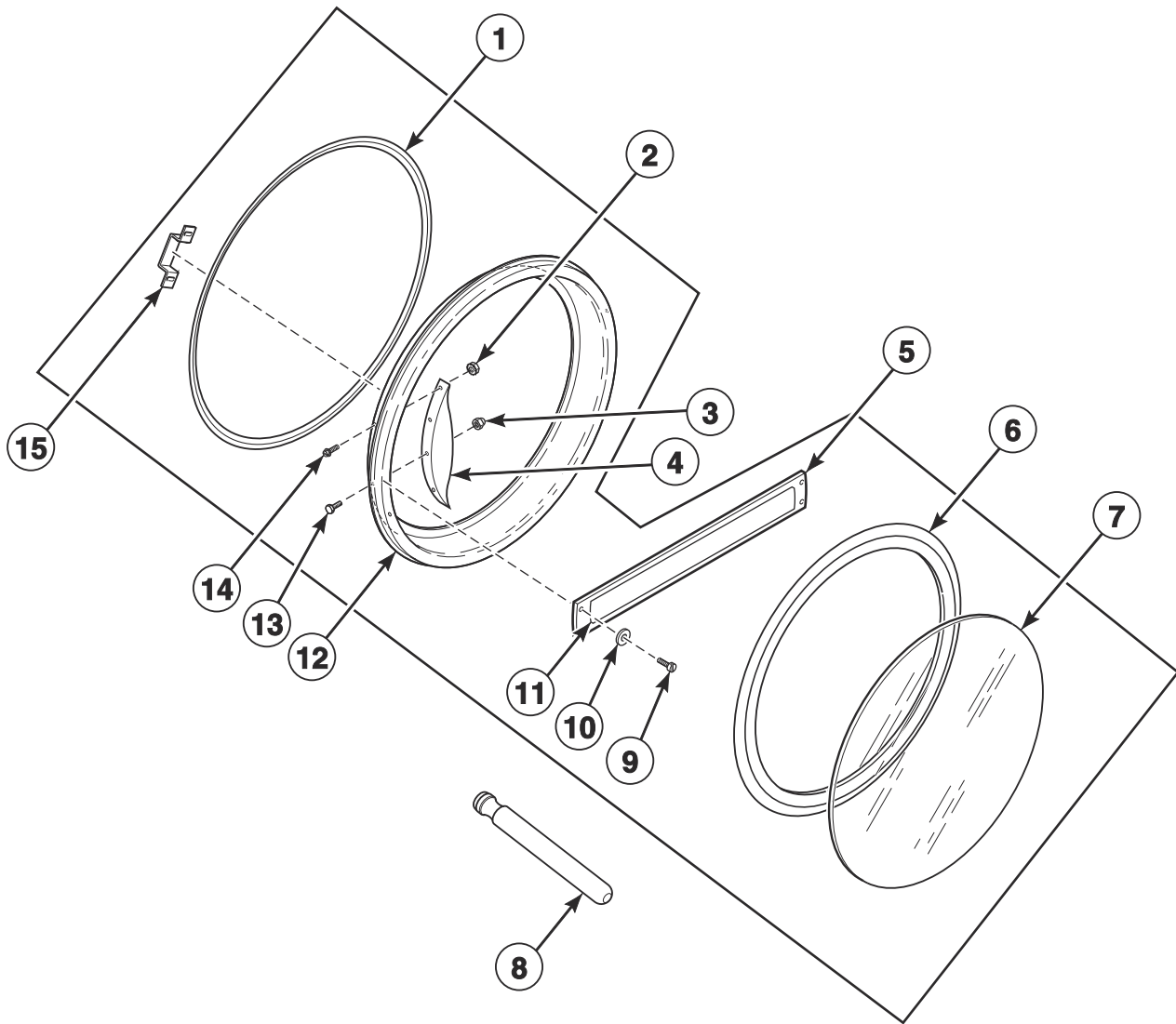


TMB3298P\_70574101

# Door Assembly

REF	PART NO.	DESCRIPTION	COMMENTS
1	44248001	Door Assembly	H models
	44215801	Door Assembly	N and S models; U models through 8/17/14
	44272201	Door Assembly	U models; Models starting 8/18/14
	44248201	Door Assembly	B, C and I models
	44294501LG	Door Assembly	L and P models
	44294501B	Door Assembly	P models starting 7/5/16; Use with stainless steel front panel; Black
	70407402	Door Assembly	G and K models

# Door Components

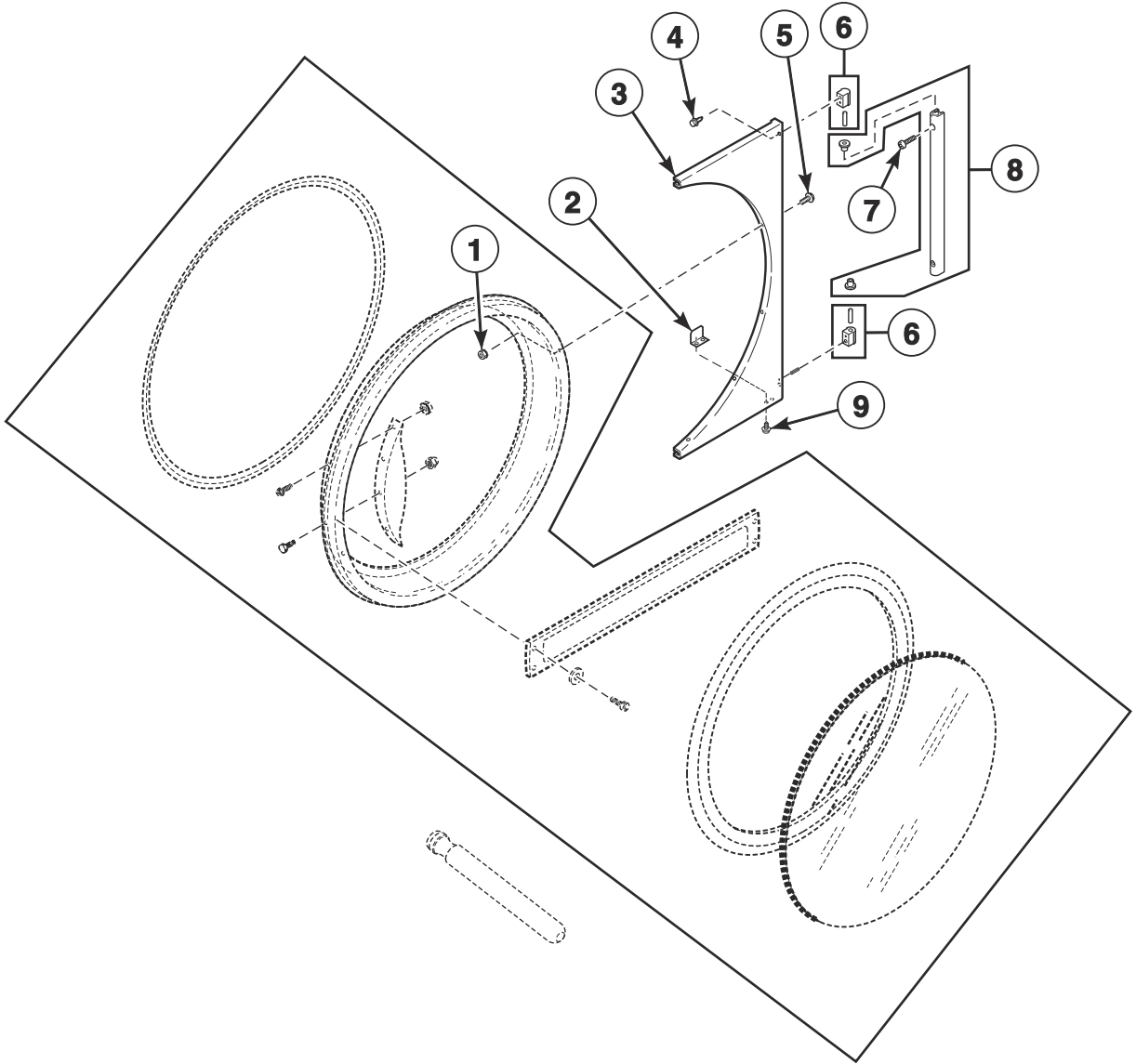


TMB3298PA\_70574101

# Door Components

REF	PART NO.	DESCRIPTION	COMMENTS
1	44217401	Door Ring Gasket	
2	44071201	Nut	H, N and S models; 4 required
3	M414215	Nut	
4	44057702	Door Handle	H models
	44007901	Door Handle	B, C, I, N and S models; U models through 8/17/14
	44263801	Door Handle	U models; Models starting 8/18/14; Use 901620 Screw, 803871 Screw and 44088001 Nut to attach
5	70399501B	Handle Bar	G and K models
6	70211902P	Door Seal Kit	Use Loctite 414 for seal
7	44008402P	Door Glass	H models
	44008401P	Door Glass	All other models
8	M4221P4	Door Glass Installation Tool	
9	70126301	Pop Rivet	G and K models; 4 required
10	70409301	Washer	G and K models; 2 required
11	70411401	Nameplate Overlay	G models; Coin
	44144401	Nameplate Overlay	K models; Coin
12	44215701	Door Ring	H, N and S models; P models through 9/30/14; U models through 8/17/14; L models through 1/28/15
	44294601LG	Door Ring and Handle Assembly	P models starting 10/1/14; L models starting 1/29/15; Light gray
	44294601B	Door Ring and Handle Assembly	P models starting 7/5/16; Use with stainless steel and white front panel; Black
	44217502	Door Ring Assembly	U models; Models starting 8/18/14
	44215703	Door Ring	B, C and I models
	44326003B	Door Ring Assembly	G and K models
	44326004HG	Door Ring Assembly	H and U models without stainless steel front panel
	44326004B	Door Ring Assembly	S models without stainless steel front panel
13	M400661	Screw	Door strike
14	61199	Screw	H, N and S models; 4 required
15	44219701	Door Latch Bracket	

# Hinge Components



TMB3091P\_70574101

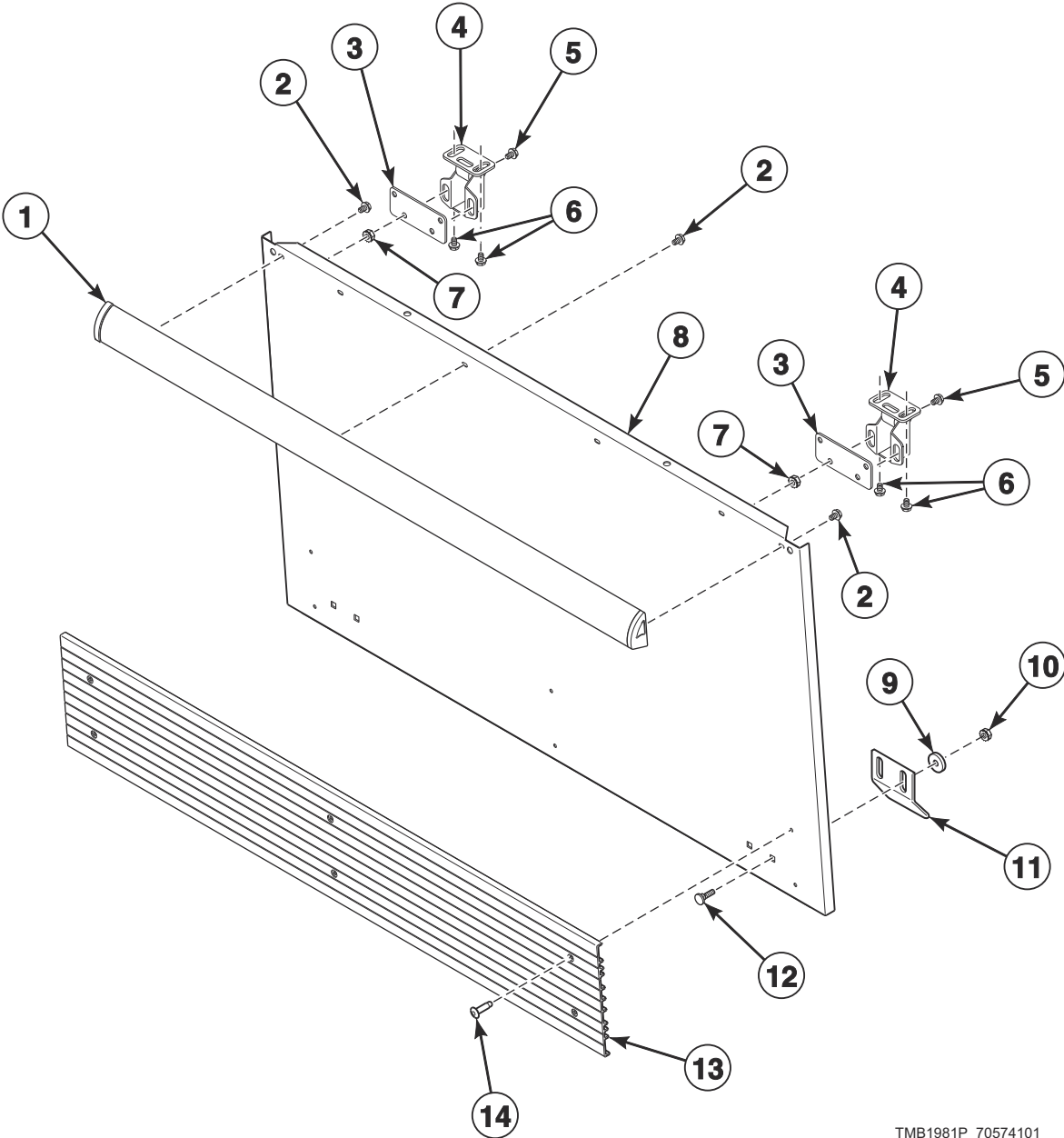


# Hinge Components

REF	PART NO.	DESCRIPTION	COMMENTS
	M4787P3	Front Access Panel and Door Hinge Kit	B and I models; To change from old look to new look
<b>1</b>	23951	Nut	6 required
<b>2</b>	70215001P	Door Switch Actuator Kit	
<b>3</b>	44075207B	Door Hinge	G and K models; P models starting 7/1/17 with white front panel and starting 7/1/16 with stainless steel front panel
	44218703LG	Door Hinge Assembly	L, P and U models; Light gray
	44218701*	Door Hinge Assembly	P models through 9/30/14; L models through 1/28/15; All other models except G and K models
	44218702	Door Hinge Assembly	P models through 9/30/14; L models through 1/28/15; All other models through 3/31/15 except G and K models; Stainless steel
	44218704	Door Hinge Assembly	H, S and U models starting 4/1/15; Stainless steel
<b>4</b>	70442101	Screw	3 required
<b>5</b>	M400044	Screw	6 required
<b>6</b>	M4773P3	Hinge Cam Kit	B, G, I and K models; P models starting 7/1/17 with white front panel and starting 7/1/16 with stainless steel front panel
	M4772P3	Hinge Cam Kit	C, H, L, N, P, S and U models
<b>7</b>	70409801	Screw	B, G, I and K models; P models starting 7/1/17 with white front panel and starting 7/1/16 with stainless steel front panel; 2 required
	70033504	Screw	C, H, L, N, P, S and U models; 2 required
<b>8</b>	44035002	Door Hinge Lug Assembly	G and K models; P models starting 7/1/17 with white front panel and starting 7/1/16 with stainless steel front panel; Black
	44218101	Door Hinge Lug Assembly	All other models
<b>9</b>	70058501	Pop Rivet	2 required

\* Add Letter To Designate Color. Q - Bisque W - White

# Lint Panel Components



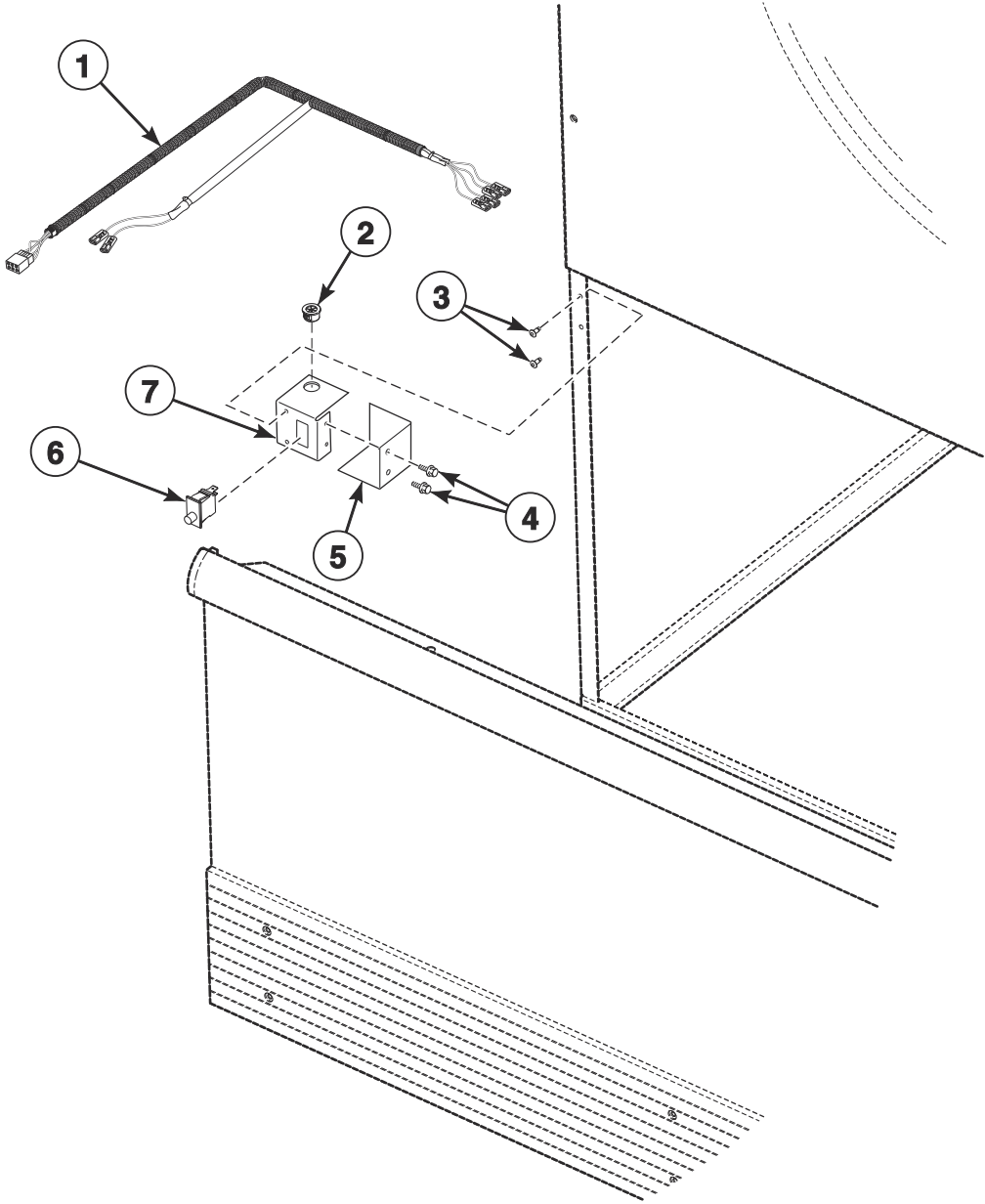
TMB1981P\_70574101

# Lint Panel Components

REF	PART NO.	DESCRIPTION	COMMENTS
1	44049903	Handle and Caps Assembly	B, C, I, N, S and U models; L models through 1/28/15; P models through 9/30/14 and starting again 7/1/17 with white front panel and starting 7/5/16 with stainless steel front panel; Black
	70407212	Handle Bumper	P models starting 10/1/14; L models starting 1/29/15
	44049904	Handle and Caps Assembly	H and U models; Gray
	70407204	Handle Bumper	G and K models; Black and blue; Does not have endcaps
	2	430757	Screw
3	44014001	Roller Catch Mounting Bracket	2 required
4	H87020202	Roller Catch	2 required; Includes strike
5	61199	Screw	8 required
6	D501086	Screw	4 required
7	70054	Nut	8 required
8	44012304DG	Lint Panel	P models; Models starting 10/1/14; Dark gray
	44012304	Lint Panel	P models; Models starting 10/1/14; Cold rolled steel
	44012307	Lint Panel	P models; Stainless steel
	44012301*P	Lint Panel	P models through 9/30/14; All other models
	44012302P	Lint Panel	P models through 9/30/14; All other models through 3/31/15; Stainless steel
	44012306	Lint Panel	All models except P models starting 4/1/15; Stainless steel
	44012303LG	Lint Panel	U models; Light gray
9	M405535	Washer	4 required
10	44087101	Nut	4 required
11	44017801	Lint Panel Clip	2 required
12	44017901	Bolt	4 required
13	70117611	Kickplate	B, C, G, I, K, L, N, P and S models; U models through 8/17/14; Black
	70117612	Kickplate	H models; U models starting 8/18/14; Gray
14	70126301	Pop Rivet	B, C, G, I, K, L, N, P and S models; U models through 8/17/14; Black; 6 required
	70126401	Pop Rivet	H models; U models starting 8/18/14; Gray; 6 required

\* Add Letter To Designate Color. Q - Bisque W - White

# Lint Panel Switch Assembly

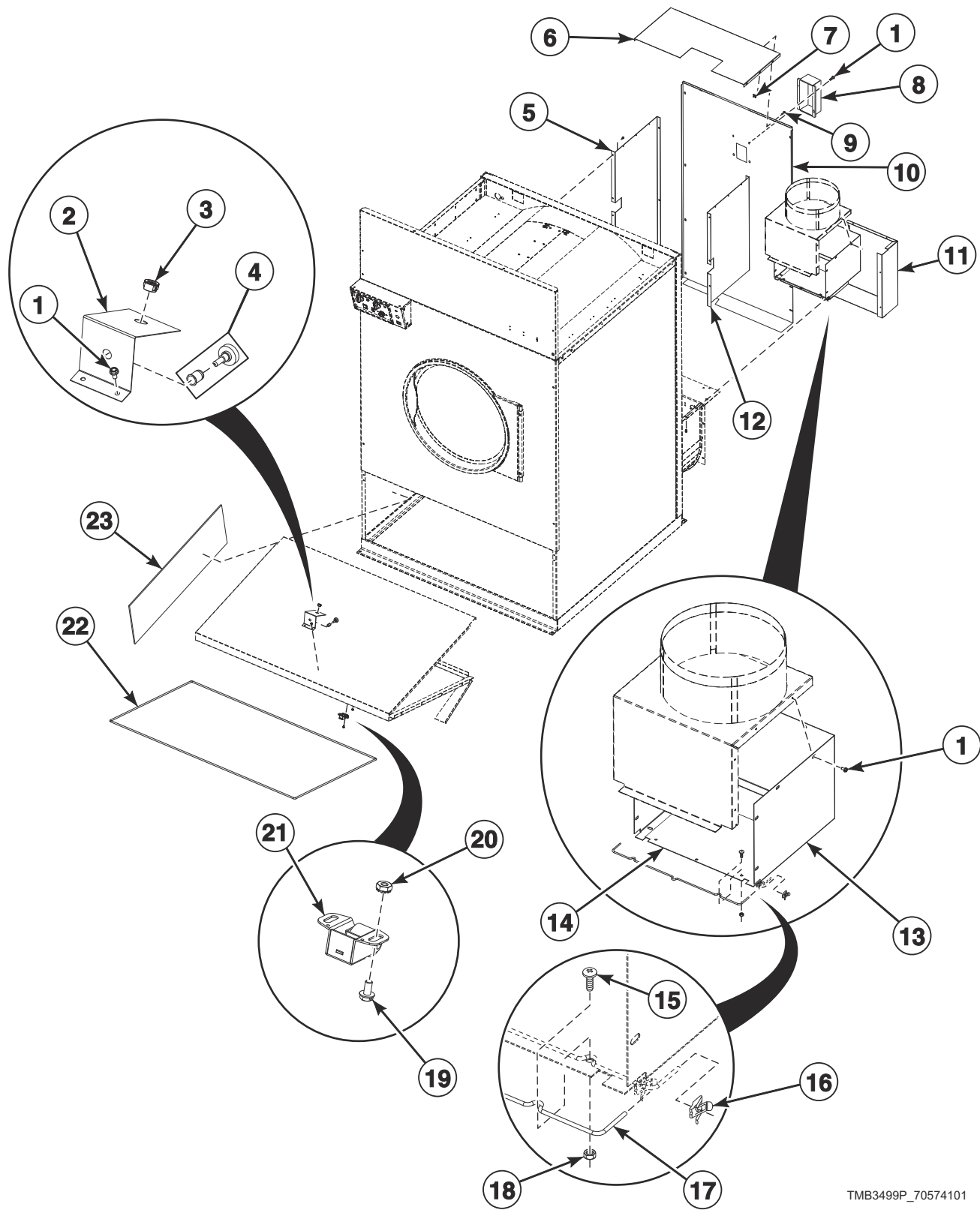


TMB2992P\_70574101

## Lint Panel Switch Assembly

REF	PART NO.	DESCRIPTION	COMMENTS
1	44227001	Base Harness	
2	M411537	Bushing	
3	430725	Pop Rivet	2 required
4	430497	Screw	2 required
5	44026801	Lint Panel Switch Cover	
6	70413401	Switch Assembly	With boot
7	44013401	Lint Panel Switch Bracket	

# Lint Screen and Drive Guard



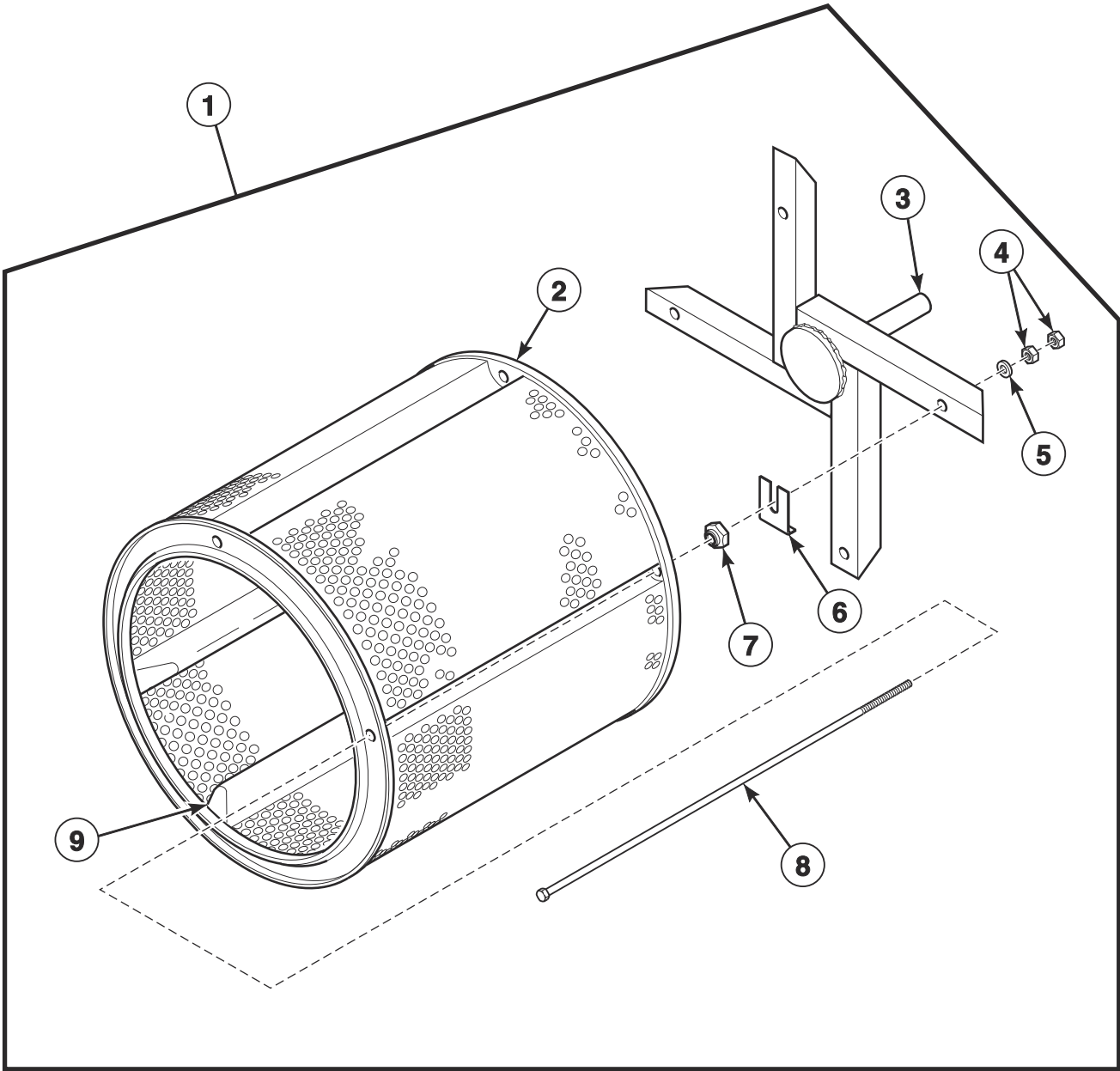
TMB3499P\_70574101

## Lint Screen and Drive Guard

REF	PART NO.	DESCRIPTION	COMMENTS
1	430497	Screw	
2	44051301	Thermistor Bracket Assembly	Includes bracket and thermistor nut
3	M411537	Bushing	2 required for thermistor harness and cabinet rear
4	M414704	Thermistor	
5	44160001	Belt Guard Side	Left; Use 70015709 Gasket on edges
6	44253001	Belt Guard	Top
7	M400984	Clip	12 required
8	44222501	Guard Extension	Moisture sensing
9	M411072	Screw	12 required
10	44253101	Belt Guard	Non-moisture sensing
	44253102	Belt Guard	Moisture sensing
11	44159801	Belt Guard	Corner
12	44160101	Belt Guard Side	Right
13	M412391	Exhaust Duct Box Wrap	
14	M413402	Damper Vane	
15	M400044	Screw	3 required
16	M400976	Clip	
17	M413401	Damper Rod	
18	23951	Nut	3 required
19	61199	Screw	
20	70054	Nut	
21	H87020202	Roller Catch	Includes strike
22	44063603P	Lint Screen	Includes frame
	44077703P	Lint Screen	Includes snaps; Frame not included
23	M411593	Insulation	

\* Add Letter To Designate Color. Q - Bisque W - White

# Cylinder and Trunnion Assembly



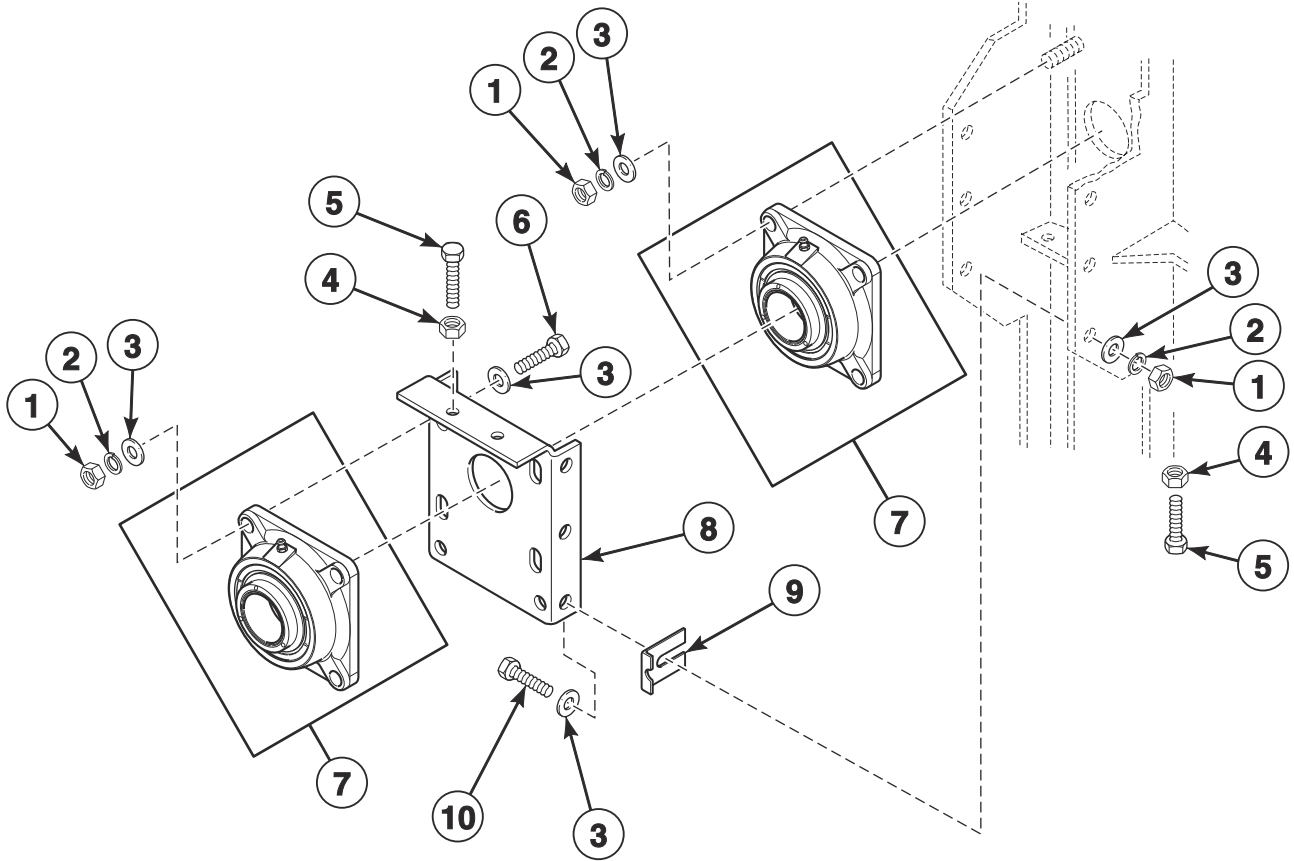
TMB1811B\_70574101



## Cylinder and Trunnion Assembly

REF	PART NO.	DESCRIPTION	COMMENTS
1	44221601	Cylinder and Trunnion Assembly	Galvanized; Non-moisture sensing
	44214901	Cylinder and Trunnion Assembly	Galvanized; Moisture sensing
	44221602	Cylinder and Trunnion Assembly	Stainless steel; Non-moisture sensing
	44214902	Cylinder and Trunnion Assembly	Stainless steel; Moisture sensing
2	44221501	Cylinder Assembly	Galvanized; Non-moisture sensing
	44215001	Cylinder Assembly	Galvanized; Moisture sensing
	44221502	Cylinder Assembly	Stainless steel; Non-moisture sensing
	44215002	Cylinder Assembly	Stainless steel; Moisture sensing
3	44240801	Trunnion Assembly	Non-moisture sensing
	44240802	Trunnion Assembly	Moisture sensing
4	H88412101	Nut	8 required
5	70261401	Washer	4 required
6	M401402	Spacer	As required
7	M412334	Nut	4 required
8	44215501	Bolt	4 required
9	44191205	Cylinder Rib Assembly	Moisture sensing

# Trunnion Bearings

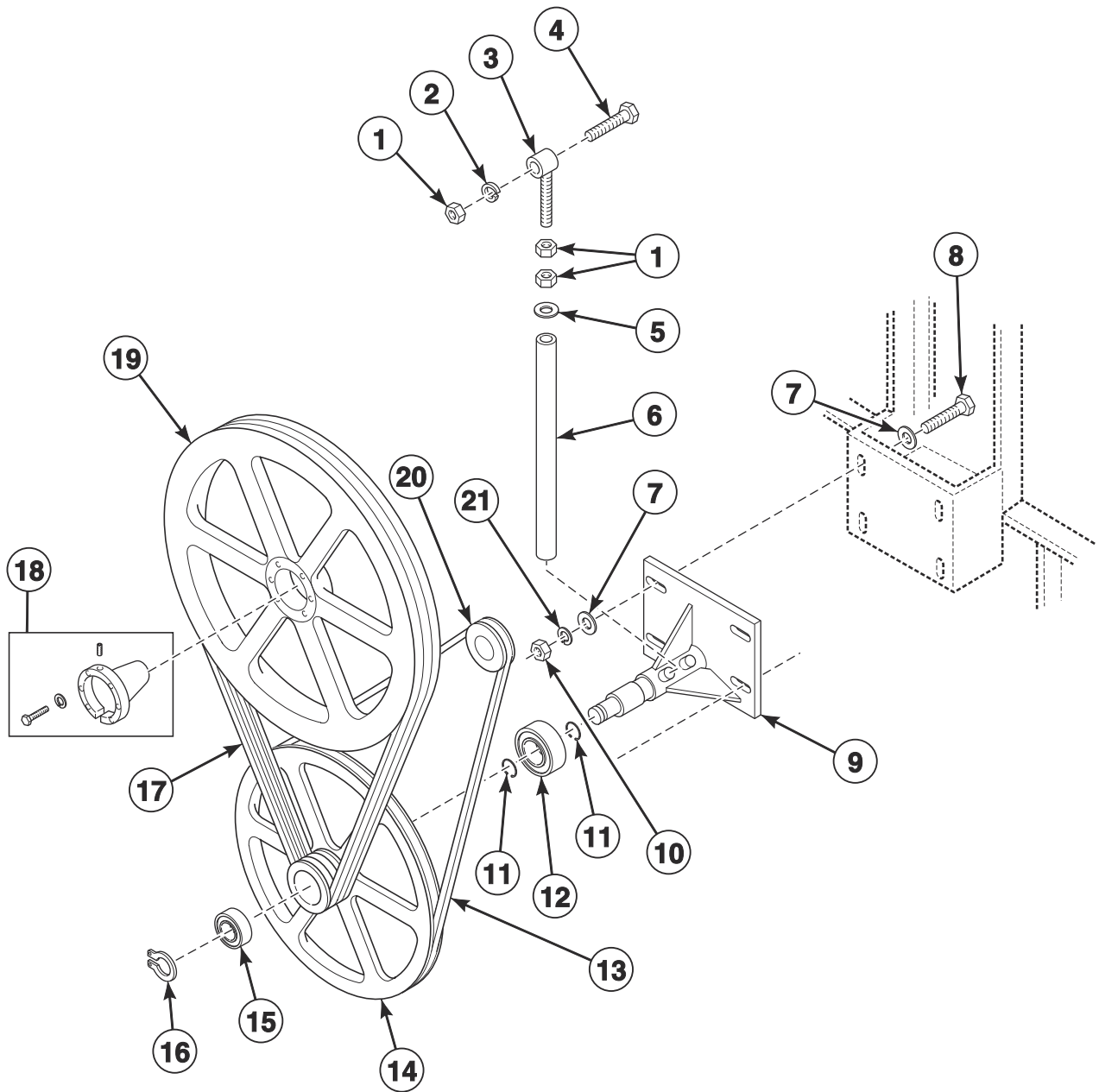


TMB3251P\_70574101

# Trunnion Bearings

REF	PART NO.	DESCRIPTION	COMMENTS
1	H88412101	Nut	
2	M400015	Washer	
3	70261401	Washer	
4	20274	Nut	
5	H88213996	Screw	
6	M411165	Screw	
7	44048301P	Flange Bearing	
8	H96428008	Bearing Mounting	
9	M401402	Spacer	As required
10	H88012034	Screw	

# Drive Sheave, Step Pulley and Belts

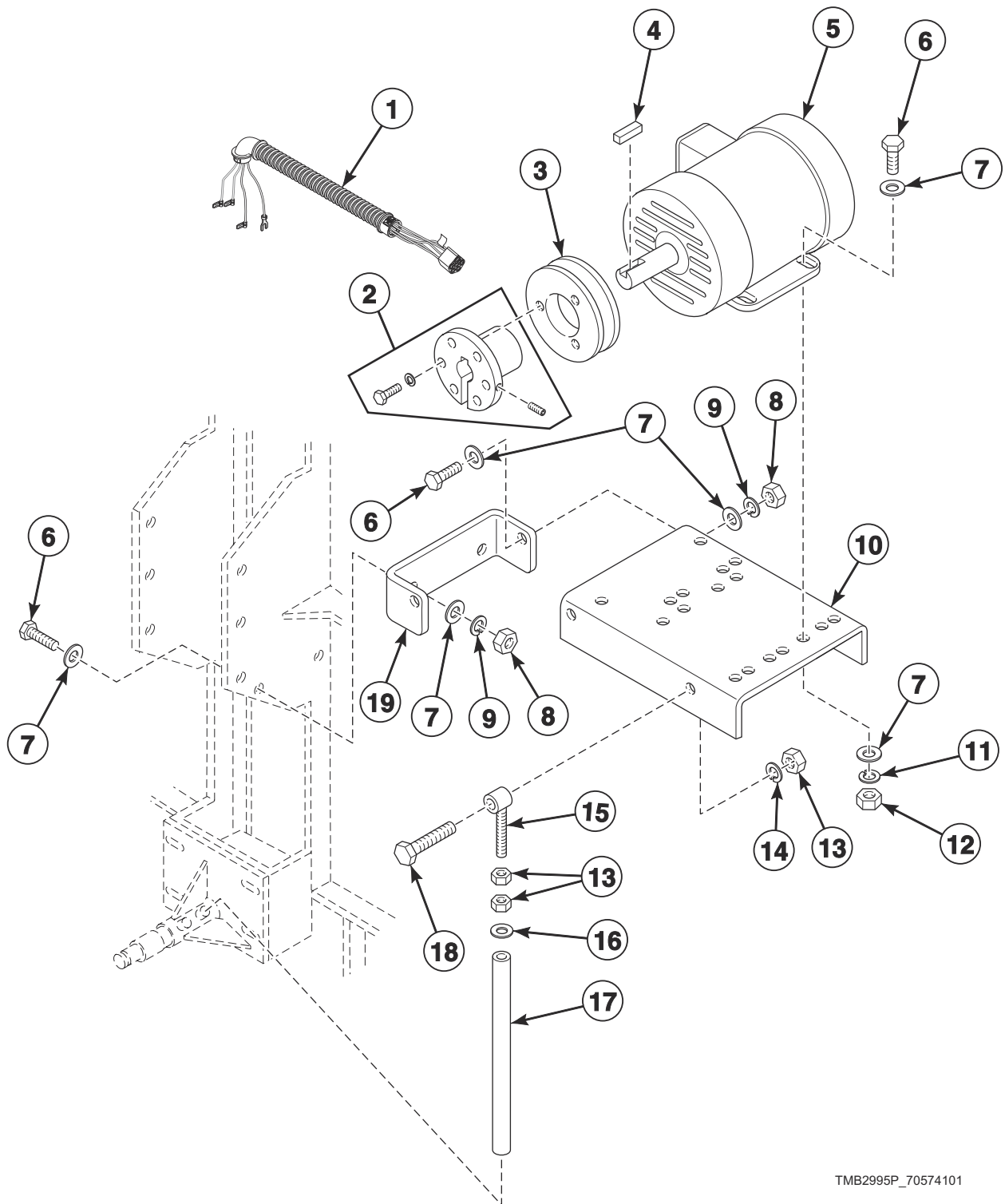


TMB2585P\_70574101

## Drive Sheave, Step Pulley and Belts

REF	PART NO.	DESCRIPTION	COMMENTS
1	H88412101	Nut	
2	M400015	Washer	
3	44048501	Rod End	Eyebolt assembly
4	M400063	Screw	
5	70261401	Washer	
6	H96428487	Belt Adjustment Tube	
7	M400081	Washer	8 required
8	22688	Screw	4 required
9	H96357751	Jackshaft Assembly	
10	20274	Nut	4 required
11	H88603477	Retaining Ring	Step pulley bearings stops; 2 required
12	H87672374	Ball Bearing	Inner; Step pulley
13	F280362	Belt	
14	M4696P3	Step Pulley and Bearing Kit	Includes H96428024 Step Pulley, M414321 Spacer, M4718P3 Step Pulley Outer Bearing Kit and items 11, 12 and 15
15	M414367	Ball Bearing	Outer
16	H88602263	Retaining Ring	Step pulley to jackshaft
17	H87533816P	Belt Set	Set of 3
18	H8752985HP	Bushing	Includes M400014 Washer, 44048902 Screw and 44079204 Screw
19	H8752251H	Sheave	
20	H8752026H	Sheave	50 Hertz; 2.65 inch OD
	H87520334	Sheave	60 Hertz; 3.35 inch OD
21	M400014	Washer	4 required

# Cylinder Drive Motor

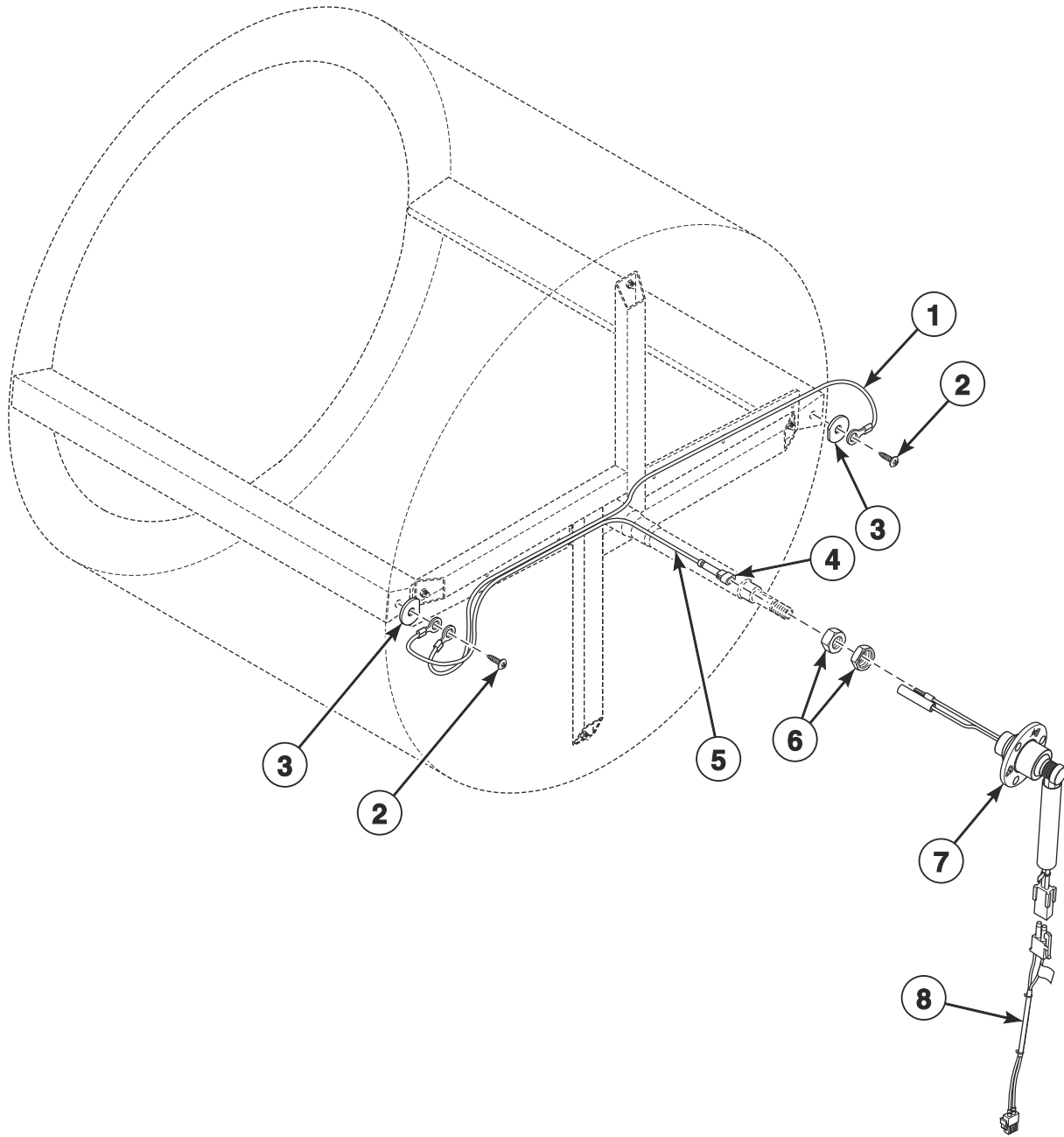


TMB2995P\_70574101

## Cylinder Drive Motor

REF	PART NO.	DESCRIPTION	COMMENTS
1	44162901	Cylinder Motor Harness	
2	F280297	Pulley Bushing	60 Hertz
3	44264301	Sheave	60 Hertz; 4.5 inch OD
	44270801	Sheave	50 Hertz; 5.3 inch OD
4	H8752006H	Key	
5	44263401	Drive Motor	
6	M400056	Screw	
7	M400080	Washer	
8	M412986	Nut	
9	M400014	Washer	
10	44253301	Motor Base	
11	M400013	Washer	
12	70142	Nut	
13	H88412101	Nut	
14	M400015	Washer	
15	44048501	Rod End	Eyebolt assembly
16	70261401	Washer	
17	H96428487	Belt Adjustment Tube	
18	M400063	Screw	
19	H96428693	Base Bracket	

# Moisture Sensing Components



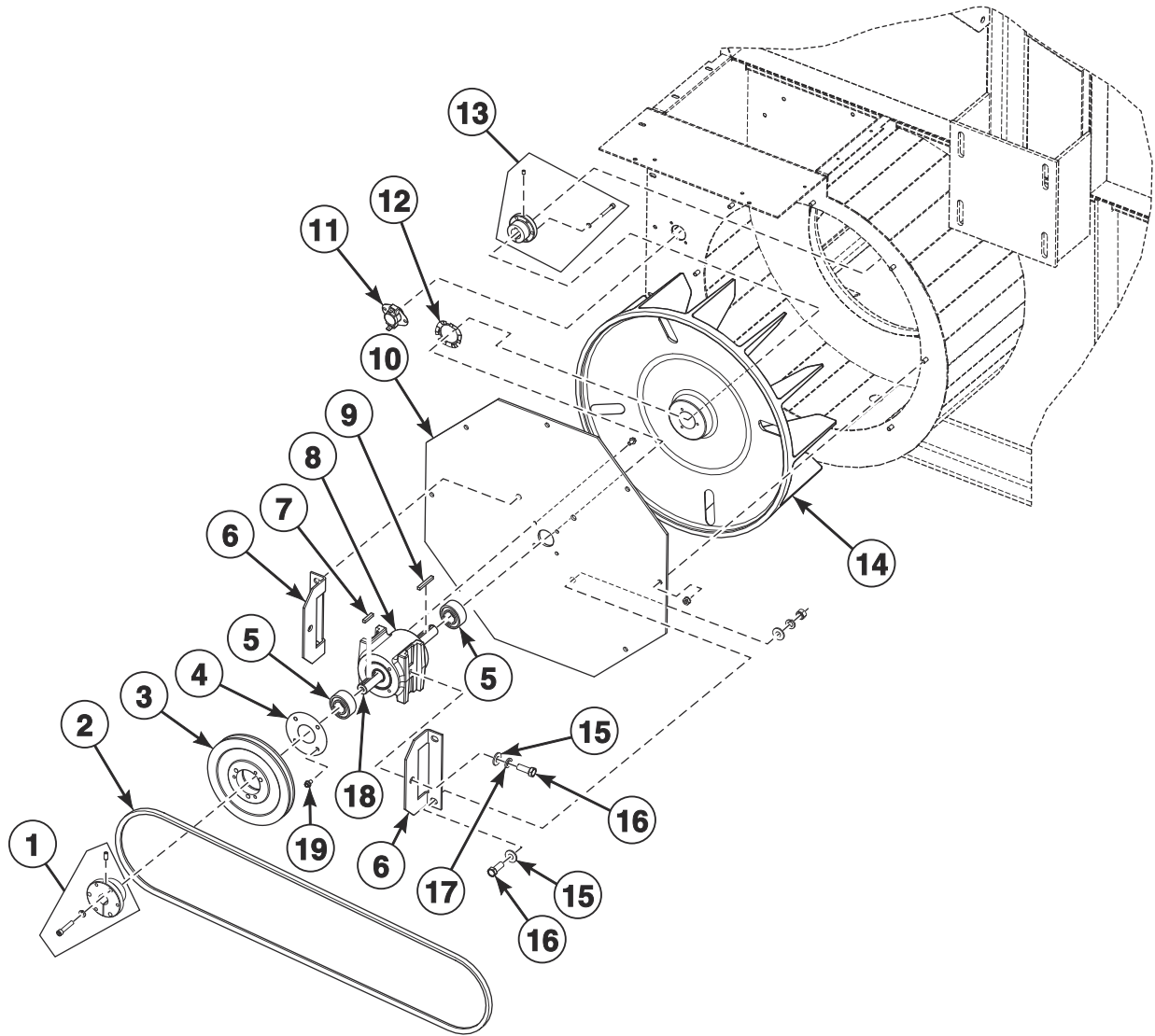
TMB3444P\_70574101



## Moisture Sensing Components

REF	PART NO.	DESCRIPTION	COMMENTS
	70468901	Moisture Sensor Test Wires	Use to troubleshoot the moisture sensor circuit
1	44208101	Rib Wire	
2	44338901	Screw	
3	44238902	Washer	
4	44370401	1 Circuit Plug Housing	
5	44344703	Moisture Sensing Harness Kit	
6	M400035	Nut	
7	44222702	Slip Ring Assembly	
8	44209201	Moisture Sensor Harness Assembly	Goes from item 7 to main harness

# Fan Assembly

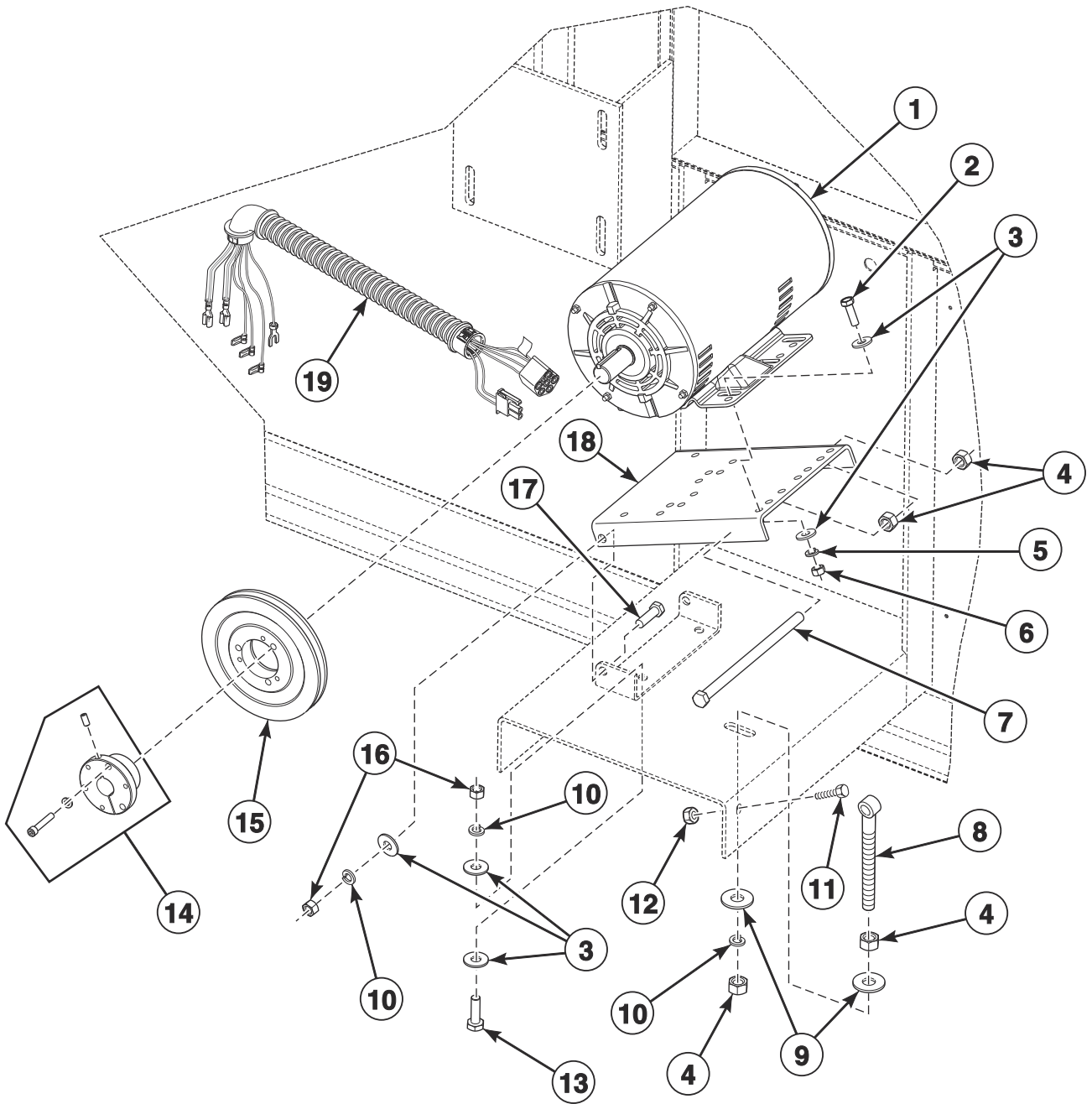


TMB2586P\_70574101

# Fan Assembly

REF	PART NO.	DESCRIPTION	COMMENTS
	M412630	Idler Housing Assembly	Includes items 5, 8 and 18
1	H8752922HP	Bushing	Includes 44079202 Screw, 03189 Washer and 44048902 Screw
2	44239801	Belt	
3	H8752060H	Sheave	6 inch OD; 50 Hertz
	H8752065H	Sheave	6.5 inch OD; 60 Hertz
4	M401370	Bearing Retainer	
5	M401375P	Ball Bearing	2 required for item 8
6	M414235	Fan Bearing Bracket	2 required
7	M401327	Key	
8	M412612	Idler Housing	
9	M400993	Key	
10	M414237	Blower Cover	
11	M411403	Limit Thermostat	184 closed
	M411946	Limit Thermostat	184 closed; Manual reset; CE and Australian models
	H8900530H	Thermostat	135 closed; Models with RT control suffix; Non-functional on models with RM and RQ control suffixes
12	M400401	Loading Spring	
13	M412917P	Bushing	Includes 44079301 Screw, 56552 Washer and 44048901 Screw
14	H96368469	Fan	
15	M400080	Washer	
16	M400043	Screw	6 required
17	M400014	Washer	
18	M414241	Idler Shaft	
19	70187202	Screw	8 required

# Fan Motor Assembly

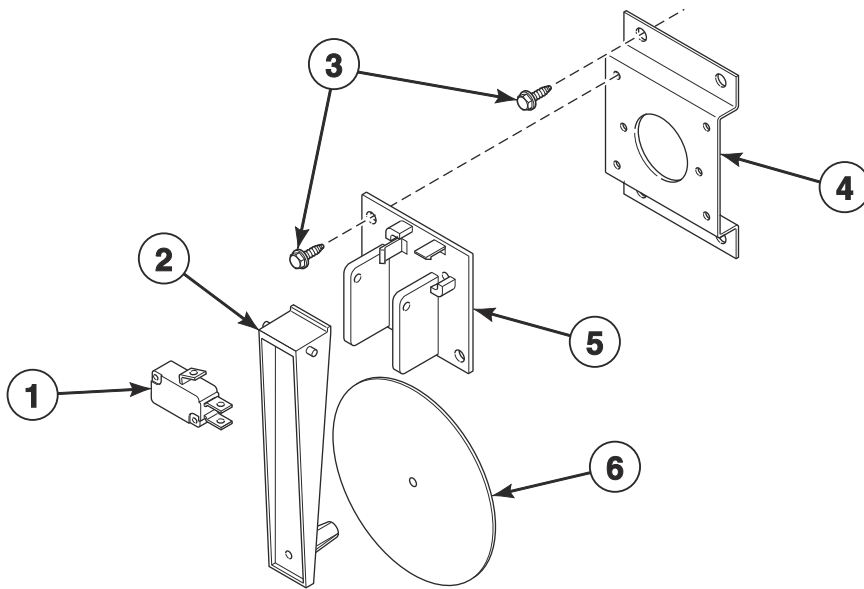


TMB2999P\_70574101

# Fan Motor Assembly

REF	PART NO.	DESCRIPTION	COMMENTS
1	44313501P	Fan Motor	3 hp; 200-208, 240 Volt/60 Hertz/3 Phase; 460-480 Volt/60 Hertz/3 Phase; Key included; No capacitor
	44046601P	Motor	3 hp; 380, 400-415 Volt/50 Hertz/3 Phase; Key included; No capacitor
	44313601	Motor	380 Volt/60 Hertz/3 Phase; Key included; No capacitor
2	M400056	Screw	4 required
3	M400080	Washer	
4	H88412101	Nut	4 required
5	M400013	Washer	4 required
6	70142	Nut	4 required
7	44161501	Screw	
8	44048501	Rod End	
9	70261401	Washer	2 required
10	M400014	Washer	
11	H88010038	Screw	Belt motor to fan motor base
12	29786	Nut	Belt motor to fan motor base
13	22688	Screw	4 required
14	44237801	Bushing	Includes 44079202 Screw, 03189 Washer and 44048902 Screw; Use with 44046501P Motor and 44046601P Motor; 7/8 inch ID
	44233801	Bushing	Includes 44079202 Screw, 03189 Washer and 44048902 Screw; Use with 44046501P Motor and 44046601P Motor; 3/4 inch ID
15	44255101	Sheave	Use with 44046501P Motor and 44046601P Motor; 6.55 inch OD
	44255201	Sheave	Use with 44046501P Motor, 44046601P Motor and 44157801 Motor; 7.15 inch OD
16	20274	Nut	4 required
17	H96428693	Base Bracket	
18	M413171	Motor Base	
19	44242601	Fan Motor Harness	

# Airflow Switch

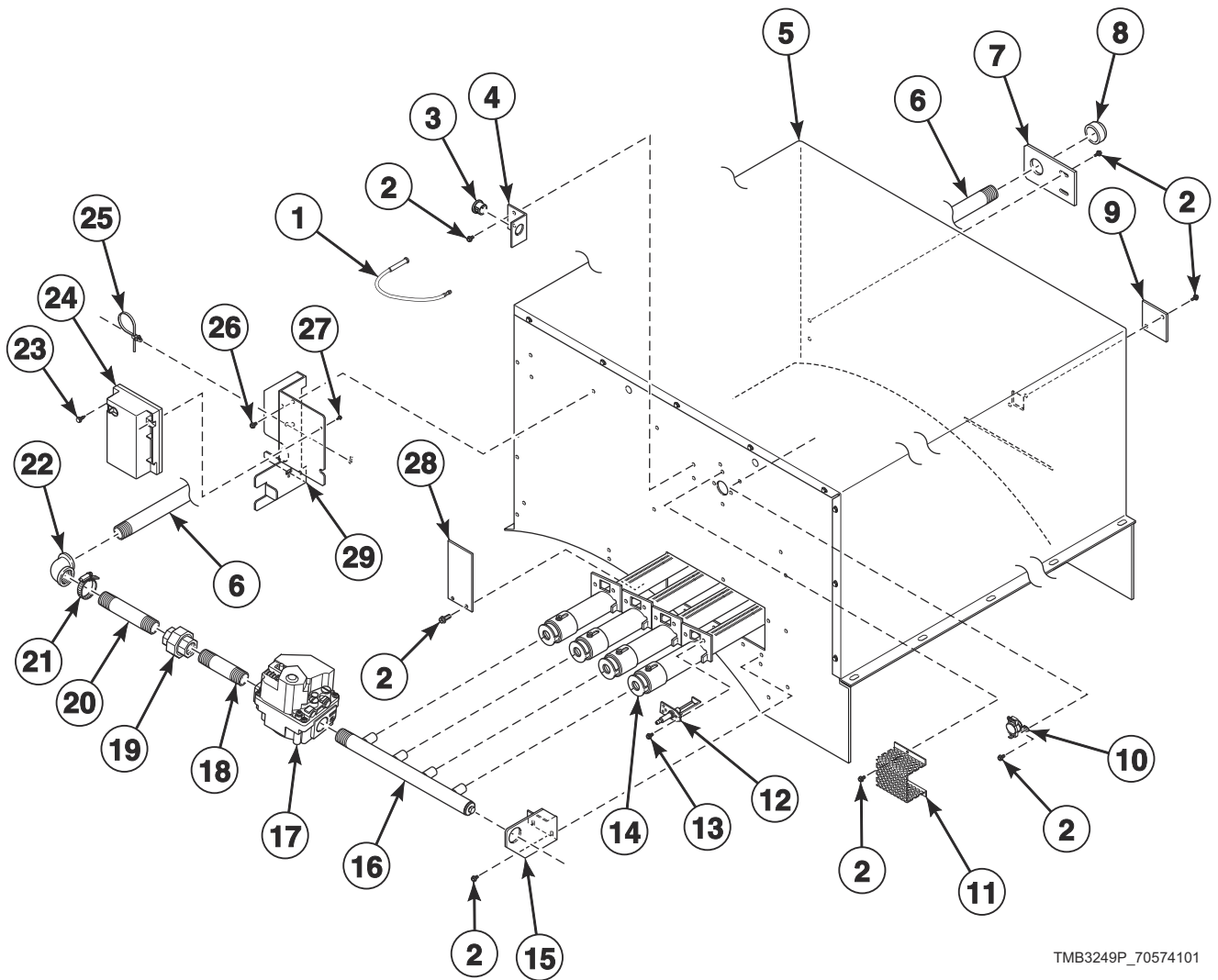


TMB3000P\_70574101

# Airflow Switch

REF	PART NO.	DESCRIPTION	COMMENTS
	70429601P	Airflow Switch Kit	Includes items 1-6
1	70411901	Switch	
2	70319401	Airflow Switch Arm	
3	430497	Screw	
4	70356301	Switch Bracket	
5	70319602	Airflow Switch and Arm Bracket	
6	70319201	Airflow Switch Vane	

# Gas Heater Components



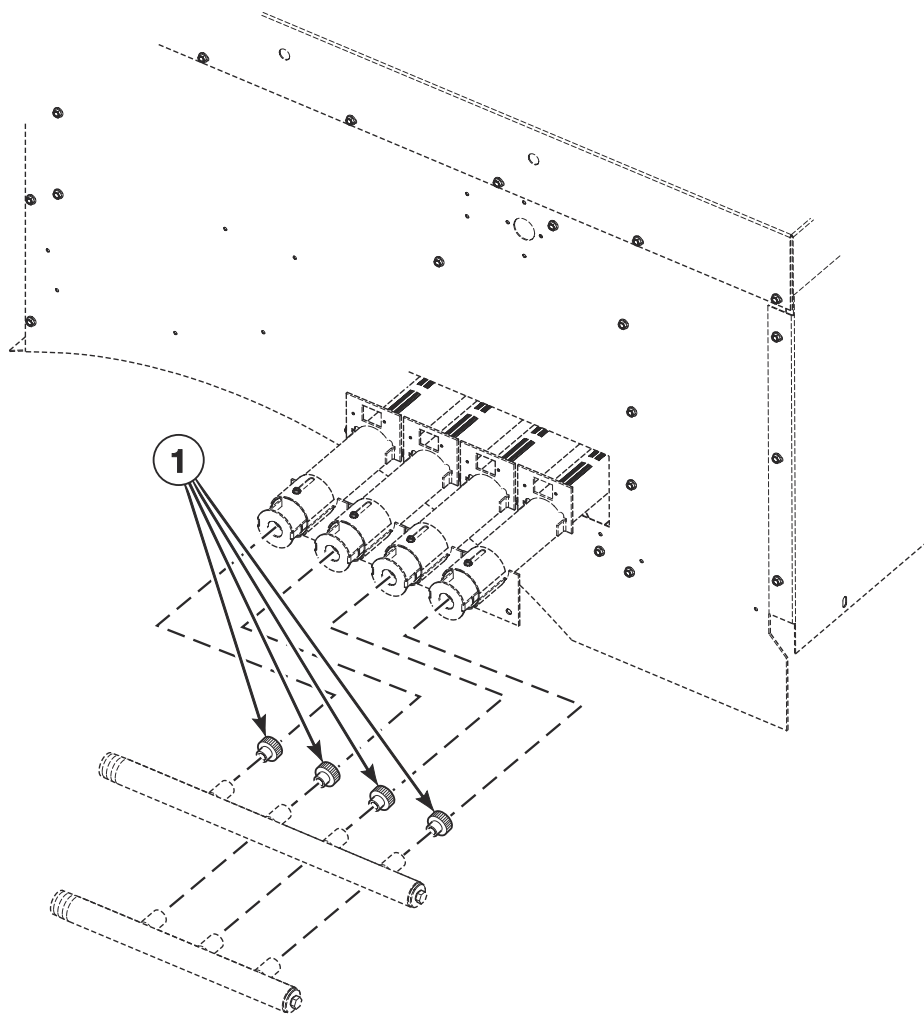
TMB3249P\_70574101



# Gas Heater Components

REF	PART NO.	DESCRIPTION	COMMENTS
	44257701	L.P. Conversion Kit	N.G. to L.P.; Non-CE models
	70184001	Gas Valve Harness	
	44240401P	L.P. Valve Conversion Kit	Unregulated; N.G. to L.P.; Must also order orifice, refer to Installation Manual
	44240402P	L.P. Conversion Kit	Regulated; N.G. to L.P.; CE models; Must also order orifice, refer to Installation Manual
1	44239703	High Voltage Suppression Cable	
2	430497	Screw	
3	44071501	Snap Bushing	
4	431078	Stove Limit Harness Bracket	
5	44243901	Gas Stove Assembly	
6	44252401	Pipe Nipple	
7	44249301	Pipe Bracket	
8	44087801	Pipe Cap	
9	70159601	Igniter Cover	
10	431177	Stove Limit Thermostat	Non-CE and non-Australian models; L.P.
	M413989	Manual Reset Thermostat	CE and Australian models; L.P.
	70299001	Limit Thermostat	Non-CE and non-Australian models; N.G.
	44253901	Manual Reset Thermostat	CE, Australian and Korean models; N.G.
11	M414477	Thermostat Cover	
12	44328701P	Spark Electrode	
13	51782	Screw	2 required
14	M412025P	Burner	N.G. 4 required; L.P. 3 required
15	44173801	Manifold End Bracket	
16	44390002	Spud Holder Weldment	
17	44227201	Gas Valve	N.G.
	44227202	Gas Valve	L.P.
18	44249501	Pipe Nipple	
19	M411419	Pipe Union	
20	44252301	Pipe Nipple	
21	20391	Hose Clamp	
22	44249401	Pipe Elbow	
23	51783	Screw	
24	70458601P	Ignition Control	Non-CE and non-Australian models
	70483201P	Ignition Control	CE and Australian models
25	M405829	Cable Tie	
26	51780	Screw	
27	38272	Screw	
28	44249601	Burner Opening Cover	L.P.
29	44245701	Gas Valve Bracket	

# Burner Orifices for Non-CE and Non-Australian Gas Models



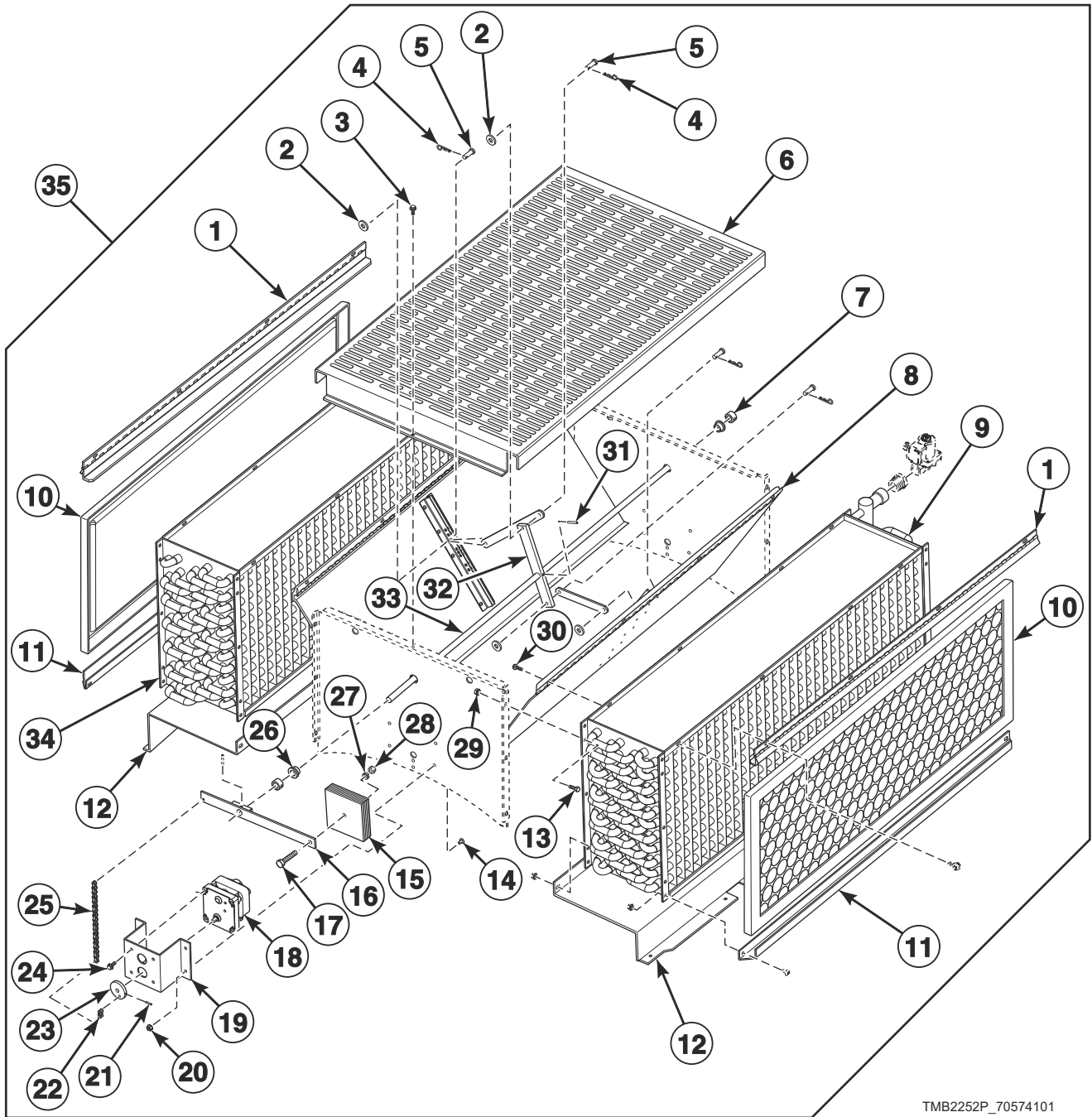
TMB2528P\_70574101

## Burner Orifices for Non-CE and Non-Australian Gas Models

REF	PART NO.	DESCRIPTION	COMMENTS
1	70684154	Burner Orifice	Natural Gas (N.G.); 0-2,000 feet; Drill no. 9 (5.0 mm); 4 required
	70684151	Burner Orifice	N.G.; 2,001-4,000 feet; Drill no. 12 (4.8 mm); 4 required
	70684149	Burner Orifice	N.G.; 4,001-6,000 feet; Drill no. 14 (4.6 mm); 4 required
	70684146	Burner Orifice	N.G.; 6,001-8,000 feet; Drill no. 17 (4.4 mm); 4 required
	70684143	Burner Orifice	N.G.; 8,001-10,000 feet; Drill no. 19 (4.2 mm); 4 required
	70684131	Burner Orifice	Liquid Petroleum (L.P.); 0-2,000 feet; 3.4 mm; 4 required
	70684129	Burner Orifice	L.P.; 2,001-4,000 feet; Drill no. 30; 4 required
	70684128	Burner Orifice	L.P.; 4,001-6,000 feet; Drill no. 1/8 (3.2 mm); 4 required
	70684126	Burner Orifice	L.P.; 6,001-8,000 feet; Drill no. 31 (3.0 mm); 4 required
	70684124	Burner Orifice	L.P.; 8,001-10,000 feet; Drill no. 33 (2.9 mm); 4 required

**NOTE: For CE gas and orifice information, refer to Installation Manual.**

# Steam Heater Components - Except B, C and I Models

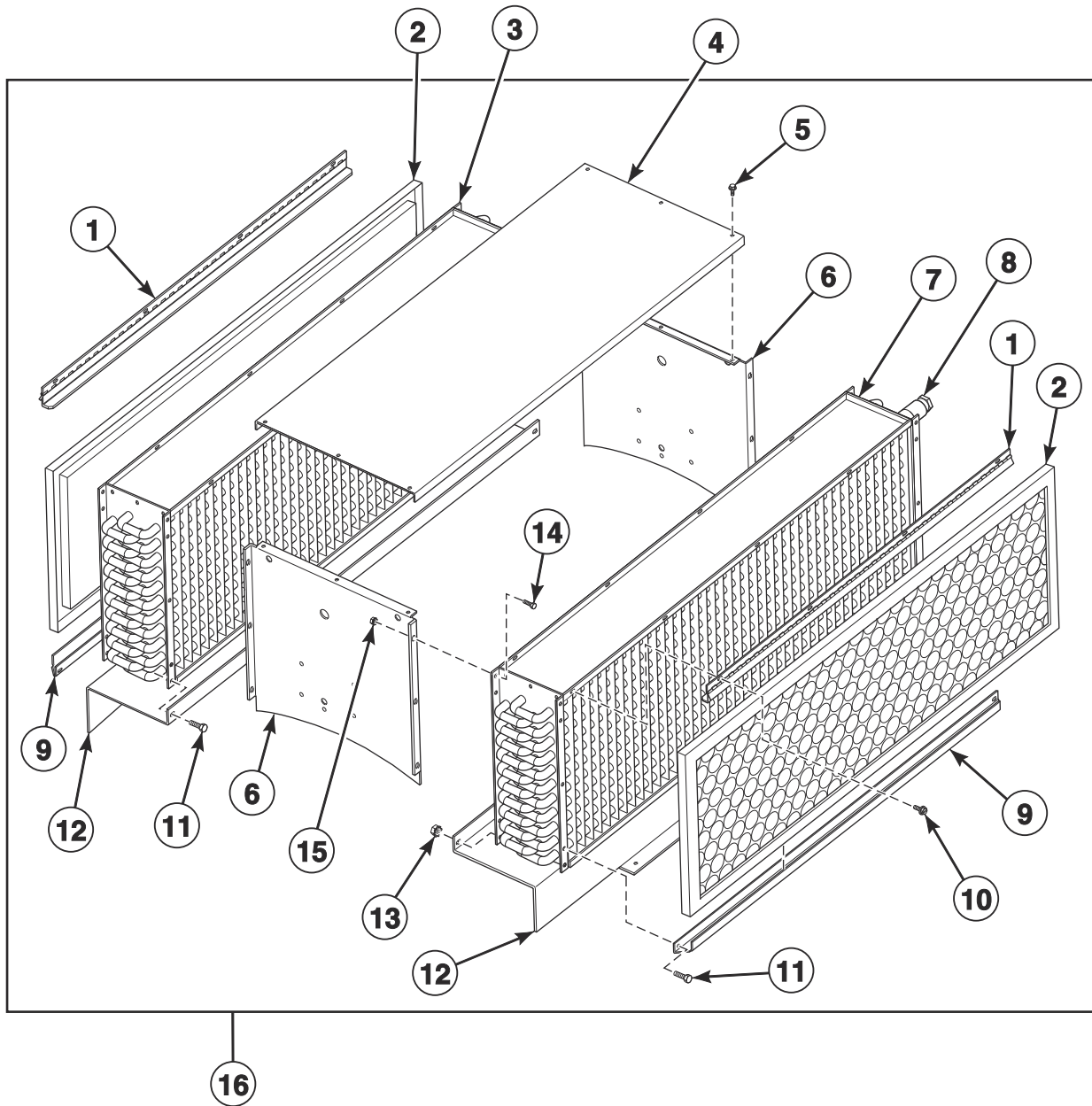


TMB2252P\_70574101

## Steam Heater Components - Except B, C and I Models

REF	PART NO.	DESCRIPTION	COMMENTS
	M414801	Damper Bracket	Thermal oil models; 4 required
	44243601	Steam Valve Interface Harness	
1	44088101	Steam Filter Top Hinge Assembly	2 required
2	800465	Washer	4 required
3	M405188	Screw	2 required
4	44091601	Hairpin Cotter	4 required
5	44091501	Clevis Pin	4 required
6	44018501	Steam Coil Housing Cover	
	44115201	Steam Cover	
7	M414451	Shaft Collar	2 required
8	H96367685	Damper Assembly	2 required
9	M409834P	Steam Coil	All models except thermal oil models; Right; 902303 Steam Pressure Label by inlet connection
10	44172101	Filter	2 required; CE models
	H96362264	Coil Filter	2 required; All other models
11	44045101	Filter Channel	2 required
	44088101	Steam Filter Top Hinge Assembly	
12	M412201	Steam Coil Support	2 required
13	02422	Screw	14 required
14	801019	Screw	8 required
15	M413331	Damper Counterweight	7 required
16	H96387501	Actuator Arm Assembly	
17	H88010574	Screw	
18	M412905P	Damper Motor	50 Hertz
	M413592P	Damper Motor	60 Hertz
19	H96388145	Motor Bracket	
20	23951	Nut	12 required
21	H88900683	Spring Pin	
22	H96382072P	Master Link	2 required
23	H96388178	Drive Wheel	
24	61199	Screw	4 required
25	H96388186	Drive Chain	
26	M414459	Bushing	2 required
27	M400013	Washer	
28	70142	Nut	
29	29786	Nut	14 required
30	D501086	Screw	16 required
31	H88970256	Roll Pin	2 required
32	44096501	Steam Damper Actuator	
33	H96368956	Damper Shaft	
34	M409833P	Steam Coil	All models except thermal oil models; Left; 902303 Steam Pressure Label by inlet connection
35	M414490P	Steam Heater Assembly	60 Hertz; Includes items 1-34
	M414485	Steam Heater Assembly	50 Hertz; Includes items 1-34

# Steam Heater Components - B, C and I Models



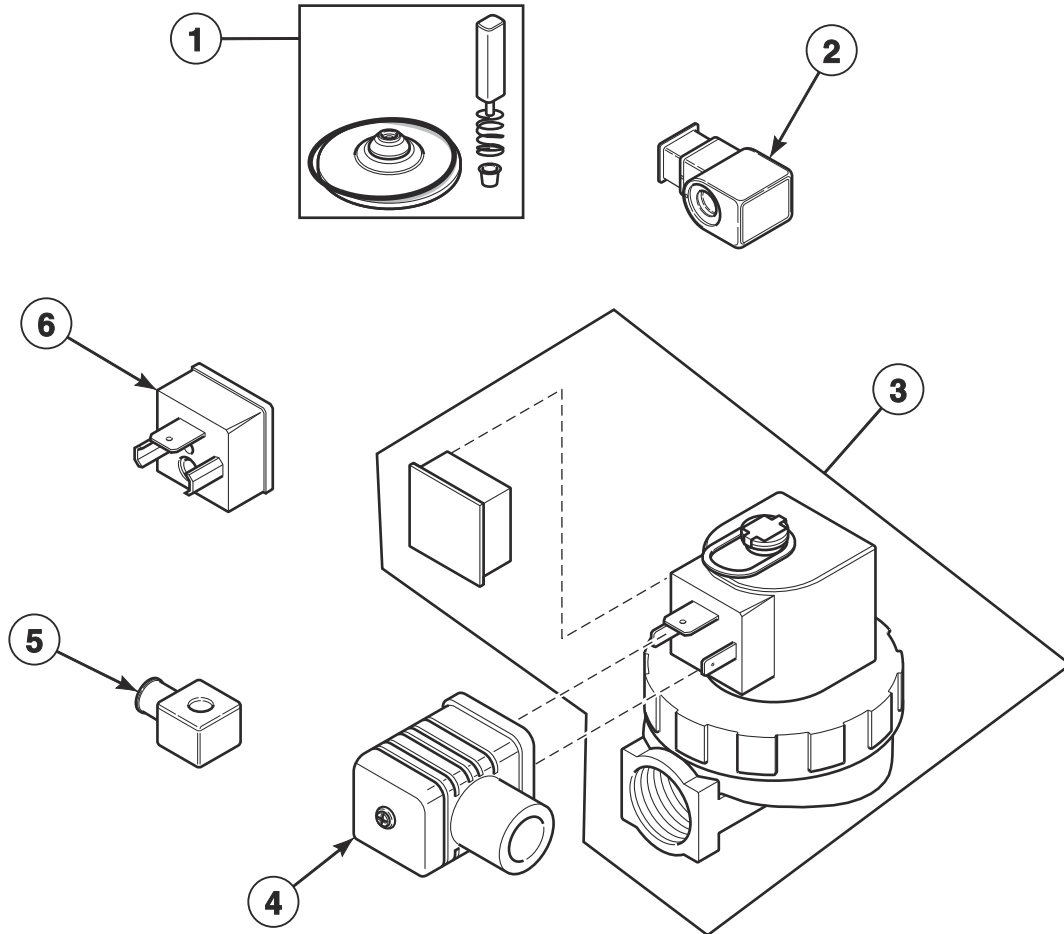
TMB3002P\_70574101

## Steam Heater Components - B, C and I Models

REF	PART NO.	DESCRIPTION	COMMENTS
	M414801	Damper Bracket	Thermal oil models; 4 required
	44243601	Steam Valve Interface Harness	
1	44088101	Steam Filter Top Hinge Assembly	2 required
2	44172101	Filter	2 required; CE models
	H96362264	Coil Filter	2 required; Non-CE models
3	M409833P	Steam Coil	All models except thermal oil models; Left; 902303 Steam Pressure Label by inlet connection
4	44114601	Steam Cover	
5	430497	Screw	6 required
6	44115001	Steam Coil Housing End	2 required
7	M409834P	Steam Coil	All models except thermal oil models; Right; 902303 Steam Pressure Label by inlet connection
8	M409844	Bushing	2 required
9	44045101	Filter Channel	2 required
10	D501086	Screw	8 required
11	801019	Screw	4 required
12	M412201	Steam Coil Support	2 required
13	23951	Nut	4 required
14	02422	Screw	16 required
15	29786	Nut	16 required
16	44114801	Steam Heater Assembly	Includes items 1-15

# Steam Solenoid Valve

All Steam Models Except Thermal Oil Models



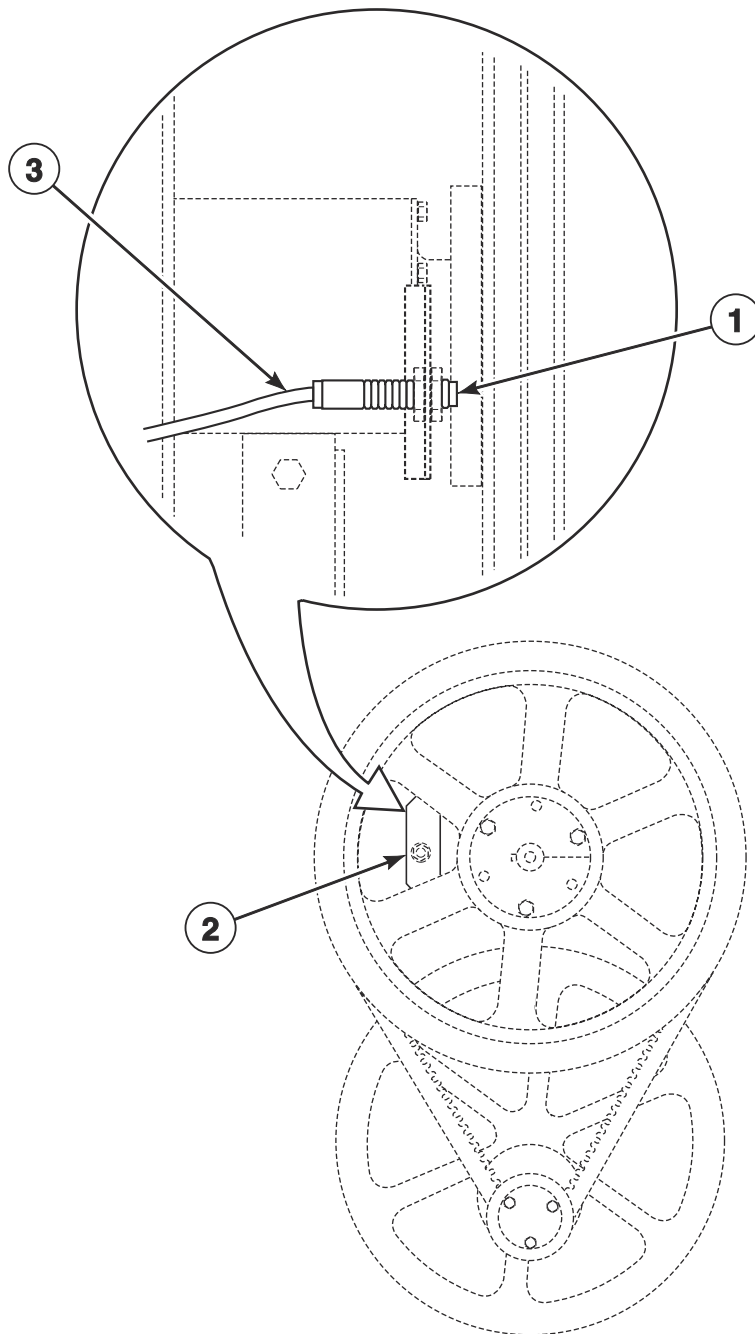
TMB3250P\_70574101



## Steam Solenoid Valve

REF	PART NO.	DESCRIPTION	COMMENTS
	F8514801	Valve Coil	Use with F8322902 Steam Valve
<b>1</b>	70351021P	Steam Valve Rebuild Kit	Parker; Use with 70351001P Steam Valve
	F8379502	Valve Rebuild Kit	Asco; Use with F8322902 and F8322903 Steam Valves
<b>2</b>	70351012	Steam Solenoid	50 Hertz; Used with F8322902 Steam Valve
<b>3</b>	F8521701	Valve Kit	24 Volt/60 Hertz; Parker valve replacement kit
	F8322903	Steam Valve	24 Volt/50 Hertz
	F8322901P	Valve	220 Volt/50 Hertz or 240 Volt/60 Hertz
	F8322906P	Valve	Includes F8322901P Valve and F8382301 DIN Valve Adapter Kit
<b>4</b>	70370301P	Solenoid Valve DIN Connector	
<b>5</b>	70351011P	Steam Solenoid	60 Hertz; Used with 70351001P Steam Valve
<b>6</b>	F8382301	DIN Valve Adapter Kit	

# Rotation Sensor

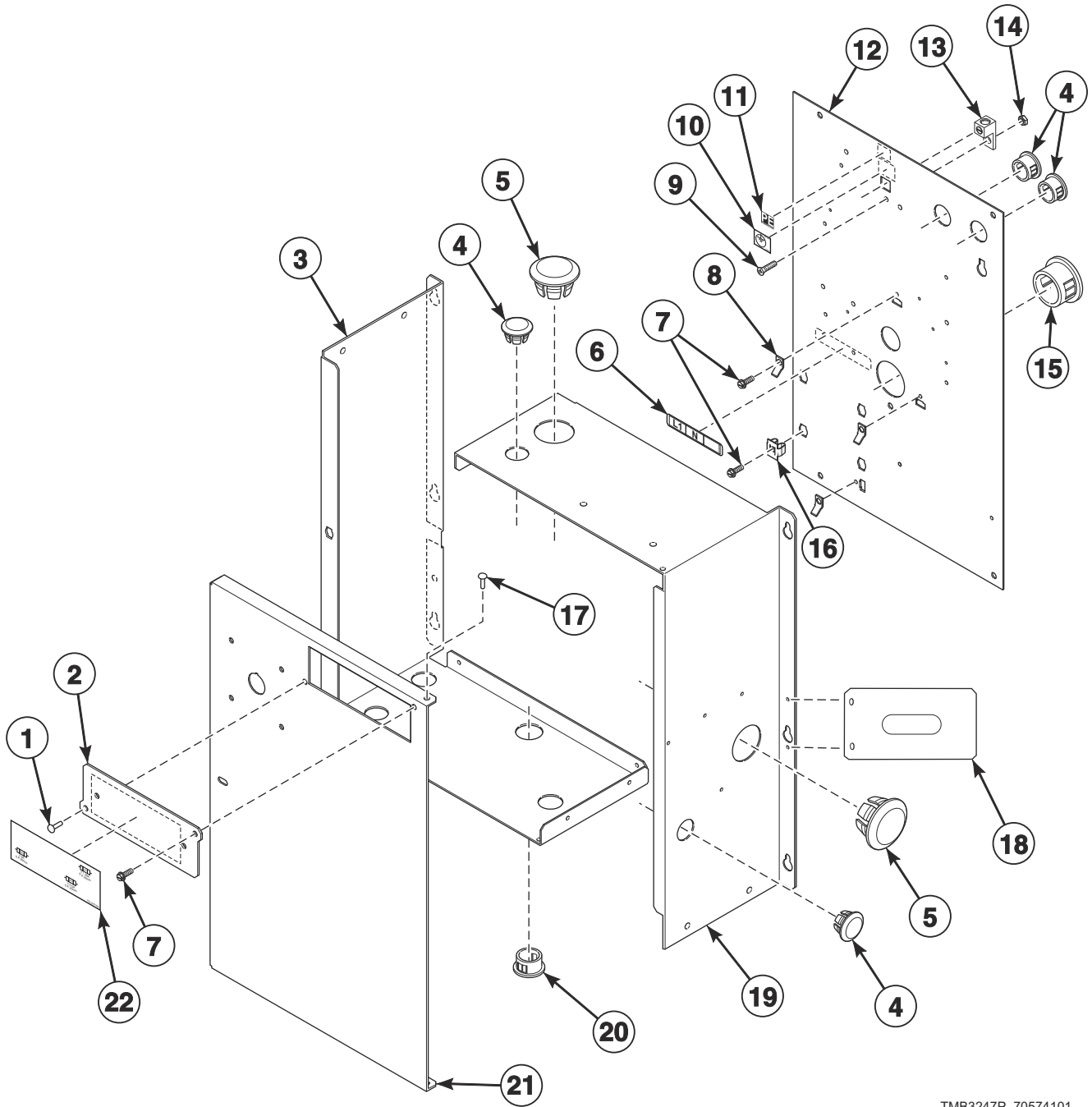


TMB2009P\_70574101

# Rotation Sensor

REF	PART NO.	DESCRIPTION	COMMENTS
	7010P	Rotation Sensor Kit	Includes item 1 and 44250501 Rotation Sensor Harness
1	F8066201	Rotation Sensor	
2	44111101	Rotation Sensor Bracket	
3	44201701	Rotation Sensor Harness	RE and RU control suffixes
	7010P	Rotation Sensor Kit	Models with R3 and RD control suffixes

# Control Tray Wrap Components



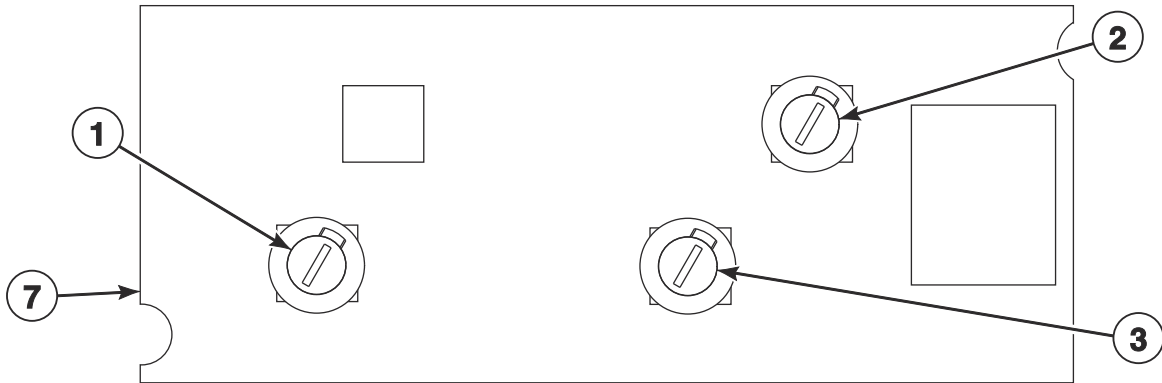
TMB3247P\_70574101

## Control Tray Wrap Components

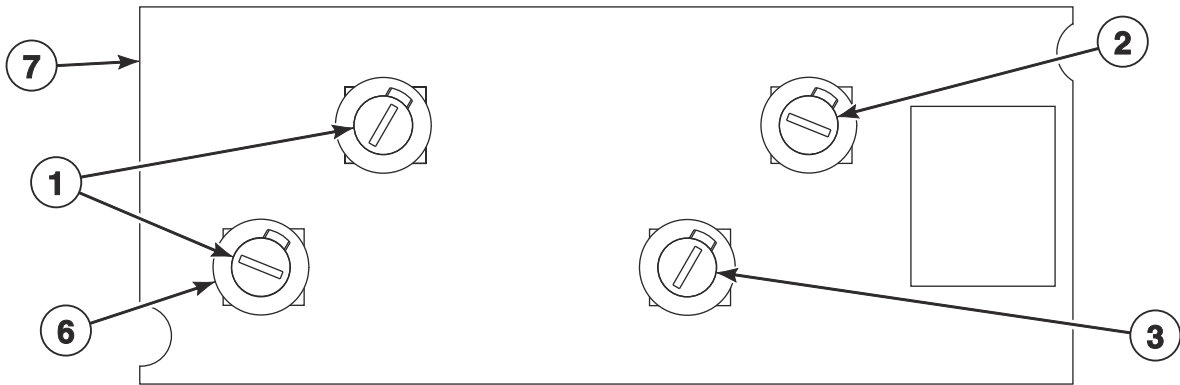
REF	PART NO.	DESCRIPTION	COMMENTS
	M414276	Mount Bracket	Used to mount items 3 and 19 to machine
1	70058501	Pop Rivet	
2	70313301	Fuse Cover	
3	44159001	Contactactor Box Side	
4	M400985	Plug	3 required
5	F8223801	Hole Plug	2 required
6	70218801	Wire Label	L1, N
	70218701	Wire Label	L1, L2, L3
	70219001	Wire Label	L1, N, L2
7	F8206901	Screw	4 required
8	00177	Male Tab Terminal	3 required
9	F430909	Screw	
10	F230739	Ground Decal	
11	M412096	Earth Terminal Sticker	
12	44133701	Contactactor Box Base	
13	M411283	Ground Lug Connector	
14	F430232	Nut	
15	M405340	Snap Bushing	
16	70030501	Expansion Clip	5 required
17	70058502	Pop Rivet	2 required
18	44175801	Pipe Bracket	
19	44158901	Contactactor Box Side	
20	70178701	Snap Bushing	
21	44134001	Contactactor Box Cover	Non-CE models
	44134002	Contactactor Box Cover	CE models
22	70337301	Fuse Label	3 fuses
	70337201	Fuse Label	4 fuses; Models with less than 380 Volts
	70337401	Fuse Label	4 fuses; Gas models with 380 Volts or higher
	44338801	Fuse Label	4 fuses; Steam models with 380 Volts or higher

# Control Tray Fuses

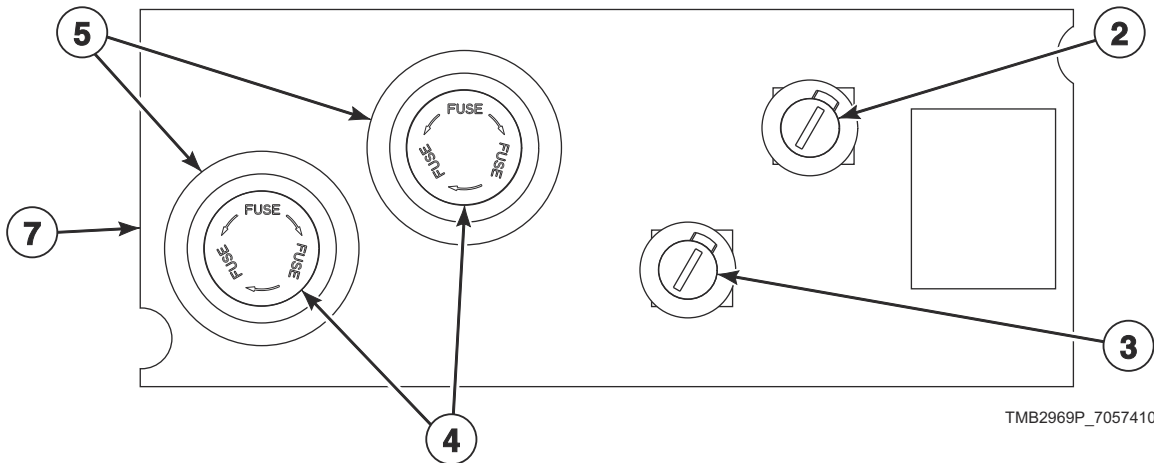
MODELS WITH LESS THAN 380 VOLTS/1 PHASE



MODELS WITH LESS THAN 380 VOLTS/3 PHASE



MODELS WITH 380 VOLTS OR HIGHER/3 PHASE

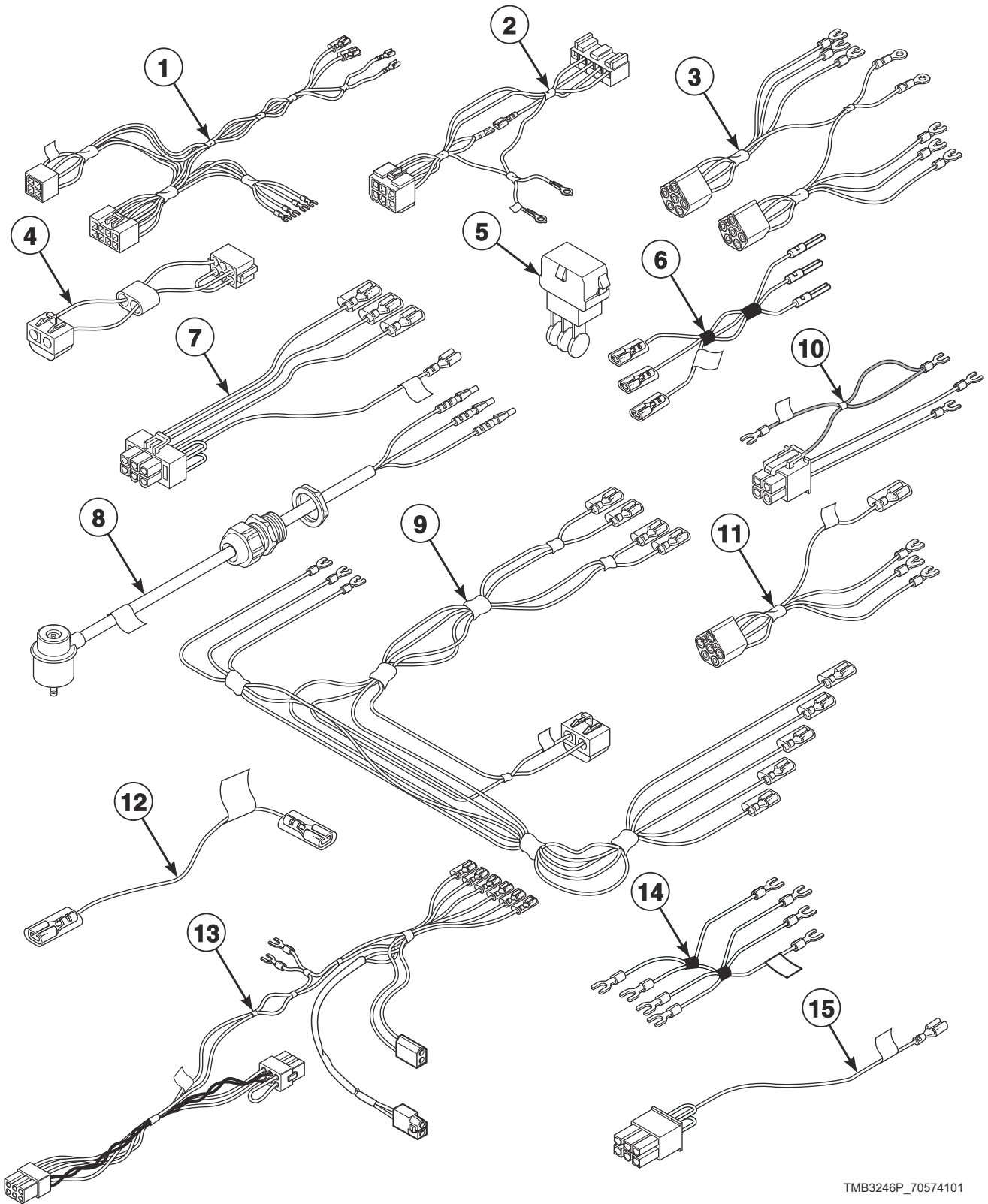


TMB2969P\_70574101

## Control Tray Fuses

REF	PART NO.	DESCRIPTION	COMMENTS
	44341301	Fuse Label	Steam models; 380-480 Volt
1	70406701	Fuse	2 Amp
2	70406501	Fuse	1.25 Amp
3	70406601	Fuse	3.5 Amp
4	44310001	Fuse	0.5 Amp; Gas models
	44310002	Fuse	1 Amp; Steam models
5	44155601P	Fuse Holder	
6	70329401P	Fuse Holder Body	
	70329501	Fuse Holder Cap	
7	70313602	Fuse Bracket	Models with 380 Volts or higher
	70306901	Fuse Bracket	Models with less than 380 Volts

# Control Tray Harnesses



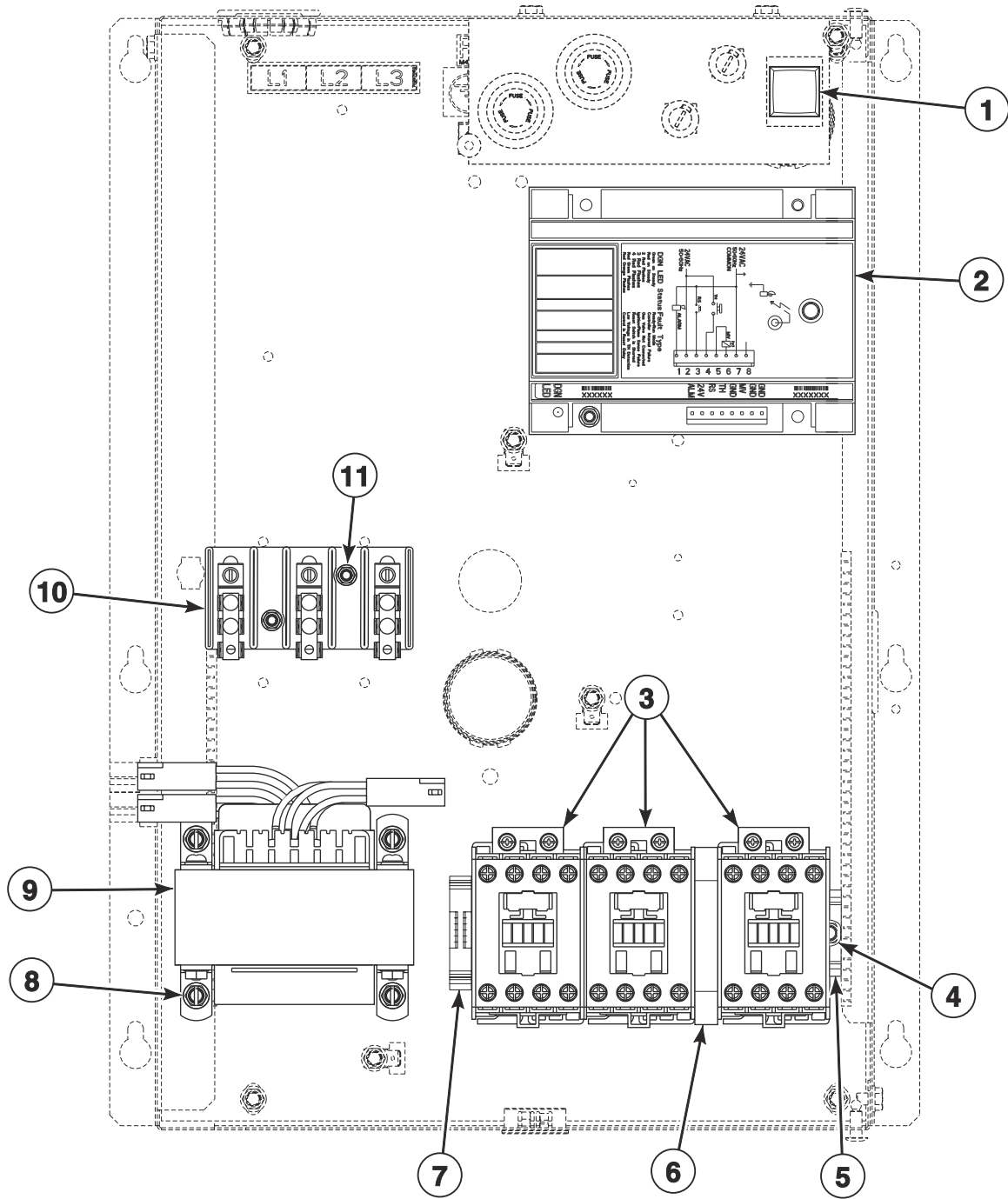
TMB3246P\_70574101



## Control Tray Harnesses

REF	PART NO.	DESCRIPTION	COMMENTS
1	44136701P	Junction Box Harness	
2	44251601	Ignition Control Harness	Non-CE gas models
	44251701	Ignition Control Harness	CE gas models; Models with RE and RU control suffixes
	44251201	Ignition Control Harness	CE gas models; Models with all other control suffixes
3	44139901P	Motor Contactor Harness	1 Phase
	44142601P	Motor Contactor Harness	3 Phase
4	M413506	Jumper Harness Assembly	208 Volt
	M413507	Jumper Configuration Assembly	240 Volt
	M413508	Jumper Harness Assembly	380 Volt
	M413510	Jumper Configuration Assembly	480 Volt
5	M413863	Network Capacitor Assembly	
6	70342101	Gas Disconnect Harness	CE models
7	44143401P	Network Capacitor Harness Assembly	
8	44243601	Steam Valve Interface Harness	Steam models; Use with F8322901P Valve
9	44136201P	Power Harness	3 Phase models with 380 Volts or higher
	44136301P	Power Harness	3 Phase models with less than 380 Volts
	44139801P	Power Harness	1 Phase
10	44139601P	Reversing Contactor Harness	
11	44137001P	Motor Contactor Harness	3 Phase
	44136401	Motor Contactor Harness	1 Phase
12	70389901	Steam Stove Limit Bypass Harness	Steam models
13	44201201	Steam Relay Harness	Steam models; 24 Volt
	44243401	Steam Relay Harness	Steam models; Use with F8322901P Valve on 200-240 Volt models
	44243501	Steam Relay Harness	Steam models; Use with F8322901P Valve on 380-480 Volt models
14	44157401	Reversing Contactor Jumper Wire	1 Phase; Upper
	44139501	Reversing Contactor Jumper	1 Phase; Lower
	44136801	Reversing Contactor Jumper Assembly	Upper
	44136901	Reversing Contactor Jumper Assembly	Lower
15	44142801	Steam Configuration Harness	Steam models

# Control Tray Components for Gas Models

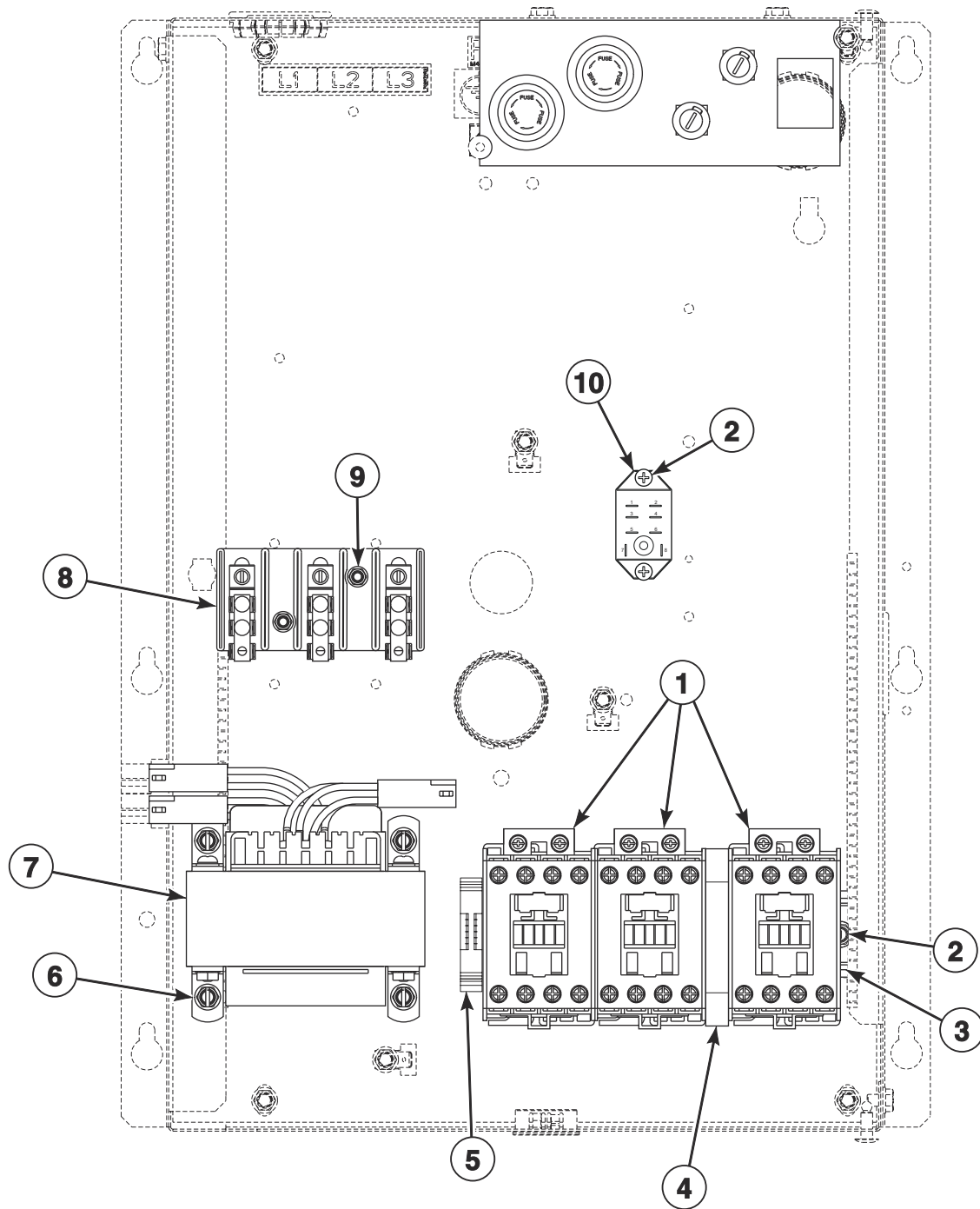


TMB3449P\_70574101

## Control Tray Components for Gas Models

REF	PART NO.	DESCRIPTION	COMMENTS
1	M413431	Pushbutton Switch	CE and Australian models
2	44264601	Ignition Control Kit	Non-CE and non-Australian models
	44264701	Ignition Control Kit	CE and Australian models
3	70323701P	Contactor	3 required
4	430497	Screw	2 required
5	M412693	Din Rail	
6	F330186P	Interlock Contactor	
7	70121001	End Stop	
8	M411072	Screw	4 required
9	M414228P	Transformer	Multitap; 100-240 Volt
	M414229P	Transformer	Multitap; 380-480 Volt
	44074401	Transformer	Dual secondary; 440 Volt
	M414230P	Transformer	Single secondary; 120 Volt
	M414312P	Transformer	Dual secondary; 120 Volt
10	430642	Terminal Block	Use 70333001 Terminal Block Shield to protect terminal block
11	51783	Screw	2 required

# Control Tray Components for Steam Models



TMB3450P\_70574101

## Control Tray Components for Steam Models

REF	PART NO.	DESCRIPTION	COMMENTS
	M4984P3	Steam Kit	Includes item 10, 44201201 Steam Relay Harness and 2 of M405188 Screw
1	70323701P	Contactora	3 required
2	430497	Screw	2 required
3	M412693	Din Rail	
4	F330186P	Interlock Contactora	
5	70121001	End Stop	
6	M411072	Screw	4 required
7	M414228P	Transformer	Multitap; 100-240 Volt
	M414229P	Transformer	Multitap; 380-480 Volt
	44074401	Transformer	Dual secondary; 440 Volt
	M414230P	Transformer	Single secondary; 120 Volt
	M414312P	Transformer	Dual secondary; 120 Volt
8	430642	Terminal Block	Use 70333001 Terminal Block Shield to protect terminal block
9	51783	Screw	2 required
10	M412534	Relay	24 Volt



# Parts Index

## A

Access Panel 44012702P .....	33
Access Panel Trim 70399404 .....	33
Actuator Arm Assembly H96387501 .....	67
Airflow Switch and Arm Bracket 70319602 .....	61
Airflow Switch Arm 70319401 .....	61
Airflow Switch Kit 70429601P .....	61
Airflow Switch Vane 70319201 .....	61

## B

Ball Bearing H87672374 .....	51
M401375P .....	57
M414367 .....	51
Base Bracket H96428693 .....	53, 59
Base Harness 44227001 .....	43
Bearing Mounting H96428008 .....	49
Bearing Retainer M401370 .....	57
Belt F280362 .....	51
44239801 .....	57
Belt Adjustment Tube H96428487 .....	51, 53
Belt Guard 44159801 .....	45
44253001 .....	45
44253101 .....	45
44253102 .....	45
Belt Guard Side 44160001 .....	45
44160101 .....	45
Belt Set H87533816P .....	51
Blower Cover M414237 .....	57
Bolt 44017901 .....	41
44215501 .....	47
Burner M412025P .....	63
Burner Opening Cover 44249601 .....	63
Burner Orifice 70684124 .....	65
70684126 .....	65
70684128 .....	65

70684129 .....	65
70684131 .....	65
70684143 .....	65
70684146 .....	65
70684149 .....	65
70684151 .....	65
70684154 .....	65
Bushing H8752922HP .....	57
H8752985HP .....	51
M409844 .....	69
M411537 .....	43, 45
M412917P .....	57
M414459 .....	67
44233801 .....	59
44237801 .....	59
Buzzer Kit M4860P3 .....	15
Bypass Harness 70364103 .....	17, 19, 23, 25

## C

Cable Tie M405829 .....	63
Circuit Board Support D501523 .....	27
Circuit Plug Housing, 1 44370401 .....	55
Clevis Pin 44091501 .....	67
Clip M400976 .....	45
M400984 .....	45
Coil Filter H96362264 .....	67, 69
Contact Base F8538101 .....	17, 23, 25
Contact Block Switch F200233400 .....	17, 25
F200233401 .....	23
Contact Switch F8069501 .....	17, 23, 25
Contactors 70323701P .....	81, 83
Contactors Box Base 44133701 .....	75
Contactors Box Cover 44134001 .....	75
44134002 .....	75
Contactors Box Side 44158901 .....	75
44159001 .....	75
Control 44063801P .....	27
Control Assembly D512202P .....	17
70434101P .....	23, 25
70437102P .....	23
70437103P .....	23
70437104P .....	23

N/A items do not appear in index.

70437105P	23
70454001P	25
70454101P	23
70462307P	19
70503101P	15
70503702P	23
Control Box	
44161001	13
Control Box Base	
44065301	27
Control Box Cover	
44065201	27
Control Box Housing	
44065101	27
Control Box Top	
44065401	27
Control Chassis Mounting Bracket	
70357901	17
Control Cover	
44013307*	17, 21, 25
44013308	17, 21, 25
44013311*	17, 21, 25
44013315DG	21
44013316DG	21
44013317	17, 21, 25
44013319	17, 21, 25
44111701*	19, 25
44111703*	25
44111705*	19, 25
44111706	19
44111713LG	17, 21, 25
44111714LG	17
44111715LG	17, 21, 25
44111716LG	17
44111717	19
44111719	19
Control Harness	
44100101P	15
44162601	27
Control Housing Cover	
44161101	13
Control Mounting Bracket	
44099501W	21, 25
44099501*	15
44099502	15, 21, 25
44099504DG	21
44099504LG	15, 21, 25
44099505	15, 21, 25
Control Panel Harness	
44240301	21, 25
70367001P	15
70485301	19
70489901	19
Control Plate and Studs Assembly	
44099201	15
44185701	23
Control Plate Assembly	
44038601	19
44224601	25
Control Trim	
44016401	17, 21
44016402	17, 21
Cylinder and Trunnion Assembly	
44214901	47
44214902	47
44221601	47

44221602	47
Cylinder Assembly	
44215001	47
44215002	47
44221501	47
44221502	47
Cylinder Motor Harness	
44162901	53
Cylinder Rib Assembly	
44191205	47

## D

Damper Assembly	
H96367685	67
Damper Bracket	
M414801	67, 69
Damper Counterweight	
M413331	67
Damper Motor	
M412905P	67
M413592P	67
Damper Rod	
M413401	45
Damper Shaft	
H96368956	67
Damper Vane	
M413402	45
Din Rail	
M412693	81, 83
DIN Valve Apapter Kit	
F8382301	71
Display Assembly	
D512218P	15
Door Assembly	
44215801	35
44248001	35
44248201	35
44272201	35
44294501B	35
44294501LG	35
70407402	35
Door Glass	
44008401P	37
44008402P	37
Door Glass Installation Tool	
M4221P4	37
Door Handle	
44007901	37
44057702	37
44263801	37
Door Hinge	
44075207B	39
Door Hinge Assembly	
44218701*	39
44218702	39
44218703LG	39
44218704	39
Door Hinge Lug Assembly	
44035001	29
44035002	29, 39
44218101	39
Door Latch	
M401223	29

N/A items do not appear in index.



Door Latch Bracket 44219701 .....	37
Door Latch Magnet 44220501 .....	29
Door Ring 44215701 .....	37
44215703 .....	37
Door Ring and Handle Assembly 44294601B .....	37
44294601LG .....	37
Door Ring Assembly 44217502 .....	37
44326003B .....	37
44326004B .....	37
44326004HG .....	37
Door Ring Gasket 44217401 .....	37
Door Seal Kit 70211902P .....	37
Door Switch 44018201 .....	29
Door Switch Actuator Kit 70215001P .....	39
Door Switch Cover 44001301 .....	29
Door Switch Harness 44227101 .....	29
Door Switch Harness Channel 44231401 .....	29
Drive Chain H96388186 .....	67
Drive Motor 44263401 .....	53
Drive Rivet M400713 .....	15, 27
Drive Wheel H96388178 .....	67

## E

Earth Terminal Sticker M412096 .....	75
Emergency Stop Contact Harness 70364105P .....	17
Emergency Stop Harness 70364106P .....	17, 23, 25
Emergency Stop Label 44012901 .....	17, 23, 25
Emergency Stop Pushbutton F200233500 .....	17, 23, 25
End Stop 70121001 .....	81, 83
Ethernet Gateway Kit NK320 .....	25
Exhaust Duct Box Wrap M412391 .....	45
Expansion Clip 70030501 .....	15, 21, 23, 25, 75

## F

Fan H96368469 .....	57
Fan Bearing Bracket M414235 .....	57
Fan Motor 44313501P .....	59
Fan Motor Harness 44242601 .....	59
Ferrite Core Assembly M413930P .....	19
Fill Hose Kit 38349P .....	27
Filter 44172101 .....	67, 69
Filter Channel 44045101 .....	67, 69
Flange Bearing 44048301P .....	49
Front Access Panel 44012701*P .....	33
44012707*P .....	33
44012709B .....	33
44012709LG .....	33
44012712DG .....	33
44012713 .....	33
44012714 .....	33
Front Access Panel and Door Hinge Kit M4787P3 .....	33, 39
Front Panel 44078103 .....	31
44218402 .....	31
44218403LG .....	31
44218404 .....	31
44218406DG .....	31
44218406W .....	31
44218407 .....	31
44218408 .....	31
Fuse 44310001 .....	77
70406501 .....	77
70406601 .....	77
70406701 .....	77
Fuse Bracket 70306901 .....	77
70313602 .....	77
Fuse Cover 70313301 .....	75
Fuse Holder 44155601P .....	77
Fuse Holder Body 70329401P .....	77
Fuse Holder Cap 70329501 .....	77
Fuse Label 44338801 .....	75
44341301 .....	77
70337201 .....	75
70337301 .....	75
70337401 .....	75

N/A items do not appear in index.

---

**G**

Gas Disconnect Harness 70342101 .....	79
Gas Stove Assembly 44243901 .....	63
Gas Valve 44227201 .....	63
44227202 .....	63
Gas Valve Bracket 44245701 .....	63
Gas Valve Harness 70184001 .....	63
Graphic Overlay 44240501 .....	19
Ground Decal F230739 .....	75
Ground Lug Connector M411283 .....	75
Guard Extension 44222501 .....	45

---

**H**

Hairpin Cotter 44091601 .....	67
Handle and Caps Assembly 44049903 .....	41
44049904 .....	41
Handle Bar 70399501B .....	37
Handle Bumper 70407204 .....	41
70407212 .....	41
Harness Strap 55881 .....	29
High Voltage Suppression Cable 44239703 .....	63
Hinge Cam Kit M4772P3 .....	39
M4773P3 .....	39
Hole Plug F8223801 .....	75
Hose 44073303 .....	27
Hose Clamp 20391 .....	63
36801 .....	27
Hose Fitting 44069101 .....	27

---

**I**

Idler Housing M412612 .....	57
Idler Housing Assembly M412630 .....	57
Idler Shaft M414241 .....	57

Igniter Cover 70159601 .....	63
Ignition Control 70458601P .....	63
70483201P .....	63
Ignition Control Harness 44251201 .....	79
44251601 .....	79
44251701 .....	79
Ignition Control Kit 44264601 .....	81
44264701 .....	81
Insulation M411593 .....	45
Interlock Contactor F330186P .....	81, 83

---

**J**

Jackshaft Assembly H96357751 .....	51
Jumper Calibration Wire 70324604 .....	15, 23, 25
Jumper Configuration Assembly M413507 .....	79
M413510 .....	79
Jumper Harness Assembly M413506 .....	79
M413508 .....	79
Junction Box Harness 44136701P .....	79

---

**K**

Key H8752006H .....	53
M400993 .....	57
M401327 .....	57
70155601 .....	27
Kickplate 70117611 .....	41
70117612 .....	41

---

**L**

Label 44190901 .....	29
70414001 .....	33
70537001 .....	29
70537101 .....	29
Light 801432 .....	27
Limit Thermostat M411403 .....	57
M411946 .....	57
70299001 .....	63
Lint Panel 44012301*P .....	41
44012302P .....	41
44012303LG .....	41
44012304 .....	41
44012304DG .....	41

N/A items do not appear in index.

44012306 .....	41
44012307 .....	41
Lint Panel Clip	
44017801 .....	41
Lint Panel Switch Bracket	
44013401 .....	43
Lint Panel Switch Cover	
44026801 .....	43
Lint Screen	
44063603P .....	45
44077703P .....	45
Loading Spring	
M400401 .....	57
Lock, Key and Nut Kit	
44089301P .....	27
L.P. Conversion Kit	
44240402P .....	63
44257701 .....	63
L.P. Valve Conversion Kit	
44240401P .....	63

## M

Main Harness	
44226901 .....	13
44251501 .....	13
Male Tab Terminal	
00177 .....	19, 75
Manifold	
44079603 .....	27
Manifold End Bracket	
44173801 .....	63
Manual Reset Thermostat	
M413989 .....	63
44253901 .....	63
Master Link	
H96382072P .....	67
Mixing Valve	
36958P .....	27
Mixing Valve Shield Bracket	
44065701 .....	27
Moisture Sensing Harness Kit	
44344703 .....	55
Moisture Sensor Harness Assembly	
44209201 .....	55
Moisture Sensor Test Wires	
70468901 .....	55
Motor	
44046601P .....	59
44313601 .....	59
Motor Base	
M413171 .....	59
44253301 .....	53
Motor Bracket	
H96388145 .....	67
Motor Contactor Harness	
44136401 .....	79
44137001P .....	79
44139901P .....	79
44142601P .....	79
Mount Bracket	
M414276 .....	75

## N

Nameplate	
B12389801 .....	33
F8443102 .....	33
44010401 .....	33
44010601 .....	33
70243901 .....	33
70348501 .....	33
70509601 .....	33
70522001 .....	33
Nameplate Overlay	
44144401 .....	37
44235401 .....	33
44331401 .....	33
70128901 .....	33
70410201 .....	33
70411401 .....	37
Network Capacitor Assembly	
M413863 .....	79
Network Capacitor Harness Assembly	
44143401P .....	79
Network Controller Kit	
NK220 .....	25
Network Retrofit Kit	
NK209 .....	25
Nut	
F430232 .....	75
H88412101 .....	47, 49, 51, 53, 59
M400035 .....	55
M400977 .....	17, 21, 33
M412334 .....	47
M412986 .....	53
M414215 .....	37
02788 .....	29
20274 .....	49, 51, 59
23951 .....	39, 45, 67, 69
24205 .....	15
29786 .....	29, 59, 67, 69
29787 .....	15, 19
44071201 .....	37
44087101 .....	41
70030401 .....	29, 33
70054 .....	15, 19, 21, 25, 41, 45
70142 .....	53, 59, 67

## O

Output Bracket	
44223101 .....	21
44223201 .....	25
44223401 .....	25
Output Harness	
44186101 .....	21, 25
Overlay	
70362202 .....	15
70362402 .....	15
70362502 .....	15
70432201 .....	25
70445002 .....	21
70445004 .....	21
70462401 .....	21
70462701 .....	21
70462901 .....	21
70472201 .....	21

N/A items do not appear in index.

70472401 .....	21
70493701 .....	21
70494002 .....	15
70499001 .....	25
70504702 .....	15
70504901 .....	21
70508601 .....	21
70526001 .....	21

## P

Panel Locator	
56079 .....	15
Pipe Bracket	
44175801 .....	75
44249301 .....	63
Pipe Cap	
44087801 .....	63
Pipe Elbow	
44249401 .....	63
Pipe Nipple	
44249501 .....	63
44252301 .....	63
44252401 .....	63
Pipe Union	
M411419 .....	63
Plug	
M400985 .....	75
Pop Rivet	
430725 .....	23, 25, 43
44166601 .....	29
70058501 .....	39, 75
70058502 .....	75
70126301 .....	37, 41
70126401 .....	41
Porcelain Touch-Up Paint	
122P4P .....	29
370P4P .....	29
Power Harness	
44136201P .....	79
44136301P .....	79
44139801P .....	79
Pulley Bushing	
F280297 .....	53
Pushbutton Switch	
M413431 .....	81
Push-to-Start Switch	
801434W .....	27

## R

Relay	
M412534 .....	19, 83
Relay/Buzzer Bracket	
44041701 .....	19
Retaining Ring	
H88602263 .....	51
H88603477 .....	51
Reversing Contactor Harness	
44139601P .....	79
Reversing Contactor Jumper	
44139501 .....	79

Reversing Contactor Jumper Assembly	
44136801 .....	79
44136901 .....	79
Reversing Contactor Jumper Wire	
44157401 .....	79
Rib Wire	
44208101 .....	55
Rocker Switch	
44099601 .....	15
70455101 .....	15
70461301 .....	15
Rod End	
44048501 .....	51, 53, 59
Roll Pin	
H88970256 .....	67
Roller Catch	
H87020202 .....	41, 45
Roller Catch Mounting Bracket	
44014001 .....	41
Rotation Sensor	
F8066201 .....	73
Rotation Sensor Bracket	
44111101 .....	73
Rotation Sensor Harness	
44201701 .....	73
Rotation Sensor Kit	
7010P .....	19, 73

## S

Screw	
D501086 .....	19, 41, 67, 69
D501524 .....	21, 23, 25
F430909 .....	75
F8206901 .....	75
H88010038 .....	59
H88010574 .....	67
H88012034 .....	49
H88213996 .....	49
M400043 .....	57
M400044 .....	39, 45
M400056 .....	53, 59
M400063 .....	51, 53
M400661 .....	37
M402574 .....	29
M405188 .....	67
M411072 .....	45, 81, 83
M411165 .....	49
02422 .....	67, 69
22688 .....	51, 59
38272 .....	63
430497 .....	15, 27, 43, 45, 61, 63, 69, 81, 83
430757 .....	41
431287 .....	29
44023301 .....	29
44161501 .....	59
44338901 .....	55
51780 .....	27, 63
51782 .....	63
51783 .....	63, 81, 83
61199 .....	37, 41, 45, 67
70033504 .....	29, 39
70182601 .....	29, 33
70187202 .....	57
70409801 .....	39

N/A items do not appear in index.

70442101 .....	39
800930 .....	15, 17, 21, 23, 25
801019 .....	67, 69
Security Cover Kit	
M4795P3W .....	15, 17
Sensor Harness Assembly	
44166801 .....	27
Shaft Collar	
M414451 .....	67
Sheave	
H8752026H .....	51
H87520334 .....	51
H8752060H .....	57
H8752065H .....	57
H8752251H .....	51
44255101 .....	59
44255201 .....	59
44264301 .....	53
44270801 .....	53
Sleeve	
44050601 .....	19
Slip Ring Assembly	
44222702 .....	55
Snap Bushing	
M400770 .....	29
M405340 .....	75
44071501 .....	63
70178701 .....	27, 75
Solenoid Valve DIN Connector	
70370301P .....	71
Spacer	
M401402 .....	47, 49
431264 .....	23, 25
Spark Electrode	
44328701P .....	63
Spray Paint	
298P4P .....	29
381P4 .....	29
382P4 .....	29
Spring Pin	
H88900683 .....	67
Spud Holder Weldment	
44390002 .....	63
Steam Coil	
M409833P .....	67, 69
M409834P .....	67, 69
Steam Coil Housing Cover	
44018501 .....	67
Steam Coil Housing End	
44115001 .....	69
Steam Coil Support	
M412201 .....	67, 69
Steam Configuration Harness	
44142801 .....	79
Steam Cover	
44114601 .....	69
44115201 .....	67
Steam Damper Actuator	
44096501 .....	67
Steam Filter Top Hinge Assembly	
44088101 .....	67, 69
Steam Heater Assembly	
M414485 .....	67
M414490P .....	67
44114801 .....	69

Steam Kit	
M4984P3 .....	83
Steam Relay Harness	
44201201 .....	79
44243401 .....	79
44243501 .....	79
Steam Solenoid	
70351011P .....	71
70351012 .....	71
Steam Stove Limit Bypass Harness	
70389901 .....	79
Steam Valve	
F8322903 .....	71
Steam Valve Interface Harness	
44243601 .....	67, 69, 79
Steam Valve Rebuild Kit	
70351021P .....	71
Step Pulley and Bearing Kit	
M4696P3 .....	51
Stove Limit Harness Bracket	
431078 .....	63
Stove Limit Thermostat	
431177 .....	63
Switch	
70411901 .....	61
Switch Assembly	
70413401 .....	43
Switch Bracket	
70356301 .....	61
Switch Plate	
M413236 .....	15

## T

Temperature Knob	
44104601 .....	15
Temperature Selector Switch	
D511711 .....	15
Temperature Selector Switch Bracket	
70391701 .....	15
Terminal Block	
430642 .....	81, 83
Thermistor	
M414704 .....	45
44064701 .....	27
Thermistor Bracket Assembly	
44051301 .....	45
Thermostat	
H8900530H .....	57
Thermostat Cover	
M414477 .....	63
Top Access Panel Gusset	
44028301DG .....	33
44028301LG .....	33
44028301* .....	33
44028302LG .....	33
44028302* .....	33
Transformer	
M414228P .....	81, 83
M414229P .....	81, 83
M414230P .....	81, 83
M414312P .....	81, 83
44074401 .....	81, 83

N/A items do not appear in index.

Trunnion Assembly	
44240801 .....	47
44240802 .....	47

---

## U

USB Gateway Kit	
NK330 .....	25
USB IR Interface Kit	
203346 .....	21, 25

---

## V

Valve	
F8322901P .....	71
F8322906P .....	71
Valve Coil	
F8514801 .....	71
Valve Kit	
F8521701 .....	71
Valve Rebuild Kit	
F8379502 .....	71

---

## W

Washer	
M400013 .....	53, 59, 67
M400014 .....	51, 53, 57, 59
M400015 .....	49, 51, 53
M400080 .....	53, 57, 59
M400081 .....	51
M405535 .....	41
03815 .....	15, 17, 21, 25
44238902 .....	55
70261401 .....	47, 49, 51, 53, 59
70409301 .....	37
800465 .....	29, 67
Water Hose	
F200116 .....	27
Wire Label	
70218701 .....	75
70218801 .....	75
70219001 .....	75
Wireless Network Kit	
NK309 .....	25

---