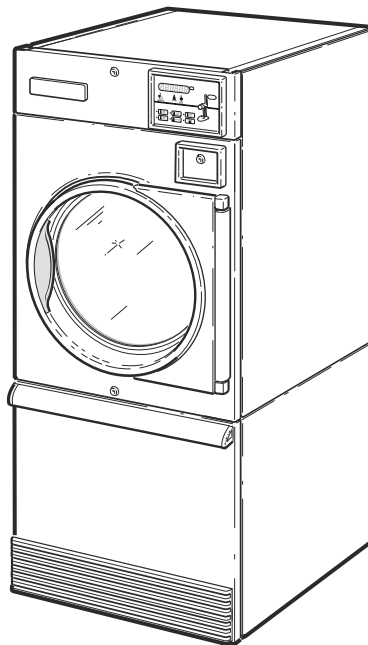


Tumble Dryers

30 Pound Capacity

18 Digit Model Numbers with 3 and 5 in 13th Position

Refer to Page 5 for Model Numbers



TMB1283C_70591301

Table of Contents

Title	Page
Parts Ordering Information.....	3
Serial Plate Location	3
Machine Identification	5
Product Overview - Heat Source and Voltage	6
Product Overview - FN Control Suffix	8
Product Overview - DN and NN Control Suffixes.....	10
Product Overview - B, N and W Control Suffixes.....	12
Dual Digital Control	14
Electronic Display Control - Vend Models with B in the 7th Position	16
Electronic Display Control - Vend Models with N or W in the 7th Position.....	18
Electronic Display Control Overlays - Vend Models with N or W in the 7th Position	20
Electronic Display Control - OPL Models with N in the 7th Position	22
3.5 Inch Graphical Control	24
Coin Drops	26
Coin Drop Kits.....	28
Network Board, Central Pay and Card Reader Components.....	30
Door Assemblies.....	32
Door Components.....	34
Hinge Components - Design 3 Models	36
Hinge Components - Design 5 Models	38
False Fronts	40
Control Panels	42
Control Panels - Design 5 S Models	44
Front Panel Assemblies - Design 3 Models	46
Front Panel Assemblies - Design 5 Models	48
Cabinet Front Components.....	50
Emergency Stop Button - OPL Models	52
Lower Cabinet Components	54
Lower Cabinet Components - S Models with Hinged Lint Door.....	56
Cylinder and Trunnion Assembly	58
Moisture Sensing Components	60
Cylinder Components	62
Cabinet Components	64
Fire Suppression System Components	66
Fire Suppression System Control Box.....	68
Motor Components	70
Blower and Exhaust Components.....	72
Airflow Switch.....	74
Gas Heater Components	76
Burner Orifices	78
Electric Heater Components	80

© Copyright 2023, Alliance Laundry Systems LLC

All rights reserved. No part of the contents of this book may be reproduced or transmitted in any form or by any means without the expressed written consent of the publisher.

Steam Heater Components	82
Control Tray	84
Accessory Box - Electric 200-240 Volt Models	86
Accessory Box - Electric 380-480 Volt Models	88
Harnesses	90
Labels	91
Parts Index.....	93

Parts Ordering Information

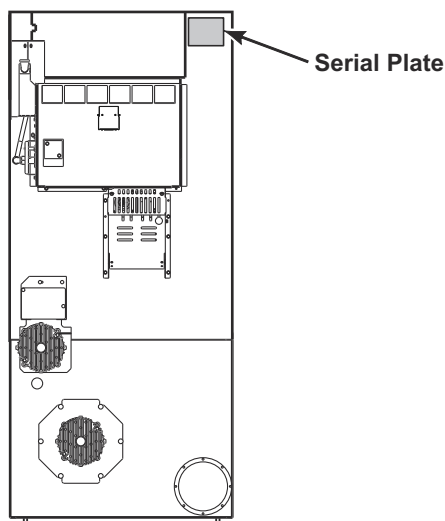
If literature or replacement parts are required, contact the source from whom the machine was purchased or contact Alliance Laundry Systems at (920) 748-3950 for the name and address of the nearest authorized parts distributor.

For technical assistance, call the number listed below:

(920) 748-3121 Ripon, Wisconsin

Serial Plate Location

When calling or writing about your product, be sure to mention model and serial numbers. Model and serial numbers are located on serial plate(s) as shown.



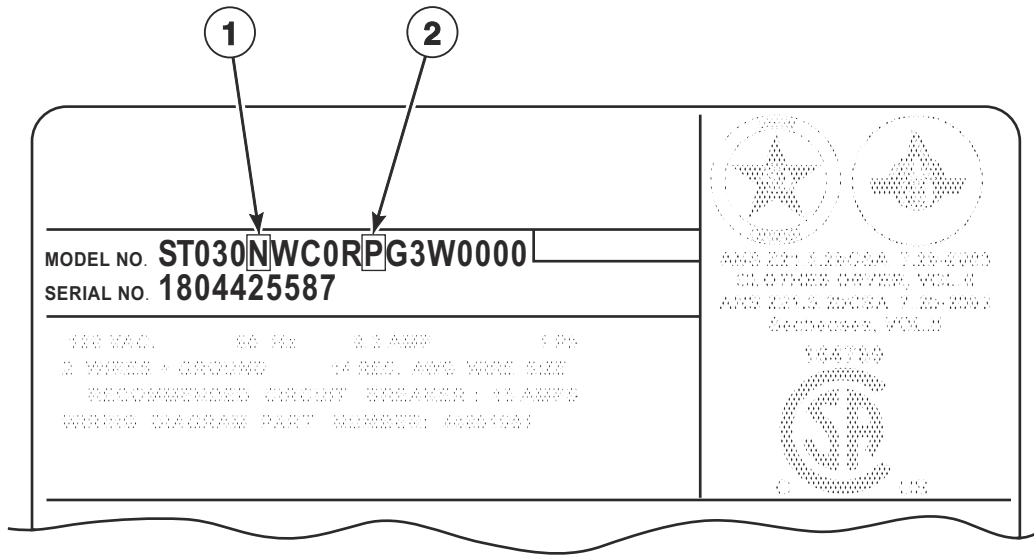
TMB3500P_70591301

Machine Identification

Information in this manual is applicable to these machines:

BA030E	HA030E	JU030E	SA030E	UA030E
BA030F	HA030F	JU030N	SA030F	UA030F
BA030L	HA030L	PA030E	SA030L	UA030L
BA030N	HA030N	PA030L	SA030N	UA030N
BA030R	HA030R	PA030N	SA030R	UA030R
BA030S	HA030S	PA030S	SA030S	UA030S
BG030D	HG030D	PG030E	SG030D	UG030D
BG030E	HG030E	PG030L	SG030E	UG030E
BG030F	HG030F	PG030N	SG030F	UG030F
BG030L	HG030L	PG030S	SG030L	UG030L
BG030N	HG030N	PH030E	SG030N	UG030N
BG030R	HG030R	PH030L	SG030R	UG030R
BG030S	HG030S	PH030N	SG030S	UG030S
BH030E	HH030E	PH030S	SH030E	UH030E
BH030F	HH030F	PJ030E	SH030F	UH030F
BH030L	HH030L	PJ030L	SH030L	UH030L
BH030N	HH030N	PJ030N	SH030N	UH030N
BH030R	HH030R	PJ030S	SH030R	UH030R
BH030S	HH030S	PK030E	SH030S	UH030S
BJ030D	HJ030D	PK030L	SJ030D	UJ030D
BJ030E	HJ030E	PK030N	SJ030E	UJ030E
BJ030F	HJ030F	PL030E	SJ030F	UJ030F
BJ030L	HJ030L	PL030L	SJ030L	UJ030L
BJ030N	HJ030N	PR030E	SJ030N	UJ030N
BJ030R	HJ030R	PR030S	SJ030R	UJ030R
BJ030S	HJ030S	PT030E	SJ030S	UJ030S
BK030E	HK030E	PT030L	SK030E	UK030E
BK030F	HK030F	PT030N	SK030F	UK030F
BK030L	HK030L	PT030S	SK030L	UK030L
BK030N	HK030N	PU030E	SK030N	UK030N
BK030R	HK030R	PU030L	SK030R	UK030R
BL030E	HL030E	PU030N	SL030E	UL030E
BL030L	HL030L	PU030S	SL030L	UL030L
BR030E	HR030E		SR030E	UR030E
BR030S	HR030S		SR030S	UR030S
BU030E	HT030E		ST030E	UT030E
BU030F	HT030F		ST030F	UT030F
BU030L	HT030L		ST030L	UT030L
BU030N	HT030N		ST030N	UT030N
BU030R	HT030R		ST030R	UT030R
BU030S	HT030S		ST030S	UT030S
	HU030E		SU030E	UU030E
	HU030F		SU030F	UU030F
	HU030L		SU030L	UU030L
	HU030N		SU030N	UU030N
	HU030R		SU030R	UU030R
	HU030S		SU030S	UU030S

Product Overview - Heat Source and Voltage



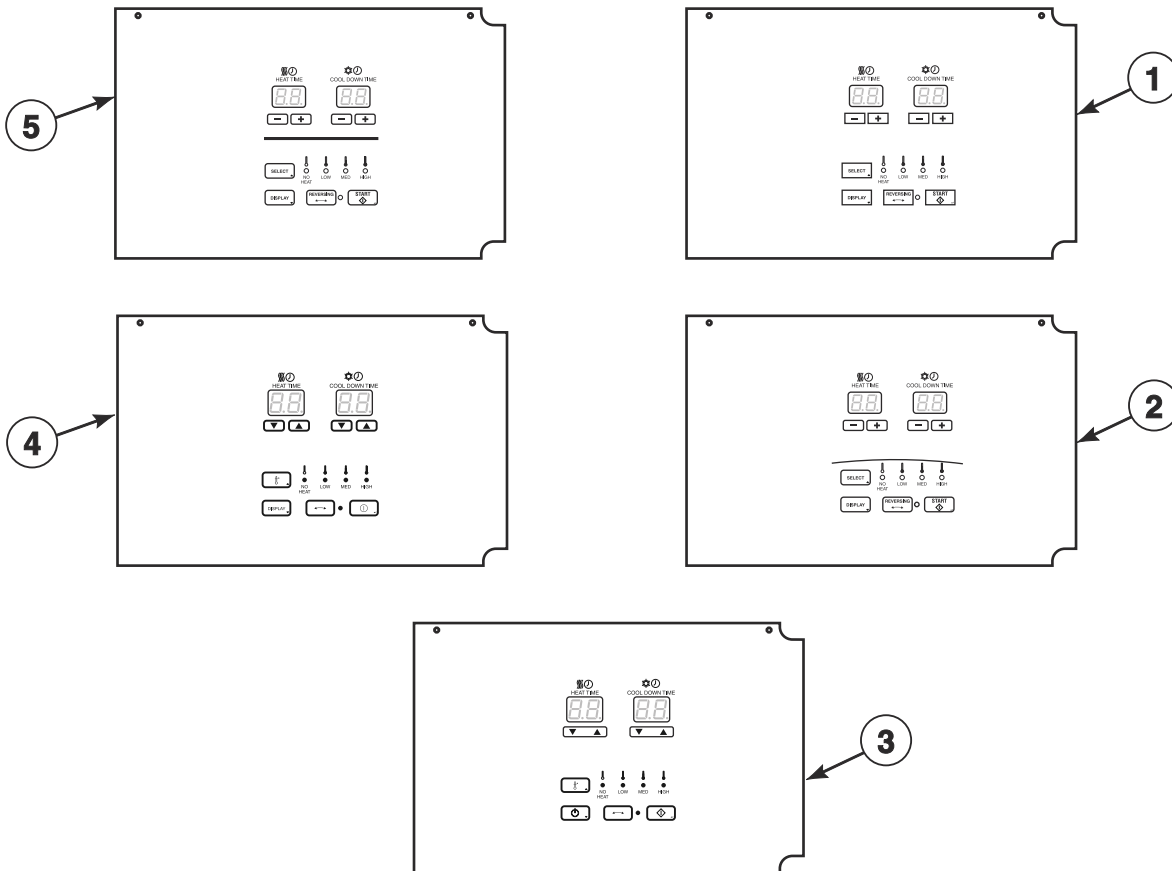
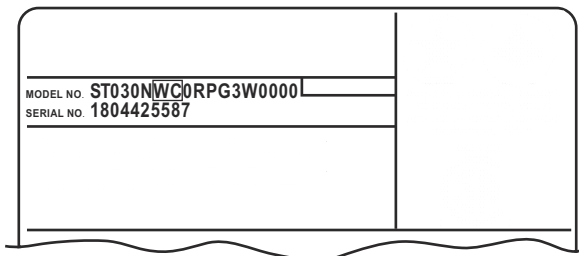
TMB3525P_70591301

Product Overview - Heat Source and Voltage

REF	PART NO.	DESCRIPTION	COMMENTS
1	-	Heat Source	D: Liquid Petroleum Gas (L.P) E: Electric F: Reduced Electric (Eco Line) L: Liquid Petroleum Gas (L.P.) N: Natural Gas (N.G.) R: Reduced Gas, Natural Gas (Eco Line) S: Steam
2	-	Voltage	B: 100-120 Volt/50-60 Hertz/1 Phase; Gas and steam models D: 200-208 Volt/50-60 Hertz/1 Phase; Electric models E: 230-240 Volt/50-60 Hertz/1 Phase; Electric models F: 200-208 Volt/50-60 Hertz/3 Phase; Electric models G: 230-240 Volt/50-60 Hertz/3 Phase; Electric models H: 380 Volt/50-60 Hertz/3 Phase; Electric models J: 400-415 Volt/50-60 Hertz/3 Phase; Electric models K: 440 Volt/50-60 Hertz/3 Phase; Electric models L: 460-480 Volt/50-60 Hertz/3 Phase; Electric models N: 440-480 Volt/50-60 Hertz/3 Phase; Gas and steam models P: 380-415 Volt/50-60 Hertz/3 Phase; Gas and steam models X: 200-240 Volt/50-60 Hertz/1-3 Phase; Gas and steam models

Product Overview - FN Control Suffix

OPL



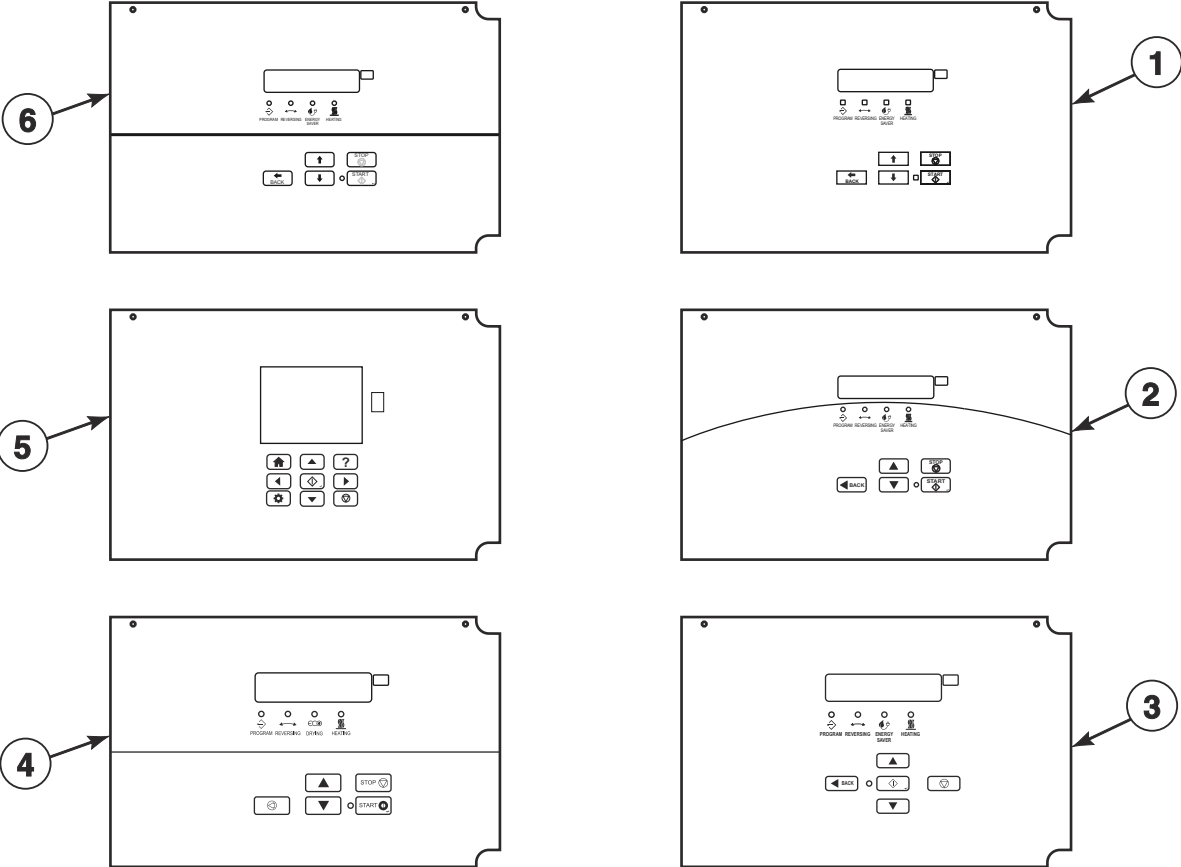
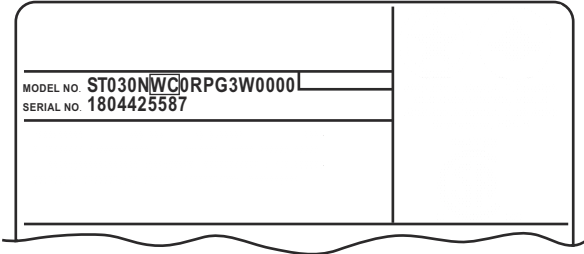
TMB3649P_70591301

Product Overview - FN Control Suffix

REF	PART NO.	DESCRIPTION	COMMENTS
1	-	Dual Digital Control	H models
2	-	Dual Digital Control	U models
3	-	Dual Digital Control	B models
4	-	Dual Digital Control	P models
5	-	Dual Digital Control	S models

Product Overview - DN and NN Control Suffixes

OPL



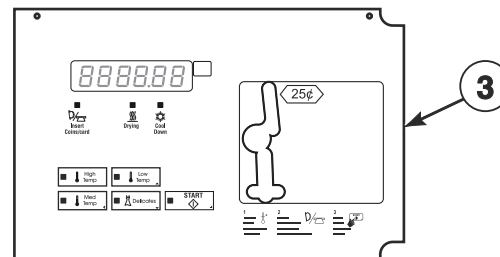
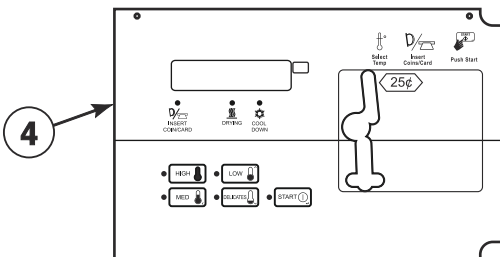
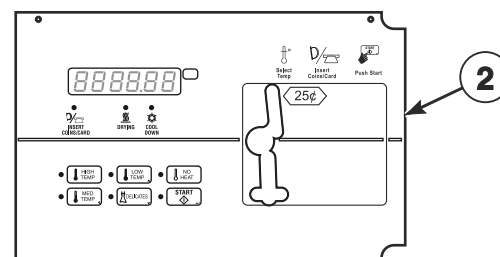
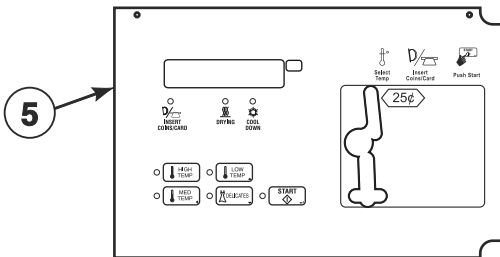
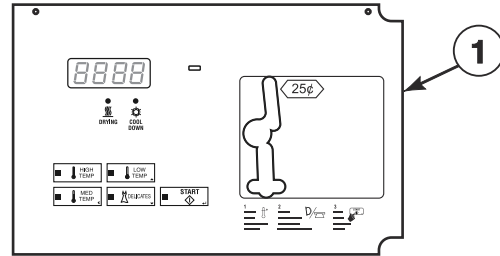
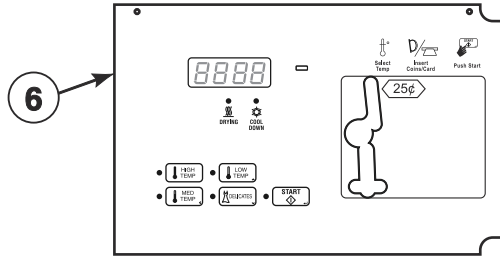
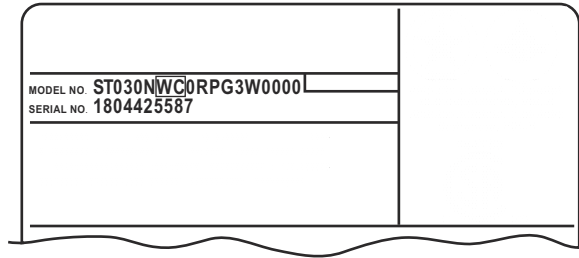
TMB3650P_70591301

Product Overview - DN and NN Control Suffixes

REF	PART NO.	DESCRIPTION	COMMENTS
1	-	Galaxy Control	H models
2	-	M-Series Control	U models
3	-	OPTimum Control	B models
4	-	OPL Micro Control	P models
5	-	UniLinc Control	U models
6	-	Quantum Gold Control	S models

Product Overview - B, N and W Control Suffixes

7th Position of the Model Number; Vend



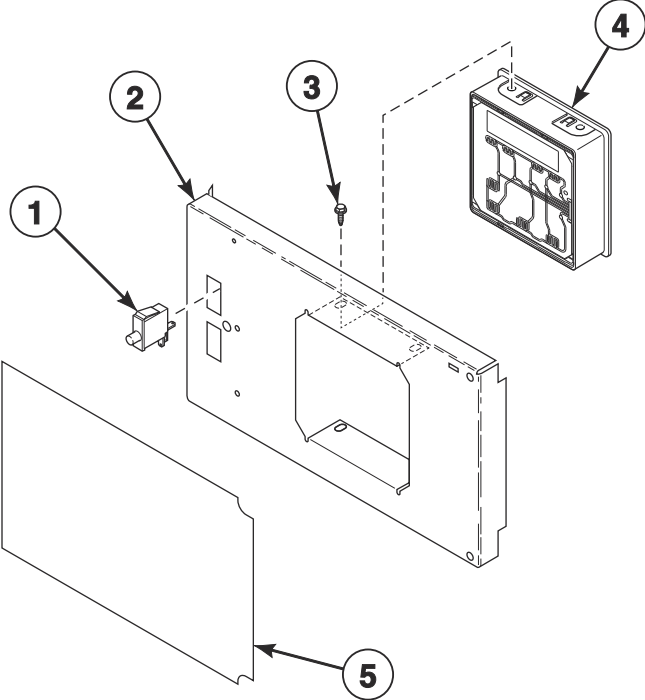
TMB3651P_70591301

Product Overview - B, N and W Control Suffixes

REF	PART NO.	DESCRIPTION	COMMENTS
1	-	Basic Electronic Control	H models
2	-	Quantum Gold Control	S models
3	-	Galaxy 600	H models
4	-	XQ Control	P models
5	-	EVO7S Control	B and J models
6	-	MDC II Control	S models

Dual Digital Control

Models with F in the 7th Position



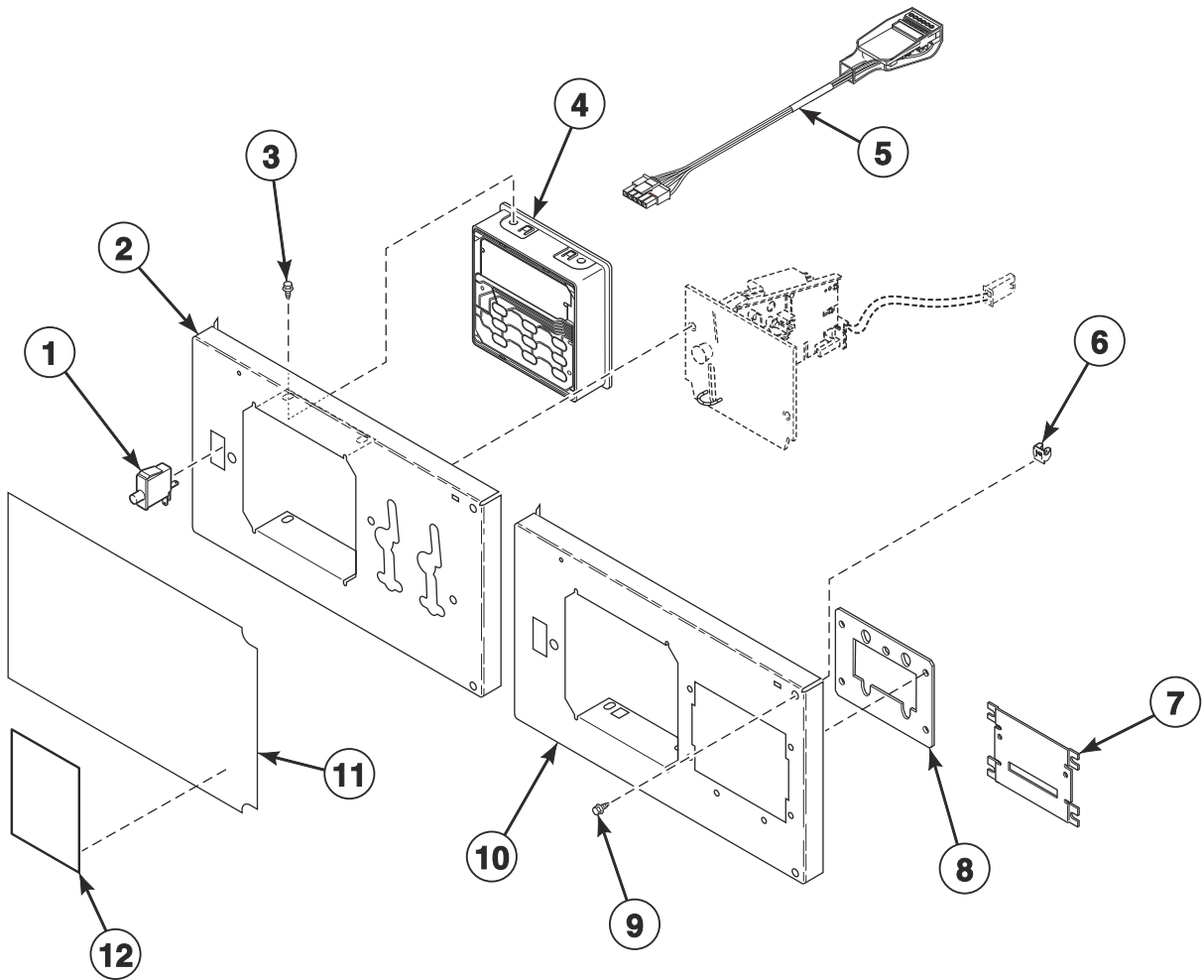
TMB3505P_70591301

Dual Digital Control

REF	PART NO.	DESCRIPTION	COMMENTS
	44334004	Vend Activation Harness	
1	70413301	Pushbutton Switch	
2	70497101	Control Plate	Design 3 and 5 H and U models; Design 3 S models; All other models
3	804608	Screw	4 required
4	70523101	Control Assembly	P models; Blue
	70479801	Control Assembly	H, S and U models; Green
	70479901	Control Assembly	B models; Red
5	70539102	Overlay	B models; Nonreversing
	70539101	Overlay	B models; Reversing
	70517802	Overlay	H models; Nonreversing; Design 3
	70517801	Overlay	H models; Reversing; Design 3
	70636502	Overlay	H models; Nonreversing; Design 5
	70636501	Overlay	H models; Reversing; Design 5
	70545502	Overlay	P models; Nonreversing
	70545501	Overlay	P models; Reversing
	70516802	Overlay	S models; Nonreversing; Design 3
	70516801	Overlay	S models; Reversing; Design 3
	70638702	Overlay	S models; Nonreversing; Design 5
	70638701	Overlay	S models; Reversing; Design 5
	70519002	Overlay	U models; Nonreversing; Design 3
	70519001	Overlay	U models; Reversing; Design 3
	70638802	Overlay	U models; Nonreversing; Design 5
	70638801	Overlay	U models; Reversing; Design 5

Electronic Display Control - Vend Models with B in the 7th Position

H and S Models



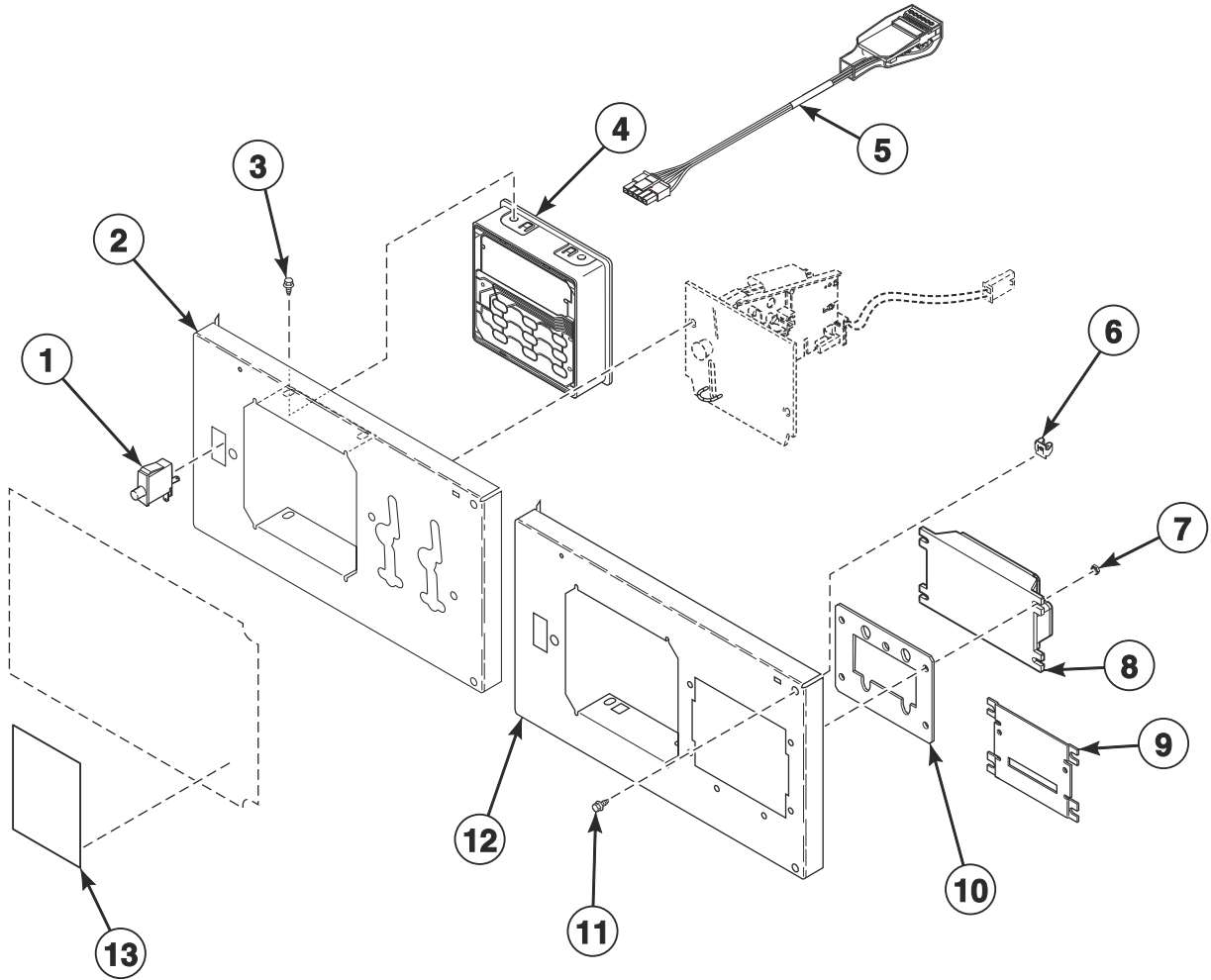
TMB3678P_70591301

Electronic Display Control - Vend Models with B in the 7th Position

REF	PART NO.	DESCRIPTION	COMMENTS
	44334004	Vend Activation Harness	
	44342801	Central Pay Harness	Models through November 2018
1	70413301	Pushbutton Switch	
2	70496601	Control Plate and Studs Assembly	Coin and central pay; Design 3 and 5 H models; Design 3 S models
3	804608	Screw	4 required
4	70478801P	Control Assembly	
5	203361P	Machine ID Control Assembly	Model or serial number is required when ordering
6	70030501	Expansion Clip	2 required
7	44089501	Slot Card Plate Assembly	Included in literature packet
8	70208801	Mounting Plate	
9	M411072	Screw	2 required
10	70497201	Control Plate Assembly	Card and card ready; Design 3 and 5 H models; Design 3 S models
11	70544701	Overlay	S models; Single drop; Design 3
	70544702	Overlay	S models; Dual drop; Design 3
	70544703	Overlay	S models; Card ready; Design 3
	70638201	Overlay	S models; Single drop; Design 5
	70638202	Overlay	S models; Dual drop; Design 5
	70638203	Overlay	S models; Card ready; Design 5
	70570301	Overlay	H models; Single drop; Design 3
	70570302	Overlay	H models; Dual drop; Design 3
	70570303	Overlay	H models; Card ready; Design 3
	70636101	Overlay	H models; Single drop; Design 5
	70636102	Overlay	H models; Dual drop; Design 5
	70636103	Overlay	H models; Card ready; Design 5
	12	F8205101	Overlay
F8696101		Overlay	Black; Single drop; Left; Design 5
70557001		Overlay	S models; Prep for card; Design 3
70557002		Overlay	S models; Central pay; Design 3
F8696301		Overlay	S models; Prep for card; Design 5
F8696302		Overlay	S models; Central pay; Design 5
70556501		Overlay	H models; Prep for card; Design 3
70556502		Overlay	H models; Central pay; Design 3
70646001		Overlay	H models; Prep for card; Design 5
70646002		Overlay	H models; Central pay; Design 5

Electronic Display Control - Vend Models with N or W in the 7th Position

B, H, J, P and S Models



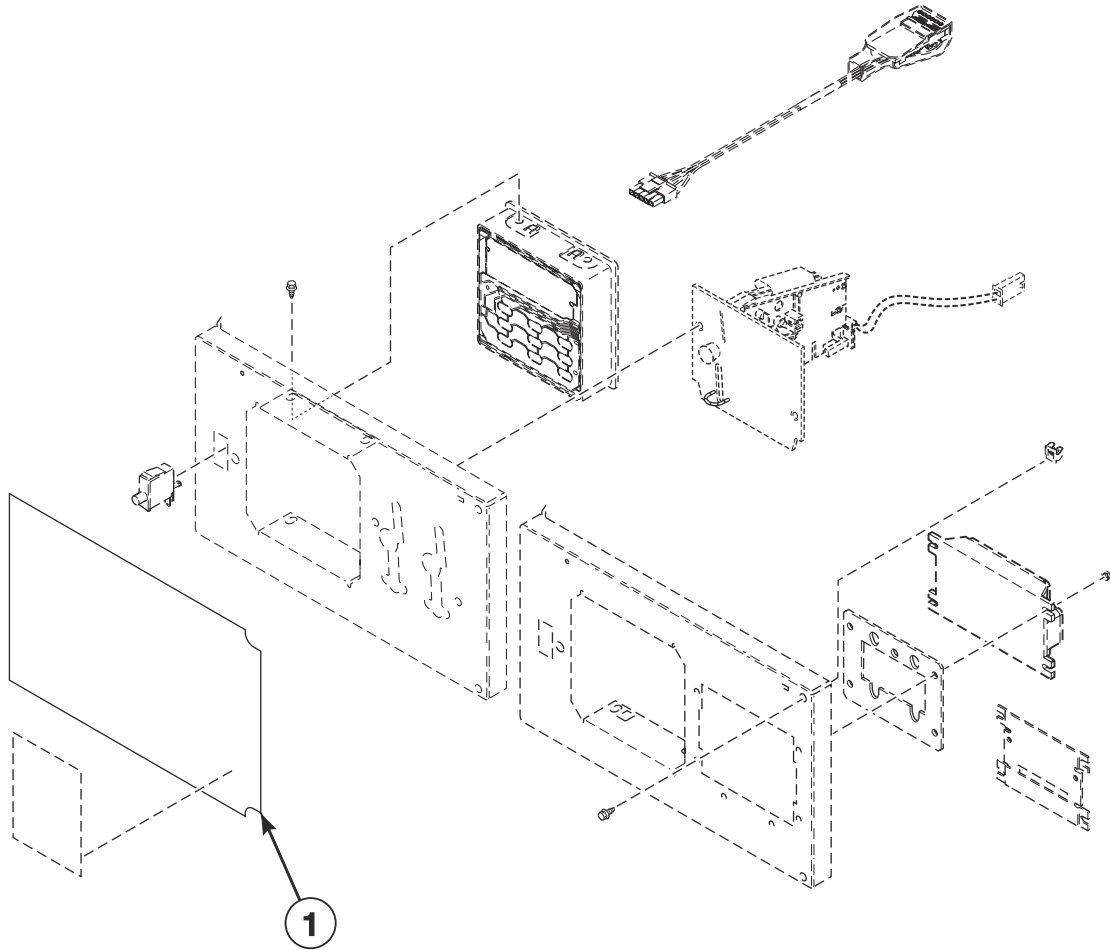
TMB3832P

Electronic Display Control - Vend Models with N or W in the 7th Position

REF	PART NO.	DESCRIPTION	COMMENTS
	44334004	Vend Activation Harness	
	F8719301	Fob Communication Harness	
1	70413301	Pushbutton Switch	
2	70496601	Control Plate and Studs Assembly	Coin and central pay; Design 3 and 5 H models; Design 3 S models; All other models
3	804608	Screw	4 required
4	70523001	Control Assembly	P models; Blue
	70478801P	Control Assembly	H and S models; Green
	70478901	Control Assembly	B and J models; Red
5	203361P	Machine ID Control Assembly	Model or serial number is required when ordering
6	70030501	Expansion Clip	
7	70054	Nut	
8	205135	Fob Reader Control Assembly	
9	44089501	Slot Card Plate Assembly	
10	70208801	Mounting Plate	
11	M411072	Screw	
12	70497201	Control Plate Assembly	Card, card ready and FOB; Design 3 and 5 H models; Design 3 S models; All other models
13	F8205101	Overlay	S models; Single drop; Left; Design 3
	70557001	Overlay	B and S models; Prep for card; Design 3
	70557002	Overlay	B and S models; Central pay; Design 3
	70295101	Overlay	S models; World drop; Design 3
	F8696101	Overlay	S models; Single drop; Left; Design 5
	F8696301	Overlay	S models; Prep for card; Design 5
	F8696302	Overlay	S models; Central pay; Design 5
	F8696201	Overlay	S models; World drop; Design 5
	70556801	Overlay	H models; World drop; Design 3
	70556501	Overlay	H models; Prep for card; Design 3
	70556502	Overlay	H models; Central pay; Design 3
	70556601	Overlay	H models; Single drop; Left; Design 3
	70556901	Overlay	H models; Citron; World drop; Design 3
	70518101	Overlay	H models; Citron; Prep for card; Design 3
	70518102	Overlay	H models; Citron; Central pay; Design 3
	70556701	Overlay	H models; Citron; Left; Design 3
	70645901	Overlay	H models; World drop; Design 5
	70646001	Overlay	H models; Prep for card; Design 5
	70646002	Overlay	H models; Central pay; Design 5
	70645601	Overlay	H models; Single drop; Left; Design 5
	70645801	Overlay	H models; Citron; World drop; Design 5
	70646101	Overlay	H models; Citron; Prep for card; Design 5
	70645701	Overlay	H models; Citron; Single drop; Left; Design 5
	70646102	Overlay	H models; Citron; Central pay; Design 5
	70556201	Overlay	P models; Single drop; Right
	70556401	Overlay	P models; Prep for card
	70556402	Overlay	P models; Central pay
	70556301	Overlay	P models; Single drop; Left
	F8733901	Overlay	S models; FOB
	F8734201	Overlay	H models; FOB
	F8736501	Overlay	H models; Citron; FOB

Electronic Display Control Overlays - Vend Models with N or W in the 7th Position

B, H, J, P and S Models

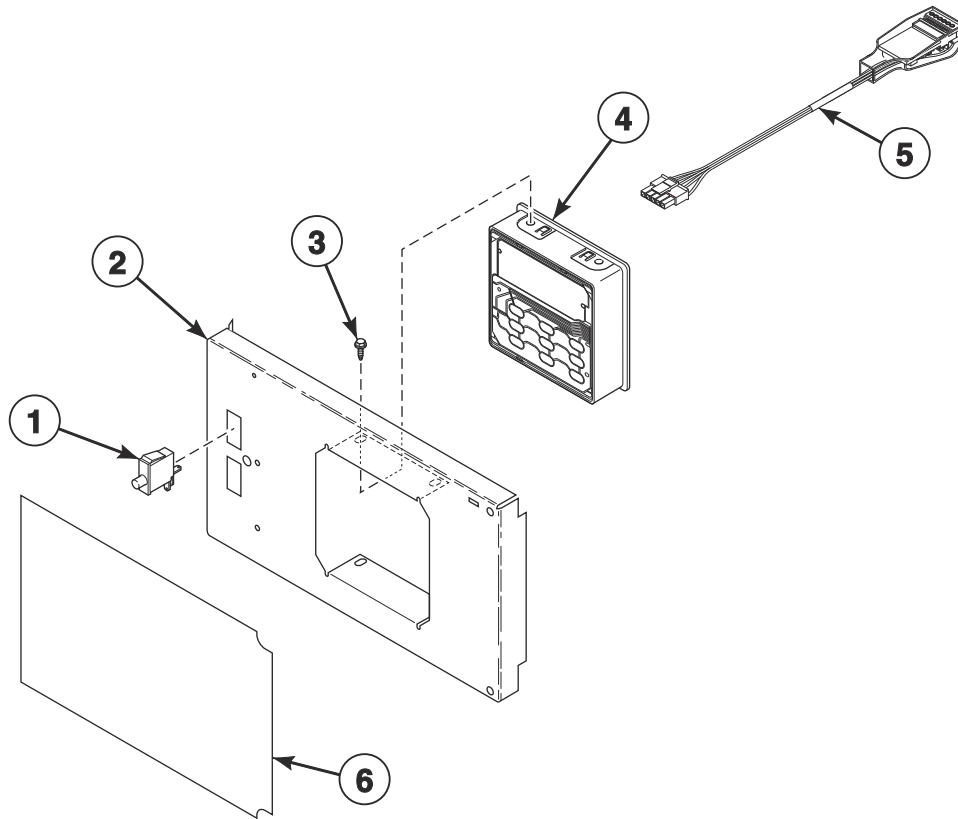


TMB3832PA

Electronic Display Control Overlays - Vend Models with N or W in the 7th Position

REF	PART NO.	DESCRIPTION	COMMENTS
1	70512004	Overlay	S models; Single drop; Design 3
	70512005	Overlay	S models; Dual drop; Design 3
	70512006	Overlay	S models; Card ready; Design 3
	70512007	Overlay	S models; Central pay; Design 3
	70512008	Overlay	S models; World drop; Design 3
	70637601	Overlay	S models; Single drop; Design 5
	70637602	Overlay	S models; Dual drop; Design 5
	70637603	Overlay	S models; Card ready; Design 5
	70637604	Overlay	S models; Central pay; Design 5
	70637605	Overlay	S models; World drop; Design 5
	70626301	Overlay	S models; Single drop; English/Spanish; Design 3
	70626302	Overlay	S models; Dual drop; English/Spanish; Design 3
	70626303	Overlay	S models; Card ready; English/Spanish; Design 3
	70559001	Overlay	Models SG030D and SJ030D
	70517001	Overlay	H models; Single drop; Design 3
	70517002	Overlay	H models; Dual drop; Design 3
	70517003	Overlay	H models; Card ready; Design 3
	70517004	Overlay	H models; Central pay; Design 3
	70517005	Overlay	H models; World drop; Design 3
	70636201	Overlay	H models; Single drop; Design 5
	70636202	Overlay	H models; Dual drop; Design 5
	70636203	Overlay	H models; Card ready; Design 5
	70636204	Overlay	H models; Central pay; Design 5
	70636205	Overlay	H models; World drop; Design 5
	70571001	Overlay	H models; Single drop; Cityscape
	70571002	Overlay	H models; Dual drop; Cityscape
	70571003	Overlay	H models; Card ready; Cityscape
	70518201	Overlay	H models; Single drop; Citron; Design 3
	70518202	Overlay	H models; Dual drop; Citron; Design 3
	70518203	Overlay	H models; Card ready; Citron; Design 3
	70636301	Overlay	H models; Single drop; Citron; Design 5
	70636302	Overlay	H models; Dual drop; Citron; Design 5
	70636303	Overlay	H models; Card ready; Citron; Design 5
	70571101	Overlay	B models; Single drop
	70571102	Overlay	B models; Dual drop
	70571103	Overlay	B models; Card ready
	70541201	Overlay	P models; Single drop
	70541202	Overlay	P models; Dual drop
	70541203	Overlay	P models; Card ready
	70571104	Overlay	J models; Electronic drop

Electronic Display Control - OPL Models with N in the 7th Position



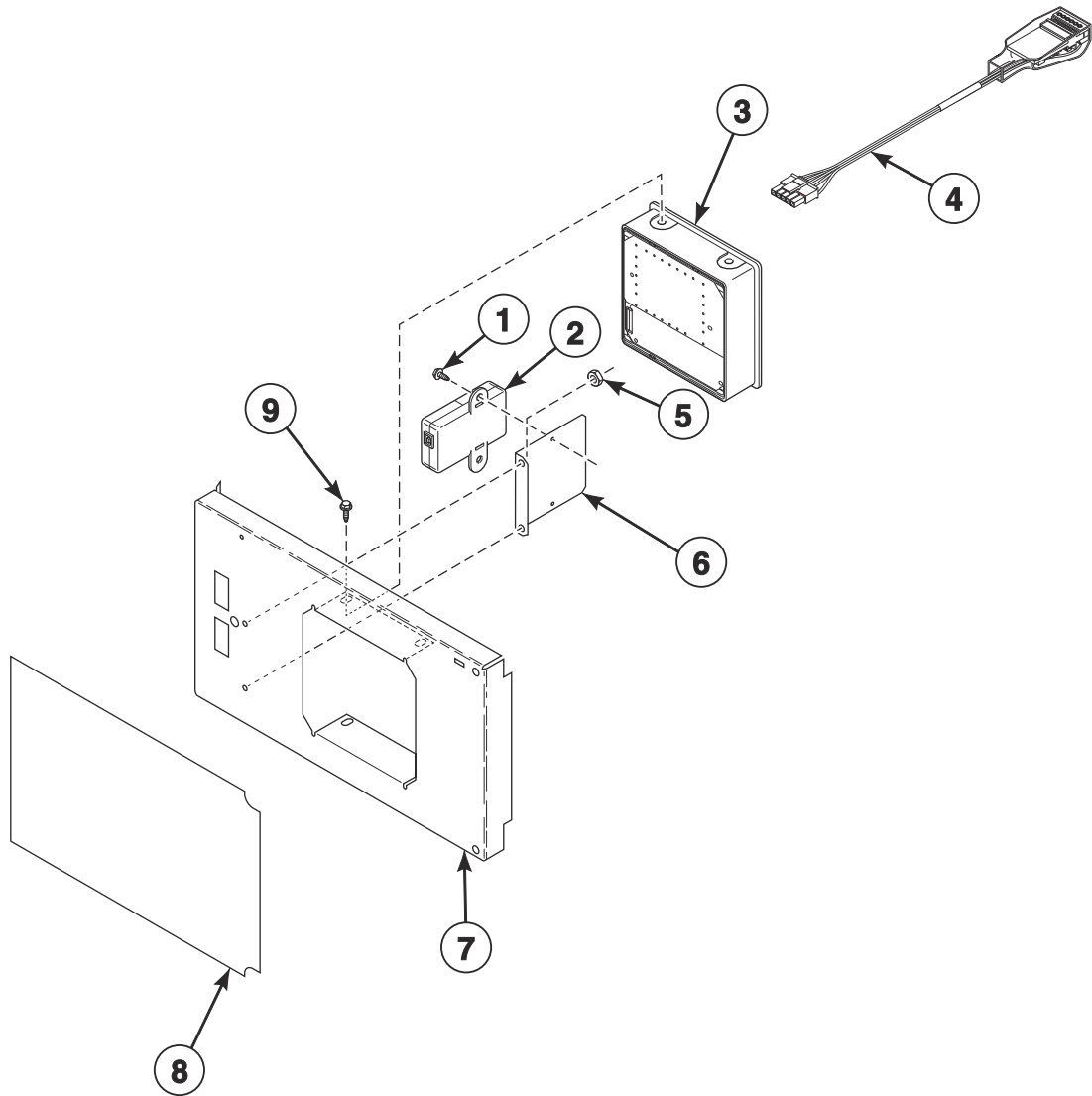
TMB3680P_70591301

Electronic Display Control - OPL Models with N in the 7th Position

REF	PART NO.	DESCRIPTION	COMMENTS
	44334004	Vend Activation Harness	
1	70413301	Pushbutton Switch	
2	70497101	Control Plate	Design 3 and 5 H and U models; Design 3 S models; All other models
3	804608	Screw	4 required
4	70523002	Control Assembly	P models; Blue
	70478802	Control Assembly	H, S and U models; Green
	70478902	Control Assembly	B models; Red
5	203361P	Machine ID Control Assembly	Model or serial number is required when ordering
6	70570601	Overlay	S models; Reversing; Design 3
	70570602	Overlay	S models; Nonreversing; Design 3
	70638301	Overlay	S models; Reversing; Design 5
	70638302	Overlay	S models; Nonreversing; Design 5
	70571401	Overlay	U models; Reversing; Design 3
	70571402	Overlay	U models; Nonreversing; Design 3
	70638901	Overlay	U models; Reversing; Design 5
	70638902	Overlay	U models; Nonreversing; Design 5
	70570801	Overlay	H models; Reversing; Design 3
	70570802	Overlay	H models; Nonreversing; Design 3
	70636401	Overlay	H models; Reversing; Design 5
	70636402	Overlay	H models; Nonreversing; Design 5
	70548801	Overlay	B models; Reversing
	70548802	Overlay	B models; Nonreversing
	70571601	Overlay	P models; Reversing
	70571602	Overlay	P models; Nonreversing

3.5 Inch Graphical Control

U Models with D in the 7th Position



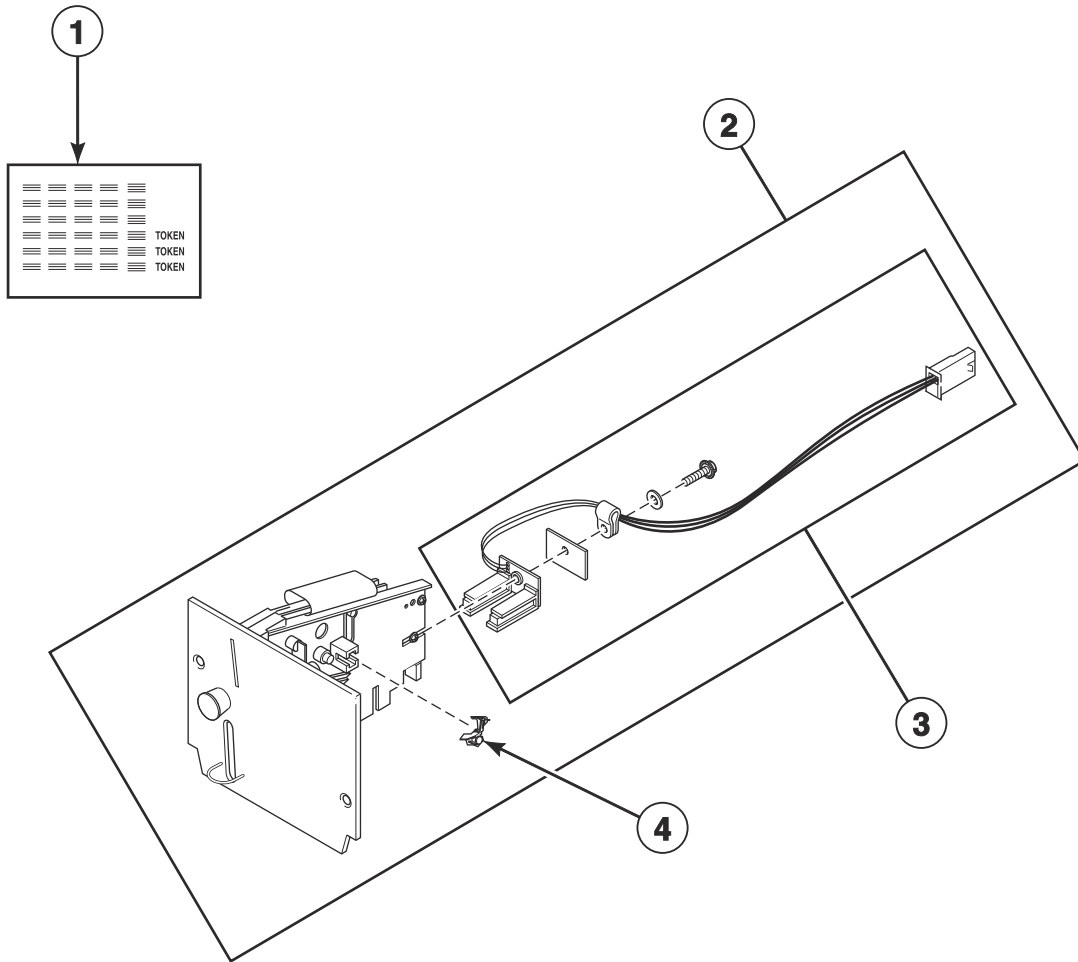
TMB3681P_70591301

3.5 Inch Graphical Control

REF	PART NO.	DESCRIPTION	COMMENTS
	F8617901	Harness	USB
1	33562	Screw	2 required
2	203440	USB-Serial Interface Assembly	
3	70543104	Control Assembly	
4	203361P	Machine ID Control Assembly	Model or serial number is required when ordering
5	44071201	Nut	2 required
6	70547001	USB Bracket	
7	70570201	Control Door and Studs Assembly	
8	70595401	Overlay	Design 3 models
	70639001	Overlay	Design 5 models
9	804608	Screw	4 required

Coin Drops

All Models Except U Models



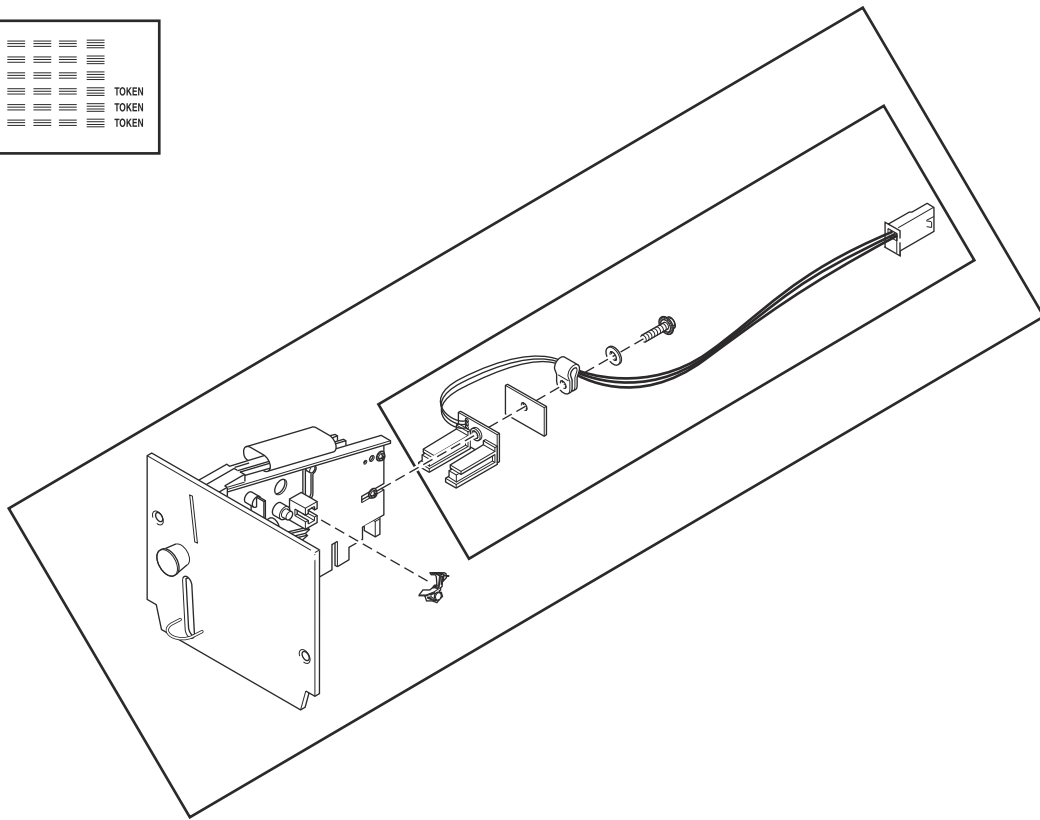
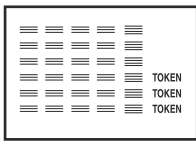
TMB3510P_70591301

Coin Drops

REF	PART NO.	DESCRIPTION	COMMENTS
1	38725	Coin Identification Paper	
2	70441601P	Coin Drop	Single; U.S.A.; \$.25
	38475	Coin Drop Assembly	Single; Japan; 100 yen
	38464P	Coin Drop Assembly	Single; Canada; .25
	CK077	Coin Drop Kit	Single; Taiwan; 10 NT
	70506901	Coin Drop Assembly	Single; Singapore; \$1.00 NEW
	70441603	Coin Drop	Dual; U.S.A.; \$.25 and \$1.00
	38519	Coin Drop Assembly	Dual; Japan; 100 yen and 500 yen
	70441602	Coin Drop Assembly	Dual; Canada; .25 and 1.00
	38467	Coin Drop Assembly	Dual; Australia; \$0.20 and \$1.00
	70447301	Coin Drop Assembly	Dual; Australia; \$1.00 and \$2.00
	70283102	Coin Drop Assembly	Dual; 0.20 and 0.50 Euro
	210195	Coin Drop Assembly	Dual; 0.20 and 1.00 Euro
	210196	Coin Drop Assembly	Dual; 0.50 and 1.00 Euro
	F0160737-00	Coin Meter	Dual; 0.50 and 2.00 Euro
	70281102	Coin Drop Assembly	Dual; Taiwan; 10 and 50 NT
	70482401	Coin Drop Assembly	Dual; New Zealand ; \$1.00 and \$2.00
	38462P	Coin Drop Assembly	Single; Token; STD 118-1
	38463	Coin Drop Assembly	Single; Token; STD 118-5
	38963P	Coin Drop	Single; Token STD 118-16
	39748	Coin Drop	Single; Jeton 08MS
	201141	Coin Drop Assembly	Single; Token; Jeton wh121
	70471601	Coin Drop Assembly	Single; Token; 7K
	70513302	Electronic Coin Drop Assembly	Euro and Great Britain coins
	70513310	Electronic Coin Drop Assembly	Japan and Thailand coins
	70513304	Electronic Coin Drop Assembly	Australia, New Zealand, Hong Kong and South Korea coins
	70513303	Electronic Coin Drop Assembly	Denmark, Norway and Euro coins
	70513306	Electronic Coin Drop Assembly	Mexico, Ecuador and U.S.A. coins
	70294107	Electronic Coin Drop Assembly	Lithuania, Latvia and Euro coins
	70513311	Electronic Coin Drop Assembly	China and Malaysia coins
	70513308	Electronic Coin Drop Assembly	South African 1, 2 and 5 rand coins
	70513309	Electronic Coin Drop Assembly	Euro coins
	70513312	Electronic Coin Drop Assembly	Russia coins
	70513313	Electronic Coin Drop Assembly	Phillipines coins
	70513314	Electronic Coin Drop Assembly	Thailand coins
	70513315	Electronic Coin Drop Assembly	Chile coins
	70513316	Electronic Coin Drop Assembly	Singapore coins
3	200674P	Opto Coupler	
4	201595P	Wire Guard	

Coin Drop Kits

All Models Except U Models



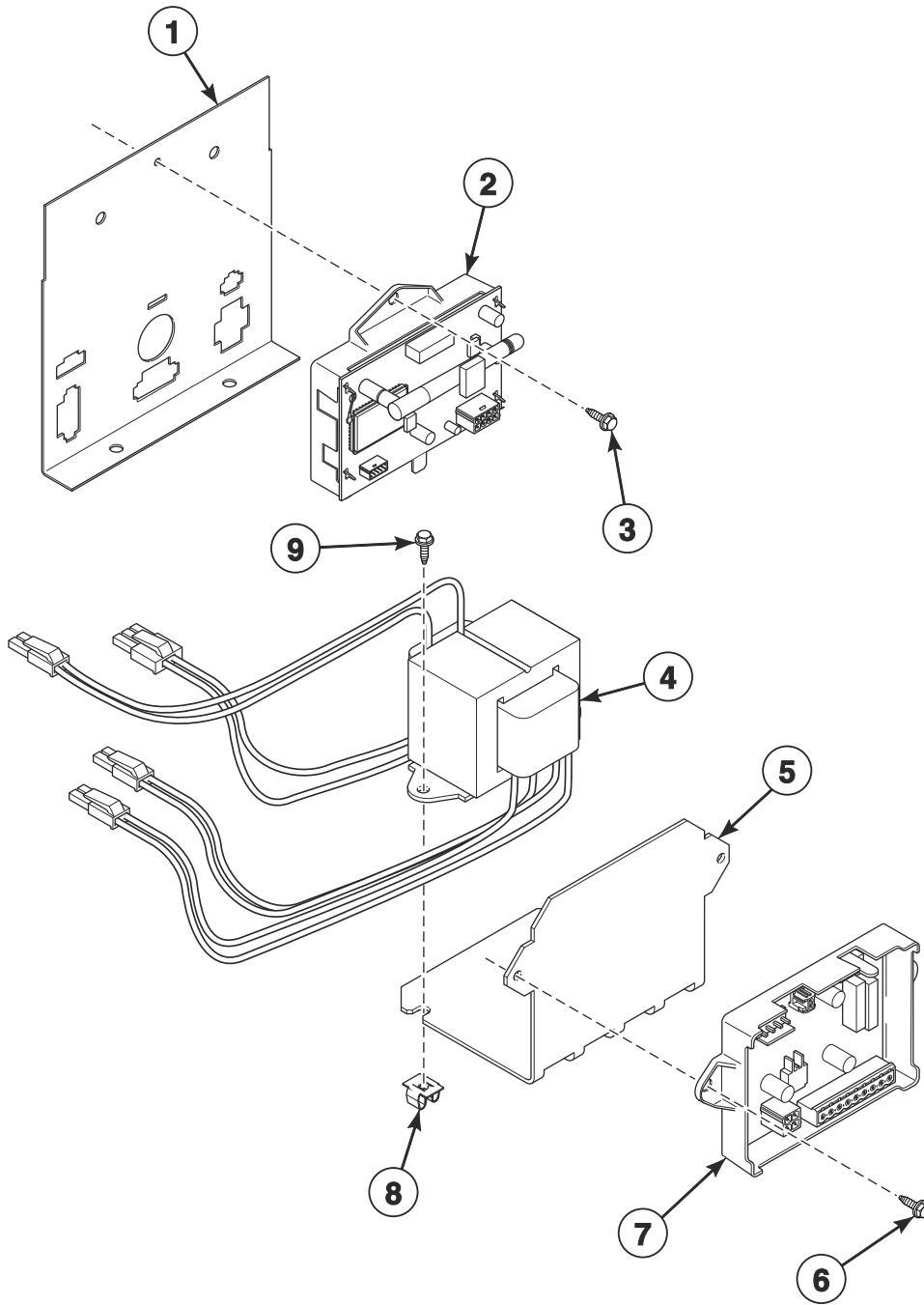
TMB3510PA_70591301

Coin Drop Kits

REF	PART NO.	DESCRIPTION	COMMENTS
	CK115	Electronic Coin Drop Kit	United States and Canada
	CK099	Electronic Coin Drop Kit	Australia (default), New Zealand, Hong Kong, South Korea and Malaysia
	CK100	Electronic Coin Drop Kit	United Kingdom (default) and Europe
	CK101	Electronic Coin Drop Kit	Europe (default), Denmark and Norway
	CK108	Electronic Coin Drop Kit	South Africa
	CK109	Electronic Coin Drop Kit	Euro
	CK110	Electronic Coin Drop Kit	Mexico (default), Ecuador and United States
	CK113	Electronic Coin Drop Kit	Japan and Taiwan
	CK116	Electronic Coin Drop Kit	Malaysia (default) and China
	CK117	Electronic Coin Drop Kit	Russia
	CK118	Electronic Coin Drop Kit	Philippine
	CK119	Electronic Coin Drop Kit	Thailand
	CK120	Electronic Coin Drop Kit	Chile
	CK121	Electronic Coin Drop Kit	Singapore
	CK122	Coin Drop Kit	New Zealand; 1.00 and 2.00

Network Board, Central Pay and Card Reader Components

Central Pay Starting December 2018

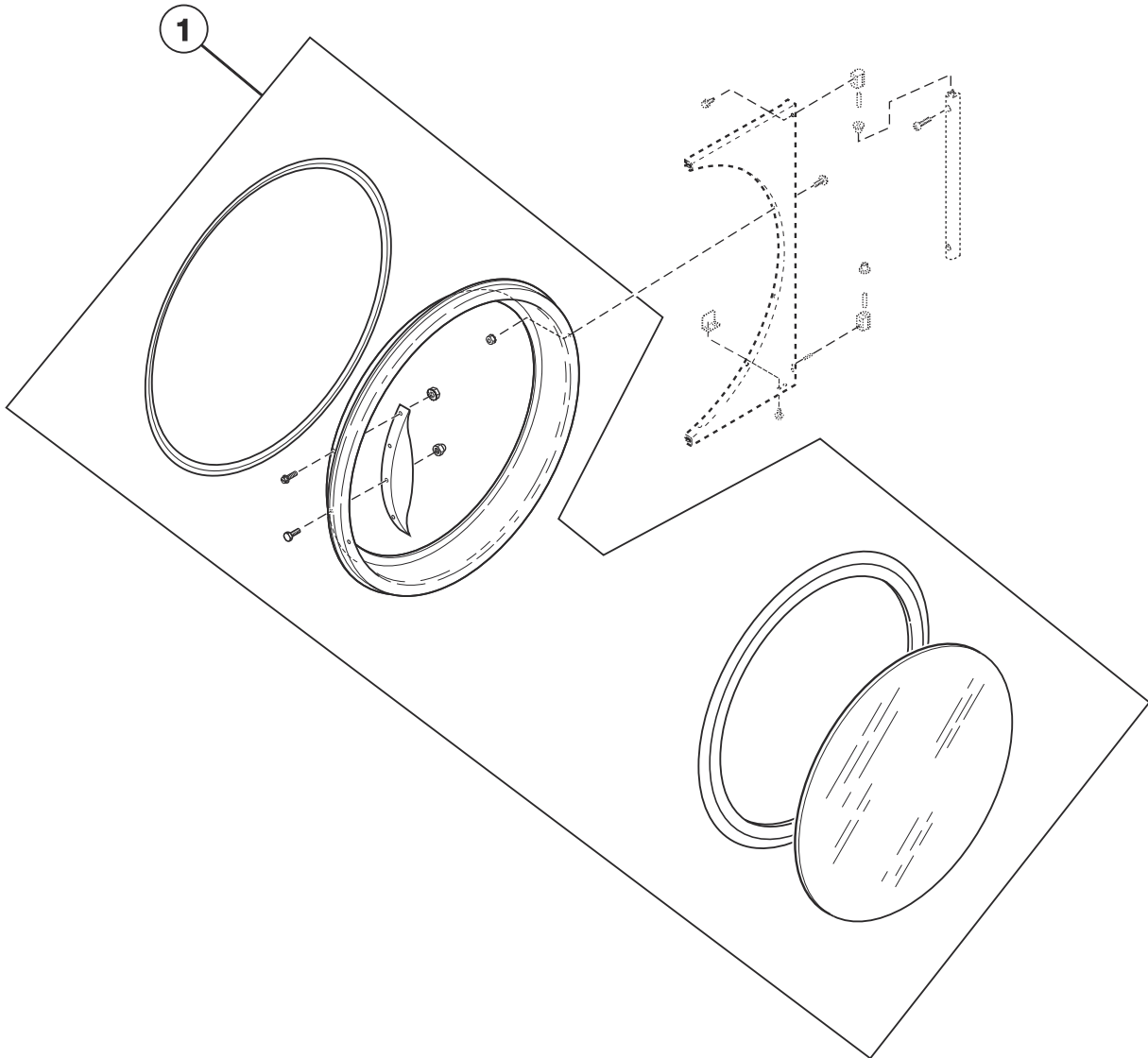


TMB3677P_70591301

Network Board, Central Pay and Card Reader Components

REF	PART NO.	DESCRIPTION	COMMENTS
	70596301	Wireless Network Kit	H and U models through 1/31/19; S models through 5/12/19
	70609701	Wireless Network Kit	H models starting 2/1/19; S models starting 5/13/19
	F8536002	Wireless Network Board Harness	H and U models through 1/31/19; S models through 5/12/19
	F8613201	FCC-IC Label	HT and U models through 1/31/19; ST models through 5/12/19
	F8674006	Wireless Network Harness	H models starting 2/1/19; S models starting 5/13/19
	204692	Wireless Control Label	H models starting 2/1/19; S models starting 5/13/19
	NK320	Ethernet Gateway Kit	S models through 5/12/19
	NK330	USB Gateway Kit	S models through 5/12/19
	203346	USB IR Interface Kit	
	70666806	Fob Reader Kit	
	44355601	Central Pay Harness	Routes from central pay board to control tray
	44272301	Transformer Harness	100-120 Volt; Routes from transformer to I/O Control Assembly; Card and central pay
	44272302	Transformer Harness	200-480 Volt; Routes from transformer to I/O Control Assembly; Card and central pay
	44355604	Central Pay Board Harness	Routes from central pay board to transformer
	44355605	Central Pay Harness	Routes from central pay board to front end control
1	70307007	Harness Mounting Plate	
2	203532	Wireless Network Control Assembly	H and U models through 1/31/19; S models through 5/12/19
	807211	Wireless Network Control Assembly	H models starting 2/1/19; S models starting 5/13/19
3	F8206901	Screw	
4	202757	Transformer	100-120 Volt; Card and central pay
	202758	Transformer	200-480 Volt; Card and central pay
5	70604001	Mounting Bracket	
6	51780	Screw	2 required
7	70612701	Central Pay Kit	100-120 Volt
	70612703	Central Pay Kit	200-480 Volt
8	70030501	Expansion Clip	2 required
9	M411072	Screw	

Door Assemblies

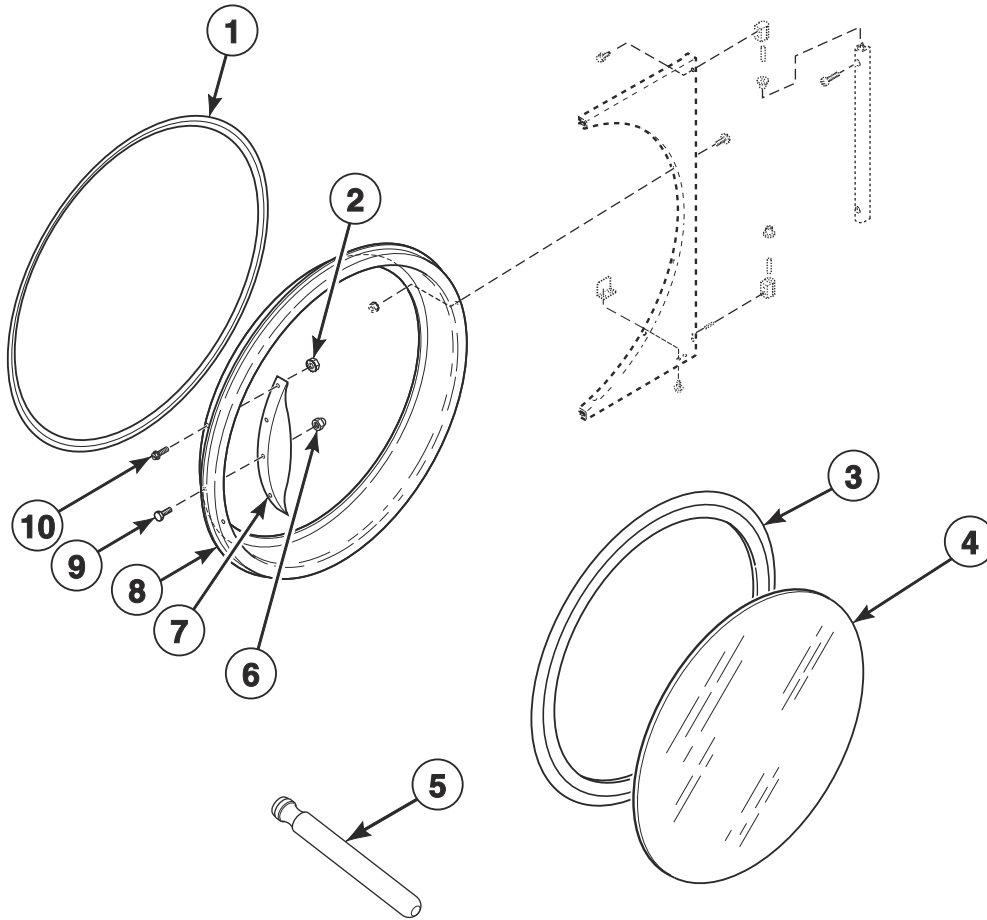


TMB3551P_70591301

Door Assemblies

REF	PART NO.	DESCRIPTION	COMMENTS
1	70212300	Door Assembly	S models; Stainless steel; Design 3
	70597701	Door Assembly	S models; Stainless steel; Design 5
	70212302P	Door Assembly	S models; Chrome; Design 3
	70597702	Door Assembly	S models; Chrome; Design 5
	70496501	Door Assembly	U models; Stainless steel; Design 3
	70597703	Door Assembly	U models; Stainless steel; Design 5
	70496502P	Door Assembly	U models; Chrome; Design 3
	70597704	Door Assembly	U models; Chrome; Design 5
	44058005	Door Assembly	H models; Stainless steel; Design 3
	70597705	Door Assembly	H models; Stainless steel; Design 5
	44058007	Door Assembly	H models; Stainless steel with green trim; Design 3
	70597707	Door Assembly	H models; Stainless steel with green trim; Design 5
	44058006	Door Assembly	H models; Chrome; Design 3
	70597706	Door Assembly	H models; Chrome; Design 5
	44058008	Door Assembly	H models; Chrome with green trim; Design 3
	70597708	Door Assembly	H models; Chrome with green trim; Design 5
	70212301	Door Assembly	B models; Black; Design 3
	44287801LGP	Door Assembly	P models; Light gray; Design 3
	70597709	Door Assembly	B, J and P models; Black; Design 5
	44287801B	Door Assembly	P models; Use with stainless steel front panel

Door Components

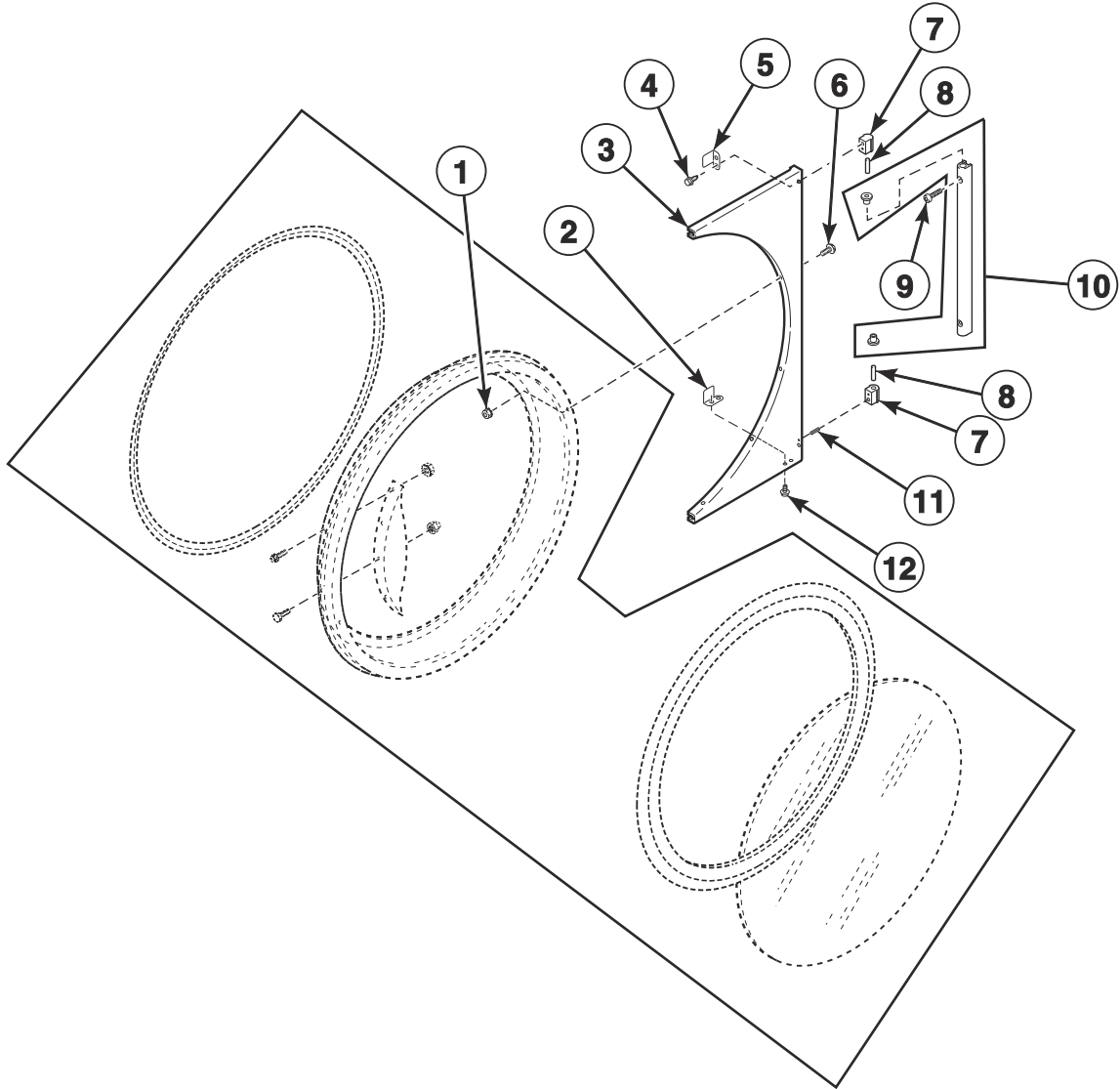


TMB3550P_70591301

Door Components

REF	PART NO.	DESCRIPTION	COMMENTS
	70650401	Door Glass Label	H models; Design 5
	70707701	Door Glass Label	S models
	70707501	Max Fill Line Label	
1	70296801	Door Ring Gasket	
2	44088001	Nut	B, H and S models; 4 required
3	70211901P	Door Glass Seal Kit	Use Loctite 414 for seal
4	70133601P	Door Glass	H models; Design 3
	70133602	Door Glass	H models; Green trim; Design 3
	70133604	Door Glass	H models; Green trim; Design 5
	M400784P	Door Glass	All other models; Design 5 H models
5	M4221P4	Door Glass Installation Tool	
6	M414215	Nut	For door strike; Mounts between door strike screw and door handle
7	44007902P	Door Handle	B, J and S models; Design 5 P models
	44263801	Door Handle	U models; Use 901620 Screw, 800465 Washer, 803871 Screw and 44088001 Nut to attach
	70521101	Door Handle	H models; Design 3
	44370602	Door Handle	H models; Design 5
8	70543901	Door Ring Assembly	H and S models; Stainless steel; Design 3
	70543905	Door Ring Assembly	H and S models; Chrome; Design 3
	70543902	Door Ring Assembly	U models; Design 3
	70543906	Door Ring Assembly	U models; Chrome; Design 3
	70543904B	Door Ring Assembly	B models; Design 3
	70543907LG	Door Ring and Handle Assembly	P models; Includes handle; Design 3
	70543907B	Door Ring and Handle Assembly	P models; Includes handle; Use with stainless steel and white front panel
	70597507B	Door Ring Assembly	B, J and P models; Design 5
9	M400661	Screw	Door Strike
10	70442101	Screw	B, H, J, P and S models; 4 required

Hinge Components - Design 3 Models



TMB3459P_70591301

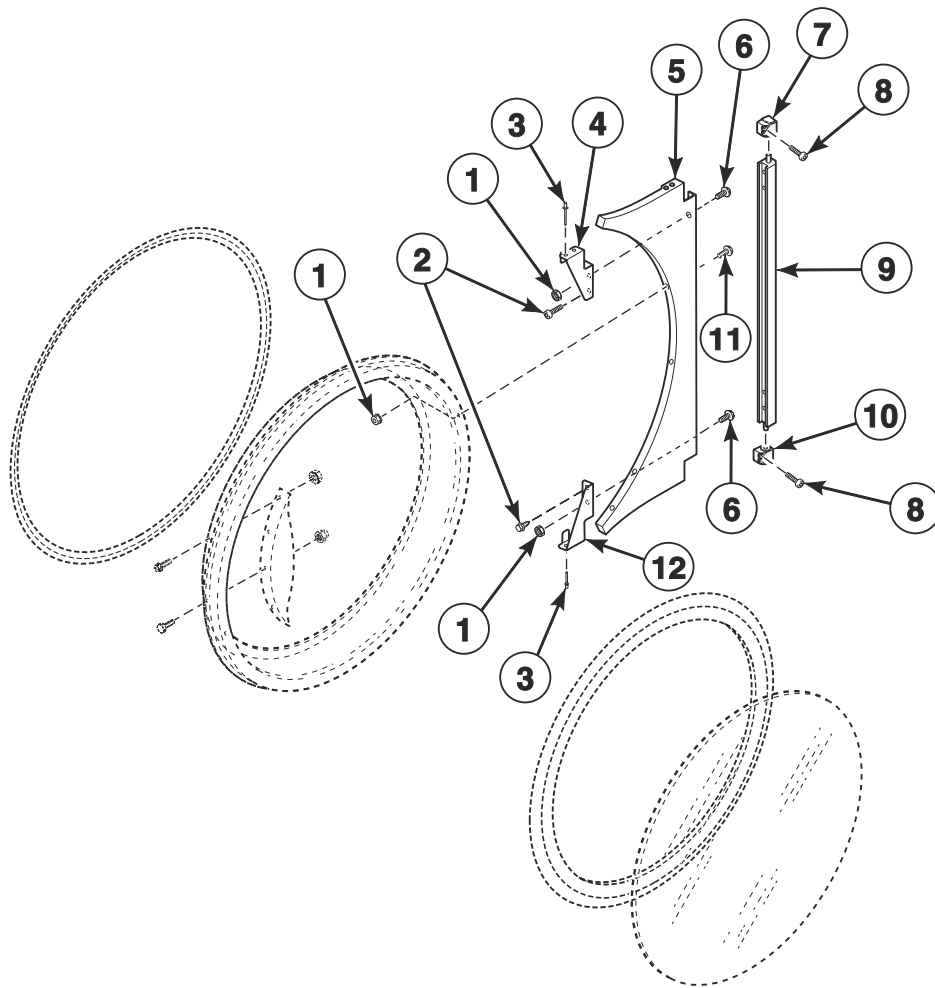
Hinge Components - Design 3 Models

REF	PART NO.	DESCRIPTION	COMMENTS
1	44088001	Nut	
2	70532101	Door Switch Actuator	Bottom
3	70116003*	Door Hinge	H, S and U models through 3/31/21
	70116005W	Door Hinge	H, S and U models starting 4/1/21
	70116006	Door Hinge	H, S and U models; Stainless steel
	70116005LG	Door Hinge	Light gray; P and U models
	70116005B	Door Hinge	Black; B models; P models with white and stainless steel front panel
4	70576101	Screw	
5	70532102	Door Switch Actuator	Top
6	M400044	Screw	
7	M4772P3	Hinge Cam Kit	H, P, S and U models
	M4773P3	Hinge Cam Kit	Black; B models; P models with white and stainless steel front panel
8	70071401	Pin	
9	70033502	Screw	H, P, S and U models
	70407301	Screw	Black; B models; P models with white and stainless steel front panel
10	44035001	Door Hinge Lug Assembly	H, P, S and U models
	44035002	Door Hinge Lug Assembly	Black; B models; P models with white and stainless steel front panel
11	70436301	Screw	
12	70058501	Pop Rivet	

* Add Letter To Designate Color. Q - Bisque W - White

Hinge Components - Design 5 Models

B, H, J, P, S and U models

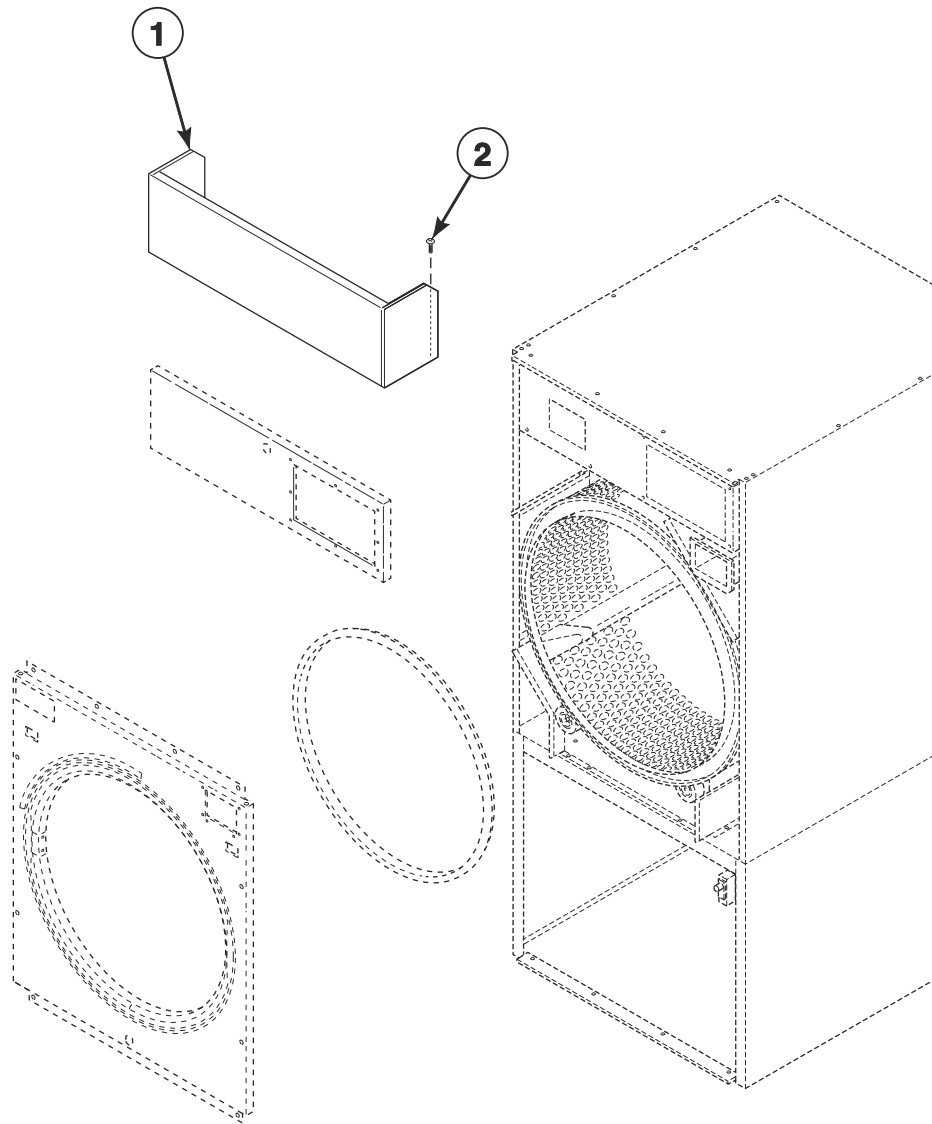


TMB3805P_70591301

Hinge Components - Design 5 Models

REF	PART NO.	DESCRIPTION	COMMENTS
1	44088001	Nut	
2	802822	Screw	
3	70058501	Pop Rivet	
4	70632001	Upper Hinge Gusset	
5	70632701W	Door Hinge	White; H, S and U models
	70632701LG	Door Hinge	Light gray; U models
	70632703	Door Hinge	Stainless steel; H, S and U models
	70632707	Door Hinge	Chrome; H, S and U models through 3/31/21
	70632711	Door Hinge	Mirror polish; H, S and U models starting 4/1/21
	70632709B	Door Hinge	Black; B, J and P models
6	70640201	Screw	
7	70639301	Upper Lug Assembly	Use with 2 of item 8; H, S and U models
	70639303	Upper Lug Assembly	Use with 2 of item 8; B, J and P models
8	70640301	Screw	H, S and U models
	F8458801	Screw	B, J and P models
9	70640402	Center Hinge Lug Assembly	
10	70639302	Lower Lug Assembly	Use with 2 of item 8; H, S and U models
	70639304	Lower Lug Assembly	Use with 2 of item 8; B, J and P models
11	44349101	Screw	
12	70632002	Lower Hinge Gusset	

False Fronts



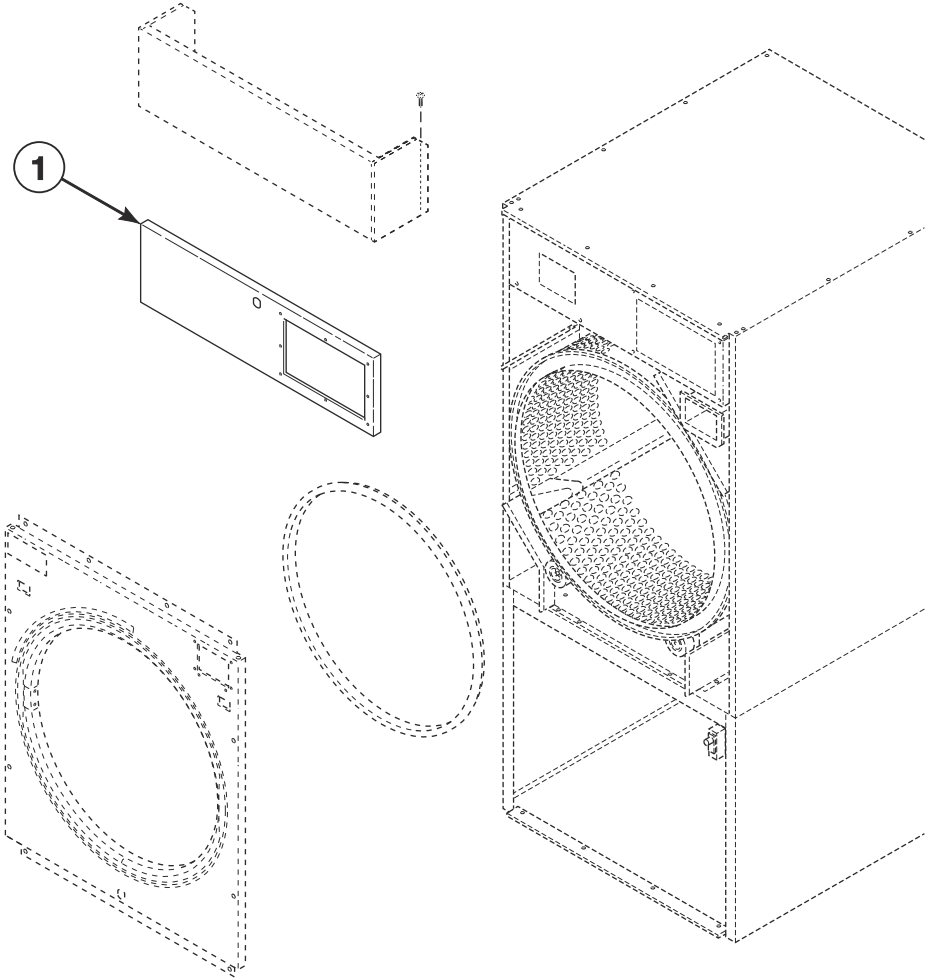
TMB3511P_70591301

False Fronts

REF	PART NO.	DESCRIPTION	COMMENTS
1	70000503DG	False Front	Dark gray; P models; 72 inches
	70000503LG	False Front	Light gray; U models; 72 inches
	70000501*P	False Front	All models except P models; 72 inches
	70000504	False Front	72 inches; Stainless steel
	70024203DG	False Front	Dark gray; P models; 76 inches
	70024203LG	False Front	Light gray; U models; 76 inches
	70024201*P	False Front Assembly	All models except P models; 76 inches
	70024204	False Front	76 inches; Stainless steel
2	M405188	Screw	4 required

* Add Letter To Designate Color. Q - Bisque W - White

Control Panels



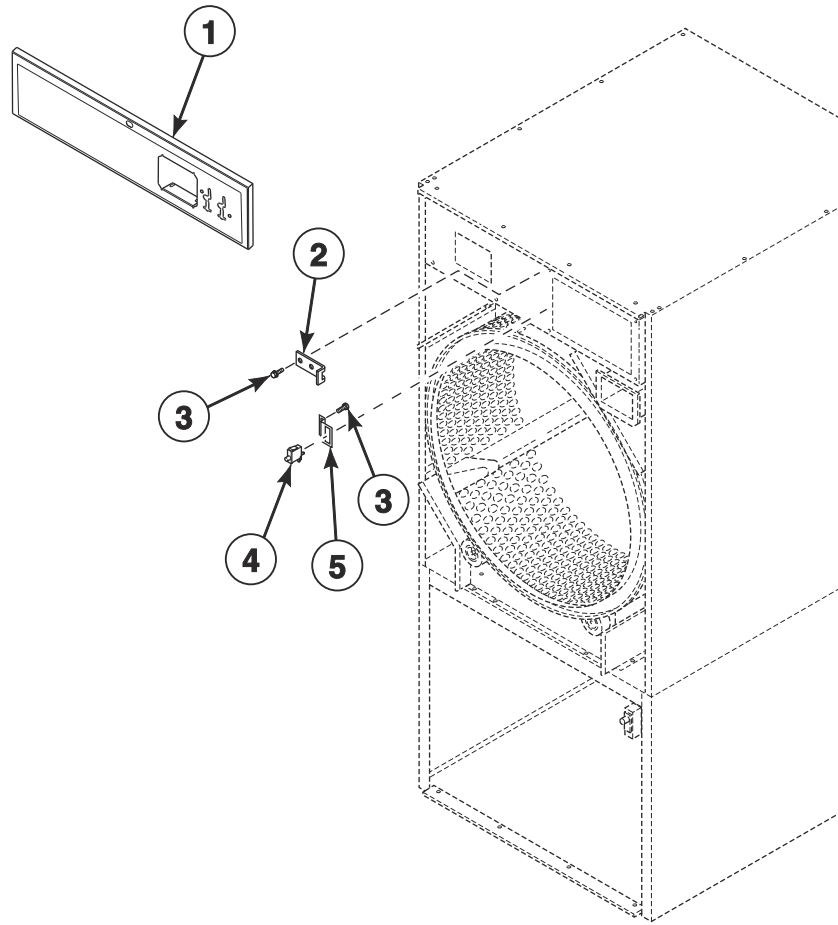
TMB3511PA_70591301

Control Panels

REF	PART NO.	DESCRIPTION	COMMENTS
	431318	Control Door Latch	Use with Design 5 H, J and U models
	M400003	Pop Rivet	Use with Design 5 H, J and U models
1	70273308B	Control Panel	B models
	70273305*	Control Panel	U models; Only white available for Design 5; Models through 3/31/21
	70273315W	Control Panel	U models starting 4/1/21
	70273313	Control Panel	U models; Stainless steel
	70121501W	Control Panel	Design 3 S models through 3/31/21
	70121507W	Control Panel	Design 3 S models starting 4/1/21
	70121508	Control Panel	Design 3 S models; Stainless steel
	70273315LG	Control Panel	U models; Light gray
	70121514DG	Control Panel	P models; Dark gray
	70121505*	Control Panel	H models; Only white available for Design 5; Models through 3/31/21
	70121514W	Control Panel	H models starting 4/1/21
	70121509	Control Panel	H and P models; Stainless steel
	70273305W	Control Panel	Design 5 J models

* Add Letter To Designate Color. **Q** - Bisque **W** - White

Control Panels - Design 5 S Models

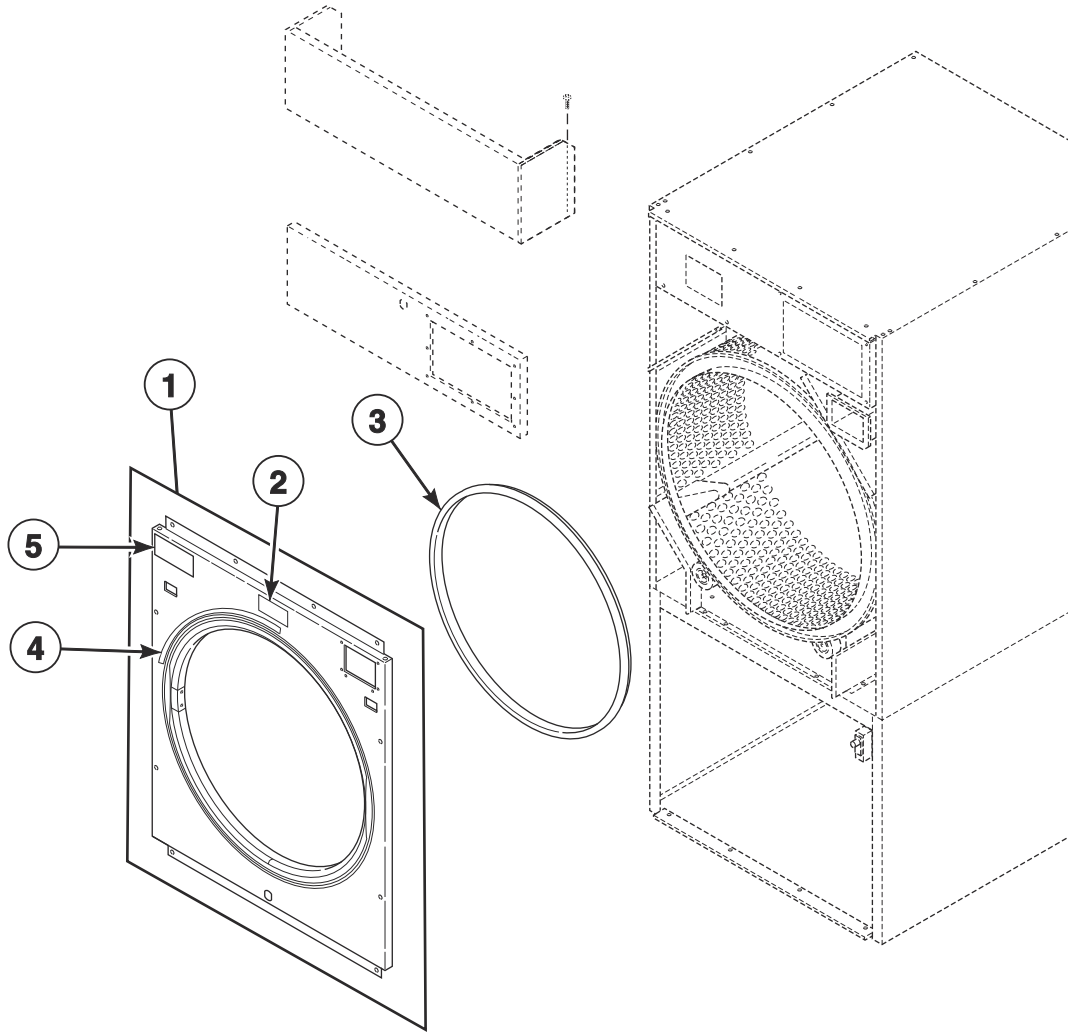


TMB3804P_70591301

Control Panels - Design 5 S Models

REF	PART NO.	DESCRIPTION	COMMENTS
1	70639401	Control Assembly	Stainless steel; Coin; Models through 3/31/21
	70639402	Control Assembly	Stainless steel; Card; Models through 3/31/21
	70634703	Control Assembly	Stainless steel; OPL; Models through 3/31/21
	70639403W	Control Assembly	Coin; Models through 3/31/21
	70639404W	Control Assembly	Card; Models through 3/31/21
	70634706W	Control Assembly	OPL; Models through 3/31/21
	70684301	Control Assembly	Stainless steel; Coin; Models starting 4/1/21
	70684302	Control Assembly	Stainless steel; Card; Models starting 4/1/21
	70684203	Control Assembly	Stainless steel; OPL; Models starting 4/1/21
	70684303W	Control Assembly	Coin; Models starting 4/1/21
	70684304W	Control Assembly	Card; Models starting 4/1/21
	70684206W	Control Assembly	OPL; Models starting 4/1/21
2	70654501	Lock Catch Bracket	Models through 3/31/21
3	430497	Screw	
4	70413301	Pushbutton Switch	
5	70641601	Control Panel Switch Bracket	

Front Panel Assemblies - Design 3 Models



TMB3642P_70591301

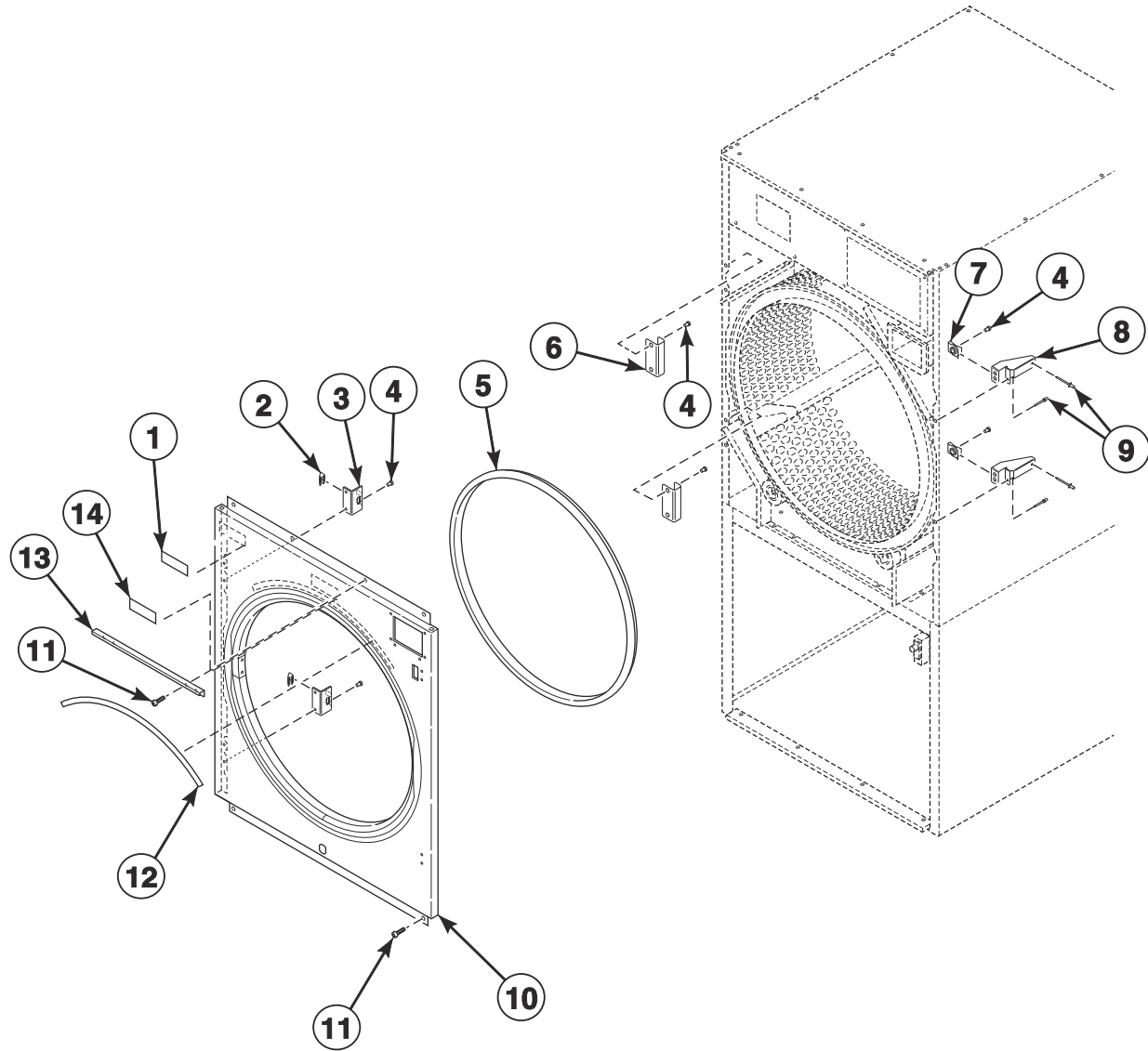
Front Panel Assemblies - Design 3 Models

REF	PART NO.	DESCRIPTION	COMMENTS
1	70602001*	Front Panel	All models except P and U models; Coin; Models through 3/31/21
	70602002W	Front Panel Assembly	All models except P and U models; Coin; Models starting 4/1/21
	70602301*	Front Panel	S models; Coin; Hinged lint door; Models through 3/31/21
	70602302W	Front Panel Assembly	S models; Coin; Hinged lint door; Models starting 4/1/21
	70602501DG	Front Panel Assembly	P models; Coin; Dark gray
	70601501	Front Panel Assembly	All models except P and U models; Coin; Stainless steel
	70601701	Front Panel	S models; Coin; Hinged lint door; Stainless steel
	70602101*	Front Panel	All models except P and U models; Card and central pay; Models through 3/31/21
	70602102W	Front Panel Assembly	All models except P and U models; Card and central pay; Models starting 4/1/21
	70602201*	Front Panel	S models; Card; Hinged lint door
	70576002DG	Front Panel Assembly	P models; Card and central pay; Dark gray
	70601601	Front Panel Assembly	All models except P and U models; Card and central pay; Stainless steel
	44115902	Front Panel Assembly	S models; Card; Hinged lint door; Stainless steel
	70602701*	Front Panel	OPL; With e-stop; Models through 3/31/21
	70602702W	Front Panel Assembly	OPL; With e-stop; Models starting 4/1/21
	70602801DG	Front Panel Assembly	P models; OPL; Dark gray; With e-stop
	70602801LG	Front Panel	U models; OPL; Light gray; With e-stop
	70601901	Front Panel Assembly	OPL; Stainless steel; With e-stop
	70524105*	Front Panel	OPL; Without e-stop; Models through 3/31/21
	70602202W	Front Panel Assembly	OPL; Without e-stop; Models starting 4/1/21
70524115DG	Front Panel	P models; OPL; Dark gray; Without e-stop	
70524115LG	Front Panel	U models; OPL; Light gray; Without e-stop	
70524106	Front Panel	OPL; Stainless steel; Without e-stop	
2	70472801	Label	U models
3	70173401P	Front Panel Seal	
4	70534301	Warning Label	English
	70534302	Warning Label	French
	70534300	Label Kit	Warning; IEC models
5	70537001	Label	B, H, S and U models; C.A.R.E.
	44190901	Label	P models; Safe Tech

* Add Letter To Designate Color. Q - Bisque W - White

Front Panel Assemblies - Design 5 Models

B, H, J, P, S and U Models

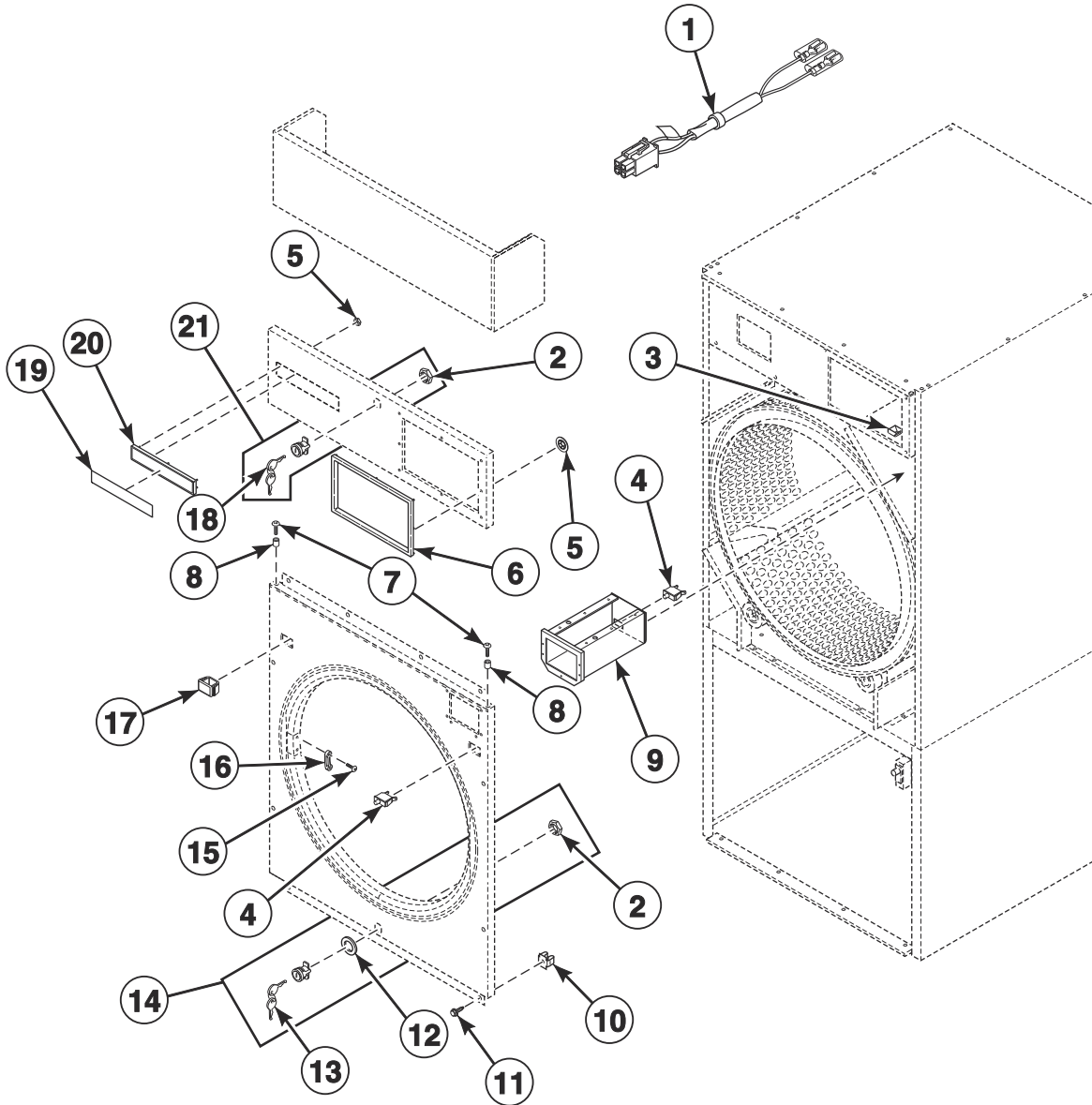


TMB3806P_70591301

Front Panel Assemblies - Design 5 Models

REF	PART NO.	DESCRIPTION	COMMENTS
	70289101P	Gasket	Sold per foot; Use behind item 10
1	70537001	Label	C.A.R.E.; B, H, P and S models
2	35865	Hold-Down Clip	2 required
3	70604801	Clip Mount Bracket	2 required
4	70058501	Pop Rivet	
5	70173401P	Front Panel Seal	
6	70604901	Clip Keeper Bracket	2 required
7	70030401	Nut	2 required
8	70634201	Bracket	
9	70614201	Rivet	
10	70705201	Front Panel Assembly	Stainless steel; Coin; B, H, P and S models
	70705202	Front Panel Assembly	Stainless steel; Card, central pay and OPL; Without e-stop; B, H, P and S models
	70705204	Front Panel Assembly	Stainless steel; OPL; With e-stop; B and P models
	70705203	Front Panel Assembly	Stainless steel; Card; Hinged lint door; S models
	70705205	Front Panel Assembly	Stainless steel; Coin; Hinged lint door; S models
	70705203LG	Front Panel Assembly	U models; Light gray; OPL
	70705201W	Front Panel Assembly	Coin; B, H, J, P and S models
	70705202W	Front Panel Assembly	Card, central pay and OPL; B, H, P and S models
	70705203W	Front Panel Assembly	Card; Hinged lint door; S models
	70705205W	Front Panel Assembly	Coin; Hinged lint door; S models
	70705204W	Front Panel Assembly	OPL; With e-stop; B, H, P, S and U models
11	M411072	Screw	
12	70534301	Warning Label	English
	70534302	Warning Label	French
13	70641501	Control Panel Stand Bracket	S models
14	70472801	Label	U models

Cabinet Front Components



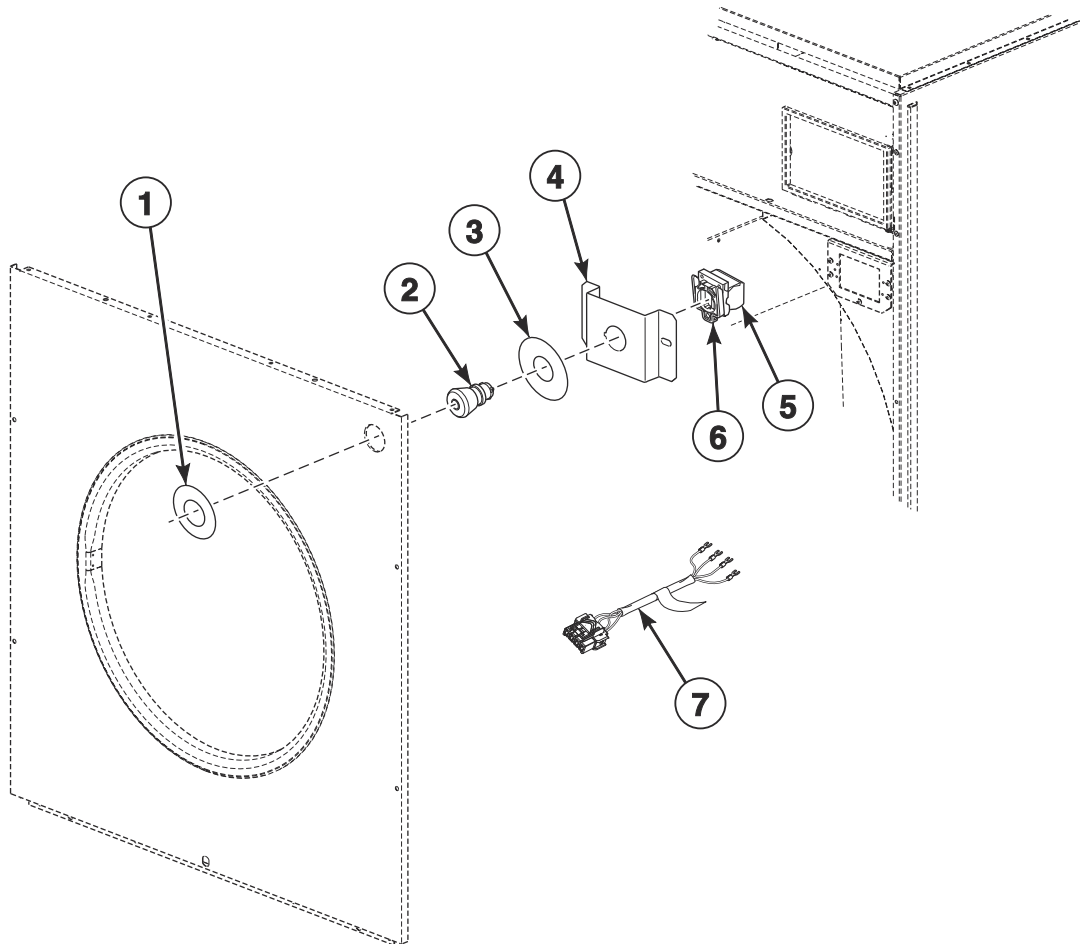
TMB3592P_70591301

Cabinet Front Components

REF	PART NO.	DESCRIPTION	COMMENTS
	44334103	Bypass Harness	Card and central pay
	D511476	Jumper Harness	Card reader present
	70482901	Door Catch Kit	
1	44334101	Coin Vault Switch Harness	
2	44088801	Nut	
3	70296401	Coin Chute Assembly	
4	70413301	Pushbutton Switch	
5	M400977	Nut	S models; 6 required; Design 3
6	70529401	Control Trim	H models; Gray
	44016401	Control Trim	P models; Design 3 S models; Black
7	39733	Screw	
8	56079	Panel Locator	9 required
9	70529501	Coin Vault Assembly	
	70529502	Coin Vault and Emergency Stop Mount Assembly	Models with emergency stop
	F160673P	Coin Box	Optional equipment; Includes lock and key
10	70030501	Expansion Clip	8 required
11	M411072	Screw	8 required
12	70342401	Lock Shim	
13	70155602	Key	RL002
14	44089302P	Lock, Key and Nut Kit	RL002
	44089305	Panel Lock	RL002; Chrome
15	44166601	Pop Rivet	
16	M401223	Door Latch	
17	44057801W	Switch Hole Plug	White; Design 3 models
	44057801Q	Switch Hole Plug	Bisque; Design 3 models
	44057801LG	Switch Hole Plug	Gray; U models; Design 3
	44057801B	Switch Hole Plug	Black; Design 3 models
18	70155601	Key	RL001
19	70115601	Nameplate Overlay	S models; Design 3
	F8688801	Nameplate	S models; Design 5
	F8688001	Nameplate	H models; Design 5
	F8443105	Nameplate	U models
	B12389801	Nameplate	B models
	567887	Nameplate	P models
	70685701	Nameplate	J models
20	70117401	Nameplate Bezel	S models; Design 3
21	44089301P	Lock, Key and Nut Kit	RL001; Black
	44089304	Panel Lock	RL001; Chrome

Emergency Stop Button - OPL Models

A, H, J, K, L, R and U in the 2nd Position
G and T in the 2nd Position Through 12/31/18

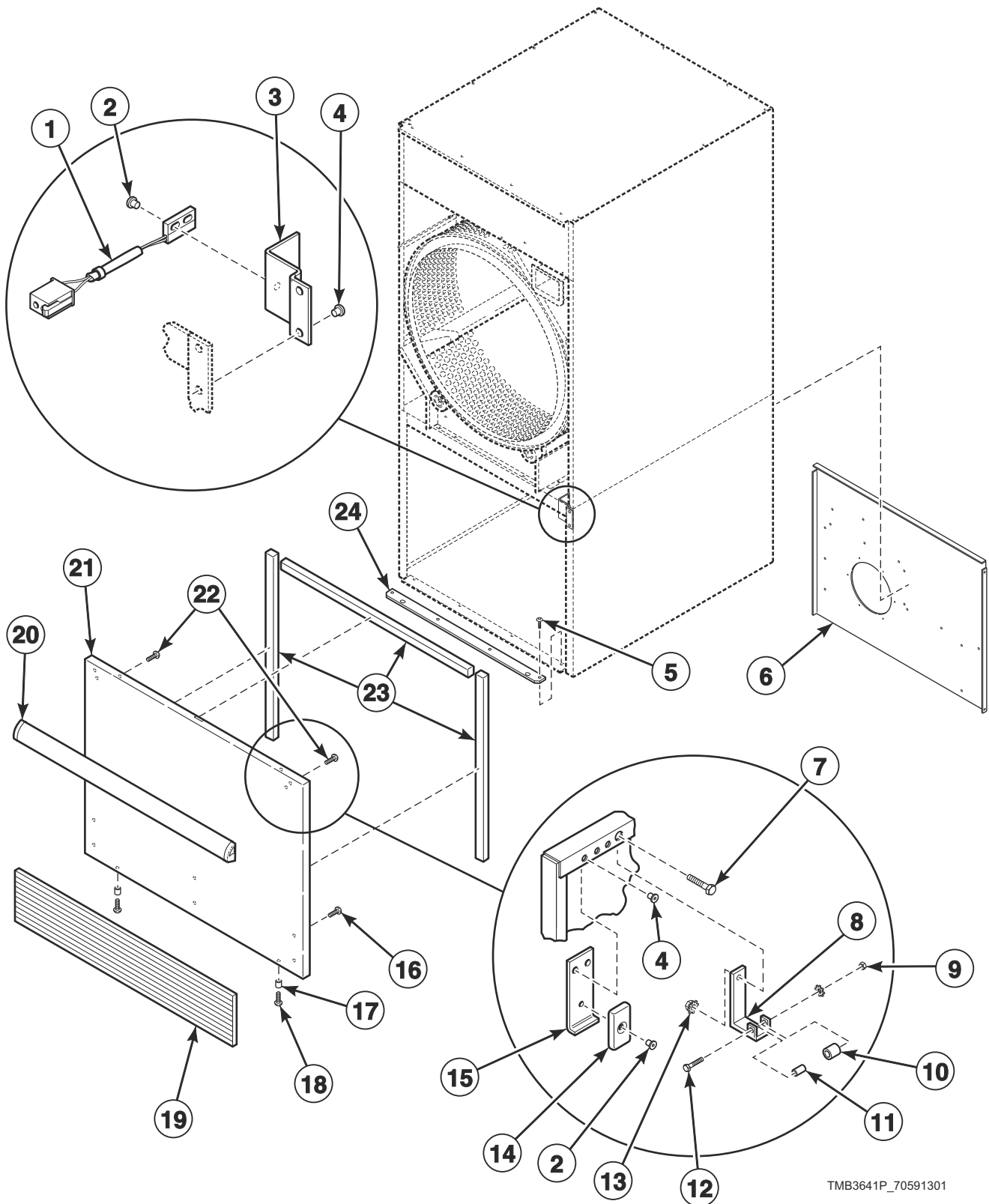


TMB3513P_70591301

Emergency Stop Button - OPL Models

REF	PART NO.	DESCRIPTION	COMMENTS
	70580301	Emergency Stop Button Kit	Includes items 2-4
	F8519403	Emergency Stop Bypass Harness	Coin, card and central pay
1	44012903	Emergency Stop Label	
2	F200233500	Emergency Stop Pushbutton	
3	44012901	Emergency Stop Label	
4	70550401	Emergency Stop Mounting Bracket	
5	F8069501	Contact Switch	2 required
6	F8538101	Contact Base	
7	44272401	Emergency Stop Harness	

Lower Cabinet Components



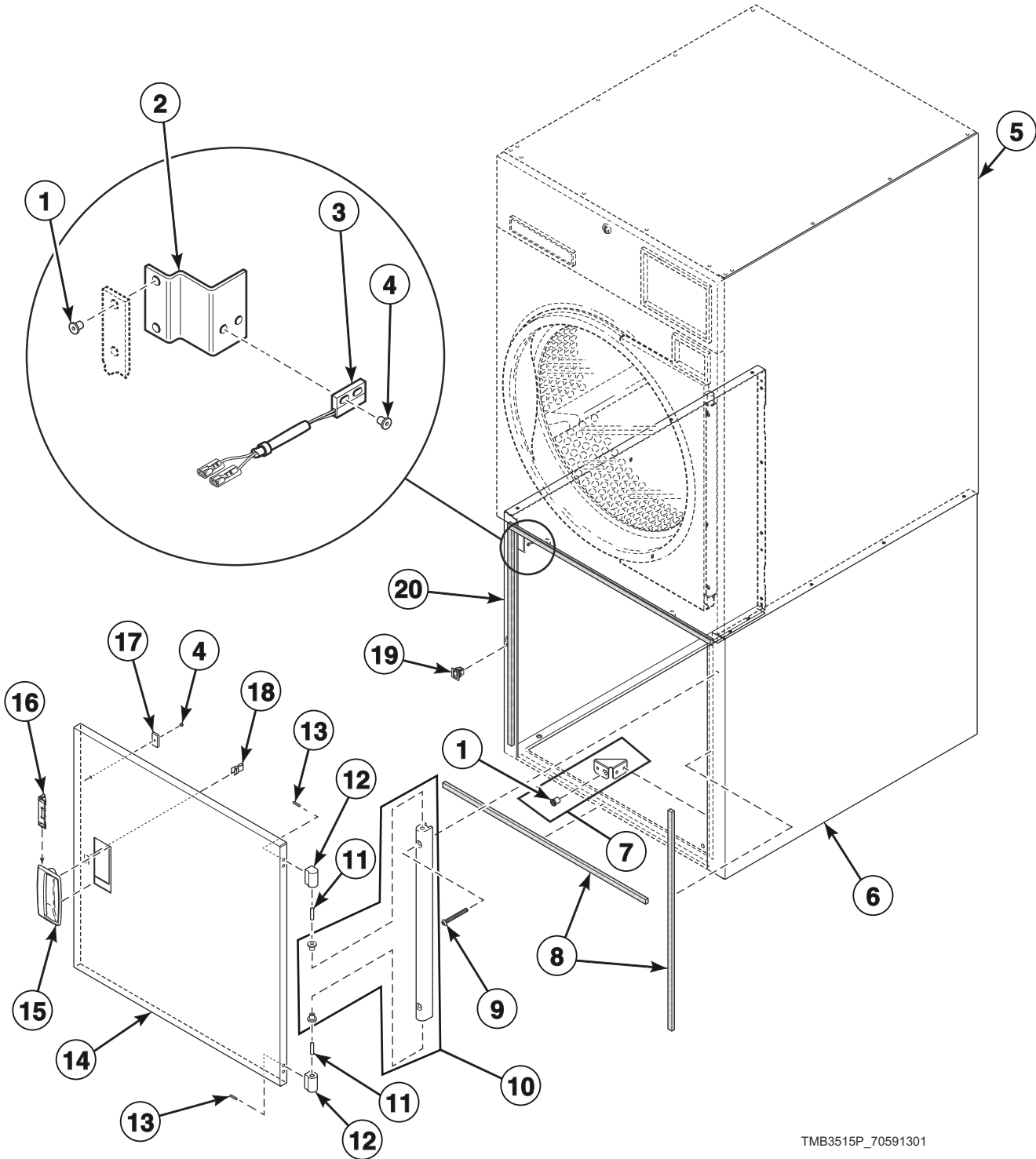
TMB3641P_70591301

Lower Cabinet Components

REF	PART NO.	DESCRIPTION	COMMENTS
1	F8066804	Reed Switch Assembly	
2	F8245101	Blind Rivet	
3	70508501	Switch Bracket	
4	70058501	Pop Rivet	
5	430497	Screw	
6	70565301	Rear Lint Panel	
7	70132301	Screw	Attaching roller catch
8	70030301	Roller Catch Arm	
9	23951	Nut	
10	70297601	Roller Catch Wheel	
11	70030201	Roller Catch Spacer	
12	70072801	Screw	
13	51236	Nut	Attaching roller catch
14	70343101	Magnet	
15	44290501	Magnet Bracket	
16	70126301	Pop Rivet	For attaching kickplate; Black; 6 required
	70126401	Pop Rivet	For attaching kickplate; Gray; 6 required
17	56079	Panel Locator	
18	39733	Screw	
19	70117616	Kickplate	H and U models; Dark gray; Design 3
	70117601	Kickplate	All models except H models; Black; Design 3
20	70154401	Handle and Caps Assembly	B, J, S and U models; P models with white and stainless steel front panel; Black
	70407207	Handle Bumper	P models; Silver
	70154413	Handle and Caps Assembly	H and U models; Dark gray
21	70515401*	Lint Panel	All models except J and P models; Design 3; Models through 3/31/21
	70515403W	Lint Panel	All models except P models; Design 3; Models starting 4/1/21
	70515403LG	Lint Panel	Design 3 U models; Light gray
	70515404DG	Lint Panel	P models; Dark gray
	70515402	Lint Panel	All models except B, J and P models; Design 3; Stainless steel
	70515405	Lint Panel	B and P models; Design 5 H, S and U models; Stainless steel; No kickplate
	70515404LG	Lint Panel	Design 5 U models; Light gray; No kickplate
	70515406W	Lint Panel	Design 5 H, J, S and U models; No kickplate; Models through 3/31/21
	70515404W	Lint Panel	Design 5 H, J, S and U models; No kickplate; Models starting 4/1/21
22	430757	Screw	For attaching handle; 6 required
23	70289101P	Gasket	Sold per foot
24	70017901	Lint Panel Pivot Plate	

* Add Letter To Designate Color. Q - Bisque W - White

Lower Cabinet Components - S Models with Hinged Lint Door



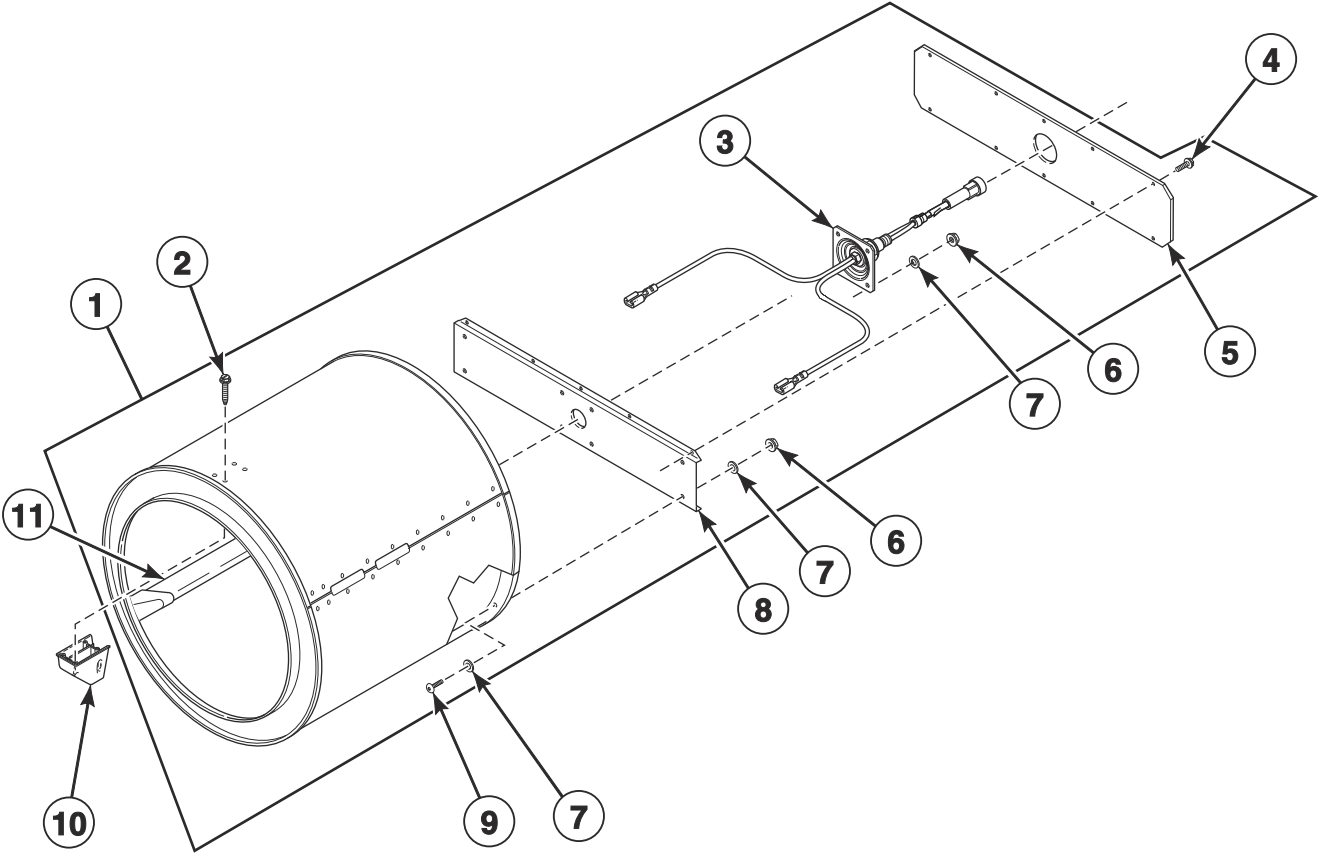
TMB3515P_70591301

Lower Cabinet Components - S Models with Hinged Lint Door

REF	PART NO.	DESCRIPTION	COMMENTS
1	70058501	Pop Rivet	
2	70508501	Switch Bracket	
3	F8066804	Reed Switch Assembly	
4	F8245101	Blind Rivet	
5	70021502*P	Side Panel	Upper
6	70553301*	Panel	Right; Lower
7	70283801	Support Bracket Assembly	2 required
8	70247601	Gasket	8 required; Felt
9	70033502	Screw	2 required
10	44035001	Door Hinge Lug Assembly	
11	70071401	Pin	2 required
12	M4772P3	Hinge Cam Kit	2 required
13	70442101	Screw	4 required
14	70267703	Hinged Door	Stainless steel
	70267701*P	Hinged Door	
15	D510103*P	Door Pull and Wedge Kit	
	D511213P	Door Pull and Wedge Kit	Black
16	D510129W	Door Handle Wedge	
17	70343101	Magnet	
18	D510181	Door Strike	
19	D510177	Door Catch Assembly	
20	70553401*	Panel	Left; Lower

* Add Letter To Designate Color. Q - Bisque W - White

Cylinder and Trunnion Assembly

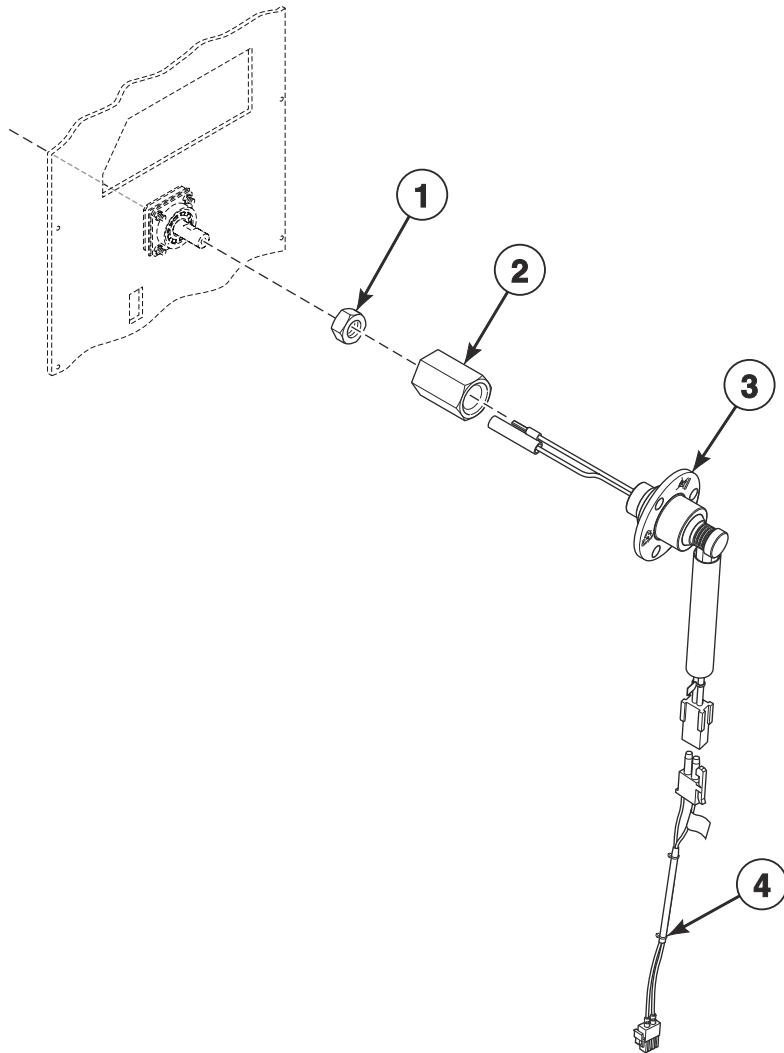


TMB3358P_70591301

Cylinder and Trunnion Assembly

REF	PART NO.	DESCRIPTION	COMMENTS
	70343101P	Drywall Screw Magnet Kit	
1	70372701P	Cylinder Assembly	Galvanized; Non-moisture sensing
	70443801	Cylinder and Trunnion Assembly	Galvanized; Moisture sensing
	70372702P	Cylinder Assembly	Stainless steel; Non-moisture sensing
	70443802	Cylinder and Trunnion Assembly	Stainless steel; Moisture sensing
2	62588	Screw	12 required
3	70564801	Trunnion and Seal Kit	Includes 70013702 Rear Cylinder Seal; Non-moisture sensing
	70564802	Trunnion and Seal Kit	Moisture sensing; Includes 70454601 Trunnion and Wire Assembly
4	430497	Screw	10 required
5	70257401	Rear Cylinder Channel Plate	
6	44087201	Nut	8 required
7	70411301	Washer	
8	70257301	Rear Cylinder Channel	Non-moisture sensing
	70257302	Rear Cylinder Channel	Moisture sensing
9	70391101	Screw	8 required
10	70070101	End Cap	Non-moisture sensing
	70070102	End Cap	Moisture sensing
11	70433001	Cylinder Rib Assembly	Moisture sensing

Moisture Sensing Components

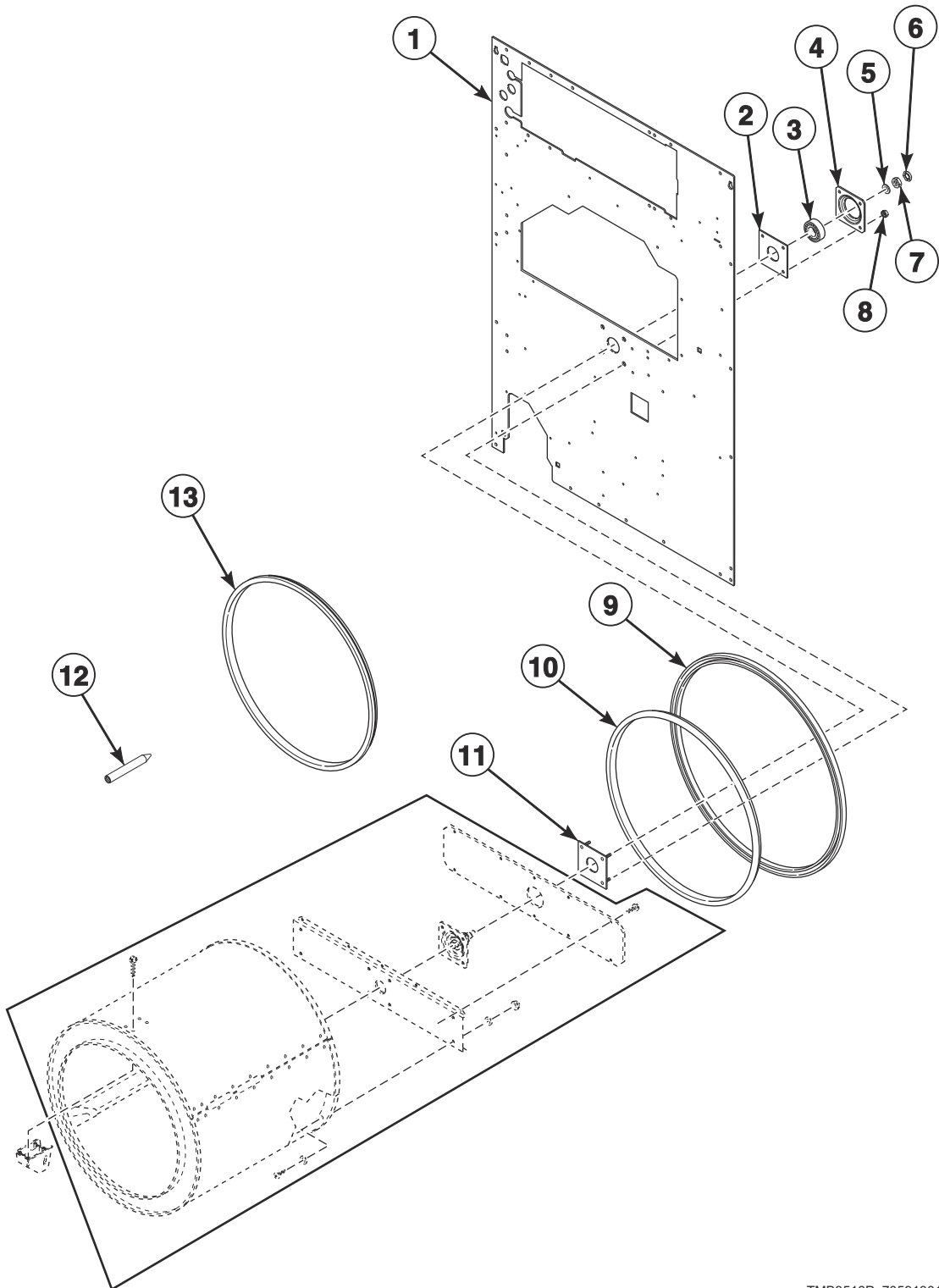


TMB3147P_70591301

Moisture Sensing Components

REF	PART NO.	DESCRIPTION	COMMENTS
1	M400022	Nut	
2	70455401	Slip Ring Holder	
3	44222702	Slip Ring Assembly	
4	44333903	Moisture Sensor Harness	

Cylinder Components

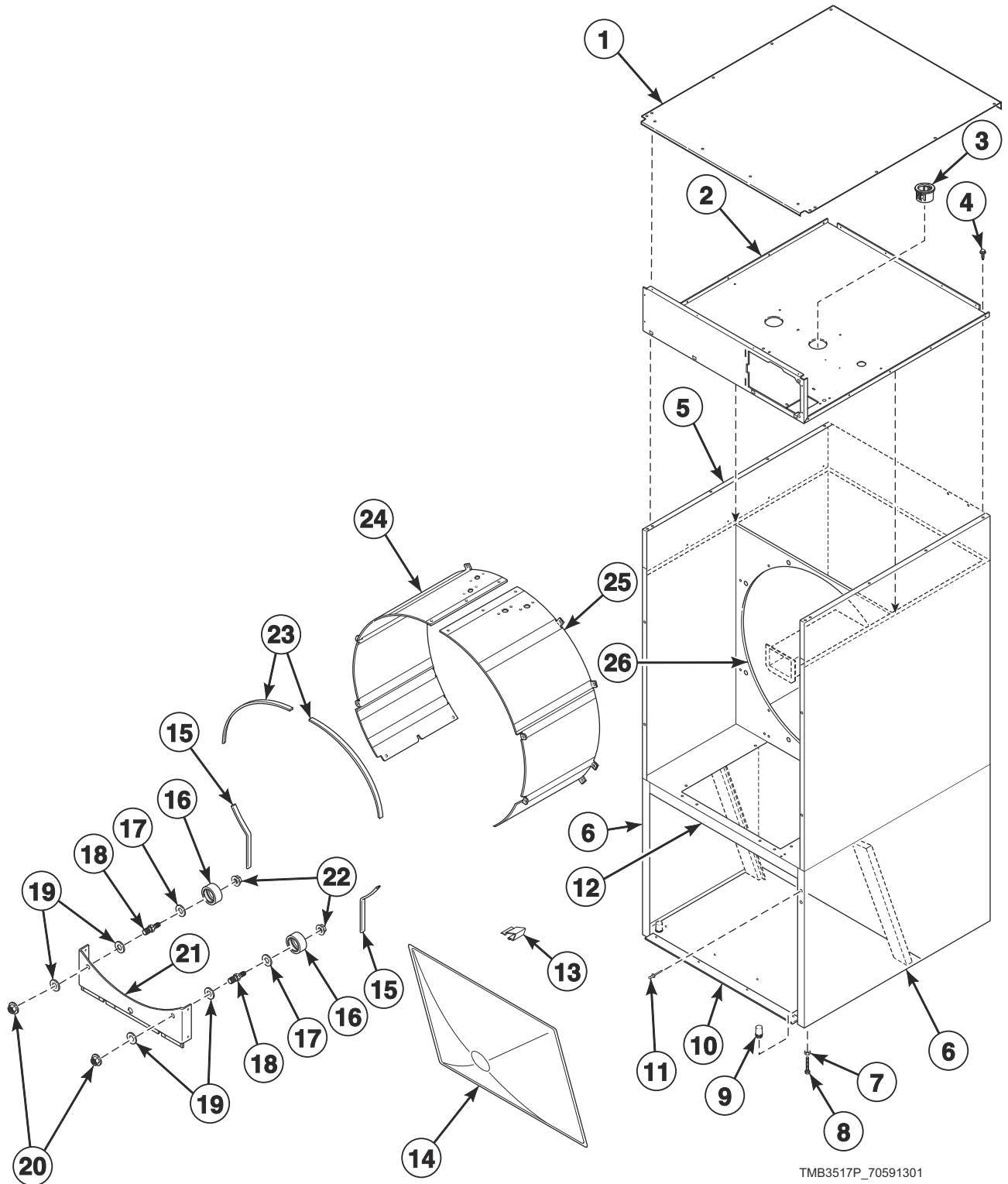


TMB3516P_70591301

Cylinder Components

REF	PART NO.	DESCRIPTION	COMMENTS
	70343101P	Drywall Screw Magnet Kit	
	430260P	Support Housing Bearing Assembly	Includes items 3, 4 and Loctite
1	70564901	Rear Panel	Gas models
	70564903	Rear Panel	Gas models; With fire suppression
	70564902	Rear Panel	Electric and steam models
	70564904	Rear Panel	Steam models; With fire suppression
2	70355001	Rear Bearing Shim	
3	70448701	Support Bearing	
4	70013901	Rear Cylinder Bearing Housing	
5	M400991	Washer	
6	M400034	Nut	
7	M400022	Nut	
8	M412986	Nut	4 required
9	70506401	Rear Cylinder Seal Support	
10	70013702	Rear Cylinder Seal	Use with D511637P Adhesive
11	430352	Cylinder Bearing Stud Plate Assembly	
12	263P4	Cylinder Guide Tool	
13	70066004	Center Cylinder Seal	

Cabinet Components



TMB3517P_70591301

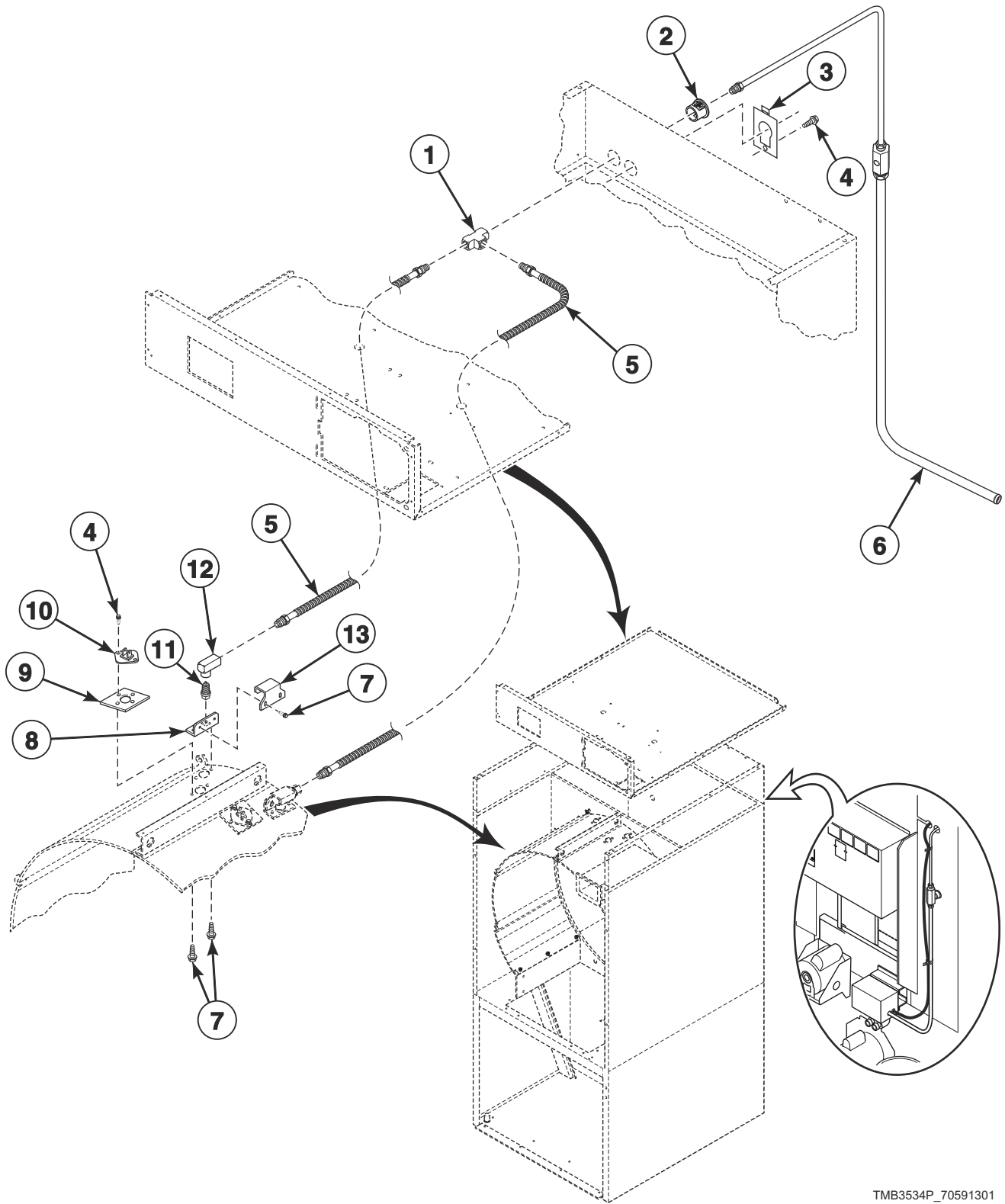
Cabinet Components

REF	PART NO.	DESCRIPTION	COMMENTS
	M4379P4	Tumbler Dolly Kit	
	298P4P	Spray Paint	White
	381P4	Spray Paint	Bisque
	122P4P	Porcelain Touch-Up Paint	White
	370P4P	Porcelain Touch-Up Paint	Bisque
1	70557601	Flat Top	Design 3 models; Design 5 B, H, J, P and U models; Design 5 S models starting 4/1/21
	70586401	Top Panel	Design 5 S models through 3/31/21
2	70641201	Top Pan	
3	70346501	Bushing	
4	430497	Screw	
5	70021504DG	Side Panel	Dark gray; Design 3 P models; Upper
	70640901DG	Side Panel	Dark gray; Design 5 P models; Upper; Models through 3/31/21
	70640902DG	Side Panel	Dark gray; Design 5 P models; Upper; Models starting 4/1/21
	70021502LG	Side Panel	Light gray; Design 3 U models; Upper
	70021502*P	Side Panel	All models except J and P models; Design 3; Upper; Models through 3/31/21
	70021504W	Side Panel	All models except J and P models; Design 3; Upper; Models starting 4/1/21
	70640901LG	Side Panel	Light gray; Design 5 U models; Upper
	70640902W	Side Panel	Design 5 H, J, S and U models; Upper
6	70253801DG	Side Panel	Dark gray; P models; Lower; Models through 3/31/21
	70253802DG	Side Panel	Dark gray; P models; Lower; Models starting 4/1/21
	70253801LG	Side Panel	Light gray; U models; Lower
	70253801*P	Side Panel	All models except J and P models; Lower; Models through 3/31/21
	70253802W	Side Panel	All models except P models; Lower; Models starting 4/1/21
7	21899	Nut	
8	70247701	Screw	
9	70063201	Hole Plug	
10	70332401P	Lower Pan	
11	70058501	Pop Rivet	16 required; Upper side panel
12	70565201	Center Pan	
13	35865	Hold-Down Clip	
14	70325601	Lint Screen	
15	70015709	Sheet Metal Edge Gasket	Lower
16	70616701	Roller and Seal Kit	
17	70443601	Roller Seal	
18	70249501	Roller Shaft	
19	70261401	Washer	
20	M404993	Nut	
21	70328301	Roller Support Bracket	
22	430576	Nut	
23	70015710	Sheet Metal Edge Gasket	Upper
24	70432303	Cylinder Shroud	Left; With fire suppression
	70347202	Cylinder Shroud	Left
25	70432304	Cylinder Shroud	Right; With fire suppression
	70347201	Cylinder Shroud	Right
26	70252601	Center Partition	

* Add Letter To Designate Color. Q - Bisque W - White

Fire Suppression System Components

Gas and Steam Models



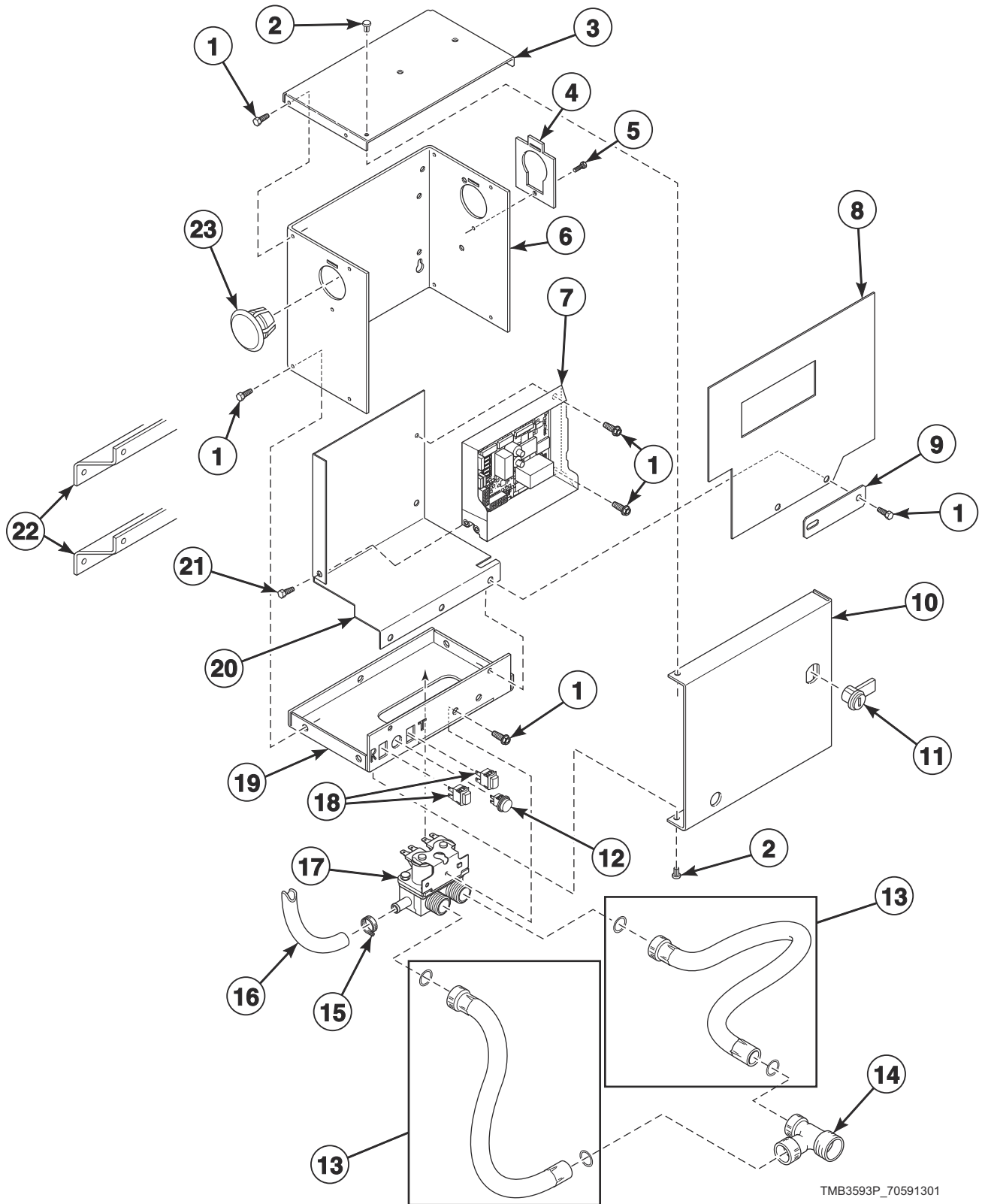
TMB3534P_70591301

Fire Suppression System Components

REF	PART NO.	DESCRIPTION	COMMENTS
1	70427901	Union Tee	
2	70178701	Snap Bushing	
3	70523301	Harness Adapter Plate	
4	51780	Screw	4 required
5	70427701	Spray Nozzle Hose	2 required
6	70427601	Tube Assembly	
7	430497	Screw	12 required
8	70424201	Nozzle Bracket	2 required
9	70424401	Thermistor Plate	2 required
10	44064701	Thermistor	2 required
11	70427801	Spray Nozzle	2 required
12	70428101	Elbow	2 required
13	70428601	Nozzle Bracket	2 required

Fire Suppression System Control Box

Gas and Steam Models

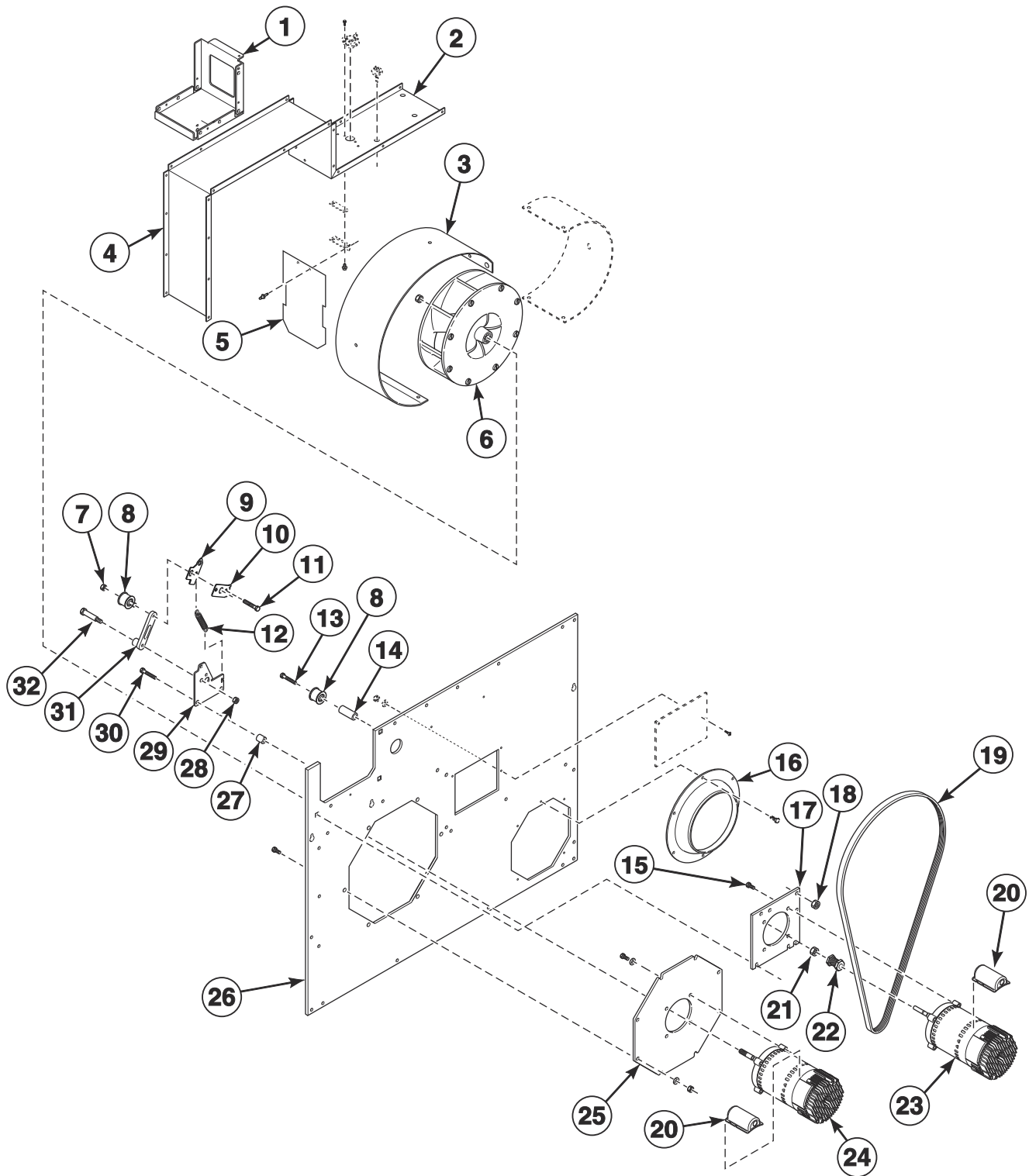


TMB3593P_70591301

Fire Suppression System Control Box

REF	PART NO.	DESCRIPTION	COMMENTS
	44340301	Cold Weather Kit	
	70155601	Key	RL001; Use with item 11
	44334404	Control Harness	
	44334405	Water Valve Harness	
	44334402	Power Sensor Harness	
	44334401	Interconnect Harness	
	44334406	Sensor Harness	
	44324501	Warning Label	F.S.S.; North America models
	44324500	Label Kit	F.S.S.; IEC models
	F8614401	Shock Warning Label	North America models
	F8614201	Shock Warning Label	IEC models
	44318200	Label Kit	IEC models
	44324502	Warning Label	
	44318201	Label	North America models
1	430497	Screw	
2	M400713	Drive Rivet	
3	44307101	Control Box Top	
4	70523301	Harness Adapter Plate	
5	51780	Screw	
6	44306701	Control Box Housing	
7	70511601	Control	
8	44326801	Shield	
9	70551701	Filter Mounting Plate	
10	44065201	Control Box Cover	
11	44089301P	Lock, Key and Nut Kit	RL001 key code; Optional if same key is to be used for control lock
12	801432	Light	
13	202799	Fill Hose	2 required
14	44069101	Hose Fitting	North America models
15	36801	Hose Clamp	
16	44073304	Hose	14 inches; Outlet hose
17	70519801	Mixing Valve	
18	801434W	Push-to-Start Switch	2 required
19	44065301	Control Box Base	
20	44306601	Mixing Valve Shield Bracket	
21	804608	Screw	
22	70601401	Mounting Bracket	
23	70180001	Plug	

Motor Components

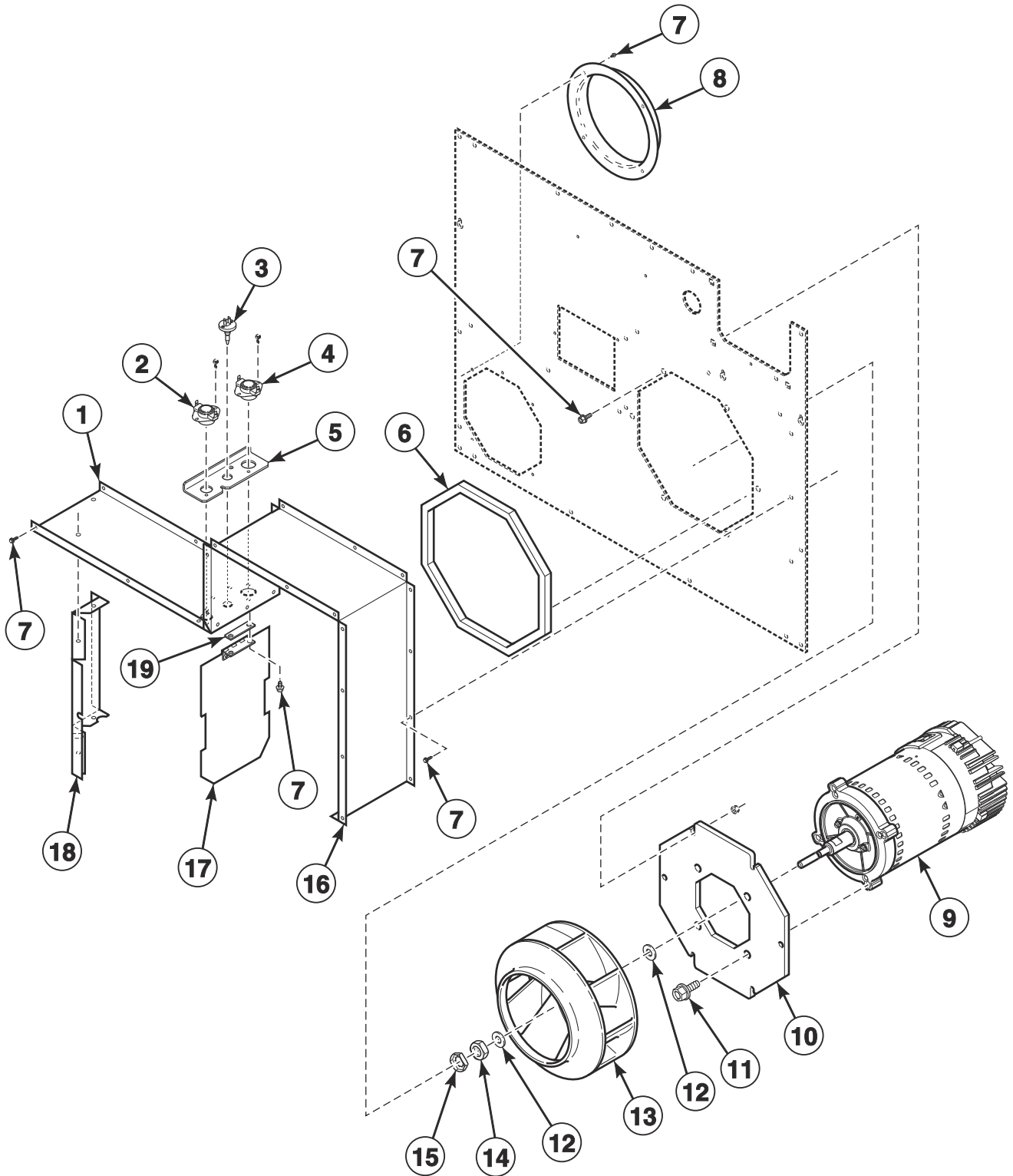


TMB3818P_70591301

Motor Components

REF	PART NO.	DESCRIPTION	COMMENTS
1	70564101	Motor Mount Bracket	
2	70554701	Blower Housing	Top
3	70016301	Blower Housing Scroll	
4	70215101	Blower Housing	
5	70209501	Damper and Hinge Exhaust Assembly	
6	70359801P	Blower Assembly	
7	56156	Nut	
8	70050401P	Idler Wheel Assembly	
9	70569501	Tensioning Bracket	
10	70543401	Spring Catch Bracket	
11	70508301	Screw	
12	70571801	Spring	
13	F430144	Screw	
14	70569603	Standoff	
15	70126104	Screw	
16	70017801	Exhaust Thimble	
17	70564201	Motor Mount Plate	
18	44087201	Nut	
19	70655101	Lever Arm and Belt Kit	
20	70521901	Motor Conduit Mounting Bracket	
21	44333202	Nut	
22	70559101	Motor Pulley	
23	70478601P	Drive Motor	.33 HP; 120, 230 Volt/1 Phase
	70485001P	Drive Motor	.33 HP; 380-460 Volt/3 Phase
24	70478701P	Fan Motor	.50 HP; 120, 230 Volt/1 Phase
	70484901P	Fan Motor	.50 HP; 380-460 Volt/3 Phase
25	70349601	Blower Motor Mounting Plate	
26	70493301	Lower Rear Assembly	
27	70488403	Spacer	
28	44087301	Nut	
29	70571901	Drive Plate	
30	70546301	Screw	
31	70653801	Lever Arm and Bushing Assembly	
32	70501301	Screw	

Blower and Exhaust Components

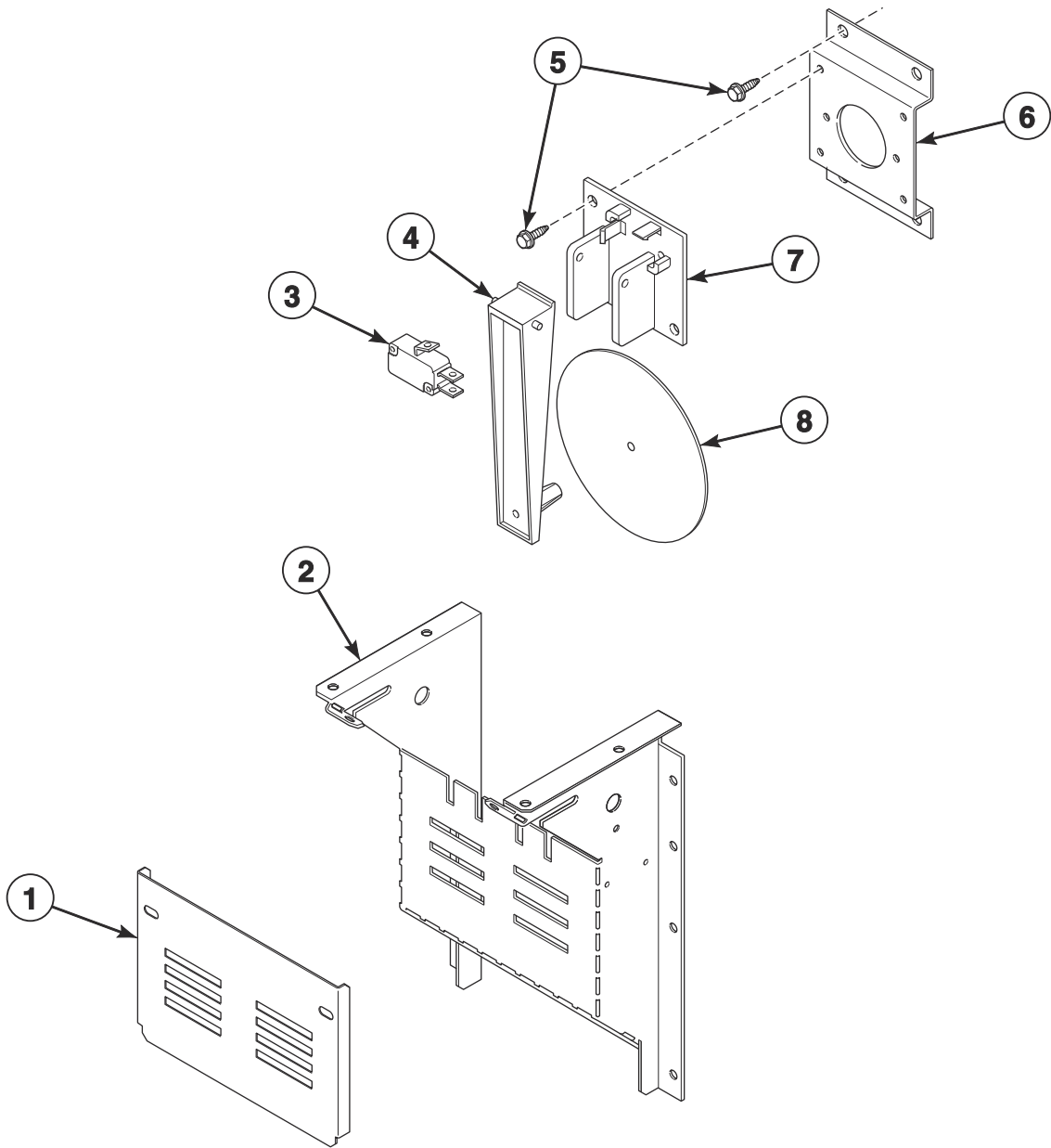


TMB3533P_70591301

Blower and Exhaust Components

REF	PART NO.	DESCRIPTION	COMMENTS
1	70554701	Blower Housing	Top
2	70530901	Limit Thermostat	Manual reset
3	M414704	Thermistor	
4	44328001	Limit Thermostat	Auto reset
5	70554901	Limit Access Bracket	
6	70392701P	Gasket	For blower housing opening
7	430497	Screw	
8	70014101	Blower Inlet Cone	
9	70478701P	Fan Motor	.50 HP; 120, 230 Volt/1 Phase
	70484901P	Fan Motor	.50 HP; 380-460 Volt/3 Phase
10	70349601	Blower Motor Mounting Plate	
11	70126101	Screw	
12	M400991	Washer	
13	70359801P	Blower Assembly	
14	M400022	Nut	
15	M400034	Nut	
16	70215101	Blower Housing	
17	70209501	Damper and Hinge Exhaust Assembly	
18	70020301	Blower Housing	Left
19	70220901	Damper Spacer	

Airflow Switch

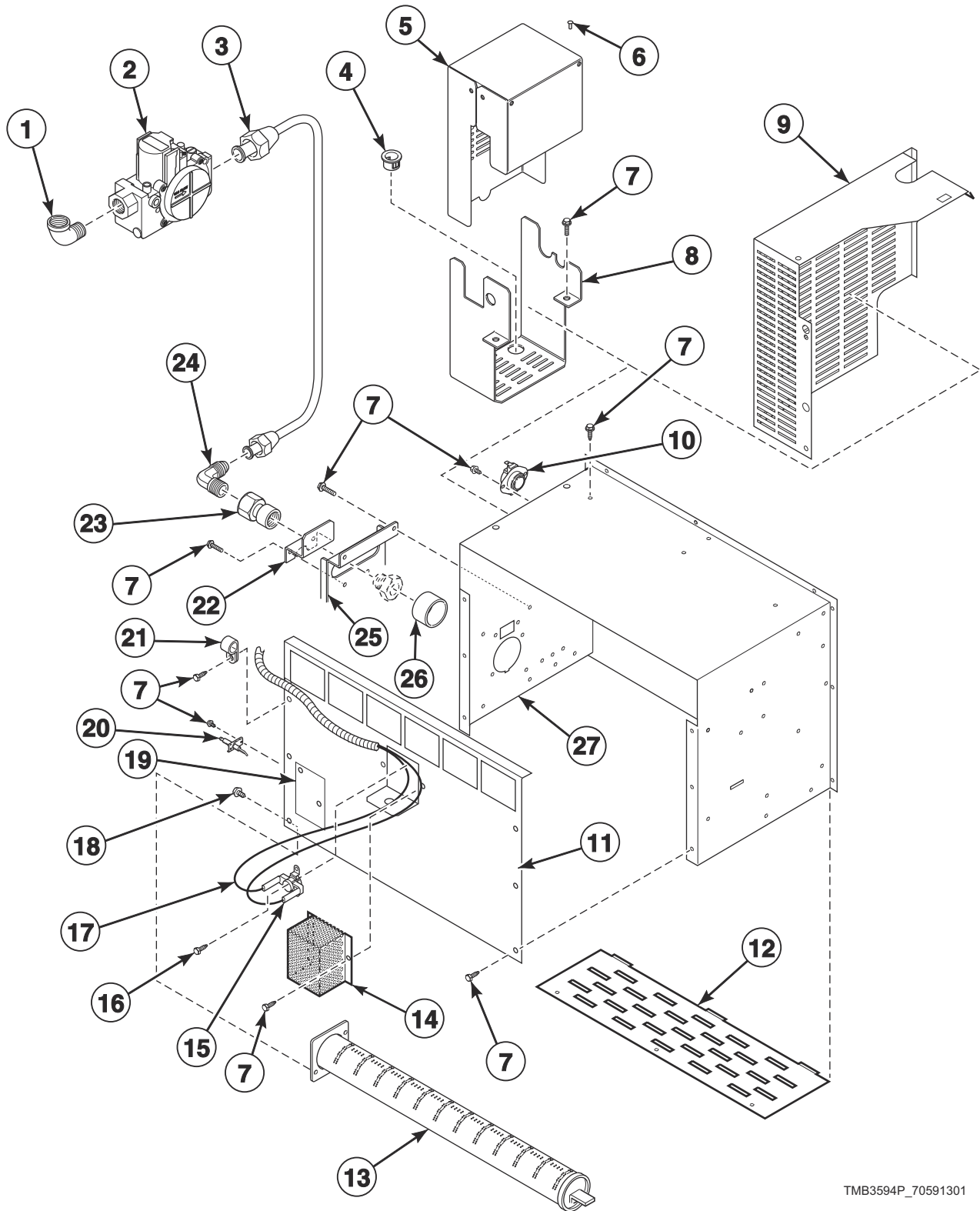


TMB3126P_70591301

Airflow Switch

REF	PART NO.	DESCRIPTION	COMMENTS
1	70356601	Airflow Switch Cover	Non-moisture sensing
	70465701	Airflow Switch Cover	Moisture sensing
2	70356101	Airflow Switch Wrapper	
3	70411901	Switch	
4	70319401	Airflow Switch Arm	
5	430497	Screw	
6	70356301	Switch Bracket	
7	70319602	Airflow Switch and Arm Bracket	
8	70319201	Airflow Switch Vane	

Gas Heater Components

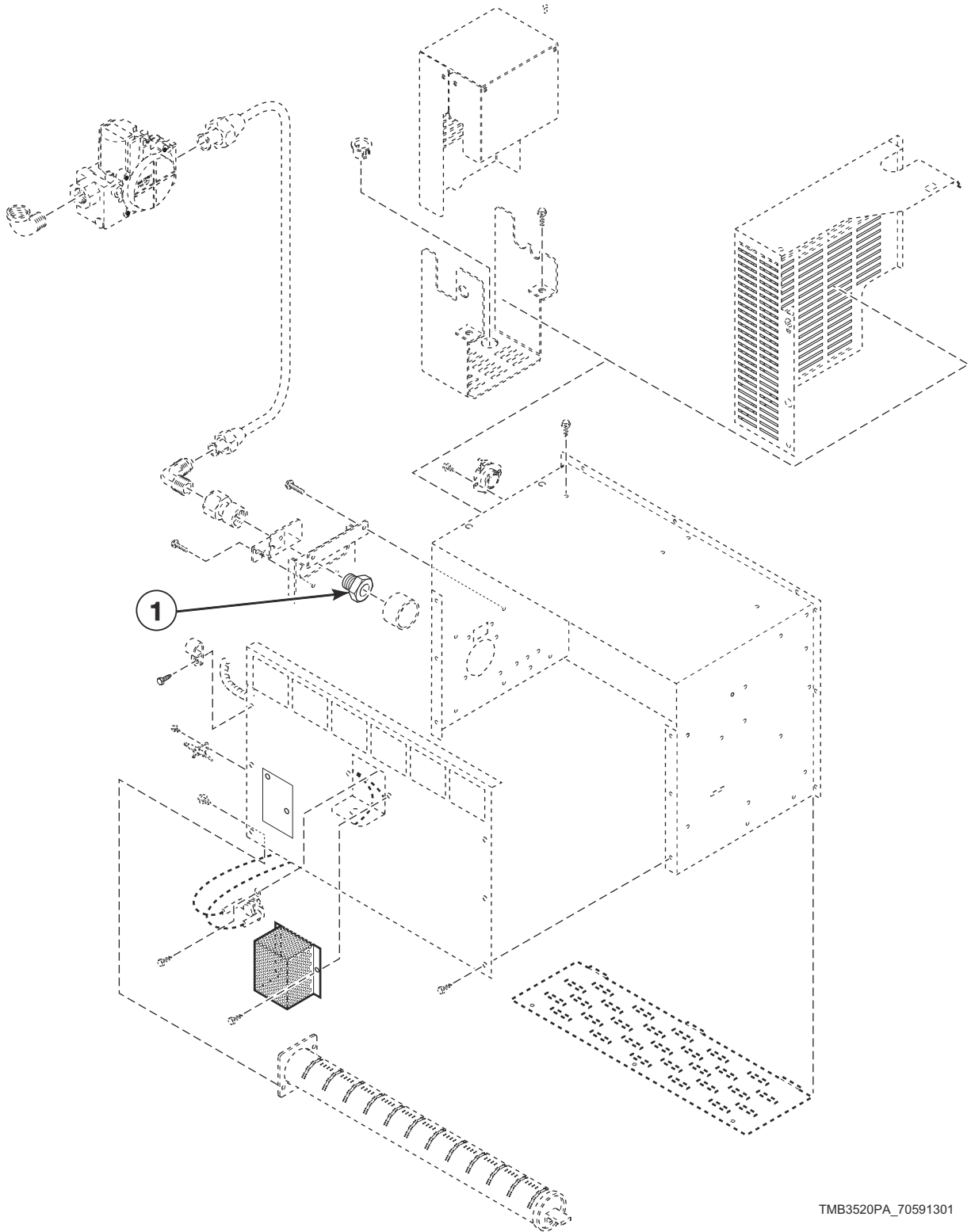


TMB3594P_70591301

Gas Heater Components

REF	PART NO.	DESCRIPTION	COMMENTS
	44273501	Gas Valve Harness	
	70346801	Pipe Plug	
	44239702	High Voltage Suppression Cable	
	70550202	L.P. Conversion Kit	North America and Australian models; Natural Gas (N.G.); 0-2,000 feet
	70551902	L.P. Conversion Kit	IEC models; N.G.; 0-2,000 feet
	70609903	High Altitude Orifice Kit	North America N.G. models
	70609904	High Altitude Orifice Kit	North America Liquid Petroleum (L.P.) Gas models
	70131901	Adapter	IEC models; BPT/NPT
	70167601	Plug	IEC models
	70535901	Notice Label	Australian models; N.G.
	70544901	Notice Label	Australian models; (L.P.) Gas
1	H86070034	Street Elbow	T market models
	F422304	Street Elbow	All other models
2	44154503	N.G. Valve	North America models
	44154504	L.P. Valve	North America models
	44154507	Gas Valve	IEC models; N.G.; 1/2 NPT
	44154508	Gas Valve	IEC models; L.P.; 1/2 NPT
3	70271201	Gas Line Assembly	
4	M400770	Snap Bushing	
5	70429901	Gas Valve Cover	
6	M405750	Pop Rivet	4 required
7	430497	Screw	10 required
8	70504101	Gas Valve Bracket	
9	70429901	Gas Valve Cover	IEC models
10	44328004	Limit Thermostat	Side
11	70371501	Stove Back	
12	70188801	Burner Grill	
13	70229801P	Gas Burner	
	70546701	Anti-Rattle Burner Assembly	Includes 70229801P Gas Burner, 431318 Control Door Latch and M400003 Pop Rivet
14	M414477	Thermostat Cover	
15	44328104	Limit Thermostat	Rear
16	M405188	Screw	2 required
17	70564301	Stove Limit Harness	
18	05161	Screw	
19	70159601	Igniter Cover	
20	70548701P	Spark Electrode	
21	70203701	Pipe Clip	
22	70539901	Ignition Keeper Orifice Bracket	
23	70379301	Orifice Adapter	
24	70208701	Elbow	2 required
25	70248901	Orifice Holder Bracket	
26	70239801	Primary Air Adjustment Sleeve	L.P. models
27	70333401	Stove Top and Sides	

Burner Orifices

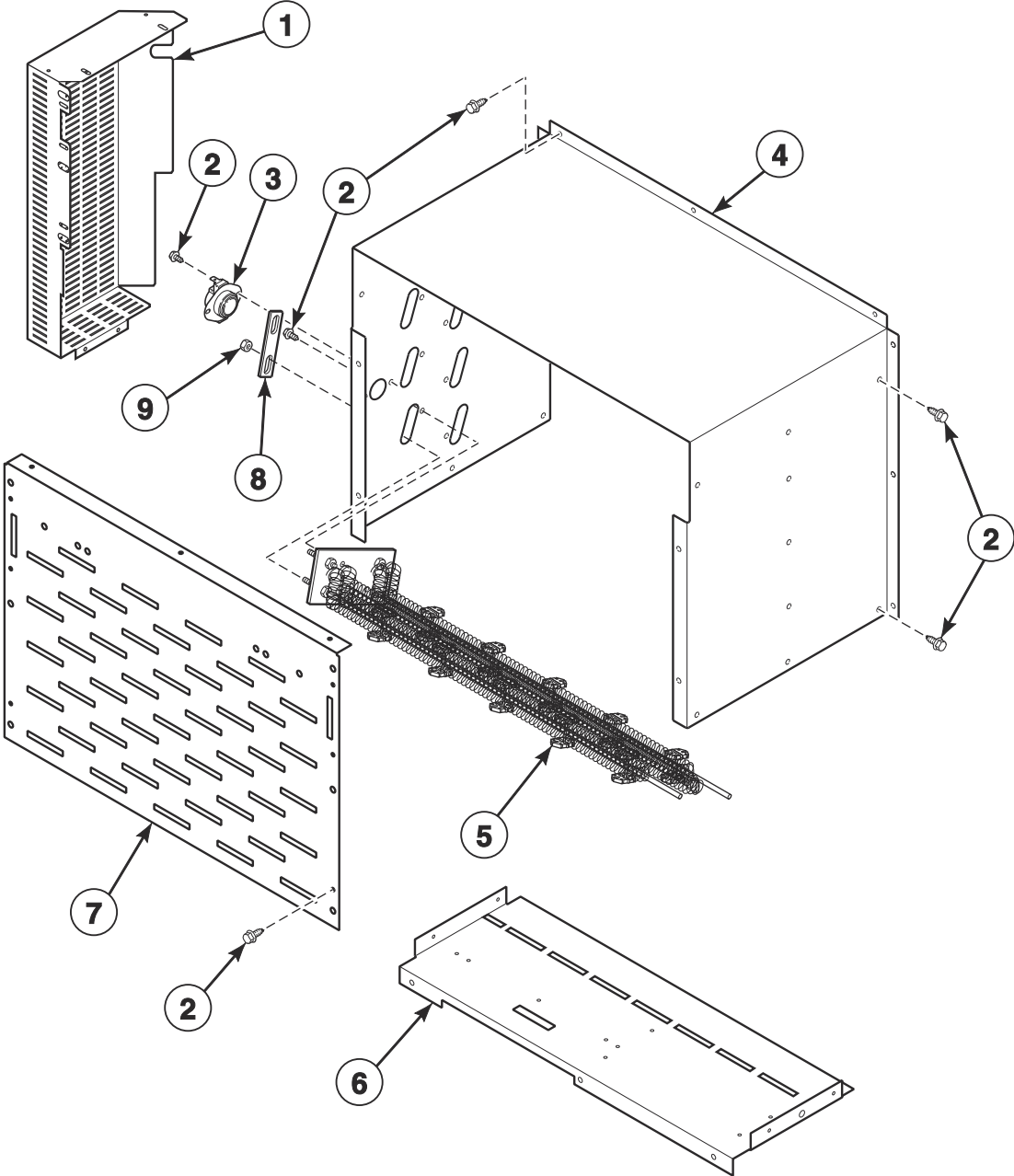


TMB3520PA_70591301

Burner Orifices

REF	PART NO.	DESCRIPTION	COMMENTS
1	70684142	Burner Orifice	Classic models; Natural Gas (N.G.); Drill no. 20 (4.09 mm); 0-2,000 feet
	70684139	Burner Orifice	Classic models; N.G.; Drill no. 23 (3.91 mm); 2,001-4,000 feet
	70684137	Burner Orifice	Classic models; N.G.; Drill no. 25 (3.80 mm); 4,001-6,000 feet
	70684135	Burner Orifice	Classic models; N.G.; Drill no. 27 (3.66 mm); 6,001-8,000 feet
	70684133	Burner Orifice	Classic models; N.G.; 3.50 mm; 8,001-10,000 feet
	70684116	Burner Orifice	Classic models with 2nd digit A, G, H, J, K, L and T; Liquid Petroleum Gas (L.P.); Drill no. 40 (2.49 mm); 0-2,000 feet
	70684114	Burner Orifice	Classic models with 2nd digit A, G, H, J, K, L and T; L.P.; Drill no. 42 (2.37 mm); 2,001-4,000 feet
	70684113	Burner Orifice	Classic models with 2nd digit A, G, H, J, K, L and T; L.P.; 2.30 mm; 4,001-6,000 feet
	70684111	Burner Orifice	Classic models with 2nd digit A, G, H, J, K, L and T; L.P.; 2.20 mm; 6,001-8,000 feet
	70684109	Burner Orifice	Classic models with 2nd digit A, G, H, J, K, L and T; L.P.; Drill no. 45 (2.08 mm); 8,001-10,000 feet
	70684110	Burner Orifice	CE classic models; L.P.; Drill no. 44 (2.18 mm); 0-2,000 feet
	70684109	Burner Orifice	CE classic models; L.P.; Drill no. 45 (2.08 mm); 2,001-4,000 feet
	70684107	Burner Orifice	CE classic models; L.P.; Drill no. 47 (1.99 mm); 4,001-6,000 feet
	70684106	Burner Orifice	CE classic models; L.P.; Drill no. 48 (1.93 mm); 6,001-8,000 feet
	70684105	Burner Orifice	CE classic models; L.P.; Drill no. 49 (1.85 mm); 8,001-10,000 feet
	70684111	Burner Orifice	Classic J market models; L.P.; 2.20 mm; 0-2,000 feet
	70684109	Burner Orifice	Classic J market models; L.P.; Drill no. 45 (2.08 mm); 2,001-4,000 feet
	70684108	Burner Orifice	Classic J market models; L.P.; Drill no. 46 (2.06 mm); 4,001-6,000 feet
	70684106	Burner Orifice	Classic J market models; L.P.; Drill no. 48 (1.93 mm); 6,001-8,000 feet
	70684105	Burner Orifice	Classic J market models; L.P.; Drill no. 49 (1.85 mm); 8,001-10,000 feet
	70684134	Burner Orifice	Eco models; N.G.; Drill no. 28 (3.57 mm); 0-2,000 feet
	70684131	Burner Orifice	Eco models; N.G.; 3.40 mm; 2,001-4,000 feet
	70684130	Burner Orifice	Eco models; N.G.; 3.30 mm; 4,001-6,000 feet
	70684128	Burner Orifice	Eco models; N.G.; Drill no. 1/8 (3.18 mm); 6,001-8,000 feet
	70684126	Burner Orifice	Eco models; N.G.; Drill no. 31 (3.05 mm); 8,001-10,000 feet

Electric Heater Components

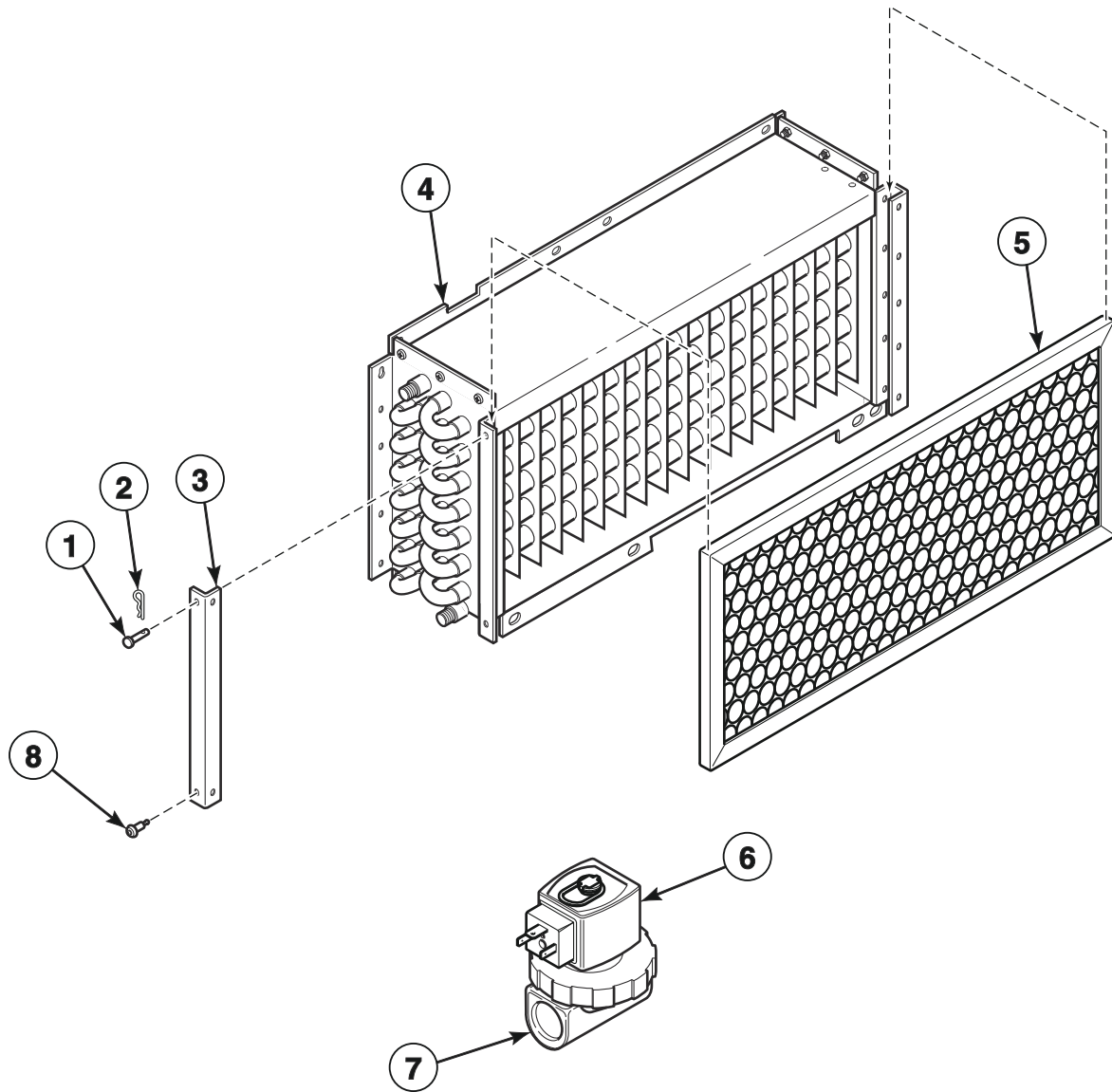


TMB3521P_70591301

Electric Heater Components

REF	PART NO.	DESCRIPTION	COMMENTS
	70564303	Stove Limit Harness	
	44281709	Jumper Harness	Use with 440-480 Volt
	44295412	Jumper Harness	Use with 380-415 Volt; 4 required
1	70365201	Stove Connectors Cover	
2	430497	Screw	
3	44328006	Limit Thermostat	
4	70525601	Stove Top and Sides	
5	70034401P	Heater Element	Classic models; 3 required; 7 kW; 208 Volt heater element for 200-208 Volt/1 or 3 Phase
	70034402P	Heater Element	Classic models; 3 required; 7 kW; 220 Volt heater element for 380 and 440 Volt/3 Phase
	70034403P	Heater Element	Classic models; 3 required; 7 kW; 240 Volt heater element for 230-240 Volt/1 or 3 Phase and 400-415 and 460-480 Volt/3 Phase
	70034415P	Heater Element	Eco models; 3 required; 4 kW; 208 Volt heater element for 200-208 Volt/3 Phase
	70034414P	Heater Element	Eco models; 3 required; 4 kW; 220 Volt heater element for 380 and 440 Volt/3 Phase
	70034416P	Heater Element	Eco models; 3 required; 4 kW; 240 Volt heater element for 400-415 Volt/50 Hertz or 240 and 460-480 Volt/60 Hertz
6	70357201	Stove Partition	
7	70214901	Stove Grill	
8	70066501	Jumper Bar	2 required for 440-480 Volt
	M400869	Jumper Strip	3 required for 380-415 and 440-480 Volt; 6 required for 200-240 Volt
9	70054	Nut	

Steam Heater Components

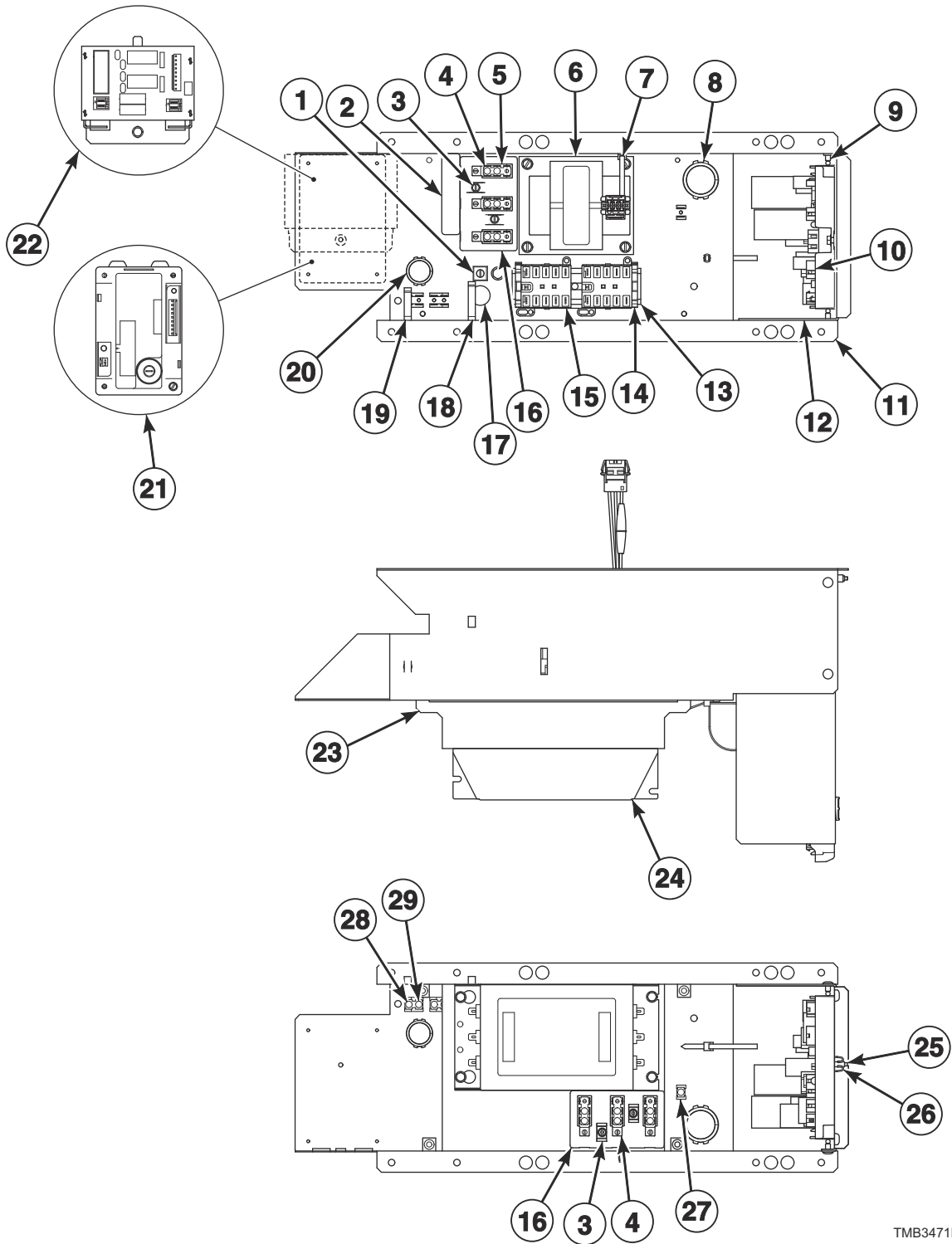


TMB3522P_70591301

Steam Heater Components

REF	PART NO.	DESCRIPTION	COMMENTS
	F8382301	DIN Valve Adapter Kit	Use with item 7
	70564302	Stove Limit Bypass Harness	
	F8520703	Steam Valve Harness	
	44304801	Strain Relief	
	70529601	Steam Adapter Kit	IEC models
1	70389201	Clevis Pin	
2	70389301	Hairpin Cotter	
3	70369301	Steam Filter Holder	
4	70369101P	Steam Coil	4 rows
5	70429401	Filter	IEC models
	70036001	Air Filter	CSA models
6	F8514701	Coil	120 Volt
	F8514601P	Coil	240 Volt
7	F8322904P	Steam Valve	120 Volt
	F8322906P	Valve	240 Volt
8	70058501	Pop Rivet	

Control Tray

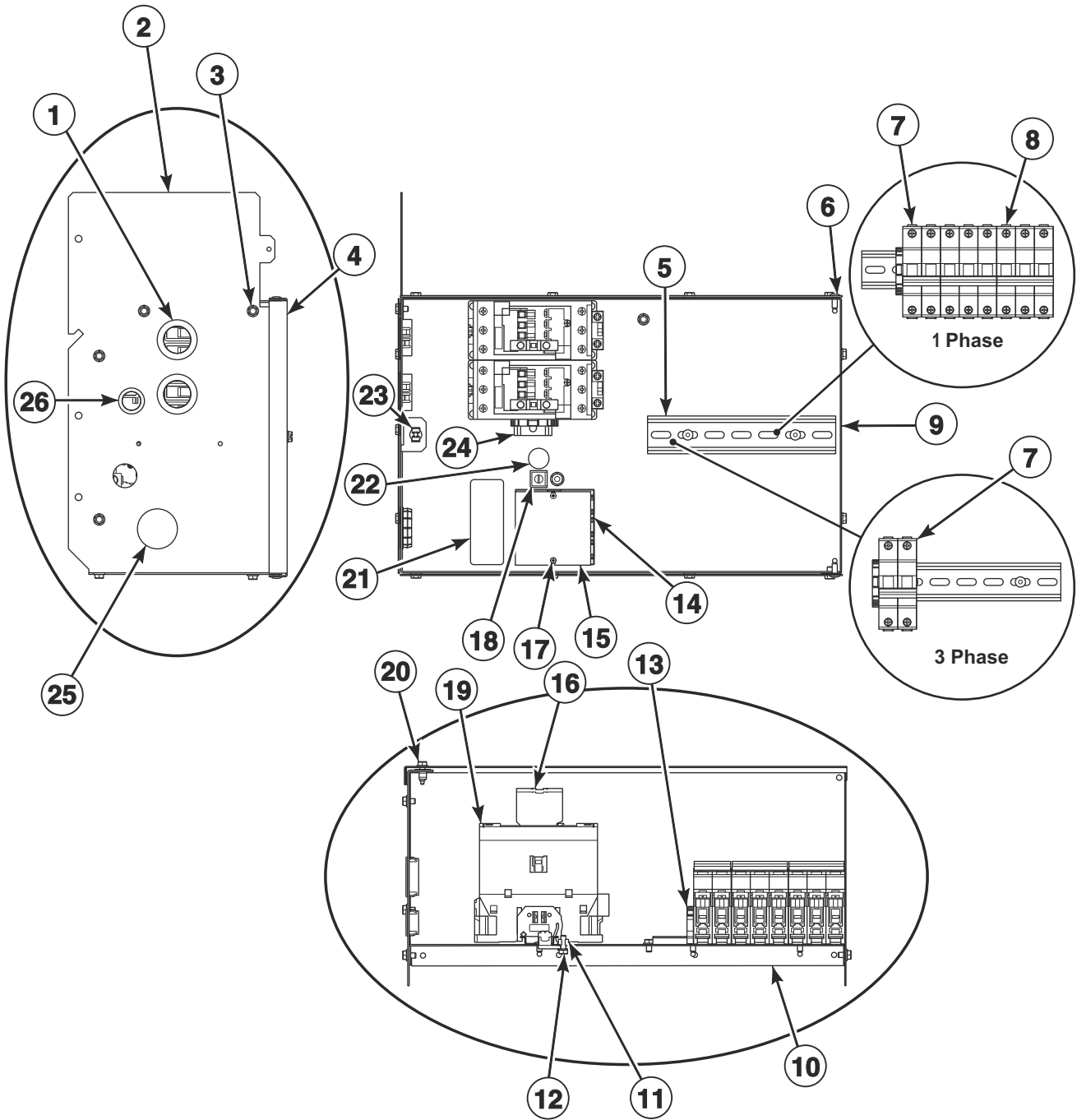


TMB3471P_70591301

Control Tray

REF	PART NO.	DESCRIPTION	COMMENTS
	685837	Screw	Use with item 1
	44088001	Nut	Use with item 1
	70507501	Control Tray Cover	
	70559301	Conversion Kit	X to B voltage
	44357401	EMI Filter Kit	North America models; 100-240 Volt
	44357402	EMI Filter Kit	North America models; 380-480 Volt
1	M411283	Ground Lug Connector	
2	44286803	Label	L1, L2, L3
	44286801	Label	L1, N
	44286802	Wire Label	L1 L2, L1 N
	44286804	Wire Label	L1 L2, L1 N, L1 L2 L3
3	51783	Screw	
4	430642	Terminal Block	
5	70333001	Terminal Block Shield	
6	F8491101	Transformer	380-480 Volt
7	70335601	Cable Tie	
8	70346501	Bushing	
9	70058501	Pop Rivet	
10	70479201P	I/O Control Assembly	
11	70492401	Control Tray	
12	70494901	Control Board Control Tray	
13	M412690	DIN Rail	
14	F8449801	End Stop	
15	70482601	Contactors	240 Volt or less: 1 required; 380 Volt or higher: 2 required
16	M413862	Insulator	
17	D516100	Label	
18	F8449501	Wire Clip	
19	F8449502	Wire Clip	
20	70178701	Snap Bushing	
21	70482002	Ignition Control	IEC gas models
	70482001	Ignition Control	North America gas models
22	70501801	Steam Control Assembly	Steam models
23	70533101	Filter Bracket	
24	F8591601	EMI Filter	IEC models; 100-200 and 200-240 Volt/1 Phase
	F8637501	EMI Filter	IEC models; 380-480 Volt
25	F8206901	Screw	
26	70030501	Expansion Clip	
27	00621SG	Male Tab Terminal	
28	M400003	Pop Rivet	
29	00622SG	Terminal	

Accessory Box - Electric 200-240 Volt Models

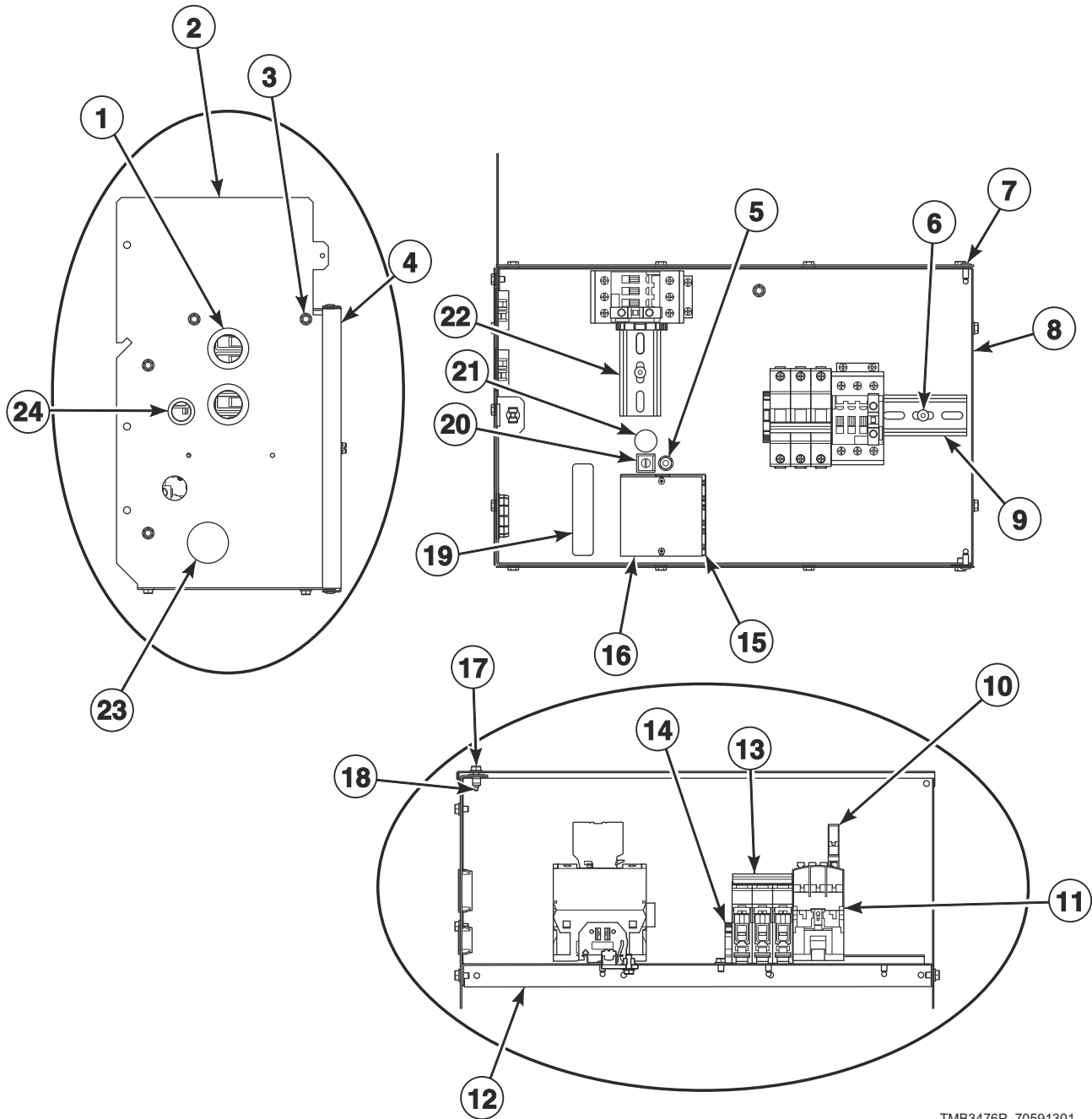


TMB3475P_70591301

Accessory Box - Electric 200-240 Volt Models

REF	PART NO.	DESCRIPTION	COMMENTS
	F8611600	Warning Label Kit	IEC models
	F8611601	Warning Label	
	44334307	Contactora Coil Harness	
	44309001	Harness	North America models; Power distribution block to control circuit breaker
	44309011	Harness	IEC models; Power distribution block to control circuit breaker
	70516106	Harness	Contactora to element
	70516105	Harness	Contactora to element
	70516103	Harness	1 Phase; Power distribution block to circuit breaker/contactora
	70516104	Harness	Power distribution block to circuit breaker/contactora
	70516101	Harness	Power distribution block to circuit breaker/contactora
	70516102	Harness	1 Phase; Power distribution block to circuit breaker/contactora
1	M402542	Snap Bushing	2 required
2	70540601	Accessory Box Side	Left
3	51780	Screw	
4	70358401	Accessory Box Cover	
5	F8134001	DIN Rail	
6	70058502	Pop Rivet	
7	70488102	Circuit Breaker	25 amp
8	70488104	Circuit Breaker	2 required; 50 amp; 200-208 and 230-240 Volt/1 Phase
9	70540701	Accessory Box Side	Right
10	70540501	Accessory Box Back	
11	44088001	Nut	
12	685837	Screw	
13	F8449801	End Stop	2 required
14	M413865	Power Distribution Block	
15	44014901P	Power Distribution Block Cover	
16	44313201	Auxiliary Contact Block	2 required
17	39733	Screw	
18	M411283	Ground Lug Connector	
19	70482801	Contactora	2 required
20	F8206901	Screw	
21	44286802	Wire Label	1 Phase
	44286803	Label	3 Phase
22	D516100	Label	
23	70030501	Expansion Clip	
24	M412690	DIN Rail	
25	70180001	Plug	
26	M400770	Snap Bushing	

Accessory Box - Electric 380-480 Volt Models



TMB3476P_70591301

Accessory Box - Electric 380-480 Volt Models

REF	PART NO.	DESCRIPTION	COMMENTS
	F8611600	Warning Label Kit	IEC models
	F8611601	Warning Label	
	44334307	Contactora Coil Harness	
	44334302	Control Harness	3 Phase
	44309002	Harness	North America models; Power distribution block to control circuit breaker
	44309012	Harness	IEC models; Power distribution block to control circuit breaker
	70516106	Harness	Contactora to element
	70516103	Harness	2 required; Power distribution block to circuit breaker/contactora
1	M402542	Snap Bushing	2 required
2	70540601	Accessory Box Side	Left
3	51780	Screw	
4	70358401	Accessory Box Cover	
5	685837	Screw	
	44088001	Nut	
6	70058501	Pop Rivet	
7	70058502	Pop Rivet	
8	70540701	Accessory Box Side	Right
9	F8134001	DIN Rail	
10	44313201	Auxiliary Contact Block	2 required
11	70482701	Contactora	2 required
12	70540501	Accessory Box Back	
13	70488101	Circuit Breaker	25 amp
14	F8449801	End Stop	2 required
15	M413865	Power Distribution Block	
16	44014901P	Power Distribution Block Cover	
17	F8206901	Screw	
18	70030501	Expansion Clip	
19	44286803	Label	
20	M411283	Ground Lug Connector	
21	D516100	Label	
22	M412690	DIN Rail	
23	70180001	Plug	
24	M400770	Snap Bushing	

Harnesses

PART NO.	DESCRIPTION	COMMENTS
44316007	Harness	IEC models; 1 Phase; Auxiliary power distribution block to filter harness
44316008	Harness	IEC models; 3 Phase; Auxiliary power distribution block to filter harness
44280007	Configuration Harness	100-120 Volt; Cylinder
44280006	Configuration Harness	100-120 Volt; Fan
44356402	Control Tray Harness Assembly	Electric models
44356401	Control Tray Harness Assembly	Gas models
44356407	Control Tray Harness Assembly	Steam models
44334702	Inverter Contactor Coil Harness	Secondary; 380-480 Volt
44316001	Harness	IEC models; 1 Phase; Main power distribution block to EMI filter harness
44316002	Harness	IEC models; 3 Phase; Main power distribution block to EMI filter harness
44280005	Configuration Harness	3 Phase
44280010	Motor Contactor Power Harness	IEC models; 1 Phase
44280012	Motor Contactor Power Harness	IEC models; 3 Phase
44280001	Motor Contactor Power Harness	North America models; 1 Phase
44280003	Motor Contactor Power Harness	North America models; 3 Phase
44280101	Power Harness	Control and emergency stop connection; 380-480 Volt
44272101	Power Harness	Control and emergency stop connection; 100-120 and 200-240 Volt
204454	Ferrite	Korean models; EMI; Motor circuit, inverter communication circuit
44335301	Inverter Motor Harness	Cylinder
44335302	Inverter Motor Harness	Fan
70608601	EMC Shield	Gas and steam Korean models

Labels

PART NO.	DESCRIPTION	COMMENTS
44324201	Caution Label	Australian models; Repeat Ignition Reset
70535101	Caution Label	Vent/install
F8614501	Danger Label	Shock; English/French
F8614301	Hot Surface Warning Label	English/French
F8609001	Hot Surface Warning Label	Icon
F8611601	Warning Label	
70535100	Label Kit	Vent/install
F8614500	Label Kit	Shock
70539601	Notice Label	
F8609501	Notice Label	
D516073	Notice Label	Read instructions; Icon
70538401	Pinch Warning Label	English/French
F8615701	Pinch Warning Label	Icon
F8614201	Shock Warning Label	Icon
70536301	Warning Label	Lint; Australian models
44324101	Warning Label	Fire; Australian models
70534305	Warning Label	Fire; Colombian Spanish; Australian models
44321601	Warning Label	Risk of fire; Icon

Parts Index

A

Accessory Box Back	
70540501	87, 89
Accessory Box Cover	
70358401	87, 89
Accessory Box Side	
70540601	87, 89
70540701	87, 89
Adapter	
70131901	77
Air Filter	
70036001	83
Airflow Switch and Arm Bracket	
70319602	75
Airflow Switch Arm	
70319401	75
Airflow Switch Cover	
70356601	75
70465701	75
Airflow Switch Vane	
70319201	75
Airflow Switch Wrapper	
70356101	75
Anti-Rattle Burner Assembly	
70546701	77
Auxiliary Contact Block	
44313201	87, 89

B

Blind Rivet	
F8245101	55, 57
Blower Assembly	
70359801P	71, 73
Blower Housing	
70020301	73
70215101	71, 73
70554701	71, 73
Blower Housing Scroll	
70016301	71
Blower Inlet Cone	
70014101	73
Blower Motor Mounting Plate	
70349601	71, 73
Bracket	
70634201	49
Burner Grill	
70188801	77
Burner Orifice	
70684105	79
70684106	79
70684107	79
70684108	79
70684109	79
70684110	79
70684111	79
70684113	79
70684114	79

70684116	79
70684126	79
70684128	79
70684130	79
70684131	79
70684133	79
70684134	79
70684135	79
70684137	79
70684139	79
70684142	79
Bushing	
70346501	65, 85
Bypass Harness	
44334103	51

C

Cable Tie	
70335601	85
Caution Label	
44324201	91
70535101	91
Center Cylinder Seal	
70066004	63
Center Hinge Lug Assembly	
70640402	39
Center Pan	
70565201	65
Center Partition	
70252601	65
Central Pay Board Harness	
44355604	31
Central Pay Harness	
44342801	17
44355601	31
44355605	31
Central Pay Kit	
70612701	31
70612703	31
Circuit Breaker	
70488101	89
70488102	87
70488105	87
Clevis Pin	
70389201	83
Clip Keeper Bracket	
70604901	49
Clip Mount Bracket	
70604801	49
Coil	
F8514601P	83
F8514701	83
Coin Box	
F160673P	51
Coin Chute Assembly	
70296401	51
Coin Drop	
38963P	27
39748	27
70441601	27

N/A items do not appear in index.

70441603	27	70684203	45
Coin Drop Assembly		70684301	45
201141	27	70684302	45
210195	27	70684303W	45
210196	27	Control Board Control Tray	
38462P	27	70494901	85
38463	27	Control Box Base	
38467	27	44065301	69
38519	27	Control Box Cover	
70281102	27	44065201	69
70283102	27	Control Box Housing	
70441602	27	44306701	69
70447301	27	Control Box Top	
70471601	27	44307101	69
70482401	27	Control Door and Studs Assembly	
70506901	27	70570201	25
Coin Drop Kit		Control Door Latch	
CK077	27	431318	43
CK122	29	Control Harness	
Coin Identification Paper		44334302	89
38464P	27	44334404	69
38475	27	Control Panel	
38725	27	70121501*	43
Coin Meter		70121505*	43
F0160737-00	27	70121507W	43
Coin Vault and Emergency Stop Mount Assembly		70121508	43
70529502	51	70121509	43
Coin Vault Assembly		70121514DG	43
70529501	51	70121514W	43
Coin Vault Switch Harness		70273305W	43
44334101	51	70273305*	43
Cold Weather Kit		70273308B	43
44340301	69	70273313	43
Configuration Harness		70273315LG	43
44280005	90	70273315W	43
44280006	90	Control Panel Stand Bracket	
44280007	90	70641501	49
Contact Base		Control Panel Switch Bracket	
F8538101	53	70641601	45
Contact Switch		Control Plate	
F8069501	53	70497101	15, 23
Contacto		Control Plate and Studs Assembly	
70482601	85	70496601	17, 19
70482701	89	Control Plate Assembly	
70482801	87	70497201	17, 19
Contacto		Control Tray	
70482601	85	70492401	85
70482701	89	Control Tray Cover	
70482801	87	70507501	85
Contacto		Control Tray Harness Assembly	
70482601	85	44356401	90
70482701	89	44356402	90
70482801	87	44356407	90
Contacto		Control Trim	
70482601	85	44016401	51
70482701	89	70529401	51
70482801	87	Conversion Kit	
Contacto		70559301	85
70482601	85	Cylinder and Trunnion Assembly	
70482701	89	70443801	59
70482801	87	70443802	59
Contacto		Cylinder Assembly	
70482601	85	70372701P	59
70482701	89	70372702P	59
70482801	87		

N/A items do not appear in index.

Cylinder Bearing Stud Plate Assembly 430352	63
Cylinder Guide Tool 263P4	63
Cylinder Rib Assembly 70433001	59
Cylinder Shroud 70347201	65
70347202	65
70432303	65
70432304	65

D

Damper and Hinge Exhaust Assembly 70209501	71, 73
Damper Spacer 70220901	73
Danger Label F8614501	91
DIN Rail F8134001	87, 89
M412690	85, 87, 89
DIN Valve Adapter Kit F8382301	83
Door Assembly 44058005	33
44058006	33
44058007	33
44058008	33
44287801B	33
44287801LGP	33
70212300	33
70212301	33
70212302P	33
70496501	33
70496502P	33
70597701	33
70597702	33
70597703	33
70597704	33
70597705	33
70597706	33
70597707	33
70597708	33
70597709	33
Door Catch Assembly D510177	57
Door Catch Kit 70482901	51
Door Glass M400784P	35
70133601P	35
70133602	35
70133604	35
Door Glass Installation Tool M4221P4	35
Door Glass Label 70650401	35
70707701	35
Door Glass Seal Kit 70211901P	35
Door Handle 44007902P	35
44263801	35

44370602	35
70521101	35
Door Handle Wedge D510129W	57
Door Hinge 70116003*	37
70116005B	37
70116005LG	37
70116006	37
70632701LG	39
70632701W	39
70632703	39
70632707	39
70632709B	39
70632711	39
Door Hinge Lug Assembly 44035001	37, 57
44035002	37
Door Latch M401223	51
Door Pull and WEdge Kit D511213P	57
Door Pull and Wedge Kit D510103*P	57
Door Ring and Handle Assembly 70543907B	35
70543907LG	35
Door Ring Assembly 70543901	35
70543902	35
70543904B	35
70543905	35
70543906	35
70597507B	35
Door Ring Gasket 70296801	35
Door Strike D510181	57
Door Switch Actuator 70532101	37
70532102	37
Drive Motor 70478601P	71
70485001P	71
Drive Plate 70571901	71
Drive Rivet M400713	69
Drywall Screw Magnet Kit 70343101P	59, 63

E

Elbow 70208701	77
70428101	67
Electronic Coin Drop Assembly 70294107	27
70513302	27
70513303	27
70513304	27
70513306	27
70513308	27
70513309	27

N/A items do not appear in index.

70513310	27	False Front Assembly	
70513311	27	70024201*P	41
70513312	27	Fan Motor	
70513313	27	70478701P	71, 73
70513314	27	70484901P	71, 73
70513315	27	FCC-IC Label	
70513316	27	F8613201	31
Electronic Coin Drop Kit		Ferrite	
CK099	29	204454	90
CK100	29	Fill Hose	
CK101	29	202799	69
CK108	29	Filter	
CK109	29	70429401	83
CK110	29	Filter Bracket	
CK113	29	70533101	85
CK115	29	Filter Mounting Plate	
CK116	29	70551701	69
CK117	29	Flat Topl	
CK118	29	70557601	65
CK119	29	Fob Communication Harness	
CK120	29	F8719301	19
CK121	29	Fob Reader Control Assembly	
EMC Shield		205135	19
70608601	90	Fob Reader Kit	
Emergency Stop Button Kit		70666806	31
70580301	53	Front Panel	
Emergency Stop Bypass Harness		70524105*	47
F8519403	53	70524106	47
Emergency Stop Harness		70524115DG	47
44272401	53	70524115LG	47
Emergency Stop Label		70601701	47
44012901	53	70602001*	47
44012903	53	70602101*	47
Emergency Stop Mounting Bracket		70602201*	47
70550401	53	70602301*	47
Emergency Stop Pushbutton		70602701*	47
F200233500	53	70602801LG	47
EMI Filter		Front Panel Assembly	
F8591601	85	44115902	47
F8637501	85	70576002DG	47
EMI Filter Kit		70601501	47
44357401	85	70601601	47
44357402	85	706019017	47
End Cap		70602002W	47
70070101	59	70602102W	47
70070102	59	70602202W	47
End Stop		70602302W	47
F8449801	85, 87, 89	70602501DG	47
Ethernet Gateway Kit		70602801DG	47
NK320	31	70705201	49
Exhaust Thimble		70705201W	49
70017801	71	70705202	49
Expansion Clip		70705202W	49
70030501	17, 19, 31, 51, 85, 87, 89	70705203	49
		70705203LG	49
		70705203W	49
		70705204	49
		70705204W	49
		70705205	49
		70705205W	49
F		Front Panel Assmbly	
False Front		70602702W	47
70000501*P	41	Front Panel Seal	
70000503DG	41	70173401P	47, 49
70000503LG	41		
70000504	41		
70024203DG	41		
70024203LG	41		
70024204	41		

N/A items do not appear in index.

G

Gas Burner	
70229801P	77
Gas Line Assembly	
70271201	77
Gas Valve	
44154507	77
44154508	77
Gas Valve Bracket	
70504101	77
Gas Valve Cover	
70429901	77
Gas Valve Harness	
44273501	77
Gasket	
70247601	57
70289101P	49, 55
70392701P	73
Ground Lug Connector	
M411283	85, 87, 89

H

Hairpin Cotter	
70389301	83
Handle and Caps Assembly	
70154401	55
70154413	55
Handle Bumper	
70407207	55
Harness	
F8617901	25
44309001	87
44309002	89
44309011	87
44309012	89
44316001	90
44316002	90
44316007	90
44316008	90
70516101	87
70516102	87
70516103	87, 89
70516104	87
70516105	87
70516106	87, 89
Harness Adapter Plate	
70523301	67, 69
Harness Mounting Plate	
70307007	31
Heater Element	
70034401P	81
70034402P	81
70034403P	81
70034414P	81
70034415P	81
70034416P	81
High Altitude Orifice Kit	
70609903	77
70609904	77
High Voltage Suppression Cable	
44239702	77

Hinge Cam Kit	
M4772P3	37, 57
M4773P3	37
Hinged Door	
70267701*	57
70267703	57
Hold-Down Clip	
35865	49, 65
Hole Plug	
70063201	65
Hose	
44073304	69
Hose Clamp	
36801	69
Hose Fitting	
44069101	69
Hot Surface Warning Label	
F8609001	91
F8614301	91

I

Idler Wheel Assembly	
70050401P	71
Igniter Cover	
70159601	77
Ignition Control	
70482001	85
70482002	85
Ignition Keeper Orifice Bracket	
70539901	77
Insulator	
M413862	85
Interconnect Harness	
44334401	69
Inverter Contactor Coil Harness	
44334702	90
Inverter Motor Harness	
44335301	90
44335302	90
I/O Control Assembly	
70479201P	85

J

Jumper Bar	
70066501	81
Jumper Harness	
D511476	51
442295412	81
44281709	81
Jumper Strip	
M400869	81

K

Key	
70155601	51, 69
70155602	51
Kickplate	
70117601	55

N/A items do not appear in index.

70117616 55

70551902 77

L.P. Valve
44154504 77

L

Label

D516100 85, 87, 89

44108201 47, 49

44190901 47

44286801 85

44286803 85, 87, 89

44318201 69

70472801 47, 49

Label Kit

F8614500 91

44318200 69

44324500 69

70534300 47

70535100 91

Lever Arm and Belt Kit

70655101 71

Lever Arm and Bushing Assembly

70653801 71

Light

801432 69

Limit Access Bracket

70554901 73

Limit Thermostat

44328001 73

44328004 77

44328006 81

44328104 77

70530901 73

Lint Panel

70515401* 55

70515402 55

70515403LG 55

70515403W 55

70515404DG 55

70515404LG 55

70515404W 55

70515405 55

70515406W 55

Lint Panel Pivot Plate

70017901 55

Lint Screen

70325601 65

Lock Catch Bracket

70654501 45

Lock Shim

70342401 51

Lock, Key and Nut Kit

44089301P 51, 69

44089302P 51

Lower Hinge Gusset

70632002 39

Lower Lug Assembly

70639302 39

70639304 39

Lower Pan

70332401P 65

Lower Rear Assembly

70493301 71

L.P. Conversion Kit

70550202 77

M

Machine ID Control Assembly

203361P 17, 19, 23, 25

Magnet

70343101 55, 57

Magnet Bracket

44290501 55

Male Tab Terminal

00621SG 85

Max Fill Line Label

70707501 35

Mixing Valve

70519801 69

Mixing Valve Shield Bracket

44306601 69

Moisture Sensor Harness

44333903 61

Motor Conduit Mounting Bracket

70521901 71

Motor Contactor Power Harness

44280001 90

44280003 90

44280010 90

44280012 90

Motor Mount Bracket

70564101 71

Motor Mount Plate

70564201 71

Motor Pulley

70559101 71

Mounting Bracket

70601401 69

70604001 31

Mounting Plate

70208801 17, 19

N

Nameplate

B12389801 51

F8443105 51

F8688001 51

567887 51

70685701 51

Nameplate Overlay

44104501 51

70115601 51

Nameplate1

F8688801 51

Notice Label

D516073 91

F8609501 91

70535901 77

70539601 91

70544901 77

Nozzle Bracket

70424201 67

N/A items do not appear in index.

70428601	67
Nut	
M400022	61, 63, 73
M400034	63, 73
M404993	65
M412986	63
M414215	35
21899	65
23951	55
430576	65
44071201	25
44087201	59, 71
44087301	71
44088001	35, 37, 39, 85, 87, 89
44088801	51
44333202	71
51236	55
56156	71
70030401	49
70054	19, 81
N.G. Valve	
44154503	77

O

Opto Coupler	
200674P	27
Orifice Adapter	
70379301	77
Orifice Holder Bracket	
70248901	77
Overlay	
F8205101	17, 19
F8696101	17, 19
F8696201	19
F8696301	17, 19
F8696302	17, 19
F8733901	19
F8734201	19
F8736501	19
70295101	19
70512004	21
70512005	21
70512006	21
70512007	21
70512008	21
70516801	15
70516802	15
70517001	21
70517002	21
70517003	21
70517004	21
70517005	21
70517801	15
70517802	15
70518101	19
70518102	19
70518201	21
70518202	21
70518203	21
70519001	15
70519002	15
70539101	15
70539102	15
70541201	21
70541202	21

70541203	21
70544701	17
70544702	17
70544703	17
70545501	15
70545502	15
70548801	23
70548802	23
70556201	19
70556301	19
70556401	19
70556402	19
70556501	17, 19
70556502	17, 19
70556601	19
70556701	19
70556801	19
70556901	19
70557001	17, 19
70557002	17, 19
70559001	21
70570301	17
70570302	17
70570303	17
70570601	23
70570602	23
70570801	23
70570802	23
70571001	21
70571002	21
70571003	21
70571101	21
70571102	21
70571103	21
70571104	21
70571401	23
70571402	23
70571601	23
70571602	23
70595401	25
70626301	21
70626302	21
70626303	21
70636101	17
70636102	17
70636103	17
70636201	21
70636202	21
70636203	21
70636204	21
70636205	21
70636302	21
70636303	21
70636401	23
70636402	23
70636501	15
70636502	15
70637601	21
70637602	21
70637603	21
70637604	21
70637605	21
70638201	17
70638202	17
70638203	17
70638301	23
70638302	23
70638701	15
70638702	15

N/A items do not appear in index.

70638801	15
70638802	15
70638901	23
70638902	23
70639001	25
70645601	19
70645701	19
70645801	19
70645901	19
70646001	17, 19
70646002	17, 19
70646101	19
70646102	19

P

Panel	
70553301*	57
70553401*	57
Panel Locator	
56079	51, 55
Panel Lock	
44089304	51
44089305	51
Pin	
70071401	37, 57
Pinch Warning Label	
F8615701	91
70538401	91
Pipe Clip	
70203701	77
Pipe Plug	
70346801	77
Plug	
70167601	77
70180001	69, 87, 89
Pop Rivet	
M400003	43, 85
M405750	77
44166601	51
70058501	37, 39, 49, 55, 57, 65, 83, 85, 89
70058502	87, 89
70126301	55
70126401	55
Porcelain Touch-Up Paint	
122P4P	65
370P4P	65
Power Distribution Block	
M413865	87, 89
Power Distribution Block Cover	
44014901P	87, 89
Power Harness	
44272101	90
44280101	90
Power Sensor Harness	
44334402	69
Primary Air Adjustment Sleeve	
70239801	77
Pushbutton Switch	
70413301	15, 17, 19, 23, 45, 51
Push-to-Start Switch	
801434W	69

R

Rear Bearing Shim	
70355001	63
Rear Cylinder Bearing Housing	
70013901	63
Rear Cylinder Channel	
70257301	59
70257302	59
Rear Cylinder Channel Plate	
70257401	59
Rear Cylinder Seal	
70013702	63
Rear Cylinder Seal Support	
70506401	63
Rear Lint Panel	
70565301	55
Rear Panel	
70564901	63
70564902	63
70564903	63
70564904	63
Reed Switch Assembly	
F8066804	55
Rivet	
70614201	49
Roller and Seal Kit	
70616701	65
Roller Catch Arm	
70030301	55
Roller Catch Spacer	
70030201	55
Roller Catch Wheel	
70297601	55
Roller Seal	
70443601	65
Roller Shaft	
70249501	65
Roller Support Bracket	
70328301	65

S

Screw	
F430144	71
F8206901	31, 85, 87, 89
F8458801	39
M400044	37
M400661	35
M405188	41, 77
M411072	17, 19, 31, 49, 51
05161	77
33562	25
39733	51, 55, 87
430497	45, 55, 59, 65, 67, 69, 73, 75, 77, 81
430757	55
44349101	39
51780	31, 67, 69, 87, 89
51783	85
62588	59
685837	85, 87, 89
70033502	37, 57
70072801	55

N/A items do not appear in index.

70126101	73	Standoff	
70126104	71	70569603	71
70132301	55	Steam Adapter Kit	
70247701	65	70529601	83
70391101	59	Steam Coil	
70407301	37	70369101P	83
70436301	37	Steam Control Assembly	
70442101	35, 57	70501801	85
70501301	71	Steam Filter Holder	
70508301	71	70369301	83
70546301	71	Steam Valve	
70576101	37	F8322904P	83
70640201	39	Steam Valve Harness	
70640301	39	F8520703	83
802822	39	Stove Back	
804608	15, 17, 19, 23, 25, 69	70371501	77
Sensor Harness		Stove Connectors Cover	
44334406	69	70365201	81
Sheet Metal Edge Gasket		Stove Grill	
70015709	65	70214901	81
70015710	65	Stove Limit Bypass Harness	
Shield		70564302	83
44326801	69	Stove Limit Harness	
Shock Warning Label		70564301	77
F8614201	69, 91	70564303	81
F8614401	69	Stove Partition	
Side Panel		70357201	81
70021502LG	65	Stove Top and Sides	
70021502*P	57, 65	70333401	77
70021504DG	65	7052601	81
70021504W	65	Strain Relief	
70253801DG	65	44304801	83
70253801LG	65	Street Elbow	
70253801*P	65	F422304	77
70253802DG	65	H86070034	77
70253802W	65	Support Bearing	
70640901DG	65	70448701	63
70640901LG	65	Support Bracket Assembly	
70640902DG	65	70283801	57
70640902W	65	Support Housing Bearing Assembly	
Slip Ring Assembly		430260P	63
44222702	61	Switch	
Slip Ring Holder		70411901	75
70455401	61	Switch Assembly	
Slot Card Plate Assembly		70413401	57
44089501	17, 19	Switch Bracket	
Snap Bushing		70356301	75
M400770	77, 87, 89	70508501	55, 57
M402542	87, 89	Switch Hole Plug	
70178701	67, 85	44057801B	51
Spacer		44057801LG	51
70488403	71	44057801Q	51
Spark Electrode		44057801W	51
70548701P	77		
Spray Nozzle			
70427801	67		
Spray Nozzle Hose			
70427701	67		
Spray Paint			
298P4P	65		
381P4	65		
Spring			
70571801	71		
Spring Catch Bracket			
70543401	71		

T

Tensioning Bracket	
70569501	71
Terminal	
00622SG	85
Terminal Block	
430642	85

N/A items do not appear in index.

Terminal Block Shield 70333001	85
Thermistor M414704	73
44064701	67
Thermistor Plate 70424401	67
Thermostat Cover M414477	77
Top Pan 70641201	65
Top Panel 70586401	65
Transformer F8491101	85
202757	31
202758	31
Transformer Harness 44272301	31
44272302	31
Trunnion and Seal Kit 70564801	59
70564802	59
Tube Assembly 70427601	67
Tumbler Dolly Kit M4379P4	65

U

Union Tee 70427901	67
Upper Hinge Gusset 70632001	39
Upper Lug Assembly 70639301	39
70639303	39
USB Bracket 70547001	25
USB Gateway Kit NK330	31
USB IR Interface Kit 203346	31
USB-Serial Interface Assembly 203440	25

V

Valve F8322906P	83
Vend Activation Harness 44334004	15, 17, 19, 23

W

Warning Label F8611601	87, 89, 91
44321601	91
44324101	91
44324501	69
44324502	69

70534301	47, 49
70534302	47, 49
70534305	91
70536301	91
Warning Label Kit F8611600	87, 89
Washer M400991	63, 73
70261401	65
70411301	59
Water Valve Harness 44334405	69
Wire Clip F8449501	85
F8449502	85
Wire Guard 201595P	27
Wire Label 44286802	85, 87
44286804	85
Wireless Control Label 204692	31
Wireless Network Board Harness F8536002	31
Wireless Network Control Assembly 203532	31
807211	31
Wireless Network Harness F8674006	31
Wireless Network Kit 70596301	31
70609701	31

N/A items do not appear in index.