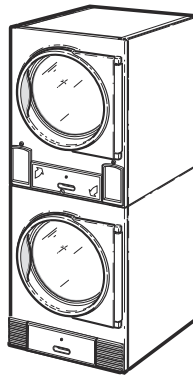


# Tumble Dryers

Stacked 45 Pound Capacity  
18 Digit Model Numbers with 3 and 5 in 13th Position  
Refer to Page 5 for Model Numbers



TMB1285C\_70591701



# Table of Contents

Title	Page
Parts Ordering Information.....	3
Serial Plate Location .....	3
Machine Identification .....	5
Product Overview - Heat Source and Voltage .....	6
Product Overview - FN Control Suffix .....	8
Product Overview - DN and NN Control Suffixes.....	10
Product Overview - B, N and W Control Suffixes.....	12
Dual Digital Control .....	14
Electronic Display Control - Vend Models with B in the 7th Position .....	16
Electronic Display Control Overlays - Vend Models with B in the 7th Position .....	18
Electronic Display Control - Vend Models with N or W in the 7th Position.....	20
Electronic Display Control Overlays - Vend Models with N or W in the 7th Position (Drawing 1 of 2).....	22
Electronic Display Control Overlays - Vend Models with N or W in the 7th Position (Drawing 2 of 2).....	24
Electronic Display Control - OPL Models with N in the 7th Position .....	26
3.5 Inch Graphical Control .....	28
Coin Drops .....	30
Coin Drop Kits.....	32
Network Board, Central Pay and Card Reader Components.....	34
Door Assemblies.....	36
Door Components.....	38
Hinge Components - Design 3 Models .....	40
Hinge Components - Design 5 Models .....	42
Upper Front Panel Assemblies - Design 3 Models .....	44
Lower Front Panel Assemblies - Design 3 Models .....	46
Front Panel Assemblies - Design 5 Models .....	48
Upper Cabinet Front Components - Design 3 Models.....	50
Lower Cabinet Front Components - Design 3 Models.....	52
Cabinet Front Components - Design 5 Models.....	54
Emergency Stop Button - OPL Models .....	56
Lint Drawer Components - Design 3 Models .....	58
Lint Drawer Overlays - Design 3 Models.....	60
Lint Drawer Components - Design 5 Models .....	62
Cylinder and Trunnion Components .....	64
Moisture Sensing Components.....	66
Bearing Components .....	68
Cabinet Components - Design 3 Models .....	70
Cabinet Components - Design 5 Models .....	72
Drive Motor Components .....	74
Exhaust Components.....	76
Blower Components.....	78
Airflow Switch.....	80

© Copyright 2023, Alliance Laundry Systems LLC

All rights reserved. No part of the contents of this book may be reproduced or transmitted in any form or by any means without the expressed written consent of the publisher.

Gas Burner Housing and Secondary Stove Limit .....	82
Gas Valve and Piping .....	84
Burner Orifices .....	86
Control Tray and Accessory Box .....	88
Labels .....	90
Harnesses .....	91
Parts Index.....	93

## Parts Ordering Information

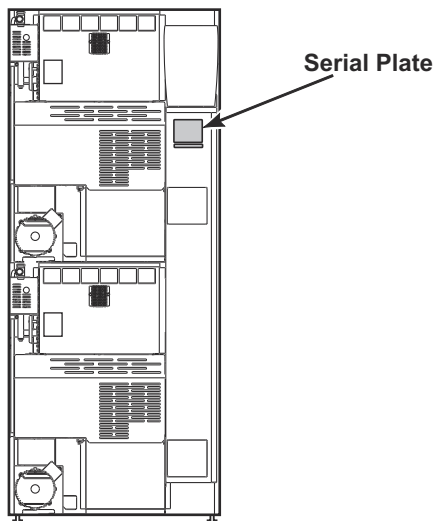
If literature or replacement parts are required, contact the source from whom the machine was purchased or contact Alliance Laundry Systems at (920) 748-3950 for the name and address of the nearest authorized parts distributor.

For technical assistance, call the number listed below:

(920) 748-3121 Ripon, Wisconsin

## Serial Plate Location

When calling or writing about your product, be sure to mention model and serial numbers. Model and serial numbers are located on serial plate(s) as shown.



TMB3565P\_70591701

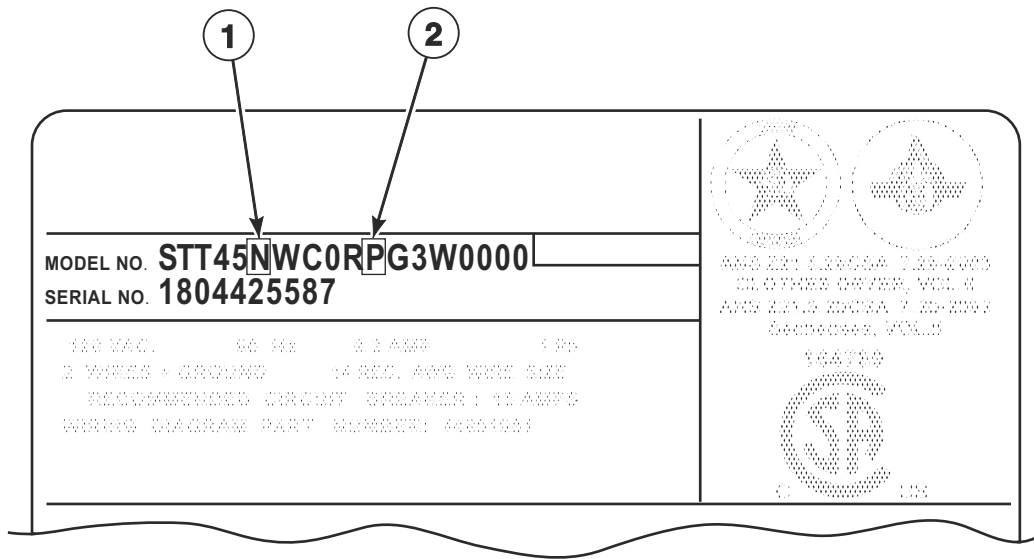


# Machine Identification

Information in this manual is applicable to these machines:

BAT45L	HAT45L	MGT45D	SAT45L	UAT45L
BAT45N	HAT45N	MGT45L	SAT45N	UAT45N
BAT45R	HAT45R	MGT45N	SAT45R	UAT45R
BGT45D	HGT45D	MGT45R	SGT45D	UGT45D
BGT45L	HGT45L	MJT45D	SGT45L	UGT45L
BGT45N	HGT45N	MJT45L	SGT45N	UGT45N
BGT45R	HGT45R	MJT45N	SGT45R	UGT45R
BHT45L	HHT45L	MJT45R	SHT45L	UHT45L
BHT45N	HHT45N	NAT45L	SHT45N	UHT45N
BHT45R	HHT45R	NAT45N	SHT45R	UHT45R
BJT45D	HJT45D	NGT45L	SJT45D	UJT45D
BJT45L	HJT45L	NGT45N	SJT45L	UJT45L
BJT45N	HJT45N	NHT45L	SJT45N	UJT45N
BJT45R	HJT45R	NHT45N	SJT45R	UJT45R
BKT45L	HKT45L	NJT45L	SKT45L	UKT45L
BKT45N	HKT45N	NJT45N	SKT45N	UKT45N
BKT45R	HKT45R	NKT45L	SKT45R	UKT45R
BLT45L	HLT45L	NKT45N	SLT45L	ULT45L
BUT45L	HTT45L	NTT45L	STT45L	UTT45L
BUT45N	HTT45N	NTT45N	STT45N	UTT45N
BUT45R	HTT45R	NUT45L	STT45R	UTT45R
GAT45L	HUT45L	NUT45N	SUT45L	UUT45L
GAT45N	HUT45N	PAT45L	SUT45N	UUT45N
GGT45L	HUT45R	PAT45N	SUT45R	UUT45R
GGT45N	JUT45N	PGT45L		
GHT45L	KTT45L	PGT45N		
GHT45N	KTT45N	PHT45L		
GJT45L		PHT45N		
GJT45N		PJT45L		
GKT45L		PJT45N		
GKT45N		PKT45L		
GUT45L		PKT45N		
GUT45N		PLT45L		
		PTT45L		
		PTT45N		
		PUT45L		
		PUT45N		

# Product Overview - Heat Source and Voltage



TMB3601P\_70591701

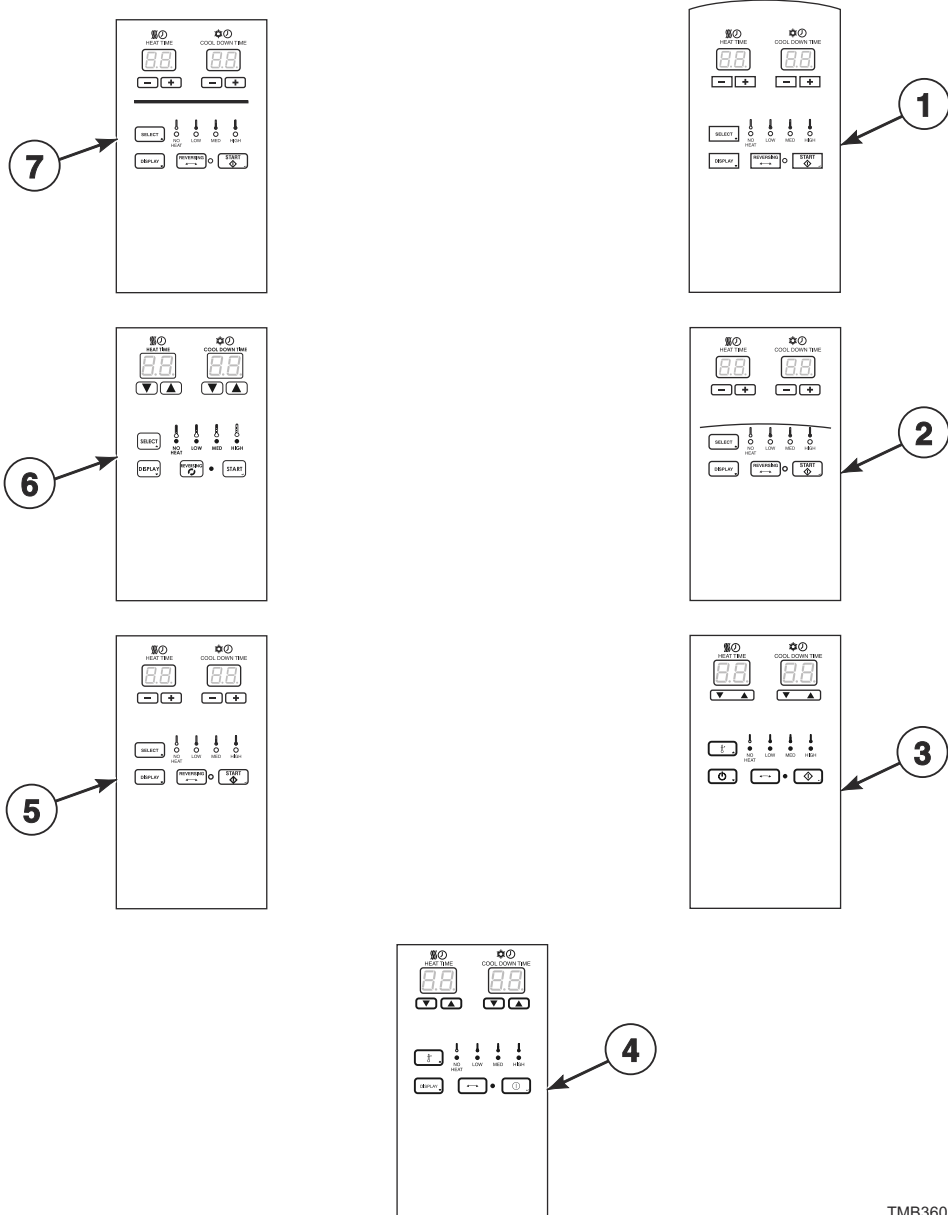
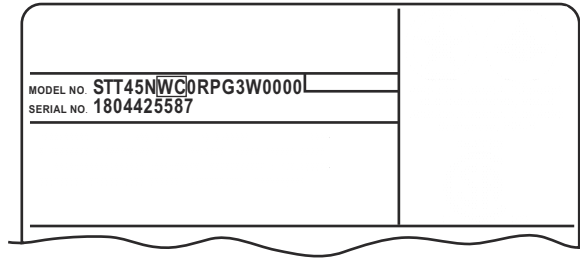


## Product Overview - Heat Source and Voltage

REF	PART NO.	DESCRIPTION	COMMENTS
1	-	Heat Source	D: Liquid Petroleum Gas (L.P) L: Liquid Petroleum Gas (L.P.) N: Natural Gas (N.G.) R: Reduced Gas, Natural Gas (Eco Line)
2	-	Voltage	N: 440-480 Volt/50-60 Hertz/3 Phase P: 380-415 Volt/50-60 Hertz/3 Phase X: 200-240 Volt/50-60 Hertz/1-3 Phase

# Product Overview - FN Control Suffix

All Models Except J and M Models; OPL



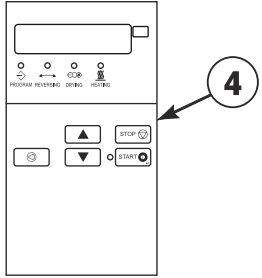
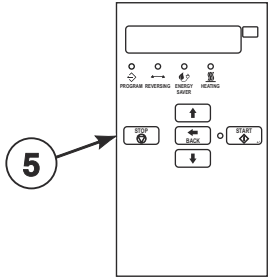
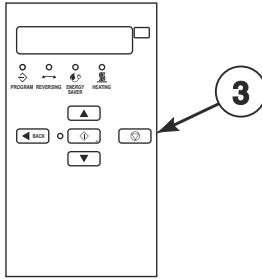
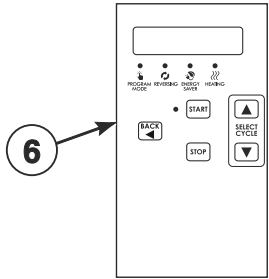
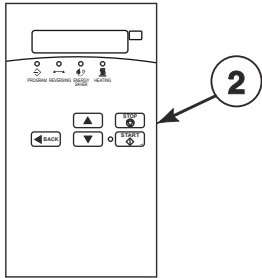
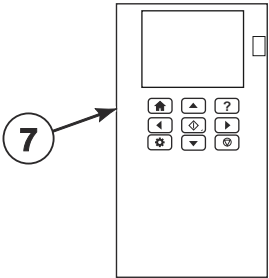
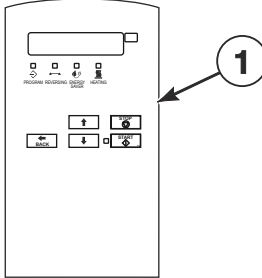
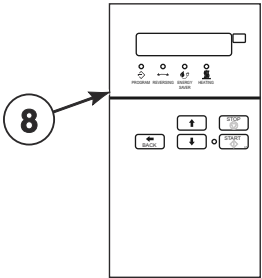
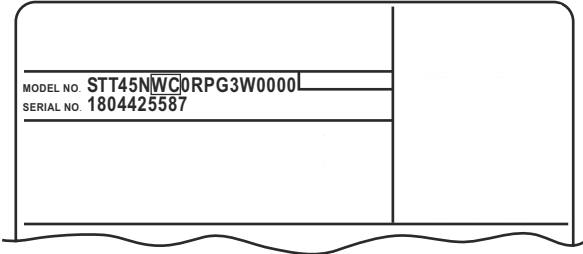
TMB3602P\_70591701

## Product Overview - FN Control Suffix

REF	PART NO.	DESCRIPTION	COMMENTS
1	-	Dual Digital Control	H models
2	-	Dual Digital Control	U models
3	-	Dual Digital Control	B models
4	-	Dual Digital Control	P models
5	-	Dual Digital Control	N models
6	-	Dual Digital Control	G and K models
7	-	Dual Digital Control	S models

# Product Overview - DN and NN Control Suffixes

All Models Except J and M Models; OPL



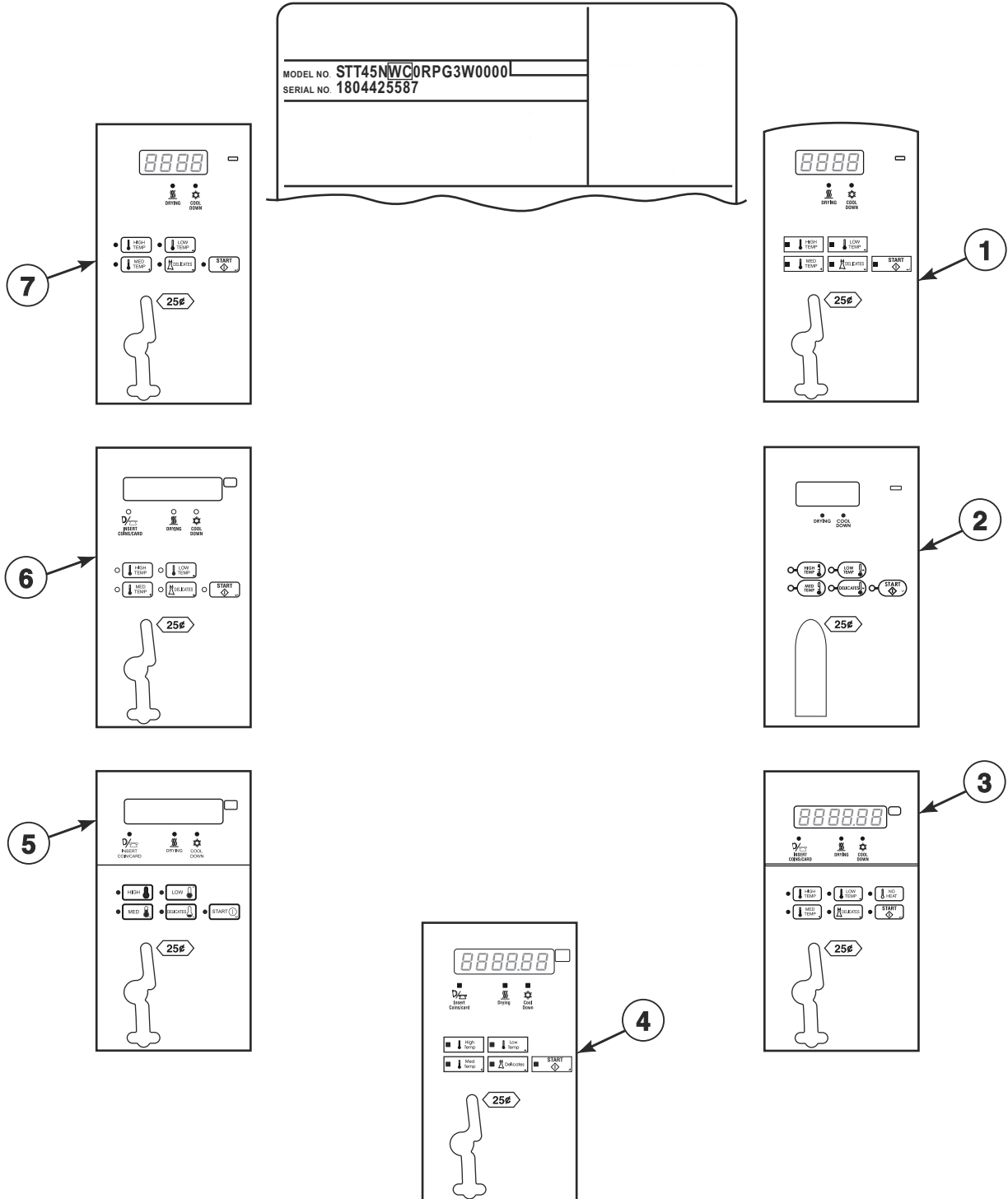
TMB3603P\_70591701

# Product Overview - DN and NN Control Suffixes

<b>REF</b>	<b>PART NO.</b>	<b>DESCRIPTION</b>	<b>COMMENTS</b>
1	-	Galaxy Control	H models
2	-	M-Series Control	U models
3	-	OPTimum Control	B models
4	-	OPL Micro Control	P models
5	-	OPL Micro Control	N models
6	-	OPL Micro Control	G and K models
7	-	UniLinc Control	U models
8	-	Quantum Gold Control	S models

# Product Overview - B, N and W Control Suffixes

7th Position of the Model Number; All Models Except NT Models; Vend



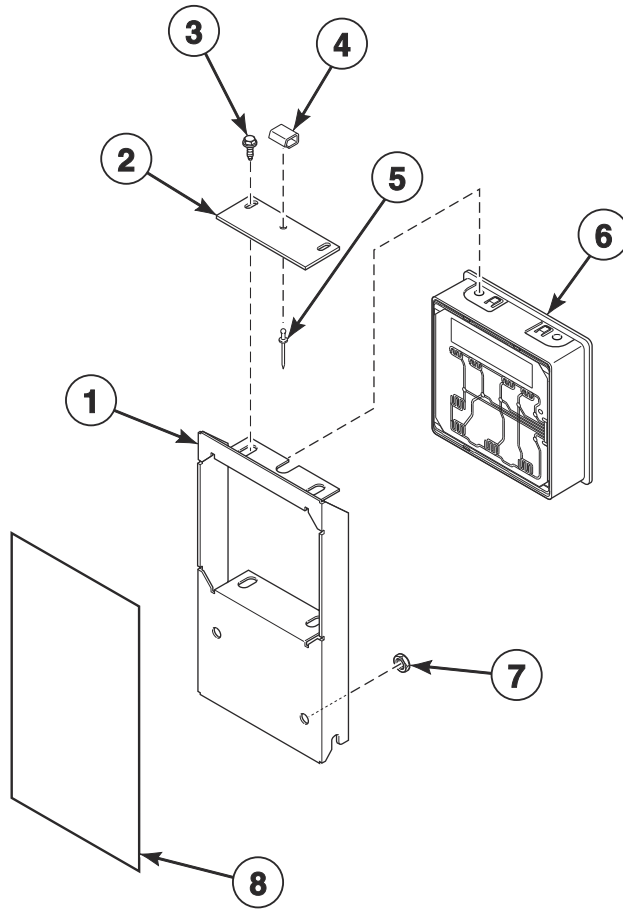
TMB3604P\_70591701

## Product Overview - B, N and W Control Suffixes

REF	PART NO.	DESCRIPTION	COMMENTS
1	-	Basic Electronic Control	H and N models
2	-	Basic Electronic Control	G and K models
3	-	Quantum Gold Control	M and S models
4	-	Galaxy 600	H models
5	-	XQ Control	P models
6	-	EVO7S Control	B and J models
7	-	MDC II Control	S models

# Dual Digital Control

All Models Except J and M Models with F in the 7th Position



TMB3570P\_70591701

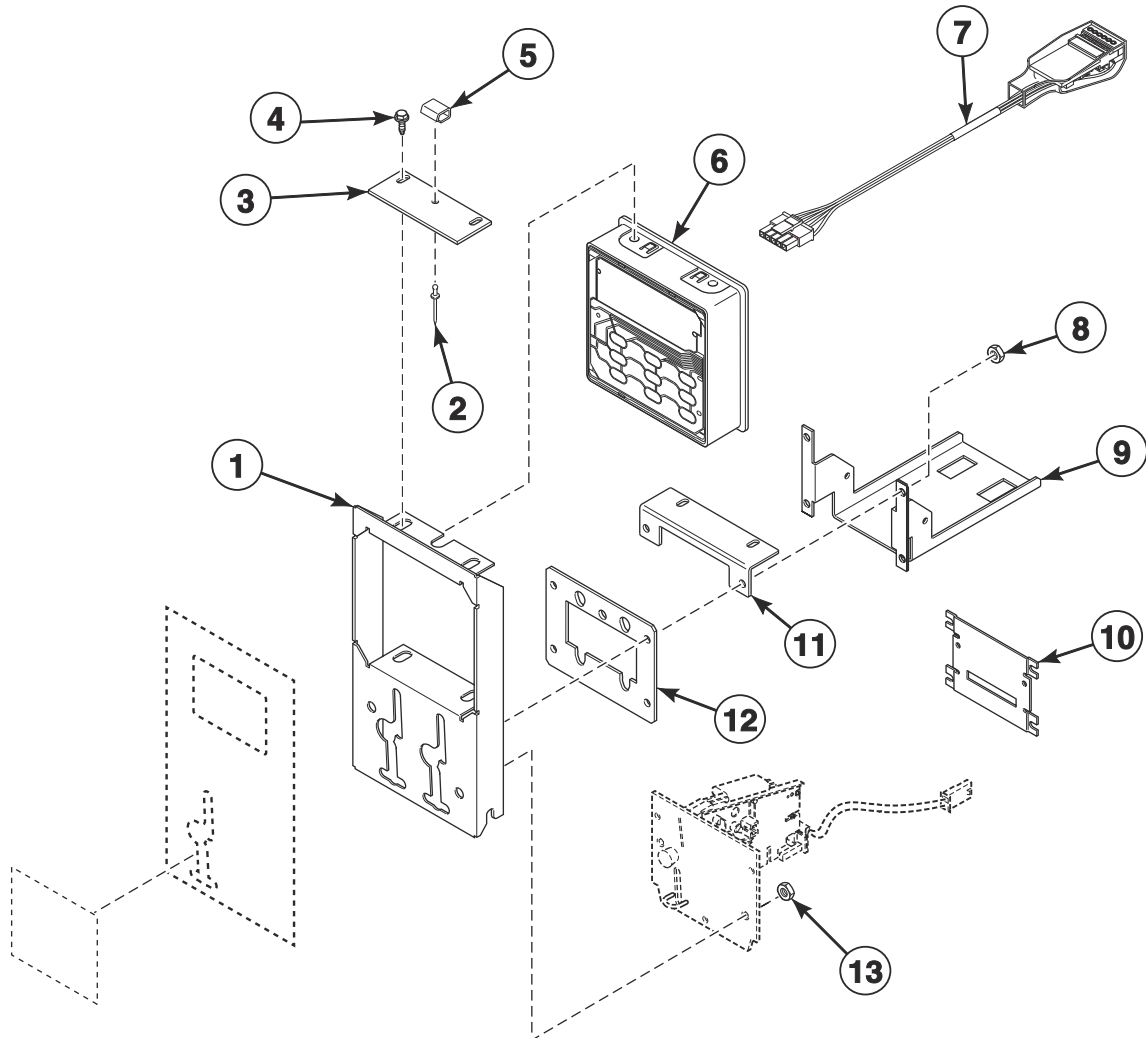


# Dual Digital Control

REF	PART NO.	DESCRIPTION	COMMENTS
	70577101	Vend Activation Harness	
1	70558601	Control Door and Studs Assembly	H models; Design 3
	70558501	Control Door and Studs Assembly	All other models; Design 3
	70641803	Control Door and Studs Assembly	Design 5 models
2	70184501	Latch Mounting Bracket	Design 3 models
	70634401	Control Latch Plate	Design 5 models
3	D501524	Screw	4 required
4	431318	Control Door Latch	
5	M400003	Pop Rivet	
6	70523101	Control Assembly	P models; Blue
	70479801	Control Assembly	G, H, K, N, S and U models; Green
	70479901	Control Assembly	B models; Red
7	44087101	Nut	2 required
8	70539002	Overlay	B models; Nonreversing
	70539001	Overlay	B models; Reversing
	70547602	Overlay	G and K models; Nonreversing
	70547601	Overlay	G and K models; Reversing
	70517902	Overlay	H models; Nonreversing; Design 3
	70517901	Overlay	H models; Reversing; Design 3
	70638001	Overlay	H models; Reversing; Upper; Design 5
	70638101	Overlay	H models; Reversing; Lower; Design 5
	70638002	Overlay	H models; Nonreversing; Upper; Design 5
	70638102	Overlay	H models; Nonreversing; Lower; Design 5
	70545402	Overlay	P models; Nonreversing
	70545401	Overlay	P models; Reversing
	70516901	Overlay	N models; Design 3 S models; Nonreversing
	70516902	Overlay	N models; Design 3 S models; Reversing
	70637201	Overlay	S models; Reversing; Upper; Design 5
	70637301	Overlay	S models; Reversing; Lower; Design 5
	70637202	Overlay	S models; Nonreversing; Upper; Design 5
	70637302	Overlay	S models; Nonreversing; Lower; Design 5
	70519102	Overlay	U models; Nonreversing; Design 3
	70519101	Overlay	U models; Reversing; Design 3
	70635901	Overlay	U models; Reversing; Upper; Design 5
	70636001	Overlay	U models; Reversing; Lower; Design 5
	70635902	Overlay	U models; Nonreversing; Upper; Design 5
70636002	Overlay	U models; Nonreversing; Lower; Design 5	

# Electronic Display Control - Vend Models with B in the 7th Position

G, H, K, N and S Models



TMB3819P\_70591701

# Electronic Display Control - Vend Models with B in the 7th Position

REF	PART NO.	DESCRIPTION	COMMENTS
	70577101	Vend Activation Harness	
	44342803	Central Pay Harness	Models through November 2018
<b>1</b>	70498201P	Control Plate Kit	H models; Coin; Design 3
	70498401	Control Door and Studs Assembly	H models; Prep for card; Design 3
	70558601	Control Door and Studs Assembly	H models; Central pay; Design 3
	70498001	Control Door and Studs Assembly	G and K models; Coin
	70497801	Control Door and Studs Assembly	N models; Design 3 S models; Coin
	70497401	Control Door and Studs Assembly	N models; Design 3 S models; Prep for card
	70558501	Control Door and Studs Assembly	N models; Design 3 S models; Central pay
	70641801	Control Door and Studs Assembly	Coin; Design 5 models
	70641802	Control Door and Studs Assembly	Prep for card; Design 5 models
	70641803	Control Door and Studs Assembly	Central pay; Design 5 models
<b>2</b>	M400003	Pop Rivet	
<b>3</b>	70184501	Latch Mounting Bracket	Design 3 models
	70634401	Control Latch Plate	Design 5 models
<b>4</b>	D501524	Screw	8 required
<b>5</b>	431318	Control Door Latch	
<b>6</b>	70478801P	Control Assembly	
<b>7</b>	203361P	Machine ID Control Assembly	Model or serial number is required when ordering
<b>8</b>	70054	Nut	4 required
<b>9</b>	70119001	Chassis Mounting Bracket	
<b>10</b>	44089501	Slot Card Plate Assembly	H, N and S models; Included in literature packet
<b>11</b>	70658501	Control Stiffening Bracket	Prep for card
<b>12</b>	70208801	Mounting Plate	
<b>13</b>	44087101	Nut	2 required

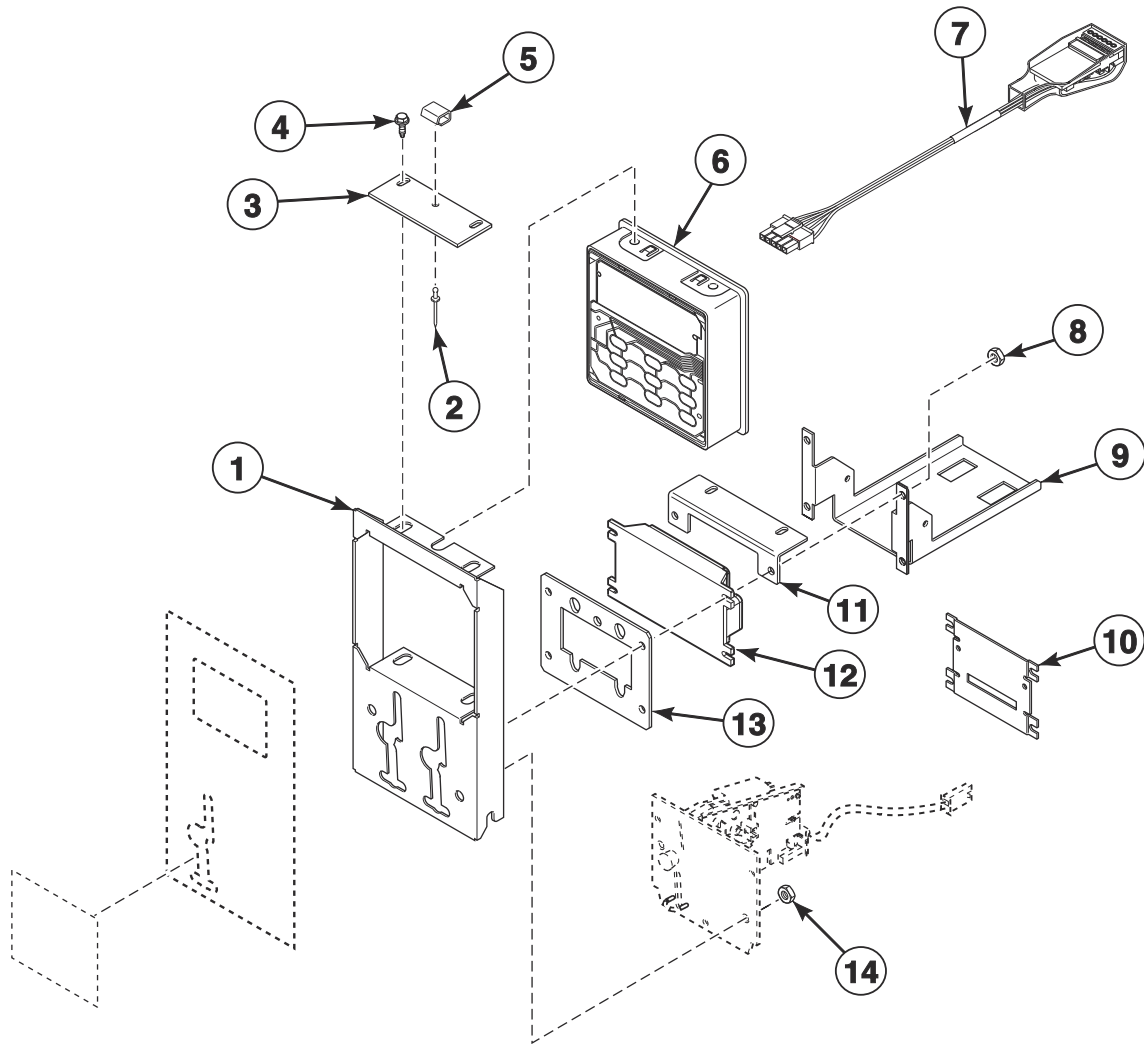


## Electronic Display Control Overlays - Vend Models with B in the 7th Position

REF	PART NO.	DESCRIPTION	COMMENTS
1	F8205101	Overlay	Black; Single drop; Left; Design 3 models
	F8696101	Overlay	Black; Single drop; Left; Design 5 models
	70556501	Overlay	H models; Prep for card; Design 3
	70556502	Overlay	H models; Central pay; Design 3
	70646001	Overlay	H models; Card ready; Design 5
	70646002	Overlay	H models; Central pay; Design 5
	70557001	Overlay	N models; Design 3 S models
	70557002	Overlay	N models; Design 3 S models; Central pay
	F8696301	Overlay	S models; Prep for card; Design 5
	F8696302	Overlay	S models; Central pay; Design 5
2	70547301	Overlay	G and K models; Single drop
	70547302	Overlay	G and K models; Dual drop
	70547201	Overlay	G and K models; Card ready
	70570401	Overlay	H models; Single drop; Design 3
	70570402	Overlay	H models; Dual drop; Design 3
	70570501	Overlay	H models; Card ready; Design 3
	70647401	Overlay	H models; Single drop; Upper; Design 5
	70647501	Overlay	H models; Single drop; Lower; Design 5
	70647402	Overlay	H models; Dual drop; Upper; Design 5
	70647502	Overlay	H models; Dual drop; Lower; Design 5
	70647403	Overlay	H models; Card ready; Upper; Design 5
	70647503	Overlay	H models; Card ready; Lower; Design 5
	70544801	Overlay	N models; Design 3 S models; Single drop
	70544802	Overlay	N models; Design 3 S models; Dual drop
	70547101	Overlay	N models; Design 3 S models; Card ready
	70647201	Overlay	S models; Single drop; Upper; Design 5
	70647301	Overlay	S models; Single drop; Lower; Design 5
	70647202	Overlay	S models; Dual drop; Upper; Design 5
	70647302	Overlay	S models; Dual drop; Lower; Design 5
	70647203	Overlay	S models; Card ready; Upper; Design 5
70647303	Overlay	S models; Card ready; Lower; Design 5	

# Electronic Display Control - Vend Models with N or W in the 7th Position

B, H, J, M, P and S Models



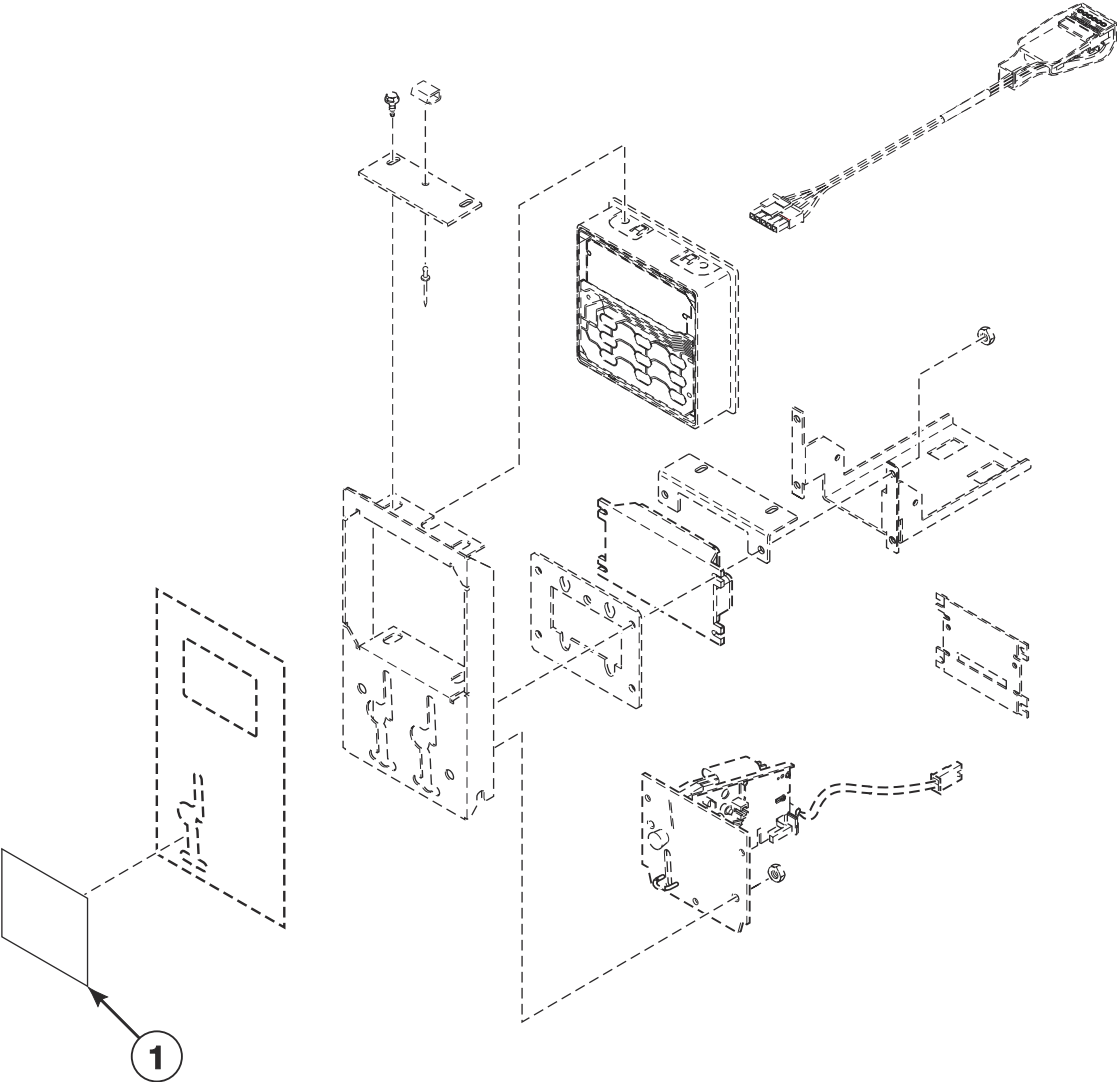
TMB3936P

## Electronic Display Control - Vend Models with N or W in the 7th Position

REF	PART NO.	DESCRIPTION	COMMENTS
	70577101	Vend Activation Harness	
	F8719301	Fob Communication Harness	
<b>1</b>	70498201P	Control Plate Kit	H models; Coin; Design 3
	70498401	Control Door and Studs Assembly	H models; Prep for card and FOB; Design 3
	70558601	Control Door and Studs Assembly	H models; Central pay; Design 3
	70497801	Control Door and Studs Assembly	B, P and S models; Coin; Design 3
	70497401	Control Door and Studs Assembly	B, P and S models; Prep for card and FOB; Design 3
	70558501	Control Door and Studs Assembly	B, P and S models; Central pay; Design 3
	70641801	Control Door and Studs Assembly	Coin; Design 5 models
	70641802	Control Door and Studs Assembly	Prep for card and FOB; Design 5 models
	70641803	Control Door and Studs Assembly	Central pay; Design 5 models
<b>2</b>	M400003	Pop Rivet	
<b>3</b>	70184501	Latch Mounting Bracket	Design 3 models
	70634401	Control Latch Plate	Design 5 models
<b>4</b>	D501524	Screw	8 required
<b>5</b>	431318	Control Door Latch	
<b>6</b>	70523001	Control Assembly	P models; Blue
	70478801P	Control Assembly	H, M and S models; Green
	70478901	Control Assembly	B and J models; Red
<b>7</b>	203361P	Machine ID Control Assembly	Model or serial number is required when ordering
<b>8</b>	70054	Nut	4 required
<b>9</b>	70119001	Chassis Mounting Bracket	
<b>10</b>	44089501	Slot Card Plate Assembly	
<b>11</b>	70658501	Control Stiffening Bracket	Prep for card
<b>12</b>	205135	Fob Reader Control Assembly	
<b>13</b>	70208801	Mounting Plate	
<b>14</b>	44087101	Nut	2 required

# Electronic Display Control Overlays - Vend Models with N or W in the 7th Position (Drawing 1 of 2)

B, H, M, P and S Models



TMB3936PB

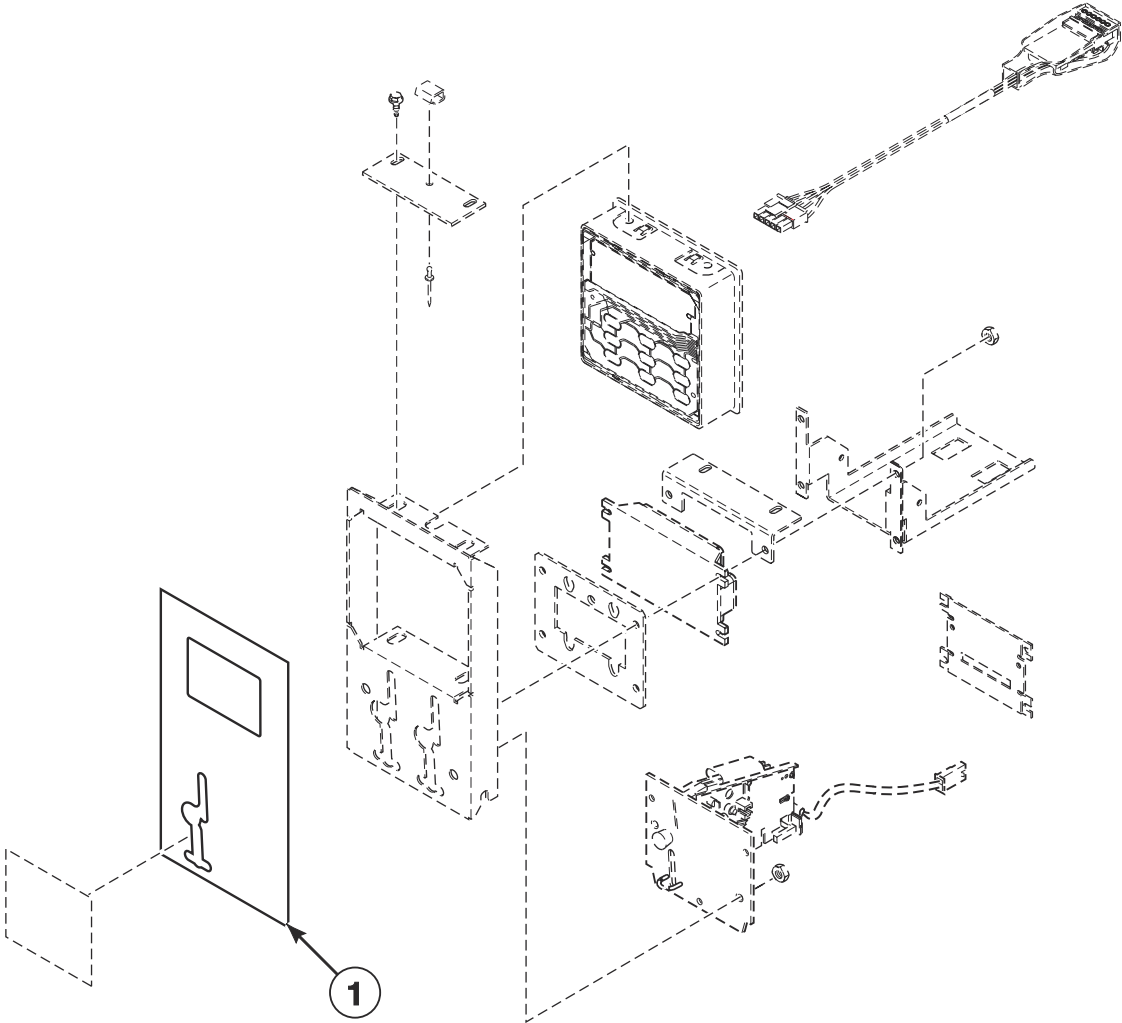


## Electronic Display Control Overlays - Vend Models with N or W in the 7th Position (Drawing 1 of 2)

REF	PART NO.	DESCRIPTION	COMMENTS
1	F8205101	Overlay	S models; Single drop; Left; Design 3
	70557001	Overlay	B and S models; Prep for card; Design 3
	70557002	Overlay	B and S models; Central pay; Design 3
	70295101	Overlay	S models; World drop; Design 3
	F8696101	Overlay	S models; Single drop; Left; Design 5
	F8696301	Overlay	S models; Prep for card; Design 5
	F8696302	Overlay	S models; Central pay; Design 5
	F8696201	Overlay	S models; World drop; Design 5
	70556801	Overlay	H models; World drop; Design 3
	70556501	Overlay	H models; Prep for card; Design 3
	70556502	Overlay	H models; Central pay; Design 3
	70556601	Overlay	H models; Single drop; Left; Design 3
	70556901	Overlay	H models; Citron; World drop; Design 3
	70518101	Overlay	H models; Citron; Prep for card; Design 3
	70518102	Overlay	H models; Citron; Central pay; Design 3
	70556701	Overlay	H models; Citron; Left; Design 3
	70646001	Overlay	H models; Card ready; Design 5
	70646002	Overlay	H models; Central pay; Design 5
	70645901	Overlay	H models; World drop; Design 5
	70645601	Overlay	H models; Single drop; Left; Design 5
	70645801	Overlay	H models; Citron; World drop; Design 5
	70646101	Overlay	H models; Citron; Card ready; Design 5
	70645701	Overlay	H models; Citron; Single drop; Left; Design 5
	70646102	Overlay	H models; Citron; Central pay; Design 5
	70556201	Overlay	P models; Single drop; Right
	70556401	Overlay	P models; Prep for card
	70556402	Overlay	P models; Central pay
	70556301	Overlay	P models; Single drop; Left
	F8733901	Overlay	S models; FOB
	F8734201	Overlay	H models; FOB
	F8736501	Overlay	H models; Citron; FOB

# Electronic Display Control Overlays - Vend Models with N or W in the 7th Position (Drawing 2 of 2)

B, G, H, J, K, M, P and S Models



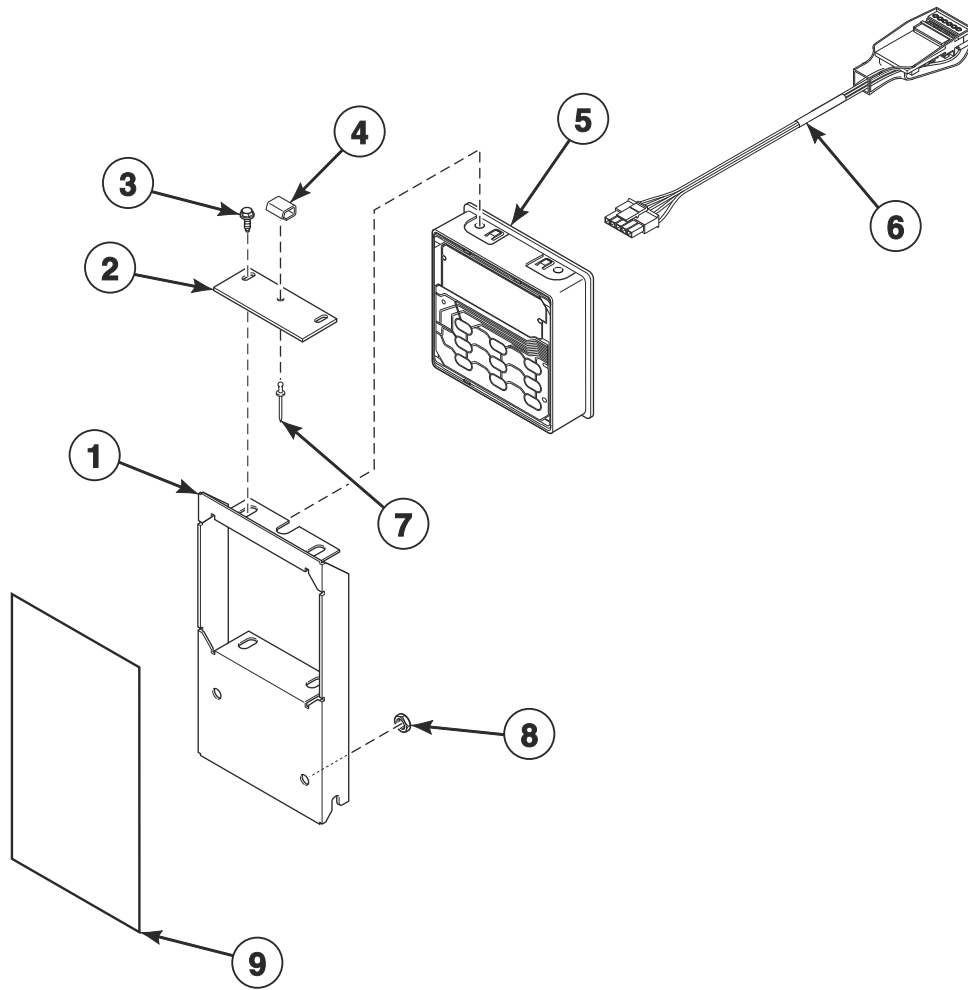
TMB3936PA

## Electronic Display Control Overlays - Vend Models with N or W in the 7th Position (Drawing 2 of 2)

REF	PART NO.	DESCRIPTION	COMMENTS
1	70571201	Overlay	B models; Single drop
	70571202	Overlay	B models; Dual drop
	70571301	Overlay	B models; Card ready
	70517101	Overlay	H models; Single drop; Design 3
	70517102	Overlay	H models; Dual drop; Design 3
	70517201	Overlay	H models; Card ready; Design 3
	70517104	Overlay	H models; Central pay; Design 3
	70517105	Overlay	H models; World drop; Design 3
	70634501	Overlay	H models; Upper; Single drop; Design 5
	70634502	Overlay	H models; Upper; Dual drop; Design 5
	70634503	Overlay	H models; Upper; Card ready; Design 5
	70634504	Overlay	H models; Upper; Central pay; Design 5
	70634505	Overlay	H models; Upper; World drop; Design 5
	70634601	Overlay	H models; Lower; Single drop; Design 5
	70634602	Overlay	H models; Lower; Dual drop; Design 5
	70634603	Overlay	H models; Lower; Card ready; Design 5
	70634604	Overlay	H models; Lower; Central pay; Design 5
	70634605	Overlay	H models; Lower; World drop; Design 5
	70637501	Overlay	H models; Citron; Upper; Single drop; Design 5
	70637502	Overlay	H models; Citron; Upper; Dual drop; Design 5
	70637503	Overlay	H models; Citron; Upper; Card ready; Design 5
	70637401	Overlay	H models; Citron; Lower; Single drop; Design 5
	70637402	Overlay	H models; Citron; Lower; Dual drop; Design 5
	70637403	Overlay	H models; Citron; Lower; Card ready; Design 5
	70572701	Overlay	M models; Upper; Single drop
	70573301	Overlay	M models; Lower; Single drop
	70598301	Overlay	M models; Card ready
	70540901	Overlay	P models; Single drop
	70540902	Overlay	P models; Dual drop
	70541001	Overlay	P models; Card ready
	70511701	Overlay	S models; Single drop; Design 3
	70511702	Overlay	S models; Dual drop; Design 3
	70514501	Overlay	S models; Card ready; Design 3
	70511705	Overlay	S models; Central pay; Design 3
	70511706	Overlay	S models; World drop; Design 3
	70637801	Overlay	S models; Upper; Single drop; Design 5
	70637802	Overlay	S models; Upper; Dual drop; Design 5
	70637803	Overlay	S models; Upper; Card ready; Design 5
	70637804	Overlay	S models; Upper; Central pay; Design 5
	70637805	Overlay	S models; Upper; World drop; Design 5
	70637901	Overlay	S models; Lower; Single drop; Design 5
	70637902	Overlay	S models; Lower; Dual drop; Design 5
	70637903	Overlay	S models; Lower; Card ready; Design 5
	70637904	Overlay	S models; Lower; Central pay; Design 5
	70637905	Overlay	S models; Lower; World drop; Design 5
	70558801	Overlay	Models SGT45D and SJT45D; Upper
	70558901	Overlay	Models SGT45D and SJT45D; Lower
	70625801	Overlay	G and K models; Single drop
	70625802	Overlay	G and K models; Dual drop
	70625901	Overlay	G and K models; Card ready
	70685301	Overlay	J models; Electronic drop; Upper
	70685401	Overlay	J models; Electronic drop; Lower

# Electronic Display Control - OPL Models with N in the 7th Position

All Models Except J and M Models



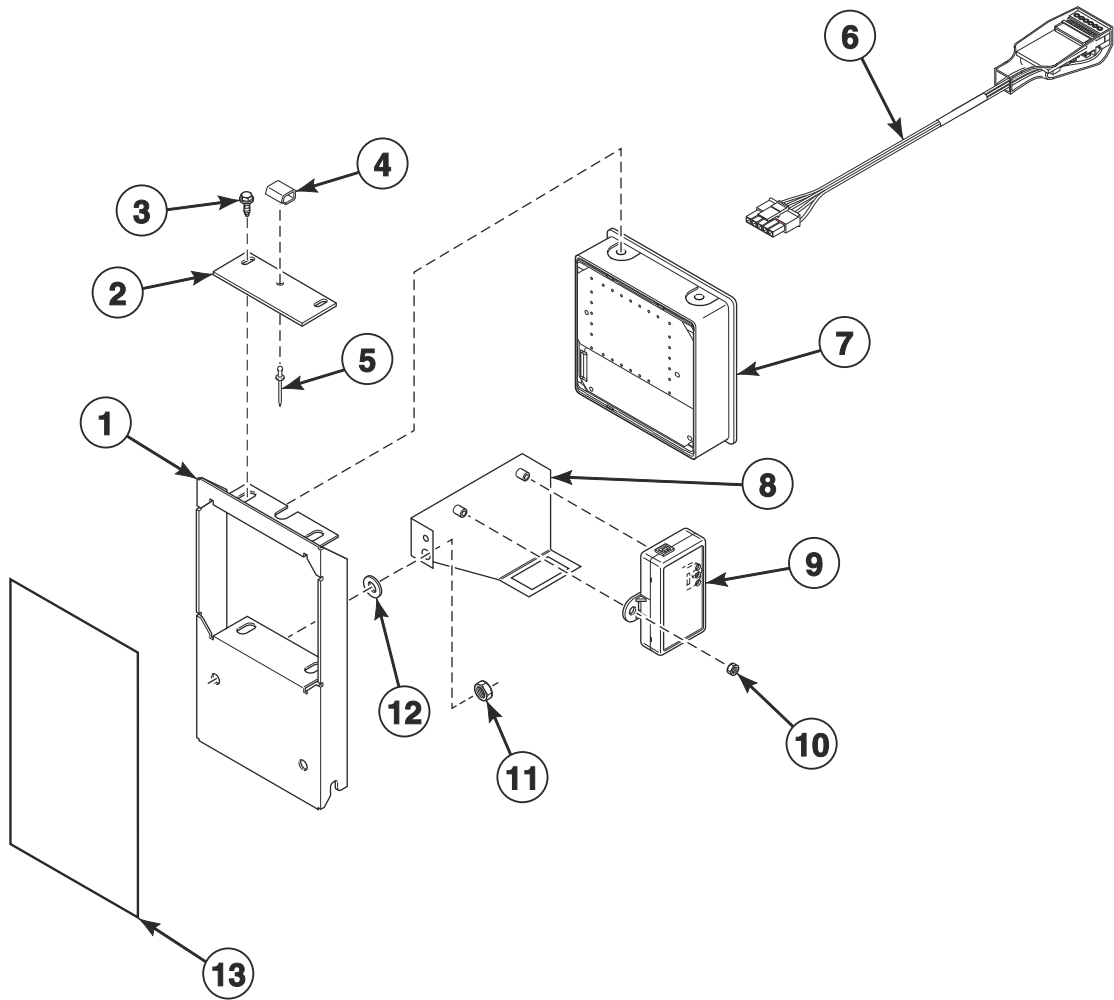
TMB3686P\_70591701

# Electronic Display Control - OPL Models with N in the 7th Position

REF	PART NO.	DESCRIPTION	COMMENTS
	70577101	Vend Activation Harness	
1	70558601	Control Door and Studs Assembly	H models; Design 3
	70558501	Control Door and Studs Assembly	All other models; Design 3
	70641803	Control Door and Studs Assembly	Design 5 models
2	70184501	Latch Mounting Bracket	Design 3 models
	70634401	Control Latch Plate	Design 5 models
3	D501524	Screw	
4	431318	Control Door Latch	
5	70523002	Control Assembly	P models; Blue
	70478802	Control Assembly	G, H, K, N, S and U models; Green
	70478902	Control Assembly	B models; Red
6	203361P	Machine ID Control Assembly	Model or serial number is required when ordering
7	M400003	Pop Rivet	
8	44087101	Nut	
9	70548901	Overlay	B models; Reversing
	70548902	Overlay	B models; Nonreversing
	70547701	Overlay	G and K models; Reversing
	70547702	Overlay	G and K models; Nonreversing
	70570901	Overlay	H models; Reversing; Design 3
	70570902	Overlay	H models; Nonreversing; Design 3
	70637001	Overlay	H models; Reversing; Upper; Design 5
	70637101	Overlay	H models; Reversing; Lower; Design 5
	70637002	Overlay	H models; Nonreversing; Upper; Design 5
	70637102	Overlay	H models; Nonreversing; Lower; Design 5
	70572501	Overlay	NT models through 10/9/19; All other N models; Reversing
	70572502	Overlay	NT models through 10/9/19; All other N models; Nonreversing
	70570701	Overlay	NT models starting 10/10/19; Reversing
	70570702	Overlay	NT models starting 10/10/19; Nonreversing
	70571701	Overlay	P models; Reversing
	70571702	Overlay	P models; Nonreversing
	70570701	Overlay	S models; Reversing; Design 3
	70570702	Overlay	S models; Nonreversing; Design 3
	70638501	Overlay	S models; Reversing; Upper; Design 5
	70638601	Overlay	S models; Reversing; Lower; Design 5
	70638502	Overlay	S models; Nonreversing; Upper; Design 5
	70638602	Overlay	S models; Nonreversing; Lower; Design 5
	70571501	Overlay	U models; Reversing; Design 3
	70571502	Overlay	U models; Nonreversing; Design 3
	70635701	Overlay	U models; Reversing; Upper; Design 5
	70635801	Overlay	U models; Reversing; Lower; Design 5
	70635702	Overlay	U models; Nonreversing; Upper; Design 5
	70635802	Overlay	U models; Nonreversing; Lower; Design 5

# 3.5 Inch Graphical Control

U Models with D in the 7th Position



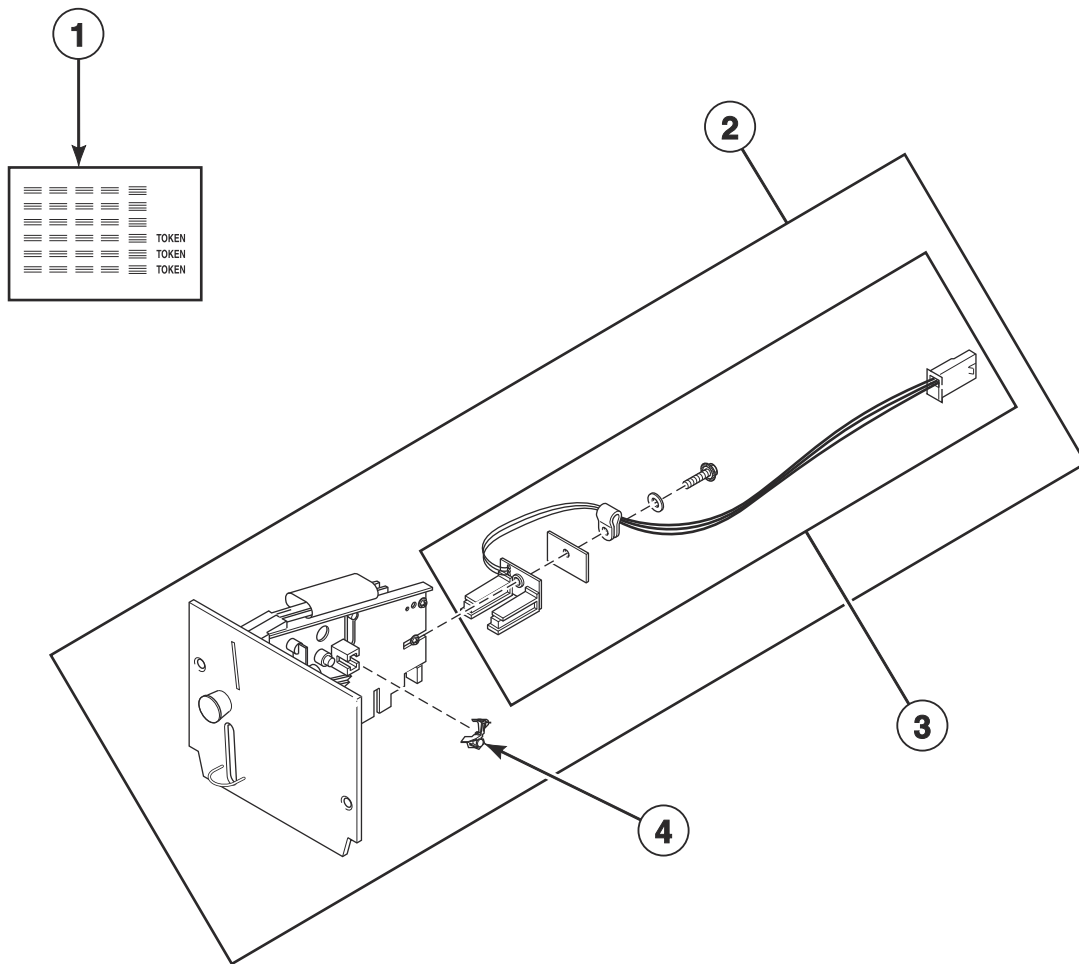
TMB3687P\_70591701

### 3.5 Inch Graphical Control

REF	PART NO.	DESCRIPTION	COMMENTS
	F8617901	Harness	USB
1	70558501	Control Door and Studs Assembly	Design 3 models
	70641803	Control Door and Studs Assembly	Design 5 models
2	70184501	Latch Mounting Bracket	Design 3 models
	70634401	Control Latch Plate	Design 5 models
3	D501524	Screw	
4	431318	Control Door Latch	
5	M400003	Pop Rivet	
6	203361P	Machine ID Control Assembly	Model or serial number is required when ordering
7	70543104	Control Assembly	
8	70569701	Bracket Assembly	Design 3 models
	70653901	USB Bracket	Design 5 models
9	203440	USB-Serial Interface Assembly	
10	44071201	Nut	2 required
11	44087101	Nut	
12	70292801	Washer	Design 3 models
13	70595201	Overlay	Design 3 models
	70635501	Overlay	Upper; Design 5 models
	70635601	Overlay	Lower; Design 5 models

# Coin Drops

All Models Except NT and U Models



TMB3510P\_70591701

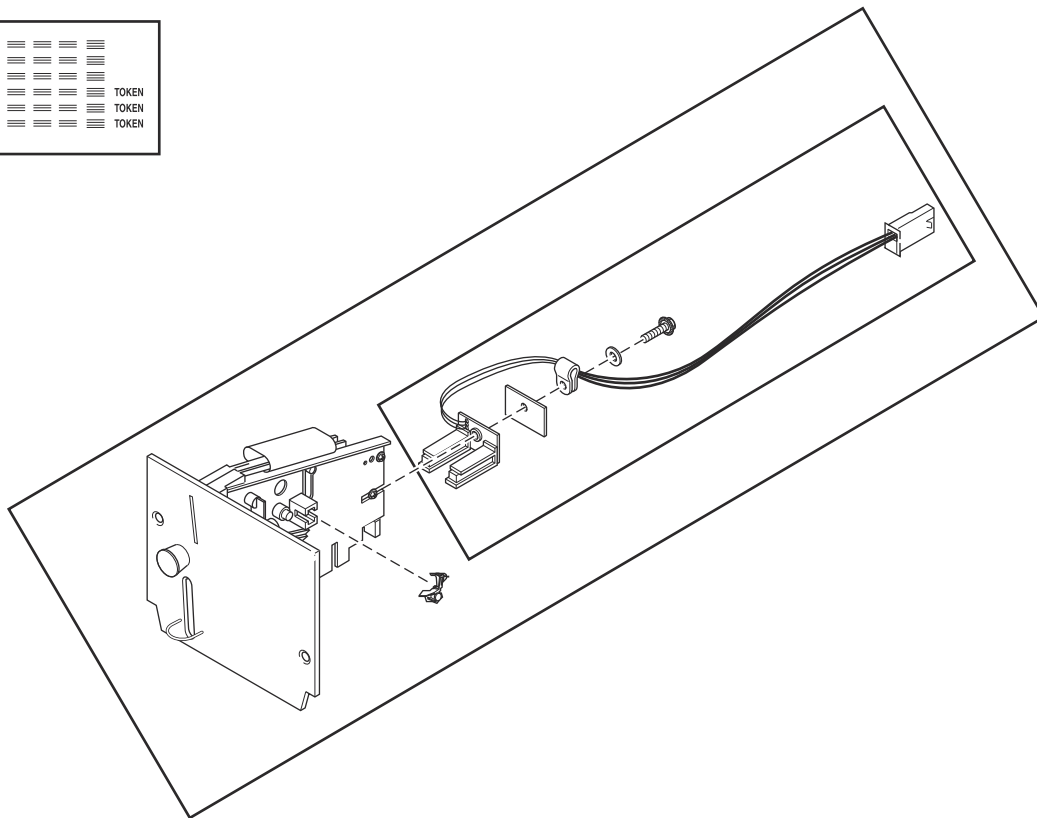
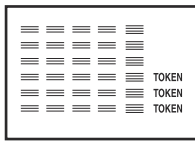


# Coin Drops

REF	PART NO.	DESCRIPTION	COMMENTS
1	38725	Coin Identification Paper	
2	70441601P	Coin Drop	Single; U.S.A.; \$.25
	38475	Coin Drop Assembly	Single; Japan; 100 yen
	38464P	Coin Drop Assembly	Single; Canada; .25
	CK077	Coin Drop Kit	Single; Taiwan; 10 NT
	70506901	Coin Drop Assembly	Single; Singapore; \$1.00 NEW
	70441603	Coin Drop	Dual; U.S.A.; \$.25 and \$1.00
	38519	Coin Drop Assembly	Dual; Japan; 100 yen and 500 yen
	70441602	Coin Drop Assembly	Dual; Canada; .25 and 1.00
	38467	Coin Drop Assembly	Dual; Australia; \$0.20 and \$1.00
	70447301	Coin Drop Assembly	Dual; Australia; \$1.00 and \$2.00
	70283102	Coin Drop Assembly	Dual; 0.20 and 0.50 Euro
	210195	Coin Drop Assembly	Dual; 0.20 and 1.00 Euro
	210196	Coin Drop Assembly	Dual; 0.50 and 1.00 Euro
	F0160737-00	Coin Meter	Dual; 0.50 and 2.00 Euro
	70281102	Coin Drop Assembly	Dual; Taiwan; 10 and 50 NT
	70482401	Coin Drop Assembly	Dual; New Zealand ; \$1.00 and \$2.00
	38462P	Coin Drop Assembly	Single; Token; STD 118-1
	38463	Coin Drop Assembly	Single; Token; STD 118-5
	38963P	Coin Drop	Single; Token STD 118-16
	39748	Coin Drop	Single; Jeton 08MS
	201141	Coin Drop Assembly	Single; Token; Jeton wh121
	70471601	Coin Drop Assembly	Single; Token; 7K
	70513302	Electronic Coin Drop Assembly	Euro and Great Britain coins
	70513310	Electronic Coin Drop Assembly	Japan and Thailand coins
	70513304	Electronic Coin Drop Assembly	Australia, New Zealand, Hong Kong and South Korea coins
	70513303	Electronic Coin Drop Assembly	Denmark, Norway and Euro coins
	70513306	Electronic Coin Drop Assembly	Mexico, Ecuador and U.S.A. coins
	70294107	Electronic Coin Drop Assembly	Lithuania, Latvia and Euro coins
	70513311	Electronic Coin Drop Assembly	China and Malaysia coins
	70513308	Electronic Coin Drop Assembly	South African 1, 2 and 5 rand coins
	70513309	Electronic Coin Drop Assembly	Euro coins
	70513312	Electronic Coin Drop Assembly	Russia coins
	70513313	Electronic Coin Drop Assembly	Phillipines coins
	70513314	Electronic Coin Drop Assembly	Thailand coins
	70513315	Electronic Coin Drop Assembly	Chile coins
	70513316	Electronic Coin Drop Assembly	Singapore coins
3	200674P	Opto Coupler	
4	201595P	Wire Guard	

# Coin Drop Kits

All Models Except NT and U Models



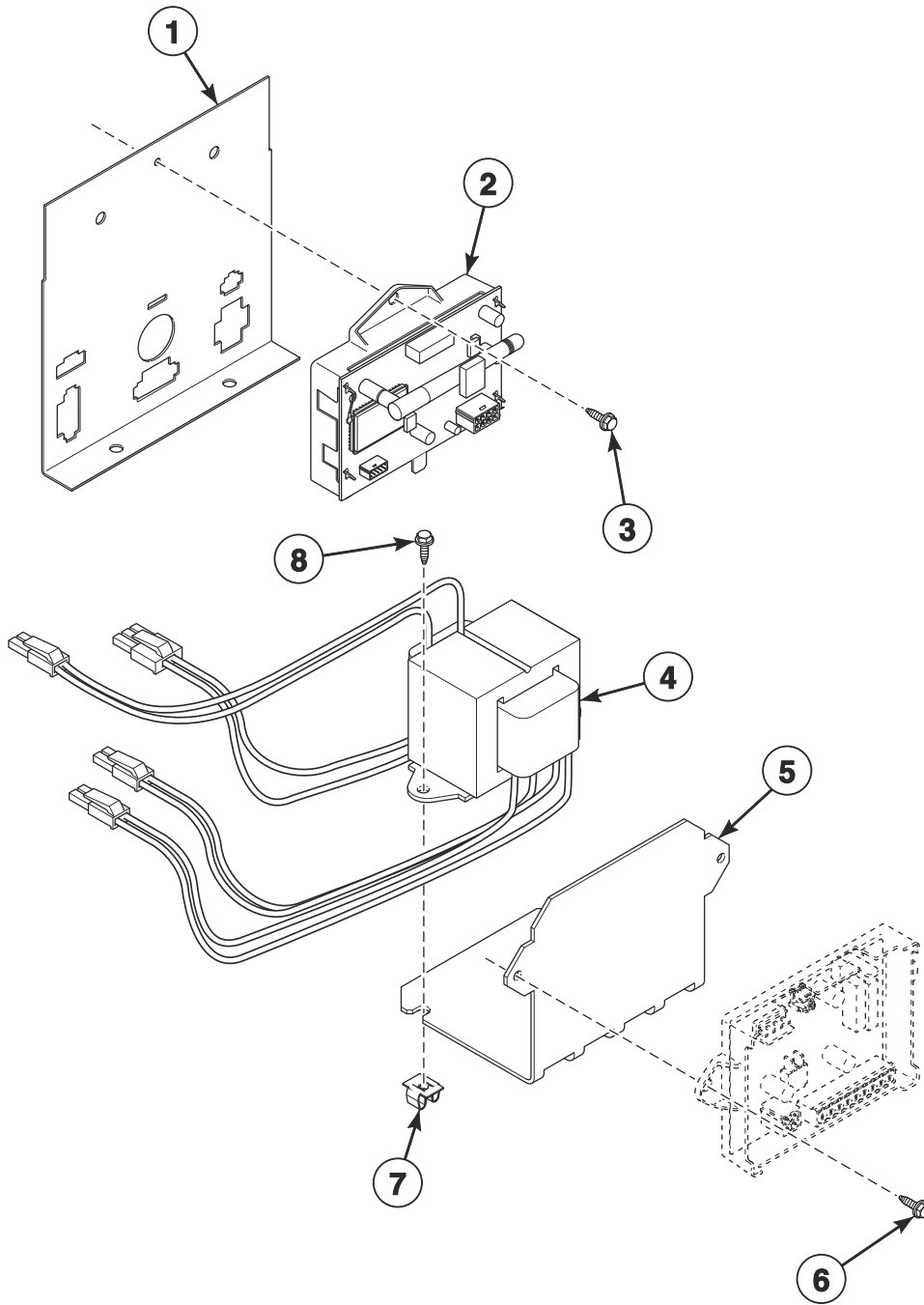
TMB3510PA\_70591701

## Coin Drop Kits

REF	PART NO.	DESCRIPTION	COMMENTS
	CK115	Electronic Coin Drop Kit	United States and Canada
	CK099	Electronic Coin Drop Kit	Australia (default), New Zealand, Hong Kong, South Korea and Malaysia
	CK100	Electronic Coin Drop Kit	United Kingdom (default) and Europe
	CK101	Electronic Coin Drop Kit	Europe (default), Denmark and Norway
	CK108	Electronic Coin Drop Kit	South Africa
	CK109	Electronic Coin Drop Kit	Euro
	CK110	Electronic Coin Drop Kit	Mexico (default), Ecuador and United States
	CK113	Electronic Coin Drop Kit	Japan and Taiwan
	CK116	Electronic Coin Drop Kit	Malaysia (default) and China
	CK117	Electronic Coin Drop Kit	Russia
	CK118	Electronic Coin Drop Kit	Philippine
	CK119	Electronic Coin Drop Kit	Thailand
	CK120	Electronic Coin Drop Kit	Chile
	CK121	Electronic Coin Drop Kit	Singapore
	CK122	Coin Drop Kit	New Zealand; 1.00 and 2.00

# Network Board, Central Pay and Card Reader Components

All Models Except NT Models; Central Pay Starting December 2018

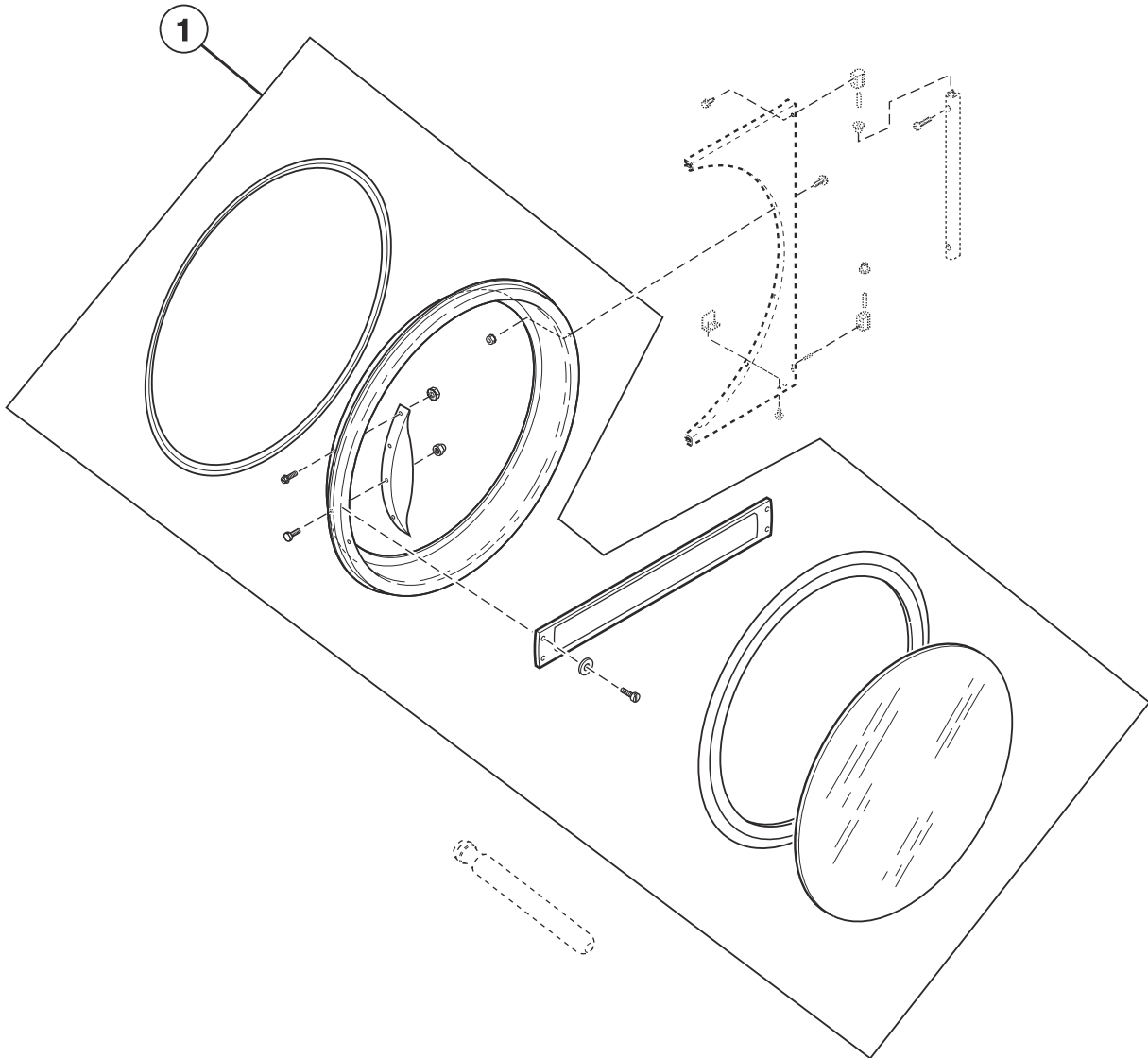


TMB3677P\_70591701

# Network Board, Central Pay and Card Reader Components

REF	PART NO.	DESCRIPTION	COMMENTS
	70596302	Wireless Network Kit	H and U models through 1/31/19; S models through 5/12/19
	70609801	Wireless Network Kit	H models starting 2/1/19; S models starting 5/13/19
	F8536002	Wireless Network Board Harness	H and U models through 1/31/19; S models through 5/12/19
	F8613201	FCC-IC Label	HT and U models through 1/31/19; ST models through 5/12/19
	F8674007	Wireless Network Harness	H models starting 2/1/19; S models starting 5/13/19
	204692	Wireless Control Label	H models starting 2/1/19; S models starting 5/13/19
	NK320	Ethernet Gateway Kit	S models through 5/12/19
	NK330	USB Gateway Kit	S models through 5/12/19
	203346	USB IR Interface Kit	
	70666807	Fob Reader Kit	
	44355603	Central Pay Harness	Routes from central pay board to upper control tray
	44272304	Transformer Harness	100-120 Volt; Routes from transformer to I/O Control Assembly; Card and central pay
	44272305	Transformer Harness	200-480 Volt; Routes from transformer to I/O Control Assembly; Card and central pay
	44355604	Central Pay Board Harness	Routes from central pay board to transformer
	44355605	Central Pay Harness	Routes from central pay board to front end control
	44272303	Power Supply Transformer Harness	
	44272306	Supply Harness	24 Volt; Lower
<b>1</b>	70307004	Control Housing Cover	OPL
	70307006	Control Housing Cover	Coin
	70307005	Control Housing Cover	Prep for card and central pay
<b>2</b>	203532	Wireless Network Control Assembly	H and U models through 1/31/19; S models through 5/12/19
	807211	Wireless Network Control Assembly	H models starting 2/1/19; S models starting 5/13/19
<b>3</b>	F8206901	Screw	4 required
<b>4</b>	202757	Transformer	100-120 Volt; Card and central pay
	202758	Transformer	200-480 Volt; Card and central pay
<b>5</b>	70604001	Mounting Bracket	2 required
<b>6</b>	51780	Screw	4 required
<b>7</b>	70030501	Expansion Clip	4 required
<b>8</b>	M411072	Screw	

# Door Assemblies

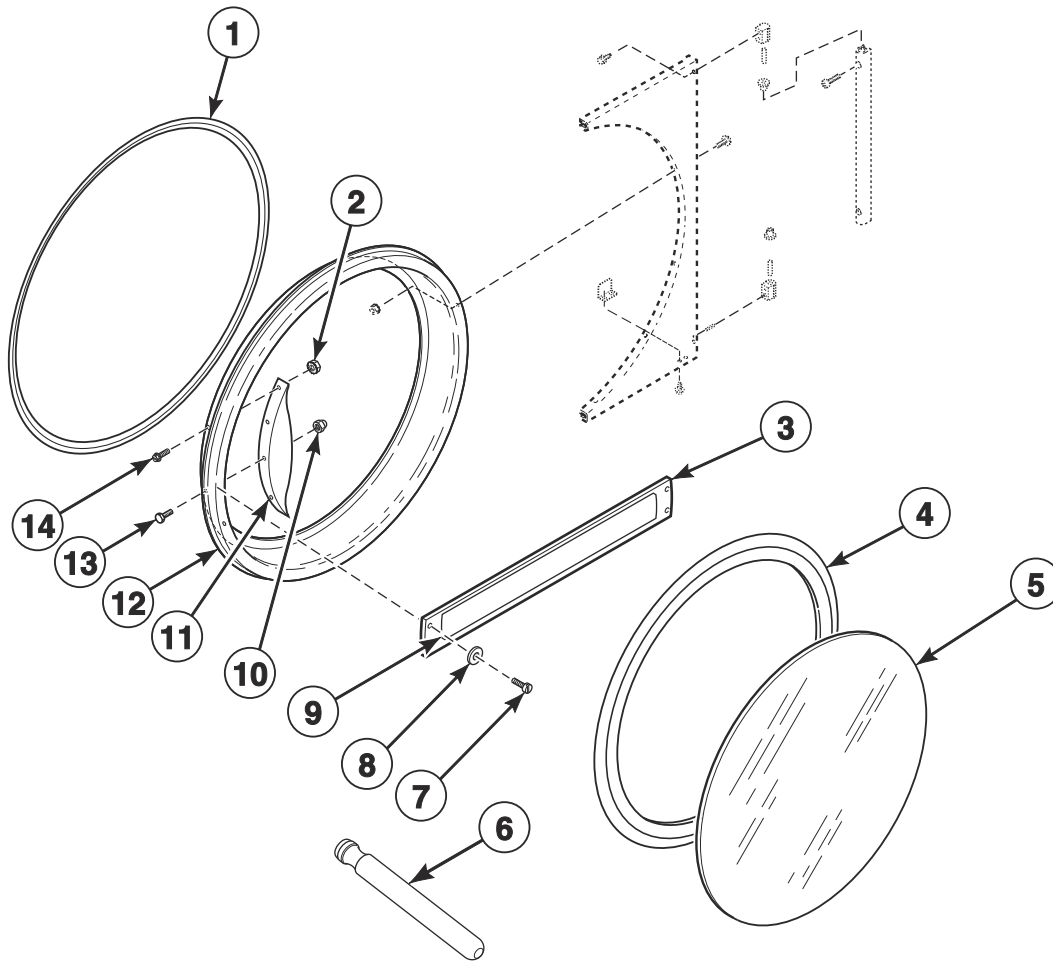


TMB3152P\_70591701

# Door Assemblies

REF	PART NO.	DESCRIPTION	COMMENTS
1	44028906	Door Assembly	M models; Design 3 S models; Stainless steel
	44354701	Door Assembly	S models; Stainless steel; Design 5
	44028908	Door Assembly	M models; Design 3 S models; Chrome
	44354702	Door Assembly	S models; Chrome; Design 5
	44266703	Door Assembly	U models; Stainless steel; Design 3
	44354703	Door Assembly	U models; Stainless steel; Design 5
	44266704	Door Assembly	U models; Chrome; Design 3
	44354704	Door Assembly	U models; Chrome; Design 5
	44058105	Door Assembly	H models; Stainless steel; Design 3
	44354705	Door Assembly	H models; Stainless steel; Design 5
	44058107	Door Assembly	H models; Stainless steel with green trim; Design 3
	44354707	Door Assembly	H models; Stainless steel with green trim; Design 5
	44058106	Door Assembly	H models; Chrome; Design 3
	44354706	Door Assembly	H models; Chrome; Design 5
	44058108	Door Assembly	H models; Chrome with green trim; Design 3
	44354708	Door Assembly	H models; Chrome with green trim; Design 5
	44028907	Door Assembly	N models; Design 3 B models; Black
	44292302LG	Door Assembly	P models; Light gray; Design 3
	44354709	Door Assembly	B, J and P models; Black; Design 5
	44292302B	Door Assembly	P models; Use with stainless steel front panel
70407402	Door Assembly	G and K models; Includes handle	

# Door Components



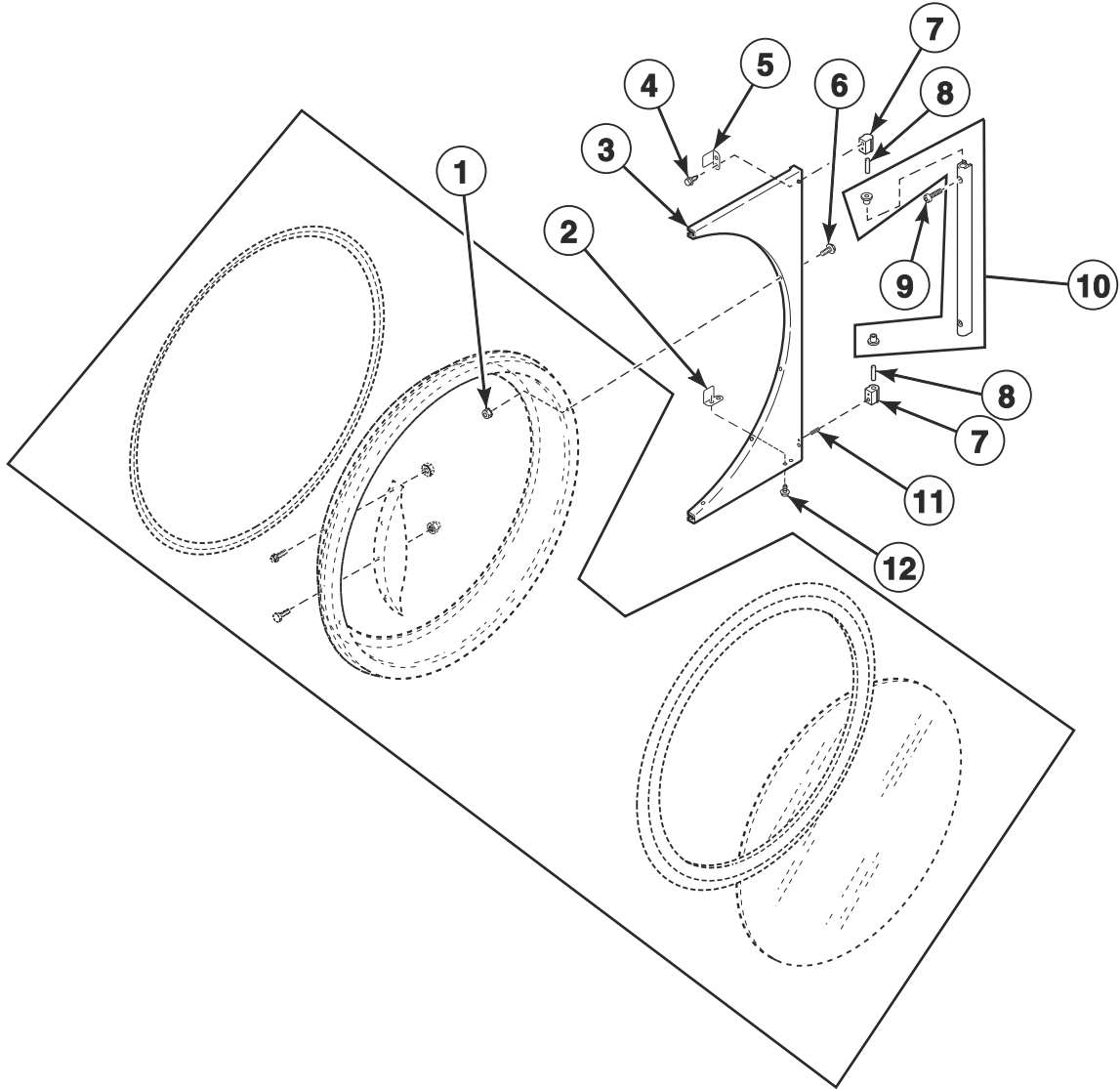
TMB3152PA\_70591701



# Door Components

REF	PART NO.	DESCRIPTION	COMMENTS
	70650401	Door Glass Label	H models; Design 5
	70707701	Door Glass Label	S models
	70707501	Max Fill Line Label	
<b>1</b>	70296802	Door Ring Gasket	H models with chrome handle
	44008201P	Door Ring Gasket	All other models
<b>2</b>	44088001	Nut	B, H, M, N and S models; 4 required
<b>3</b>	70399501B	Handle Bar	G and K models
<b>4</b>	70211902P	Door Seal Kit	Use Loctite 414 for seal
<b>5</b>	44008402P	Door Glass	H models; Design 3
	44008403	Door Glass	H models; Green trim; Design 3
	44008405	Door Glass	H models; Green trim; Design 5
	44008401P	Door Glass	All other models; Design 5 H models
<b>6</b>	M4221P4	Door Glass Installation Tool	
<b>7</b>	70412601	Pop Rivet	G and K models; Attaches door handle to door ring
<b>8</b>	70409301	Washer	G and K models
<b>9</b>	70414001	Label	G and K models; Coin
<b>10</b>	M414215	Nut	For door strike; Mounts between door strike screw and door handle
<b>11</b>	44007901	Door Handle	B, J, M, N and S models; Design 5 P models
	44263801	Door Handle	U models; Use 901620 Screw, 800465 Washer, 803871 Screw and 44088001 Nut to attach
	70521102	Door Handle	H models; Design 3
	44370601	Door Handle	H models; Design 5
<b>12</b>	44326001	Door Ring Assembly	M models; Design 3 H and S models; Stainless steel
	44326005	Door Ring Assembly	M models; Design 3 H and S models; Chrome
	44326002	Door Ring Assembly	U models; Design 3
	44326006	Door Ring Assembly	U models; Chrome; Design 3
	44326004B	Door Ring Assembly	N models; Design 3 B models; Black
	44326007LG	Door Ring and Handle Assembly	P models; Light gray; Design 3
	44326007B	Door Ring and Handle Assembly	P models; Includes handle; Use with stainless steel and white front panel
	44354807B	Door Ring Assembly	B, J and P models; Design 5
	44326003B	Door Ring Assembly	G and K models
<b>13</b>	M400661	Screw	Door Strike
<b>14</b>	70442101	Screw	B, H, J, M, N, P and S models; 4 required

# Hinge Components - Design 3 Models



TMB3459P\_70591701

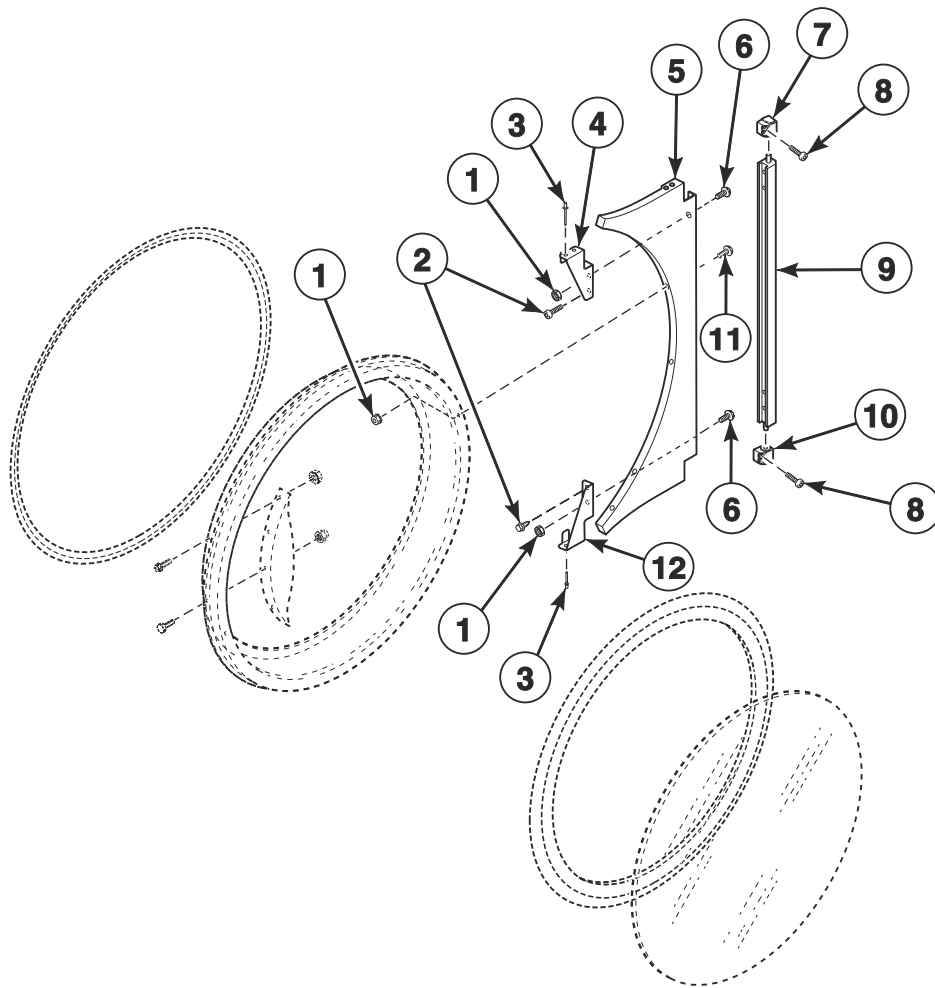
## Hinge Components - Design 3 Models

REF	PART NO.	DESCRIPTION	COMMENTS
1	44088001	Nut	
2	70532101	Door Switch Actuator	Bottom
3	44075205*	Door Hinge Assembly	H, M, N, S and U through 3/31/21
	44075209W	Door Hinge Assembly	H, M, N, S and U starting 4/1/21
	44075212	Door Hinge Assembly	H, M, S and U models; Stainless steel
	44075209LG	Door Hinge Assembly	Light gray; P and U models
	44075209B	Door Hinge Assembly	Black; B, G, K and N models; P models with white and stainless steel front panel
4	70576101	Screw	
5	70532102	Door Switch Actuator	Top
6	M400044	Screw	
7	M4772P3	Hinge Cam Kit	H, M, P, S and U models
	M4773P3	Hinge Cam Kit	Black; B, G, K and N models; P models with white and stainless steel front panel
8	70071401	Pin	
9	70033502	Screw	H, M, P, S and U models
	70407301	Screw	Black; B, G, K and N models; P models with white and stainless steel front panel
10	44035001	Door Hinge Lug Assembly	H, M, P, S and U models
	44035002	Door Hinge Lug Assembly	Black; B, G, K and N models; P models with white and stainless steel front panel
11	70436301	Screw	
12	70058501	Pop Rivet	

\* Add Letter To Designate Color. Q - Bisque W - White

# Hinge Components - Design 5 Models

B, H, J, P, S and U Models

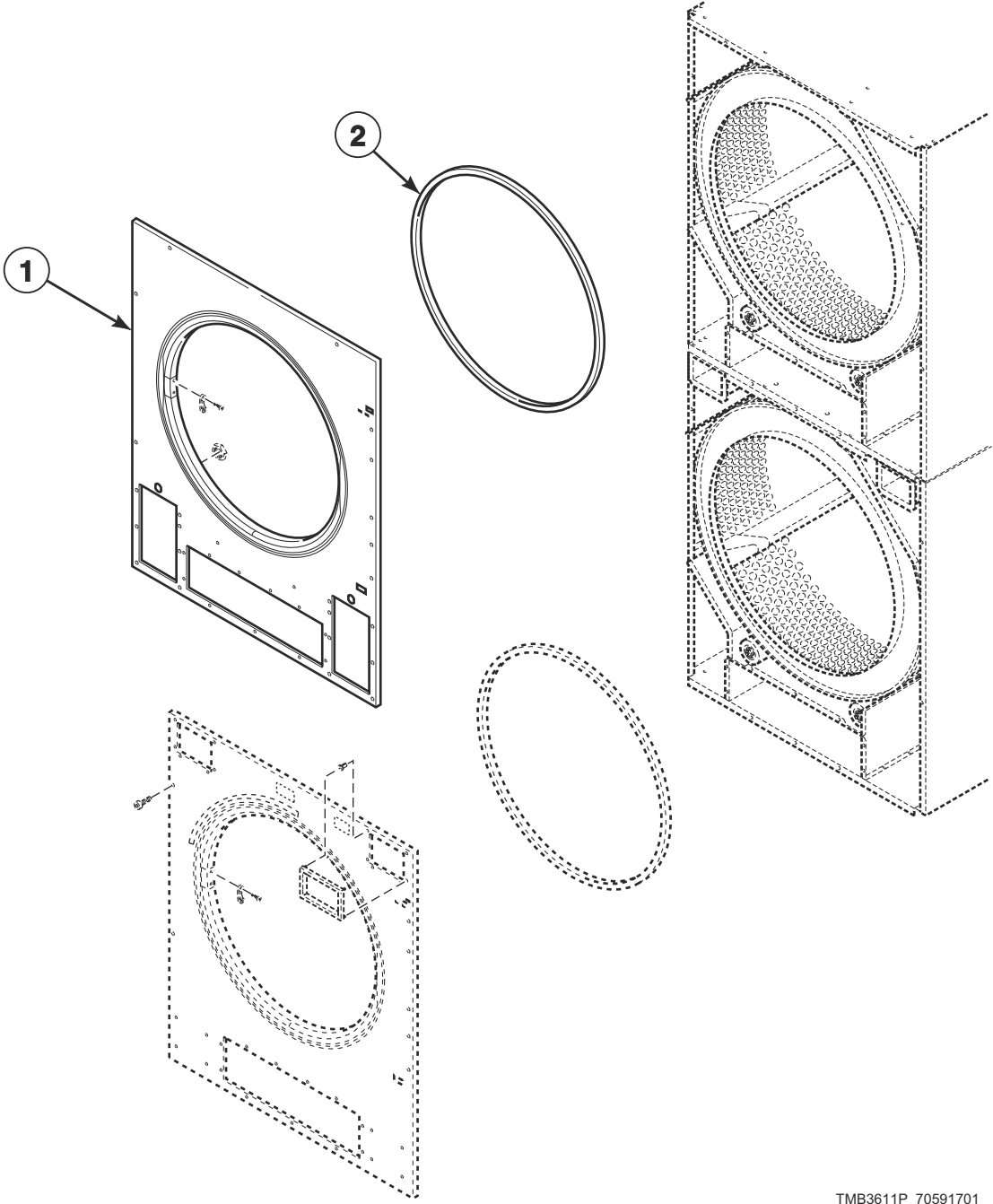


TMB3805P\_70591701

## Hinge Components - Design 5 Models

REF	PART NO.	DESCRIPTION	COMMENTS
1	44088001	Nut	
2	802822	Screw	
3	70058501	Pop Rivet	
4	70632001	Upper Hinge Gusset	
5	44366605W	Door Hinge Assembly	White; H, S and U models through 3/31/21
	44366601W	Door Hinge Assembly	White; H, S and U models starting 4/1/21
	44366603	Door Hinge Assembly	Stainless steel; H, S and U models
	44366609B	Door Hinge Assembly	Black; B, J and P models
	44366605LG	Door Hinge Assembly	Light gray; U models
	44366607	Door Hinge Assembly	Chrome; H, S and U models through 3/31/21
	44366611	Door Hinge Assembly	Mirror polish; H, S and U models starting 4/1/21
	6	70640201	Screw
7	70639301	Upper Lug Assembly	Use with 2 of item 8; H, S and U models
	70639303	Upper Lug Assembly	Use with 2 of item 8; B, J and P models
8	70640301	Screw	H, S and U models
	F8458801	Screw	B, J and P models
9	70640401	Center Hinge Lug Assembly	
10	70639302	Lower Lug Assembly	Use with 2 of item 8; H, S and U models
	70639304	Lower Lug Assembly	Use with 2 of item 8; B, J and P models
11	44349101	Screw	
12	70632002	Lower Hinge Gusset	

# Upper Front Panel Assemblies - Design 3 Models



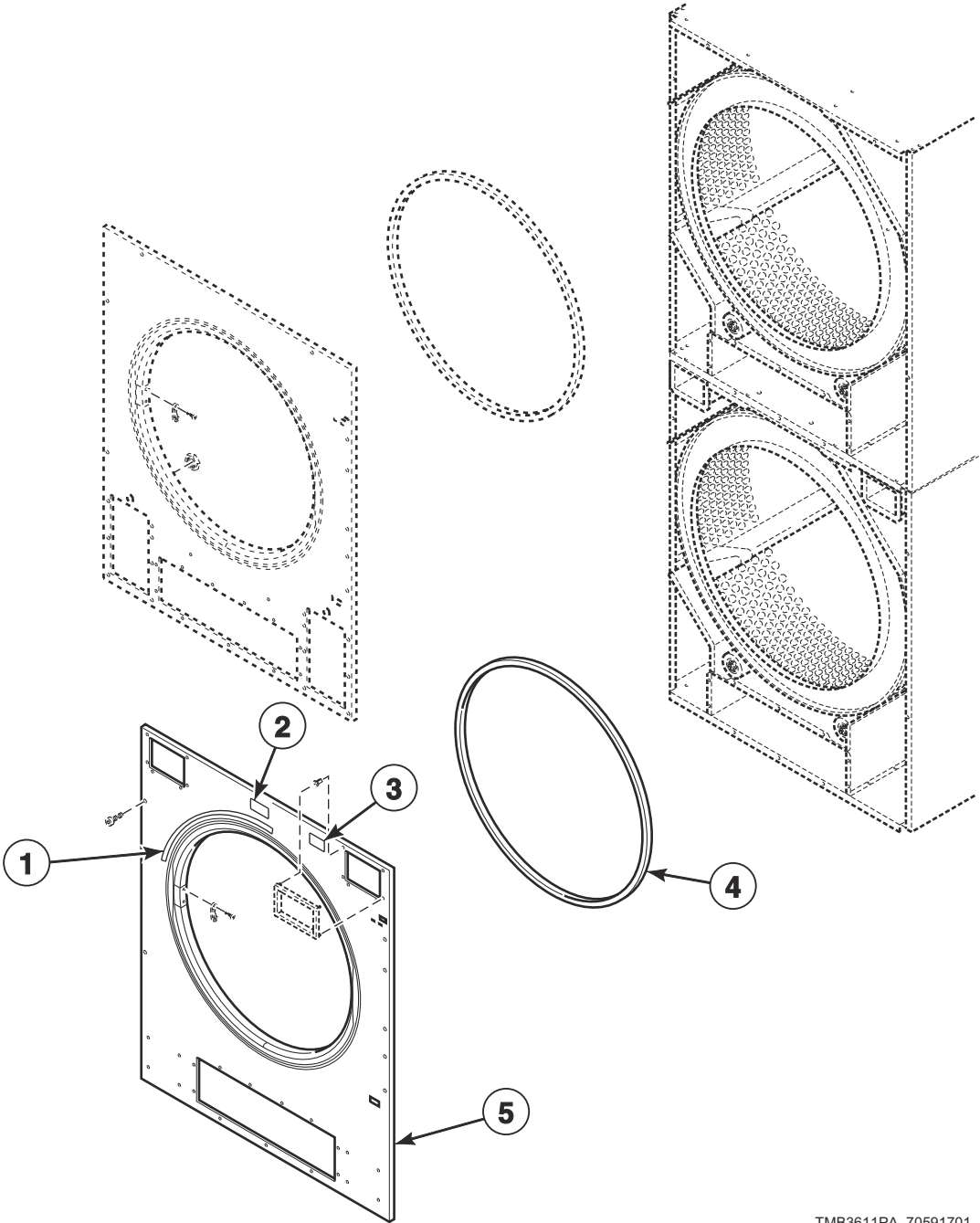
TMB3611P\_70591701

## Upper Front Panel Assemblies - Design 3 Models

REF	PART NO.	DESCRIPTION	COMMENTS
	70399406	Access Panel Trim	G and K models
<b>1</b>	70617801*	Upper Front Panel	B, G, H, K, M, N, S and U models; P models with white front panel; Models through 3/31/21
	70617802W	Upper Front Panel	Models starting 4/1/21
	70616901	Upper Front Panel	B, G, H, K, M, NK, S and U models; Stainless steel
	70391505	Upper Front Panel Assembly	P models; Stainless steel
	70617901DG	Upper Front Panel	P models; Dark gray
	70617901LG	Upper Front Panel	U models; Light gray
<b>2</b>	70173402	Front Cylinder Seal	Requires D511637P Adhesive

\* Add Letter To Designate Color. **Q** - Bisque **W** - White

# Lower Front Panel Assemblies - Design 3 Models



TMB3611PA\_70591701



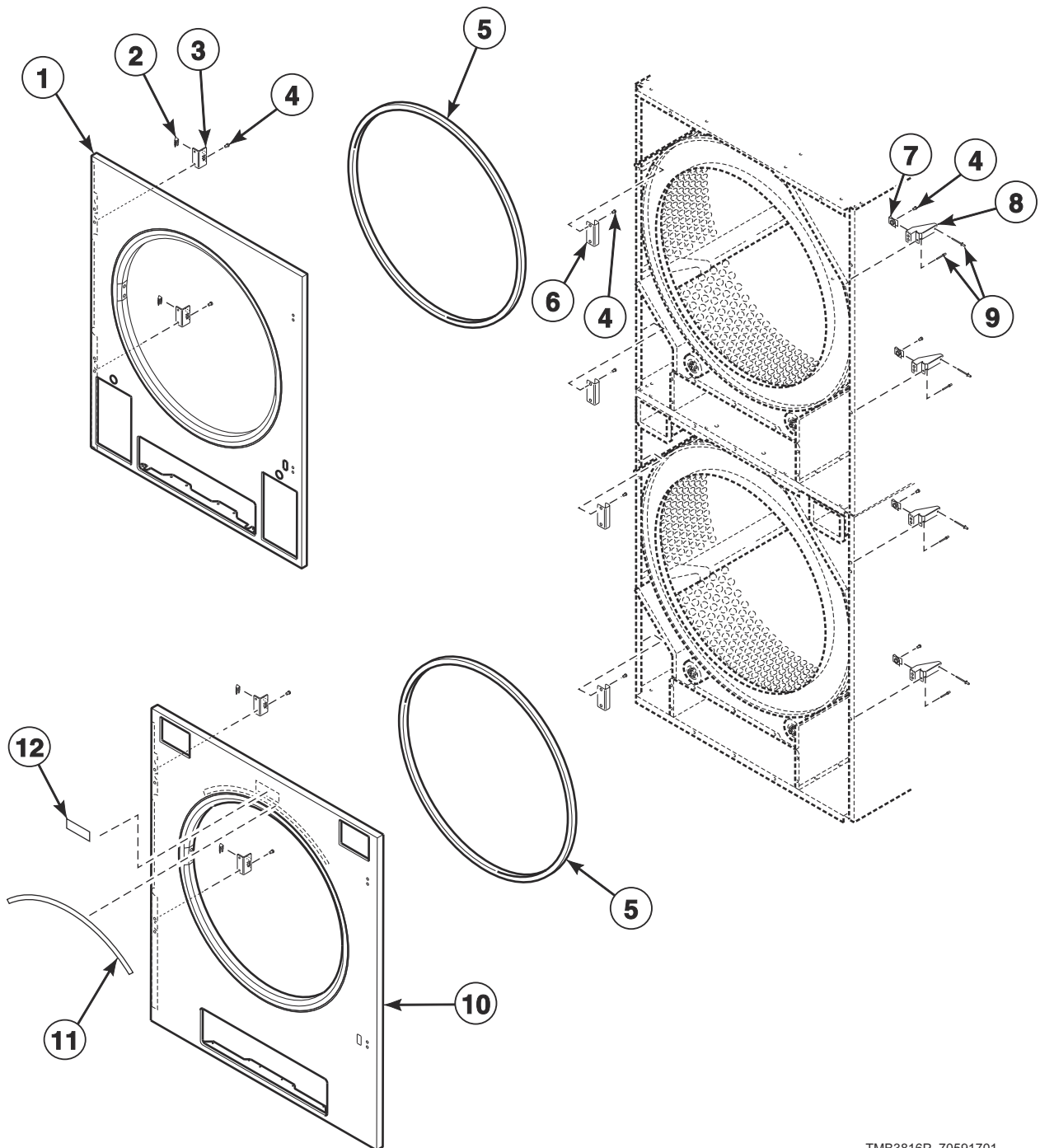
## Lower Front Panel Assemblies - Design 3 Models

REF	PART NO.	DESCRIPTION	COMMENTS
	70399406	Access Panel Trim	G and K models
1	70534401	Warning Label	English
	70534402	Warning Label	French
	70534400	Label Kit	Warning; IEC models
2	70472801	Label	U models
3	562738	Label	U models
4	70173402	Front Cylinder Seal	Requires D511637P Adhesive
5	70618001*	Lower Front Panel	All models except NT, P and U models; Coin; Models through 3/31/21
	70618002W	Lower Front Panel	All models except NT, P and U models; Coin; Models starting 4/1/21
	70618301DG	Lower Front Panel	P models; Coin; Dark gray
	70617101	Lower Front Panel	All models except NT, P and U models; Coin; Stainless steel
	70618101*	Lower Front Panel	All models except NT, P and U models; Card and central pay; Models through 3/31/21
	70618102W	Lower Front Panel	All models except NT, P and U models; Card and central pay; Models starting 4/1/21
	70618201DG	Lower Front Panel	P models; Card and central pay; Dark gray
	70617201	Lower Front Panel	All models except NT, P and U models; Card and central pay; Stainless steel
	70618401*	Lower Front Panel	OPL; With e-stop; Models through 3/31/21
	70618402W	Lower Front Panel	OPL; With e-stop; Models starting 4/1/21
	70618501DG	Lower Front Panel	P models; OPL; Dark gray; With e-stop
	70618501LG	Lower Front Panel	U models; OPL; Light gray; With e-stop
	70617301	Lower Front Panel	OPL; Stainless steel; With e-stop
	70618101W	Lower Front Panel	OPL; Without e-stop
	70523709DG	Lower Front Panel	P models; OPL; Dark gray; Without e-stop
	70523709LG	Lower Front Panel	U models; OPL; Light gray; Without e-stop
	70617201	Lower Front Panel	OPL; Stainless steel; Without e-stop

\* Add Letter To Designate Color. Q - Bisque W - White

# Front Panel Assemblies - Design 5 Models

B, H, J, P, S and U Models

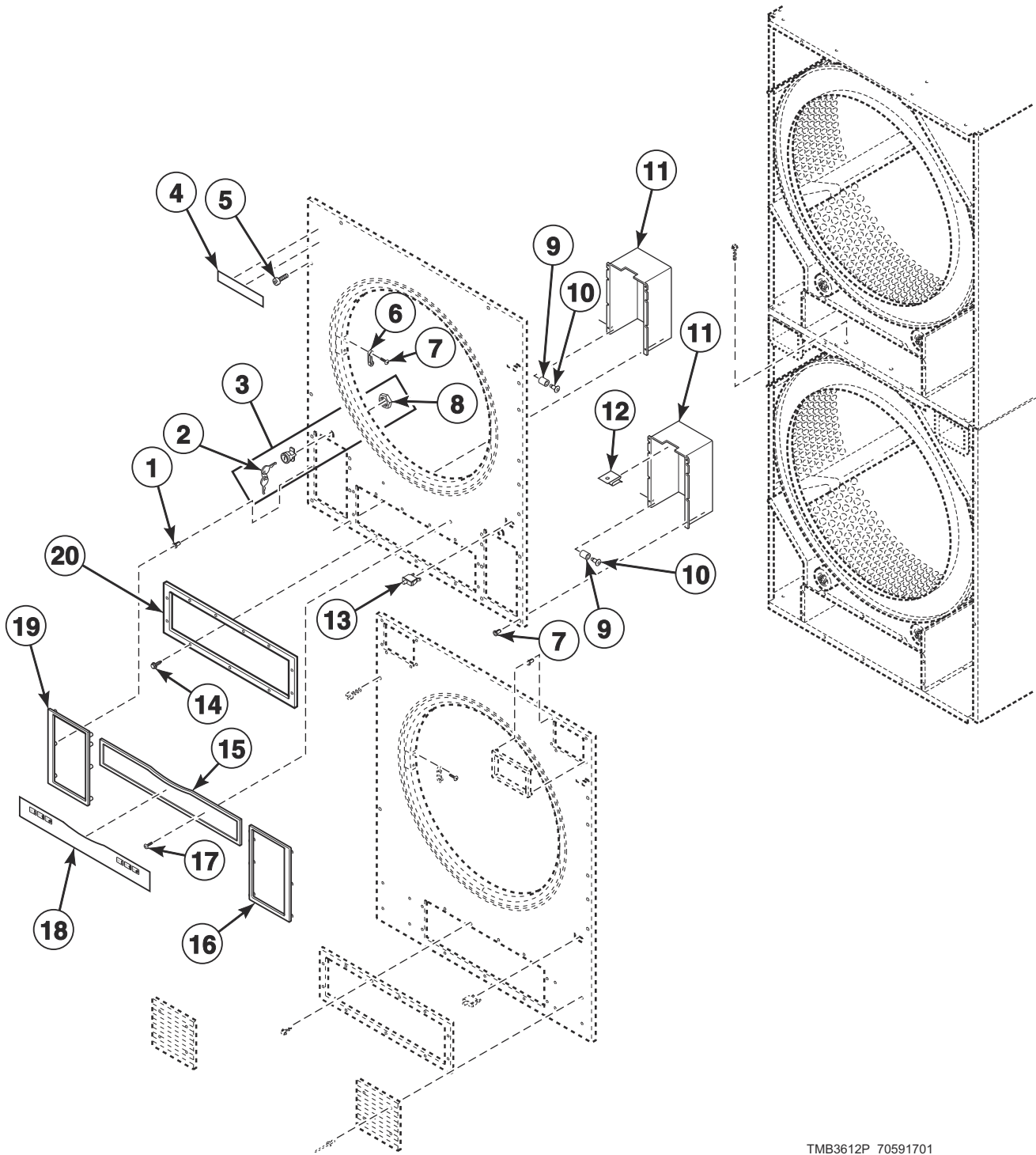


TMB3816P\_70591701

## Front Panel Assemblies - Design 5 Models

REF	PART NO.	DESCRIPTION	COMMENTS
	70289101P	Gasket	Sold per foot; Used behind items 1 and 10
1	70702304	Upper Front Panel Assembly	Stainless steel
	70639702LG	Upper Front Panel	U models; Light gray
	70702304W	Upper Front Panel Assembly	
2	35865	Hold-Down Clip	2 required
3	70604801	Clip Mount Bracket	2 required
4	70058501	Pop Rivet	
5	70173402	Front Cylinder Seal	Requires D511637P Adhesive
6	70604901	Clip Keeper Bracket	2 required
7	70030401	Nut	2 required
8	70634201	Bracket	
9	70614201	Rivet	
10	70702301	Lower Front Panel Assembly	Stainless steel; Coin
	70702302	Lower Front Panel Assembly	Stainless steel; Card, central pay and OPL
	70639905LG	Lower Front Panel	U models; Light gray; OPL
	70702301W	Lower Front Panel Assembly	Coin
	70702302W	Lower Front Panel Assembly	Card, central pay and OPL
	70702303W	Lower Front Panel Assembly	OPL; With e-stop
11	70534301	Warning Label	English
	70534302	Warning Label	French
12	70472801	Label	U models

# Upper Cabinet Front Components - Design 3 Models

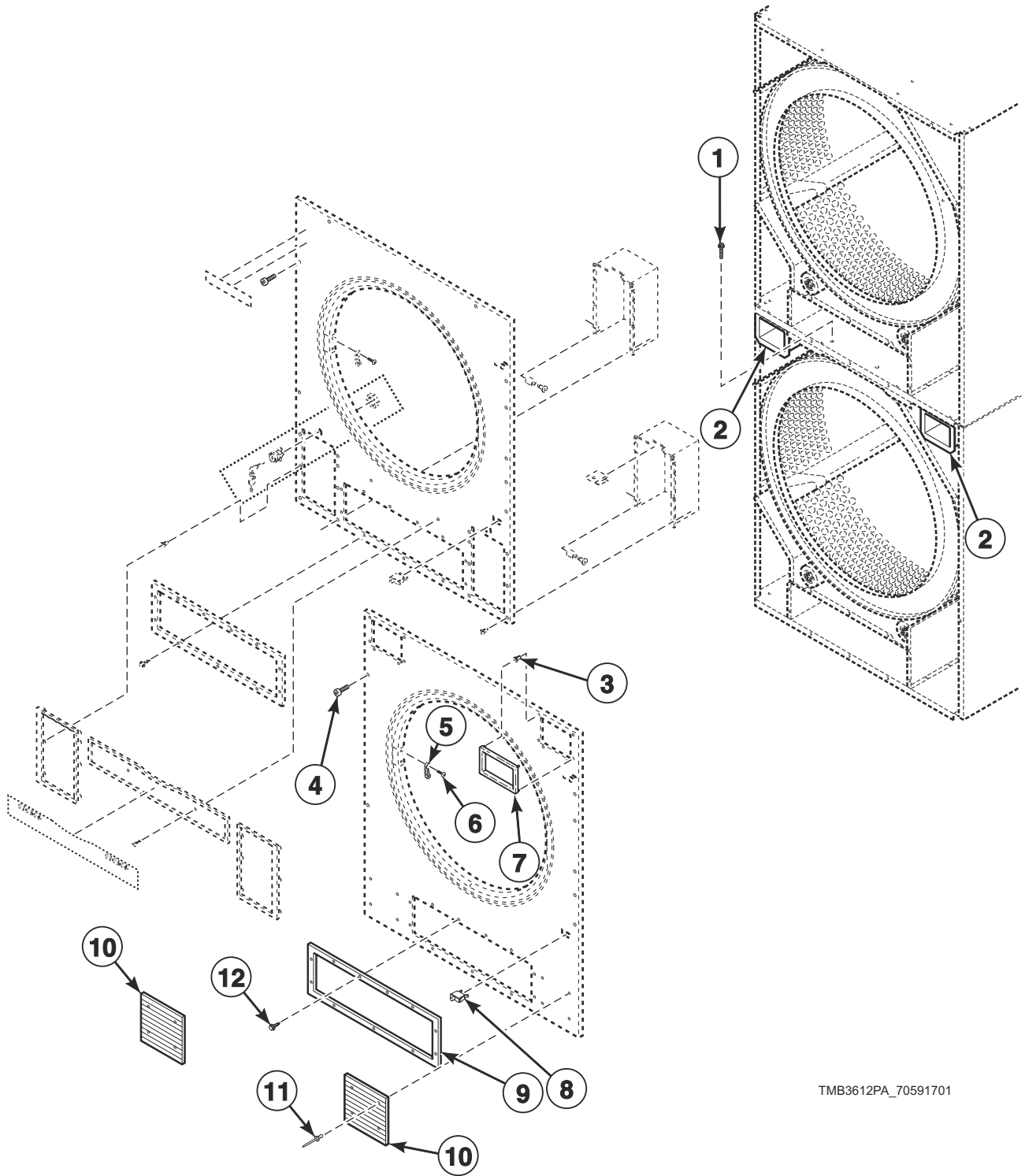


TMB3612P\_70591701

## Upper Cabinet Front Components - Design 3 Models

REF	PART NO.	DESCRIPTION	COMMENTS
	44334102	Coin Vault Switch Harness	
	44334103	Bypass Harness	
	70017301	Front Panel Baffle Seal	2 required
	70534301	Warning Label	
<b>1</b>	M400972	Shadow Box Clip	6 required per coin vault trim
<b>2</b>	70155601	Key	RL001
<b>3</b>	44089301P	Lock, Key and Nut Kit	RL001
	44089304	Panel Lock	RL001; Chrome
<b>4</b>	B12389801	Nameplate	B models
	70411401	Nameplate Overlay	G models
	44144401	Nameplate Overlay	K models
	F8443105	Nameplate	U models
<b>5</b>	70033502	Screw	For white front panels
	70182601	Screw	For all other front panels
<b>6</b>	M401223	Door Latch	
<b>7</b>	44166601	Pop Rivet	2 required for item 6; 4 required for item 12
<b>8</b>	44088801	Nut	Panel lock
<b>9</b>	431264	Spacer	2 required
<b>10</b>	44251101	Pop Rivet	2 required
<b>11</b>	70119901	Control Housing	
<b>12</b>	M406494	Panel Clip	2 required per control housing
<b>13</b>	70413301	Pushbutton Switch	Door switch
<b>14</b>	70275801	Screw	8 required
<b>15</b>	70299601	Center Trim	M, N and P models; Center
<b>16</b>	70117002	Control Trim	H models; Gray; Right
	70116905	Control Trim	U models; Gray; Right
	70116901	Control Trim	All other models; Black; Right
<b>17</b>	M405188	Screw	M, N and P models; 2 required
<b>18</b>	70542101	Overlay	N and P models; Coin
	70554601	Overlay	M, N and P models
<b>19</b>	70117002	Control Trim	H models; Gray; Left
	70116906	Control Trim	U models; Gray; Left
	70116902	Control Trim	All other models; Black; Left
<b>20</b>	70117901P	Lint Drawer Gasket	

# Lower Cabinet Front Components - Design 3 Models



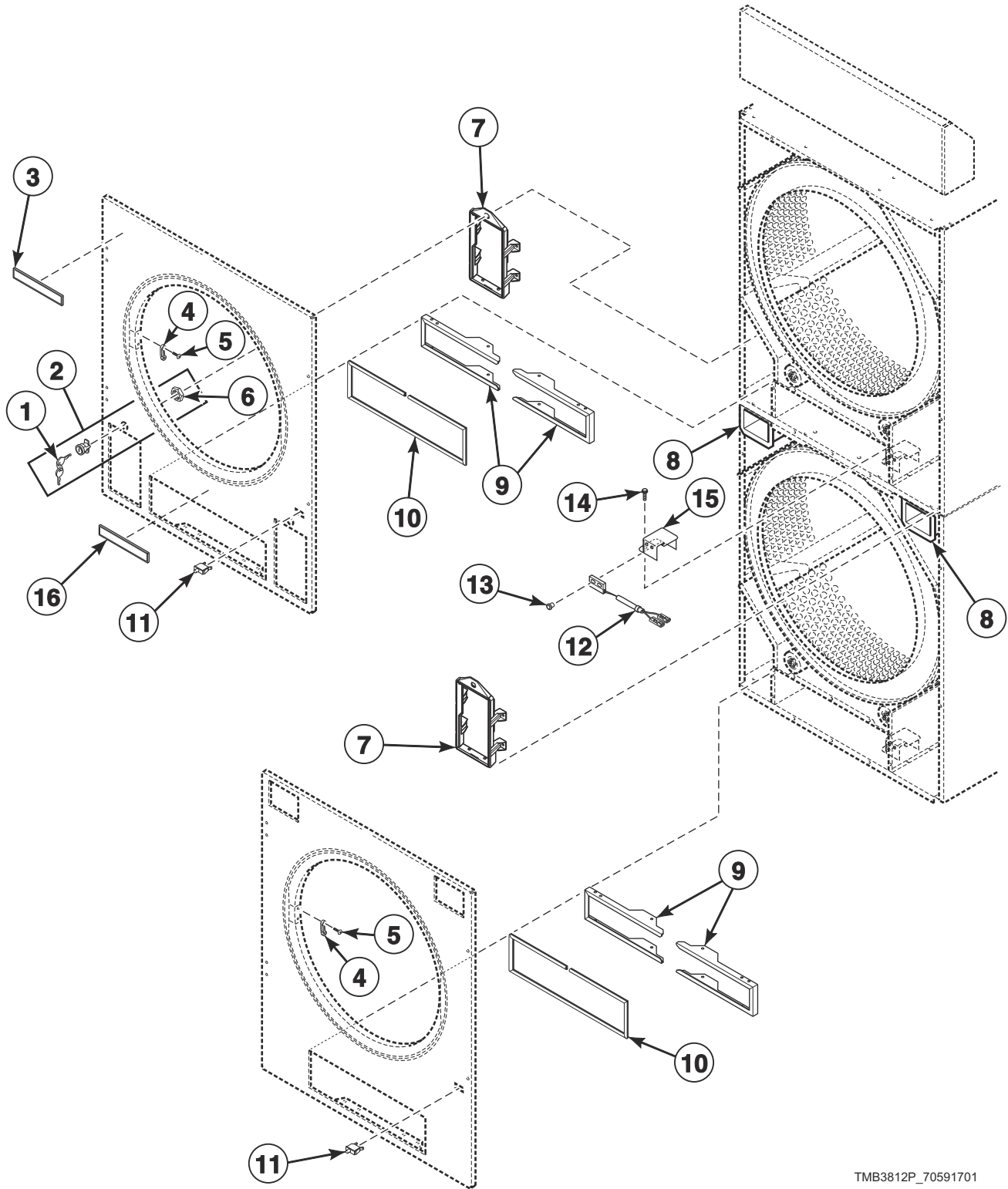
TMB3612PA\_70591701

## Lower Cabinet Front Components - Design 3 Models

REF	PART NO.	DESCRIPTION	COMMENTS
	M4379P4	Tumbler Dolly Kit	
	70534301	Warning Label	
	70017301	Front Panel Baffle Seal	2 required
<b>1</b>	70069901	Screw	
<b>2</b>	70529501	Coin Vault Assembly	
	70529503	Coin Vault and Emergency Stop Mount Assembly	Models with emergency stop
<b>3</b>	M400972	Shadow Box Clip	6 required per coin vault trim
<b>4</b>	70033502	Screw	For white front panels
	70182601	Screw	For all othr front panels
<b>5</b>	M401223	Door Latch	
<b>6</b>	44166601	Pop Rivet	2 required per latch; 4 required per control housing
<b>7</b>	70117501	Coin Vault Trim	H models; Gray
	70117502	Coin Vault Trim	All models except U models; Black
<b>8</b>	70413301	Pushbutton Switch	Door switch
<b>9</b>	70117901P	Lint Drawer Gasket	
<b>10</b>	70117618	Kickplate	H and U models; Gray
	70117605	Kickplate	All other models; Black
<b>11</b>	70126401	Pop Rivet	H and U models; 4 required per kickplate; Gray
	70126301	Pop Rivet	All other models; 4 required per kickplate; Black
<b>12</b>	70275801	Screw	8 required

# Cabinet Front Components - Design 5 Models

B, H, J, P, S and U Models



TMB3812P\_70591701

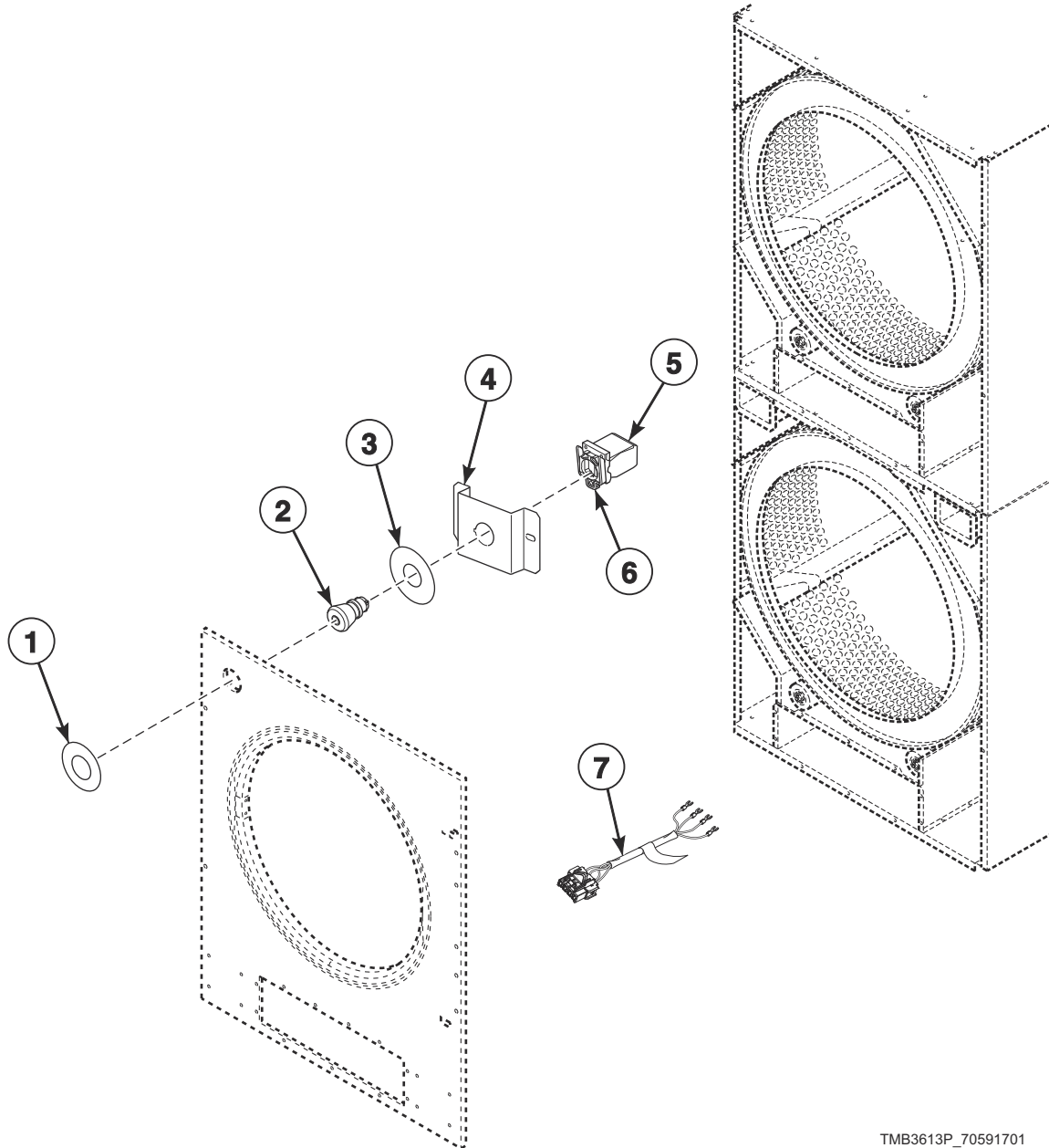


## Cabinet Front Components - Design 5 Models

REF	PART NO.	DESCRIPTION	COMMENTS
	44334102	Coin Vault Switch Harness	
	44334103	Bypass Harness	Card
	70117605	Kickplate	J models; Black
	70126301	Pop Rivet	J models; 4 required per kickplate; Black
<b>1</b>	70155601	Key	RL001
<b>2</b>	44089301P	Lock, Key and Nut Kit	RL001; Black
	44089304	Panel Lock	RL001; Chrome
<b>3</b>	B8443105	Nameplate	U models
<b>4</b>	M401223	Door Latch	
<b>5</b>	44166601	Pop Rivet	2 required for item 4
<b>6</b>	44088801	Nut	Panel lock
<b>7</b>	70642001	Control Bezel	
<b>8</b>	70529501	Coin Vault Assembly	
<b>9</b>	70606401	Lint Seal Shoulder Bracket	
<b>10</b>	70593902	Lint Box Gasket	
<b>11</b>	70413301	Pushbutton Switch	Door switch
<b>12</b>	F8066804	Reed Switch Assembly	
<b>13</b>	F8245101	Blind Rivet	
<b>14</b>	430497	Screw	
<b>15</b>	70606301	Reed Switch Box	
<b>16</b>	F8688901	Nameplate	S models
	F8688001	Nameplate	H models
	567293	Nameplate	B models
	567887	Nameplate	P models
	70685901	Nameplate	J models

# Emergency Stop Button - OPL Models

A, H, J, K, R and U in the 2nd Position  
G and T in the 2nd Position Through 12/31/18

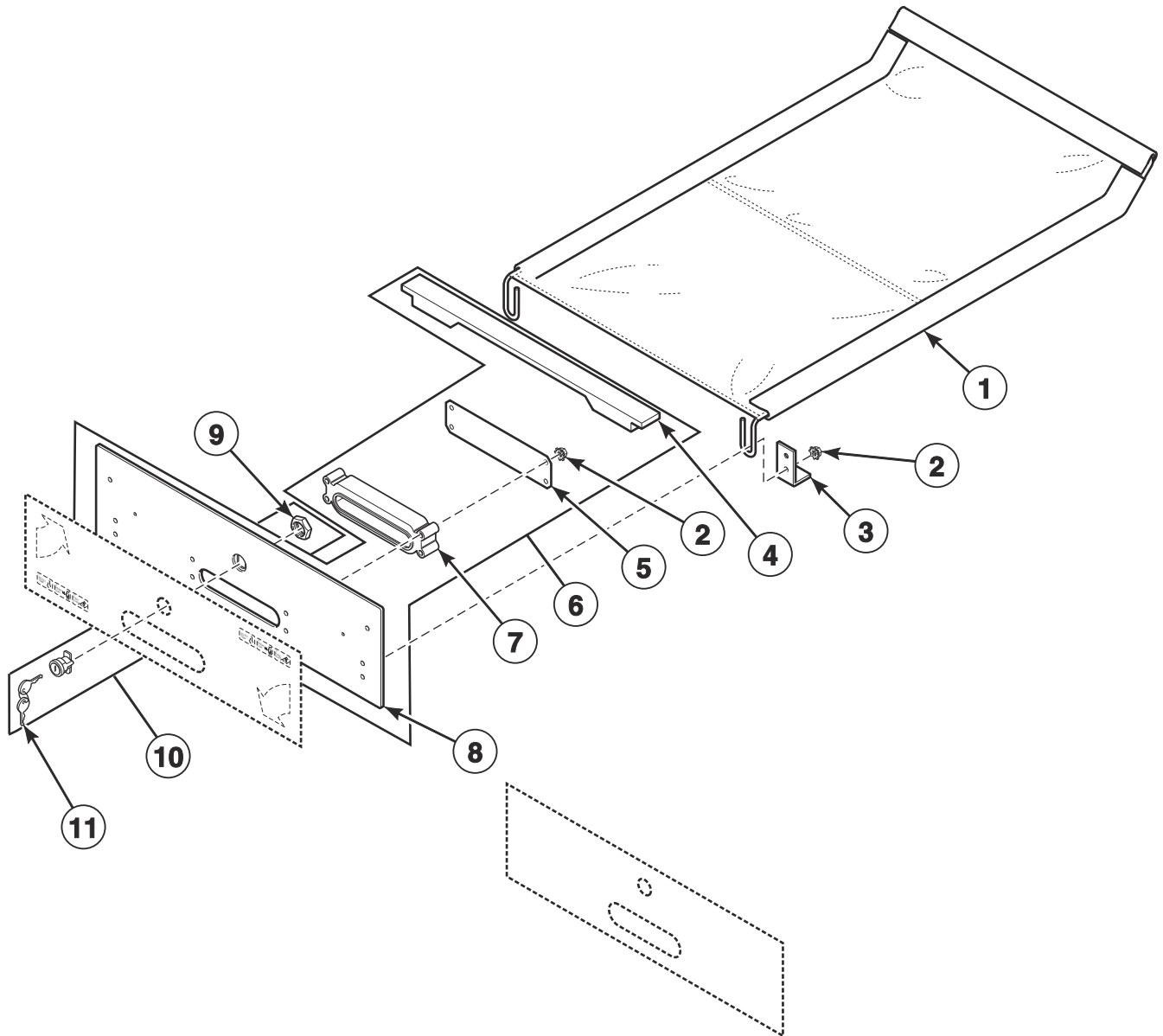


TMB3613P\_70591701

## Emergency Stop Button - OPL Models

REF	PART NO.	DESCRIPTION	COMMENTS
	70580301	Emergency Stop Button Kit	Includes items 2-4
	F8519403	Emergency Stop Bypass Harness	Coin, card and central pay
	44272105	Interconnect Harness	
<b>1</b>	44012903	Emergency Stop Label	
<b>2</b>	F200233500	Emergency Stop Pushbutton	
<b>3</b>	44012901	Emergency Stop Label	
<b>4</b>	70550401	Emergency Stop Mounting Bracket	
<b>5</b>	F8069501	Contact Switch	4 required
<b>6</b>	F8538101	Contact Base	
<b>7</b>	44272401	Emergency Stop Harness	Primary
	44272402	Emergency Stop Harness	Supplementary

# Lint Drawer Components - Design 3 Models

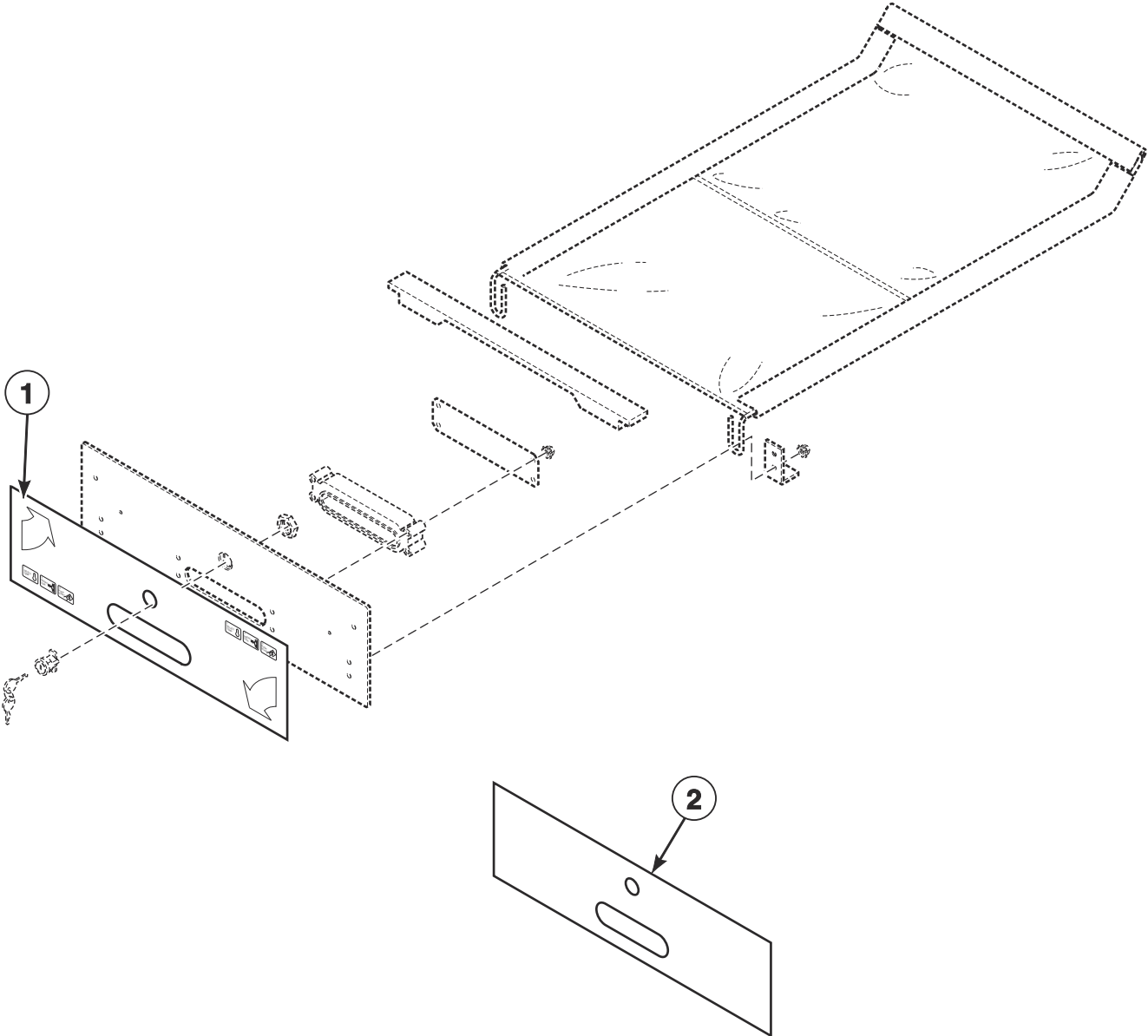


TMB3578P\_70591701

## Lint Drawer Components - Design 3 Models

REF	PART NO.	DESCRIPTION	COMMENTS
	70342401	Lock Shim	Black
	70342402	Lock Shim	Gray
<b>1</b>	70301201	Lint Screen Assembly	
<b>2</b>	44087101	Nut	6 required
<b>3</b>	70026901	Lint Screen Bracket	2 required
<b>4</b>	70333101	Lint Frame Gasket	
<b>5</b>	70323201	Lint Drawer Handle Plate	
<b>6</b>	70322901P	Lint Drawer Front Kit	Black; Includes 70342401 Lock Shim
	70322902P	Lint Drawer Front Kit	Gray; Includes 70342402 Lock Shim
<b>7</b>	70320801	Lint Drawer Handle	Black
	70320802	Lint Drawer Handle	Gray
<b>8</b>	70323004	Lint Panel and Studs Assembly	Gray
	70323003	Lint Panel and Studs Assembly	Black
<b>9</b>	44088801	Nut	
<b>10</b>	70722301	Lock, Key and Nut Kit	RL002
	44390902	Panel Lock	RL002; Black
<b>11</b>	70155602	Key	RL002

# Lint Drawer Overlay - Design 3 Models



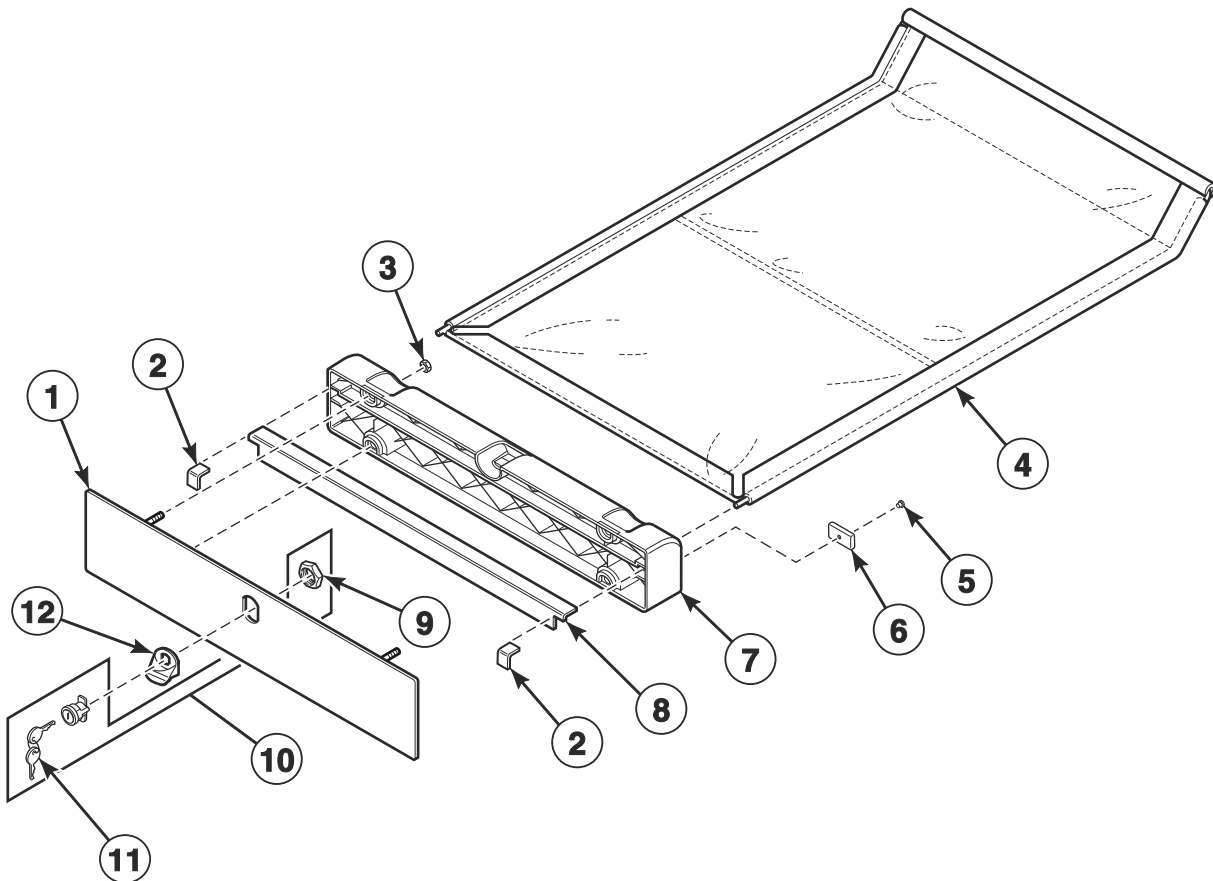
TMB3578PA\_70591701

## Lint Drawer Overlays - Design 3 Models

REF	PART NO.	DESCRIPTION	COMMENTS
<b>1</b>	70408002	Overlay	B models; Upper lint drawer; Icon
	70573201	Overlay	B and N models; Upper lint drawer; Vend
	70548001	Overlay	G and K models; Upper lint drawer
	70572101	Overlay	H models; Gray/Green; Upper lint drawer
	70572301	Overlay	H models; Green; Upper lint drawer
	70508801	Overlay	H models; Gray; Upper lint drawer; OPL
	70524501	Overlay	H models; Gray; Upper lint drawer; Vend
	70598401	Overlay	M models; Upper lint drawer
	70545301	Overlay	P models; Upper lint drawer
	70569201	Overlay	S models; Upper lint drawer; OPL
	70569401	Overlay	S models; Upper lint drawer; Vend
	70626501	Overlay	S models; Upper lint drawer; Vend; English/Spanish
	70519501	Overlay	U models; Upper lint drawer
	<b>2</b>	70428702	Overlay
70552601		Overlay	H and U models; Lower lint drawer

# Lint Drawer Components - Design 5 Models

B, H, J, P, S and U Models



TMB3813P\_70591701



## Lint Drawer Components - Design 5 Models

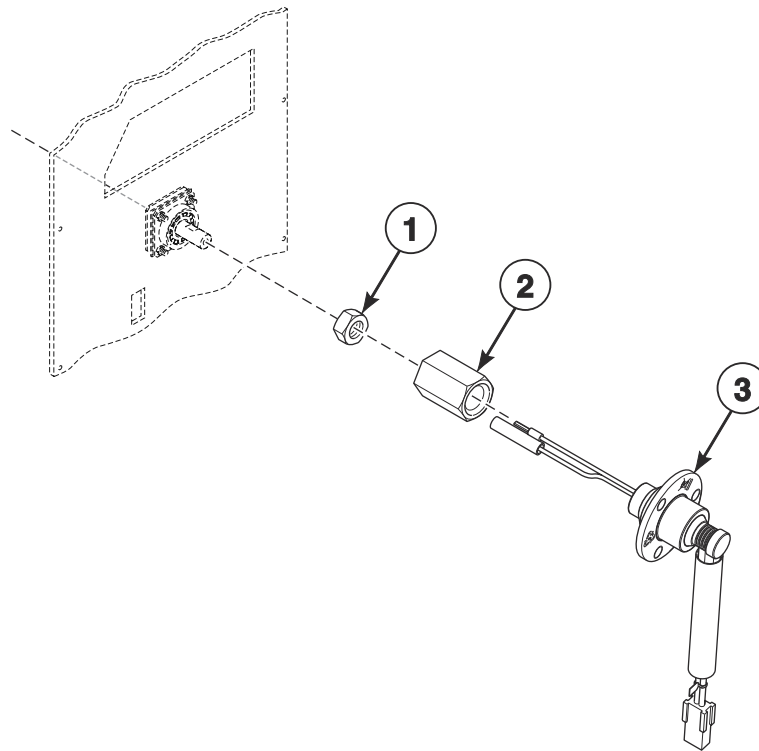
REF	PART NO.	DESCRIPTION	COMMENTS
	70598101	Foam Gasket	
	430497	Screw	
<b>1</b>	70588101	Lint Front Assembly	Stainless steel; S models
	70588103LG	Lint Front Assembly	Light gray; U models
	70588102W	Lint Front Assembly	Models through 3/31/21
	70588103W	Lint Front Assembly	Models starting 4/1/21
<b>2</b>	70605601	Lint Screen Shim	
<b>3</b>	44087101	Nut	
<b>4</b>	70596101	Lint Screen Assembly	
<b>5</b>	F8245101	Blind Rivet	
<b>6</b>	70343101	Magnet	
<b>7</b>	70594401	Lint Door Support	
<b>8</b>	70595701	Lint Screen Bracket	
<b>9</b>	44088801	Nut	
<b>10</b>	70722301	Lock, Key and Nut Kit	RL002; Black
	44390902	Panel Lock	RL002; Black
<b>11</b>	70155602	Key	RL002
<b>12</b>	70642201	Lock Pull	Vend



## Cylinder and Trunnion Components

REF	PART NO.	DESCRIPTION	COMMENTS
	70343101P	Drywall Screw Magnet Kit	Includes 6 magnets and 6 screws
1	70372903	Cylinder Assembly	K models; Non-moisture sensing
	70372901P	Cylinder Assembly	All models except K models; Galvanized; Non-moisture sensing
	70372902P	Cylinder Assembly	All models except K models; Stainless steel; Non-moisture sensing
	70444003	Cylinder and Trunnion Assembly	G and K models; Moisture sensing
	70444001P	Cylinder and Trunnion Assembly	All models except G and K models; Galvanized; Moisture sensing
	70444002	Cylinder and Trunnion Assembly	All models except G and K models; Stainless steel; Moisture sensing
2	62588	Screw	
3	263P4	Cylinder Guide Tool	
4	70305201	Rear Cylinder Channel	Non-moisture sensing
	70305202	Rear Cylinder Channel	Moisture sensing
5	70564805	Trunnion and Seal Kit	Non-moisture sensing
	70564806	Trunnion and Seal Kit	Moisture sensing; Includes 70454601 Trunnion and Wire Assembly
6	70305301	Rear Cylinder Channel Plate	
7	430497	Screw	10 required
8	M412986	Nut	
9	70411301	Washer	
10	70070101	End Cap	Non-moisture sensing
	70070102	End Cap	Moisture sensing
11	70433001	Cylinder Rib Assembly	Moisture sensing
12	70391101	Screw	8 required

# Moisture Sensing Components

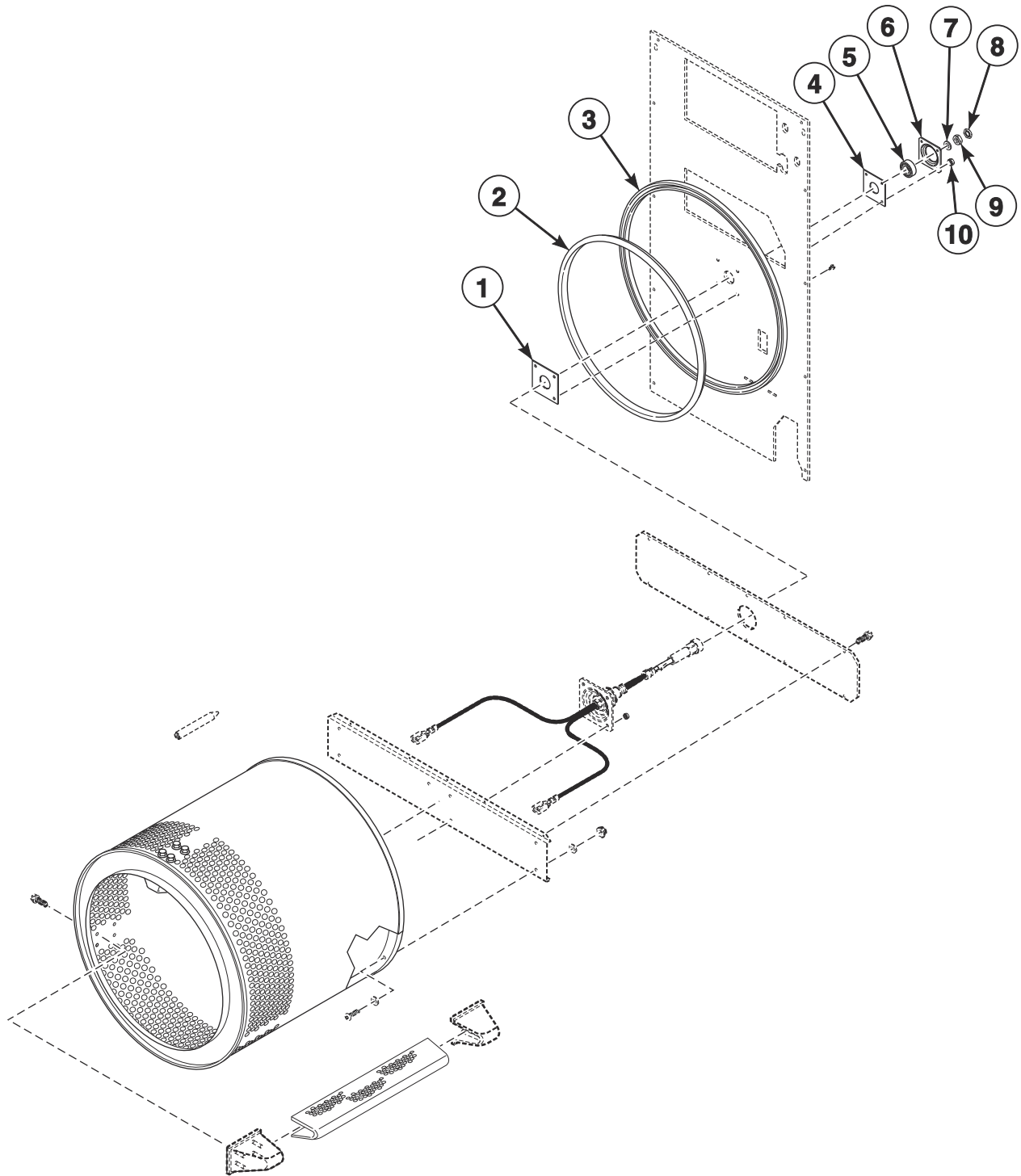


TMB3579P\_70591701

# Moisture Sensing Components

REF	PART NO.	DESCRIPTION	COMMENTS
1	M400035	Nut	
2	70455401	Slip Ring Holder	
3	44222702	Slip Ring Assembly	

# Bearing Components

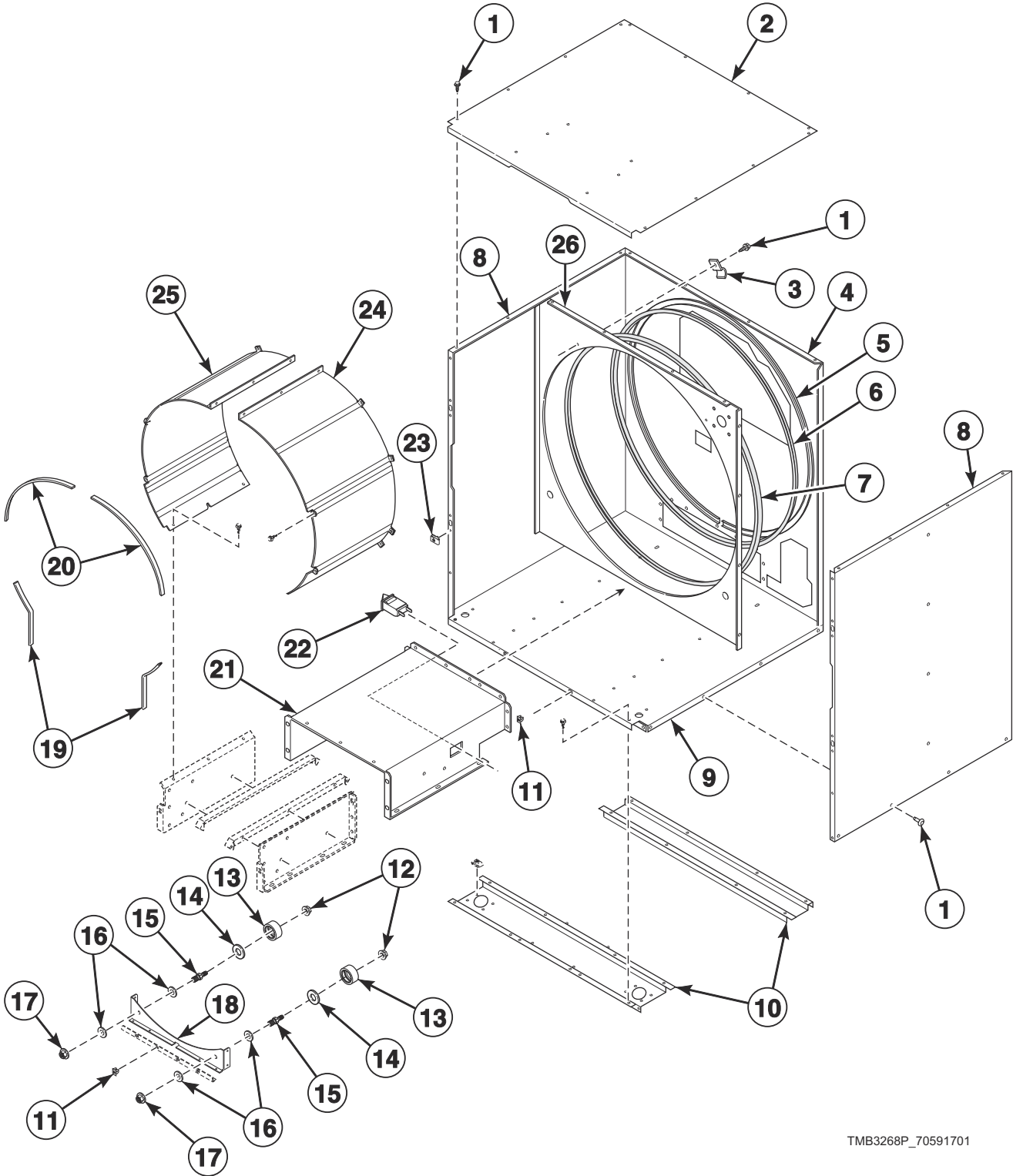


TMB3163PA\_70591701

# Bearing Components

REF	PART NO.	DESCRIPTION	COMMENTS
1	430352	Cylinder Bearing Stud Plate Assembly	
2	70013701P	Rear Cylinder Seal	Requires D511637P Adhesive
3	70506402	Rear Cylinder Seal Support	
4	70355001	Rear Bearing Shim	
5	70448701	Support Bearing	
6	70013901	Rear Cylinder Bearing Housing	
7	M400991	Washer	
8	M400034	Nut	
9	M400022	Nut	
10	M412986	Nut	

# Cabinet Components - Design 3 Models



TMB3268P\_70591701



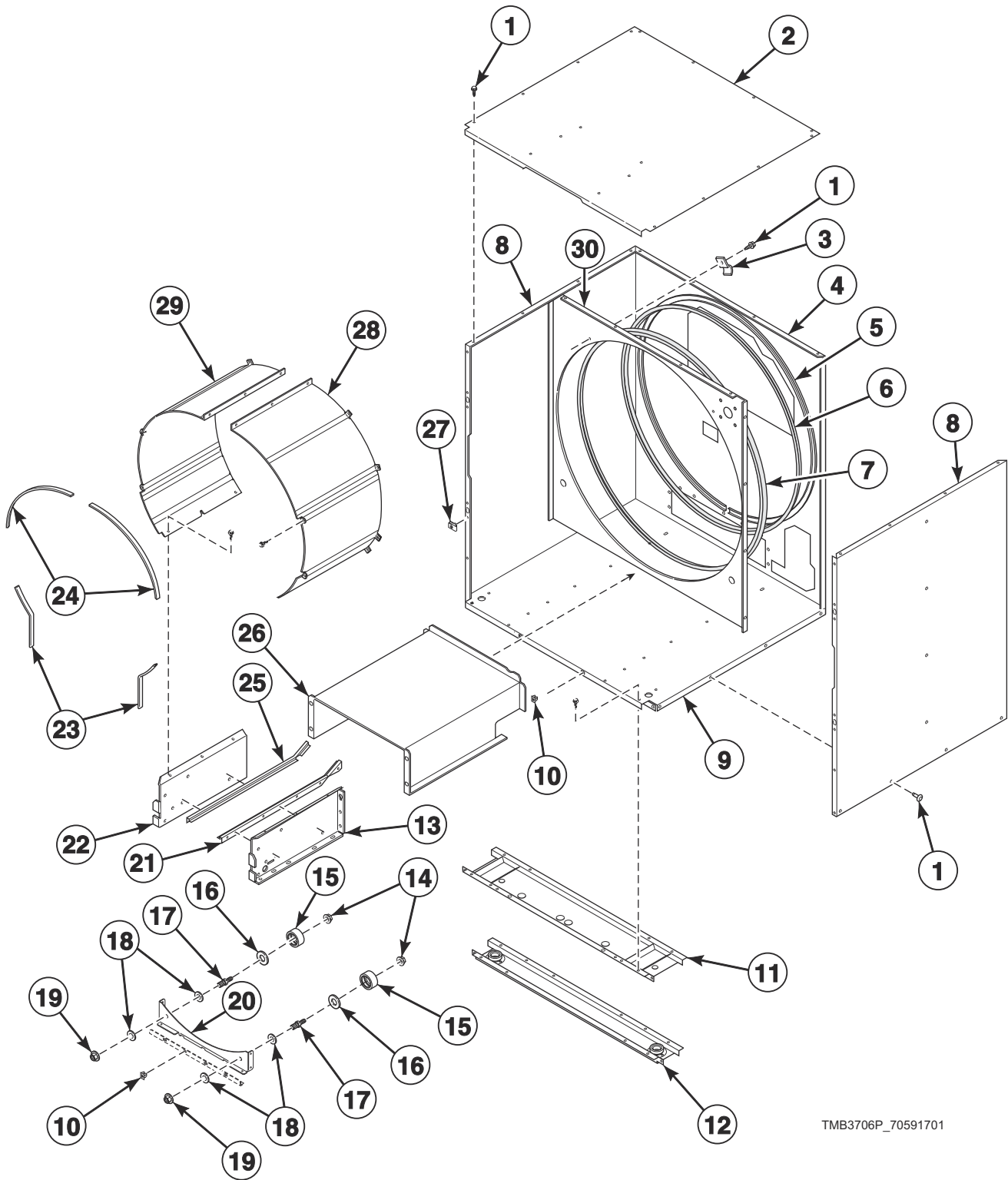
## Cabinet Components - Design 3 Models

REF	PART NO.	DESCRIPTION	COMMENTS
	298P4P	Spray Paint	White
	381P4	Spray Paint	Bisque
	122P4P	Porcelain Touch-Up Paint	White
	370P4P	Porcelain Touch-Up Paint	Bisque
	430352	Cylinder Bearing Stud Plate Assembly	
	70058501	Pop Rivet	
	21899	Nut	For leveling legs
	70247701	Screw	For leveling legs
<b>1</b>	430497	Screw	
<b>2</b>	70339601	Top Panel	Upper
<b>3</b>	70226701	Clip	
<b>4</b>	70588501	Rear Panel	
<b>5</b>	70506403	Rear Cylinder Seal Support	
<b>6</b>	70013703P	Rear Cylinder Seal	Requires D511637P Adhesive
<b>7</b>	70066005	Center Cylinder Seal	Includes center cylinder seal support and center cylinder seal
<b>8</b>	70301801LG	Side Panel	U models; Light gray; Models through 3/31/21
	70301801DG	Side Panel	P models; Dark gray; Models through 3/31/21
	70301801*P	Side Panel	All other models through 3/31/21
	70301802LG	Side Panel	U models; Light gray; Models starting 4/1/21
	70301802DG	Side Panel	P models; Dark gray; Models starting 4/1/21
	70301802W	Side Panel	All other models starting 4/1/21
<b>9</b>	70339501	Top Panel	Lower
<b>10</b>	70300601	Channel Base Assembly	
<b>11</b>	70030501	Expansion Clip	
<b>12</b>	430576	Nut	
<b>13</b>	70616701	Roller and Seal Kit	
<b>14</b>	70443601	Roller Seal	
<b>15</b>	70249501	Roller Shaft	
<b>16</b>	70261401	Washer	
<b>17</b>	70288801	Nut	
<b>18</b>	70339001	Roller Support Bracket	
<b>19</b>	70015707	Sheet Metal Edge Gasket	Lower
<b>20</b>	70015708	Sheet Metal Edge Gasket	Upper
<b>21</b>	70500201	Air Duct	Rear
<b>22</b>	431159	Switch	For lint drawer
<b>23</b>	70030401	Nut	
<b>24</b>	70301901	Cylinder Shroud	Right
<b>25</b>	70301902	Cylinder Shroud	Left
<b>26</b>	70639101	Center Partition	

\* Add Letter To Designate Color. Q - Bisque W - White

# Cabinet Components - Design 5 Models

B, H, J, P, S and U Models

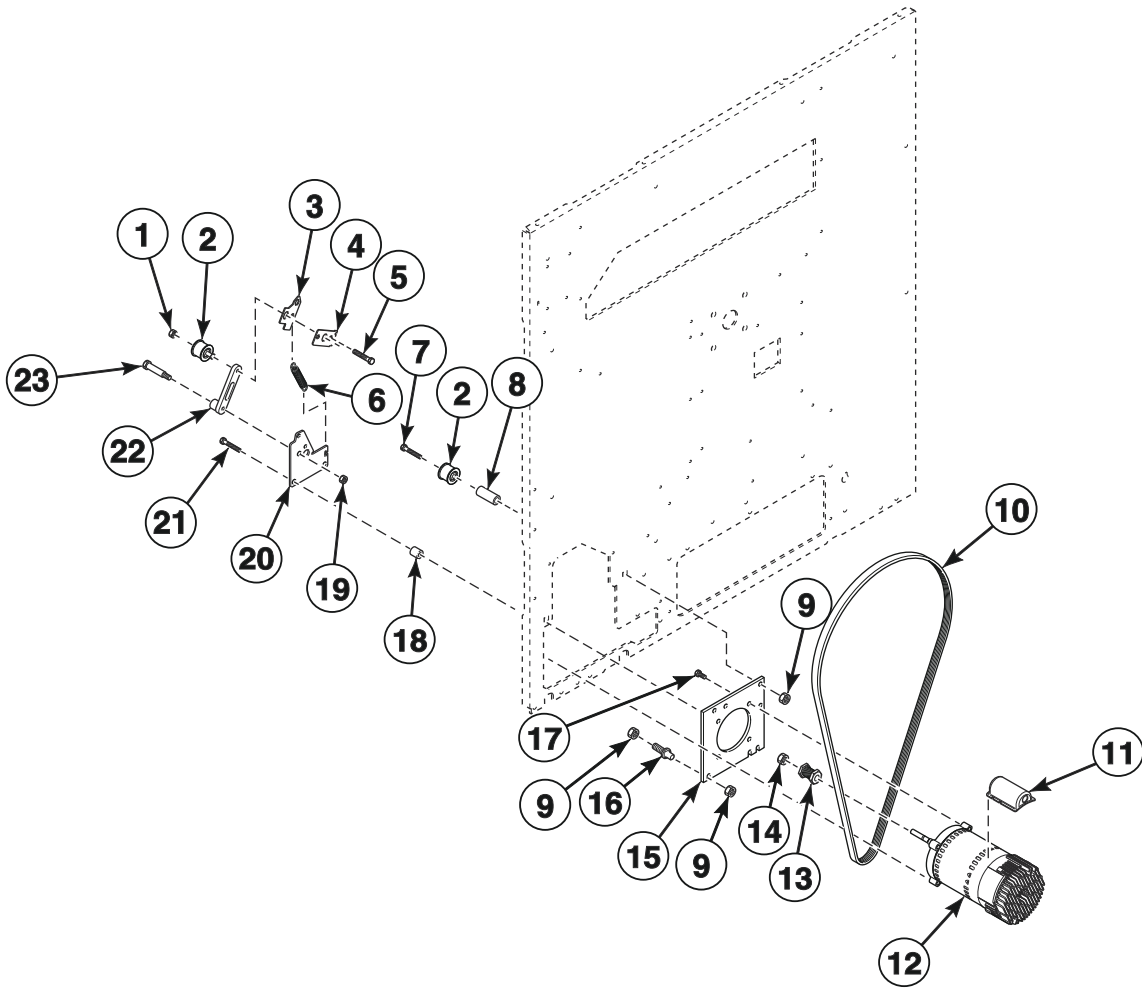


TMB3706P\_70591701

## Cabinet Components - Design 5 Models

REF	PART NO.	DESCRIPTION	COMMENTS
	298P4P	Spray Paint	White
	122P4P	Porcelain Touch-Up Paint	White
	430352	Cylinder Bearing Stud Plate Assembly	
	70058501	Pop Rivet	
	21899	Nut	For leveling legs
	70247701	Screw	For leveling legs
	70626901	Top Panel	Top pan of lower pocket
	70606901	Lower Pan	Lower pan of lower pocket
<b>1</b>	430497	Screw	
<b>2</b>	70606501	Top Panel	Upper pocket
<b>3</b>	70226701	Clip	
<b>4</b>	70588501	Rear Panel	
<b>5</b>	70506403	Rear Cylinder Seal Support	
<b>6</b>	70013703P	Rear Cylinder Seal	Requires D511637P Adhesive
<b>7</b>	70066005	Center Cylinder Seal	Includes center cylinder seal support and center cylinder seal
<b>8</b>	70639601LG	Side Panel	U models; Light gray; Models through 3/31/21
	70639601DG	Side Panel	P models through 3/31/21; Dark gray
	70639601W	Side Panel	All models except J and P models through 3/31/21
	70639602LG	Side Panel	U models starting 4/1/21; Light gray
	70639602DG	Side Panel	P models starting 4/1/21; Dark gray
	70639602W	Side Panel	All models except P models starting 4/1/21
<b>9</b>	70606701	Center Pan	Lower pan of top pocket
<b>10</b>	M400984	Clip	
<b>11</b>	70606801	Center Pan Channel	Located under center pan
<b>12</b>	70300601	Channel Base Assembly	Lower pocket
<b>13</b>	70588301	Front Air Duct	Right
<b>14</b>	430576	Nut	
<b>15</b>	70616701	Roller and Seal Kit	
<b>16</b>	70443601	Roller Seal	
<b>17</b>	70249501	Roller Shaft	
<b>18</b>	70261401	Washer	
<b>19</b>	70288801	Nut	
<b>20</b>	70588901	Roller Support Bracket	
<b>21</b>	70588701	Lint Tray Rail	Right
<b>22</b>	70588302	Front Air Duct	Left
<b>23</b>	70015707	Sheet Metal Edge Gasket	Lower
<b>24</b>	70015708	Sheet Metal Edge Gasket	Upper
<b>25</b>	70588702	Lint Tray Rail	Left
<b>26</b>	70588601	Air Duct	Rear
<b>27</b>	70030401	Nut	
<b>28</b>	70301901	Cylinder Shroud	Right
<b>29</b>	70301902	Cylinder Shroud	Left
<b>30</b>	70639101	Center Partition	

# Drive Motor Components

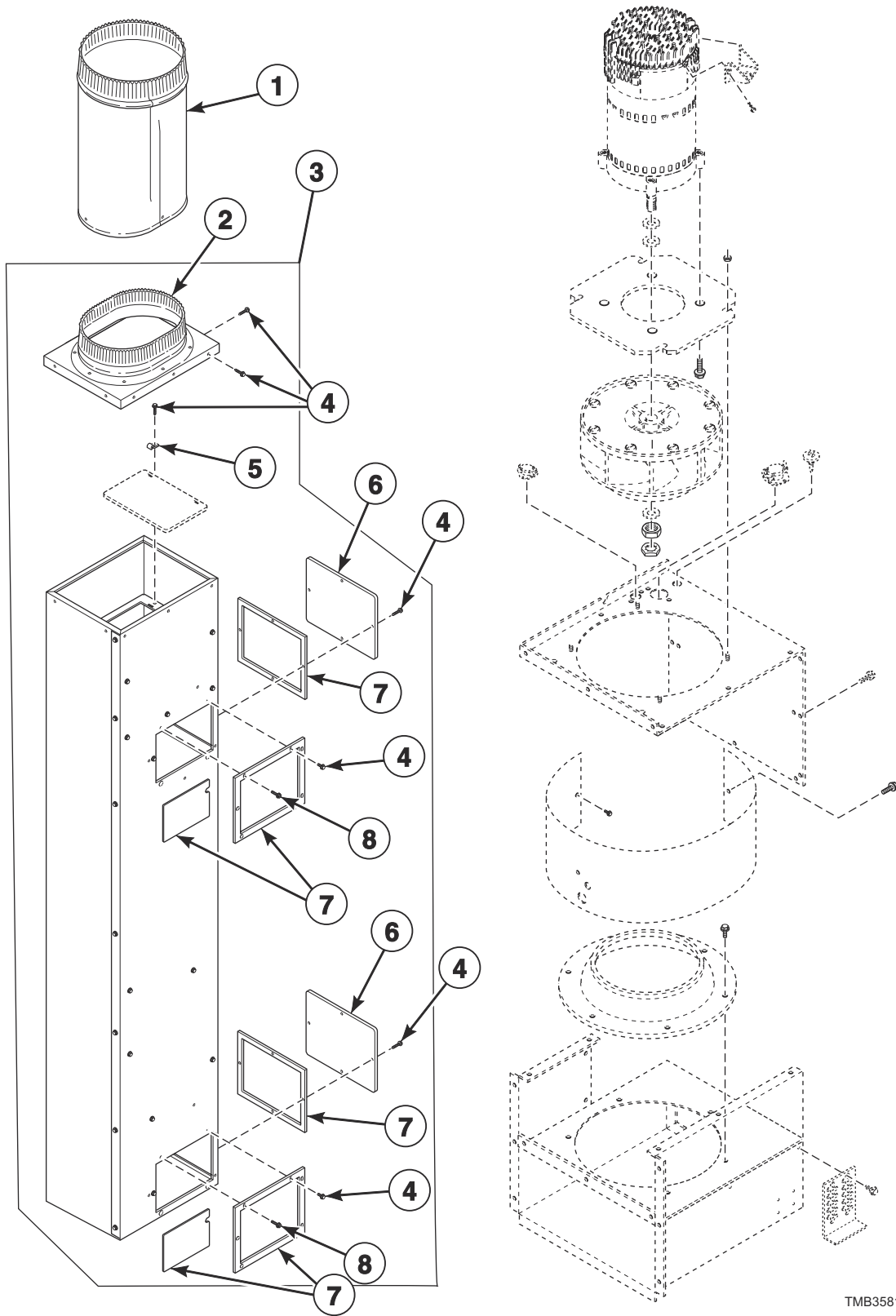


TMB3967P

# Drive Motor Components

REF	PART NO.	DESCRIPTION	COMMENTS
1	56156	Nut	
2	70050401P	Idler Wheel Assembly	
3	70569501	Tensioning Bracket	
4	70543401	Spring Catch Bracket	
5	70508301	Screw	
6	70571801	Spring	
7	F430144	Screw	
8	70569603	Standoff	
9	44087201	Nut	
10	70655103	Lever Arm and Belt Kit	
11	70521901	Motor Conduit Mounting Bracket	
12	44259501P	Drive Motor	.33 HP; 120, 230 Volt/1 Phase
	44259601P	Drive Motor	.33 HP; 380-460 Volt/3 Phase
13	70559101	Motor Pulley	
14	44333202	Nut	
15	70564201	Motor Mount Plate	
16	70334701	Double Ended Stud	
17	70126104	Screw	
18	70488403	Spacer	
19	44087301	Nut	
20	70571901	Drive Plate	
21	70546301	Screw	
22	70653801	Lever Arm and Bushing Assembly	
23	70501301	Screw	

# Exhaust Components

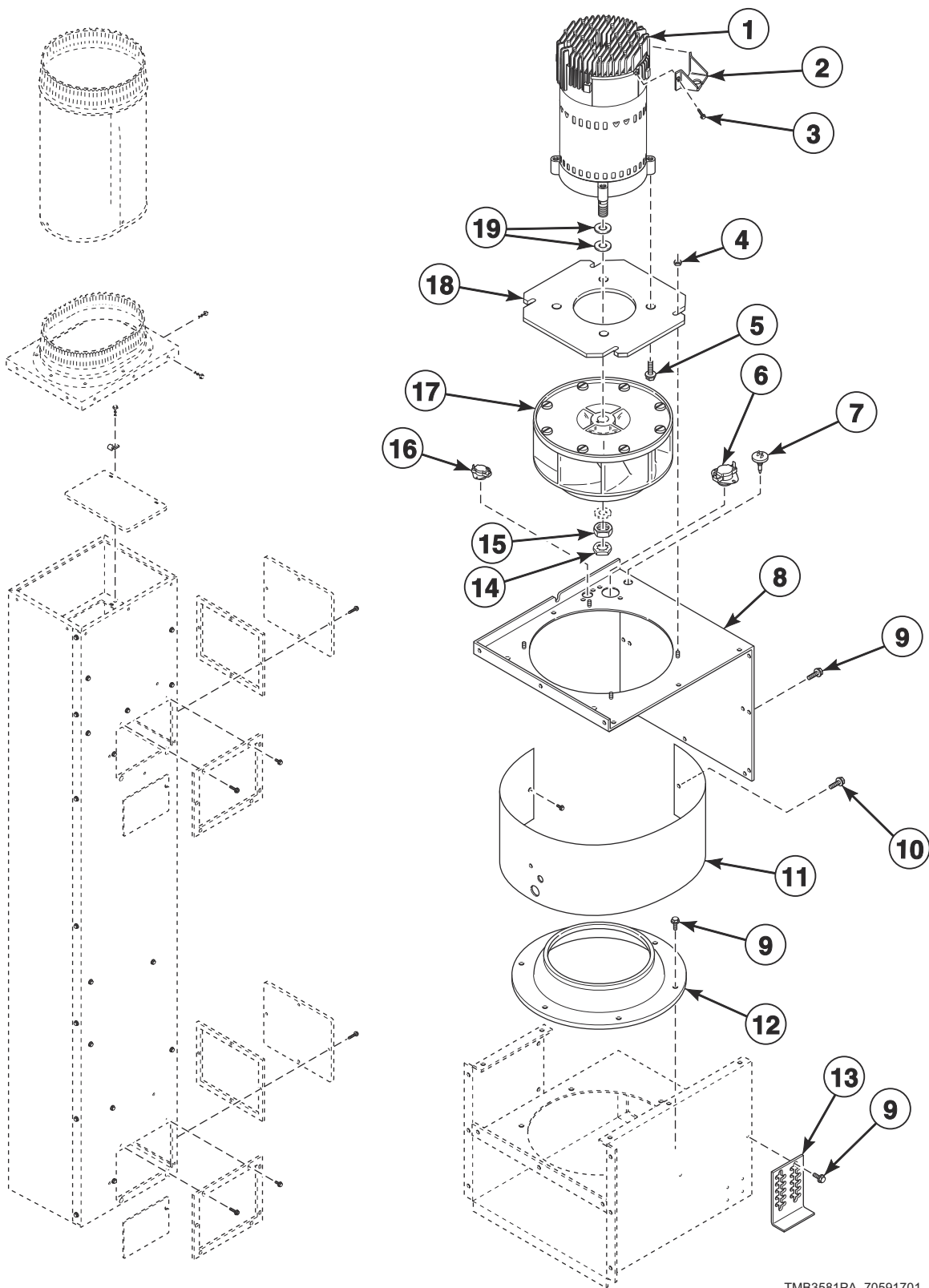


TMB3581P\_70591701

# Exhaust Components

REF	PART NO.	DESCRIPTION	COMMENTS
	70289101P	Gasket	Sold per foot
1	70425801	Exhaust Pipe Assembly	IEC models
2	70307601	Duct Cover	Top
3	70528501	Exhaust Duct Assembly	North America models
	70528502	Exhaust Duct Assembly	IEC models
4	430497	Screw	12 required
5	70226701	Clip	
6	70308701	Duct Access Cover	2 required; Bottom
7	70302801P	Exhaust Duct Gaskets Assembly	2 required
8	M411072	Screw	2 required

# Blower Components



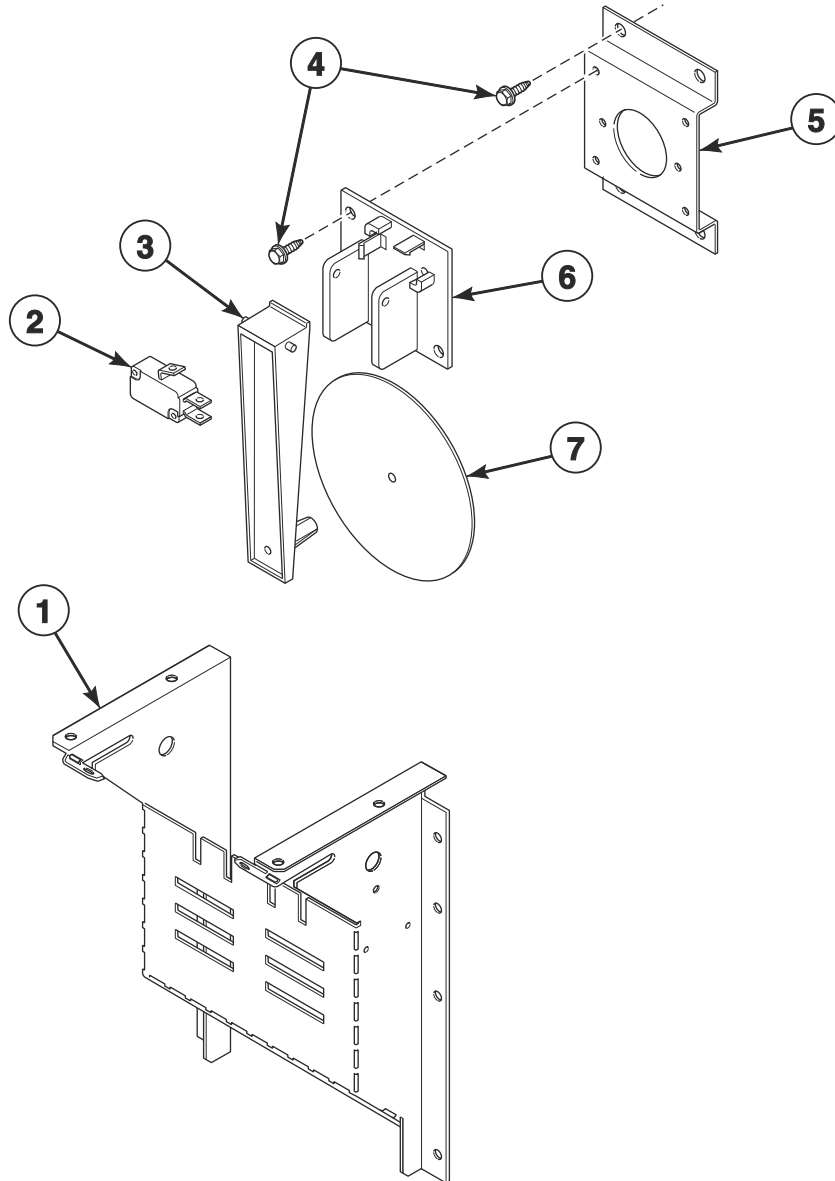
TMB3581PA\_70591701



## Blower Components

REF	PART NO.	DESCRIPTION	COMMENTS
	70392701P	Gasket	For blower housing opening
1	70478701P	Fan Motor	.50 HP; 120, 230 Volt/1 Phase
	70484901P	Fan Motor	.50 HP; 380-460 Volt/3 Phase
2	44317901	Motor Conduit Bracket	
3	23222	Screw	
4	29786	Nut	4 required
5	70126101	Screw	4 required
6	44328001	Limit Thermostat	
7	M414704	Thermistor	
8	70322802	Blower Housing Cover Assembly	
9	430497	Screw	12 required
10	51780	Screw	
11	70340801	Blower Housing Scroll	
12	70303101	Blower Inlet Cone	
13	70200301	Rear Stabilizer Bracket	
14	M400034	Nut	
15	M400022	Nut	
16	70530901	Limit Thermostat	
17	70302201P	Blower Assembly	
18	70341001	Blower Motor Mounting Plate	
19	M400991	Washer	3 required

# Airflow Switch

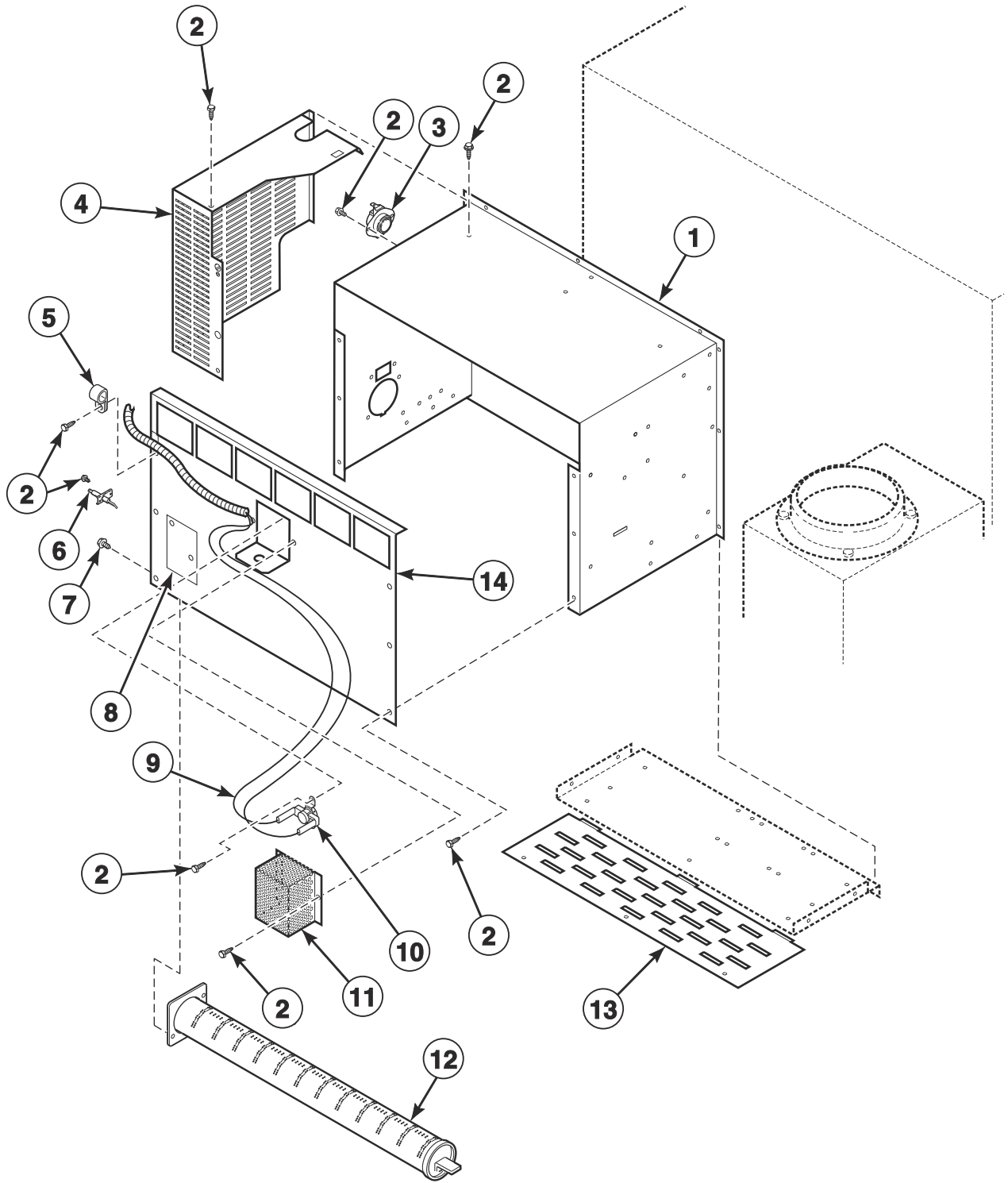


TMB3582P\_70591701

# Airflow Switch

REF	PART NO.	DESCRIPTION	COMMENTS
	70429601P	Airflow Switch Kit	Includes items 2-3, 6 and 7
1	70356101	Airflow Switch Wrapper	
2	70411901	Switch	
3	70319401	Airflow Switch Arm	
4	430757	Screw	
5	70356301	Switch Bracket	
6	70319602	Airflow Switch and Arm Bracket	
7	70319201	Airflow Switch Vane	

# Gas Burner Housing and Secondary Stove Limit

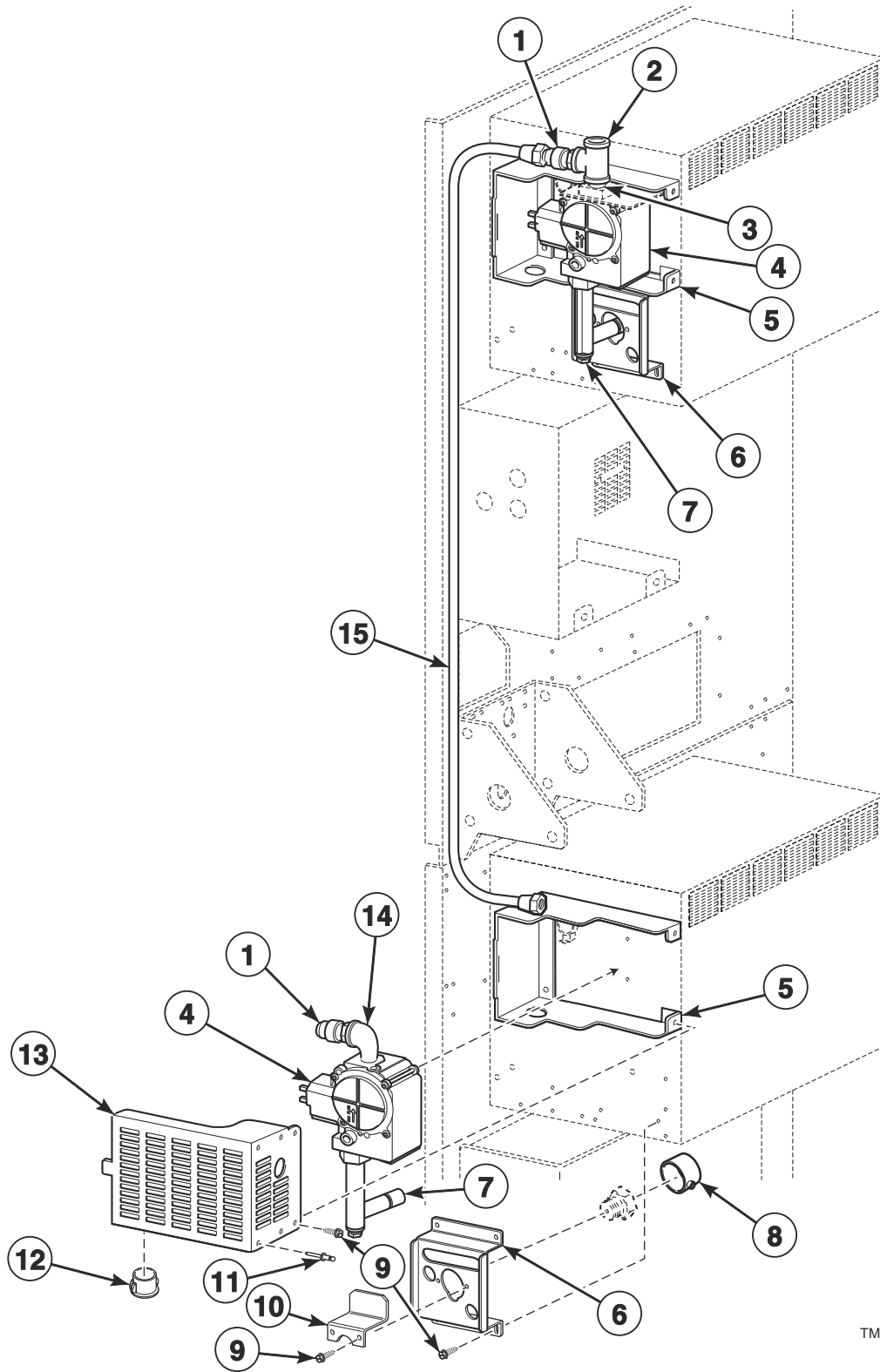


TMB2315P\_70591701

## Gas Burner Housing and Secondary Stove Limit

REF	PART NO.	DESCRIPTION	COMMENTS
	44239701	High Voltage Suppression Cable	
1	70306001	Stove Top and Sides	
2	430497	Screw	
3	44328005	Limit Thermostat	Side
4	70233401	Gas Valve Cover	IEC models
5	70203701	Pipe Clip	
6	70548701P	Spark Electrode	
7	05161	Screw	
8	70159601	Igniter Cover	
9	70564301	Stove Limit Harness	
10	44328104	Limit Thermostat	Rear
11	M414477	Thermostat Cover	
12	70229801P	Gas Burner	
	70546701	Anti-Rattle Burner Assembly	Includes 70229801P Gas Burner, 431318 Control Door Latch and M400003 Pop Rivet
13	70306501	Burner Grill	
14	70375201	Stove Back	

# Gas Valve and Piping

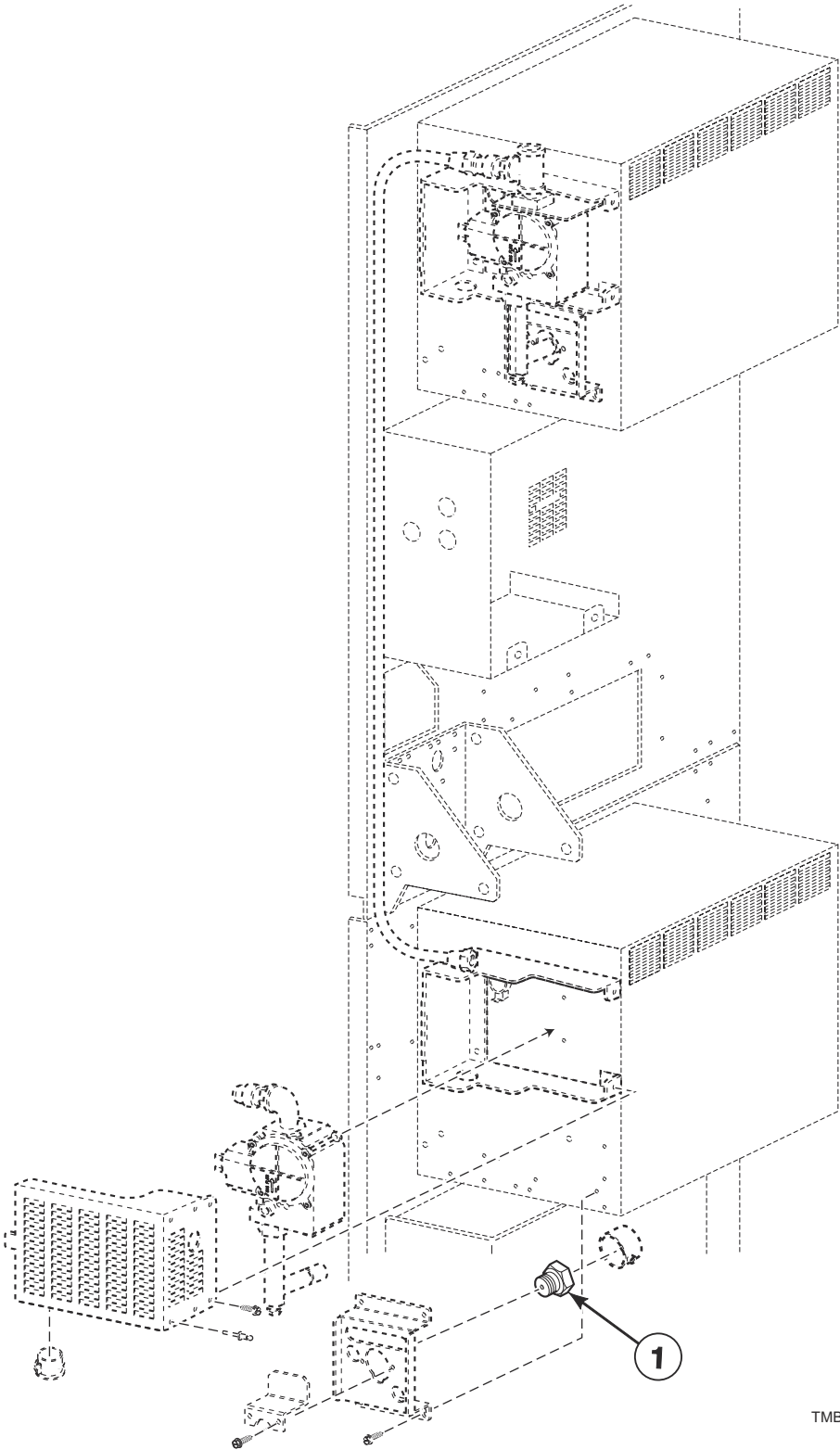


TMB3583P\_70591701

## Gas Valve and Piping

REF	PART NO.	DESCRIPTION	COMMENTS
	70550206	L.P. Conversion Kit	North America models; Natural Gas (N.G.); 0-2,000 feet
	70550207	L.P. Conversion Kit	Australian models; N.G.; 0-2,000 feet
	70551906	L.P. Conversion Kit	IEC models; N.G.; 0-2,000 feet
	44239701	High Voltage Suppression Cable	
	70131901	Adapter	IEC models; BPT/NPT
	70167601	Plug	
	70500601	Power Harness	
	44273501	Gas Valve Harness	
	70564301	Stove Limit Harness	
	70535901	Notice Label	Australian models; N.G.
	70544901	Notice Label	Australian models; Liquid Petroleum (L.P.)
<b>1</b>	70262601	Pipe	
<b>2</b>	70071801	Tee	T market models
	F422208	Tee	All other models
<b>3</b>	70435601	Pipe Nipple	T market models
	70612603	Pipe Nipple	All other models
<b>4</b>	44154503	N.G. Valve	North America models
	44154504	L.P. Valve	North America models
	44154507	Gas Valve	IEC models; N.G.
	44154508	Gas Valve	IEC models; L.P.
<b>5</b>	70328201	Forward Valve Cover	
<b>6</b>	70248901	Orifice Holder Bracket	
<b>7</b>	70552801P	Orifice Adapter	
<b>8</b>	70239801	Primary Air Adjustment Sleeve	
<b>9</b>	430497	Screw	
<b>10</b>	70539901	Ignition Keeper Orifice Bracket	
<b>11</b>	70058501	Pop Rivet	3/16 inch
<b>12</b>	M400770	Snap Bushing	
<b>13</b>	70282401	Rear Valve Cover	
<b>14</b>	H86070034	Street Elbow	T market models
	70612501	Street Elbow	All other models
<b>15</b>	70281602	Tube	

# Burner Orifices



TMB3583PA\_70591701

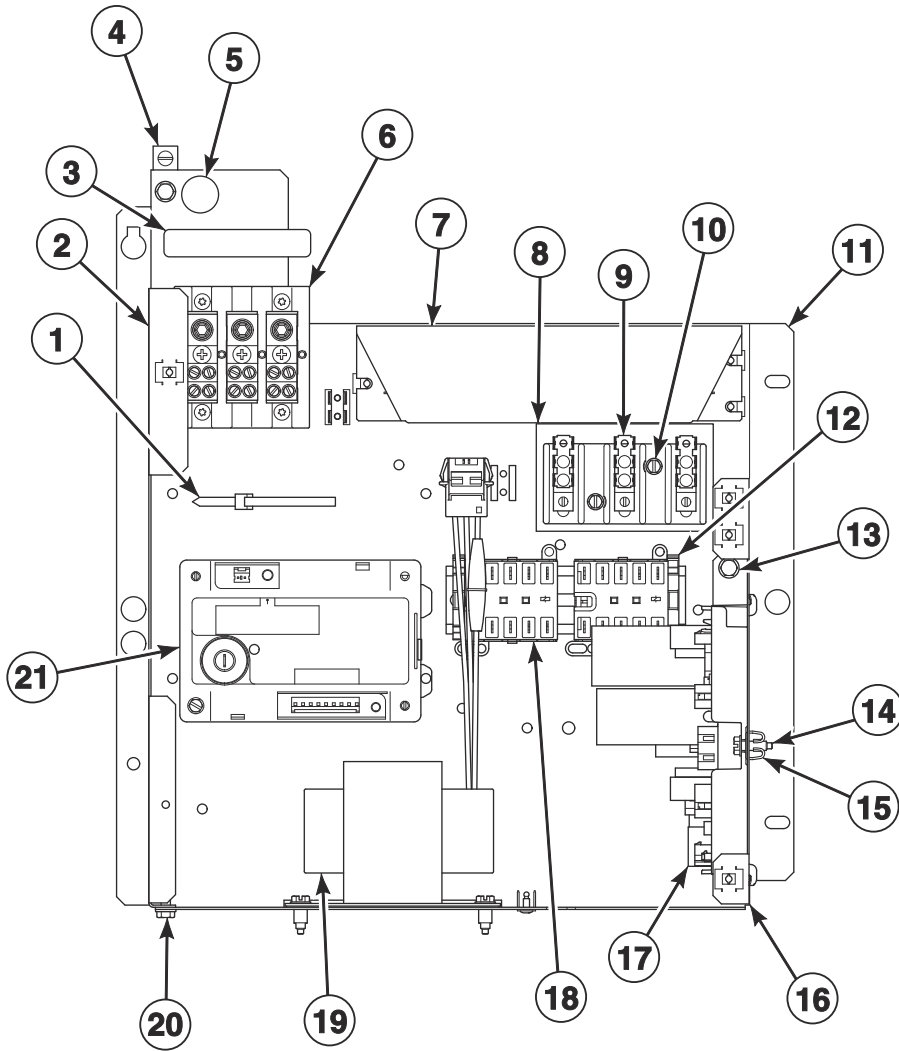


# Burner Orifices

REF	PART NO.	DESCRIPTION	COMMENTS
	70609911	High Altitude Orifice Kit	North America Natural Gas (N.G.) models
	70609912	High Altitude Orifice Kit	North America Liquid Petroleum Gas (L.P.) models
1	70684149	Burner Orifice	Standard models; N.G.; Drill no. 14 (4.62 mm); 0-2,000 feet
	70684146	Burner Orifice	Standard models; N.G.; Drill no. 17 (4.39 mm); 2,001-4,000 feet
	70684144	Burner Orifice	Standard models; N.G.; Drill no. 18 (4.31 mm); 4,001-6,000 feet
	70684142	Burner Orifice	Standard models; N.G.; Drill no. 20 (4.09 mm); 6,001-8,000 feet
	70684139	Burner Orifice	Standard models; N.G.; Drill no. 23 (3.91 mm); 8,001-10,000 feet
	70684123	Burner Orifice	Standard models with 2nd digit G, H, J, K, L and T; L.P.; Drill no. 34 (2.82 mm); 0-2,000 feet
	70684120	Burner Orifice	Standard models with 2nd digit G, H, J, K, L and T; L.P.; Drill no. 36 (2.71 mm); 2,001-4,000 feet
	70684118	Burner Orifice	Standard models with 2nd digit G, H, J, K, L and T; L.P.; Drill no. 38 (2.58 mm); 4,001-6,000 feet
	70684116	Burner Orifice	Standard models with 2nd digit G, H, J, K, L and T; L.P.; Drill no. 40 (2.49 mm); 6,001-8,000 feet
	70684114	Burner Orifice	Standard models with 2nd digit G, H, J, K, L and T; L.P.; Drill no. 42 (2.37 mm); 8,001-10,000 feet
	70684120	Burner Orifice	Standard Australian models; L.P.; Drill no. 36 (2.71 mm); 0-2,000 feet
	70684118	Burner Orifice	Standard Australian models; L.P.; Drill no. 38 (2.58 mm); 2,001-4,000 feet
	70684116	Burner Orifice	Standard Australian models; L.P.; Drill no. 40 (2.49 mm); 4,001-6,000 feet
	70684114	Burner Orifice	Standard Australian models; L.P.; Drill no. 42 (2.37 mm); 6,001-8,000 feet
	70684113	Burner Orifice	Standard Australian models; L.P.; 2.30 mm; 8,001-10,000 feet
	70684110	Burner Orifice	CE standard models; L.P.; Drill no. 44 (2.18 mm); 0-2,000 feet
	70684109	Burner Orifice	CE standard models; L.P.; Drill no. 45 (2.08 mm); 2,001-4,000 feet
	70684107	Burner Orifice	CE standard models; L.P.; Drill no. 47 (1.99 mm); 4,001-6,000 feet
	70684106	Burner Orifice	CE standard models; L.P.; Drill no. 48 (1.93 mm); 6,001-8,000 feet
	70684105	Burner Orifice	CE standard models; L.P.; Drill no. 49 (1.85 mm); 8,001-10,000 feet
	70684117	Burner Orifice	Standard J market models; L.P.; Drill no. 39 (2.53 mm); 0-2,000 feet
	70684114	Burner Orifice	Standard J market models; L.P.; Drill no. 42 (2.37 mm); 2,001-4,000 feet
	70684113	Burner Orifice	Standard J market models; L.P.; 2.3 mm; 4,001-6,000 feet
	70684112	Burner Orifice	Standard J market models; L.P.; Drill no. 43 (2.26 mm); 6,001-8,000 feet
	70684110	Burner Orifice	Standard J market models; L.P.; Drill no. 44 (2.18 mm); 8,001-10,000 feet
	70684143	Burner Orifice	Eco models; N.G.; Drill no. 19 (4.22 mm); 0-2,000 feet
	70684140	Burner Orifice	Eco models; N.G.; Drill no. 22 (3.99 mm) 2,001-4,000 feet
	70684139	Burner Orifice	Eco models; N.G.; Drill no. 23 (3.91 mm); 4,001-6,000 feet
	70684136	Burner Orifice	Eco models; N.G.; Drill no. 26 (3.73 mm); 6,001-8,000 feet
	70684134	Burner Orifice	Eco models; N.G.; Drill no. 28 (3.57 mm); 8,001-10,000 feet

\* NOTE: One orifice required per pocket

# Control Tray and Accessory Box



TMB3614P\_70591701

## Control Tray and Accessory Box

REF	PART NO.	DESCRIPTION	COMMENTS
	44071501	Snap Bushing	Use with item 2; 7/8 inch
	70476001	Snap Bushing	Use with item 2; 1/2 inch
	39733	Screw	Use with item 6
	685837	Screw	Use with item 4
	70610101	EMI Filter Kit	North America models; 100-240 Volt
	70610102	EMI Filter Kit	North America models; 380-480 Volt
	70500601	Power Harness	
	M413862	Insulator	Use with item 6, 8 and 9
<b>1</b>	70335601	Cable Tie	
<b>2</b>	70527001	Junction Box Side	Left side
<b>3</b>	44286803	Label	Wire L1, L2, L3
	44286801	Label	Wire L1, N
	44286804	Wire Label	Wire L1 L2, L1 N, L1 L2 L3
<b>4</b>	M411283	Ground Lug Connector	
<b>5</b>	D516100	Label	
<b>6</b>	430642	Terminal Block	
	70333001	Terminal Block Shield	
<b>7</b>	F8591601	EMI Filter	IEC models; 100-120 and 200-240 Volt
	F8637501	EMI Filter	IEC models; 380-480 Volt
<b>8</b>	70333001	Terminal Block Shield	IEC models
<b>9</b>	430642	Terminal Block	IEC models
<b>10</b>	51783	Screw	IEC models
<b>11</b>	70607201	Junction Box Base Assembly	
<b>12</b>	F8449801	End Stop	2 required
<b>13</b>	430497	Screw	
<b>14</b>	F8206901	Screw	
<b>15</b>	70030501	Expansion Clip	
<b>16</b>	70527101	Control Board Tray	
<b>17</b>	70479201P	I/O Control Assembly	
<b>18</b>	70482601	Contacto	1 required for 120-240 Volt; 2 required for 380-480 Volt
<b>19</b>	F8491101	Transformer	380-480 Volt
<b>20</b>	51780	Screw	
<b>21</b>	70482002	Ignition Control	IEC models
	70482001	Ignition Control	North America models

## Labels

<b>PART NO.</b>	<b>DESCRIPTION</b>	<b>COMMENTS</b>
70535101	Caution Label	Vent/install
F8614501	Danger Label	Shock; English/French
F8614301	Hot Surface Warning Label	English/French
F8609001	Hot Surface Warning Label	Icon
F8611601	Warning Label	
F8614500	Label Kit	Shock
F8605500	Label Kit	
44321501	Notice Label	120/240 Volt
70539601	Notice Label	
70534201	Notice Label	
F8609501	Notice Label	
D516073	Notice Label	Read instructions; Icon
70538401	Pinch Warning Label	English/French
F8615701	Pinch Warning Label	Icon
F8614401	Shock Warning Label	English/French
F8614201	Shock Warning Label	Icon
70536401	Warning Label	Lint
44324101	Warning Label	Fire; Australian models
70534405	Warning Label	Fire; Colombian Spanish; Australian models
44321601	Warning Label	Risk of fire; Icon

# Harnesses

PART NO.	DESCRIPTION	COMMENTS
44316009	Filter Output Power Harness	1 Phase; Power distribution block to RFI filter
44316010	Filter Output Power Harness	3 Phase; Power distribution block to RFI filter
70608501	Base Harness	Design 3
70609001	Base Harness	Design 5
44280007	Configuration Harness	120 Volt; Cylinder
44280006	Configuration Harness	120 Volt; Fan
44334604	Heat Control Harness	
44334702	Inverter Contactor Coil Harness	Secondary; 380-480 Volt
44335303	Inverter Motor Harness	
70561501	Junction Box Harness	
44316003	Filter Input Power Harness	1 Phase; Power distribution block to filter
44316004	Filter Input Power Harness	3 Phase; Power distribution block to filter
70608401	Main Harness	
44280004	Motor Contactor Power Harness	3 Phase
44280011	Motor Contactor Power Harness	1 Phase; EMI
44280013	Motor Contactor Power Harness	3 Phase; EMI
44280002	Motor Contactor Power Harness	1 Phase
44280102	Power Harness	380-480 Volt
44272102	Power Harness	100-240 Volt
44273602	Steam Control Harness	
204454	Ferrite	EMI; Motor circuit, inverter communication circuit



# Parts Index

## A

Access Panel Trim	
70399406 .....	45, 47
Adapter	
70131901 .....	85
Air Duct	
70500201 .....	71
70588601 .....	73
Airflow Switch and Arm Bracket	
70319602 .....	81
Airflow Switch Arm	
70319401 .....	81
Airflow Switch Kit	
70429601P .....	81
Airflow Switch Vane	
70319201 .....	81
Airflow Switch Wrapper	
70356101 .....	81
Anti-Rattle Burner Assembly	
70546701 .....	83

## B

Base Harness	
70608501 .....	91
70609001 .....	91
Blind Rivet	
F8245101 .....	55, 63
Blower Assembly	
70302201P .....	79
Blower Housing Cover Assembly	
70322802 .....	79
Blower Housing Scroll	
70340801 .....	79
Blower Inlet Cone	
70303101 .....	79
Blower Motor Mounting Plate	
70341001 .....	79
Bracket	
70634201 .....	49
Bracket Assembly	
70569701 .....	29
Burner Grill	
70306501 .....	83
Burner Orifice	
70684105 .....	87
70684106 .....	87
70684107 .....	87
70684109 .....	87
70684110 .....	87
70684112 .....	87
70684113 .....	87
70684114 .....	87
70684116 .....	87
70684117 .....	87
70684118 .....	87
70684120 .....	87
70684123 .....	87

70684134 .....	87
70684136 .....	87
70684139 .....	87
70684140 .....	87
70684142 .....	87
70684143 .....	87
70684144 .....	87
70684146 .....	87
70684149 .....	87
Bypass Harness	
44334103 .....	51, 55

## C

Cable Tie	
70335601 .....	89
Caution Label	
70535101 .....	90
Center Cylinder Seal	
70066005 .....	71, 73
Center Hinge Lug Assembly	
70640401 .....	43
Center Pan	
70606701 .....	73
Center Pan Channel	
70606801 .....	73
Center Partition	
70639101 .....	71, 73
Center Trim	
70299601 .....	51
Central Pay Board Harness	
44355604 .....	35
Central Pay Harness	
44342803 .....	17
44355603 .....	35
44355605 .....	35
Channel Base Assembly	
70300601 .....	71, 73
Chassis Mounting Bracket	
70119001 .....	17, 21
Clip	
M400984 .....	73
70226701 .....	71, 73, 77
Clip Keeper Bracket	
70604901 .....	49
Clip Mount Bracket	
70604801 .....	49
Coin Drop	
38963P .....	31
39748 .....	31
70441601 .....	31
70441603 .....	31
Coin Drop Assembly	
201141 .....	31
210195 .....	31
210196 .....	31
38462P .....	31
38463 .....	31
38467 .....	31
38519 .....	31
70281102 .....	31

N/A items do not appear in index.

70283102	31
70441602	31
70447301	31
70471601	31
70482401	31
70506901	31
Coin Drop Kit	
CK077	31
CK122	33
Coin Identification Paper	
38464P	31
38475	31
38725	31
Coin Meter	
F0160737-00	31
Coin Vault and Emergency Stop Mount Assembly	
70529503	53
Coin Vault Assembly	
70529501	53, 55
Coin Vault Switch Harness	
44334102	51, 55
Coin Vault Trim	
70117501	53
70117502	53
Configuration Harness	
44280006	91
44280007	91
Contact Base	
F8538101	57
Contact Switch	
F8069501	57
Contacto	
70482601	89
Control Assembly	
70478801P	17, 21
70478802	27
70478901	21
70478902	27
70479801	15
70479901	15
70523001	21
70523002	27
70523101	15
70543104	29
Control Bezel	
70642001	55
Control Board Tray	
70527101	89
Control Door and Studs Assembly	
70497401	17, 21
70497801	17, 21
70498001	17
70498401	17, 21
70558501	15, 17, 21, 27, 29
70558601	15, 17, 21, 27
70641801	17, 21
70641802	17, 21
70641803	15, 17, 21, 27, 29
Control Door Latch	
431318	15, 17, 21, 27, 29
Control Housing	
70119901	51
Control Housing Cover	
70307004	35
70307005	35
70307006	35

Control Latch Plate	
70634401	15, 17, 21, 27, 29
Control Plate Kit	
70498201P	17, 21
Control Stiffening Bracket	
70658501	17, 21
Control Trim	
70116901	51
70116902	51
70116905	51
70116906	51
70117001	51
70117002	51
Cylinder and Trunnion Assembly	
70444001P	65
70444002	65
70444003	65
Cylinder Assembly	
70372901P	65
70372902P	65
70372903	65
Cylinder Bearing Stud Plate Assembly	
430352	69, 71, 73
Cylinder Guide Tool	
263P4	65
Cylinder Rib Assembly	
70433001	65
Cylinder Shroud	
70301901	71, 73
70301902	71, 73

---

## D

Danger Label	
F8614501	90
Door Assembly	
44028906	37
44028907	37
44028908	37
44058105	37
44058106	37
44058107	37
44058108	37
44266703	37
44266704	37
44292302B	37
44292302LG	37
44354701	37
44354702	37
44354703	37
44354704	37
44354705	37
44354706	37
44354707	37
44354708	37
44354709	37
70407402	37
Door Glass	
44008401P	39
44008402P	39
44008403	39
44008405	39
Door Glass Installation Tool	
M4221P4	39

N/A items do not appear in index.



Door Glass Label		70513303	31
70650401	39	70513304	31
70707701	39	70513306	31
Door Handle		70513308	31
44007901	39	70513309	31
44263801	39	70513310	31
44370601	39	70513311	31
70521102	39	70513312	31
Door Hinge Assembly		70513313	31
44075209B	41	70513314	31
44075209LG	41	70513315	31
44075212	41	70513316	31
44366603	43	Electronic Coin Drop Kit	
44366605LG	43	CK099	33
44366607	43	CK100	33
44366609B	43	CK101	33
4436661	43	CK108	33
Door Hinge Lug Assembly		CK109	33
44035001	41	CK110	33
44035002	41	CK113	33
Door Hinge Assembly		CK115	33
44075205*	41	CK116	33
44366601W	43	CK117	33
44366605W	43	CK118	33
Door Latch		CK119	33
M401223	51, 53, 55	CK120	33
Door Ring and Handle Assembly		CK121	33
44326007B	39	Emergency Stop Button Kit	
44326007LG	39	70580301	57
Door Ring Assembly		Emergency Stop Bypass Harness	
44326001	39	F8519403	57
44326002	39	Emergency Stop Harness	
44326003B	39	44272401	57
44326004B	39	44272402	57
44326005	39	Emergency Stop Label	
44326006	39	44012901	57
44354807B	39	44012903	57
Door Ring Gasket		Emergency Stop Mounting Bracket	
44008201P	39	70550401	57
70296802	39	Emergency Stop Pushbutton	
Door Seal Kit		F200233500	57
70211902P	39	EMI Filter	
Door Switch Actuator		F8591601	89
70532101	41	F8637501	89
70532102	41	EMI Filter Kit	
Double Ended Stud		70610101	89
70334701	75	70610102	89
Drive Motor		End Cap	
44259501P	75	70070101	65
44259601P	75	70070102	65
Drive Plate		End Stop	
70571901	75	F8449801	89
Drywall Screw Magnet Kit		Ethernet Gateway Kit	
70343101P	65	NK320	35
Duct Access Cover		Exhaust Duct Assembly	
70308701	77	70528501	77
Duct Cover		70528502	77
70307601	77	Exhaust Duct Gaskets Assembly	
		70302801P	77
		Exhaust Pipe Assembly	
		70425801	77
		Expansion Clip	
		70030501	35, 71, 89

## E

Electronic Coin Drop Assembly	
70294107	31
70513302	31

N/A items do not appear in index.

---

**F**

Fan Motor	
70478701P .....	79
70484901P .....	79
FCC-IC Label	
F8613201 .....	35
Ferrite	
204454 .....	91
Filter Input Power Harness	
44316003 .....	91
44316004 .....	91
Filter Output Power Harness	
44316009 .....	91
44316010 .....	91
Foam Gasket	
70598101 .....	63
Fob Communication Harness	
F8719301 .....	21
Fob Reader Control Assembly	
205135 .....	21
Fob Reader Kit	
70666807 .....	35
Forward Valve Cover	
70328201 .....	85
Front Air Duct	
70588301 .....	73
70588302 .....	73
Front Cylinder Seal	
70173402 .....	45, 47, 49
Front Panel Baffle Seal	
70017301 .....	51, 53

---

**G**

Gas Burner	
70229801P .....	83
Gas Valve	
44154507 .....	85
44154508 .....	85
Gas Valve Cover	
70233401 .....	83
Gas Valve Harness	
44273501 .....	85
Gasket	
70289101P .....	49, 77
70392701P .....	79
Ground Lug Connector	
M411283 .....	89

---

**H**

Handle Bar	
70399501B .....	39
Harness	
F8617901 .....	29
Heat Control Harness	
44334604 .....	91
High Altitude Orifice Kit	
70609911 .....	87
70609912 .....	87

N/A items do not appear in index.

High Voltage Suppression Cable	
44239701 .....	83, 85
Hinge Cam Kit	
M4772P3 .....	41
M4773P3 .....	41
Hold-Down Clip	
35865 .....	49
Hot Surface Warning Label	
F8609001 .....	90
F8614301 .....	90

---

**I**

Idler Wheel Assembly	
70050401P .....	75
Igniter Cover	
70159601 .....	83
Ignition Control	
70482001 .....	89
70482002 .....	89
Ignition Keeper Orifice Bracket	
70539901 .....	85
Insulator	
M413862 .....	89
Interconnect Harness	
44272105 .....	57
Inverter Contactor Coil Harness	
44334702 .....	91
Inverter Motor Harness	
44335303 .....	91
I/O Control Assembly	
70479201P .....	89

---

**J**

Junction Box Base Assembly	
70607201 .....	89
Junction Box Harness	
70561501 .....	91
Junction Box Side	
70527001 .....	89

---

**K**

Key	
70155601 .....	51, 55
70155602 .....	59, 63
Kickplate	
70117605 .....	53, 55
70117618 .....	53

---

**L**

Label	
D516100 .....	89
44286801 .....	89
44286803 .....	89
562738 .....	47
70414001 .....	39
70472801 .....	47, 49



---

**N**

## Nameplate

B12389801	51
B8443105	55
F8443105	51
F8688001	55
F8688901	55
567293	55
567887	55
70685901	55

## Nameplate Overlay

44144401	51
70411401	51

## Notice Label

D516073	90
F8609501	90
44321501	90
70534201	90
70535901	85
70539601	90
70544901	85

## Nut

M400022	69, 79
M400034	69, 79
M400035	67
M412986	65, 69
M414215	39
21899	71, 73
29786	79
430576	71, 73
44071201	29
44087101	15, 17, 21, 27, 29, 59, 63
44087201	75
44087301	75
44088001	39, 41, 43
44088801	51, 55, 59, 63
44333202	75
56156	75
70030401	49, 71, 73
70054	17, 21
70288801	71, 73

## N.G. Valve

44154503	85
----------	----

---

**O**

## Opto Coupler

200674P	31
---------	----

## Orifice Adapter

70552801P	85
-----------	----

## Orifice Holder Bracket

70248901	85
----------	----

## Overlay

F8205101	19, 23
F8696101	19, 23
F8696201	23
F8696301	19, 23
F8696302	19, 23
F8733901	23
F8734201	23
F8736501	23
70295101	23
70408002	61
70428702	61

70508801	61
70511701	25
70511702	25
70511705	25
70511706	25
70514501	25
70516901	15
70516902	15
70517101	25
70517102	25
70517104	25
70517105	25
70517201	25
70517901	15
70517902	15
70518101	23
70518102	23
70519101	15
70519102	15
70519501	61
70524501	61
70539001	15
70539002	15
70540901	25
70540902	25
70541001	25
70542101	51
70544801	19
70544802	19
70545301	61
70545401	15
70545402	15
70547101	19
70547201	19
70547301	19
70547302	19
70547601	15
70547602	15
70547701	27
70547702	27
70548001	61
70548901	27
70548902	27
70552601	61
70554601	51
70556201	23
70556301	23
70556401	23
70556402	23
70556501	19, 23
70556502	19, 23
70556601	23
70556701	23
70556801	23
70556901	23
70557001	19, 23
70557002	19, 23
70558801	25
70569201	61
70569401	61
70570401	19
70570402	19
70570501	19
70570701	27
70570702	27
70570901	27
70570902	27
70571201	25
70571202	25

N/A items do not appear in index.

70571301	25
70571501	27
70571502	27
70571701	27
70571702	27
70572101	61
70572301	61
70572501	27
70572502	27
70572701	25
70573201	61
70573301	25
70595201	29
70598301	25
70598401	61
70625801	25
70625802	25
70625901	25
70626501	61
70634501	25
70634502	25
70634503	25
70634504	25
70634505	25
70634601	25
70634602	25
70634603	25
70634604	25
70634605	25
70635501	29
70635601	29
70635701	27
70635702	27
70635801	27
70635802	27
70635901	15
70635902	15
70636001	15
70636002	15
70637001	27
70637002	27
70637101	27
70637102	27
70637201	15
70637202	15
70637301	15
70637401	25
70637402	25
70637403	25
70637501	25
70637502	25
70637503	25
70637801	25
70637802	25
70637803	25
70637804	25
70637805	25
70637901	25
70637902	25
70637903	25
70637904	25
70637905	25
70638001	15
70638002	15
70638101	15
70638102	15
70638501	27
70638502	27
70638601	27

70638602	27
70645601	23
70645701	23
70645801	23
70645901	23
70646001	19, 23
70646002	19, 23
70646101	23
70646102	23
70647201	19
70647202	19
70647203	19
70647301	19
70647302	19
70647303	19
70647401	19
70647402	19
70647403	19
70647501	19
70647502	19
70647503	19
70685301	25
70685401	25

---

## P

Panel Clip	
M406494	51
Panel Lock	
44089304	51, 55
44390902	59, 63
Pin	
70071401	41
Pinch Warning Label	
F8615701	90
70538401	90
Pipe	
70262601	85
Pipe Clip	
70203701	83
Pipe Nipple	
70435601	85
70612603	85
Plug	
70167601	85
Pop Rivet	
M400003	15, 17, 21, 27, 29
44166601	51, 53, 55
44251101	51
70058501	41, 43, 49, 71, 73, 85
70126301	53, 55
70126401	53
70412601	39
Porcelain Touch-Up Paint	
122P4P	71, 73
370P4P	71
Power Harness	
44272102	91
44280102	91
70500601	85, 89
Power Supply Transformer Harness	
44272303	35
Primary Air Adjustment Sleeve	
70239801	85

N/A items do not appear in index.

Pushbutton Switch	
70413301 .....	51, 53, 55

## R

Rear Bearing Shim	
70355001 .....	69
Rear Cylinder Bearing Housing	
70013901 .....	69
Rear Cylinder Channel	
70305201 .....	65
70305202 .....	65
Rear Cylinder Channel Plate	
70305301 .....	65
Rear Cylinder Seal	
70013701P .....	69
70013703P .....	71, 73
Rear Cylinder Seal Support	
70506402 .....	69
70506403 .....	71, 73
Rear Panel	
70588501 .....	71, 73
Rear Stabilizer Bracket	
70200301 .....	79
Rear Valve Cover	
70282401 .....	85
Reed Switch Assembly	
F8066804 .....	55
Reed Switch Box	
70606301 .....	55
Rivet	
70614201 .....	49
Roller and Seal Kit	
70616701 .....	71, 73
Roller Seal	
70443601 .....	71, 73
Roller Shaft	
70249501 .....	71, 73
Roller Support Bracket	
70339001 .....	71
70588901 .....	73

## S

Screw	
D501524 .....	15, 17, 21, 27, 29
F430144 .....	75
F8206901 .....	35, 89
F8458801 .....	43
M400044 .....	41
M400661 .....	39
M405188 .....	51
M411072 .....	35, 77
05161 .....	83
23222 .....	79
39733 .....	89
430497 .....	55, 63, 65, 71, 73, 77, 79, 83, 85, 89
430757 .....	81
44349101 .....	43
51780 .....	35, 79, 89
51783 .....	89
62588 .....	65
685837 .....	89

70033502 .....	41, 51, 53
70069901 .....	53
70126101 .....	79
70126104 .....	75
70182601 .....	51, 53
70247701 .....	71, 73
70275801 .....	51, 53
70391101 .....	65
70407301 .....	41
70436301 .....	41
70442101 .....	39
70501301 .....	75
70508301 .....	75
70546301 .....	75
70576101 .....	41
70640201 .....	43
70640301 .....	43
802822 .....	43
Shadow Box Clip	
M400972 .....	51, 53
Sheet Metal Edge Gasket	
70015707 .....	71, 73
70015708 .....	71, 73
Shock Warning Label	
F8614201 .....	90
F8614401 .....	90
Side Panel	
70301801DG .....	71
70301801LG .....	71
70301801*P .....	71
70301802DG .....	71
70301802LG .....	71
70301802W .....	71
70639601DG .....	73
70639601LG .....	73
70639601W .....	73
70639602DG .....	73
70639602LG .....	73
70639602W .....	73
Slip Ring Assembly	
44222702 .....	67
Slip Ring Holder	
70455401 .....	67
Slot Card Plate Assembly	
44089501 .....	17, 21
Snap Bushing	
M400770 .....	85
44071501 .....	89
70476001 .....	89
Spacer	
431264 .....	51
70488403 .....	75
Spark Electrode	
70548701P .....	83
Spray Paint	
298P4P .....	71, 73
381P4 .....	71
Spring	
70571801 .....	75
Spring Catch Bracket	
70543401 .....	75
Standoff	
70569603 .....	75
Steam Control Harness	
44273602 .....	91

N/A items do not appear in index.

Stove Back	
70375201 .....	83
Stove Limit Harness	
70564301 .....	83, 85
Stove Top and Sides	
70306001 .....	83
Street Elbow	
H86070034 .....	85
70612501 .....	85
Supply Harness	
44272306 .....	35
Support Bearing	
70448701 .....	69
Switch	
431159 .....	71
70411901 .....	81
Switch Bracket	
70356301 .....	81

## T

Tee	
F422208 .....	85
70071801 .....	85
Tensioning Bracket	
70569501 .....	75
Terminal Block	
430642 .....	89
Terminal Block Shield	
70333001 .....	89
Thermistor	
M414704 .....	79
Thermostat Cover	
M414477 .....	83
Top Panel	
70339501 .....	71
70339601 .....	71
70606501 .....	73
70626901 .....	73
Transformer	
F8491101 .....	89
202757 .....	35
202758 .....	35
Transformer Harness	
44272304 .....	35
44272305 .....	35
Trunnion and Seal Kit	
70564805 .....	65
70564806 .....	65
Tube	
70281602 .....	85
Tumbler Dolly Kit	
M4379P4 .....	53

## U

Upper Front Panel	
70616901 .....	45
70617801* .....	45
70617901DG .....	45
70617901LG .....	45
70639702LG .....	49

Upper Front Panel Assembly	
70391505 .....	45
70702304 .....	49
70702304W .....	49
Upper Hinge Gusset	
70632001 .....	43
Upper Lug Assembly	
70639301 .....	43
70639303 .....	43
USB Bracket	
70653901 .....	29
USB Gateway Kit	
NK330 .....	35
USB IR Interface Kit	
203346 .....	35
USB-Serial Interface Assembly	
203440 .....	29

## V

Vend Activation Harness	
70577101 .....	15, 17, 21, 27

## W

Warning Label	
F8611601 .....	90
44321601 .....	90
44324101 .....	90
70534301 .....	49, 51, 53
70534302 .....	49
70534401 .....	47
70534402 .....	47
70534405 .....	90
70536401 .....	90
Washer	
M400991 .....	69, 79
70261401 .....	71, 73
70292801 .....	29
70409301 .....	39
70411301 .....	65
Wire Guard	
201595P .....	31
Wire Label	
44286804 .....	89
Wireless Control Label	
204692 .....	35
Wireless Network Board Harness	
F8536002 .....	35
Wireless Network Control Assembly	
203532 .....	35
807211 .....	35
Wireless Network Harness	
F8674007 .....	35
Wireless Network Kit	
70596302 .....	35
70609801 .....	35

N/A items do not appear in index.

