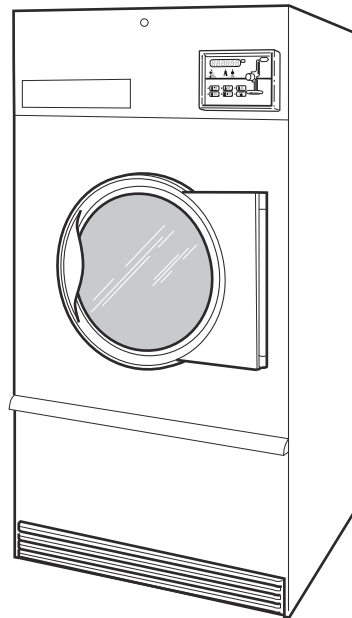


Tumble Dryers

75 Pound Capacity

18 Digit Model Numbers with 3 in 13th Position

Refer to Page 3 for Model Numbers



TMB1284C_70595001

Table of Contents

Title	Page
Parts Ordering Information.....	2
Serial Plate Location	2
Model Identification	3
Product Overview - Heat Source and Voltage	4
Product Overview - FN Control Suffix	6
Product Overview - DN and NN Control Suffixes.....	8
Product Overview - B, N and W Control Suffixes.....	10
Control Box	12
Fire Suppression System Control Box	14
Dual Digital Control	16
Electronic Display Control - Vend Models with B in the 7th Position	18
Electronic Display Control - Vend Models with N or W in the 7th Position.....	20
Electronic Display Control - OPL Models with N in the 7th Position	22
Coin Drops	24
Coin Drop Kits.....	26
Central Pay and Card Reader Components	28
Emergency Stop Button - OPL Models	30
Cabinet Front Components.....	32
Cabinet Panels and Nameplates	34
Front Panel Assemblies	36
Lower Cabinet Front Components	38
Lint Panel Components.....	40
Cabinet Components	42
Rear Panel and Belt Guard Components	44
Door Components.....	46
Hinge Components	48
Cylinder and Trunnion Components	50
Bearing Components	52
Moisture Sensing Components.....	54
Drive Motor Components	56
Blower and Exhaust Components.....	58
Airflow Switch Assembly	60
Gas Heater Components	62
Burner Orifices	64
Electric Heater Components	66
Steam Heater and Valve	68
Control Tray	70
Accessory Box - Electric 200-240 Volt Models	72
Accessory Box - Electric 380-480 Volt Models	74
Harnesses.....	76
Labels	77
Parts Index.....	79

© Copyright 2023, Alliance Laundry Systems LLC

All rights reserved. No part of the contents of this book may be reproduced or transmitted in any form or by any means without the expressed written consent of the publisher.

Parts Ordering Information

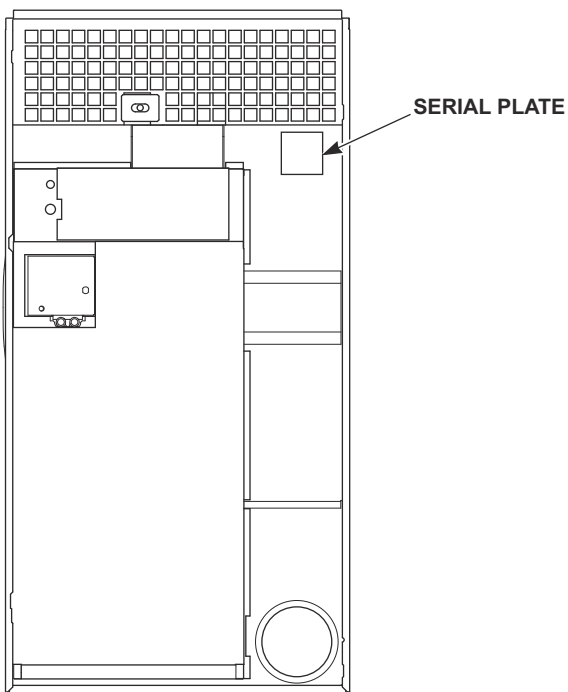
If literature or replacement parts are required, contact the source from whom the machine was purchased or contact Alliance Laundry Systems at (920) 748-3950 for the name and address of the nearest authorized parts distributor.

For technical assistance, call the number listed below:

(920) 748-3121 Ripon, Wisconsin

Serial Plate Location

When calling or writing about your product, be sure to mention model and serial numbers. Model and serial numbers are located on serial plate(s) as shown.



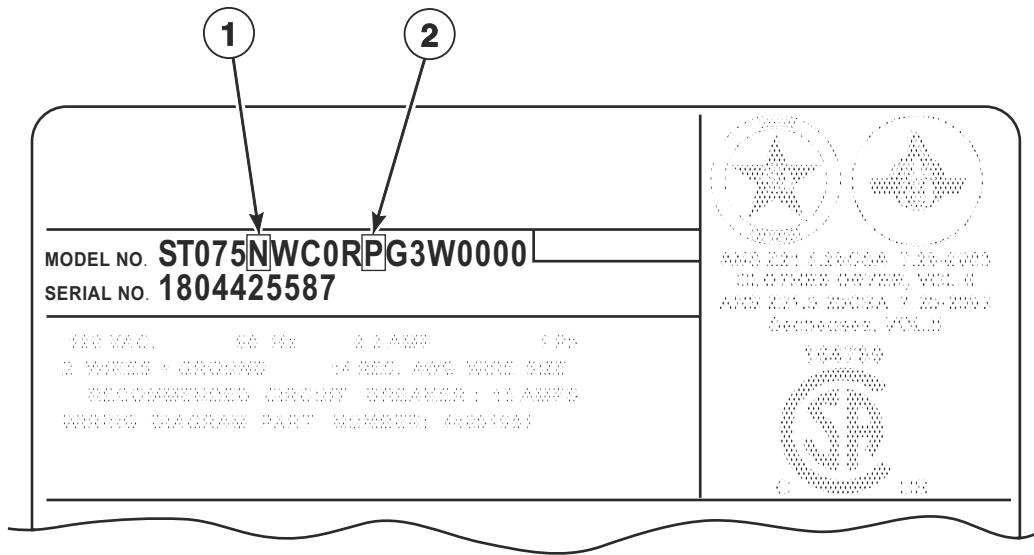
TMB2622N_70595001

Model Identification

Information in this manual is applicable to these tumbler models:

GA075E	KT075E	MG075D	NA075E
GA075L	KT075L	MG075E	NA075L
GA075M	KT075M	MG075F	NA075M
GA075N	KT075N	MG075L	NA075N
GA075S	KT075S	MG075M	NA075S
GG075E		MG075N	NG075E
GG075L		MG075R	NG075L
GG075M		MG075S	NG075M
GG075N		MJ075D	NG075N
GG075S		MJ075E	NG075S
GH075E		MJ075F	NH075E
GH075L		MJ075L	NH075L
GH075M		MJ075M	NH075M
GH075N		MJ075N	NH075N
GH075S		MJ075R	NH075S
GJ075E		MJ075S	NJ075E
GJ075L			NJ075L
GJ075M			NJ075M
GJ075N			NJ075N
GJ075S			NJ075S
GK075E			NK075E
GK075L			NK075L
GK075N			NK075N
GU075E			NR075E
GU075L			NR075S
GU075M			NT075E
GU075N			NT075L
GU075S			NT075M
			NT075N
			NT075S
			NU075E
			NU075L
			NU075M
			NU075N
			NU075S

Product Overview - Heat Source and Voltage



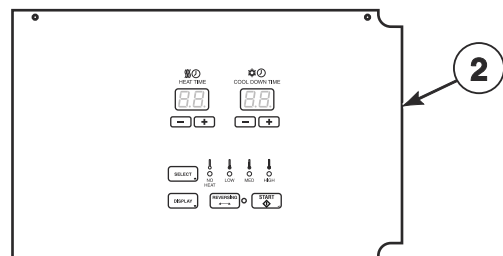
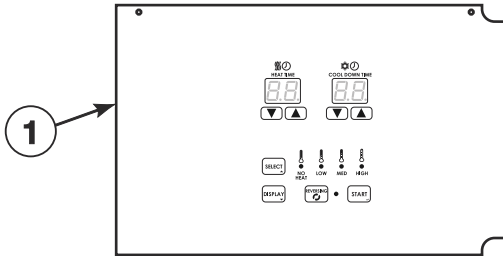
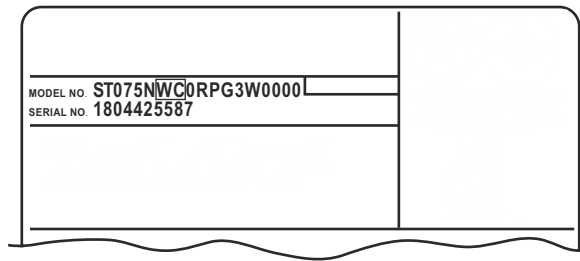
TMB3595P_70595001

Product Overview - Heat Source and Voltage

REF	PART NO.	DESCRIPTION	COMMENTS
1	-	Heat Source	D: Liquid Petroleum Gas (L.P.) E: Electric F: Reduced Electric (Eco Line) L: Liquid Petroleum Gas (L.P.) M: Medium Electric N: Natural Gas (N.G.) R: Reduced Gas, Natural Gas (Eco Line) S: Steam
2	-	Voltage	B: 100-120 Volt/50-60 Hertz/1 Phase; Gas and steam models F: 200-208 Volt/50-60 Hertz/3 Phase; Electric models G: 230-240 Volt/50-60 Hertz/3 Phase; Electric models H: 380 Volt/50-60 Hertz/3 Phase; Electric models J: 400-415 Volt/50-60 Hertz/3 Phase; Electric models K: 440 Volt/50-60 Hertz/3 Phase; Electric models L: 460-480 Volt/50-60 Hertz/3 Phase; Electric models N: 440-480 Volt/50-60 Hertz/3 Phase; Gas and steam models P: 380-415 Volt/50-60 Hertz/3 Phase; Gas and steam models X: 200-240 Volt/50-60 Hertz/1-3 Phase; Gas and steam models

Product Overview - FN Control Suffix

G, K and N models; OPL



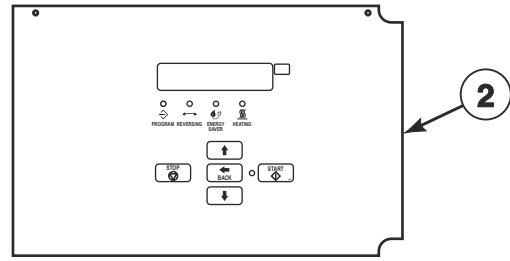
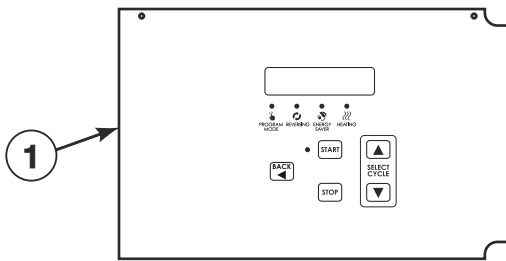
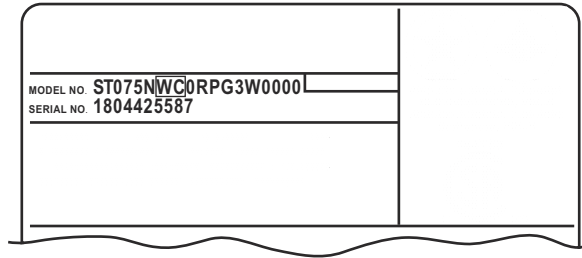
TMB3605P_70595001

Product Overview - FN Control Suffix

REF	PART NO.	DESCRIPTION	COMMENTS
1	-	Dual Digital Control	G and K models
2	-	Dual Digital Control	N models

Product Overview - DN and NN Control Suffixes

G, K and N Models



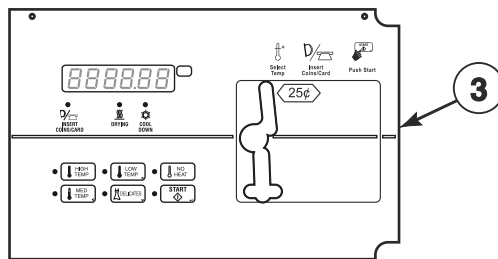
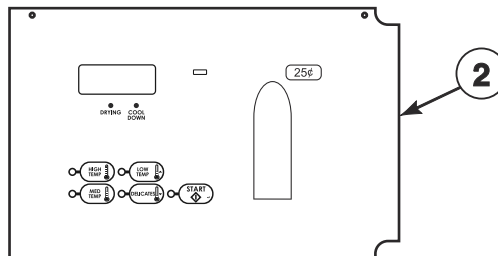
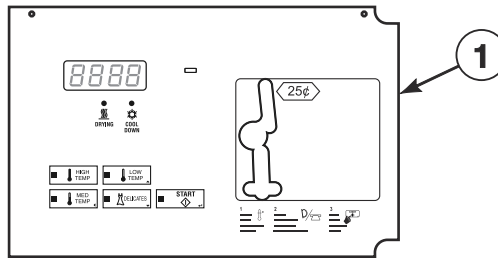
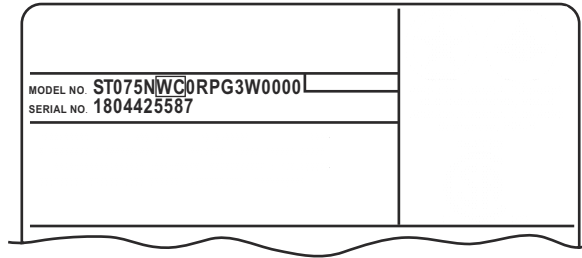
TMB3606P_70595001

Product Overview - DN and NN Control Suffixes

REF	PART NO.	DESCRIPTION	COMMENTS
1	-	OPL Micro Control	G and K models
2	-	OPL Micro Control	N models

Product Overview - B, N and W Control Suffixes

7th Position of the Model Number; All Models Except NT Models; Vend

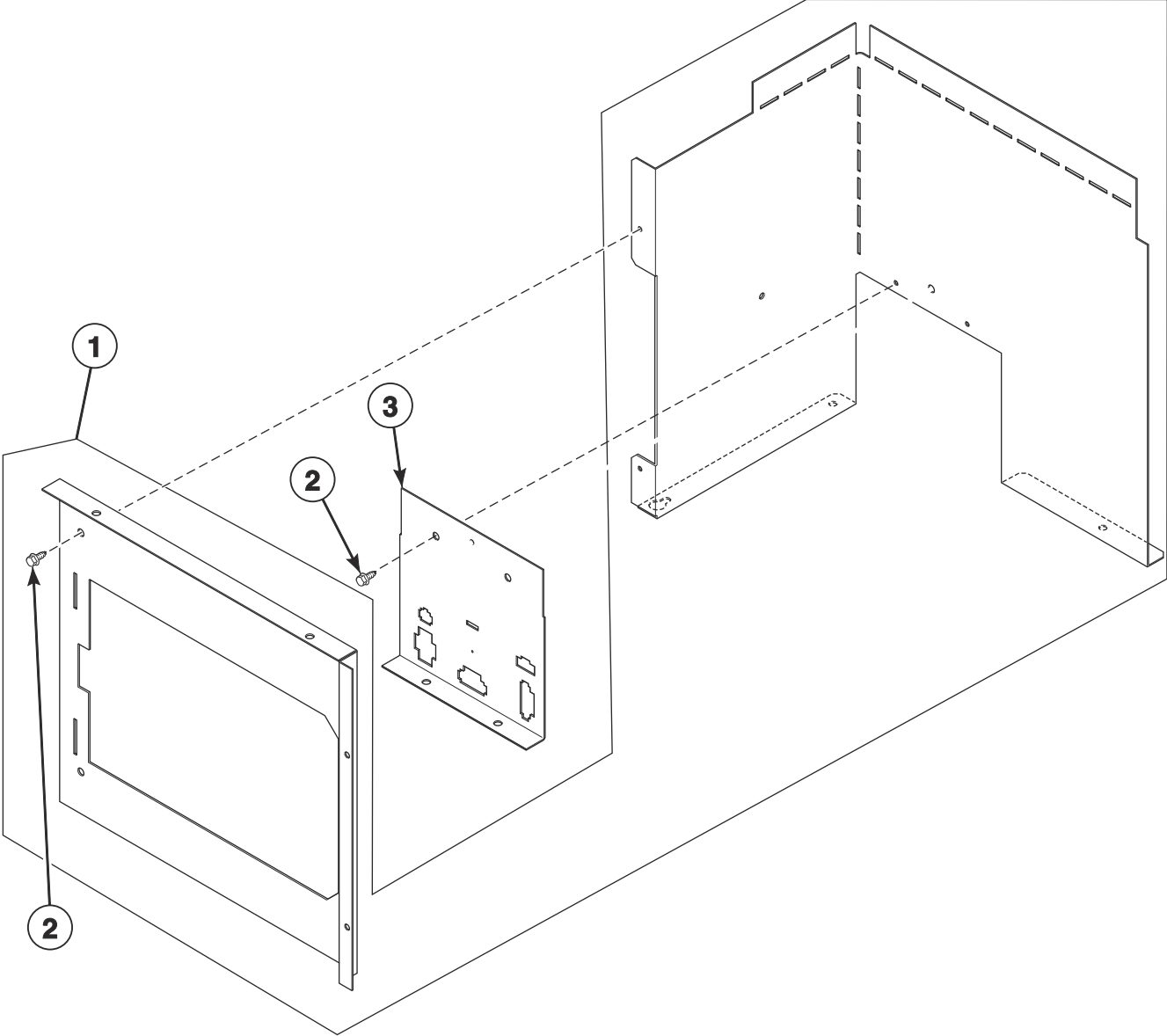


TMB3607P_70595001

Product Overview - B, N and W Control Suffixes

REF	PART NO.	DESCRIPTION	COMMENTS
1	-	Basic Electronic Control	N models
2	-	Basic Electronic Control	G and K models
3	-	Quantum Gold Control	M models

Control Box



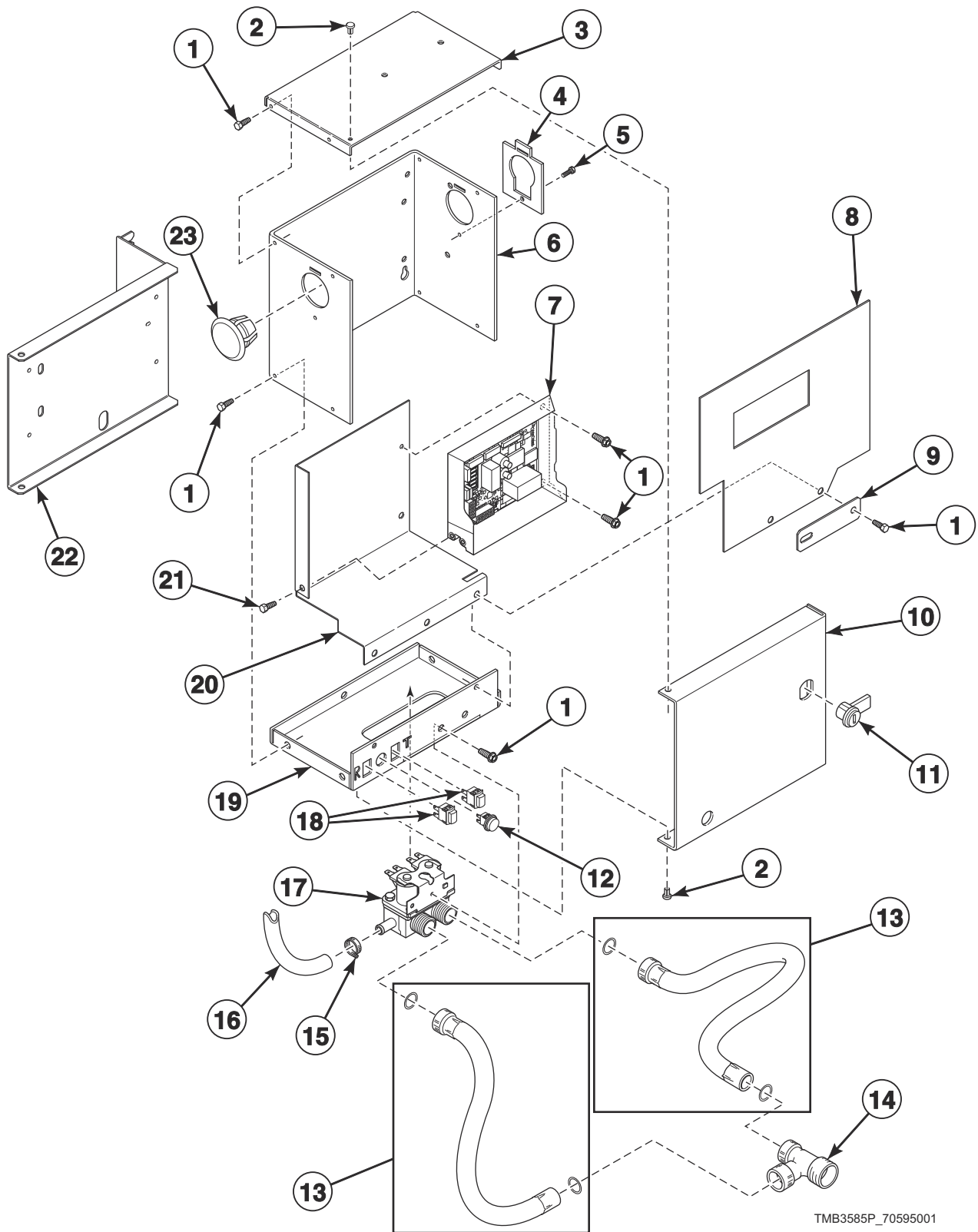
TMB3524P_70595001

Control Box

REF	PART NO.	DESCRIPTION	COMMENTS
	44334201	Main Harness	
1	44180101	Control Box Assembly	
2	430497	Screw	
3	70307007	Harness Mounting Plate	

Fire Suppression System Control Box

G, K and NT Gas and Steam Models



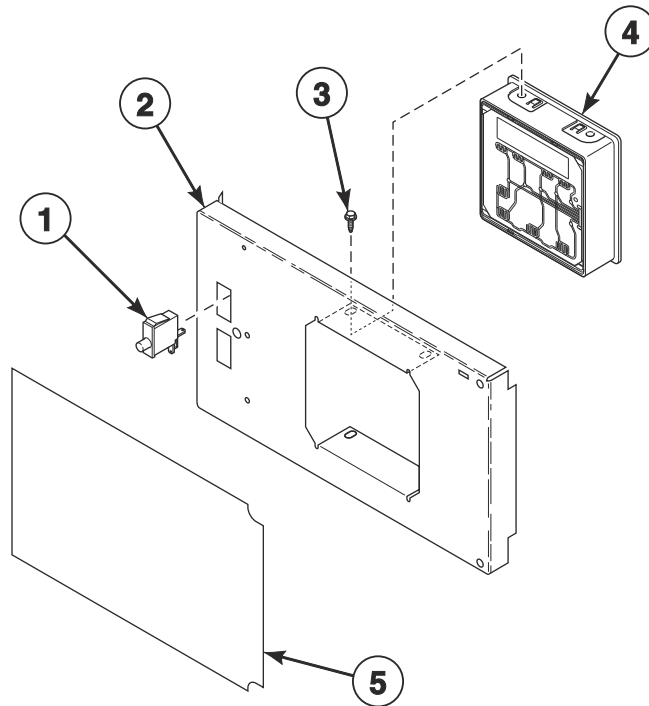
TMB3585P_70595001

Fire Suppression System Control Box

REF	PART NO.	DESCRIPTION	COMMENTS
	44340301	Cold Weather Kit	
	70155601	Key	RL001; Use with item 11
	44334404	Control Harness	
	44334405	Water Valve Harness	
	44334402	Power Sensor Harness	
	44334406	Sensor Harness	
	44334401	Interconnect Harness	
	44324501	Warning Label	F.S.S.; CSA models
	44324500	Label Kit	F.S.S.; IEC models
	F8614401	Shock Warning Label	CSA models
	F8614201	Shock Warning Label	IEC models
	44318200	Label Kit	IEC models
	44324502	Warning Label	
	44318201	Label	CSA models
1	430497	Screw	
2	M400713	Drive Rivet	
3	44307101	Control Box Top	
4	70523301	Harness Adapter Plate	
5	51780	Screw	
6	44306701	Control Box Housing	
7	70511601	Control	
8	44326801	Shield	
9	70551701	Filter Mounting Plate	
10	44065201	Control Box Cover	
11	44089301P	Lock, Key and Nut Kit	RL001 key code; Optional if same key is to be used for control lock
12	801432	Light	
13	202799	Fill Hose	2 required
14	44069101	Hose Fitting	CSA models
15	36801	Hose Clamp	
16	44073304	Hose	14 inches; Outlet hose
17	70519801	Mixing Valve	
18	801434W	Push-to-Start Switch	2 required
19	44065301	Control Box Base	
20	44306601	Mixing Valve Shield Bracket	
21	804608	Screw	
22	44308701	Mount Bracket	
23	70180001	Plug	

Dual Digital Control

G, K and N Models with F in the 7th Position



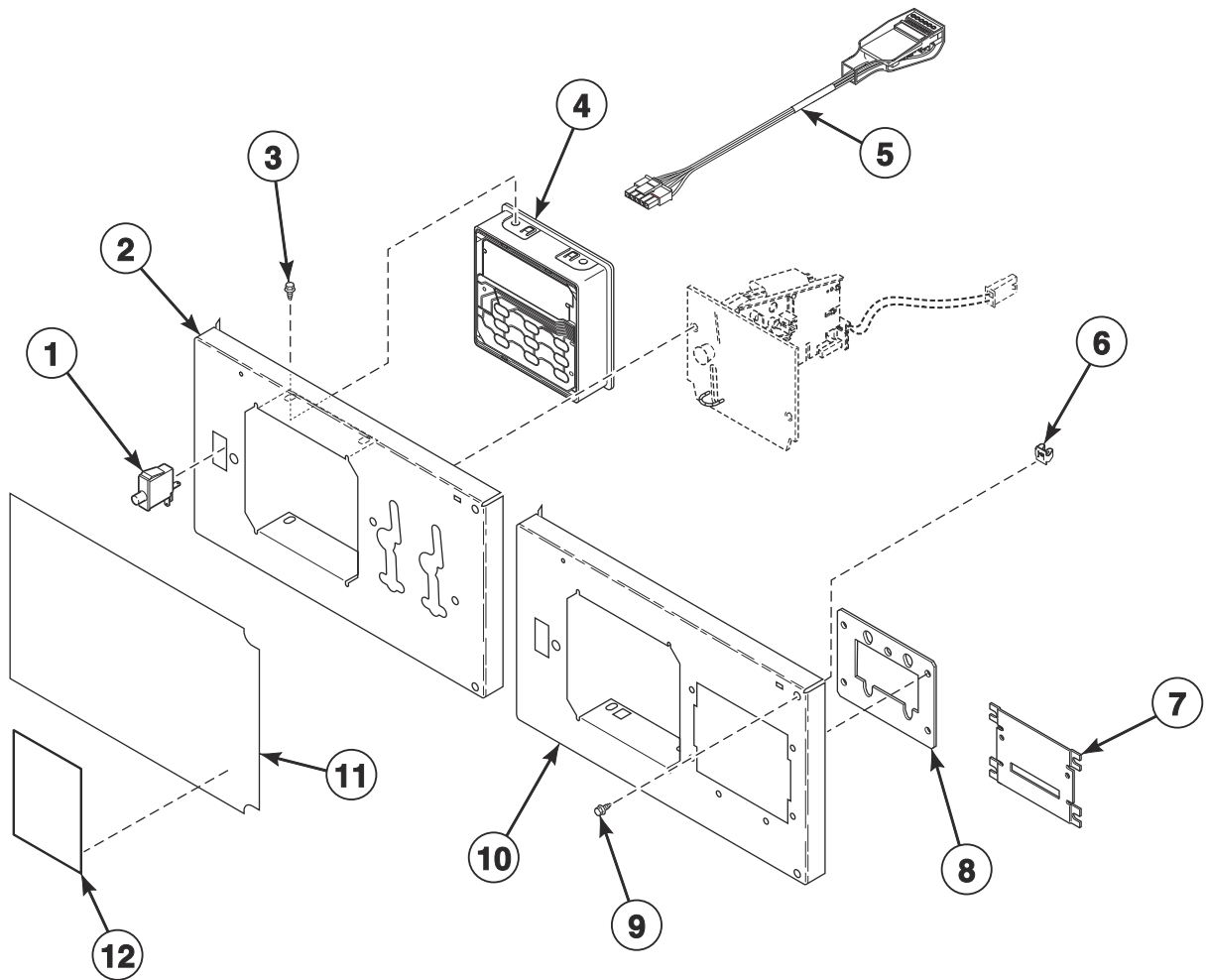
TMB3505P_70595001

Dual Digital Control

REF	PART NO.	DESCRIPTION	COMMENTS
	44334004	Vend Activation Harness	
1	70413301	Pushbutton Switch	
2	70497101	Control Plate	
3	804608	Screw	4 required
4	70479801	Control Assembly	Green
5	70547502	Overlay	G and K models; Nonreversing
	70547501	Overlay	G and K models; Reversing
	70516802	Overlay	N models; Nonreversing
	70516801	Overlay	N models; Reversing

Electronic Display Control - Vend Models with B in the 7th Position

G, K and N Models



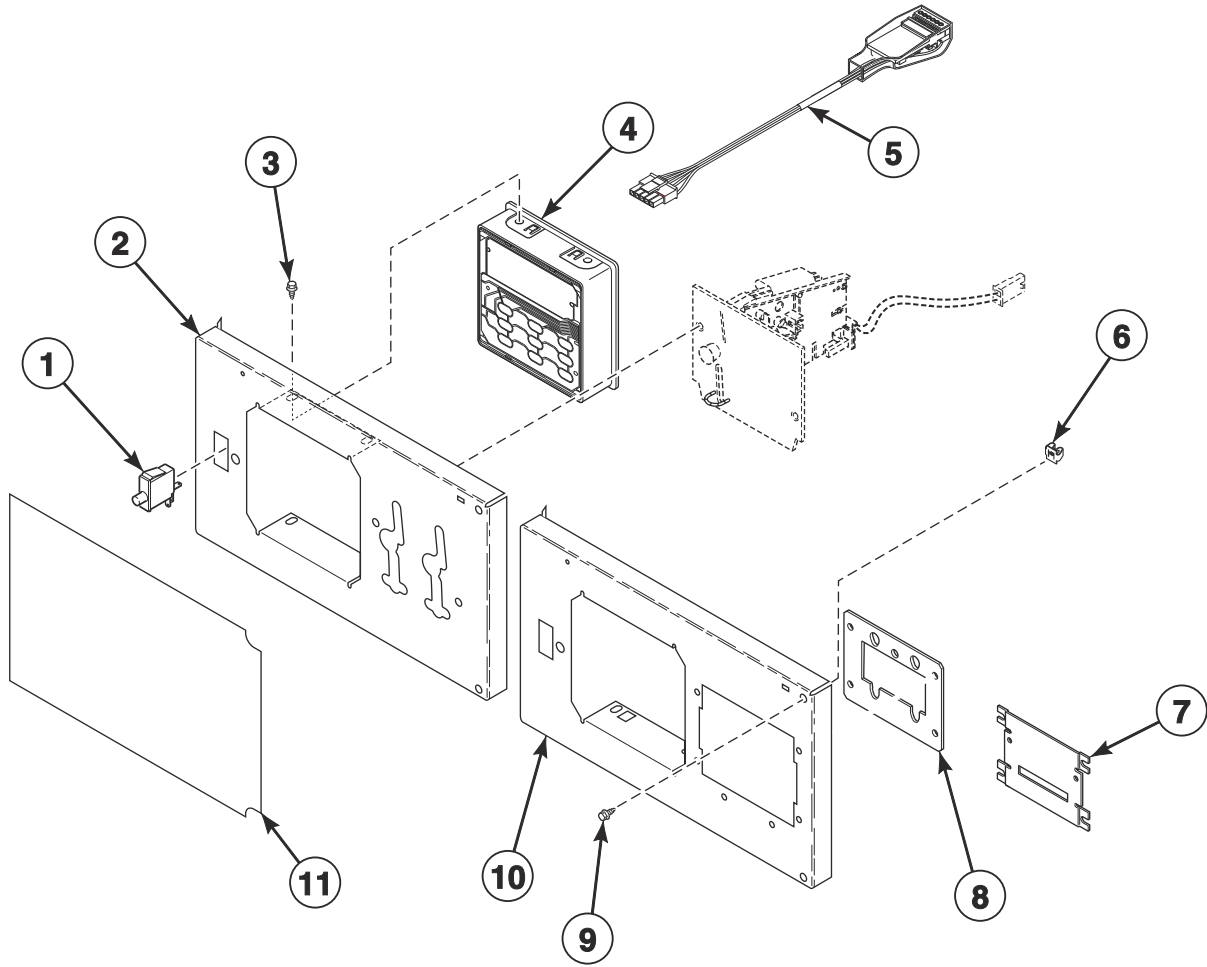
TMB3678P_70595001

Electronic Display Control - Vend Models with B in the 7th Position

REF	PART NO.	DESCRIPTION	COMMENTS
	44334004	Vend Activation Harness	
	44342801	Central Pay Harness	Models through November 2018
1	70413301	Pushbutton Switch	
2	70496601	Control Plate and Studs Assembly	Coin and central pay
3	804608	Screw	4 required
4	70478801P	Control Assembly	
5	203361P	Machine ID Control Assembly	Model or serial number is required when ordering
6	70030501	Expansion Clip	2 required
7	44089501	Slot Card Plate Assembly	N models; Included in literature packet
8	70208801	Mounting Plate	
9	M411072	Screw	2 required
10	70497201	Control Plate Assembly	Card and card ready
11	70547401	Overlay	G and K models; Single drop
	70547402	Overlay	G and K models; Dual drop
	70548101	Overlay	G and K models; Card ready
	70544701	Overlay	N models; Single drop
	70544702	Overlay	N models; Dual drop
	70544703	Overlay	N models; Card ready
12	F8205101	Overlay	Black; Single drop; Left
	70557001	Overlay	N models; Prep for card
	70557002	Overlay	N models; Central pay

Electronic Display Control - Vend Models with N or W in the 7th Position

G, K and M Models



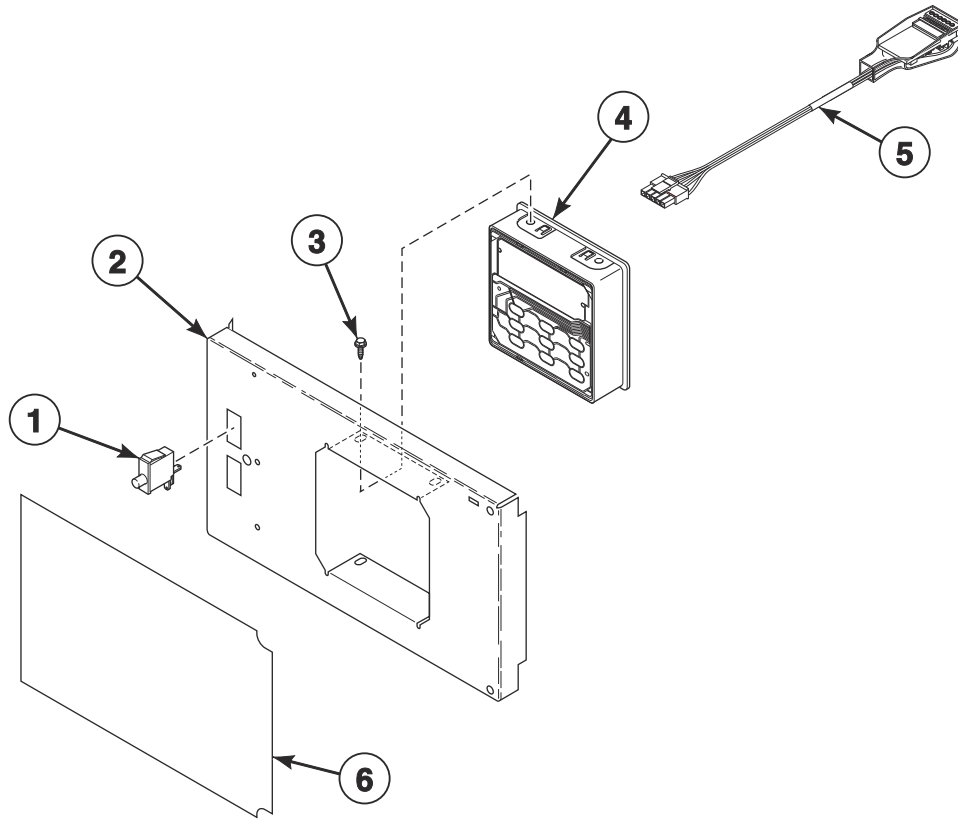
TMB3682P_70595001

Electronic Display Control - Vend Models with N or W in the 7th Position

REF	PART NO.	DESCRIPTION	COMMENTS
	44334004	Vend Activation Harness	
1	70413301	Pushbutton Switch	
2	70496601	Control Plate and Studs Assembly	Coin and central pay
3	804608	Screw	4 required
4	70478801P	Control Assembly	Green
5	203361P	Machine ID Control Assembly	Model or serial number is required when ordering
6	70030501	Expansion Clip	
7	44089501	Slot Card Plate Assembly	
8	70208801	Mounting Plate	
9	M411072	Screw	
10	70497201	Control Plate Assembly	Card and card ready
11	70572601	Overlay	M models
	70626001	Overlay	G and K models; Single drop
	70626002	Overlay	G and K models; Dual drop
	70626101	Overlay	G and K models; Card ready

Electronic Display Control - OPL Models with N in the 7th Position

G, K and N Models



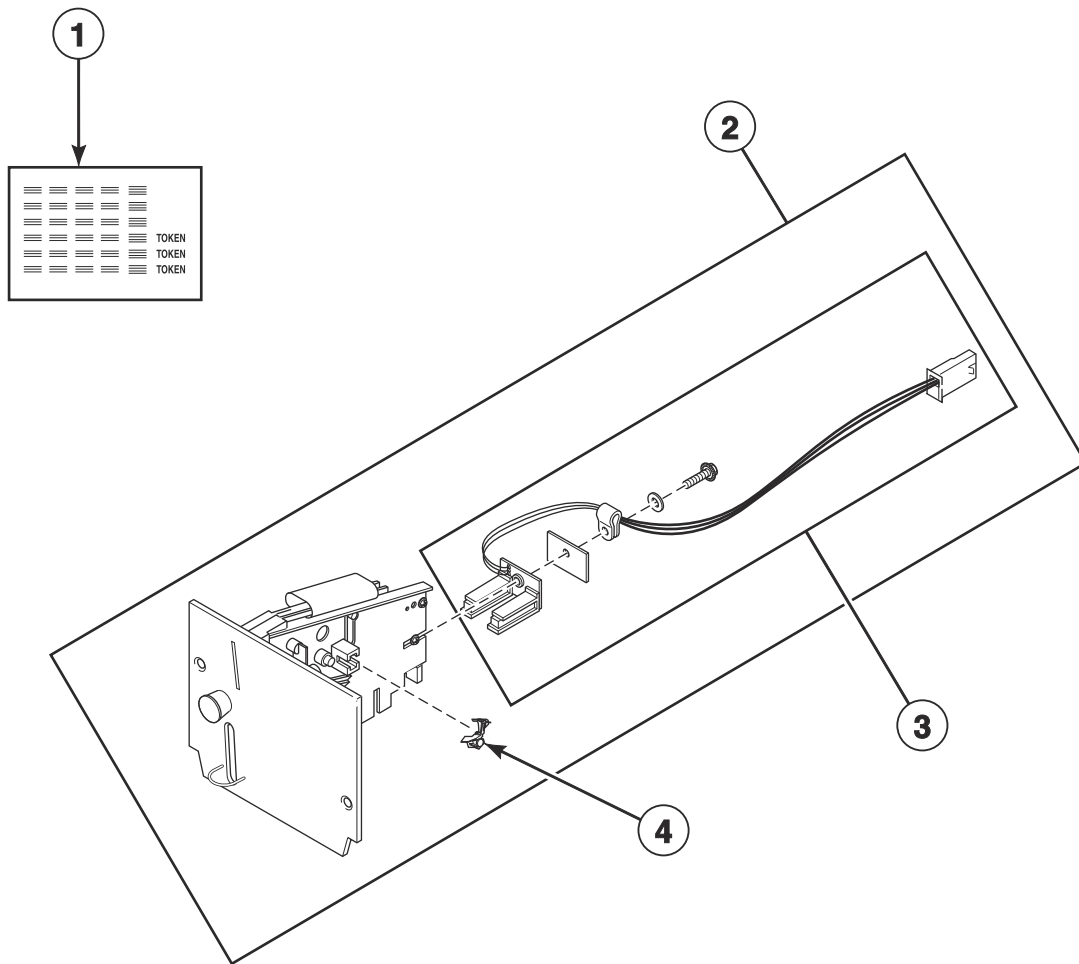
TMB3680P_70595001

Electronic Display Control - OPL Models with N in the 7th Position

REF	PART NO.	DESCRIPTION	COMMENTS
	44334004	Vend Activation Harness	
1	70413301	Pushbutton Switch	
2	70497101	Control Plate	
3	804608	Screw	4 required
4	70478802	Control Assembly	
5	203361P	Machine ID Control Assembly	Model or serial number is required when ordering
6	70547801	Overlay	G and K models; Reversing
	70547802	Overlay	G and K models; Nonreversing
	70572401	Overlay	NT models through 10/9/19; All other N models; Reversing
	70572402	Overlay	NT models through 10/9/19; All other N models; Nonreversing
	70570601	Overlay	NT models starting 10/10/19; Reversing
	70570602	Overlay	NT models starting 10/10/19; Nonreversing

Coin Drops

All Models Except NT Models



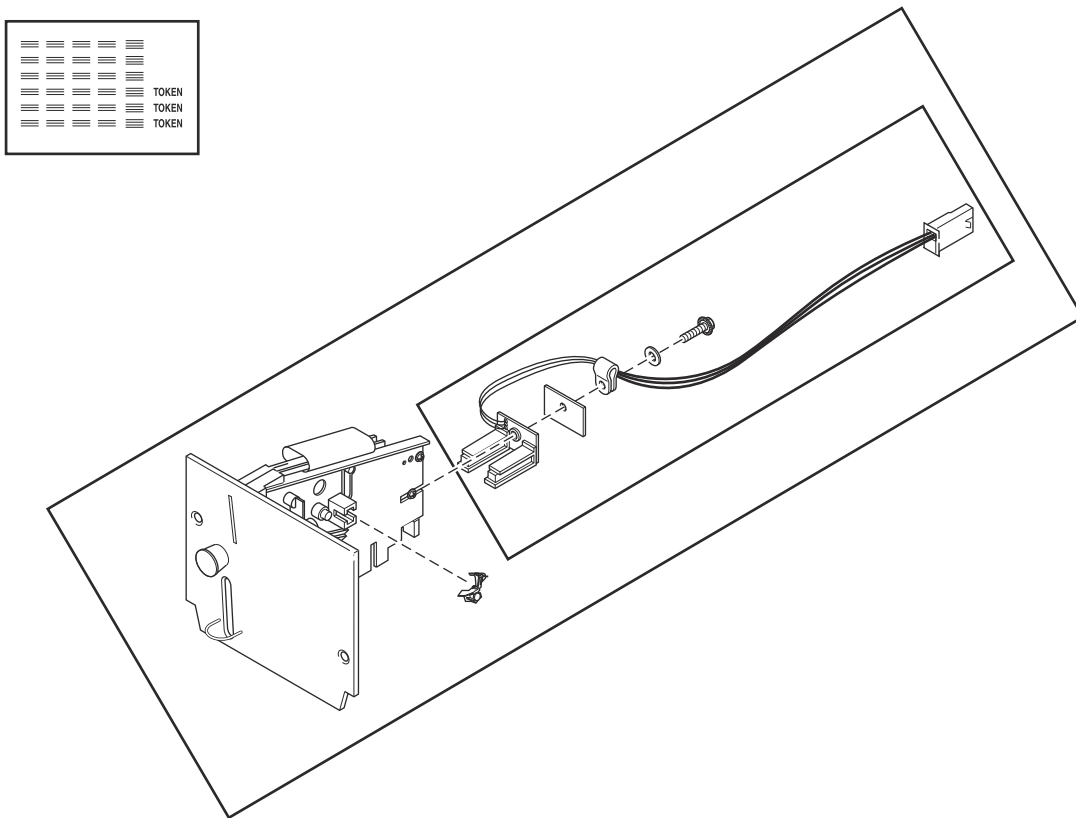
TMB3510P_70595001

Coin Drops

REF	PART NO.	DESCRIPTION	COMMENTS
1	38725	Coin Identification Paper	
2	70441601P	Coin Drop	Single; U.S.A.; \$.25
	38475	Coin Drop Assembly	Single; Japan; 100 yen
	38464P	Coin Drop Assembly	Single; Canada; .25
	CK077	Coin Drop Kit	Single; Taiwan; 10 NT
	70506901	Coin Drop Assembly	Single; Singapore; \$1.00 NEW
	70441603	Coin Drop	Dual; U.S.A.; \$.25 and \$1.00
	38519	Coin Drop Assembly	Dual; Japan; 100 yen and 500 yen
	70441602	Coin Drop Assembly	Dual; Canada; .25 and 1.00
	38467	Coin Drop Assembly	Dual; Australia; \$0.20 and \$1.00
	70447301	Coin Drop Assembly	Dual; Australia; \$1.00 and \$2.00
	70283102	Coin Drop Assembly	Dual; 0.20 and 0.50 Euro
	210195	Coin Drop Assembly	Dual; 0.20 and 1.00 Euro
	210196	Coin Drop Assembly	Dual; 0.50 and 1.00 Euro
	F0160737-00	Coin Meter	Dual; 0.50 and 2.00 Euro
	70281102	Coin Drop Assembly	Dual; Taiwan; 10 and 50 NT
	70482401	Coin Drop Assembly	Dual; New Zealand ; \$1.00 and \$2.00
	38462P	Coin Drop Assembly	Single; Token; STD 118-1
	38463	Coin Drop Assembly	Single; Token; STD 118-5
	38963P	Coin Drop	Single; Token STD 118-16
	39748	Coin Drop	Single; Jeton 08MS
	201141	Coin Drop Assembly	Single; Token; Jeton wh121
	70471601	Coin Drop Assembly	Single; Token; 7K
	70513302	Electronic Coin Drop Assembly	Euro and Great Britain coins
	70513310	Electronic Coin Drop Assembly	Japan and Thailand coins
	70513304	Electronic Coin Drop Assembly	Australia, New Zealand, Hong Kong and South Korea coins
	70513303	Electronic Coin Drop Assembly	Denmark, Norway and Euro coins
	70513306	Electronic Coin Drop Assembly	Mexico, Ecuador and U.S.A. coins
	70294107	Electronic Coin Drop Assembly	Lithuania, Latvia and Euro coins
	70513311	Electronic Coin Drop Assembly	China and Malaysia coins
	70513308	Electronic Coin Drop Assembly	South African 1, 2 and 5 rand coins
	70513309	Electronic Coin Drop Assembly	Euro coins
	70513312	Electronic Coin Drop Assembly	Russia coins
	70513313	Electronic Coin Drop Assembly	Phillipines coins
	70513314	Electronic Coin Drop Assembly	Thailand coins
	70513315	Electronic Coin Drop Assembly	Chile coins
	70513316	Electronic Coin Drop Assembly	Singapore coins
3	200674P	Opto Coupler	
4	201595P	Wire Guard	

Coin Drop Kits

All Models Except NT Models



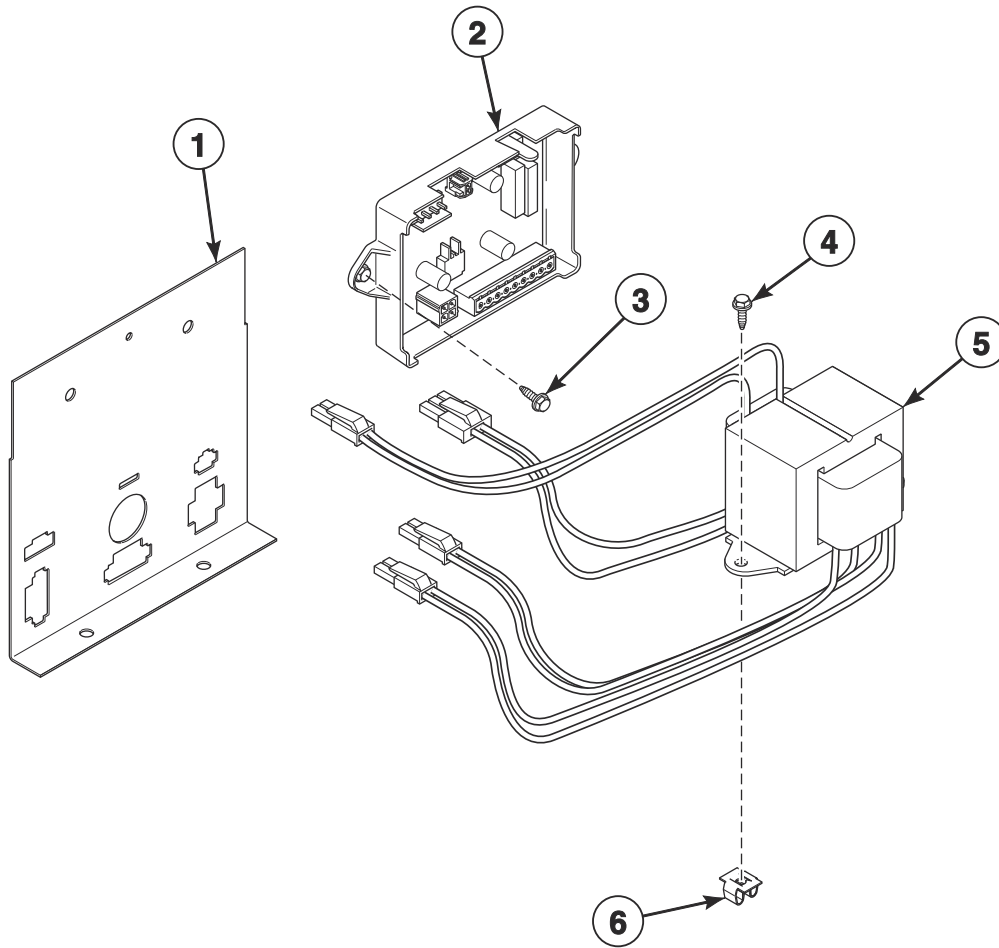
TMB3510PA_70595001

Coin Drop Kits

REF	PART NO.	DESCRIPTION	COMMENTS
	CK115	Electronic Coin Drop Kit	United States and Canada
	CK099	Electronic Coin Drop Kit	Australia (default), New Zealand, Hong Kong, South Korea and Malaysia
	CK100	Electronic Coin Drop Kit	United Kingdom (default) and Europe
	CK101	Electronic Coin Drop Kit	Europe (default), Denmark and Norway
	CK108	Electronic Coin Drop Kit	South Africa
	CK109	Electronic Coin Drop Kit	Euro
	CK110	Electronic Coin Drop Kit	Mexico (default), Ecuador and United States
	CK113	Electronic Coin Drop Kit	Japan and Taiwan
	CK116	Electronic Coin Drop Kit	Malaysia (default) and China
	CK117	Electronic Coin Drop Kit	Russia
	CK118	Electronic Coin Drop Kit	Philippine
	CK119	Electronic Coin Drop Kit	Thailand
	CK120	Electronic Coin Drop Kit	Chile
	CK121	Electronic Coin Drop Kit	Singapore
	CK122	Coin Drop Kit	New Zealand; 1.00 and 2.00

Central Pay and Card Reader Components

All Models Except NT Models; Central Pay Starting December 2018



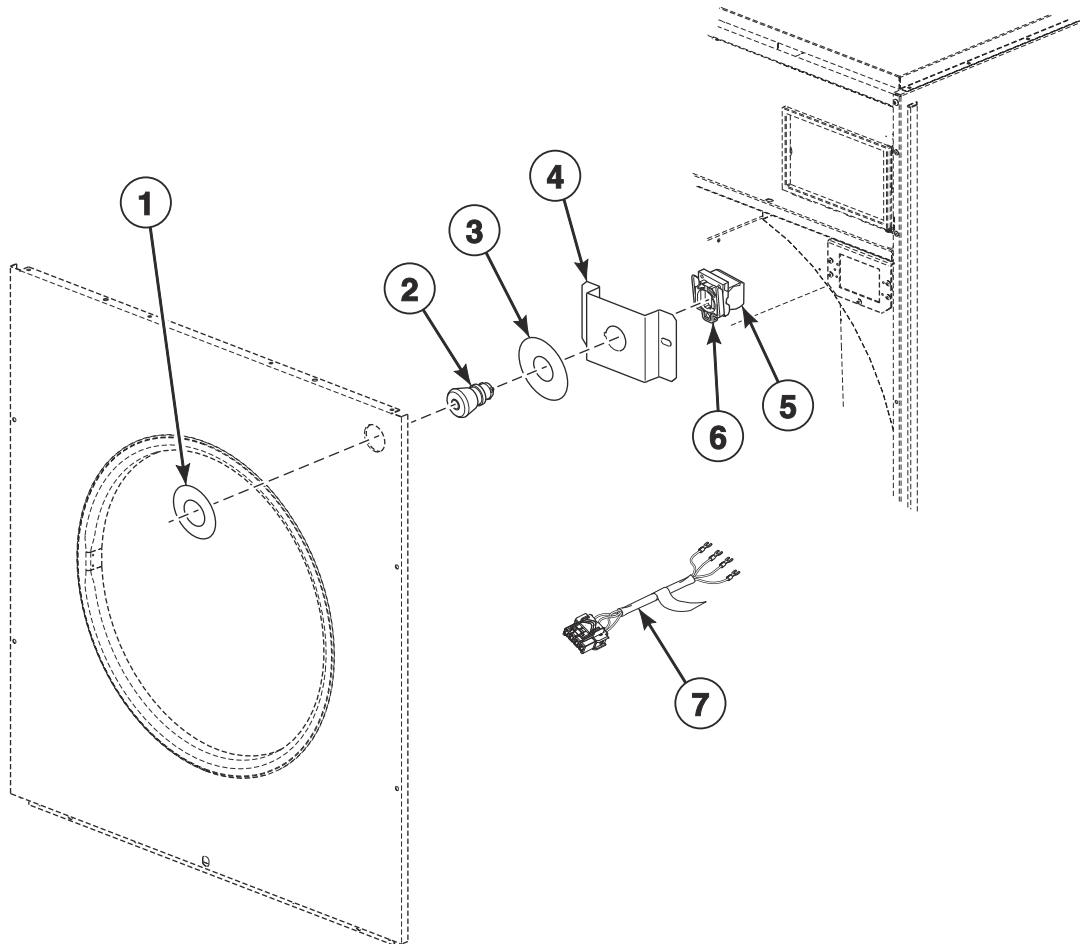
TMB3721P_70595001

Central Pay and Card Reader Components

REF	PART NO.	DESCRIPTION	COMMENTS
	44355602	Central Pay Harness	Routes from central pay board to control tray
	44272301	Transformer Harness	100-120 Volt; Routes from transformer to I/O Control Assembly; Card and central pay
	44272302	Transformer Harness	200-480 Volt; Routes from transformer to I/O Control Assembly; Card and central pay
	44355604	Central Pay Board Harness	Routes from central pay board to transformer
	44355605	Central Pay Harness	Routes from central pay board to front end control
	44359001	Central Pay Kit	100-120 Volt
	44359003	Central Pay Kit	200-480 Volt
1	70307007	Harness Mounting Plate	
2	204779	Central Pay Control Assembly	
3	51780	Screw	2 required
4	F8206901	Screw	
5	202757	Transformer	100-120 Volt; Card and central pay
	202758	Transformer	200-480 Volt; Card and central pay
6	70030501	Expansion Clip	2 required

Emergency Stop Button - OPL Models

A, H, J, K, R and U in the 2nd Position
G and T in the 2nd Position Through 12/31/18

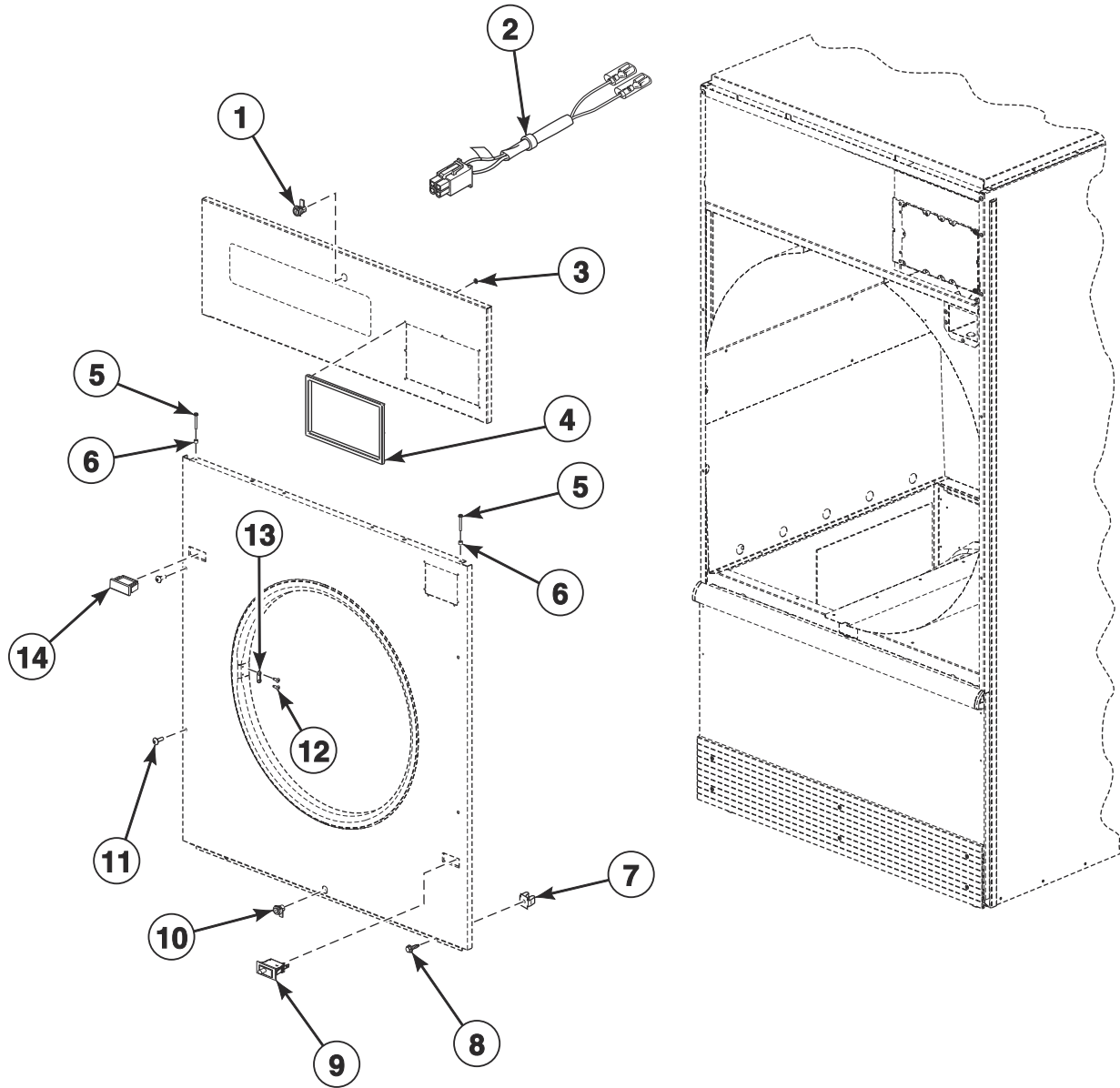


TMB3513P_70595001

Emergency Stop Button - OPL Models

REF	PART NO.	DESCRIPTION	COMMENTS
	70580301	Emergency Stop Button Kit	Includes items 2-4
	F8519403	Emergency Stop Bypass Harness	Coin, card and central pay
	44272106	Emergency Stop Interconnect Harness	
1	44012903	Emergency Stop Label	
2	F200233500	Emergency Stop Pushbutton	
3	44012901	Emergency Stop Label	
4	70550401	Emergency Stop Mounting Bracket	
5	F8069501	Contact Switch	2 required
6	F8538101	Contact Base	
7	44272401	Emergency Stop Harness	

Cabinet Front Components

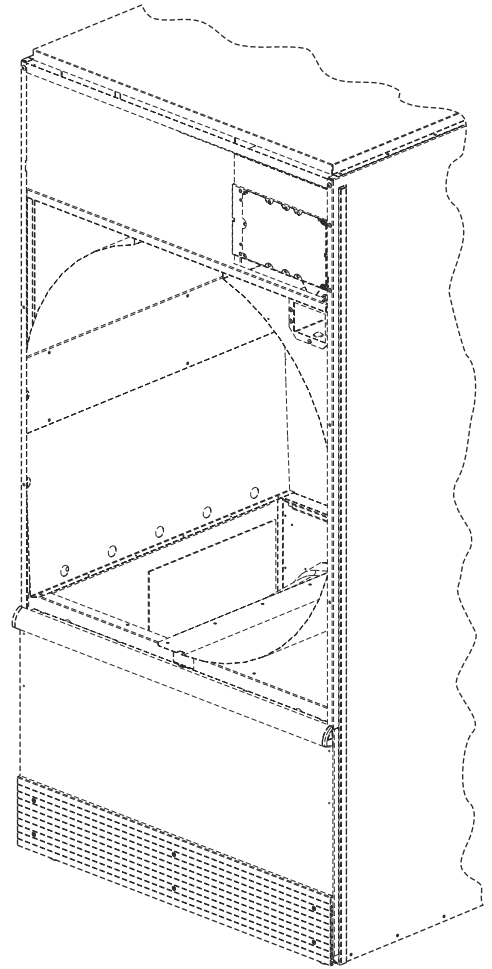
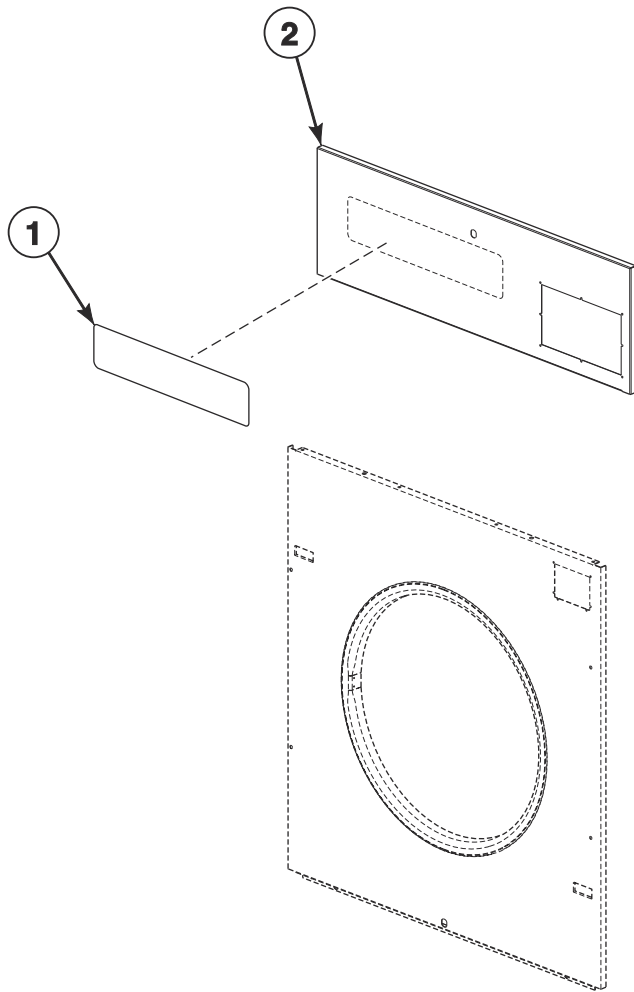


TMB3538P_70595001

Cabinet Front Components

REF	PART NO.	DESCRIPTION	COMMENTS
	M4379P4	Tumbler Dolly Kit	
	44335202	Door Switch Harness	
	44334103	Bypass Harness	Card and central pay
1	44089301P	Lock, Key and Nut Kit	RL001 key code; Control panel; Optional if same key is to be used for control lock
	70155601	Key	RL001
	44089304	Panel Lock	RL001; Chrome
2	44334101	Coin Vault Switch Harness	
3	M400977	Nut	8 required per control trim
4	44016401	Control Trim	Black
5	70275801	Screw	4 required
6	56079	Panel Locator	2 required
7	70030501	Expansion Clip	
8	M411072	Screw	4 required; Front panel; Bottom
9	70413301	Pushbutton Switch	Door switch
10	44089301P	Lock, Key and Nut Kit	RL001 key code; Lint panel; Optional if same key is to be used for control lock
	70155601	Key	RL001
	44089302P	Lock, Key and Nut Kit	RL002 key code; Lint panel; Standard coin and card models
	70155602	Key	RL002
	44089305	Panel Lock	RL002; Chrome
11	70033502	Screw	2 required for stainless steel panels in addition to 2 of 70182601 Screw
	70182601	Screw	2 required for stainless steel panels in addition to 2 of 70033502 Screw; 4 required for painted panels
12	M400003	Pop Rivet	2 per door latch
13	M401223	Door Latch	2 required
14	44057801W	Switch Hole Plug	White
	44057801Q	Switch Hole Plug	Bisque
	44057801B	Switch Hole Plug	Black; For stainless steel
	44057801LG	Switch Hole Plug	Light gray

Cabinet Panels and Nameplates



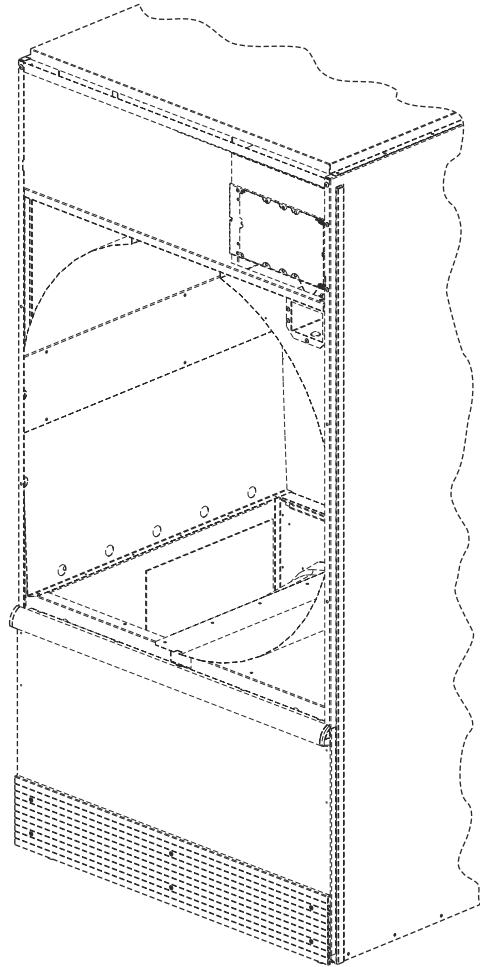
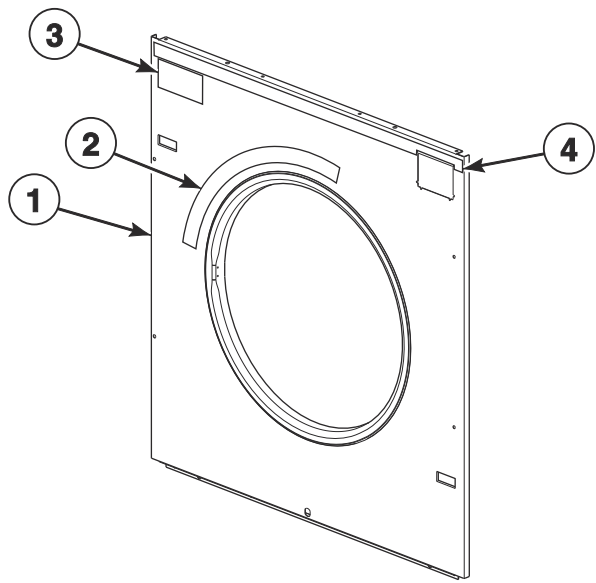
TMB3610P_70595001

Cabinet Panels and Nameplates

REF	PART NO.	DESCRIPTION	COMMENTS
	44150105	Insulation	Use behind item 3
1	70410201	Nameplate Overlay	G models; OPL
	70411401	Nameplate Overlay	G models; Coin
	44130301	Nameplate Overlay	K models; OPL
	44144401	Nameplate Overlay	K models; Coin
2	44040005*	Control Panel	G and K models
	44040013	Control Panel	G and K models; Stainless steel
	44000125	Control Panel	M models; Stainless steel
	44000122*	Control Panel	M and N models

* Add Letter To Designate Color. **Q** - Bisque **W** - White

Front Panel Assemblies



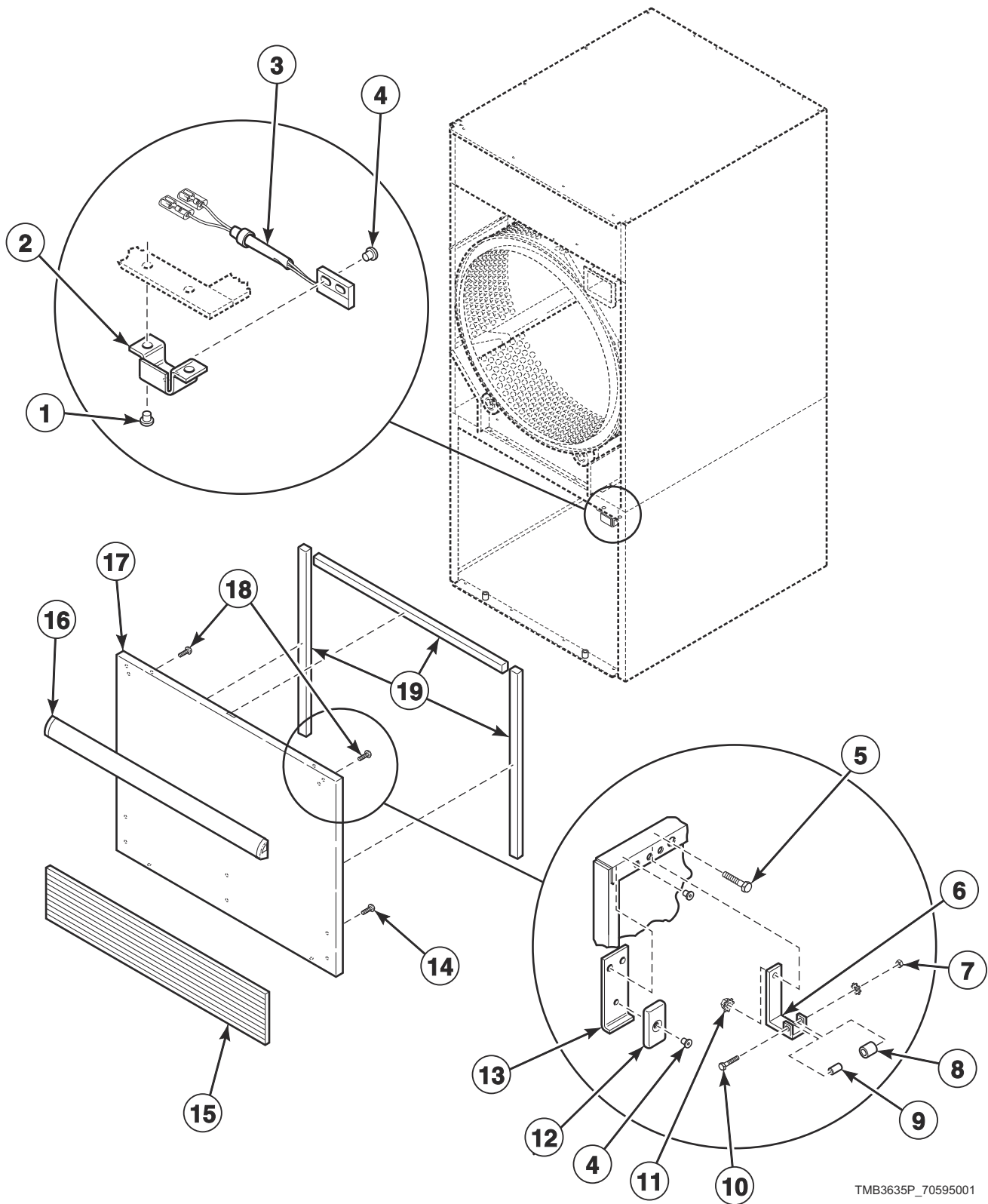
TMB3540P_70595001

Front Panel Assemblies

REF	PART NO.	DESCRIPTION	COMMENTS
1	44052525*	Front Panel	All Models Except NT Models; Coin
	44052527	Front Panel	All Models Except NT Models; Coin; Stainless steel
	44052520W	Front Panel	All Models Except NT Models; Card and central pay
	44052522	Front Panel	All Models Except NT Models; Card and central pay; Stainless steel
	44052530W	Front Panel	OPL; With e-stop
	44052529	Front Panel	OPL; Stainless steel; With e-stop
	44077905WP	Front Panel Assembly	OPL; Without e-stop
	44077919	Front Panel Assembly	OPL; Stainless steel; Without e-stop
2	70534401	Warning Label	English
	70534402	Warning Label	French
	70534405	Warning Label	Colombian Spanish
	70534400	Label Kit	Warning; IEC models
3	70537101	Label	G and K models; F.S.S.
	70537001	Label	M and N models; C.A.R.E.
4	70399402	Access Panel Trim	G and K models

* Add Letter To Designate Color. Q - Bisque W - White

Lower Cabinet Front Components



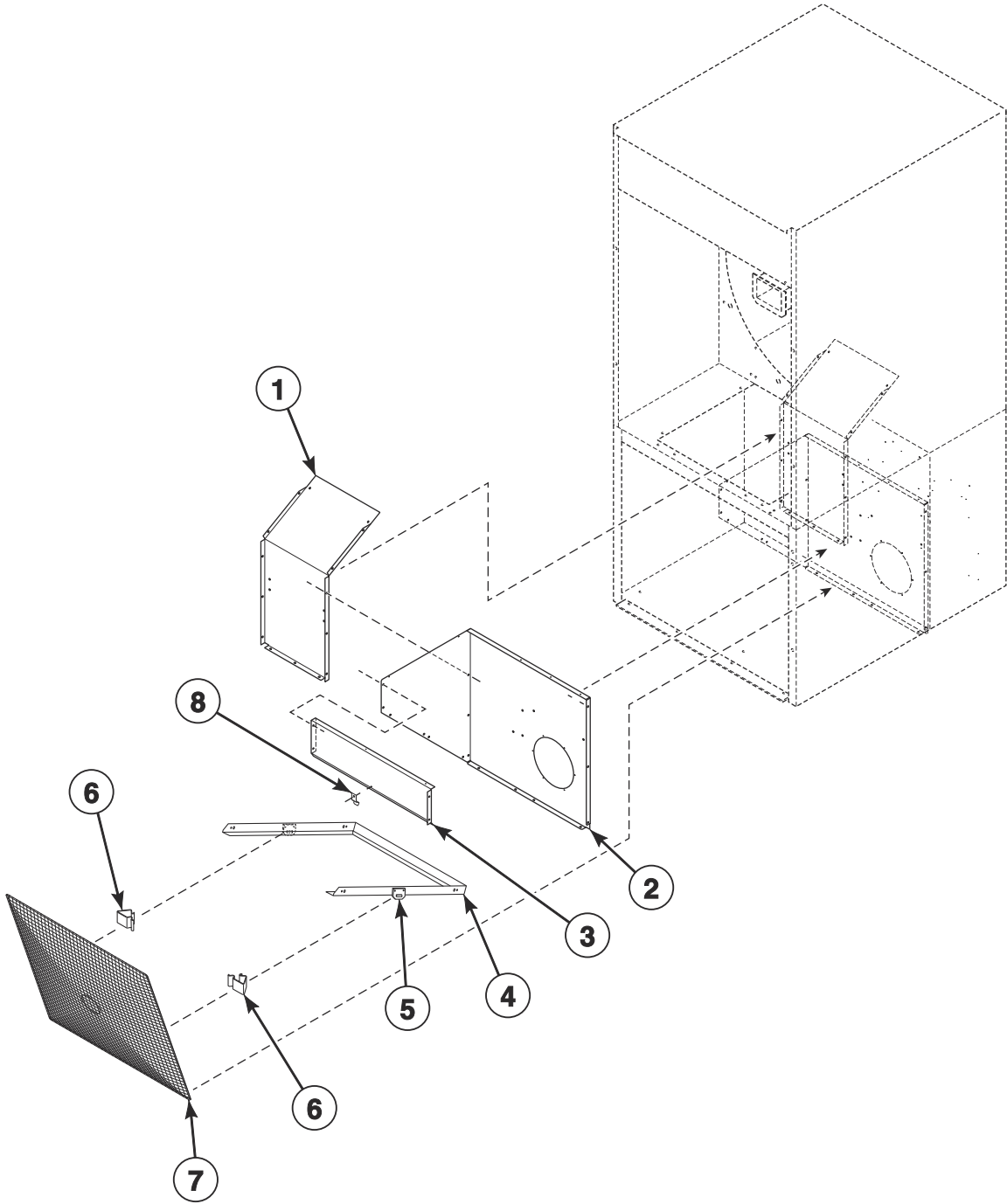
TMB3635P_70595001

Lower Cabinet Front Components

REF	PART NO.	DESCRIPTION	COMMENTS
	70404001	Roller Bracket Assembly	Includes items 6-10
1	70058501	Pop Rivet	
2	44296101	Switch Bracket	
3	F8066804	Reed Switch Assembly	
4	F8245101	Blind Rivet	
5	70132301	Screw	Attaching roller catch
6	70030301	Roller Catch Arm	
7	23951	Nut	
8	70297601	Roller Catch Wheel	
9	70030201	Roller Catch Spacer	
10	70072801	Screw	
11	51236	Nut	Attaching roller catch
12	70343101	Magnet	
13	44290501	Magnet Bracket	
14	70126301	Pop Rivet	For attaching kickplate; Black; 6 required
	70126401	Pop Rivet	For attaching kickplate; Gray; 6 required
15	70117607	Kickplate	Black
16	70154405P	Handle and Caps Assembly	M and N models; Black; Includes endcaps
	70407202	Handle Bumper	G and K models; Black and blue; Does not include endcaps
17	44293603W	Lint Panel	
	44293602	Lint Panel	K and M models; Stainless steel
18	430757	Screw	
19	70289101P	Gasket	Sold per foot

* Add Letter To Designate Color. Q - Bisque W - White

Lint Panel Components

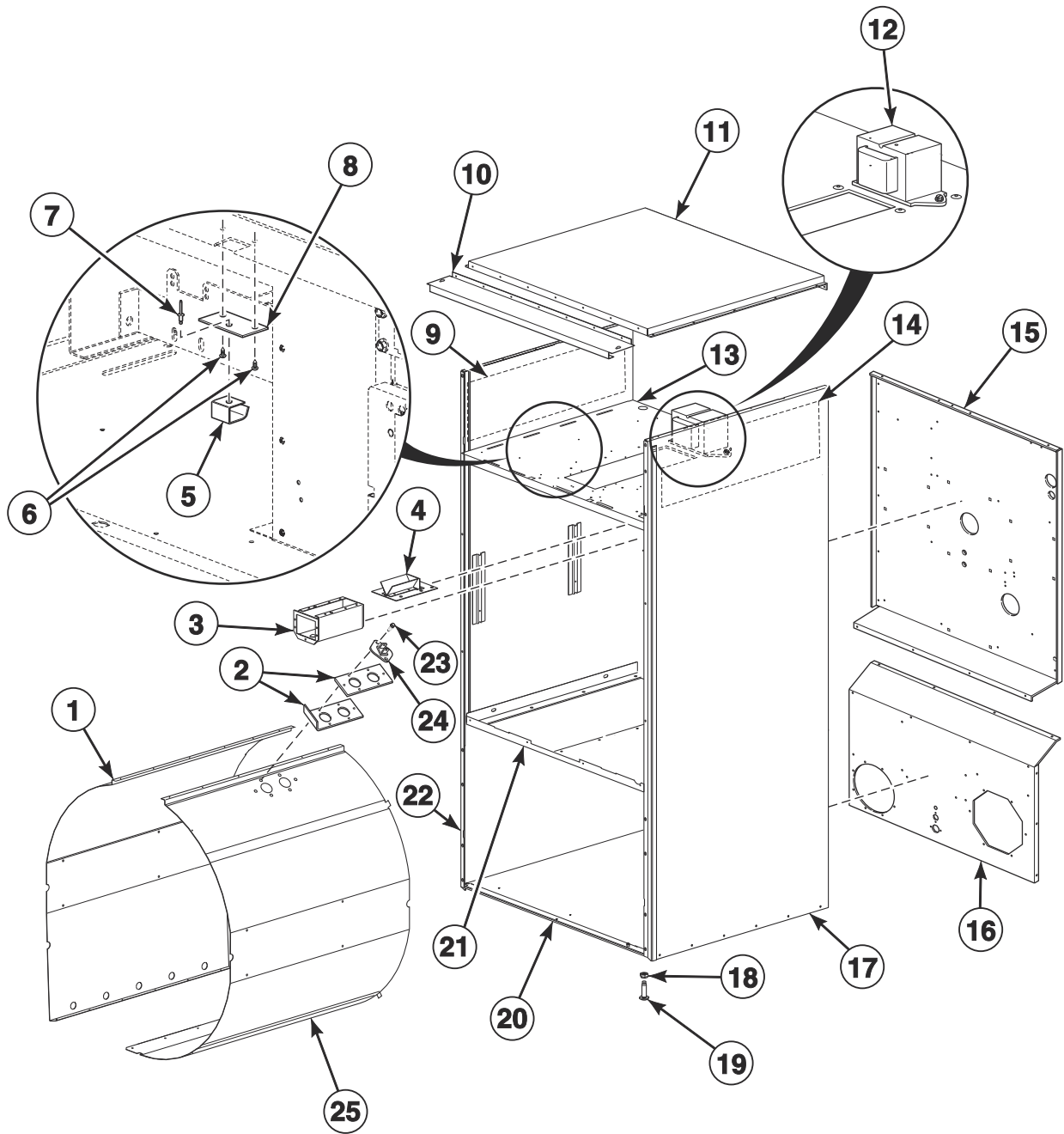


TMB3637P_70595001

Lint Panel Components

REF	PART NO.	DESCRIPTION	COMMENTS
1	44298102	Lint Panel	Left
2	44300901	Lint Panel	Right
3	44298901	Lint Screen Top Rail	
4	44325301	Lint Bracket	
5	44140202	Lint Clip Bracket	2 required
6	35865	Hold-Down Clip	2 required
7	44063601	Lint Screen	
8	H96418413	Lint Screen Clip	

Cabinet Components



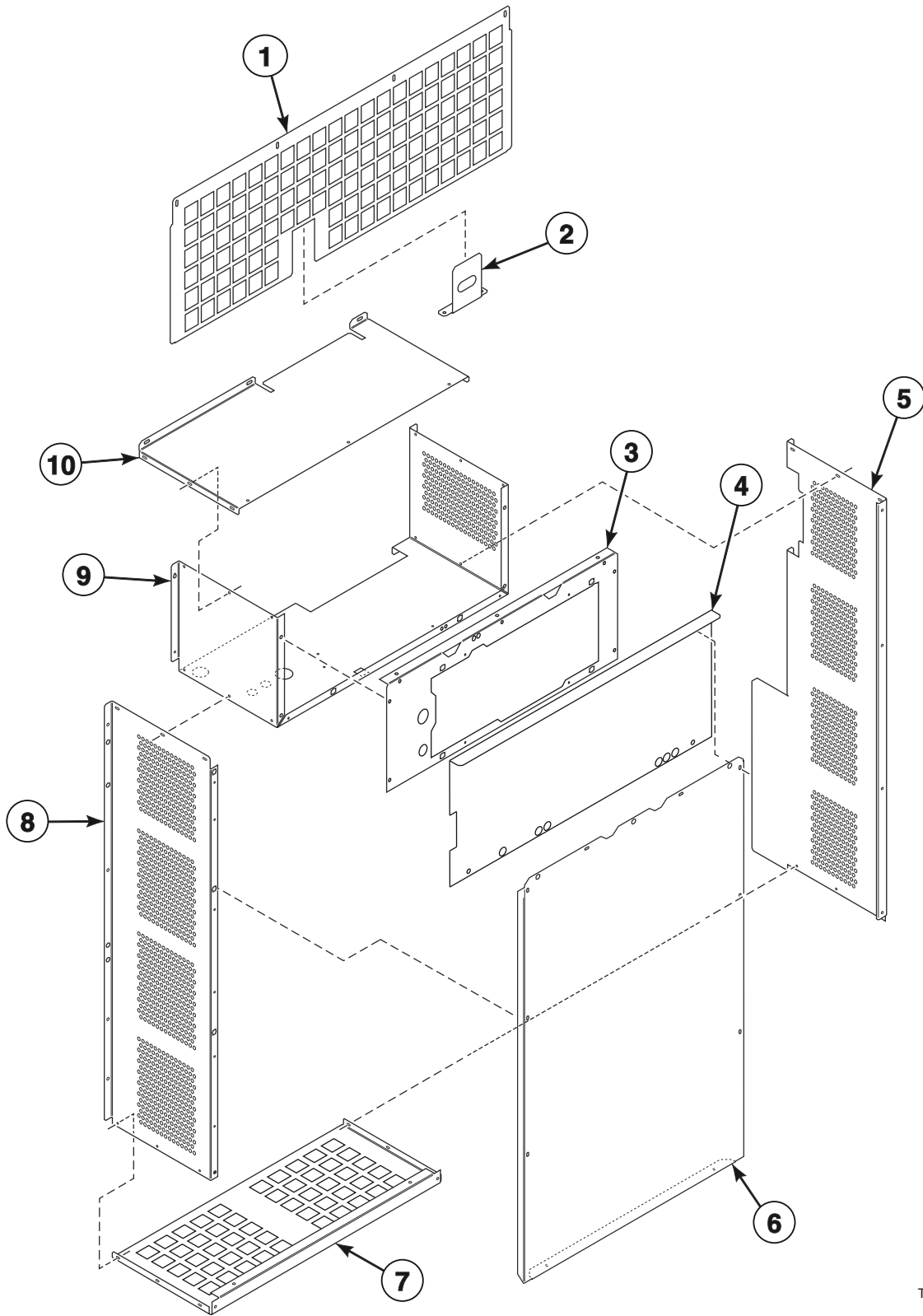
TMB3638P_70595001

Cabinet Components

REF	PART NO.	DESCRIPTION	COMMENTS
	298P4P	Spray Paint	White
	122P4P	Porcelain Touch-Up Paint	White
	370P4P	Porcelain Touch-Up Paint	Bisque
	70058501	Pop Rivet	Use with items 17 and 22
	430497	Screw	Use with items 17 and 22
	44334103	Bypass Harness	Coin vault switch
	44334101	Coin Vault Switch Harness	
	44272301	Transformer Harness	120 Volt; Use with item 12
	44272302	Transformer Harness	240 Volt; Use with item 12
1	44299001	Baffle	Left
2	44068101	Thermistor Plate	
	44068102	Thermistor Plate	Use as a shim
3	70529501	Coin Vault Assembly	
	70529502	Coin Vault and Emergency Stop Mount Assembly	Models with emergency stop
	F160673P	Coin Box	Optional equipment; Includes lock and key
4	70296401	Coin Chute Assembly	Wide
5	431318	Control Door Latch	
6	431287	Screw	
7	M400003	Pop Rivet	
8	44003201	Latch Mounting Bracket	
9	44150102	Insulation	
10	44368201	Top Panel Bracket	Gas and electric models
11	44129301P	Top Cover Pan	Gas and electric models
	44139301	Top Cover	Steam models
12	202757	Transformer	100-120 Volt; Card reader models
	202758	Transformer	All other voltages; Card reader models
13	44300101	Top Pan	
14	44150105	Insulation	
15	44297001	Upper Rear Panel	
16	44300001	Lower Rear Panel	
17	44299501*P	Side Panel	Right
18	21899	Nut	Right
19	70247701	Screw	Leveling leg
20	44298701	Bottom Pan	
21	44298601	Center Pan	
22	44299401*	Side Panel	Left
23	51780	Screw	
24	44064701	Thermistor	
25	44299802	Baffle	Right
	44299801	Baffle	Right with fire suppression system

* Add Letter To Designate Color. Q - Bisque W - White

Rear Panel and Belt Guard Components

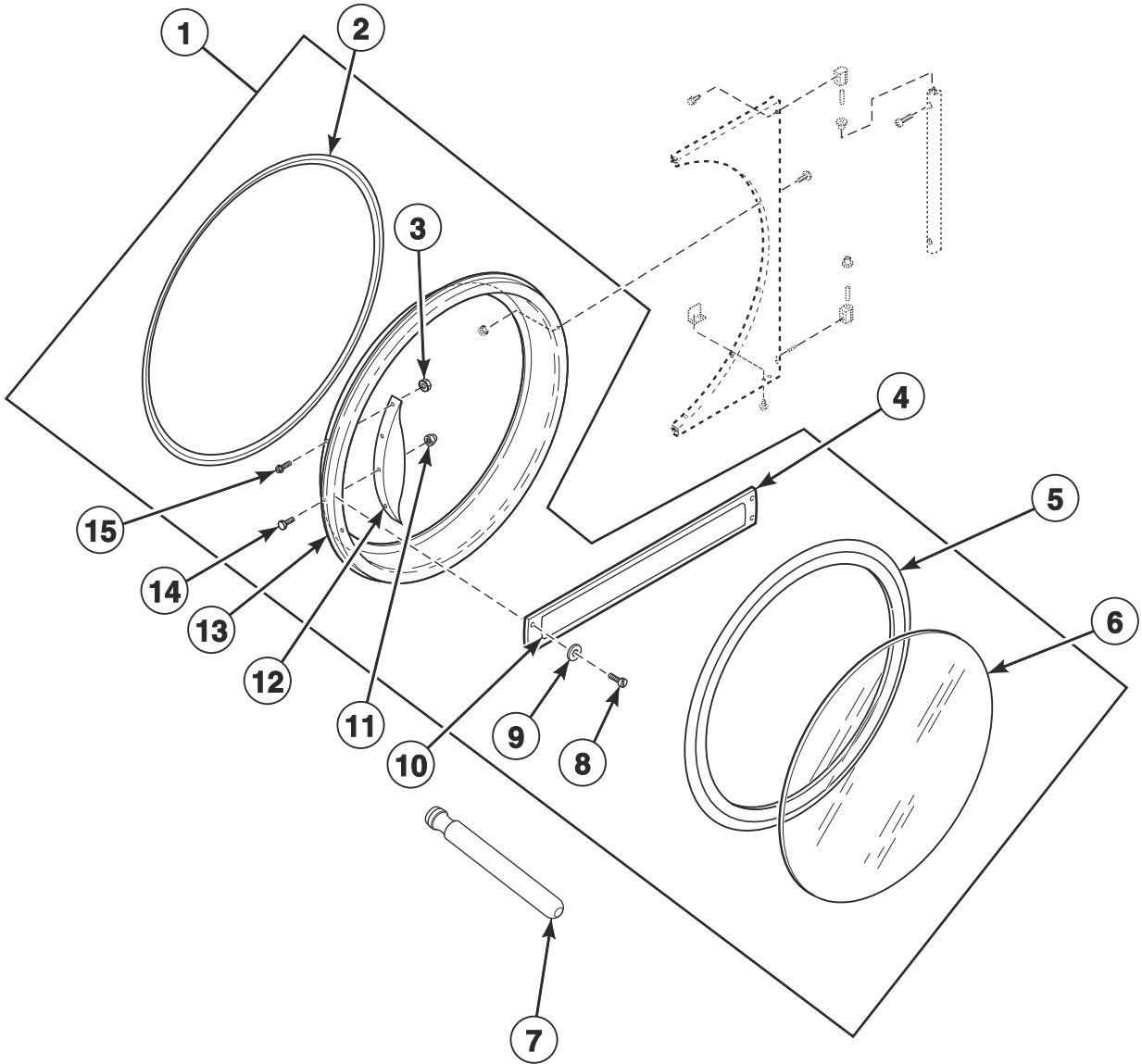


TMB3729P_70595001

Rear Panel and Belt Guard Components

REF	PART NO.	DESCRIPTION	COMMENTS
1	44300301	Stove Grate	Gas models
	44300302	Stove Grate	Steam models
	44305601	Stove Grate	Electric models
2	44327601	Pipe Bracket	Gas models
3	44332201	Belt Guard	Middle
4	70507501	Control Tray Cover	
5	44298301	Belt Guard Side Panel	Left
6	44269201	Guard Panel	Rear
	44269202	Guard Panel	Rear with fire suppression system
7	44298401	Belt Guard	Bottom
8	44301101	Belt Guard Side Panel	Right
9	44332301	Guard Panel	Middle
10	44314301	Belt Guard	Top

Door Components

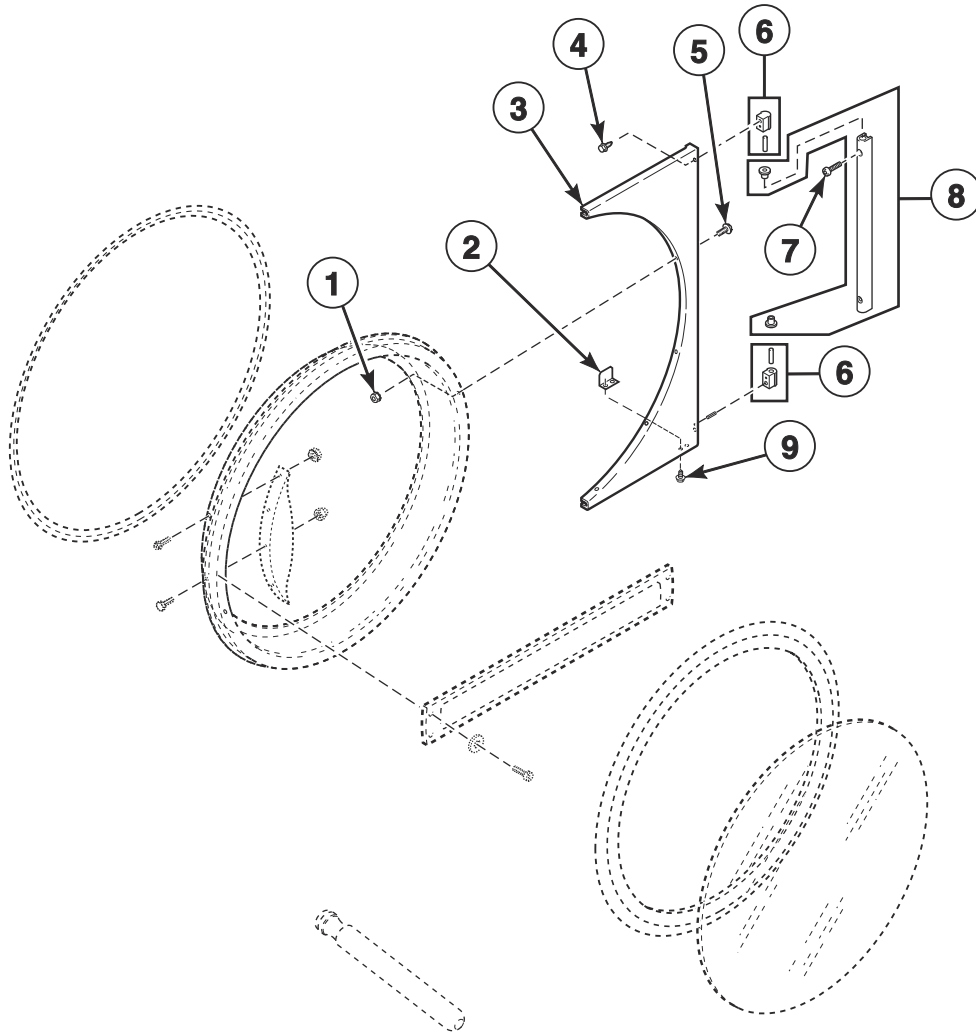


TMB3091P_70595001

Door Components

REF	PART NO.	DESCRIPTION	COMMENTS
1	44028906	Door Assembly	M models; Stainless steel
	44028908	Door Assembly	M models; Chrome
	44028907	Door Assembly	N models
	70407402	Door Assembly	G and K models
2	44008201P	Door Ring Gasket	
3	44088001	Nut	M and N models; 4 required
4	70399501B	Handle Bar	G and K models
5	70211902P	Door Seal Kit	Use Loctite 414 for seal
6	44008401P	Door Glass	
7	M4221P4	Door Glass Installation Tool	
8	70412601	Pop Rivet	G and K models; 4 required
9	70409301	Washer	G and K models; 2 required
10	70414001	Label	K models; Coin
11	M414215	Nut	
12	44007901	Door Handle	M and N models
13	44326001	Door Ring Assembly	M models; Stainless steel
	44326005	Door Ring Assembly	M models; Chrome
	44326004B	Door Ring Assembly	N models
	44326003B	Door Ring Assembly	G and K models
14	M400661	Screw	Door strike
15	70442101	Screw	M and N models; 4 required

Hinge Components



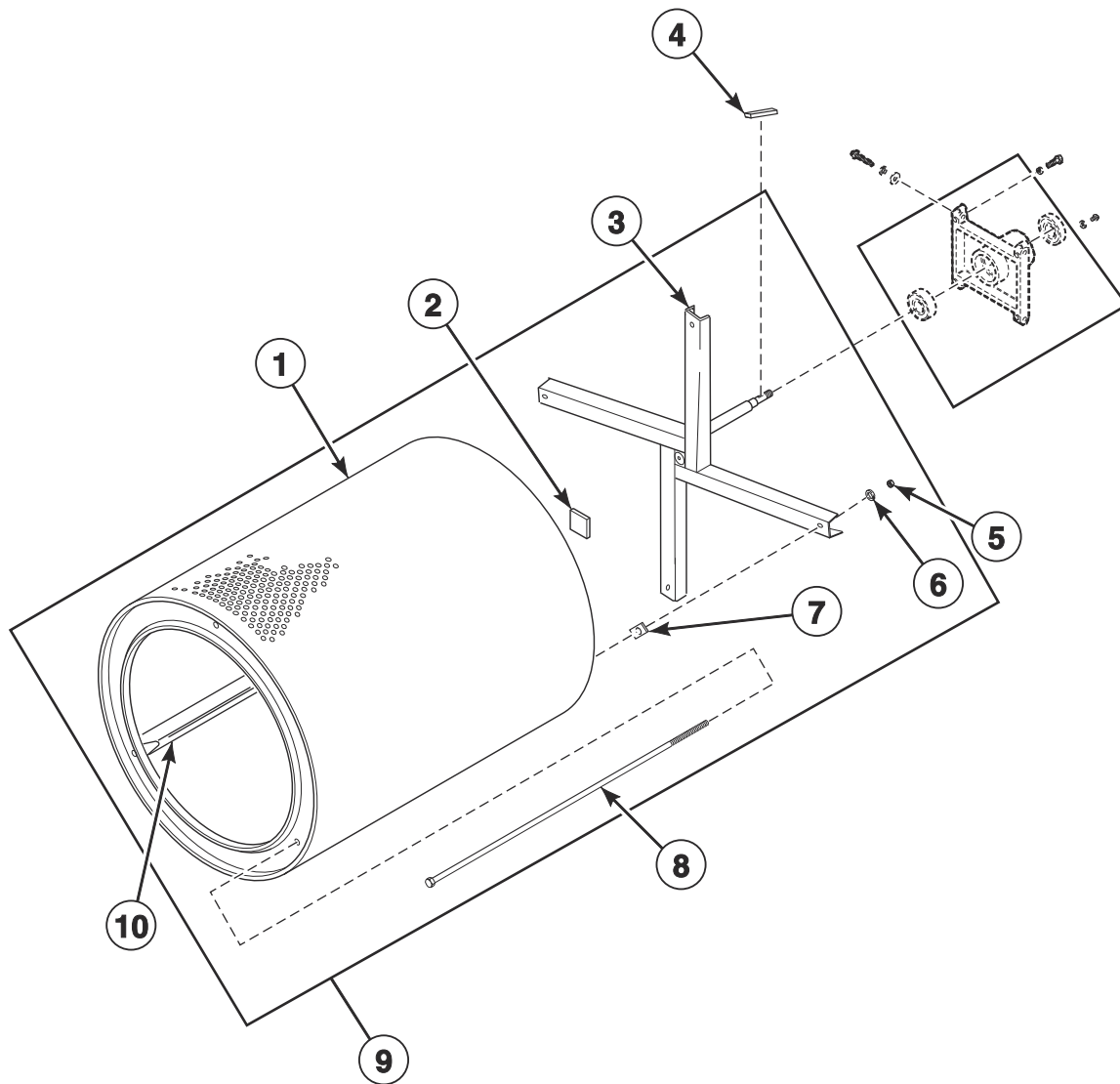
TMB3091PA_70595001

Hinge Components

REF	PART NO.	DESCRIPTION	COMMENTS
1	44088001	Nut	6 required
2	70215001P	Door Switch Actuator Kit	
3	44075208B	Door Hinge Assembly	Black; G, K and N models
	44075203*	Door Hinge Assembly	M and N models
	44075211	Door Hinge Assembly	M models; Stainless steel
4	70442101	Screw	3 required
5	M400044	Screw	6 required
6	M4773P3	Hinge Cam Kit	Black; G, K and N models
	M4772P3	Hinge Cam Kit	M models
7	70409801	Screw	Black; G, K and N models; 2 required
	70033502	Screw	M models; 2 required
8	44035002	Door Hinge Lug Assembly	Black; G, K and N models
	44035001	Door Hinge Lug Assembly	M models
9	70058501	Pop Rivet	2 required

* Add Letter To Designate Color. Q - Bisque W - White

Cylinder and Trunnion Components

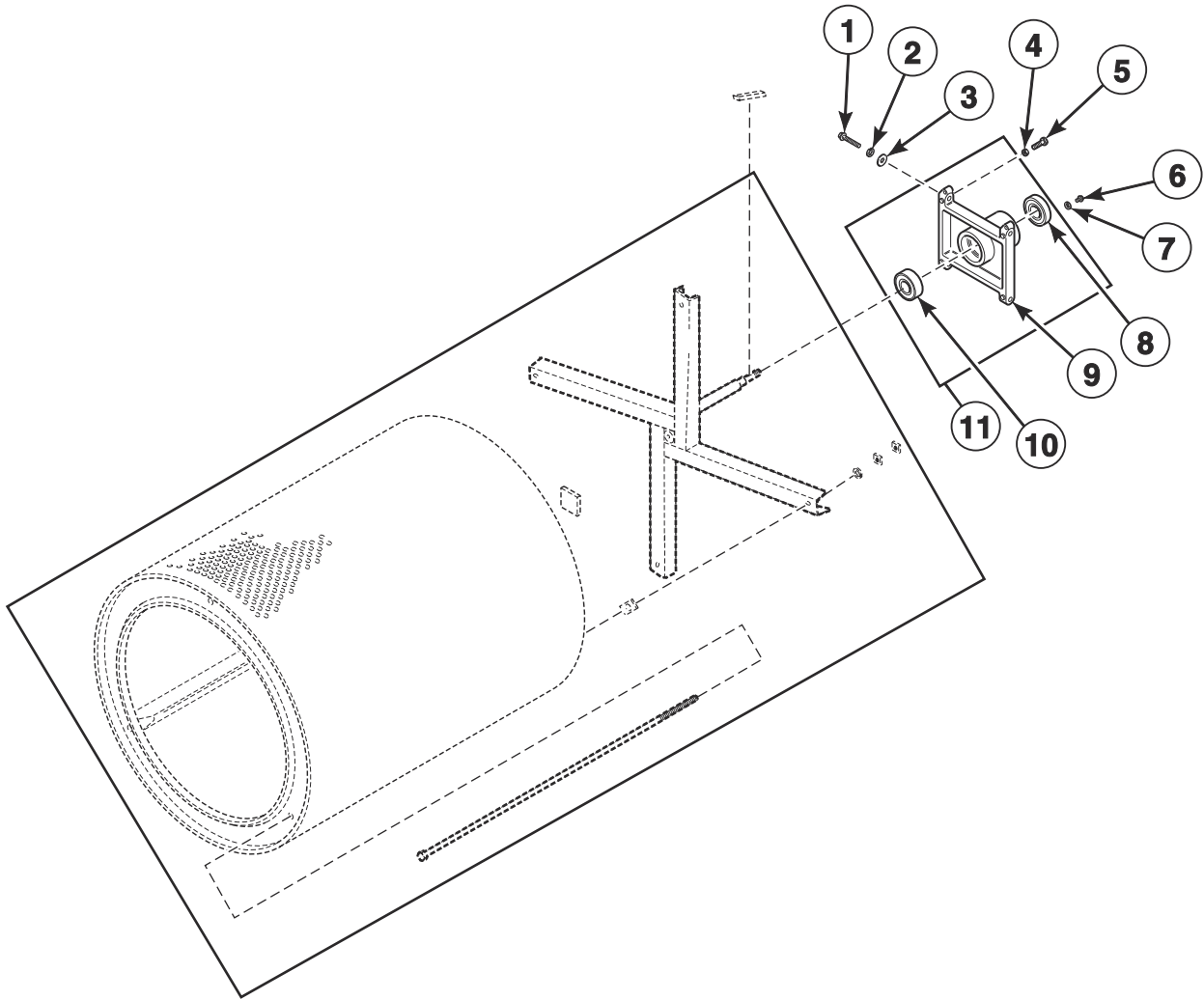


TMB3796P_70595001

Cylinder and Trunnion Components

REF	PART NO.	DESCRIPTION	COMMENTS
1	44057201P	Cylinder Kit	Galvanized; M and N models; Non-moisture sensing
	44198301P	Cylinder Assembly	Galvanized; M and N models; Moisture sensing
	44057301P	Cylinder Kit	Stainless steel; M and N models; Non-moisture sensing
	44198302	Cylinder Assembly	Stainless steel; M and N models; Moisture sensing
	44130702P	Cylinder Assembly	G and K models; Non-moisture sensing
	44198303	Cylinder Assembly	G and K models; Moisture sensing
2	M402144	Felt Pad	
3	44208001	Trunnion Assembly	Spider; Non-moisture sensing
	44207901	Trunnion Assembly	Moisture sensing
4	M400008	Key	Half moon
5	M404993	Nut	
6	M400015	Washer	4 required
7	M401402	Spacer	Adjustment between cylinder and trunnion
8	M404992	Rib Rod	
9	44195701P	Cylinder and Trunnion Assembly	Galvanized; M and N models; Non-moisture sensing
	44195705P	Cylinder and Trunnion Assembly	Galvanized; M and N models; Moisture sensing
	44195702P	Cylinder and Trunnion Assembly	Stainless steel; M and N models; Non-moisture sensing
	44195706	Cylinder and Trunnion Assembly	Stainless steel; M and N models; Moisture sensing
	44195703	Cylinder and Trunnion Assembly	G and K models; Non-moisture sensing
	44195707	Cylinder and Trunnion Assembly	G and K models; Moisture sensing
10	44191202	Cylinder Rib Assembly	Moisture sensing

Bearing Components

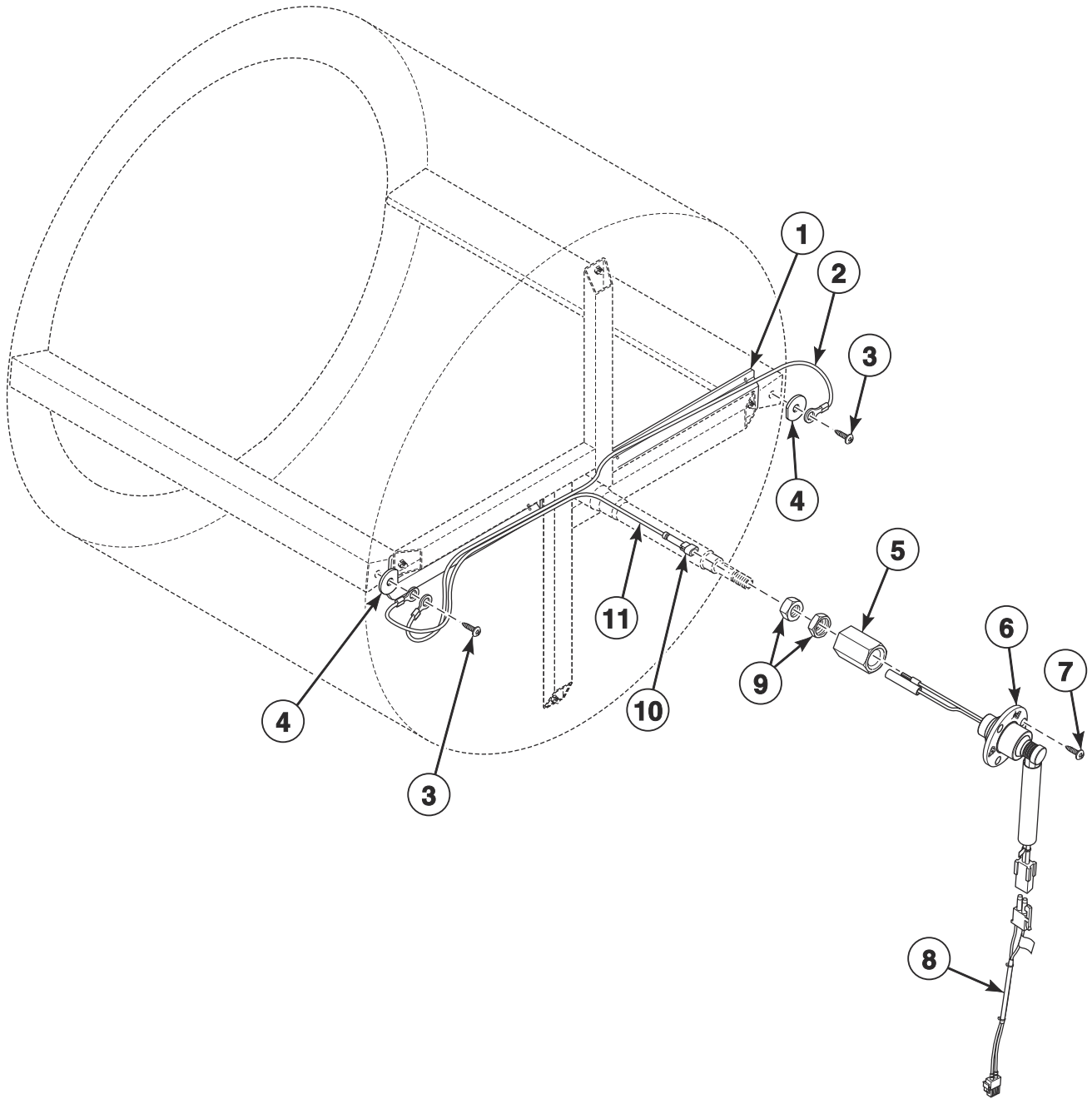


TMB2123PA_70595001

Bearing Components

REF	PART NO.	DESCRIPTION	COMMENTS
	M4640P3	Trunnion and Bearing Assembly	Non-moisture sensing
	44336301	Trunnion and Bearing Assembly	Moisture sensing
	M4644P3	Housing and Trunnion Assembly	Includes bearing; Non-moisture sensing
	44336302	Housing and Trunnion Assembly	Moisture sensing
1	M400063	Screw	4 required
2	M400015	Washer	4 required
3	70261401	Washer	4 required
4	M400026	Nut	4 required
5	M400650	Bolt	2 required
6	70187201	Screw	4 required
7	20103	Washer	4 required
8	F100136P	Bearing	
9	44375001	Trunnion Housing Assembly	
10	44041901P	Ball Bearing	
11	M413832	Trunnion Housing Assembly	Includes bearing

Moisture Sensing Components

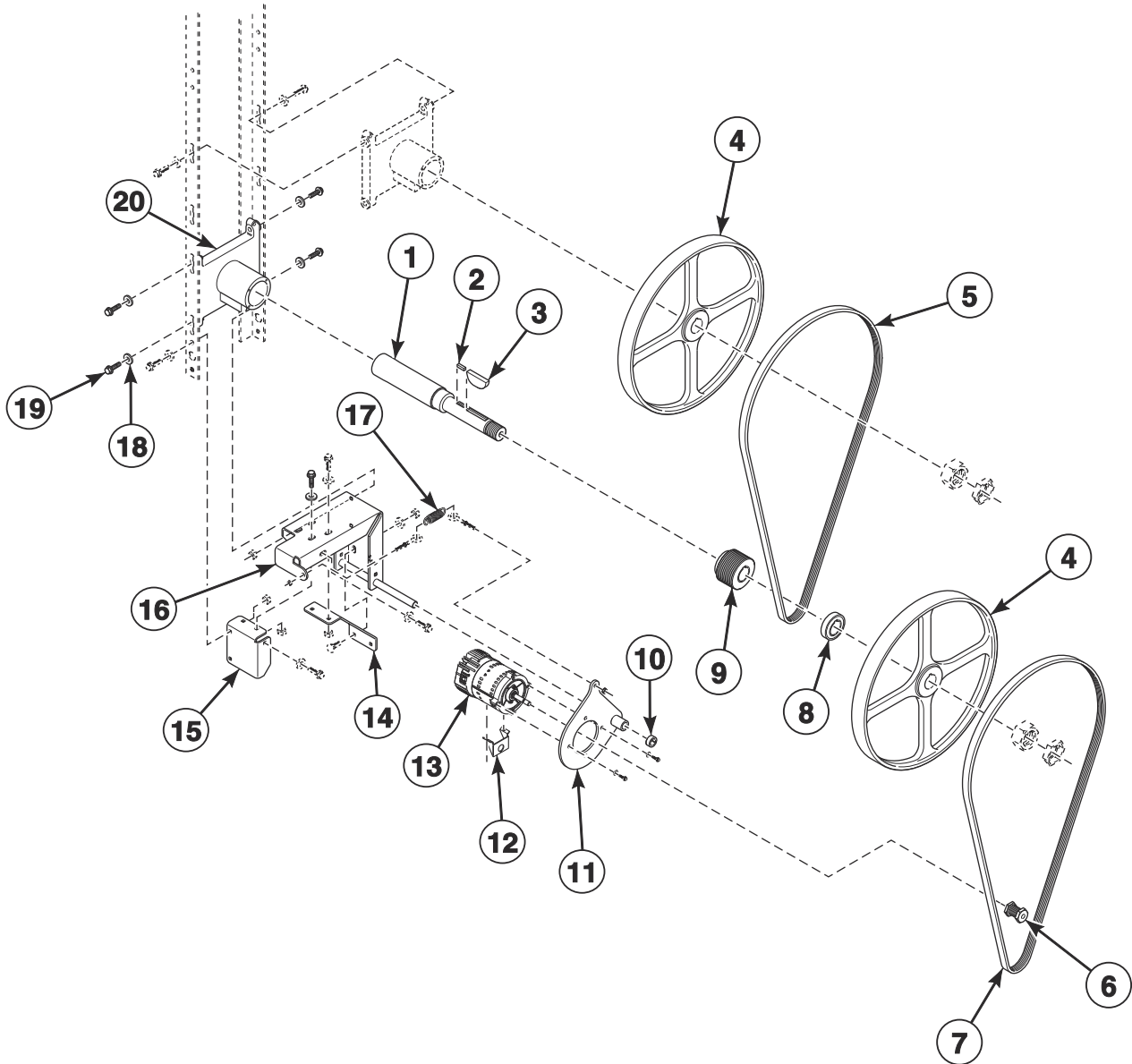


TMB3544P_70595001

Moisture Sensing Components

REF	PART NO.	DESCRIPTION	COMMENTS
	44344702	Moisture Sensing Harness Kit	
	55881	Harness Strap	Use with item 1
1	44239101	Wireway Channel	
2	44208601	Rib Wire	
3	44338901	Screw	
4	44238902	Washer	
5	44224401	Slip Ring Holder	
6	44222702	Slip Ring Assembly	
7	70442101	Screw	
8	44333902	Moisture Sensor Harness	Goes from item 6 to main harness
9	M400035	Nut	
10	44370401	1 Circuit Plug Housing	
11	44208702	Shaft Wire	

Drive Motor Components

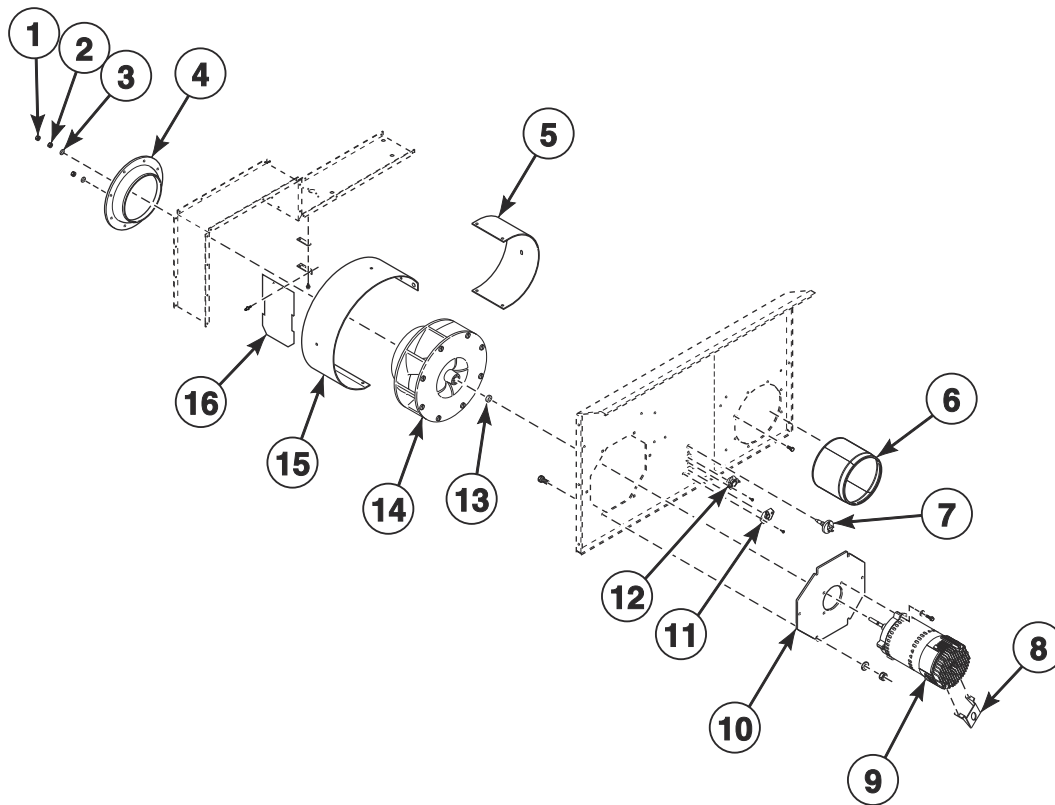


TMB3793P_70595001

Drive Motor Components

REF	PART NO.	DESCRIPTION	COMMENTS
	44333202	Nut	Use with motor pulley
	44335304	Inverter Motor Harness	Cylinder
1	44303102	Idler Shaft	
2	44309301	Key	
3	M400008	Key	
4	44289502	Pulley	
5	44333301	V-Belt	Upper
6	70559102	Motor Pulley	
7	44309402	V-Belt	Lower
8	44306801	Idler Spacer	
9	44270201	Micro V Pulley	
10	70467001	Shaft Collar	
11	44311501	Motor Pivot Plate Weldment	
12	44317901	Motor Conduit Bracket	
13	44259501P	Drive Motor	.50 HP; 120, 230 Volt/1 Phase
	44259601P	Drive Motor	.50 HP; 380-460 Volt/3 Phase
14	44325701	Motor Pivot Gusset Bracket	
15	44325801	Motor Pivot Support Bracket	
16	44327001	Motor Pivot Bracket Weldment	
17	F8440701	Extension Spring	
18	70261401	Washer	4 required
19	805213	Screw	4 required
20	M413826	Trunnion Housing	

Blower and Exhaust Components

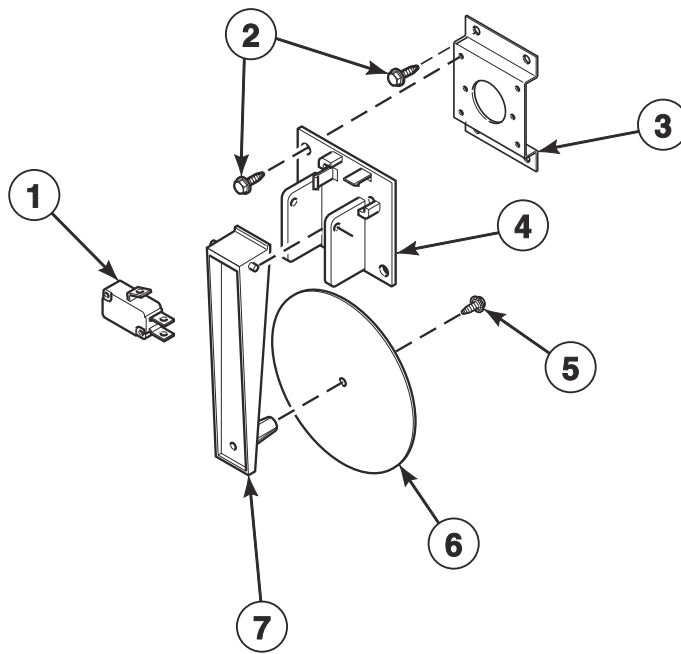


TMB3730P_70595001

Blower and Exhaust Components

REF	PART NO.	DESCRIPTION	COMMENTS
	44335305	Inverter Motor Harness	Fan
1	M400034	Nut	
2	M400022	Nut	
3	F431131	Washer	
4	70303101	Blower Inlet Cone	
5	44308401	Air Exhaust Deflector	
6	44327901	Exhaust Pipe Assembly	
7	M414704	Thermistor	
8	44317901	Motor Conduit Bracket	
9	70478701P	Fan Motor	.50 HP; 120, 230 Volt/1 Phase
	70484901P	Fan Motor	.50 HP; 380-460 Volt/3 Phase
10	70380801	Blower Motor Mounting Plate	
11	70530905	Limit Thermostat	
12	44328003	Limit Thermostat	
13	70599301	Fan Spacer	
14	70302201P	Blower Assembly	
15	44303801	Blower Housing Scroll	
16	44280301	Damper Assembly	

Airflow Switch Assembly

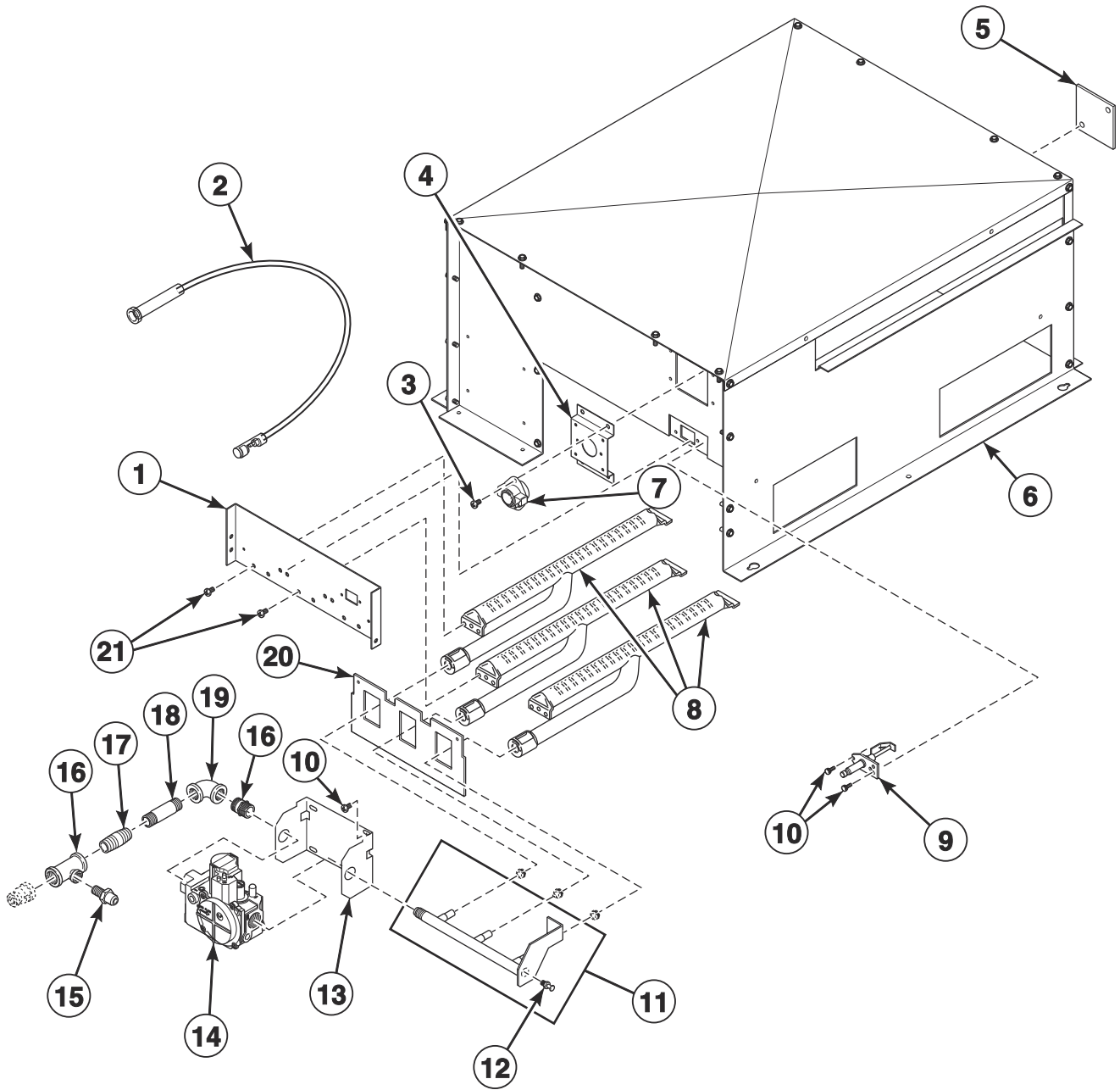


TMB3636P_70595001

Airflow Switch Assembly

REF	PART NO.	DESCRIPTION	COMMENTS
	70429602	Airflow Switch Assembly	Includes items 1 and 4-7
1	70411901	Switch	
2	430497	Screw	6 required
3	70356301	Switch Bracket	
4	70319602	Airflow Switch and Arm Bracket	
5	430757	Screw	
6	70319202	Airflow Switch Vane	
7	70319401	Airflow Switch Arm	

Gas Heater Components

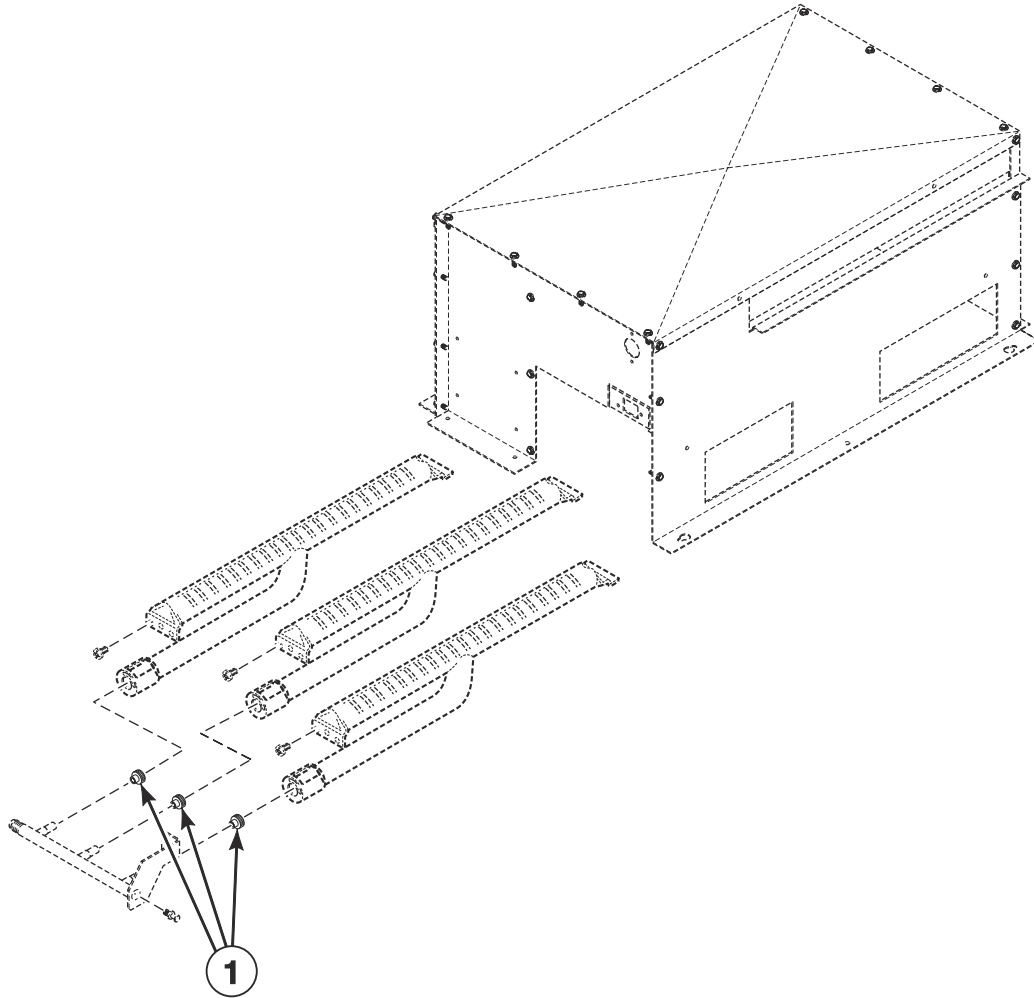


TMB3599P_70595001

Gas Heater Components

REF	PART NO.	DESCRIPTION	COMMENTS
	70539501	Notice Label	Australian models; Natural Gas (N.G.)
	70544901	Notice Label	Australian models; Liquid Petroleum Gas (L.P.)
	D503887	Label	Australian models; Gas
	44178801	Adapter	CE and Australian models; Used to convert from standard to metric thread
	44328802	L.P. Conversion Kit	CSA and AGA models; 0-2000 feet
	44330302	L.P. Conversion Kit	IEC models; 0-2000 feet
	70564304	Stove Limit Harness	
	44273502	Gas Valve Harness	Double; CE models
	44273501	Gas Valve Harness	Single
	44355101P	Direct Air Kit	
	70500401	Heat Exchanger	
1	44110301	Burner Support	
2	44239705	High Voltage Suppression Cable	
3	M402797	Screw	2 required
4	70356301	Switch Bracket	
5	70159601	Igniter Cover	
6	44135605	Gas Stove Assembly	Includes item 8
7	44328008	Limit Thermostat	
8	M410541P	Burner Assembly	3 required
9	44328701P	Spark Electrode	
10	51782	Screw	2 required
11	44263102	Spud Holder Weldment	
12	70167601	Plug	
13	44175703	Gas Valve Bracket	
14	44154501P	Gas Valve	CSA models; N.G.
	44154502P	Gas Valve	CSA models; L.P.
	44298501	Gas Valve	Australian models; N.G.
	44298504	Gas Valve	Australian models; L.P.
	44178301P	Gas Valve	CE models; N.G.
	44178302P	Gas Valve	CE models; L.P.
	44154505	Gas Valve	All other models; N.G.
	44154506	Gas Valve	All other models; L.P.
15	44231601	Pressure Fitting	CE and Australian models
16	44231902	Pipe Tee	CE and Australian models
17	431486	Pipe Nipple	T market models
	F421921	Nipple	All other models
18	70612602	Pipe Nipple	CE and Australian models
	70210201	Pipe Nipple	T market models
	70612601	Pipe Nipple	All other models
19	70079601	Elbow	T market models
	70612501	Street Elbow	All other models
20	44135201	Rear Access Plate	
21	70240301	Screw	6 required

Burner Orifices

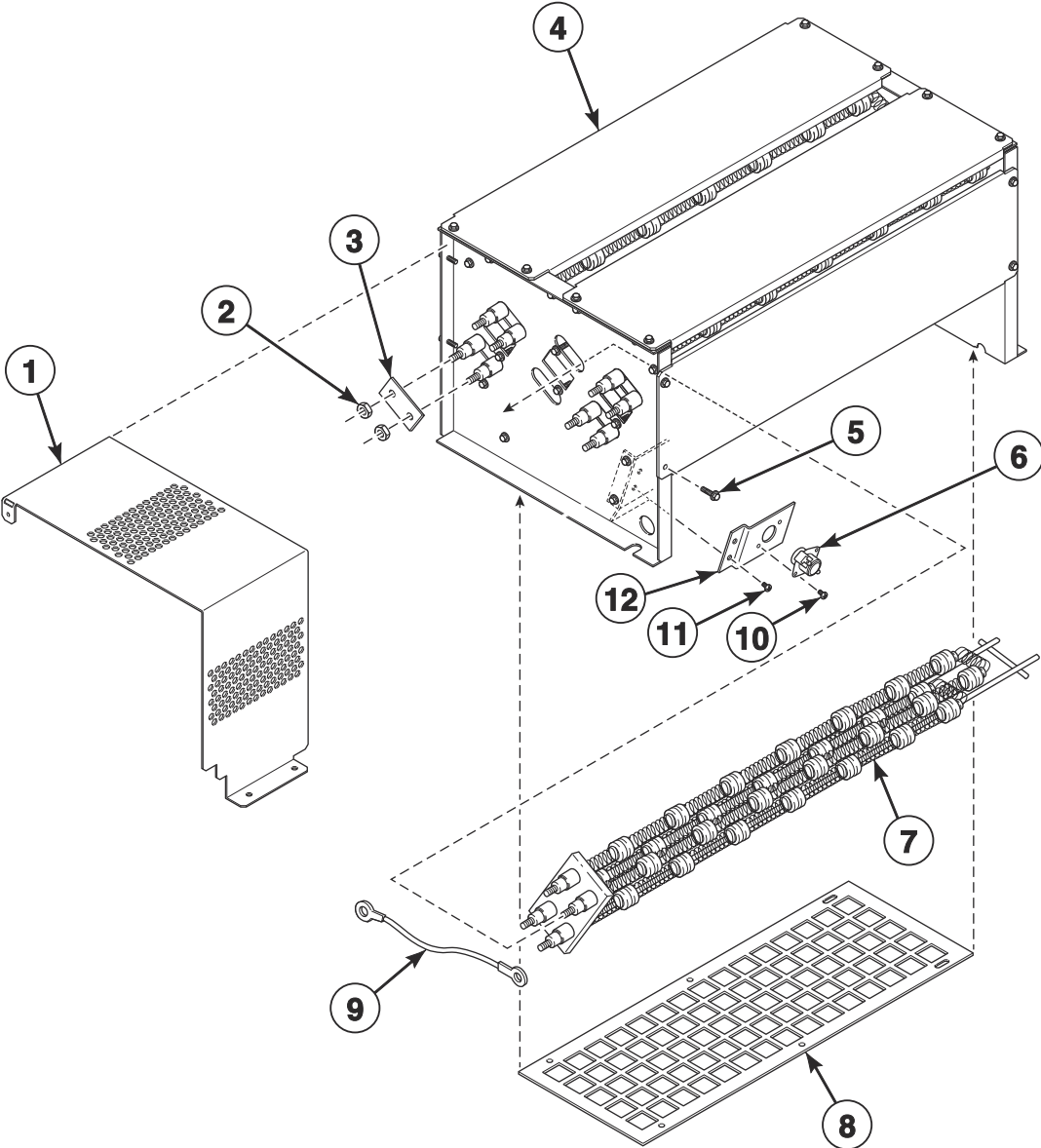


TMB3600P_70595001

Burner Orifices

REF	PART NO.	DESCRIPTION	COMMENTS
	44357503	High Altitude Orifice Kit	CSA Natural Gas (N.G.) models
	44357504	High Altitude Orifice Kit	CSA Liquid Petroleum Gas (L.P.) models
1	70684134	Burner Orifice	Standard models; N.G.; Drill no. 28 (3.57 mm); 0-2,000 feet
	70684131	Burner Orifice	Standard models; N.G.; 3.40 mm; 2,001-4,000 feet
	70684130	Burner Orifice	Standard models; N.G.; 3.30 mm; 4,001-6,000 feet
	70684128	Burner Orifice	Standard models; N.G.; Drill no. 1/8 (3.18 mm); 6,001-8,000 feet
	70684126	Burner Orifice	Standard models; N.G.; Drill no. 31 (3.05 mm); 8,001-10,000 feet
	70684110	Burner Orifice	Standard models with 2nd digit A, G, H, J, K, L and T; L.P.; Drill no. 44 (2.18 mm); 0-2,000 feet
	70684109	Burner Orifice	Standard models with 2nd digit A, G, H, J, K, L and T; L.P.; Drill no. 45 (2.08 mm); 2,001-4,000 feet
	70684107	Burner Orifice	Standard models with 2nd digit A, G, H, J, K, L and T; L.P.; Drill no. 47 (1.99 mm); 4,001-6,000 feet
	70684106	Burner Orifice	Standard models with 2nd digit A, G, H, J, K, L and T; L.P.; Drill no. 48 (1.93 mm); 6,001-8,000 feet
	70684105	Burner Orifice	Standard models with 2nd digit A, G, H, J, K, L and T; L.P.; Drill no. 49 (1.85 mm); 8,001-10,000 feet
	70684104	Burner Orifice	CE standard models; L.P.; Drill no. 50 (1.78 mm); 0-2,000 feet
	70684158	Burner Orifice	CE standard models; L.P.; Drill no. 51 (1.70 mm); 2,001-4,000 feet
	70684103	Burner Orifice	CE standard models; L.P.; Drill no. 52 (1.61 mm); 4,001-6,000 feet
	70684102	Burner Orifice	CE standard models; L.P.; Drill no. 1/16 (1.59 mm); 6,001-8,000 feet
	70684101	Burner Orifice	CE standard models; L.P.; Drill no. 53 (1.51); 8,001-10,000 feet
	70684108	Burner Orifice	Standard J market models; L.P.; Drill no. 46 (2.06 mm); 0-2,000 feet
	70684106	Burner Orifice	Standard J market models; L.P.; Drill no. 48 (1.93 mm); 2,001-6,000 feet
	70684105	Burner Orifice	Standard J market models; L.P.; Drill no. 49 (1.85 mm); 6,001-8,000 feet
	70684104	Burner Orifice	Standard J market models; L.P.; Drill no. 50 (1.78 mm); 8,001-10,000 feet
	70684138	Burner Orifice	Eco models; N.G.; Drill no. 24 (3.86 mm); 0-2,000 feet
	70684135	Burner Orifice	Eco models; N.G.; Drill no. 27 (3.66 mm); 2,001-4,000 feet
	70684134	Burner Orifice	Eco models; N.G.; Drill no. 28 (3.57 mm); 4,001-6,000 feet
	70684132	Burner Orifice	Eco models; N.G.; Drill no. 29 (3.45 mm); 6,001-8,000 feet
	70684130	Burner Orifice	Eco models; N.G.; 3.30 mm; 8,001-10,000 feet

Electric Heater Components

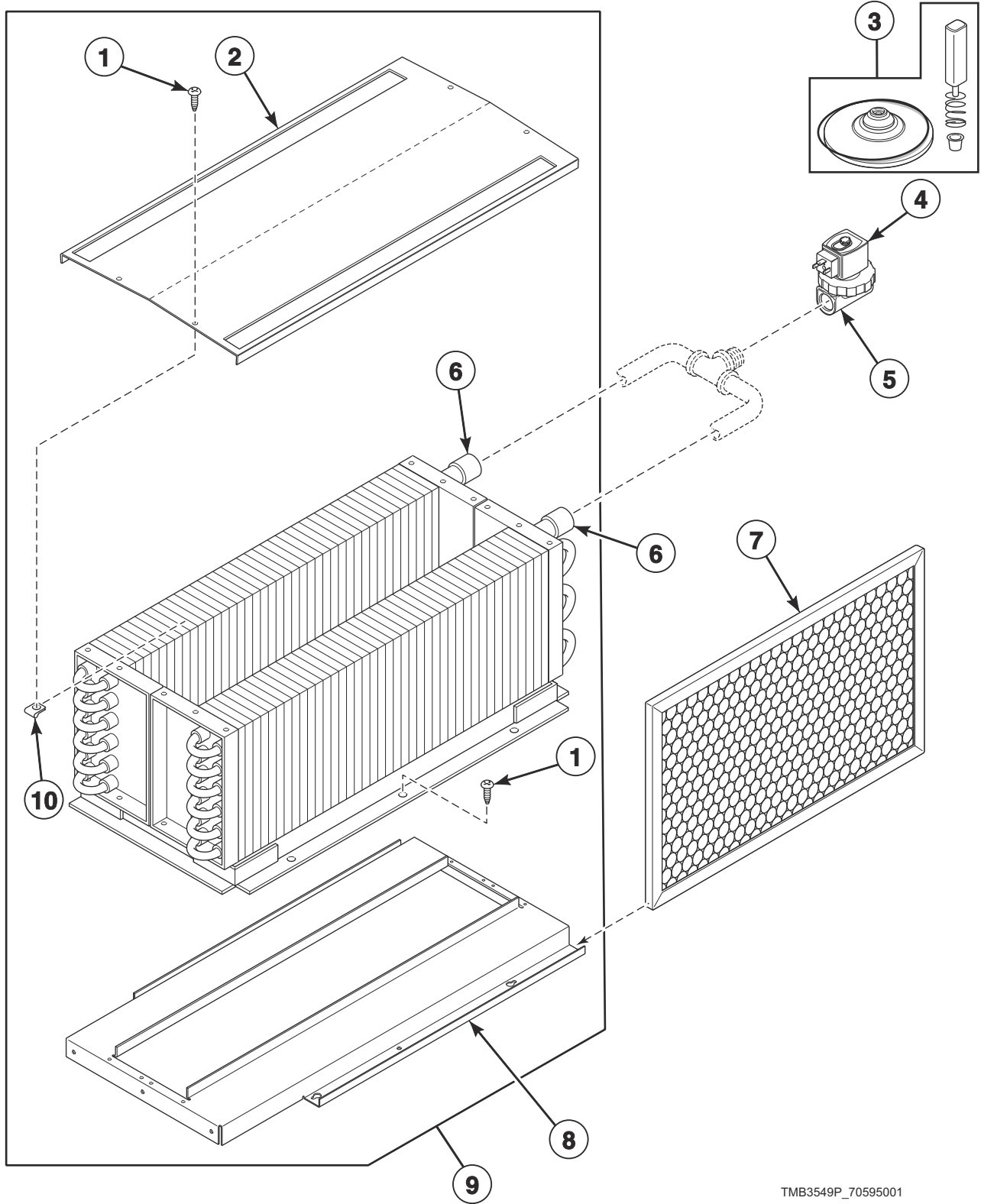


TMB3587P_70595001

Electric Heater Components

REF	PART NO.	DESCRIPTION	COMMENTS
	44355101P	Direct Air Kit	
	70500401	Heat Exchanger	
	70564304	Stove Limit Harness	
	44281706	Harness	200-240 Volt; Contactor to element
	44281707	Harness	Contactor element
1	44327302	Electric Wrap	Standard models
	44327301	Electric Wrap	Eco and medium electric models
2	70054	Nut	
3	M400869	Jumper Strip	380-480 Volt 3 required; 200-240 Volt 6 required
4	44242101	Electric Stove Assembly	Standard models
	44252501	Electric Stove Assembly	Eco and medium electric models
5	70240301	Screw	
6	44328006	Limit Thermostat	
7	44232801	Heater Element	Standard models; 3 required; 12 kW; 208 Volt heater element for 200-208 Volt
	44232802	Heater Element	Standard models; 3 required; 12 kW; 220 Volt heater element for 380 and 440 Volt
	44232803	Heater Element	Standard models; 3 required; 12 kW; 240 Volt heater element for 230-240 Volt and 400-415 and 460-480 Volt
	44258701	Heater Element	Eco models; 3 required; 7 kW; 220 Volt heater element for 380 and 440 Volt
	M412955P	Heater Element	Eco models; 3 required; 7 kW; 240 Volt heater element for 230-240, 400-415 or 460-480 Volt
	44263201P	Heater Element	Eco models; 3 required; 7 kW; 208 Volt heater element for 200-208 Volt
	M410939P	Heater Element	Medium electric models; 3 required; 10 kW; 240 Volt heater element for 230-240 Volt, 400-415 and 460-480 Volt
	M410940P	Heater Element	Medium electric models; 3 required; 10 kW; 208 Volt heater element for 200-208 Volt
	M410941P	Heater Element	Medium electric models; 3 required; 10 kW; 220 Volt heater element for 380 and 440 Volt
8	44308802	Heating Element Screen	
9	44281708	Jumper Harness	3 inch; 380-480 Volt 4 required; 440-480 Volt 1 required
	44281709	Jumper Harness	9 inch; 440-480 Volt 1 required
10	33562	Screw	
11	430497	Screw	
12	44226101	Limit Offset Bracket	

Steam Heater and Valve

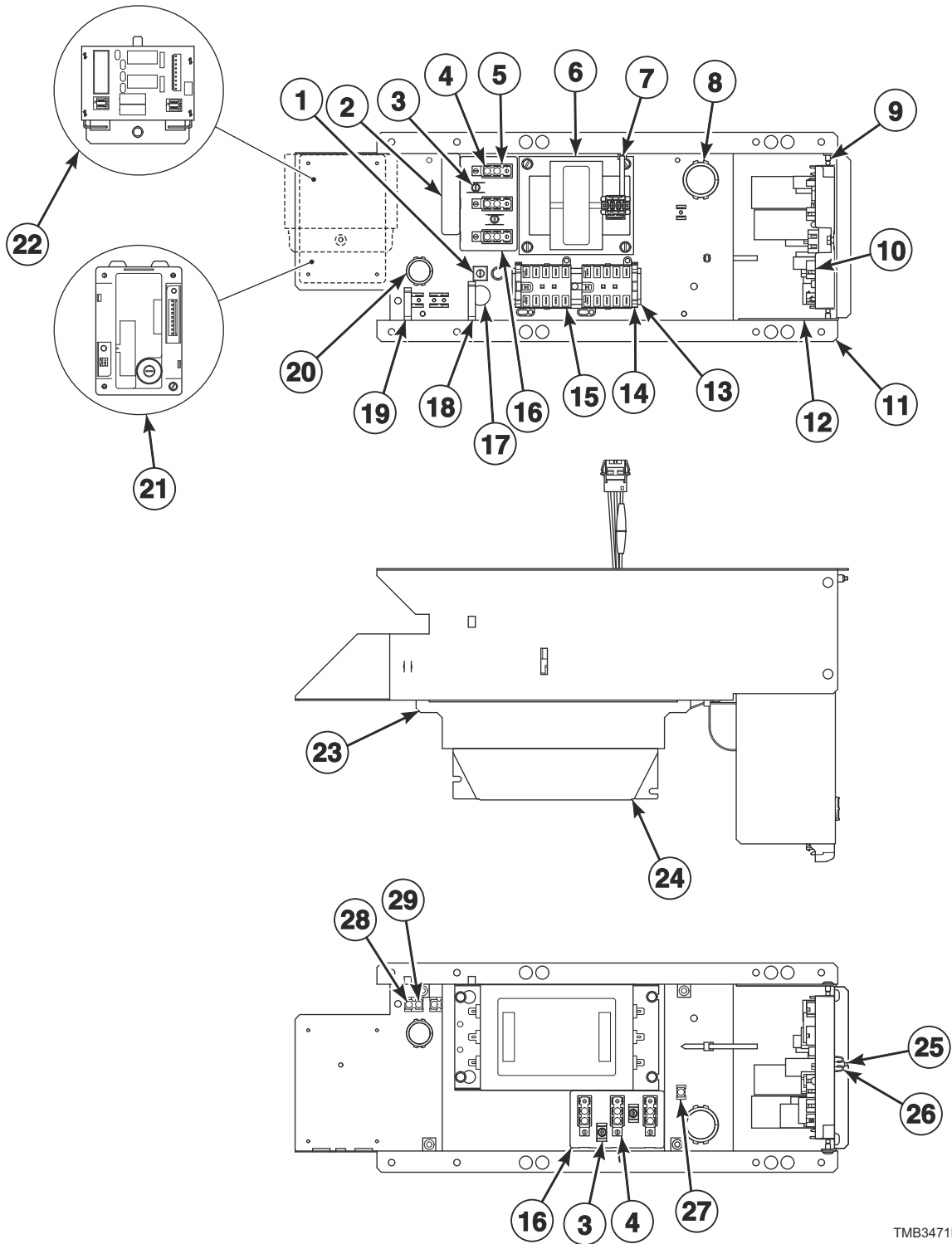


TMB3549P_70595001

Steam Heater and Valve

REF	PART NO.	DESCRIPTION	COMMENTS
	70564302	Stove Limit Bypass Harness	
	F8520703	Steam Valve Harness	
	44314701	Steam Adapter Kit	IEC models
	44304801	Strain Relief	
	F8382301	DIN Valve Adapter Kit	Use with item 5
1	23008	Screw	4 required
2	M400828	Low Pressure Steam Cover	
3	F8379502	Valve Rebuild Kit	
4	F8514701	Coil	120 Volt
	F8514601P	Coil	240 Volt
5	F8322904P	Steam Valve	120 Volt
	F8322906P	Valve	240 Volt
6	M400637P	Steam Coil	2 required
7	44172001	Filter	Aluminum; 2 required; IEC models
	44104201	Air Filter	Fiberglass; 2 required; CSA models
8	44007501	Steam Stand Box	
9	44020401P	Steam Heater Assembly	
10	36020	Nut	4 required

Control Tray

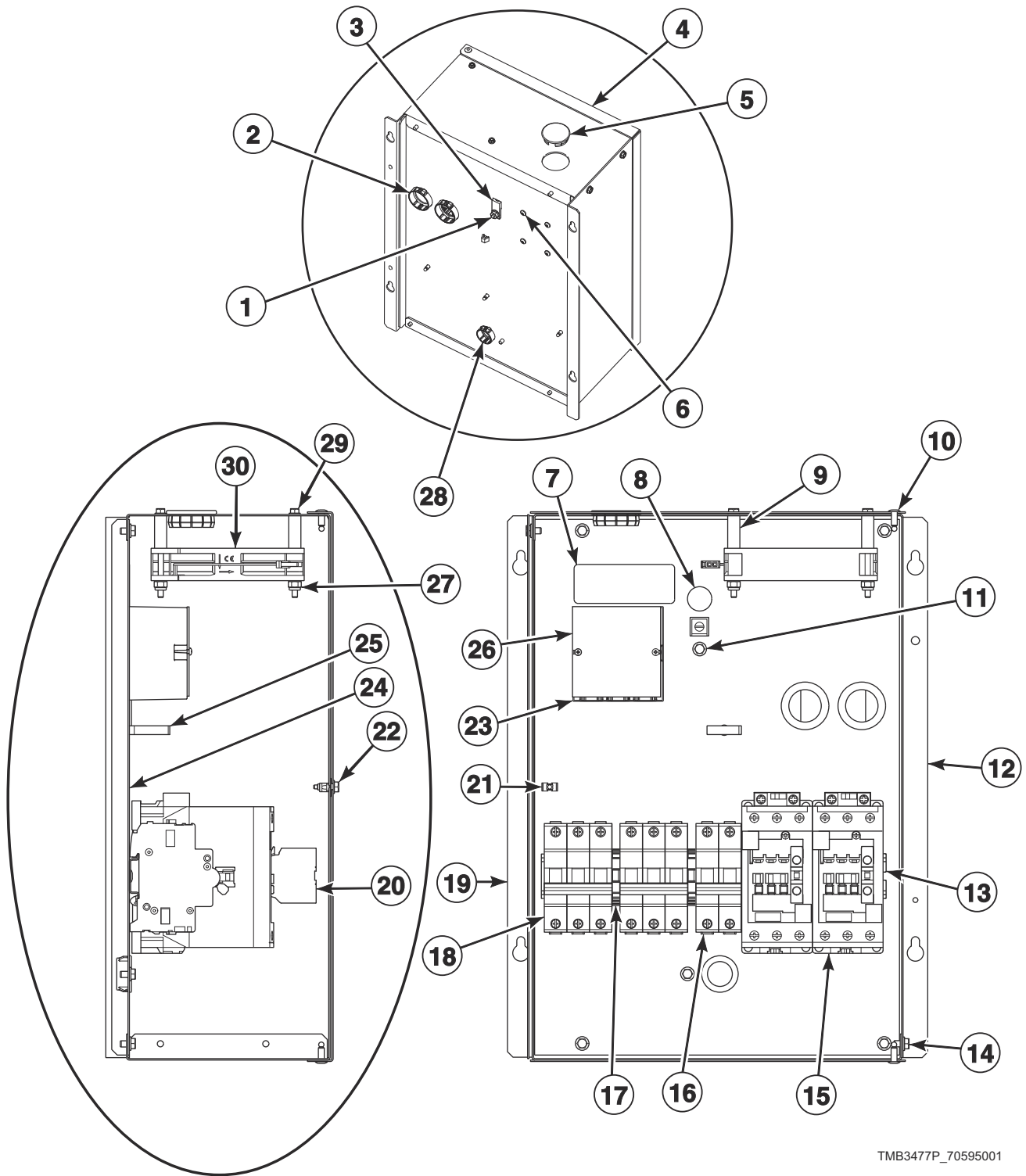


TMB3471P_70595001

Control Tray

REF	PART NO.	DESCRIPTION	COMMENTS
	685837	Screw	Use with item 1
	44088001	Nut	Use with item 1
	70559303	Conversion Kit	X to B voltage
	44357401	EMI Filter Kit	CSA models; 100-240 Volt
	44357402	EMI Filter Kit	CSA models; 380-480 Volt
1	M411283	Ground Lug Connector	
2	44286803	Label	L1, L2, L3
	44286801	Label	L1, N
	44286802	Wire Label	L1 L2, L1 N
	44286804	Wire Label	L1 L2, L1 N, L1 L2 L3
3	51783	Screw	
4	430642	Terminal Block	
5	70333001	Terminal Block Shield	
6	F8491101	Transformer	380-480 Volt
7	70335601	Cable Tie	
8	70346501	Bushing	
9	70058501	Pop Rivet	
10	70479201P	I/O Control Assembly	
11	70492401	Control Tray	
12	70494901	Control Board Control Tray	
13	M412690	DIN Rail	
14	F8449801	End Stop	
15	70482601	Contactors	240 Volt or less: 1 required; 380 Volt or higher: 2 required
16	M413862	Insulator	
17	D516100	Label	
18	F8449501	Wire Clip	
19	F8449502	Wire Clip	
20	70178701	Snap Bushing	
21	70482002	Ignition Control	IEC gas models
	70482001	Ignition Control	CSA gas models
22	70501801	Steam Control Assembly	Steam models
23	70533101	Filter Bracket	
24	F8591601	EMI Filter	IEC models; 100-200 and 200-240 Volt/1 Phase
	F8637501	EMI Filter	IEC models; 380-480 Volt
25	F8206901	Screw	
26	70030501	Expansion Clip	
27	00621SG	Male Tab Terminal	
28	M400003	Pop Rivet	
29	00622SG	Terminal	

Accessory Box - Electric 200-240 Volt Models

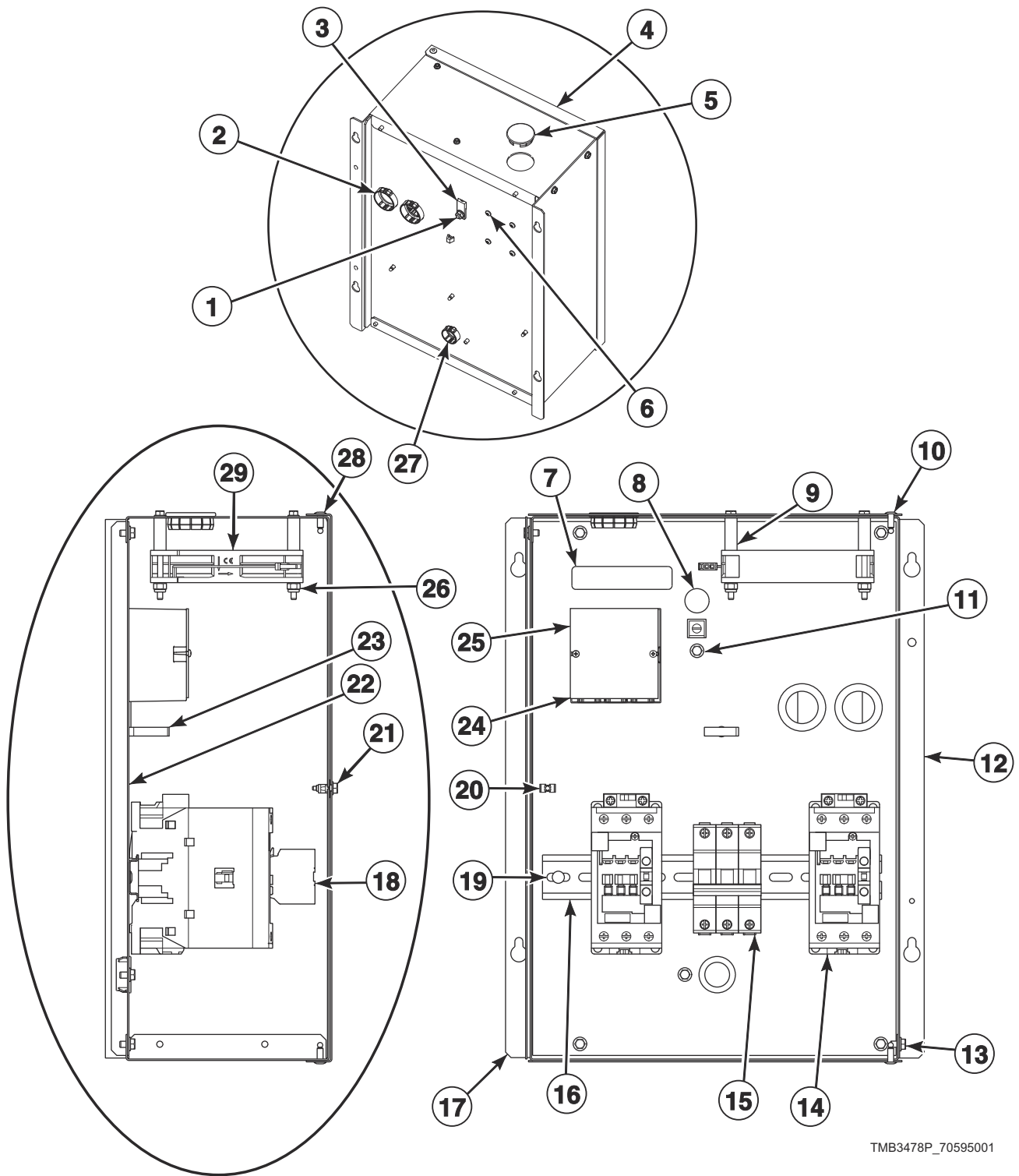


TMB3477P_70595001

Accessory Box - Electric 200-240 Volt Models

REF	PART NO.	DESCRIPTION	COMMENTS
	44309003	Harness	CSA models; Power distribution block to control circuit breaker
	44309013	Harness	IEC models; Power distribution block to control circuit breaker
	44281707	Harness	Contactora to element
	44281706	Harness	Contactora to element
	44281703	Harness	Power distribution block to element circuit breaker
	44281701	Harness	Power distribution block to element circuit breaker
1	44088001	Nut	2 required
2	M402542	Snap Bushing	
3	M411283	Ground Lug Connector	
4	44134004	Contactora Box Cover	
5	70180001	Plug	
6	39733	Screw	
7	44286803	Label	3 Phase; L1, L2, L3
8	D516100	Label	
9	44328601	Sleeve	2 required
10	70058502	Pop Rivet	
11	685837	Screw	
12	44292501	Contactora Box Side	Top
13	44229701	DIN Rail	
	70058501	Pop Rivet	
14	51780	Screw	
15	70482801	Contactora	2 required
16	70488102	Circuit Breaker	25 amp
17	F8449801	End Stop	2 required
18	70488104	Circuit Breaker	2 required; 50 amp
19	44292401	Contactora Box Side	Bottom
20	44313201	Auxiliary Contact Block	
21	70030501	Expansion Clip	
22	F8206901	Screw	
23	M413865	Power Distribution Block	
24	44292601	Contactora Box Base Plate	
25	F8449502	Wire Clip	
26	44014901P	Power Distribution Block Cover	
27	F430232	Nut	
28	F140938	Snap Bushing	
29	70546902	Screw	
30	F8504301	Fan	

Accessory Box - Electric 380-480 Volt Models



TMB3478P_70595001

Accessory Box - Electric 380-480 Volt Models

REF	PART NO.	DESCRIPTION	COMMENTS
	44309004	Harness	CSA models; Power distribution block to control circuit breaker
	44309014	Harness	IEC models; Power distribution block to control circuit breaker
1	44088001	Nut	
2	M402542	Snap Bushing	2 required
3	M411283	Ground Lug Connector	
4	44134004	Contactorm Box Cover	
5	70180001	Plug	
6	39733	Screw	
7	44286803	Label	
8	D516100	Label	
9	44328601	Sleeve	2 required
10	70058502	Pop Rivet	
11	685837	Screw	
12	44292501	Contactorm Box Side	Top
13	51780	Screw	
14	70482801	Contactorm	2 required
15	70488101	Circuit Breaker	
16	44229701	DIN Rail	
17	44292401	Contactorm Box Side	Bottom
18	44313201	Auxiliary Contact Block	2 required
19	70058501	Pop Rivet	
20	70030501	Expansion Clip	
21	F8206901	Screw	
22	44292601	Contactorm Box Base Plate	
23	F8449502	Wire Clip	
24	M413865	Power Distribution Block	
25	44014901P	Power Distribution Block Cover	
26	F430232	Nut	
27	F140938	Snap Bushing	
28	70546902	Screw	
29	F8504301	Fan	

Harnesses

PART NO.	DESCRIPTION	COMMENTS
44316007	Harness	1 Phase
44316008	Harness	3 Phase
44280007	Configuration Harness	120 Volt; Cylinder
44280006	Configuration Harness	120 Volt; Fan
44334308	Contactora Coil Harness	Electric models
44334303	Control Harness	Electric models; 1 Phase
44334304	Control Harness	Electric models; 3 Phase
44356404	Control Tray Harness Assembly	Electric models
44356408	Control Tray Harness Assembly	Steam models
44356403	Control Tray Harness Assembly	Gas models
44334702	Inverter Contactora Coil Harness	Secondary
44281705	Jumper Harness	
44316001	Harness	1 Phase
44316002	Harness	3 Phase
44280010	Motor Contactora Power Harness	1 Phase; EMI
44280012	Motor Contactora Power Harness	3 Phase; EMI
44280001	Motor Contactora Power Harness	1 Phase
44280003	Motor Contactora Power Harness	3 Phase
44280101	Power Harness	
44272101	Power Harness	

Labels

PART NO.	DESCRIPTION	COMMENTS
44324201	Caution Label	Australian models; Repeat Ignition Reset
44318601	Caution Label	Vent/install
F8614501	Danger Label	Shock; English/French
F8614301	Hot Surface Warning Label	English/French
F8609001	Hot Surface Warning Label	Icon
F8611601	Warning Label	
44318600	Label Kit	Vent/install
F8614500	Label Kit	Shock
F8611600	Warning Label Kit	
44321501	Notice Label	120/240 Volt
70539601	Notice Label	
70534201	Notice Label	
F8609501	Notice Label	
D516073	Notice Label	Read instructions; Icon
70538401	Pinch Warning Label	English/French
F8615701	Pinch Warning Label	Icon
70536401	Warning Label	Lint; Australian models
44324101	Warning Label	Fire; Australian models
44321601	Warning Label	Risk of fire; Icon
44324001	Warning Label	Shock/pinch

Parts Index

A

Access Panel Trim 70399402	37
Adapter 44178801	63
Air Exhaust Deflector 44308401	59
Air Filter 44104201	69
Airflow Switch and Arm Bracket 70319602	61
Airflow Switch Arm 70319401	61
Airflow Switch Assembly 70429602	61
Airflow Switch Vane 70319202	61
Auxiliary Contact Block 44313201	73, 75

B

Baffle 44299001	43
44299801	43
44299802	43
Ball Bearing 44041901P	53
Bearing F100136P	53
Belt Guard 44298401	45
44314301	45
44332201	45
Belt Guard Side Panel 44298301	45
44301101	45
Blind Rivet F8245101	39
Blower Assembly 70302201P	59
Blower Housing Scroll 44303801	59
Blower Inlet Cone 70303101	59
Blower Motor Mounting Plate 70380801	59
Bolt M400650	53
Bottom Pan 44298701	43
Burner Assembly M410541P	63
Burner Orifice 70684101	65
70684102	65
70684103	65
70684104	65

70684105	65
70684106	65
70684107	65
70684108	65
70684109	65
70684110	65
70684126	65
70684128	65
70684130	65
70684131	65
70684132	65
70684134	65
70684135	65
70684138	65
70684158	65
Burner Support 44110301	63
Bushing 70346501	71
Bypass Harness 44334103	33, 43

C

Cable Tie 70335601	71
Caution Label 44318601	77
44324201	77
Center Pan 44298601	43
Central Pay Board Harness 44355604	29
Central Pay Control Assembly 204779	29
Central Pay Harness 44342801	19
44355602	29
44355605	29
Central Pay Kit 44359001	29
44359003	29
Circuit Breaker 70488101	75
70488102	73
70488105	73
Circuit Plug Housing, 1 44370401	55
Coil F8514601P	69
F8514701	69
Coin Box F160673P	43
Coin Chute Assembly 70296401	43
Coin Drop 38963P	25
39748	25
70441601	25
70441603	25

N/A items do not appear in index.

Coin Drop Assembly					
201141	25				
210195	25				
210196	25				
38462P	25				
38463	25				
38467	25				
38519	25				
70281102	25				
70283102	25				
70441602	25				
70447301	25				
70471601	25				
70482401	25				
70506901	25				
Coin Drop Kit					
CK077	25				
CK122	27				
Coin Identification Paper					
38464P	25				
38475	25				
38725	25				
Coin Meter					
F0160737-00	25				
Coin Vault and Emergency Stop Mount Assembly					
70529502	43				
Coin Vault Assembly					
70529501	43				
Coin Vault Switch Harness					
44334101	33, 43				
Cold Weather Kit					
44340301	15				
Configuration Harness					
44280006	76				
44280007	76				
Contact Base					
F8538101	31				
Contact Switch					
F8069501	31				
Contacto					
70482601	71				
70482801	73, 75				
Contacto Box Base Plate					
44292601	73, 75				
Contacto Box Cover					
44134004	73, 75				
Contacto Box Side					
44292401	73, 75				
44292501	73, 75				
Contacto Coil Harness					
44334308	76				
Control					
70511601	15				
Control Assembly					
70478801P	19, 21				
70478802	23				
70479801	17				
Control Board Control Tray					
70494901	71				
Control Box Assembly					
44180101	13				
Control Box Base					
44065301	15				
Control Box Cover					
44065201	15				
Control Box Housing					
44306701	15				
Control Box Top					
44307101	15				
Control Door Latch					
431318	43				
Control Harness					
44334303	76				
44334304	76				
44334404	15				
Control Panel					
44000122*	35				
44000125	35				
44040005*	35				
44040013	35				
Control Plate					
70497101	17, 23				
Control Plate and Studs Assembly					
70496601	19, 21				
Control Plate Assembly					
70497201	19, 21				
Control Tray					
70492401	71				
Control Tray Cover					
70507501	45				
Control Tray Harness Assembly					
44356403	76				
44356404	76				
44356408	76				
Control Trim					
44016401	33				
Conversion Kit					
70559303	71				
Cylinder and Trunnion Assembly					
44195701P	51				
44195702P	51				
44195703	51				
44195705P	51				
44195706	51				
44195707	51				
Cylinder Assembly					
44130702P	51				
44198301P	51				
44198302	51				
44198303	51				
Cylinder Kit					
44057201P	51				
44057301P	51				
Cylinder Rib Assembly					
44191202	51				
<hr/>					
D					
Damper Assembly					
44280301	59				
Danger Label					
F8614501	77				
DIN Rail					
M412690	71				
44229701	73, 75				
DIN Valve Adapter Kit					
F8382301	69				
Direct Air Kit					
44355101P	63, 67				

N/A items do not appear in index.

Door Assembly	
44028906	47
44028907	47
44028908	47
70407402	47
Door Glass	
44008401P	47
Door Glass Installation Tool	
M4221P4	47
Door Handle	
44007901	47
Door Hinge Assembly	
44075203*	49
44075208B	49
44075211	49
Door Hinge Lug Assembly	
44035001	49
44035002	49
Door Latch	
M401223	33
Door Ring Assembly	
44326001	47
44326003B	47
44326004B	47
44326005	47
Door Ring Gasket	
44008201P	47
Door Seal Kit	
70211902P	47
Door Switch Actuator Kit	
70215001P	49
Door Switch Harness	
44335202	33
Drive Motor	
44259501P	57
44259601P	57
Drive Rivet	
M400713	15

E

Elbow	
70079601	63
Electric Stove Assembly	
44242101	67
44252501	67
Electric Wrap	
44327301	67
44327302	67
Electronic Coin Drop Assembly	
70294107	25
70513302	25
70513303	25
70513304	25
70513306	25
70513308	25
70513309	25
70513310	25
70513311	25
70513312	25
70513313	25
70513314	25
70513315	25
70513316	25

Electronic Coin Drop Kit	
CK099	27
CK100	27
CK101	27
CK108	27
CK109	27
CK110	27
CK113	27
CK115	27
CK116	27
CK117	27
CK118	27
CK119	27
CK120	27
CK121	27
Emergency Stop Button Kit	
70580301	31
Emergency Stop Bypass Harness	
F8519403	31
Emergency Stop Harness	
44272401	31
Emergency Stop Interconnect Harness	
44272106	31
Emergency Stop Label	
44012901	31
44012903	31
Emergency Stop Mounting Bracket	
70550401	31
Emergency Stop Pushbutton	
F200233500	31
EMI Filter	
F8591601	71
F8637501	71
EMI Filter Kit	
44357401	71
44357402	71
End Stop	
F8449801	71, 73
Exhaust Pipe Assembly	
44327901	59
Expansion Clip	
70030501	19, 21, 29, 33, 71, 73, 75
Extension Spring	
F8440701	57

F

Fan	
F8504301	73, 75
Fan Motor	
70478701P	59
70484901P	59
Fan Spacer	
70599301	59
Felt Pad	
M402144	51
Fill Hose	
202799	15
Filter	
44172001	69
Filter Bracket	
70533101	71
Filter Mounting Plate	
70551701	15

N/A items do not appear in index.

Front Panel	
44052520W	37
44052522	37
44052525*	37
44052527	37
44052529	37
44052530W	37
Front Panel Assembly	
44077905WP	37
44077919	37

G

Gas Stove Assembly	
44135605	63
Gas Valve	
44154501P	63
44154502P	63
44154505	63
44154506	63
44178301P	63
44178302P	63
44298501	63
44298504	63
Gas Valve Bracket	
44175703	63
Gas Valve Harness	
44273501	63
44273502	63
Gasket	
70289101P	39
Ground Lug Connector	
M411283	71, 73, 75
Guard Panel	
44269201	45
44269202	45
44332301	45

H

Handle and Caps Assembly	
70154405P	39
Handle Bar	
70399501B	47
Handle Bumper	
70407202	39
Harness	
44281701	73
44281703	73
44281706	67, 73
44281707	73
44309003	73
44309004	75
44309013	73
44309014	75
44316002	76
44316007	76
44316008	76
Harness Adapter Plate	
70523301	15
Harness Mounting Plate	
70307007	13, 29

Harness Strap	
55881	55
Heat Exchanger	
70500401	63, 67
Heater Element	
M410939P	67
M410940P	67
M410941P	67
M412955P	67
44232801	67
44232802	67
44232803	67
44258701	67
44263201P	67
Heating Element Screen	
44308802	67
High Altitude Orifice Kit	
44357503	65
44357504	65
High Voltage Suppression Cable	
44239705	63
Hinge Cam Kit	
M4772P3	49
M4773P3	49
Hold-Down Clip	
35865	41
Hose	
44073304	15
Hose Clamp	
36801	15
Hose Fitting	
44069101	15
Hot Surface Warning Label	
F8609001	77
F8614301	77
Housing and Trunnion Assembly	
M4644P3	53
44336302	53

I

Idler Shaft	
44303102	57
Idler Spacer	
44306801	57
Igniter Cover	
70159601	63
Ignition Control	
70482001	71
70482002	71
Insulation	
44150102	43
44150105	35, 43
Insulator	
M413862	71
Interconnect Harness	
44334401	15
Inverter Contactor Coil Harness	
44334702	76
Inverter Motor Harness	
44335304	57
44335305	59

N/A items do not appear in index.

I/O Control Assembly 70479201P	71
---	----

J

Jumper Harness	
44281705	76
44281708	67
44281709	67
Jumper Strip	
M400869	67

K

Key	
M400008	51, 57
44309301	57
70155601	15, 33
70155602	33
Kickplate	
70117607	39

L

Label	
D503887	63
D516100	71, 73, 75
44286801	71
44286803	71, 73, 75
44318201	15
70414001	47
70537001	37
70537101	37
Label Kit	
F8614500	77
44318200	15
44318600	77
44324500	15
70534400	37
Latch Mounting Bracket	
44003201	43
Light	
801432	15
Limit Offset Bracket	
44226101	67
Limit Thermostat	
44328003	59
44328006	67
44328008	63
70530905	59
Lint Bracket	
44325301	41
Lint Clip Bracket	
44140202	41
Lint Panel	
44293602	39
44293603W	39
44298102	41
44300901	41
Lint Screen	
44063601	41

Lint Screen Clip	
H96418413	41
Lint Screen Top Rail	
44298901	41
Lock, Key and Nut Kit	
44089301P	15, 33
44089302P	33
Low Pressure Steam Cover	
M400828	69
Lower Rear Panel	
44300001	43
L.P. Conversion Kit	
44328802	63
44330302	63

M

Machine ID Control Assembly	
203361P	19, 21, 23
Magnet	
70343101	39
Magnet Bracket	
44290501	39
Main Harness	
44316001	76
44334201	13
Male Tab Terminal	
00621SG	71
Micro V Pulley	
44270201	57
Mixing Valve	
70519801	15
Mixing Valve Shield Bracket	
44306601	15
Moisture Sensing Harness Kit	
44344702	55
Moisture Sensor Harness	
44333902	55
Motor Conduit Bracket	
44317901	57, 59
Motor Contactor Power Harness	
44280001	76
44280003	76
44280010	76
44280012	76
Motor Pivot Bracket Weldment	
44327001	57
Motor Pivot Gusset Bracket	
44325701	57
Motor Pivot Plate Weldment	
44311501	57
Motor Pivot Support Bracket	
44325801	57
Motor Pulley	
70559102	57
Mount Bracket	
44308701	15
Mounting Plate	
70208801	19, 21

N/A items do not appear in index.

N

Nameplate Overlay	
44130301	35
44144401	35
70410201	35
70411401	35
Nipple	
F421921	63
Notice Label	
D516073	77
F8609501	77
44321501	77
70534201	77
70539501	63
70539601	77
Notice label	
70544901	63
Nut	
F430232	73, 75
M400022	59
M400026	53
M400034	59
M400035	55
M400977	33
M404993	51
M414215	47
21899	43
23951	39
36020	69
44088001	47, 49, 71, 73, 75
44333202	57
51236	39
70054	67

O

Opto Coupler	
200674P	25
Overlay	
F8205101	19
70516801	17
70516802	17
70544701	19
70544702	19
70544703	19
70547401	19
70547402	19
70547501	17
70547502	17
70547801	23
70547802	23
70548101	19
70557001	19
70557002	19
70570601	23
70572401	23
70572402	23
70572601	21
70626001	21
70626002	21
70626101	21

P

Panel Locator	
56079	33
Panel Lock	
44089304	33
44089305	33
Pinch Warning Label	
F8615701	77
70538401	77
Pipe Bracket	
44327601	45
Pipe Nipple	
431486	63
70210201	63
70612601	63
70612602	63
Pipe Tee	
44231902	63
Plug	
70167601	63
70180001	15, 73, 75
Pop Rivet	
M400003	33, 43, 71
70058501	39, 43, 49, 71, 73, 75
70058502	73, 75
70126301	39
70126401	39
70412601	47
Porcelain Touch-Up Paint	
122P4P	43
370P4P	43
Power Distribution Block	
M413865	73, 75
Power Distribution Block Cover	
44014901P	73, 75
Power Harness	
44272101	76
44280101	76
Power Sensor Harness	
44334402	15
Pressure Fitting	
44231601	63
Pulley	
44289502	57
Pushbutton Switch	
70413301	17, 19, 21, 23, 33
Push-to-Start Switch	
801434W	15

R

Rear Access Plate	
44135201	63
Reed Switch Assembly	
F8066804	39
Rib Rod	
M404992	51
Rib Wire	
44208601	55
Roller Bracket Assembly	
70404001	39

N/A items do not appear in index.

Roller Catch Arm 70030301	39
Roller Catch Spacer 70030201	39
Roller Catch Wheel 70297601	39

S

Screw	
F8206901	29, 71, 73, 75
M400044	49
M400063	53
M400661	47
M402797	63
M411072	19, 21, 33
23008	69
33562	67
39733	73, 75
430497	13, 15, 43, 61, 67
430757	39, 61
431287	43
44338901	55
51780	15, 29, 43, 73, 75
51782	63
51783	71
685837	71, 73, 75
70033502	33, 49
70072801	39
70132301	39
70182601	33
70187201	53
70240301	63, 67
70247701	43
70275801	33
70409801	49
70442101	47, 49, 55
70546902	73, 75
804608	15, 17, 19, 21, 23
805213	57
Sensor Harness 44334406	15
Shaft Collar 70467001	57
Shaft Wire 44208702	55
Shield 44326801	15
Shock Warning Label F8614201	15
F8614401	15
Side Panel 44299401*	43
44299501*P	43
Sleeve 44328601	73, 75
Slip Ring Assembly 44222702	55
Slip Ring Holder 44224401	55
Slot Card Plate Assembly 44089501	19, 21
Snap Bushing F140938	73, 75
M402542	73, 75

70178701	71
Spacer M401402	51
Spark Electrode 44328701P	63
Spray Paint 298P4P	43
Spud Holder Weldment 44263102	63
Steam Adapter Kit 44314701	69
Steam Coil M400637P	69
Steam Control Assembly 70501801	71
Steam Heater Assembly 44020401P	69
Steam Stand Box 44007501	69
Steam Valve F8322904P	69
Steam Valve Harness F8520703	69
Stove Grate 44300301	45
44300302	45
44335601	45
Stove Limit Bypass Harness 70564302	69
Stove Limit Harness 70564304	63, 67
Strain Relief 44304801	69
Street Elbow 70612501	63
Switch 70411901	61
Switch Bracket 44296101	39
70356301	61, 63
Switch Hole Plug 44057801B	33
44057801LG	33
44057801Q	33
44057801W	33

T

Terminal 00622SG	71
Terminal Block 430642	71
Terminal Block Shield 70333001	71
Thermistor M414704	59
44064701	43
Thermistor Plate 44068101	43
44068102	43
Top Cover 44139301	43

N/A items do not appear in index.

Top Cover Pan	
44129301P	43
Top Pan	
44300101	43
Top Panel Bracket	
44368201	43
Transformer	
F8491101	71
202757	29, 43
202758	29, 43
Transformer Harness	
44272301	29, 43
44272302	29, 43
Trunnion and Bearing Assembly	
M4640P3	53
44336301	53
Trunnion Assembly	
44207901	51
44208001	51
Trunnion Housing	
M413826	57
Trunnion Housing Assembly	
M413832	53
44375001	53
Tumbler Dolly Kit	
M4379P4	33

U

Upper Rear Panel	
44297001	43

V

Valve	
F8322906P	69
Valve Rebuild Kit	
F8379502	69
V-Belt	
44309402	57
44333301	57
Vend Activation Harness	
44334004	17, 19, 21, 23

W

Warning Label	
F8611601	77
44321601	77
44324001	77
44324101	77
44324501	15
44324502	15
70534401	37
70534402	37
70534405	37
70536401	77
Warning Label Kit	
F8611600	77
Washer	
F431131	59

M400015	51, 53
20103	53
44238902	55
70261401	53, 57
70409301	47
Water Valve Harness	
44334405	15
Wire Clip	
F8449501	71
F8449502	71, 73, 75
Wire Guard	
201595P	25
Wire Label	
44286802	71
44286804	71
Wireway Channel	
44239101	55

N/A items do not appear in index.