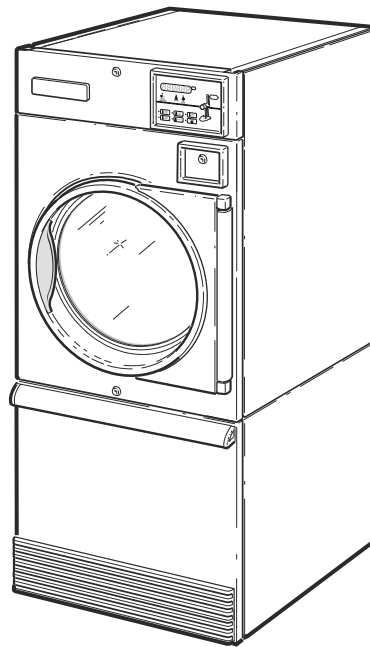


Tumble Dryers

30 Pound Capacity

18 Digit Model Numbers with 3 in 13th Position

Refer to Page 5 for Model Numbers



TMB1283C_70600501

Table of Contents

Title	Page
Parts Ordering Information.....	3
Serial Plate Location	3
Model Identification	5
Product Overview - Heat Source and Voltage	6
Product Overview - FN Control Suffix	8
Product Overview - DN and NN Control Suffixes.....	10
Product Overview - B, N and W Control Suffixes.....	12
Dual Digital Control	14
Electronic Display Control - Vend Models with B in the 7th Position	16
Electronic Display Control - Vend Models with N or W in the 7th Position.....	18
Electronic Display Control - OPL Models with N in the 7th Position	20
Coin Drops	22
Coin Drop Kits	24
Central Pay and Card Reader Components	26
Door Assemblies.....	28
Door Components.....	30
Hinge Components	32
False Fronts	34
Control Panels	36
Front Panel Assemblies	38
Cabinet Front Components.....	40
Emergency Stop Button - OPL Models	42
Lower Cabinet Components	44
Cylinder and Trunnion Assembly	46
Moisture Sensing Components	48
Cylinder Components	50
Cabinet Components	52
Fire Suppression System Components	54
Fire Suppression System Control Box.....	56
Motor Components	58
Blower and Exhaust Components.....	60
Airflow Switch.....	62
Gas Heater Components	64
Burner Orifices	66
Electric Heater Components	68
Steam Heater Components	70
Control Tray	72
Accessory Box - Electric 200-240 Volt Models	74
Accessory Box - Electric 380-480 Volt Models	76
Harnesses.....	78
Labels	79

© Copyright 2023, Alliance Laundry Systems LLC

All rights reserved. No part of the contents of this book may be reproduced or transmitted in any form or by any means without the expressed written consent of the publisher.

Parts Ordering Information

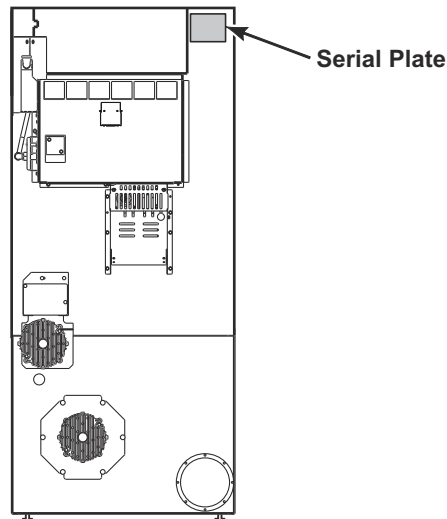
If literature or replacement parts are required, contact the source from whom the machine was purchased or contact Alliance Laundry Systems at (920) 748-3950 for the name and address of the nearest authorized parts distributor.

For technical assistance, call the number listed below:

(920) 748-3121 Ripon, Wisconsin

Serial Plate Location

When calling or writing about your product, be sure to mention model and serial numbers. Model and serial numbers are located on serial plate(s) as shown.



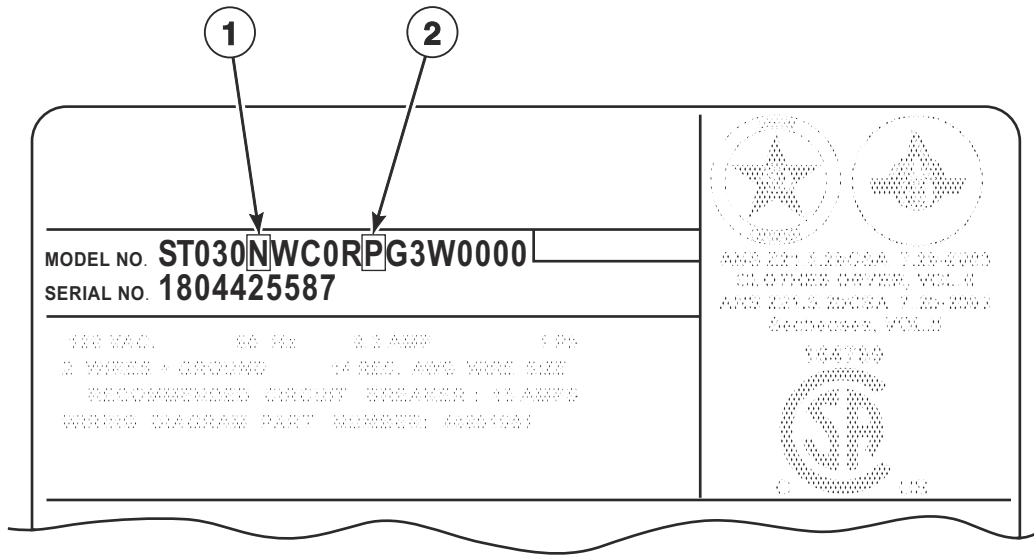
TMB3500P_70600501

Model Identification

Information in this manual is applicable to these tumbler models:

GA030E	KT030E	MG030D	NA030E
GA030L	KT030L	MG030E	NA030L
GA030N	KT030N	MG030F	NA030N
GA030S	KT030S	MG030L	NA030S
GG030E		MG030N	NG030E
GG030L		MG030R	NG030L
GG030N		MG030S	NG030N
GG030S		MJ030D	NG030S
GH030E		MJ030E	NH030E
GH030L		MJ030F	NH030L
GH030N		MJ030L	NH030N
GH030S		MJ030N	NH030S
GJ030E		MJ030R	NJ030E
GJ030L		MJ030S	NJ030L
GJ030N			NJ030N
GJ030S			NJ030S
GK030E			NK030E
GK030L			NK030L
GK030N			NK030N
GU030E			NR030E
GU030L			NR030S
GU030N			NT030E
GU030S			NT030L
			NT030N
			NT030S
			NU030E
			NU030L
			NU030N
			NU030S

Product Overview - Heat Source and Voltage



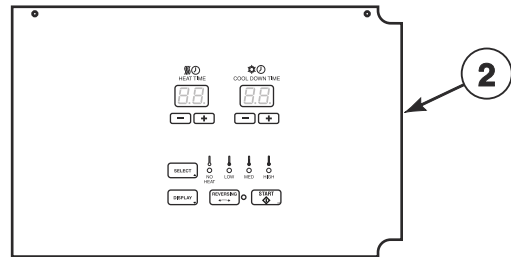
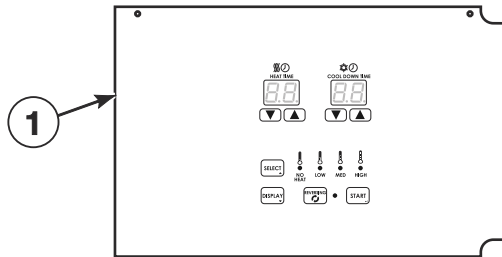
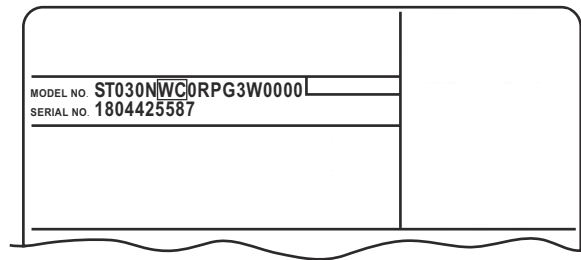
TMB3525P_70600501

Product Overview - Heat Source and Voltage

REF	PART NO.	DESCRIPTION	COMMENTS
1	-	Heat Source	D: Liquid Petroleum Gas (L.P) E: Electric F: Reduced Electric (Eco Line) L: Liquid Petroleum Gas (L.P.) N: Natural Gas (N.G.) R: Reduced Gas, Natural Gas (Eco Line) S: Steam
2	-	Voltage	B: 100-120 Volt/50-60 Hertz/1 Phase; Gas and steam models D: 200-208 Volt/50-60 Hertz/1 Phase; Electric models E: 230-240 Volt/50-60 Hertz/1 Phase; Electric models F: 200-208 Volt/50-60 Hertz/3 Phase; Electric models G: 230-240 Volt/50-60 Hertz/3 Phase; Electric models H: 380 Volt/50-60 Hertz/3 Phase; Electric models J: 400-415 Volt/50-60 Hertz/3 Phase; Electric models K: 440 Volt/50-60 Hertz/3 Phase; Electric models L: 460-480 Volt/50-60 Hertz/3 Phase; Electric models N: 440-480 Volt/50-60 Hertz/3 Phase; Gas and steam models P: 380-415 Volt/50-60 Hertz/3 Phase; Gas and steam models X: 200-240 Volt/50-60 Hertz/1-3 Phase; Gas and steam models

Product Overview - FN Control Suffix

G, K and N Models; OPL



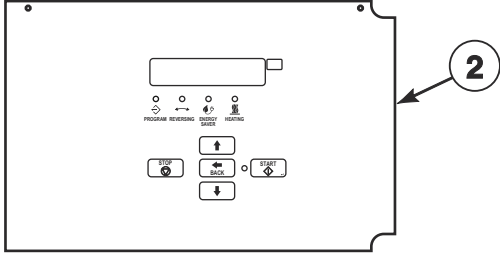
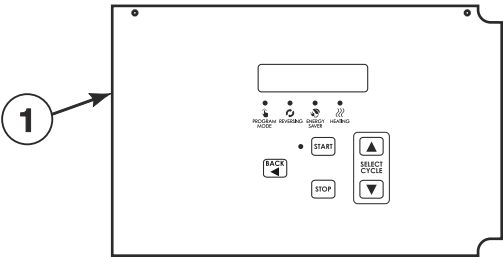
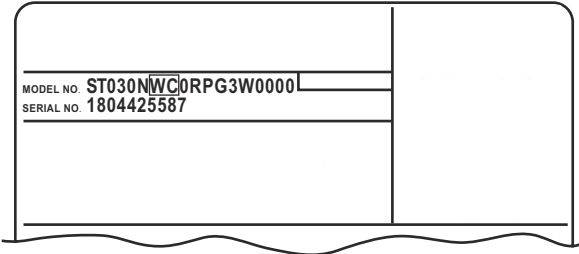
TMB3652P_70600501

Product Overview - FN Control Suffix

REF	PART NO.	DESCRIPTION	COMMENTS
1	-	Dual Digital Control	G and K models
2	-	Dual Digital Control	N models

Product Overview - DN and NN Control Suffixes

G, K and N Models; OPL



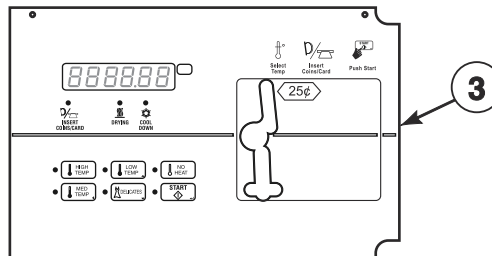
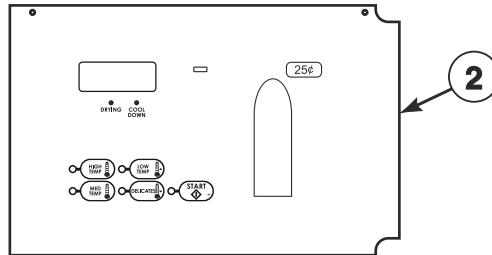
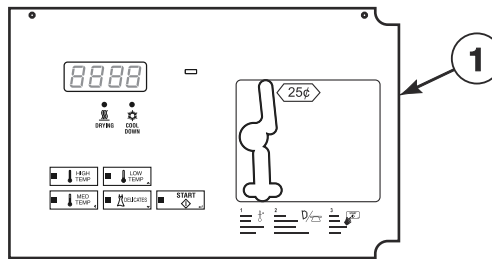
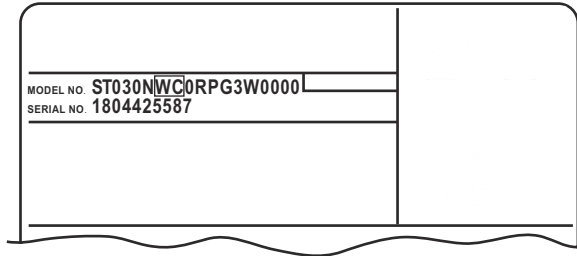
TMB3653P_70600501

Product Overview - DN and NN Control Suffixes

REF	PART NO.	DESCRIPTION	COMMENTS
1	-	OPL Micro Control	G and K models
2	-	OPL Micro Control	N models

Product Overview - B, N and W Control Suffixes

7th Position of the Model Number; All Models Except NT Models; Vend



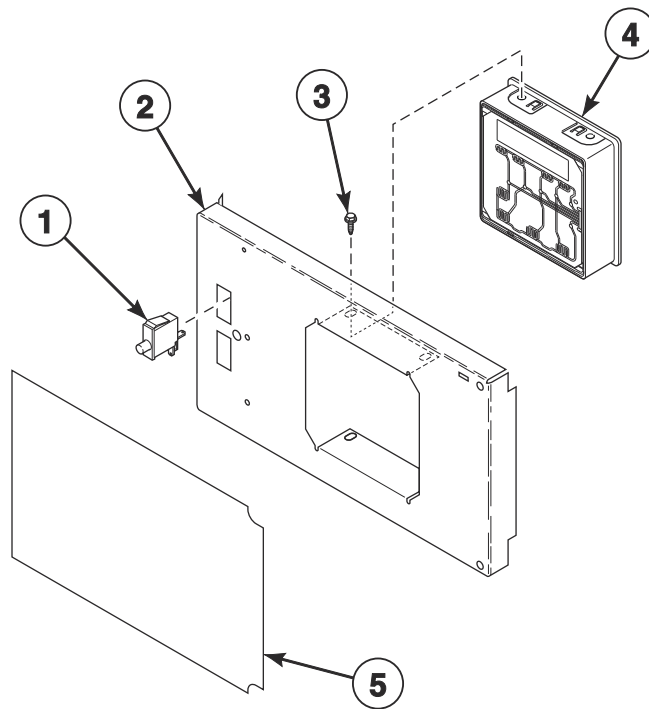
TMB3654P_70600501

Product Overview - B, N and W Control Suffixes

REF	PART NO.	DESCRIPTION	COMMENTS
1	-	Basic Electronic Control	N models
2	-	Basic Electronic Control	G and K models
3	-	Quantum Gold Control	M models

Dual Digital Control

G, K and N Models with F in the 7th Position



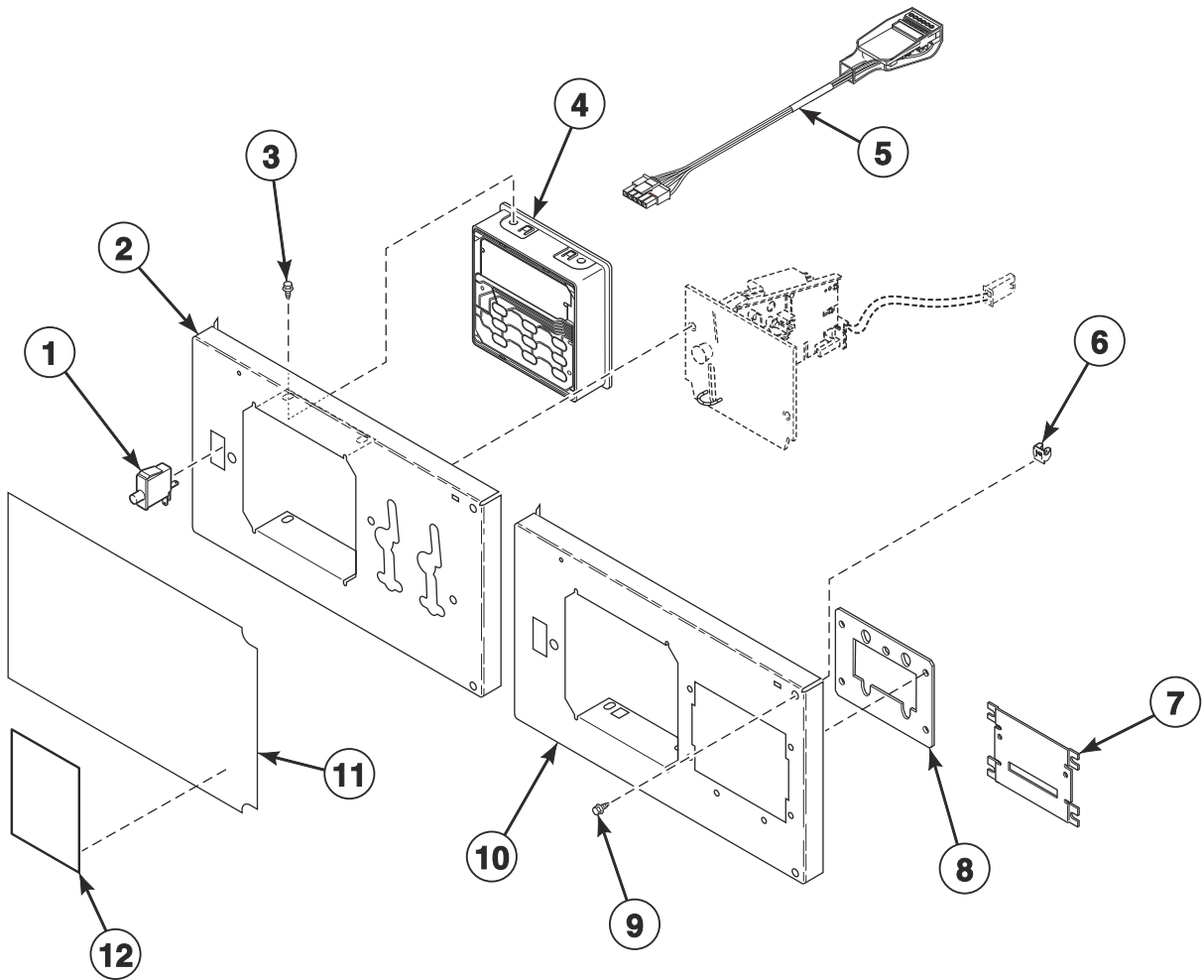
TMB3505P_70600501

Dual Digital Control

REF	PART NO.	DESCRIPTION	COMMENTS
	44334004	Vend Activation Harness	
1	70413301	Pushbutton Switch	
2	70497101	Control Plate	
3	804608	Screw	4 required
4	70479801	Control Assembly	Green
5	70547502	Overlay	G and K models; Nonreversing
	70547501	Overlay	G and K models; Reversing
	70516802	Overlay	N models; Nonreversing
	70516801	Overlay	N models; Reversing

Electronic Display Control - Vend Models with B in the 7th Position

G, K and N Models



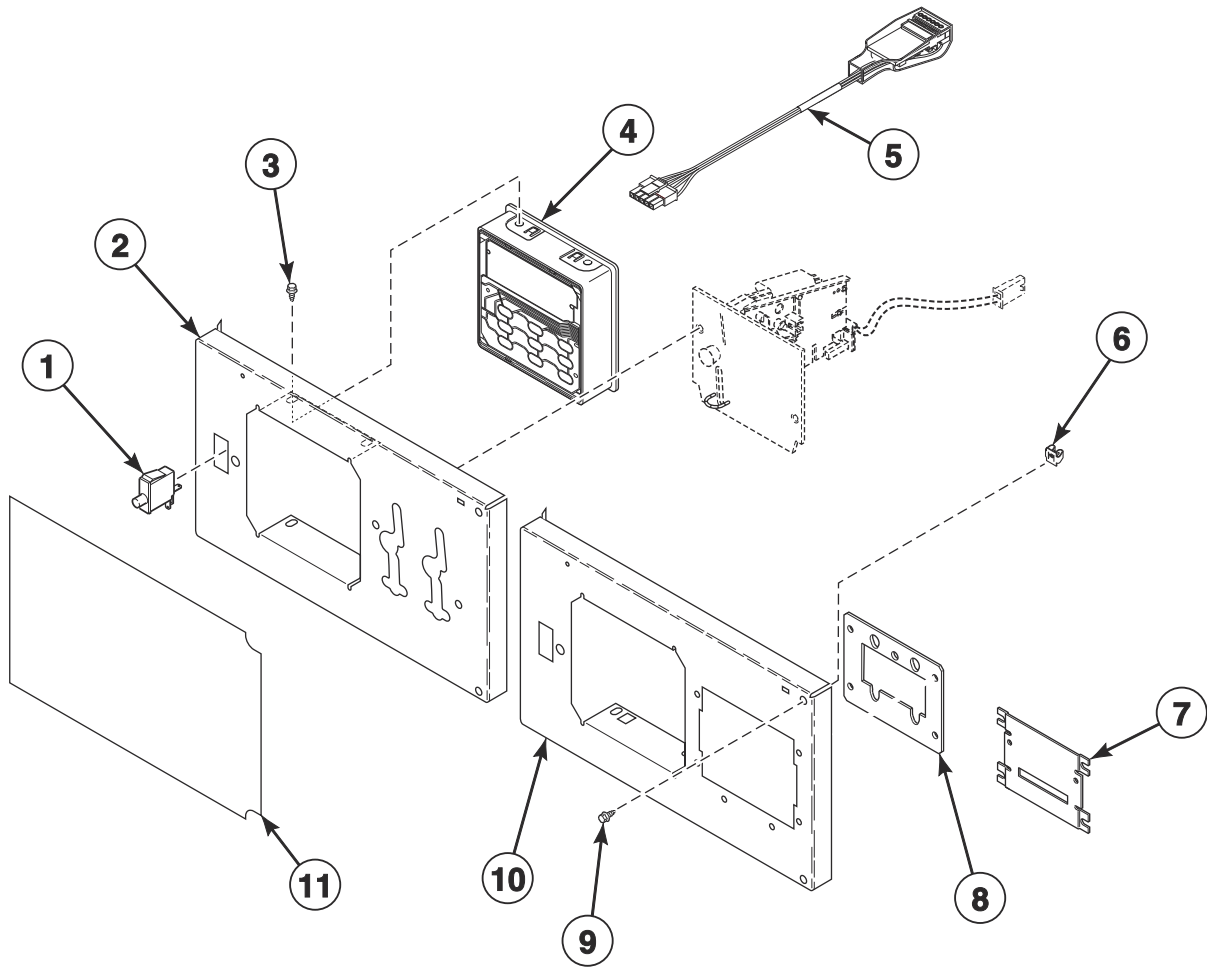
TMB3678P_70600501

Electronic Display Control - Vend Models with B in the 7th Position

REF	PART NO.	DESCRIPTION	COMMENTS
	44334004	Vend Activation Harness	
	44342801	Central Pay Harness	Models through November 2018
1	70413301	Pushbutton Switch	
2	70496601	Control Plate and Studs Assembly	Coin and central pay
3	804608	Screw	4 required
4	70478801P	Control Assembly	
5	203361P	Machine ID Control Assembly	Model or serial number is required when ordering
6	70030501	Expansion Clip	2 required
7	44089501	Slot Card Plate Assembly	N models; Included in literature packet
8	70208801	Mounting Plate	
9	M411072	Screw	2 required
10	70497201	Control Plate Assembly	Card and card ready
11	70544701	Overlay	N models; Single drop
	70544702	Overlay	N models; Dual drop
	70544703	Overlay	N models; Card ready
	70547401	Overlay	G and K models; Single drop
	70547402	Overlay	G and K models; Dual drop
	70548101	Overlay	G and K models; Card ready
12	F8205101	Overlay	Black; Single drop; Left
	70557001	Overlay	N models; Prep for card
	70557002	Overlay	N models; Central pay

Electronic Display Control - Vend Models with N or W in the 7th Position

G, K and M Models



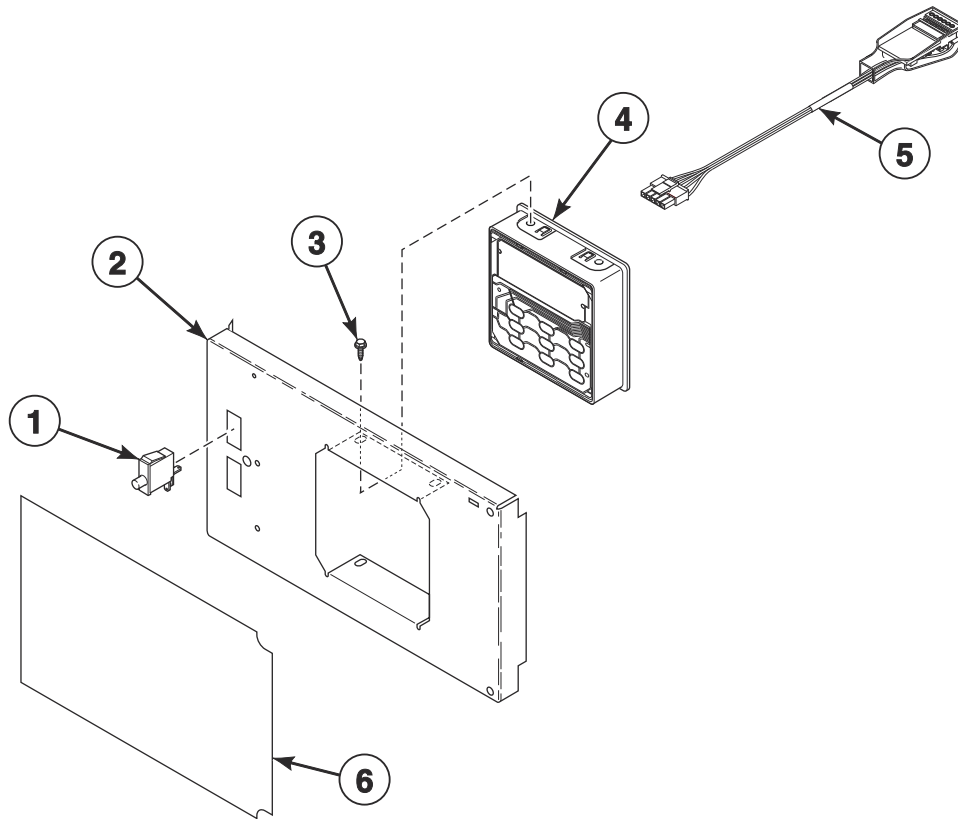
TMB3682P_70600501

Electronic Display Control - Vend Models with N or W in the 7th Position

REF	PART NO.	DESCRIPTION	COMMENTS
	44334004	Vend Activation Harness	
1	70413301	Pushbutton Switch	
2	70496601	Control Plate and Studs Assembly	Coin and central pay
3	804608	Screw	4 required
4	70478801P	Control Assembly	Green
5	203361P	Machine ID Control Assembly	Model or serial number is required when ordering
6	70030501	Expansion Clip	
7	44089501	Slot Card Plate Assembly	
8	70208801	Mounting Plate	
9	M411072	Screw	
10	70497201	Control Plate Assembly	Card and card ready
11	70572601	Overlay	M models
	70626001	Overlay	G and K models; Single drop
	70626002	Overlay	G and K models; Dual drop
	70626101	Overlay	G and K models; Card ready

Electronic Display Control - OPL Models with N in the 7th Position

G, K and N Models



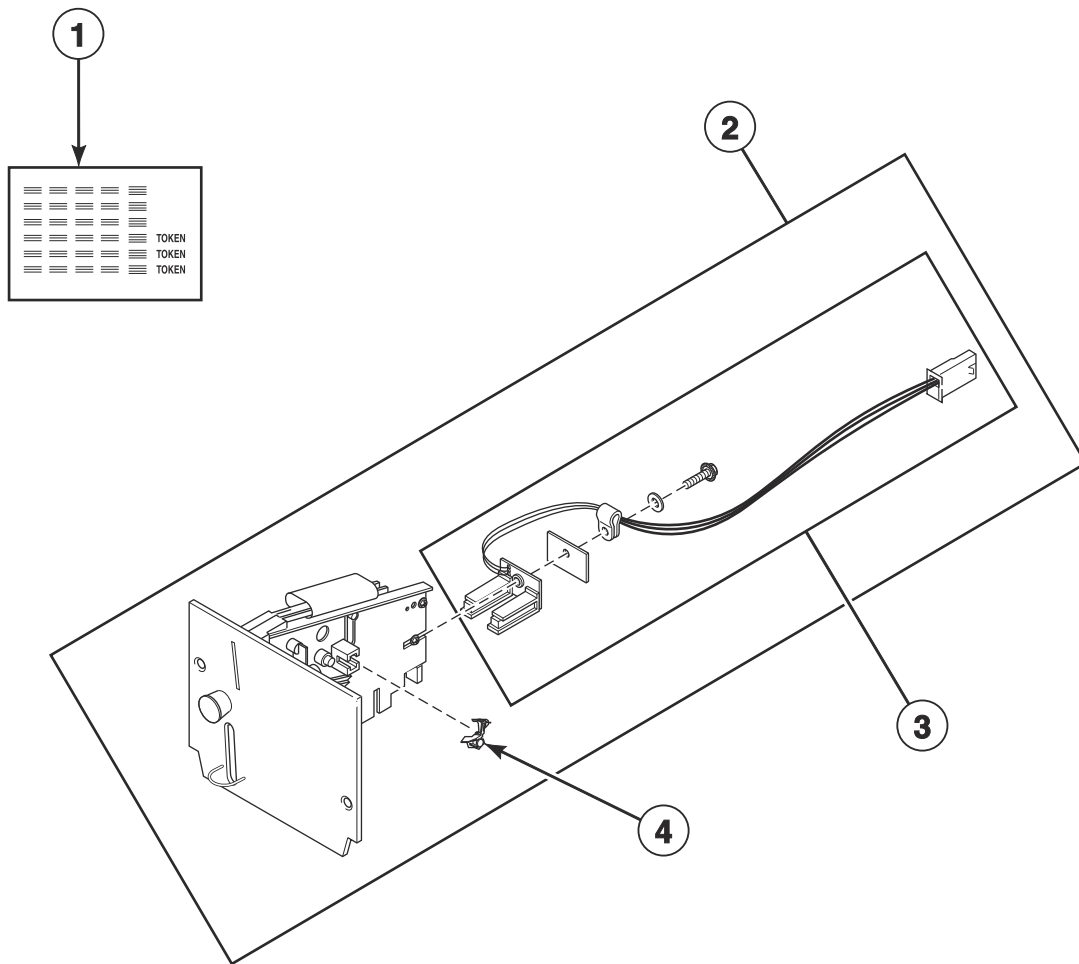
TMB3680P_70600501

Electronic Display Control - OPL Models with N in the 7th Position

REF	PART NO.	DESCRIPTION	COMMENTS
	44334004	Vend Activation Harness	
1	70413301	Pushbutton Switch	
2	70497101	Control Plate	
3	804608	Screw	4 required
4	70478802	Control Assembly	Green
5	203361P	Machine ID Control Assembly	Model or serial number is required when ordering
6	70547801	Overlay	G and K models; Reversing
	70547802	Overlay	G and K models; Nonreversing
	70572401	Overlay	NT models through 10/9/19; All other N models; Reversing
	70572402	Overlay	NT models through 10/9/19; All other N models; Nonreversing
	70570601	Overlay	NT models starting 10/10/19; Reversing
	70570602	Overlay	NT models starting 10/10/19; Nonreversing

Coin Drops

All Models Except NT Models



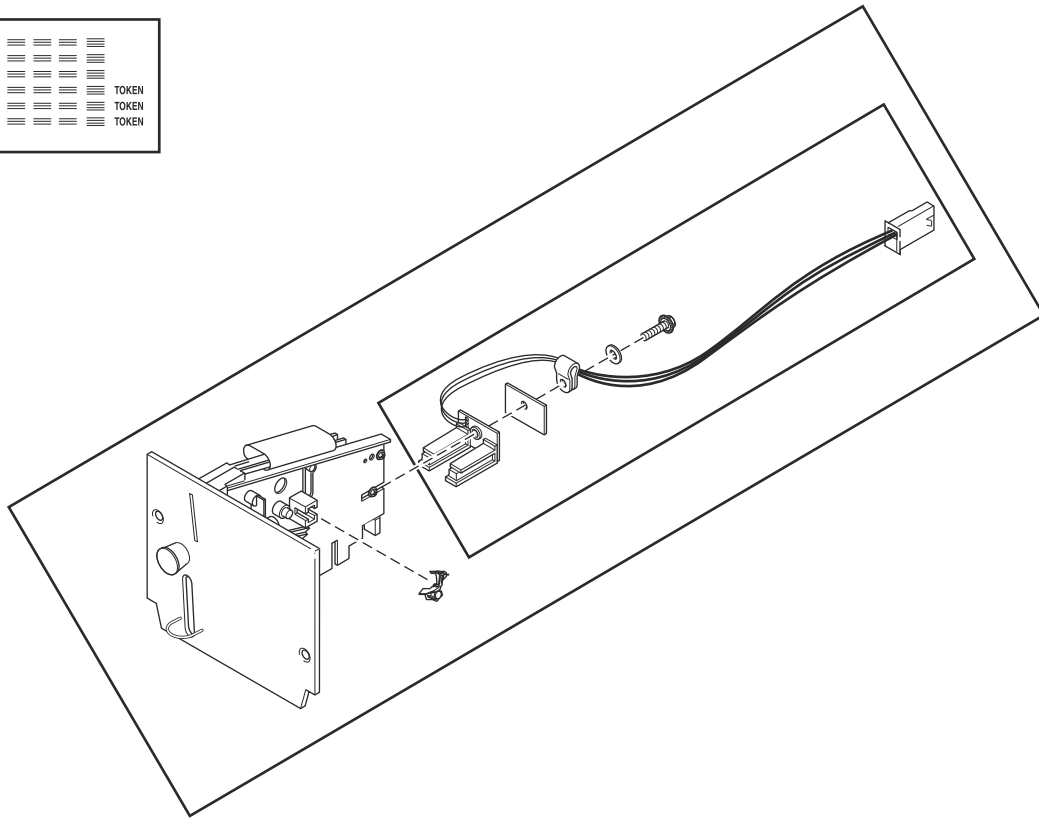
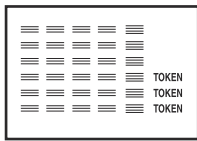
TMB3510P_70600501

Coin Drops

REF	PART NO.	DESCRIPTION	COMMENTS
1	38725	Coin Identification Paper	
2	70441601P	Coin Drop	Single; U.S.A.; \$.25
	38475	Coin Drop Assembly	Single; Japan; 100 yen
	38464P	Coin Drop Assembly	Single; Canada; .25
	CK077	Coin Drop Kit	Single; Taiwan; 10 NT
	70506901	Coin Drop Assembly	Single; Singapore; \$1.00 NEW
	70441603	Coin Drop	Dual; U.S.A.; \$.25 and \$1.00
	38519	Coin Drop Assembly	Dual; Japan; 100 yen and 500 yen
	70441602	Coin Drop Assembly	Dual; Canada; .25 and 1.00
	38467	Coin Drop Assembly	Dual; Australia; \$0.20 and \$1.00
	70447301	Coin Drop Assembly	Dual; Australia; \$1.00 and \$2.00
	70283102	Coin Drop Assembly	Dual; 0.20 and 0.50 Euro
	210195	Coin Drop Assembly	Dual; 0.20 and 1.00 Euro
	210196	Coin Drop Assembly	Dual; 0.50 and 1.00 Euro
	F0160737-00	Coin Meter	Dual; 0.50 and 2.00 Euro
	70281102	Coin Drop Assembly	Dual; Taiwan; 10 and 50 NT
	70482401	Coin Drop Assembly	Dual; New Zealand ; \$1.00 and \$2.00
	38462P	Coin Drop Assembly	Single; Token; STD 118-1
	38463	Coin Drop Assembly	Single; Token; STD 118-5
	38963P	Coin Drop	Single; Token STD 118-16
	39748	Coin Drop	Single; Jeton 08MS
	201141	Coin Drop Assembly	Single; Token; Jeton wh121
	70471601	Coin Drop Assembly	Single; Token; 7K
	70513302	Electronic Coin Drop Assembly	Euro and Great Britain coins
	70513310	Electronic Coin Drop Assembly	Japan and Thailand coins
	70513304	Electronic Coin Drop Assembly	Australia, New Zealand, Hong Kong and South Korea coins
	70513303	Electronic Coin Drop Assembly	Denmark, Norway and Euro coins
	70513306	Electronic Coin Drop Assembly	Mexico, Ecuador and U.S.A. coins
	70294107	Electronic Coin Drop Assembly	Lithuania, Latvia and Euro coins
	70513311	Electronic Coin Drop Assembly	China and Malaysia coins
	70513308	Electronic Coin Drop Assembly	South African 1, 2 and 5 rand coins
	70513309	Electronic Coin Drop Assembly	Euro coins
	70513312	Electronic Coin Drop Assembly	Russia coins
	70513313	Electronic Coin Drop Assembly	Phillipines coins
	70513314	Electronic Coin Drop Assembly	Thailand coins
	70513315	Electronic Coin Drop Assembly	Chile coins
	70513316	Electronic Coin Drop Assembly	Singapore coins
3	200674P	Opto Coupler	
4	201595P	Wire Guard	

Coin Drop Kits

All Models Except NT Models



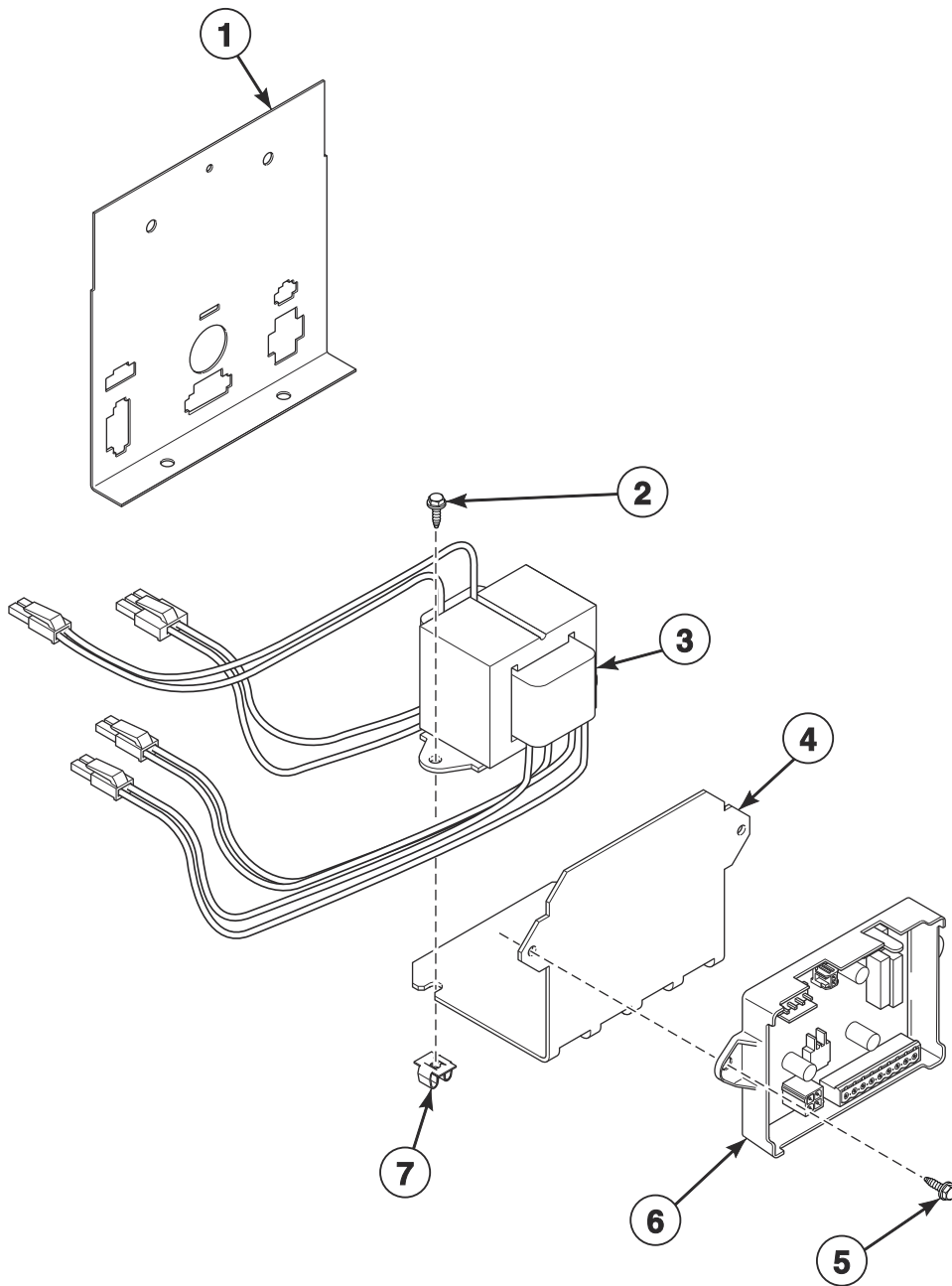
TMB3510PA_70600501

Coin Drop Kits

REF	PART NO.	DESCRIPTION	COMMENTS
	CK115	Electronic Coin Drop Kit	United States and Canada
	CK099	Electronic Coin Drop Kit	Australia (default), New Zealand, Hong Kong, South Korea and Malaysia
	CK100	Electronic Coin Drop Kit	United Kingdom (default) and Europe
	CK101	Electronic Coin Drop Kit	Europe (default), Denmark and Norway
	CK108	Electronic Coin Drop Kit	South Africa
	CK109	Electronic Coin Drop Kit	Euro
	CK110	Electronic Coin Drop Kit	Mexico (default), Ecuador and United States
	CK113	Electronic Coin Drop Kit	Japan and Taiwan
	CK116	Electronic Coin Drop Kit	Malaysia (default) and China
	CK117	Electronic Coin Drop Kit	Russia
	CK118	Electronic Coin Drop Kit	Philippine
	CK119	Electronic Coin Drop Kit	Thailand
	CK120	Electronic Coin Drop Kit	Chile
	CK121	Electronic Coin Drop Kit	Singapore
	CK122	Coin Drop Kit	New Zealand; 1.00 and 2.00

Central Pay and Card Reader Components

All Models Except NT Models; Central Pay Starting December 2018

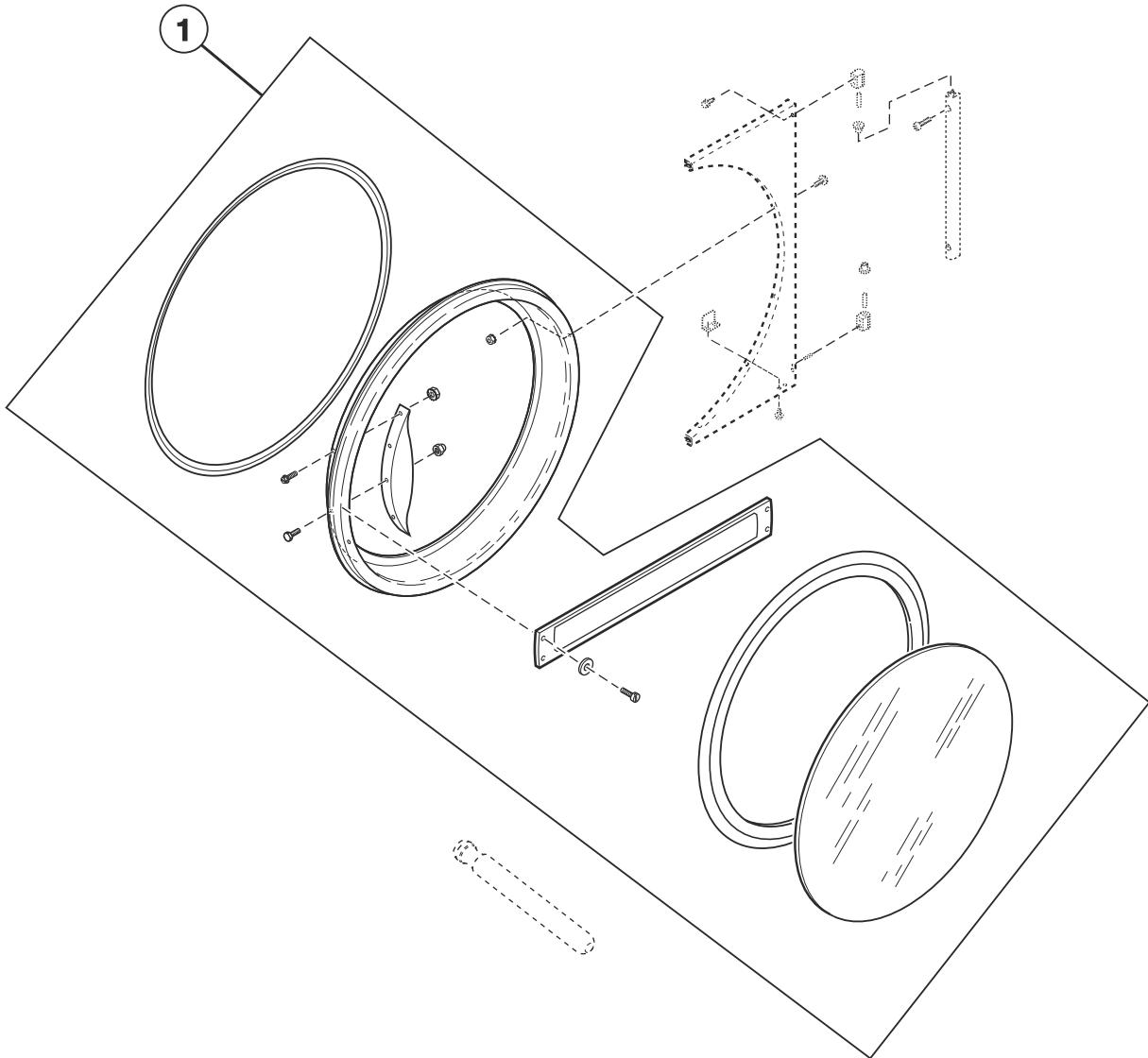


TMB3720P_70600501

Central Pay and Card Reader Components

REF	PART NO.	DESCRIPTION	COMMENTS
	44355601	Central Pay Harness	Routes from central pay board to control tray
	44272301	Transformer Harness	100-120 Volt; Routes from transformer to I/O Control Assembly; Card and central pay
	44272302	Transformer Harness	200-480 Volt; Routes from transformer to I/O Control Assembly; Card and central pay
	44355604	Central Pay Board Harness	Routes from central pay board to transformer
	44355605	Central Pay Harness	Routes from central pay board to front end control
	70612701	Central Pay Kit	100-120 Volt
	70612703	Central Pay Kit	200-480 Volt
1	70307007	Harness Mounting Plate	
2	F8206901	Screw	
3	202757	Transformer	100-120 Volt; Card and central pay
	202758	Transformer	200-480 Volt; Card and central pay
4	70604001	Mounting Bracket	
5	51780	Screw	2 required
6	204779	Central Pay Control Assembly	
7	70030501	Expansion Clip	2 required

Door Assemblies

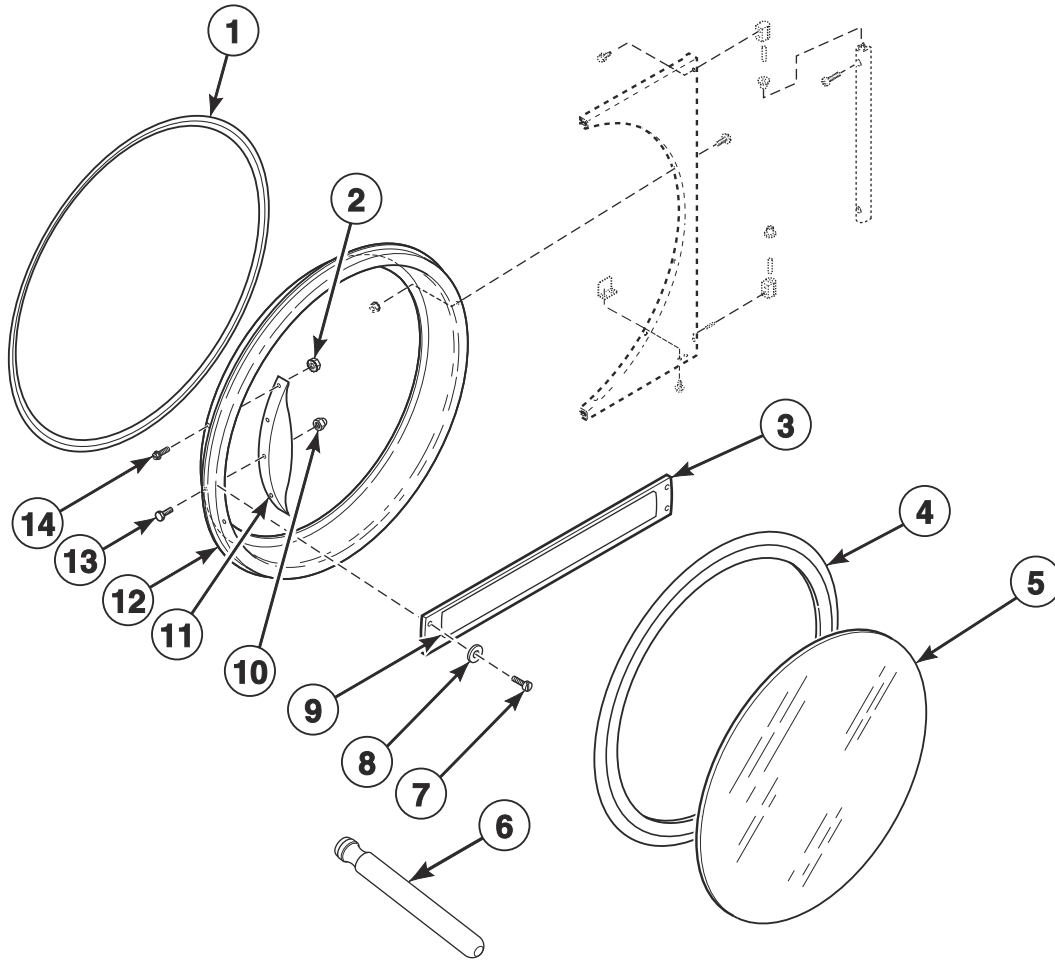


TMB3152P_70600501

Door Assemblies

REF	PART NO.	DESCRIPTION	COMMENTS
1	70212300	Door Assembly	M models; Stainless steel
	70212301	Door Assembly	N models
	70212302P	Door Assembly	M models; Chrome
	70408901	Door Assembly	G and K models; Includes handle

Door Components

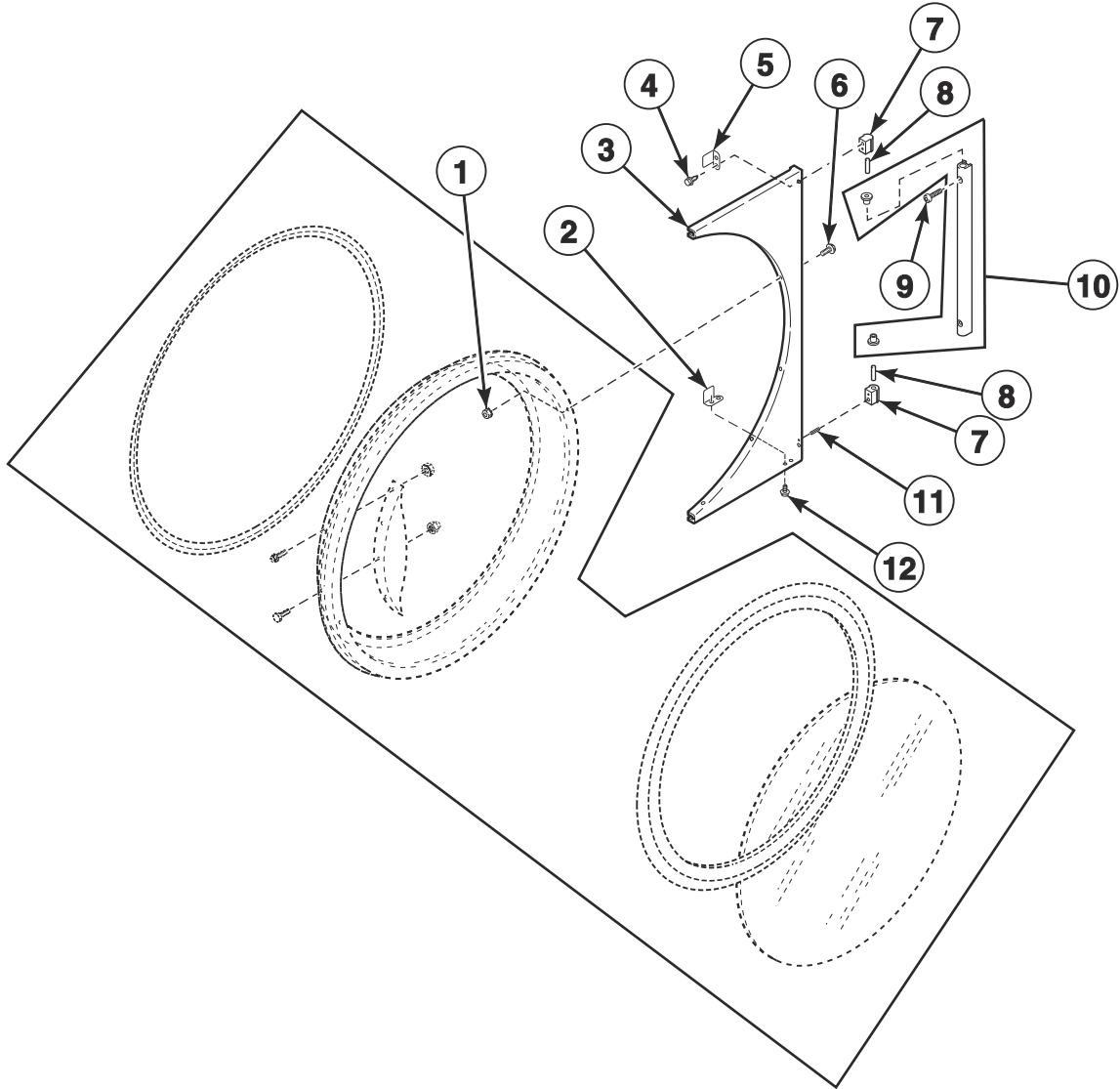


TMB3152PA_70600501

Door Components

REF	PART NO.	DESCRIPTION	COMMENTS
1	70296801	Door Ring Gasket	
2	44088001	Nut	M and N models; 4 required
3	70399502B	Handle Bar	G and K models
4	70211901P	Door Glass Seal Kit	Use Loctite 414 for seal
5	M400784P	Door Glass	
6	M4221P4	Door Glass Installation Tool	
7	70412601	Pop Rivet	G and K models; Attaches door handle to door ring
8	70409301	Washer	G and K models
9	70414001	Label	G and K models; Coin
10	M414215	Nut	For door strike; Mounts between door strike screw and door handle
11	44007902P	Door Handle	M and N models
12	70543904B	Door Ring Assembly	N models
	70543905	Door Ring Assembly	M models; Chrome
	70543903B	Door Ring	G and K models
	70543901	Door Ring Assembly	M models; Stainless steel
13	M400661	Screw	Door Strike
14	70442101	Screw	M and N models; 4 required

Hinge Components



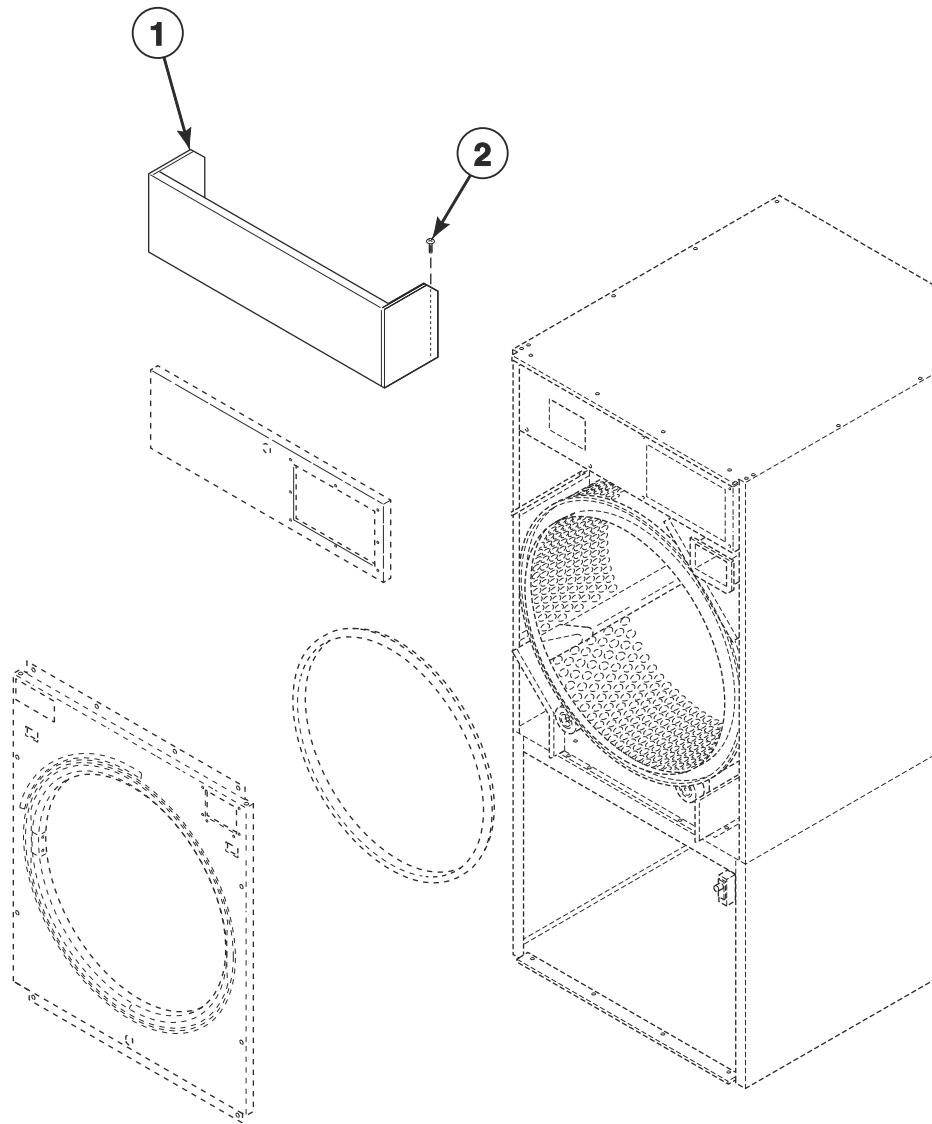
TMB3459P_70600501

Hinge Components

REF	PART NO.	DESCRIPTION	COMMENTS
1	44088001	Nut	
2	70532101	Door Switch Actuator	Bottom
3	70116003*	Door Hinge	M and N models
	70116006	Door Hinge	M models; Stainless steel
	70116005B	Door Hinge	Black; G, K and N models
4	70576101	Screw	
5	70532102	Door Switch Actuator	Top
6	M400044	Screw	
7	M4772P3	Hinge Cam Kit	M models
	M4773P3	Hinge Cam Kit	Black; G, K and N models
8	70071401	Pin	
9	70033502	Screw	M models
	70407301	Screw	Black; G, K and N models
10	44035001	Door Hinge Lug Assembly	M models
	44035002	Door Hinge Lug Assembly	Black; G, K and N models
11	70436301	Screw	
12	70058501	Pop Rivet	

* Add Letter To Designate Color. Q - Bisque W - White

False Fronts



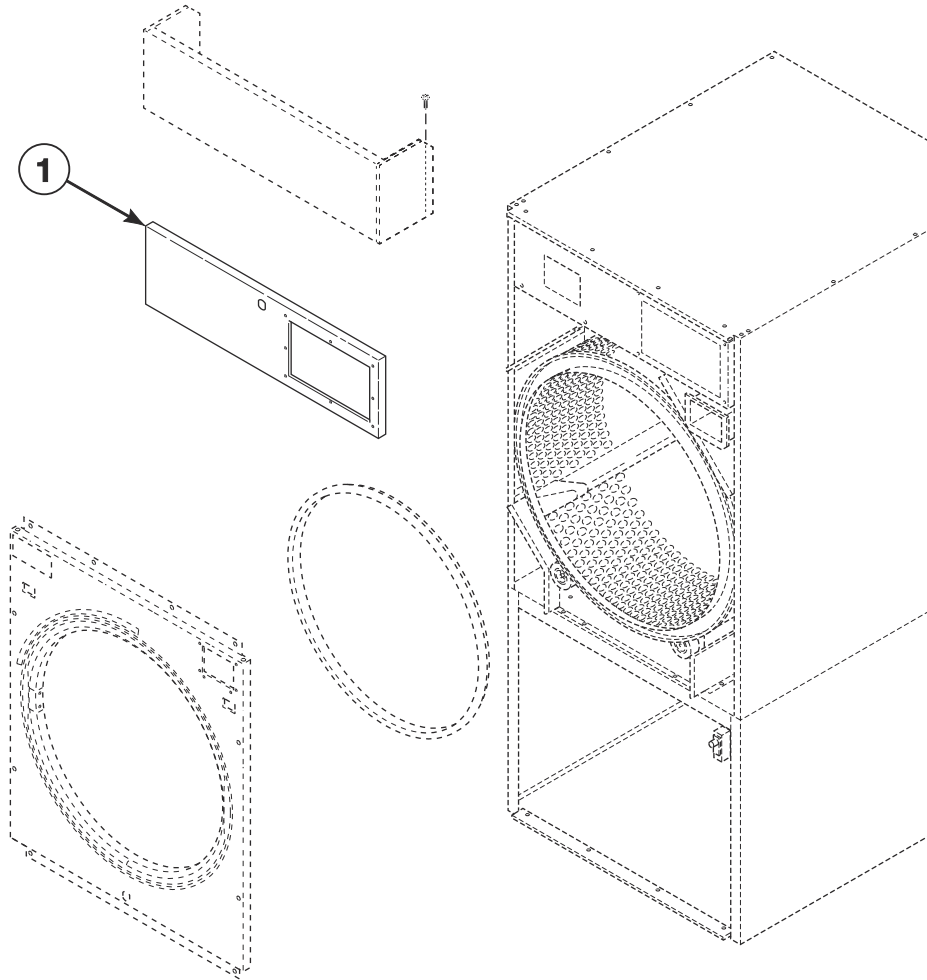
TMB3511P_70600501

False Fronts

REF	PART NO.	DESCRIPTION	COMMENTS
1	70000501*P	False Front	72 inches
	70000504	False Front	72 inches; Stainless steel
	70024201*P	False Front Assembly	76 inches
	70024204	False Front	76 inches; Stainless steel
2	M405188	Screw	4 required

* Add Letter To Designate Color. Q - Bisque W - White

Control Panels



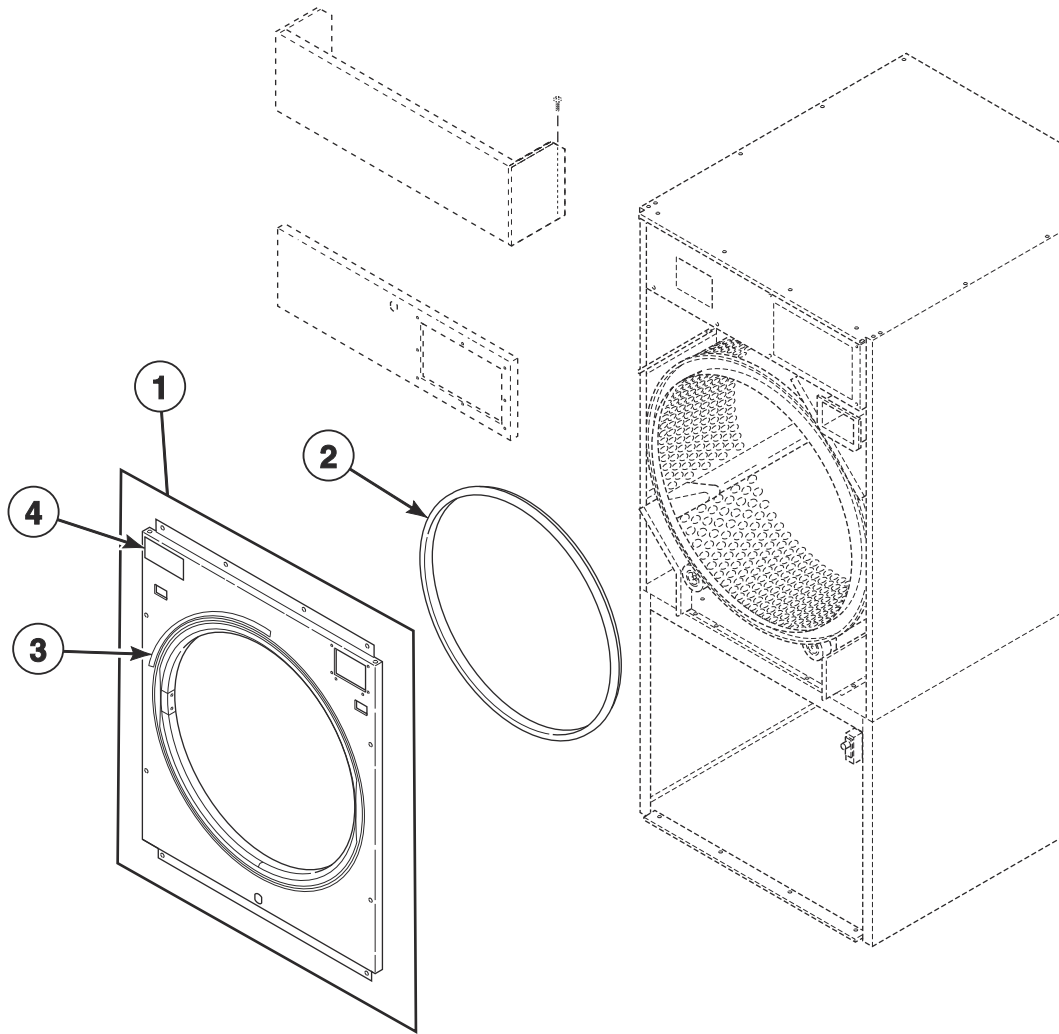
TMB3511PA_70600501

Control Panels

REF	PART NO.	DESCRIPTION	COMMENTS
1	70273305*	Control Panel	G and K models
	70273313	Control Panel	G and K models; Stainless steel
	70121505*	Control Panel	M and N models
	70121509	Control Panel	M and N models; Stainless steel

* Add Letter To Designate Color. Q - Bisque W - White

Front Panel Assemblies



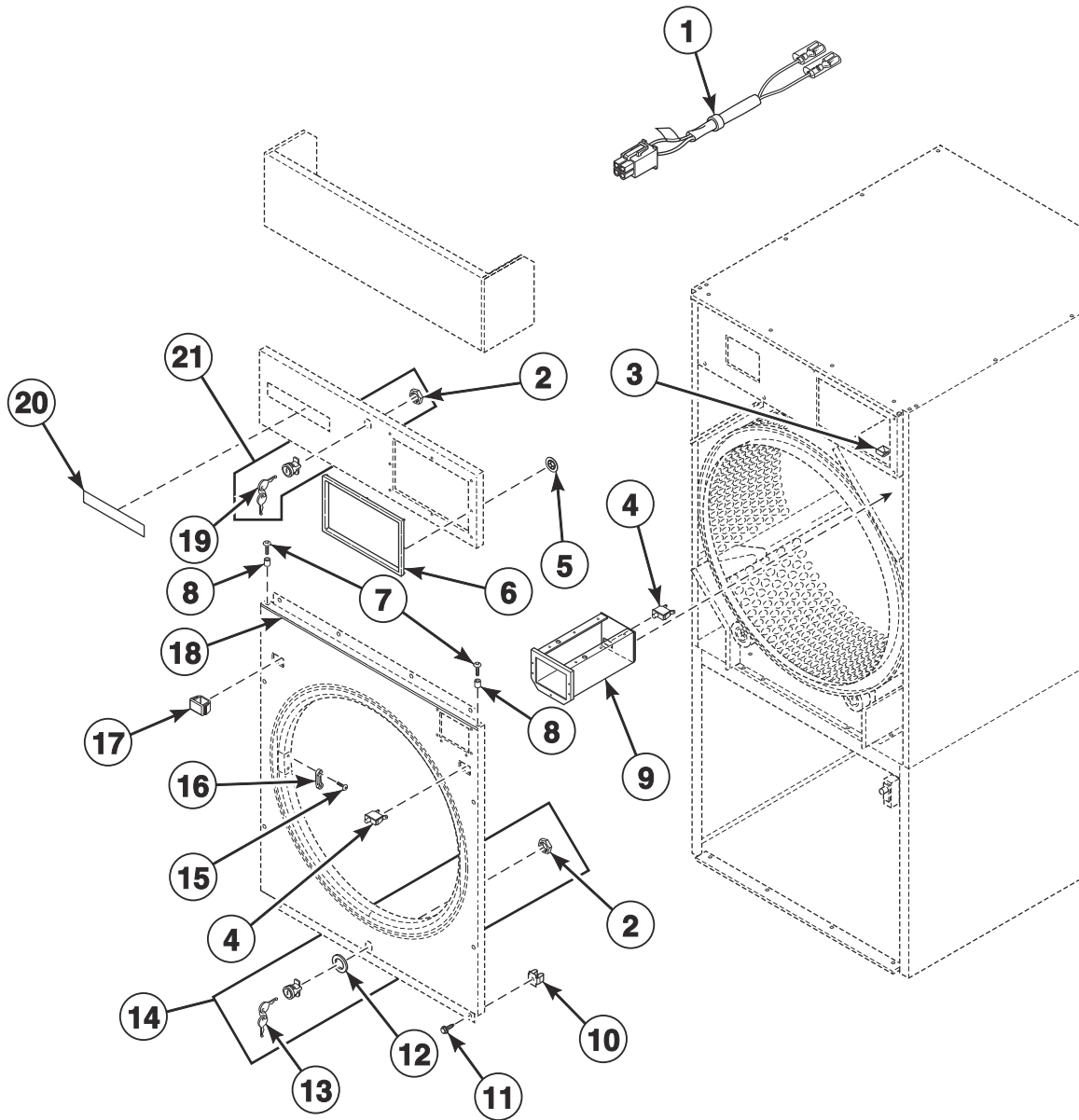
TMB3511PB_70600501

Front Panel Assemblies

REF	PART NO.	DESCRIPTION	COMMENTS
1	70602001*	Front Panel	All models except NT models; Coin
	70601501	Front Panel Assembly	All models except NT models; Coin; Stainless steel
	70602101*	Front Panel	All models except NT models; Card and central pay
	70601601	Front Panel Assembly	All models except NT models; Card and central pay; Stainless steel
	70602701*	Front Panel	OPL; With e-stop
	70601901	Front Panel Assembly	OPL; Stainless steel; With e-stop
	70524105*	Front Panel	OPL; Without e-stop
	70524106	Front Panel	OPL; Stainless steel; Without e-stop
2	70173401P	Front Panel Seal	
3	70534301	Warning Label	English
	70534302	Warning Label	French
	70534300	Label Kit	Warning; IEC models
4	70537001	Label	M and N models; C.A.R.E.
	70537101	Label	G and K models; F.S.S.

* Add Letter To Designate Color. **Q** - Bisque **W** - White

Cabinet Front Components



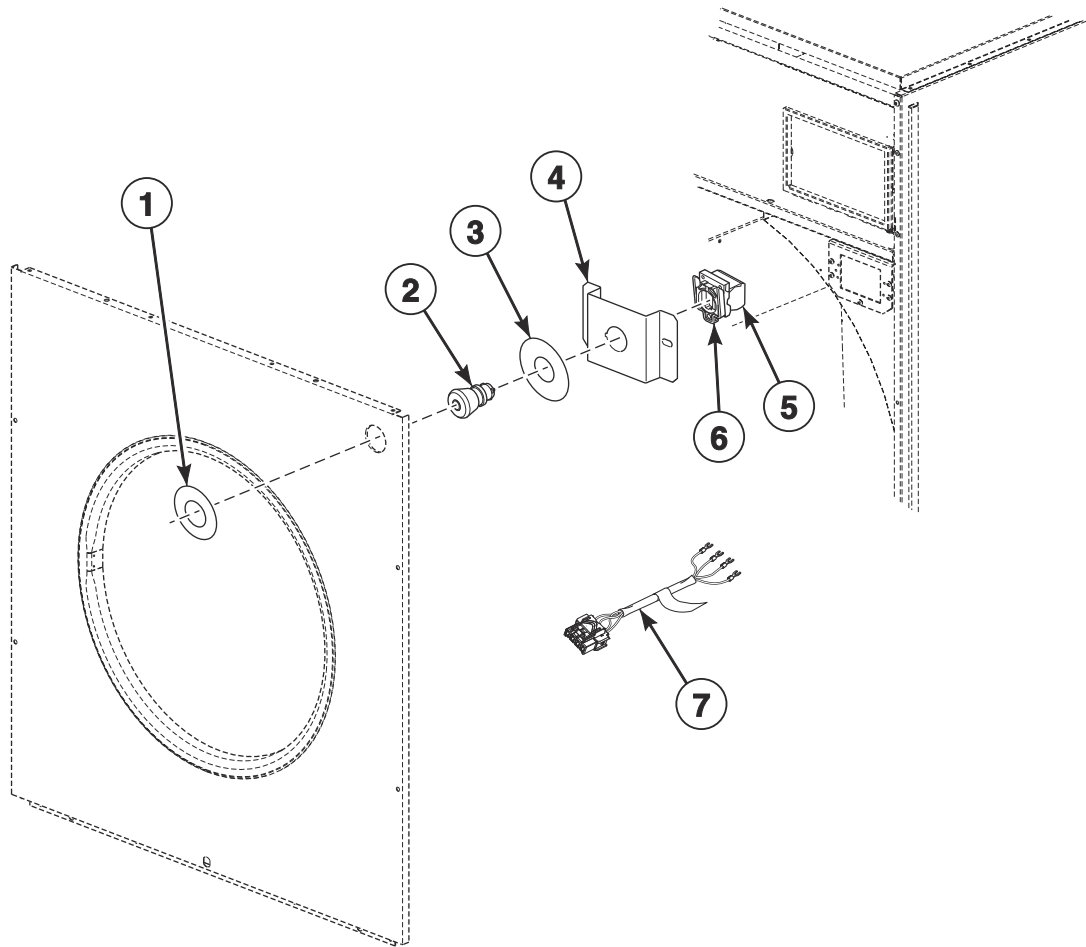
TMB3556P_70600501

Cabinet Front Components

REF	PART NO.	DESCRIPTION	COMMENTS
	44334103	Bypass Harness	Card and central pay
	D511476	Jumper Harness	Card reader present
1	44334101	Coin Vault Switch Harness	
2	44088801	Nut	
3	70296401	Coin Chute Assembly	
4	70413301	Pushbutton Switch	
5	M400977	Nut	6 required
6	44016401	Control Trim	K, M and N models; Black
7	39733	Screw	
8	56079	Panel Locator	9 required
9	70529501	Coin Vault Assembly	
	70529502	Coin Vault and Emergency Stop Mount Assembly	Models with emergency stop
	F160673P	Coin Box	Optional equipment; Includes lock and key
10	70030501	Expansion Clip	8 required
11	M411072	Screw	8 required
12	70342401	Lock Shim	
13	70155602	Key	RL002
14	44089302P	Lock, Key and Nut Kit	RL002
	44089305	Panel Lock	RL002; Chrome
15	44166601	Pop Rivet	
16	M401223	Door Latch	
17	44057801W	Switch Hole Plug	White
	44057801Q	Switch Hole Plug	Bisque
	44057801B	Switch Hole Plug	Black
18	70399405	Access Panel Trim	G and K models
	70399411	Access Panel Trim	G and K models; Coin
19	70155601	Key	RL001
20	70411401	Nameplate Overlay	G models; Coin
	70410201	Nameplate Overlay	G models; OPL
	44144401	Nameplate Overlay	K models; Coin
	44130101	Nameplate Overlay	K models; OPL
21	44089301P	Lock, Key and Nut Kit	RL001
	44089304	Panel Lock	RL001; Chrome

Emergency Stop Button - OPL Models

A, H, J, K, R and U in the 2nd Position, G and T in the 2nd Position Through 12/31/18

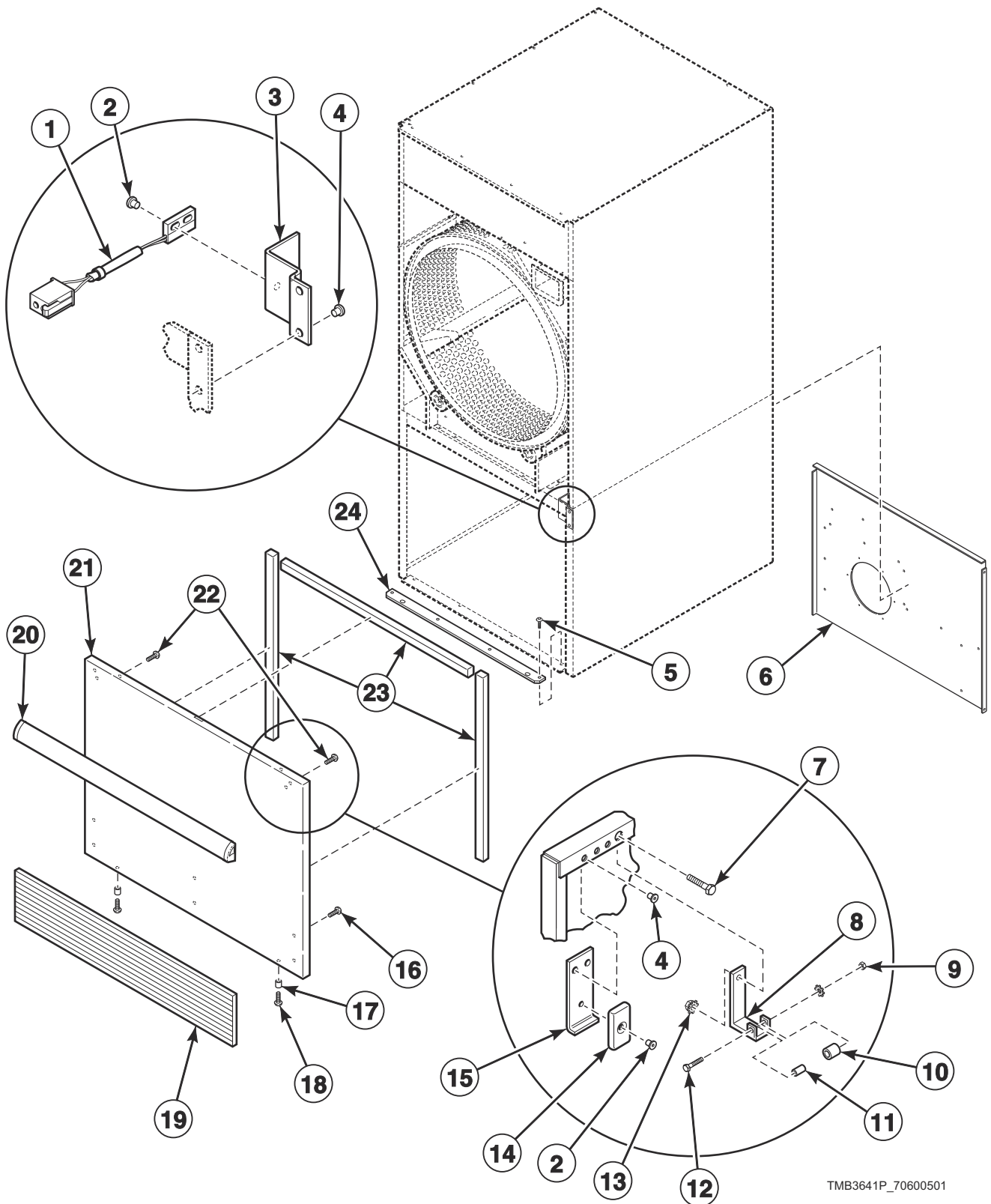


TMB3513P_70600501

Emergency Stop Button - OPL Models

REF	PART NO.	DESCRIPTION	COMMENTS
	70580301	Emergency Stop Button Kit	Includes items 2-4
	F8519403	Emergency Stop Bypass Harness	Coin, card and central pay
1	44012903	Emergency Stop Label	
2	F200233500	Emergency Stop Pushbutton	
3	44012901	Emergency Stop Label	
4	70550401	Emergency Stop Mounting Bracket	
5	F8069501	Contact Switch	2 required
6	F8538101	Contact Base	
7	44272401	Emergency Stop Harness	

Lower Cabinet Components



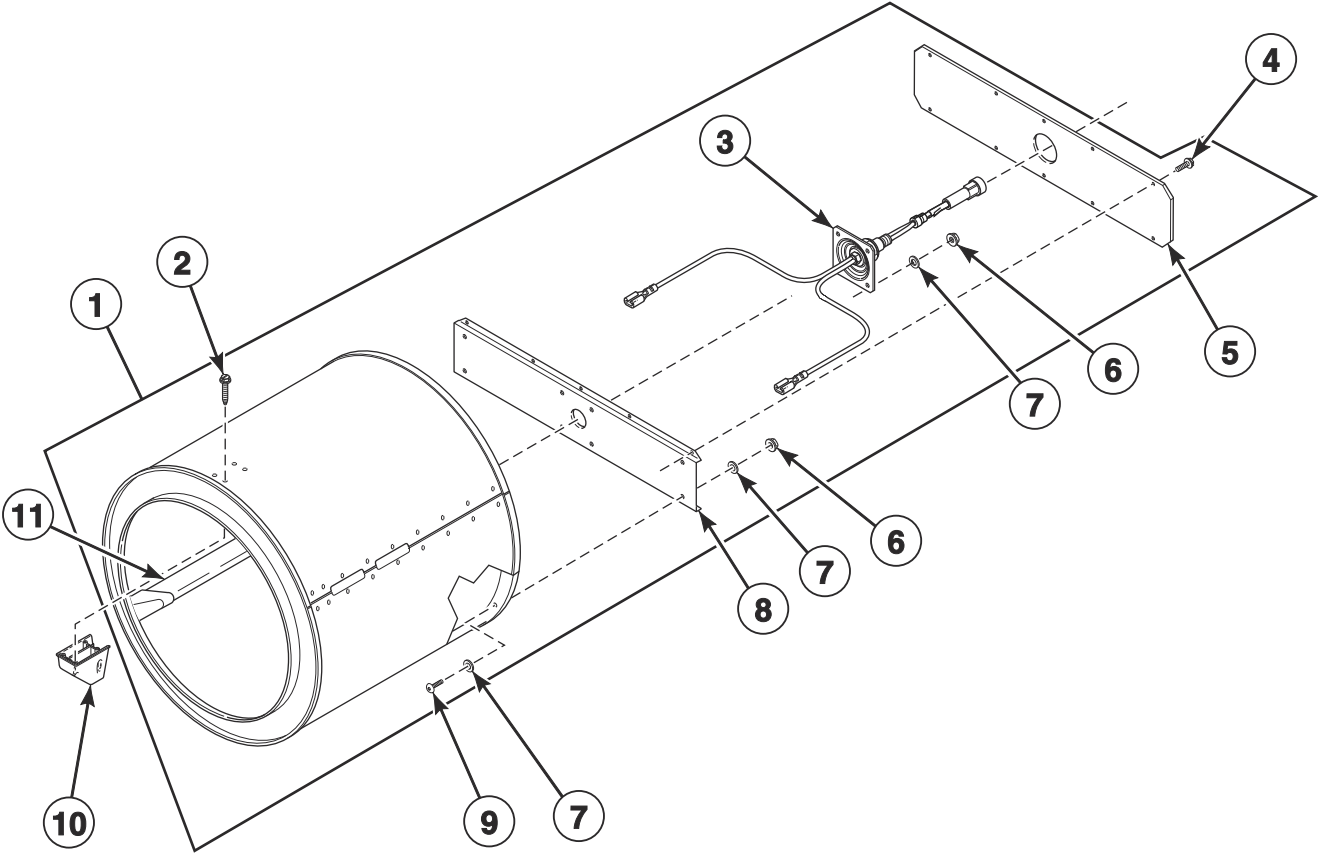
TMB3641P_70600501

Lower Cabinet Components

REF	PART NO.	DESCRIPTION	COMMENTS
1	F8066804	Reed Switch Assembly	
2	F8245101	Blind Rivet	
3	70508501	Switch Bracket	
4	70058501	Pop Rivet	
5	430497	Screw	
6	70565301	Rear Lint Panel	
7	70132301	Screw	Attaching roller catch
8	70030301	Roller Catch Arm	
9	23951	Nut	
10	70297601	Roller Catch Wheel	
11	70030201	Roller Catch Spacer	
12	70072801	Screw	
13	51236	Nut	Attaching roller catch
14	70343101	Magnet	
15	44290501	Magnet Bracket	
16	70126301	Pop Rivet	For attaching kickplate; Black; 6 required
	70126401	Pop Rivet	For attaching kickplate; Gray; 6 required
17	56079	Panel Locator	
18	39733	Screw	
19	70117601	Kickplate	Black
20	70154401	Handle and Caps Assembly	M and N models; Black
	70407205	Handle Bumper	G and K models
21	70515401*	Lint Panel	
	70515402	Lint Panel	Stainless steel
22	430757	Screw	For attaching handle; 6 required
23	70289101P	Gasket	Sold per foot
24	70017901	Lint Panel Pivot Plate	

* Add Letter To Designate Color. Q - Bisque W - White

Cylinder and Trunnion Assembly

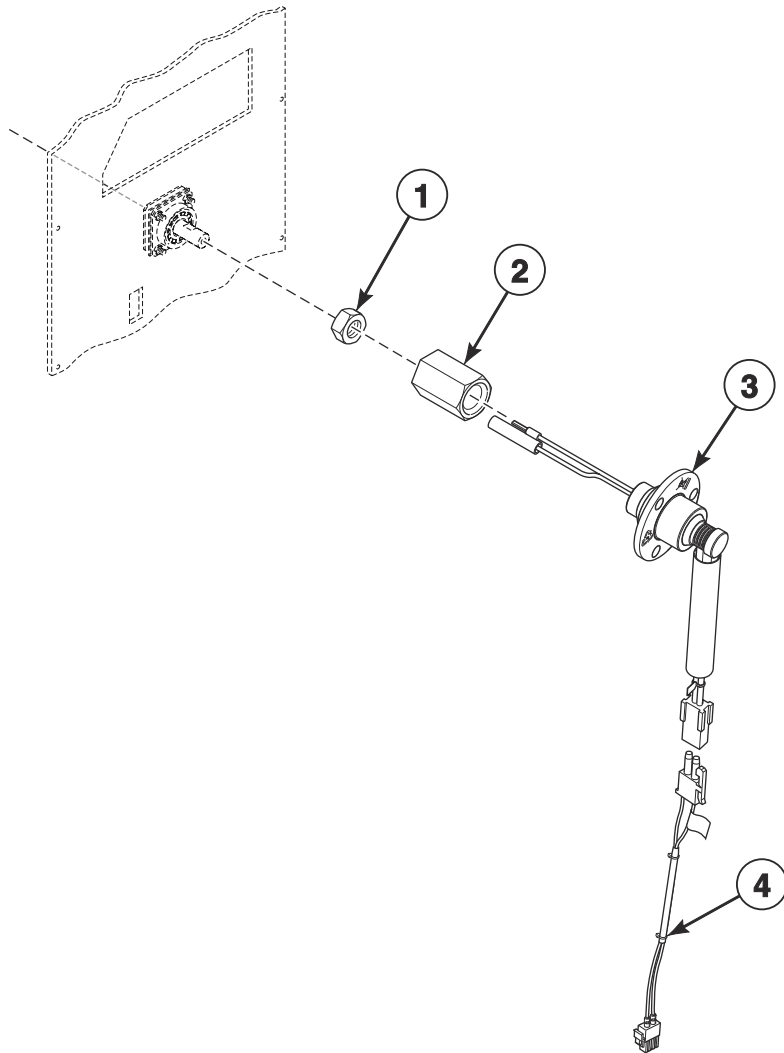


TMB3358P_70600501

Cylinder and Trunnion Assembly

REF	PART NO.	DESCRIPTION	COMMENTS
	70343101P	Drywall Screw Magnet Kit	
1	70372703	Cylinder Assembly	G and K models; Non-moisture sensing
	70443803	Cylinder and Trunnion Assembly	G and K models; Moisture sensing
	70372701P	Cylinder Assembly	M and N models; Galvanized; Non-moisture sensing
	70443801	Cylinder and Trunnion Assembly	M and N models; Galvanized; Moisture sensing
	70372702P	Cylinder Assembly	M and N models; Stainless steel; Non-moisture sensing
	70443802	Cylinder and Trunnion Assembly	M and N models; Stainless steel; Moisture sensing
2	62588	Screw	12 required
3	70564801	Trunnion and Seal Kit	Includes 70013702 Rear Cylinder Seal; Non-moisture sensing
	70564802	Trunnion and Seal Kit	Moisture sensing; Includes 70454601 Trunnion and Wire Assembly
4	430497	Screw	10 required
5	70257401	Rear Cylinder Channel Plate	
6	44087201	Nut	8 required
7	70411301	Washer	
8	70257301	Rear Cylinder Channel	Non-moisture sensing
	70257302	Rear Cylinder Channel	Moisture sensing
9	70391101	Screw	8 required
10	70070101	End Cap	Non-moisture sensing
	70070102	End Cap	Moisture sensing
11	70327101	Cylinder Rib Assembly	Non-moisture sensing
	70433001	Cylinder Rib Assembly	Moisture sensing

Moisture Sensing Components

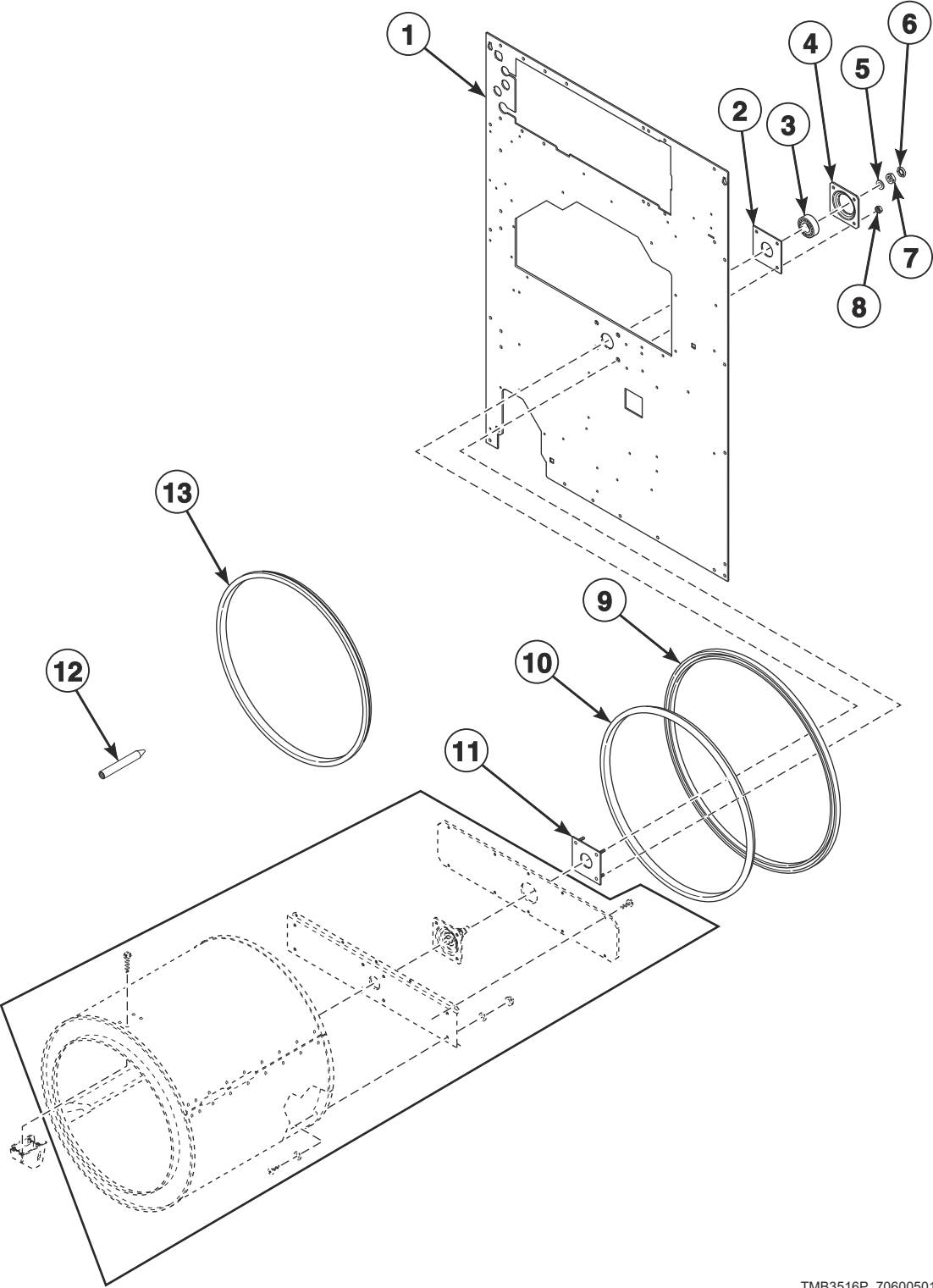


TMB3147P_70600501

Moisture Sensing Components

REF	PART NO.	DESCRIPTION	COMMENTS
1	M400022	Nut	
2	70455401	Slip Ring Holder	
3	44222702	Slip Ring Assembly	
4	44333903	Moisture Sensor Harness	

Cylinder Components

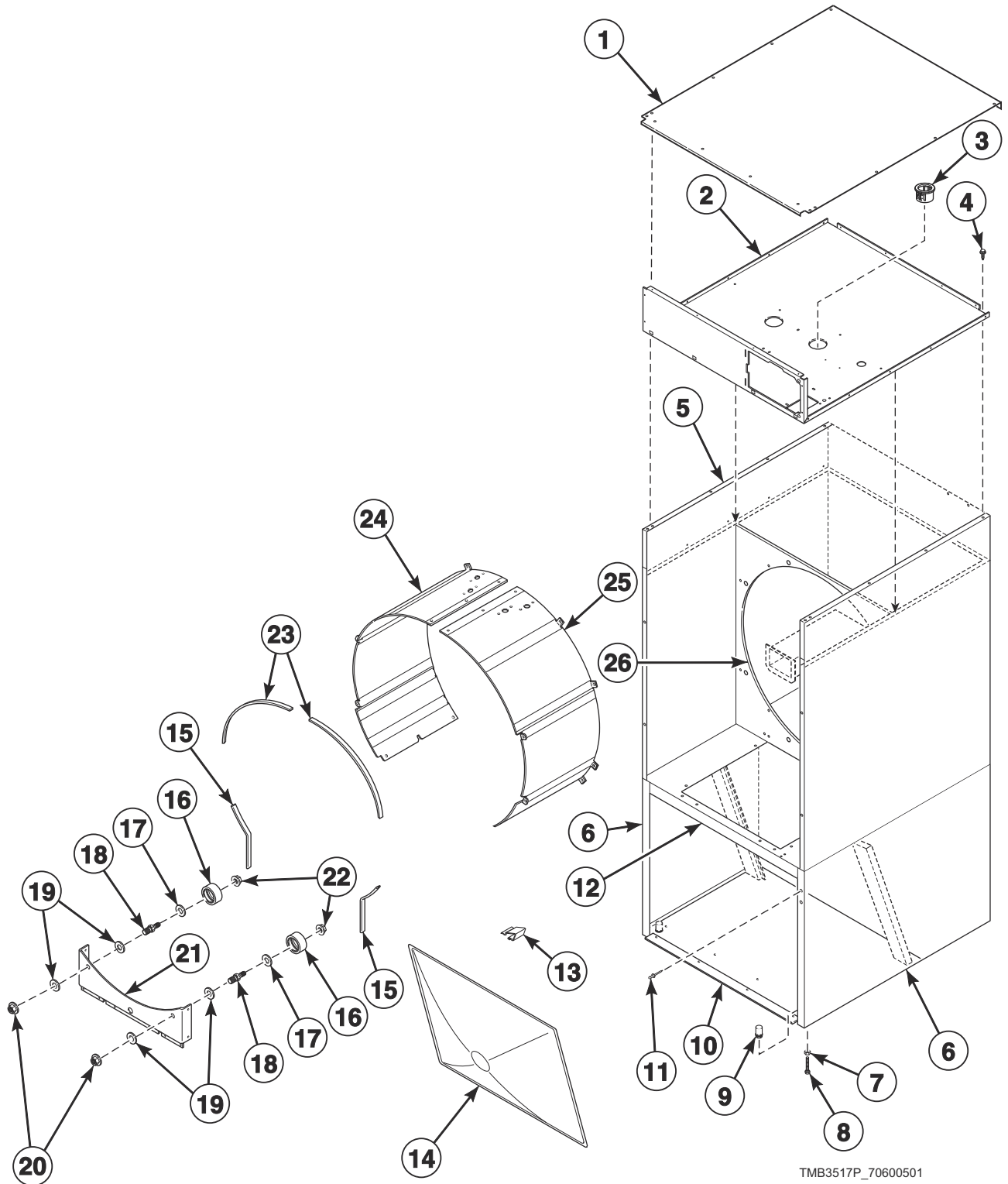


TMB3516P_70600501

Cylinder Components

REF	PART NO.	DESCRIPTION	COMMENTS
	70343101P	Drywall Screw Magnet Kit	
	430260P	Support Housing Bearing Assembly	Includes items 3, 4 and Loctite
1	70564901	Rear Panel	Gas models
	70564903	Rear Panel	Gas models; With fire suppression
	70564902	Rear Panel	Electric and steam models
	70564904	Rear Panel	Steam models; With fire suppression
2	70355001	Rear Bearing Shim	
3	70448701	Support Bearing	
4	70013901	Rear Cylinder Bearing Housing	
5	M400991	Washer	
6	M400034	Nut	
7	M400022	Nut	
8	M412986	Nut	4 required
9	70506401	Rear Cylinder Seal Support	
10	70013702	Rear Cylinder Seal	Use with D511637P Adhesive
11	430352	Cylinder Bearing Stud Plate Assembly	
12	263P4	Cylinder Guide Tool	
13	70066004	Center Cylinder Seal	

Cabinet Components



TMB3517P_70600501

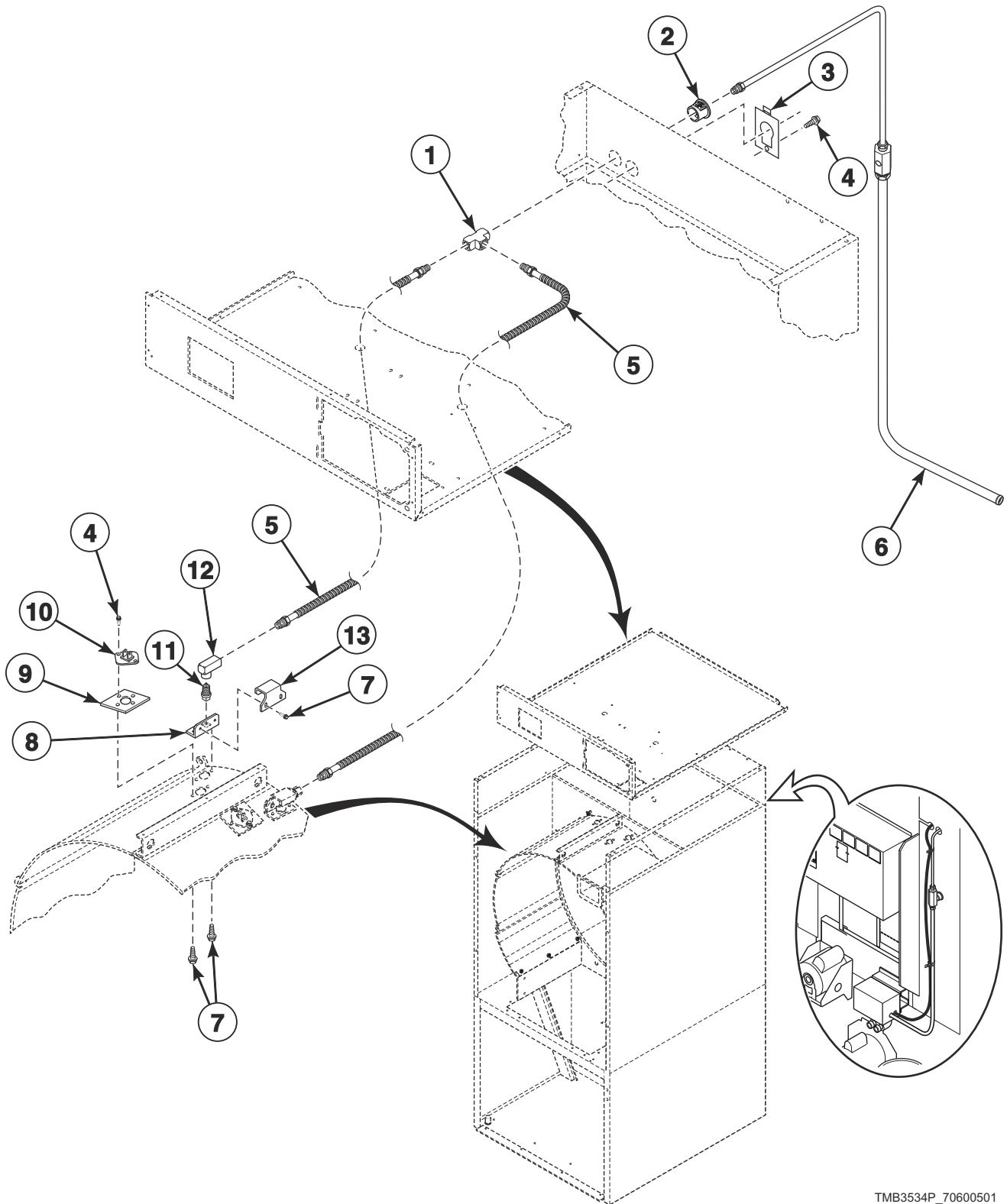
Cabinet Components

REF	PART NO.	DESCRIPTION	COMMENTS
	M4379P4	Tumbler Dolly Kit	
	298P4P	Spray Paint	White
	381P4	Spray Paint	Bisque
	122P4P	Porcelain Touch-Up Paint	White
	370P4P	Porcelain Touch-Up Paint	Bisque
1	70557601	Flat Top	
2	70555301	Top Pan	
3	70346501	Bushing	
4	430497	Screw	
5	70021502*P	Side Panel	Upper
6	70253801*P	Side Panel	Lower
7	21899	Nut	
8	70247701	Screw	
9	70063201	Hole Plug	
10	70332401P	Lower Pan	
11	70058501	Pop Rivet	16 required; Upper side panel
12	70565201	Center Pan	
13	35865	Hold-Down Clip	
14	70325601	Lint Screen	
15	70015709	Sheet Metal Edge Gasket	Lower
16	70616701	Roller and Seal Kit	
17	70443601	Roller Seal	
18	70249501	Roller Shaft	
19	70261401	Washer	
20	M404993	Nut	
21	70328301	Roller Support Bracket	
22	430576	Nut	
23	70015710	Sheet Metal Edge Gasket	Upper
24	70432303	Cylinder Shroud	Left; With fire suppression
	70347202	Cylinder Shroud	Left
25	70432304	Cylinder Shroud	Right; With fire suppression
	70347201	Cylinder Shroud	Right
26	70252601	Center Partition	

* Add Letter To Designate Color. Q - Bisque W - White

Fire Suppression System Components

G, K and NT Gas and Steam Models



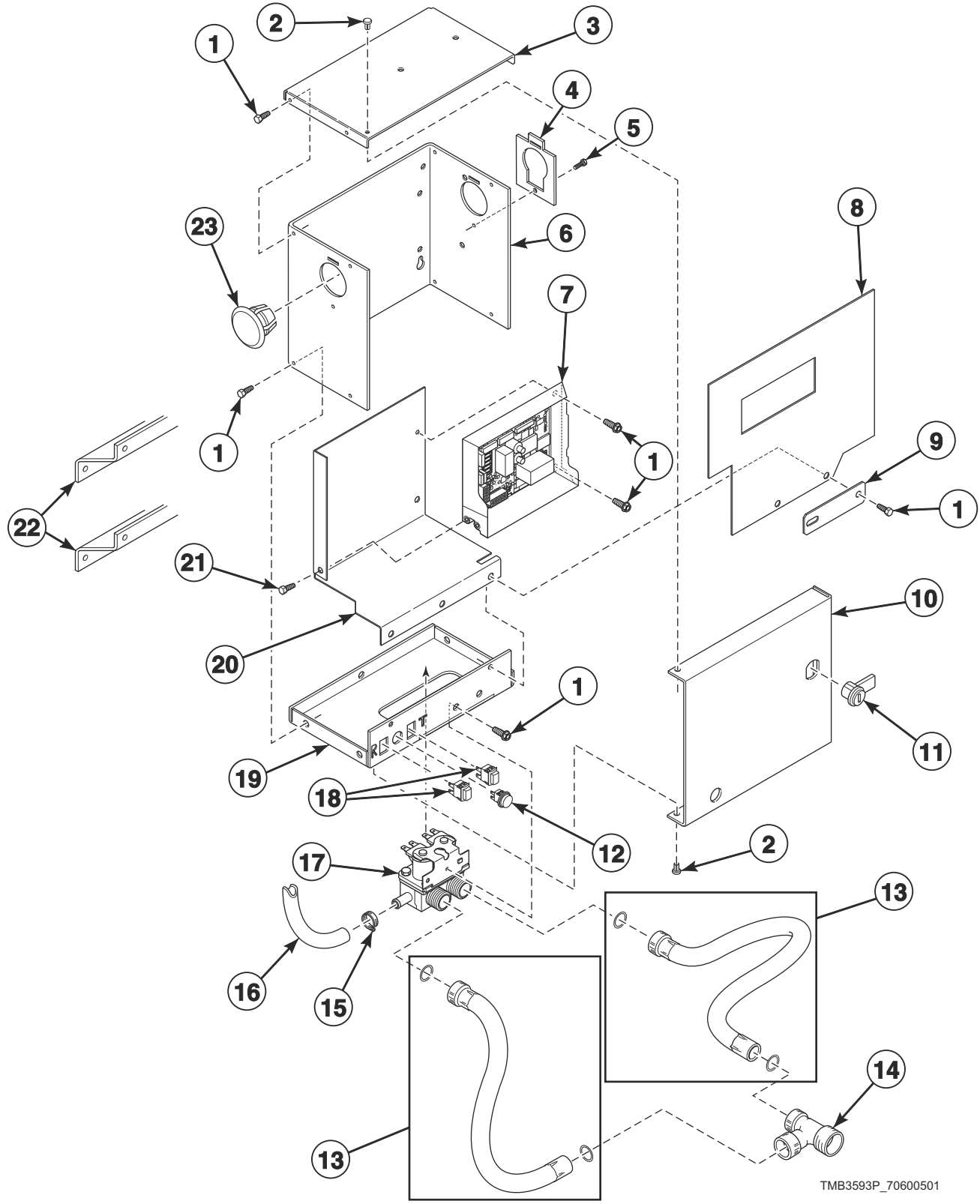
TMB3534P_70600501

Fire Suppression System Components

REF	PART NO.	DESCRIPTION	COMMENTS
1	70427901	Union Tee	
2	70178701	Snap Bushing	
3	70523301	Harness Adapter Plate	
4	51780	Screw	4 required
5	70427701	Spray Nozzle Hose	2 required
6	70427601	Tube Assembly	
7	430497	Screw	12 required
8	70424201	Nozzle Bracket	2 required
9	70424401	Thermistor Plate	2 required
10	44064701	Thermistor	2 required
11	70427801	Spray Nozzle	2 required
12	70428101	Elbow	2 required
13	70428601	Nozzle Bracket	2 required

Fire Suppression System Control Box

G, K and NT Gas and Steam Models

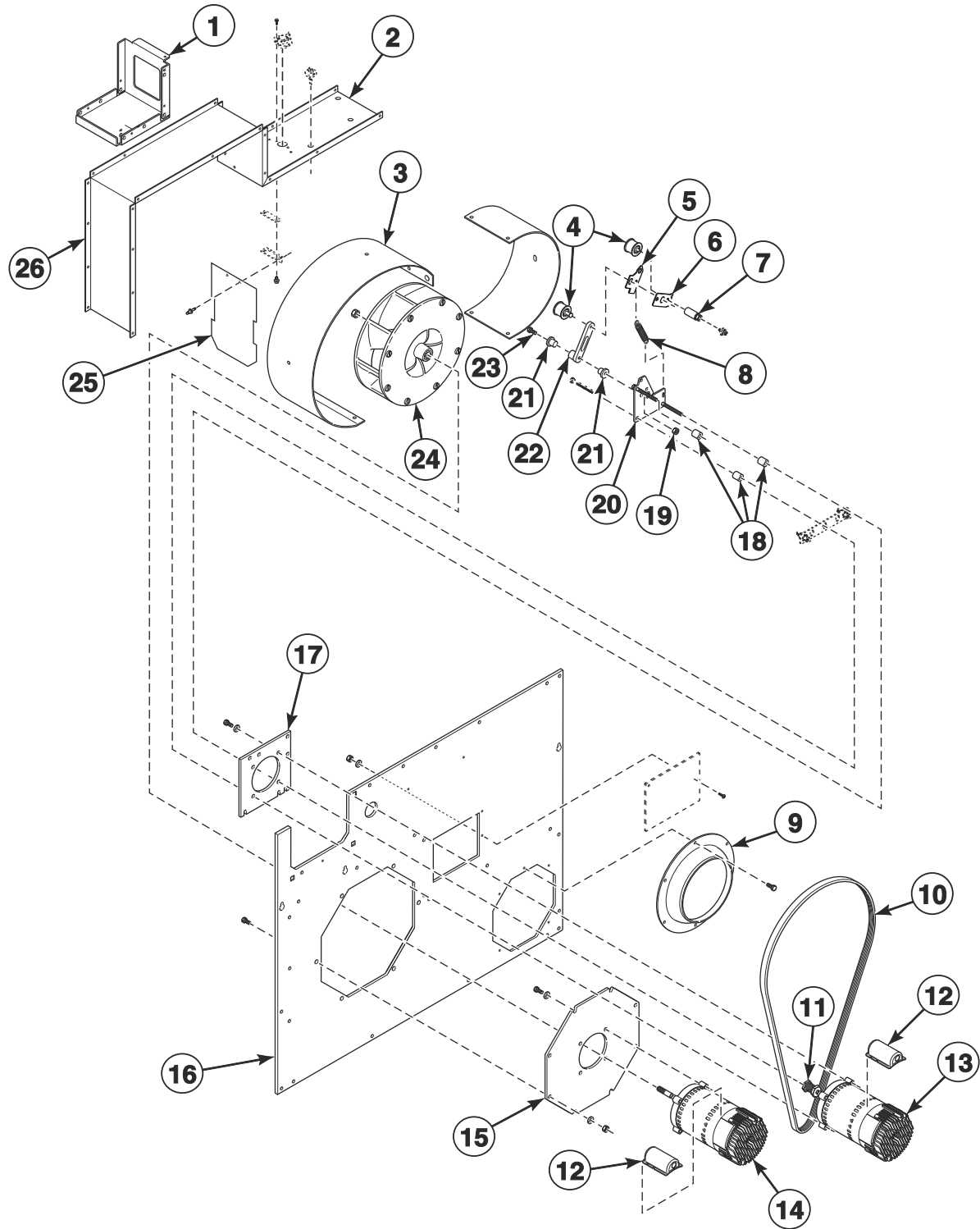


TMB3593P_70600501

Fire Suppression System Control Box

REF	PART NO.	DESCRIPTION	COMMENTS
	44340301	Cold Weather Kit	
	70155601	Key	RL001; Use with item 11
	44334404	Control Harness	
	44334405	Water Valve Harness	
	44334402	Power Sensor Harness	
	44334401	Interconnect Harness	
	44334406	Sensor Harness	
	44324501	Warning Label	F.S.S.; CSA models
	44324500	Label Kit	F.S.S.; IEC models
	F8614401	Shock Warning Label	CSA models
	F8614201	Shock Warning Label	IEC models
	44318200	Label Kit	IEC models
	44324502	Warning Label	
	44318201	Label	CSA models
1	430497	Screw	
2	M400713	Drive Rivet	
3	44307101	Control Box Top	
4	70523301	Harness Adapter Plate	
5	51780	Screw	
6	44306701	Control Box Housing	
7	70511601	Control	
8	44326801	Shield	
9	70551701	Filter Mounting Plate	
10	44065201	Control Box Cover	
11	44089301P	Lock, Key and Nut Kit	RL001 key code; Optional if same key is to be used for control lock
12	801432	Light	
13	202799	Fill Hose	2 required
14	44069101	Hose Fitting	CSA models
15	36801	Hose Clamp	
16	44073304	Hose	14 inches; Outlet hose
17	70519801	Mixing Valve	
18	801434W	Push-to-Start Switch	2 required
19	44065301	Control Box Base	
20	44306601	Mixing Valve Shield Bracket	
21	804608	Screw	
22	70601401	Mounting Bracket	
23	70180001	Plug	

Motor Components

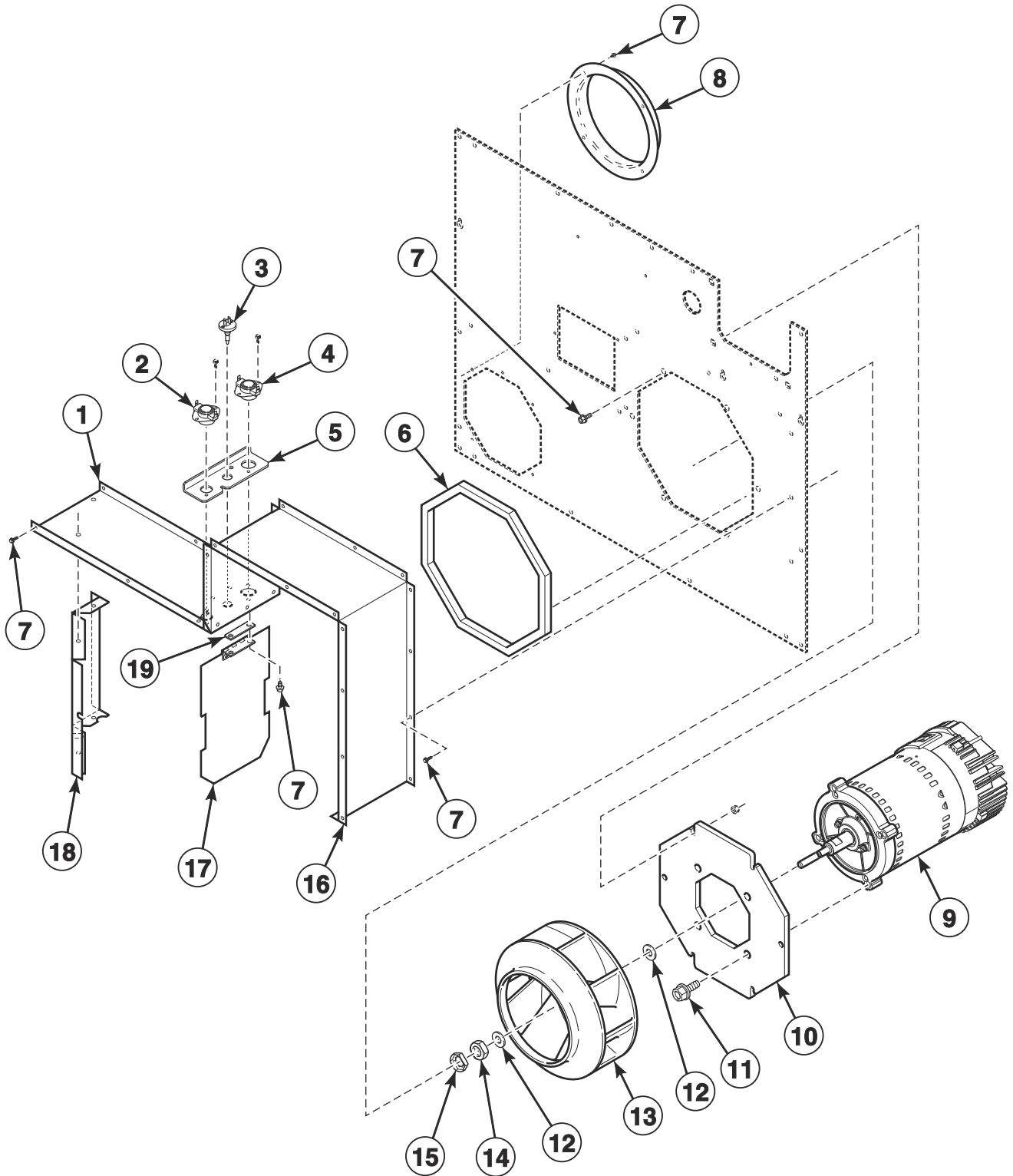


TMB3797P_70600501

Motor Components

REF	PART NO.	DESCRIPTION	COMMENTS
	44333202	Nut	Use with item 11
	70144101	Key	Use with idler shaft
	70554901	Limit Access Bracket	Use with idler shaft
	44335301	Inverter Motor Harness	Cylinder
	44335302	Inverter Motor Harness	Fan
	70608601	EMC Shield	Gas and steam Korean models
1	70564101	Motor Mount Bracket	
2	70554701	Blower Housing	Top
3	70016301	Blower Housing Scroll	
4	70050401P	Idler Wheel Assembly	
5	70569501	Tensioning Bracket	
6	70543401	Spring Catch Bracket	
7	70569603	Standoff	
8	70571801	Spring	
9	70017801	Exhaust Thimble	
10	70276205P	Belt	
11	70559101	Motor Pulley	
12	70521901	Motor Conduit Mounting Bracket	
13	70478601P	Drive Motor	.33 HP; 120, 230 Volt/1 Phase
	70485001P	Drive Motor	.33 HP; 380-460 Volt/3 Phase
14	70478701P	Fan Motor	.50 HP; 120, 230 Volt/1 Phase
	70484901P	Fan Motor	.50 HP; 380-460 Volt/3 Phase
15	70349601	Blower Motor Mounting Plate	
16	70493301	Lower Rear Assembly	
17	70564201	Motor Mount Plate	
18	70488403	Spacer	
19	44087301	Nut	
20	70571901	Drive Plate	
21	70542801	Bushing	
22	70543301	Pivot Arm Lever	
23	70501301	Screw	
24	70359801P	Blower Assembly	
25	70209501	Damper and Hinge Exhaust Assembly	
26	70215101	Blower Housing	

Blower and Exhaust Components

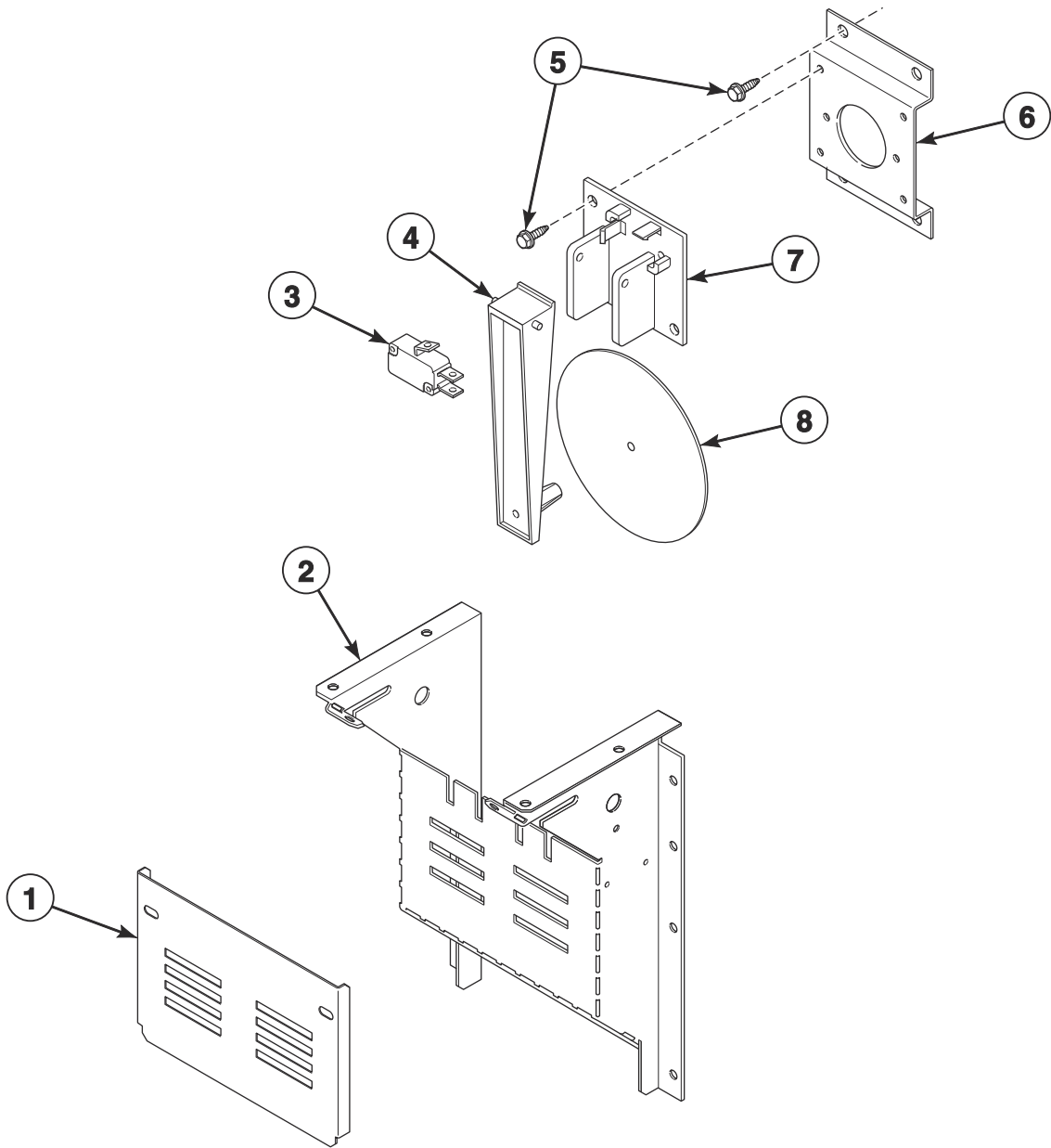


TMB3533P_70600501

Blower and Exhaust Components

REF	PART NO.	DESCRIPTION	COMMENTS
1	70554701	Blower Housing	Top
2	70530901	Limit Thermostat	Manual reset
3	M414704	Thermistor	
4	44328001	Limit Thermostat	Auto reset
5	70554901	Limit Access Bracket	
6	70392701P	Gasket	For blower housing opening
7	430497	Screw	
8	70014101	Blower Inlet Cone	
9	70478701P	Fan Motor	.50 HP; 120, 230 Volt/1 Phase
	70484901P	Fan Motor	.50 HP; 380-460 Volt/3 Phase
10	70349601	Blower Motor Mounting Plate	
11	70126101	Screw	
12	M400991	Washer	
13	70359801P	Blower Assembly	
14	M400022	Nut	
15	M400034	Nut	
16	70215101	Blower Housing	
17	70209501	Damper and Hinge Exhaust Assembly	
18	70020301	Blower Housing	Left
19	70220901	Damper Spacer	

Airflow Switch

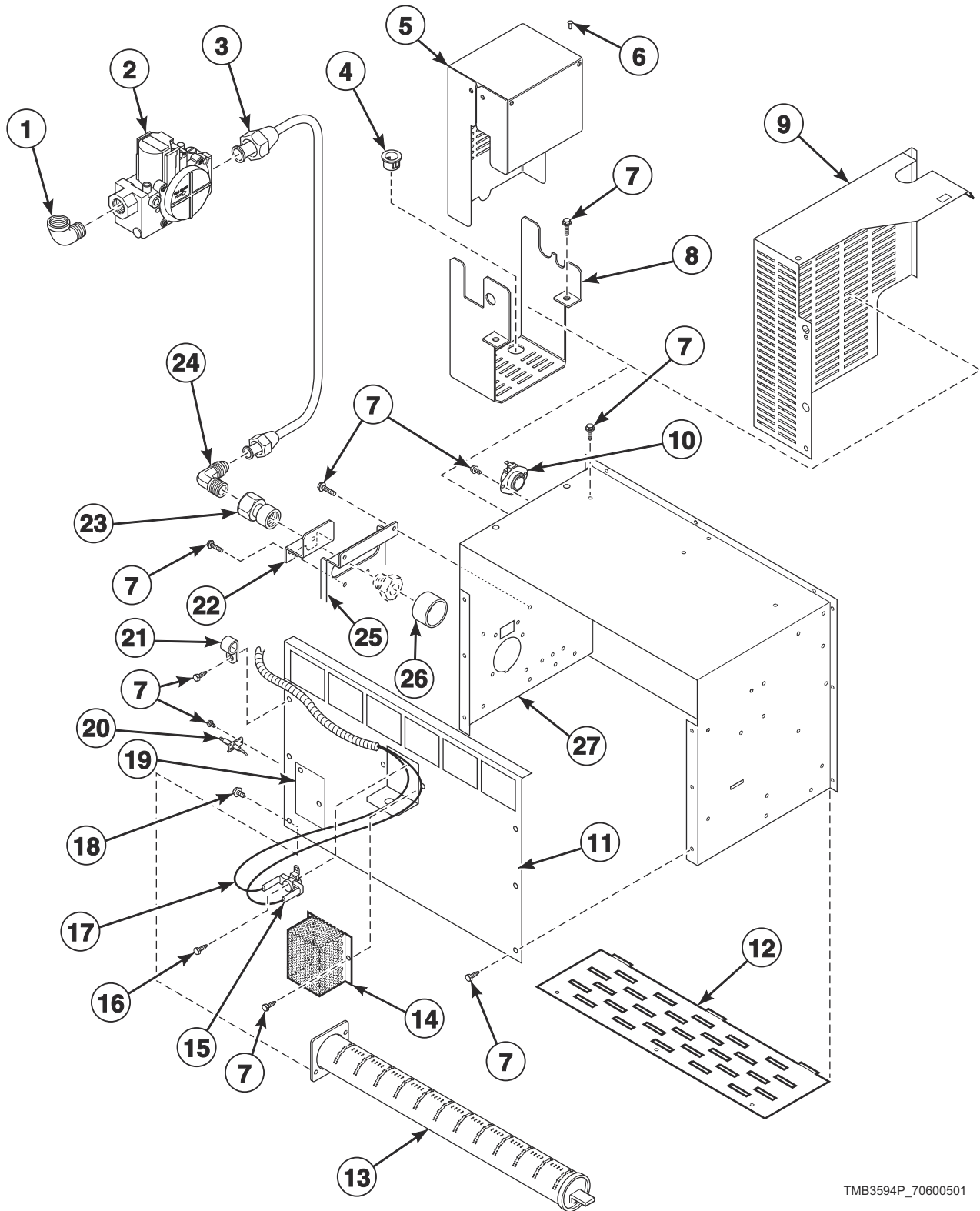


TMB3126P_70600501

Airflow Switch

REF	PART NO.	DESCRIPTION	COMMENTS
1	70356601	Airflow Switch Cover	Non-moisture sensing
	70465701	Airflow Switch Cover	Moisture sensing
2	70356101	Airflow Switch Wrapper	
3	70411901	Switch	
4	70319401	Airflow Switch Arm	
5	430497	Screw	
6	70356301	Switch Bracket	
7	70319602	Airflow Switch and Arm Bracket	
8	70319201	Airflow Switch Vane	

Gas Heater Components

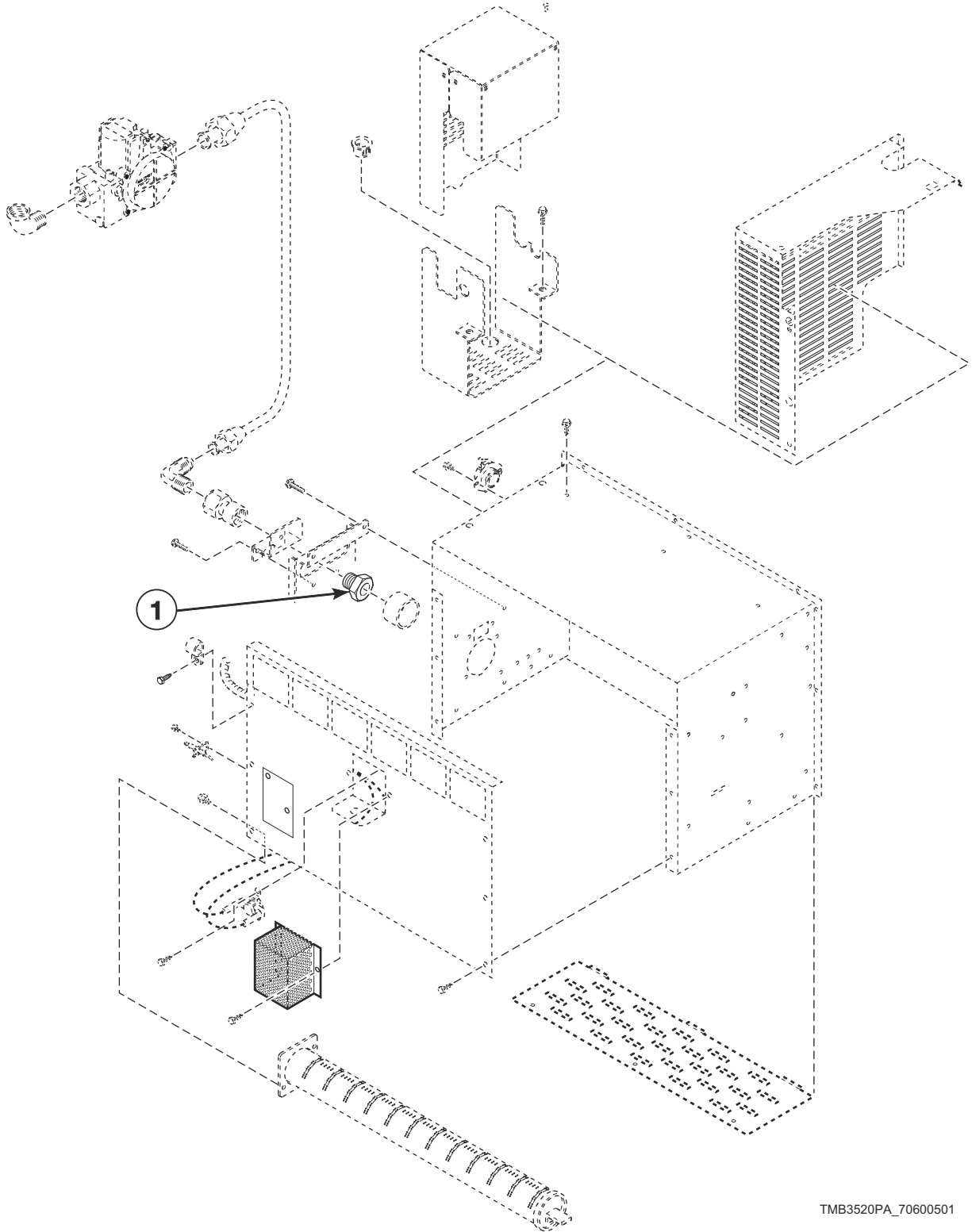


TMB3594P_70600501

Gas Heater Components

REF	PART NO.	DESCRIPTION	COMMENTS
	44273501	Gas Valve Harness	
	70346801	Pipe Plug	
	44239702	High Voltage Suppression Cable	
	70550202	L.P. Conversion Kit	CSA and AGA models; Natural Gas (N.G.); 0-2,000 feet
	70551902	L.P. Conversion Kit	IEC models; N.G.; 0-2,000 feet
	70609903	High Altitude Orifice Kit	CSA N.G. models
	70609904	High Altitude Orifice Kit	CSA Liquid Petroleum (L.P.) Gas models
	70131901	Adapter	IEC models; BPT/NPT
	70167601	Plug	IEC models
	70535901	Notice Label	Australian models; N.G.
	70544901	Notice Label	Australian models; Liquid Petroleum (L.P.) Gas
1	H86070034	Street Elbow	T market models
	F422304	Street Elbow	All other models
2	44154503	N.G. Valve	CSA models
	44154504	L.P. Valve	CSA models
	44154507	Gas Valve	IEC models; N.G.; 1/2 NPT
	44154508	Gas Valve	IEC models; L.P.; 1/2 NPT
3	70271201	Gas Line Assembly	
4	M400770	Snap Bushing	
5	70429901	Gas Valve Cover	
6	M405750	Pop Rivet	4 required
7	430497	Screw	10 required
8	70504101	Gas Valve Bracket	
9	70429901	Gas Valve Cover	IEC models
10	44328004	Limit Thermostat	Side
11	70371501	Stove Back	
12	70188801	Burner Grill	
13	70229801P	Gas Burner	
	70546701	Anti-Rattle Burner Assembly	Includes 70229801P Gas Burner, 431318 Control Door Latch and M400003 Pop Rivet
14	M414477	Thermostat Cover	
15	44328104	Limit Thermostat	Rear
16	M405188	Screw	2 required
17	70564301	Stove Limit Harness	
18	05161	Screw	
19	70159601	Igniter Cover	
20	70548701P	Spark Electrode	
21	70203701	Pipe Clip	
22	70539901	Ignition Keeper Orifice Bracket	
23	70379301	Orifice Adapter	
24	70208701	Elbow	2 required
25	70248901	Orifice Holder Bracket	
26	70239801	Primary Air Adjustment Sleeve	L.P. models
27	70333401	Stove Top and Sides	

Burner Orifices

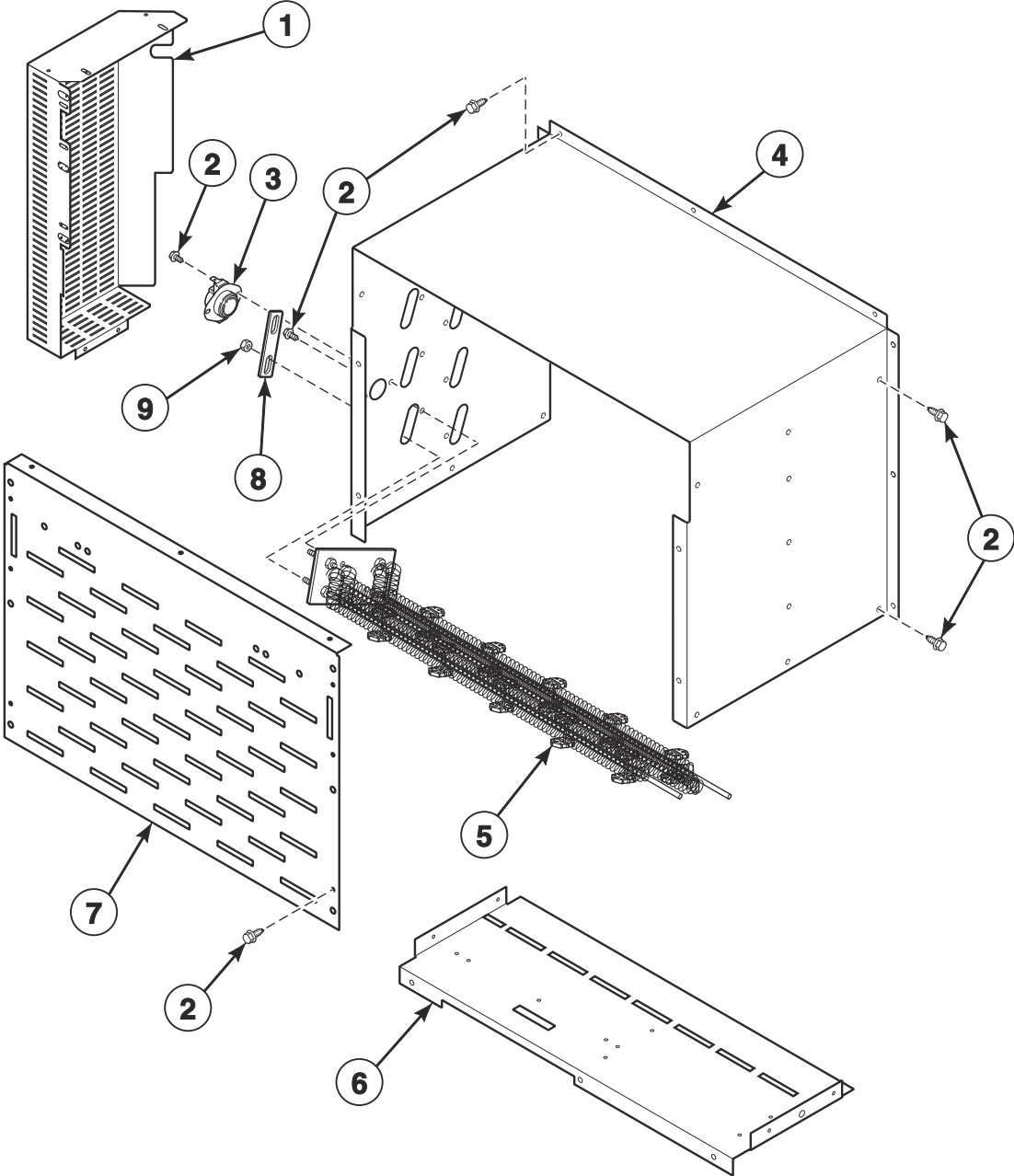


TMB3520PA_70600501

Burner Orifices

REF	PART NO.	DESCRIPTION	COMMENTS
1	70684142	Burner Orifice	Standard models; Natural Gas (N.G.); Drill no. 20 (4.09 mm); 0-2,000 feet
	70684139	Burner Orifice	Standard models; N.G.; Drill no. 23 (3.91 mm); 2,001-4,000 feet
	70684137	Burner Orifice	Standard models; N.G.; Drill no. 25 (3.80 mm); 4,001-6,000 feet
	70684135	Burner Orifice	Standard models; N.G.; Drill no. 27 (3.66 mm); 6,001-8,000 feet
	70684133	Burner Orifice	Standard models; N.G.; 3.50 mm; 8,001-10,000 feet
	70684116	Burner Orifice	Standard models with 2nd digit A, G, H, J, K, L and T; Liquid Petroleum Gas (L.P.); Drill no. 40 (2.49 mm); 0-2,000 feet
	70684114	Burner Orifice	Standard models with 2nd digit A, G, H, J, K, L and T; L.P.; Drill no. 42 (2.37 mm); 2,001-4,000 feet
	70684113	Burner Orifice	Standard models with 2nd digit A, G, H, J, K, L and T; L.P.; 2.30 mm; 4,001-6,000 feet
	70684111	Burner Orifice	Standard models with 2nd digit A, G, H, J, K, L and T; L.P.; 2.20 mm; 6,001-8,000 feet
	70684109	Burner Orifice	Standard models with 2nd digit A, G, H, J, K, L and T; L.P.; Drill no. 45 (2.08 mm); 8,001-10,000 feet
	70684110	Burner Orifice	CE standard models; L.P.; Drill no. 44 (2.18 mm); 0-2,000 feet
	70684109	Burner Orifice	CE standard models; L.P.; Drill no. 45 (2.08 mm); 2,001-4,000 feet
	70684107	Burner Orifice	CE standard models; L.P.; Drill no. 47 (1.99 mm); 4,001-6,000 feet
	70684106	Burner Orifice	CE standard models; L.P.; Drill no. 48 (1.93 mm); 6,001-8,000 feet
	70684105	Burner Orifice	CE standard models; L.P.; Drill no. 49 (1.85 mm); 8,001-10,000 feet
	70684111	Burner Orifice	Standard J market models; L.P.; 2.20 mm; 0-2,000 feet
	70684109	Burner Orifice	Standard J market models; L.P.; Drill no. 45 (2.08 mm); 2,001-4,000 feet
	70684108	Burner Orifice	Standard J market models; L.P.; Drill no. 46 (2.06 mm); 4,001-6,000 feet
	70684106	Burner Orifice	Standard J market models; L.P.; Drill no. 48 (1.93 mm); 6,001-8,000 feet
	70684105	Burner Orifice	Standard J market models; L.P.; Drill no. 49 (1.85 mm); 8,001-10,000 feet
	70684134	Burner Orifice	Eco models; N.G.; Drill no. 28 (3.57 mm); 0-2,000 feet
	70684131	Burner Orifice	Eco models; N.G.; 3.40 mm; 2,001-4,000 feet
	70684130	Burner Orifice	Eco models; N.G.; 3.30 mm; 4,001-6,000 feet
	70684128	Burner Orifice	Eco models; N.G.; Drill no. 1/8 (3.18 mm); 6,001-8,000 feet
	70684126	Burner Orifice	Eco models; N.G.; Drill no. 31 (3.05 mm); 8,001-10,000 feet

Electric Heater Components

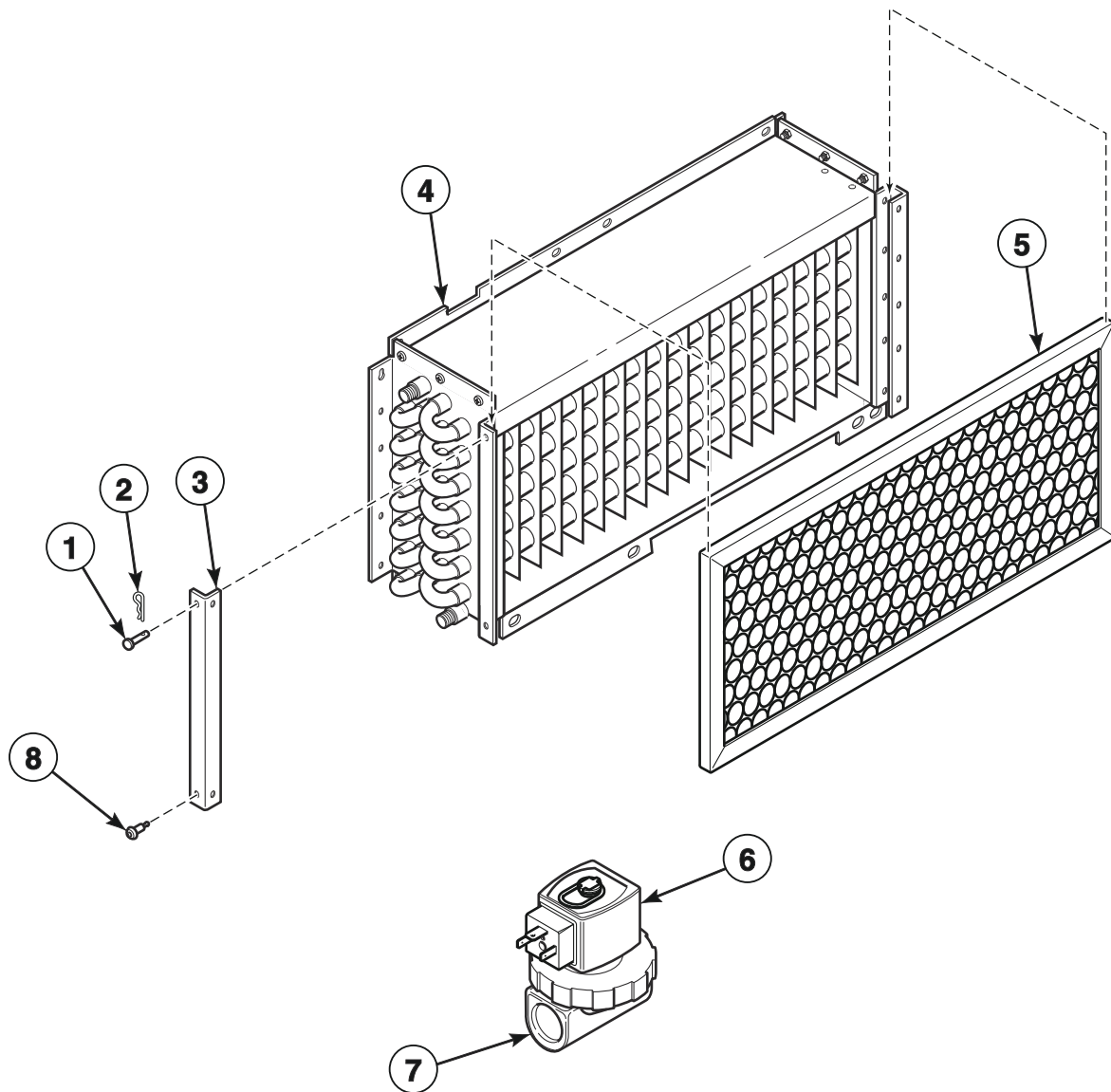


TMB3521P_70600501

Electric Heater Components

REF	PART NO.	DESCRIPTION	COMMENTS
	70564303	Stove Limit Harness	
	44281709	Jumper Harness	Use with 440-480 Volt
	44295412	Jumper Harness	Use with 380-415 Volt; 4 required
1	70365201	Stove Connectors Cover	
2	430497	Screw	
3	44328006	Limit Thermostat	
4	70525601	Stove Top and Sides	
5	70034401P	Heater Element	Standard models; 3 required; 7 kW; 208 Volt heater element for 200-208 Volt/1 or 3 Phase
	70034402P	Heater Element	Standard models; 3 required; 7 kW; 220 Volt heater element for 380 and 440 Volt/3 Phase
	70034403P	Heater Element	Standard models; 3 required; 7 kW; 240 Volt heater element for 230-240 Volt/1 or 3 Phase and 400-415 and 460-480 Volt/3 Phase
	70034415P	Heater Element	Eco models; 3 required; 4 kW; 208 Volt heater element for 200-208 Volt/3 Phase
	70034414P	Heater Element	Eco models; 3 required; 4 kW; 220 Volt heater element for 380 and 440 Volt/3 Phase
	70034416P	Heater Element	Eco models; 3 required; 4 kW; 240 Volt heater element for 400-415 Volt/50 Hertz or 240 and 460-480 Volt/60 Hertz
6	70357201	Stove Partition	
7	70214901	Stove Grill	
8	70066501	Jumper Bar	2 required for 440-480 Volt
	M400869	Jumper Strip	3 required for 380-415 and 440-480 Volt; 6 required for 200-240 Volt
9	70054	Nut	

Steam Heater Components

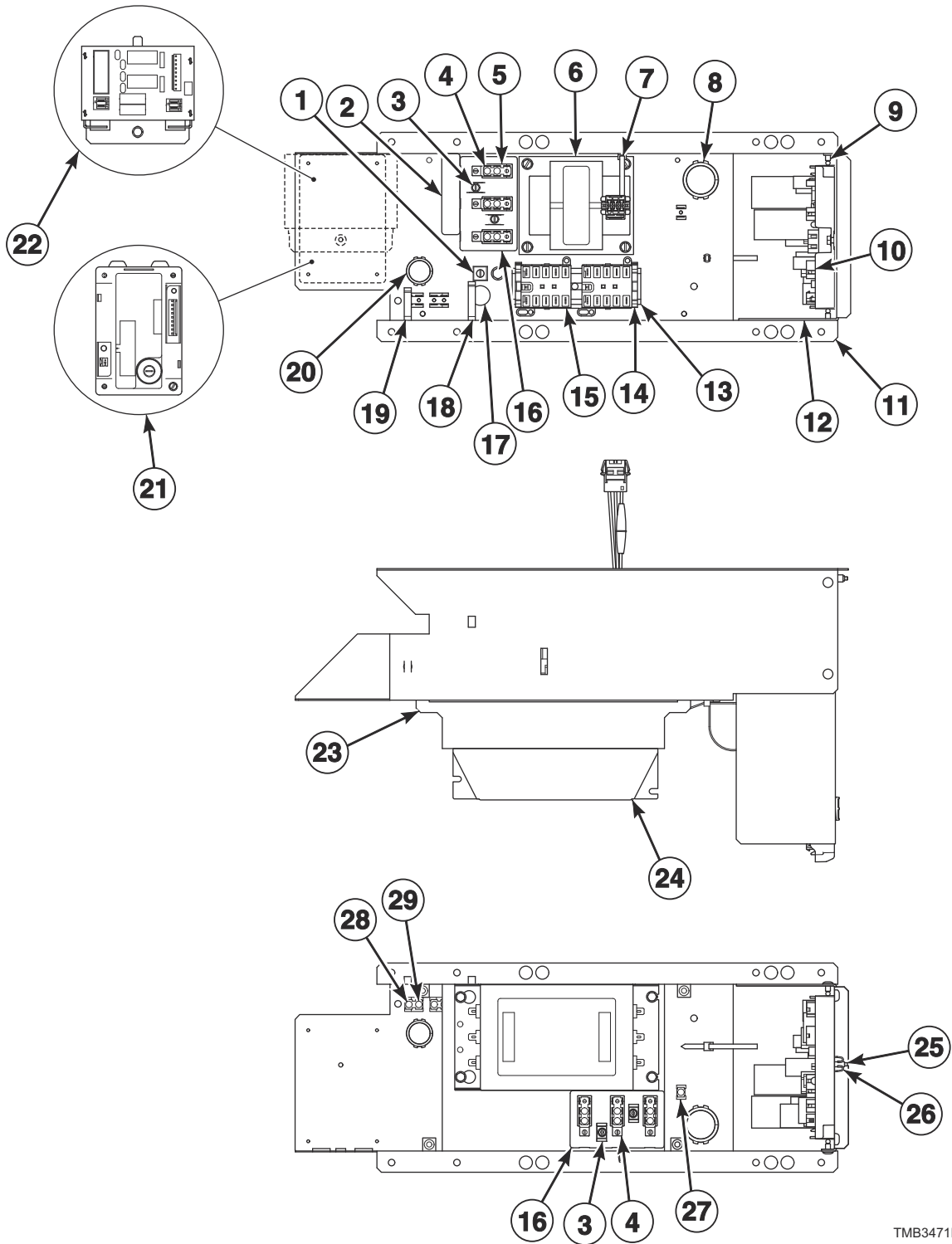


TMB3522P_70600501

Steam Heater Components

REF	PART NO.	DESCRIPTION	COMMENTS
	F8382301	DIN Valve Adapter Kit	Use with item 7
	70564302	Stove Limit Bypass Harness	
	F8520703	Steam Valve Harness	
	44304801	Strain Relief	
	70529601	Steam Adapter Kit	IEC models
1	70389201	Clevis Pin	
2	70389301	Hairpin Cotter	
3	70369301	Steam Filter Holder	
4	70369101P	Steam Coil	4 rows
5	70429401	Filter	IEC models
	70036001	Air Filter	CSA models
6	F8514701	Coil	120 Volt
	F8514601P	Coil	240 Volt
7	F8322904P	Steam Valve	120 Volt
	F8322906P	Valve	240 Volt
8	70058501	Pop Rivet	

Control Tray

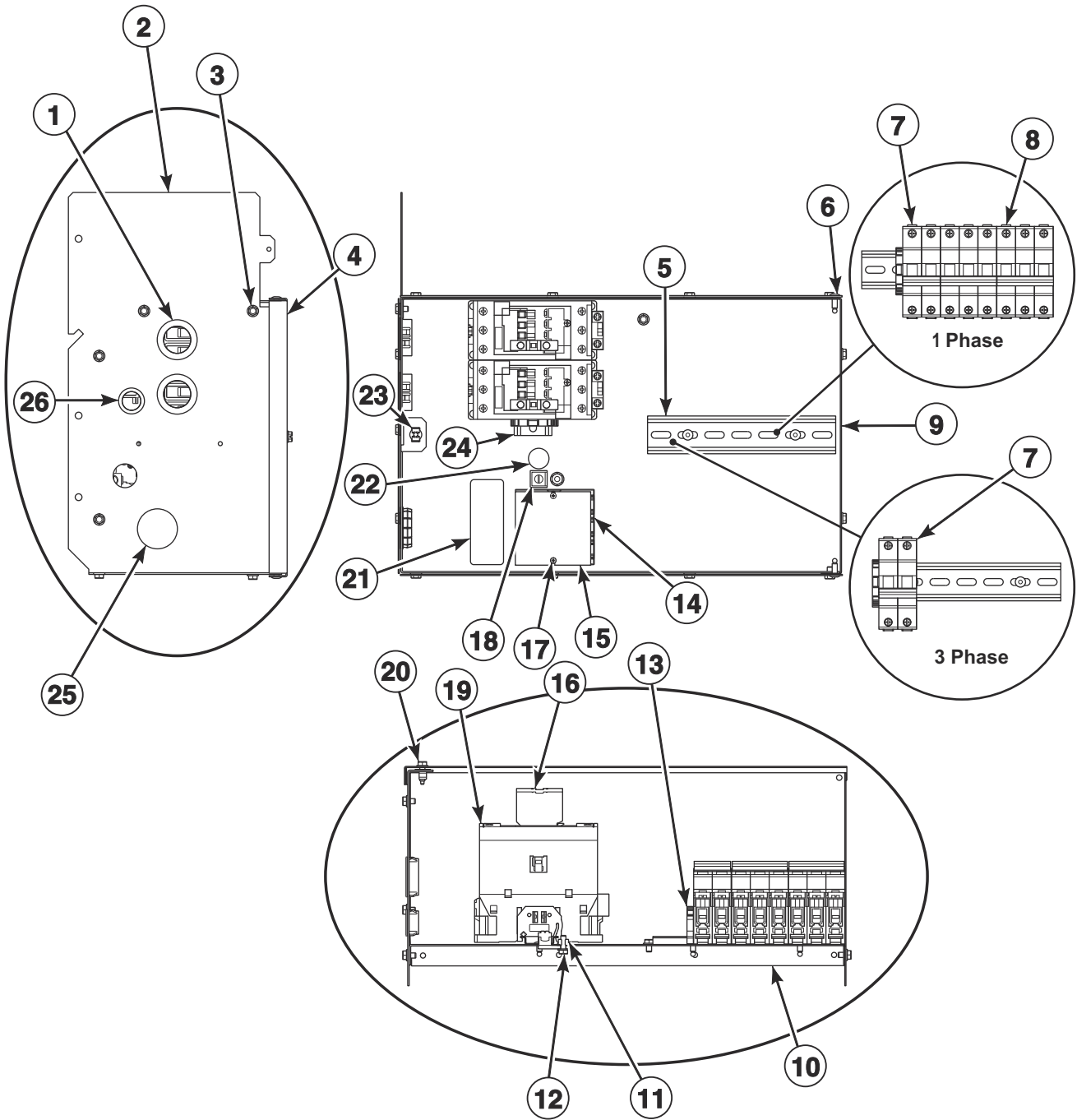


TMB3471P_70600501

Control Tray

REF	PART NO.	DESCRIPTION	COMMENTS
	685837	Screw	Use with item 1
	44088001	Nut	Use with item 1
	70507501	Control Tray Cover	
	70559301	Conversion Kit	X to B voltage
	44357401	EMI Filter Kit	CSA models; 100-240 Volt
	44357402	EMI Filter Kit	CSA models; 380-480 Volt
1	M411283	Ground Lug Connector	
2	44286803	Label	L1, L2, L3
	44286801	Label	L1, N
	44286802	Wire Label	L1 L2, L1 N
	44286804	Wire Label	L1 L2, L1 N, L1 L2 L3
3	51783	Screw	
4	430642	Terminal Block	
5	70333001	Terminal Block Shield	
6	F8491101	Transformer	380-480 Volt
7	70335601	Cable Tie	
8	70346501	Bushing	
9	70058501	Pop Rivet	
10	70479201P	I/O Control Assembly	
11	70492401	Control Tray	
12	70494901	Control Board Control Tray	
13	M412690	DIN Rail	
14	F8449801	End Stop	
15	70482601	Contactors	240 Volt or less: 1 required; 380 Volt or higher: 2 required
16	M413862	Insulator	
17	D516100	Label	
18	F8449501	Wire Clip	
19	F8449502	Wire Clip	
20	70178701	Snap Bushing	
21	70482002	Ignition Control	IEC gas models
	70482001	Ignition Control	CSA gas models
22	70501801	Steam Control Assembly	Steam models
23	70533101	Filter Bracket	
24	F8591601	EMI Filter	IEC models; 100-200 and 200-240 Volt/1 Phase
	F8637501	EMI Filter	IEC models; 380-480 Volt
25	F8206901	Screw	
26	70030501	Expansion Clip	
27	00621SG	Male Tab Terminal	
28	M400003	Pop Rivet	
29	00622SG	Terminal	

Accessory Box - Electric 200-240 Volt Models

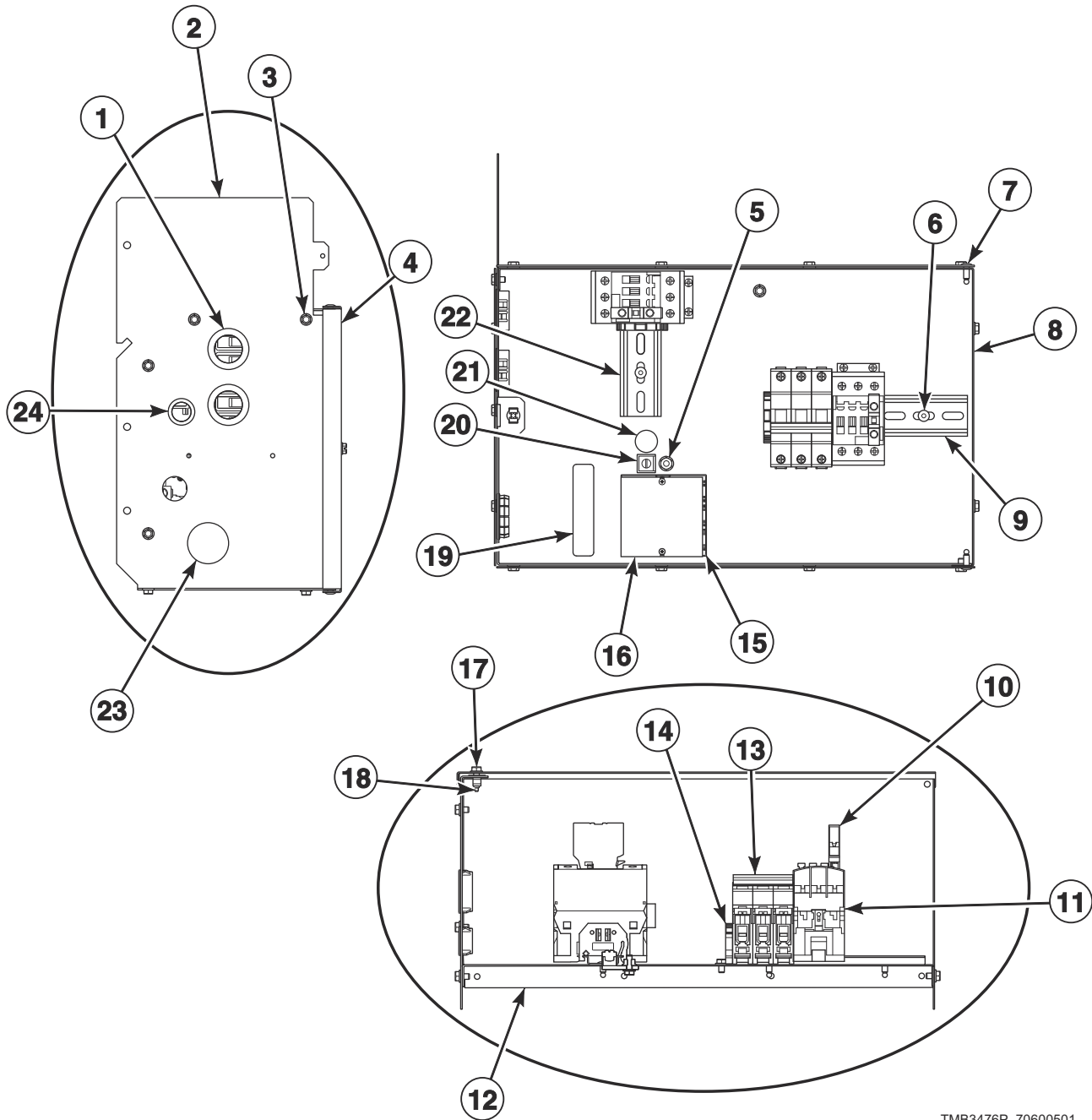


TMB3475P_70600501

Accessory Box - Electric 200-240 Volt Models

REF	PART NO.	DESCRIPTION	COMMENTS
	F8611600	Warning Label Kit	IEC models
	F8611601	Warning Label	
	44334307	Contactora Coil Harness	
	44309001	Harness	CSA models; Power distribution block to control circuit breaker
	44309011	Harness	IEC models; Power distribution block to control circuit breaker
	70516106	Harness	Contactora to element
	70516105	Harness	Contactora to element
	70516103	Harness	1 Phase; Power distribution block to circuit breaker/contactora
	70516104	Harness	Power distribution block to circuit breaker/contactora
	70516101	Harness	Power distribution block to circuit breaker/contactora
	70516102	Harness	1 Phase; Power distribution block to circuit breaker/contactora
1	M402542	Snap Bushing	2 required
2	70540601	Accessory Box Side	Left
3	51780	Screw	
4	70358401	Accessory Box Cover	
5	F8134001	DIN Rail	
6	70058502	Pop Rivet	
7	70488102	Circuit Breaker	25 amp
8	70488104	Circuit Breaker	2 required; 50 amp; 200-208 and 230-240 Volt/1 Phase
9	70540701	Accessory Box Side	Right
10	70540501	Accessory Box Back	
11	44088001	Nut	
12	685837	Screw	
13	F8449801	End Stop	2 required
14	M413865	Power Distribution Block	
15	44014901P	Power Distribution Block Cover	
16	44313201	Auxiliary Contact Block	2 required
17	39733	Screw	
18	M411283	Ground Lug Connector	
19	70482801	Contactora	2 required
20	F8206901	Screw	
21	44286802	Wire Label	1 Phase
	44286803	Label	3 Phase
22	D516100	Label	
23	70030501	Expansion Clip	
24	M412690	DIN Rail	
25	70180001	Plug	
26	M400770	Snap Bushing	

Accessory Box - Electric 380-480 Volt Models



TMB3476P_70600501

Accessory Box - Electric 380-480 Volt Models

REF	PART NO.	DESCRIPTION	COMMENTS
	F8611600	Warning Label Kit	IEC models
	F8611601	Warning Label	
	44334307	Contactora Coil Harness	
	44334302	Control Harness	3 Phase
	44309002	Harness	CSA models; Power distribution block to control circuit breaker
	44309012	Harness	IEC models; Power distribution block to control circuit breaker
	70516106	Harness	Contactora to element
	70516103	Harness	2 required; Power distribution block to circuit breaker/contactora
1	M402542	Snap Bushing	2 required
2	70540601	Accessory Box Side	Left
3	51780	Screw	
4	70358401	Accessory Box Cover	
5	685837	Screw	
	44088001	Nut	
6	70058501	Pop Rivet	
7	70058502	Pop Rivet	
8	70540701	Accessory Box Side	Right
9	F8134001	DIN Rail	
10	44313201	Auxiliary Contact Block	2 required
11	70482701	Contactora	2 required
12	70540501	Accessory Box Back	
13	70488101	Circuit Breaker	25 amp
14	F8449801	End Stop	2 required
15	M413865	Power Distribution Block	
16	44014901P	Power Distribution Block Cover	
17	F8206901	Screw	
18	70030501	Expansion Clip	
19	44286803	Label	
20	M411283	Ground Lug Connector	
21	D516100	Label	
22	M412690	DIN Rail	
23	70180001	Plug	
24	M400770	Snap Bushing	

Harnesses

PART NO.	DESCRIPTION	COMMENTS
44316007	Harness	IEC models; 1 Phase; Auxiliary power distribution block to filter harness
44316008	Harness	IEC models; 3 Phase; Auxiliary power distribution block to filter harness
44280007	Configuration Harness	100-120 Volt; Cylinder
44280006	Configuration Harness	100-120 Volt; Fan
44356402	Control Tray Harness Assembly	Electric models
44356401	Control Tray Harness Assembly	Gas models
44356407	Control Tray Harness Assembly	Steam models
44334702	Inverter Contactor Coil Harness	Secondary; 380-480 Volt
44316001	Harness	IEC models; 1 Phase; Main power distribution block to EMI filter harness
44316002	Harness	IEC models; 3 Phase; Main power distribution block to EMI filter harness
44280005	Configuration Harness	3 Phase
44280010	Motor Contactor Power Harness	IEC models; 1 Phase
44280012	Motor Contactor Power Harness	IEC models; 3 Phase
44280001	Motor Contactor Power Harness	CSA models; 1 Phase
44280003	Motor Contactor Power Harness	CSA models; 3 Phase
44280101	Power Harness	Control and emergency stop connection; 380-480 Volt
44272101	Power Harness	Control and emergency stop connection; 100-120 and 200-240 Volt
204454	Ferrite	Korean models; EMI; Motor circuit, inverter communication circuit

Labels

PART NO.	DESCRIPTION	COMMENTS
44324201	Caution Label	Australian models; Repeat Ignition Reset
70535101	Caution Label	Vent/install
F8614501	Danger Label	Shock; English/French
F8614301	Hot Surface Warning Label	English/French
F8609001	Hot Surface Warning Label	Icon
F8611601	Warning Label	
70535100	Label Kit	Vent/install
F8614500	Label Kit	Shock
70539601	Notice Label	
F8609501	Notice Label	
D516073	Notice Label	Read instructions; Icon
70538401	Pinch Warning Label	English/French
F8615701	Pinch Warning Label	Icon
F8614201	Shock Warning Label	Icon
70536301	Warning Label	Lint; Australian models
44324101	Warning Label	Fire; Australian models
70534305	Warning Label	Fire; Colombian Spanish; Australian models
44321601	Warning Label	Risk of fire; Icon

Parts Index

A

Access Panel Trim	
70399405	41
70399411	41
Accessory Box Back	
70540501	75, 77
Accessory Box Cover	
70358401	75, 77
Accessory Box Side	
70540601	75, 77
70540701	75, 77
Adapter	
70131901	65
Air Filter	
70036001	71
Airflow Switch and Arm Bracket	
70319601	63
Airflow Switch Arm	
70319401	63
Airflow Switch Cover	
70356601	63
70465701	63
Airflow Switch Vane	
70319201	63
Airflow Switch Wrapper	
70356101	63
Anti-Rattle Burner Assembly	
70546701	65
Auxiliary Contact Block	
44313201	75, 77

B

Belt	
70276205P	59
Blind Rivet	
F8245101	45
Blower Assembly	
70359801P	59, 61
Blower Housing	
70020301	61
70215101	59, 61
70554701	59, 61
Blower Housing Scroll	
70016301	59
Blower Inlet Cone	
70014101	61
Blower Motor Mounting Plate	
70349601	59, 61
Burner Grill	
70188801	65
Burner Orifice	
M40098	67
M400999	67
M401001	67
M401002	67
M401003	67
M401011	67

M401014	67
M401017	67
M401018	67
M401020	67
M401027	67
M402489	67
M402997	67
M403017	67
M406361	67
44253801	67
44254001	67
70070905	67
70070906	67
70476601	67
Bushing	
70346501	53, 73
70542801	59
Bypass Harness	
44334103	41

C

Cable Tie	
70335601	73
Cam and Hinge Kit	
M4772P3	33
M4773P3	33
Caution Label	
44324201	79
70535101	79
Center Cylinder Seal Assembly	
70066004	51
Center Pan	
70565201	53
Center Partition	
70252601	53
Central Pay Board Harness	
44355604	27
Central Pay Control Assembly	
204094	27
Central Pay Harness	
44342801	17
44355601	27
44355605	27
Central Pay Kit	
70612701	27
70612703	27
Circuit Breaker	
70488101	77
70488102	75
70488105	75
Clevis Pin	
70389201	71
Coil	
F8514601P	71
F8514701	71
Coin Box	
F160673P	41
Coin Chute Assembly	
70296401	41

N/A items do not appear in index.

Coin Drop		Control Box Top	
38963P	23	44307101	57
39748	23	Control Harness	
70441601	23	44334302	77
70441603	23	44334404	57
Coin Drop Assembly		Control Panel	
201141	23	70121505*	37
210195	23	70121509	37
210196	23	70273305*	37
38462P	23	70273313	37
38463	23	Control Plate	
38467	23	70497101	15, 21
38519	23	Control Plate and Studs Assembly	
70281102	23	70496601	17, 19
70283102	23	Control Plate Assembly	
70441602	23	70497201	17, 19
70447301	23	Control Tray	
70471601	23	70492401	73
70482401	23	Control Tray Cover	
70506901	23	44088001	73
Coin Drop Kit		Control Tray Harness Assembly	
CK077	23	44356401	78
CK122	25	44356402	78
Coin Identification Paper		44356407	78
38464P	23	Control Trim	
38475	23	44016401	41
38725	23	Conversion Kit	
Coin Meter		70559301	73
F0160737-00	23	Cylinder and Trunnion Assembly	
Coin Vault and Emergency Stop Mount Assembly		70443801	47
70529502	41	70443802	47
Coin Vault Assembly		70443803	47
70529501	41	Cylinder Assembly	
Coin Vault Switch Harness		70372701P	47
44334101	41	70372702P	47
Cold Weather Kit		70372703	47
44340301	57	Cylinder Bearing Stud Plate Assembly	
Configuration Harness		430352	51
44280005	78	Cylinder Guide Tool	
44280006	78	263P4	51
44280007	78	Cylinder Rib Assembly	
Contact Base		70327101	47
F8538101	43	70433001	47
Contact Switch		Cylinder Shroud	
F8069501	43	70347201	53
Contactactor		70347202	53
70482601	73	70432303	53
70482701	77	70432304	53
70482801	75		
Contactactor Coil Harness			
44334307	75, 77		
Control			
70511601	57		
Control Assembly			
70478801P	17, 19		
70478802	21		
70479801	15		
Control Board Control Tray			
70494901	73		
Control Box Base			
44065301	57		
Control Box Cover			
44065201	57		
Control Box Housing			
44306701	57		

D

Damper and Hinge Exhaust Assembly	
70209501	59, 61
Damper Spacer	
70220901	61
Danger Label	
F8614501	79
DIN Rail	
F8134001	75, 77
M412690	73, 75, 77
DIN Valve Adapter Kit	
F8382301	71

N/A items do not appear in index.

Door Assembly	
70212300	29
70212301	29
70212302	29
70408901	29
Door Glass	
M400784P	31
Door Glass Installation Tool	
M4221P4	31
Door Glass Seal Kit	
70211901P	31
Door Handle	
44007902P	31
Door Hinge	
70116003*	33
70116005B	33
70116006	33
Door Hinge Lug Assembly	
44035001	33
44035002	33
Door Latch	
M401223	41
Door Ring	
70543903B	31
Door Ring Assembly	
70543901	31
70543904B	31
70543905	31
Door Ring Gasket	
70296801	31
Door Switch Actuator	
70532101	33
70532102	33
Drive Motor	
70478601P	59
70485001	59
Drive Plate	
70571901	59
Drive Rivet	
M400713	57
Drywall Screw Magnet Kit	
70343101P	47, 51

E

Elbow	
70208701	65
70428101	55
Electronic Coin Drop Assembly	
70294107	23
70513302	23
70513303	23
70513304	23
70513306	23
70513308	23
70513309	23
70513310	23
70513311	23
70513312	23
70513313	23
70513314	23
70513315	23
70513316	23

Electronic Coin Drop Kit	
CK099	25
CK100	25
CK101	25
CK108	25
CK109	25
CK110	25
CK113	25
CK115	25
CK116	25
CK117	25
CK118	25
CK119	25
CK120	25
CK121	25
EMC Shield	
70608601	59
Emergency Stop Button Kit	
70580301	43
Emergency Stop Bypass Harness	
F8519403	43
Emergency Stop Harness	
44272401	43
Emergency Stop Label	
44012901	43
44012903	43
Emergency Stop Mounting Bracket	
70550401	43
Emergency Stop Pushbutton	
F200233500	43
EMI Filter	
F8591601	73
F8637501	73
EMI Filter Kit	
44357401	73
44357402	73
End Cap	
70070101	47
70070102	47
End Stop	
F8449801	73, 75, 77
Exhaust Thimble	
70017801	59
Expansion Clip	
70030501	17, 19, 27, 41, 73, 75, 77

F

False Front	
70000501*P	35
70000504	35
70024204	35
False Front Assembly	
70024201*P	35
Fan Motor	
70478701P	59, 61
70484901P	59, 61
Ferrite	
204454	78
Fill Hose	
202799	57
Filter	
70429401	71

N/A items do not appear in index.

Filter Bracket	
70533101	73
Filter Mounting Plate	
70551701	57
Flat Top	
70557601	53
Front Panel	
70524105*	39
70524106	39
70601501	39
70601601	39
70601901	39
70602001*	39
70602101*	39
70602701*	39
Front Panel Seal	
70173401P	39

G

Gas Burner	
70229801P	65
Gas Line Assembly	
70271201	65
Gas Valve	
44154507	65
44154508	65
Gas Valve Bracket	
70504101	65
Gas Valve Cover	
70429901	65
Gas Valve Harness	
44273501	65
Gasket	
70289101P	45
70392701P	61
Ground Lug Connector	
M411283	73, 75, 77

H

Hairpin Cotter	
70389301	71
Handle and Caps Assembly	
70154401	45
Handle Bar	
70399502B	31
Handle Bumper	
70407205	45
Harness	
44309001	75
44309002	77
44309011	75
44309012	77
44316001	78
44316002	78
44316007	78
44316008	78
70516101	75
70516102	75
70516103	75, 77
70516104	75
70516105	75

70516106	75, 77
Harness Adapter Plate	
70523301	55, 57
Harness Mounting Plate	
70307007	27
Heater Element	
70034401P	69
70034402P	69
70034403P	69
70034414P	69
70034415P	69
70034416P	69
High Altitude Orifice Kit	
70609903	65
70609904	65
High Voltage Suppression Cable	
44239702	65
Hold-Down Clip	
35865	53
Hole Plug	
70063201	53
Hose	
44073304	57
Hose Clamp	
36801	57
Hose Fitting	
44069101	57
Hot Surface Warning Label	
F8609001	79
F8614301	79

I

Idle Wheel Assembly	
70050401P	59
Igniter Cover	
70159601	65
Ignition Control	
70482001	73
70482002	73
Ignition Keeper Orifice Bracket	
70539901	65
Insulator	
M413862	73
Interconnect Harness	
44334401	57
Inverter Contactor Coil Harness	
44334702	78
Inverter Motor Harness	
44335301	59
I/O Control Assembly	
70479201P	73

J

Jumper Bar	
70066501	69
Jumper Harness	
D511476	41
442295412	69
44281709	69

N/A items do not appear in index.

Jumper Strip M400869	69
-------------------------------	----

K

Key	
70144101	59
70155601	41, 57
70155602	41
Kickplate	
70117601	45

L

Label	
D516100	73, 75, 77
44108201	39
44286801	73
44286803	73, 75, 77
44318201	57
70414001	31
70537101	39
Label Kit	
F8614500	79
44318200	57
44324500	57
70534300	39
70535100	79
Light	
801432	57
Limit Access Bracket	
70554901	59, 61
Limit Thermostat	
44328001	61
44328004	65
44328006	69
44328104	65
70530901	61
Lint Panel	
70515401*	45
70515402	45
Lint Panel Pivot Plate	
70017901	45
Lint Screen	
70325601	53
Lock Shim	
70342401	41
Lock, Key and Nut Kit	
44089301P	41, 57
44089302P	41
Lower Pan	
70332401P	53
Lower Rear Assembly	
70493301	59
L.P. Conversion Kit	
70550202	65
70551902	65
L.P. Valve	
44154504	65

M

Machine ID Control Assembly	
203361P	17, 19, 21
Magnet	
70343101	45
Magnet Bracket	
44290501	45
Male Tab Terminal	
00621SG	73
Mixing Valve	
70519801	57
Mixing Valve Shield Bracket	
44306601	57
Moisture Sensor Harness	
44333903	49
Motor Conduit Mounting Bracket	
70521901	59
Motor Contactor Power Harness	
44280001	78
44280003	78
44280010	78
44280012	78
Motor Mount Bracket	
70564101	59
Motor Mount Plate	
70564201	59
Motor Pulley	
70559101	59
Mounting Bracket	
70601401	57
70604001	27
Mounting Plate	
70208801	17, 19

N

Nameplate Overlay	
44130101	41
44144401	41
70410201	41
70411401	41
Notice Label	
D516073	79
F8609501	79
70535901	65
70539601	79
70544901	65
Nozzle Bracket	
70424201	55
70428601	55
Nut	
M400022	49, 51, 61
M400034	51, 61
M404993	53
M412986	51
M414215	31
21899	53
23951	45
430576	53
44087201	47
44087301	59
44088001	31, 33, 73, 75, 77

N/A items do not appear in index.

44088801	41
44333202	59
51236	45
70054	69
N.G. Valve	
44154503	65

O

Opto Coupler	
200674P	23
Orifice Adapter	
70379301	65
Orifice Holder Bracket	
70248901	65
Overlay	
F8205101	17
70516801	15
70516802	15
70544701	17
70544702	17
70544703	17
70547401	17
70547402	17
70547501	15
70547502	15
70547801	21
70547802	21
70548101	17
70557001	17
70557002	17
70570601	21
70570602	21
70572401	21
70572402	21
70572601	19
70626001	19
70626002	19
70626101	19

P

Panel Locator	
56079	41, 45
Panel Lock	
44089304	41
44089305	41
Pin	
70071401	33
Pinch Warning Label	
F8615701	79
70538401	79
Pipe Clip	
70203701	65
Pipe Plug	
70346801	65
Pivot Arm Lever	
70543301	59
Plug	
70167601	65
70180001	57, 75, 77
Pop Rivet	
M400003	73

M405750	65
44166601	41
70058501	33, 45, 53, 71, 73, 77
70058502	75, 77
70126301	45
70126401	45
70412601	31

Porcelain Touch-Up Paint	
122P4P	53
370P4P	53
Power Distribution Block	
M413865	75, 77
Power Distribution Block Cover	
44014901P	75, 77
Power Harness	
44272101	78
44280101	78
Power Sensor Harness	
44334402	57
Primary Air Adjustment Sleeve	
70239801	65
Pushbutton Switch	
70413301	15, 17, 19, 21, 41
Push-to-Start Switch	
801434W	57

R

Rear Bearing Shim	
70355001	51
Rear Cylinder Bearing Housing	
70013901	51
Rear Cylinder Channel	
70257301	47
70257302	47
Rear Cylinder Channel Plate	
70257401	47
Rear Cylinder Seal	
70013702	51
Rear Cylinder Seal Support	
70506401	51
Rear Lint Panel	
70565301	45
Rear Panel	
70564901	51
70564902	51
70564903	51
70564904	51
Reed Switch Assembly	
F8066804	45
Roller and Seal Kit	
70616701	53
Roller Catch Arm	
70030301	45
Roller Catch Spacer	
70030201	45
Roller Catch Wheel	
70297601	45
Roller Seal	
70443601	53
Roller Shaft	
70249501	53

N/A items do not appear in index.

Roller Support Bracket 70328301	53
--	----

S

Screw	
F8206901	27, 73, 75, 77
M400044	33
M400661	31
M405188	35, 65
M411072	17, 19, 41
05161	65
39733	41, 45, 75
430497	45, 47, 53, 55, 57, 61, 63, 65, 69
430757	45
51780	27, 55, 57, 75, 77
51783	73
62588	47
685837	73, 75, 77
70033502	33
70072801	45
70126101	61
70132301	45
70247701	53
70391101	47
70407301	33
70436301	33
70442101	31
70501301	59
70576101	33
804608	15, 17, 19, 21, 57
Sensor Harness	
44334406	57
Sheet Metal Edge Gasket	
70015709	53
70015710	53
Shield	
44326801	57
Shock Warning Label	
F8614201	57, 79
F8614401	57
Side Panel	
70021502*P	53
70253801*P	53
Slip Ring Assembly	
44222701	49
Slip Ring Holder	
70455401	49
Slot Card Plate Assembly	
44089501	17, 19
Snap Bushing	
M400770	65, 75, 77
M402542	75, 77
70178701	55, 73
Spacer	
70488403	59
Spark Electrode	
70548701P	65
Spray Nozzle	
70427801	55
Spray Nozzle Hose	
70427701	55
Spray Paint	
298P4P	53
381P4	53

Spring	
70571801	59
Spring Catch Bracket	
70543401	59
Standoff	
70569603	59
Steam Adapter Kit	
70529601	71
Steam Coil	
70369101P	71
Steam Control Assembly	
70501801	73
Steam Filter Holder	
70369301	71
Steam Valve	
F8322904P	71
Steam Valve Harness	
F8520703	71
Stove Back	
70371501	65
Stove Connectors Cover	
70365201	69
Stove Grill	
70214901	69
Stove Limit Bypass Harness	
70564302	71
Stove Limit Harness	
70564301	65
70564303	69
Stove Partition	
70357201	69
Stove Top and Sides	
70333401	65
7052601	69
Strain Relief	
44304801	71
Street Elbow	
H86070034	65
Support Bearing	
70448701	51
Support Housing Bearing Assembly	
430260P	51
Switch	
70411901	63
Switch Bracket	
70356301	63
70508501	45
Switch Hole Plug	
44057801B	41
44057801Q	41
44057801W	41

T

Tensioning Bracket	
70569501	59
Terminal	
00622SG	73
Terminal Block	
430642	73
Terminal Block Shield	
70333001	73

N/A items do not appear in index.

Thermistor	
M414704	61
44064701	55
Thermistor Plate	
70424401	55
Thermostat Cover	
M414477	65
Top Pan	
70555301	53
Transformer	
F8491101	73
202757	27
202758	27
Transformer Harness	
44272301	27
44272302	27
Trunnion and Seal Kit	
70564801	47
70564802	47
Tube Assembly	
70427601	55
Tumbler Dolly Kit	
M4379P4	53

Wire Guard	
201595P	23
Wire Label	
44286802	73, 75
44286804	73

U

Union Tee	
70427901	55

V

Valve	
F8322906P	71
Vend Activation Harness	
44334004	15, 17, 19, 21

W

Warning Label	
F8611601	75, 77, 79
44321601	79
44324101	79
44324501	57
44324502	57
70534301	39
70534302	39
70534305	79
70536301	79
Warning Label Kit	
F8611600	75, 77
Washer	
M400991	51, 61
70261401	53
70409301	31
70411301	47
Water Valve Harness	
44334405	57
Wire Clip	
F8449501	73
F8449502	73

N/A items do not appear in index.