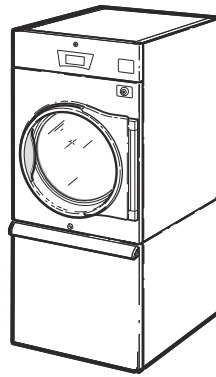


# Tumble Dryers

30 Pound Capacities

18 Digit Model Numbers with 4 and 5 in 13th Position

Refer to Page 3 for Model Numbers



TMB1288C\_70614301



# Table of Contents

Title	Page
Parts Ordering Information.....	2
Serial Plate Location .....	2
Machine Identification .....	3
Product Overview - Heat Source and Voltage .....	4
Touch Control - Vend Models with V in the 7th Position .....	6
Touch Control - OPL Models with V in the 7th Position .....	8
Coin Drops .....	10
Coin Drop Kits .....	12
Central Pay and Card Reader Components .....	14
Door and Hinge Components - Design 4 H and S Models.....	16
Door and Hinge Components - Design 5 Models .....	18
Control Panels and False Fronts .....	20
Front Panel Assemblies - Design 4 H and S Models .....	22
Front Panel Assemblies - Design 5 Models .....	24
Cabinet Front Components.....	26
Emergency Stop Button - OPL Models .....	28
Lower Cabinet Components .....	30
Cylinder and Trunnion Assembly .....	32
Cylinder Components .....	34
Cabinet Components .....	36
Fire Suppression System Components .....	38
Fire Suppression System Control Box .....	40
Motor Components .....	42
Blower and Exhaust Components.....	44
Airflow Switch.....	46
Gas Heater Components .....	48
Burner Orifices .....	50
Electric Heater Components .....	52
Steam Heater Components .....	54
Control Tray .....	56
Accessory Box - Electric 200-240 Volt Models .....	58
Accessory Box - Electric 380-480 Volt Models .....	60
Harnesses.....	62
Labels .....	63
Parts Index.....	65

© Copyright 2023, Alliance Laundry Systems LLC

All rights reserved. No part of the contents of this book may be reproduced or transmitted in any form or by any means without the expressed written consent of the publisher.

## Parts Ordering Information

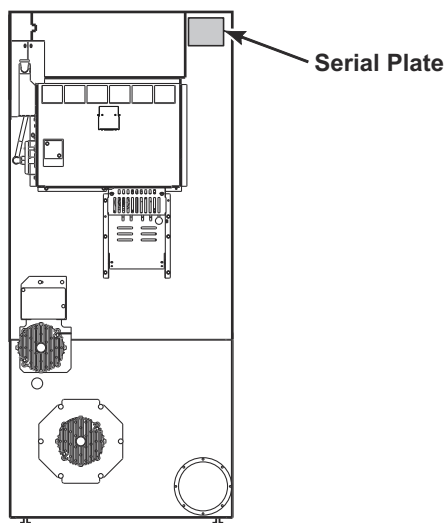
If literature or replacement parts are required, contact the source from whom the machine was purchased or contact Alliance Laundry Systems at (920) 748-3950 for the name and address of the nearest authorized parts distributor.

For technical assistance, call the number listed below:

(920) 748-3121 Ripon, Wisconsin

## Serial Plate Location

When calling or writing about your product, be sure to mention model and serial numbers. Model and serial numbers are located on serial plate(s) as shown.



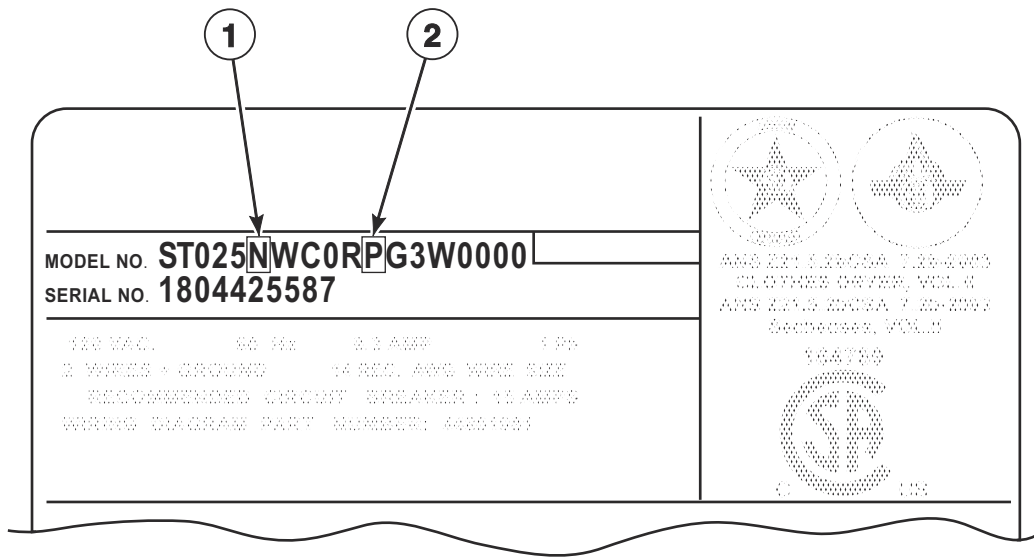
TMB3500P\_70614301

# Machine Identification

Information in this manual is applicable to these machines:

BG030D	HA030E	HJ030D	JU030E	SA030E	SK030E
BG030E	HA030F	HJ030E	JU030N	SA030F	SK030F
BG030F	HA030L	HJ030F	PG030E	SA030L	SK030L
BG030L	HA030N	HJ030L	PG030L	SA030N	SK030N
BG030N	HA030R	HJ030N	PG030N	SA030R	SK030R
BG030R	HA030S	HJ030R	PG030S	SA030S	SL030E
BG030S	HG030D	HJ030S	PR030E	SG030D	SL030L
BR030E	HG030E	HK030E	PR030S	SG030E	SR030E
BR030S	HG030F	HK030F	PU030E	SG030F	SR030S
BU030E	HG030L	HK030L	PU030L	SG030L	ST030E
BU030F	HG030N	HK030N	PU030N	SG030N	ST030F
BU030L	HG030R	HK030R	PU030S	SG030R	ST030L
BU030N	HG030S	HL030E		SG030S	ST030N
BU030R	HH030E	HL030L		SH030E	ST030R
BU030S	HH030F	HR030E		SH030F	ST030S
	HH030L	HR030S		SH030L	SU030E
	HH030N	HT030E		SH030N	SU030F
	HH030R	HT030F		SH030R	SU030L
	HH030S	HT030L		SH030S	SU030N
		HT030N		SJ030D	SU030R
		HT030R		SJ030E	SU030S
		HT030S		SJ030F	
		HU030E		SJ030L	
		HU030F		SJ030N	
		HU030L		SJ030R	
		HU030N		SJ030S	
		HU030R			
		HU030S			

# Product Overview - Heat Source and Voltage



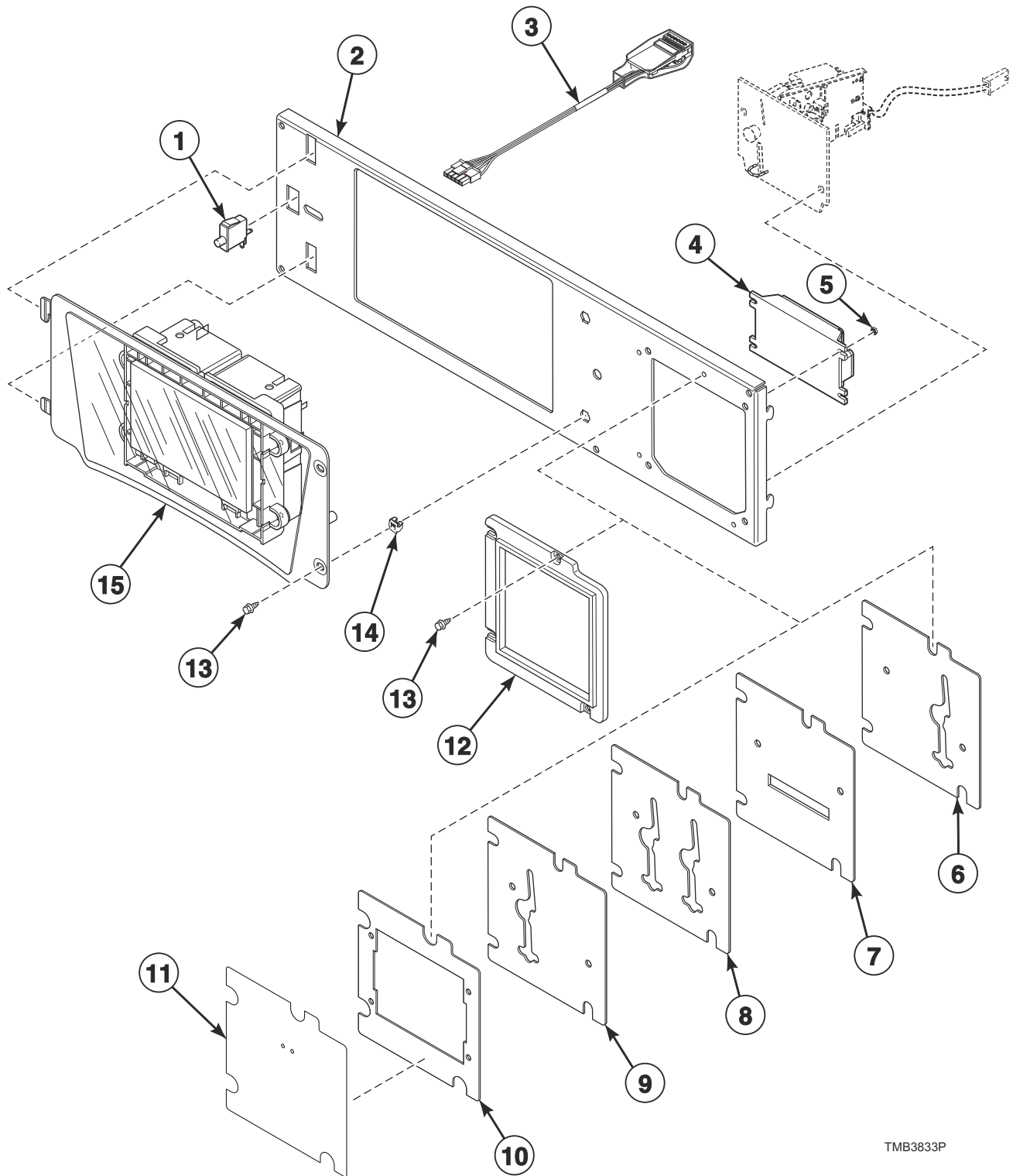
TMB3501P\_70614301

## Product Overview - Heat Source and Voltage

REF	PART NO.	DESCRIPTION	COMMENTS
1	-	Heat Source	D: Liquid Petroleum Gas (L.P) E: Electric F: Reduced Electric (Eco Line) L: Liquid Petroleum Gas (L.P.) N: Natural Gas (N.G.) R: Reduced Gas, Natural Gas (Eco Line) S: Steam
2	-	Voltage	B: 100-120 Volt/50-60 Hertz/1 Phase; Gas and steam models D: 200-208 Volt/50-60 Hertz/1 Phase; Electric models E: 230-240 Volt/50-60 Hertz/1 Phase; Electric models F: 200-208 Volt/50-60 Hertz/3 Phase; Electric models G: 230-240 Volt/50-60 Hertz/3 Phase; Electric models H: 380 Volt/50-60 Hertz/3 Phase; Electric models J: 400-415 Volt/50-60 Hertz/3 Phase; Electric models K: 440 Volt/50-60 Hertz/3 Phase; Electric models L: 460-480 Volt/50-60 Hertz/3 Phase; Electric models N: 440-480 Volt/50-60 Hertz/3 Phase; Gas and steam models P: 380-415 Volt/50-60 Hertz/3 Phase; Gas and steam models X: 200-240 Volt/50-60 Hertz/1-3 Phase; Gas and steam models

# Touch Control - Vend Models with V in the 7th Position

B, H P and S Models



TMB3833P

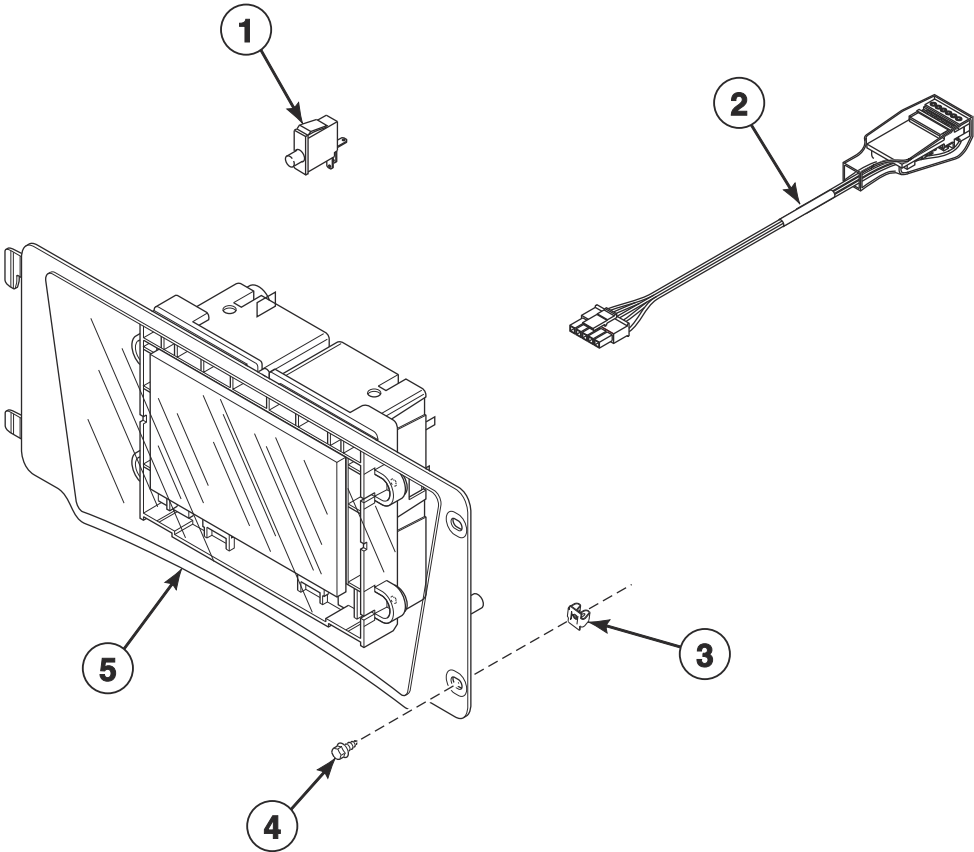


## Touch Control - Vend Models with V in the 7th Position

REF	PART NO.	DESCRIPTION	COMMENTS
	44334002	Vend Activation Harness	
	F8719302	Fob Communication Harness	
	44087101	Nut	2 required
	204692	Wireless Control Label	2 required
	203440	USB-Serial Interface Assembly	
	44374701	App Pay Overlay Kit	
	70576501P	Replacement Screen Kit	
<b>1</b>	70413301	Pushbutton Switch	
<b>2</b>	70598601	Control Mounting Bracket	Design 4 H and S models
<b>3</b>	203361P	Machine ID Control Assembly	
<b>4</b>	205135	Fob Reader Control Assembly	
<b>5</b>	70054	Nut	
<b>6</b>	F8574205	Accessory Plate Assembly	World drop
<b>7</b>	F8574204	Card Reader Plate	Card
<b>8</b>	F8574203	Accessory Plate Assembly	Dual drop
<b>9</b>	F8574202	Accessory Plate Assembly	Single drop
<b>10</b>	F8734601	Accessory Plate Assembly	FOB
<b>11</b>	F8734001	Overlay	S models; FOB
	F8734301	Overlay	H models; FOB
	F8736601	Overlay	H models; Citron; FOB
<b>12</b>	F8632501	Vend Plate	
<b>13</b>	39733	Screw	
<b>14</b>	70030501	Expansion Clip	2 required
<b>15</b>	70597801P	Control Assembly	

# Touch Control - OPL Models with V in the 7th Position

B, J and P Models

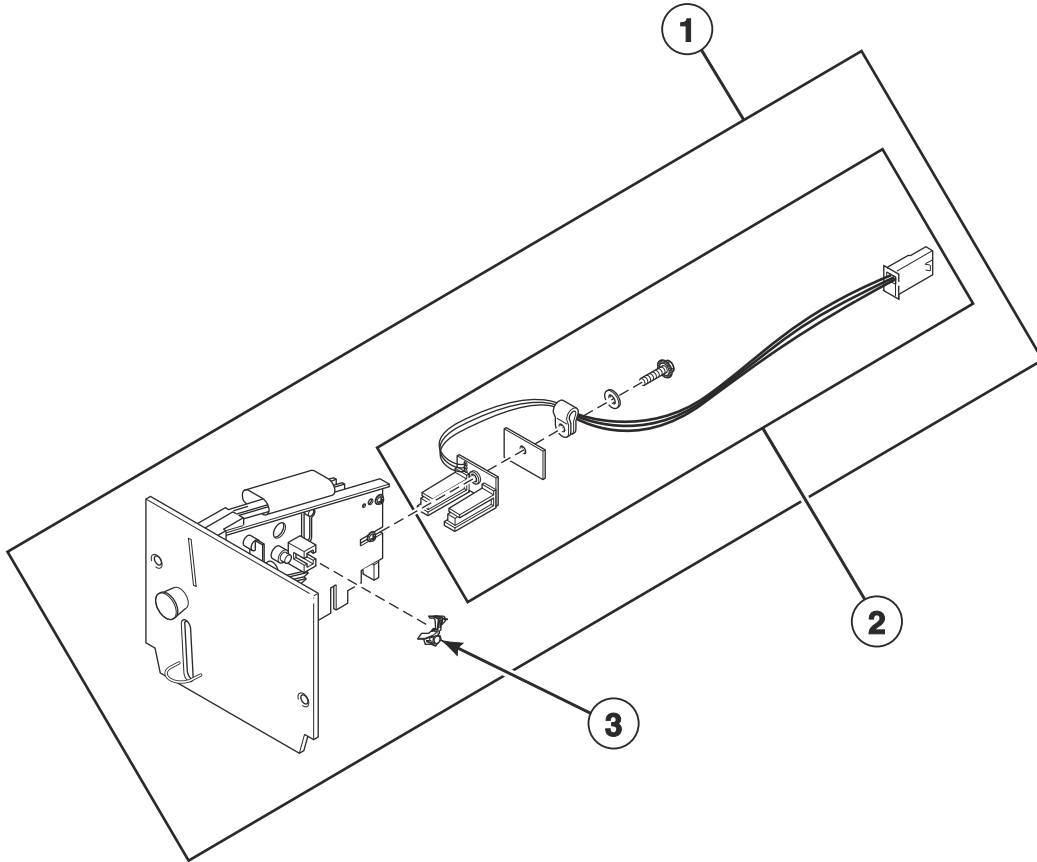


TMB3828P\_70614301

## Touch Control - OPL Models with V in the 7th Position

REF	PART NO.	DESCRIPTION	COMMENTS
	44334002	Vend Activation Harness	
	44087101	Nut	2 required
	204692	Wireless Control Label	2 required
	203440	USB-Serial Interface Assembly	
	44374701	App Pay Overlay Kit	
	70576501P	Replacement Screen Kit	
<b>1</b>	70413301	Pushbutton Switch	
<b>2</b>	203361P	Machine ID Control Assembly	
<b>3</b>	39733	Screw	
<b>4</b>	70030501	Expansion Clip	2 required
<b>5</b>	70597803	Control Assembly	

# Coin Drops

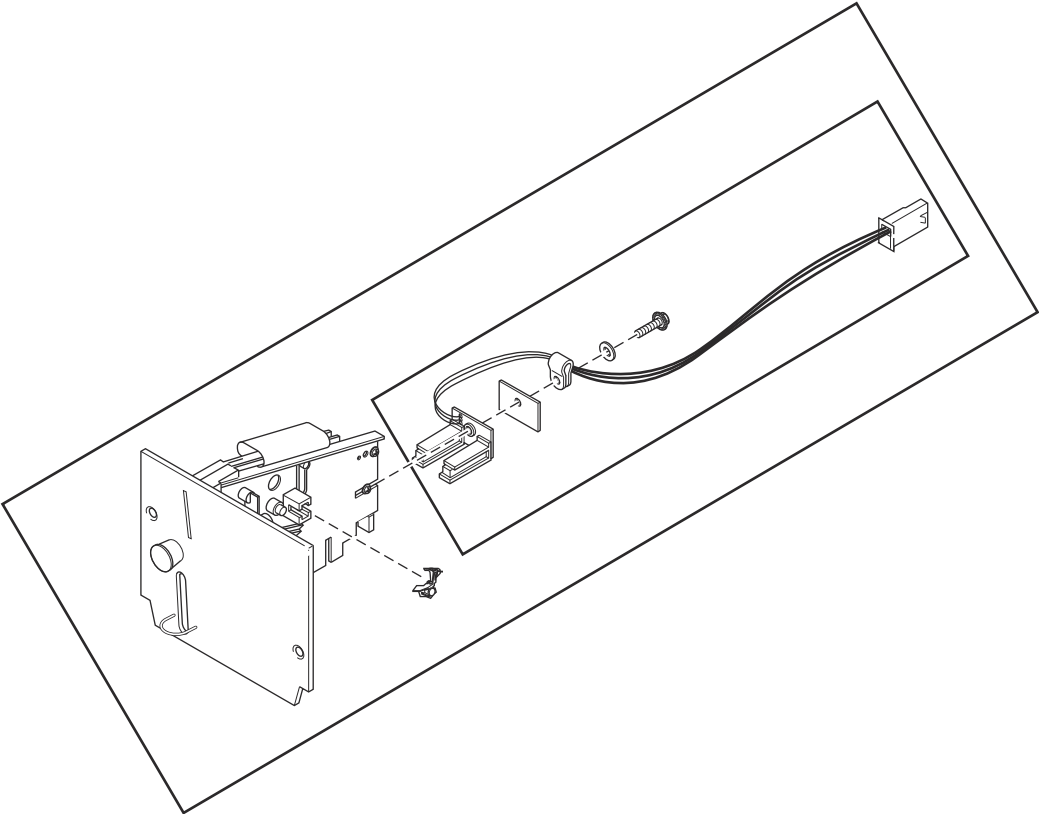


TMB3699P\_70614301

# Coin Drops

REF	PART NO.	DESCRIPTION	COMMENTS
1	70441601P	Coin Drop	Single; U.S.A.; \$.25
	38475	Coin Drop Assembly	Single; Japan; 100 yen
	38464P	Coin Drop Assembly	Single; Canada; .25
	CK077	Coin Drop Kit	Single; Taiwan; 10 NT
	70506901	Coin Drop Assembly	Single; Singapore; \$1.00 NEW
	70441603	Coin Drop	Dual; U.S.A.; \$.25 and \$1.00
	38519	Coin Drop Assembly	Dual; Japan; 100 yen and 500 yen
	70441602	Coin Drop Assembly	Dual; Canada; .25 and 1.00
	38467	Coin Drop Assembly	Dual; Australia; \$0.20 and \$1.00
	70447301	Coin Drop Assembly	Dual; Australia; \$1.00 and \$2.00
	70283102	Coin Drop Assembly	Dual; 0.20 and 0.50 Euro
	210195	Coin Drop Assembly	Dual; 0.20 and 1.00 Euro
	210196	Coin Drop Assembly	Dual; 0.50 and 1.00 Euro
	F0160737-00	Coin Meter	Dual; 0.50 and 2.00 Euro
	70281102	Coin Drop Assembly	Dual; Taiwan; 10 and 50 NT
	70482401	Coin Drop Assembly	Dual; New Zealand ; \$1.00 and \$2.00
	38462P	Coin Drop Assembly	Single; Token; STD 118-1
	38463	Coin Drop Assembly	Single; Token; STD 118-5
	38963P	Coin Drop	Single; Token STD 118-16
	39748	Coin Drop	Single; Jeton 08MS
	201141	Coin Drop Assembly	Single; Token; Jeton wh121
	70471601	Coin Drop Assembly	Single; Token; 7K
	70513302	Electronic Coin Drop Assembly	Euro and Great Britain coins
	70513310	Electronic Coin Drop Assembly	Japan and Thailand coins
	70513304	Electronic Coin Drop Assembly	Australia, New Zealand, Hong Kong and South Korea coins
	70513303	Electronic Coin Drop Assembly	Denmark, Norway and Euro coins
	70513306	Electronic Coin Drop Assembly	Mexico, Ecuador and U.S.A. coins
	70294107	Electronic Coin Drop Assembly	Lithuania, Latvia and Euro coins
	70513311	Electronic Coin Drop Assembly	China and Malaysia coins
	70513308	Electronic Coin Drop Assembly	South African 1, 2 and 5 rand coins
	70513309	Electronic Coin Drop Assembly	Euro coins
	70513312	Electronic Coin Drop Assembly	Russia coins
	70513313	Electronic Coin Drop Assembly	Phillipines coins
70513314	Electronic Coin Drop Assembly	Thailand coins	
70513315	Electronic Coin Drop Assembly	Chile coins	
70513316	Electronic Coin Drop Assembly	Singapore coins	
2	200674P	Opto Coupler	
3	201595P	Wire Guard	

# Coin Drop Kits

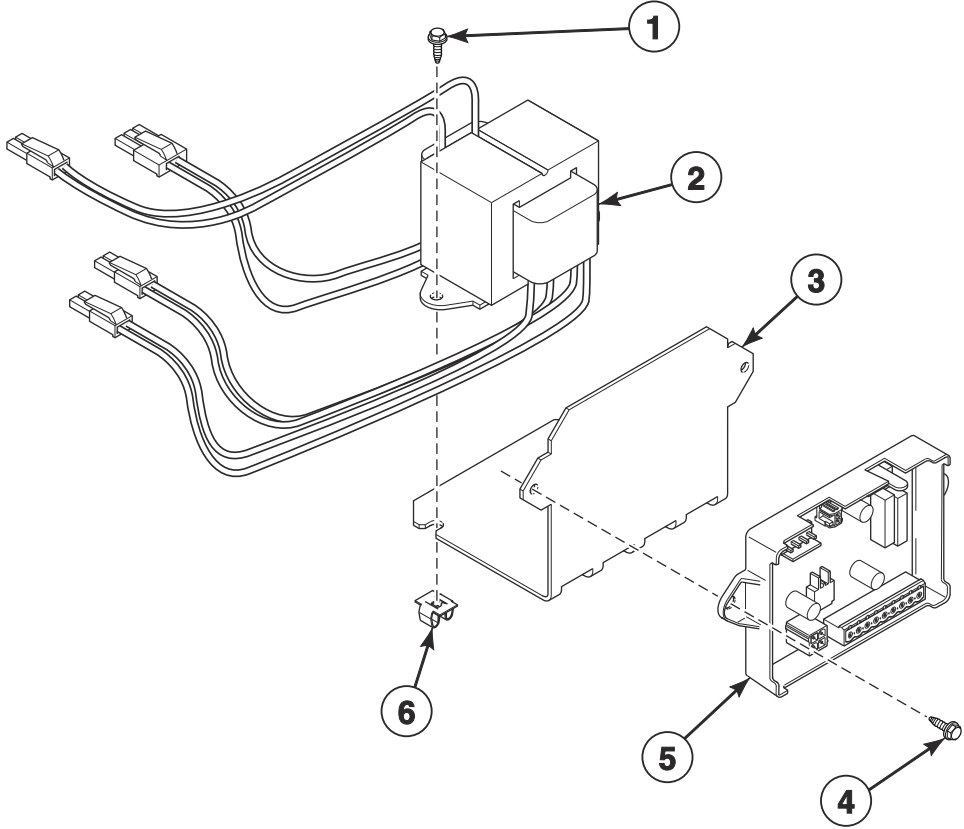


TMB3699PA\_70614301

## Coin Drop Kits

REF	PART NO.	DESCRIPTION	COMMENTS
	CK115	Electronic Coin Drop Kit	United States and Canada
	CK099	Electronic Coin Drop Kit	Australia (default), New Zealand, Hong Kong, South Korea and Malaysia
	CK100	Electronic Coin Drop Kit	United Kingdom (default) and Europe
	CK101	Electronic Coin Drop Kit	Europe (default), Denmark and Norway
	CK108	Electronic Coin Drop Kit	South Africa
	CK109	Electronic Coin Drop Kit	Euro
	CK110	Electronic Coin Drop Kit	Mexico (default), Ecuador and United States
	CK113	Electronic Coin Drop Kit	Japan and Taiwan
	CK116	Electronic Coin Drop Kit	Malaysia (default) and China
	CK117	Electronic Coin Drop Kit	Russia
	CK118	Electronic Coin Drop Kit	Philippine
	CK119	Electronic Coin Drop Kit	Thailand
	CK120	Electronic Coin Drop Kit	Chile
	CK121	Electronic Coin Drop Kit	Singapore
	CK122	Coin Drop Kit	New Zealand; 1.00 and 2.00

# Central Pay and Card Reader Components



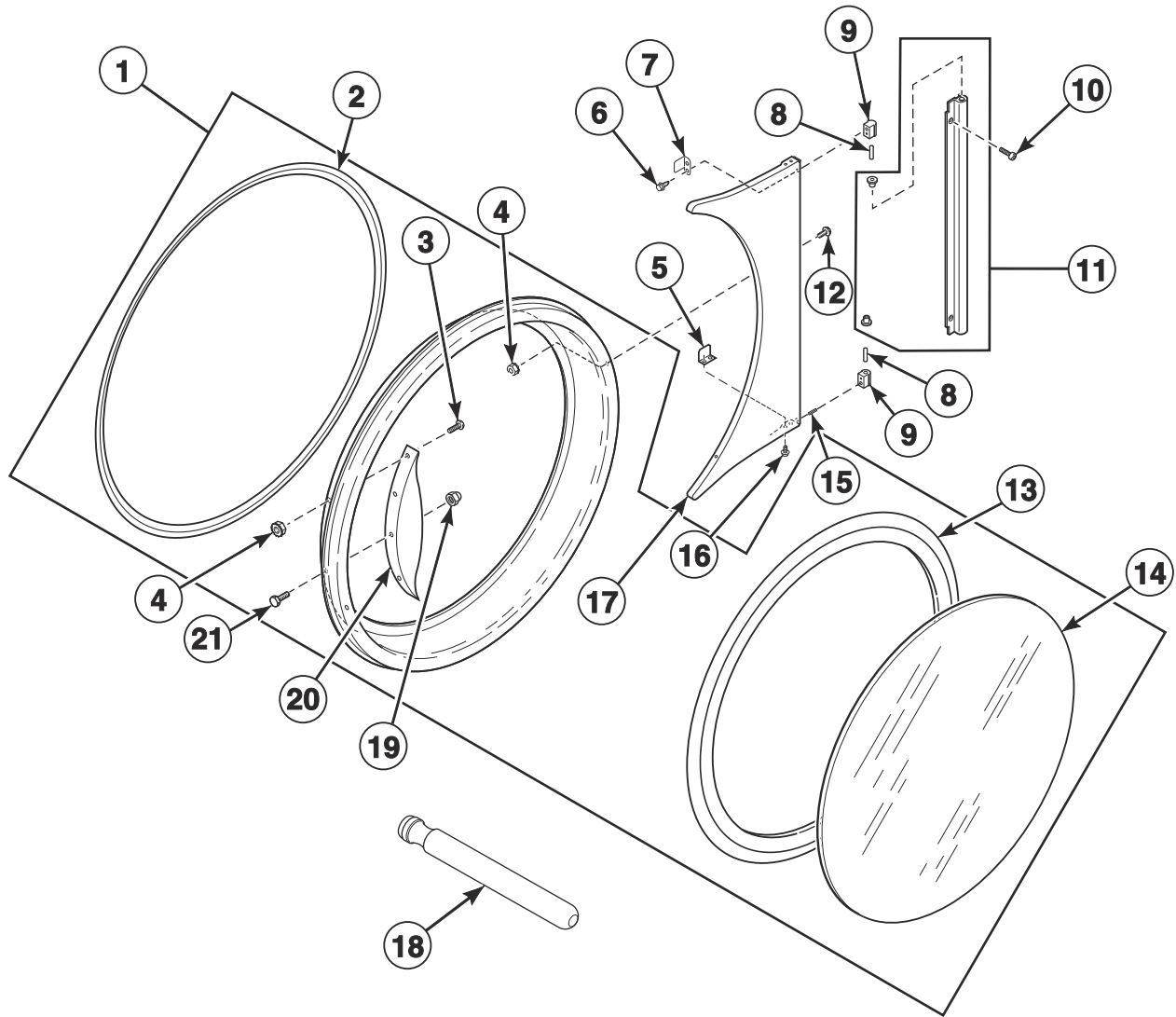
TMB3707P\_70614301



## Central Pay and Card Reader Components

REF	PART NO.	DESCRIPTION	COMMENTS
	44355601	Central Pay Harness	Routes from central pay board to contol tray
	44272301	Transformer Harness	100-120 Volt; Routes from transformer to I/O Control Assembly; Card and central pay
	44272302	Transformer Harness	200-480 Volt; Routes from transformer to I/O Control Assembly; Card and central pay
	44355604	Central Pay Board Harness	Routes from central pay board to transformer
	44355606	Central Pay Harness	Routes from central pay board to front end control
	203346	USB IR Interface Kit	
	70666801	Fob Reader Kit	Through 12/31/20
	70666806	Fob Reader Kit	Starting 1/1/21
<b>1</b>	M411072	Screw	
<b>2</b>	202757	Transformer	100-120 Volt; Card and central pay
	202758	Transformer	200-480 Volt; Card and central pay
<b>3</b>	70604001	Mounting Bracket	
<b>4</b>	51780	Screw	2 required
<b>5</b>	70612702	Central Pay Kit	100-120 Volt
	70612704	Central Pay Kit	200-480 Volt
<b>6</b>	70030501	Expansion Clip	2 required

# Door and Hinge Components - Design 4 H and S Models



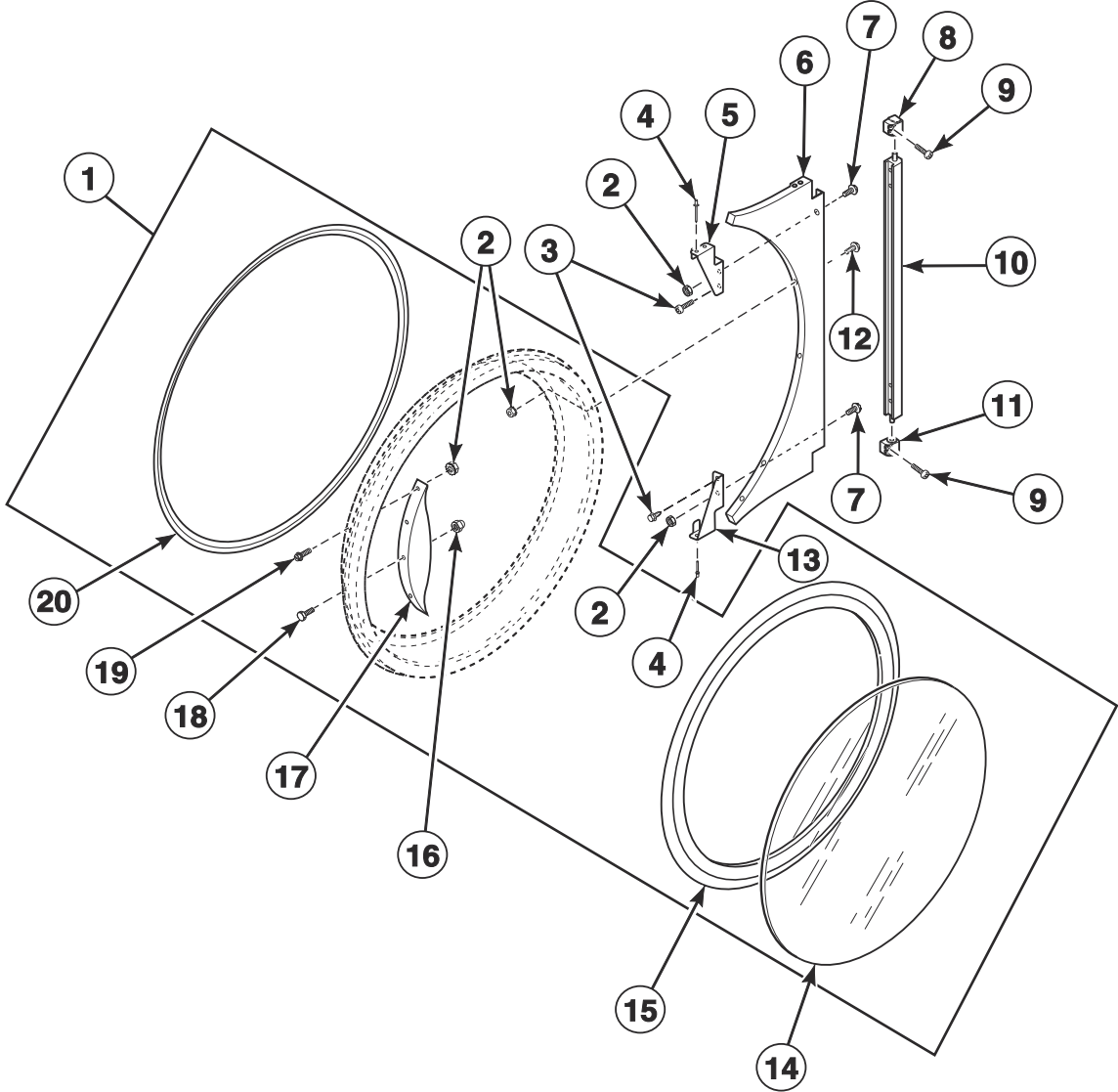
TMB3690P\_70614301

## Door and Hinge Components - Design 4 H and S Models

REF	PART NO.	DESCRIPTION	COMMENTS
	70650401	Door Glass Label	H models
	70707701	Door Glass Label	S models
	70707501	Max Fill Line Label	
<b>1</b>	70597702	Door Assembly	Chrome
<b>2</b>	70296801	Door Ring Gasket	
<b>3</b>	70442101	Screw	4 required
<b>4</b>	44088001	Nut	
<b>5</b>	70532101	Door Switch Actuator	Bottom
<b>6</b>	70576101	Screw	
<b>7</b>	70532102	Door Switch Actuator	Top
<b>8</b>	70071401	Pin	
<b>9</b>	70622401	Hinge Cam Kit	Chrome
<b>10</b>	FR004022	Screw	
<b>11</b>	70601008	Door Hinge Lug Assembly	Chrome
<b>12</b>	44349101	Screw	
<b>13</b>	70211901P	Door Glass Seal Kit	Use Loctite 414 for seal
<b>14</b>	M400784P	Door Glass	
<b>15</b>	70436301	Screw	
<b>16</b>	70058501	Pop Rivet	
<b>17</b>	70595501	Door Hinge	Chrome
<b>18</b>	M4221P4	Door Glass Installation Tool	
<b>19</b>	M414215	Nut	For door strike; Mounts between door strike screw and door handle
<b>20</b>	44007902P	Door Handle	
<b>21</b>	M400661	Screw	Door Strike

# Door and Hinge Components - Design 5 Models

BG, BR, BU, HG, HT, JU, PG, PR, PU, SG and ST Models

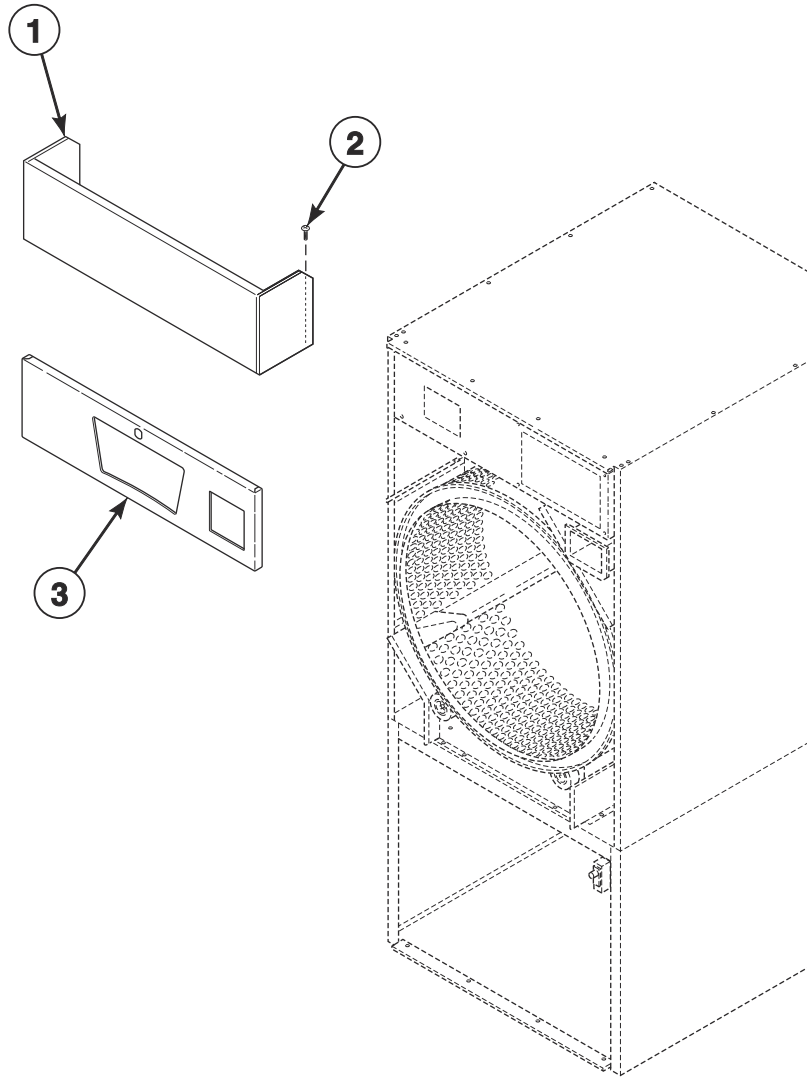


TMB3805P\_70614301

## Door and Hinge Components - Design 5 Models

REF	PART NO.	DESCRIPTION	COMMENTS
	70650401	Door Glass Label	H models
	70707701	Door Glass Label	S models
	70707501	Max Fill Line Label	
<b>1</b>	70597702	Door Assembly	Chrome; H and S models
	70597709	Door Assembly	Black; B, J and P models
<b>2</b>	44088001	Nut	
<b>3</b>	802822	Screw	
<b>4</b>	70058501	Pop Rivet	
<b>5</b>	70632001	Upper Hinge Gusset	
<b>6</b>	70632701W	Door Hinge	White; H and S models
	70632703	Door Hinge	Stainless steel; H and S models
	70632707	Door Hinge	Chrome; H and S models
	70632709B	Door Hinge	Black; B, J and P models
<b>7</b>	70640201	Screw	
<b>8</b>	70639301	Upper Lug Assembly	Use with 2 of item 9; H and S models
	70639303	Upper Lug Assembly	Use with 2 of item 9; B, J and P models
<b>9</b>	70640301	Screw	H and S models
	F8458801	Screw	B, J and P models
<b>10</b>	70640402	Center Hinge Lug Assembly	
<b>11</b>	70639302	Lower Lug Assembly	Use with 2 of item 9; H and S models
	70639304	Lower Lug Assembly	Use with 2 of item 9; B, J and P models
<b>12</b>	44349101	Screw	
<b>13</b>	70632002	Lower Hinge Gusset	
<b>14</b>	M400784P	Door Glass	
<b>15</b>	70211901P	Door Glass Seal Kit	Use Loctite 414 for seal
<b>16</b>	M414215	Nut	For door strike; Mounts between door strike screw and door handle
<b>17</b>	44007902P	Door Handle	
<b>18</b>	M400661	Screw	Door Strike
<b>19</b>	70442101	Screw	4 required
<b>20</b>	70296801	Door Ring Gasket	

# Control Panels and False Fronts

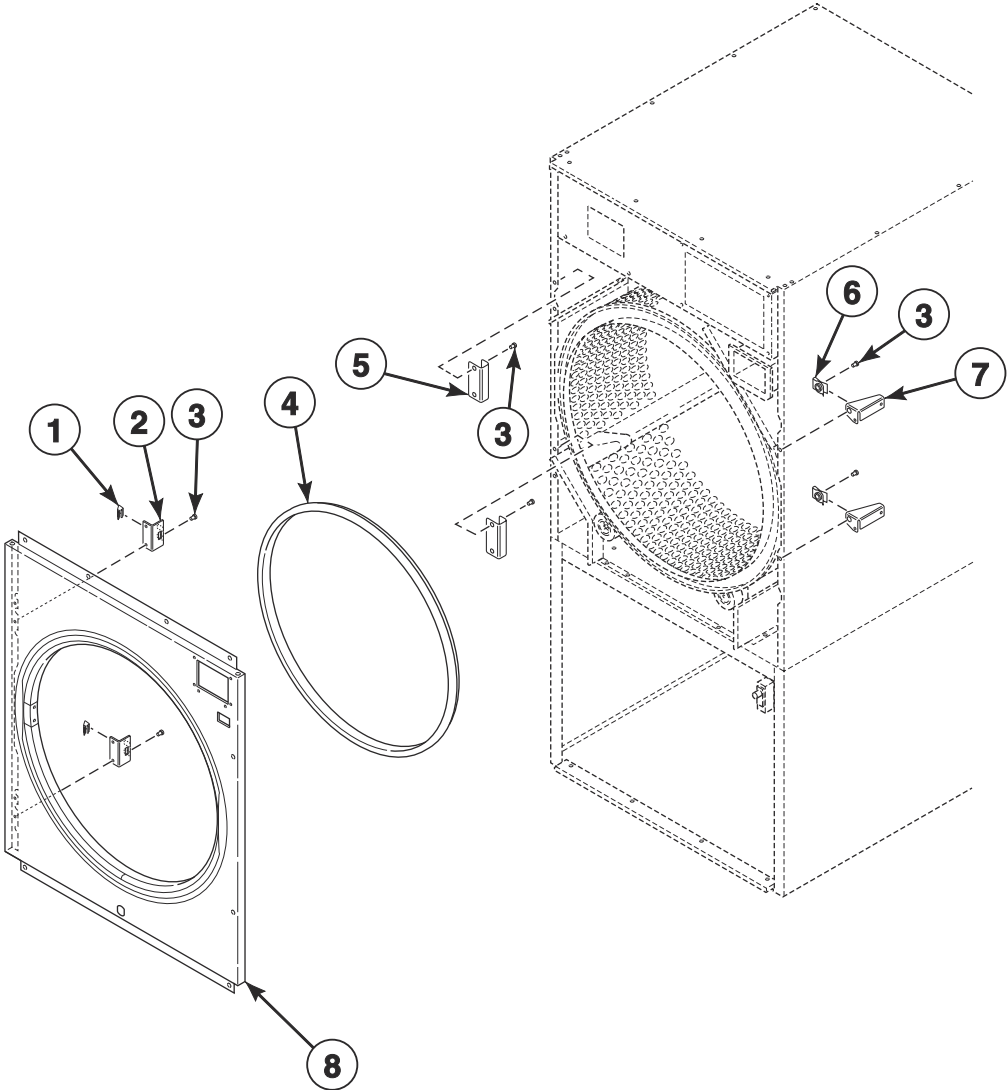


TMB3692P\_70614301

## Control Panels and False Fronts

REF	PART NO.	DESCRIPTION	COMMENTS
1	70000504	False Front	72 inches; Stainless steel
	70024204	False Front	76 inches; Stainless steel
2	M405188	Screw	4 required
3	70582901	Control Panel	Stainless steel; Coin/card
	70582902	Control Panel	Stainless steel; Central pay and OPL

# Front Panel Assemblies - Design 4 H and S Models



TMB3693P\_70614301

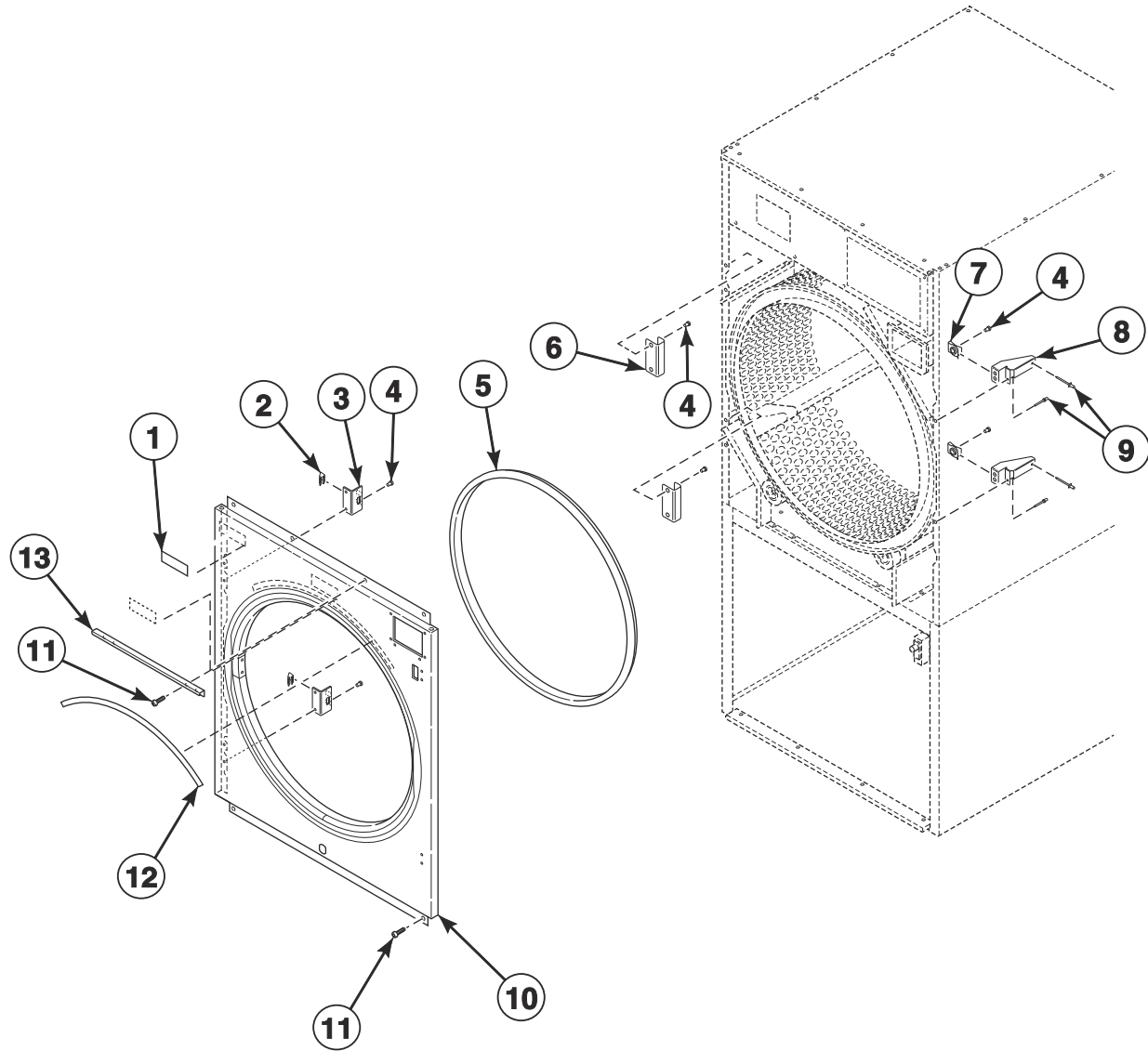


## Front Panel Assemblies - Design 4 H and S Models

REF	PART NO.	DESCRIPTION	COMMENTS
	70534301	Warning Label	English
	70534302	Warning Label	French
	70534300	Label Kit	Warning; IEC models
	70289101P	Gasket	Sold per foot; Use behind item 8
<b>1</b>	35865	Hold-Down Clip	2 required
<b>2</b>	70604801	Clip Mount Bracket	2 required
<b>3</b>	70058501	Pop Rivet	
<b>4</b>	70173401P	Front Panel Seal	
<b>5</b>	70604901	Clip Keeper Bracket	2 required
<b>6</b>	70030401	Nut	2 required
<b>7</b>	70610501	Bracket	2 required
<b>8</b>	70705101	Front Panel Assembly	Coin
	70705102	Front Panel Assembly	Card and central pay

# Front Panel Assemblies - Design 5 Models

BG, BR, BU, HG, HT, JU, PG, PR, PU, SG and ST Models

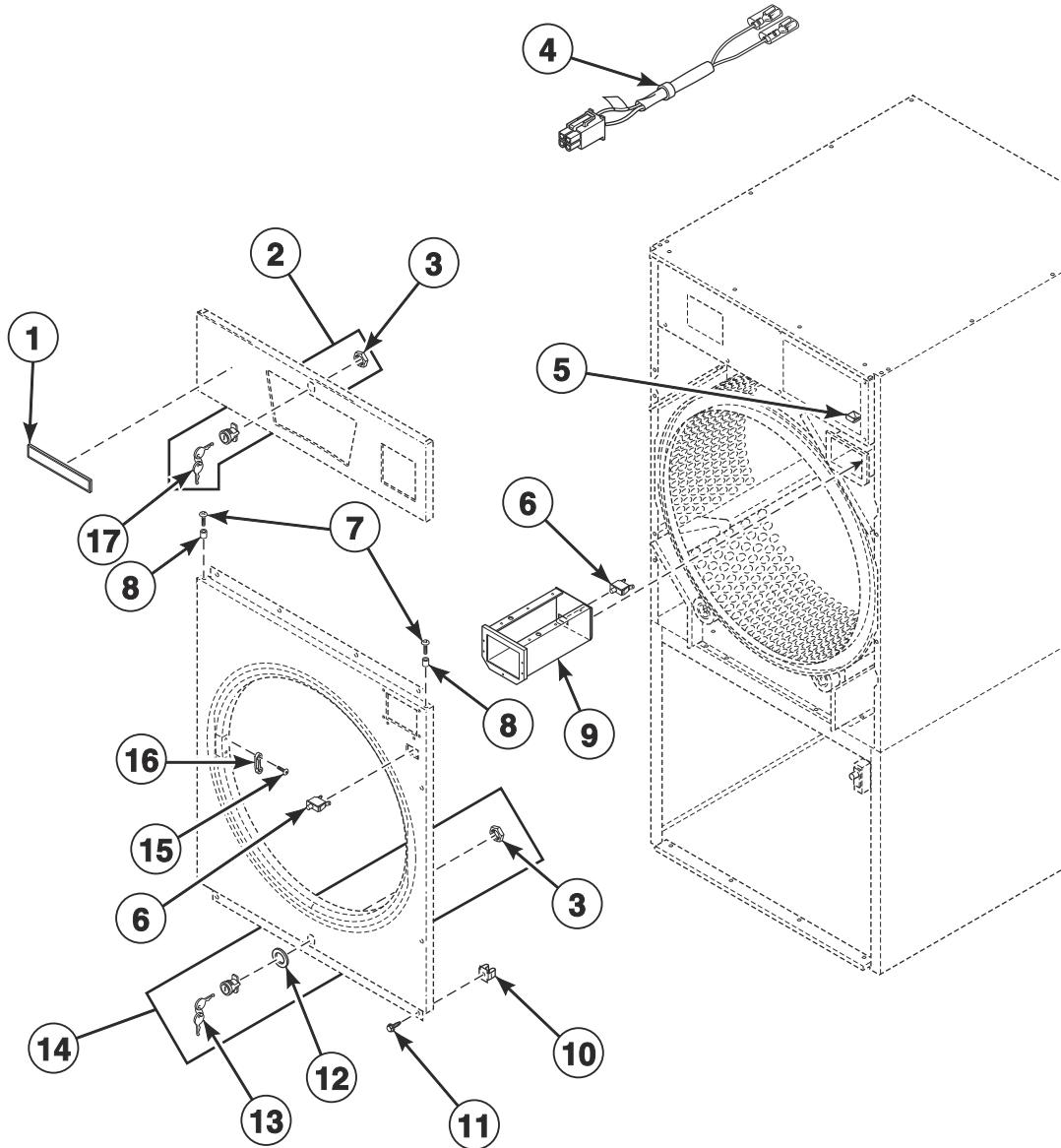


TMB3806P\_70614301

## Front Panel Assemblies - Design 5 Models

REF	PART NO.	DESCRIPTION	COMMENTS
	70289101P	Gasket	Sold per foot; Use behind item 10
1	70537001	Label	C.A.R.E.; B, H, P and S models
2	35865	Hold-Down Clip	2 required
3	70604801	Clip Mount Bracket	2 required
4	70058501	Pop Rivet	
5	70173401P	Front Panel Seal	
6	70604901	Clip Keeper Bracket	2 required
7	70030401	Nut	2 required
8	70634201	Bracket	
9	70614201	Rivet	
10	70705201	Front Panel Assembly	Stainless steel; Coin; B, H, P and S models
	70705202	Front Panel Assembly	Stainless steel; Card, central pay and OPL; Without e-stop; BG, BR, H, PG, PR and S models
	70705204	Front Panel Assembly	Stainless steel; OPL; With e-stop; BU, JU and PU models
	70705201W	Front Panel Assembly	Coin; H and S models
	70705202W	Front Panel Assembly	Card and central pay; H and S models
11	M411072	Screw	
12	70534301	Warning Label	English
	70534302	Warning Label	French
13	70641501	Control Panel Stand Bracket	

# Cabinet Front Components



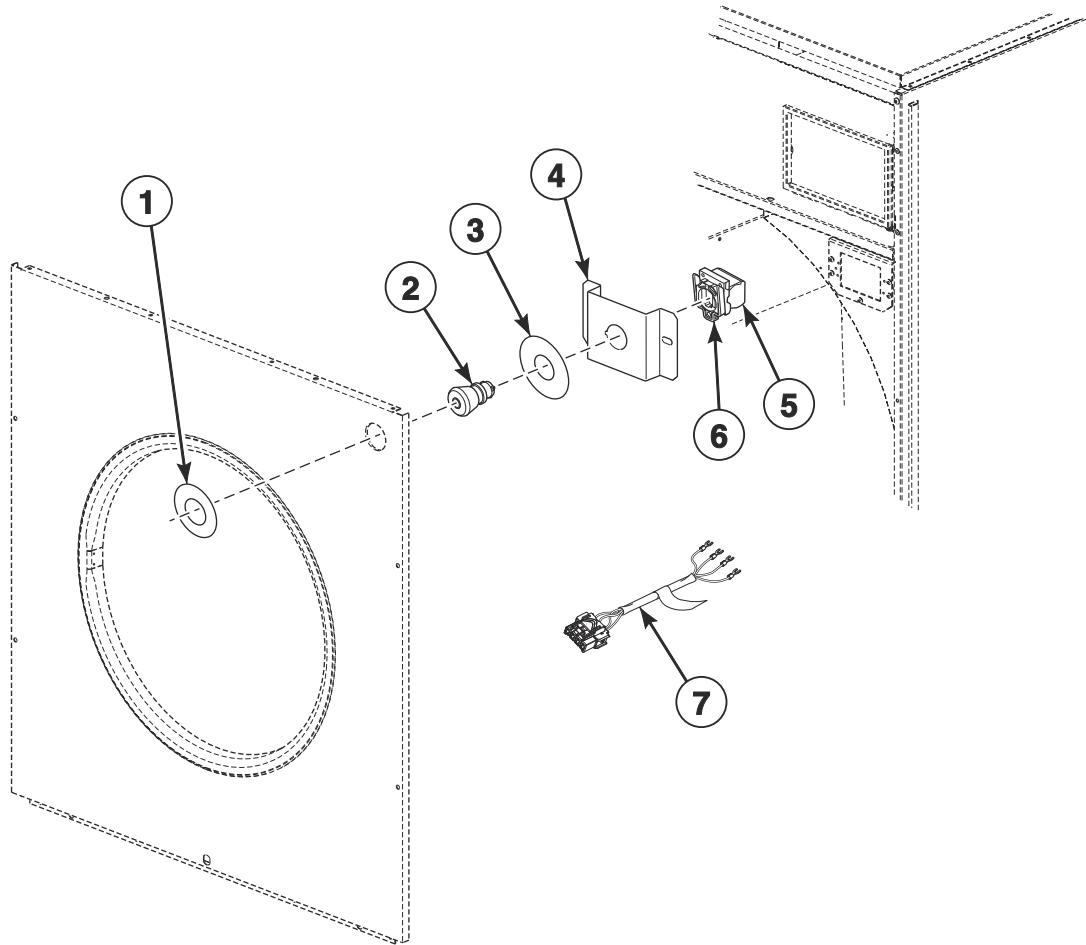
TMB3694P\_70614301

## Cabinet Front Components

REF	PART NO.	DESCRIPTION	COMMENTS
	44334103	Bypass Harness	Card and central pay
	70482901	Door Catch Kit	
<b>1</b>	F8664901	Nameplate	Design 4 S models
	F8688801	Nameplate	Design 5 S models
	F8687701	Decal	H models
	567293	Nameplate	B models
	567887	Nameplate	P models
	70685701	Nameplate	J models
	70685801	Nameplate	J models; SAFE
<b>2</b>	44089301P	Lock, Key and Nut Kit	RL001; Chrome
	44089304	Panel Lock	RL001; Chrome
<b>3</b>	44088801	Nut	
<b>4</b>	44334101	Coin Vault Switch Harness	
<b>5</b>	70296401	Coin Chute Assembly	
<b>6</b>	70413301	Pushbutton Switch	
<b>7</b>	39733	Screw	
<b>8</b>	56079	Panel Locator	9 required
<b>9</b>	70529501	Coin Vault Assembly	
	F160673P	Coin Box	Optional equipment; Includes lock and key
<b>10</b>	70030501	Expansion Clip	8 required
<b>11</b>	M411072	Screw	8 required
<b>12</b>	70342401	Lock Shim	
<b>13</b>	70155602	Key	RL002
<b>14</b>	44089302P	Lock, Key and Nut Kit	RL002; Chrome
	44089305	Panel Lock	RL002; Chrome
<b>15</b>	44166601	Pop Rivet	
<b>16</b>	M401223	Door Latch	
<b>17</b>	70155601	Key	RL001

# Emergency Stop Button - OPL Models

B, J and P models

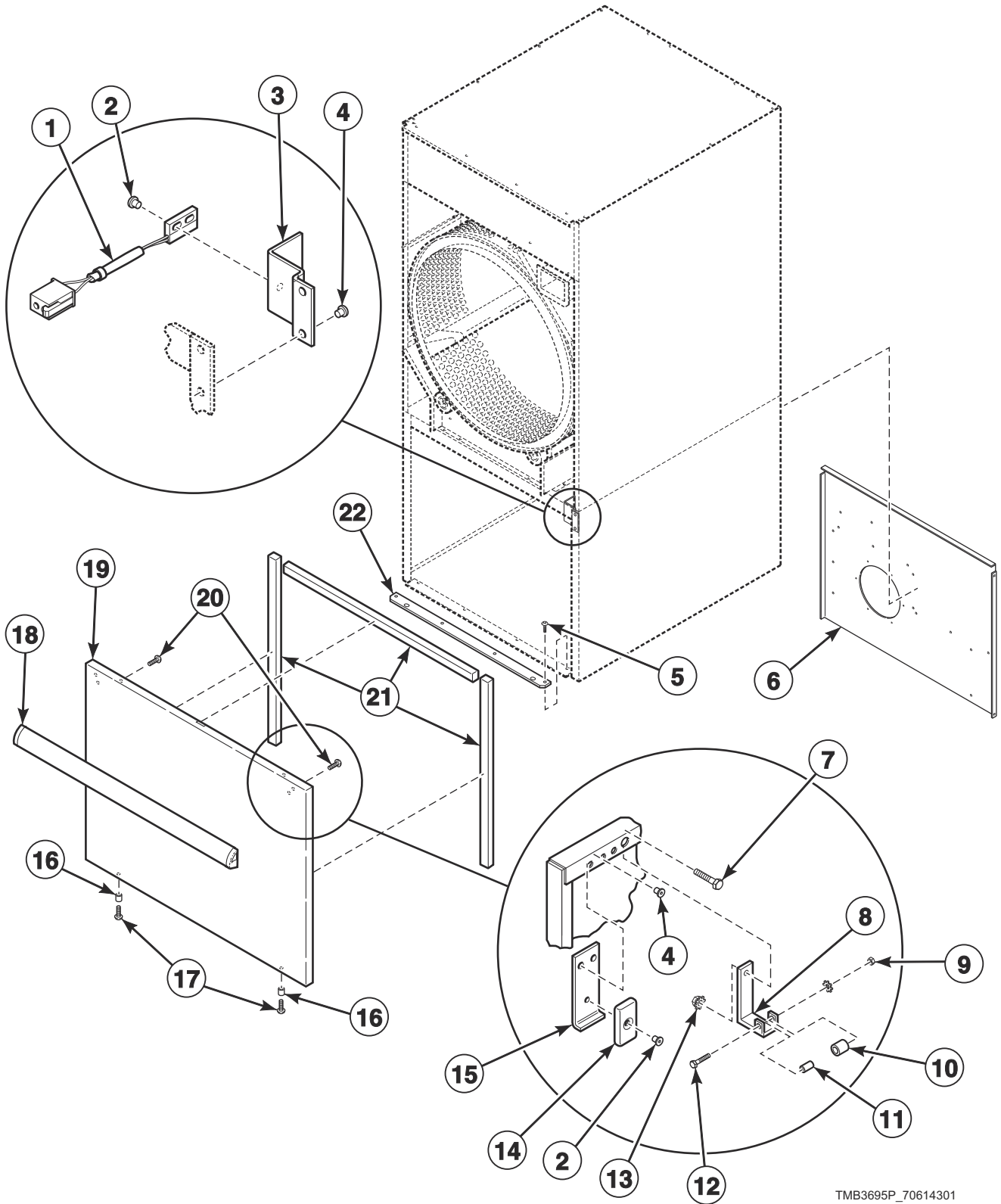


TMB3513P\_70614301

## Emergency Stop Button - OPL Models

REF	PART NO.	DESCRIPTION	COMMENTS
	70580301	Emergency Stop Button Kit	Includes items 2-4
	F8519403	Emergency Stop Bypass Harness	Coin, card and central pay
1	44012903	Emergency Stop Label	
2	F200233500	Emergency Stop Pushbutton	
3	44012901	Emergency Stop Label	
4	70550401	Emergency Stop Mounting Bracket	
5	F8069501	Contact Switch	2 required
6	F8538101	Contact Base	
7	44272401	Emergency Stop Harness	

# Lower Cabinet Components



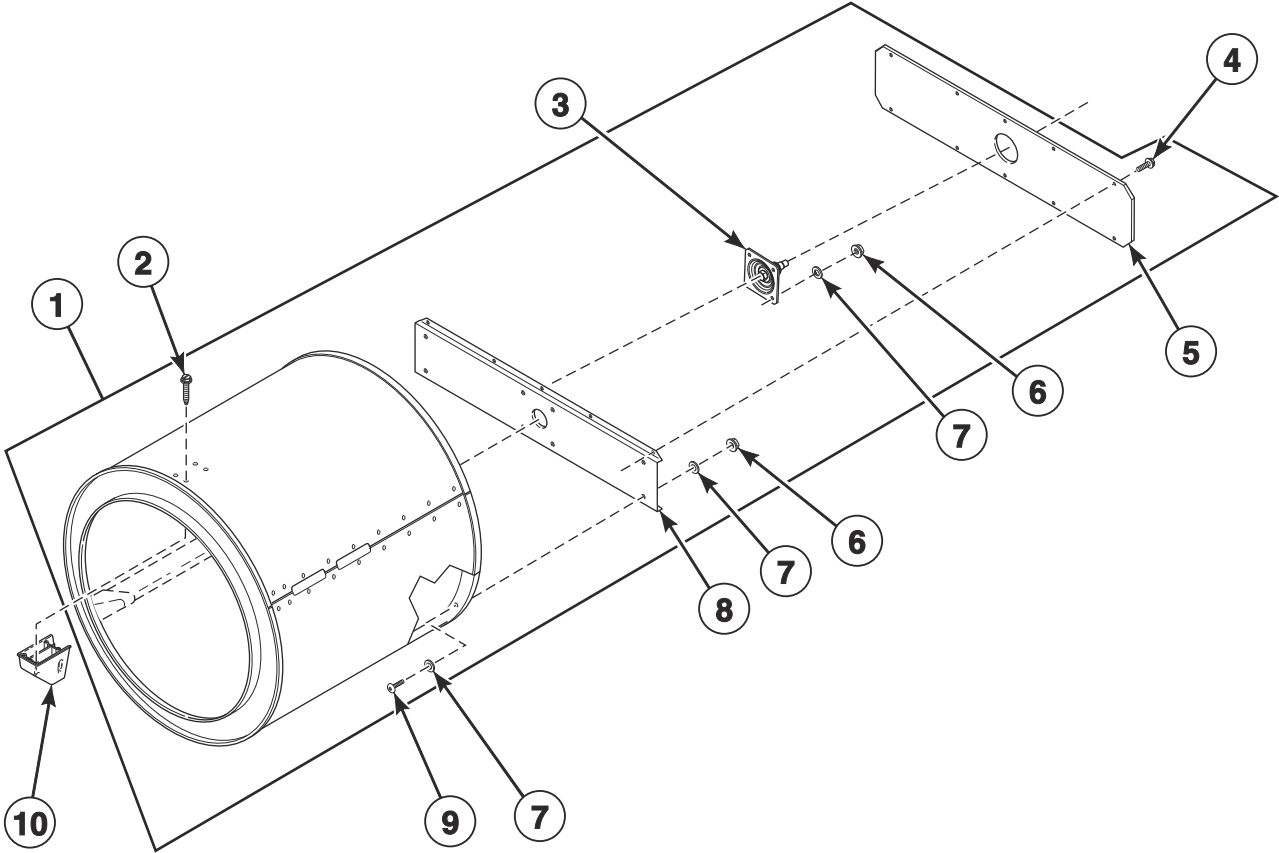
TMB3695P\_70614301



## Lower Cabinet Components

REF	PART NO.	DESCRIPTION	COMMENTS
	70126301	Pop Rivet	J models; For attaching kickplate; Black; 6 required
	70117601	Kickplate	J models; Black
<b>1</b>	F8066804	Reed Switch Assembly	
<b>2</b>	F8245101	Blind Rivet	
<b>3</b>	70508501	Switch Bracket	
<b>4</b>	70058501	Pop Rivet	
<b>5</b>	430497	Screw	
<b>6</b>	70565301	Rear Lint Panel	
<b>7</b>	70132301	Screw	Attaching roller catch
<b>8</b>	70030301	Roller Catch Arm	
<b>9</b>	23951	Nut	
<b>10</b>	70297601	Roller Catch Wheel	
<b>11</b>	70030201	Roller Catch Spacer	
<b>12</b>	70072801	Screw	
<b>13</b>	51236	Nut	Attaching roller catch
<b>14</b>	70343101	Magnet	
<b>15</b>	44290501	Magnet Bracket	
<b>16</b>	56079	Panel Locator	
<b>17</b>	39733	Screw	
<b>18</b>	70154401	Handle and Caps Assembly	Black
<b>19</b>	70515405	Lint Panel	Stainless steel
	70515406W	Lint Panel	Design 5 H and S models
<b>20</b>	430757	Screw	For attaching handle; 6 required
<b>21</b>	70289101P	Gasket	Sold per foot
<b>22</b>	70017901	Lint Panel Pivot Plate	

# Cylinder and Trunnion Assembly



TMB3696P\_70614301

## Cylinder and Trunnion Assembly

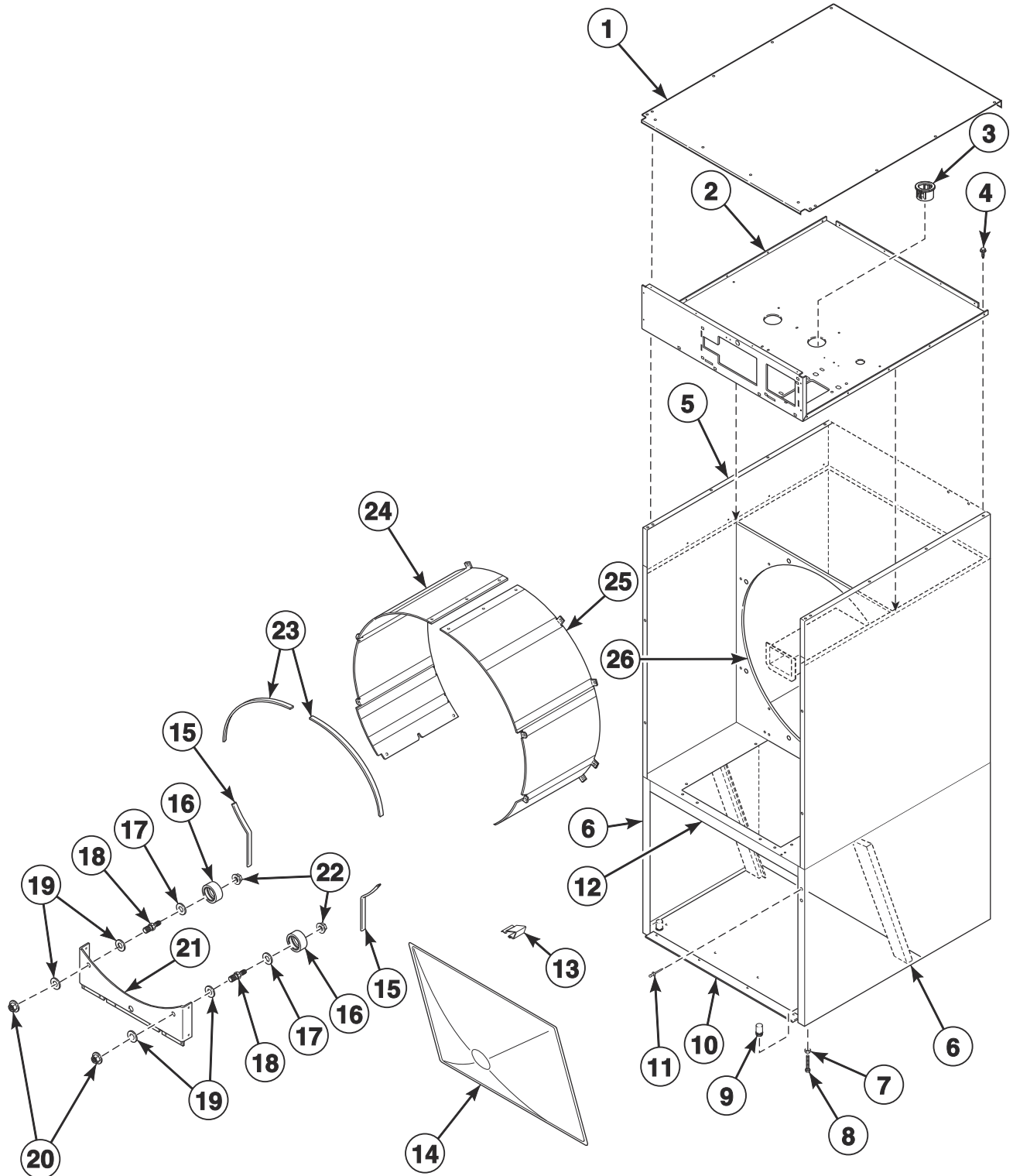
REF	PART NO.	DESCRIPTION	COMMENTS
	70343101P	Drywall Screw Magnet Kit	
1	70372701P	Cylinder Assembly	Galvanized
	70372702P	Cylinder Assembly	Stainless steel
2	62588	Screw	12 required
3	70564801	Trunnion and Seal Kit	Includes 70013702 Rear Cylinder Seal
4	430497	Screw	10 required
5	70257401	Rear Cylinder Channel Plate	
6	44087201	Nut	8 required
7	70411301	Washer	
8	70257301	Rear Cylinder Channel	
9	70391101	Screw	8 required
10	70070101	End Cap	



# Cylinder Components

REF	PART NO.	DESCRIPTION	COMMENTS
	70343101P	Drywall Screw Magnet Kit	
	430260P	Support Housing Bearing Assembly	Includes items 3, 4 and Loctite
<b>1</b>	70564901	Rear Panel	Gas models
	70564902	Rear Panel	Electric and steam models
<b>2</b>	70355001	Rear Bearing Shim	
<b>3</b>	70448701	Support Bearing	
<b>4</b>	70013901	Rear Cylinder Bearing Housing	
<b>5</b>	M400991	Washer	
<b>6</b>	M400034	Nut	
<b>7</b>	M400022	Nut	
<b>8</b>	M412986	Nut	4 required
<b>9</b>	70506401	Rear Cylinder Seal Support	
<b>10</b>	70013702	Rear Cylinder Seal	Use with D511637P Adhesive
<b>11</b>	430352	Cylinder Bearing Stud Plate Assembly	
<b>12</b>	263P4	Cylinder Guide Tool	
<b>13</b>	70066004	Center Cylinder Seal	

# Cabinet Components



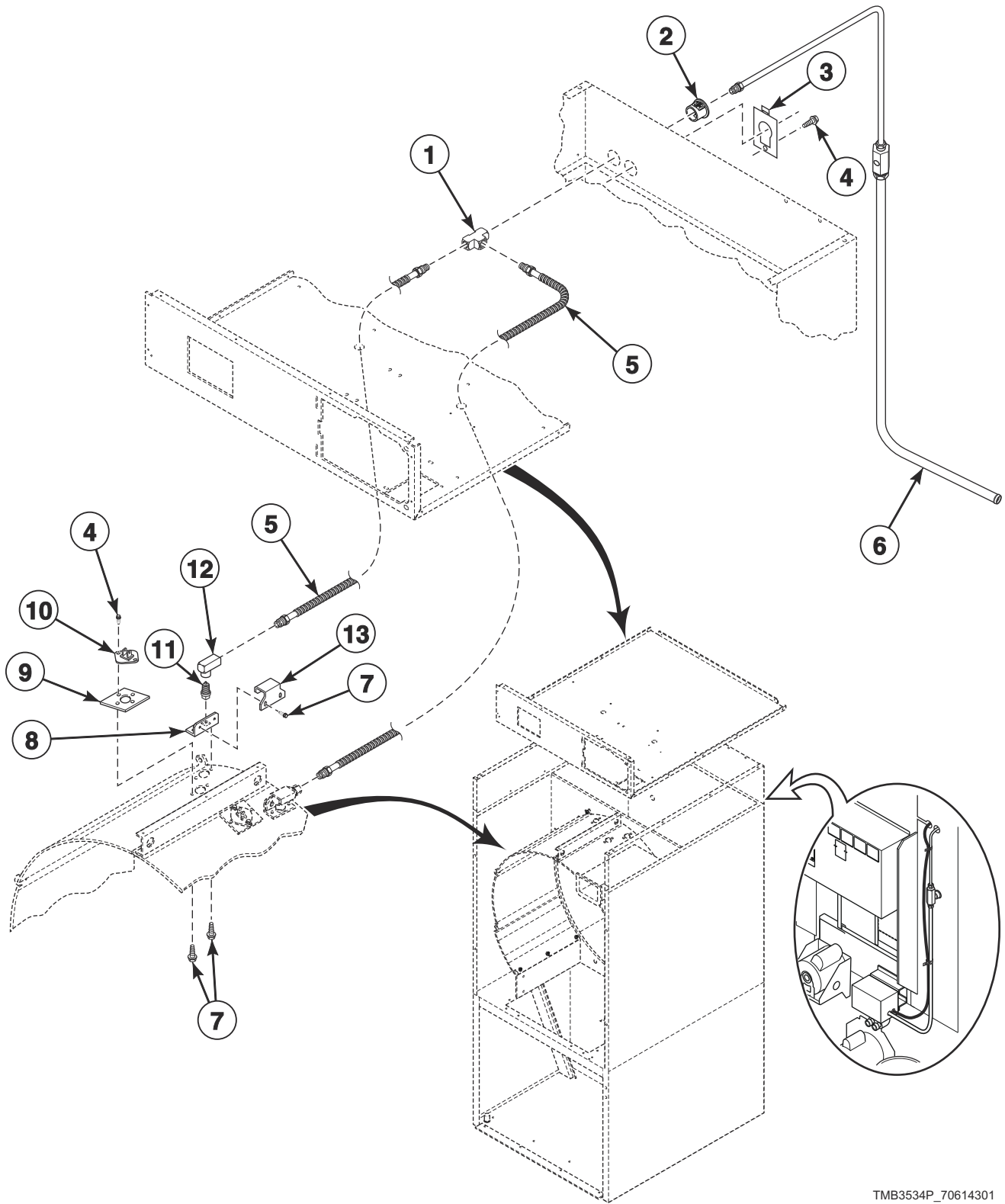
TMB3697P\_70614301

# Cabinet Components

REF	PART NO.	DESCRIPTION	COMMENTS
	M4379P4	Tumbler Dolly Kit	
	298P4P	Spray Paint	White
	122P4P	Porcelain Touch-Up Paint	White
<b>1</b>	70586401	Top Panel	
<b>2</b>	70641201	Top Pan	
<b>3</b>	70346501	Bushing	
<b>4</b>	430497	Screw	
<b>5</b>	70611101W	Side Panel	Upper; Design 4 S models
	70640902W	Side Panel	Upper; Design 5 H and S models
	70640901DG	Side Panel	Upper; Dark gray; P and B models
	70640902DG	Side Panel	Upper; Dark gray; J models
<b>6</b>	70253801WP	Side Panel	Lower; H and S models
	70253801DG	Side Panel	Lower; Dark gray; P and B models
	70253802DG	Side Panel	Lower; Dark gray; J models
<b>7</b>	21899	Nut	
<b>8</b>	70247701	Screw	
<b>9</b>	70063201	Hole Plug	
<b>10</b>	70332401P	Lower Pan	
<b>11</b>	70058501	Pop Rivet	16 required; Upper side panel
<b>12</b>	70565201	Center Pan	
<b>13</b>	35865	Hold-Down Clip	
<b>14</b>	70325601	Lint Screen	
<b>15</b>	70015709	Sheet Metal Edge Gasket	Lower
<b>16</b>	70616701	Roller and Seal Kit	
<b>17</b>	70443601	Roller Seal	
<b>18</b>	70249501	Roller Shaft	
<b>19</b>	70261401	Washer	
<b>20</b>	M404993	Nut	
<b>21</b>	70328301	Roller Support Bracket	
<b>22</b>	430576	Nut	
<b>23</b>	70015710	Sheet Metal Edge Gasket	Upper
<b>24</b>	70347202	Cylinder Shroud	Left
<b>25</b>	70347201	Cylinder Shroud	Right
<b>26</b>	70252601	Center Partition	

# Fire Suppression System Components

B, J and P Gas and Steam OPL Models



TMB3534P\_70614301

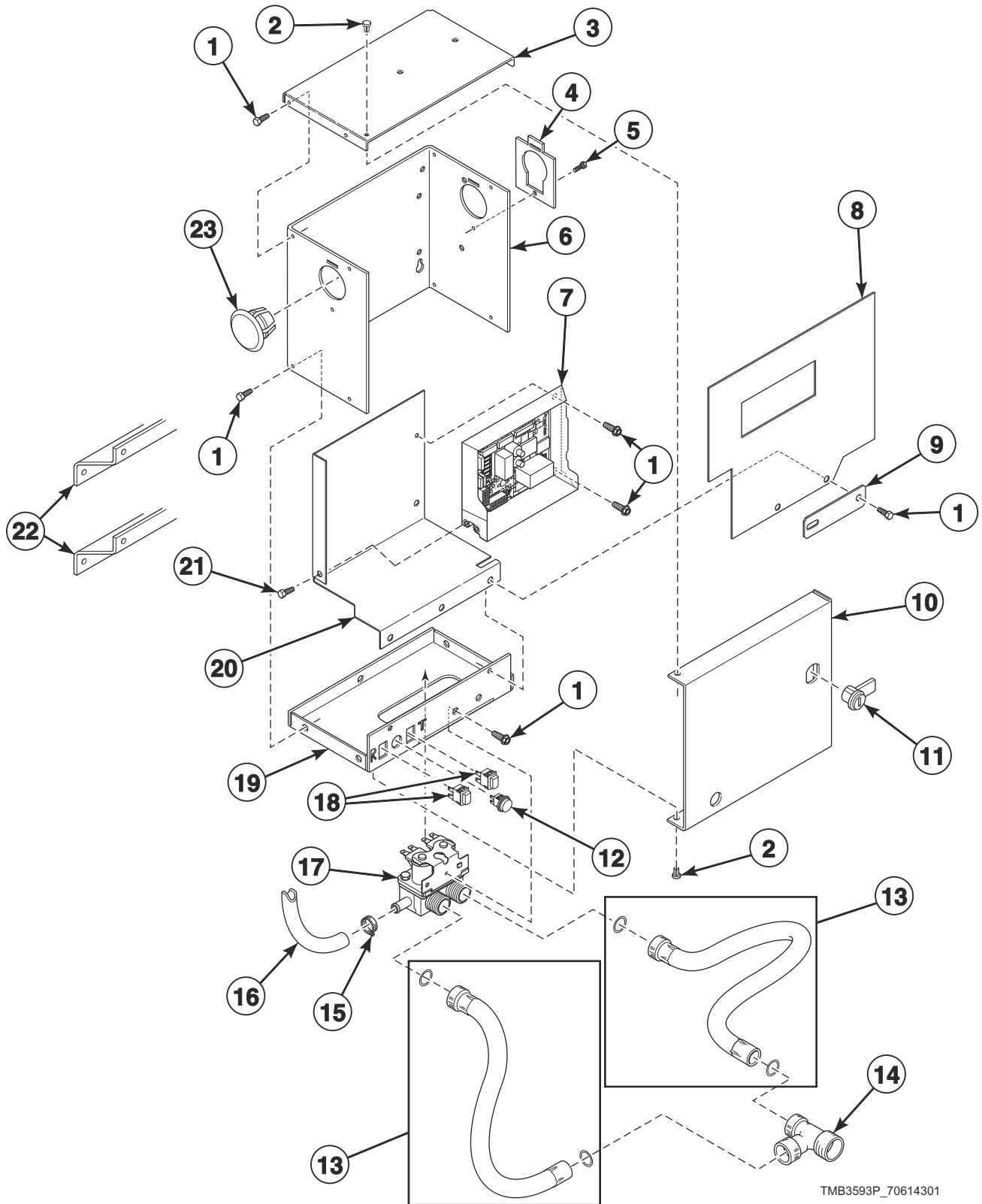


## Fire Suppression System Components

REF	PART NO.	DESCRIPTION	COMMENTS
1	70427901	Union Tee	
2	70178701	Snap Bushing	
3	70523301	Harness Adapter Plate	
4	51780	Screw	4 required
5	70427701	Spray Nozzle Hose	2 required
6	70427601	Tube Assembly	
7	430497	Screw	12 required
8	70424201	Nozzle Bracket	2 required
9	70424401	Thermistor Plate	2 required
10	44064701	Thermistor	2 required
11	70427801	Spray Nozzle	2 required
12	70428101	Elbow	2 required
13	70428601	Nozzle Bracket	2 required

# Fire Suppression System Control Box

B, J and P Gas and Steam OPL Models

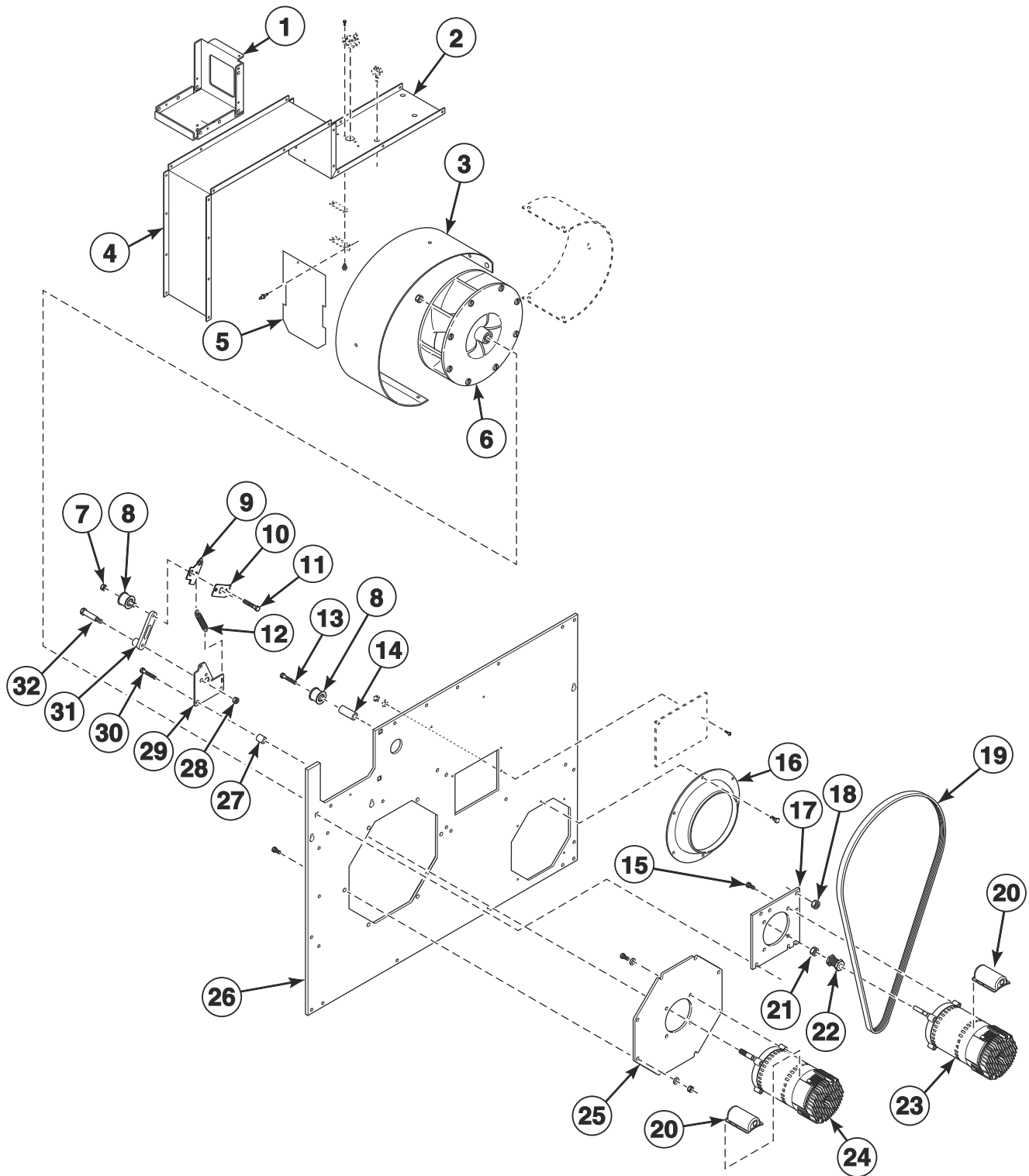


TMB3593P\_70614301

# Fire Suppression System Control Box

REF	PART NO.	DESCRIPTION	COMMENTS
	44340301	Cold Weather Kit	
	70155601	Key	RL001; Use with item 11
	44334404	Control Harness	
	44334405	Water Valve Harness	
	44334402	Power Sensor Harness	
	44334401	Interconnect Harness	
	44334406	Sensor Harness	
	44324501	Warning Label	F.S.S.; North America models
	44324500	Label Kit	F.S.S.; IEC models
	F8614401	Shock Warning Label	North America models
	F8614201	Shock Warning Label	IEC models
	44318200	Label Kit	IEC models
	44324502	Warning Label	
	44318201	Label	North America models
<b>1</b>	430497	Screw	
<b>2</b>	M400713	Drive Rivet	
<b>3</b>	44307101	Control Box Top	
<b>4</b>	70523301	Harness Adapter Plate	
<b>5</b>	51780	Screw	
<b>6</b>	44306701	Control Box Housing	
<b>7</b>	70511601	Control	
<b>8</b>	44326801	Shield	
<b>9</b>	70551701	Filter Mounting Plate	
<b>10</b>	44065201	Control Box Cover	
<b>11</b>	44089301P	Lock, Key and Nut Kit	RL001 key code; Optional if same key is to be used for control lock
<b>12</b>	801432	Light	
<b>13</b>	202799	Fill Hose	2 required
<b>14</b>	44069101	Hose Fitting	North America models
<b>15</b>	36801	Hose Clamp	
<b>16</b>	44073304	Hose	14 inches; Outlet hose
<b>17</b>	70519801	Mixing Valve	
<b>18</b>	801434W	Push-to-Start Switch	2 required
<b>19</b>	44065301	Control Box Base	
<b>20</b>	44306601	Mixing Valve Shield Bracket	
<b>21</b>	804608	Screw	
<b>22</b>	70601401	Mounting Bracket	
<b>23</b>	70180001	Plug	

# Motor Components

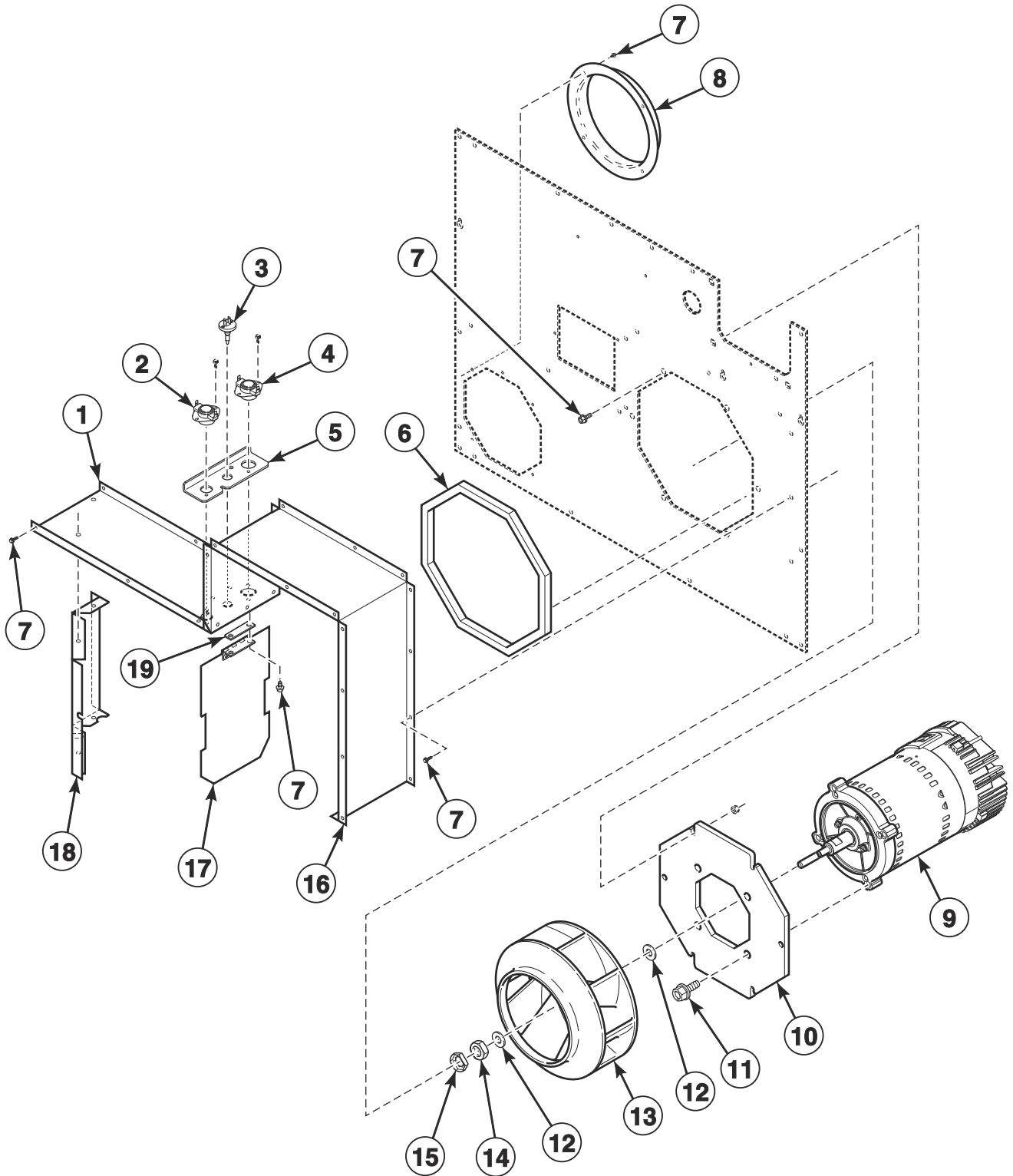


TMB3818P\_70614301

# Motor Components

REF	PART NO.	DESCRIPTION	COMMENTS
1	70564101	Motor Mount Bracket	
2	70554701	Blower Housing	Top
3	70016301	Blower Housing Scroll	
4	70215101	Blower Housing	
5	70209501	Damper and Hinge Exhaust Assembly	
6	70359801P	Blower Assembly	
7	56156	Nut	
8	70050401P	Idler Wheel Assembly	
9	70569501	Tensioning Bracket	
10	70543401	Spring Catch Bracket	
11	70508301	Screw	
12	70571801	Spring	
13	F430144	Screw	
14	70569603	Standoff	
15	70126104	Screw	
16	70017801	Exhaust Thimble	6 inch
17	70564201	Motor Mount Plate	
18	44087201	Nut	
19	70655101	Lever Arm and Belt Kit	
20	70521901	Motor Conduit Mounting Bracket	
21	44333202	Nut	
22	70559101	Motor Pulley	
23	70478601P	Drive Motor	.33 HP; 120, 230 Volt/1 Phase
	70485001P	Drive Motor	.33 HP; 380-460 Volt/3 Phase
24	70478701P	Fan Motor	.50 HP; 120, 230 Volt/1 Phase
	70484901P	Fan Motor	.50 HP; 380-460 Volt/3 Phase
25	70349601	Blower Motor Mounting Plate	
26	70493301	Lower Rear Assembly	
27	70488403	Spacer	
28	44087301	Nut	
29	70571901	Drive Plate	
30	70546301	Screw	
31	70653801	Lever Arm and Bushing Assembly	
32	70501301	Screw	

# Blower and Exhaust Components

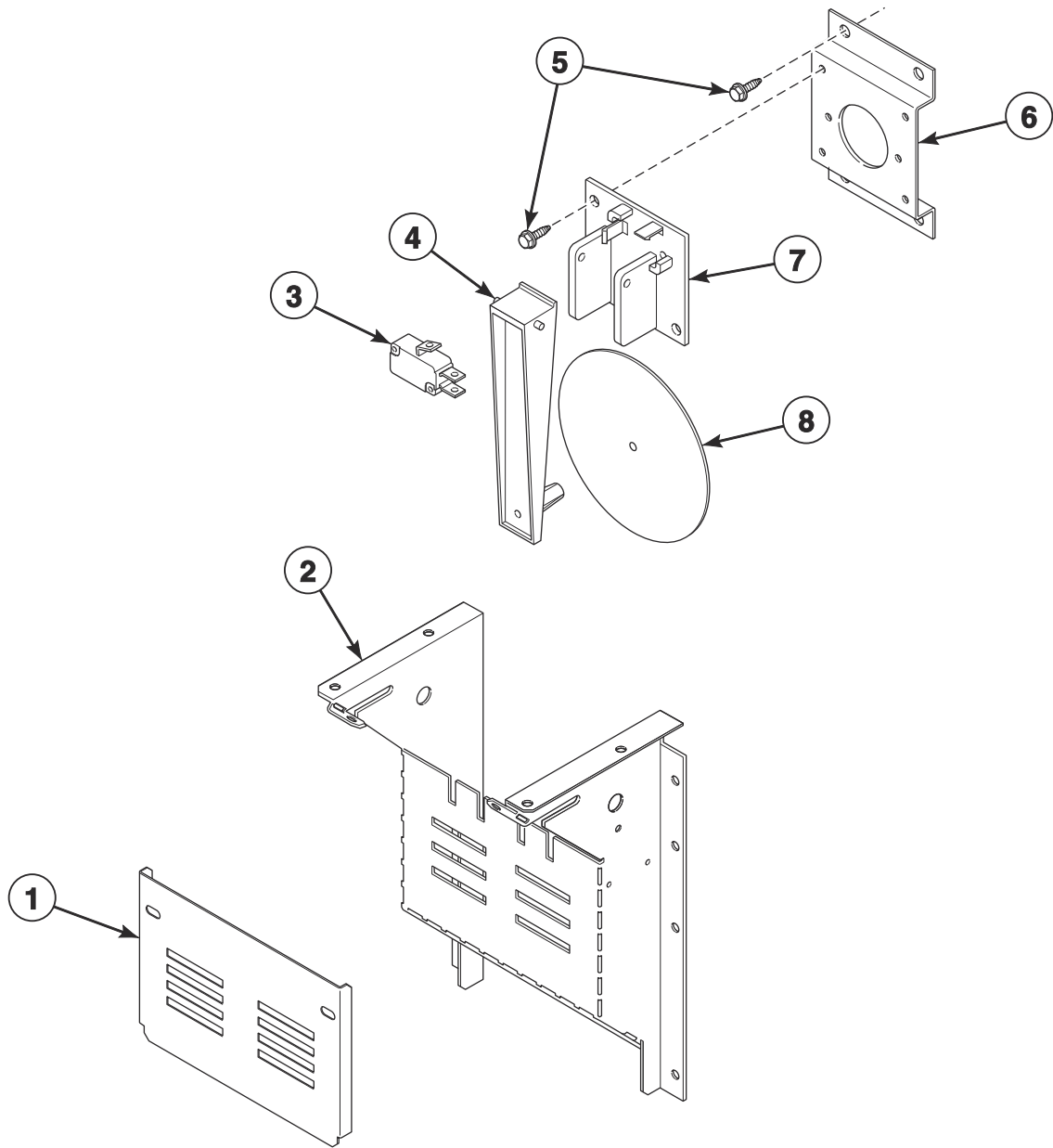


TMB3533P\_70614301

## Blower and Exhaust Components

REF	PART NO.	DESCRIPTION	COMMENTS
1	70554701	Blower Housing	Top
2	70530901	Limit Thermostat	Manual reset
3	M414704	Thermistor	
4	44328001	Limit Thermostat	Auto reset
5	70554901	Limit Access Bracket	
6	70392701P	Gasket	For blower housing opening
7	430497	Screw	
8	70014101	Blower Inlet Cone	
9	70478701P	Fan Motor	.50 HP; 120, 230 Volt/1 Phase
	70484901P	Fan Motor	.50 HP; 380-460 Volt/3 Phase
10	70349601	Blower Motor Mounting Plate	
11	70126101	Screw	
12	M400991	Washer	
13	70359801P	Blower Assembly	
14	M400022	Nut	
15	M400034	Nut	
16	70215101	Blower Housing	
17	70209501	Damper and Hinge Exhaust Assembly	
18	70020301	Blower Housing	Left
19	70220901	Damper Spacer	

# Airflow Switch



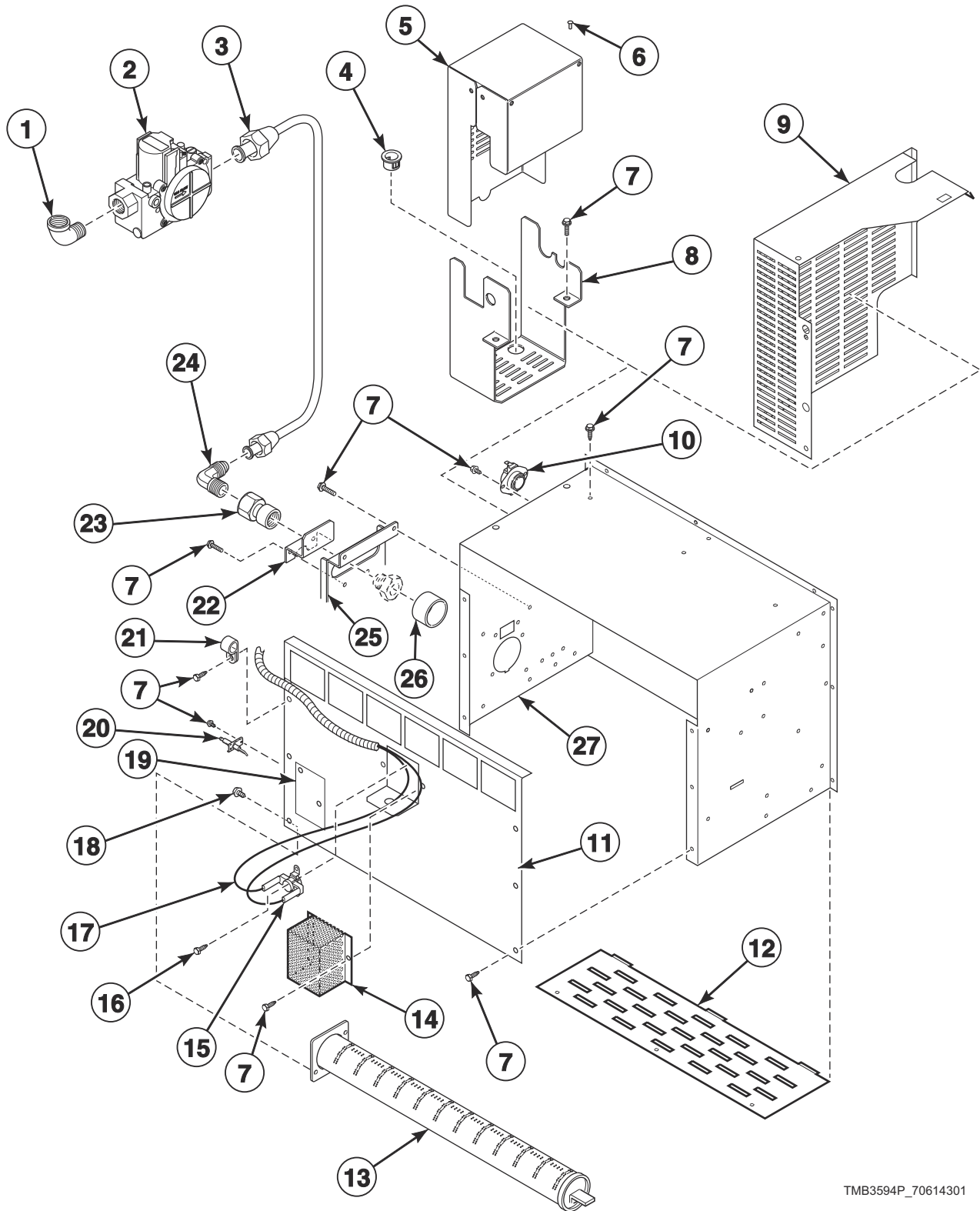
TMB3126P\_70614301



# Airflow Switch

REF	PART NO.	DESCRIPTION	COMMENTS
1	70356601	Airflow Switch Cover	
2	70356101	Airflow Switch Wrapper	
3	70411901	Switch	
4	70319401	Airflow Switch Arm	
5	430497	Screw	
6	70356301	Switch Bracket	
7	70319602	Airflow Switch and Arm Bracket	
8	70319201	Airflow Switch Vane	

# Gas Heater Components

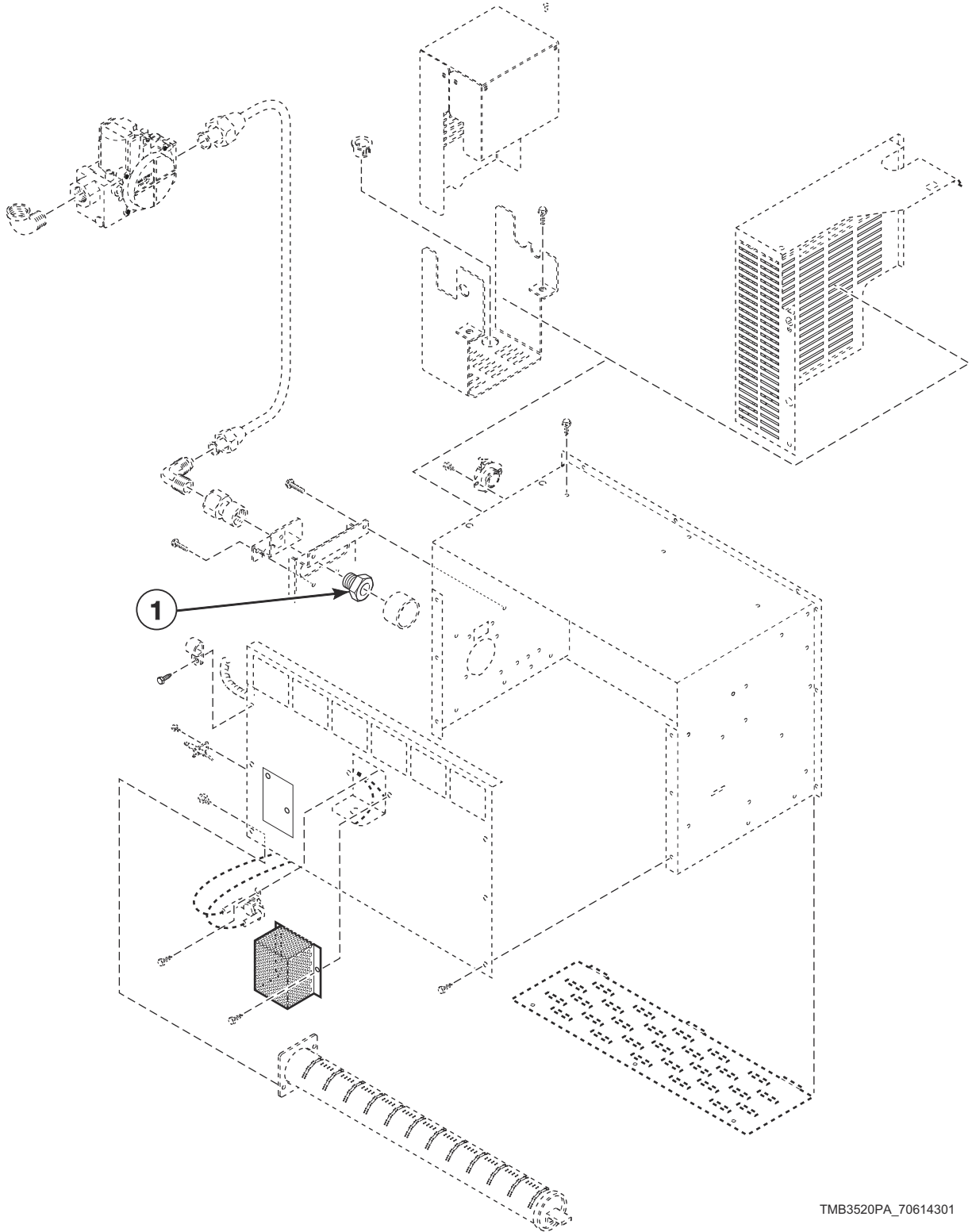


TMB3594P\_70614301

# Gas Heater Components

REF	PART NO.	DESCRIPTION	COMMENTS
	44273501	Gas Valve Harness	
	44239702	High Voltage Suppression Cable	
	70346801	Pipe Plug	
	70550202	L.P. Conversion Kit	North America and Australian models; N.G.; 0-2,000 feet
	70551902	L.P. Conversion Kit	IEC models; N.G.; 0-2,000 feet
	70131901	Adapter	IEC models; BPT/NPT
	70131902	Adapter	North America models; BPT/NPT
	70167601	Plug	IEC models
	70535901	Notice Label	Australian models; Natural Gas (N.G.)
	70544901	Notice Label	Australian models; Liquid Petroleum Gas (L.P.)
<b>1</b>	H86070034	Street Elbow	T market models
	F422304	Street Elbow	All other models
<b>2</b>	44154503	N.G. Valve	North America models
	44154504	L.P. Valve	North America models
	44154507	Gas Valve	IEC models; N.G.; 1/2 NPT
	44154508	Gas Valve	IEC models; L.P.; 1/2 NPT
<b>3</b>	70271201	Gas Line Assembly	
<b>4</b>	M400770	Snap Bushing	
<b>5</b>	70429901	Gas Valve Cover	
<b>6</b>	M405750	Pop Rivet	4 required
<b>7</b>	430497	Screw	10 required
<b>8</b>	70504101	Gas Valve Bracket	
<b>9</b>	70429901	Gas Valve Cover	IEC models
<b>10</b>	44328004	Limit Thermostat	Side
<b>11</b>	70371501	Stove Back	
<b>12</b>	70188801	Burner Grill	
<b>13</b>	70229801P	Gas Burner	
	70546701	Anti-Rattle Burner Assembly	Includes 70229801P Gas Burner, 431318 Control Door Latch and M400003 Pop Rivet
<b>14</b>	M414477	Thermostat Cover	
<b>15</b>	44328104	Limit Thermostat	Rear
<b>16</b>	M405188	Screw	2 required
<b>17</b>	70564301	Stove Limit Harness	
<b>18</b>	05161	Screw	
<b>19</b>	70159601	Igniter Cover	
<b>20</b>	70548701P	Spark Electrode	
<b>21</b>	70203701	Pipe Clip	
<b>22</b>	70539901	Ignition Keeper Orifice Bracket	
<b>23</b>	70379301	Orifice Adapter	
<b>24</b>	70208701	Elbow	2 required
<b>25</b>	70248901	Orifice Holder Bracket	
<b>26</b>	70239801	Primary Air Adjustment Sleeve	L.P. models
<b>27</b>	70333401	Stove Top and Sides	

# Burner Orifices

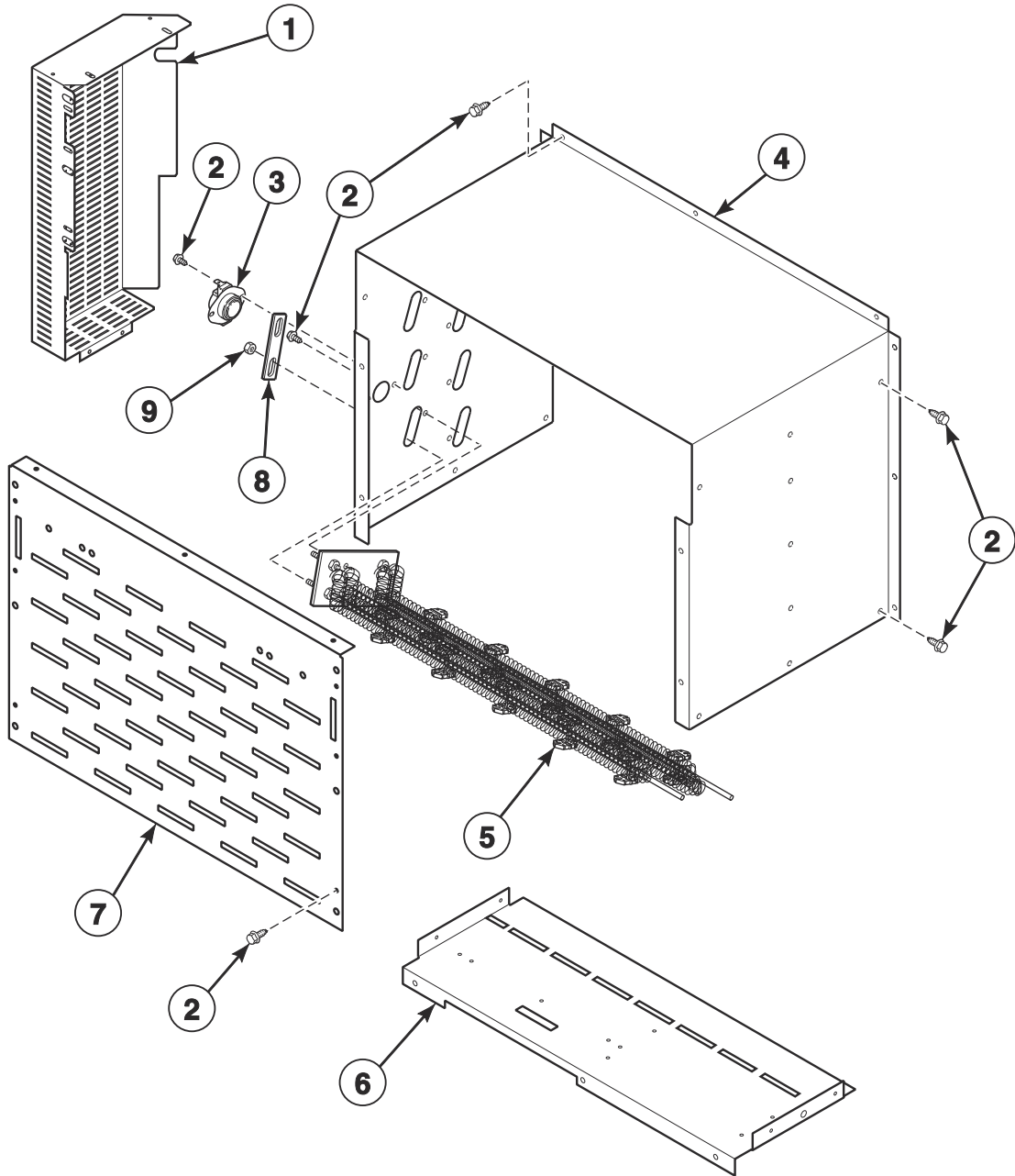


TMB3520PA\_70614301

# Burner Orifices

REF	PART NO.	DESCRIPTION	COMMENTS
	70609903	High Altitude Orifice Kit	North America Natural Gas (N.G.) models
	70609904	High Altitude Orifice Kit	North America Liquid Petroleum Gas (L.P.) models
1	70684142	Burner Orifice	Standard models; N.G.; Drill no. 20 (4.09 mm); 0-2,000 feet
	70684139	Burner Orifice	Standard models; N.G.; Drill no. 23 (3.91 mm); 2,001-4,000 feet
	70684137	Burner Orifice	Standard models; N.G.; Drill no. 25 (3.80 mm); 4,001-6,000 feet
	70684135	Burner Orifice	Standard models; N.G.; Drill no. 27 (3.66 mm); 6,001-8,000 feet
	70684133	Burner Orifice	Standard models; N.G.; 3.50 mm; 8,001-10,000 feet
	70684116	Burner Orifice	Standard models with 2nd digit A, G, H, J, K, L and T; L.P.; Drill no. 40 (2.49 mm); 0-2,000 feet
	70684114	Burner Orifice	Standard models with 2nd digit A, G, H, J, K, L and T; L.P.; Drill no. 42 (2.37 mm); 2,001-4,000 feet
	70684113	Burner Orifice	Standard models with 2nd digit A, G, H, J, K, L and T; L.P.; 2.30 mm; 4,001-6,000 feet
	70684111	Burner Orifice	Standard models with 2nd digit A, G, H, J, K, L and T; L.P.; 2.20 mm; 6,001-8,000 feet
	70684109	Burner Orifice	Standard models with 2nd digit A, G, H, J, K, L and T; L.P.; Drill no. 45 (2.08 mm); 8,001-10,000 feet
	70684110	Burner Orifice	CE standard models; L.P.; Drill no. 44 (2.18 mm); 0-2,000 feet
	70684109	Burner Orifice	CE standard models; L.P.; Drill no. 45 (2.08 mm); 2,001-4,000 feet
	70684107	Burner Orifice	CE standard models; L.P.; Drill no. 47 (1.99 mm); 4,001-6,000 feet
	70684106	Burner Orifice	CE standard models; L.P.; Drill no. 48 (1.93 mm); 6,001-8,000 feet
	70684105	Burner Orifice	CE standard models; L.P.; Drill no. 49 (1.85 mm); 8,001-10,000 feet
	70684111	Burner Orifice	Standard J market models; L.P.; 2.20 mm; 0-2,000 feet
	70684109	Burner Orifice	Standard J market models; L.P.; Drill no. 45 (2.08 mm); 2,001-4,000 feet
	70684108	Burner Orifice	Standard J market models; L.P.; Drill no. 46 (2.06 mm); 4,001-6,000 feet
	70684106	Burner Orifice	Standard J market models; L.P.; Drill no. 48 (1.93 mm); 6,001-8,000 feet
	70684105	Burner Orifice	Standard J market models; L.P.; Drill no. 49 (1.85 mm); 8,001-10,000 feet
	70684134	Burner Orifice	Eco models; N.G.; Drill no. 28 (3.57 mm); 0-2,000 feet
	70684131	Burner Orifice	Eco models; N.G.; 3.40 mm; 2,001-4,000 feet
	70684130	Burner Orifice	Eco models; N.G.; 3.30 mm; 4,001-6,000 feet
	70684128	Burner Orifice	Eco models; N.G.; Drill no. 1/8 (3.18 mm); 6,001-8,000 feet
	70684126	Burner Orifice	Eco models; N.G.; Drill no. 31 (3.05 mm); 8,001-10,000 feet

# Electric Heater Components

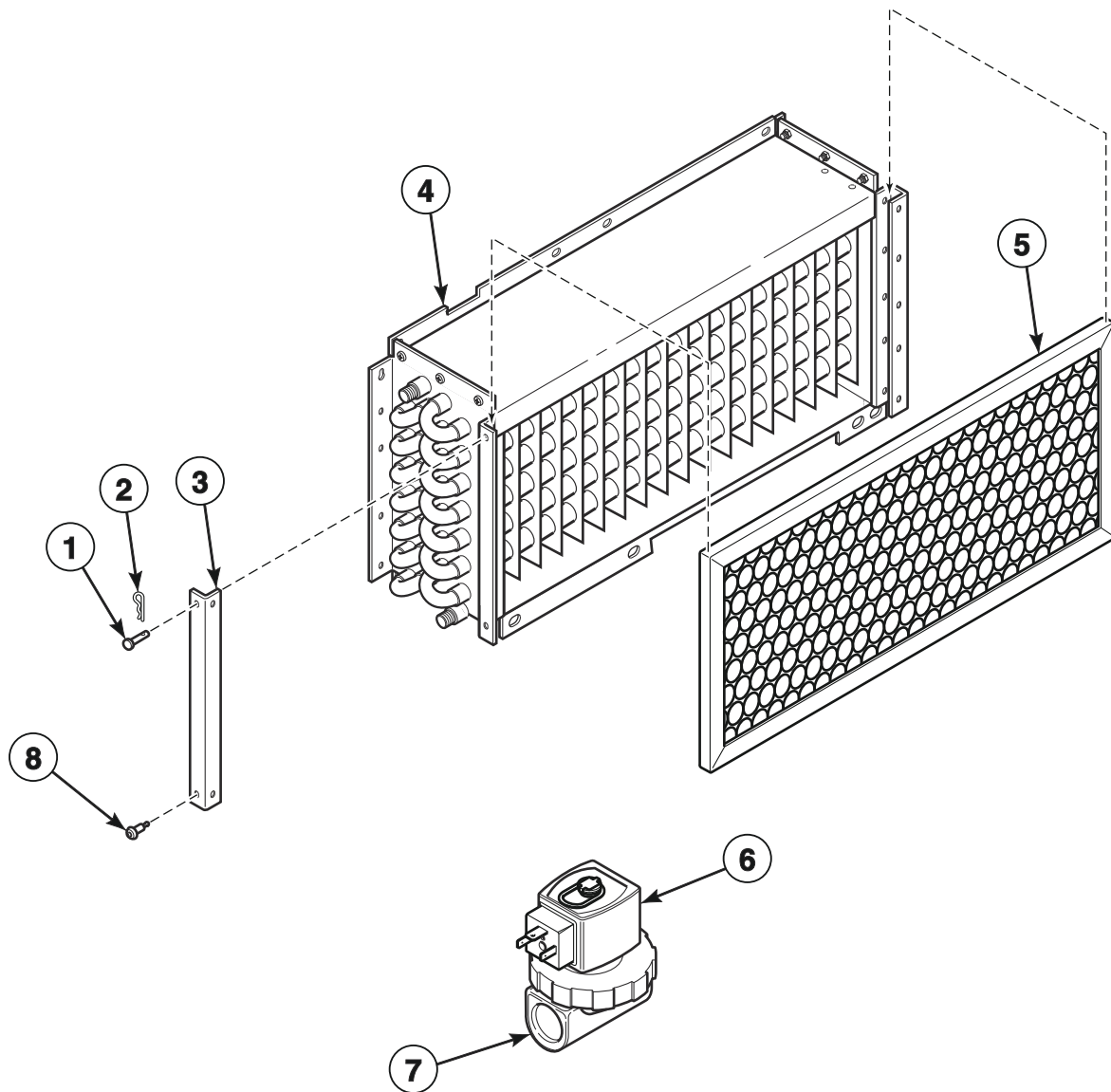


TMB3521P\_70614301

## Electric Heater Components

REF	PART NO.	DESCRIPTION	COMMENTS
	70564303	Stove Limit Harness	
	44281709	Jumper Harness	Use with 440-480 Volt
	44295412	Jumper Harness	Use with 380-415 Volt; 4 required
<b>1</b>	70365201	Stove Connectors Cover	
<b>2</b>	430497	Screw	
<b>3</b>	44328006	Limit Thermostat	
<b>4</b>	70525601	Stove Top and Sides	
<b>5</b>	70034401P	Heater Element	Standard models; 3 required; 7 kW; 208 Volt heater element for 200-208 Volt/1 or 3 Phase
	70034402P	Heater Element	Standard models; 3 required; 7 kW; 220 Volt heater element for 380 and 440 Volt/3 Phase
	70034403P	Heater Element	Standard models; 3 required; 7 kW; 240 Volt heater element for 230-240 Volt/1 or 3 Phase and 400-415 and 460-480 Volt/3 Phase
	70034415P	Heater Element	Eco models; 3 required; 4 kW; 208 Volt heater element for 200-208 Volt/3 Phase
	70034414P	Heater Element	Eco models; 3 required; 4 kW; 220 Volt heater element for 380 and 440 Volt/3 Phase
	70034416P	Heater Element	Eco models; 3 required; 4 kW; 240 Volt heater element for 400-415 Volt/50 Hertz or 240 and 460-480 Volt/60 Hertz
<b>6</b>	70357201	Stove Partition	
<b>7</b>	70214901	Stove Grill	
<b>8</b>	70066501	Jumper Bar	2 required for 440-480 Volt
	M400869	Jumper Strip	3 required for 380-415 and 440-480 Volt; 6 required for 200-240 Volt
<b>9</b>	70054	Nut	

# Steam Heater Components



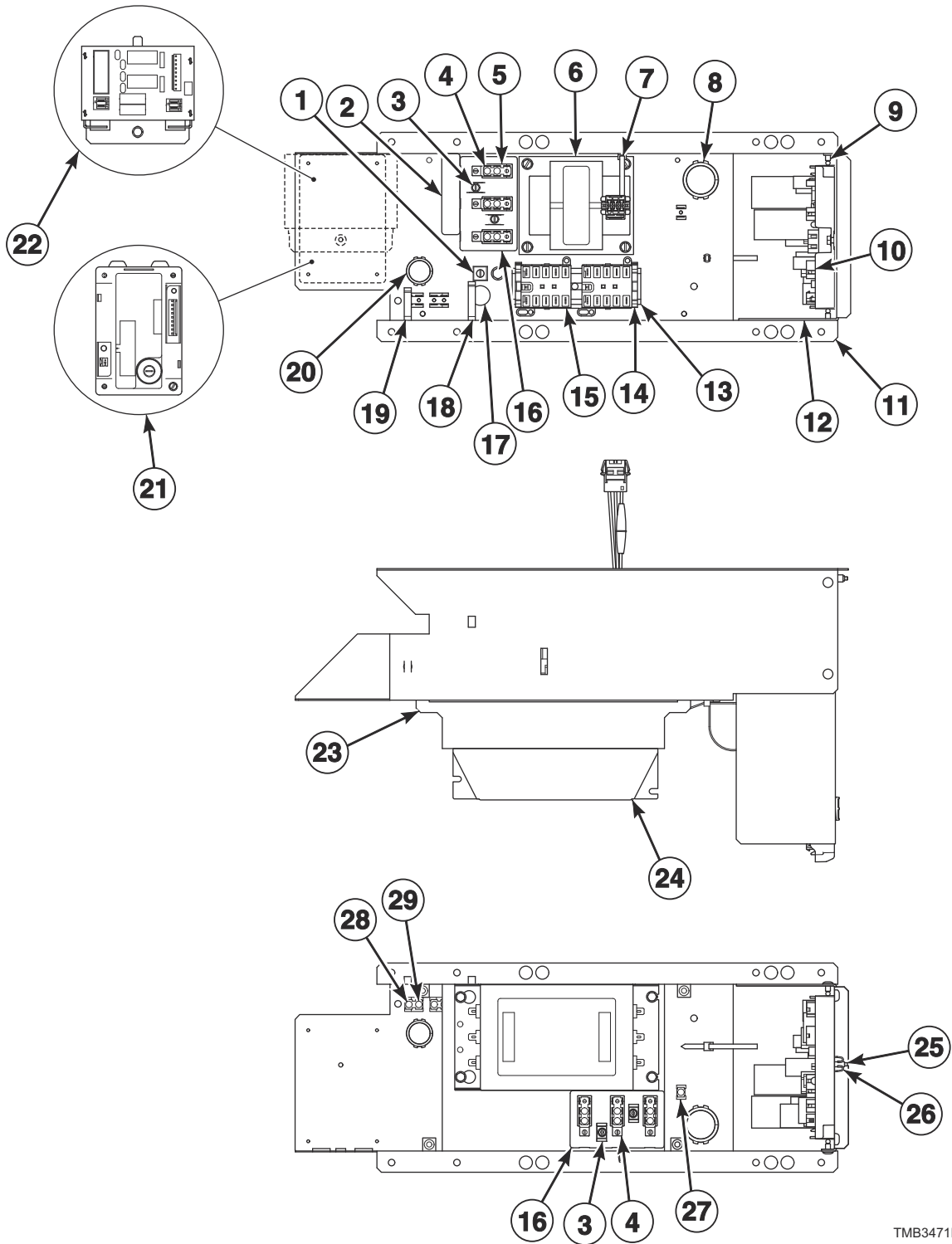
TMB3522P\_70614301



## Steam Heater Components

REF	PART NO.	DESCRIPTION	COMMENTS
	F8382301	DIN Valve Adapter Kit	Use with item 7
	70564302	Stove Limit Bypass Harness	
	F8520703	Steam Valve Harness	
	44304801	Strain Relief	
	70529601	Steam Adapter Kit	IEC models
1	70389201	Clevis Pin	
2	70389301	Hairpin Cotter	
3	70369301	Steam Filter Holder	
4	70369101P	Steam Coil	4 rows
5	70429401	Filter	IEC models
	70036001	Air Filter	North America models
6	F8514701	Coil	120 Volt
	F8514601P	Coil	240 Volt
7	F8322904P	Steam Valve	120 Volt
	F8322906P	Valve	240 Volt
8	70058501	Pop Rivet	

# Control Tray

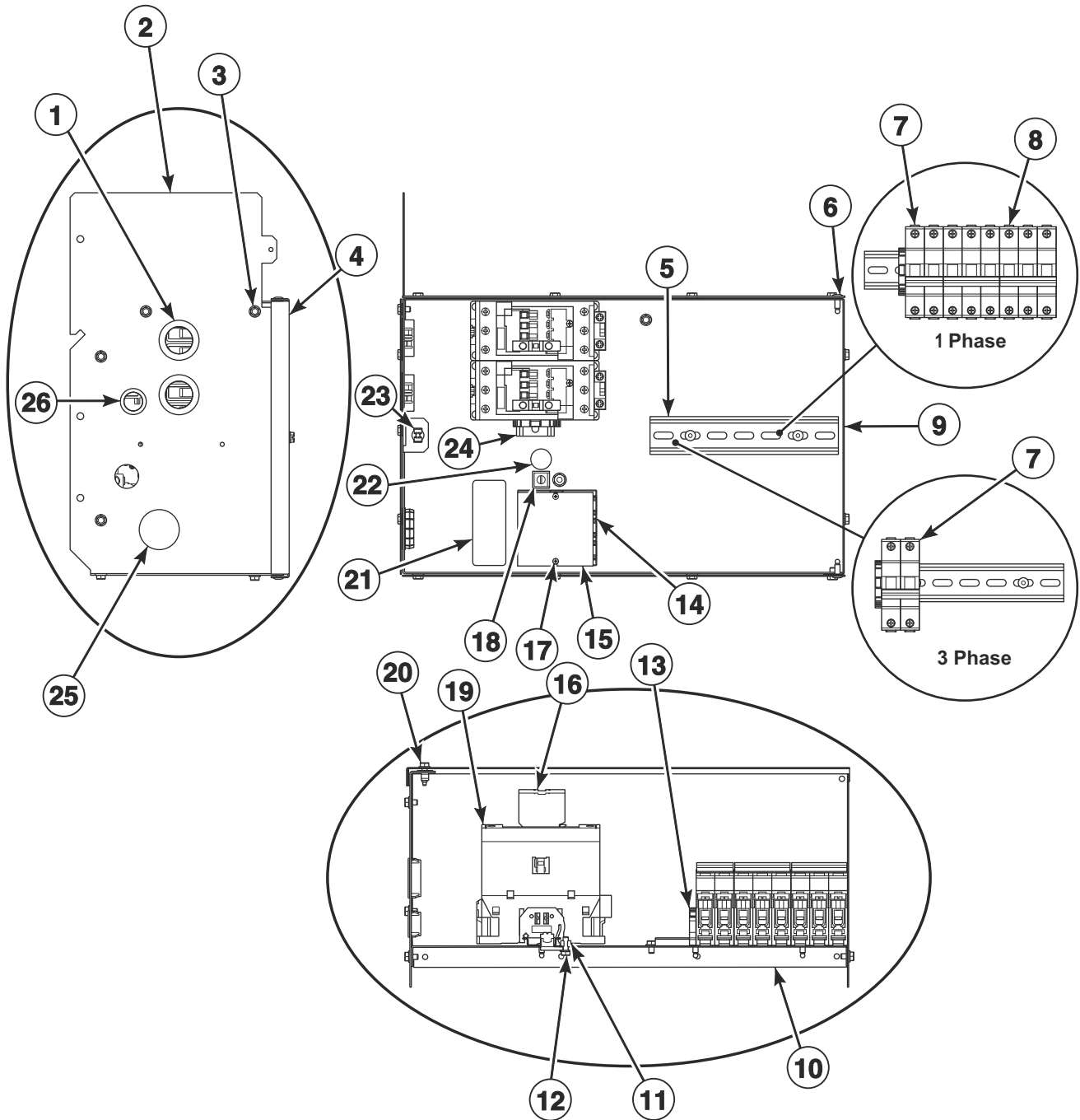


TMB3471P\_70614301

# Control Tray

REF	PART NO.	DESCRIPTION	COMMENTS
	685837	Screw	Use with item 1
	44088001	Nut	Use with item 1
	70559305	Conversion Kit	X to B voltage
	44357401	EMI Filter Kit	North America models; 100-240 Volt
	44357402	EMI Filter Kit	North America models; 380-480 Volt
<b>1</b>	M411283	Ground Lug Connector	
<b>2</b>	44286803	Label	L1, L2, L3
	44286801	Label	L1, N
	44286802	Wire Label	L1 L2, L1 N
	44286804	Wire Label	L1 L2, L1 N, L1 L2 L3
<b>3</b>	51783	Screw	
<b>4</b>	430642	Terminal Block	
<b>5</b>	70333001	Terminal Block Shield	
<b>6</b>	F8491101	Transformer	380-480 Volt
<b>7</b>	70335601	Cable Tie	
<b>8</b>	70346501	Bushing	
<b>9</b>	70058501	Pop Rivet	
<b>10</b>	70479201P	I/O Control Assembly	
<b>11</b>	70492401	Control Tray	
<b>12</b>	70494901	Control Board Control Tray	
<b>13</b>	M412690	DIN Rail	
<b>14</b>	F8449801	End Stop	
<b>15</b>	70482601	Contactora	240 Volt or less: 1 required; 380 Volt or higher: 2 required
<b>16</b>	M413862	Insulator	
<b>17</b>	D516100	Label	
<b>18</b>	F8449501	Wire Clip	
<b>19</b>	F8449502	Wire Clip	
<b>20</b>	70178701	Snap Bushing	
<b>21</b>	70482002	Ignition Control	IEC gas models
	70482001	Ignition Control	North America gas models
<b>22</b>	70501801	Steam Control Assembly	Steam models
<b>23</b>	70533101	Filter Bracket	
<b>24</b>	F8591601	EMI Filter	IEC models; 100-200 and 200-240 Volt/1 Phase
	F8637501	EMI Filter	IEC models; 380-480 Volt
<b>25</b>	F8206901	Screw	
<b>26</b>	70030501	Expansion Clip	
<b>27</b>	00621SG	Male Tab Terminal	
<b>28</b>	M400003	Pop Rivet	
<b>29</b>	00622SG	Terminal	

# Accessory Box - Electric 200-240 Volt Models

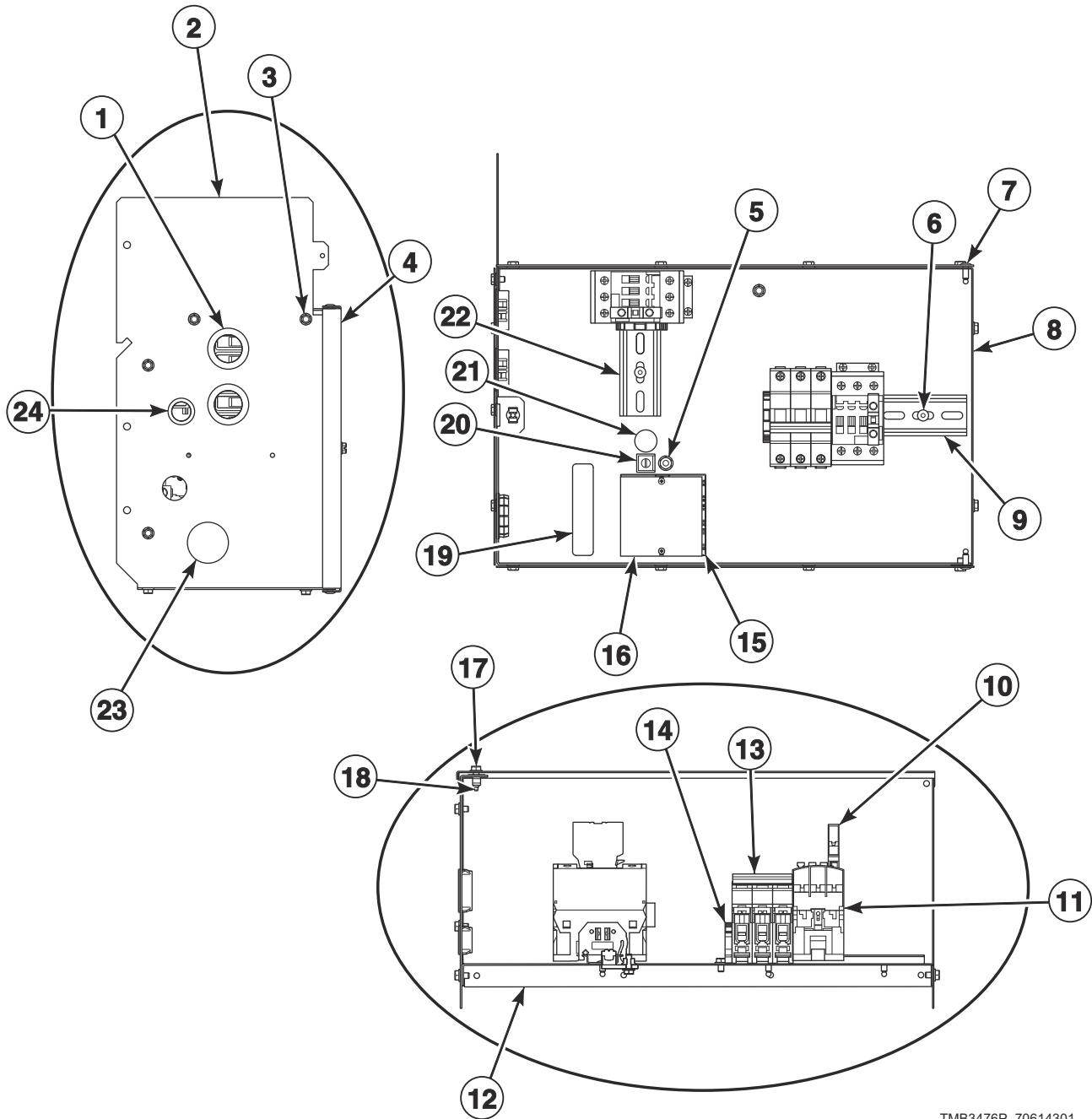


TMB3475P\_70614301

## Accessory Box - Electric 200-240 Volt Models

REF	PART NO.	DESCRIPTION	COMMENTS
	F8611600	Warning Label Kit	IEC models
	F8611601	Warning Label	
	44334307	Contactator Coil Harness	
	44309001	Harness	North America models; Power distribution block to control circuit breaker
	44309011	Harness	IEC models; Power distribution block to control circuit breaker
	70516106	Harness	Contactator to element
	70516105	Harness	Contactator to element
	70516103	Harness	1 Phase; Power distribution block to circuit breaker/contactator
	70516104	Harness	Power distribution block to circuit breaker/contactator
	70516101	Harness	Power distribution block to circuit breaker/contactator
	70516102	Harness	1 Phase; Power distribution block to circuit breaker/contacto
<b>1</b>	M402542	Snap Bushing	2 required
<b>2</b>	70540601	Accessory Box Side	Left
<b>3</b>	51780	Screw	
<b>4</b>	70358401	Accessory Box Cover	
<b>5</b>	F8134001	DIN Rail	
<b>6</b>	70058502	Pop Rivet	
<b>7</b>	70488102	Circuit Breaker	25 amp
<b>8</b>	70488104	Circuit Breaker	2 required; 50 amp; 200-208 and 230-240 Volt/1 Phase
<b>9</b>	70540701	Accessory Box Side	Right
<b>10</b>	70540501	Accessory Box Back	
<b>11</b>	44088001	Nut	
<b>12</b>	685837	Screw	
<b>13</b>	F8449801	End Stop	2 required
<b>14</b>	M413865	Power Distribution Block	
<b>15</b>	44014901P	Power Distribution Block Cover	
<b>16</b>	44313201	Auxiliary Contact Block	2 required
<b>17</b>	39733	Screw	
<b>18</b>	M411283	Ground Lug Connector	
<b>19</b>	70482801	Contactator	2 required
<b>20</b>	F8206901	Screw	
<b>21</b>	44286802	Wire Label	1 Phase
	44286803	Label	3 Phase
<b>22</b>	D516100	Label	
<b>23</b>	70030501	Expansion Clip	
<b>24</b>	M412690	DIN Rail	
<b>25</b>	70180001	Plug	
<b>26</b>	M400770	Snap Bushing	

# Accessory Box - Electric 380-480 Volt Models



TMB3476P\_70614301

## Accessory Box - Electric 380-480 Volt Models

REF	PART NO.	DESCRIPTION	COMMENTS
	F8611600	Warning Label Kit	IEC models
	F8611601	Warning Label	
	44334307	Contactora Coil Harness	
	44334302	Control Harness	3 Phase
	44309002	Harness	North America models; Power distribution block to control circuit breaker
	44309012	Harness	IEC models; Power distribution block to control circuit breaker
	70516106	Harness	Contactora to element
	70516103	Harness	2 required; Power distribution block to circuit breaker/contactora
<b>1</b>	M402542	Snap Bushing	2 required
<b>2</b>	70540601	Accessory Box Side	Left
<b>3</b>	51780	Screw	
<b>4</b>	70358401	Accessory Box Cover	
<b>5</b>	685837	Screw	
	44088001	Nut	
<b>6</b>	70058501	Pop Rivet	
<b>7</b>	70058502	Pop Rivet	
<b>8</b>	70540701	Accessory Box Side	Right
<b>9</b>	F8134001	DIN Rail	
<b>10</b>	44313201	Auxiliary Contact Block	2 required
<b>11</b>	70482701	Contactora	2 required
<b>12</b>	70540501	Accessory Box Back	
<b>13</b>	70488101	Circuit Breaker	25 amp
<b>14</b>	F8449801	End Stop	2 required
<b>15</b>	M413865	Power Distribution Block	
<b>16</b>	44014901P	Power Distribution Block Cover	
<b>17</b>	F8206901	Screw	
<b>18</b>	70030501	Expansion Clip	
<b>19</b>	44286803	Label	
<b>20</b>	M411283	Ground Lug Connector	
<b>21</b>	D516100	Label	
<b>22</b>	M412690	DIN Rail	
<b>23</b>	70180001	Plug	
<b>24</b>	M400770	Snap Bushing	

# Harnesses

<b>PART NO.</b>	<b>DESCRIPTION</b>	<b>COMMENTS</b>
44316007	Harness	IEC models; 1 Phase; Auxiliary power distribution block to filter harness
44316008	Harness	IEC models; 3 Phase; Auxiliary power distribution block to filter harness
44280007	Configuration Harness	100-120 Volt; Cylinder
44280006	Configuration Harness	100-120 Volt; Fan
44356402	Control Tray Harness Assembly	Electric models
44356401	Control Tray Harness Assembly	Gas models
44356407	Control Tray Harness Assembly	Steam models
44334702	Inverter Contactor Coil Harness	Secondary; 380-480 Volt
44316001	Harness	IEC models; 1 Phase; Main power distribution block to EMI filter harness
44316002	Harness	IEC models; 3 Phase; Main power distribution block to EMI filter harness
44280005	Configuration Harness	3 Phase
44280010	Motor Contactor Power Harness	IEC models; 1 Phase
44280012	Motor Contactor Power Harness	IEC models; 3 Phase
44280001	Motor Contactor Power Harness	North America models; 1 Phase
44280003	Motor Contactor Power Harness	North America models; 3 Phase
44280101	Power Harness	Control and emergency stop connection; 380-480 Volt
44272101	Power Harness	Control and emergency stop connection; 100-120 and 200-240 Volt
204454	Ferrite	Korean models; EMI; Motor circuit, inverter communication circuit
44335301	Inverter Motor Harness	Cylinder
44335302	Inverter Motor Harness	Fan
70608601	EMC Shield	Gas Korean models



# Labels

<b>PART NO.</b>	<b>DESCRIPTION</b>	<b>COMMENTS</b>
44324201	Caution Label	Australian models; Repeat Ignition Reset
70535101	Caution Label	Vent/install
F8614501	Danger Label	Shock; English/French
F8614301	Hot Surface Warning Label	English/French
F8609001	Hot Surface Warning Label	Icon
F8611601	Warning Label	
70535100	Label Kit	Vent/install
F8614500	Label Kit	Shock
70539601	Notice Label	
F8609501	Notice Label	
D516073	Notice Label	Read instructions; Icon
70538401	Pinch Warning Label	English/French
F8615701	Pinch Warning Label	Icon
F8614201	Shock Warning Label	Icon
70536301	Warning Label	Lint; Australian models
44324101	Warning Label	Fire; Australian models
70534305	Warning Label	Fire; Colombian Spanish; Australian models
44321601	Warning Label	Risk of fire; Icon



# Parts Index

## A

Accessory Box Back	
70540501 .....	59, 61
Accessory Box Cover	
70358401 .....	59, 61
Accessory Box Side	
70540601 .....	59, 61
70540701 .....	59, 61
Accessory Plate Assembly	
F8574202 .....	7
F8574203 .....	7
F8574205 .....	7
F8734601 .....	7
Adapter	
70131901 .....	49
70131902 .....	49
Air Filter	
70036001 .....	55
Airflow Switch and Arm Bracket	
70319602 .....	47
Airflow Switch Arm	
70319401 .....	47
Airflow Switch Cover	
70356601 .....	47
Airflow Switch Vane	
70319201 .....	47
Airflow Switch Wrapper	
70356101 .....	47
Anti-Rattle Burner Assembly	
70546701 .....	49
App Pay Overlay Kit	
44374701 .....	7, 9
Auxiliary Contact Block	
44313201 .....	59, 61

## B

Blind Rivet	
F8245101 .....	31
Blower Assembly	
70359801P .....	43, 45
Blower Housing	
70020301 .....	45
70215101 .....	43, 45
70554701 .....	43, 45
Blower Housing Scroll	
70016301 .....	43
Blower Inlet Cone	
70014101 .....	45
Blower Motor Mounting Plate	
70349601 .....	43, 45
Bracket	
70610501 .....	23
70634201 .....	25
Burner Grill	
70188801 .....	49
Burner Orifice	
70684105 .....	51

70684106 .....	51
70684107 .....	51
70684108 .....	51
70684109 .....	51
70684110 .....	51
70684111 .....	51
70684113 .....	51
70684114 .....	51
70684116 .....	51
70684126 .....	51
70684128 .....	51
70684130 .....	51
70684131 .....	51
70684133 .....	51
70684134 .....	51
70684135 .....	51
70684137 .....	51
70684139 .....	51
70684142 .....	51

Bushing	
70346501 .....	37, 57
Bypass Harness	
44334103 .....	27

## C

Cable Tie	
70335601 .....	57
Card Reader Plate	
F8574204 .....	7
Caution Label	
44324201 .....	63
70535101 .....	63
Center Cylinder Seal	
70066004 .....	35
Center Hinge Lug Assembly	
70640402 .....	19
Center Pan	
70565201 .....	37
Center Partition	
70252601 .....	37
Central Pay Board Harness	
44355604 .....	15
Central Pay Harness	
44355601 .....	15
44355606 .....	15
Central Pay Kit	
70612702 .....	15
Circuit Breaker	
70488101 .....	61
70488102 .....	59
70488105 .....	59
Clevis Pin	
70389201 .....	55
Clip Keeper Bracket	
70604901 .....	23, 25
Clip Mount Bracket	
70604801 .....	23, 25
Coil	
F8514601P .....	55
F8514701 .....	55

N/A items do not appear in index.

Coin Box		Control Box Top	
F160673P .....	27	44307101 .....	41
Coin Chute Assembly		Control Harness	
70296401 .....	27	44334302 .....	61
Coin Drop		44334404 .....	41
38963P .....	11	Control Mounting Bracket	
39748 .....	11	70598601 .....	7
70441601 .....	11	Control Panel	
70441603 .....	11	70582901 .....	21
Coin Drop Assembly		70582902 .....	21
201141 .....	11	Control Panel Stand Bracket	
210195 .....	11	70641501 .....	25
210196 .....	11	Control Tray	
38462P .....	11	70492401 .....	57
38463 .....	11	Control Tray Harness Assembly	
38467 .....	11	44356401 .....	62
38519 .....	11	44356402 .....	62
70281102 .....	11	44356407 .....	62
70283102 .....	11	Conversion Kit	
70441602 .....	11	70559305 .....	57
70447301 .....	11	Cylinder Assembly	
70471601 .....	11	70372701P .....	33
70482401 .....	11	70372702P .....	33
70506901 .....	11	Cylinder Bearing Stud Plate Assembly	
Coin Drop Kit		430352 .....	35
CK077 .....	11	Cylinder Guide Tool	
CK122 .....	13	263P4 .....	35
Coin Identification Paper		Cylinder Shroud	
38464P .....	11	70347201 .....	37
38475 .....	11	70347202 .....	37
Coin Meter			
F0160737-00 .....	11		
Coin Vault Assembly			
70529501 .....	27		
Coin Vault Switch Harness			
44334101 .....	27		
Cold Weather Kit			
44340301 .....	41		
Configuration Harness			
44280005 .....	62		
44280006 .....	62		
44280007 .....	62		
Contact Base			
F8538101 .....	29		
Contact Switch			
F8069501 .....	29		
Contacto			
70482601 .....	57		
70482701 .....	61		
70482801 .....	59		
Contacto			
70482601 .....	57		
70482701 .....	61		
70482801 .....	59		
Contacto			
70482601 .....	57		
70482701 .....	61		
70482801 .....	59		
Contacto			
70482601 .....	57		
70482701 .....	61		
70482801 .....	59		
Contacto			
70482601 .....	57		
70482701 .....	61		
70482801 .....	59		
Contacto			
70482601 .....	57		
70482701 .....	61		
70482801 .....	59		
Contacto			
70482601 .....	57		
70482701 .....	61		
70482801 .....	59		
Contacto			
70482601 .....	57		
70482701 .....	61		
70482801 .....	59		
Contacto			
70482601 .....	57		
70482701 .....	61		
70482801 .....	59		
Contacto			
70482601 .....	57		
70482701 .....	61		
70482801 .....	59		
Contacto			
70482601 .....	57		
70482701 .....	61		
70482801 .....	59		
Contacto			
70482601 .....	57		
70482701 .....	61		
70482801 .....	59		
Contacto			
70482601 .....	57		
70482701 .....	61		
70482801 .....	59		
Contacto			
70482601 .....	57		
70482701 .....	61		
70482801 .....	59		
Contacto			
70482601 .....	57		
70482701 .....	61		
70482801 .....	59		
Contacto			
70482601 .....	57		
70482701 .....	61		
70482801 .....	59		
Contacto			
70482601 .....	57		
70482701 .....	61		
70482801 .....	59		
Contacto			
70482601 .....	57		
70482701 .....	61		
70482801 .....	59		
Contacto			
70482601 .....	57		
70482701 .....	61		
70482801 .....	59		
Contacto			
70482601 .....	57		
70482701 .....	61		
70482801 .....	59		
Contacto			
70482601 .....	57		
70482701 .....	61		
70482801 .....	59		
Contacto			
70482601 .....	57		
70482701 .....	61		
70482801 .....	59		
Contacto			
70482601 .....	57		
70482701 .....	61		
70482801 .....	59		
Contacto			
70482601 .....	57		
70482701 .....	61		
70482801 .....	59		
Contacto			
70482601 .....	57		
70482701 .....	61		
70482801 .....	59		
Contacto			
70482601 .....	57		
70482701 .....	61		
70482801 .....	59		
Contacto			
70482601 .....	57		
70482701 .....	61		
70482801 .....	59		
Contacto			
70482601 .....	57		
70482701 .....	61		
70482801 .....	59		
Contacto			
70482601 .....	57		
70482701 .....	61		
70482801 .....	59		
Contacto			
70482601 .....	57		
70482701 .....	61		
70482801 .....	59		
Contacto			
70482601 .....	57		
70482701 .....	61		
70482801 .....	59		
Contacto			
70482601 .....	57		
70482701 .....	61		
70482801 .....	59		
Contacto			
70482601 .....	57		
70482701 .....	61		
70482801 .....	59		
Contacto			
70482601 .....	57		
70482701 .....	61		
70482801 .....	59		
Contacto			
70482601 .....	57		
70482701 .....	61		
70482801 .....	59		
Contacto			
70482601 .....	57		
70482701 .....	61		
70482801 .....	59		
Contacto			
70482601 .....	57		
70482701 .....	61		
70482801 .....	59		
Contacto			
70482601 .....	57		
70482701 .....	61		
70482801 .....	59		
Contacto			
70482601 .....	57		
70482701 .....	61		
70482801 .....	59		
Contacto			
70482601 .....	57		
70482701 .....	61		
70482801 .....	59		
Contacto			
70482601 .....	57		
70482701 .....	61		
70482801 .....	59		
Contacto			
70482601 .....	57		
70482701 .....	61		
70482801 .....	59		
Contacto			
70482601 .....	57		
70482701 .....	61		
70482801 .....	59		
Contacto			
70482601 .....	57		
70482701 .....	61		
70482801 .....	59		
Contacto			
70482601 .....	57		
70482701 .....	61		
70482801 .....	59		
Contacto			
70482601 .....	57		
70482701 .....	61		
70482801 .....	59		
Contacto			
70482601 .....	57		
70482701 .....	61		
70482801 .....	59		
Contacto			
70482601 .....	57		
70482701 .....	61		
70482801 .....	59		
Contacto			
70482601 .....	57		
70482701 .....	61		
70482801 .....	59		
Contacto			
70482601 .....	57		
70482701 .....	61		
70482801 .....	59		
Contacto			
70482601 .....	57		
70482701 .....	61		
70482801 .....	59		
Contacto			
70482601 .....	57		
70482701 .....	61		
70482801 .....	59		
Contacto			
70482601 .....	57		
70482701 .....	61		
70482801 .....	59		
Contacto			
70482601 .....	57		
70482701 .....	61		
70482801 .....	59		
Contacto			
70482601 .....	57		
70482701 .....	61		
70482801 .....	59		
Contacto			
70482601 .....	57		
70482701 .....	61		
70482801 .....	59		
Contacto			
70482601 .....	57		
70482701 .....	61		
70482801 .....	59		
Contacto			
70482601 .....	57		
70482701 .....	61		
70482801 .....	59		
Contacto			
70482601 .....	57		
70482701 .....	61		
70482801 .....	59		
Contacto			
70482601 .....	57		
70482701 .....	61		
70482801 .....	59		
Contacto			
70482601 .....	57		
70482701 .....	61		
70482801 .....	59		
Contacto			
70482601 .....	57		
70482701 .....	61		
70482801 .....	59		
Contacto			
70482601 .....	57		
70482701 .....	61		
70482801 .....	59		
Contacto			
70482601 .....	57		
70482701 .....	61		
70482801 .....	59		
Contacto			
70482601 .....	57		
70482701 .....	61		
70482801 .....	59		
Contacto			
70482601 .....	57		
70482701 .....	61		
70482801 .....	59		
Contacto			
70482601 .....			

Door Hinge	
70595501 .....	17
70632701W .....	19
70632703 .....	19
70632707 .....	19
70632709B .....	19
Door Hinge Lug Assembly	
70601008 .....	17
Door Latch	
M401223 .....	27
Door Ring Gasket	
70296801 .....	17, 19
Door Switch Actuator	
70532101 .....	17
70532102 .....	17
Drive Motor	
70478601P .....	43
70485001P .....	43
Drive Plate	
70571901 .....	43
Drive Rivet	
M400713 .....	41
Drywall Screw Magnet Kit	
70343101P .....	33, 35

## E

Elbow	
70208701 .....	49
70428101 .....	39
Electronic Coin Drop Assembly	
70294107 .....	11
70513302 .....	11
70513303 .....	11
70513304 .....	11
70513306 .....	11
70513308 .....	11
70513309 .....	11
70513310 .....	11
70513311 .....	11
70513312 .....	11
70513313 .....	11
70513314 .....	11
70513315 .....	11
70513316 .....	11
Electronic Coin Drop Kit	
CK099 .....	13
CK100 .....	13
CK101 .....	13
CK108 .....	13
CK109 .....	13
CK110 .....	13
CK113 .....	13
CK115 .....	13
CK116 .....	13
CK117 .....	13
CK118 .....	13
CK119 .....	13
CK120 .....	13
CK121 .....	13
EMC Shield	
70608601 .....	62
Emergency Stop Button Kit	
70580301 .....	29

Emergency Stop Bypass Harness	
F8519403 .....	29
Emergency Stop Harness	
44272401 .....	29
Emergency Stop Label	
44012901 .....	29
44012903 .....	29
Emergency Stop Mounting Bracket	
70550401 .....	29
Emergency Stop Pushbutton	
F200233500 .....	29
EMI Filter	
F8591601 .....	57
F8637501 .....	57
EMI Filter Kit	
44357401 .....	57
44357402 .....	57
End Cap	
70070101 .....	33
End Stop	
F8449801 .....	57, 59, 61
Exhaust Thimble	
70017801 .....	43
Expansion Clip	
70030501 .....	7, 9, 15, 27, 57, 59, 61

## F

False Front	
70000504 .....	21
70024204 .....	21
Fan Motor	
70478701P .....	43, 45
70484901P .....	43, 45
Ferrite	
204454 .....	62
Fill Hose	
202799 .....	41
Filter	
70429401 .....	55
Filter Bracket	
70533101 .....	57
Filter Mounting Plate	
70551701 .....	41
Fob Communication Harness	
F8719302 .....	7
Fob Reader Control Assembly	
205135 .....	7
Fod Reader Kit	
70666801 .....	15
70666806 .....	15
Front Panel Assembly	
70705101 .....	23
70705102 .....	23
70705201 .....	25
70705201W .....	25
70705202 .....	25
70705202W .....	25
70705204 .....	25
Front Panel Seal	
70173401P .....	23, 25

N/A items do not appear in index.

---

**G**

Gas Burner	
70229801P .....	49
Gas Line Assembly	
70271201 .....	49
Gas Valve	
44154507 .....	49
44154508 .....	49
Gas Valve Bracket	
70504101 .....	49
Gas Valve Cover	
70429901 .....	49
Gas Valve Harness	
44273501 .....	49
Gasket	
70289101P .....	23, 25, 31
70392701P .....	45
Ground Lug Connector	
M411283 .....	57, 59, 61

---

**H**

Hairpin Cotter	
70389301 .....	55
Handle and Caps Assembly	
70154401 .....	31
Harness	
44309001 .....	59
44309002 .....	61
44309011 .....	59
44309012 .....	61
44316001 .....	62
44316002 .....	62
44316007 .....	62
44316008 .....	62
70516101 .....	59
70516102 .....	59
70516103 .....	59, 61
70516104 .....	59
70516105 .....	59
70516106 .....	59, 61
Harness Adapter Plate	
70523301 .....	39, 41
Heater Element	
70034401P .....	53
70034402P .....	53
70034403P .....	53
70034414P .....	53
70034415P .....	53
70034416P .....	53
High Altitude Orifice Kit	
70609903 .....	51
70609904 .....	51
High Voltage Suppression Cable	
44239702 .....	49
Hinge Cam Kit	
70622401 .....	17
Hold-Down Clip	
35865 .....	23, 25, 37
Hole Plug	
70063201 .....	37

Hose	
44073304 .....	41
Hose Clamp	
36801 .....	41
Hose Fitting	
44069101 .....	41
Hot Surface Warning Label	
F8609001 .....	63
F8614301 .....	63

---

**I**

Idler Wheel Assembly	
70050401P .....	43
Igniter Cover	
70159601 .....	49
Ignition Control	
70482001 .....	57
70482002 .....	57
Ignition Keeper Orifice Bracket	
70539901 .....	49
Insulator	
M413862 .....	57
Interconnect Harness	
44334401 .....	41
Inverter Contactor Coil Harness	
44334702 .....	62
Inverter Motor Harness	
44335301 .....	62
44335302 .....	62
I/O Control Assembly	
70479201P .....	57

---

**J**

Jumper Bar	
70066501 .....	53
Jumper Harness	
442295412 .....	53
44281709 .....	53
Jumper Strip	
M400869 .....	53

---

**K**

Key	
70155601 .....	27, 41
70155602 .....	27
Kickplate	
70117601 .....	31

---

**L**

Label	
D516100 .....	57, 59, 61
44108201 .....	25
44286801 .....	57
44286803 .....	57, 59, 61
44318201 .....	41

N/A items do not appear in index.

Label Kit	
F8614500 .....	63
44318200 .....	41
44324500 .....	41
70534300 .....	23
70535100 .....	63
Lever Arm and Belt Kit	
70655101 .....	43
Lever Arm and Bushing Assembly	
70653801 .....	43
Light	
801432 .....	41
Limit Access Bracket	
70554901 .....	45
Limit Thermostat	
44328001 .....	45
44328004 .....	49
44328006 .....	53
44328104 .....	49
70530901 .....	45
Lint Panel	
70515405 .....	31
70515406W .....	31
Lint Panel Pivot Plate	
70017901 .....	31
Lint Screen	
70325601 .....	37
Lock Shim	
70342401 .....	27
Lock, Key and Nut Kit	
44089301P .....	27, 41
44089302P .....	27
Lower Hinge Gusset	
70632002 .....	19
Lower Lug Assembly	
70639302 .....	19
70639304 .....	19
Lower Pan	
70332401P .....	37
Lower Rear Assembly	
70493301 .....	43
L.P. Conversion Kit	
70550201 .....	49
70551902 .....	49
L.P. Valve	
44154504 .....	49

## M

Machine ID Control Assembly	
203361P .....	7, 9
Magnet	
70343101 .....	31
Magnet Bracket	
44290501 .....	31
Male Tab Terminal	
00621SG .....	57
Max Fill Line Label	
70707501 .....	17, 19
Mixing Valve	
70519801 .....	41
Mixing Valve Shield Bracket	
44306601 .....	41

Motor Conduit Mounting Bracket	
70521901 .....	43
Motor Contactor Power Harness	
44280001 .....	62
44280003 .....	62
44280010 .....	62
44280012 .....	62
Motor Mount Bracket	
70564101 .....	43
Motor Mount Plate	
70564201 .....	43
Motor Pulley	
70559101 .....	43
Mounting Bracket	
70601401 .....	41
70604001 .....	15

## N

Nameplate	
F8664901 .....	27
F8688801 .....	27
567293 .....	27
567887 .....	27
70685701 .....	27
70685801 .....	27
Notice Label	
D516073 .....	63
F8609501 .....	63
70535901 .....	49
70539601 .....	63
70544901 .....	49
Nozzle Bracket	
70424201 .....	39
70428601 .....	39
Nut	
M400022 .....	35, 45
M400034 .....	35, 45
M404993 .....	37
M412986 .....	35
M414215 .....	17, 19
21899 .....	37
23951 .....	31
430576 .....	37
44087101 .....	7, 9
44087201 .....	33, 43
44087301 .....	43
44088001 .....	17, 19, 57, 59, 61
44088801 .....	27
44333202 .....	43
51236 .....	31
56156 .....	43
70030401 .....	23, 25
70054 .....	7, 53
N.G. Valve	
44154503 .....	49

## O

Opto Coupler	
200674P .....	11
Orifice Adapter	
70379301 .....	49

N/A items do not appear in index.

Orifice Holder Bracket	
70248901 .....	49
Overlay	
F8734001 .....	7
F8734301 .....	7
F8736601 .....	7

## P

Panel Locator	
56079 .....	27, 31
Panel Lock	
44089304 .....	27
44089305 .....	27
Pin	
70071401 .....	17
Pinch Warning Label	
F8615701 .....	63
70538401 .....	63
Pipe Clip	
70203701 .....	49
Pipe Plug	
70346801 .....	49
Plug	
70167601 .....	49
70180001 .....	41, 59, 61
Pop Rivet	
M400003 .....	57
M405750 .....	49
44166601 .....	27
70058501 .....	17, 19, 23, 25, 31, 37, 55, 57, 61
70058502 .....	59, 61
70126301 .....	31
Porcelain Touch-Up Paint	
122P4P .....	37
Power Distribution Block	
M413865 .....	59, 61
Power Distribution Block Cover	
44014901P .....	59, 61
Power Harness	
44272101 .....	62
44280101 .....	62
Power Sensor Harness	
44334402 .....	41
Primary Air Adjustment Sleeve	
70239801 .....	49
Pushbutton Switch	
70413301 .....	7, 9, 27
Push-to-Start Switch	
801434W .....	41

## R

Rear Bearing Shim	
70355001 .....	35
Rear Cylinder Bearing Housing	
70013901 .....	35
Rear Cylinder Channel	
70257301 .....	33
Rear Cylinder Channel Plate	
70257401 .....	33

Rear Cylinder Seal	
70013702 .....	35
Rear Cylinder Seal Support	
70506401 .....	35
Rear Lint Panel	
70565301 .....	31
Rear Panel	
70564901 .....	35
70564902 .....	35
Reed Switch Assembly	
F8066804 .....	31
Replacement Screen Kit	
70576501P .....	7, 9
Rivet	
70614201 .....	25
Roller and Seal Kit	
70616701 .....	37
Roller Catch Arm	
70030301 .....	31
Roller Catch Spacer	
70030201 .....	31
Roller Catch Wheel	
70297601 .....	31
Roller Seal	
70443601 .....	37
Roller Shaft	
70249501 .....	37
Roller Support Bracket	
70328301 .....	37

## S

Screw	
FR004022 .....	17
F430144 .....	43
F8206901 .....	57, 59, 61
F8458801 .....	19
M400661 .....	17, 19
M405188 .....	21, 49
M411072 .....	15, 25, 27
05161 .....	49
39733 .....	7, 9, 27, 31, 59
430497 .....	31, 33, 37, 39, 41, 45, 47, 49, 53
430757 .....	31
44349101 .....	17, 19
51780 .....	15, 39, 41, 59, 61
51783 .....	57
62588 .....	33
685837 .....	57, 59, 61
70072801 .....	31
70126101 .....	45
70126104 .....	43
70132301 .....	31
70247701 .....	37
70391101 .....	33
70436301 .....	17
70442101 .....	17, 19
70501301 .....	43
70508301 .....	43
70546301 .....	43
70576101 .....	17
70640201 .....	19
70640301 .....	19
802822 .....	19
804608 .....	41

N/A items do not appear in index.



Sensor Harness	
44334406 .....	41
Sheet Metal Edge Gasket	
70015709 .....	37
70015710 .....	37
Shield	
44326801 .....	41
Shock Warning Label	
F8614201 .....	41, 63
F8614401 .....	41
Side Panel	
70253801DG .....	37
70253801WP .....	37
70253802DG .....	37
70611101W .....	37
70640901DG .....	37
70640902DG .....	37
70640902W .....	37
Snap Bushing	
M400770 .....	49, 59, 61
M402542 .....	59, 61
70178701 .....	39, 57
Spacer	
70488403 .....	43
Spark Electrode	
70548701P .....	49
Spray Nozzle	
70427801 .....	39
Spray Nozzle Hose	
70427701 .....	39
Spray Paint	
298P4P .....	37
Spring	
70571801 .....	43
Spring Catch Bracket	
70543401 .....	43
Standoff	
70569603 .....	43
Steam Adapter Kit	
70529601 .....	55
Steam Coil	
70369101P .....	55
Steam Control Assembly	
70501801 .....	57
Steam Filter Holder	
70369301 .....	55
Steam Valve	
F8322904P .....	55
Steam Valve Harness	
F8520703 .....	55
Stove Back	
70371501 .....	49
Stove Connectors Cover	
70365201 .....	53
Stove Grill	
70214901 .....	53
Stove Limit Bypass Harness	
70564302 .....	55
Stove Limit Harness	
70564301 .....	49
70564303 .....	53
Stove Partition	
70357201 .....	53

Stove Top and Sides	
70333401 .....	49
7052601 .....	53
Strain Relief	
44304801 .....	55
Street Elbow	
F422304 .....	49
H86070034 .....	49
Support Bearing	
70448701 .....	35
Support Housing Bearing Assembly	
430260P .....	35
Switch	
70411901 .....	47
Switch Bracket	
70356301 .....	47
70508501 .....	31

---

## T

Tensioning Bracket	
70569501 .....	43
Terminal	
00622SG .....	57
Terminal Block	
430642 .....	57
Terminal Block Shield	
70333001 .....	57
Thermistor	
M414704 .....	45
44064701 .....	39
Thermistor Plate	
70424401 .....	39
Thermostat Cover	
M414477 .....	49
Top Pan	
70641201 .....	37
Top Panel	
70586401 .....	37
Transformer	
F8491101 .....	57
202757 .....	15
202758 .....	15
Transformer Harness	
44272301 .....	15
44272302 .....	15
Trunnion and Seal Kit	
70564801 .....	33
Tube Assembly	
70427601 .....	39
Tumbler Dolly Kit	
M4379P4 .....	37

---

## U

Union Tee	
70427901 .....	39
Upper Hinge Gusset	
70632001 .....	19
Upper Lug Assembly	
70639301 .....	19
70639303 .....	19

N/A items do not appear in index.

USB IR Interface Kit 203346 .....	15
USB-Serial Interface Assembly 203440 .....	7, 9

---

## V

Valve F8322906P .....	55
Vend Activation Harness 44334002 .....	7, 9
Vend Plate F8632501 .....	7

---

## W

Warning Label F8611601 .....	59, 61, 63
44321601 .....	63
44324101 .....	63
44324501 .....	41
44324502 .....	41
70534301 .....	23, 25
70534302 .....	23, 25
70534305 .....	63
70536301 .....	63
Warning Label Kit F8611600 .....	59, 61
Washer M400991 .....	35, 45
70261401 .....	37
70411301 .....	33
Water Valve Harness 44334405 .....	41
Wire Clip F8449501 .....	57
F8449502 .....	57
Wire Guard 201595P .....	11
Wire Label 44286802 .....	57, 59
44286804 .....	57
Wireless Control Label 204692 .....	7, 9

---