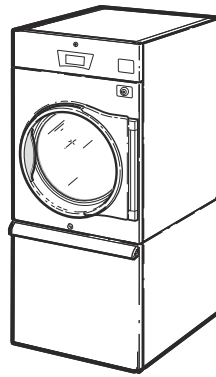


Tumble Dryers

35 Pound Capacity

18 Digit Model Numbers with 4 and 5 in 13th Position

Refer to Page 3 for Model Numbers



TMB1288C_70621301

Table of Contents

Title	Page
Parts Ordering Information.....	2
Serial Plate Location	2
Machine Identification	3
Product Overview - Heat Source and Voltage	4
Touch Control - Vend Models with V in the 7th Position	6
Touch Control - OPL Models with V in the 7th Position	8
Coin Drops	10
Coin Drop Kits	12
Central Pay and Card Reader Components	14
Door and Hinge Components - Design 4 H and S Models.....	16
Door and Hinge Components - Design 5 Models	18
Control Panels and False Fronts	20
Front Panel Assemblies - Design 4 H and S Models	22
Front Panel Assemblies - Design 5 Models	24
Cabinet Front Components.....	26
Emergency Stop Button - OPL Models	28
Lower Cabinet Components	30
Cylinder and Trunnion Assembly	32
Cylinder Components	34
Cabinet Components	36
Fire Suppression System Components	38
Fire Suppression System Control Box	40
Motor Components	42
Blower and Exhaust Components.....	44
Airflow Switch.....	46
Gas Heater Components	48
Burner Orifices	50
Electric Heater Components	52
Steam Heater Components	54
Control Tray	56
Accessory Box - Electric 200-240 Volt Models	58
Accessory Box - Electric 380-480 Volt Models	60
Harnesses.....	62
Labels	63
Parts Index.....	65

© Copyright 2023, Alliance Laundry Systems LLC

All rights reserved. No part of the contents of this book may be reproduced or transmitted in any form or by any means without the expressed written consent of the publisher.

Parts Ordering Information

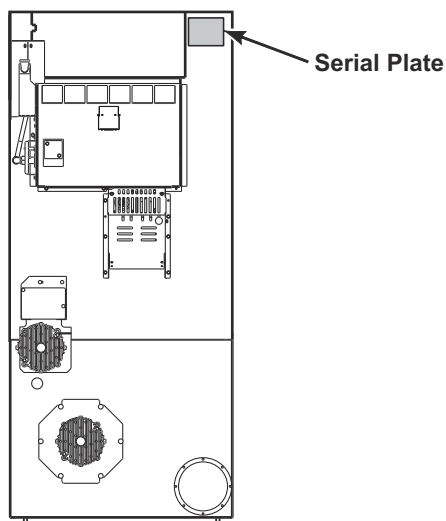
If literature or replacement parts are required, contact the source from whom the machine was purchased or contact Alliance Laundry Systems at (920) 748-3950 for the name and address of the nearest authorized parts distributor.

For technical assistance, call the number listed below:

(920) 748-3121 Ripon, Wisconsin

Serial Plate Location

When calling or writing about your product, be sure to mention model and serial numbers. Model and serial numbers are located on serial plate(s) as shown.



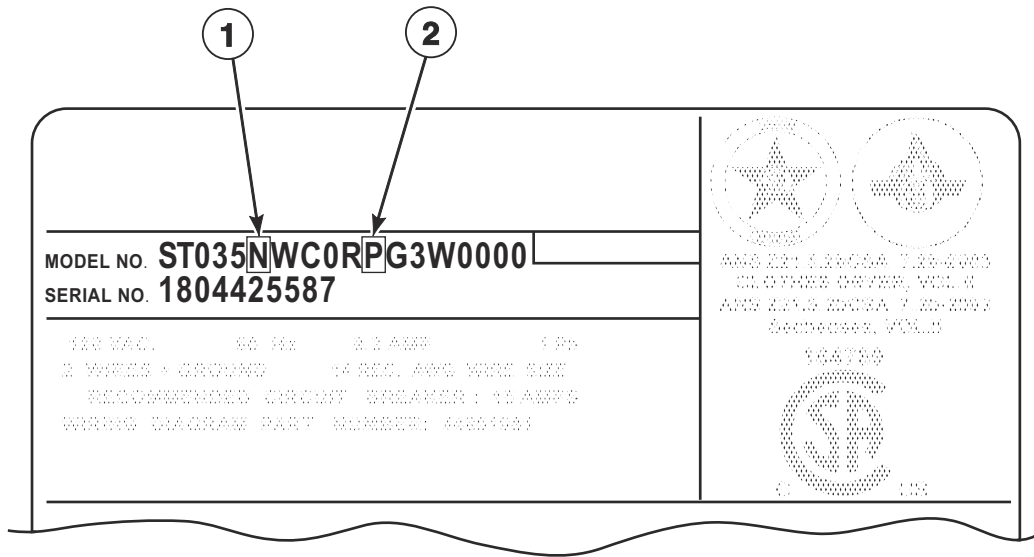
TMB3500P_70621301

Machine Identification

Information in this manual is applicable to these machines:

BG035D	HH035E	JU035E	SH035E
BG035E	HH035F	JU035N	SH035F
BG035F	HH035L	PG035E	SH035L
BG035L	HH035M	PG035L	SH035M
BG035M	HH035N	PG035M	SH035N
BG035N	HH035R	PG035N	SH035R
BG035R	HH035S	PG035S	SH035S
BG035S	HJ035D	PR035E	SJ035D
BR035E	HJ035E	PR035S	SJ035E
BR035S	HJ035F	PU035E	SJ035F
BU035E	HJ035L	PU035L	SJ035L
BU035F	HJ035M	PU035M	SJ035M
BU035L	HJ035N	PU035N	SJ035N
BU035M	HJ035R	PU035S	SJ035R
BU035N	HJ035S	SA035E	SJ035S
BU035R	HK035E	SA035F	SK035E
BU035S	HK035F	SA035L	SK035F
HA035E	HK035L	SA035M	SK035L
HA035F	HK035N	SA035N	SK035N
HA035L	HK035R	SA035R	SK035R
HA035M	HL035E	SA035S	SL035E
HA035N	HL035L	SG035D	SL035L
HA035R	HR035E	SG035E	SR035E
HA035S	HR035S	SG035F	SR035S
HG035D	HT035E	SG035L	ST035E
HG035E	HT035F	SG035M	ST035F
HG035F	HT035L	SG035N	ST035L
HG035L	HT035M	SG035R	ST035M
HG035M	HT035N	SG035S	ST035N
HG035N	HT035R		ST035R
HG035R	HT035S		ST035S
HG035S	HU035E		SU035E
	HU035F		SU035F
	HU035L		SU035L
	HU035M		SU035M
	HU035N		SU035N
	HU035P		SU035P
	HU035R		SU035R
	HU035S		SU035S

Product Overview - Heat Source and Voltage



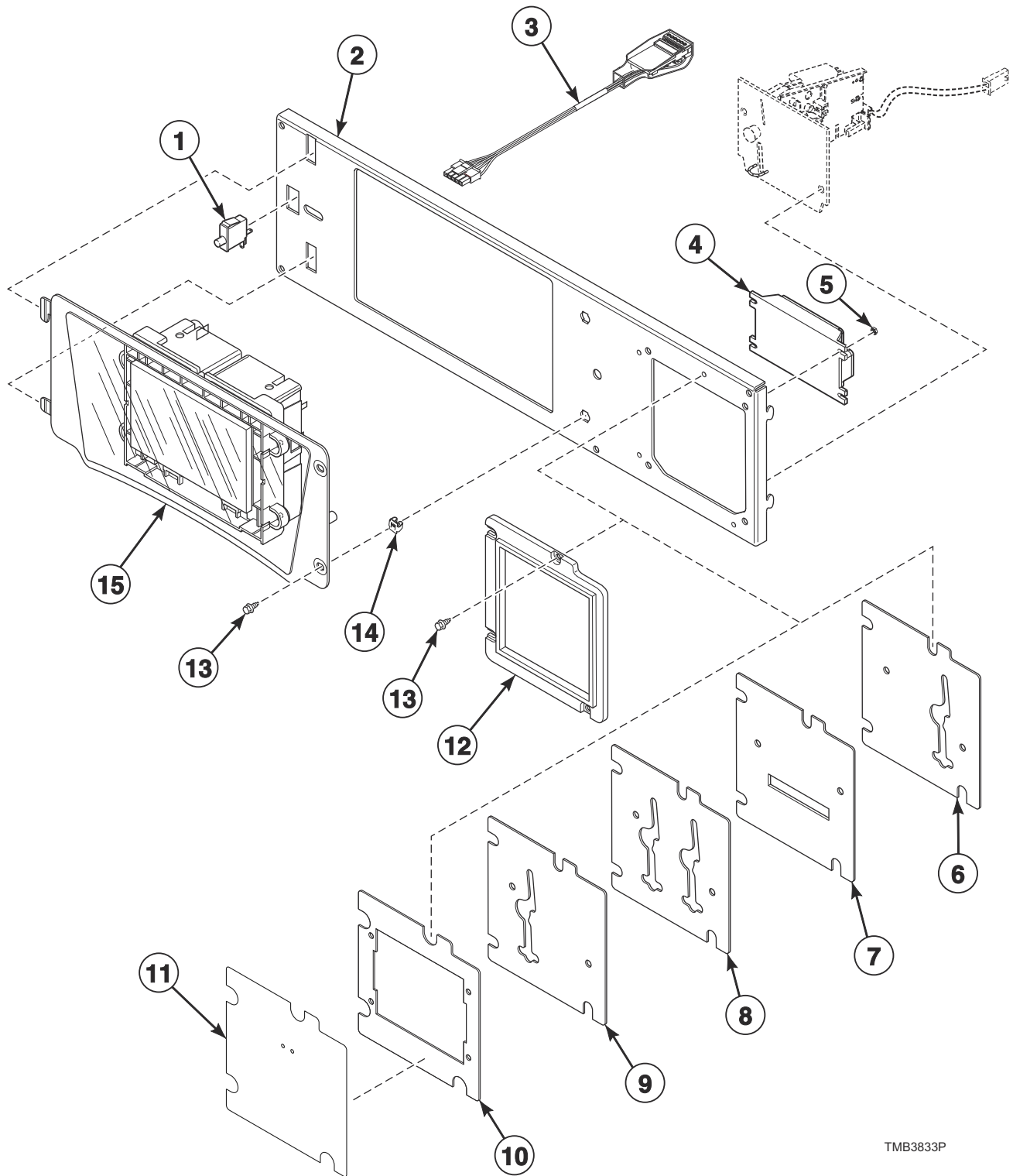
TMB3529P_70621301

Product Overview - Heat Source and Voltage

REF	PART NO.	DESCRIPTION	COMMENTS
1	-	Heat Source	D: Liquid Petroleum Gas (L.P) E: Electric F: Reduced Electric (Eco Line) L: Liquid Petroleum Gas (L.P.) M: Medium Electric N: Natural Gas (N.G.) P: Low Electric R: Reduced Gas, Natural Gas (Eco Line) S: Steam
2	-	Voltage	B: 100-120 Volt/50-60 Hertz/1 Phase; Gas and steam models D: 200-208 Volt/50-60 Hertz/1 Phase; Electric models E: 230-240 Volt/50-60 Hertz/1 Phase; Electric models F: 200-208 Volt/50-60 Hertz/3 Phase; Electric models G: 230-240 Volt/50-60 Hertz/3 Phase; Electric models H: 380 Volt/50-60 Hertz/3 Phase; Electric models J: 400-415 Volt/50-60 Hertz/3 Phase; Electric models K: 440 Volt/50-60 Hertz/3 Phase; Electric models L: 460-480 Volt/50-60 Hertz/3 Phase; Electric models N: 440-480 Volt/50-60 Hertz/3 Phase; Gas and steam models P: 380-415 Volt/50-60 Hertz/3 Phase; Gas and steam models X: 200-240 Volt/50-60 Hertz/1-3 Phase; Gas and steam models

Touch Control - Vend Models with V in the 7th Position

B, H, P and S Models



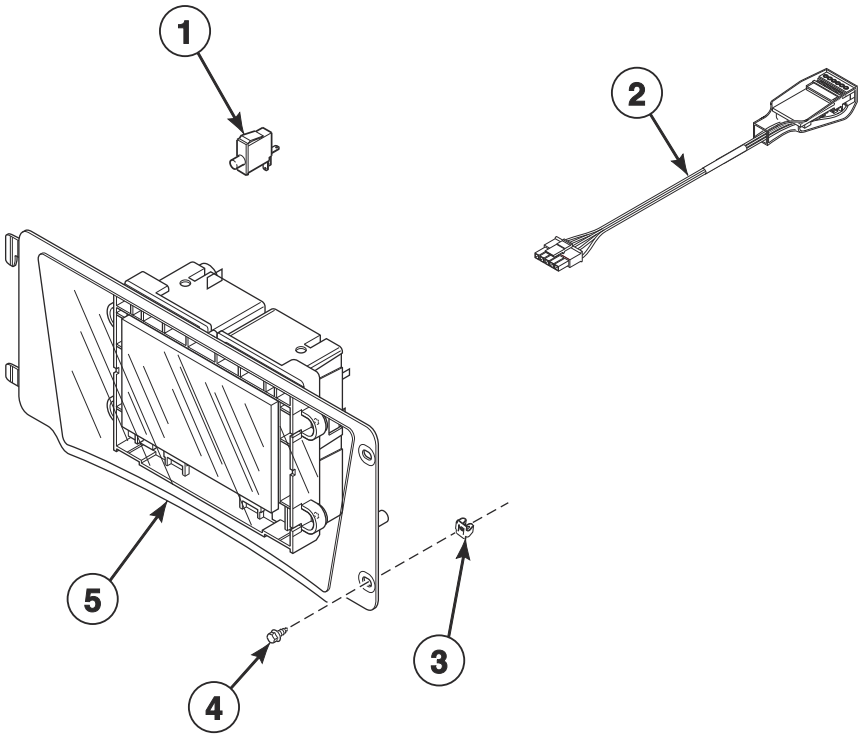
TMB3833P

Touch Control - Vend Models with V in the 7th Position

REF	PART NO.	DESCRIPTION	COMMENTS
	44334002	Vend Activation Harness	
	F8719302	Fob Communication Harness	
	44087101	Nut	2 required
	204692	Wireless Control Label	
	203440	USB-Serial Interface Assembly	
	44374701	App Pay Overlay Kit	
	70576501P	Replacement Screen Kit	
1	70413301	Pushbutton Switch	
2	70598701	Control Mounting Bracket	Design 4 H and S models
3	203361P	Machine ID Control Assembly	
4	205135	Fob Reader Control Assembly	
5	70054	Nut	
6	F8574205	Accessory Plate Assembly	World drop
7	F8574204	Card Reader Plate	Card
8	F8574203	Accessory Plate Assembly	Dual drop
9	F8574202	Accessory Plate Assembly	Single drop
10	F8734601	Accessory Plate Assembly	FOB
11	F8734001	Overlay	S models; FOB
	F8734301	Overlay	H models; FOB
	F8736601	Overlay	H models; Citron; FOB
12	F8632501	Vend Plate	
13	39733	Screw	
14	70030501	Expansion Clip	2 required
15	70597801P	Control Assembly	

Touch Control - OPL Models with V in the 7th Position

B, J and P Models

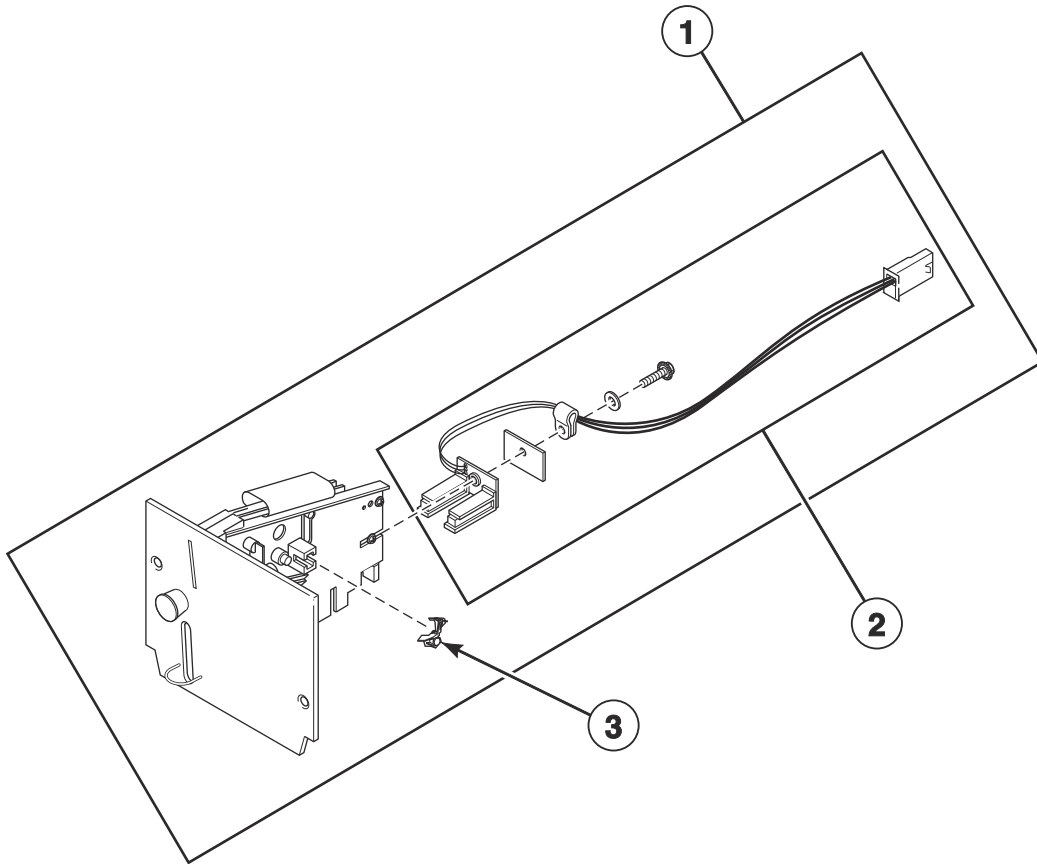


TMB3828P_70621301

Touch Control - OPL Models with V in the 7th Position

REF	PART NO.	DESCRIPTION	COMMENTS
	44334002	Vend Activation Harness	
	44087101	Nut	2 required
	204692	Wireless Control Label	
	203440	USB-Serial Interface Assembly	
	44374701	App Pay Overlay Kit	
	70576501P	Replacement Screen Kit	
1	70413301	Pushbutton Switch	
2	203361P	Machine ID Control Assembly	
3	70030501	Expansion Clip	2 required
4	39733	Screw	
5	70597803	Control Assembly	

Coin Drops

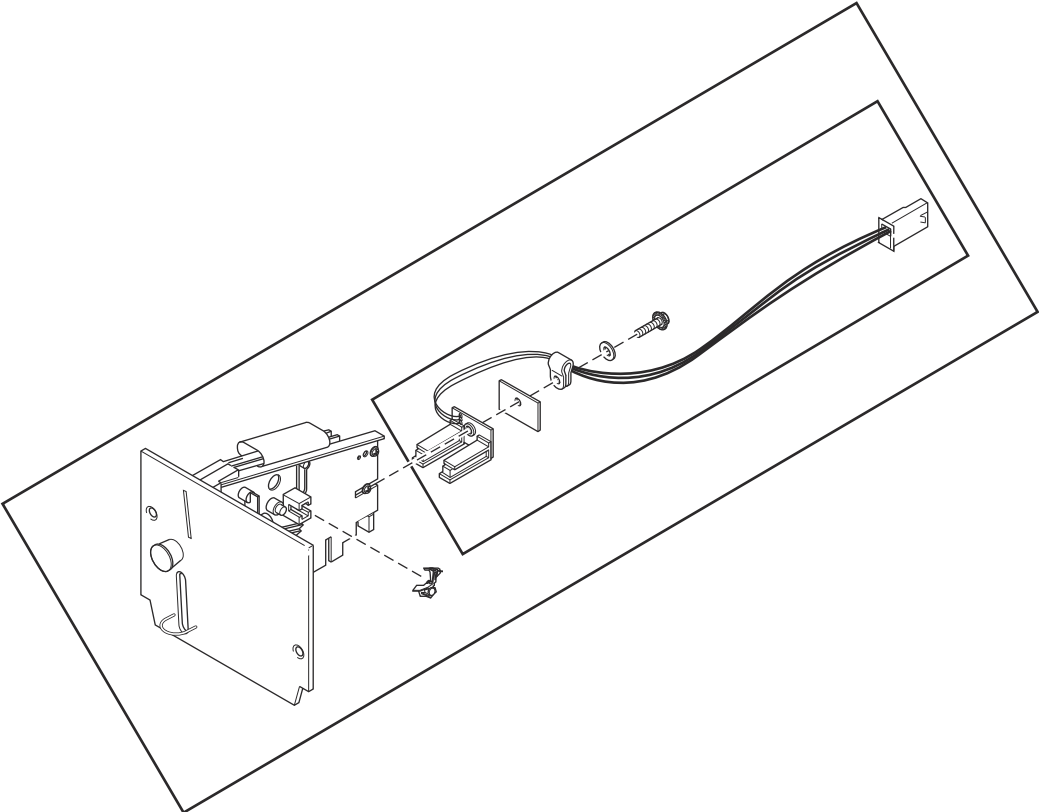


TMB3699P_70621301

Coin Drops

REF	PART NO.	DESCRIPTION	COMMENTS
1	70441601P	Coin Drop	Single; U.S.A.; \$.25
	38475	Coin Drop Assembly	Single; Japan; 100 yen
	38464P	Coin Drop Assembly	Single; Canada; .25
	CK077	Coin Drop Kit	Single; Taiwan; 10 NT
	70506901	Coin Drop Assembly	Single; Singapore; \$1.00 NEW
	70441603	Coin Drop	Dual; U.S.A.; \$.25 and \$1.00
	38519	Coin Drop Assembly	Dual; Japan; 100 yen and 500 yen
	70441602	Coin Drop Assembly	Dual; Canada; .25 and 1.00
	38467	Coin Drop Assembly	Dual; Australia; \$0.20 and \$1.00
	70447301	Coin Drop Assembly	Dual; Australia; \$1.00 and \$2.00
	70283102	Coin Drop Assembly	Dual; 0.20 and 0.50 Euro
	210195	Coin Drop Assembly	Dual; 0.20 and 1.00 Euro
	210196	Coin Drop Assembly	Dual; 0.50 and 1.00 Euro
	F0160737-00	Coin Meter	Dual; 0.50 and 2.00 Euro
	70281102	Coin Drop Assembly	Dual; Taiwan; 10 and 50 NT
	70482401	Coin Drop Assembly	Dual; New Zealand ; \$1.00 and \$2.00
	38462P	Coin Drop Assembly	Single; Token; STD 118-1
	38463	Coin Drop Assembly	Single; Token; STD 118-5
	38963P	Coin Drop	Single; Token STD 118-16
	39748	Coin Drop	Single; Jeton 08MS
	201141	Coin Drop Assembly	Single; Token; Jeton wh121
	70471601	Coin Drop Assembly	Single; Token; 7K
	70513302	Electronic Coin Drop Assembly	Euro and Great Britain coins
	70513310	Electronic Coin Drop Assembly	Japan and Thailand coins
	70513304	Electronic Coin Drop Assembly	Australia, New Zealand, Hong Kong and South Korea coins
	70513303	Electronic Coin Drop Assembly	Denmark, Norway and Euro coins
	70513306	Electronic Coin Drop Assembly	Mexico, Ecuador and U.S.A. coins
	70294107	Electronic Coin Drop Assembly	Lithuania, Latvia and Euro coins
	70513311	Electronic Coin Drop Assembly	China and Malaysia coins
	70513308	Electronic Coin Drop Assembly	South African 1, 2 and 5 rand coins
	70513309	Electronic Coin Drop Assembly	Euro coins
	70513312	Electronic Coin Drop Assembly	Russia coins
	70513313	Electronic Coin Drop Assembly	Phillipines coins
70513314	Electronic Coin Drop Assembly	Thailand coins	
70513315	Electronic Coin Drop Assembly	Chile coins	
70513316	Electronic Coin Drop Assembly	Singapore coins	
2	200674P	Opto Coupler	
3	201595P	Wire Guard	

Coin Drop Kits

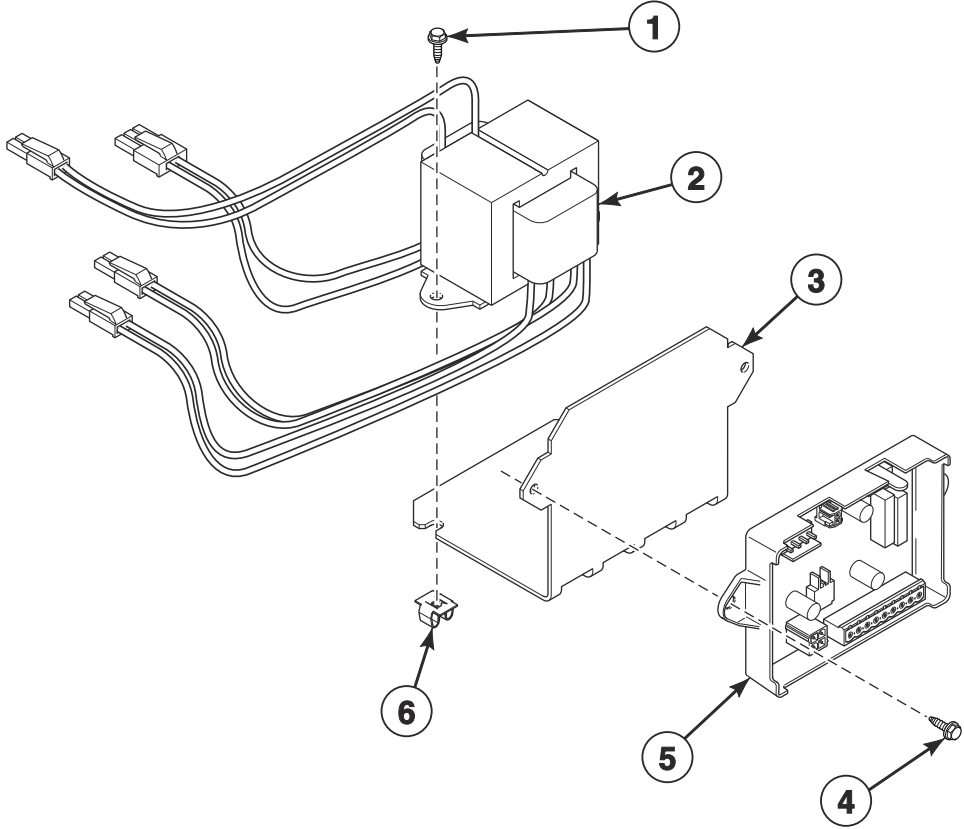


TMB3699PA_70621301

Coin Drop Kits

REF	PART NO.	DESCRIPTION	COMMENTS
	CK115	Electronic Coin Drop Kit	United States and Canada
	CK099	Electronic Coin Drop Kit	Australia (default), New Zealand, Hong Kong, South Korea and Malaysia
	CK100	Electronic Coin Drop Kit	United Kingdom (default) and Europe
	CK101	Electronic Coin Drop Kit	Europe (default), Denmark and Norway
	CK108	Electronic Coin Drop Kit	South Africa
	CK109	Electronic Coin Drop Kit	Euro
	CK110	Electronic Coin Drop Kit	Mexico (default), Ecuador and United States
	CK113	Electronic Coin Drop Kit	Japan and Taiwan
	CK116	Electronic Coin Drop Kit	Malaysia (default) and China
	CK117	Electronic Coin Drop Kit	Russia
	CK118	Electronic Coin Drop Kit	Philippine
	CK119	Electronic Coin Drop Kit	Thailand
	CK120	Electronic Coin Drop Kit	Chile
	CK121	Electronic Coin Drop Kit	Singapore
	CK122	Coin Drop Kit	New Zealand; 1.00 and 2.00

Central Pay and Card Reader Components

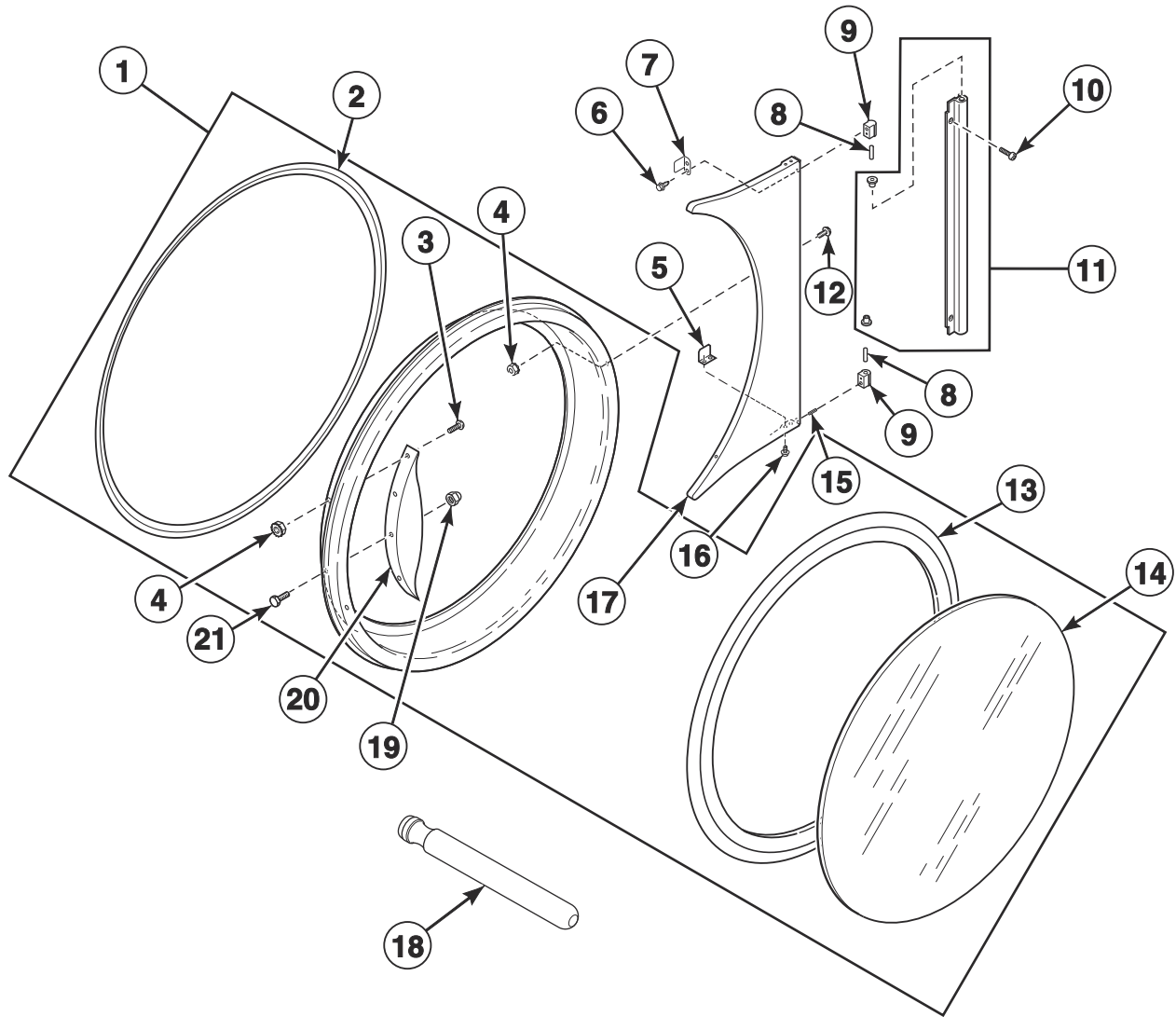


TMB3707P_70621301

Central Pay and Card Reader Components

REF	PART NO.	DESCRIPTION	COMMENTS
	44355601	Central Pay Harness	Routes from central pay board to control tray
	44272301	Transformer Harness	100-120 Volt; Routes from transformer to I/O Control Assembly; Card and central pay
	44272302	Transformer Harness	200-480 Volt; Routes from transformer to I/O Control Assembly; Card and central pay
	44355604	Central Pay Board Harness	Routes from central pay board to transformer
	44355606	Central Pay Harness	Routes from central pay board to front end control
	203346	USB IR Interface Kit	
	70666802	Fob Reader Kit	Models through 12/31/20
	70666806	Fob Reader Kit	Models starting 1/1/21
1	M411072	Screw	
2	202757	Transformer	100-120 Volt; Card and central pay
	202758	Transformer	200-480 Volt; Card and central pay
3	70604001	Mounting Bracket	
4	51780	Screw	2 required
5	70612702	Central Pay Kit	100-120 Volt
	70612704	Central Pay Kit	200-480 Volt
6	70030501	Expansion Clip	2 required

Door and Hinge Components - Design 4 H and S Models



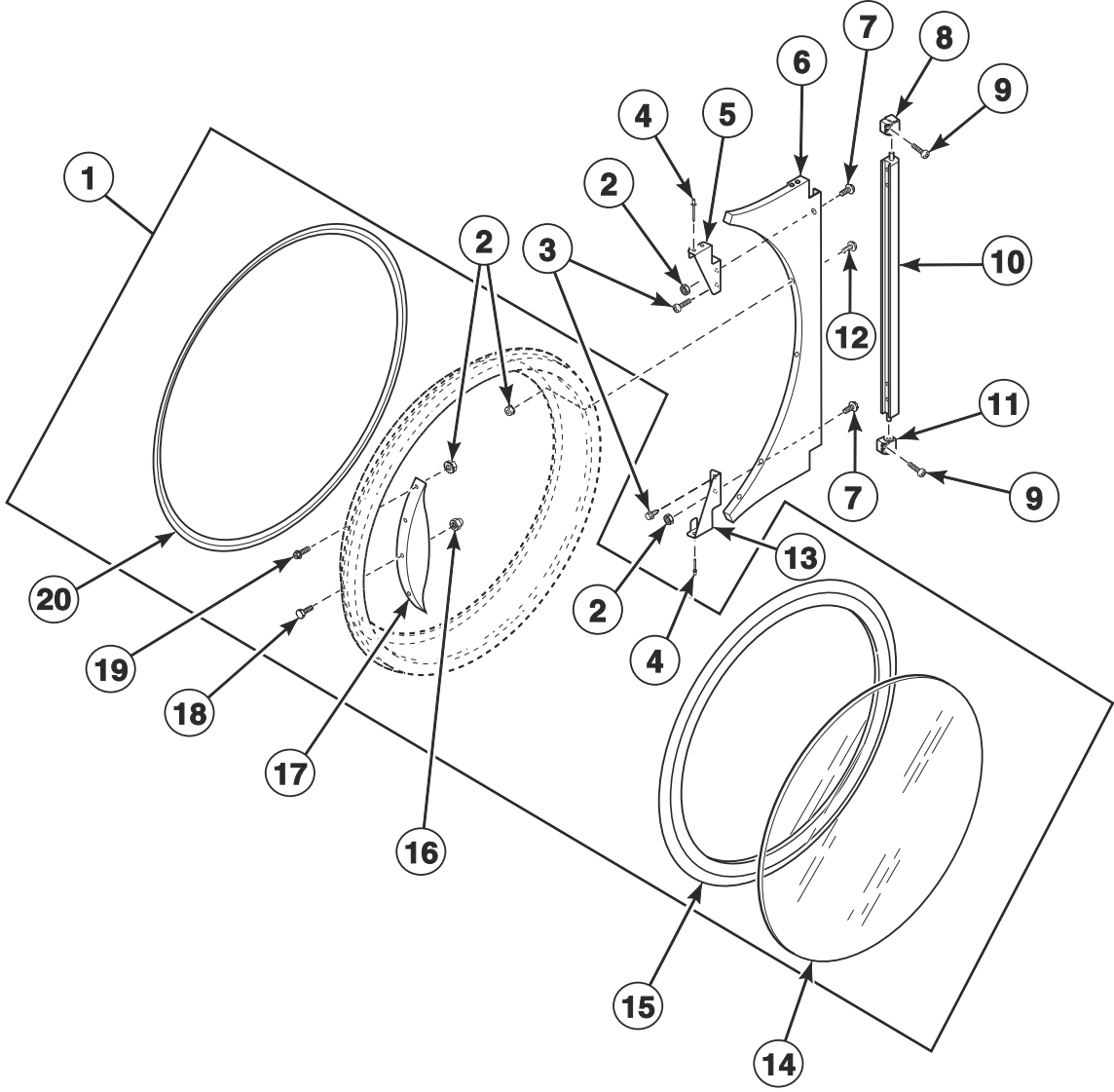
TMB3690P_70621301

Door and Hinge Components - Design 4 H and S Models

REF	PART NO.	DESCRIPTION	COMMENTS
	70650401	Door Glass Label	H models
	70707701	Door Glass Label	S models
	70707501	Max Fill Line Label	
1	70597702	Door Assembly	Chrome
2	70296801	Door Ring Gasket	
3	70442101	Screw	4 required
4	44088001	Nut	
5	70532101	Door Switch Actuator	Bottom
6	70576101	Screw	
7	70532102	Door Switch Actuator	Top
8	70071401	Pin	
9	70622401	Hinge Cam Kit	Chrome
10	FR004022	Screw	
11	70601008	Door Hinge Lug Assembly	Chrome
12	44349101	Screw	
13	70211901P	Door Glass Seal Kit	Use Loctite 414 for seal
14	M400784P	Door Glass	
15	70436301	Screw	
16	70058501	Pop Rivet	
17	70595502	Door Hinge	Chrome
18	M4221P4	Door Glass Installation Tool	
19	M414215	Nut	For door strike; Mounts between door strike screw and door handle
20	44007902P	Door Handle	
21	M400661	Screw	Door Strike

Door and Hinge Components - Design 5 Models

BG, BR, BU, HG, HT, JU, PG, PR, PU, SG and ST Models

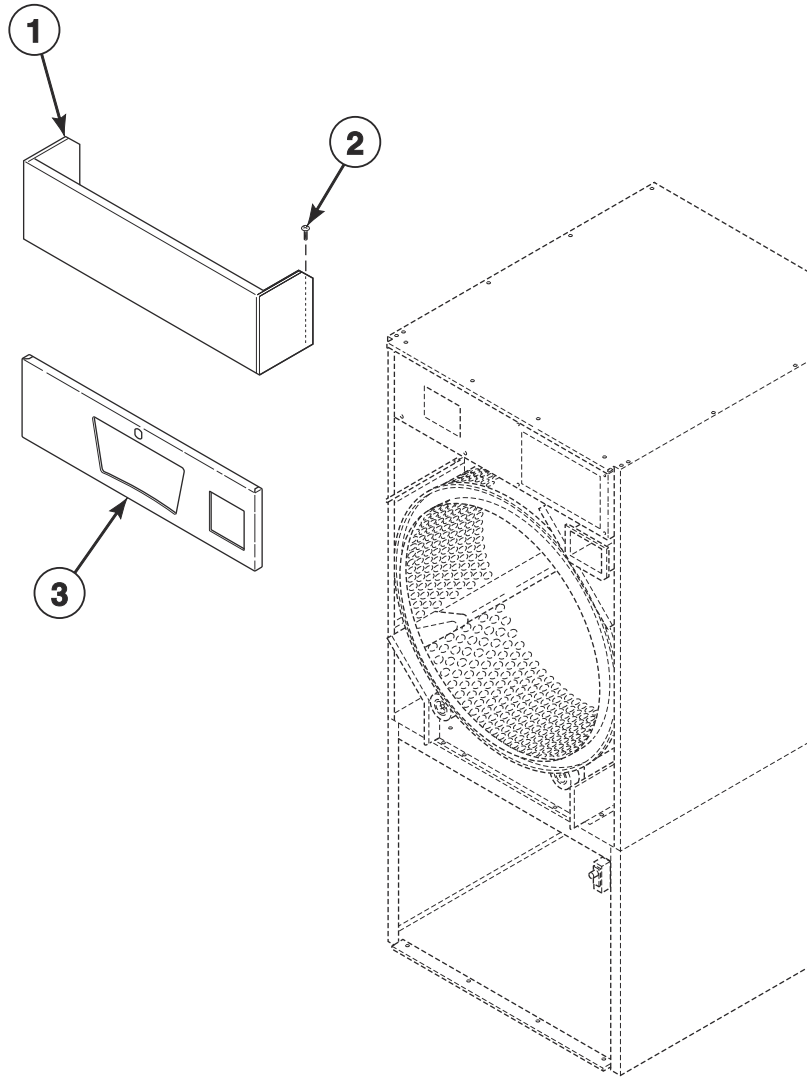


TMB3805P_70621301

Door and Hinge Components - Design 5 Models

REF	PART NO.	DESCRIPTION	COMMENTS
	70650401	Door Glass Label	H models
	70707701	Door Glass Label	S models
	70707501	Max Fill Line Label	
1	70597702	Door Assembly	Chrome; H and S models
	70597709	Door Assembly	Black; B, J and P models
2	44088001	Nut	
3	802822	Screw	
4	70058501	Pop Rivet	
5	70632001	Upper Hinge Gusset	
6	70632706W	Door Hinge	White; H and S models
	70632704	Door Hinge	Stainless steel; H and S models
	70632708	Door Hinge	Chrome; H and S models
	70632710B	Door Hinge	Black; B, J and P models
7	70640201	Screw	
8	70639301	Upper Lug Assembly	Use with 2 of item 9; H and S models
	70639303	Upper Lug Assembly	Use with 2 of item 9; B, J and P models
9	70640301	Screw	H and S models
	F8458801	Screw	B, J and P models
10	70640402	Center Hinge Lug Assembly	
11	70639302	Lower Lug Assembly	Use with 2 of item 9; H and S models
	70639304	Lower Lug Assembly	Use with 2 of item 9; B, J and P models
12	44349101	Screw	
13	70632002	Lower Hinge Gusset	
14	M400784P	Door Glass	
15	70211901P	Door Glass Seal Kit	Use Loctite 414 for seal
16	M414215	Nut	For door strike; Mounts between door strike screw and door handle
17	44007902P	Door Handle	
18	M400661	Screw	Door Strike
19	70442101	Screw	4 required
20	70296801	Door Ring Gasket	

Control Panels and False Fronts

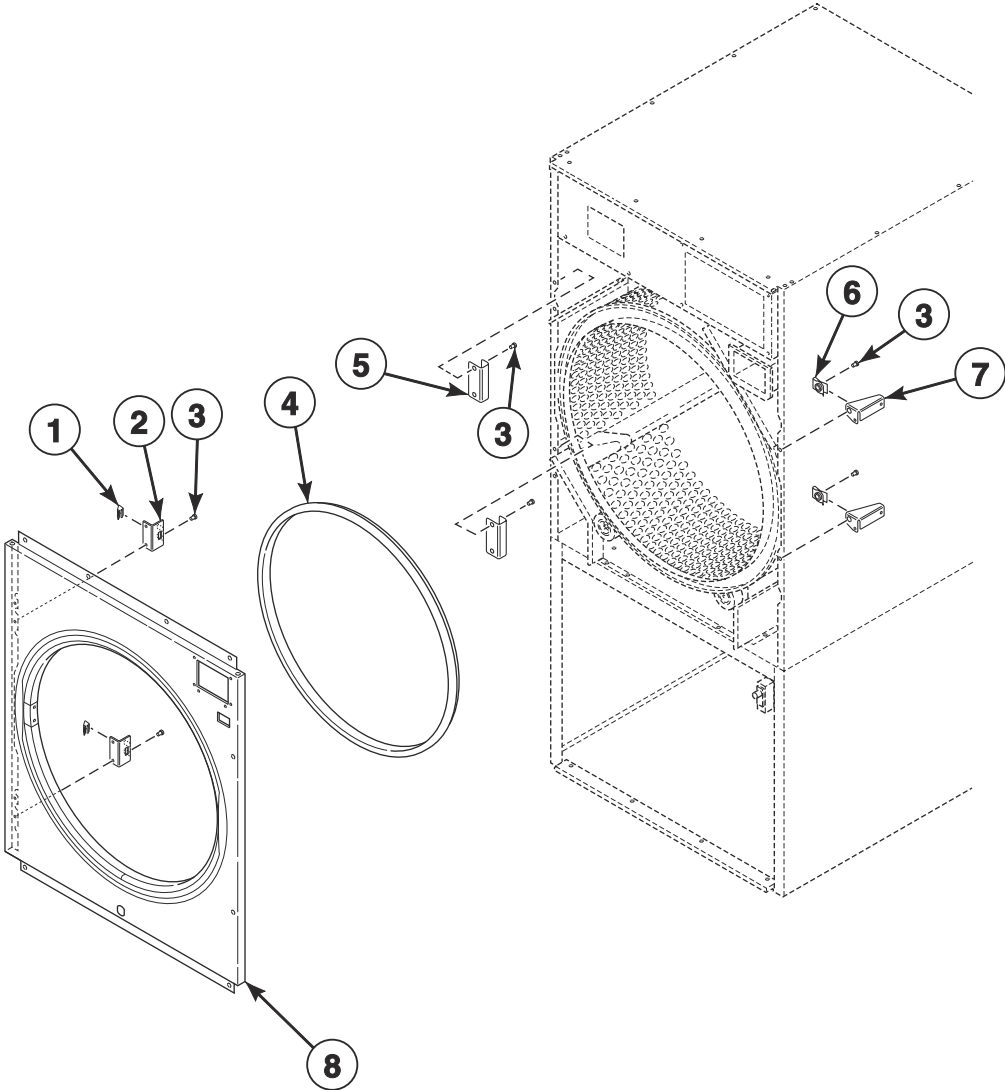


TMB3692P_70621301

Control Panels and False Fronts

REF	PART NO.	DESCRIPTION	COMMENTS
1	70021104	False Front	72 inches; Stainless steel
	70024004	False Front	76 inches; Stainless steel
2	M405188	Screw	4 required
3	70583401	Control Panel	Stainless steel; Coin/card
	70583402	Control Panel	Stainless steel; Central pay and OPL

Front Panel Assemblies - Design 4 H and S Models



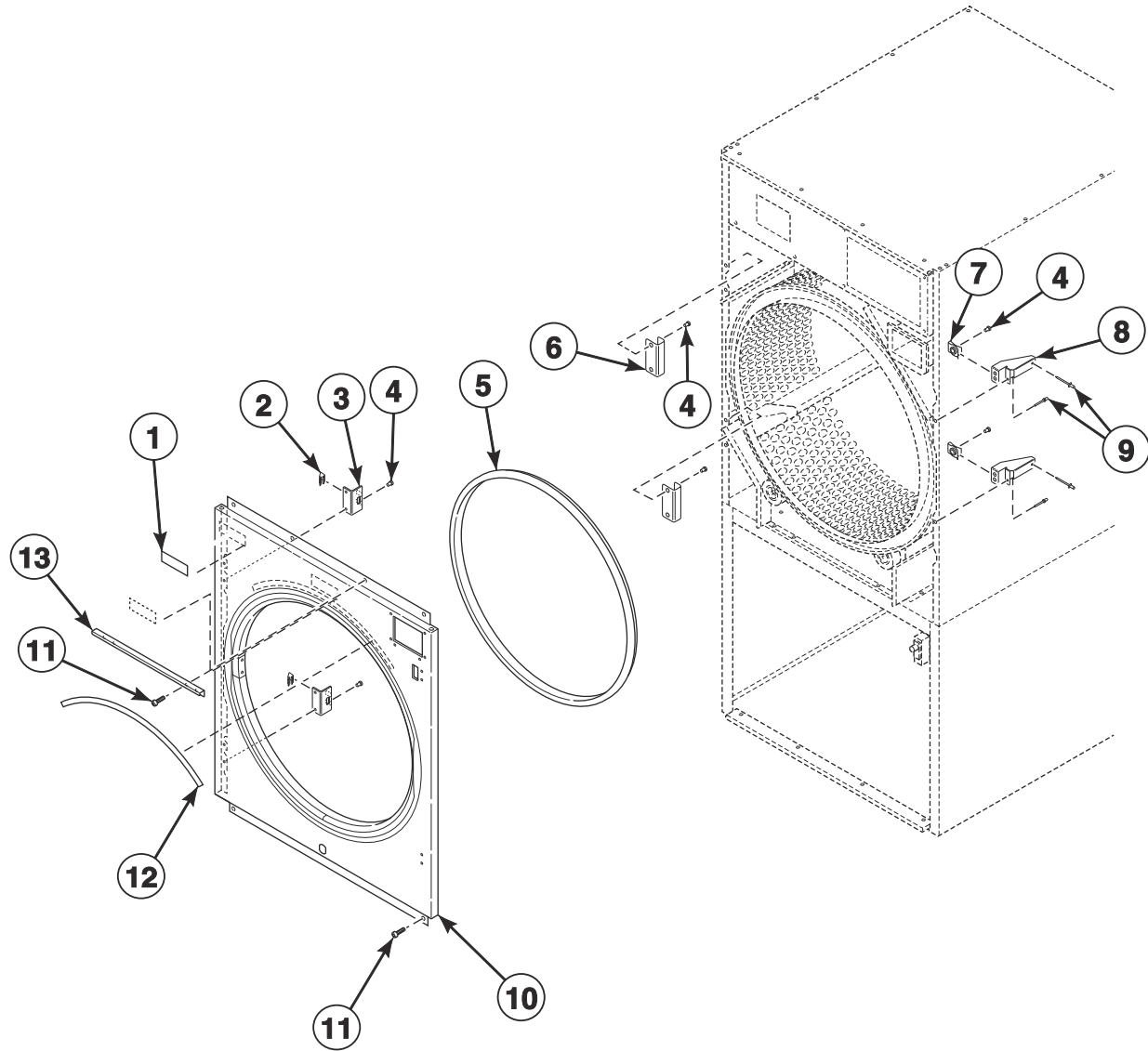
TMB3693P_70621301

Front Panel Assemblies - Design 4 H and S Models

REF	PART NO.	DESCRIPTION	COMMENTS
	70534301	Warning Label	English
	70534302	Warning Label	French
	70534300	Label Kit	Warning; IEC models
	70289101P	Gasket	Sold per foot; Used behind item 8
1	35865	Hold-Down Clip	2 required
2	70604801	Clip Mount Bracket	2 required
3	70058501	Pop Rivet	
4	70173401P	Front Panel Seal	
5	70604901	Clip Keeper Bracket	2 required
6	70030401	Nut	2 required
7	70610501	Bracket	2 required
8	70705111	Front Panel Assembly	Coin
	70705112	Front Panel Assembly	Card and central pay

Front Panel Assemblies - Design 5 Models

BG, BR, BU, HG, HT, JU, PG, PR, PU, SG and ST Models

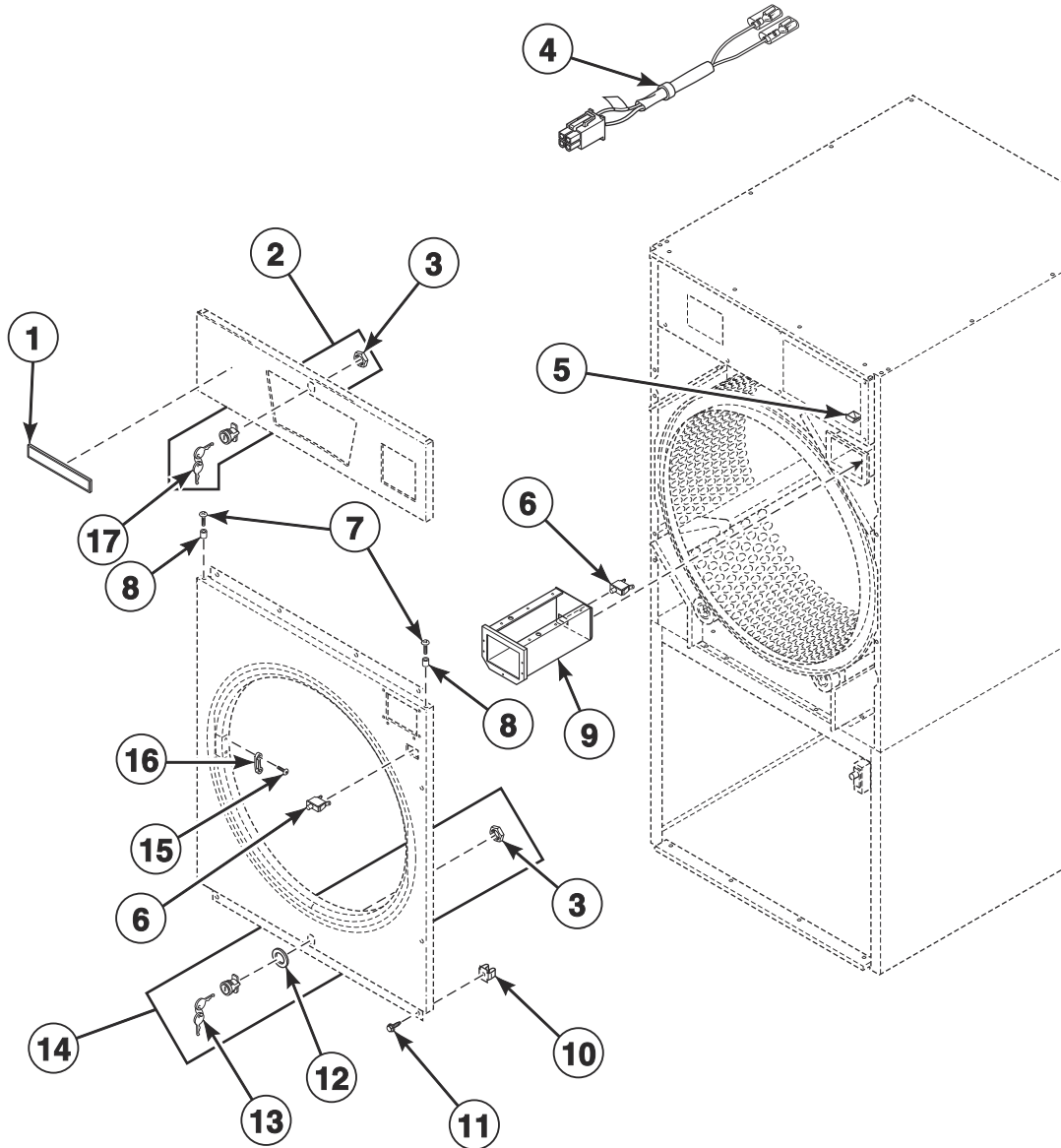


TMB3806P_70621301

Front Panel Assemblies - Design 5 Models

REF	PART NO.	DESCRIPTION	COMMENTS
	70289101P	Gasket	Sold per foot; Used behind item 10
1	70537001	Label	C.A.R.E.; B, H, P and S models
2	35865	Hold-Down Clip	2 required
3	70604801	Clip Mount Bracket	2 required
4	70058501	Pop Rivet	
5	70173401P	Front Panel Seal	
6	70604901	Clip Keeper Bracket	2 required
7	70030401	Nut	2 required
8	70634201	Bracket	
9	70614201	Rivet	
10	70705211	Front Panel Assembly	Stainless steel; Coin; B, H, P and S models
	70705212	Front Panel Assembly	Stainless steel; Card, central pay and OPL; Without e-stop; BG, BR, H, PG, PR and S models
	70705214	Front Panel Assembly	Stainless steel; OPL; With e-stop; BU, JU and PU models
	70705211W	Front Panel Assembly	Coin; H and S models
	70705212W	Front Panel Assembly	Card and central pay; H and S models
11	M411072	Screw	
12	70534301	Warning Label	English
	70534302	Warning Label	French
13	70641501	Control Panel Stand Bracket	

Cabinet Front Components



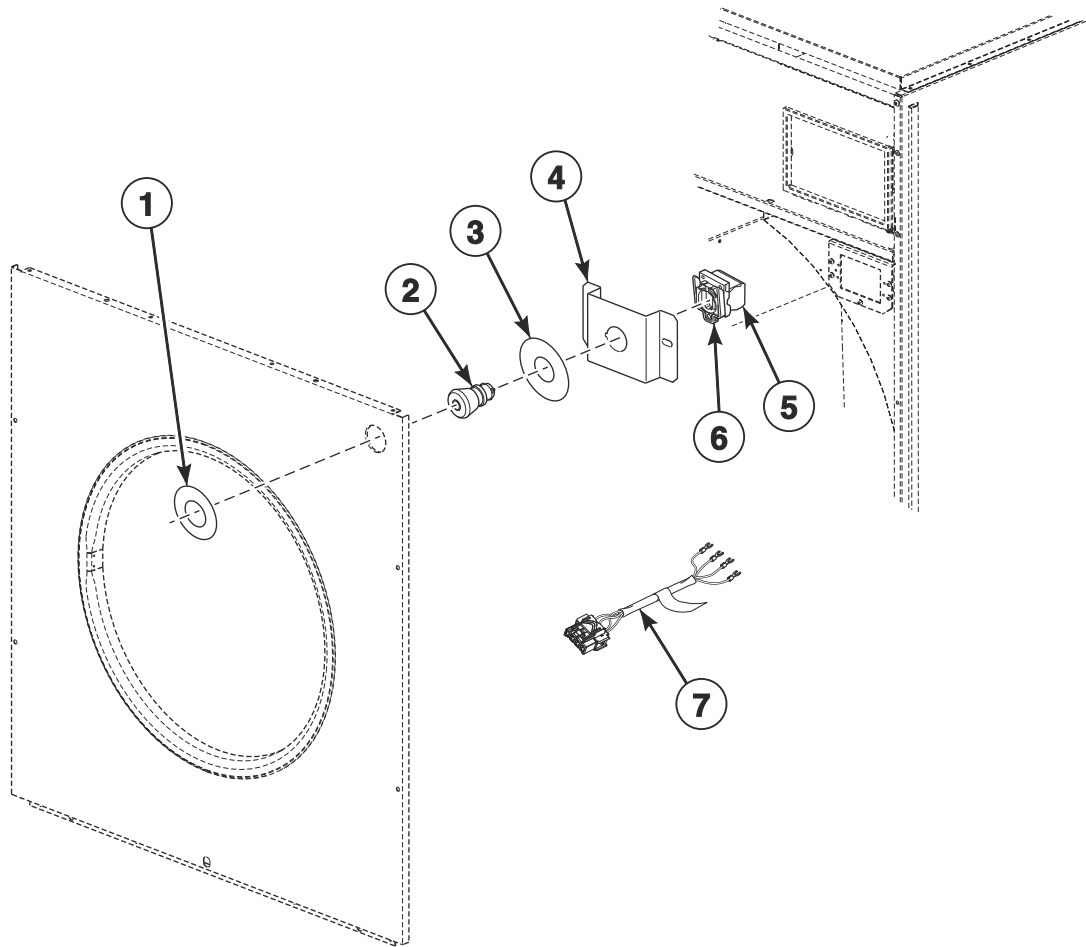
TMB3694P_70621301

Cabinet Front Components

REF	PART NO.	DESCRIPTION	COMMENTS
	44334103	Bypass Harness	Card and central pay
	70482901	Door Catch Kit	
1	F8664901	Nameplate	Design 4 S models
	F8688801	Nameplate	Design 5 S models
	F8687701	Decal	H models
	567293	Nameplate	B models
	567887	Nameplate	P models
	70686001	Nameplate	J models
	70686101	Nameplate	J models; SAFE
2	44089301P	Lock, Key and Nut Kit	RL001; Chrome
	44089304	Panel Lock	RL001; Chrome
3	44088801	Nut	
4	44334101	Coin Vault Switch Harness	
5	70296401	Coin Chute Assembly	
6	70413301	Pushbutton Switch	
7	39733	Screw	
8	56079	Panel Locator	9 required
9	70529501	Coin Vault Assembly	
	F160673P	Coin Box	Optional equipment; Includes lock and key
10	70030501	Expansion Clip	8 required
11	M411072	Screw	8 required
12	70342401	Lock Shim	
13	70155602	Key	RL002
14	44089302P	Lock, Key and Nut Kit	RL002; Chrome
	44089305	Panel Lock	RL002; Chrome
15	44166601	Pop Rivet	
16	M401223	Door Latch	
17	70155601	Key	RL001

Emergency Stop Button - OPL Models

B, J and P Models

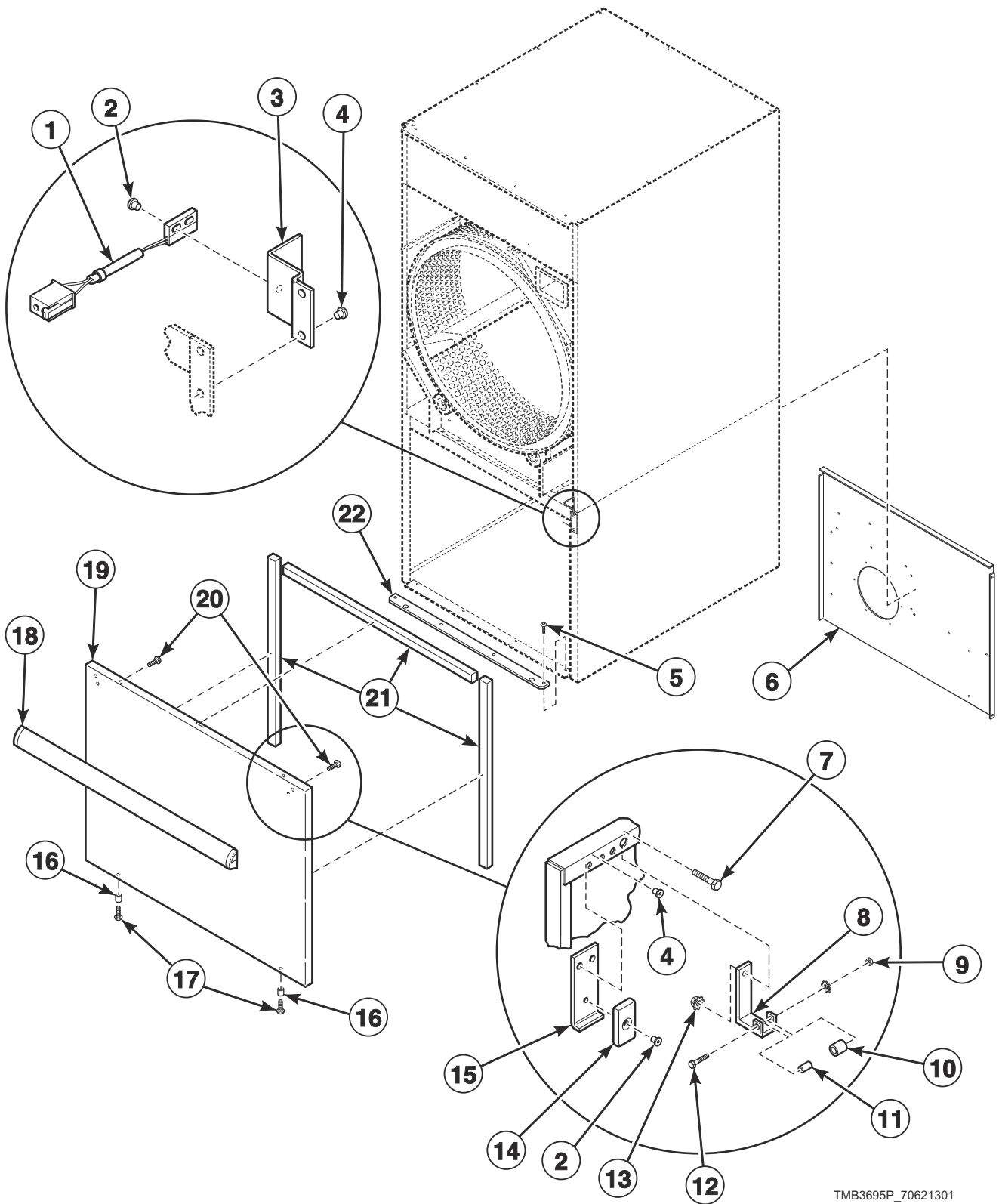


TMB3513P_70621301

Emergency Stop Button - OPL Models

REF	PART NO.	DESCRIPTION	COMMENTS
	70580301	Emergency Stop Button Kit	Includes items 2-4
	F8519403	Emergency Stop Bypass Harness	Coin, card and central pay
1	44012903	Emergency Stop Label	
2	F200233500	Emergency Stop Pushbutton	
3	44012901	Emergency Stop Label	
4	70550401	Emergency Stop Mounting Bracket	
5	F8069501	Contact Switch	2 required
6	F8538101	Contact Base	
7	44272401	Emergency Stop Harness	

Lower Cabinet Components

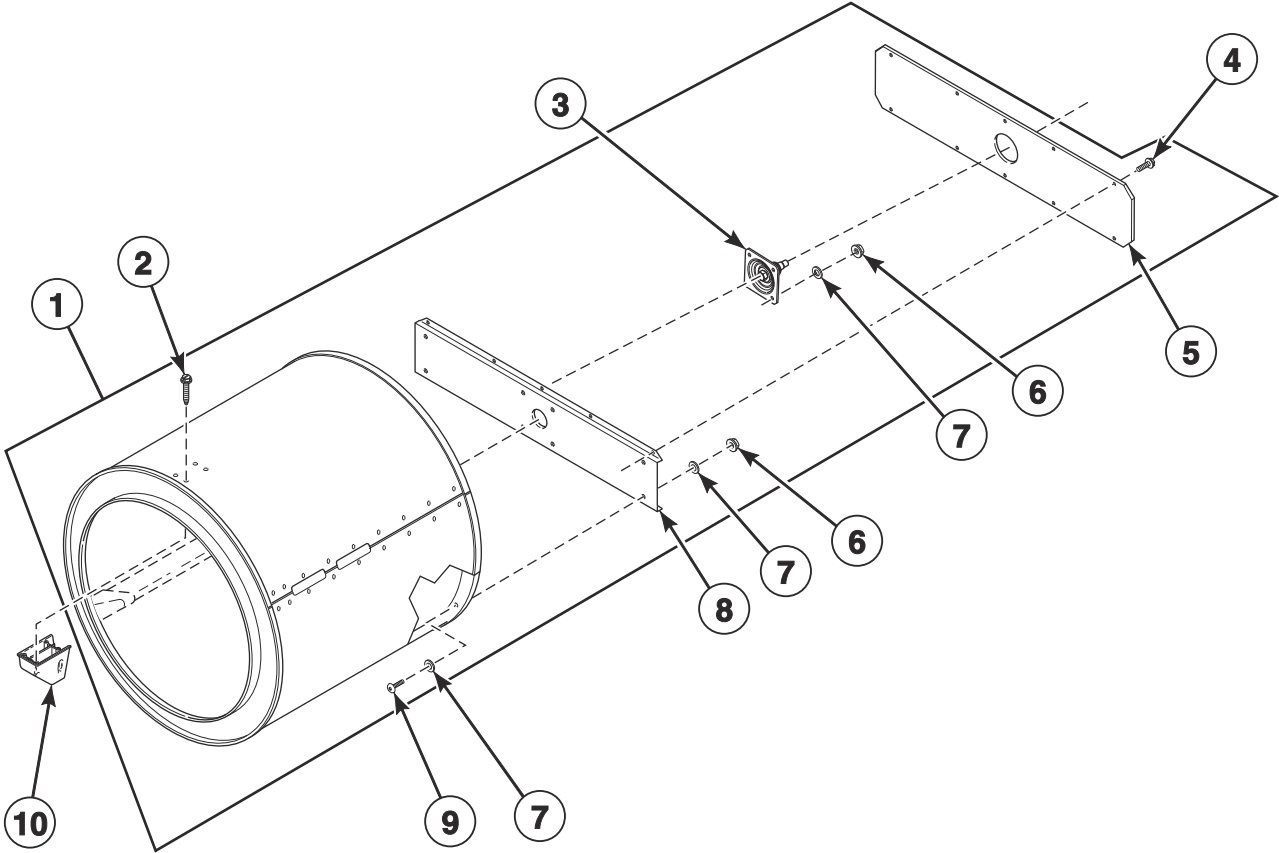


TMB3695P_70621301

Lower Cabinet Components

REF	PART NO.	DESCRIPTION	COMMENTS
	70126301	Pop Rivet	J models; For attaching kickplate; Black; 6 required
	70117603	Kickplate	J models; Black
1	F8066804	Reed Switch Assembly	
2	F8245101	Blind Rivet	
3	70508501	Switch Bracket	
4	70058501	Pop Rivet	
5	430497	Screw	
6	70564401	Rear Lint Panel	
7	70132301	Screw	Attaching roller catch
8	70030301	Roller Catch Arm	
9	23951	Nut	
10	70297601	Roller Catch Wheel	
11	70030201	Roller Catch Spacer	
12	70072801	Screw	
13	51236	Nut	Attaching roller catch
14	70343101	Magnet	
15	44290501	Magnet Bracket	
16	56079	Panel Locator	
17	39733	Screw	
18	70154403	Handle and Caps Assembly	
19	70515505	Lint Panel	Stainless steel
	70515506W	Lint Panel	Design 5 H and S models
20	430757	Screw	For attaching handle; 6 required
21	70289101P	Gasket	Sold per foot
22	70016701	Lint Panel Pivot Plate	

Cylinder and Trunnion Assembly

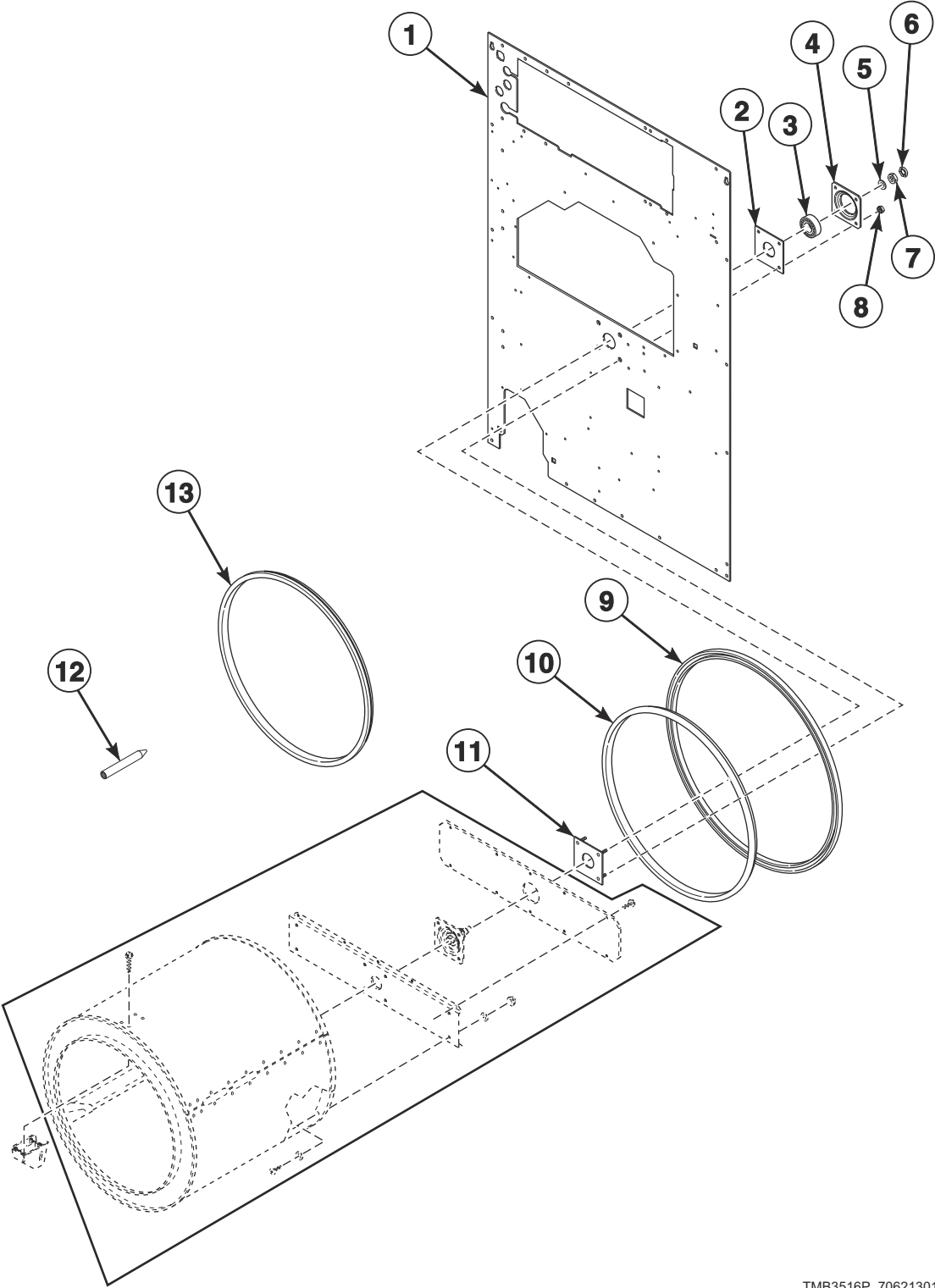


TMB3696P_70621301

Cylinder and Trunnion Assembly

REF	PART NO.	DESCRIPTION	COMMENTS
	70343101P	Drywall Screw Magnet Kit	
1	70372601P	Cylinder Assembly	Galvanized
	70372602P	Cylinder Assembly	Stainless steel
2	62588	Screw	12 required
3	70564803	Trunnion and Seal Kit	Includes 70013702 Rear Cylinder Seal
4	430497	Screw	10 required
5	70257201	Rear Cylinder Channel Plate	
6	44087201	Nut	8 required
7	70411301	Washer	
8	70257101	Rear Cylinder Channel	
9	70391101	Screw	8 required
10	70070101	End Cap	

Cylinder Components

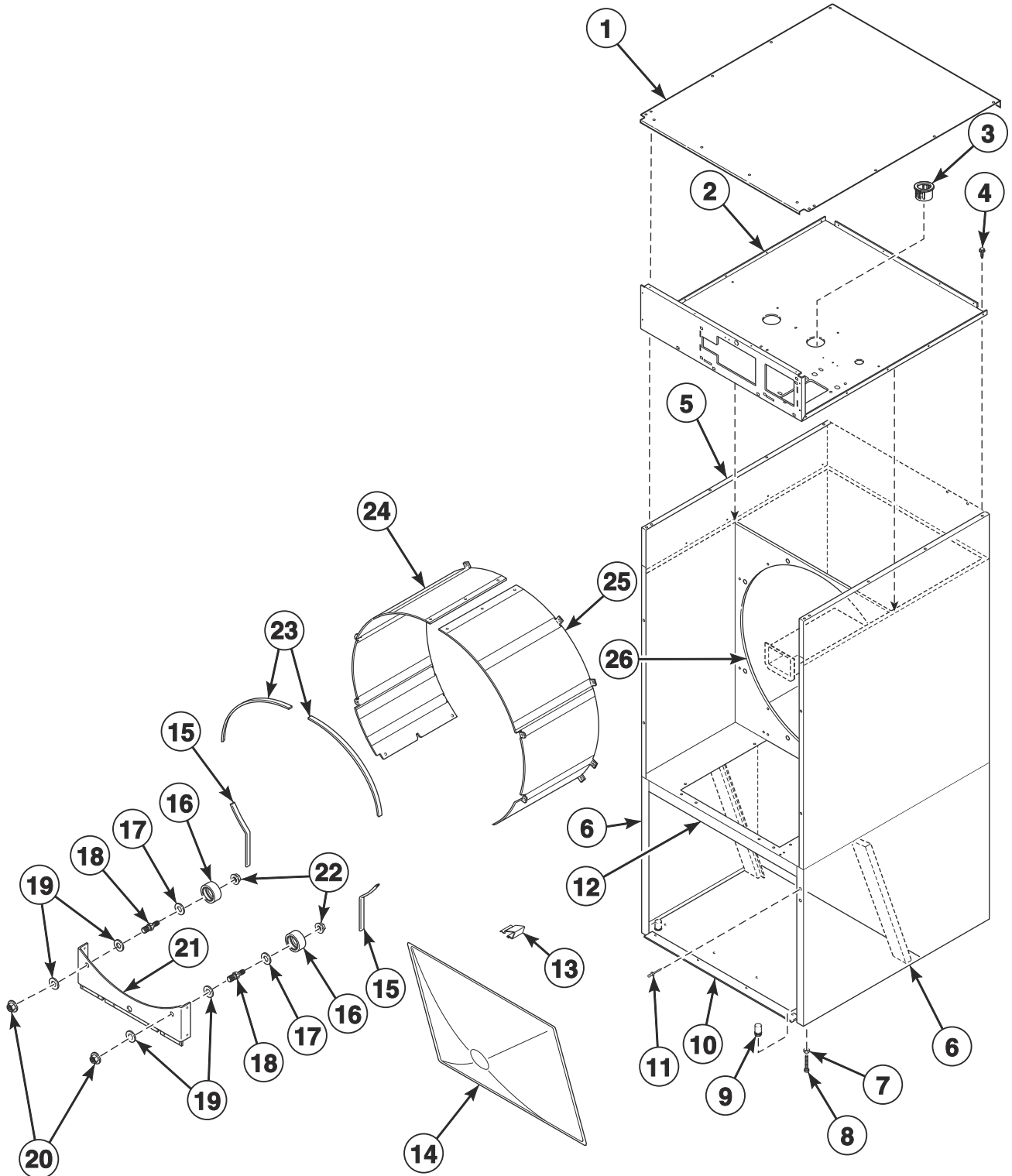


TMB3516P_70621301

Cylinder Components

REF	PART NO.	DESCRIPTION	COMMENTS
	70343101P	Drywall Screw Magnet Kit	
	430260P	Support Housing Bearing Assembly	Includes items 3, 4 and Loctite
1	70564701	Rear Panel	Gas models
	70564702	Rear Panel	Electric and steam models
2	70355001	Rear Bearing Shim	
3	70448701	Support Bearing	
4	70013901	Rear Cylinder Bearing Housing	
5	M400991	Washer	
6	M400034	Nut	
7	M400022	Nut	
8	M412986	Nut	4 required
9	70506402	Rear Cylinder Seal Support	
10	70013701P	Rear Cylinder Seal	Use with D511637P Adhesive
11	430352	Cylinder Bearing Stud Plate Assembly	
12	263P4	Cylinder Guide Tool	
13	70066003	Center Cylinder Seal	

Cabinet Components



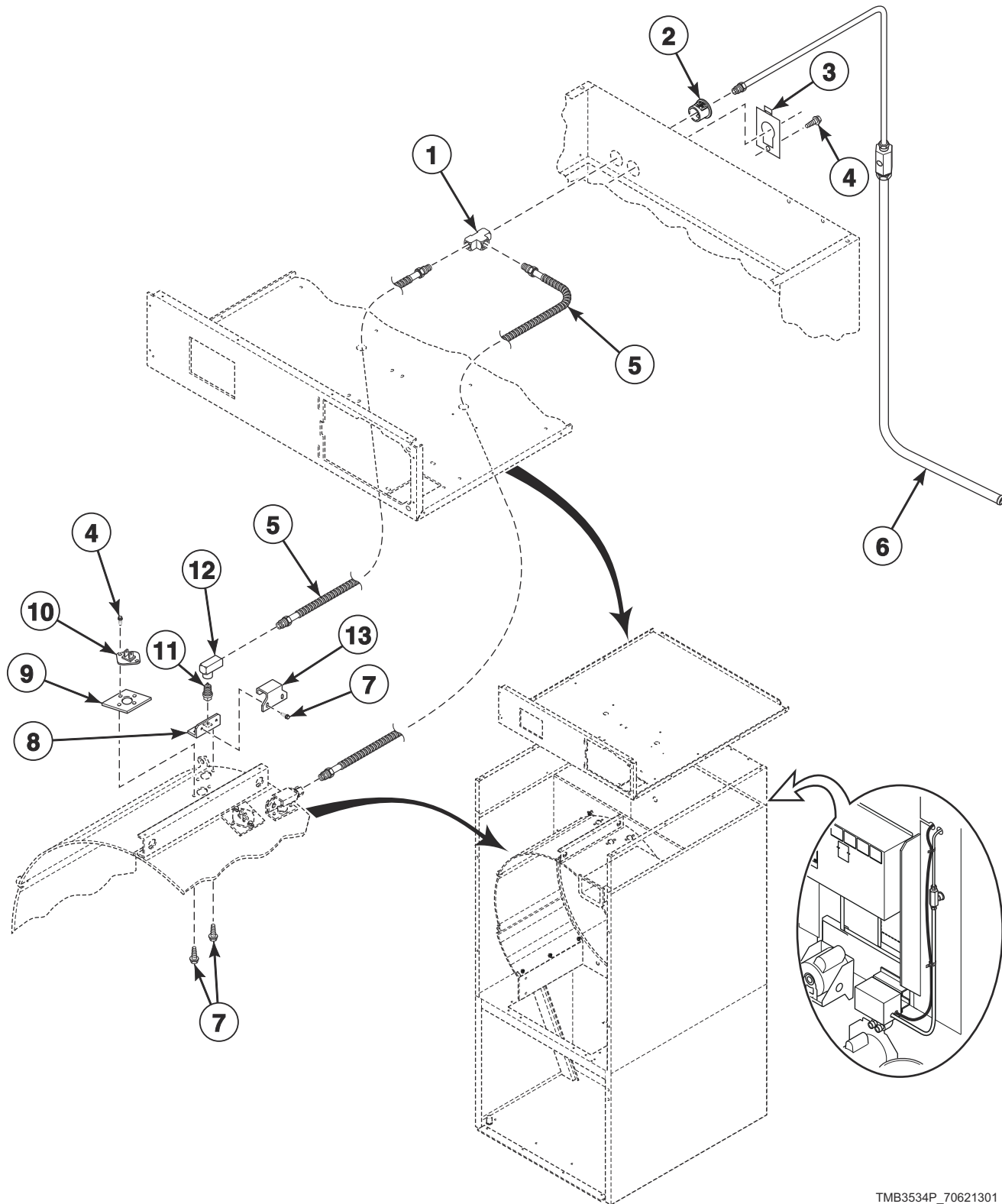
TMB3697P_70621301

Cabinet Components

REF	PART NO.	DESCRIPTION	COMMENTS
	M4379P4	Tumbler Dolly Kit	
	298P4P	Spray Paint	White
	122P4P	Porcelain Touch-Up Paint	White
1	70586501	Top Panel	
2	70641301	Top Pan	
3	70346501	Bushing	
4	430497	Screw	
5	70611101W	Side Panel	Upper; Design 4 S models
	70640902W	Side Panel	Upper; Design 5 H and S models
	70640901DG	Side Panel	Upper; Dark gray; B and P models
	70640902DG	Side Panel	Upper; Dark gray; J models
6	70253801WP	Side Panel	Lower; H and S models
	70253801DG	Side Panel	Lower; Dark gray; B and P models
	70253802DG	Side Panel	Lower; Dark gray; J models
7	21899	Nut	
8	70247701	Screw	
9	70063201	Hole Plug	
10	70326601	Lower Pan	
11	70058501	Pop Rivet	16 required; Upper side panel
12	70564501	Center Pan	
13	35865	Hold-Down Clip	
14	70325601	Lint Screen	
15	70015711	Sheet Metal Edge Gasket	Lower
16	70616701	Roller and Seal Kit	
17	70443601	Roller Seal	
18	70249501	Roller Shaft	
19	70261401	Washer	
20	M404993	Nut	
21	70328301	Roller Support Bracket	
22	430576	Nut	
23	70015710	Sheet Metal Edge Gasket	Upper
24	70347002	Cylinder Shroud	Left
25	70347001	Cylinder Shroud	Right
26	70252601	Center Partition	

Fire Suppression System Components

B, J and P Gas and Steam OPL Models



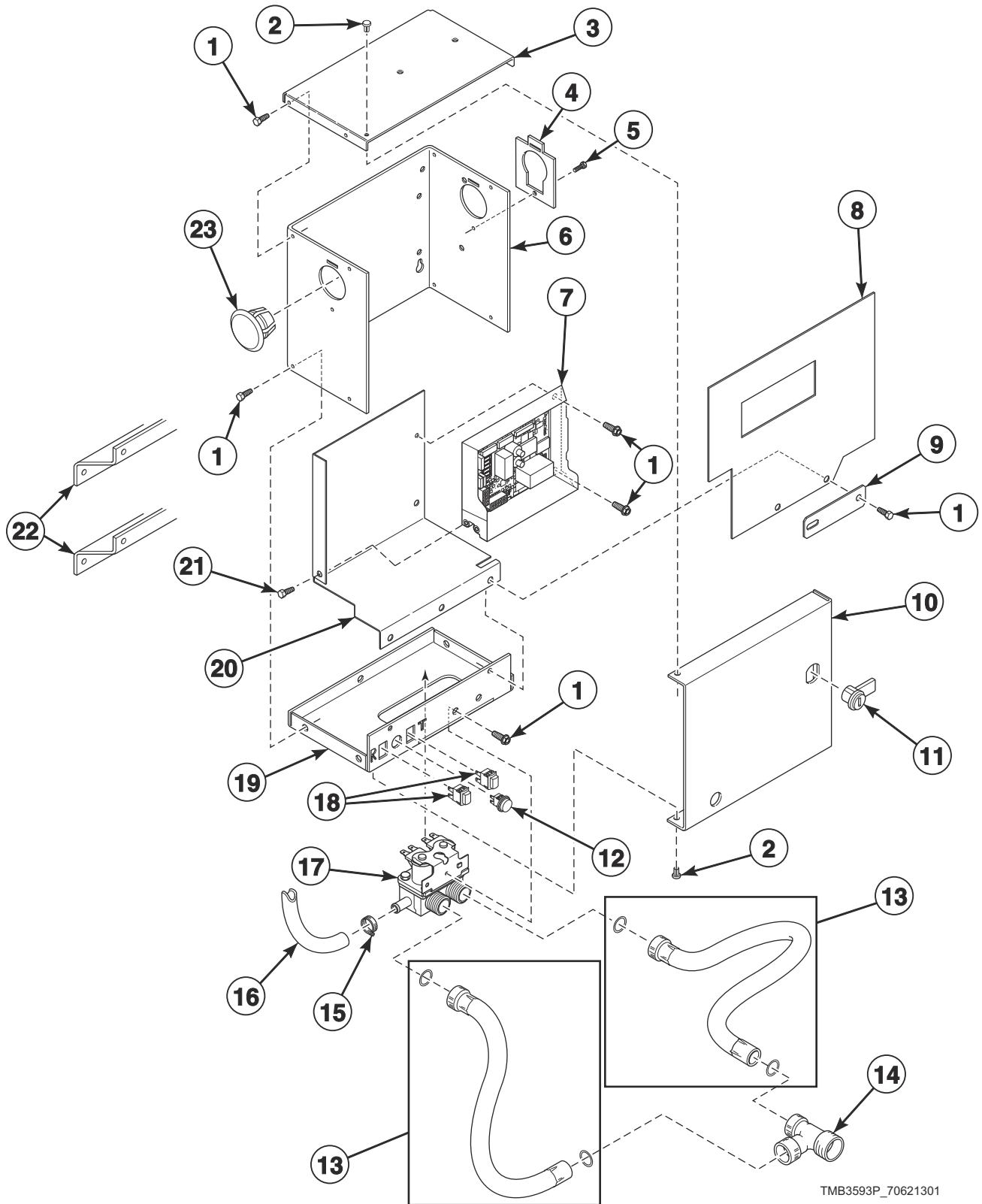
TMB3534P_70621301

Fire Suppression System Components

REF	PART NO.	DESCRIPTION	COMMENTS
1	70427901	Union Tee	
2	70178701	Snap Bushing	
3	70523301	Harness Adapter Plate	
4	51780	Screw	4 required
5	70427701	Spray Nozzle Hose	2 required
6	70427601	Tube Assembly	
7	430497	Screw	12 required
8	70424201	Nozzle Bracket	2 required
9	70424401	Thermistor Plate	2 required
10	44064701	Thermistor	2 required
11	70427801	Spray Nozzle	2 required
12	70428101	Elbow	2 required
13	70428601	Nozzle Bracket	2 required

Fire Suppression System Control Box

B, J and P Gas and Steam OPL Models

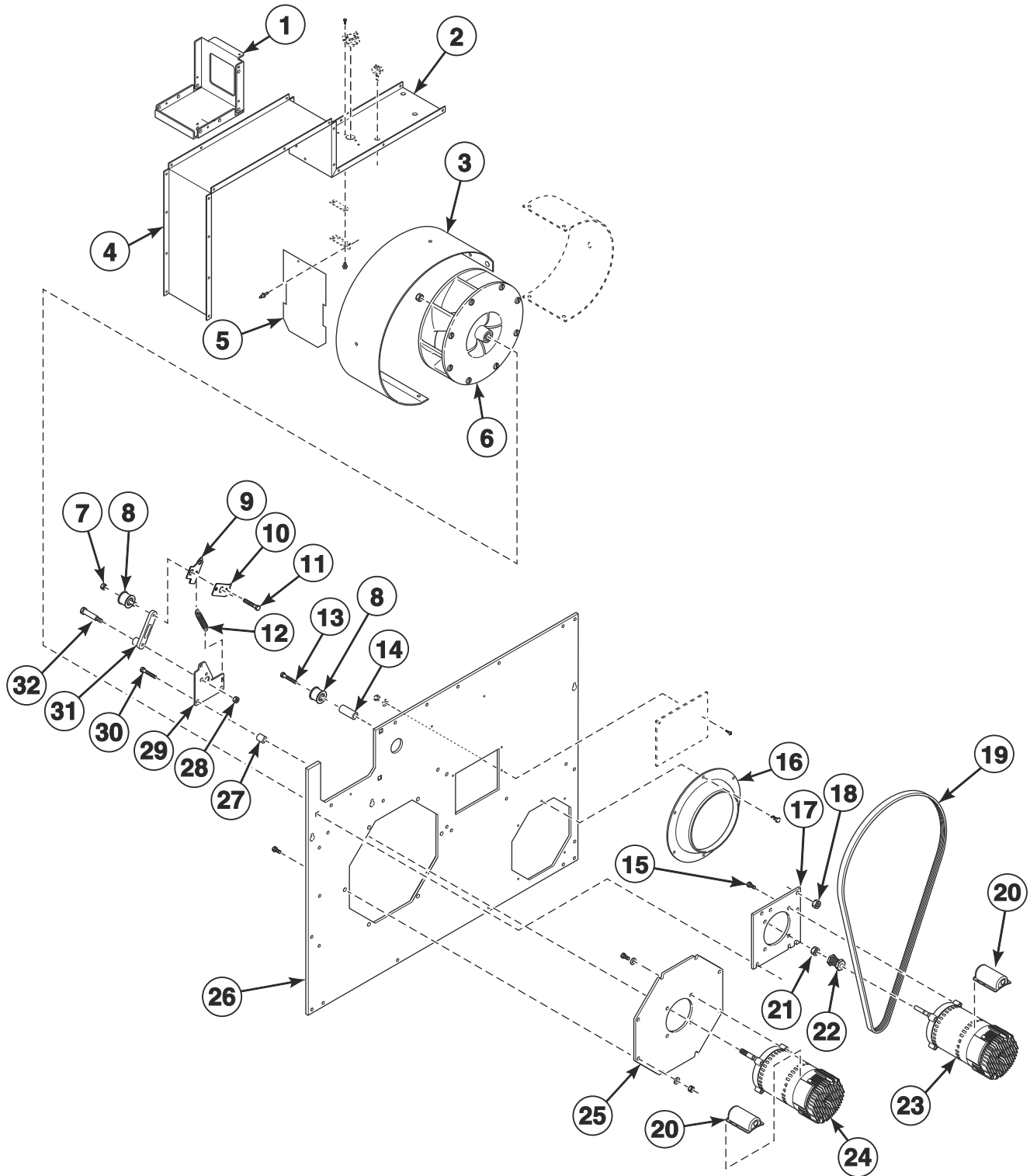


TMB3593P_70621301

Fire Suppression System Control Box

REF	PART NO.	DESCRIPTION	COMMENTS
	44340301	Cold Weather Kit	
	70155601	Key	RL001; Use with item 11
	44334404	Control Harness	
	44334405	Water Valve Harness	
	44334402	Power Sensor Harness	
	44334401	Interconnect Harness	
	44334406	Sensor Harness	
	44324501	Warning Label	F.S.S.; North America models
	44324500	Label Kit	F.S.S.; IEC models
	F8614401	Shock Warning Label	North America models
	F8614201	Shock Warning Label	IEC models
	44318200	Label Kit	IEC models
	44324502	Warning Label	
	44318201	Label	North America models
1	430497	Screw	
2	M400713	Drive Rivet	
3	44307101	Control Box Top	
4	70523301	Harness Adapter Plate	
5	51780	Screw	
6	44306701	Control Box Housing	
7	70511601	Control	
8	44326801	Shield	
9	70551701	Filter Mounting Plate	
10	44065201	Control Box Cover	
11	44089301P	Lock, Key and Nut Kit	RL001 key code; Optional if same key is to be used for control lock
12	801432	Light	
13	202799	Fill Hose	2 required
14	44069101	Hose Fitting	North America models
15	36801	Hose Clamp	
16	44073304	Hose	14 inches; Outlet hose
17	70519801	Mixing Valve	
18	801434W	Push-to-Start Switch	2 required
19	44065301	Control Box Base	
20	44306601	Mixing Valve Shield Bracket	
21	804608	Screw	
22	70601401	Mounting Bracket	
23	70180001	Plug	

Motor Components

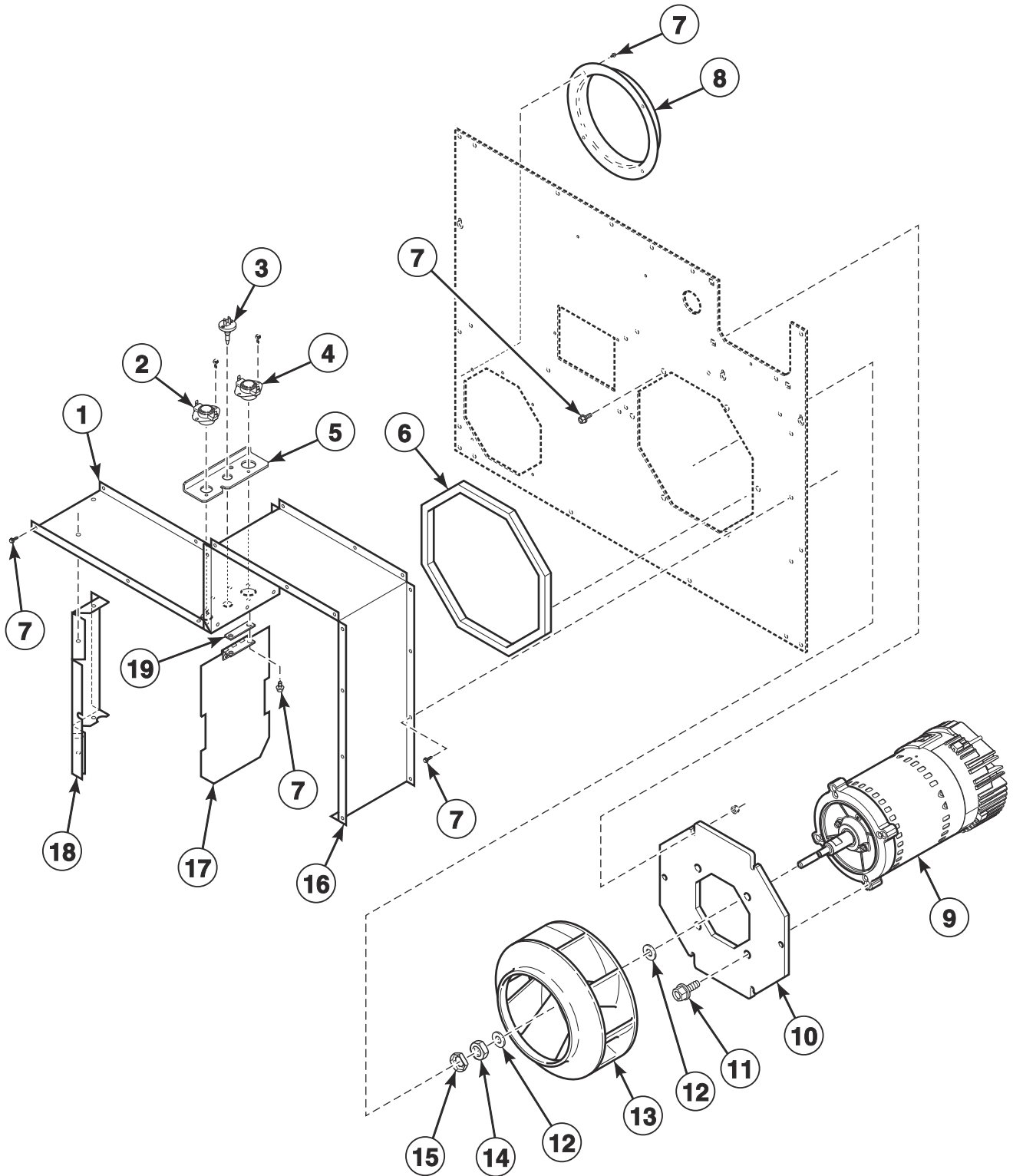


TMB3818P_70621301

Motor Components

REF	PART NO.	DESCRIPTION	COMMENTS
1	70564101	Motor Mount Bracket	
2	70554701	Blower Housing	Top
3	70016301	Blower Housing Scroll	
4	70215101	Blower Housing	
5	70209501	Damper and Hinge Exhaust Assembly	
6	70359801P	Blower Assembly	
7	56156	Nut	
8	70050401P	Idler Wheel Assembly	
9	70569501	Tensioning Bracket	
10	70543401	Spring Catch Bracket	
11	70508301	Screw	
12	70571801	Spring	
13	F430144	Screw	
14	70569603	Standoff	
15	70126104	Screw	
16	70477901	Exhaust Adapter	Eco models; 8 inch to 6 inch
	70015601	Exhaust Thimble	All other models; 8 inch
17	70564201	Motor Mount Plate	
18	44087201	Nut	
19	70655102	Lever Arm and Belt Kit	
20	70521901	Motor Conduit Mounting Bracket	
21	44333202	Nut	
22	70559101	Motor Pulley	
23	70478601P	Drive Motor	.33 HP; 120, 230 Volt/1 Phase
	70485001P	Drive Motor	.33 HP; 380-460 Volt/3 Phase
24	70478701P	Fan Motor	.50 HP; 120, 230 Volt/1 Phase
	70484901P	Fan Motor	.50 HP; 380-460 Volt/3 Phase
25	70349601	Blower Motor Mounting Plate	
26	70493301	Lower Rear Assembly	
27	70488403	Spacer	
28	44087301	Nut	
29	70571901	Drive Plate	
30	70546301	Screw	
31	70653801	Lever Arm and Bushing Assembly	
32	70501301	Screw	

Blower and Exhaust Components

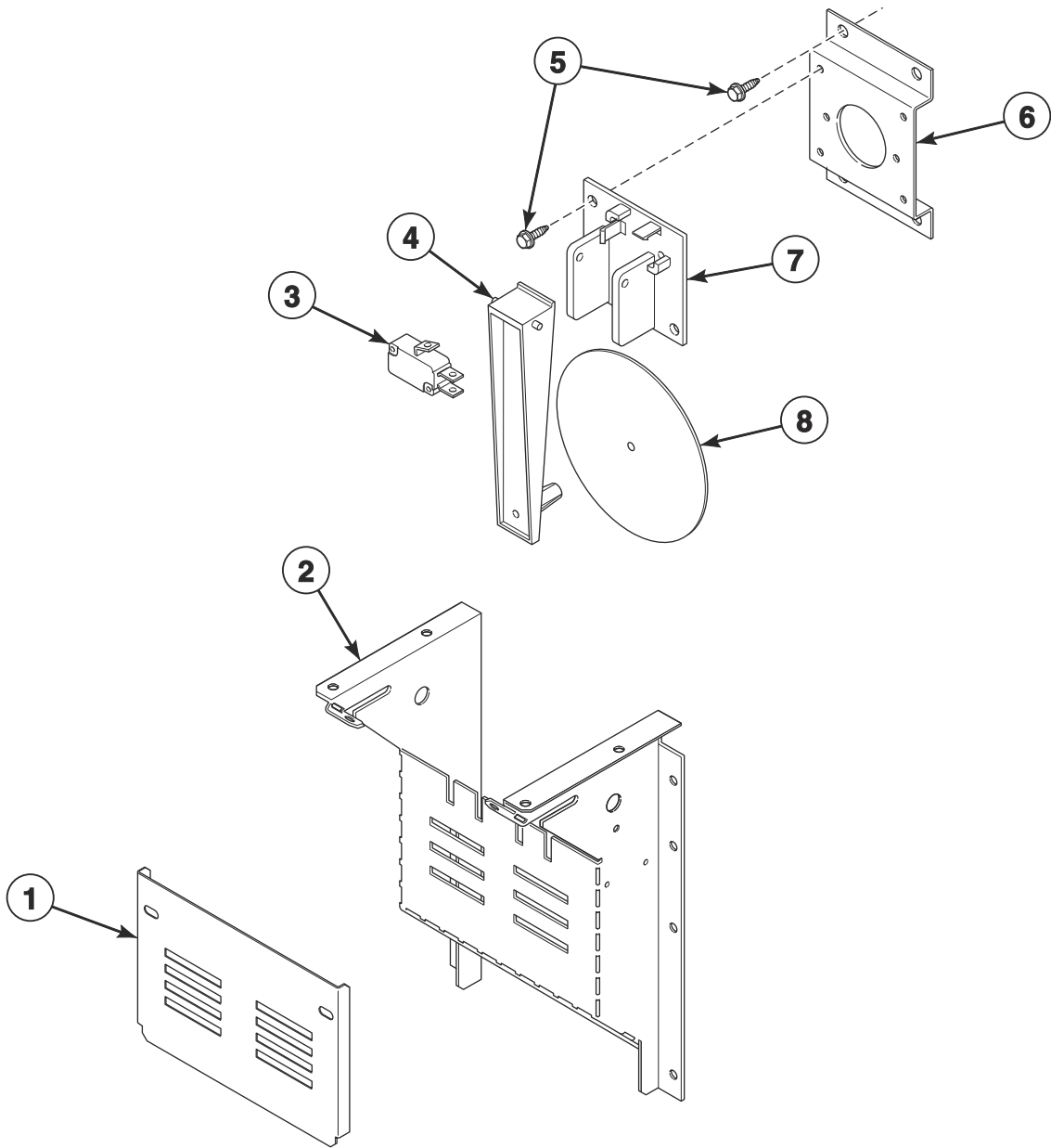


TMB3533P_70621301

Blower and Exhaust Components

REF	PART NO.	DESCRIPTION	COMMENTS
1	70554701	Blower Housing	Top
2	70530901	Limit Thermostat	Manual reset
3	M414704	Thermistor	
4	44328001	Limit Thermostat	Auto reset
5	70554901	Limit Access Bracket	
6	70392701P	Gasket	For blower housing opening
7	430497	Screw	
8	70014101	Blower Inlet Cone	
9	70478701P	Fan Motor	.50 HP; 120, 230 Volt/1 Phase
	70484901P	Fan Motor	.50 HP; 380-460 Volt/3 Phase
10	70349601	Blower Motor Mounting Plate	
11	70126101	Screw	
12	M400991	Washer	
13	70359801P	Blower Assembly	
14	M400022	Nut	
15	M400034	Nut	
16	70215101	Blower Housing	
17	70209501	Damper and Hinge Exhaust Assembly	
18	70020301	Blower Housing	Left
19	70220901	Damper Spacer	

Airflow Switch

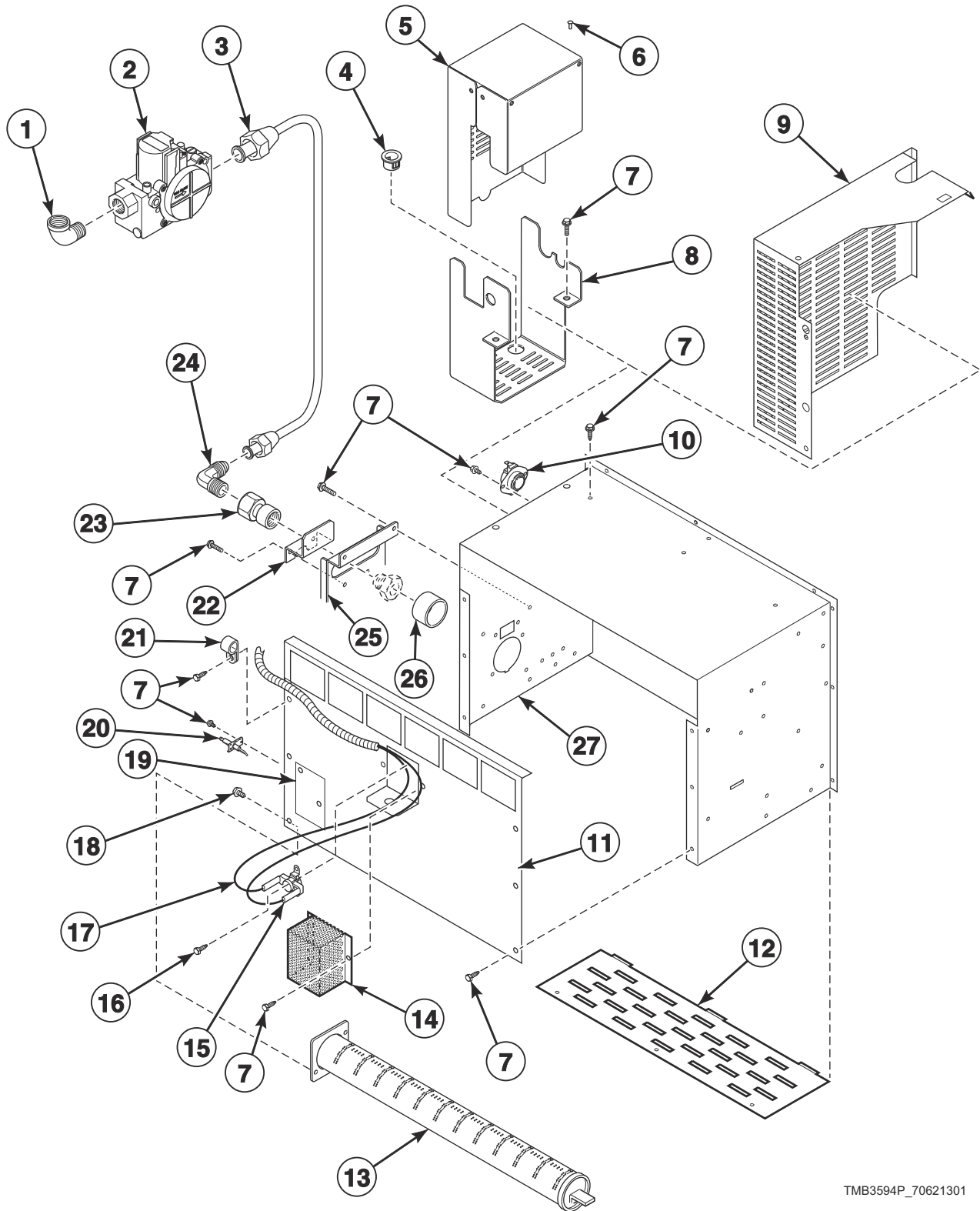


TMB3126P_70621301

Airflow Switch

REF	PART NO.	DESCRIPTION	COMMENTS
1	70356601	Airflow Switch Cover	
2	70356101	Airflow Switch Wrapper	
3	70411901	Switch	
4	70319401	Airflow Switch Arm	
5	430497	Screw	
6	70356301	Switch Bracket	
7	70319602	Airflow Switch and Arm Bracket	
8	70319201	Airflow Switch Vane	

Gas Heater Components

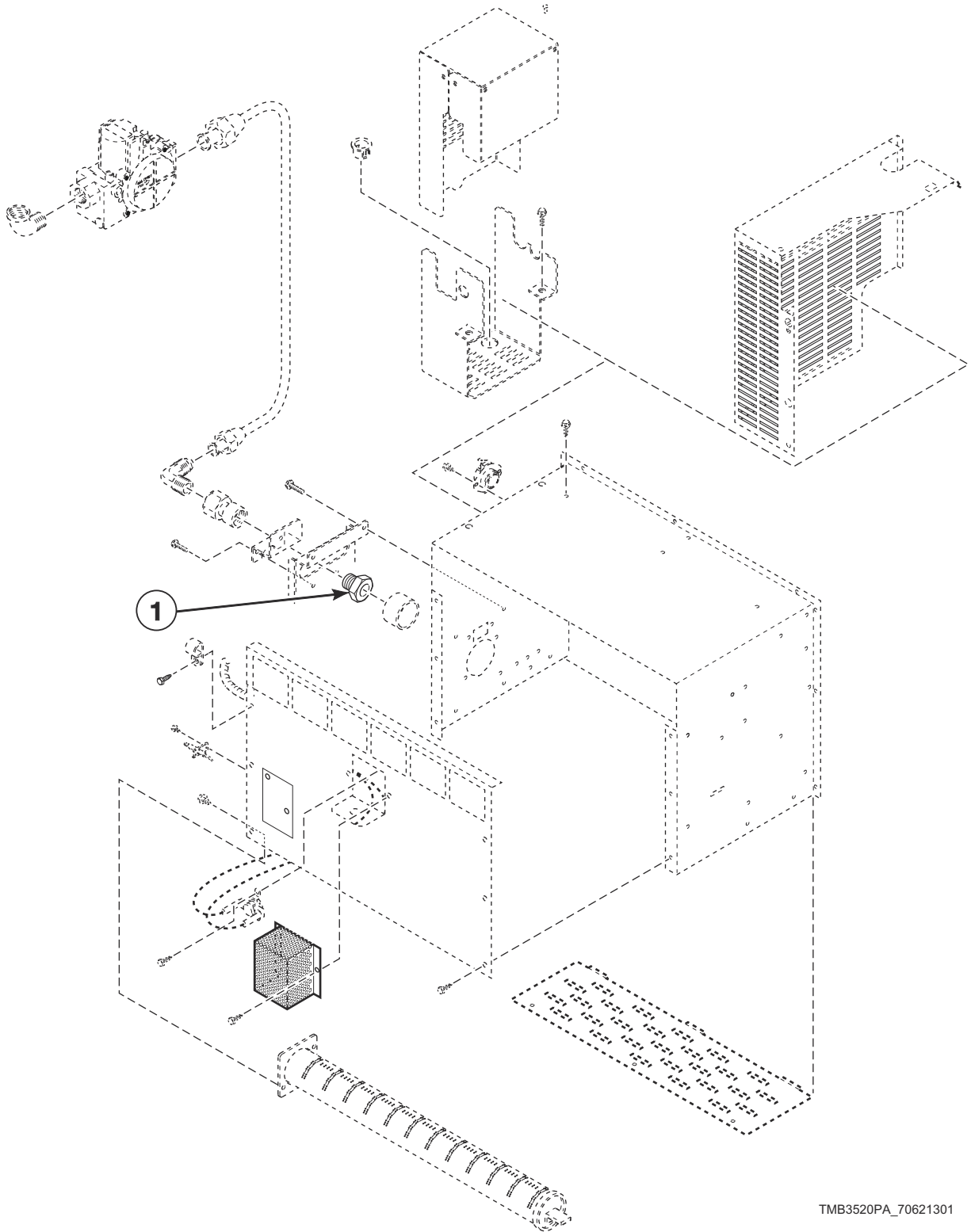


TMB3594P_70621301

Gas Heater Components

REF	PART NO.	DESCRIPTION	COMMENTS
	44273501	Gas Valve Harness	
	44239702	High Voltage Suppression Cable	
	70346801	Pipe Plug	
	70550203	L.P. Conversion Kit	North America and Australian models; Natural Gas (N.G.); 0-2,000 feet
	70551903	L.P. Conversion Kit	IEC models; N.G.; 0-2,000 feet
	70131901	Adapter	IEC models; BPT/NPT
	70131902	Adapter	North America models; BPT/NPT
	70167601	Plug	IEC models
	70535901	Notice Label	Australian models; N.G.
	70544901	Notice Label	Australian models; Liquid Petroleum (L.P.) Gas
1	H86070034	Street Elbow	T market models
	F422304	Street Elbow	All other models
2	44154503	N.G. Valve	North America models
	44154504	L.P. Valve	North America models
	44154507	Gas Valve	IEC models; N.G.; 1/2 NPT
	44154508	Gas Valve	IEC models; L.P.; 1/2 NPT
3	70271201	Gas Line Assembly	
4	M400770	Snap Bushing	
5	70429901	Gas Valve Cover	
6	M405750	Pop Rivet	4 required
7	430497	Screw	10 required
8	70504101	Gas Valve Bracket	
9	70429901	Gas Valve Cover	IEC models
10	44328004	Limit Thermostat	Side
11	70371501	Stove Back	
12	70188801	Burner Grill	
13	70229801P	Gas Burner	
	70546701	Anti-Rattle Burner Assembly	Includes 70229801P Gas Burner, 431318 Control Door Latch and M400003 Pop Rivet
14	M414477	Thermostat Cover	
15	44328101	Limit Thermostat	Rear
16	M405188	Screw	2 required
17	70564301	Stove Limit Harness	
18	05161	Screw	
19	70159601	Igniter Cover	
20	70548701P	Spark Electrode	
21	70203701	Pipe Clip	
22	70539901	Ignition Keeper Orifice Bracket	
23	70379301	Orifice Adapter	
24	70208701	Elbow	2 required
25	70248901	Orifice Holder Bracket	
26	70239801	Primary Air Adjustment Sleeve	L.P. models
27	70333401	Stove Top and Sides	

Burner Orifices

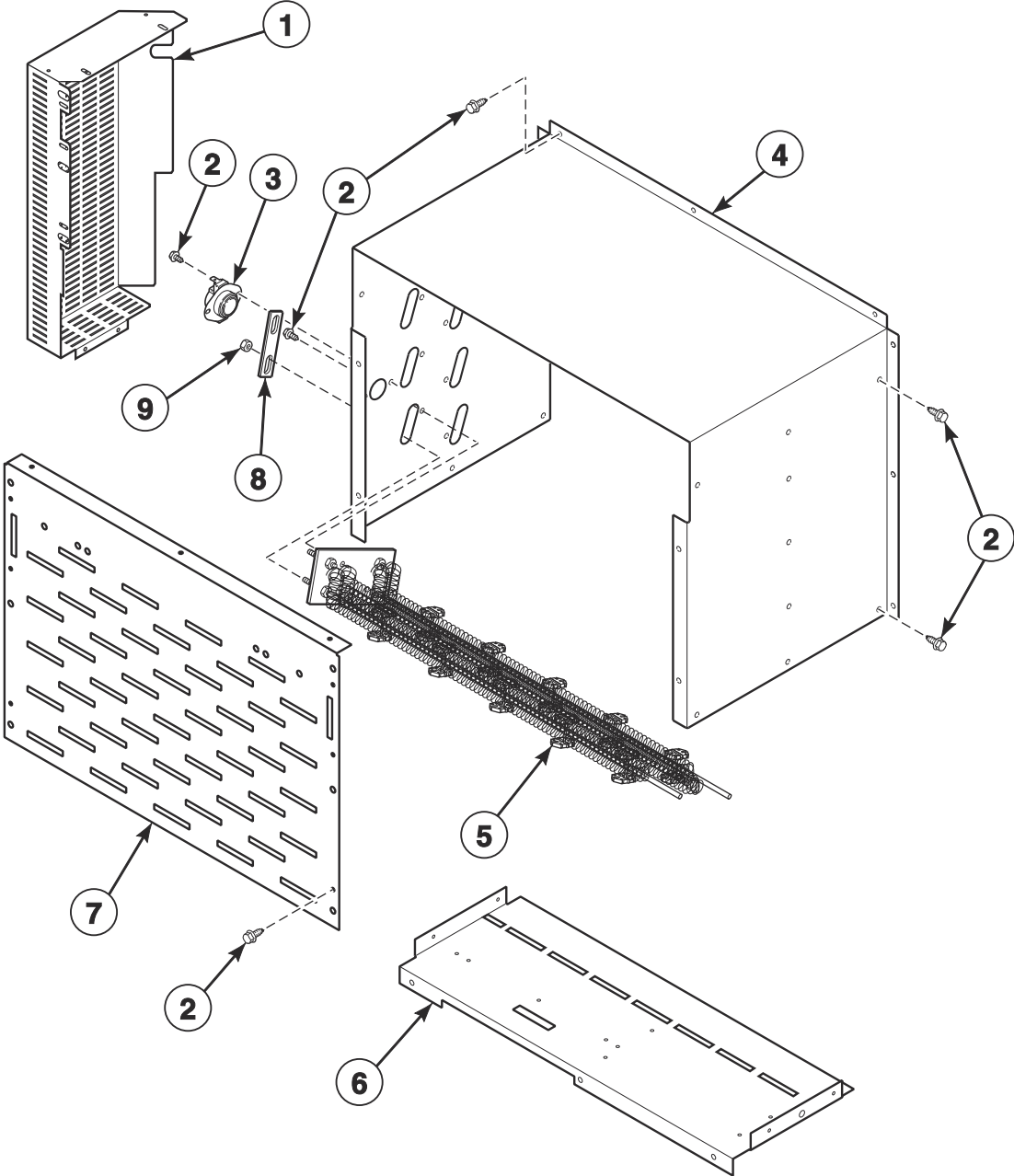


TMB3520PA_70621301

Burner Orifices

REF	PART NO.	DESCRIPTION	COMMENTS
	70609905	High Altitude Orifice Kit	North America Natural Gas (N.G.) models
	70609906	High Altitude Orifice Kit	North America Liquid Petroleum Gas (L.P.) models
1	70684148	Burner Orifice	Standard models; N.G.; Drill no. 15 (4.57 mm); 0-2,000 feet
	70684145	Burner Orifice	Standard models; N.G.; Drill no. 11/64 (4.37 mm); 2,001-4,000 feet
	70684143	Burner Orifice	Standard models; N.G.; Drill no. 19 (4.22 mm); 4,001-6,000 feet
	70684142	Burner Orifice	Standard models; N.G.; Drill no. 20 (4.09 mm); 6,001-8,000 feet
	70684139	Burner Orifice	Standard models; N.G.; Drill no. 23 (3.91 mm); 8,001-10,000 feet
	70684123	Burner Orifice	Standard models with 2nd digit A, G, H, J, K, L and T; L.P.; Drill no. 34 (2.82 mm); 0-2,000 feet
	70684120	Burner Orifice	Standard models with 2nd digit A, G, H, J, K, L and T; L.P.; Drill no. 36 (2.71 mm); 2,001-4,000 feet
	70684118	Burner Orifice	Standard models with 2nd digit A, G, H, J, K, L and T; L.P.; Drill no. 38 (2.58 mm); 4,001-6,000 feet
	70684116	Burner Orifice	Standard models with 2nd digit A, G, H, J, K, L and T; L.P.; Drill no. 40 (2.49 mm); 6,001-8,000 feet
	70684114	Burner Orifice	Standard models with 2nd digit A, G, H, J, K, L and T; L.P.; Drill no. 42 (2.37 mm); 8,001-10,000 feet
	70684116	Burner Orifice	CE standard models; L.P.; Drill no. 40 (2.49 mm); 0-2,000 feet
	70684114	Burner Orifice	CE standard models; L.P.; Drill no. 42 (2.37 mm); 2,001-4,000 feet
	70684113	Burner Orifice	CE standard models; L.P.; 2.3 mm; 4,001-6,000 feet
	70684111	Burner Orifice	CE standard models; L.P.; 2.2 mm; 6,001-8,000 feet
	70684109	Burner Orifice	CE standard models; L.P.; Drill no. 45 (2.08); 8,001-10,000 feet
	70684117	Burner Orifice	Standard J market models; L.P.; Drill no. 39 (2.53 mm); 0-2,000 feet
	70684114	Burner Orifice	Standard J market models; L.P.; Drill no. 42 (2.37 mm); 2,001-4,000 feet
	70684113	Burner Orifice	Standard J market models; L.P.; 2.3 mm; 4,001-6,000 feet
	70684112	Burner Orifice	Standard J market models; L.P.; Drill no. 43 (2.26 mm); 6,001-8,000 feet
	70684110	Burner Orifice	Standard J market models; L.P.; Drill no. 44 (2.18 mm); 8,001-10,000 feet
	70684139	Burner Orifice	Eco models; N.G.; Drill no. 23 (3.91 mm); 0-2,000 feet
	70684136	Burner Orifice	Eco models; N.G.; Drill no. 26 (3.73 mm); 2,001-4,000 feet
	70684134	Burner Orifice	Eco models; N.G.; Drill no. 28 (3.57 mm); 4,001-6,000 feet
	70684133	Burner Orifice	Eco models; N.G.; 3.50 mm; 6,001-8,000 feet
	70684130	Burner Orifice	Eco models; N.G.; 3.30 mm; 8,001-10,000 feet

Electric Heater Components

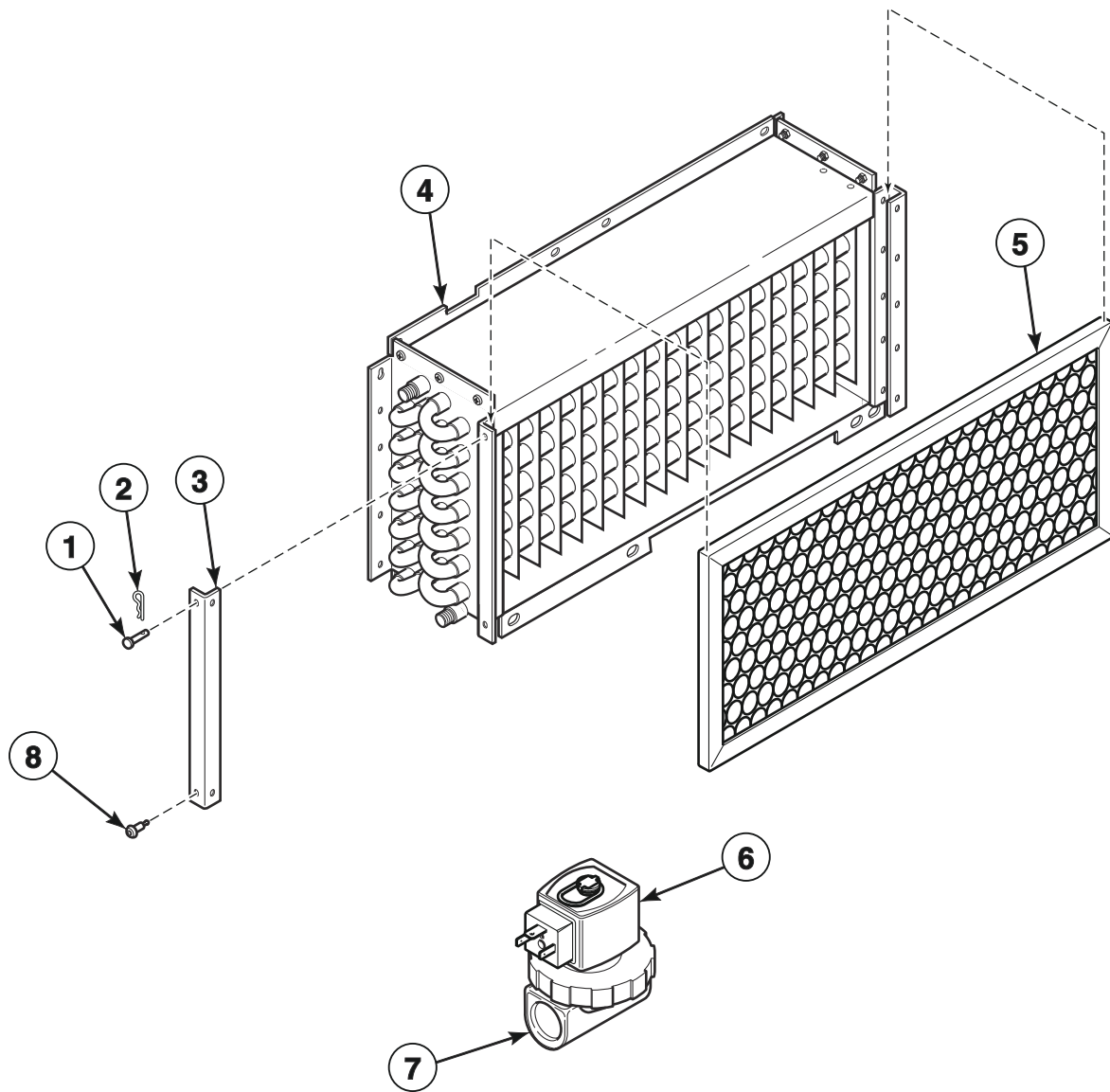


TMB3521P_70621301

Electric Heater Components

REF	PART NO.	DESCRIPTION	COMMENTS
	70564303	Stove Limit Harness	
	44281709	Jumper Harness	Use with 440-480 Volt
	44295412	Jumper Harness	Use with 380-415 Volt; 4 required
1	70365201	Stove Connectors Cover	
2	430497	Screw	
3	44328006	Limit Thermostat	
4	70525601	Stove Top and Sides	
5	70034404P	Heater Element	Standard models; 3 required; 8 kW; 208 Volt heater element for 200-208 Volt/1 or 3 Phase
	70034405P	Heater Element	Standard models; 3 required; 8 kW; 220 Volt heater element for 380 and 440 Volt/3 Phase
	70034406P	Heater Element	Standard models; 3 required; 8 kW; 240 Volt heater element for 230-240 Volt/1 or 3 Phase and 400-415 and 460-480 Volt/3 Phase
	70034414P	Heater Element	Eco models; 3 required; 4 kW; 220 Volt heater element for 380 and 440 Volt/3 Phase
	70034416P	Heater Element	Eco models; 3 required; 4 kW; 240 Volt heater element for 230-240, 400-415 or 460-480 Volt/3 Phase
	70034415P	Heater Element	Eco models; 3 required; 4 kW; 208 Volt heater element for 200-208 Volt/3 Phase
	70034412P	Heater Element	Medium electric models; 3 required; 6 kW; 240 Volt heater element for 230-240 Volt/1 or 3 Phase, 400-415 and 460-480 Volt/3 Phase
	70034410P	Heater Element	Medium electric models; 3 required; 6 kW; 208 Volt heater element for 200-208 Volt/1 or 3 Phase
	70034411	Heater Element	Medium electric models; 3 required; 6 kW; 220 Volt heater element for 380 and 440 Volt/3 Phase
	70034413P	Heater Element	Models HU035P and SU035P; 3 required; 3 kW; 220 Volt heater element for 380 and 440 Volt/3 Phase
	70034417	Heater Element	Models HU035P and SU035P; 3 required; 3 kW; 240 Volt heater element for 230-240 Volt/1 or 3 Phase, 400-415 or 460-480 Volt/3 Phase
	70034418P	Heater Element	Models HU035P and SU035P; 3 required; 3 kW; 208 Volt heater element for 200-208 Volt/1 or 3 Phase
6	70357201	Stove Partition	
7	70214901	Stove Grill	
8	70066501	Jumper Bar	2 required for 440-480 Volt
	M400869	Jumper Strip	3 required for 440-480 Volt; 6 required for 200-240 Volt
9	70054	Nut	

Steam Heater Components

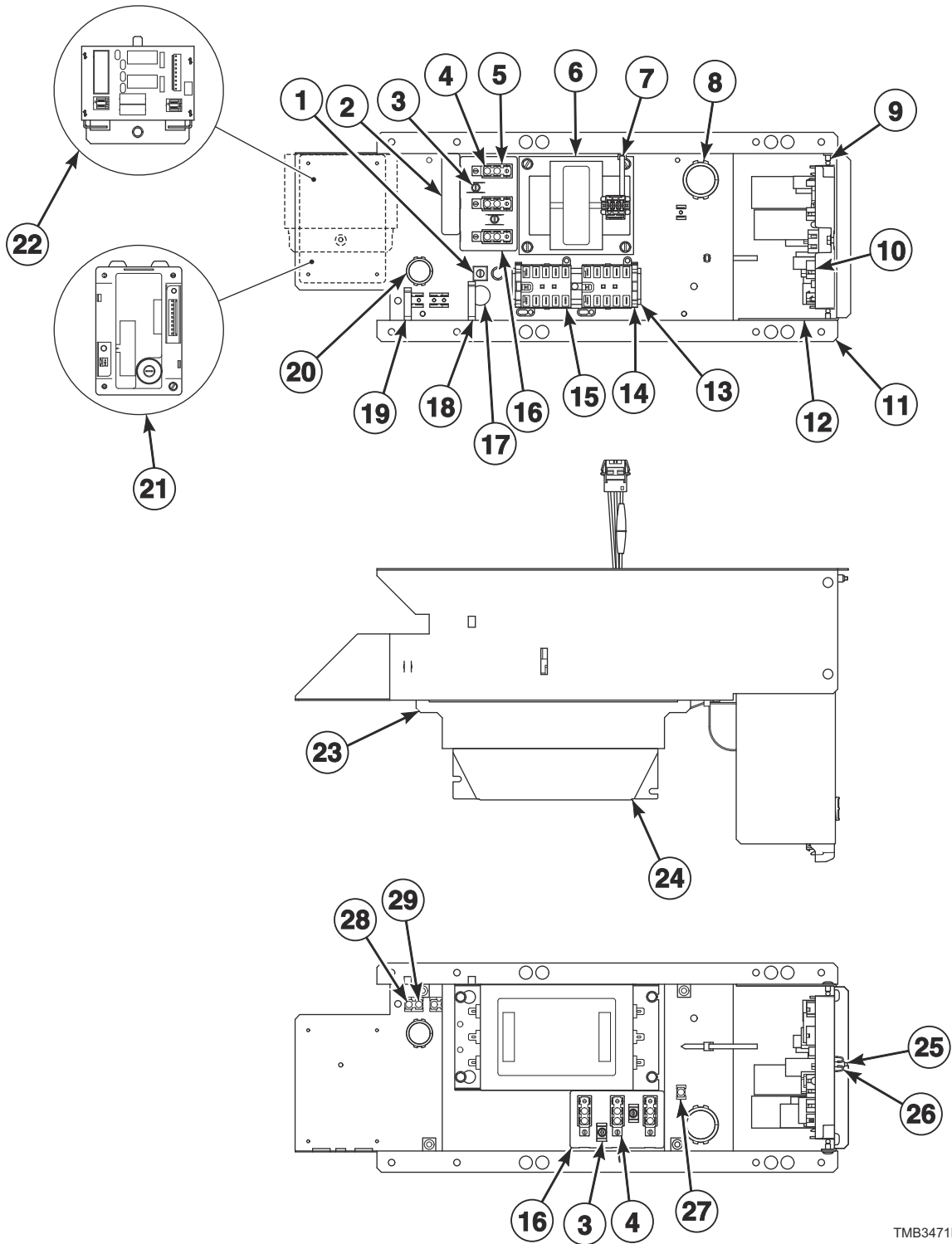


TMB3522P_70621301

Steam Heater Components

REF	PART NO.	DESCRIPTION	COMMENTS
	F8382301	DIN Valve Adapter Kit	Use with item 7
	70564302	Stove Limit Bypass Harness	
	F8520703	Steam Valve Harness	
	44304801	Strain Relief	
	70529601	Steam Adapter Kit	IEC models
1	70389201	Clevis Pin	
2	70389301	Hairpin Cotter	
3	70369301	Steam Filter Holder	
4	70369101P	Steam Coil	4 rows
5	70429401	Filter	IEC models
	70036001	Air Filter	North America models
6	F8514701	Coil	120 Volt
	F8514601P	Coil	240 Volt
7	F8322904P	Steam Valve	120 Volt
	F8322906P	Valve	240 Volt
8	70058501	Pop Rivet	

Control Tray

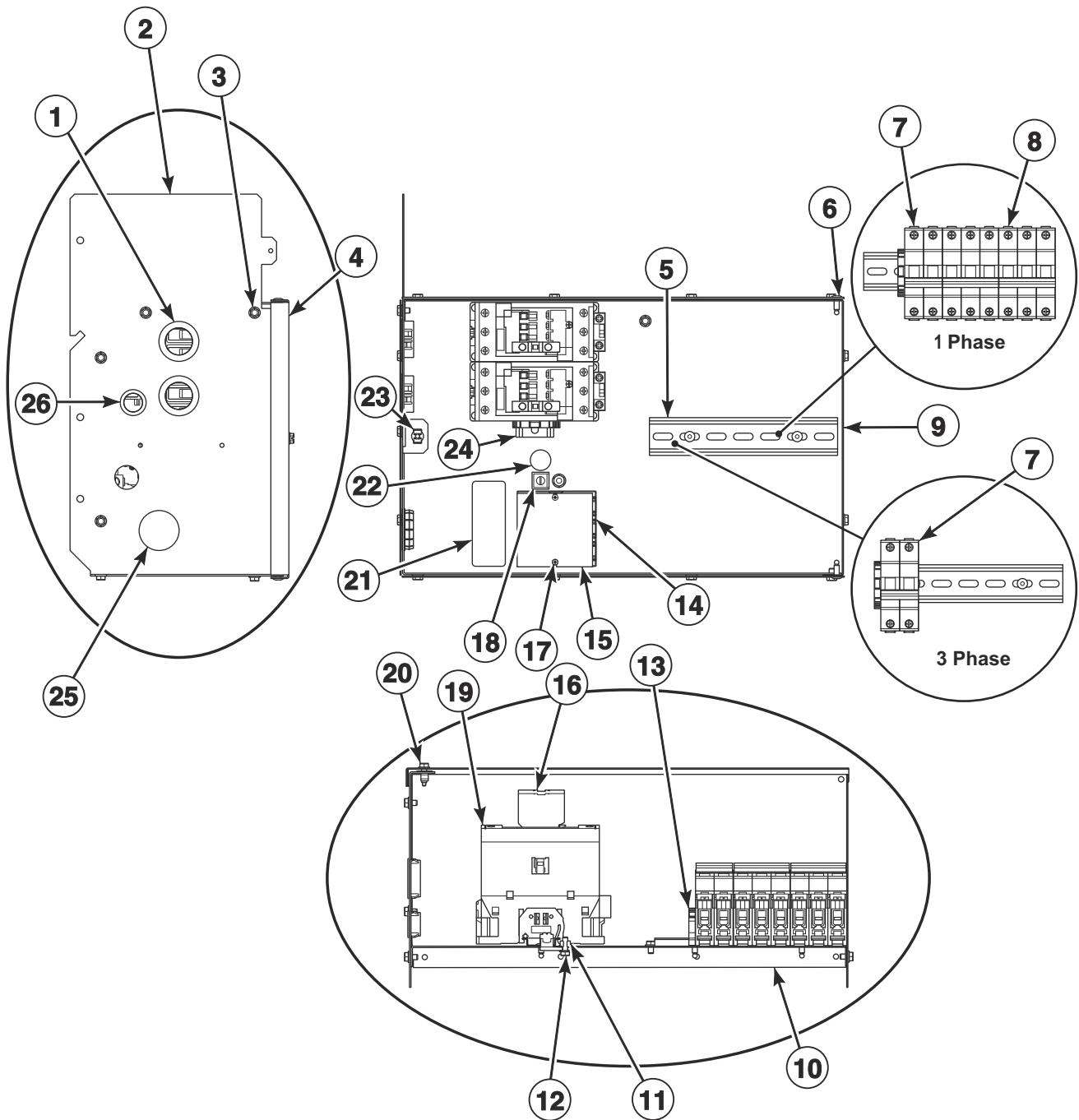


TMB3471P_70621301

Control Tray

REF	PART NO.	DESCRIPTION	COMMENTS
	685837	Screw	Use with item 1
	44088001	Nut	Use with item 1
	70559305	Conversion Kit	X to B voltage
	44357401	EMI Filter Kit	North America models; 100-240 Volt
	44357402	EMI Filter Kit	North America models; 380-480 Volt
1	M411283	Ground Lug Connector	
2	44286803	Label	L1, L2, L3
	44286801	Label	L1, N
	44286802	Wire Label	L1 L2, L1 N
	44286804	Wire Label	L1 L2, L1 N, L1 L2 L3
3	51783	Screw	
4	430642	Terminal Block	
5	70333001	Terminal Block Shield	
6	F8491101	Transformer	380-480 Volt
7	70335601	Cable Tie	
8	70346501	Bushing	
9	70058501	Pop Rivet	
10	70479201P	I/O Control Assembly	
11	70492401	Control Tray	
12	70494901	Control Board Control Tray	
13	M412690	DIN Rail	
14	F8449801	End Stop	
15	70482601	Contactors	240 Volt or less: 1 required; 380 Volt or higher: 2 required
16	M413862	Insulator	
17	D516100	Label	
18	F8449501	Wire Clip	
19	F8449502	Wire Clip	
20	70178701	Snap Bushing	
21	70482002	Ignition Control	IEC gas models
	70482001	Ignition Control	North America gas models
22	70501801	Steam Control Assembly	Steam models
23	70533101	Filter Bracket	
24	F8591601	EMI Filter	IEC models; 100-200 and 200-240 Volt/1 Phase
	F8637501	EMI Filter	IEC models; 380-480 Volt
25	F8206901	Screw	
26	70030501	Expansion Clip	
27	00621SG	Male Tab Terminal	
28	M400003	Pop Rivet	
29	00622SG	Terminal	

Accessory Box - Electric 200-240 Volt Models

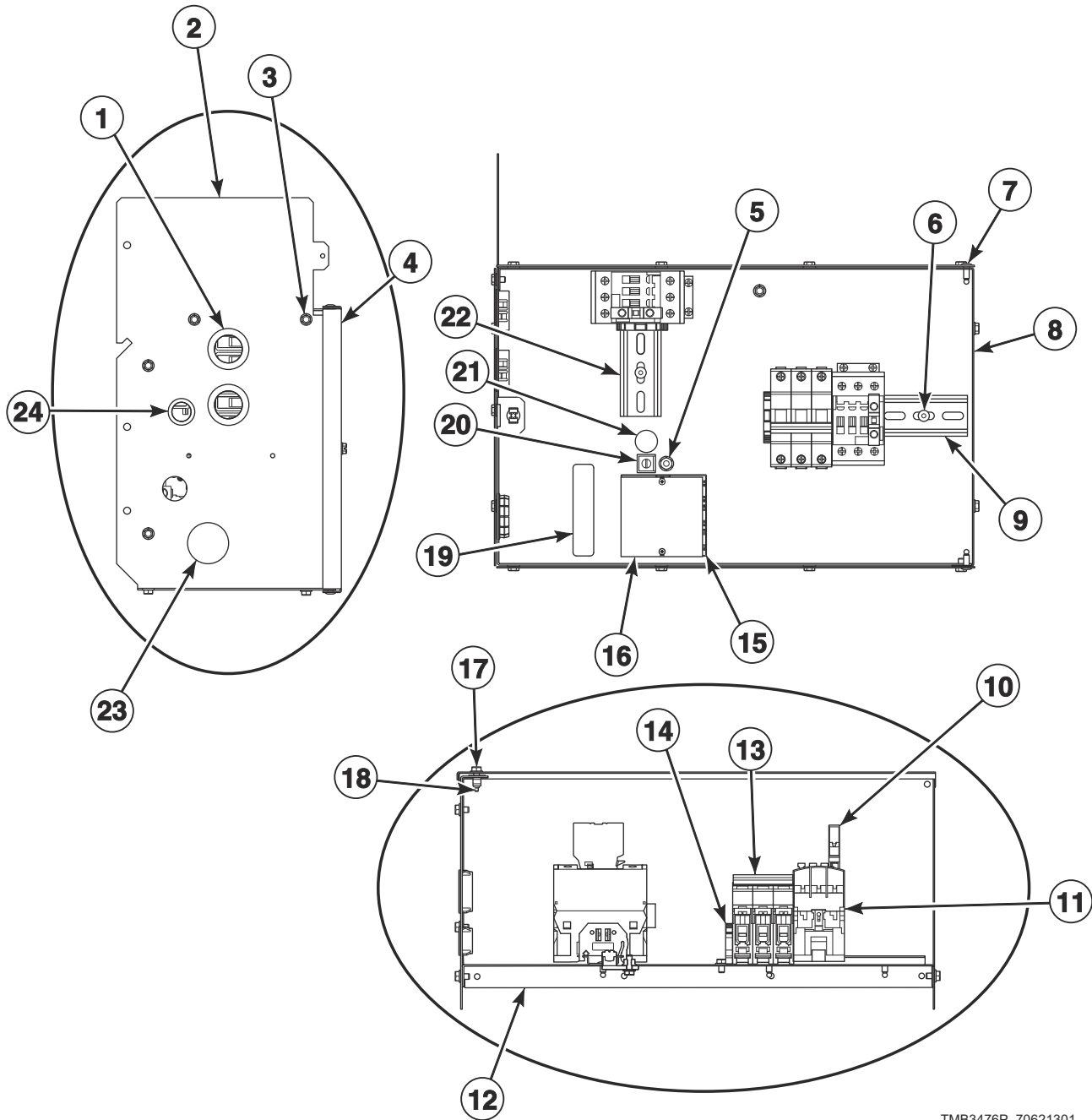


TMB3475P_70621301

Accessory Box - Electric 200-240 Volt Models

REF	PART NO.	DESCRIPTION	COMMENTS
	F8611600	Warning Label Kit	IEC models
	F8611601	Warning Label	
	44334307	Contactora Coil Harness	
	44309001	Harness	North America models; Power distribution block to control circuit breaker
	44309011	Harness	IEC models; Power distribution block to control circuit breaker
	70516106	Harness	Contactora to element
	70516105	Harness	Contactora to element
	70516103	Harness	1 Phase; Power distribution block to circuit breaker/contactora
	70516104	Harness	Power distribution block to circuit breaker/contactora
	70516101	Harness	Power distribution block to circuit breaker/contactora
	70516102	Harness	1 Phase; Power distribution block to circuit breaker/contactora
1	M402542	Snap Bushing	2 required
2	70540601	Accessory Box Side	Left
3	51780	Screw	
4	70358401	Accessory Box Cover	
5	F8134001	DIN Rail	
6	70058502	Pop Rivet	
7	70488102	Circuit Breaker	25 amp
8	70488104	Circuit Breaker	2 required; 50 amp; 200-208 and 230-240 Volt/1 Phase
9	70540701	Accessory Box Side	Right
10	70540501	Accessory Box Back	
11	44088001	Nut	
12	685837	Screw	
13	F8449801	End Stop	2 required
14	M413865	Power Distribution Block	
15	44014901P	Power Distribution Block Cover	
16	44313201	Auxiliary Contact Block	2 required
17	39733	Screw	
18	M411283	Ground Lug Connector	
19	70482801	Contactora	2 required
20	F8206901	Screw	
21	44286802	Wire Label	1 Phase
	44286803	Label	3 Phase
22	D516100	Label	
23	70030501	Expansion Clip	
24	M412690	DIN Rail	
25	70180001	Plug	
26	M400770	Snap Bushing	

Accessory Box - Electric 380-480 Volt Models



TMB3476P_70621301

Accessory Box - Electric 380-480 Volt Models

REF	PART NO.	DESCRIPTION	COMMENTS
	F8611600	Warning Label Kit	IEC models
	F8611601	Warning Label	
	44334307	Contactora Coil Harness	
	44334302	Control Harness	3 Phase
	44309002	Harness	North America models; Power distribution block to control circuit breaker
	44309012	Harness	IEC models; Power distribution block to control circuit breaker
	70516106	Harness	Contactora to element
	70516103	Harness	2 required; Power distribution block to circuit breaker/contactora
1	M402542	Snap Bushing	2 required
2	70540601	Accessory Box Side	Left
3	51780	Screw	
4	70358401	Accessory Box Cover	
5	685837	Screw	
	44088001	Nut	
6	70058501	Pop Rivet	
7	70058502	Pop Rivet	
8	70540701	Accessory Box Side	Right
9	F8134001	DIN Rail	
10	44313201	Auxiliary Contact Block	2 required
11	70482701	Contactora	2 required
12	70540501	Accessory Box Back	
13	70488101	Circuit Breaker	25 amp
14	F8449801	End Stop	2 required
15	M413865	Power Distribution Block	
16	44014901P	Power Distribution Block Cover	
17	F8206901	Screw	
18	70030501	Expansion Clip	
19	44286803	Label	
20	M411283	Ground Lug Connector	
21	D516100	Label	
22	M412690	DIN Rail	
23	70180001	Plug	
24	M400770	Snap Bushing	

Harnesses

PART NO.	DESCRIPTION	COMMENTS
44316007	Harness	IEC models; 1 Phase; Auxiliary power distribution block to filter harness
44316008	Harness	IEC models; 3 Phase; Auxiliary power distribution block to filter harness
44280007	Configuration Harness	100-120 Volt; Cylinder
44280006	Configuration Harness	100-120 Volt; Fan
44356402	Control Tray Harness Assembly	Electric models
44356401	Control Tray Harness Assembly	Gas models
44356407	Control Tray Harness Assembly	Steam models
44334702	Inverter Contactor Coil Harness	Secondary; 380-480 Volt
44316001	Harness	IEC models; 1 Phase; Main power distribution block to EMI filter harness
44316002	Harness	IEC models; 3 Phase; Main power distribution block to EMI filter harness
44280005	Configuration Harness	3 Phase
44280010	Motor Contactor Power Harness	IEC models; 1 Phase
44280012	Motor Contactor Power Harness	IEC models; 3 Phase
44280001	Motor Contactor Power Harness	North America models; 1 Phase
44280003	Motor Contactor Power Harness	North America models; 3 Phase
44280101	Power Harness	Control and emergency stop connection; 380-480 Volt
44272101	Power Harness	Control and emergency stop connection; 100-120 and 200-240 Volt
204454	Ferrite	Korean models; EMI; Motor circuit, inverter communication circuit
44335301	Inverter Motor Harness	Cylinder
44335302	Inverter Motor Harness	Fan
70608602	EMC Shield	Korean gas models

Labels

PART NO.	DESCRIPTION	COMMENTS
44324201	Caution Label	Australian models; Repeat Ignition Reset
70535101	Caution Label	Vent/install
F8614501	Danger Label	Shock; English/French
F8614301	Hot Surface Warning Label	English/French
F8609001	Hot Surface Warning Label	Icon
F8611601	Warning Label	
70535100	Label Kit	Vent/install
F8614500	Label Kit	Shock
70539601	Notice Label	
F8609501	Notice Label	
D516073	Notice Label	Read instructions; Icon
70538401	Pinch Warning Label	English/French
F8615701	Pinch Warning Label	Icon
F8614201	Shock Warning Label	Icon
70536301	Warning Label	Lint; Australian models
44324101	Warning Label	Fire; Australian models
70534305	Warning Label	Fire; Colombian Spanish; Australian models
44321601	Warning Label	Risk of fire; Icon

Parts Index

A

Accessory Box Back	
70540501	59, 61
Accessory Box Cover	
70358401	59, 61
Accessory Box Side	
70540601	59, 61
70540701	59, 61
Accessory Plate Assembly	
F8574202	7
F8574203	7
F8574205	7
F8734601	7
Adapter	
70131901	49
70131902	49
Air Filter	
70036001	55
Airflow Switch and Arm Bracket	
70319602	47
Airflow Switch Arm	
70319401	47
Airflow Switch Cover	
70356601	47
Airflow Switch Vane	
70319201	47
Airflow Switch Wrapper	
70356101	47
Anti-Rattle Burner Assembly	
70546701	49
App Pay Overlay Kit	
44374701	7, 9
Auxiliary Contact Block	
44313201	59, 61

B

Blind Rivet	
F8245101	31
Blower Assembly	
70359801P	43, 45
Blower Housing	
70020301	45
70215101	43, 45
70554701	43, 45
Blower Housing Scroll	
70016301	43
Blower Inlet Cone	
70014101	45
Blower Motor Mounting Plate	
70349601	43, 45
Bracket	
70610501	23
70634201	25
Burner Grill	
70188801	49
Burner Orifice	
70684109	51

70684110	51
70684111	51
70684112	51
70684113	51
70684114	51
70684116	51
70684117	51
70684118	51
70684120	51
70684123	51
70684130	51
70684133	51
70684134	51
70684136	51
70684139	51
70684142	51
70684143	51
70684145	51
70684148	51

Bushing	
70346501	37, 57
Bypass Harness	
44334103	27

C

Cable Tie	
70335601	57
Card Reader Plate	
F8574204	7
Caution Label	
44324201	63
70535101	63
Center Cylinder Seal	
70066003	35
Center Hinge Lug Assembly	
70640402	19
Center Pan	
70564501	37
Center Partition	
70252601	37
Central Pay Board Harness	
44355604	15
Central Pay Harness	
44355601	15
44355606	15
Central Pay Kit	
70612702	15
Circuit Breaker	
70488101	61
70488102	59
70488105	59
Clevis Pin	
70389201	55
Clip Keeper Bracket	
70604901	23, 25
Clip Mount Bracket	
70604801	23, 25
Coil	
F8514601P	55
F8514701	55

N/A items do not appear in index.

Coin Box	
F160673P	27
Coin Chute Assembly	
70296401	27
Coin Drop	
38963P	11
39748	11
70441601	11
70441603	11
Coin Drop Assembly	
201141	11
210195	11
210196	11
38462P	11
38463	11
38467	11
38519	11
70281102	11
70283102	11
70441602	11
70447301	11
70471601	11
70482401	11
70506901	11
Coin Drop Kit	
CK077	11
CK122	13
Coin Identification Paper	
38464P	11
38475	11
Coin Meter	
F0160737-00	11
Coin Vault Assembly	
70529501	27
Coin Vault Switch Harness	
44334101	27
Cold Weather Kit	
44340301	41
Configuration Harness	
44280005	62
44280006	62
44280007	62
Contact Base	
F8538101	29
Contact Switch	
F8069501	29
Contactor	
70482601	57
70482701	61
70482801	59
Contactor Coil Harness	
44334307	59, 61
Control	
70511601	41
Control Assembly	
70597801P	7
70597803	9
Control Board Control Tray	
70494901	57
Control Box Base	
44065301	41
Control Box Cover	
44065201	41
Control Box Housing	
44306701	41

Control Box Top	
44307101	41
Control Harness	
44334302	61
44334404	41
Control Mounting Bracket	
70598701	7
Control Panel	
70583401	21
70583402	21
Control Panel Stand Bracket	
70641501	25
Control Tray	
70492401	57
Control Tray Harness Assembly	
44356401	62
44356402	62
44356407	62
Conversion Kit	
70559305	57
Cylinder Assembly	
70372601P	33
70372602P	33
Cylinder Bearing Stud Plate Assembly	
430352	35
Cylinder Guide Tool	
263P4	35
Cylinder Shroud	
70347001	37
70347002	37

D

Damper and Hinge Exhaust Assembly	
70209501	43, 45
Damper Spacer	
70220901	45
Danger Label	
F8614501	63
Decal	
F8687701	27
DIN Rail	
F8134001	59, 61
M412690	57, 59, 61
DIN Valve Adapter Kit	
F8382301	55
Door Assembly	
70597702	17, 19
70597709	19
Door Catch Kit	
70482901	27
Door Glass	
M400784P	17, 19
Door Glass Installation Tool	
M4221P4	17
Door Glass Label	
70650401	17, 19
70707701	17, 19
Door Glass Seal Kit	
70211901P	17, 19
Door Handle	
44007902P	17, 19

N/A items do not appear in index.

Door Hinge	
70595502	17
70632704	19
70632706W	19
70632708	19
70632710B	19
Door Hinge Lug Assembly	
70601008	17
Door Latch	
M401223	27
Door Ring Gasket	
70296801	17, 19
Door Switch Actuator	
70532101	17
70532102	17
Drive Motor	
70478601P	43
70485001P	43
Drive Plate	
70571901	43
Drive Rivet	
M400713	41
Drywall Screw Magnet Kit	
70343101P	33, 35

E

Elbow	
70208701	49
70428101	39
Electronic Coin Drop Assembly	
70294107	11
70513302	11
70513303	11
70513304	11
70513306	11
70513308	11
70513309	11
70513310	11
70513311	11
70513312	11
70513313	11
70513314	11
70513315	11
70513316	11
Electronic Coin Drop Kit	
CK099	13
CK100	13
CK101	13
CK108	13
CK109	13
CK110	13
CK113	13
CK115	13
CK116	13
CK117	13
CK118	13
CK119	13
CK120	13
CK121	13
EMC Shield	
70608602	62
Emergency Stop Button Kit	
70580301	29

Emergency Stop Bypass Harness	
F8519403	29
Emergency Stop Harness	
44272401	29
Emergency Stop Label	
44012901	29
44012903	29
Emergency Stop Mounting Bracket	
70550401	29
Emergency Stop Pushbutton	
F200233500	29
EMI Filter	
F8591601	57
F8637501	57
EMI Filter Kit	
44357401	57
44357402	57
End Cap	
70070101	33
End Stop	
F8449801	57, 59, 61
Exhaust Adapter	
70477901	43
Exhaust Thimble	
70015601	43
Expansion Clip	
70030501	7, 9, 15, 27, 57, 59, 61

F

False Front	
70021104	21
70024004	21
Fan Motor	
70478701P	43, 45
70484901P	43, 45
Ferrite	
204454	62
Fill Hose	
202799	41
Filter	
70429401	55
Filter Bracket	
70533101	57
Filter Mounting Plate	
70551701	41
Fob Communication Harness	
F8719302	7
Fob Reader Control Assembly	
205135	7
Fob Reader Kit	
70666802	15
70666806	15
Front Panel Assembly	
70705111	23
70705112	23
70705211	25
70705211W	25
70705212	25
70705212W	25
70705214	25
Front Panel Seal	
70173401P	23, 25

N/A items do not appear in index.

G

Gas Burner	
70229801P	49
Gas Line Assembly	
70271201	49
Gas Valve	
44154507	49
44154508	49
Gas Valve Bracket	
70504101	49
Gas Valve Cover	
70429901	49
Gas Valve Harness	
44273501	49
Gasket	
70289101P	23, 25, 31
70392701P	45
Ground Lug Connector	
M411283	57, 59, 61

H

Hairpin Cotter	
70389301	55
Handle and Caps Assembly	
70154403	31
Harness	
44309001	59
44309002	61
44309011	59
44309012	61
44316001	62
44316002	62
44316007	62
44316008	62
70516101	59
70516102	59
70516103	59, 61
70516104	59
70516105	59
70516106	59, 61
Harness Adapter Plate	
70523301	39, 41
Heater Element	
70034404P	53
70034405P	53
70034406P	53
70034410P	53
70034411	53
70034412P	53
70034413P	53
70034414P	53
70034415P	53
70034416P	53
70034417	53
70034418P	53
High Altitude Orifice Kit	
70609905	51
70609906	51
High Voltage Suppression Cable	
44239702	49

Hinge Cam Kit	
70622401	17
Hold-Down Clip	
35865	23, 25, 37
Hole Plug	
70063201	37
70180001	59, 61
Hose	
44073304	41
Hose Clamp	
36801	41
Hose Fitting	
44069101	41
Hot Surface Warning Label	
F8609001	63
F8614301	63

I

Idler Wheel Assembly	
70050401P	43
Igniter Cover	
70159601	49
Ignition Control	
70482001	57
70482002	57
Ignition Keeper Orifice Bracket	
70539901	49
Insulator	
M413862	57
Interconnect Harness	
44334401	41
Inverter Contactor Coil Harness	
44334702	62
Inverter Motor Harness	
44335301	62
44335302	62
I/O Control Assembly	
70479201P	57

J

Jumper Bar	
70066501	53
Jumper Harness	
442295412	53
44281709	53
Jumper Strip	
M400869	53

K

Key	
70155601	27, 41
70155602	27
Kickplate	
70117603	31

N/A items do not appear in index.

L

Label	
D516100	57, 59, 61
44108201	25
44286801	57
44286803	57, 59, 61
44318201	41
Label Kit	
F8614500	63
44318200	41
44324500	41
70534300	23
70535100	63
Lever Arm and Belt Kit	
70655102	43
Lever Arm and Bushing Assembly	
70653801	43
Light	
801432	41
Limit Access Bracket	
70554901	45
Limit Thermostat	
44328001	45
44328004	49
44328006	53
44328101	49
70530901	45
Lint Panel	
70515505	31
70515506W	31
Lint Panel Pivot Plate	
70016701	31
Lint Screen	
70325601	37
Lock Shim	
70342401	27
Lock, Key and Nut Kit	
44089301P	27, 41
44089302P	27
Lower Hinge Gusset	
70632002	19
Lower Lug Assembly	
70639302	19
70639304	19
Lower Pan	
70326601	37
Lower Rear Assembly	
70493301	43
L.P. Conversion Kit	
70550203	49
70551903	49
L.P. Valve	
44154504	49

M

Machine ID Control Assembly	
203361P	7, 9
Magnet	
70343101	31

Magnet Bracket	
44290501	31
Male Tab Terminal	
00621SG	57
Max Fill Line Label	
70707501	17, 19
Mixing Valve	
70519801	41
Mixing Valve Shield Bracket	
44306601	41
Motor Conduit Mounting Bracket	
70521901	43
Motor Contactor Power Harness	
44280001	62
44280003	62
44280010	62
44280012	62
Motor Mount Bracket	
70564101	43
Motor Mount Plate	
70564201	43
Motor Pulley	
70559101	43
Mounting Bracket	
70601401	41
70604001	15

N

Nameplate	
F8664901	27
F8688801	27
567293	27
567887	27
70686001	27
70686101	27
Notice Label	
D516073	63
F8609501	63
70535901	49
70539601	63
70544901	49
Nozzle Bracket	
70424201	39
70428601	39
Nut	
M400022	35, 45
M400034	35, 45
M404993	37
M412986	35
M414215	17, 19
21899	37
23951	31
430576	37
44087101	7, 9
44087201	33, 43
44087301	43
44088001	17, 19, 57, 59, 61
44088801	27
44333202	43
51236	31
56156	43
70030401	23, 25
70054	7, 53

N/A items do not appear in index.

N.G. Valve	
44154503	49

O

Opto Coupler	
200674P	11
Orifice Adapter	
70379301	49
Orifice Holder Bracket	
70248901	49
Overlay	
F8734001	7
F8734301	7
F8736601	7

P

Panel Locator	
56079	27, 31
Panel Lock	
44089304	27
44089305	27
Pin	
70071401	17
Pinch Warning Label	
F8615701	63
70538401	63
Pipe Clip	
70203701	49
Pipe Plug	
70346801	49
Plug	
70167601	49
70180001	41
Pop Rivet	
M400003	57
M405750	49
44166601	27
70058501	17, 23, 25, 31, 37, 55, 57, 61
70058502	59, 61
70126301	31
802822	19
Porcelain Touch-Up Paint	
122P4P	37
Power Distribution Block	
M413865	59, 61
Power Distribution Block Cover	
44014901P	59, 61
Power Harness	
44272101	62
44280101	62
Power Sensor Harness	
44334402	41
Primary Air Adjustment Sleeve	
70239801	49
Pushbutton Switch	
70413301	7, 9, 27
Push-to-Start Switch	
801434W	41

R

Rear Bearing Shim	
70355001	35
Rear Cylinder Bearing Housing	
70013901	35
Rear Cylinder Channel	
70257101	33
Rear Cylinder Channel Plate	
70257201	33
Rear Cylinder Seal	
70013701P	35
Rear Cylinder Seal Support	
70506402	35
Rear Lint Panel	
70564401	31
Rear Panel	
70564701	35
70564702	35
Reed Switch Assembly	
F8066804	31
Replacement Screen Kit	
70576501P	7, 9
Rivet	
70614201	25
Roller and Seal Kit	
70616701	37
Roller Catch Arm	
70030301	31
Roller Catch Spacer	
70030201	31
Roller Catch Wheel	
70297601	31
Roller Seal	
70443601	37
Roller Shaft	
70249501	37
Roller Support Bracket	
70328301	37

S

Screw	
FR004022	17
F430144	43
F8206901	57, 59, 61
F8458801	19
M400661	17, 19
M405188	21, 49
M411072	15, 25, 27
05161	49
39733	7, 9, 27, 31, 59
430497	31, 33, 37, 39, 41, 45, 47, 49, 53
430757	31
44349101	17, 19
51780	15, 39, 41, 59, 61
51783	57
62588	33
685837	57, 59, 61
70072801	31
70126101	45
70126104	43
70132301	31

N/A items do not appear in index.

70247701	37
70391101	33
70436301	17
70442101	17, 19
70501301	43
70508301	43
70546301	43
70576101	17
70640201	19
70640301	19
800528	19
804608	41
Sensor Harness	
44334406	41
Sheet Metal Edge Gasket	
70015710	37
70015711	37
Shield	
44326801	41
Shock Warning Label	
F8614201	41, 63
F8614401	41
Side Panel	
70253801DG	37
70253801WP	37
70253802DG	37
70611101W	37
70640901DG	37
70640902DG	37
70640902W	37
Snap Bushing	
M400770	49, 59, 61
M402542	59, 61
70178701	39, 57
Spacer	
70488403	43
Spark Electrode	
70548701P	49
Spray Nozzle	
70427801	39
Spray Nozzle Hose	
70427701	39
Spray Paint	
298P4P	37
Spring	
70571801	43
Spring Catch Bracket	
70543401	43
Standoff	
70569603	43
Steam Adapter Kit	
70529601	55
Steam Coil	
70369101P	55
Steam Control Assembly	
70501801	57
Steam Filter Holder	
70369301	55
Steam Valve	
F8322904P	55
Steam Valve Harness	
F8520703	55
Stove Back	
70371501	49

Stove Connectors Cover	
70365201	53
Stove Grill	
70214901	53
Stove Limit Bypass Harness	
70564302	55
Stove Limit Harness	
70564301	49
70564303	53
Stove Partition	
70357201	53
Stove Top and Sides	
70333401	49
7052601	53
Strain Relief	
44304801	55
Street Elbow	
F422304	49
H86070034	49
Support Bearing	
70448701	35
Support Housing Bearing Assembly	
430260P	35
Switch	
70411901	47
Switch Bracket	
70356301	47
70508501	31

T	
Tensioning Bracket	
70569501	43
Terminal	
00622SG	57
Terminal Block	
430642	57
Terminal Block Shield	
70333001	57
Thermistor	
M414704	45
44064701	39
Thermistor Plate	
70424401	39
Thermostat Cover	
M414477	49
Top Pan	
70641301	37
Top Panel	
70586501	37
Transformer	
F8491101	57
202757	15
202758	15
Transformer Harness	
44272301	15
44272302	15
Trunnion and Seal Kit	
70564803	33
Tube Assembly	
70427601	39
Tumbler Dolly Kit	
M4379P4	37

N/A items do not appear in index.

U

Union Tee	
70427901	39
Upper Hinge Gusset	
70632001	19
Upper Lug Assembly	
70639301	19
70639303	19
USB IR Interface Kit	
203346	15
USB-Serial Interface Assembly	
203440	7, 9

V

Valve	
F8322906P	55
Vend Activation Harness	
44334002	7, 9
Vend Plate	
F8632501	7

W

Warning Label	
F8611601	59, 61, 63
44321601	63
44324101	63
44324501	41
44324502	41
70534301	23, 25
70534302	23, 25
70534305	63
70536301	63
Warning Label Kit	
F8611600	59, 61
Washer	
M400991	35, 45
70261401	37
70411301	33
Water Valve Harness	
44334405	41
Wire Clip	
F8449501	57
F8449502	57
Wire Guard	
201595P	11
Wire Label	
44286802	57, 59
44286804	57
Wireless Control Label	
204692	7, 9
