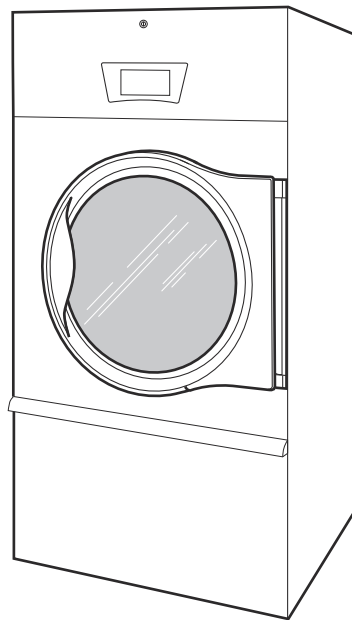


Tumble Dryers

50 Pound Capacity

18 Digit Model Numbers with 4 and 5 in 13th Position

Refer to Page 3 for Model Numbers



TMB1287C_70621701

Table of Contents

Title	Page
Parts Ordering Information.....	2
Serial Plate Location	2
Machine Identification	3
Product Overview - Heat Source and Voltage	4
Control Box	6
Touch Control - Vend Models with V in the 7th Position	8
Touch Control - OPL Models with V in the 7th Position	10
Coin Drops	12
Coin Drop Kits	14
Central Pay and Card Reader Components	16
Cabinet Front Panels and Components	18
Lower Cabinet Front Components	20
Lint Panel Components.....	22
Cabinet Components	24
Rear Panel and Belt Guard Components	26
Door and Hinge Components - Design 4 H and S Models.....	28
Door and Hinge Components - Design 5 Models	30
Cylinder and Trunnion Components	32
Bearing Components	34
Drive Motor Components	36
Blower and Exhaust Components.....	38
Airflow Switch Assembly	40
Gas Heater Components	42
Burner Orifices	44
Electric Heater Components	46
Control Tray	48
Accessory Box - Electric 200-240 Volt Models	50
Accessory Box - Electric 380-480 Volt Models	52
Harnesses.....	54
Labels	55
Parts Index.....	57

© Copyright 2023, Alliance Laundry Systems LLC

All rights reserved. No part of the contents of this book may be reproduced or transmitted in any form or by any means without the expressed written consent of the publisher.

Parts Ordering Information

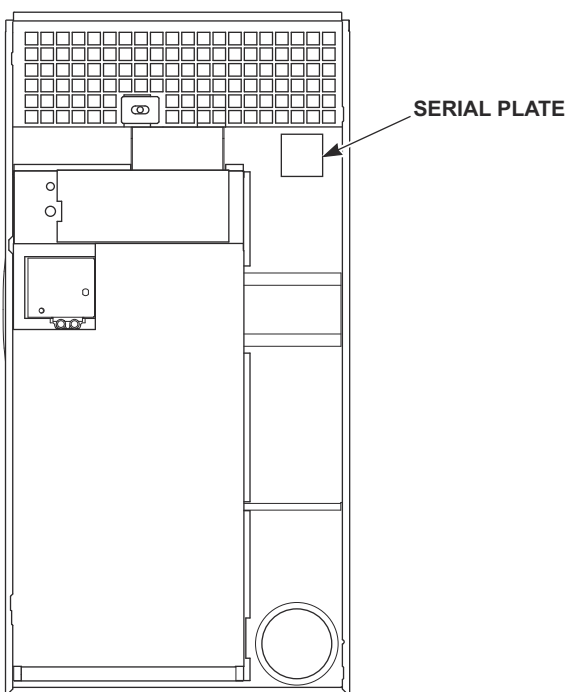
If literature or replacement parts are required, contact the source from whom the machine was purchased or contact Alliance Laundry Systems at (920) 748-3950 for the name and address of the nearest authorized parts distributor.

For technical assistance, call the number listed below:

(920) 748-3121 Ripon, Wisconsin

Serial Plate Location

When calling or writing about your product, be sure to mention model and serial numbers. Model and serial numbers are located on serial plate(s) as shown.



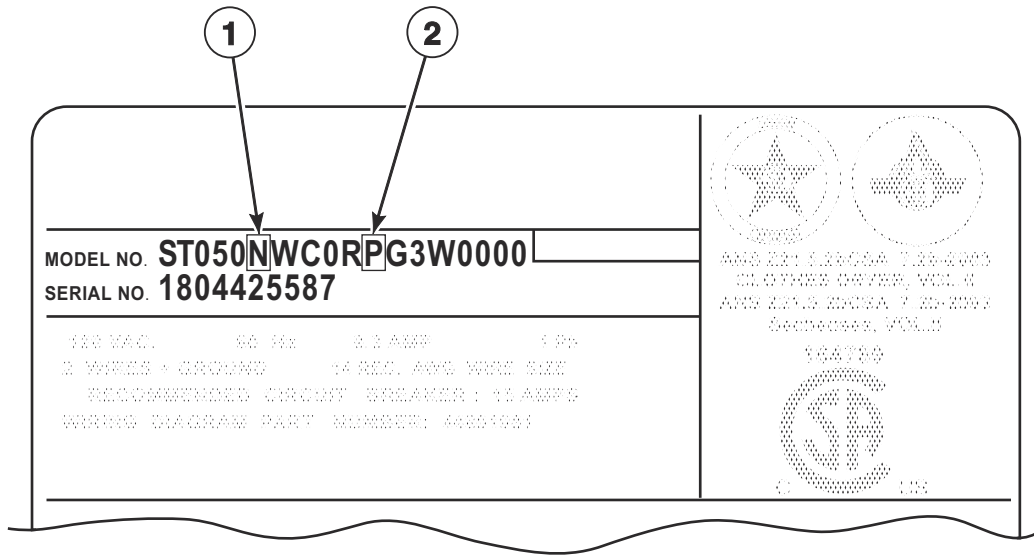
TMB2622N_70621701

Machine Identification

Information in this manual is applicable to these machines:

BG050D	HA050E	PG050E	SA050E
BG050E	HA050L	PG050L	SA050L
BG050L	HA050N	PG050N	SA050N
BG050N	HG050D	PR050E	SG050D
BR050E	HG050E	PU050E	SG050E
BU050E	HG050L	PU050L	SG050L
BU050L	HG050N	PU050N	SG050N
BU050N	HH050E		SH050E
	HH050L		SH050L
	HH050N		SH050N
	HJ050D		SJ050D
	HJ050E		SJ050E
	HJ050L		SJ050L
	HJ050N		SJ050N
	HK050E		SK050E
	HK050L		SK050L
	HK050N		SK050N
	HL050E		SL050E
	HL050L		SL050L
	HR050E		SR050E
	HT050E		ST050E
	HT050L		ST050L
	HT050N		ST050N
	HU050E		SU050E
	HU050L		SU050L
	HU050N		SU050N

Product Overview - Heat Source and Voltage

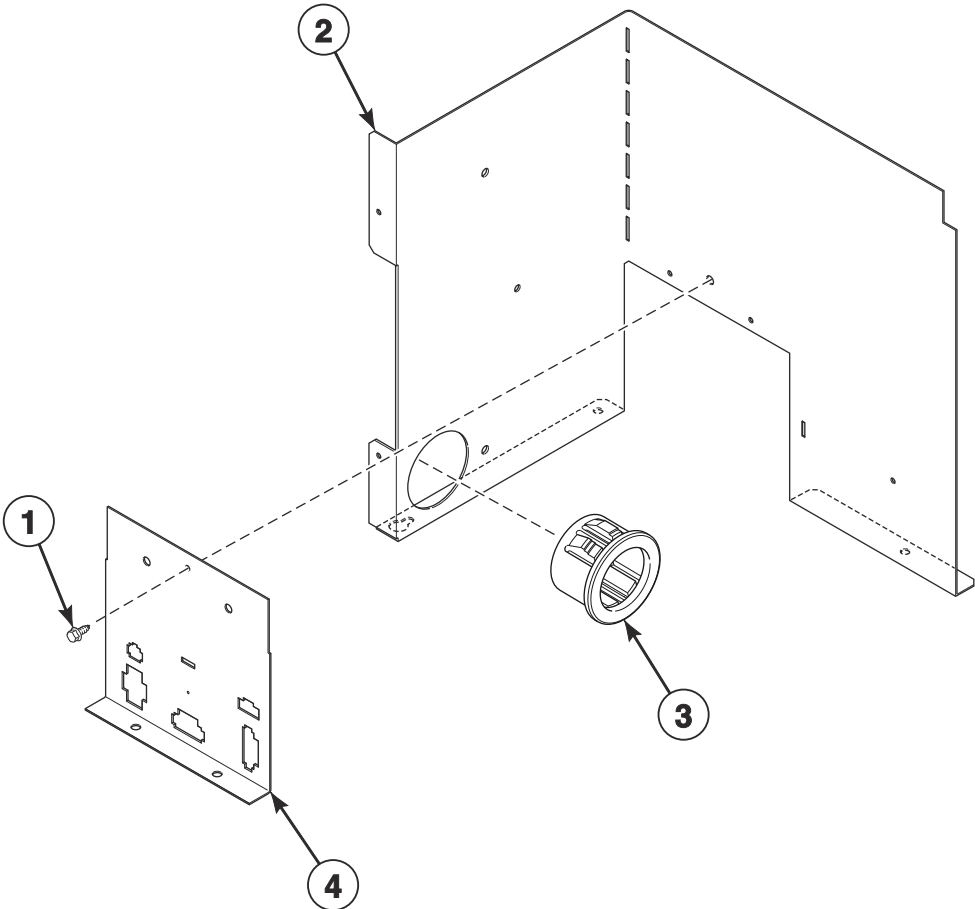


TMB3523P_70621701

Product Overview - Heat Source and Voltage

REF	PART NO.	DESCRIPTION	COMMENTS
1	-	Heat Source	D: Liquid Petroleum Gas (L.P.) E: Electric L: Liquid Petroleum Gas (L.P.) N: Natural Gas (N.G.)
2	-	Voltage	B: 100-120 Volt/50-60 Hertz/1 Phase; Gas models E: 230-240 Volt/50-60 Hertz/1 Phase; Electric models F: 200-208 Volt/50-60 Hertz/3 Phase; Electric models G: 230-240 Volt/50-60 Hertz/3 Phase; Electric models H: 380 Volt/50-60 Hertz/3 Phase; Electric models J: 400-415 Volt/50-60 Hertz/3 Phase; Electric models K: 440 Volt/50-60 Hertz/3 Phase; Electric models L: 460-480 Volt/50-60 Hertz/3 Phase; Electric models N: 440-480 Volt/50-60 Hertz/3 Phase; Gas models P: 380-415 Volt/50-60 Hertz/3 Phase; Gas models X: 200-240 Volt/50-60 Hertz/1-3 Phase; Gas models

Control Box

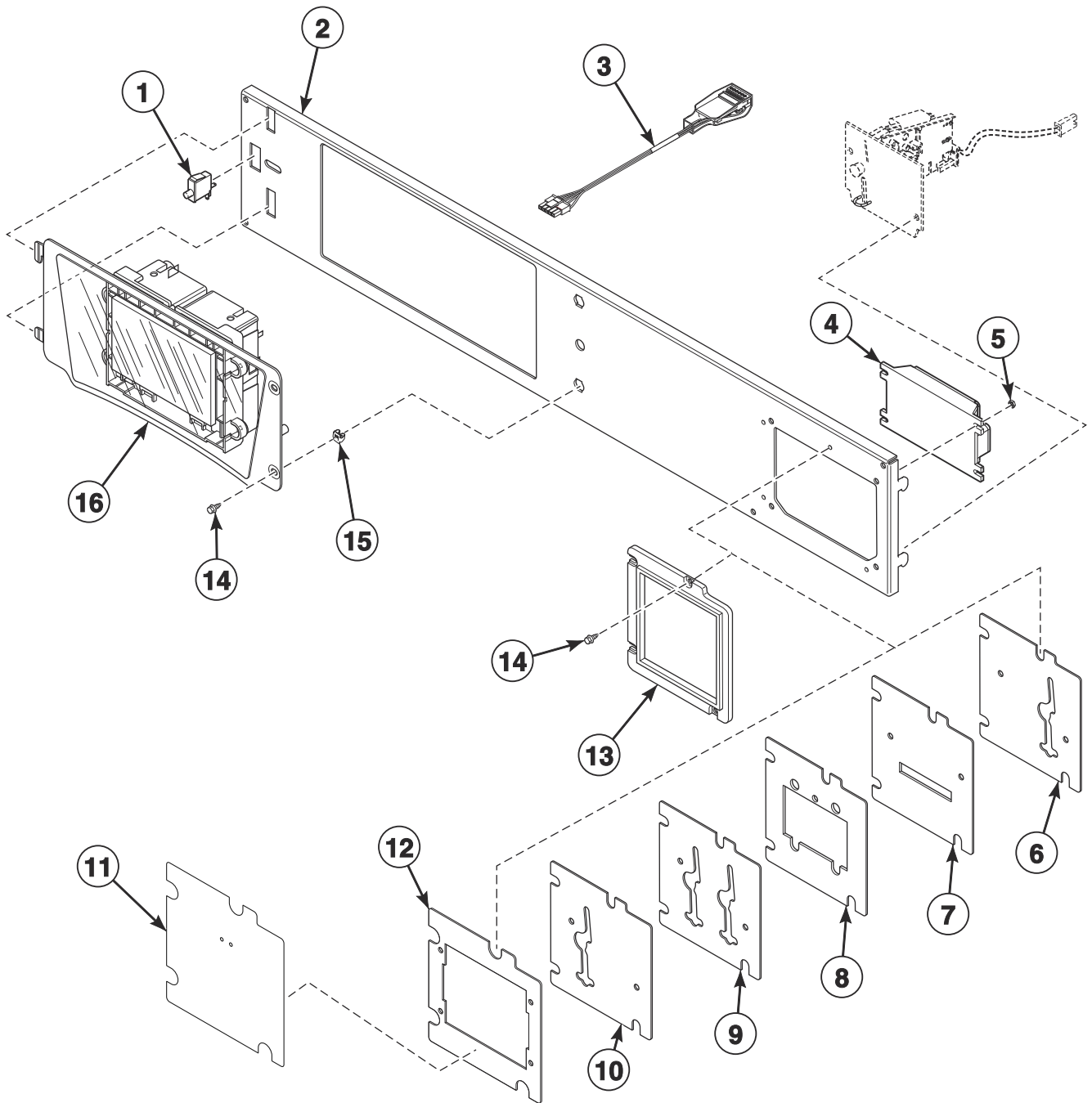


TMB3710P_70621701

Control Box

REF	PART NO.	DESCRIPTION	COMMENTS
	44334203	Main Harness	
1	430497	Screw	
2	44344101	Control Box Wrap	Design 4 H and S models
	44119101	Control Box Wrap	Design 5 models
3	D503235	Snap Bushing	Design 4 H and S models
4	70307007	Harness Mounting Plate	

Touch Control - Vend Models with V in the 7th Position



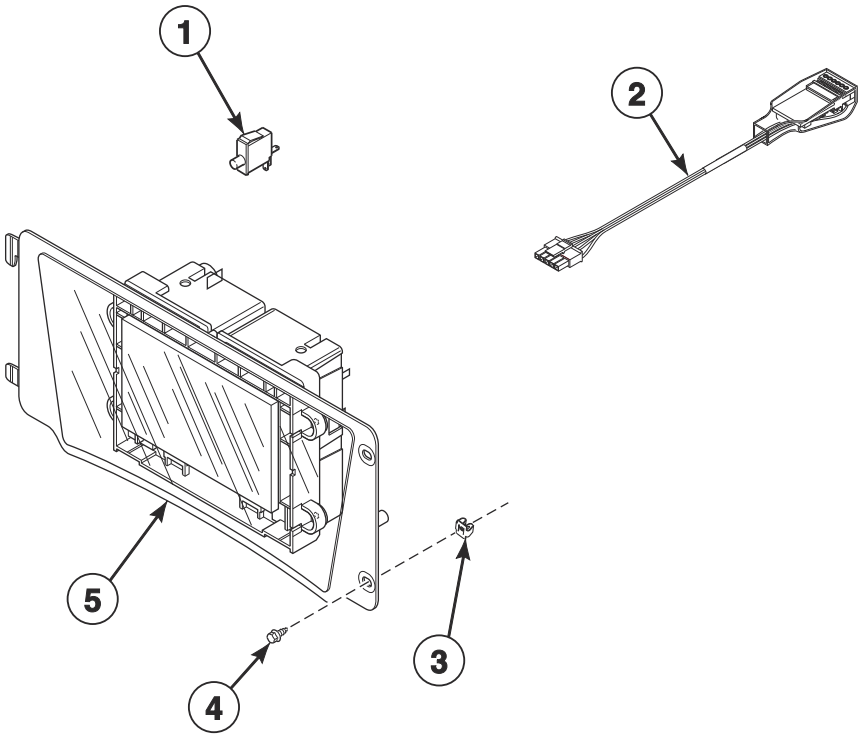
TMB3937P

Touch Control - Vend Models with V in the 7th Position

REF	PART NO.	DESCRIPTION	COMMENTS
	44334002	Vend Activation Harness	
	F8719302	Fob Communication Harness	
	44087101	Nut	2 required; Coin
	44071201	Nut	4 required; Prep for card and central pay
	203440	USB-Serial Interface Assembly	
	44374701	App Pay Overlay Kit	
	70576501P	Replacement Screen Kit	
1	70413301	Pushbutton Switch	
2	44346101	Control Mounting Bracket	Design 4 H and S models
3	203361P	Machine ID Control Assembly	
4	205135	Fob Reader Control Assembly	
5	70054	Nut	
6	F8574205	Accessory Plate Assembly	World drop
7	F8574204	Card Reader Plate	Card
8	F8574106	Accessory Plate	Use with item 5
9	F8574203	Accessory Plate Assembly	Dual drop
10	F8574202	Accessory Plate Assembly	Single drop
11	F8734001	Overlay	S models; FOB
	F8734301	Overlay	H models; FOB
	F8736601	Overlay	H models; FOB
12	F8734601	Accessory Plate Assembly	FOB
13	F8632501	Vend Plate	
14	39733	Screw	
15	70030501	Expansion Clip	2 required
16	70597801P	Control Assembly	

Touch Control - OPL Models with V in the 7th Position

B and P Models

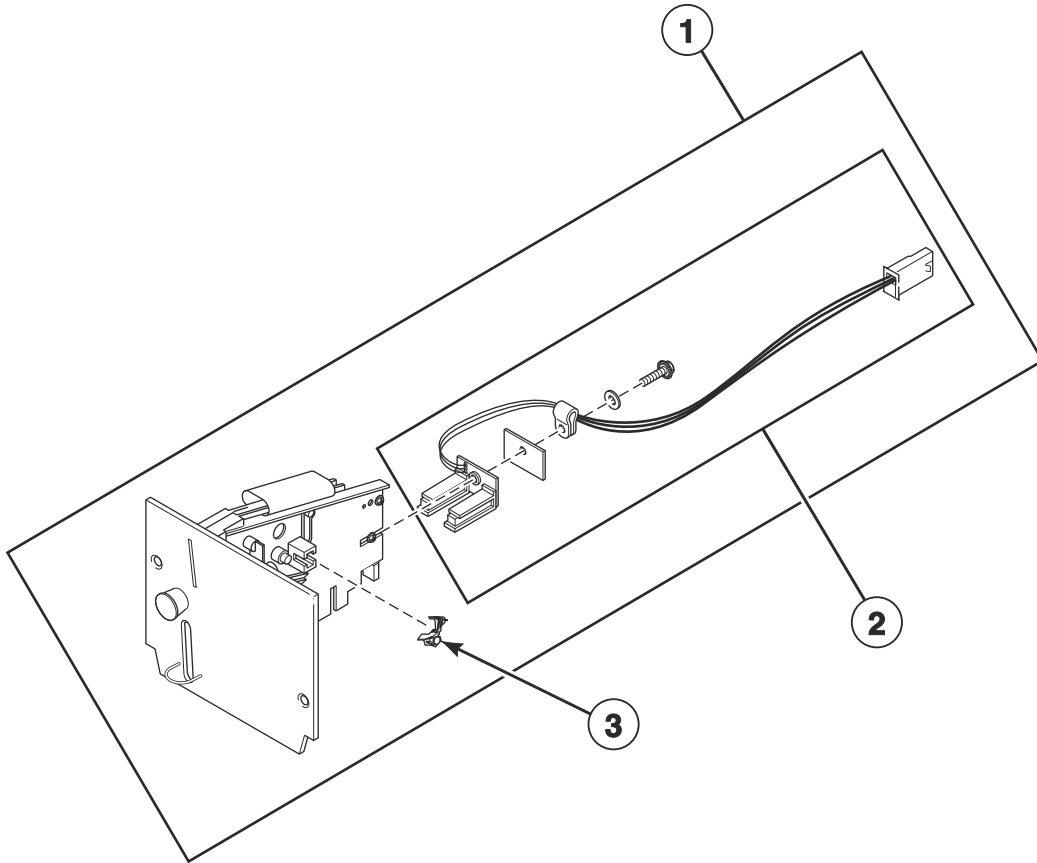


TMB3828P_70621701

Touch Control - OPL Models with V in the 7th Position

REF	PART NO.	DESCRIPTION	COMMENTS
	44334002	Vend Activation Harness	
	44087101	Nut	2 required
	204692	Wireless Control Label	2 required
	203440	USB-Serial Interface Assembly	
	44374701	App Pay Overlay Kit	
	70576501P	Replacement Screen Kit	
1	70413301	Pushbutton Switch	
2	203361P	Machine ID Control Assembly	
3	70030501	Expansion Clip	2 required
4	39733	Screw	
5	70597803	Control Assembly	

Coin Drops

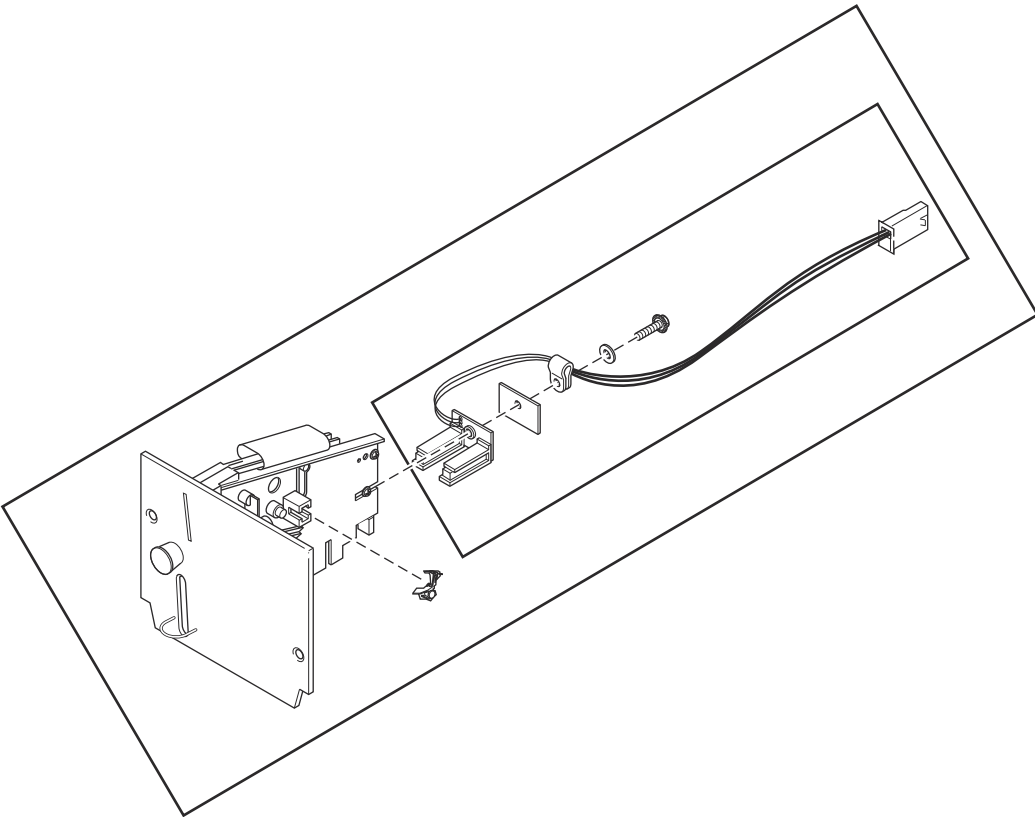


TMB3699P_70621701

Coin Drops

REF	PART NO.	DESCRIPTION	COMMENTS
1	70441601P	Coin Drop	Single; U.S.A.; \$.25
	38475	Coin Drop Assembly	Single; Japan; 100 yen
	38464P	Coin Drop Assembly	Single; Canada; .25
	CK077	Coin Drop Kit	Single; Taiwan; 10 NT
	70506901	Coin Drop Assembly	Single; Singapore; \$1.00 NEW
	70441603	Coin Drop	Dual; U.S.A.; \$.25 and \$1.00
	38519	Coin Drop Assembly	Dual; Japan; 100 yen and 500 yen
	70441602	Coin Drop Assembly	Dual; Canada; .25 and 1.00
	38467	Coin Drop Assembly	Dual; Australia; \$0.20 and \$1.00
	70447301	Coin Drop Assembly	Dual; Australia; \$1.00 and \$2.00
	70283102	Coin Drop Assembly	Dual; 0.20 and 0.50 Euro
	210195	Coin Drop Assembly	Dual; 0.20 and 1.00 Euro
	210196	Coin Drop Assembly	Dual; 0.50 and 1.00 Euro
	F0160737-00	Coin Meter	Dual; 0.50 and 2.00 Euro
	70281102	Coin Drop Assembly	Dual; Taiwan; 10 and 50 NT
	70482401	Coin Drop Assembly	Dual; New Zealand ; \$1.00 and \$2.00
	38462P	Coin Drop Assembly	Single; Token; STD 118-1
	38463	Coin Drop Assembly	Single; Token; STD 118-5
	38963P	Coin Drop	Single; Token STD 118-16
	39748	Coin Drop	Single; Jeton 08MS
	201141	Coin Drop Assembly	Single; Token; Jeton wh121
	70471601	Coin Drop Assembly	Single; Token; 7K
	70513302	Electronic Coin Drop Assembly	Euro and Great Britain coins
	70513310	Electronic Coin Drop Assembly	Japan and Thailand coins
	70513304	Electronic Coin Drop Assembly	Australia, New Zealand, Hong Kong and South Korea coins
	70513303	Electronic Coin Drop Assembly	Denmark, Norway and Euro coins
	70513306	Electronic Coin Drop Assembly	Mexico, Ecuador and U.S.A. coins
	70294107	Electronic Coin Drop Assembly	Lithuania, Latvia and Euro coins
	70513311	Electronic Coin Drop Assembly	China and Malaysia coins
	70513308	Electronic Coin Drop Assembly	South African 1, 2 and 5 rand coins
	70513309	Electronic Coin Drop Assembly	Euro coins
	70513312	Electronic Coin Drop Assembly	Russia coins
	70513313	Electronic Coin Drop Assembly	Phillipines coins
70513314	Electronic Coin Drop Assembly	Thailand coins	
70513315	Electronic Coin Drop Assembly	Chile coins	
70513316	Electronic Coin Drop Assembly	Singapore coins	
2	200674P	Opto Coupler	
3	201595P	Wire Guard	

Coin Drop Kits

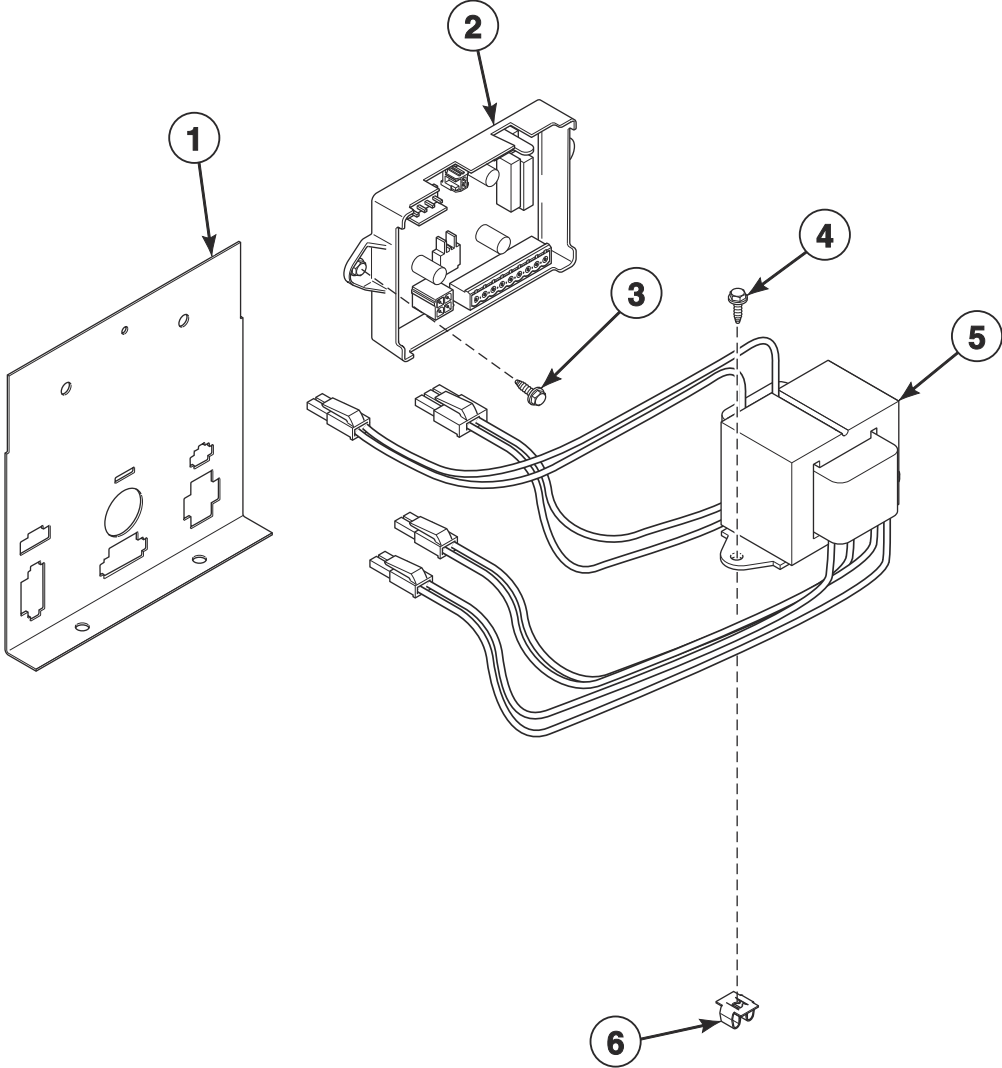


TMB3699PA_70621701

Coin Drop Kits

REF	PART NO.	DESCRIPTION	COMMENTS
	CK115	Electronic Coin Drop Kit	United States and Canada
	CK099	Electronic Coin Drop Kit	Australia (default), New Zealand, Hong Kong, South Korea and Malaysia
	CK100	Electronic Coin Drop Kit	United Kingdom (default) and Europe
	CK101	Electronic Coin Drop Kit	Europe (default), Denmark and Norway
	CK108	Electronic Coin Drop Kit	South Africa
	CK109	Electronic Coin Drop Kit	Euro
	CK110	Electronic Coin Drop Kit	Mexico (default), Ecuador and United States
	CK113	Electronic Coin Drop Kit	Japan and Taiwan
	CK116	Electronic Coin Drop Kit	Malaysia (default) and China
	CK117	Electronic Coin Drop Kit	Russia
	CK118	Electronic Coin Drop Kit	Philippine
	CK119	Electronic Coin Drop Kit	Thailand
	CK120	Electronic Coin Drop Kit	Chile
	CK121	Electronic Coin Drop Kit	Singapore
	CK122	Coin Drop Kit	New Zealand; 1.00 and 2.00

Central Pay and Card Reader Components

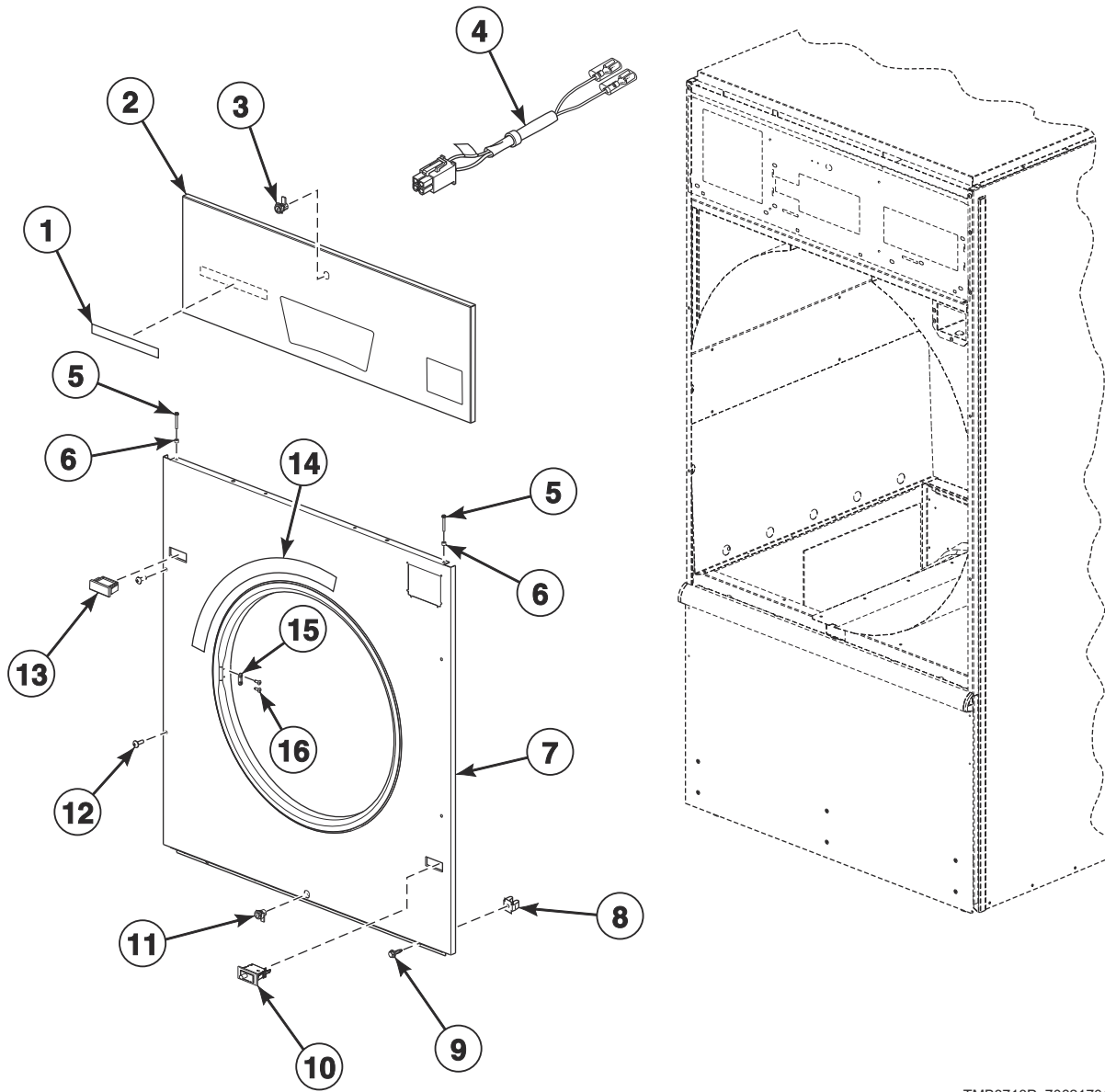


TMB3712P_70621701

Central Pay and Card Reader Components

REF	PART NO.	DESCRIPTION	COMMENTS
	44355602	Central Pay Harness	Routes from central pay board to control tray
	44272301	Transformer Harness	100-120 Volt; Routes from transformer to I/O Control Assembly; Card and central pay
	44272302	Transformer Harness	200-480 Volt; Routes from transformer to I/O Control Assembly; Card and central pay
	44355604	Central Pay Board Harness	Routes from central pay board to transformer
	44355606	Central Pay Harness	Routes from central pay board to front end control
	203346	USB IR Interface Kit	
	70666804	Fob Reader Kit	Models through 12/31/20
	70666806	Fob Reader Kit	Models starting 1/1/21
1	70307007	Harness Mounting Plate	
2	44359001	Central Pay Kit	100-120 Volt
	44359003	Central Pay Kit	200-480 Volt
3	51780	Screw	2 required
4	F8206901	Screw	
5	202757	Transformer	100-120 Volt; Card and central pay
	202758	Transformer	200-480 Volt; Card and central pay
6	70030501	Expansion Clip	2 required

Cabinet Front Panels and Components

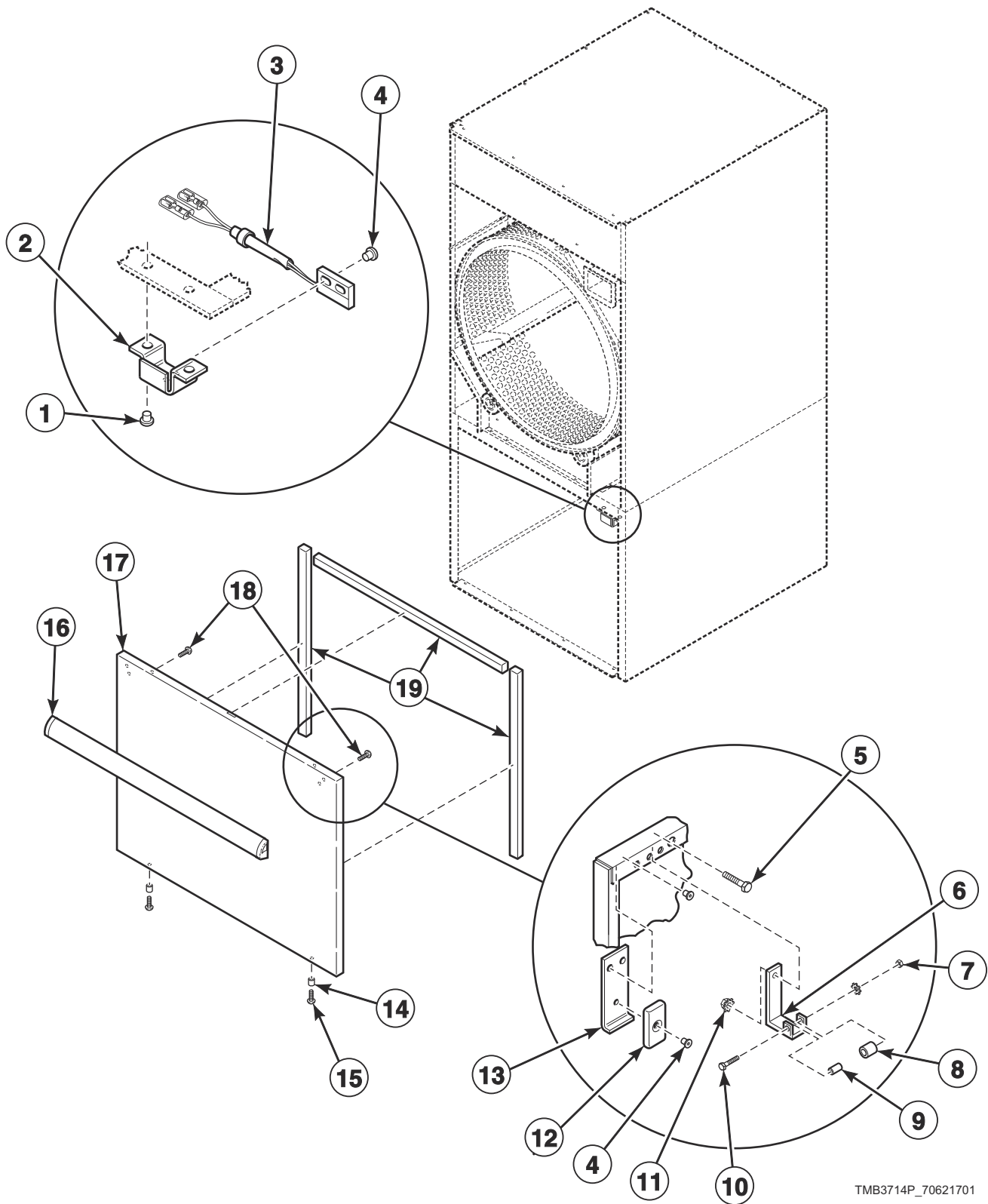


TMB3713P_70621701

Cabinet Front Panels and Components

REF	PART NO.	DESCRIPTION	COMMENTS
	M4379P4	Tumbler Dolly Kit	
	44334103	Bypass Harness	Card and central pay
	70482901	Door Catch Kit	
1	F8664901	Nameplate	Design 4 S models
	F8688901	Nameplate	Design 5 S models
	F8687701	Decal	H models
	567293	Nameplate	B models
	567887	Nameplate	P models
2	44344001	Control Panel	Stainless steel; Coin and card
	44344002	Control Panel	Stainless steel; Central pay and OPL
3	44089301P	Lock, Key and Nut Kit	RL001 key code; Black; Control panel; Optional if same key is to be used for control lock
	70155601	Key	RL001; Chrome
	44089304	Panel Lock	RL001; Chrome
4	44334101	Coin Vault Switch Harness	
5	70275801	Screw	4 required
6	56079	Panel Locator	2 required
7	44346301	Front Panel	Stainless steel; Coin; Design 4 models
	44346302	Front Panel	Stainless steel; Card; Design 4 models
	44367301	Front Panel	Stainless steel; Coin; Design 5 models
	44367302	Front Panel	Stainless steel; Card, central pay and OPL; Design 5 models
	44367401W	Front Panel	Coin; Design 5 H and S models
	44367405W	Front Panel	Card and central pay; Design 5 H and S models
8	70030501	Expansion Clip	
9	M411072	Screw	4 required; Front panel; Bottom
10	70413301	Pushbutton Switch	Door switch
11	44089301P	Lock, Key and Nut Kit	RL001 key code; Black; Lint panel; Optional if same key is to be used for control lock
	70155601	Key	RL001; Chrome
	44089302P	Lock, Key and Nut Kit	RL002 key code; Lint panel; Standard coin and card models
	70155602	Key	RL002; Chrome
	44089305	Panel Lock	RL002; Chrome
12	70033502	Screw	2 required for stainless steel panels in addition to 2 of 70182601 Screw
	70182601	Screw	2 required for stainless steel panels in addition to 2 of 70033502 Screw; 4 required for painted panels
13	44057801B	Switch Hole Plug	Black; For stainless steel; Design 4 models
14	70534401	Warning Label	English
	70534402	Warning Label	French
	70534405	Warning Label	Colombian Spanish
	70534400	Label Kit	Warning; IEC models
15	M401223	Door Latch	2 required
16	44166601	Pop Rivet	2 per door latch

Lower Cabinet Front Components

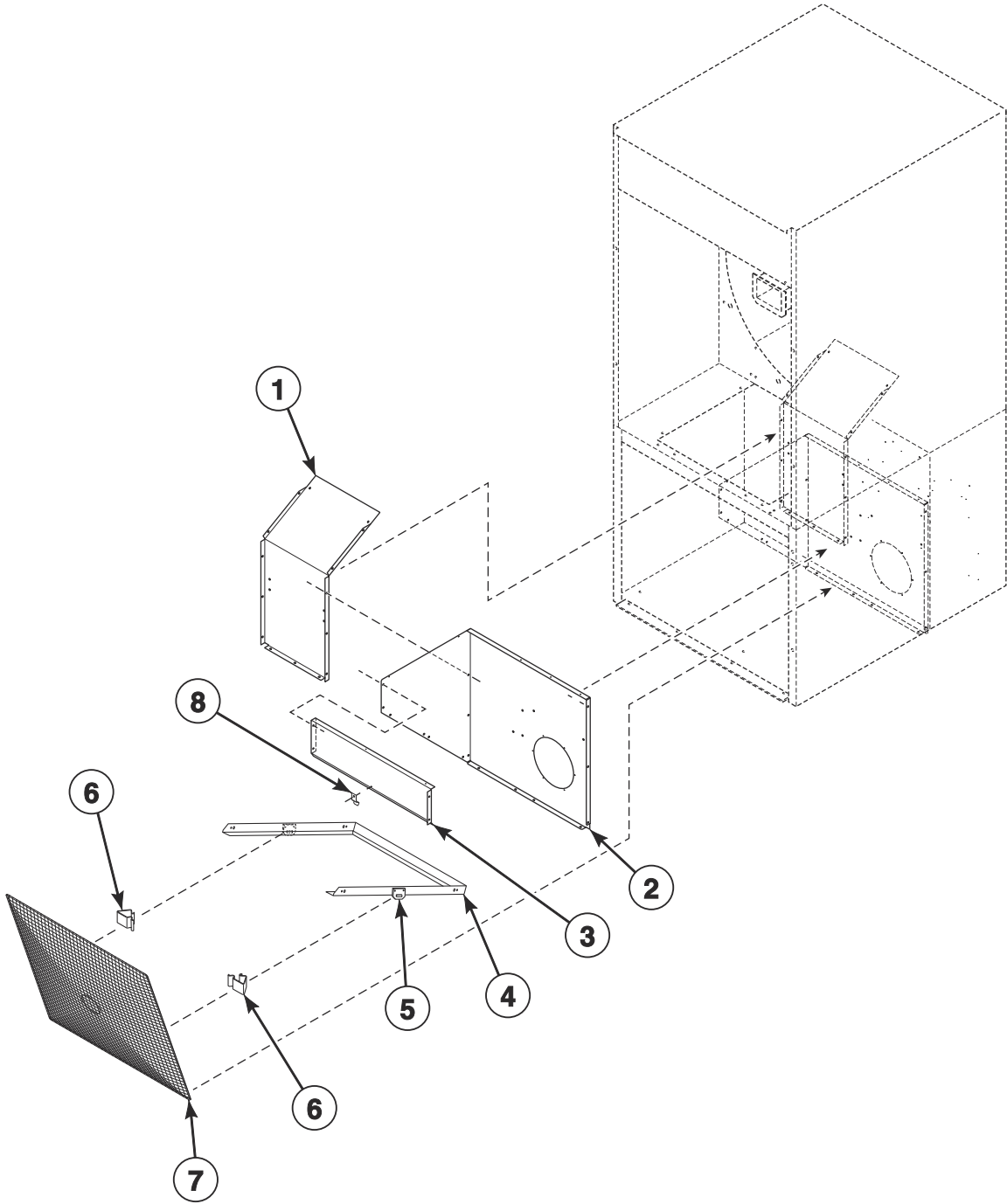


TMB3714P_70621701

Lower Cabinet Front Components

REF	PART NO.	DESCRIPTION	COMMENTS
	70404001	Roller Bracket Assembly	Includes items 6-10
1	70058501	Pop Rivet	
2	44296101	Switch Bracket	
3	F8066804	Reed Switch Assembly	
4	F8245101	Blind Rivet	
5	70132301	Screw	Attaching roller catch
6	70030301	Roller Catch Arm	
7	23951	Nut	
8	70297601	Roller Catch Wheel	
9	70030201	Roller Catch Spacer	
10	70072801	Screw	
11	51236	Nut	Attaching roller catch
12	70343101	Magnet	
13	44290501	Magnet Bracket	
14	56079	Panel Locator	
15	39733	Screw	
16	70154405P	Handle and Caps Assembly	Black; Includes endcaps
17	44293605	Lint Panel	Stainless steel
	44293606W	Lint Panel	Design 5 H and S models
18	430757	Screw	
19	70289101P	Gasket	Sold per foot

Lint Panel Components

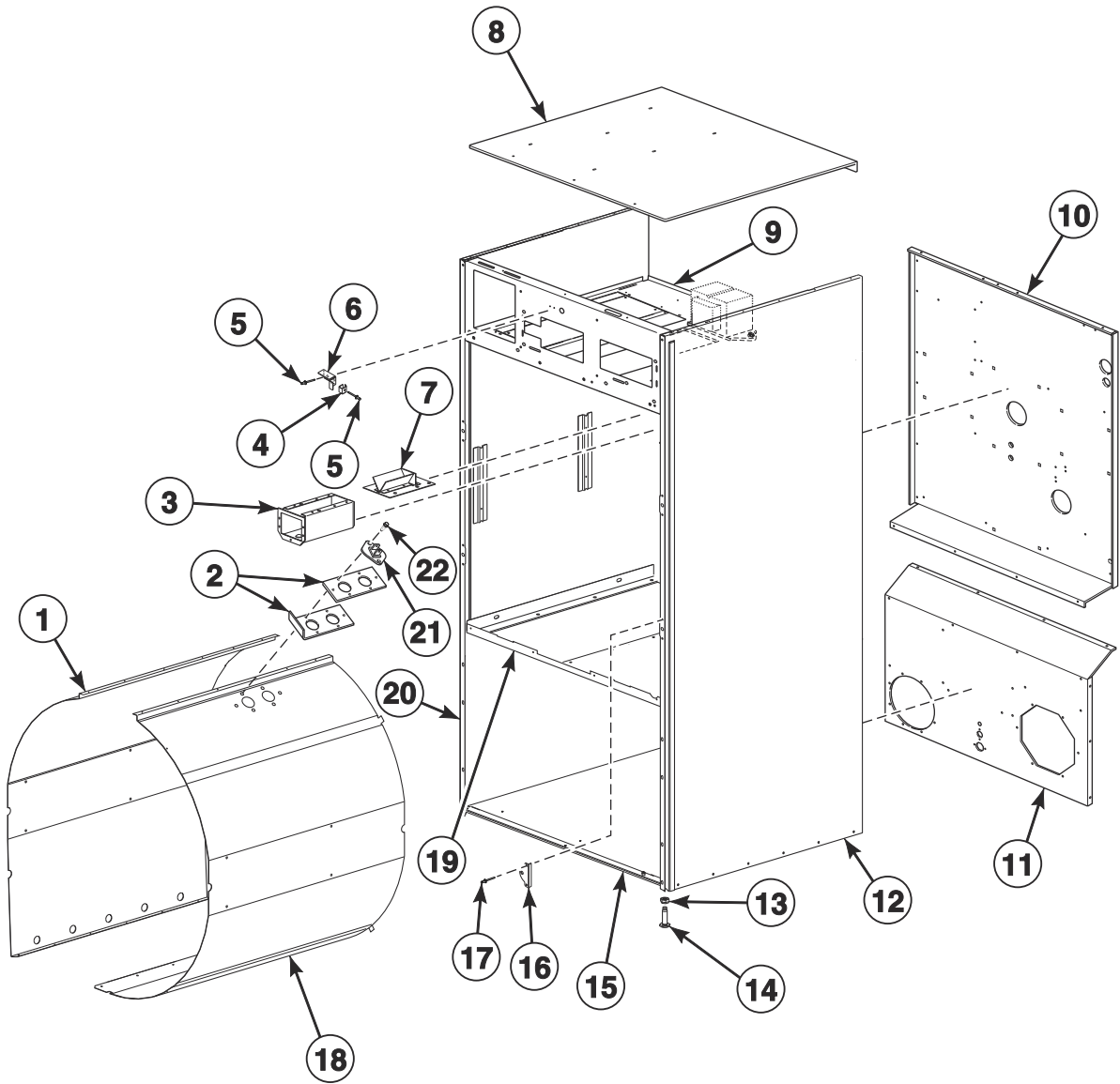


TMB3637P_70621701

Lint Panel Components

REF	PART NO.	DESCRIPTION	COMMENTS
1	44298102	Lint Panel	Left
2	44300901	Lint Panel	Right
3	44298901	Lint Screen Top Rail	
4	44325301	Lint Bracket	
5	44140202	Lint Clip Bracket	2 required
6	35865	Hold-Down Clip	2 required
7	44063601	Lint Screen	
8	H96418413	Lint Screen Clip	

Cabinet Components

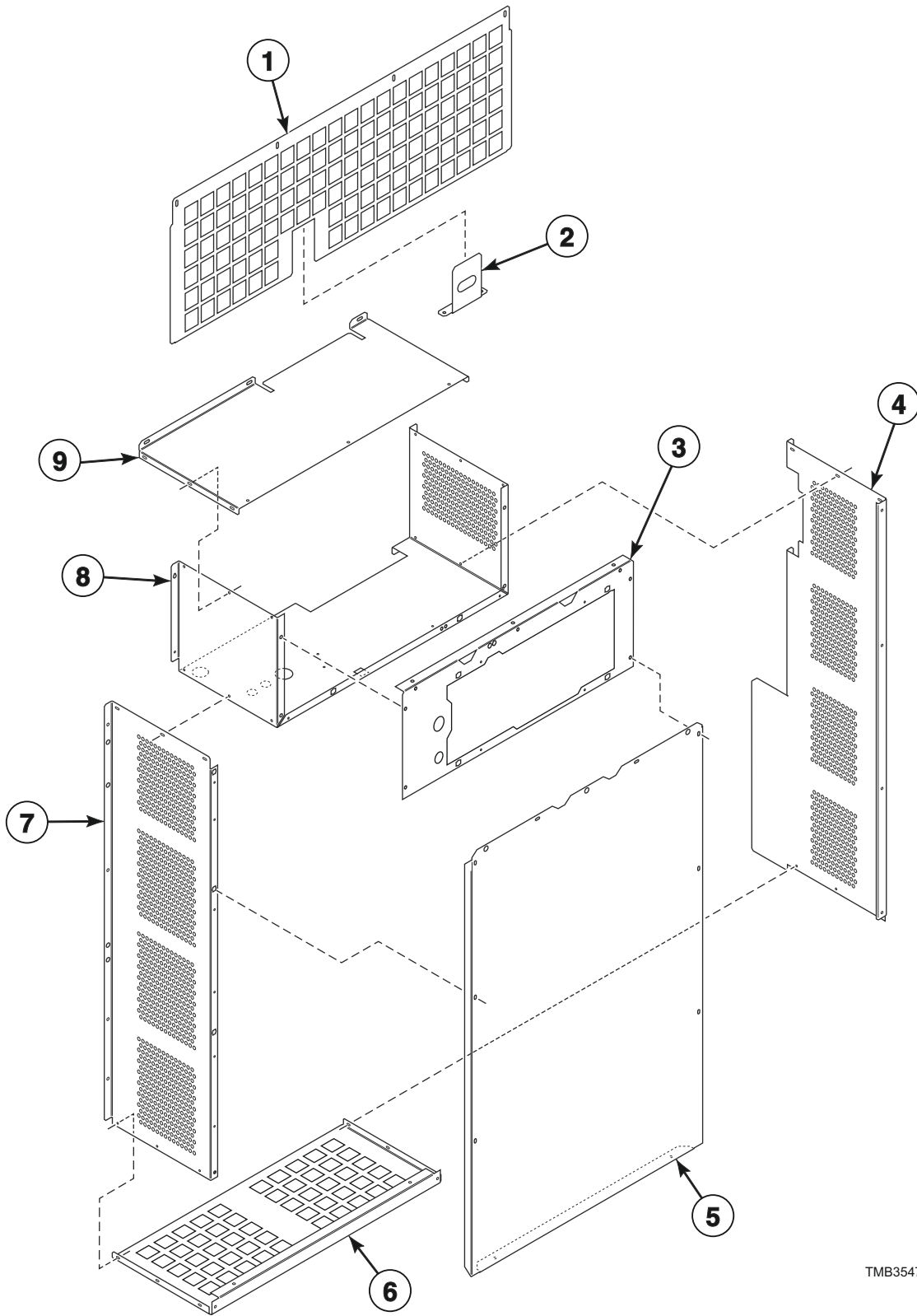


TMB3715P_70621701

Cabinet Components

REF	PART NO.	DESCRIPTION	COMMENTS
	298P4P	Spray Paint	White
	122P4P	Porcelain Touch-Up Paint	White
	430497	Screw	Use with items 12 and 20
1	44304602	Baffle	Left
2	44068101	Thermistor Plate	
	44068102	Thermistor Plate	Use as a shim
3	70529501	Coin Vault Assembly	
	F160673P	Coin Box	Optional equipment; Includes lock and key
4	431318	Control Door Latch	
5	M400003	Pop Rivet	
6	70586701	Latch Bracket	
7	70296401	Coin Chute Assembly	Wide
8	44346201	Top Panel	Gas models
	44346202	Top Panel	Electric models
9	44345101	Top Pan	Gas models; Design 4
	44352401	Top Pan	Electric models; Design 4
	44304101	Top Pan	Design 5 models
10	44297001	Upper Rear Panel	
11	44300001	Lower Rear Panel	
12	44348501W	Side Panel	Right; Design 4 S models
	44367601W	Side Panel	Right; Design 5 H and S models
	44367601DG	Side Panel	Right; B and P models
13	21899	Nut	Right
14	70247701	Screw	Leveling leg
15	44304301	Bottom Pan	
16	70604701	Lug Mount Bracket	2 required; Design 4 S models
	70634301	Lug Mount Bracket	2 required; Design 5 H and S models
17	70058501	Pop Rivet	4 required; Also use with items 12 and 20
18	44304702	Baffle	Right
19	44304201	Center Pan	
20	44348601W	Side Panel	Left; Design 4 S models
	44367501W	Side Panel	Left; Design 5 H and S models
	44367501DG	Side Panel	Left; B and P models
21	44064701	Thermistor	
22	51780	Screw	

Rear Panel and Belt Guard Components

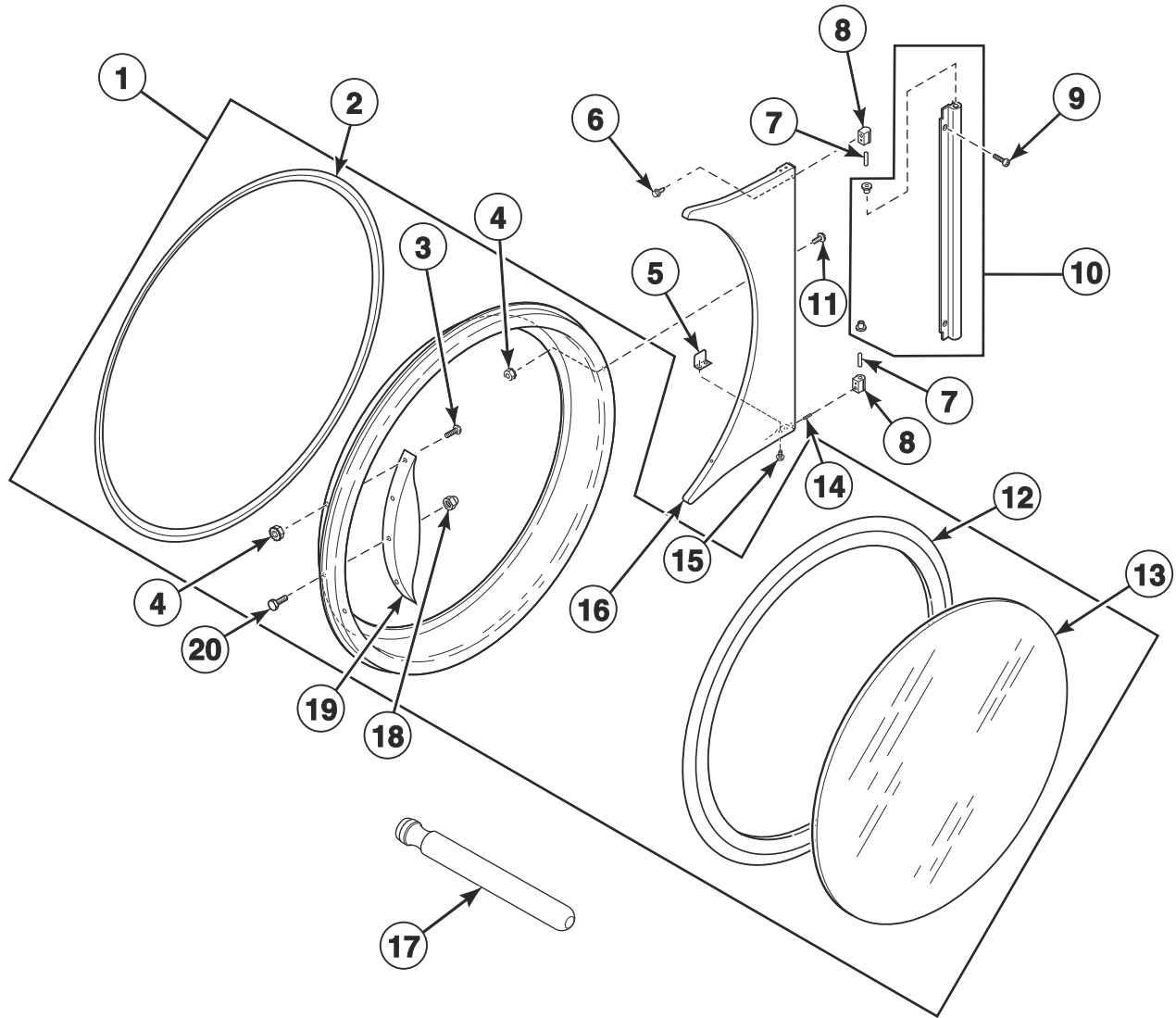


TMB3547P_70621701

Rear Panel and Belt Guard Components

REF	PART NO.	DESCRIPTION	COMMENTS
1	44300301	Stove Grate	Gas models
	44305601	Stove Grate	Electric models
2	44327603	Pipe Bracket	Gas models
3	44332201	Belt Guard	Middle
4	44298301	Belt Guard Side Panel	Left
5	44269201	Guard Panel	Rear
6	44298401	Belt Guard	Bottom
7	44301101	Belt Guard Side Panel	Right
8	44332301	Guard Panel	Middle
9	44314301	Belt Guard	Top

Door and Hinge Components - Design 4 H and S Models



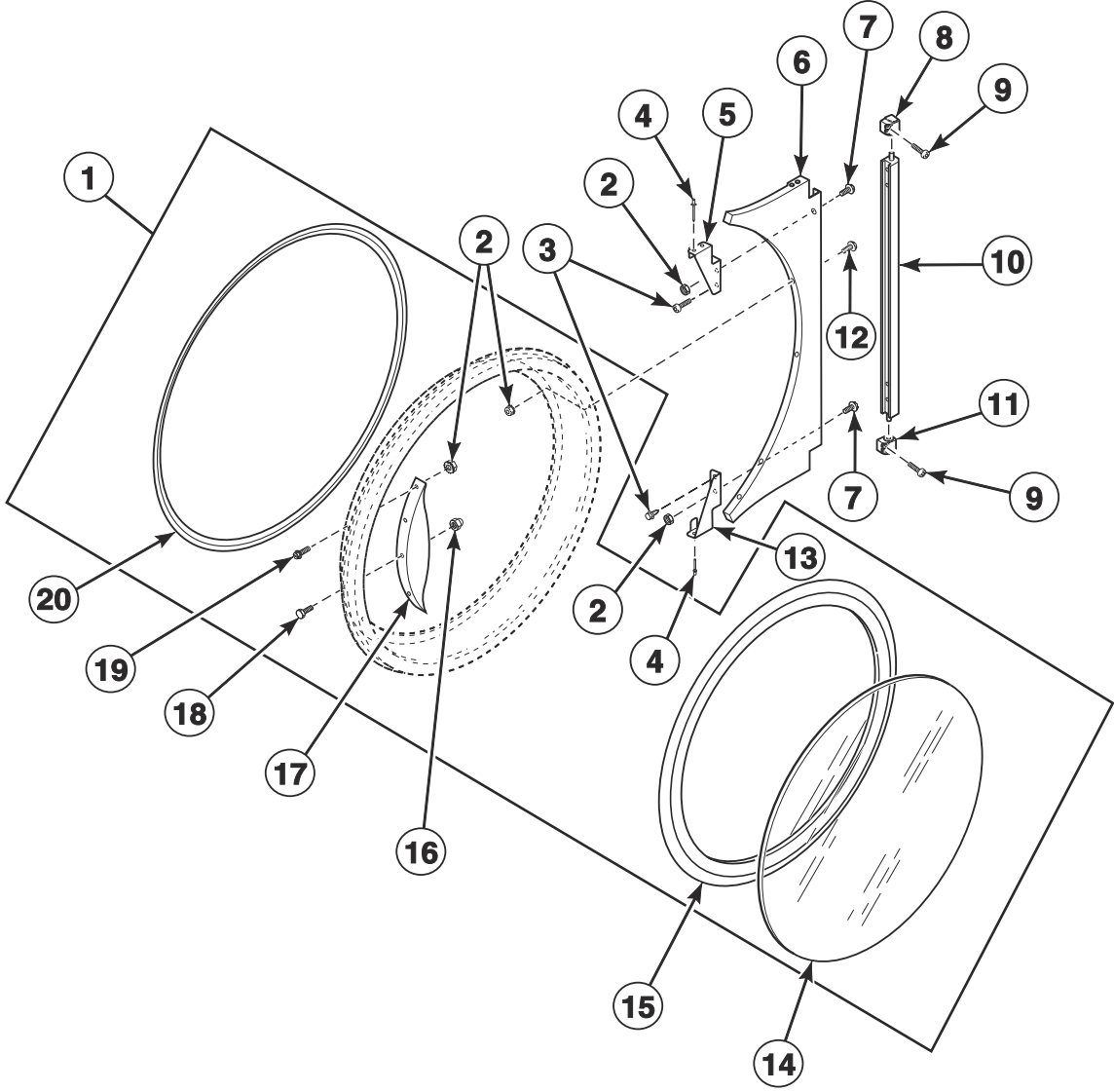
TMB3726P_70621701

Door and Hinge Components - Design 4 H and S Models

REF	PART NO.	DESCRIPTION	COMMENTS
	70650401	Door Glass Label	H models
	70707701	Door Glass Label	S models
	70707501	Max Fill Line Label	
1	44354702	Door Assembly	Chrome
2	70296802	Door Ring Gasket	
3	70442101	Screw	4 required
4	44088001	Nut	
5	70532101	Door Switch Actuator	Bottom
6	70576101	Screw	
7	70071401	Pin	
8	70622401	Hinge Cam Kit	Chrome
9	FR004022	Screw	
10	70601005	Door Hinge Lug Assembly	Chrome
11	44349101	Screw	
12	70211902P	Door Seal Kit	Use Loctite 414 for seal
13	44008401P	Door Glass	
14	70436301	Screw	
15	70058501	Pop Rivet	
16	70596603	Door Hinge Assembly	Chrome
17	M4221P4	Door Glass Installation Tool	
18	M414215	Nut	For door strike; Mounts between door strike screw and door handle
19	44007901	Door Handle	
20	M400661	Screw	Door Strike

Door and Hinge Components - Design 5 Models

BG, BR, BU, HG, HT, PG, PR, PU, SG and ST Models

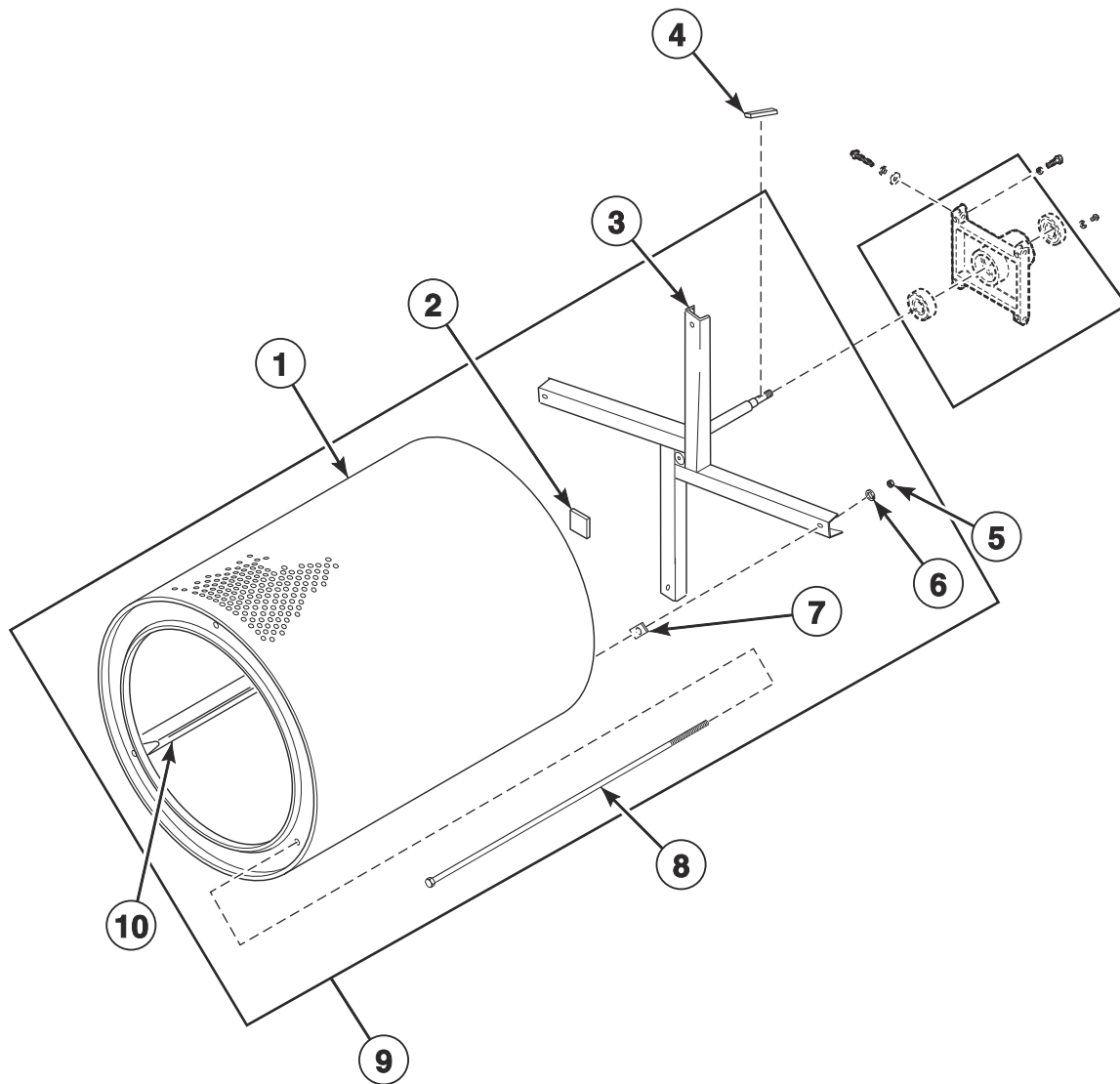


TMB3805P_70621701

Door and Hinge Components - Design 5 Models

REF	PART NO.	DESCRIPTION	COMMENTS
	70650401	Door Glass Label	H models
	70707701	Door Glass Label	S models
	70707501	Max Fill Line Label	
1	44354706	Door Assembly	Chrome; H models
	44354702	Door Assembly	Chrome; S models
	44354709	Door Assembly	Black; B and P models
2	44088001	Nut	
3	802822	Screw	
4	70058501	Pop Rivet	
5	70632001	Upper Hinge Gusset	
6	44366606W	Door Hinge Assembly	White; H and S models
	44366604	Door Hinge Assembly	Stainless steel; H and S models
	44366608	Door Hinge Assembly	Chrome; H and S models
	44366610B	Door Hinge Assembly	Black; B and P models
7	70640201	Screw	
8	70639301	Upper Lug Assembly	Use with 2 of item 9; H and S models
	70639303	Upper Lug Assembly	Use with 2 of item 9; B and P models
9	70640301	Screw	H and S models
	F8458801	Screw	B and P models
10	70640401	Center Hinge Lug Assembly	
11	70639302	Lower Lug Assembly	Use with 2 of item 9; H and S models
	70639304	Lower Lug Assembly	Use with 2 of item 9; B and P models
12	44349101	Screw	
13	70632002	Lower Hinge Gusset	
14	44008401P	Door Glass	
15	70211902P	Door Seal Kit	Use Loctite 414 for seal
16	M414215	Nut	For door strike; Mounts between door strike screw and door handle
17	44007901	Door Handle	
18	M400661	Screw	Door Strike
19	70442101	Screw	4 required
20	70296802	Door Ring Gasket	

Cylinder and Trunnion Components

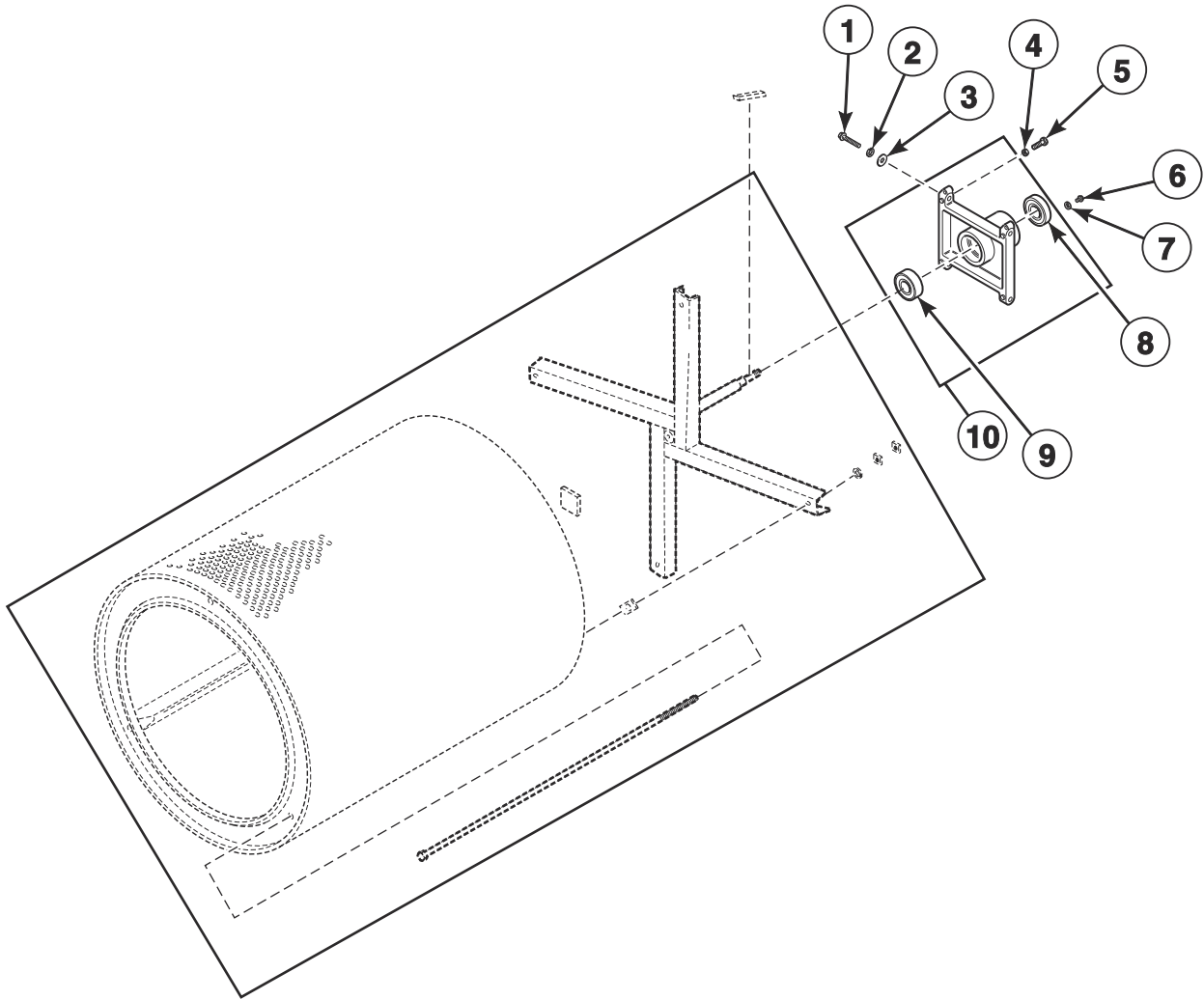


TMB3796P_70621701

Cylinder and Trunnion Components

REF	PART NO.	DESCRIPTION	COMMENTS
1	44057001P	Cylinder Kit	Galvanized
	44057101P	Cylinder Kit	Stainless steel
2	M402144	Felt Pad	
3	44208001	Trunnion Assembly	Spider
4	M400008	Key	Half moon
5	M404993	Nut	
6	M400015	Washer	4 required
7	M401402	Spacer	Adjustment between cylinder and trunnion
8	M401411	Rib Rod	
9	44195601	Cylinder and Trunnion Assembly	Galvanized
	44195602	Cylinder and Trunnion Assembly	Stainless steel
	44195603	Cylinder and Trunnion Assembly	Galvanized with stainless steel back

Bearing Components

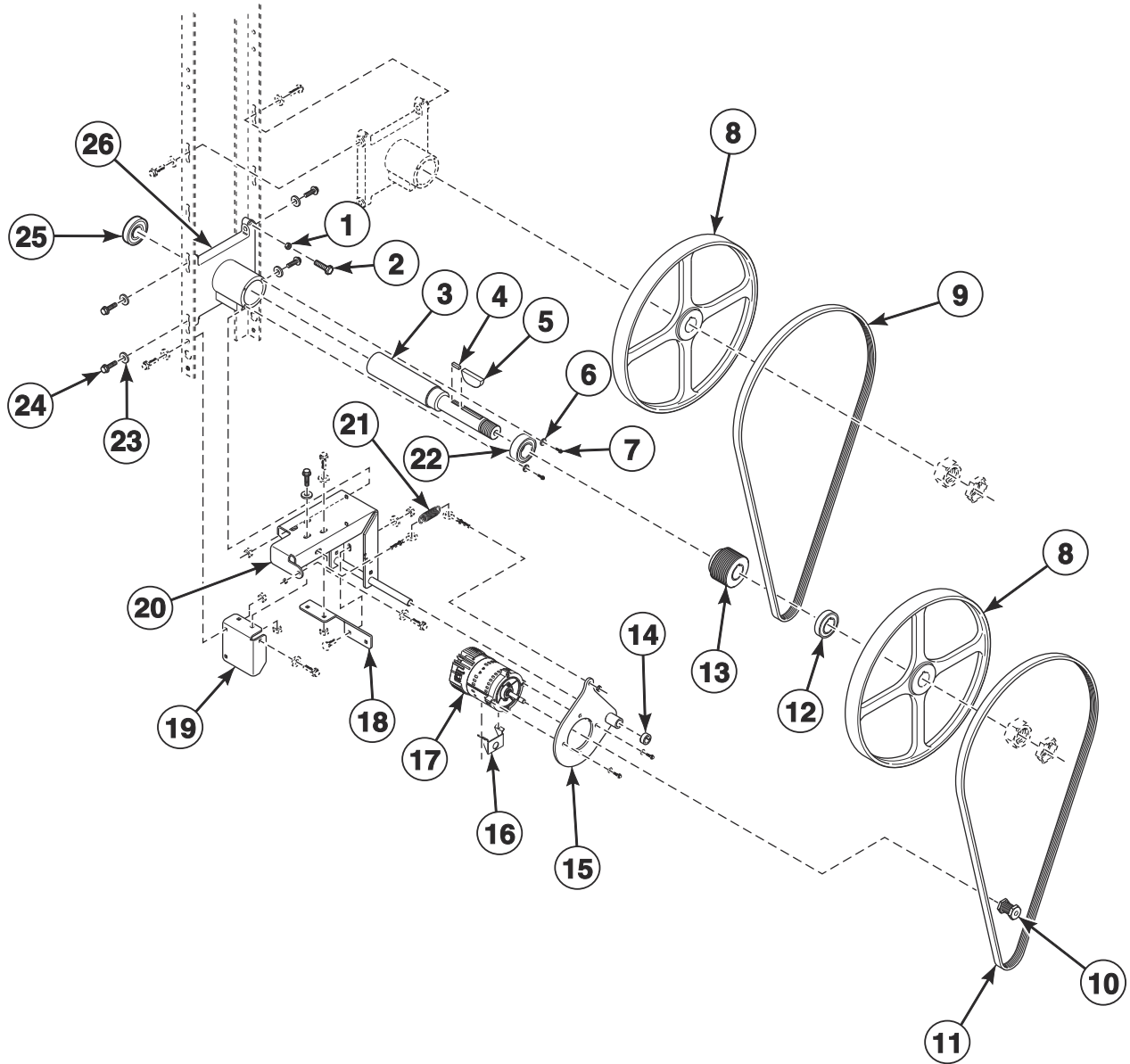


TMB2123PA_70621701

Bearing Components

REF	PART NO.	DESCRIPTION	COMMENTS
	M4640P3	Trunnion and Bearing Assembly	
	M4644P3	Housing and Trunnion Assembly	Includes bearing
1	M400063	Screw	
2	M400015	Washer	4 required
3	70261401	Washer	4 required
4	M400026	Nut	4 required
5	M400650	Bolt	2 required
6	70187201	Screw	4 required
7	20103	Washer	4 required
8	M413923P	Bearing	
9	44041901P	Ball Bearing	
10	44375001	Trunnion Housing Assembly	Includes bearing

Drive Motor Components

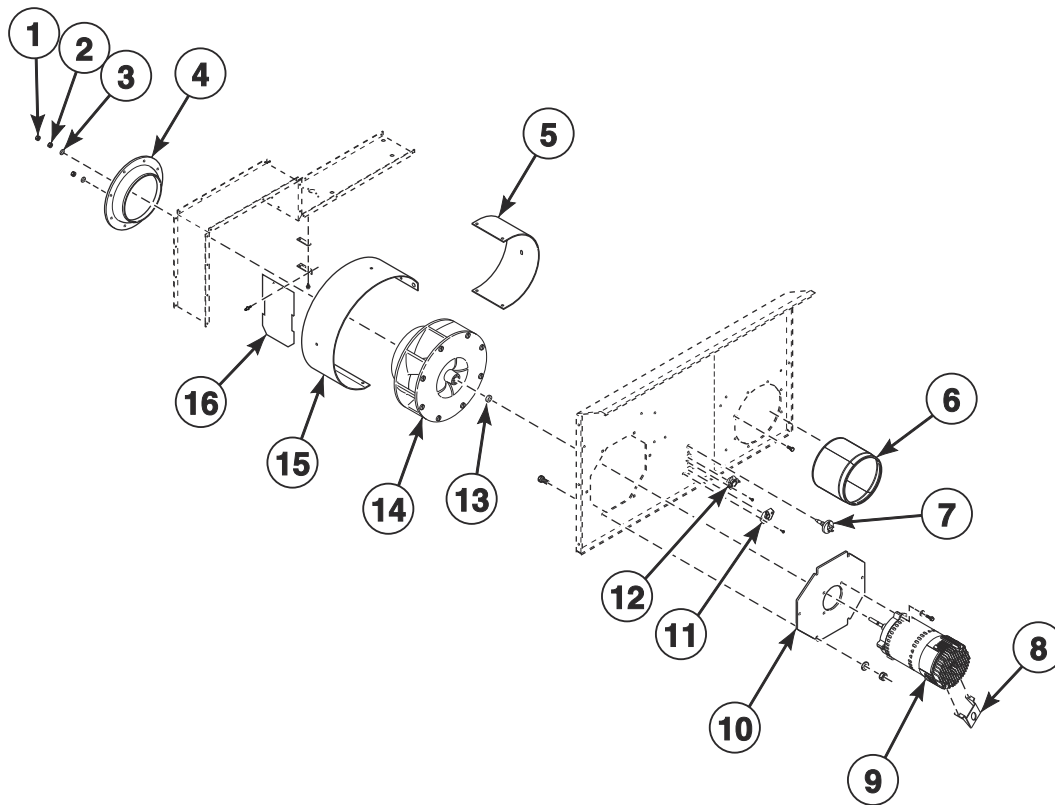


TMB3827P_70621701

Drive Motor Components

REF	PART NO.	DESCRIPTION	COMMENTS
	44333202	Nut	Use with motor pulley
	44335304	Inverter Motor Harness	Cylinder
	44335305	Inverter Motor Harness	Fan
	44375001	Trunnion Housing Assembly	Includes items 6, 7, 22, 25 and 26
1	M400026	Nut	
2	M400650	Bolt	
3	44303102	Idler Shaft	
4	44309301	Key	
5	M400008	Key	
6	20103	Washer	
7	70187201	Screw	
8	44289502	Pulley	
9	44333301	V-Belt	Upper
10	70559102	Motor Pulley	
11	44309402	V-Belt	Lower
12	44306801	Idler Spacer	
13	44270201	Micro V Pulley	
14	70467001	Shaft Collar	
15	44311501	Motor Pivot Plate Weldment	
16	44317901	Motor Conduit Bracket	
17	44259501P	Drive Motor	.50 HP; 120, 230 Volt/1 Phase
	44259601P	Drive Motor	.50 HP; 380-460 Volt/3 Phase
18	44325701	Motor Pivot Gusset Bracket	
19	44325801	Motor Pivot Support Bracket	
20	44327001	Motor Pivot Bracket Weldment	
21	F8440701	Extension Spring	
22	M413923P	Bearing	
23	70261401	Washer	4 required
24	805213	Screw	4 required
25	44041901P	Ball Bearing	
26	M413826	Trunnion Housing	

Blower and Exhaust Components

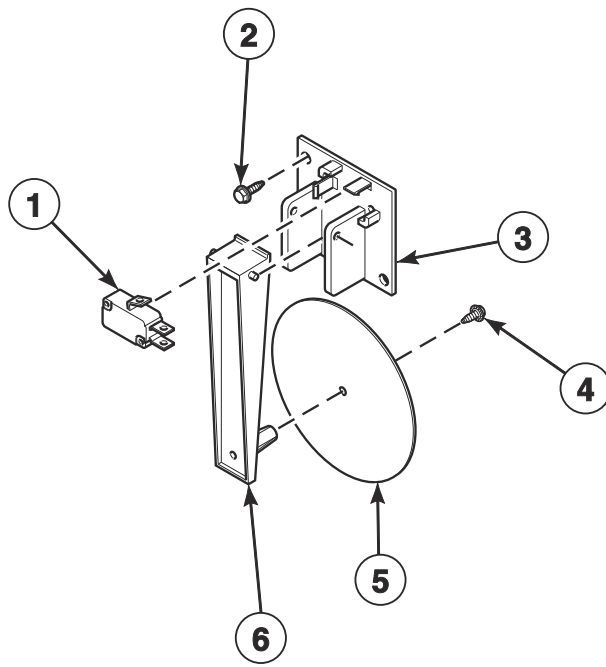


TMB3730P_70621701

Blower and Exhaust Components

REF	PART NO.	DESCRIPTION	COMMENTS
1	M400034	Nut	
2	M400022	Nut	
3	F431131	Washer	
4	70303101	Blower Inlet Cone	
5	44308401	Air Exhaust Deflector	
6	44327901	Exhaust Pipe Assembly	
7	M414704	Thermistor	
8	44317901	Motor Conduit Bracket	
9	70478701P	Fan Motor	.50 HP; 120, 230 Volt/1 Phase
	70484901P	Fan Motor	.50 HP; 380-460 Volt/3 Phase
10	70380801	Blower Motor Mounting Plate	
11	70530905	Limit Thermostat	
12	44328010	Limit Thermostat	
13	70599301	Fan Spacer	
14	70302201P	Blower Assembly	
15	44303801	Blower Housing Scroll	
16	44280301	Damper Assembly	

Airflow Switch Assembly

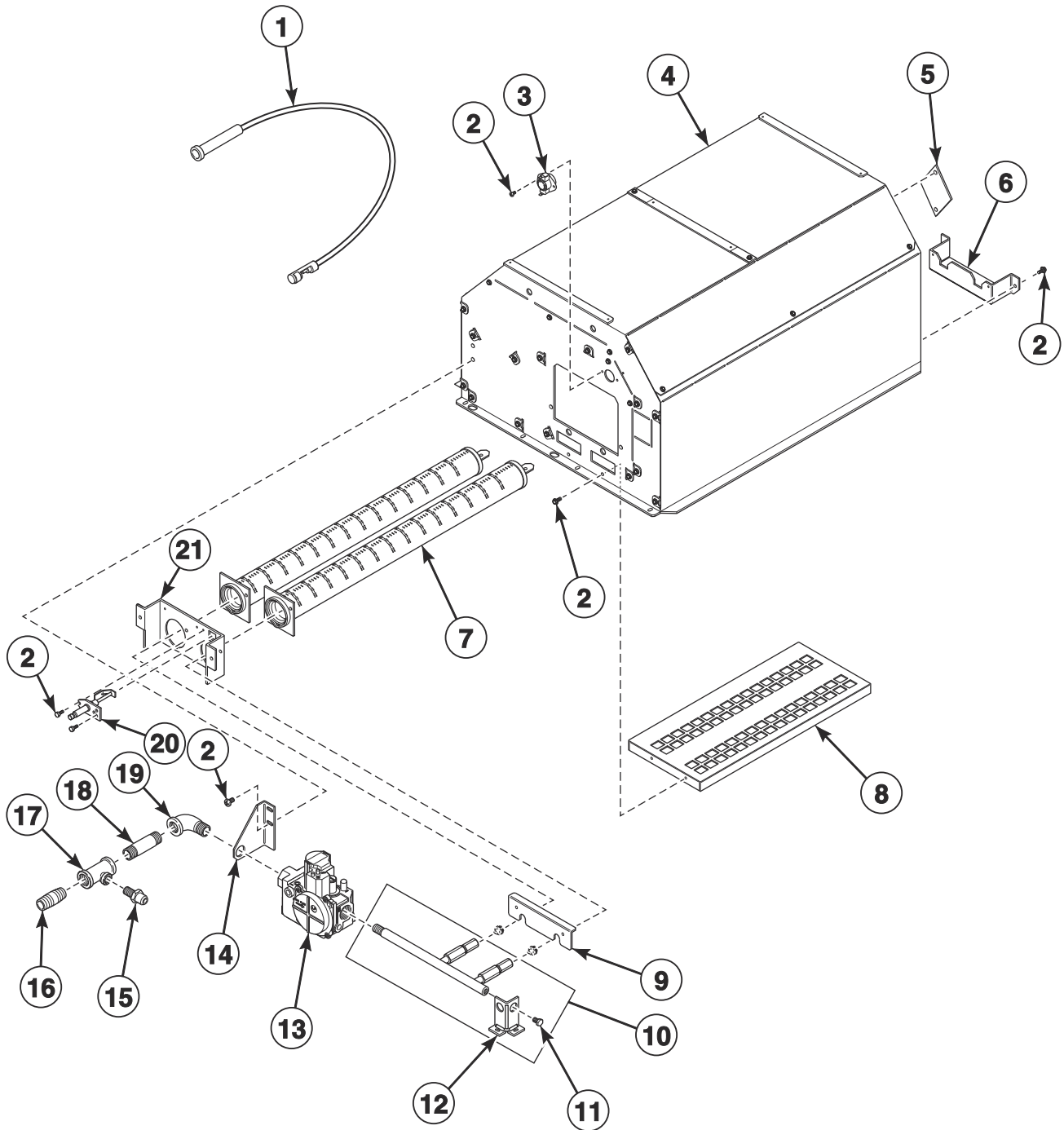


TMB3586P_70621701

Airflow Switch Assembly

REF	PART NO.	DESCRIPTION	COMMENTS
	70429602	Airflow Switch Assembly	Includes items 1 and 3-6
1	70411901	Switch	
2	430497	Screw	6 required
3	70319602	Airflow Switch and Arm Bracket	
4	430757	Screw	
5	70319202	Airflow Switch Vane	
6	70319401	Airflow Switch Arm	

Gas Heater Components

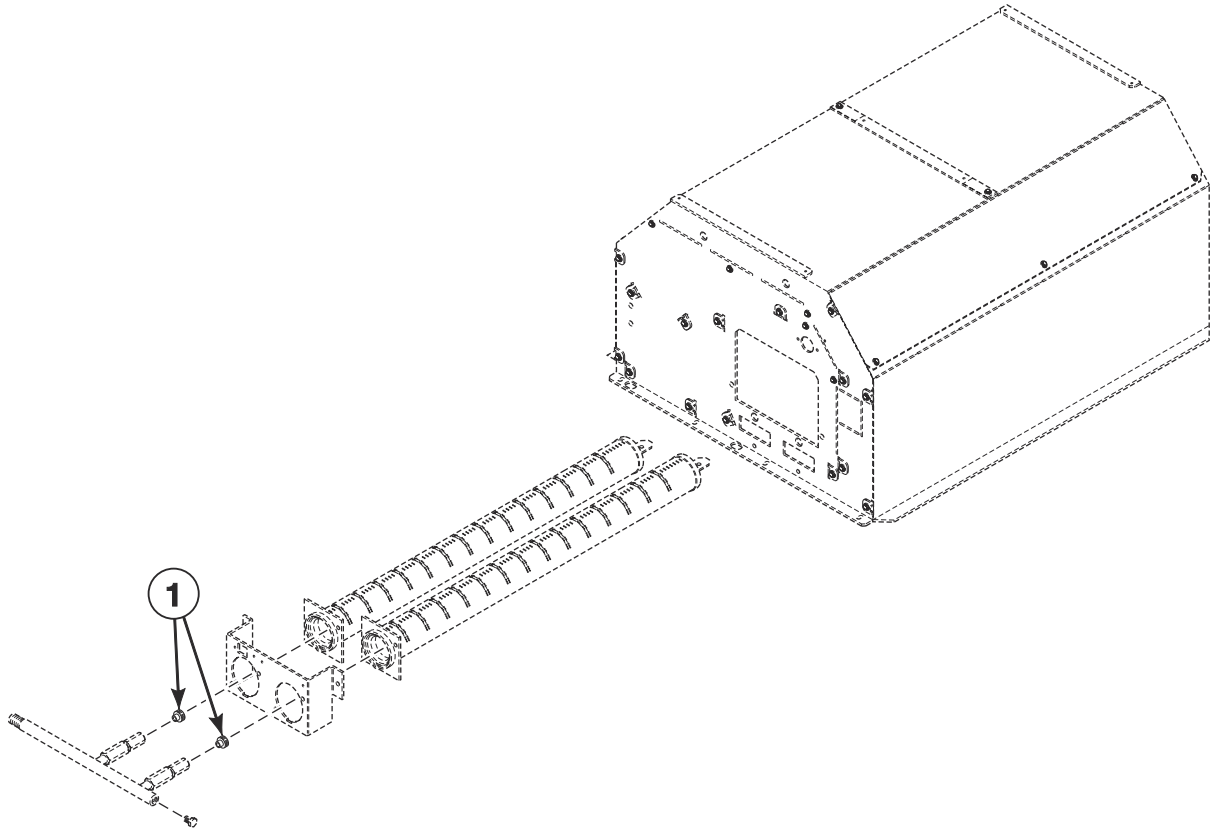


TMB3716P_70621701

Gas Heater Components

REF	PART NO.	DESCRIPTION	COMMENTS
	70539501	Notice Label	Australian models; Natural Gas (N.G.)
	70544901	Notice Label	Australian models; Liquid Petroleum Gas (L.P.)
	D503887	Label	Australian models; Gas
	44178801	Adapter	CE and Australian models; Used to convert from standard to metric thread
	44355201	L.P. Conversion Kit	CSA and AGA models; 0-2000 feet
	44330306	L.P. Conversion Kit	IEC models; 0-2000 feet
	70564304	Stove Limit Harness	
	44273502	Gas Valve Harness	Double; CE models
	44273501	Gas Valve Harness	Single
	44355101P	Direct Air Kit	
	70500401	Heat Exchanger	
1	44239705	High Voltage Suppression Cable	
2	430497	Screw	2 required
3	44328005	Limit Thermostat	
4	44352601	Gas Heater Assembly	
5	70159601	Igniter Cover	Included with item 4
6	44341701	Burner Support	Included with item 4
7	70229801P	Gas Burner	2 required
8	44354301	Burner Grate	Included with item 4
9	44353901	Burner Cover	
10	44340801	Orifice Adapter	
11	70167601	Plug	
12	44342101	Orifice Adapter Support	
13	44154501P	Gas Valve	CSA models; N.G.
	44154502P	Gas Valve	CSA models; L.P.
	44298501	Gas Valve	Australian models; N.G.
	44298504	Gas Valve	Australian models; L.P.
	44178301P	Gas Valve	CE models; N.G.
	44178302P	Gas Valve	CE models; L.P.
	44154505	Gas Valve	All other models; N.G.
	44154506	Gas Valve	All other models; L.P.
14	44340701	Gas Valve Bracket	
15	44231601	Pressure Fitting	CE and Australian models
16	70612603	Pipe Nipple	CE and Australian models
17	44231902	Pipe Tee	CE and Australian models
18	70612602	Pipe Nipple	CE and Australian models
	70210201	Pipe Nipple	T market models
	70612601	Pipe Nipple	All other models
19	H86070034	Street Elbow	T market models
	F422304	Street Elbow	All other models
20	70548701P	Spark Electrode	
21	44341801	Burner Support	Included with item 4

Burner Orifices

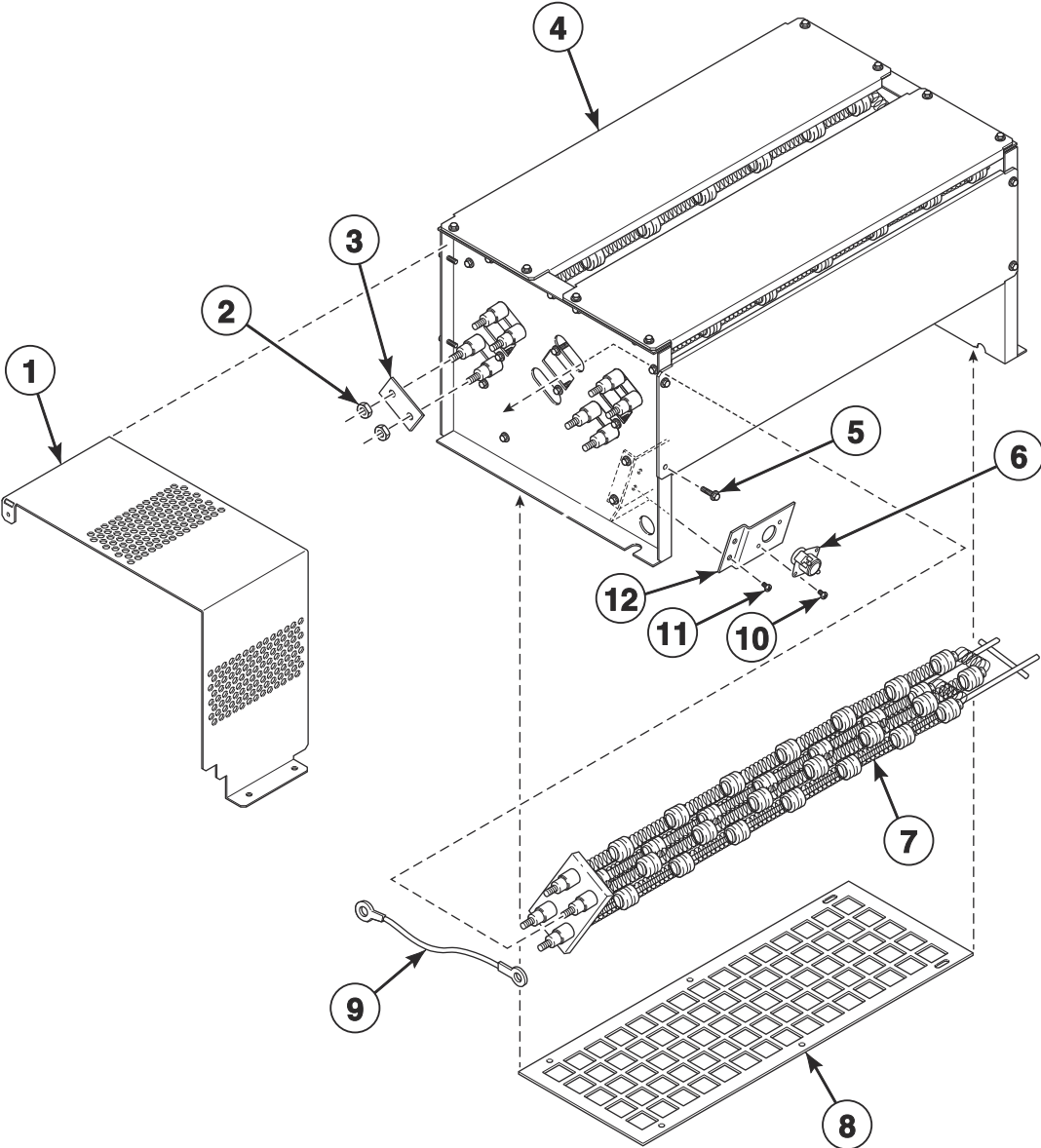


TMB3717P_70621701

Burner Orifices

REF	PART NO.	DESCRIPTION	COMMENTS
	44357501	High Altitude Orifice Kit	CSA Natural gas (N.G.) models
	44357502	High Altitude Orifice Kit	CSA Liquid Petroleum Gas (L.P) models
1	70684136	Burner Orifice	N.G. models; Drill no. 26 (3.73 mm); 0-2,000 feet
	70684134	Burner Orifice	N.G. models; Drill no. 28 (3.66 mm); 2,001-4,000 feet
	70684132	Burner Orifice	N.G. models; Drill no. 29 (3.57 mm); 4,001-6,000 feet
	70684130	Burner Orifice	N.G. models; 3.3 mm; 6,001-8,000 feet
	70684128	Burner Orifice	N.G. models; Drill no. 1/8 (3.18 mm); 8,001-10,000 feet
	70684113	Burner Orifice	J market models; L.P.; 2.30 mm; 0-2,000 feet
	70684109	Burner Orifice	J market models; L.P.; Drill no. 45 (2.08 mm); 2,001-4,000 feet
	70684107	Burner Orifice	J market models; L.P.; Drill no. 47 (1.99 mm); 4,001-6,000 feet
	70684106	Burner Orifice	J market models; L.P.; Drill no. 48 (1.93 mm); 6,001-8,000 feet
	70684105	Burner Orifice	J market models; L.P.; Drill no. 49 (1.85 mm); 8,001-10,000 feet
	70684113	Burner Orifice	All other models; L.P.; 2.30 mm; 0-2,000 feet
	70684110	Burner Orifice	All other models; L.P.; Drill no. 44 (2.18 mm); 2,001-4,000 feet
	70684109	Burner Orifice	All other models; L.P.; Drill no. 45 (2.08 mm); 4,001-6,000 feet
	70684108	Burner Orifice	All other models; L.P.; Drill no. 46 (2.06 mm); 6,001-8,000 feet
	70684106	Burner Orifice	All other models; L.P.; Drill no. 48 (1.93 mm); 8,001-10,000 feet

Electric Heater Components

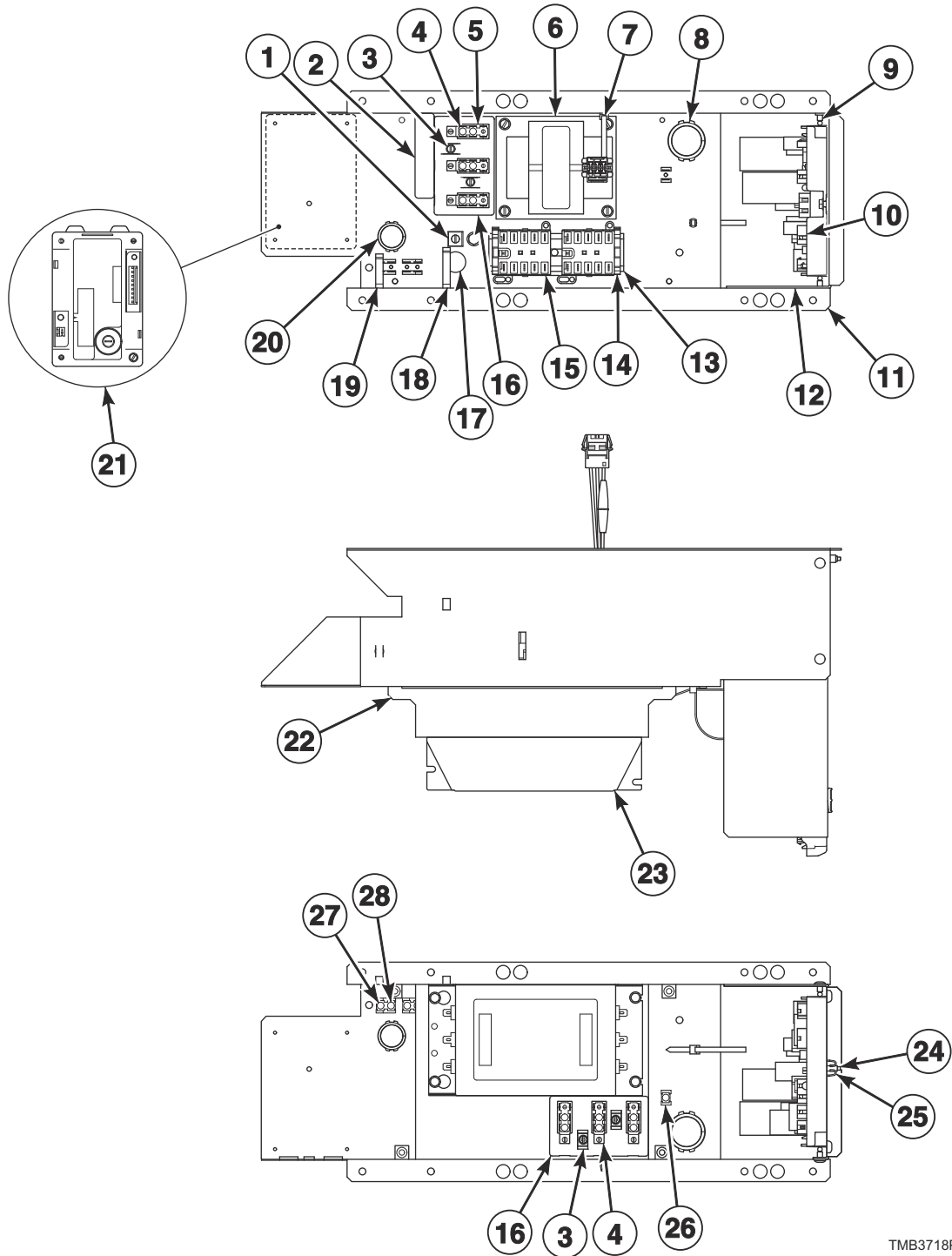


TMB3587P_70621701

Electric Heater Components

REF	PART NO.	DESCRIPTION	COMMENTS
	44355101P	Direct Air Kit	
	70500401	Heat Exchanger	
	70564304	Stove Limit Harness	
	44281706	Harness	200-240 Volt; Contactor to element
	44281707	Harness	Contactor element
1	44327302	Electric Wrap	
2	70054	Nut	
3	M400869	Jumper Strip	3 required for high voltage; 6 required for low voltage
4	44252501	Electric Stove Assembly	
5	70240301	Screw	
6	44328006	Limit Thermostat	
7	M410939P	Heater Element	3 required; 10 kW; 240 Volt heater element for 230-240, 400-415 and 480 Volt/3 Phase models
	M410940P	Heater Element	3 required; 10 kW; 208 Volt heater element for 200-208 Volt/3 Phase models
	M410941P	Heater Element	3 required; 10 kW 220 Volt heater element for 380 and 440 Volt/3 Phase models
	M412955P	Heater Element	3 required; 7 kW; 240 Volt heater element for 230-240 Volt/1 Phase models
8	44308801	Heating Element Screen	
9	44281708	Jumper Harness	3 inch
	44281709	Jumper Harness	9 inch
10	33562	Screw	
11	430497	Screw	
12	44226101	Limit Offset Bracket	

Control Tray

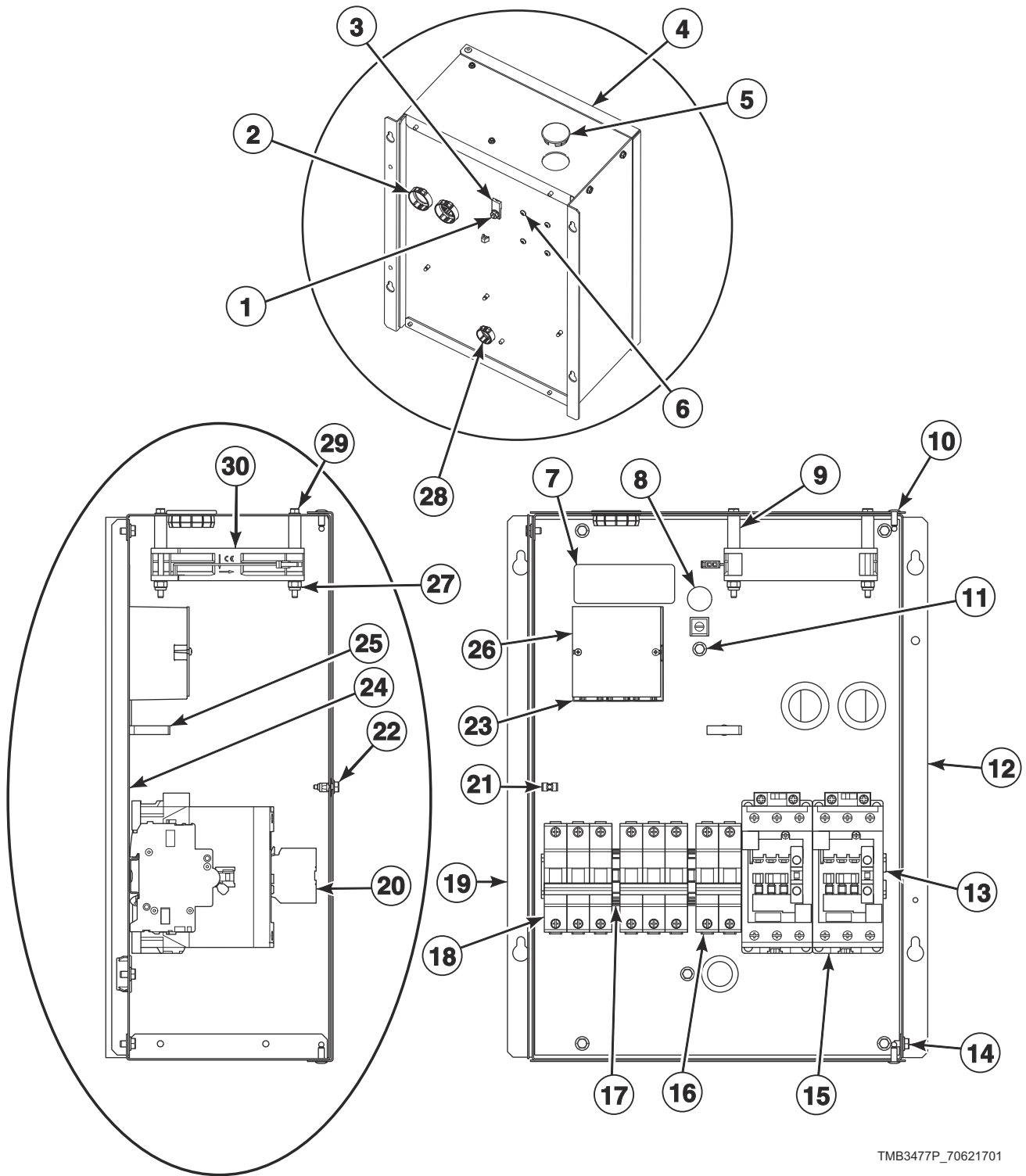


TMB3718P_70621701

Control Tray

REF	PART NO.	DESCRIPTION	COMMENTS
	685837	Screw	Use with item 1
	44088001	Nut	Use with item 1
	70559306	Conversion Kit	X to B voltage
	44357401	EMI Filter Kit	CSA models; 100-240 Volt
	44357402	EMI Filter Kit	CSA models; 380-480 Volt
1	M411283	Ground Lug Connector	
2	44286803	Label	L1, L2, L3
	44286801	Label	L1, N
	44286802	Wire Label	L1 L2, L1 N
	44286804	Wire Label	L1 L2, L1 N, L1 L2 L3
3	51783	Screw	
4	430642	Terminal Block	
5	70333001	Terminal Block Shield	
6	F8491101	Transformer	380-480 Volt
7	70335601	Cable Tie	
8	70346501	Bushing	
9	70058501	Pop Rivet	
10	70479201P	I/O Control Assembly	
11	70492401	Control Tray	
12	70494901	Control Board Control Tray	
13	M412690	DIN Rail	
14	F8449801	End Stop	
15	70482601	Contactors	240 Volt or less: 1 required; 380 Volt or higher: 2 required
16	M413862	Insulator	
17	D516100	Label	
18	F8449501	Wire Clip	
19	F8449502	Wire Clip	
20	70178701	Snap Bushing	
21	70482002	Ignition Control	IEC gas models
	70482001	Ignition Control	CSA gas models
22	70533101	Filter Bracket	
23	F8591601	EMI Filter	IEC models; 100-200 and 200-240 Volt/1 Phase
	F8637501	EMI Filter	IEC models; 380-480 Volt
24	F8206901	Screw	
25	70030501	Expansion Clip	
26	00621SG	Male Tab Terminal	
27	M400003	Pop Rivet	
28	00622SG	Terminal	

Accessory Box - Electric 200-240 Volt Models

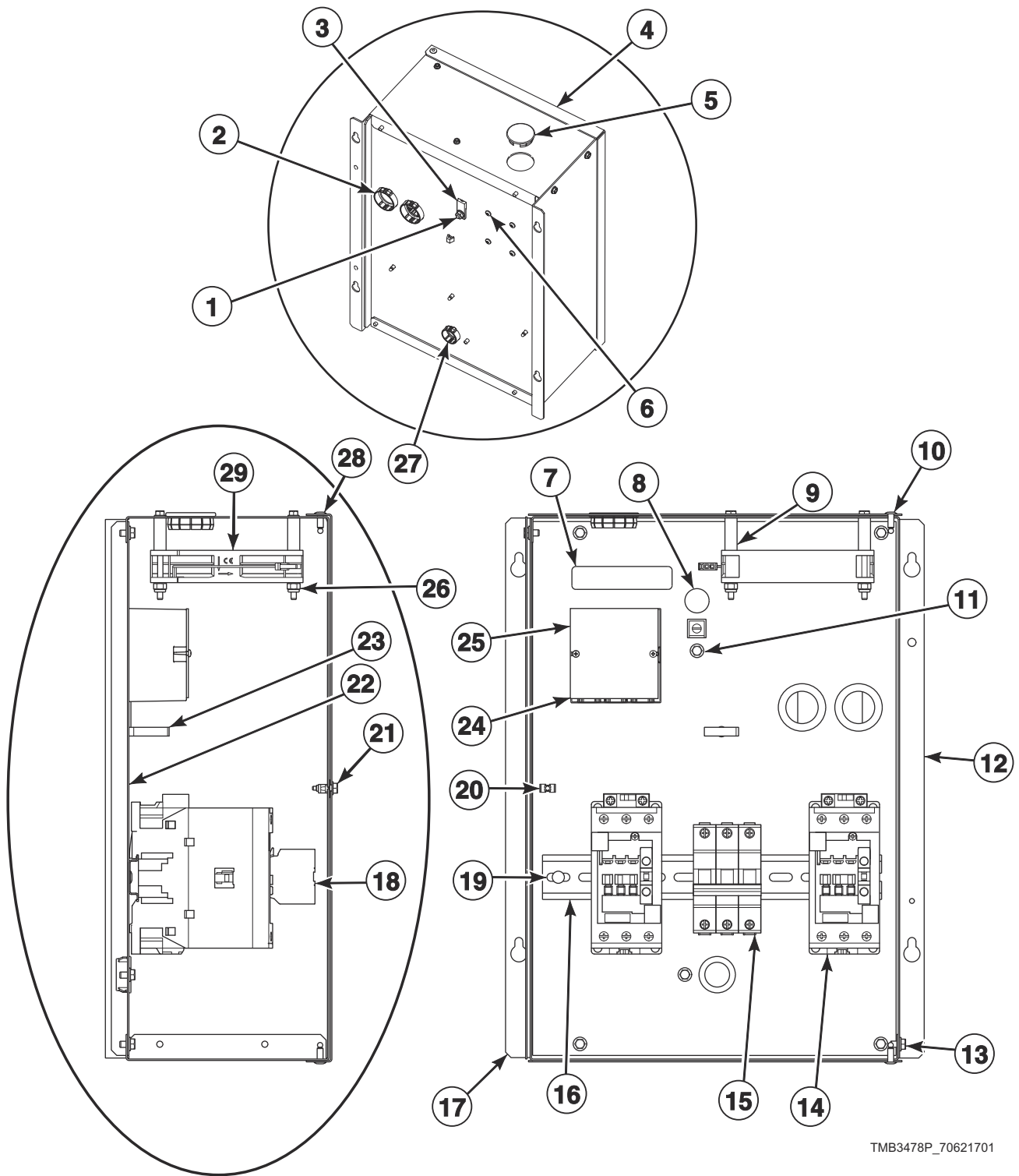


TMB3477P_70621701

Accessory Box - Electric 200-240 Volt Models

REF	PART NO.	DESCRIPTION	COMMENTS
	44309003	Harness	CSA models; Power distribution block to control circuit breaker
	44309013	Harness	IEC models; Power distribution block to control circuit breaker
	44281707	Harness	Contactora to element
	44281706	Harness	Contactora to element
	44281703	Harness	Power distribution block to element circuit breaker
	44281701	Harness	Power distribution block to element circuit breaker
1	44088001	Nut	2 required
2	M402542	Snap Bushing	
3	M411283	Ground Lug Connector	
4	44134004	Contactora Box Cover	
5	70180001	Plug	
6	39733	Screw	
7	44286802	Wire Label	1 Phase; L1, L2 L1, N
	44286803	Label	3 Phase; L1, L2, L3
8	D516100	Label	
9	44328601	Sleeve	2 required
10	70058502	Pop Rivet	
11	685837	Screw	
12	44292501	Contactora Box Side	Top
13	44229701	DIN Rail	
	70058501	Pop Rivet	
14	51780	Screw	
15	70482801	Contactora	2 required
16	70488102	Circuit Breaker	25 amp
17	F8449801	End Stop	2 required
18	70488104	Circuit Breaker	2 required; 50 amp
19	44292401	Contactora Box Side	Bottom
20	44313201	Auxiliary Contact Block	
21	70030501	Expansion Clip	
22	F8206901	Screw	
23	M413865	Power Distribution Block	
24	44292601	Contactora Box Base Plate	
25	F8449502	Wire Clip	
26	44014901P	Power Distribution Block Cover	
27	F430232	Nut	
28	F140938	Snap Bushing	
29	70546902	Screw	
30	F8504301	Fan	

Accessory Box - Electric 380-480 Volt Models



TMB3478P_70621701

Accessory Box - Electric 380-480 Volt Models

REF	PART NO.	DESCRIPTION	COMMENTS
	44309004	Harness	CSA models; Power distribution block to control circuit breaker
	44309014	Harness	IEC models; Power distribution block to control circuit breaker
1	44088001	Nut	
2	M402542	Snap Bushing	2 required
3	M411283	Ground Lug Connector	
4	44134004	Contactorm Box Cover	
5	70180001	Plug	
6	39733	Screw	
7	44286803	Label	
8	D516100	Label	
9	44328601	Sleeve	2 required
10	70058502	Pop Rivet	
11	685837	Screw	
12	44292501	Contactorm Box Side	Top
13	51780	Screw	
14	70482801	Contactorm	2 required
15	70488101	Circuit Breaker	
16	44229701	DIN Rail	
17	44292401	Contactorm Box Side	Bottom
18	44313201	Auxiliary Contact Block	2 required
19	70058501	Pop Rivet	
20	70030501	Expansion Clip	
21	F8206901	Screw	
22	44292601	Contactorm Box Base Plate	
23	F8449502	Wire Clip	
24	M413865	Power Distribution Block	
25	44014901P	Power Distribution Block Cover	
26	F430232	Nut	
27	F140938	Snap Bushing	
28	70546902	Screw	
29	F8504301	Fan	

Harnesses

PART NO.	DESCRIPTION	COMMENTS
44316007	Harness	1 Phase
44316008	Harness	3 Phase
44280007	Configuration Harness	120 Volt; Cylinder
44280006	Configuration Harness	120 Volt; Fan
44334308	Contactora Coil Harness	Electric models
44334303	Control Harness	Electric models; 1 Phase
44334304	Control Harness	Electric models; 3 Phase
44356404	Control Tray Harness Assembly	Electric models
44356403	Control Tray Harness Assembly	Gas models
44334702	Inverter Contactora Coil Harness	Secondary
44281705	Jumper Harness	
44316001	Harness	1 Phase
44316002	Harness	3 Phase
44280010	Motor Contactora Power Harness	1 Phase; EMI
44280012	Motor Contactora Power Harness	3 Phase; EMI
44280001	Motor Contactora Power Harness	1 Phase
44280003	Motor Contactora Power Harness	3 Phase
44280101	Power Harness	
44272101	Power Harness	

Labels

PART NO.	DESCRIPTION	COMMENTS
44324201	Caution Label	Australian models; Repeat Ignition Reset
44318601	Caution Label	Vent/install
F8614501	Danger Label	Shock; English/French
F8614301	Hot Surface Warning Label	English/French
F8609001	Hot Surface Warning Label	Icon
F8611601	Warning Label	
44318600	Label Kit	Vent/install
F8614500	Label Kit	Shock
F8611600	Warning Label Kit	
44321501	Notice Label	120/240 Volt
70539601	Notice Label	
70534201	Notice Label	
F8609501	Notice Label	
D516073	Notice Label	Read instructions; Icon
70538401	Pinch Warning Label	English/French
F8615701	Pinch Warning Label	Icon
70536401	Warning Label	Lint; Australian models
44324101	Warning Label	Fire; Australian models
44321601	Warning Label	Risk of fire; Icon
44324001	Warning Label	Shock/pinch

Parts Index

A

Accessory Plate F8574106	9
Accessory Plate Assembly F8574202	9
F8574203	9
F8574205	9
F8734601	9
Adapter 44178801	43
Air Exhaust Deflector 44308401	39
Airflow Switch and Arm Bracket 70319602	41
Airflow Switch Arm 70319401	41
Airflow Switch Assembly 70429602	41
Airflow Switch Vane 70319202	41
App Pay Overlay Kit 44374701	9, 11
Auxiliary Contact Block 44313201	51, 53

B

Baffle 44304602	25
44304702	25
Ball Bearing 44041901P	35, 37
Bearing M413923P	35, 37
Belt Guard 44298401	27
44314301	27
44332201	27
Belt Guard Side Panel 44298301	27
44301101	27
Blind Rivet F8245101	21
Blower Assembly 70302201P	39
Blower Housing Scroll 44303801	39
Blower Inlet Cone 70303101	39
Blower Motor Mounting Plate 70380801	39
Bolt M400650	35, 37
Bottom Pan 44304301	25
Burner Cover 44353901	43

Burner Grate 44354301	43
Burner Orifice 70684105	45
70684106	45
70684107	45
70684108	45
70684109	45
70684110	45
70684113	45
70684128	45
70684130	45
70684132	45
70684134	45
70684136	45
Burner Support 44341701	43
44341801	43
Bushing D503235	7
70346501	49
Bypass Harness 44334103	19

C

Cable Tie 70335601	49
Card Reader Plate F8574204	9
Caution Label 44318601	55
44324201	55
Center Hinge Lug Assembly 70640401	31
Center Pan 44304201	25
Central Pay Board Harness 44355604	17
Central Pay Harness 44355602	17
44355606	17
Central Pay Kit 44359001	17
44359003	17
Circuit Breaker 70488101	53
70488102	51
70488105	51
Coin Box F160673P	25
Coin Chute Assembly 70296401	25
Coin Drop 38963P	13
39748	13
70441601	13
70441603	13
Coin Drop Assembly 201141	13
210195	13

N/A items do not appear in index.

210196	13
38462P	13
38463	13
38467	13
38519	13
70281102	13
70283102	13
70441602	13
70447301	13
70471601	13
70482401	13
70506901	13
Coin Drop Kit	
CK077	13
CK122	15
Coin Identification Paper	
38464P	13
38475	13
Coin Meter	
F0160737-00	13
Coin Vault Assembly	
70529501	25
Coin Vault Switch Harness	
44334101	19
Configuration Harness	
44280006	54
44280007	54
Contactora	
70482601	49
70482801	51, 53
Contactora Box Base Plate	
44292601	51, 53
Contactora Box Cover	
44134004	51, 53
Contactora Box Side	
44292401	51, 53
44292501	51, 53
Contactora Coil Harness	
44334308	54
Control Assembly	
70597801P	9
70597803	11
Control Board Control Tray	
70494901	49
Control Box Wrap	
44119101	7
44344101	7
Control Door Latch	
431318	25
Control Harness	
44334303	54
44334304	54
Control Mounting Bracket	
44346101	9
Control Panel	
44344001	19
44344002	19
Control Tray	
70492401	49
Control Tray Harness Assembly	
44356403	54
44356404	54
Conversion Kit	
70559306	49

Cylinder and Trunnion Assembly	
44195601	33
44195602	33
44195603	33
Cylinder Kit	
44057001P	33
44057101P	33

D

Damper Assembly	
44280301	39
Danger Label	
F8614501	55
Decal	
F8687701	19
DIN Rail	
M412690	49
44229701	51, 53
Direct Air Kit	
44355101P	43, 47
Door Assembly	
44354702	29, 31
44354706	31
44354709	31
Door Catch Kit	
70482901	19
Door Glass	
44008401P	29, 31
Door Glass Installation Tool	
M4221P4	29
Door Glass Label	
70650401	29, 31
70707701	29, 31
Door Handle	
44007901	29, 31
Door Hinge Assembly	
44366604	31
44366608	31
44366610B	31
70596603	29
Door Hinge Lug Assembly	
70601005	29
Door Hinge Assembly	
44366606W	31
Door Latch	
M401223	19
Door Ring Gasket	
70296802	29, 31
Door Seal Kit	
70211902P	29, 31
Door Switch Actuator	
70532101	29
Drive Motor	
44259501P	37
44259601P	37

E

Electric Stove Assembly	
44252501	47

N/A items do not appear in index.

Electric Wrap	
44327302	47
Electronic Coin Drop Assembly	
70294107	13
70513302	13
70513303	13
70513304	13
70513306	13
70513308	13
70513309	13
70513310	13
70513311	13
70513312	13
70513313	13
70513314	13
70513315	13
70513316	13
Electronic Coin Drop Kit	
CK099	15
CK100	15
CK101	15
CK108	15
CK109	15
CK110	15
CK113	15
CK115	15
CK116	15
CK117	15
CK118	15
CK119	15
CK120	15
CK121	15
EMI Filter	
F8591601	49
F8637501	49
EMI Filter Kit	
44357401	49
44357402	49
End Stop	
F8449801	49, 51
Exhaust Pipe Assembly	
44327901	39
Expansion Clip	
70030501	9, 11, 17, 19, 49, 51, 53
Extension Spring	
F8440701	37

F

Fan	
F8504301	51, 53
Fan Motor	
70478701P	39
70484901P	39
Fan Spacer	
70599301	39
Felt Pad	
M402144	33
Filter Bracket	
70533101	49
Fob Communication Harness	
F8719302	9
Fob Reader Control Assembly	
205135	9

Fob Reader Kit	
70666804	17
Front Panel	
44346301	19
44346302	19
44367301	19
44367302	19
44367401W	19
44367405W	19

G

Gas Burner	
70229801P	43
Gas Heater Assembly	
44352601	43
Gas Valve	
44154501P	43
44154502P	43
44154505	43
44154506	43
44178301P	43
44178302P	43
44298501	43
44298504	43
Gas Valve Bracket	
44340701	43
Gas Valve Harness	
44273501	43
44273502	43
Gasket	
70289101P	21
Ground Lug Connector	
M411283	49, 51, 53
Guard Panel	
44269201	27
44332301	27

H

Handle and Caps Assembly	
70154405P	21
Harness	
44281701	51
44281703	51
44281706	47, 51
44281707	51
44309003	51
44309004	53
44309013	51
44309014	53
44316002	54
44316007	54
44316008	54
Harness Mounting Plate	
70307007	7, 17
Heat Exchanger	
70500401	43, 47
Heater Element	
M410939P	47
M410940P	47
M410941P	47
M412955P	47

N/A items do not appear in index.

Heating Element Screen 44308801	47
High Altitude Orifice Kit 44357501	45
44357502	45
High Voltage Suppression Cable 44239705	43
Hinge Cam Kit 70622401	29
Hold-Down Clip 35865	23
Hot Surface Warning Label F8609001	55
F8614301	55
Housing and Trunnion Assembly M4644P3	35

I

Idler Shaft 44303102	37
Idler Spacer 44306801	37
Igniter Cover 70159601	43
Ignition Control 70482001	49
70482002	49
Insulator M413862	49
Inverter Contactor Coil Harness 44334702	54
Inverter Motor Harness 44335304	37
44335305	37
I/O Control Assembly 70479201P	49

J

Jumper Harness 44281705	54
44281708	47
44281709	47
Jumper Strip M400869	47

K

Key M400008	33, 37
44309301	37
70155601	19
70155602	19

L

Label D503887	43
D516100	49, 51, 53

44286801	49
44286803	49, 51, 53
Label Kit F8614500	55
44318600	55
70534400	19
Latch Bracket 70586701	25
Limit Offset Bracket 44226101	47
Limit Thermostat 44328005	43
44328006	47
44328010	39
70530905	39
Lint Bracket 44325301	23
Lint Clip Bracket 44140202	23
Lint Panel 44293605	21
44298102	23
44300901	23
Lint Screen 44063601	23
Lint Screen Clip H96418413	23
Lint Screen Top Rail 44298901	23
Lock, Key and Nut Kit 44089301P	19
44089302P	19
Lower Hinge Gusset 70632002	31
Lower Lug Assembly 70639302	31
70639304	31
Lower Rear Panel 44300001	25
Lug Mount Bracket 70604701	25
70634301	25
L.P. Conversion Kit 44330306	43
44355201	43

M

Machine ID Control Assembly 203361P	9, 11
Magnet 70343101	21
Magnet Bracket 44290501	21
Main Harness 44316001	54
44334203	7
Male Tab Terminal 00621SG	49
Max Fill Line Label 70707501	29, 31
Micro V Pulley 44270201	37

N/A items do not appear in index.

Motor Conduit Bracket 44317901	37, 39
Motor Contactor Power Harness 44280001	54
44280003	54
44280010	54
44280012	54
Motor Pivot Bracket Weldment 44327001	37
Motor Pivot Gusset Bracket 44325701	37
Motor Pivot Plate Weldment 44311501	37
Motor Pivot Support Bracket 44325801	37
Motor Pulley 70559102	37

N

Nameplate F8664901	19
F8688901	19
567293	19
567887	19
Notice Label D516073	55
F8609501	55
44321501	55
70534201	55
70539501	43
70539601	55
Notice label 70544901	43
Nut F430232	51, 53
M400022	39
M400026	35, 37
M400034	39
M404993	33
M414215	29, 31
21899	25
23951	21
44071201	9
44087101	9, 11
44088001	29, 31, 49, 51, 53
44333202	37
51236	21
70054	9, 47

O

Opto Coupler 200674P	13
Orifice Adapter 44340801	43
Orifice Adapter Support 44342101	43
Overlay F8734001	9
F8734301	9
F8736601	9

P

Panel Locator 56079	19, 21
Panel Lock 44089304	19
44089305	19
Pin 70071401	29
Pinch Warning Label F8615701	55
70538401	55
Pipe Bracket 44327603	27
Pipe Nipple 70210201	43
70612601	43
70612602	43
70612603	43
Pipe Tee 44231902	43
Plug 70167601	43
70180001	51, 53
Pop Rivet M400003	25, 49
44166601	19
70058501	21, 25, 29, 31, 49, 51, 53
70058502	51, 53
Porcelain Touch-Up Paint 122P4P	25
Power Distribution Block M413865	51, 53
Power Distribution Block Cover 44014901P	51, 53
Power Harness 44272101	54
44280101	54
Pressure Fitting 44231601	43
Pulley 44289502	37
Pushbutton Switch 70413301	9, 11, 19

R

Reed Switch Assembly F8066804	21
Replacement Screen Kit 70576501P	9, 11
Rib Rod M401411	33
Roller Bracket Assembly 70404001	21
Roller Catch Arm 70030301	21
Roller Catch Spacer 70030201	21
Roller Catch Wheel 70297601	21

N/A items do not appear in index.

S

Screw

FR004022	29
F8206901	17, 49, 51, 53
F8458801	31
M400063	35
M400661	29, 31
M411072	19
33562	47
39733	9, 11, 21, 51, 53
430497	7, 25, 41, 43, 47
430757	21, 41
44349101	29, 31
51780	17, 25, 51, 53
51783	49
685837	49, 51, 53
70033502	19
70072801	21
70132301	21
70182601	19
70187201	35, 37
70240301	47
70247701	25
70275801	19
70436301	29
70442101	29, 31
70546902	51, 53
70576101	29
70640201	31
70640301	31
802822	31
805213	37

Shaft Collar

70467001	37
----------------	----

Side Panel

44348501W	25
44348601W	25
44367501DG	25
44367501W	25
44367601DG	25
44367601W	25

Sleeve

44328601	51, 53
----------------	--------

Snap Bushing

F140938	51, 53
M402542	51, 53
70178701	49

Spacer

M401402	33
---------------	----

Spark Electrode

70548701P	43
-----------------	----

Spray Paint

298P4P	25
--------------	----

Stove Grate

44300301	27
44335601	27

Stove Limit Harness

70564304	43, 47
----------------	--------

Street Elbow

F422304	43
H86070034	43

Switch

70411901	41
----------------	----

Switch Bracket

44296101	21
----------------	----

N/A items do not appear in index.

Switch Hole Plug
44057801B

19

T

Terminal

00622SG	49
---------------	----

Terminal Block

430642	49
--------------	----

Terminal Block Shield

70333001	49
----------------	----

Thermistor

M414704	39
44064701	25

Thermistor Plate

44068101	25
44068102	25

Top Pan

44304101	25
44345101	25
44352401	25

Top Panel

44346201	25
44346202	25

Transformer

F8491101	49
202757	17
202758	17

Transformer Harness

44272301	17
44272302	17

Trunnion and Bearing Assembly

M4640P3	35
---------------	----

Trunnion Assembly

44208001	33
----------------	----

Trunnion Housing

M413826	37
---------------	----

Trunnion Housing Assembly

44375001	35, 37
----------------	--------

Tumbler Dolly Kit

M4379P4	19
---------------	----

U

Upper Hinge Gusset

70632001	31
----------------	----

Upper Lug Assembly

70639301	31
70639303	31

Upper Rear Panel

44297001	25
----------------	----

USB IR Interface Kit

203346	17
--------------	----

USB-Serial Interface Assembly

203440	9, 11
--------------	-------

V

V-Belt

44309402	37
44333301	37

Vend Activation Harness	
44334002	9, 11
Vend Plate	
F8632501	9

W

Warning Label	
F8611601	55
44321601	55
44324001	55
44324101	55
70534401	19
70534402	19
70534405	19
70536401	55
Warning Label Kit	
F8611600	55
Washer	
F431131	39
M400015	33, 35
20103	35, 37
70261401	35, 37
Wire Clip	
F8449501	49
F8449502	49, 51, 53
Wire Guard	
201595P	13
Wire Label	
44286802	49, 51
44286804	49
Wireless Control Label	
204692	11
