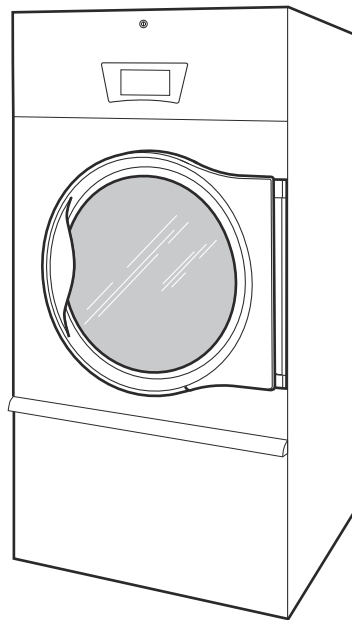


# Tumble Dryers

75 Pound Capacity

18 Digit Model Numbers with 4 and 5 in 13th Position

Refer to Page 3 for Model Numbers



TMB1287C\_70621801



# Table of Contents

Title	Page
Parts Ordering Information.....	2
Serial Plate Location .....	2
Machine Identification .....	3
Product Overview - Heat Source and Voltage .....	4
Control Box .....	6
Fire Suppression System Control Box .....	8
Touch Control - Vend Models with V in 7th Position .....	10
Touch Control - OPL Models with V in 7th Position .....	12
Coin Drops .....	14
Coin Drop Kits .....	16
Central Pay and Card Reader Components .....	18
Cabinet Front Panels and Components .....	20
Emergency Stop Button - OPL Models .....	22
Lower Cabinet Front Components .....	24
Lint Panel Components.....	26
Cabinet Components .....	28
Rear Panel and Belt Guard Components .....	30
Door and Hinge Components - Design 4 H and S Models.....	32
Door and Hinge Components - Design 5 Models .....	34
Cylinder and Trunnion Components .....	36
Bearing Components .....	38
Drive Motor Components .....	40
Blower and Exhaust Components.....	42
Airflow Switch Assembly .....	44
Gas Heater Components .....	46
Burner Orifices .....	48
Electric Heater Components .....	50
Control Tray .....	52
Accessory Box - Electric 200-240 Volt Models .....	54
Accessory Box - Electric 380-480 Volt Models .....	56
Harnesses .....	58
Labels .....	59
Parts Index.....	61

© Copyright 2023, Alliance Laundry Systems LLC

All rights reserved. No part of the contents of this book may be reproduced or transmitted in any form or by any means without the expressed written consent of the publisher.

## Parts Ordering Information

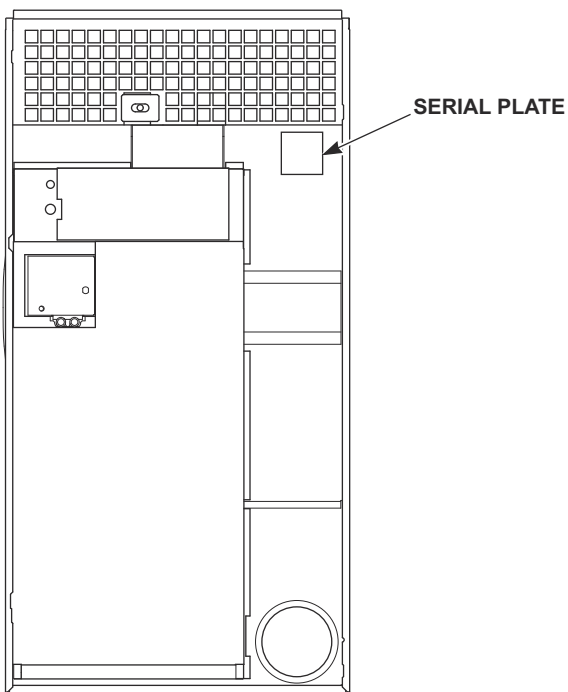
If literature or replacement parts are required, contact the source from whom the machine was purchased or contact Alliance Laundry Systems at (920) 748-3950 for the name and address of the nearest authorized parts distributor.

For technical assistance, call the number listed below:

(920) 748-3121 Ripon, Wisconsin

## Serial Plate Location

When calling or writing about your product, be sure to mention model and serial numbers. Model and serial numbers are located on serial plate(s) as shown.



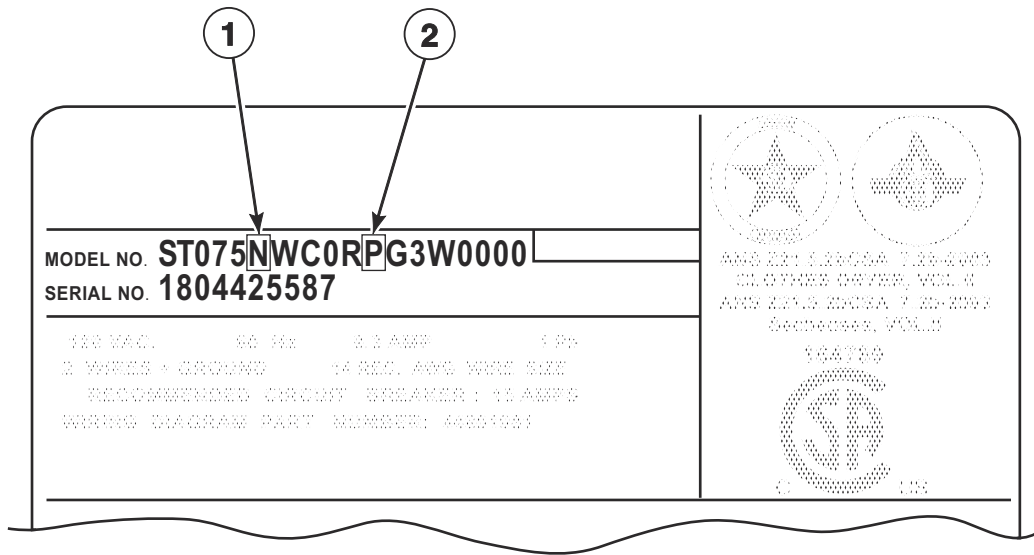
TMB2622N\_70621801

# Machine Identification

Information in this manual is applicable to these machines:

BG075D	HA075E	JU075E	SA075E
BG075E	HA075F	JU075N	SA075F
BG075F	HA075L	PG075E	SA075L
BG075L	HA075M	PG075L	SA075M
BG075M	HA075N	PG075M	SA075N
BG075N	HA075R	PG075N	SA075R
BG075R	HG075D	PR075E	SG075D
BR075E	HG075E	PU075E	SG075E
BU075E	HG075F	PU075L	SG075F
BU075F	HG075L	PU075M	SG075L
BU075L	HG075M	PU075N	SG075M
BU075M	HG075N		SG075N
BU075N	HG075R		SG075R
BU075R	HH075E		SH075E
	HH075F		SH075F
	HH075L		SH075L
	HH075M		SH075M
	HH075N		SH075N
	HH075R		SH075R
	HJ075D		SJ075D
	HJ075E		SJ075E
	HJ075F		SJ075F
	HJ075L		SJ075L
	HJ075M		SJ075M
	HJ075N		SJ075N
	HJ075R		SJ075R
	HK075E		SK075E
	HK075F		SK075F
	HK075L		SK075L
	HK075N		SK075N
	HK075R		SK075R
	HL075E		SR075E
	HL075L		ST075E
	HR075E		ST075F
	HT075E		ST075L
	HT075F		ST075M
	HT075L		ST075N
	HT075M		ST075R
	HT075N		SU075E
	HT075R		SU075F
	HU075E		SU075L
	HU075F		SU075M
	HU075L		SU075N
	HU075M		SU075R
	HU075N		
	HU075R		

# Product Overview - Heat Source and Voltage

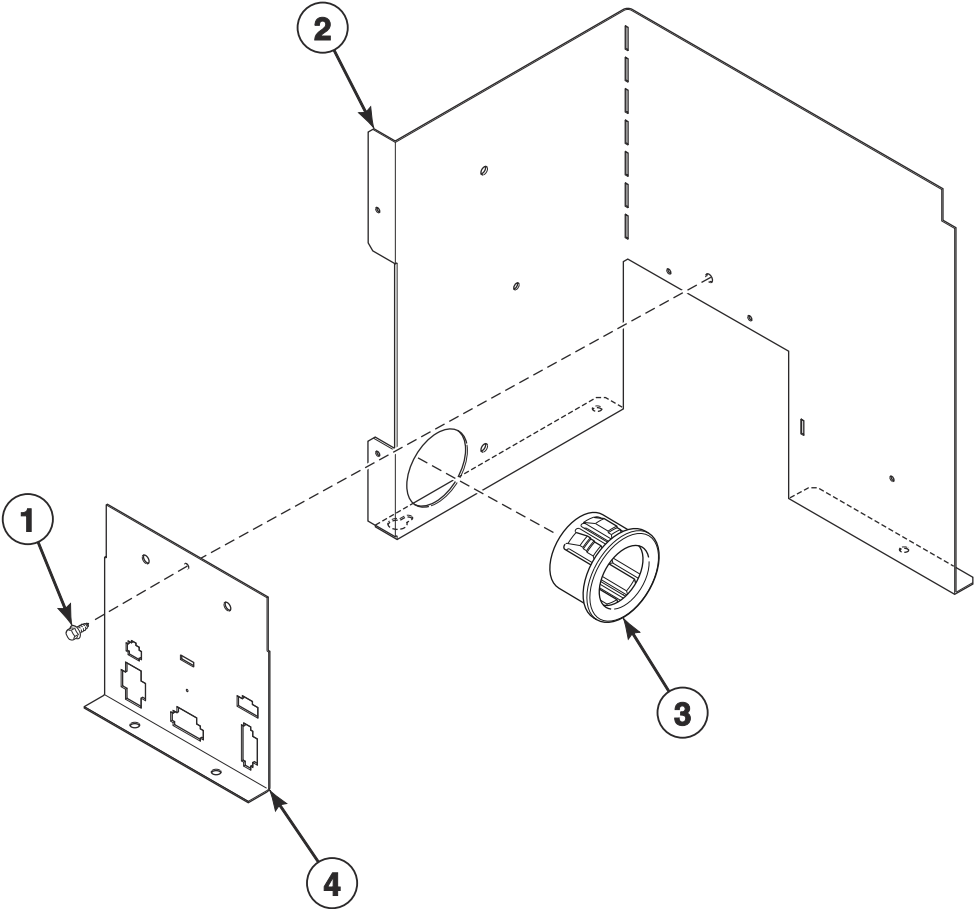


TMB3595P\_70621801

# Product Overview - Heat Source and Voltage

REF	PART NO.	DESCRIPTION	COMMENTS
1	-	Heat Source	D: Liquid Petroleum Gas (L.P.) E: Electric F: Reduced Electric (Eco Line) L: Liquid Petroleum Gas (L.P.) M: Medium Electric N: Natural Gas (N.G.) R: Reduced Gas, Natural Gas (Eco Line)
2	-	Voltage	B: 100-120 Volt/50-60 Hertz/1 Phase; Gas models E: 230-240 Volt/50-60 Hertz/1 Phase; Electric models F: 200-208 Volt/50-60 Hertz/3 Phase; Electric models G: 230-240 Volt/50-60 Hertz/3 Phase; Electric models H: 380 Volt/50-60 Hertz/3 Phase; Electric models J: 400-415 Volt/50-60 Hertz/3 Phase; Electric models K: 440 Volt/50-60 Hertz/3 Phase; Electric models L: 460-480 Volt/50-60 Hertz/3 Phase; Electric models N: 440-480 Volt/50-60 Hertz/3 Phase; Gas models P: 380-415 Volt/50-60 Hertz/3 Phase; Gas models X: 200-240 Volt/50-60 Hertz/1-3 Phase; Gas models

# Control Box



TMB3710P\_70621801

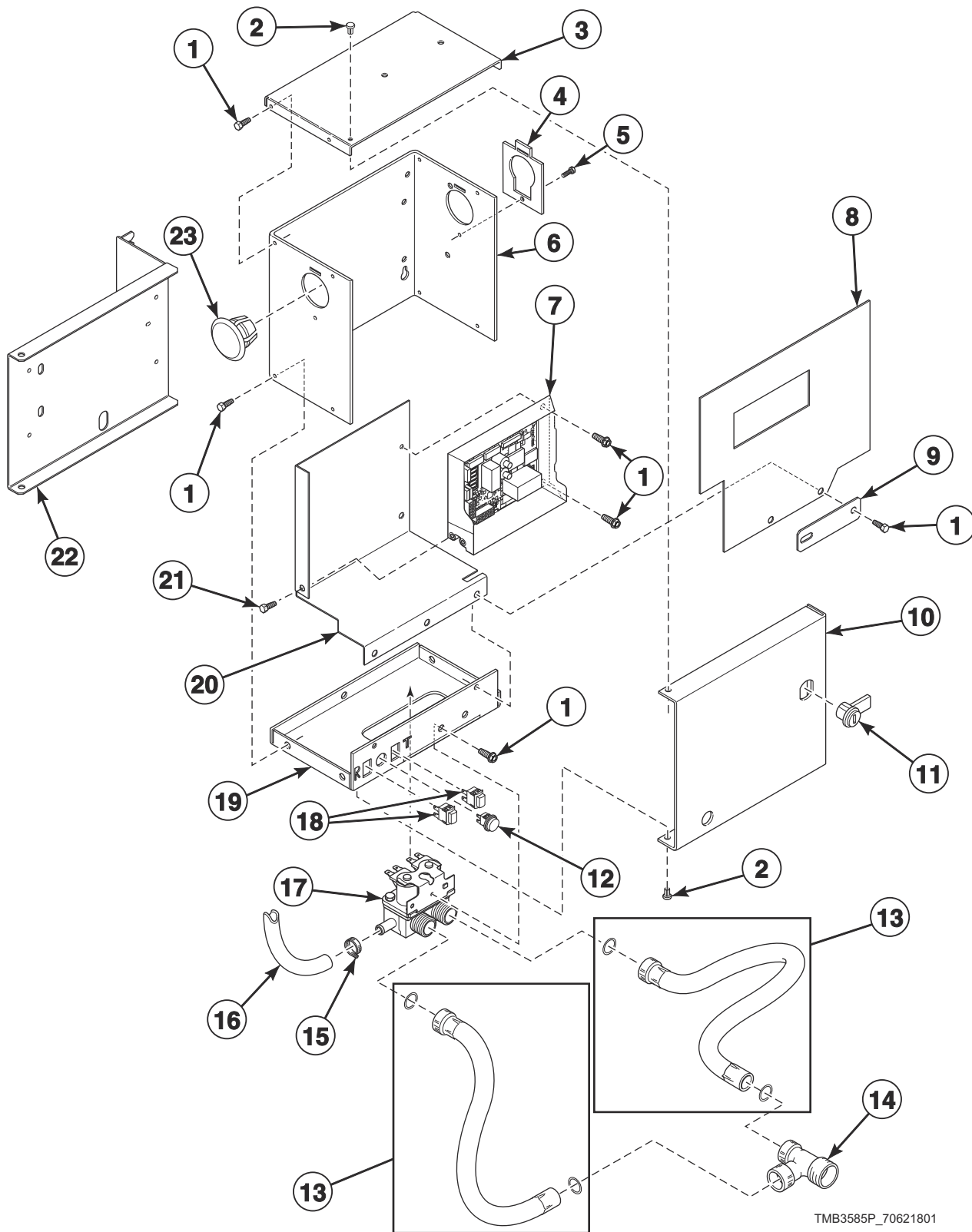


# Control Box

REF	PART NO.	DESCRIPTION	COMMENTS
	44334203	Main Harness	
1	430497	Screw	
2	44344101	Control Box Wrap	Design 4 H and S models
	44119101	Control Box Wrap	Design 5 models
3	D503235	Snap Bushing	Design 4 H and S models
4	70307007	Harness Mounting Plate	

# Fire Suppression System Control Box

B, J and P Gas and Steam OPL Models



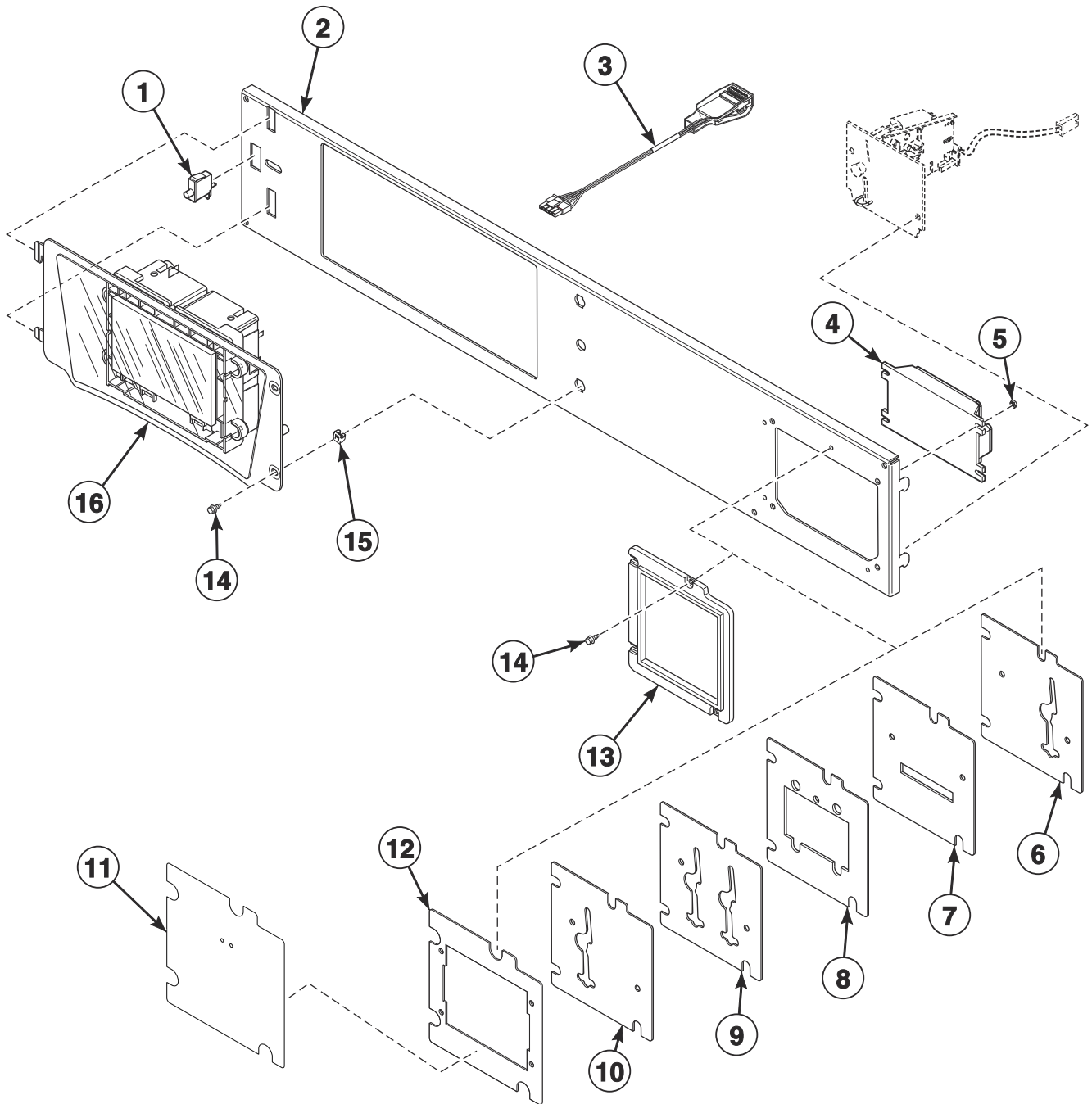
TMB3585P\_70621801

# Fire Suppression System Control Box

REF	PART NO.	DESCRIPTION	COMMENTS
	44340301	Cold Weather Kit	
	70155601	Key	RL001; Use with item 11
	44334404	Control Harness	
	44334405	Water Valve Harness	
	44334402	Power Sensor Harness	
	44334406	Sensor Harness	
	44334401	Interconnect Harness	
	44324501	Warning Label	F.S.S.; North America models
	44324500	Label Kit	F.S.S.; IEC models
	F8614401	Shock Warning Label	North America models
	F8614201	Shock Warning Label	IEC models
	44318200	Label Kit	IEC models
	44324502	Warning Label	
	44318201	Label	North America models
<b>1</b>	430497	Screw	
<b>2</b>	M400713	Drive Rivet	
<b>3</b>	44307101	Control Box Top	
<b>4</b>	70523301	Harness Adapter Plate	
<b>5</b>	51780	Screw	
<b>6</b>	44306701	Control Box Housing	
<b>7</b>	70511601	Control	
<b>8</b>	44326801	Shield	
<b>9</b>	70551701	Filter Mounting Plate	
<b>10</b>	44065201	Control Box Cover	
<b>11</b>	44089301P	Lock, Key and Nut Kit	RL001 key code; Optional if same key is to be used for control lock
<b>12</b>	801432	Light	
<b>13</b>	202799	Fill Hose	2 required
<b>14</b>	44069101	Hose Fitting	North America models
<b>15</b>	36801	Hose Clamp	
<b>16</b>	44073304	Hose	14 inches; Outlet hose
<b>17</b>	70519801	Mixing Valve	
<b>18</b>	801434W	Push-to-Start Switch	2 required
<b>19</b>	44065301	Control Box Base	
<b>20</b>	44306601	Mixing Valve Shield Bracket	
<b>21</b>	804608	Screw	
<b>22</b>	44308701	Mount Bracket	
<b>23</b>	70180001	Plug	

# Touch Control - Vend Models with V in 7th Position

B, H, P and S Models



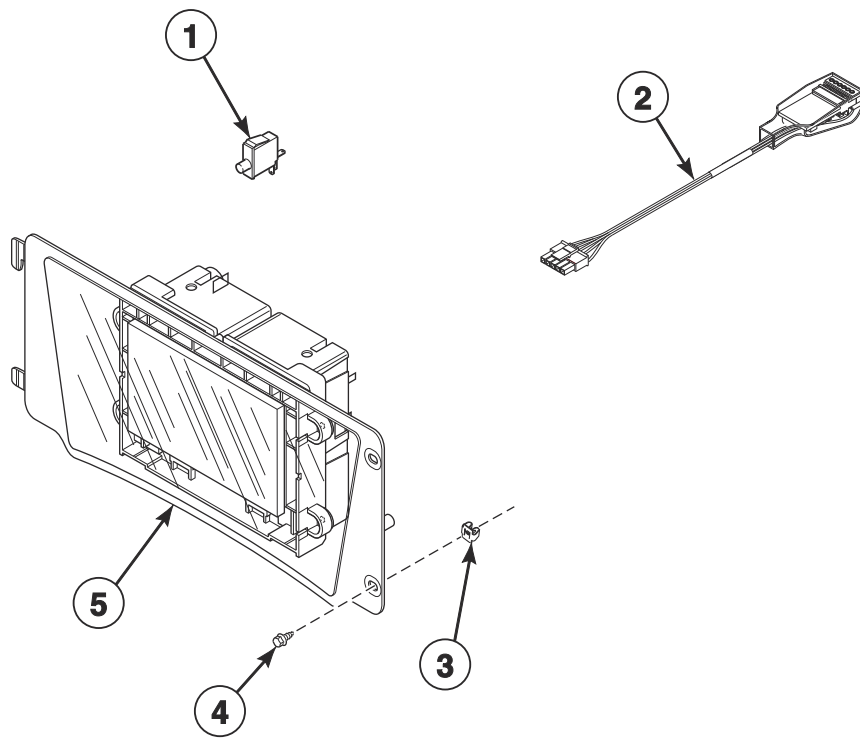
TMB3937P

## Touch Control - Vend Models with V in 7th Position

REF	PART NO.	DESCRIPTION	COMMENTS
	44334002	Vend Activation Harness	
	F8719302	Fob Communication Harness	
	44087101	Nut	2 required; Coin
	44071201	Nut	4 required; Prep for card and central pay
	203440	USB-Serial Interface Assembly	
	44374701	App Pay Overlay Kit	
	70576501P	Replacement Screen Kit	
<b>1</b>	70413301	Pushbutton Switch	
<b>2</b>	44346101	Control Mounting Bracket	Design 4 H and S models
<b>3</b>	203361P	Machine ID Control Assembly	
<b>4</b>	205135	Fob Reader Control Assembly	
<b>5</b>	70054	Nut	
<b>6</b>	F8574205	Accessory Plate Assembly	World drop
<b>7</b>	F8574204	Card Reader Plate	Card
<b>8</b>	F8574106	Accessory Plate	Use with item 7
<b>9</b>	F8574203	Accessory Plate Assembly	Dual drop
<b>10</b>	F8574202	Accessory Plate Assembly	Single drop
<b>11</b>	F8734001	Overlay	S models; FOB
	F8734301	Overlay	H models; FOB
	F8736601	Overlay	H models; FOB
<b>12</b>	F8734601	Accessory Plate Assembly	FOB
<b>13</b>	F8632501	Vend Plate	
<b>14</b>	39733	Screw	
<b>15</b>	70030501	Expansion Clip	2 required
<b>16</b>	70597801P	Control Assembly	

# Touch Control - OPL Models with V in 7th Position

B, J and P Models

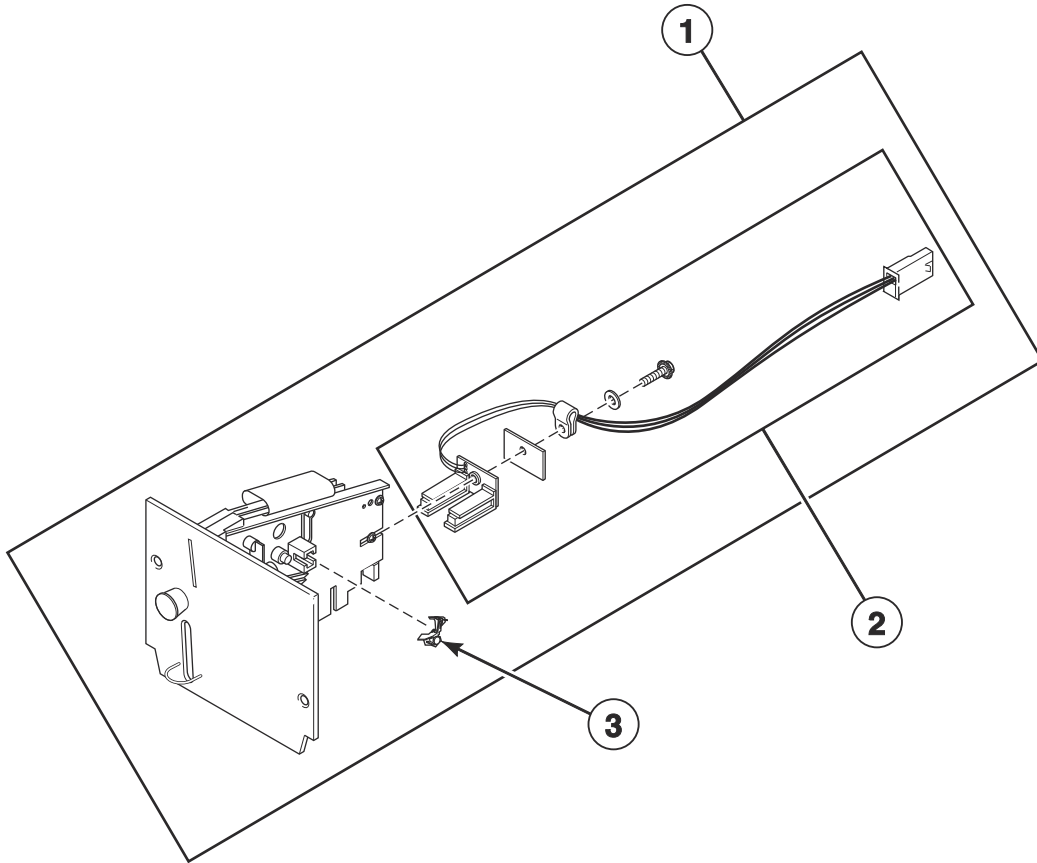


TMB3828P\_70621801

## Touch Control - OPL Models with V in 7th Position

REF	PART NO.	DESCRIPTION	COMMENTS
	44334002	Vend Activation Harness	
	44087101	Nut	2 required
	204692	Wireless Control Label	2 required
	203440	USB-Serial Interface Assembly	
	44374701	App Pay Overlay Kit	
	70576501P	Replacement Screen Kit	
1	70413301	Pushbutton Switch	
2	203361P	Machine ID Control Assembly	
3	70030501	Expansion Clip	2 required
4	39733	Screw	
5	70597803	Control Assembly	

# Coin Drops



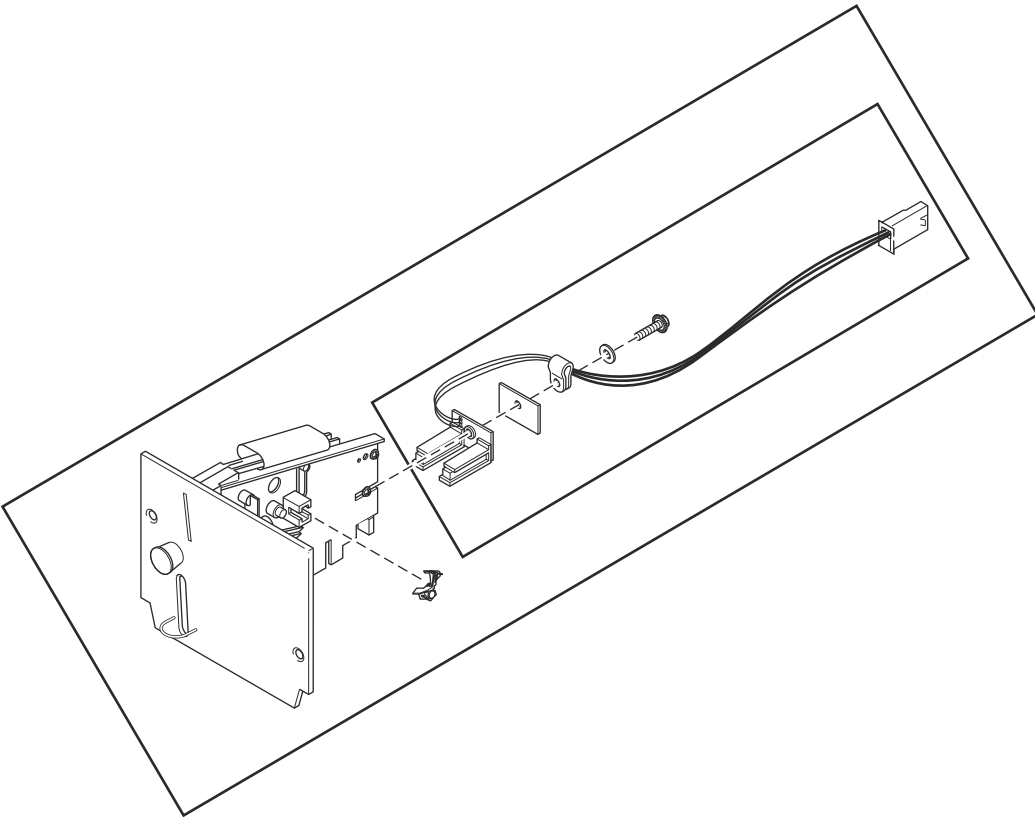
TMB3699P\_70621801



# Coin Drops

REF	PART NO.	DESCRIPTION	COMMENTS
1	70441601P	Coin Drop	Single; U.S.A.; \$.25
	38475	Coin Drop Assembly	Single; Japan; 100 yen
	38464P	Coin Drop Assembly	Single; Canada; .25
	CK077	Coin Drop Kit	Single; Taiwan; 10 NT
	70506901	Coin Drop Assembly	Single; Singapore; \$1.00 NEW
	70441603	Coin Drop	Dual; U.S.A.; \$.25 and \$1.00
	38519	Coin Drop Assembly	Dual; Japan; 100 yen and 500 yen
	70441602	Coin Drop Assembly	Dual; Canada; .25 and 1.00
	38467	Coin Drop Assembly	Dual; Australia; \$0.20 and \$1.00
	70447301	Coin Drop Assembly	Dual; Australia; \$1.00 and \$2.00
	70283102	Coin Drop Assembly	Dual; 0.20 and 0.50 Euro
	210195	Coin Drop Assembly	Dual; 0.20 and 1.00 Euro
	210196	Coin Drop Assembly	Dual; 0.50 and 1.00 Euro
	F0160737-00	Coin Meter	Dual; 0.50 and 2.00 Euro
	70281102	Coin Drop Assembly	Dual; Taiwan; 10 and 50 NT
	70482401	Coin Drop Assembly	Dual; New Zealand ; \$1.00 and \$2.00
	38462P	Coin Drop Assembly	Single; Token; STD 118-1
	38463	Coin Drop Assembly	Single; Token; STD 118-5
	38963P	Coin Drop	Single; Token STD 118-16
	39748	Coin Drop	Single; Jeton 08MS
	201141	Coin Drop Assembly	Single; Token; Jeton wh121
	70471601	Coin Drop Assembly	Single; Token; 7K
	70513302	Electronic Coin Drop Assembly	Euro and Great Britain coins
	70513310	Electronic Coin Drop Assembly	Japan and Thailand coins
	70513304	Electronic Coin Drop Assembly	Australia, New Zealand, Hong Kong and South Korea coins
	70513303	Electronic Coin Drop Assembly	Denmark, Norway and Euro coins
	70513306	Electronic Coin Drop Assembly	Mexico, Ecuador and U.S.A. coins
	70294107	Electronic Coin Drop Assembly	Lithuania, Latvia and Euro coins
	70513311	Electronic Coin Drop Assembly	China and Malaysia coins
	70513308	Electronic Coin Drop Assembly	South African 1, 2 and 5 rand coins
	70513309	Electronic Coin Drop Assembly	Euro coins
	70513312	Electronic Coin Drop Assembly	Russia coins
	70513313	Electronic Coin Drop Assembly	Phillipines coins
70513314	Electronic Coin Drop Assembly	Thailand coins	
70513315	Electronic Coin Drop Assembly	Chile coins	
70513316	Electronic Coin Drop Assembly	Singapore coins	
2	200674P	Opto Coupler	
3	201595P	Wire Guard	

# Coin Drop Kits

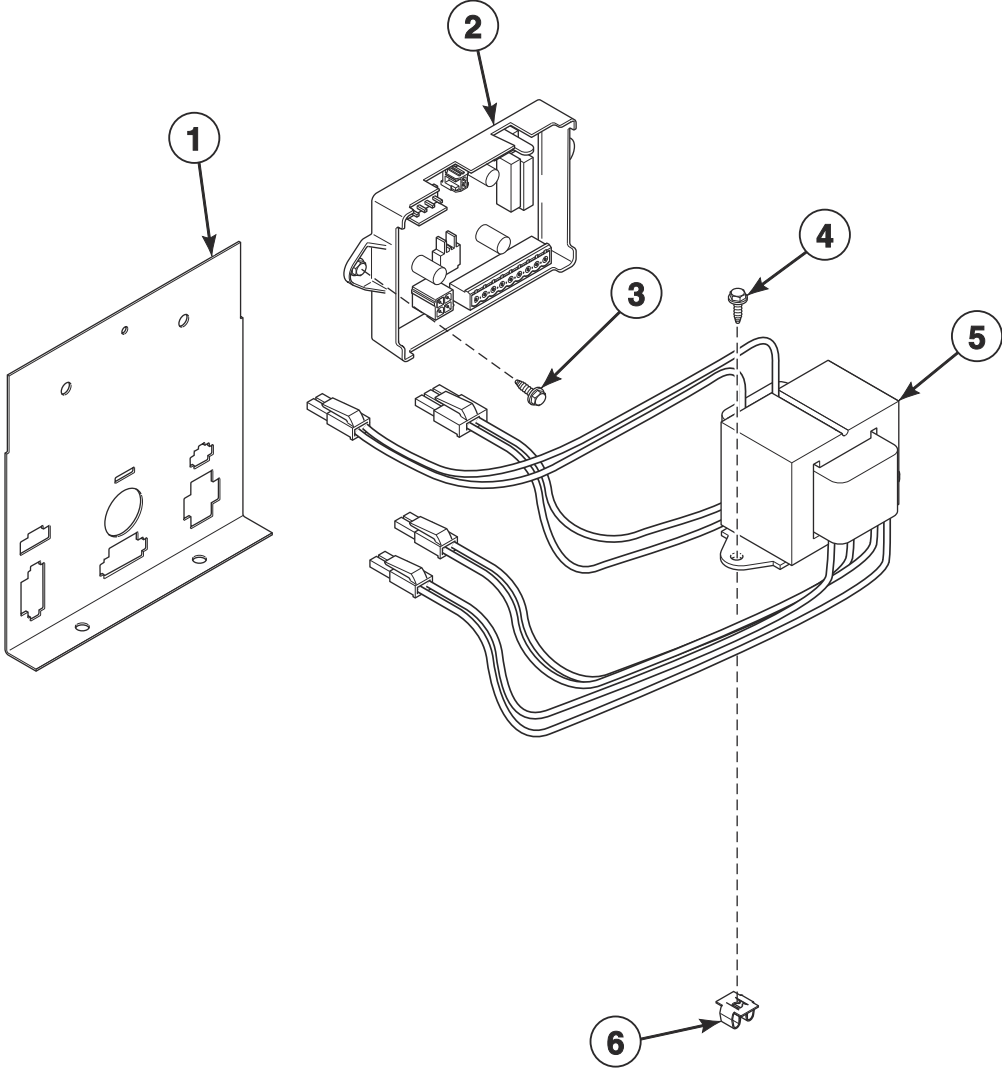


TMB3699PA\_70621801

## Coin Drop Kits

REF	PART NO.	DESCRIPTION	COMMENTS
	CK115	Electronic Coin Drop Kit	United States and Canada
	CK099	Electronic Coin Drop Kit	Australia (default), New Zealand, Hong Kong, South Korea and Malaysia
	CK100	Electronic Coin Drop Kit	United Kingdom (default) and Europe
	CK101	Electronic Coin Drop Kit	Europe (default), Denmark and Norway
	CK108	Electronic Coin Drop Kit	South Africa
	CK109	Electronic Coin Drop Kit	Euro
	CK110	Electronic Coin Drop Kit	Mexico (default), Ecuador and United States
	CK113	Electronic Coin Drop Kit	Japan and Taiwan
	CK116	Electronic Coin Drop Kit	Malaysia (default) and China
	CK117	Electronic Coin Drop Kit	Russia
	CK118	Electronic Coin Drop Kit	Philippine
	CK119	Electronic Coin Drop Kit	Thailand
	CK120	Electronic Coin Drop Kit	Chile
	CK121	Electronic Coin Drop Kit	Singapore
	CK122	Coin Drop Kit	New Zealand; 1.00 and 2.00

# Central Pay and Card Reader Components

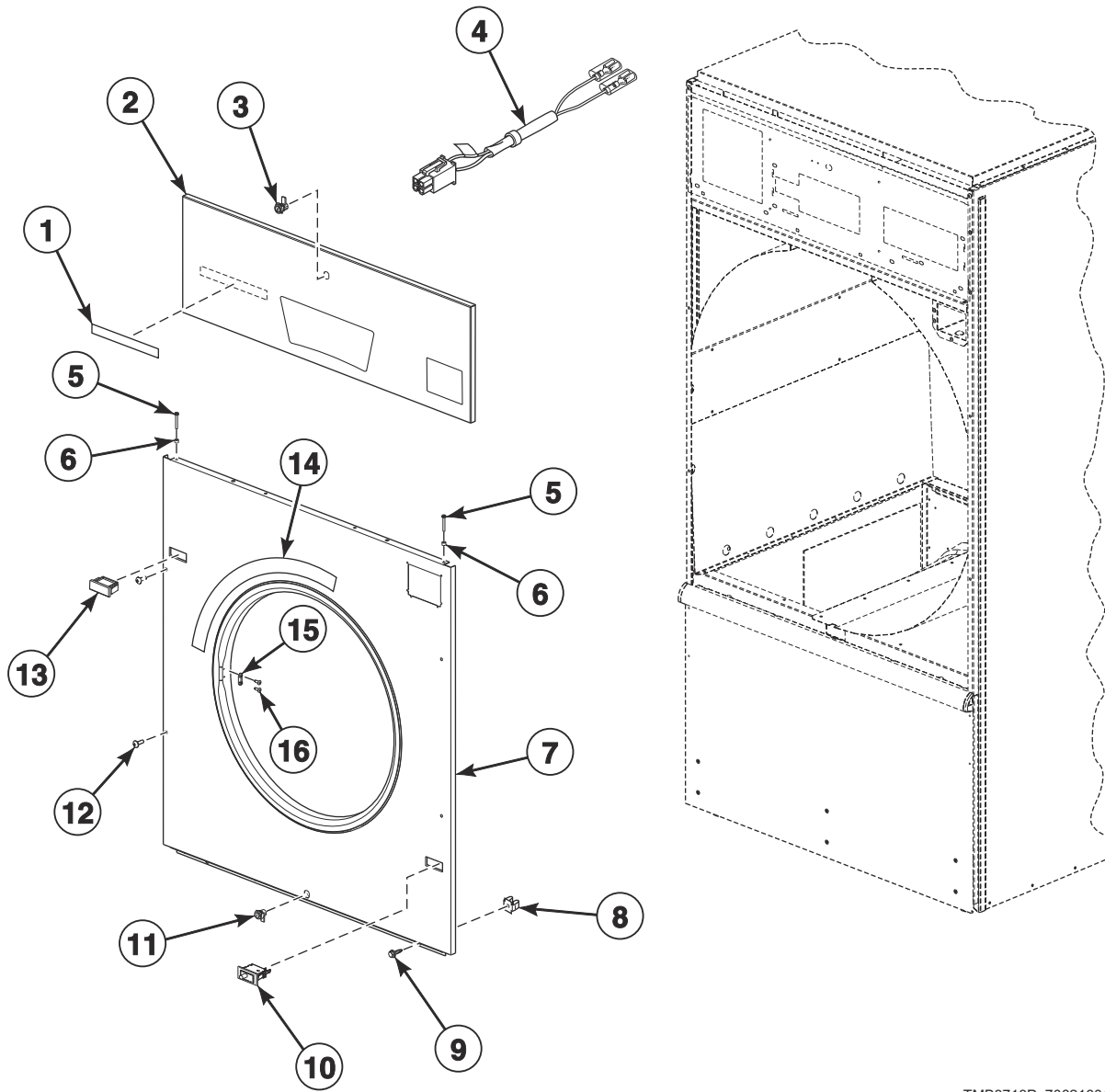


TMB3712P\_70621801

## Central Pay and Card Reader Components

REF	PART NO.	DESCRIPTION	COMMENTS
	44355602	Central Pay Harness	Routes from central pay board to control tray
	44272301	Transformer Harness	100-120 Volt; Routes from transformer to I/O Control Assembly; Card and central pay
	44272302	Transformer Harness	200-480 Volt; Routes from transformer to I/O Control Assembly; Card and central pay
	44355604	Central Pay Board Harness	Routes from central pay board to transformer
	44355606	Central Pay Harness	Routes from central pay board to front end control
	203346	USB IR Interface Kit	
	70666804	Fob Reader Kit	Models through 12/31/20
	70666806	Fob Reader Kit	Models starting 1/1/21
<b>1</b>	70307007	Harness Mounting Plate	
<b>2</b>	44359001	Central Pay Kit	100-120 Volt
	44359003	Central Pay Kit	200-480 Volt
<b>3</b>	51780	Screw	2 required
<b>4</b>	F8206901	Screw	
<b>5</b>	202757	Transformer	100-120 Volt; Card and central pay
	202758	Transformer	200-480 Volt; Card and central pay
<b>6</b>	70030501	Expansion Clip	2 required

# Cabinet Front Panels and Components



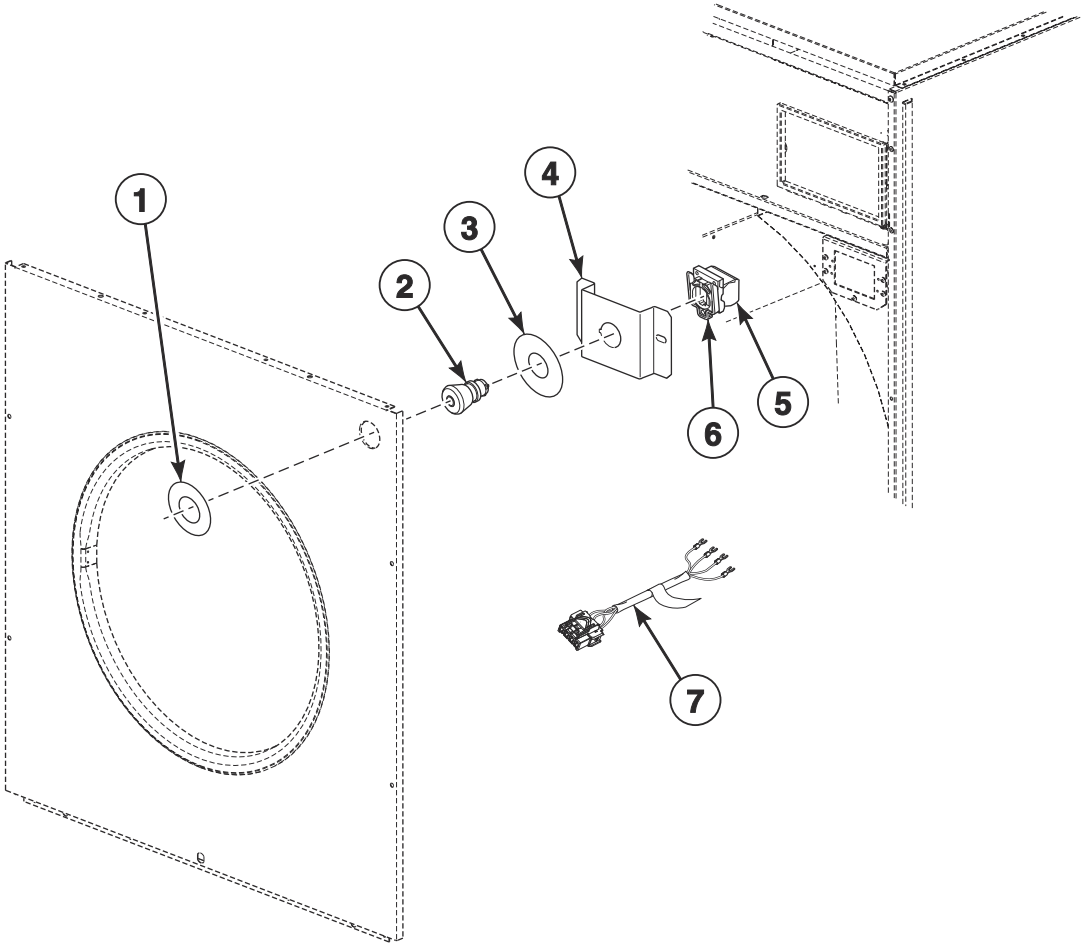
TMB3713P\_70621801

# Cabinet Front Panels and Components

REF	PART NO.	DESCRIPTION	COMMENTS
	M4379P4	Tumbler Dolly Kit	
	44334103	Bypass Harness	Card and central pay
	70482901	Door Catch Kit	
<b>1</b>	F8664901	Nameplate	Design 4 S models
	F8688901	Nameplate	Design 5 S models
	F8687701	Decal	H models
	567293	Nameplate	B models
	567887	Nameplate	P models
	70686501	Nameplate	J models
	70686601	Nameplate	J models; SAFE
<b>2</b>	44344001	Control Panel	Stainless steel; Coin and card
	44344002	Control Panel	Stainless steel; Central pay and OPL
<b>3</b>	44089301P	Lock, Key and Nut Kit	RL001 key code; Black; Control panel; Optional if same key is to be used for control lock
	70155601	Key	RL001; Chrome
	44089304	Panel Lock	RL001; Chrome
<b>4</b>	44334101	Coin Vault Switch Harness	
<b>5</b>	70275801	Screw	4 required
<b>6</b>	56079	Panel Locator	2 required
<b>7</b>	44346301	Front Panel	Stainless steel; Coin; Design 4 models
	44346302	Front Panel	Stainless steel; Card; Design 4 models
	44367301	Front Panel	Stainless steel; Coin; Design 5 B, H, P and S models
	44367302	Front Panel	Stainless steel; Card, central pay and OPL; Without e-stop; Design 5 BG, BR, H, PG, PR and S models
	44367304	Front Panel	Stainless steel; OPL; With e-stop; BU, JU and PU models
	44367401W	Front Panel	Coin; Design 5 H and S models
	44367405W	Front Panel	Card and central pay; Design 5 H and S models
<b>8</b>	70030501	Expansion Clip	
<b>9</b>	M411072	Screw	4 required; Front panel; Bottom
<b>10</b>	70413301	Pushbutton Switch	Door switch
<b>11</b>	44089301P	Lock, Key and Nut Kit	RL001 key code; Black; Lint panel; Optional if same key is to be used for control lock
	70155601	Key	RL001; Chrome
	44089302P	Lock, Key and Nut Kit	RL002 key code; Lint panel; Standard coin and card models
	70155602	Key	RL002; Chrome
	44089305	Panel Lock	RL002; Chrome
<b>12</b>	70033502	Screw	2 required for stainless steel panels in addition to 2 of 70182601 Screw
	70182601	Screw	2 required for stainless steel panels in addition to 2 of 70033502 Screw; 4 required for painted panels
<b>13</b>	44057801B	Switch Hole Plug	Black; For stainless steel; Design 4 models
<b>14</b>	70534401	Warning Label	English
	70534402	Warning Label	French
	70534405	Warning Label	Colombian Spanish
	70534400	Label Kit	Warning; IEC models
<b>15</b>	M401223	Door Latch	2 required
<b>16</b>	44166601	Pop Rivet	2 per door latch

# Emergency Stop Button - OPL Models

B, J and P Models



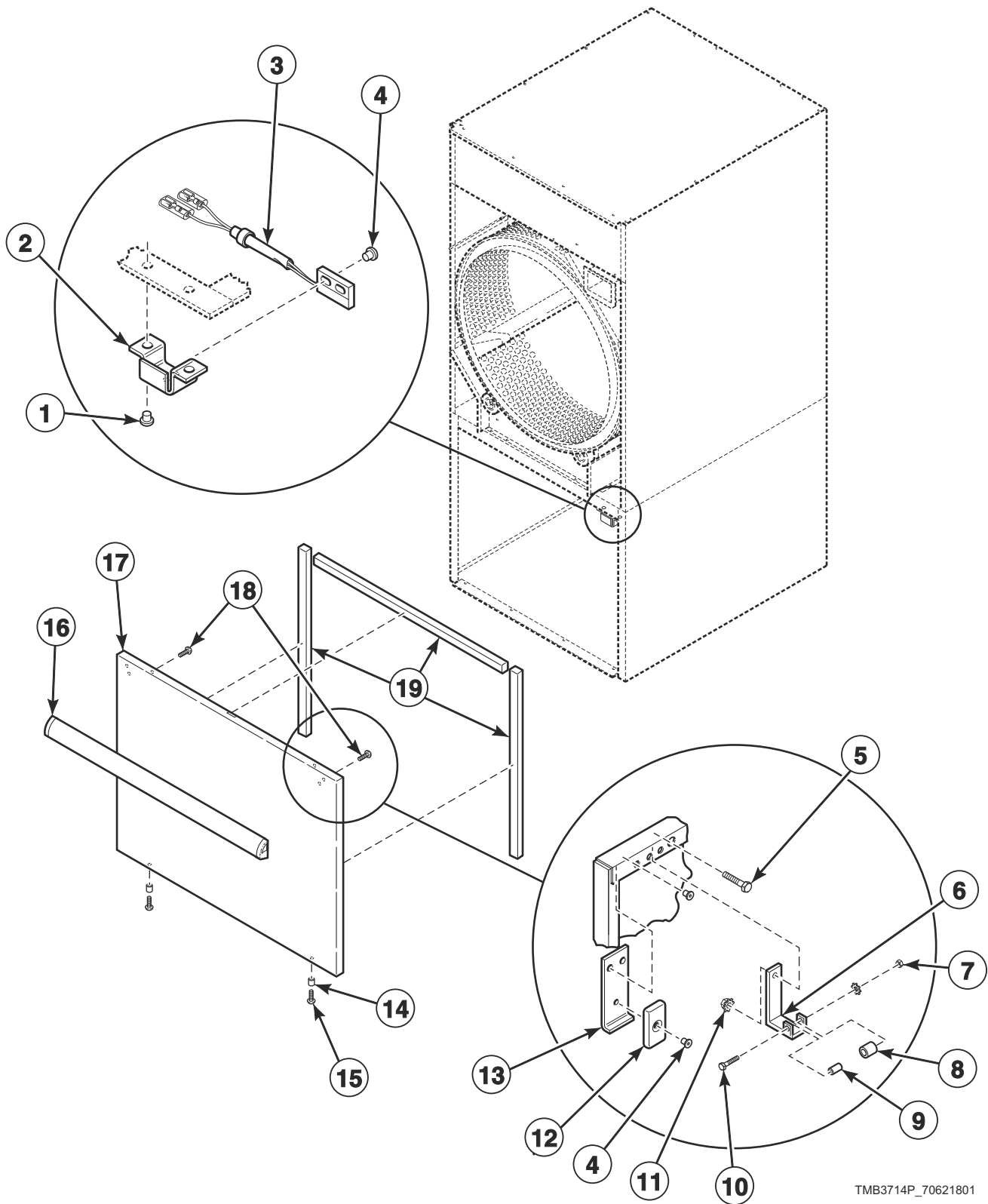
TMB3513P\_70621801



## Emergency Stop Button - OPL Models

REF	PART NO.	DESCRIPTION	COMMENTS
	70580301	Emergency Stop Button Kit	Includes items 2-4
	F8519403	Emergency Stop Bypass Harness	Coin, card and central pay
	44272106	Emergency Stop Interconnect Harness	
1	44012903	Emergency Stop Label	
2	F200233500	Emergency Stop Pushbutton	
3	44012901	Emergency Stop Label	
4	70550401	Emergency Stop Mounting Bracket	
5	F8069501	Contact Switch	2 required
6	F8538101	Contact Base	
7	44272401	Emergency Stop Harness	

# Lower Cabinet Front Components

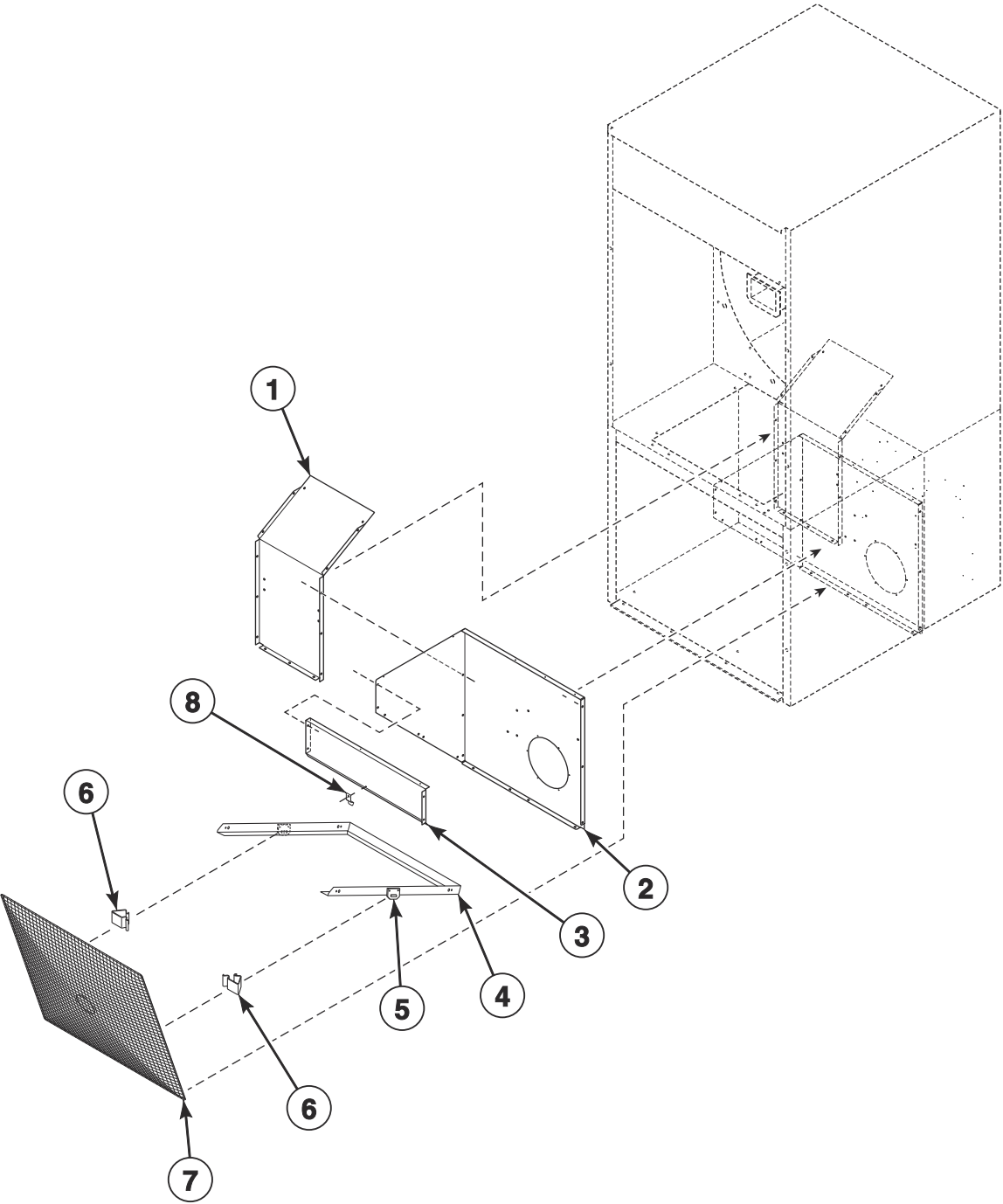


TMB3714P\_70621801

## Lower Cabinet Front Components

REF	PART NO.	DESCRIPTION	COMMENTS
	70404001	Roller Bracket Assembly	Includes items 6-10
	70126301	Pop Rivet	J models; For attaching kickplate; 6 required; Black
	70117607	Kickplate	J models; Black
<b>1</b>	70058501	Pop Rivet	
<b>2</b>	44296101	Switch Bracket	
<b>3</b>	F8066804	Reed Switch Assembly	
<b>4</b>	F8245101	Blind Rivet	
<b>5</b>	70132301	Screw	Attaching roller catch
<b>6</b>	70030301	Roller Catch Arm	
<b>7</b>	23951	Nut	
<b>8</b>	70297601	Roller Catch Wheel	
<b>9</b>	70030201	Roller Catch Spacer	
<b>10</b>	70072801	Screw	
<b>11</b>	51236	Nut	Attaching roller catch
<b>12</b>	70343101	Magnet	
<b>13</b>	44290501	Magnet Bracket	
<b>14</b>	56079	Panel Locator	
<b>15</b>	39733	Screw	
<b>16</b>	70154405P	Handle and Caps Assembly	Black; Includes endcaps
<b>17</b>	44293605	Lint Panel	Stainless steel
	44293606W	Lint Panel	Design 5 H and S models
<b>18</b>	430757	Screw	
<b>19</b>	70289101P	Gasket	Sold per foot

# Lint Panel Components

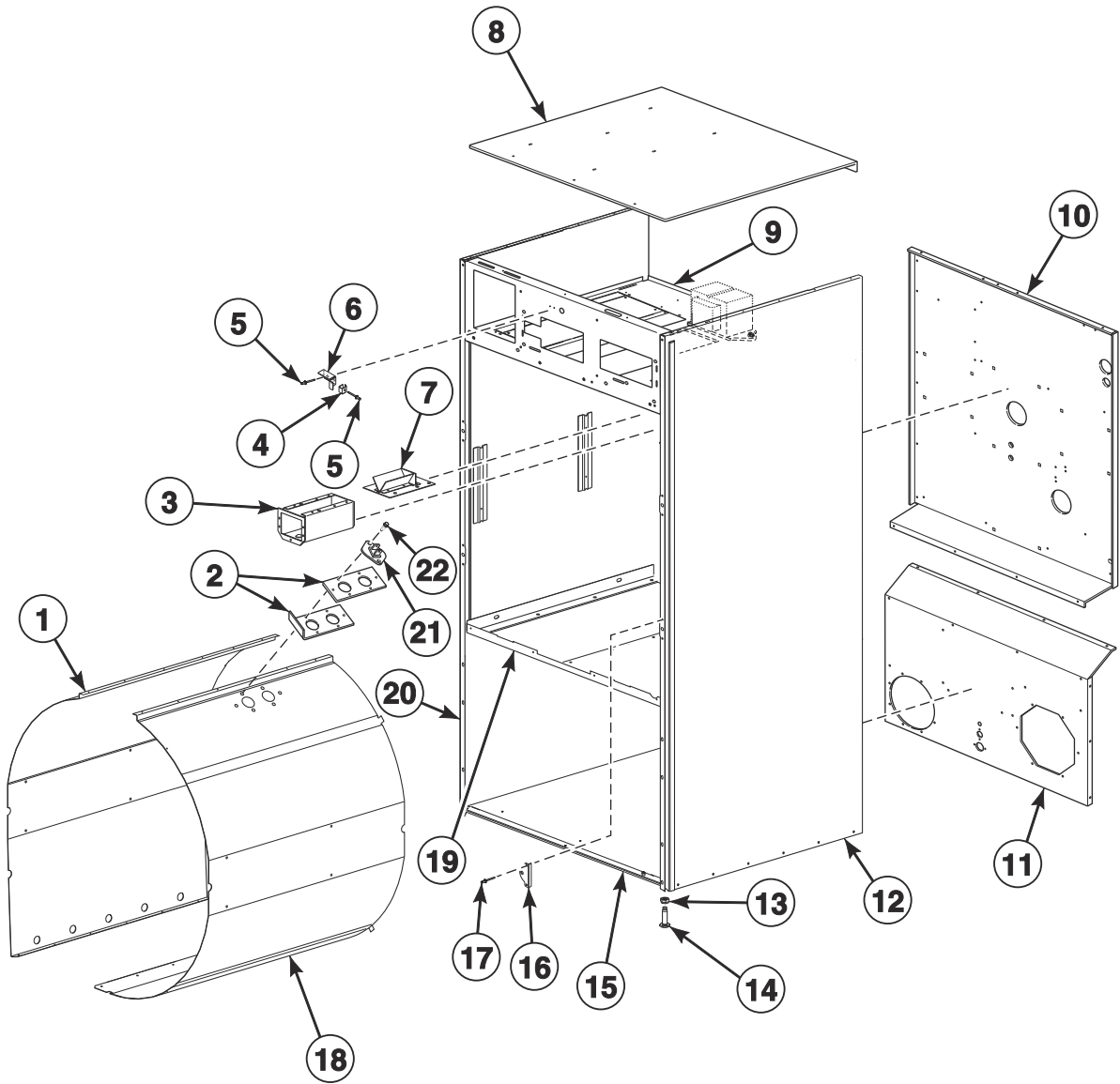


TMB3637P\_70621801

## Lint Panel Components

REF	PART NO.	DESCRIPTION	COMMENTS
1	44298102	Lint Panel	Left
2	44300901	Lint Panel	Right
3	44298901	Lint Screen Top Rail	
4	44325301	Lint Bracket	
5	44140202	Lint Clip Bracket	2 required
6	35865	Hold-Down Clip	2 required
7	44063601	Lint Screen	
8	H96418413	Lint Screen Clip	

# Cabinet Components

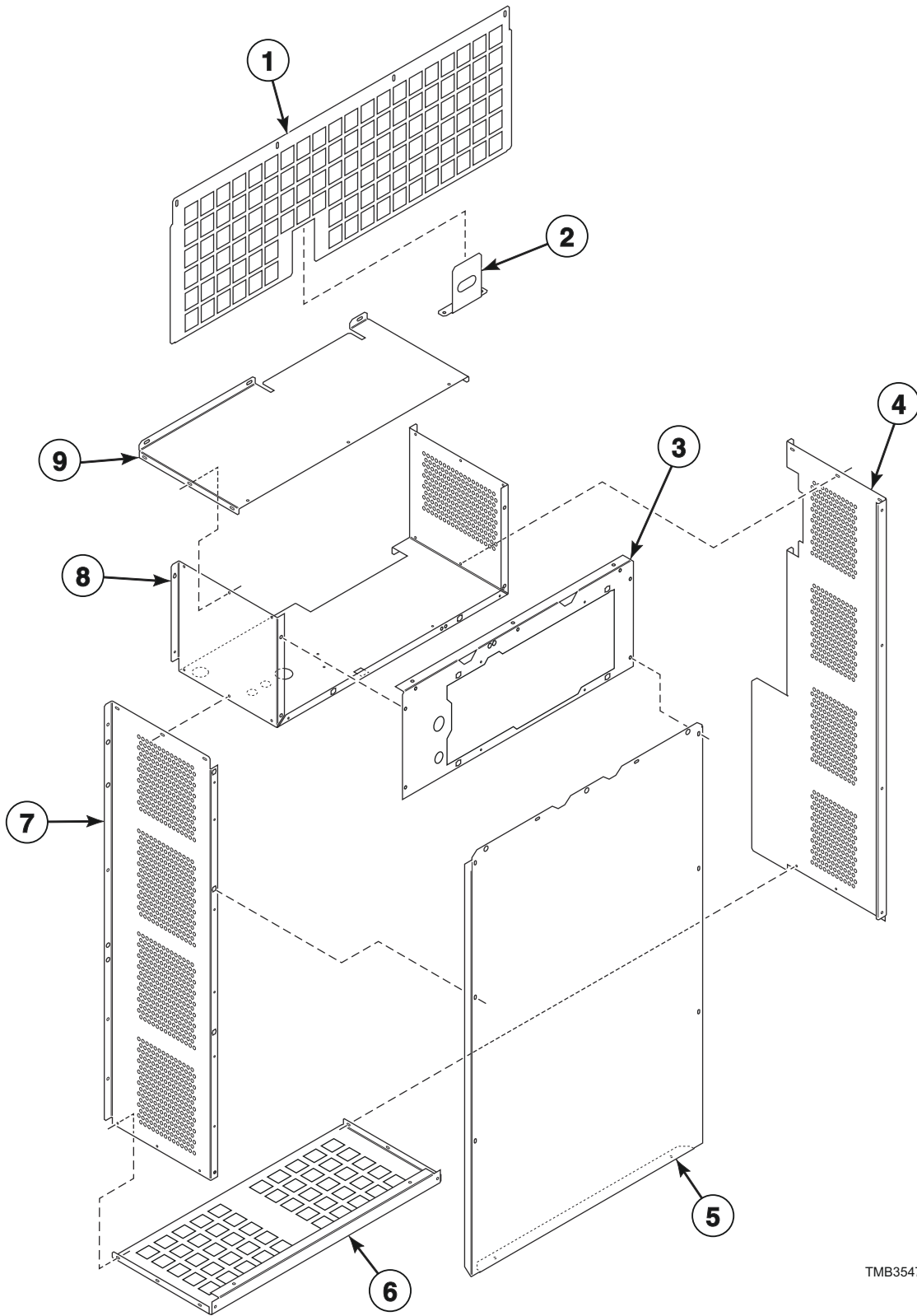


TMB3715P\_70621801

# Cabinet Components

REF	PART NO.	DESCRIPTION	COMMENTS
	298P4P	Spray Paint	White
	122P4P	Porcelain Touch-Up Paint	White
	430497	Screw	Use with items 12 and 20
<b>1</b>	44299002	Baffle	Left
<b>2</b>	44068101	Thermistor Plate	
	44068102	Thermistor Plate	Use as a shim
<b>3</b>	70529501	Coin Vault Assembly	
	F160673P	Coin Box	Optional equipment; Includes lock and key
<b>4</b>	431318	Control Door Latch	
<b>5</b>	M400003	Pop Rivet	
<b>6</b>	70586701	Latch Bracket	
<b>7</b>	70296401	Coin Chute Assembly	Wide
<b>8</b>	44348801	Top Panel	Gas models
	44348802	Top Panel	Electric models
<b>9</b>	44348701	Top Pan	Gas models; Design 4
	44352501	Top Pan	Electric models; Design 4
	44300101	Top Pan	Design 5 models
<b>10</b>	44297001	Upper Rear Panel	
<b>11</b>	44300001	Lower Rear Panel	
<b>12</b>	44348901W	Side Panel	Right; Design 4 S models
	44367801W	Side Panel	Right; Design 5 H and S models
	44367801DG	Side Panel	Right; Dark gray; B and P models
	44367802DG	Side Panel	Right; Dark gray; J models
<b>13</b>	21899	Nut	
<b>14</b>	70247701	Screw	Leveling leg
<b>15</b>	44298701	Bottom Pan	
<b>16</b>	70604701	Lug Mount Bracket	2 required; Design 4 models
	70634301	Lug Mount Bracket	2 required; Design 5 models
<b>17</b>	70058501	Pop Rivet	4 required; Use with items 12 and 20
<b>18</b>	44299802	Baffle	Right
<b>19</b>	44298601	Center Pan	
<b>20</b>	44349001W	Side Panel	Left; Design 4 S models
	44367701W	Side Panel	Left; Design 5 H and S models
	44367701DG	Side Panel	Left; Dark gray; B and P models
	44367702DG	Side Panel	Left; Dark gray; J models
<b>21</b>	44064701	Thermistor	
<b>22</b>	51780	Screw	

# Rear Panel and Belt Guard Components



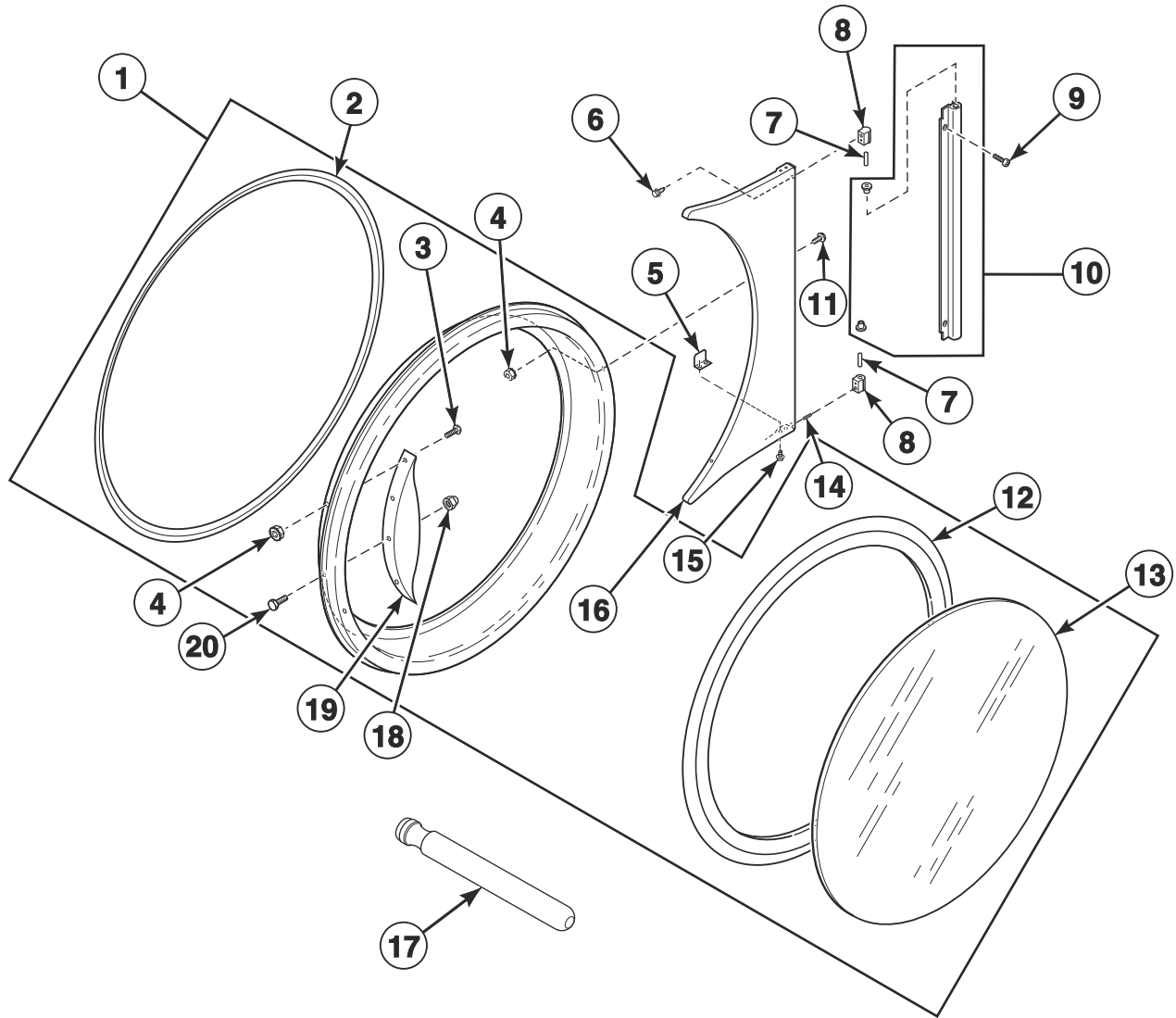
TMB3547P\_70621801



## Rear Panel and Belt Guard Components

REF	PART NO.	DESCRIPTION	COMMENTS
1	44300301	Stove Grate	Gas models
	44305601	Stove Grate	Electric models
2	44327603	Pipe Bracket	Gas models
3	44332201	Belt Guard	Middle
4	44298301	Belt Guard Side Panel	Left
5	44269201	Guard Panel	Rear
6	44298401	Belt Guard	Bottom
7	44301101	Belt Guard Side Panel	Right
8	44332301	Guard Panel	Middle
9	44314301	Belt Guard	Top

# Door and Hinge Components - Design 4 H and S Models



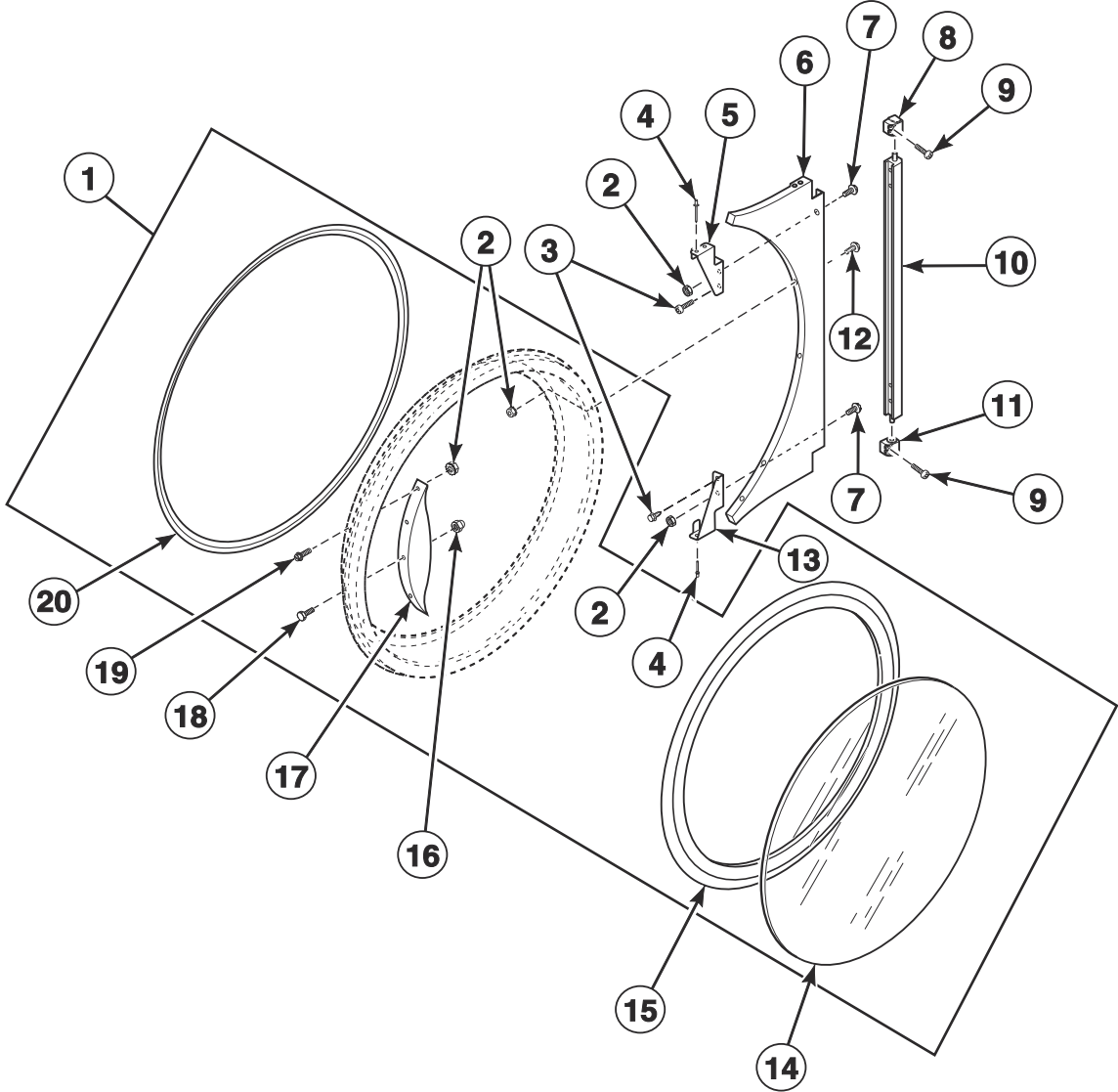
TMB3726P\_70621801

## Door and Hinge Components - Design 4 H and S Models

REF	PART NO.	DESCRIPTION	COMMENTS
	70650401	Door Glass Label	H models
	70707701	Door Glass Label	S models
	70707501	Max Fill Line Label	
<b>1</b>	44354702	Door Assembly	Chrome
<b>2</b>	70296802	Door Ring Gasket	
<b>3</b>	70442101	Screw	4 required
<b>4</b>	44088001	Nut	
<b>5</b>	70532101	Door Switch Actuator	Bottom
<b>6</b>	70576101	Screw	
<b>7</b>	70071401	Pin	
<b>8</b>	70622401	Hinge Cam Kit	Chrome
<b>9</b>	FR004022	Screw	
<b>10</b>	70601005	Door Hinge Lug Assembly	Chrome
<b>11</b>	44349101	Screw	
<b>12</b>	70211902P	Door Seal Kit	Use Loctite 414 for seal
<b>13</b>	44008401P	Door Glass	
<b>14</b>	70436301	Screw	
<b>15</b>	70058501	Pop Rivet	
<b>16</b>	70596603	Door Hinge Assembly	Chrome
<b>17</b>	M4221P4	Door Glass Installation Tool	
<b>18</b>	M414215	Nut	For door strike; Mounts between door strike screw and door handle
<b>19</b>	44007901	Door Handle	
<b>20</b>	M400661	Screw	Door Strike

# Door and Hinge Components - Design 5 Models

BG, BR, BU, HG, HT, JU, PG, PR, PU, SG and ST Models

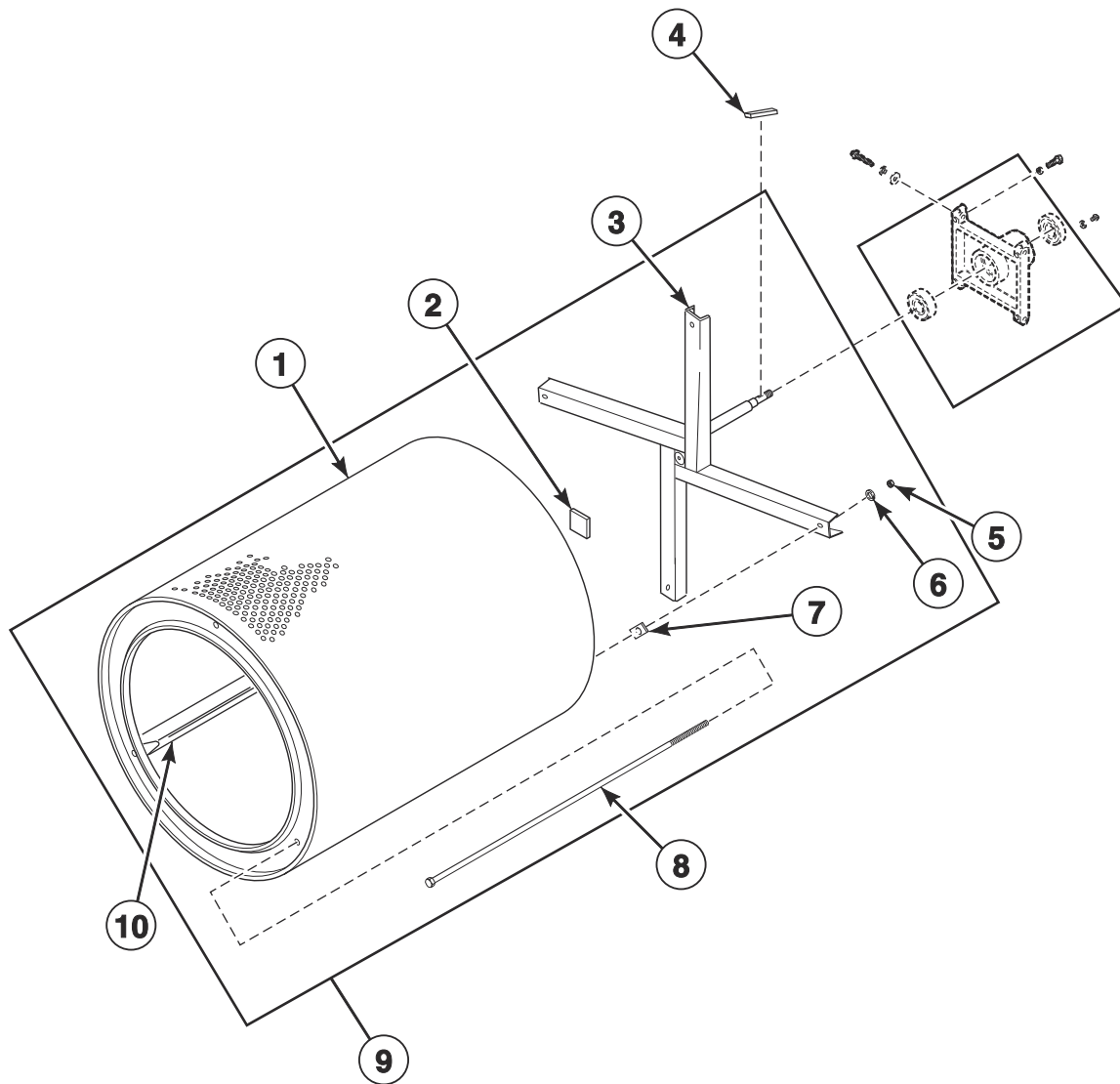


TMB3805P\_70621801

## Door and Hinge Components - Design 5 Models

REF	PART NO.	DESCRIPTION	COMMENTS
	70650401	Door Glass Label	H models
	70707701	Door Glass Label	S models
	70707501	Max Fill Line Label	
<b>1</b>	44354706	Door Assembly	Chrome; H models
	44354702	Door Assembly	Chrome; S models
	44354709	Door Assembly	Black; B, J and P models
<b>2</b>	44088001	Nut	
<b>3</b>	802822	Screw	
<b>4</b>	70058501	Pop Rivet	
<b>5</b>	70632001	Upper Hinge Gusset	
<b>6</b>	44366606W	Door Hinge Assembly	White; H and S models
	44366604	Door Hinge Assembly	Stainless steel; H and S models
	44366608	Door Hinge Assembly	Chrome; H and S models
	44366610B	Door Hinge Assembly	Black; B, J and P models
<b>7</b>	70640201	Screw	
<b>8</b>	70639301	Upper Lug Assembly	Use with 2 of item 9; H and S models
	70639303	Upper Lug Assembly	Use with 2 of item 9; B, J and P models
<b>9</b>	70640301	Screw	H and S models
	F8458801	Screw	B, J and P models
<b>10</b>	70640401	Center Hinge Lug Assembly	
<b>11</b>	70639302	Lower Lug Assembly	Use with 2 of item 9; H and S models
	70639304	Lower Lug Assembly	Use with 2 of item 9; B, J and P models
<b>12</b>	44349101	Screw	
<b>13</b>	70632002	Lower Hinge Gusset	
<b>14</b>	44008401P	Door Glass	
<b>15</b>	70211902P	Door Seal Kit	Use Loctite 414 for seal
<b>16</b>	M414215	Nut	For door strike; Mounts between door strike screw and door handle
<b>17</b>	44007901	Door Handle	
<b>18</b>	M400661	Screw	Door Strike
<b>19</b>	70442101	Screw	4 required
<b>20</b>	70296802	Door Ring Gasket	

# Cylinder and Trunnion Components

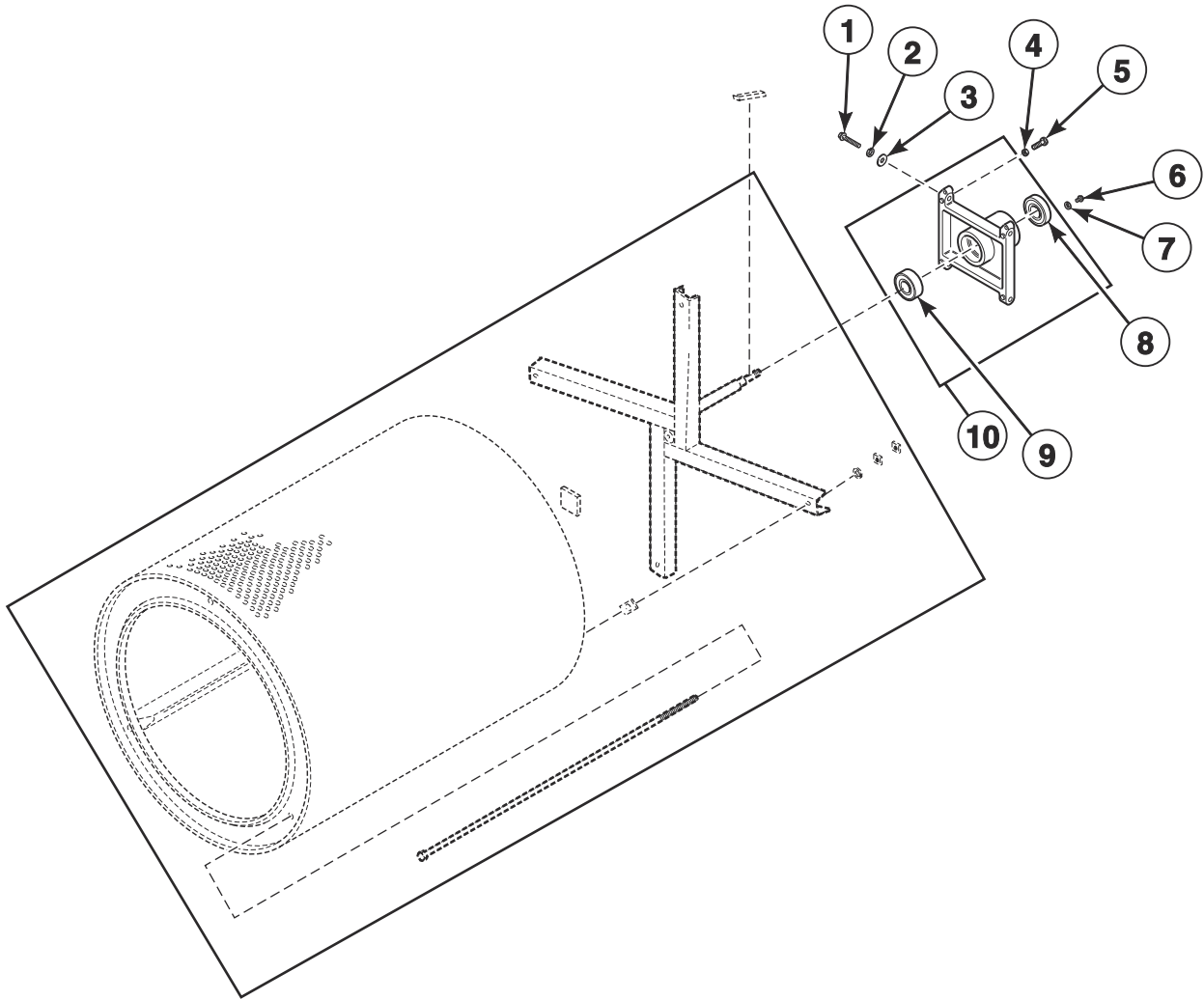


TMB3796P\_70621801

## Cylinder and Trunnion Components

REF	PART NO.	DESCRIPTION	COMMENTS
1	44057201P	Cylinder Kit	Galvanized
	44057301P	Cylinder Kit	Stainless steel
2	M402144	Felt Pad	
3	44208001	Trunnion Assembly	Spider
4	M400008	Key	Half moon
5	M404993	Nut	
6	M400015	Washer	4 required
7	M401402	Spacer	Adjustment between cylinder and trunnion
8	M401411	Rib Rod	
9	44195701P	Cylinder and Trunnion Assembly	Galvanized
	44195702P	Cylinder and Trunnion Assembly	Stainless steel
	44195703	Cylinder and Trunnion Assembly	Galvanized with stainless steel back

# Bearing Components



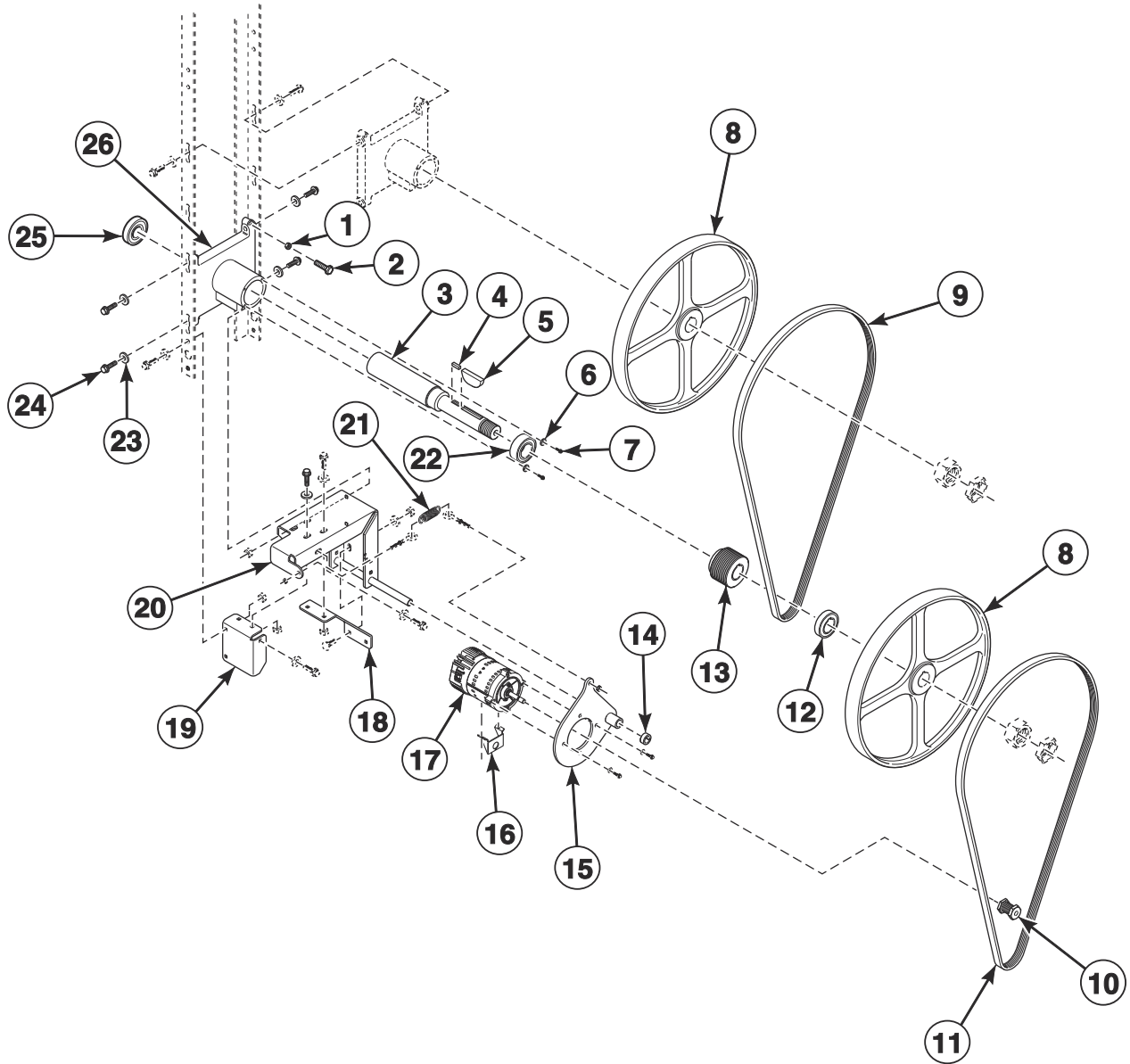
TMB2123PA\_70621701



# Bearing Components

REF	PART NO.	DESCRIPTION	COMMENTS
	M4640P3	Trunnion and Bearing Assembly	
	M4644P3	Housing and Trunnion Assembly	Includes bearing
1	M400063	Screw	
2	M400015	Washer	4 required
3	70261401	Washer	4 required
4	M400026	Nut	4 required
5	M400650	Bolt	2 required
6	70187201	Screw	4 required
7	20103	Washer	4 required
8	M413923P	Bearing	
9	44041901P	Ball Bearing	
10	44375001	Trunnion Housing Assembly	Includes bearing

# Drive Motor Components

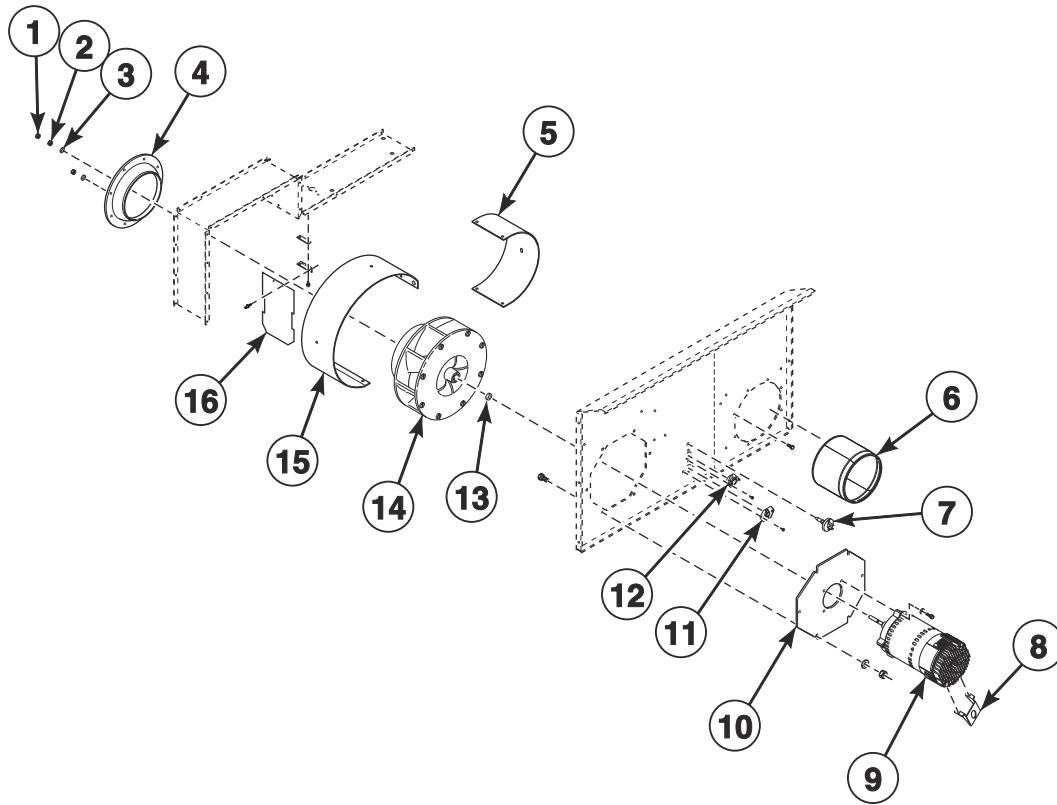


TMB3827P\_70621801

# Drive Motor Components

REF	PART NO.	DESCRIPTION	COMMENTS
	44333202	Nut	Use with motor pulley
	44335304	Inverter Motor Harness	Cylinder
	44335305	Inverter Motor Harness	Fan
	44375001	Trunnion Housing Assembly	Includes items 6, 7, 22, 25 and 26
1	M400026	Nut	
2	M400650	Bolt	
3	44303102	Idler Shaft	
4	44309301	Key	
5	M400008	Key	
6	20103	Washer	
7	70187201	Screw	
8	44289502	Pulley	
9	44333301	V-Belt	Upper
10	70559102	Motor Pulley	
11	44309402	V-Belt	Lower
12	44306801	Idler Spacer	
13	44270201	Micro V Pulley	
14	70467001	Shaft Collar	
15	44311501	Motor Pivot Plate Weldment	
16	44317901	Motor Conduit Bracket	
17	44259501P	Drive Motor	.50 HP; 120, 230 Volt/1 Phase
	44259601P	Drive Motor	.50 HP; 380-460 Volt/3 Phase
18	44325701	Motor Pivot Gusset Bracket	
19	44325801	Motor Pivot Support Bracket	
20	44327001	Motor Pivot Bracket Weldment	
21	F8440701	Extension Spring	
22	M413923P	Bearing	
23	70261401	Washer	4 required
24	805213	Screw	4 required
25	44041901P	Ball Bearing	
26	M413826	Trunnion Housing	

# Blower and Exhaust Components

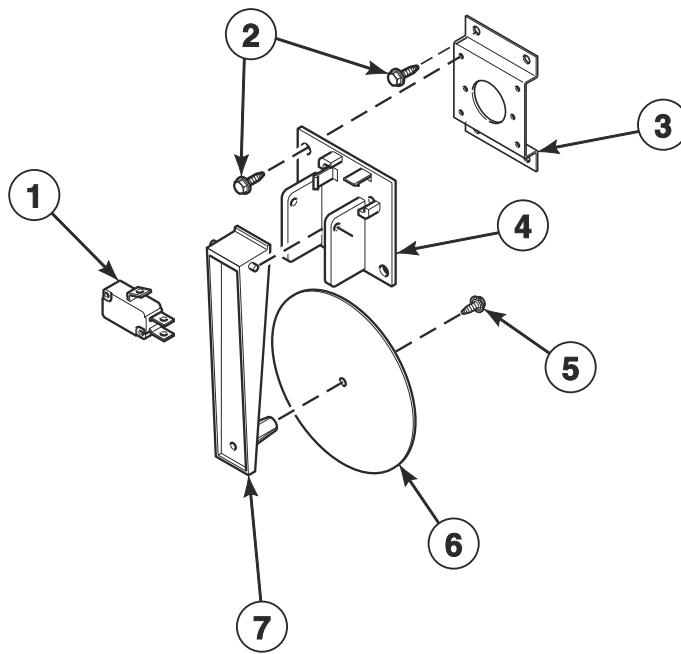


TMB3730P\_70621801

## Blower and Exhaust Components

REF	PART NO.	DESCRIPTION	COMMENTS
1	M400034	Nut	
2	M400022	Nut	
3	F431131	Washer	
4	70303101	Blower Inlet Cone	
5	44308401	Air Exhaust Deflector	
6	44327901	Exhaust Pipe Assembly	
7	M414704	Thermistor	
8	44317901	Motor Conduit Bracket	
9	70478701P	Fan Motor	.50 HP; 120, 230 Volt/1 Phase
	70484901P	Fan Motor	.50 HP; 380-460 Volt/3 Phase
10	70380801	Blower Motor Mounting Plate	
11	70530905	Limit Thermostat	
12	44328010	Limit Thermostat	
13	70599301	Fan Spacer	
14	70302201P	Blower Assembly	
15	44303801	Blower Housing Scroll	
16	44280301	Damper Assembly	

# Airflow Switch Assembly



TMB3636P\_70621801

# Airflow Switch Assembly

REF	PART NO.	DESCRIPTION	COMMENTS
	70429602	Airflow Switch Assembly	Includes items 1 and 4-7
1	70411901	Switch	
2	430497	Screw	6 required
3	70356301	Switch Bracket	
4	70319602	Airflow Switch and Arm Bracket	
5	430757	Screw	
6	70319202	Airflow Switch Vane	
7	70319401	Airflow Switch Arm	

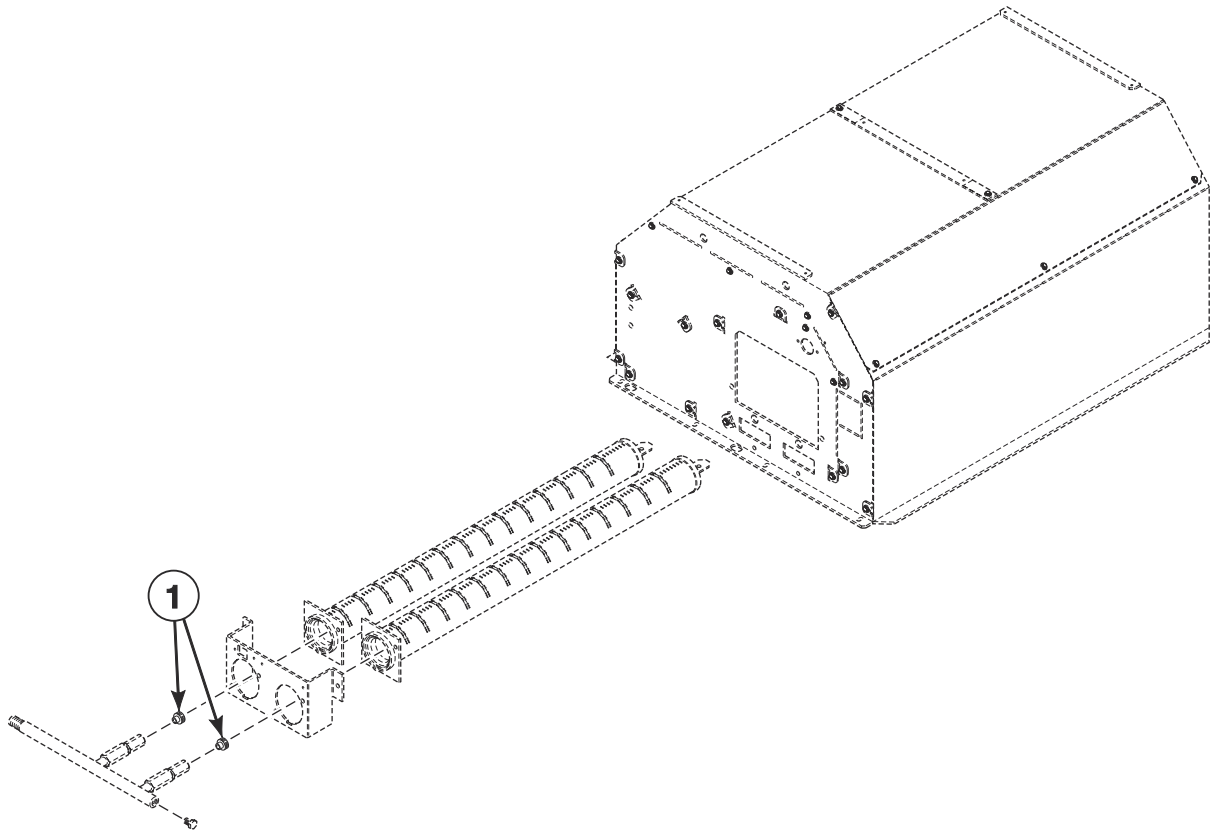




# Gas Heater Components

REF	PART NO.	DESCRIPTION	COMMENTS
	70539501	Notice Label	Australian models; Natural Gas (N.G.)
	70544901	Notice Label	Australian models; Liquid Petroleum Gas (L.P.)
	D503887	Label	Australian models; Gas
	44178801	Adapter	CE and Australian models; Used to convert from standard to metric thread
	44355202	L.P. Conversion Kit	North America and Australian models; 0-2000 feet
	44330307	L.P. Conversion Kit	IEC models; 0-2000 feet
	70564304	Stove Limit Harness	
	44273502	Gas Valve Harness	Double; CE models
	44273501	Gas Valve Harness	Single
	44355101P	Direct Air Kit	
	70500401	Heat Exchanger	
<b>1</b>	44239705	High Voltage Suppression Cable	
<b>2</b>	430497	Screw	2 required
<b>3</b>	44328005	Limit Thermostat	
<b>4</b>	44352701	Gas Heater Assembly	
<b>5</b>	70159601	Igniter Cover	Included with item 4
<b>6</b>	44341801	Burner Support	Included with item 4
<b>7</b>	70396201P	Gas Burner	2 required
<b>8</b>	44354401	Burner Grate	Included with item 4
<b>9</b>	44353901	Burner Cover	
<b>10</b>	44340801	Orifice Adapter	
<b>11</b>	70167601	Plug	
<b>12</b>	44342101	Orifice Adapter Support	
<b>13</b>	44154501P	Gas Valve	North America models; N.G.
	44154502P	Gas Valve	North America models; L.P.
	44298501	Gas Valve	Australian models; N.G.
	44298504	Gas Valve	Australian models; L.P.
	44178301P	Gas Valve	CE models; N.G.
	44178302P	Gas Valve	CE models; L.P.
	44154505	Gas Valve	All other models; N.G.
	44154506	Gas Valve	All other models; L.P.
<b>14</b>	44340701	Gas Valve Bracket	
<b>15</b>	44231601	Pressure Fitting	CE and Australian models
<b>16</b>	70612603	Pipe Nipple	CE and Australian models
<b>17</b>	44231902	Pipe Tee	CE and Australian models
<b>18</b>	70612602	Pipe Nipple	CE and Australian models
	70210201	Pipe Nipple	T market models
	70612601	Pipe Nipple	All other models
<b>19</b>	H86070034	Street Elbow	T market models
	F422304	Street Elbow	All other models
<b>20</b>	70548701P	Spark Electrode	
<b>21</b>	44341801	Burner Support	Included with item 4

# Burner Orifices

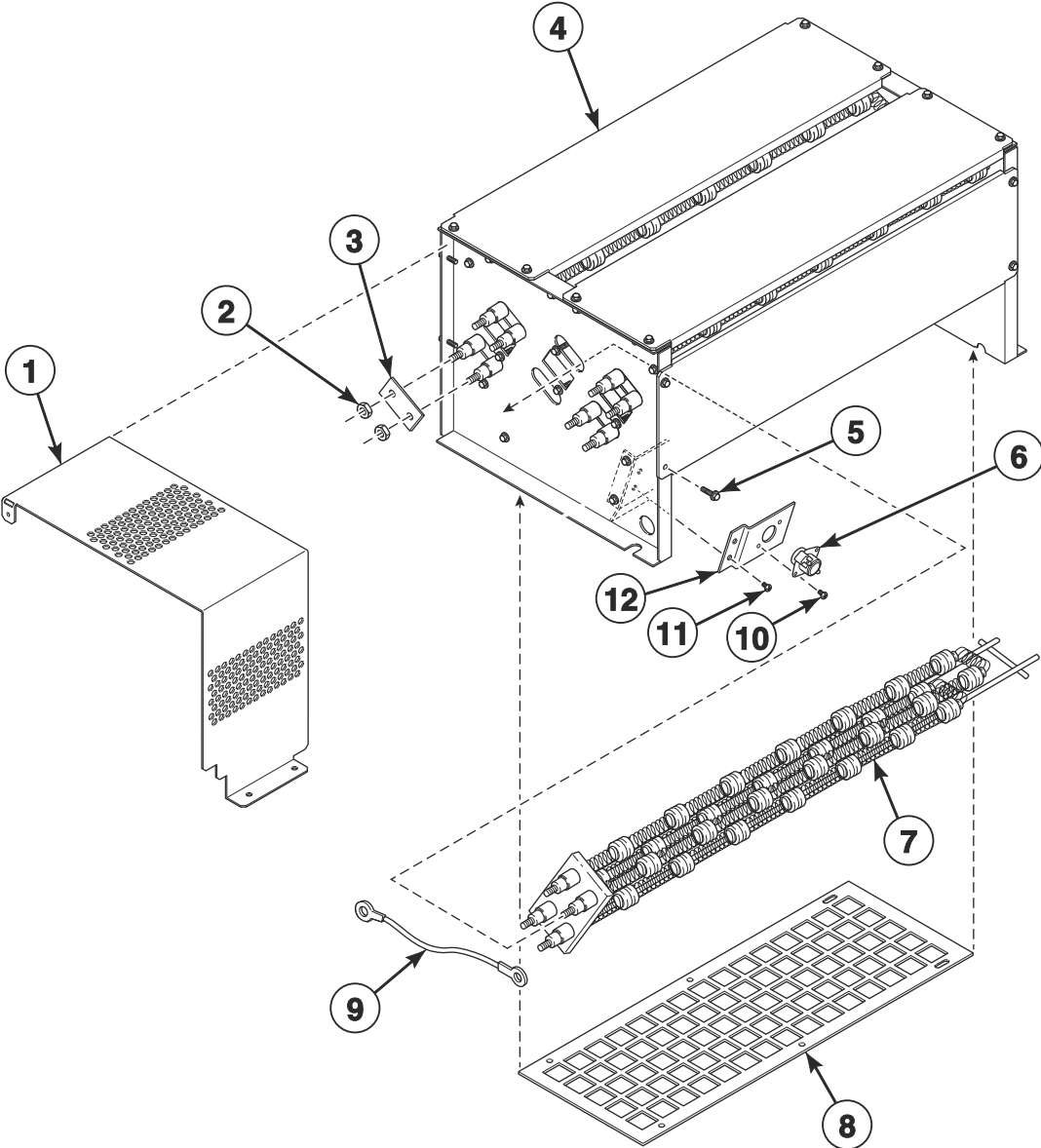


TMB3717P\_70621801

## Burner Orifices

REF	PART NO.	DESCRIPTION	COMMENTS
	44357503	High Altitude Orifice Kit	North America Natural gas (N.G.) models
	44357504	High Altitude Orifice Kit	North America Liquid Petroleum Gas (L.P.) models
1	70684142	Burner Orifice	Standard N.G. models; Drill no. 20 (4.09 mm); 0-2,000 feet
	70684139	Burner Orifice	Standard N.G. models; Drill no. 23 (3.91 mm); 2,001-4,000 feet
	70684137	Burner Orifice	Standard N.G. models; Drill no. 25 (3.80 mm); 4,001-6,000 feet
	70684135	Burner Orifice	Standard N.G. models; Drill no. 27 (3.66 mm); 6,001-8,000 feet
	70684133	Burner Orifice	Standard N.G. models; 3.50 mm; 8,001-10,000 feet
	70684116	Burner Orifice	Standard J market models; L.P.; Drill no. 40 (2.49 mm); 0-2,000 feet
	70684113	Burner Orifice	Standard J market models; L.P.; 2.30 mm; 2,001-4,000 feet
	70684112	Burner Orifice	Standard J market models; L.P.; Drill no. 43 (2.26 mm); 4,001-6,000 feet
	70684110	Burner Orifice	Standard J market models; L.P.; Drill no. 44 (2.18 mm); 6,001-8,000 feet
	70684109	Burner Orifice	Standard J market models; L.P.; Drill no. 45 (2.08); 8,001-10,000 feet
	70684136	Burner Orifice	Eco models; N.G.; Drill no. 26 (3.73 mm); 0-2,000 feet
	70684134	Burner Orifice	Eco models; N.G.; Drill no. 28 (3.57 mm); 2,001-4,000 feet
	70684132	Burner Orifice	Eco models; N.G.; Drill no. 29 (3.45 mm); 4,001-6,000 feet
	70684130	Burner Orifice	Eco models; N.G.; 3.30 mm; 6,001-8,000 feet
	70684128	Burner Orifice	Eco models; N.G.; Drill no. 1/8 (3.18 mm); 8,001-10,000 feet
	70684116	Burner Orifice	All other models; L.P.; Drill no. 40 (2.49 mm); 0-2,000 feet
	70684114	Burner Orifice	All other models; L.P.; Drill no. 42 (2.37 mm); 2,001-4,000 feet
	70684113	Burner Orifice	All other models; L.P.; 2.30 mm; 4,001-6,000 feet
	70684111	Burner Orifice	All other models; L.P.; 2.20 mm; 6,001-8,000 feet
	70684109	Burner Orifice	All other models; L.P.; Drill no. 45 (2.08 mm); 8,001-10,000 feet

# Electric Heater Components

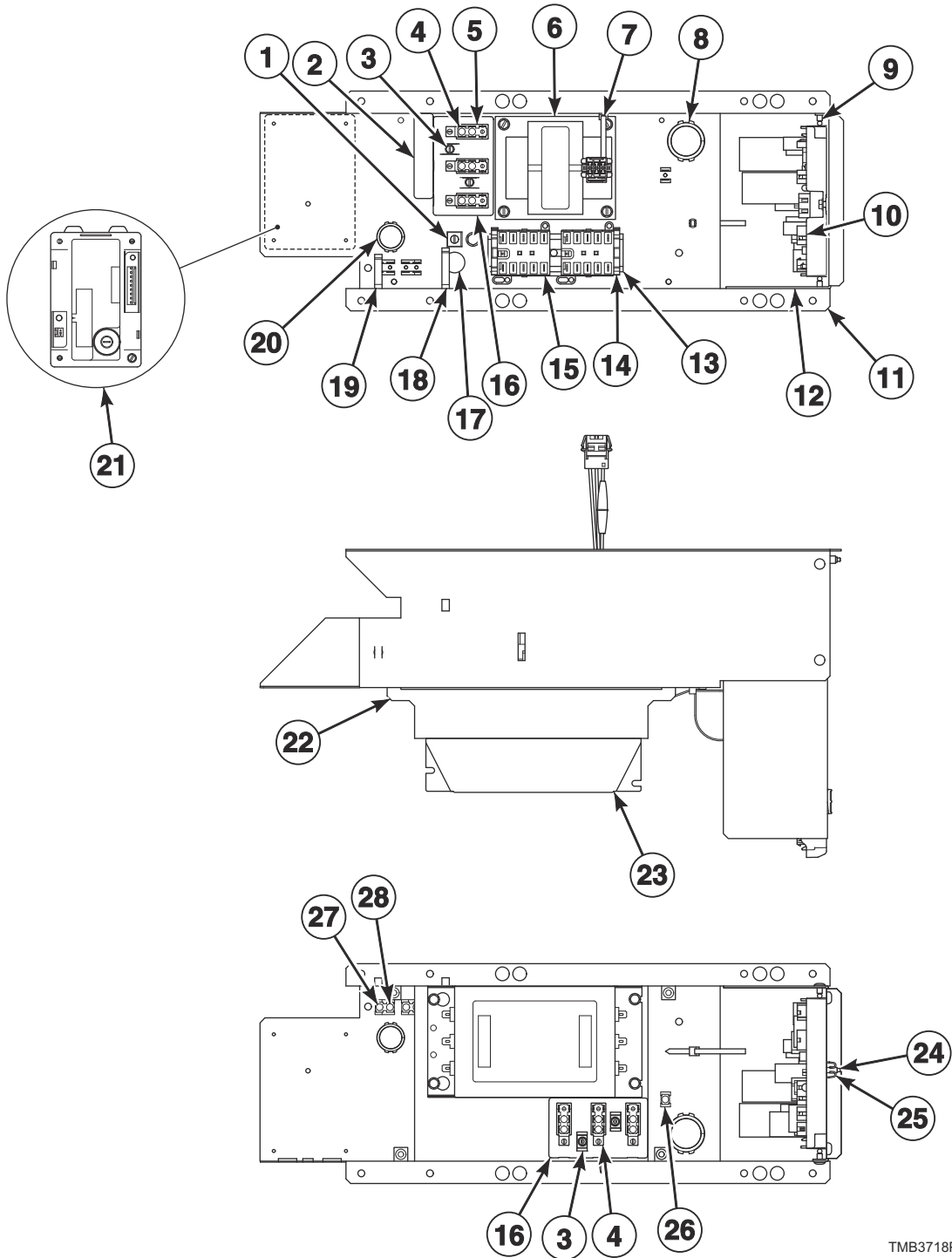


TMB3587P\_70621801

# Electric Heater Components

REF	PART NO.	DESCRIPTION	COMMENTS
	44355101P	Direct Air Kit	
	70500401	Heat Exchanger	
	70564304	Stove Limit Harness	
	44281706	Harness	200-240 Volt; Contactor to element
	44281707	Harness	Contactor element
<b>1</b>	44327302	Electric Wrap	Standard models
	44327301	Electric Wrap	Eco and medium electric models
<b>2</b>	70054	Nut	
<b>3</b>	M400869	Jumper Strip	380-480 Volt 3 required; 200-240 Volt 6 required
<b>4</b>	44242101	Electric Stove Assembly	Standard models
	44252501	Electric Stove Assembly	Eco and medium electric models
<b>5</b>	70240301	Screw	
<b>6</b>	44328006	Limit Thermostat	
<b>7</b>	44232801	Heater Element	Standard models; 3 required; 12 kW; 208 Volt heater element for 200-208 Volt
	44232802	Heater Element	Standard models; 3 required; 12 kW; 220 Volt heater element for 380 and 440 Volt
	44232803	Heater Element	Standard models; 3 required; 12 kW; 240 Volt heater element for 230-240 Volt and 400-415 and 460-480 Volt
	44258701	Heater Element	Eco models; 3 required; 7 kW; 220 Volt heater element for 380 and 440 Volt
	M412955P	Heater Element	Eco models; 3 required; 7 kW; 240 Volt heater element for 230-240, 400-415 or 460-480 Volt
	44263201P	Heater Element	Eco models; 3 required; 7 kW; 208 Volt heater element for 200-208 Volt
	M410939P	Heater Element	Medium electric models; 3 required; 10 kW; 240 Volt heater element for 230-240 Volt, 400-415 and 460-480 Volt
	M410940P	Heater Element	Medium electric models; 3 required; 10 kW; 208 Volt heater element for 200-208 Volt
	M410941P	Heater Element	Medium electric models; 3 required; 10 kW; 220 Volt heater element for 380 and 440 Volt
<b>8</b>	44308802	Heating Element Screen	
<b>9</b>	44281708	Jumper Harness	3 inch; 380-415 Volt 4 required; 440-480 Volt 1 required
	44281709	Jumper Harness	9 inch; 440-480 Volt 1 required
<b>10</b>	33562	Screw	
<b>11</b>	430497	Screw	
<b>12</b>	44226101	Limit Offset Bracket	

# Control Tray

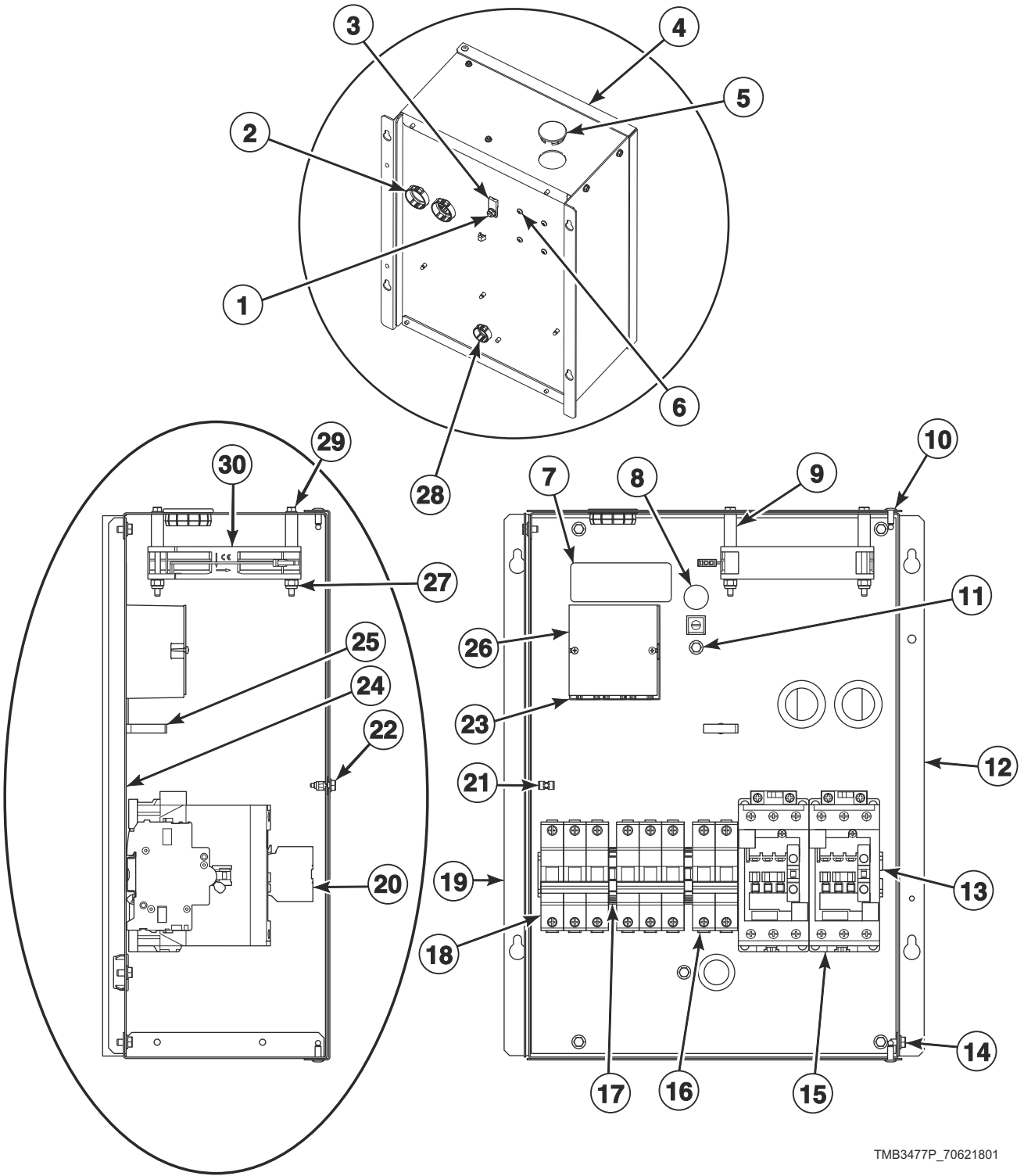


TMB3718P\_70621801

# Control Tray

REF	PART NO.	DESCRIPTION	COMMENTS
	685837	Screw	Use with item 1
	44088001	Nut	Use with item 1
	70559307	Conversion Kit	X to B voltage
	44357401	EMI Filter Kit	North America models; 100-240 Volt
	44357402	EMI Filter Kit	North America models; 380-480 Volt
<b>1</b>	M411283	Ground Lug Connector	
<b>2</b>	44286803	Label	L1, L2, L3
	44286801	Label	L1, N
	44286802	Wire Label	L1 L2, L1 N
	44286804	Wire Label	L1 L2, L1 N, L1 L2 L3
<b>3</b>	51783	Screw	
<b>4</b>	430642	Terminal Block	
<b>5</b>	70333001	Terminal Block Shield	
<b>6</b>	F8491101	Transformer	380-480 Volt
<b>7</b>	70335601	Cable Tie	
<b>8</b>	70346501	Bushing	
<b>9</b>	70058501	Pop Rivet	
<b>10</b>	70479201P	I/O Control Assembly	
<b>11</b>	70492401	Control Tray	
<b>12</b>	70494901	Control Board Control Tray	
<b>13</b>	M412690	DIN Rail	
<b>14</b>	F8449801	End Stop	
<b>15</b>	70482601	Contactors	240 Volt or less: 1 required; 380 Volt or higher: 2 required
<b>16</b>	M413862	Insulator	
<b>17</b>	D516100	Label	
<b>18</b>	F8449501	Wire Clip	
<b>19</b>	F8449502	Wire Clip	
<b>20</b>	70178701	Snap Bushing	
<b>21</b>	70482002	Ignition Control	IEC gas models
	70482001	Ignition Control	North America gas models
<b>22</b>	70533101	Filter Bracket	
<b>23</b>	F8591601	EMI Filter	IEC models; 100-200 and 200-240 Volt/1 Phase
	F8637501	EMI Filter	IEC models; 380-480 Volt
<b>24</b>	F8206901	Screw	
<b>25</b>	70030501	Expansion Clip	
<b>26</b>	00621SG	Male Tab Terminal	
<b>27</b>	M400003	Pop Rivet	
<b>28</b>	00622SG	Terminal	

# Accessory Box - Electric 200-240 Volt Models



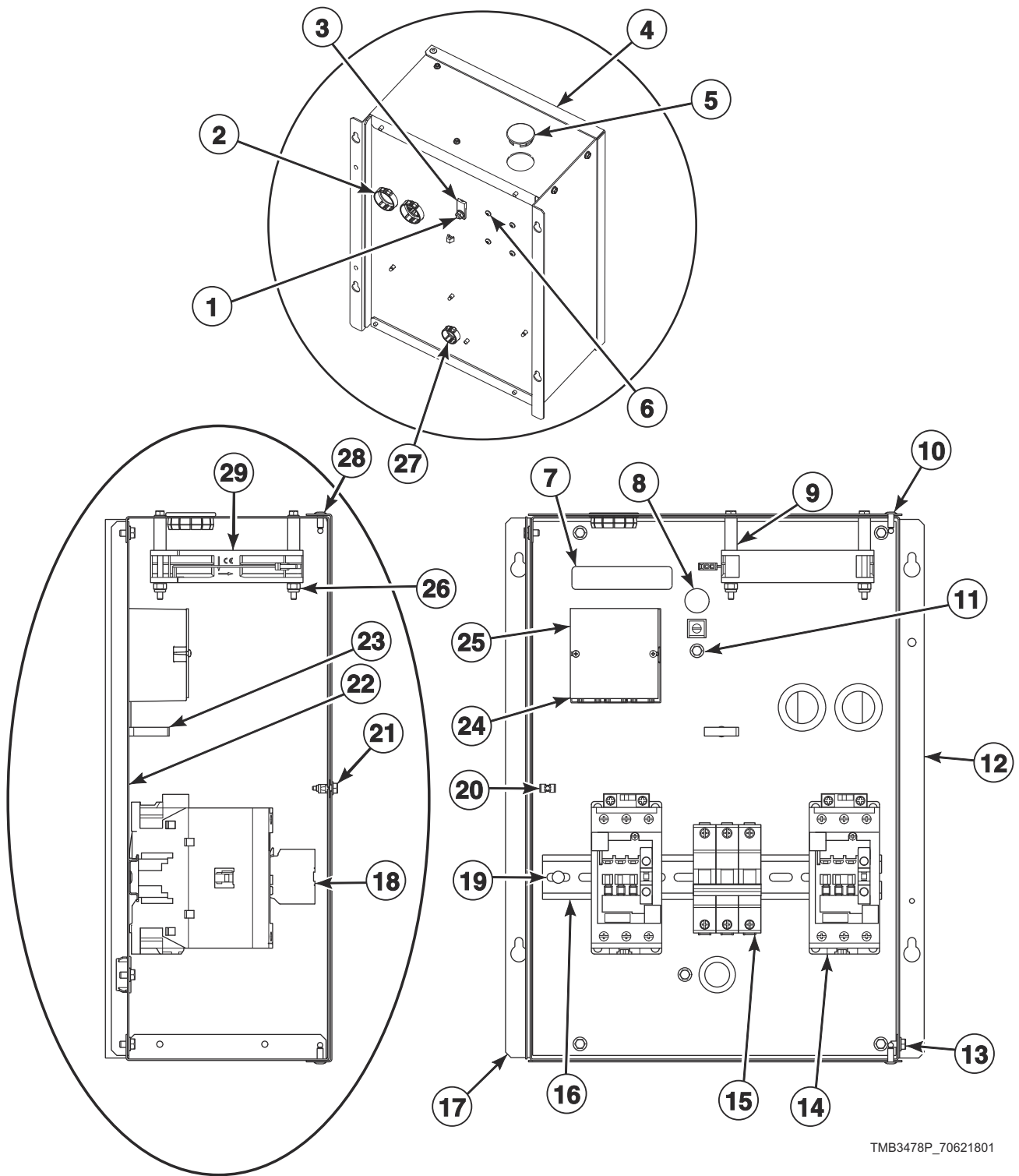
TMB3477P\_70621801



## Accessory Box - Electric 200-240 Volt Models

REF	PART NO.	DESCRIPTION	COMMENTS
	44309003	Harness	North America models; Power distribution block to control circuit breaker
	44309013	Harness	IEC models; Power distribution block to control circuit breaker
	44281707	Harness	Contactora to element
	44281706	Harness	Contactora to element
	44281703	Harness	Power distribution block to element circuit breaker
	44281701	Harness	Power distribution block to element circuit breaker
<b>1</b>	44088001	Nut	2 required
<b>2</b>	M402542	Snap Bushing	
<b>3</b>	M411283	Ground Lug Connector	
<b>4</b>	44134004	Contactora Box Cover	
<b>5</b>	70180001	Plug	
<b>6</b>	39733	Screw	
<b>7</b>	44286803	Label	3 Phase; L1, L2, L3
<b>8</b>	D516100	Label	
<b>9</b>	44328601	Sleeve	2 required
<b>10</b>	70058502	Pop Rivet	
<b>11</b>	685837	Screw	
<b>12</b>	44292501	Contactora Box Side	Top
<b>13</b>	44229701	DIN Rail	
	70058501	Pop Rivet	
<b>14</b>	51780	Screw	
<b>15</b>	70482801	Contactora	2 required
<b>16</b>	70488102	Circuit Breaker	25 amp
<b>17</b>	F8449801	End Stop	2 required
<b>18</b>	70488104	Circuit Breaker	2 required; 50 amp
<b>19</b>	44292401	Contactora Box Side	Bottom
<b>20</b>	44313201	Auxiliary Contact Block	
<b>21</b>	70030501	Expansion Clip	
<b>22</b>	F8206901	Screw	
<b>23</b>	M413865	Power Distribution Block	
<b>24</b>	44292601	Contactora Box Base Plate	
<b>25</b>	F8449502	Wire Clip	
<b>26</b>	44014901P	Power Distribution Block Cover	
<b>27</b>	F430232	Nut	
<b>28</b>	F140938	Snap Bushing	
<b>29</b>	70546902	Screw	
<b>30</b>	F8504301	Fan	

# Accessory Box - Electric 380-480 Volt Models



TMB3478P\_70621801

## Accessory Box - Electric 380-480 Volt Models

REF	PART NO.	DESCRIPTION	COMMENTS
	44309004	Harness	North America models; Power distribution block to control circuit breaker
	44309014	Harness	IEC models; Power distribution block to control circuit breaker
1	44088001	Nut	
2	M402542	Snap Bushing	2 required
3	M411283	Ground Lug Connector	
4	44134004	Contactorm Box Cover	
5	70180001	Plug	
6	39733	Screw	
7	44286803	Label	
8	D516100	Label	
9	44328601	Sleeve	2 required
10	70058502	Pop Rivet	
11	685837	Screw	
12	44292501	Contactorm Box Side	Top
13	51780	Screw	
14	70482801	Contactorm	2 required
15	70488101	Circuit Breaker	
16	44229701	DIN Rail	
17	44292401	Contactorm Box Side	Bottom
18	44313201	Auxiliary Contact Block	2 required
19	70058501	Pop Rivet	
20	70030501	Expansion Clip	
21	F8206901	Screw	
22	44292601	Contactorm Box Base Plate	
23	F8449502	Wire Clip	
24	M413865	Power Distribution Block	
25	44014901P	Power Distribution Block Cover	
26	F430232	Nut	
27	F140938	Snap Bushing	
28	70546902	Screw	
29	F8504301	Fan	

## Harnesses

<b>PART NO.</b>	<b>DESCRIPTION</b>	<b>COMMENTS</b>
44316007	Harness	1 Phase
44316008	Harness	3 Phase
44280007	Configuration Harness	120 Volt; Cylinder
44280006	Configuration Harness	120 Volt; Fan
44334308	Contactora Coil Harness	
44334303	Control Harness	Electric models; 1 Phase
44334304	Control Harness	Electric models; 3 Phase
44356404	Control Tray Harness Assembly	Electric models
44356403	Control Tray Harness Assembly	Gas models
44334702	Inverter Contactora Coil Harness	Secondary
44281705	Jumper Harness	
44316001	Harness	1 Phase
44316002	Harness	3 Phase
44280010	Motor Contactora Power Harness	1 Phase; EMI
44280012	Motor Contactora Power Harness	3 Phase; EMI
44280001	Motor Contactora Power Harness	1 Phase
44280003	Motor Contactora Power Harness	3 Phase
44280101	Power Harness	
44272101	Power Harness	

# Labels

<b>PART NO.</b>	<b>DESCRIPTION</b>	<b>COMMENTS</b>
44324201	Caution Label	Australian models; Repeat Ignition Reset
44318601	Caution Label	Vent/install
F8614501	Danger Label	Shock; English/French
F8614301	Hot Surface Warning Label	English/French
F8609001	Hot Surface Warning Label	Icon
F8611601	Warning Label	
44318600	Label Kit	Vent/install
F8614500	Label Kit	Shock
F8611600	Warning Label Kit	
44321501	Notice Label	120/240 Volt
70539601	Notice Label	
70534201	Notice Label	
F8609501	Notice Label	
D516073	Notice Label	Read instructions; Icon
70538401	Pinch Warning Label	English/French
F8615701	Pinch Warning Label	Icon
70536401	Warning Label	Lint; Australian models
44324101	Warning Label	Fire; Australian models
44321601	Warning Label	Risk of fire; Icon
44324001	Warning Label	Shock/pinch



# Parts Index

## A

Accessory Plate	
F8574106 .....	11
Accessory Plate Assembly	
F8574202 .....	11
F8574203 .....	11
F8574205 .....	11
F8734601 .....	11
Adapter	
44178801 .....	47
Air Exhaust Deflector	
44308401 .....	43
Airflow Switch and Arm Bracket	
70319602 .....	45
Airflow Switch Arm	
70319401 .....	45
Airflow Switch Assembly	
70429602 .....	45
Airflow Switch Vane	
70319202 .....	45
App Pay Overlay Kit	
44374701 .....	11, 13
Auxiliary Contact Block	
44313201 .....	55, 57

## B

Baffle	
44299002 .....	29
44299802 .....	29
Ball Bearing	
44041901P .....	39, 41
Bearing	
M413923P .....	39, 41
Belt Guard	
44298401 .....	31
44314301 .....	31
44332201 .....	31
Belt Guard Side Panel	
44298301 .....	31
44301101 .....	31
Blind Rivet	
F8245101 .....	25
Blower Assembly	
70302201P .....	43
Blower Housing Scroll	
44303801 .....	43
Blower Inlet Cone	
70303101 .....	43
Blower Motor Mounting Plate	
70380801 .....	43
Bolt	
M400650 .....	39, 41
Bottom Pan	
44298701 .....	29
Burner Cover	
44353901 .....	47

Burner Grate	
44354401 .....	47
Burner Orifice	
70684109 .....	49
70684110 .....	49
70684111 .....	49
70684112 .....	49
70684113 .....	49
70684114 .....	49
70684116 .....	49
70684128 .....	49
70684130 .....	49
70684132 .....	49
70684133 .....	49
70684134 .....	49
70684135 .....	49
70684136 .....	49
70684137 .....	49
70684139 .....	49
70684142 .....	49
Burner Support	
44341801 .....	47
Bushing	
D503235 .....	7
70346501 .....	53
Bypass Harness	
44334103 .....	21

## C

Cable Tie	
70335601 .....	53
Card Reader Plate	
F8574204 .....	11
Caution Label	
44318601 .....	59
44324201 .....	59
Center Hinge Lug Assembly	
70640401 .....	35
Center Pan	
44298601 .....	29
Central Pay Board Harness	
44355604 .....	19
Central Pay Harness	
44355602 .....	19
44355606 .....	19
Central Pay Kit	
44359001 .....	19
44359003 .....	19
Circuit Breaker	
70488101 .....	57
70488102 .....	55
70488105 .....	55
Coin Box	
F160673P .....	29
Coin Chute Assembly	
70296401 .....	29
Coin Drop	
38963P .....	15
39748 .....	15
70441601 .....	15

N/A items do not appear in index.





Door Hinge Lug Assembly 70601005 .....	33
Door HingecAssembly 44366606W.....	35
Door Latch M401223 .....	21
Door Ring Gasket 70296802 .....	33, 35
Door Seal Kit 70211902P .....	33, 35
Door Switch Actuator 70532101 .....	33
Drive Motor 44259501P.....	41
44259601P.....	41
Drive Rivet M400713 .....	9

## E

Electric Stove Assembly 44242101 .....	51
44252501 .....	51
Electric Wrap 44327301 .....	51
44327302 .....	51
Electronic Coin Drop Assembly 70294107 .....	15
70513302 .....	15
70513303 .....	15
70513304 .....	15
70513306 .....	15
70513308 .....	15
70513309 .....	15
70513310 .....	15
70513311 .....	15
70513312 .....	15
70513313 .....	15
70513314 .....	15
70513315 .....	15
70513316 .....	15
Electronic Coin Drop Kit CK099 .....	17
CK100 .....	17
CK101 .....	17
CK108 .....	17
CK109 .....	17
CK110 .....	17
CK113 .....	17
CK115 .....	17
CK116 .....	17
CK117 .....	17
CK118 .....	17
CK119 .....	17
CK120 .....	17
CK121 .....	17
Emergency Stop Button Kit 70580301 .....	23
Emergency Stop Bypass Harness F8519403 .....	23
Emergency Stop Harness 44272401 .....	23
Emergency Stop Interconnect Harness 44272106 .....	23

Emergency Stop Label 44012901 .....	23
44012903 .....	23
Emergency Stop Mounting Bracket 70550401 .....	23
Emergency Stop Pushbutton F200233500 .....	23
EMI Filter F8591601 .....	53
F8637501 .....	53
EMI Filter Kit 44357401 .....	53
44357402 .....	53
End Stop F8449801 .....	53, 55
Exhaust Pipe Assembly 44327901 .....	43
Expansion Clip 70030501 .....	11, 13, 19, 21, 53, 55, 57
Extension Spring F8440701 .....	41

## F

Fan F8504301 .....	55, 57
Fan Motor 70478701P .....	43
70484901P .....	43
Fan Spacer 70599301 .....	43
Felt Pad M402144 .....	37
Fill Hose 202799 .....	9
Filter Bracket 70533101 .....	53
Filter Mounting Plate 70551701 .....	9
Fob Communication Harness F8719302 .....	11
Fob Reader Control Assembly 205135 .....	11
Fob Reader Kit 70666804 .....	19
70666806 .....	19
Front Panel 44346301 .....	21
44346302 .....	21
44367301 .....	21
44367302 .....	21
44367304 .....	21
44367401W .....	21
44367405W .....	21

## G

Gas Burner 70396201P .....	47
Gas Heater Assembly 44352701 .....	47

N/A items do not appear in index.

Gas Valve	
44154501P .....	47
44154502P .....	47
44154505 .....	47
44154506 .....	47
44178301P .....	47
44178302P .....	47
44298501 .....	47
44298504 .....	47
Gas Valve Bracket	
44340701 .....	47
Gas Valve Harness	
44273501 .....	47
44273502 .....	47
Gasket	
70289101P .....	25
Ground Lug Connector	
M411283 .....	53, 55, 57
Guard Panel	
44269201 .....	31
44332301 .....	31

## H

Handle and Caps Assembly	
70154405P .....	25
Harness	
44281701 .....	55
44281703 .....	55
44281706 .....	51, 55
44281707 .....	55
44309003 .....	55
44309004 .....	57
44309013 .....	55
44309014 .....	57
44316002 .....	58
44316007 .....	58
44316008 .....	58
Harness Adapter Plate	
70523301 .....	9
Harness Mounting Plate	
70307007 .....	7, 19
Heat Exchanger	
70500401 .....	47, 51
Heater Element	
M410939P .....	51
M410940P .....	51
M410941P .....	51
M412955P .....	51
44232801 .....	51
44232802 .....	51
44232803 .....	51
44258701 .....	51
44263201P .....	51
Heating Element Screen	
44308802 .....	51
High Altitude Orifice Kit	
44357503 .....	49
44357504 .....	49
High Voltage Suppression Cable	
44239705 .....	47
Hinge Cam Kit	
70622401 .....	33
Hold-Down Clip	
35865 .....	27

N/A items do not appear in index.

Hose	
44073304 .....	9
Hose Clamp	
36801 .....	9
Hose Fitting	
44069101 .....	9
Hot Surface Warning Label	
F8609001 .....	59
F8614301 .....	59
Housing and Trunnion Assembly	
M4644P3 .....	39

## I

Idler Shaft	
44303102 .....	41
Idler Spacer	
44306801 .....	41
Igniter Cover	
70159601 .....	47
Ignition Control	
70482001 .....	53
70482002 .....	53
Insulator	
M413862 .....	53
Interconnect Harness	
44334401 .....	9
Inverter Contactor Coil Harness	
44334702 .....	58
Inverter Motor Harness	
44335304 .....	41
44335305 .....	41
I/O Control Assembly	
70479201P .....	53

## J

Jumper Harness	
44281705 .....	58
44281708 .....	51
44281709 .....	51
Jumper Strip	
M400869 .....	51

## K

Key	
M400008 .....	37, 41
44309301 .....	41
70155601 .....	9, 21
70155602 .....	21
Kickplate	
70117607 .....	25

## L

Label	
D503887 .....	47
D516100 .....	53, 55, 57
44286801 .....	53

44286803	53, 55, 57
44318201	9
<b>Label Kit</b>	
F8614500	59
44318200	9
44318600	59
44324500	9
70534400	21
<b>Latch Bracket</b>	
70586701	29
<b>Light</b>	
801432	9
<b>Limit Offset Bracket</b>	
44226101	51
<b>Limit Thermostat</b>	
44328005	47
44328006	51
44328010	43
70530905	43
<b>Lint Bracket</b>	
44325301	27
<b>Lint Clip Bracket</b>	
44140202	27
<b>Lint Panel</b>	
44293605	25
44298102	27
44300901	27
<b>Lint Screen</b>	
44063601	27
<b>Lint Screen Clip</b>	
H96418413	27
<b>Lint Screen Top Rail</b>	
44298901	27
<b>Lock, Key and Nut Kit</b>	
44089301P	9, 21
44089302P	21
<b>Lower Hinge Gusset</b>	
70632002	35
<b>Lower Lug Assembly</b>	
70639302	35
70639304	35
<b>Lower Rear Panel</b>	
44300001	29
<b>Lug Mount Bracket</b>	
70604701	29
70634301	29
<b>L.P. Conversion Kit</b>	
44330307	47
44355202	47

## M

<b>Machine ID Control Assembly</b>	
203361P	11, 13
<b>Magnet</b>	
70343101	25
<b>Magnet Bracket</b>	
44290501	25
<b>Main Harness</b>	
44316001	58
44334203	7
<b>Male Tab Terminal</b>	
00621SG	53

<b>Max Fill Line Label</b>	
70707501	33, 35
<b>Micro V Pulley</b>	
44270201	41
<b>Mixing Valve</b>	
70519801	9
<b>Mixing Valve Shield Bracket</b>	
44306601	9
<b>Motor Conduit Bracket</b>	
44317901	41, 43
<b>Motor Contactor Power Harness</b>	
44280001	58
44280003	58
44280010	58
44280012	58
<b>Motor Pivot Bracket Weldment</b>	
44327001	41
<b>Motor Pivot Gusset Bracket</b>	
44325701	41
<b>Motor Pivot Plate Weldment</b>	
44311501	41
<b>Motor Pivot Support Bracket</b>	
44325801	41
<b>Motor Pulley</b>	
70559102	41
<b>Mount Bracket</b>	
44308701	9

## N

<b>Nameplate</b>	
F8664901	21
F8688901	21
567293	21
567887	21
70686501	21
70686601	21
<b>Notice Label</b>	
D516073	59
F8609501	59
44321501	59
70534201	59
70539501	47
70539601	59
<b>Notice label</b>	
70544901	47
<b>Nut</b>	
F430232	55, 57
M400022	43
M400026	39, 41
M400034	43
M404993	37
M414215	33, 35
21899	29
23951	25
44071201	11
44087101	11, 13
44088001	33, 35, 53, 55, 57
44333202	41
51236	25
70054	11, 51

N/A items do not appear in index.

---

## O

Opto Coupler 200674P .....	15
Orifice Adapter 44340801 .....	47
Orifice Adapter Support 44342101 .....	47
Overlay	
F8734001 .....	11
F8734301 .....	11
F8736601 .....	11

---

## P

Panel Locator 56079 .....	21, 25
Panel Lock	
44089304 .....	21
44089305 .....	21
Pin	
70071401 .....	33
Pinch Warning Label	
F8615701 .....	59
70538401 .....	59
Pipe Bracket 44327603 .....	31
Pipe Nipple	
70210201 .....	47
70612601 .....	47
70612602 .....	47
70612603 .....	47
Pipe Tee 44231902 .....	47
Plug	
70167601 .....	47
70180001 .....	9, 55, 57
Pop Rivet	
M400003 .....	29, 53
44166601 .....	21
70058501 .....	25, 29, 33, 35, 53, 55, 57
70058502 .....	55, 57
70126301 .....	25
Porcelain Touch-Up Paint 122P4P .....	29
Power Distribution Block M413865 .....	55, 57
Power Distribution Block Cover 44014901P .....	55, 57
Power Harness	
44272101 .....	58
44280101 .....	58
Power Sensor Harness 44334402 .....	9
Pressure Fitting 44231601 .....	47
Pulley 44289502 .....	41
Pushbutton Switch 70413301 .....	11, 13, 21
Push-to-Start Switch 801434W .....	9

---

## R

Reed Switch Assembly F8066804 .....	25
Replacement Screen Kit 70576501P .....	11, 13
Rib Rod M401411 .....	37
Roller Bracket Assembly 70404001 .....	25
Roller Catch Arm 70030301 .....	25
Roller Catch Spacer 70030201 .....	25
Roller Catch Wheel 70297601 .....	25

---

## S

Screw	
FR004022 .....	33
F8206901 .....	19, 53, 55, 57
F8458801 .....	35
M400063 .....	39
M400661 .....	33, 35
M411072 .....	21
33562 .....	51
39733 .....	11, 13, 25, 55, 57
430497 .....	7, 9, 29, 45, 47, 51
430757 .....	25, 45
44349101 .....	33, 35
51780 .....	9, 19, 29, 55, 57
51783 .....	53
685837 .....	53, 55, 57
70033502 .....	21
70072801 .....	25
70132301 .....	25
70182601 .....	21
70187201 .....	39, 41
70240301 .....	51
70247701 .....	29
70275801 .....	21
70436301 .....	33
70442101 .....	33, 35
70546902 .....	55, 57
70576101 .....	33
70640201 .....	35
70640301 .....	35
802822 .....	35
804608 .....	9
805213 .....	41
Sensor Harness 44334406 .....	9
Shaft Collar 70467001 .....	41
Shield 44326801 .....	9
Shock Warning Label	
F8614201 .....	9
F8614401 .....	9
Side Panel	
44348901W .....	29
44349001W .....	29
44367701DG .....	29

N/A items do not appear in index.

44367701W.....	29
44367702DG.....	29
44367801DG.....	29
44367801W.....	29
44367802DG.....	29
Sleeve	
44328601.....	55, 57
Snap Bushing	
F140938.....	55, 57
M402542.....	55, 57
70178701.....	53
Spacer	
M401402.....	37
Spark Electrode	
70548701P.....	47
Spray Paint	
298P4P.....	29
Stove Grate	
44300301.....	31
44335601.....	31
Stove Limit Harness	
70564304.....	47, 51
Street Elbow	
F422304.....	47
H86070034.....	47
Switch	
70411901.....	45
Switch Bracket	
44296101.....	25
70356301.....	45
Switch Hole Plug	
44057801B.....	21

## T

Terminal	
00622SG.....	53
Terminal Block	
430642.....	53
Terminal Block Shield	
70333001.....	53
Thermistor	
M414704.....	43
44064701.....	29
Thermistor Plate	
44068101.....	29
44068102.....	29
Top Pan	
44300101.....	29
44348701.....	29
44352501.....	29
Top Panel	
44348801.....	29
44348802.....	29
Transformer	
F8491101.....	53
202757.....	19
202758.....	19
Transformer Harness	
44272301.....	19
44272302.....	19
Trunnion and Bearing Assembly	
M4640P3.....	39

Trunnion Assembly	
44208001.....	37
Trunnion Housing	
M413826.....	41
Trunnion Housing Assembly	
44375001.....	39, 41
Tumbler Dolly Kit	
M4379P4.....	21

## U

Upper Hinge Gusset	
70632001.....	35
Upper Lug Assembly	
70639301.....	35
70639303.....	35
Upper Rear Panel	
44297001.....	29
USB IR Interface Kit	
203346.....	19
USB-Serial Interface Assembly	
203440.....	11, 13

## V

V-Belt	
44309402.....	41
44333301.....	41
Vend Activation Harness	
44334002.....	11, 13
Vend Plate	
F8632501.....	11

## W

Warning Label	
F8611601.....	59
44321601.....	59
44324001.....	59
44324101.....	59
44324501.....	9
44324502.....	9
70534401.....	21
70534402.....	21
70534405.....	21
70536401.....	59
Warning Label Kit	
F8611600.....	59
Washer	
F431131.....	43
M400015.....	37, 39
20103.....	39, 41
70261401.....	39, 41
Water Valve Harness	
44334405.....	9
Wire Clip	
F8449501.....	53
F8449502.....	53, 55, 57
Wire Guard	
201595P.....	15

N/A items do not appear in index.

Wire Label	
44286802 .....	53
44286804 .....	53
Wireless Control Label	
204692 .....	13

---