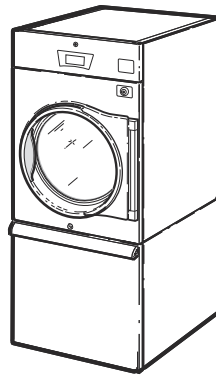


Tumble Dryers

25 Pound Capacities

18 Digit Model Numbers with 4 in 13th Position

Refer to Page 3 for Model Numbers



TMB1288C_70684801

Table of Contents

Title	Page
Parts Ordering Information.....	2
Serial Plate Location	2
Machine Identification	3
Product Overview - Heat Source and Voltage	4
Touch Control - Vend Models with V in the 7th Position.....	6
Coin Drops	8
Coin Drop Kits.....	10
Central Pay and Card Reader Components	12
Door and Hinge Components	14
Control Panels and False Fronts	16
Front Panel Assemblies	18
Cabinet Front Components.....	20
Lower Cabinet Components	22
Cylinder and Trunnion Assembly	24
Cylinder Components	26
Cabinet Components	28
Motor Components	30
Blower and Exhaust Components.....	32
Airflow Switch.....	34
Gas Heater Components	36
Burner Orifices	38
Electric Heater Components	40
Steam Heater Components	42
Control Tray	44
Accessory Box - Electric 200-240 Volt Models	46
Accessory Box - Electric 380-480 Volt Models	48
Harnesses.....	50
Labels	51
Parts Index.....	53

© Copyright 2023, Alliance Laundry Systems LLC

All rights reserved. No part of the contents of this book may be reproduced or transmitted in any form or by any means without the expressed written consent of the publisher.

Parts Ordering Information

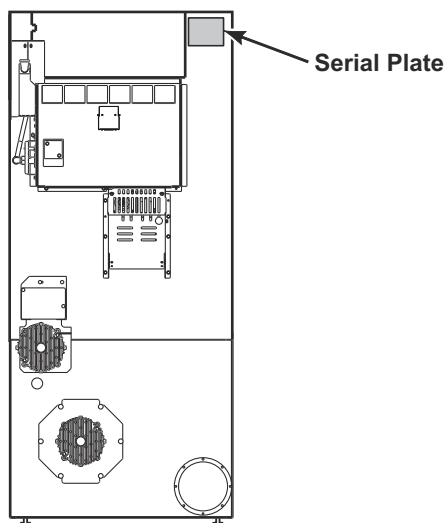
If literature or replacement parts are required, contact the source from whom the machine was purchased or contact Alliance Laundry Systems at (920) 748-3950 for the name and address of the nearest authorized parts distributor.

For technical assistance, call the number listed below:

(920) 748-3121 Ripon, Wisconsin

Serial Plate Location

When calling or writing about your product, be sure to mention model and serial numbers. Model and serial numbers are located on serial plate(s) as shown.



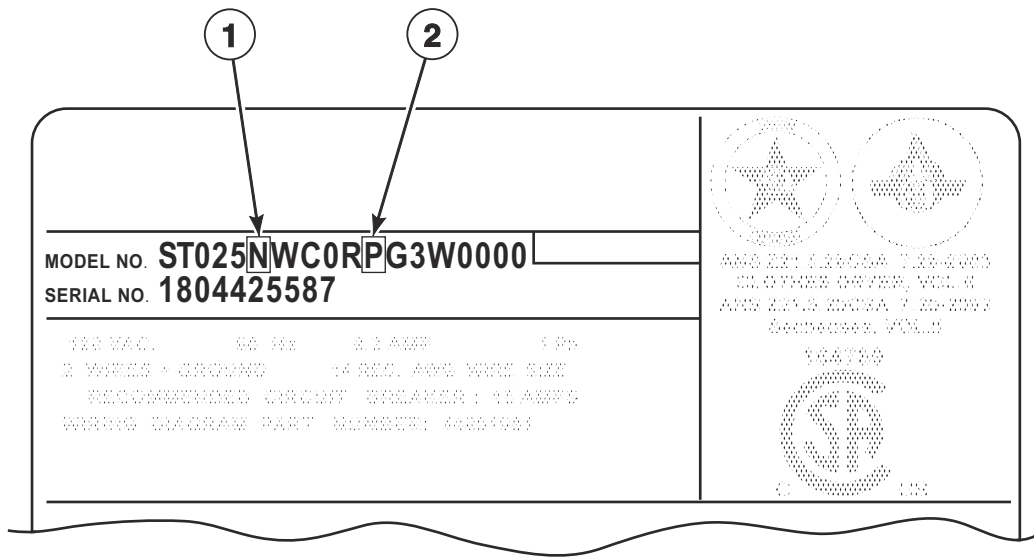
TMB3500P_70684801

Machine Identification

Information in this manual is applicable to these machines:

HA025E	HK025E	SA025E	SK025E
HA025F	HK025F	SA025F	SK025F
HA025L	HK025L	SA025L	SK025L
HA025N	HK025N	SA025N	SK025N
HA025R	HK025R	SA025R	SK025R
HA025S	HL025E	SA025S	SL025E
HG025D	HL025L	SG025D	SL025L
HG025E	HR025E	SG025E	SR025E
HG025F	HR025S	SG025F	SR025S
HG025L	HT025E	SG025L	ST025E
HG025N	HT025F	SG025N	ST025F
HG025R	HT025L	SG025R	ST025L
HG025S	HT025N	SG025S	ST025N
HH025E	HT025R	SH025E	ST025R
HH025F	HT025S	SH025F	ST025S
HH025L	HU025E	SH025L	SU025E
HH025N	HU025F	SH025N	SU025F
HH025R	HU025L	SH025R	SU025L
HH025S	HU025N	SH025S	SU025N
HJ025D	HU025R	SJ025D	SU025R
HJ025E	HU025S	SJ025E	SU025S
HJ025F		SJ025F	
HJ025L		SJ025L	
HJ025N		SJ025N	
HJ025R		SJ025R	
HJ025S		SJ025S	

Product Overview - Heat Source and Voltage

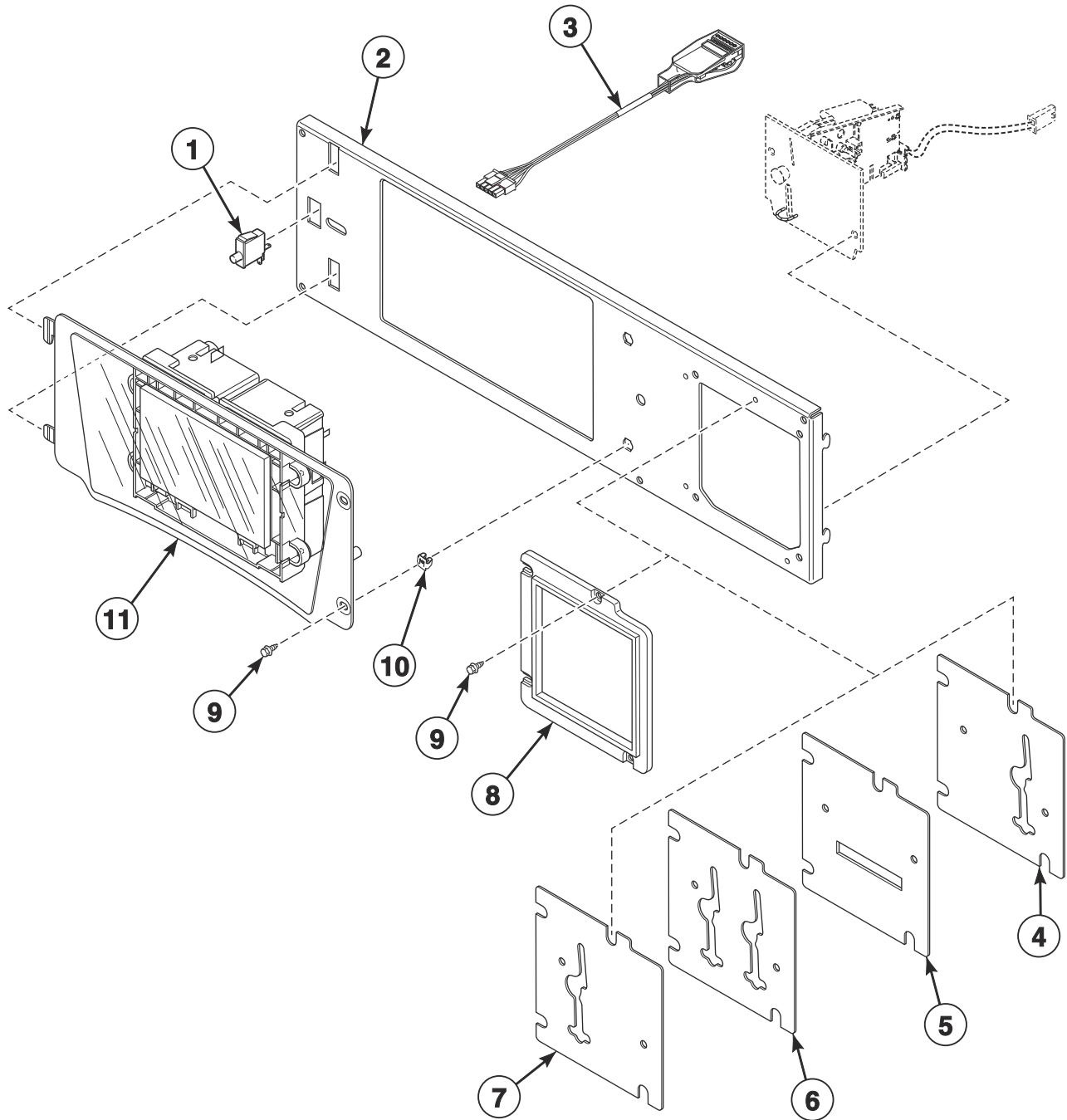


TMB3501P_70684801

Product Overview - Heat Source and Voltage

REF	PART NO.	DESCRIPTION	COMMENTS
1	-	Heat Source	D: Liquid Petroleum Gas (L.P) E: Electric F: Reduced Electric (Eco Line) L: Liquid Petroleum Gas (L.P.) N: Natural Gas (N.G.) R: Reduced Gas, Natural Gas (Eco Line) S: Steam
2	-	Voltage	B: 100-120 Volt/50-60 Hertz/1 Phase; Gas and steam models D: 200-208 Volt/50-60 Hertz/1 Phase; Electric models E: 230-240 Volt/50-60 Hertz/1 Phase; Electric models F: 200-208 Volt/50-60 Hertz/3 Phase; Electric models G: 230-240 Volt/50-60 Hertz/3 Phase; Electric models H: 380 Volt/50-60 Hertz/3 Phase; Electric models J: 400-415 Volt/50-60 Hertz/3 Phase; Electric models K: 440 Volt/50-60 Hertz/3 Phase; Electric models L: 460-480 Volt/50-60 Hertz/3 Phase; Electric models N: 440-480 Volt/50-60 Hertz/3 Phase; Gas and steam models P: 380-415 Volt/50-60 Hertz/3 Phase; Gas and steam models X: 200-240 Volt/50-60 Hertz/1-3 Phase; Gas and steam models

Touch Control - Vend Models with V in the 7th Position

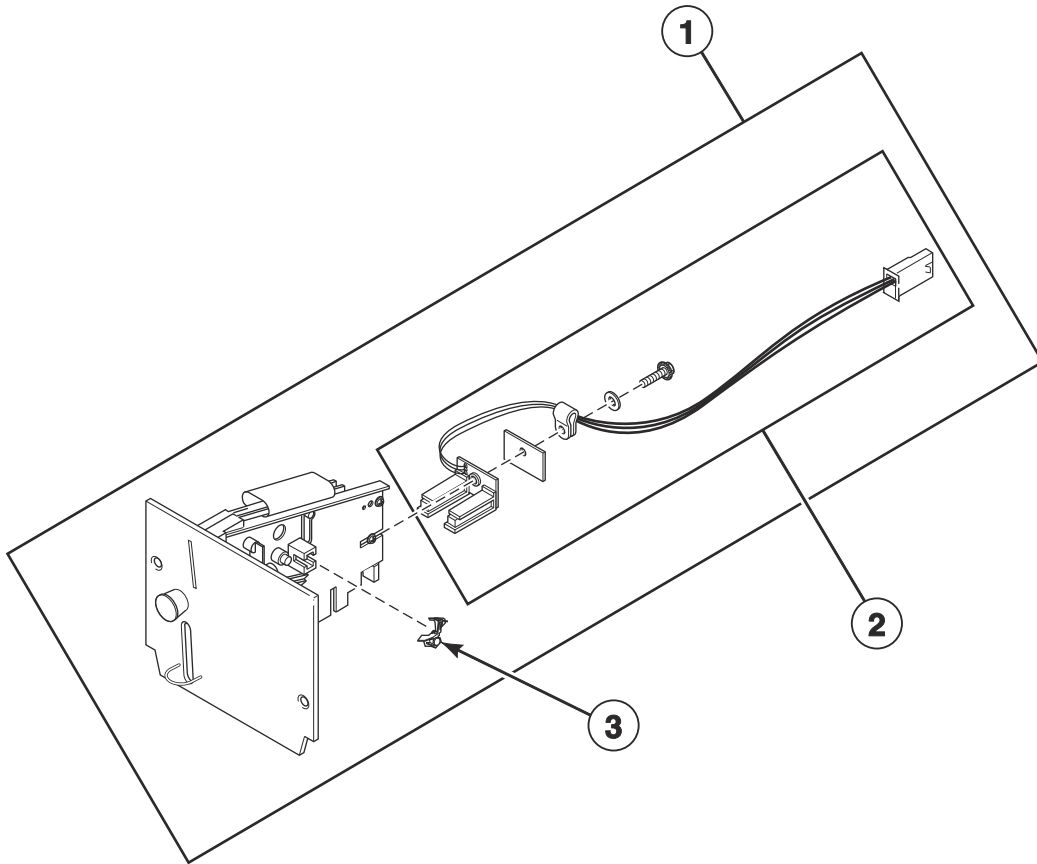


TMB3691P_70684801

Touch Control - Vend Models with V in the 7th Position

REF	PART NO.	DESCRIPTION	COMMENTS
	44334002	Vend Activation Harness	
	44087101	Nut	2 required
	204692	Wireless Control Label	2 required
	203440	USB-Serial Interface Assembly	
	44374701	App Pay Overlay Kit	
	70576501P	Replacement Screen Kit	
1	70413301	Pushbutton Switch	
2	70598601	Control Mounting Bracket	
3	203361P	Machine ID Control Assembly	
4	F8574205	Accessory Plate Assembly	World drop
5	F8574204	Card Reader Plate	Card
6	F8574203	Accessory Plate Assembly	Dual drop
7	F8574202	Accessory Plate Assembly	Single drop
8	F8632501	Vend Plate	
9	39733	Screw	
10	70030501	Expansion Clip	2 required
11	70597801P	Control Assembly	

Coin Drops

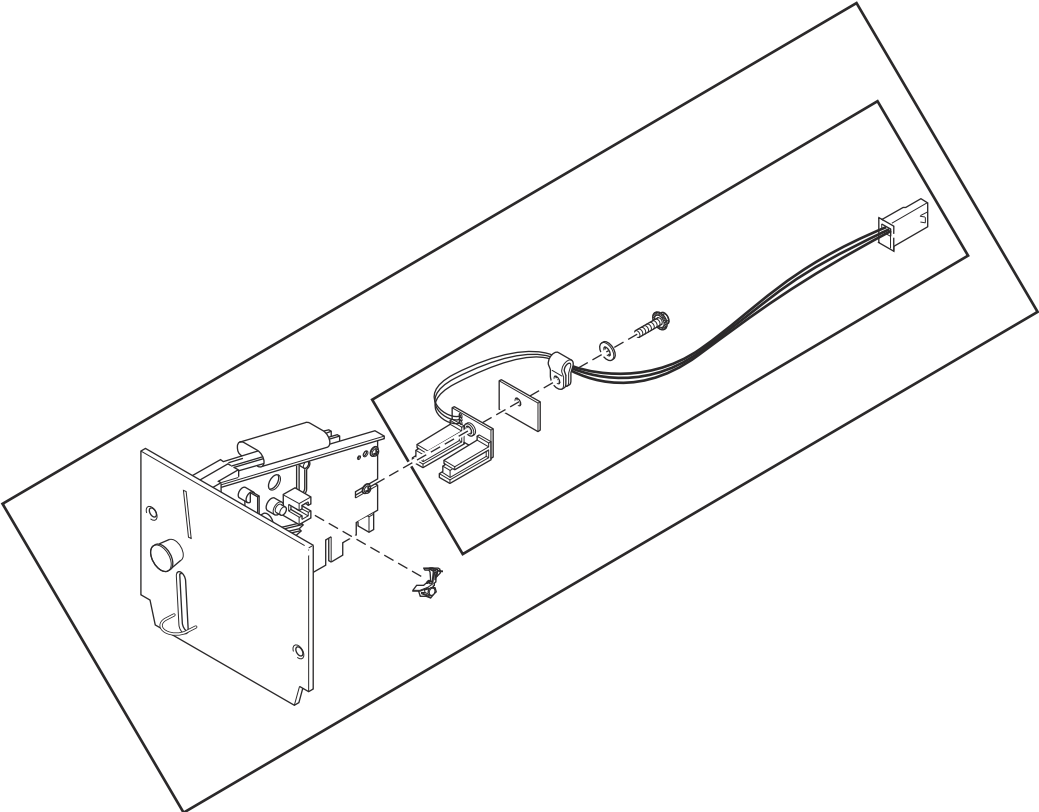


TMB3699P_70684801

Coin Drops

REF	PART NO.	DESCRIPTION	COMMENTS
1	70441601P	Coin Drop	Single; U.S.A.; \$.25
	38475	Coin Drop Assembly	Single; Japan; 100 yen
	38464P	Coin Drop Assembly	Single; Canada; .25
	CK077	Coin Drop Kit	Single; Taiwan; 10 NT
	70506901	Coin Drop Assembly	Single; Singapore; \$1.00 NEW
	70441603	Coin Drop	Dual; U.S.A.; \$.25 and \$1.00
	38519	Coin Drop Assembly	Dual; Japan; 100 yen and 500 yen
	70441602	Coin Drop Assembly	Dual; Canada; .25 and 1.00
	38467	Coin Drop Assembly	Dual; Australia; \$0.20 and \$1.00
	70447301	Coin Drop Assembly	Dual; Australia; \$1.00 and \$2.00
	70283102	Coin Drop Assembly	Dual; 0.20 and 0.50 Euro
	210195	Coin Drop Assembly	Dual; 0.20 and 1.00 Euro
	210196	Coin Drop Assembly	Dual; 0.50 and 1.00 Euro
	F0160737-00	Coin Meter	Dual; 0.50 and 2.00 Euro
	70281102	Coin Drop Assembly	Dual; Taiwan; 10 and 50 NT
	70482401	Coin Drop Assembly	Dual; New Zealand ; \$1.00 and \$2.00
	38462P	Coin Drop Assembly	Single; Token; STD 118-1
	38463	Coin Drop Assembly	Single; Token; STD 118-5
	38963P	Coin Drop	Single; Token STD 118-16
	39748	Coin Drop	Single; Jeton 08MS
	201141	Coin Drop Assembly	Single; Token; Jeton wh121
	70471601	Coin Drop Assembly	Single; Token; 7K
	70513302	Electronic Coin Drop Assembly	Euro and Great Britain coins
	70513310	Electronic Coin Drop Assembly	Japan and Thailand coins
	70513304	Electronic Coin Drop Assembly	Australia, New Zealand, Hong Kong and South Korea coins
	70513303	Electronic Coin Drop Assembly	Denmark, Norway and Euro coins
	70513306	Electronic Coin Drop Assembly	Mexico, Ecuador and U.S.A. coins
	70294107	Electronic Coin Drop Assembly	Lithuania, Latvia and Euro coins
	70513311	Electronic Coin Drop Assembly	China and Malaysia coins
	70513308	Electronic Coin Drop Assembly	South African 1, 2 and 5 rand coins
	70513309	Electronic Coin Drop Assembly	Euro coins
	70513312	Electronic Coin Drop Assembly	Russia coins
	70513313	Electronic Coin Drop Assembly	Phillipines coins
70513314	Electronic Coin Drop Assembly	Thailand coins	
70513315	Electronic Coin Drop Assembly	Chile coins	
70513316	Electronic Coin Drop Assembly	Singapore coins	
2	200674P	Opto Coupler	
3	201595P	Wire Guard	

Coin Drop Kits

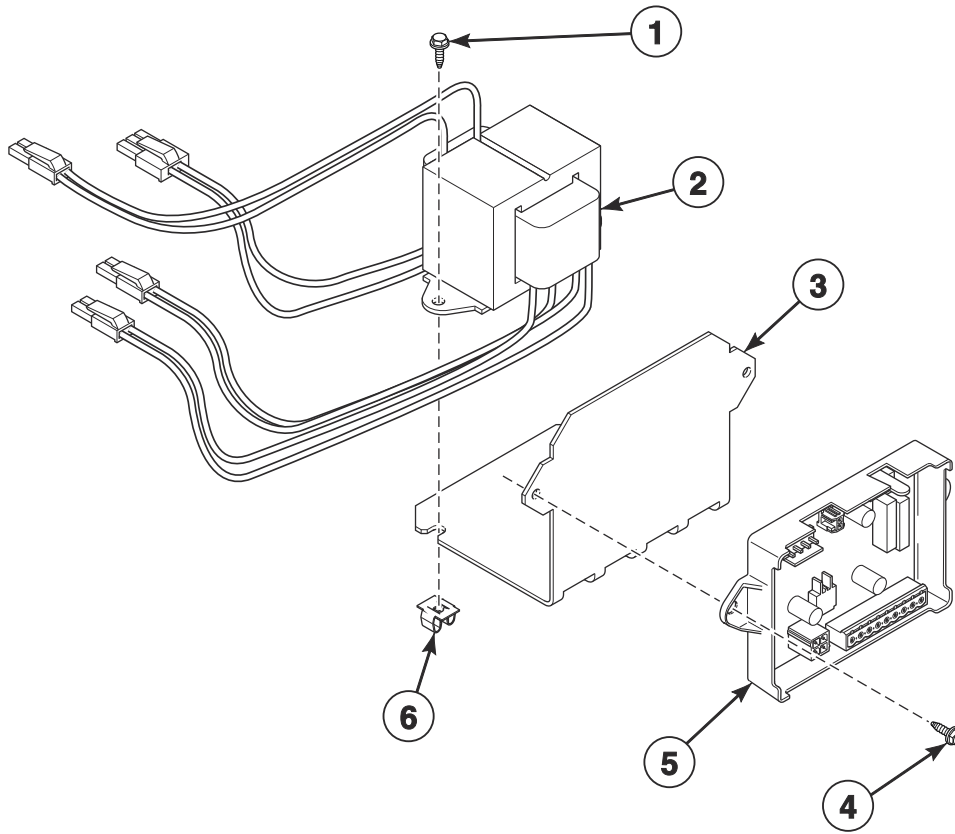


TMB3699PA_70684801

Coin Drop Kits

REF	PART NO.	DESCRIPTION	COMMENTS
	CK115	Electronic Coin Drop Kit	United States and Canada
	CK099	Electronic Coin Drop Kit	Australia (default), New Zealand, Hong Kong, South Korea and Malaysia
	CK100	Electronic Coin Drop Kit	United Kingdom (default) and Europe
	CK101	Electronic Coin Drop Kit	Europe (default), Denmark and Norway
	CK108	Electronic Coin Drop Kit	South Africa
	CK109	Electronic Coin Drop Kit	Euro
	CK110	Electronic Coin Drop Kit	Mexico (default), Ecuador and United States
	CK113	Electronic Coin Drop Kit	Japan and Taiwan
	CK116	Electronic Coin Drop Kit	Malaysia (default) and China
	CK117	Electronic Coin Drop Kit	Russia
	CK118	Electronic Coin Drop Kit	Philippine
	CK119	Electronic Coin Drop Kit	Thailand
	CK120	Electronic Coin Drop Kit	Chile
	CK121	Electronic Coin Drop Kit	Singapore
	CK122	Coin Drop Kit	New Zealand; 1.00 and 2.00

Central Pay and Card Reader Components

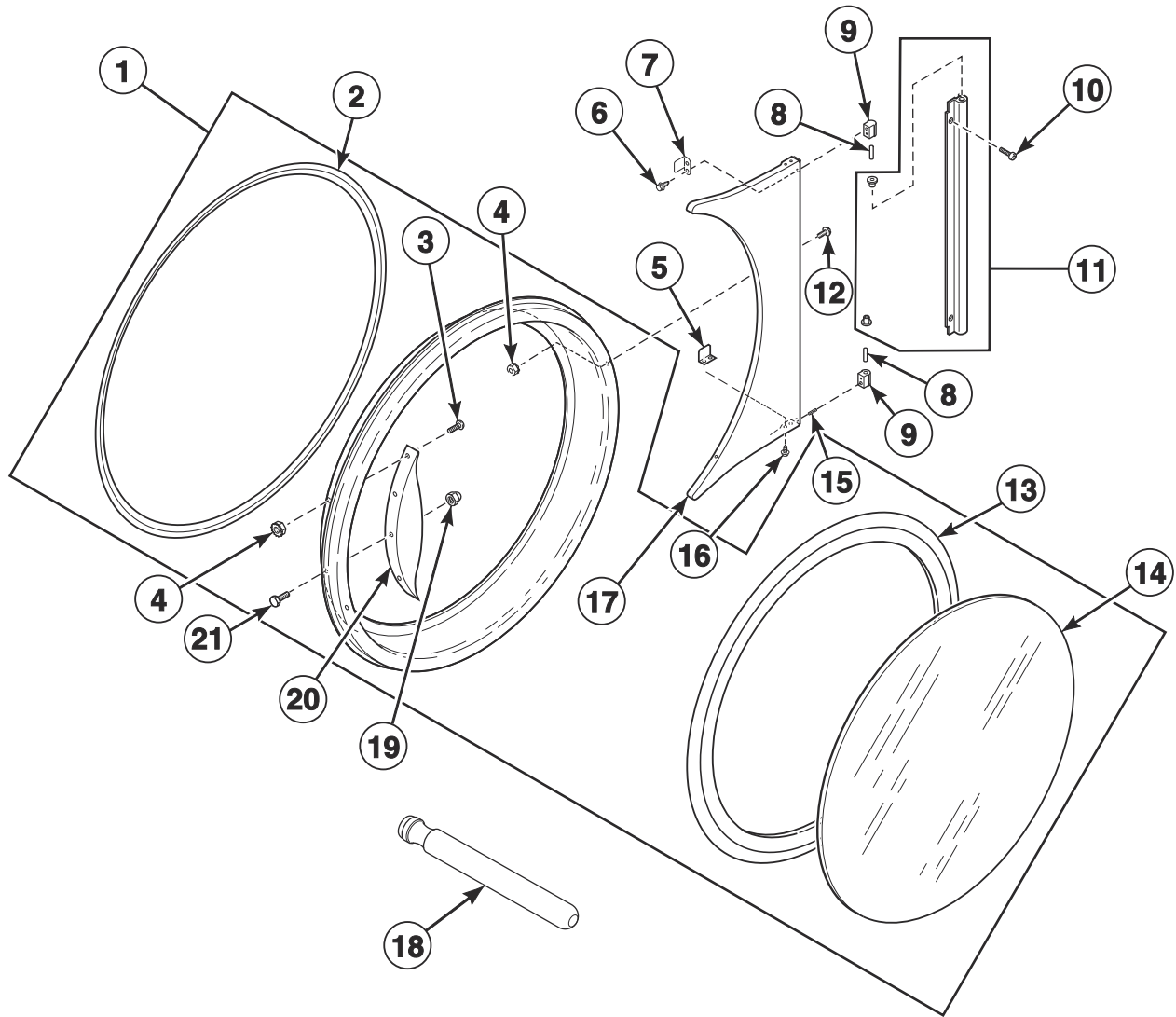


TMB3707P_70684801

Central Pay and Card Reader Components

REF	PART NO.	DESCRIPTION	COMMENTS
	44355601	Central Pay Harness	Routes from central pay board to control tray
	44272301	Transformer Harness	100-120 Volt; Routes from transformer to I/O Control Assembly; Card and central pay
	44272302	Transformer Harness	200-480 Volt; Routes from transformer to I/O Control Assembly; Card and central pay
	44355604	Central Pay Board Harness	Routes from central pay board to transformer
	44355606	Central Pay Harness	Routes from central pay board to front end control
	203346	USB IR Interface Kit	
	70666801	Fob Reader Kit	
1	M411072	Screw	
2	202757	Transformer	100-120 Volt; Card and central pay
	202758	Transformer	200-480 Volt; Card and central pay
3	70604001	Mounting Bracket	
4	51780	Screw	2 required
5	70612702	Central Pay Kit	100-120 Volt
	70612704	Central Pay Kit	200-480 Volt
6	70030501	Expansion Clip	2 required

Door and Hinge Components

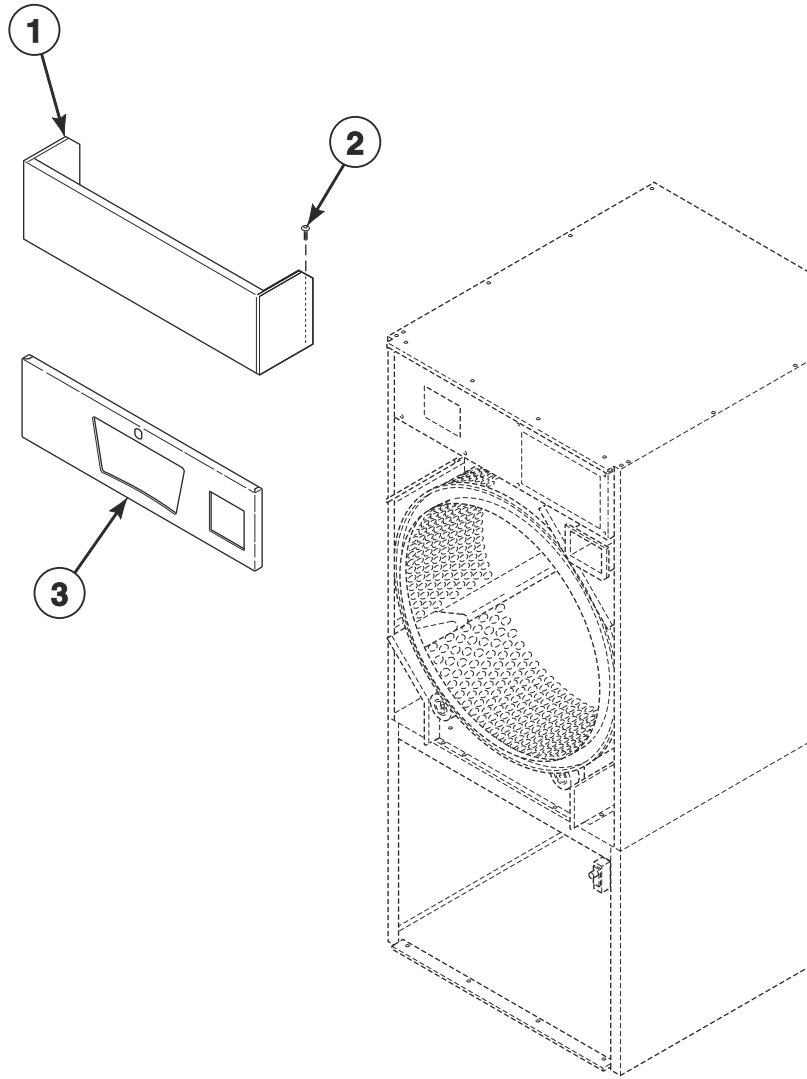


TMB3690P_70684801

Door and Hinge Components

REF	PART NO.	DESCRIPTION	COMMENTS
	70650401	Door Glass Label	H models
	70707701	Door Glass Label	S models
	70707501	Max Fill Line Label	
1	70597702	Door Assembly	Chrome
2	70296801	Door Ring Gasket	
3	70442101	Screw	4 required
4	44088001	Nut	
5	70532101	Door Switch Actuator	Bottom
6	70576101	Screw	
7	70532102	Door Switch Actuator	Top
8	70071401	Pin	
9	70622401	Hinge Cam Kit	Chrome
10	FR004022	Screw	
11	70601008	Door Hinge Lug Assembly	Chrome
12	44349101	Screw	
13	70211901P	Door Glass Seal Kit	Use Loctite 414 for seal
14	M400784P	Door Glass	
15	70436301	Screw	
16	70058501	Pop Rivet	
17	70595501	Door Hinge	Chrome
18	M4221P4	Door Glass Installation Tool	
19	M414215	Nut	For door strike; Mounts between door strike screw and door handle
20	44007902P	Door Handle	
21	M400661	Screw	Door Strike

Control Panels and False Fronts

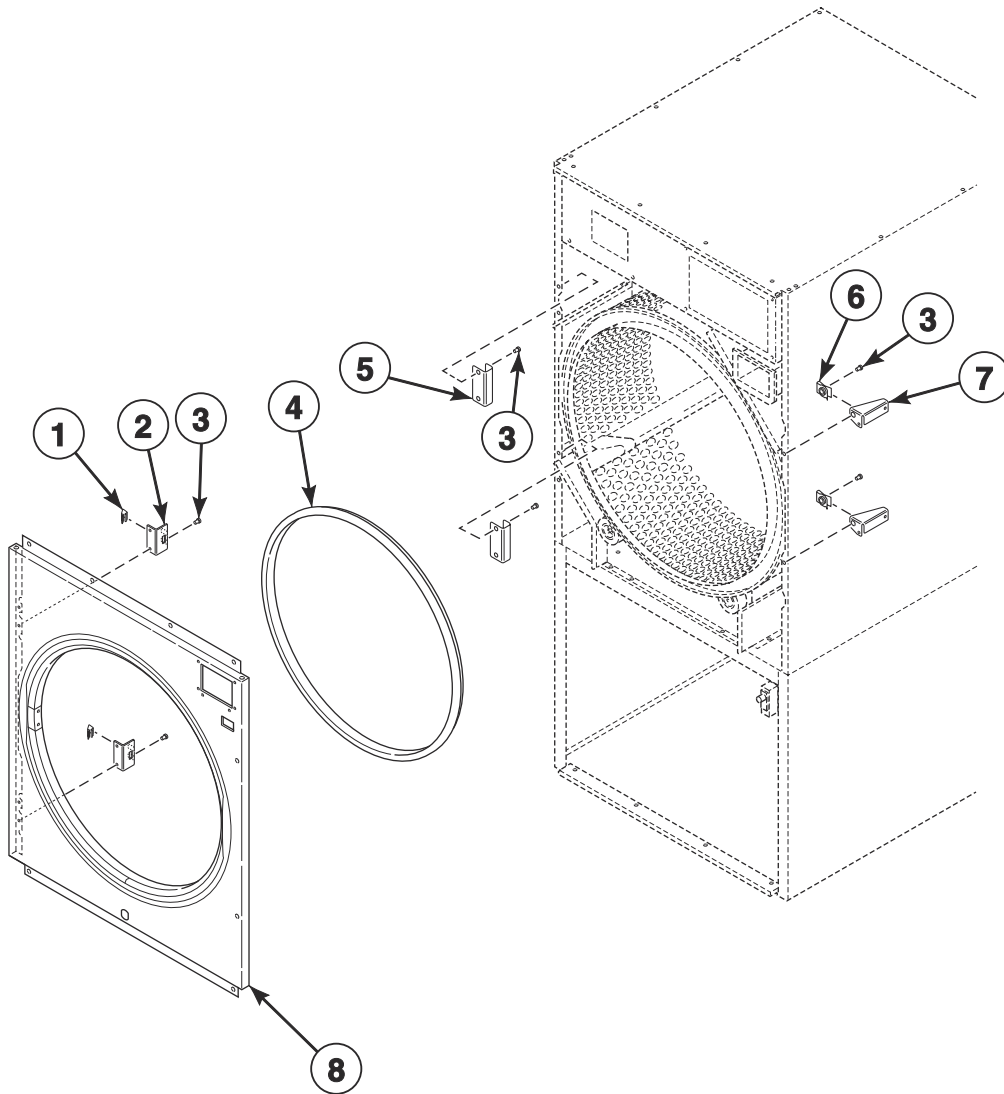


TMB3692P_70684801

Control Panels and False Fronts

REF	PART NO.	DESCRIPTION	COMMENTS
1	70000504	False Front	72 inches; Stainless steel
	70024204	False Front	76 inches; Stainless steel
2	M405188	Screw	4 required
3	70582901	Control Panel	Stainless steel; Coin/card
	70582902	Control Panel	Stainless steel; Central pay

Front Panel Assemblies

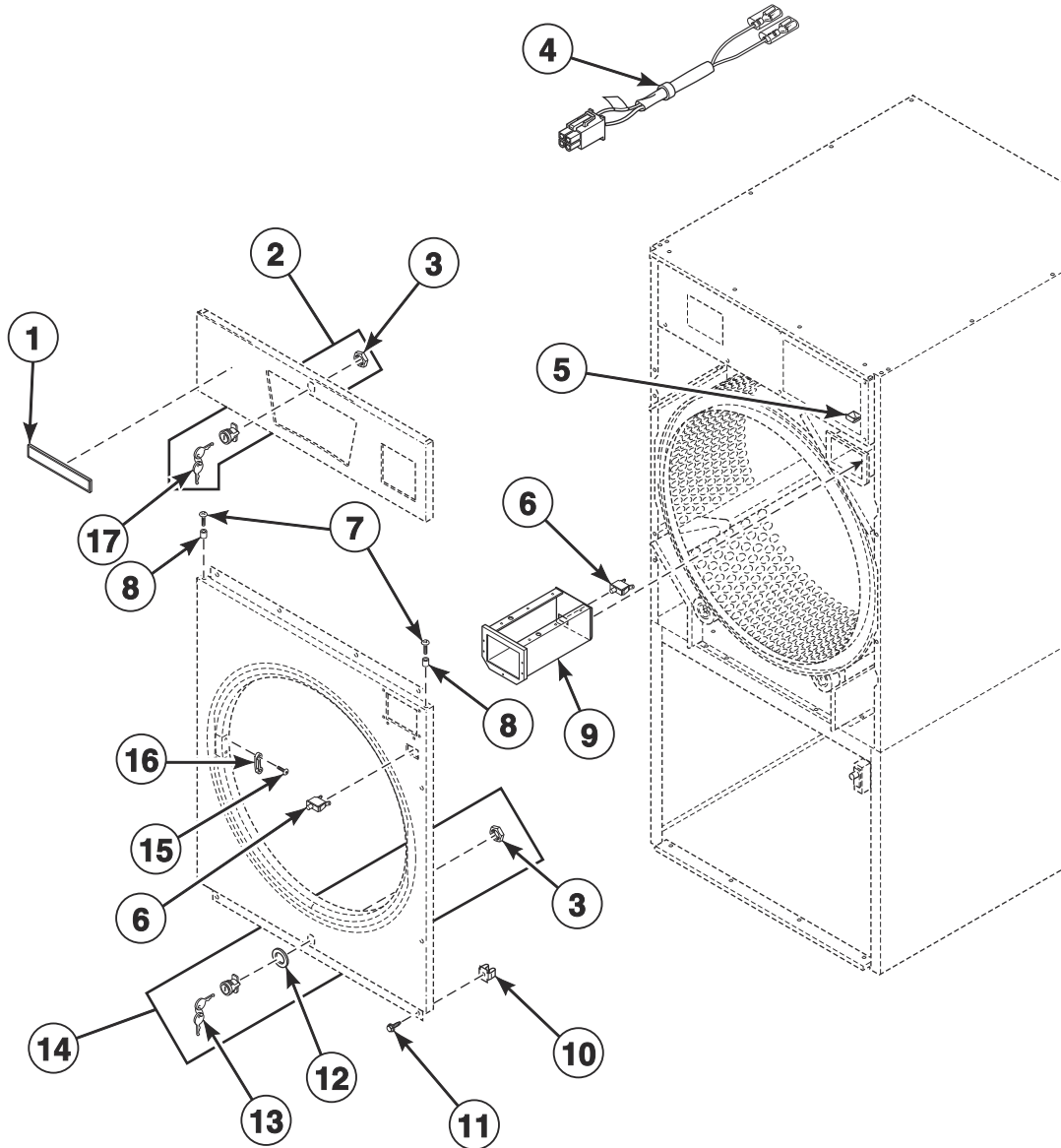


TMB3693P_70684801

Front Panel Assemblies

REF	PART NO.	DESCRIPTION	COMMENTS
	70534301	Warning Label	English
	70534302	Warning Label	French
	70534300	Label Kit	Warning; IEC models
	70289101P	Gasket	Sold per foot; Use behind item 8
1	35865	Hold-Down Clip	2 required
2	70604801	Clip Mount Bracket	2 required
3	70058501	Pop Rivet	
4	70173401P	Front Panel Seal	
5	70604901	Clip Keeper Bracket	2 required
6	70030401	Nut	2 required
7	70610501	Bracket	2 required
8	70705101	Front Panel Assembly	Coin
	70705102	Front Panel Assembly	Card and central pay

Cabinet Front Components

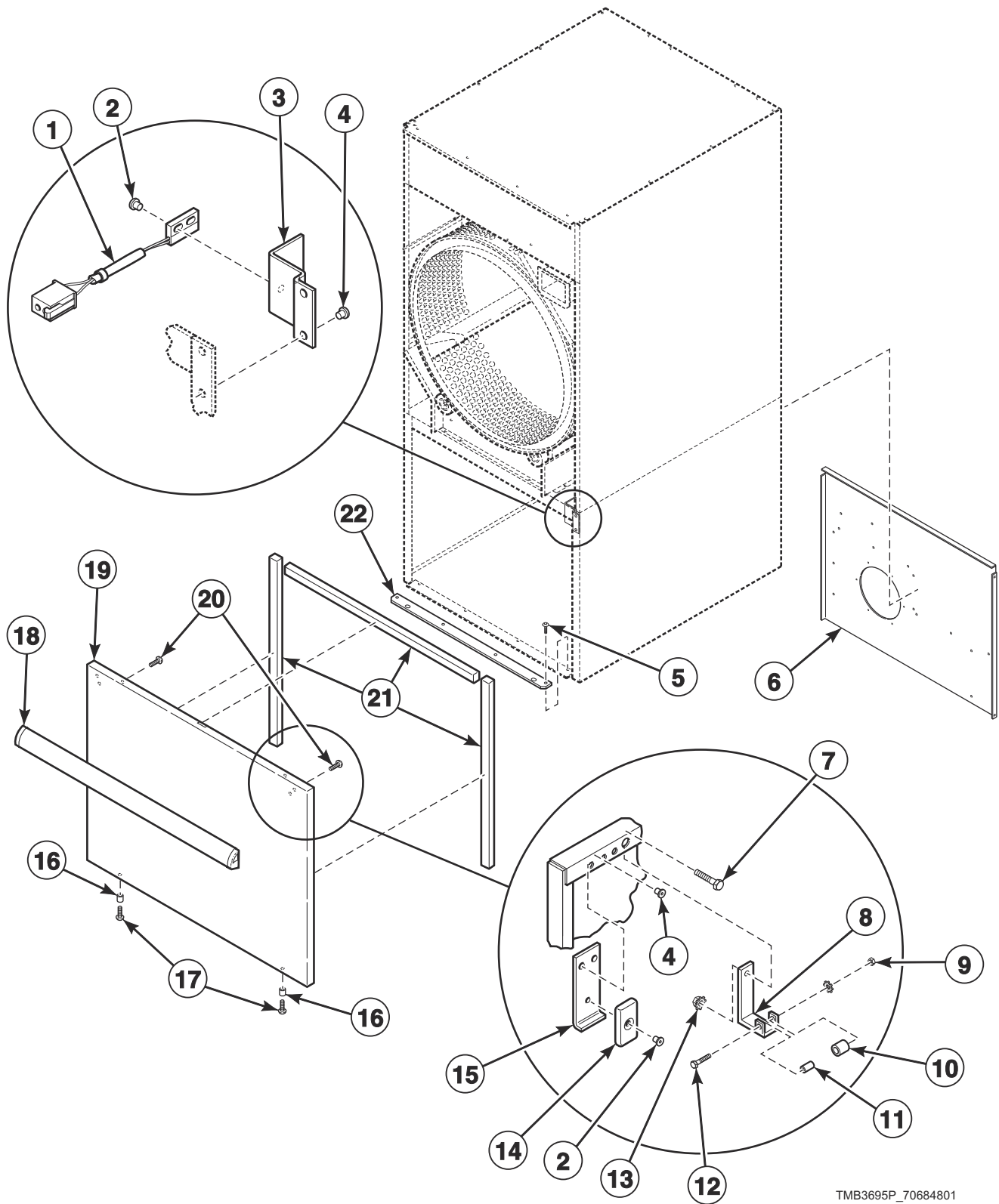


TMB3694P_70684801

Cabinet Front Components

REF	PART NO.	DESCRIPTION	COMMENTS
	44334103	Bypass Harness	Card and central pay
	70482901	Door Catch Kit	
1	F8664901	Nameplate	S models
	F8687701	Decal	H models
2	44089301P	Lock, Key and Nut Kit	RL001; Chrome
	44089304	Panel Lock	RL001; Chrome
3	44088801	Nut	
4	44334101	Coin Vault Switch Harness	
5	70296401	Coin Chute Assembly	
6	70413301	Pushbutton Switch	
7	39733	Screw	
8	56079	Panel Locator	9 required
9	70529501	Coin Vault Assembly	
	F160673P	Coin Box	Optional equipment; Includes lock and key
10	70030501	Expansion Clip	8 required
11	M411072	Screw	8 required
12	70342401	Lock Shim	
13	70155602	Key	RL002
14	44089302P	Lock, Key and Nut Kit	RL002; Chrome
	44089305	Panel Lock	RL002; Chrome
15	44166601	Pop Rivet	
16	M401223	Door Latch	
17	70155601	Key	RL001

Lower Cabinet Components

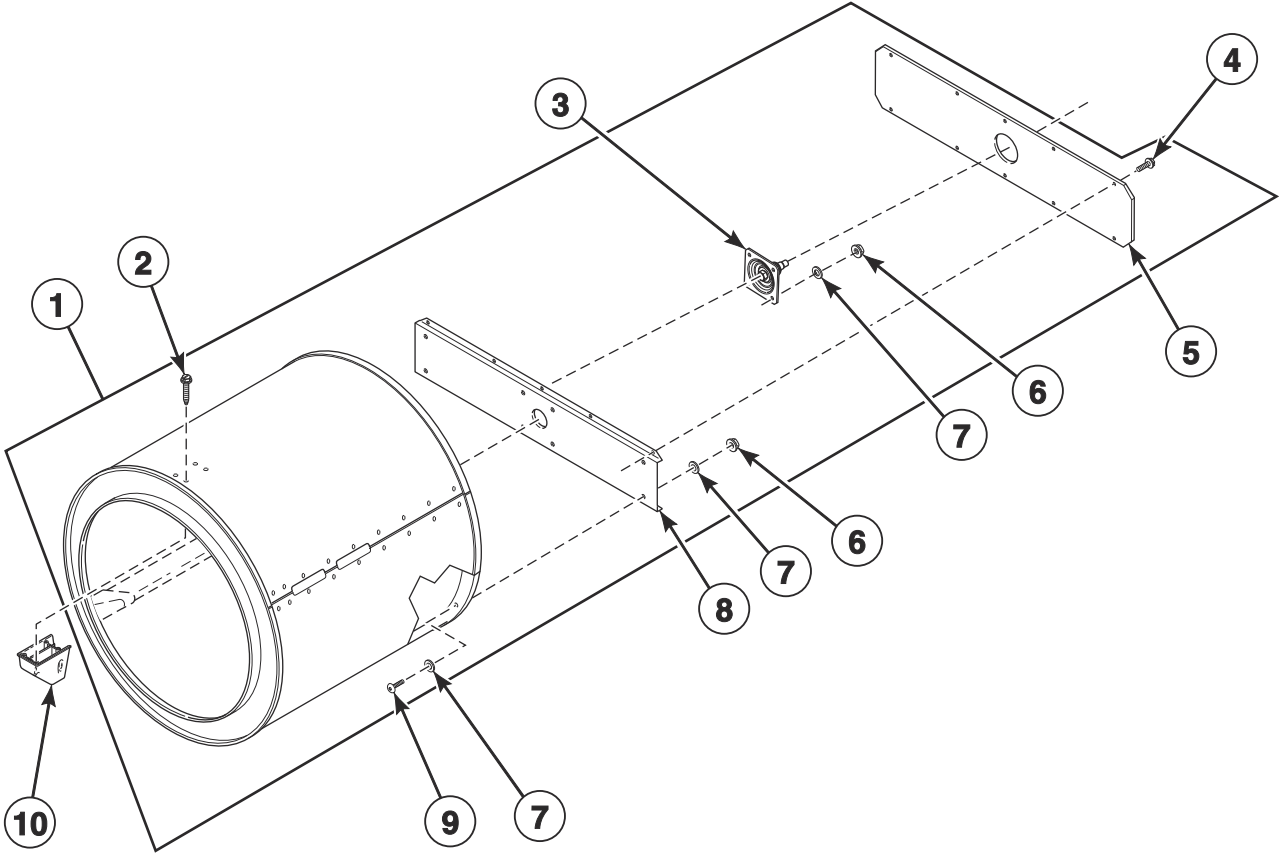


TMB3695P_70684801

Lower Cabinet Components

REF	PART NO.	DESCRIPTION	COMMENTS
1	F8066804	Reed Switch Assembly	
2	F8245101	Blind Rivet	
3	70508501	Switch Bracket	
4	70058501	Pop Rivet	
5	430497	Screw	
6	70565301	Rear Lint Panel	
7	70132301	Screw	Attaching roller catch
8	70030301	Roller Catch Arm	
9	23951	Nut	
10	70297601	Roller Catch Wheel	
11	70030201	Roller Catch Spacer	
12	70072801	Screw	
13	51236	Nut	Attaching roller catch
14	70343101	Magnet	
15	44290501	Magnet Bracket	
16	56079	Panel Locator	
17	39733	Screw	
18	70154401	Handle and Caps Assembly	Black
19	70515405	Lint Panel	Stainless steel
20	430757	Screw	For attaching handle; 6 required
21	70289101P	Gasket	Sold per foot
22	70017901	Lint Panel Pivot Plate	

Cylinder and Trunnion Assembly

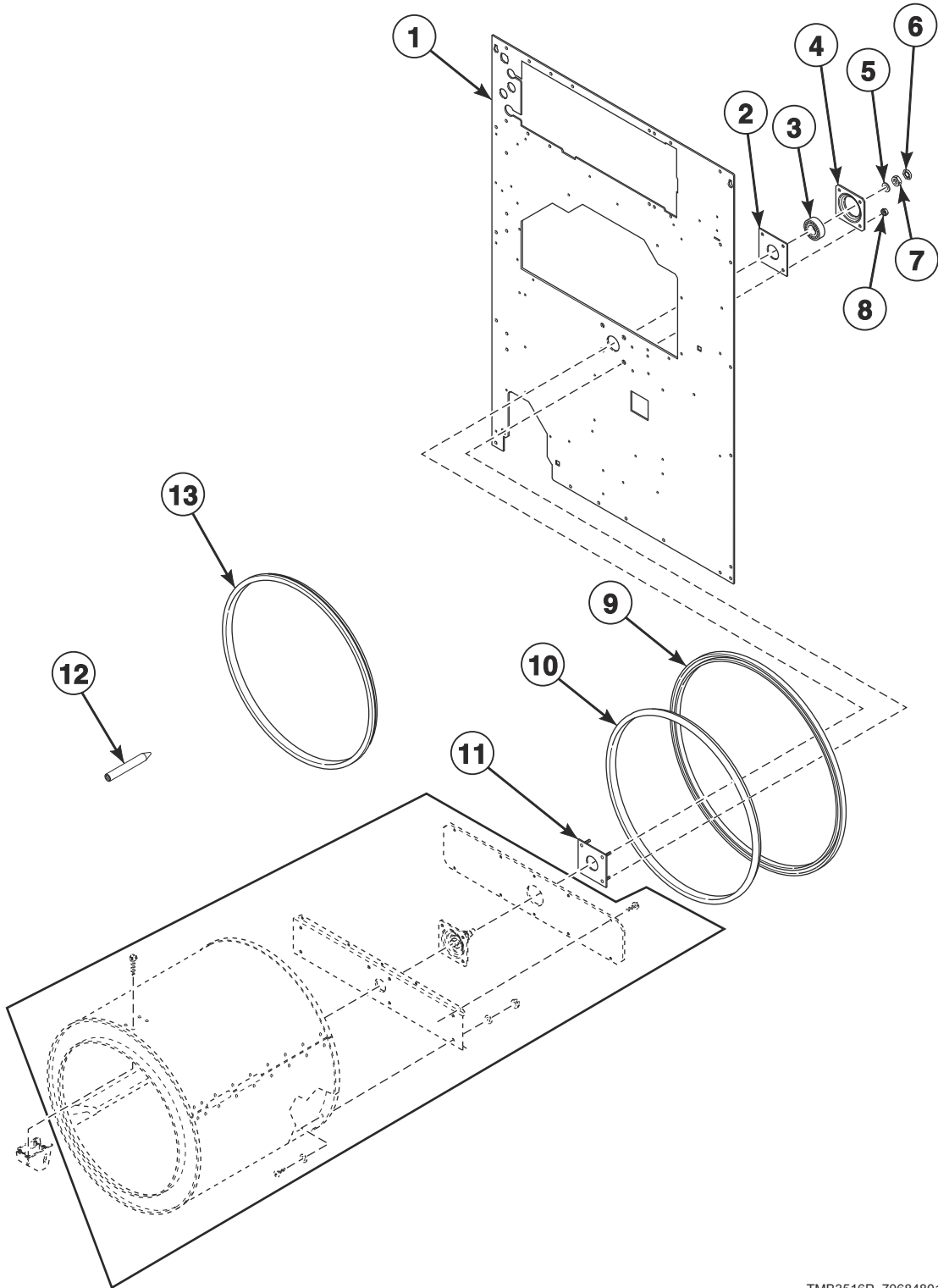


TMB3696P_70684801

Cylinder and Trunnion Assembly

REF	PART NO.	DESCRIPTION	COMMENTS
	70343101P	Drywall Screw Magnet Kit	
1	70372801P	Cylinder Assembly	Galvanized
	70372802P	Cylinder Assembly	Stainless steel
2	62588	Screw	12 required
3	70564801	Trunnion and Seal Kit	Includes 70013702 Rear Cylinder Seal
4	430497	Screw	10 required
5	70257401	Rear Cylinder Channel Plate	
6	44087201	Nut	8 required
7	70411301	Washer	
8	70257301	Rear Cylinder Channel	
9	70391101	Screw	8 required
10	70070101	End Cap	

Cylinder Components

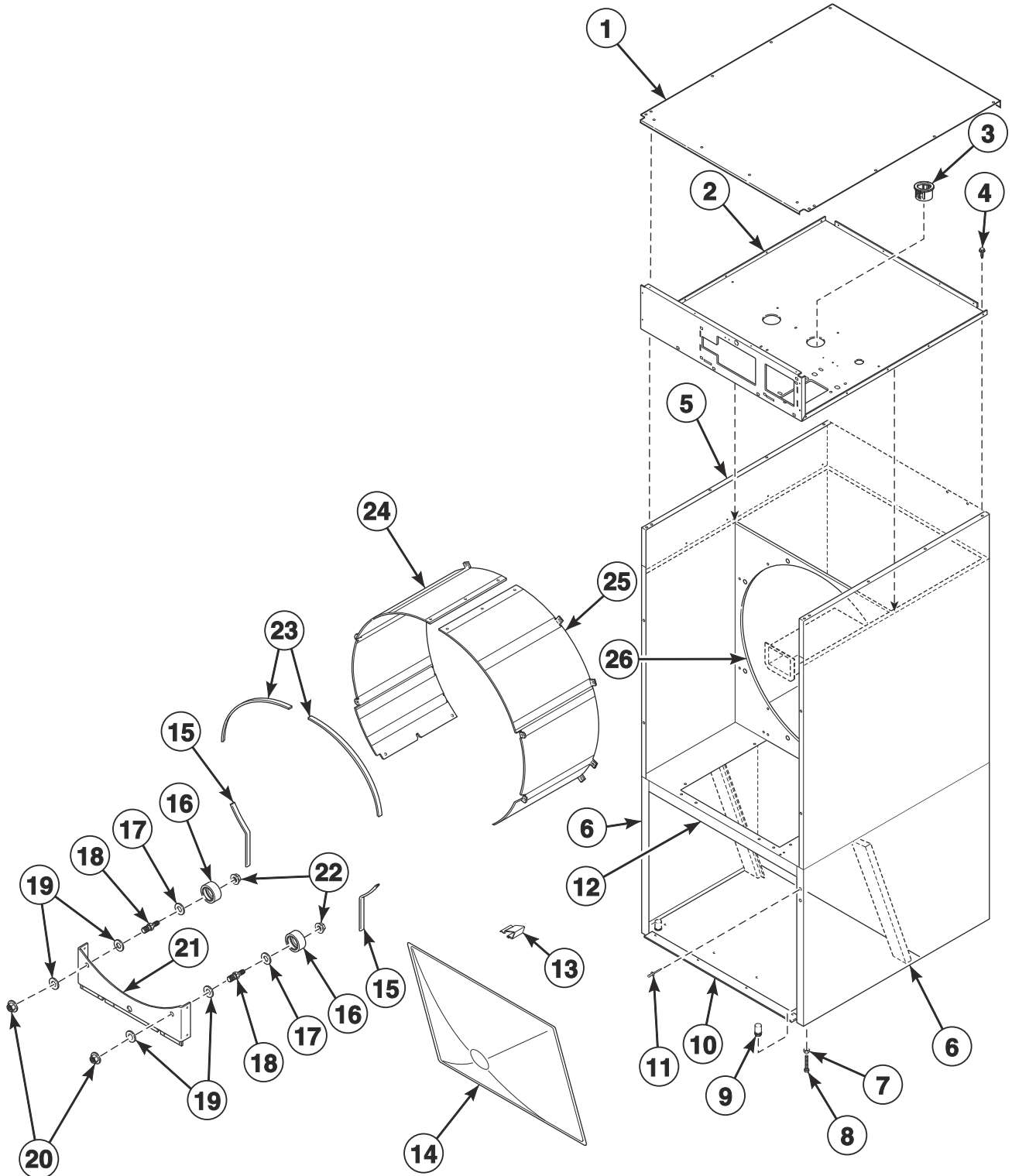


TMB3516P_70684801

Cylinder Components

REF	PART NO.	DESCRIPTION	COMMENTS
	70343101P	Drywall Screw Magnet Kit	
	430260P	Support Housing Bearing Assembly	Includes items 3, 4 and Loctite
1	70564901	Rear Panel	Gas models
	70564902	Rear Panel	Electric and steam models
2	70355001	Rear Bearing Shim	
3	70448701	Support Bearing	
4	70013901	Rear Cylinder Bearing Housing	
5	M400991	Washer	
6	M400034	Nut	
7	M400022	Nut	
8	M412986	Nut	4 required
9	70506401	Rear Cylinder Seal Support	
10	70013702	Rear Cylinder Seal	Use with D511637P Adhesive
11	430352	Cylinder Bearing Stud Plate Assembly	
12	263P4	Cylinder Guide Tool	
13	70066004	Center Cylinder Seal	

Cabinet Components

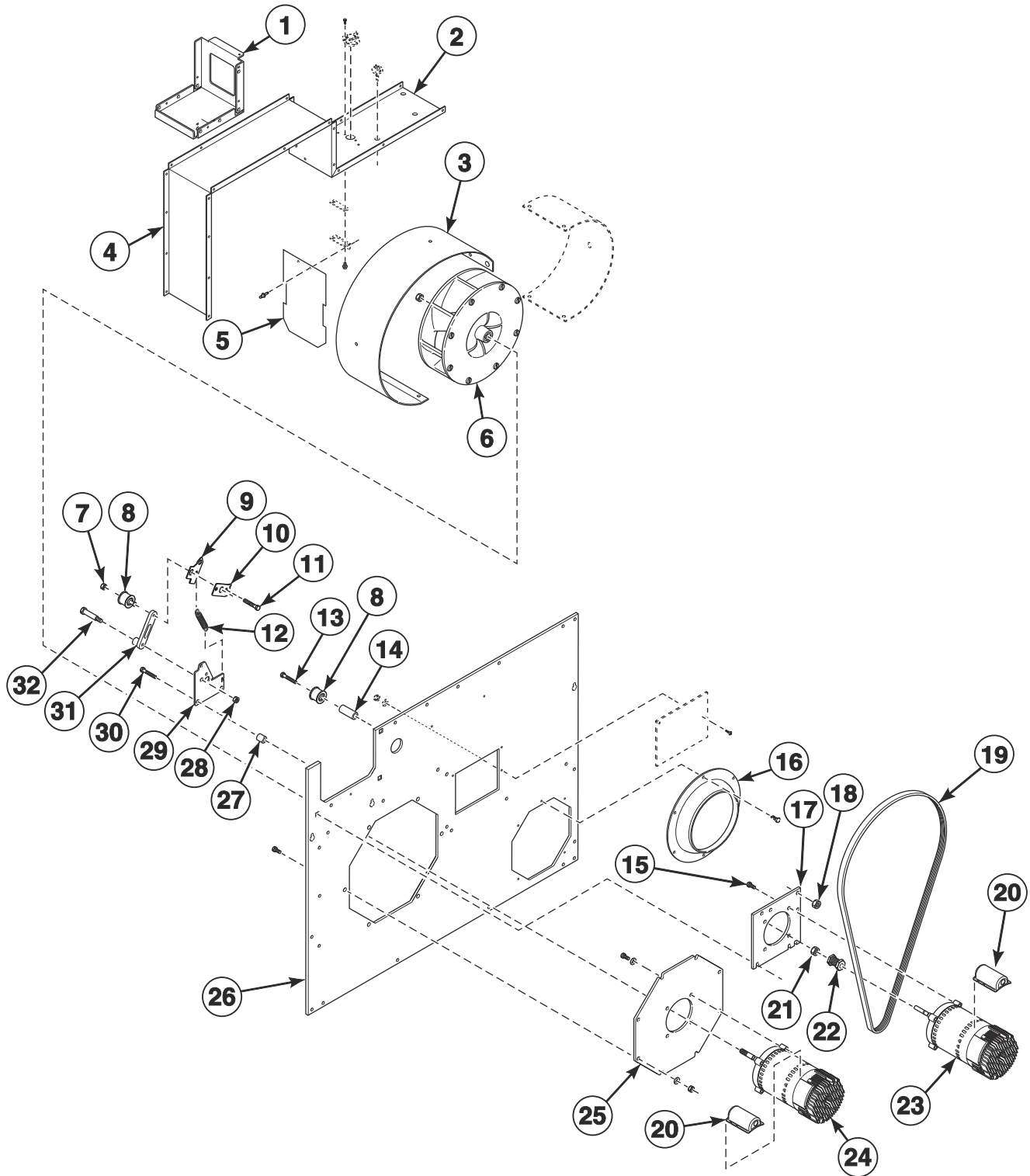


TMB3697P_70684801

Cabinet Components

REF	PART NO.	DESCRIPTION	COMMENTS
	M4379P4	Tumbler Dolly Kit	
	298P4P	Spray Paint	White
	122P4P	Porcelain Touch-Up Paint	White
1	70557501	Top Panel	
2	70583001	Top Pan	
3	70346501	Bushing	
4	430497	Screw	
5	70611001W	Side Panel	Upper
6	70253901WP	Side Panel	Lower
7	21899	Nut	
8	70247701	Screw	
9	70063201	Hole Plug	
10	70326201	Lower Pan	
11	70058501	Pop Rivet	16 required; Upper side panel
12	70565101	Center Pan	
13	35865	Hold-Down Clip	
14	70325601	Lint Screen	
15	70015709	Sheet Metal Edge Gasket	Lower
16	70616701	Roller and Seal Kit	
17	70443601	Roller Seal	
18	70249501	Roller Shaft	
19	70261401	Washer	
20	M404993	Nut	
21	70328301	Roller Support Bracket	
22	430576	Nut	
23	70015710	Sheet Metal Edge Gasket	Upper
24	70347402	Cylinder Shroud	Left
25	70347401	Cylinder Shroud	Right
26	70252601	Center Partition	

Motor Components

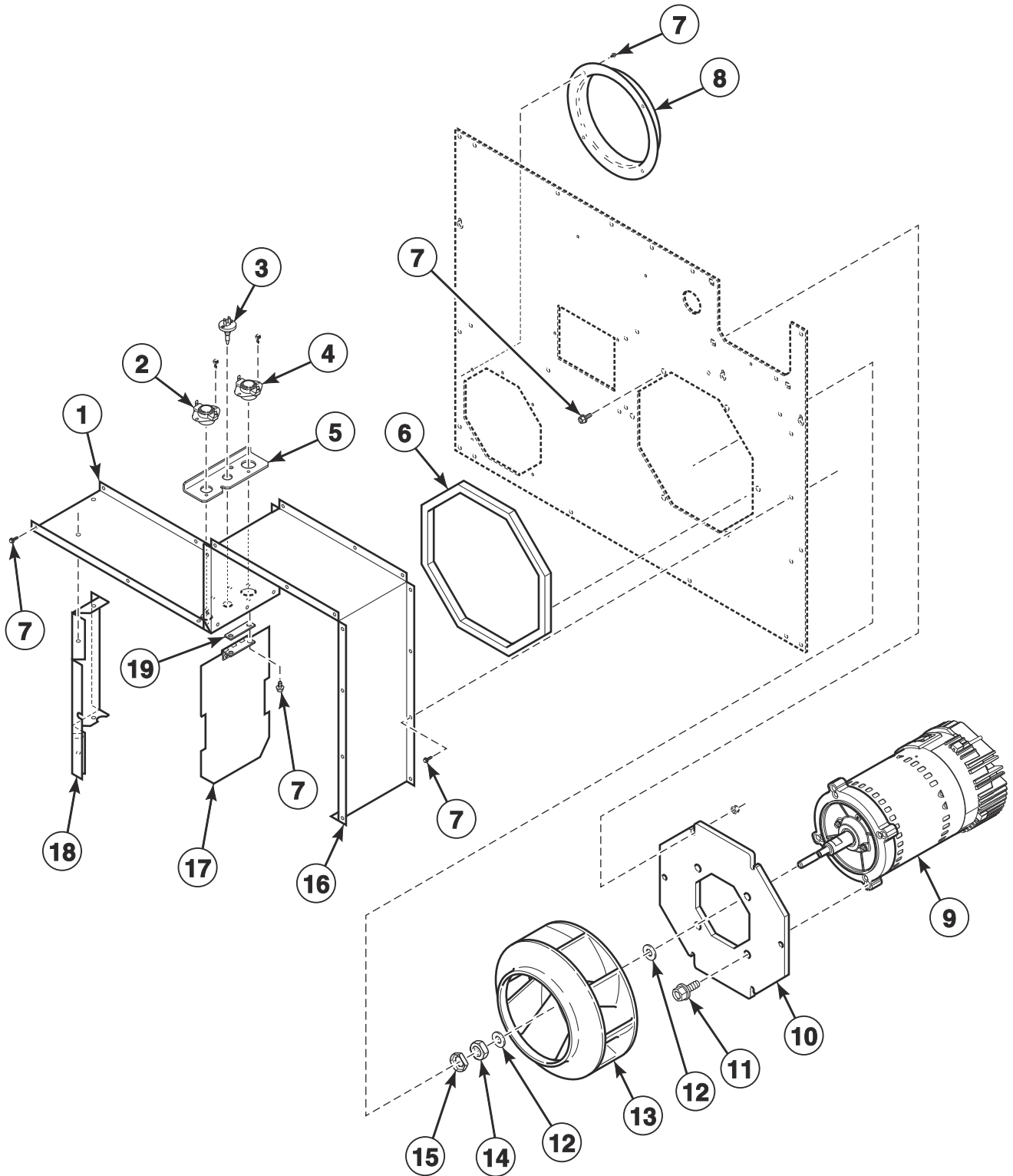


TMB3818P_70684801

Motor Components

REF	PART NO.	DESCRIPTION	COMMENTS
1	70564101	Motor Mount Bracket	
2	70554701	Blower Housing	Top
3	70016301	Blower Housing Scroll	
4	70215101	Blower Housing	
5	70209501	Damper and Hinge Exhaust Assembly	
6	70359801P	Blower Assembly	
7	56156	Nut	
8	70050401P	Idler Wheel Assembly	
9	70569501	Tensioning Bracket	
10	70543401	Spring Catch Bracket	
11	70508301	Screw	
12	70571801	Spring	
13	F430144	Screw	
14	70569603	Standoff	
15	70126104	Screw	
16	70017801	Exhaust Thimble	Standard models; 6 inch
	70478001	Exhaust Adapter	Eco models; 6 inch to 4 inch
17	70564201	Motor Mount Plate	
18	44087201	Nut	
19	70655101	Lever Arm and Belt Kit	
20	70521901	Motor Conduit Mounting Bracket	
21	44333202	Nut	
22	70559101	Motor Pulley	
23	70478601P	Drive Motor	.33 HP; 120, 230 Volt/1 Phase
	70485001P	Drive Motor	.33 HP; 380-460 Volt/3 Phase
24	70478701P	Fan Motor	.50 HP; 120, 230 Volt/1 Phase
	70484901P	Fan Motor	.50 HP; 380-460 Volt/3 Phase
25	70349601	Blower Motor Mounting Plate	
26	70493301	Lower Rear Assembly	
27	70488403	Spacer	
28	44087301	Nut	
29	70571901	Drive Plate	
30	70546301	Screw	
31	70653801	Lever Arm and Bushing Assembly	
32	70501301	Screw	

Blower and Exhaust Components

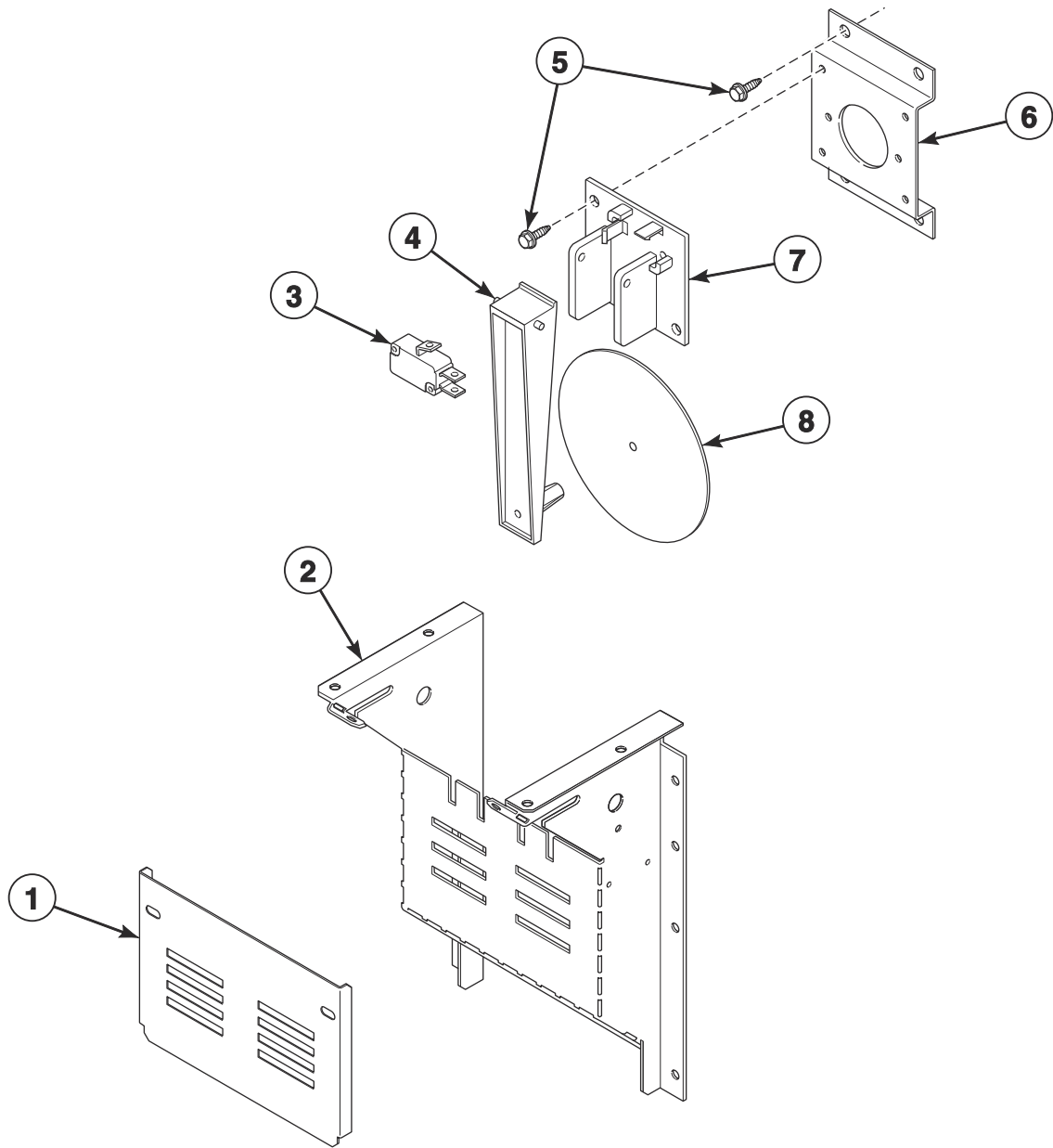


TMB3533P_70684801

Blower and Exhaust Components

REF	PART NO.	DESCRIPTION	COMMENTS
1	70554701	Blower Housing	Top
2	70530901	Limit Thermostat	Manual reset
3	M414704	Thermistor	
4	44328001	Limit Thermostat	Auto reset
5	70554901	Limit Access Bracket	
6	70392701P	Gasket	For blower housing opening
7	430497	Screw	
8	70014101	Blower Inlet Cone	
9	70478701P	Fan Motor	.50 HP; 120, 230 Volt/1 Phase
	70484901P	Fan Motor	.50 HP; 380-460 Volt/3 Phase
10	70349601	Blower Motor Mounting Plate	
11	70126101	Screw	
12	M400991	Washer	
13	70359801P	Blower Assembly	
14	M400022	Nut	
15	M400034	Nut	
16	70215101	Blower Housing	
17	70209501	Damper and Hinge Exhaust Assembly	
18	70020301	Blower Housing	Left
19	70220901	Damper Spacer	

Airflow Switch

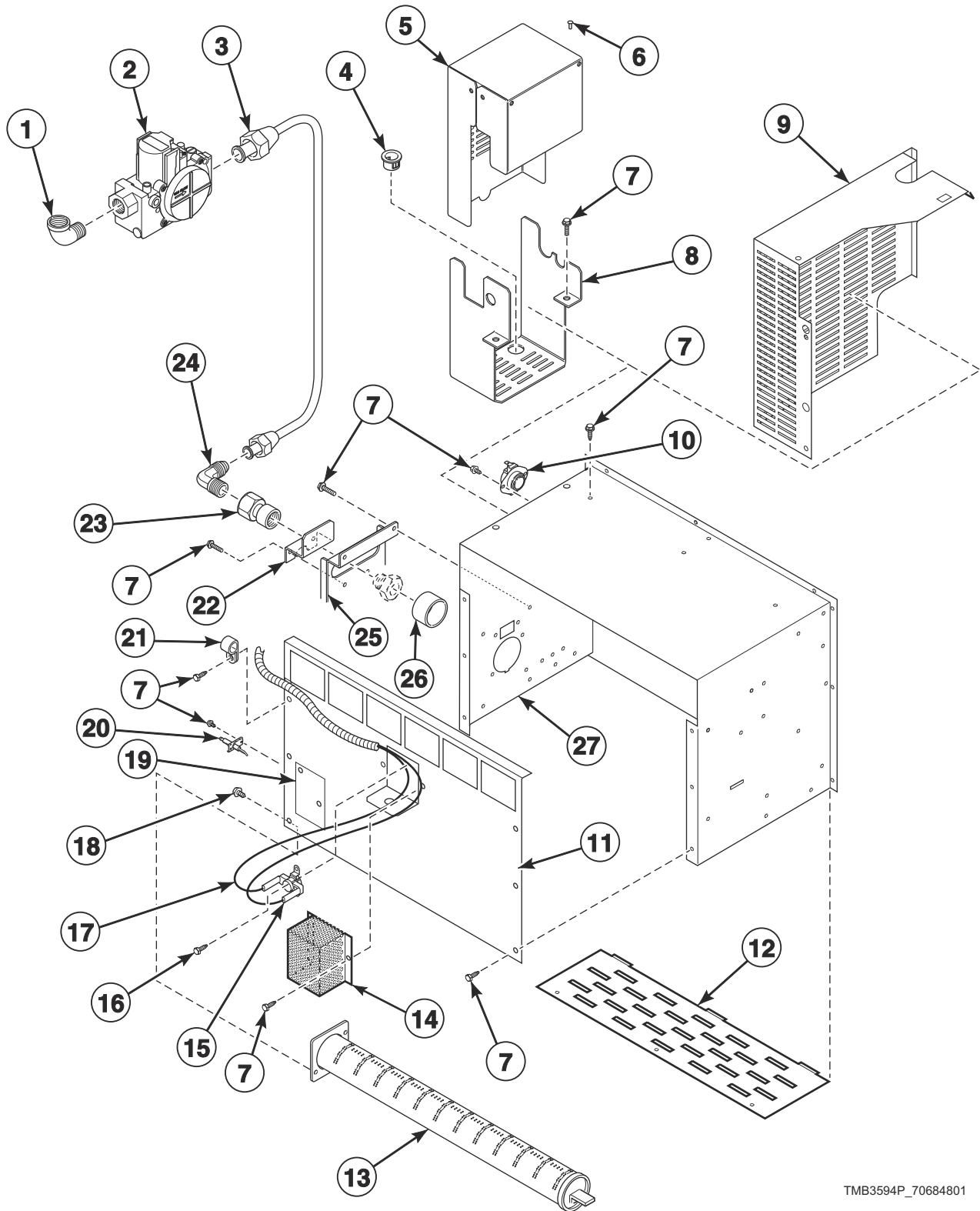


TMB3126P_70684801

Airflow Switch

REF	PART NO.	DESCRIPTION	COMMENTS
1	70356601	Airflow Switch Cover	
2	70356101	Airflow Switch Wrapper	
3	70411901	Switch	
4	70319401	Airflow Switch Arm	
5	430497	Screw	
6	70356301	Switch Bracket	
7	70319602	Airflow Switch and Arm Bracket	
8	70319201	Airflow Switch Vane	

Gas Heater Components



TMB3594P_70684801

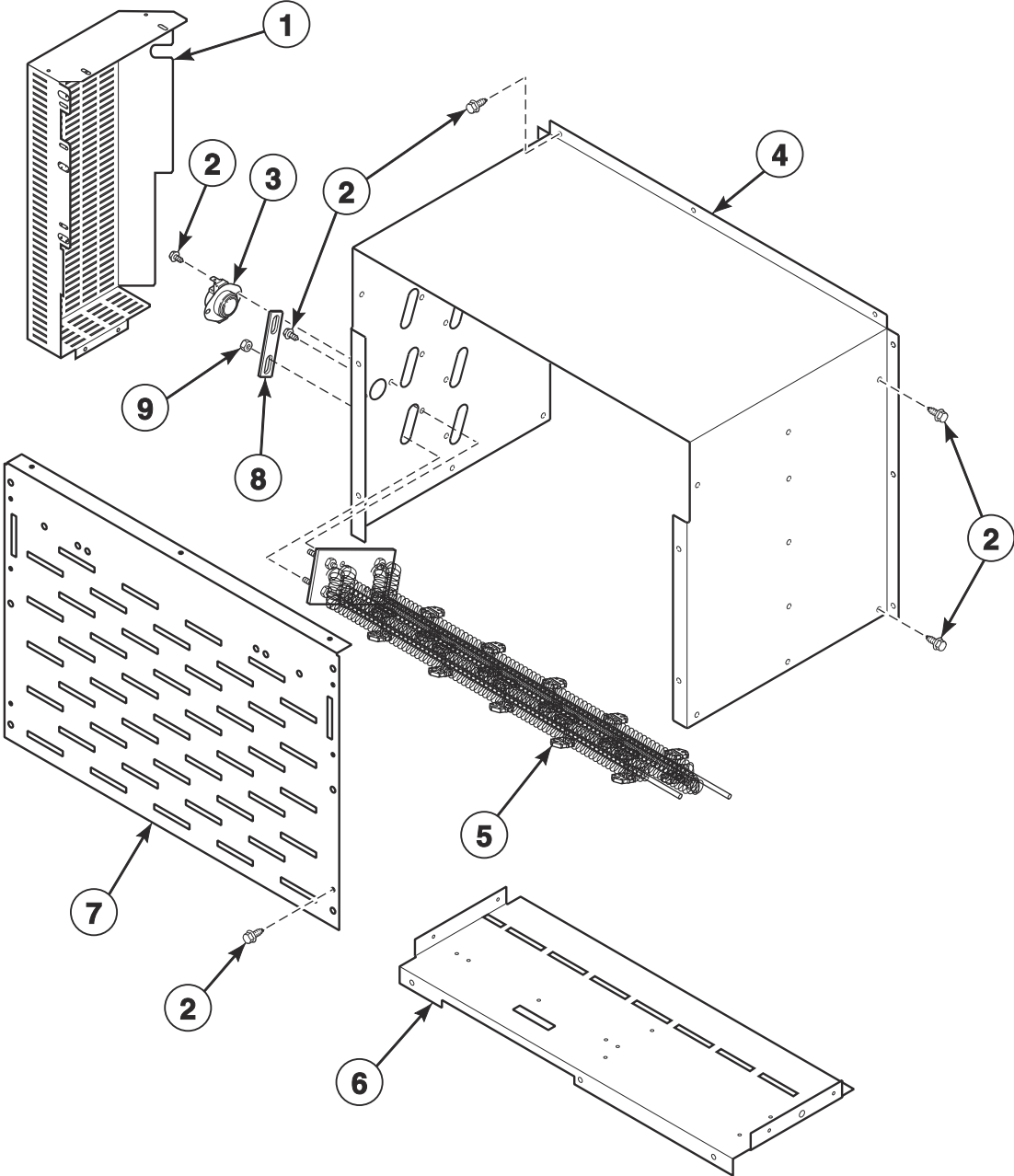
Gas Heater Components

REF	PART NO.	DESCRIPTION	COMMENTS
	44273501	Gas Valve Harness	
	44239702	High Voltage Suppression Cable	
	70346801	Pipe Plug	
	70550201	L.P. Conversion Kit	CSA and AGA models; Natural Gas (N.G.); 0-2,000 feet
	70551901	L.P. Conversion Kit	IEC models; N.G.; 0-2,000 feet
	70131901	Adapter	IEC models; BPT/NPT
	70131902	Adapter	CSA models; BPT/NPT
	70167601	Plug	IEC models
	70535901	Notice Label	Australian models; N.G.
	70544901	Notice Label	Australian models; Liquid Petroleum Gas (L.P.)
1	H86070034	Street Elbow	T market models
	F422304	Street Elbow	All other models
2	44154503	N.G. Valve	CSA models
	44154504	L.P. Valve	CSA models
	44154507	Gas Valve	IEC models; N.G.; 1/2 NPT
	44154508	Gas Valve	IEC models; L.P.; 1/2 NPT
3	70271201	Gas Line Assembly	
4	M400770	Snap Bushing	
5	70429901	Gas Valve Cover	
6	M405750	Pop Rivet	4 required
7	430497	Screw	10 required
8	70504101	Gas Valve Bracket	
9	70429901	Gas Valve Cover	IEC models
10	44328004	Limit Thermostat	Side
11	70371501	Stove Back	
12	70188801	Burner Grill	
13	70229801P	Gas Burner	
	70546701	Anti-Rattle Burner Assembly	Includes 70229801P Gas Burner, 431318 Control Door Latch and M400003 Pop Rivet
14	M414477	Thermostat Cover	
15	44328104	Limit Thermostat	Rear
16	M405188	Screw	2 required
17	70564301	Stove Limit Harness	
18	05161	Screw	
19	70159601	Igniter Cover	
20	70548701P	Spark Electrode	
21	70203701	Pipe Clip	
22	70539901	Ignition Keeper Orifice Bracket	
23	70379301	Orifice Adapter	
24	70208701	Elbow	2 required
25	70248901	Orifice Holder Bracket	
26	70239801	Primary Air Adjustment Sleeve	L.P. models
27	70333401	Stove Top and Sides	

Burner Orifices

REF	PART NO.	DESCRIPTION	COMMENTS
	70609901	High Altitude Orifice Kit	CSA Natural Gas (N.G.) models
	70609902	High Altitude Orifice Kit	CSA Liquid Petroleum Gas (L.P.) models
1	70684138	Burner Orifice	Standard models; N.G.; Drill no. 24 (3.86 mm); 0-2,000 feet
	70684135	Burner Orifice	Standard models; N.G.; Drill no. 27 (3.66 mm); 2,001-4,000 feet
	70684134	Burner Orifice	Standard models; N.G.; Drill no. 28 (3.57 mm); 4,001-6,000 feet
	70684132	Burner Orifice	Standard models; N.G.; Drill no. 29 (3.45 mm); 6,001-8,000 feet
	70684130	Burner Orifice	Standard models; N.G.; 3.3 mm; 8,001-10,000 feet
	70684113	Burner Orifice	Standard models with 2nd digit A, G, H, J, K, L and T; L.P.; 2.30 mm; 0-2,000 feet
	70684110	Burner Orifice	Standard models with 2nd digit A, G, H, J, K, L and T; L.P.; Drill no. 44 (2.18 mm); 2,001-4,000 feet
	70684109	Burner Orifice	Standard models with 2nd digit A, G, H, J, K, L and T; L.P.; Drill no. 45 (2.08 mm); 4,001-6,000 feet
	70684108	Burner Orifice	Standard models with 2nd digit A, G, H, J, K, L and T; L.P.; Drill no. 46 (2.06 mm); 6,001-8,000 feet
	70684106	Burner Orifice	Standard models with 2nd digit A, G, H, J, K, L and T; L.P.; Drill no. 48 (1.93 mm); 8,001-10,000 feet
	70684108	Burner Orifice	CE standard models; L.P.; Drill no. 46 (2.06 mm); 0-2,000 feet
	70684106	Burner Orifice	CE standard models; L.P.; Drill no. 48 (1.93 mm); 2,001-6,000 feet
	70684105	Burner Orifice	CE standard models; L.P.; Drill no. 49 (1.85 mm); 6,001-8,000 feet
	70684104	Burner Orifice	CE standard models; L.P.; Drill no. 50 (1.78 mm); 8,001-10,000 feet
	70684108	Burner Orifice	Standard J market models; L.P.; Drill no. 46 (2.06 mm); 0-2,000 feet
	70684106	Burner Orifice	Standard J market models; L.P.; Drill no. 48 (1.93 mm); 2,001-6,000 feet
	70684105	Burner Orifice	Standard J market models; L.P.; Drill no. 49 (1.85 mm); 6,001-8,000 feet
	70684104	Burner Orifice	Standard J market models; L.P.; Drill no. 50 (1.78 mm); 8,001-10,000 feet
	70684134	Burner Orifice	Eco models; N.G.; Drill no. 28 (3.57 mm); 0-2,000 feet
	70684131	Burner Orifice	Eco models; N.G.; 3.40 mm; 2,001-4,000 feet
	70684130	Burner Orifice	Eco models; N.G.; 3.30 mm; 4,001-6,000 feet
	70684128	Burner Orifice	Eco models; N.G.; Drill no. 1/8 (3.18 mm); 6,001-8,000 feet
	70684126	Burner Orifice	Eco models; N.G.; Drill no. 31 (3.05 mm); 8,001-10,000 feet

Electric Heater Components

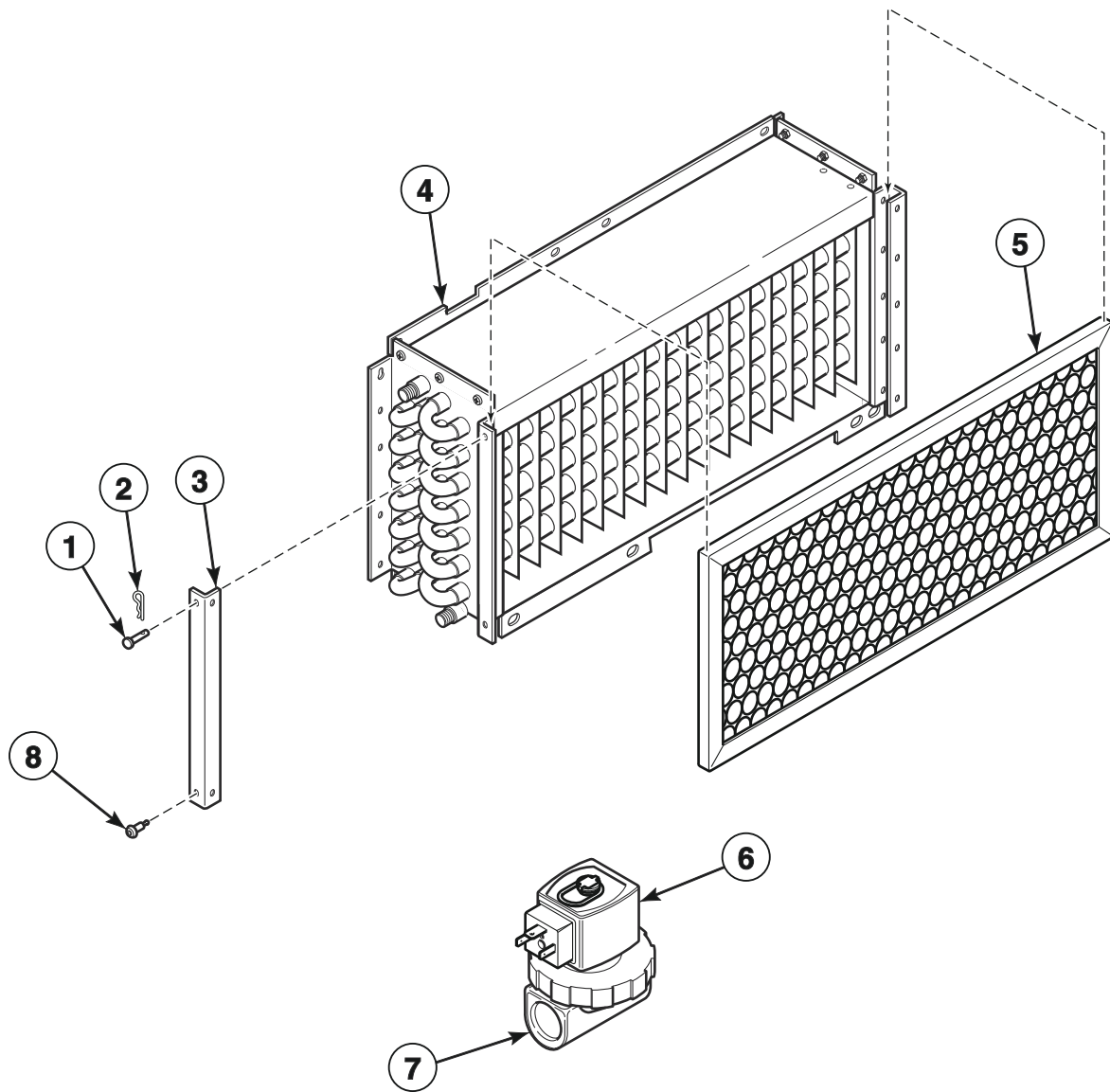


TMB3521P_70684801

Electric Heater Components

REF	PART NO.	DESCRIPTION	COMMENTS
	70564303	Stove Limit Harness	
	44281709	Jumper Harness	Use with 440-480 Volt
	44295412	Jumper Harness	Use with 380-415 Volt; 4 required
1	70365201	Stove Connectors Cover	
2	430497	Screw	
3	44328004	Limit Thermostat	
4	70525601	Stove Top and Sides	
5	70034414P	Heater Element	Standard models; 3 required; 4 kW; 220 Volt heater element for 380 and 440 Volt/3 Phase
	70034415P	Heater Element	Standard models; 3 required; 4 kW; 208 Volt heater element for 200-208 Volt/1 or 3 Phase
	70034416P	Heater Element	Standard models; 3 required; 4 kW; 240 Volt heater element for 230-240 Volt/1 or 3 Phase and 400-415 and 460-480 Volt/3 Phase
	70034413P	Heater Element	Eco models; 3 required; 3 kW; 220 Volt heater element for 380 and 440 Volt/3 Phase
	70034417	Heater Element	Eco models; 3 required; 3 kW; 240 Volt heater element for 400-415 Volt/50 Hertz or 240 and 460-480 Volt/60 Hertz
	70034418P	Heater Element	Eco models; 3 required; 3 kW; 208 Volt heater element for 200-208 Volt/3 Phase
6	70357201	Stove Partition	
7	70214901	Stove Grill	
8	70066501	Jumper Bar	2 required for 440-480 Volt
	M400869	Jumper Strip	3 required for 380-415 and 440-480 Volt; 6 required for 200-240 Volt
9	70054	Nut	

Steam Heater Components

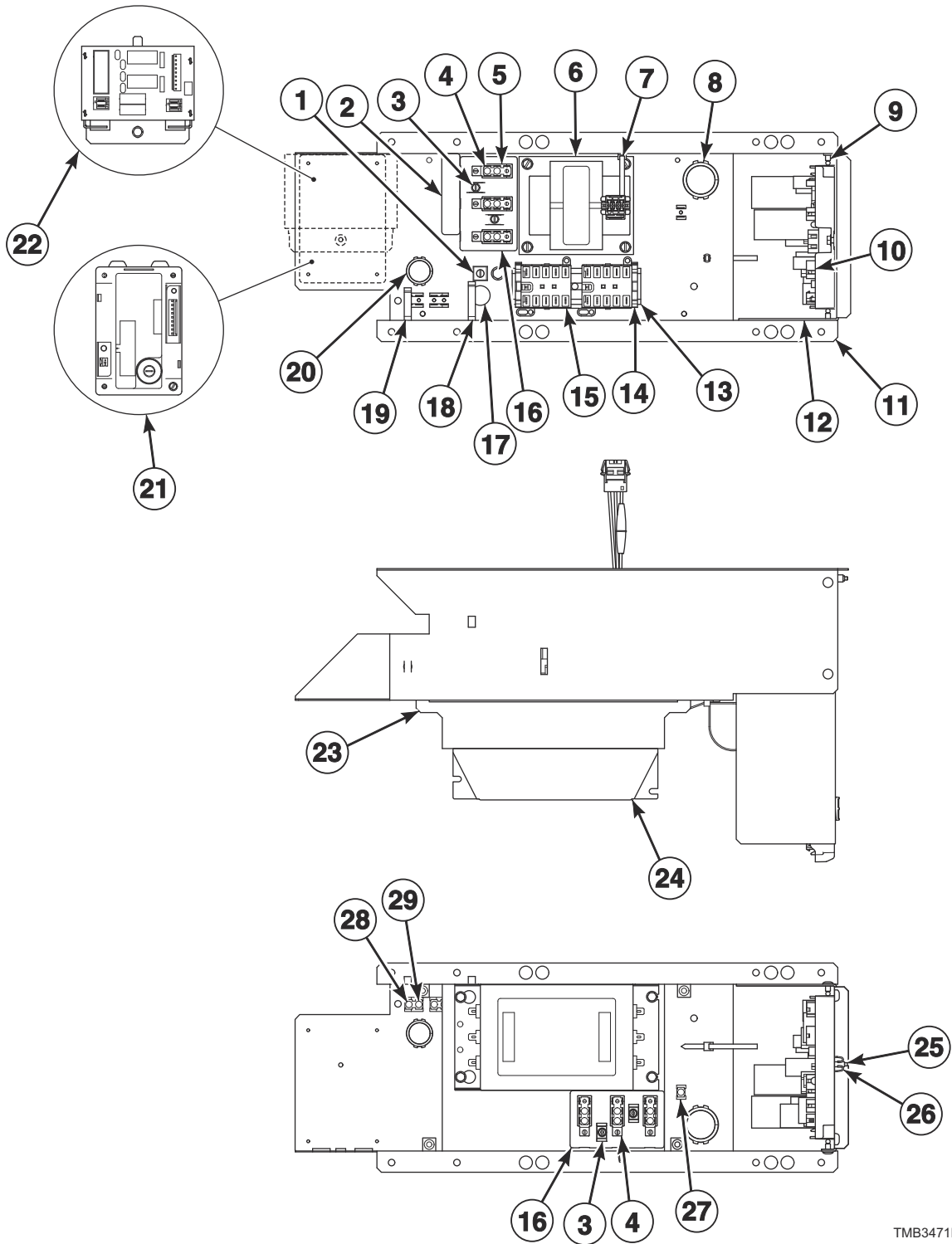


TMB3522P_70684801

Steam Heater Components

REF	PART NO.	DESCRIPTION	COMMENTS
	F8382301	DIN Valve Adapter Kit	Use with item 7
	70564302	Stove Limit Bypass Harness	
	F8520703	Steam Valve Harness	
	44304801	Strain Relief	
	70529601	Steam Adapter Kit	IEC models
1	70389201	Clevis Pin	
2	70389301	Hairpin Cotter	
3	70369301	Steam Filter Holder	
4	70369101P	Steam Coil	4 rows
5	70429401	Filter	IEC models
	70036001	Air Filter	CSA models
6	F8514701	Coil	120 Volt
	F8514601P	Coil	240 Volt
7	F8322904P	Steam Valve	120 Volt
	F8322906P	Valve	240 Volt
8	70058501	Pop Rivet	

Control Tray

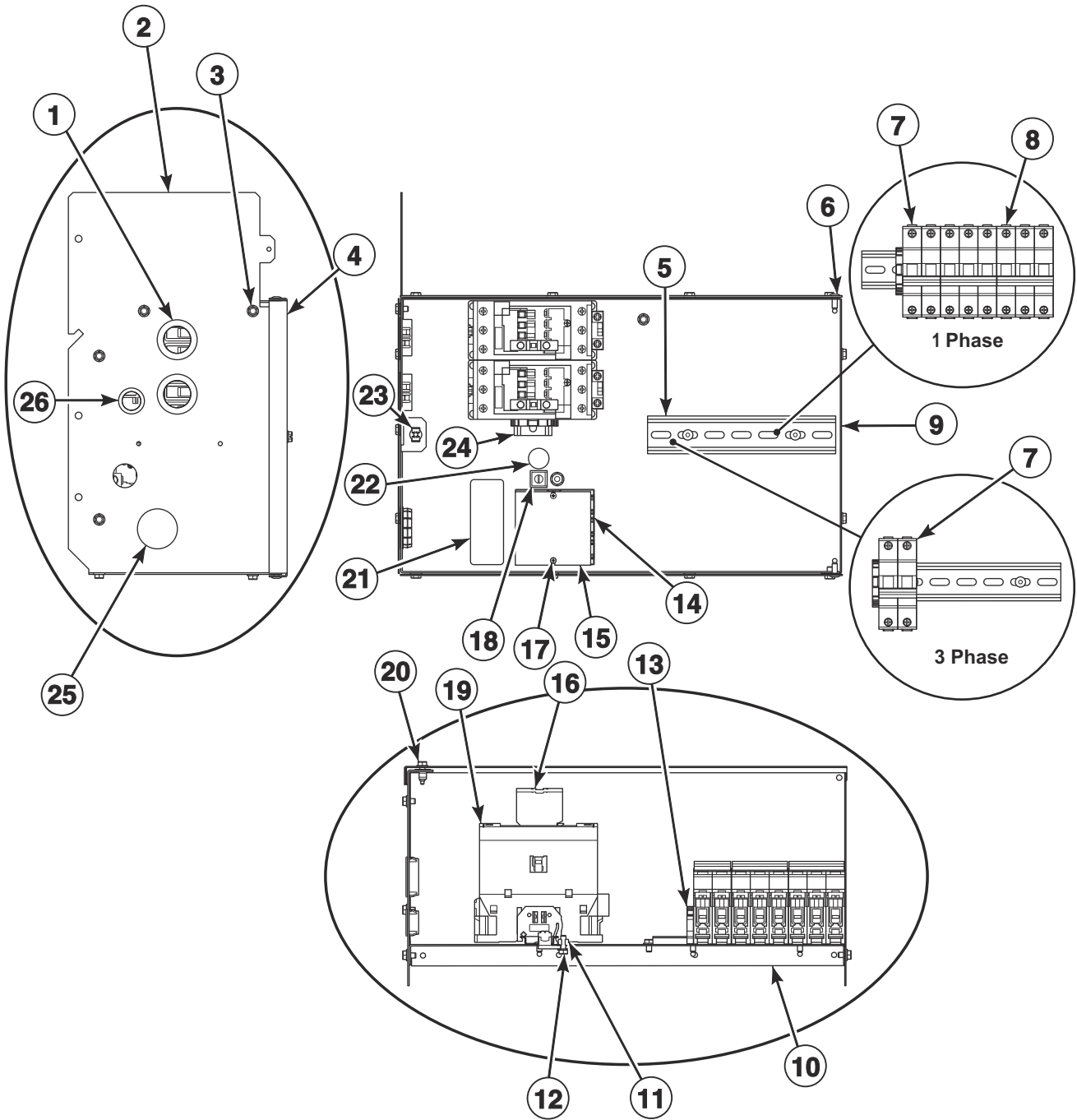


TMB3471P_70684801

Control Tray

REF	PART NO.	DESCRIPTION	COMMENTS
	685837	Screw	Use with item 1
	44088001	Nut	Use with item 1
	70559305	Conversion Kit	X to B voltage
	44357401	EMI Filter Kit	CSA models; 100-240 Volt
	44357402	EMI Filter Kit	CSA models; 380-480 Volt
1	M411283	Ground Lug Connector	
2	44286803	Label	L1, L2, L3
	44286801	Label	L1, N
	44286802	Wire Label	L1 L2, L1 N
	44286804	Wire Label	L1 L2, L1 N, L1 L2 L3
3	51783	Screw	
4	430642	Terminal Block	
5	70333001	Terminal Block Shield	
6	F8491101	Transformer	380-480 Volt
7	70335601	Cable Tie	
8	70346501	Bushing	
9	70058501	Pop Rivet	
10	70479201P	I/O Control Assembly	
11	70492401	Control Tray	
12	70494901	Control Board Control Tray	
13	M412690	DIN Rail	
14	F8449801	End Stop	
15	70482601	Contactora	240 Volt or less: 1 required; 380 Volt or higher: 2 required
16	M413862	Insulator	
17	D516100	Label	
18	F8449501	Wire Clip	
19	F8449502	Wire Clip	
20	70178701	Snap Bushing	
21	70482002	Ignition Control	IEC gas models
	70482001	Ignition Control	CSA gas models
22	70501801	Steam Control Assembly	Steam models
23	70533101	Filter Bracket	
24	F8591601	EMI Filter	IEC models; 100-200 and 200-240 Volt/1 Phase
	F8637501	EMI Filter	IEC models; 380-480 Volt
25	F8206901	Screw	
26	70030501	Expansion Clip	
27	00621SG	Male Tab Terminal	
28	M400003	Pop Rivet	
29	00622SG	Terminal	

Accessory Box - Electric 200-240 Volt Models

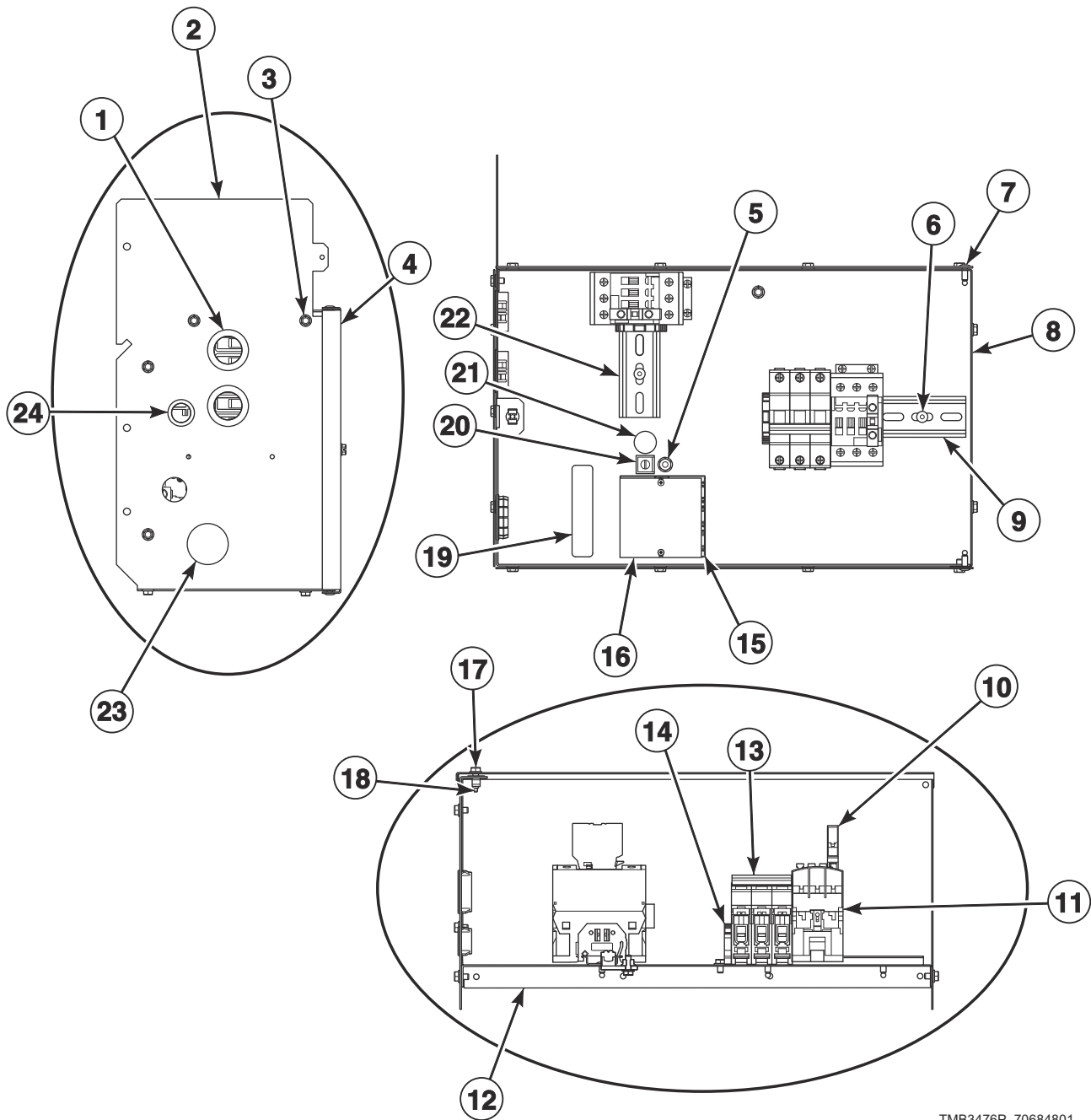


TMB3475P_70684801

Accessory Box - Electric 200-240 Volt Models

REF	PART NO.	DESCRIPTION	COMMENTS
	F8611600	Warning Label Kit	IEC models
	F8611601	Warning Label	
	44334307	Contactora Coil Harness	
	44309001	Harness	CSA models; Power distribution block to control circuit breaker
	44309011	Harness	IEC models; Power distribution block to control circuit breaker
	70516106	Harness	Contactora to element
	70516105	Harness	Contactora to element
	70516103	Harness	1 Phase; Power distribution block to circuit breaker/contactora
	70516104	Harness	Power distribution block to circuit breaker/contactora
	70516101	Harness	Power distribution block to circuit breaker/contactora
	70516102	Harness	1 Phase; Power distribution block to circuit breaker/contactora
1	M402542	Snap Bushing	2 required
2	70540601	Accessory Box Side	Left
3	51780	Screw	
4	70358401	Accessory Box Cover	
5	F8134001	DIN Rail	
6	70058502	Pop Rivet	
7	70488102	Circuit Breaker	25 amp
8	70488104	Circuit Breaker	2 required; 50 amp; 200-208 and 230-240 Volt/1 Phase
9	70540701	Accessory Box Side	Right
10	70540501	Accessory Box Back	
11	44088001	Nut	
12	685837	Screw	
13	F8449801	End Stop	2 required
14	M413865	Power Distribution Block	
15	44014901P	Power Distribution Block Cover	
16	44313201	Auxiliary Contact Block	2 required
17	39733	Screw	
18	M411283	Ground Lug Connector	
19	70482801	Contactora	2 required
20	F8206901	Screw	
21	44286802	Wire Label	1 Phase
	44286803	Label	3 Phase
22	D516100	Label	
23	70030501	Expansion Clip	
24	M412690	DIN Rail	
25	70180001	Plug	
26	M400770	Snap Bushing	

Accessory Box - Electric 380-480 Volt Models



TMB3476P_70684801

Accessory Box - Electric 380-480 Volt Models

REF	PART NO.	DESCRIPTION	COMMENTS
	F8611600	Warning Label Kit	IEC models
	F8611601	Warning Label	
	44334307	Contactora Coil Harness	
	44334302	Control Harness	3 Phase
	44309002	Harness	CSA models; Power distribution block to control circuit breaker
	44309012	Harness	IEC models; Power distribution block to control circuit breaker
	70516106	Harness	Contactora to element
	70516103	Harness	2 required; Power distribution block to circuit breaker/contactora
1	M402542	Snap Bushing	2 required
2	70540601	Accessory Box Side	Left
3	51780	Screw	
4	70358401	Accessory Box Cover	
5	685837	Screw	
	44088001	Nut	
6	70058501	Pop Rivet	
7	70058502	Pop Rivet	
8	70540701	Accessory Box Side	Right
9	F8134001	DIN Rail	
10	44313201	Auxiliary Contact Block	2 required
11	70482701	Contactora	2 required
12	70540501	Accessory Box Back	
13	70488101	Circuit Breaker	25 amp
14	F8449801	End Stop	2 required
15	M413865	Power Distribution Block	
16	44014901P	Power Distribution Block Cover	
17	F8206901	Screw	
18	70030501	Expansion Clip	
19	44286803	Label	
20	M411283	Ground Lug Connector	
21	D516100	Label	
22	M412690	DIN Rail	
23	70180001	Plug	
24	M400770	Snap Bushing	

Harnesses

PART NO.	DESCRIPTION	COMMENTS
44316007	Harness	IEC models; 1 Phase; Auxiliary power distribution block to filter harness
44316008	Harness	IEC models; 3 Phase; Auxiliary power distribution block to filter harness
44280007	Configuration Harness	100-120 Volt; Cylinder
44280006	Configuration Harness	100-120 Volt; Fan
44356402	Control Tray Harness Assembly	Electric models
44356401	Control Tray Harness Assembly	Gas models
44356407	Control Tray Harness Assembly	Steam models
44334702	Inverter Contactor Coil Harness	Secondary; 380-480 Volt
44316001	Harness	IEC models; 1 Phase; Main power distribution block to EMI filter harness
44316002	Harness	IEC models; 3 Phase; Main power distribution block to EMI filter harness
44280005	Configuration Harness	3 Phase
44280010	Motor Contactor Power Harness	IEC models; 1 Phase
44280012	Motor Contactor Power Harness	IEC models; 3 Phase
44280001	Motor Contactor Power Harness	CSA models; 1 Phase
44280003	Motor Contactor Power Harness	CSA models; 3 Phase
44280101	Power Harness	Control and emergency stop connection; 380-480 Volt
44272101	Power Harness	Control and emergency stop connection; 100-120 and 200-240 Volt
204454	Ferrite	Korean models; EMI; Motor circuit, inverter communication circuit
44335301	Inverter Motor Harness	Cylinder
44335302	Inverter Motor Harness	Fan
70608601	EMC Shield	Gas Korean models

Labels

PART NO.	DESCRIPTION	COMMENTS
44324201	Caution Label	Australian models; Repeat Ignition Reset
70535101	Caution Label	Vent/install
F8614501	Danger Label	Shock; English/French
F8614301	Hot Surface Warning Label	English/French
F8609001	Hot Surface Warning Label	Icon
F8611601	Warning Label	
70535100	Label Kit	Vent/install
F8614500	Label Kit	Shock
70539601	Notice Label	
F8609501	Notice Label	
D516073	Notice Label	Read instructions; Icon
70538401	Pinch Warning Label	English/French
F8615701	Pinch Warning Label	Icon
F8614201	Shock Warning Label	Icon
70536301	Warning Label	Lint; Australian models
44324101	Warning Label	Fire; Australian models
70534305	Warning Label	Fire; Colombian Spanish; Australian models
44321601	Warning Label	Risk of fire; Icon

Parts Index

A

Accessory Box Back	
70540501	47, 49
Accessory Box Cover	
70358401	47, 49
Accessory Box Side	
70540601	47, 49
70540701	47, 49
Accessory Plate Assembly	
F8574202	7
F8574203	7
F8574205	7
Adapter	
70131901	37
70131902	37
Air Filter	
70036001	43
Airflow Switch and Arm Bracket	
70319602	35
Airflow Switch Arm	
70319401	35
Airflow Switch Cover	
70356601	35
Airflow Switch Vane	
70319201	35
Airflow Switch Wrapper	
70356101	35
Anti-Rattle Burner Assembly	
70546701	37
App Pay Overlay Kit	
44374701	7
Auxiliary Contact Block	
44313201	47, 49

B

Blind Rivet	
F8245101	23
Blower Assembly	
70359801P	31, 33
Blower Housing	
70020301	33
70215101	31, 33
70554701	31, 33
Blower Housing Scroll	
70016301	31
Blower Inlet Cone	
70014101	33
Blower Motor Mounting Plate	
70349601	31, 33
Bracket	
70610501	19
Burner Grill	
70188801	37
Burner Orifice	
70684104	39
70684105	39
70684106	39

70684108	39
70684109	39
70684110	39
70684113	39
70684126	39
70684128	39
70684130	39
70684131	39
70684132	39
70684134	39
70684135	39
70684138	39
Bushing	
70346501	29, 45
Bypass Harness	
44334103	21

C

Cable Tie	
70335601	45
Card Reader Plate	
F8574204	7
Caution Label	
44324201	51
70535101	51
Center Cylinder Seal	
70066004	27
Center Pan	
70565101	29
Center Partition	
70252601	29
Central Pay Board Harness	
44355604	13
Central Pay Harness	
44355601	13
44355606	13
Central Pay Kit	
70612702	13
Circuit Breaker	
70488101	49
70488102	47
70488105	47
Clevis Pin	
70389201	43
Clip Keeper Bracket	
70604901	19
Clip Mount Bracket	
70604801	19
Coil	
F8514601P	43
F8514701	43
Coin Box	
F160673P	21
Coin Chute Assembly	
70296401	21
Coin Drop	
38963P	9
39748	9
70441601	9
70441603	9

N/A items do not appear in index.

Coin Drop Assembly	70347402	29
201141		9
210195		9
210196		9
38462P		9
38463		9
38467		9
38519		9
70281102		9
70283102		9
70441602		9
70447301		9
70471601		9
70482401		9
70506901		9
Coin Drop Kit		
CK077		9
CK122		11
Coin Identification Paper		
38464P		9
38475		9
Coin Meter		
F0160737-00		9
Coin Vault Assembly		21
70529501		21
Coin Vault Switch Harness		21
44334101		21
Configuration Harness		
44280005		50
44280006		50
44280007		50
Contactors		
70482601		45
70482701		49
70482801		47
Contactors Coil Harness		47, 49
44334307		47, 49
Control Assembly		7
70597801P		7
Control Board Control Tray		45
70494901		45
Control Harness		49
44334302		49
Control Mounting Bracket		7
70598601		7
Control Panel		17
70582901		17
70582902		17
Control Tray		45
70492401		45
Control Tray Harness Assembly		50
44356401		50
44356402		50
44356407		50
Conversion Kit		45
70559305		45
Cylinder Assembly		25
70372801P		25
70372802P		25
Cylinder Bearing Stud Plate Assembly		27
430352		27
Cylinder Guide Tool		27
263P4		27
Cylinder Shroud		29
70347401		29
<hr/>		
D		
Damper and Hinge Exhaust Assembly		31, 33
70209501		31, 33
Damper Spacer		33
70220901		33
Danger Label		51
F8614501		51
Decal		21
F8687701		21
DIN Rail		47, 49
F8134001		47, 49
M412690		45, 47, 49
DIN Valve Adapter Kit		43
F8382301		43
Door Assembly		15
70597702		15
Door Catch Kit		21
70482901		21
Door Glass		15
M400784P		15
Door Glass Installation Tool		15
M4221P4		15
Door Glass Label		15
70650401		15
70707701		15
Door Glass Seal Kit		15
70211901P		15
Door Handle		15
44007902P		15
Door Hinge		15
70595501		15
Door Hinge Lug Assembly		15
70601008		15
Door Latch		21
M401223		21
Door Ring Gasket		15
70296801		15
Door Switch Actuator		15
70532101		15
70532102		15
Drive Motor		31
70478601P		31
70485001P		31
Drive Plate		31
70571901		31
Drywall Screw Magnet Kit		25, 27
70343101P		25, 27
<hr/>		
E		
Elbow		37
70208701		37
Electronic Coin Drop Assembly		9
70294107		9
70513302		9
70513303		9
70513304		9
70513306		9
70513308		9

N/A items do not appear in index.

70513309	9
70513310	9
70513311	9
70513312	9
70513313	9
70513314	9
70513315	9
70513316	9
Electronic Coin Drop Kit	
CK099	11
CK100	11
CK101	11
CK108	11
CK109	11
CK110	11
CK113	11
CK115	11
CK116	11
CK117	11
CK118	11
CK119	11
CK120	11
CK121	11
EMC Shield	
70608601	50
EMI Filter	
F8591601	45
F8637501	45
EMI Filter Kit	
44357401	45
44357402	45
End Cap	
70070101	25
End Stop	
F8449801	45, 47, 49
Exhaust Adapter	
70478001	31
Exhaust Thimble	
70017801	31
Expansion Clip	
70030501	7, 13, 21, 45, 47, 49

F

False Front	
70000504	17
70024204	17
Fan Motor	
70478701P	31, 33
70484901P	31, 33
Ferrite	
204454	50
Filter	
70429401	43
Filter Bracket	
70533101	45
Fob Reader Kit	
70666801	13
Front Panel Assembly	
70705101	19
70705102	19
Front Panel Seal	
70173401P	19

G

Gas Burner	
70229801P	37
Gas Line Assembly	
70271201	37
Gas Valve	
44154507	37
44154508	37
Gas Valve Bracket	
70504101	37
Gas Valve Cover	
70429901	37
Gas Valve Harness	
44273501	37
Gasket	
70289101P	19, 23
70392701P	33
Ground Lug Connector	
M411283	45, 47, 49

H

Hairpin Cotter	
70389301	43
Handle and Caps Assembly	
70154401	23
Harness	
44309001	47
44309002	49
44309011	47
44309012	49
44316001	50
44316002	50
44316007	50
44316008	50
70516101	47
70516102	47
70516103	47, 49
70516104	47
70516105	47
70516106	47, 49
Heater Element	
70034413P	41
70034414P	41
70034415P	41
70034416P	41
70034417	41
70034418P	41
High Altitude Orifice Kit	
70609901	39
70609902	39
High Voltage Suppression Cable	
44239702	37
Hinge Cam Kit	
70622401	15
Hold-Down Clip	
35865	19, 29
Hole Plug	
70063201	29
Hot Surface Warning Label	
F8609001	51
F8614301	51

N/A items do not appear in index.

I

Idler Wheel Assembly 70050401P	31
Igniter Cover 70159601	37
Ignition Control 70482001	45
70482002	45
Ignition Keeper Orifice Bracket 70539901	37
Insulator M413862	45
Inverter Contactor Coil Harness 44334702	50
Inverter Motor Harness 44335301	50
44335302	50
I/O Control Assembly 70479201P	45

J

Jumper Bar 70066501	41
Jumper Harness 442295412	41
44281709	41
Jumper Strip M400869	41

K

Key 70155601	21
70155602	21

L

Label D516100	45, 47, 49
44286801	45
44286803	45, 47, 49
Label Kit F8614500	51
70534300	19
70535100	51
Lever Arm and Belt Kit 70655101	31
Lever Arm and Bushing Assembly 70653801	31
Limit Access Bracket 70554901	33
Limit Thermostat 44328001	33
44328004	37, 41
44328104	37
70530901	33
Lint Panel 70515405	23

N/A items do not appear in index.

Lint Panel Pivot Plate 70017901	23
Lint Screen 70325601	29
Lock Shim 70342401	21
Lock, Key and Nut Kit 44089301P	21
44089302P	21
Lower Pan 70326201	29
Lower Rear Assembly 70493301	31
L.P. Conversion Kit 70550201	37
70551901	37
L.P. Valve 44154504	37

M

Machine ID Control Assembly 203361P	7
Magnet 70343101	23
Magnet Bracket 44290501	23
Male Tab Terminal 00621SG	45
Max Fill Line Label 70707501	15
Motor Conduit Mounting Bracket 70521901	31
Motor Contactor Power Harness 44280001	50
44280003	50
44280010	50
44280012	50
Motor Mount Bracket 70564101	31
Motor Mount Plate 70564201	31
Motor Pulley 70559101	31
Mounting Bracket 70604001	13

N

Nameplate F8664901	21
Notice Label D516073	51
F8609501	51
70535901	37
70539601	51
70544901	37
Nut M400022	27, 33
M400034	27, 33
M404993	29
M412986	27

M414215	15
21899	29
23951	23
430576	29
44087101	7
44087201	25, 31
44087301	31
44088001	15, 45, 47, 49
44088801	21
44333202	31
51236	23
56156	31
70030401	19
70054	41
N.G. Valve	
44154503	37

O

Opto Coupler	
200674P	9
Orifice Adapter	
70379301	37
Orifice Holder Bracket	
70248901	37

P

Panel Locator	
56079	21, 23
Panel Lock	
44089304	21
44089305	21
Pin	
70071401	15
Pinch Warning Label	
F8615701	51
70538401	51
Pipe Clip	
70203701	37
Pipe Plug	
70346801	37
Plug	
70167601	37
70180001	47, 49
Pop Rivet	
M400003	45
M405750	37
44166601	21
70058501	15, 19, 23, 29, 43, 45, 49
70058502	47, 49
Porcelain Touch-Up Paint	
122P4P	29
Power Distribution Block	
M413865	47, 49
Power Distribution Block Cover	
44014901P	47, 49
Power Harness	
44272101	50
44280101	50
Primary Air Adjustment Sleeve	
70239801	37

Pushbutton Switch	
70413301	7, 21

R

Rear Bearing Shim	
70355001	27
Rear Cylinder Bearing Housing	
70013901	27
Rear Cylinder Channel	
70257301	25
Rear Cylinder Channel Plate	
70257401	25
Rear Cylinder Seal	
70013702	27
Rear Cylinder Seal Support	
70506401	27
Rear Lint Panel	
70565301	23
Rear Panel	
70564901	27
70564902	27
Reed Switch Assembly	
F8066804	23
Replacement Screen Kit	
70576501P	7
Roller and Seal Kit	
70616701	29
Roller Catch Arm	
70030301	23
Roller Catch Spacer	
70030201	23
Roller Catch Wheel	
70297601	23
Roller Seal	
70443601	29
Roller Shaft	
70249501	29
Roller Support Bracket	
70328301	29

S

Screw	
FR004022	15
F430144	31
F8206901	45, 47, 49
M400661	15
M405188	17, 37
M411072	13, 21
05161	37
39733	7, 21, 23, 47
430497	23, 25, 29, 33, 35, 37, 41
430757	23
44349101	15
51780	13, 47, 49
51783	45
62588	25
685837	45, 47, 49
70072801	23
70126101	33
70126104	31
70132301	23

N/A items do not appear in index.

70247701	29
70391101	25
70436301	15
70442101	15
70501301	31
70508301	31
70546301	31
70576101	15
Sheet Metal Edge Gasket	
70015709	29
70015710	29
Shock Warning Label	
F8614201	51
Side Panel	
70253901WP	29
70611001W	29
Snap Bushing	
M400770	37, 47, 49
M402542	47, 49
70178701	45
Spacer	
70488403	31
Spark Electrode	
70548701P	37
Spray Paint	
298P4P	29
Spring	
70571801	31
Spring Catch Bracket	
70543401	31
Standoff	
70569603	31
Steam Adapter Kit	
70529601	43
Steam Coil	
70369101P	43
Steam Control Assembly	
70501801	45
Steam Filter Holder	
70369301	43
Steam Valve	
F8322904P	43
Steam Valve Harness	
F8520703	43
Stove Back	
70371501	37
Stove Connectors Cover	
70365201	41
Stove Grill	
70214901	41
Stove Limit Bypass Harness	
70564302	43
Stove Limit Harness	
70564301	37
70564303	41
Stove Partition	
70357201	41
Stove Top and Sides	
70333401	37
7052601	41
Strain Relief	
44304801	43
Street Elbow	
F422304	37

H86070034	37
Support Bearing	
70448701	27
Support Housing Bearing Assembly	
430260P	27
Switch	
70411901	35
Switch Bracket	
70356301	35
70508501	23

T

Tensioning Bracket	
70569501	31
Terminal	
00622SG	45
Terminal Block	
430642	45
Terminal Block Shield	
70333001	45
Thermistor	
M414704	33
Thermostat Cover	
M414477	37
Top Pan	
70583001	29
Top Panel	
70557501	29
Transformer	
F8491101	45
202757	13
202758	13
Transformer Harness	
44272301	13
44272302	13
Trunnion and Seal Kit	
70564801	25
Tumbler Dolly Kit	
M4379P4	29

U

USB IR Interface Kit	
203346	13
USB-Serial Interface Assembly	
203440	7

V

Valve	
F8322906P	43
Vend Activation Harness	
44334002	7
Vend Plate	
F8632501	7

N/A items do not appear in index.

W

Warning Label	
F8611601	47, 49, 51
44321601	51
44324101	51
70534301	19
70534302	19
70534305	51
70536301	51
Warning Label Kit	
F8611600	47, 49
Washer	
M400991	27, 33
70261401	29
70411301	25
Wire Clip	
F8449501	45
F8449502	45
Wire Guard	
201595P	9
Wire Label	
44286802	45, 47
44286804	45
Wireless Control Label	
204692	7
