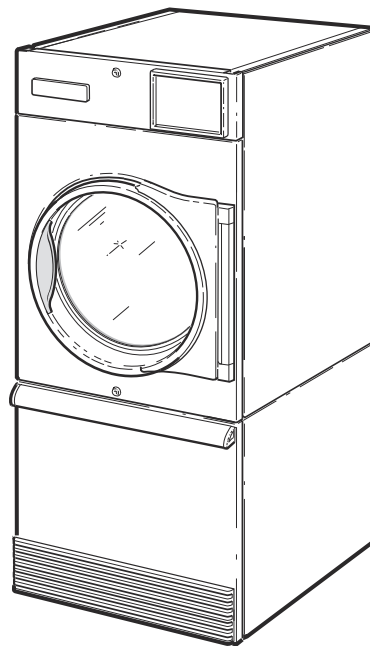


# Tumble Dryers

30 Pound Capacity

18 Digit Model Numbers with 6 in 13th Position

Refer to Page 3 for Model Numbers



TMB1293C



# Table of Contents

Title	Page
Parts Ordering Information.....	2
Serial Plate Location .....	2
Machine Identification .....	3
Product Overview - Heat Source and Voltage .....	4
Product Overview - FN Control Suffix .....	6
Product Overview - DN and NN Control Suffixes.....	8
Product Overview - N and W Control Suffixes .....	10
Dual Digital Control .....	12
Electronic Display Control - Vend Models with N or W in the 7th Position.....	14
Electronic Display Control - OPL Models with N in the 7th Position .....	16
Coin Drops .....	18
Coin Drop Kits.....	20
Door Assemblies .....	22
Door Components.....	24
Hinge Components .....	26
Control Panels .....	28
Front Panel Assemblies .....	30
Cabinet Front Components.....	32
Emergency Stop Button - IEC OPL Models .....	34
Lower Cabinet Components .....	36
Cylinder and Trunnion Assembly .....	38
Moisture Sensing Components .....	40
Cylinder Components .....	42
Cabinet Components .....	44
Rear Panels .....	46
Fire Suppression System Components .....	48
Fire Suppression System Control Box.....	50
Motor Components .....	52
Blower and Exhaust Components.....	54
Inverter Tray Components .....	56
Airflow Switch.....	58
Gas Heater Components .....	60
Burner Orifices .....	62
Electric Heater Components .....	64
Control Tray .....	66
Accessory Box - Electric Models.....	68
Accessory Box Harnesses - Electric Models.....	70
Accessory Box - Gas Models.....	72
Labels .....	74
Parts Index.....	75

© Copyright 2023 Alliance Laundry Systems LLC

All rights reserved. No part of the contents of this book may be reproduced or transmitted in any form or by any means without the expressed written consent of the publisher.

## Parts Ordering Information

If literature or replacement parts are required, contact the source from whom the machine was purchased or contact Alliance Laundry Systems at (920) 748-3950 for the name and address of the nearest authorized parts distributor.

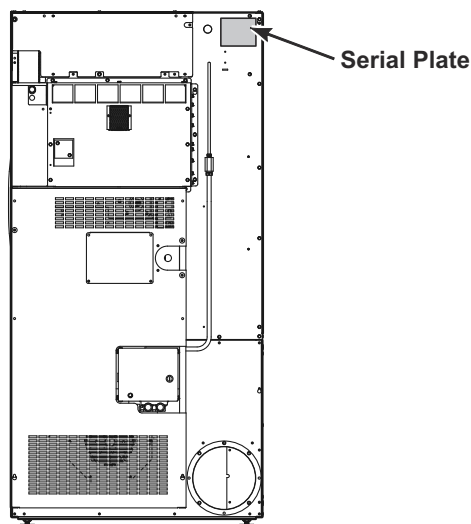
For technical assistance, call the number listed below:

(920) 748-3121 Ripon, Wisconsin

## Serial Plate Location

When calling or writing about your product, be sure to mention model and serial numbers. Model and serial numbers are located on serial plate(s)

as shown.



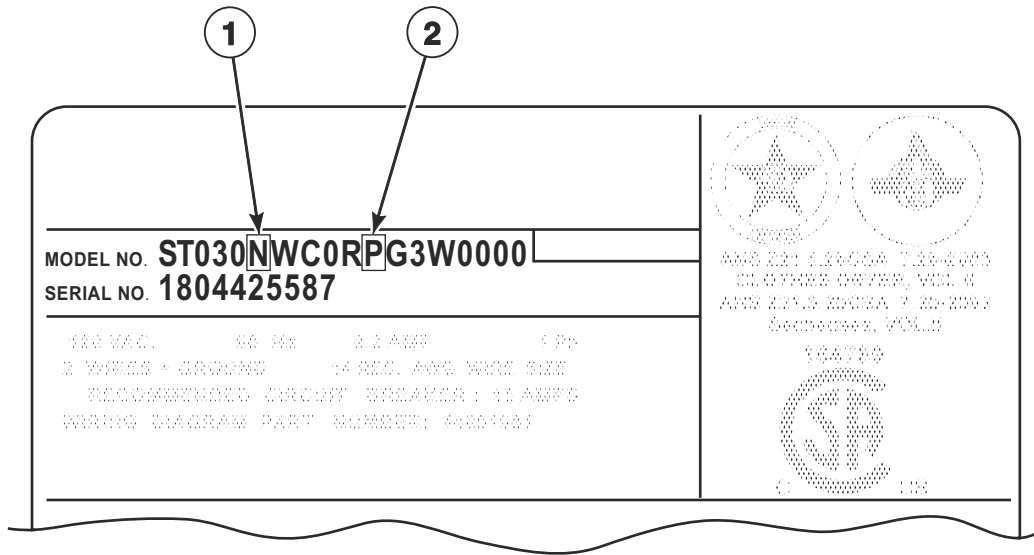
TMB3830P

## Machine Identification

Information in this manual is applicable to these machines:

GA030E	KT030E	MG030D	NA030E
GA030L	KT030L	MG030E	NA030L
GA030N	KT030N	MG030L	NA030N
GG030E		MG030N	NG030E
GG030L		MJ030D	NG030L
GG030N		MJ030E	NG030N
GH030E		MJ030N	NH030E
GH030L			NH030L
GH030N			NH030N
GJ030E			NJ030E
GJ030N			NJ030N
GK030E			NK030E
GK030L			NK030L
GK030N			NK030N
GU030E			NR030E
GU030N			NT030E
			NT030N
			NU030E
			NU030N

# Product Overview - Heat Source and Voltage



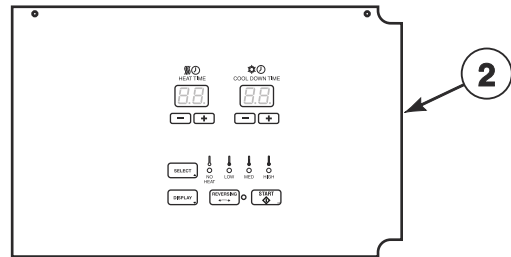
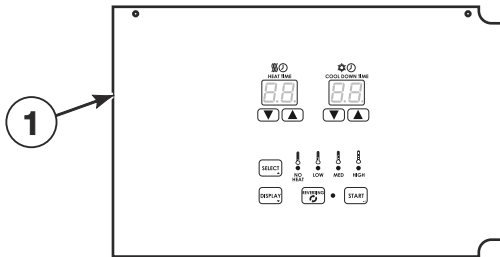
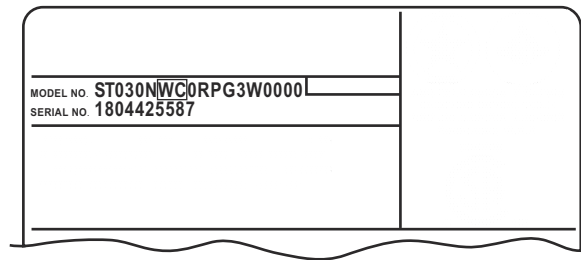
TMB3525P

## Product Overview - Heat Source and Voltage

REF	PART NO.	DESCRIPTION	COMMENTS
1	-	Heat Source	D: Liquid Petroleum Gas (L.P) E: Electric L: Liquid Petroleum Gas (L.P.) N: Natural Gas (N.G.)
2	-	Voltage	B: 100-120 Volt/50-60 Hertz/1 Phase; Gas models D: 200-208 Volt/50-60 Hertz/1 Phase; Electric models E: 230-240 Volt/50-60 Hertz/1 Phase; Electric models F: 200-208 Volt/50-60 Hertz/3 Phase; Electric models G: 230-240 Volt/50-60 Hertz/3 Phase; Electric models H: 380 Volt/50-60 Hertz/3 Phase; Electric models J: 400-415 Volt/50-60 Hertz/3 Phase; Electric models K: 440 Volt/50-60 Hertz/3 Phase; Electric models L: 460-480 Volt/50-60 Hertz/3 Phase; Electric models N: 440-480 Volt/50-60 Hertz/3 Phase; Gas models P: 380-415 Volt/50-60 Hertz/3 Phase; Gas models X: 200-240 Volt/50-60 Hertz/1-3 Phase; Gas models

# Product Overview - FN Control Suffix

G, K and N Models; OPL



TMB3652P

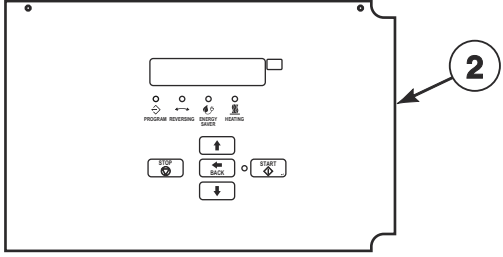
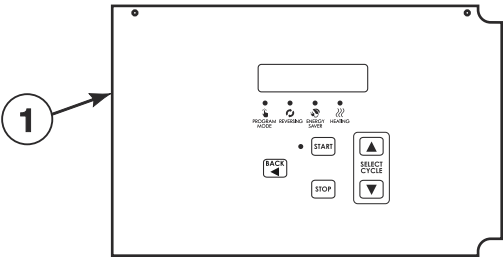
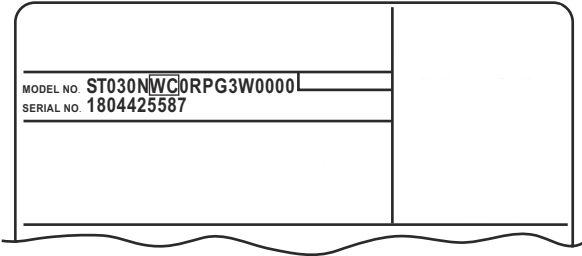


## Product Overview - FN Control Suffix

REF	PART NO.	DESCRIPTION	COMMENTS
1	-	Dual Digital Control	G and K models
2	-	Dual Digital Control	N models

# Product Overview - DN and NN Control Suffixes

G, K and N Models; OPL



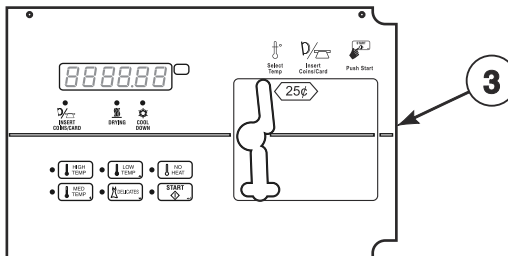
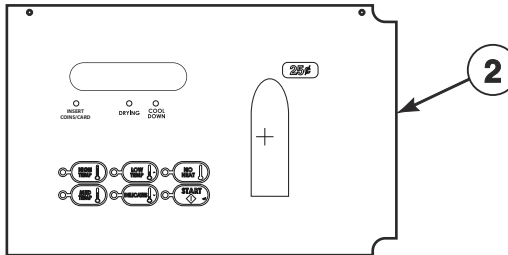
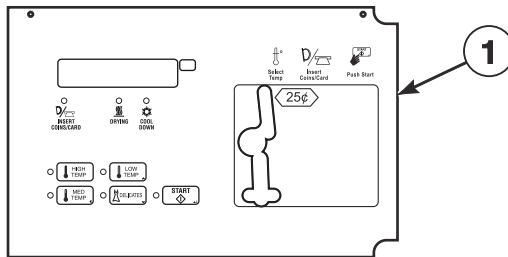
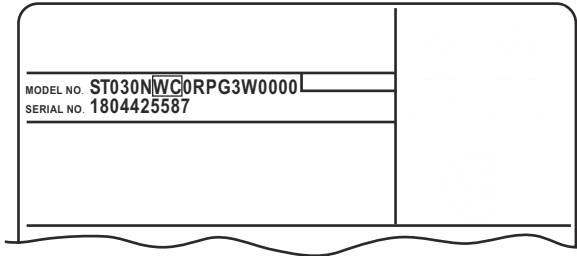
TMB3653P

## Product Overview - DN and NN Control Suffixes

REF	PART NO.	DESCRIPTION	COMMENTS
1	-	OPL Micro Control	G and K models
2	-	OPL Micro Control	N models

# Product Overview - N and W Control Suffixes

7th Position of the Model Number; All Models Except NT Models; Vend



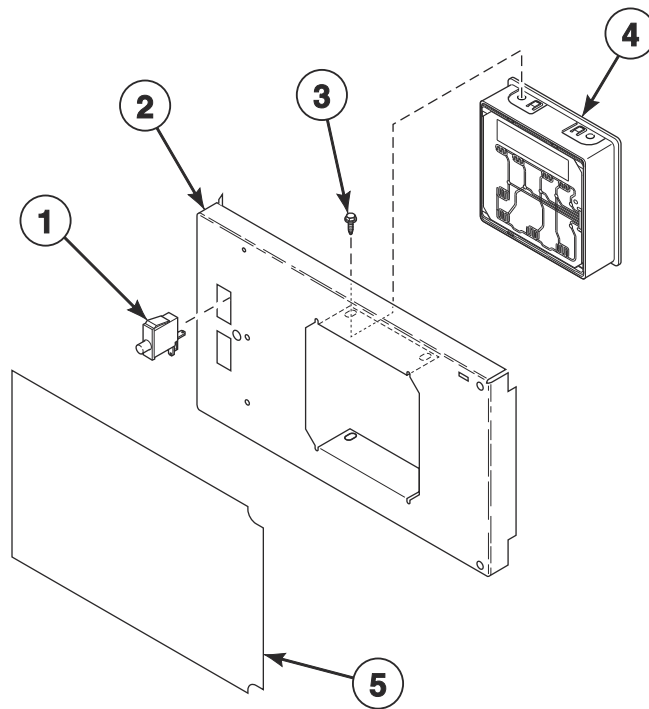
TMB3854P

## Product Overview - N and W Control Suffixes

REF	PART NO.	DESCRIPTION	COMMENTS
1	-	Micro Control	N models
2	-	Micro Control	G and K models
3	-	Quantum Gold Control	M models

# Dual Digital Control

G, K and N Models with F in the 7th Position

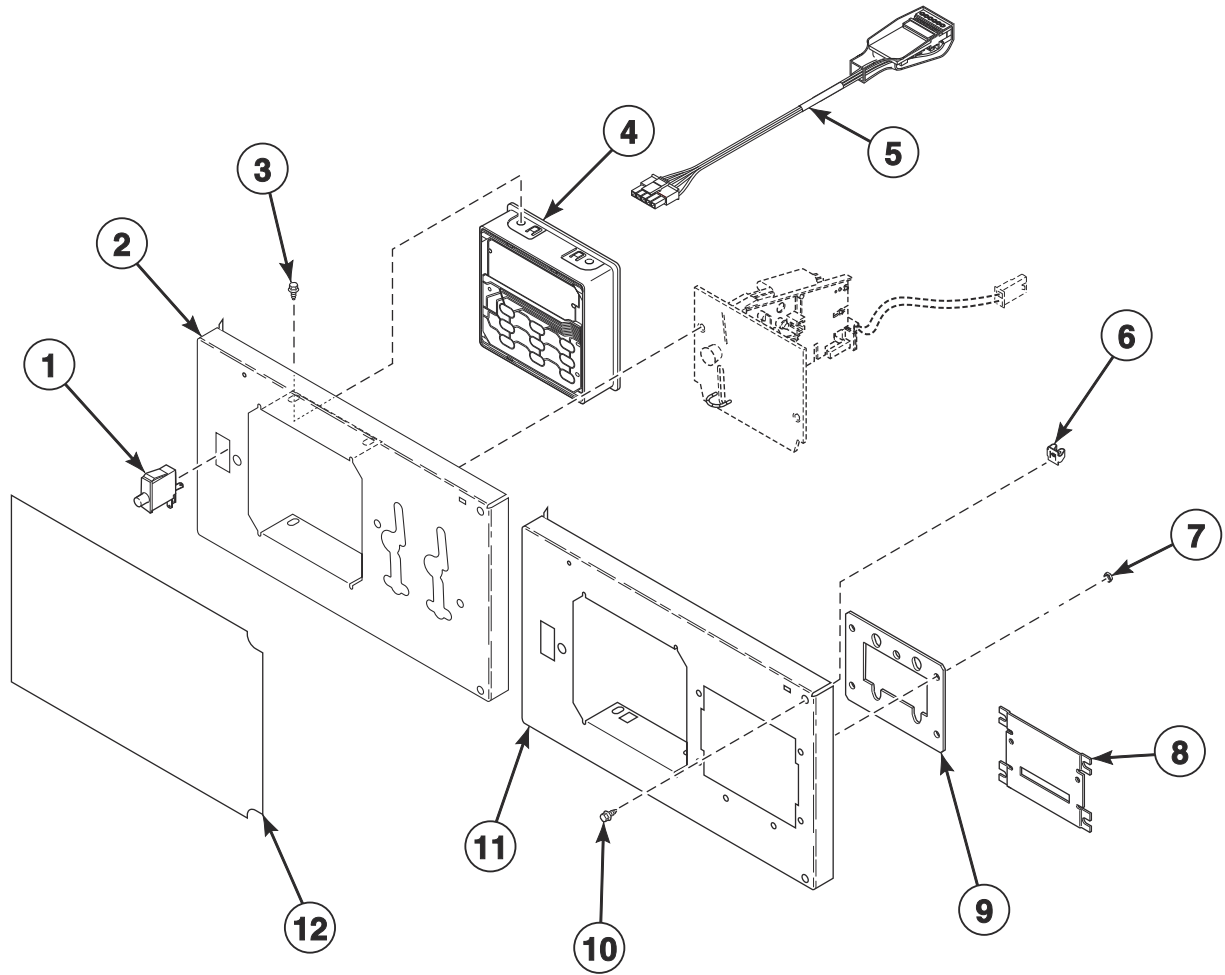


TMB3505P

# Dual Digital Control

REF	PART NO.	DESCRIPTION	COMMENTS
	44334004	Vend Activation Harness	
	70631001	Main Harness	
1	70413301	Pushbutton Switch	
2	70497101	Control Plate	
3	804608	Screw	4 required
4	70479801	Control Assembly	Green
5	70539101	Overlay	N models; Reversing
	70547501	Overlay	G and K models; Reversing

# Electronic Display Control - Vend Models with N or W in the 7th Position



TMB3928P

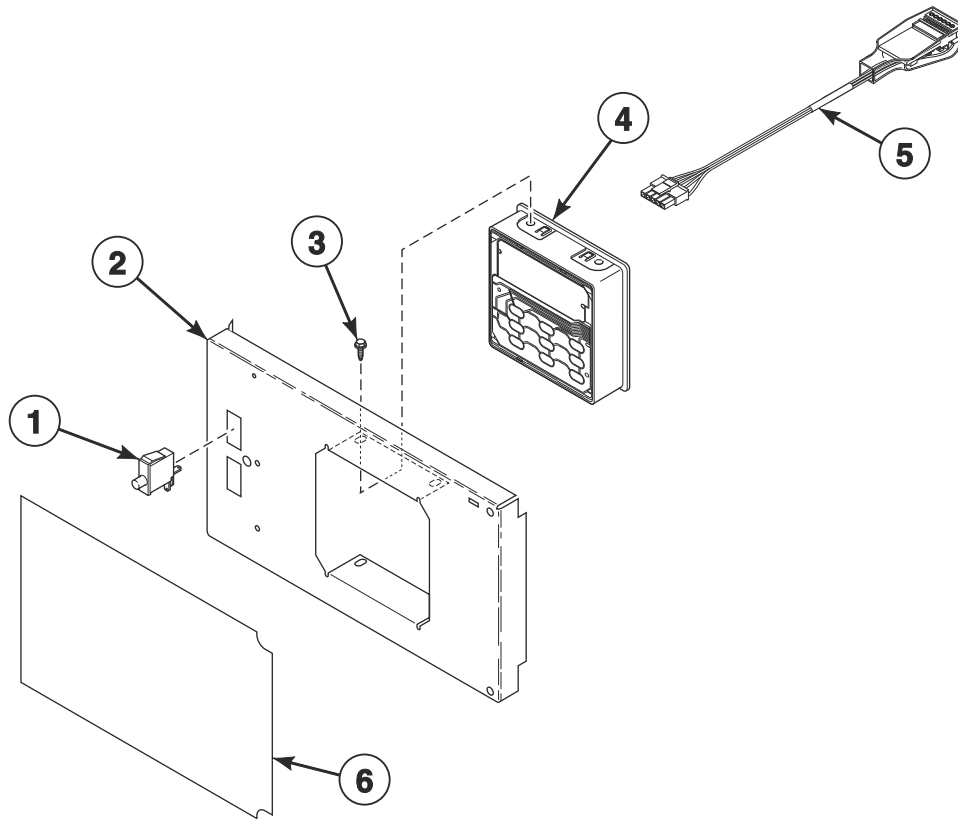


## Electronic Display Control - Vend Models with N or W in the 7th Position

REF	PART NO.	DESCRIPTION	COMMENTS
	44334004	Vend Activation Harness	
	44334103	Bypass Harness	Vault Switch
	44334104	Coin Vault Switch Harness	
	44378102	Interface Harness	Central pay to front end control
	70631001	Main Harness	
	F8519403	Emergency Stop Bypass Harness	T and G market models
<b>1</b>	70413301	Pushbutton Switch	
<b>2</b>	70496601	Control Plate and Studs Assembly	Coin and central pay
<b>3</b>	804608	Screw	4 required
<b>4</b>	70478801P	Control Assembly	Green
<b>5</b>	203361P	Machine ID Control Assembly	Model or serial number is required when ordering
<b>6</b>	70030501	Expansion Clip	
<b>7</b>	70054	Nut	
<b>8</b>	44089501	Slot Card Plate Assembly	
<b>9</b>	70208801	Mounting Plate	
<b>10</b>	M411072	Screw	
<b>11</b>	70497201	Control Plate Assembly	Card
<b>12</b>	70679201	Overlay	M models; Single drop
	70571101	Overlay	N models; Single drop
	70571102	Overlay	N models; Dual drop
	70571103	Overlay	N models; Card ready
	70626001	Overlay	G and K models; Single drop
	70626002	Overlay	G and K models; Dual drop
	70626101	Overlay	G and K models; Card ready

# Electronic Display Control - OPL Models with N in the 7th Position

G, K and N Models

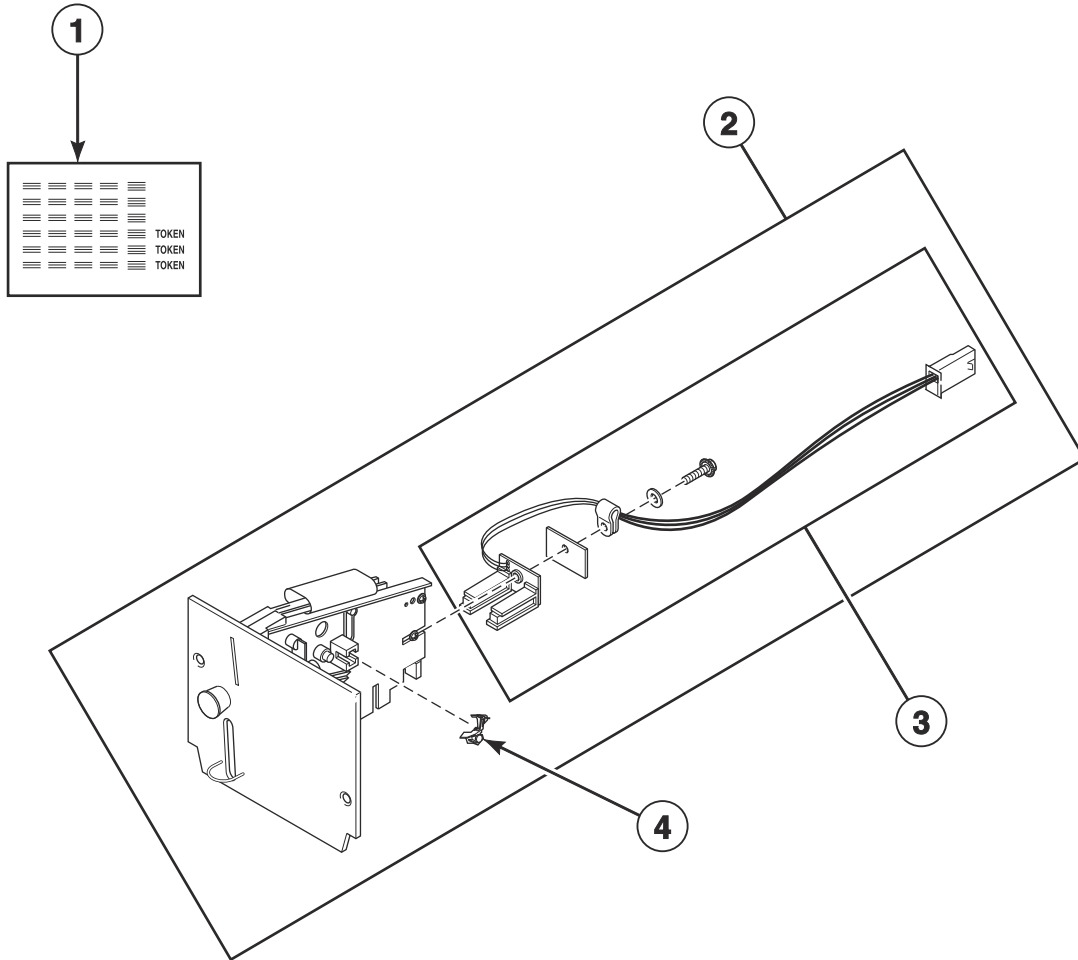


TMB3680P

## Electronic Display Control - OPL Models with N in the 7th Position

REF	PART NO.	DESCRIPTION	COMMENTS
	44334004	Vend Activation Harness	
	70631001	Main Harness	
1	70413301	Pushbutton Switch	
2	70497101	Control Plate	
3	804608	Screw	4 required
4	70478802	Control Assembly	Green
5	203361P	Machine ID Control Assembly	Model or serial number is required when ordering
6	70548801	Overlay	N models; Reversing
	70547801	Overlay	G and K models; Reversing

# Coin Drops

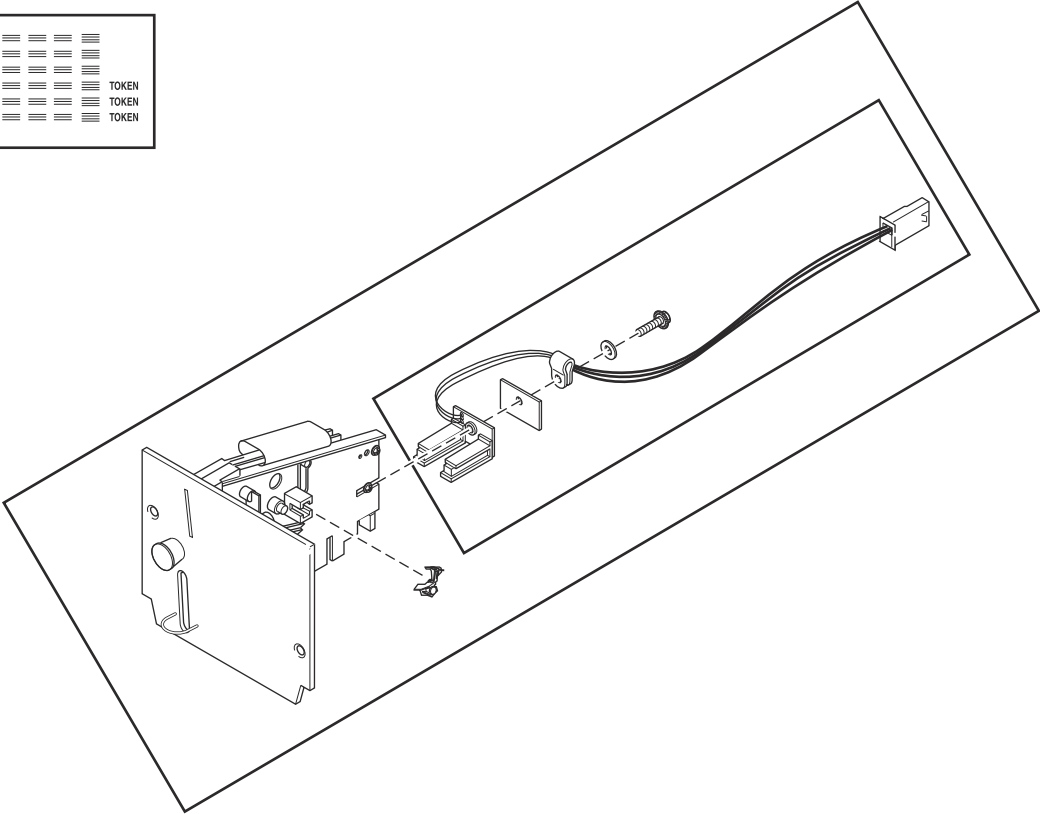
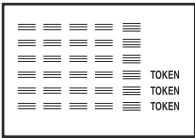


TMB3510P

# Coin Drops

REF	PART NO.	DESCRIPTION	COMMENTS
1	38725	Coin Identification Paper	
2	70441601P	Coin Drop	Single; U.S.A.; \$.25
	38475	Coin Drop Assembly	Single; Japan; 100 yen
	38464P	Coin Drop Assembly	Single; Canada; .25
	CK077	Coin Drop Kit	Single; Taiwan; 10 NT
	70506901	Coin Drop Assembly	Single; Singapore; \$1.00 NEW
	70441603	Coin Drop	Dual; U.S.A.; \$.25 and \$1.00
	38519	Coin Drop Assembly	Dual; Japan; 100 yen and 500 yen
	70441602	Coin Drop Assembly	Dual; Canada; .25 and 1.00
	38467	Coin Drop Assembly	Dual; Australia; \$0.20 and \$1.00
	70447301	Coin Drop Assembly	Dual; Australia; \$1.00 and \$2.00
	70283102	Coin Drop Assembly	Dual; 0.20 and 0.50 Euro
	210195	Coin Drop Assembly	Dual; 0.20 and 1.00 Euro
	210196	Coin Drop Assembly	Dual; 0.50 and 1.00 Euro
	F0160737-00	Coin Meter	Dual; 0.50 and 2.00 Euro
	70281102	Coin Drop Assembly	Dual; Taiwan; 10 and 50 NT
	70482401	Coin Drop Assembly	Dual; New Zealand ; \$1.00 and \$2.00
	38462P	Coin Drop Assembly	Single; Token; STD 118-1
	38463	Coin Drop Assembly	Single; Token; STD 118-5
	38963P	Coin Drop	Single; Token STD 118-16
	39748	Coin Drop	Single; Jeton 08MS
	201141	Coin Drop Assembly	Single; Token; Jeton wh121
	70471601	Coin Drop Assembly	Single; Token; 7K
	70513302	Electronic Coin Drop Assembly	Euro and Great Britain coins
	70513310	Electronic Coin Drop Assembly	Japan and Thailand coins
	70513304	Electronic Coin Drop Assembly	Australia, New Zealand, Hong Kong and South Korea coins
	70513303	Electronic Coin Drop Assembly	Denmark, Norway and Euro coins
	70513306	Electronic Coin Drop Assembly	Mexico, Ecuador and U.S.A. coins
	70294107	Electronic Coin Drop Assembly	Lithuania, Latvia and Euro coins
	70513311	Electronic Coin Drop Assembly	China and Malaysia coins
	70513308	Electronic Coin Drop Assembly	South African 1, 2 and 5 rand coins
	70513309	Electronic Coin Drop Assembly	Euro coins
	70513312	Electronic Coin Drop Assembly	Russia coins
	70513313	Electronic Coin Drop Assembly	Phillipines coins
	70513314	Electronic Coin Drop Assembly	Thailand coins
	70513315	Electronic Coin Drop Assembly	Chile coins
	70513316	Electronic Coin Drop Assembly	Singapore coins
3	200674P	Opto Coupler	
4	201595P	Wire Guard	

# Coin Drop Kits

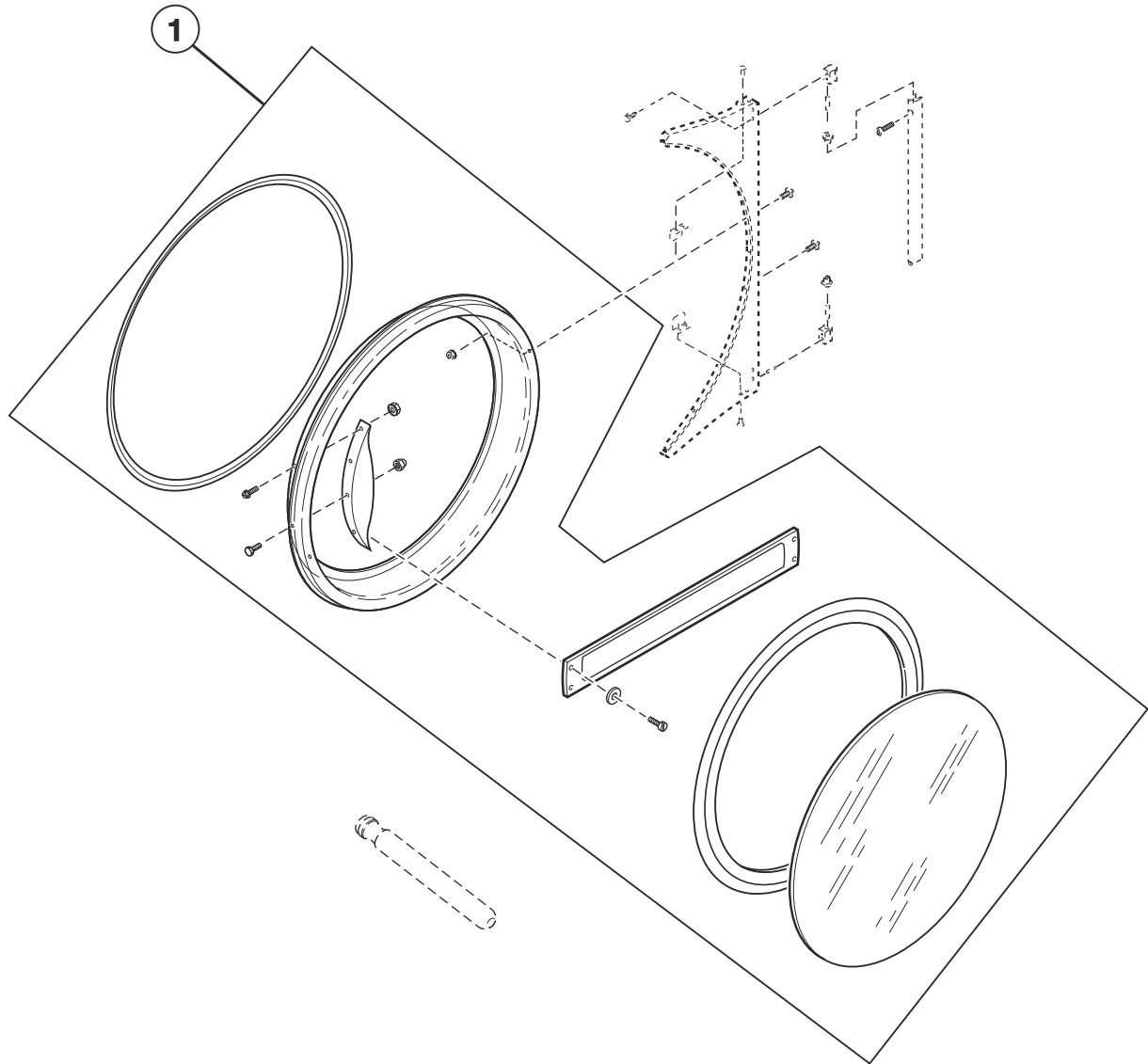


TMB3510PA

## Coin Drop Kits

REF	PART NO.	DESCRIPTION	COMMENTS
	CK115	Electronic Coin Drop Kit	United States and Canada
	CK099	Electronic Coin Drop Kit	Australia (default), New Zealand, Hong Kong, South Korea and Malaysia
	CK100	Electronic Coin Drop Kit	United Kingdom (default) and Europe
	CK101	Electronic Coin Drop Kit	Europe (default), Denmark and Norway
	CK108	Electronic Coin Drop Kit	South Africa
	CK109	Electronic Coin Drop Kit	Euro
	CK110	Electronic Coin Drop Kit	Mexico (default), Ecuador and United States
	CK113	Electronic Coin Drop Kit	Japan and Taiwan
	CK116	Electronic Coin Drop Kit	Malaysia (default) and China
	CK117	Electronic Coin Drop Kit	Russia
	CK118	Electronic Coin Drop Kit	Philippine
	CK119	Electronic Coin Drop Kit	Thailand
	CK120	Electronic Coin Drop Kit	Chile
	CK121	Electronic Coin Drop Kit	Singapore
	CK122	Coin Drop Kit	New Zealand; 1.00 and 2.00

# Door Assemblies



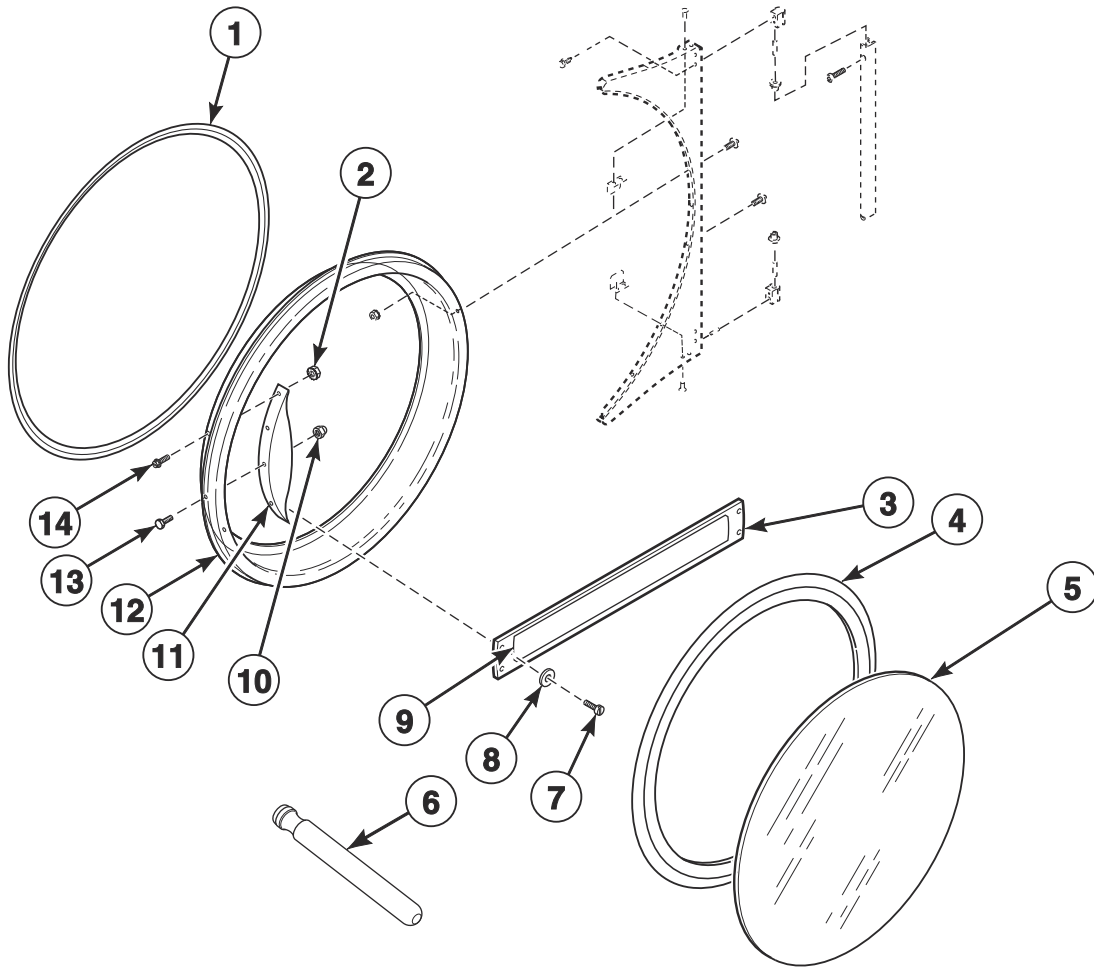
TMB3856P



## Door Assemblies

REF	PART NO.	DESCRIPTION	COMMENTS
1	70597701	Door Assembly	M models; Stainless steel
	70597702	Door Assembly	M models; Chrome
	70597709	Door Assembly	N models; Black
	70597711B	Door Assembly	G and K models; Black

# Door Components

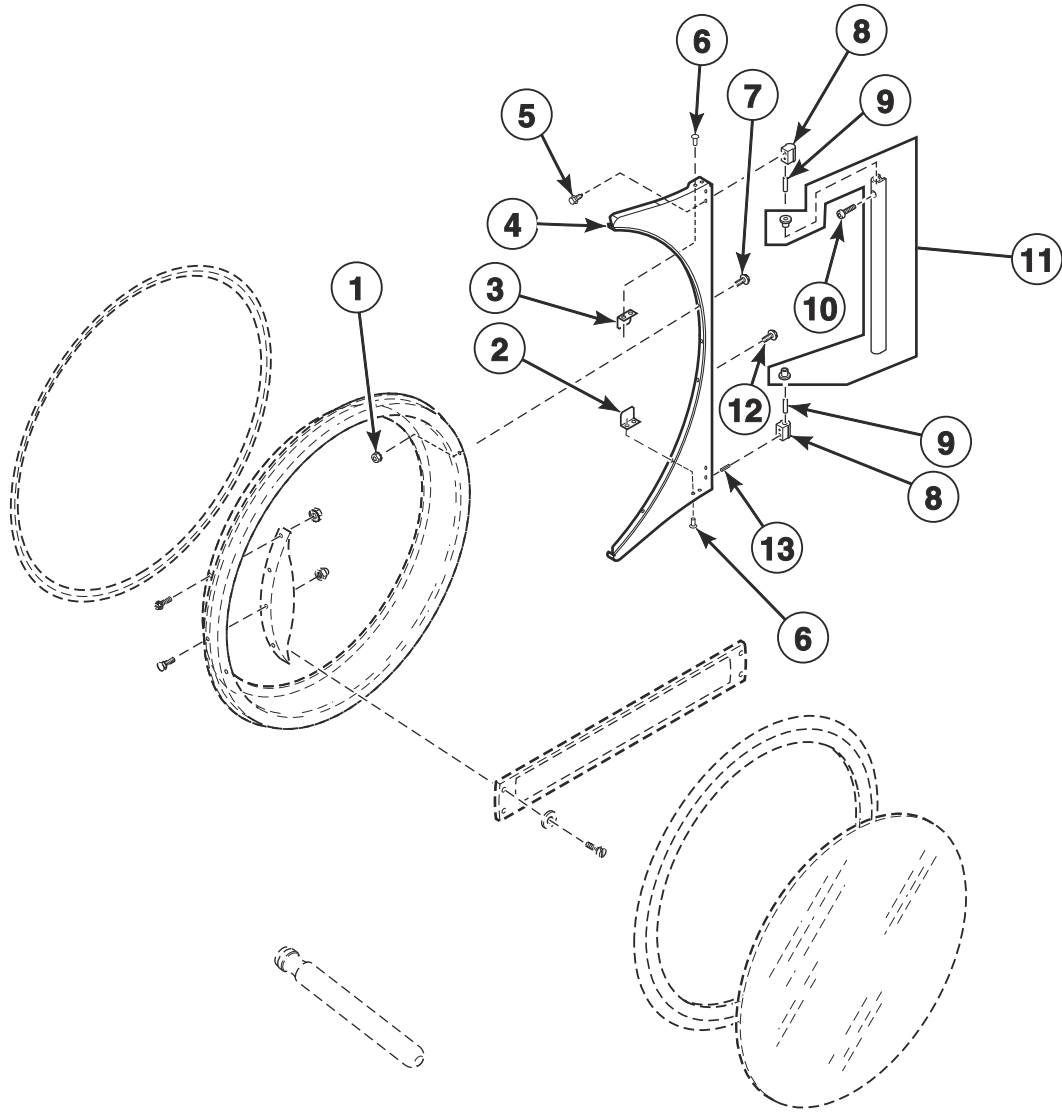


TMB3856PA

## Door Components

REF	PART NO.	DESCRIPTION	COMMENTS
1	70296801	Door Ring Gasket	
2	44088001	Nut	M and N models; 4 required
3	70399502B	Handle Bar	G and K models
4	70211901P	Door Glass Seal Kit	Use Loctite 414 for seal
5	M400784P	Door Glass	
6	M4221P4	Door Glass Installation Tool	
7	70412601	Pop Rivet	G and K models; Attaches door handle to door ring
8	70409301	Washer	G and K models
9	44144401	Nameplate Overlay	K models through 7/7/22
	44391201	Nameplate Overlay	K models starting 7/8/22
	70411401	Nameplate Overlay	G models
10	M414215	Nut	For door strike; Mounts between door strike screw and door handle
11	44007902P	Door Handle	M and N models
12	70597501	Door Ring Assembly	M models; Stainless steel
	70597502	Door Ring Assembly	M models; Chrome
	70597509B	Door Ring Assembly	G and K models; Black
	70597507B	Door Ring Assembly	N models; Black
13	M400661	Screw	Door Strike
14	70442101	Screw	M and N models; 4 required

# Hinge Components

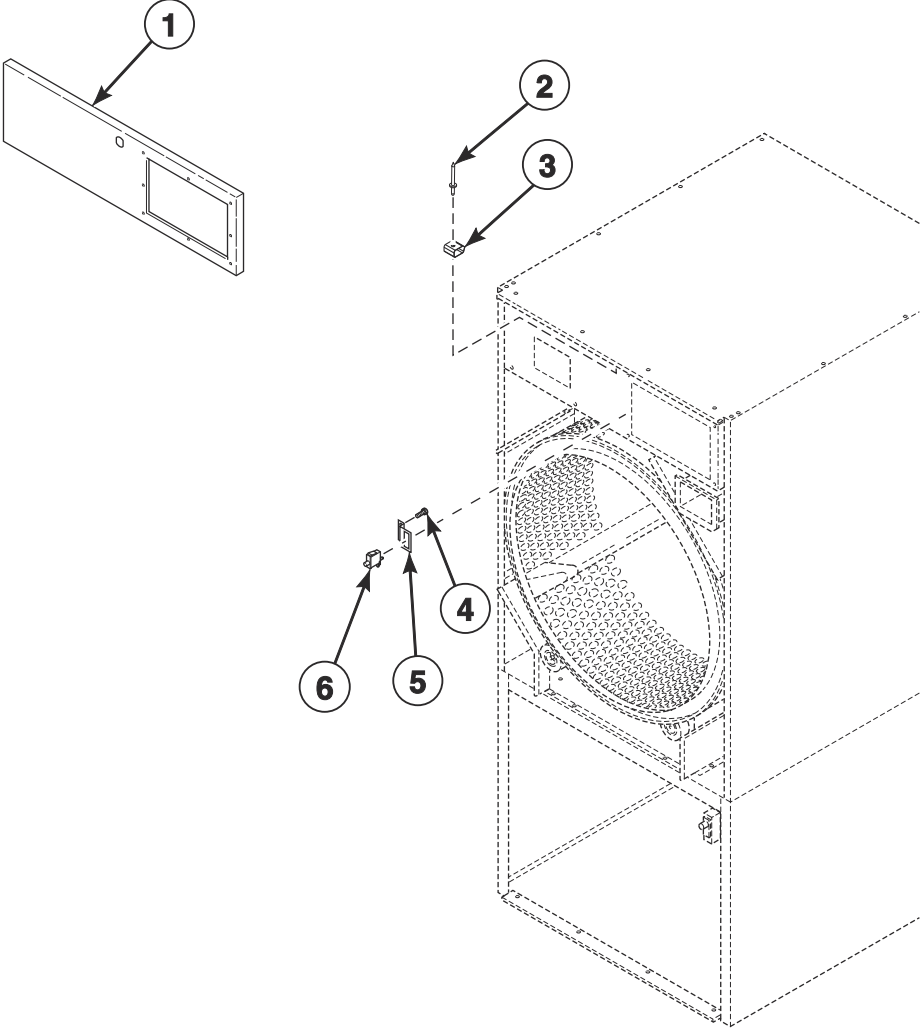


TMB3856PB

## Hinge Components

REF	PART NO.	DESCRIPTION	COMMENTS
1	44088001	Nut	
2	70532101	Door Switch Actuator	Bottom
3	70532102	Door Switch Actuator	Top
4	70595509W	Door Hinge	M and N models
	70595503	Door Hinge	M and N models; Stainless steel
	70595509B	Door Hinge	G and K models; Black
5	70576101	Screw	
6	70058501	Pop Rivet	
7	44349101	Screw	5 required
8	M4772P3	Hinge Cam Kit	M models
	M4773P3	Hinge Cam Kit	G, K and N models; Black
9	70071401	Pin	
10	70033502	Screw	M models
	70407301	Screw	G, K and N models; Black
11	44035001	Door Hinge Lug Assembly	M models
	44035002	Door Hinge Lug Assembly	G, K and N models; Black
12	70689401	Screw	
13	70436301	Screw	

# Control Panels

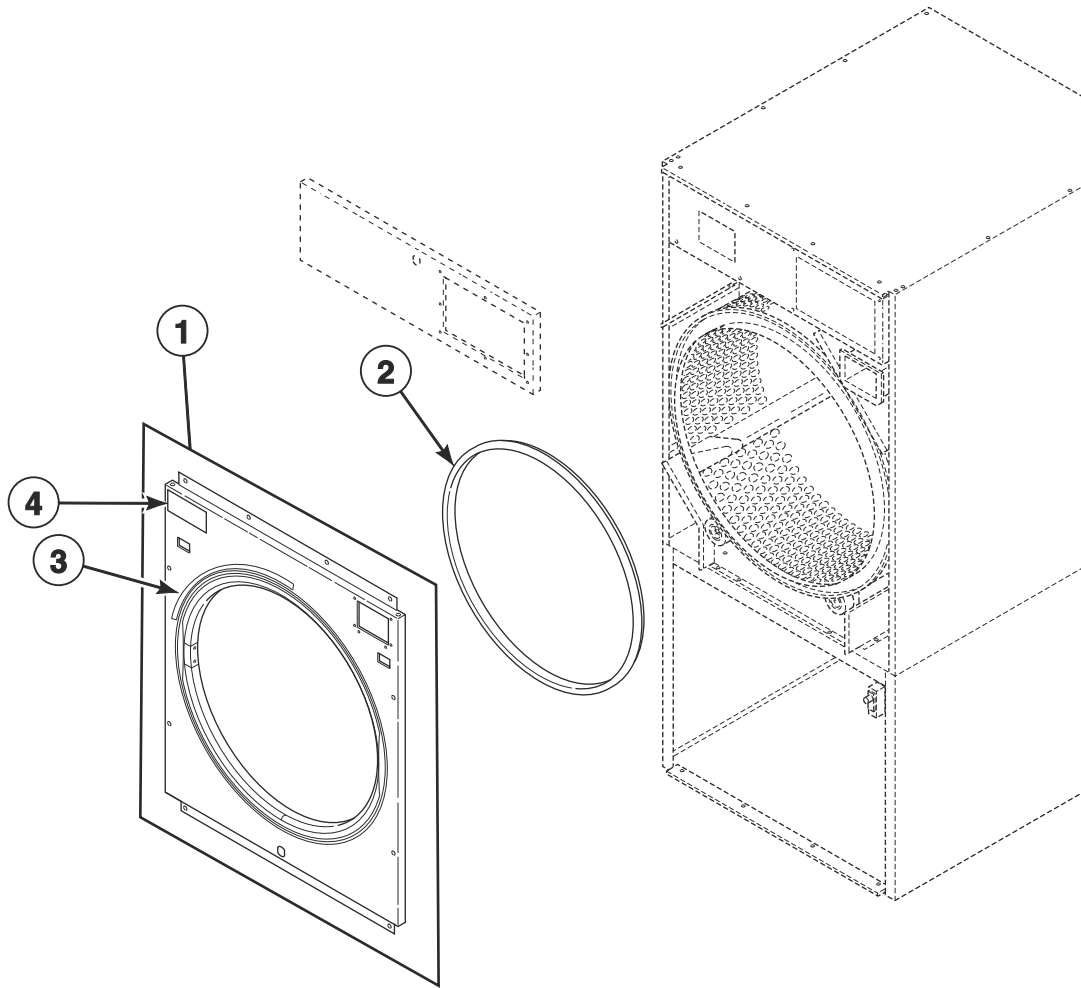


TMB3858P

## Control Panels

REF	PART NO.	DESCRIPTION	COMMENTS
1	70273315W	Control Panel	G, K and N models
	70273313	Control Panel	G, K and N models; Stainless steel
	70689703W	Control Panel Assembly	M models; Coin and central pay
	70689701	Control Panel Assembly	M models; Stainless steel; Coin and central pay
	70689702	Control Panel Assembly	M models; Stainless steel; Card
	70689704W	Control Panel Assembly	M models; Card
2	M400003	Pop Rivet	
3	431318	Control Door Latch	
4	430497	Screw	
5	70641601	Control Panel Switch Bracket	
6	70413301	Pushbutton Switch	

# Front Panel Assemblies



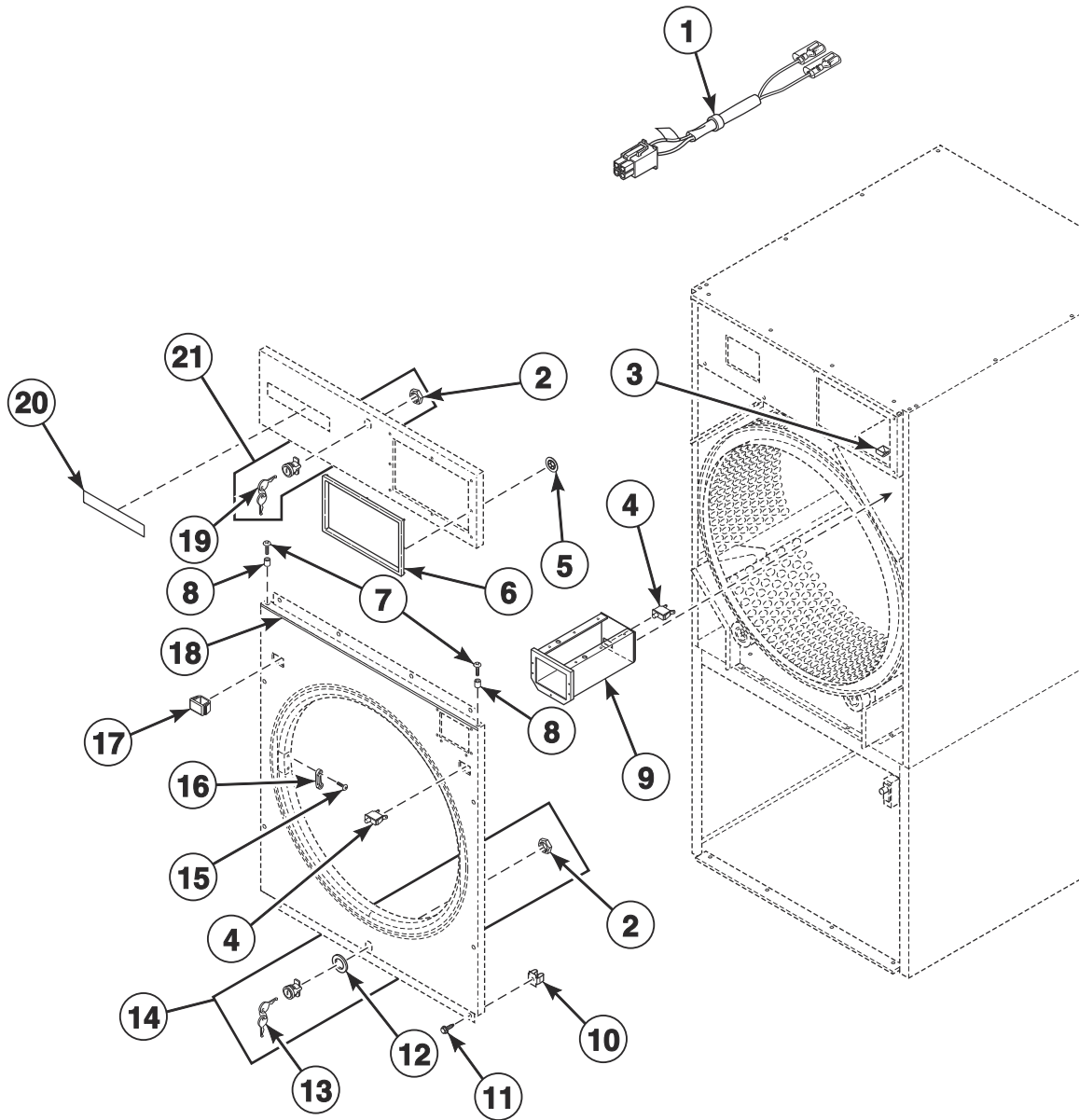
TMB3857P



## Front Panel Assemblies

REF	PART NO.	DESCRIPTION	COMMENTS
1	70602002W	Front Panel Assembly	Coin
	70601501	Front Panel Assembly	Coin; Stainless steel
	70602102W	Front Panel Assembly	Card and central pay
	70601601	Front Panel Assembly	Card and central pay; Stainless steel
	70602702W	Front Panel Assembly	OPL; With e-stop
	70601901	Front Panel Assembly	OPL; Stainless steel; With e-stop
	70602202W	Front Panel Assembly	OPL; Without e-stop
	44115902	Front Panel Assembly	OPL; Stainless steel; Without e-stop
2	70173401P	Front Panel Seal	
3	70534301	Warning Label	English
	70534302	Warning Label	French
	70534300	Label Kit	IEC models; Warning
4	70537001	Label	M and N models; C.A.R.E.
	70537101	Label	G and K models; F.S.S.
	70414001	Label	G and K models through 8/7/22; Coin; ExpressDry

# Cabinet Front Components



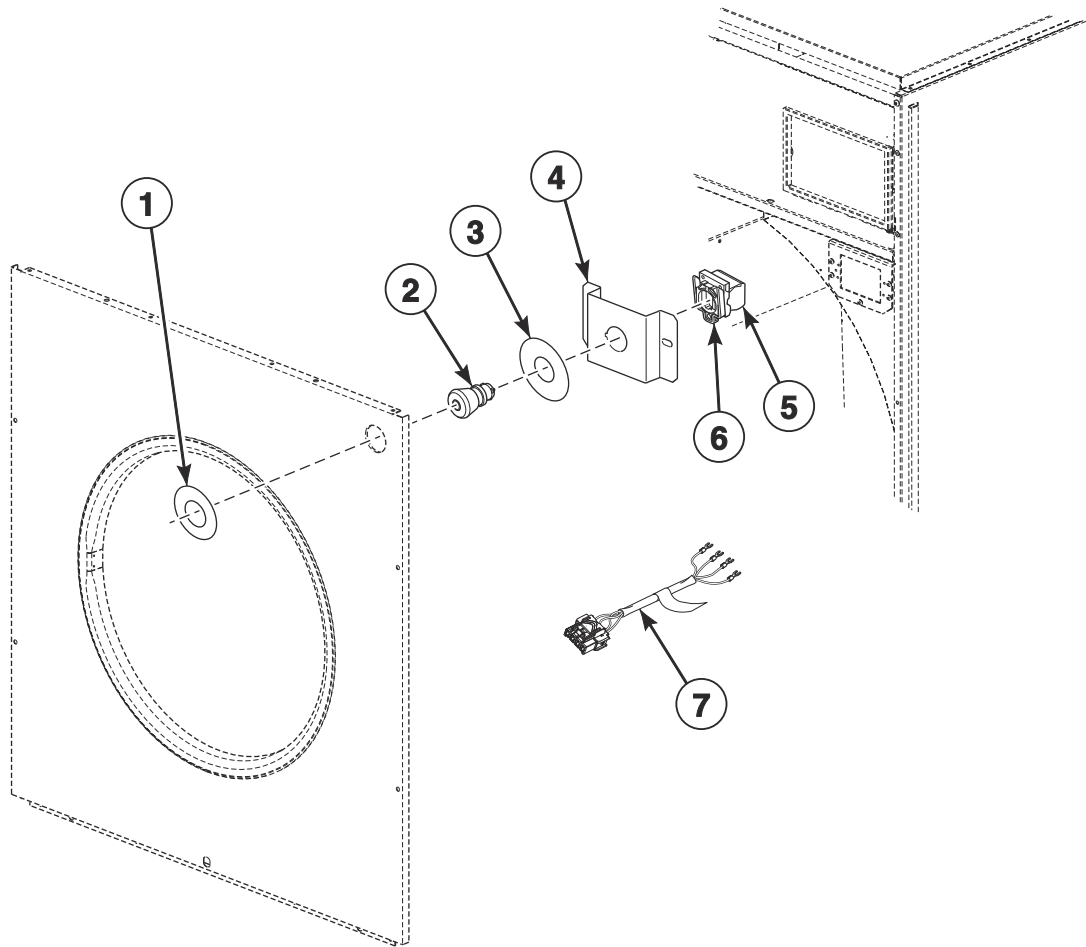
TMB3859P

## Cabinet Front Components

REF	PART NO.	DESCRIPTION	COMMENTS
	44334103	Bypass Harness	Card and central pay
	D511476	Jumper Harness	Card reader present
	70482901	Door Catch Kit	
<b>1</b>	44334101	Coin Vault Switch Harness	
<b>2</b>	44088801	Nut	
<b>3</b>	70296401	Coin Chute Assembly	
<b>4</b>	70413301	Pushbutton Switch	
<b>5</b>	M400977	Nut	
<b>6</b>	44016401	Control Trim	K, M and N models; Black
<b>7</b>	39733	Screw	
<b>8</b>	56079	Panel Locator	9 required
<b>9</b>	70529501	Coin Vault Assembly	
	70529502	Coin Vault and Emergency Stop Mount Assembly	Models with emergency stop
	F160673P	Coin Box	Optional equipment; Includes lock and key
<b>10</b>	70030501	Expansion Clip	8 required
<b>11</b>	M411072	Screw	8 required
<b>12</b>	70342401	Lock Shim	
<b>13</b>	70155602	Key	RL002
<b>14</b>	44089302P	Lock, Key and Nut Kit	RL002; Black
<b>15</b>	44166601	Pop Rivet	
<b>16</b>	M401223	Door Latch	
<b>17</b>	44057801W	Switch Hole Plug	White
	44057801B	Switch Hole Plug	Black
<b>18</b>	70399411	Access Panel Trim	G and K models; Coin
	70399405	Access Panel Trim	G and K models; Card and Central pay
<b>19</b>	70155601	Key	RL001
<b>20</b>	44130201	Nameplate Overlay	K models through 7/7/22; OPL
	44391301	Label	G and K models starting 8/8/22; Coin; ExpressDry
	44391401	Label	K models starting 7/8/22; OPL; ProDry2+
<b>21</b>	44089301P	Lock, Key and Nut Kit	RL001; Black

# Emergency Stop Button - IEC OPL Models

A, H, J, K, L, R and U in the 2nd Position

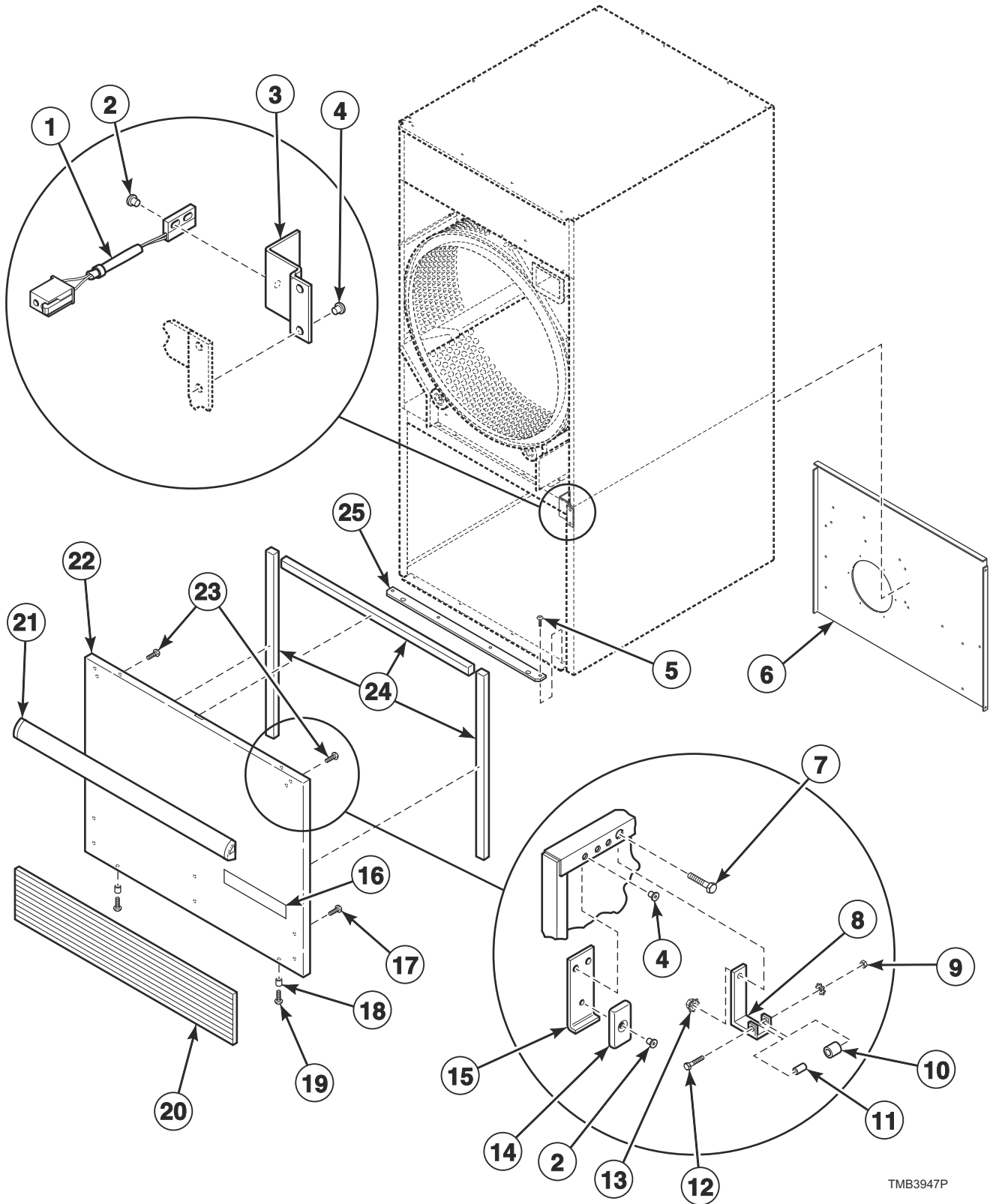


TMB3513P

## Emergency Stop Button - IEC OPL Models

REF	PART NO.	DESCRIPTION	COMMENTS
	70580301	Emergency Stop Button Kit	Includes items 2-4
	70631101	Emergency Stop Interconnect Harness	
1	44012903	Emergency Stop Label	
2	F200233500	Emergency Stop Pushbutton	
3	44012901	Emergency Stop Label	
4	70550401	Emergency Stop Mounting Bracket	
5	F8069501	Contact Switch	2 required
6	F8538101	Contact Base	
7	44272401	Emergency Stop Harness	

# Lower Cabinet Components

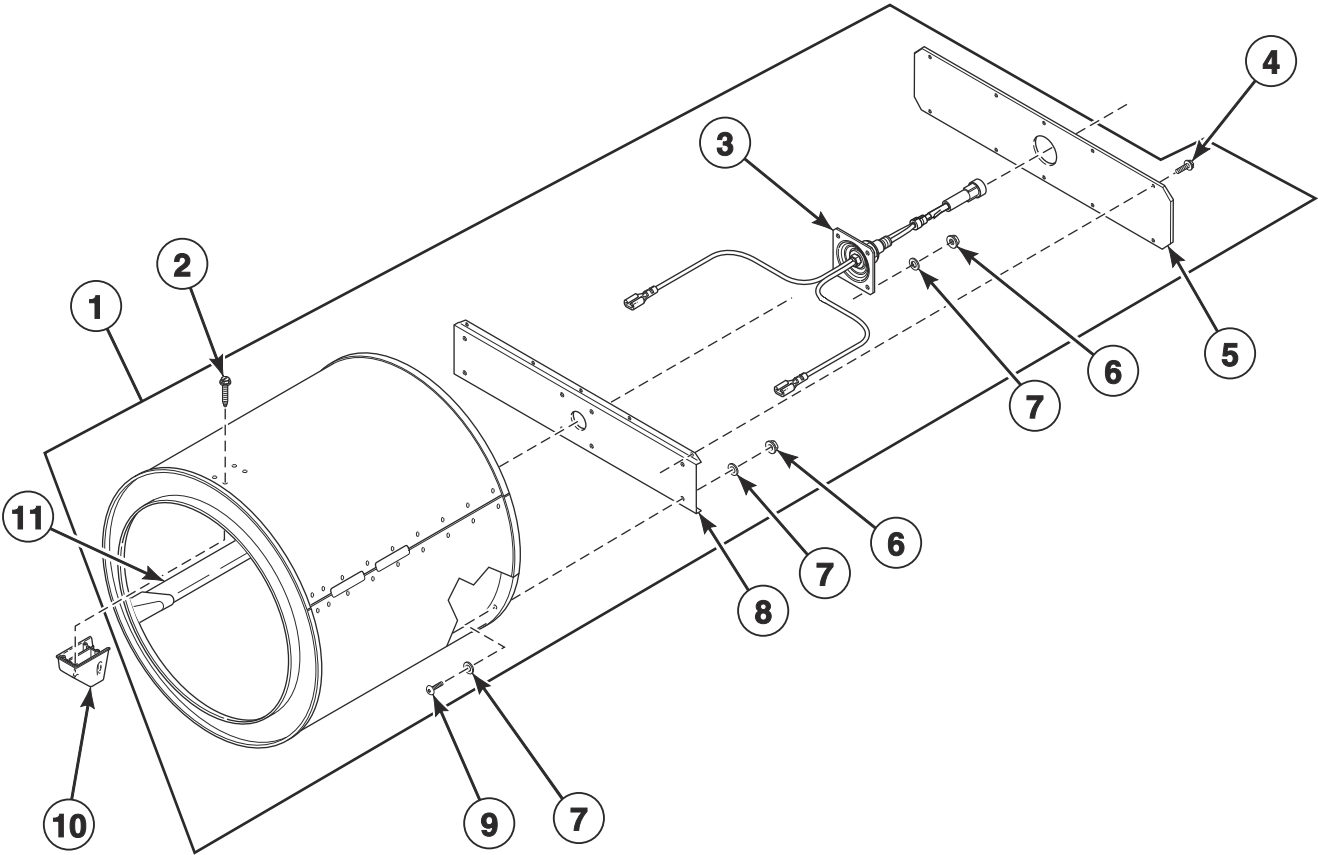


TMB3947P

## Lower Cabinet Components

REF	PART NO.	DESCRIPTION	COMMENTS
1	F8066804	Reed Switch Assembly	
2	F8245101	Blind Rivet	
3	70508501	Switch Bracket	
4	70058501	Pop Rivet	
5	430497	Screw	
6	70565301	Rear Lint Panel	
7	70132301	Screw	Attaching roller catch
8	70030301	Roller Catch Arm	
9	23951	Nut	
10	70297601	Roller Catch Wheel	
11	70030201	Roller Catch Spacer	
12	70072801	Screw	
13	51236	Nut	Attaching roller catch
14	70343101	Magnet	
15	44290501	Magnet Bracket	
16	44391501	Label	K models starting 7/8/22; Capacity; OPL
17	70126301	Pop Rivet	For attaching kickplate; Black; 6 required
	70126401	Pop Rivet	For attaching kickplate; Gray; 6 required
18	56079	Panel Locator	
19	39733	Screw	
20	70117601	Kickplate	Black
21	70154401	Handle and Caps Assembly	M and N models; Black
	70407205	Handle Bumper	G and K models
22	70515403W	Lint Panel	With kickplate
	70515402	Lint Panel	Stainless steel; With kickplate
	70515405	Lint Panel	Stainless steel; No kickplate
	70515404W	Lint Panel	No kickplate
23	430757	Screw	For attaching handle; 6 required
24	70289101P	Gasket	Sold per foot
25	70017901	Lint Panel Pivot Plate	

# Cylinder and Trunnion Assembly



TMB3358P

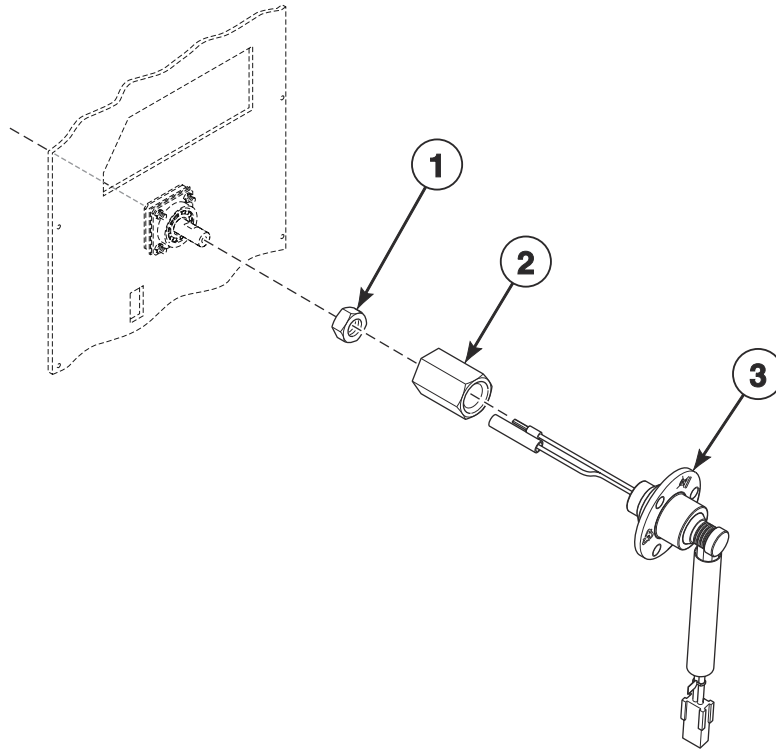


## Cylinder and Trunnion Assembly

REF	PART NO.	DESCRIPTION	COMMENTS
	70343101P	Drywall Screw Magnet Kit	
1	70372703	Cylinder Assembly	G and K models; Non-moisture sensing
	70443803	Cylinder and Trunnion Assembly	G and K models; Moisture sensing
	70372701P	Cylinder Assembly	Galvanized; Non-moisture sensing
	70443801	Cylinder and Trunnion Assembly	G, K and N models; Galvanized; Moisture sensing
	70372702P	Cylinder Assembly	Stainless steel; Non-moisture sensing
	70443802	Cylinder and Trunnion Assembly	N models; Stainless steel; Moisture sensing
2	62588	Screw	12 required
3	70564801	Trunnion and Seal Kit	Includes 70013702 Rear Cylinder Seal; Non-moisture sensing
	70564802	Trunnion and Seal Kit	Moisture sensing; Includes 70454601 Trunnion and Wire Assembly
4	430497	Screw	10 required
5	70257401	Rear Cylinder Channel Plate	
6	44087201	Nut	8 required
7	70411301	Washer	
8	70257301	Rear Cylinder Channel	Non-moisture sensing
	70257302	Rear Cylinder Channel	Moisture sensing
9	70391101	Screw	8 required
10	70070101	End Cap	Non-moisture sensing
	70070102	End Cap	Moisture sensing
11	70433001	Cylinder Rib Assembly	Moisture sensing

# Moisture Sensing Components

G, K and N Models

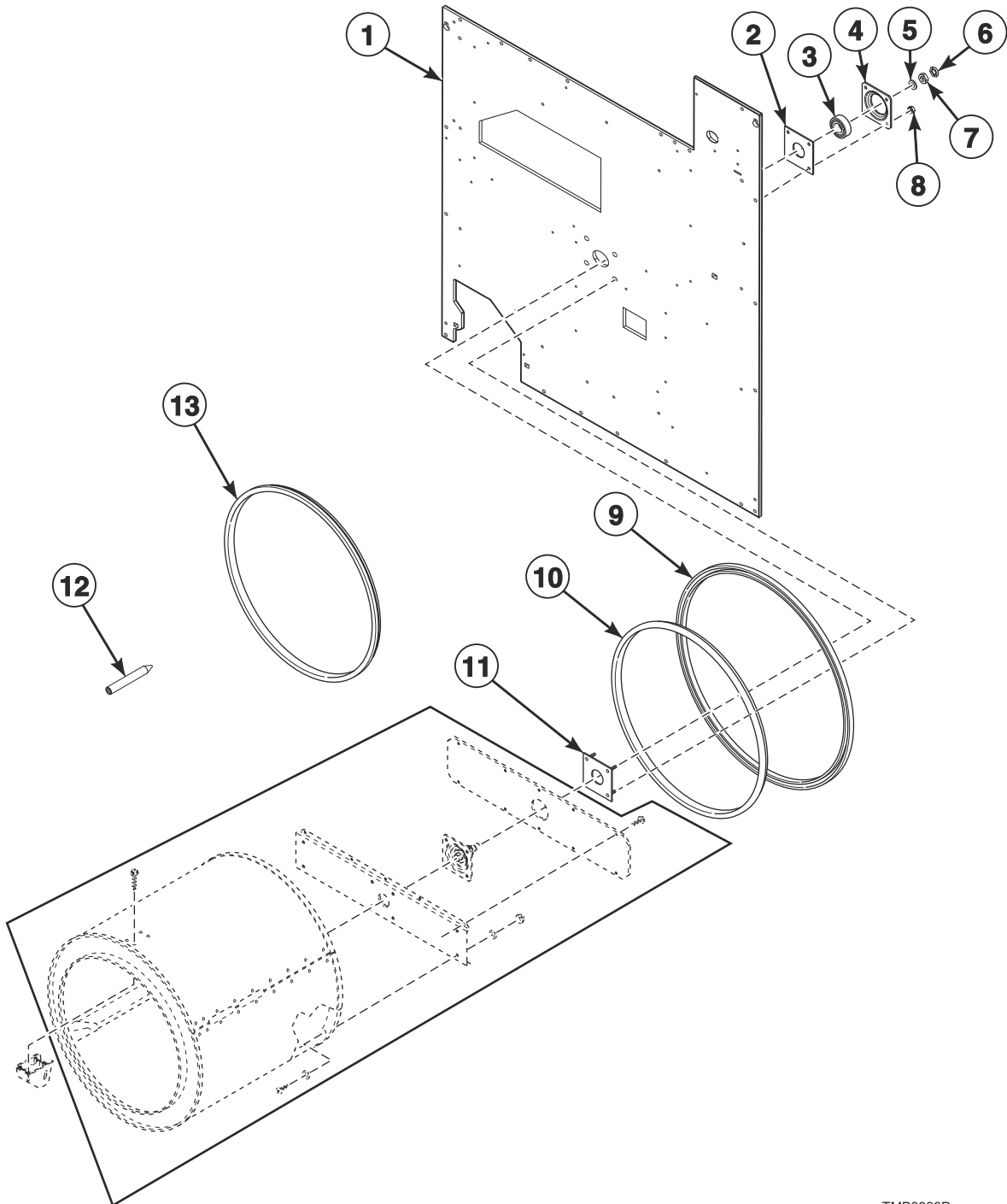


TMB3843P

# Moisture Sensing Components

REF	PART NO.	DESCRIPTION	COMMENTS
	70631203	Moisture Sensor/Airflow Switch Harness	
1	M400022	Nut	
2	70455401	Slip Ring Holder	
3	44222702	Slip Ring Assembly	

# Cylinder Components

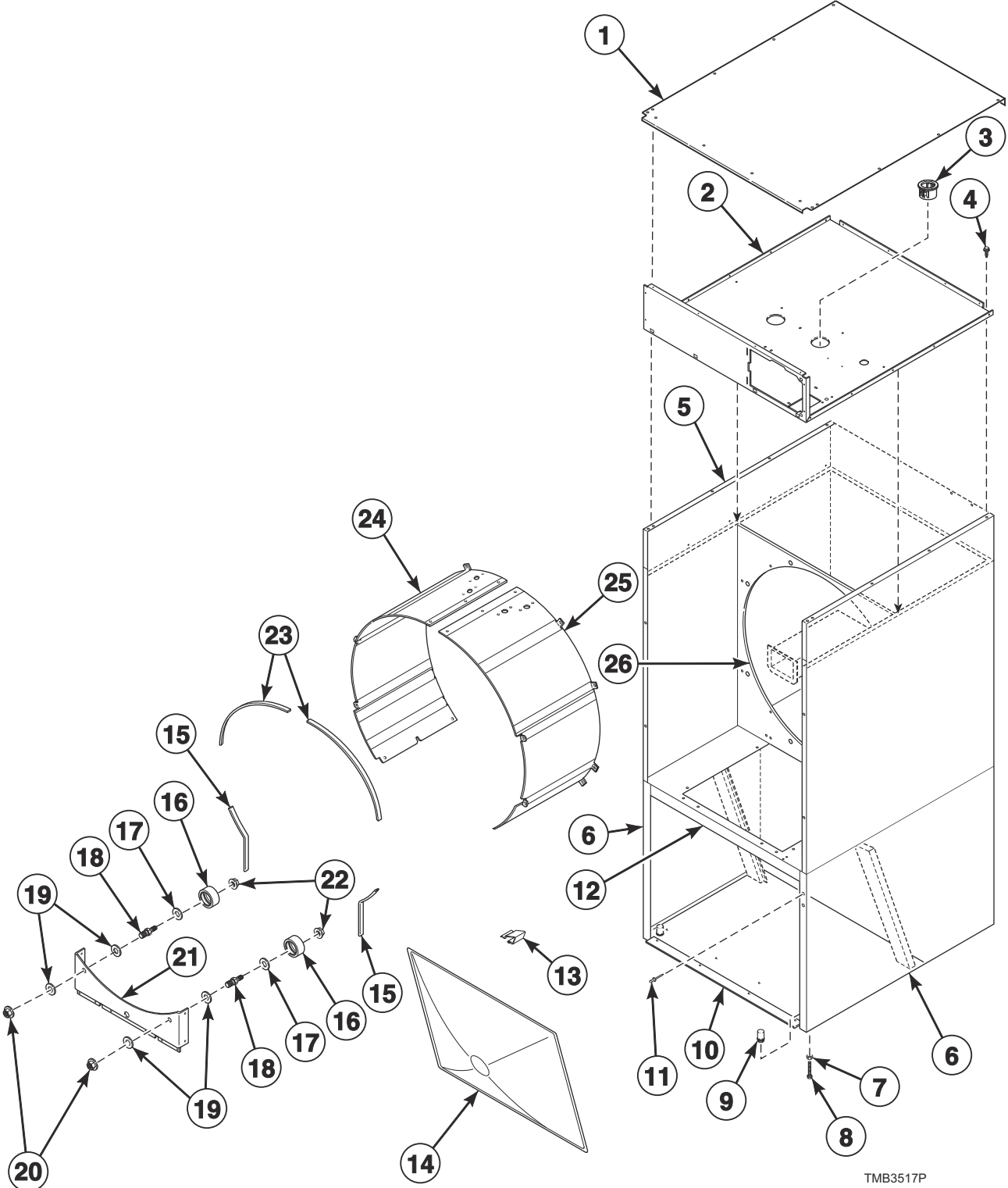


TMB3839P

# Cylinder Components

REF	PART NO.	DESCRIPTION	COMMENTS
	70343101P	Drywall Screw Magnet Kit	
	430260P	Support Housing Bearing Assembly	Includes items 3, 4 and Loctite
1	70651201	Rear Panel	Gas models
	70651203	Rear Panel	Gas models; With fire suppression
	70651202	Rear Panel	Electric models
2	70355001	Rear Bearing Shim	
3	70448701	Support Bearing	
4	70013901	Rear Cylinder Bearing Housing	
5	M400991	Washer	
6	M400034	Nut	
7	M400022	Nut	
8	M412986	Nut	4 required
9	70506401	Rear Cylinder Seal Support	
10	70013702	Rear Cylinder Seal	Use with D511637P Adhesive
11	430352	Cylinder Bearing Stud Plate Assembly	
12	263P4	Cylinder Guide Tool	
13	70066004	Center Cylinder Seal	

# Cabinet Components

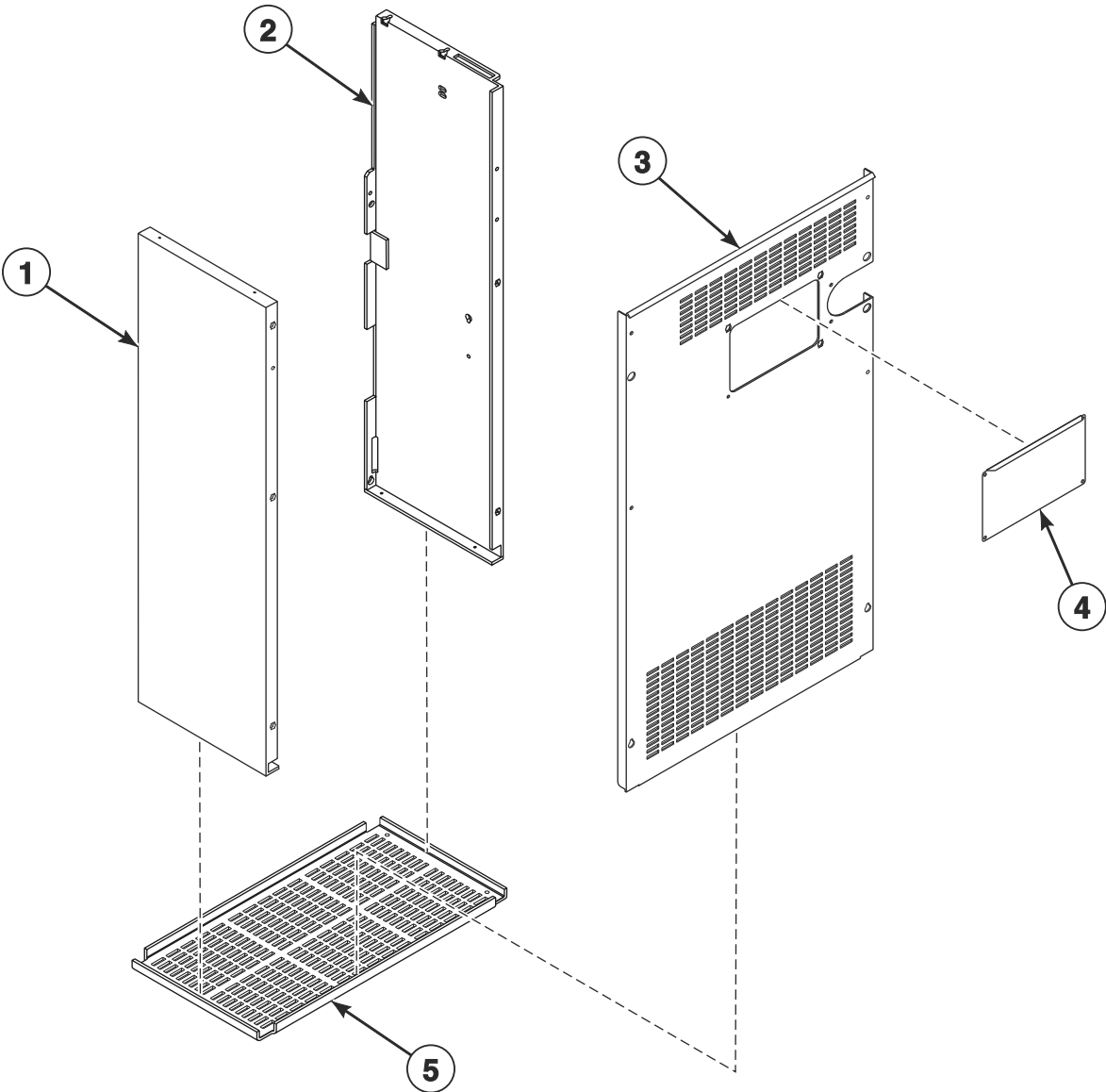


TMB3517P

# Cabinet Components

REF	PART NO.	DESCRIPTION	COMMENTS
	M4379P4	Tumbler Dolly Kit	
	298P4P	Spray Paint	White
	122P4P	Porcelain Touch-Up Paint	White
1	70557601	Flat Top	
2	70671501	Top Pan	
3	70346501	Bushing	
4	430497	Screw	
5	70021504W	Side Panel	Upper
6	70253802W	Side Panel	Lower
7	21899	Nut	
8	70247701	Screw	
9	70063201	Hole Plug	
10	70332401P	Lower Pan	
11	70058501	Pop Rivet	16 required; Upper side panel
12	70565201	Center Pan	
13	35865	Hold-Down Clip	
14	70325601	Lint Screen	
15	70015709	Sheet Metal Edge Gasket	Lower
16	70616701	Roller and Seal Kit	
17	70443601	Roller Seal	
18	70249501	Roller Shaft	
19	70261401	Washer	
20	M404993	Nut	
21	70328301	Roller Support Bracket	
22	430576	Nut	
23	70015710	Sheet Metal Edge Gasket	Upper
24	70432303	Cylinder Shroud	Left; With fire suppression
	70347202	Cylinder Shroud	Left
25	70432304	Cylinder Shroud	Right; With fire suppression
	70347201	Cylinder Shroud	Right
26	70252601	Center Partition	

# Rear Panels



TMB3840P

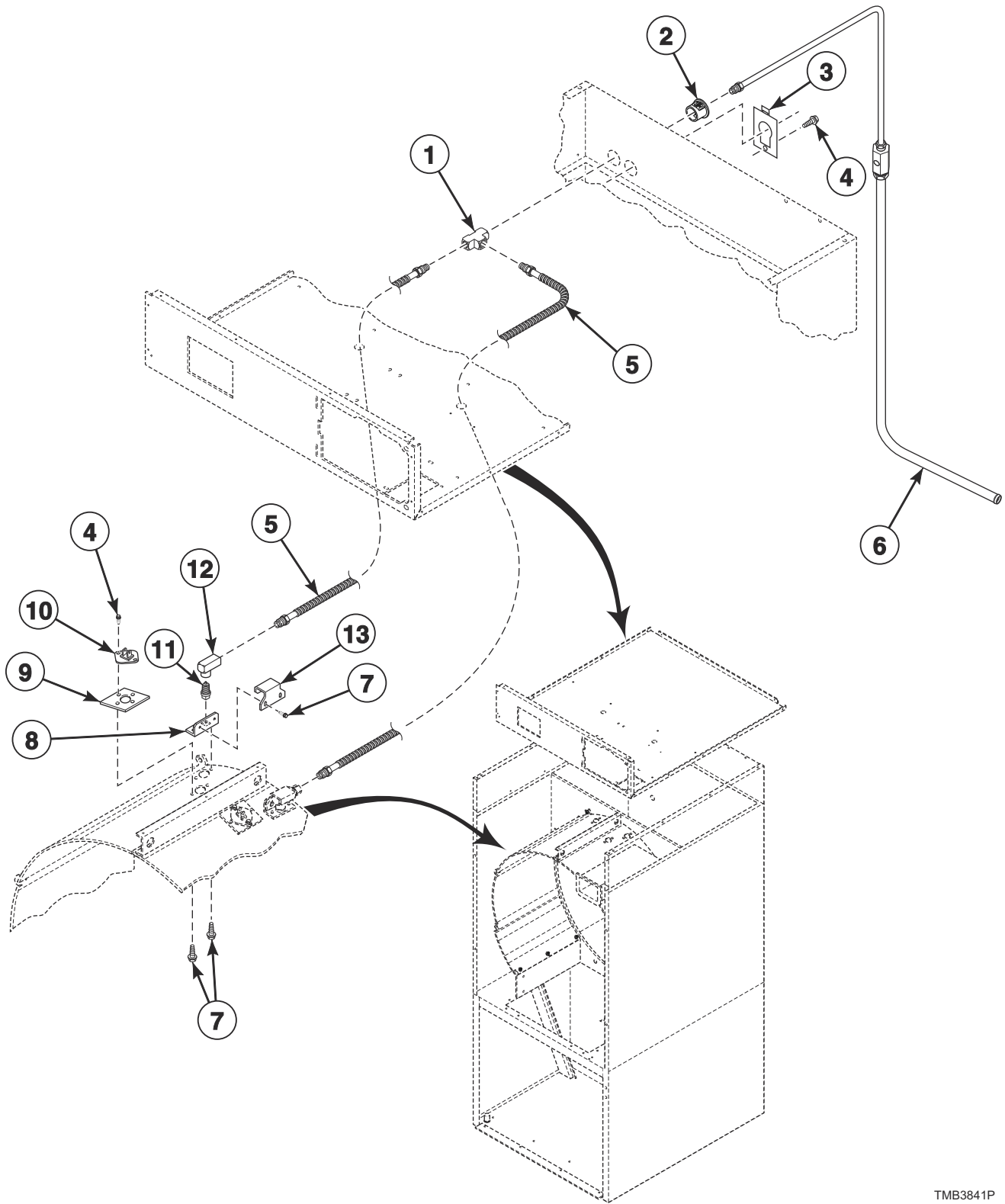


## Rear Panels

REF	PART NO.	DESCRIPTION	COMMENTS
1	70648201	Side Guard	Right
2	70648101	Side Guard	Left
3	70651002	Rear Guard	
	70651001	Rear Guard	With fire suppression
4	70650901	Rear Cover	
5	70661001	Bottom Guard	

# Fire Suppression System Components

G, K and N Gas Models



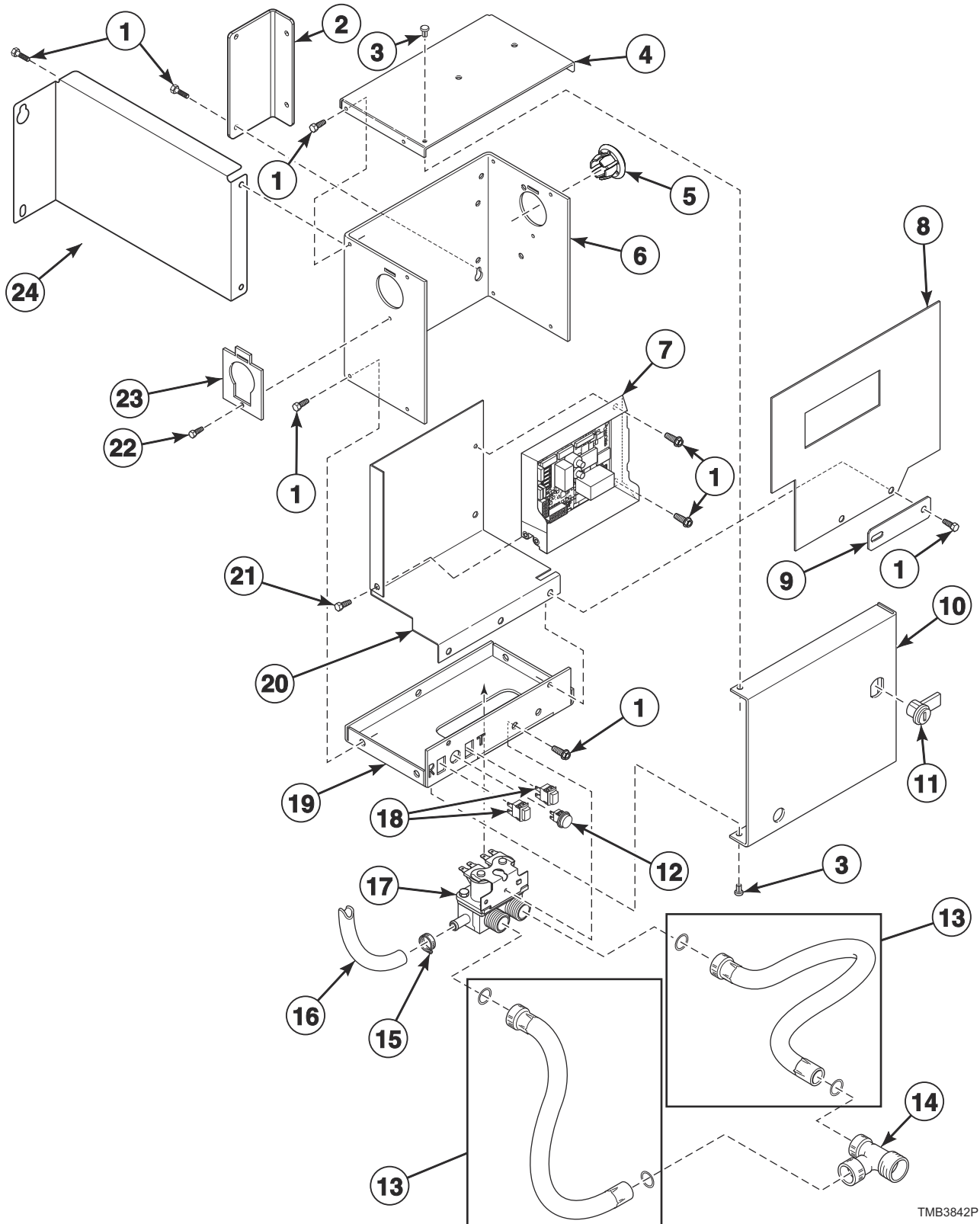
TMB3841P

## Fire Suppression System Components

REF	PART NO.	DESCRIPTION	COMMENTS
1	70427901	Union Tee	
2	70178701	Snap Bushing	
3	70523301	Harness Adapter Plate	
4	51780	Screw	4 required
5	70427701	Spray Nozzle Hose	2 required
6	70427601	Tube Assembly	
7	430497	Screw	12 required
8	70424201	Nozzle Bracket	2 required
9	70424401	Thermistor Plate	2 required
10	44064701	Thermistor	2 required
11	70427801	Spray Nozzle	2 required
12	70428101	Elbow	2 required
13	70428601	Nozzle Bracket	2 required

# Fire Suppression System Control Box

G, K and N Gas Models

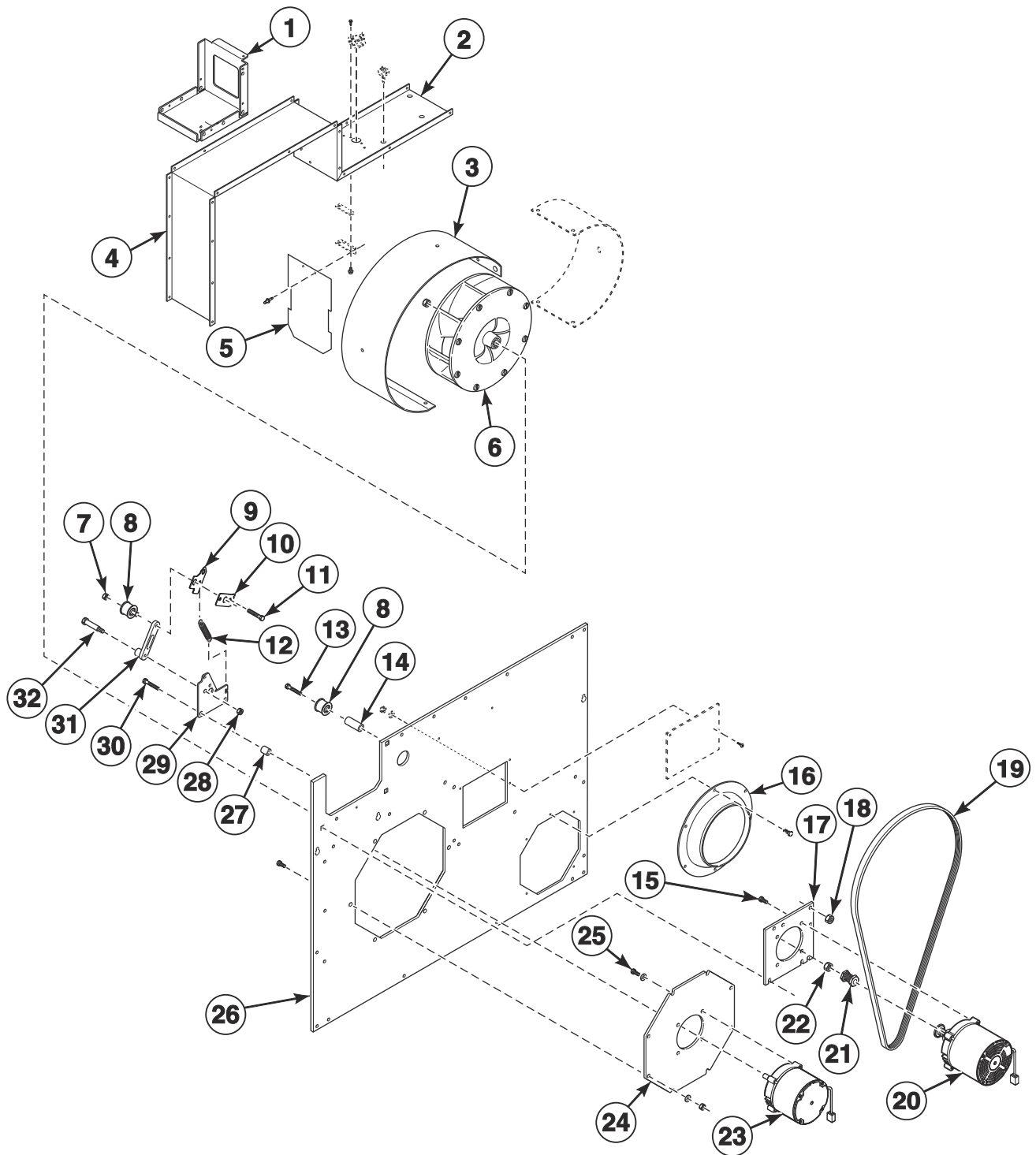


TMB3842P

# Fire Suppression System Control Box

REF	PART NO.	DESCRIPTION	COMMENTS
	44340301	Cold Weather Kit	
	70155601	Key	RL001; Use with item 11
	44375604	Control Harness	
	44375605	Water Valve Harness	
	44375602	Power Sensor Harness	
	44375601	Interconnect Harness	
	44375606	Sensor Harness	
	44324501	Warning Label	T and G market models; F.S.S.
	44324500	Label Kit	IEC models; F.S.S.
	F8614401	Shock Warning Label	T and G market models
	F8614201	Shock Warning Label	IEC models
	44318200	Label Kit	IEC models
	44324502	Warning Label	
	44318201	Label	T and G market models
<b>1</b>	430497	Screw	
<b>2</b>	70658601	Side Bracket	
<b>3</b>	M400713	Drive Rivet	
<b>4</b>	44307101	Control Box Top	
<b>5</b>	70180001	Plug	
<b>6</b>	44306701	Control Box Housing	
<b>7</b>	70511601	Control	
<b>8</b>	44326801	Shield	
<b>9</b>	70551701	Filter Mounting Plate	
<b>10</b>	44065201	Control Box Cover	
<b>11</b>	44089301P	Lock, Key and Nut Kit	RL001 key code; Optional if same key is to be used for control lock
<b>12</b>	801432	Light	
<b>13</b>	202799	Fill Hose	2 required
<b>14</b>	44069101	Hose Fitting	T and G market models
<b>15</b>	36801	Hose Clamp	
<b>16</b>	44073304	Hose	14 inches; Outlet hose
<b>17</b>	70519801	Mixing Valve	
<b>18</b>	801434W	Push-to-Start Switch	2 required
<b>19</b>	44065301	Control Box Base	
<b>20</b>	44306601	Mixing Valve Shield Bracket	
<b>21</b>	804608	Screw	
<b>22</b>	51780	Screw	
<b>23</b>	70523301	Harness Adapter Plate	
<b>24</b>	70654401	Rear Bracket	

# Motor Components

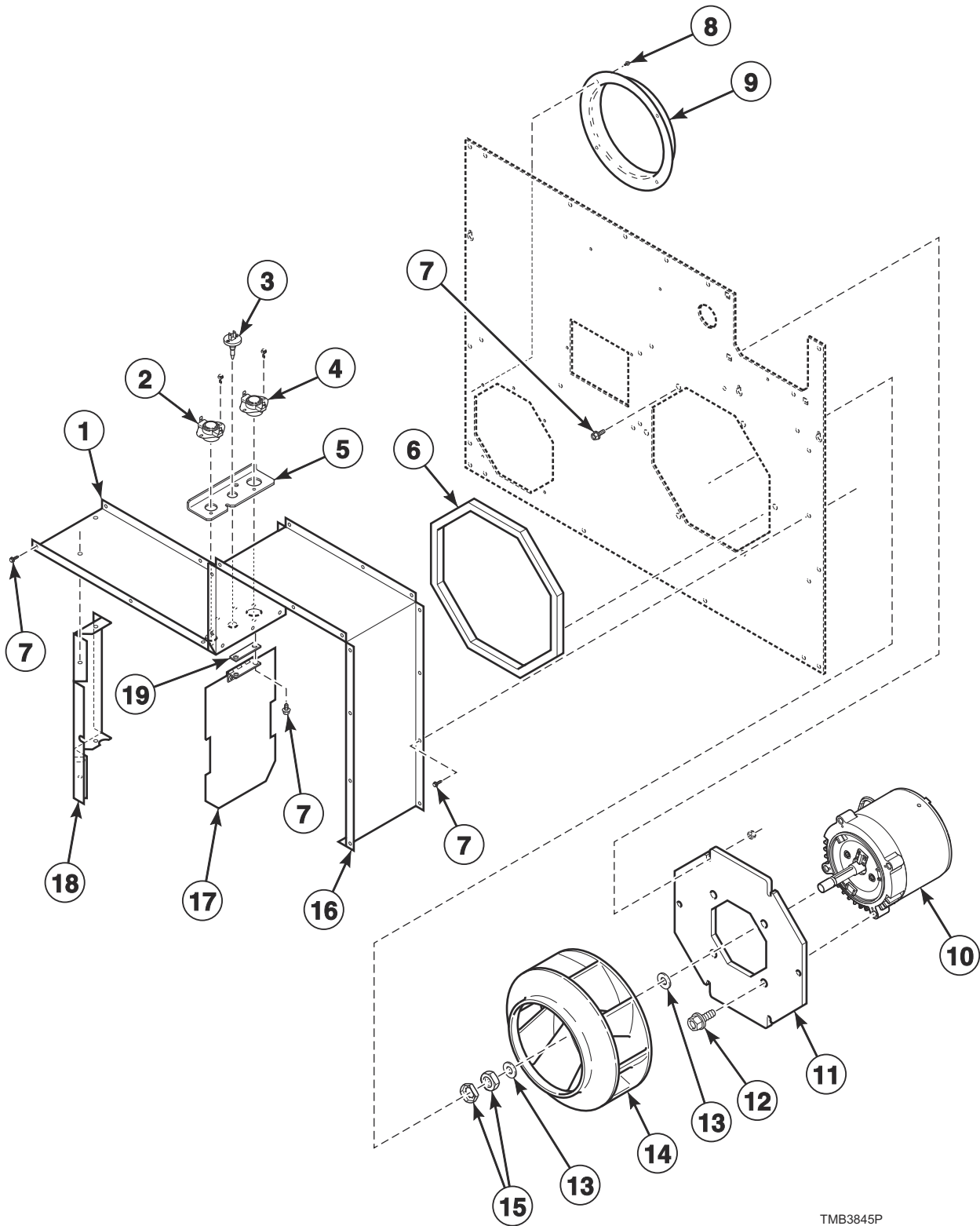


TMB3844P

# Motor Components

REF	PART NO.	DESCRIPTION	COMMENTS
	70662801	Drive Access Cover	
	70599301	Fan Spacer	
1	70564101	Motor Mount Bracket	
2	70554701	Blower Housing	Top
3	70016301	Blower Housing Scroll	
4	70215101	Blower Housing	
5	70209501	Damper and Hinge Exhaust Assembly	
6	70359801P	Blower Assembly	
7	56156	Nut	
8	70050401P	Idler Wheel Assembly	
9	70569501	Tensioning Bracket	
10	70543401	Spring Catch Bracket	
11	70508301	Screw	
12	70571801	Spring	
13	F430144	Screw	
14	70569603	Standoff	
15	44364603	Screw	3 required; Also qty 1 of 44364601 screw
16	70017801	Exhaust Thimble	
17	70564201	Motor Mount Plate	
18	44087201	Nut	
19	70655101	Lever Arm and Belt Kit	
20	44355001	Drive Motor	.50 HP; 120-240 Volt
	44355002	Drive Motor	.50 HP; 480 Volt
21	70559101	Motor Pulley	
22	44333202	Nut	
23	44354901	Fan Motor	.50 HP; 240 Volt
	44354903	Fan Motor	.50 HP; 480 Volt
24	70349601	Blower Motor Mounting Plate	
25	44364601	Screw	
26	70667601	Lower Rear Assembly	
27	70488403	Spacer	
28	44087301	Nut	
29	70571901	Drive Plate	
30	70546301	Screw	
31	70653801	Lever Arm and Bushing Assembly	
32	70501301	Screw	

# Blower and Exhaust Components



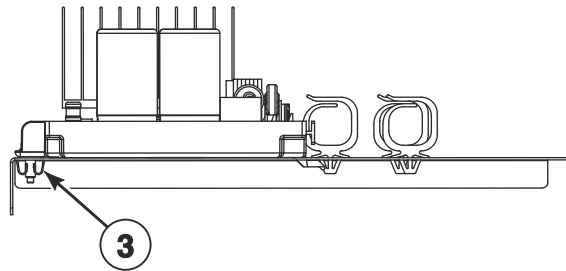
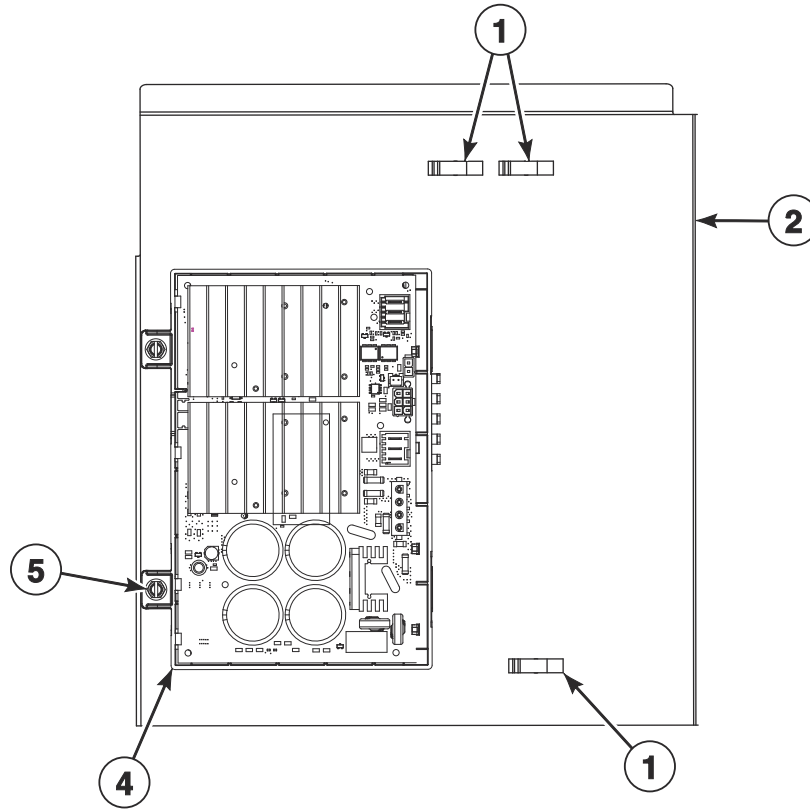
TMB3845P



## Blower and Exhaust Components

REF	PART NO.	DESCRIPTION	COMMENTS
	70631202	Thermostat/Lint Switch Interconnect Harness	
1	70554701	Blower Housing	Top
2	70530901	Limit Thermostat	Manual reset
3	M414704	Thermistor	
4	44328001	Limit Thermostat	Auto reset
5	70554901	Limit Access Bracket	
6	70392701P	Gasket	For blower housing opening
7	430497	Screw	
8	51780	Screw	
9	70014101	Blower Inlet Cone	
10	44354901	Fan Motor	.50 HP; 240 Volt
	44354903	Fan Motor	.50 HP; 480 Volt
11	70349601	Blower Motor Mounting Plate	
12	70126101	Screw	
13	M400991	Washer	
14	70359801P	Blower Assembly	
15	70660601	Nut	2 required
16	70215101	Blower Housing	
17	70209501	Damper and Hinge Exhaust Assembly	
18	70020301	Blower Housing	Left
19	70220901	Damper Spacer	

# Inverter Tray Components

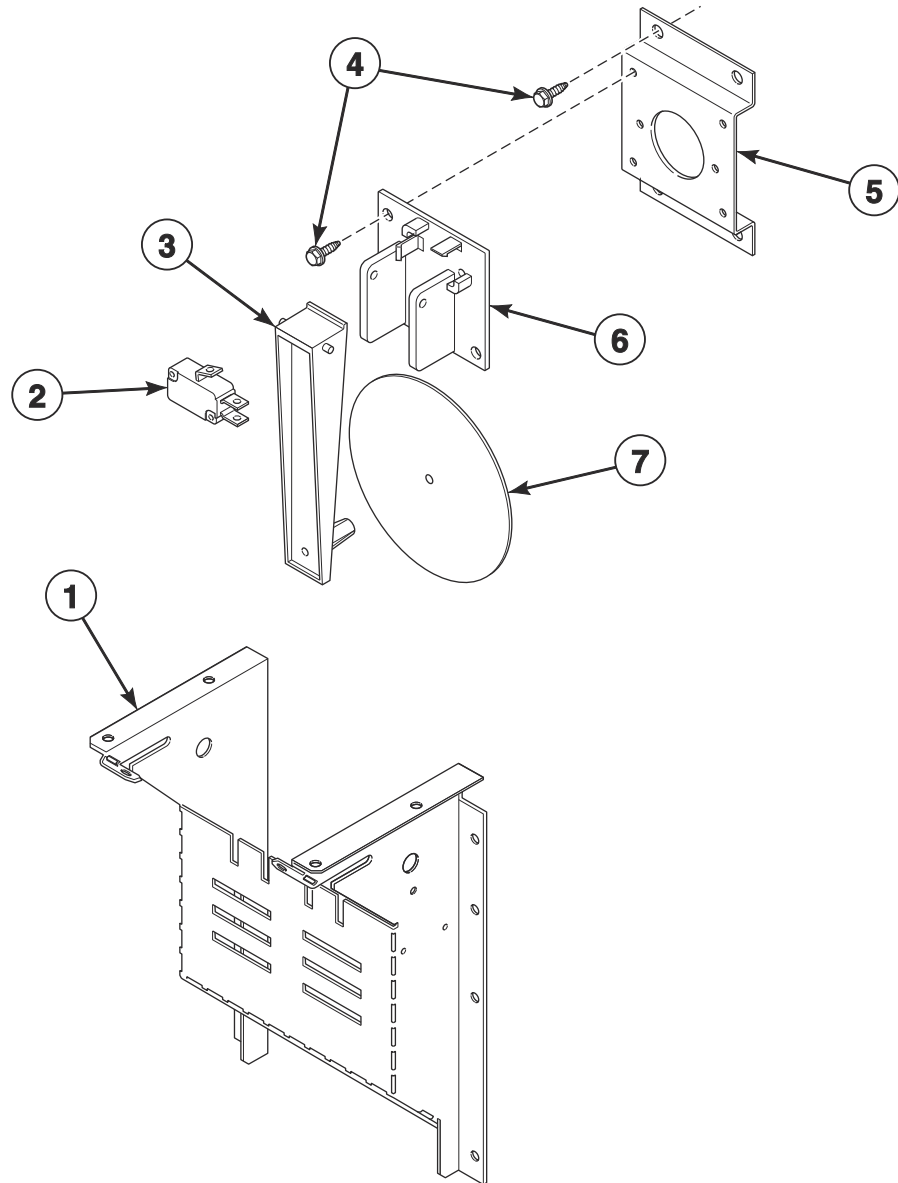


TMB3846P

## Inverter Tray Components

REF	PART NO.	DESCRIPTION	COMMENTS
	70635401	Inverter to Motor Harness	T and G market models; 120, 240 Volt
	70635402	Inverter to Motor Harness	T and G market models; 380-480 Volt
	70635403	Inverter to Motor Harness	IEC models; 120, 240 Volt/1 Phase
	70635404	Inverter to Motor Harness	IEC models; 380-480 Volt
<b>1</b>	F8449502	Wire Clip	
<b>2</b>	70648601	Drive Support Bracket	
<b>3</b>	70030501	Expansion Clip	
<b>4</b>	70603001	Inverter Control Assembly	1 HP; 120, 240 Volt/1 Phase
	70603201	Inverter Control Assembly	1 HP; 480 Volt/3 Phase
<b>5</b>	F8206901	Screw	

# Airflow Switch

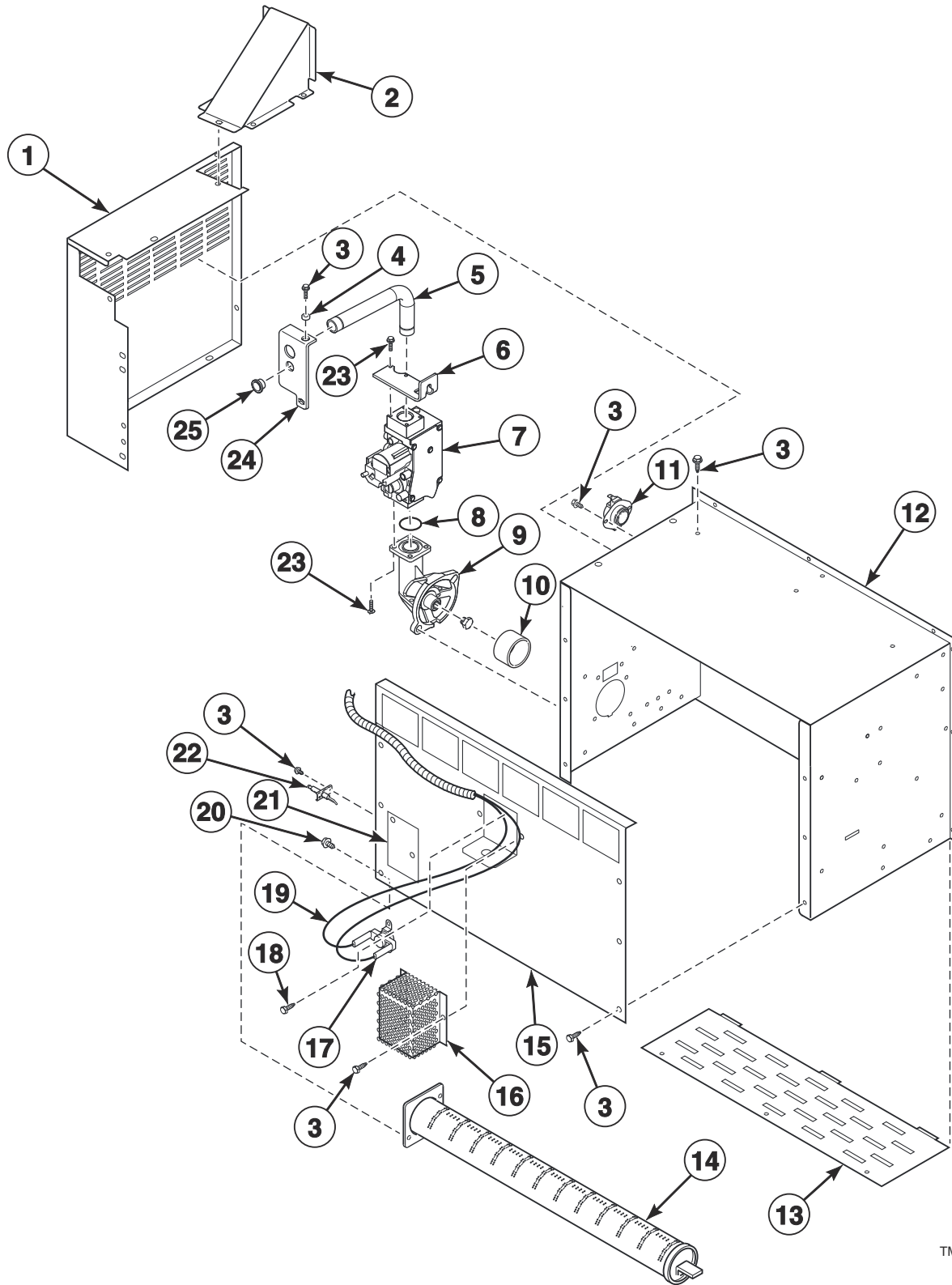


TMB3847P

# Airflow Switch

REF	PART NO.	DESCRIPTION	COMMENTS
1	70356101	Airflow Switch Wrapper	
2	70411901	Switch	
3	70319401	Airflow Switch Arm	
4	430497	Screw	
5	70356301	Switch Bracket	
6	70319602	Airflow Switch and Arm Bracket	
7	70319201	Airflow Switch Vane	

# Gas Heater Components

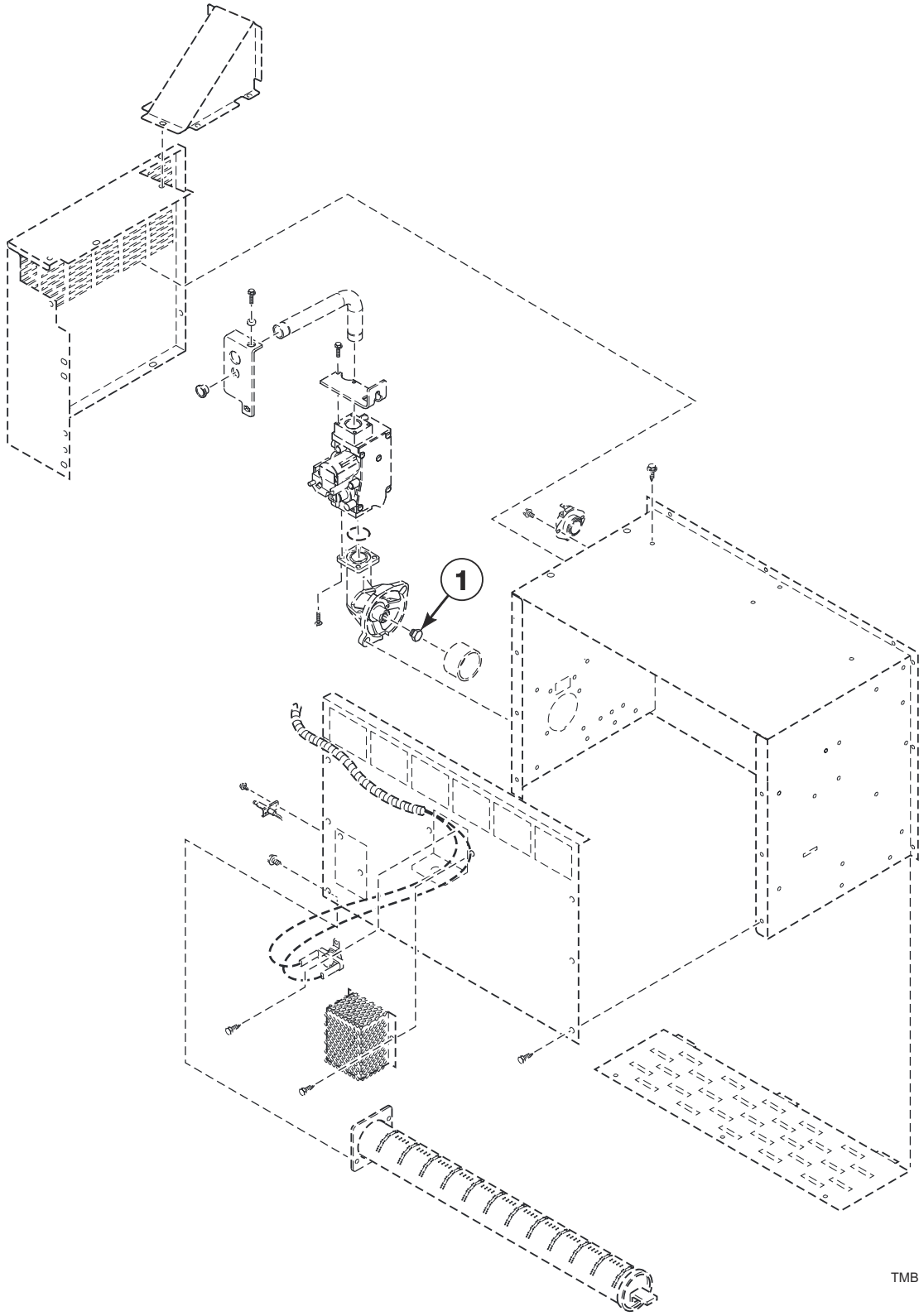


TMB3848P

# Gas Heater Components

REF	PART NO.	DESCRIPTION	COMMENTS
	44273501	Gas Valve Harness	
	44239702	High Voltage Suppression Cable	
	70550202	L.P. Conversion Kit	T and G market models; Natural Gas (N.G.); 0-2,000 feet
	70550214	L.P. Conversion Kit	Australian models; N.G.; 0-2,000 feet
	70551902	L.P. Conversion Kit	IEC models; N.G.; 0-2,000 feet
	70131901	Adapter	IEC models; BPT/NPT
	70167601	Plug	
	70535901	Notice Label	Australian models; N.G.
	70544901	Notice Label	Australian models; (L.P.) Gas
<b>1</b>	70671101	Side Stove Guard	
<b>2</b>	70670901	Guard Bracket	
<b>3</b>	430497	Screw	
<b>4</b>	70030501	Expansion Clip	
<b>5</b>	70661401	Lead-In Pipe	A, K and U market models
	70661501	Lead-In Pipe	All other models
<b>6</b>	70645401	Gas Valve Bracket	
<b>7</b>	44154503	N.G. Valve	T and G market models
	44154504	L.P. Valve	T and G market models
	44154507	Gas Valve	IEC models; N.G.; 1/2 NPT
	44154508	Gas Valve	IEC models; L.P.; 1/2 NPT
<b>8</b>	431482	O-Ring	
<b>9</b>	70659201	Gas Valve Manifold	
<b>10</b>	70239801	Primary Air Adjustment Sleeve	L.P. models
<b>11</b>	44328004	Limit Thermostat	Side
<b>12</b>	70647101	Stove Top and Sides	
<b>13</b>	70188801	Burner Grill	
<b>14</b>	70229801P	Gas Burner	
	70546701	Anti-Rattle Burner Assembly	Includes 70229801P Gas Burner, 431318 Control Door Latch and M400003 Pop Rivet
<b>15</b>	70371501	Stove Back	
<b>16</b>	M414477	Thermostat Cover	
<b>17</b>	44328104	Limit Thermostat	Rear
<b>18</b>	M405188	Screw	2 required
<b>19</b>	70564301	Stove Limit Harness	
<b>20</b>	05161	Screw	
<b>21</b>	70159601	Igniter Cover	
<b>22</b>	70654201	Spark Electrode	
<b>23</b>	70672501	Screw	
<b>24</b>	70653701	Pipe Bracket	
<b>25</b>	M411826	Snap Bushing	

# Burner Orifices



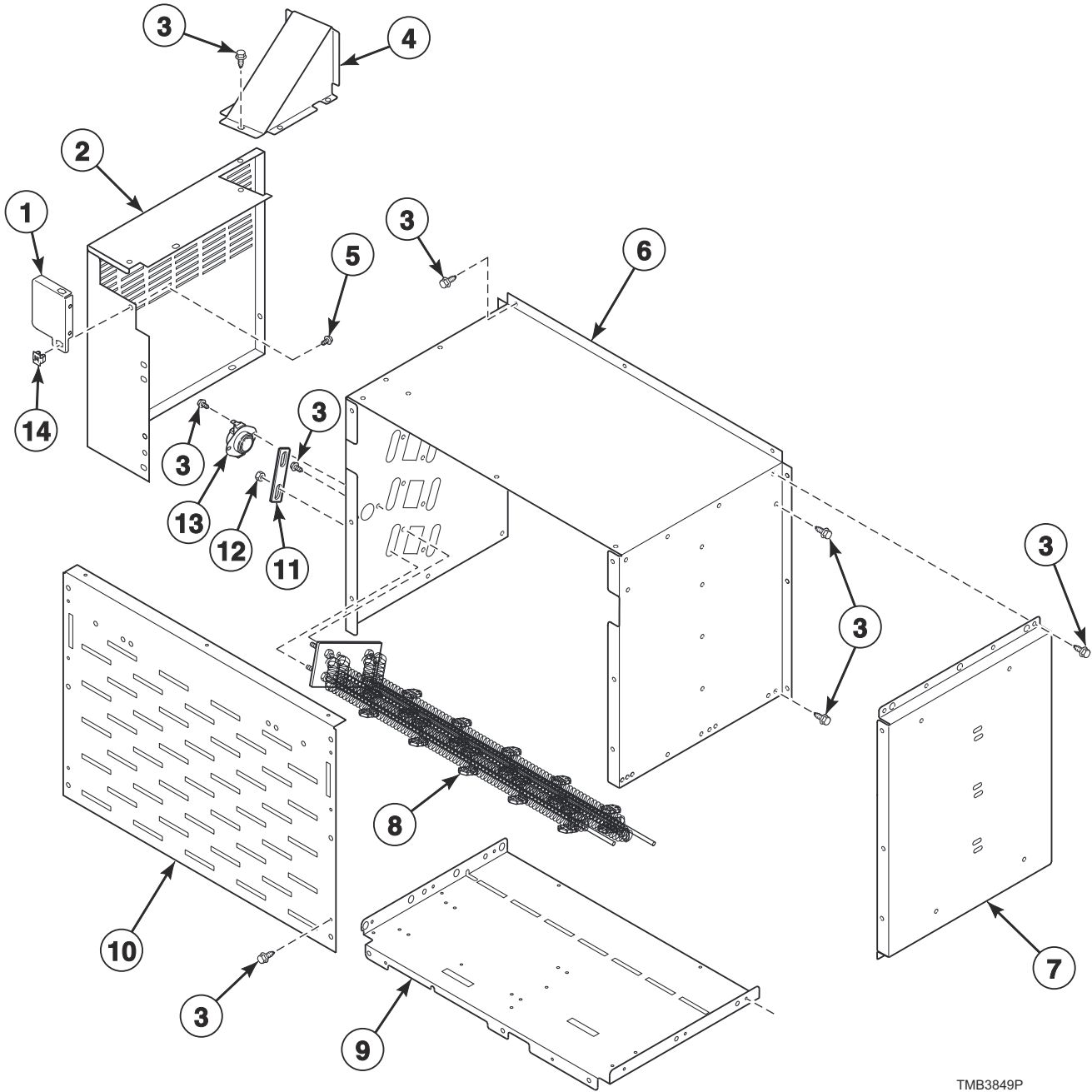
TMB3848PA



## Burner Orifices

REF	PART NO.	DESCRIPTION	COMMENTS
	70609903	High Altitude Orifice Kit	Natural Gas (N.G.) models
	70609904	High Altitude Orifice Kit	Liquid Petroleum (L.P.) Gas models with A, G, H, K, L and T in the 2nd position
1	70684142	Burner Orifice	N.G. models; Drill no. 20 (4.09 mm); 0-2,000 feet
	70684139	Burner Orifice	N.G. models; Drill no. 23 (3.91 mm); 2,001-4,000 feet
	70684137	Burner Orifice	N.G. models; Drill no. 25 (3.80 mm); 4,001-6,000 feet
	70684135	Burner Orifice	N.G. models; Drill no. 27 (3.66 mm); 6,001-8,000 feet
	70684133	Burner Orifice	N.G. models; 3.50 mm; 8,001-10,000 feet
	70684116	Burner Orifice	Models with 2nd digit A, G, H, K and T; L.P.; Drill no. 40 (2.49 mm); 0-2,000 feet
	70684114	Burner Orifice	Models with 2nd digit A, G, H, K and T; L.P.; Drill no. 42 (2.37 mm); 2,001-4,000 feet
	70684113	Burner Orifice	Models with 2nd digit A, G, H, K and T; L.P.; 2.30 mm; 4,001-6,000 feet
	70684111	Burner Orifice	Models with 2nd digit A, G, H, K and T; L.P.; 2.20 mm; 6,001-8,000 feet
	70684109	Burner Orifice	Models with 2nd digit A, G, H, K and T; L.P.; Drill no. 45 (2.08 mm); 8,001-10,000 feet
	70684111	Burner Orifice	J market models; L.P.; 2.20 mm; 0-2,000 feet
	70684109	Burner Orifice	J market models; L.P.; Drill no. 45 (2.08 mm); 2,001-4,000 feet
	70684108	Burner Orifice	J market models; L.P.; Drill no. 46 (2.06 mm); 4,001-6,000 feet
	70684106	Burner Orifice	J market models; L.P.; Drill no. 48 (1.93 mm); 6,001-8,000 feet
	70684105	Burner Orifice	J market models; L.P.; Drill no. 49 (1.85 mm); 8,001-10,000 feet

# Electric Heater Components

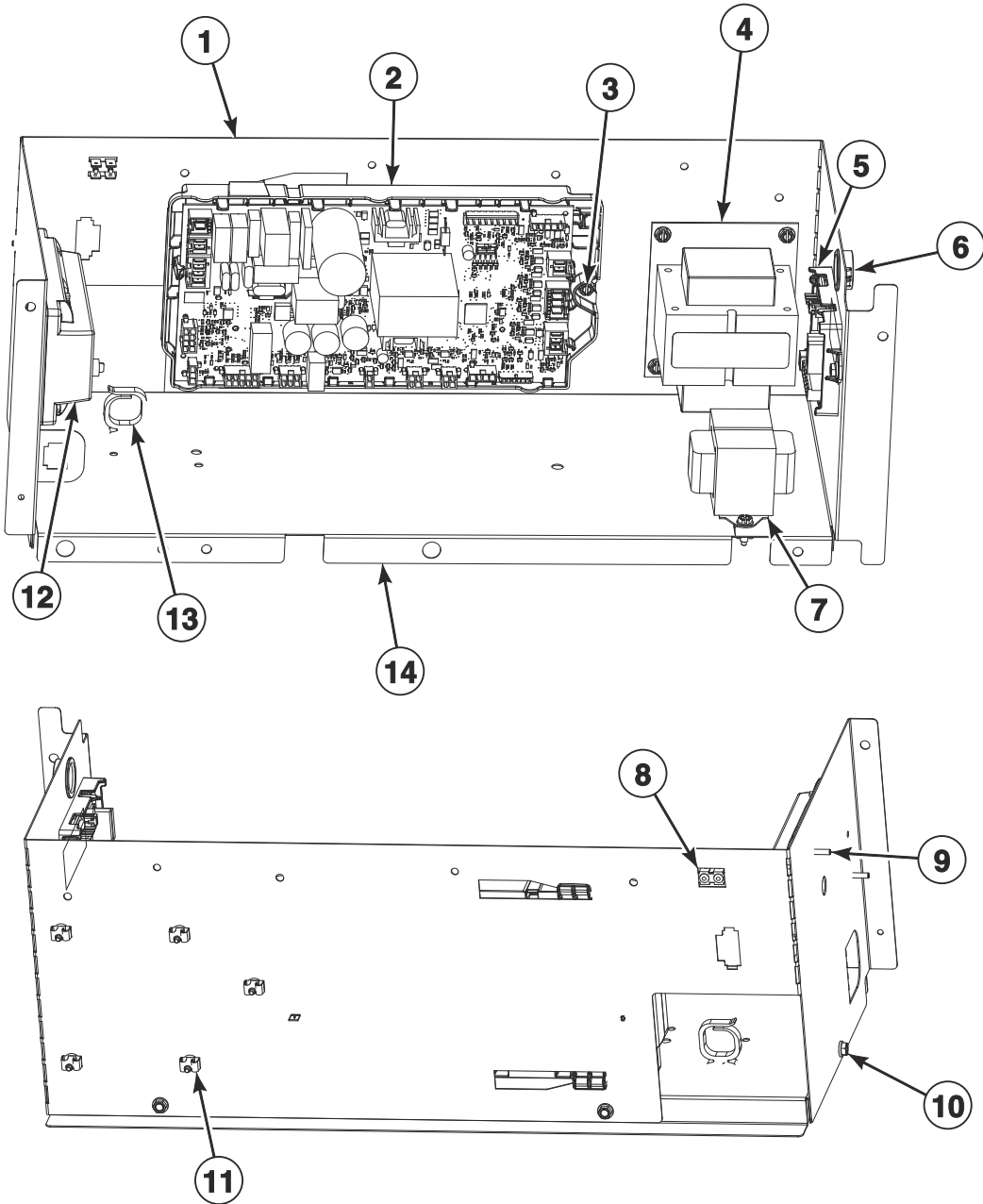


TMB3849P

## Electric Heater Components

REF	PART NO.	DESCRIPTION	COMMENTS
	70564303	Stove Limit Harness	
	70641710	Jumper Harness	Use with 440-480 Volt
	70641709	Jumper Harness	Use with 380-415 Volt
	44391002	Conversion Kit	240V/3Ph to 208V/3Ph
<b>1</b>	70653703	Bracket	
<b>2</b>	70671101	Side Stove Guard	
<b>3</b>	430497	Screw	
<b>4</b>	70670901	Guard Bracket	
<b>5</b>	F8206901	Screw	
<b>6</b>	70654001	Stove Top and Sides	
<b>7</b>	70652001	Stove Shield	
<b>8</b>	70034401P	Heater Element	3 required; 7 kW; 208 Volt heater element for 200-208 Volt/1 or 3 Phase
	70034402P	Heater Element	3 required; 7 kW; 220 Volt heater element for 380 and 440 Volt/3 Phase
	70034403P	Heater Element	3 required; 7 kW; 240 Volt heater element for 230-240 Volt/1 or 3 Phase and 400-415 and 460-480 Volt/3 Phase
<b>9</b>	70652301	Stove Cover	
<b>10</b>	70214901	Stove Grill	
<b>11</b>	70066501	Jumper Bar	2 required for 440-480 Volt
	M400869	Jumper Strip	3 required for 380-415 and 440-480 Volt; 6 required for 200-240 Volt
<b>12</b>	70054	Nut	
<b>13</b>	44328006	Limit Thermostat	
<b>14</b>	70030501	Expansion Clip	

# Control Tray

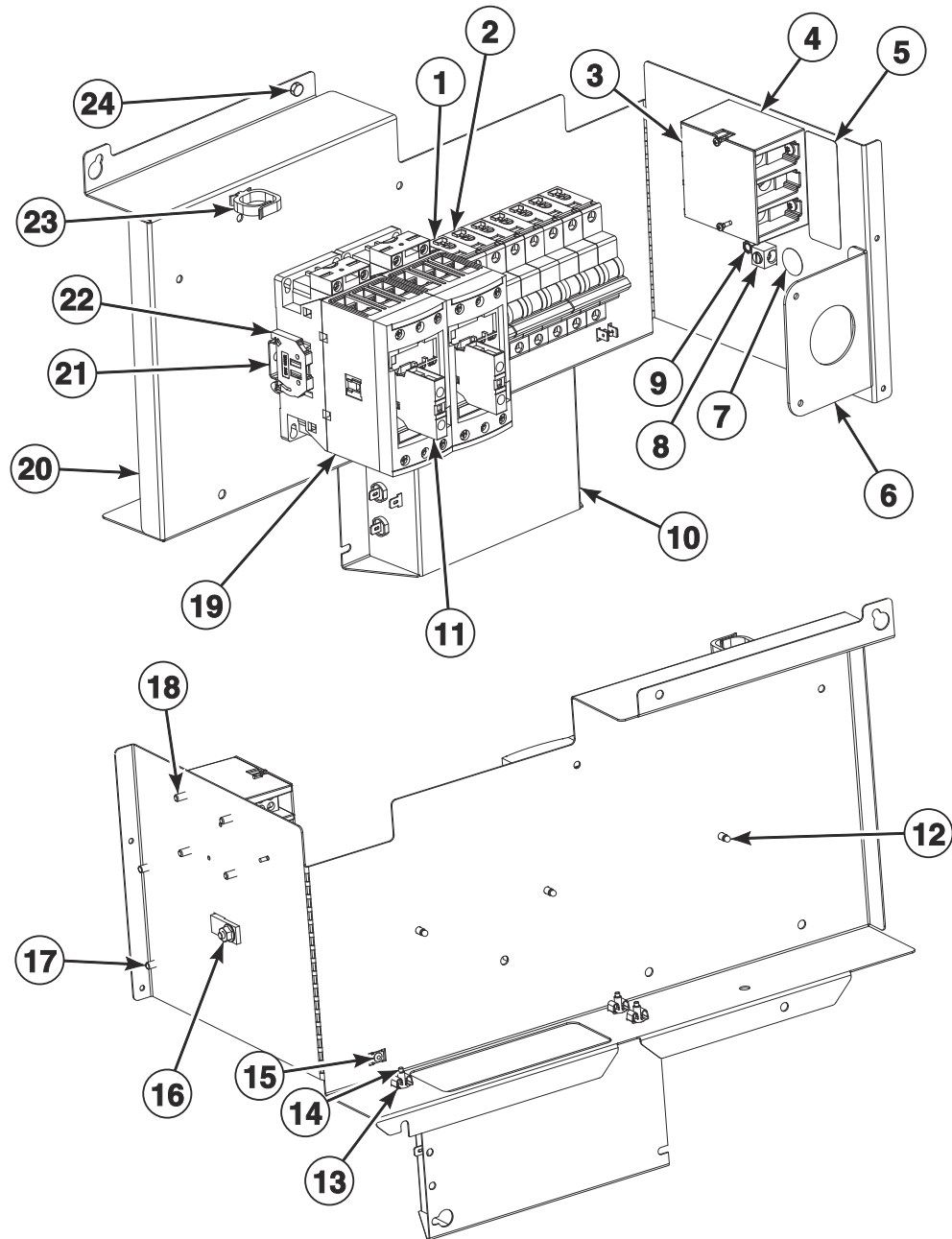


TMB3850P

# Control Tray

REF	PART NO.	DESCRIPTION	COMMENTS
	70631201	Rear Main Harness	
	44374901	Heat Control Harness	Gas models
	70642101	Control Tray Power Harness	120-240 Volt
	70642102	Control Tray Power Harness	380-480 Volt
	70631701	Primary Transformer Vend Harness	120 Volt; Card reader
	70631702	Primary Transformer Vend Harness	240 Volt; Card reader
	70631705	Central Pay Board Power Supply Harness	24V
	70630901	Contacto Interconnect Harness	Electric models
	70649001	Tray Cover	
	70696801	Conversion Kit	X to B voltage; Models with D, F, N or W in the 7th position
	70696805	Conversion Kit	X to B voltage; Models with V in the 7th position
<b>1</b>	70648901	Tray Wrap	
<b>2</b>	70671701	I/O Control Assembly	
<b>3</b>	F8206901	Screw	
<b>4</b>	F8491101	Transformer	380-480 Volt
<b>5</b>	204779	Central Pay Control Assembly	
<b>6</b>	70178701	Snap Bushing	
<b>7</b>	202757	Transformer	100-120 Volt; Card and central pay
	202758	Transformer	200-480 Volt; Card and central pay
<b>8</b>	M400003	Pop Rivet	
<b>9</b>	51783	Screw	
<b>10</b>	430497	Screw	
<b>11</b>	70030501	Expansion Clip	
<b>12</b>	70482002	Ignition Control	IEC gas models
	70482001	Ignition Control	T and G market gas models
<b>13</b>	F8449502	Wire Clip	
<b>14</b>	70649101	Tray Base	

# Accessory Box - Electric Models

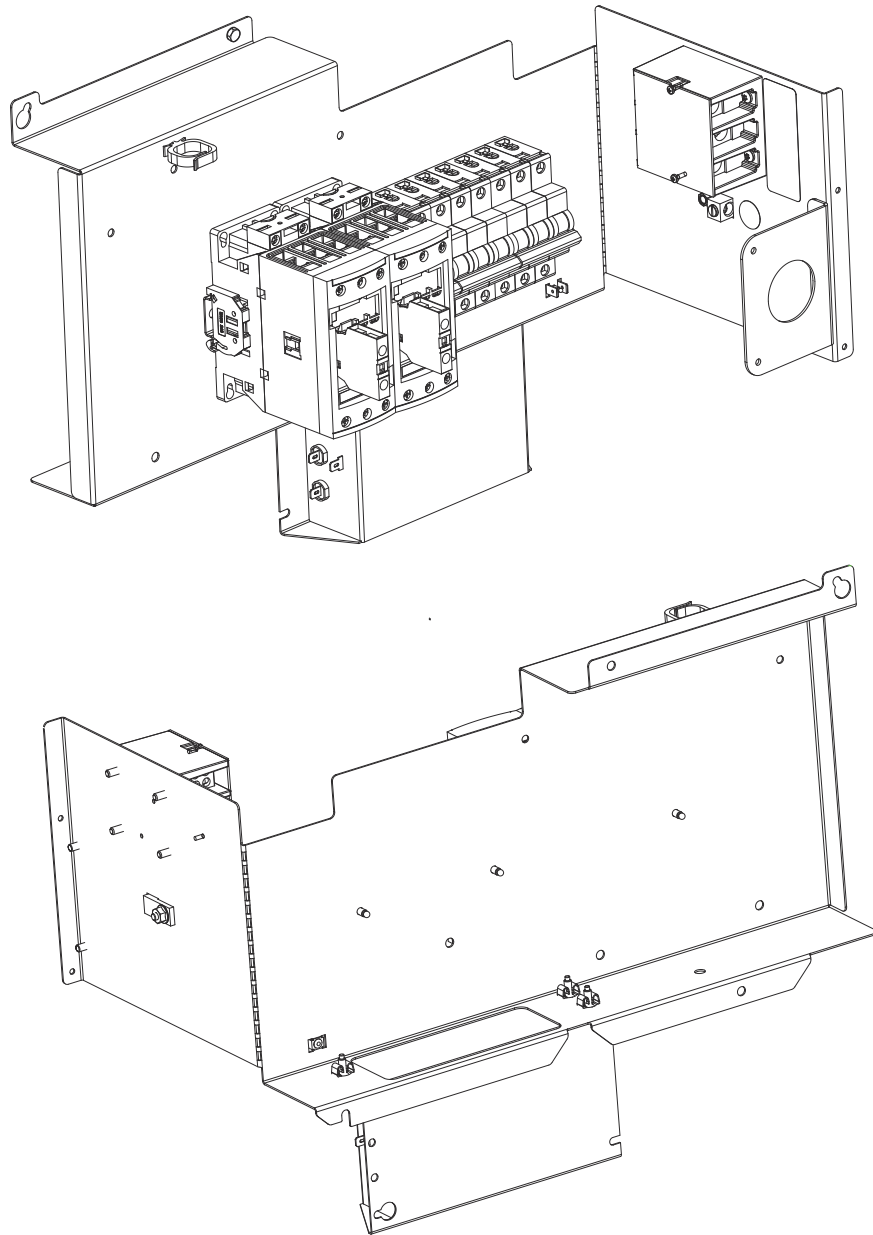


TMB3851P

## Accessory Box - Electric Models

REF	PART NO.	DESCRIPTION	COMMENTS
1	70488102	Circuit Breaker	25 amp
2	70488104	Circuit Breaker	2 required; 50 amp; 200-208 and 230-240 Volt/1 Phase
3	44014901P	Power Distribution Block Cover	
4	M413865	Power Distribution Block	
5	44286803	Label	L1, L2, L3
	44286801	Label	L1, N
	44286802	Wire Label	L1 L2, L1 N
	44286804	Wire Label	L1 L2, L1 N, L1 L2 L3
6	70615503	Conduit Plate	
7	D516100	Label	
8	M411283	Ground Lug Connector	
9	685837	Screw	
10	F8591601	EMI Filter	IEC models; 100-200 and 200-240 Volt/1 Phase
	F8637501	EMI Filter	IEC models; 380-480 Volt
11	44313201	Auxiliary Contact Block	2 required
12	70058501	Pop Rivet	
13	70030501	Expansion Clip	
14	F8206901	Screw	
15	M400003	Pop Rivet	
16	44088001	Nut	
17	51780	Screw	
18	39733	Screw	
19	70482801	Contactor	2 required
20	70659001	Accessory Bracket	
21	44229701	DIN Rail	
22	F8449801	End Stop	2 required
23	F8449502	Wire Clip	
24	430497	Screw	

# Accessory Box Harnesses - Electric Models



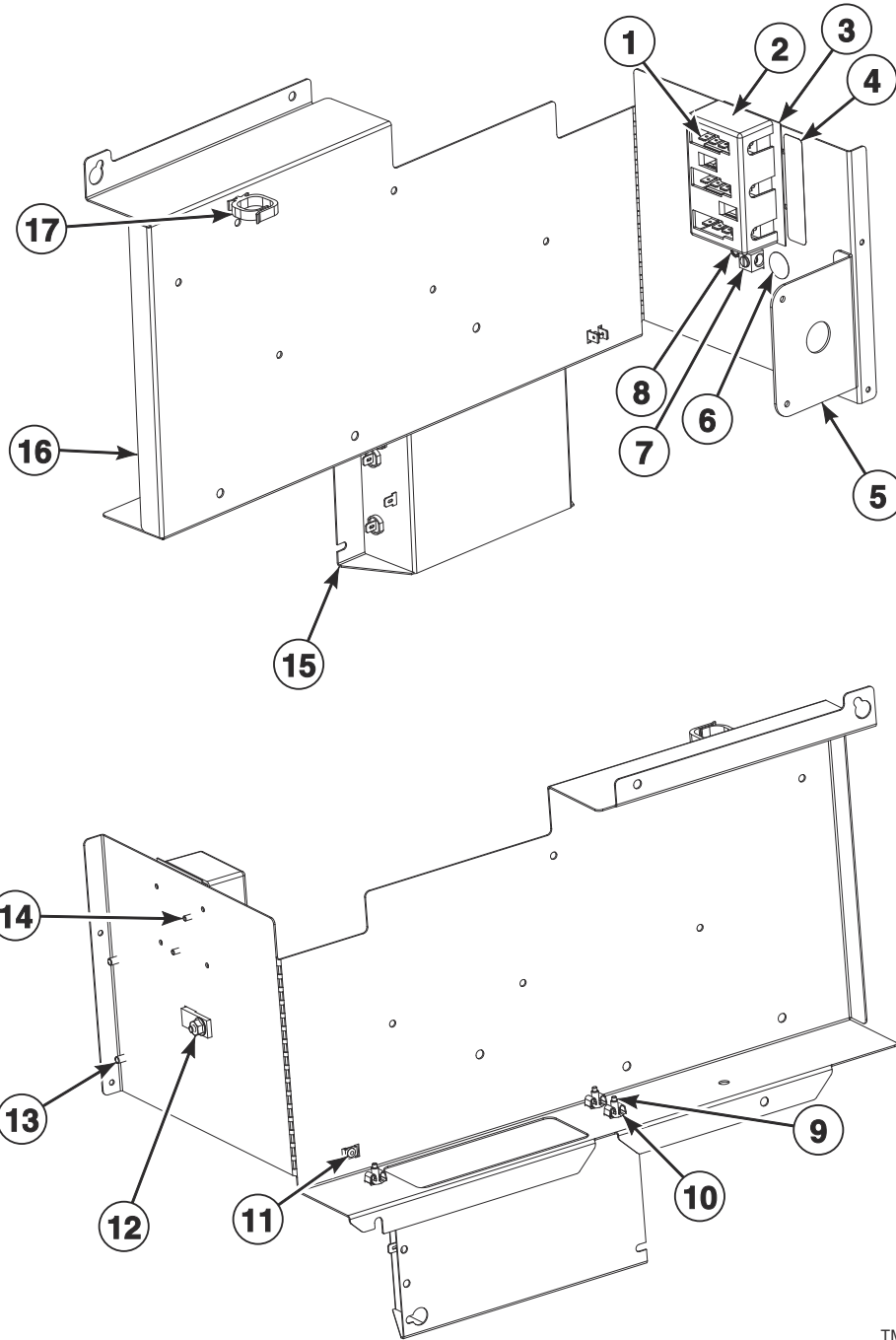
TMB3851PA



## Accessory Box Harnesses - Electric Models

REF	PART NO.	DESCRIPTION	COMMENTS
	70636703	Harness	IEC models; 120-240 Volt; EMI filter to inverter/control tray
	70636701	Harness	IEC models; 380-480 Volt; EMI filter to inverter/control tray
	70639801	Harness	200-240 Volt; Power distribution block to contactor block; 1 phase; Right
	70639802	Harness	200-240 Volt; Power distribution block to contactor block; 1 phase; Left
	70639806	Harness	200-240 Volt; Power distribution block to contactor; 3 phase
	70639807	Harness	200-240 Volt; Power distribution block to contactor; 3 phase
	70639805	Harness	200-240 Volt; Contactor block to HC
	70639810	Harness	200-240 Volt; Contactor to element H1-H3
	70639811	Harness	200-240 Volt; Contactor to element H4-H6
	70641704	Harness	380-415 Volt; Power distribution block to contactor
	70641705	Harness	380-415 Volt; Contactor to contactor
	70641708	Harness	380-415 Volt; Contactor to element
	70632201	Contactor Coil Harness	
	70630902	Contactor Monitor Harness	
	70649605	Harness	T and G market models; 1 phase; Power distribution block to control contactor block
	70649606	Harness	T and G market models; 3 phase; Power distribution block to control contactor block
	70649607	Harness	IEC models; 1 phase; Power distribution block to control contactor block
	70649608	Harness	IEC models; 3 phase; Power distribution block to control contactor block
	70636705	Harness	T and G market models; 240 Volt; Control contactor block to inverter/control tray
	70636706	Harness	T and G market models; 380-480 Volt; Control contactor block to inverter/control tray
	70649603	Harness	1 phase; Control contactor block to EMI filter
	70649604	Harness	3 phase; Control contactor block to EMI filter

# Accessory Box - Gas Models



TMB3852P

## Accessory Box - Gas Models

REF	PART NO.	DESCRIPTION	COMMENTS
	70636701	Harness	T and G market models; 120-240 Volt; Power distribution block to inverter/control tray
	70636702	Harness	T and G market models; 380-480 Volt; Power distribution block to inverter/control tray
	70649601	Harness	1 phase; Power distribution block to EMI filter
	70649602	Harness	3 phase; Power distribution block to EMI filter
	70636703	Harness	IEC models; 120-240 Volt; EMI filter to inverter/control tray
	70636704	Harness	IEC models; 380-480 Volt; EMI filter to inverter/control tray
	00621SG	Male Tab Terminal	
<b>1</b>	430642	Terminal Block	
<b>2</b>	70333001	Terminal Block Shield	
<b>3</b>	M413862	Insulator	
<b>4</b>	44286803	Label	L1, L2, L3
	44286801	Label	L1, N
	44286802	Wire Label	L1 L2, L1 N
	44286804	Wire Label	L1 L2, L1 N, L1 L2 L3
<b>5</b>	70615501	Conduit Plate	
<b>6</b>	D516100	Label	
<b>7</b>	M411283	Ground Lug Connector	
<b>8</b>	685837	Screw	
<b>9</b>	F8206901	Screw	
<b>10</b>	70030501	Expansion Clip	
<b>11</b>	M400003	Pop Rivet	
<b>12</b>	44088001	Nut	
<b>13</b>	430497	Screw	
<b>14</b>	51783	Screw	
<b>15</b>	F8591601	EMI Filter	IEC models; 100-200 and 200-240 Volt/1 Phase
	F8637501	EMI Filter	IEC models; 380-480 Volt
<b>16</b>	70659001	Accessory Bracket	
<b>17</b>	F8449502	Wire Clip	

## Labels

<b>PART NO.</b>	<b>DESCRIPTION</b>	<b>COMMENTS</b>
44324201	Caution Label	Australian models; Repeat Ignition Reset
70696901	Caution Label	Vent/install
F8614501	Danger Label	Shock; English/French
F8614301	Hot Surface Warning Label	English/French
F8609001	Hot Surface Warning Label	Icon
F8611601	Warning Label	
70535100	Label Kit	IEC models; Vent/install
F8614500	Label Kit	IEC models; Shock
70539601	Notice Label	
F8609501	Notice Label	
D516073	Notice Label	Read instructions; Icon
70538401	Pinch Warning Label	English/French
F8615701	Pinch Warning Label	Icon
F8614201	Shock Warning Label	Icon
70536301	Warning Label	Australian models; Lint
44324101	Warning Label	Australian models; Fire
70534305	Warning Label	Fire; Colombian Spanish
44321601	Warning Label	Risk of fire; Icon
D503887	Label	Australian models

# Parts Index

## A

Access Panel Trim	
70399405 .....	33
70399411 .....	33
Accessory Bracket	
70659001 .....	69, 73
Adapter	
70131901 .....	61
Airflow Switch and Arm Bracket	
70319602 .....	59
Airflow Switch Arm	
70319401 .....	59
Airflow Switch Vane	
70319201 .....	59
Airflow Switch Wrapper	
70356101 .....	59
Anti-Rattle Burner Assembly	
70546701 .....	61
Auxiliary Contact Block	
44313201 .....	69

## B

Blind Rivet	
F8245101 .....	37
Blower Assembly	
70359801P .....	53, 55
Blower Housing	
70020301 .....	55
70215101 .....	53, 55
70554701 .....	53, 55
Blower Housing Scroll	
70016301 .....	53
Blower Inlet Cone	
70014101 .....	55
Blower Motor Mounting Plate	
70349601 .....	53, 55
Bottom Guard	
70661001 .....	47
Bracket	
70653703 .....	65
Burner Grill	
70188801 .....	61
Burner Orifice	
70684105 .....	63
70684106 .....	63
70684108 .....	63
70684109 .....	63
70684111 .....	63
70684113 .....	63
70684114 .....	63
70684116 .....	63
70684133 .....	63
70684135 .....	63
70684137 .....	63
70684139 .....	63
70684142 .....	63

Bushing	
70346501 .....	45
Bypass Harness	
44334103 .....	15, 33

## C

Caution Label	
44324201 .....	74
70696901 .....	74
Center Cylinder Seal	
70066004 .....	43
Center Pan	
70565201 .....	45
Center Partition	
70252601 .....	45
Central Pay Board Power Supply Harness	
70631705 .....	67
Central Pay Control Assembly	
204779 .....	67
Circuit Breaker	
70488102 .....	69
70488104 .....	69
Coin Box	
F160673P .....	33
Coin Chute Assembly	
70296401 .....	33
Coin Drop	
38963P .....	19
39748 .....	19
70441601 .....	19
70441603 .....	19
Coin Drop Assembly	
201141 .....	19
210195 .....	19
210196 .....	19
38462P .....	19
38463 .....	19
38467 .....	19
38519 .....	19
70281102 .....	19
70283102 .....	19
70441602 .....	19
70447301 .....	19
70471601 .....	19
70482401 .....	19
70506901 .....	19
Coin Drop Kit	
CK077 .....	19
CK122 .....	21
Coin Identification Paper	
38464P .....	19
38475 .....	19
38725 .....	19
Coin Meter	
F0160737-00 .....	19
Coin Vault and Emergency Stop Mount Assembly	
70529502 .....	33
Coin Vault Assembly	
70529501 .....	33

N/A items do not appear in index.

Coin Vault Switch Harness	
44334101 .....	33
44334104 .....	15
Cold Weather Kit	
44340301 .....	51
Conduit Plate	
70615501 .....	73
70615503 .....	69
Contact Base	
F8538101 .....	35
Contact Switch	
F8069501 .....	35
Contacto	
70482801 .....	69
Contacto	
70632201 .....	71
Contacto Interconnect Harness	
70630901 .....	67
Contacto Monitor Harness	
70630902 .....	71
Control	
70511601 .....	51
Control Assembly	
70478801P .....	15
70478802 .....	17
70479801 .....	13
Control Box Base	
44065301 .....	51
Control Box Cover	
44065201 .....	51
Control Box Housing	
44306701 .....	51
Control Box Top	
44307101 .....	51
Control Door Latch	
431318 .....	29
Control Harness	
44375604 .....	51
Control Panel	
70273313 .....	29
70273315W .....	29
Control Panel Assembly	
70689701 .....	29
70689702 .....	29
70689703W .....	29
70689704W .....	29
Control Panel Switch Bracket	
70641601 .....	29
Control Plate	
70497101 .....	13, 17
Control Plate and Studs Assembly	
70496601 .....	15
Control Plate Assembly	
70497201 .....	15
Control Tray Power Harness	
70642101 .....	67
70642102 .....	67
Control Trim	
44016401 .....	33
Conversion Kit	
44391002 .....	65
70696801 .....	67
70696805 .....	67

Cylinder and Trunnion Assembly	
70443801 .....	39
70443802 .....	39
70443803 .....	39
Cylinder Assembly	
70372701P .....	39
70372702P .....	39
70372703 .....	39
Cylinder Bearing Stud Plate Assembly	
430352 .....	43
Cylinder Guide Tool	
263P4 .....	43
Cylinder Rib Assembly	
70433001 .....	39
Cylinder Shroud	
70347201 .....	45
70347202 .....	45
70432303 .....	45
70432304 .....	45

## D

Damper and Hinge Exhaust Assembly	
70209501 .....	53, 55
Damper Spacer	
70220901 .....	55
Danger Label	
F8614501 .....	74
DIN Rail	
44229701 .....	69
Door Assembly	
70597701 .....	23
70597702 .....	23
70597709 .....	23
70597711B .....	23
Door Catch Kit	
70482901 .....	33
Door Glass	
M400784P .....	25
Door Glass Installation Tool	
M4221P4 .....	25
Door Glass Seal Kit	
70211901P .....	25
Door Handle	
44007902P .....	25
Door Hinge	
70595503 .....	27
70595509B .....	27
70595509W .....	27
Door Hinge Lug Assembly	
44035001 .....	27
44035002 .....	27
Door Latch	
M401223 .....	33
Door Ring Assembly	
70597501 .....	25
70597502 .....	25
70597507B .....	25
Door Ring Gasket	
70296801 .....	25
Door Switch Actuator	
70532101 .....	27
70532102 .....	27

N/A items do not appear in index.

Drive Access Cover	
70662801 .....	53
Drive Motor	
44355001 .....	53
44355002 .....	53
Drive Plate	
70571901 .....	53
Drive Rivet	
M400713 .....	51
Drive Support Bracket	
70648601 .....	57
Drywall Screw Magnet Kit	
70343101P .....	39, 43

## E

Elbow	
70428101 .....	49
Electronic Coin Drop Assembly	
70294107 .....	19
70513302 .....	19
70513303 .....	19
70513304 .....	19
70513306 .....	19
70513308 .....	19
70513309 .....	19
70513310 .....	19
70513311 .....	19
70513312 .....	19
70513313 .....	19
70513314 .....	19
70513315 .....	19
70513316 .....	19
Electronic Coin Drop Kit	
CK099 .....	21
CK100 .....	21
CK101 .....	21
CK108 .....	21
CK109 .....	21
CK110 .....	21
CK113 .....	21
CK115 .....	21
CK116 .....	21
CK117 .....	21
CK118 .....	21
CK119 .....	21
CK120 .....	21
CK121 .....	21
Emergency Stop Button Kit	
70580301 .....	35
Emergency Stop Bypass Harness	
F8519403 .....	15
Emergency Stop Harness	
44272401 .....	35
Emergency Stop Interconnect Harness	
70631101 .....	35
Emergency Stop Label	
44012901 .....	35
44012903 .....	35
Emergency Stop Mounting Bracket	
70550401 .....	35
Emergency Stop Pushbutton	
F200233500 .....	35
EMI Filter	
F8591601 .....	69, 73

F8637501 .....	69, 73
End Cap	
70070101 .....	39
70070102 .....	39
End Stop	
F8449801 .....	69
Exhaust Thimble	
70017801 .....	53
Expansion Clip	
70030501 .....	15, 33, 57, 61, 65, 67, 69, 73

## F

Fan Motor	
44354901 .....	53, 55
44354903 .....	53, 55
Fan Spacer	
70599301 .....	53
Fill Hose	
202799 .....	51
Filter Mounting Plate	
70551701 .....	51
Flat Topl	
70557601 .....	45
Front Panel Assembly	
44115902 .....	31
70601501 .....	31
70601601 .....	31
70601901 .....	31
70602002W .....	31
70602102W .....	31
70602202W .....	31
70602702W .....	31
Front Panel Seal	
70173401P .....	31

## G

Gas Burner	
70229801P .....	61
Gas Valve	
44154507 .....	61
44154508 .....	61
Gas Valve Bracket	
70645401 .....	61
Gas Valve Harness	
44273501 .....	61
Gas Valve Manifold	
70659201 .....	61
Gasket	
70289101P .....	37
70392701P .....	55
Ground Lug Connector	
M411283 .....	69, 73
Guard Bracket	
70670901 .....	61, 65

## H

Handle and Caps Assembly	
70154401 .....	37

N/A items do not appear in index.

Handle Bar	
70399502B .....	25
Handle Bumper	
70407205 .....	37
Harness	
70636701 .....	71, 73
70636702 .....	73
70636703 .....	71, 73
70636704 .....	73
70636705 .....	71
70636706 .....	71
70639801 .....	71
70639802 .....	71
70639805 .....	71
70639806 .....	71
70639807 .....	71
70639810 .....	71
70639811 .....	71
70641704 .....	71
70641705 .....	71
70641708 .....	71
70649601 .....	73
70649602 .....	73
70649603 .....	71
70649604 .....	71
70649605 .....	71
70649606 .....	71
70649607 .....	71
70649608 .....	71
Harness Adapter Plate	
70523301 .....	49, 51
Heat Control Harness	
44374901 .....	67
Heater Element	
70034401P .....	65
70034402P .....	65
70034403P .....	65
High Altitude Orifice Kit	
70609903 .....	63
70609904 .....	63
High Voltage Suppression Cable	
44239702 .....	61
Hinge Cam Kit	
M4772P3 .....	27
M4773P3 .....	27
Hold-Down Clip	
35865 .....	45
Hole Plug	
70063201 .....	45
Hose	
44073304 .....	51
Hose Clamp	
36801 .....	51
Hose Fitting	
44069101 .....	51
Hot Surface Warning Label	
F8609001 .....	74
F8614301 .....	74

## I

Idler Wheel Assembly	
70050401P .....	53
Igniter Cover	
70159601 .....	61

N/A items do not appear in index.

Ignition Control	
70482001 .....	67
70482002 .....	67
Insulator	
M413862 .....	73
Interconnect Harness	
44375601 .....	51
Interface Harness	
44378102 .....	15
Inverter Control Assembly	
70603001 .....	57
70603201 .....	57
Inverter to Motor Harness	
70635401 .....	57
70635402 .....	57
70635403 .....	57
70635404 .....	57
I/O Control Assembly	
70671701 .....	67

## J

Jumper Bar	
70066501 .....	65
Jumper Harness	
D511476 .....	33
70641709 .....	65
70641710 .....	65
Jumper Strip	
M400869 .....	65

## K

Key	
70155601 .....	33, 51
70155602 .....	33
Kickplate	
70117601 .....	37

## L

Label	
D503887 .....	74
D516100 .....	69, 73
44108201 .....	31
44286801 .....	69, 73
44286803 .....	69, 73
44318201 .....	51
44391301 .....	33
44391401 .....	33
44391501 .....	37
70414001 .....	31
70537101 .....	31
Label Kit	
F8614500 .....	74
44318200 .....	51
44324500 .....	51
70534300 .....	31
70535100 .....	74
Lead-In Pipe	
70661401 .....	61
70661501 .....	61



Lever Arm and Belt Kit 70655101 .....	53
Lever Arm and Bushing Assembly 70653801 .....	53
Light 801432 .....	51
Limit Access Bracket 70554901 .....	55
Limit Thermostat 44328001 .....	55
44328004 .....	61
44328006 .....	65
44328104 .....	61
70530901 .....	55
Lint Panel 70515402 .....	37
70515403W .....	37
70515404W .....	37
70515405 .....	37
Lint Panel Pivot Plate 70017901 .....	37
Lint Screen 70325601 .....	45
Lock Shim 70342401 .....	33
Lock, Key and Nut Kit 44089301P .....	33, 51
44089302P .....	33
Lower Pan 70332401P .....	45
Lower Rear Assembly 70667601 .....	53
L.P. Conversion Kit 70550202 .....	61
70550214 .....	61
70551902 .....	61
L.P. Valve 44154504 .....	61

## M

Machine ID Control Assembly 203361P .....	15, 17
Magnet 70343101 .....	37
Magnet Bracket 44290501 .....	37
Main Harness 70631001 .....	13, 15, 17
Male Tab Terminal 00621SG .....	73
Mixing Valve 70519801 .....	51
Mixing Valve Shield Bracket 44306601 .....	51
Moisture Sensor/Airflow Switch Harness 70631203 .....	41
Motor Mount Bracket 70564101 .....	53
Motor Mount Plate 70564201 .....	53
Motor Pulley 70559101 .....	53

Mounting Plate 70208801 .....	15
----------------------------------	----

## N

Nameplate Overlay 44130201 .....	33
44144401 .....	25
44391201 .....	25
70411401 .....	25
Notice Label D516073 .....	74
F8609501 .....	74
70535901 .....	61
70539601 .....	74
70544901 .....	61
Nozzle Bracket 70424201 .....	49
70428601 .....	49
Nut M400022 .....	41, 43
M400034 .....	43
M404993 .....	45
M412986 .....	43
M414215 .....	25
21899 .....	45
23951 .....	37
430576 .....	45
44087201 .....	39, 53
44087301 .....	53
44088001 .....	25, 27, 69, 73
44088801 .....	33
44333202 .....	53
51236 .....	37
56156 .....	53
70054 .....	15, 65
70660601 .....	55
N.G. Valve 44154503 .....	61

## O

Opto Coupler 200674P .....	19
O-Ring 431482 .....	61
Overlay 70539101 .....	13
70547501 .....	13
70547801 .....	17
70548801 .....	17
70571101 .....	15
70571102 .....	15
70571103 .....	15
70626001 .....	15
70626002 .....	15
70626101 .....	15
70679201 .....	15

## P

Panel Locator 56079 .....	33, 37
------------------------------	--------

N/A items do not appear in index.

Pin	70071401	27
Pinch Warning Label	F8615701	74
	70538401	74
Pipe Bracket	70653701	61
Plug	70167601	61
	70180001	51
Pop Rivet	M400003	29, 67, 69, 73
	44166601	33
	70058501	27, 37, 45, 69
	70126301	37
	70126401	37
	70412601	25
Porcelain Touch-Up Paint	122P4P	45
Power Distribution Block	M413865	69
Power Distribution Block Cover	44014901P	69
Power Sensor Harness	44375602	51
Primary Air Adjustment Sleeve	70239801	61
Primary Transformer Vend Harness	70631701	67
	70631702	67
Pushbutton Switch	70413301	13, 15, 17, 29, 33
Push-to-Start Switch	801434W	51

## R

Rear Bearing Shim	70355001	43
Rear Bracket	70654401	51
Rear Cover	70650901	47
Rear Cylinder Bearing Housing	70013901	43
Rear Cylinder Channel	70257301	39
	70257302	39
Rear Cylinder Channel Plate	70257401	39
Rear Cylinder Seal	70013702	43
Rear Cylinder Seal Support	70506401	43
Rear Guard	70651001	47
	70651002	47
Rear Lint Panel	70565301	37
Rear Main Harness	70631201	67
Rear Panel	70651201	43

	70651202	43
	70651203	43
Reed Switch Assembly	F8066804	37
Roller and Seal Kit	70616701	45
Roller Catch Arm	70030301	37
Roller Catch Spacer	70030201	37
Roller Catch Wheel	70297601	37
Roller Seal	70443601	45
Roller Shaft	70249501	45
Roller Support Bracket	70328301	45

## S

Screw	F430144	53
	F8206901	57, 65, 67, 69, 73
	M400661	25
	M405188	61
	M411072	15, 33
	05161	61
	39733	33, 37, 69
	430497	29, 37, 39, 45, 49, 51, 55, 59, 61, 65, 67, 69, 73
	430757	37
	44349101	27
	44364601	53
	44364603	53
	51780	49, 51, 55, 69
	51783	67, 73
	62588	39
	685837	69, 73
	70033502	27
	70072801	37
	70126101	55
	70132301	37
	70247701	45
	70391101	39
	70407301	27
	70436301	27
	70442101	25
	70501301	53
	70508301	53
	70546301	53
	70576101	27
	70672501	61
	70689401	27
	804608	13, 15, 17, 51
Sensor Harness	44375606	51
Sheet Metal Edge Gasket	70015709	45
	70015710	45
Shield	44326801	51
Shock Warning Label	F8614201	51, 74
	F8614401	51

N/A items do not appear in index.

Side Bracket	
70658601 .....	51
Side Guard	
70648101 .....	47
70648201 .....	47
Side Panel	
70021504W .....	45
70253802W .....	45
Side Stove Guard	
70671101 .....	61, 65
Slip Ring Assembly	
44222702 .....	41
Slip Ring Holder	
70455401 .....	41
Slot Card Plate Assembly	
44089501 .....	15
Snap Bushing	
M411826 .....	61
70178701 .....	49, 67
Spacer	
70488403 .....	53
Spark Electrode	
70654201 .....	61
Spray Nozzle	
70427801 .....	49
Spray Nozzle Hose	
70427701 .....	49
Spray Paint	
298P4P .....	45
Spring	
70571801 .....	53
Spring Catch Bracket	
70543401 .....	53
Standoff	
70569603 .....	53
Stove Back	
70371501 .....	61
Stove Cover	
70652301 .....	65
Stove Grill	
70214901 .....	65
Stove Limit Harness	
70564301 .....	61
70564303 .....	65
Stove Shield	
70652001 .....	65
Stove Top and Sides	
70647101 .....	61
70654001 .....	65
Support Bearing	
70448701 .....	43
Support Housing Bearing Assembly	
430260P .....	43
Switch	
70411901 .....	59
Switch Bracket	
70356301 .....	59
70508501 .....	37
Switch Hole Plug	
44057801B .....	33
44057801W .....	33

---

## T

Tensioning Bracket	
70569501 .....	53
Terminal Block	
430642 .....	73
Terminal Block Shield	
70333001 .....	73
Thermistor	
M414704 .....	55
44064701 .....	49
Thermistor Plate	
70424401 .....	49
Thermostat Cover	
M414477 .....	61
Thermostat/Lint Switch Interconnect Harness	
70631202 .....	55
Top Pan	
70671501 .....	45
Transformer	
F8491101 .....	67
202757 .....	67
202758 .....	67
Tray Base	
70649101 .....	67
Tray Cover	
70649001 .....	67
Tray Wrap	
70648901 .....	67
Trunnion and Seal Kit	
70564801 .....	39
70564802 .....	39
Tube Assembly	
70427601 .....	49
Tumbler Dolly Kit	
M4379P4 .....	45

---

## U

Union Tee	
70427901 .....	49

---

## V

Vend Activation Harness	
44334004 .....	13, 15, 17

---

## W

Warning Label	
F8611601 .....	74
44321601 .....	74
44324101 .....	74
44324501 .....	51
44324502 .....	51
70534301 .....	31
70534302 .....	31
70534305 .....	74
70536301 .....	74

N/A items do not appear in index.

Washer	
M400991 .....	43, 55
70261401 .....	45
70409301 .....	25
70411301 .....	39
Water Valve Harness	
44375605 .....	51
Wire Clip	
F8449502 .....	57, 67, 69, 73
Wire Guard	
201595P .....	19
Wire Label	
44286802 .....	69, 73
44286804 .....	69, 73

---