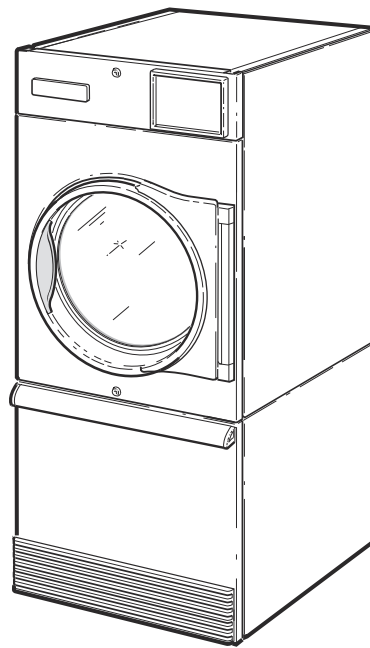


Tumble Dryers

35 Pound Capacity

18 Digit Model Numbers with 6 in 13th Position

Refer to Page 3 for Model Numbers



TMB1293C

Table of Contents

Title	Page
Parts Ordering Information.....	2
Serial Plate Location	2
Machine Identification	3
Product Overview - Heat Source and Voltage	4
Product Overview - FN Control Suffix	6
Product Overview - DN and NN Control Suffixes.....	8
Product Overview - N and W Control Suffixes	10
Dual Digital Control	12
Electronic Display Control - Vend Models with N or W in the 7th Position.....	14
Electronic Display Control - OPL Models with N in the 7th Position	16
Coin Drops	18
Coin Drop Kits.....	20
Door Assemblies	22
Door Components.....	24
Hinge Components	26
Control Panels	28
Front Panel Assemblies	30
Cabinet Front Components.....	32
Emergency Stop Button - IEC OPL Models	34
Lower Cabinet Components	36
Cylinder and Trunnion Assembly	38
Moisture Sensing Components	40
Cylinder Components	42
Cabinet Components	44
Rear Panels	46
Fire Suppression System Components	48
Fire Suppression System Control Box.....	50
Motor Components	52
Blower and Exhaust Components.....	54
Inverter Tray Components	56
Airflow Switch.....	58
Gas Heater Components	60
Burner Orifices	62
Electric Heater Components	64
Control Tray	66
Accessory Box - Electric Models.....	68
Accessory Box Harnesses - Electric Models.....	70
Accessory Box - Gas Models.....	72
Labels	74
Parts Index.....	75

© Copyright 2023, Alliance Laundry Systems LLC

All rights reserved. No part of the contents of this book may be reproduced or transmitted in any form or by any means without the expressed written consent of the publisher.

Parts Ordering Information

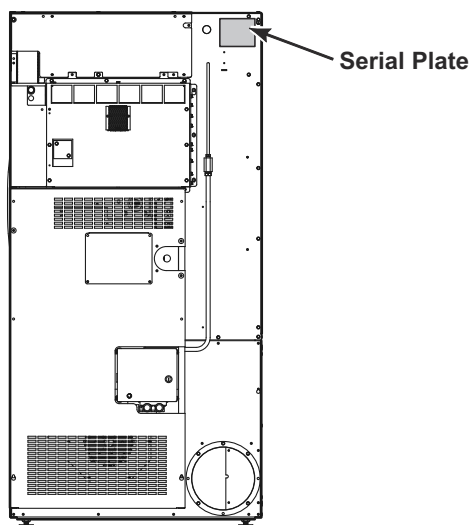
If literature or replacement parts are required, contact the source from whom the machine was purchased or contact Alliance Laundry Systems at (920) 748-3950 for the name and address of the nearest authorized parts distributor.

For technical assistance, call the number listed below:

(920) 748-3121 Ripon, Wisconsin

Serial Plate Location

When calling or writing about your product, be sure to mention model and serial numbers. Model and serial numbers are located on serial plate(s) as shown.



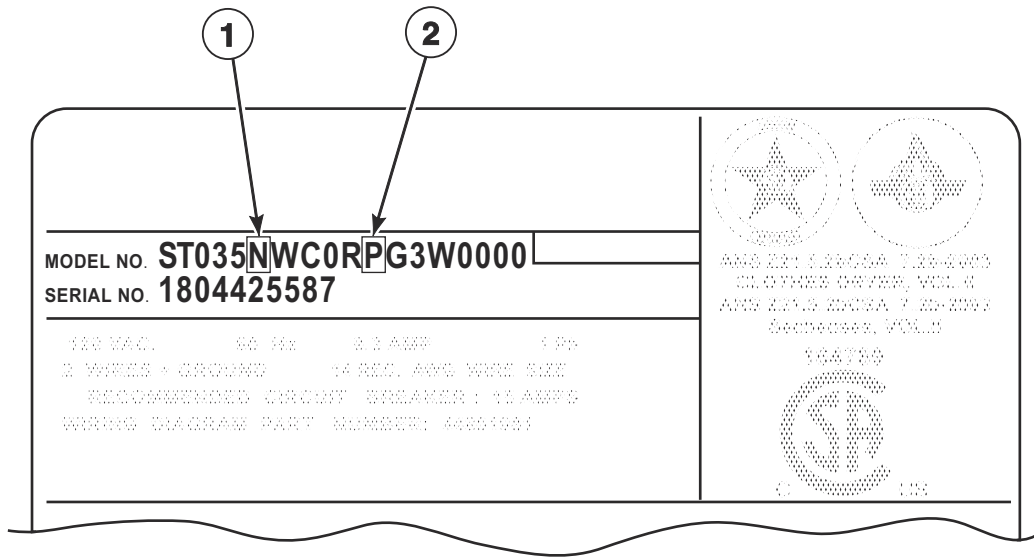
TMB3830P

Machine Identification

Information in this manual is applicable to these machines:

GA035E	KT035E	MG035D	NA035E
GA035L	KT035M	MG035E	NA035L
GA035M	KT035N	MG035L	NA035M
GA035N		MG035M	NA035N
GG035E		MG035N	NG035E
GG035L		MJ035D	NG035L
GG035M		MJ035E	NG035M
GG035N		MJ035M	NG035N
GH035E		MJ035N	NH035E
GH035M			NH035M
GH035N			NH035N
GJ035E			NJ035E
GJ035M			NJ035M
GJ035N			NJ035N
GK035E			NK035E
GK035L			NK035L
GK035N			NK035N
GU035E			NR035E
GU035M			NT035E
GU035N			NT035M
			NT035N
			NU035E
			NU035M
			NU035N

Product Overview - Heat Source and Voltage



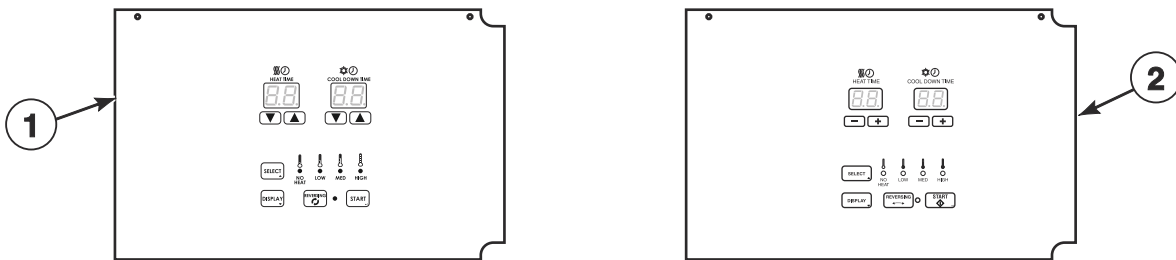
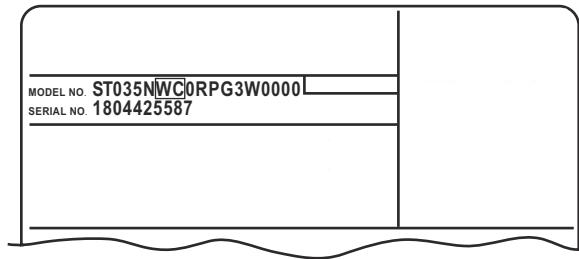
TMB3529P

Product Overview - Heat Source and Voltage

REF	PART NO.	DESCRIPTION	COMMENTS
1	-	Heat Source	D: Liquid Petroleum Gas (L.P) E: Electric L: Liquid Petroleum Gas (L.P.) M: Medium Electric N: Natural Gas (N.G.)
2	-	Voltage	B: 100-120 Volt/50-60 Hertz/1 Phase; Gas models D: 200-208 Volt/50-60 Hertz/1 Phase; Electric models E: 230-240 Volt/50-60 Hertz/1 Phase; Electric models F: 200-208 Volt/50-60 Hertz/3 Phase; Electric models G: 230-240 Volt/50-60 Hertz/3 Phase; Electric models H: 380 Volt/50-60 Hertz/3 Phase; Electric models J: 400-415 Volt/50-60 Hertz/3 Phase; Electric models K: 440 Volt/50-60 Hertz/3 Phase; Electric models L: 460-480 Volt/50-60 Hertz/3 Phase; Electric models N: 440-480 Volt/50-60 Hertz/3 Phase; Gas models P: 380-415 Volt/50-60 Hertz/3 Phase; Gas models X: 200-240 Volt/50-60 Hertz/1-3 Phase; Gas models

Product Overview - FN Control Suffix

All Models Except M Models; OPL



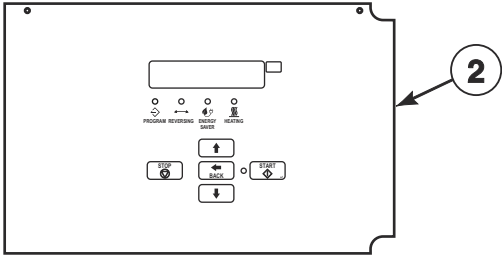
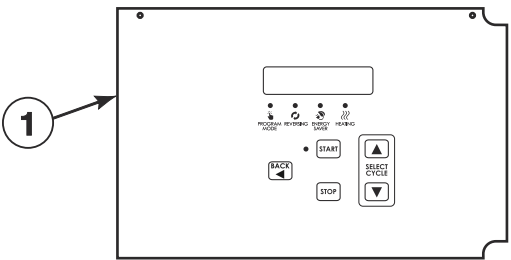
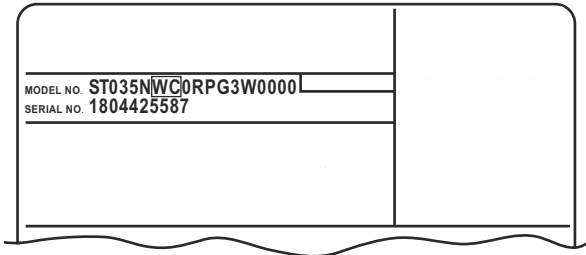
TMB3552P

Product Overview - FN Control Suffix

REF	PART NO.	DESCRIPTION	COMMENTS
1	-	Dual Digital Control	G and K models
2	-	Dual Digital Control	N models

Product Overview - DN and NN Control Suffixes

All Models Except M Models; OPL



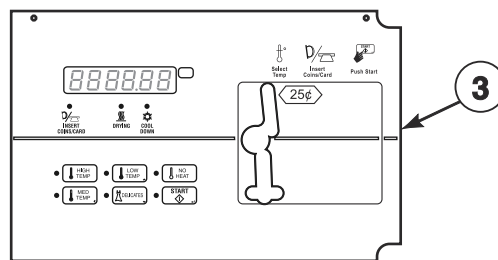
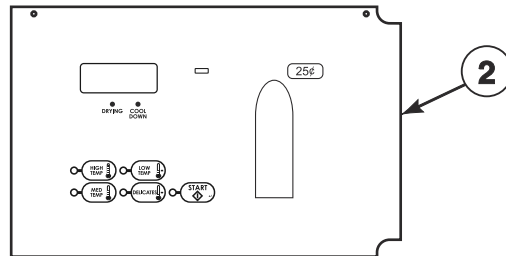
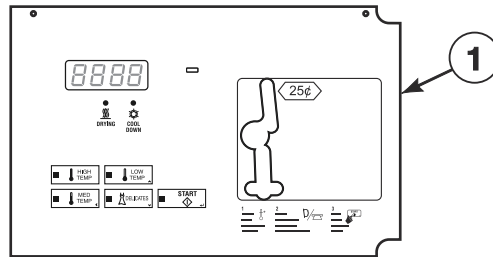
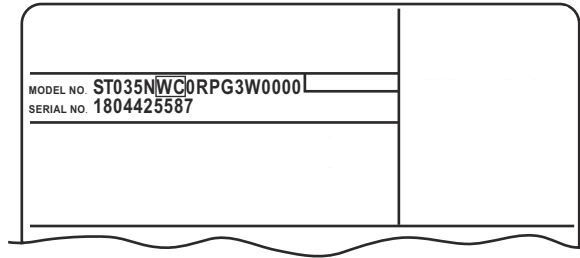
TMB3553P

Product Overview - DN and NN Control Suffixes

REF	PART NO.	DESCRIPTION	COMMENTS
1	-	OPL Micro Control	G and K models
2	-	OPL Micro Control	N models

Product Overview - N and W Control Suffixes

7th Position of the Model Number; Vend



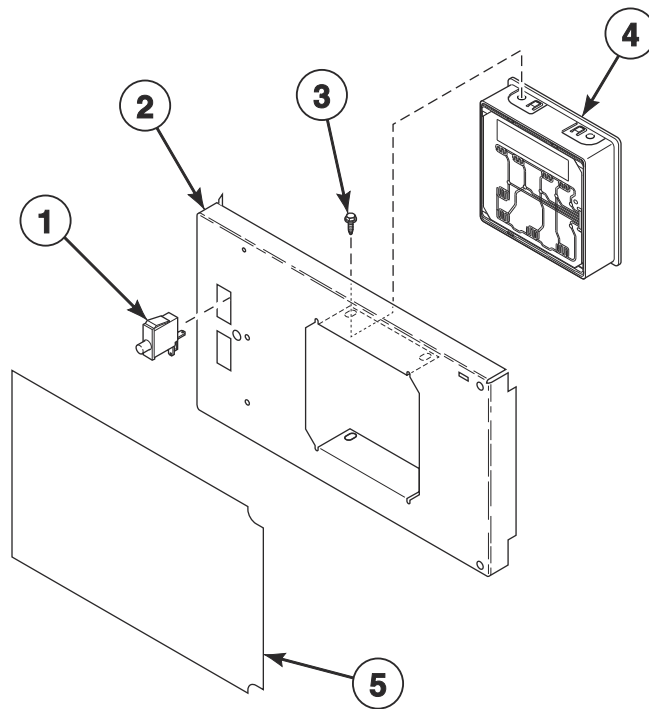
TMB3554P

Product Overview - N and W Control Suffixes

REF	PART NO.	DESCRIPTION	COMMENTS
1	-	Basic Electronic Control	N models
2	-	Basic Electronic Control	G and K models
3	-	Quantum Gold Control	M models

Dual Digital Control

Models with F in the 7th Position; All Models Except M Models

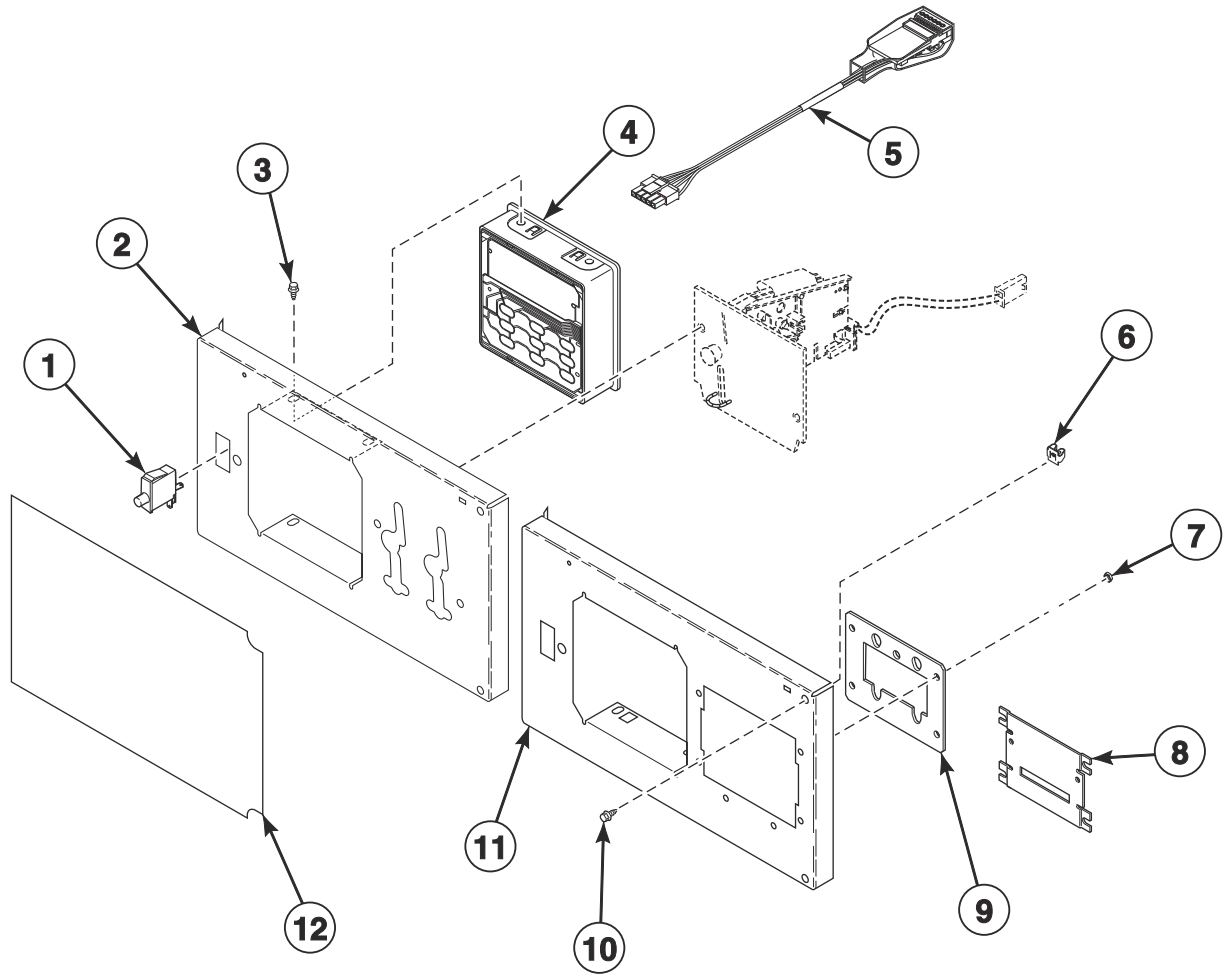


TMB3505P

Dual Digital Control

REF	PART NO.	DESCRIPTION	COMMENTS
	44334004	Vend Activation Harness	
	70631001	Main Harness	
1	70413301	Pushbutton Switch	
2	70497101	Control Plate	
3	804608	Screw	4 required
4	70479801	Control Assembly	Green
5	70539101	Overlay	N models; Reversing
	70547501	Overlay	G and K models; Reversing

Electronic Display Control - Vend Models with N or W in the 7th Position



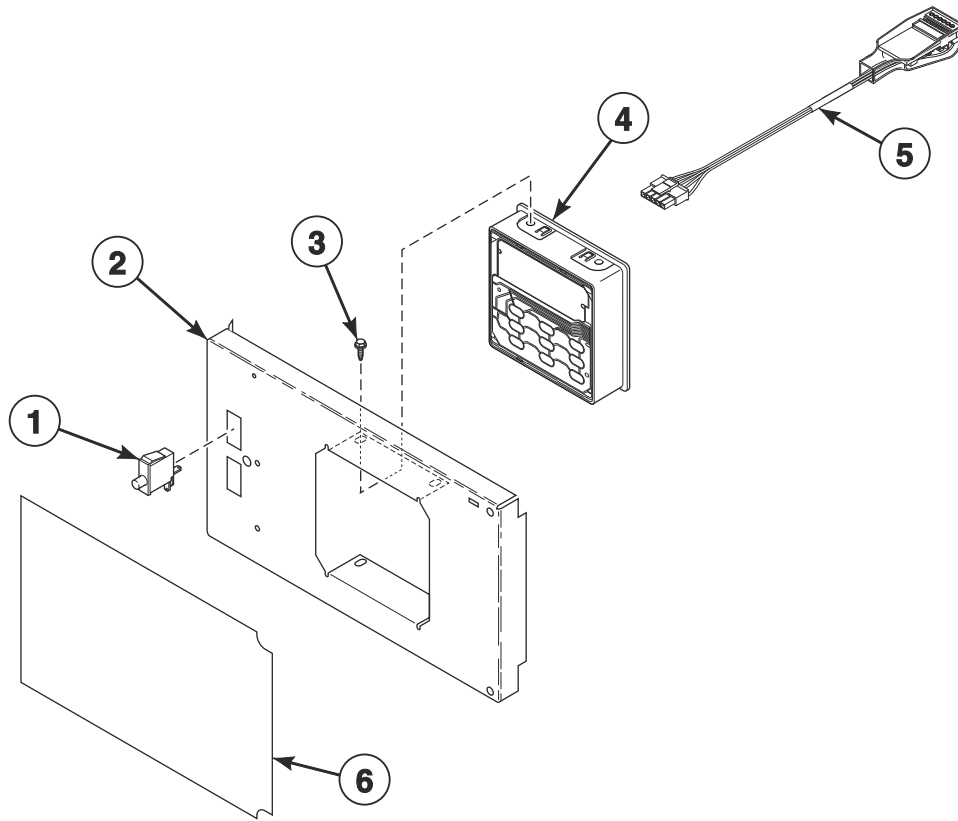
TMB3928P

Electronic Display Control - Vend Models with N or W in the 7th Position

REF	PART NO.	DESCRIPTION	COMMENTS
	44334004	Vend Activation Harness	
	44334103	Bypass Harness	Vault Switch
	44334104	Coin Vault Switch Harness	
	44378102	Interface Harness	Central pay to front end control
	70631001	Main Harness	
	F8519403	Emergency Stop Bypass Harness	T and G market models
1	70413301	Pushbutton Switch	
2	70496601	Control Plate and Studs Assembly	Coin and central pay
3	804608	Screw	4 required
4	70478801P	Control Assembly	Green
5	203361P	Machine ID Control Assembly	Model or serial number is required when ordering
6	70030501	Expansion Clip	
7	70054	Nut	
8	44089501	Slot Card Plate Assembly	
9	70208801	Mounting Plate	
10	M411072	Screw	
11	70497201	Control Plate Assembly	Card
12	70679201	Overlay	M models; Single drop
	70571101	Overlay	N models; Single drop
	70571102	Overlay	N models; Dual drop
	70571103	Overlay	N models; Card ready
	70626001	Overlay	G and K models; Single drop
	70626002	Overlay	G and K models; Dual drop
	70626101	Overlay	G and K models; Card ready

Electronic Display Control - OPL Models with N in the 7th Position

All Models Except M Models

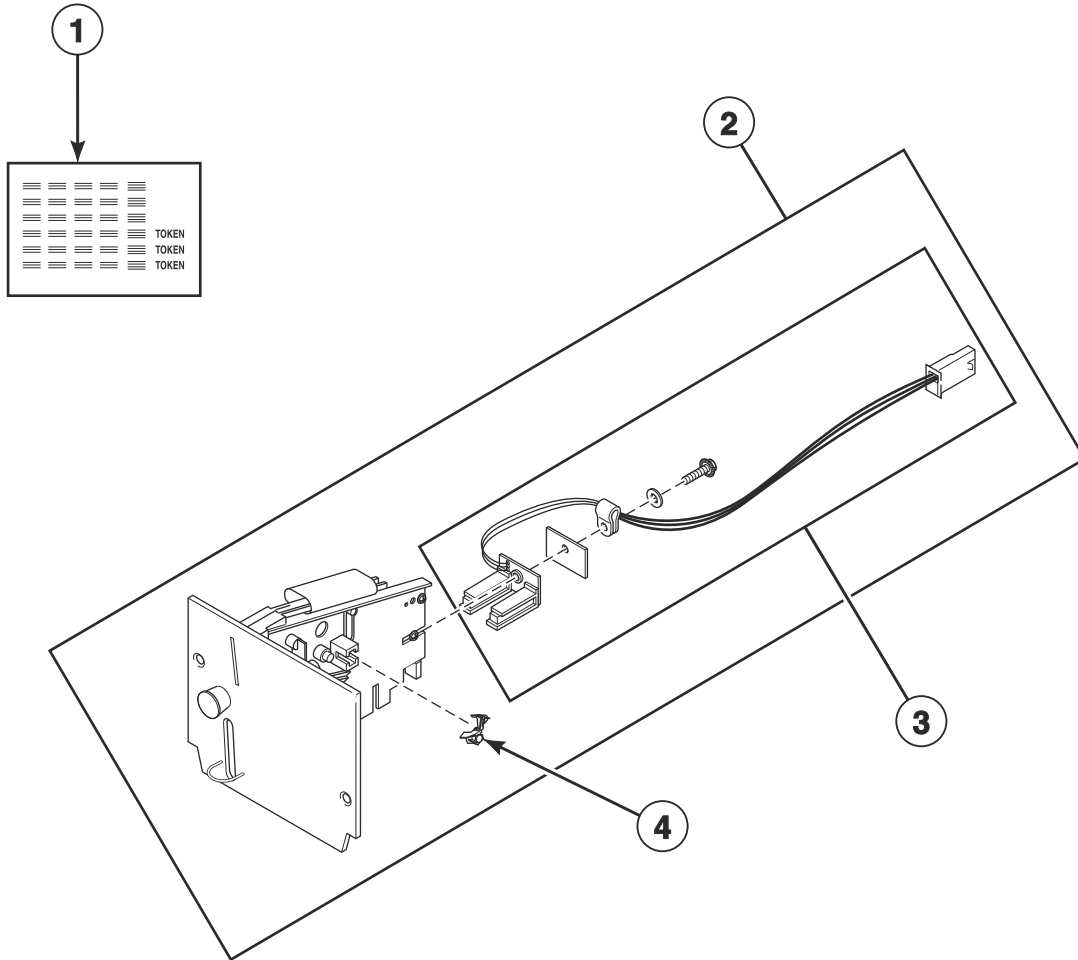


TMB3680P

Electronic Display Control - OPL Models with N in the 7th Position

REF	PART NO.	DESCRIPTION	COMMENTS
	44334004	Vend Activation Harness	
	70631001	Main Harness	
1	70413301	Pushbutton Switch	
2	70497101	Control Plate	
3	804608	Screw	4 required
4	70478802	Control Assembly	Green
5	203361P	Machine ID Control Assembly	Model or serial number is required when ordering
6	70548801	Overlay	N models; Reversing
	70547801	Overlay	G and K models; Reversing

Coin Drops

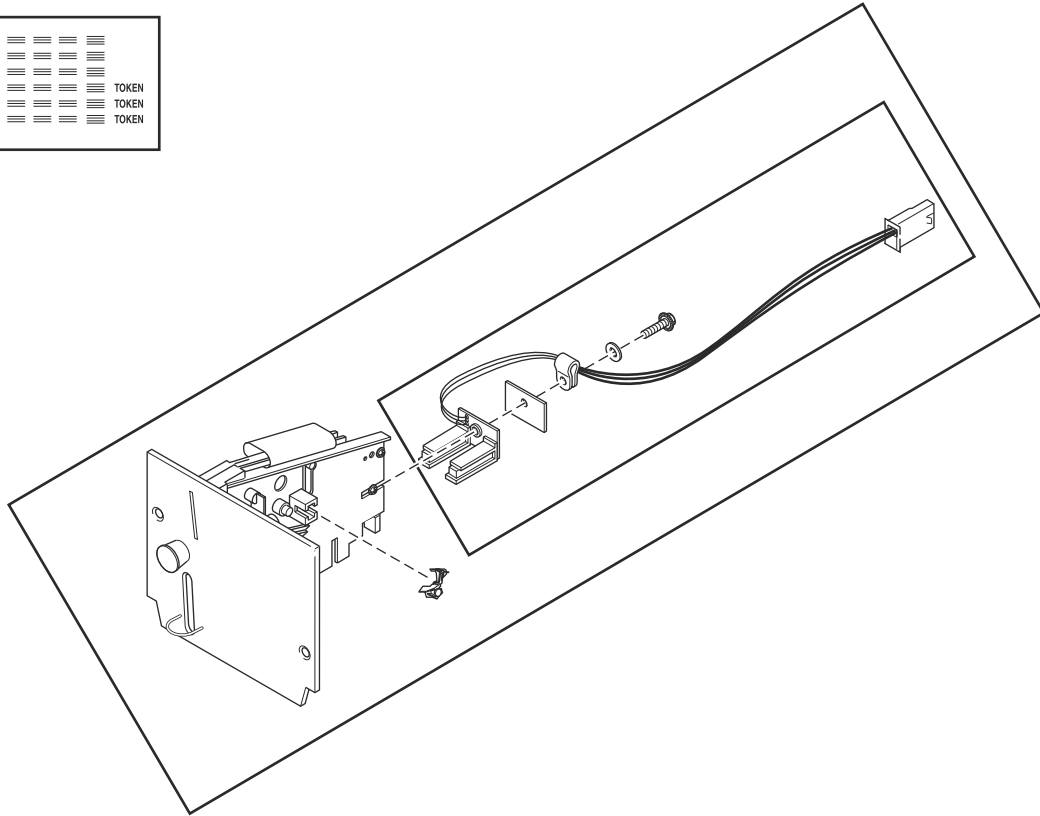
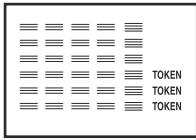


TMB3510P

Coin Drops

REF	PART NO.	DESCRIPTION	COMMENTS
1	38725	Coin Identification Paper	
2	70441601P	Coin Drop	Single; U.S.A.; \$.25
	38475	Coin Drop Assembly	Single; Japan; 100 yen
	38464P	Coin Drop Assembly	Single; Canada; .25
	CK077	Coin Drop Kit	Single; Taiwan; 10 NT
	70506901	Coin Drop Assembly	Single; Singapore; \$1.00 NEW
	70441603	Coin Drop	Dual; U.S.A.; \$.25 and \$1.00
	38519	Coin Drop Assembly	Dual; Japan; 100 yen and 500 yen
	70441602	Coin Drop Assembly	Dual; Canada; .25 and 1.00
	38467	Coin Drop Assembly	Dual; Australia; \$0.20 and \$1.00
	70447301	Coin Drop Assembly	Dual; Australia; \$1.00 and \$2.00
	70283102	Coin Drop Assembly	Dual; 0.20 and 0.50 Euro
	210195	Coin Drop Assembly	Dual; 0.20 and 1.00 Euro
	210196	Coin Drop Assembly	Dual; 0.50 and 1.00 Euro
	F0160737-00	Coin Meter	Dual; 0.50 and 2.00 Euro
	70281102	Coin Drop Assembly	Dual; Taiwan; 10 and 50 NT
	70482401	Coin Drop Assembly	Dual; New Zealand ; \$1.00 and \$2.00
	38462P	Coin Drop Assembly	Single; Token; STD 118-1
	38463	Coin Drop Assembly	Single; Token; STD 118-5
	38963P	Coin Drop	Single; Token STD 118-16
	39748	Coin Drop	Single; Jeton 08MS
	201141	Coin Drop Assembly	Single; Token; Jeton wh121
	70471601	Coin Drop Assembly	Single; Token; 7K
	70513302	Electronic Coin Drop Assembly	Euro and Great Britain coins
	70513310	Electronic Coin Drop Assembly	Japan and Thailand coins
	70513304	Electronic Coin Drop Assembly	Australia, New Zealand, Hong Kong and South Korea coins
	70513303	Electronic Coin Drop Assembly	Denmark, Norway and Euro coins
	70513306	Electronic Coin Drop Assembly	Mexico, Ecuador and U.S.A. coins
	70294107	Electronic Coin Drop Assembly	Lithuania, Latvia and Euro coins
	70513311	Electronic Coin Drop Assembly	China and Malaysia coins
	70513308	Electronic Coin Drop Assembly	South African 1, 2 and 5 rand coins
	70513309	Electronic Coin Drop Assembly	Euro coins
	70513312	Electronic Coin Drop Assembly	Russia coins
	70513313	Electronic Coin Drop Assembly	Phillipines coins
	70513314	Electronic Coin Drop Assembly	Thailand coins
	70513315	Electronic Coin Drop Assembly	Chile coins
	70513316	Electronic Coin Drop Assembly	Singapore coins
3	200674P	Opto Coupler	
4	201595P	Wire Guard	

Coin Drop Kits

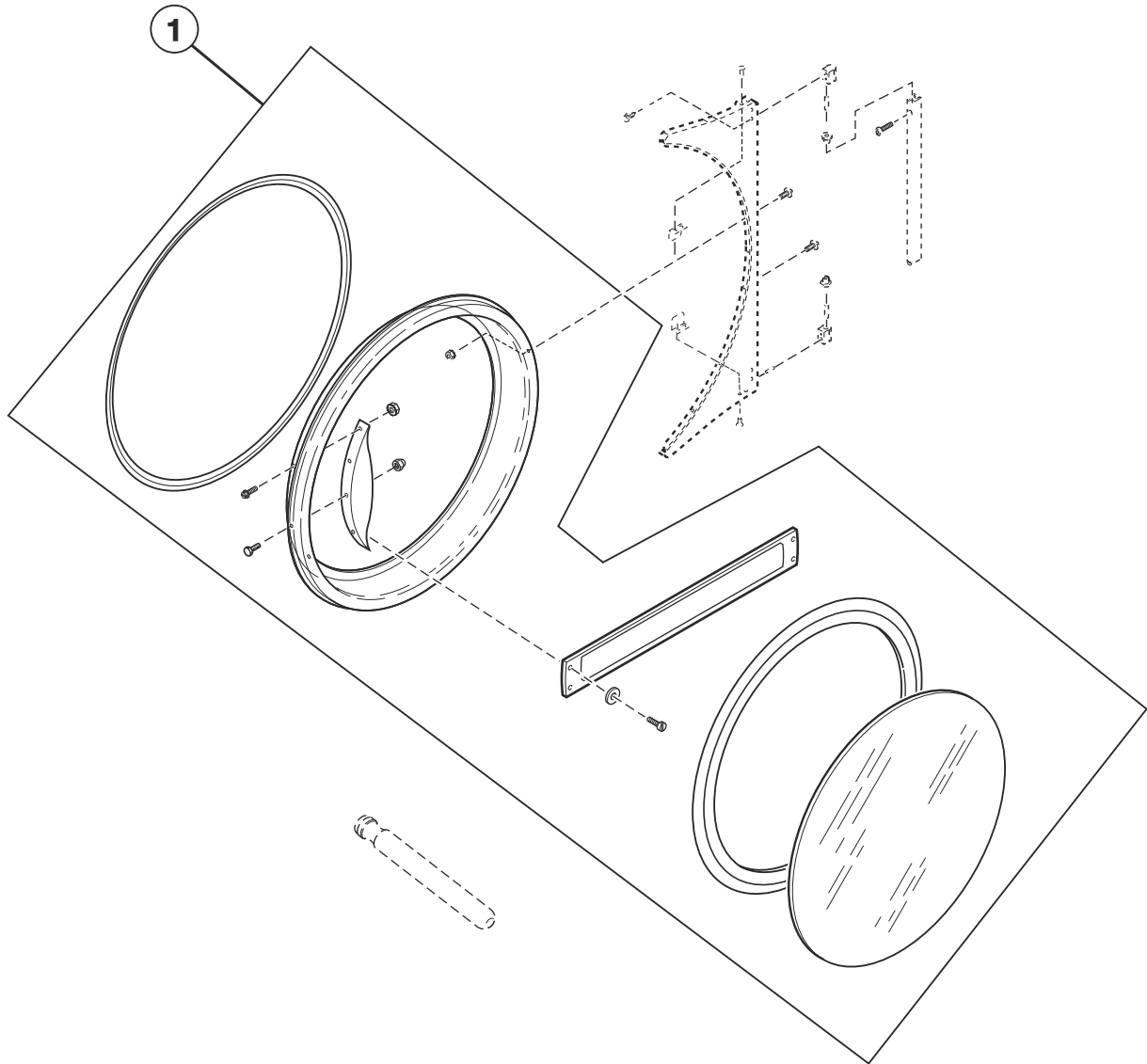


TMB3510PA

Coin Drop Kits

REF	PART NO.	DESCRIPTION	COMMENTS
	CK115	Electronic Coin Drop Kit	United States and Canada
	CK099	Electronic Coin Drop Kit	Australia (default), New Zealand, Hong Kong, South Korea and Malaysia
	CK100	Electronic Coin Drop Kit	United Kingdom (default) and Europe
	CK101	Electronic Coin Drop Kit	Europe (default), Denmark and Norway
	CK108	Electronic Coin Drop Kit	South Africa
	CK109	Electronic Coin Drop Kit	Euro
	CK110	Electronic Coin Drop Kit	Mexico (default), Ecuador and United States
	CK113	Electronic Coin Drop Kit	Japan and Taiwan
	CK116	Electronic Coin Drop Kit	Malaysia (default) and China
	CK117	Electronic Coin Drop Kit	Russia
	CK118	Electronic Coin Drop Kit	Philippine
	CK119	Electronic Coin Drop Kit	Thailand
	CK120	Electronic Coin Drop Kit	Chile
	CK121	Electronic Coin Drop Kit	Singapore
	CK122	Coin Drop Kit	New Zealand; 1.00 and 2.00

Door Assemblies

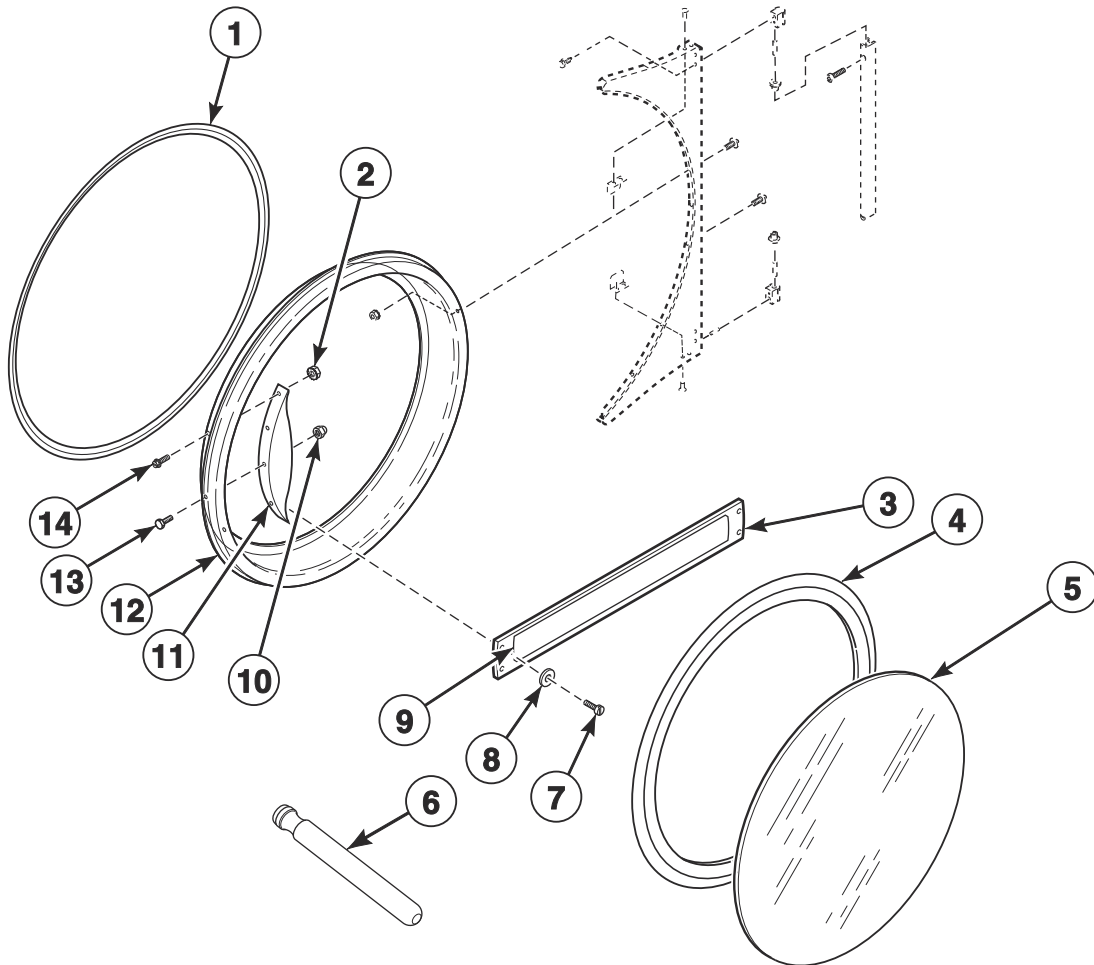


TMB3856P

Door Assemblies

REF	PART NO.	DESCRIPTION	COMMENTS
1	70597701	Door Assembly	M models; Stainless steel
	70597702	Door Assembly	M models; Chrome
	70597709	Door Assembly	N models; Black
	70597711B	Door Assembly	G and K models; Black

Door Components

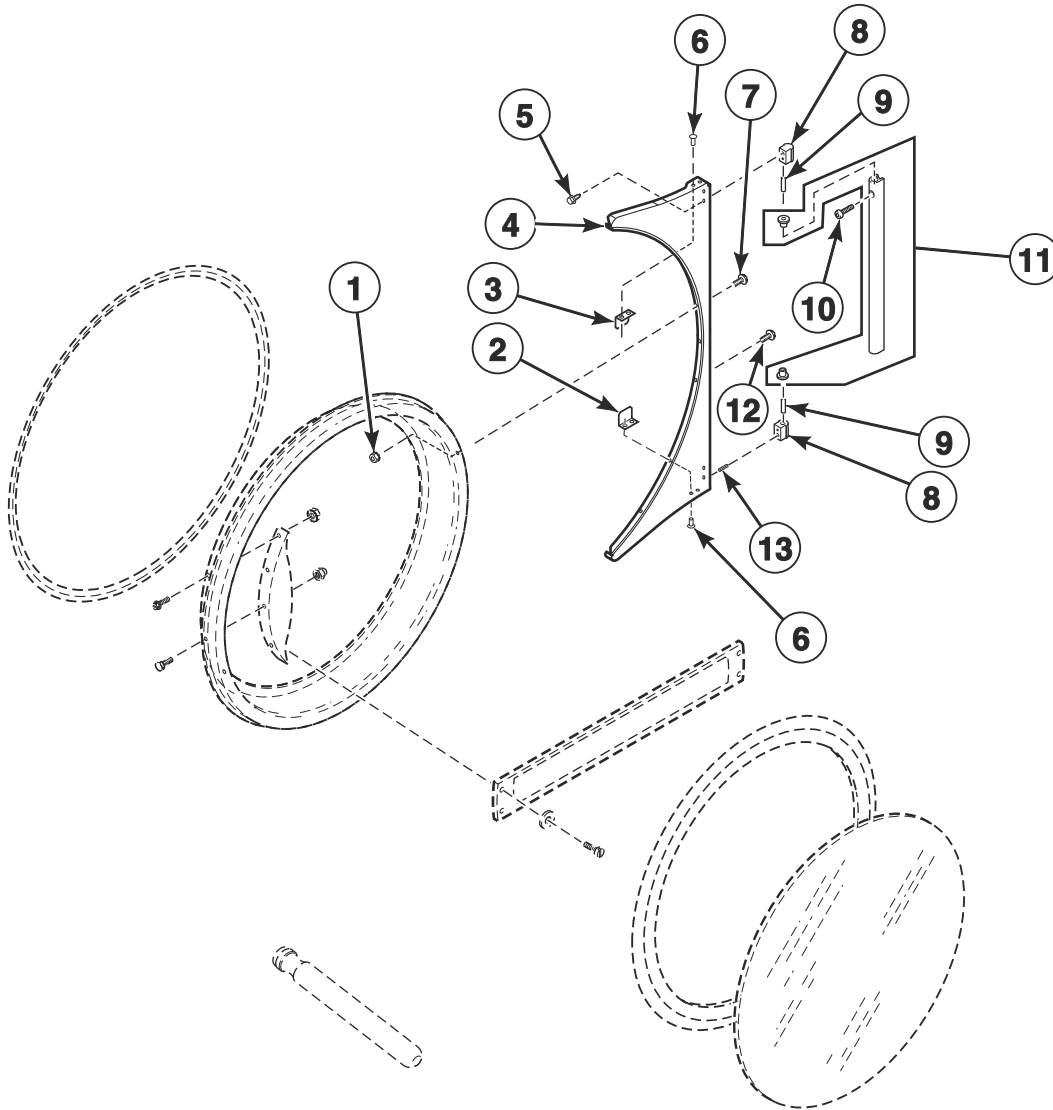


TMB3856PA

Door Components

REF	PART NO.	DESCRIPTION	COMMENTS
1	70296801	Door Ring Gasket	
2	44088001	Nut	M and N models; 4 required
3	70399502B	Handle Bar	G and K models
4	70211901P	Door Glass Seal Kit	Use Loctite 414 for seal
5	M400784P	Door Glass	
6	M4221P4	Door Glass Installation Tool	
7	70412601	Pop Rivet	G and K models; Attaches door handle to door ring
8	70409301	Washer	G and K models
9	44144401	Nameplate Overlay	K models through 8/7/22
	44391201	Nameplate Overlay	K models starting 8/8/22
	70411401	Nameplate Overlay	G models
10	M414215	Nut	For door strike; Mounts between door strike screw and door handle
11	44007902P	Door Handle	M and N models
12	70597501	Door Ring Assembly	M models; Stainless steel
	70597502	Door Ring Assembly	M models; Chrome
	70597509B	Door Ring Assembly	G and K models; Black
	70597507B	Door Ring Assembly	N models; Black
13	M400661	Screw	Door Strike
14	70442101	Screw	M and N models; 4 required

Hinge Components

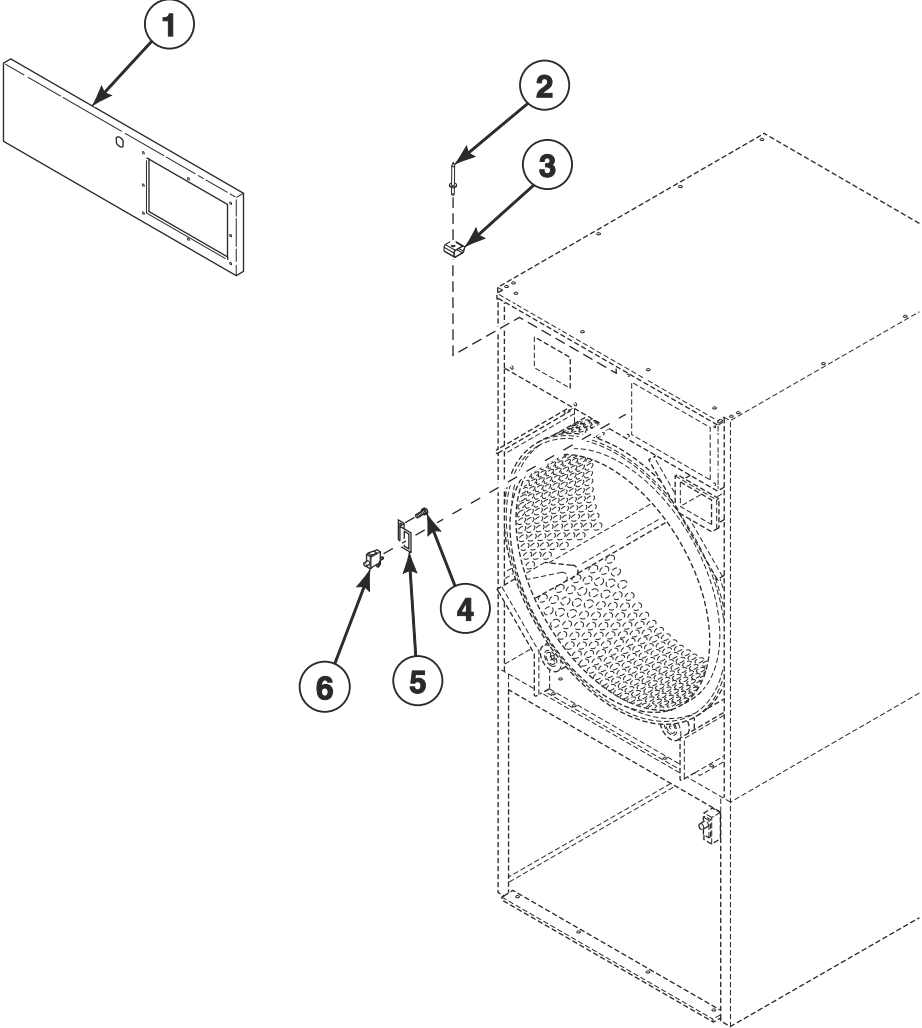


TMB3856PB

Hinge Components

REF	PART NO.	DESCRIPTION	COMMENTS
1	44088001	Nut	
2	70532101	Door Switch Actuator	Bottom
3	70532102	Door Switch Actuator	Top
4	70595510W	Door Hinge	M and N models
	70595504	Door Hinge	M and N models; Stainless steel
	70595510B	Door Hinge	G, K and N models; Black
5	70576101	Screw	
6	70058501	Pop Rivet	
7	44349101	Screw	5 required
8	M4772P3	Hinge Cam Kit	M models
	M4773P3	Hinge Cam Kit	G, K and N models; Black
9	70071401	Pin	
10	70033502	Screw	M models
	70407301	Screw	G, K and N models; Black
11	44035001	Door Hinge Lug Assembly	M models
	44035002	Door Hinge Lug Assembly	G, K and N models; Black
12	70689401	Screw	
13	70436301	Screw	

Control Panels

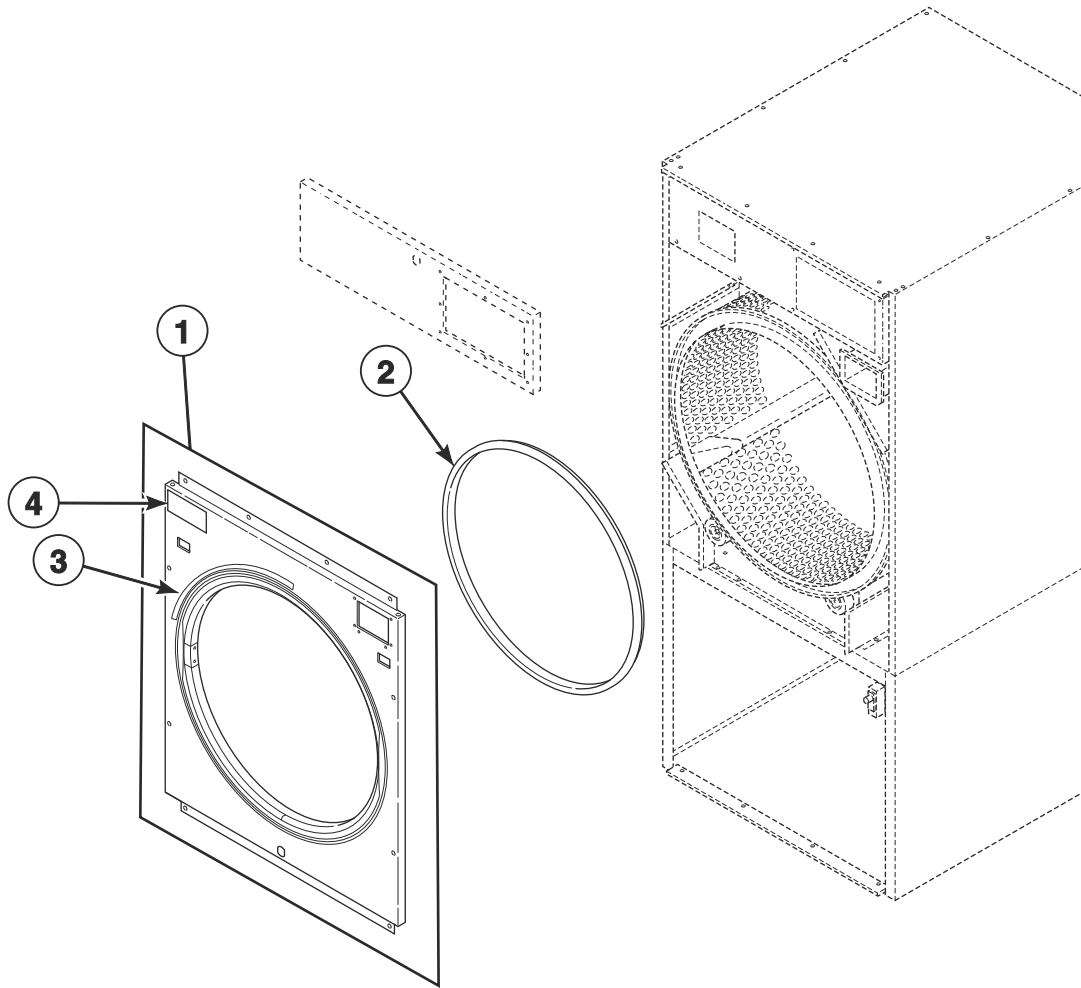


TMB3858P

Control Panels

REF	PART NO.	DESCRIPTION	COMMENTS
1	70273416W	Control Panel	G, K and N models
	70273414	Control Panel	G, K and N models; Stainless steel
	70689903W	Control Panel Assembly	M models; Coin and central pay
	70689901	Control Panel Assembly	M models; Stainless steel; Coin and central pay
	70689902	Control Panel Assembly	M models; Stainless steel; Card
	70689904W	Control Panel Assembly	M models; Card
2	M400003	Pop Rivet	
3	431318	Control Door Latch	
4	430497	Screw	
5	70641601	Control Panel Switch Bracket	
6	70413301	Pushbutton Switch	

Front Panel Assemblies

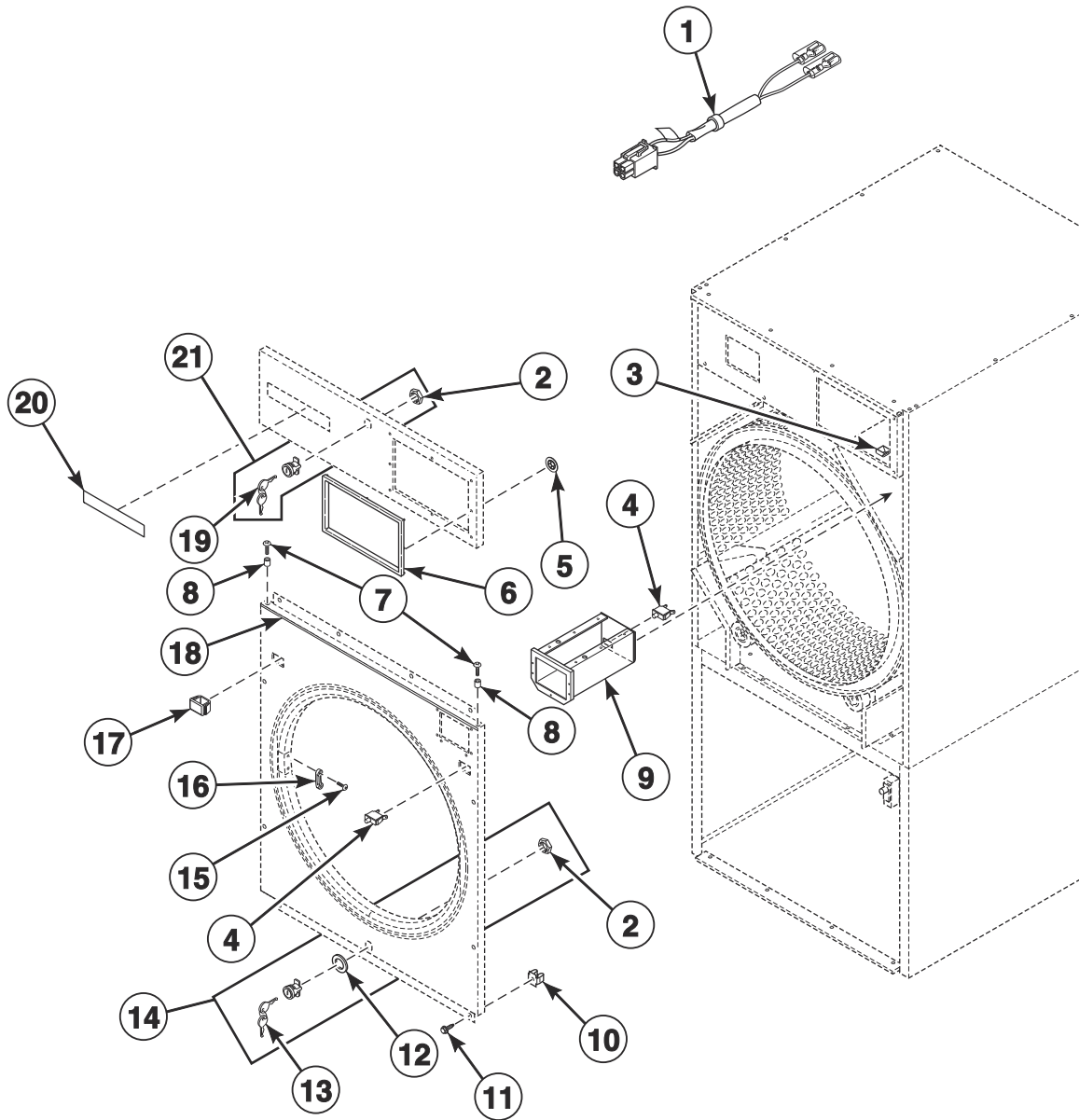


TMB3857P

Front Panel Assemblies

REF	PART NO.	DESCRIPTION	COMMENTS
1	70622902W	Front Panel Assembly	Coin
	70622501	Front Panel Assembly	Coin; Stainless steel
	70623002W	Front Panel Assembly	Card and central pay
	70622601	Front Panel Assembly	Card and central pay; Stainless steel
	70623602W	Front Panel Assembly	OPL; With e-stop
	70524221	Front Panel	OPL; Stainless steel; With e-stop
	44116802W	Front Panel Assembly	OPL; Without e-stop
	44116902	Front Panel Assembly	OPL; Stainless steel; Without e-stop
2	70173401P	Front Panel Seal	
3	70534301	Warning Label	English
	70534302	Warning Label	French
	70534300	Label Kit	Warning; IEC models
4	70537001	Label	M and N models; C.A.R.E.
	70537101	Label	G and K models; F.S.S.
	70414001	Label	G and K models through 8/7/22; Coin; ExpressDry

Cabinet Front Components



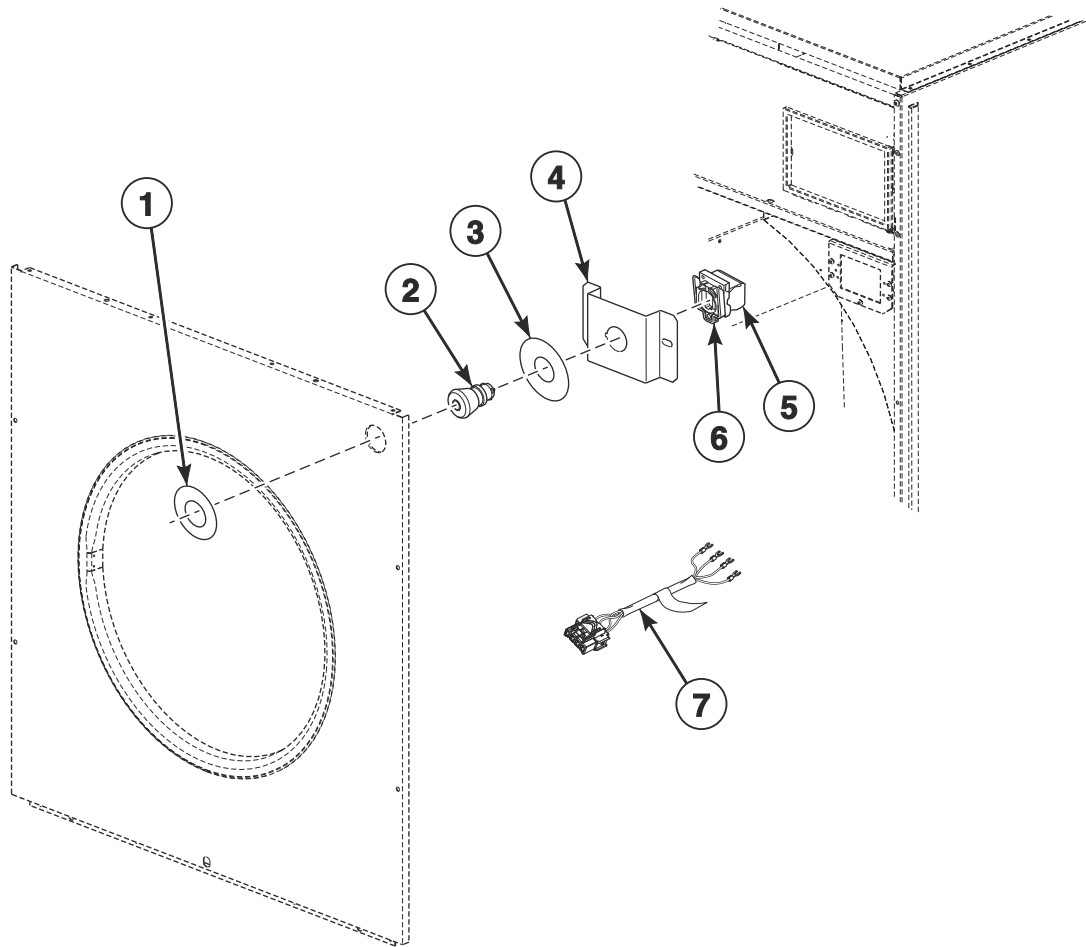
TMB3859P

Cabinet Front Components

REF	PART NO.	DESCRIPTION	COMMENTS
	44334103	Bypass Harness	Card and central pay
	D511476	Jumper Harness	Card reader present
	70482901	Door Catch Kit	
1	44334101	Coin Vault Switch Harness	
2	44088801	Nut	
3	70296401	Coin Chute Assembly	
4	70413301	Pushbutton Switch	
5	M400977	Nut	
6	44016401	Control Trim	K, M and N models; Black
7	39733	Screw	
8	56079	Panel Locator	9 required
9	70529501	Coin Vault Assembly	
	70529502	Coin Vault and Emergency Stop Mount Assembly	Models with emergency stop
	F160673P	Coin Box	Optional equipment; Includes lock and key
10	70030501	Expansion Clip	8 required
11	M411072	Screw	8 required
12	70342401	Lock Shim	
13	70155602	Key	RL002
14	44089302P	Lock, Key and Nut Kit	RL002; Black
15	44166601	Pop Rivet	
16	M401223	Door Latch	
17	44057801W	Switch Hole Plug	White
	44057801B	Switch Hole Plug	Black
18	70399401	Access Panel Trim	G and K models; Card and central pay
	70399412	Access Panel Trim	G and K models; Coin
19	70155601	Key	RL001
20	44130201	Nameplate Overlay	K models through 12/31/22; OPL
	44391301	Label	G and K models starting 8/8/22; Coin; ExpressDry
	44391401	Label	K models starting 1/1/23; OPL; ProDry2+
21	44089301P	Lock, Key and Nut Kit	RL001; Black

Emergency Stop Button - IEC OPL Models

A, H, J, K, L, R and U in the 2nd Position

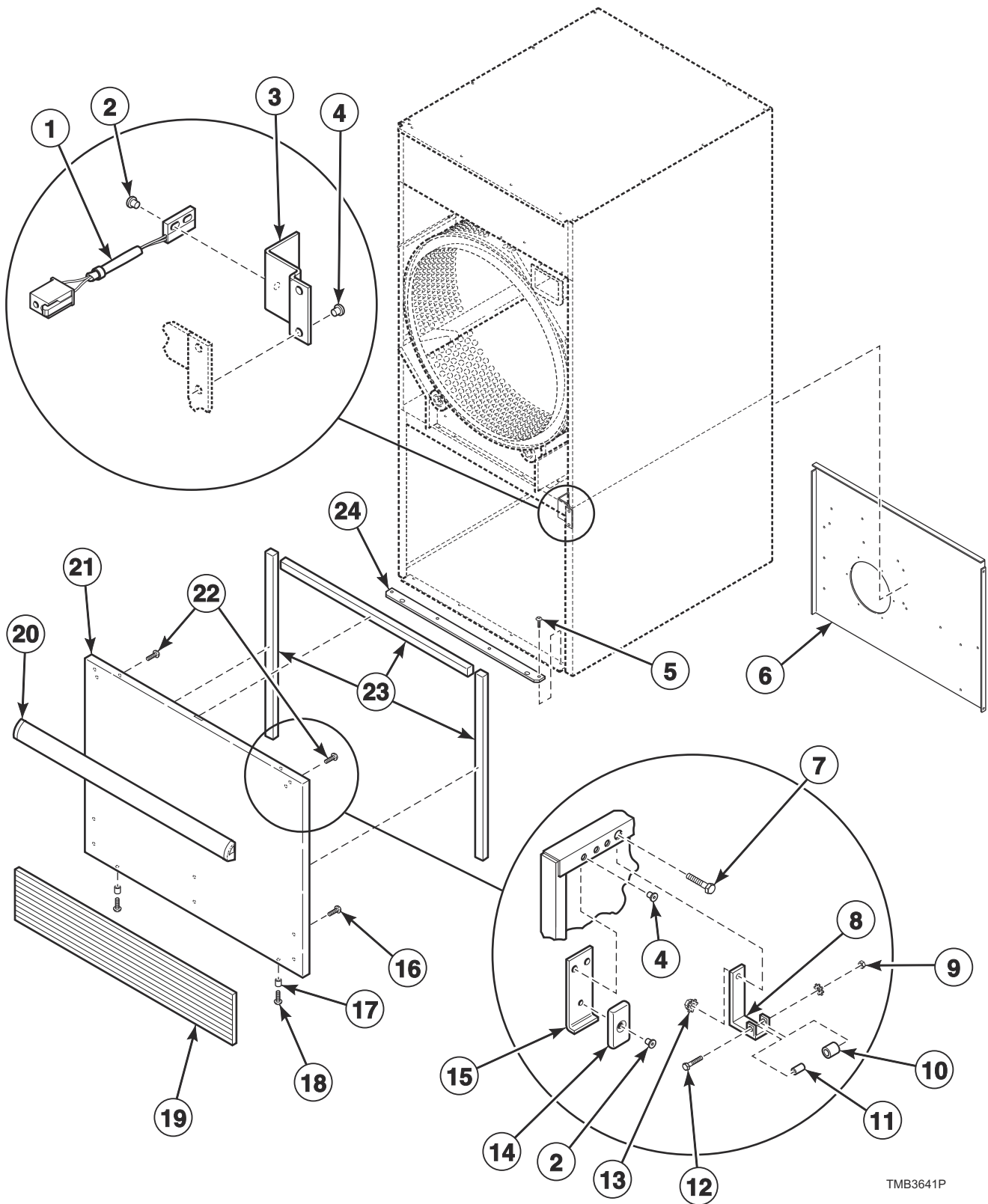


TMB3513P

Emergency Stop Button - IEC OPL Models

REF	PART NO.	DESCRIPTION	COMMENTS
	70580301	Emergency Stop Button Kit	Includes items 2-4
	70631101	Emergency Stop Interconnect Harness	
1	44012903	Emergency Stop Label	
2	F200233500	Emergency Stop Pushbutton	
3	44012901	Emergency Stop Label	
4	70550401	Emergency Stop Mounting Bracket	
5	F8069501	Contact Switch	2 required
6	F8538101	Contact Base	
7	44272401	Emergency Stop Harness	

Lower Cabinet Components

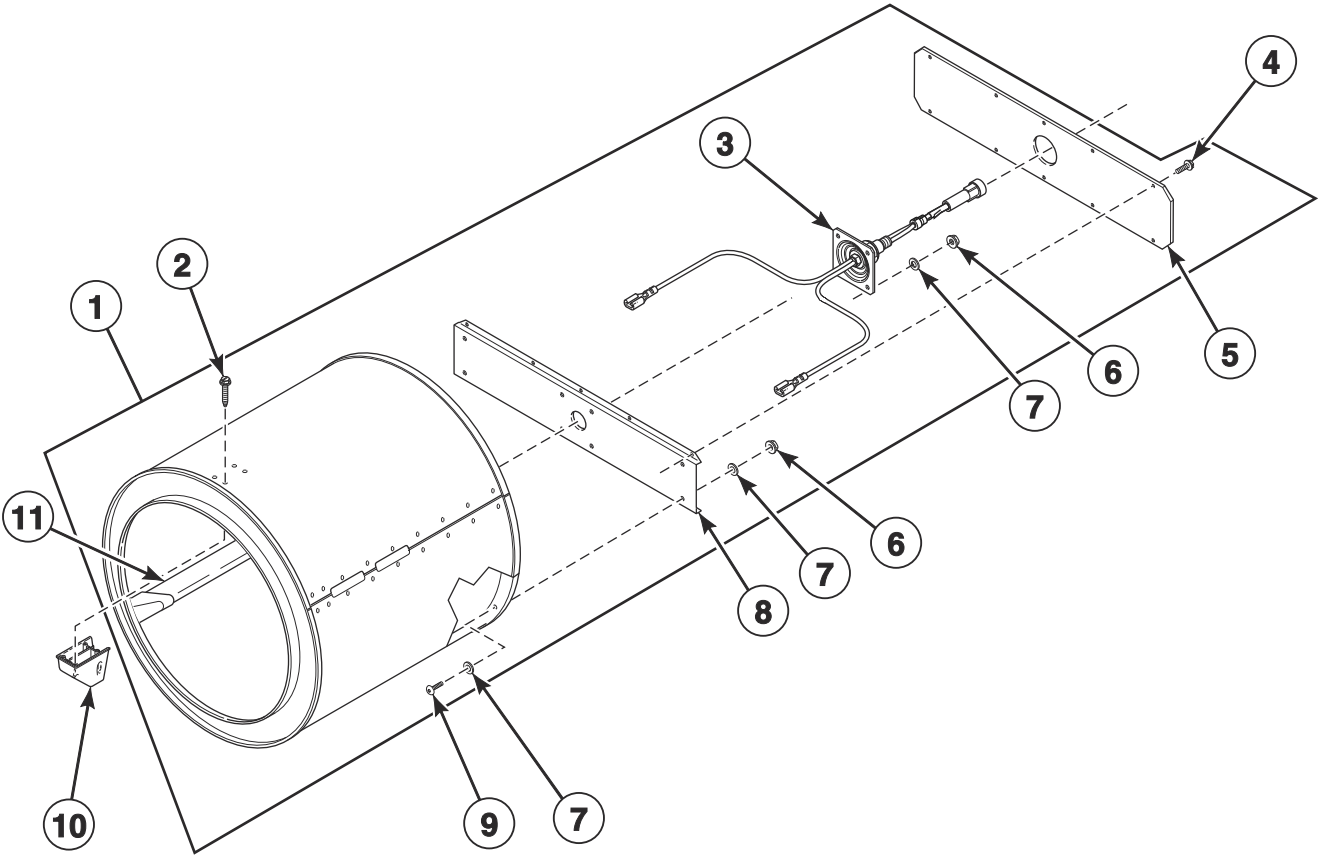


TMB3641P

Lower Cabinet Components

REF	PART NO.	DESCRIPTION	COMMENTS
1	F8066804	Reed Switch Assembly	
2	F8245101	Blind Rivet	
3	70508501	Switch Bracket	
4	70058501	Pop Rivet	
5	430497	Screw	
6	70564401	Rear Lint Panel	
7	70132301	Screw	Attaching roller catch
8	70030301	Roller Catch Arm	
9	23951	Nut	
10	70297601	Roller Catch Wheel	
11	70030201	Roller Catch Spacer	
12	70072801	Screw	
13	51236	Nut	Attaching roller catch
14	70343101	Magnet	
15	44290501	Magnet Bracket	
16	70126301	Pop Rivet	For attaching kickplate; Black; 6 required
	70126401	Pop Rivet	For attaching kickplate; Gray; 6 required
17	56079	Panel Locator	
18	39733	Screw	
19	70117603	Kickplate	Black
20	70154403	Handle and Caps Assembly	M and N models; Black
	70407201	Handle Bumper	G and K models
21	70515503W	Lint Panel	With kickplate
	70515502	Lint Panel	Stainless steel; With kickplate
	70515505	Lint Panel	Stainless steel; No kickplate
	70515504W	Lint Panel	No kickplate
22	430757	Screw	For attaching handle; 6 required
23	70289101P	Gasket	Sold per foot
24	70016701	Lint Panel Pivot Plate	

Cylinder and Trunnion Assembly



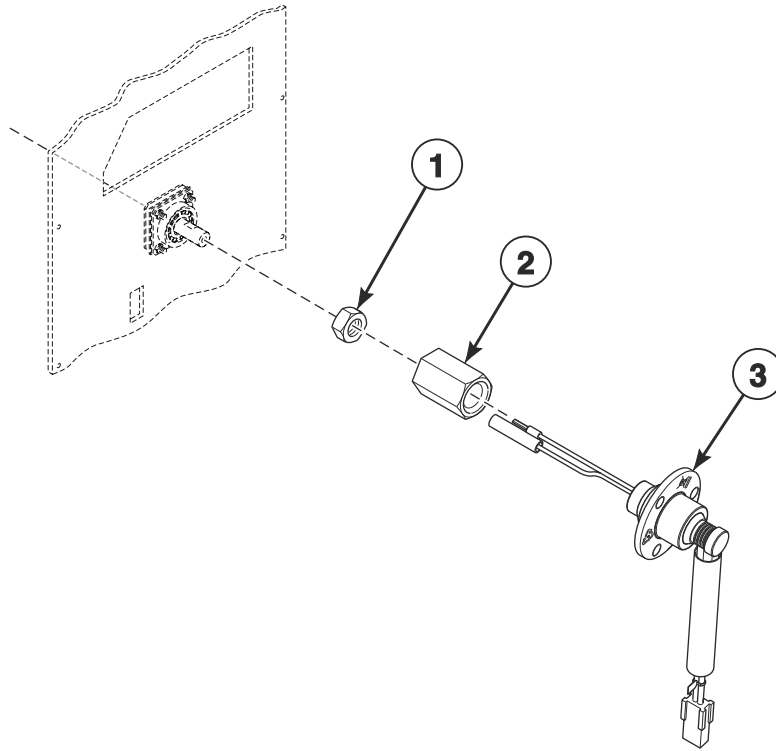
TMB3358P

Cylinder and Trunnion Assembly

REF	PART NO.	DESCRIPTION	COMMENTS
	70343101P	Drywall Screw Magnet Kit	
1	70372603P	Cylinder Assembly	G and K models; Non-moisture sensing
	70435203	Cylinder and Trunnion Assembly	G and K models; Moisture sensing
	70372601P	Cylinder Assembly	Galvanized; Non-moisture sensing
	70435201	Cylinder and Trunnion Assembly	G, K and N models; Galvanized; Moisture sensing
	70372602P	Cylinder Assembly	Stainless steel; Non-moisture sensing
	70435202	Cylinder and Trunnion Assembly	N models; Stainless steel; Moisture sensing
2	62588	Screw	12 required
3	70564803	Trunnion and Seal Kit	Includes 70013702 Rear Cylinder Seal; Non-moisture sensing
	70564804	Trunnion and Seal Kit	Moisture sensing; Includes 70454601 Trunnion and Wire Assembly
4	430497	Screw	10 required
5	70257201	Rear Cylinder Channel Plate	
6	44087201	Nut	8 required
7	70411301	Washer	
8	70257101	Rear Cylinder Channel	Non-moisture sensing
	70257102	Rear Cylinder Channel	Moisture sensing
9	70391101	Screw	8 required
10	70070101	End Cap	Non-moisture sensing
	70070102	End Cap	Moisture sensing
11	70433001	Cylinder Rib Assembly	Moisture sensing

Moisture Sensing Components

All Models Except M Models

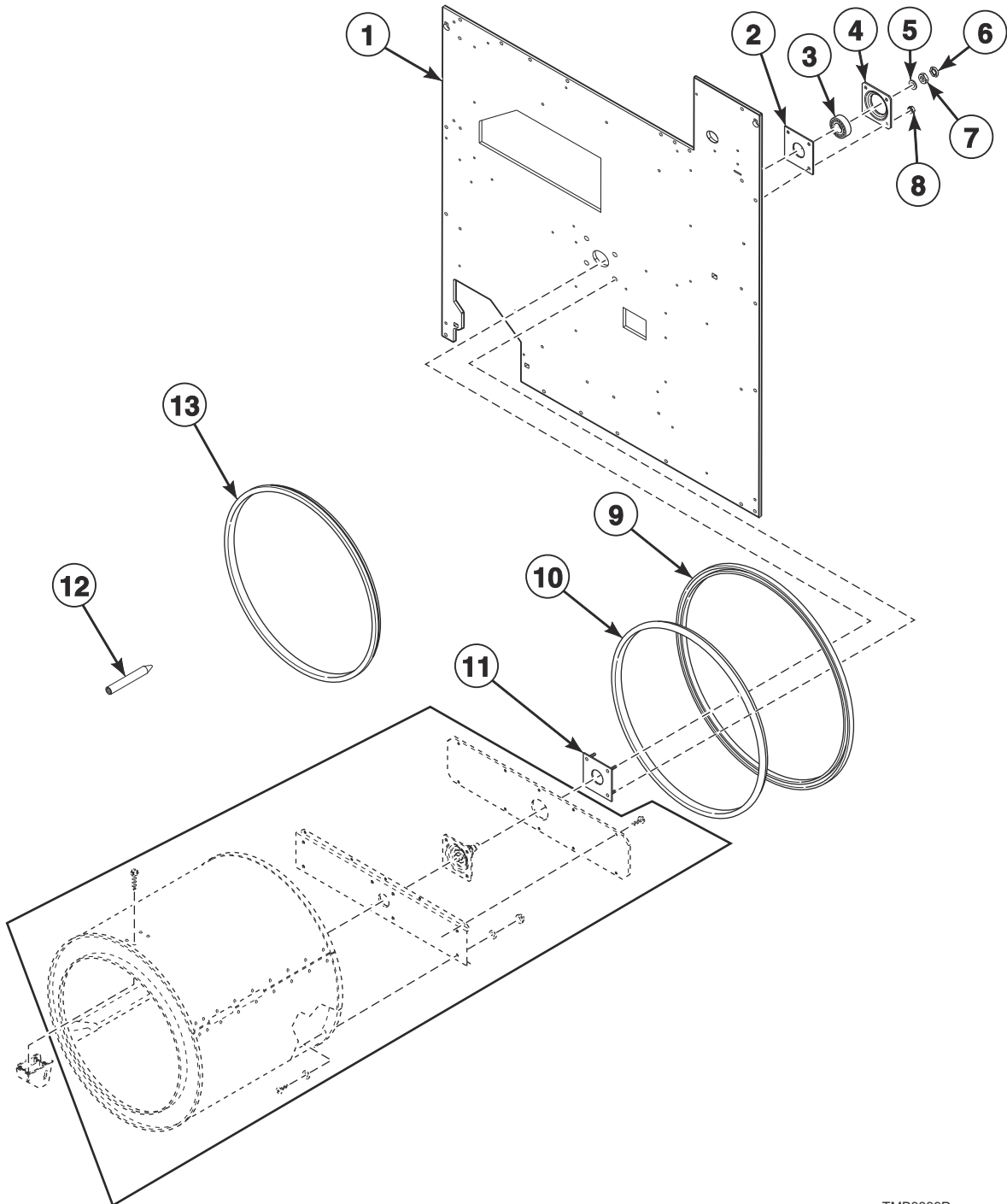


TMB3843P

Moisture Sensing Components

REF	PART NO.	DESCRIPTION	COMMENTS
	70631203	Moisture Sensor/Airflow Switch Harness	
1	M400022	Nut	
2	70455401	Slip Ring Holder	
3	44222702	Slip Ring Assembly	

Cylinder Components

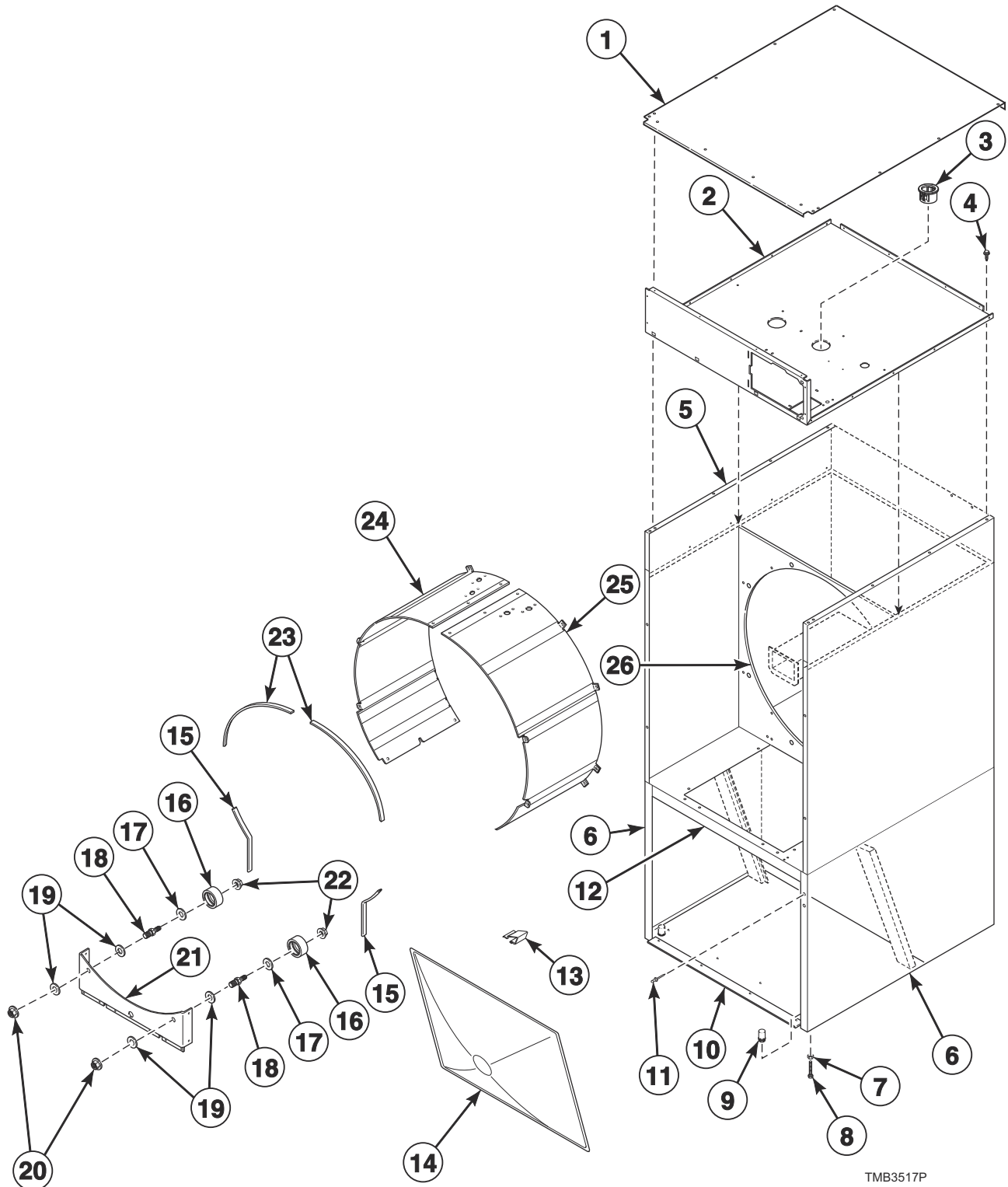


TMB3839P

Cylinder Components

REF	PART NO.	DESCRIPTION	COMMENTS
	70343101P	Drywall Screw Magnet Kit	
	430260P	Support Housing Bearing Assembly	Includes items 3, 4 and Loctite
1	70651401	Rear Panel	Gas models
	70651403	Rear Panel	Gas models; With fire suppression
	70651402	Rear Panel	Electric models
2	70355001	Rear Bearing Shim	
3	70448701	Support Bearing	
4	70013901	Rear Cylinder Bearing Housing	
5	M400991	Washer	
6	M400034	Nut	
7	M400022	Nut	
8	M412986	Nut	4 required
9	70506402	Rear Cylinder Seal Support	
10	70013701P	Rear Cylinder Seal	Use with D511637P Adhesive
11	430352	Cylinder Bearing Stud Plate Assembly	
12	263P4	Cylinder Guide Tool	
13	70066003	Center Cylinder Seal	

Cabinet Components

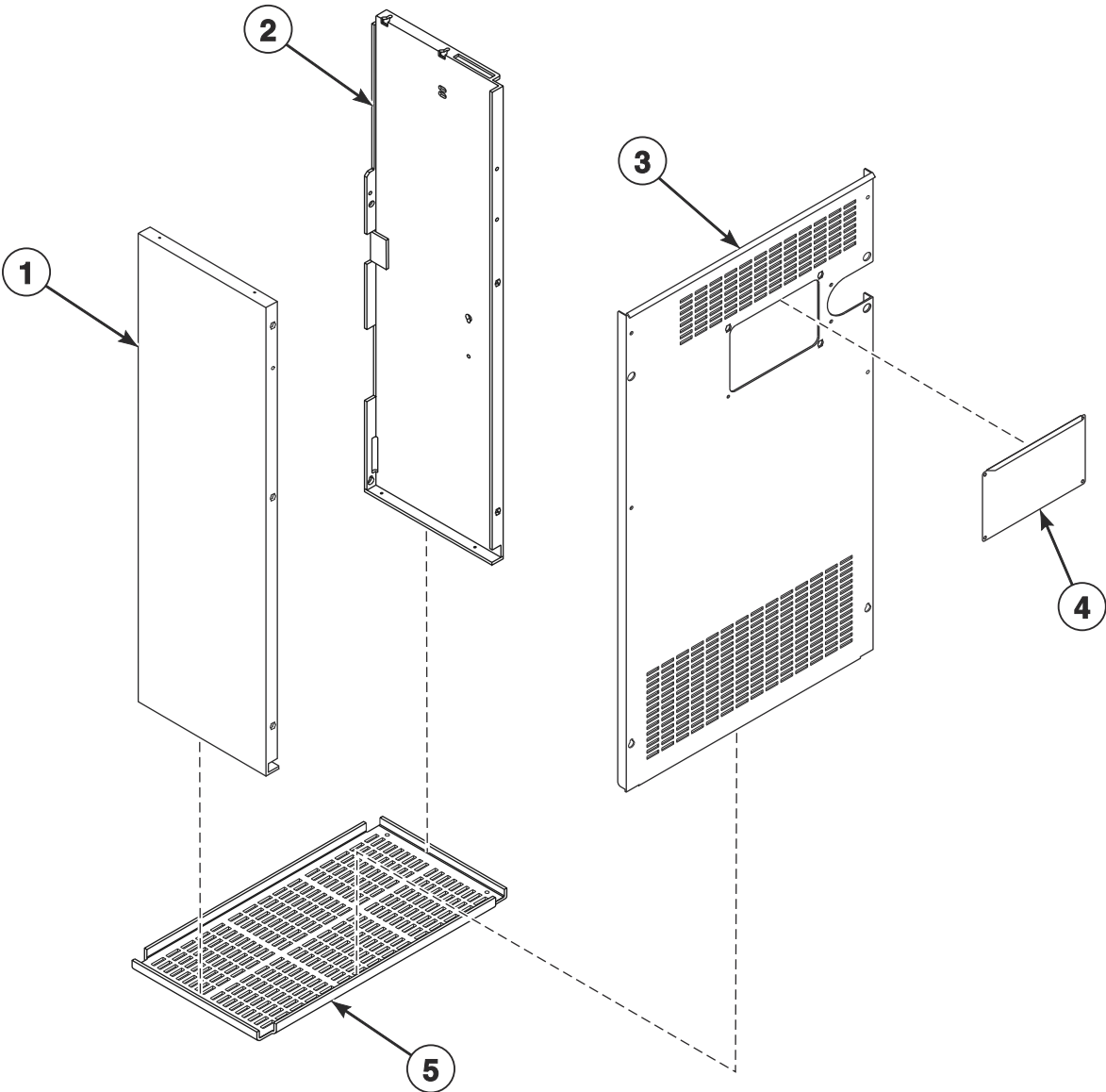


TMB3517P

Cabinet Components

REF	PART NO.	DESCRIPTION	COMMENTS
	M4379P4	Tumbler Dolly Kit	
	298P4P	Spray Paint	White
	122P4P	Porcelain Touch-Up Paint	White
1	70557701	Flat Top	
2	70641301	Top Pan	
3	70346501	Bushing	
4	430497	Screw	
5	70021504W	Side Panel	Upper
6	70253802W	Side Panel	Lower
7	21899	Nut	
8	70247701	Screw	
9	70063201	Hole Plug	
10	70326601	Lower Pan	
11	70058501	Pop Rivet	16 required; Upper side panel
12	70564501	Center Pan	
13	35865	Hold-Down Clip	
14	70325601	Lint Screen	
15	70015711	Sheet Metal Edge Gasket	Lower
16	70616701	Roller and Seal Kit	
17	70443601	Roller Seal	
18	70249501	Roller Shaft	
19	70261401	Washer	
20	M404993	Nut	
21	70328301	Roller Support Bracket	
22	430576	Nut	
23	70015710	Sheet Metal Edge Gasket	Upper
24	70432306	Cylinder Shroud	Left; With fire suppression
	70347002	Cylinder Shroud	Left
25	70432305	Cylinder Shroud	Right; With fire suppression
	70347001	Cylinder Shroud	Right
26	70252601	Center Partition	

Rear Panels



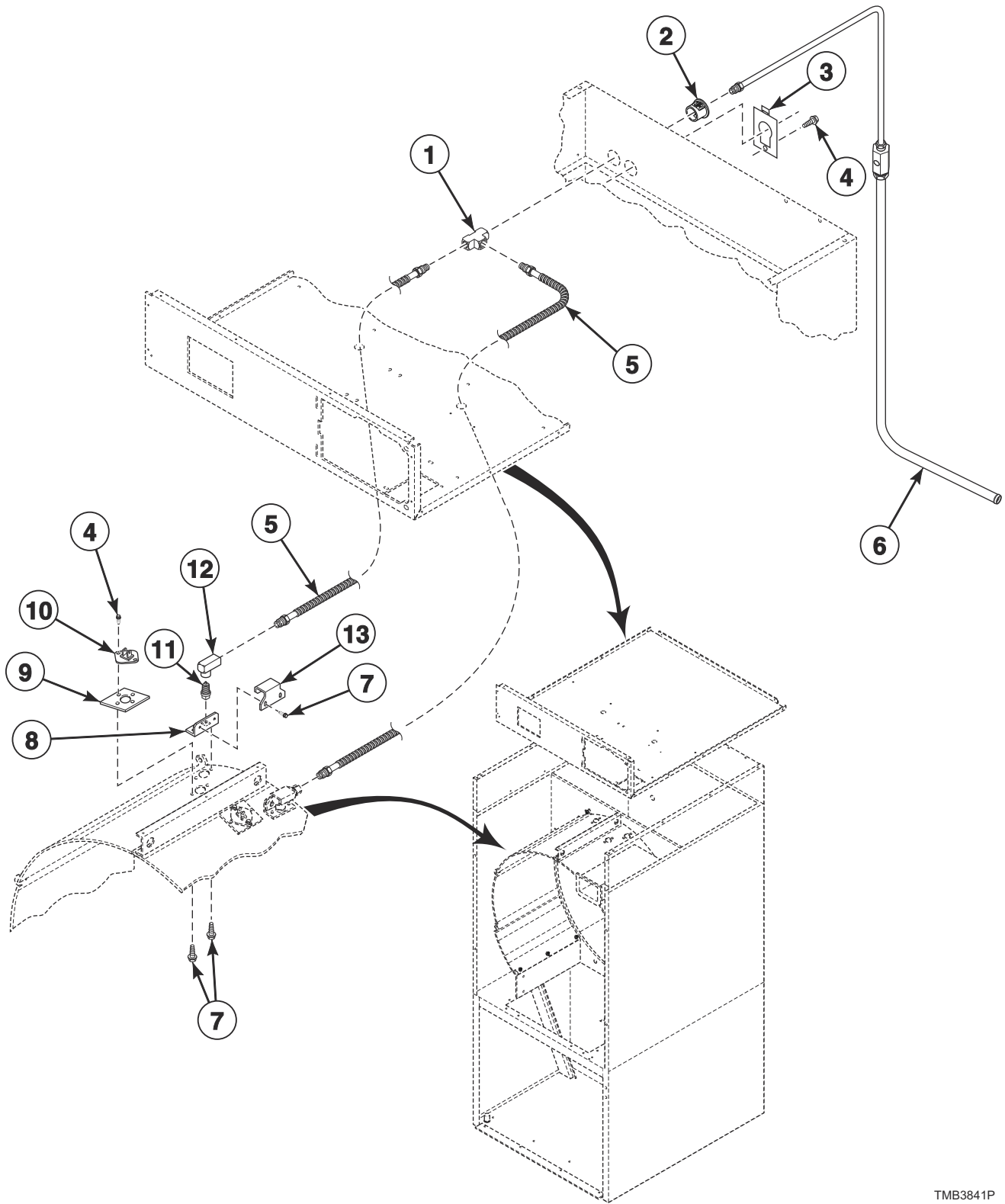
TMB3840P

Rear Panels

REF	PART NO.	DESCRIPTION	COMMENTS
1	70648201	Side Guard	Right
2	70648102	Side Guard	Left
3	70652802	Rear Guard	
	70652801	Rear Guard	With fire suppression
4	70650901	Rear Cover	
5	70661101	Bottom Guard	

Fire Suppression System Components

G, K and N Gas Models



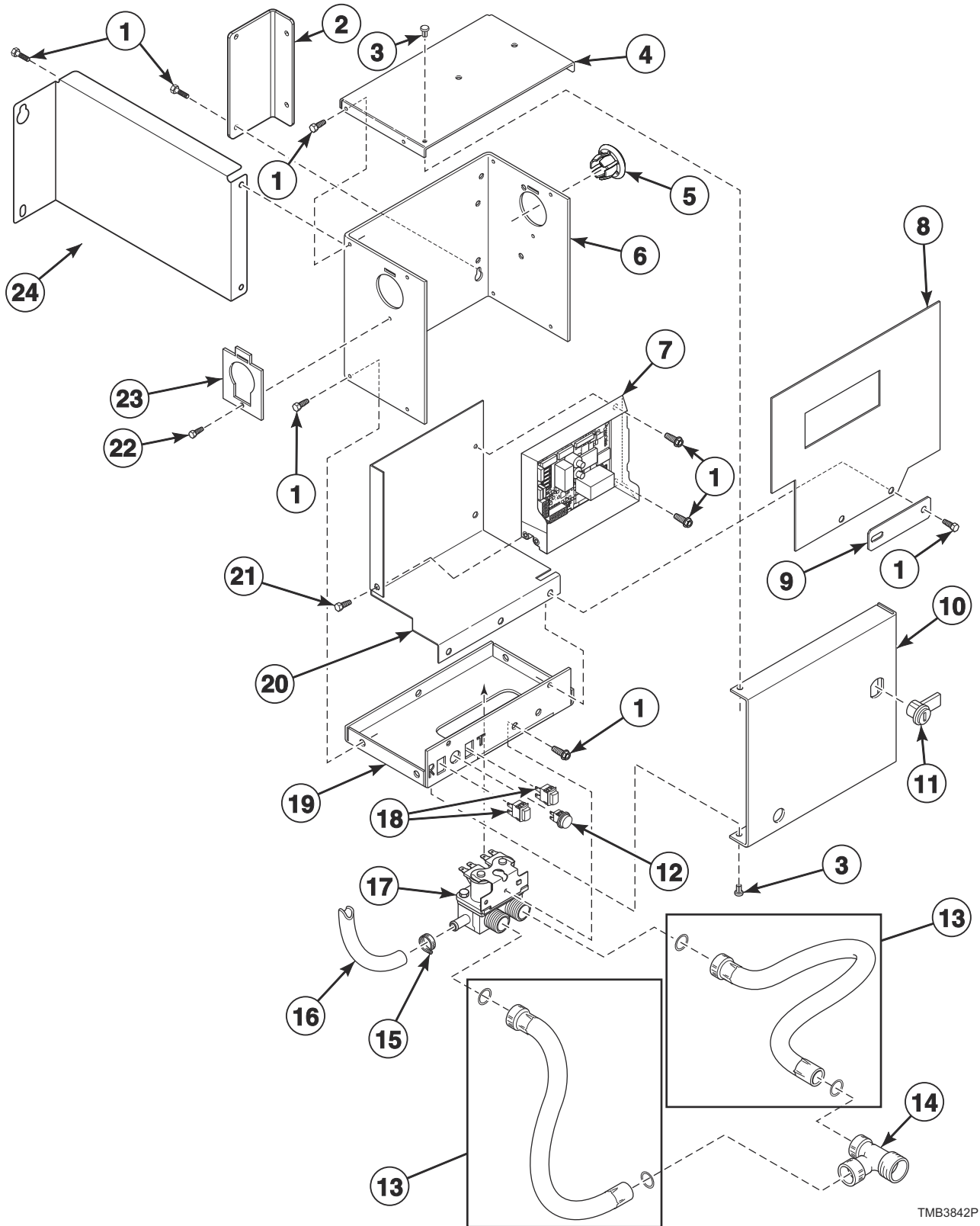
TMB3841P

Fire Suppression System Components

REF	PART NO.	DESCRIPTION	COMMENTS
1	70427901	Union Tee	
2	70178701	Snap Bushing	
3	70523301	Harness Adapter Plate	
4	51780	Screw	4 required
5	70427701	Spray Nozzle Hose	2 required
6	70427601	Tube Assembly	
7	430497	Screw	12 required
8	70424201	Nozzle Bracket	2 required
9	70424401	Thermistor Plate	2 required
10	44064701	Thermistor	2 required
11	70427801	Spray Nozzle	2 required
12	70428101	Elbow	2 required
13	70428601	Nozzle Bracket	2 required

Fire Suppression System Control Box

G, K and N Gas Models

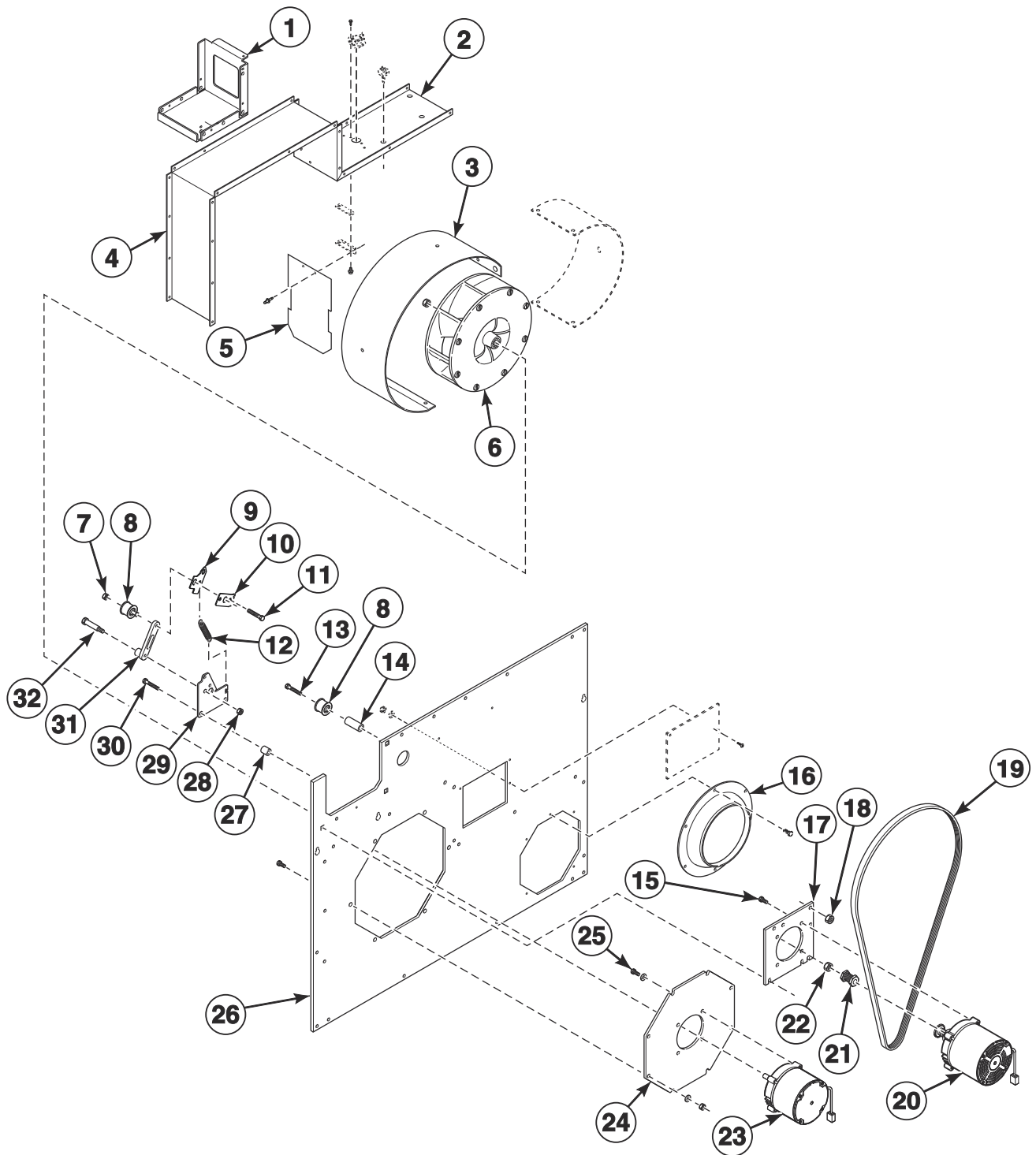


TMB3842P

Fire Suppression System Control Box

REF	PART NO.	DESCRIPTION	COMMENTS
	44340301	Cold Weather Kit	
	70155601	Key	RL001; Use with item 11
	44375604	Control Harness	
	44375605	Water Valve Harness	
	44375602	Power Sensor Harness	
	44375601	Interconnect Harness	
	44375606	Sensor Harness	
	44324501	Warning Label	F.S.S.; T and G market models
	44324500	Label Kit	F.S.S.; IEC models
	F8614401	Shock Warning Label	T and G market models
	F8614201	Shock Warning Label	IEC models
	44318200	Label Kit	IEC models
	44324502	Warning Label	
	44318201	Label	T and G market models
1	430497	Screw	
2	70658601	Side Bracket	
3	M400713	Drive Rivet	
4	44307101	Control Box Top	
5	70180001	Plug	
6	44306701	Control Box Housing	
7	70511601	Control	
8	44326801	Shield	
9	70551701	Filter Mounting Plate	
10	44065201	Control Box Cover	
11	44089301P	Lock, Key and Nut Kit	RL001 key code; Optional if same key is to be used for control lock
12	801432	Light	
13	202799	Fill Hose	2 required
14	44069101	Hose Fitting	T and G market models
15	36801	Hose Clamp	
16	44073304	Hose	14 inches; Outlet hose
17	70519801	Mixing Valve	
18	801434W	Push-to-Start Switch	2 required
19	44065301	Control Box Base	
20	44306601	Mixing Valve Shield Bracket	
21	804608	Screw	
22	51780	Screw	
23	70523301	Harness Adapter Plate	
24	70654401	Rear Bracket	

Motor Components

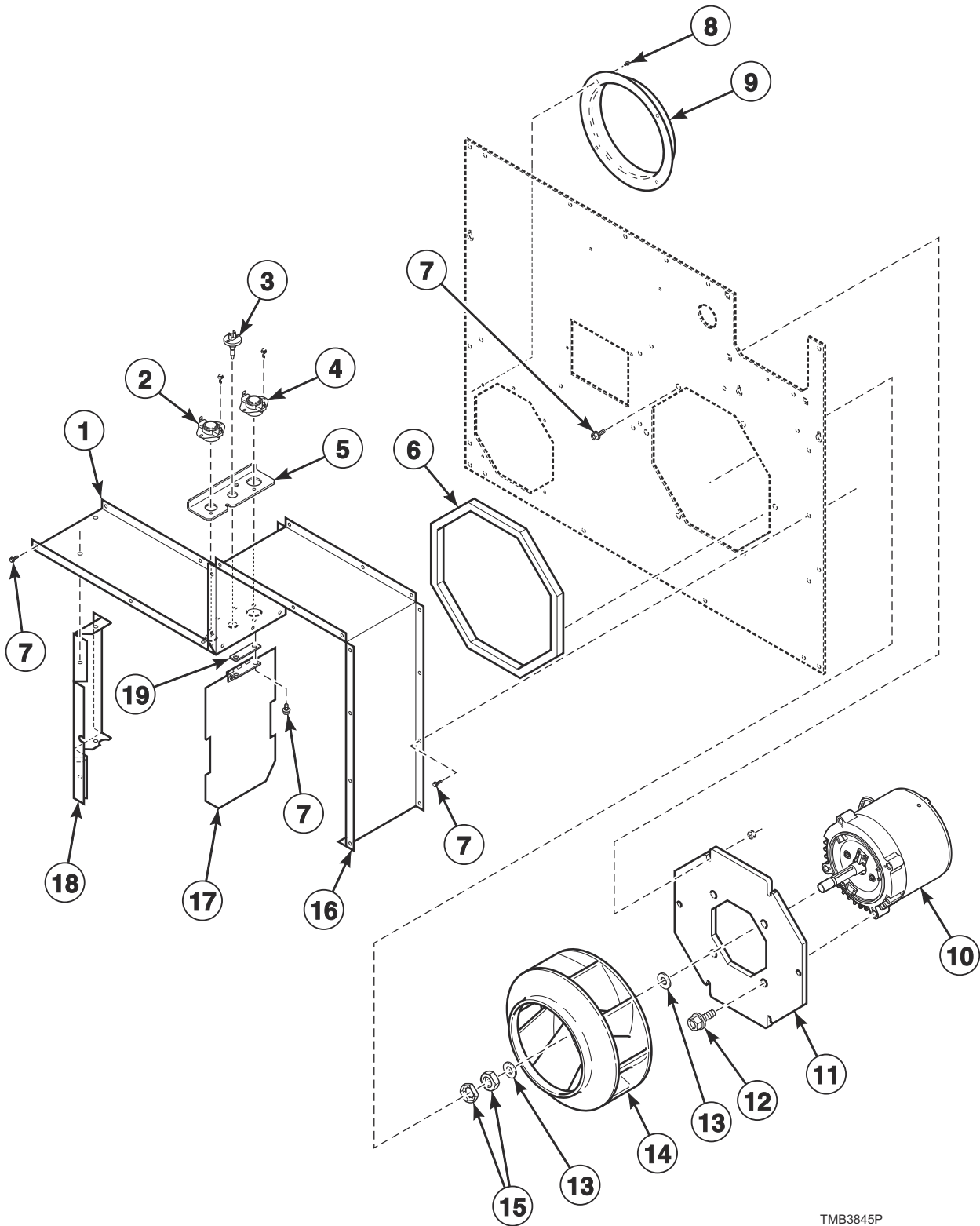


TMB3844P

Motor Components

REF	PART NO.	DESCRIPTION	COMMENTS
	70662801	Drive Access Cover	
	70599301	Fan Spacer	
1	70564101	Motor Mount Bracket	
2	70554701	Blower Housing	Top
3	70016301	Blower Housing Scroll	
4	70215101	Blower Housing	
5	70209501	Damper and Hinge Exhaust Assembly	
6	70359801P	Blower Assembly	
7	56156	Nut	
8	70050401P	Idler Wheel Assembly	
9	70569501	Tensioning Bracket	
10	70543401	Spring Catch Bracket	
11	70508301	Screw	
12	70571801	Spring	
13	F430144	Screw	
14	70569603	Standoff	
15	44364603	Screw	3 required; Also qty 1 of 44364601 screw
16	70017801	Exhaust Thimble	
17	70564201	Motor Mount Plate	
18	44087201	Nut	
19	70655102	Lever Arm and Belt Kit	
20	44355001	Drive Motor	.50 HP; 120-240 Volt
	44355002	Drive Motor	.50 HP; 480 Volt
21	70559101	Motor Pulley	
22	44333202	Nut	
23	44354901	Fan Motor	.50 HP; 240 Volt
	44354903	Fan Motor	.50 HP; 480 Volt
24	70349601	Blower Motor Mounting Plate	
25	44364601	Screw	
26	70667701	Lower Rear Assembly	
27	70488403	Spacer	
28	44087301	Nut	
29	70571901	Drive Plate	
30	70546301	Screw	
31	70653801	Lever Arm and Bushing Assembly	
32	70501301	Screw	

Blower and Exhaust Components

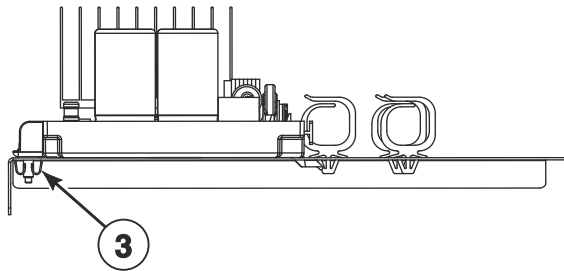
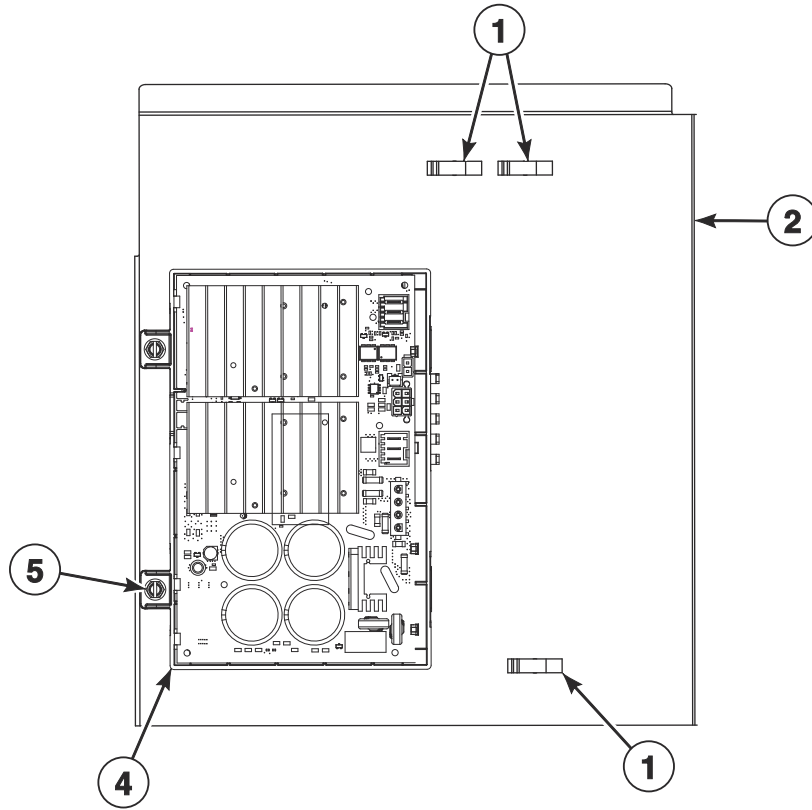


TMB3845P

Blower and Exhaust Components

REF	PART NO.	DESCRIPTION	COMMENTS
	70631202	Thermostat/Lint Switch Interconnect Harness	
1	70554701	Blower Housing	Top
2	70530901	Limit Thermostat	Manual reset
3	M414704	Thermistor	
4	44328001	Limit Thermostat	Auto reset
5	70554901	Limit Access Bracket	
6	70392701P	Gasket	For blower housing opening
7	430497	Screw	
8	51780	Screw	
9	70014101	Blower Inlet Cone	
10	44354901	Fan Motor	.50 HP; 240 Volt
	44354903	Fan Motor	.50 HP; 480 Volt
11	70349601	Blower Motor Mounting Plate	
12	70126101	Screw	
13	M400991	Washer	
14	70359801P	Blower Assembly	
15	70660601	Nut	2 required
16	70215101	Blower Housing	
17	70209501	Damper and Hinge Exhaust Assembly	
18	70020301	Blower Housing	Left
19	70220901	Damper Spacer	

Inverter Tray Components

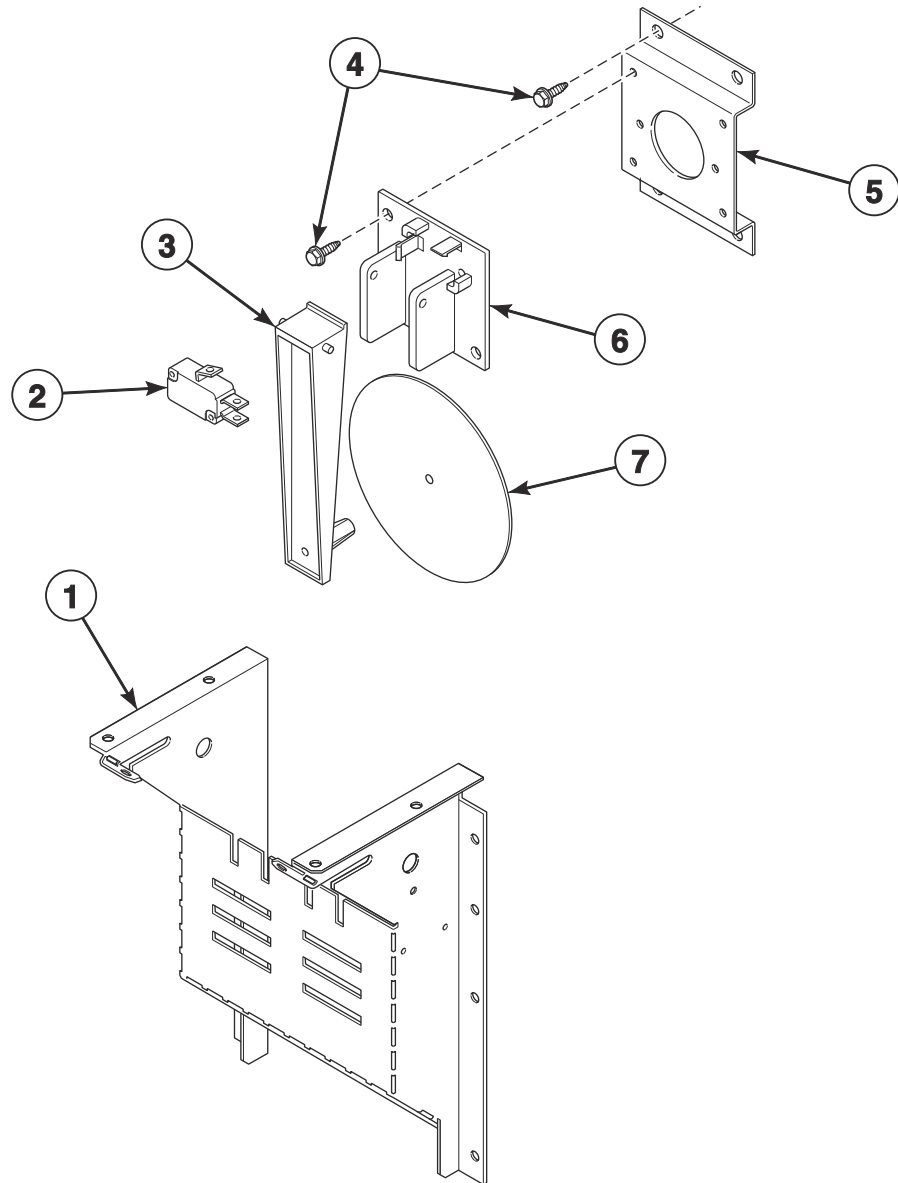


TMB3846P

Inverter Tray Components

REF	PART NO.	DESCRIPTION	COMMENTS
	70635401	Inverter to Motor Harness	120, 240 Volt; T and G market models
	70635402	Inverter to Motor Harness	380-480 Volt; T and G market models
	70635403	Inverter to Motor Harness	120, 240 Volt/1 Phase; IEC models
	70635404	Inverter to Motor Harness	380-480 Volt; IEC models
1	F8449502	Wire Clip	
2	70648601	Drive Support Bracket	
3	70030501	Expansion Clip	
4	70603001	Inverter Control Assembly	1 HP; 120, 240 Volt/1 Phase
	70603201	Inverter Control Assembly	1 HP; 480 Volt/3 Phase
5	F8206901	Screw	

Airflow Switch

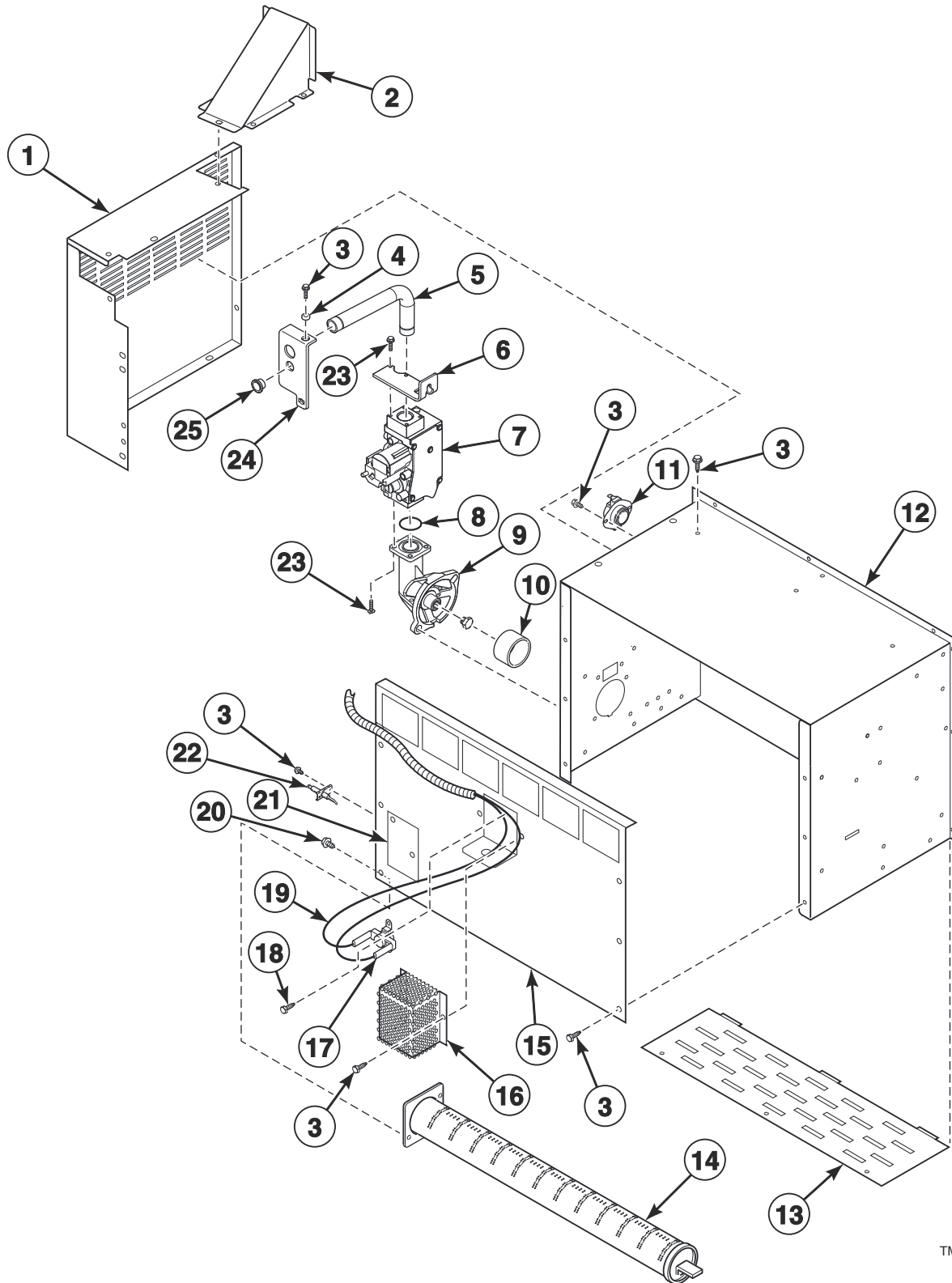


TMB3847P

Airflow Switch

REF	PART NO.	DESCRIPTION	COMMENTS
1	70356101	Airflow Switch Wrapper	
2	70411901	Switch	
3	70319401	Airflow Switch Arm	
4	430497	Screw	
5	70356301	Switch Bracket	
6	70319602	Airflow Switch and Arm Bracket	
7	70319201	Airflow Switch Vane	

Gas Heater Components



TMB3848P

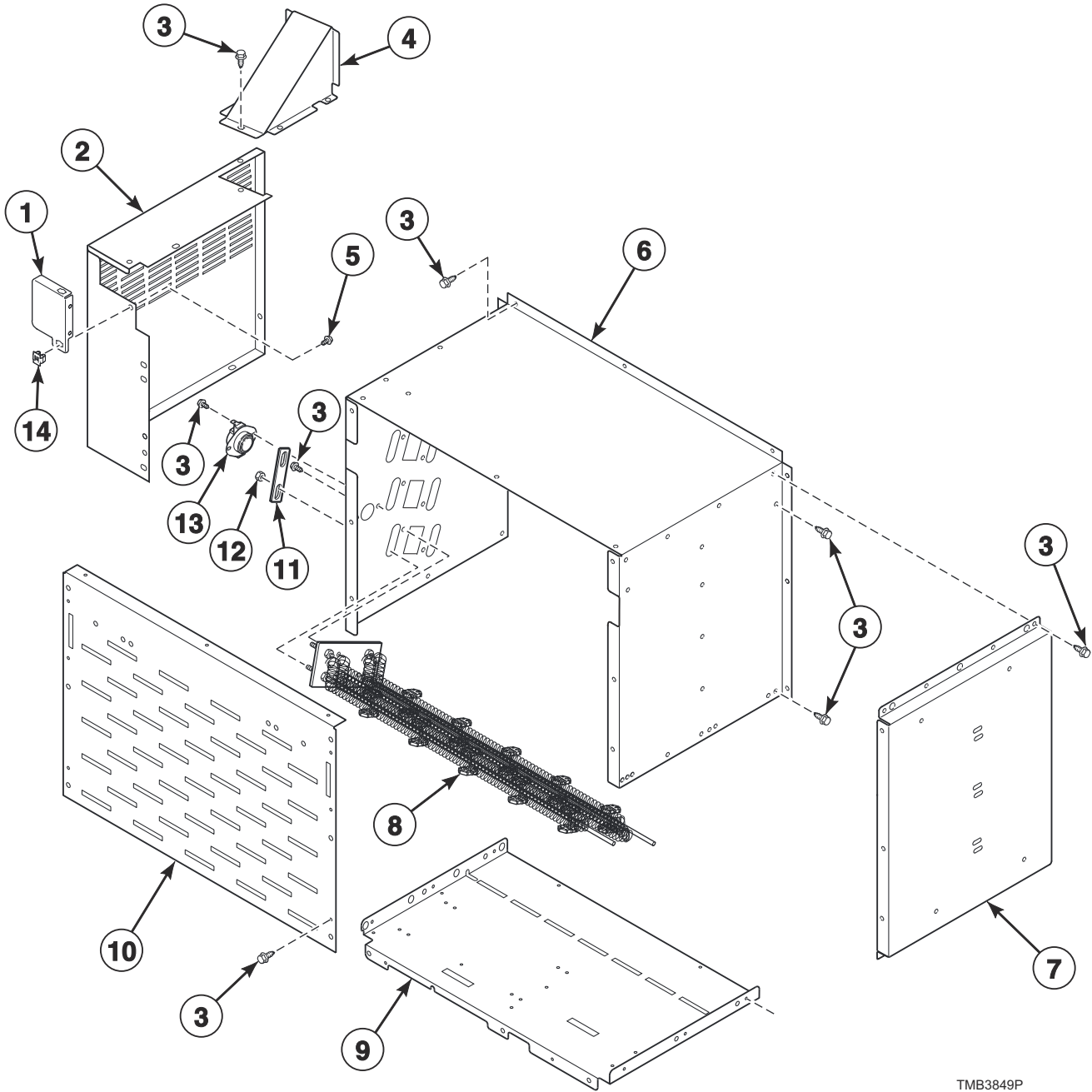
Gas Heater Components

REF	PART NO.	DESCRIPTION	COMMENTS
	44273501	Gas Valve Harness	
	44239702	High Voltage Suppression Cable	
	70550203	L.P. Conversion Kit	T and G market models; Natural Gas (N.G.); 0-2,000 feet
	70550215	L.P. Conversion Kit	Australian models; N.G.; 0-2,000 feet
	70551903	L.P. Conversion Kit	IEC models; N.G.; 0-2,000 feet
	70131901	Adapter	IEC models; BPT/NPT
	70167601	Plug	
	70535901	Notice Label	Australian models; N.G.
	70544901	Notice Label	Australian models; (L.P.) Gas
1	70671102	Side Stove Guard	
2	70670902	Guard Bracket	
3	430497	Screw	
4	70030501	Expansion Clip	
5	70661401	Lead-In Pipe	A, K and U market models
	70661501	Lead-In Pipe	All other models
6	70645401	Gas Valve Bracket	
7	44154503	N.G. Valve	T and G market models
	44154504	L.P. Valve	T and G market models
	44154507	Gas Valve	IEC models; N.G.; 1/2 NPT
	44154508	Gas Valve	IEC models; L.P.; 1/2 NPT
8	431482	O-Ring	
9	70659201	Gas Valve Manifold	
10	70239801	Primary Air Adjustment Sleeve	L.P. models
11	44328004	Limit Thermostat	Side
12	70647101	Stove Top and Sides	
13	70188801	Burner Grill	
14	70229801P	Gas Burner	
	70546701	Anti-Rattle Burner Assembly	Includes 70229801P Gas Burner, 431318 Control Door Latch and M400003 Pop Rivet
15	70371501	Stove Back	
16	M414477	Thermostat Cover	
17	44328101	Limit Thermostat	Rear
18	M405188	Screw	2 required
19	70564301	Stove Limit Harness	
20	05161	Screw	
21	70159601	Igniter Cover	
22	70654201	Spark Electrode	
23	70672501	Screw	
24	70653701	Pipe Bracket	
25	M411826	Snap Bushing	

Burner Orifices

REF	PART NO.	DESCRIPTION	COMMENTS
	70609905	High Altitude Orifice Kit	Natural Gas (N.G.) models
	70609906	High Altitude Orifice Kit	Liquid Petroleum (L.P.) Gas models with A, G, H, K and T in the 2nd position
1	70684148	Burner Orifice	Standard models; N.G.; Drill no. 15 (4.57 mm); 0-2,000 feet
	70684145	Burner Orifice	Standard models; N.G.; Drill no. 11/64 (4.37 mm); 2,001-4,000 feet
	70684143	Burner Orifice	Standard models; N.G.; Drill no. 19 (4.22 mm); 4,001-6,000 feet
	70684142	Burner Orifice	Standard models; N.G.; Drill no. 20 (4.09 mm); 6,001-8,000 feet
	70684139	Burner Orifice	Standard models; N.G.; Drill no. 23 (3.91 mm); 8,001-10,000 feet
	70684123	Burner Orifice	Standard models with 2nd digit A, G, K and L; L.P.; Drill no. 34 (2.82 mm); 0-2,000 feet
	70684120	Burner Orifice	Standard models with 2nd digit A, G, K and L; L.P.; Drill no. 36 (2.71 mm); 2,001-4,000 feet
	70684118	Burner Orifice	Standard models with 2nd digit A, G, K and L; L.P.; Drill no. 38 (2.58 mm); 4,001-6,000 feet
	70684116	Burner Orifice	Standard models with 2nd digit A, G, K and L; L.P.; Drill no. 40 (2.49 mm); 6,001-8,000 feet
	70684114	Burner Orifice	Standard models with 2nd digit A, G, K and L; L.P.; Drill no. 42 (2.37 mm); 8,001-10,000 feet

Electric Heater Components

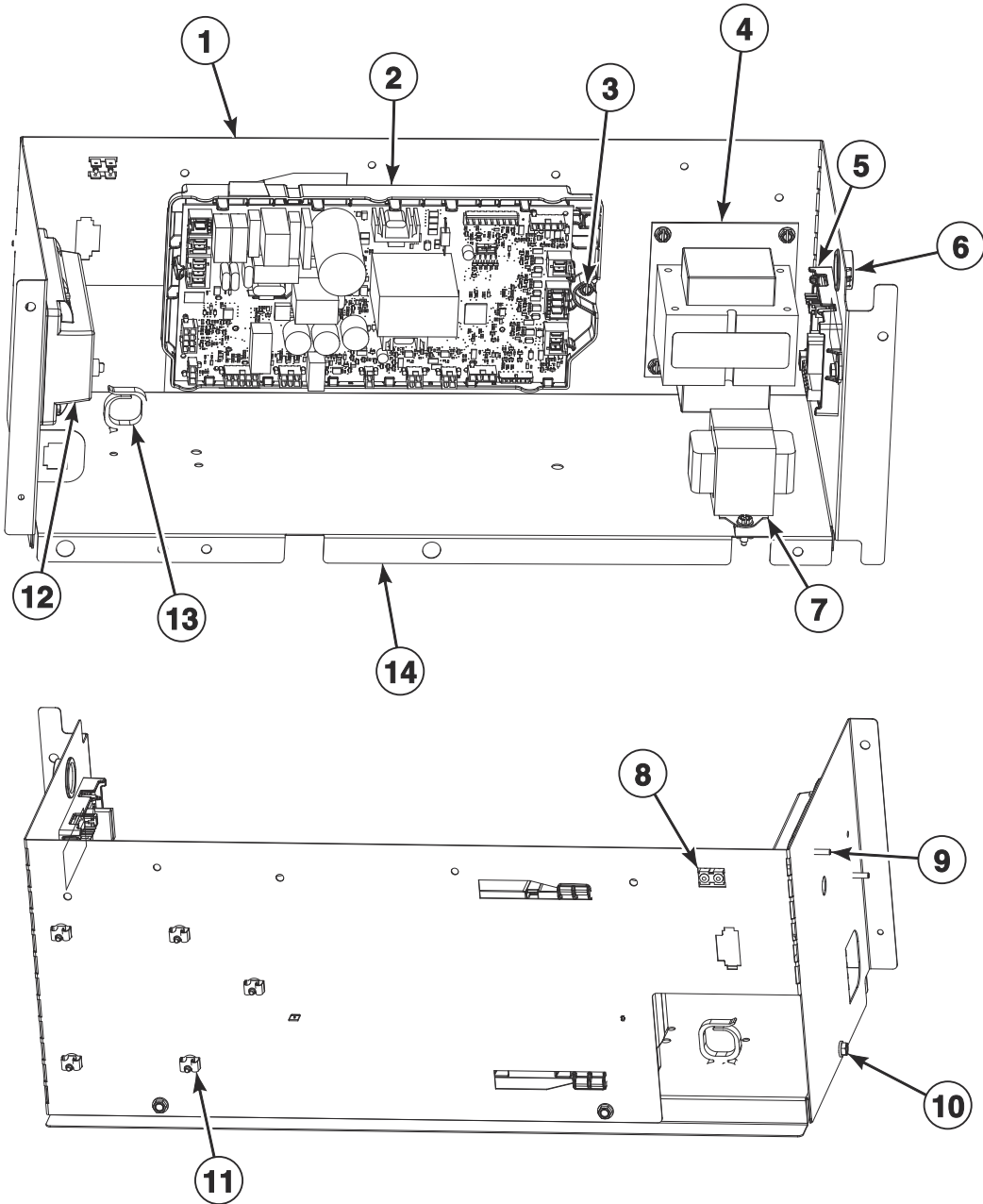


TMB3849P

Electric Heater Components

REF	PART NO.	DESCRIPTION	COMMENTS
	70564303	Stove Limit Harness	
	70641710	Jumper Harness	Use with 440-480 Volt
	70641709	Jumper Harness	Use with 380-415 Volt
1	70653703	Bracket	
2	70671102	Side Stove Guard	
3	430497	Screw	
4	70670902	Guard Bracket	
5	F8206901	Screw	
6	70654001	Stove Top and Sides	
7	70652001	Stove Shield	
8	70034404P	Heater Element	Standard models; 3 required; 8 kW; 208 Volt heater element for 200-208 Volt/1 or 3 Phase
	70034405P	Heater Element	Standard models; 3 required; 8 kW; 220 Volt heater element for 380 and 440 Volt/3 Phase
	70034406P	Heater Element	Standard models; 3 required; 8 kW; 240 Volt heater element for 230-240 Volt/1 or 3 Phase and 400-415 and 460-480 Volt/3 Phase
	70034412P	Heater Element	Medium electric models; 3 required; 6 kW; 240 Volt heater element for 230-240 Volt/1 or 3 Phase, 400-415 and 460-480 Volt/3 Phase
	70034410P	Heater Element	Medium electric models; 3 required; 6 kW; 208 Volt heater element for 200-208 Volt/1 or 3 Phase
	70034411	Heater Element	Medium electric models; 3 required; 6 kW; 220 Volt heater element for 380 and 440 Volt/3 Phase
9	70652301	Stove Cover	
10	70214901	Stove Grill	
11	70066501	Jumper Bar	2 required for 440-480 Volt
	M400869	Jumper Strip	3 required for 380-415 and 440-480 Volt; 6 required for 200-240 Volt
12	70054	Nut	
13	44328006	Limit Thermostat	
14	70030501	Expansion Clip	

Control Tray

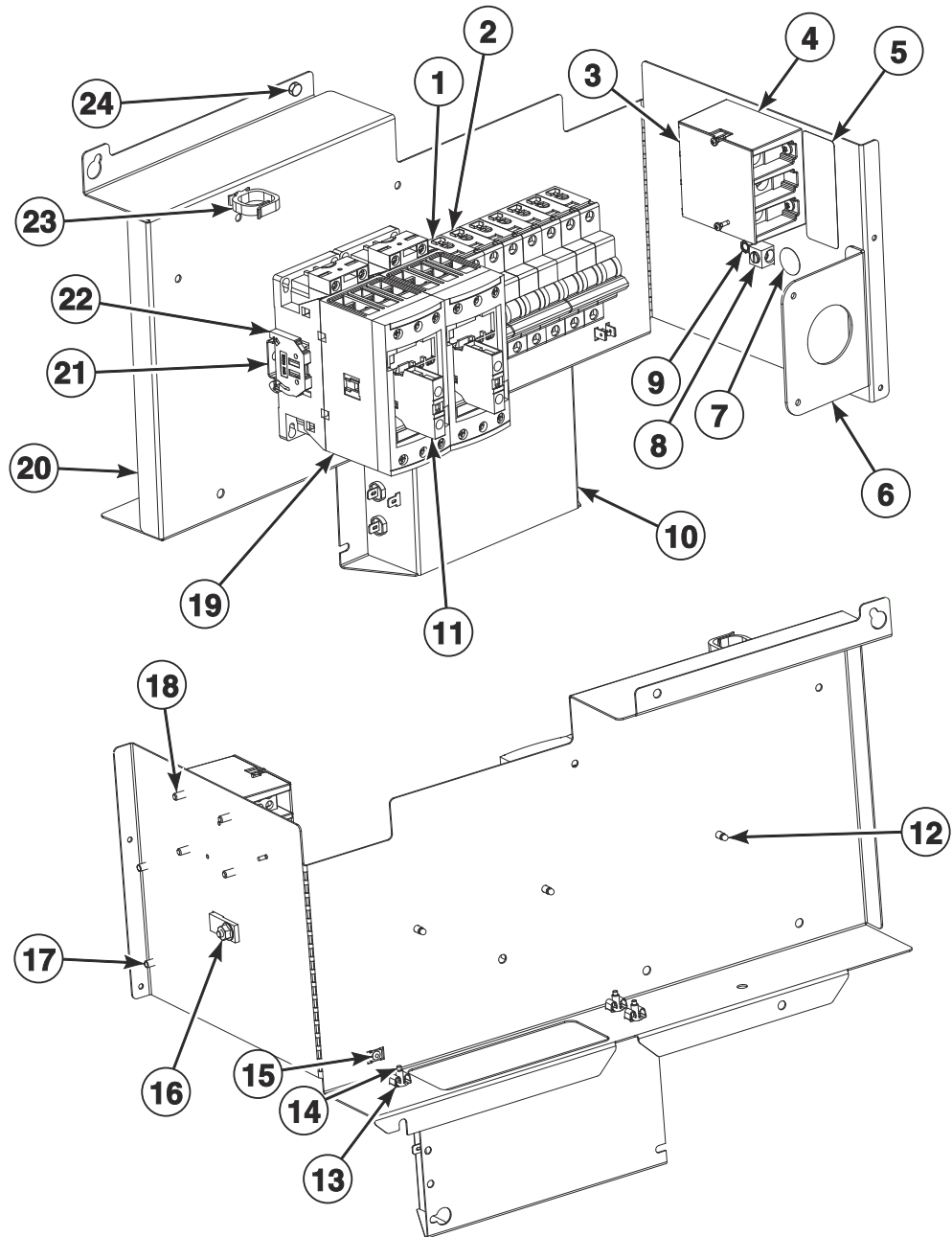


TMB3850P

Control Tray

REF	PART NO.	DESCRIPTION	COMMENTS
	70631201	Rear Main Harness	
	44374901	Heat Control Harness	Gas models
	70642101	Control Tray Power Harness	120-240 Volt
	70642102	Control Tray Power Harness	380-480 Volt
	70631701	Primary Transformer Vend Harness	120 Volt; Card reader
	70631702	Primary Transformer Vend Harness	240 Volt; Card reader
	70631705	Central Pay Board Power Supply Harness	24V
	70630901	Contactor Interconnect Harness	Electric models
	70649001	Tray Cover	
	70696801	Conversion Kit	X to B voltage; Models with D, F, N or W in the 7th position
	70696805	Conversion Kit	X to B voltage; Models with V in the 7th position
1	70648901	Tray Wrap	
2	70671701	I/O Control Assembly	
3	F8206901	Screw	
4	F8491101	Transformer	380-480 Volt
5	204779	Central Pay Control Assembly	
6	70178701	Snap Bushing	
7	202757	Transformer	100-120 Volt; Card and central pay
	202758	Transformer	200-480 Volt; Card and central pay
8	M400003	Pop Rivet	
9	51783	Screw	
10	430497	Screw	
11	70030501	Expansion Clip	
12	70482002	Ignition Control	IEC models
	70482001	Ignition Control	T and G market gas models
13	F8449502	Wire Clip	
14	70649101	Tray Base	

Accessory Box - Electric Models

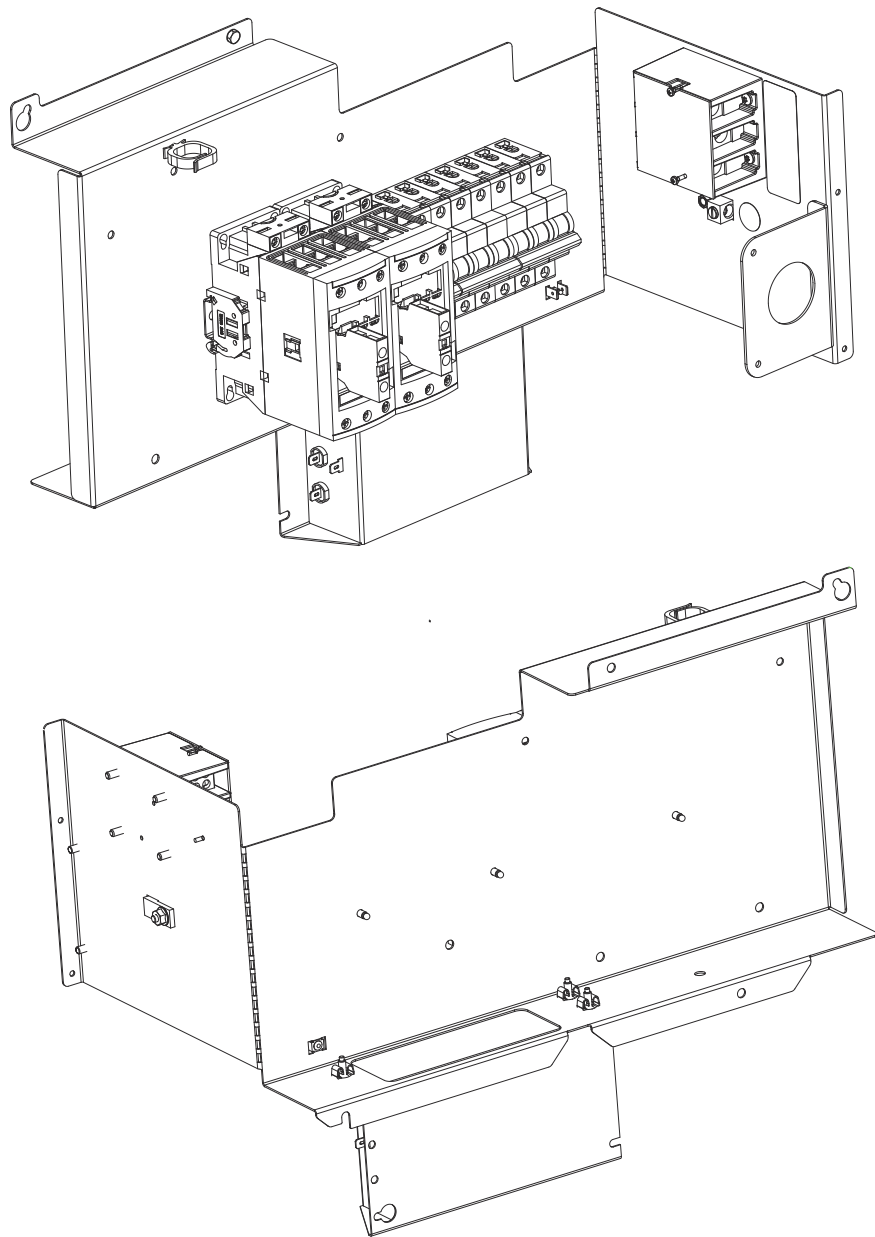


TMB3851P

Accessory Box - Electric Models

REF	PART NO.	DESCRIPTION	COMMENTS
1	70488102	Circuit Breaker	25 amp
2	70488104	Circuit Breaker	2 required; 50 amp; 200-208 and 230-240 Volt/1 Phase
3	44014901P	Power Distribution Block Cover	
4	M413865	Power Distribution Block	
5	44286803	Label	L1, L2, L3
	44286801	Label	L1, N
	44286802	Wire Label	L1 L2, L1 N
	44286804	Wire Label	L1 L2, L1 N, L1 L2 L3
6	70615503	Conduit Plate	
7	D516100	Label	
8	M411283	Ground Lug Connector	
9	685837	Screw	
10	F8591601	EMI Filter	IEC models; 100-200 and 200-240 Volt/1 Phase
	F8637501	EMI Filter	IEC models; 380-480 Volt
11	44313201	Auxiliary Contact Block	2 required
12	70058501	Pop Rivet	
13	70030501	Expansion Clip	
14	F8206901	Screw	
15	M400003	Pop Rivet	
16	44088001	Nut	
17	51780	Screw	
18	39733	Screw	
19	70482801	Contactor	2 required
20	70659001	Accessory Bracket	
21	44229701	DIN Rail	
22	F8449801	End Stop	2 required
23	F8449502	Wire Clip	
24	430497	Screw	

Accessory Box Harnesses - Electric Models

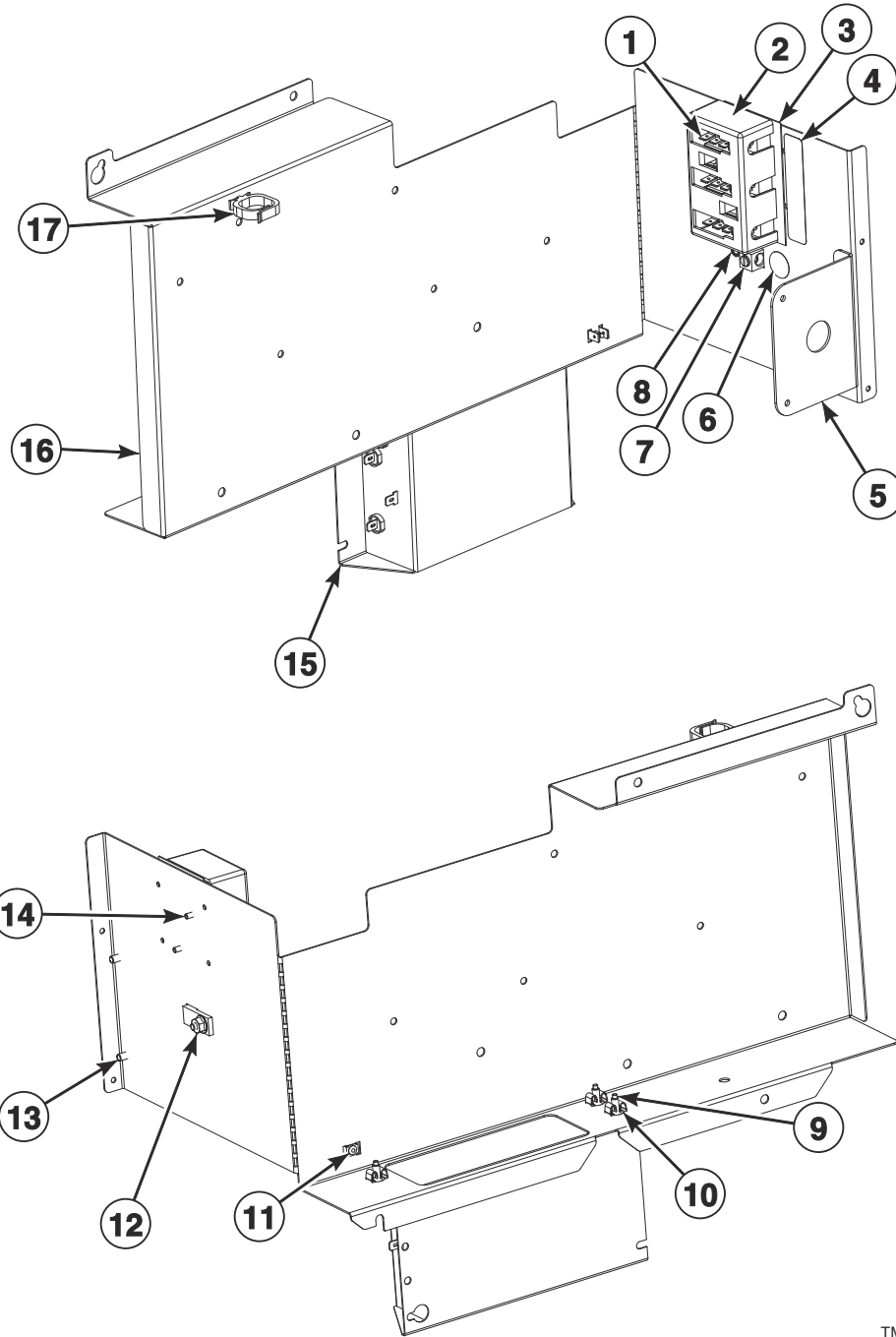


TMB3851PA

Accessory Box Harnesses - Electric Models

REF	PART NO.	DESCRIPTION	COMMENTS
	70636703	Harness	IEC models; 120-240 Volt; EMI filter to inverter/control tray
	70636701	Harness	IEC models; 380-480 Volt; EMI filter to inverter/control tray
	70639801	Harness	200-240 Volt; Power distribution block to contactor block; 1 phase; Right
	70639802	Harness	200-240 Volt; Power distribution block to contactor block; 1 phase; Left
	70639806	Harness	200-240 Volt; Power distribution block to contactor; 3 phase
	70639807	Harness	200-240 Volt; Power distribution block to contactor; 3 phase
	70639805	Harness	200-240 Volt; Contactor block to HC
	70639810	Harness	200-240 Volt; Contactor to element H1-H3
	70639811	Harness	200-240 Volt; Contactor to element H4-H6
	70641704	Harness	380-415 Volt; Power distribution block to contactor
	70641705	Harness	380-415 Volt; Contactor to contactor
	70641708	Harness	380-415 Volt; Contactor to element
	70632201	Contactor Coil Harness	
	70630902	Contactor Monitor Harness	
	70649605	Harness	T and G market models; 1 phase; Power distribution block to control contactor block
	70649606	Harness	T and G market models; 3 phase; Power distribution block to control contactor block
	70649607	Harness	IEC models; 1 phase; Power distribution block to control contactor block
	70649608	Harness	IEC models; 3 phase; Power distribution block to control contactor block
	70636705	Harness	T and G market models; 240 Volt; Control contactor block to inverter/control tray
	70636706	Harness	T and G market models; 380-480 Volt; Control contactor block to inverter/control tray
	70649603	Harness	1 phase; Control contactor block to EMI filter
	70649604	Harness	3 phase; Control contactor block to EMI filter

Accessory Box - Gas Models



TMB3852P

Accessory Box - Gas Models

REF	PART NO.	DESCRIPTION	COMMENTS
	70636701	Harness	T and G market models; 120-240 Volt; Power distribution block to inverter/control tray
	70636702	Harness	T and G market models; 380-480 Volt; Power distribution block to inverter/control tray
	70649601	Harness	1 phase; Power distribution block to EMI filter
	70649602	Harness	3 phase; Power distribution block to EMI filter
	70636703	Harness	IEC models; 120-240 Volt; EMI filter to inverter/control tray
	70636704	Harness	IEC models; 380-480 Volt; EMI filter to inverter/control tray
	00621SG	Male Tab Terminal	
1	430642	Terminal Block	
2	70333001	Terminal Block Shield	
3	M413862	Insulator	
4	44286803	Label	L1, L2, L3
	44286801	Label	L1, N
	44286802	Wire Label	L1 L2, L1 N
	44286804	Wire Label	L1 L2, L1 N, L1 L2 L3
5	70615501	Conduit Plate	
6	D516100	Label	
7	M411283	Ground Lug Connector	
8	685837	Screw	
9	F8206901	Screw	
10	70030501	Expansion Clip	
11	M400003	Pop Rivet	
12	44088001	Nut	
13	430497	Screw	
14	51783	Screw	
15	F8591601	EMI Filter	IEC models; 100-200 and 200-240 Volt/1 Phase
	F8637501	EMI Filter	IEC models; 380-480 Volt
16	70659001	Accessory Bracket	
17	F8449502	Wire Clip	

Labels

PART NO.	DESCRIPTION	COMMENTS
44324201	Caution Label	Australian models; Repeat Ignition Reset
70696901	Caution Label	Vent/install
F8614501	Danger Label	Shock; English/French
F8614301	Hot Surface Warning Label	English/French
F8609001	Hot Surface Warning Label	Icon
F8611601	Warning Label	
70535100	Label Kit	Vent/install; IEC models
F8614500	Label Kit	Shock; IEC models
70539601	Notice Label	
F8609501	Notice Label	
D516073	Notice Label	Read instructions; Icon
70538401	Pinch Warning Label	English/French
F8615701	Pinch Warning Label	Icon
F8614201	Shock Warning Label	Icon
70536301	Warning Label	Lint; Australian models
44324101	Warning Label	Fire; Australian models
70534305	Warning Label	Fire; Colombian Spanish
44321601	Warning Label	Risk of fire; Icon
D503887	Label	Australian models

Parts Index

A

Access Panel Trim	
70399401	33
70399412	33
Accessory Bracket	
70659001	69, 73
Adapter	
70131901	61
Airflow Switch and Arm Bracket	
70319602	59
Airflow Switch Arm	
70319401	59
Airflow Switch Vane	
70319201	59
Airflow Switch Wrapper	
70356101	59
Anti-Rattle Burner Assembly	
70546701	61
Auxiliary Contact Block	
44313201	69

B

Blind Rivet	
F8245101	37
Blower Assembly	
70359801P	53, 55
Blower Housing	
70020301	55
70215101	53, 55
70554701	53, 55
Blower Housing Scroll	
70016301	53
Blower Inlet Cone	
70014101	55
Blower Motor Mounting Plate	
70349601	53, 55
Bottom Guard	
70661101	47
Bracket	
70653703	65
Burner Grill	
70188801	61
Burner Orifice	
70684114	63
70684116	63
70684118	63
70684120	63
70684123	63
70684139	63
70684142	63
70684143	63
70684145	63
70684148	63
Bushing	
70346501	45
Bypass Harness	
44334103	15, 33

C

Caution Label	
44324201	74
70696901	74
Center Cylinder Seal	
70066003	43
Center Pan	
70564501	45
Center Partition	
70252601	45
Central Pay Board Power Supply Harness	
70631705	67
Central Pay Control Assembly	
204779	67
Circuit Breaker	
70488102	69
70488104	69
Coin Box	
F160673P	33
Coin Chute Assembly	
70296401	33
Coin Drop	
38963P	19
39748	19
70441601	19
70441603	19
Coin Drop Assembly	
201141	19
210195	19
210196	19
38462P	19
38463	19
38467	19
38519	19
70281102	19
70283102	19
70441602	19
70447301	19
70471601	19
70482401	19
70506901	19
Coin Drop Kit	
CK077	19
CK122	21
Coin Identification Paper	
38464P	19
38475	19
38725	19
Coin Meter	
F0160737-00	19
Coin Vault and Emergency Stop Mount Assembly	
70529502	33
Coin Vault Assembly	
70529501	33
Coin Vault Switch Harness	
44334101	33
44334104	15
Cold Weather Kit	
44340301	51

N/A items do not appear in index.

Conduit Plate	
70615501	73
70615503	69
Contact Base	
F8538101	35
Contact Switch	
F8069501	35
Contactactor	
70482801	69
Contactactor Coil Harness	
70632201	71
Contactactor Interconnect Harness	
70630901	67
Contactactor Monitor Harness	
70630902	71
Control	
70511601	51
Control Assembly	
70478801P	15
70478802	17
70479801	13
Control Box Base	
44065301	51
Control Box Cover	
44065201	51
Control Box Housing	
44306701	51
Control Box Top	
44307101	51
Control Door Latch	
431318	29
Control Harness	
44375604	51
Control Panel	
70273414	29
70273416W	29
Control Panel Assembly	
70689901	29
70689902	29
70689903W	29
70689904W	29
Control Panel Switch Bracket	
70641601	29
Control Plate	
70497101	13, 17
Control Plate and Studs Assembly	
70496601	15
Control Plate Assembly	
70497201	15
Control Tray Power Harness	
70642101	67
70642102	67
Control Trim	
44016401	33
Conversion Kit	
70696801	67
70696805	67
Cylinder and Trunnion Assembly	
70435201	39
70435202	39
70435203	39
Cylinder Assembly	
70372601P	39
70372602P	39

70372603P	39
Cylinder Bearing Stud Plate Assembly	
430352	43
Cylinder Guide Tool	
263P4	43
Cylinder Rib Assembly	
70433001	39
Cylinder Shroud	
70347001	45
70347002	45
70432305	45
70432306	45

D

Damper and Hinge Exhaust Assembly	
70209501	53, 55
Damper Spacer	
70220901	55
Danger Label	
F8614501	74
DIN Rail	
44229701	69
Door Assembly	
70597701	23
70597702	23
70597709	23
70597711B	23
Door Catch Kit	
70482901	33
Door Glass	
M400784P	25
Door Glass Installation Tool	
M4221P4	25
Door Glass Seal Kit	
70211901P	25
Door Handle	
44007902P	25
Door Hinge	
70595504	27
70595510B	27
70595510W	27
Door Hinge Lug Assembly	
44035001	27
44035002	27
Door Latch	
M401223	33
Door Ring Assembly	
70597501	25
70597502	25
70597507B	25
70597509B	25
Door Ring Gasket	
70296801	25
Door Switch Actuator	
70532101	27
70532102	27
Drive Access Cover	
70662801	53
Drive Motor	
44355001	53
44355002	53

N/A items do not appear in index.

Drive Plate	
70571901	53
Drive Rivet	
M400713	51
Drive Support Bracket	
70648601	57
Drywall Screw Magnet Kit	
70343101P	39, 43

E

Elbow	
70428101	49
Electronic Coin Drop Assembly	
70294107	19
70513302	19
70513303	19
70513304	19
70513306	19
70513308	19
70513309	19
70513310	19
70513311	19
70513312	19
70513313	19
70513314	19
70513315	19
70513316	19
Electronic Coin Drop Kit	
CK099	21
CK100	21
CK101	21
CK108	21
CK109	21
CK110	21
CK113	21
CK115	21
CK116	21
CK117	21
CK118	21
CK119	21
CK120	21
CK121	21
Emergency Stop Button Kit	
70580301	35
Emergency Stop Bypass Harness	
F8519403	15
Emergency Stop Harness	
44272401	35
Emergency Stop Interconnect Harness	
70631101	35
Emergency Stop Label	
44012901	35
44012903	35
Emergency Stop Mounting Bracket	
70550401	35
Emergency Stop Pushbutton	
F200233500	35
EMI Filter	
F8591601	69, 73
F8637501	69, 73
End Cap	
70070101	39
70070102	39

End Stop	
F8449801	69
Exhaust Thimble	
70017801	53
Expansion Clip	
70030501	15, 33, 57, 61, 65, 67, 69, 73

F

Fan Motor	
44354901	53, 55
44354903	53, 55
Fan Spacer	
70599301	53
Fill Hose	
202799	51
Filter Mounting Plate	
70551701	51
Flat Top	
70557701	45
Front Panel	
70524221	31
Front Panel Assembly	
44116802W	31
44116902	31
70622501	31
70622601	31
70622902W	31
70623002W	31
70623602W	31
Front Panel Seal	
70173401P	31

G

Gas Burner	
70229801P	61
Gas Valve	
44154507	61
44154508	61
Gas Valve Bracket	
70645401	61
Gas Valve Harness	
44273501	61
Gas Valve Manifold	
70659201	61
Gasket	
70289101P	37
70392701P	55
Ground Lug Connector	
M411283	69, 73
Guard Bracket	
70670902	61, 65

H

Handle and Caps Assembly	
70154403	37
Handle Bar	
70399502B	25

N/A items do not appear in index.

Handle Bumper	
70407201	37
Harness	
70636701	71, 73
70636702	73
70636703	71, 73
70636704	73
70636705	71
70636706	71
70639801	71
70639802	71
70639805	71
70639806	71
70639807	71
70639810	71
70639811	71
70641704	71
70641705	71
70641708	71
70649601	73
70649602	73
70649603	71
70649604	71
70649605	71
70649606	71
70649607	71
70649608	71
Harness Adapter Plate	
70523301	49, 51
Heat Control Harness	
44374901	67
Heater Element	
70034404P	65
70034405P	65
70034406P	65
70034410P	65
70034411	65
70034412P	65
High Altitude Orifice Kit	
70609905	63
70609906	63
High Voltage Suppression Cable	
44239702	61
Hinge Cam Kit	
M4772P3	27
M4773P3	27
Hold-Down Clip	
35865	45
Hole Plug	
70063201	45
Hose	
44073304	51
Hose Clamp	
36801	51
Hose Fitting	
44069101	51
Hot Surface Warning Label	
F8609001	74
F8614301	74

I

Idler Wheel Assembly	
70050401P	53

Igniter Cover	
70159601	61
Ignition Control	
70482001	67
70482002	67
Insulator	
M413862	73
Interconnect Harness	
44375601	51
Interface Harness	
44378102	15
Inverter Control Assembly	
70603001	57
70603201	57
Inverter to Motor Harness	
70635401	57
70635402	57
70635403	57
70635404	57
I/O Control Assembly	
70671701	67

J

Jumper Bar	
70066501	65
Jumper Harness	
D511476	33
70641709	65
70641710	65
Jumper Strip	
M400869	65

K

Key	
70155601	33, 51
70155602	33
Kickplate	
70117603	37

L

Label	
D503887	74
D516100	69, 73
44286801	69, 73
44286803	69, 73
44318201	51
44391301	33
44391401	33
70414001	31
70537001	31
70537101	31
Label Kit	
F8614500	74
44318200	51
44324500	51
70534300	31
70535100	74
Lead-In Pipe	
70661401	61

N/A items do not appear in index.

70661501	61
Lever Arm and Belt Kit 70655102	53
Lever Arm and Bushing Assembly 70653801	53
Light 801432	51
Limit Access Bracket 70554901	55
Limit Thermostat 44328001	55
44328004	61
44328006	65
44328101	61
70530901	55
Lint Panel 70515502	37
70515503W	37
70515504W	37
70515505	37
Lint Panel Pivot Plate 70016701	37
Lint Screen 70325601	45
Lock Shim 70342401	33
Lock, Key and Nut Kit 44089301P	33, 51
44089302P	33
Lower Pan 70326601	45
Lower Rear Assembly 70667701	53
L.P. Conversion Kit 70550203	61
70550215	61
70551903	61
L.P. Valve 44154504	61

M

Machine ID Control Assembly 203361P	15, 17
Magnet 70343101	37
Magnet Bracket 44290501	37
Main Harness 70631001	13, 15, 17
Male Tab Terminal 00621SG	73
Mixing Valve 70519801	51
Mixing Valve Shield Bracket 44306601	51
Moisture Sensor/Airflow Switch Harness 70631203	41
Motor Mount Bracket 70564101	53
Motor Mount Plate 70564201	53

Motor Pulley 70559101	53
Mounting Plate 70208801	15

N

Nameplate Overlay 44130201	33
44144401	25
44391201	25
70411401	25
Notice Label D516073	74
F8609501	74
70535901	61
70539601	74
70544901	61
Nozzle Bracket 70424201	49
70428601	49
Nut M400022	41, 43
M400034	43
M404993	45
M412986	43
M414215	25
21899	45
23951	37
430576	45
44087201	39, 53
44087301	53
44088001	25, 27, 69, 73
44088801	33
44333202	53
51236	37
56156	53
70054	15, 65
70660601	55
N.G. Valve 44154503	61

O

Opto Coupler 200674P	19
O-Ring 431482	61
Overlay 70539101	13
70547501	13
70547801	17
70548801	17
70571101	15
70571102	15
70571103	15
70626001	15
70626002	15
70626101	15
70679201	15

N/A items do not appear in index.

P

Panel Locator	
56079	33, 37
Pin	
70071401	27
Pinch Warning Label	
F8615701	74
70538401	74
Pipe Bracket	
70653701	61
Plug	
70167601	61
70180001	51
Pop Rivet	
M400003	29, 67, 69, 73
44166601	33
70058501	27, 37, 45, 69
70126301	37
70126401	37
70412601	25
Porcelain Touch-Up Paint	
122P4P	45
Power Distribution Block	
M413865	69
Power Distribution Block Cover	
44014901P	69
Power Sensor Harness	
44375602	51
Primary Air Adjustment Sleeve	
70239801	61
Primary Transformer Vend Harness	
70631701	67
70631702	67
Pushbutton Switch	
70413301	13, 15, 17, 29, 33
Push-to-Start Switch	
801434W	51

R

Rear Bearing Shim	
70355001	43
Rear Bracket	
70654401	51
Rear Cover	
70650901	47
Rear Cylinder Bearing Housing	
70013901	43
Rear Cylinder Channel	
70257101	39
70257102	39
Rear Cylinder Channel Plate	
70257201	39
Rear Cylinder Seal	
70013701P	43
Rear Cylinder Seal Support	
70506402	43
Rear Guard	
70652801	47
70652802	47

Rear Lint Panel	
70564401	37
Rear Main Harness	
70631201	67
Rear Panel	
70651401	43
70651402	43
70651403	43
Reed Switch Assembly	
F8066804	37
Roller and Seal Kit	
70616701	45
Roller Catch Arm	
70030301	37
Roller Catch Spacer	
70030201	37
Roller Catch Wheel	
70297601	37
Roller Seal	
70443601	45
Roller Shaft	
70249501	45
Roller Support Bracket	
70328301	45

S

Screw	
F430144	53
F8206901	57, 65, 67, 69, 73
M400661	25
M405188	61
M411072	15, 33
05161	61
39733	33, 37, 69
430497	29, 37, 39, 45, 49, 51, 55, 59, 61, 65, 67, 69, 73
430757	37
44349101	27
44364601	53
44364603	53
51780	49, 51, 55, 69
51783	67, 73
62588	39
685837	69, 73
70033502	27
70072801	37
70126101	55
70132301	37
70247701	45
70391101	39
70407301	27
70436301	27
70442101	25
70501301	53
70508301	53
70546301	53
70576101	27
70672501	61
70689401	27
804608	13, 15, 17, 51
Sensor Harness	
44375606	51
Sheet Metal Edge Gasket	
70015710	45

N/A items do not appear in index.

70015711	45
Shield	
44326801	51
Shock Warning Label	
F8614201	51, 74
F8614401	51
Side Bracket	
70658601	51
Side Guard	
70648102	47
70648201	47
Side Panel	
70021504W	45
70253802W	45
Side Stove Guard	
70671102	61, 65
Slip Ring Assembly	
44222702	41
Slip Ring Holder	
70455401	41
Slot Card Plate Assembly	
44089501	15
Snap Bushing	
M411826	61
70178701	49, 67
Spacer	
70488403	53
Spark Electrode	
70654201	61
Spray Nozzle	
70427801	49
Spray Nozzle Hose	
70427701	49
Spray Paint	
298P4P	45
Spring	
70571801	53
Spring Catch Bracket	
70543401	53
Standoff	
70569603	53
Stove Back	
70371501	61
Stove Cover	
70652301	65
Stove Grill	
70214901	65
Stove Limit Harness	
70564301	61
70564303	65
Stove Shield	
70652001	65
Stove Top and Sides	
70647101	61
70654001	65
Support Bearing	
70448701	43
Support Housing Bearing Assembly	
430260P	43
Switch	
70411901	59
Switch Bracket	
70356301	59
70508501	37

Switch Hole Plug	
44057801B	33
44057801W	33

T

Tensioning Bracket	
70569501	53
Terminal Block	
430642	73
Terminal Block Shield	
70333001	73
Thermistor	
M414704	55
44064701	49
Thermistor Plate	
70424401	49
Thermostat Cover	
M414477	61
Thermostat/Lint Switch Interconnect Harness	
70631202	55
Top Pan	
70641301	45
Transformer	
F8491101	67
202757	67
202758	67
Tray Base	
70649101	67
Tray Cover	
70649001	67
Tray Wrap	
70648901	67
Trunion and Seal Kit	
70564803	39
70564804	39
Tube Assembly	
70427601	49
Tumbler Dolly Kit	
M4379P4	45

U

Union Tee	
70427901	49

V

Vend Activation Harness	
44334004	13, 15, 17

W

Warning Label	
F8611601	74
44321601	74
44324101	74
44324501	51
44324502	51
70534301	31

N/A items do not appear in index.

70534302	31
70534305	74
70536301	74
Washer	
M400991	43, 55
70261401	45
70409301	25
70411301	39
Water Valve Harness	
44375605	51
Wire Clip	
F8449502	57, 67, 69, 73
Wire Guard	
201595P	19
Wire Label	
44286802	69, 73
44286804	69, 73
