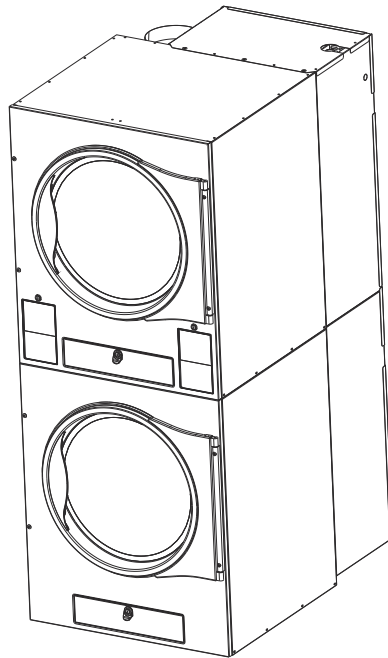


Tumble Dryers

Stacked 30 Pound Capacity
18 Digit Model Numbers with 6 in 13th Position
Refer to Page 5 for Model Numbers



TMB1294C

Table of Contents

Title	Page
Parts Ordering Information.....	3
Serial Plate Location	3
Machine Identification	5
Product Overview - Heat Source and Voltage	6
Product Overview - FN Control Suffix	8
Product Overview - DN and NN Control Suffixes.....	10
Product Overview - N and W Control Suffixes	12
Product Overview - V Control Suffixes.....	14
Dual Digital Control.....	16
Electronic Display Control - Vend Models with N or W in the 7th Position.....	18
Electronic Display Control Overlays - Vend Models with N or W in the 7th Position	20
Electronic Display Control - OPL Models with N in the 7th Position	22
3.5 Inch Graphical Control	24
Touch Control - Vend Models with V in the 7th Position.....	26
Touch Control - OPL Models with V in the 7th Position	28
Coin Drops	30
Coin Drop Kits.....	32
Network Board Components.....	34
Door Assemblies.....	36
Door Components.....	38
Hinge Components	40
Front Panel Assemblies	42
Cabinet Front Components.....	44
Emergency Stop Button - IEC OPL Models	46
Lint Drawer Components	48
Cylinder and Trunnion Components	50
Moisture Sensing Components.....	52
Bearing Components	54
Cabinet Components	56
Rear Panels	58
Drive Motor Components	60
Exhaust Components.....	62
Blower Components.....	64
Airflow Switch.....	66
Gas Burner Housing and Secondary Stove Limit	68
Gas Valve and Piping	70
Burner Orifices	72
Electric Heater Components	74
Control Tray - Gas Models.....	76
Control Tray - Electric Models (Drawing 1 of 2)	78
Control Tray - Electric Models (Drawing 2 of 2).....	80

© Copyright 2023, Alliance Laundry Systems LLC

All rights reserved. No part of the contents of this book may be reproduced or transmitted in any form or by any means without the expressed written consent of the publisher.

Labels	82
Control Tray Harnesses	83
Parts Index.....	85

Parts Ordering Information

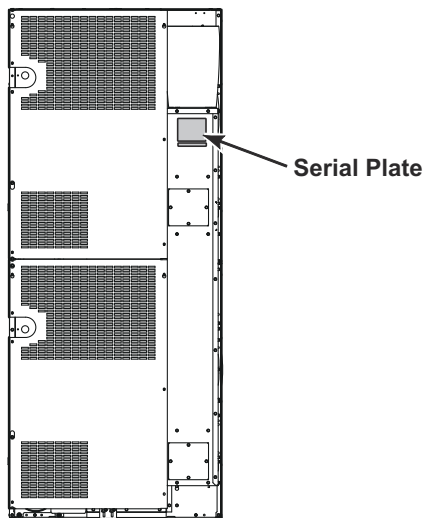
If literature or replacement parts are required, contact the source from whom the machine was purchased or contact Alliance Laundry Systems at (920) 748-3950 for the name and address of the nearest authorized parts distributor.

For technical assistance, call the number listed below:

(920) 748-3121 Ripon, Wisconsin

Serial Plate Location

When calling or writing about your product, be sure to mention model and serial numbers. Model and serial numbers are located on serial plate(s) as shown.



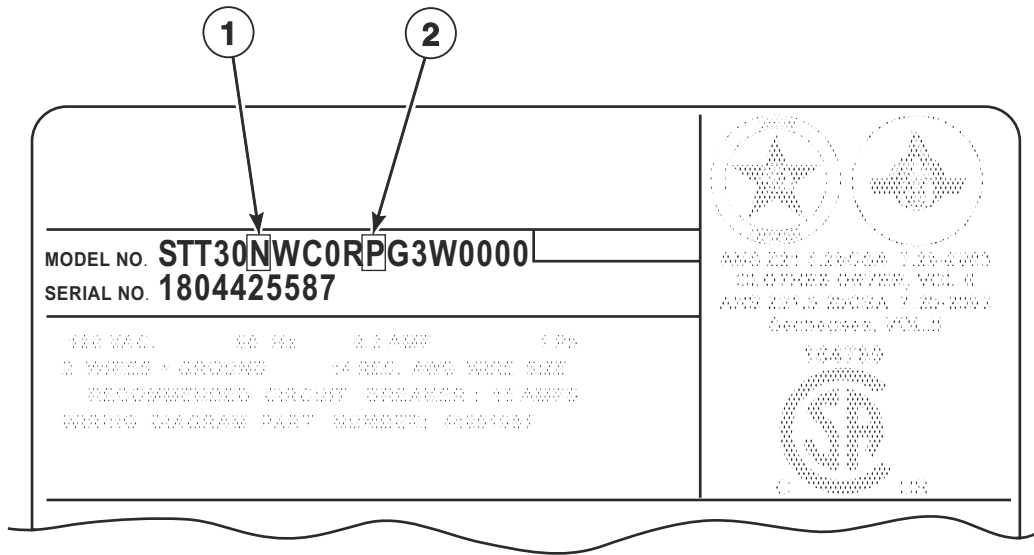
TMB3864P

Machine Identification

Information in this manual is applicable to these machines:

BAT30E	HAT30E	JUT30E	SAT30E	UAT30E
BAT30L	HAT30L	JUT30N	SAT30L	UAT30L
BAT30N	HAT30N	PAT30E	SAT30N	UAT30N
BGT30D	HGT30D	PAT30L	SGT30D	UGT30D
BGT30E	HGT30E	PAT30N	SGT30E	UGT30E
BGT30L	HGT30L	PGT30E	SGT30L	UGT30L
BGT30N	HGT30N	PGT30L	SGT30N	UGT30N
BHT30E	HHT30E	PGT30N	SHT30E	UHT30E
BHT30L	HHT30L	PHT30E	SHT30L	UHT30L
BHT30N	HHT30N	PHT30L	SHT30N	UHT30N
BJT30D	HJT30D	PHT30N	SJT30D	UJT30D
BJT30E	HJT30E	PJT30E	SJT30E	UJT30E
BJT30N	HJT30N	PJT30N	SJT30N	UJT30N
BKT30E	HKT30E	PKT30E	SKT30E	UKT30E
BKT30L	HKT30L	PKT30L	SKT30L	UKT30L
BKT30N	HKT30N	PKT30N	SKT30N	UKT30N
BLT30E	HLT30E	PRT30E	SLT30E	ULT30E
BLT30L	HLT30L	PTT30E	SLT30L	ULT30L
BRT30E	HRT30E	PTT30L	SRT30E	URT30E
BTT30D	HTT30D	PTT30N	STT30D	UTT30D
BTT30E	HTT30E	PUT30E	STT30E	UTT30E
BTT30L	HTT30L	PUT30F	STT30L	UTT30L
BTT30N	HTT30N	PUT30N	STT30N	UTT30N
BUT30E	HUT30E	PUT30R	SUT30E	UUT30E
BUT30F	HUT30F		SUT30F	UUT30F
BUT30N	HUT30N		SUT30N	UUT30N
BUT30R	HUT30R		SUT30R	UUT30R

Product Overview - Heat Source and Voltage



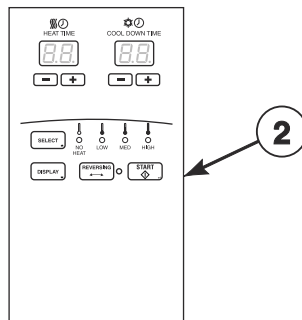
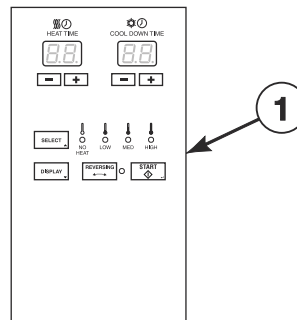
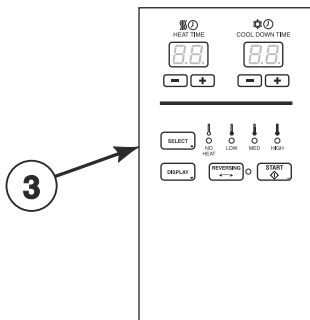
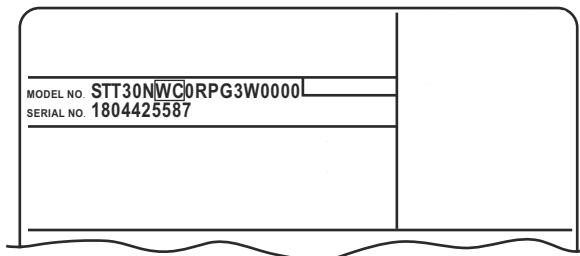
TMB3566P

Product Overview - Heat Source and Voltage

REF	PART NO.	DESCRIPTION	COMMENTS
1	-	Heat Source	D: Liquid Petroleum Gas (L.P) E: Electric F: Reduced Electric (Eco Line) L: Liquid Petroleum Gas (L.P.) N: Natural Gas (N.G.) R: Reduced Gas, Natural Gas (Eco Line)
2	-	Voltage	B: 100-120 Volt/50-60 Hertz/1 Phase; Gas models F: 200-208 Volt/50-60 Hertz/3 Phase; Electric models G: 230-240 Volt/50-60 Hertz/3 Phase; Electric models H: 380 Volt/50-60 Hertz/3 Phase; Electric models J: 400-415 Volt/50-60 Hertz/3 Phase; Electric models K: 440 Volt/50-60 Hertz/3 Phase; Electric models L: 460-480 Volt/50-60 Hertz/3 Phase; Electric models N: 440-480 Volt/50-60 Hertz/3 Phase; Gas models P: 380-415 Volt/50-60 Hertz/3 Phase; Gas models X: 200-240 Volt/50-60 Hertz/1-3 Phase; Gas models

Product Overview - FN Control Suffix

All Models Except J Models; OPL



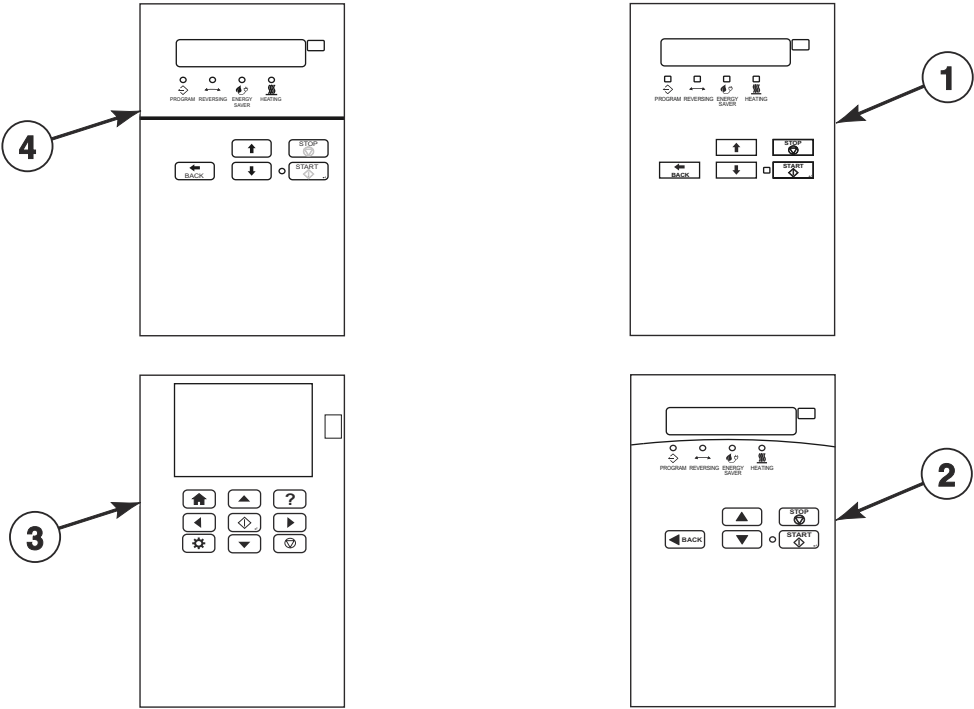
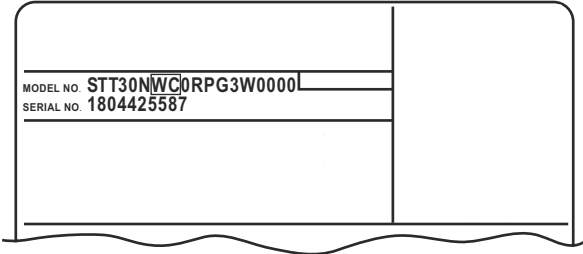
TMB3884P

Product Overview - FN Control Suffix

REF	PART NO.	DESCRIPTION	COMMENTS
1	-	Dual Digital Control	H models
2	-	Dual Digital Control	U models
3	-	Dual Digital Control	S models

Product Overview - DN and NN Control Suffixes

H, S and U Models; OPL



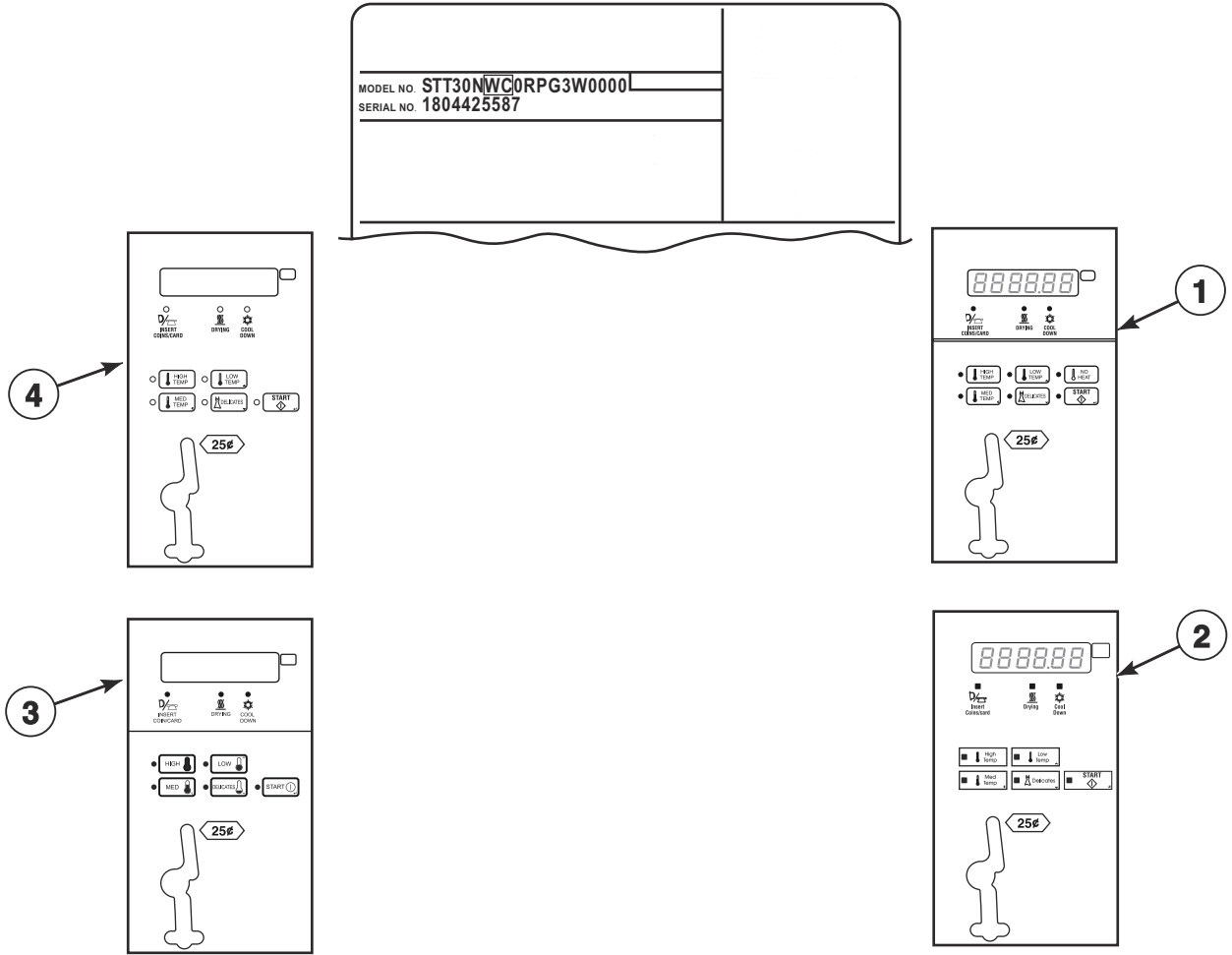
TMB3885P

Product Overview - DN and NN Control Suffixes

REF	PART NO.	DESCRIPTION	COMMENTS
1	-	Galaxy Control	H models
2	-	M-Series Control	U models
3	-	UniLinc Control	U models
4	-	Quantum Gold Control	S models

Product Overview - N and W Control Suffixes

All Models Except U Models; 7th Position of the Model Number; Vend



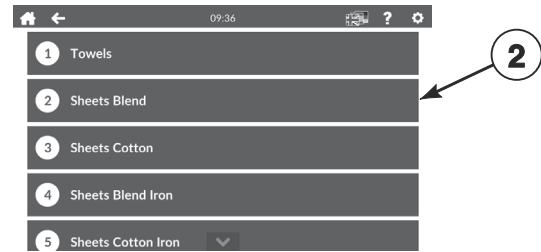
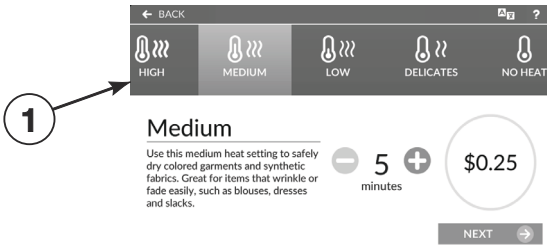
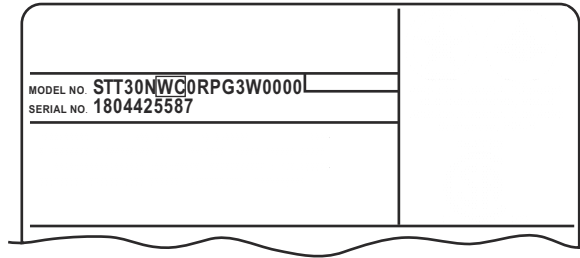
TMB3865P

Product Overview - N and W Control Suffixes

REF	PART NO.	DESCRIPTION	COMMENTS
1	-	Quantum Gold Control	S models
2	-	Galaxy 600	H models
3	-	XQ Control	P models
4	-	EVO7S Control	B and J models

Product Overview - V Control Suffixes

7th Position of the Model Number; Vend and OPL



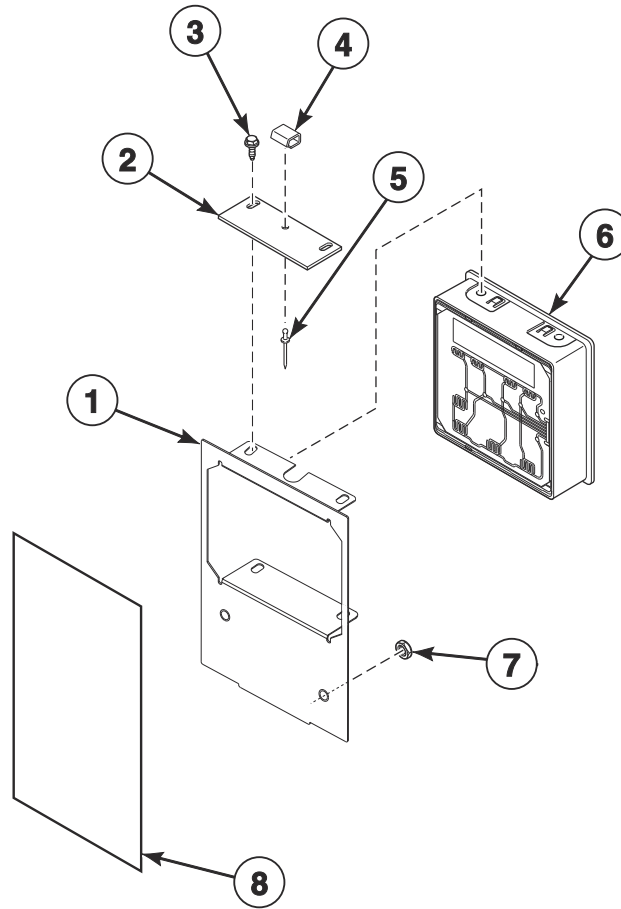
TMB3908P

Product Overview - V Control Suffixes

REF	PART NO.	DESCRIPTION	COMMENTS
1	-	Touch Control	Vend; B, H, P and S models
2	-	Touch Control	OPL; B, J, P and U models

Dual Digital Control

All Models Except J Models; Models with F in the 7th Position



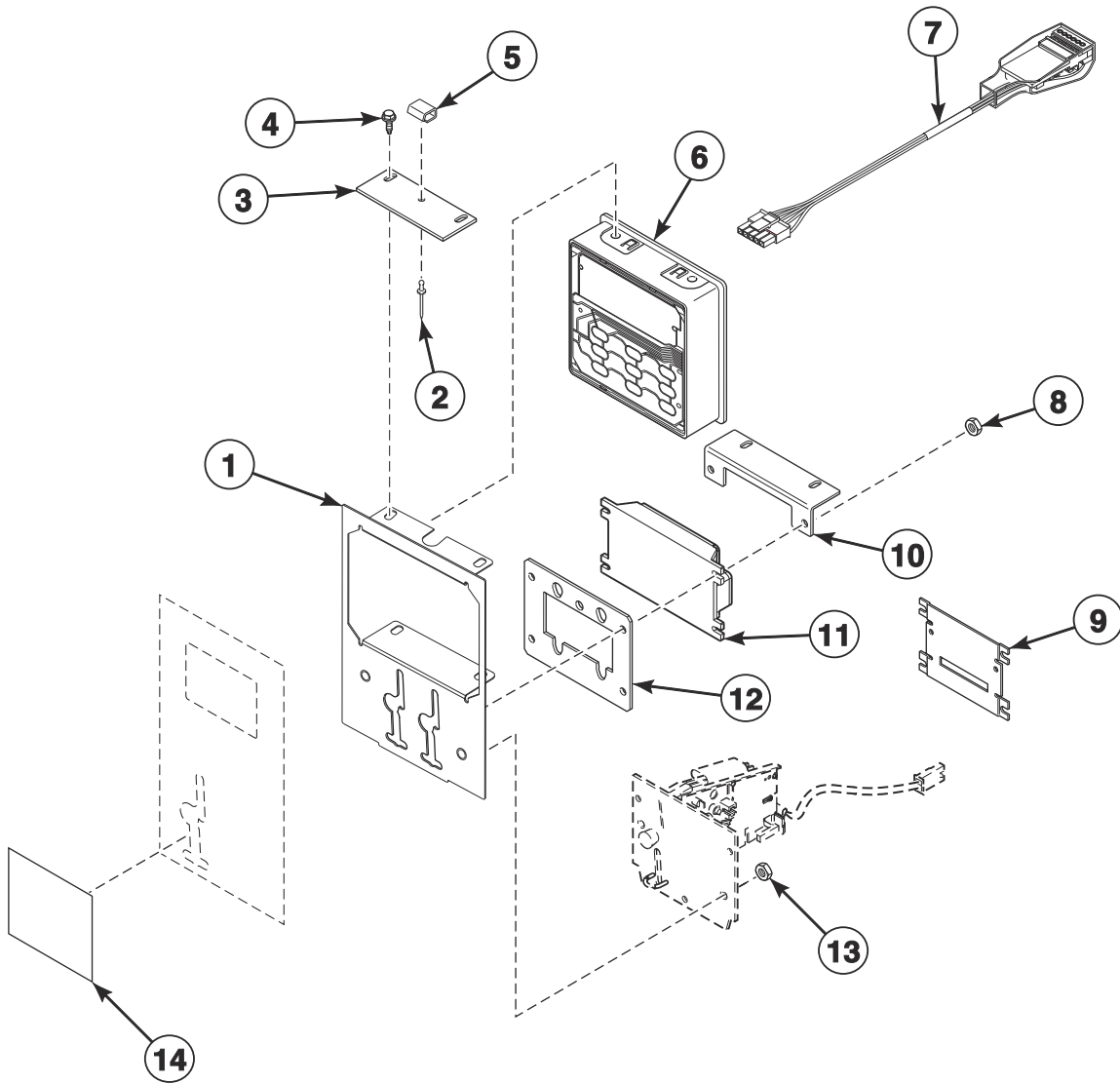
TMB3926P

Dual Digital Control

REF	PART NO.	DESCRIPTION	COMMENTS
	70577101	Vend Activation Harness	
	70622001	Main Harness	
1	70641803	Control Door and Studs Assembly	
2	70634401	Control Latch Plate	
3	D501524	Screw	4 required
4	431318	Control Door Latch	
5	M400003	Pop Rivet	
6	70479801	Control Assembly	H, S and U models; Green
	70523101	Control Assembly	P models; Blue
	70479901	Control Assembly	B models; Red
7	44087101	Nut	2 required
8	70691101	Overlay	H models; Reversing; Upper
	70691201	Overlay	H models; Reversing; Lower
	70673501	Overlay	S models; Reversing; Upper
	70675101	Overlay	S models; Reversing; Lower
	70691801	Overlay	U models; Reversing; Upper
	70691901	Overlay	U models; Reversing; Lower
	70693001	Overlay	B models; Reversing; Upper
	70693101	Overlay	B models; Reversing; Lower
	70692401	Overlay	P models; Reversing; Upper
	70692501	Overlay	P models; Reversing; Lower

Electronic Display Control - Vend Models with N or W in the 7th Position

All Models Except U Models



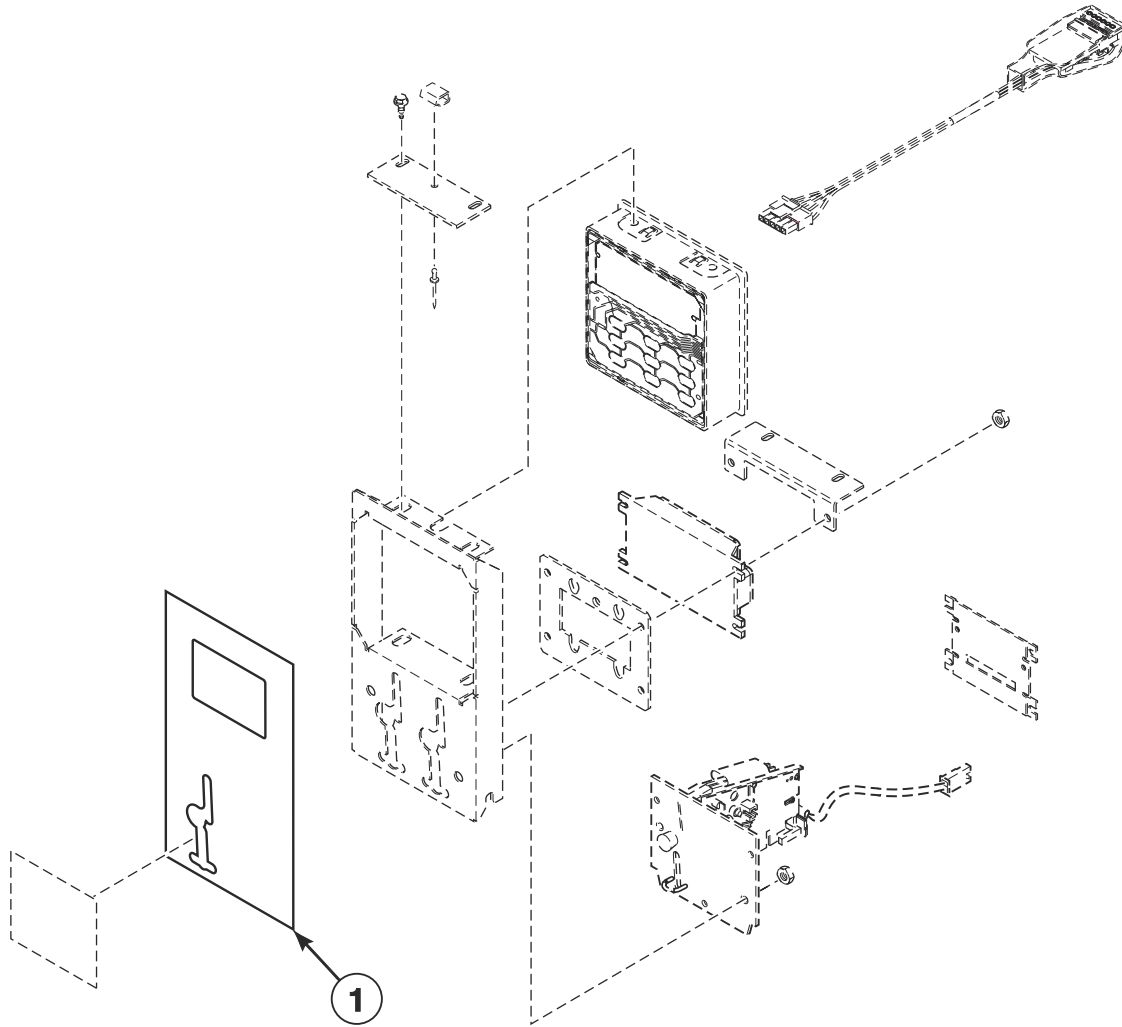
TMB3866P

Electronic Display Control - Vend Models with N or W in the 7th Position

REF	PART NO.	DESCRIPTION	COMMENTS
	44334102	Coin Vault Switch Harness	
	44334103	Bypass Harness	Vault Switch
	70577101	Vend Activation Harness	
	70622001	Main Harness	
	70622201	Harness	Front end control to central pay
	F8719301	Fob Communication Harness	
1	70641801	Control Door and Studs Assembly	Coin
	70641802	Control Door and Studs Assembly	Card and FOB
	70641803	Control Door and Studs Assembly	Central pay
2	M400003	Pop Rivet	
3	70634401	Control Latch Plate	
4	D501524	Screw	8 required
5	431318	Control Door Latch	
6	70523001	Control Assembly	P models; Blue
	70478801P	Control Assembly	H and S models; Green
	70478901	Control Assembly	B and J models; Red
7	203361P	Machine ID Control Assembly	Model or serial number is required when ordering
8	70054	Nut	4 required
9	44089501	Slot Card Plate Assembly	
10	70658501	Control Stiffening Bracket	Prep for coin
11	205135	Fob Reader Control Assembly	
12	70208801	Mounting Plate	Prep for card
13	44087101	Nut	2 required
14	F8205101	Overlay	S models; Single drop; Left
	70557001	Overlay	B and S models; Prep for card
	70557002	Overlay	B and S models; Central pay
	70295101	Overlay	S models; World drop
	70556801	Overlay	H models; World drop
	70556501	Overlay	H models; Prep for card
	70556502	Overlay	H models; Central pay
	70556601	Overlay	H models; Single drop; Left
	70556102	Overlay	P models; Prep for card
	70556101	Overlay	P models; Central pay
	70555901	Overlay	P models; Single drop; Left
	70556001	Overlay	P models; World drop
	F8733901	Overlay	S models; FOB
	F8734201	Overlay	H models; FOB
	F8736501	Overlay	H models; Citron; FOB

Electronic Display Control Overlays - Vend Models with N or W in the 7th Position

All Models Except U Models



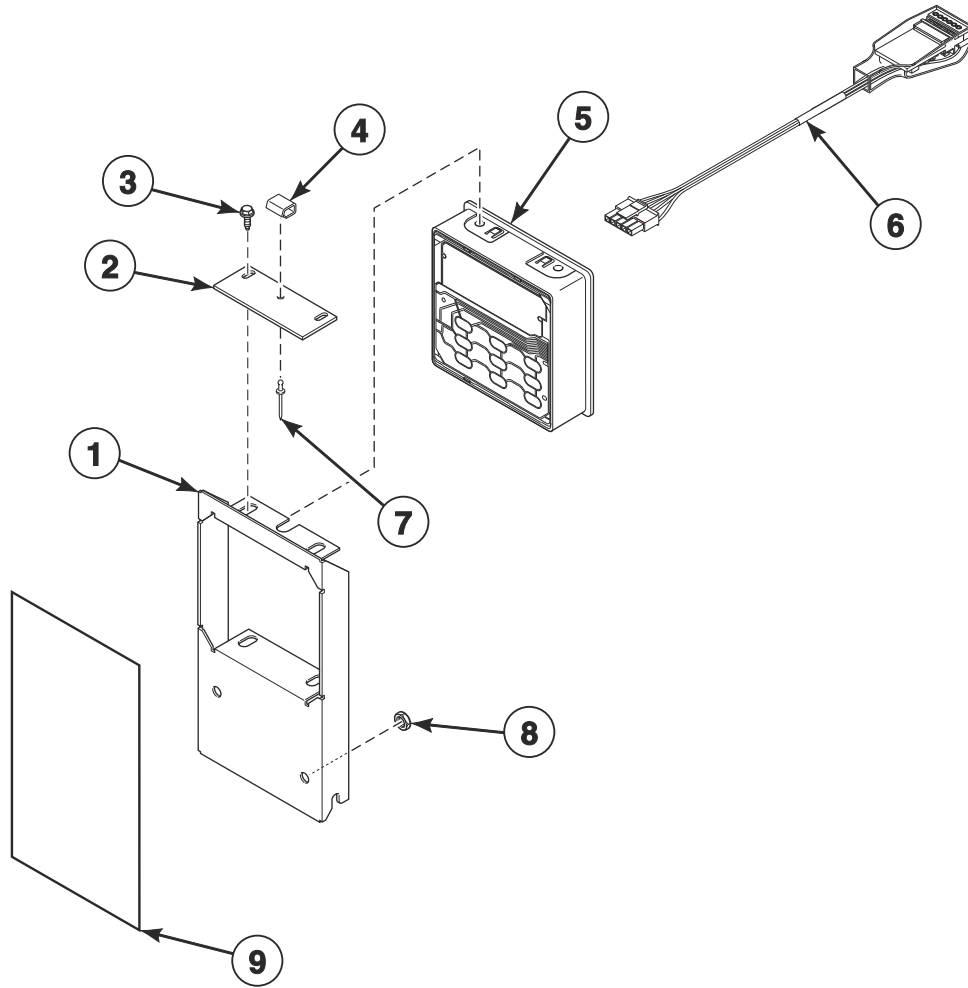
TMB3866PA

Electronic Display Control Overlays - Vend Models with N or W in the 7th Position

REF	PART NO.	DESCRIPTION	COMMENTS
1	70692601	Overlay	B models; Upper; Single drop
	70692602	Overlay	B models; Upper; Dual drop
	70692603	Overlay	B models; Upper; Card ready
	70692701	Overlay	B models; Lower; Single drop
	70692702	Overlay	B models; Lower; Dual drop
	70692703	Overlay	B models; Lower; Card ready
	70690201	Overlay	H models; Upper; Single drop
	70690202	Overlay	H models; Upper; Dual drop
	70690203	Overlay	H models; Upper; Card ready and FOB
	70690204	Overlay	H models; Upper; Central pay
	70690205	Overlay	H models; Upper; World drop
	70690301	Overlay	H models; Lower; Single drop
	70690302	Overlay	H models; Lower; Dual drop
	70690303	Overlay	H models; Lower; Card ready and FOB
	70690304	Overlay	H models; Lower; Central pay
	70690305	Overlay	H models; Lower; World drop
	70690601	Overlay	H models; Citron; Lower; Single drop
	70690602	Overlay	H models; Citron; Lower; Dual drop
	70690603	Overlay	H models; Citron; Lower; Card ready and FOB
	70690501	Overlay	H models; Citron; Upper; Single drop
	70690502	Overlay	H models; Citron; Upper; Dual drop
	70690503	Overlay	H models; Citron; Upper; Card ready and FOB
	70692001	Overlay	P models; Upper; Single drop
	70692002	Overlay	P models; Upper; Dual drop
	70692003	Overlay	P models; Upper; Card ready
	70692101	Overlay	P models; Lower; Single drop
	70692102	Overlay	P models; Lower; Dual drop
	70692103	Overlay	P models; Lower Card ready
	70679301	Overlay	S models; Upper; Single drop
	70679302	Overlay	S models; Upper; Dual drop
	70679303	Overlay	S models; Upper; Card ready and FOB
	70679304	Overlay	S models; Upper; Central pay
	70679305	Overlay	S models; Upper; World drop
	70679401	Overlay	S models; Lower; Single drop
	70679402	Overlay	S models; Lower; Dual drop
	70679403	Overlay	S models; Lower; Card ready and FOB
	70679404	Overlay	S models; Lower; Central pay
	70679405	Overlay	S models; Lower; World drop
	70705501	Overlay	S models with D in the 17th position; Upper
	70705601	Overlay	S models with D in the 17th position; Lower
	70692604	Overlay	J models; Upper; Electronic drop
	70692704	Overlay	J models; Lower; Electronic drop

Electronic Display Control - OPL Models with N in the 7th Position

H, S and U Models



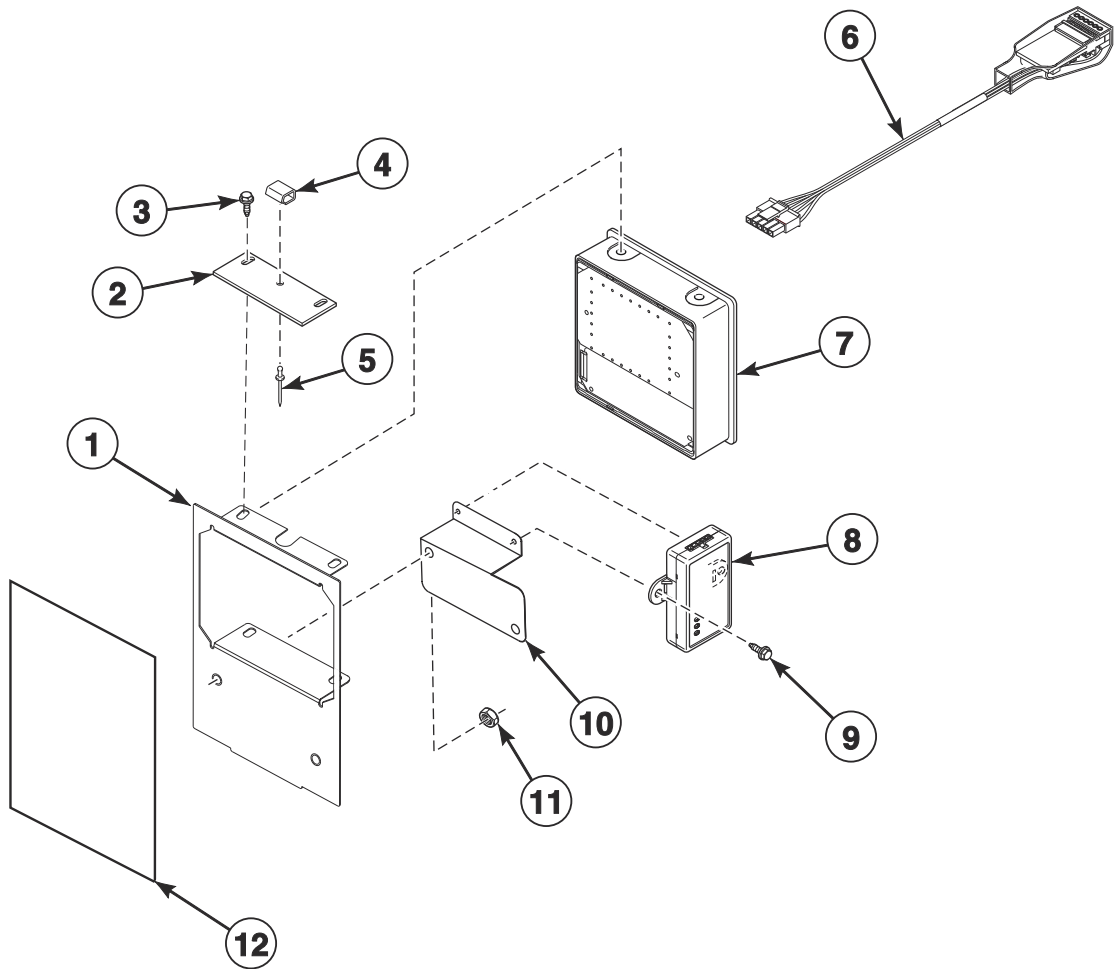
TMB3686P

Electronic Display Control - OPL Models with N in the 7th Position

REF	PART NO.	DESCRIPTION	COMMENTS
	70577101	Vend Activation Harness	
	70622001	Main Harness	
1	70641803	Control Door and Studs Assembly	
2	70634401	Control Latch Plate	
3	D501524	Screw	
4	431318	Control Door Latch	
5	70478802	Control Assembly	Green
6	203361P	Machine ID Control Assembly	Model or serial number is required when ordering
7	M400003	Pop Rivet	
8	44087101	Nut	
9	70690801	Overlay	H models; Reversing; Upper
	70690901	Overlay	H models; Reversing; Lower
	70674901	Overlay	S models; Reversing; Upper
	70673401	Overlay	S models; Reversing; Lower
	70691601	Overlay	U models; Reversing; Upper
	70691701	Overlay	U models; Reversing; Lower

3.5 Inch Graphical Control

U Models with D in the 7th Position



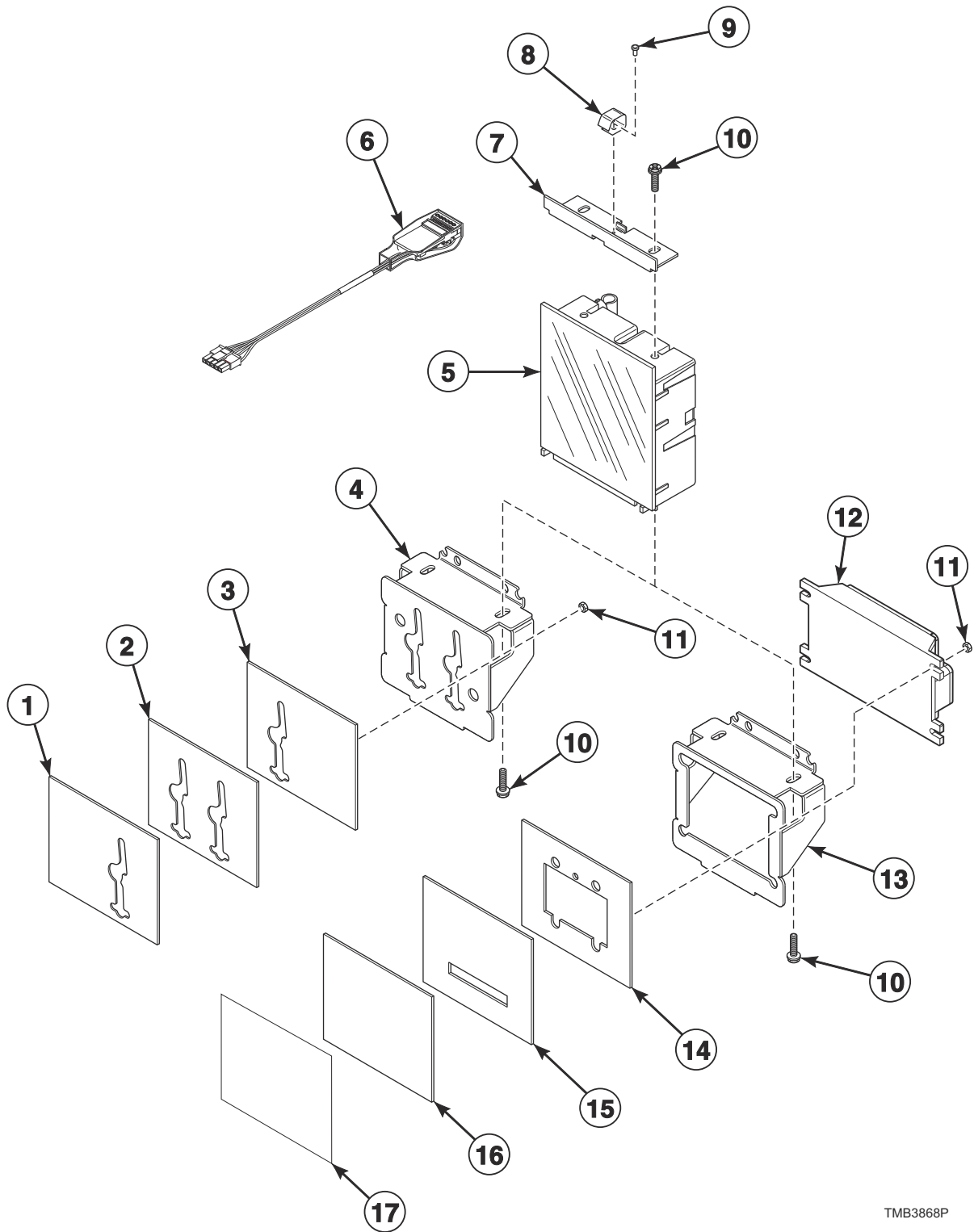
TMB3867P

3.5 Inch Graphical Control

REF	PART NO.	DESCRIPTION	COMMENTS
	F8617901	Harness	USB
	70622001	Main Harness	
1	70641803	Control Door and Studs Assembly	
2	70634401	Control Latch Plate	
3	D501524	Screw	
4	431318	Control Door Latch	
5	M400003	Pop Rivet	
6	203361P	Machine ID Control Assembly	Model or serial number is required when ordering
7	70543104	Control Assembly	
8	203440	USB-Serial Interface Assembly	
9	51780	Screw	
10	70653901	USB Bracket	
11	44087101	Nut	
12	70678201	Overlay	Upper
	70678301	Overlay	Lower

Touch Control - Vend Models with V in the 7th Position

B, H, P and S Models



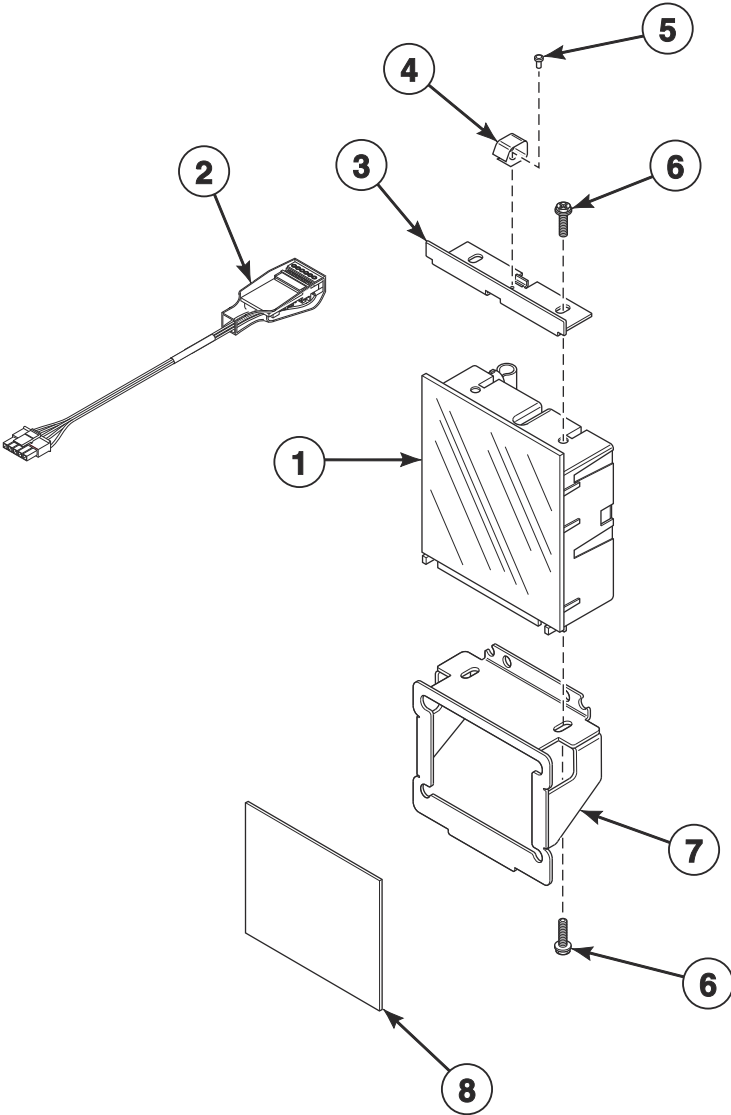
TMB3868P

Touch Control - Vend Models with V in the 7th Position

REF	PART NO.	DESCRIPTION	COMMENTS
	70577101	Vend Activation Harness	
	203440	USB-Serial Interface Assembly	
	44374701	App Pay Overlay Kit	
	70576501P	Replacement Screen Kit	
	70622001	Main Harness	
	F8719302	Fob Communication Harness	
	44334102	Coin Vault Switch Harness	
	44334103	Bypass Harness	Vault Switch
	70622201	Harness	Front end control to central pay
1	70633005	Plate Assembly	Coin; Right
2	70633003	Plate Assembly	Dual drop
3	70633002	Plate Assembly	Coin; Left
4	70581001	Control Bracket	Lower; Coin
5	70576201P	Control Assembly	
6	203361P	Machine ID Control Assembly	
7	70581101	Control Bracket	Upper
8	431318	Control Door Latch	2 required
9	M400003	Pop Rivet	
10	203799	Screw	
11	44087101	Nut	
	70054	Nut	Use with FOB
12	205135	Fob Reader Control Assembly	
13	70581002	Control Bracket	Lower; Card and central pay
	70581003	Control Bracket	Lower; FOB
14	70633006	Plate Assembly	Card slide
	70666701	Plate Assembly	FOB
15	70633004	Plate Assembly	Card slide
16	70633001	Plate Assembly	Central pay
17	F8734101	Overlay	S Models; FOB
	F8734401	Overlay	H Models; FOB
	F8736701	Overlay	H Models; Citron; FOB

Touch Control - OPL Models with V in the 7th Position

B, J, P and U Models



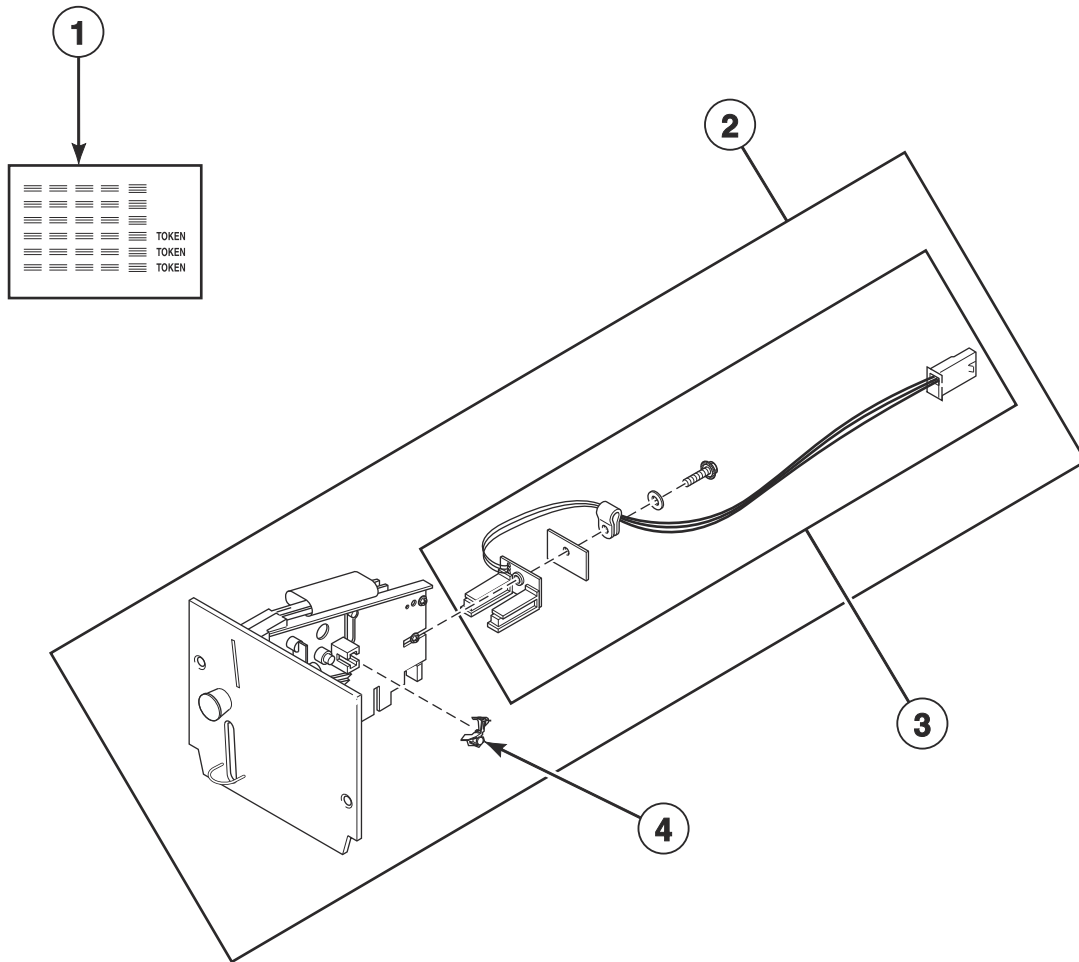
TMB3869P

Touch Control - OPL Models with V in the 7th Position

REF	PART NO.	DESCRIPTION	COMMENTS
	203440	USB-Serial Interface Assembly	
	44374701	App Pay Overlay Kit	
	70576501P	Replacement Screen Kit	
	70622001	Main Harness	
	51780	Screw	U models; Use with 70708001 USB Bracket
	70708001	USB Bracket	U models
	F8617901	Harness	U models; USB
1	70697102	Control Assembly	
2	203361P	Machine ID Control Assembly	
3	70581101	Control Bracket	Upper
4	431318	Control Door Latch	2 required
5	M400003	Pop Rivet	
6	203799	Screw	
7	70581002	Control Bracket	Lower
8	70633001	Plate Assembly	

Coin Drops

All Models Except U Models



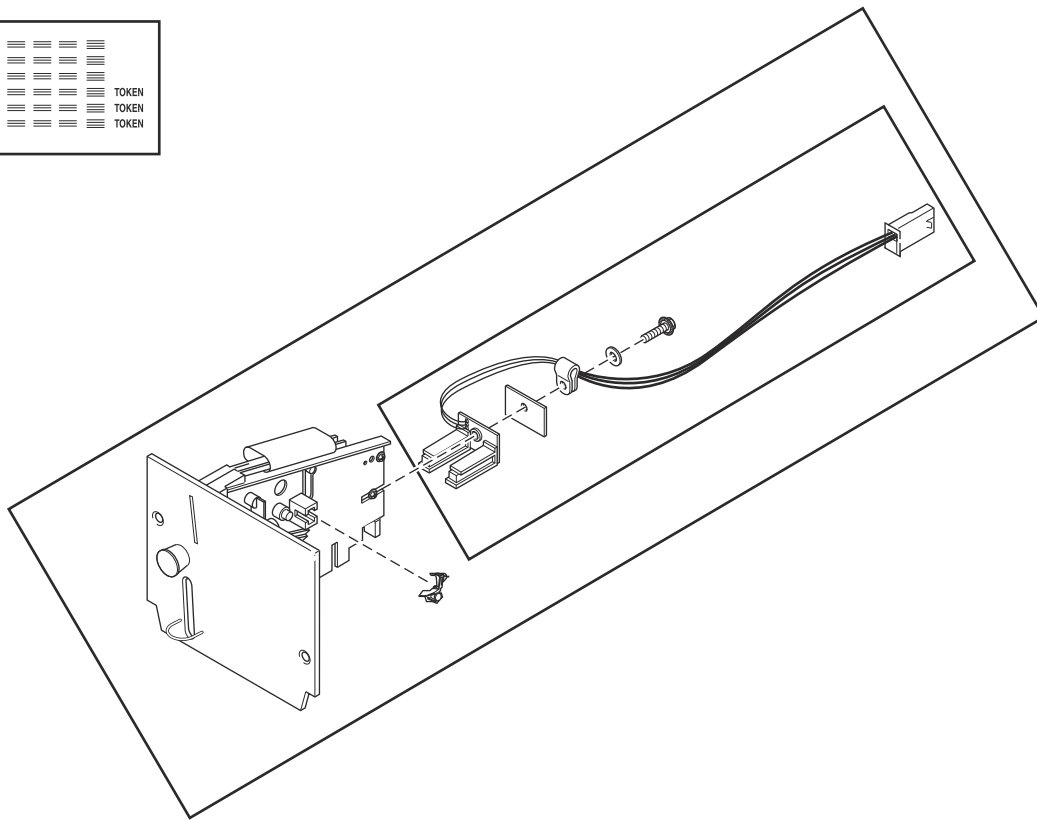
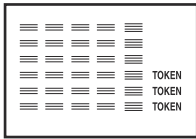
TMB3510P

Coin Drops

REF	PART NO.	DESCRIPTION	COMMENTS
1	38725	Coin Identification Paper	
2	70441601P	Coin Drop	Single; U.S.A.; \$.25
	38475	Coin Drop Assembly	Single; Japan; 100 yen
	38464P	Coin Drop Assembly	Single; Canada; .25
	CK077	Coin Drop Kit	Single; Taiwan; 10 NT
	70506901	Coin Drop Assembly	Single; Singapore; \$1.00 NEW
	70441603	Coin Drop	Dual; U.S.A.; \$.25 and \$1.00
	38519	Coin Drop Assembly	Dual; Japan; 100 yen and 500 yen
	70441602	Coin Drop Assembly	Dual; Canada; .25 and 1.00
	38467	Coin Drop Assembly	Dual; Australia; \$0.20 and \$1.00
	70447301	Coin Drop Assembly	Dual; Australia; \$1.00 and \$2.00
	70283102	Coin Drop Assembly	Dual; 0.20 and 0.50 Euro
	210195	Coin Drop Assembly	Dual; 0.20 and 1.00 Euro
	210196	Coin Drop Assembly	Dual; 0.50 and 1.00 Euro
	F0160737-00	Coin Meter	Dual; 0.50 and 2.00 Euro
	70281102	Coin Drop Assembly	Dual; Taiwan; 10 and 50 NT
	70482401	Coin Drop Assembly	Dual; New Zealand ; \$1.00 and \$2.00
	38462P	Coin Drop Assembly	Single; Token; STD 118-1
	38463	Coin Drop Assembly	Single; Token; STD 118-5
	38963P	Coin Drop	Single; Token STD 118-16
	39748	Coin Drop	Single; Jeton 08MS
	201141	Coin Drop Assembly	Single; Token; Jeton wh121
	70471601	Coin Drop Assembly	Single; Token; 7K
	70513302	Electronic Coin Drop Assembly	Euro and Great Britain coins
	70513310	Electronic Coin Drop Assembly	Japan and Thailand coins
	70513304	Electronic Coin Drop Assembly	Australia, New Zealand, Hong Kong and South Korea coins
	70513303	Electronic Coin Drop Assembly	Denmark, Norway and Euro coins
	70513306	Electronic Coin Drop Assembly	Mexico, Ecuador and U.S.A. coins
	70294107	Electronic Coin Drop Assembly	Lithuania, Latvia and Euro coins
	70513311	Electronic Coin Drop Assembly	China and Malaysia coins
	70513308	Electronic Coin Drop Assembly	South African 1, 2 and 5 rand coins
	70513309	Electronic Coin Drop Assembly	Euro coins
	70513312	Electronic Coin Drop Assembly	Russia coins
	70513313	Electronic Coin Drop Assembly	Phillipines coins
	70513314	Electronic Coin Drop Assembly	Thailand coins
	70513315	Electronic Coin Drop Assembly	Chile coins
	70513316	Electronic Coin Drop Assembly	Singapore coins
3	200674P	Opto Coupler	
4	201595P	Wire Guard	

Coin Drop Kits

All Models Except U Models

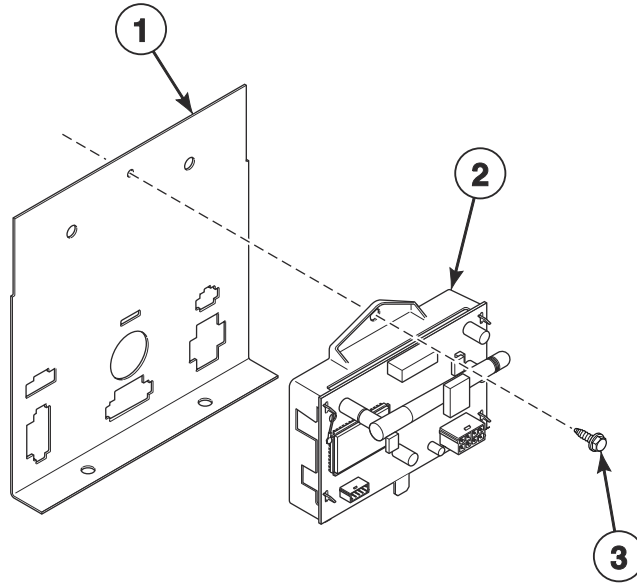


TMB3510PA

Coin Drop Kits

REF	PART NO.	DESCRIPTION	COMMENTS
	CK115	Electronic Coin Drop Kit	United States and Canada
	CK099	Electronic Coin Drop Kit	Australia (default), New Zealand, Hong Kong, South Korea and Malaysia
	CK100	Electronic Coin Drop Kit	United Kingdom (default) and Europe
	CK101	Electronic Coin Drop Kit	Europe (default), Denmark and Norway
	CK108	Electronic Coin Drop Kit	South Africa
	CK109	Electronic Coin Drop Kit	Euro
	CK110	Electronic Coin Drop Kit	Mexico (default), Ecuador and United States
	CK113	Electronic Coin Drop Kit	Japan and Taiwan
	CK116	Electronic Coin Drop Kit	Malaysia (default) and China
	CK117	Electronic Coin Drop Kit	Russia
	CK118	Electronic Coin Drop Kit	Philippine
	CK119	Electronic Coin Drop Kit	Thailand
	CK120	Electronic Coin Drop Kit	Chile
	CK121	Electronic Coin Drop Kit	Singapore
	CK122	Coin Drop Kit	New Zealand; 1.00 and 2.00

Network Board Components

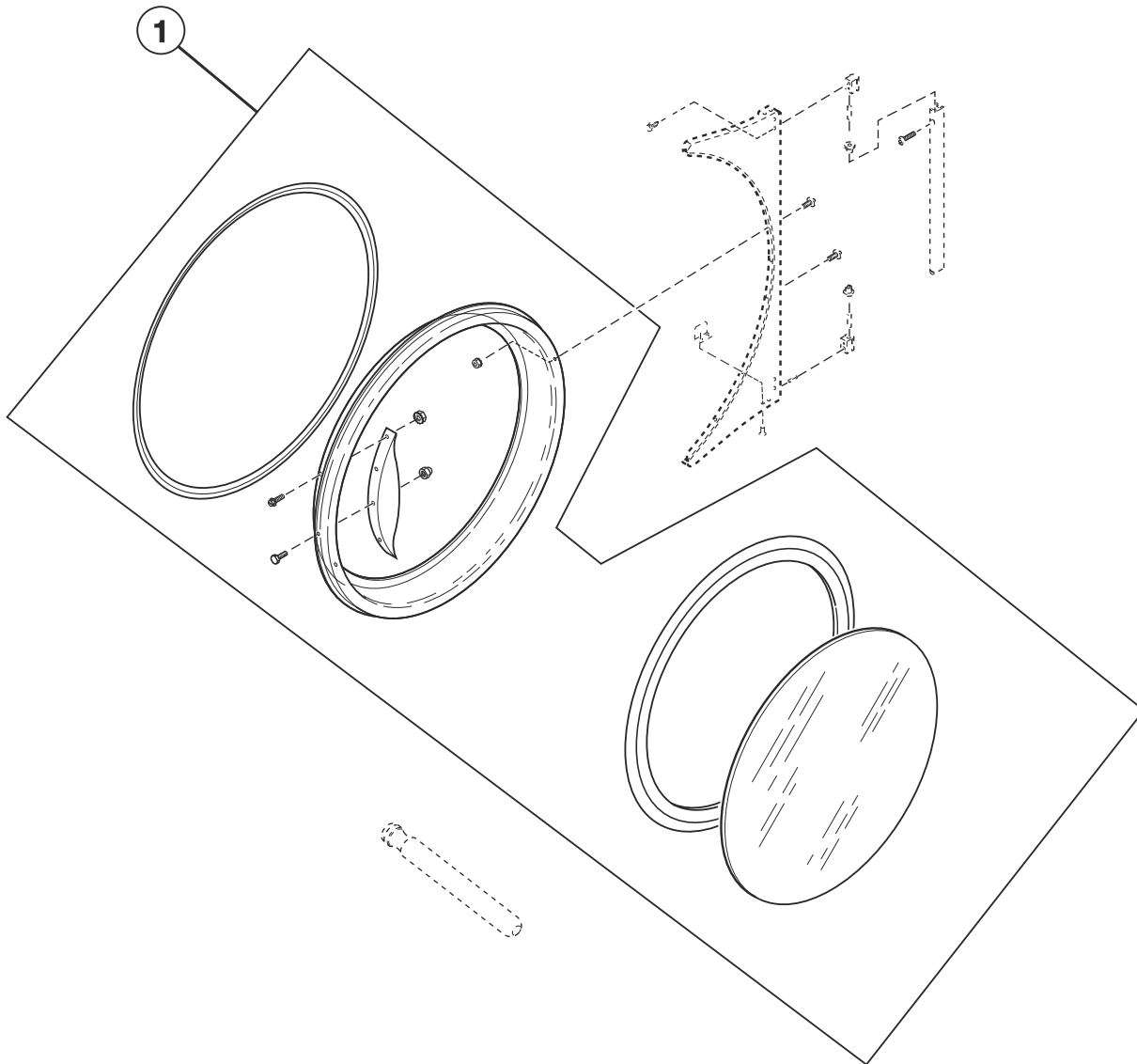


TMB3834P

Network Board Components

REF	PART NO.	DESCRIPTION	COMMENTS
	70609801	Wireless Network Kit	
	F8674007	Wireless Network Harness	
	204692	Wireless Control Label	
	203346	USB IR Interface Kit	
1	70307006	Control Housing Cover	
2	807211	Wireless Network Control Assembly	
3	F8206901	Screw	4 required

Door Assemblies

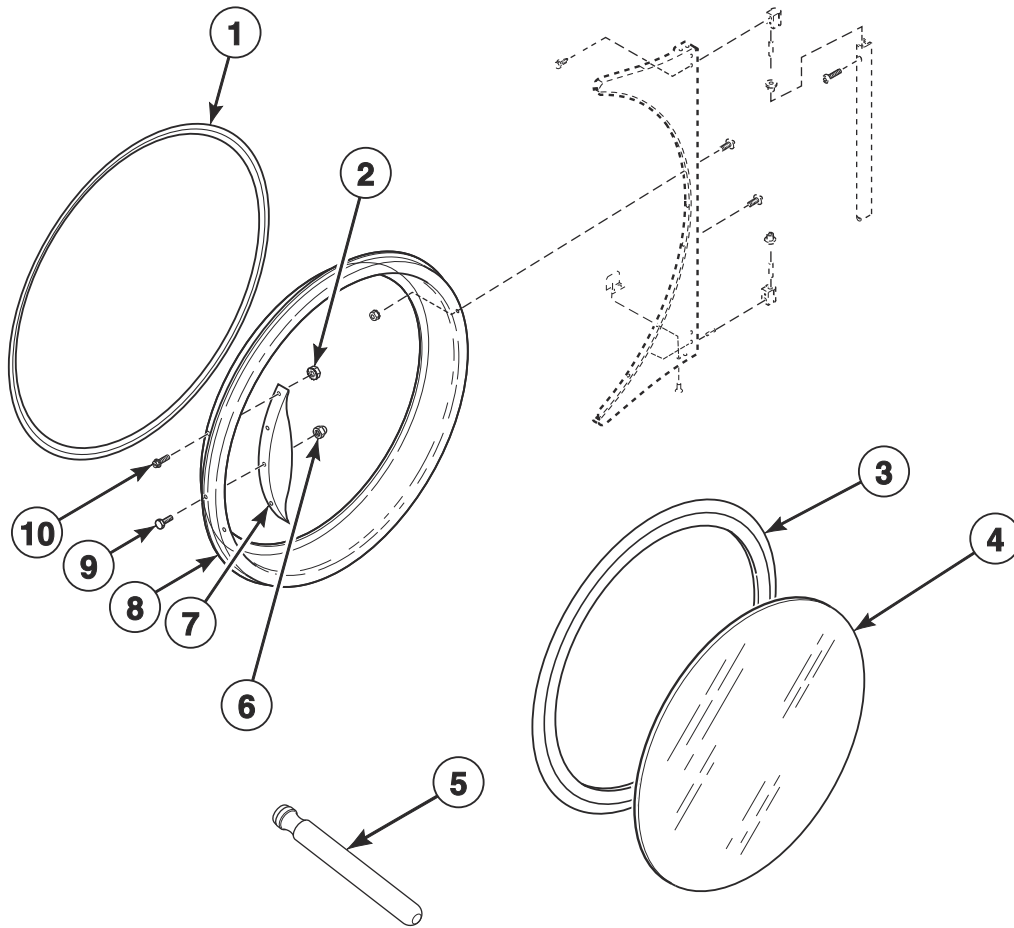


TMB3927P

Door Assemblies

REF	PART NO.	DESCRIPTION	COMMENTS
1	70597701	Door Assembly	S models; Stainless steel
	70597702	Door Assembly	S models; Chrome
	70597703	Door Assembly	U models; Stainless steel
	70597704	Door Assembly	U models; Chrome
	70597705	Door Assembly	H models; Stainless steel
	70597707	Door Assembly	H models; Stainless steel with green trim
	70597706	Door Assembly	H models; Chrome
	70597708	Door Assembly	H models; Chrome with green trim
	70597709	Door Assembly	B, J and P models; Black
	70597710LG	Door Assembly	P models; Light gray

Door Components

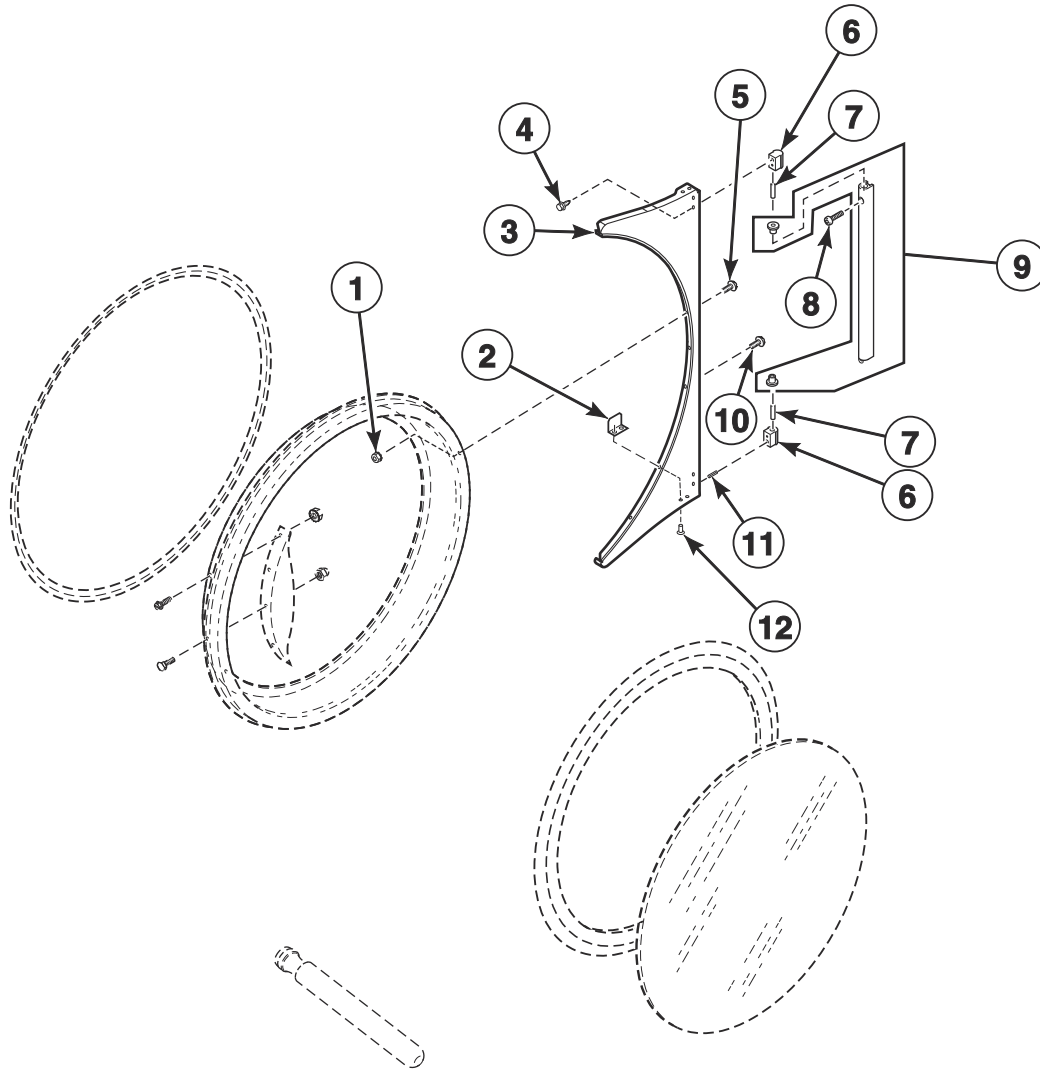


TMB3927PA

Door Components

REF	PART NO.	DESCRIPTION	COMMENTS
	70650401	Door Glass Label	H models
	70707701	Door Glass Label	S models
	70707501	Max Fill Line Label	
1	70296801	Door Ring Gasket	
2	44088001	Nut	B, H and S models; 4 required
3	70211901P	Door Glass Seal Kit	Use Loctite 414 for seal
4	70133604	Door Glass	H models; Green trim
	M400784P	Door Glass	
5	M4221P4	Door Glass Installation Tool	
6	M414215	Nut	For door strike; Mounts between door strike screw and door handle
7	44007902P	Door Handle	B, J, P and S models
	44263801	Door Handle	U models; Use 901620 Screw, 800465 Washer, 803871 Screw and 44088001 Nut to attach
	44370602	Door Handle	H models
8	70597501	Door Ring Assembly	H and S models; Stainless steel
	70597502	Door Ring Assembly	H and S models; Chrome
	70597503	Door Ring Assembly	U models
	70597504	Door Ring Assembly	U models; Chrome
	70597508LG	Door Ring Assembly	P models; Includes handle; Light gray
	70597507B	Door Ring Assembly	B, J and P models; Black
9	M400661	Screw	Door Strike
10	70442101	Screw	B, H, J, P and S models; 4 required

Hinge Components

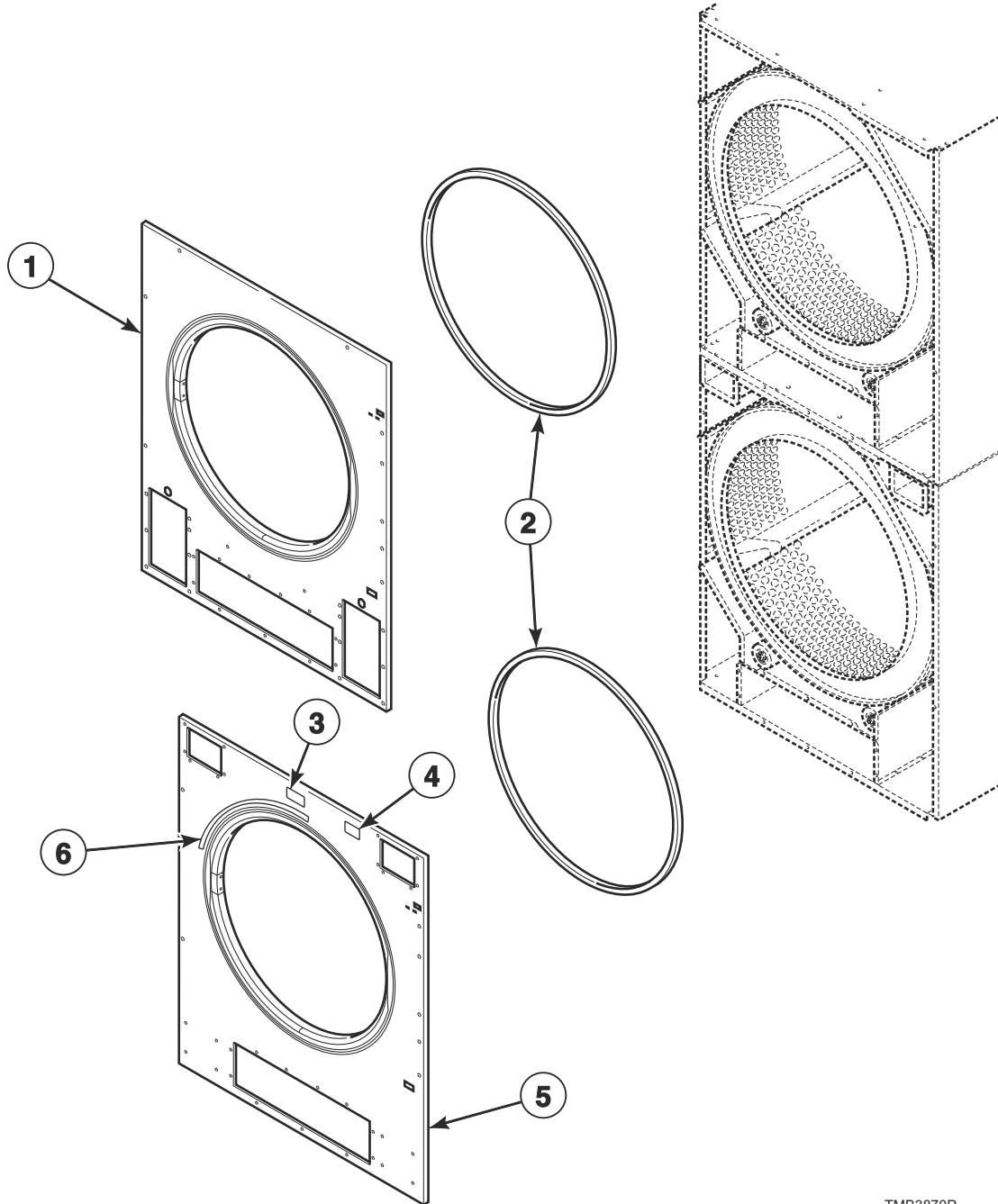


TMB3927PB

Hinge Components

REF	PART NO.	DESCRIPTION	COMMENTS
1	44088001	Nut	
2	70532101	Door Switch Actuator	Bottom
3	70595510W	Door Hinge	H, S and U models
	70595504	Door Hinge	H, S and U models; Stainless Steel
	70595502	Door Hinge	H and S models; Chrome
	70595510LG	Door Hinge	P models; Light gray
	70595510B	Door Hinge	B, J and P models; Black
4	70576101	Screw	
5	44349101	Screw	
6	M4772P3	Hinge Cam Kit	H, P, S and U models
	70622401	Hinge Cam Kit	H and S models; Chrome
	M4773P3	Hinge Cam Kit	B, J and P models; Black
7	70071401	Pin	
8	70033502	Screw	H, P, S and U models
	70407301	Screw	B, J and P models; Black
9	44035001	Door Hinge Lug Assembly	H, P, S and U models
	44035002	Door Hinge Lug Assembly	B, J and P models; Black
	44035003	Door Hinge Lug Assembly	H and S models; Chrome
10	70689401	Screw	
11	70436301	Screw	
12	70058501	Pop Rivet	

Front Panel Assemblies

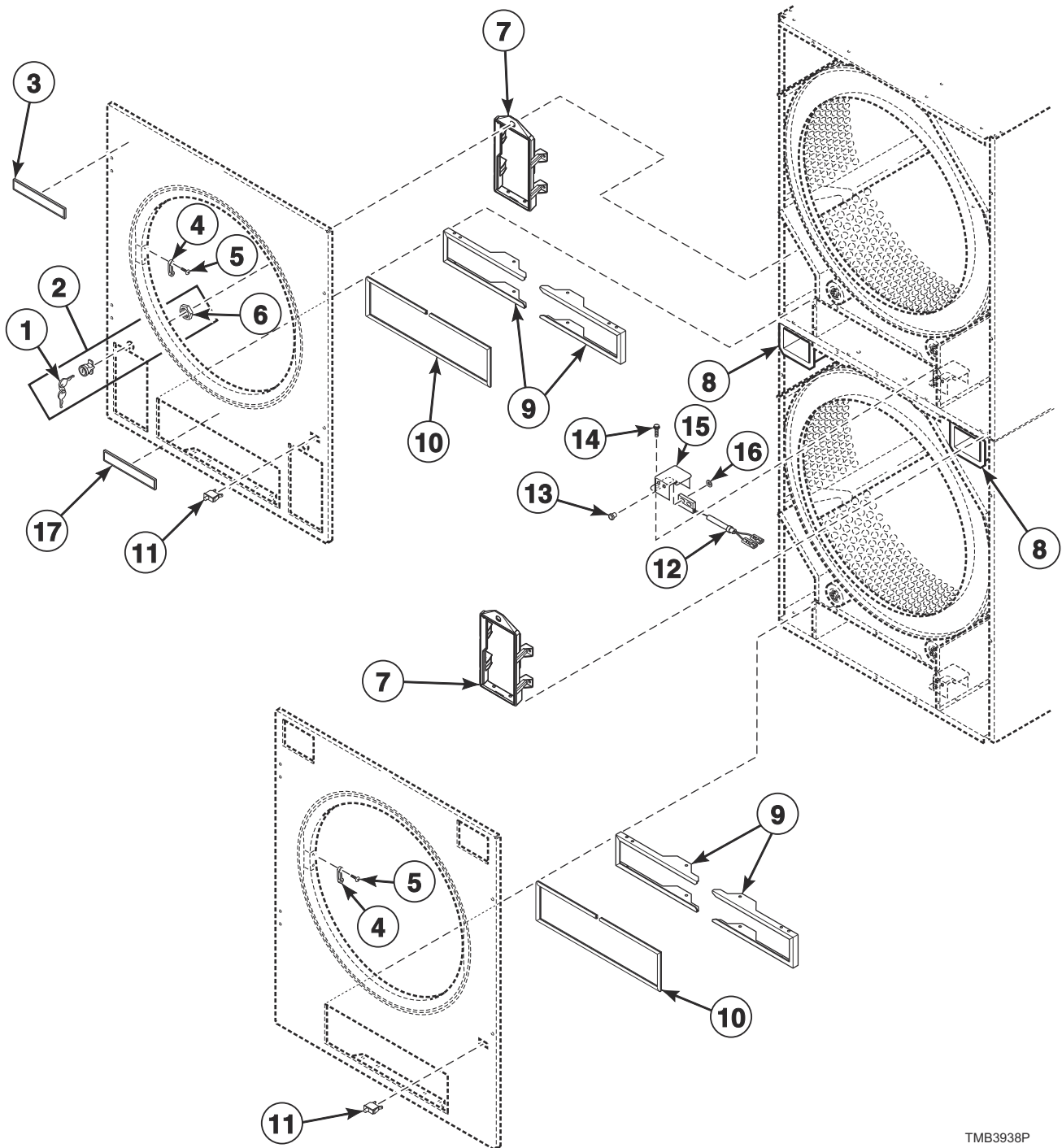


TMB3870P

Front Panel Assemblies

REF	PART NO.	DESCRIPTION	COMMENTS
	70289101P	Gasket	
1	70704104W	Upper Front Panel Assembly	
	70704104	Upper Front Panel Assembly	Stainless steel
	70704104DG	Upper Front Panel Assembly	P models; Dark gray
2	70173401P	Front Panel Seal	Requires D511637P Adhesive
3	70472801	Label	U models
4	562738	Label	U models
5	70704101W	Lower Front Panel Assembly	All models except U models; Coin
	70704101DG	Lower Front Panel Assembly	P models; Coin; Dark gray
	70704101	Lower Front Panel Assembly	All models except J and U models; Coin; Stainless steel
	70704102W	Lower Front Panel Assembly	All models except J models; Card, central pay and OPL without e-stop
	70704102DG	Lower Front Panel Assembly	P models; Card, central pay and OPL without e-stop, Dark gray
	70704102	Lower Front Panel Assembly	All models except J models; Card, central pay and OPL without e-stop,
	70704103W	Lower Front Panel Assembly	All models except J models; OPL; With e-stop
	70704103DG	Lower Front Panel Assembly	P models; OPL; Dark gray; With e-stop
	70704103	Lower Front Panel Assembly	OPL; Stainless steel; With e-stop
	6	70534301	Warning Label
70534302		Warning Label	French
70534300		Label Kit	IEC models; Warning

Cabinet Front Components



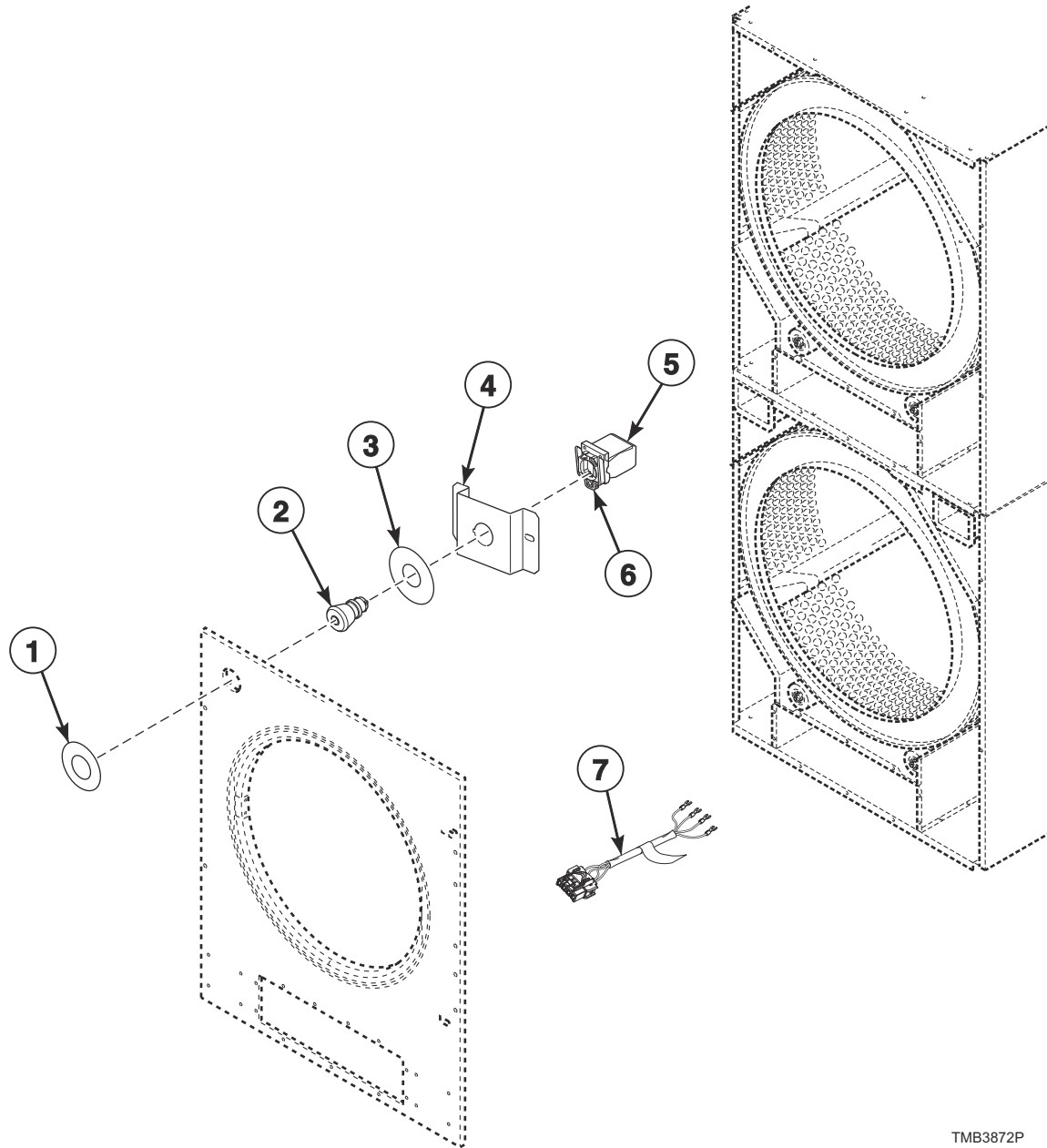
TMB3938P

Cabinet Front Components

REF	PART NO.	DESCRIPTION	COMMENTS
1	70155601	Key	RL001
2	44089301P	Lock, Key and Nut Kit	RL001; Black
3	F8443105	Nameplate	U models
	567293	Nameplate	B models
	70685901	Nameplate	J models
4	M401223	Door Latch	
5	44166601	Pop Rivet	2 required for item 4
6	44088801	Nut	Panel lock
7	70642001	Control Bezel	
8	70529501	Coin Vault Assembly	
9	70605701	Lint Seal Shoulder Bracket	
10	70593901	Lint Box Gasket	
11	70413301	Pushbutton Switch	Door switch
12	F8066804	Reed Switch Assembly	
13	F8245101	Blind Rivet	
14	430497	Screw	
15	70606301	Reed Switch Box	
16	F431125	Washer	
	F8688901	Nameplate	S models
	F8688001	Nameplate	H models
	567887	Nameplate	P models

Emergency Stop Button - IEC OPL Models

A, H, J, K, L, R and U in the 2nd Position

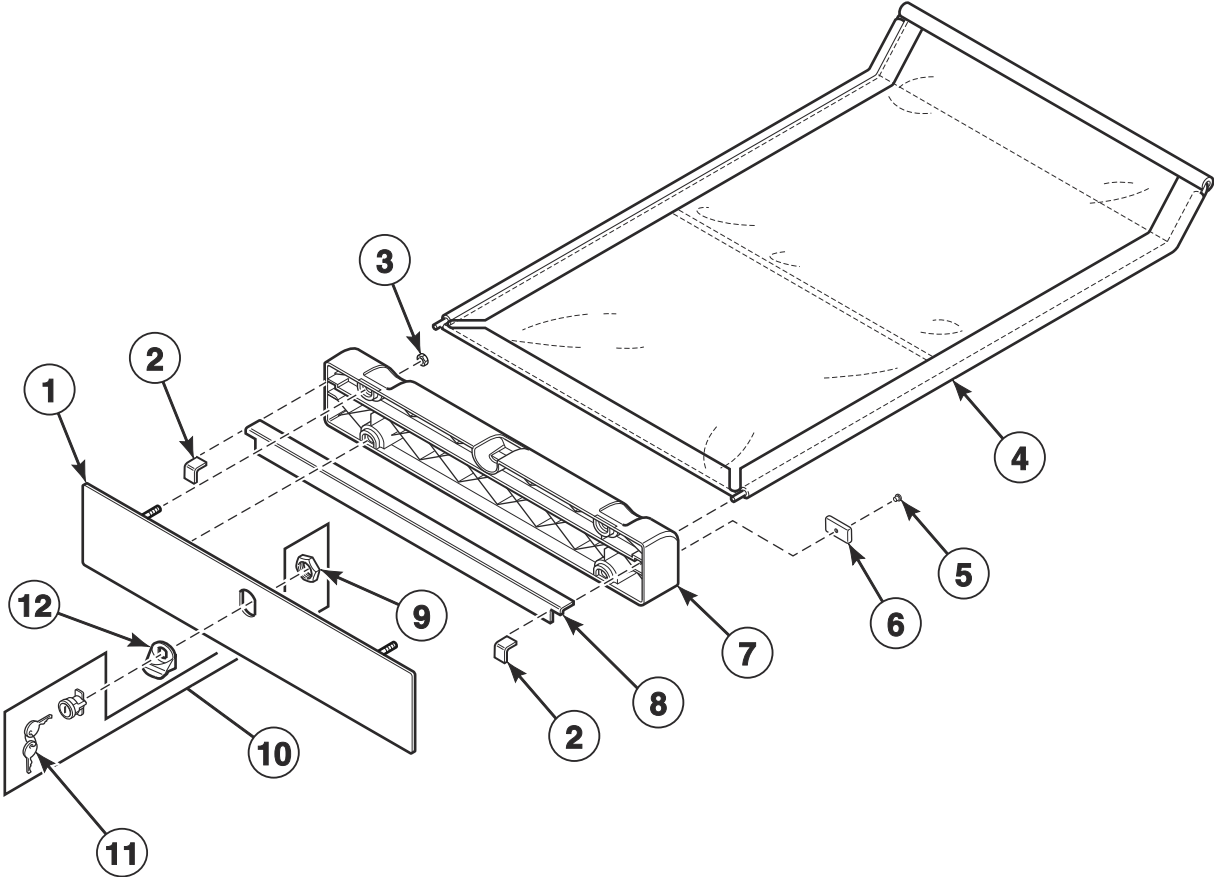


TMB3872P

Emergency Stop Button - IEC OPL Models

REF	PART NO.	DESCRIPTION	COMMENTS
	70580301	Emergency Stop Button Kit	Includes items 2-4
	F8519403	Emergency Stop Bypass Harness	Coin, card and central pay
	70611901	Emergency Stop Power Harness	
1	44012903	Emergency Stop Label	
2	F200233500	Emergency Stop Pushbutton	
3	44012901	Emergency Stop Label	
4	70550401	Emergency Stop Mounting Bracket	
5	F8069501	Contact Switch	4 required
6	F8538101	Contact Base	
7	44272401	Emergency Stop Harness	Primary
	44272402	Emergency Stop Harness	Supplementary

Lint Drawer Components

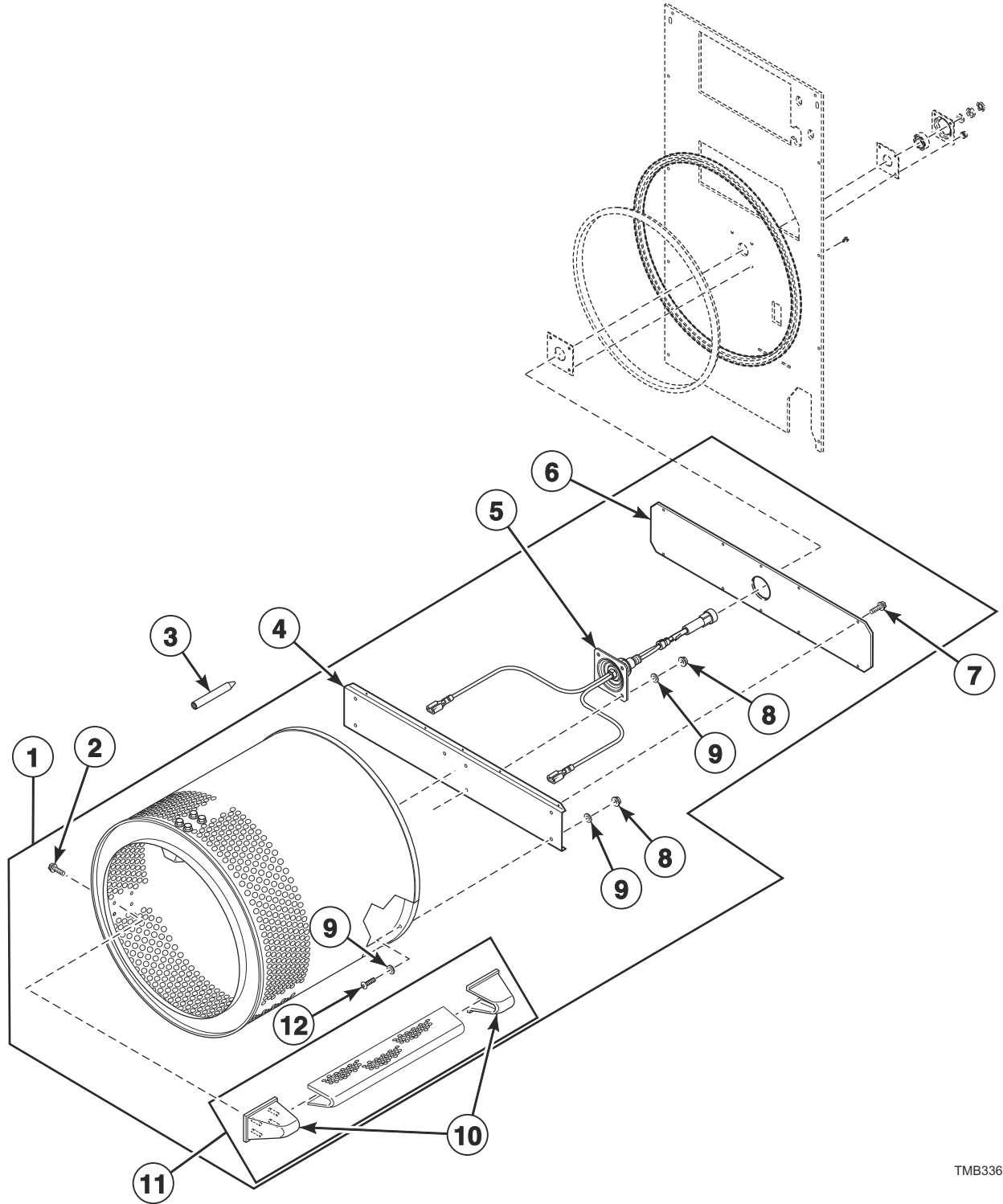


TMB3813P

Lint Drawer Components

REF	PART NO.	DESCRIPTION	COMMENTS
	70598101	Foam Gasket	
	430497	Screw	
1	70567401	Lint Front Assembly	Stainless steel
	70567403DG	Lint Front Assembly	P models; Dark gray
	70567403W	Lint Front Assembly	
2	70605601	Lint Screen Shim	
3	44087101	Nut	
4	70596102	Lint Screen Assembly	
5	F8245101	Blind Rivet	
6	70343101	Magnet	
7	70598201	Lint Door Support	
8	70595702	Lint Screen Bracket	
9	44088801	Nut	
10	44390902P	Lock, Key and Nut Kit	RL002; Black
11	70155602	Key	RL002
12	70642201	Lock Pull	Vend

Cylinder and Trunnion Components

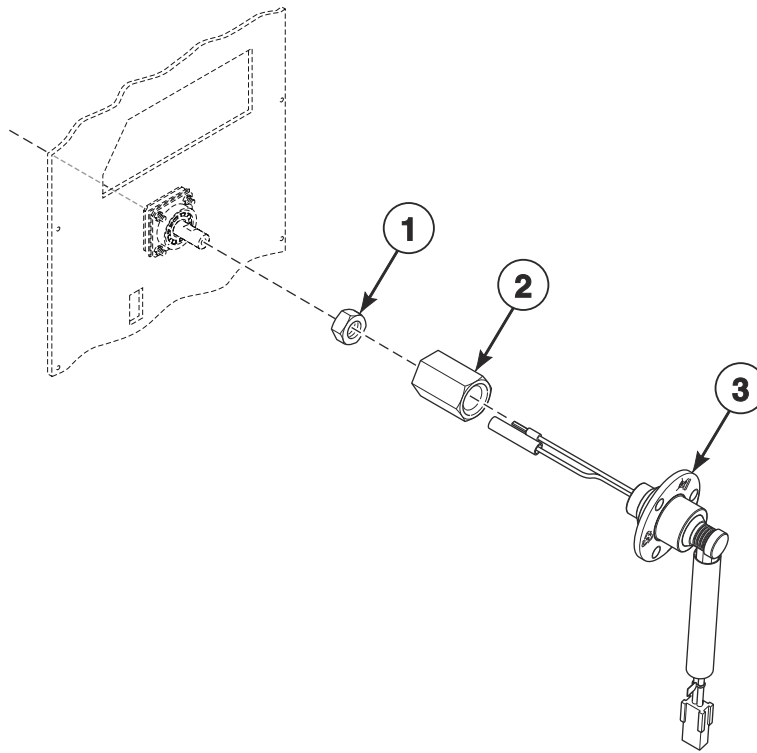


TMB3360P

Cylinder and Trunnion Components

REF	PART NO.	DESCRIPTION	COMMENTS
	70343101P	Drywall Screw Magnet Kit	Includes 6 magnets and 6 screws
1	70372501P	Cylinder Assembly	Galvanized; Non-moisture sensing
	70372502P	Cylinder Assembly	Stainless steel; Non-moisture sensing
	70443901P	Cylinder and Trunnion Assembly	Galvanized; Moisture sensing
	70443902	Cylinder and Trunnion Assembly	Stainless steel; Moisture sensing
	2	62588	Screw
3	263P4	Cylinder Guide Tool	
4	70257101	Rear Cylinder Channel	Non-moisture sensing
	70257102	Rear Cylinder Channel	Moisture sensing
5	70564803	Trunnion and Seal Kit	Non-moisture sensing
	70564804	Trunnion and Seal Kit	Moisture sensing; Includes 70454601 Trunnion and Wire Assembly
6	70257201	Rear Cylinder Channel Plate	
7	430497	Screw	10 required
8	M412986	Nut	
9	70411301	Washer	
10	70070101	End Cap	Non-moisture sensing
	70070102	End Cap	Moisture sensing
11	70433002	Cylinder Rib Assembly	Moisture sensing
12	70391101	Screw	8 required

Moisture Sensing Components

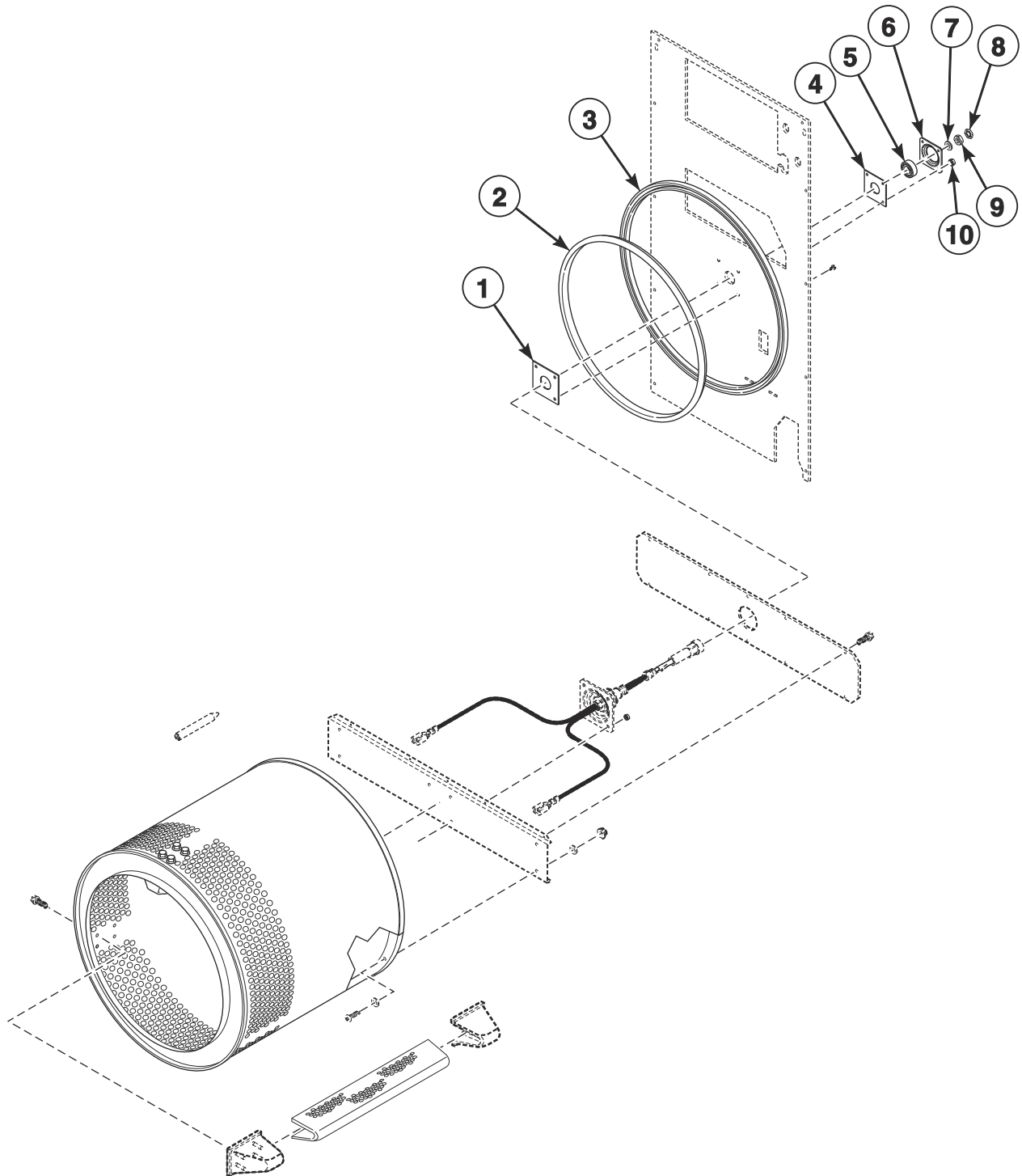


TMB3579P

Moisture Sensing Components

REF	PART NO.	DESCRIPTION	COMMENTS
1	M400035	Nut	
2	70455401	Slip Ring Holder	
3	44222702	Slip Ring Assembly	

Bearing Components

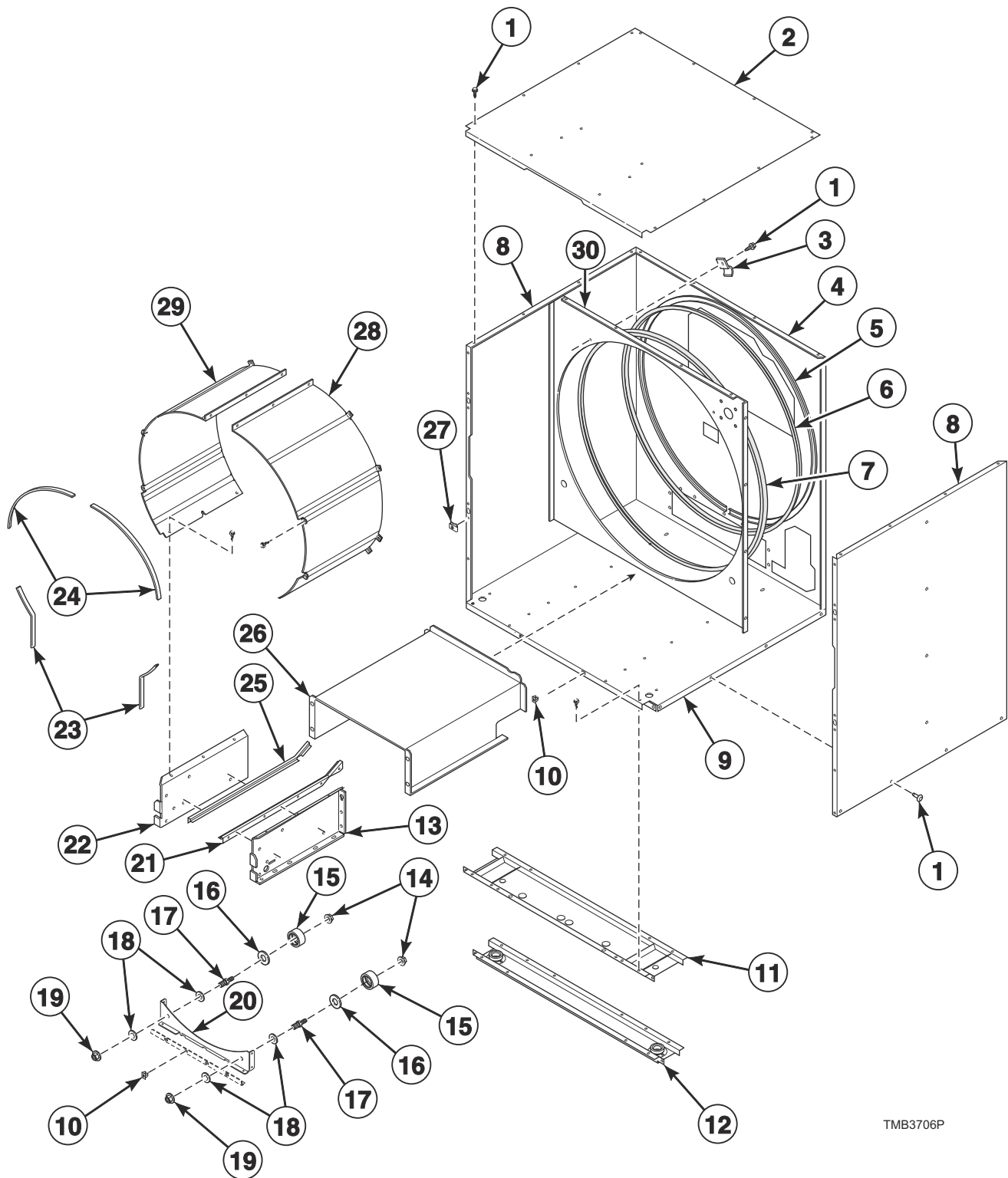


TMB3163PA

Bearing Components

REF	PART NO.	DESCRIPTION	COMMENTS
1	430352	Cylinder Bearing Stud Plate Assembly	
2	70013701P	Rear Cylinder Seal	Requires D511637P Adhesive
3	70506402	Rear Cylinder Seal Support	
4	70355001	Rear Bearing Shim	
5	70448701	Support Bearing	
6	70013901	Rear Cylinder Bearing Housing	
7	M400991	Washer	
8	M400034	Nut	
9	M400022	Nut	
10	M412986	Nut	

Cabinet Components

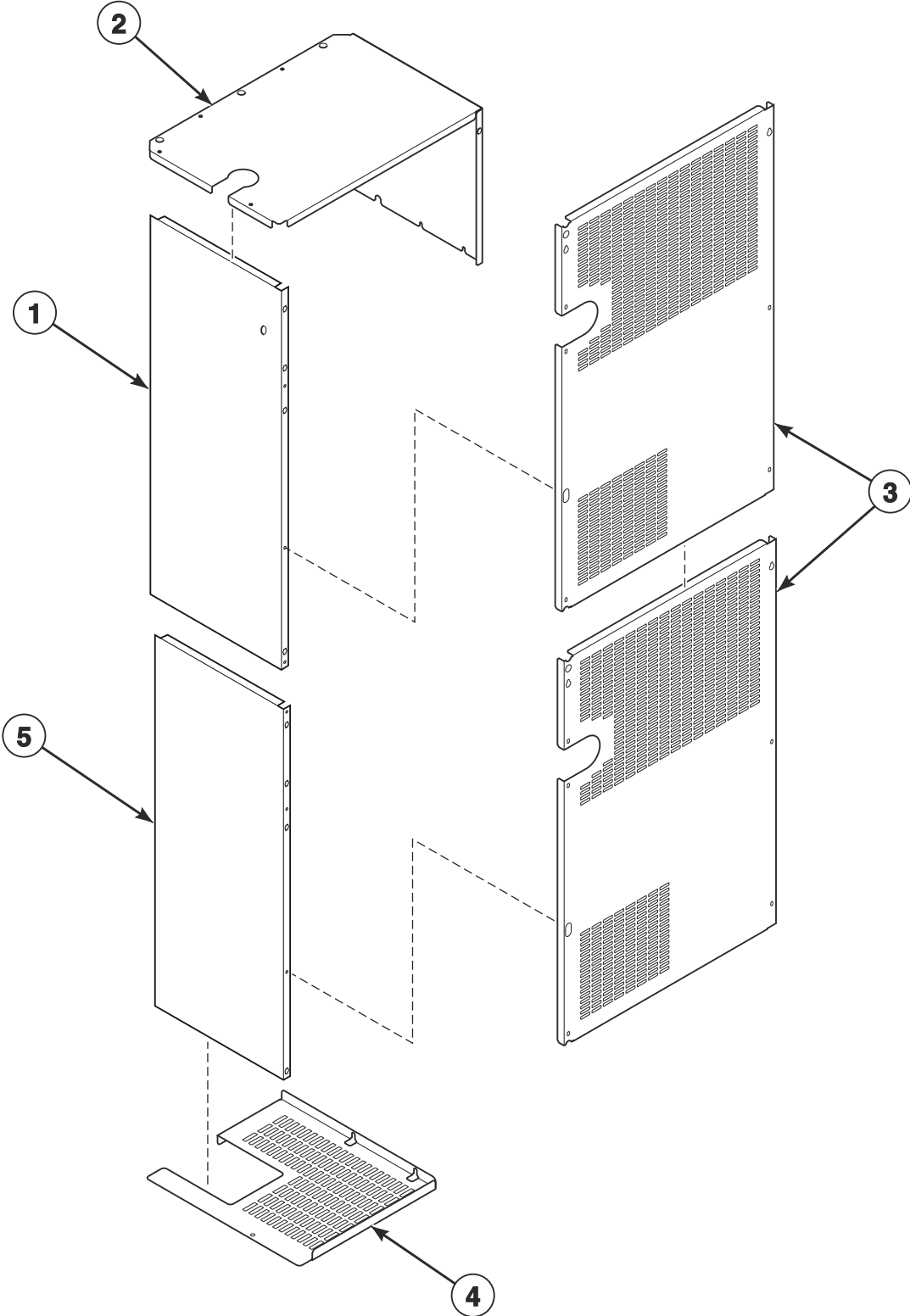


TMB3706P

Cabinet Components

REF	PART NO.	DESCRIPTION	COMMENTS
	298P4P	Spray Paint	White
	122P4P	Porcelain Touch-Up Paint	White
	430352	Cylinder Bearing Stud Plate Assembly	
	70058501	Pop Rivet	
	21899	Nut	For leveling legs
	70247701	Screw	For leveling legs
	70696201	Top Panel	Top pan of lower pocket
	70606201	Lower Pan	Lower pan of lower pocket
1	430497	Screw	
2	70339601	Top Panel	Upper pocket
3	70226701	Clip	
4	70616601	Rear Panel	Gas models
	70616602	Rear Panel	Electric models
5	70506402	Rear Cylinder Seal Support	
6	70013701P	Rear Cylinder Seal	Requires D511637P Adhesive
7	70066003	Center Cylinder Seal	Includes center cylinder seal support and center cylinder seal
8	70663301W	Side Panel	
	70663301DG	Side Panel	B and P models; Dark gray
9	70606001	Center Pan	Lower pan of top pocket
10	M400984	Clip	
11	70606101	Center Pan Channel	Located under center pan
12	70288201	Channel Base Assembly	Lower pocket
13	70573701	Front Air Duct	Right
14	430576	Nut	
15	70616701	Roller and Seal Kit	
16	70443601	Roller Seal	
17	70249501	Roller Shaft	
18	70261401	Washer	
19	70288801	Nut	
20	70584901	Roller Support Bracket	
21	70580901	Lint Tray Rail	Right
22	70573702	Front Air Duct	Left
23	70015711	Sheet Metal Edge Gasket	Lower
24	70015712	Sheet Metal Edge Gasket	Upper
25	70580902	Lint Tray Rail	Left
26	70580801	Air Duct	Rear
27	70030401	Nut	
28	70339301	Cylinder Shroud	Right
29	70339302	Cylinder Shroud	Left
30	70639201	Center Partition	

Rear Panels

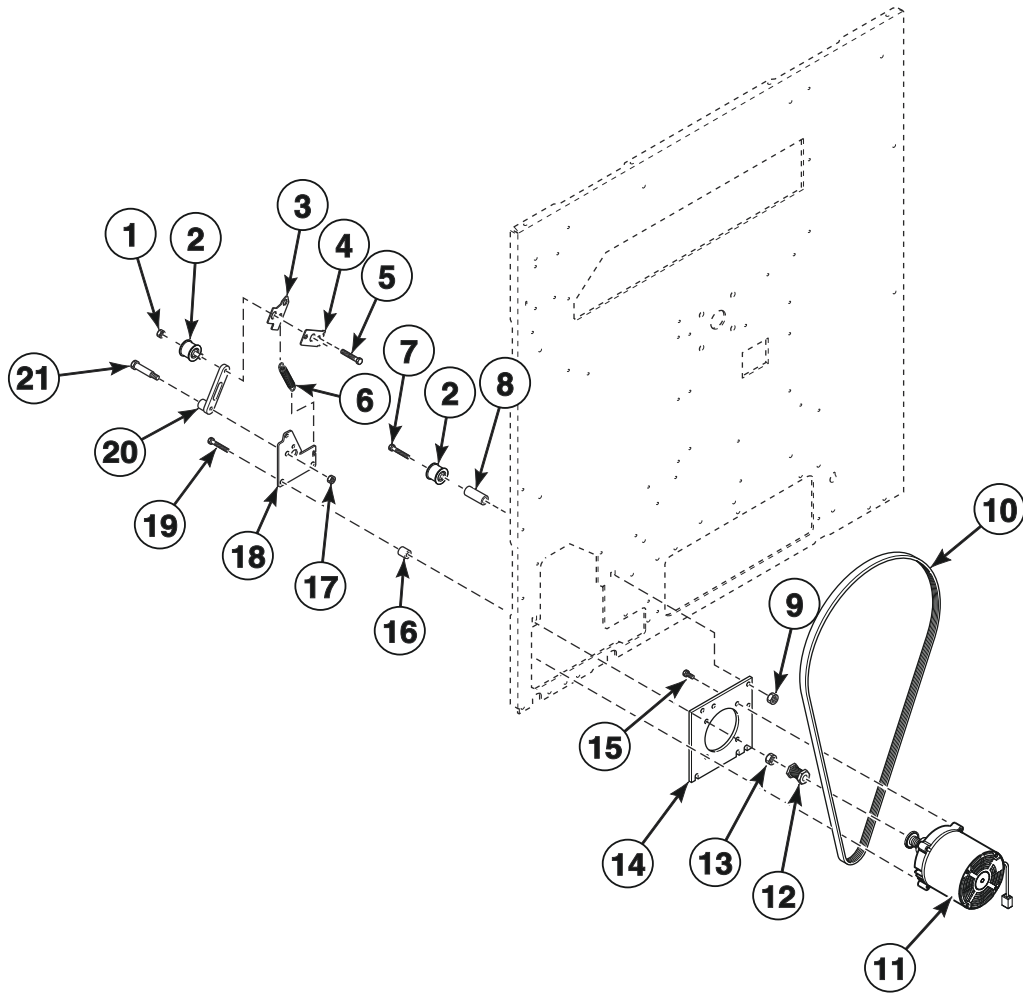


TMB3881P

Rear Panels

REF	PART NO.	DESCRIPTION	COMMENTS
	430497	Screw	Use with item 1
	70030501	Expansion Clip	Use with item 1
	51780	Screw	Use with item 4
	70626201	Guard Bracket	Upper
	70633501	Guard Bracket	Middle
	70650901	Rear Cover	Electric models
1	70699301	Side Guard	Upper
2	70616001	Rear Guard	Gas models; Top
	70616002	Rear Guard	Electric models; Top
3	70633601	Rear Guard	Gas models
	70633602	Rear Guard	Electric models
4	70661701	Bottom Guard	
5	70699201	Side Guard	Lower

Drive Motor Components

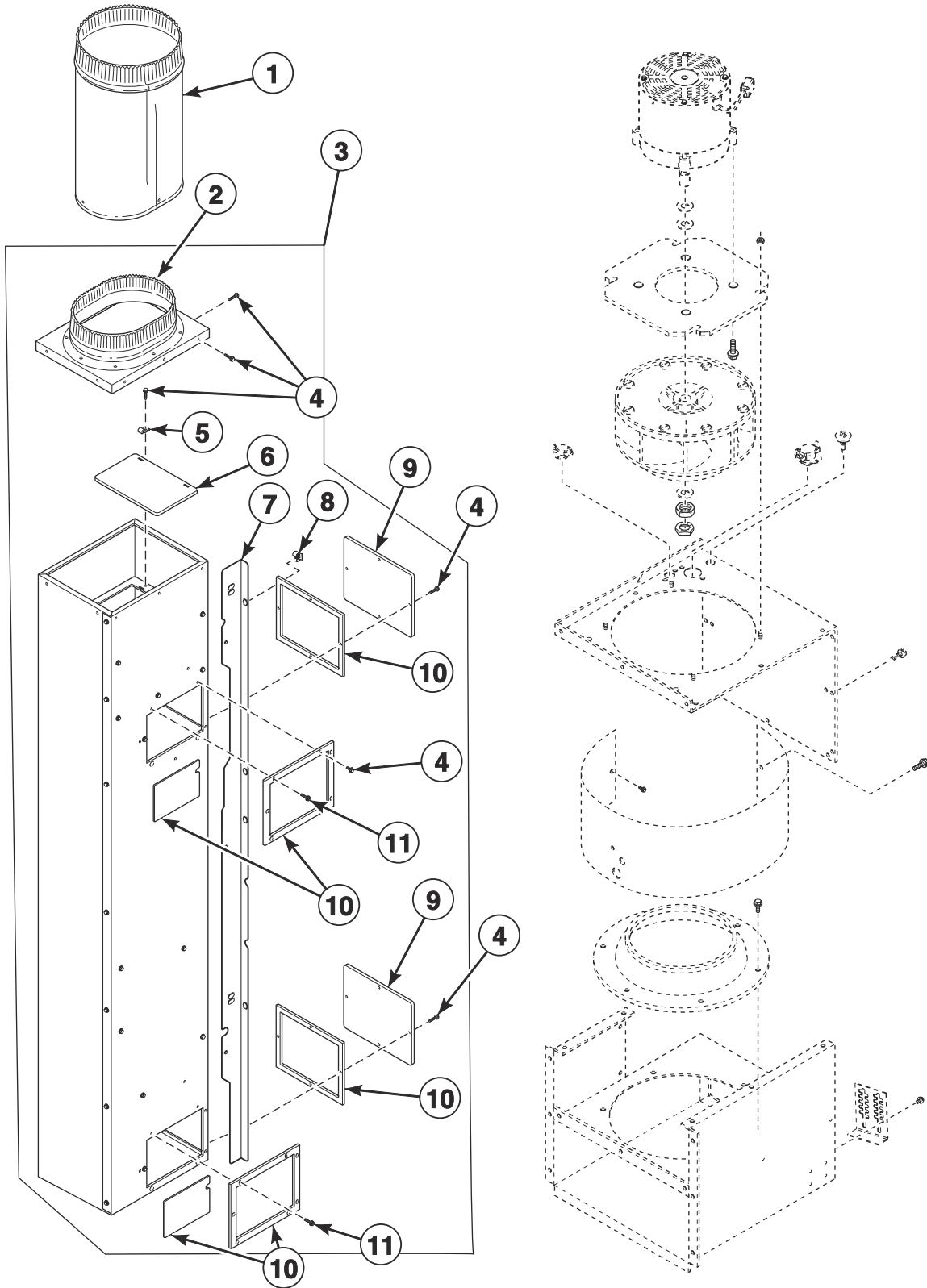


TMB3873P

Drive Motor Components

REF	PART NO.	DESCRIPTION	COMMENTS
1	56156	Nut	
2	70050401P	Idler Wheel Assembly	
3	70569501	Tensioning Bracket	
4	70543401	Spring Catch Bracket	
5	70508301	Screw	
6	70571801	Spring	
7	F430144	Screw	
8	70569603	Standoff	
9	44087201	Nut	
10	70655102	Lever Arm and Belt Kit	
11	44355001	Drive Motor	.50 HP; 120-240 Volt
	44355002	Drive Motor	.50 HP; 480 Volt
12	70559101	Motor Pulley	
13	44333202	Nut	
14	70564201	Motor Mount Plate	
15	44364603	Screw	3 required; Also qty 1 of 44364601 Screw
16	70488403	Spacer	
17	44087301	Nut	
18	70571901	Drive Plate	
19	70546301	Screw	
20	70653801	Lever Arm and Bushing Assembly	
21	70501301	Screw	

Exhaust Components

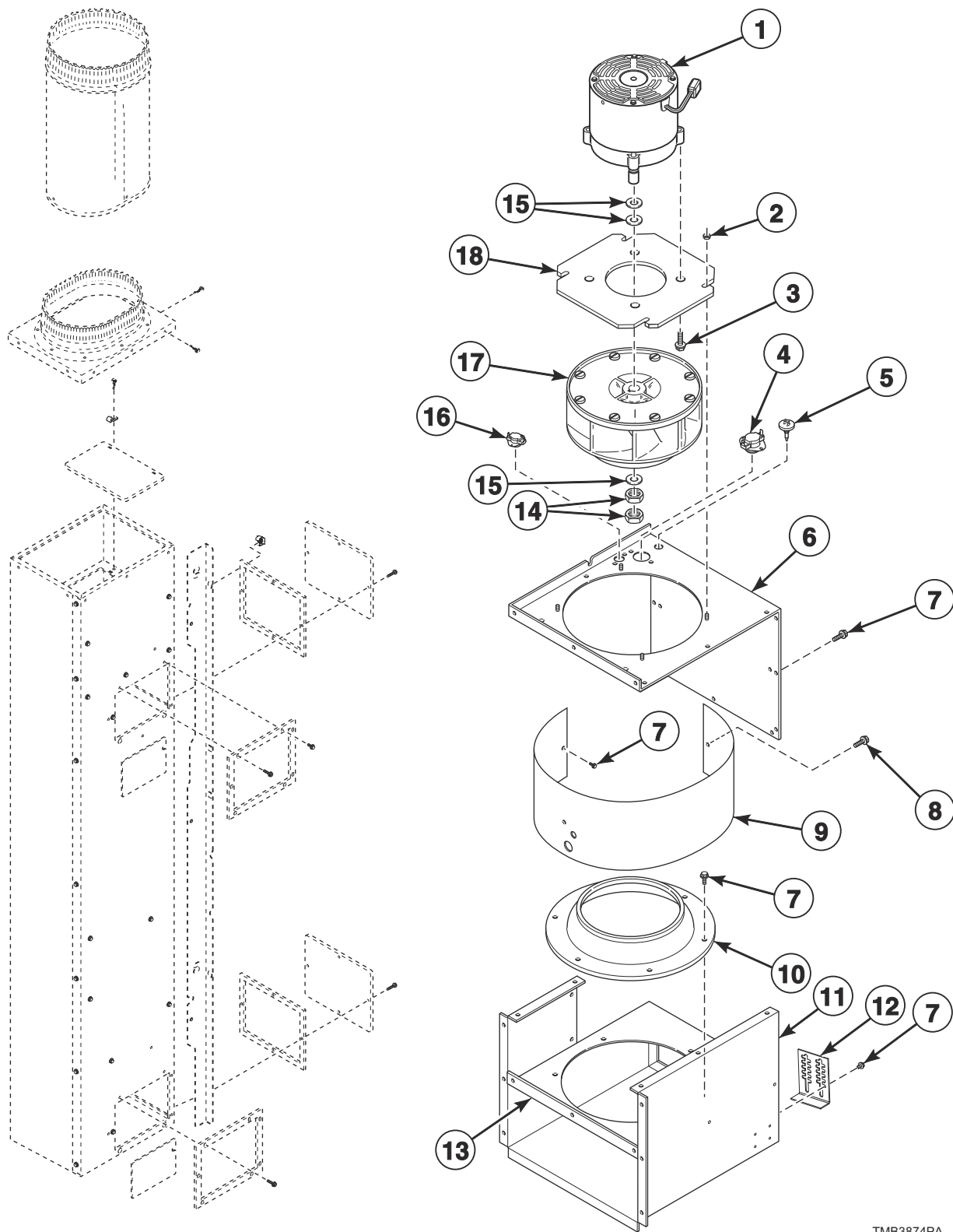


TMB3874P

Exhaust Components

REF	PART NO.	DESCRIPTION	COMMENTS
	70289101P	Gasket	Sold per foot
1	44154301	Exhaust Pipe	IEC models
2	70207501	Duct Cover	Standard models; Top
	70478101	Duct Cover	Eco models; Top
3	70528304	Exhaust Duct Assembly	North America and Australia models
	70528305	Exhaust Duct Assembly	IEC models
	70528306	Exhaust Duct Assembly	Eco models
4	430497	Screw	12 required
5	70226701	Clip	
6	70343501	Duct Damper	
7	70633401	Rear Guard Bracket	
8	70030501	Expansion Clip	
9	70340301	Duct Access Cover	2 required; Bottom
10	70340401	Exhaust Duct Gaskets Assembly	2 required
11	M411072	Screw	2 required

Blower Components

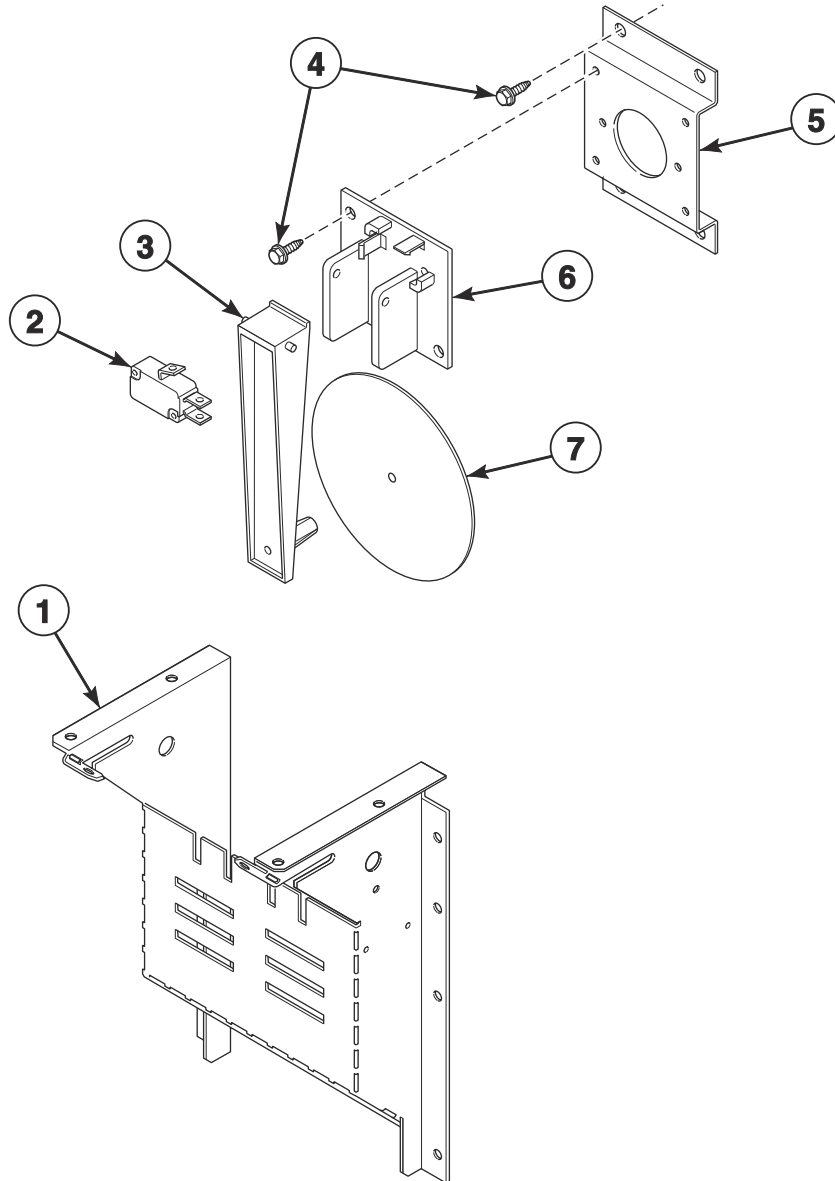


TMB3874PA

Blower Components

REF	PART NO.	DESCRIPTION	COMMENTS
	70661201	Lower Rear Guard Bracket	
	70392701P	Gasket	For blower housing opening
1	44354901	Fan Motor	.50 HP; 240 Volt
	44354903	Fan Motor	.50 HP; 480 Volt
2	29786	Nut	4 required
3	44364601	Screw	4 required
4	44328001	Limit Thermostat	
5	M414704	Thermistor	
6	70341403	Blower Housing Cover Assembly	
7	51780	Screw	
8	430497	Screw	12 required
9	70340801	Blower Housing Scroll	
10	70014101	Blower Inlet Cone	
11	70665801	Blower Housing	
12	70200301	Rear Stabilizer Bracket	
13	70340701	Blower Inlet Plate	
14	70660601	Nut	2 required
15	M400991	Washer	3 required
16	70530901	Limit Thermostat	
17	70359801P	Blower Assembly	
18	70341001	Blower Motor Mounting Plate	

Airflow Switch

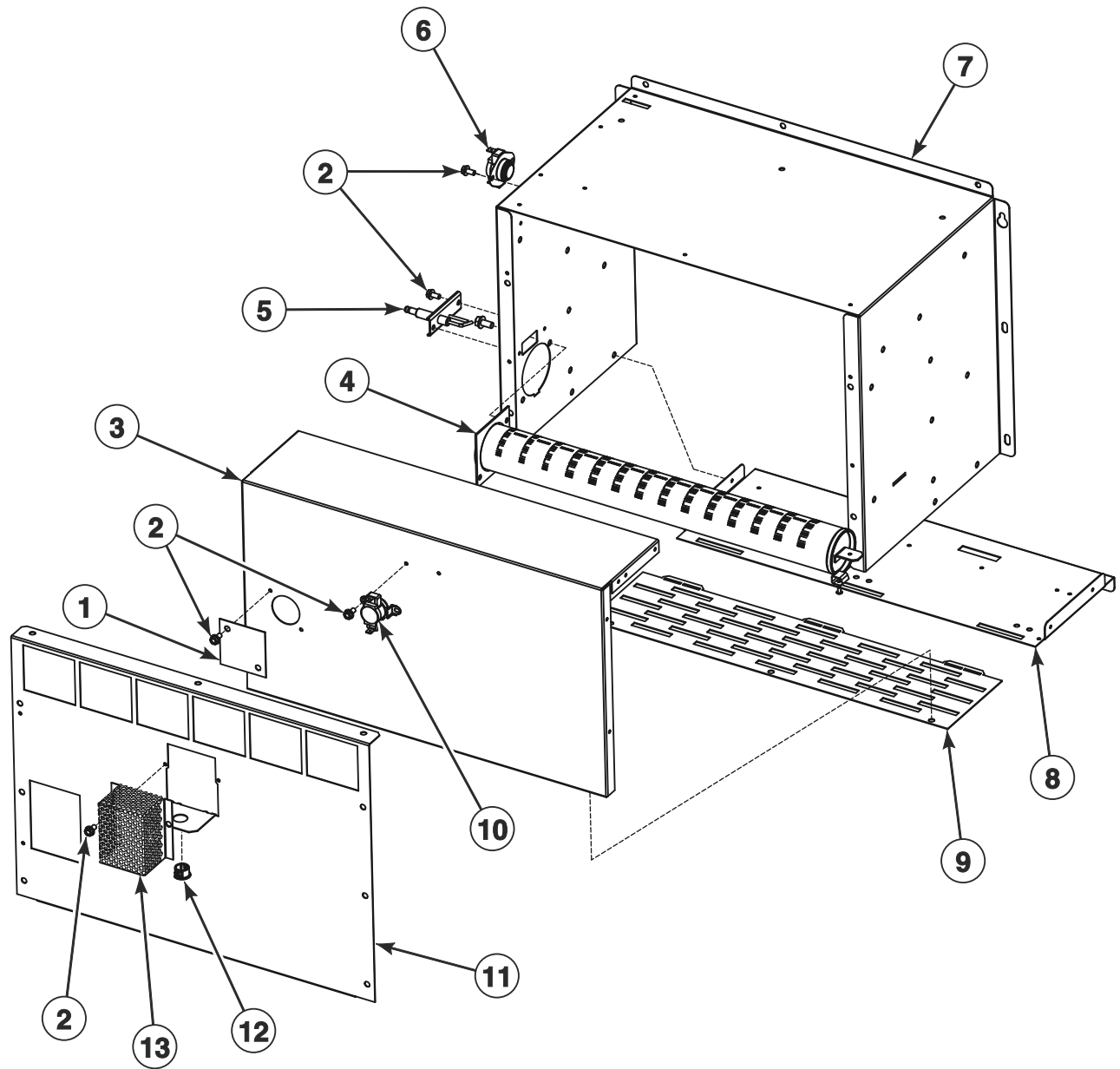


TMB3582P

Airflow Switch

REF	PART NO.	DESCRIPTION	COMMENTS
1	70356101	Airflow Switch Wrapper	
2	70411901	Switch	
3	70319401	Airflow Switch Arm	
4	430757	Screw	
5	70356301	Switch Bracket	
6	70319602	Airflow Switch and Arm Bracket	
7	70319201	Airflow Switch Vane	

Gas Burner Housing and Secondary Stove Limit

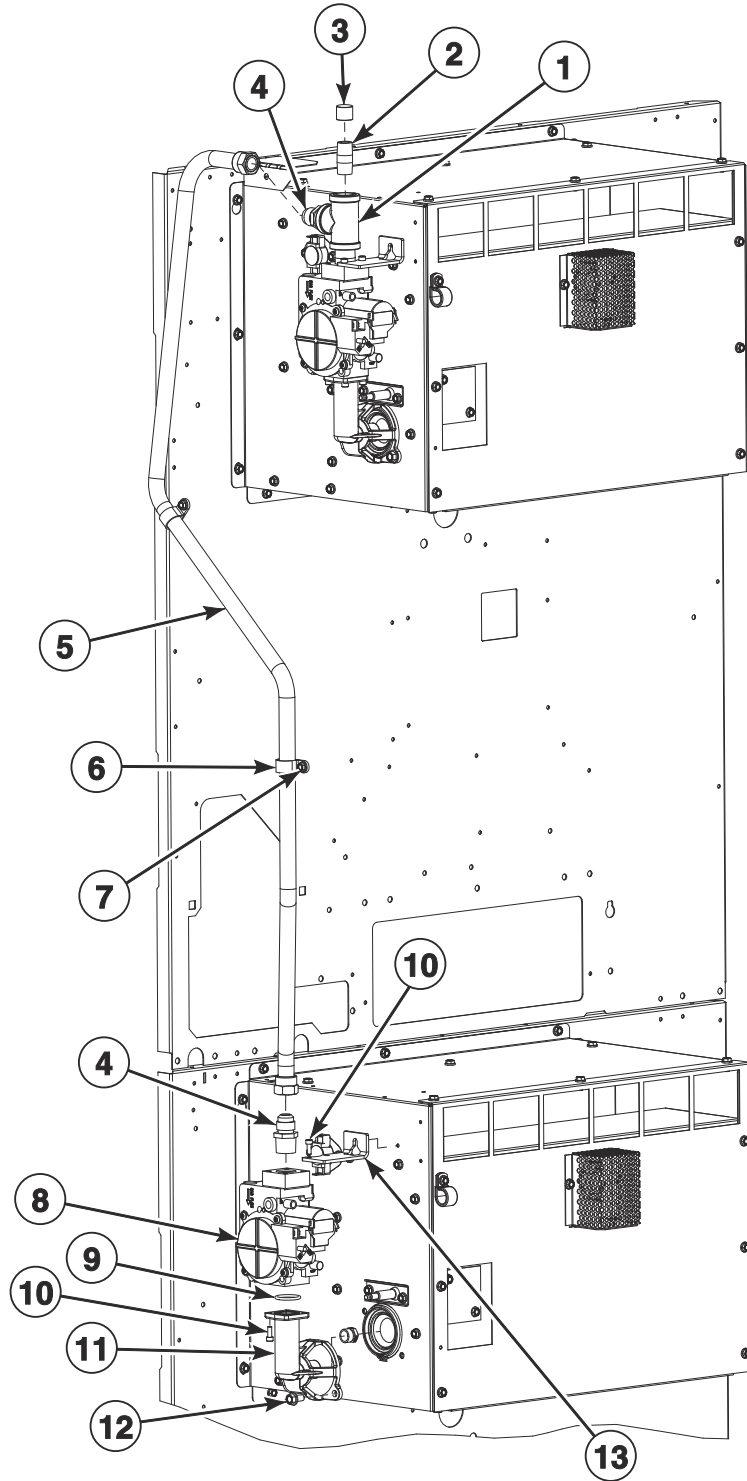


TMB3878P

Gas Burner Housing and Secondary Stove Limit

REF	PART NO.	DESCRIPTION	COMMENTS
	70613801	Stove Limit Harness	Use 70203701 Pipe Clip to secure
	44239701	High Voltage Suppression Cable	
1	70159601	Igniter Cover	
2	430497	Screw	
3	70306101	Stove Partition	
4	70229801P	Gas Burner	
	70546701	Anti-Rattle Burner Assembly	Includes 70229801P Gas Burner, 431318 Control Door Latch and M400003 Pop Rivet
5	70654201	Spark Electrode	
6	44328005	Limit Thermostat	Side
7	70647101	Stove Top and Sides	
8	70652401	Stove Cover	Lower
9	70188801	Burner Grill	
10	44328104	Limit Thermostat	Rear
11	70371501	Stove Back	
12	M411826	Snap Bushing	
13	M414477	Thermostat Cover	

Gas Valve and Piping

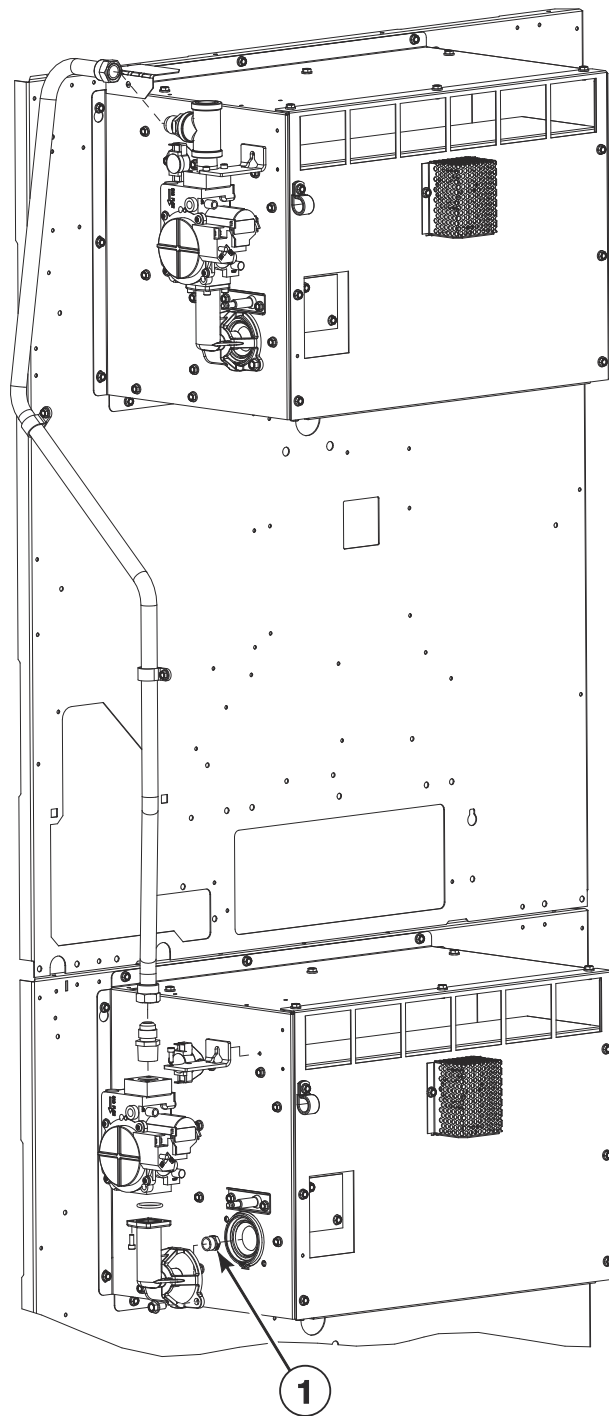


TMB3946P

Gas Valve and Piping

REF	PART NO.	DESCRIPTION	COMMENTS
	70550205	L.P. Conversion Kit	T and G market models; Natural Gas (N.G.); 0-2,000 feet
	70550211	L.P. Conversion Kit	Australian models; N.G.; 0-2,000 feet
	70551905	L.P. Conversion Kit	IEC models; N.G.; 0-2,000 feet
	44239701	High Voltage Suppression Cable	
	70131901	Adapter	IEC models; BPT/NPT
	70613901	Gas Valve Harness	
	70535901	Notice Label	Australian models; N.G.
	70544901	Notice Label	Australian models; Liquid Petroleum (L.P.)
	70239801	Primary Air Adjustment Sleeve	L.P. models
1	F422208	Tee	
2	70612604	Pipe Nipple	K market models
3	70167601	Plug	
4	70262601	Pipe	
5	70660501	Gas Tubing	
6	70661601	Clamp	
7	51780	Screw	
8	44154503	N.G. Valve	T and G market models
	44154504	L.P. Valve	T and G market models
	44154507	Gas Valve	IEC models; N.G.
	44154508	Gas Valve	IEC models; L.P.
9	431482	O-Ring	
10	70672501	Screw	
11	70659201	Gas Valve Manifold	
12	05161	Screw	
13	70645401	Gas Valve Bracket	

Burner Orifices



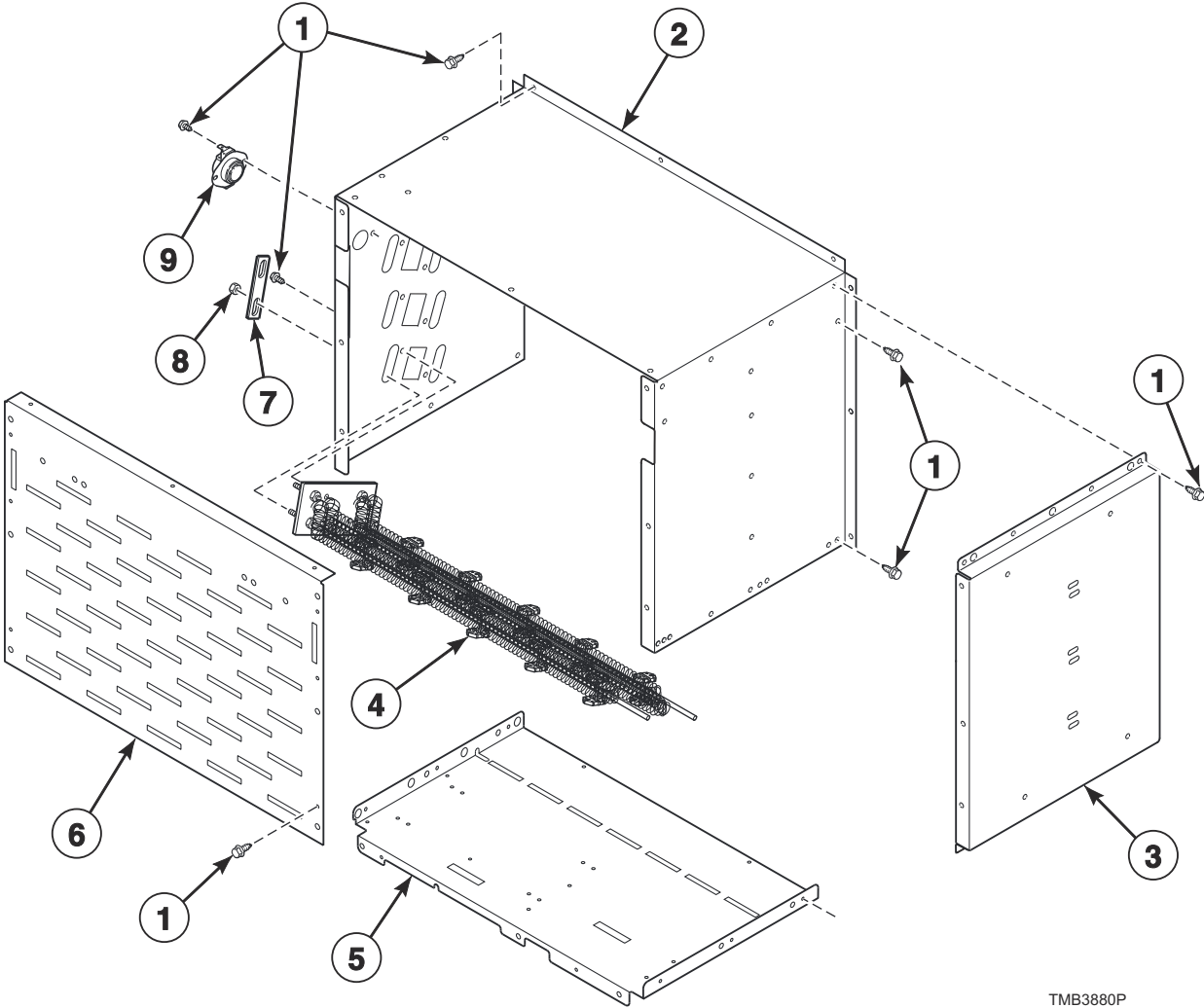
TMB3879PA

Burner Orifices

REF	PART NO.	DESCRIPTION	COMMENTS
	70609909	High Altitude Orifice Kit	North America Natural Gas (N.G.) models
	70609910	High Altitude Orifice Kit	North America Liquid Petroleum Gas (L.P.) models
1	70684142	Burner Orifice	Standard models; N.G.; Drill no. 20 (4.09 mm); 0-2,000 feet
	70684139	Burner Orifice	Standard models; N.G.; Drill no. 23 (3.91 mm); 2,001-4,000 feet
	70684137	Burner Orifice	Standard models; N.G.; Drill no. 25 (3.80 mm); 4,001-6,000 feet
	70684135	Burner Orifice	Standard models; N.G.; Drill no. 27 (3.66 mm); 6,001-8,000 feet
	70684133	Burner Orifice	Standard models; N.G.; 3.50 mm; 8,001-10,000 feet
	70684116	Burner Orifice	Standard models with 2nd digit A, G, H, K, L and T; L.P.; Drill no. 40 (2.49 mm); 0-2,000 feet
	70684114	Burner Orifice	Standard models with 2nd digit A, G, H, K, L and T; L.P.; Drill no. 42 (2.37 mm); 2,001-4,000 feet
	70684113	Burner Orifice	Standard models with 2nd digit A, G, H, K, L and T; L.P.; 2.30 mm; 4,001-6,000 feet
	70684111	Burner Orifice	Standard models with 2nd digit A, G, H, K, L and T; L.P.; 2.20 mm; 6,001-8,000 feet
	70684109	Burner Orifice	Standard models with 2nd digit A, G, H, K, L and T; L.P.; Drill no. 45 (2.08 mm); 8,001-10,000 feet
	70684111	Burner Orifice	Standard J market models; L.P.; 2.20 mm; 0-2,000 feet
	70684109	Burner Orifice	Standard J market models; L.P.; Drill no. 45 (2.08 mm); 2,001-4,000 feet
	70684108	Burner Orifice	Standard J market models; L.P.; Drill no. 46 (2.06 mm); 4,001-6,000 feet
	70684106	Burner Orifice	Standard J market models; L.P.; Drill no. 48 (1.93 mm); 6,001-8,000 feet
	70684105	Burner Orifice	Standard J market models; L.P.; Drill no. 49 (1.85 mm); 8,001-10,000 feet
	70684132	Burner Orifice	Eco models; N.G.; Drill no. 29 (3.45 mm); 0-2,000 feet
	70684130	Burner Orifice	Eco models; N.G.; 3.30 mm; 2,001-4,000 feet
	70684128	Burner Orifice	Eco models; N.G.; Drill no. 1/8 (3.18 mm); 4,001-6,000 feet
	70684126	Burner Orifice	Eco models; N.G.; Drill no. 31 (3.05 mm); 6,001-8,000 feet
	70684125	Burner Orifice	Eco models; N.G.; Drill no. 32 (2.95 mm); 8,001-10,000 feet

*** NOTE: One orifice required per pocket**

Electric Heater Components

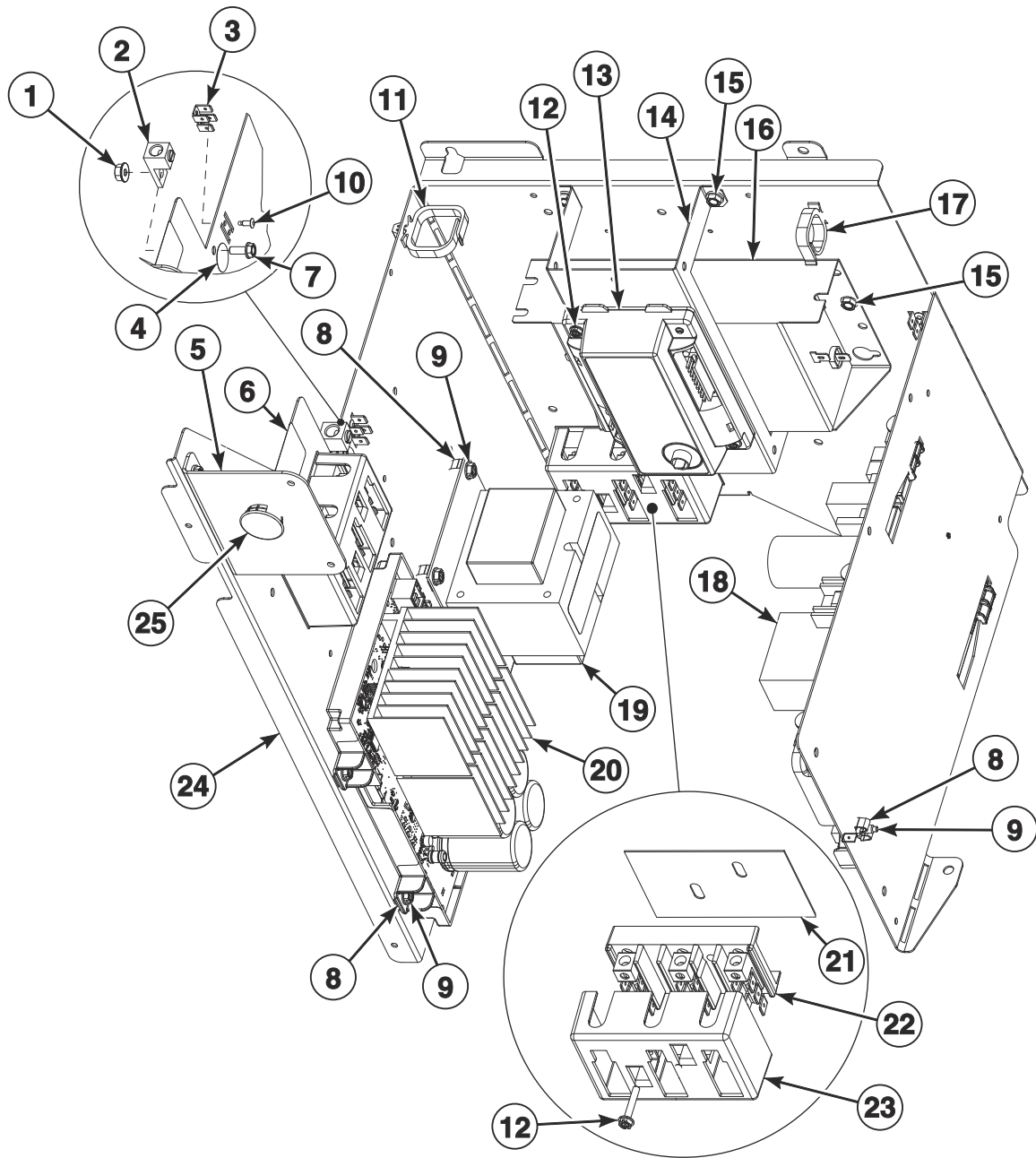


TMB3880P

Electric Heater Components

REF	PART NO.	DESCRIPTION	COMMENTS
	70613803	Stove Limit Harness	
	70641709	Jumper Harness	3 inch; 8 required for 380 and 400-415 Volt
	70641710	Jumper Harness	9 inch; 2 required for 440 and 460-480 Volt
	44391001	Conversion Kit	240V/3Ph to 208V/3Ph
1	430497	Screw	
2	70654001	Stove Top and Sides	
3	70652001	Stove Shield	
4	70034401P	Heater Element	Standard models; 3 required; 7 kW; 208 Volt heater element for 200-208 Volt/3 Phase
	70034402P	Heater Element	Standard models; 3 required; 7 kW; 220 Volt heater element for 380 and 440 Volt/3 Phase
	70034403P	Heater Element	Standard models; 3 required; 7 kW; 240 Volt heater element for 230-240 Volt/3 Phase and 400-415 and 460-480 Volt/3 Phase
	70034415P	Heater Element	Eco models; 3 required; 4 kW; 208 Volt heater element for 200-208 Volt/3 Phase
	70034414P	Heater Element	Eco models; 3 required; 4 kW; 220 Volt heater element for 380 and 440 Volt/3 Phase
	70034416P	Heater Element	Eco models; 3 required; 4 kW; 240 Volt heater element for 230-240 Volt/3 Phase and 400-415 and 460-480 Volt/3 Phase
5	70652301	Stove Cover	
6	70214901	Stove Grill	
7	M400869	Jumper Strip	12 required for 200-208 and 230-240 Volt; 6 required for all other voltages
	70066501	Jumper Bar	4 required for 440 and 460-480 Volt
8	70054	Nut	
9	44328007	Limit Thermostat	

Control Tray - Gas Models

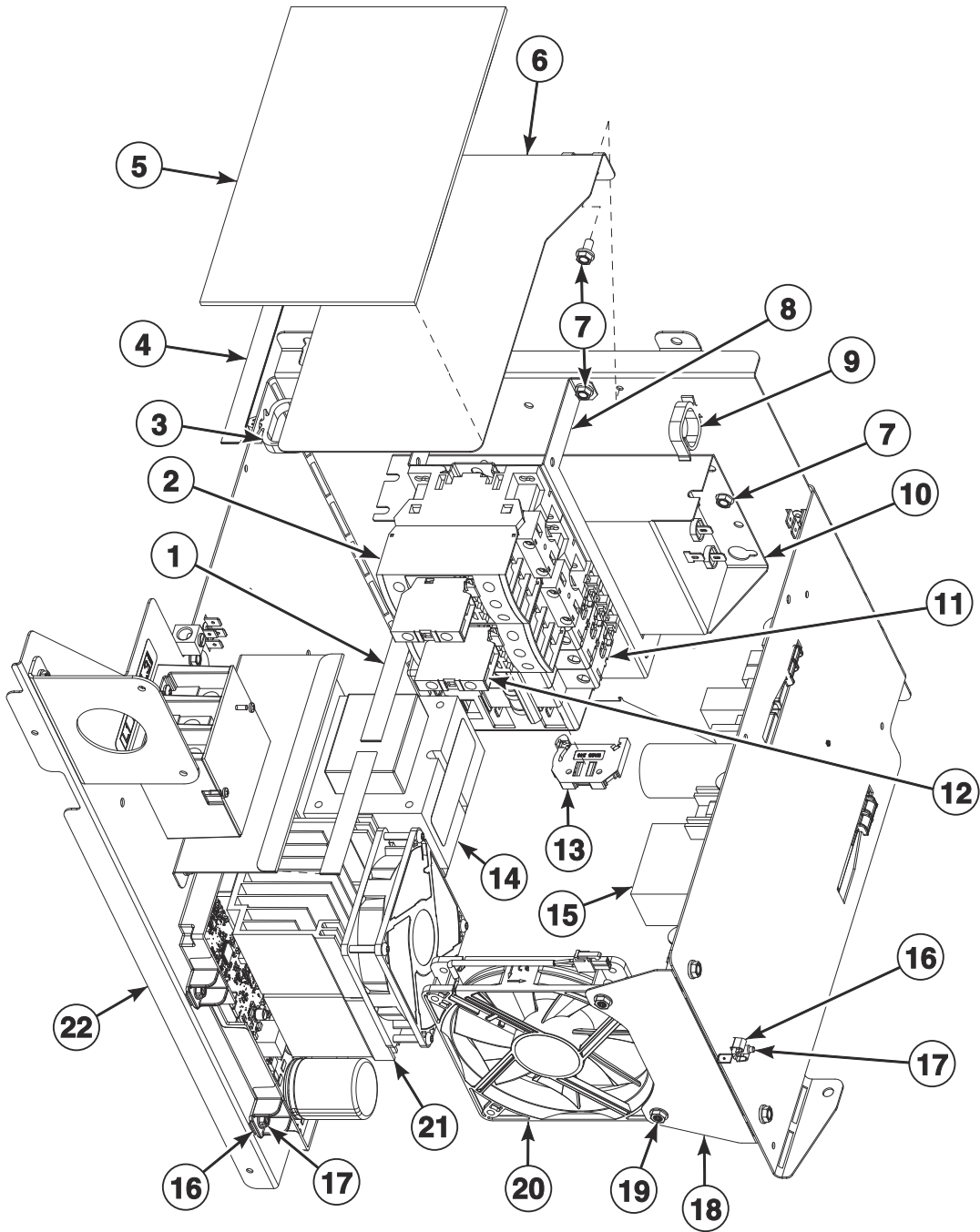


TMB3882P

Control Tray - Gas Models

REF	PART NO.	DESCRIPTION	COMMENTS
	70696804	Conversion Kit	X to B voltage; Models with D, F, N or W in 7th position
	70696808	Conversion Kit	X to B voltage; Models with V in 7th position
1	44088001	Nut	
2	M411283	Ground Lug Connector	
3	00622SG	Terminal	
4	D516100	Label	
5	70615501	Conduit Plate	
6	44286803	Label	L1, L2, L3
	44286801	Label	L1, N
	44286802	Wire Label	L1 L2, L1 N
	44286804	Wire Label	L1 L2, L1 N, L1 L2 L3
7	685837	Screw	
8	70030501	Expansion Clip	
9	F8206901	Screw	
10	M400003	Pop Rivet	
11	F8449501	Wire Clip	
12	51783	Screw	
13	70482002	Ignition Control	IEC models
	70482001	Ignition Control	T and G market models
14	70615401	Contactoer Bracket	
15	430497	Screw	
16	F8591601	EMI Filter	IEC models; 100-200 and 200-400 Volt/1 Phase
	F8637501	EMI Filter	IEC models; 380-480 Volt
17	F8449502	Wire Clip	
18	70671701	I/O Control Assembly	
19	F8491101	Transformer	380-480 Volt
20	70603001	Inverter Control Assembly	1 HP; 120, 240 Volt/1 Phase
	70603201	Inverter Control Assembly	1 HP; 480 Volt/3 Phase
21	M413862	Insulator	
22	430642	Terminal Block	
23	70333001	Terminal Block Shield	
24	70628401	I/O Board Tray	
25	M400985	Plug	

Control Tray - Electric Models (Drawing 1 of 2)

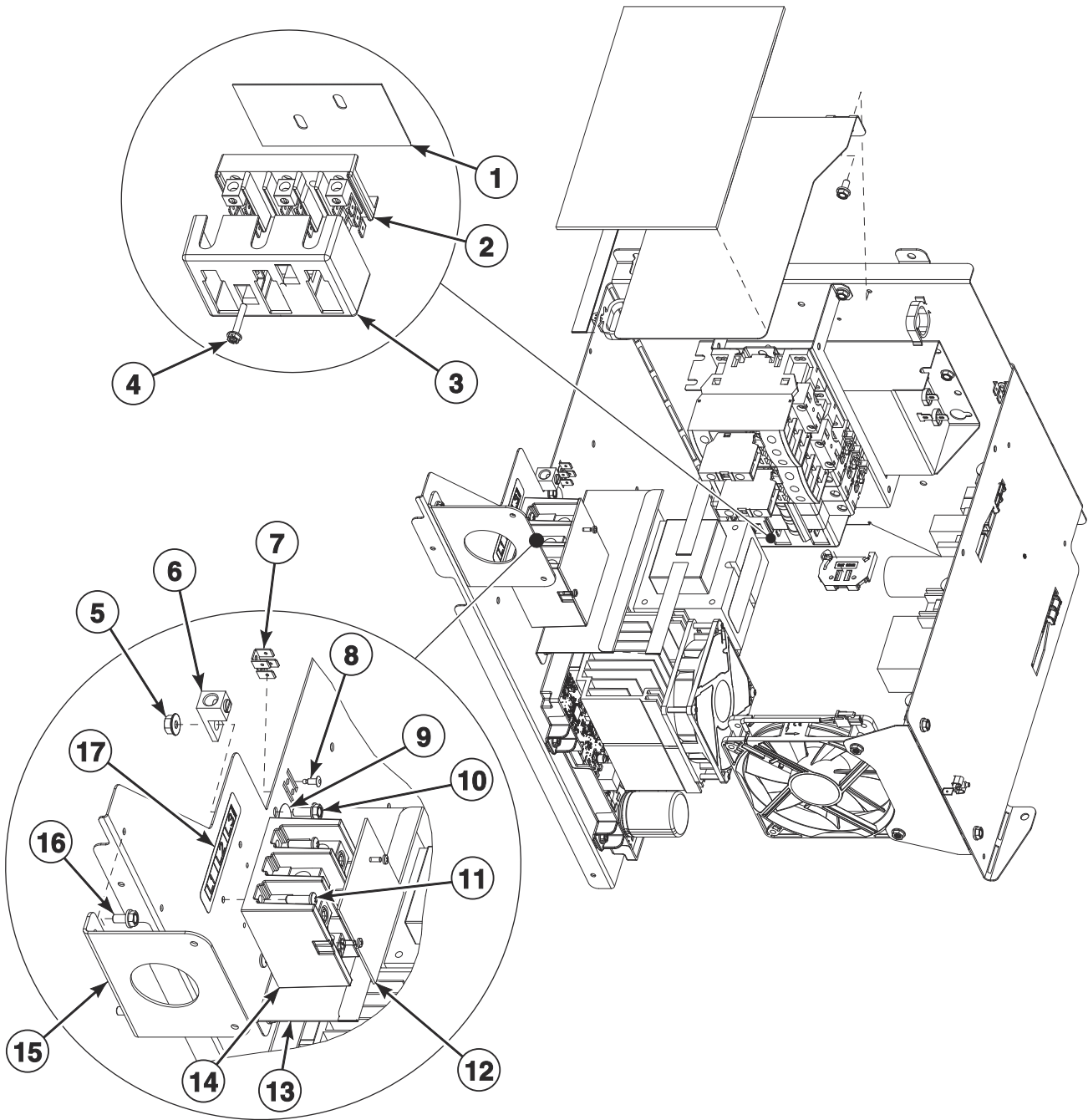


TMB3883P

Control Tray - Electric Models (Drawing 1 of 2)

REF	PART NO.	DESCRIPTION	COMMENTS
1	70531803	Label	
2	70482701	Contactora	2 required; 50 amp
3	F8449501	Wire Clip	
4	70531802	Label	
5	70465902	Insulation	
6	70664801	Heat Shield Contactora Bracket	
7	430497	Screw	
8	70628501	Contactora Bracket Assembly	
9	F8449502	Wire Clip	
10	F8591601	EMI Filter	IEC models; 100-200 and 200-400 Volt/1 Phase
	F8637501	EMI Filter	IEC models; 380-480 Volt
11	70488101	Circuit Breaker	25 amp; 3 Pole; 380-480 Volt
	70488102	Circuit Breaker	25 amp; 2 Pole; 200-240 Volt
12	44313201	Auxiliary Contact Block	2 required
13	F8449801	End Stop	
14	F8491101	Transformer	380-480 Volt
15	70671701	I/O Control Assembly	
16	70030501	Expansion Clip	
17	F8206901	Screw	
18	70664901	Fan Mount Bracket	
19	203799	Screw	
20	F8504301	Fan	24 VDC
21	70603001	Inverter Control Assembly	1 HP; 120, 240 Volt/1 Phase
	70603201	Inverter Control Assembly	1 HP; 480 Volt/3 Phase
22	70628401	I/O Board Tray	

Control Tray - Electric Models (Drawing 2 of 2)



TMB3883PA

Control Tray - Electric Models (Drawing 2 of 2)

REF	PART NO.	DESCRIPTION	COMMENTS
1	M413862	Insulator	
2	430642	Terminal Block	
3	70333001	Terminal Block Shield	
4	51783	Screw	
5	44088001	Nut	
6	M411283	Ground Lug Connector	
7	00622SG	Terminal	
8	M400003	Pop Rivet	
9	D516100	Label	
10	685837	Screw	
11	39733	Screw	
12	44014901P	Power Distribution Block Cover	
13	70671801	Emissions Shield Bracket	
14	M413865	Power Distribution Block	
15	70615503	Conduit Plate	
16	430497	Screw	
17	44286803	Label	L1, L2, L3
	44286801	Label	L1, N
	44286802	Wire Label	L1 L2, L1 N
	44286804	Wire Label	L1 L2, L1 N, L1 L2 L3

Labels

PART NO.	DESCRIPTION	COMMENTS
70696901	Caution Label	Vent/install
F8614501	Danger Label	Shock; English/French
F8614301	Hot Surface Warning Label	English/French
F8609001	Hot Surface Warning Label	Icon
F8611601	Warning Label	
F8614500	Label Kit	Shock; IEC models
70535100	Label Kit	Vent/Install; IEC models
F8605500	Label Kit	
44321501	Notice Label	120/240 Volt
70539601	Notice Label	
70534201	Notice Label	
F8609501	Notice Label	
D516073	Notice Label	Read instructions; Icon
70538401	Pinch Warning Label	English/French
F8615701	Pinch Warning Label	Icon
F8614401	Shock Warning Label	English/French
F8614201	Shock Warning Label	Icon
70536301	Warning Label	Lint; Australian models
44324101	Warning Label	Fire; Australian models
70534305	Warning Label	Fire; Colombian Spanish
44321601	Warning Label	Risk of fire; Icon
D503887	Label	Australian models

Control Tray Harnesses

PART NO.	DESCRIPTION	COMMENTS
70612101	Junction Box Harness	
70671001	Inverter Power Conversion Harness	X to B voltage
70611402	Power Harness	T and G market gas models; 120-240 Volt
70611403	Power Harness	T and G market gas models; 240 Volt
70611405	Power Harness	IEC gas models; 120-240 Volt; Upper
70611407	Power Harness	IEC gas models; 120-240 Volt; Lower
70613401	Power Harness	T and G market gas models; 380-480 Volt
70613402	Power Harness	T and G market electric models; 380-480 Volt
70613403	Power Harness	IEC gas upper models; 380-480 Volt; IEC electric upper/lower models
70613404	Power Harness	IEC gas lower models; 380-480 Volt
70611501	Power Harness	IEC models; Terminal block 1 to EMI Filter; 1 Phase
70611502	Power Harness	IEC models; Terminal block 1 to EMI Filter; 3 Phase
70611503	Power Harness	Electric models; Power distribution block to circuit breaker; 1 Phase
70611504	Power Harness	Electric models; Power distribution block to circuit breaker; 3 Phase
70611505	Power Harness	IEC models; Circuit breaker to EMI filter; 1 Phase
70611506	Power Harness	IEC models; Circuit breaker to EMI filter; 3 Phase
70611507	Power Harness	IEC models; EMI filter to terminal block 2; 1 Phase
70611508	Power Harness	IEC models; EMI filter to terminal block 2; 3 Phase
70641701	Harness	Electric models; Power distribution block to heat contactor; 3 Phase
70641702	Harness	Electric models; Power distribution block to heat contactor; 1 Phase
70641703	Jumper Harness	Electric models; 3 required; 380-480 Volt
70641707	Harness	Electric models; Heat contactor to element H4-H6; 200-240 Volt
70641706	Harness	Electric models; Heat contactor to element H1-H3
70612201	Control Harness	Gas models
70612203	Control Harness	Electric models
70611801	Power Harness	Upper/Lower; Gas models
70612001	Transformer Harness	Vend; 120 Volt
70612002	Transformer Harness	Vend; 240 Volt
70665301	Central Pay Harness	24V power supply
70622101	Base Harness	

Parts Index

A

Adapter	
70131901	71
Air Duct	
70580801	57
Airflow Switch and Arm Bracket	
70319602	67
Airflow Switch Arm	
70319401	67
Airflow Switch Vane	
70319201	67
Airflow Switch Wrapper	
70356101	67
Anti-Rattle Burner Assembly	
70546701	69
App Pay Overlay Kit	
44374701	27, 29
Auxiliary Contact Block	
44313201	79

B

Base Harness	
70622101	83
Blind Rivet	
F8245101	45, 49
Blower Assembly	
70359801P	65
Blower Housing	
70665801	65
Blower Housing Cover Assembly	
70341403	65
Blower Housing Scroll	
70340801	65
Blower Inlet Cone	
70014101	65
Blower Inlet Plate	
70340701	65
Blower Motor Mounting Plate	
70341001	65
Bottom Guard	
70661701	59
Burner Grill	
70188801	69
Burner Orifice	
70684105	73
70684106	73
70684108	73
70684109	73
70684111	73
70684113	73
70684114	73
70684116	73
70684125	73
70684126	73
70684128	73
70684130	73
70684132	73

70684133	73
70684135	73
70684137	73
70684139	73
70684142	73
7084111	73
Bypass Harness	
44334103	19, 27

C

Caution Label	
70696901	82
Center Cylinder Seal	
70066003	57
Center Pan	
70606001	57
Center Pan Channel	
70606101	57
Center Partition	
70639201	57
Central Pay Harness	
70665301	83
Channel Base Assembly	
70288201	57
Circuit Breaker	
70488101	79
70488102	79
Clamp	
70661601	71
Clip	
M400984	57
70226701	57, 63
Coin Drop	
38963P	31
39748	31
70441601	31
70441603	31
Coin Drop Assembly	
201141	31
210195	31
210196	31
38462P	31
38463	31
38467	31
38519	31
70281102	31
70283102	31
70441602	31
70447301	31
70471601	31
70482401	31
70506901	31
Coin Drop Kit	
CK077	31
CK122	33
Coin Identification Paper	
38464P	31
38475	31
38725	31

N/A items do not appear in index.

Coin Meter	
F0160737-00.....	31
Coin Vault Assembly	
70529501.....	45
Coin Vault Switch Harness	
44334102.....	19, 27
Conduit Plate	
70615501.....	77
70615503.....	81
Contact Base	
F8538101.....	47
Contact Switch	
F8069501.....	47
Contactactor	
70482701.....	79
Contactactor Bracket	
70615401.....	77
Contactactor Bracket Assembly	
70628501.....	79
Control Assembly	
70478801P.....	19
70478802.....	23
70478901.....	19
70479801.....	17
70479901.....	17
70523001.....	19
70523101.....	17
70543104.....	25
70576201P.....	27
70697102.....	29
Control Bezel	
70642001.....	45
Control Bracket	
70581001.....	27
70581002.....	27
70581003.....	27
70581101.....	27, 29
Control Brackett	
70581002.....	29
Control Door and Studs Assembly	
70641801.....	19
70641802.....	19
70641803.....	17, 19, 23, 25
Control Door Latch	
431318.....	17, 19, 23, 25, 27, 29
Control Harness	
70612201.....	83
70612203.....	83
Control Housing Cover	
70307006.....	35
Control Latch Plate	
70634401.....	17, 19, 23, 25
Control Stiffening Bracket	
70658501.....	19
Conversion Kit	
44391001.....	75
70696804.....	77
70696808.....	77
Cylinder and Trunnion Assembly	
70443901P.....	51
70443902.....	51
Cylinder Assembly	
70372501P.....	51
70372502P.....	51

Cylinder Bearing Stud Plate Assembly	
430352.....	55, 57
Cylinder Guide Tool	
263P4.....	51
Cylinder Rib Assembly	
70433002.....	51
Cylinder Shroud	
70339301.....	57
70339302.....	57

D

Danger Label	
F8614501.....	82
Door Assembly	
70597701.....	37
70597702.....	37
70597703.....	37
70597704.....	37
70597705.....	37
70597706.....	37
70597707.....	37
70597708.....	37
70597709.....	37
70597710LG.....	37
Door Glass	
M400784P.....	39
70133604.....	39
Door Glass Installation Tool	
M4221P4.....	39
Door Glass Label	
70650401.....	39
70707701.....	39
Door Glass Seal Kit	
70211901P.....	39
Door Handle	
44007902P.....	39
44263801.....	39
44370602.....	39
Door Hinge	
70595502.....	41
70595504.....	41
70595510B.....	41
70595510LG.....	41
70595510W.....	41
Door Hinge Lug Assembly	
44035001.....	41
44035002.....	41
44035003.....	41
Door Latch	
M401223.....	45
Door Ring Assembly	
70597501.....	39
705975025.....	39
70597503.....	39
70597504.....	39
70597507B.....	39
70597508LG.....	39
Door Ring Gasket	
70296801.....	39
Door Switch Actuator	
70532101.....	41
Drive Motor	
44355001.....	61

N/A items do not appear in index.

44355002	61
Drive Plate	
70571901	61
Drywall Screw Magnet Kit	
70343101P	51
Duct Access Cover	
70340301	63
Duct Cover	
70207501	63
70478101	63
Duct Damper	
70343501	63

E

Electronic Coin Drop Assembly	
70294107	31
70513302	31
70513303	31
70513304	31
70513306	31
70513308	31
70513309	31
70513310	31
70513311	31
70513312	31
70513313	31
70513314	31
70513315	31
70513316	31
Electronic Coin Drop Kit	
CK099	33
CK100	33
CK101	33
CK108	33
CK109	33
CK110	33
CK113	33
CK115	33
CK116	33
CK117	33
CK118	33
CK119	33
CK120	33
CK121	33
Emergency Stop Button Kit	
70580301	47
Emergency Stop Bypass Harness	
F8519403	47
Emergency Stop Harness	
44272401	47
44272402	47
Emergency Stop Label	
44012901	47
44012903	47
Emergency Stop Mounting Bracket	
70550401	47
Emergency Stop Power Harness	
70611901	47
Emergency Stop Pushbutton	
F200233500	47
EMI Filter	
F8591601	77, 79
F8637501	77, 79

Emissions Shield Bracket	
70671801	81
End Cap	
70070101	51
70070102	51
End Stop	
F8449801	79
Exhaust Duct Assembly	
70528304	63
70528305	63
70528306	63
Exhaust Duct Gaskets Assembly	
70340401	63
Exhaust Pipe	
44154301	63
Expansion Clip	
70030501	59, 63, 77, 79

F

Fan	
F8504301	79
Fan Motor	
44354901	65
44354903	65
Fan Mount Bracket	
70664901	79
Foam Gasket	
70598101	49
Fob Communication Harness	
F8719301	19
F8719302	27
Fob Reader Control Assembly	
205135	19, 27
Front Air Duct	
70573701	57
70573702	57
Front Panel Seal	
70173401P	43

G

Gas Burner	
70229801P	69
Gas Tubing	
70660501	71
Gas Valve	
44154507	71
44154508	71
Gas Valve Bracket	
70645401	71
Gas Valve Harness	
70613901	71
Gas Valve Manifold	
70659201	71
Gasket	
70289101P	43, 63
70392701P	65
Ground Lug Connector	
M411283	77, 81
Guard Bracket	
70626201	59

N/A items do not appear in index.

70633501 59

H

Harness

F8617901 25, 29
70622001 19, 25
70622201 27
70641701 83
70641702 83
70641706 83
70641707 83

Heat Shield Contactor Bracket

70664801 79

Heater Element

70034401P 75
70034402P 75
70034403P 75
70034414P 75
70034415P 75
70034416P 75

High Altitude Orifice Kit

70609909 73
70609910 73

High Voltage Suppression Cable

44239701 69, 71

Hinge Cam Kit

M4772P3 41
M4773P3 41
70622401 41

Hot Surface Warning Label

F8609001 82
F8614301 82

I

Idler Wheel Assembly

70050401P 61

Igniter Cover

70159601 69

Ignition Control

70482001 77
70482002 77

Insulation

70465902 79

Insulator

M413862 77, 81

Inverter Control Assembly

70603001 77, 79
70603201 77, 79

Inverter Power Conversion Harness

70671001 83

I/O Board Tray

70628401 77, 79

I/O Control Assembly

70671701 77, 79

J

Jumper Bar

70066501 75

Jumper Harness

70641703 83
70641709 75
70641710 75

Jumper Strip

M400869 75

Junction Box Harness

70612101 83

K

Key

70155601 45
70155602 49

L

Label

D503887 82
D516100 77, 81
44286801 77, 81
44286803 77, 81
562738 43
70472801 43
70531802 79
70531803 79

Label Kit

F8605500 82
F8614500 82
70534300 43
70535100 82

Lever Arm and Belt Kit

70655102 61

Lever Arm and Bushing Assembly

70653801 61

Limit Thermostat

44328001 65
44328005 69
44328007 75
44328104 69
70530901 65

Lint Box Gasket

70593901 45

Lint Door Support

70598201 49

Lint Front Assembly

70567401 49
70567402W 49
70567403W 49

Lint Screen Assembly

70596102 49

Lint Screen Bracket

70595702 49

Lint Screen Shim

70605601 49

Lint Seal Shoulder Bracket

70605701 45

Lint Tray Rail

70580901 57
70580902 57

Lock Pull

70642201 49

N/A items do not appear in index.

Lock, Key and Nut Kit	
44089301P.....	45
44390902P.....	49
Lower Front Panel Assembly	
70704101.....	43
70704101W.....	43
70704102.....	43
70704102DG.....	43
70704102W.....	43
70704103.....	43
70704103DG.....	43
70704103W.....	43
70704104DG.....	43
Lower Pan	
70606201.....	57
Lower Rear Guard Bracket	
70661201.....	65
L.P. Conversion Kit	
70550205.....	71
70550211.....	71
70551905.....	71
L.P. Valve	
44154504.....	71

M

Machine ID Control Assembly	
203361P.....	19, 23, 25, 27, 29
Magnet	
70343101.....	49
Main Harness	
70622001.....	17, 19, 23, 27, 29
Max Fill Line Label	
70707501.....	39
Motor Mount Plate	
70564201.....	61
Motor Pulley	
70559101.....	61
Mounting Plate	
70208801.....	19

N

Nameplate	
F8443105.....	45
F8688001.....	45
F8688901.....	45
567293.....	45
567887.....	45
70685901.....	45
Notice Label	
D516073.....	82
F8609501.....	82
44321501.....	82
70534201.....	82
70535901.....	71
70539601.....	82
70544901.....	71
Nut	
M400022.....	55
M400034.....	55
M400035.....	53
M412986.....	51, 55

M414215.....	39
Q6163.....	75
21899.....	57
29786.....	65
430576.....	57
44087101.....	17, 19, 23, 25, 27, 49
44087201.....	61
44087301.....	61
44088001.....	39, 41, 77, 81
44088801.....	45, 49
44333202.....	61
56156.....	61
70030401.....	57
70054.....	19, 27
70288801.....	57
70660601.....	65
N.G. Valve	
44154503.....	71

O

Opto Coupler	
200674P.....	31
O-Ring	
431482.....	71
Overlay	
F8205101.....	19
F8733901.....	19
F8734101.....	27
F8734201.....	19
F8734401.....	27
F8736501.....	19
F8736701.....	27
70295101.....	19
70555901.....	19
70556001.....	19
70556101.....	19
70556102.....	19
70556501.....	19
70556502.....	19
70556601.....	19
70556801.....	19
70557001.....	19
70557002.....	19
70673401.....	23
70673501.....	17
70674901.....	23
70675101.....	17
70678201.....	25
70678301.....	25
70679301.....	21
70679302.....	21
70679303.....	21
70679304.....	21
70679305.....	21
70679401.....	21
70679402.....	21
70679403.....	21
70679404.....	21
70679405.....	21
70690201.....	21
70690202.....	21
70690203.....	21
70690204.....	21
70690205.....	21
70690301.....	21
70690302.....	21

N/A items do not appear in index.

70690303	21
70690304	21
70690305	21
70690501	21
70690502	21
70690503	21
70690601	21
70690602	21
70690603	21
70690801	23
70690901	23
70691101	17
70691201	17
70691601	23
70691701	23
70691801	17
70691901	17
70692001	21
70692002	21
70692003	21
70692101	21
70692102	21
70692103	21
70692401	17
70692501	17
70692601	21
70692602	21
70692603	21
70692604	21
70692701	21
70692702	21
70692703	21
70692704	21
70693001	17
70693101	17
70705501	21
70705601	21

P

Pin	
70071401	41
Pinch Warning Label	
F8615701	82
70538401	82
Pipe	
70262601	71
Pipe Nipple	
70612604	71
Plate Assembly	
70633001	27, 29
70633002	27
70633003	27
70633004	27
70633005	27
70633006	27
70666701	27
Plug	
M400985	77
70167601	71
Pop Rivet	
M400003	17, 19, 23, 25, 27, 29, 77, 81
44166601	45
70058501	41, 57
Porcelain Touch-Up Paint	
122P4P	57

Power Distribution Block	
M413865	81
Power Distribution Block Cover	
44014901P	81
Power Harness	
70611402	83
70611403	83
70611405	83
70611407	83
70611501	83
70611502	83
70611503	83
70611504	83
70611505	83
70611506	83
70611507	83
70611508	83
70611801	83
70613401	83
70613402	83
70613403	83
70613404	83
Primary Air Adjustment Sleeve	
70239801	71
Pushbutton Switch	
70413301	45

R

Rear Bearing Shim	
70355001	55
Rear Cover	
70650901	59
Rear Cylinder Bearing Housing	
70013901	55
Rear Cylinder Channel	
70257101	51
70257102	51
Rear Cylinder Channel Plate	
70257201	51
Rear Cylinder Seal	
70013701P	55, 57
Rear Cylinder Seal Support	
70506402	55, 57
Rear Guard	
70616001	59
70616002	59
70633601	59
70633602	59
Rear Guard Bracket	
70633401	63
Rear Panel	
70616601	57
70616602	57
Rear Stabilizer Bracket	
70200301	65
Reed Switch Assembly	
F8066804	45
Reed Switch Box	
70606301	45
Replacement Screen Kit	
70576501P	27, 29
Roller and Seal Kit	
70616701	57

N/A items do not appear in index.

Roller Seal	
70443601	57
Roller Shaft	
70249501	57
Roller Support Bracket	
70584901	57

S

Screw	
D501524	17, 19, 23, 25
F430144	61
F8206901	35, 77, 79
M400661	39
M411072	63
05161	71
203799	27, 29, 79
39733	81
430497	45, 49, 51, 57, 59, 63, 65, 69, 75, 77, 79, 81
430757	67
44349101	41
44364601	65
44364603	61
51780	25, 29, 59, 65, 71
51783	77, 81
62588	51
685837	77, 81
70033502	41
70247701	57
70391101	51
70407301	41
70436301	41
70442101	39
70501301	61
70508301	61
70546301	61
70576101	41
70672501	71
70689401	41
Sheet Metal Edge Gasket	
70015711	57
70015712	57
Shock Warning Label	
F8614201	82
F8614401	82
Side Guard	
70699201	59
70699301	59
Side Panel	
70663301DG	57
70663301W	57
Slip Ring Assembly	
44222702	53
Slip Ring Holder	
70455401	53
Slot Card Plate Assembly	
44089501	19
Snap Bushing	
M411826	69
Spacer	
70488403	61
Spark Electrode	
70654201	69

Spray Paint	
298P4P	57
Spring	
70571801	61
Spring Catch Bracket	
70543401	61
Standoff	
70569603	61
Stove Back	
70371501	69
Stove Cover	
70652301	75
70652401	69
Stove Grill	
70214901	75
Stove Limit Harness	
70613801	69
70613803	75
Stove Partition	
70306101	69
Stove Shield	
70652001	75
Stove Top and Sides	
70654001	75
Stove Top and Sidest	
70647101	69
Support Bearing	
70448701	55
Switch	
70411901	67
Switch Bracket	
70356301	67

T

Tee	
F422208	71
Tensioning Bracket	
70569501	61
Terminal	
00622SG	77, 81
Terminal Block	
430642	77, 81
Terminal Block Shield	
70333001	77, 81
Thermistor	
M414704	65
Thermostat Cover	
M414477	69
Top Panel	
70339601	57
70696201	57
Transformer	
F8491101	77, 79
Transformer Harness	
70612001	83
70612002	83
Trunnion and Seal Kit	
70564803	51
70564804	51

N/A items do not appear in index.

U

Upper Front Panel Assembly	
70619402W.....	43
70704104.....	43
70704104DG.....	43
USB Bracket	
70653901.....	25
70708001.....	29
USB IR Interface Kit	
203346.....	35
USB-Serial Interface Assembly	
203440.....	25, 27, 29

V

Vend Activation Harness	
70577101.....	17, 19, 23, 27

W

Warning Label	
F8611601.....	82
44321601.....	82
44324101.....	82
70534301.....	43
70534302.....	43
70534305.....	82
70536301.....	82
Washer	
F431125.....	45
M400991.....	55, 65
70261401.....	57
70411301.....	51
Wire Clip	
F8449501.....	77, 79
F8449502.....	77, 79
Wire Guard	
201595P.....	31
Wire Label	
44286802.....	77, 81
44286804.....	77, 81
Wireless Control Label	
204692.....	35
Wireless Network Control Assembly	
807211.....	35
Wireless Network Harness	
F8674007.....	35
Wireless Network Kit	
70609801.....	35
