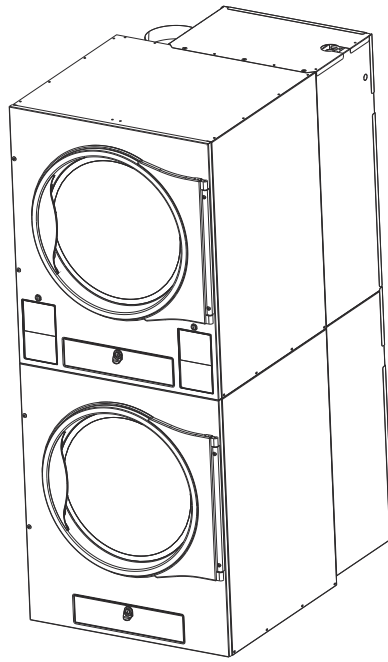


Tumble Dryers

Stacked 45 Pound Capacity
18 Digit Model Numbers with 6 in 13th Position
Refer to Page 3 for Model Numbers



TMB1294C

Table of Contents

| Title | Page |
|---|------|
| Serial Plate Location | 2 |
| Machine Identification | 3 |
| Product Overview - Heat Source and Voltage | 4 |
| Product Overview - FN Control Suffix | 6 |
| Product Overview - DN and NN Control Suffixes | 8 |
| Product Overview - N and W Control Suffixes | 10 |
| Product Overview - V Control Suffixes | 12 |
| Dual Digital Control | 14 |
| Electronic Display Control - Vend Models with N or W in the 7th Position | 16 |
| Electronic Display Control Overlays - Vend Models with N or W in the 7th Position | 18 |
| Electronic Display Control - OPL Models with N in the 7th Position | 20 |
| 3.5 Inch Graphical Control | 22 |
| Touch Control - Vend Models with V in the 7th Position | 24 |
| Touch Control - OPL Models with V in the 7th Position | 26 |
| Coin Drops | 28 |
| Coin Drop Kits | 30 |
| Network Board Components | 32 |
| Door Assemblies | 34 |
| Door Components | 36 |
| Hinge Components | 38 |
| Front Panel Assemblies | 40 |
| Cabinet Front Components | 42 |
| Emergency Stop Button - IEC OPL Models | 44 |
| Lint Drawer Components | 46 |
| Cylinder and Trunnion Components | 48 |
| Moisture Sensing Components | 50 |
| Bearing Components | 52 |
| Cabinet Components | 54 |
| Rear Panels | 56 |
| Drive Motor Components | 58 |
| Exhaust Components | 60 |
| Blower Components | 62 |
| Airflow Switch | 64 |
| Gas Burner Housing and Secondary Stove Limit | 66 |
| Gas Valve and Piping | 68 |
| Burner Orifices | 70 |
| Control Tray | 72 |
| Labels | 74 |
| Control Tray Harnesses | 75 |
| Parts Index | 77 |

© Copyright 2023, Alliance Laundry Systems LLC

All rights reserved. No part of the contents of this book may be reproduced or transmitted in any form or by any means without the expressed written consent of the publisher.

Parts Ordering Information

If literature or replacement parts are required, contact the source from whom the machine was purchased or contact Alliance Laundry Systems at (920) 748-3950 for the name and address of the nearest authorized parts distributor.

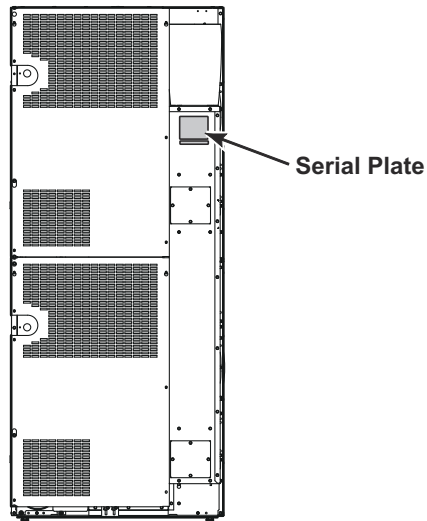
For technical assistance, call the number listed below:

(920) 748-3121 Ripon, Wisconsin

Serial Plate Location

When calling or writing about your product, be sure to mention model and serial numbers. Model and serial numbers are located on serial plate(s)

as shown.



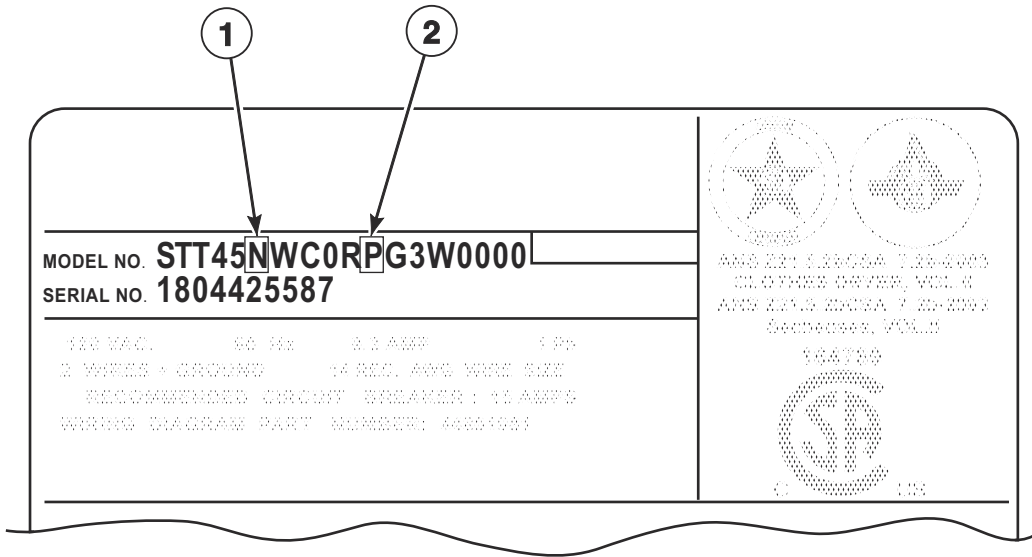
TMB3864P

Machine Identification

Information in this manual is applicable to these machines:

| | | | | |
|--------|--------|--------|--------|--------|
| BAT45L | HAT45L | MGT45D | SAT45L | UAT45L |
| BAT45N | HAT45N | MGT45L | SAT45N | UAT45N |
| BGT45D | HGT45D | MGT45N | SGT45D | UGT45D |
| BGT45L | HGT45L | MJT45D | SGT45L | UGT45L |
| BGT45N | HGT45N | MJT45N | SGT45N | UGT45N |
| BHT45L | HHT45L | NAT45L | SHT45L | UHT45L |
| BHT45N | HHT45N | NAT45N | SHT45N | UHT45N |
| BJT45D | HJT45D | NGT45L | SJT45D | UJT45D |
| BJT45N | HJT45N | NGT45N | SJT45N | UJT45N |
| BKT45L | HKT45L | NHT45N | SKT45L | UKT45L |
| BKT45N | HKT45N | NJT45N | SKT45N | UKT45N |
| BLT45L | HLT45L | NKT45L | SLT45L | ULT45L |
| BTT45D | HTT45D | NKT45N | STT45D | UTT45D |
| BTT45L | HTT45L | NTT45N | STT45L | UTT45L |
| BTT45N | HTT45N | NUT45N | STT45N | UTT45N |
| BUT45N | HUT45N | PAT45L | SUT45N | UUT45N |
| BUT45R | HUT45R | PAT45N | SUT45R | UUT45R |
| GAT45L | JUT45N | PGT45L | | |
| GAT45N | KTT45L | PGT45N | | |
| GGT45L | KTT45N | PHT45N | | |
| GGT45N | | PJT45N | | |
| GHT45L | | PKT45L | | |
| GHT45N | | PKT45N | | |
| GJT45N | | PTT45L | | |
| GKT45L | | PTT45N | | |
| GKT45N | | PUT45N | | |
| GUT45N | | PUT45R | | |

Product Overview - Heat Source and Voltage



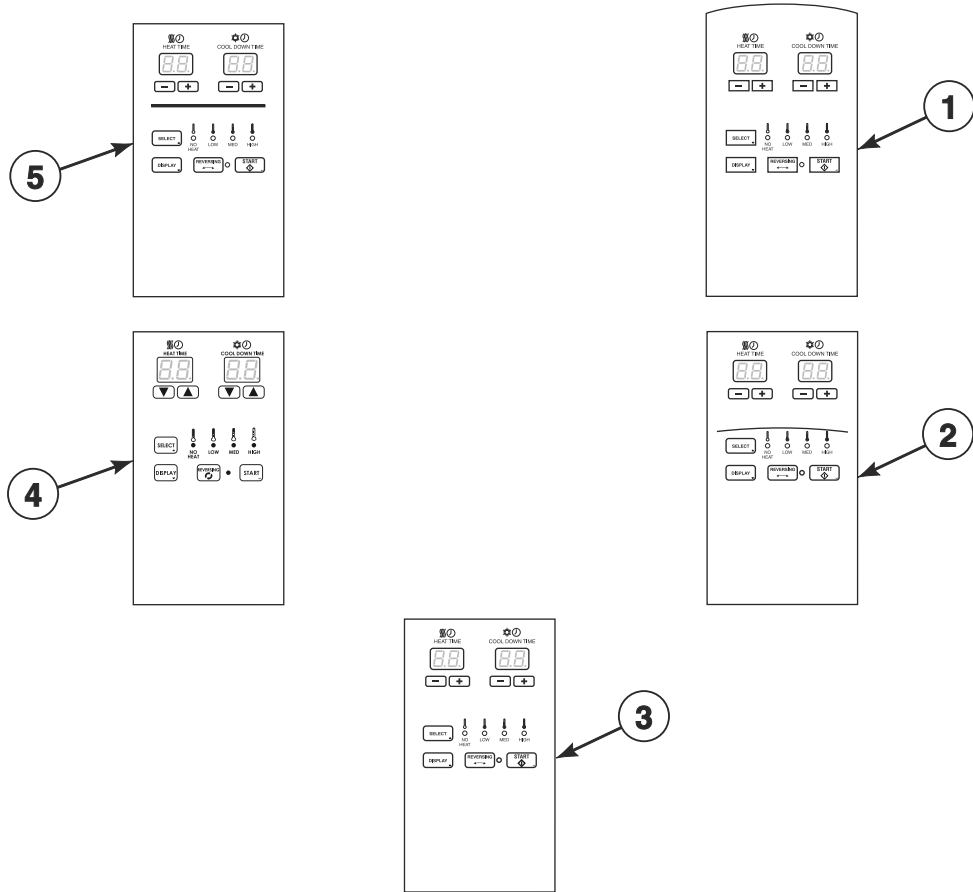
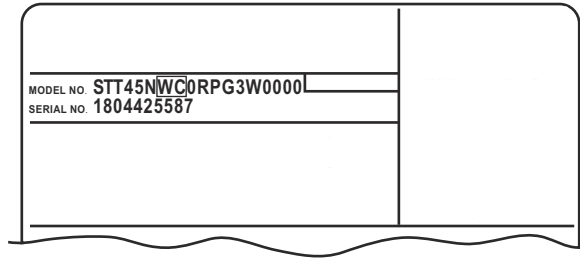
TMB3601P

Product Overview - Heat Source and Voltage

| REF | PART NO. | DESCRIPTION | COMMENTS |
|-----|----------|-------------|--|
| 1 | - | Heat Source | D: Liquid Petroleum Gas (L.P) L: Liquid Petroleum Gas (L.P.) N: Natural Gas (N.G.) R: Reduced Gas, Natural Gas (Eco Line) |
| 2 | - | Voltage | N: 440-480 Volt/50-60 Hertz/3 Phase P: 380-415 Volt/50-60 Hertz/3 Phase X: 200-240 Volt/50-60 Hertz/1-3 Phase |

Product Overview - FN Control Suffix

All Models Except J and M Models; OPL



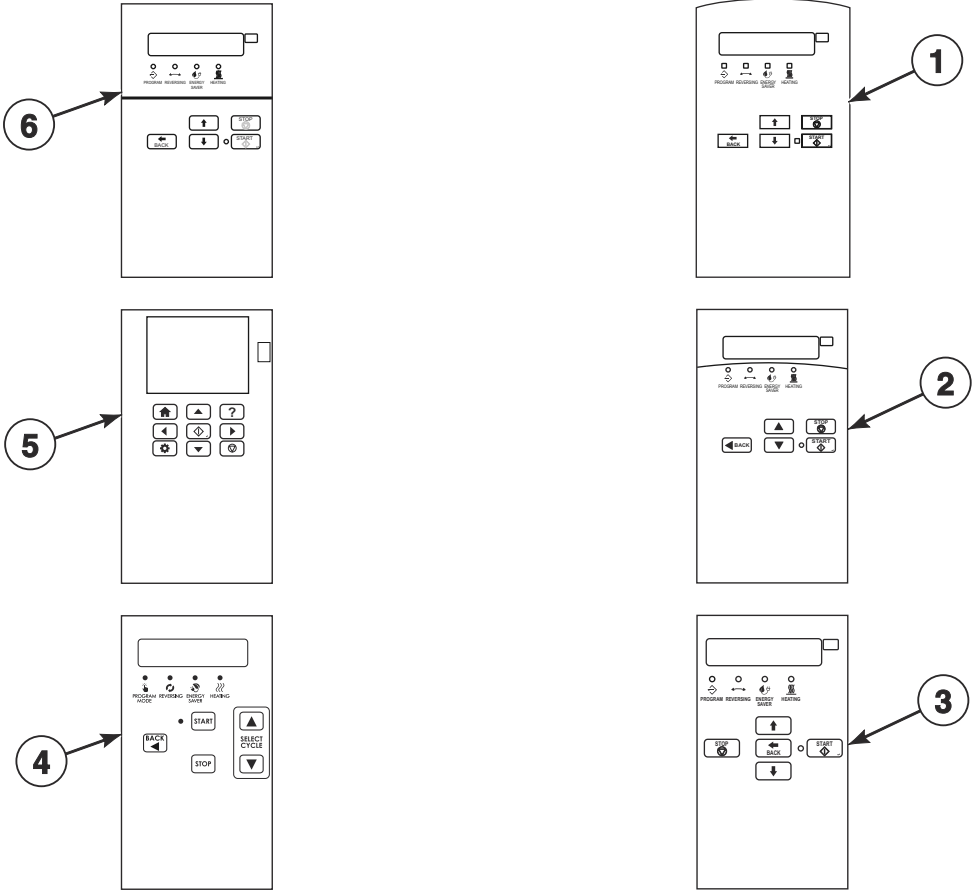
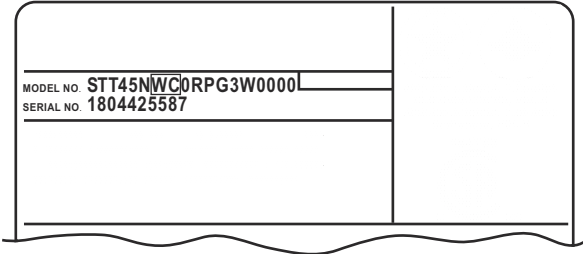
TMB3876P

Product Overview - FN Control Suffix

| REF | PART NO. | DESCRIPTION | COMMENTS |
|-----|----------|----------------------|----------------|
| 1 | - | Dual Digital Control | H models |
| 2 | - | Dual Digital Control | U models |
| 3 | - | Dual Digital Control | N models |
| 4 | - | Dual Digital Control | G and K models |
| 5 | - | Dual Digital Control | S models |

Product Overview - DN and NN Control Suffixes

G, H, K, N, S and U Models; OPL



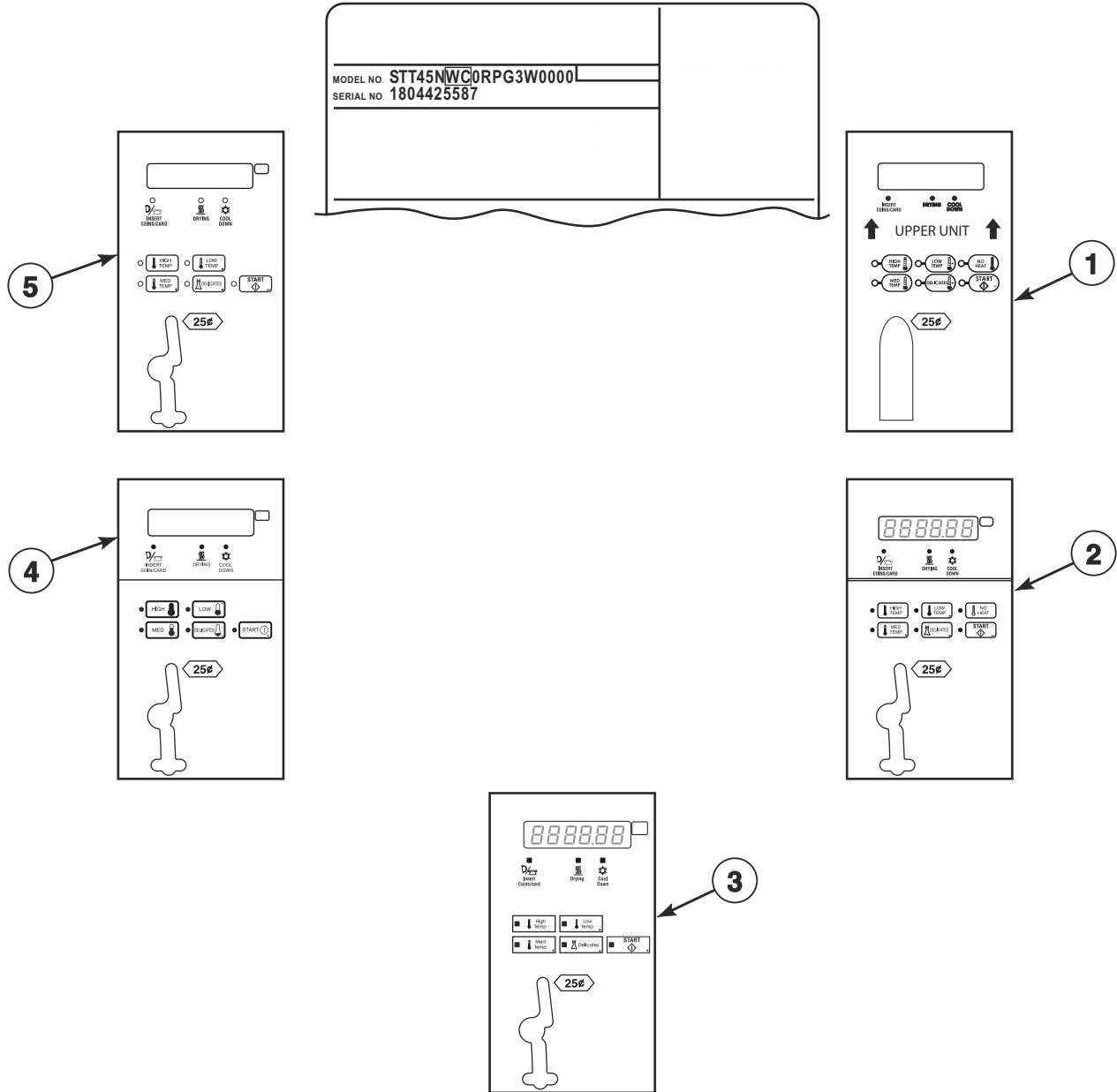
TMB3877P

Product Overview - DN and NN Control Suffixes

| REF | PART NO. | DESCRIPTION | COMMENTS |
|-----|----------|----------------------|----------------|
| 1 | - | Galaxy Control | H models |
| 2 | - | M-Series Control | U models |
| 3 | - | OPL Micro Control | N models |
| 4 | - | OPL Micro Control | G and K models |
| 5 | - | UniLinc Control | U models |
| 6 | - | Quantum Gold Control | S models |

Product Overview - N and W Control Suffixes

All Models Except U Models; 7th Position of the Model Number; Vend



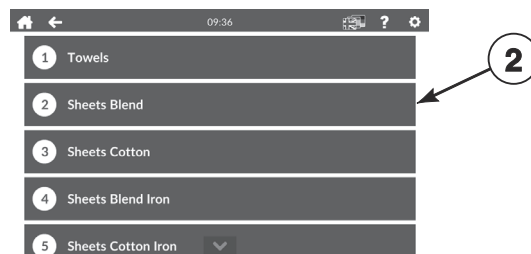
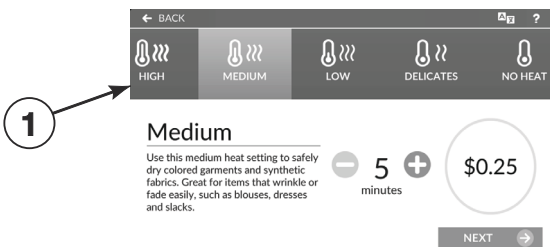
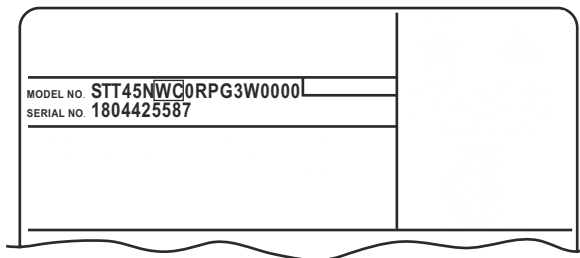
TMB3875P

Product Overview - N and W Control Suffixes

| REF | PART NO. | DESCRIPTION | COMMENTS |
|-----|----------|----------------------|-------------------|
| 1 | - | Micro Control | G and K models |
| 2 | - | Quantum Gold Control | M and S models |
| 3 | - | Galaxy 600 | H models |
| 4 | - | XQ Control | P models |
| 5 | - | EVO7S Control | B, J and N models |

Product Overview - V Control Suffixes

B, H, J, P, S and U Models; 7th Position of the Model Number; Vend and OPL



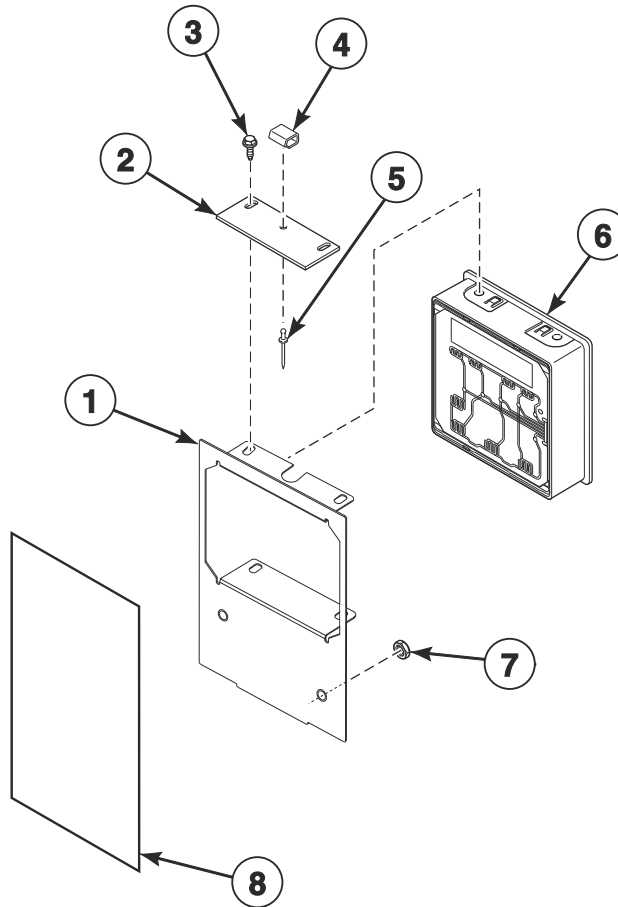
TMB3909P

Product Overview - V Control Suffixes

| REF | PART NO. | DESCRIPTION | COMMENTS |
|-----|----------|---------------|----------------------------|
| 1 | - | Touch Control | Vend; B, H, P and S models |
| 2 | - | Touch Control | OPL; B, J, P and U models |

Dual Digital Control

All Models Except J and M Models; Models with F in the 7th Position



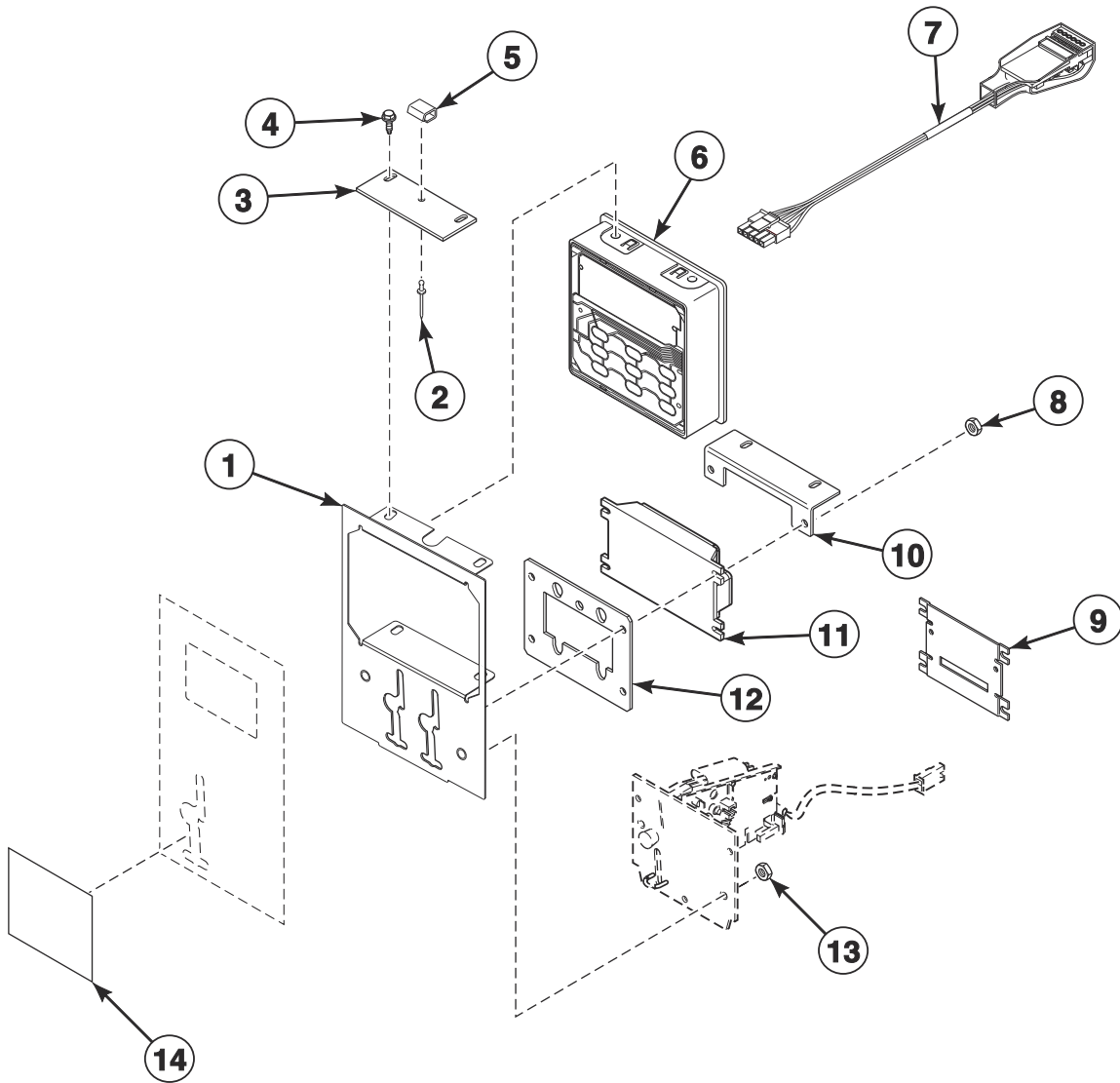
TMB3926P

Dual Digital Control

| REF | PART NO. | DESCRIPTION | COMMENTS |
|----------|----------|---------------------------------|-----------------------------------|
| | 70577101 | Vend Activation Harness | |
| | 70622001 | Main Harness | |
| 1 | 70641803 | Control Door and Studs Assembly | |
| 2 | 70634401 | Control Latch Plate | |
| 3 | D501524 | Screw | 4 required |
| 4 | 431318 | Control Door Latch | |
| 5 | M400003 | Pop Rivet | |
| 6 | 70479801 | Control Assembly | G, H, K, N, S and U models; Green |
| | 70523101 | Control Assembly | P models; Blue |
| | 70479901 | Control Assembly | B models; Red |
| 7 | 44087101 | Nut | 2 required |
| 8 | 70691101 | Overlay | H models; Reversing; Upper |
| | 70691201 | Overlay | H models; Reversing; Lower |
| | 70673501 | Overlay | S models; Reversing; Upper |
| | 70675101 | Overlay | S models; Reversing; Lower |
| | 70691801 | Overlay | U models; Reversing; Upper |
| | 70691901 | Overlay | U models; Reversing; Lower |
| | 70693001 | Overlay | B models; Reversing; Upper |
| | 70693101 | Overlay | B models; Reversing; Lower |
| | 70692401 | Overlay | P models; Reversing; Upper |
| | 70692501 | Overlay | P models; Reversing; Lower |
| | 70678501 | Overlay | G and K models; Reversing; Upper |
| | 70681601 | Overlay | G and K models; Reversing; Lower |
| | 70693001 | Overlay | N models; Reversing; Upper |
| | 70693101 | Overlay | N models; Reversing; Lower |

Electronic Display Control - Vend Models with N or W in the 7th Position

All Models Except U Models



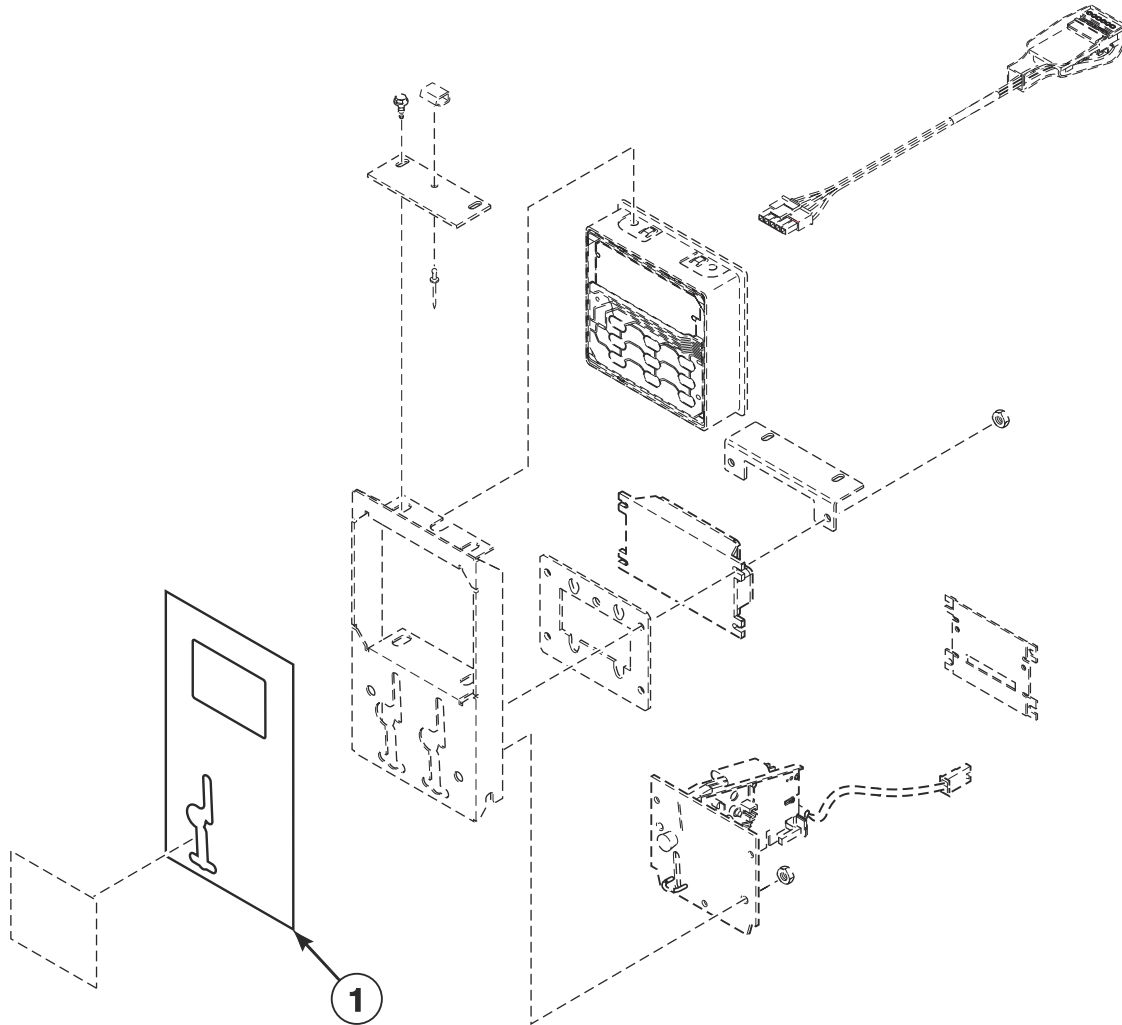
TMB3866P

Electronic Display Control - Vend Models with N or W in the 7th Position

| REF | PART NO. | DESCRIPTION | COMMENTS |
|-----------|-----------|---------------------------------|--|
| | 44334102 | Coin Vault Switch Harness | |
| | 44334103 | Bypass Harness | Vault switch |
| | 70577101 | Vend Activation Harness | |
| | 70622001 | Main Harness | |
| | 70622201 | Harness | Front end control to central pay |
| | F8719301 | Fob Communication Harness | |
| 1 | 70641801 | Control Door and Studs Assembly | Coin |
| | 70641802 | Control Door and Studs Assembly | Card and FOB |
| | 70641803 | Control Door and Studs Assembly | Central pay |
| 2 | M400003 | Pop Rivet | |
| 3 | 70634401 | Control Latch Plate | |
| 4 | D501524 | Screw | 8 required |
| 5 | 431318 | Control Door Latch | |
| 6 | 70523001 | Control Assembly | P models; Blue |
| | 70478801P | Control Assembly | G, H, K, M, N and S models; Green |
| | 70478901 | Control Assembly | B and J models; Red |
| 7 | 203361P | Machine ID Control Assembly | Model or serial number is required when ordering |
| 8 | 70054 | Nut | 4 required |
| 9 | 44089501 | Slot Card Plate Assembly | |
| 10 | 70658501 | Control Stiffening Bracket | Prep for coin |
| 11 | 205135 | Fob Reader Control Assembly | |
| 12 | 70208801 | Mounting Plate | Prep for card |
| 13 | 44087101 | Nut | 2 required |
| 14 | F8205101 | Overlay | S models; Single drop; Left |
| | 70557001 | Overlay | B, M, N and S models; Prep for card |
| | 70557002 | Overlay | B, G, K, M, N and S models; Central pay |
| | 70295101 | Overlay | B, N and S models; World drop |
| | 70556801 | Overlay | H models; World drop |
| | 70556501 | Overlay | H models; Prep for card |
| | 70556502 | Overlay | H models; Central pay |
| | 70556601 | Overlay | H models; Single drop; Left |
| | 70556102 | Overlay | P models; Prep for card |
| | 70556101 | Overlay | P models; Central pay |
| | 70555901 | Overlay | P models; Single drop; Left |
| | 70556001 | Overlay | P models; World drop |
| | F8733901 | Overlay | S models; FOB |
| | F8734201 | Overlay | H models; FOB |
| | F8736501 | Overlay | H models; Citron; FOB |

Electronic Display Control Overlays - Vend Models with N or W in the 7th Position

All Models Except U Models



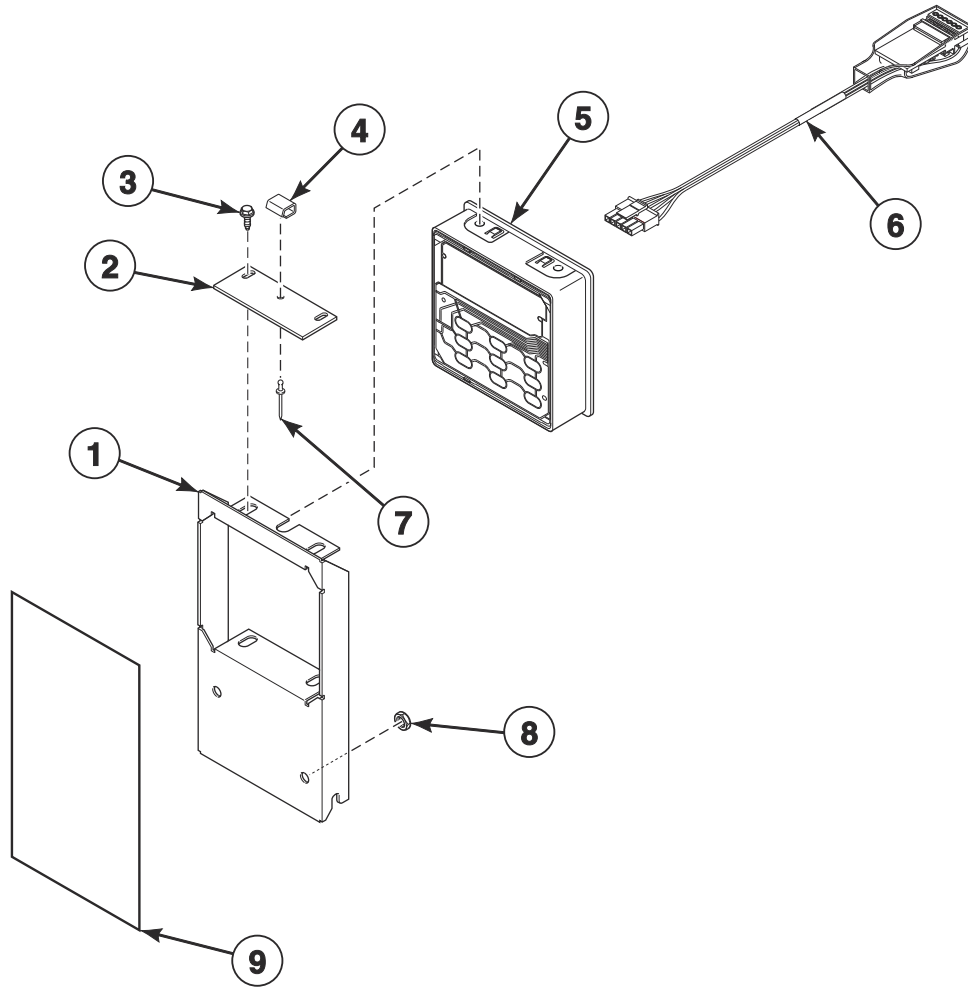
TMB3866PA

Electronic Display Control Overlays - Vend Models with N or W in the 7th Position

| REF | PART NO. | DESCRIPTION | COMMENTS |
|-----|----------|-------------|---|
| 1 | 70692601 | Overlay | B and N models; Upper; Single drop |
| | 70692602 | Overlay | B and N models; Upper; Dual drop |
| | 70692603 | Overlay | B and N models; Upper; Card ready |
| | 70692701 | Overlay | B and N models; Lower; Single drop |
| | 70692702 | Overlay | B and N models; Lower; Dual drop |
| | 70692703 | Overlay | B and N models; Lower; Card ready |
| | 70690201 | Overlay | H models; Upper; Single drop |
| | 70690202 | Overlay | H models; Upper; Dual drop |
| | 70690203 | Overlay | H models; Upper; Card ready and FOB |
| | 70690204 | Overlay | H models; Upper; Central pay |
| | 70690205 | Overlay | H models; Upper; World drop |
| | 70690301 | Overlay | H models; Lower; Single drop |
| | 70690302 | Overlay | H models; Lower; Dual drop |
| | 70690303 | Overlay | H models; Lower; Card ready and FOB |
| | 70690304 | Overlay | H models; Lower; Central pay |
| | 70690305 | Overlay | H models; Lower; World drop |
| | 70690601 | Overlay | H models; Citron; Lower; Single drop |
| | 70690602 | Overlay | H models; Citron; Lower; Dual drop |
| | 70690603 | Overlay | H models; Citron; Lower; Card ready and FOB |
| | 70690501 | Overlay | H models; Citron; Upper; Single drop |
| | 70690502 | Overlay | H models; Citron; Upper; Dual drop |
| | 70690503 | Overlay | H models; Citron; Upper; Card ready and FOB |
| | 70679001 | Overlay | M models; Upper; Single drop |
| | 70679101 | Overlay | M models; Lower; Single drop |
| | 70692001 | Overlay | P models; Upper; Single drop |
| | 70692002 | Overlay | P models; Upper; Dual drop |
| | 70692003 | Overlay | P models; Upper; Card ready |
| | 70692101 | Overlay | P models; Lower; Single drop |
| | 70692102 | Overlay | P models; Lower; Dual drop |
| | 70692103 | Overlay | P models; Lower; Card ready |
| | 70679301 | Overlay | S models; Upper; Single drop |
| | 70679302 | Overlay | S models; Upper; Dual drop |
| | 70679303 | Overlay | S models; Upper; Card ready and FOB |
| | 70679304 | Overlay | S models; Upper; Central pay |
| | 70679305 | Overlay | S models; Upper; World drop |
| | 70679401 | Overlay | S models; Lower; Single drop |
| | 70679402 | Overlay | S models; Lower; Dual drop |
| | 70679403 | Overlay | S models; Lower; Card ready and FOB |
| | 70679404 | Overlay | S models; Lower; Central pay |
| | 70679405 | Overlay | S models; Lower; World drop |
| | 70705501 | Overlay | S models with D in the 17th position; Upper |
| | 70705601 | Overlay | S models with D in the 17th position; Lower |
| | 70677501 | Overlay | G and K models; Upper; Single drop |
| | 70677502 | Overlay | G and K models; Upper; Dual drop |
| | 70677503 | Overlay | G and K models; Upper; Card ready |
| | 70677601 | Overlay | G and K models; Lower; Single drop |
| | 70677602 | Overlay | G and K models; Lower; Dual drop |
| | 70677603 | Overlay | G and K models; Lower; Card ready |
| | 70692604 | Overlay | J models; Upper; Electronic drop |
| | 70692704 | Overlay | J models; Lower; Electronic drop |

Electronic Display Control - OPL Models with N in the 7th Position

G, H, K, N, S and U Models



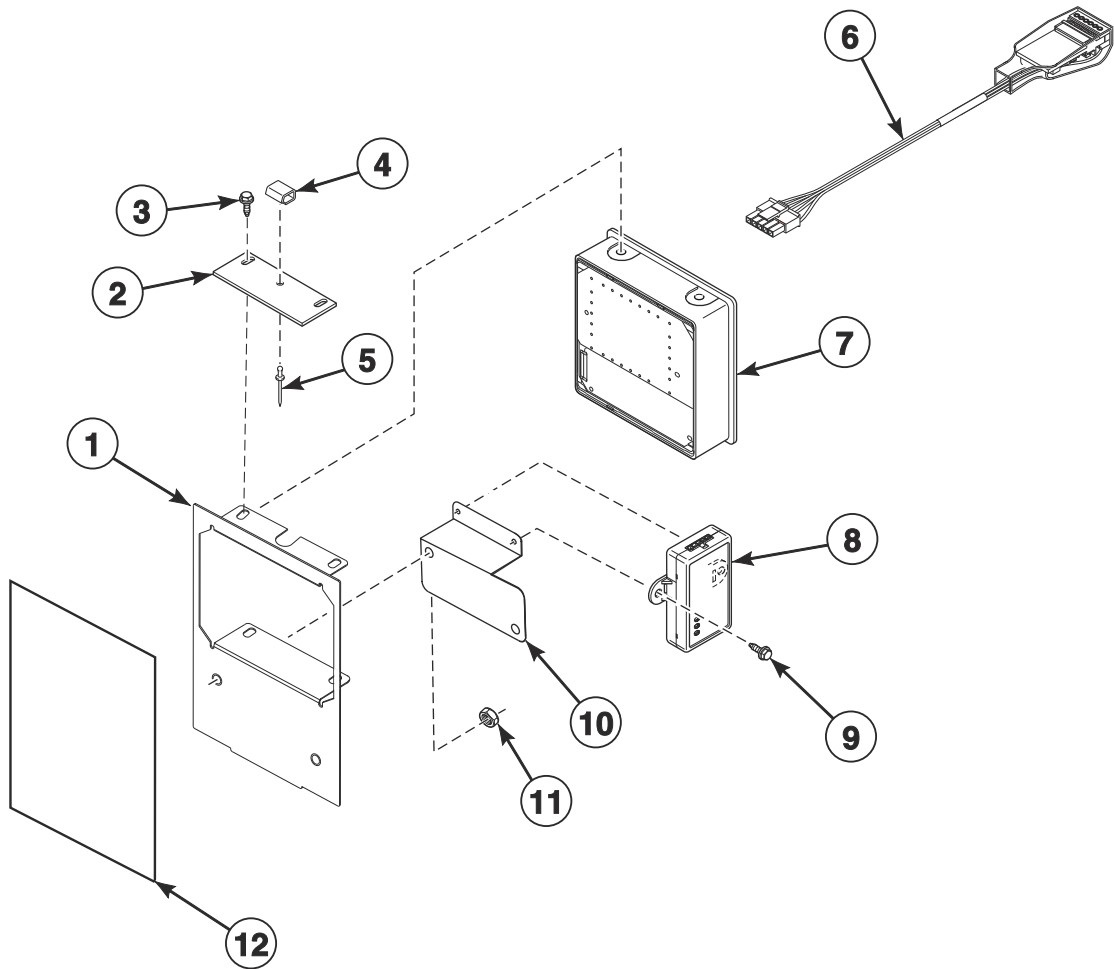
TMB3686P

Electronic Display Control - OPL Models with N in the 7th Position

| REF | PART NO. | DESCRIPTION | COMMENTS |
|-----|----------|---------------------------------|--|
| | 70577101 | Vend Activation Harness | |
| | 70622001 | Main Harness | |
| 1 | 70641803 | Control Door and Studs Assembly | |
| 2 | 70634401 | Control Latch Plate | |
| 3 | D501524 | Screw | |
| 4 | 431318 | Control Door Latch | |
| 5 | 70478802 | Control Assembly | Green |
| 6 | 203361P | Machine ID Control Assembly | Model or serial number is required when ordering |
| 7 | M400003 | Pop Rivet | |
| 8 | 44087101 | Nut | |
| 9 | 70677901 | Overlay | G and K models; Reversing; Upper |
| | 70681501 | Overlay | G and K models; Reversing; Lower |
| | 70690801 | Overlay | H models; Reversing; Upper |
| | 70690901 | Overlay | H models; Reversing; Lower |
| | 70692801 | Overlay | N models; Reversing; Upper |
| | 70692901 | Overlay | N models; Reversing; Lower |
| | 70674901 | Overlay | S models; Reversing; Upper |
| | 70673401 | Overlay | S models; Reversing; Lower |
| | 70691601 | Overlay | U models; Reversing; Upper |
| | 70691701 | Overlay | U models; Reversing; Lower |

3.5 Inch Graphical Control

U Models with D in the 7th Position



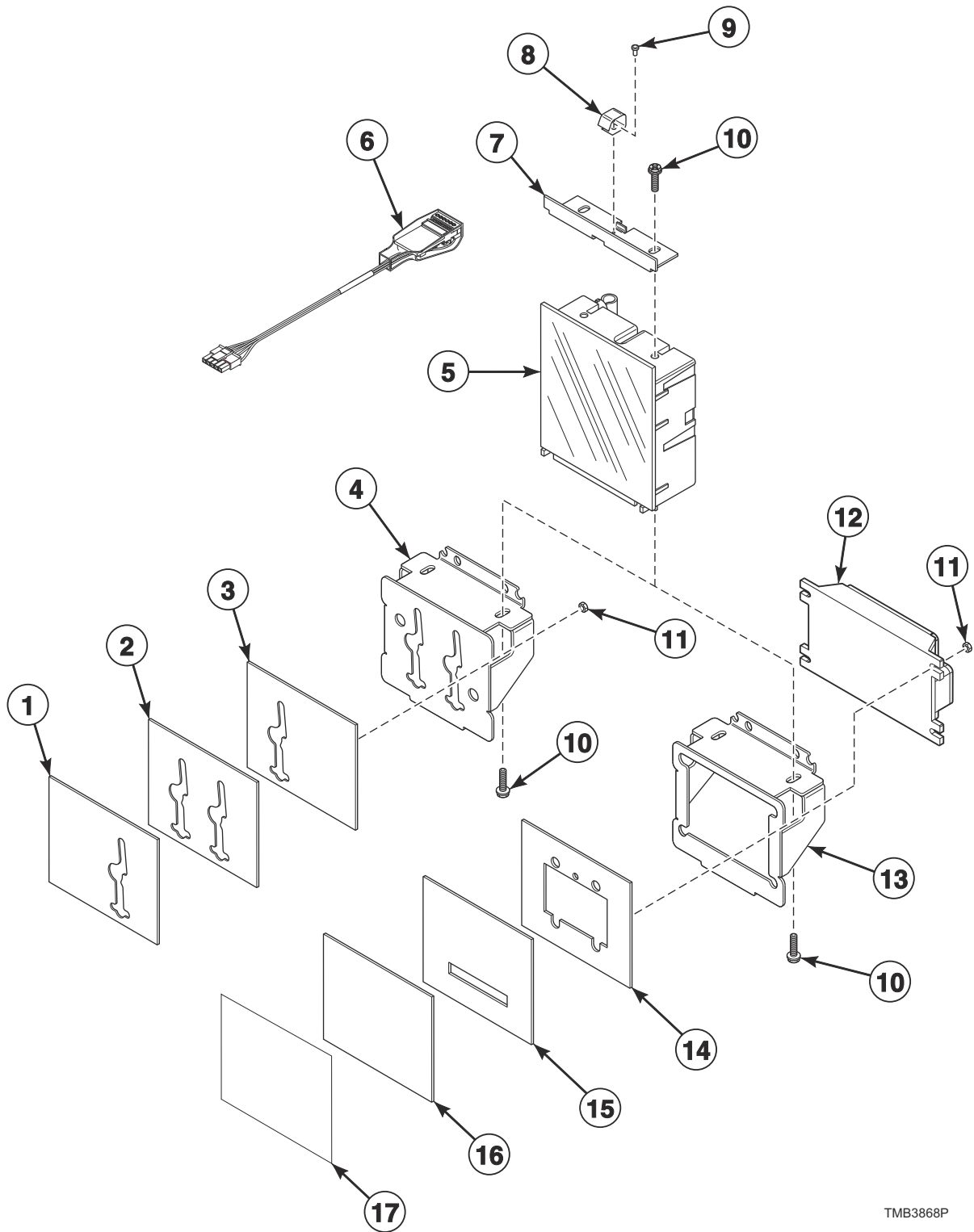
TMB3867P

3.5 Inch Graphical Control

| REF | PART NO. | DESCRIPTION | COMMENTS |
|-----|----------|---------------------------------|--|
| | F8617901 | Harness | USB |
| | 70622001 | Main Harness | |
| 1 | 70641803 | Control Door and Studs Assembly | |
| 2 | 70634401 | Control Latch Plate | |
| 3 | D501524 | Screw | |
| 4 | 431318 | Control Door Latch | |
| 5 | M400003 | Pop Rivet | |
| 6 | 203361P | Machine ID Control Assembly | Model or serial number is required when ordering |
| 7 | 70543104 | Control Assembly | |
| 8 | 203440 | USB-Serial Interface Assembly | |
| 9 | 51780 | Screw | |
| 10 | 70653901 | USB Bracket | |
| 11 | 44087101 | Nut | |
| 12 | 70678201 | Overlay | Upper |
| | 70678301 | Overlay | Lower |

Touch Control - Vend Models with V in the 7th Position

B, H, P and S Models



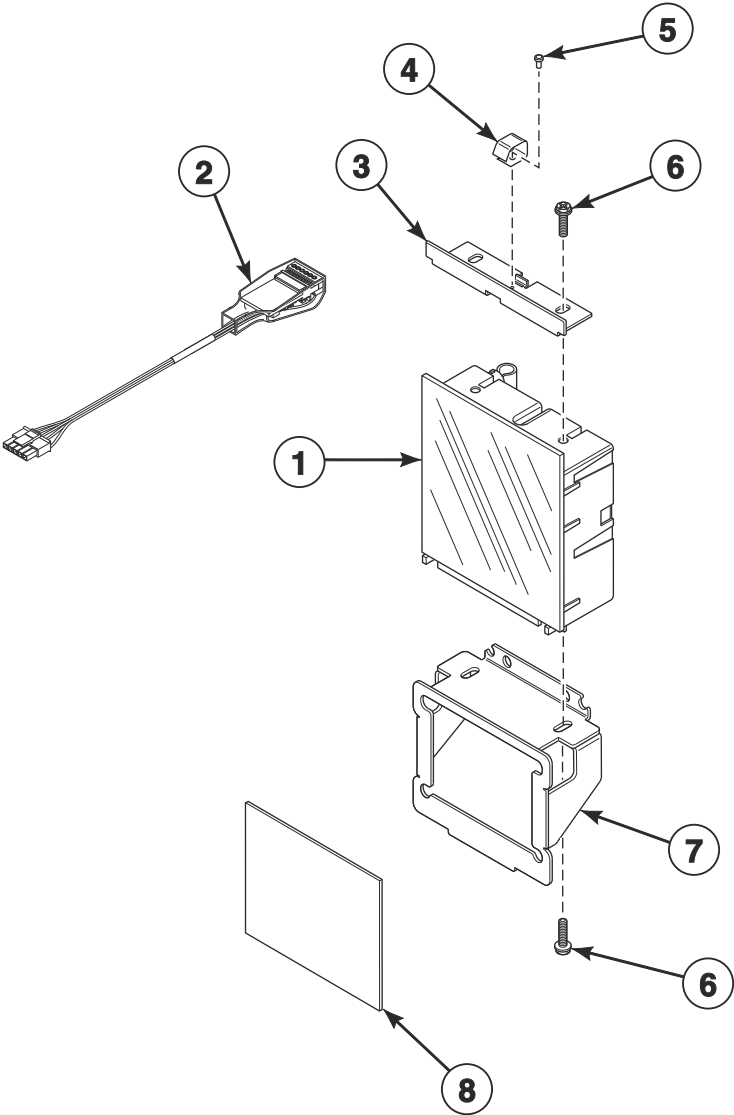
TMB3868P

Touch Control - Vend Models with V in the 7th Position

| REF | PART NO. | DESCRIPTION | COMMENTS |
|-----------|-----------|-------------------------------|----------------------------------|
| | 70577101 | Vend Activation Harness | |
| | 203440 | USB-Serial Interface Assembly | |
| | 44374701 | App Pay Overlay Kit | |
| | 70576501P | Replacement Screen Kit | |
| | 70622001 | Main Harness | |
| | F8719302 | Fob Communication Harness | |
| | 44334102 | Coin Vault Switch Harness | |
| | 44334103 | Bypass Harness | Vault switch |
| | 70622201 | Harness | Front end control to central pay |
| 1 | 70633005 | Plate Assembly | Coin; Right |
| 2 | 70633003 | Plate Assembly | Dual drop |
| 3 | 70633002 | Plate Assembly | Coin; Left |
| 4 | 70581001 | Control Bracket | Lower; Coin |
| 5 | 70576201P | Control Assembly | |
| 6 | 203361P | Machine ID Control Assembly | |
| 7 | 70581101 | Control Bracket | Upper |
| 8 | 431318 | Control Door Latch | 2 required |
| 9 | M400003 | Pop Rivet | |
| 10 | 203799 | Screw | |
| 11 | 44087101 | Nut | |
| | 70054 | Nut | Use with FOB |
| 12 | 205135 | Fob Reader Control Assembly | |
| 13 | 70581002 | Control Bracket | Lower; Card and central pay |
| | 70581003 | Control Bracket | Lower; FOB |
| 14 | 70633006 | Plate Assembly | Card slide |
| | 70666701 | Plate Assembly | FOB |
| 15 | 70633004 | Plate Assembly | Card slide |
| 16 | 70633001 | Plate Assembly | Central pay |
| 17 | F8734101 | Overlay | S models; FOB |
| | F8734401 | Overlay | H models; FOB |
| | F8736701 | Overlay | H models; Citron; FOB |

Touch Control - OPL Models with V in the 7th Position

B, J, P and U Models



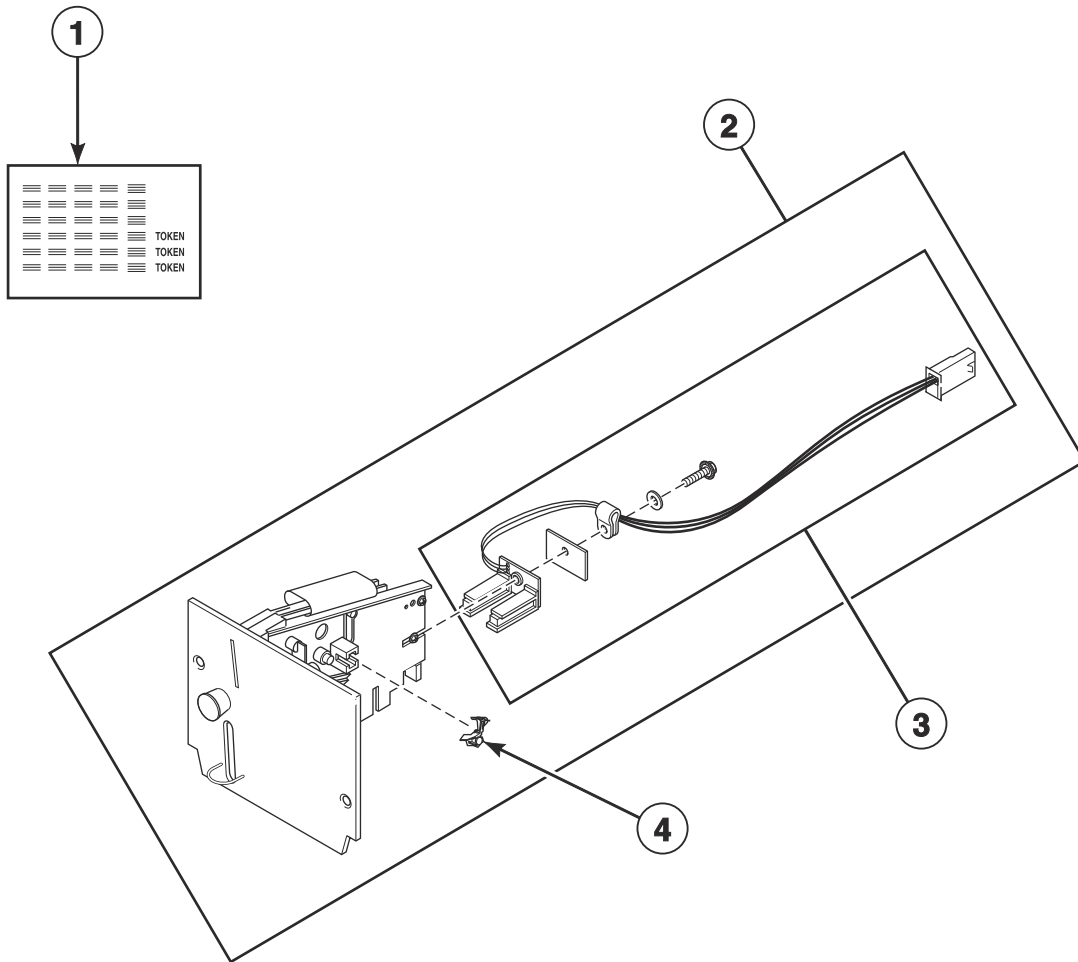
TMB3869P

Touch Control - OPL Models with V in the 7th Position

| REF | PART NO. | DESCRIPTION | COMMENTS |
|----------|-----------|-------------------------------|---|
| | 203440 | USB-Serial Interface Assembly | |
| | 44374701 | App Pay Overlay Kit | |
| | 70576501P | Replacement Screen Kit | |
| | 70622001 | Main Harness | |
| | 51780 | Screw | U models; Use with 70708001 USB Bracket |
| | 70708001 | USB Bracket | U models |
| | F8617901 | Harness | U models; USB |
| 1 | 70697102 | Control Assembly | |
| 2 | 203361P | Machine ID Control Assembly | |
| 3 | 70581101 | Control Bracket | Upper |
| 4 | 431318 | Control Door Latch | 2 required |
| 5 | M400003 | Pop Rivet | |
| 6 | 203799 | Screw | |
| 7 | 70581002 | Control Bracket | Lower |
| 8 | 70633001 | Plate Assembly | |

Coin Drops

All Models Except U Models



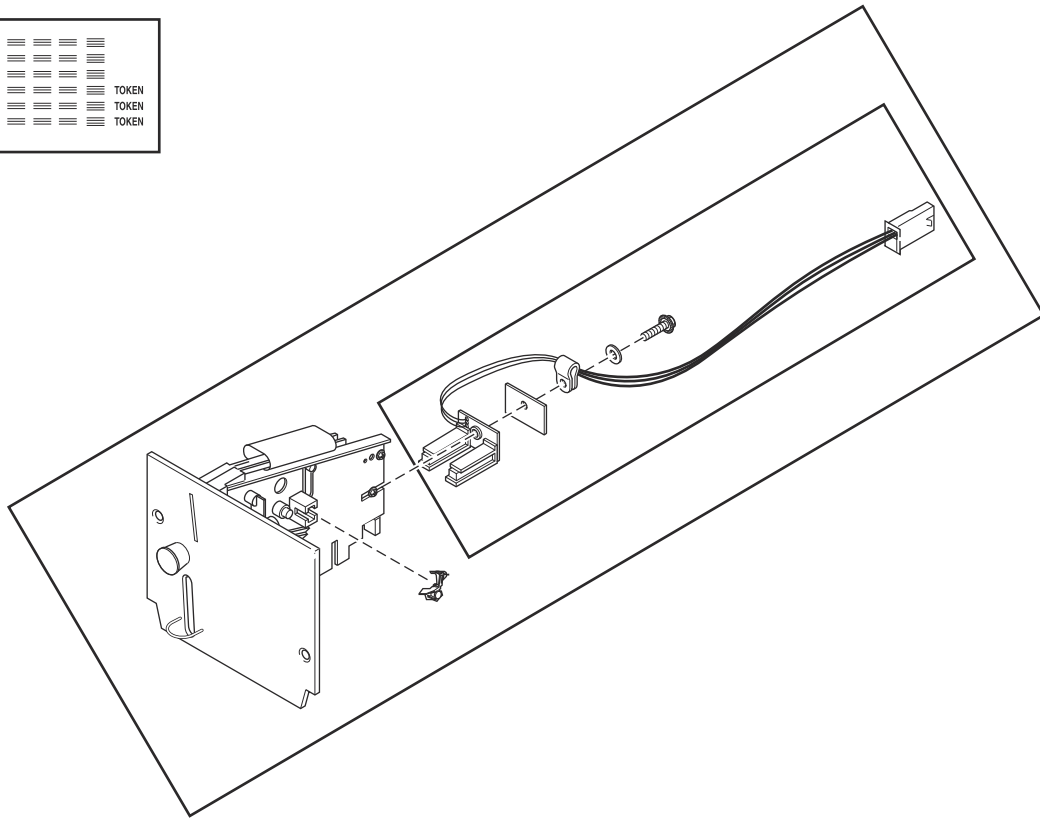
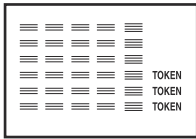
TMB3510P

Coin Drops

| REF | PART NO. | DESCRIPTION | COMMENTS |
|-----|-------------|-------------------------------|---|
| 1 | 38725 | Coin Identification Paper | |
| 2 | 70441601P | Coin Drop | Single; U.S.A.; \$.25 |
| | 38475 | Coin Drop Assembly | Single; Japan; 100 yen |
| | 38464P | Coin Drop Assembly | Single; Canada; .25 |
| | CK077 | Coin Drop Kit | Single; Taiwan; 10 NT |
| | 70506901 | Coin Drop Assembly | Single; Singapore; \$1.00 NEW |
| | 70441603 | Coin Drop | Dual; U.S.A.; \$.25 and \$1.00 |
| | 38519 | Coin Drop Assembly | Dual; Japan; 100 yen and 500 yen |
| | 70441602 | Coin Drop Assembly | Dual; Canada; .25 and 1.00 |
| | 38467 | Coin Drop Assembly | Dual; Australia; \$0.20 and \$1.00 |
| | 70447301 | Coin Drop Assembly | Dual; Australia; \$1.00 and \$2.00 |
| | 70283102 | Coin Drop Assembly | Dual; 0.20 and 0.50 Euro |
| | 210195 | Coin Drop Assembly | Dual; 0.20 and 1.00 Euro |
| | 210196 | Coin Drop Assembly | Dual; 0.50 and 1.00 Euro |
| | F0160737-00 | Coin Meter | Dual; 0.50 and 2.00 Euro |
| | 70281102 | Coin Drop Assembly | Dual; Taiwan; 10 and 50 NT |
| | 70482401 | Coin Drop Assembly | Dual; New Zealand; \$1.00 and \$2.00 |
| | 38462P | Coin Drop Assembly | Single; Token; STD 118-1 |
| | 38463 | Coin Drop Assembly | Single; Token; STD 118-5 |
| | 38963P | Coin Drop | Single; Token STD 118-16 |
| | 39748 | Coin Drop | Single; Jeton 08MS |
| | 201141 | Coin Drop Assembly | Single; Token; Jeton wh121 |
| | 70471601 | Coin Drop Assembly | Single; Token; 7K |
| | 70513302 | Electronic Coin Drop Assembly | Euro and Great Britain coins |
| | 70513310 | Electronic Coin Drop Assembly | Japan and Thailand coins |
| | 70513304 | Electronic Coin Drop Assembly | Australia, New Zealand, Hong Kong and South Korea coins |
| | 70513303 | Electronic Coin Drop Assembly | Denmark, Norway and Euro coins |
| | 70513306 | Electronic Coin Drop Assembly | Mexico, Ecuador and U.S.A. coins |
| | 70294107 | Electronic Coin Drop Assembly | Lithuania, Latvia and Euro coins |
| | 70513311 | Electronic Coin Drop Assembly | China and Malaysia coins |
| | 70513308 | Electronic Coin Drop Assembly | South African 1, 2 and 5 rand coins |
| | 70513309 | Electronic Coin Drop Assembly | Euro coins |
| | 70513312 | Electronic Coin Drop Assembly | Russia coins |
| | 70513313 | Electronic Coin Drop Assembly | Philippines coins |
| | 70513314 | Electronic Coin Drop Assembly | Thailand coins |
| | 70513315 | Electronic Coin Drop Assembly | Chile coins |
| | 70513316 | Electronic Coin Drop Assembly | Singapore coins |
| 3 | 200674P | Opto Coupler | |
| 4 | 201595P | Wire Guard | |

Coin Drop Kits

All Models Except U Models

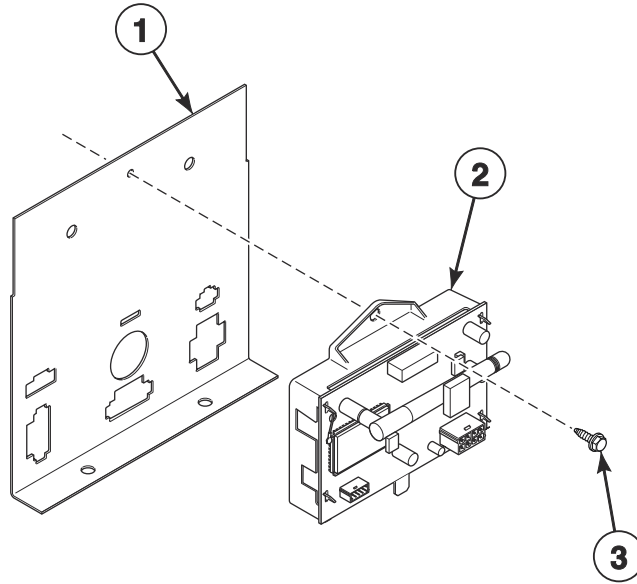


TMB3510PA

Coin Drop Kits

| REF | PART NO. | DESCRIPTION | COMMENTS |
|-----|----------|--------------------------|---|
| | CK115 | Electronic Coin Drop Kit | United States and Canada |
| | CK099 | Electronic Coin Drop Kit | Australia (default), New Zealand, Hong Kong, South Korea and Malaysia |
| | CK100 | Electronic Coin Drop Kit | United Kingdom (default) and Europe |
| | CK101 | Electronic Coin Drop Kit | Europe (default), Denmark and Norway |
| | CK108 | Electronic Coin Drop Kit | South Africa |
| | CK109 | Electronic Coin Drop Kit | Euro |
| | CK110 | Electronic Coin Drop Kit | Mexico (default), Ecuador and United States |
| | CK113 | Electronic Coin Drop Kit | Japan and Taiwan |
| | CK116 | Electronic Coin Drop Kit | Malaysia (default) and China |
| | CK117 | Electronic Coin Drop Kit | Russia |
| | CK118 | Electronic Coin Drop Kit | Philippine |
| | CK119 | Electronic Coin Drop Kit | Thailand |
| | CK120 | Electronic Coin Drop Kit | Chile |
| | CK121 | Electronic Coin Drop Kit | Singapore |
| | CK122 | Coin Drop Kit | New Zealand; 1.00 and 2.00 |

Network Board Components

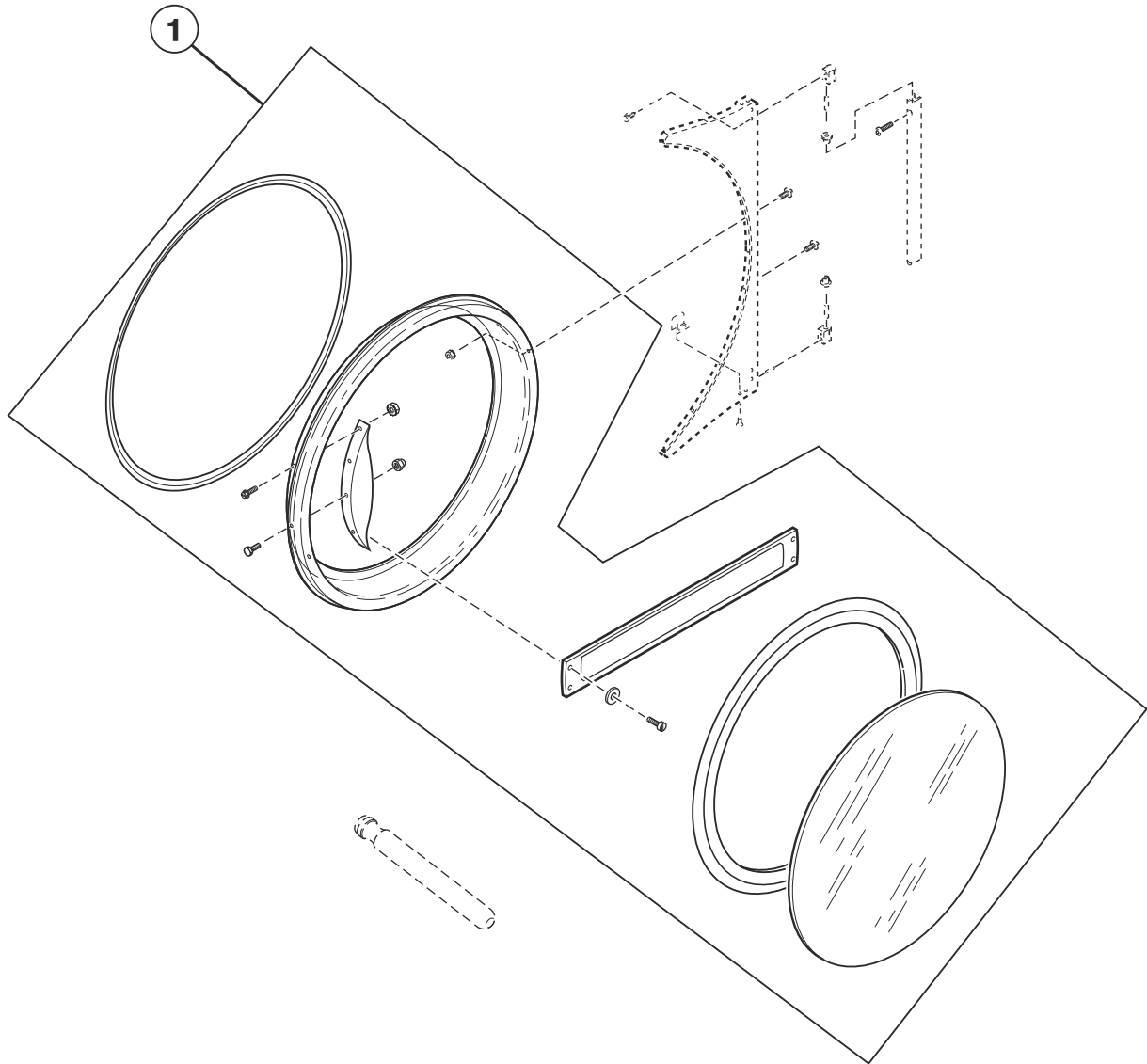


TMB3834P

Network Board Components

| REF | PART NO. | DESCRIPTION | COMMENTS |
|----------|----------|-----------------------------------|------------|
| | 70609801 | Wireless Network Kit | |
| | F8674007 | Wireless Network Harness | |
| | 204692 | Wireless Control Label | |
| | 203346 | USB IR Interface Kit | |
| 1 | 70307006 | Control Housing Cover | |
| 2 | 807211 | Wireless Network Control Assembly | |
| 3 | F8206901 | Screw | 4 required |

Door Assemblies

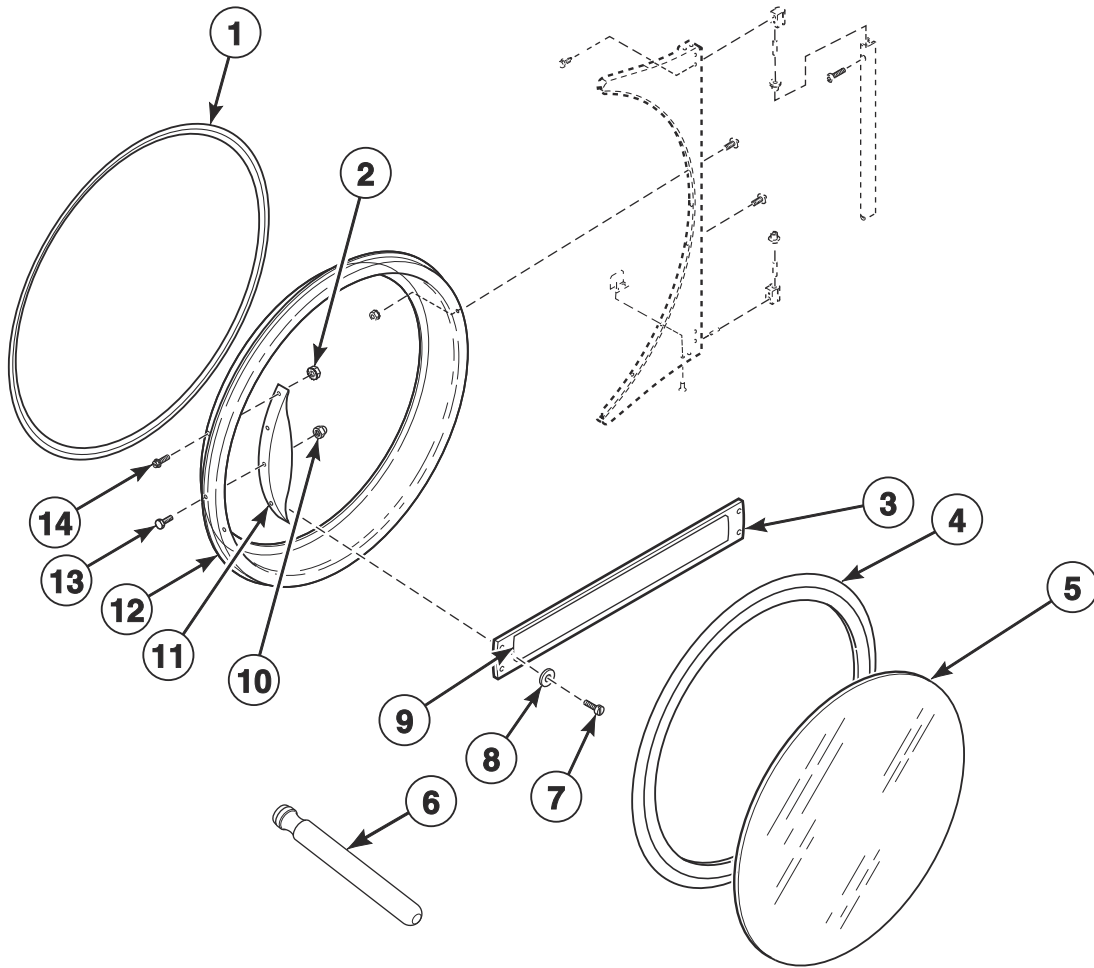


TMB3933P

Door Assemblies

| REF | PART NO. | DESCRIPTION | COMMENTS |
|-----|------------|---------------|---|
| 1 | 44354701 | Door Assembly | M and S models; Stainless steel |
| | 44354702 | Door Assembly | M and S models; Chrome |
| | 44354703 | Door Assembly | U models; Stainless steel |
| | 44354704 | Door Assembly | U models; Chrome |
| | 44354705 | Door Assembly | H models; Stainless steel |
| | 44354707 | Door Assembly | H models; Stainless steel with green trim |
| | 44354706 | Door Assembly | H models; Chrome |
| | 44354708 | Door Assembly | H models; Chrome with green trim |
| | 44354709 | Door Assembly | B, J, N and P models; Black |
| | 44354711B | Door Assembly | G and K models; Includes handle |
| | 44354710LG | Door Assembly | P models; Light gray |

Door Components

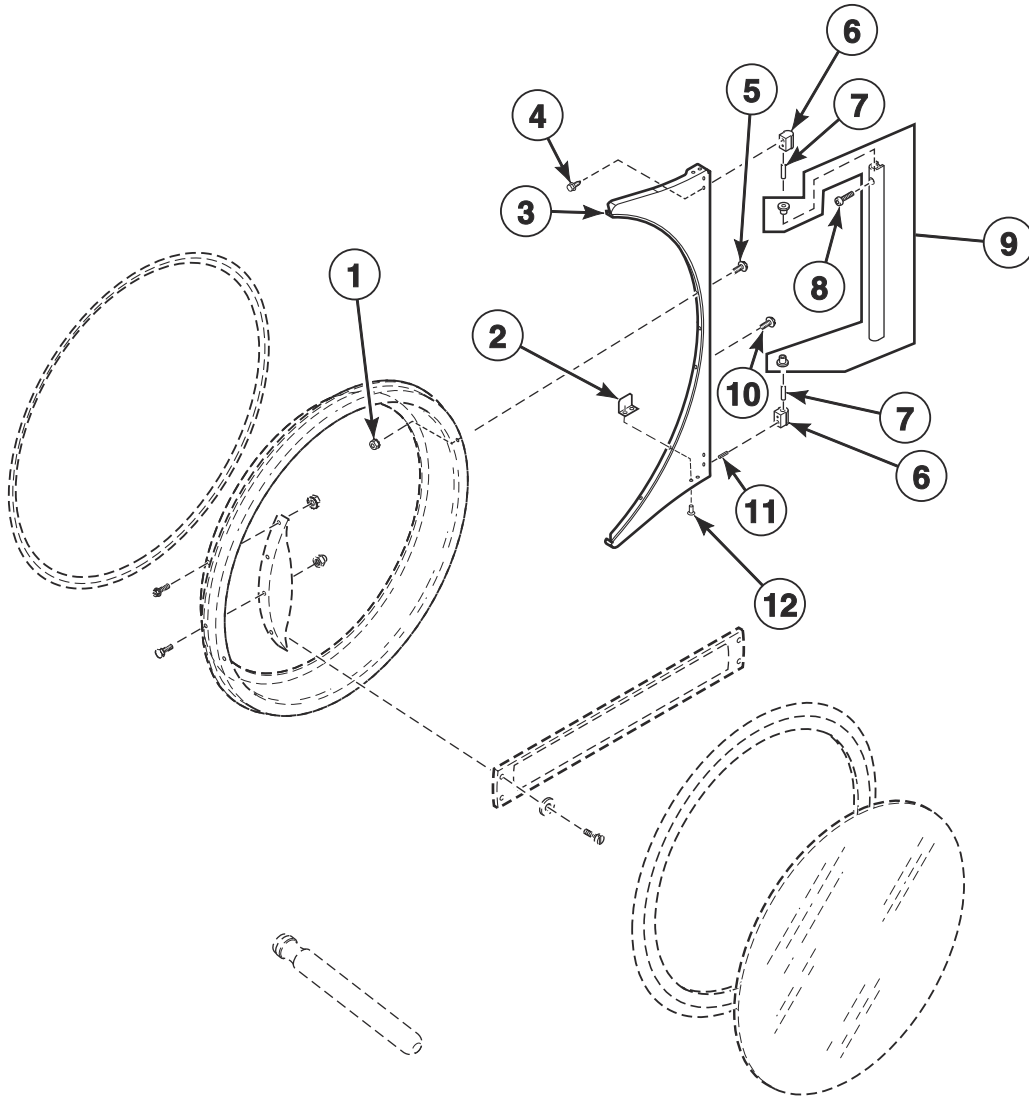


TMB3933PA

Door Components

| REF | PART NO. | DESCRIPTION | COMMENTS |
|-----------|------------|------------------------------|--|
| | 70650401 | Door Glass Label | H models |
| | 70707701 | Door Glass Label | S models |
| | 70707501 | Max Fill Line Label | |
| 1 | 70296802 | Door Ring Gasket | H models with chrome handle |
| | 44008201P | Door Ring Gasket | |
| 2 | 44088001 | Nut | B, H, M, N and S models; 4 required |
| 3 | 70399501B | Handle Bar | G and K models |
| 4 | 70211902P | Door Seal Kit | Use Loctite 414 for seal |
| 5 | 44008405 | Door Glass | H models; Green trim |
| | 44008401P | Door Glass | |
| 6 | M4221P4 | Door Glass Installation Tool | |
| 7 | 70412601 | Pop Rivet | G and K models; Attaches door handle to door ring |
| 8 | 70409301 | Washer | G and K models |
| 9 | 44144401 | Nameplate Overlay | K models through 7/7/22 |
| | 44391201 | Nameplate Overlay | K models starting 7/8/22 |
| | 70411401 | Nameplate Overlay | G models |
| 10 | M414215 | Nut | For door strike; Mounts between door strike screw and door handle |
| 11 | 44007901 | Door Handle | B, J, M, N, P and S models |
| | 44263801 | Door Handle | U models; Use 901620 Screw, 800465 Washer, 803871 Screw and 44088001 Nut to attach |
| | 44370601 | Door Handle | H models |
| 12 | 44354801 | Door Ring Assembly | H, M and S models; Stainless steel |
| | 44354802 | Door Ring Assembly | H, M and S models; Chrome |
| | 44354803 | Door Ring Assembly | U models |
| | 44354804 | Door Ring Assembly | U models; Chrome |
| | 44354808LG | Door Ring Assembly | P models; Light gray |
| | 44354807B | Door Ring Assembly | B, J, N and P models |
| | 44354809B | Door Ring Assembly | G and K models |
| 13 | M400661 | Screw | Door Strike |
| 14 | 70442101 | Screw | B, H, J, M, N, P and S models; 4 required |

Hinge Components

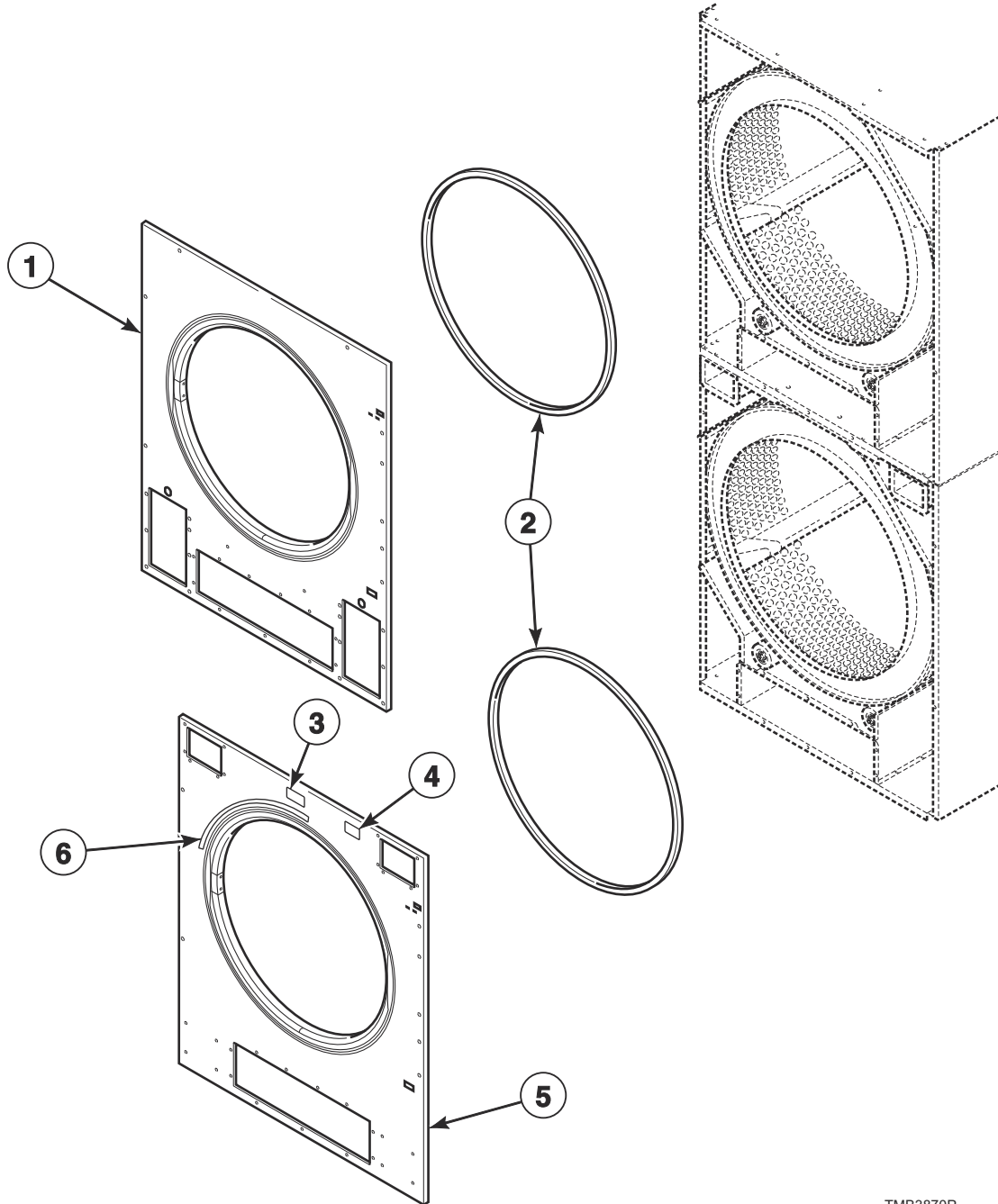


TMB3933PB

Hinge Components

| REF | PART NO. | DESCRIPTION | COMMENTS |
|-----|------------|-------------------------|--|
| 1 | 44088001 | Nut | |
| 2 | 70532101 | Door Switch Actuator | Bottom |
| 3 | 70596601 | Door Hinge Assembly | H and S models; Chrome |
| | 70596602 | Door Hinge Assembly | H, M, N, S and U models; Stainless steel |
| | 70596613B | Door Hinge Assembly | B, G, J, K and P models; Black |
| | 70596613LG | Door Hinge Assembly | P models; Light gray |
| | 70596613W | Door Hinge Assembly | H, M, N, S and U models |
| 4 | 70576101 | Screw | |
| 5 | 44349101 | Screw | 5 required |
| 6 | M4772P3 | Hinge Cam Kit | H, M, N, P, S and U models |
| | 70622401 | Hinge Cam Kit | H and S models; Chrome |
| | M4773P3 | Hinge Cam Kit | B, G, J, K and P models; Black |
| 7 | 70071401 | Pin | |
| 8 | 70033502 | Screw | H, M, N, P, S and U models |
| | 70407301 | Screw | B, G, J, K and P models; Black |
| 9 | 70597601 | Door Hinge Lug Assembly | H, M, N, P, S and U models |
| | 70597603 | Door Hinge Lug Assembly | B, G, J, K and P models; Black |
| | 70597602 | Door Hinge Lug Assembly | H and S models; Chrome |
| 10 | 70689401 | Screw | |
| 11 | 70436301 | Screw | |
| 12 | 70058501 | Pop Rivet | |

Front Panel Assemblies

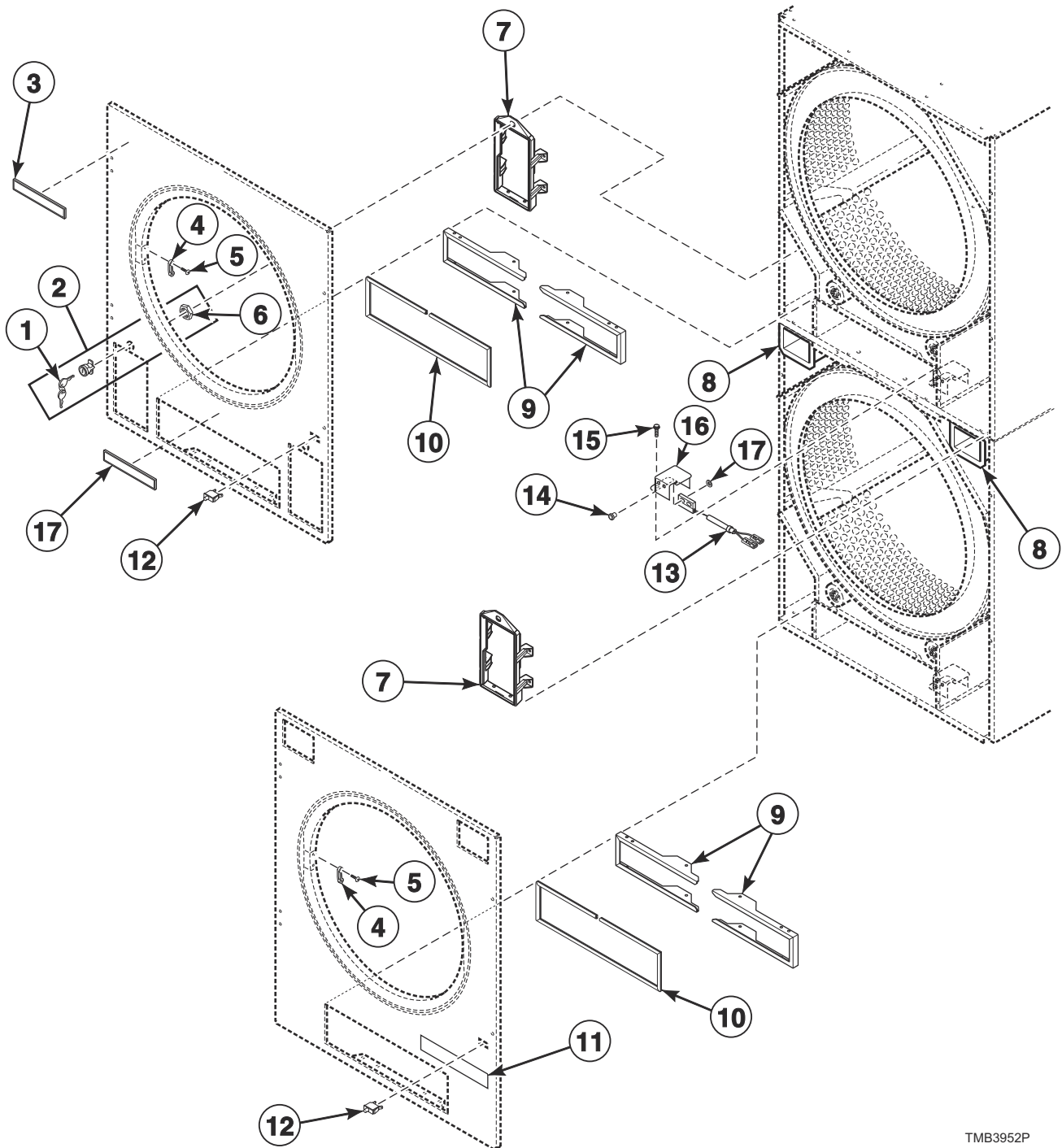


TMB3870P

Front Panel Assemblies

| REF | PART NO. | DESCRIPTION | COMMENTS |
|----------|------------|----------------------------|---|
| | 70289101P | Gasket | |
| 1 | 70704204W | Upper Front Panel Assembly | |
| | 70704204 | Upper Front Panel Assembly | Stainless steel |
| | 70704204DG | Upper Front Panel Assembly | P models; Dark gray |
| 2 | 70173402 | Front Cylinder Seal | Requires D511637P Adhesive |
| 3 | 70472801 | Label | U models |
| 4 | 562738 | Label | U models |
| 5 | 70704201W | Lower Front Panel Assembly | All models except U models; Coin |
| | 70704201DG | Lower Front Panel Assembly | P models; Coin; Dark gray |
| | 70704201 | Lower Front Panel Assembly | All models except J and U models; Coin; Stainless steel |
| | 70704202W | Lower Front Panel Assembly | All models except J models; Card, central pay and OPL without e-stop |
| | 70704202DG | Lower Front Panel Assembly | P models; Card, central pay and OPL without e-stop, Dark gray |
| | 70704202 | Lower Front Panel Assembly | All models except J models; Card, central pay and OPL without e-stop, |
| | 70704203W | Lower Front Panel Assembly | All models except J models; OPL; With e-stop |
| | 70704203DG | Lower Front Panel Assembly | P models; OPL; Dark gray; With e-stop |
| | 70704203 | Lower Front Panel Assembly | OPL; Stainless steel; With e-stop |
| | 6 | 70534401 | Warning Label |
| 70534402 | | Warning Label | French |
| 70534400 | | Label Kit | IEC models; Warning |

Cabinet Front Components



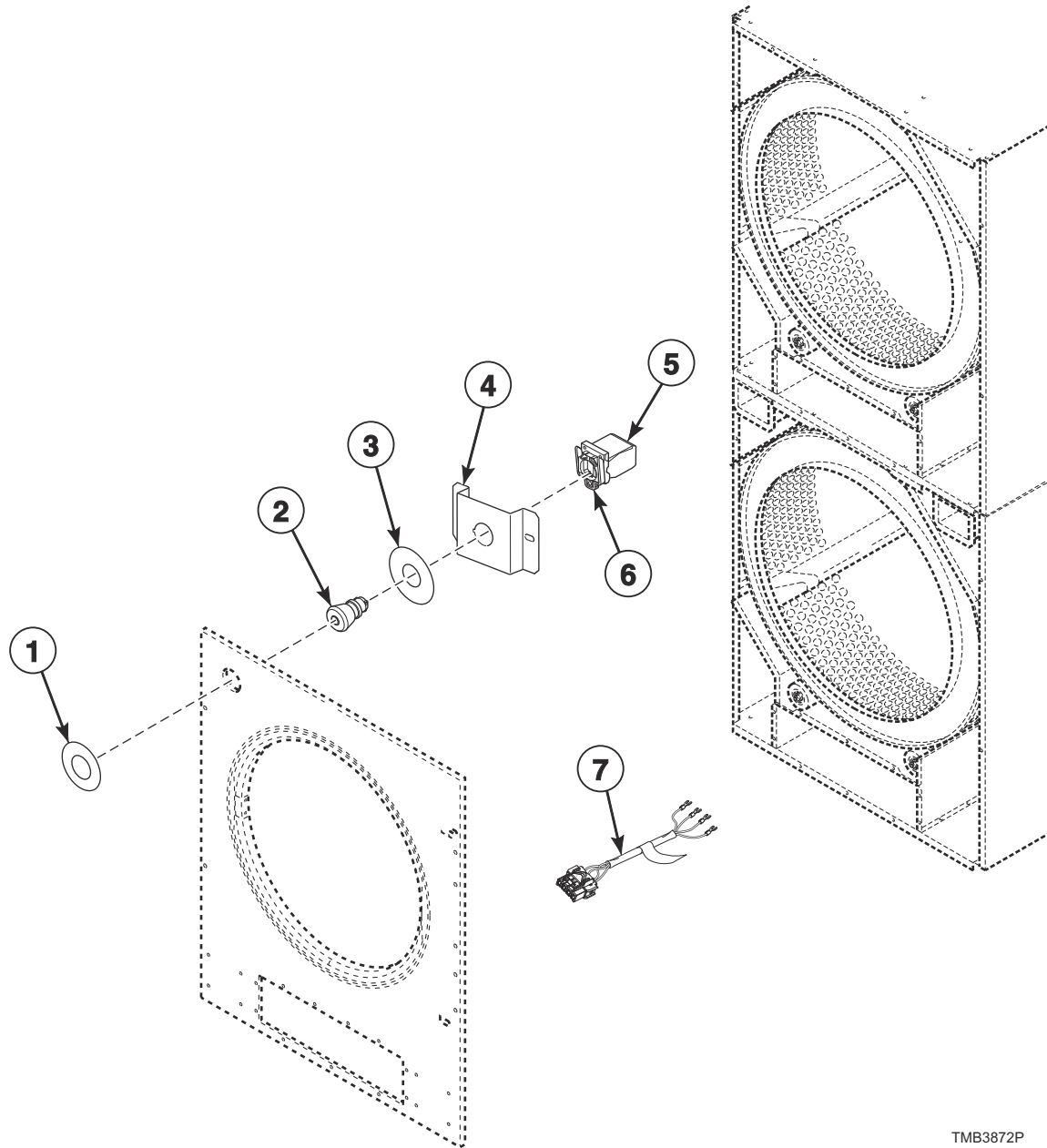
TMB3952P

Cabinet Front Components

| REF | PART NO. | DESCRIPTION | COMMENTS |
|-----|-----------|----------------------------|--|
| 1 | 70155601 | Key | RL001 |
| 2 | 44089301P | Lock, Key and Nut Kit | RL001; Black |
| 3 | F8443105 | Nameplate | U models |
| | 567293 | Nameplate | B models |
| | 70685901 | Nameplate | J models |
| | 70414001 | Label | G and K models through 8/7/22; Coin; ExpressDry |
| | 44391301 | Label | G and K models starting 8/8/22; Coin; ExpressDry |
| | 44391401 | Label | K models starting 7/8/22; OPL; ProDry2+ |
| 4 | M401223 | Door Latch | |
| 5 | 44166601 | Pop Rivet | 2 required for item 4 |
| 6 | 44088801 | Nut | Panel lock |
| 7 | 70642001 | Control Bezel | |
| 8 | 70529501 | Coin Vault Assembly | |
| 9 | 70606401 | Lint Seal Shoulder Bracket | |
| 10 | 70593902 | Lint Box Gasket | |
| 11 | 44392201 | Label | K models starting 7/8/22; Capacity; OPL |
| 12 | 70413301 | Pushbutton Switch | Door switch |
| 13 | F8066804 | Reed Switch Assembly | |
| 14 | F8245101 | Blind Rivet | |
| 15 | 430497 | Screw | |
| 16 | 70606301 | Reed Switch Box | |
| 17 | F431125 | Washer | |
| 18 | F8688901 | Nameplate | S models |
| | F8688001 | Nameplate | H models |
| | 567887 | Nameplate | P models |

Emergency Stop Button - IEC OPL Models

A, H, J, K, L, R and U in the 2nd Position

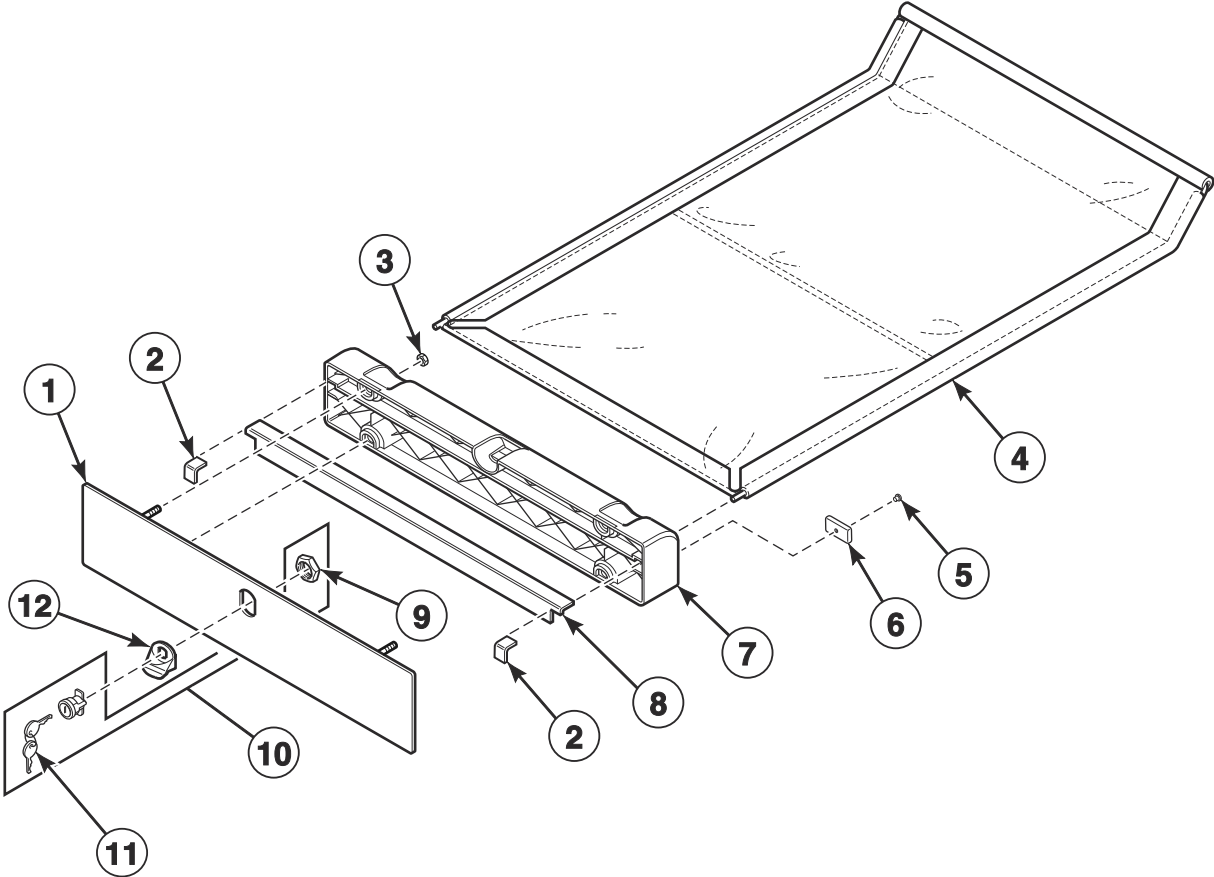


TMB3872P

Emergency Stop Button - IEC OPL Models

| REF | PART NO. | DESCRIPTION | COMMENTS |
|----------|------------|---------------------------------|----------------------------|
| | 70580301 | Emergency Stop Button Kit | Includes items 2-4 |
| | F8519403 | Emergency Stop Bypass Harness | Coin, card and central pay |
| | 70611901 | Emergency Stop Power Harness | |
| 1 | 44012903 | Emergency Stop Label | |
| 2 | F200233500 | Emergency Stop Pushbutton | |
| 3 | 44012901 | Emergency Stop Label | |
| 4 | 70550401 | Emergency Stop Mounting Bracket | |
| 5 | F8069501 | Contact Switch | 4 required |
| 6 | F8538101 | Contact Base | |
| 7 | 44272401 | Emergency Stop Harness | Primary |
| | 44272402 | Emergency Stop Harness | Supplementary |

Lint Drawer Components

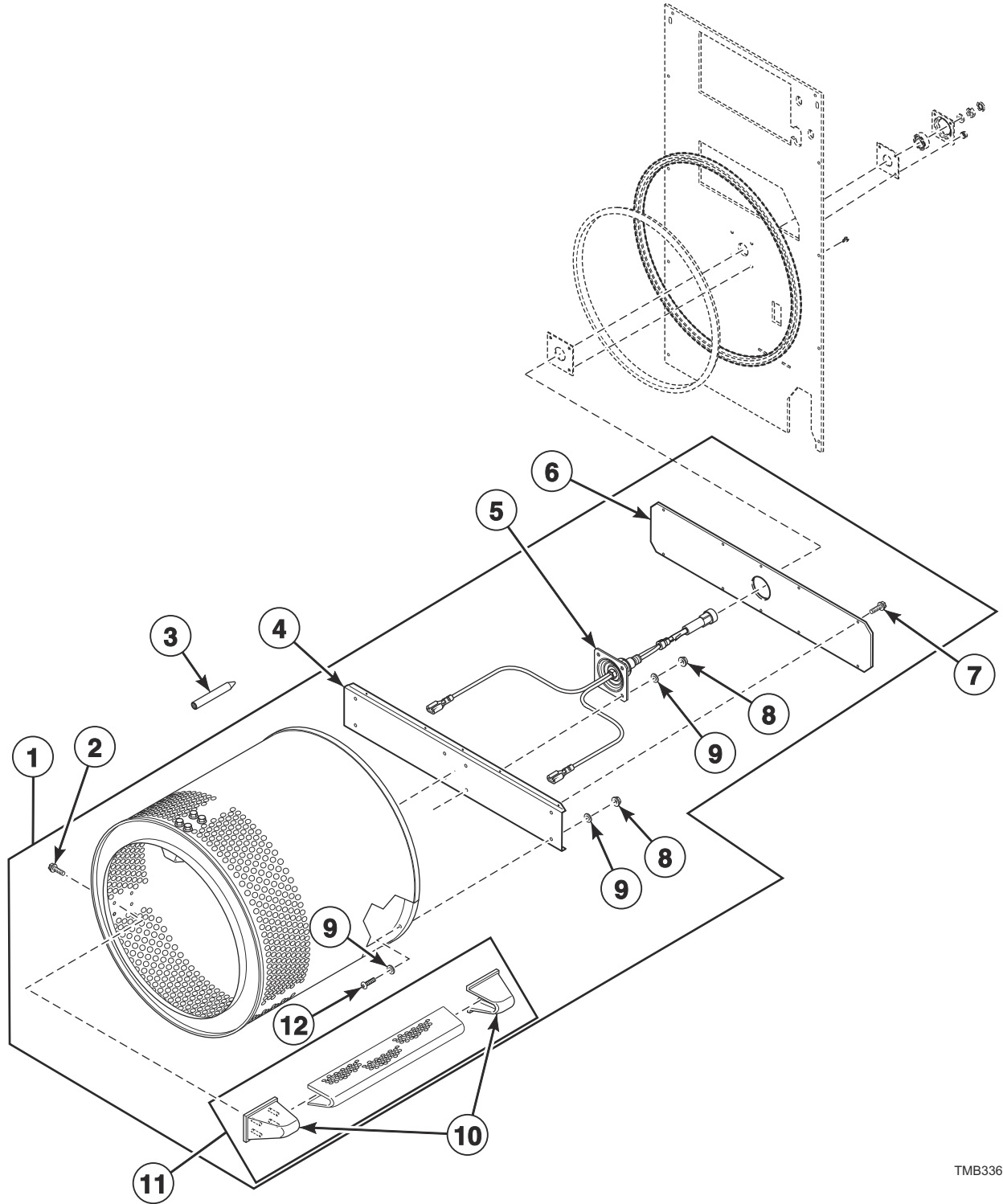


TMB3813P

Lint Drawer Components

| REF | PART NO. | DESCRIPTION | COMMENTS |
|-----------|------------|-----------------------|---------------------|
| | 70598101 | Foam Gasket | |
| | 430497 | Screw | |
| 1 | 70588101 | Lint Front Assembly | Stainless steel |
| | 70588103DG | Lint Front Assembly | P models; Dark gray |
| | 70588103W | Lint Front Assembly | |
| 2 | 70605601 | Lint Screen Shim | |
| 3 | 44087101 | Nut | |
| 4 | 70596101 | Lint Screen Assembly | |
| 5 | F8245101 | Blind Rivet | |
| 6 | 70343101 | Magnet | |
| 7 | 70594401 | Lint Door Support | |
| 8 | 70595701 | Lint Screen Bracket | |
| 9 | 44088801 | Nut | |
| 10 | 44390902P | Lock, Key and Nut Kit | RL002; Black |
| 11 | 70155602 | Key | RL002 |
| 12 | 70642201 | Lock Pull | Vend |

Cylinder and Trunnion Components

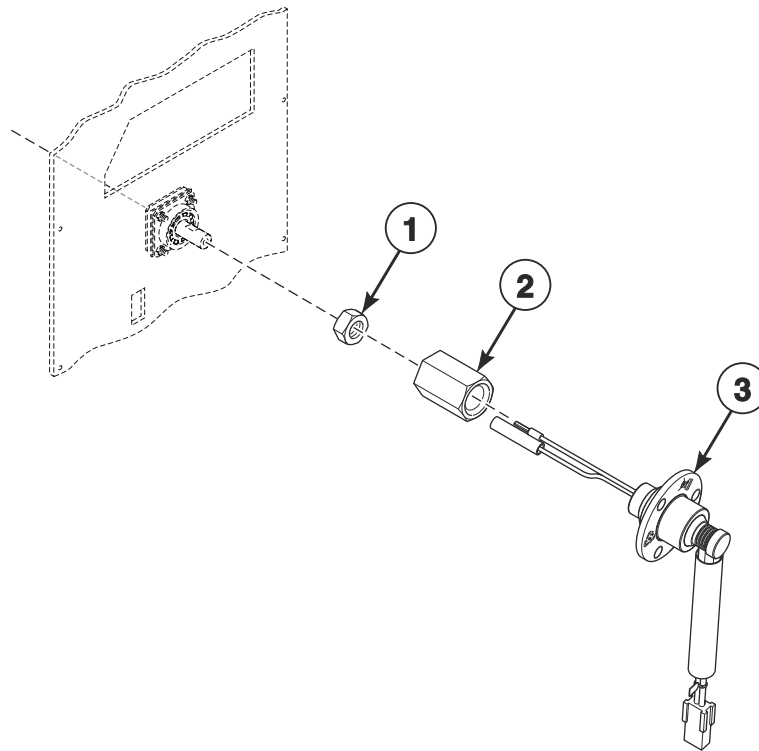


TMB3360P

Cylinder and Trunnion Components

| REF | PART NO. | DESCRIPTION | COMMENTS |
|-----|-----------|--------------------------------|--|
| | 70343101P | Drywall Screw Magnet Kit | Includes 6 magnets and 6 screws |
| 1 | 70372903 | Cylinder Assembly | G and K models; Non-moisture sensing |
| | 70372901P | Cylinder Assembly | Galvanized; Non-moisture sensing |
| | 70372902P | Cylinder Assembly | Stainless steel; Non-moisture sensing |
| | 70444003 | Cylinder and Trunnion Assembly | G and K models; Moisture sensing |
| | 70444001P | Cylinder and Trunnion Assembly | Galvanized; Moisture sensing |
| | 70444002 | Cylinder and Trunnion Assembly | Stainless steel; Moisture sensing |
| 2 | 62588 | Screw | |
| 3 | 263P4 | Cylinder Guide Tool | |
| 4 | 70305201 | Rear Cylinder Channel | Non-moisture sensing |
| | 70305202 | Rear Cylinder Channel | Moisture sensing |
| 5 | 70564805 | Trunnion and Seal Kit | Non-moisture sensing |
| | 70564806 | Trunnion and Seal Kit | Moisture sensing; Includes 70454601 Trunnion and Wire Assembly |
| 6 | 70305301 | Rear Cylinder Channel Plate | |
| 7 | 430497 | Screw | 10 required |
| 8 | M412986 | Nut | |
| 9 | 70411301 | Washer | |
| 10 | 70070101 | End Cap | Non-moisture sensing |
| | 70070102 | End Cap | Moisture sensing |
| 11 | 70433001 | Cylinder Rib Assembly | Moisture sensing |
| 12 | 70391101 | Screw | 8 required |

Moisture Sensing Components

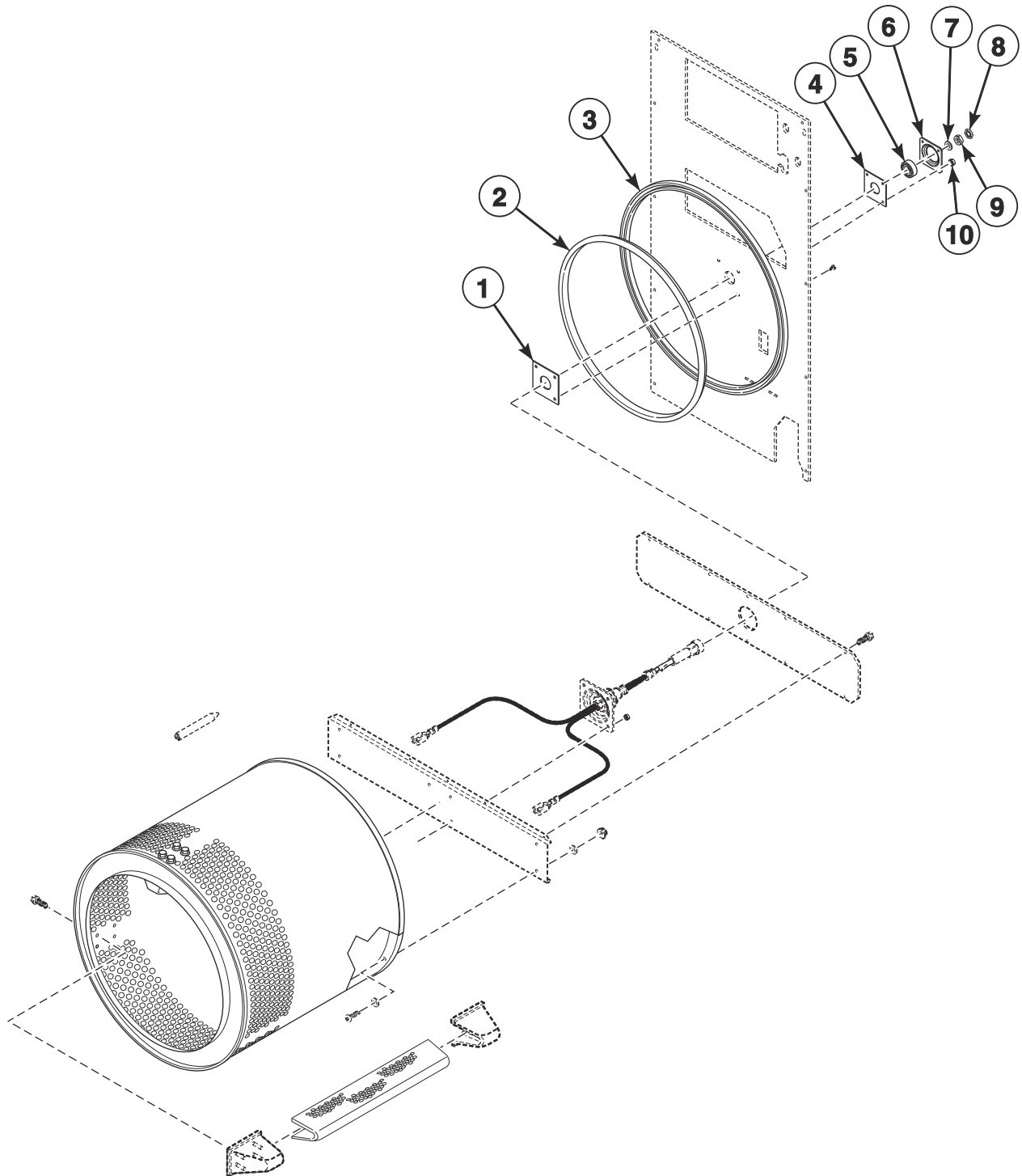


TMB3579P

Moisture Sensing Components

| REF | PART NO. | DESCRIPTION | COMMENTS |
|-----|----------|--------------------|----------|
| 1 | M400035 | Nut | |
| 2 | 70455401 | Slip Ring Holder | |
| 3 | 44222702 | Slip Ring Assembly | |

Bearing Components

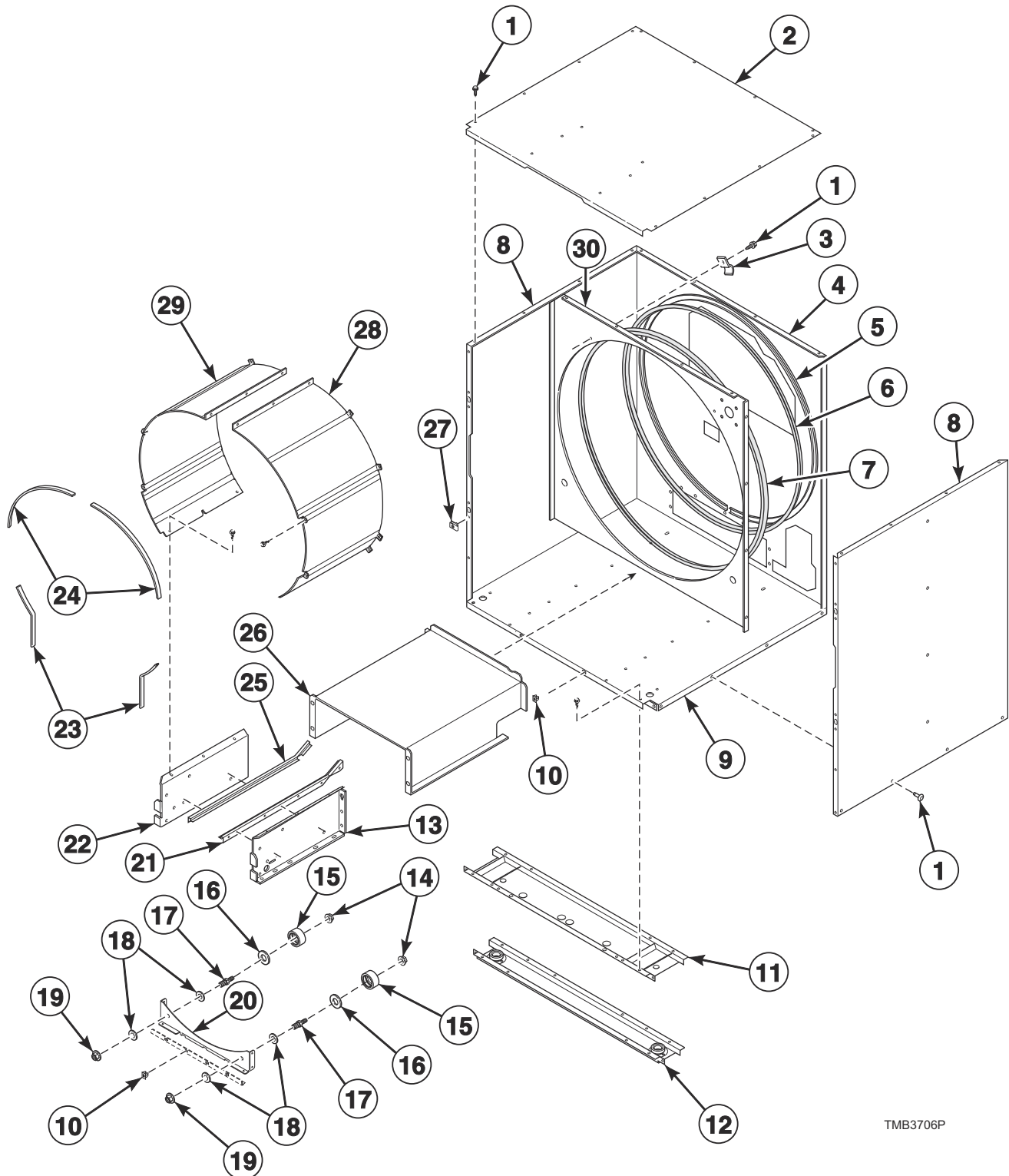


TMB3163PA

Bearing Components

| REF | PART NO. | DESCRIPTION | COMMENTS |
|-----|-----------|--------------------------------------|----------------------------|
| 1 | 430352 | Cylinder Bearing Stud Plate Assembly | |
| 2 | 70013703P | Rear Cylinder Seal | Requires D511637P Adhesive |
| 3 | 70506403 | Rear Cylinder Seal Support | |
| 4 | 70355001 | Rear Bearing Shim | |
| 5 | 70448701 | Support Bearing | |
| 6 | 70013901 | Rear Cylinder Bearing Housing | |
| 7 | M400991 | Washer | |
| 8 | M400034 | Nut | |
| 9 | M400022 | Nut | |
| 10 | M412986 | Nut | |

Cabinet Components

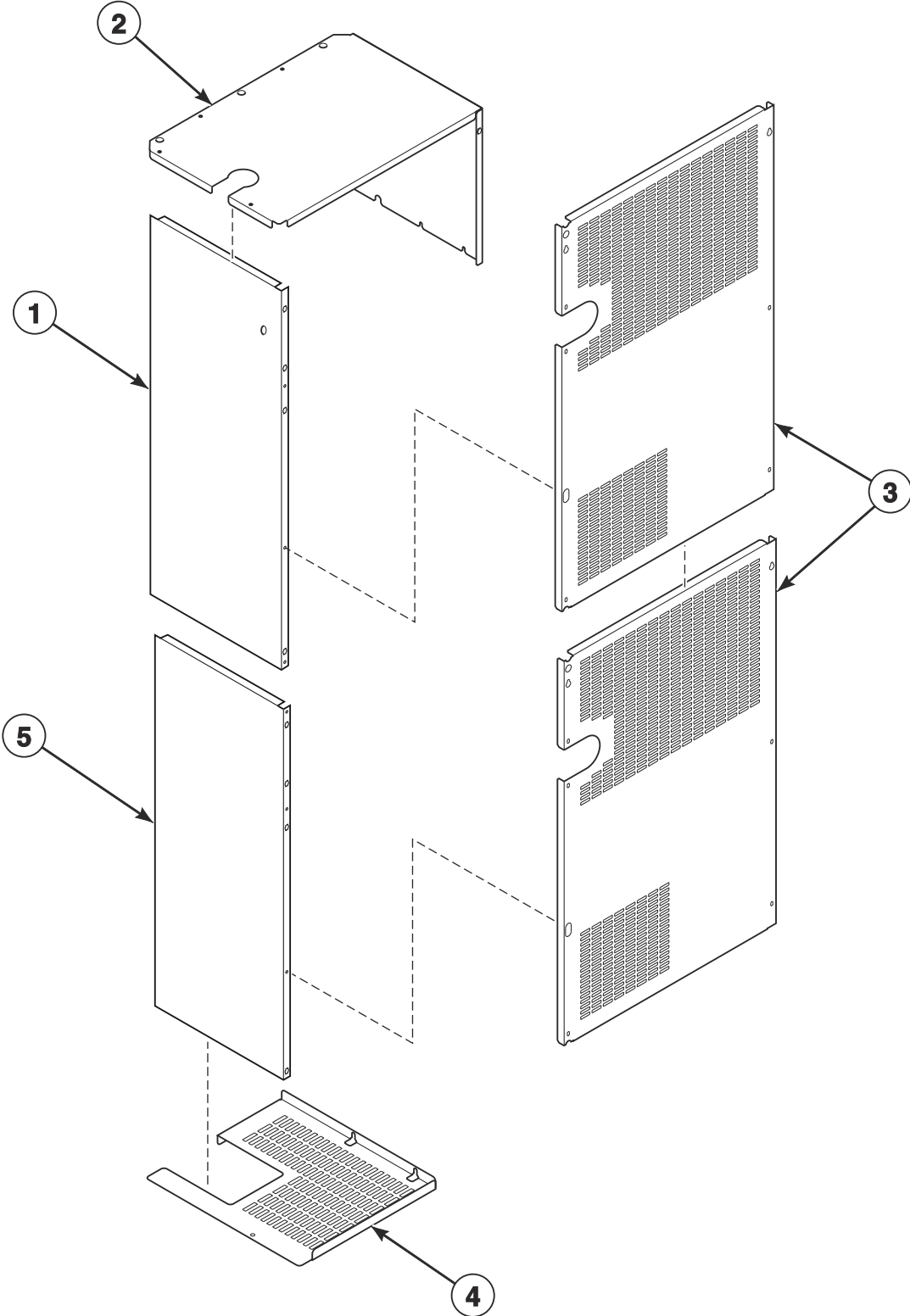


TMB3706P

Cabinet Components

| REF | PART NO. | DESCRIPTION | COMMENTS |
|-----------|------------|--------------------------------------|--|
| | 298P4P | Spray Paint | White |
| | 122P4P | Porcelain Touch-Up Paint | White |
| | 430352 | Cylinder Bearing Stud Plate Assembly | |
| | 70058501 | Pop Rivet | |
| | 21899 | Nut | For leveling legs |
| | 70247701 | Screw | For leveling legs |
| | 70696301 | Top Panel | Top pan of lower pocket |
| | 70606901 | Lower Pan | Lower pan of lower pocket |
| 1 | 430497 | Screw | |
| 2 | 70302101 | Top Panel | Upper pocket |
| 3 | 70226701 | Clip | |
| 4 | 70627201 | Rear Panel | |
| 5 | 70506403 | Rear Cylinder Seal Support | |
| 6 | 70013703P | Rear Cylinder Seal | Requires D511637P Adhesive |
| 7 | 70066005 | Center Cylinder Seal | Includes center cylinder seal support and center cylinder seal |
| 8 | 70663401LG | Side Panel | U models; Light gray |
| | 70663401DG | Side Panel | B and P models; Dark gray |
| | 70663401W | Side Panel | All models except P models |
| 9 | 70606701 | Center Pan | Lower pan of top pocket |
| 10 | M400984 | Clip | |
| 11 | 70606801 | Center Pan Channel | Located under center pan |
| 12 | 70300601 | Channel Base Assembly | Lower pocket |
| 13 | 70588301 | Front Air Duct | Right |
| 14 | 430576 | Nut | |
| 15 | 70616701 | Roller and Seal Kit | |
| 16 | 70443601 | Roller Seal | |
| 17 | 70249501 | Roller Shaft | |
| 18 | 70261401 | Washer | |
| 19 | 70288801 | Nut | |
| 20 | 70588901 | Roller Support Bracket | |
| 21 | 70588701 | Lint Tray Rail | Right |
| 22 | 70588302 | Front Air Duct | Left |
| 23 | 70015707 | Sheet Metal Edge Gasket | Lower |
| 24 | 70015708 | Sheet Metal Edge Gasket | Upper |
| 25 | 70588702 | Lint Tray Rail | Left |
| 26 | 70588601 | Air Duct | Rear |
| 27 | 70030401 | Nut | |
| 28 | 70301901 | Cylinder Shroud | Right |
| 29 | 70301902 | Cylinder Shroud | Left |
| 30 | 70639101 | Center Partition | |

Rear Panels

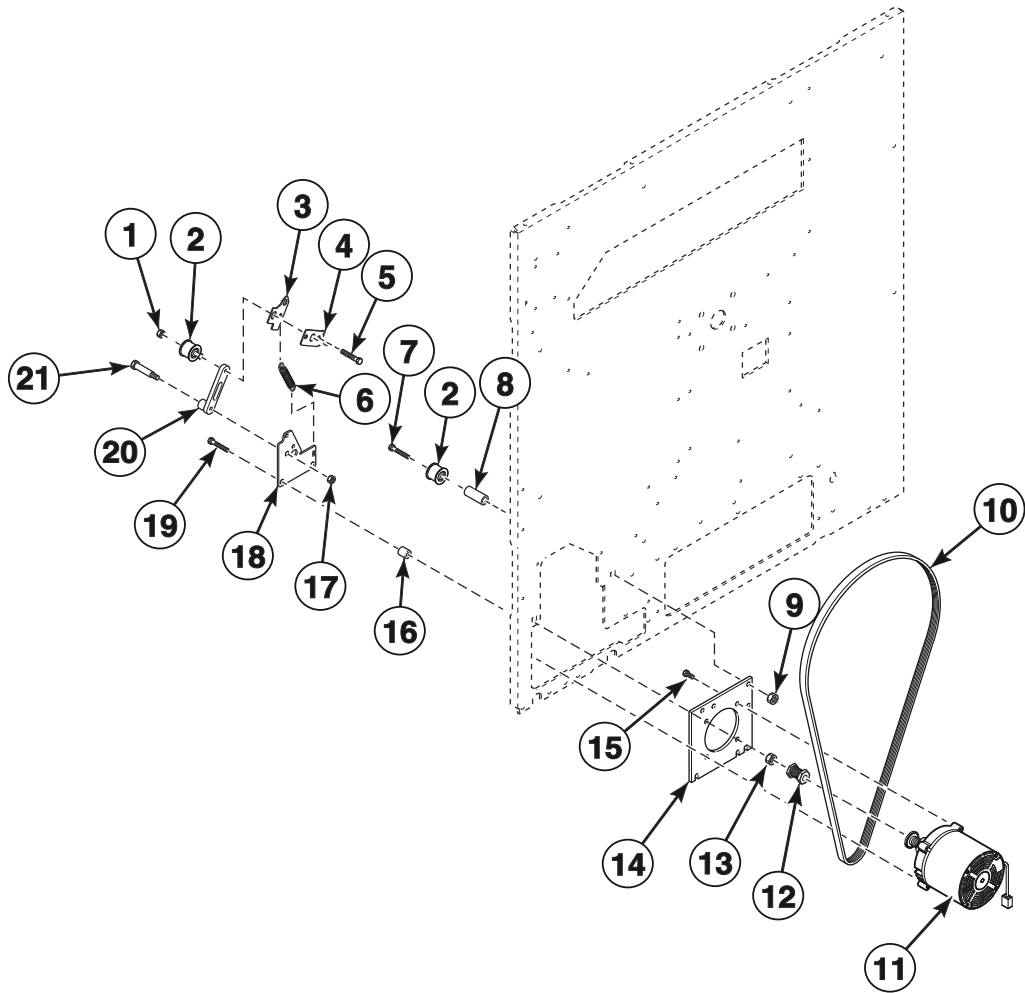


TMB3881P

Rear Panels

| REF | PART NO. | DESCRIPTION | COMMENTS |
|----------|----------|----------------|-----------------|
| | 430497 | Screw | Use with item 1 |
| | 70030501 | Expansion Clip | Use with item 1 |
| | 51780 | Screw | Use with item 4 |
| | 70626201 | Guard Bracket | Upper |
| | 70645301 | Guard Bracket | Middle |
| 1 | 70699501 | Side Guard | Upper |
| 2 | 70627401 | Rear Guard | Top |
| 3 | 70627701 | Rear Guard | |
| 4 | 70667501 | Bottom Guard | |
| 5 | 70699401 | Side Guard | Lower |

Drive Motor Components

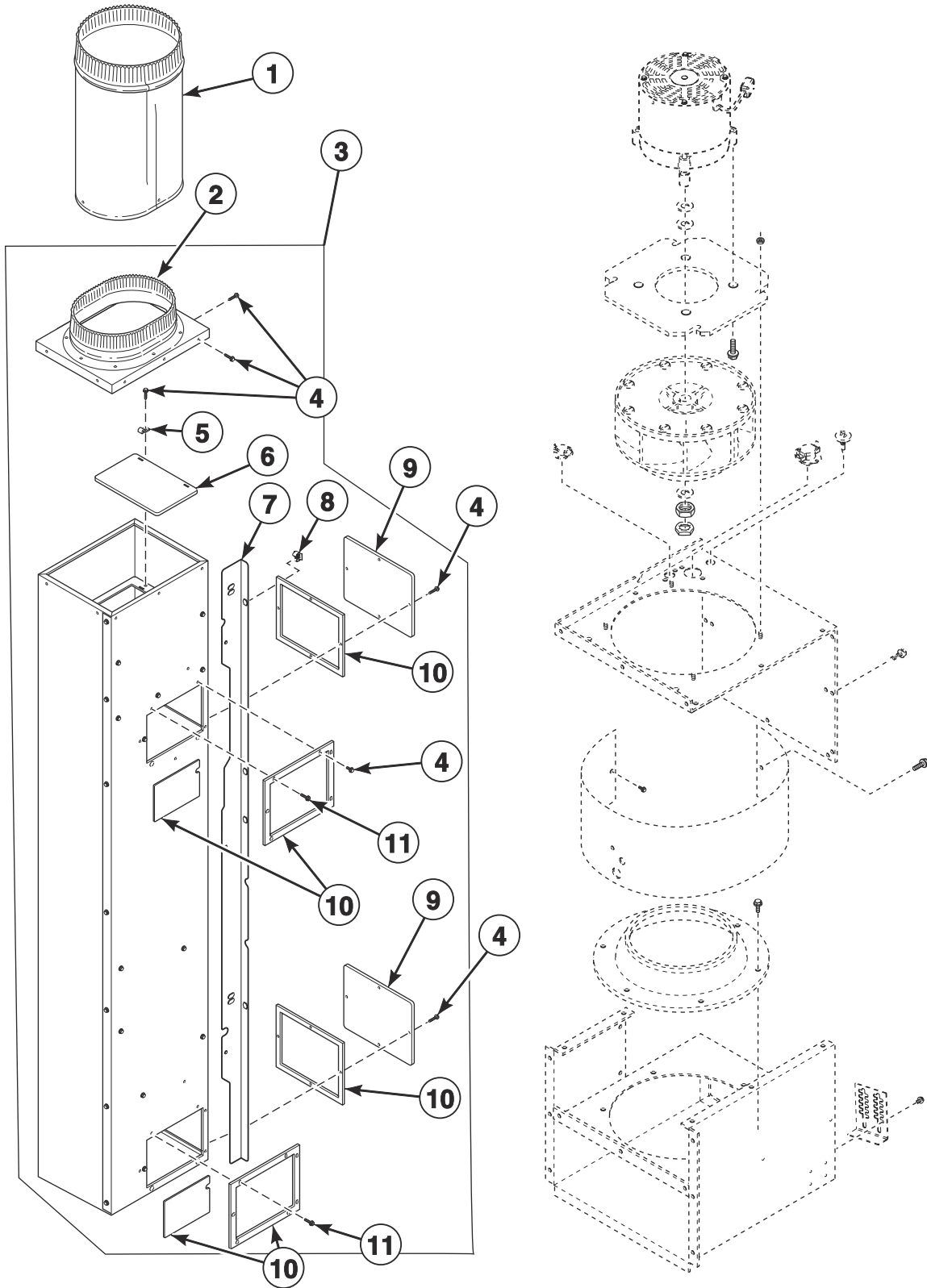


TMB3873P

Drive Motor Components

| REF | PART NO. | DESCRIPTION | COMMENTS |
|-----|-----------|--------------------------------|--|
| 1 | 56156 | Nut | |
| 2 | 70050401P | Idler Wheel Assembly | |
| 3 | 70569501 | Tensioning Bracket | |
| 4 | 70543401 | Spring Catch Bracket | |
| 5 | 70508301 | Screw | |
| 6 | 70571801 | Spring | |
| 7 | F430144 | Screw | |
| 8 | 70569603 | Standoff | |
| 9 | 44087201 | Nut | |
| 10 | 70655103 | Lever Arm and Belt Kit | |
| 11 | 44355001 | Drive Motor | .50 HP; 120-240 Volt |
| | 44355002 | Drive Motor | .50 HP; 480 Volt |
| 12 | 70559101 | Motor Pulley | |
| 13 | 44333202 | Nut | |
| 14 | 70564201 | Motor Mount Plate | |
| 15 | 44364603 | Screw | 3 required; Also qty 1 of 44364601 Screw |
| 16 | 70488403 | Spacer | |
| 17 | 44087301 | Nut | |
| 18 | 70571901 | Drive Plate | |
| 19 | 70546301 | Screw | |
| 20 | 70653801 | Lever Arm and Bushing Assembly | |
| 21 | 70501301 | Screw | |

Exhaust Components

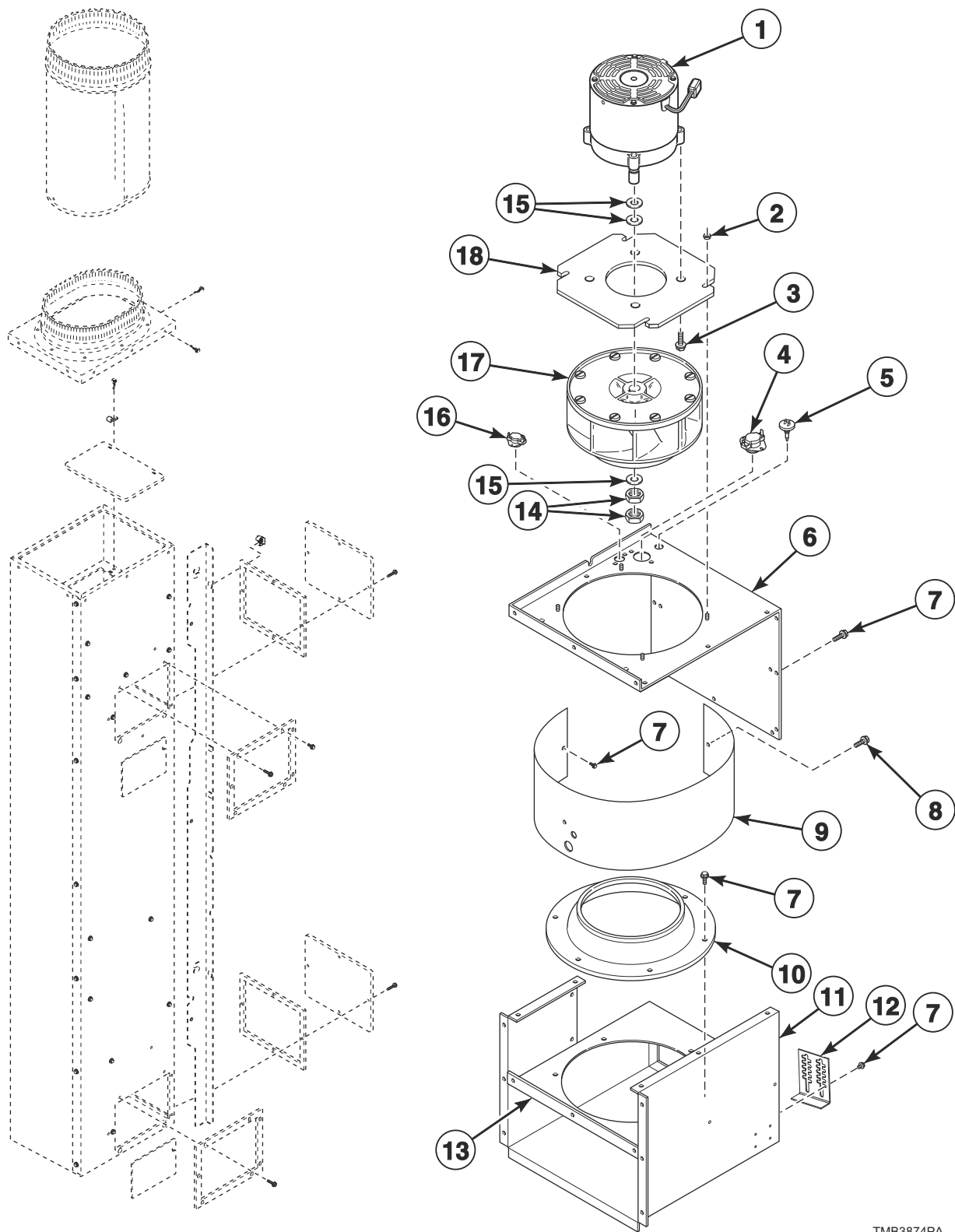


TMB3874P

Exhaust Components

| REF | PART NO. | DESCRIPTION | COMMENTS |
|-----|-----------|-------------------------------|------------------------------------|
| | 70289101P | Gasket | Sold per foot |
| 1 | 70425801 | Exhaust Pipe Assembly | IEC models |
| 2 | 70307601 | Duct Cover | Top |
| 3 | 70528503 | Exhaust Duct Assembly | North America and Australia models |
| | 70528504 | Exhaust Duct Assembly | IEC models |
| 4 | 430497 | Screw | 12 required |
| 5 | 70226701 | Clip | |
| 6 | 70307301 | Duct Damper | |
| 7 | 70627901 | Rear Guard Bracket | |
| 8 | 70030501 | Expansion Clip | |
| 9 | 70307501 | Duct Access Cover | 2 required; Bottom |
| 10 | 70302801P | Exhaust Duct Gaskets Assembly | 2 required |
| 11 | M411072 | Screw | 2 required |

Blower Components

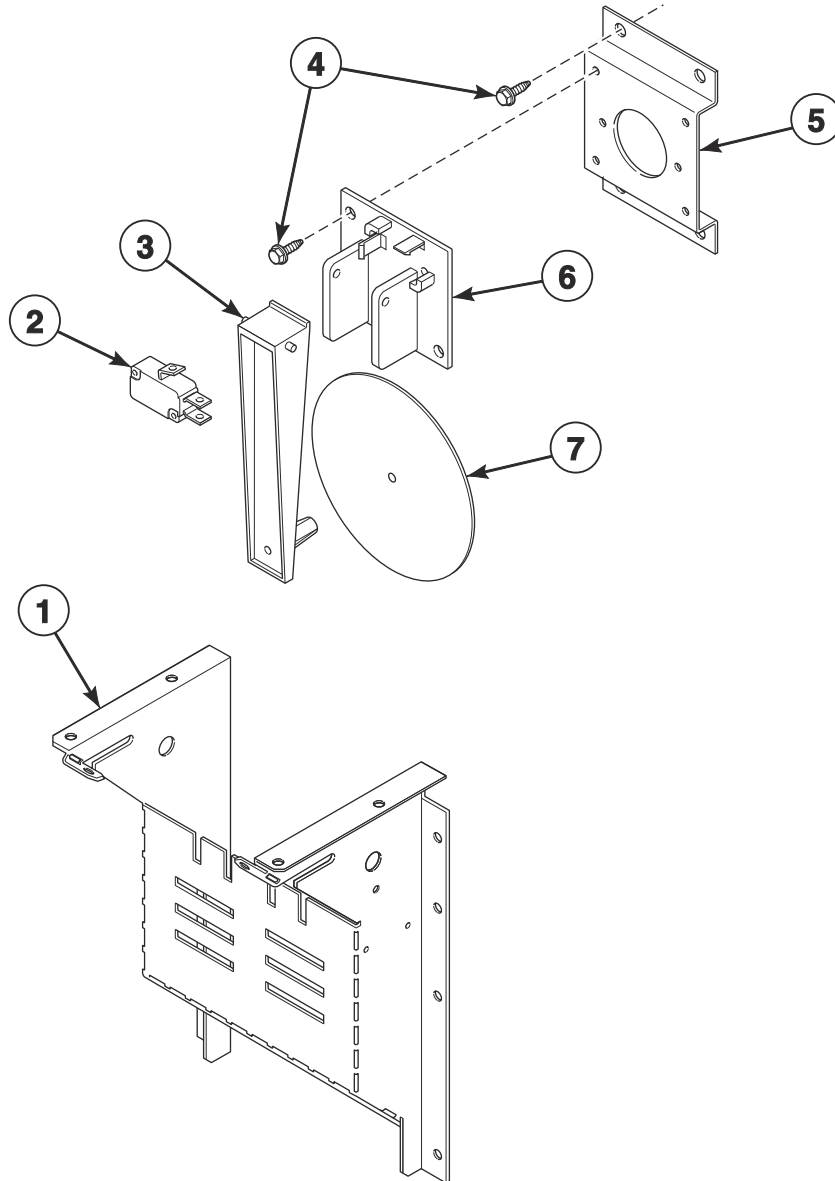


TMB3874PA

Blower Components

| REF | PART NO. | DESCRIPTION | COMMENTS |
|-----------|-----------|-------------------------------|----------------------------|
| | 70661201 | Lower Rear Guard Bracket | |
| | 70392701P | Gasket | For blower housing opening |
| 1 | 44354901 | Fan Motor | .50 HP; 240 Volt |
| | 44354903 | Fan Motor | .50 HP; 480 Volt |
| 2 | 29786 | Nut | 4 required |
| 3 | 44364601 | Screw | 4 required |
| 4 | 44328001 | Limit Thermostat | |
| 5 | M414704 | Thermistor | |
| 6 | 70322803 | Blower Housing Cover Assembly | |
| 7 | 51780 | Screw | |
| 8 | 430497 | Screw | 12 required |
| 9 | 70340801 | Blower Housing Scroll | |
| 10 | 70303101 | Blower Inlet Cone | |
| 11 | 70665901 | Blower Housing | |
| 12 | 70200301 | Rear Stabilizer Bracket | |
| 13 | 70303001 | Blower Inlet Plate | |
| 14 | 70660601 | Nut | 2 required |
| 15 | M400991 | Washer | 3 required |
| 16 | 70530901 | Limit Thermostat | |
| 17 | 70302201P | Blower Assembly | |
| 18 | 70303401 | Blower Motor Mounting Plate | |

Airflow Switch

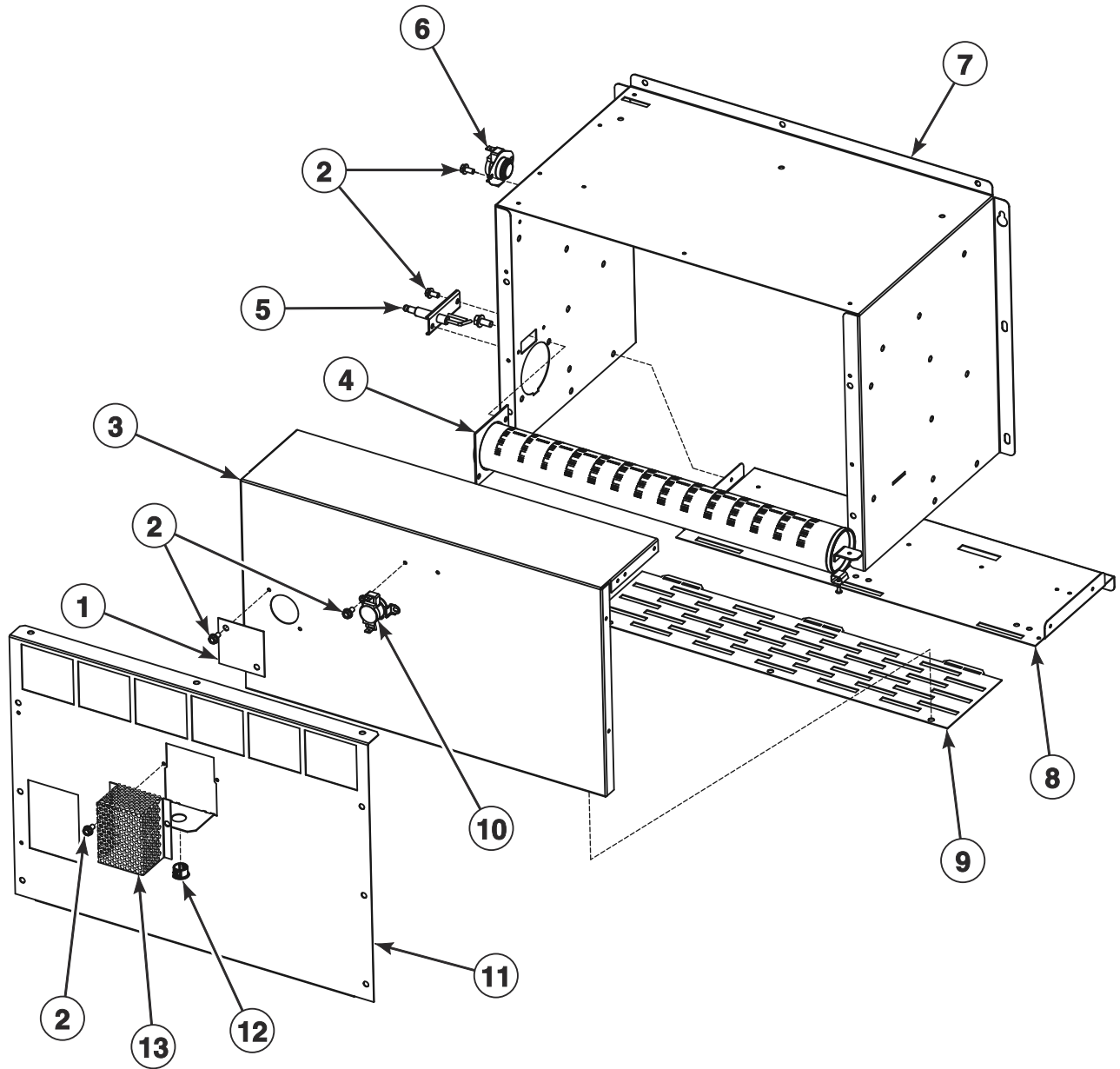


TMB3582P

Airflow Switch

| REF | PART NO. | DESCRIPTION | COMMENTS |
|-----|----------|--------------------------------|----------|
| 1 | 70356101 | Airflow Switch Wrapper | |
| 2 | 70411901 | Switch | |
| 3 | 70319401 | Airflow Switch Arm | |
| 4 | 430757 | Screw | |
| 5 | 70356301 | Switch Bracket | |
| 6 | 70319602 | Airflow Switch and Arm Bracket | |
| 7 | 70319201 | Airflow Switch Vane | |

Gas Burner Housing and Secondary Stove Limit

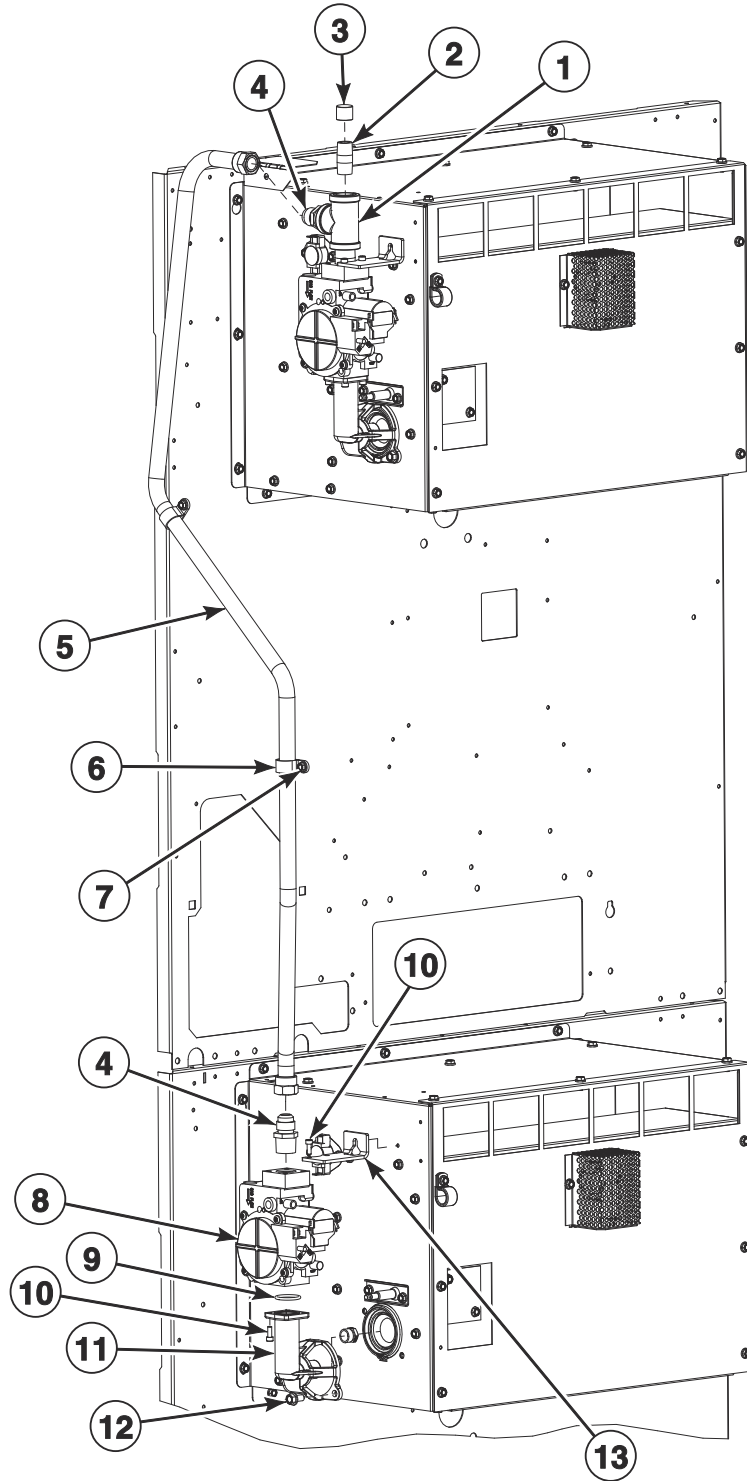


TMB3878P

Gas Burner Housing and Secondary Stove Limit

| REF | PART NO. | DESCRIPTION | COMMENTS |
|-----------|-----------|--------------------------------|--|
| | 70613801 | Stove Limit Harness | Use 70203701 Pipe Clip to secure |
| | 44239701 | High Voltage Suppression Cable | |
| 1 | 70159601 | Igniter Cover | |
| 2 | 430497 | Screw | |
| 3 | 70306101 | Stove Partition | |
| 4 | 70229801P | Gas Burner | |
| | 70546701 | Anti-Rattle Burner Assembly | Includes 70229801P Gas Burner, 431318 Control Door Latch and M400003 Pop Rivet |
| 5 | 70654201 | Spark Electrode | |
| 6 | 44328005 | Limit Thermostat | Side |
| 7 | 70647801 | Stove Top and Sides | |
| 8 | 70306301 | Stove Cover | Lower |
| 9 | 70306501 | Burner Grill | |
| 10 | 44328104 | Limit Thermostat | Rear |
| 11 | 70375201 | Stove Back | |
| 12 | M411826 | Snap Bushing | |
| 13 | M414477 | Thermostat Cover | |

Gas Valve and Piping

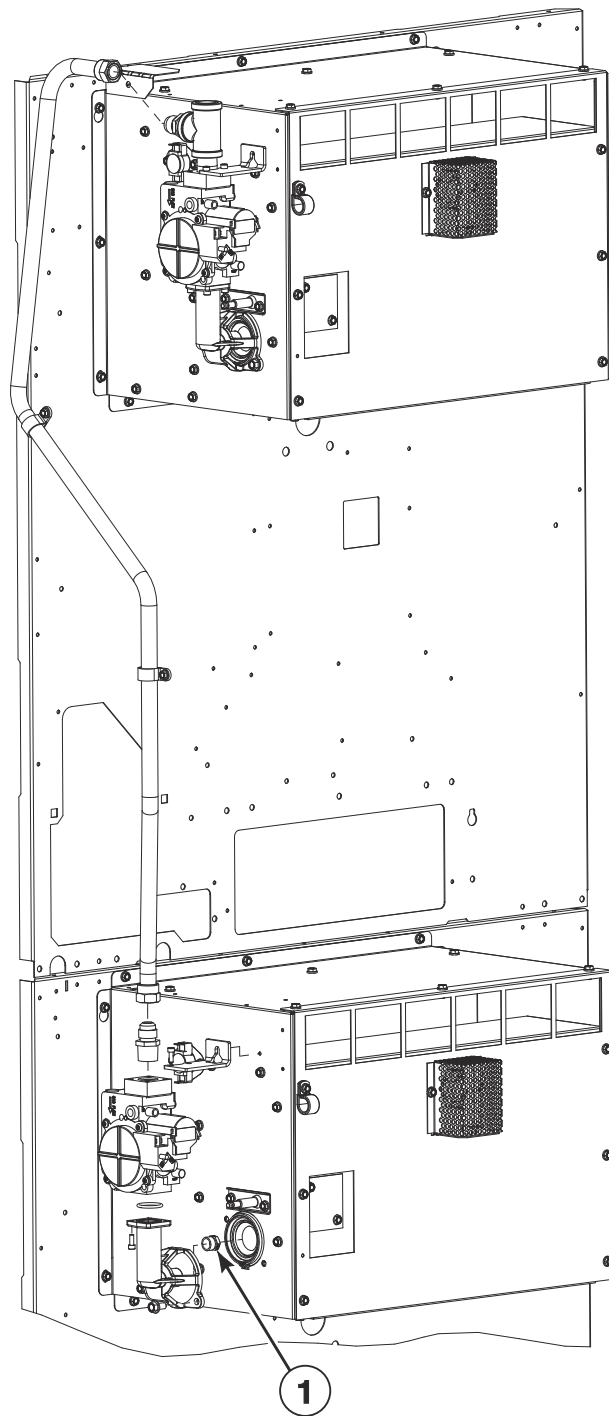


TMB3946P

Gas Valve and Piping

| REF | PART NO. | DESCRIPTION | COMMENTS |
|-----------|----------|--------------------------------|---|
| | 70550206 | L.P. Conversion Kit | T and G market models; Natural Gas (N.G.); 0-2,000 feet |
| | 70550207 | L.P. Conversion Kit | Australian models; N.G.; 0-2,000 feet |
| | 70551906 | L.P. Conversion Kit | IEC models; N.G.; 0-2,000 feet |
| | 44239701 | High Voltage Suppression Cable | |
| | 70131901 | Adapter | IEC models; BPT/NPT |
| | 70613901 | Gas Valve Harness | |
| | 70535901 | Notice Label | Australian models; N.G. |
| | 70544901 | Notice Label | Australian models; Liquid Petroleum (L.P.) |
| | 70239801 | Primary Air Adjustment Sleeve | L.P. models |
| 1 | F422208 | Tee | |
| 2 | 70612604 | Pipe Nipple | K market models |
| 3 | 70167601 | Plug | |
| 4 | 70262601 | Pipe | |
| 5 | 70660502 | Gas Tubing | |
| 6 | 70661601 | Clamp | |
| 7 | 51780 | Screw | |
| 8 | 44154503 | N.G. Valve | T and G market models; N.G. |
| | 44154504 | L.P. Valve | T and G market models; L.P. |
| | 44154507 | Gas Valve | IEC models; N.G. |
| | 44154508 | Gas Valve | IEC models; L.P. |
| 9 | 431482 | O-Ring | |
| 10 | 70672501 | Screw | |
| 11 | 70659201 | Gas Valve Manifold | |
| 12 | 05161 | Screw | |
| 13 | 70645401 | Gas Valve Bracket | |

Burner Orifices



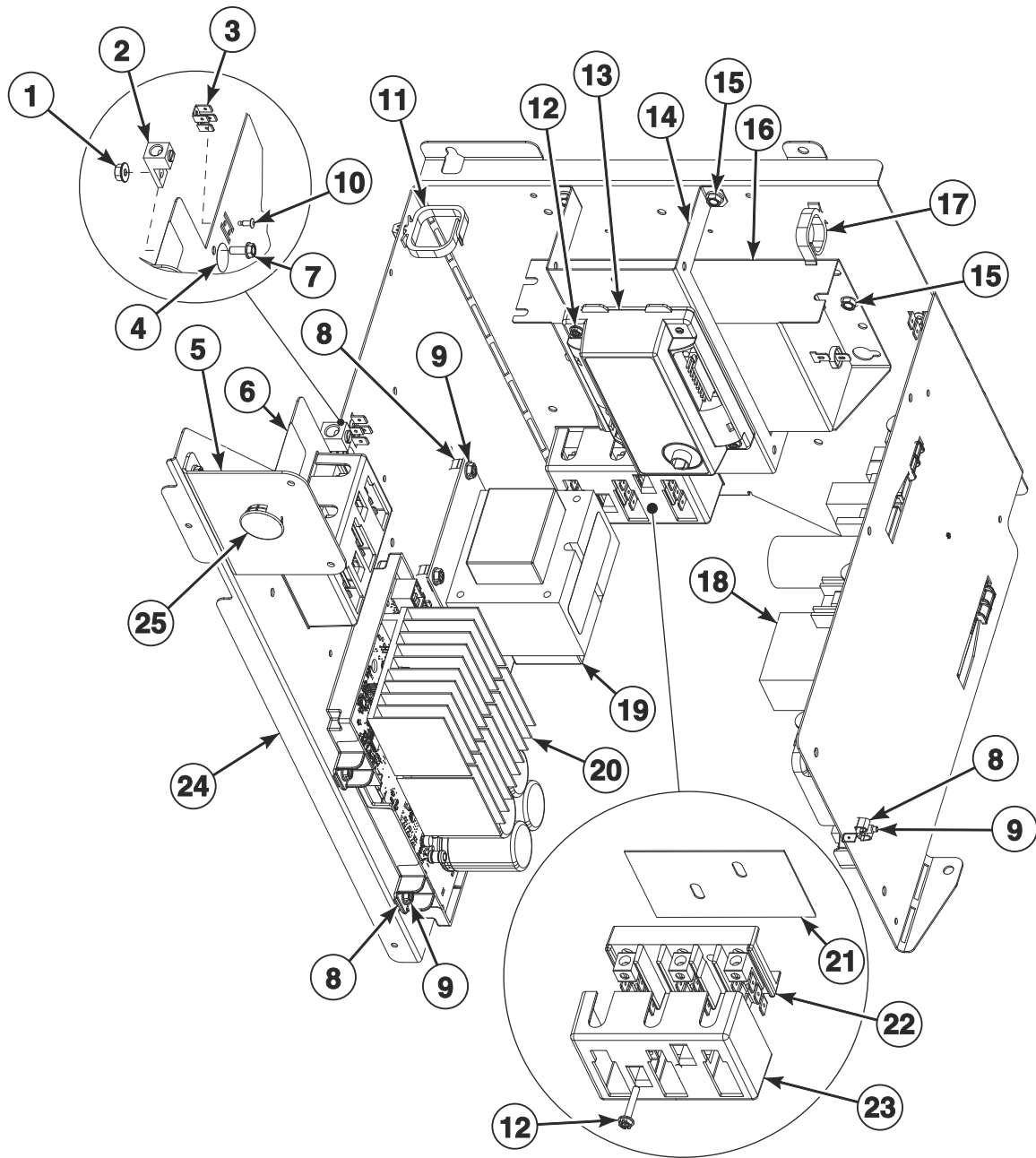
TMB3879PA

Burner Orifices

| REF | PART NO. | DESCRIPTION | COMMENTS |
|-----|----------|---------------------------|--|
| | 70609911 | High Altitude Orifice Kit | North America Natural Gas (N.G.) models |
| | 70609912 | High Altitude Orifice Kit | North America Liquid Petroleum Gas (L.P.) models |
| 1 | 70684149 | Burner Orifice | Standard models; N.G.; Drill no. 14 (4.62 mm); 0-2,000 feet |
| | 70684146 | Burner Orifice | Standard models; N.G.; Drill no. 17 (4.39 mm); 2,001-4,000 feet |
| | 70684144 | Burner Orifice | Standard models; N.G.; Drill no. 18 (4.31 mm); 4,001-6,000 feet |
| | 70684142 | Burner Orifice | Standard models; N.G.; Drill no. 20 (4.09 mm); 6,001-8,000 feet |
| | 70684139 | Burner Orifice | Standard models; N.G.; Drill no. 23 (3.91 mm); 8,001-10,000 feet |
| | 70684123 | Burner Orifice | Standard models with 2nd digit G, H, K, L and T; L.P.; Drill no. 34 (2.82 mm); 0-2,000 feet |
| | 70684120 | Burner Orifice | Standard models with 2nd digit G, H, K, L and T; L.P.; Drill no. 36 (2.71 mm); 2,001-4,000 feet |
| | 70684118 | Burner Orifice | Standard models with 2nd digit G, H, K, L and T; L.P.; Drill no. 38 (2.58 mm); 4,001-6,000 feet |
| | 70684116 | Burner Orifice | Standard models with 2nd digit G, H, K, L and T; L.P.; Drill no. 40 (2.49 mm); 6,001-8,000 feet |
| | 70684114 | Burner Orifice | Standard models with 2nd digit G, H, K, L and T; L.P.; Drill no. 42 (2.37 mm); 8,001-10,000 feet |
| | 70684123 | Burner Orifice | Standard Australian models; L.P.; Drill no. 34 (2.82 mm); 0-2,000 feet |
| | 70684120 | Burner Orifice | Standard Australian models; L.P.; Drill no. 36 (2.71 mm); 2,001-4,000 feet |
| | 70684119 | Burner Orifice | Standard Australian models; L.P.; Drill no. 37 (2.64 mm); 4,001-6,000 feet |
| | 70684117 | Burner Orifice | Standard Australian models; L.P.; Drill no. 39 (2.53 mm); 6,001-8,000 feet |
| | 70684114 | Burner Orifice | Standard Australian models; L.P.; Drill no. 42 (2.37 mm); 8,001-10,000 feet |
| | 70684117 | Burner Orifice | Standard J market models; L.P.; Drill no. 39 (2.53 mm); 0-2,000 feet |
| | 70684114 | Burner Orifice | Standard J market models; L.P.; Drill no. 42 (2.37 mm); 2,001-4,000 feet |
| | 70684113 | Burner Orifice | Standard J market models; L.P.; 2.3 mm; 4,001-6,000 feet |
| | 70684112 | Burner Orifice | Standard J market models; L.P.; Drill no. 43 (2.26 mm); 6,001-8,000 feet |
| | 70684110 | Burner Orifice | Standard J market models; L.P.; Drill no. 44 (2.18 mm); 8,001-10,000 feet |
| | 70684143 | Burner Orifice | Eco models; N.G.; Drill no. 19 (4.22 mm); 0-2,000 feet |
| | 70684140 | Burner Orifice | Eco models; N.G.; Drill no. 22 (3.99 mm); 2,001-4,000 feet |
| | 70684139 | Burner Orifice | Eco models; N.G.; Drill no. 23 (3.91 mm); 4,001-6,000 feet |
| | 70684136 | Burner Orifice | Eco models; N.G.; Drill no. 26 (3.73 mm); 6,001-8,000 feet |
| | 70684134 | Burner Orifice | Eco models; N.G.; Drill no. 28 (3.57 mm); 8,001-10,000 feet |

* NOTE: One orifice required per pocket

Control Tray



TMB3882P

Control Tray

| REF | PART NO. | DESCRIPTION | COMMENTS |
|-----|----------|---------------------------|--|
| 1 | 44088001 | Nut | |
| 2 | M411283 | Ground Lug Connector | |
| 3 | 00622SG | Terminal | |
| 4 | D516100 | Label | |
| 5 | 70615501 | Conduit Plate | |
| 6 | 44286803 | Label | L1, L2, L3 |
| | 44286801 | Label | L1, N |
| | 44286802 | Wire Label | L1 L2, L1 N |
| | 44286804 | Wire Label | L1 L2, L1 N, L1 L2 L3 |
| 7 | 685837 | Screw | |
| 8 | 70030501 | Expansion Clip | |
| 9 | F8206901 | Screw | |
| 10 | M400003 | Pop Rivet | |
| 11 | F8449501 | Wire Clip | |
| 12 | 51783 | Screw | |
| 13 | 70482002 | Ignition Control | IEC models |
| | 70482001 | Ignition Control | T and G market models |
| 14 | 70615401 | Contactoer Bracket | |
| 15 | 430497 | Screw | |
| 16 | F8591601 | EMI Filter | IEC models; 100-200 and 200-400 Volt/1 Phase |
| | F8637501 | EMI Filter | IEC models; 380-480 Volt |
| 17 | F8449502 | Wire Clip | |
| 18 | 70671701 | I/O Control Assembly | |
| 19 | F8491101 | Transformer | 380-480 Volt |
| 20 | 70603001 | Inverter Control Assembly | 1 HP; 120, 240 Volt/1 Phase |
| | 70603201 | Inverter Control Assembly | 1 HP; 480 Volt/3 Phase |
| 21 | M413862 | Insulator | |
| 22 | 430642 | Terminal Block | |
| 23 | 70333001 | Terminal Block Shield | |
| 24 | 70628401 | I/O Board Tray | |
| 25 | M400985 | Plug | |

Labels

| PART NO. | DESCRIPTION | COMMENTS |
|-----------------|---------------------------|--------------------------|
| 70696901 | Caution Label | Vent/install |
| F8614501 | Danger Label | Shock; English/French |
| F8614301 | Hot Surface Warning Label | English/French |
| F8609001 | Hot Surface Warning Label | Icon |
| F8611601 | Warning Label | |
| F8614500 | Label Kit | Shock; IEC models |
| 70535100 | Label Kit | Vent/Install; IEC models |
| F8605500 | Label Kit | |
| 44321501 | Notice Label | 120/240 Volt |
| 70539601 | Notice Label | |
| 70534201 | Notice Label | |
| F8609501 | Notice Label | |
| D516073 | Notice Label | Read instructions; Icon |
| 70538401 | Pinch Warning Label | English/French |
| F8615701 | Pinch Warning Label | Icon |
| F8614401 | Shock Warning Label | English/French |
| F8614201 | Shock Warning Label | Icon |
| 70536301 | Warning Label | Lint; Australian models |
| 44324101 | Warning Label | Fire; Australian models |
| 70534305 | Warning Label | Fire; Colombian Spanish |
| 44321601 | Warning Label | Risk of fire; Icon |
| D503887 | Label | Australian models |

Control Tray Harnesses

| PART NO. | DESCRIPTION | COMMENTS |
|----------|-----------------------------------|---|
| 70612101 | Junction Box Harness | |
| 70671001 | Inverter Power Conversion Harness | X to B voltage |
| 70611402 | Power Harness | T and G market models; 120-240 Volt |
| 70611403 | Power Harness | T and G market models; 240 Volt |
| 70611405 | Power Harness | IEC models; 120-240 Volt; Upper |
| 70611407 | Power Harness | IEC models; 120-240 Volt; Lower |
| 70613401 | Power Harness | T and G market models; 380-480 Volt |
| 70613403 | Power Harness | IEC upper models; 380-480 Volt |
| 70613404 | Power Harness | IEC lower models; 380-480 Volt |
| 70611501 | Power Harness | IEC models; Terminal block 1 to EMI Filter; 1 Phase |
| 70611502 | Power Harness | IEC models; Terminal block 1 to EMI Filter; 3 Phase |
| 70611505 | Power Harness | IEC models; Circuit breaker to EMI filter; 1 Phase |
| 70611506 | Power Harness | IEC models; Circuit breaker to EMI filter; 3 Phase |
| 70611507 | Power Harness | IEC models; EMI filter to terminal block 2; 1 Phase |
| 70611508 | Power Harness | IEC models; EMI filter to terminal block 2; 3 Phase |
| 70612201 | Control Harness | |
| 70611801 | Power Harness | Upper/Lower |
| 70612001 | Transformer Harness | Vend; 120 Volt |
| 70612002 | Transformer Harness | Vend; 240 Volt |
| 70665301 | Central Pay Harness | 24V power supply |
| 70622101 | Base Harness | |

Parts Index

A

| | |
|--------------------------------|--------|
| Adapter | |
| 70131901 | 69 |
| Air Duct | |
| 70588601 | 55 |
| Airflow Switch and Arm Bracket | |
| 70319602 | 65 |
| Airflow Switch Arm | |
| 70319401 | 65 |
| Airflow Switch Vane | |
| 70319201 | 65 |
| Airflow Switch Wrapper | |
| 70356101 | 65 |
| Anti-Rattle Burner Assembly | |
| 70546701 | 67 |
| App Pay Overlay Kit | |
| 44374701 | 25, 27 |

B

| | |
|-------------------------------|--------|
| Base Harness | |
| 70622101 | 75 |
| Blind Rivet | |
| F8245101 | 43, 47 |
| Blower Assembly | |
| 70302201P | 63 |
| Blower Housing | |
| 70665901 | 63 |
| Blower Housing Cover Assembly | |
| 70322803 | 63 |
| Blower Housing Scroll | |
| 70340801 | 63 |
| Blower Inlet Cone | |
| 70303101 | 63 |
| Blower Inlet Plate | |
| 70303001 | 63 |
| Blower Motor Mounting Plate | |
| 70303401 | 63 |
| Bottom Guard | |
| 70667501 | 57 |
| Burner Grill | |
| 70306501 | 67 |
| Burner Orifice | |
| 70070905 | 71 |
| 70684110 | 71 |
| 70684112 | 71 |
| 70684113 | 71 |
| 70684114 | 71 |
| 70684116 | 71 |
| 70684117 | 71 |
| 70684118 | 71 |
| 70684119 | 71 |
| 70684120 | 71 |
| 70684123 | 71 |
| 70684134 | 71 |
| 70684136 | 71 |
| 70684139 | 71 |
| 70684140 | 71 |

| | |
|----------------|--------|
| 70684142 | 71 |
| 70684143 | 71 |
| 70684144 | 71 |
| 70684146 | 71 |
| 70684149 | 71 |
| Bypass Harness | |
| 44334103 | 17, 25 |

C

| | |
|---------------------------|--------|
| Caution Label | |
| 70696901 | 74 |
| Center Cylinder Seal | |
| 70066005 | 55 |
| Center Pan | |
| 70606701 | 55 |
| Center Pan Channel | |
| 70606801 | 55 |
| Center Partition | |
| 70639101 | 55 |
| Central Pay Harness | |
| 70665301 | 75 |
| Channel Base Assembly | |
| 70300601 | 55 |
| Clamp | |
| 70661601 | 69 |
| Clip | |
| M400984 | 55 |
| 70226701 | 55, 61 |
| Coin Drop | |
| 38963P | 29 |
| 39748 | 29 |
| 70441601 | 29 |
| 70441603 | 29 |
| Coin Drop Assembly | |
| 201141 | 29 |
| 210195 | 29 |
| 210196 | 29 |
| 38462P | 29 |
| 38463 | 29 |
| 38467 | 29 |
| 38519 | 29 |
| 70281102 | 29 |
| 70283102 | 29 |
| 70441602 | 29 |
| 70447301 | 29 |
| 70471601 | 29 |
| 70482401 | 29 |
| 70506901 | 29 |
| Coin Drop Kit | |
| CK077 | 29 |
| CK122 | 31 |
| Coin Identification Paper | |
| 38464P | 29 |
| 38475 | 29 |
| 38725 | 29 |
| Coin Meter | |
| F0160737-00 | 29 |
| Coin Vault Assembly | |
| 70529501 | 43 |

N/A items do not appear in index.

| | |
|--------------------------------------|------------------------|
| Coin Vault Switch Harness | |
| 44334102 | 17, 25 |
| Conduit Plate | |
| 70615501 | 73 |
| Contact Base | |
| F8538101 | 45 |
| Contact Switch | |
| F8069501 | 45 |
| Contact Bracket | |
| 70615401 | 73 |
| Control Assembly | |
| 70478801P | 17 |
| 70478802 | 21 |
| 70478901 | 17 |
| 70479801 | 15 |
| 70479901 | 15 |
| 70523001 | 17 |
| 70523101 | 15 |
| 70543104 | 23 |
| 70576201P | 25 |
| 70697102 | 27 |
| Control Bezel | |
| 70642001 | 43 |
| Control Bracket | |
| 70581001 | 25 |
| 70581002 | 25 |
| 70581003 | 25 |
| 70581101 | 25, 27 |
| Control Brackett | |
| 70581002 | 27 |
| Control Door and Studs Assembly | |
| 70641801 | 17 |
| 70641802 | 17 |
| 70641803 | 15, 17, 21, 23 |
| Control Door Latch | |
| 431318 | 15, 17, 21, 23, 25, 27 |
| Control Harness | |
| 70612201 | 75 |
| Control Housing Cover | |
| 70307006 | 33 |
| Control Latch Plate | |
| 70634401 | 15, 17, 21, 23 |
| Control Stiffening Bracket | |
| 70658501 | 17 |
| Cylinder and Trunnion Assembly | |
| 70444001P | 49 |
| 70444002 | 49 |
| 70444003 | 49 |
| Cylinder Assembly | |
| 70372901P | 49 |
| 70372902P | 49 |
| 70372903 | 49 |
| Cylinder Bearing Stud Plate Assembly | |
| 430352 | 53, 55 |
| Cylinder Guide Tool | |
| 263P4 | 49 |
| Cylinder Rib Assembly | |
| 70433001 | 49 |
| Cylinder Shroud | |
| 70301901 | 55 |
| 70301902 | 55 |

D

| | |
|------------------------------|----|
| Danger Label | |
| F8614501 | 74 |
| Door Assembly | |
| 44354701 | 35 |
| 44354702 | 35 |
| 44354703 | 35 |
| 44354704 | 35 |
| 44354705 | 35 |
| 44354706 | 35 |
| 44354707 | 35 |
| 44354708 | 35 |
| 44354709 | 35 |
| 44354710LG | 35 |
| 44354711B | 35 |
| Door Glass | |
| 44008401P | 37 |
| 44008405 | 37 |
| Door Glass Installation Tool | |
| M4221P4 | 37 |
| Door Glass Label | |
| 70650401 | 37 |
| 70707701 | 37 |
| Door Handle | |
| 44007901 | 37 |
| 44263801 | 37 |
| 44370601 | 37 |
| Door Hinge Assembly | |
| 70596601 | 39 |
| 70596602 | 39 |
| 70596613B | 39 |
| 70596613LG | 39 |
| 70596613W | 39 |
| Door Hinge Lug Assembly | |
| 70597601 | 39 |
| 70597602 | 39 |
| 70597603 | 39 |
| Door Latch | |
| M401223 | 43 |
| Door Ring Assembly | |
| 44354801 | 37 |
| 44354802 | 37 |
| 44354803 | 37 |
| 44354804 | 37 |
| 44354807B | 37 |
| 44354808LG | 37 |
| 44354809B | 37 |
| Door Ring Gasket | |
| 44008201P | 37 |
| 70296802 | 37 |
| Door Seal Kit | |
| 70211902P | 37 |
| Door Switch Actuator | |
| 70532101 | 39 |
| Drive Motor | |
| 44355001 | 59 |
| 44355002 | 59 |
| Drive Plate | |
| 70571901 | 59 |
| Drywall Screw Magnet Kit | |
| 70343101P | 49 |
| Duct Access Cover | |
| 70307501 | 61 |

N/A items do not appear in index.

| | |
|----------------|----|
| Duct Cover | |
| 70307601 | 61 |
| Duct Damper | |
| 70307301 | 61 |

| | |
|-----------------------|------------|
| Exhaust Pipe Assembly | |
| 70425801 | 61 |
| Expansion Clip | |
| 70030501 | 57, 61, 73 |

E

| | |
|---------------------------------|----|
| Electronic Coin Drop Assembly | |
| 70294107 | 29 |
| 70513302 | 29 |
| 70513303 | 29 |
| 70513304 | 29 |
| 70513306 | 29 |
| 70513308 | 29 |
| 70513309 | 29 |
| 70513310 | 29 |
| 70513311 | 29 |
| 70513312 | 29 |
| 70513313 | 29 |
| 70513314 | 29 |
| 70513315 | 29 |
| 70513316 | 29 |
| Electronic Coin Drop Kit | |
| CK099 | 31 |
| CK100 | 31 |
| CK101 | 31 |
| CK108 | 31 |
| CK109 | 31 |
| CK110 | 31 |
| CK113 | 31 |
| CK115 | 31 |
| CK116 | 31 |
| CK117 | 31 |
| CK118 | 31 |
| CK119 | 31 |
| CK120 | 31 |
| CK121 | 31 |
| Emergency Stop Button Kit | |
| 70580301 | 45 |
| Emergency Stop Bypass Harness | |
| F8519403 | 45 |
| Emergency Stop Harness | |
| 44272401 | 45 |
| 44272402 | 45 |
| Emergency Stop Label | |
| 44012901 | 45 |
| 44012903 | 45 |
| Emergency Stop Mounting Bracket | |
| 70550401 | 45 |
| Emergency Stop Power Harness | |
| 70611901 | 45 |
| Emergency Stop Pushbutton | |
| F200233500 | 45 |
| EMI Filter | |
| F8591601 | 73 |
| F8637501 | 73 |
| End Cap | |
| 70070101 | 49 |
| 70070102 | 49 |
| Exhaust Duct Assembly | |
| 70528503 | 61 |
| 70528504 | 61 |
| Exhaust Duct Gaskets Assembly | |
| 70302801P | 61 |

F

| | |
|-----------------------------|--------|
| Fan Motor | |
| 44354901 | 63 |
| 44354903 | 63 |
| Foam Gasket | |
| 70598101 | 47 |
| Fob Communication Harness | |
| F8719301 | 17 |
| F8719302 | 25 |
| Fob Reader Control Assembly | |
| 205135 | 17, 25 |
| Front Air Duct | |
| 70588301 | 55 |
| 70588302 | 55 |
| Front Cylinder Seal | |
| 70173402 | 41 |

G

| | |
|----------------------|--------|
| Gas Burner | |
| 70229801P | 67 |
| Gas Tubing | |
| 70660502 | 69 |
| Gas Valve | |
| 44154507 | 69 |
| 44154508 | 69 |
| Gas Valve Bracket | |
| 70645401 | 69 |
| Gas Valve Harness | |
| 70613901 | 69 |
| Gas Valve Manifold | |
| 70659201 | 69 |
| Gasket | |
| 70289101P | 41, 61 |
| 70392701P | 63 |
| Ground Lug Connector | |
| M411283 | 73 |
| Guard Bracket | |
| 70626201 | 57 |
| 70645301 | 57 |

H

| | |
|--------------------------------|--------|
| Handle Bar | |
| 70399501B | 37 |
| Harness | |
| F8617901 | 23, 27 |
| 70622001 | 17, 23 |
| 70622201 | 25 |
| High Altitude Orifice Kit | |
| 70609911 | 71 |
| 70609912 | 71 |
| High Voltage Suppression Cable | |
| 44239701 | 67, 69 |

N/A items do not appear in index.

| | |
|---------------------------|----|
| Hinge Cam Kit | |
| M4772P3 | 39 |
| M4773P3 | 39 |
| 70622401 | 39 |
| Hot Surface Warning Label | |
| F8609001 | 74 |
| F8614301 | 74 |

I

| | |
|-----------------------------------|----|
| Idler Wheel Assembly | |
| 70050401P | 59 |
| Igniter Cover | |
| 70159601 | 67 |
| Ignition Control | |
| 70482001 | 73 |
| 70482002 | 73 |
| Insulator | |
| M413862 | 73 |
| Inverter Control Assembly | |
| 70603001 | 73 |
| 70603201 | 73 |
| Inverter Power Conversion Harness | |
| 70671001 | 75 |
| I/O Board Tray | |
| 70628401 | 73 |
| I/O Control Assembly | |
| 70671701 | 73 |

J

| | |
|----------------------|----|
| Junction Box Harness | |
| 70612101 | 75 |

K

| | |
|----------------|----|
| Key | |
| 70155601 | 43 |
| 70155602 | 47 |

L

| | |
|------------------------|----|
| Label | |
| D503887 | 74 |
| D516100 | 73 |
| 44286801 | 73 |
| 44286803 | 73 |
| 44391301 | 43 |
| 44391401 | 43 |
| 44392201 | 43 |
| 562738 | 41 |
| 70414001 | 43 |
| 70472801 | 41 |
| Label Kit | |
| F8605500 | 74 |
| F8614500 | 74 |
| 70534400 | 41 |
| 70535100 | 74 |
| Lever Arm and Belt Kit | |
| 70655103 | 59 |

| | |
|--------------------------------|----|
| Lever Arm and Bushing Assembly | |
| 70653801 | 59 |
| Limit Thermostat | |
| 44328001 | 63 |
| 44328005 | 67 |
| 44328104 | 67 |
| 70530901 | 63 |
| Lint Box Gasket | |
| 70593902 | 43 |
| Lint Door Support | |
| 70594401 | 47 |
| Lint Front Assembly | |
| 70588101 | 47 |
| 70588103DG | 47 |
| 70588103W | 47 |
| Lint Screen Assembly | |
| 70596101 | 47 |
| Lint Screen Bracket | |
| 70595701 | 47 |
| Lint Screen Shim | |
| 70605601 | 47 |
| Lint Seal Shoulder Bracket | |
| 70606401 | 43 |
| Lint Tray Rail | |
| 70588701 | 55 |
| 70588702 | 55 |
| Lock Pull | |
| 70642201 | 47 |
| Lock, Key and Nut Kit | |
| 44089301P | 43 |
| 44390902P | 47 |
| Lower Front Panel Assembly | |
| 70704201 | 41 |
| 70704201DG | 41 |
| 70704201W | 41 |
| 70704202 | 41 |
| 70704202DG | 41 |
| 70704202W | 41 |
| 70704203 | 41 |
| 70704203DG | 41 |
| 70704203W | 41 |
| Lower Pan | |
| 70606901 | 55 |
| Lower Rear Guard Bracket | |
| 70661201 | 63 |
| L.P. Conversion Kit | |
| 70550206 | 69 |
| 70550207 | 69 |
| 70551906 | 69 |
| L.P. Valve | |
| 44154504 | 69 |

M

| | |
|-----------------------------|--------------------|
| Machine ID Control Assembly | |
| 203361P | 17, 21, 23, 25, 27 |
| Magnet | |
| 70343101 | 47 |
| Main Harness | |
| 70622001 | 15, 17, 21, 25, 27 |
| Max Fill Line Label | |
| 70707501 | 37 |
| Motor Mount Plate | |
| 70564201 | 59 |

N/A items do not appear in index.

| | |
|----------------|----|
| Motor Pulley | |
| 70559101 | 59 |
| Mounting Plate | |
| 70208801 | 17 |

N

| | |
|-------------------|------------------------|
| Nameplate | |
| F8443105 | 43 |
| F8688001 | 43 |
| F8688901 | 43 |
| 567293 | 43 |
| 567887 | 43 |
| 70685901 | 43 |
| Nameplate Overlay | |
| 44144401 | 37 |
| 44391201 | 37 |
| 70411401 | 37 |
| Notice Label | |
| D516073 | 74 |
| F8609501 | 74 |
| 44321501 | 74 |
| 70534201 | 74 |
| 70535901 | 69 |
| 70539601 | 74 |
| 70544901 | 69 |
| Nut | |
| M400022 | 53 |
| M400034 | 53 |
| M400035 | 51 |
| M412986 | 49, 53 |
| M414215 | 37 |
| 21899 | 55 |
| 29786 | 63 |
| 430576 | 55 |
| 44087101 | 15, 17, 21, 23, 25, 47 |
| 44087201 | 59 |
| 44087301 | 59 |
| 44088001 | 37, 39, 73 |
| 44088801 | 43, 47 |
| 44333202 | 59 |
| 56156 | 59 |
| 70030401 | 55 |
| 70054 | 17, 25 |
| 70288801 | 55 |
| 70660601 | 63 |
| N.G. Valve | |
| 44154503 | 69 |

O

| | |
|----------------|----|
| Opto Coupler | |
| 200674P | 29 |
| O-Ring | |
| 431482 | 69 |
| Overlay | |
| F8205101 | 17 |
| F8733901 | 17 |
| F8734101 | 25 |
| F8734201 | 17 |
| F8734401 | 25 |
| F8736501 | 17 |
| F8736701 | 25 |
| 70295101 | 17 |

| | |
|----------------|----|
| 70555901 | 17 |
| 70556001 | 17 |
| 70556101 | 17 |
| 70556102 | 17 |
| 70556501 | 17 |
| 70556502 | 17 |
| 70556601 | 17 |
| 70556801 | 17 |
| 70557001 | 17 |
| 70557002 | 17 |
| 70673401 | 21 |
| 70673501 | 15 |
| 70674901 | 21 |
| 70675101 | 15 |
| 70677501 | 19 |
| 70677502 | 19 |
| 70677503 | 19 |
| 70677601 | 19 |
| 70677602 | 19 |
| 70677603 | 19 |
| 70677901 | 21 |
| 70678201 | 23 |
| 70678301 | 23 |
| 70678501 | 15 |
| 70679001 | 19 |
| 70679101 | 19 |
| 70679301 | 19 |
| 70679302 | 19 |
| 70679303 | 19 |
| 70679304 | 19 |
| 70679305 | 19 |
| 70679401 | 19 |
| 70679402 | 19 |
| 70679403 | 19 |
| 70679404 | 19 |
| 70679405 | 19 |
| 70681501 | 21 |
| 70681601 | 15 |
| 70690201 | 19 |
| 70690202 | 19 |
| 70690203 | 19 |
| 70690204 | 19 |
| 70690205 | 19 |
| 70690301 | 19 |
| 70690302 | 19 |
| 70690303 | 19 |
| 70690304 | 19 |
| 70690305 | 19 |
| 70690501 | 19 |
| 70690502 | 19 |
| 70690503 | 19 |
| 70690601 | 19 |
| 70690602 | 19 |
| 70690603 | 19 |
| 70690801 | 21 |
| 70690901 | 21 |
| 70691101 | 15 |
| 70691201 | 15 |
| 70691601 | 21 |
| 70691701 | 21 |
| 70691801 | 15 |
| 70691901 | 15 |
| 70692001 | 19 |
| 70692002 | 19 |
| 70692003 | 19 |
| 70692101 | 19 |
| 70692102 | 19 |
| 70692103 | 19 |
| 70692401 | 15 |

N/A items do not appear in index.

| | |
|----------|----|
| 70692501 | 15 |
| 70692601 | 19 |
| 70692602 | 19 |
| 70692603 | 19 |
| 70692604 | 19 |
| 70692701 | 19 |
| 70692702 | 19 |
| 70692703 | 19 |
| 70692704 | 19 |
| 70692801 | 21 |
| 70692901 | 21 |
| 70693001 | 15 |
| 70693101 | 15 |
| 70705501 | 19 |
| 70705601 | 19 |

P

| | |
|-------------------------------|----------------------------|
| Pin | |
| 70071401 | 39 |
| Pinch Warning Label | |
| F8615701 | 74 |
| 70538401 | 74 |
| Pipe | |
| 70262601 | 69 |
| Pipe Nipple | |
| 70612604 | 69 |
| Plate Assembly | |
| 70633001 | 25, 27 |
| 70633002 | 25 |
| 70633003 | 25 |
| 70633004 | 25 |
| 70633005 | 25 |
| 70633006 | 25 |
| 70666701 | 25 |
| Plug | |
| M400985 | 73 |
| 70167601 | 69 |
| Pop Rivet | |
| M400003 | 15, 17, 21, 23, 25, 27, 73 |
| 44166601 | 43 |
| 70058501 | 39, 55 |
| 70412601 | 37 |
| Porcelain Touch-Up Paint | |
| 122P4P | 55 |
| Power Harness | |
| 70611402 | 75 |
| 70611403 | 75 |
| 70611405 | 75 |
| 70611407 | 75 |
| 70611501 | 75 |
| 70611502 | 75 |
| 70611505 | 75 |
| 70611506 | 75 |
| 70611507 | 75 |
| 70611508 | 75 |
| 70611801 | 75 |
| 70613401 | 75 |
| 70613403 | 75 |
| 70613404 | 75 |
| Primary Air Adjustment Sleeve | |
| 70239801 | 69 |
| Pushbutton Switch | |
| 70413301 | 43 |

R

| | |
|-------------------------------|--------|
| Rear Bearing Shim | |
| 70355001 | 53 |
| Rear Cylinder Bearing Housing | |
| 70013901 | 53 |
| Rear Cylinder Channel | |
| 70305201 | 49 |
| 70305202 | 49 |
| Rear Cylinder Channel Plate | |
| 70305301 | 49 |
| Rear Cylinder Seal | |
| 70013703P | 53, 55 |
| Rear Cylinder Seal Support | |
| 70506403 | 53, 55 |
| Rear Guard | |
| 70627401 | 57 |
| 70627701 | 57 |
| Rear Guard Bracket | |
| 70627901 | 61 |
| Rear Panel | |
| 70627201 | 55 |
| Rear Stabilizer Bracket | |
| 70200301 | 63 |
| Reed Switch Assembly | |
| F8066804 | 43 |
| Reed Switch Box | |
| 70606301 | 43 |
| Replacement Screen Kit | |
| 70576501P | 25, 27 |
| Roller and Seal Kit | |
| 70616701 | 55 |
| Roller Seal | |
| 70443601 | 55 |
| Roller Shaft | |
| 70249501 | 55 |
| Roller Support Bracket | |
| 70588901 | 55 |

S

| | |
|----------|------------------------------------|
| Screw | |
| D501524 | 15, 17, 21, 23 |
| F430144 | 59 |
| F8206901 | 33, 73 |
| M400661 | 37 |
| M411072 | 61 |
| 05161 | 69 |
| 203799 | 25, 27 |
| 430497 | 43, 47, 49, 55, 57, 61, 63, 67, 73 |
| 430757 | 65 |
| 44349101 | 39 |
| 44364601 | 63 |
| 44364603 | 59 |
| 51780 | 23, 27, 57, 63, 69 |
| 51783 | 73 |
| 62588 | 49 |
| 685837 | 73 |
| 70033502 | 39 |
| 70247701 | 55 |
| 70391101 | 49 |
| 70407301 | 39 |
| 70436301 | 39 |

N/A items do not appear in index.

| | |
|--------------------------|----|
| 70442101 | 37 |
| 70501301 | 59 |
| 70508301 | 59 |
| 70546301 | 59 |
| 70576101 | 39 |
| 70672501 | 69 |
| 70689401 | 39 |
| Sheet Metal Edge Gasket | |
| 70015707 | 55 |
| 70015708 | 55 |
| Shock Warning Label | |
| F8614201 | 74 |
| F8614401 | 74 |
| Side Guard | |
| 70699401 | 57 |
| 70699501 | 57 |
| Side Panel | |
| 70663401DG | 55 |
| 70663401LG | 55 |
| 70663401W | 55 |
| Slip Ring Assembly | |
| 44222702 | 51 |
| Slip Ring Holder | |
| 70455401 | 51 |
| Slot Card Plate Assembly | |
| 44089501 | 17 |
| Snap Bushing | |
| M411826 | 67 |
| Spacer | |
| 70488403 | 59 |
| Spark Electrode | |
| 70654201 | 67 |
| Spray Paint | |
| 298P4P | 55 |
| Spring | |
| 70571801 | 59 |
| Spring Catch Bracket | |
| 70543401 | 59 |
| Standoff | |
| 70569603 | 59 |
| Stove Back | |
| 70375201 | 67 |
| Stove Cover | |
| 70306301 | 67 |
| Stove Limit Harness | |
| 70613801 | 67 |
| Stove Partition | |
| 70306101 | 67 |
| Stove Top and Sidest | |
| 70647801 | 67 |
| Support Bearing | |
| 70448701 | 53 |
| Switch | |
| 70411901 | 65 |
| Switch Bracket | |
| 70356301 | 65 |

| | |
|--------------------|----|
| T | |
| Tee | |
| F422208 | 69 |
| Tensioning Bracket | |
| 70569501 | 59 |

| | |
|-----------------------|----|
| Terminal | |
| 00622SG | 73 |
| Terminal Block | |
| 430642 | 73 |
| Terminal Block Shield | |
| 70333001 | 73 |
| Thermistor | |
| M414704 | 63 |
| Thermostat Cover | |
| M414477 | 67 |
| Top Panel | |
| 70302101 | 55 |
| 70696301 | 55 |
| Transformer | |
| F8491101 | 73 |
| Transformer Harness | |
| 70612001 | 75 |
| 70612002 | 75 |
| Trunnion and Seal Kit | |
| 70564805 | 49 |
| 70564806 | 49 |

U

| | |
|-------------------------------|------------|
| Upper Front Panel Assembly | |
| 70704204 | 41 |
| 70704204DG | 41 |
| 70704204W | 41 |
| USB Bracket | |
| 70653901 | 23 |
| 70708001 | 27 |
| USB IR Interface Kit | |
| 203346 | 33 |
| USB-Serial Interface Assembly | |
| 203440 | 23, 25, 27 |

V

| | |
|-------------------------|----------------|
| Vend Activation Harness | |
| 70577101 | 15, 17, 21, 25 |

W

| | |
|---------------|--------|
| Warning Label | |
| F8611601 | 74 |
| 44321601 | 74 |
| 44324101 | 74 |
| 70534305 | 74 |
| 70534401 | 41 |
| 70534402 | 41 |
| 70536301 | 74 |
| Washer | |
| F431125 | 43 |
| M400991 | 53, 63 |
| 70261401 | 55 |
| 70409301 | 37 |
| 70411301 | 49 |
| Wire Clip | |
| F8449501 | 73 |
| F8449502 | 73 |

N/A items do not appear in index.

| | |
|-----------------------------------|----|
| Wire Guard | |
| 201595P | 29 |
| Wire Label | |
| 44286802 | 73 |
| 44286804 | 73 |
| Wireless Control Label | |
| 204692 | 33 |
| Wireless Network Control Assembly | |
| 807211 | 33 |
| Wireless Network Harness | |
| F8674007 | 33 |
| Wireless Network Kit | |
| 70609801 | 33 |
