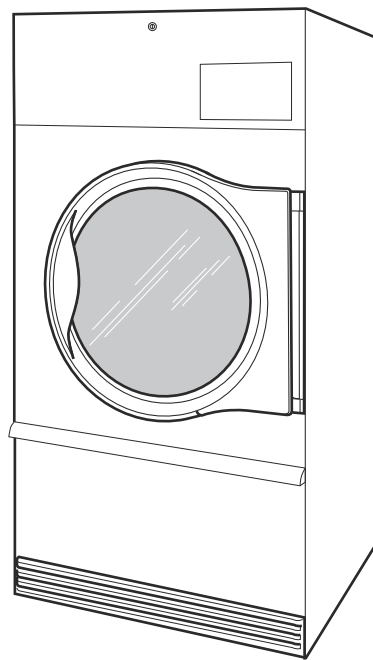


# Tumble Dryers

50 Pound Capacity

18 Digit Model Numbers with 6 in 13th Position

Refer to Page 5 for Model Numbers



TMB1290C



# Table of Contents

Title	Page
Parts Ordering Information.....	3
Serial Plate Location .....	3
Machine Identification .....	5
Product Overview - Heat Source and Voltage .....	6
Product Overview - FN Control Suffix .....	8
Product Overview - DN and NN Control Suffixes.....	10
Product Overview - N and W Control Suffixes .....	12
Product Overview - V Control Suffix .....	14
Control Box .....	16
Fire Suppression System Control Box .....	18
Dual Digital Control .....	20
Electronic Display Control - Vend Models with N or W in the 7th Position.....	22
Electronic Display Control Overlays- Vend Models with N or W in the 7th Position .....	24
Electronic Display Control - OPL Models with N in the 7th Position .....	26
3.5 Inch Graphical Control .....	28
Touch Control - Vend Models with V in the 7th Position .....	30
Touch Control - OPL Models with V in the 7th Position .....	32
Coin Drops .....	34
Coin Drop Kits .....	36
Network Board Components.....	38
Emergency Stop Button - IEC OPL Models .....	40
Cabinet Front Components.....	42
Control Panels and Nameplates .....	44
Front Panel Assemblies .....	46
Lower Cabinet Front Components .....	48
Lint Panel Components.....	50
Cabinet Components .....	52
Rear Panel and Belt Guard Components .....	54
Door Assemblies.....	56
Door Components.....	58
Hinge Components .....	60
Cylinder and Trunnion Components .....	62
Bearing Components .....	64
Moisture Sensing Components .....	66
Drive Motor Components .....	68
Blower and Exhaust Components.....	70
Inverter Tray Components .....	72
Airflow Switch Assembly .....	74
Gas Heater Components - Models with D, F, N and W in the 7th Position.....	76
Gas Heater Components - Models with V in the 7th Position .....	78
Burner Orifices .....	80

© Copyright 2023, Alliance Laundry Systems LLC

All rights reserved. No part of the contents of this book may be reproduced or transmitted in any form or by any means without the expressed written consent of the publisher.

Electric Heater Components .....	82
Steam Heater and Valve .....	84
Control Tray .....	86
Accessory Box - Electric 200-240 Volt Models .....	88
Accessory Box - Electric 380-480 Volt Models .....	90
Labels .....	92
Parts Index.....	93

## Parts Ordering Information

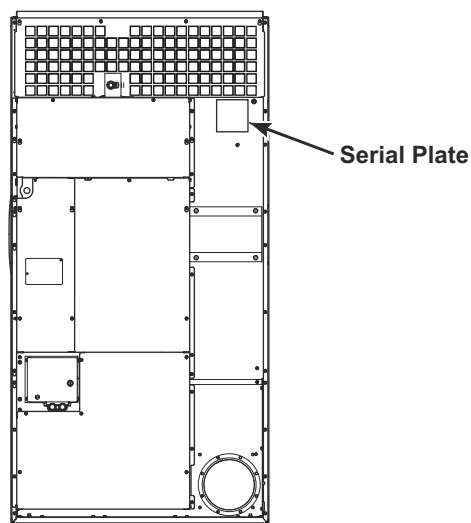
If literature or replacement parts are required, contact the source from whom the machine was purchased or contact Alliance Laundry Systems at (920) 748-3950 for the name and address of the nearest authorized parts distributor.

For technical assistance, call the number listed below:

(920) 748-3121 Ripon, Wisconsin

## Serial Plate Location

When calling or writing about your product, be sure to mention model and serial numbers. Model and serial numbers are located on serial plate(s) as shown.



TMB3888P

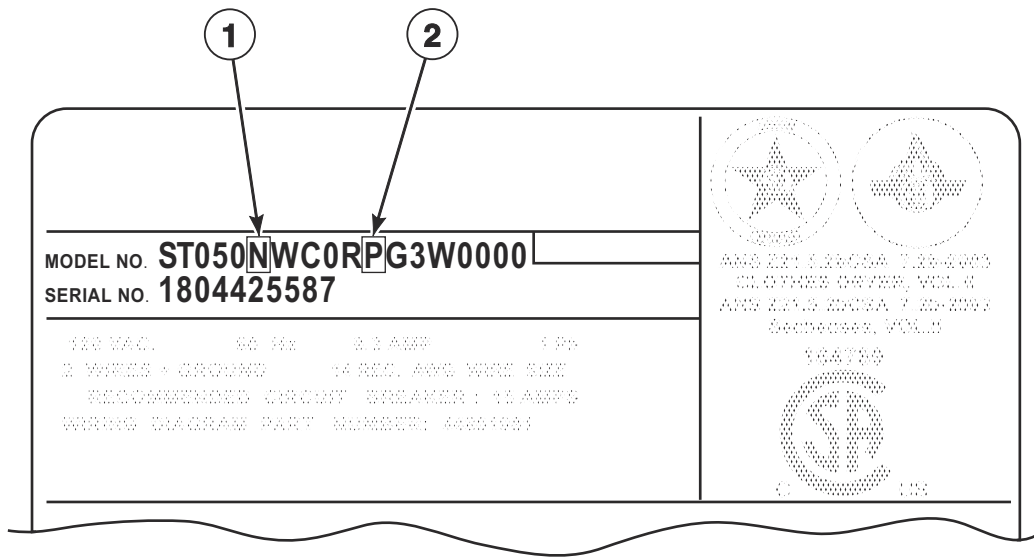


# Machine Identification

Information in this manual is applicable to these machines:

BA050E	GU050E	MJ050D	PK050E	UA050E
BA050L	GU050L	MJ050E	PK050L	UA050L
BA050N	GU050N	MJ050L	PK050N	UA050N
BA050S	GU050S	MJ050N	PR050E	UA050S
BG050D	HA050E	MJ050S	PR050S	UG050D
BG050E	HA050L	NA050E	PT050C	UG050E
BG050L	HA050N	NA050L	PT050E	UG050L
BG050N	HA050S	NA050N	PT050L	UG050N
BG050S	HG050D	NA050S	PT050N	UG050S
BH050E	HG050E	NG050E	PT050S	UH050E
BH050L	HG050L	NG050L	PU050E	UH050L
BH050N	HG050N	NG050N	PU050L	UH050N
BH050S	HG050S	NG050S	PU050N	UH050S
BJ050D	HH050E	NH050E	PU050S	UJ050D
BJ050E	HH050L	NH050L	SA050E	UJ050E
BJ050L	HH050N	NH050N	SA050L	UJ050L
BJ050N	HH050S	NH050S	SA050N	UJ050N
BJ050S	HJ050D	NJ050E	SA050S	UJ050S
BK050E	HJ050E	NJ050L	SG050D	UK050E
BK050L	HJ050L	NJ050N	SG050E	UK050L
BK050N	HJ050N	NJ050S	SG050L	UK050N
BL050E	HJ050S	NK050E	SG050N	UL050E
BL050L	HK050E	NK050L	SG050S	UL050L
BR050E	HK050L	NK050N	SH050E	UR050E
BR050S	HK050N	NR050E	SH050L	UR050S
BU050E	HL050E	NR050S	SH050N	UT050C
BU050L	HL050L	NT050E	SH050S	UT050E
BU050N	HR050E	NT050L	SJ050D	UT050L
BU050S	HR050S	NT050N	SJ050E	UT050N
GA050E	HT050C	NT050S	SJ050L	UT050S
GA050L	HT050E	NU050E	SJ050N	UU050E
GA050N	HT050L	NU050L	SJ050S	UU050L
GA050S	HT050N	NU050N	SK050E	UU050N
GG050E	HT050S	NU050S	SK050L	UU050S
GG050L	HU050E	PA050E	SK050N	
GG050N	HU050L	PA050L	SL050E	
GG050S	HU050N	PA050N	SL050L	
GH050E	HU050S	PA050S	SR050E	
GH050L	KT050E	PG050E	SR050S	
GH050N	KT050L	PG050L	ST050C	
GH050S	KT050N	PG050N	ST050E	
GJ050E	KT050S	PG050S	ST050L	
GJ050L	MG050D	PH050E	ST050N	
GJ050N	MG050E	PH050L	ST050S	
GJ050S	MG050L	PH050N	SU050E	
GK050E	MG050N	PH050S	SU050L	
GK050L	MG050S	PJ050E	SU050N	
GK050N		PJ050L	SU050S	
		PJ050N		
		PJ050S		

# Product Overview - Heat Source and Voltage



TMB3523P

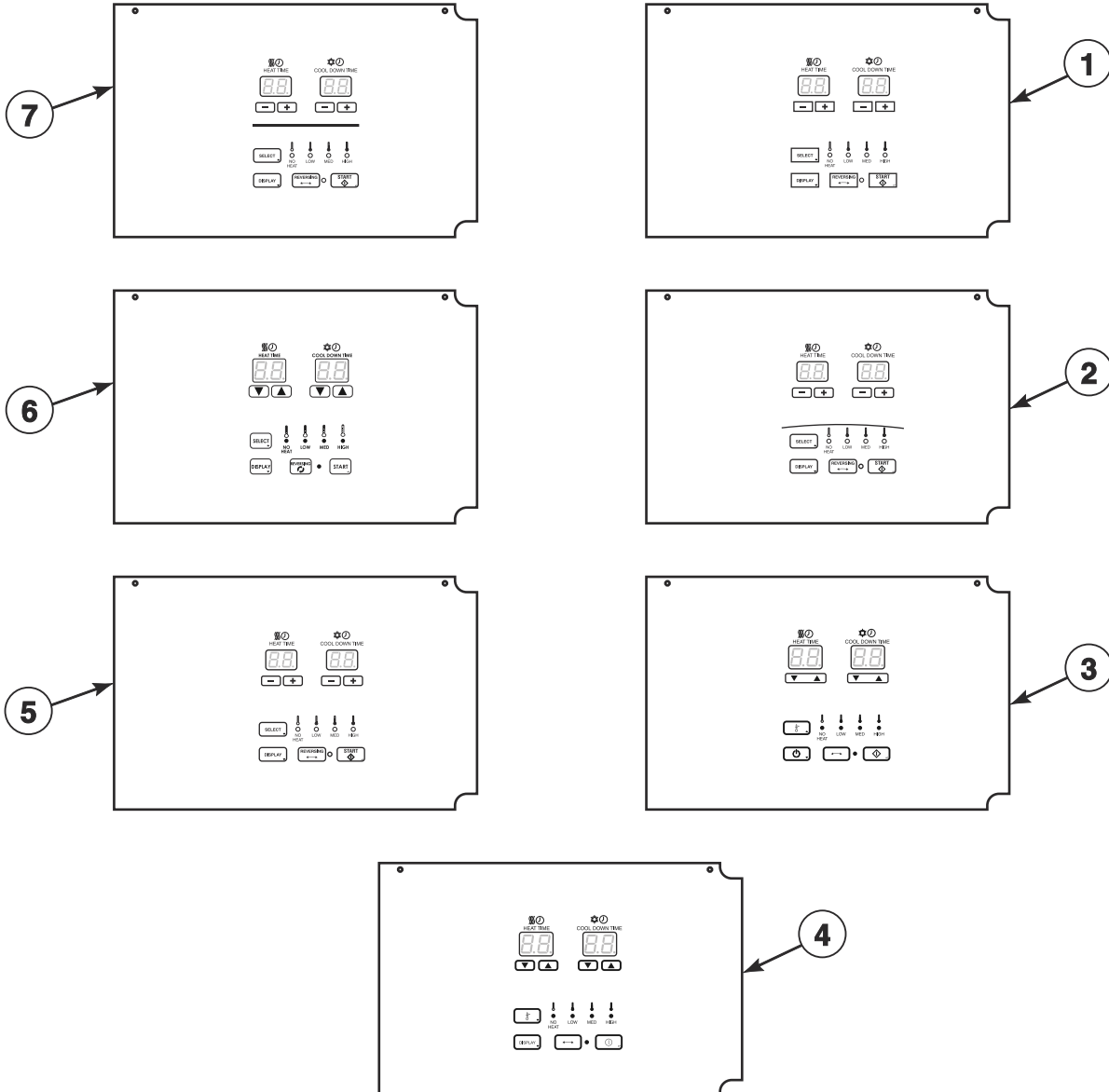
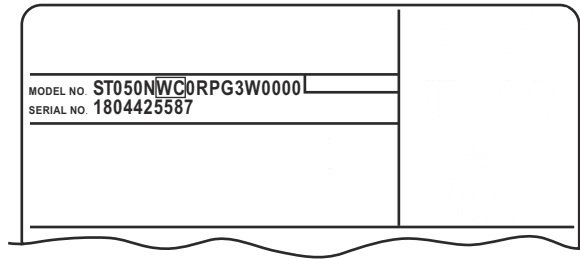


# Product Overview - Heat Source and Voltage

REF	PART NO.	DESCRIPTION	COMMENTS
1	-	Heat Source	C: Steam (CRN) D: Liquid Petroleum Gas (L.P.) E: Electric L: Liquid Petroleum Gas (L.P.) N: Natural Gas (N.G.) S: Steam
2	-	Voltage	B: 100-120 Volt/50-60 Hertz/1 Phase; Gas and steam models E: 230-240 Volt/50-60 Hertz/1 Phase; Electric models F: 200-208 Volt/50-60 Hertz/3 Phase; Electric models G: 230-240 Volt/50-60 Hertz/3 Phase; Electric models H: 380 Volt/50-60 Hertz/3 Phase; Electric models J: 400-415 Volt/50-60 Hertz/3 Phase; Electric models K: 440 Volt/50-60 Hertz/3 Phase; Electric models L: 460-480 Volt/50-60 Hertz/3 Phase; Electric models N: 440-480 Volt/50-60 Hertz/3 Phase; Gas and steam models P: 380-415 Volt/50-60 Hertz/3 Phase; Gas and steam models X: 200-240 Volt/50-60 Hertz/1-3 Phase; Gas and steam models

# Product Overview - FN Control Suffix

All Models Except M Models; OPL



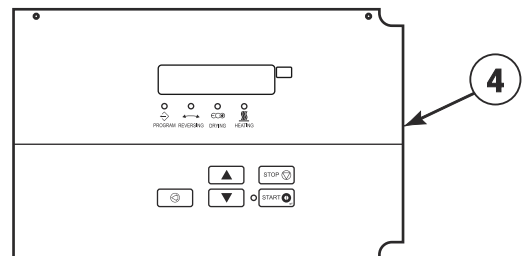
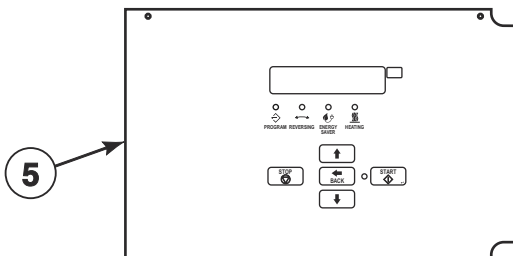
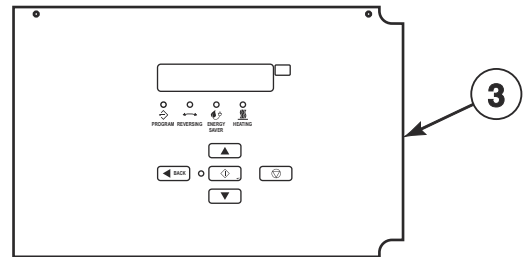
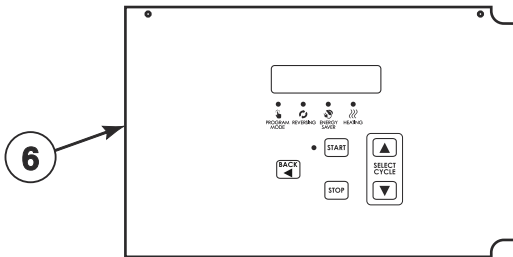
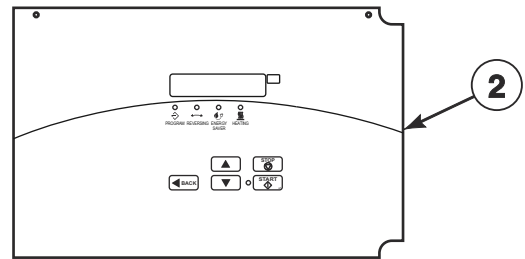
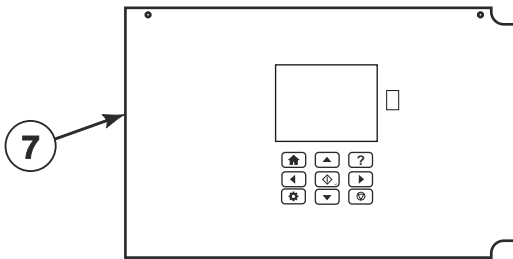
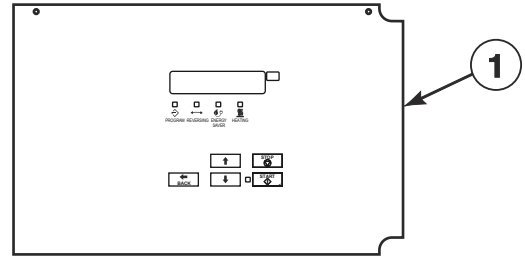
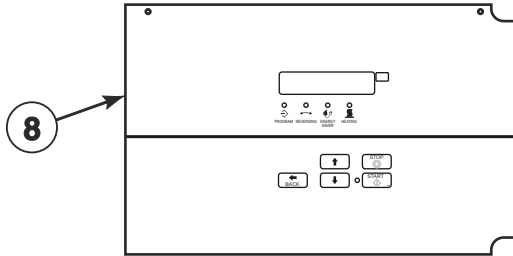
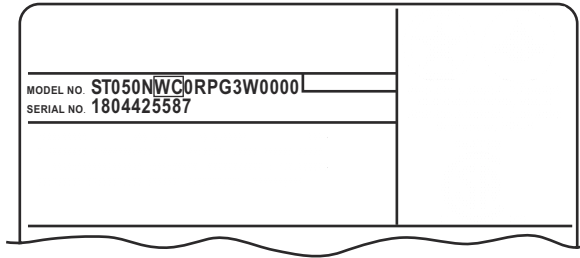
TMB3535P

## Product Overview - FN Control Suffix

REF	PART NO.	DESCRIPTION	COMMENTS
1	-	Dual Digital Control	H models
2	-	Dual Digital Control	U models
3	-	Dual Digital Control	B models
4	-	Dual Digital Control	P models
5	-	Dual Digital Control	N models
6	-	Dual Digital Control	G and K models
7	-	Dual Digital Control	S models

# Product Overview - DN and NN Control Suffixes

All Models Except M Models; OPL



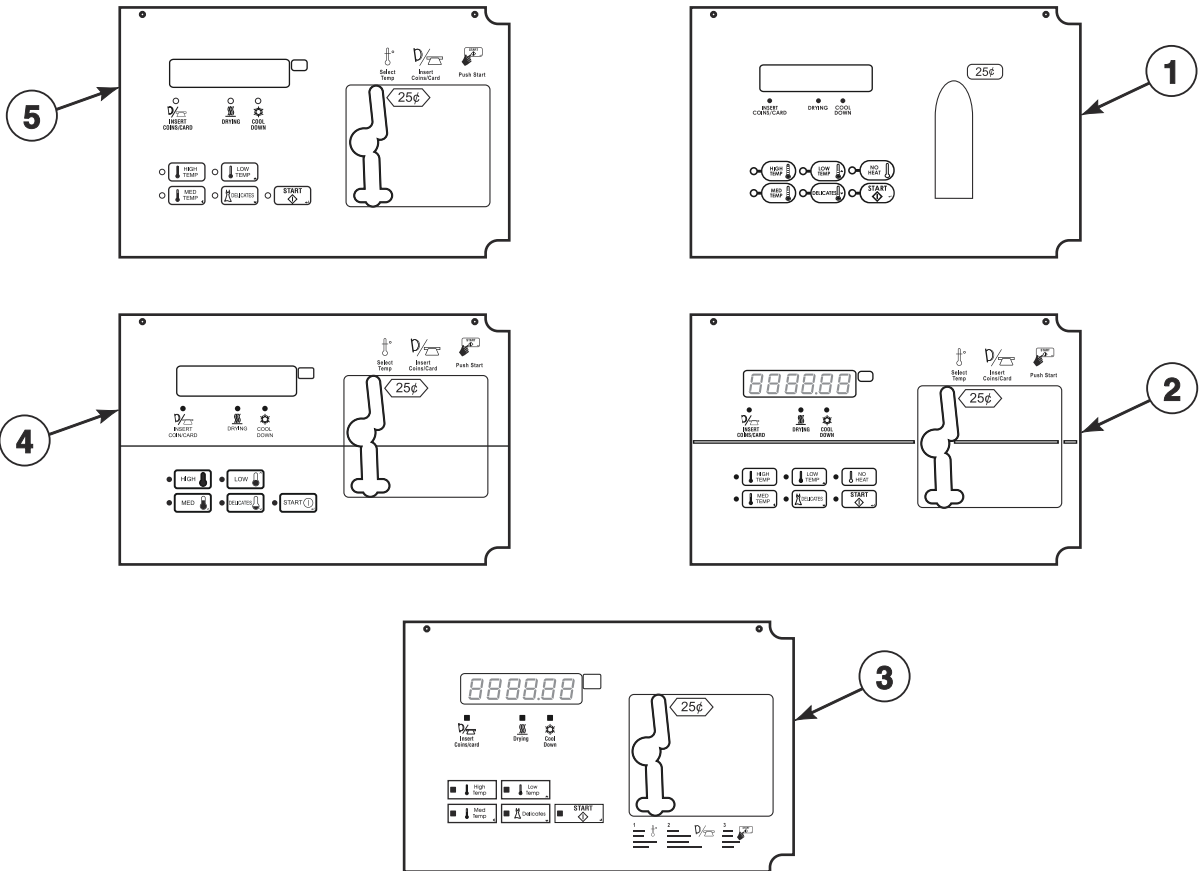
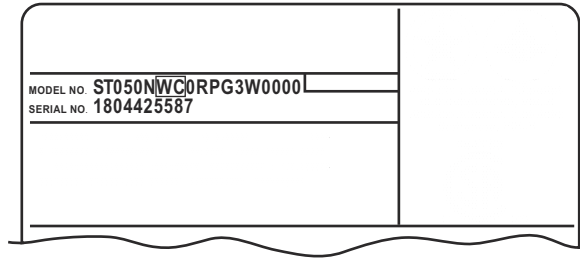
TMB3536P

## Product Overview - DN and NN Control Suffixes

REF	PART NO.	DESCRIPTION	COMMENTS
1	-	Galaxy Control	H models
2	-	M-Series Control	U models
3	-	OPTimum Control	B models
4	-	OPL Micro Control	P models
5	-	OPL Micro Control	N models
6	-	OPL Micro Control	G and K models
7	-	UniLinc Control	U models
8	-	Quantum Gold Control	S models

# Product Overview - N and W Control Suffixes

7th Position of the Model Number; All Models Except U Models; Vend



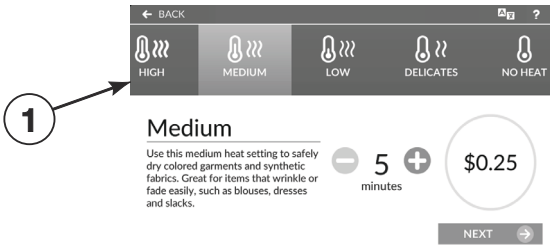
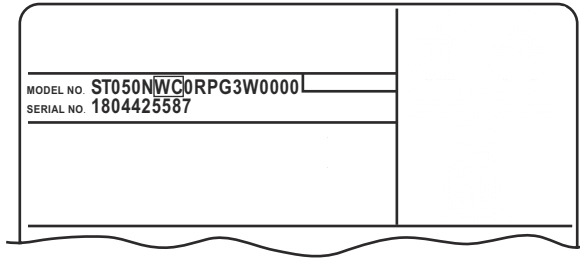
TMB3889P

## Product Overview - N and W Control Suffixes

REF	PART NO.	DESCRIPTION	COMMENTS
1	-	Micro Control	G and K models
2	-	Quantum Gold Control	M and S models
3	-	Galaxy 600	H models
4	-	XQ Control	P models
5	-	EVO7S Control	B and N models

# Product Overview - V Control Suffix

7th Position of the Model Number; B, H, P and S Models; Vend and OPL



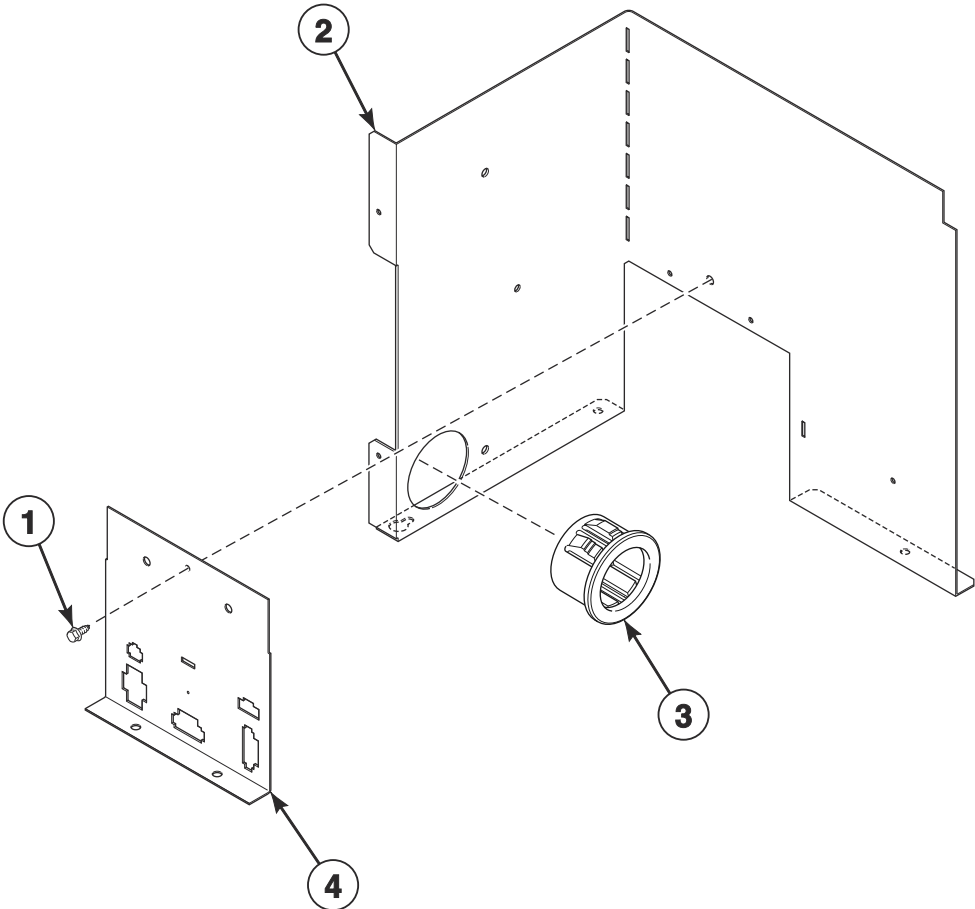
TMB3906P



## Product Overview - V Control Suffix

REF	PART NO.	DESCRIPTION	COMMENTS
1	-	Touch Control	Vend; B, H, P and S models
2	-	Touch Control	OPL; B and P models

# Control Box



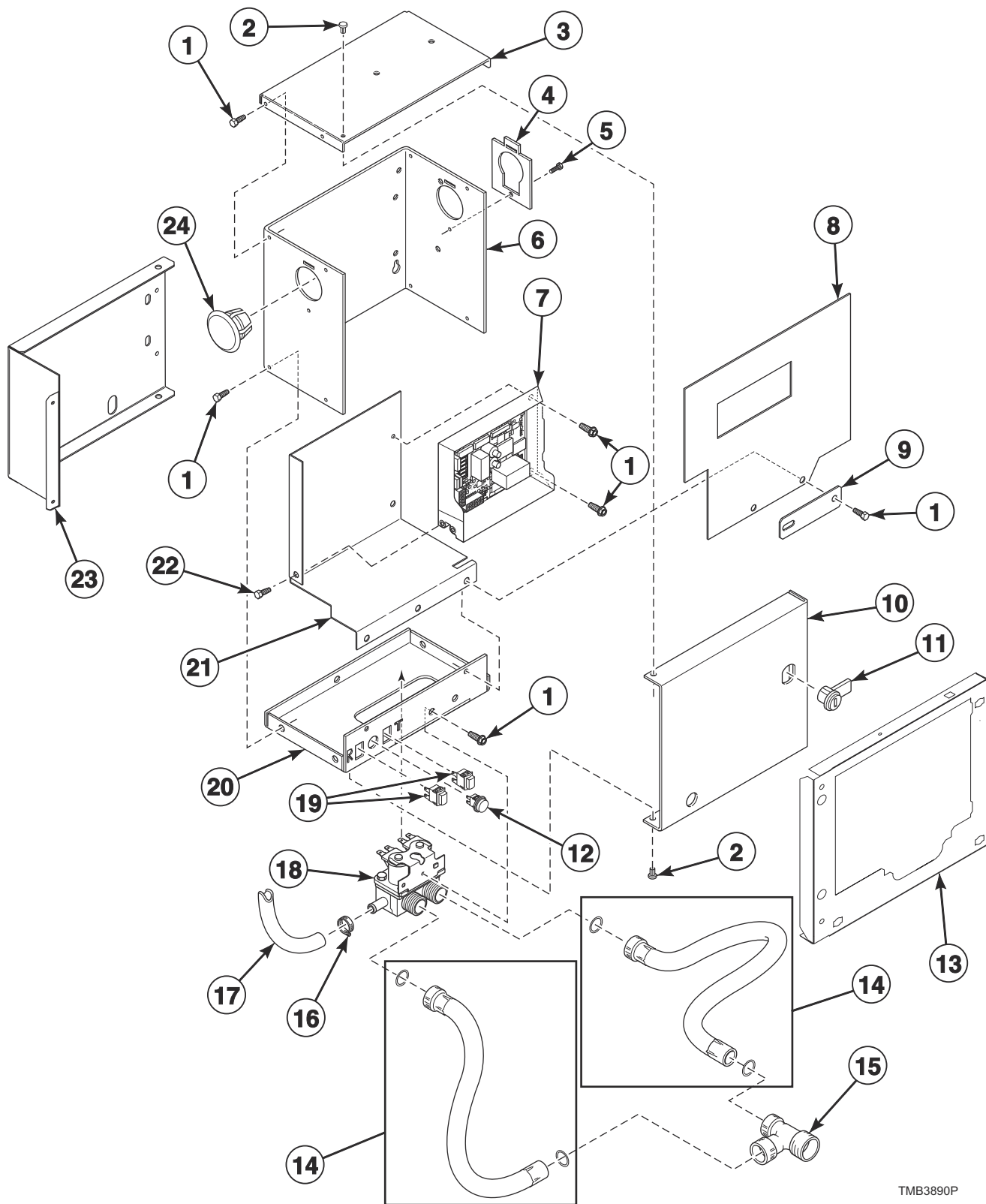
TMB3710P

# Control Box

REF	PART NO.	DESCRIPTION	COMMENTS
	44363301	Main Harness	
1	430497	Screw	
2	44344101	Control Box Wrap	B, H, P and S models with V in 7th position
	44119101	Control Box Wrap	S models with F, N and W in 7th position
	44180101	Control Box Assembly	All models except S models with D, F, N and W in 7th position
3	D503235	Snap Bushing	Use with 44344101 Control Box Wrap
4	70307005	Control Housing Cover	

# Fire Suppression System Control Box

All Gas and Steam Models Except M Models



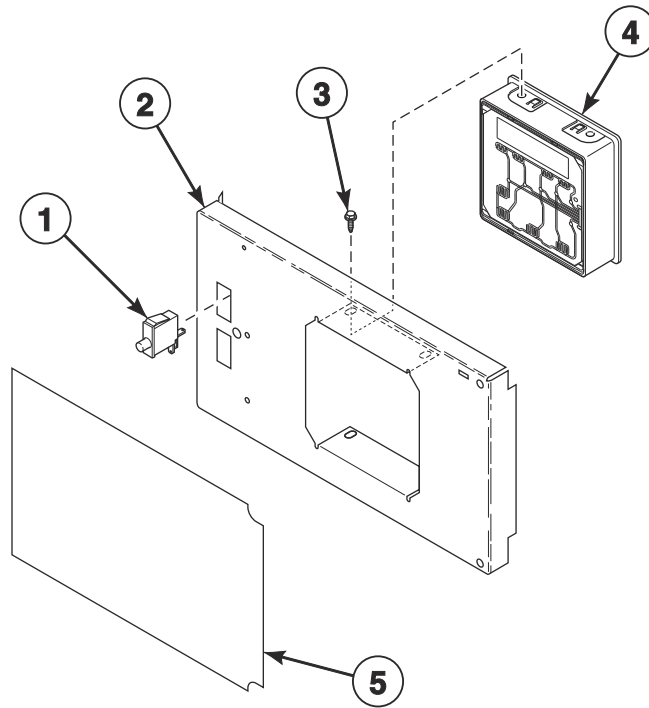
TMB3890P

# Fire Suppression System Control Box

REF	PART NO.	DESCRIPTION	COMMENTS
	44340301	Cold Weather Kit	
	70155601	Key	RL001; Use with item 11
	44375604	Control Harness	
	44375605	Water Valve Harness	
	44375602	Power Sensor Harness	
	44375606	Sensor Harness	
	44375601	Interconnect Harness	
	44375603	Power Sensor Harness	
	44324501	Warning Label	F.S.S.; T and G market models
	44324500	Label Kit	F.S.S.; IEC models
	F8614401	Shock Warning Label	T and G market models
	F8614201	Shock Warning Label	IEC models
	44318200	Label Kit	IEC models
	44324502	Warning Label	
	44318201	Label	T and G market models
<b>1</b>	430497	Screw	
<b>2</b>	M400713	Drive Rivet	
<b>3</b>	44307101	Control Box Top	
<b>4</b>	70523301	Harness Adapter Plate	
<b>5</b>	51780	Screw	
<b>6</b>	44306701	Control Box Housing	
<b>7</b>	70511601	Control	
<b>8</b>	44326801	Shield	
<b>9</b>	70551701	Filter Mounting Plate	
<b>10</b>	44065201	Control Box Cover	
<b>11</b>	44089301P	Lock, Key and Nut Kit	RL001 key code; Optional if same key is to be used for control lock
<b>12</b>	801432	Light	
<b>13</b>	44376701	Rear Guard	
<b>14</b>	202799	Fill Hose	2 required
<b>15</b>	44069101	Hose Fitting	T and G market models
<b>16</b>	36801	Hose Clamp	
<b>17</b>	44073304	Hose	14 inches; Outlet hose
<b>18</b>	70519801	Mixing Valve	
<b>19</b>	801434W	Push-to-Start Switch	2 required
<b>20</b>	44065301	Control Box Base	
<b>21</b>	44306601	Mixing Valve Shield Bracket	
<b>22</b>	804608	Screw	
<b>23</b>	44376601	Mounting Bracket	
<b>24</b>	70180001	Plug	

# Dual Digital Control

All Models Except M Models; Models with F in the 7th Position



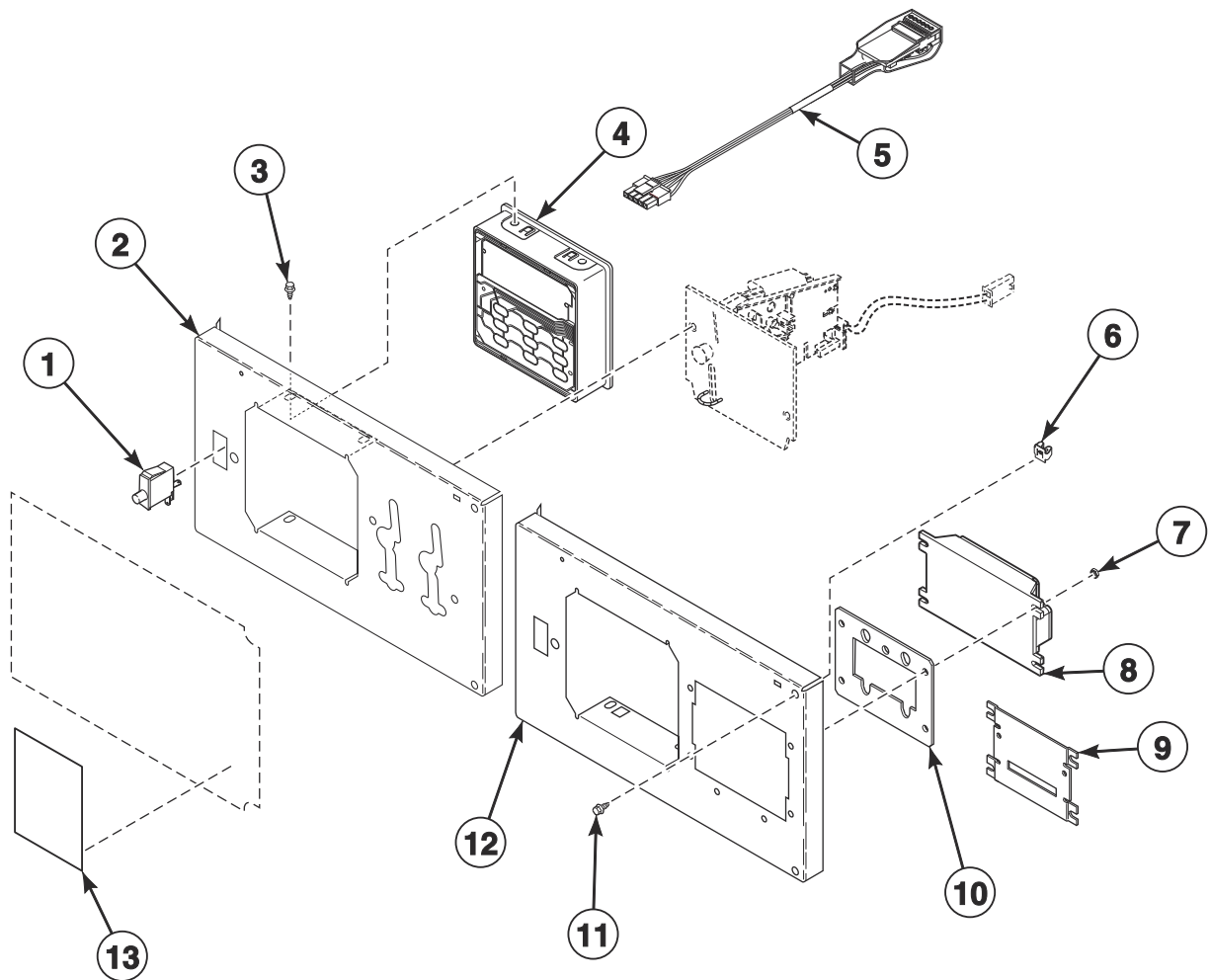
TMB3505P

# Dual Digital Control

REF	PART NO.	DESCRIPTION	COMMENTS
	44334004	Vend Activation Harness	
<b>1</b>	70413301	Pushbutton Switch	
<b>2</b>	70497101	Control Plate	All models except S models
<b>3</b>	804608	Screw	4 required
<b>4</b>	70523101	Control Assembly	P models; Blue
	70479801	Control Assembly	G, H, K, N, S and U models; Green
	70479901	Control Assembly	B models; Red
<b>5</b>	70539102	Overlay	B and N models; Nonreversing
	70539101	Overlay	B and N models; Reversing
	70547502	Overlay	G and K models; Nonreversing
	70547501	Overlay	G and K models; Reversing
	70691302	Overlay	H models; Nonreversing
	70691301	Overlay	H models; Reversing
	70545502	Overlay	P models; Nonreversing
	70545501	Overlay	P models; Reversing
	70675002	Overlay	S models; Nonreversing
	70675001	Overlay	S models; Reversing
	70519002	Overlay	U models; Nonreversing
	70519001	Overlay	U models; Reversing

# Electronic Display Control - Vend Models with N or W in the 7th Position

All Models Except U Models



TMB3832P

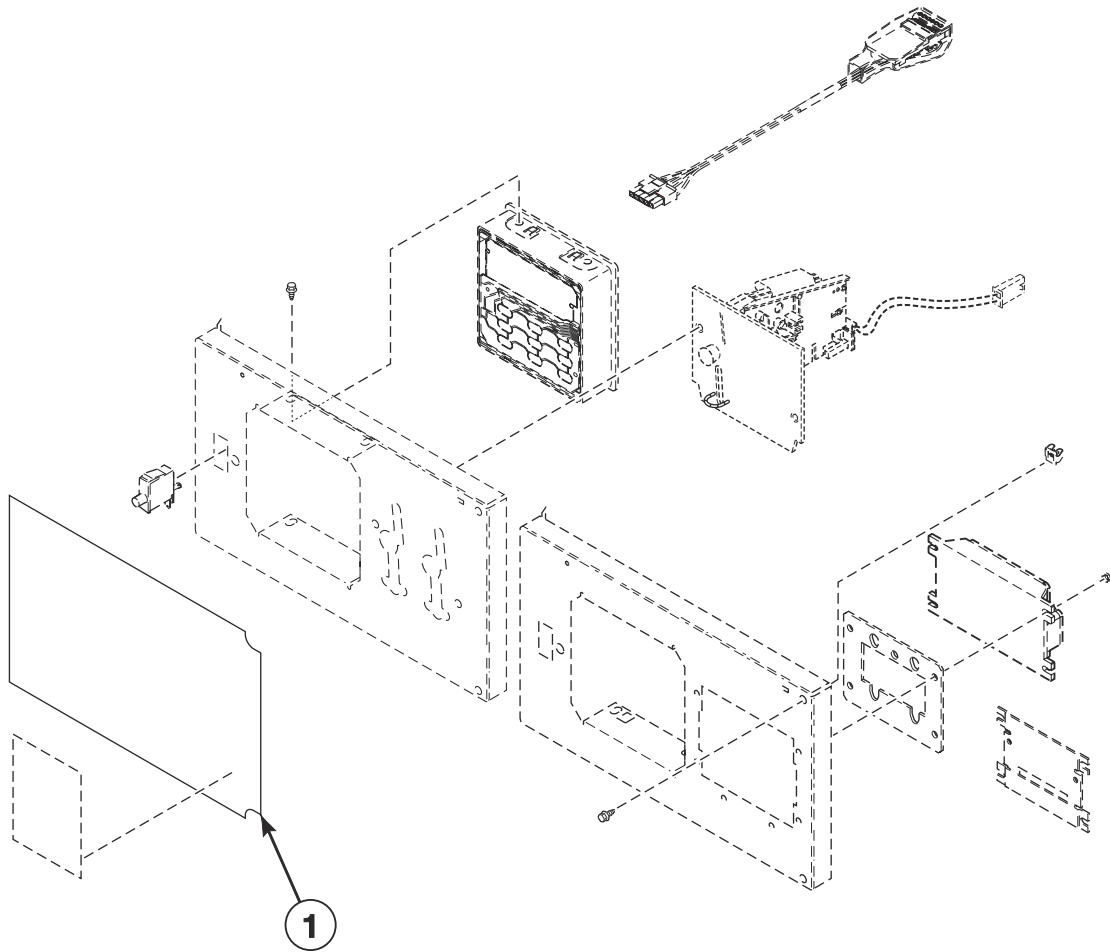


## Electronic Display Control - Vend Models with N or W in the 7th Position

REF	PART NO.	DESCRIPTION	COMMENTS
	F8519403	Emergency Stop Bypass Harness	T and G market models
	70631001	Main Harness	
	44334004	Vend Activation Harness	
	F8719301	Fob Communication Harness	
	44378104	Interface Harness	Central pay to front end control
	44334103	Bypass Harness	Vault Switch
	44334104	Coin Vault Switch Harness	
<b>1</b>	70413301	Pushbutton Switch	
<b>2</b>	70496601	Control Plate and Studs Assembly	Coin and central pay; All models except S models
<b>3</b>	804608	Screw	4 required
<b>4</b>	70523001	Control Assembly	P models; Blue
	70478801P	Control Assembly	G, H, K, M, N and S models; Green
	70478901	Control Assembly	B models; Red
<b>5</b>	203361P	Machine ID Control Assembly	Model or serial number is required when ordering
<b>6</b>	70030501	Expansion Clip	
<b>7</b>	70054	Nut	
<b>8</b>	205135	Fob Reader Control Assembly	
<b>9</b>	44089501	Slot Card Plate Assembly	
<b>10</b>	70208801	Mounting Plate	
<b>11</b>	M411072	Screw	
<b>12</b>	70497201	Control Plate Assembly	Card and FOB; All models except S models
<b>13</b>	F8205101	Overlay	S models; Single drop; Left
	70557001	Overlay	B and S models; Prep for card
	70557002	Overlay	B and S models; Central pay
	70295101	Overlay	S models; World drop
	70556801	Overlay	H models; World drop
	70556501	Overlay	H models; Prep for card
	70556502	Overlay	H models; Central pay
	70556601	Overlay	H models; Single drop; Left
	70556901	Overlay	H models; Citron; World drop
	70518101	Overlay	H models; Citron; Prep for card
	70518102	Overlay	H models; Citron; Central pay
	70556701	Overlay	H models; Citron; Left
	70556201	Overlay	P models; Single drop; Right
	70556401	Overlay	P models; Prep for card
	70556402	Overlay	P models; Central pay
	70556301	Overlay	P models; Single drop; Left
	F8733901	Overlay	S models; FOB
	F8734201	Overlay	H models; FOB
	F8736501	Overlay	H models; Citron; FOB

# Electronic Display Control Overlays- Vend Models with N or W in the 7th Position

All Models Except U Models



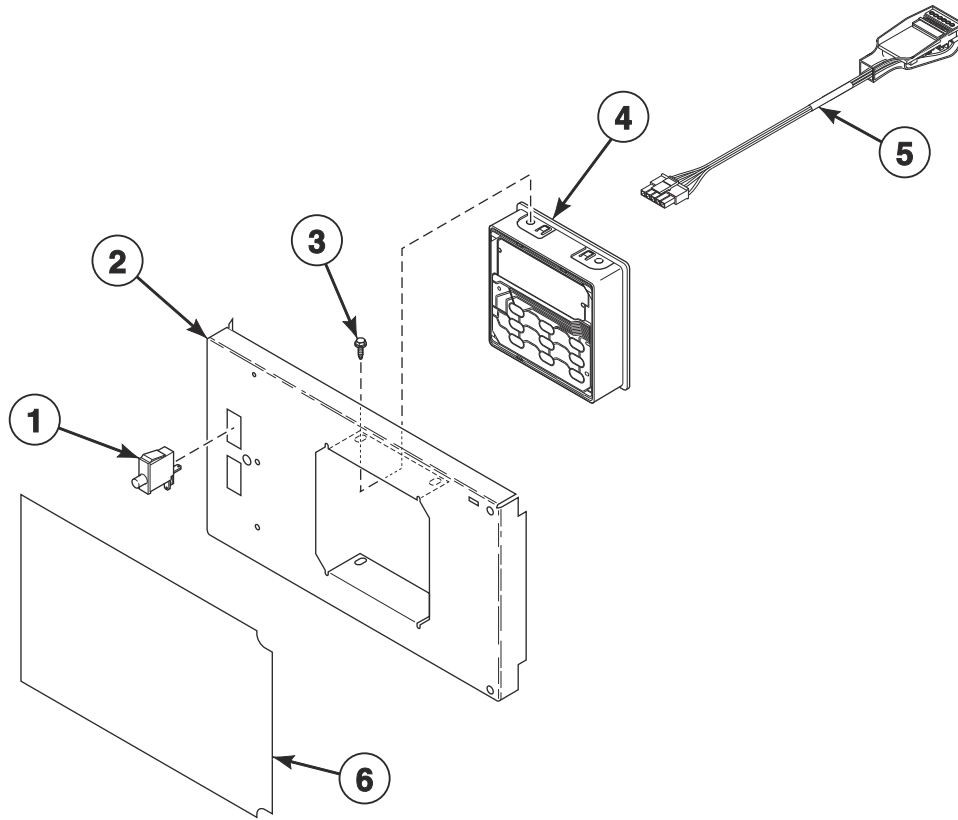
TMB3832PA

## Electronic Display Control Overlays- Vend Models with N or W in the 7th Position

REF	PART NO.	DESCRIPTION	COMMENTS
1	70681701	Overlay	S models; Single drop
	70681702	Overlay	S models; Dual drop
	70681703	Overlay	S models; Card ready
	70681704	Overlay	S models; Central pay
	70681705	Overlay	S models; World drop
	70705701	Overlay	S models with D in 17th position
	70690401	Overlay	H models; Single drop
	70690402	Overlay	H models; Dual drop
	70690403	Overlay	H models; Card ready
	70690404	Overlay	H models; Central pay
	70690405	Overlay	H models; World drop
	70690701	Overlay	H models; Single drop; Citron
	70690702	Overlay	H models; Dual drop; Citron
	70690703	Overlay	H models; Card ready; Citron
	70571101	Overlay	B models; Single drop
	70571102	Overlay	B models; Dual drop
	70571103	Overlay	B models; Card ready
	70541201	Overlay	P models; Single drop
	70541202	Overlay	P models; Dual drop
	70541203	Overlay	P models; Card ready
	70679201	Overlay	M models; Single drop
	70571101	Overlay	N models; Single drop
	70571102	Overlay	N models; Dual drop
	70571103	Overlay	N models; Card ready
	70626001	Overlay	G and K models; Single drop
	70626002	Overlay	G and K models; Dual drop
	70626101	Overlay	G and K models; Card ready

# Electronic Display Control - OPL Models with N in the 7th Position

All Models Except M Models



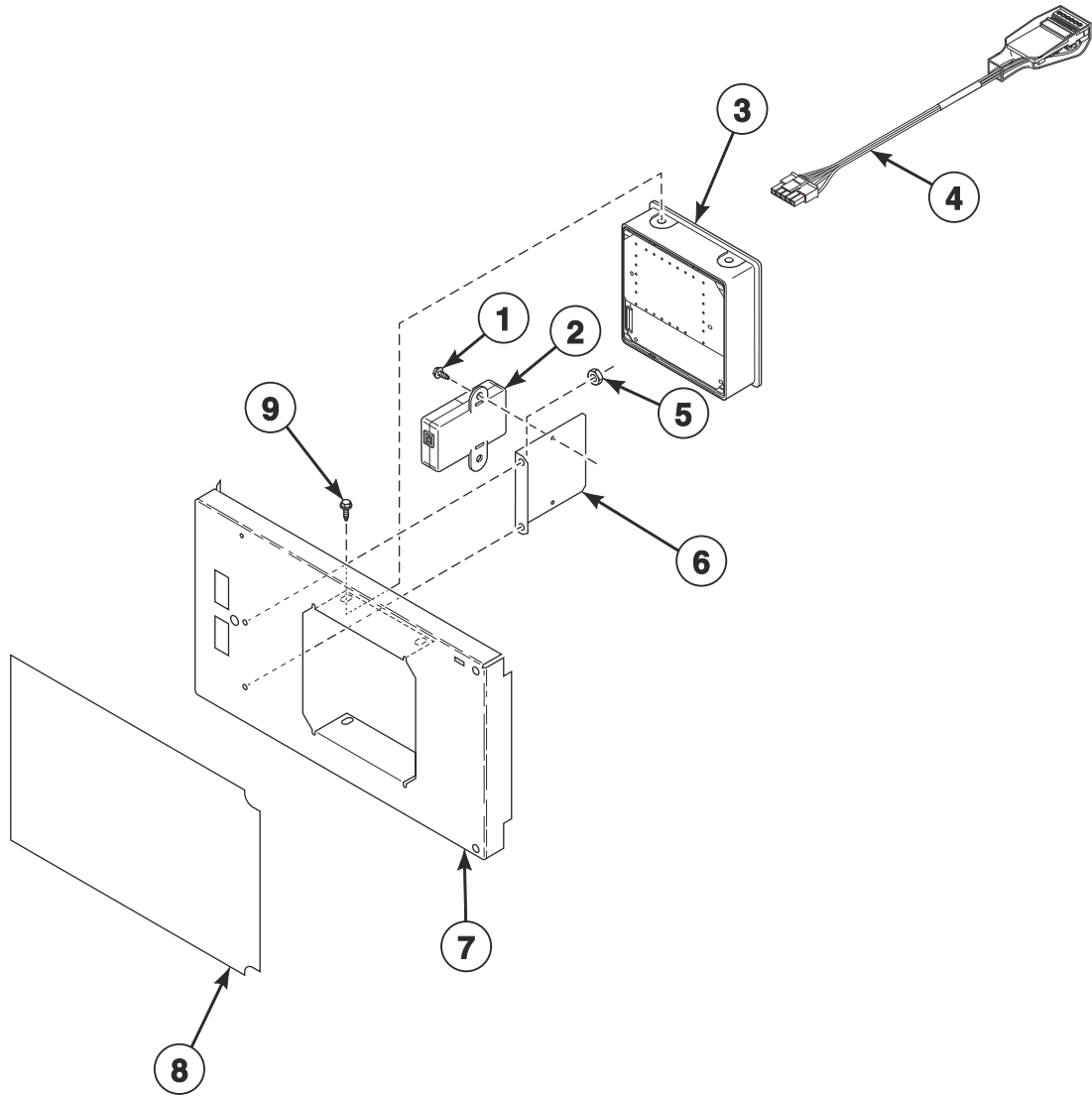
TMB3680P

## Electronic Display Control - OPL Models with N in the 7th Position

REF	PART NO.	DESCRIPTION	COMMENTS
	44334004	Vend Activation Harness	
1	70413301	Pushbutton Switch	
2	70497101	Control Plate	All models except S models
3	804608	Screw	4 required
4	70523002	Control Assembly	P models
	70478802	Control Assembly	G, H, K, N, S and U models
	70478902	Control Assembly	B models
5	203361P	Machine ID Control Assembly	Model or serial number is required when ordering
6	70673301	Overlay	S models; Reversing
	70673302	Overlay	S models; Nonreversing
	70571401	Overlay	U models; Reversing
	70571402	Overlay	U models; Nonreversing
	70691001	Overlay	H models; Reversing
	70691002	Overlay	H models; Nonreversing
	70548801	Overlay	B and N models; Reversing
	70548802	Overlay	B and N models; Nonreversing
	70547801	Overlay	G and K models; Reversing
	70547802	Overlay	G and K models; Nonreversing
	70571601	Overlay	P models; Reversing
	70571602	Overlay	P models; Nonreversing

# 3.5 Inch Graphical Control

U Models with D in the 7th Position



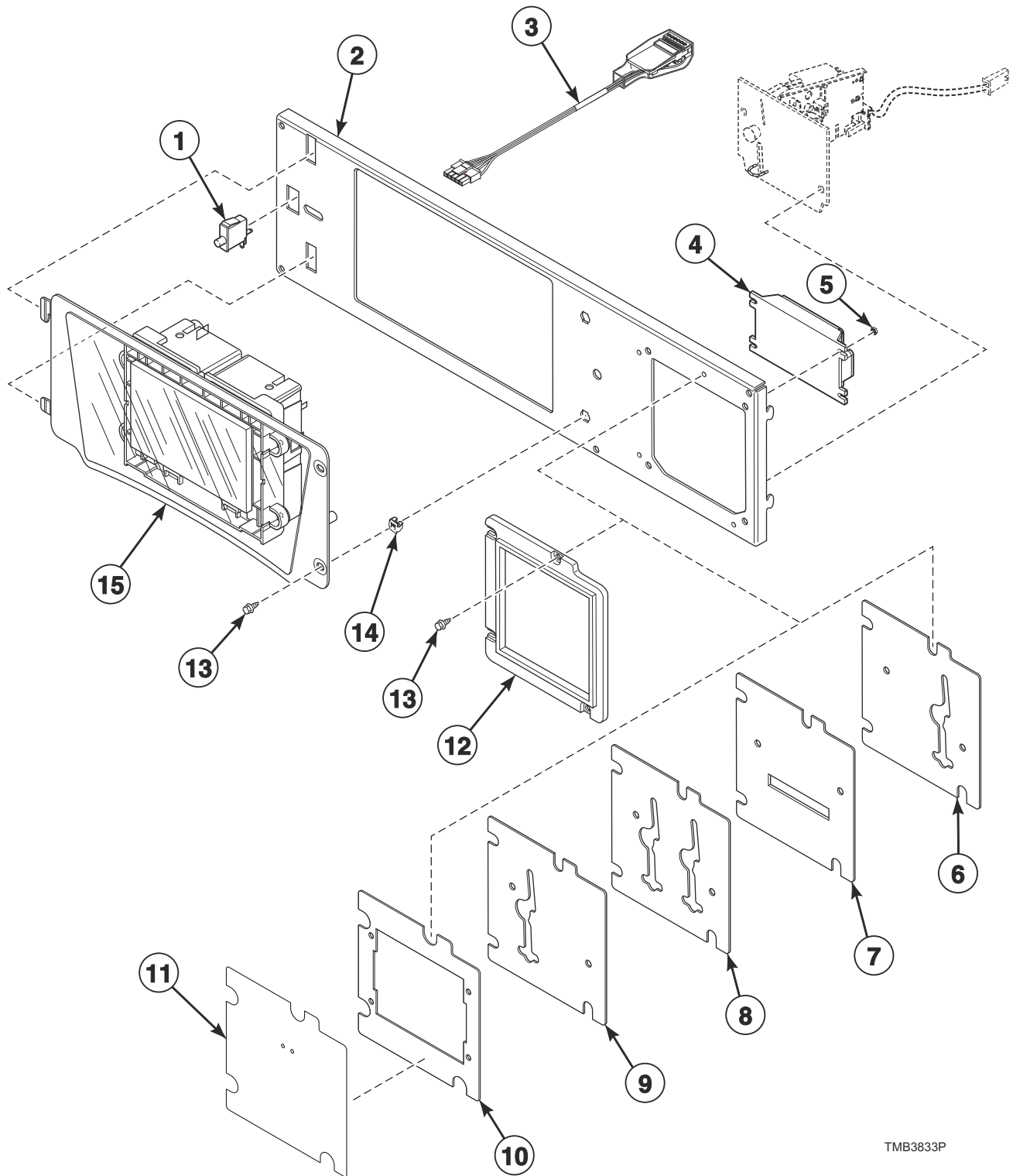
TMB3681P

## 3.5 Inch Graphical Control

REF	PART NO.	DESCRIPTION	COMMENTS
	F8617901	Harness	USB
1	51780	Screw	2 required
2	203440	USB-Serial Interface Assembly	
3	70543104	Control Assembly	
4	203361P	Machine ID Control Assembly	Model or serial number is required when ordering
5	44071201	Nut	2 required
6	70547001	USB Bracket	
7	70570201	Control Door and Studs Assembly	
8	70595401	Overlay	
9	804608	Screw	4 required

# Touch Control - Vend Models with V in the 7th Position

B, H, P and S Models



TMB3833P

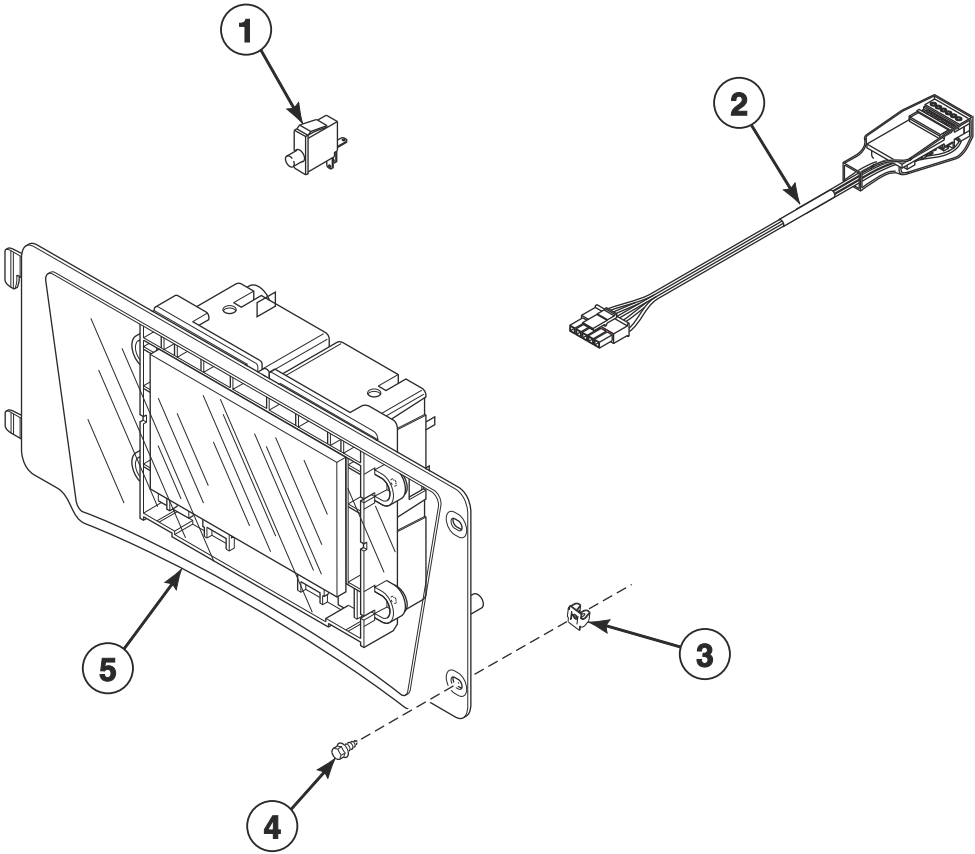


## Touch Control - Vend Models with V in the 7th Position

REF	PART NO.	DESCRIPTION	COMMENTS
	44334002	Vend Activation Harness	
	44087101	Nut	2 required
	204692	Wireless Control Label	2 required
	203440	USB-Serial Interface Assembly	
	44374701	App Pay Overlay Kit	
	70576501P	Replacement Screen Kit	
	F8519403	Emergency Stop Bypass Harness	T and G market models
	70631001	Main Harness	
	F8719302	Fob Communication Harness	
	44378104	Interface Harness	Central pay to front end control
	F8713906	Serial Pay Harness	Card
	44334103	Bypass Harness	Vault switch
	44334104	Coin Vault Switch Harness	
<b>1</b>	70413301	Pushbutton Switch	
<b>2</b>	70598601	Control Mounting Bracket	
<b>3</b>	203361P	Machine ID Control Assembly	
<b>4</b>	205135	Fob Reader Control Assembly	
<b>5</b>	70054	Nut	
<b>6</b>	F8574205	Accessory Plate Assembly	World drop
<b>7</b>	F8574204	Card Reader Plate	Card
<b>8</b>	F8574203	Accessory Plate Assembly	Dual drop
<b>9</b>	F8574202	Accessory Plate Assembly	Single drop
<b>10</b>	F8734601	Accessory Plate Assembly	FOB
<b>11</b>	F8734001	Overlay	S models; FOB
	F8734301	Overlay	H models; FOB
	F8736601	Overlay	H models; Citron; FOB
<b>12</b>	F8632501	Vend Plate	
<b>13</b>	39733	Screw	
<b>14</b>	70030501	Expansion Clip	2 required
<b>15</b>	70597801P	Control Assembly	

# Touch Control - OPL Models with V in the 7th Position

B and P Models



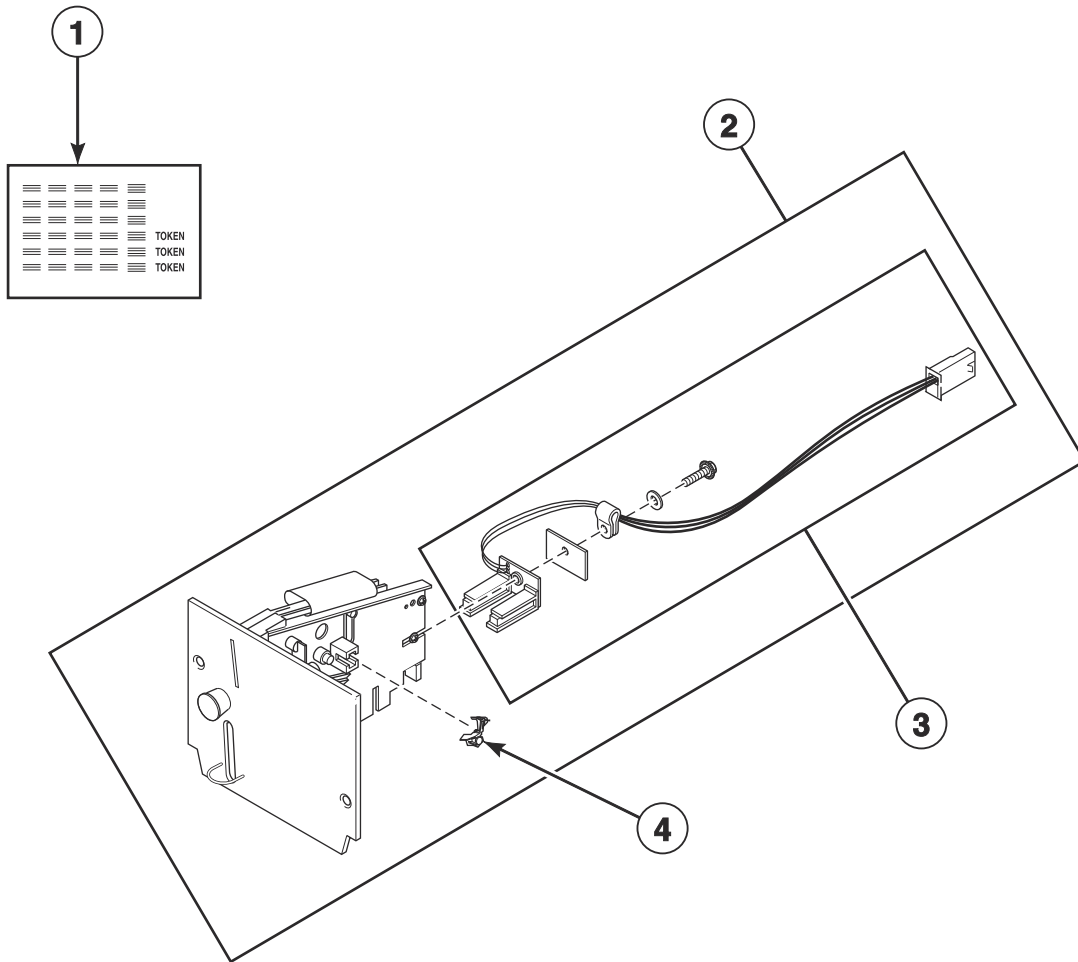
TMB3828P

## Touch Control - OPL Models with V in the 7th Position

REF	PART NO.	DESCRIPTION	COMMENTS
	44087101	Nut	2 required
	204692	Wireless Control Label	2 required
	203440	USB-Serial Interface Assembly	
	44374701	App Pay Overlay Kit	
	70576501P	Replacement Screen Kit	
	70631001	Main Harness	
1	70413301	Pushbutton Switch	
2	203361P	Machine ID Control Assembly	
3	70030501	Expansion Clip	2 required
4	39733	Screw	
5	70597803	Control Assembly	

# Coin Drops

All Models Except U Models



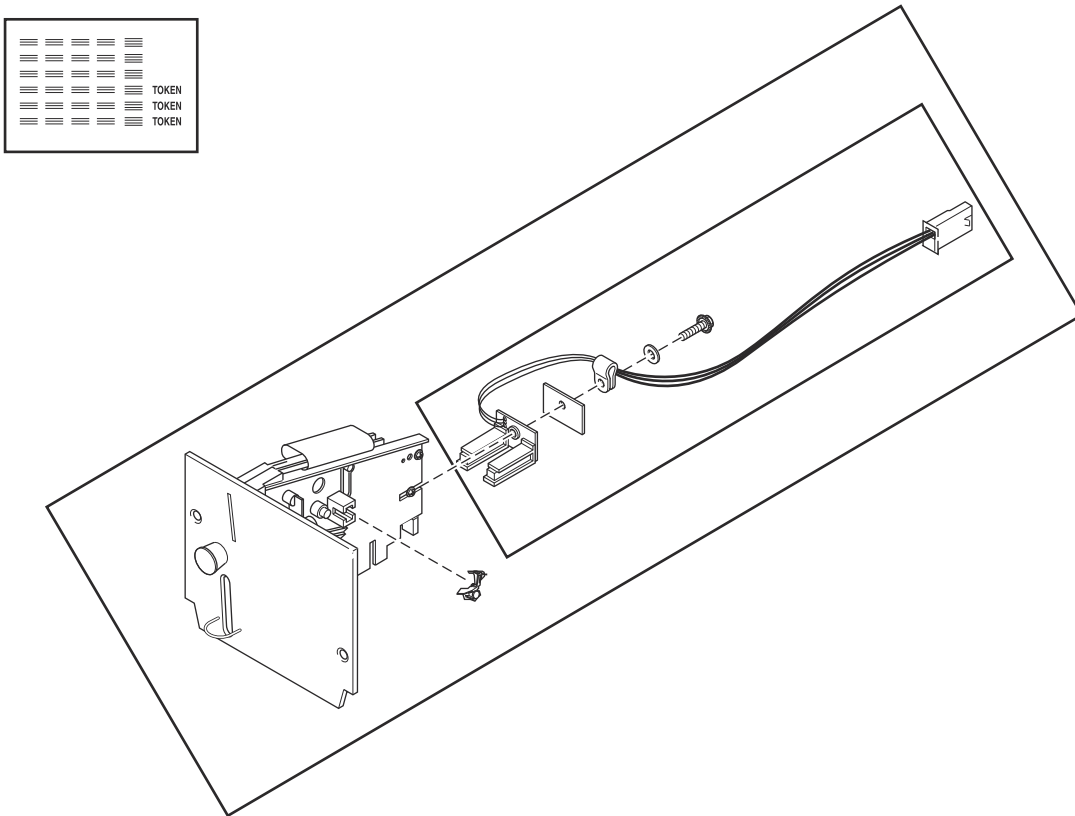
TMB3510P

# Coin Drops

REF	PART NO.	DESCRIPTION	COMMENTS
1	38725	Coin Identification Paper	
2	70441601P	Coin Drop	Single; U.S.A.; \$.25
	38475	Coin Drop Assembly	Single; Japan; 100 yen
	38464P	Coin Drop Assembly	Single; Canada; .25
	CK077	Coin Drop Kit	Single; Taiwan; 10 NT
	70506901	Coin Drop Assembly	Single; Singapore; \$1.00 NEW
	70441603	Coin Drop	Dual; U.S.A.; \$.25 and \$1.00
	38519	Coin Drop Assembly	Dual; Japan; 100 yen and 500 yen
	70441602	Coin Drop Assembly	Dual; Canada; .25 and 1.00
	38467	Coin Drop Assembly	Dual; Australia; \$0.20 and \$1.00
	70447301	Coin Drop Assembly	Dual; Australia; \$1.00 and \$2.00
	70283102	Coin Drop Assembly	Dual; 0.20 and 0.50 Euro
	210195	Coin Drop Assembly	Dual; 0.20 and 1.00 Euro
	210196	Coin Drop Assembly	Dual; 0.50 and 1.00 Euro
	F0160737-00	Coin Meter	Dual; 0.50 and 2.00 Euro
	70281102	Coin Drop Assembly	Dual; Taiwan; 10 and 50 NT
	70482401	Coin Drop Assembly	Dual; New Zealand; \$1.00 and \$2.00
	38462P	Coin Drop Assembly	Single; Token; STD 118-1
	38463	Coin Drop Assembly	Single; Token; STD 118-5
	38963P	Coin Drop	Single; Token STD 118-16
	39748	Coin Drop	Single; Jeton 08MS
	201141	Coin Drop Assembly	Single; Token; Jeton wh121
	70471601	Coin Drop Assembly	Single; Token; 7K
	70513302	Electronic Coin Drop Assembly	Euro and Great Britain coins
	70513310	Electronic Coin Drop Assembly	Japan and Thailand coins
	70513304	Electronic Coin Drop Assembly	Australia, New Zealand, Hong Kong and South Korea coins
	70513303	Electronic Coin Drop Assembly	Denmark, Norway and Euro coins
	70513306	Electronic Coin Drop Assembly	Mexico, Ecuador and U.S.A. coins
	70294107	Electronic Coin Drop Assembly	Lithuania, Latvia and Euro coins
	70513311	Electronic Coin Drop Assembly	China and Malaysia coins
	70513308	Electronic Coin Drop Assembly	South African 1, 2 and 5 rand coins
	70513309	Electronic Coin Drop Assembly	Euro coins
	70513312	Electronic Coin Drop Assembly	Russia coins
	70513313	Electronic Coin Drop Assembly	Philippines coins
	70513314	Electronic Coin Drop Assembly	Thailand coins
	70513315	Electronic Coin Drop Assembly	Chile coins
	70513316	Electronic Coin Drop Assembly	Singapore coins
3	200674P	Opto Coupler	
4	201595P	Wire Guard	

# Coin Drop Kits

All Models Except U Models

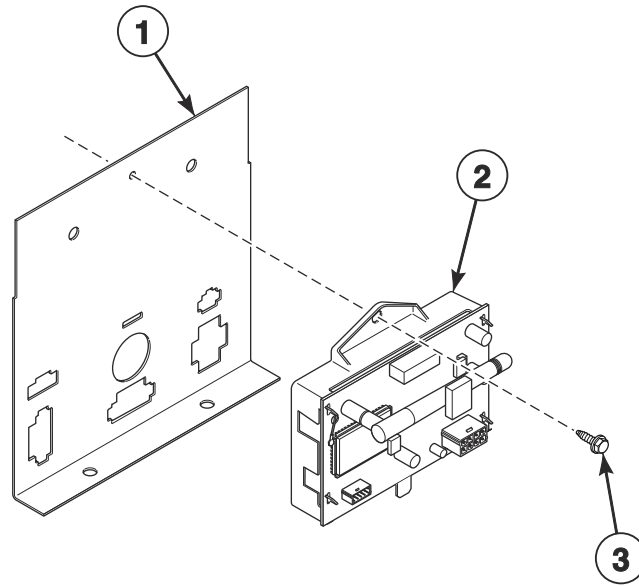


TMB3510PA

## Coin Drop Kits

REF	PART NO.	DESCRIPTION	COMMENTS
	CK115	Electronic Coin Drop Kit	United States and Canada
	CK099	Electronic Coin Drop Kit	Australia (default), New Zealand, Hong Kong, South Korea and Malaysia
	CK100	Electronic Coin Drop Kit	United Kingdom (default) and Europe
	CK101	Electronic Coin Drop Kit	Europe (default), Denmark and Norway
	CK108	Electronic Coin Drop Kit	South Africa
	CK109	Electronic Coin Drop Kit	Euro
	CK110	Electronic Coin Drop Kit	Mexico (default), Ecuador and United States
	CK113	Electronic Coin Drop Kit	Japan and Taiwan
	CK116	Electronic Coin Drop Kit	Malaysia (default) and China
	CK117	Electronic Coin Drop Kit	Russia
	CK118	Electronic Coin Drop Kit	Philippine
	CK119	Electronic Coin Drop Kit	Thailand
	CK120	Electronic Coin Drop Kit	Chile
	CK121	Electronic Coin Drop Kit	Singapore
	CK122	Coin Drop Kit	New Zealand; 1.00 and 2.00

# Network Board Components



TMB3834P

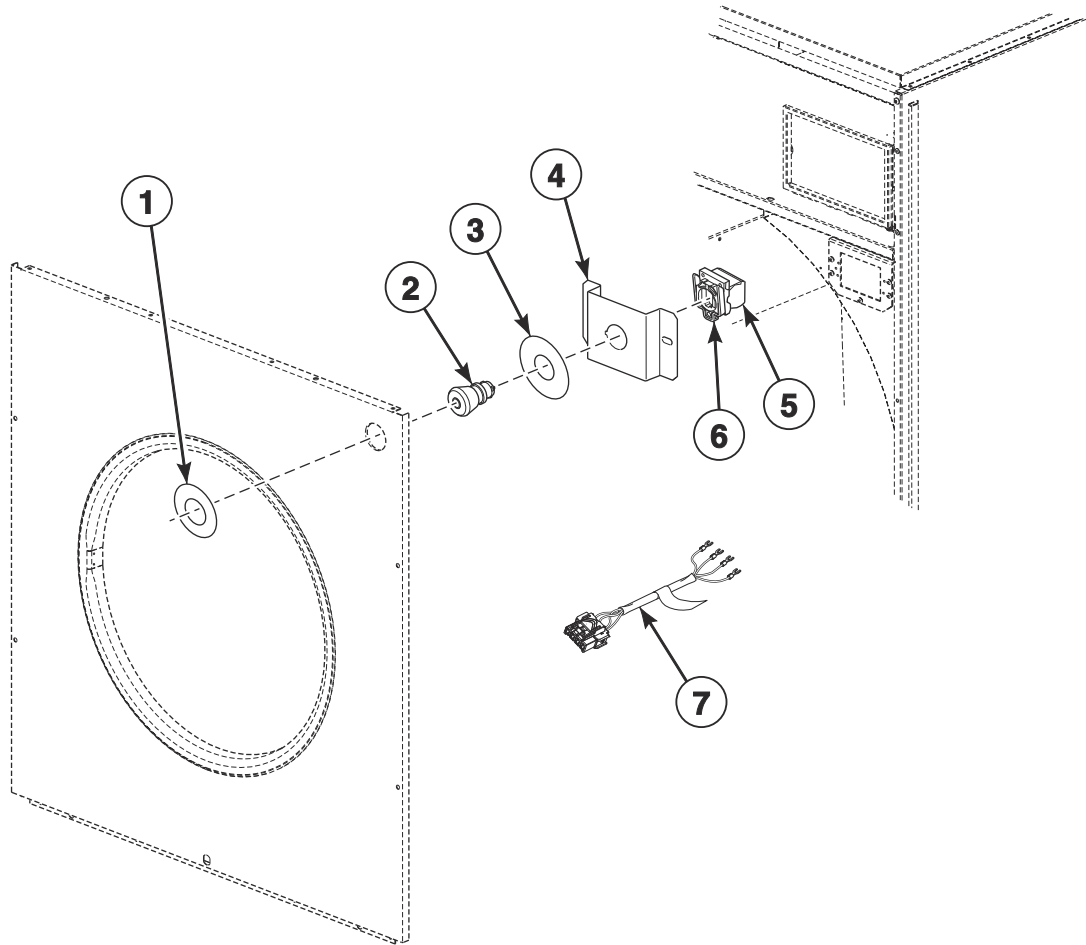


# Network Board Components

REF	PART NO.	DESCRIPTION	COMMENTS
	70609701	Wireless Network Kit	
	F8674006	Wireless Network Harness	
	204692	Wireless Control Label	
	203346	USB IR Interface Kit	
	70666806	Fob Reader Kit	
<b>1</b>	70307005	Control Housing Cover	
<b>2</b>	807211	Wireless Network Control Assembly	
<b>3</b>	F8206901	Screw	

# Emergency Stop Button - IEC OPL Models

A, H, J, K, R and U in the 2nd Position

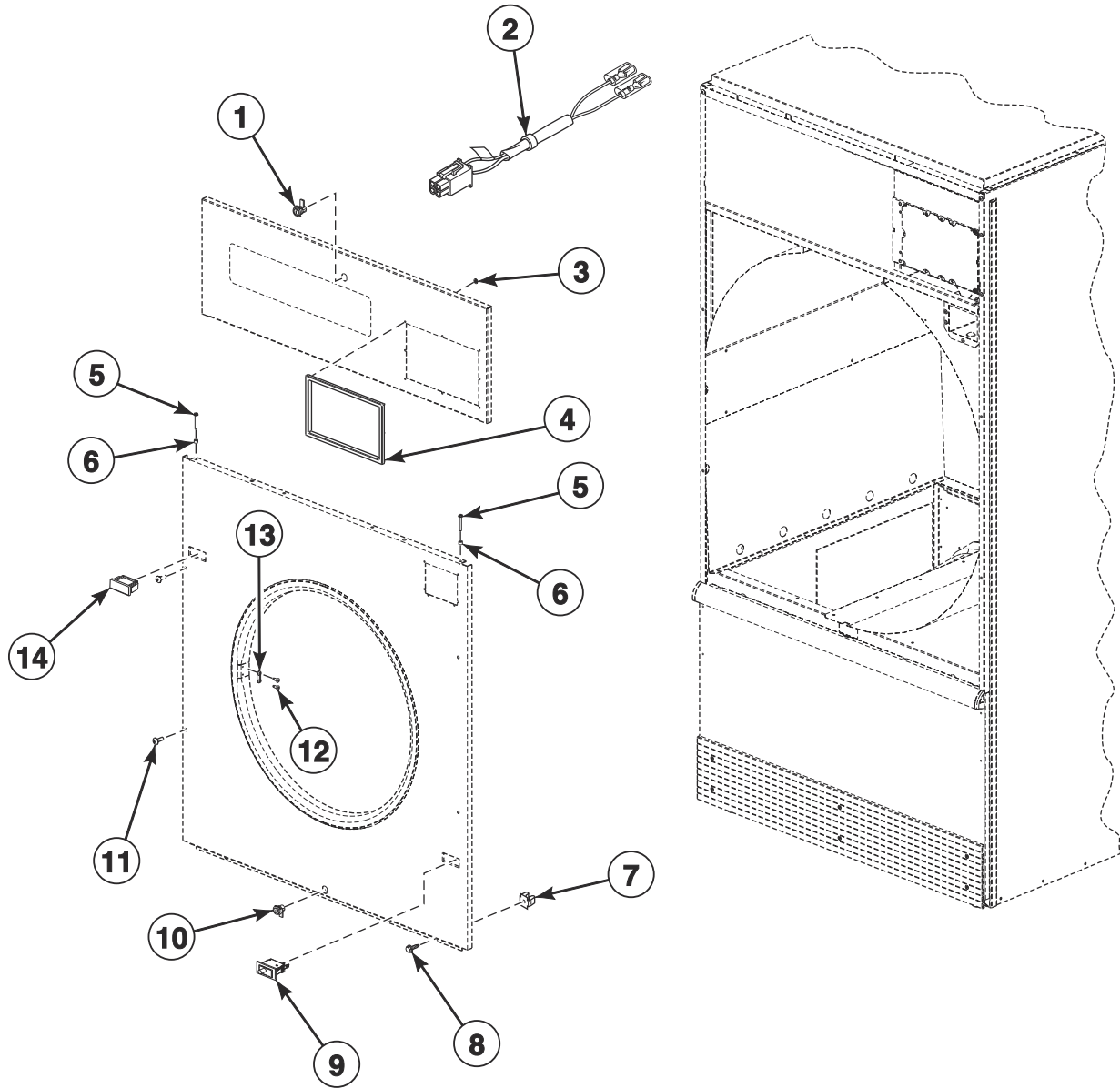


TMB3513P

## Emergency Stop Button - IEC OPL Models

REF	PART NO.	DESCRIPTION	COMMENTS
	70580301	Emergency Stop Button Kit	Includes items 2-4
	70631102	Emergency Stop Interconnect Harness	
1	44012903	Emergency Stop Label	
2	F200233500	Emergency Stop Pushbutton	
3	44012901	Emergency Stop Label	
4	70550401	Emergency Stop Mounting Bracket	
5	F8069501	Contact Switch	2 required
6	F8538101	Contact Base	
7	44272401	Emergency Stop Harness	

# Cabinet Front Components

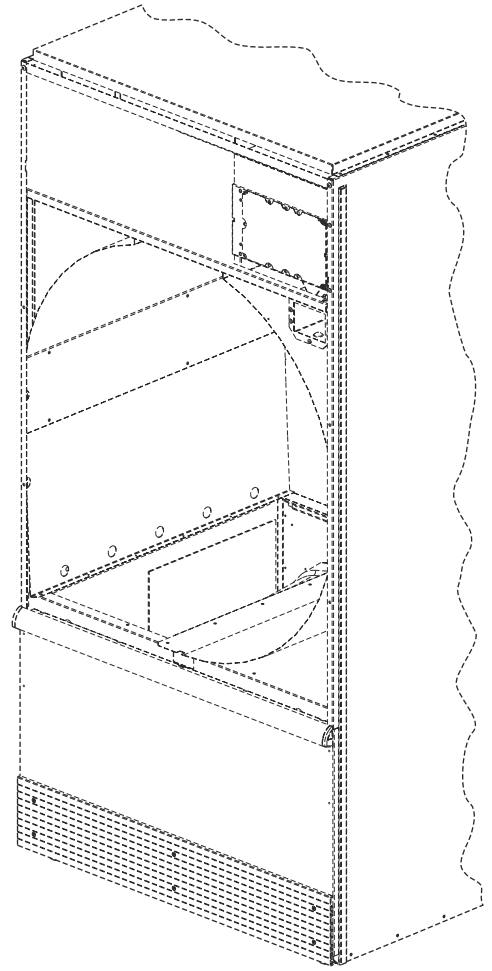
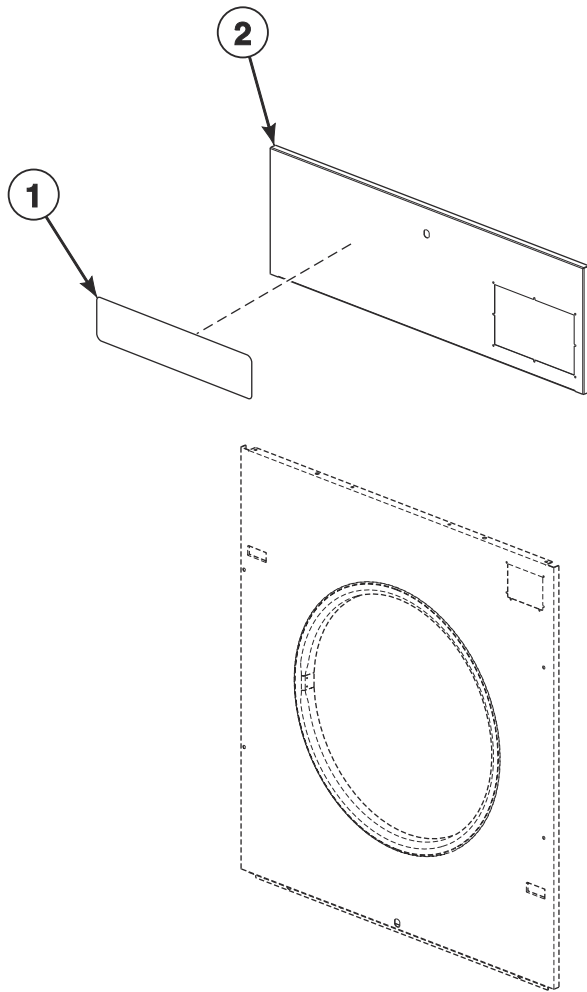


TMB3538P

## Cabinet Front Components

REF	PART NO.	DESCRIPTION	COMMENTS
	M4379P4	Tumbler Dolly Kit	
	D511476	Jumper Harness	Card reader present
	44366201	Door Switch Harness	
	44334103	Bypass Harness	Card and central pay
	70482901	Door Catch Kit	
<b>1</b>	44089301P	Lock, Key and Nut Kit	RL001 key code; Black; Control panel; Optional if same key is to be used for control lock
	70155601	Key	RL001
<b>2</b>	44334101	Coin Vault Switch Harness	
<b>3</b>	M400977	Nut	8 required per control trim
<b>4</b>	70529401	Control Trim	H models; Gray
	44016401	Control Trim	P models; Black
<b>5</b>	70275801	Screw	4 required
<b>6</b>	56079	Panel Locator	2 required
<b>7</b>	70030501	Expansion Clip	
<b>8</b>	M411072	Screw	4 required; Front panel; Bottom
<b>9</b>	70413301	Pushbutton Switch	Door switch
<b>10</b>	44089301P	Lock, Key and Nut Kit	RL001 key code; Black; Lint panel; Optional if same key is to be used for control lock
	70155601	Key	RL001
	44089302P	Lock, Key and Nut Kit	RL002 key code; Black; Lint panel; Standard coin and card models
	70155602	Key	RL002
<b>11</b>	70033502	Screw	2 required for stainless steel panels in addition to 2 of 70182601 Screw
	70182601	Screw	2 required for stainless steel panels in addition to 2 of 70033502 Screw; 4 required for painted panels
<b>12</b>	44166601	Pop Rivet	2 per door latch
<b>13</b>	M401223	Door Latch	2 required
<b>14</b>	44057801W	Switch Hole Plug	White
	44057801B	Switch Hole Plug	Black
	44057801LG	Switch Hole Plug	Light gray

# Control Panels and Nameplates

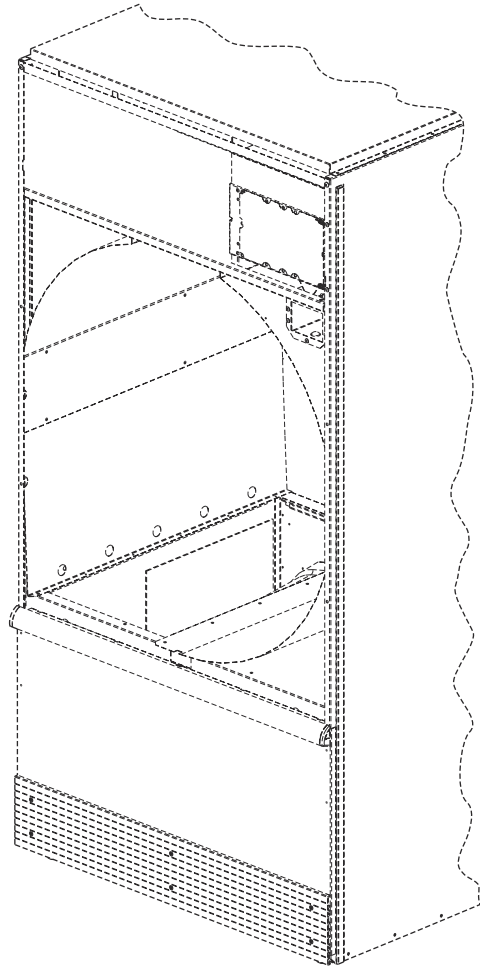
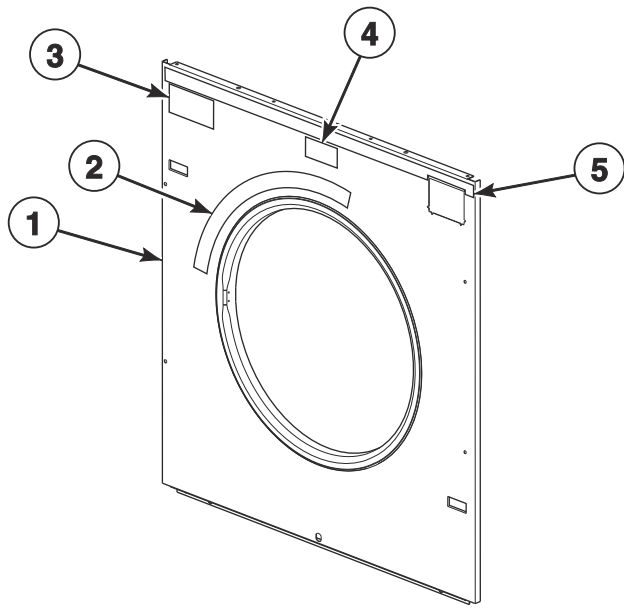


TMB3891P

## Control Panels and Nameplates

REF	PART NO.	DESCRIPTION	COMMENTS
1	F8688901	Nameplate	S models
	F8688001	Nameplate	H models
	F8443106	Nameplate	U models
	567293	Nameplate	B models
	567887	Nameplate	P models
	70410201	Nameplate Overlay	G models; OPL
	44130301	Nameplate Overlay	K models; OPL
	562738	Label	B, P, and S models; Softwash
2	44040015W	Control Panel	B, G, K and U models; Models with D, F, N and W in 7th position
	44040013	Control Panel	B, G, K and U models; Stainless steel; Models with D, F, N and W in 7th position
	44000130W	Control Panel	H, N and P models; Models with F, N and W in 7th position
	44000125	Control Panel	H, N and P models; Stainless steel; Models with F, N and W in 7th position
	44040015LG	Control Panel	U models; Light gray; Models with D, F, N and W in 7th position
	44000130DG	Control Panel	P models; Dark gray; Models with F, N and W in 7th position
	44344001	Control Panel	B, H, P and S models; Stainless steel; Coin and card; Models with V in 7th position
	44344002	Control Panel	B, H, P and S models; Stainless steel; Central pay and OPL; Models with V in 7th position
	44388701	Control Panel	S models; Stainless steel; Coin and central pay; Models with N and W in 7th position
	44388702	Control Panel	S models; Stainless steel; Card; Models with N and W in 7th position
	44388603	Control Panel	S models; Stainless steel; OPL; Models with F, N and W in 7th position
	44388703W	Control Panel	S models; Coin and central pay; Models with N and W in 7th position
	44388704W	Control Panel	S models; Card; Models with N and W in 7th position
	44388606W	Control Panel	S models; OPL; Models with F, N and W in 7th position

# Front Panel Assemblies



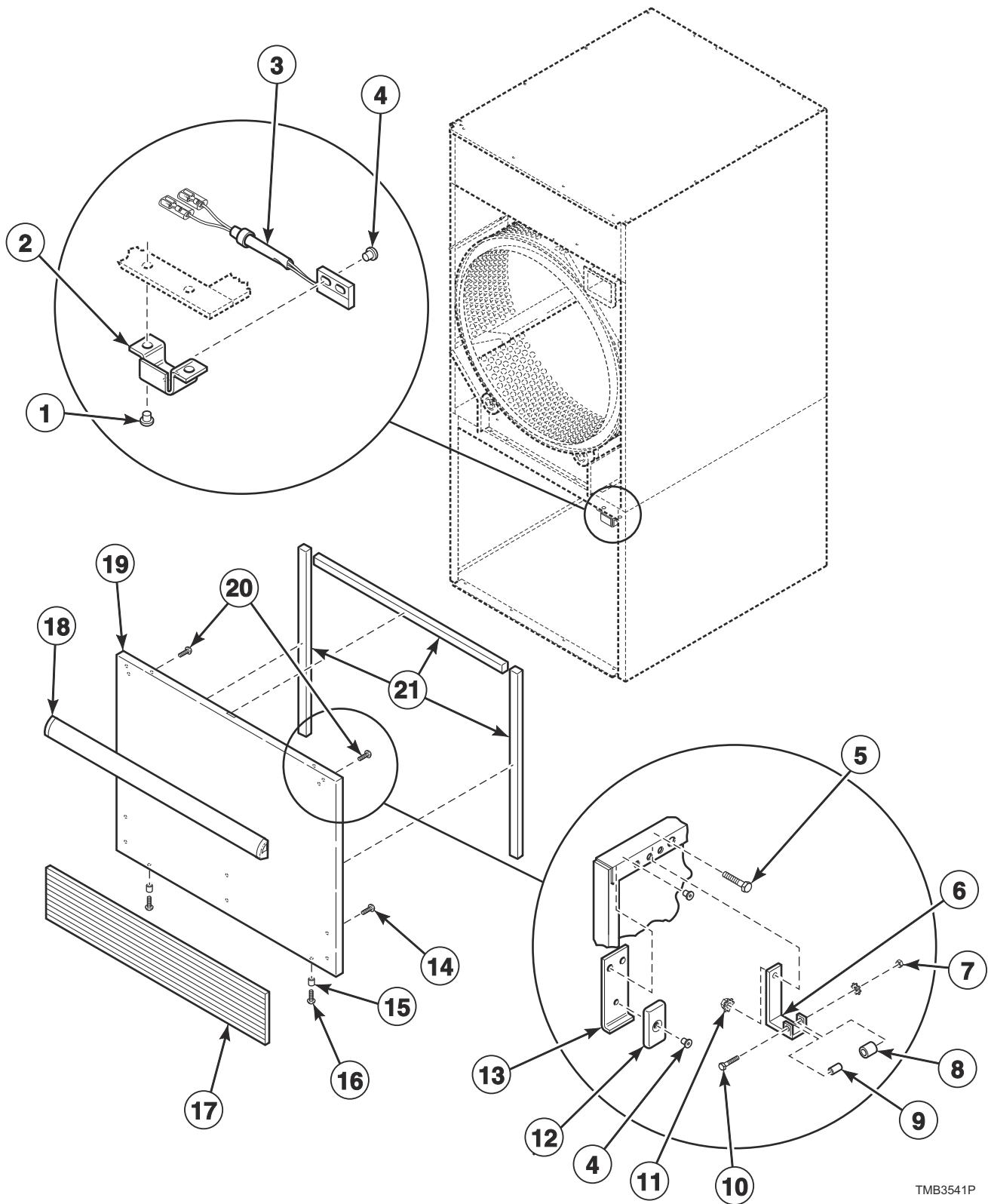
TMB3892P



# Front Panel Assemblies

REF	PART NO.	DESCRIPTION	COMMENTS
1	44052533W	Front Panel	All models except H models; Coin; Models with N and W in 7th position
	44052532	Front Panel	All models except U models; Stainless steel; Coin; Models with N and W in 7th position
	44346305	Front Panel	B, H, P and S models; Stainless steel; Coin; Models with V in 7th position
	44052533DG	Front Panel	P models; Dark gray; Coin; Models with N and W in 7th position
	44052536W	Front Panel	All models except H models; Card, central pay and FOB; Models with N and W in 7th position
	44052535	Front Panel	All models except U models; Stainless steel; Card, central pay and FOB; Models with N and W in 7th position
	44346306	Front Panel	B, H, P and S models; Stainless steel; Card, central pay and FOB; Models with V in 7th position
	44052536DG	Front Panel	P models; Dark gray; Card, central pay and FOB; Models with N and W in 7th position
	44052542W	Front Panel	With e-stop; OPL; Models with D, F, N and W in 7th position
	44052541	Front Panel	All models except U models; Stainless steel; With e-stop; OPL; Models with D, F, N and W in 7th position
	44346308	Front Panel	B, H, P and S models; Stainless steel; With e-stop; OPL; Models with V in 7th position
	44052541	Front Panel	U models; Stainless steel; With e-stop; OPL; Models with D, F, N and W in 7th position
	44052542LG	Front Panel	U models; Light gray; With e-stop; OPL; Models with D, F, N and W in 7th position
	44052542DG	Front Panel	P models; Dark gray; With e-stop; OPL; Models with F, N and W in 7th position
	44052539W	Front Panel	Without e-stop; OPL; Models with D, F, N and W in 7th position
	44052538	Front Panel	All models except U models; Stainless steel; Without e-stop; OPL; Models with D, F, N and W in 7th position
	44346307	Front Panel	B, H, P and S models; Stainless steel; Without e-stop; OPL; Models with V in 7th position
	44052538	Front Panel	U models; Stainless steel; Without e-stop; OPL; Models with D, F, N and W in 7th position
	44052539LG	Front Panel	U models; Light gray; Without e-stop; OPL; Models with D, F, N and W in 7th position
	44052539DG	Front Panel	P models; Dark gray; Without e-stop; OPL; Models with F, N and W in 7th position
2	70534401	Warning Label	English
	70534402	Warning Label	French
	70534405	Warning Label	Colombian Spanish
	70534400	Label Kit	Warning; IEC models
3	70537101	Label	G and K models; F.S.S.
	44190901	Label	P models; Safe Tech
	70537001	Label	B, H, M, N, S and U models; C.A.R.E.
	70414001	Label	G and K models; ExpressDry
4	70472801	Label	U models
5	70399402	Access Panel Trim	G and K models

# Lower Cabinet Front Components

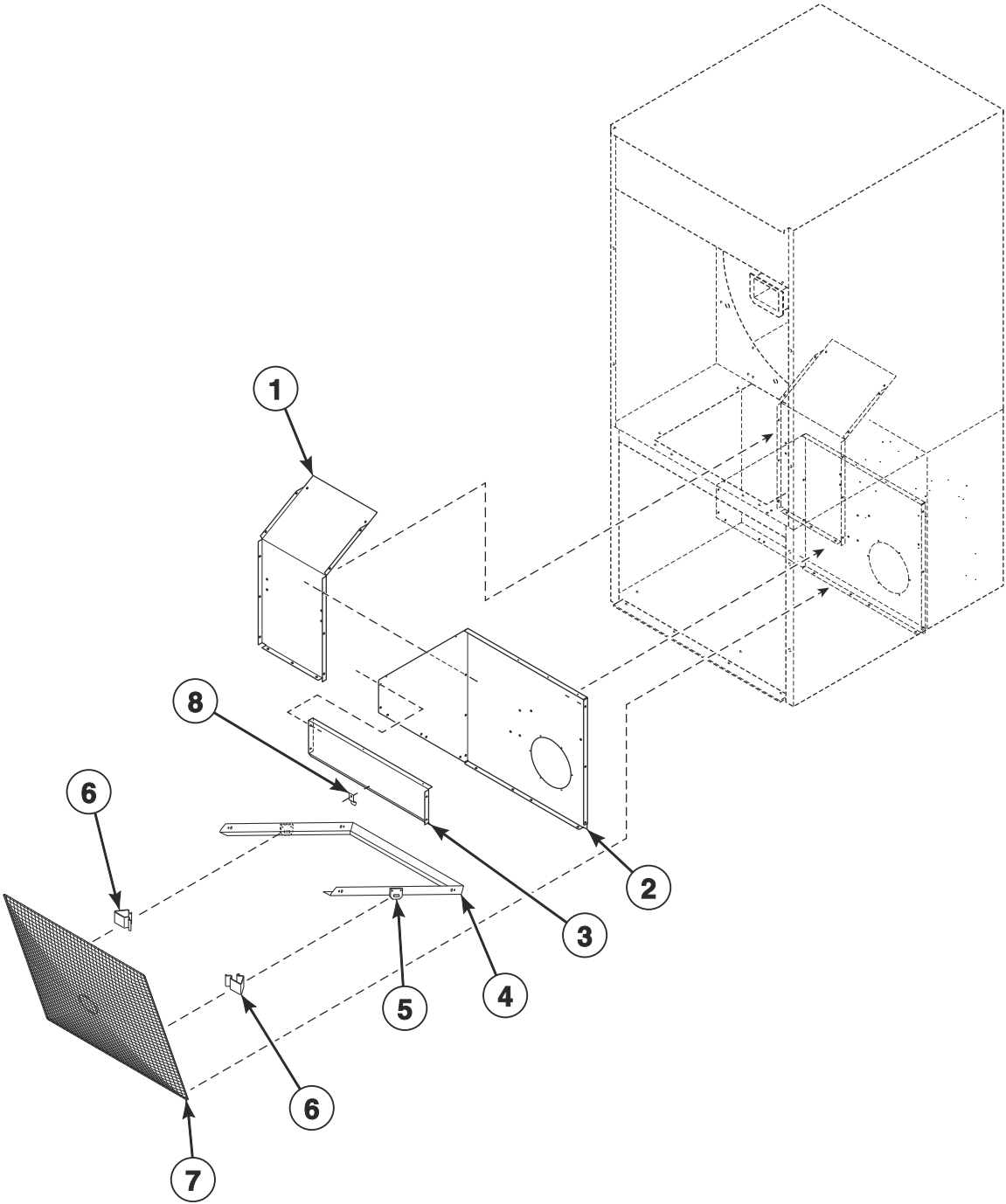


TMB3541P

## Lower Cabinet Front Components

REF	PART NO.	DESCRIPTION	COMMENTS
	44362702	Lint Door Switch Harness	
	70404001	Roller Bracket Assembly	Includes items 6-10
1	70058501	Pop Rivet	
2	44296101	Switch Bracket	
3	F8066804	Reed Switch Assembly	
4	F8245101	Blind Rivet	
5	70132301	Screw	Attaching roller catch
6	70030301	Roller Catch Arm	
7	23951	Nut	
8	70297601	Roller Catch Wheel	
9	70030201	Roller Catch Spacer	
10	70072801	Screw	
11	51236	Nut	Attaching roller catch
12	70343101	Magnet	
13	44290501	Magnet Bracket	
14	70126301	Pop Rivet	For attaching kickplate; Black; 6 required
	70126401	Pop Rivet	For attaching kickplate; Gray; 6 required
15	56079	Panel Locator	
16	39733	Screw	
17	70117619	Kickplate	H and U models; Gray
	70117607	Kickplate	All models except H models; Black
18	70154405P	Handle and Caps Assembly	B, M, N and S models; Black; Includes endcaps
	70407210	Handle Bumper	P models; Silver
	70154415	Handle and Caps Assembly	H and U models; Gray; Includes endcaps
	70407202	Handle Bumper	G and K models; Black and blue; Does not include endcaps
19	44293603W	Lint Panel	With kickplate
	44293604DG	Lint Panel	P models; Dark gray; No kickplate
	44293603LG	Lint Panel	U models; Light gray; With kickplate
	44293602	Lint Panel	All models except P models; Stainless steel; With kickplate
	44293605	Lint Panel	Stainless steel; No kickplate
	44293604W	Lint Panel	No kickplate
20	430757	Screw	
21	70289101P	Gasket	Sold per foot

# Lint Panel Components

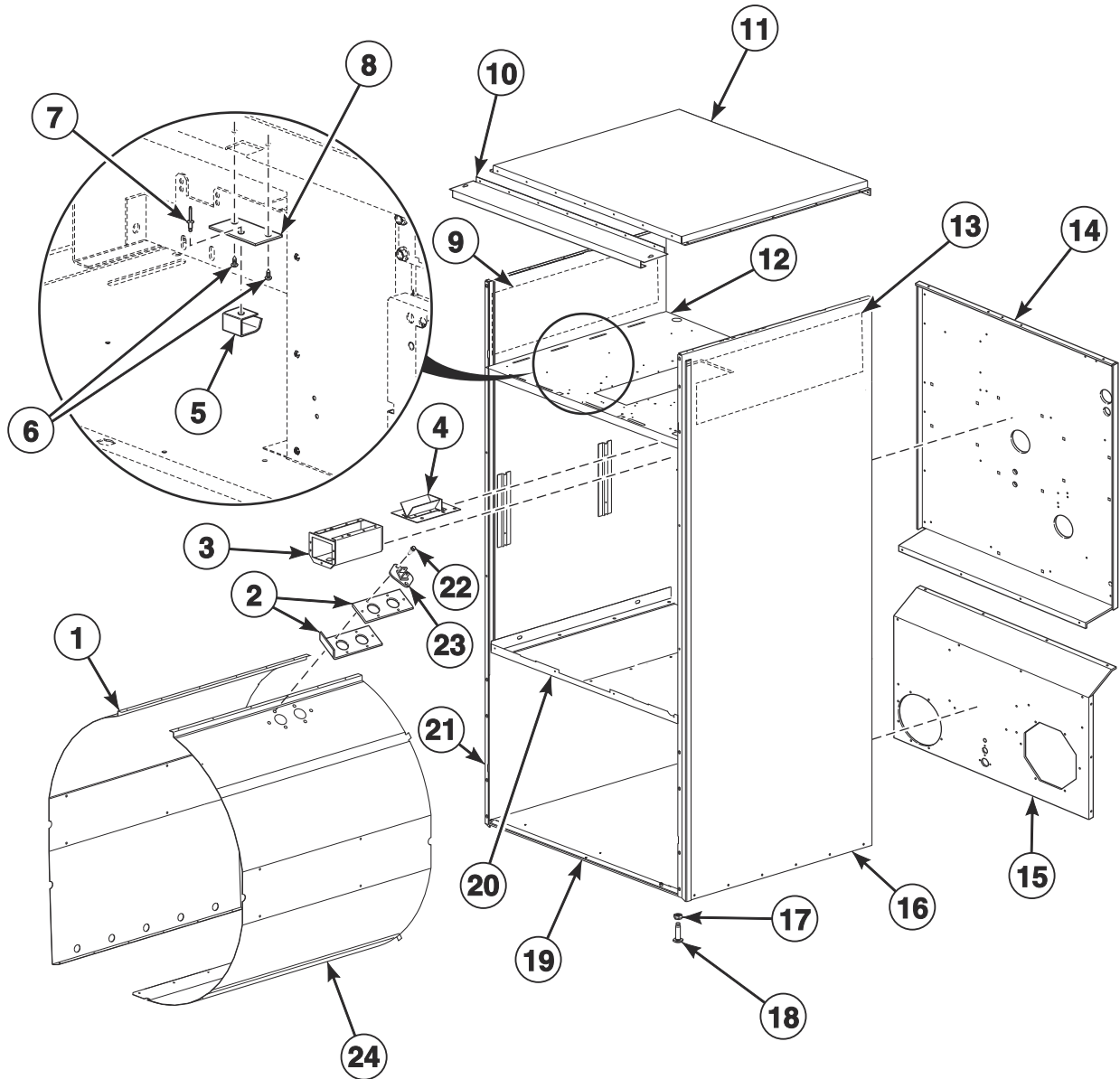


TMB3637P

## Lint Panel Components

REF	PART NO.	DESCRIPTION	COMMENTS
1	44298102	Lint Panel	Left
2	44300901	Lint Panel	Right
3	44298901	Lint Screen Top Rail	
4	44325301	Lint Bracket	
5	44140202	Lint Clip Bracket	2 required
6	35865	Hold-Down Clip	2 required
7	44063601	Lint Screen	
8	H96418413	Lint Screen Clip	

# Cabinet Components

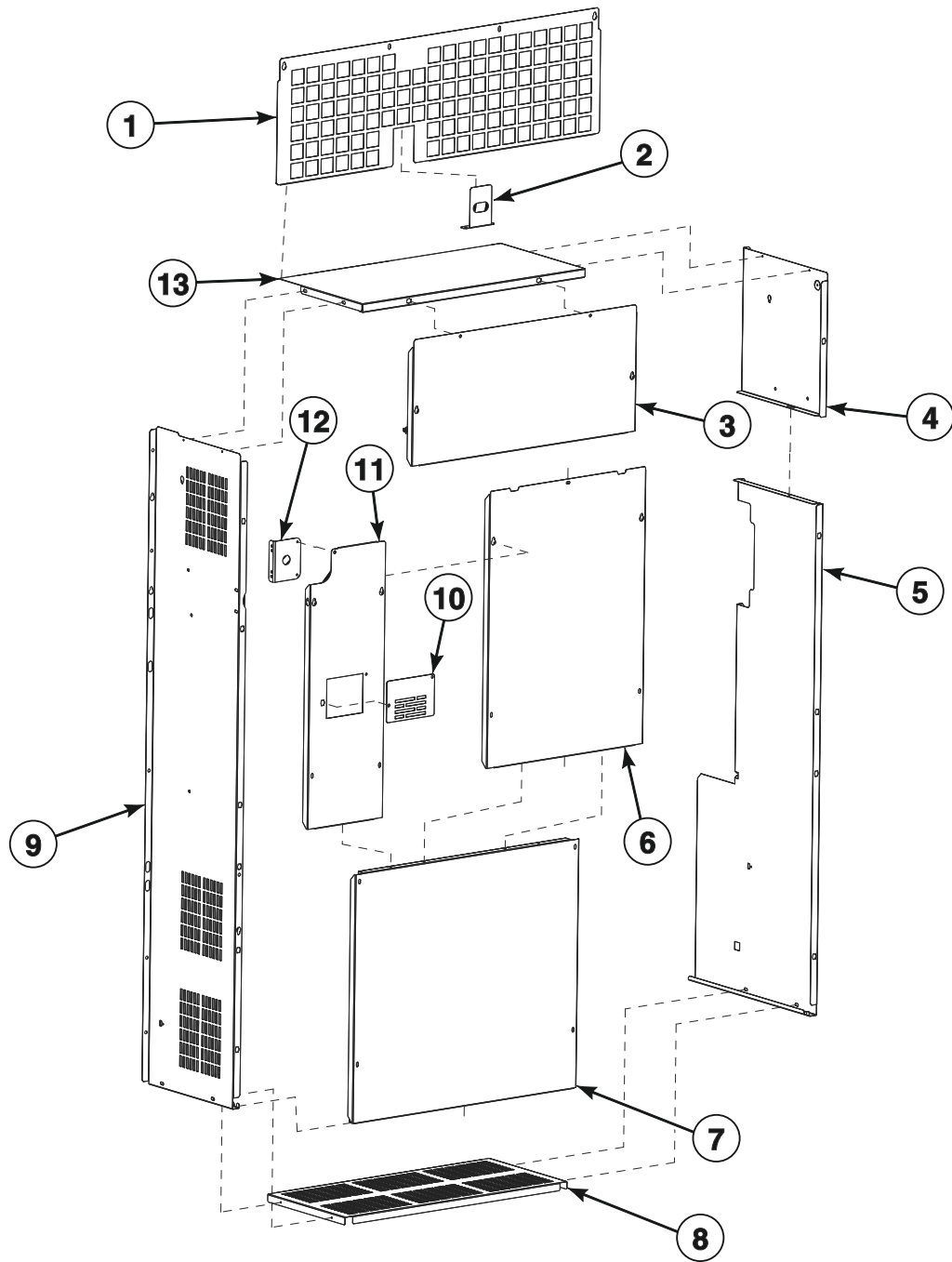


TMB3893P

# Cabinet Components

REF	PART NO.	DESCRIPTION	COMMENTS
	298P4P	Spray Paint	White
	122P4P	Porcelain Touch-Up Paint	White
	70058501	Pop Rivet	Use with items 16 and 21
	430497	Screw	Use with items 16 and 21
<b>1</b>	44304601	Baffle	Left
<b>2</b>	44068101	Thermistor Plate	
	44068102	Thermistor Plate	Use as a shim
<b>3</b>	70529501	Coin Vault Assembly	
	70529502	Coin Vault and Emergency Stop Mount Assembly	Models with emergency stop
	F160673P	Coin Box	Optional equipment; Includes lock and key
<b>4</b>	70296401	Coin Chute Assembly	Wide
<b>5</b>	431318	Control Door Latch	
<b>6</b>	431287	Screw	
<b>7</b>	M400003	Pop Rivet	
<b>8</b>	44003201	Latch Mounting Bracket	
<b>9</b>	44150102	Insulation	
<b>10</b>	44368201	Top Panel Bracket	Gas and electric models with D, F, N and W in the 7th position
<b>11</b>	44135001P	Top Cover Pan	Gas and electric models with D, F, N and W in the 7th position
	44368801	Top Cover	Steam models with D, F, N and W in the 7th position
	44346201	Top Panel	Gas models with V in the 7th position
	44346202	Top Panel	Electric models with V in the 7th position
<b>12</b>	44304101	Top Pan	Models with D, F, N and W in the 7th position
	44345101	Top Pan	Gas models with V in the 7th position
	44352401	Top Pan	Electric models with V in the 7th position
<b>13</b>	44150103	Insulation	
<b>14</b>	44376901	Upper Rear Panel	
<b>15</b>	44380501	Lower Rear Panel	
<b>16</b>	44367602DG	Side Panel	B and P models; Right; Dark gray
	44367602LG	Side Panel	U models; Right; Light gray
	44367602W	Side Panel	Right
<b>17</b>	21899	Nut	Right
<b>18</b>	70247701	Screw	Leveling leg
<b>19</b>	44304301	Bottom Pan	
<b>20</b>	44304201	Center Pan	
<b>21</b>	44367502DG	Side Panel	B and P models; Left; Dark gray
	44367502LG	Side Panel	U models; Left; Light gray
	44367502W	Side Panel	Left
<b>22</b>	51780	Screw	
<b>23</b>	44064701	Thermistor	
<b>24</b>	44304702	Baffle	Right
	44304701	Baffle	Right with fire suppression system

# Rear Panel and Belt Guard Components



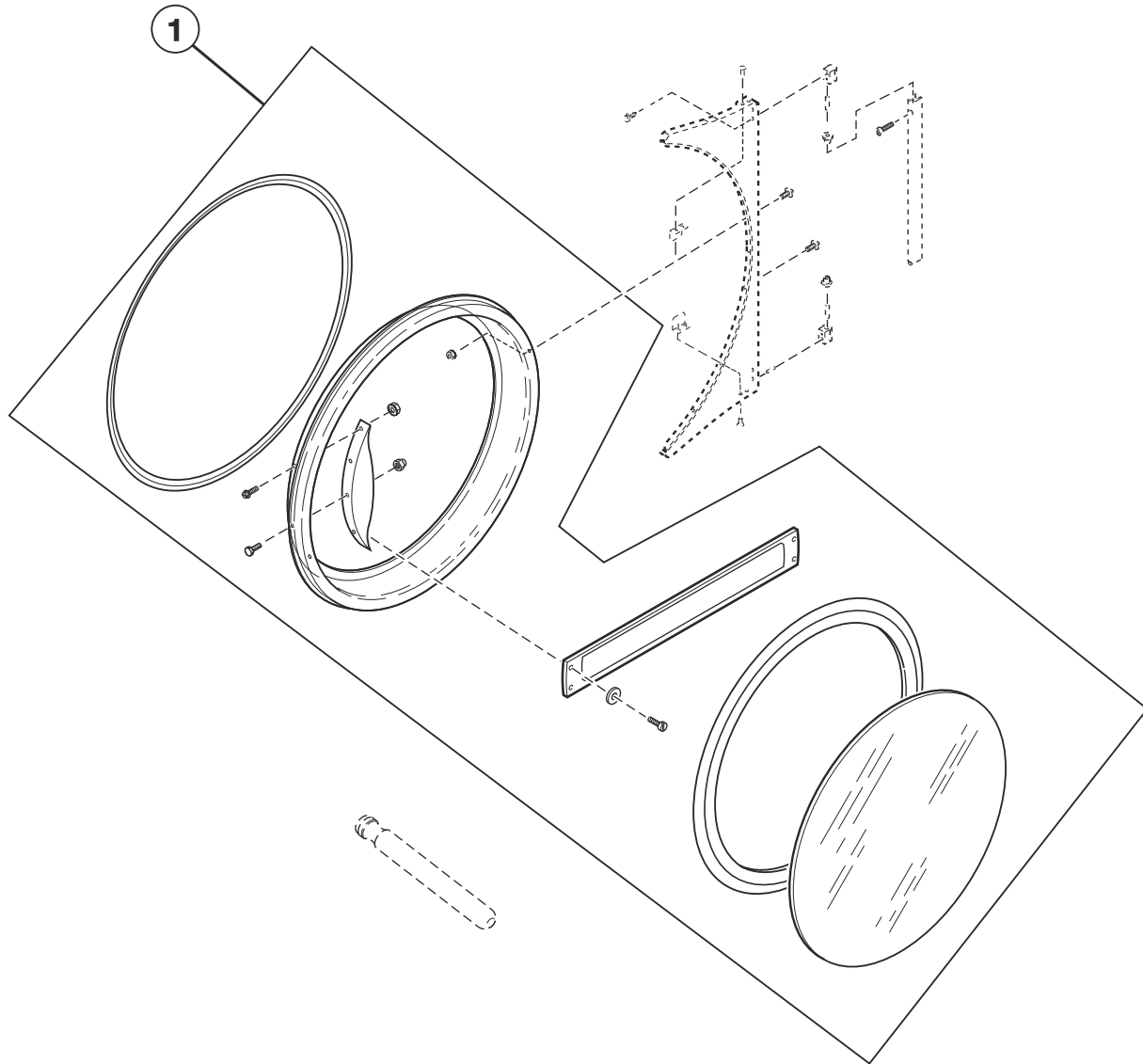
TMB3894P



## Rear Panel and Belt Guard Components

REF	PART NO.	DESCRIPTION	COMMENTS
1	44300301	Stove Grate	Gas models
	44300302	Stove Grate	Steam models
	44364801	Stove Grate	Electric models
2	44327601	Pipe Bracket	Gas models with D, F, N and W in the 7th position
	44327603	Pipe Bracket	Gas models with V in the 7th position
	44376801	Steam Harness Bracket	Steam models
3	44363801	Control Tray Guard	
4	44374301	Upper Guard	Left
5	44363501	Lower Guard	Left
6	44373501	Rear Guard	Belt
7	44363901	Lower Guard	Rear
	44363902	Lower Guard	Rear with fire suppression system
8	44377301	Guard	Bottom
9	44363601	Guard	Right
10	70202501	Drive Access Cover	
11	44373401	Rear Guard	Inverter
12	70615501	Conduit Plate	Gas and steam models
	70615502	Conduit Plate	Electric models
13	44364001	Top Guard	Gas and steam models
	44364002	Top Guard	Electric models

# Door Assemblies

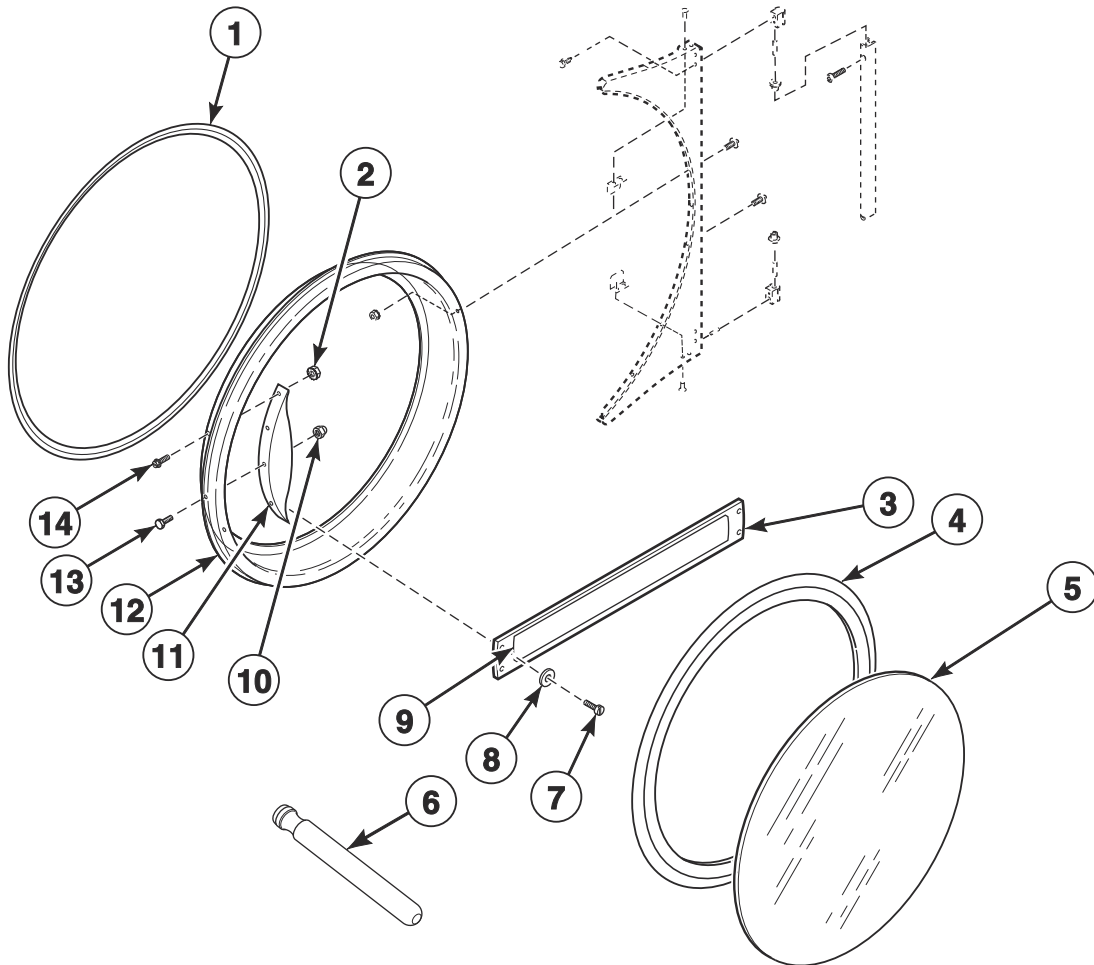


TMB3856P

## Door Assemblies

REF	PART NO.	DESCRIPTION	COMMENTS
1	44354701	Door Assembly	M and S models; Stainless steel
	44354702	Door Assembly	M and S models; Chrome
	44354703	Door Assembly	U models; Stainless steel
	44354704	Door Assembly	U models; Chrome
	44354705	Door Assembly	H models; Stainless steel
	44354707	Door Assembly	H models; Stainless steel with green trim
	44354706	Door Assembly	H models; Chrome
	44354708	Door Assembly	H models; Chrome with green trim
	44354711B	Door Assembly	G and K models; Includes handle
	44354709	Door Assembly	B, N and P models; Black
	44354710LG	Door Assembly	P models; Light gray

# Door Components

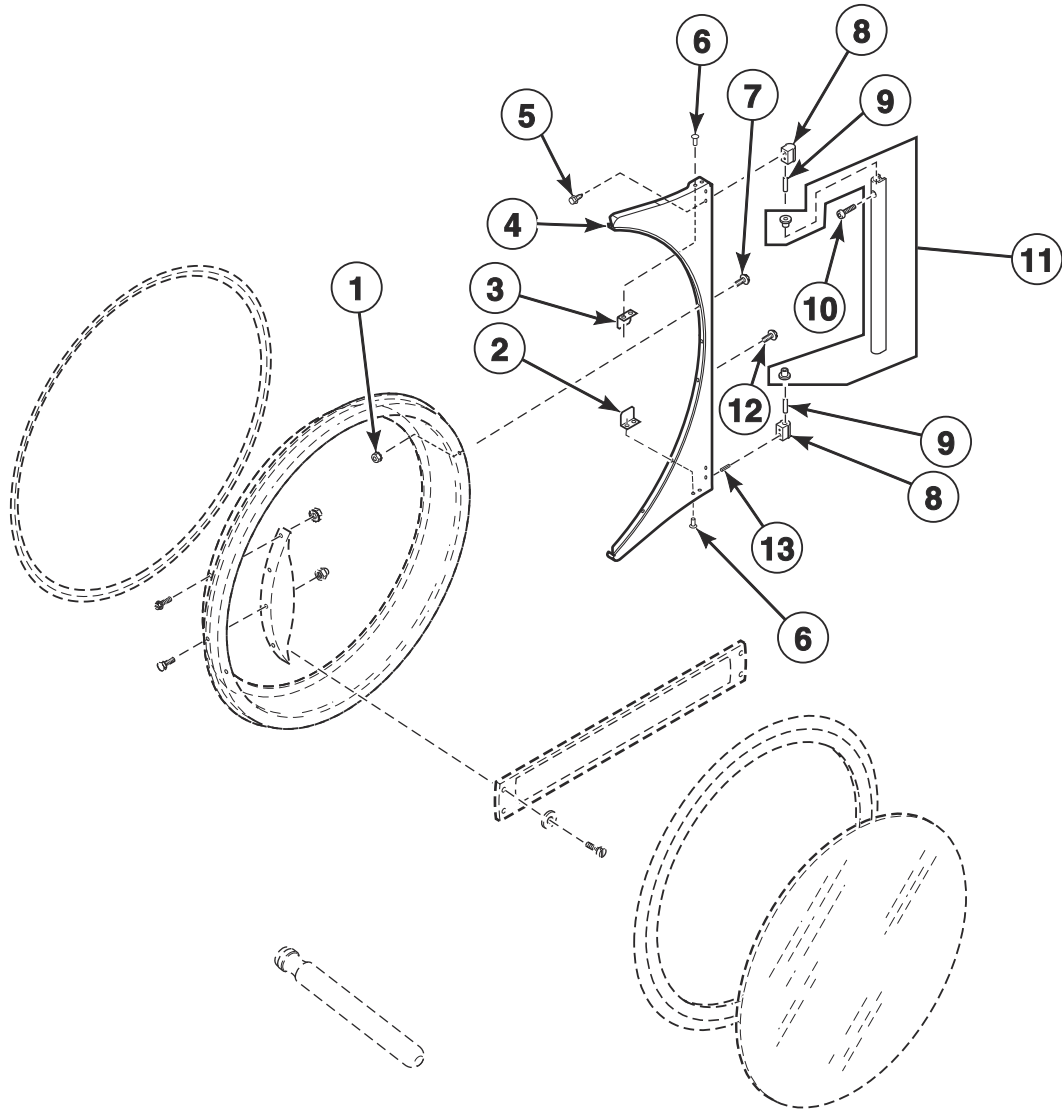


TMB3856PA

## Door Components

REF	PART NO.	DESCRIPTION	COMMENTS
	70650401	Door Glass Label	H models
	70707701	Door Glass Label	S models
	70707501	Max Fill Line Label	
<b>1</b>	70296802	Door Ring Gasket	H models with chrome handle
	44008201P	Door Ring Gasket	
<b>2</b>	44088001	Nut	B, H, M, N and S models; 4 required
<b>3</b>	70399501B	Handle Bar	G and K models
<b>4</b>	70211902P	Door Seal Kit	Use Loctite 414 for seal
<b>5</b>	44008405	Door Glass	H models; Green trim
	44008401P	Door Glass	
<b>6</b>	M4221P4	Door Glass Installation Tool	
<b>7</b>	70412601	Pop Rivet	G and K models; Attaches door handle to door ring
<b>8</b>	70409301	Washer	G and K models
<b>9</b>	44144401	Nameplate Overlay	K models
	70411401	Nameplate Overlay	G models
<b>10</b>	M414215	Nut	For door strike; Mounts between door strike screw and door handle
<b>11</b>	44007901	Door Handle	B, M, N, P and S models
	44263801	Door Handle	U models; Use 901620 Screw, 800465 Washer, 803871 Screw and 44088001 Nut to attach
	44370601	Door Handle	H models
<b>12</b>	44354801	Door Ring Assembly	H, M and S models; Stainless steel
	44354802	Door Ring Assembly	H, M and S models; Chrome
	44354803	Door Ring Assembly	U models
	44354804	Door Ring Assembly	U models; Chrome
	44354808LG	Door Ring Assembly	P models; Light gray
	44354809B	Door Ring Assembly	G and K models
	44354807B	Door Ring Assembly	B, N and P models
<b>13</b>	M400661	Screw	Door Strike
<b>14</b>	70442101	Screw	B, H, M, N, P and S models; 4 required

# Hinge Components

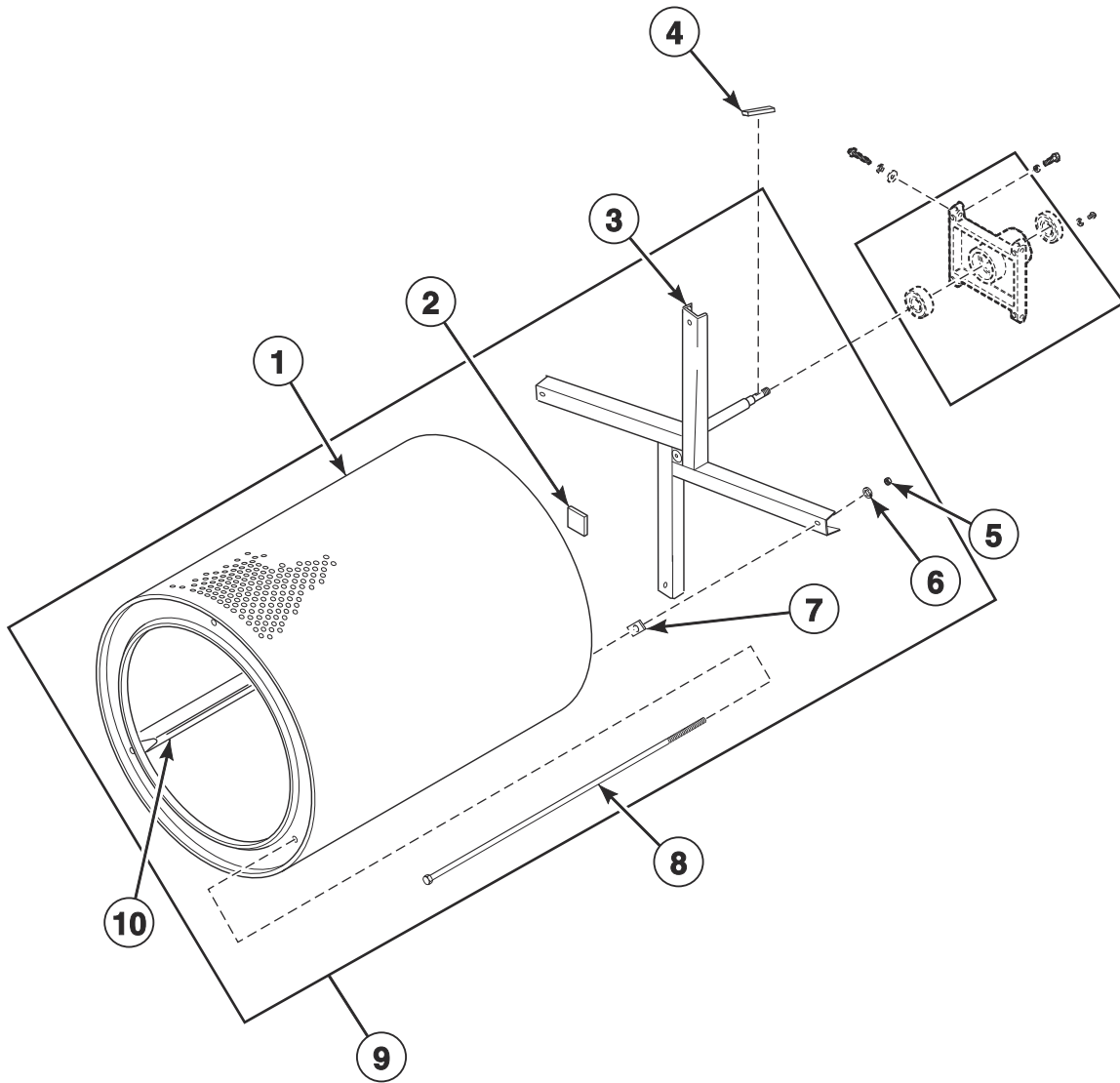


TMB3856PB

# Hinge Components

REF	PART NO.	DESCRIPTION	COMMENTS
1	44088001	Nut	
2	70532101	Door Switch Actuator	Bottom
3	70532102	Door Switch Actuator	Top
4	70596614B	Door Hinge Assembly	Black; B, G, K and P models
	70596614W	Door Hinge Assembly	B, H, M, N, S and U models
	70596603	Door Hinge Assembly	H and S models; Chrome
	70596604	Door Hinge Assembly	H, M, N, S and U models; Stainless steel
	70596614LG	Door Hinge Assembly	P and U models; Light gray
5	70576101	Screw	3 required
6	70058501	Pop Rivet	2 required
7	44349101	Screw	6 required
8	M4773P3	Hinge Cam Kit	Black; B, G, K and P models
	M4772P3	Hinge Cam Kit	H, M, N, P, S and U models
	70622401	Hinge Cam Kit	H and S models; Chrome
9	70071401	Pin	
10	70407301	Screw	Black; B, G, K and P models
	70033502	Screw	H, M, N, P, S and U models
11	70597603	Door Hinge Lug Assembly	Black; B, G, K and P models
	70597601	Door Hinge Lug Assembly	H, M, N, P, S and U models
	70597602	Door Hinge Lug Assembly	H and S models; Chrome
12	70689401	Screw	
13	70436301	Screw	

# Cylinder and Trunnion Components



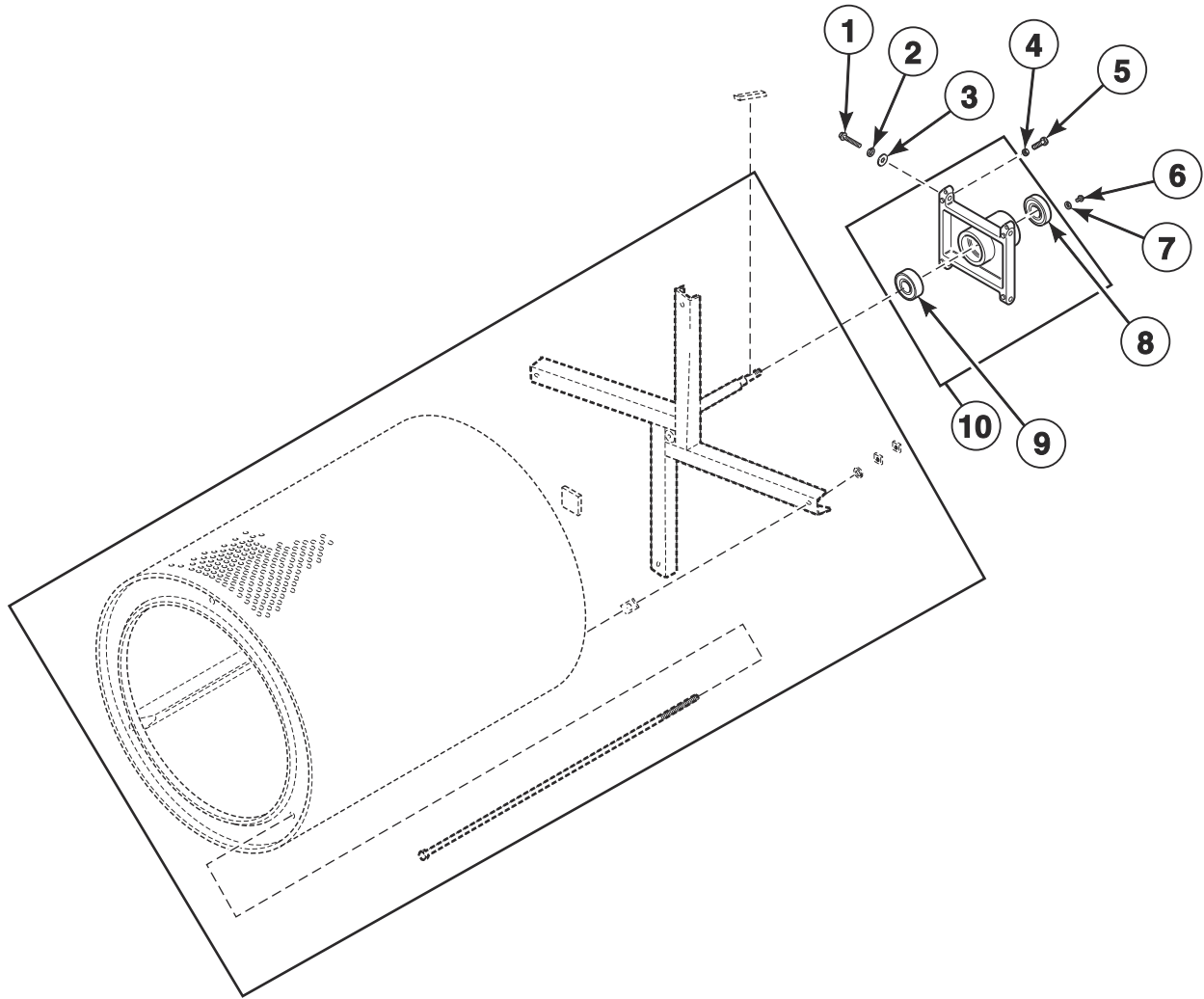
TMB3796P



## Cylinder and Trunnion Components

REF	PART NO.	DESCRIPTION	COMMENTS
1	44057001P	Cylinder Kit	Galvanized; Non-moisture sensing
	44196301	Cylinder Assembly	Galvanized; Moisture sensing
	44057101P	Cylinder Kit	Stainless steel; Non-moisture sensing
	44196302	Cylinder Assembly	Stainless steel; Moisture sensing
	44130802	Cylinder Assembly	G and K models; Non-moisture sensing
	44196303	Cylinder Assembly	G and K models; Moisture sensing
2	M402144	Felt Pad	
3	44208001	Trunnion Assembly	Spider; Non-moisture sensing
	44207901	Trunnion Assembly	Moisture sensing
4	M400008	Key	Half moon
5	M404993	Nut	
6	M400015	Washer	4 required
7	M401402	Spacer	Adjustment between cylinder and trunnion
8	M401411	Rib Rod	
9	44195601	Cylinder and Trunnion Assembly	Galvanized; Non-moisture sensing
	44195602	Cylinder and Trunnion Assembly	Stainless steel; Non-moisture sensing
	44195605P	Cylinder and Trunnion Assembly	Galvanized; Moisture sensing
	44195606	Cylinder and Trunnion Assembly	Stainless steel; Moisture sensing
	44195603	Cylinder and Trunnion Assembly	G and K models; Non-moisture sensing
	44195607	Cylinder and Trunnion Assembly	G and K models; Moisture sensing
10	44191201	Cylinder Rib Assembly	Moisture sensing

# Bearing Components

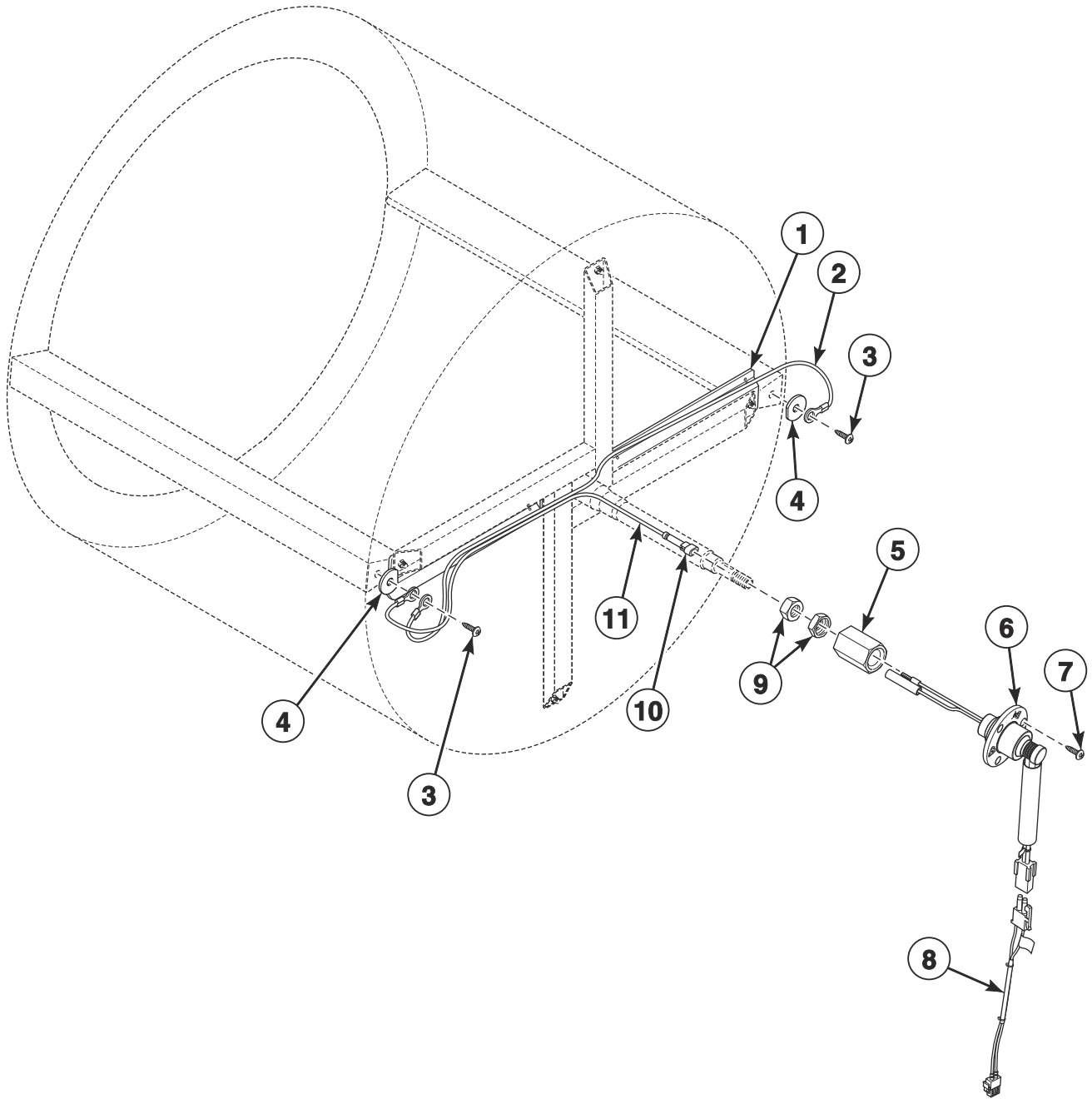


TMB2123PA

## Bearing Components

REF	PART NO.	DESCRIPTION	COMMENTS
	M4640P3	Trunnion and Bearing Assembly	Non-moisture sensing
	44336301	Trunnion and Bearing Assembly	Moisture sensing
	M4644P3	Housing and Trunnion Assembly	Includes bearing; Non-moisture sensing
	44336302	Housing and Trunnion Assembly	Moisture sensing
<b>1</b>	M400063	Screw	4 required
<b>2</b>	M400015	Washer	4 required
<b>3</b>	70261401	Washer	4 required
<b>4</b>	M400026	Nut	4 required
<b>5</b>	M400650	Bolt	2 required
<b>6</b>	70187201	Screw	4 required
<b>7</b>	20103	Washer	4 required
<b>8</b>	M413923P	Bearing	
<b>9</b>	44041901P	Ball Bearing	
<b>10</b>	44375001	Trunnion Housing Assembly	Includes bearing

# Moisture Sensing Components

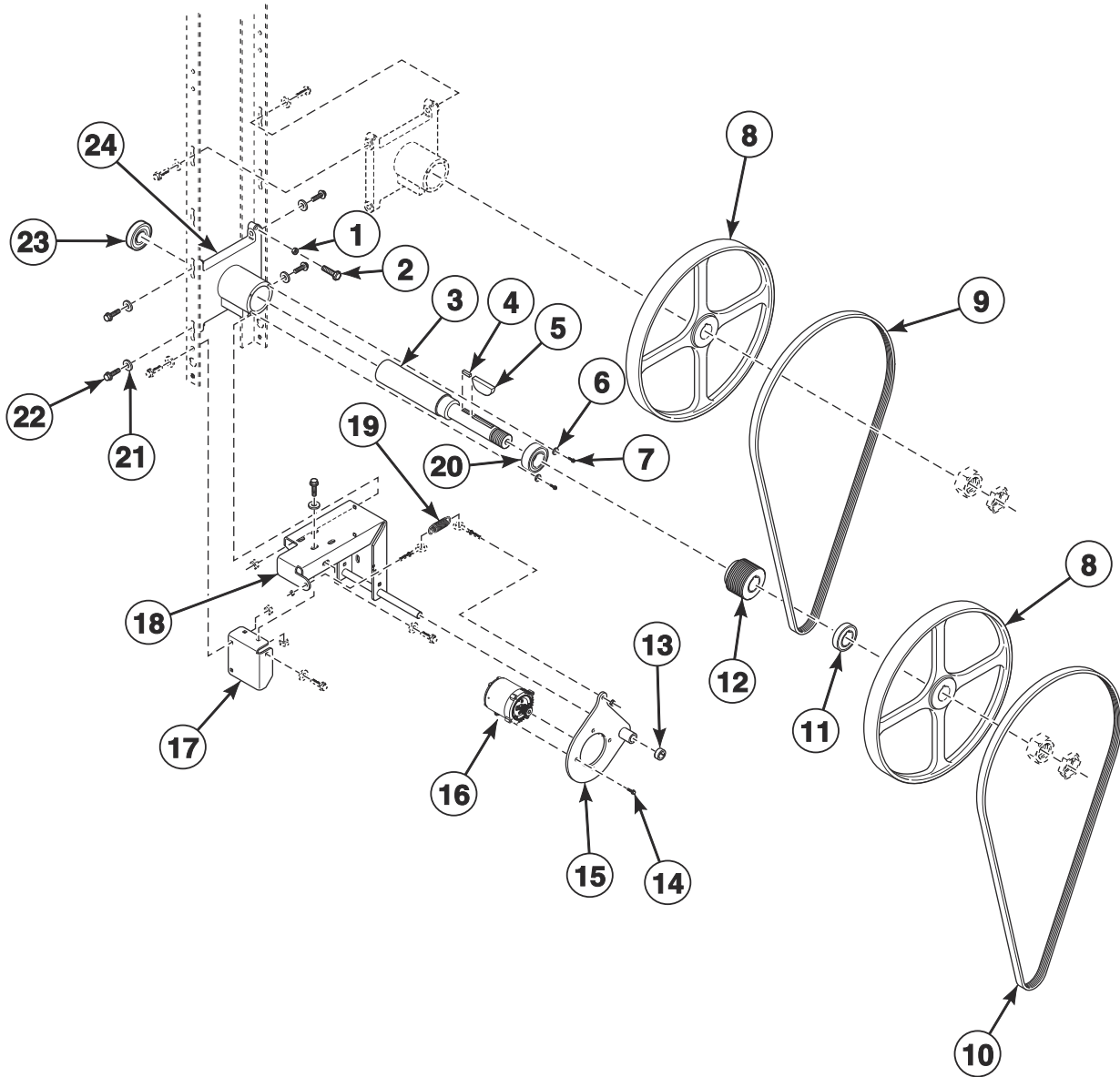


TMB3544P

## Moisture Sensing Components

REF	PART NO.	DESCRIPTION	COMMENTS
	44344702	Moisture Sensing Harness Kit	
	55881	Harness Strap	Use with item 1
	44375503	Adapter Harness	Goes to I/O Board
<b>1</b>	44239101	Wireway Channel	
<b>2</b>	44208601	Rib Wire	
<b>3</b>	44338901	Screw	
<b>4</b>	44238902	Washer	
<b>5</b>	44224401	Slip Ring Holder	
<b>6</b>	44222702	Slip Ring Assembly	
<b>7</b>	70442101	Screw	
<b>8</b>	44375501	Moisture Sensor Harness	Goes from item 6 to 44375503 Adapter Harness
<b>9</b>	M400035	Nut	
<b>10</b>	44370401	1 Circuit Plug Housing	
<b>11</b>	44208702	Shaft Wire	

# Drive Motor Components

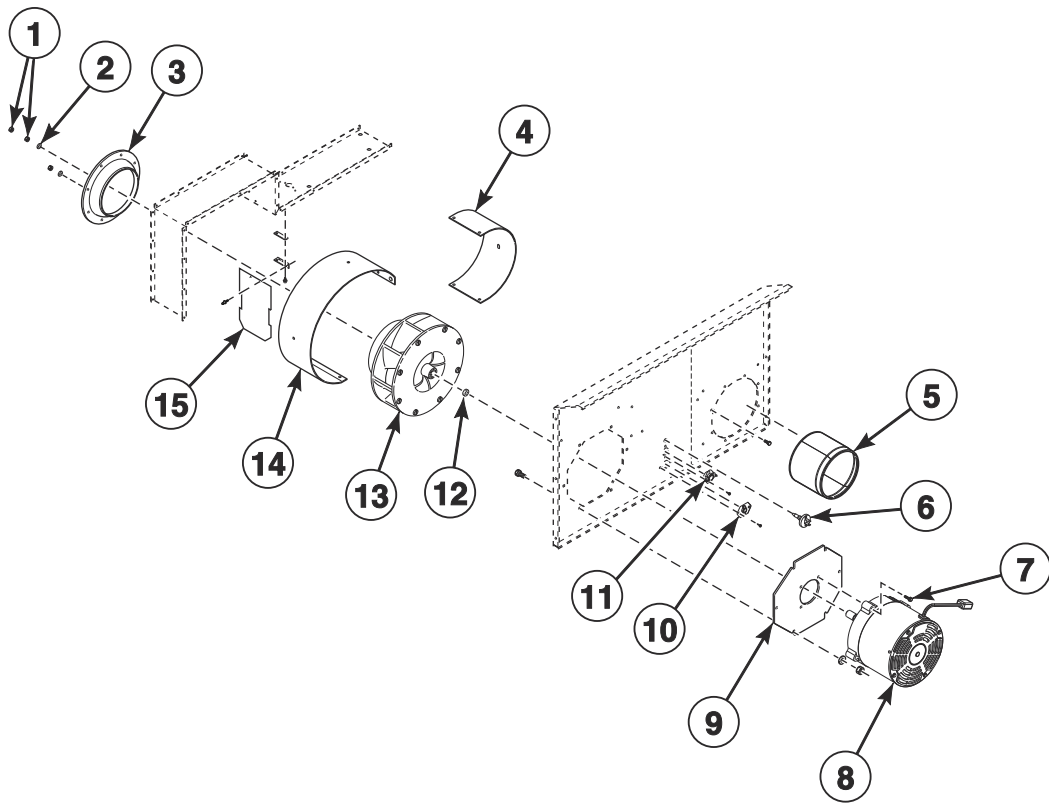


TMB3895P

## Drive Motor Components

REF	PART NO.	DESCRIPTION	COMMENTS
	44333202	Nut	Use with motor pulley
	70635405	Inverter to Motor Harness	North America models; 120-240 Volt
	70635406	Inverter to Motor Harness	North America models; 380-480 Volt
	70635407	Inverter to Motor Harness	IEC models; 120-240 Volt
	70635408	Inverter to Motor Harness	IEC models; 380-480 Volt
	44375001	Trunnion Housing Assembly	Includes items 6, 7, 20, 23 and 24
<b>1</b>	M400026	Nut	
<b>2</b>	M400650	Bolt	
<b>3</b>	44303102	Idler Shaft	
<b>4</b>	44309301	Key	
<b>5</b>	M400008	Key	
<b>6</b>	20103	Washer	
<b>7</b>	70187201	Screw	
<b>8</b>	44289502	Pulley	
<b>9</b>	44333301	V-Belt	Upper
<b>10</b>	44309402	V-Belt	Lower
<b>11</b>	44306801	Idler Spacer	
<b>12</b>	44374001	Micro V Pulley	
<b>13</b>	70467001	Shaft Collar	
<b>14</b>	44364602	Screw	
<b>15</b>	44311501	Motor Pivot Plate Weldment	
<b>16</b>	44355005	Drive Motor	.50 HP; 240 Volt
	44355006	Drive Motor	.50 HP; 480 Volt
<b>17</b>	44325801	Motor Pivot Support Bracket	
<b>18</b>	44327001	Motor Pivot Bracket Weldment	
<b>19</b>	F8440701	Extension Spring	
<b>20</b>	M413923P	Bearing	
<b>21</b>	70261401	Washer	4 required
<b>22</b>	805213	Screw	4 required
<b>23</b>	44041901P	Ball Bearing	
<b>24</b>	M413826	Trunnion Housing	

# Blower and Exhaust Components



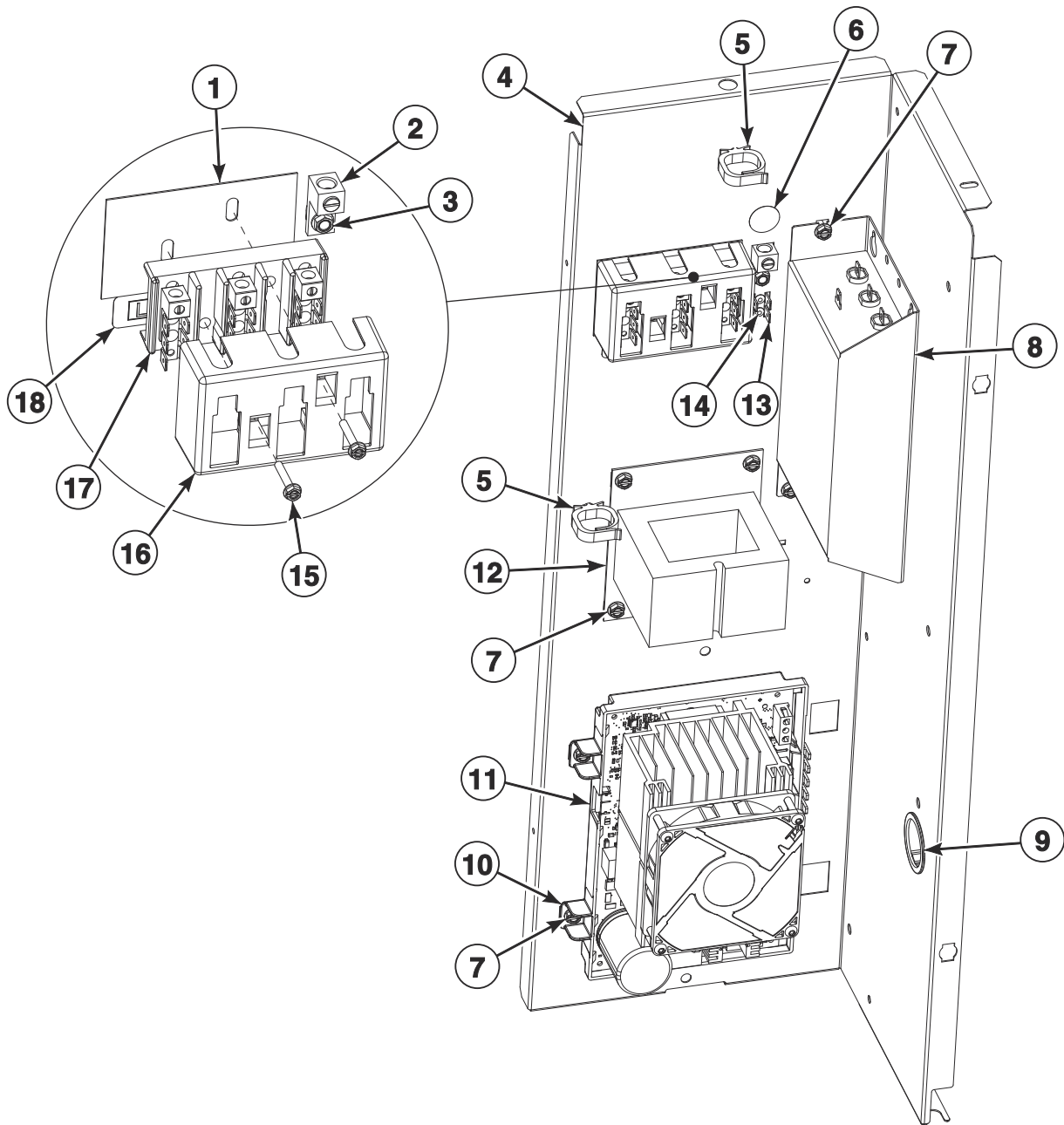
TMB3896P



## Blower and Exhaust Components

REF	PART NO.	DESCRIPTION	COMMENTS
1	70660601	Nut	2 required
2	F431131	Washer	
3	70303101	Blower Inlet Cone	
4	44308401	Air Exhaust Deflector	
5	44327901	Exhaust Pipe Assembly	
6	M414704	Thermistor	
7	44364601	Screw	
8	44354901	Fan Motor	.50 HP; 240 Volt
	44354903	Fan Motor	.50 HP; 480 Volt
9	44380401	Blower Motor Mounting Plate	
10	70530905	Limit Thermostat	
11	44328003	Limit Thermostat	
12	70599301	Fan Spacer	
13	70302201P	Blower Assembly	
14	44303801	Blower Housing Scroll	
15	44280301	Damper Assembly	

# Inverter Tray Components

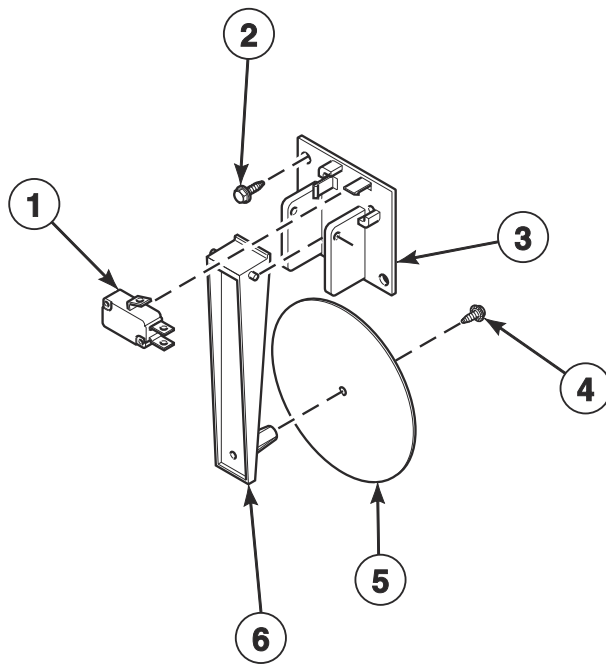


TMB3901P

## Inverter Tray Components

REF	PART NO.	DESCRIPTION	COMMENTS
	70671001	Inverter Power Conversion Harness	X to B voltage; Gas models
	44375701	Inverter Control Power Harness	T and G market models; 120-240 Volt
	44375703	Inverter Control Power Harness	T and G market models; 380-480 Volt
	44375704	Inverter Control Power Harness	IEC models; 120-240 Volt
	44375706	Inverter Control Power Harness	IEC models; 380-480 Volt
	44375401	Harness	Gas and steam models; 120-240 Volt/1 Phase; Power distribution block to EMI filter
	44375402	Harness	Gas and steam models; 380-480 Volt/3 Phase; Power distribution block to EMI filter
<b>1</b>	M413862	Insulator	T and G market models; IEC gas models
<b>2</b>	M411283	Ground Lug Connector	Gas models
<b>3</b>	685837	Screw	Gas models; Use with 44088001 Nut
<b>4</b>	44364201	Inverter Drive Tray	
<b>5</b>	F8449502	Wire Clip	380-480 Volt
<b>6</b>	D516100	Label	Gas models
<b>7</b>	F8206901	Screw	
<b>8</b>	F8591601	EMI Filter	IEC models; 120-240 Volt
	F8637501	EMI Filter	IEC models; 380-480 Volt
<b>9</b>	70346501	Bushing	
<b>10</b>	70030501	Expansion Clip	
<b>11</b>	70603001	Inverter Control Assembly	1 HP; 120-240 Volt
	70603201	Inverter Control Assembly	1 HP; 380-480 Volt
<b>12</b>	F8491101	Transformer	380-480 Volt
<b>13</b>	00622SG	Terminal	
<b>14</b>	M400003	Pop Rivet	
<b>15</b>	51783	Screw	T and G market models; IEC gas models
<b>16</b>	70333001	Terminal Block Shield	T and G market models; IEC gas models
<b>17</b>	430642	Terminal Block	T and G market models; IEC gas models
<b>18</b>	44286803	Label	Gas models; N and P voltage; L1, L2, L3
	44286801	Label	Gas models; B voltage; L1, N
	44286804	Wire Label	Gas models; X voltage; L1 L2, L1 N, L1 L2 L3

# Airflow Switch Assembly

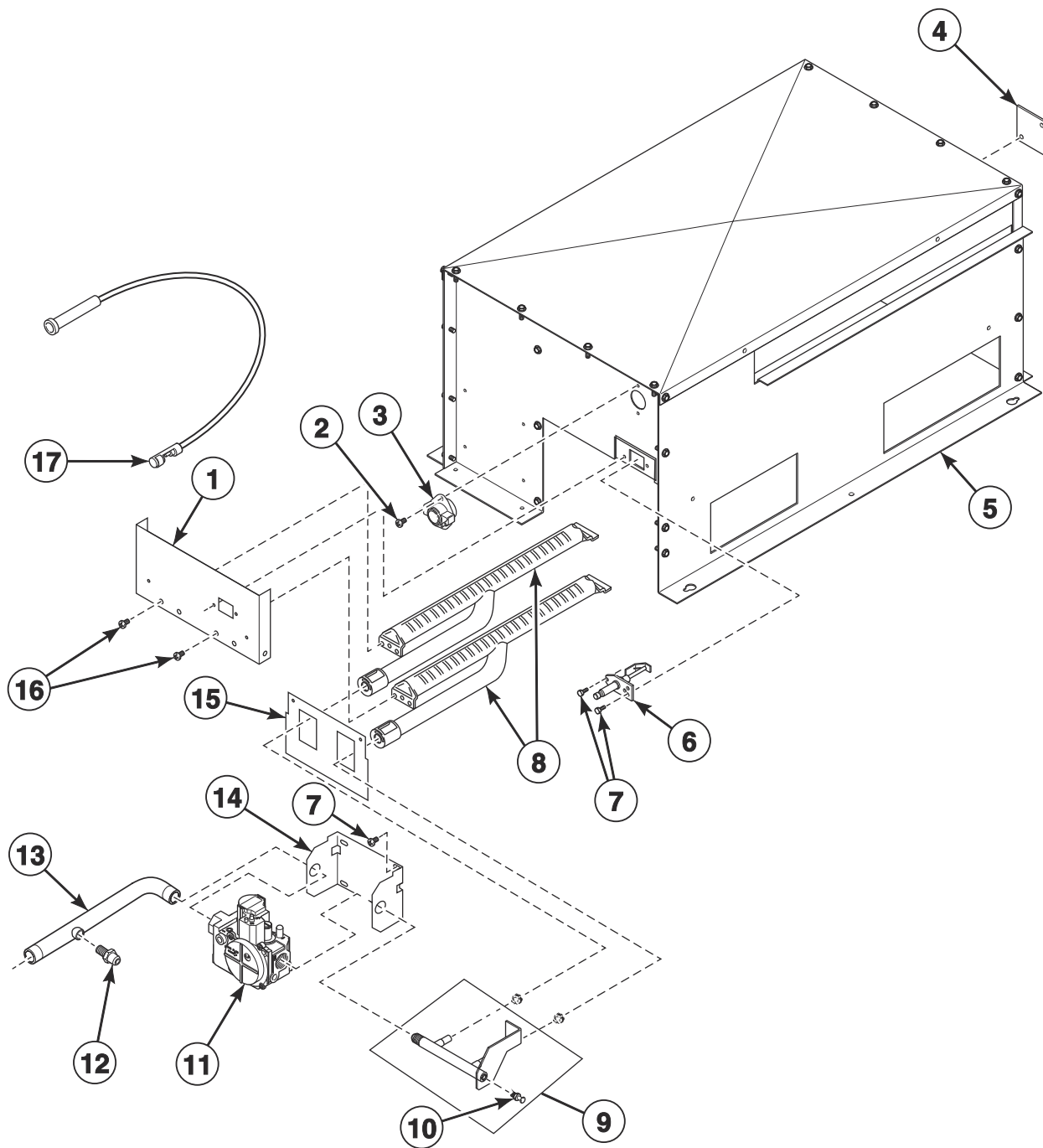


TMB3586P

# Airflow Switch Assembly

REF	PART NO.	DESCRIPTION	COMMENTS
	70429602	Airflow Switch Assembly	Includes items 1 and 3-6
1	70411901	Switch	
2	430497	Screw	6 required
3	70319602	Airflow Switch and Arm Bracket	
4	430757	Screw	
5	70319202	Airflow Switch Vane	
6	70319401	Airflow Switch Arm	

# Gas Heater Components - Models with D, F, N and W in the 7th Position



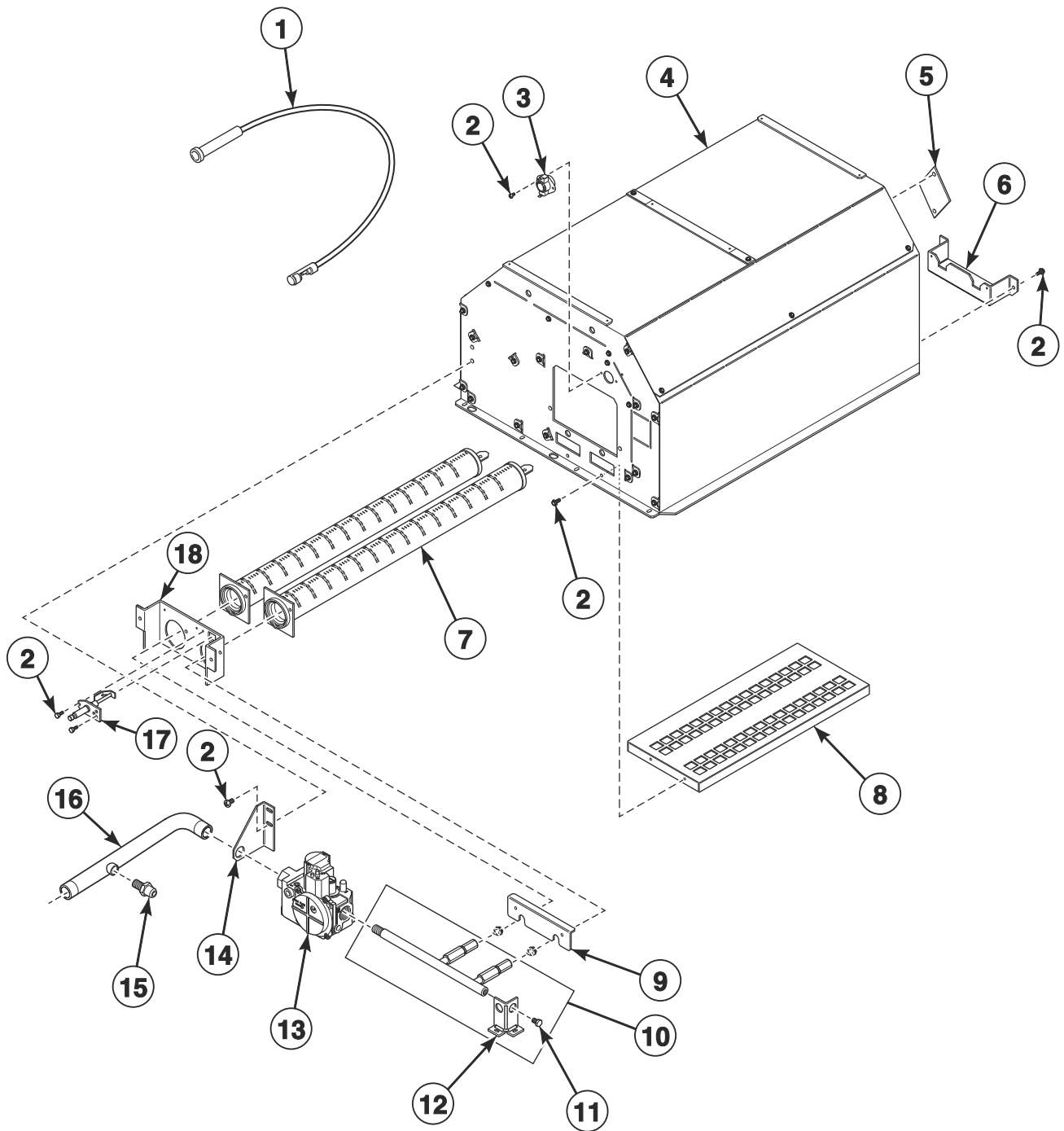
TMB3897P

## Gas Heater Components - Models with D, F, N and W in the 7th Position

REF	PART NO.	DESCRIPTION	COMMENTS
	70539501	Notice Label	Australian models; Natural Gas (N.G.)
	70544901	Notice Label	Australian models; Liquid Petroleum Gas (L.P.)
	D503887	Label	Australian models; Gas
	44178801	Adapter	CE and Australian models; Used to convert from standard to metric thread
	44328801	L.P. Conversion Kit	T and G market models; 0-2000 feet
	44328809	L.P. Conversion Kit	Australian models; 0-2000 feet
	44330301	L.P. Conversion Kit	IEC models; 0-2000 feet
	44273502	Gas Valve Harness	Double; CE models
	44273501	Gas Valve Harness	Single; All other models
	44366301	Gas Valve/Thermostat Harness	
<b>1</b>	44110201	Burner Support	
<b>2</b>	M402797	Screw	2 required
<b>3</b>	44328007	Limit Thermostat	
<b>4</b>	70159601	Igniter Cover	
<b>5</b>	44136004	Gas Stove Assembly	
<b>6</b>	44328701P	Spark Electrode	
<b>7</b>	430497	Screw	2 required
<b>8</b>	M410541P	Burner Assembly	2 required
<b>9</b>	44263103	Spud Holder Weldment	
<b>10</b>	70167601	Plug	
<b>11</b>	44154501P	Gas Valve	North America models; N.G.
	44154502P	Gas Valve	North America models; L.P.
	44298501	Gas Valve	Australian models; N.G.
	44298504	Gas Valve	Australian models; L.P.
	44178301P	Gas Valve	CE models; N.G.
	44178302P	Gas Valve	CE models; L.P.
	44154505	Gas Valve	All other models; N.G.
	44154506	Gas Valve	All other models; L.P.
<b>12</b>	44231601	Pressure Fitting	CE and Australian models
<b>13</b>	44377001	Lead-In Pipe	A, K and U market models
	44377101	Lead-In Pipe	All other models
<b>14</b>	44175703	Gas Valve Bracket	
<b>15</b>	44136101	Rear Access Plate	
<b>16</b>	70240301	Screw	4 required
<b>17</b>	44239704	High Voltage Suppression Cable	

# Gas Heater Components - Models with V in the 7th Position

B, H, P and S Models



TMB3898P

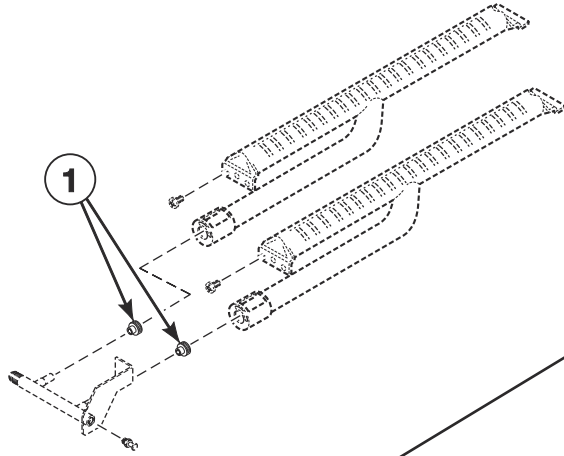


## Gas Heater Components - Models with V in the 7th Position

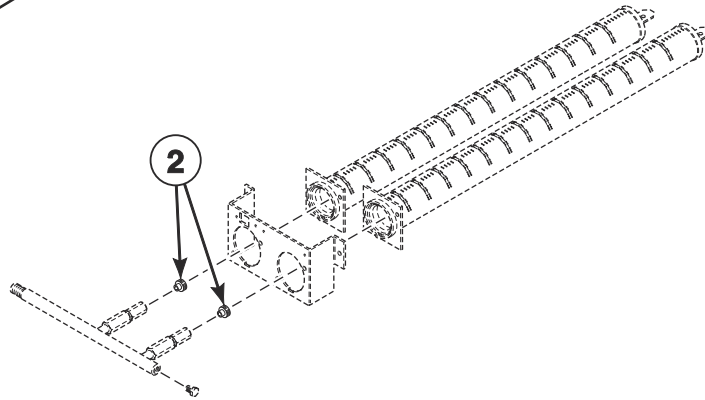
REF	PART NO.	DESCRIPTION	COMMENTS
	70539501	Notice Label	Australian models; Natural Gas (N.G.)
	70544901	Notice Label	Australian models; Liquid Petroleum Gas (L.P.)
	D503887	Label	Australian models; Gas
	44178801	Adapter	CE and Australian models; Used to convert from standard to metric thread
	44355201	L.P. Conversion Kit	T and G market models; 0-2000 feet
	44328810	L.P. Conversion Kit	Australian models; 0-2000 feet
	44330306	L.P. Conversion Kit	IEC models; 0-2000 feet
	44273502	Gas Valve Harness	Double; CE models
	44273501	Gas Valve Harness	Single; All other models
	44366301	Gas Valve/Thermostat Harness	
<b>1</b>	44239704	High Voltage Suppression Cable	
<b>2</b>	430497	Screw	2 required
<b>3</b>	44328005	Limit Thermostat	
<b>4</b>	44352601	Gas Heater Assembly	
<b>5</b>	70159601	Igniter Cover	Included with item 4
<b>6</b>	44341701	Burner Support	Included with item 4
<b>7</b>	70229801P	Gas Burner	2 required
<b>8</b>	44354301	Burner Grate	Included with item 4
<b>9</b>	44353901	Burner Cover	
<b>10</b>	44340802	Orifice Adapter	
<b>11</b>	70167601	Plug	
<b>12</b>	44342101	Orifice Adapter Support	
<b>13</b>	44154501P	Gas Valve	North America models; N.G.
	44154502P	Gas Valve	North America models; L.P.
	44298501	Gas Valve	Australian models; N.G.
	44298504	Gas Valve	Australian models; L.P.
	44178301P	Gas Valve	CE models; N.G.
	44178302P	Gas Valve	CE models; L.P.
	44154505	Gas Valve	All other models; N.G.
	44154506	Gas Valve	All other models; L.P.
<b>14</b>	44340701	Gas Valve Bracket	
<b>15</b>	44231601	Pressure Fitting	CE and Australian models
<b>16</b>	44377001	Lead-In Pipe	A, K and U market models
	44377101	Lead-In Pipe	All other models
<b>17</b>	70548701P	Spark Electrode	
<b>18</b>	44341801	Burner Support	Included with item 4

# Burner Orifices

Models with D, F, N and W in the 7th Position



Models with V in the 7th Position

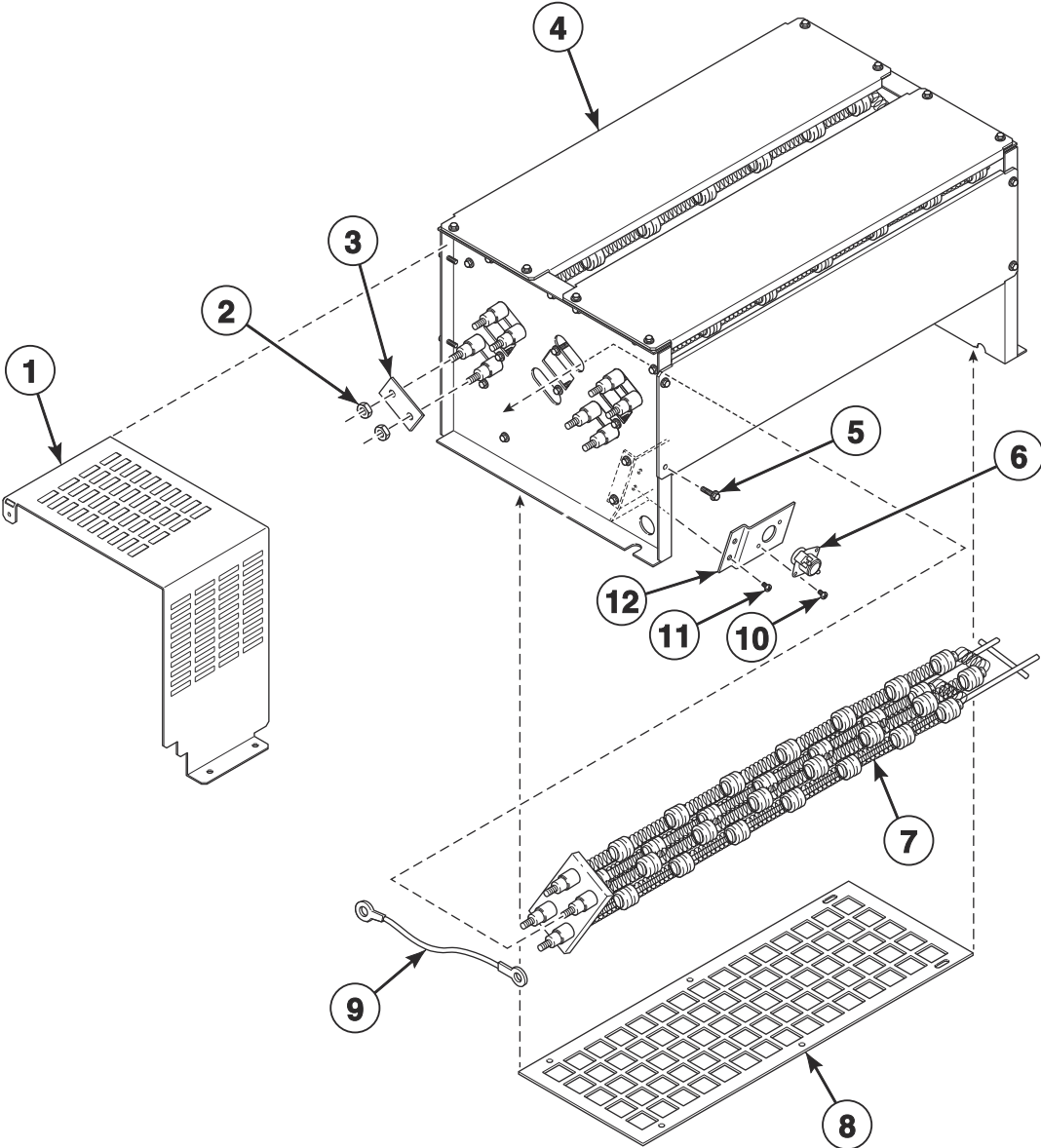


TMB3899P

# Burner Orifices

REF	PART NO.	DESCRIPTION	COMMENTS
	44357501	High Altitude Orifice Kit	Natural gas (N.G.) models
	44357502	High Altitude Orifice Kit	Liquid Petroleum Gas (L.P.) models with A, G, H, K and T in the 2nd position
1	70684138	Burner Orifice	N.G. models; Drill no. 24 (3.86 mm); 0-2,000 feet
	70684134	Burner Orifice	N.G. models; Drill no. 28 (3.57 mm); 2,001-4,000 feet
	70684132	Burner Orifice	N.G. models; Drill no. 29 (3.45 mm); 4,001-6,000 feet
	70684130	Burner Orifice	N.G. models; 3.3 mm; 6,001-10,000 feet
	70684113	Burner Orifice	Models with 2nd digit A, G, H, J, K, L and T; L.P.; 2.30 mm; 0-2,000 feet
	70684110	Burner Orifice	Models with 2nd digit A, G, H, J, K, L and T; L.P.; Drill no. 44 (2.18 mm); 2,001-4,000 feet
	70684109	Burner Orifice	Models with 2nd digit A, G, H, J, K, L and T; L.P.; Drill no. 45 (2.08 mm); 4,001-6,000 feet
	70684108	Burner Orifice	Models with 2nd digit A, G, H, J, K, L and T; L.P.; Drill no. 46 (2.06 mm); 6,001-8,000 feet
	70684106	Burner Orifice	Models with 2nd digit A, G, H, J, K, L and T; L.P.; Drill no. 48 (1.93 mm); 8,001-10,000 feet
	70684106	Burner Orifice	CE models L.P.; Drill no. 48 (1.93 mm); 0-2,000 feet
	70684105	Burner Orifice	CE models L.P.; Drill no. 49 (1.85 mm); 2,001-4,000 feet
	70684104	Burner Orifice	CE models L.P.; Drill no. 50 (1.78 mm); 4,001-6,000 feet
	70684158	Burner Orifice	CE models L.P.; Drill no. 51 (1.70 mm); 6,001-8,000 feet
	70684103	Burner Orifice	CE models L.P.; Drill no. 52 (1.61 mm); 8,001-10,000 feet
	70684109	Burner Orifice	J market models L.P.; Drill no. 45 (2.08 mm); 0-2,000 feet
	70684107	Burner Orifice	J market models L.P.; Drill no. 47 (1.93 mm); 2,001-4,000 feet
	70684106	Burner Orifice	J market models L.P.; Drill no. 48 (1.93 mm); 4,001-6,000 feet
	70684105	Burner Orifice	J market models L.P.; Drill no. 49 (1.85 mm); 6,001-8,000 feet
	70684104	Burner Orifice	J market models L.P.; Drill no. 50 (1.78 mm); 8,001-10,000 feet
	2	70684136	Burner Orifice
70684134		Burner Orifice	B, H, P and S N.G. models; Drill no. 28 (3.57 mm); 2,001-4,000 feet
70684132		Burner Orifice	B, H, P and S N.G. models; Drill no. 29 (3.45 mm); 4,001-6,000 feet
70684130		Burner Orifice	B, H, P and S N.G. models; 3.3 mm; 6,001-8,000 feet
70684128		Burner Orifice	B, H, P and S N.G. models; Drill no. 1/8 (3.18 mm); 8,001-10,000 feet
70684113		Burner Orifice	B, H, P and S J market models L.P.; 2.30 mm; 0-2,000 feet
70684109		Burner Orifice	B, H, P and S J market models L.P.; Drill no. 45 (2.08 mm); 2,001-4,000 feet
70684107		Burner Orifice	B, H, P and S J market models L.P.; Drill no. 47 (1.99 mm); 4,001-6,000 feet
70684106		Burner Orifice	B, H, P and S J market models L.P.; Drill no. 48 (1.93 mm); 6,001-8,000 feet
70684105		Burner Orifice	B, H, P and S J market models L.P.; Drill no. 49 (1.85 mm); 8,001-10,000 feet
70684113		Burner Orifice	All other B, H, P and S models L.P.; 2.30 mm; 0-2,000 feet
70684110		Burner Orifice	All other B, H, P and S models L.P.; Drill no. 44 (2.18 mm); 2,001-4,000 feet
70684109		Burner Orifice	All other B, H, P and S models L.P.; Drill no. 45 (2.08 mm); 4,001-6,000 feet
70684108		Burner Orifice	All other B, H, P and S models L.P.; Drill no. 46 (2.06 mm); 6,001-8,000 feet
70684106		Burner Orifice	All other B, H, P and S models L.P.; Drill no. 48 (1.93 mm); 8,001-10,000 feet

# Electric Heater Components

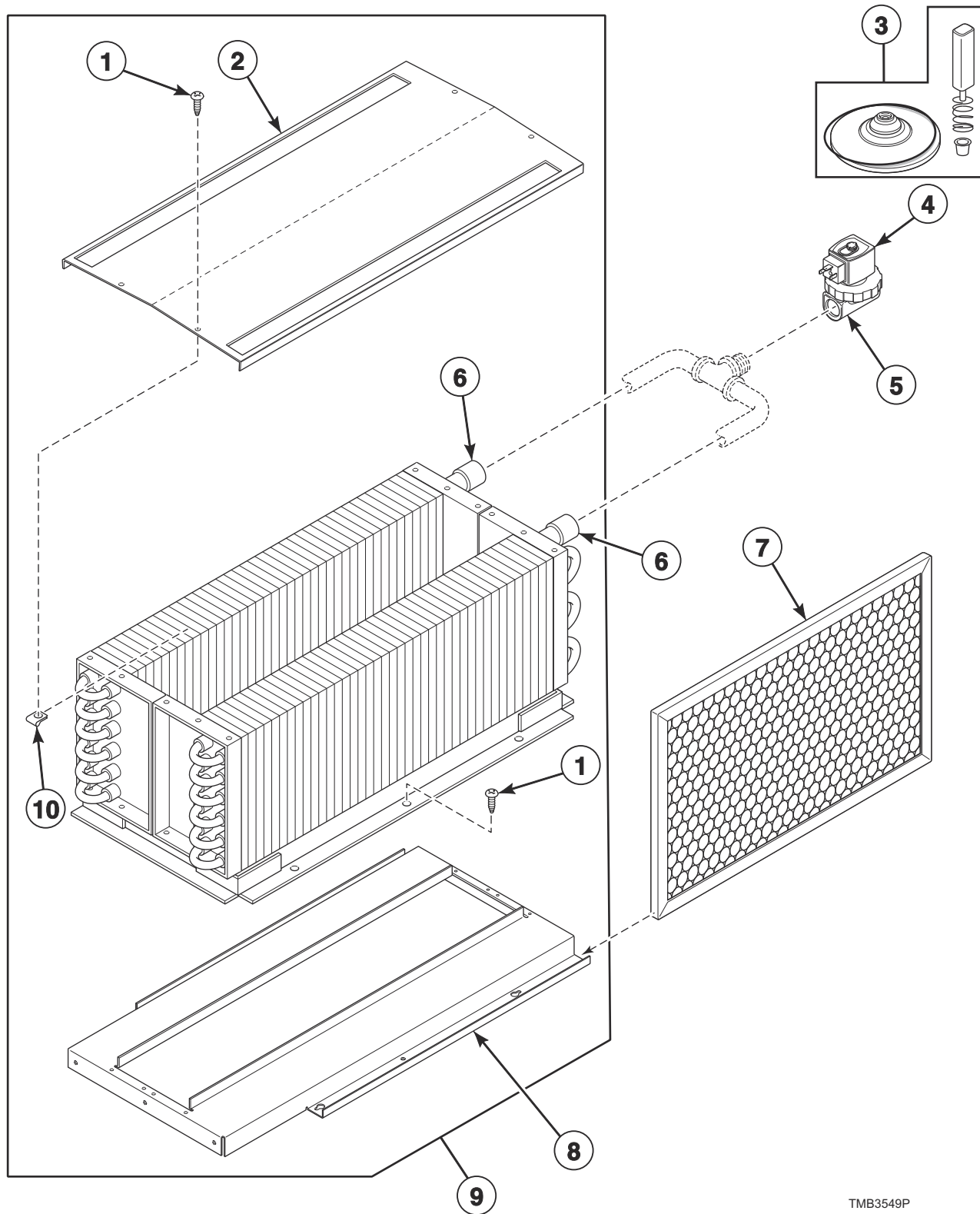


TMB3900P

## Electric Heater Components

REF	PART NO.	DESCRIPTION	COMMENTS
	44366302	Harness	Contactator to coil/fan/thermostat
1	44364702	Electric Wrap	
2	70054	Nut	
3	M400869	Jumper Strip	3 required for high voltage; 6 required for low voltage
4	44252501	Electric Stove Assembly	
5	70240301	Screw	
6	44328006	Limit Thermostat	
7	M410939P	Heater Element	3 required; 10 kW; 240 Volt heater element for 230-240, 400-415 and 480 Volt/3 Phase models
	M410940P	Heater Element	3 required; 10 kW; 208 Volt heater element for 200-208 Volt/3 Phase models
	M410941P	Heater Element	3 required; 10 kW 220 Volt heater element for 380 and 440 Volt/3 Phase models
	M412955P	Heater Element	3 required; 7 kW; 240 Volt heater element for 230-240 Volt/1 Phase models
8	44308801	Heating Element Screen	
9	70639808	Jumper Harness	3 inch; 380-415 Volt
	70639809	Jumper Harness	9 inch; 440-480 Volt
10	33562	Screw	
11	430497	Screw	
12	44226101	Limit Offset Bracket	

# Steam Heater and Valve

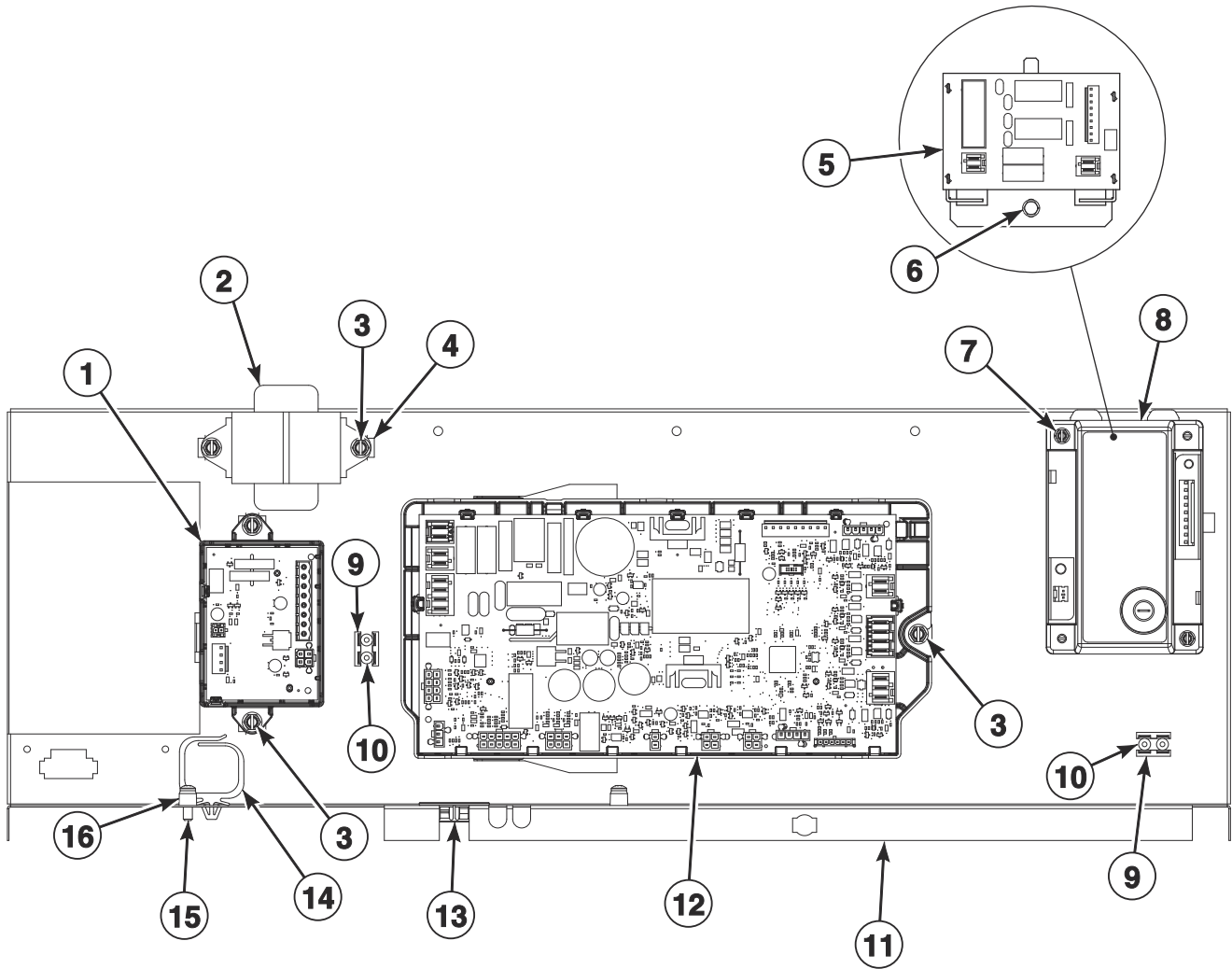


TMB3549P

## Steam Heater and Valve

REF	PART NO.	DESCRIPTION	COMMENTS
	44366303	Stove Limit Bypass Harness	
	F8520703	Steam Valve Harness	
	44314701	Steam Adapter Kit	IEC models
	44304801	Strain Relief	
	F8382301	DIN Valve Adapter Kit	Use with item 5
<b>1</b>	23008	Screw	4 required
<b>2</b>	M400828	Low Pressure Steam Cover	
<b>3</b>	F8379502	Valve Rebuild Kit	
<b>4</b>	F8514701	Coil	120 Volt
	F8514601P	Coil	240 Volt
<b>5</b>	F8322904P	Steam Valve	120 Volt
	F8322906P	Valve	240 Volt
<b>6</b>	44256301	Steam Coil	2 required; CRN models
	M400637P	Steam Coil	2 required; All other models
<b>7</b>	44172001	Filter	Aluminum; 2 required; IEC models
	44104201	Air Filter	Fiberglass; 2 required; T and G market models
<b>8</b>	44007501	Steam Stand Box	
<b>9</b>	44020402	Steam Heater Assembly	CRN models
	44020401P	Steam Heater Assembly	All other models
<b>10</b>	36020	Nut	4 required

# Control Tray



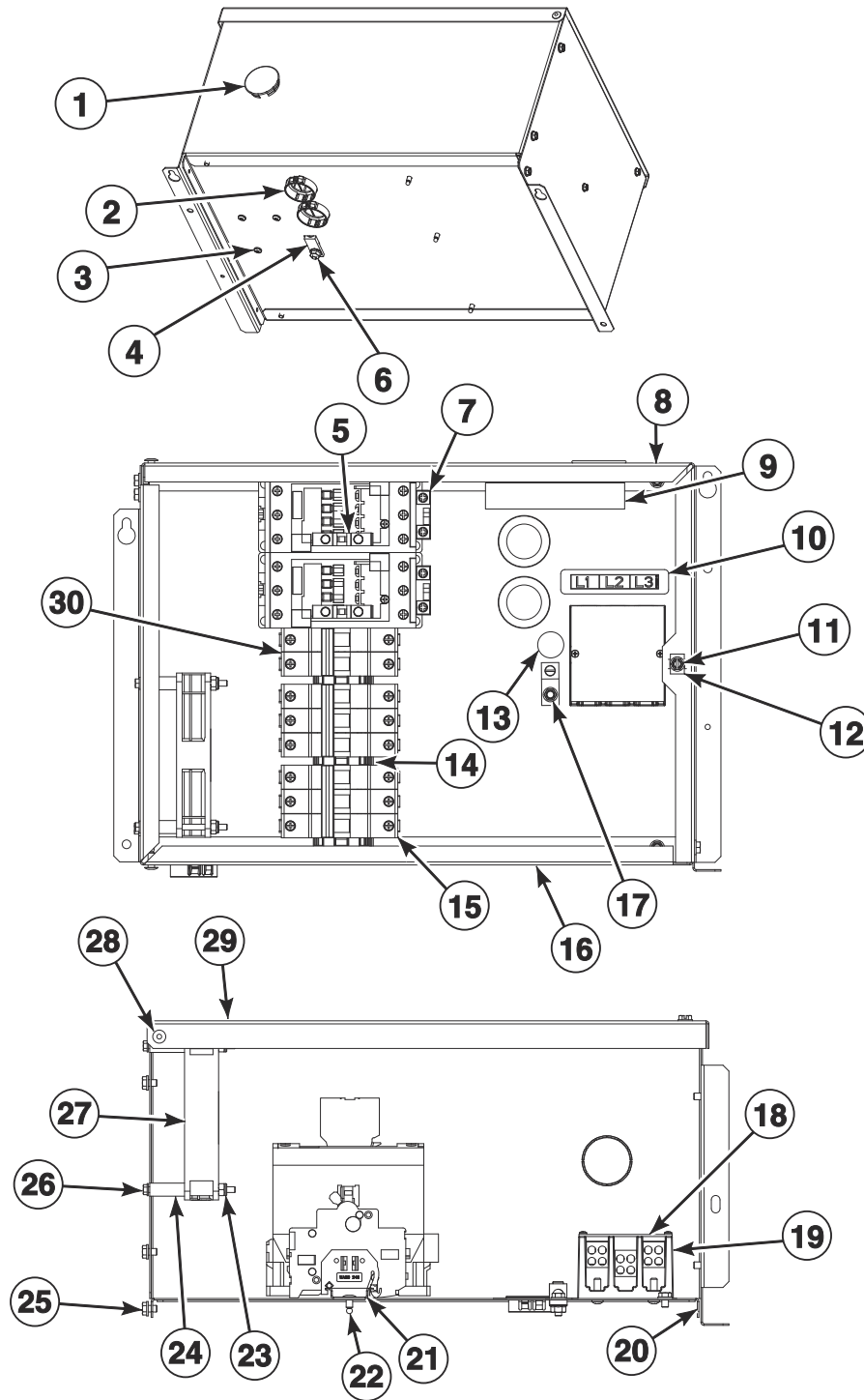
TMB3902P



# Control Tray

REF	PART NO.	DESCRIPTION	COMMENTS
	44362701	Rear Main Harness	
	44374901	Heat Control Harness	Gas and steam models
	44378001	Steam Control Harness	Steam models
	70631703	Primary Transformer Vend Harness	120 Volt; Card and central pay
	70631704	Primary Transformer Vend Harness	240 Volt; Card and central pay
	70631705	Central Pay Board Power Supply Harness	24V
	44377401	CARE Harness Bracket	Mounts to item 11
	70696802	Conversion Kit	X to B voltage; Models with D, F, N or W in the 7th position
	70696806	Conversion Kit	X to B voltage; Models with V in the 7th position
<b>1</b>	204779	Central Pay Control Assembly	
<b>2</b>	202757	Transformer	100-200 Volt; Card and central pay
	202758	Transformer	200-480 Volt; Card and central pay
<b>3</b>	F8206901	Screw	
<b>4</b>	70030501	Expansion Clip	
<b>5</b>	70501801	Steam Control Assembly	Steam models
<b>6</b>	51780	Screw	
<b>7</b>	51783	Screw	
<b>8</b>	70482002	Ignition Control	IEC gas models
	70482001	Ignition Control	T and G market gas models
<b>9</b>	00622SG	Terminal	Gas and steam models 2 required; Electric models 1 required
<b>10</b>	M400003	Pop Rivet	
<b>11</b>	44364101	Control Tray	
<b>12</b>	70671701	I/O Control Assembly	
<b>13</b>	70346501	Bushing	
<b>14</b>	F8449501	Wire Clip	
<b>15</b>	39733	Screw	
<b>16</b>	56079	Panel Locator	

# Accessory Box - Electric 200-240 Volt Models

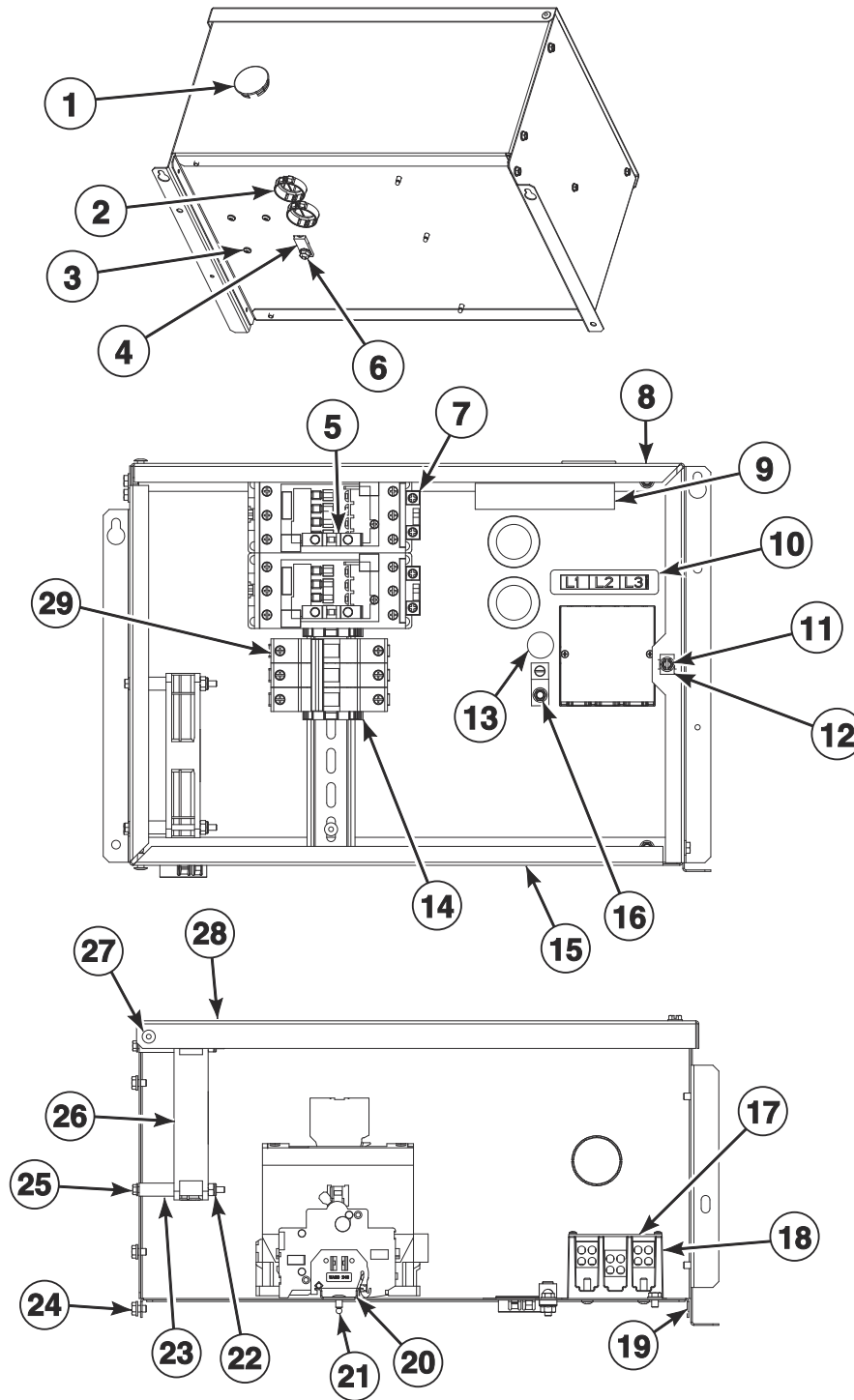


TMB3903P

## Accessory Box - Electric 200-240 Volt Models

REF	PART NO.	DESCRIPTION	COMMENTS
	44375409	Harness	Contactora box to power distribution block/EMI filter; 1 phase
	44375410	Harness	Contactora box to power distribution block/EMI filter; 3 phase
	70639803	Harness	Power distribution block to contactor block
	70639804	Harness	Power distribution block to contactor block
	70639805	Harness	Contactora block to HC
	70632202	Harness	Contactora coil
	70630903	Harness	Contactora monitor
	70630904	Harness	IEC models; Contactora monitor
	70639812	Harness	Contactora to Element H1-H3
	70639813	Harness	Contactora to Element H4-H6
<b>1</b>	70180001	Plug	
<b>2</b>	M402542	Snap Bushing	3 required
<b>3</b>	39733	Screw	
<b>4</b>	M411283	Ground Lug Connector	
<b>5</b>	44313201	Auxiliary Contact Block	2 required
<b>6</b>	44088001	Nut	
<b>7</b>	70482801	Contactora	2 required
<b>8</b>	44365001	Contactora Box Top	
<b>9</b>	F8614501	Danger Label	
<b>10</b>	44286802	Wire Label	1 Phase; L1, L2 L1, N
	44286803	Label	3 Phase; L1, L2, L3
<b>11</b>	F8206901	Screw	
<b>12</b>	70030501	Expansion Clip	
<b>13</b>	D516100	Label	
<b>14</b>	F8449801	End Stop	3 required
<b>15</b>	70488104	Circuit Breaker	2 required; 50 amp
<b>16</b>	44364901	Contactora Box Bottom	
<b>17</b>	685837	Screw	
<b>18</b>	44014901P	Power Distribution Block Cover	
<b>19</b>	M413865	Power Distribution Block	
<b>20</b>	44365101	Contactora Box Base	
<b>21</b>	44229701	Din Rail	
<b>22</b>	70058501	Pop Rivet	
<b>23</b>	F430232	Nut	
<b>24</b>	44328601	Sleeve	2 required
<b>25</b>	51780	Screw	
<b>26</b>	70546902	Screw	
<b>27</b>	F8504301	Fan	
<b>28</b>	70058502	Pop Rivet	
<b>29</b>	44365301	Contactora Box Cover	
<b>30</b>	70488102	Circuit Breaker	25 amp

# Accessory Box - Electric 380-480 Volt Models



TMB3904P

## Accessory Box - Electric 380-480 Volt Models

REF	PART NO.	DESCRIPTION	COMMENTS
	44375409	Harness	Contactora box to power distribution block/EMI filter; 1 phase
	44375410	Harness	Contactora box to power distribution block/EMI filter; 3 phase
	70639803	Harness	Power distribution block to contactora block
	70639804	Harness	Power distribution block to contactora block
	70639805	Harness	Contactora block to HC
	70632202	Harness	Contactora coil
	70630903	Harness	Contactora monitor
	70630904	Harness	IEC models; Contactora monitor
	70639812	Harness	Contactora to Element H1-H3
	70639813	Harness	Contactora to Element H4-H6
<b>1</b>	70180001	Plug	
<b>2</b>	M402542	Snap Bushing	3 required
<b>3</b>	39733	Screw	
<b>4</b>	M411283	Ground Lug Connector	
<b>5</b>	44313201	Auxiliary Contact Block	2 required
<b>6</b>	44088001	Nut	
<b>7</b>	70482801	Contactora	2 required
<b>8</b>	44365001	Contactora Box Top	
<b>9</b>	F8614501	Danger Label	
<b>10</b>	44286803	Label	3 Phase; L1, L2, L3
<b>11</b>	F8206901	Screw	
<b>12</b>	70030501	Expansion Clip	
<b>13</b>	D516100	Label	
<b>14</b>	F8449801	End Stop	2 required
<b>15</b>	44364901	Contactora Box Bottom	
<b>16</b>	685837	Screw	
<b>17</b>	44014901P	Power Distribution Block Cover	
<b>18</b>	M413865	Power Distribution Block	
<b>19</b>	44365101	Contactora Box Base	
<b>20</b>	44229701	Din Rail	
<b>21</b>	70058501	Pop Rivet	
<b>22</b>	F430232	Nut	
<b>23</b>	44328601	Sleeve	2 required
<b>24</b>	51780	Screw	
<b>25</b>	70546902	Screw	
<b>26</b>	F8504301	Fan	
<b>27</b>	70058502	Pop Rivet	
<b>28</b>	44365301	Contactora Box Cover	
<b>29</b>	70488101	Circuit Breaker	25 amp

## Labels

<b>PART NO.</b>	<b>DESCRIPTION</b>	<b>COMMENTS</b>
44324201	Caution Label	Australian models; Repeat Ignition Reset
44318601	Caution Label	Vent/install
F8614501	Danger Label	Shock; English/French
F8614301	Hot Surface Warning Label	English/French
F8609001	Hot Surface Warning Label	Icon
F8611601	Warning Label	
44318600	Label Kit	Vent/install
F8614500	Label Kit	Shock
F8611600	Warning Label Kit	
44321501	Notice Label	120/240 Volt
70539601	Notice Label	
70534201	Notice Label	
F8609501	Notice Label	
D516073	Notice Label	Read instructions; Icon
70538401	Pinch Warning Label	English/French
F8615701	Pinch Warning Label	Icon
70536401	Warning Label	Lint; Australian models
44324101	Warning Label	Fire; Australian models
44321601	Warning Label	Risk of fire; Icon
44324001	Warning Label	Shock/pinch

# Parts Index

## A

Access Panel Trim 70399402 .....	47
Accessory Plate Assembly F8574202 .....	31
F8574203 .....	31
F8574205 .....	31
F8734601 .....	31
Adapter 44178801 .....	77, 79
Adapter Harness 44375503 .....	67
Air Exhaust Deflector 44308401 .....	71
Air Filter 44104201 .....	85
Airflow Switch and Arm Bracket 70319602 .....	75
Airflow Switch Arm 70319401 .....	75
Airflow Switch Assembly 70429602 .....	75
Airflow Switch Vane 70319202 .....	75
App Pay Overlay Kit 44374701 .....	31, 33
Auxiliary Contact Block 44313201 .....	89, 91

## B

Baffle 44304601 .....	53
44304701 .....	53
44304702 .....	53
Ball Bearing 44041901P .....	65, 69
Bearing M413923P .....	65, 69
Blind Rivet F8245101 .....	49
Blower Assembly 70302201P .....	71
Blower Housing Scroll 44303801 .....	71
Blower Inlet Cone 70303101 .....	71
Blower Motor Mounting Plate 44380401 .....	71
Bolt M400650 .....	65, 69
Bottom Pan 44304301 .....	53
Burner Assembly M410541P .....	77
Burner Cover 44353901 .....	79

Burner Grate 44354301 .....	79
Burner Orifice 70684103 .....	81
70684104 .....	81
70684105 .....	81
70684106 .....	81
70684107 .....	81
70684108 .....	81
70684109 .....	81
70684110 .....	81
70684113 .....	81
70684128 .....	81
70684130 .....	81
70684132 .....	81
70684134 .....	81
70684136 .....	81
70684138 .....	81
70684158 .....	81
Burner Support 44110201 .....	77
44341701 .....	79
44341801 .....	79
Bushing 70346501 .....	73, 87
Bypass Harness 44334103 .....	23, 31, 43

## C

Card Reader Plate F8574204 .....	31
CARE Harness Bracket 44377401 .....	87
Caution Label 44318601 .....	92
44324201 .....	92
Center Pan 44304201 .....	53
Central Pay Board Power Supply Harness 70631705 .....	87
Central Pay Control Assembly 204779 .....	87
Circuit Breaker 70488101 .....	91
70488102 .....	89
70488104 .....	89
Circuit Plug Housing, 1 26302 .....	67
Coil F8514601P .....	85
F8514701 .....	85
Coin Box F160673P .....	53
Coin Chute Assembly 70296401 .....	53
Coin Drop 38963P .....	35
39748 .....	35
70441601 .....	35
70441603 .....	35

N/A items do not appear in index.

Coin Drop Assembly		Control Box Assembly	
201141 .....	35	44180101 .....	17
210195 .....	35	Control Box Base	
210196 .....	35	44065301 .....	19
38462P .....	35	Control Box Cover	
38463 .....	35	44065201 .....	19
38467 .....	35	Control Box Housing	
38519 .....	35	44306701 .....	19
70281102 .....	35	Control Box Top	
70283102 .....	35	44307101 .....	19
70441602 .....	35	Control Box Wrap	
70447301 .....	35	44119101 .....	17
70471601 .....	35	44344101 .....	17
70482401 .....	35	Control Door and Studs Assembly	
70506901 .....	35	70570201 .....	29
Coin Drop Kit		Control Door Latch	
CK077 .....	35	431318 .....	53
CK122 .....	37	Control Harness	
Coin Identification Paper		44375604 .....	19
38464P .....	35	Control Housing Cover	
38475 .....	35	70307005 .....	17, 39
38725 .....	35	Control Mounting Bracket	
Coin Meter		70598601 .....	31
F0160737-00 .....	35	Control Panel	
Coin Vault and Emergency Stop Mount Assembly		44000125 .....	45
70529502 .....	53	44000130DG .....	45
Coin Vault Assembly		44000130W .....	45
70529501 .....	53	44040013 .....	45
Coin Vault Switch Harness		44040015LG .....	45
44334101 .....	43	44040015W .....	45
44334104 .....	23, 31	44344001 .....	45
Cold Weather Kit		44344002 .....	45
44340301 .....	19	44388603 .....	45
Conduit Plate		44388606W .....	45
70615501 .....	55	44388701 .....	45
70615502 .....	55	44388702 .....	45
Contact Base		44388703W .....	45
F8538101 .....	41	44388704W .....	45
Contact Switch		Control Plate	
F8069501 .....	41	70497101 .....	21, 27
Contacto		Control Plate and Studs Assembly	
70482801 .....	89, 91	70496601 .....	23
Contacto Box Base		Control Plate Assembly	
44365101 .....	89, 91	70497201 .....	23
Contacto Box Bottom		Control Tray	
44364901 .....	89, 91	44364101 .....	87
Contacto Box Cover		Control Tray Guard	
44365301 .....	89, 91	44363801 .....	55
Contacto Box Top		Control Trim	
44365001 .....	89, 91	44016401 .....	43
Control		70529401 .....	43
70511601 .....	19	Conversion Kit	
Control Assembly		70696802 .....	87
70478801P .....	23	70696806 .....	87
70478802 .....	27	Cylinder and Trunnion Assembly	
70478901 .....	23	44195601 .....	63
70478902 .....	27	44195602 .....	63
70479801 .....	21	44195603 .....	63
70479901 .....	21	44195605P .....	63
70523001 .....	23	44195606 .....	63
70523002 .....	27	44195607 .....	63
70523101 .....	21	Cylinder Assembly	
70543104 .....	29	44130802 .....	63
70597801P .....	31	44196301 .....	63
70597803 .....	33	44196302 .....	63

N/A items do not appear in index.



44196303 .....	63
Cylinder Kit	
44057001P .....	63
44057101P .....	63
Cylinder Rib Assembly	
44191201 .....	63

## D

Damper Assembly	
44280301 .....	71
Danger Label	
F8614501 .....	89, 91, 92
Din Rail	
44229701 .....	89, 91
DIN Valve Adapter Kit	
F8382301 .....	85
Door Assembly	
44354701 .....	57
44354702 .....	57
44354703 .....	57
44354704 .....	57
44354705 .....	57
44354706 .....	57
44354707 .....	57
44354708 .....	57
44354709 .....	57
44354710LG .....	57
44354711B .....	57
Door Catch Kit	
70482901 .....	43
Door Glass	
44008401P .....	59
44008405 .....	59
Door Glass Installation Tool	
M4221P4 .....	59
Door Glass Label	
70650401 .....	59
70707701 .....	59
Door Handle	
44007901 .....	59
44263801 .....	59
44370601 .....	59
Door Hinge Assembly	
70596603 .....	61
70596604 .....	61
70596614B .....	61
70596614LG .....	61
70596614W .....	61
Door Hinge Lug Assembly	
70597601 .....	61
70597602 .....	61
70597603 .....	61
Door Latch	
M401223 .....	43
Door Ring Assembly	
44354801 .....	59
44354802 .....	59
44354803 .....	59
44354804 .....	59
44354807B .....	59
44354808LG .....	59
44354809B .....	59

Door Ring Gasket	
44008201P .....	59
70296802 .....	59
Door Seal Kit	
70211902P .....	59
Door Switch Actuator	
70532101 .....	61
Door Switch Acuator	
70532102 .....	61
Door Switch Harness	
44366201 .....	43
Drive Access Cover	
70202501 .....	55
Drive Motor	
44355005 .....	69
44355006 .....	69
Drive Rivet	
M400713 .....	19

## E

Electric Stove Assembly	
44252501 .....	83
Electric Wrap	
44364702 .....	83
Electronic Coin Drop Assembly	
70294107 .....	35
70513302 .....	35
70513303 .....	35
70513304 .....	35
70513306 .....	35
70513308 .....	35
70513309 .....	35
70513310 .....	35
70513311 .....	35
70513312 .....	35
70513313 .....	35
70513314 .....	35
70513315 .....	35
70513316 .....	35
Electronic Coin Drop Kit	
CK099 .....	37
CK100 .....	37
CK101 .....	37
CK108 .....	37
CK109 .....	37
CK110 .....	37
CK113 .....	37
CK115 .....	37
CK116 .....	37
CK117 .....	37
CK118 .....	37
CK119 .....	37
CK120 .....	37
CK121 .....	37
Emergency Stop Button Kit	
70580301 .....	41
Emergency Stop Bypass Harness	
F8519403 .....	23, 31
Emergency Stop Harness	
44272401 .....	41
Emergency Stop Interconnect Harness	
70631102 .....	41

N/A items do not appear in index.

Emergency Stop Label	
44012901 .....	41
44012903 .....	41
Emergency Stop Mounting Bracket	
70550401 .....	41
Emergency Stop Pushbutton	
F200233500 .....	41
EMI Filter	
F8591601 .....	73
F8637501 .....	73
End Stop	
F8449801 .....	89, 91
Exhaust Pipe Assembly	
44327901 .....	71
Expansion Clip	
70030501 .....	23, 31, 33, 43, 73, 87, 89, 91
Extension Spring	
F8440701 .....	69

## F

Fan	
F8504301 .....	89, 91
Fan Motor	
44354901 .....	71
44354903 .....	71
Fan Spacer	
70599301 .....	71
Felt Pad	
M402144 .....	63
Fill Hose	
202799 .....	19
Filter	
44172001 .....	85
Filter Mounting Plate	
70551701 .....	19
Fob Communication Harness	
F8519403 .....	31
F8719301 .....	23
Fob Reader Control Assembly	
205135 .....	23, 31
Fob Reader Kit	
70666806 .....	39
Front Panel	
44052532 .....	47
44052533DG .....	47
44052533W .....	47
44052535 .....	47
44052536DG .....	47
44052536W .....	47
44052538 .....	47
44052539DG .....	47
44052539LG .....	47
44052539W .....	47
44052541 .....	47
44052542DG .....	47
44052542LG .....	47
44052542W .....	47
44346305 .....	47
44346306 .....	47
44346307 .....	47
44346308 .....	47

## G

Gas Burner	
70229801P .....	79
Gas Heater Assembly	
44352601 .....	79
Gas Stove Assembly	
44136004 .....	77
Gas Valve	
44154501P .....	77, 79
44154502P .....	77, 79
44154505 .....	77, 79
44154506 .....	77, 79
44178301P .....	77, 79
44178302P .....	77, 79
44298501 .....	77, 79
44298504 .....	77, 79
Gas Valve Bracket	
44175703 .....	77
44340701 .....	79
Gas Valve Harness	
44273501 .....	77, 79
44273502 .....	77, 79
Gas Valve/Thermostat Harness	
44366301 .....	77, 79
Gasket	
70289101P .....	49
Ground Lug Connector	
M411283 .....	73, 89, 91
Guard	
44363601 .....	55
44377301 .....	55

## H

Handle and Caps Assembly	
70154405P .....	49
70154415 .....	49
Handle Bar	
70399501B .....	59
Handle Bumper	
70407202 .....	49
70407210 .....	49
Harness	
F8617901 .....	29
44366302 .....	83
44375401 .....	73
44375402 .....	73
44375409 .....	89, 91
44375410 .....	89, 91
70630903 .....	89, 91
70630904 .....	89, 91
70632202 .....	89, 91
70639803 .....	89, 91
70639804 .....	89, 91
70639805 .....	89, 91
70639812 .....	89, 91
70639813 .....	89, 91
Harness Adapter Plate	
70523301 .....	19
Harness Strap	
55881 .....	67

N/A items do not appear in index.

Heat Control Harness 44374901 .....	87
Heater Element M410939P .....	83
M410940P .....	83
M410941P .....	83
M412955P .....	83
Heating Element Screen 44308801 .....	83
High Altitude Orifice Kit 44357501 .....	81
44357502 .....	81
High Voltage Suppression Cable 44239704 .....	77, 79
Hinge Cam Kit M4772P3 .....	61
M4773P3 .....	61
70622401 .....	61
Hold-Down Clip 35865 .....	51
Hose 44073304 .....	19
Hose Clamp 36801 .....	19
Hose Fitting 44069101 .....	19
Hot Surface Warning Label F8609001 .....	92
F8614301 .....	92
Housing and Trunnion Assembly M4644P3 .....	65
44336302 .....	65

## I

Idler Shaft 44303102 .....	69
Idler Spacer 44306801 .....	69
Igniter Cover 70159601 .....	77, 79
Ignition Control 70482001 .....	87
70482002 .....	87
Insulation 44150102 .....	53
44150103 .....	53
Insulator M413862 .....	73
Interconnect Harness 44375601 .....	19
Interface Harness 44378104 .....	23, 31
Inverter Control Assembly 70603001 .....	73
70603201 .....	73
Inverter Control Power Harness 44375701 .....	73
44375703 .....	73
44375704 .....	73
44375706 .....	73
Inverter Drive Tray 44364201 .....	73

Inverter Power Conversion Harness 70671001 .....	73
Inverter to Motor Harness 70635405 .....	69
70635406 .....	69
70635407 .....	69
70635408 .....	69
I/O Control Assembly 70671701 .....	87

## J

Jumper Harness D511476 .....	43
70639808 .....	83
70639809 .....	83
Jumper Strip M400869 .....	83

## K

Key M400008 .....	63, 69
44309301 .....	69
70155601 .....	19, 43
70155602 .....	43
Kickplate 70117607 .....	49
70117619 .....	49

## L

Label D503887 .....	77, 79
D516100 .....	73, 89, 91
44190901 .....	47
44286801 .....	73
44286803 .....	73, 89, 91
44318201 .....	19
562738 .....	45
70414001 .....	47
70472801 .....	47
70537001 .....	47
70537101 .....	47
Label Kit F8614500 .....	92
44318200 .....	19
44318600 .....	92
44324500 .....	19
70534400 .....	47
Latch Mounting Bracket 44003201 .....	53
Lead-In Pipe 44377001 .....	77
44377101 .....	77
Lead-In Pipe Kit 44377001 .....	79
44377101 .....	79
Light 801432 .....	19
Limit Offset Bracket 44226101 .....	83

N/A items do not appear in index.

Limit Thermostat	
44328003	71
44328005	79
44328006	83
44328007	77
70530905	71
Lint Bracket	
44325301	51
Lint Clip Bracket	
44140202	51
Lint Door Switch Harness	
44362702	49
Lint Panel	
44293602	49
44293603LG	49
44293603W	49
44293604DG	49
44293604W	49
44293605	49
44298102	51
44300901	51
Lint Screen	
44063601	51
Lint Screen Clip	
H96418413	51
Lint Screen Top Rail	
44298901	51
Lock, Key and Nut Kit	
44089301P	19, 43
44089302P	43
Low Pressure Steam Cover	
M400828	85
Lower Guard	
44363501	55
44363901	55
44363902	55
Lower Rear Panel	
44380501	53
L.P. Conversion Kit	
44328801	77
44328809	77
44328810	79
44330301	77
44330306	79
44355201	79

## M

Machine ID Control Assembly	
203361P	23, 27, 29, 31, 33
Magnet	
70343101	49
Magnet Bracket	
44290501	49
Main Harness	
44363301	17
70631001	23, 31, 33
Max Fill Line Label	
70707501	59
Micro V Pulley	
44374001	69
Mixing Valve	
70519801	19

Mixing Valve Shield Bracket	
44306601	19
Moisture Sensing Harness Kit	
44344702	67
Moisture Sensor Harness	
44375501	67
Motor Pivot Bracket Weldment	
44327001	69
Motor Pivot Plate Weldment	
44311501	69
Motor Pivot Support Bracket	
44325801	69
Mounting Bracket	
44376601	19
Mounting Plate	
70208801	23

## N

Nameplate	
F8443106	45
F8688001	45
F8688901	45
567293	45
567887	45
Nameplate Overlay	
44130301	45
44144401	59
70410201	45
70411401	59
Notice Label	
D516073	92
F8609501	92
44321501	92
70534201	92
70539501	77, 79
70539601	92
Notice label	
70544901	77, 79
Nut	
F430232	89, 91
M400026	65, 69
M400035	67
M400977	43
M404993	63
M414215	59
21899	53
23951	49
36020	85
44071201	29
44087101	31, 33
44088001	59, 61, 89, 91
44333202	69
51236	49
70054	23, 31, 83
70660601	71

## O

Opto Coupler	
200674P	35
Orifice Adapter	
44340802	79

N/A items do not appear in index.

Orifice Adapter Support	
44342101 .....	79
Overlay	
F8205101 .....	23
F8733901 .....	23
F8734001 .....	31
F8734201 .....	23
F8734301 .....	31
F8736501 .....	23
F8736601 .....	31
70295101 .....	23
70518101 .....	23
70518102 .....	23
70519001 .....	21
70519002 .....	21
70539101 .....	21
70539102 .....	21
70541201 .....	25
70541202 .....	25
70541203 .....	25
70545501 .....	21
70545502 .....	21
70547501 .....	21
70547502 .....	21
70547801 .....	27
70547802 .....	27
70548801 .....	27
70548802 .....	27
70556201 .....	23
70556301 .....	23
70556401 .....	23
70556402 .....	23
70556501 .....	23
70556502 .....	23
70556601 .....	23
70556701 .....	23
70556801 .....	23
70556901 .....	23
70557001 .....	23
70557002 .....	23
70571101 .....	25
70571102 .....	25
70571103 .....	25
70571401 .....	27
70571402 .....	27
70571601 .....	27
70571602 .....	27
70595401 .....	29
70626001 .....	25
70626002 .....	25
70626101 .....	25
70673301 .....	27
70673302 .....	27
70675001 .....	21
70675002 .....	21
70679201 .....	25
70681701 .....	25
70681702 .....	25
70681703 .....	25
70681704 .....	25
70681705 .....	25
70690401 .....	25
70690402 .....	25
70690403 .....	25
70690404 .....	25
70690405 .....	25
70690701 .....	25
70690702 .....	25
70690703 .....	25

70691001 .....	27
70691002 .....	27
70691301 .....	21
70691302 .....	21
70705701 .....	25

---

## P

Panel Locator	
56079 .....	43, 49, 87
Pin	
70071401 .....	61
Pinch Warning Label	
F8615701 .....	92
70538401 .....	92
Pipe Bracket	
44327601 .....	55
44327603 .....	55
Plug	
70167601 .....	77, 79
70180001 .....	19, 89, 91
Pop Rivet	
M400003 .....	53, 73, 87
44166601 .....	43
70058501 .....	49, 53, 61, 89, 91
70058502 .....	89, 91
70126301 .....	49
70126401 .....	49
70412601 .....	59
Porcelain Touch-Up Paint	
122P4P .....	53
Power Distribution Block	
M413865 .....	89, 91
Power Distribution Block Cover	
44014901P .....	89, 91
Power Sensor Harness	
44375602 .....	19
44375603 .....	19
Pressure Fitting	
44231601 .....	77, 79
Primary Transformer Vend Harness	
70631703 .....	87
70631704 .....	87
Pulley	
44289502 .....	69
Pushbutton Switch	
70413301 .....	21, 23, 27, 31, 33, 43
Push-to-Start Switch	
801434W .....	19

---

## R

Rear Access Plate	
44136101 .....	77
Rear Guard	
44373401 .....	55
44373501 .....	55
44376701 .....	19
Rear Main Harness	
44362701 .....	87
Reed Switch Assembly	
F8066804 .....	49

N/A items do not appear in index.

Replacement Screen Kit 70576501P .....	31, 33
Rib Rod M401411 .....	63
Rib Wire 44208601 .....	67
Roller Bracket Assembly 70404001 .....	49
Roller Catch Arm 70030301 .....	49
Roller Catch Spacer 70030201 .....	49
Roller Catch Wheel 70297601 .....	49

## S

Screw	
F8206901 .....	39, 73, 87, 89, 91
M400063 .....	65
M400661 .....	59
M402797 .....	77
M411072 .....	23, 43
23008 .....	85
33562 .....	83
39733 .....	31, 33, 49, 87, 89, 91
430497 .....	17, 19, 53, 75, 77, 79, 83
430757 .....	49, 75
431287 .....	53
44338901 .....	67
44349101 .....	61
44364601 .....	71
44364602 .....	69
51780 .....	19, 29, 53, 87, 89, 91
51783 .....	73, 87
685837 .....	73, 89, 91
70033502 .....	43, 61
70072801 .....	49
70132301 .....	49
70182601 .....	43
70187201 .....	65, 69
70240301 .....	77, 83
70247701 .....	53
70275801 .....	43
70407301 .....	61
70436301 .....	61
70442101 .....	59, 67
70546902 .....	89, 91
70576101 .....	61
70689401 .....	61
804608 .....	19, 21, 23, 27, 29
805213 .....	69
Sensor Harness 44375606 .....	19
Serial Pay Harness F8713906 .....	31
Shaft Collar 70467001 .....	69
Shaft Wire 44208702 .....	67
Shield 44326801 .....	19
Shock Warning Label F8614201 .....	19
F8614401 .....	19

Side Panel 44367502DG .....	53
44367502LG .....	53
44367502W .....	53
44367602DG .....	53
44367602LG .....	53
44367602W .....	53
Sleeve 44328601 .....	89, 91
Slip Ring Assembly 44222702 .....	67
Slip Ring Holder 44224401 .....	67
Slot Card Plate Assembly 44089501 .....	23
Snap Bushing D503235 .....	17
M402542 .....	89, 91
Spacer M401402 .....	63
Spark Electrode 44328701P .....	77
70548701P .....	79
Spray Paint 298P4P .....	53
Spud Holder Weldment 44263103 .....	77
Steam Adaptor Kit 44314701 .....	85
Steam Coil M400637P .....	85
44256301 .....	85
Steam Control Assembly 70501801 .....	87
Steam Control Harness 44378001 .....	87
Steam Harness Bracket 44376801 .....	55
Steam Heater Assembly 44020401P .....	85
44020402 .....	85
Steam Stand Box 44007501 .....	85
Steam Valve F8322904P .....	85
Steam Valve Harness F8520703 .....	85
Stove Grate 44300301 .....	55
44300302 .....	55
44364801 .....	55
Stove Limit Bypass Harness 44366303 .....	85
Strain Relief 44304801 .....	85
Switch 70411901 .....	75
Switch Bracket 44296101 .....	49
Switch Hole Plug 44057801B .....	43
44057801LG .....	43
44057801W .....	43

N/A items do not appear in index.

---

## T

Terminal	
00622SG .....	73, 87
Terminal Block	
430642 .....	73
Terminal Block Shield	
70333001 .....	73
Thermistor	
M414704 .....	71
44064701 .....	53
Thermistor Plate	
44068101 .....	53
44068102 .....	53
Top Cover	
44368801 .....	53
Top Cover Pan	
44135001P .....	53
Top Guard	
44364001 .....	55
44364002 .....	55
Top Pan	
44304101 .....	53
44345101 .....	53
44352401 .....	53
Top Panel	
44346201 .....	53
44346202 .....	53
Top Panel Bracket	
44368201 .....	53
Transformer	
F8491101 .....	73
202757 .....	87
202758 .....	87
Trunnion and Bearing Assembly	
M4640P3 .....	65
44336301 .....	65
Trunnion Assembly	
44207901 .....	63
44208001 .....	63
Trunnion Housing	
M413826 .....	69
Trunnion Housing Assembly	
44375001 .....	65, 69
Tumbler Dolly Kit	
M4379P4 .....	43

---

## U

Upper Guard	
44374301 .....	55
Upper Rear Panel	
44376901 .....	53
USB Bracket	
70547001 .....	29
USB IR Interface Kit	
203346 .....	39
USB-Serial Interface Assembly	
203440 .....	29, 31, 33

---

## V

Valve	
F8322906P .....	85
Valve Rebuild Kit	
F8379502 .....	85
V-Belt	
44309402 .....	69
44333301 .....	69
Vend Activation Harness	
44334002 .....	31
44334004 .....	21, 23, 27
Vend Plate	
F8632501 .....	31

---

## W

Warning Label	
F8611601 .....	92
44321601 .....	92
44324001 .....	92
44324101 .....	92
44324501 .....	19
44324502 .....	19
70534401 .....	47
70534402 .....	47
70534405 .....	47
70536401 .....	92
Warning Label Kit	
F8611600 .....	92
Washer	
F431131 .....	71
M400015 .....	63, 65
20103 .....	65, 69
44238902 .....	67
70261401 .....	65, 69
70409301 .....	59
Water Valve Harness	
44375605 .....	19
Wire Clip	
F8449501 .....	87
F8449502 .....	73
Wire Guard	
201595P .....	35
Wire Label	
44286802 .....	89
44286804 .....	73
Wireless Control Label	
204692 .....	31, 33, 39
Wireless Network Control Assembly	
807211 .....	39
Wireless Network Harness	
F8674006 .....	39
Wireless Network Kit	
70609701 .....	39
Wireway Channel	
44239101 .....	67

---

N/A items do not appear in index.

