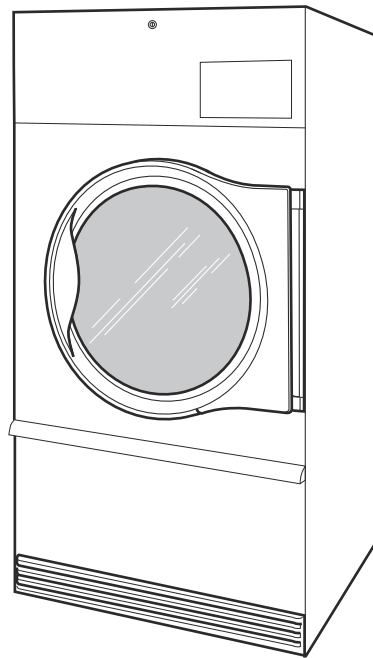


Tumble Dryers

75 Pound Capacity

18 Digit Model Numbers with 6 in 13th Position

Refer to Page 5 for Model Numbers



TMB1290C

Table of Contents

Title	Page
Parts Ordering Information.....	3
Serial Plate Location	3
Machine Identification	5
Product Overview - Heat Source and Voltage	6
Product Overview - FN Control Suffix	8
Product Overview - DN and NN Control Suffixes.....	10
Product Overview - N and W Control Suffixes	12
Product Overview - V Control Suffix	14
Control Box	16
Fire Suppression System Control Box	18
Dual Digital Control	20
Electronic Display Control - Vend Models with N or W in the 7th Position.....	22
Electronic Display Control Overlays- Vend Models with N or W in the 7th Position	24
Electronic Display Control - OPL Models with N in the 7th Position	26
3.5 Inch Graphical Control	28
Touch Control - Vend Models with V in the 7th Position.....	30
Touch Control - OPL Models with V in the 7th Position	32
Coin Drops	34
Coin Drop Kits	36
Network Board Components.....	38
Emergency Stop Button - IEC OPL Models	40
Cabinet Front Components.....	42
Control Panels and Nameplates	44
Front Panel Assemblies	46
Lower Cabinet Front Components	48
Lint Panel Components.....	50
Cabinet Components (Drawing 1 of 2).....	52
Cabinet Components (Drawing 2 of 2).....	54
Lint Management System Components.....	56
Rear Panel and Belt Guard Components	58
Door Assemblies	60
Door Components.....	62
Hinge Components	64
Cylinder and Trunnion Components	66
Bearing Components	68
Moisture Sensing Components.....	70
Drive Motor Components	72
Blower and Exhaust Components.....	74
Inverter Tray Components	76
Airflow Switch Assembly	78
Gas Heater Components - All Models with D, F, N and W in the 7th Position	

© Copyright 2023, Alliance Laundry Systems LLC

All rights reserved. No part of the contents of this book may be reproduced or transmitted in any form or by any means without the expressed written consent of the publisher.

and U Models with V in the 7th Position	80
Gas Heater Components - Models with V in the 7th Position	82
Gas Heater Components - Models with C in the 16th Position	84
Burner Orifices - All Models with D, F, N and W in the 7th Position and U Models with V in the 7th Position	86
Burner Orifices - Models with V in the 7th Position	88
Electric Heater Components	90
Steam Heater and Valve	92
Control Tray	94
Accessory Box - Electric 200-240 Volt Models	96
Accessory Box - Electric 380-480 Volt Models	98
Labels	100
Parts Index	101

Parts Ordering Information

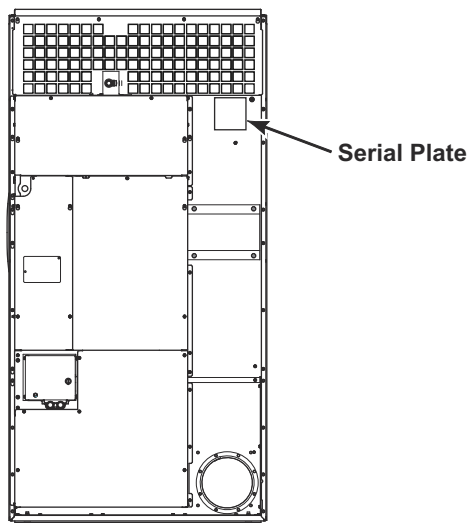
If literature or replacement parts are required, contact the source from whom the machine was purchased or contact Alliance Laundry Systems at (920) 748-3950 for the name and address of the nearest authorized parts distributor.

For technical assistance, call the number listed below:

(920) 748-3121 Ripon, Wisconsin

Serial Plate Location

When calling or writing about your product, be sure to mention model and serial numbers. Model and serial numbers are located on serial plate(s) as shown.



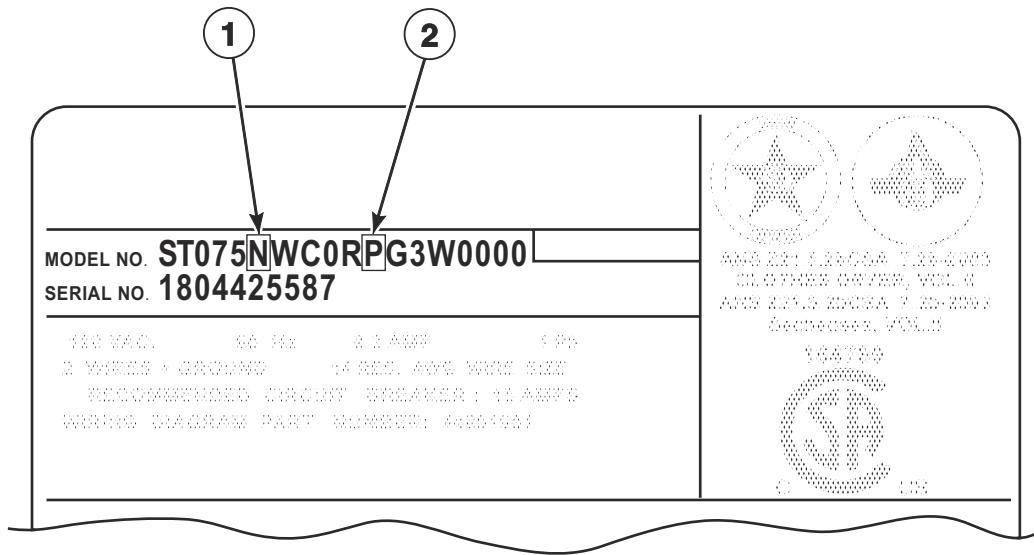
TMB3888P

Machine Identification

Information in this manual is applicable to these machines:

BA075E	BU075M	HU075E	SA075N	UA075E	UT075C
BA075F	BU075N	HU075F	SA075R	UA075F	UT075D
BA075L	BU075R	HU075L	SA075S	UA075L	UT075E
BA075M	BU075S	HU075M	SG075D	UA075M	UT075F
BA075N	HA075E	HU075N	SG075E	UA075N	UT075L
BA075R	HA075F	HU075R	SG075F	UA075R	UT075M
BA075S	HA075L	HU075S	SG075L	UA075S	UT075N
BG075D	HA075M	JU075E	SG075M	UG075D	UT075R
BG075E	HA075N	JU075N	SG075N	UG075E	UT075S
BG075F	HA075R	PA075E	SG075R	UG075F	UTF75L
BG075L	HA075S	PA075L	SG075S	UG075L	UTF75N
BG075M	HG075D	PA075M	SH075E	UG075M	UU075E
BG075N	HG075E	PA075N	SH075F	UG075N	UU075F
BG075R	HG075F	PA075S	SH075L	UG075R	UU075L
BG075S	HG075L	PG075E	SH075M	UG075S	UU075M
BH075E	HG075M	PG075L	SH075N	UGF75L	UU075N
BH075F	HG075N	PG075M	SH075R	UGF75N	UU075R
BH075L	HG075R	PG075N	SH075S	UH075E	UU075S
BH075M	HG075S	PG075S	SJ075D	UH075F	
BH075N	HH075E	PH075E	SJ075E	UH075L	
BH075R	HH075F	PH075L	SJ075F	UH075M	
BH075S	HH075L	PH075M	SJ075L	UH075N	
BJ075D	HH075M	PH075N	SJ075M	UH075R	
BJ075E	HH075N	PH075S	SJ075N	UH075S	
BJ075F	HH075R	PJ075E	SJ075R	UJ075D	
BJ075L	HH075S	PJ075L	SJ075S	UJ075E	
BJ075M	HJ075D	PJ075M	SK075E	UJ075F	
BJ075N	HJ075E	PJ075N	SK075F	UJ075L	
BJ075R	HJ075F	PJ075S	SK075L	UJ075M	
BJ075S	HJ075L	PK075E	SK075N	UJ075N	
BK075E	HJ075M	PK075L	SK075R	UJ075R	
BK075F	HJ075N	PK075N	SR075E	UJ075S	
BK075L	HJ075R	PR075E	SR075S	UK075E	
BK075N	HJ075S	PR075S	ST075C	UK075F	
BK075R	HK075E	PT075C	ST075D	UK075L	
BR075E	HK075F	PT075E	ST075E	UK075N	
BR075S	HK075L	PT075L	ST075F	UK075R	
BT075D	HK075N	PT075M	ST075L	UR075E	
BT075E	HK075R	PT075N	ST075M	UR075S	
BT075F	HR075E	PT075S	ST075N		
BT075L	HR075S	PU075E	ST075R		
BT075M	HT075C	PU075L	ST075S		
BT075N	HT075D	PU075M	SU075E		
BT075R	HT075E	PU075N	SU075F		
BT075S	HT075F	PU075S	SU075L		
BU075E	HT075L	SA075E	SU075M		
BU075F	HT075M	SA075F	SU075N		
BU075L	HT075N	SA075L	SU075R		
	HT075R	SA075M	SU075S		
	HT075S				

Product Overview - Heat Source and Voltage



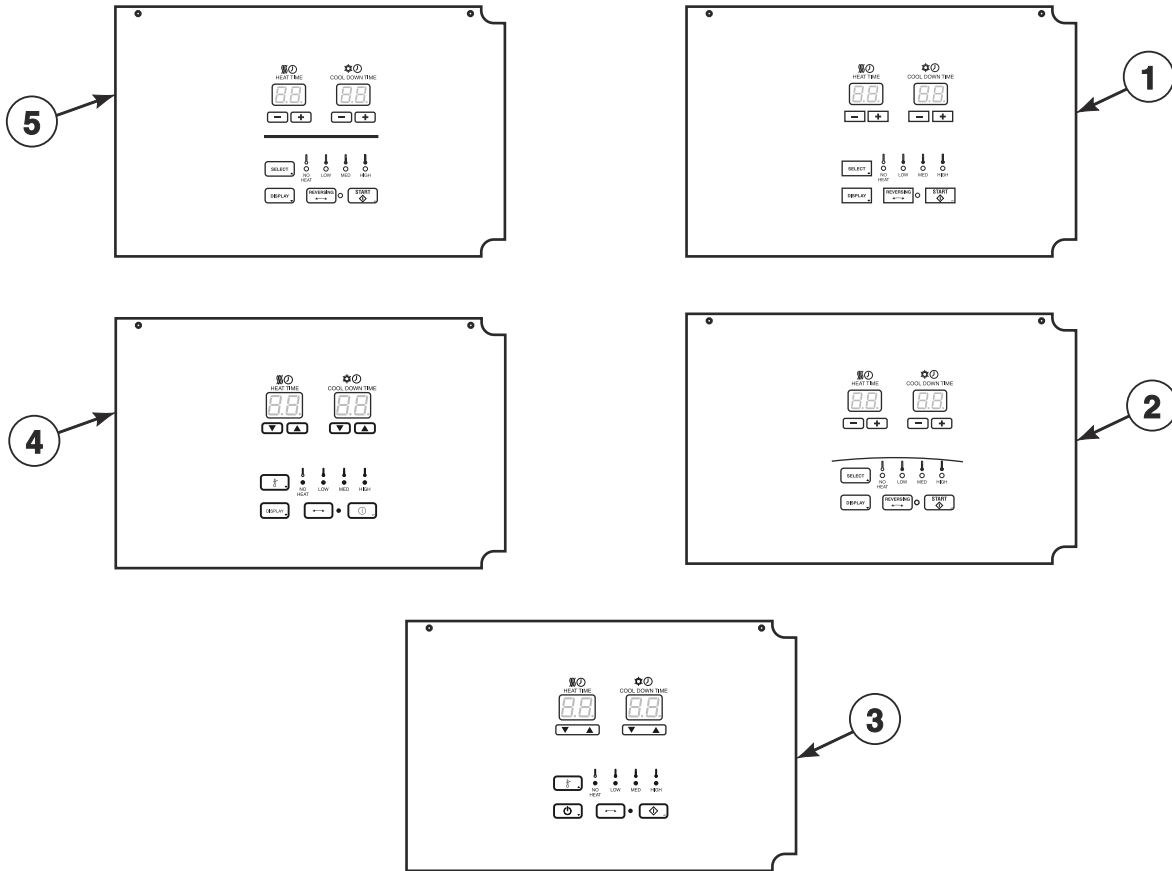
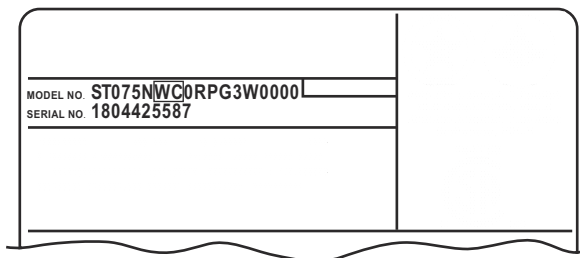
TMB3595P

Product Overview - Heat Source and Voltage

REF	PART NO.	DESCRIPTION	COMMENTS
1	-	Heat Source	C: Steam (CRN) D: Liquid Petroleum Gas (L.P.) E: Electric F: Reduced Electric (Eco Line) L: Liquid Petroleum Gas (L.P.) M: Medium Electric N: Natural Gas (N.G.) R: Reduced Gas, Natural Gas (Eco Line) S: Steam
2	-	Voltage	B: 100-120 Volt/50-60 Hertz/1 Phase; Gas and steam models F: 200-208 Volt/50-60 Hertz/3 Phase; Electric models G: 230-240 Volt/50-60 Hertz/3 Phase; Electric models H: 380 Volt/50-60 Hertz/3 Phase; Electric models J: 400-415 Volt/50-60 Hertz/3 Phase; Electric models K: 440 Volt/50-60 Hertz/3 Phase; Electric models L: 460-480 Volt/50-60 Hertz/3 Phase; Electric models N: 440-480 Volt/50-60 Hertz/3 Phase; Gas and steam models P: 380-415 Volt/50-60 Hertz/3 Phase; Gas and steam models Q: 200-240 Volt/50-60 Hertz/3 Phase; Gas and steam models X: 200-240 Volt/50-60 Hertz/1-3 Phase; Gas and steam models

Product Overview - FN Control Suffix

All Models Except J Models; OPL



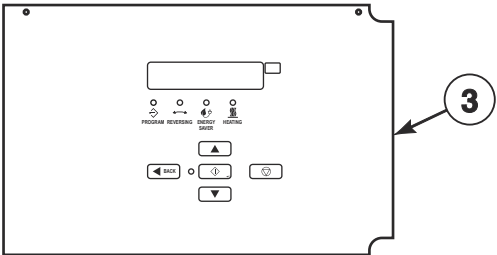
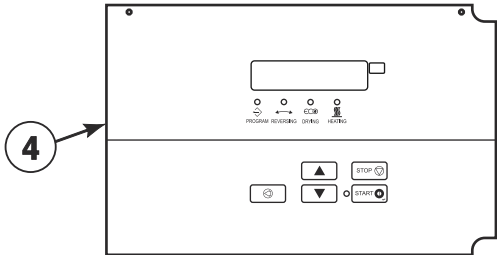
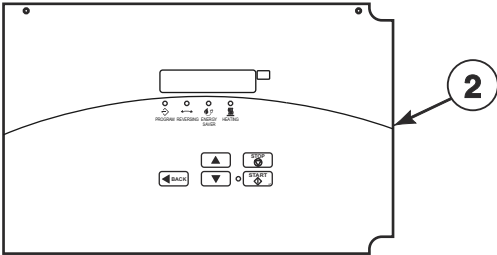
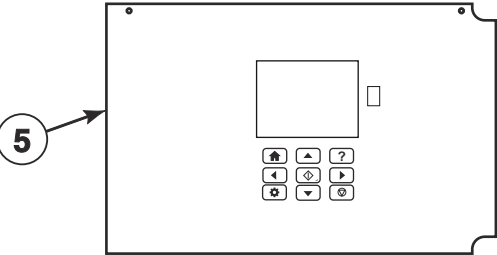
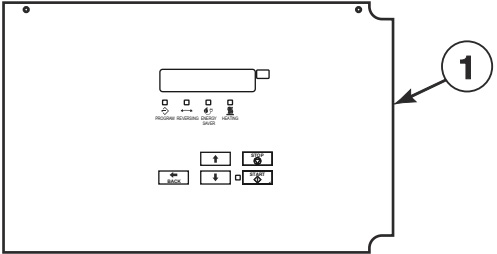
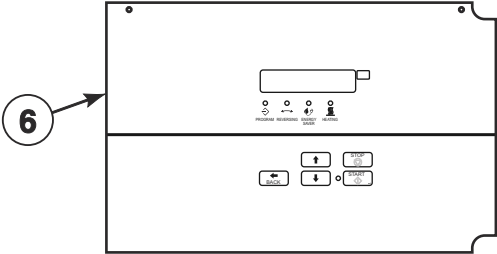
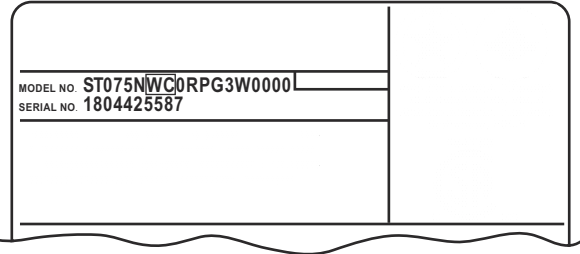
TMB3596P

Product Overview - FN Control Suffix

REF	PART NO.	DESCRIPTION	COMMENTS
1	-	Dual Digital Control	H models
2	-	Dual Digital Control	U models
3	-	Dual Digital Control	B models
4	-	Dual Digital Control	P models
5	-	Dual Digital Control	S models

Product Overview - DN and NN Control Suffixes

All Models Except J Models; OPL



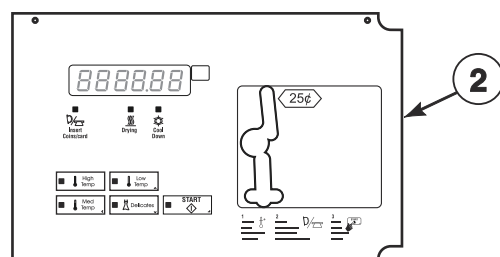
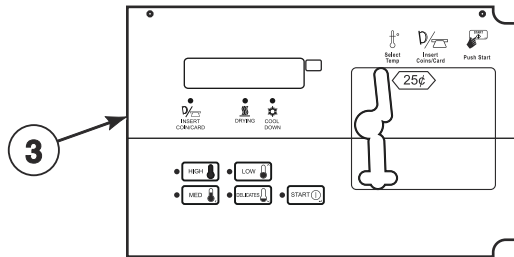
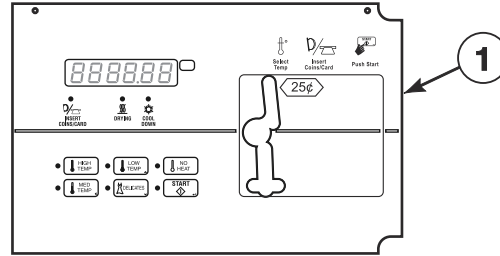
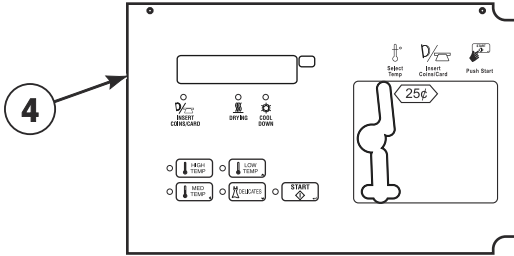
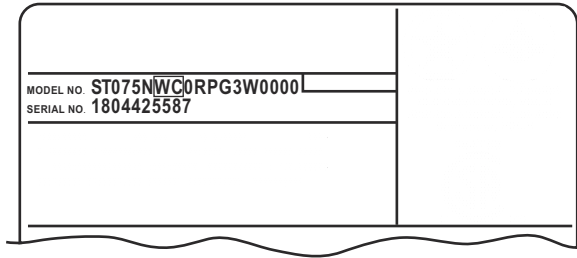
TMB3597P

Product Overview - DN and NN Control Suffixes

REF	PART NO.	DESCRIPTION	COMMENTS
1	-	Galaxy Control	H models
2	-	M-Series Control	U models
3	-	OPTimum Control	B models
4	-	OPL Micro Control	P models
5	-	UniLinc Control	U models
6	-	Quantum Gold Control	S models

Product Overview - N and W Control Suffixes

7th Position of the Model Number; All Models Except U Models; Vend



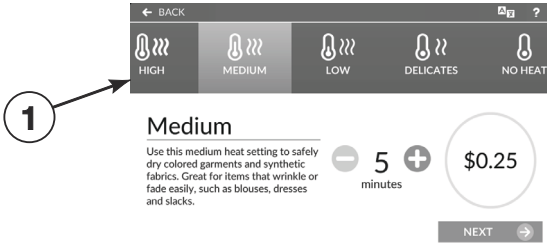
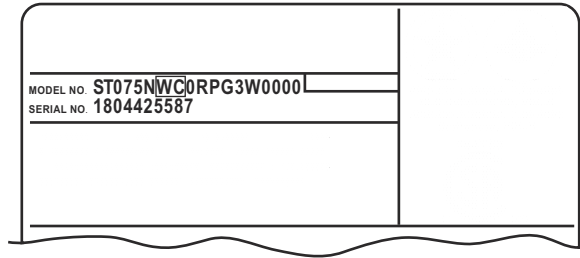
TMB3905P

Product Overview - N and W Control Suffixes

REF	PART NO.	DESCRIPTION	COMMENTS
1	-	Quantum Gold Control	S models
2	-	Galaxy 600	H models
3	-	XQ Control	P models
4	-	EVO7S Control	B models

Product Overview - V Control Suffix

7th Position of the Model Number; Vend and OPL

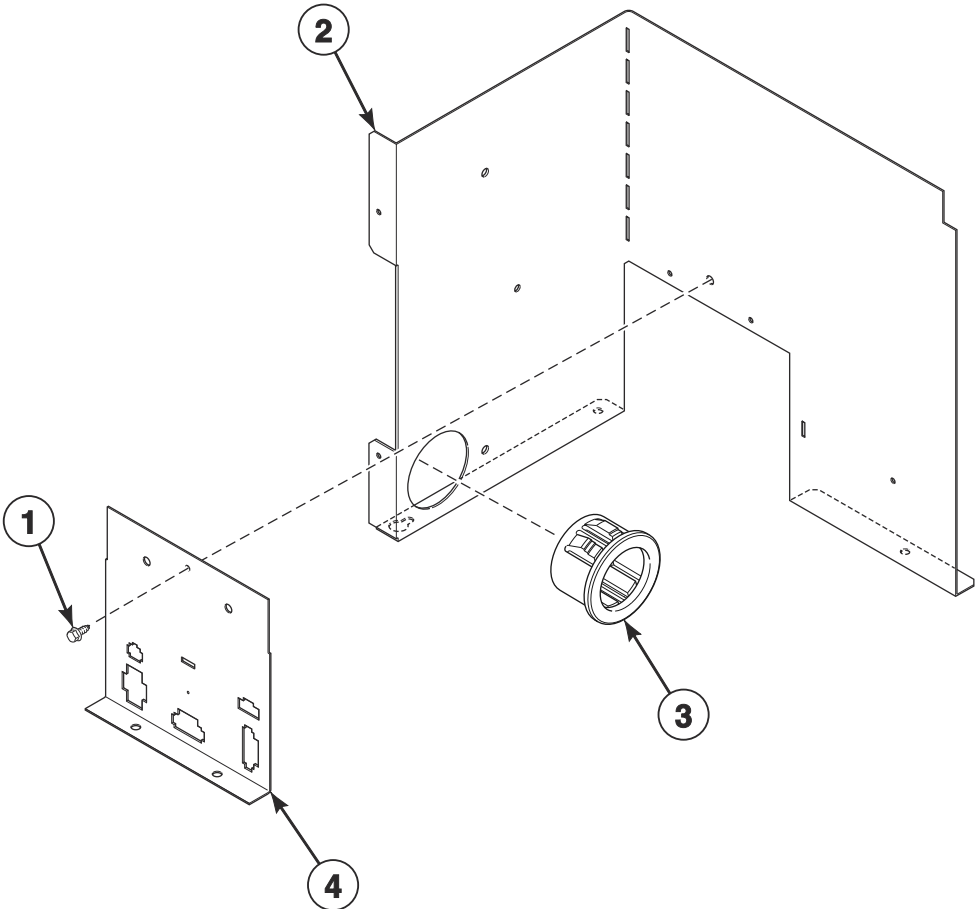


TMB3907P

Product Overview - V Control Suffix

REF	PART NO.	DESCRIPTION	COMMENTS
1	-	Touch Control	Vend; B, H, P and S models
2	-	Touch Control	OPL; B, J, P and U models

Control Box



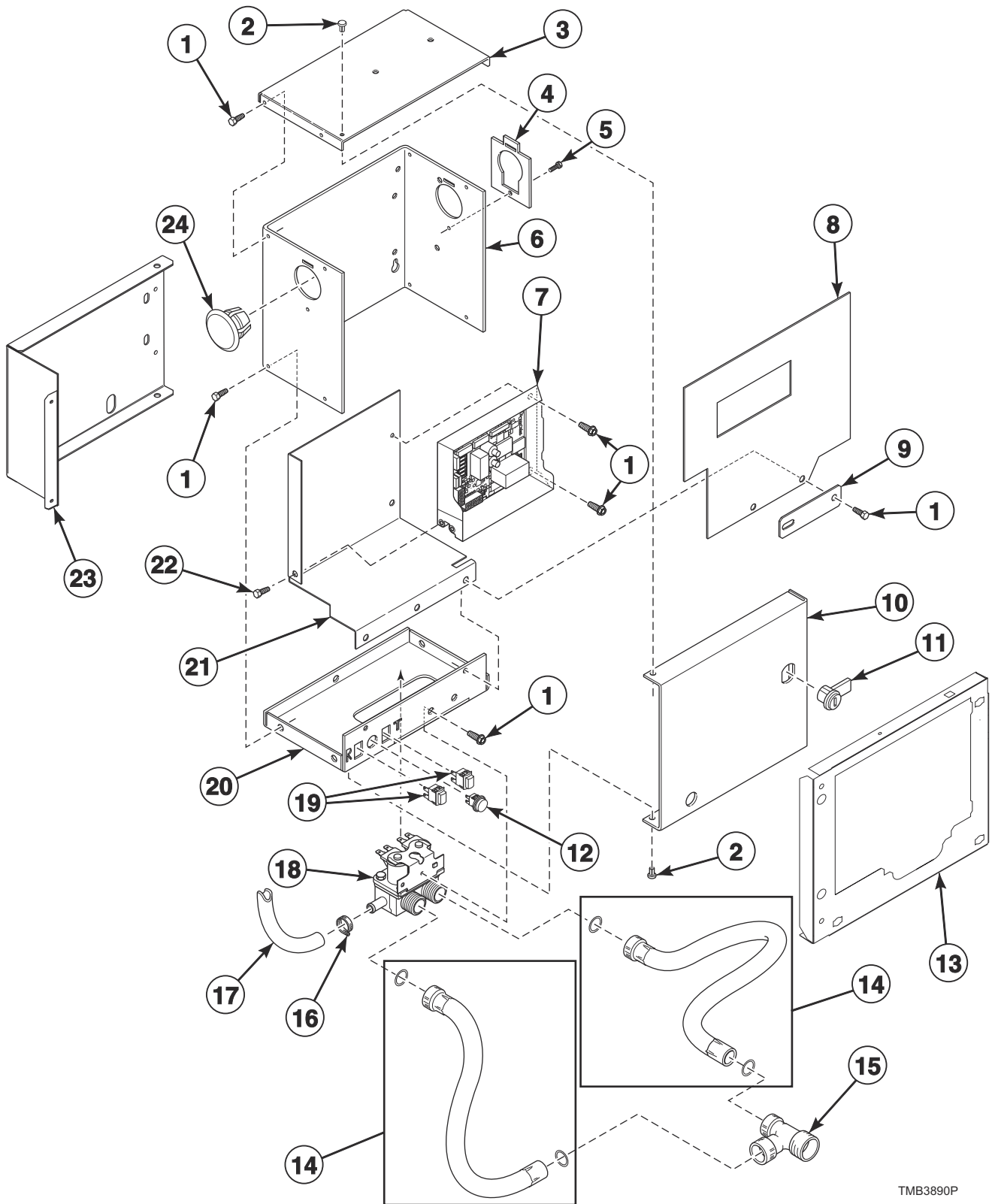
TMB3710P

Control Box

REF	PART NO.	DESCRIPTION	COMMENTS
	44363301	Main Harness	
1	430497	Screw	
2	44344101	Control Box Wrap	B, H, P, S and U models with V in 7th position
	44119101	Control Box Wrap	S models with F, N and W in 7th position
	44180101	Control Box Assembly	All other models except S models with D, F, N and W in 7th position
3	D503235	Snap Bushing	Use with 44344101 Control Box Wrap
4	70307005	Control Housing Cover	

Fire Suppression System Control Box

Gas and Steam Models



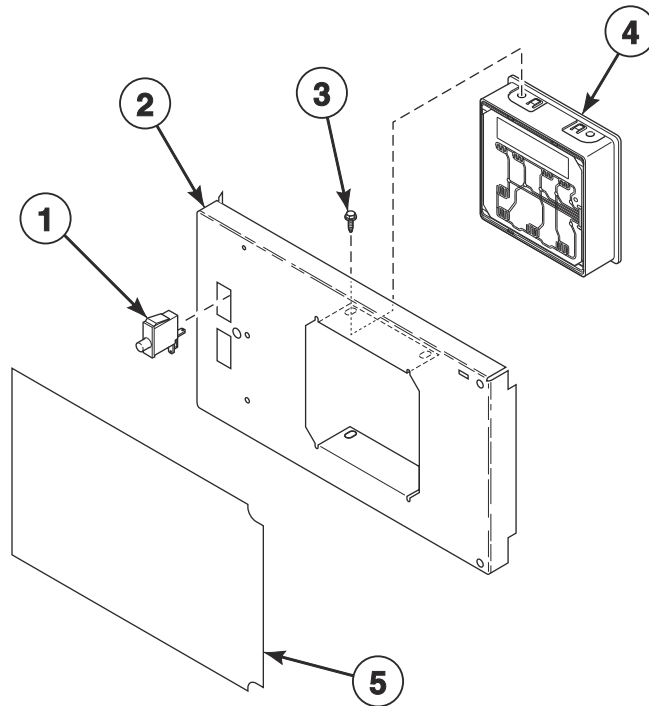
TMB3890P

Fire Suppression System Control Box

REF	PART NO.	DESCRIPTION	COMMENTS
	44340301	Cold Weather Kit	
	70155601	Key	RL001; Use with item 11
	44375604	Control Harness	
	44375605	Water Valve Harness	
	44375602	Power Sensor Harness	
	44375606	Sensor Harness	
	44375601	Interconnect Harness	
	44375603	Power Sensor Harness	
	44324501	Warning Label	F.S.S.; T and G market models
	44324500	Label Kit	F.S.S.; IEC models
	F8614401	Shock Warning Label	T and G market models
	F8614201	Shock Warning Label	IEC models
	44318200	Label Kit	IEC models
	44324502	Warning Label	
	44318201	Label	T and G market models
1	430497	Screw	
2	M400713	Drive Rivet	
3	44307101	Control Box Top	
4	70523301	Harness Adapter Plate	
5	51780	Screw	
6	44306701	Control Box Housing	
7	70511601	Control	
8	44326801	Shield	
9	70551701	Filter Mounting Plate	
10	44065201	Control Box Cover	
11	44089301P	Lock, Key and Nut Kit	RL001 key code; Optional if same key is to be used for control lock
12	801432	Light	
13	44376701	Rear Guard	
14	202799	Fill Hose	2 required
15	44069101	Hose Fitting	T and G market models
16	36801	Hose Clamp	
17	44073304	Hose	14 inches; Outlet hose
18	70519801	Mixing Valve	
19	801434W	Push-to-Start Switch	2 required
20	44065301	Control Box Base	
21	44306601	Mixing Valve Shield Bracket	
22	804608	Screw	
23	44376601	Mounting Bracket	
24	70180001	Plug	

Dual Digital Control

All Models Except J Models; Models with F in the 7th Position



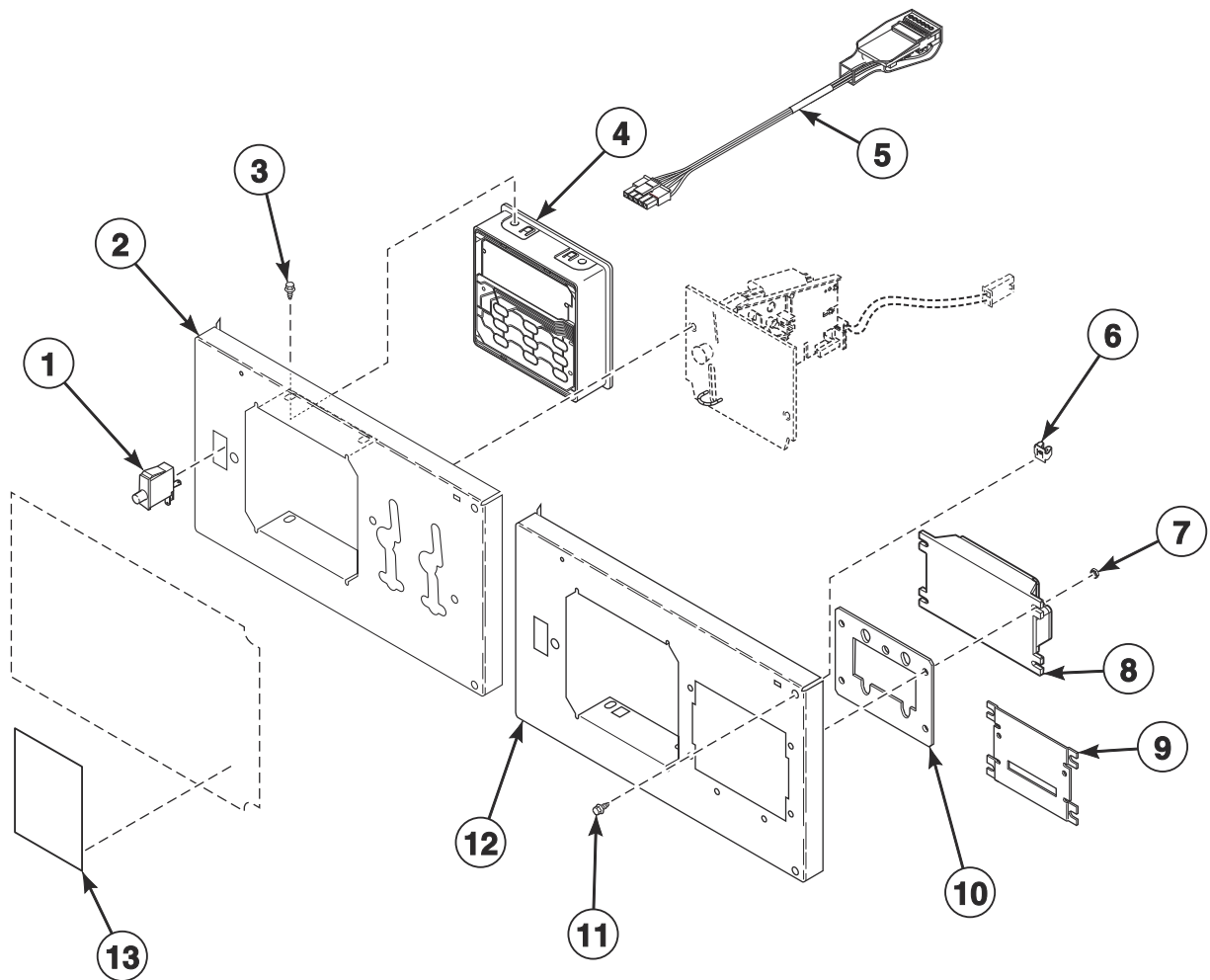
TMB3505P

Dual Digital Control

REF	PART NO.	DESCRIPTION	COMMENTS
	44334004	Vend Activation Harness	
1	70413301	Pushbutton Switch	
2	70497101	Control Plate	All models except S models
3	804608	Screw	4 required
4	70523101	Control Assembly	P models; Blue
	70479801	Control Assembly	H, S and U models; Green
	70479901	Control Assembly	B models; Red
5	70539102	Overlay	B models; Nonreversing
	70539101	Overlay	B models; Reversing
	70691302	Overlay	H models; Nonreversing
	70691301	Overlay	H models; Reversing
	70545502	Overlay	P models; Nonreversing
	70545501	Overlay	P models; Reversing
	70675002	Overlay	S models; Nonreversing
	70675001	Overlay	S models; Reversing
	70519002	Overlay	U models; Nonreversing
	70519001	Overlay	U models; Reversing

Electronic Display Control - Vend Models with N or W in the 7th Position

All Models Except U Models



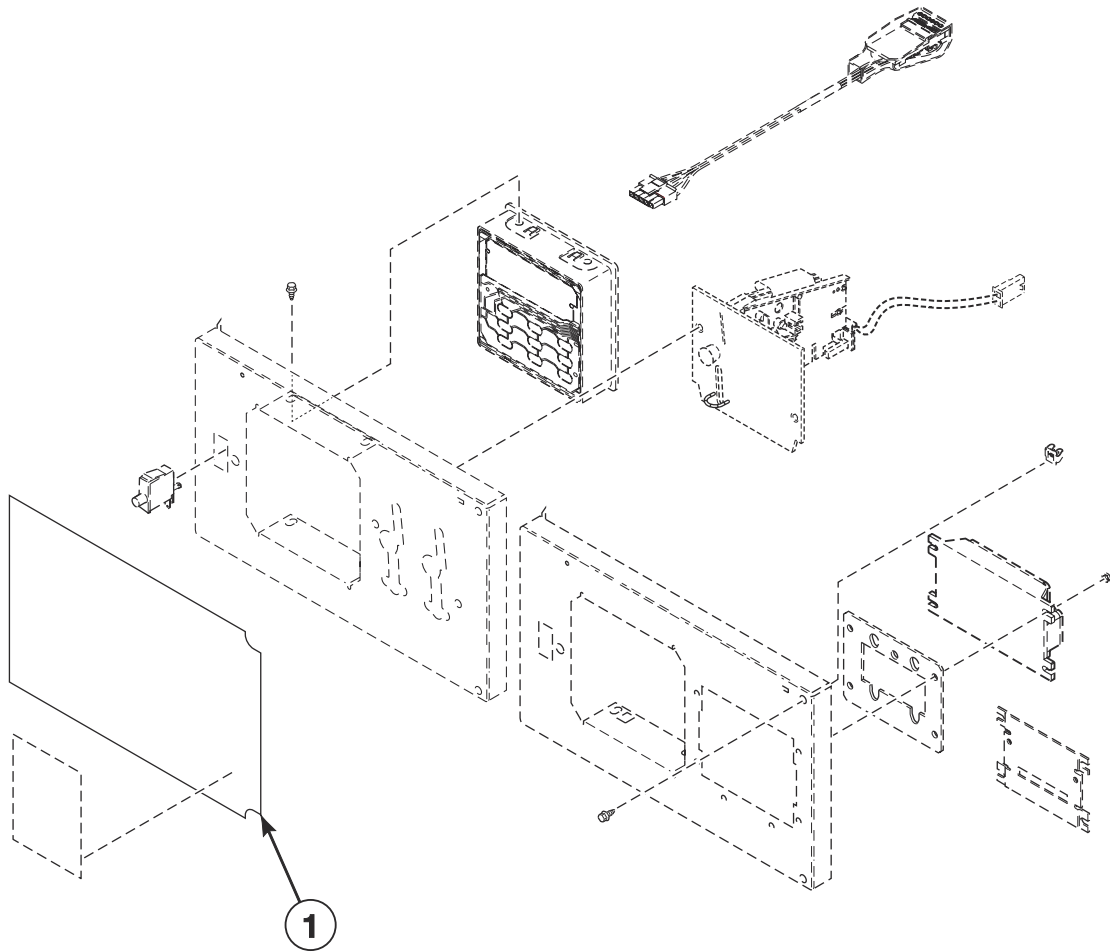
TMB3832P

Electronic Display Control - Vend Models with N or W in the 7th Position

REF	PART NO.	DESCRIPTION	COMMENTS
	F8519403	Emergency Stop Bypass Harness	T and G market models
	70707901	Main Harness	
	44334004	Vend Activation Harness	
	F8719301	Fob Communication Harness	
	44378104	Interface Harness	Central pay to front end control
	44334103	Bypass Harness	Vault Switch
	44334104	Coin Vault Switch Harness	
1	70413301	Pushbutton Switch	
2	70496601	Control Plate and Studs Assembly	Coin and central pay; All models except S models
3	804608	Screw	4 required
4	70523001	Control Assembly	P models; Blue
	70478803	Control Assembly	H and S models; Green
	70478901	Control Assembly	B and J models; Red
5	203361P	Machine ID Control Assembly	Model or serial number is required when ordering
6	70030501	Expansion Clip	
7	70054	Nut	
8	205135	Fob Reader Control Assembly	
9	44089501	Slot Card Plate Assembly	
10	70208801	Mounting Plate	
11	M411072	Screw	
12	70497201	Control Plate Assembly	Card and FOB; All models except S models
13	F8205101	Overlay	S models; Single drop; Left
	70557001	Overlay	B and S models; Prep for card
	70557002	Overlay	B and S models; Central pay
	70295101	Overlay	S models; World drop
	70556801	Overlay	H models; World drop
	70556501	Overlay	H models; Prep for card
	70556502	Overlay	H models; Central pay
	70556601	Overlay	H models; Single drop; Left
	70556901	Overlay	H models; Citron; World drop
	70518101	Overlay	H models; Citron; Prep for card
	70518102	Overlay	H models; Citron; Central pay
	70556701	Overlay	H models; Citron; Left
	70556201	Overlay	P models; Single drop; Right
	70556401	Overlay	P models; Prep for card
	70556402	Overlay	P models; Central pay
	70556301	Overlay	P models; Single drop; Left
	F8733901	Overlay	S models; FOB
	F8734201	Overlay	H models; FOB
	F8736501	Overlay	H models; Citron; FOB

Electronic Display Control Overlays- Vend Models with N or W in the 7th Position

All Models Except U Models



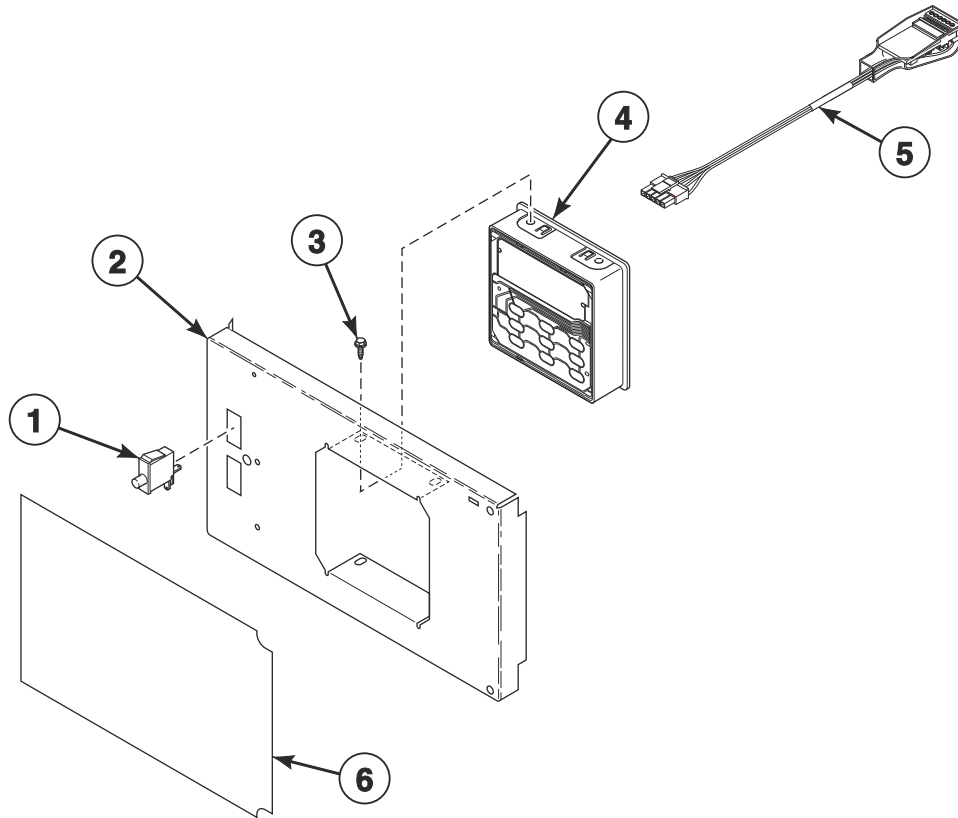
TMB3832PA

Electronic Display Control Overlays- Vend Models with N or W in the 7th Position

REF	PART NO.	DESCRIPTION	COMMENTS
1	70681701	Overlay	S models; Single drop
	70681702	Overlay	S models; Dual drop
	70681703	Overlay	S models; Card ready
	70681704	Overlay	S models; Central pay
	70681705	Overlay	S models; World drop
	70705701	Overlay	S models with D in 17th position
	70722401	Overlay	Model ST075N; Single drop; Lint sensor
	70722402	Overlay	Model ST075N; Dual drop; Lint sensor
	70722403	Overlay	Model ST075N; Card ready; Lint sensor
	70722404	Overlay	Model ST075N; Central pay; Lint sensor
	70722405	Overlay	Model ST075N; World drop; Lint sensor
	70690401	Overlay	H models; Single drop
	70690402	Overlay	H models; Dual drop
	70690403	Overlay	H models; Card ready
	70690404	Overlay	H models; Central pay
	70690405	Overlay	H models; World drop
	70714101	Overlay	Model HT075N; Single drop; Lint sensor
	70714102	Overlay	Model HT075N; Dual drop; Lint sensor
	70714103	Overlay	Model HT075N; Card ready; Lint sensor
	70714104	Overlay	Model HT075N; Central pay; Lint sensor
	70714105	Overlay	Model HT075N; World drop; Lint sensor
	70690701	Overlay	H models; Single drop; Citron
	70690702	Overlay	H models; Dual drop; Citron
	70690703	Overlay	H models; Card ready; Citron
	70714401	Overlay	Model HT075N; Single drop; Citron; Lint sensor
	70714402	Overlay	Model HT075N; Dual drop; Citron; Lint sensor
	70714403	Overlay	Model HT075N; Card ready; Citron; Lint sensor
	70571101	Overlay	B models; Single drop
	70571102	Overlay	B models; Dual drop
	70571103	Overlay	B models; Card ready
	70541201	Overlay	P models; Single drop
	70541202	Overlay	P models; Dual drop
	70541203	Overlay	P models; Card ready
	70571104	Overlay	J models; Electric drop

Electronic Display Control - OPL Models with N in the 7th Position

All Models Except J Models



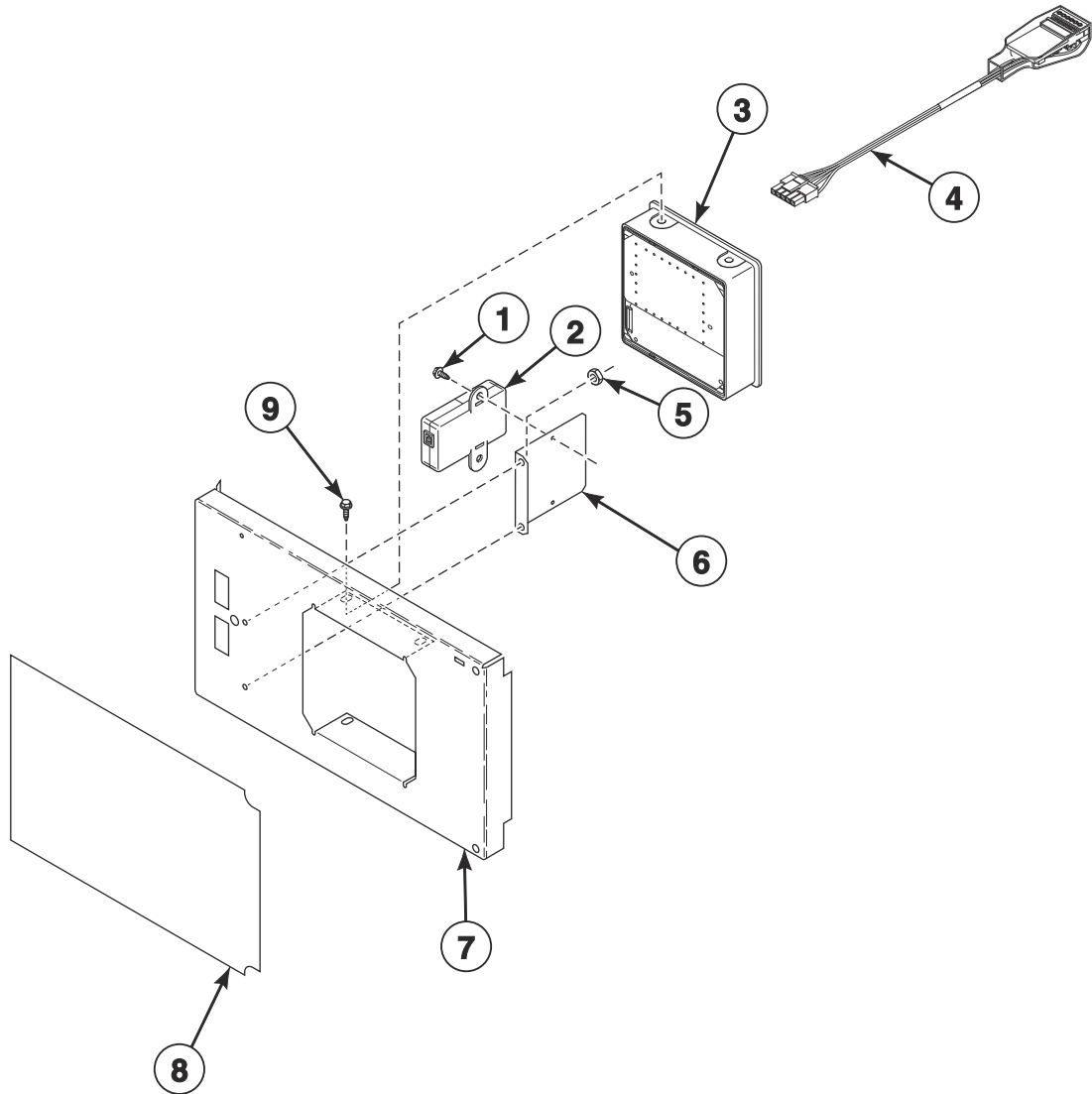
TMB3680P

Electronic Display Control - OPL Models with N in the 7th Position

REF	PART NO.	DESCRIPTION	COMMENTS
	44334004	Vend Activation Harness	
1	70413301	Pushbutton Switch	
2	70497101	Control Plate	All models except S models
3	804608	Screw	4 required
4	70523002	Control Assembly	P models
	70478804	Control Assembly	H, S and U models
	70478902	Control Assembly	B models
5	203361P	Machine ID Control Assembly	Model or serial number is required when ordering
6	70673301	Overlay	S models; Reversing
	70673302	Overlay	S models; Nonreversing
	70714801	Overlay	Model ST075N; Reversing; Lint sensor
	70714802	Overlay	Model ST075N; Nonreversing; Lint sensor
	70571401	Overlay	U models; Reversing
	70571402	Overlay	U models; Nonreversing
	70715501	Overlay	Model UT075N; Reversing; Lint sensor
	70715502	Overlay	Model UT075N; Nonreversing; Lint sensor
	70691001	Overlay	H models; Reversing
	70691002	Overlay	H models; Nonreversing
	70715101	Overlay	Model HT075N; Reversing; Lint sensor
	70715102	Overlay	Model HT075N; Nonreversing; Lint sensor
	70548801	Overlay	B models; Reversing
	70548802	Overlay	B models; Nonreversing
	70571601	Overlay	P models; Reversing
	70571602	Overlay	P models; Nonreversing

3.5 Inch Graphical Control

U Models with D in the 7th Position



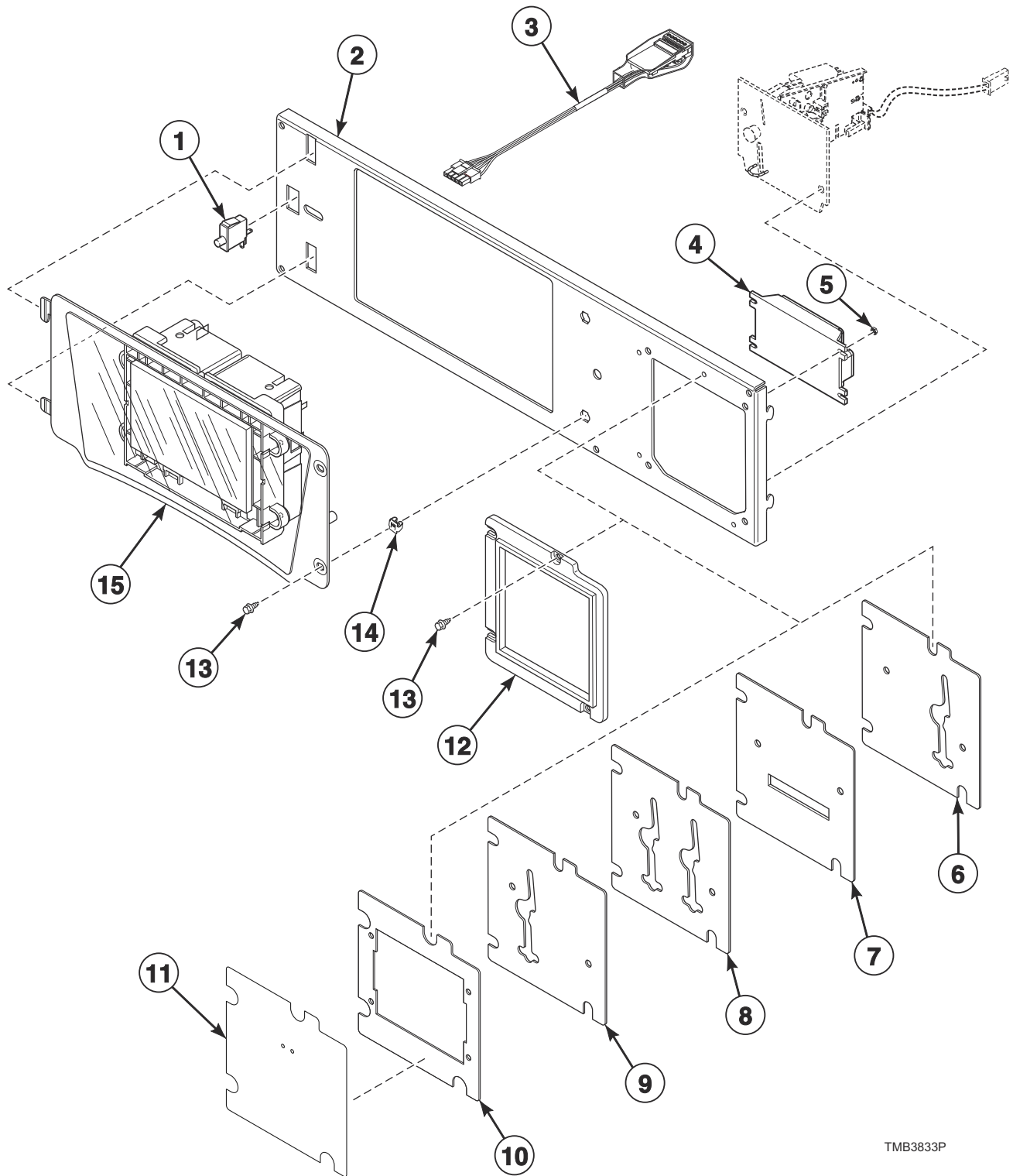
TMB3681P

3.5 Inch Graphical Control

REF	PART NO.	DESCRIPTION	COMMENTS
	F8617901	Harness	USB
1	51780	Screw	2 required
2	203440	USB-Serial Interface Assembly	
3	70543104	Control Assembly	
4	203361P	Machine ID Control Assembly	Model or serial number is required when ordering
5	44071201	Nut	2 required
6	70547001	USB Bracket	
7	70570201	Control Door and Studs Assembly	
8	70595401	Overlay	
9	804608	Screw	4 required

Touch Control - Vend Models with V in the 7th Position

B, H, P and S models



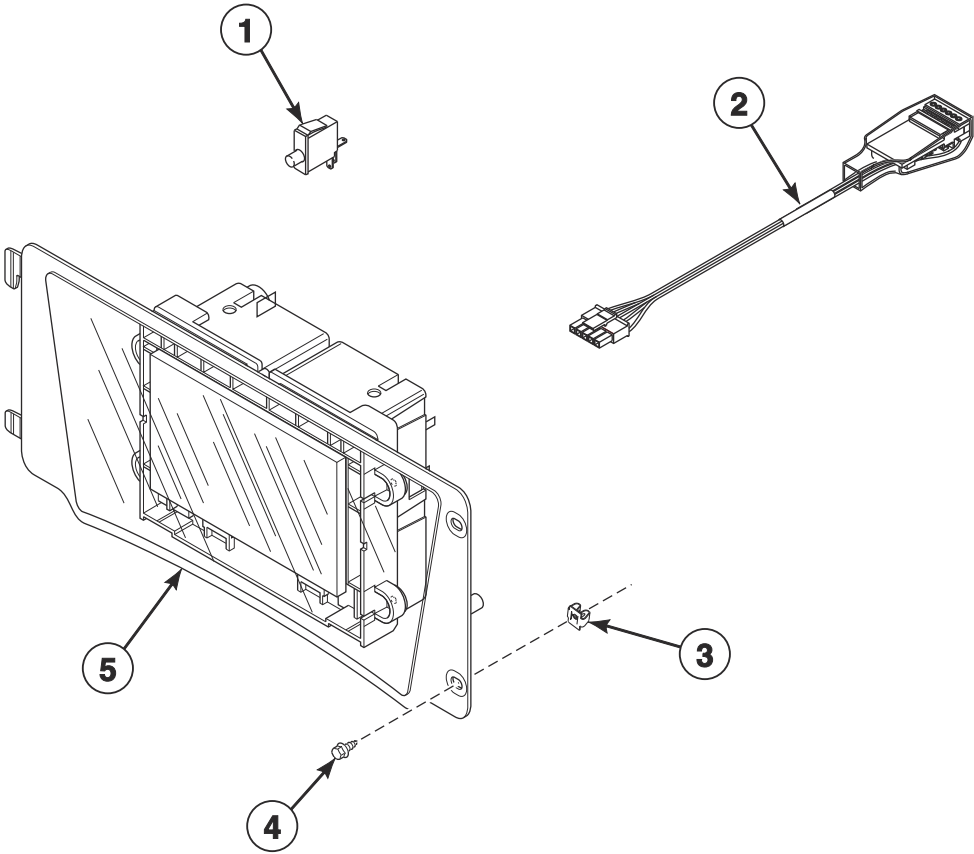
TMB3833P

Touch Control - Vend Models with V in the 7th Position

REF	PART NO.	DESCRIPTION	COMMENTS
	44334002	Vend Activation Harness	
	44087101	Nut	2 required
	204692	Wireless Control Label	2 required
	203440	USB-Serial Interface Assembly	
	44374701	App Pay Overlay Kit	
	F8647701P	Replacement Screen Kit	
	F8519403	Emergency Stop Bypass Harness	T and G market models
	70707901	Main Harness	
	F8719302	Fob Communication Harness	
	44378104	Interface Harness	Central pay to front end control
	F8713906	Serial Pay Harness	Card
	44334103	Bypass Harness	Vault switch
	44334104	Coin Vault Switch Harness	
1	70413301	Pushbutton Switch	
2	70598601	Control Mounting Bracket	
3	203361P	Machine ID Control Assembly	
4	205135	Fob Reader Control Assembly	
5	70054	Nut	
6	F8574205	Accessory Plate Assembly	World drop
7	F8574204	Card Reader Plate	Card
8	F8574203	Accessory Plate Assembly	Dual drop
9	F8574202	Accessory Plate Assembly	Single drop
10	F8734601	Accessory Plate Assembly	FOB
11	F8734001	Overlay	S models; FOB
	F8734301	Overlay	H models; FOB
	F8736601	Overlay	H models; Citron; FOB
12	F8632501	Vend Plate	
13	39733	Screw	
14	70030501	Expansion Clip	2 required
15	70597801P	Control Assembly	

Touch Control - OPL Models with V in the 7th Position

B, J, P and U models



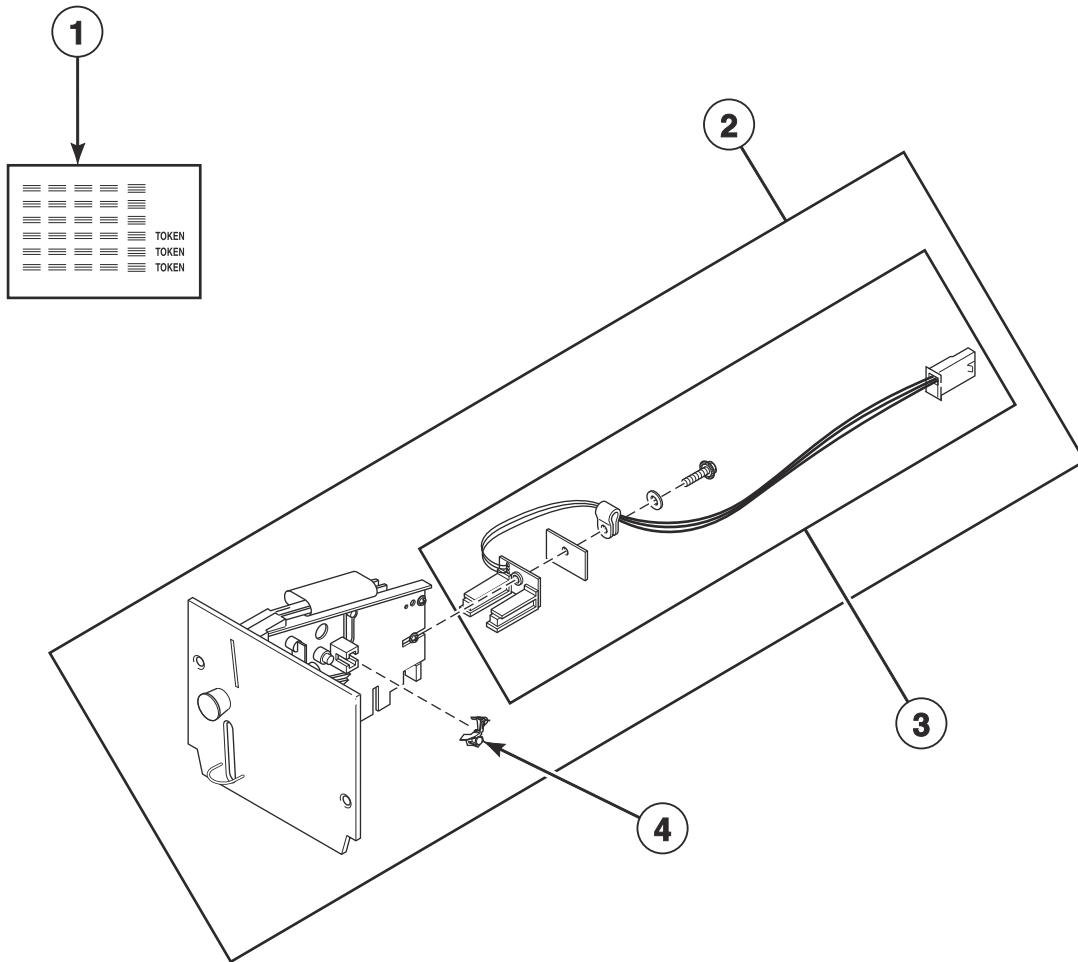
TMB3828P

Touch Control - OPL Models with V in the 7th Position

REF	PART NO.	DESCRIPTION	COMMENTS
	44087101	Nut	2 required
	204692	Wireless Control Label	2 required
	203440	USB-Serial Interface Assembly	
	44374701	App Pay Overlay Kit	
	F8647701P	Replacement Screen Kit	Use with 70597803 Control Assembly
	70707901	Main Harness	
	F8617901	Harness	U models; USB
	51780	Screw	U models; Use with 70547001 USB Bracket
	70547001	USB Bracket	U models
1	70413301	Pushbutton Switch	
2	203361P	Machine ID Control Assembly	
3	70030501	Expansion Clip	2 required
4	39733	Screw	
5	70597803	Control Assembly	B, J and P models
	70697004	Control Assembly	U models

Coin Drops

All Models Except U Models



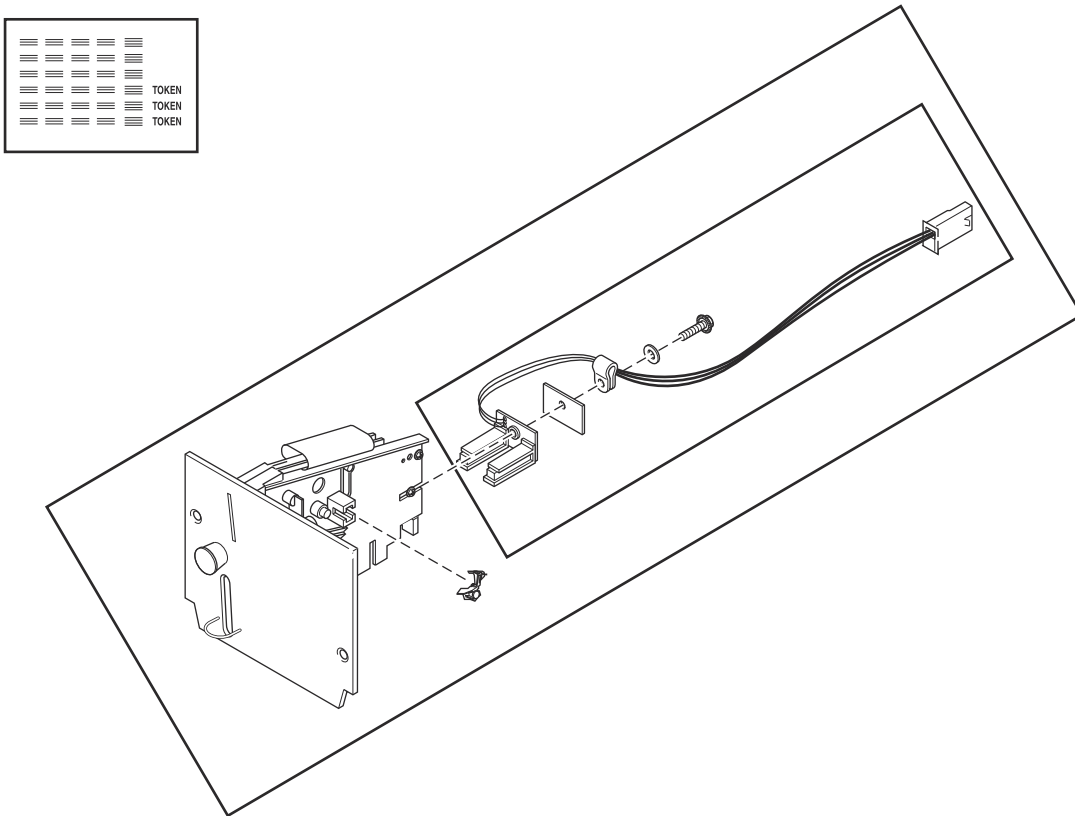
TMB3510P

Coin Drops

REF	PART NO.	DESCRIPTION	COMMENTS
1	38725	Coin Identification Paper	
2	70441601P	Coin Drop	Single; U.S.A.; \$.25
	38475	Coin Drop Assembly	Single; Japan; 100 yen
	38464P	Coin Drop Assembly	Single; Canada; .25
	CK077	Coin Drop Kit	Single; Taiwan; 10 NT
	70506901	Coin Drop Assembly	Single; Singapore; \$1.00 NEW
	70441603	Coin Drop	Dual; U.S.A.; \$.25 and \$1.00
	38519	Coin Drop Assembly	Dual; Japan; 100 yen and 500 yen
	70441602	Coin Drop Assembly	Dual; Canada; .25 and 1.00
	38467	Coin Drop Assembly	Dual; Australia; \$0.20 and \$1.00
	70447301	Coin Drop Assembly	Dual; Australia; \$1.00 and \$2.00
	70283102	Coin Drop Assembly	Dual; 0.20 and 0.50 Euro
	210195	Coin Drop Assembly	Dual; 0.20 and 1.00 Euro
	210196	Coin Drop Assembly	Dual; 0.50 and 1.00 Euro
	F0160737-00	Coin Meter	Dual; 0.50 and 2.00 Euro
	70281102	Coin Drop Assembly	Dual; Taiwan; 10 and 50 NT
	70482401	Coin Drop Assembly	Dual; New Zealand; \$1.00 and \$2.00
	38462P	Coin Drop Assembly	Single; Token; STD 118-1
	38463	Coin Drop Assembly	Single; Token; STD 118-5
	38963P	Coin Drop	Single; Token STD 118-16
	39748	Coin Drop	Single; Jeton 08MS
	201141	Coin Drop Assembly	Single; Token; Jeton wh121
	70471601	Coin Drop Assembly	Single; Token; 7K
	70513302	Electronic Coin Drop Assembly	Euro and Great Britain coins
	70513310	Electronic Coin Drop Assembly	Japan and Thailand coins
	70513304	Electronic Coin Drop Assembly	Australia, New Zealand, Hong Kong and South Korea coins
	70513303	Electronic Coin Drop Assembly	Denmark, Norway and Euro coins
	70513306	Electronic Coin Drop Assembly	Mexico, Ecuador and U.S.A. coins
	70294107	Electronic Coin Drop Assembly	Lithuania, Latvia and Euro coins
	70513311	Electronic Coin Drop Assembly	China and Malaysia coins
	70513308	Electronic Coin Drop Assembly	South African 1, 2 and 5 rand coins
	70513309	Electronic Coin Drop Assembly	Euro coins
	70513312	Electronic Coin Drop Assembly	Russia coins
	70513313	Electronic Coin Drop Assembly	Philippines coins
	70513314	Electronic Coin Drop Assembly	Thailand coins
	70513315	Electronic Coin Drop Assembly	Chile coins
	70513316	Electronic Coin Drop Assembly	Singapore coins
3	200674P	Opto Coupler	
4	201595P	Wire Guard	

Coin Drop Kits

All Models Except U Models

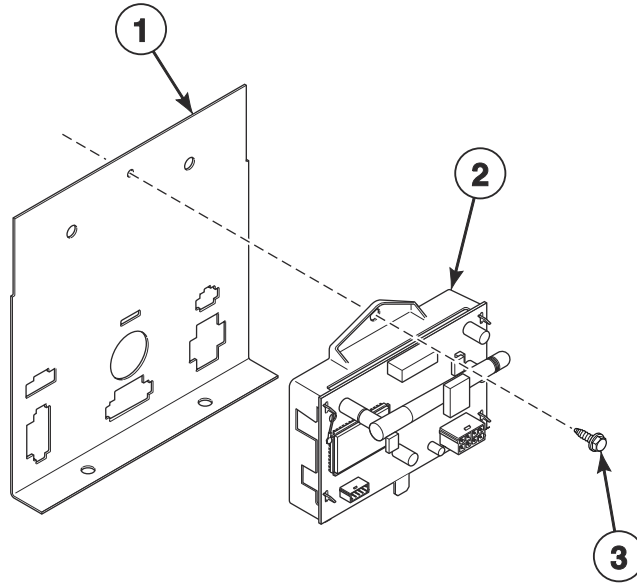


TMB3510PA

Coin Drop Kits

REF	PART NO.	DESCRIPTION	COMMENTS
	CK115	Electronic Coin Drop Kit	United States and Canada
	CK099	Electronic Coin Drop Kit	Australia (default), New Zealand, Hong Kong, South Korea and Malaysia
	CK100	Electronic Coin Drop Kit	United Kingdom (default) and Europe
	CK101	Electronic Coin Drop Kit	Europe (default), Denmark and Norway
	CK108	Electronic Coin Drop Kit	South Africa
	CK109	Electronic Coin Drop Kit	Euro
	CK110	Electronic Coin Drop Kit	Mexico (default), Ecuador and United States
	CK113	Electronic Coin Drop Kit	Japan and Taiwan
	CK116	Electronic Coin Drop Kit	Malaysia (default) and China
	CK117	Electronic Coin Drop Kit	Russia
	CK118	Electronic Coin Drop Kit	Philippine
	CK119	Electronic Coin Drop Kit	Thailand
	CK120	Electronic Coin Drop Kit	Chile
	CK121	Electronic Coin Drop Kit	Singapore
	CK122	Coin Drop Kit	New Zealand; 1.00 and 2.00

Network Board Components



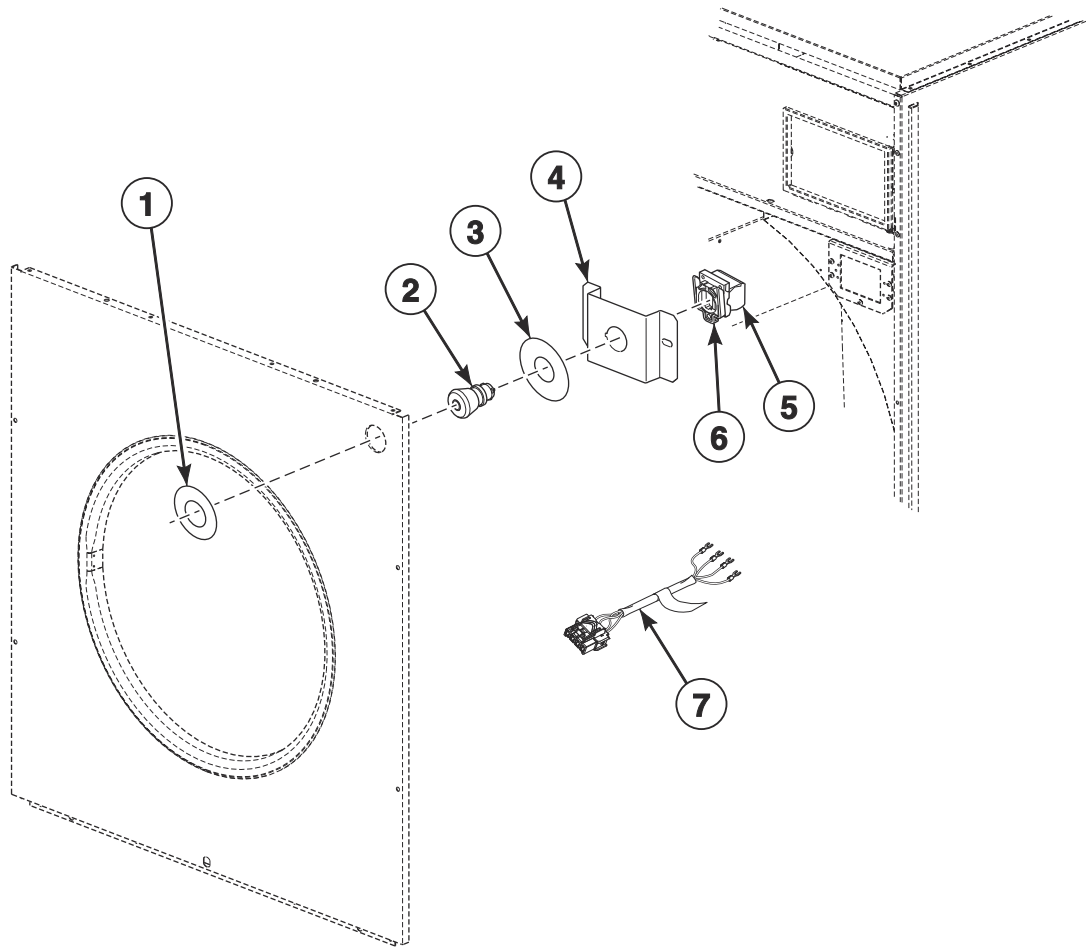
TMB3834P

Network Board Components

REF	PART NO.	DESCRIPTION	COMMENTS
	70609701	Wireless Network Kit	
	F8674006	Wireless Network Harness	
	204692	Wireless Control Label	
	203346	USB IR Interface Kit	
	70666806	Fob Reader Kit	
1	70307005	Control Housing Cover	
2	807211	Wireless Network Control Assembly	
3	F8206901	Screw	

Emergency Stop Button - IEC OPL Models

A, H, J, K, R and U in the 2nd Position

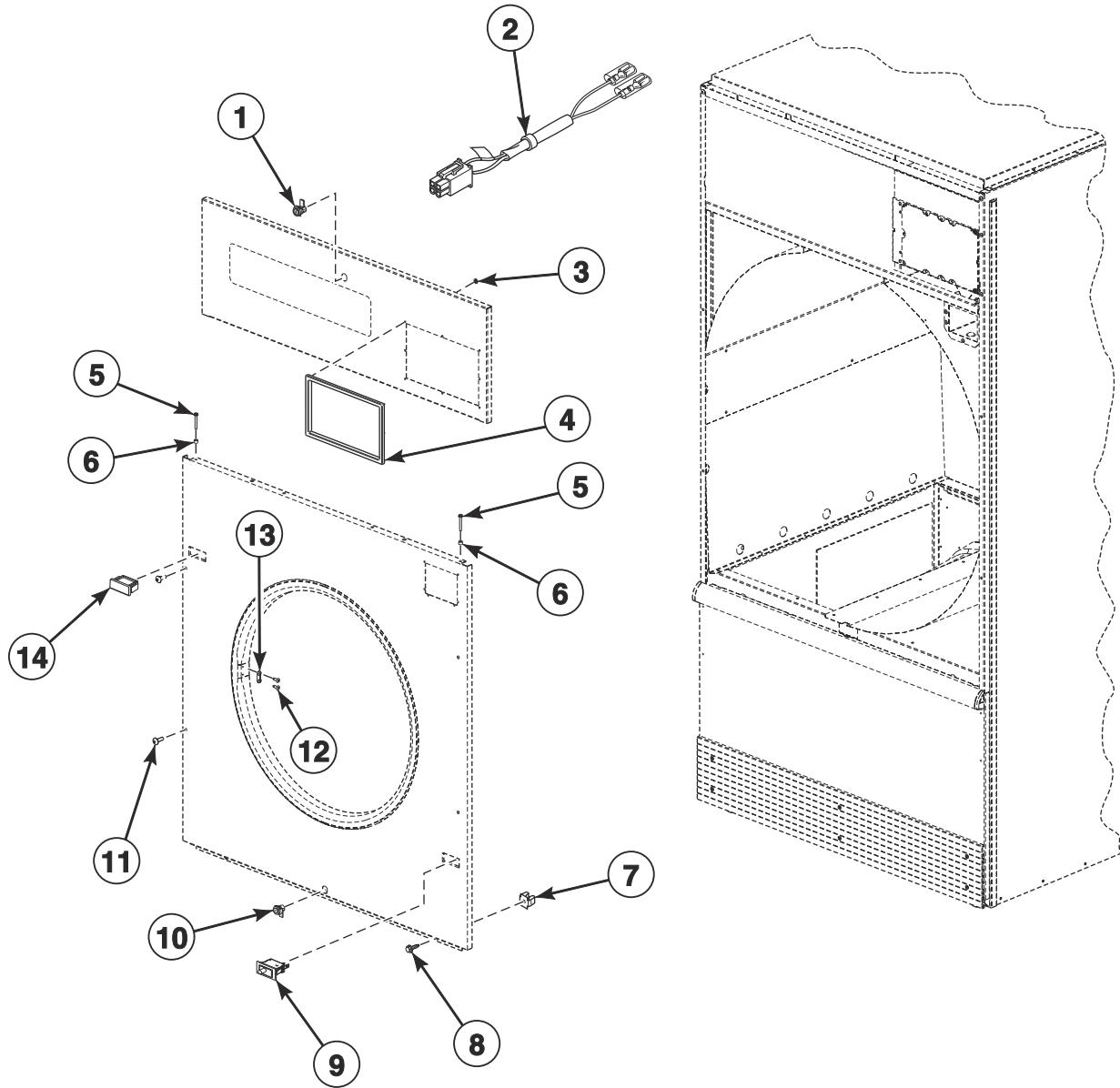


TMB3513P

Emergency Stop Button - IEC OPL Models

REF	PART NO.	DESCRIPTION	COMMENTS
	70580301	Emergency Stop Button Kit	Includes items 2-4
	70631102	Emergency Stop Interconnect Harness	
1	44012903	Emergency Stop Label	
2	F200233500	Emergency Stop Pushbutton	
3	44012901	Emergency Stop Label	
4	70550401	Emergency Stop Mounting Bracket	
5	F8069501	Contact Switch	2 required
6	F8538101	Contact Base	
7	44272401	Emergency Stop Harness	

Cabinet Front Components

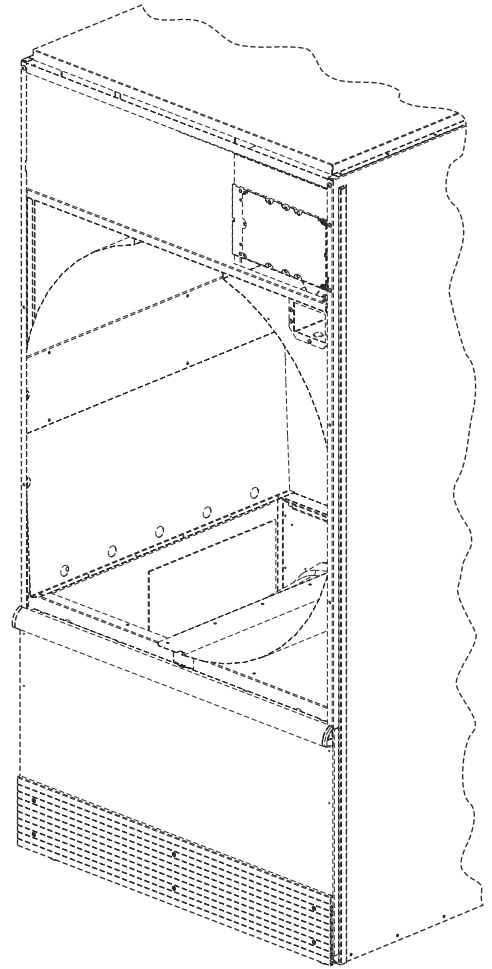
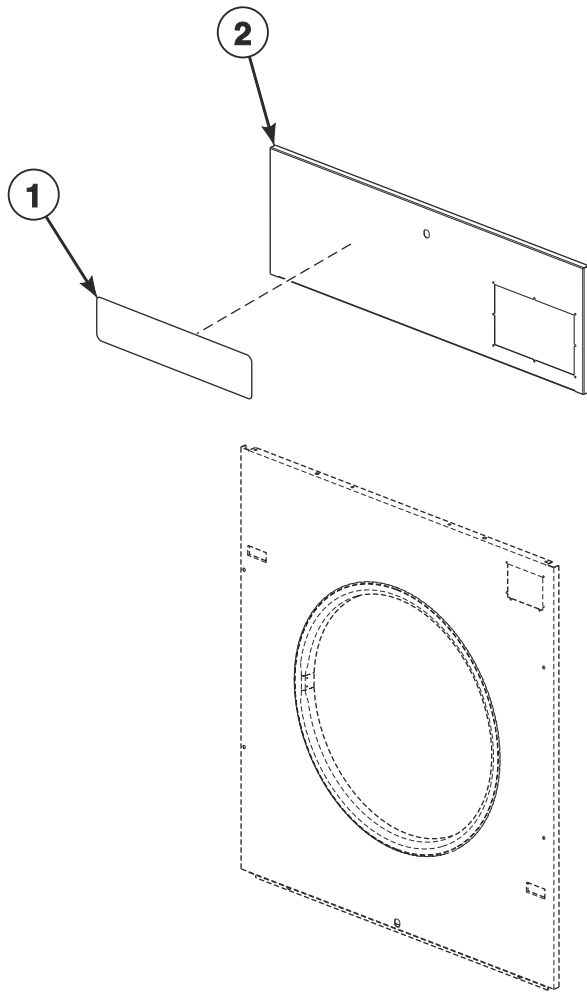


TMB3538P

Cabinet Front Components

REF	PART NO.	DESCRIPTION	COMMENTS
	M4379P4	Tumbler Dolly Kit	
	D511476	Jumper Harness	Card reader present
	44366201	Door Switch Harness	
	44334103	Bypass Harness	Card and central pay
	70482901	Door Catch Kit	
1	44089301P	Lock, Key and Nut Kit	RL001 key code; Black; Control panel; Optional if same key is to be used for control lock
	70155601	Key	RL001
2	44334101	Coin Vault Switch Harness	
3	M400977	Nut	8 required per control trim
4	70529401	Control Trim	H models; Gray
	44016401	Control Trim	P models; Black
5	70275801	Screw	4 required
6	56079	Panel Locator	2 required
7	70030501	Expansion Clip	
8	M411072	Screw	4 required; Front panel; Bottom
9	70413301	Pushbutton Switch	Door switch
10	44089301P	Lock, Key and Nut Kit	RL001 key code; Black; Lint panel; Optional if same key is to be used for control lock
	70155601	Key	RL001
	44089302P	Lock, Key and Nut Kit	RL002 key code; Black; Lint panel; Standard coin and card models
	70155602	Key	RL002
11	70033502	Screw	2 required for stainless steel panels in addition to 2 of 70182601 Screw
	70182601	Screw	2 required for stainless steel panels in addition to 2 of 70033502 Screw; 4 required for painted panels
12	44166601	Pop Rivet	2 per door latch
13	M401223	Door Latch	2 required
14	44057801W	Switch Hole Plug	White
	44057801B	Switch Hole Plug	Black
	44057801LG	Switch Hole Plug	Light gray

Control Panels and Nameplates

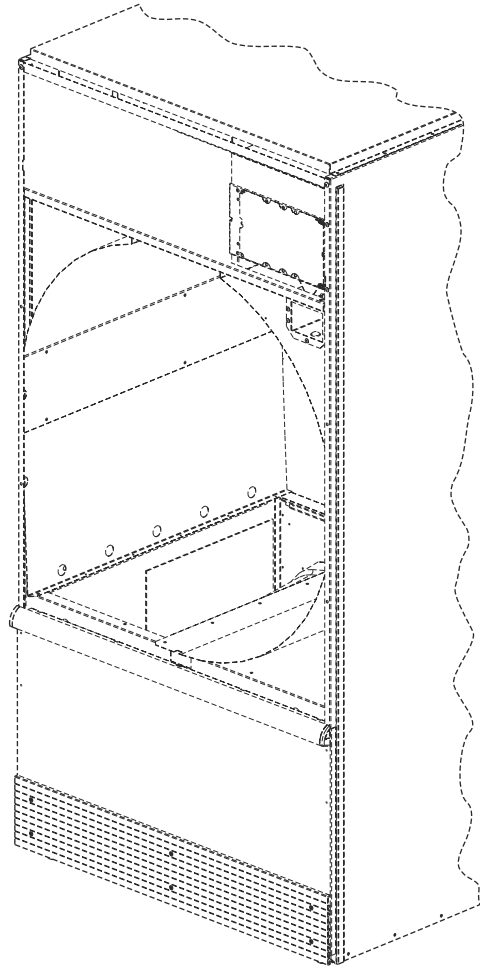
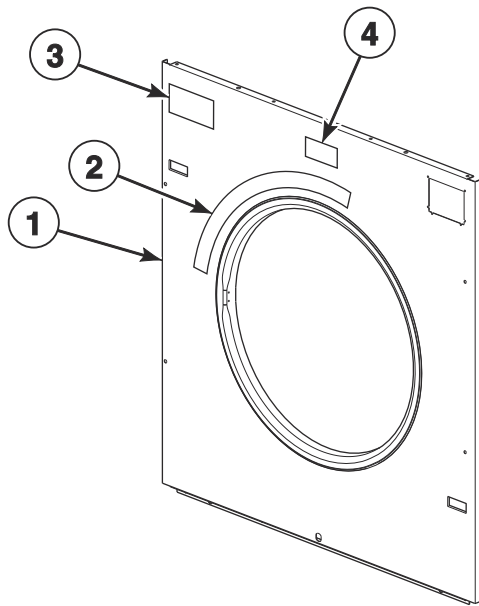


TMB3891P

Control Panels and Nameplates

REF	PART NO.	DESCRIPTION	COMMENTS
1	F8688901	Nameplate	S models
	F8688001	Nameplate	H models
	F8443106	Nameplate	U models
	567293	Nameplate	B models
	567887	Nameplate	P models
	70686501	Nameplate	J models
	70686601	Nameplate	J models; SAFE
	562738	Label	B, P, and S models; Softwash
2	44040015W	Control Panel	B, J and U models; Models with D, F, N and W in 7th position
	44040013	Control Panel	B and U models; Stainless steel; Models with D, F, N and W in 7th position
	44000130W	Control Panel	H and P models; Models with F, N and W in 7th position
	44000125	Control Panel	H and P models; Stainless steel; Models with F, N and W in 7th position
	44040015LG	Control Panel	U models; Light gray; Models with D, F, N and W in 7th position
	44000130DG	Control Panel	P models; Dark gray; Models with F, N and W in 7th position
	44344001	Control Panel	B, H, P and S models; Stainless steel; Coin and card; Models with V in 7th position
	44344002	Control Panel	B, H, J, P and S models; Stainless steel; Central pay and OPL; Models with V in 7th position
	70693201W	Control Panel	U models; Models with V in 7th position
	70693201LG	Control Panel	U models; Light gray; Models with V in 7th position
	70693202	Control Panel	U models; Stainless steel; Models with V in 7th position
	44388701	Control Panel	S models; Stainless steel; Coin and central pay; Models with N and W in 7th position
	44388702	Control Panel	S models; Stainless steel; Card; Models with N and W in 7th position
	44388603	Control Panel	S models; Stainless steel; OPL; Models with F, N and W in 7th position
	44388703W	Control Panel	S models; Coin and central pay; Models with N and W in 7th position
	44388704W	Control Panel	S models; Card; Models with N and W in 7th position
44388606W	Control Panel	S models; OPL; Models with F, N and W in 7th position	

Front Panel Assemblies

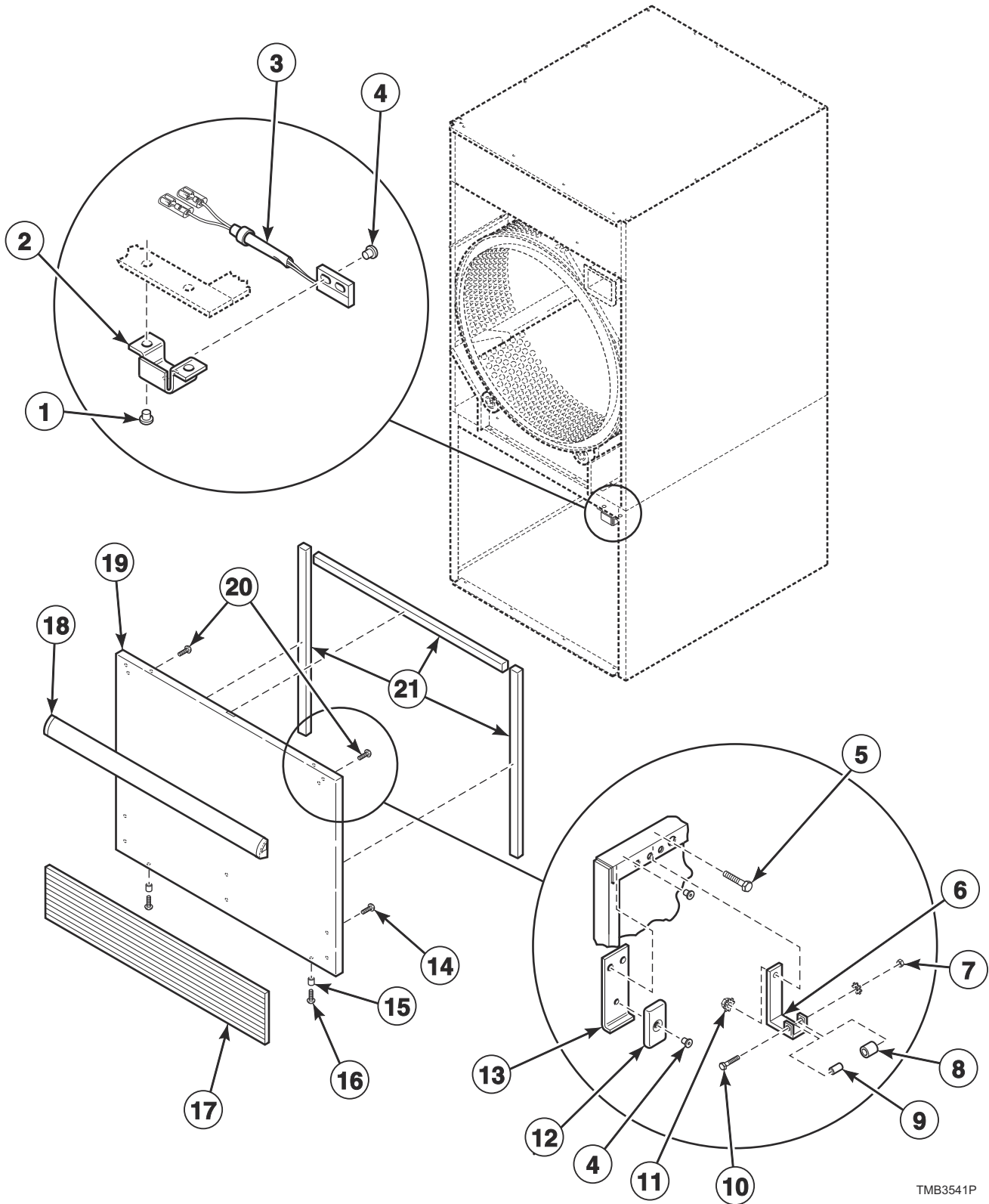


TMB3910P

Front Panel Assemblies

REF	PART NO.	DESCRIPTION	COMMENTS
1	44052533W	Front Panel	All models except H models; Coin; Models with N and W in 7th position
	44052532	Front Panel	All models except J and U models; Stainless steel; Coin; Models with N and W in 7th position
	44346305	Front Panel	B, H, P and S models; Stainless steel; Coin; Models with V in 7th position
	44052533DG	Front Panel	P models; Dark gray; Coin; Models with N and W in 7th position
	44052536W	Front Panel	All models except H and J models; Card, central pay and FOB; Models with N and W in 7th position
	44052535	Front Panel	All models except J and U models; Stainless steel; Card, central pay and FOB; Models with N and W in 7th position
	44346306	Front Panel	B, H, P and S models; Stainless steel; Card, central pay and FOB; Models with V in 7th position
	44052536DG	Front Panel	P models; Dark gray; Card, central pay and FOB; Models with N and W in 7th position
	44052542W	Front Panel	All models except J models; With e-stop; OPL; Models with D, F, N and W in 7th position
	44052541	Front Panel	All models except J and U models; Stainless steel; With e-stop; OPL; Models with D, F, N and W in 7th position
	44346308	Front Panel	Stainless steel; With e-stop; OPL; Models with V in 7th position
	44052541	Front Panel	U models; Stainless steel; With e-stop; OPL; Models with D, F, N and W in 7th position
	44052542LG	Front Panel	U models; Light gray; With e-stop; OPL; Models with D, F, N and W in 7th position
	44052542DG	Front Panel	P models; Dark gray; With e-stop; OPL; Models with F, N and W in 7th position
	44052539W	Front Panel	All models except J models; Without e-stop; OPL; Models with D, F, N and W in 7th position
	44052538	Front Panel	All models except J and U models; Stainless steel; Without e-stop; OPL; Models with D, F, N and W in 7th position
	44346307	Front Panel	B, H, P, S and U models; Stainless steel; Without e-stop; OPL; Models with V in 7th position
	44052538	Front Panel	U models; Stainless steel; Without e-stop; OPL; Models with D, F, N and W in 7th position
	44052539LG	Front Panel	U models; Light gray; Without e-stop; OPL; Models with D, F, N and W in 7th position
	44052539DG	Front Panel	P models; Dark gray; Without e-stop; OPL; Models with F, N and W in 7th position
2	70534401	Warning Label	English
	70534402	Warning Label	French
	70534405	Warning Label	Colombian Spanish
	70534400	Label Kit	Warning; IEC models
3	44190901	Label	P models; Safe Tech
	70537001	Label	B, H, S and U models; C.A.R.E.
4	70472801	Label	U models

Lower Cabinet Front Components

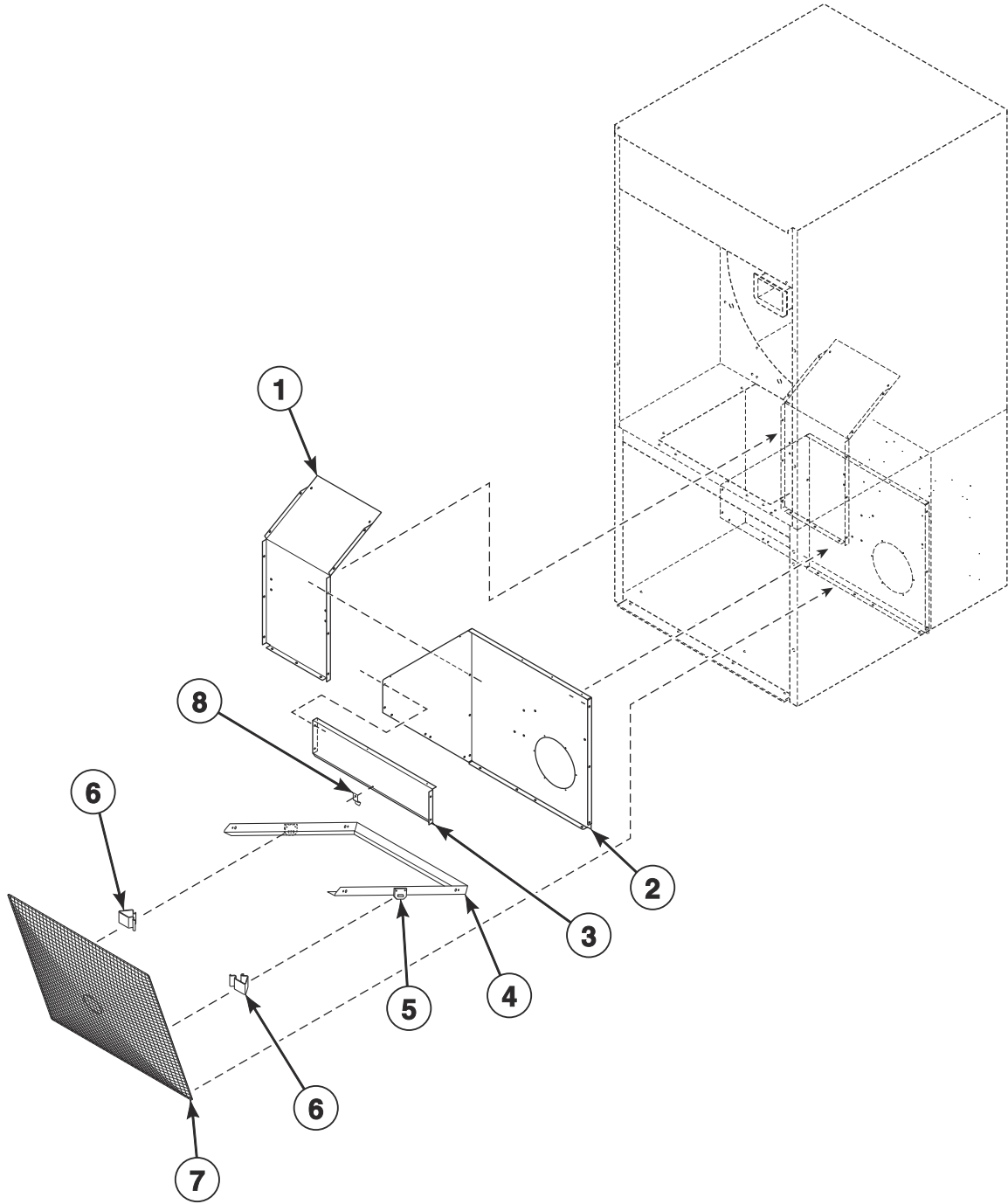


TMB3541P

Lower Cabinet Front Components

REF	PART NO.	DESCRIPTION	COMMENTS
	44362702	Lint Door Switch Harness	
	70404001	Roller Bracket Assembly	Includes items 6-10
1	70058501	Pop Rivet	
2	44296101	Switch Bracket	
3	F8066804	Reed Switch Assembly	
4	F8245101	Blind Rivet	
5	70132301	Screw	Attaching roller catch
6	70030301	Roller Catch Arm	
7	23951	Nut	
8	70297601	Roller Catch Wheel	
9	70030201	Roller Catch Spacer	
10	70072801	Screw	
11	51236	Nut	Attaching roller catch
12	70343101	Magnet	
13	44290501	Magnet Bracket	
14	70126301	Pop Rivet	For attaching kickplate; Black; 6 required
	70126401	Pop Rivet	For attaching kickplate; Gray; 6 required
15	56079	Panel Locator	
16	39733	Screw	
17	70117619	Kickplate	H and U models; Gray
	70117607	Kickplate	All models except H models; Black
18	70154405P	Handle and Caps Assembly	B, J and S models; Black; Includes endcaps
	70407210	Handle Bumper	P models; Silver
	70154415	Handle and Caps Assembly	H and U models; Gray; Includes endcaps
19	44293603W	Lint Panel	All models except J models; With kickplate
	44293604DG	Lint Panel	P models; Dark gray; No kickplate
	44293603LG	Lint Panel	U models; Light gray; With kickplate
	44293602	Lint Panel	All models except P models; Stainless steel; With kickplate
	44293605	Lint Panel	All models except J models; Stainless steel; No kickplate
	44293604W	Lint Panel	No kickplate
20	430757	Screw	
21	70289101P	Gasket	Sold per foot

Lint Panel Components

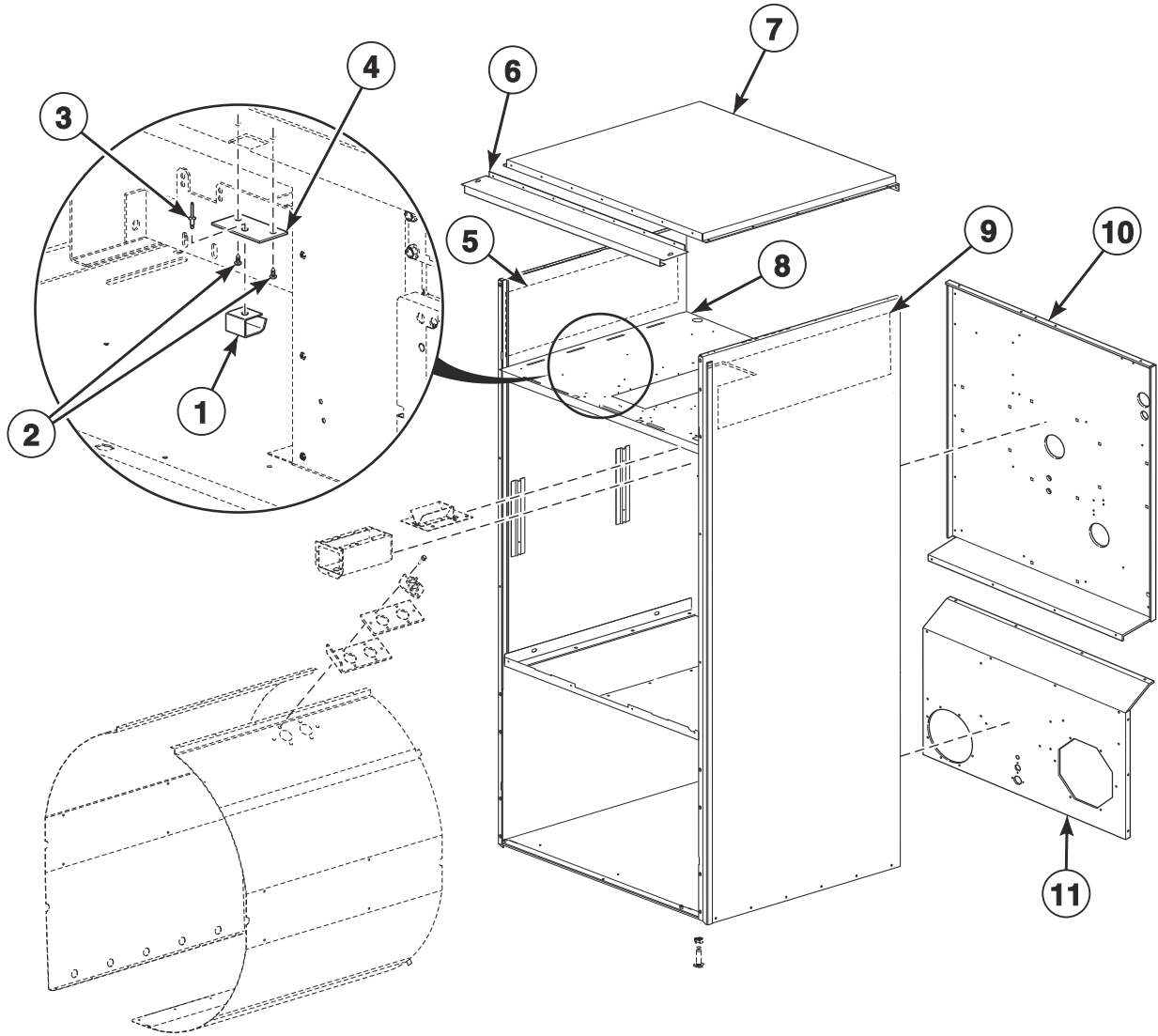


TMB3637P

Lint Panel Components

REF	PART NO.	DESCRIPTION	COMMENTS
1	44298101	Lint Panel	F75 models; Left
	44298102	Lint Panel	All other models; Left
2	44298201	Lint Panel	F75 models; Right
	44300901	Lint Panel	All other models; Right
3	44298901	Lint Screen Top Rail	
4	44325301	Lint Bracket	
5	44140202	Lint Clip Bracket	2 required
6	35865	Hold-Down Clip	2 required
7	44063601	Lint Screen	
8	H96418413	Lint Screen Clip	

Cabinet Components (Drawing 1 of 2)

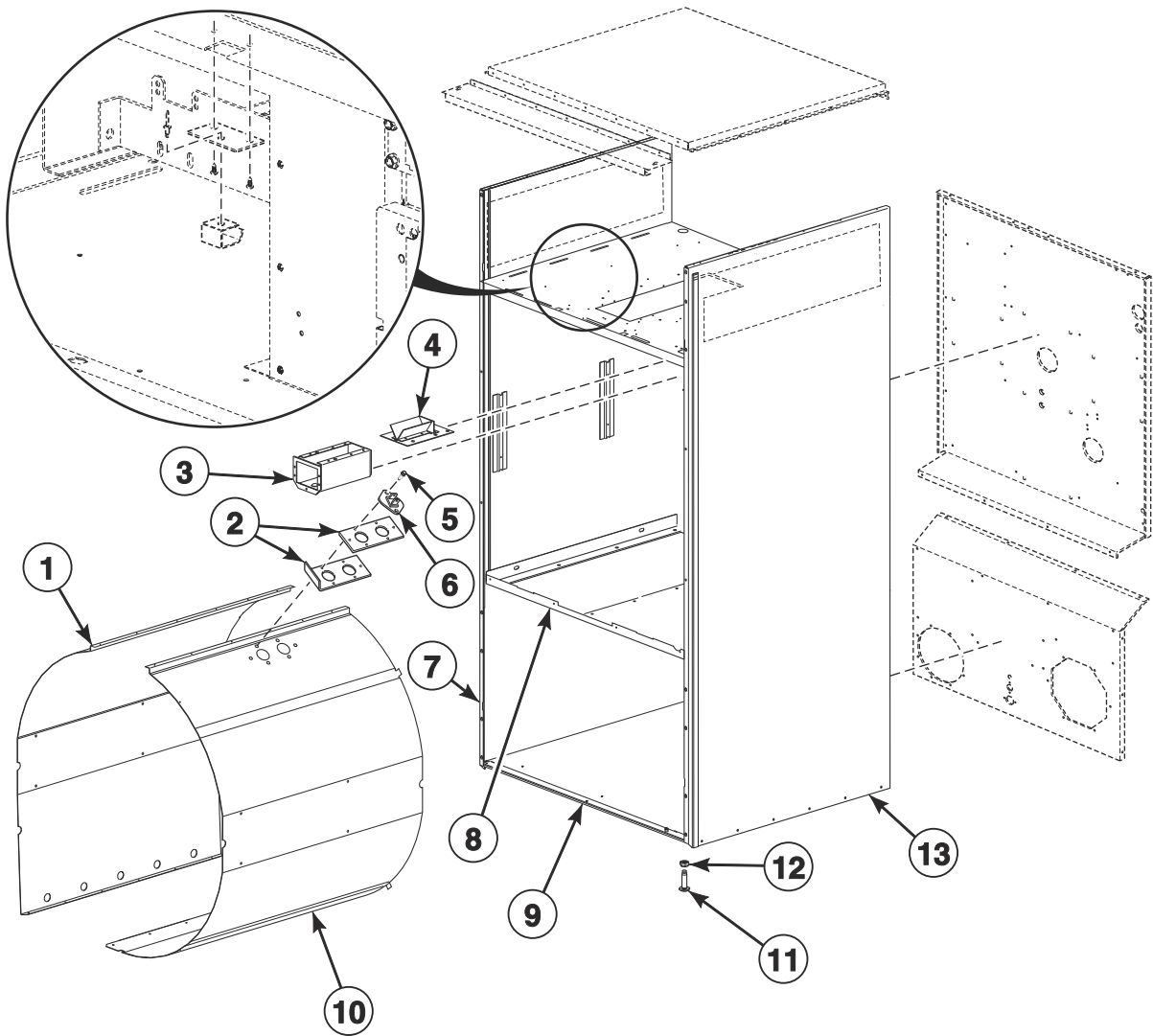


TMB3893P

Cabinet Components (Drawing 1 of 2)

REF	PART NO.	DESCRIPTION	COMMENTS
	298P4P	Spray Paint	White
	122P4P	Porcelain Touch-Up Paint	White
1	431318	Control Door Latch	
2	431287	Screw	
3	M400003	Pop Rivet	
4	44003201	Latch Mounting Bracket	
5	44150102	Insulation	
6	44368201	Top Panel Bracket	Gas and electric models with D, F, N and W in the 7th position and 0 or A in the 16th position
7	44129301P	Top Cover Pan	Gas and electric models with D, F, N and W in the 7th position and 0 or A in the 16th position
	44399201	Top Panel	Models HT075N, ST075N and UT075N with D, N and W in the 7th position and C in the 16th position
	44368901	Top Cover	Steam models with D, F, N and W in the 7th position
	44348801	Top Panel	Gas models with V in the 7th position
	44348802	Top Panel	Electric models with V in the 7th position
8	44300101	Top Pan	Models with D, F, N and W in the 7th position and 0 or A in the 16th position
	44398801	Top Pan	Models HT075N, ST075N and UT075N with D, N and W in the 7th position and C in the 16th position
	44348701	Top Pan	Gas models with V in the 7th position
	44352501	Top Pan	Electric models with V in the 7th position
9	44150105	Insulation	
10	44376901	Upper Rear Panel	Models with 0 or A in the 16th position
	44394301	Upper Rear Panel	Models HT075N, ST075N and UT075N with C in the 16th position
11	44297101	Lower Rear Panel	F75 models
	44380501	Lower Rear Panel	All other models

Cabinet Components (Drawing 2 of 2)



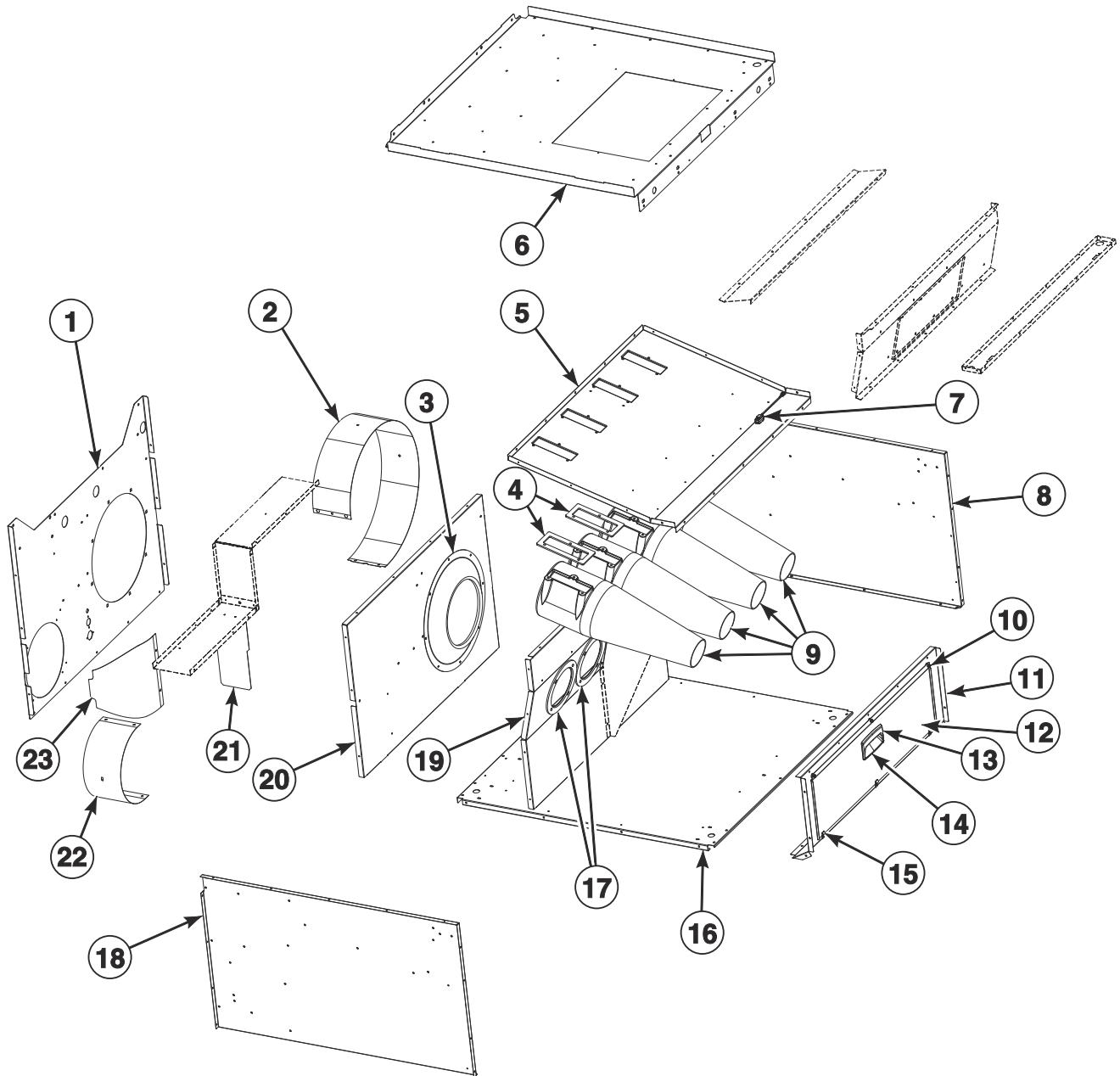
TMB3893PA

Cabinet Components (Drawing 2 of 2)

REF	PART NO.	DESCRIPTION	COMMENTS
	298P4P	Spray Paint	White
	122P4P	Porcelain Touch-Up Paint	White
	70058501	Pop Rivet	Use with items 7 and 13
	430497	Screw	Use with items 7 and 13
1	44299001	Baffle	Left; Models with 0 or A in the 16th position
	44393502	Baffle	Left; Models HT075N, ST075N and UT075N with C in the 16th position
2	44068101	Thermistor Plate	
	44068102	Thermistor Plate	Use as a shim
3	70529501	Coin Vault Assembly	
	70529502	Coin Vault and Emergency Stop Mount Assembly	Models with emergency stop
	F160673P	Coin Box	Optional equipment; Includes lock and key
4	70296401	Coin Chute Assembly	Wide
5	51780	Screw	
6	44064701	Thermistor	
7	44367702DG	Side Panel	B, J and P models; Left; Dark gray
	44367702LG	Side Panel	U models; Left; Light gray
	44367702W	Side Panel	Left
8	44298601	Center Pan	
9	44298701	Bottom Pan	
10	44299802	Baffle	Right; Models with 0 or A in the 16th position
	44299801	Baffle	Right with fire suppression system; Models with 0 or A in the 16th position
	44393501	Baffle	Right; Models HT075N, ST075N and UT075N with C in the 16th position
11	70247701	Screw	Leveling leg
12	21899	Nut	Right
13	44367802DG	Side Panel	B, J and P models; Right; Dark gray
	44367802LG	Side Panel	U models; Right; Light gray
	44367802W	Side Panel	Right

Lint Management System Components

Models HT075N, ST075N and UT075N with C in the 16th Position

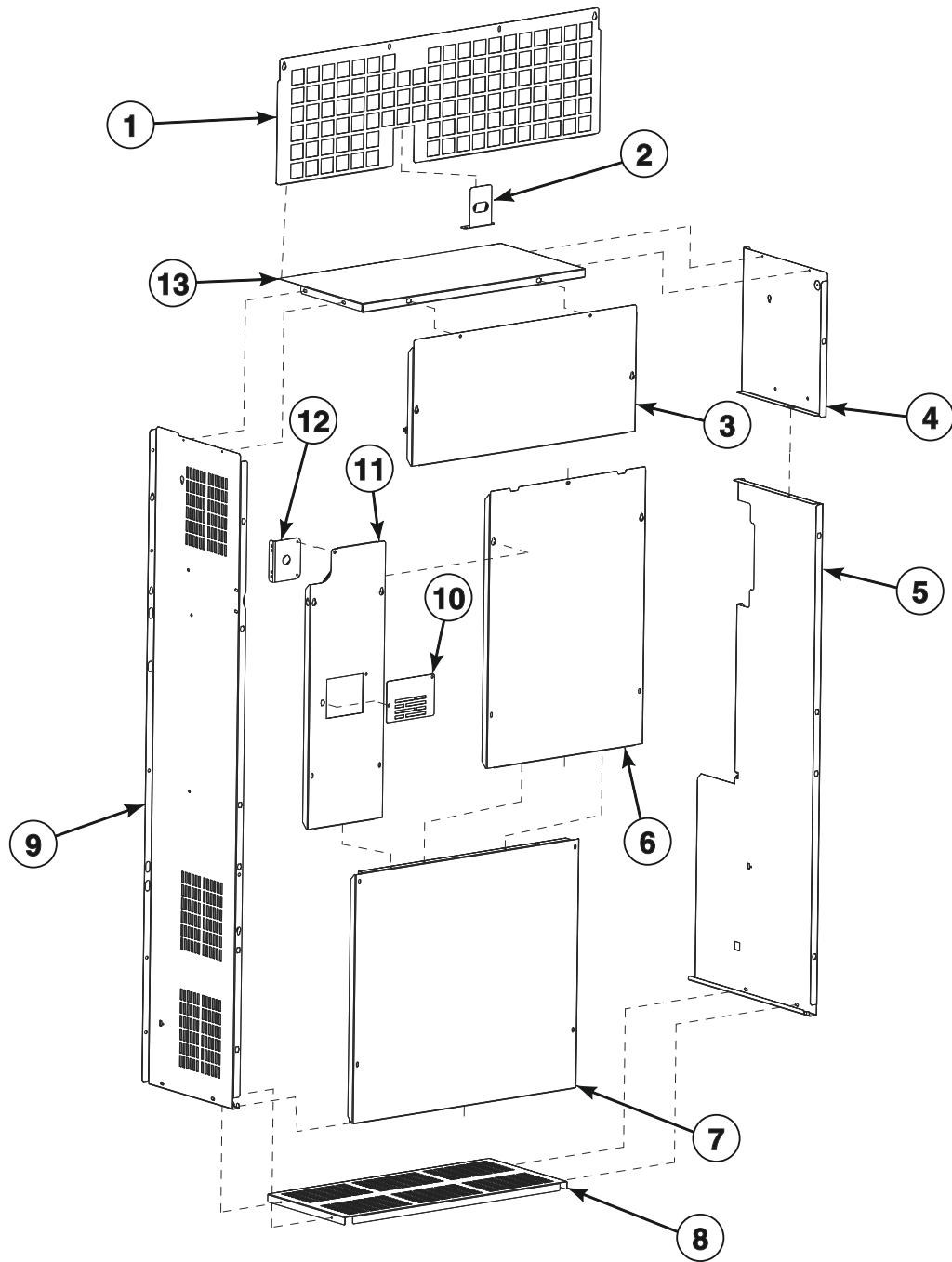


TMB3963P

Lint Management System Components

REF	PART NO.	DESCRIPTION	COMMENTS
	44399603	Lint Sensor Harness	Use with item 7
	70723001	Lint Sensor Bracket	Use to mount item 7
	44396201	Edge Protector	Large object cleanout
	44394701	Edge Protector	Lint; Use with item 11
1	44393601	Rear Duct Panel	
2	44396301	Blower Housing Scroll	
3	44305201	Blower Inlet Cone	
4	44394501	Gasket	Inlet
5	44393901	Intake Panel	
6	44393301	Center Pan	
7	44399602	IR Sensor	
8	44393701	Inner Support Panel	Right
9	44394401	Cyclone	4 required
10	F430232	Nut	3 required
	F8406201	Magnet	3 required
11	44394001	Cyclone Lint Front Panel	
12	44395801	Lint Cover Panel	
13	D510129W	Door Handle Wedge	
14	D511213P	Door Pull and Wedge Kit	
15	70226701	Clip	3 required
16	44394201	Bottom Pan	
17	44394601	Gasket	Outlet
18	44393702	Inner Support Panel	Left
19	44393801	Rear Mount Panel	
20	44393401	Front Duct Panel	
21	44280302	Damper Assembly	
22	44308402	Air Exhaust Deflector	
23	44395701	Outlet Deflector	

Rear Panel and Belt Guard Components

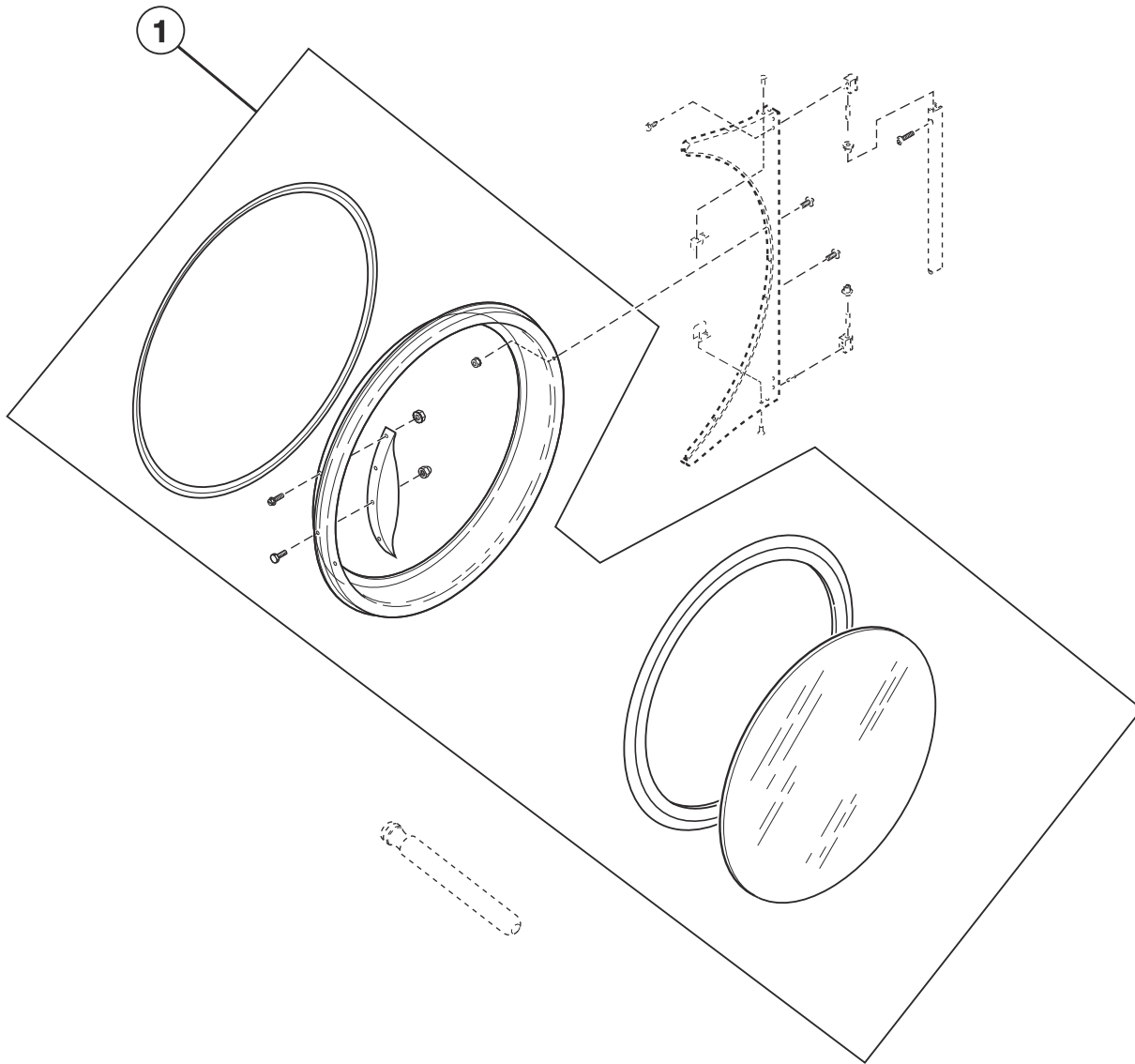


TMB3894P

Rear Panel and Belt Guard Components

REF	PART NO.	DESCRIPTION	COMMENTS
1	44300301	Stove Grate	Gas models
	44300302	Stove Grate	Steam models
	44364801	Stove Grate	Electric models
2	44327601	Pipe Bracket	Gas models with D, F, N and W in the 7th position
	44327603	Pipe Bracket	Gas models with V in the 7th position
	44376801	Steam Harness Bracket	Steam models
3	44363801	Control Tray Guard	
4	44374301	Upper Guard	Left
5	44363501	Lower Guard	Left; Models with 0 or A in the 16th position
	44395101	Lower Guard	Left; Models HT075N, ST075N and UT075N with C in the 16th position
6	44373501	Rear Guard	Belt
7	44363901	Lower Guard	Rear
	44363902	Lower Guard	Rear with fire suppression system
8	44377301	Guard	Bottom
9	44363601	Guard	Right
10	70202501	Drive Access Cover	
11	44373401	Rear Guard	Inverter
12	70615501	Conduit Plate	Gas and steam models
	70615502	Conduit Plate	Electric models
13	44364001	Top Guard	Gas and steam models
	44364002	Top Guard	Electric models

Door Assemblies

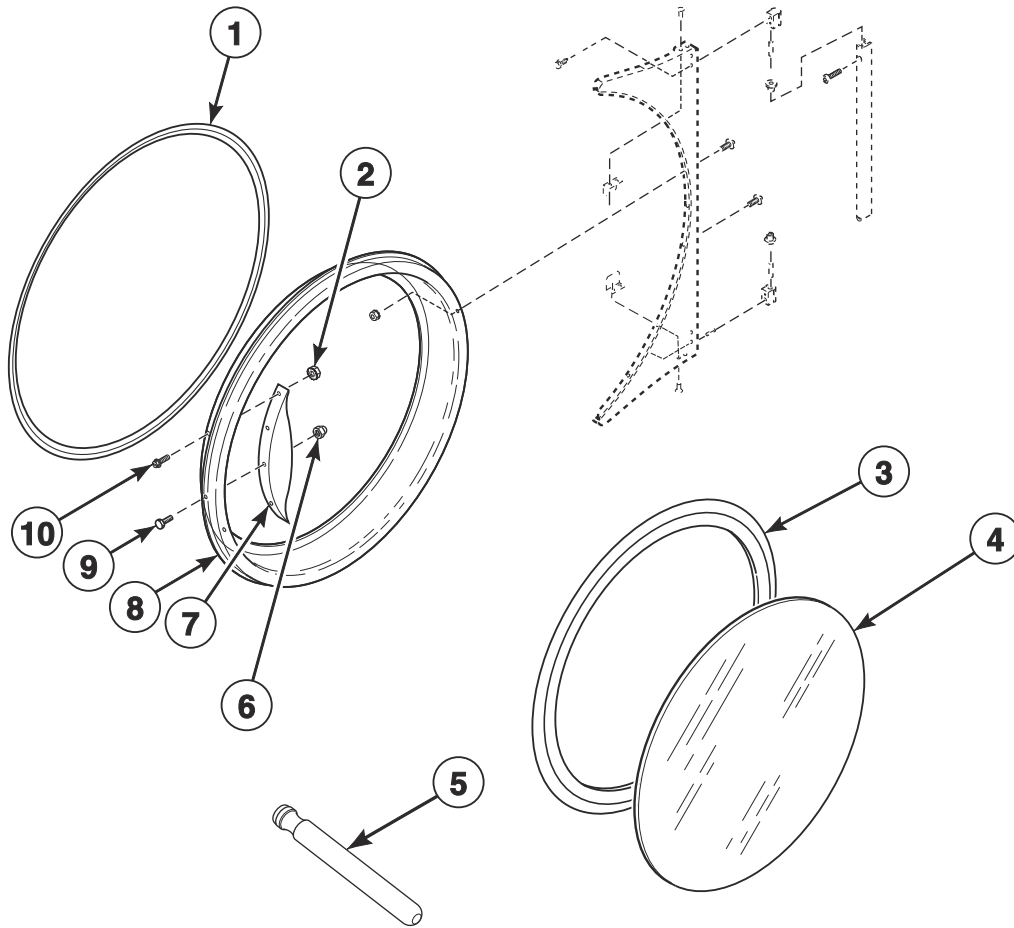


TMB3835P

Door Assemblies

REF	PART NO.	DESCRIPTION	COMMENTS
1	44354701	Door Assembly	S models; Stainless steel
	44354702	Door Assembly	S models; Chrome
	44354703	Door Assembly	U models; Stainless steel
	44354704	Door Assembly	U models; Chrome
	44354705	Door Assembly	H models; Stainless steel
	44354707	Door Assembly	H models; Stainless steel with green trim
	44354706	Door Assembly	H models; Chrome
	44354708	Door Assembly	H models; Chrome with green trim
	44354709	Door Assembly	B and P models; Black
	44354710LG	Door Assembly	P models; Light gray

Door Components

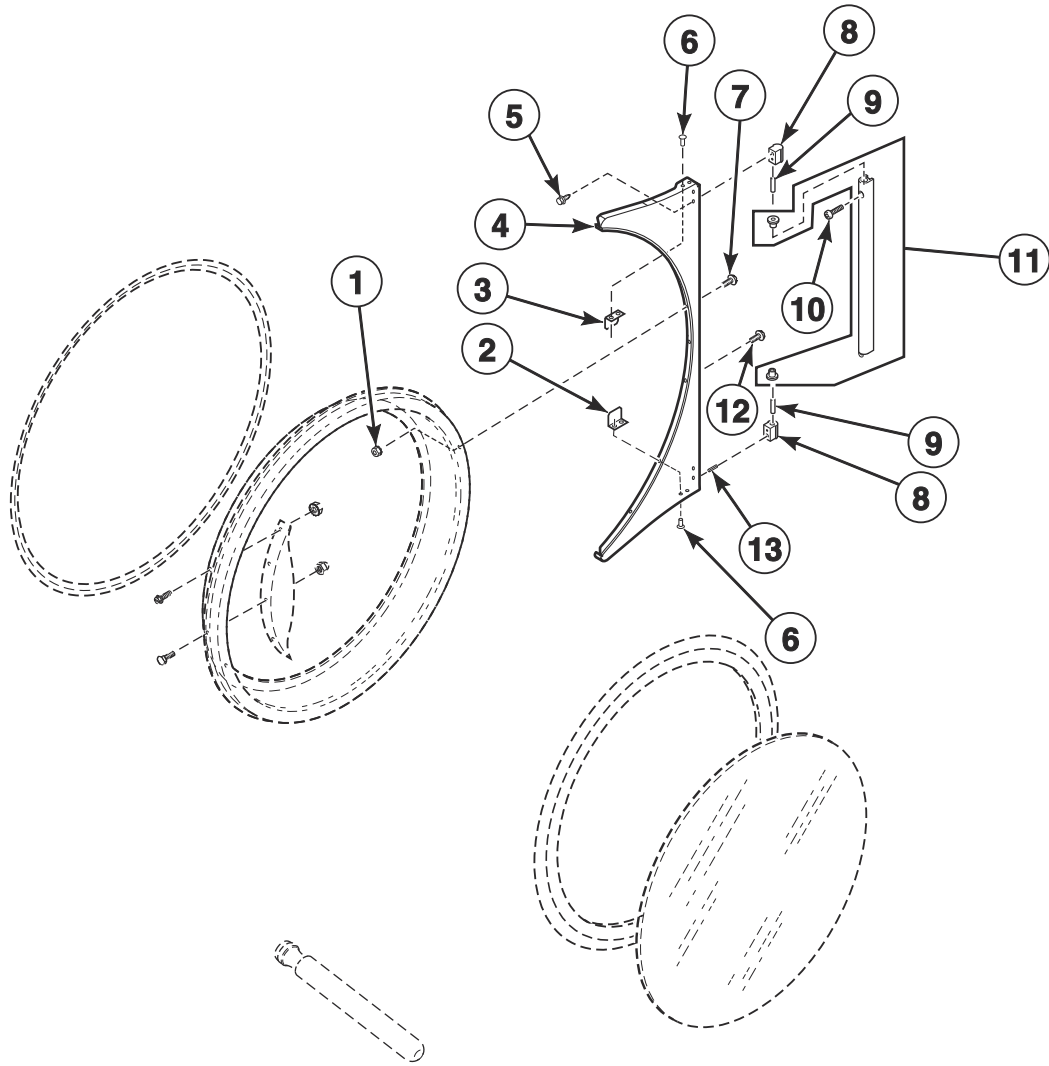


TMB3835PA

Door Components

REF	PART NO.	DESCRIPTION	COMMENTS
	70650401	Door Glass Label	H models
	70707701	Door Glass Label	S models
	70707501	Max Fill Line Label	
1	70296802	Door Ring Gasket	H models with chrome handle
	44008201P	Door Ring Gasket	
2	44088001	Nut	B, H and S models; 4 required
3	70211902P	Door Seal Kit	Use Loctite 414 for seal
4	44008405	Door Glass	H models; Green trim
	44008401P	Door Glass	
5	M4221P4	Door Glass Installation Tool	
6	M414215	Nut	For door strike; Mounts between door strike screw and door handle
7	44007901	Door Handle	B, P, and S models
	44263801	Door Handle	U models; Use 901620 Screw, 800465 Washer, 803871 Screw and 44088001 Nut to attach
	44370601	Door Handle	H models
8	44354801	Door Ring Assembly	H and S models; Stainless steel
	44354802	Door Ring Assembly	H and S models; Chrome
	44354803	Door Ring Assembly	U models
	44354804	Door Ring Assembly	U models; Chrome
	44354808LG	Door Ring Assembly	P models; Light gray
	44354807B	Door Ring Assembly	B and P models
9	M400661	Screw	Door Strike
10	70442101	Screw	B, H, P and S models; 4 required

Hinge Components

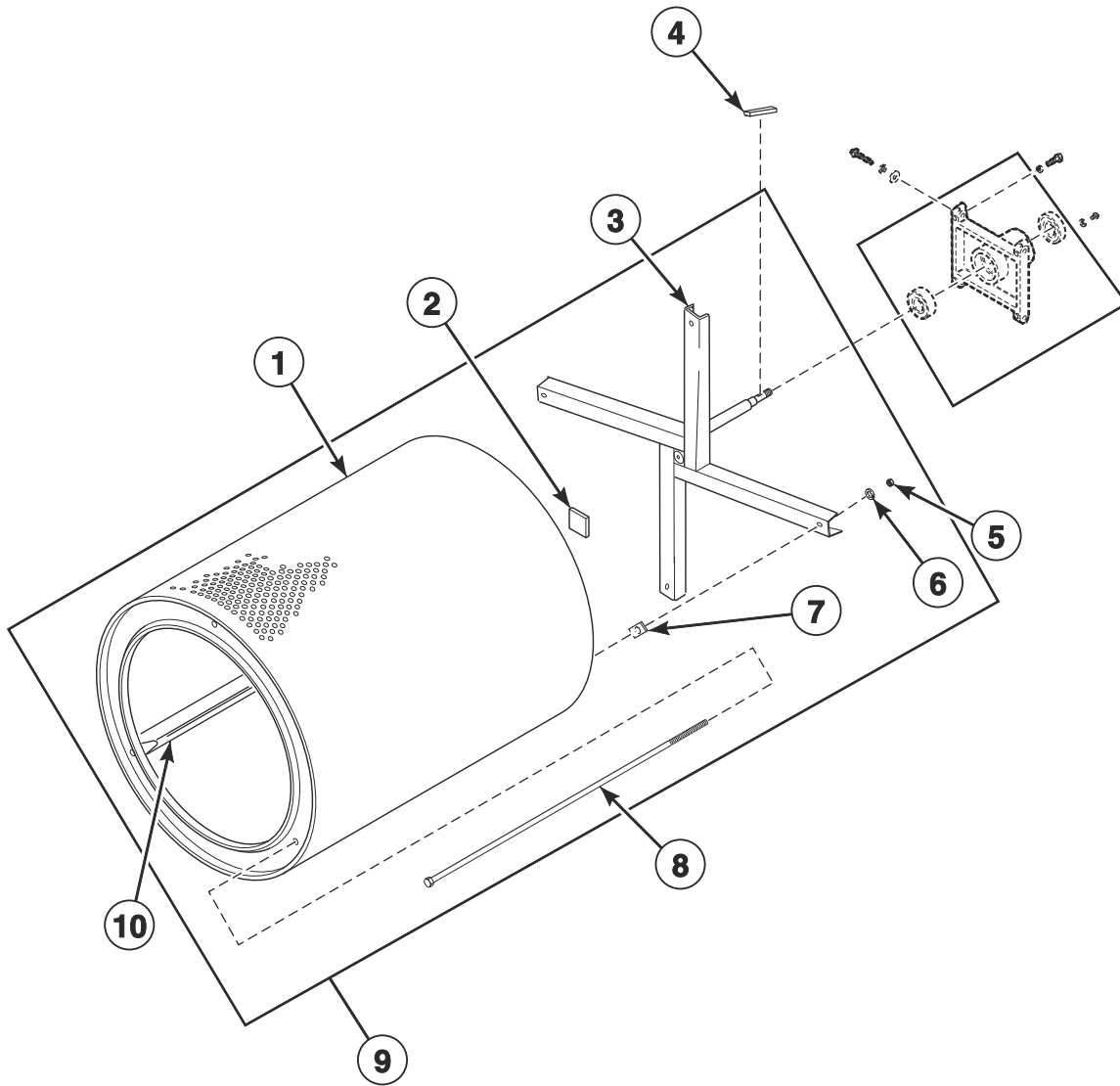


TMB3835PB

Hinge Components

REF	PART NO.	DESCRIPTION	COMMENTS
1	44088001	Nut	
2	70532101	Door Switch Actuator	Bottom
3	70532102	Door Switch Actuator	Top
4	70596614B	Door Hinge Assembly	Black; B and P models
	70596614W	Door Hinge Assembly	B, H, S and U models
	70596603	Door Hinge Assembly	H and S models; Chrome
	70596604	Door Hinge Assembly	H, S and U models; Stainless steel
	70596614LG	Door Hinge Assembly	P and U models; Light gray
5	70576101	Screw	3 required
6	70058501	Pop Rivet	2 required
7	44349101	Screw	6 required
8	M4773P3	Hinge Cam Kit	Black; B and P models
	M4772P3	Hinge Cam Kit	H, P, S and U models
	70622401	Hinge Cam Kit	H and S models; Chrome
9	70071401	Pin	
10	70407301	Screw	Black; B and P models
	70033502	Screw	H, P, S and U models
11	70597603	Door Hinge Lug Assembly	Black; B and P models
	70597601	Door Hinge Lug Assembly	H, P, S and U models
	70597602	Door Hinge Lug Assembly	H and S models; Chrome
12	70689401	Screw	
13	70436301	Screw	

Cylinder and Trunnion Components

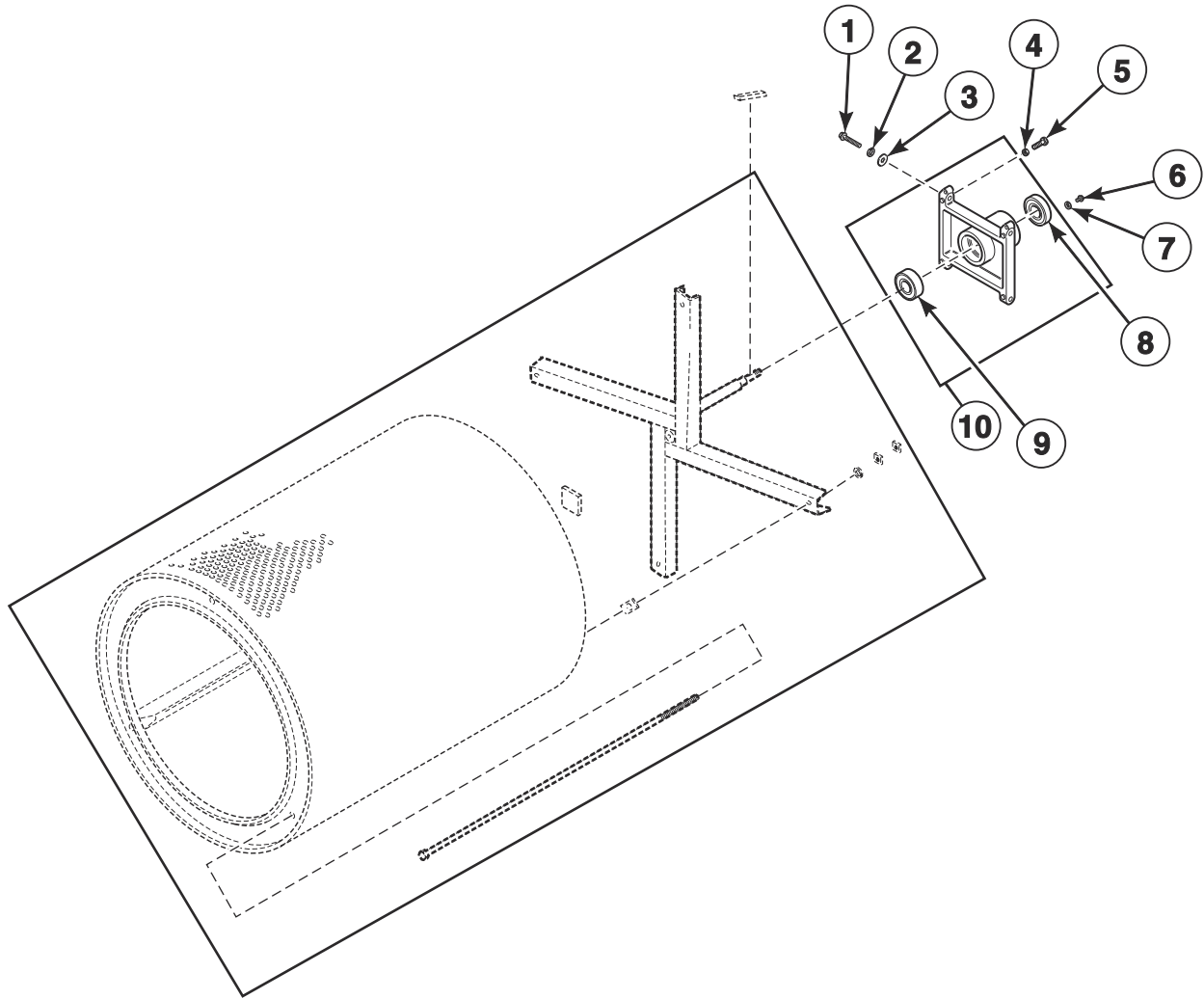


TMB3796P

Cylinder and Trunnion Components

REF	PART NO.	DESCRIPTION	COMMENTS
1	44057201P	Cylinder Kit	Galvanized; Non-moisture sensing
	44198301P	Cylinder Assembly	Galvanized; Moisture sensing
	44057301P	Cylinder Kit	Stainless steel; Non-moisture sensing
	44198302	Cylinder Assembly	Stainless steel; Moisture sensing
2	M402144	Felt Pad	
3	44208001	Trunnion Assembly	Spider; Non-moisture sensing
	44207901	Trunnion Assembly	Moisture sensing
4	M400008	Key	Half moon
5	M404993	Nut	
6	M400015	Washer	4 required
7	M401402	Spacer	Adjustment between cylinder and trunnion
8	M404992	Rib Rod	
9	44195701P	Cylinder and Trunnion Assembly	Galvanized; Non-moisture sensing
	44195702P	Cylinder and Trunnion Assembly	Stainless steel; Non-moisture sensing
	44195705P	Cylinder and Trunnion Assembly	Galvanized; Moisture sensing
	44195706	Cylinder and Trunnion Assembly	Stainless steel; Moisture sensing
10	44191202	Cylinder Rib Assembly	Moisture sensing

Bearing Components

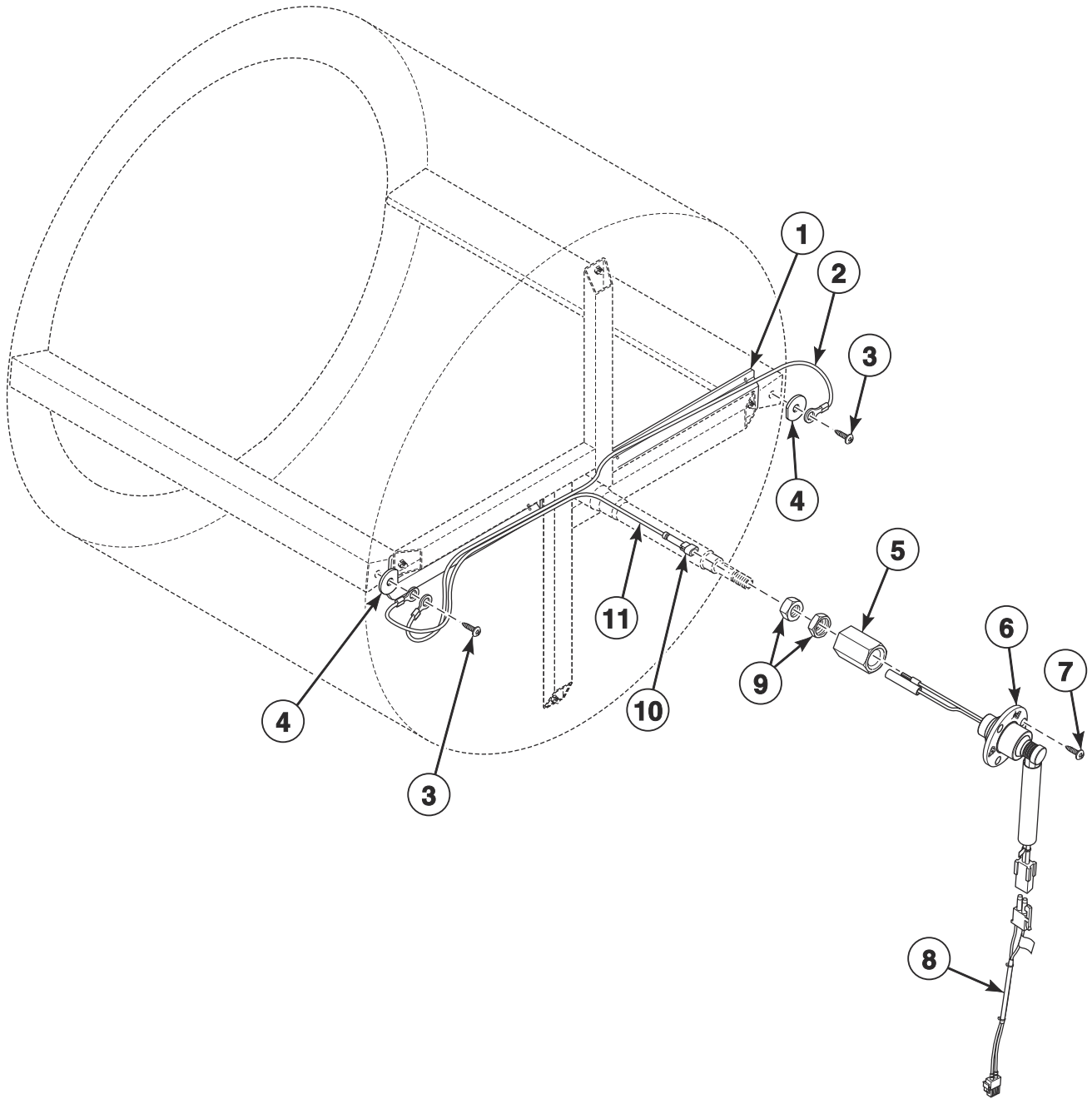


TMB2123PA

Bearing Components

REF	PART NO.	DESCRIPTION	COMMENTS
	M4640P3	Trunnion and Bearing Assembly	Non-moisture sensing
	44336301	Trunnion and Bearing Assembly	Moisture sensing
	M4644P3	Housing and Trunnion Assembly	Includes bearing; Non-moisture sensing
	44336302	Housing and Trunnion Assembly	Moisture sensing
1	M400063	Screw	4 required
2	M400015	Washer	4 required
3	70261401	Washer	4 required
4	M400026	Nut	4 required
5	M400650	Bolt	2 required
6	70187201	Screw	4 required
7	20103	Washer	4 required
8	M413923P	Bearing	
9	44041901P	Ball Bearing	
10	44375001	Trunnion Housing Assembly	Includes bearing

Moisture Sensing Components

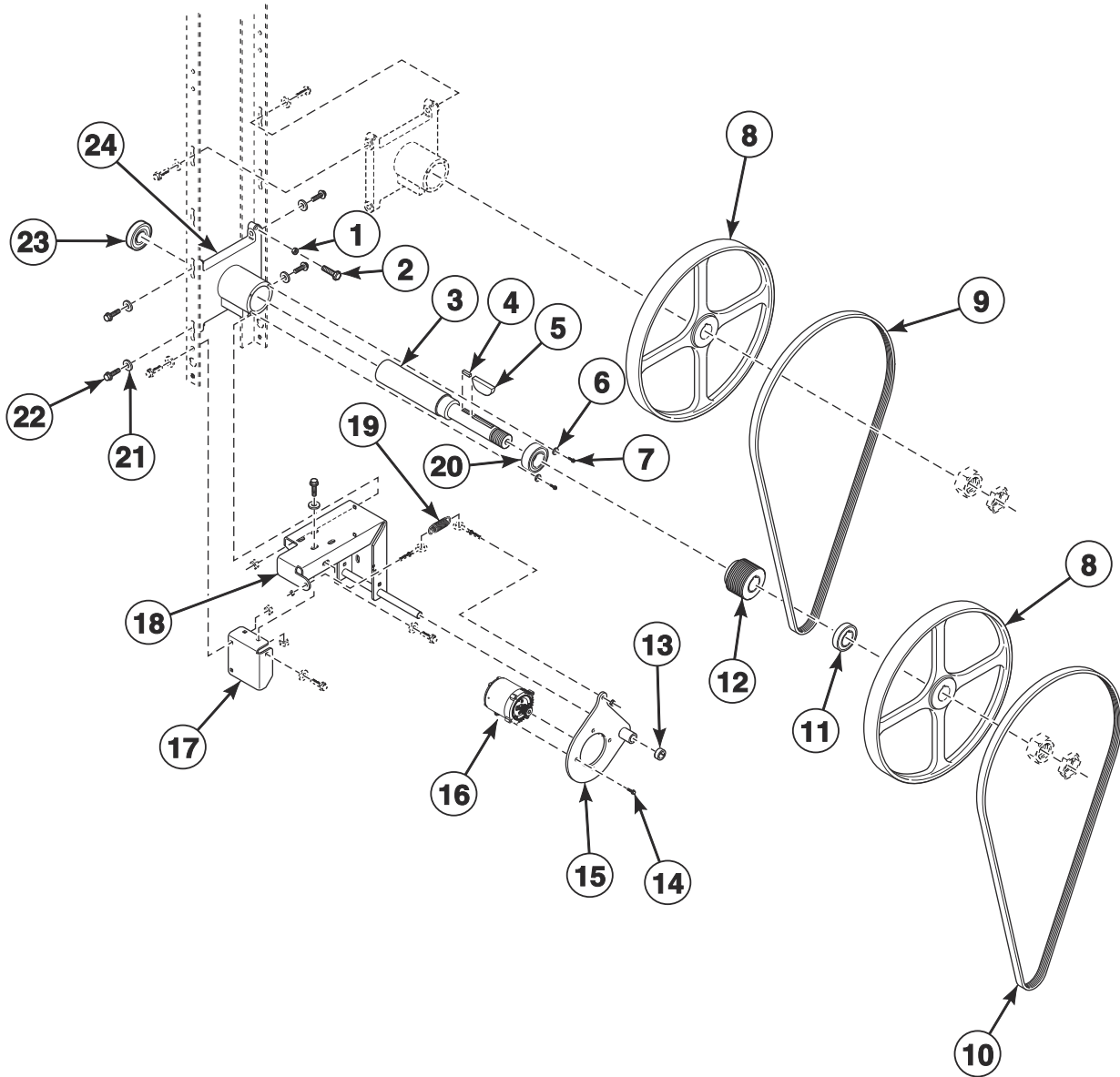


TMB3544P

Moisture Sensing Components

REF	PART NO.	DESCRIPTION	COMMENTS
	44344702	Moisture Sensing Harness Kit	
	55881	Harness Strap	Use with item 1
	44375503	Adapter Harness	Goes to I/O Board
1	44239101	Wireway Channel	
2	44208601	Rib Wire	
3	44338901	Screw	
4	44238902	Washer	
5	44224401	Slip Ring Holder	
6	44222702	Slip Ring Assembly	
7	70442101	Screw	
8	44375501	Moisture Sensor Harness	Goes from item 6 to 44375503 Adapter Harness
9	M400035	Nut	
10	44370401	1 Circuit Plug Housing	
11	44208702	Shaft Wire	

Drive Motor Components

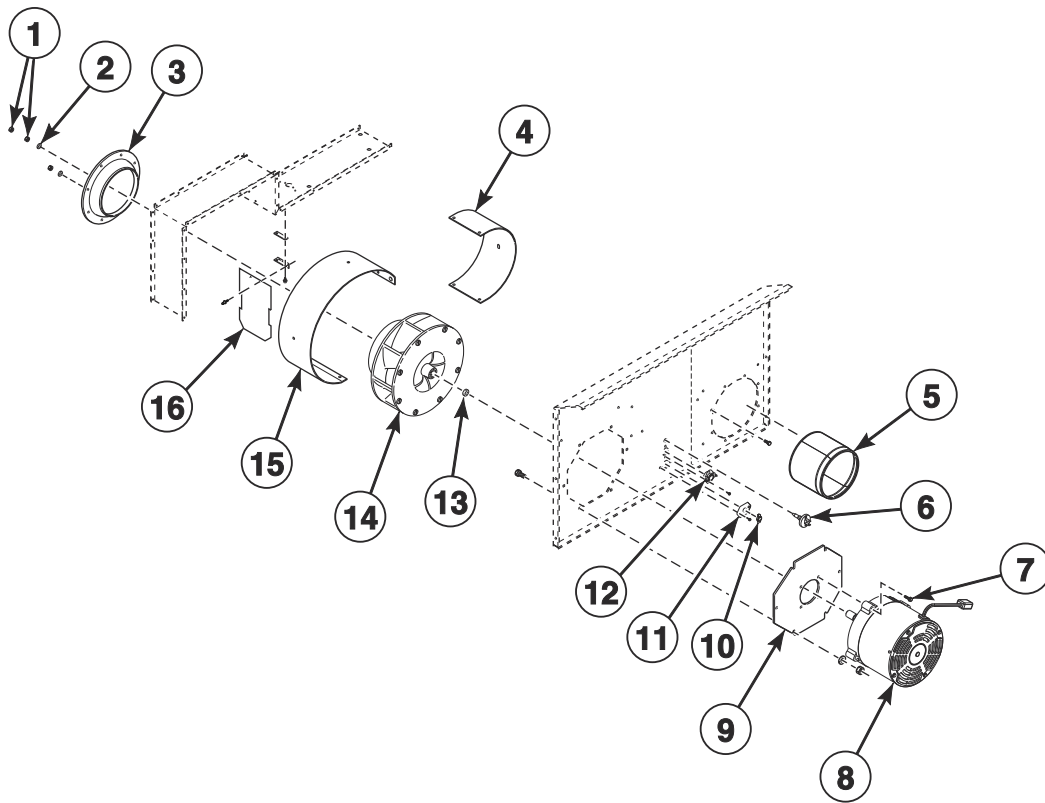


TMB3895P

Drive Motor Components

REF	PART NO.	DESCRIPTION	COMMENTS
	44333202	Nut	Use with motor pulley
	70635405	Inverter to Motor Harness	North America models; 120-240 Volt
	70635406	Inverter to Motor Harness	North America models; 380-480 Volt
	70635407	Inverter to Motor Harness	IEC models; 120-240 Volt
	70635408	Inverter to Motor Harness	IEC models; 380-480 Volt
	44375001	Trunnion Housing Assembly	Includes items 6, 7, 20, 23 and 24
1	M400026	Nut	
2	M400650	Bolt	
3	44303102	Idler Shaft	
4	44309301	Key	
5	M400008	Key	
6	20103	Washer	
7	70187201	Screw	
8	44289502	Pulley	
9	44333301	V-Belt	Upper
10	44309402	V-Belt	Lower
11	44306801	Idler Spacer	
12	44374001	Micro V Pulley	
13	70467001	Shaft Collar	
14	44364602	Screw	
15	44311501	Motor Pivot Plate Weldment	
16	44355005	Drive Motor	.50 HP; 240 Volt
	44355006	Drive Motor	.50 HP; 480 Volt
17	44325801	Motor Pivot Support Bracket	
18	44327001	Motor Pivot Bracket Weldment	
19	F8440701	Extension Spring	
20	M413923P	Bearing	
21	70261401	Washer	4 required
22	805213	Screw	4 required
23	44041901P	Ball Bearing	
24	M413826	Trunnion Housing	

Blower and Exhaust Components

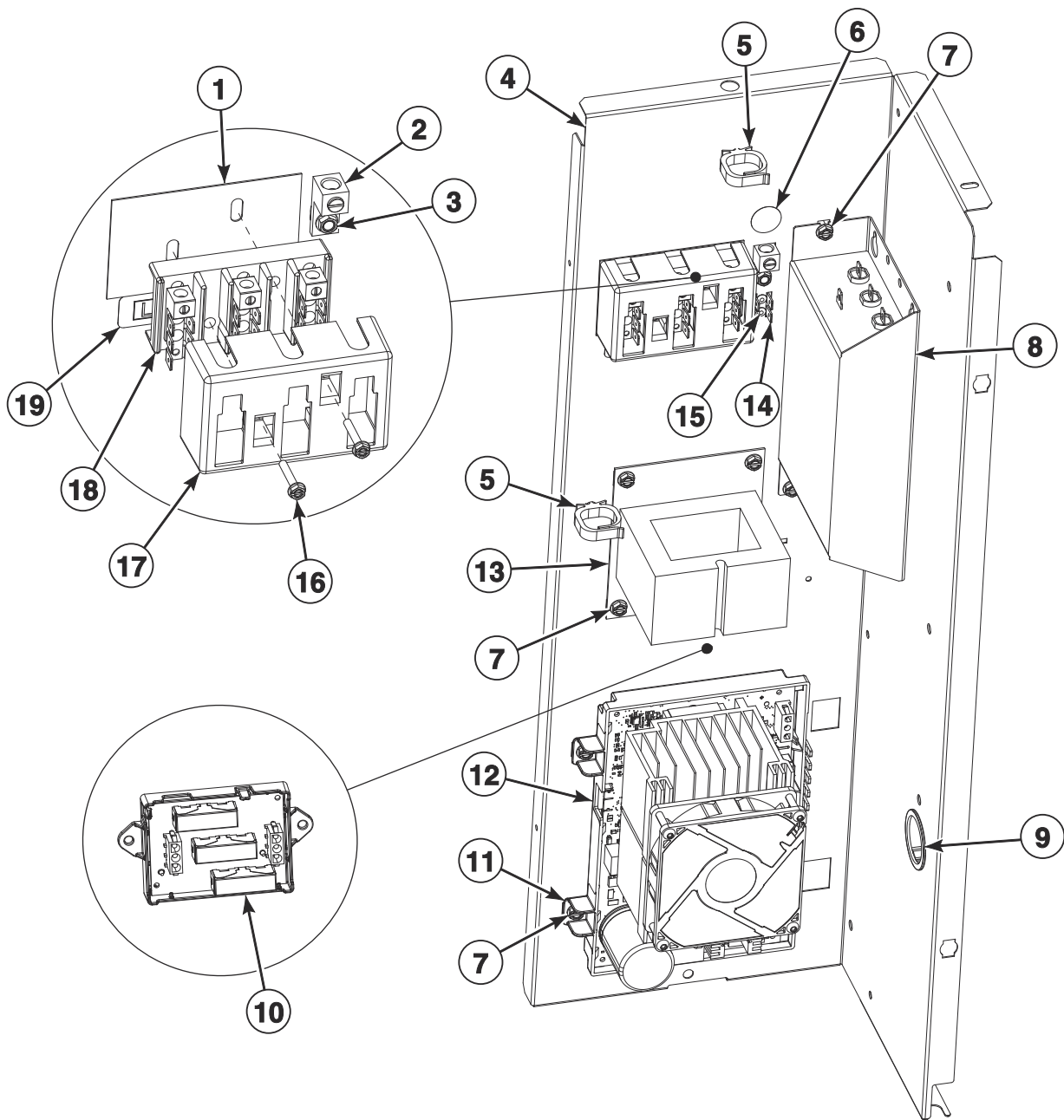


TMB3954P

Blower and Exhaust Components

REF	PART NO.	DESCRIPTION	COMMENTS
1	70660601	Nut	2 required
2	F431131	Washer	
3	44305201	Blower Inlet Cone	F75 models and models HT075N, ST075N and UT075N with C in the 16th position
	70303101	Blower Inlet Cone	All other models
4	44308402	Air Exhaust Deflector	F75 models and models HT075N, ST075N and UT075N with C in the 16th position
	44308401	Air Exhaust Deflector	All other models
5	44305002	Thimble Assembly	F75 models and models HT075N, ST075N and UT075N with C in the 16th position
	44327901	Exhaust Pipe Assembly	All other models
6	M414704	Thermistor	
7	44364601	Screw	
8	44354902	Fan Motor	F75 models and models HT075N, ST075N and UT075N with C in the 16th position; 1.5 HP; 240 Volt
	44354904	Fan Motor	F75 models; 1.5 HP; 480 Volt
	44354901	Fan Motor	All other models; .50 HP; 240 Volt
	44354903	Fan Motor	All other models; .50 HP; 480 Volt
9	44311301	Blower Motor Mounting Plate	F75 models and models HT075N, ST075N and UT075N with C in the 16th position
	44380401	Blower Motor Mounting Plate	All other models
10	70530905	Limit Thermostat	Manual reset
11	44312501	Thermostat Opening Cover	
12	44328003	Limit Thermostat	
13	70599301	Fan Spacer	
14	44267201	Blower Assembly	F75 models and models HT075N, ST075N and UT075N with C in the 16th position
	70302201P	Blower Assembly	All other models
15	44303901	Blower Housing Scroll	F75 models and models HT075N, ST075N and UT075N with C in the 16th position
	44303801	Blower Housing Scroll	All other models
16	44280302	Damper Assembly	F75 models and models HT075N, ST075N and UT075N with C in the 16th position
	44280301	Damper Assembly	All other models

Inverter Tray Components

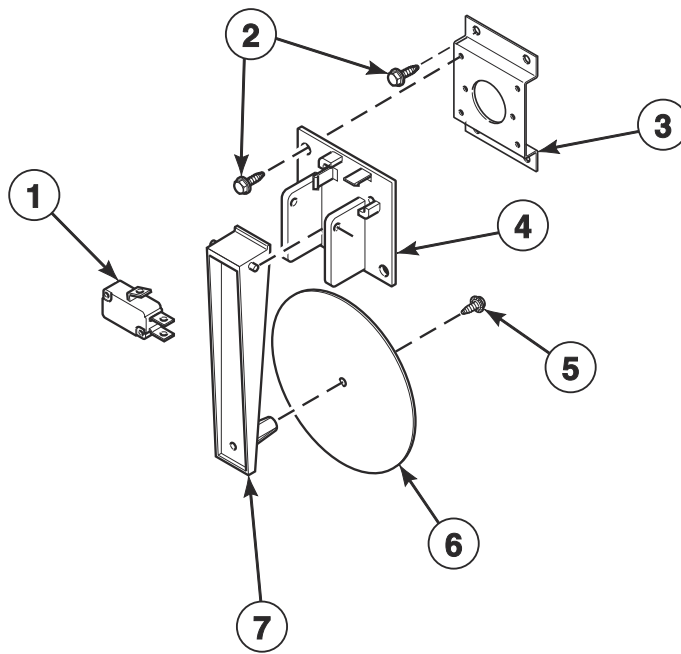


TMB3944P

Inverter Tray Components

REF	PART NO.	DESCRIPTION	COMMENTS
	70671001	Inverter Power Conversion Harness	X to B voltage; Gas models
	44375701	Inverter Control Power Harness	T and G market models; 120-240 Volt
	44375703	Inverter Control Power Harness	T and G market models; 380-480 Volt
	44375704	Inverter Control Power Harness	IEC models; 120-240 Volt
	44375706	Inverter Control Power Harness	IEC models; 380-480 Volt
	44375401	Harness	Gas and steam models; 120-240 Volt/1 Phase; Power distribution block to EMI filter
	44375402	Harness	Gas and steam models; 380-480 Volt/3 Phase; Power distribution block to EMI filter
	44388401	Power Harness	F75 models and models HT075N, ST075N and UT075N with C in the 16th position; 240 Volt
	44388501	Harness	F75 models and models HT075N, ST075N and UT075N with C in the 16th position; 240 Volt; Fuse board to inverter
1	M413862	Insulator	T and G market models; IEC gas models
2	M411283	Ground Lug Connector	Gas models
3	685837	Screw	Gas models; Use with 44088001 Nut
4	44364201	Inverter Drive Tray	
5	F8449502	Wire Clip	380-480 Volt
6	D516100	Label	Gas models
7	F8206901	Screw	
8	F8591601	EMI Filter	IEC models; 120-240 Volt
	F8637501	EMI Filter	IEC models; 380-480 Volt
9	70346501	Bushing	
10	70683201	Fuse Control Assembly	F75 models and models HT075N, ST075N and UT075N with C in the 16th position; 240 Volt
11	70030501	Expansion Clip	
12	70603401	Inverter Control Assembly	F75 models and models HT075N, ST075N and UT075N with C in the 16th position; 3 HP; 240 Volt
	70603601	Inverter Control Assembly	F75 models; 3 HP; 380-480 Volt
	70603001	Inverter Control Assembly	All other models; 1 HP; 120-240 Volt
	70603201	Inverter Control Assembly	All other models; 1 HP; 380-480 Volt
13	F8491101	Transformer	380-480 Volt
14	00622SG	Terminal	
15	M400003	Pop Rivet	
16	51783	Screw	T and G market models; IEC gas models
17	70333001	Terminal Block Shield	T and G market models; IEC gas models
18	430642	Terminal Block	T and G market models; IEC gas models
19	44286803	Label	Gas models; N and P voltage; L1, L2, L3
	44286801	Label	Gas models; B voltage; L1, N
	44286804	Wire Label	Gas models; X voltage; L1 L2, L1 N, L1 L2 L3

Airflow Switch Assembly

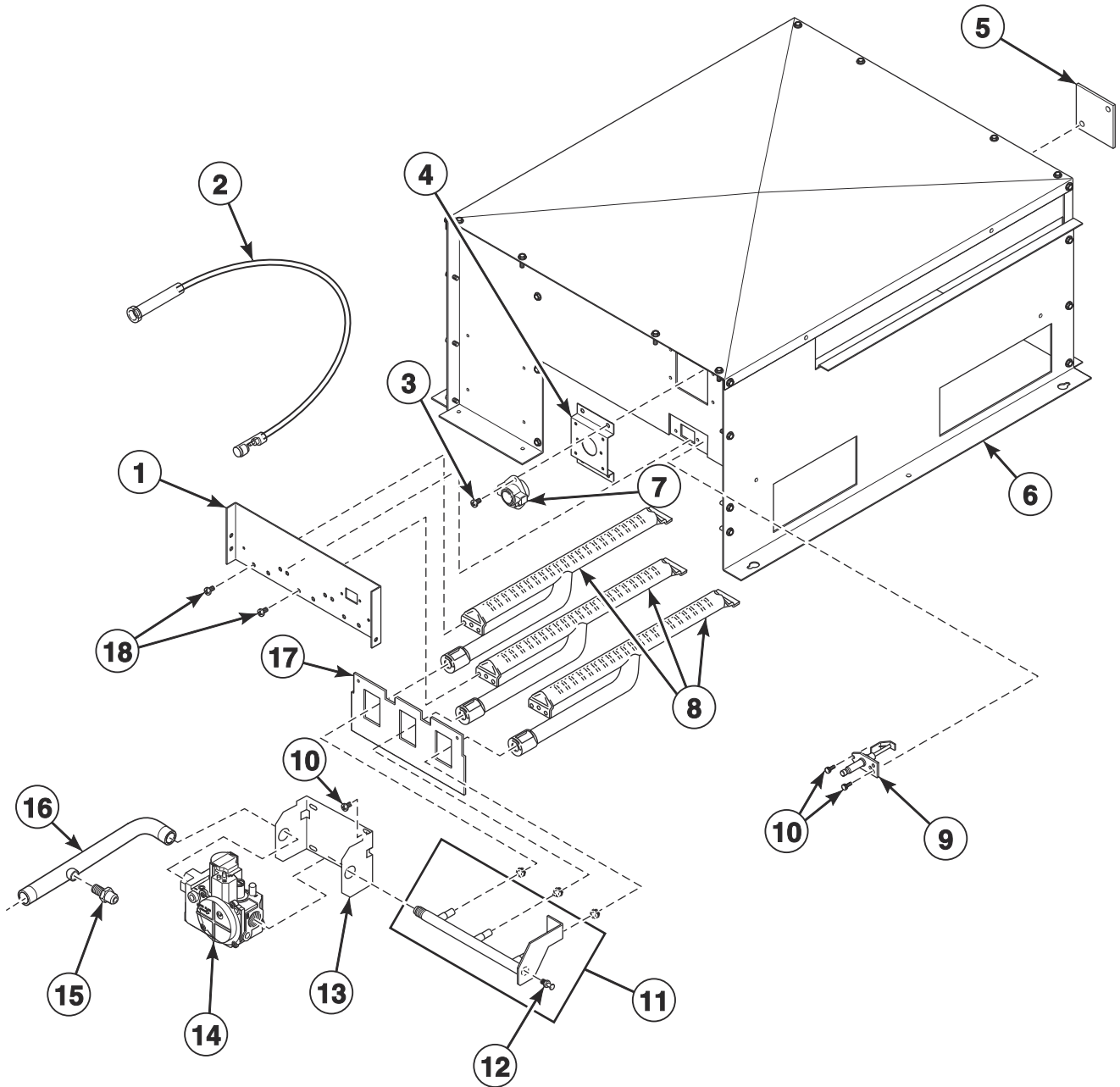


TMB3636P

Airflow Switch Assembly

REF	PART NO.	DESCRIPTION	COMMENTS
	70429602	Airflow Switch Assembly	Includes items 1 and 4-7
1	70411901	Switch	
2	430497	Screw	6 required
3	70356301	Switch Bracket	
4	70319602	Airflow Switch and Arm Bracket	
5	430757	Screw	
6	70319202	Airflow Switch Vane	
7	70319401	Airflow Switch Arm	

Gas Heater Components - All Models with D, F, N and W in the 7th Position and U Models with V in the 7th Position



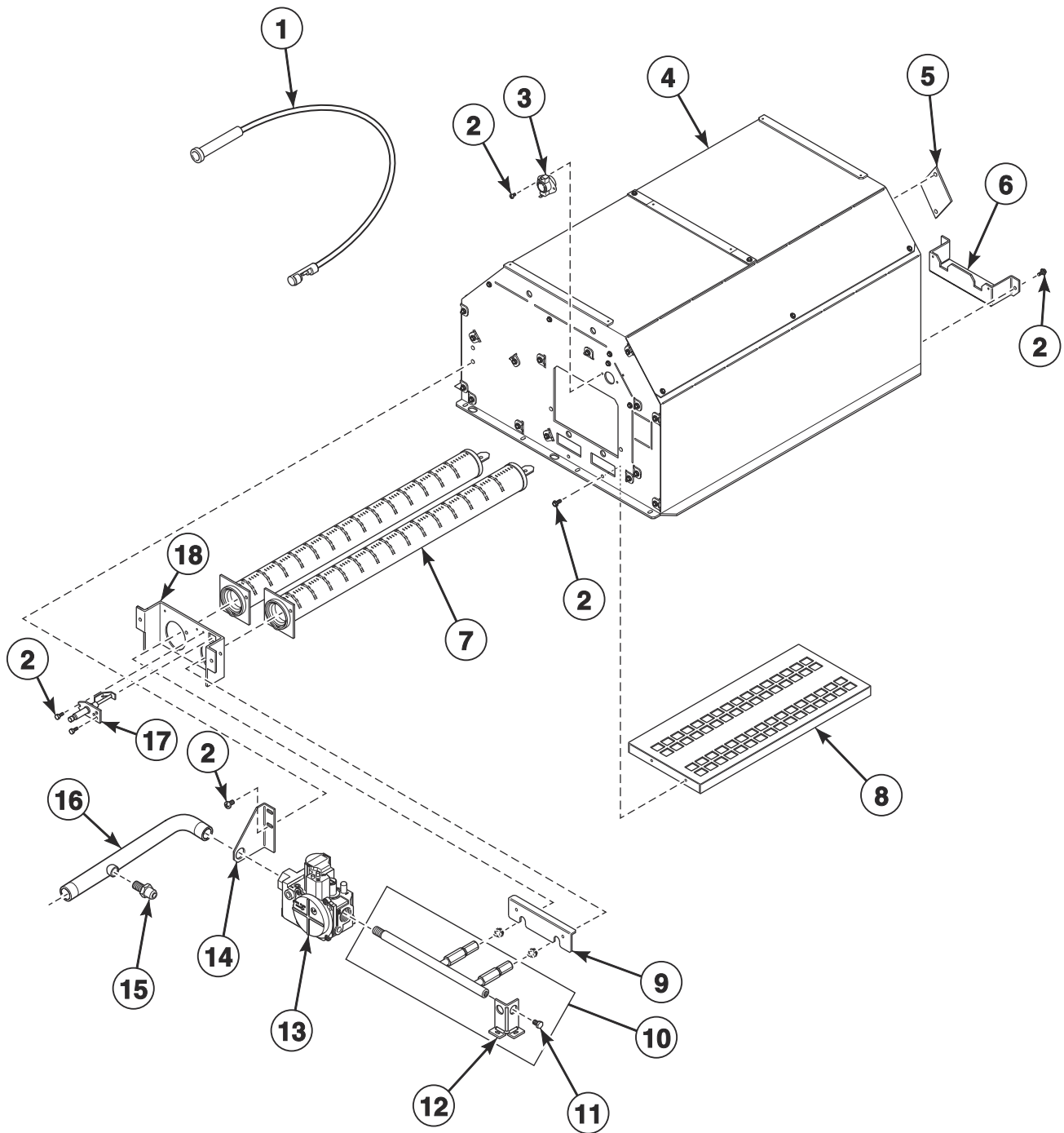
TMB3911P

Gas Heater Components - All Models with D, F, N and W in the 7th Position and U Models with V in the 7th Position

REF	PART NO.	DESCRIPTION	COMMENTS
	70539501	Notice Label	Australian models Natural Gas (N.G.)
	70544901	Notice Label	Australian models Liquid Petroleum Gas (L.P.)
	D503887	Label	Australian models; Gas
	44178801	Adapter	CE and Australian models; Used to convert from standard to metric thread
	44328802	L.P. Conversion Kit	North America 75 pound models; 0-2000 feet
	44328811	L.P. Conversion Kit	Australian models; 0-2000 feet
	44330302	L.P. Conversion Kit	IEC models; 0-2000 feet
	44328803	L.P. Conversion Kit	F75 models
	70346802	Pipe Plug	F75 models
	44273502	Gas Valve Harness	Double; CE models
	44273501	Gas Valve Harness	Single; All other models
	44366301	Gas Valve/Thermostat Harness	
1	44110301	Burner Support	
2	44239705	High Voltage Suppression Cable	
3	M402797	Screw	2 required
4	70356301	Switch Bracket	
5	70159601	Igniter Cover	
6	44135605	Gas Stove Assembly	Includes item 8
7	44328008	Limit Thermostat	
8	M410541P	Burner Assembly	3 required
9	44328701P	Spark Electrode	
10	51782	Screw	2 required
11	44263104	Spud Holder Weldment	
12	70167601	Plug	
13	44175703	Gas Valve Bracket	
14	44154501P	Gas Valve	F75 and North America models; N.G.
	44154502P	Gas Valve	F75 and North America models; L.P.
	44298501	Gas Valve	Australian models; N.G.
	44298504	Gas Valve	Australian models; L.P.
	44178301P	Gas Valve	CE models; N.G.
	44178302P	Gas Valve	CE models; L.P.
	44154505	Gas Valve	All other models; N.G.
	44154506	Gas Valve	All other models; L.P.
15	44231601	Pressure Fitting	CE and Australian models
16	44377001	Lead-In Pipe	A, K and U market models
	44377101	Lead-In Pipe	All other models
17	44135201	Rear Access Plate	
18	70240301	Screw	6 required

Gas Heater Components - Models with V in the 7th Position

All Models Except U Models



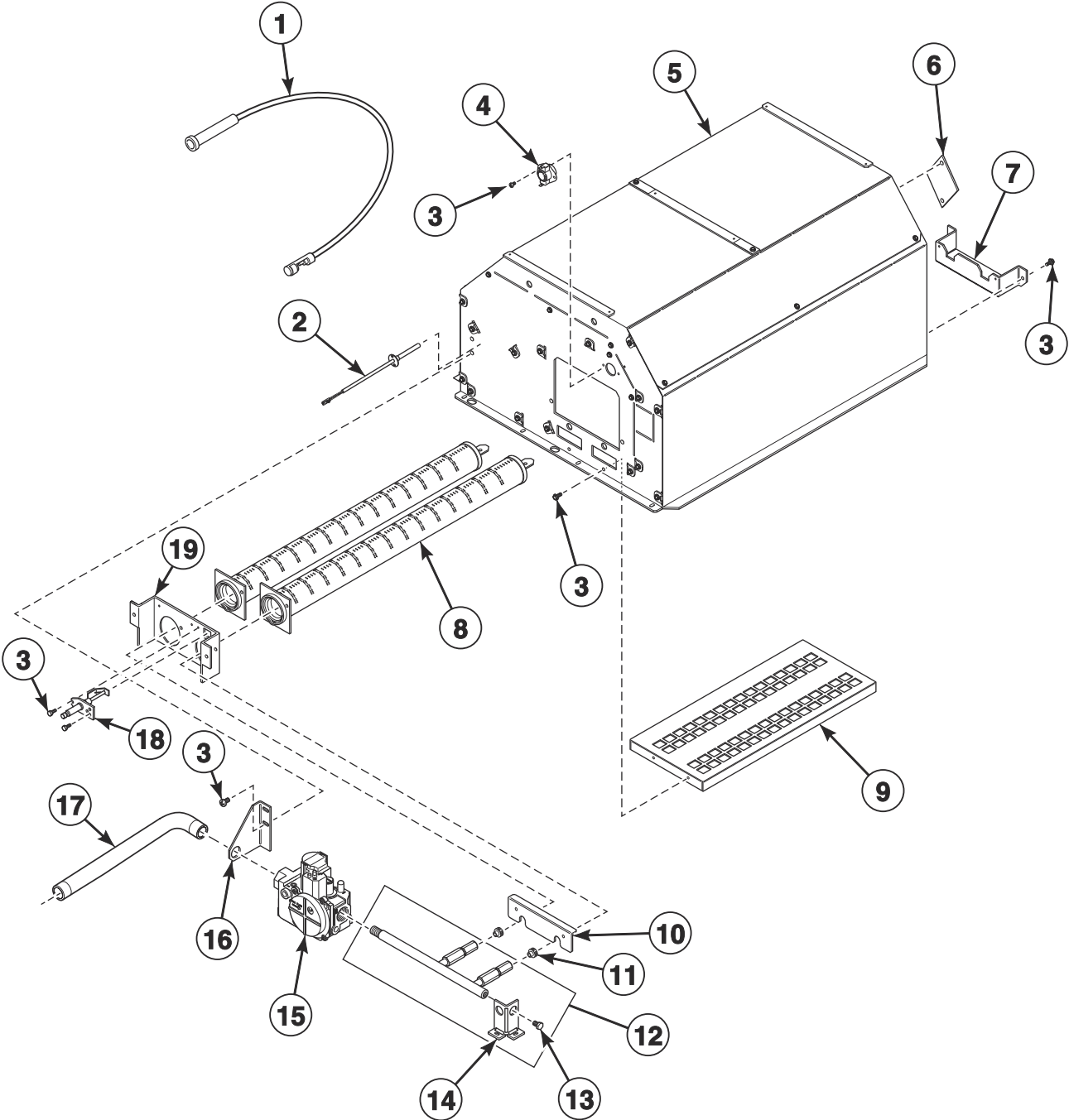
TMB3898P

Gas Heater Components - Models with V in the 7th Position

REF	PART NO.	DESCRIPTION	COMMENTS
	70539501	Notice Label	Australian models; Natural Gas (N.G.)
	70544901	Notice Label	Australian models; Liquid Petroleum Gas (L.P.)
	D503887	Label	Australian models; Gas
	44178801	Adapter	CE and Australian models; Used to convert from standard to metric thread
	44355202	L.P. Conversion Kit	T and G market models; 0-2000 feet
	44328812	L.P. Conversion Kit	Australian models; 0-2000 feet
	44330307	L.P. Conversion Kit	IEC models; 0-2000 feet
	44273502	Gas Valve Harness	Double; CE models
	44273501	Gas Valve Harness	Single; All other models
	44366301	Gas Valve/Thermostat Harness	
1	44239704	High Voltage Suppression Cable	
2	430497	Screw	2 required
3	44328005	Limit Thermostat	
4	44352701	Gas Heater Assembly	
5	70159601	Igniter Cover	Included with item 4
6	44341801	Burner Support	Included with item 4
7	70396201P	Gas Burner	2 required
8	44354401	Burner Grate	Included with item 4
9	44353901	Burner Cover	
10	44340802	Orifice Adapter	
11	70167601	Plug	
12	44342101	Orifice Adapter Support	
13	44154501P	Gas Valve	North America models; N.G.
	44154502P	Gas Valve	North America models; L.P.
	44298501	Gas Valve	Australian models; N.G.
	44298504	Gas Valve	Australian models; L.P.
	44178301P	Gas Valve	CE models; N.G.
	44178302P	Gas Valve	CE models; L.P.
	44154505	Gas Valve	All other models; N.G.
	44154506	Gas Valve	All other models; L.P.
14	44340701	Gas Valve Bracket	
15	44231601	Pressure Fitting	CE and Australian models
16	44377001	Lead-In Pipe	A, K and U market models
	44377101	Lead-In Pipe	All other models
17	70548701P	Spark Electrode	
18	44341801	Burner Support	Included with item 4

Gas Heater Components - Models with C in the 16th Position

Models HT075N, ST075N and UT075N

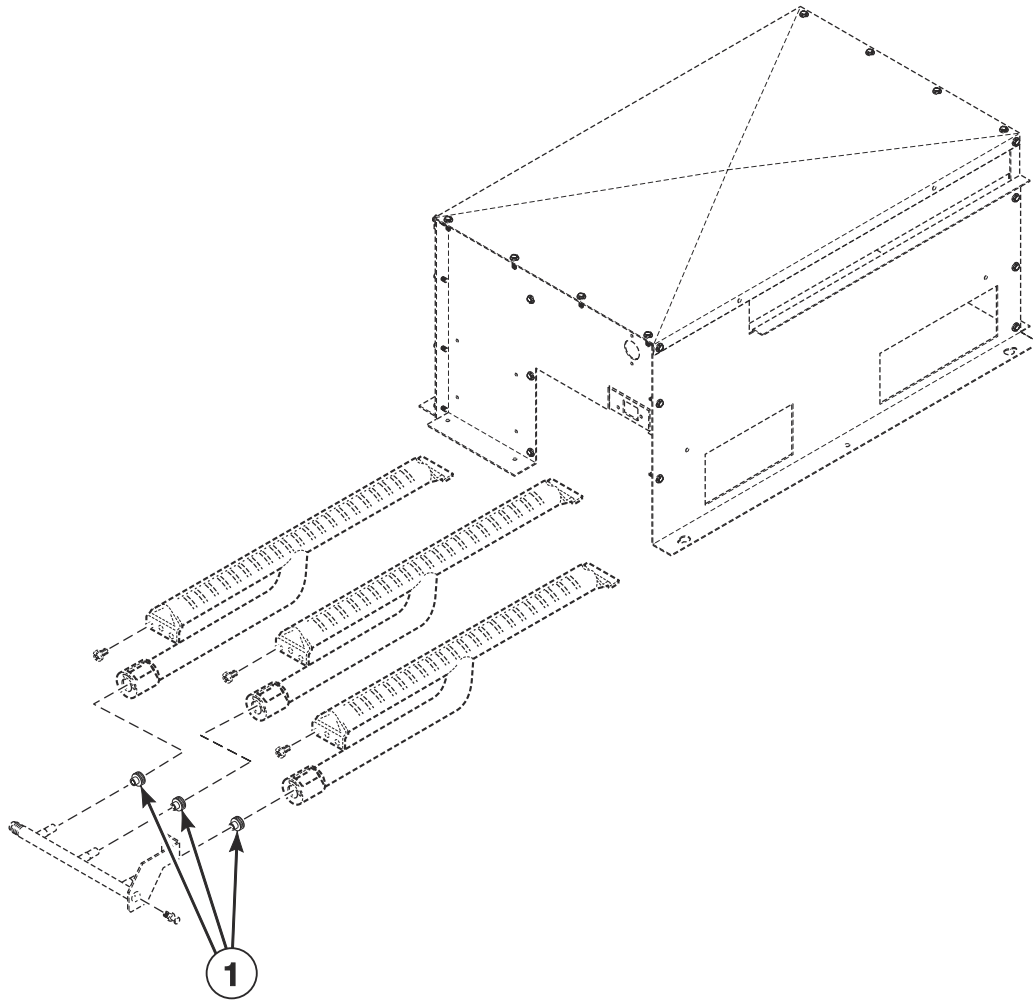


TMB3964P

Gas Heater Components - Models with C in the 16th Position

REF	PART NO.	DESCRIPTION	COMMENTS
	44273501	Gas Valve Harness	Single
	44366301	Gas Valve/Thermostat Harness	
	44357503	High Altitude Orifice Kit	
1	44239704	High Voltage Suppression Cable	
2	44394801	Probe Thermistor	
3	430497	Screw	2 required
4	44328001	Limit Thermostat	
5	44396501	Gas Heater Assembly	
6	70159601	Igniter Cover	Included with item 5
7	44341801	Burner Support	Included with item 5
8	70396201P	Gas Burner	2 required
9	44354401	Burner Grate	Included with item 5
10	44353901	Burner Cover	
11	70684142	Burner Orifice	Drill no. 20 (4.09 mm); 0-2,000 feet
	70684139	Burner Orifice	Drill no. 23 (3.91 mm); 2,001-4,000 feet
	70684137	Burner Orifice	Drill no. 25 (3.80 mm); 4,001-6,000 feet
	70684135	Burner Orifice	Drill no. 27 (3.66 mm); 6,001-8,000 feet
	70684133	Burner Orifice	3.50 mm; 8,001-10,000 feet
12	44340802	Orifice Adapter	
13	70167601	Plug	
14	44342101	Orifice Adapter Support	
15	44154501P	Gas Valve	
16	44340701	Gas Valve Bracket	
17	44377101	Lead-In Pipe	
18	70548701P	Spark Electrode	
19	44341801	Burner Support	Included with item 5

Burner Orifices - All Models with D, F, N and W in the 7th Position and U Models with V in the 7th Position



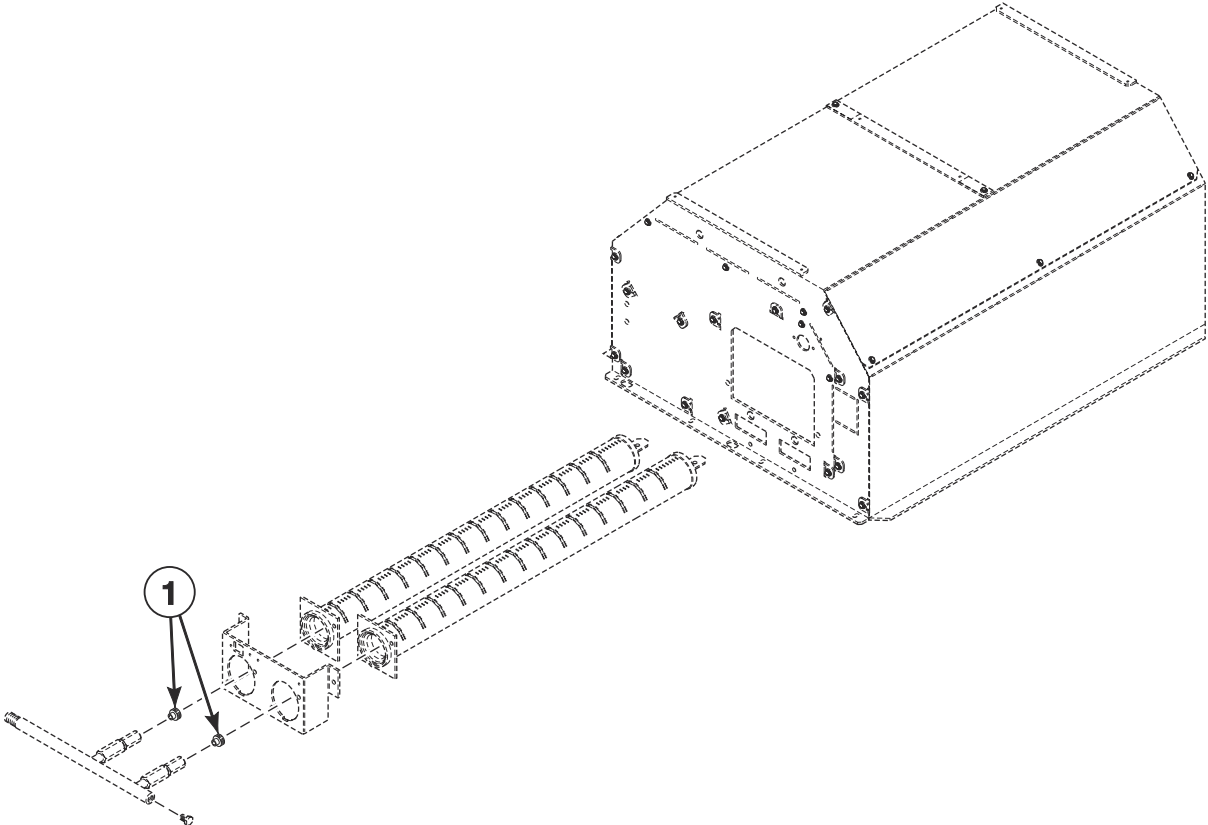
TMB3600P

Burner Orifices - All Models with D, F, N and W in the 7th Position and U Models with V in the 7th Position

REF	PART NO.	DESCRIPTION	COMMENTS
	44357503	High Altitude Orifice Kit	North America 75 pound Natural Gas (N.G.) models
	44357504	High Altitude Orifice Kit	North America 75 pound Liquid Petroleum Gas (L.P.) models
	44357505	High Altitude Orifice Kit	Model UTF75N
	44357506	High Altitude Orifice Kit	Model UTF75L
1	70684134	Burner Orifice	Standard 75 pound models; N.G.; Drill no. 28 (3.57 mm); 0-2,000 feet
	70684131	Burner Orifice	Standard 75 pound models; N.G.; 3.40 mm; 2,001-4,000 feet
	70684130	Burner Orifice	Standard 75 pound models; N.G.; 3.30 mm; 4,001-6,000 feet
	70684128	Burner Orifice	Standard 75 pound models; N.G.; Drill no. 1/8 (3.18 mm); 6,001-8,000 feet
	70684126	Burner Orifice	Standard 75 pound models; N.G.; Drill no. 31 (3.05 mm); 8,001-10,000 feet
	70684110	Burner Orifice	Standard 75 pound models with 2nd digit A, G, H, J, K and T; L.P.; Drill no. 44 (2.18 mm); 0-2,000 feet
	70684109	Burner Orifice	Standard 75 pound models with 2nd digit A, G, H, J, K and T; L.P.; Drill no. 45 (2.08 mm); 2,001-4,000 feet
	70684107	Burner Orifice	Standard 75 pound models with 2nd digit A, G, H, J, K and T; L.P.; Drill no. 47 (1.99 mm); 4,001-6,000 feet
	70684106	Burner Orifice	Standard 75 pound models with 2nd digit A, G, H, J, K and T; L.P.; Drill no. 48 (1.93 mm); 6,001-8,000 feet
	70684105	Burner Orifice	Standard 75 pound models with 2nd digit A, G, H, J, K and T; L.P.; Drill no. 49 (1.85 mm); 8,001-10,000 feet
	70684104	Burner Orifice	CE standard 75 pound models; L.P.; Drill no. 50 (1.78 mm); 0-2,000 feet
	70684158	Burner Orifice	CE standard 75 pound models; L.P.; Drill no. 51 (1.70 mm); 2,001-4,000 feet
	70684103	Burner Orifice	CE standard 75 pound models; L.P.; Drill no. 52 (1.61 mm); 4,001-6,000 feet
	70684102	Burner Orifice	CE standard 75 pound models; L.P.; Drill no. 1/16 (1.59 mm); 6,001-8,000 feet
	70684101	Burner Orifice	CE standard 75 pound models; L.P.; Drill no. 53 (1.51); 8,001-10,000 feet
	70684108	Burner Orifice	Standard 75 pound J market models; L.P.; Drill no. 46 (2.06 mm); 0-2,000 feet
	70684138	Burner Orifice	Eco models; N.G.; Drill no. 24 (3.86 mm); 0-2,000 feet
	70684135	Burner Orifice	Eco models; N.G.; Drill no. 27 (3.66 mm); 2,001-4,000 feet
	70684134	Burner Orifice	Eco models; N.G.; Drill no. 28 (3.57 mm); 4,001-6,000 feet
	70684132	Burner Orifice	Eco models; N.G.; Drill no. 29 (3.45 mm); 6,001-8,000 feet
	70684130	Burner Orifice	Eco models; N.G.; 3.30 mm; 8,001-10,000 feet
	70684142	Burner Orifice	F75 models; N.G.; Drill no. 20 (4.09 mm); 0-2,000 feet
	70684139	Burner Orifice	F75 models; N.G.; Drill no. 23 (3.91 mm); 2,001-4,000 feet
	70684137	Burner Orifice	F75 models; N.G.; Drill no. 25 (3.80 mm); 4,001-6,000 feet
	70684135	Burner Orifice	F75 models; N.G.; Drill no. 27 (3.66 mm); 6,001-8,000 feet
	70684133	Burner Orifice	F75 models; N.G.; 3.50 mm; 8,001-10,000 feet
	70684114	Burner Orifice	F75 models; L.P.; Drill no. 42 (2.37 mm); 0-2,000 feet
	70684112	Burner Orifice	F75 models; L.P.; Drill no. 43 (2.26 mm); 2,001-4,000 feet
	70684110	Burner Orifice	F75 models; L.P.; Drill no. 44 (2.18 mm); 4,001-6,000 feet
	70684109	Burner Orifice	F75 models; L.P.; Drill no. 45 (2.08 mm); 6,001-8,000 feet
	70684107	Burner Orifice	F75 models; L.P.; Drill no. 47 (1.99 mm); 8,001-10,000 feet

Burner Orifices - Models with V in the 7th Position

All Models Except U Models

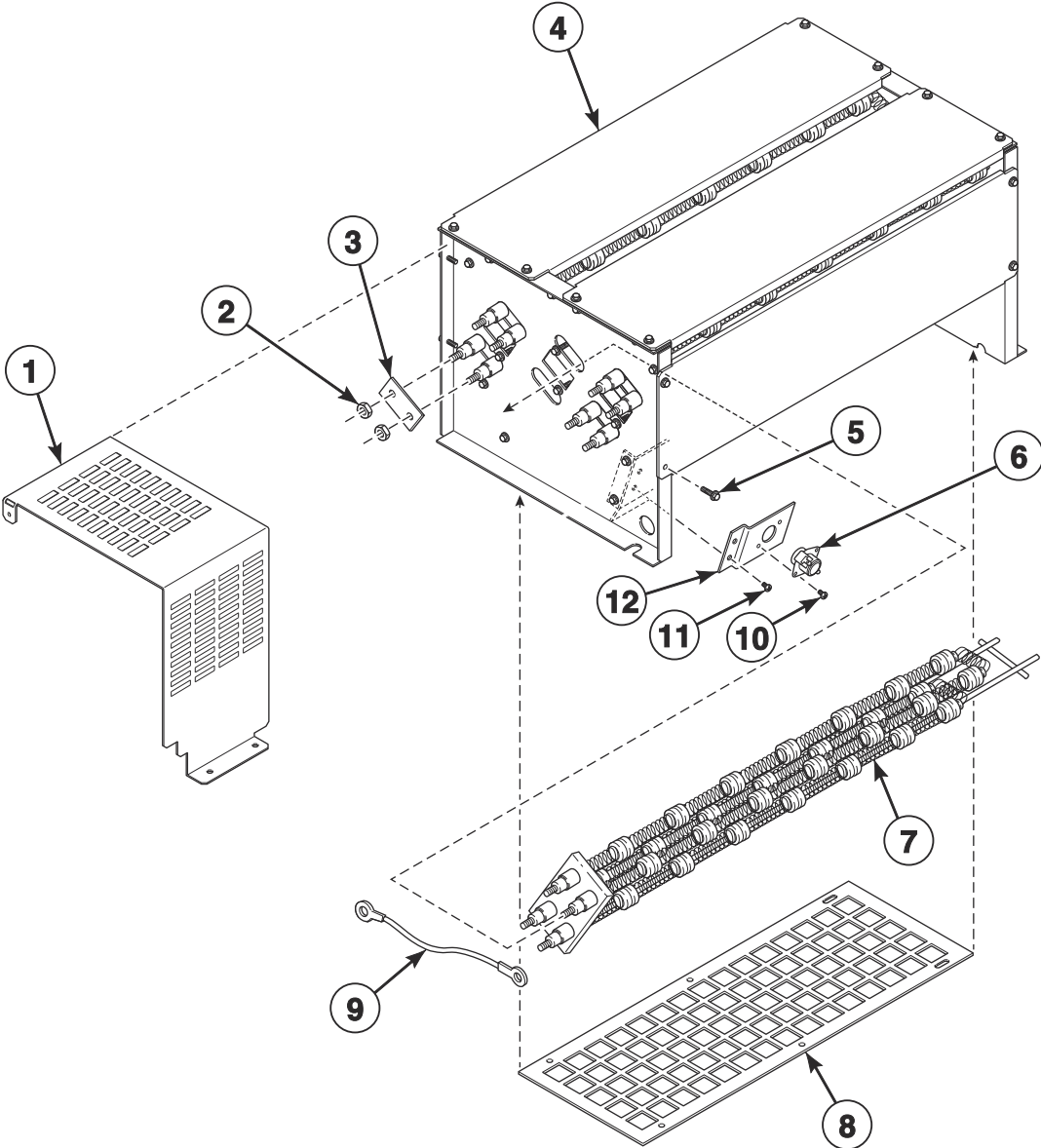


TMB3717P

Burner Orifices - Models with V in the 7th Position

REF	PART NO.	DESCRIPTION	COMMENTS
	44357503	High Altitude Orifice Kit	North America Natural gas (N.G.) models
	44357504	High Altitude Orifice Kit	North America Liquid Petroleum Gas (L.P.) models
1	70684142	Burner Orifice	Standard N.G. models; Drill no. 20 (4.09 mm); 0-2,000 feet
	70684139	Burner Orifice	Standard N.G. models; Drill no. 23 (3.91 mm); 2,001-4,000 feet
	70684137	Burner Orifice	Standard N.G. models; Drill no. 25 (3.80 mm); 4,001-6,000 feet
	70684135	Burner Orifice	Standard N.G. models; Drill no. 27 (3.66 mm); 6,001-8,000 feet
	70684133	Burner Orifice	Standard N.G. models; 3.50 mm; 8,001-10,000 feet
	70684116	Burner Orifice	Standard J market models; L.P.; Drill no. 40 (2.49 mm); 0-2,000 feet
	70684113	Burner Orifice	Standard J market models; L.P.; 2.30 mm; 2,001-4,000 feet
	70684112	Burner Orifice	Standard J market models; L.P.; Drill no. 43 (2.26 mm); 4,001-6,000 feet
	70684110	Burner Orifice	Standard J market models; L.P.; Drill no. 44 (2.18 mm); 6,001-8,000 feet
	70684109	Burner Orifice	Standard J market models; L.P.; Drill no. 45 (2.08); 8,001-10,000 feet
	70684136	Burner Orifice	Eco models; N.G.; Drill no. 26 (3.73 mm); 0-2,000 feet
	70684134	Burner Orifice	Eco models; N.G.; Drill no. 28 (3.57 mm); 2,001-4,000 feet
	70684132	Burner Orifice	Eco models; N.G.; Drill no. 29 (3.45 mm); 4,001-6,000 feet
	70684130	Burner Orifice	Eco models; N.G.; 3.30 mm; 6,001-8,000 feet
	70684128	Burner Orifice	Eco models; N.G.; Drill no. 1/8 (3.18 mm); 8,001-10,000 feet
	70684116	Burner Orifice	All other models; L.P.; Drill no. 40 (2.49 mm); 0-2,000 feet
	70684114	Burner Orifice	All other models; L.P.; Drill no. 42 (2.37 mm); 2,001-4,000 feet
	70684113	Burner Orifice	All other models; L.P.; 2.30 mm; 4,001-6,000 feet
	70684111	Burner Orifice	All other models; L.P.; 2.20 mm; 6,001-8,000 feet
	70684109	Burner Orifice	All other models; L.P.; Drill no. 45 (2.08 mm); 8,001-10,000 feet

Electric Heater Components

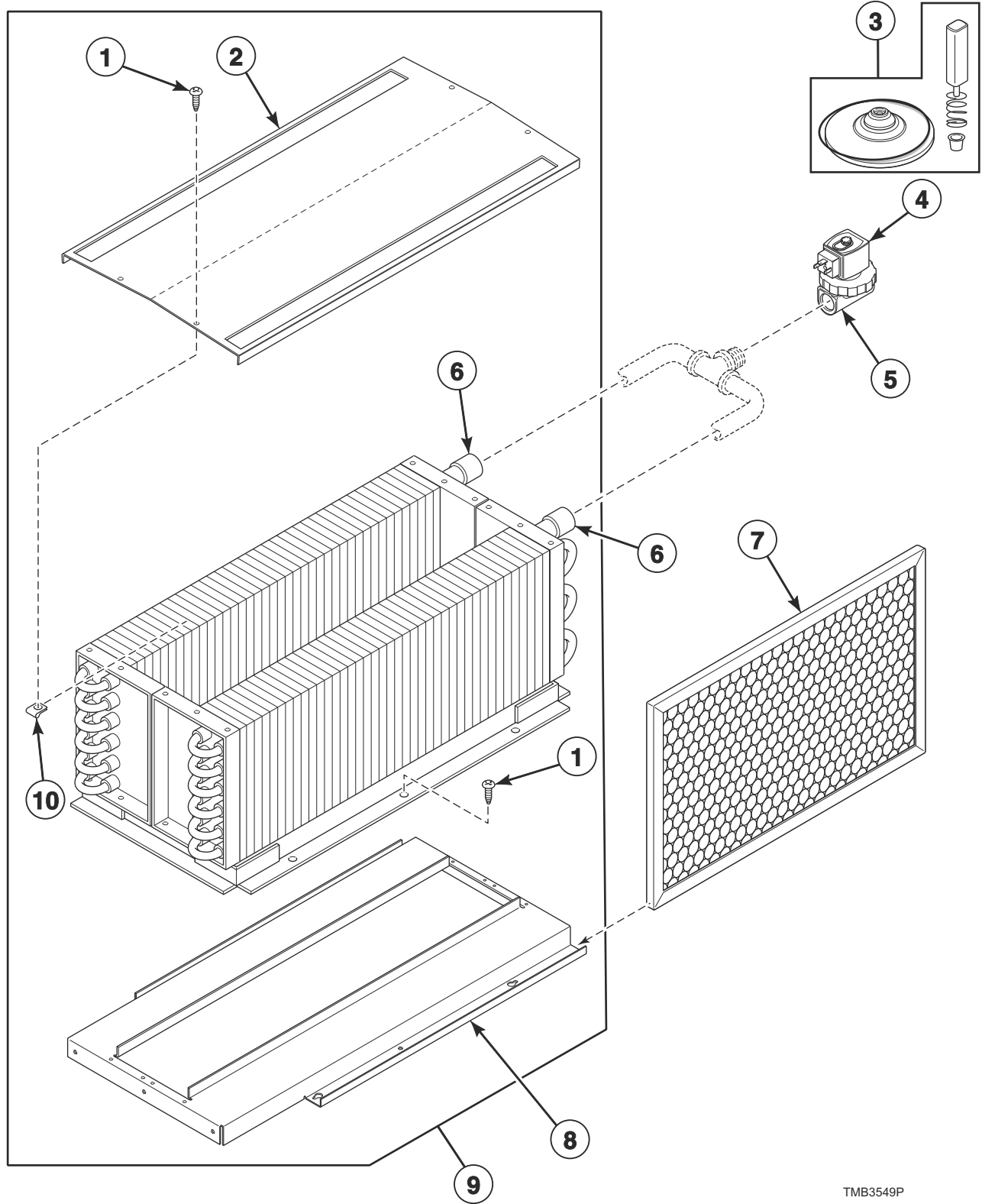


TMB3900P

Electric Heater Components

REF	PART NO.	DESCRIPTION	COMMENTS
	44366302	Harness	Contact to coil/fan/thermostat
	44391004	Conversion Kit	240V/3Ph to 208V/3Ph
1	44364701	Electric Wrap	Eco and medium electric models
	44364702	Electric Wrap	Standard models
2	70054	Nut	
3	M400869	Jumper Strip	3 required for high voltage; 6 required for low voltage
4	44252501	Electric Stove Assembly	Eco and medium electric models
	44242101	Electric Stove Assembly	Standard models
5	70240301	Screw	
6	44328006	Limit Thermostat	
7	44232801	Heater Element	Standard models; 3 required; 12 kW; 208 Volt heater element for 200-208 Volt
	44232802	Heater Element	Standard models; 3 required; 12 kW; 220 Volt heater element for 380 and 440 Volt
	44232803	Heater Element	Standard models; 3 required; 12 kW; 240 Volt heater element for 230-240 Volt and 400-415 and 460-480 Volt
	44258701	Heater Element	Eco models; 3 required; 7 kW; 220 Volt heater element for 380 and 440 Volt
	M412955P	Heater Element	Eco models; 3 required; 7 kW; 240 Volt heater element for 230-240, 400-415 or 460-480 Volt
	44263201P	Heater Element	Eco models; 3 required; 7 kW; 208 Volt heater element for 200-208 Volt
	M410939P	Heater Element	Medium electric models; 3 required; 10 kW; 240 Volt heater element for 230-240 Volt, 400-415 and 460-480 Volt
	M410940P	Heater Element	Medium electric models; 3 required; 10 kW; 208 Volt heater element for 200-208 Volt
	M410941P	Heater Element	Medium electric models; 3 required; 10 kW; 220 Volt heater element for 380 and 440 Volt
8	44308801	Heating Element Screen	Eco and medium electric models
	44308802	Heating Element Screen	Standard models
9	70639808	Jumper Harness	3 inch; 380-415 Volt
	70639809	Jumper Harness	9 inch; 440-480 Volt
10	33562	Screw	
11	430497	Screw	
12	44226101	Limit Offset Bracket	

Steam Heater and Valve

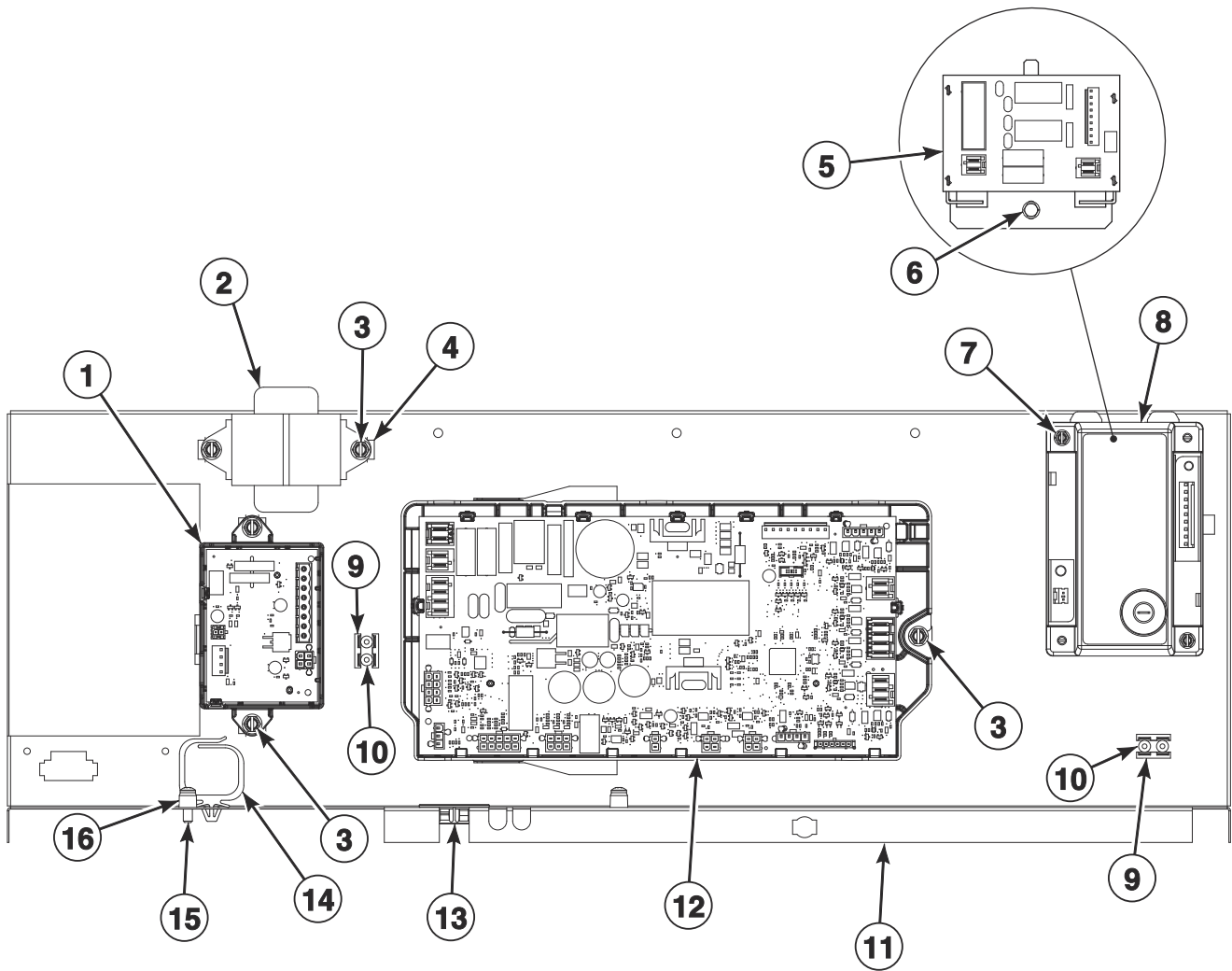


TMB3549P

Steam Heater and Valve

REF	PART NO.	DESCRIPTION	COMMENTS
	44366303	Stove Limit Bypass Harness	
	F8520703	Steam Valve Harness	
	44314701	Steam Adapter Kit	IEC models
	44304801	Strain Relief	
	F8382301	DIN Valve Adapter Kit	Use with item 5
1	23008	Screw	4 required
2	M400828	Low Pressure Steam Cover	
3	F8379502	Valve Rebuild Kit	
4	F8514701	Coil	120 Volt
	F8514601P	Coil	240 Volt
5	F8322904P	Steam Valve	120 Volt
	F8322906P	Valve	240 Volt
6	44256301	Steam Coil	2 required; CRN models
	M400637P	Steam Coil	2 required; All other models
7	44172001	Filter	Aluminum; 2 required; IEC models
	44104201	Air Filter	Fiberglass; 2 required; T and G market models
8	44007501	Steam Stand Box	
9	44020402	Steam Heater Assembly	CRN models
	44020401P	Steam Heater Assembly	All other models
10	36020	Nut	4 required

Control Tray

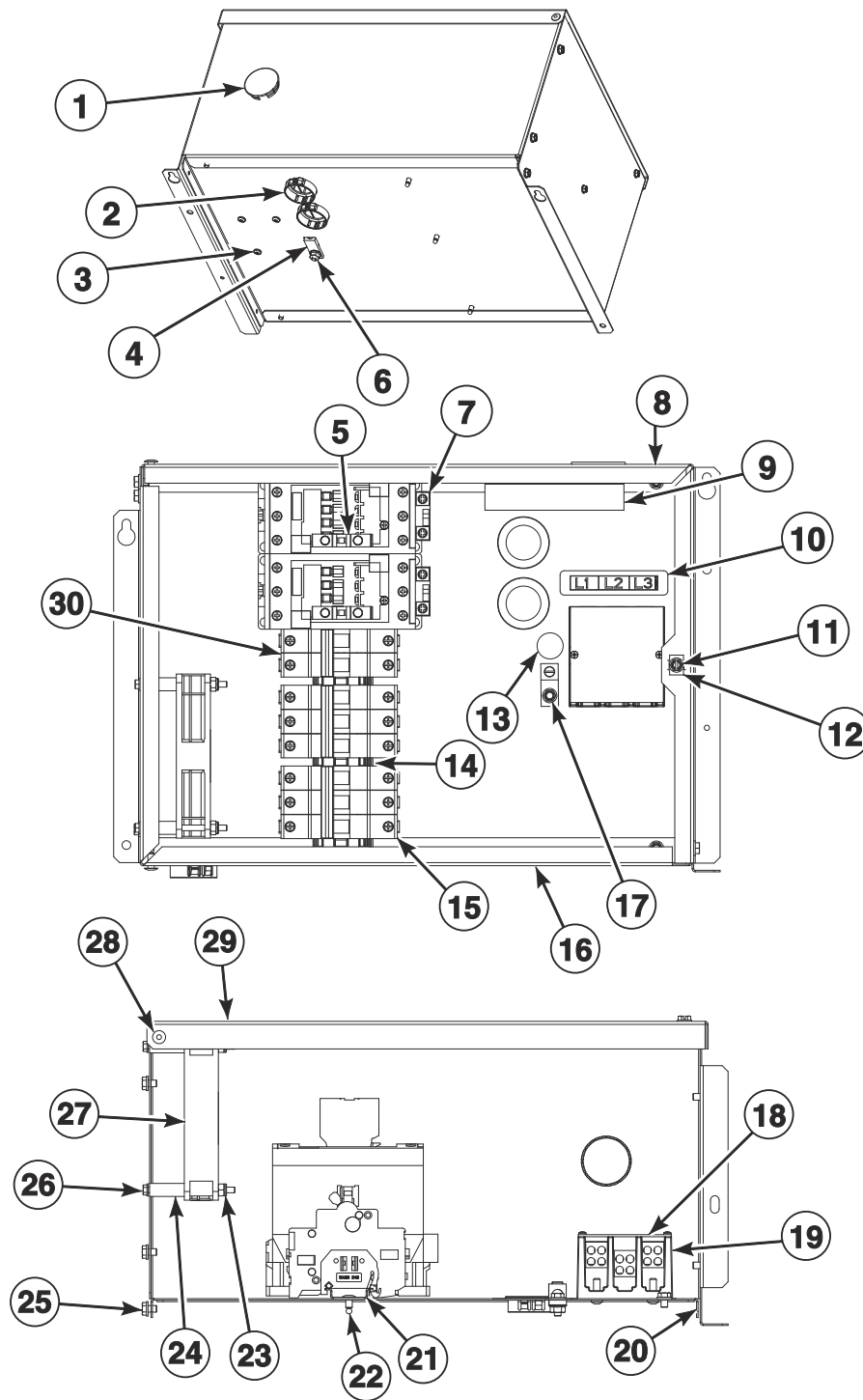


TMB3902P

Control Tray

REF	PART NO.	DESCRIPTION	COMMENTS
	44362701	Rear Main Harness	Models with 0 or A in the 16th position
	44395901	Rear Main Harness	Models HT075N, ST075N and UT075N with C in the 16th position
	44374901	Heat Control Harness	Gas and steam models
	44378001	Steam Control Harness	Steam models
	70631703	Primary Transformer Vend Harness	120 Volt; Card and central pay
	70631704	Primary Transformer Vend Harness	240 Volt; Card and central pay
	70631705	Central Pay Board Power Supply Harness	24V
	44377401	CARE Harness Bracket	Mounts to item 11
	70696803	Conversion Kit	X to B voltage; Models with D, F, N or W in the 7th position
	70696807	Conversion Kit	X to B voltage; Models with V in the 7th position
1	204779	Central Pay Control Assembly	
2	202757	Transformer	100-200 Volt; Card and central pay
	202758	Transformer	200-480 Volt; Card and central pay
3	F8206901	Screw	
4	70030501	Expansion Clip	
5	70501801	Steam Control Assembly	Steam models
6	51780	Screw	
7	51783	Screw	
8	70482002	Ignition Control	IEC gas models
	70482001	Ignition Control	T and G market gas models
9	00622SG	Terminal	Gas and steam models 2 required; Electric models 1 required
10	M400003	Pop Rivet	
11	44364101	Control Tray	
12	70671701	I/O Control Assembly	Models with 0 or A in the 16th position
	70712701	I/O Control Assembly	Models HT075N, ST075N and UT075N with C in the 16th position
13	70346501	Bushing	
14	F8449501	Wire Clip	
15	39733	Screw	
16	56079	Panel Locator	

Accessory Box - Electric 200-240 Volt Models

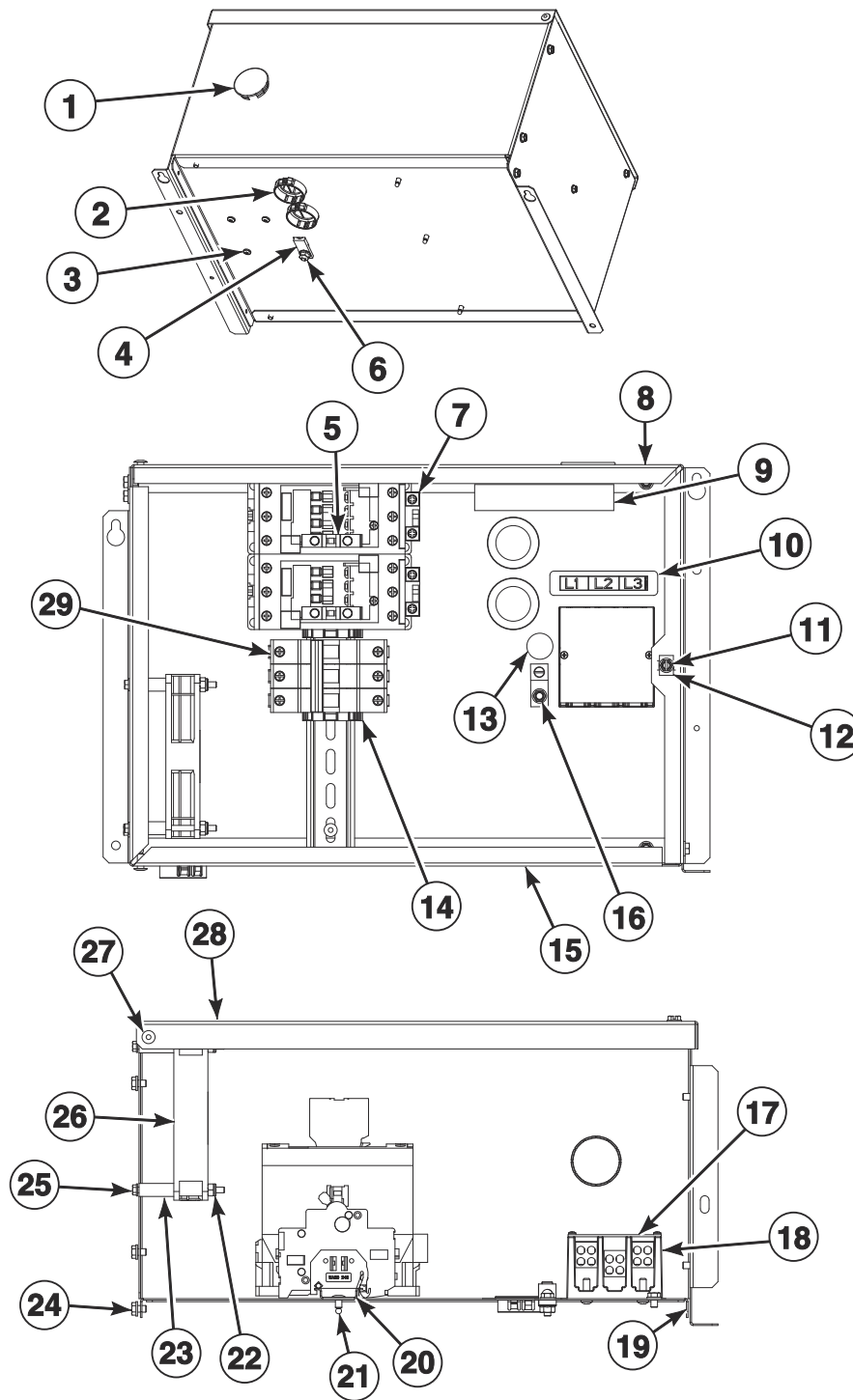


TMB3903P

Accessory Box - Electric 200-240 Volt Models

REF	PART NO.	DESCRIPTION	COMMENTS
	44375409	Harness	Contactora box to power distribution block/EMI filter; 1 phase
	44375410	Harness	Contactora box to power distribution block/EMI filter; 3 phase
	70639803	Harness	Power distribution block to contactor block
	70639804	Harness	Power distribution block to contactor block
	70639805	Harness	Contactora block to HC
	70632202	Harness	Contactora coil
	70630903	Harness	Contactora monitor
	70630904	Harness	IEC models; Contactora monitor
	70639812	Harness	Contactora to Element H1-H3
	70639813	Harness	Contactora to Element H4-H6
1	70180001	Plug	
2	M402542	Snap Bushing	3 required
3	39733	Screw	
4	M411283	Ground Lug Connector	
5	44313201	Auxiliary Contact Block	2 required
6	44088001	Nut	
7	70482801	Contactora	2 required
8	44365001	Contactora Box Top	
9	F8614501	Danger Label	
10	44286802	Wire Label	1 Phase; L1, L2 L1, N
	44286803	Label	3 Phase; L1, L2, L3
11	F8206901	Screw	
12	70030501	Expansion Clip	
13	D516100	Label	
14	F8449801	End Stop	3 required
15	70488105	Circuit Breaker	2 required; 63 amp
16	44364901	Contactora Box Bottom	
17	685837	Screw	
18	44014901P	Power Distribution Block Cover	
19	M413865	Power Distribution Block	
20	44365101	Contactora Box Base	
21	44229701	Din Rail	
22	70058501	Pop Rivet	
23	F430232	Nut	
24	44328601	Sleeve	2 required
25	51780	Screw	
26	70546902	Screw	
27	F8504301	Fan	
28	70058502	Pop Rivet	
29	44365301	Contactora Box Cover	
30	70488102	Circuit Breaker	25 amp

Accessory Box - Electric 380-480 Volt Models



TMB3904P

Accessory Box - Electric 380-480 Volt Models

REF	PART NO.	DESCRIPTION	COMMENTS
	44375409	Harness	Contactator box to power distribution block/EMI filter; 1 phase
	44375410	Harness	Contactator box to power distribution block/EMI filter; 3 phase
	70639803	Harness	Power distribution block to contactor block
	70639804	Harness	Power distribution block to contactor block
	70639805	Harness	Contactator block to HC
	70632202	Harness	Contactator coil
	70630903	Harness	Contactator monitor
	70630904	Harness	IEC models; Contactator monitor
	70639812	Harness	Contactator to Element H1-H3
	70639813	Harness	Contactator to Element H4-H6
1	70180001	Plug	
2	M402542	Snap Bushing	3 required
3	39733	Screw	
4	M411283	Ground Lug Connector	
5	44313201	Auxiliary Contact Block	2 required
6	44088001	Nut	
7	70482801	Contactator	2 required
8	44365001	Contactator Box Top	
9	F8614501	Danger Label	
10	44286803	Label	3 Phase; L1, L2, L3
11	F8206901	Screw	
12	70030501	Expansion Clip	
13	D516100	Label	
14	F8449801	End Stop	2 required
15	44364901	Contactator Box Bottom	
16	685837	Screw	
17	44014901P	Power Distribution Block Cover	
18	M413865	Power Distribution Block	
19	44365101	Contactator Box Base	
20	44229701	Din Rail	
21	70058501	Pop Rivet	
22	F430232	Nut	
23	44328601	Sleeve	2 required
24	51780	Screw	
25	70546902	Screw	
26	F8504301	Fan	
27	70058502	Pop Rivet	
28	44365301	Contactator Box Cover	
29	70488101	Circuit Breaker	25 amp

Labels

PART NO.	DESCRIPTION	COMMENTS
44324201	Caution Label	Australian models; Repeat Ignition Reset
44318601	Caution Label	Vent/install
F8614501	Danger Label	Shock; English/French
F8614301	Hot Surface Warning Label	English/French
F8609001	Hot Surface Warning Label	Icon
F8611601	Warning Label	
44318600	Label Kit	Vent/install
F8614500	Label Kit	Shock
F8611600	Warning Label Kit	
44321501	Notice Label	120/240 Volt
70539601	Notice Label	
70534201	Notice Label	
F8609501	Notice Label	
D516073	Notice Label	Read instructions; Icon
70538401	Pinch Warning Label	English/French
F8615701	Pinch Warning Label	Icon
70536401	Warning Label	Lint; Australian models
44324101	Warning Label	Fire; Australian models
44321601	Warning Label	Risk of fire; Icon
44324001	Warning Label	Shock/pinch

Parts Index

A

Accessory Plate Assembly	
F8574202	31
F8574203	31
F8574205	31
F8734601	31
Adapter	
44178801	81, 83
Adapter Harness	
44375503	71
Air Exhaust Deflector	
44308401	75
44308402	57, 75
Air Filter	
44104201	93
Airflow Switch and Arm Bracket	
70319602	79
Airflow Switch Arm	
70319401	79
Airflow Switch Assembly	
70429602	79
Airflow Switch Vane	
70319202	79
App Pay Overlay Kit	
44374701	31, 33
Auxiliary Contact Block	
44313201	97, 99

B

Baffle	
44299001	55
44299801	55
44299802	55
44393501	55
44393502	55
Ball Bearing	
44041901P	69, 73
Bearing	
M413923P	69, 73
Blind Rivet	
F8245101	49
Blower Assembly	
44267201	75
70302201P	75
Blower Housing Scroll	
44303801	75
44303901	75
44396301	57
Blower Inlet Cone	
44305201	57, 75
70303101	75
Blower Motor Mounting Plate	
44311301	75
44380401	75
Bolt	
M400650	69, 73

Bottom Pan	
44298701	55
44394201	57
Burner Assembly	
M410541P	81
Burner Cover	
44353901	83, 85
Burner Grate	
44354401	83, 85
Burner Orifice	
70684101	87
70684102	87
70684103	87
70684104	87
70684105	87
70684106	87
70684107	87
70684108	87
70684109	87, 89
70684110	87, 89
70684111	89
70684112	87, 89
70684113	89
70684114	87, 89
70684116	89
70684126	87
70684128	87, 89
70684130	87, 89
70684131	87
70684132	87, 89
70684133	85, 87, 89
70684134	87, 89
70684135	85, 87, 89
70684136	89
70684137	85, 87, 89
70684138	87
70684139	85, 87, 89
70684142	85, 87, 89
70684158	87
Burner Support	
44110301	81
44341801	83, 85
Bushing	
70346501	77, 95
Bypass Harness	
44334103	23, 31, 43

C

Card Reader Plate	
F8574204	31
CARE Harness Bracket	
44377401	95
Caution Label	
44318601	100
44324201	100
Center Pan	
44298601	55
44393301	57
Central Pay Board Power Supply Harness	
70631705	95

N/A items do not appear in index.

Central Pay Control Assembly 204779	95	Contactora Box Base 44365101	97, 99
Circuit Breaker 70488101	99	Contactora Box Bottom 44364901	97, 99
70488102	97	Contactora Box Cover 44365301	97, 99
70488105	97	Contactora Box Top 44365001	97, 99
Circuit Plug Housing, 1 26302	71	Control 70511601	19
Clip 70226701	57	Control Assembly 70478803	23
Coil F8514601P	93	70478804	27
F8514701	93	70478901	23
Coin Box F160673P	55	70478902	27
Coin Chute Assembly 70296401	55	70479801	21
Coin Drop 38963P	35	70479901	21
39748	35	70523001	23
70441601	35	70523002	27
70441603	35	70523101	21
Coin Drop Assembly 201141	35	70543104	29
210195	35	70597801P	31
210196	35	70597803	33
38462P	35	70697004	33
38463	35	Control Box Assembly 44180101	17
38467	35	Control Box Base 44065301	19
38519	35	Control Box Cover 44065201	19
70281102	35	Control Box Housing 44306701	19
70283102	35	Control Box Top 44307101	19
70441602	35	Control Box Wrap 44119101	17
70447301	35	44344101	17
70471601	35	Control Door and Studs Assembly 70570201	29
70482401	35	Control Door Latch 431318	53
70506901	35	Control Harness 44375604	19
Coin Drop Kit CK077	35	Control Housing Cover 70307005	17, 39
CK122	37	Control Mounting Bracket 70598601	31
Coin Identification Paper 38464P	35	Control Panel 44000125	45
38475	35	44000130DG	45
38725	35	44000130W	45
Coin Meter F0160737-00	35	44040013	45
Coin Vault and Emergency Stop Mount Assembly 70529502	55	44040015LG	45
Coin Vault Assembly 70529501	55	44040015W	45
Coin Vault Switch Harness 44334101	43	44344001	45
44334104	23, 31	44344002	45
Cold Weather Kit 44340301	19	44388603	45
Conduit Plate 70615501	59	44388606W	45
70615502	59	44388701	45
Contact Base F8538101	41	44388702	45
Contact Switch F8069501	41	44388703W	45
Contactora 70482801	97, 99	44388704W	45
		70693201LG	45
		70693201W	45
		70693202	45

N/A items do not appear in index.

Control Plate	
70497101	21, 27
Control Plate and Studs Assembly	
70496601	23
Control Plate Assembly	
70497201	23
Control Tray	
44364101	95
Control Tray Guard	
44363801	59
Control Trim	
44016401	43
70529401	43
Conversion Kit	
44391004	91
70696803	95
70696807	95
Cyclone	
44394401	57
Cyclone Lint Front Panel	
44394001	57
Cylinder and Trunnion Assembly	
44195701P	67
44195702P	67
44195705P	67
44195706	67
Cylinder Assembly	
44198301P	67
44198302	67
Cylinder Kit	
44057201P	67
44057301P	67
Cylinder Rib Assembly	
44191202	67

D

Damper Assembly	
44280301	75
44280302	57, 75
Danger Label	
F8614501	97, 99, 100
Din Rail	
44229701	97, 99
DIN Valve Adapter Kit	
F8382301	93
Door Assembly	
44354701	61
44354702	61
44354703	61
44354704	61
44354705	61
44354706	61
44354707	61
44354708	61
44354709	61
44354710LG	61
Door Catch Kit	
70482901	43
Door Glass	
44008401P	63
44008405	63
Door Glass Installation Tool	
M4221P4	63

Door Glass Label	
70650401	63
70707701	63
Door Handle	
44007901	63
44263801	63
44370601	63
Door Handle Wedge	
D510129W	57
Door Hinge Assembly	
70596603	65
70596604	65
70596614B	65
70596614LG	65
70596614W	65
Door Hinge Lug Assembly	
70597601	65
70597602	65
70597603	65
Door Latch	
M401223	43
Door Pull and Wedge Kit	
D511213P	57
Door Ring Assembly	
44354801	63
44354802	63
44354803	63
44354804	63
44354807B	63
44354808LG	63
Door Ring Gasket	
44008201P	63
70296802	63
Door Seal Kit	
70211902P	63
Door Switch Actuator	
70532101	65
Door Switch Acuator	
70532102	65
Door Switch Harness	
44366201	43
Drive Access Cover	
70202501	59
Drive Motor	
44355005	73
44355006	73
Drive Rivet	
M400713	19

E

Edge Protector	
44394701	57
44396201	57
Electric Stove Assembly	
44242101	91
44252501	91
Electric Wrap	
44364701	91
44364702	91
Electronic Coin Drop Assembly	
70294107	35
70513302	35
70513303	35

N/A items do not appear in index.

70513304	35
70513306	35
70513308	35
70513309	35
70513310	35
70513311	35
70513312	35
70513313	35
70513314	35
70513315	35
70513316	35
Electronic Coin Drop Kit	
CK099	37
CK100	37
CK101	37
CK108	37
CK109	37
CK110	37
CK113	37
CK115	37
CK116	37
CK117	37
CK118	37
CK119	37
CK120	37
CK121	37
Emergency Stop Button Kit	
70580301	41
Emergency Stop Bypass Harness	
F8519403	23, 31
Emergency Stop Harness	
44272401	41
Emergency Stop Interconnect Harness	
70631102	41
Emergency Stop Label	
44012901	41
44012903	41
Emergency Stop Mounting Bracket	
70550401	41
Emergency Stop Pushbutton	
F200233500	41
EMI Filter	
F8591601	77
F8637501	77
End Stop	
F8449801	97, 99
Exhaust Pipe Assembly	
44327901	75
Expansion Clip	
70030501	23, 31, 33, 43, 77, 95, 97, 99
Extension Spring	
F8440701	73

F

Fan	
F8504301	97, 99
Fan Motor	
44354901	75
44354902	75
44354903	75
44354904	75
Fan Spacer	
70599301	75

Felt Pad	
M402144	67
Fill Hose	
202799	19
Filter	
44172001	93
Filter Mounting Plate	
70551701	19
Fob Communication Harness	
F8519403	31
F8719301	23
Fob Reader Control Assembly	
205135	23, 31
Fob Reader Kit	
70666806	39
Front Duct Panel	
44393401	57
Front Panel	
44052532	47
44052533DG	47
44052533W	47
44052535	47
44052536DG	47
44052536W	47
44052538	47
44052539DG	47
44052539LG	47
44052539W	47
44052541	47
44052542DG	47
44052542LG	47
44052542W	47
44346305	47
44346306	47
44346307	47
44346308	47
Fuse Control Assembly	
70683201	77

G

Gas Burner	
70396201P	83, 85
Gas Heater Assembly	
44352701	83
44396501	85
Gas Stove Assembly	
44135605	81
Gas Valve	
44154501P	81, 83, 85
44154502P	81, 83
44154505	81, 83
44154506	81, 83
44178301P	81, 83
44178302P	81, 83
44298501	81, 83
44298504	81, 83
Gas Valve Bracket	
44175703	81
44340701	83, 85
Gas Valve Harness	
44273501	81, 83, 85
44273502	81, 83
Gas Valve/Thermostat Harness	
44366301	81, 83, 85

N/A items do not appear in index.

Gasket	
44394501	57
44394601	57
70289101P	49
Ground Lug Connector	
M411283	77, 97, 99
Guard	
44363601	59
44377301	59

H

Handle and Caps Assembly	
70154405P	49
70154415	49
Handle Bumper	
70407210	49
Harness	
F8617901	29, 33
44366302	91
44375401	77
44375402	77
44375409	97, 99
44375410	97, 99
44388501	77
70630903	97, 99
70630904	97, 99
70632202	97, 99
70639803	97, 99
70639804	97, 99
70639805	97, 99
70639812	97, 99
70639813	97, 99
Harness Adapter Plate	
70523301	19
Harness Strap	
55881	71
Heat Control Harness	
44374901	95
Heater Element	
M410939P	91
M410940P	91
M410941P	91
M412955P	91
44232801	91
44232802	91
44232803	91
44258701	91
44263201P	91
Heating Element Screen	
44308801	91
44308802	91
High Altitude Orifice Kit	
44357503	85, 87, 89
44357504	87, 89
44357505	87
44357506	87
High Voltage Suppression Cable	
44239704	83, 85
44239705	81
Hinge Cam Kit	
M4772P3	65
M4773P3	65
70622401	65

Hold-Down Clip	
35865	51
Hose	
44073304	19
Hose Clamp	
36801	19
Hose Fitting	
44069101	19
Hot Surface Warning Label	
F8609001	100
F8614301	100
Housing and Trunnion Assembly	
M4644P3	69
44336302	69

I

Idler Shaft	
44303102	73
Idler Spacer	
44306801	73
Igniter Cover	
70159601	81, 83, 85
Ignition Control	
70482001	95
70482002	95
Inner Support Panel	
44393701	57
44393702	57
Insulation	
44150102	53
44150105	53
Insulator	
M413862	77
Intake Panel	
44393901	57
Interconnect Harness	
44375601	19
Interface Harness	
44378104	23, 31
Inverter Control Assembly	
70603001	77
70603201	77
70603401	77
70603601	77
Inverter Control Power Harness	
44375701	77
44375703	77
44375704	77
44375706	77
Inverter Drive Tray	
44364201	77
Inverter Power Conversion Harness	
70671001	77
Inverter to Motor Harness	
70635405	73
70635406	73
70635407	73
70635408	73
IR Sensor	
44399602	57
I/O Control Assembly	
70671701	95

N/A items do not appear in index.

70712701 95

J

Jumper Harness
D511476 43
70639808 91
70639809 91
Jumper Strip
M400869 91

K

Key
M400008 67, 73
44309301 73
70155601 19, 43
70155602 43
Kickplate
70117607 49
70117619 49

L

Label
D503887 81, 83
D516100 77, 97, 99
44190901 47
44286801 77
44286803 77, 97, 99
44318201 19
562738 45
70472801 47
70537001 47
Label Kit
F8614500 100
44318200 19
44318600 100
44324500 19
70534400 47
Latch Mounting Bracket
44003201 53
Lead-In Pipe
44377001 81
44377101 81
Lead-In Pipe Kit
44377001 83
44377101 83, 85
Light
801432 19
Limit Offset Bracket
44226101 91
Limit Thermostat
44328001 85
44328003 75
44328005 83
44328006 91
44328008 81
70530905 75
Lint Bracket
44325301 51

Lint Clip Bracket
44140202 51
Lint Cover Panel
44395801 57
Lint Door Switch Harness
44362702 49
Lint Panel
44293602 49
44293603LG 49
44293603W 49
44293604DG 49
44293604W 49
44293605 49
44298101 51
44298102 51
44298201 51
44300901 51
Lint Screen
44063601 51
Lint Screen Clip
H96418413 51
Lint Screen Top Rail
44298901 51
Lint Sensor Bracket
70723001 57
Lint Sensor Harness
44399603 57
Lock, Key and Nut Kit
44089301P 19, 43
44089302P 43
Low Pressure Steam Cover
M400828 93
Lower Guard
44363501 59
44363901 59
44363902 59
44395101 59
Lower Rear Panel
44380501 53
L.P. Conversion Kit
44328802 81
44328803 81
44328811 81
44328812 83
44330302 81
44330307 83
44355202 83

M

Machine ID Control Assembly
203361P 23, 27, 29, 31, 33
Magnet
F8406201 57
70343101 49
Magnet Bracket
44290501 49
Main Harness
44363301 17
70707901 23, 31, 33
Max Fill Line Label
70707501 63
Micro V Pulley
44374001 73

N/A items do not appear in index.

Mixing Valve	
70519801	19
Mixing Valve Shield Bracket	
44306601	19
Moisture Sensing Harness Kit	
44344702	71
Moisture Sensor Harness	
44375501	71
Motor Pivot Bracket Weldment	
44327001	73
Motor Pivot Plate Weldment	
44311501	73
Motor Pivot Support Bracket	
44325801	73
Mounting Bracket	
44376601	19
Mounting Plate	
70208801	23

N

Nameplate	
F8443106	45
F8688001	45
F8688901	45
567293	45
567887	45
70686501	45
70686601	45
Notice Label	
D516073	100
F8609501	100
44321501	100
70534201	100
70539501	81, 83
70539601	100
Notice label	
70544901	81, 83
Nut	
F430232	57, 97, 99
M400026	69, 73
M400035	71
M400977	43
M404993	67
M414215	63
21899	55
23951	49
36020	93
44071201	29
44087101	31, 33
44088001	63, 65, 97, 99
44333202	73
51236	49
70054	23, 31, 91
70660601	75

O

Opto Coupler	
200674P	35
Orifice Adapter	
44340802	83, 85

Orifice Adapter Support	
44342101	83, 85
Outlet Deflector	
44395701	57
Overlay	
F8205101	23
F8733901	23
F8734001	31
F8734201	23
F8734301	31
F8736501	23
F8736601	31
70295101	23
70518101	23
70518102	23
70519001	21
70519002	21
70539101	21
70539102	21
70541201	25
70541202	25
70541203	25
70545501	21
70545502	21
70548801	27
70548802	27
70556201	23
70556301	23
70556401	23
70556402	23
70556501	23
70556502	23
70556601	23
70556701	23
70556801	23
70556901	23
70557001	23
70557002	23
70571101	25
70571102	25
70571103	25
70571104	25
70571401	27
70571402	27
70571601	27
70571602	27
70595401	29
70673301	27
70673302	27
70675001	21
70675002	21
70681701	25
70681702	25
70681703	25
70681704	25
70681705	25
70690401	25
70690402	25
70690403	25
70690404	25
70690405	25
70690701	25
70690702	25
70690703	25
70691001	27
70691002	27
70691301	21
70691302	21
70705701	25

N/A items do not appear in index.

70714101	25
70714102	25
70714103	25
70714104	25
70714105	25
70714401	25
70714402	25
70714403	25
70714801	27
70714802	27
70715101	27
70715102	27
70715501	27
70715502	27
70722401	25
70722402	25
70722403	25
70722404	25
70722405	25

P

Panel Locator	
56079	43, 49, 95
Pin	
70071401	65
Pinch Warning Label	
F8615701	100
70538401	100
Pipe Bracket	
44327601	59
44327603	59
Pipe Plug	
70346802	81
Plug	
70167601	81, 83, 85
70180001	19, 97, 99
Pop Rivet	
M400003	53, 77, 95
44166601	43
70058501	49, 55, 65, 97, 99
70058502	97, 99
70126301	49
70126401	49
Porcelain Touch-Up Paint	
122P4P	53, 55
Power Distribution Block	
M413865	97, 99
Power Distribution Block Cover	
44014901P	97, 99
Power Harness	
44388401	77
Power Sensor Harness	
44375602	19
44375603	19
Pressure Fitting	
44231601	81, 83
Primary Transformer Vend Harness	
70631703	95
70631704	95
Probe Thermistor	
44394801	85
Pulley	
44289502	73

Pushbutton Switch	
70413301	21, 23, 27, 31, 33, 43
Push-to-Start Switch	
801434W	19

R

Rear Access Plate	
44135201	81
Rear Duct Panel	
44393601	57
Rear Guard	
44373401	59
44373501	59
44376701	19
Rear Main Harness	
44362701	95
44395901	95
Rear Mount Panel	
44393801	57
Reed Switch Assembly	
F8066804	49
Replacement Screen Kit	
F8647701P	31, 33
Rib Rod	
M404992	67
Rlb Wire	
44208601	71
Roller Bracket Assembly	
70404001	49
Roller Catch Arm	
70030301	49
Roller Catch Spacer	
70030201	49
Roller Catch Wheel	
70297601	49

S

Screw	
F8206901	39, 77, 95, 97, 99
M400063	69
M400661	63
M402797	81
M411072	23, 43
23008	93
33562	91
39733	31, 33, 49, 95, 97, 99
430497	17, 19, 55, 79, 83, 85, 91
430757	49, 79
431287	53
44338901	71
44349101	65
44364601	75
44364602	73
51780	19, 29, 33, 55, 95, 97, 99
51782	81
51783	77, 95
685837	77, 97, 99
70033502	43, 65
70072801	49
70132301	49
70182601	43

N/A items do not appear in index.

202757	95
202758	95
Trunnion and Bearing Assembly	
M4640P3	69
44336301	69
Trunnion Assembly	
44207901	67
44208001	67
Trunnion Housing	
M413826	73
Trunnion Housing Assembly	
44375001	69, 73
Tumbler Dolly Kit	
M4379P4	43

U

Upper Guard	
44374301	59
Upper Rear Panel	
44376901	53
44394301	53
USB Bracket	
70547001	29, 33
USB IR Interface Kit	
203346	39
USB-Serial Interface Assembly	
203440	29, 31, 33

V

Valve	
F8322906P	93
Valve Rebuild Kit	
F8379502	93
V-Belt	
44309402	73
44333301	73
Vend Activation Harness	
44334002	31
44334004	21, 23, 27
Vend Plate	
F8632501	31

W

Warning Label	
F8611601	100
44321601	100
44324001	100
44324101	100
44324501	19
44324502	19
70534401	47
70534402	47
70534405	47
70536401	100
Warning Label Kit	
F8611600	100
Washer	
F431131	75

M400015	67, 69
20103	69, 73
44238902	71
70261401	69, 73
Water Valve Harness	
44375605	19
Wire Clip	
F8449501	95
F8449502	77
Wire Guard	
201595P	35
Wire Label	
44286802	97
44286804	77
Wireless Control Label	
204692	31, 33, 39
Wireless Network Control Assembly	
807211	39
Wireless Network Harness	
F8674006	39
Wireless Network Kit	
70609701	39
Wireway Channel	
44239101	71

N/A items do not appear in index.