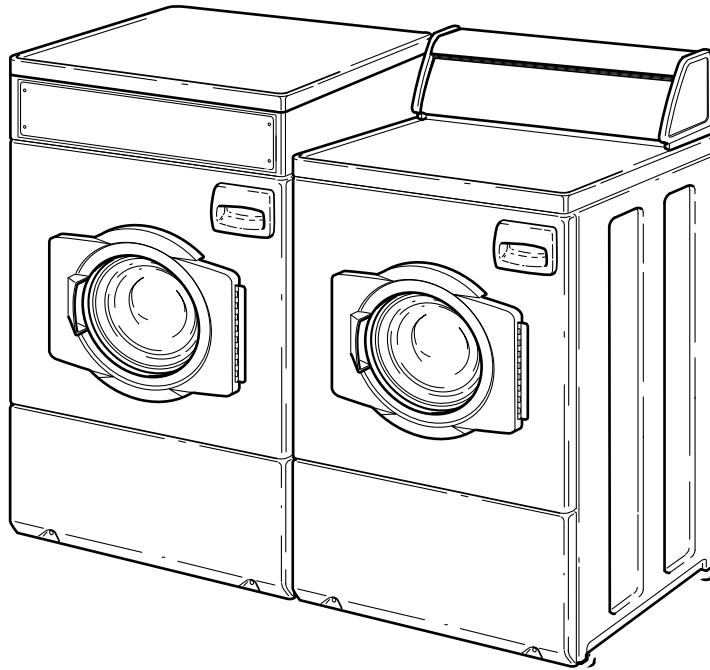


Homestyle Frontload Washers

Refer to Page 3 for Model Numbers



FLW1517C_801727

Table of Contents

Title	Page
Parts Ordering Information.....	2
Serial Plate Location	2
Model Identification	3
Cabinet Top, Control Panel and Controls	4
Graphic Panel, Control Support Panel and Controls	6
Top and Hood Back Panel.....	8
Front Panel, Door Assembly and Door Seal - Models Through Serial No. 0411000565	10
Front Panel, Door Assembly and Door Seal - Models Starting Serial No. 0411000566	12
Dispenser Assembly and Supply Injection Hoses.....	14
Dispenser Assembly	16
Mixing Valve, Fill Hose and Valve-to-Dispenser Hose.....	18
Outer Tub, Front and Clamp Ring.....	20
Inner Basket, Trunnion, Bearing Housing and Pulley	22
Motor and Belt.....	24
Drain Hose and Pump.....	26
Base, Side Panels and Rear Panel.....	28
Junction Box - Model FTZ91A*N1102	30
Junction Box	32
Special Tools	34
Labels	36
Shipping Materials	38
Wire Ties, Clips and Lead-In Cord.....	40
Wire Harnesses and Wires	42
Parts Index.....	45

© Copyright 2020, Alliance Laundry Systems LLC

All rights reserved. No part of the contents of this book may be reproduced or transmitted in any form or by any means without the expressed written consent of the publisher.

Parts Ordering Information

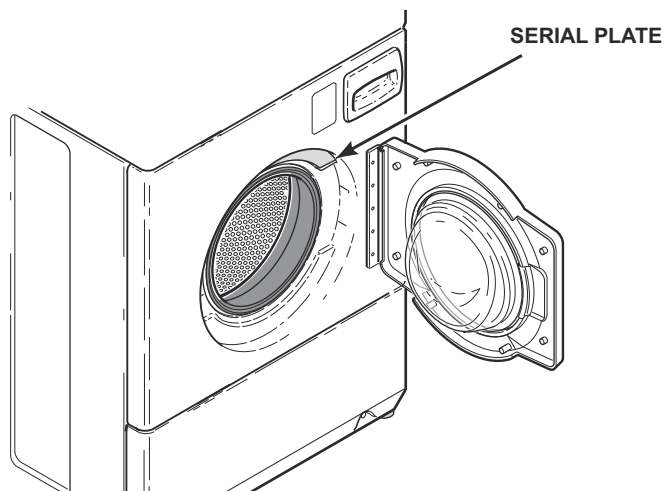
If literature or replacement parts are required, contact the source from whom the machine was purchased or contact Alliance Laundry Systems at (920) 748-3950 for the name and address of the nearest authorized parts distributor.

For technical assistance, call the number listed below:

(920) 748-3121 Ripon, Wisconsin

Serial Plate Location

When calling or writing about your product, be sure to mention model and serial numbers. Model and serial numbers are located on serial plate(s) as shown.



FLW1747S_801727

Model Identification

Information in this manual is applicable to these washer models:

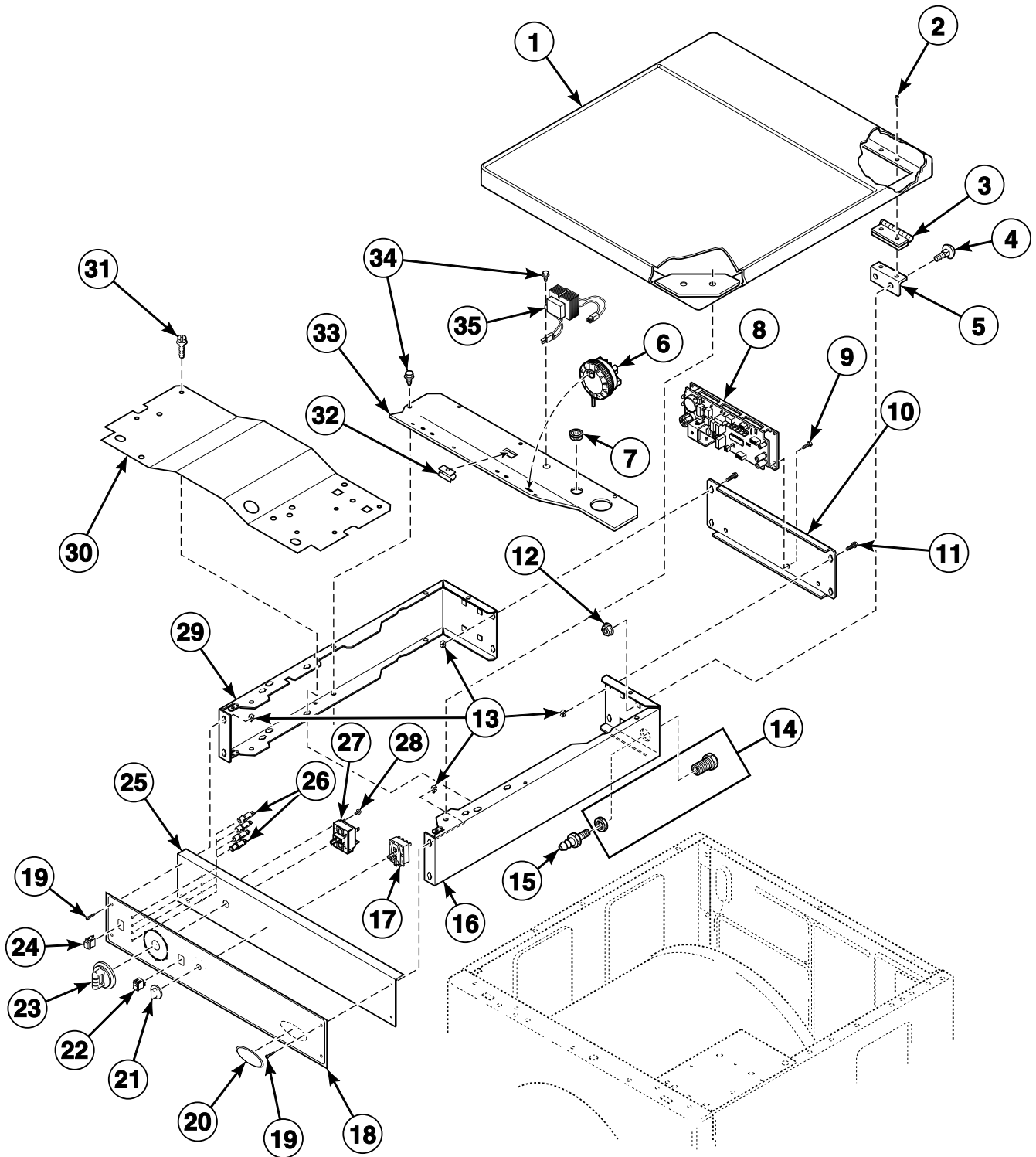
ATZ90A*N1102
ATZ95A*N1102
FTS90A*N3000
FTS90A*N3050
FTS90A*N3300
FTZ90A*N1102

FTZ91A*N1102
LTK95A*N3050
LTS90A*N1127
LTS95A*N3000
LTS95A*N3020
LTZ90A*N1102

* Add Letter To Designate Color. Q - Bisque W - White

Cabinet Top, Control Panel and Controls

Front Control Models



FLW907P_801727

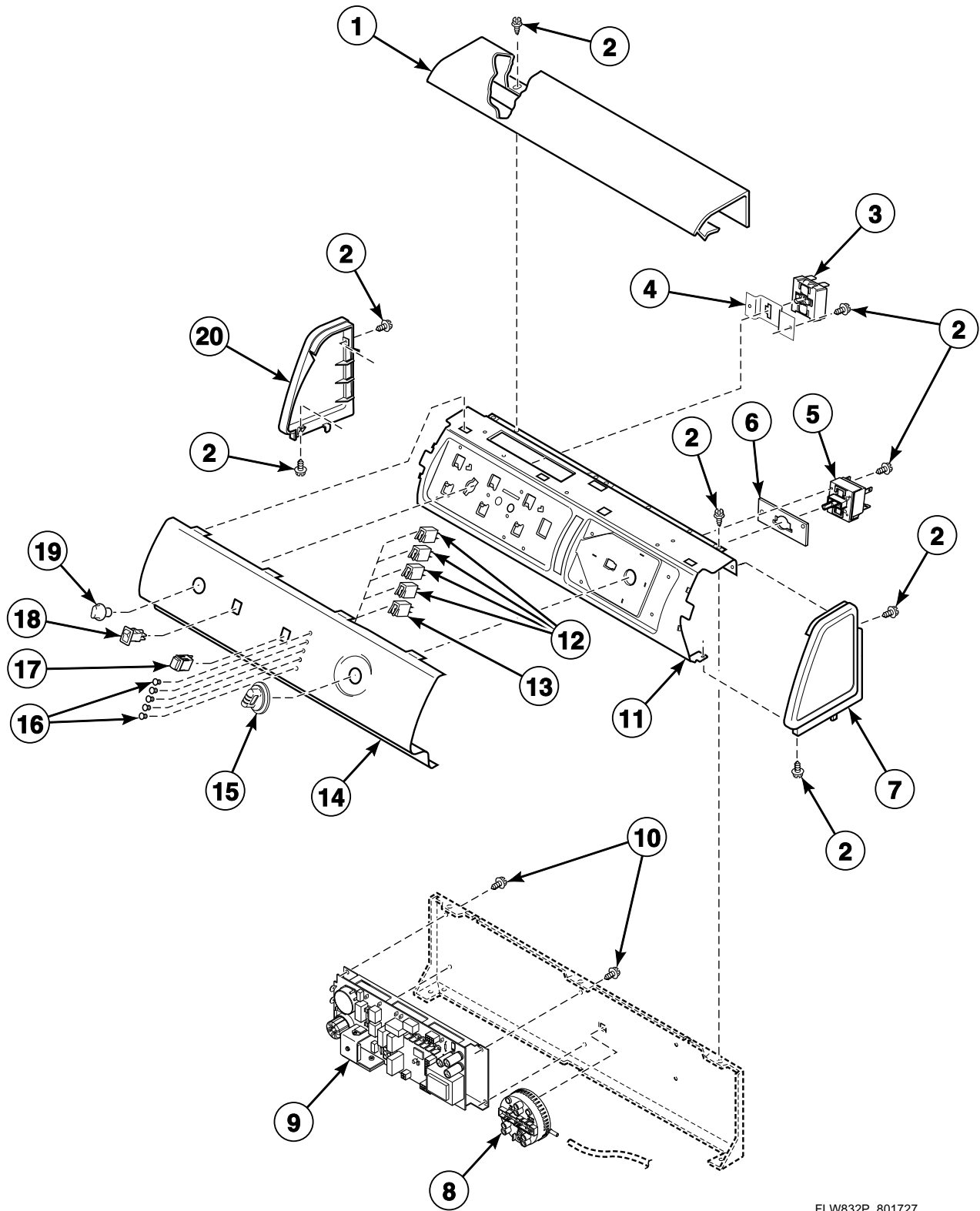
Cabinet Top, Control Panel and Controls

REF	PART NO.	DESCRIPTION	COMMENTS
1	802247WP	Top and Gusset Assembly	White
	802247QP	Top and Gusset Assembly	Bisque
2	685847	Pop Rivet	
3	D511036	Hinge	
4	29651	Bolt	
5	D504228	Top Mounting Bracket	
6	800468P	Pressure Switch	
7	M402542	Snap Bushing	
8	802523P	Control Assembly	
9	D501524	Screw	
10	801058	Rear Control Cabinet	
11	70240301	Screw	
12	M412986	Nut	
13	70030501	Expansion Clip	
14	801788	Union	Model FTZ91A*N1102
15	801789	Connector	Model FTZ91A*N1102
16	801787W	Right Control Cabinet	White; Model FTZ91A*N1102
	801787Q	Right Control Cabinet	Bisque; Model FTZ91A*N1102
	800915W	Right Control Cabinet Side	White; All other models
	800915Q	Right Control Cabinet Side	Bisque; All other models
17	687542	Temperature Switch	
18	801141	Graphic Overlay	
19	800930	Screw	
20	800921	Domed Label	Models FTS90A*N3000, FTS90A*N3050 and FTS90A*N3300
	800922	Domed Label	Models FTZ90A*N1102 and FTZ91A*N1102
21	36701W	Knob Assembly	White
	36701Q	Knob Assembly	Bisque
22	38424W	Rocker Switch	White; Extra rinse
	38424Q	Rocker Switch	Bisque; Extra rinse
23	D512117W	Timer Knob Assembly	White
	D512117Q	Timer Knob Assembly	Bisque
24	801434W	Push-to-Start Switch	White
	801434Q	Push-to-Start Switch	Bisque
25	801377W	Control Panel Assembly	
26	801431	Light	
27	801240	Cycle Switch	
28	D501086	Screw	
29	800900WP	Left Control Cabinet Side	White
	800900QP	Left Control Cabinet Side	Bisque
30	801777	Control Cabinet Bottom	
31	D503688	Screw	
32	36985	Hose Clip	
33	801371	Control Shield	
34	D503661	Screw	
35	210018P	Transformer	Models FTZ90A*N1102 and FTZ91A*N1102
	803527P	Transformer	All other models

* Add Letter To Designate Color. Q - Bisque W - White

Graphic Panel, Control Support Panel and Controls

Rear Control Models



FLW832P_801727

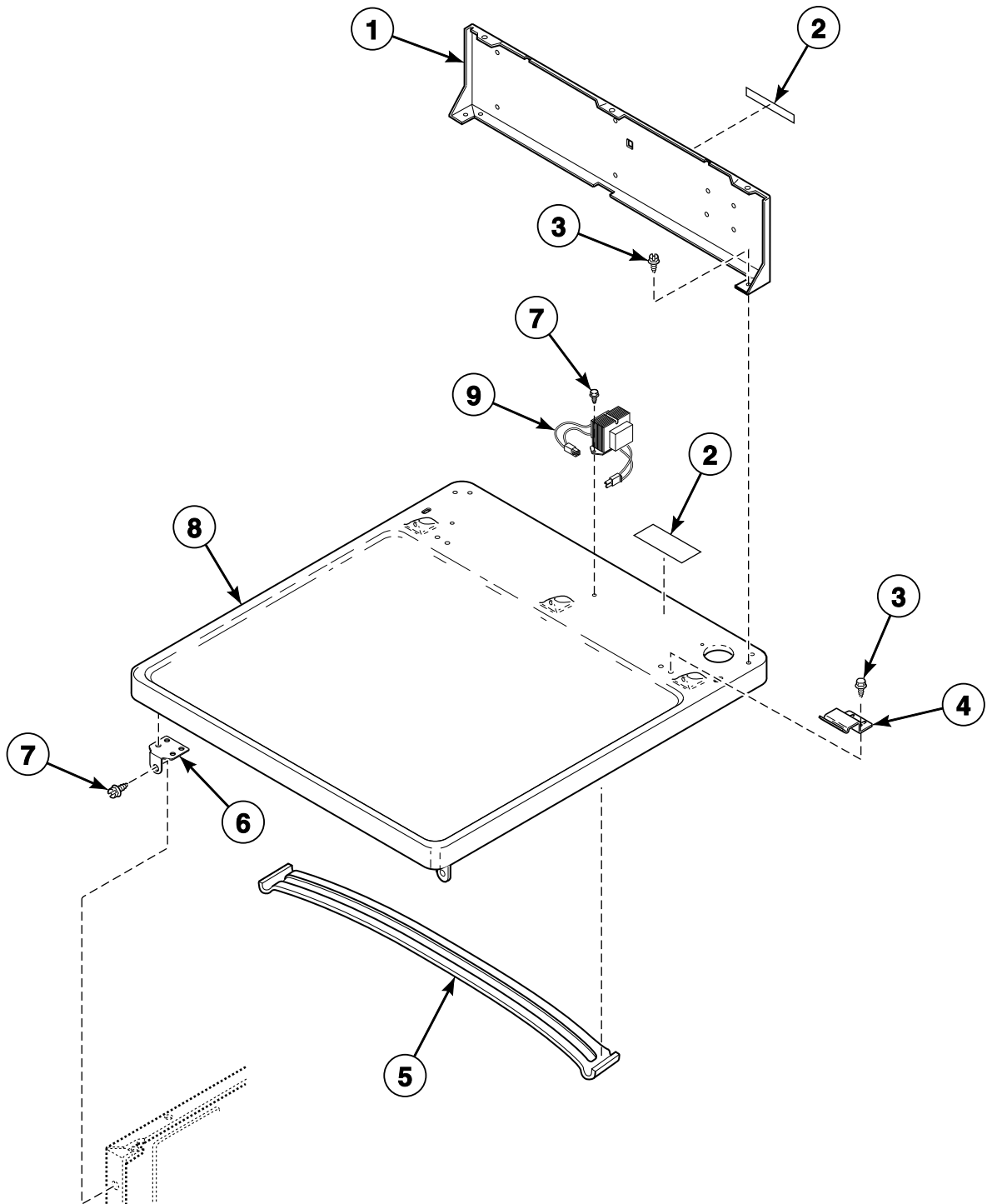
Graphic Panel, Control Support Panel and Controls

REF	PART NO.	DESCRIPTION	COMMENTS
1	D505808W	Top Cover	White
	D505808Q	Top Cover	Bisque
2	D501086	Screw	
3	687542	Temperature Switch	Models ATZ90A*N1102, LTS90A*N1127 and LTZ90A*N1102
	35117	Temperature Switch	Models ATZ95A*N1102, LTK95A*N3050, LTS95A*N3000 and LTS95A*N3020
4	800669	Temperature Switch Bracket	
5	801240	Cycle Switch	
6	801390	Cycle Switch Bracket	
7	D504008WP	End Panel	White; Right
	D504008QP	End Panel	Bisque; Right
8	800468P	Pressure Switch	Models ATZ90A*N1102, LTS90A*N1127 and LTZ90A*N1102
	801297P	Pressure Switch	Models ATZ95A*N1102, LTK95A*N3050, LTS95A*N3000 and LTS95A*N3020
9	802523P	Control Assembly	
10	685837	Screw	
11	801388	Control Support Panel	
12	801356	Indicator Light	Green
13	801357	Indicator Light	Red; Models ATZ95A*N1102, LTK95A*N3050, LTS95A*N3000 and LTS95A*N3020
14	801651W	Graphic Panel	Model LTS95A*N3020
	801140W	Graphic Panel	White; Model LTS95A*N3000
	801140Q	Graphic Panel	Bisque; Model LTS95A*N3000
	801369	Graphic Panel	Model LTZ90A*N1102
	801389W	Graphic Panel	White; Model LTS90A*N1127
	801389Q	Graphic Panel	Bisque; Model LTS90A*N1127
	802091W	Graphic Panel	Model LTK95A*N3050
	802086W	Graphic Panel	Model ATZ90A*N1102
	802087W	Graphic Panel	Model ATZ95A*N1102
15	D512117W	Timer Knob Assembly	White
	D512117Q	Timer Knob Assembly	Bisque
16	801435	Indicator Light Lens	
17	801434W	Push-to-Start Switch	White
	801434Q	Push-to-Start Switch	Bisque
18	38424W	Rocker Switch	White; Extra rinse
	38424Q	Rocker Switch	Bisque; Extra rinse
19	36701W	Knob Assembly	White
	36701Q	Knob Assembly	Bisque
20	D504009WP	End Panel	White; Left
	D504009QP	End Panel	Bisque; Left

* Add Letter To Designate Color. Q - Bisque W - White

Top and Hood Back Panel

Rear Control Models



FLW908P_801727

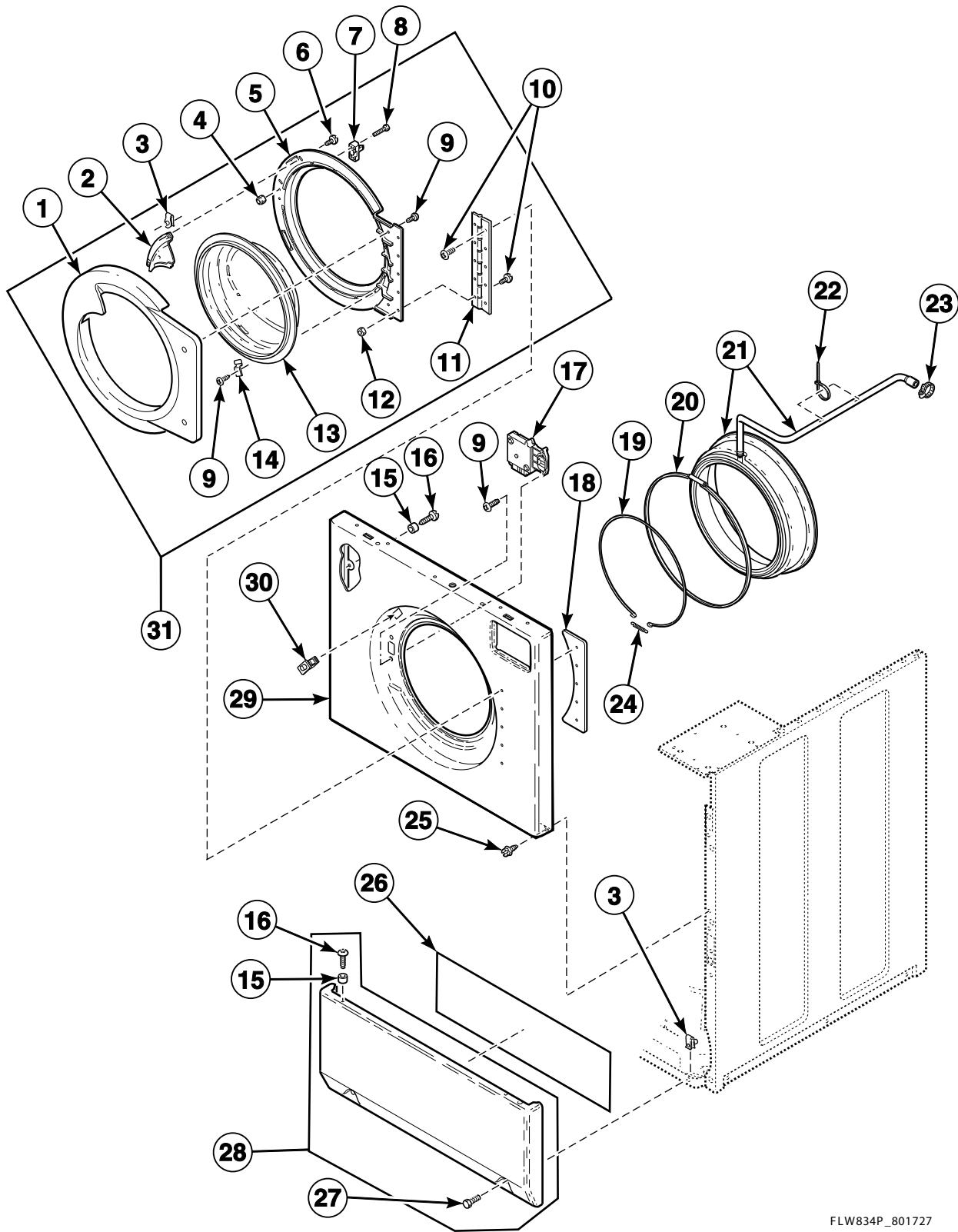
Top and Hood Back Panel

REF	PART NO.	DESCRIPTION	COMMENTS
1	801060	Hood Back Panel	
2	D500316	Warning Label	Models ATZ90A*N1102, ATZ95A*N1102 and LTZ90A*N1102
	D500049	Warning Label	Models LTK95A*N3050 and LTS90A*N1127
	D502511	Electrical Shock Label	All other models
3	D501086	Screw	
4	35358	Hold-Down Clip	
5	N/A	Top Brace	Models ATZ90A*N1102, ATZ95A*N1102 and LTZ90A*N1102
6	D510146	Bracket	
7	D503661	Screw	
8	D510029WP	Top Panel Kit	
9	803527P	Transformer	Models LTK95A*N3050, LTS95A*N3000 and LTS95A*N3020
	210018P	Transformer	All other models

* Add Letter To Designate Color. Q - Bisque W - White

N/A = Part no longer available

Front Panel, Door Assembly and Door Seal - Models Through Serial No. 0411000565



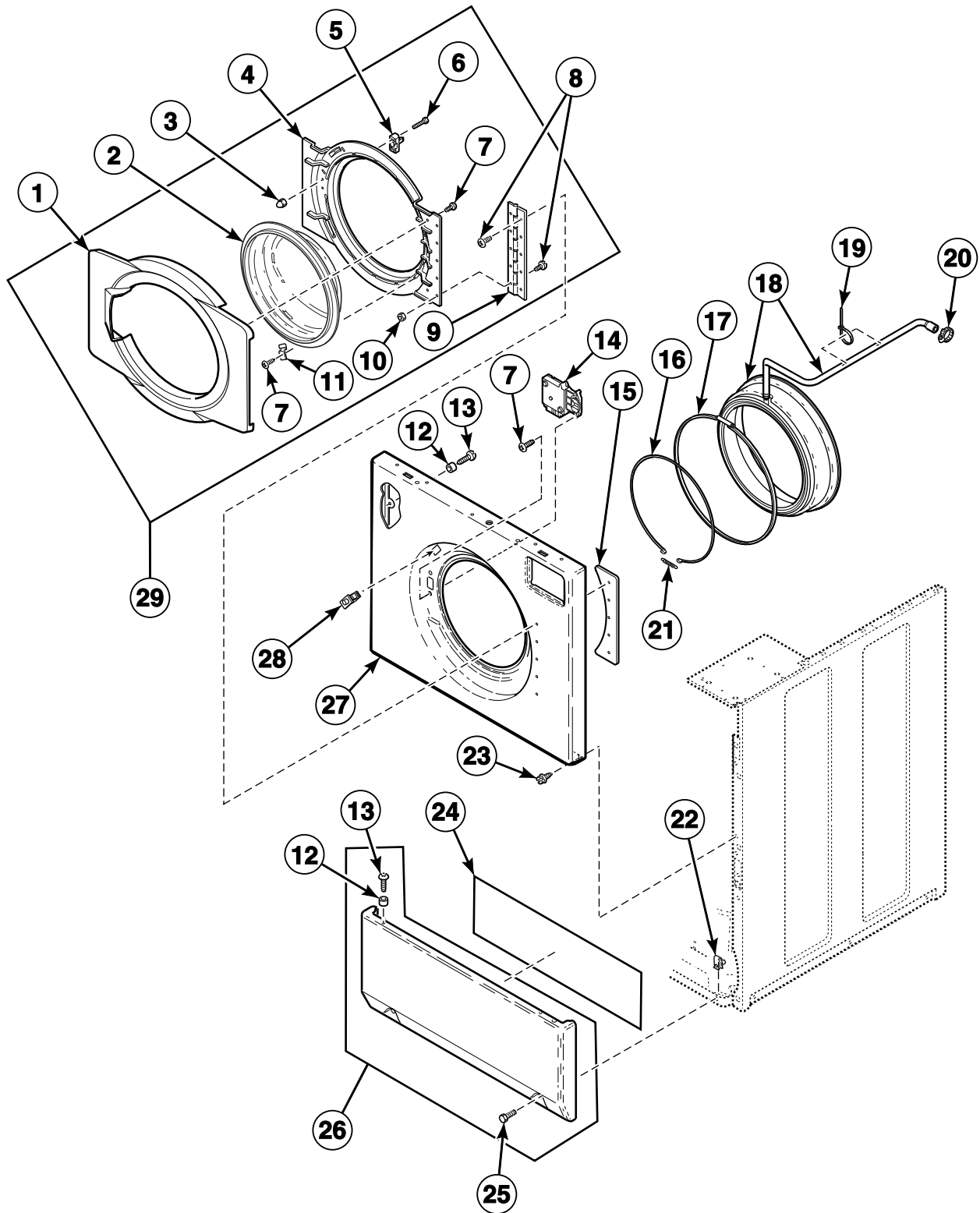
FLW834P_801727

Front Panel, Door Assembly and Door Seal - Models Through Serial No. 0411000565

REF	PART NO.	DESCRIPTION	COMMENTS
1	800341W	Door Bezel	White
	800341Q	Door Bezel	Bisque
2	800342	Door Handle	
3	36020	Nut	
4	685846	Nut	
5	800340	Inner Door Bezel	
6	800528	Screw	
7	685430	Locking Catch	
8	801993	Screw	
9	800548	Screw	
10	801019	Screw	
11	802934	Door Hinge	
12	23951	Nut	
13	800343P	Door Glass	
14	800906	Hold-Down Clip	
15	56079	Panel Locator	
16	39733	Screw	
17	685429	Door Latch/Switch Assembly	
18	802412	Hinge Plate	
19	800438	Wire Clamp Ring	
20	685743P	Door Seal Clamp	Seal to outer tub front
21	800232P	Door Seal and Hose Assembly Kit	Black
	801784P	Door Seal and Hose Assembly Kit	Gray; Models FTS90A*N3000, FTS90A*N3050, FTS90A*N3300, LTK95A*N3050, LTS95A*N3000 and LTS95A*N3020
22	55881	Harness Strap	
23	802164	Hose Clamp	
24	800346	Extension Spring	
25	D503661	Screw	
26	36204	Front Panel Pad	1 inch by 26 inches
27	801045	Screw	
28	D514250WP	Access Panel Assembly	White
	D514250Q	Access Panel Assembly	Bisque
29	800336WP	Front Panel	White
	800336QP	Front Panel	Bisque
30	801821	Door Switch Assembly	Models LTK95A*N3050 and LTS90A*N1127
	800211	Door Switch	All other models
31	800436WP	Door Assembly	White; Includes items 1-14
	800436QP	Door Assembly	Bisque; Includes items 1-14

* Add Letter To Designate Color. Q - Bisque W - White

Front Panel, Door Assembly and Door Seal - Models Starting Serial No. 0411000566



SWD1154P_801727

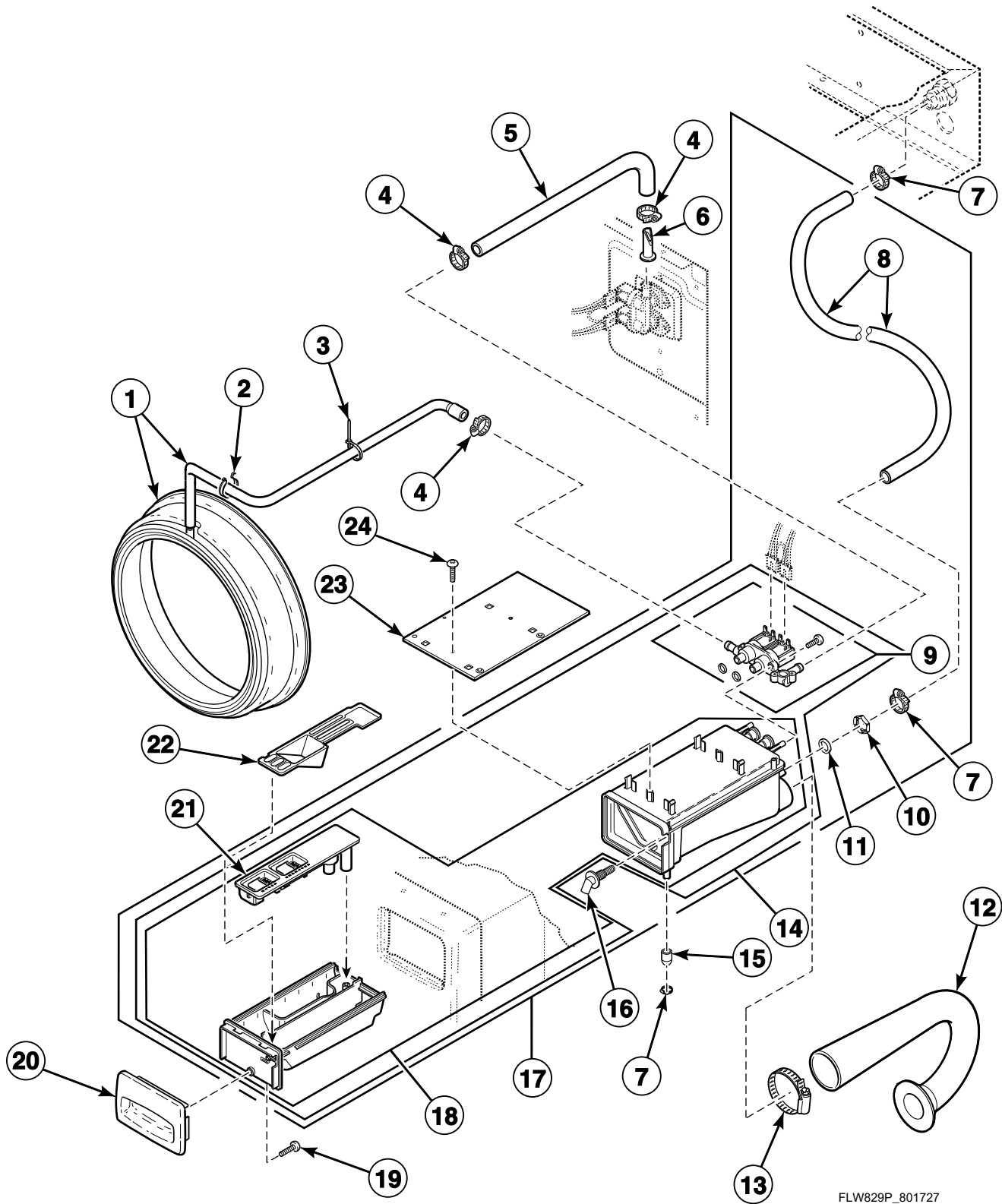
Front Panel, Door Assembly and Door Seal - Models Starting Serial No. 0411000566

REF	PART NO.	DESCRIPTION	COMMENTS
1	801904W	Outer Door Bezel	White
	801904Q	Outer Door Bezel	Bisque
2	800343P	Door Glass	
3	801994	Nut	
4	801903	Inner Door Bezel	
5	685430	Locking Catch	
6	801993	Screw	
7	800548	Screw	
8	801019	Screw	
9	802934	Door Hinge	
10	23951	Nut	
11	800906	Hold-Down Clip	
12	56079	Panel Locator	
13	39733	Screw	
14	685429	Door Latch/Switch Assembly	
15	802412	Hinge Plate	
16	800438	Wire Clamp Ring	
17	685743P	Door Seal Clamp	Seal to outer tub front
18	800232P	Door Seal and Hose Assembly Kit	Black
	801784P	Door Seal and Hose Assembly Kit	Gray; Models FTS90A*N3000, FTS90A*N3050, FTS90A*N3300, LTK95A*N3050, LTS95A*N3000 and LTS95A*N3020
19	55881	Harness Strap	
20	802164	Hose Clamp	
21	800346	Extension Spring	
22	36020	Nut	
23	D503661	Screw	
24	36204	Front Panel Pad	1 inch by 26 inches
25	801045	Screw	
26	D514250WP	Access Panel Assembly	White
	D514250Q	Access Panel Assembly	Bisque
27	800336WP	Front Panel	White
	800336QP	Front Panel	Bisque
28	801821	Door Switch Assembly	Models LTK95A*N3050 and LTS90A*N1127
	800211	Door Switch	All other models
29	801928WP	Door Assembly	White; Includes items 1-11
	801928QP	Door Assembly	Bisque; Includes items 1-11

* Add Letter To Designate Color. Q - Bisque W - White

Dispenser Assembly and Supply Injection Hoses

Model FTZ91A*N1102



FLW829P_801727

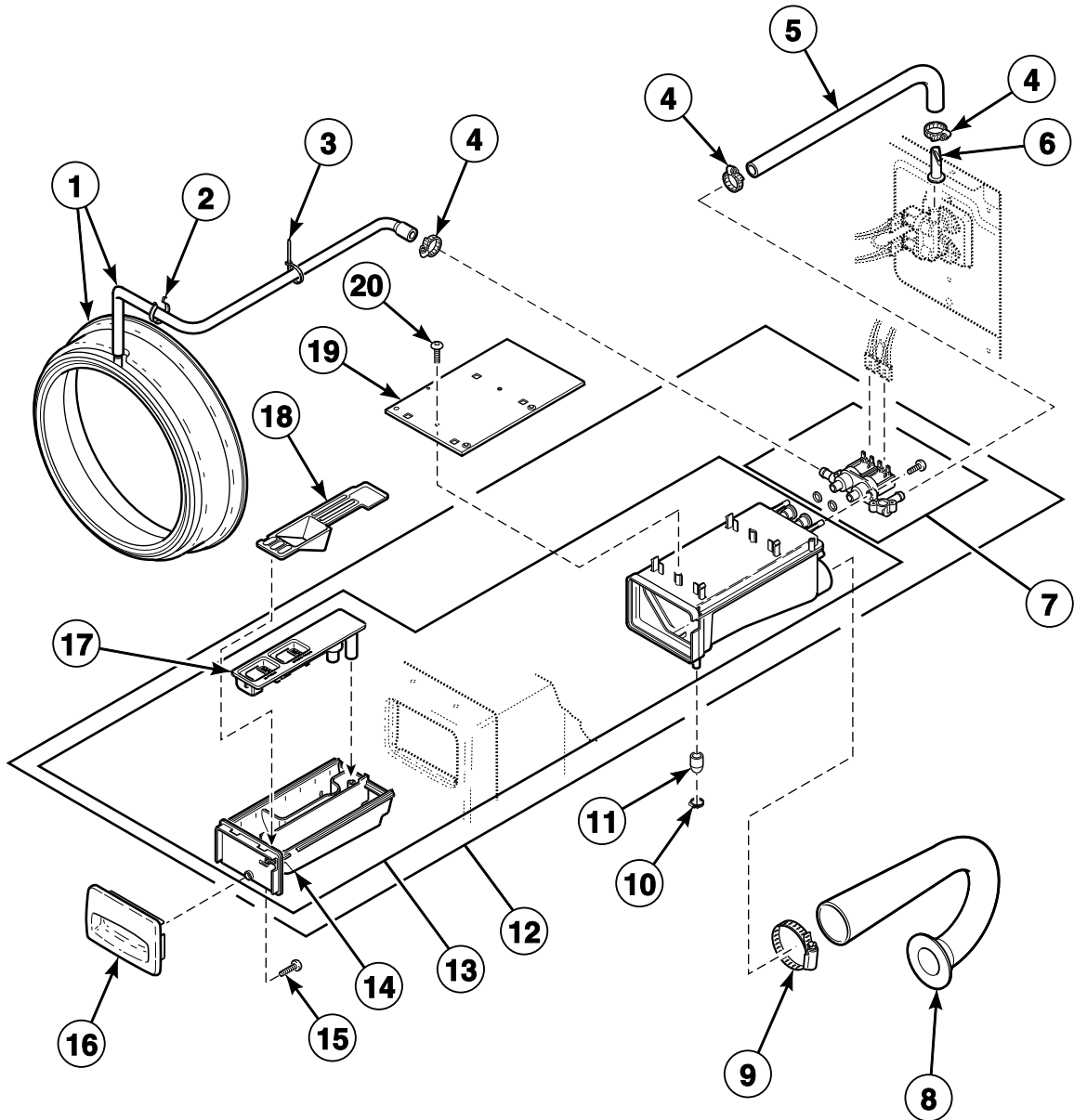
Dispenser Assembly and Supply Injection Hoses

REF	PART NO.	DESCRIPTION	COMMENTS
1	800232P	Door Seal and Hose Assembly Kit	
2	687500	Wire Clip	
3	55881	Harness Strap	
4	802164	Hose Clamp	
5	801464	Valve-to-Dispenser Inlet Hose	
6	34500	Backflow Preventer	
7	F200206	Hose Clamp	
8	801635	Tubing	
9	685766P	Valve Kit	
10	802292	Nut	
11	801632	O-Ring	
12	800331	Dispenser-to-Tub Hose	
13	685725	Hose Clamp	
14	801630P	Dispenser Assembly	
15	801746	Cap	
16	F8322001	Injection Nozzle	
17	801662P	Dispenser Assembly	
18	801476P	Dispenser Assembly	
19	800548	Screw	
20	685715WP	Dispenser Drawer Front	White
	685715QP	Dispenser Drawer Front	Bisque
21	685716	Insert	
22	800899	Detergent Cover	
23	801024	Dispenser Plate	
24	801001	Screw	

* Add Letter To Designate Color. Q - Bisque W - White

Dispenser Assembly

All Models Except FTZ91A*N1102



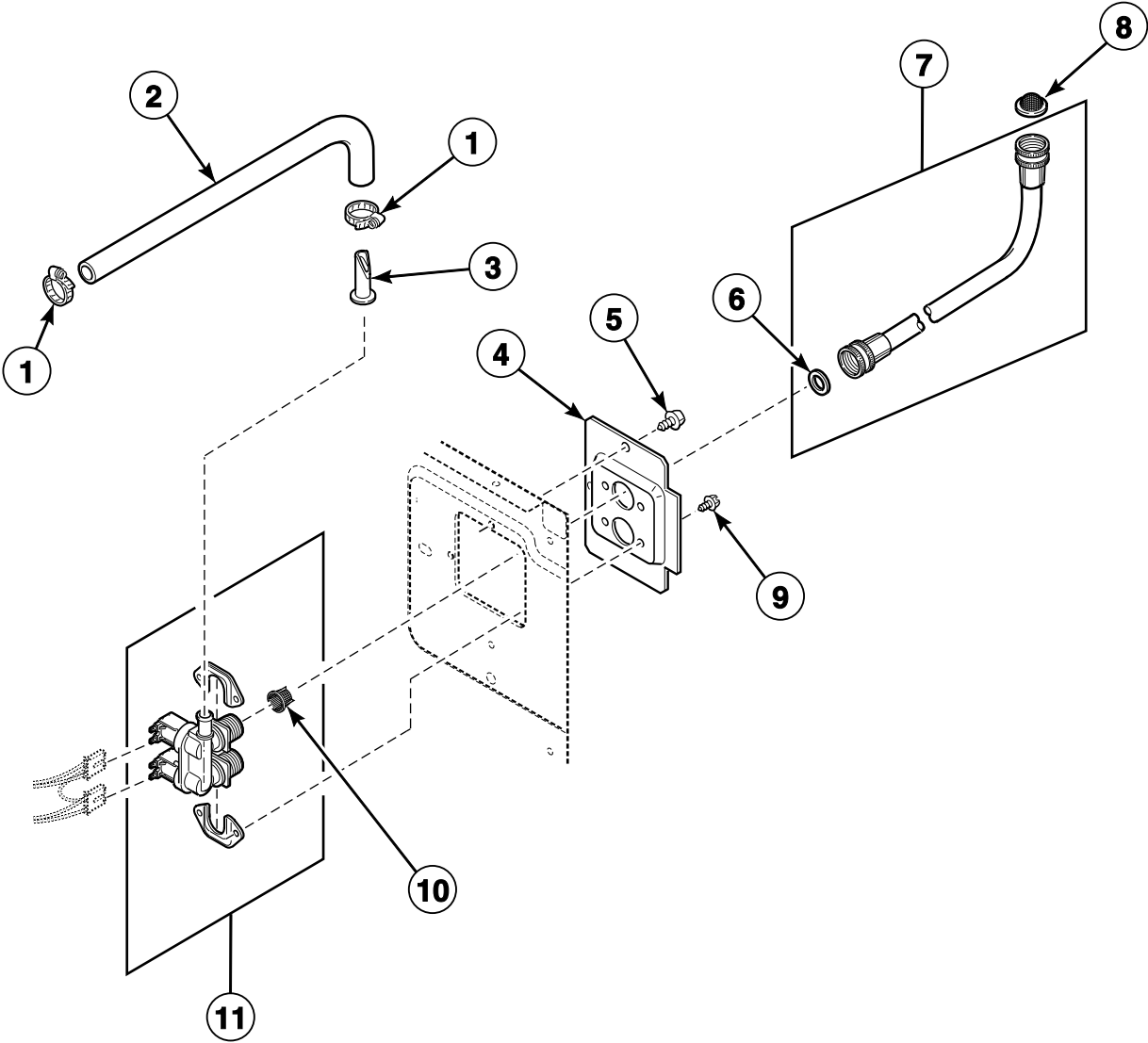
FLW820P_801727

Dispenser Assembly

REF	PART NO.	DESCRIPTION	COMMENTS
1	800232P	Door Seal and Hose Assembly Kit	Black
	801784P	Door Seal and Hose Assembly Kit	Gray; Models FTS90A*N3000, FTS90A*N3050, FTS90A*N3300, LTK95A*N3050, LTS95A*N3000 and LTS95A*N3020
2	687500	Wire Clip	
3	39037	Cable Tie	
4	802164	Hose Clamp	
5	801464	Valve-to-Dispenser Inlet Hose	
6	34500	Backflow Preventer	
7	801836P	Valve Kit	Models FTS90A*N3000, FTS90A*N3050, FTS90A*N3300, LTK95A*N3050, LTS95A*N3000 and LTS95A*N3020
	685766P	Valve Kit	All other models
8	800331	Dispenser-to-Tub Hose	
9	685725	Hose Clamp	
10	F200206	Hose Clamp	
11	801746	Cap	
12	685756P	Dispenser	Models ATZ90A*N1102, ATZ95A*N1102, FTZ90A*N1102, LTS90A*N1127 and LTZ90A*N1102
	801090P	Dispenser	All other models
13	801476P	Dispenser Assembly	
14	685757P	Dispenser Drawer	
15	800548	Screw	
16	685715WP	Dispenser Drawer Front	White
	685715QP	Dispenser Drawer Front	Bisque
17	685716	Insert	
18	800899	Detergent Cover	
19	801024	Dispenser Plate	
20	801001	Screw	

* Add Letter To Designate Color. Q - Bisque W - White

Mixing Valve, Fill Hose and Valve-to-Dispenser Hose



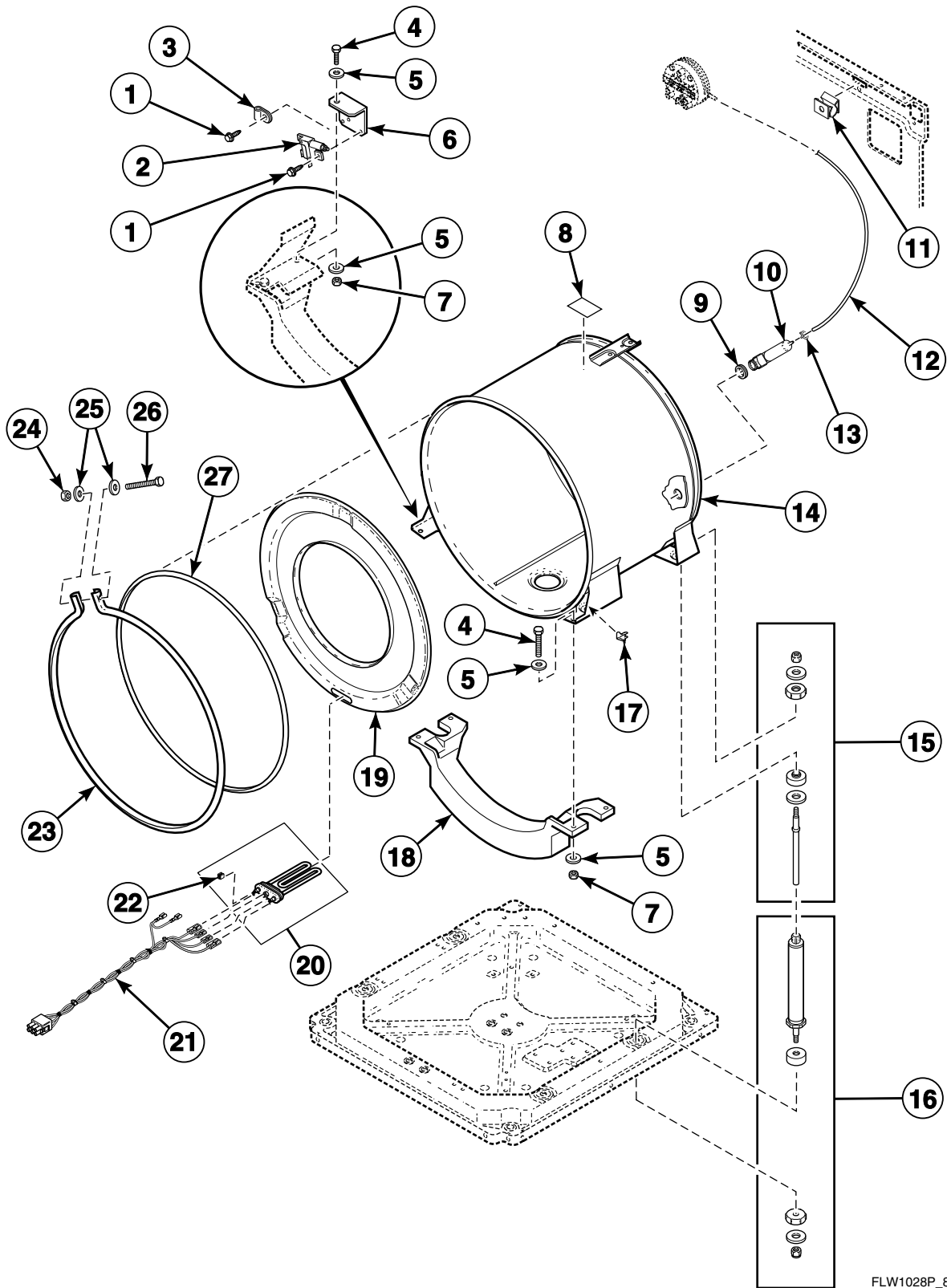
FLW881P_801727

Mixing Valve, Fill Hose and Valve-to-Dispenser Hose

REF	PART NO.	DESCRIPTION	COMMENTS
1	802164	Hose Clamp	
2	801464	Valve-to-Dispenser Inlet Hose	
3	34500	Backflow Preventer	
4	800323	Mixing Valve Plate	
5	D503661	Screw	
6	20290	Washer	
7	F200116	Water Hose	4 feet; Hose is equipped with 2 standard hose couplings; Includes 2 of item 6
	35385	Fill Hose	Model LTK95A*N3050; 4 feet; Hose is equipped with 1 metric and 1 standard hose coupling
	20617	Fill Hose	8 feet; Hose is equipped with 2 standard hose couplings
	20618	Fill Hose	10 feet; Hose is equipped with 2 standard hose couplings
	38349P	Fill Hose Kit	5 feet; Hose is equipped with 1 metric and 1 standard hose coupling; Includes 2 of item 6
	37380	Fill Hose	8 feet; Hose is equipped with 1 metric and 1 standard hose coupling
	202931	Fill Hose	10 feet; Hose is equipped with 1 metric and 1 standard hose coupling
8	803615	Washer	
	802254	Washer	Flow restrictor; Water pressure reducer; Available for water pressure up to but not exceeding 120 psi
9	D501086	Screw	
10	802926	Mixing Valve Screen	
11	802220P	Mixing Valve	Models ATZ90A*N1102, ATZ95A*N1102, FTZ90A*N1102, FTZ91A*N1102, LTS90A*N1127 and LTZ90A*N1102
	802222P	Mixing Valve	All other models

* Add Letter To Designate Color. Q - Bisque W - White

Outer Tub, Front and Clamp Ring



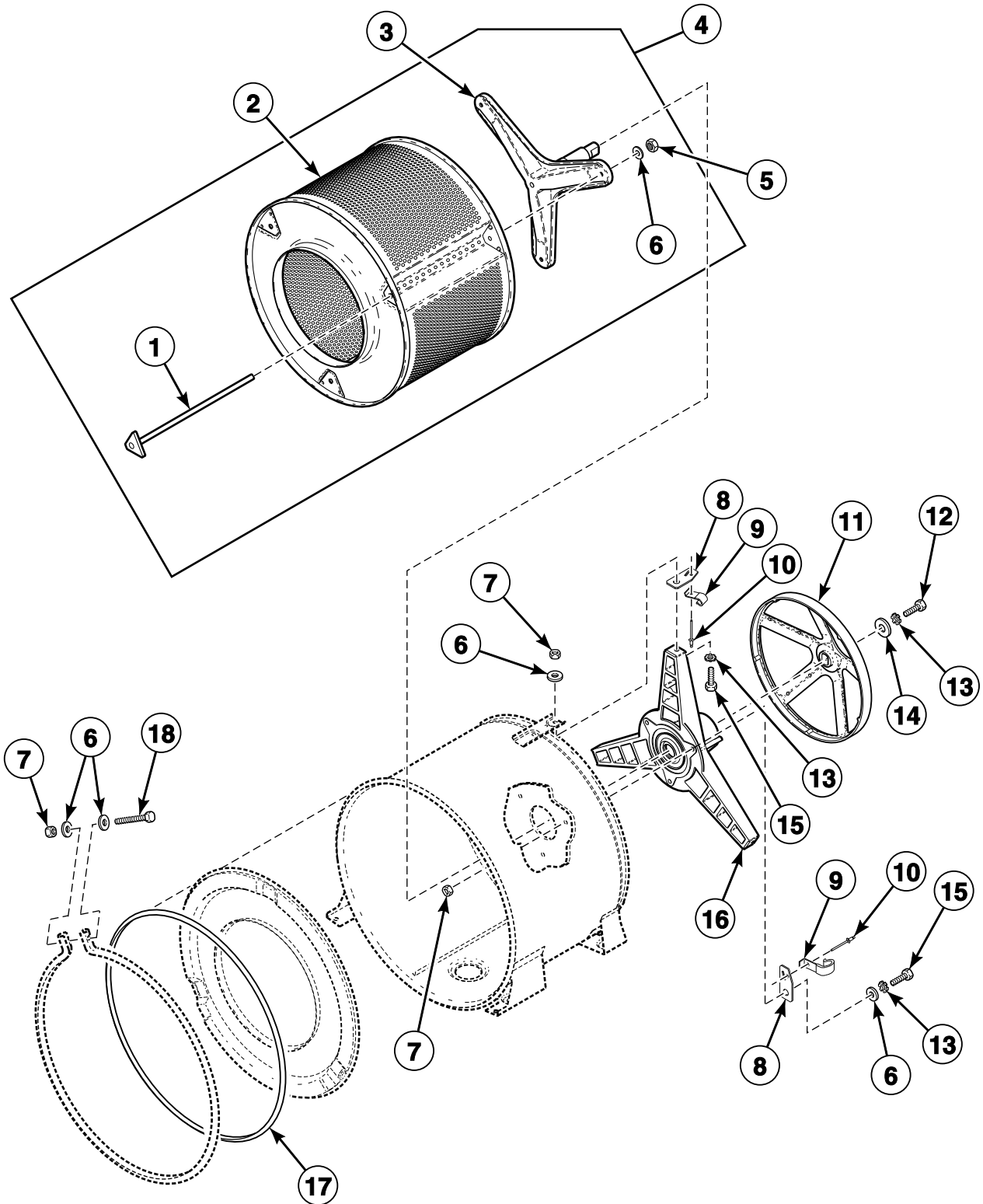
FLW1028P_801727

Outer Tub, Front and Clamp Ring

REF	PART NO.	DESCRIPTION	COMMENTS
1	D503661	Screw	
2	806512	Out-of-Balance Switch Assembly Kit	
3	800811	Wire Clamp	
4	800461	Screw	
5	M400081	Washer	
6	800663	Switch Mounting Bracket	
7	800452	Nut	
8	D500314	Warning Label	Models ATZ90A*N1102, ATZ95A*N1102, FTZ90A*N1102, FTZ91A*N1102 and LTZ90A*N1102
	D500049	Warning Label	Models FTS90A*N3050, LTK95A*N3050 and LTS90A*N1127
	D502511	Electrical Shock Label	All other models
	D502506	Pinched Fingers Label	All other models
9	29175	Grommet	
10	30907	Pressure Bulb	
11	36985	Hose Clip	Positioned here on rear control models
12	29214	Tubing	Models ATZ90A*N1102, ATZ95A*N1102, LTK95A*N3050, LTS90A*N1127, LTS95A*N3000, LTS95A*N3020 and LTZ90A*N1102
	800648P	Tubing	All other models
13	39282	Hose Clamp	
14	801291	Outer Tub Assembly	Models ATZ95A*N1102, LTK95A*N3050, LTS95A*N3000 and LTS95A*N3020
	801081P	Outer Tub Assembly	All other models
15	800622P	Tub Shock Absorber Kit	
16	800623P	Base Shock Absorber Kit	
17	00161	Grounding Clip	
18	800205	Ballast Weight	
19	801363	Tub Front Assembly	Models ATZ95A*N1102, LTK95A*N3050, LTS95A*N3000 and LTS95A*N3020
	800430	Tub Front Assembly	All other models
20	804777P	Heating Element	Includes item 22; Models LTK95A*N3050, LTS95A*N3000 and LTS95A*N3020
	801306P	Heating Element Kit	Includes item 22; Model ATZ95A*N1102
21	801350	Heater Harness Assembly	Models ATZ95A*N1102, LTK95A*N3050, LTS95A*N3000 and LTS95A*N3020
22	803256	Thermistor	Models ATZ95A*N1102, LTK95A*N3050, LTS95A*N3000 and LTS95A*N3020
23	800312	Clamp Ring	
24	F430218	Nut	
25	800457	Washer	
26	800462	Screw	
27	800432P	Tub Front Seal	

* Add Letter To Designate Color. Q - Bisque W - White

Inner Basket, Trunnion, Bearing Housing and Pulley

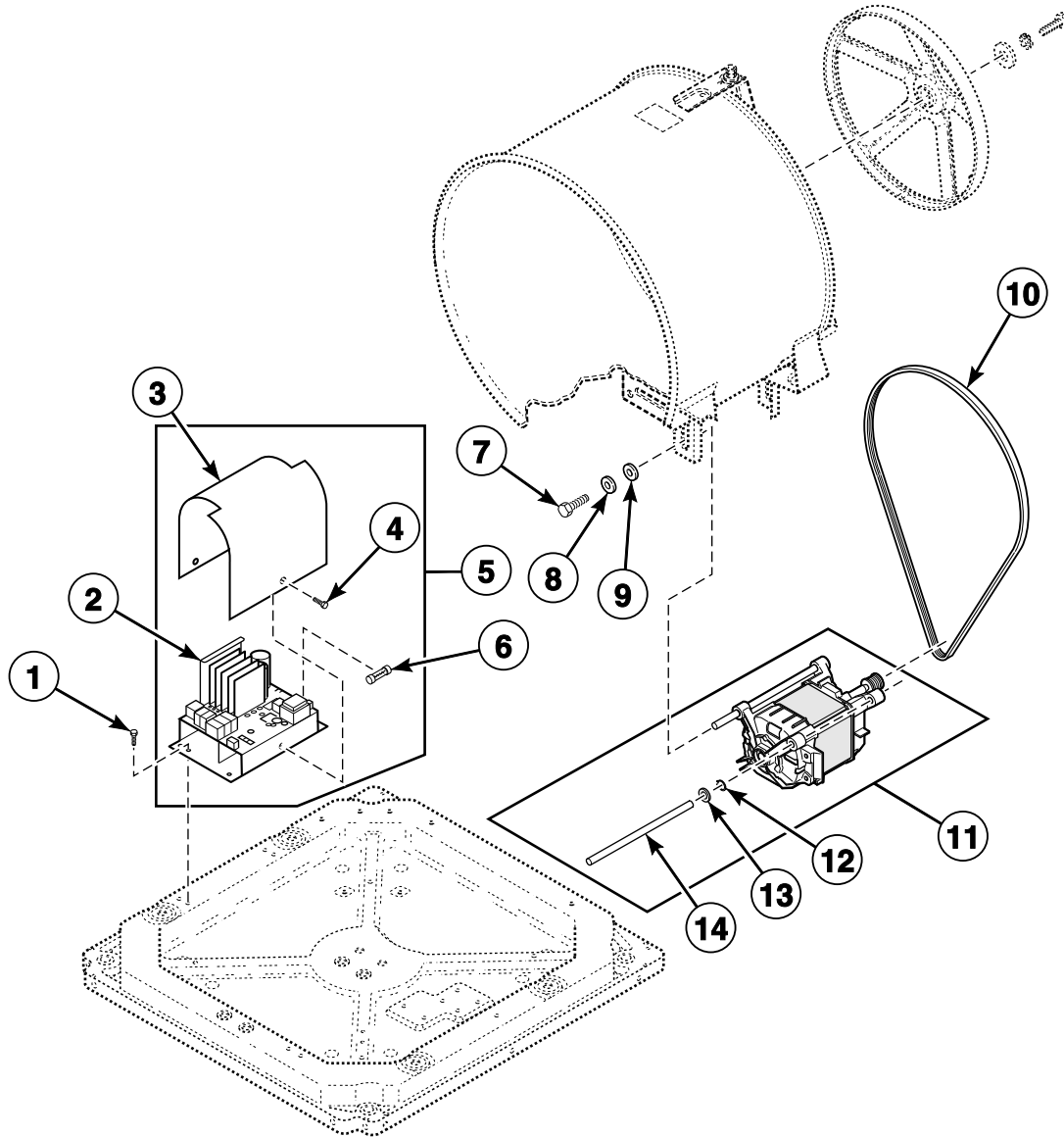


FLW865P_801727

Inner Basket, Trunnion, Bearing Housing and Pulley

REF	PART NO.	DESCRIPTION	COMMENTS
	27604P	Anti-Seize Compound	Pulley to inner basket shaft
	838P3	Hardware Kit	Includes (8) of item 6, (7) each of items 8 and 12, (6) of item 10, (1) each of items 7, 9, 13, 14, and 27604P Anti-Seize Compound
1	800666	Tension Rod Assembly	
2	803007P	Inner Basket Assembly	Includes (3) each of items 1, 5, 6, and 838P3 Hardware Kit
3	800749P	Trunnion Shaft and Hardware Kit	Includes (3) each of items 1, 5, 6, and 838P3 Hardware Kit
4	800429P	Inner Basket Assembly	Includes items 2, 3, (3) each of items 1, 5, 6, and 838P3 Hardware Kit
5	803017	Nut	
6	800457	Washer	
7	800452	Nut	
8	800552	Hose Mounting Plate	
9	800553	Hose Clip	
10	685847	Pop Rivet	
11	800866	Driven Pulley	
12	685831	Screw	Left hand thread
13	M403958	Washer	
14	807679	Washer	
15	M400043	Screw	
16	800428P	Bearing Housing Kit	Includes 838P3 Hardware Kit
17	800432P	Tub Front Seal	
18	800462	Screw	

Motor and Belt



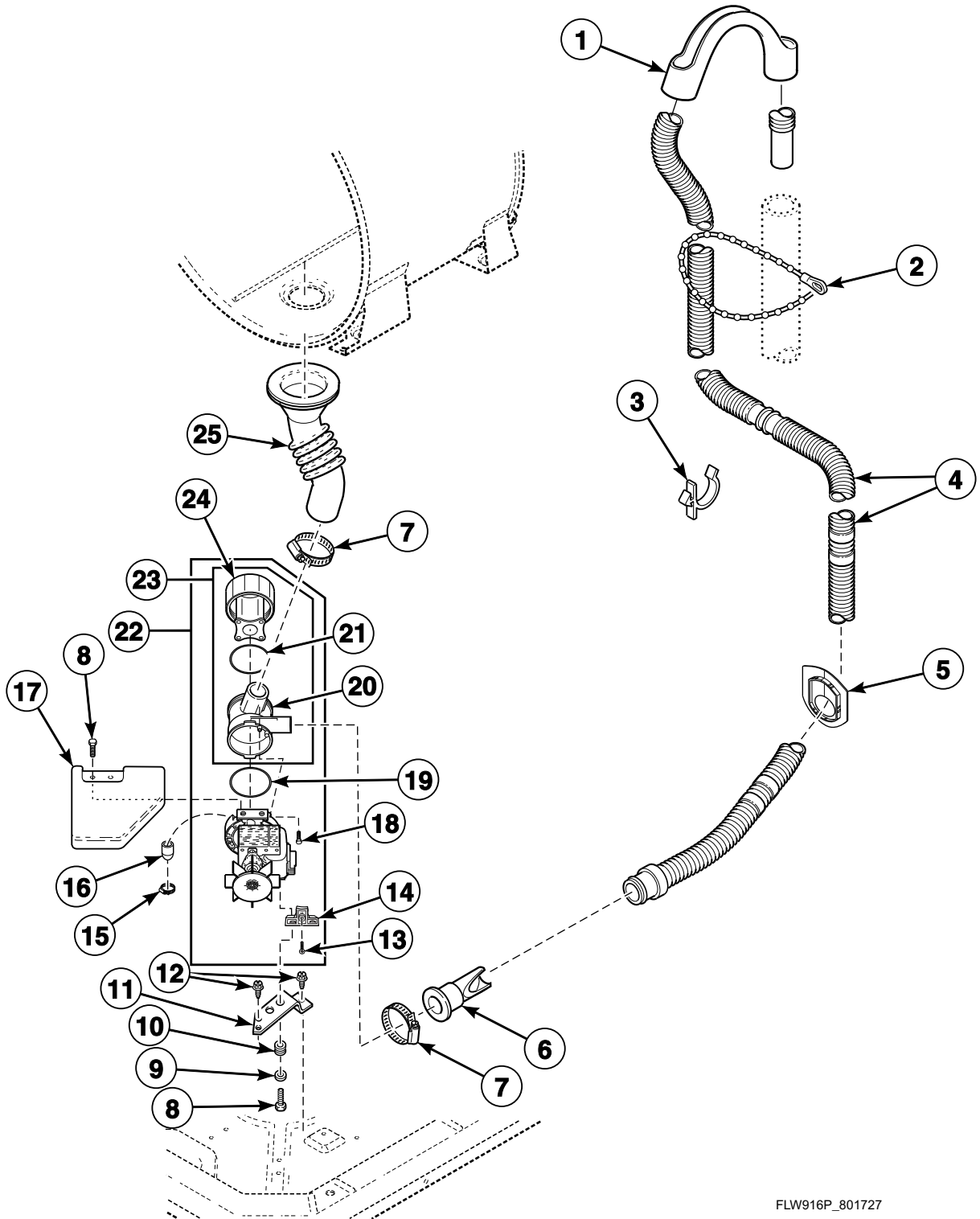
FLW967P_801727

Motor and Belt

REF	PART NO.	DESCRIPTION	COMMENTS
1	D503661	Screw	
2	803254P	Inverter Control Assembly	120 Volt; Models ATZ90A*N1102, ATZ95A*N1102, FTZ90A*N1102, FTZ91A*N1102, LTS90A*N1127 and LTZ90A*N1102
	803255P	Inverter Control Assembly	240 Volt; All other models
3	801061	Control Shield	
4	D501524	Screw	
5	801526P	Inverter Assembly Kit	120 Volt; Includes items 2-4, 801063P Motor Harness Assembly and wire ties; Models ATZ90A*N1102, ATZ95A*N1102, FTZ90A*N1102, FTZ91A*N1102, LTS90A*N1127 and LTZ90A*N1102
	801527P	Inverter Assembly Kit	240 Volt; Includes items 2-4, 801063P Motor Harness Assembly and wire ties; All other models
6	801755	Fuse	Use for inverter control
7	M400057	Screw	
8	02834	Washer	
9	M400080	Washer	
10	800319P	Drive Belt	
11	801684P	Motor and Rod Assembly Kit	Includes 2 each of items 12-14 and wire ties
12	23748	Retaining Ring	
13	52549	Washer	
14	801062	Motor Mount Rod	

* Add Letter To Designate Color. Q - Bisque W - White

Drain Hose and Pump



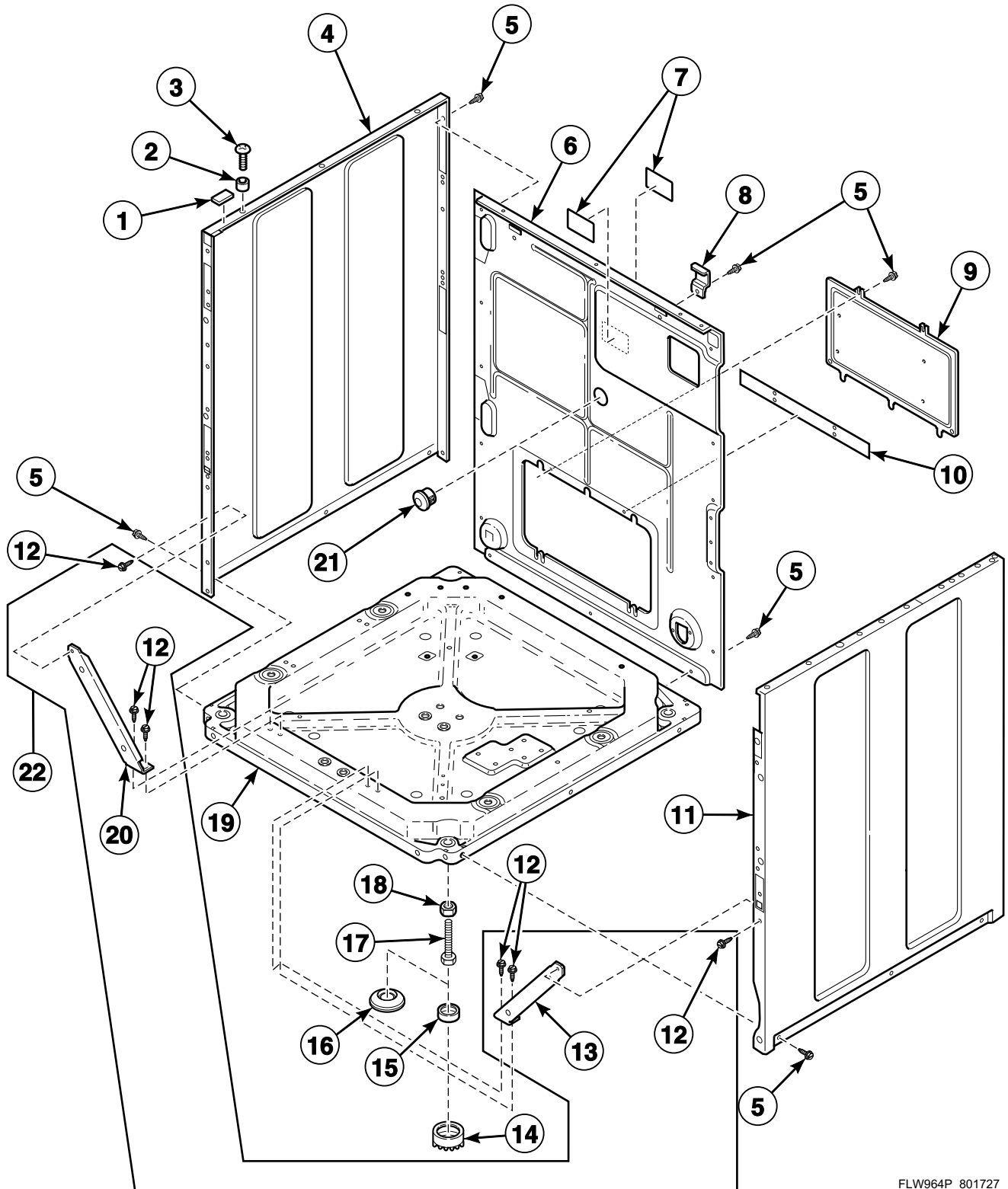
FLW916P_801727

Drain Hose and Pump

REF	PART NO.	DESCRIPTION	COMMENTS
1	33615	Drain Hose Sleeve	
2	33489	Standpipe Strap	
3	36014	Retainer Clip	
4	685730	Drain Hose	
5	32219	Strain Relief	
6	800310	Backflow Preventer	
7	36802	Hose Clamp	
8	38096	Screw	Metric; Use with 685703, 801267 or 801380 Drain Pump
	D501285	Screw	Use with 801015, 801080, 802221, 802623, 802624 or 802625 Drain Pump
9	800465	Washer	
10	802218	Grommet	
11	802219	Pump Bracket	
12	D503661	Screw	
13	802430	Screw	Use with 801015, 801080, 802221, 802623, 802624 or 802625 Drain Pump
14	802432	Pump Mount	Use with 801015, 801080, 802221, 802623, 802624 or 802625 Drain Pump
15	F200206	Hose Clamp	Use with 685703, 801267 or 801380 Drain Pump
16	801112	Nozzle Cap	Use with 685703, 801267 or 801380 Drain Pump
17	38067	Pump Shield	Use with 685703, 801267 or 801380 Drain Pump
18	802431	Screw	Use with 801015, 801080, 802221, 802623, 802624 or 802625 Drain Pump
19	802487	O-Ring	Use with 685703, 801267 or 801380 Drain Pump
	802429P	O-Ring	Use with 801015, 801080, 802221, 802623, 802624 or 802625 Drain Pump
20	801208	Pump Housing	Use with 685703, 801267 or 801380 Drain Pump
	802428	Pump Housing	Use with 801015, 801080, 802221, 802623, 802624 or 802625 Drain Pump
21	801207	O-Ring	Use with 685703, 801267 or 801380 Drain Pump
	802427	Gasket	Use with 801015, 801080, 802221, 802623, 802624 or 802625 Drain Pump
22	802625P	Drain Pump	Model FTS90A*N3300
	802623P	Drain Pump	Models ATZ90A*N1102, ATZ95A*N1102, FTZ90A*N1102, FTZ91A*N1102, LTS90A*N1127 and LTZ90A*N1102
	802624P	Drain Pump	All other models
23	801209	Pump Housing Assembly	Includes items 20, 21 and 24; Use with 685703, 801267 or 801380 Drain Pump
	802434P	Pump Housing Assembly	Includes items 20, 21 and 24; Use with 801015, 801080, 802221, 802623, 802624 or 802625 Drain Pump
24	801206P	Lid Assembly	Includes filter; Use with 685703, 801267 or 801380 Drain Pump
	802426P	Lid Assembly	Includes filter; Use with 801015, 801080, 802221, 802623, 802624 or 802625 Drain Pump
25	800317	Tub-to-Pump Hose	
	27615P	Sealant	Tub-to-pump hose to outer tub

* Add Letter To Designate Color. Q - Bisque W - White

Base, Side Panels and Rear Panel



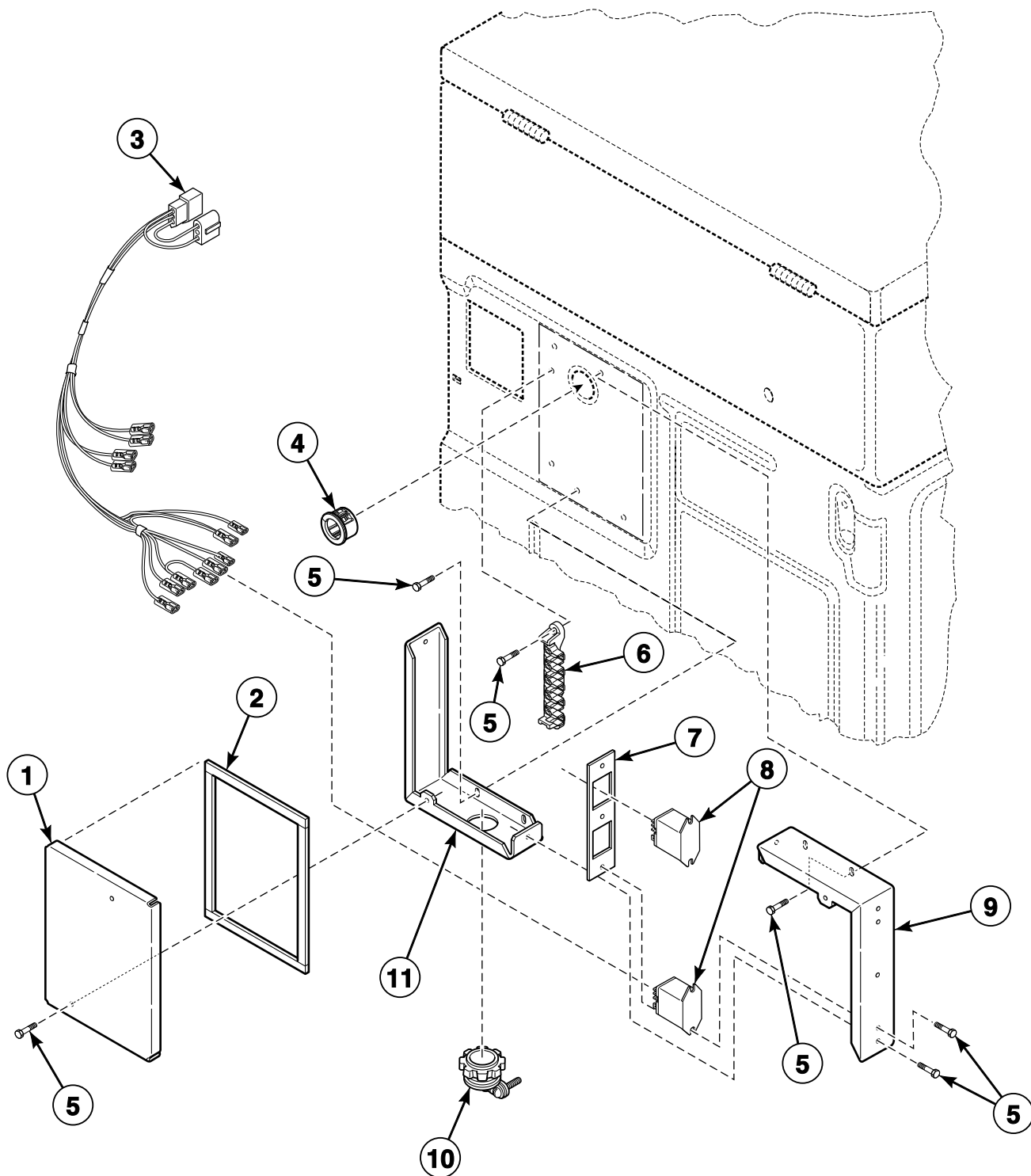
FLW964P_801727

Base, Side Panels and Rear Panel

REF	PART NO.	DESCRIPTION	COMMENTS
1	56128	Bumper Pad	
2	56079	Panel Locator	
3	39733	Screw	
4	800004WP	Cabinet Panel Kit	White; Left; Includes corner gusset with hardware
	800004QP	Cabinet Panel Kit	Bisque; Left; Includes corner gusset with hardware
5	D503661	Screw	
6	801629	Rear Panel	Model FTZ91A*N1102
	800010P	Rear Panel	All other models
7	685928	Left Hand Thread Label	Left hand thread
8	D510136	Top Hinge	Models ATZ90A*N1102, ATZ95A*N1102, LTK95A*N3050, LTS90A*N1127, LTS95A*N3000, LTS95A*N3020 and LTZ90A*N1102
9	800011	Rear Access Panel	
10	801702	Motor Access Hole Edging	
11	806492	Side Panel Kit	White; Right; Includes 801024 Dispenser Plate with hardware
	800005QP	Side Panel Kit	Bisque; Right; Includes 801024 Dispenser Plate with hardware
12	31645	Screw	Models ATZ90A*N1102 and ATZ95A*N1102
13	801492	Cabinet Brace	Right; Models ATZ90A*N1102 and ATZ95A*N1102
14	D501855	Rubber Foot	Use to prevent movement on smooth surface floor coverings; Install over two existing front rubber feet (item 15)
15	34318	Rubber Foot	
16	155P3	Anchor	Includes 4 rubber discs with adhesive backing
17	34319	Leveling Leg	
18	21899	Nut	
19	803876	Base Assembly	
20	801491	Cabinet Brace	Left; Models ATZ90A*N1102 and ATZ95A*N1102
21	M412154	Hole Plug	
22	918P3	Brace Kit	Includes items 12, 13 and 19

* Add Letter To Designate Color. Q - Bisque W - White

Junction Box - Model FTZ91A*N1102



FLW903P_801727

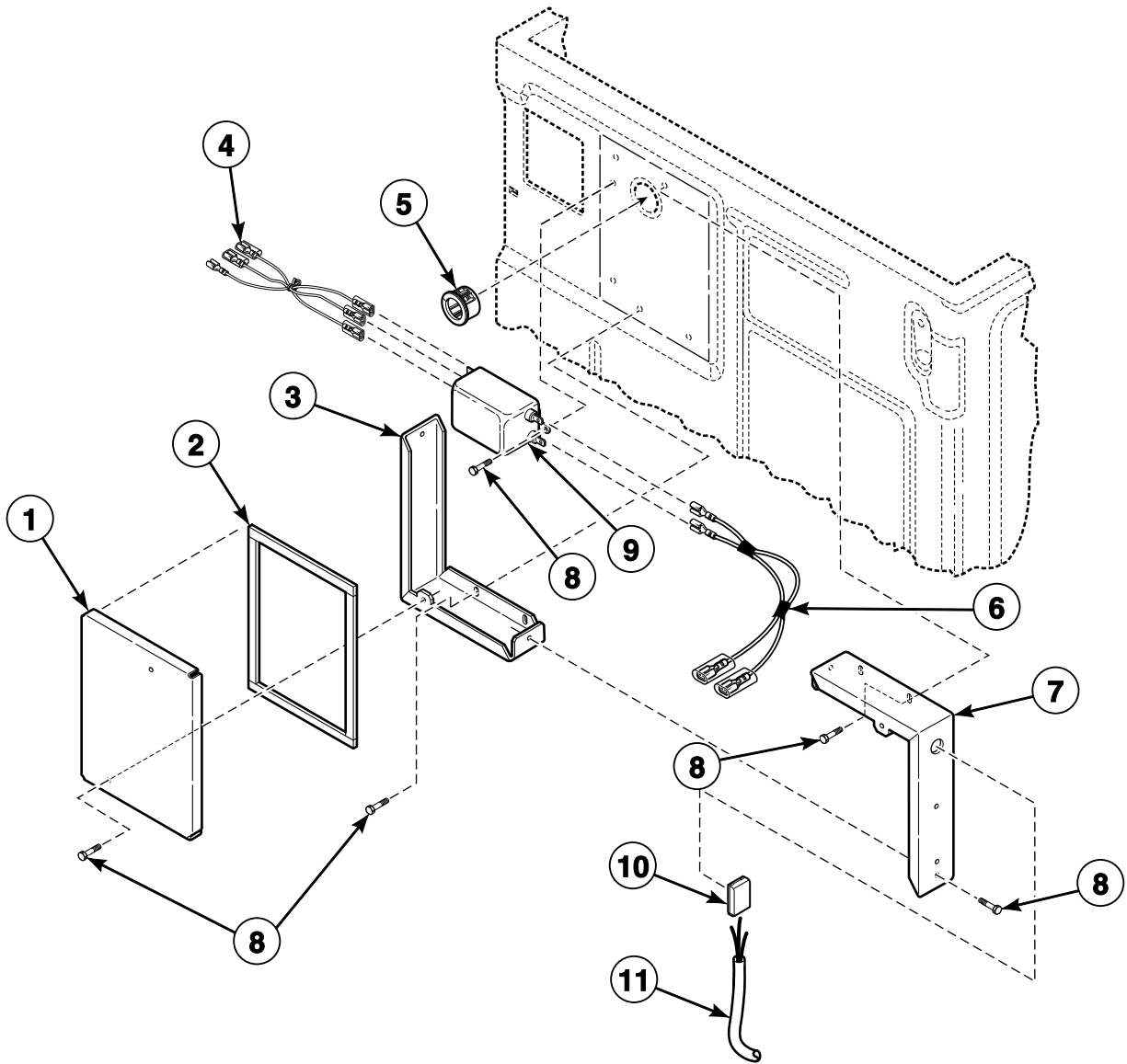
Junction Box - Model FTZ91A*N1102

REF	PART NO.	DESCRIPTION	COMMENTS
1	801498	Junction Box Cover	
2	801425P	Junction Box Seal	4 required
3	801518	Supply Injection Wire Harness Assembly	
4	M402542	Snap Bushing	
5	D503661	Screw	
6	D505876	Terminal Block Assembly	
7	801501	Relay Mounting Bracket	
8	431349	Relay	
9	801497	Upper Junction Box	
10	M400149	Connector	
11	801499	Lower Junction Box	

* Add Letter To Designate Color. Q - Bisque W - White

Junction Box

All Models Except ATZ90A*N1102, ATZ95A*N1102, FTZ90A*N1102, FTZ91A*N1102 and LTZ90A*N1102



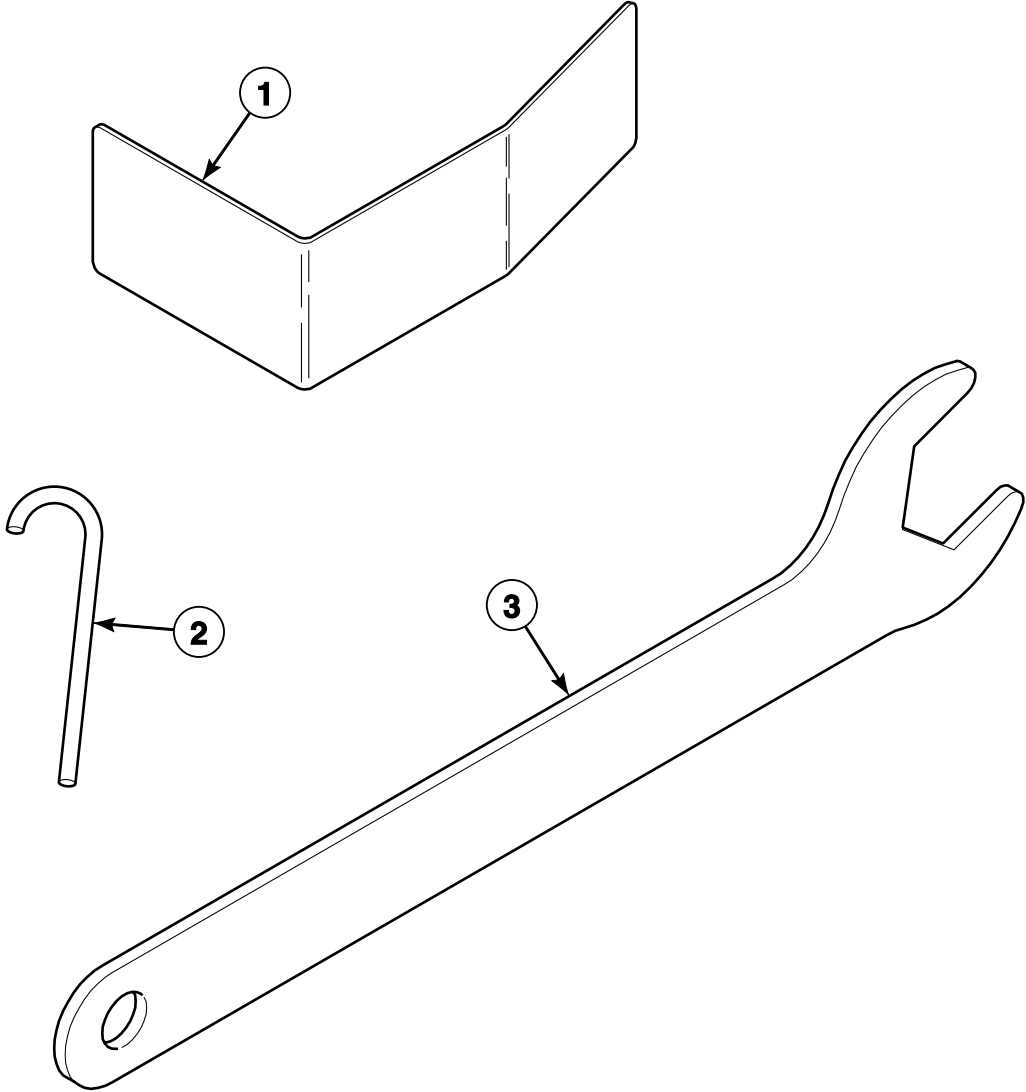
SWD1213P_801727

Junction Box

REF	PART NO.	DESCRIPTION	COMMENTS
1	801404	Junction Box Cover	
2	801425P	Junction Box Seal	4 required
3	801433	Lower Junction Box	
4	801420	Filter Jumper Harness	Line filter to power cord terminal block
5	M402542	Snap Bushing	Models FTS90A*N3000, FTS90A*N3050 and FTS90A*N3300
6	802013	Wire Harness Assembly	Model LTS90A*N1127
	801421	Wire Harness Assembly	All other models; Line filter to control harness
7	801403	Junction Box	
8	D503661	Screw	
9	201058	Line Filter	
10	39922	Cable Connection Box	
11	801450	Power Cord Assembly	Models FTS90A*N3000 and FTS90A*N3300
	39931	Power Cord Assembly	Model FTS90A*N3050; Includes plug
	801658	Power Cord Assembly	Model LTS95A*N3000
	801660	Power Cord Assembly	Model LTS95A*N3020; Includes plug
	802012	Power Cord Assembly	Model LTS90A*N1127; Includes plug
	201574	Lead-In Cord	Model LTK95A*N3050; Includes plug

* Add Letter To Designate Color. Q - Bisque W - White

Special Tools

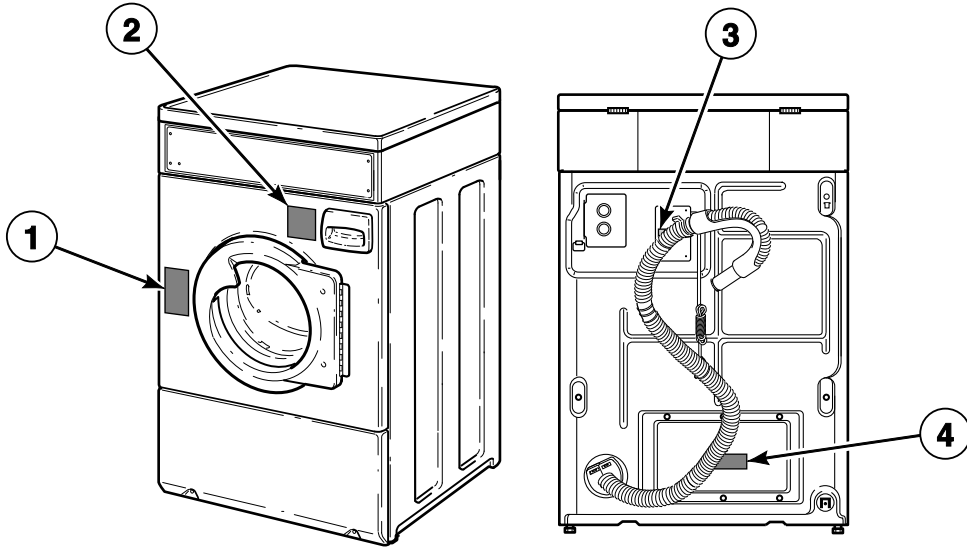


FLW986P_801727

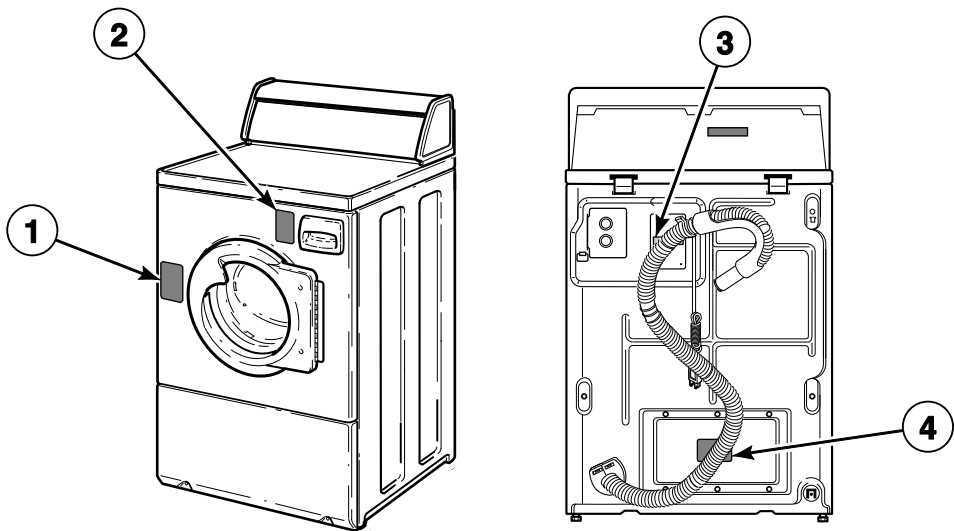
Special Tools

REF	PART NO.	DESCRIPTION	COMMENTS
1	318P4	Dispenser Drawer Tool	Use to remove dispenser drawer
2	802336	Pulley Bolt Tightening Fixture	Use to install inner basket
3	392P4	Wrench	Use for adjusting leveling legs

Labels



Front Control Washers



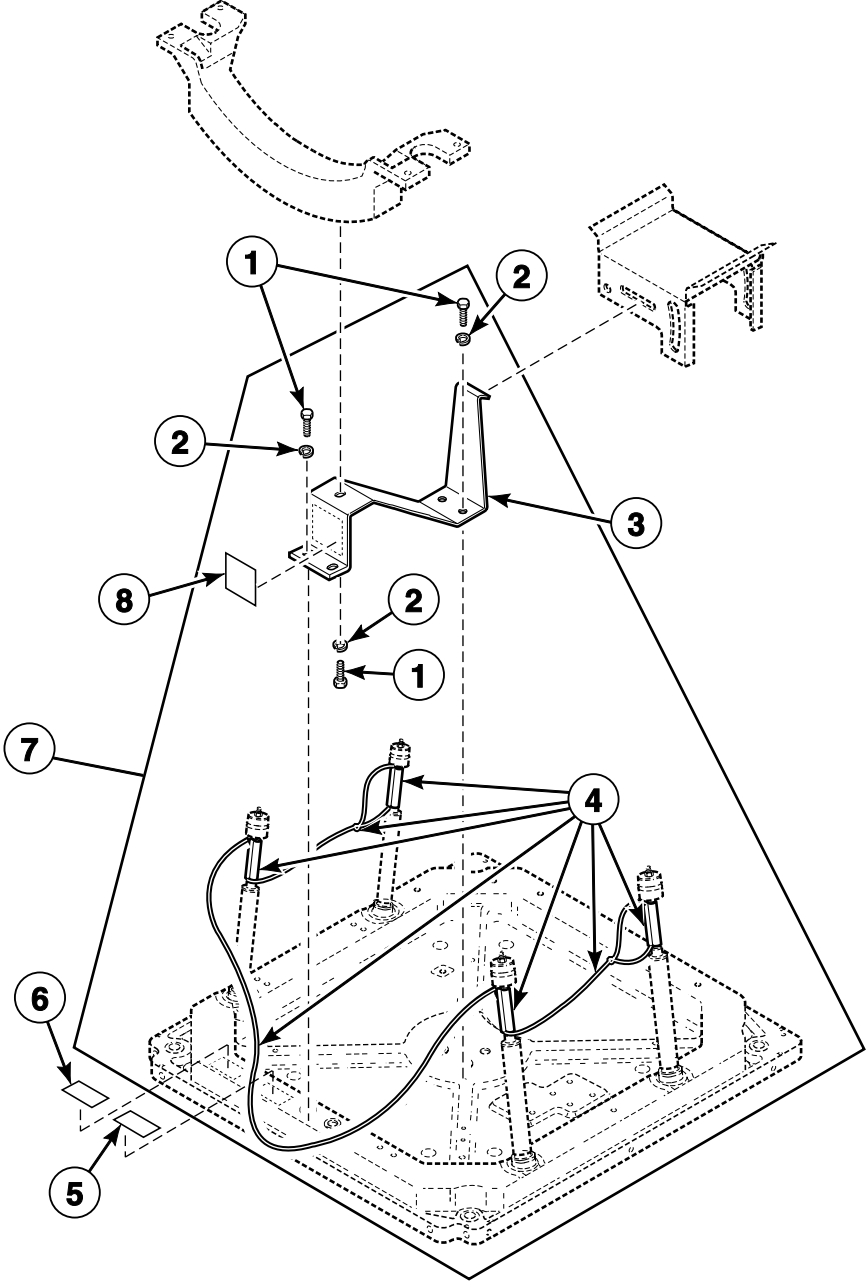
Rear Control Washers

FLW851P_801727

Labels

REF	PART NO.	DESCRIPTION	COMMENTS
1	685947	Door Locked Label	
2	802074	Oversudsing Label	English; Models ATZ90A*N1102 and ATZ95A*N1102
	800420	Oversudsing Label	English; All other models
	800621	Oversudsing Label	Spanish
3	D505281	Disconnect Power Warning Label	English
	D502511	Electrical Shock Label	Icon
4	D500049	Warning Label	English
	D500314	Warning Label	Quebec French
	D502511	Electrical Shock Label	Icon

Shipping Materials



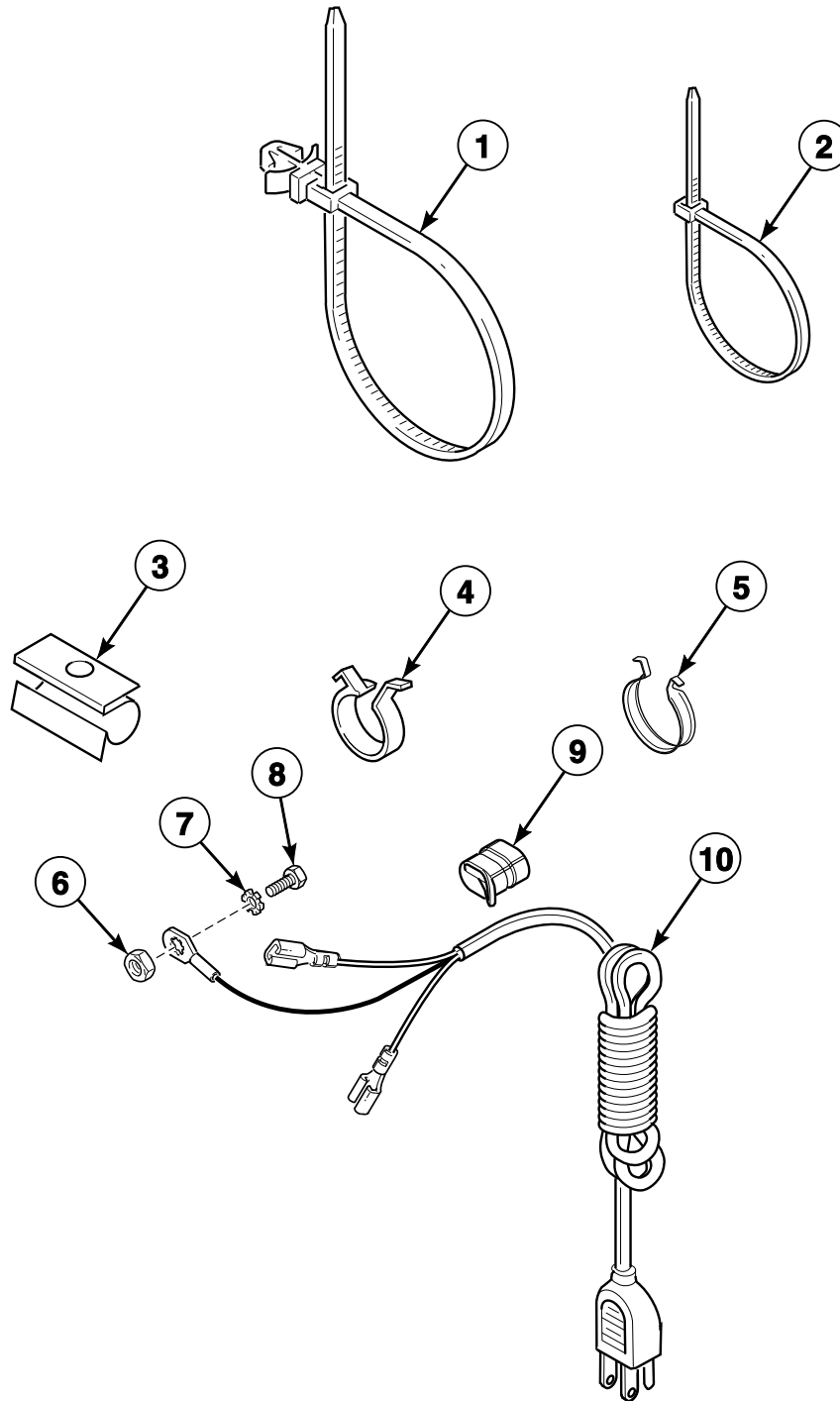
FLW845P_801727

Shipping Materials

REF	PART NO.	DESCRIPTION	COMMENTS
1	M400043	Screw	
2	M400014	Washer	
3	802890	Shipping Bracket	
4	802933P	Shipping Cord and Brace Assembly	
5	800632	Warning Label	Non-grounded
6	D500314	Warning Label	Models ATZ90A*N1102, ATZ95A*N1102, FTZ90A*N1102, FTZ91A*N1102 and LTZ90A*N1102
	D500049	Warning Label	Models FTS90A*N3050, LTK95A*N3050 and LTS90A*N1127
	D502506	Pinched Fingers Label	All other models
	D502511	Electrical Shock Label	All other models
7	728P3	Shipping Materials Kit	Includes items 1-4 and 8
8	807552	Shipping Bracket Label	

* Add Letter To Designate Color. Q - Bisque W - White

Wire Ties, Clips and Lead-In Cord



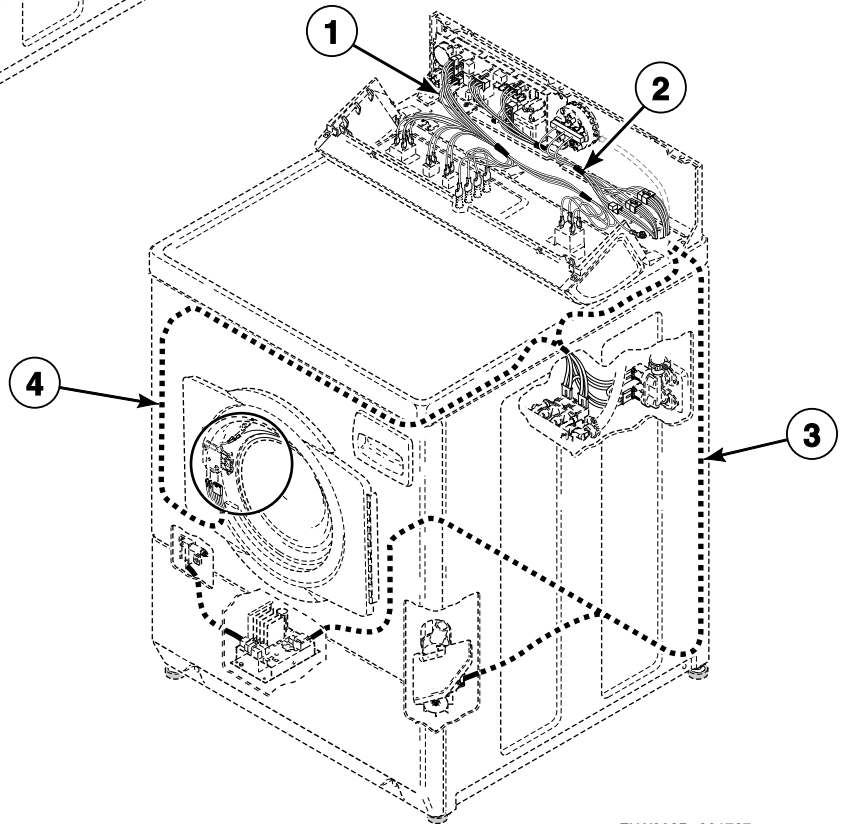
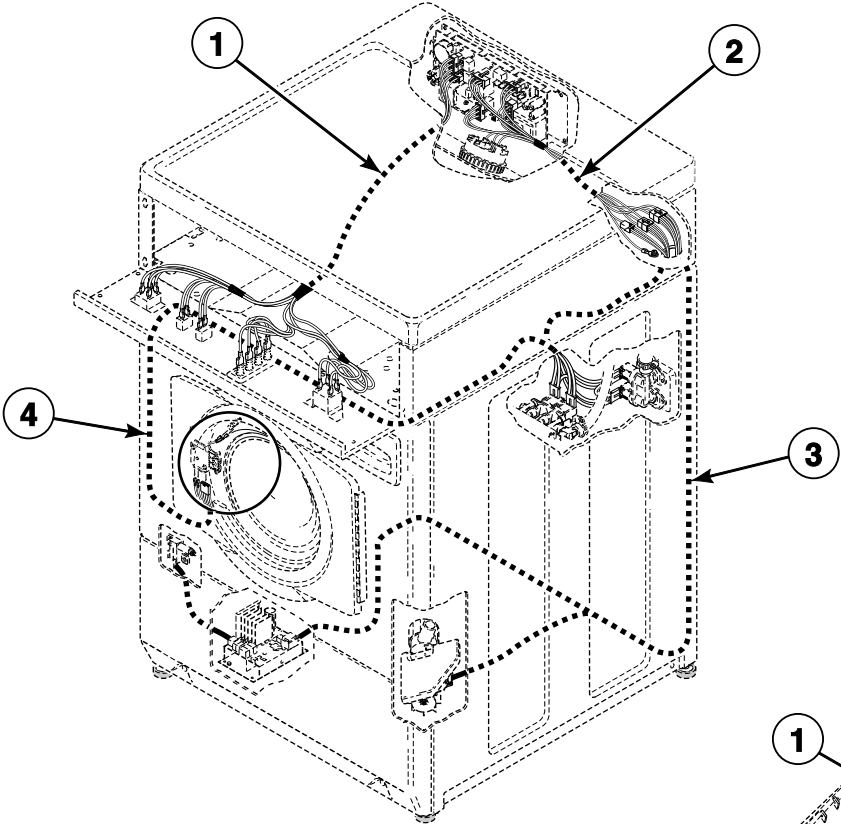
FLW823P_801727

Wire Ties, Clips and Lead-In Cord

REF	PART NO.	DESCRIPTION	COMMENTS
1	38663	Wire Tie	
2	55881	Harness Strap	
3	36985	Hose Clip	
4	D504034	Wire Clip	Small
5	687500	Wire Clip	Large
6	03673	Nut	
7	03815	Washer	
8	685837	Screw	
9	38384	Strain Relief	
10	34458	Lead-In Cord	Models ATZ90A*N1102, ATZ95A*N1102, FTZ90A*N1102, FTZ91A*N1102 and LTZ90A*N1102

* Add Letter To Designate Color. Q - Bisque W - White

Wire Harnesses and Wires



FLW892P_801727

Wire Harnesses and Wires

REF	PART NO.	DESCRIPTION	COMMENTS
	45001	18 Gauge Wire	Black; Order wire by foot and terminals as required
	45380	12 Gauge Wire	Orange; Order wire by foot and terminals as required
1	801326P	Control Panel Harness Assembly	Models FTS90A*N3000, FTS90A*N3050, FTS90A*N3300, FTZ90A*N1102 and FTZ91A*N1102
	801325P	Harness Assembly	Models ATZ95A*N1102, LTK95A*N3050, LTS95A*N3000 and LTS95A*N3020
	801347P	Hood Harness Assembly	Models ATZ90A*N1102, LTS90A*N1127 and LTZ90A*N1102
2	801346P	Control Harness Assembly	Models FTS90A*N3000, FTS90A*N3050 and FTS90A*N3300
	801324P	Control Harness Assembly	Models ATZ90A*N1102, FTZ90A*N1102, FTZ91A*N1102, LTS90A*N1127 and LTZ90A*N1102
	801353	Control Wire Harness Assembly	Models LTK95A*N3050, LTS95A*N3000 and LTS95A*N3020
	801348P	Control Harness Assembly	Model ATZ95A*N1102
3	801063P	Motor Harness Assembly	
4	N/A	Base Harness Assembly	Models FTS90A*N3000, FTS90A*N3050 and FTS90A*N3300
	800590P	Base Harness Assembly	Models ATZ90A*N1102, FTZ90A*N1102, FTZ91A*N1102, LTS90A*N1127 and LTZ90A*N1102
	801494	Base Harness Assembly	Models LTK95A*N3050, LTS95A*N3000 and LTS95A*N3020
	N/A	Base Harness Assembly	Model ATZ95A*N1102

* Add Letter To Designate Color. Q - Bisque W - White

NOTE: Individual wires are not available separately. Order complete harness, or order wire by the foot. When applying terminals to wires, it is recommended that the terminals be soldered to the wires.

N/A = Part no longer available

Parts Index

A

Access Panel Assembly	
D514250Q.....	11, 13
D514250WP.....	11, 13
Anchor	
155P3.....	29
Anti-Seize Compound	
27604P.....	23

B

Backflow Preventer	
34500.....	15, 17, 19
800310.....	27
Ballast Weight	
800205.....	21
Base Assembly	
803876.....	29
Base Harness Assembly	
800590P.....	43
801494.....	43
Base Shock Absorber Kit	
800623P.....	21
Bearing Housing Kit	
800428P.....	23
Bolt	
29651.....	5
Brace Kit	
918P3.....	29
Bracket	
D510146.....	9
Bumper Pad	
56128.....	29

C

Cabinet Brace	
801491.....	29
801492.....	29
Cabinet Panel Kit	
800004QP.....	29
800004WP.....	29
Cable Connection Box	
39922.....	33
Cable Tie	
39037.....	17
Cap	
801746.....	15, 17
Clamp Ring	
800312.....	21
Connector	
M400149.....	31
801789.....	5
Control Assembly	
802523P.....	5, 7

Control Cabinet Bottom	
801777.....	5
Control Harness Assembly	
801324P.....	43
801346P.....	43
801348P.....	43
Control Panel Assembly	
801377W.....	5
Control Panel Harness Assembly	
801326P.....	43
Control Shield	
801061.....	25
801371.....	5
Control Support Panel	
801388.....	7
Control Wire Harness Assembly	
801353.....	43
Cycle Switch	
801240.....	5, 7
Cycle Switch Bracket	
801390.....	7

D

Detergent Cover	
800899.....	15, 17
Disconnect Power Warning Label	
D505281.....	37
Dispenser	
685756P.....	17
801090P.....	17
Dispenser Assembly	
801476P.....	15, 17
801630P.....	15
801662P.....	15
Dispenser Drawer	
685757P.....	17
Dispenser Drawer Front	
685715QP.....	15, 17
685715WP.....	15, 17
Dispenser Drawer Tool	
318P4.....	35
Dispenser Plate	
801024.....	15, 17
Dispenser-to-Tub Hose	
800331.....	15, 17
Domed Label	
800921.....	5
800922.....	5
Door Assembly	
800436QP.....	11
800436WP.....	11
801928QP.....	13
801928WP.....	13
Door Bezel	
800341Q.....	11
800341W.....	11
Door Glass	
800343P.....	11, 13

N/A items do not appear in index.

Door Handle 800342	11
Door Hinge 802934	11, 13
Door Latch/Switch Assembly 685429	11, 13
Door Locked Label 685947	37
Door Seal and Hose Assembly Kit 800232P	11, 13, 15, 17
801784P	11, 13, 17
Door Seal Clamp 685743P	11, 13
Door Switch 800211	11, 13
Door Switch Assembly 801821	11, 13
Drain Hose 685730	27
Drain Hose Sleeve 33615	27
Drain Pump 802623P	27
802624P	27
802625P	27
Drive Belt 800319P	25
Driven Pulley 800866	23

E

Electrical Shock Label D502511	9, 21, 37, 39
End Panel D504008QP	7
D504008WP	7
D504009QP	7
D504009WP	7
Expansion Clip 70030501	5
Extension Spring 800346	11, 13

F

Fill Hose 202931	19
20617	19
20618	19
35385	19
37380	19
Fill Hose Kit 38349P	19
Filter Jumper Harness 801420	33
Front Panel 800336QP	11, 13
800336WP	11, 13
Front Panel Pad 36204	11, 13

Fuse 801755	25
----------------------	----

G

Gasket 802427	27
Graphic Overlay 801141	5
Graphic Panel 801140Q	7
801140W	7
801369	7
801389Q	7
801389W	7
801651W	7
802086W	7
802087W	7
802091W	7
Grommet 29175	21
802218	27
Grounding Clip 00161	21

H

Hardware Kit 838P3	23
Harness Assembly 801325P	43
Harness Strap 55881	11, 13, 15, 41
Heater Harness Assembly 801350	21
Heating Element 804777P	21
Heating Element Kit 801306P	21
Hinge D511036	5
Hinge Plate 802412	11, 13
Hold-Down Clip 35358	9
800906	11, 13
Hole Plug M412154	29
Hood Back Panel 801060	9
Hood Harness Assembly 801347P	43
Hose Clamp F200206	15, 17, 27
36802	27
39282	21
685725	15, 17
802164	11, 13, 15, 17, 19
Hose Clip 36985	5, 21, 41
800553	23

N/A items do not appear in index.

Hose Mounting Plate	
800552	23

I

Indicator Light	
801356	7
801357	7
Indicator Light Lens	
801435	7
Injection Nozzle	
F8322001	15
Inner Basket Assembly	
800429P	23
803007P	23
Inner Door Bezel	
800340	11
801903	13
Insert	
685716	15, 17
Inverter Assembly Kit	
801526P	25
801527P	25
Inverter Control Assembly	
803254P	25
803255P	25

J

Junction Box	
801403	33
Junction Box Cover	
801404	33
801498	31
Junction Box Seal	
801425P	31, 33

K

Knob Assembly	
36701Q	5, 7
36701W	5, 7

L

Lead-In Cord	
201574	33
34458	41
Left Control Cabinet Side	
800900QP	5
800900WP	5
Left Hand Thread Label	
685928	29
Leveling Leg	
34319	29
Lid Assembly	
801206P	27
802426P	27
Light	
801431	5

Line Filter	
201058	33
Locking Catch	
685430	11, 13
Lower Junction Box	
801433	33
801499	31

M

Mixing Valve	
802220P	19
802222P	19
Mixing Valve Plate	
800323	19
Mixing Valve Screen	
802926	19
Motor Access Hole Edging	
801702	29
Motor and Rod Assembly Kit	
801684P	25
Motor Harness Assembly	
801063P	43
Motor Mount Rod	
801062	25

N

Nozzle Cap	
801112	27
Nut	
F430218	21
M412986	5
03673	41
21899	29
23951	11, 13
36020	11, 13
685846	11
800452	21, 23
801994	13
802292	15
803017	23

O

O-Ring	
801207	27
801632	15
802429P	27
802487	27
Outer Door Bezel	
801904Q	13
801904W	13
Outer Tub Assembly	
801081P	21
801291	21
Out-of-Balance Switch Assembly Kit	
806512	21
Oversudsing Label	
800420	37
800621	37
802074	37

N/A items do not appear in index.

P

Panel Locator	
56079	11, 13, 29
Pinched Fingers Label	
D502506	21, 39
Pop Rivet	
685847	5, 23
Power Cord Assembly	
39931	33
801450	33
801658	33
801660	33
802012	33
Pressure Bulb	
30907	21
Pressure Switch	
800468P	5, 7
801297P	7
Pulley Bolt Tightening Fixture	
802336	35
Pump Bracket	
802219	27
Pump Housing	
801208	27
802428	27
Pump Housing Assembly	
801209	27
802434P	27
Pump Mount	
802432	27
Pump Shield	
38067	27
Push-to-Start Switch	
801434Q	5, 7
801434W	5, 7

R

Rear Access Panel	
800011	29
Rear Control Cabinet	
801058	5
Rear Panel	
800010P	29
801629	29
Relay	
431349	31
Relay Mounting Bracket	
801501	31
Retainer Clip	
36014	27
Retaining Ring	
23748	25
Right Control Cabinet	
801787Q	5
801787W	5
Right Control Cabinet Side	
800915Q	5
800915W	5
Rocker Switch	
38424Q	5, 7

N/A items do not appear in index.

38424W	5, 7
Rubber Foot	
D501855	29
34318	29

S

Screw	
D501086	5, 7, 9, 19
D501285	27
D501524	5, 25
D503661	5, 9, 11, 13, 19, 21, 25, 27, 29, 31, 33
D503688	5
M400043	23, 39
M400057	25
31645	29
38096	27
39733	11, 13, 29
685831	23
685837	7, 41
70240301	5
800461	21
800462	21, 23
800528	11
800548	11, 13, 15, 17
800930	5
801001	15, 17
801019	11, 13
801045	11, 13
801993	11, 13
802430	27
802431	27
Sealant	
27615P	27
Shipping Bracket	
802890	39
Shipping Bracket Label	
807552	39
Shipping Cord and Brace Assembly	
802933P	39
Shipping Materials Kit	
728P3	39
Side Panel Kit	
800005QP	29
806492	29
Snap Bushing	
M402542	5, 31, 33
Standpipe Strap	
33489	27
Strain Relief	
32219	27
38384	41
Supply Injection Wire Harness Assembly	
801518	31
Switch Mounting Bracket	
800663	21

T

Temperature Switch	
35117	7
687542	5, 7

Temperature Switch Bracket 800669	7
Tension Rod Assembly 800666	23
Terminal Block Assembly D505876	31
Thermistor 803256	21
Timer Knob Assembly D512117Q	5, 7
D512117W	5, 7
Top and Gusset Assembly 802247QP	5
802247WP	5
Top Cover D505808Q	7
D505808W	7
Top Hinge D510136	29
Top Mounting Bracket D504228	5
Top Panel Kit D510029WP	9
Transformer 210018P	5, 9
803527P	5, 9
Trunnion Shaft and Hardware Kit 800749P	23
Tub Front Assembly 800430	21
801363	21
Tub Front Seal 800432P	21, 23
Tub Shock Absorber Kit 800622P	21
Tubing 29214	21
800648P	21
801635	15
Tub-to-Pump Hose 800317	27

U

Union 801788	5
Upper Junction Box 801497	31

V

Valve Kit 685766P	15, 17
801836P	17
Valve-to-Dispenser Inlet Hose 801464	15, 17, 19

W

Warning Label D500049	9, 21, 37, 39
--------------------------------	---------------

D500314	21, 37, 39
D500316	9
800632	39
Washer M400014	39
M400080	25
M400081	21
M403958	23
02834	25
03815	41
20290	19
52549	25
800457	21, 23
800465	27
802254	19
803615	19
807679	23
Water Hose F200116	19
Wire Clamp 800811	21
Wire Clamp Ring 800438	11, 13
Wire Clip D504034	41
687500	15, 17, 41
Wire Harness Assembly 801421	33
802013	33
Wire Tie 38663	41
Wire, 12 Gauge 45380	43
Wire, 18 Gauge 45001	43
Wrench 392P4	35

N/A items do not appear in index.

