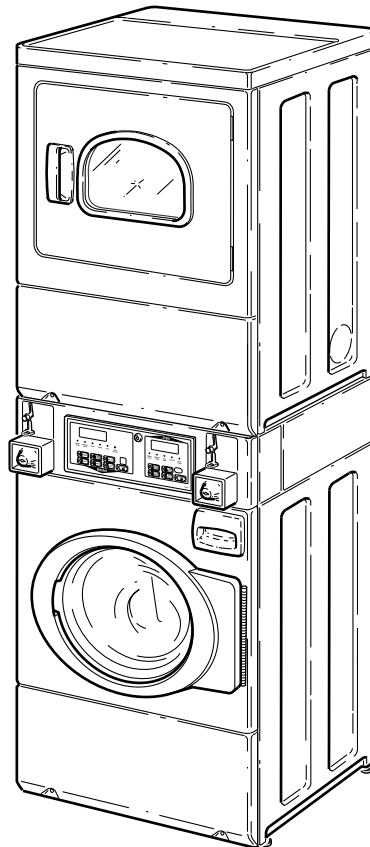


Commercial Stacked Washer/ Dryers

Refer to Page 5 for Model Numbers



SWD447C_802747

Alliance[™]
Laundry Systems

www.alliancelandry.com

Part No. 802747R14
October 2022

Parts

Table of Contents

Title	Page
Parts Ordering Information.....	3
Serial Plate Location	3
Model Identification	5
Control Panel and Controls (Drawing 1 of 2)	6
Control Panel and Controls (Drawing 2 of 2)	8
Control Cabinet Controls (Drawing 1 of 2)	10
Control Cabinet Controls (Drawing 2 of 2)	12
Electrical Access Panel, Filters and Terminal Block	14
Cabinet Wrapper and Coin Drop.....	16
Electronic Coin Drop	18
Cabinet Wrapper and Card Reader	20
Control Cabinet and Controls.....	22
Electrical Access Panel, Filters and Terminal Block	24
Washer Front Panel and Door Assembly.....	26
Dispenser Assembly and Door Seal	28
Mixing Valve, Valve-to-Dispenser Inlet Hose and Fill Hose	30
Tub Front and Clamp Ring.....	32
Heating Element	34
Outer Tub.....	36
Inner Basket, Trunnion, Bearing Housing and Pulley	38
Washer Motor and Belt	40
Drain Hoses and Valve	42
Hoses and Pump	44
Washer Base, Side Panels and Rear Panel	46
Junction Box and Power Cord	48
Wire Ties, Harness Clips and Washer Lead-In Cord	50
Dryer Loading Door with Window (Drawing 1 of 3).....	52
Dryer Loading Door with Window (Drawing 2 of 3).....	54
Dryer Loading Door with Window (Drawing 3 of 3).....	56
Dryer Access Panel, Front Panel and Seal.....	58
Dryer Motor, Blower Fan and Belt.....	60
Blower and Fan Kit.....	62
Thermistor and Thermostat.....	64
Front Bulkhead, Air Duct, Felt Seal and Cylinder	66
Rear Bulkhead, Felt Seal, Cylinder Roller and Terminal Block.....	68
Heater Duct and Element Assembly (Drawing 1 of 2).....	70
Heater Duct and Element Assembly (Drawing 2 of 2).....	72
Heater Duct Assembly	74
Gas Valve, Igniter and Gas Conversion Kits.....	76
Burner Orifice Spuds - For Higher Elevations.....	78
Dryer Cabinet, Exhaust Duct and Base	80
Dryer Power Cord	82

© Copyright 2022, Alliance Laundry Systems LLC

All rights reserved. No part of the contents of this book may be reproduced or transmitted in any form or by any means without the expressed written consent of the publisher.

Dryer Motor Connection Block, Terminal Extractor Tools	84
Terminals	86
Shipping Materials	88
Labels	90
Special Tools	92
Dryer Wire Harnesses and Wires.....	94
Dryer Wire Harnesses and Wires - Models Through Serial Nos. Beginning 0904.....	96
Dryer Wire Harnesses and Wires - Models Starting Serial Nos. Beginning 0904.....	98
Dryer Wire Harnesses and Wires - Models Starting Serial Nos. Beginning 0904 and Continuing Through Serial Nos. Beginning 1303	100
Dryer Wire Harnesses and Wires - Models Starting Serial Nos. Beginning 1303.....	102
Washer Wire Harnesses and Wires (Drawing 1 of 2)	104
Washer Wire Harnesses and Wires (Drawing 2 of 2)	106
Parts Index.....	109

Parts Ordering Information

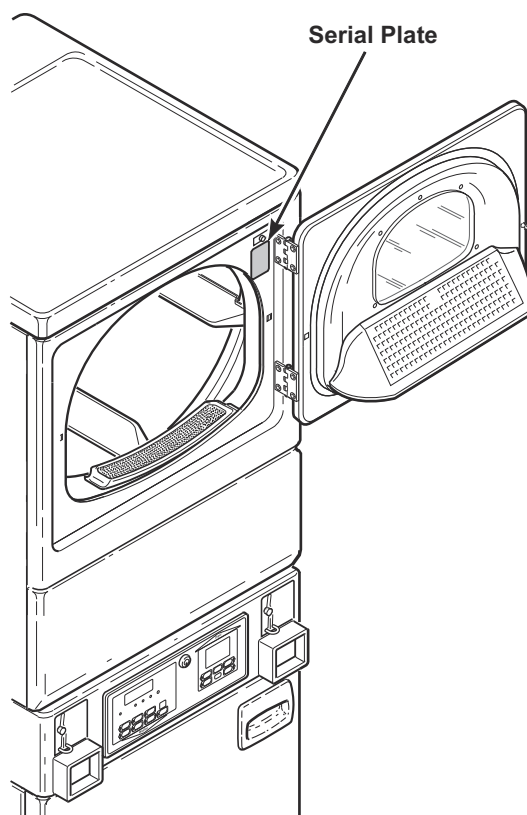
If literature or replacement parts are required, contact the source from whom the machine was purchased or contact Alliance Laundry Systems at (920) 748-3950 for the name and address of the nearest authorized parts distributor.

For technical assistance, call the number listed below:

(920) 748-3121 Ripon, Wisconsin

Serial Plate Location

When calling or writing about your product, be sure to mention model and serial numbers. Model and serial numbers are located on the serial plate(s) as shown.



SWD1165P_802747

Model Identification

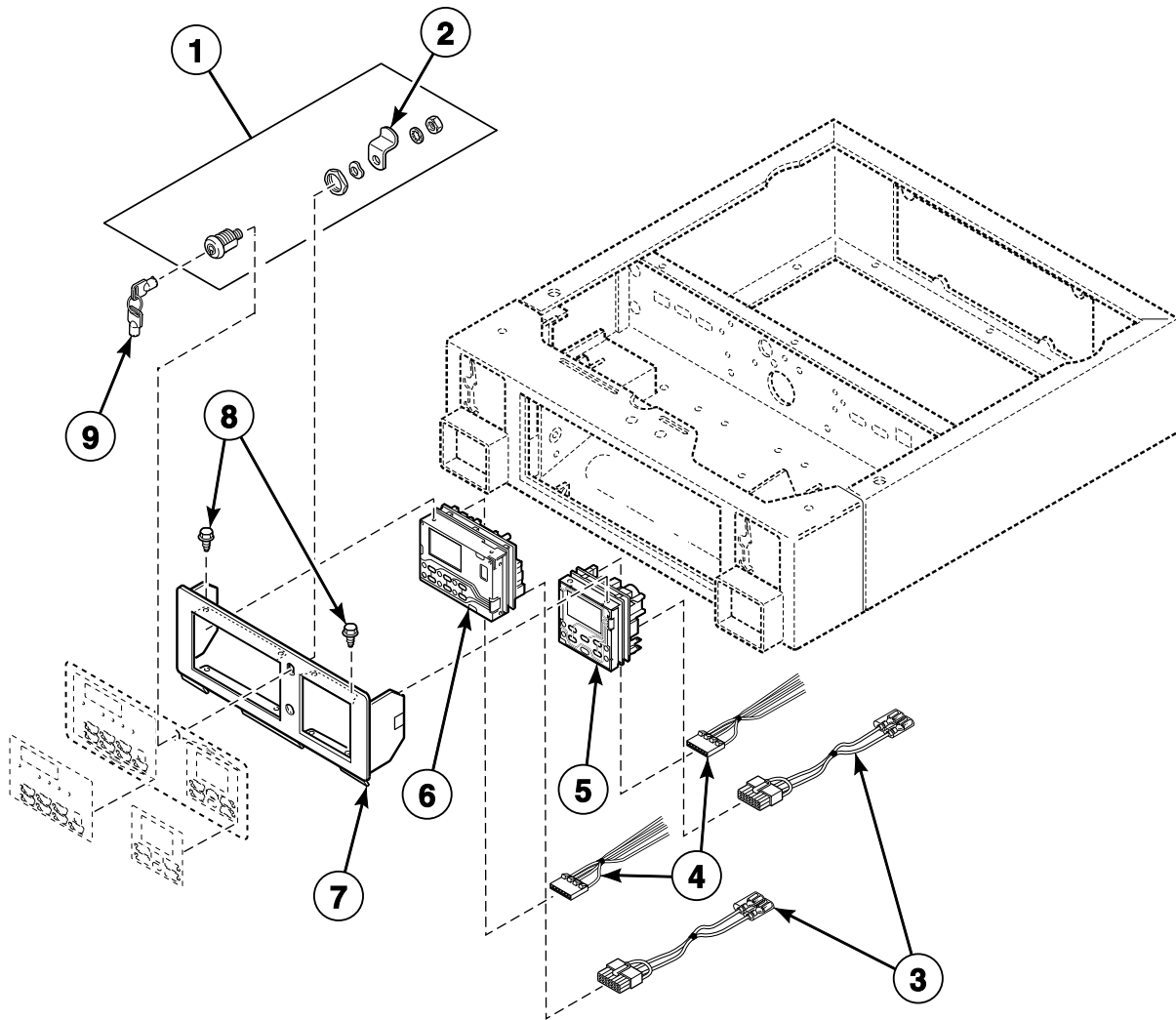
Information in this manual is applicable to these washer/dryer models:

BTEBCFSP171TW01	HTEB77*N2802	NTEBXFSP302NW01	STEX77*N2827
BTEBCFSP172TW01	HTEBCFSP172TW01	NTEBXFSP302NW22	STEX77*N3000
BTEBEFSP171TW01	HTEBDFSP282CW01	NTEL77*N4064	STEX77*N4064
BTEBEFSP281CW01	HTEBXFSP132DW01	NTEX77*N3000	STEX77*N4350
BTEBEFSP282CW01	HTEBXFSP172FW28	NTEX77*N4064	STEX77*N4351
BTEBLFSP431AW01	HTEBXFSP282CW01	NTEX77*N4067	STEX77*N5400
BTEBLFSP432AW01	HTEBXFSP292CW01	NTEX77*N5400	STEX77*N5754
BTEBXFSP172FW01	HTEBXFSP542DW01	NTGBXFSP302NW01	STEY77*N
BTEBXFSP432AW01	HTEBYFSP282CW01	NTGL79*N4067	STEY77*N4064
BTEBYFSP172TW01	HTET77*N	NTGX79*N3000	STEY77*N5754
BTEL75*N4065	HTET77*N2802	NTGX79*N4067	STGA73*N
BTEL77*N4065	HTEX77*N2802	STEA77*N	STGA79*N
BTEX75*N4065	HTEX77*N2902	STEA77*N3069	STGB79*N
BTEX77*N1727	HTEY77*N	STEB77*N	STGBCFSP112TW01
BTEX77*N4065	HTEY77*N2802	STEBCFSP172TQ01	STGBXFSG112TW01
BTEX77*N4350	HTGB79*N0902	STEBCFSP172TW01	STGBXFSP112TW01
BTGBCFSP111TW01	HTGBCFSP112TW01	STEBXFSP132DW01	STGBXFSP122DW01
BTGBCFSP112TW01	HTGBDFSP092CW01	STEBXFSP172TQ01	STGBXFSP301NW22
BTGBEFSP091CW01	HTGBXFSP112FW28	STEBXFSP172TW01	STGBXFSP302AW01
BTGBEFSP111TW01	HTGBXFSP122DW01	STEBXFSP301NW22	STGBXFSP302NW01
BTGBLFSP301AW01	HTGBXFSP542DW01	STEBXFSP302NW01	STGBXFSP302NW22
BTGBLFSP302AW01	HTGBYFSP092CW01	STEBXFSP302NW22	STGBXFSP542DW01
BTGBXFSP112FW01	HTGBYFSP112TW01	STEBXFSP432AW01	STGBYFSP112TW01
BTGBXFSP302AW01	HTGT79*N	STEBXFSP542DW01	STGF79*N
BTGBYFSP112TW01	HTGT79*N0902	STEBXFSP542NW01	STGT79*N
BTGX79*N1127	HTGX79*N0902	STEBYFSP172TW01	STGX73*N
BTGX79*N3060	HTGY79*N	STEF77*N	STGX79*N
	HTGY79*N0902	STEF77*N4350	STGX79*N3000
		STET77*N	STGX79*N3060
		STEX77*N	STGX79*N3061
			STGY79*N

* Add Letter To Designate Color. Q - Bisque W - White

Control Panel and Controls (Drawing 1 of 2)

All Models Except BTEBLFSP431AW01, BTEBLFSP432AW01, BTEL75*N4065, BTEL77*N4065, BTGBLFSP301AW01, BTGBLFSP302AW01, NTEL77*N4064 and NTGL79*N4067



SWD1272P_802747

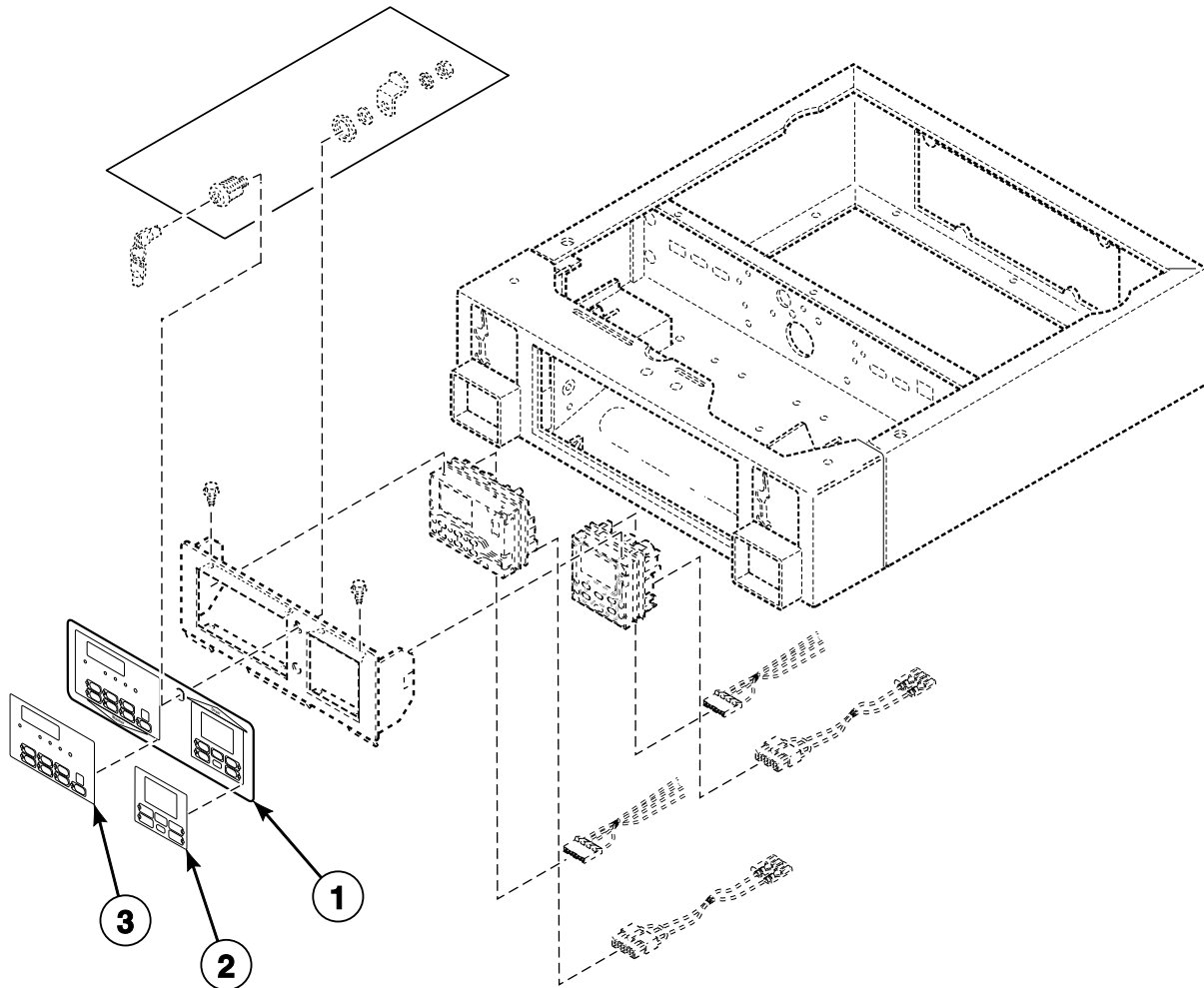
Control Panel and Controls (Drawing 1 of 2)

REF	PART NO.	DESCRIPTION	COMMENTS
1	27260P	Lock Kit	
2	27261	Lock Cam	
3	800374	Diagnostic Wire Harness Assembly	Models BTEBYFSP172TW01, BTGBYFSP112TW01, HTEBYFSP282CW01, HTEY77*N, HTEY77*N2802, HTGBYFSP092CW01, HTGBYFSP112TW01, HTGY79*N, HTGY79*N0902, STEBYFSP172TW01, STEF77*N, STEF77*N4350, STEY77*N, STEY77*N4064, STEY77*N5754, STGBYFSP112TW01, STGF79*N and STGY79*N
4	D511478	Central Pay Harness	All models except HTEB77*N2802, HTGB79*N0902, STEA77*N, STEA77*N3069, STEB77*N, STEF77*N, STEF77*N4350, STGA73*N, STGA79*N, STGB79*N and STGF79*N
5	D505905P	Control Kit	Models HTEB77*N2802, HTGB79*N0902, STEA77*N, STEA77*N3069, STEB77*N, STEF77*N, STEF77*N4350, STGA73*N, STGA79*N, STGB79*N and STGF79*N
	D511867P	Control Assembly	All other models
	D510036P	Membrane Switch	Use with 511867P Control Assembly; All other models
6	800772P	Control Kit	Models HTEB77*N2802, HTGB79*N0902, STEA77*N, STEA77*N3069, STEB77*N, STEF77*N, STEF77*N4350, STGA79*N, STGB79*N and STGF79*N
	802400P	Control Assembly	Models BTEX75*N4065, BTEX77*N4065, NTEX77*N4064, NTEX77*N4067, NTGX79*N4067, STEX77*N4064, STEX77*N5754, STEY77*N4064 and STEY77*N5754
	210010P	Membrane Switch	Use with 802400P Control Assembly; Models BTEX75*N4065, BTEX77*N4065, NTEX77*N4064, NTEX77*N4067, NTGX79*N4067, STEX77*N4064, STEX77*N5754, STEY77*N4064 and STEY77*N5754
	802076P	Control Kit	Model STGA73*N
	803146P	Control Assembly	All other models
7	800034W	Control Panel and Bracket Assembly	
8	D501524	Screw	
9	54612	Key	GR800

* Add Letter To Designate Color. Q - Bisque W - White

Control Panel and Controls (Drawing 2 of 2)

All Models Except BTEBLFSP431AW01, BTEBLFSP432AW01, BTEL75*N4065, BTEL77*N4065, BTGBLFSP301AW01, BTGBLFSP302AW01, NTEL77*N4064 and NTGL79*N4067



SWD1272PA_802747

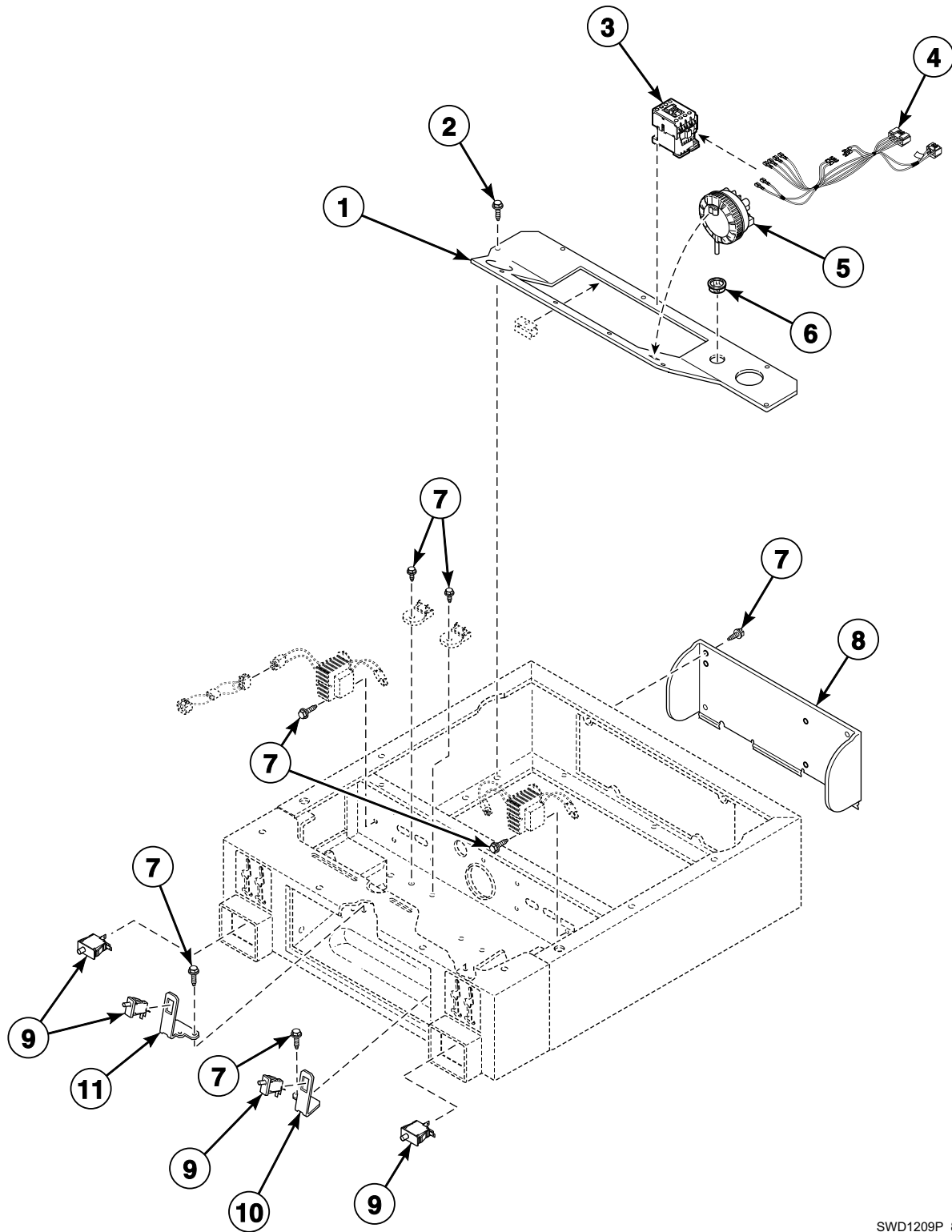
Control Panel and Controls (Drawing 2 of 2)

REF	PART NO.	DESCRIPTION	COMMENTS
1	800026	Overlay	Models STEA77*N, STEA77*N3069, STEB77*N, STGA73*N, STGA79*N and STGB79*N
	800027	Overlay	Models STEF77*N, STEF77*N4350 and STGF79*N
	801054	Overlay	Models HTEBCFSP172TW01, HTEBDFSP282CW01, HTEBXFSP132DW01, HTEBXFSP172FW28, HTEBXFSP282CW01, HTEBXFSP292CW01, HTEBXFSP542DW01, HTEBYFSP282CW01, HTET77*N, HTET77*N2802, HTEX77*N2802, HTEX77*N2902, HTEY77*N, HTEY77*N2802, HTGBCFSP112TW01, HTGBDFSP092CW01, HTGBXFSP112FW28, HTGBXFSP122DW01, HTGBXFSP542DW01, HTGBYFSP092CW01, HTGBYFSP112TW01, HTGT79*N, HTGT79*N0902, HTGX79*N0902, HTGY79*N and HTGY79*N0902
	801051	Overlay	Models STEBCFSP172TQ01, STEBCFSP172TW01, STEBXFSP132DW01, STEBXFSP172TQ01, STEBXFSP172TW01, STEBXFSP302NW01, STEBXFSP432AW01, STEBXFSP542DW01, STEBXFSP542NW01, STEBYFSP172TW01, STET77*N, STEX77*N, STEX77*N2827, STEX77*N3000, STEX77*N4350, STEX77*N4351, STEX77*N5400, STEY77*N, STGBCFSP112TW01, STGBXFSP112TW01, STGBXFSP122DW01, STGBXFSP302AW01, STGBXFSP302NW01, STGBXFSP542DW01, STGBYFSP112TW01, STGT79*N, STGX73*N, STGX79*N, STGX79*N3000, STGX79*N3060, STGX79*N3061 and STGY79*N
	800894	Overlay	Models HTEB77*N2802 and HTGB79*N0902
	801415	Overlay	Models STEX77*N4064, STEX77*N5754, STEY77*N4064 and STEY77*N5754
	802078	Overlay	Models NTEX77*N4064, NTEX77*N4067 and NTGX79*N4067
	801874	Front Overlay	Models BTEX75*N4065 and BTEX77*N4065
	803157	Overlay	Models NTEBXFSP302NW01, NTEBXFSP302NW22, NTEX77*N3000, NTEX77*N5400, NTGBXFSP302NW01 and NTGX79*N3000
	803435	Overlay	Models BTEBCFSP171TW01, BTEBCFSP172TW01, BTEBEFSP171TW01, BTEBEFSP281CW01, BTEBEFSP282CW01, BTEBXFSP172FW01, BTEBXFSP432AW01, BTEX77*N1727, BTEX77*N4350, BTGBCFSP111TW01, BTGBCFSP112TW01, BTGBEFSP091CW01, BTGBEFSP111TW01, BTGBXFSP112FW01, BTGBXFSP302AW01, BTGX79*N1127 and BTGX79*N3060
2	D513546	Overlay	French/English; Models HTEBDFSP282CW01, HTEBXFSP282CW01, HTEBXFSP292CW01, HTEBYFSP282CW01, HTET77*N2802, HTEX77*N2802, HTEX77*N2902, HTEY77*N2802, HTGBDFSP092CW01, HTGBYFSP092CW01, HTGT79*N0902, HTGX79*N0902 and HTGY79*N0902
3	803597	Overlay	French/English; Models HTEBDFSP282CW01, HTEBXFSP282CW01, HTEBXFSP292CW01, HTEBYFSP282CW01, HTET77*N2802, HTEX77*N2802, HTEX77*N2902, HTEY77*N2802, HTGBDFSP092CW01, HTGBYFSP092CW01, HTGT79*N0902, HTGX79*N0902 and HTGY79*N0902

* Add Letter To Designate Color. Q - Bisque W - White

Control Cabinet Controls (Drawing 1 of 2)

All Models Except BTEBLFSP431AW01, BTEBLFSP432AW01, BTEL75*N4065, BTEL77*N4065, BTGBLFSP301AW01, BTGBLFSP302AW01, NTEL77*N4064 and NTGL79*N4067



SWD1209P_802747

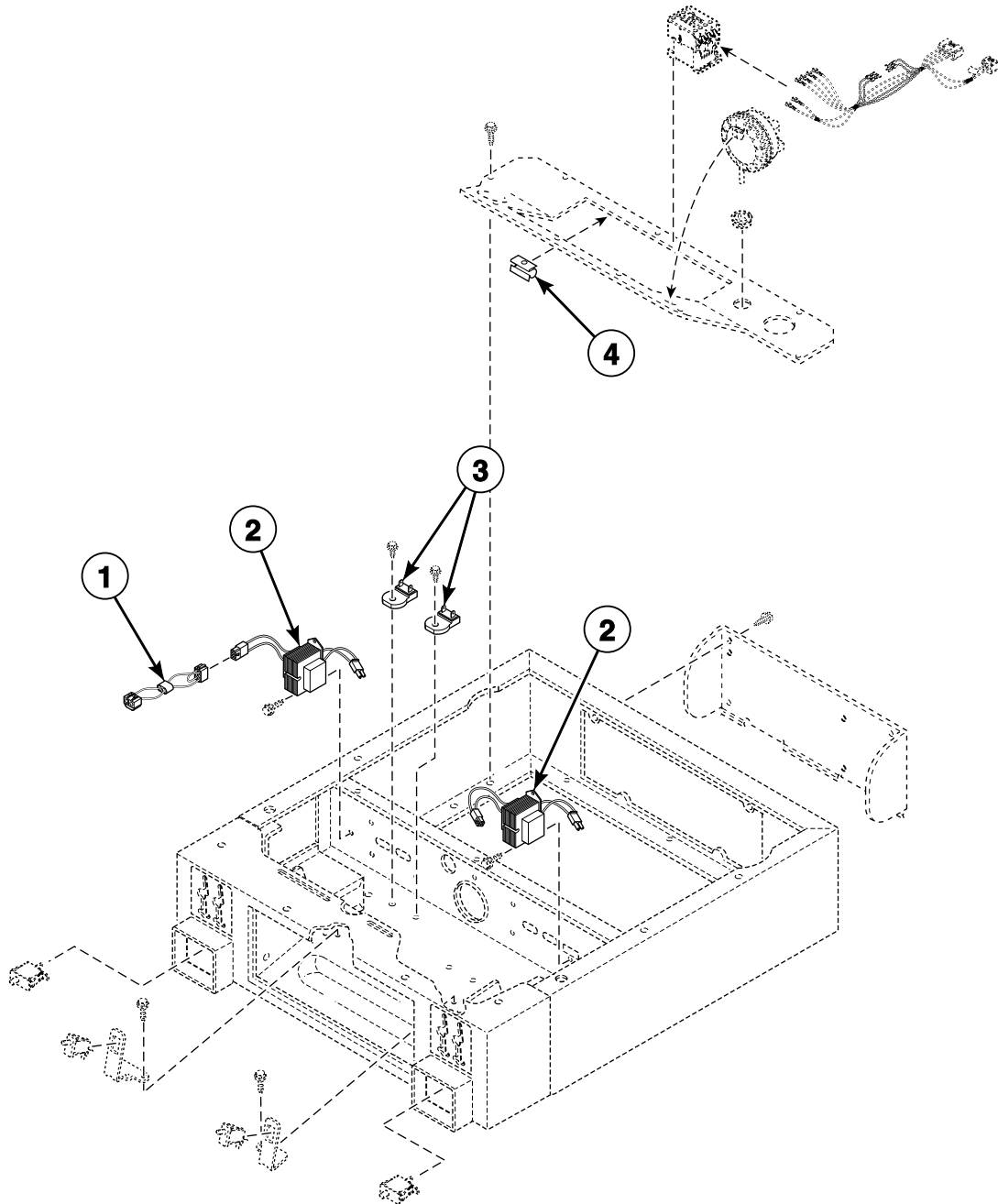
Control Cabinet Controls (Drawing 1 of 2)

REF	PART NO.	DESCRIPTION	COMMENTS
1	801371	Control Shield	
2	D503661	Screw	
3	F330177P	Contactator	Models BTEX75*N4065, BTEX77*N4065, NTEX77*N4064, NTEX77*N4067, NTGX79*N4067, STEX77*N4064, STEX77*N5754, STEY77*N4064 and STEY77*N5754
4	801120P	Contactator Wire Harness Assembly	Models BTEX75*N4065, BTEX77*N4065, NTEX77*N4064, NTEX77*N4067, NTGX79*N4067, STEX77*N4064, STEX77*N5754, STEY77*N4064 and STEY77*N5754
5	802299P	Pressure Switch	
6	M402542	Snap Bushing	
7	D503688	Screw	
8	800177	Security Cabinet Rear Service Panel	All models except BTEX75*N4065, BTEX77*N4065, NTEX77*N4064, NTEX77*N4067, NTGX79*N4067, STEX77*N4064, STEX77*N5754, STEY77*N4064 and STEY77*N5754
9	D512973	Switch	All models except BTEBYFSP172TW01 and BTGBYFSP112TW01
10	800380	Audit Switch Bracket	Right
11	800379	Audit Switch Bracket	Left

* Add Letter To Designate Color. Q - Bisque W - White

Control Cabinet Controls (Drawing 2 of 2)

All Models Except BTEBLFSP431AW01, BTEBLFSP432AW01, BTEL75*N4065, BTEL77*N4065, BTGBLFSP301AW01, BTGBLFSP302AW01, NTEL77*N4064 and NTGL79*N4067



SWD1209PA_802747

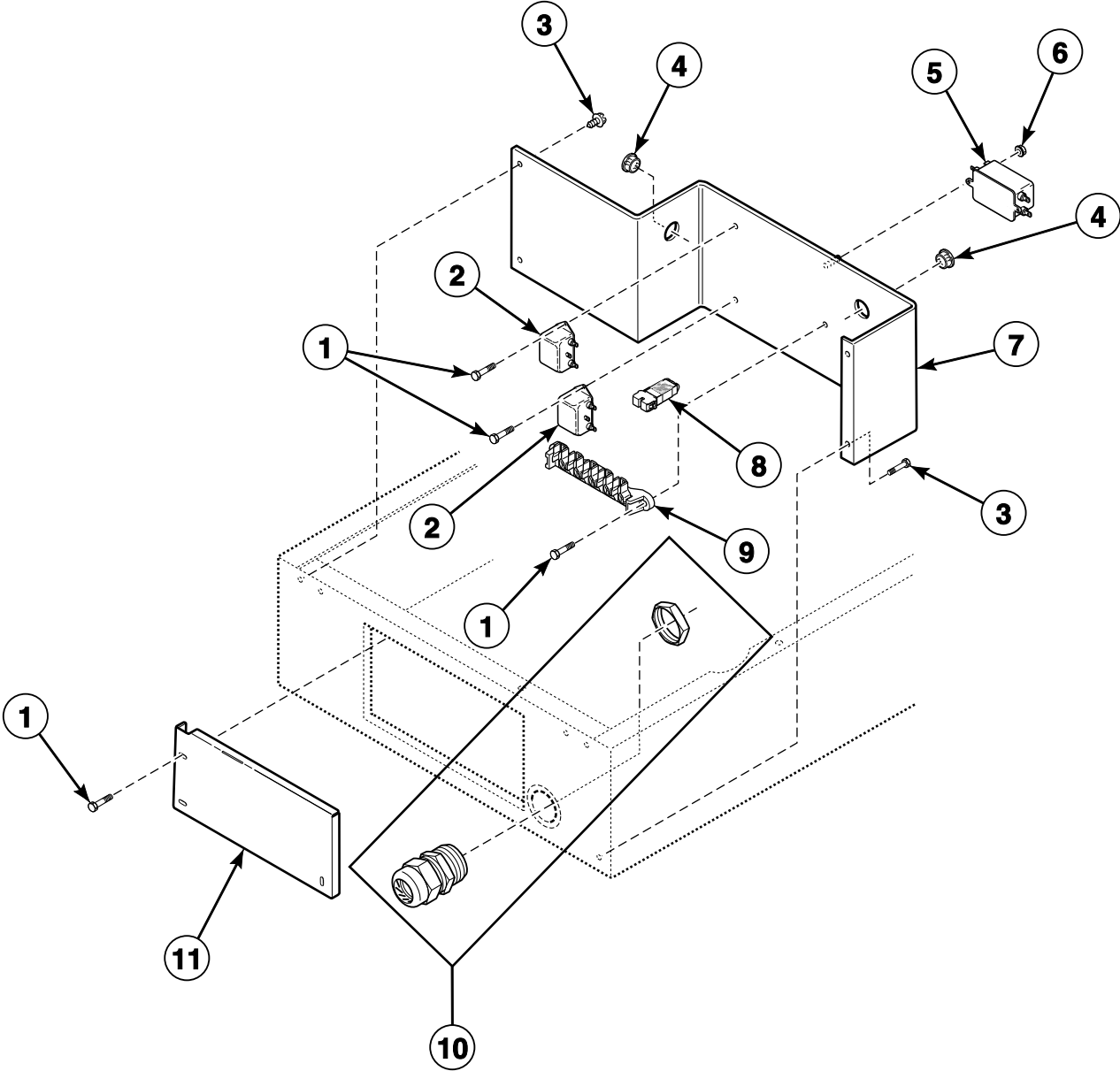
Control Cabinet Controls (Drawing 2 of 2)

REF	PART NO.	DESCRIPTION	COMMENTS
1	M413507	Jumper Configuration Assembly	Models BTEBXFSP432AW01, BTEX75*N4065, BTEX77*N4065, BTEX77*N4350, BTGBXFSP302AW01, BTGX79*N3060, HTEBXFSP132DW01, HTEBXFSP542DW01, HTGBXFSP542DW01, NTEBXFSP302NW22, NTEX77*N4064, NTEX77*N4067, NTEX77*N5400, NTGX79*N4067, STEA77*N3069, STEBXFSP132DW01, STEBXFSP301NW22, STEBXFSP302NW01, STEBXFSP302NW22, STEBXFSP432AW01, STEBXFSP542DW01, STEBXFSP542NW01, STEF77*N4350, STEX77*N3000, STEX77*N4064, STEX77*N4350, STEX77*N4351, STEX77*N5400, STEX77*N5754, STEY77*N4064, STEY77*N5754, STGBXFSP301NW22, STGBXFSP302AW01, STGBXFSP302NW01, STGBXFSP302NW22, STGBXFSP542DW01, STGX79*N3000, STGX79*N3060 and STGX79*N3061
	M413505	Jumper Harness Assembly	Models STEA77*N, STEBXFSP172TQ01, STEBXFSP172TW01, STEX77*N, STEX77*N2827 and STGA79*N
2	210018P	Transformer	Models BTEBCFSP171TW01, BTEBCFSP172TW01, BTGBCFSP111TW01, BTGBCFSP112TW01, HTEB77*N2802, HTEBCFSP172TW01, HTEBDFSP282CW01, HTET77*N, HTET77*N2802, HTGB79*N0902, HTGBCFSP112TW01, HTGBDFSP092CW01, HTGT79*N, HTGT79*N0902, STEB77*N, STEBCFSP172TQ01, STEBCFSP172TW01, STEF77*N, STET77*N, STGB79*N, STGBCFSP112TW01, STGF79*N and STGT79*N
	201375P	Transformer	Models BTEBEFSP171TW01, BTEBEFSP281CW01, BTEBEFSP282CW01, BTEBXFSP172FW01, BTEBYFSP172TW01, BTEX77*N1727, BTGBEFSP091CW01, BTGBEFSP111TW01, BTGBXFSP112FW01, BTGBYFSP112TW01, BTGX79*N1127, HTEBXFSP172FW28, HTEBXFSP282CW01, HTEBXFSP292CW01, HTEBYFSP282CW01, HTEX77*N2802, HTEX77*N2902, HTEY77*N, HTEY77*N2802, HTGBXFSP112FW28, HTGBXFSP122DW01, HTGBYFSP092CW01, HTGBYFSP112TW01, HTGX79*N0902, HTGY79*N, HTGY79*N0902, STEBXFSP132DW01, STEBYFSP172TW01, STEY77*N, STGBXFSP112TW01, STGBXFSP122DW01, STGBYFSP112TW01, STGX79*N and STGY79*N
	803527P	Transformer	All other models
3	210100	Resistor	
4	36985	Hose Clip	

* Add Letter To Designate Color. Q - Bisque W - White

Electrical Access Panel, Filters and Terminal Block

Models BTEX75*N4065, BTEX77*N4065, NTEX77*N4064, NTEX77*N4067, NTGX79*N4067, STEX77*N4064, STEX77*N5754, STEY77*N4064 and STEY77*N5754



FLW861P_802747

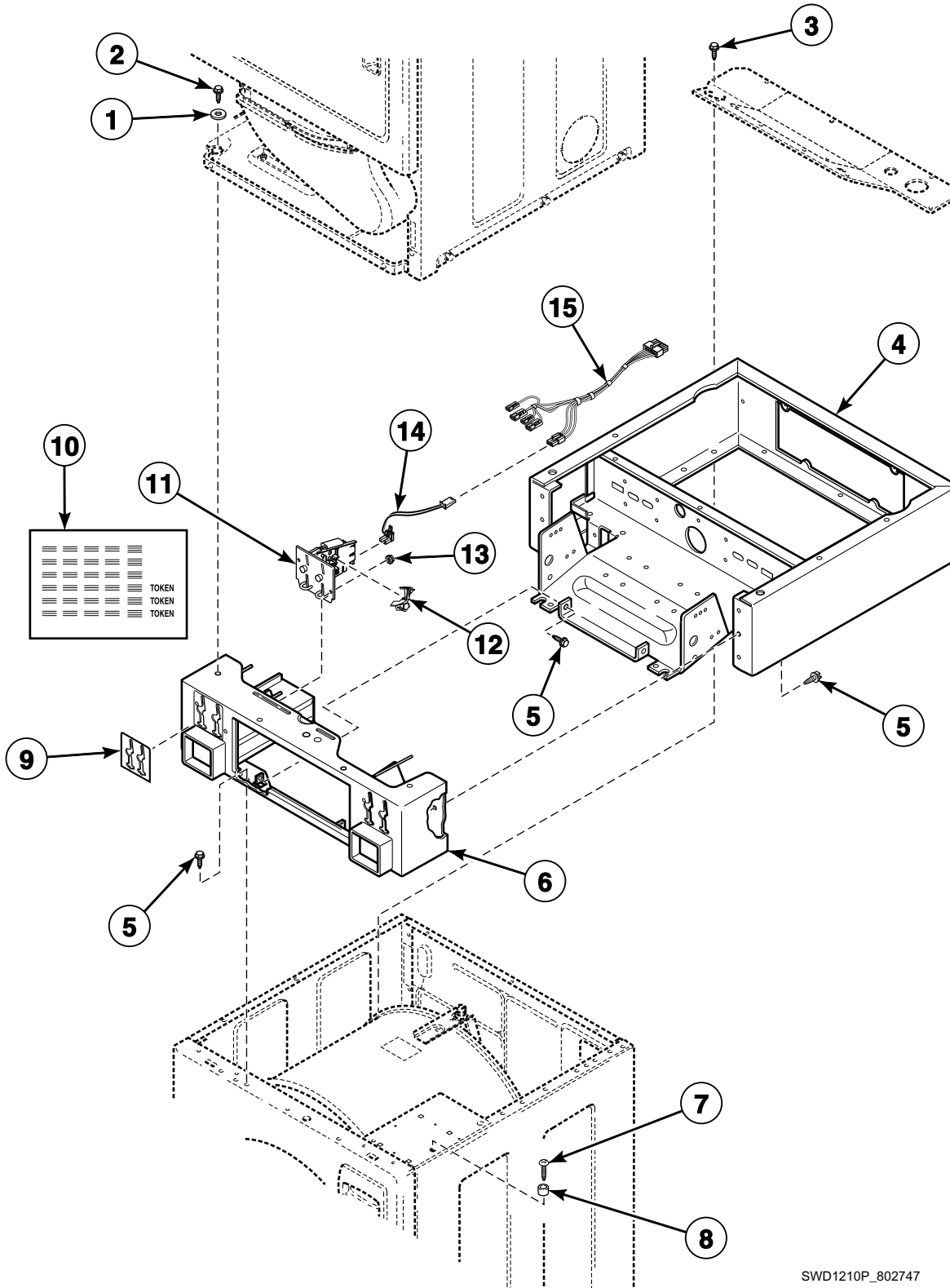
Electrical Access Panel, Filters and Terminal Block

REF	PART NO.	DESCRIPTION	COMMENTS
1	D503661	Screw	
2	801255P	Filter	
3	D503688	Screw	
4	M402542	Snap Bushing	
5	201058	Line Filter	
6	29787	Nut	
7	801250	Terminal Block Assembly	
8	801311	Network Varistor Assembly	
9	D505876	Terminal Block Assembly	
10	801792P	Fitting	
11	801134	Electric Access Panel	

* Add Letter To Designate Color. Q - Bisque W - White

Cabinet Wrapper and Coin Drop

Coin Drop Models



SWD1210P_802747

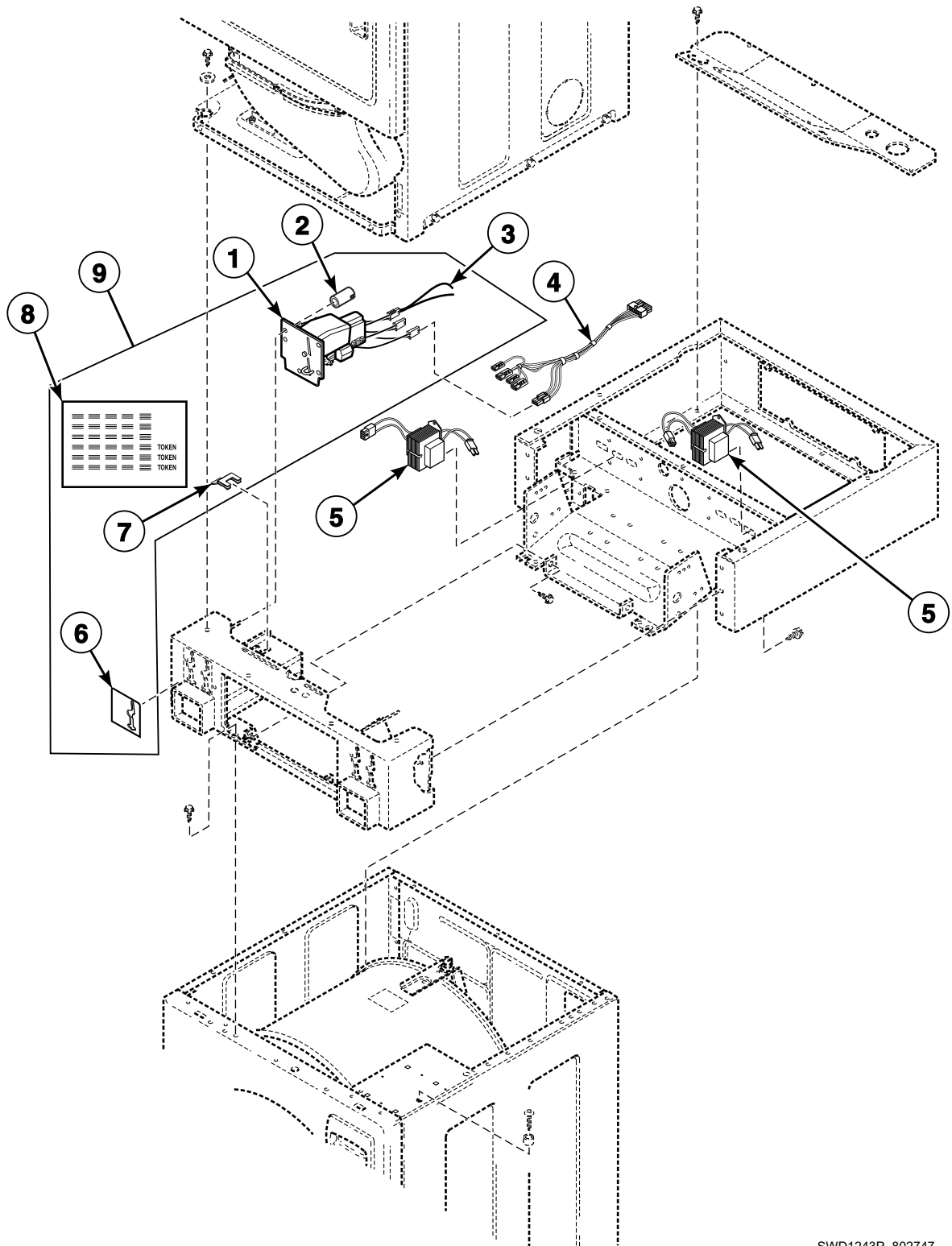
Cabinet Wrapper and Coin Drop

REF	PART NO.	DESCRIPTION	COMMENTS
1	26509	Washer	
2	36048	Screw	
3	D503661	Screw	
4	801235Q	Security Cabinet Wrapper Assembly	Bisque; Models BTEX75*N4065, BTEX77*N4065, NTEX77*N4064, NTEX77*N4067, NTGX79*N4067, STEX77*N4064 and STEX77*N5754
	801235W	Security Cabinet Wrapper Assembly	White; All other models
	800231Q	Security Cabinet Wrapper Assembly	Bisque; All other models
5	D503688	Screw	
6	D518305WP	Security Cabinet Front Assembly	White
	D511632Q	Security Cabinet Front Assembly	Bisque
7	39733	Screw	
8	56079	Panel Locator	
9	38676	Overlay Kit	Dual drop
	39073	Dual Overlay	Models HTEB77*N2802, HTEBDFSP282CW01, HTET77*N2802, HTGB79*N0902, HTGBDFSP092CW01 and HTGT79*N0902
	38717	Single Overlay	
10	38725	Coin Identification Paper	
11	70441601P	Coin Drop	U.S.A.; \$.25
	70441602	Coin Drop Assembly	Canada; .25 and 1.00
	38464P	Coin Drop Assembly	Canada; .25
	38467	Coin Drop Assembly	Australia; .20 and 1.00
	70447301	Coin Drop Assembly	Australia; 1.00 and 2.00
	38472	Coin Drop Assembly	England; 20 pence and 1 pound
	38519	Coin Drop Assembly	Japan; 100 yen and 500 yen
	38521	Coin Drop Assembly	Korea; 100 won and 500 won
	CK114	Coin Drop Assembly	Singapore; Old 1.00
	CK123	Coin Drop Kit	Singapore; New 1.00
	38462P	Coin Drop Assembly	Token; STD-118-1; .880 diameter x .079 thick; Brass
	38463	Coin Drop Assembly	Token; STD-118-5; .990 diameter x .081 thick; Silver
	38963P	Coin Drop	Token 118-16 not available; Replacement for 38963P Coin Drop only
12	201595P	Wire Guard	Anti-stringing device; Add to coin drops manufactured January 2005 and later
13	29786	Nut	
14	200674P	Opto Coupler	
15	802904P	Harness Assembly	Models BTEBCFSP171TW01, BTEBCFSP172TW01, BTGBCFSP111TW01, BTGBCFSP112TW01, HTEBCFSP172TW01, HTET77*N, HTGBCFSP112TW01, HTGT79*N, STEB77*N, STEBCFSP172TQ01, STEBCFSP172TW01, STET77*N, STGB79*N, STGBCFSP112TW01 and STGT79*N
	802905	Harness Assembly	All other models

* Add Letter To Designate Color. Q - Bisque W - White

Electronic Coin Drop

Coin Drop Models



SWD1243P_802747

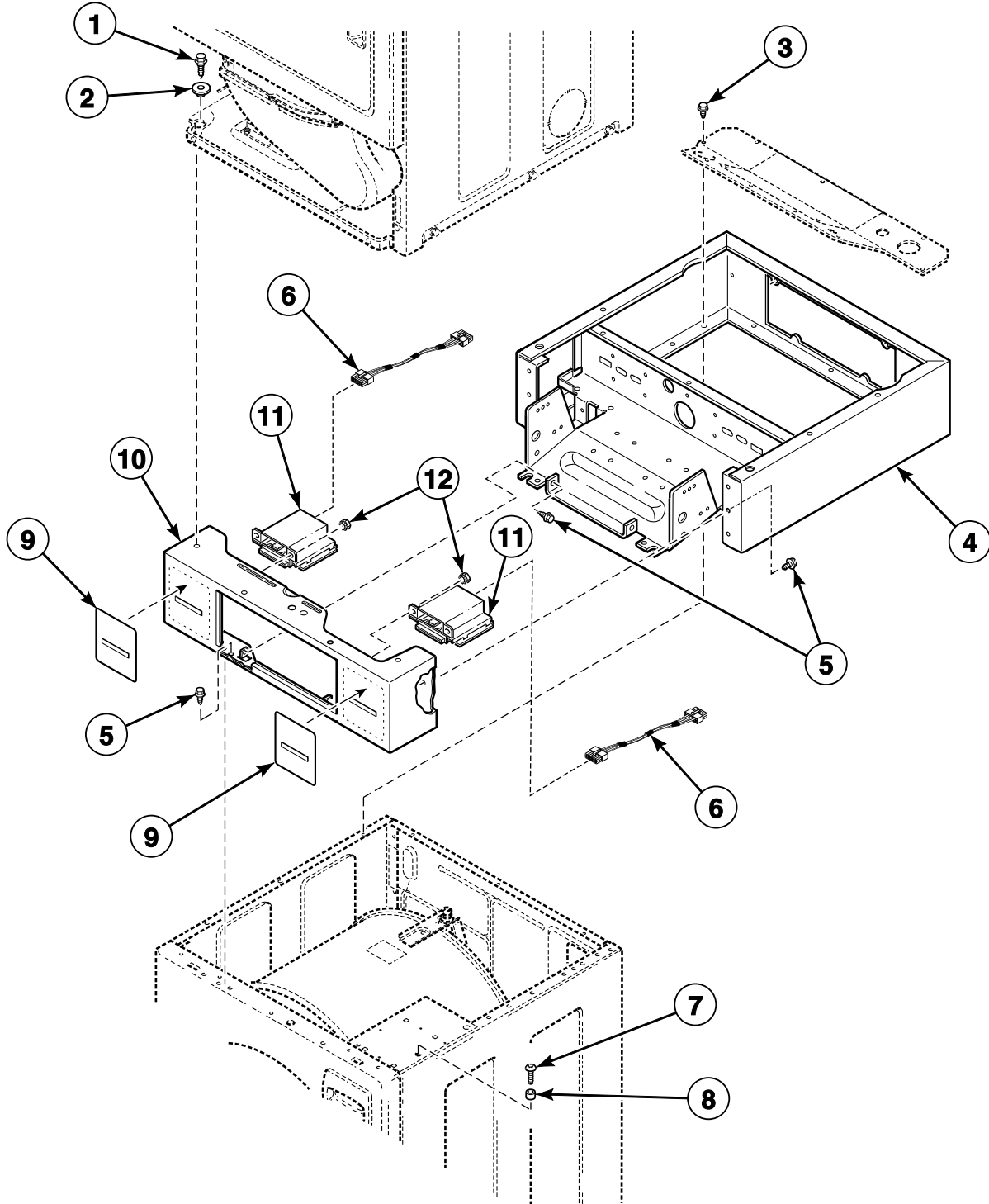
Electronic Coin Drop

REF	PART NO.	DESCRIPTION	COMMENTS
1	70513302	Electronic Coin Drop Assembly	Euro and Great Britain coins
	70294104	Electronic Coin Drop Assembly	Euro, Denmark and Norway coins
	70482401	Coin Drop Assembly	New Zealand coins
	70513306	Electronic Coin Drop Assembly	Mexico, Ecuador and United States coins
	70294107	Electronic Coin Drop Assembly	Euro, Lithuania and Latvia coins
	70294110	Electronic Coin Drop Assembly	South African 1, 2 and 5 rand coins
	70294111	Electronic Coin Drop Assembly	Euro coins
	70294122	Electronic Coin Drop Assembly	Great Britain and token coins
	70513311	Electronic Coin Drop Assembly	Malaysia, China and Singapore coins
	70294117	Electronic Coin Drop Assembly	Russia coins
	70294120	Electronic Coin Drop Assembly	Chile coins
	70294121	Electronic Coin Drop Assembly	Singapore coins
2	201216	Nut	
3	201104	Coin Drop Wire Harness	
4	802905	Harness Assembly	Electronic coin drop requires this harness. If unit is not factory-equipped with this harness, it must be ordered separately.
5	201375P	Transformer	Electronic coin drop requires this transformer. If unit is not factory-equipped with this transformer, it must be ordered separately.
6	201091	Overlay	
7	201572	Clip	
8	38725	Coin Identification Paper	
9	CK115	Electronic Coin Drop Kit	Includes items 1-3 and 6-8; United States and Canada coins
	CK099	Electronic Coin Drop Kit	Includes items 1-3 and 6-8; Australia, New Zealand, Hong Kong and South Korea coins
	CK100	Electronic Coin Drop Kit	Includes items 1-3 and 6-8; Euro and Great Britain coins
	CK101	Electronic Coin Drop Kit	Includes items 1-3 and 6-8; Euro, Denmark and Norway coins
	CK103	Electronic Coin Drop Kit	Includes items 1-3 and 6-8; Euro, Lithuania and Latvia coins
	CK108	Electronic Coin Drop Kit	Includes items 1-3 and 6-8; South African 1, 2 and 5 rand coins
	CK109	Electronic Coin Drop Kit	Includes items 1-3 and 6-8; Euro coins
	CK110	Electronic Coin Drop Kit	Includes items 1-3 and 6-8; Mexico, Ecuador and United States coins
	CK113	Electronic Coin Drop Kit	Includes items 1-3 and 6-8; Japan and Taiwan coins
	CK116	Electronic Coin Drop Kit	Includes items 1-3 and 6-8; Malaysia and China coins
	CK117	Electronic Coin Drop Kit	Includes items 1-3 and 6-8; Russia coins
	CK118	Electronic Coin Drop Kit	Includes items 1-3 and 6-8; Philippine coins
	CK120	Electronic Coin Drop Kit	Includes items 1-3 and 6-8; Chile coins
CK121	Electronic Coin Drop Kit	Includes items 1-3 and 6-8; Singapore coins	
CK122	Coin Drop Kit	Includes items 1-3 and 6-8; New Zealand coins	

* Add Letter To Designate Color. Q - Bisque W - White

Cabinet Wrapper and Card Reader

Models BTEBYFSP172TW01, BTGBYFSP112TW01, HTEBYFSP282CW01, HTEY77*N, HTEY77*N2802, HTGBYFSP092CW01, HTGBYFSP112TW01, HTGY79*N, HTGY79*N0902, STEBYFSP172TW01, STEF77*N, STEF77*N4350, STEY77*N, STEY77*N4064, STEY77*N5754, STGBYFSP112TW01, STGF79*N and STGY79*N



SWD1194P_802747

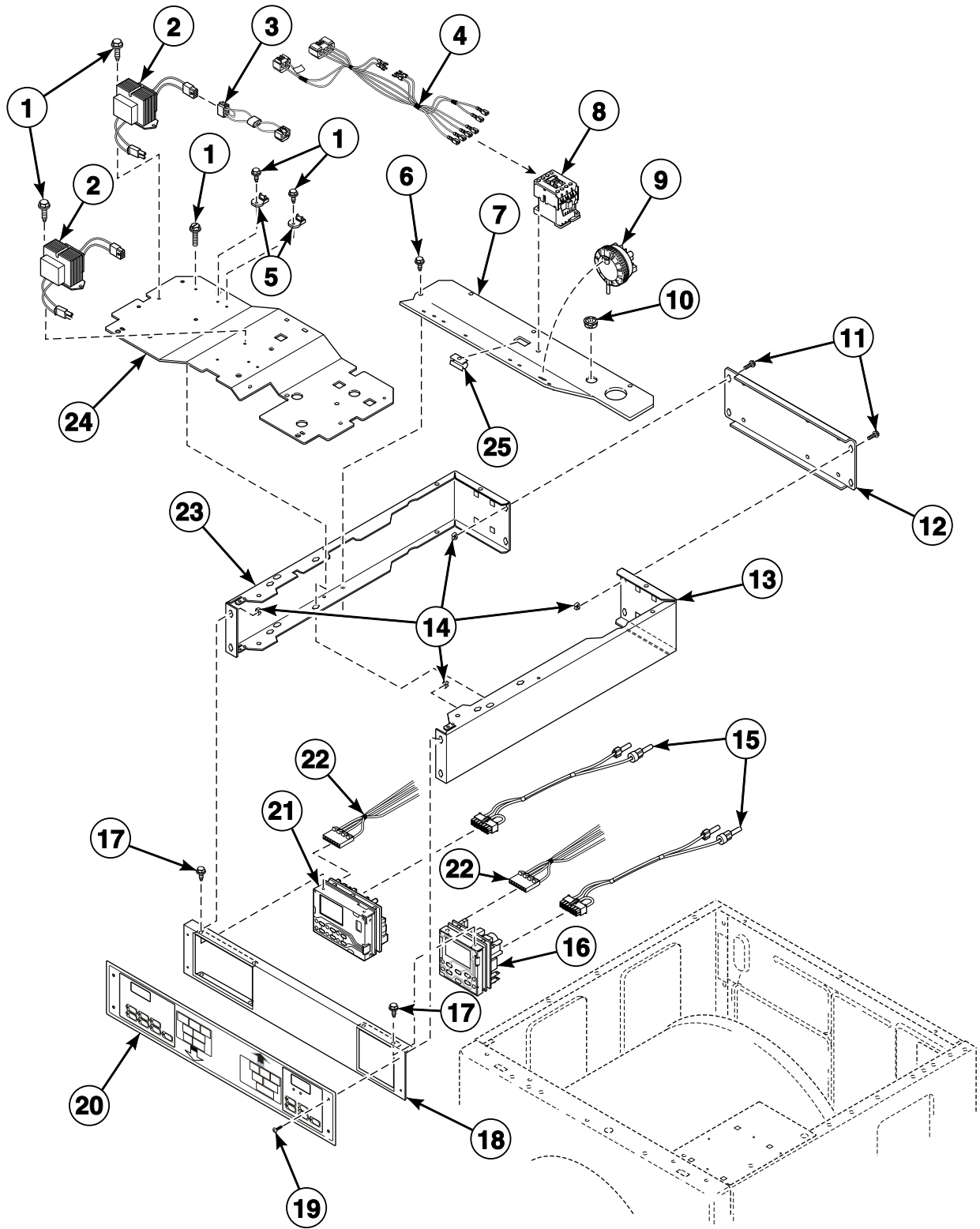
Cabinet Wrapper and Card Reader

REF	PART NO.	DESCRIPTION	COMMENTS
1	36048	Screw	
2	26509	Washer	
3	D503661	Screw	
4	801235Q	Security Cabinet Wrapper Assembly	Bisque; Models STEY77*N4064 and STEY77*N5754
	801235W	Security Cabinet Wrapper Assembly	White; All other models
	800231Q	Security Cabinet Wrapper Assembly	Bisque; All other models
5	D503688	Screw	
6	800125P	Card Reader Wire Harness Assembly	Models STEF77*N, STEF77*N4350 and STGF79*N
7	39733	Screw	
8	56079	Panel Locator	
9	39564	Nameplate	Models STEY77*N4064 and STEY77*N5754
	800230	Card Reader Overlay	Models STEF77*N, STEF77*N4350 and STGF79*N
	D511544	Card Insert Overlay	Models BTEBYFSP172TW01, BTGBYFSP112TW01, STEBYFSP172TW01, STEY77*N, STGBYFSP112TW01 and STGY79*N
	D511548	Card Insert Overlay	All other models
10	D511208W	Security Cabinet Front Assembly	White
	D511208Q	Security Cabinet Front Assembly	Bisque
11	D510068P	Card Reader and Bracket Assembly	Models STEF77*N, STEF77*N4350 and STGF79*N
12	70054	Nut	

* Add Letter To Designate Color. Q - Bisque W - White

Control Cabinet and Controls

Models BTEBLFSP431AW01, BTEBLFSP432AW01, BTEL75*N4065, BTEL77*N4065, BTGBLFSP301AW01, BTGBLFSP302AW01, NTEL77*N4064 and NTGL79*N4067



SWD1271P_802747

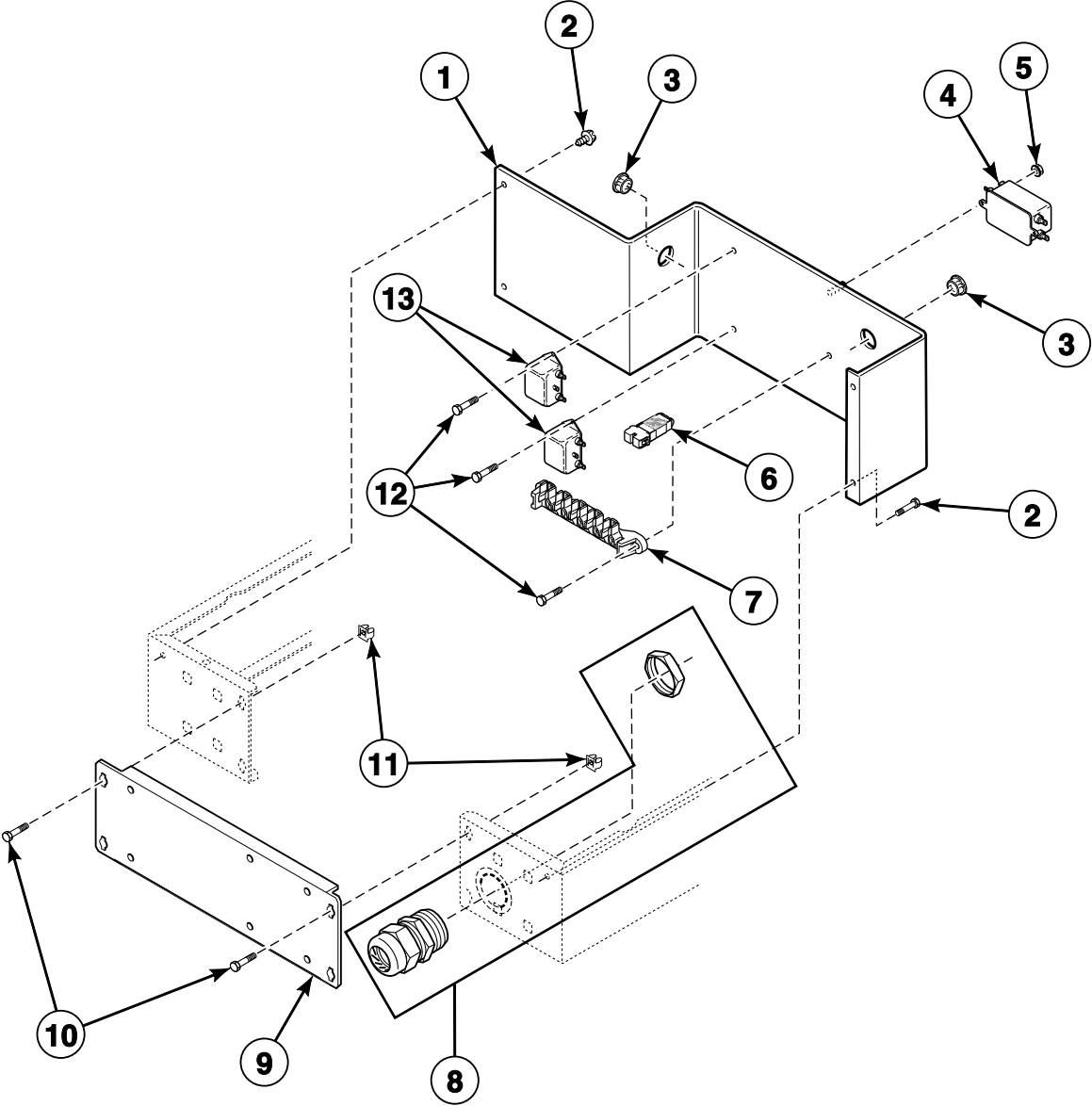
Control Cabinet and Controls

REF	PART NO.	DESCRIPTION	COMMENTS
1	D503688	Screw	
2	803527P	Transformer	Model NTGL79*N4067 3 required; Models BTEBLFSP431AW01, BTEBLFSP432AW01, BTEL75*N4065, BTEL77*N4065, BTGBLFSP301AW01, BTGBLFSP302AW01 and NTEL77*N4064 2 required
3	M413507	Jumper Configuration Assembly	
4	801120P	Contacto Wire Harness Assembly	
5	210100	Resistor	
6	D503661	Screw	
7	801371	Control Shield	
8	F330177P	Contacto	
9	802299P	Pressure Switch	
10	M402542	Snap Bushing	
11	70240301	Screw	
12	801058	Rear Control Cabinet	
13	800915W	Right Control Cabinet Side	White
	800915Q	Right Control Cabinet Side	Bisque
14	70030501	Expansion Clip	
15	202869	Wiring Harness Assembly	
16	D511867P	Control Assembly	Dryer
	D510036P	Membrane Switch	
17	D501524	Screw	
18	801778W	Control Panel	
19	800930	Screw	
20	801984	Graphic Overlay	Models BTEL75*N4065 and BTEL77*N4065
	803536	Overlay	Models BTEBLFSP431AW01, BTEBLFSP432AW01, BTGBLFSP301AW01 and BTGBLFSP302AW01
	802289	Graphic Overlay	All other models
21	802400P	Control Assembly	Washer
	210010P	Membrane Switch	
22	D511478	Central Pay Harness	
23	801738W	Left Control Cabinet Side	
24	801777	Control Cabinet Bottom	
25	36985	Hose Clip	

* Add Letter To Designate Color. Q - Bisque W - White

Electrical Access Panel, Filters and Terminal Block

Models BTEBLFSP431AW01, BTEBLFSP432AW01, BTEL75*N4065, BTEL77*N4065, BTGBLFSP301AW01, BTGBLFSP302AW01, NTEL77*N4064 and NTGL79*N4067



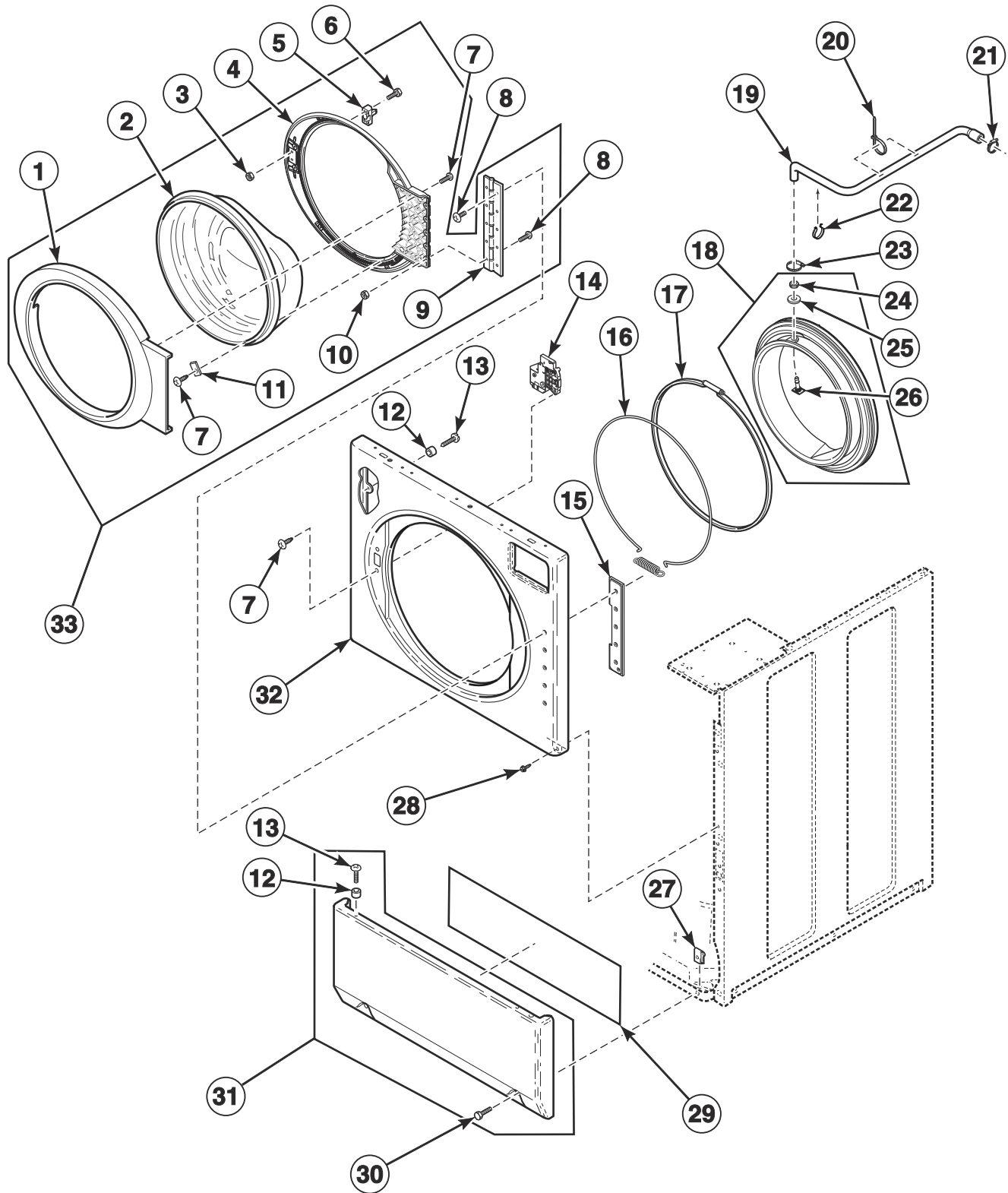
FLW863P_802747

Electrical Access Panel, Filters and Terminal Block

REF	PART NO.	DESCRIPTION	COMMENTS
1	801756	Terminal Block Assembly	
2	D503688	Screw	
3	M402542	Snap Bushing	
4	201058	Line Filter	
5	29787	Nut	
6	801311	Network Varistor Assembly	
7	D505876	Terminal Block Assembly	
8	801792P	Fitting	
9	801058	Rear Control Cabinet	
10	70240301	Screw	
11	70030501	Expansion Clip	
12	D503661	Screw	
13	801255P	Filter	

* Add Letter To Designate Color. Q - Bisque W - White

Washer Front Panel and Door Assembly



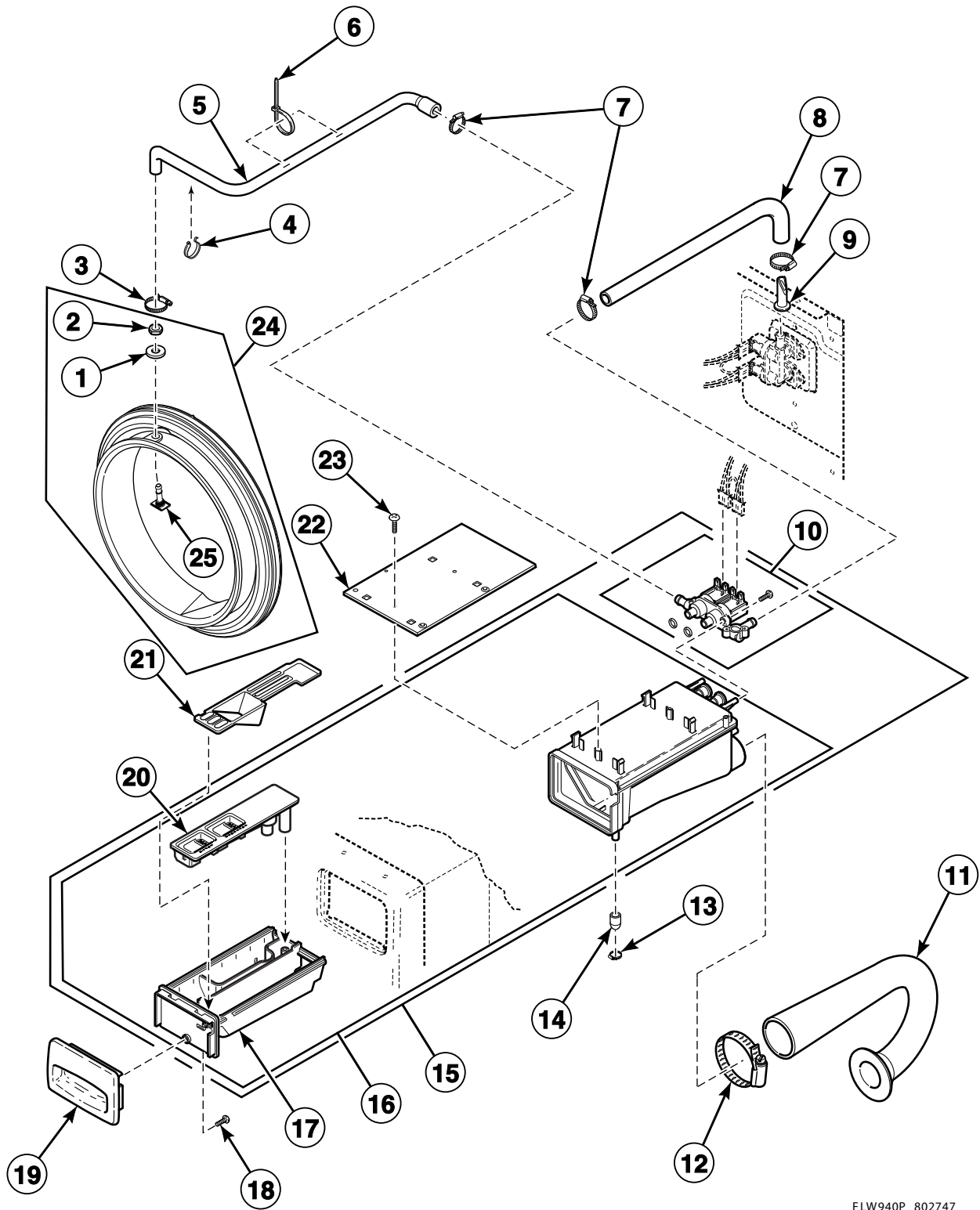
FLW938P

Washer Front Panel and Door Assembly

REF	PART NO.	DESCRIPTION	COMMENTS
1	802314P	Outer Door Bezel Kit	BTE and BTG models
	802313WP	Outer Door Bezel Kit	White; All other models
	802313QP	Outer Door Bezel Kit	Bisque; All other models
2	802695P	Door Glass	
3	685846	Nut	
4	808096	Inner Door Bezel Kit	BTE and BTG models
	808095	Inner Door Bezel Kit	All other models
5	802803	Door Catch Assembly	
6	801993	Screw	
7	800548	Screw	
8	801019	Screw	
9	802934	Door Hinge	
10	23951	Nut	
11	802700	Glass Mounting Clip	
12	56079	Panel Locator	
13	39733	Screw	
14	802317P	Door Latch/Switch Assembly	
15	802206	Hinge Plate	
16	806466	Wire Ring and Spring	Includes spring
17	802281	Hose Clamp	Seal to outer tub front
18	802866P	Door Seal Assembly	Black; Includes items 24-26
	802830P	Door Seal Kit	Gray; Includes items 24-26
19	802256	Dispenser-to-Door Seal Hose	
20	55881	Harness Strap	
21	802164	Hose Clamp	
22	687500	Wire Clip	
23	802698	Hose Clamp	
24	802292	Nut	
25	802293	Washer	
26	802291	Boot Nozzle	
27	36020	Nut	
28	D503661	Screw	
29	36204	Front Panel Pad	
30	801045	Screw	
31	D514250WP	Access Panel Assembly	White
	D514250Q	Access Panel Assembly	Bisque
32	802277WP	Front Panel	White
	802277QP	Front Panel	Bisque
33	802872P	Door Assembly	Includes items 1-11; BTE and BTG models
	804914WP	Door Assembly	White; Includes items 1-11; All other models
	804914QP	Door Assembly	Bisque; Includes items 1-11; All other models

* Add Letter To Designate Color. Q - Bisque W - White

Dispenser Assembly and Door Seal



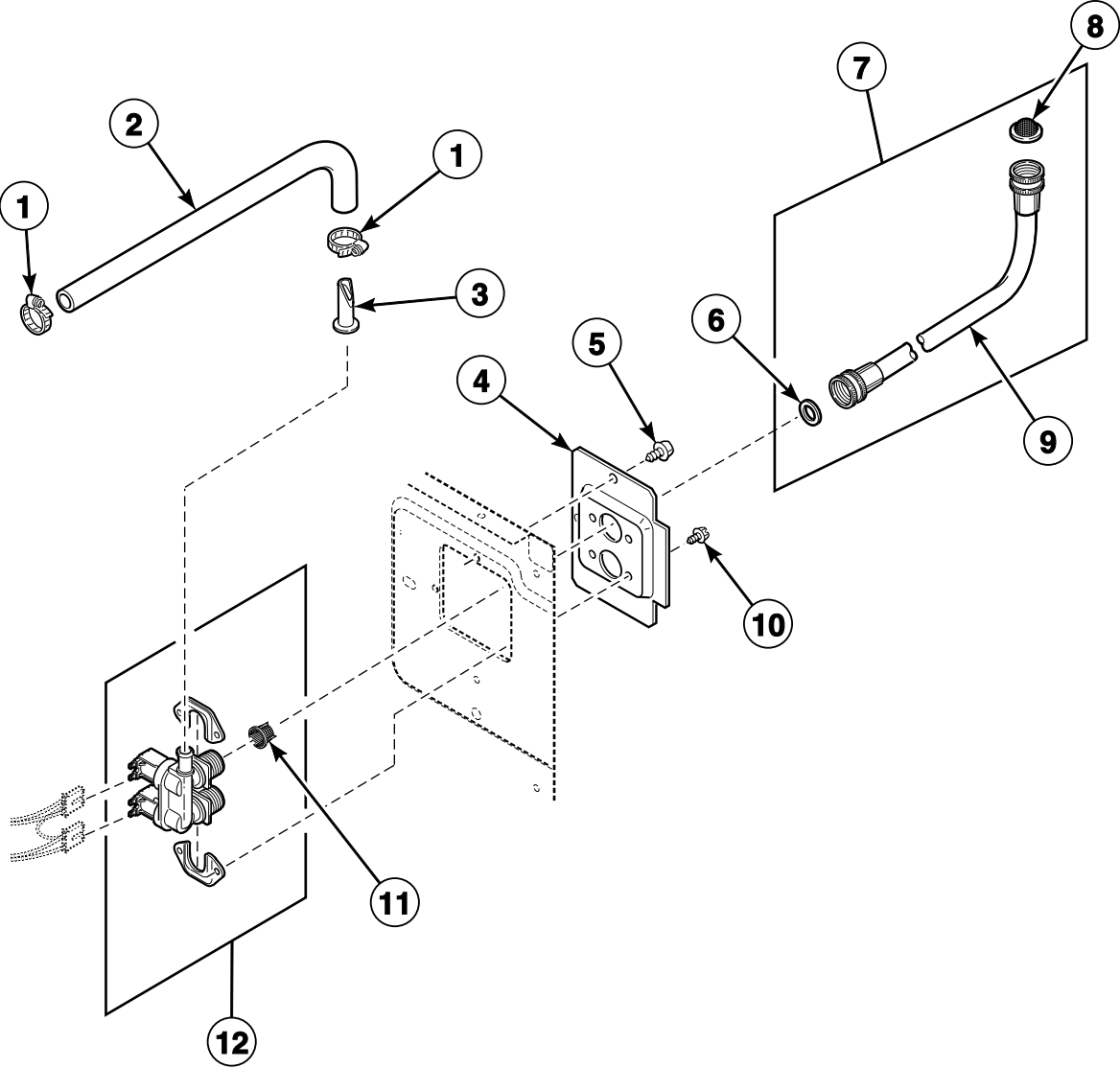
FLW940P_802747

Dispenser Assembly and Door Seal

REF	PART NO.	DESCRIPTION	COMMENTS
1	802293	Washer	
2	802292	Nut	
3	802698	Hose Clamp	
4	687500	Wire Clip	
5	802256	Dispenser-to-Door Seal Hose	
6	39037	Cable Tie	
7	802164	Hose Clamp	
8	801464	Valve-to-Dispenser Inlet Hose	
9	34500	Backflow Preventer	
10	801836P	Valve Kit	Models BTEBLFSP431AW01, BTEBLFSP432AW01, BTEBXFSP432AW01, BTEL75*N4065, BTEL77*N4065, BTEX75*N4065, BTEX77*N4065, BTEX77*N4350, BTGBLFSP301AW01, BTGBLFSP302AW01, BTGBXFSP302AW01, BTGX79*N3060, HTEBXFSP542DW01, HTGBXFSP542DW01, NTEBXFSP302NW01, NTEBXFSP302NW22, NTEL77*N4064, NTEX77*N3000, NTEX77*N4064, NTEX77*N4067, NTEX77*N5400, NTGBXFSP302NW01, NTGL79*N4067, NTGX79*N3000, NTGX79*N4067, STEA77*N3069, STEBXFSP301NW22, STEBXFSP302NW01, STEBXFSP302NW22, STEBXFSP432AW01, STEBXFSP542DW01, STEBXFSP542NW01, STEF77*N4350, STEX77*N3000, STEX77*N4064, STEX77*N4350, STEX77*N4351, STEX77*N5400, STEX77*N5754, STEY77*N4064, STEY77*N5754, STGBXFSP301NW22, STGBXFSP302AW01, STGBXFSP302NW01, STGBXFSP302NW22, STGBXFSP542DW01, STGX79*N3000, STGX79*N3060 and STGX79*N3061
	685766P	Valve Kit	All other models
11	800331	Dispenser-to-Tub Hose	
12	685725	Hose Clamp	
13	F200206	Hose Clamp	
14	801746	Cap	
15	801090P	Dispenser	Includes items 10, 16 and 19; Models BTEBLFSP431AW01, BTEBLFSP432AW01, BTEBXFSP432AW01, BTEL75*N4065, BTEL77*N4065, BTEX75*N4065, BTEX77*N4065, BTEX77*N4350, BTGBLFSP301AW01, BTGBLFSP302AW01, BTGBXFSP302AW01, BTGX79*N3060, HTEBXFSP542DW01, HTGBXFSP542DW01, NTEBXFSP302NW01, NTEBXFSP302NW22, NTEL77*N4064, NTEX77*N3000, NTEX77*N4064, NTEX77*N4067, NTEX77*N5400, NTGBXFSP302NW01, NTGL79*N4067, NTGX79*N3000, NTGX79*N4067, STEA77*N3069, STEBXFSP301NW22, STEBXFSP302NW01, STEBXFSP302NW22, STEBXFSP432AW01, STEBXFSP542DW01, STEBXFSP542NW01, STEF77*N4350, STEX77*N3000, STEX77*N4064, STEX77*N4350, STEX77*N4351, STEX77*N5400, STEX77*N5754, STEY77*N4064, STEY77*N5754, STGBXFSP301NW22, STGBXFSP302AW01, STGBXFSP302NW01, STGBXFSP302NW22, STGBXFSP542DW01, STGX79*N3000, STGX79*N3060 and STGX79*N3061
	685756P	Dispenser	Includes items 10, 16, 17 and 20; All other models
16	801476P	Dispenser Assembly	Includes items 17 and 20 and drawer
17	685757P	Dispenser Drawer	
18	800548	Screw	
19	685715WP	Dispenser Drawer Front	White
	685715QP	Dispenser Drawer Front	Bisque
20	685716	Insert	
21	800899	Detergent Cover	
22	801024	Dispenser Plate	
23	801001	Screw	
24	802866P	Door Seal Assembly	Black; Includes items 1, 2 and 25
	802830P	Door Seal Kit	Gray; Includes items 1, 2 and 25
25	802291	Boot Nozzle	

* Add Letter To Designate Color. Q - Bisque W - White

Mixing Valve, Valve-to-Dispenser Inlet Hose and Fill Hose



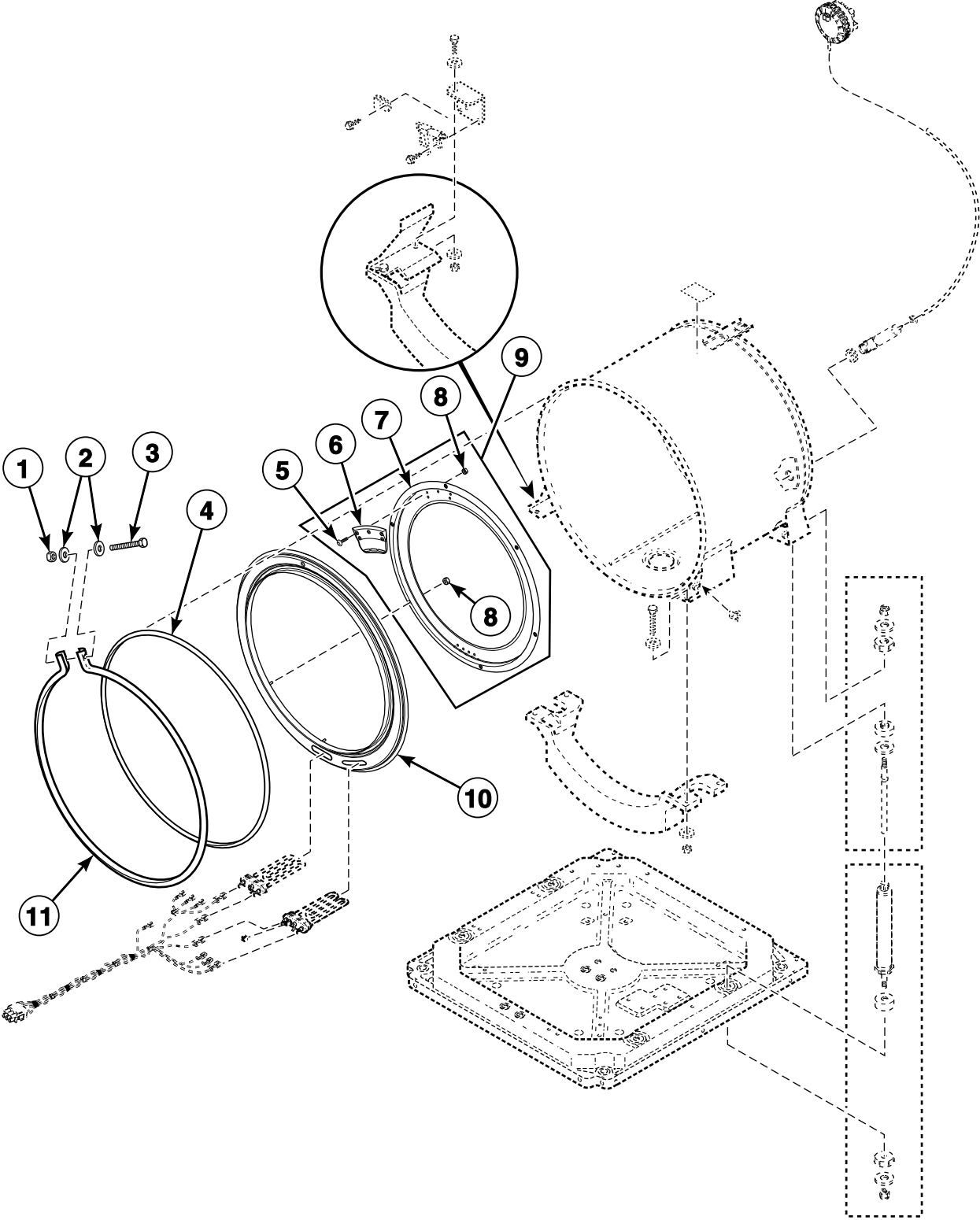
FLW881P_802747

Mixing Valve, Valve-to-Dispenser Inlet Hose and Fill Hose

REF	PART NO.	DESCRIPTION	COMMENTS
1	802164	Hose Clamp	
2	801464	Valve-to-Dispenser Inlet Hose	
3	34500	Backflow Preventer	
4	800323	Mixing Valve Plate	
5	D503661	Screw	
6	20290	Washer	
7	F200116	Water Hose	5 feet; Hose is equipped with 2 standard hose couplings; Includes items 6 and 8; All models except HTEBXFSP132DW01, HTEBXFSP542DW01, HTGBXFSP542DW01, STEBXFSP132DW01, STEBXFSP542DW01 and STGBXFSP542DW01
	38349P	Fill Hose Kit	5 feet; Hose is equipped with 1 metric and 1 standard hose coupling; Includes 2 of item 6; All models except HTEBXFSP132DW01, HTEBXFSP542DW01, HTGBXFSP542DW01, STEBXFSP132DW01, STEBXFSP542DW01 and STGBXFSP542DW01
8	803615	Washer	Filter screen
	802254	Washer	Flow restrictor; Water pressure reducer; Available for water pressure up to but not exceeding 120 psi
9	202799	Fill Hose	Models HTEBXFSP132DW01, HTEBXFSP542DW01, HTGBXFSP542DW01, STEBXFSP132DW01, STEBXFSP542DW01 and STGBXFSP542DW01
	202800	Fill Hose	Models BTEBLFSP432AW01, BTEBXFSP432AW01, BTGBLFSP302AW01, BTGBXFSP302AW01, BTGX79*N3060, STEBXFSP432AW01 and STGBXFSP302AW01
	20617	Fill Hose	8 feet; Hose is equipped with 2 standard hose couplings; All other models
	20618	Fill Hose	10 feet; Hose is equipped with 2 standard hose couplings; All other models
	37380	Fill Hose	8 feet; Hose is equipped with 1 metric and 1 standard hose coupling; All other models
	202931	Fill Hose	10 feet; Hose is equipped with 1 metric and 1 standard hose coupling; All other models
10	D501086	Screw	
11	802926	Mixing Valve Screen	
12	802222P	Mixing Valve	Models BTEBLFSP431AW01, BTEBLFSP432AW01, BTEBXFSP432AW01, BTEL75*N4065, BTEL77*N4065, BTEX75*N4065, BTEX77*N4065, BTEX77*N4350, BTGBLFSP301AW01, BTGBLFSP302AW01, BTGBXFSP302AW01, BTGX79*N3060, HTEBXFSP542DW01, HTGBXFSP542DW01, NTEBXFSP302NW01, NTEBXFSP302NW22, NTEL77*N4064, NTEX77*N3000, NTEX77*N4064, NTEX77*N4067, NTEX77*N5400, NTGBXFSP302NW01, NTGL79*N4067, NTGX79*N3000, NTGX79*N4067, STEA77*N3069, STEBXFSP301NW22, STEBXFSP302NW01, STEBXFSP302NW22, STEBXFSP432AW01, STEBXFSP542DW01, STEBXFSP542NW01, STEF77*N4350, STEX77*N3000, STEX77*N4064, STEX77*N4350, STEX77*N4351, STEX77*N5400, STEX77*N5754, STEY77*N4064, STEY77*N5754, STGBXFSP301NW22, STGBXFSP302AW01, STGBXFSP302NW01, STGBXFSP302NW22, STGBXFSP542DW01, STGX79*N3000, STGX79*N3060 and STGX79*N3061
	802220P	Mixing Valve	All other models

* Add Letter To Designate Color. Q - Bisque W - White

Tub Front and Clamp Ring



FLW1012P_802747

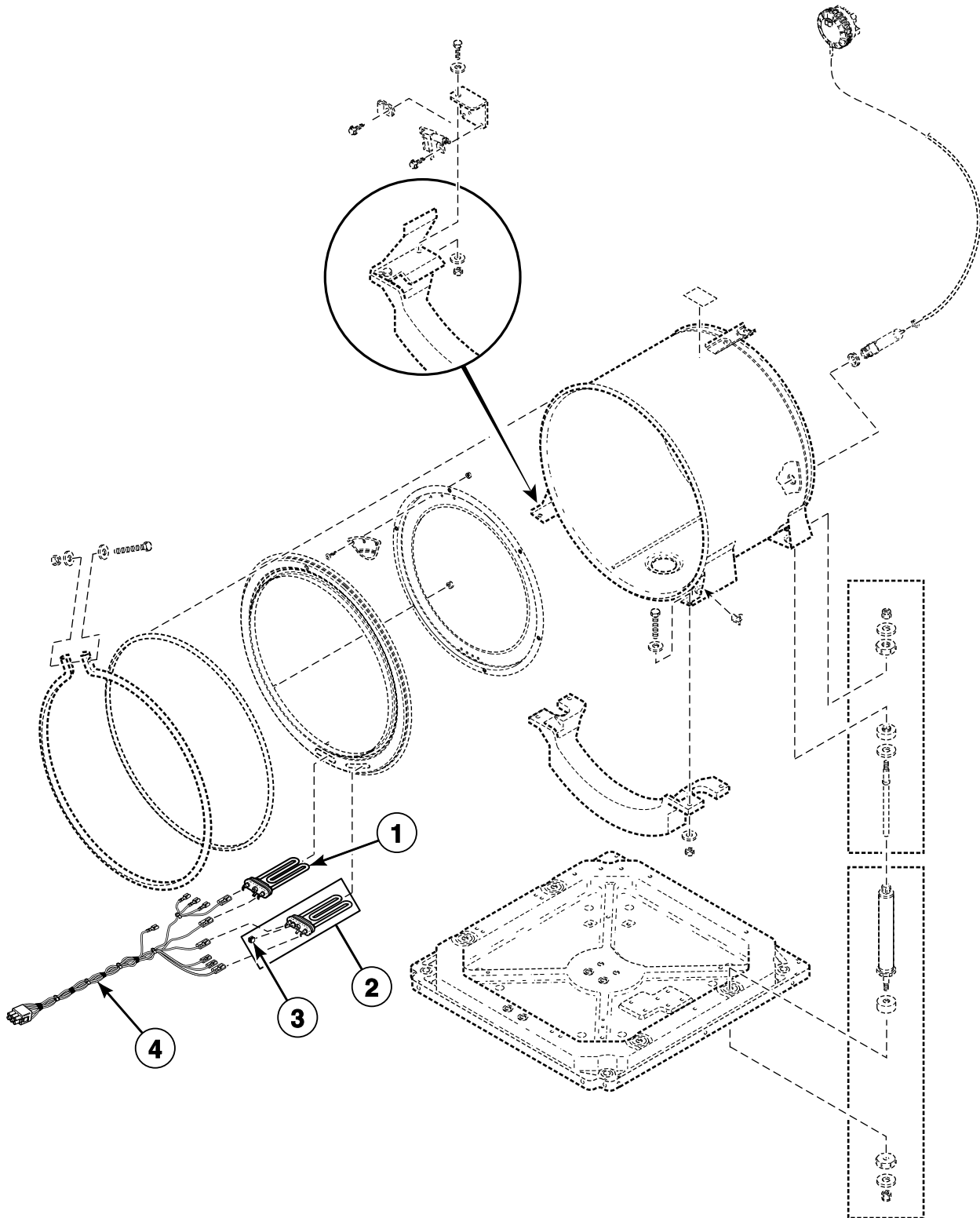
Tub Front and Clamp Ring

REF	PART NO.	DESCRIPTION	COMMENTS
1	F430218	Nut	
2	800457	Washer	
3	800462	Screw	
4	800432P	Tub Front Seal	
5	802596	Screw	
6	804174P	Clothes Guard Deflector	
	804482	Clothes Guard Deflector	Heavy duty
7	803537	Clothes Guard	
8	802343	Nut	
9	804560P	Clothes Guard and Deflector Kit	Includes items 2-8
	804482	Clothes Guard Deflector	Heavy duty
10	802260	Tub Front Assembly	Models BTEL75*N4065, BTEL77*N4065, BTEX75*N4065, BTEX77*N4065, NTEL77*N4064, NTEX77*N4064, NTEX77*N4067, NTGL79*N4067, NTGX79*N4067, STEX77*N4064, STEX77*N5754, STEY77*N4064 and STEY77*N5754; Models through Serial No. 1001000989
	803494	Tub Front Assembly	Models BTEL75*N4065, BTEL77*N4065, BTEX75*N4065, BTEX77*N4065, NTEL77*N4064, NTEX77*N4064, NTEX77*N4067, NTGL79*N4067, NTGX79*N4067, STEX77*N4064, STEX77*N5754, STEY77*N4064 and STEY77*N5754; Models starting Serial No. 1001000990
	802258	Tub Front Assembly	All other models
11	800312	Clamp Ring	

* Add Letter To Designate Color. Q - Bisque W - White

Heating Element

Models BTEL75*N4065, BTEL77*N4065, BTEX75*N4065, BTEX77*N4065, NTEL77*N4064, NTEX77*N4064, NTEX77*N4067, NTGL79*N4067, NTGX79*N4067, STEX77*N4064, STEX77*N5754, STEY77*N4064 and STEY77*N5754



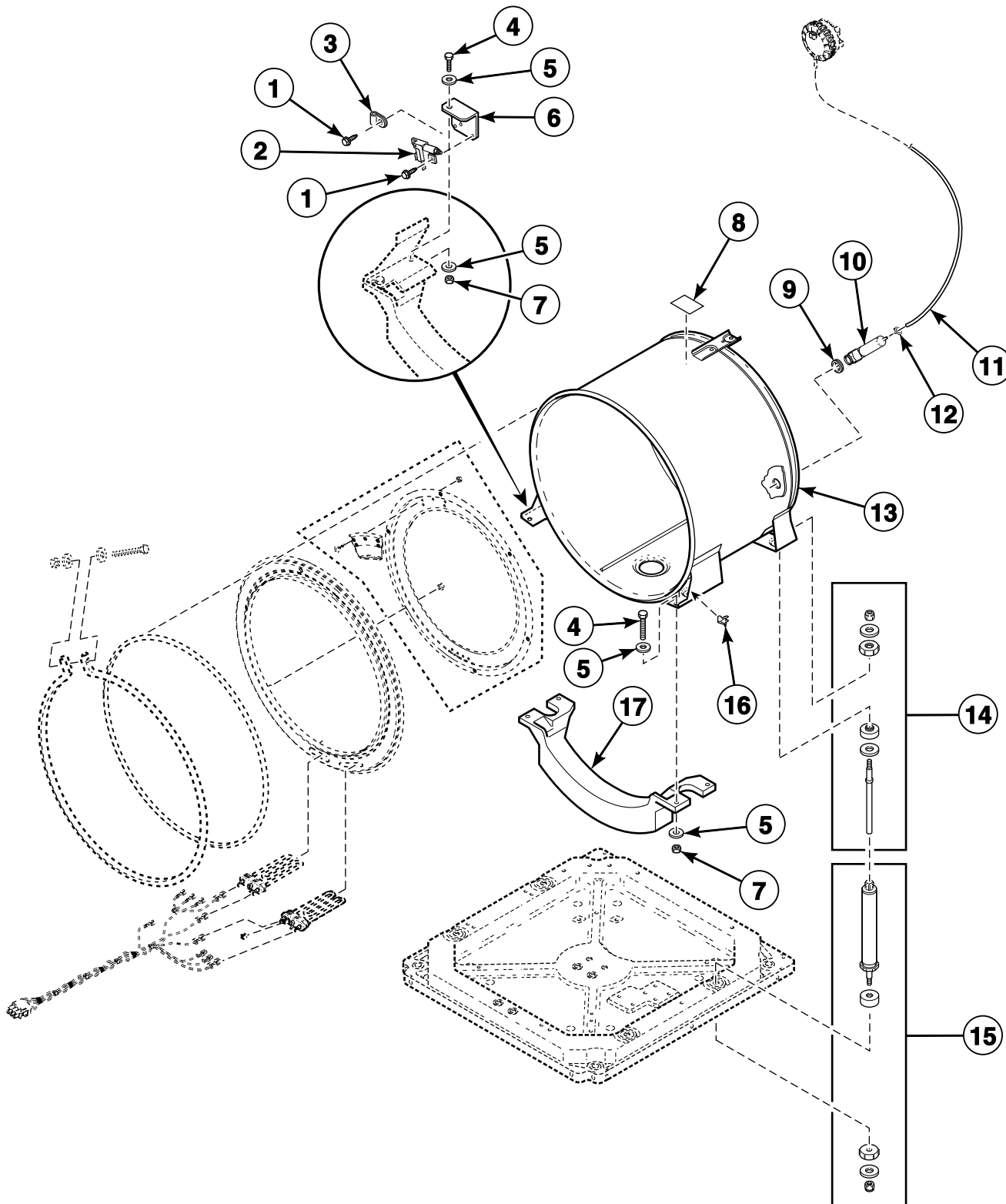
SWD1242P_802747

Heating Element

REF	PART NO.	DESCRIPTION	COMMENTS
1	804778P	Heating Element	
2	804777P	Heating Element	Includes item 3
3	803256	Thermistor	
4	802323P	Heater Harness	Models through Serial No. 1001000989
	803492	Heater Harness	Models starting Serial No. 1001000990

* Add Letter To Designate Color. Q - Bisque W - White

Outer Tub



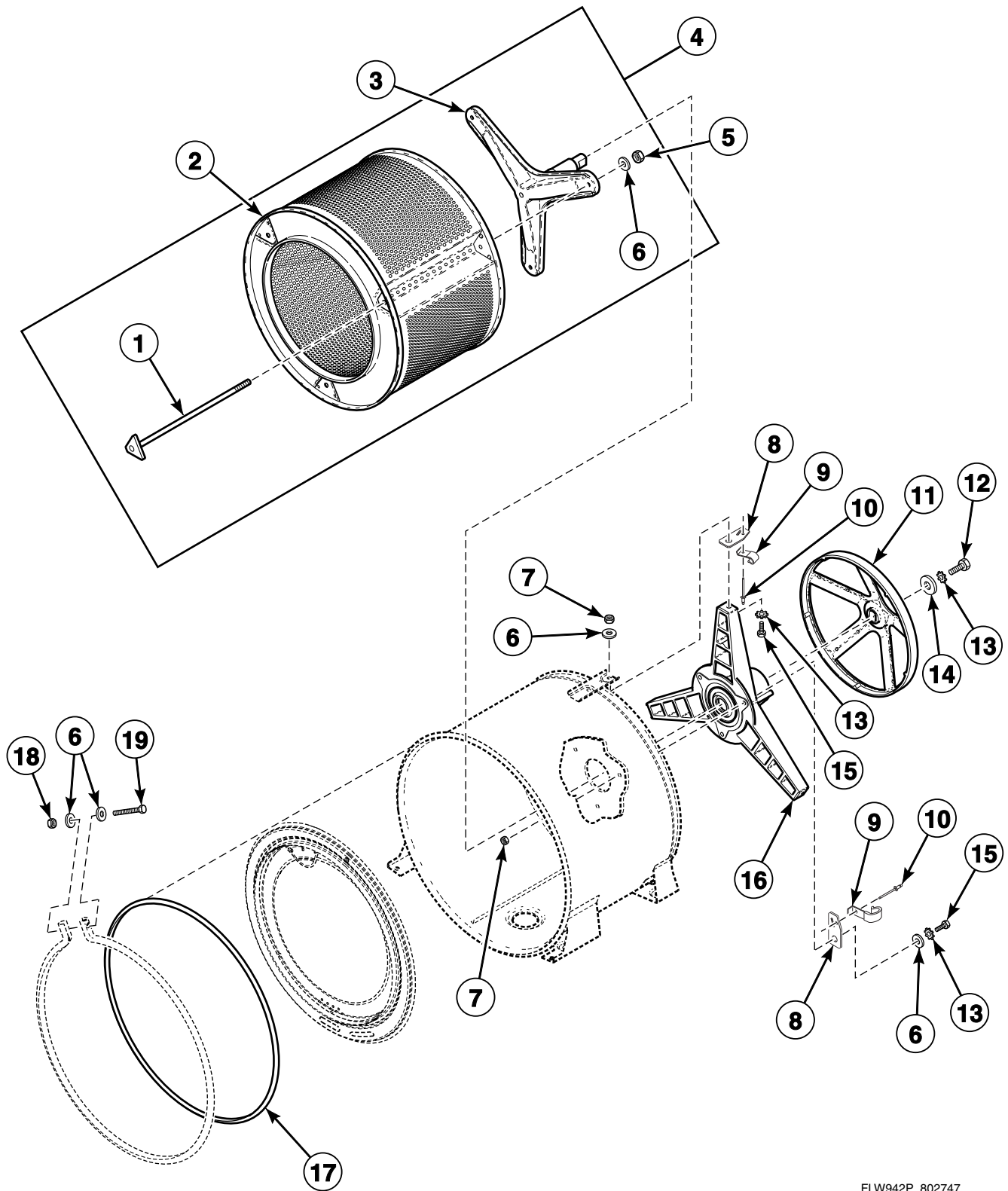
FLW1012PA_802747

Outer Tub

REF	PART NO.	DESCRIPTION	COMMENTS
1	D503661	Screw	
2	806512	Out-of-Balance Switch Assembly Kit	Models through Serial No. 1201004551
	803415	Out-of-Balance Switch Assembly	Models starting Serial No. 1201004552
3	800811	Wire Clamp	
4	800461	Screw	
5	M400081	Washer	
6	800663	Switch Mounting Bracket	Models through Serial No. 1201004551
	803388	Switch Mounting Bracket	Models starting Serial No. 1201004552
7	800452	Nut	
8	500314	Warning Label	Models BTEBEFSP281CW01, BTEBEFSP282CW01, BTGBEFSP091CW01, HTEB77*N2802, HTEBDFSP282CW01, HTEBXFSP282CW01, HTEBXFSP292CW01, HTEBYFSP282CW01, HTET77*N2802, HTEX77*N2802, HTEX77*N2902, HTEY77*N2802, HTGB79*N0902, HTGBDFSP092CW01, HTGBYFSP092CW01, HTGT79*N0902, HTGX79*N0902 and HTGY79*N0902
	F8211201	Electrical Shock Label	Models BTEL75*N4065, BTEL77*N4065, BTEX75*N4065, BTEX77*N4065, HTEBXFSP132DW01, HTEBXFSP542DW01, HTGBXFSP122DW01, HTGBXFSP542DW01, NTEBXFSP302NW01, NTEBXFSP302NW22, NTEL77*N4064, NTEX77*N3000, NTEX77*N4064, NTEX77*N4067, NTEX77*N5400, NTGBXFSP302NW01, NTGL79*N4067, NTGX79*N3000, NTGX79*N4067, STEA77*N3069, STEBXFSP132DW01, STEBXFSP301NW22, STEBXFSP302NW01, STEBXFSP302NW22, STEBXFSP542DW01, STEBXFSP542NW01, STEX77*N3000, STEX77*N4064, STEX77*N5400, STEX77*N5754, STEY77*N4064, STEY77*N5754, STGBXFSP122DW01, STGBXFSP301NW22, STGBXFSP302NW01, STGBXFSP302NW22, STGBXFSP542DW01 and STGX79*N3000
	F8615701	Pinch Warning Label	Models BTEL75*N4065, BTEL77*N4065, BTEX75*N4065, BTEX77*N4065, HTEBXFSP132DW01, HTEBXFSP542DW01, HTGBXFSP122DW01, HTGBXFSP542DW01, NTEBXFSP302NW01, NTEBXFSP302NW22, NTEL77*N4064, NTEX77*N3000, NTEX77*N4064, NTEX77*N4067, NTEX77*N5400, NTGBXFSP302NW01, NTGL79*N4067, NTGX79*N3000, NTGX79*N4067, STEA77*N3069, STEBXFSP132DW01, STEBXFSP301NW22, STEBXFSP302NW01, STEBXFSP302NW22, STEBXFSP542DW01, STEBXFSP542NW01, STEX77*N3000, STEX77*N4064, STEX77*N5400, STEX77*N5754, STEY77*N4064, STEY77*N5754, STGBXFSP122DW01, STGBXFSP301NW22, STGBXFSP302NW01, STGBXFSP302NW22, STGBXFSP542DW01 and STGX79*N3000
	D500049	Warning Label	All other models
9	29175	Grommet	
10	205241	Pressure Bulb	
11	800648P	Tubing	
12	39282	Hose Clamp	
13	801291	Outer Tub Assembly	Models BTEL75*N4065, BTEL77*N4065, BTEX75*N4065, BTEX77*N4065, NTEL77*N4064, NTEX77*N4064, NTEX77*N4067, NTGL79*N4067, NTGX79*N4067, STEX77*N4064, STEX77*N5754, STEY77*N4064 and STEY77*N5754
	801081P	Outer Tub Assembly	All other models
14	800622P	Tub Shock Absorber Kit	
15	807875	Base Shock Absorber Kit	Must replace all 4
16	00161	Grounding Clip	
17	800205	Ballast Weight	

* Add Letter To Designate Color. Q - Bisque W - White

Inner Basket, Trunnion, Bearing Housing and Pulley

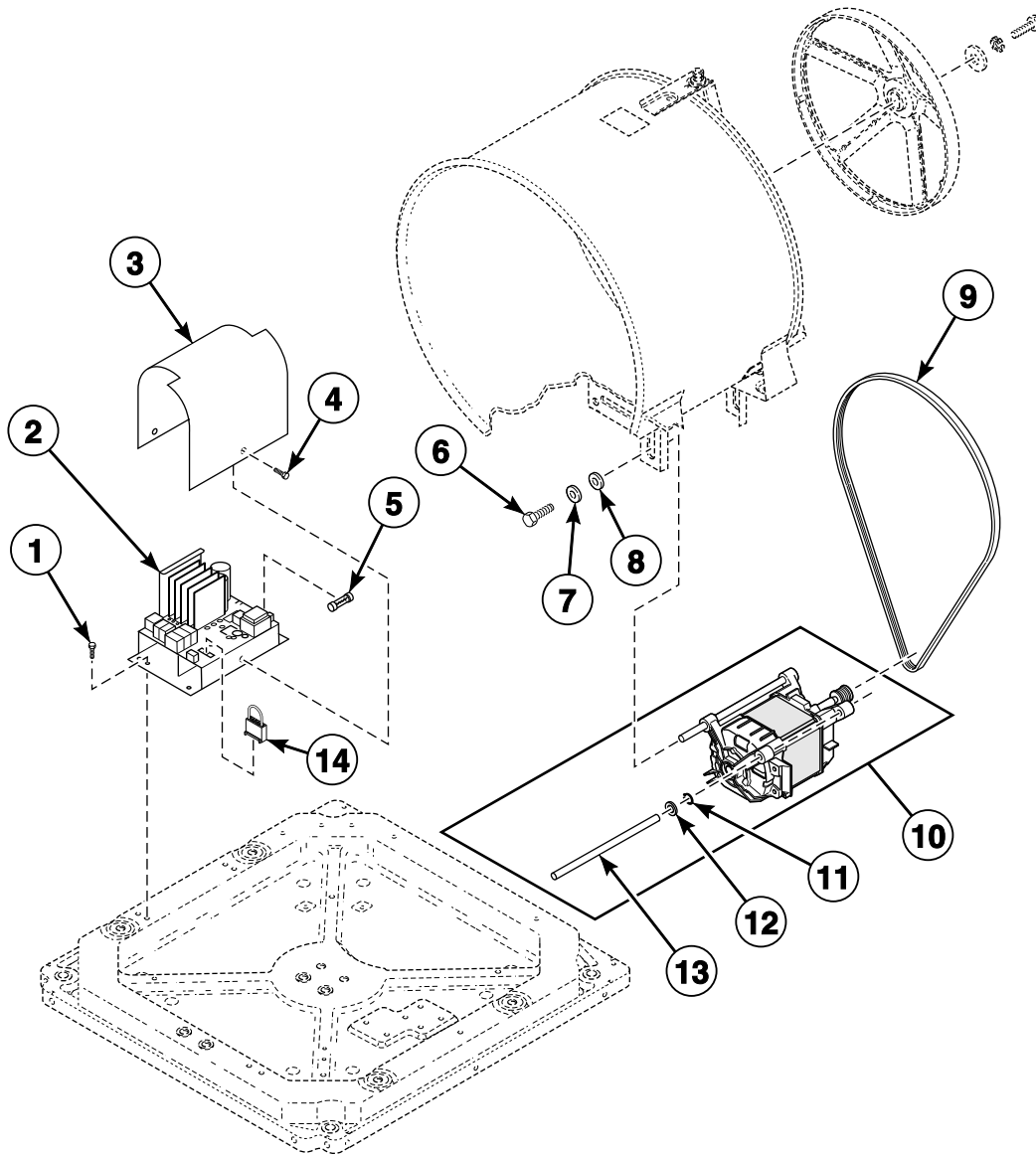


FLW942P_802747

Inner Basket, Trunnion, Bearing Housing and Pulley

REF	PART NO.	DESCRIPTION	COMMENTS
	27604P	Anti-Seize Compound	Pulley to inner basket shaft
	838P3	Hardware Kit	Includes (8) of item 6, (6) of item 7, (7) of item 13, (6) of item 10, (1) each of items 12, 14, 17, 18, 19 and 27604P Anti-Seize Compound
	RB160001	Bearing Kit	
1	800666	Tension Rod Assembly	
2	803008P	Inner Basket Assembly	
3	800749P	Trunnion Shaft and Hardware Kit	Includes (3) each of items 1, 5, 6, and 838P3 Hardware Kit
4	804322	Inner Basket Assembly	Models STEX77*N4351 and STGX79*N3061
	802365P	Inner Basket Assembly	All other models
5	803017	Nut	
6	800457	Washer	
7	800452	Nut	
8	800552	Hose Mounting Plate	
9	800553	Hose Clip	
10	685847	Pop Rivet	
11	800866	Driven Pulley	
12	685831	Screw	Left hand thread
13	M403958	Washer	
14	807679	Washer	
15	M400043	Screw	
16	800428P	Bearing Housing Kit	Includes 838P3 Hardware Kit
17	800432P	Tub Front Seal	
18	F430218	Nut	
19	800462	Screw	

Washer Motor and Belt



FLW1022P_802747

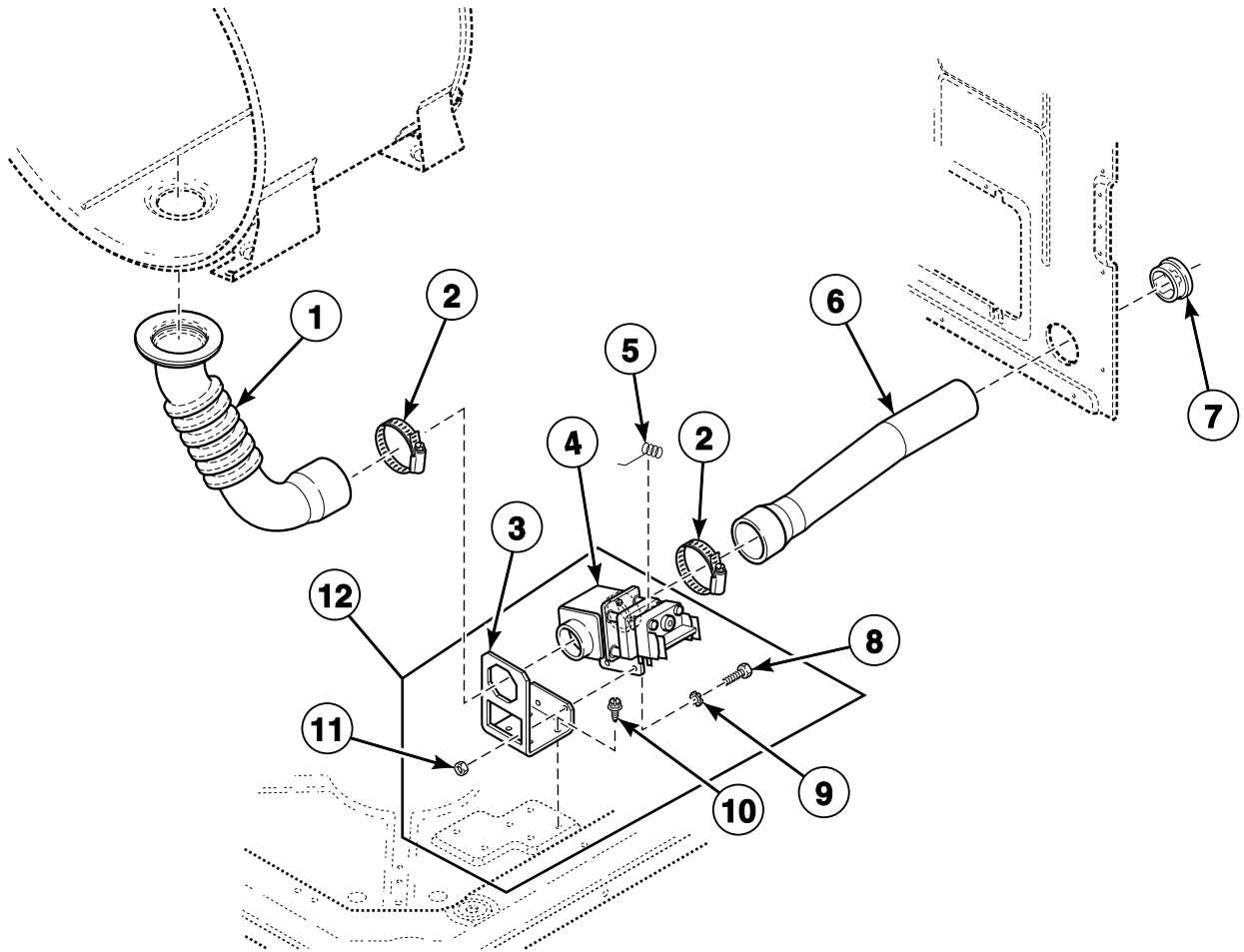
Washer Motor and Belt

REF	PART NO.	DESCRIPTION	COMMENTS
1	D503661	Screw	
2	803255P	Inverter Control Assembly	240 Volt; Models BTEBLFSP431AW01, BTEBLFSP432AW01, BTEBFXFSP432AW01, BTEL75*N4065, BTEL77*N4065, BTEX75*N4065, BTEX77*N4065, BTEX77*N4350, BTGBLFSP301AW01, BTGBLFSP302AW01, BTGBXFSP302AW01, BTGX79*N3060, HTEBFXFSP542DW01, HTGBXFSP542DW01, NTEBFXFSP302NW01, NTEBFXFSP302NW22, NTEL77*N4064, NTEX77*N3000, NTEX77*N4064, NTEX77*N4067, NTEX77*N5400, NTGBXFSP302NW01, NTGL79*N4067, NTGX79*N3000, NTGX79*N4067, STEA77*N3069, STEBFXFSP301NW22, STEBFXFSP302NW01, STEBFXFSP302NW22, STEBFXFSP432AW01, STEBFXFSP542DW01, STEBFXFSP542NW01, STEF77*N4350, STEX77*N3000, STEX77*N4064, STEX77*N4350, STEX77*N4351, STEX77*N5400, STEX77*N5754, STEY77*N4064, STEY77*N5754, STGBXFSP301NW22, STGBXFSP302AW01, STGBXFSP302NW01, STGBXFSP302NW22, STGBXFSP542DW01, STGX79*N3000, STGX79*N3060 and STGX79*N3061
	803254P	Inverter Control Assembly	120 Volt; All other models
3	804738	Control Shield	Models BTEBLFSP432AW01, BTEBFXFSP432AW01, BTGBLFSP302AW01, BTGBXFSP302AW01, BTGX79*N3060, STEBFXFSP432AW01, STEX77*N4351, STGBXFSP302AW01 and STGX79*N3061
	801061	Control Shield	All other models
4	D501524	Screw	
5	801755	Fuse	10 Amp
6	M400057	Screw	
7	02834	Washer	
8	M400080	Washer	
9	800319P	Drive Belt	
10	801684P	Motor and Rod Assembly Kit	Includes 2 each of items 11-13 and wire ties
11	23748	Retaining Ring	
12	52549	Washer	
13	801062	Motor Mount Rod	
14	D513316	Jumper Harness	Use to limit spin RPM on inverter controls starting Serial No. 0911014603; 240 Volt; Models BTEBLFSP431AW01, BTEBLFSP432AW01, BTEBFXFSP432AW01, BTEL75*N4065, BTEL77*N4065, BTEX75*N4065, BTEX77*N4065, BTEX77*N4350, BTGBLFSP301AW01, BTGBLFSP302AW01, BTGBXFSP302AW01, BTGX79*N3060, HTEBFXFSP132DW01, HTEBFXFSP542DW01, HTGBXFSP542DW01, NTEBFXFSP302NW01, NTEBFXFSP302NW22, NTEL77*N4064, NTEX77*N3000, NTEX77*N4064, NTEX77*N4067, NTEX77*N5400, NTGBXFSP302NW01, NTGL79*N4067, NTGX79*N3000, NTGX79*N4067, STEA77*N3069, STEBFXFSP132DW01, STEBFXFSP301NW22, STEBFXFSP302NW01, STEBFXFSP302NW22, STEBFXFSP432AW01, STEBFXFSP542DW01, STEBFXFSP542NW01, STEF77*N4350, STEX77*N3000, STEX77*N4064, STEX77*N4350, STEX77*N4351, STEX77*N5400, STEX77*N5754, STEY77*N4064, STEY77*N5754, STGBXFSP301NW22, STGBXFSP302AW01, STGBXFSP302NW01, STGBXFSP302NW22, STGBXFSP542DW01, STGX79*N3000, STGX79*N3060 and STGX79*N3061
	D513268	Jumper Harness	Use to limit spin RPM on inverter controls starting Serial No. 0911014603; 120 Volt; All other models

* Add Letter To Designate Color. Q - Bisque W - White

Drain Hoses and Valve

Models BTEL75*N4065, BTEX75*N4065, STGA73*N, STGBXFSG112TW01 and STGX73*N



FLW1702P_802747

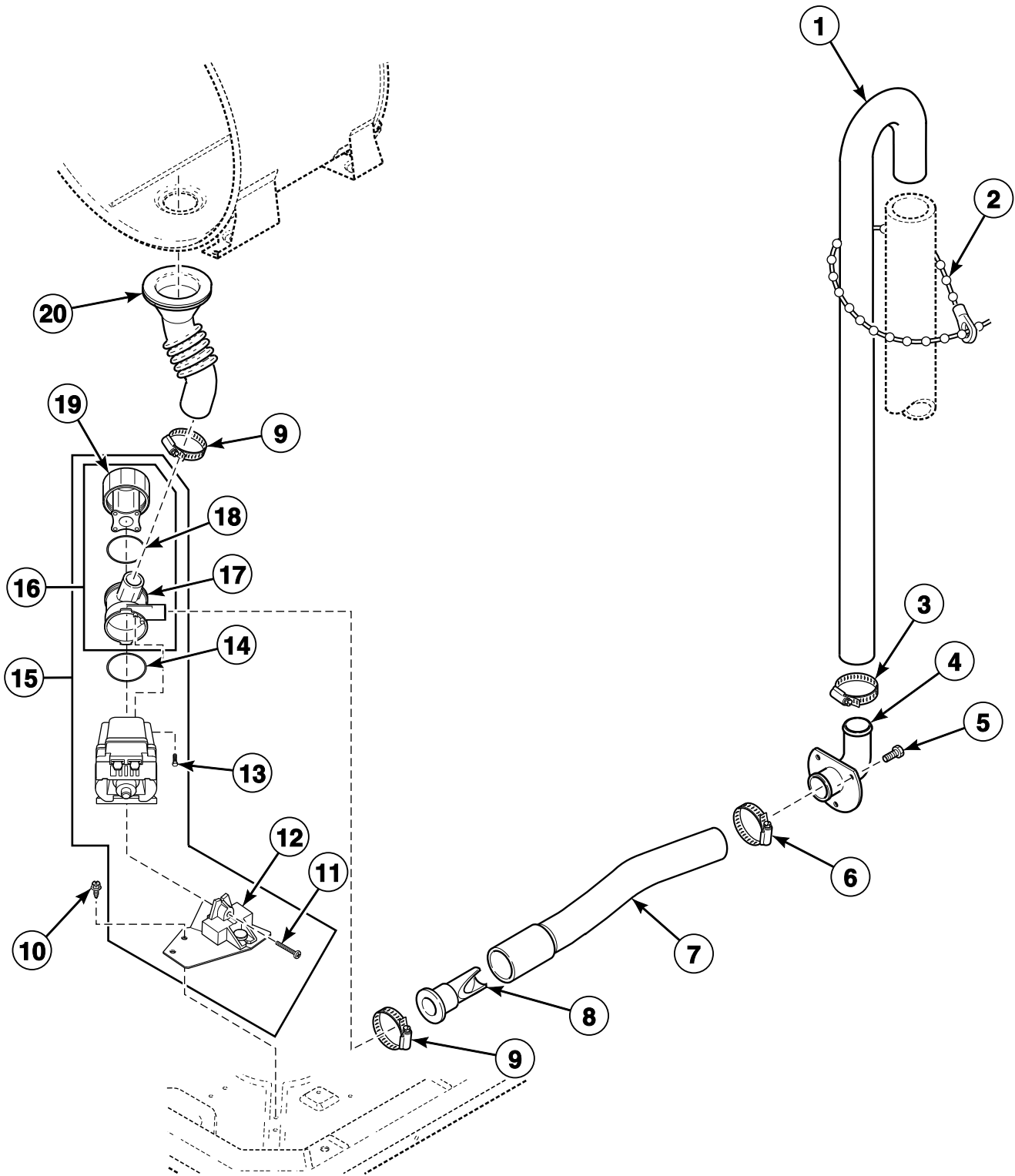
Drain Hoses and Valve

REF	PART NO.	DESCRIPTION	COMMENTS
1	800902	Tub-to-Drain Hose	
2	685725	Hose Clamp	
3	803291	Gravity Drain Bracket	
4	803292P	Gravity Drain Valve	Models BTEL75*N4065 and BTEX75*N4065; Order F976P3 Drain Valve Kit for models through Serial No. 0904020485
	803293P	Drain Valve	Models STGA73*N and STGX73*N; Order F975P3 Drian Valve Kit for models through Serial No. 0904020485
5	F8504601	Spring	
6	800903	Drain-to-Cabinet Hose	
7	D503235	Snap Bushing	
8	02916	Screw	
9	M400017	Washer	
10	D503661	Screw	
11	29786	Nut	
12	F976P3	Drain Valve Kit	Includes items 3, 4 and 7-10; Models BTEL75*N4065 and BTEX75*N4065
	F975P3	Drain Valve Kit	Includes items 3, 4 and 7-10; Models STGA73*N, STGBXFSG112TW01 and STGX73*N

* Add Letter To Designate Color. Q - Bisque W - White

Hoses and Pump

All Models Except BTEL75*N4065, BTEX75*N4065, STGA73*N, STGBXFSG112TW01 and STGX73*N



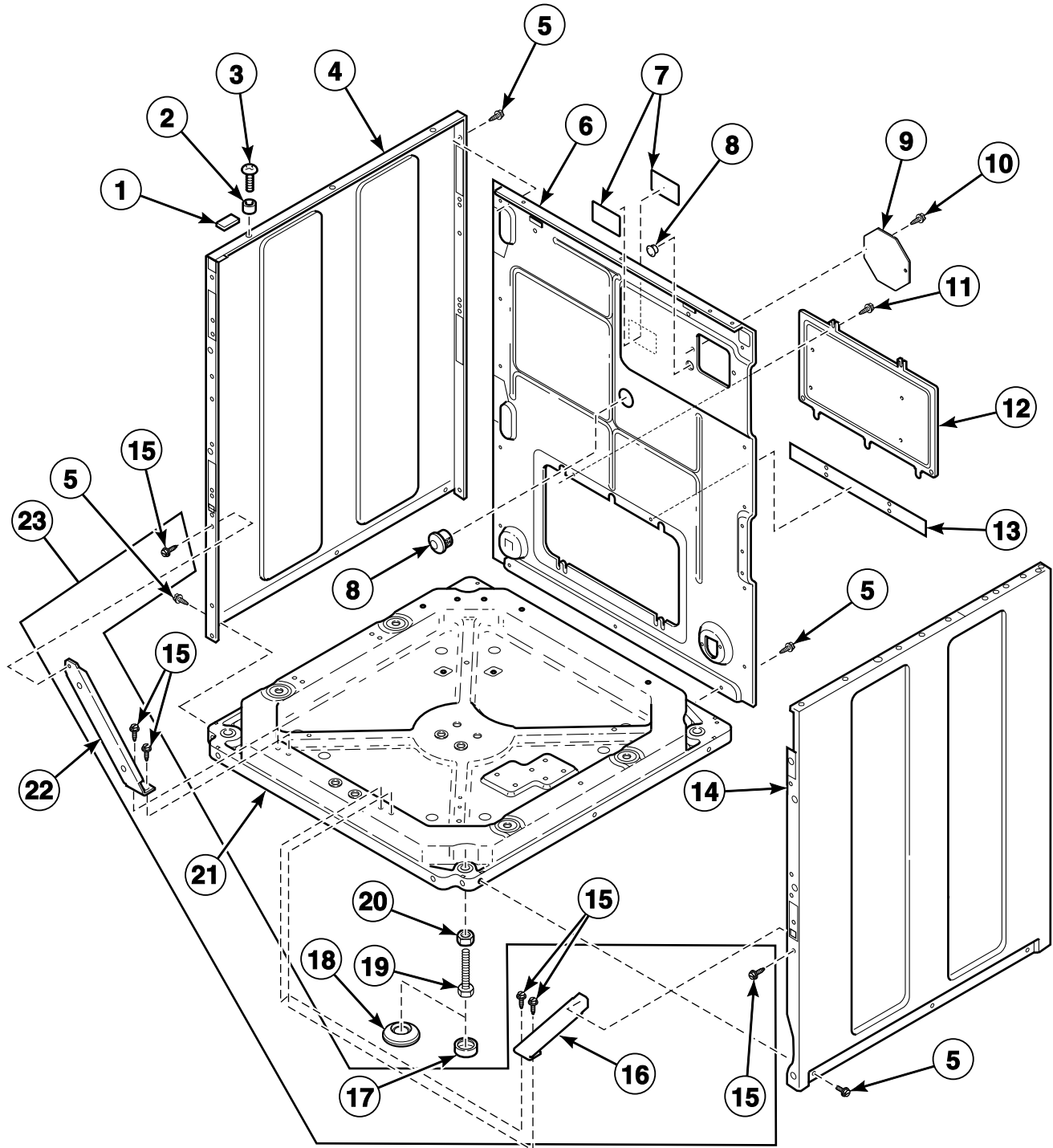
FLW943P_802747

Hoses and Pump

REF	PART NO.	DESCRIPTION	COMMENTS
1	27154	Drain Hose	
2	33489	Standpipe Strap	
3	20211	Hose Clamp	
4	35766	Drain Hose Elbow	
5	52909	Screw	
6	20391	Hose Clamp	
7	685737	Pump-to-Elbow Hose	
8	800310	Backflow Preventer	
9	F200204	Hose Clamp	
10	D503661	Screw	
11	802430	Screw	
12	802626	Pump Mount Bracket	
13	802431	Screw	
14	802429P	O-Ring	
15	802624P	Drain Pump	Models BTEBLFSP431AW01, BTEBLFSP432AW01, BTEBXFSP432AW01, BTEL77*N4065, BTEX77*N4065, BTEX77*N4350, BTGBLFSP301AW01, BTGBLFSP302AW01, BTGBXFSP302AW01, BTGX79*N3060, NTEBXFSP302NW01, NTEBXFSP302NW22, NTEL77*N4064, NTEX77*N3000, NTEX77*N4064, NTEX77*N4067, NTGBXFSP302NW01, NTGL79*N4067, NTGX79*N3000, NTGX79*N4067, STEA77*N3069, STEBXFSP301NW22, STEBXFSP302NW01, STEBXFSP302NW22, STEBXFSP432AW01, STEF77*N4350, STEX77*N3000, STEX77*N4064, STEX77*N4350, STEX77*N4351, STEY77*N4064, STGBXFSP301NW22, STGBXFSP302AW01, STGBXFSP302NW01, STGBXFSP302NW22, STGX79*N3000, STGX79*N3060 and STGX79*N3061
	802625P	Drain Pump	Models HTEBXFSP542DW01, HTGBXFSP542DW01, NTEX77*N5400, STEBXFSP542DW01, STEBXFSP542NW01, STEX77*N5400, STEX77*N5754, STEY77*N5754 and STGBXFSP542DW01
	802623P	Drain Pump	All other models
16	802434P	Pump Housing Assembly	Includes items 17-19
17	802428	Pump Housing	
18	802427	Gasket	
19	802426P	Lid Assembly	Includes filter
20	800317	Tub-to-Pump Hose	
	27615P	Sealant	Tub-to-pump hose to outer tub
	985P3	Drain Kit	Includes 803344 Tub-to-Pump Hose with Trap, 90554 Hose Clamp, 803400 Cap and 27615P Sealant

* Add Letter To Designate Color. Q - Bisque W - White

Washer Base, Side Panels and Rear Panel



SWD1206P_802747

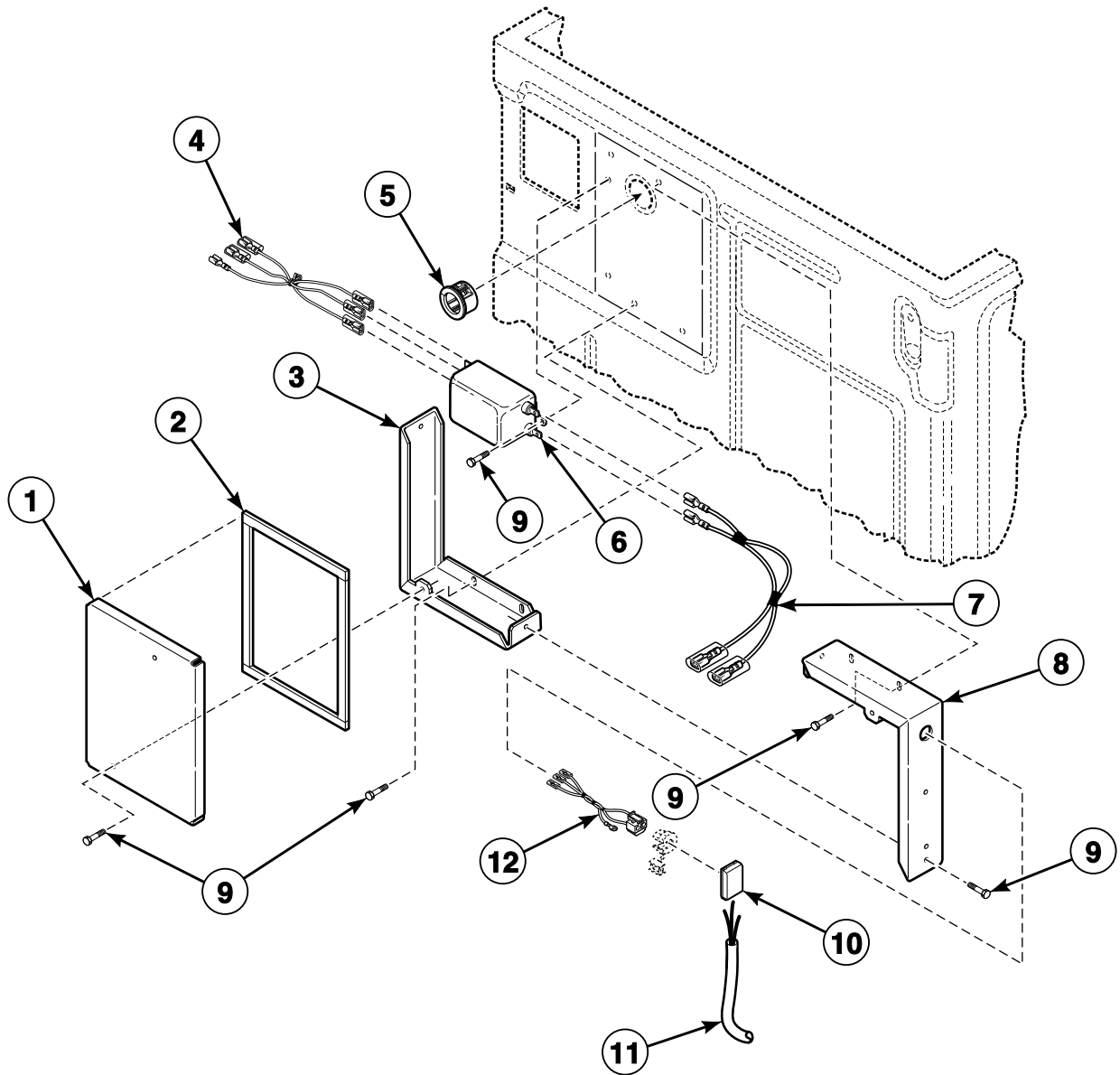
Washer Base, Side Panels and Rear Panel

REF	PART NO.	DESCRIPTION	COMMENTS
	122P4P	Porcelain Touch-Up Paint	White
	370P4P	Porcelain Touch-Up Paint	Bisque
1	36226	Bumper Pad	
2	56079	Panel Locator	
3	39733	Screw	
4	800004WP	Cabinet Panel Kit	White; Left; Includes corner gusset with hardware
	800004QP	Cabinet Panel Kit	Bisque; Left; Includes corner gusset with hardware
5	D503661	Screw	
6	801216	Rear Panel	Models BTEL75*N4065, BTEX75*N4065, STGA73*N, STGBXFSG112TW01 and STGX73*N
	800010P	Rear Panel	All other models
7	804949	Left Hand Thread Label	Icon
	685928	Left Hand Thread Label	Text
8	M412154	Hole Plug	
9	61203	Thermostat Opening Cover	Models BTEBEFSP281CW01, BTEBEFSP282CW01, BTEL75*N4065, BTEL77*N4065, BTEX75*N4065, BTEX77*N4065, BTGBEFSP091CW01, HTEB77*N2802, HTEBDFSP282CW01, HTEBXFSP282CW01, HTEBXFSP292CW01, HTEBYFSP282CW01, HTET77*N2802, HTEX77*N2802, HTEX77*N2902, HTEY77*N2802, HTGB79*N0902, HTGBDFSP092CW01, HTGBYFSP092CW01, HTGT79*N0902, HTGX79*N0902, HTGY79*N0902, NTEL77*N4064, NTEX77*N4064, NTEX77*N4067, NTGL79*N4067, NTGX79*N4067, STEX77*N4064, STEX77*N5754, STEY77*N4064 and STEY77*N5754
10	M405188	Screw	
11	430497	Screw	
12	800011	Rear Access Panel	
13	801702	Motor Access Hole Edging	
14	806492	Side Panel Kit	White; Right; Includes 801024 Dispenser Plate with hardware
	800005QP	Side Panel Kit	Bisque; Right; Includes 801024 Dispenser Plate with hardware
15	31645	Screw	
16	801492	Cabinet Brace	Right
17	34318	Rubber Foot	
18	802844P	Anchor Floor Mount Assembly	Includes 2 rubber discs with adhesive backing
19	34319	Leveling Leg	
20	21899	Nut	
21	803876	Base Assembly	
22	801491	Cabinet Brace	Left
23	918P3	Brace Kit	Includes items 15, 16 and 22

* Add Letter To Designate Color. Q - Bisque W - White

Junction Box and Power Cord

Models BTEBLFSP431AW01, BTEBLFSP432AW01, BTEBXFSP172FW01, BTEBXFSP432AW01, BTEX77*N1727, BTEX77*N4350, BTGBLFSP301AW01, BTGBLFSP302AW01, BTGBXFSP112FW01, BTGBXFSP302AW01, BTGX79*N1127, BTGX79*N3060, HTEBXFSP132DW01, HTEBXFSP542DW01, HTGBXFSP122DW01, HTGBXFSP542DW01, NTEBXFSP302NW01, NTEBXFSP302NW22, NTEX77*N3000, NTEX77*N5400, NTGBXFSP302NW01, NTGX79*N3000, STEA77*N3069, STEBXFSP132DW01, STEBXFSP301NW22, STEBXFSP302NW01, STEBXFSP302NW22, STEBXFSP432AW01, STEBXFSP542DW01, STEBXFSP542NW01, STEF77*N4350, STEX77*N2827, STEX77*N3000, STEX77*N4350, STEX77*N4351, STEX77*N5400, STGBXFSP122DW01, STGBXFSP301NW22, STGBXFSP302AW01, STGBXFSP302NW01, STGBXFSP302NW22, STGBXFSP542DW01, STGX79*N3000, STGX79*N3060 and STGX79*N3061



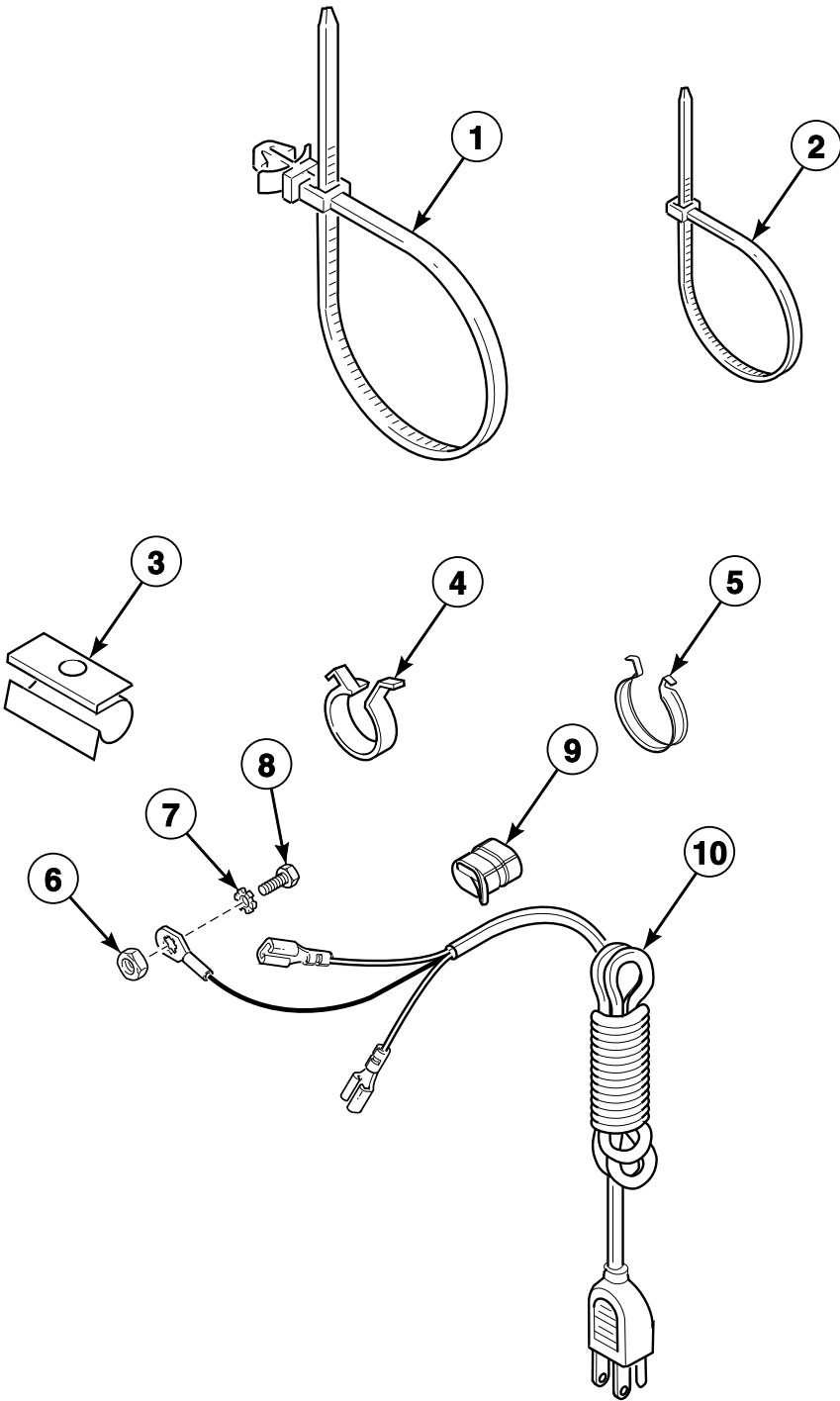
FLW1699P_802747

Junction Box and Power Cord

REF	PART NO.	DESCRIPTION	COMMENTS
1	801404	Junction Box Cover	
2	801425P	Junction Box Seal	4 required
3	801433	Lower Junction Box	
4	808048	Filter Jumper Harness	Line filter to power cord terminal block; All models except HTEBXFSP132DW01, HTEBXFSP542DW01, HTGBXFSP122DW01, HTGBXFSP542DW01, STEBXFSP132DW01, STEBXFSP542DW01, STGBXFSP122DW01 and STGBXFSP542DW01
5	M402542	Snap Bushing	
6	201058	Line Filter	All models except HTEBXFSP132DW01, HTEBXFSP542DW01, HTGBXFSP122DW01, HTGBXFSP542DW01, STEBXFSP132DW01, STEBXFSP542DW01, STGBXFSP122DW01 and STGBXFSP542DW01
7	802013	Wire Harness Assembly	Line filter to control harness; Models BTEBXFSP172FW01, BTEX77*N1727, BTGBXFSP112FW01, BTGX79*N1127 and STEX77*N2827
	801421	Wire Harness Assembly	Line filter to control harness; All other models
8	801403	Junction Box	Upper
9	D503661	Screw	
10	39922	Cable Connection Box	
11	801450	Power Cord Assembly	Models NTEBXFSP302NW01, NTEBXFSP302NW22, NTEX77*N3000, NTEX77*N5400, NTGBXFSP302NW01, NTGX79*N3000, STEBXFSP301NW22, STEBXFSP302NW01, STEBXFSP302NW22, STEBXFSP542NW01, STEX77*N3000, STEX77*N5400, STGBXFSP301NW22, STGBXFSP302NW01, STGBXFSP302NW22 and STGX79*N3000
	808047	Power Cord Assembly	Models BTEBLFSP431AW01, BTEBLFSP432AW01, BTEBXFSP432AW01, BTEX77*N4350, BTGBLFSP301AW01, BTGBLFSP302AW01, BTGBXFSP302AW01, BTGX79*N3060, STEBXFSP432AW01, STEF77*N4350, STEX77*N4350, STEX77*N4351, STGBXFSP302AW01, STGX79*N3060 and STGX79*N3061; Includes plug
	802012	Power Cord Assembly	Models BTEBXFSP172FW01, BTEX77*N1727, BTGBXFSP112FW01, BTGX79*N1127 and STEX77*N2827
	808045	Power Cord Assembly	Model STEA77*N3069
	804556	Lead-In Cord Assembly	Models HTEBXFSP132DW01, HTEBXFSP542DW01, HTGBXFSP122DW01, HTGBXFSP542DW01, STEBXFSP132DW01, STEBXFSP542DW01, STGBXFSP122DW01 and STGBXFSP542DW01
12	201405P	Lead-In Wire Harness Assembly	Models HTEBXFSP132DW01, HTGBXFSP122DW01, STEBXFSP132DW01 and STGBXFSP122DW01
	804680	Lead-In Wire Harness Assembly	Models HTEBXFSP542DW01, HTGBXFSP542DW01, STEBXFSP542DW01 and STGBXFSP542DW01

* Add Letter To Designate Color. Q - Bisque W - White

Wire Ties, Harness Clips and Washer Lead-In Cord



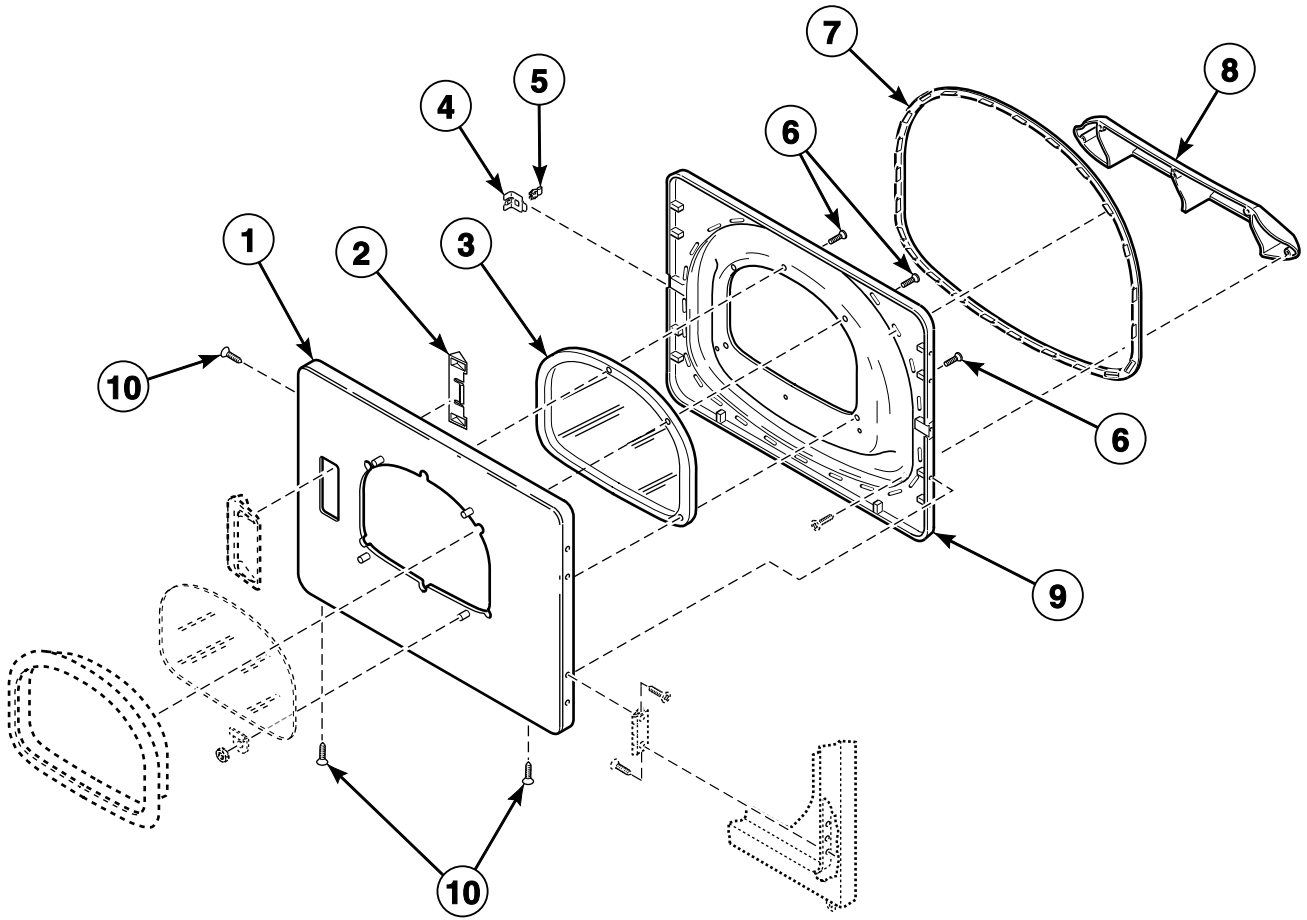
FLW823P_802747

Wire Ties, Harness Clips and Washer Lead-In Cord

REF	PART NO.	DESCRIPTION	COMMENTS
1	38663	Wire Tie	Push mount; 4.83 inches
	M405829	Cable Tie	6.13 inches
2	55881	Harness Strap	
3	36985	Hose Clip	
4	D504034	Wire Clip	Small
5	687500	Wire Clip	Large
6	03673	Nut	
7	03815	Washer	
8	20530	Screw	
9	38384	Strain Relief	
10	34458	Lead-In Cord	Models BTEBCFSP171TW01, BTEBCFSP172TW01, BTEBEFSP171TW01, BTGBCFSP111TW01, BTGBCFSP112TW01, BTGBEFSP111TW01, HTEBCFSP172TW01, HTEBXFSP172FW28, HTET77*N, HTEY77*N, HTGBCFSP112TW01, HTGBXFSP112FW28, HTGBYFSP112TW01, HTGT79*N, HTGY79*N, STEA77*N, STEB77*N, STEBCFSP172TQ01, STEBCFSP172TW01, STEBXFSP172TQ01, STEBXFSP172TW01, STEBYFSP172TW01, STEF77*N, STET77*N, STEX77*N, STEY77*N, STGA73*N, STGA79*N, STGB79*N, STGBCFSP112TW01, STGBXFSP112TW01, STGBXFSP112TW01, STGBYFSP112TW01, STGF79*N, STGT79*N, STGX73*N, STGX79*N and STGY79*N

* Add Letter To Designate Color. Q - Bisque W - White

Dryer Loading Door with Window (Drawing 1 of 3)



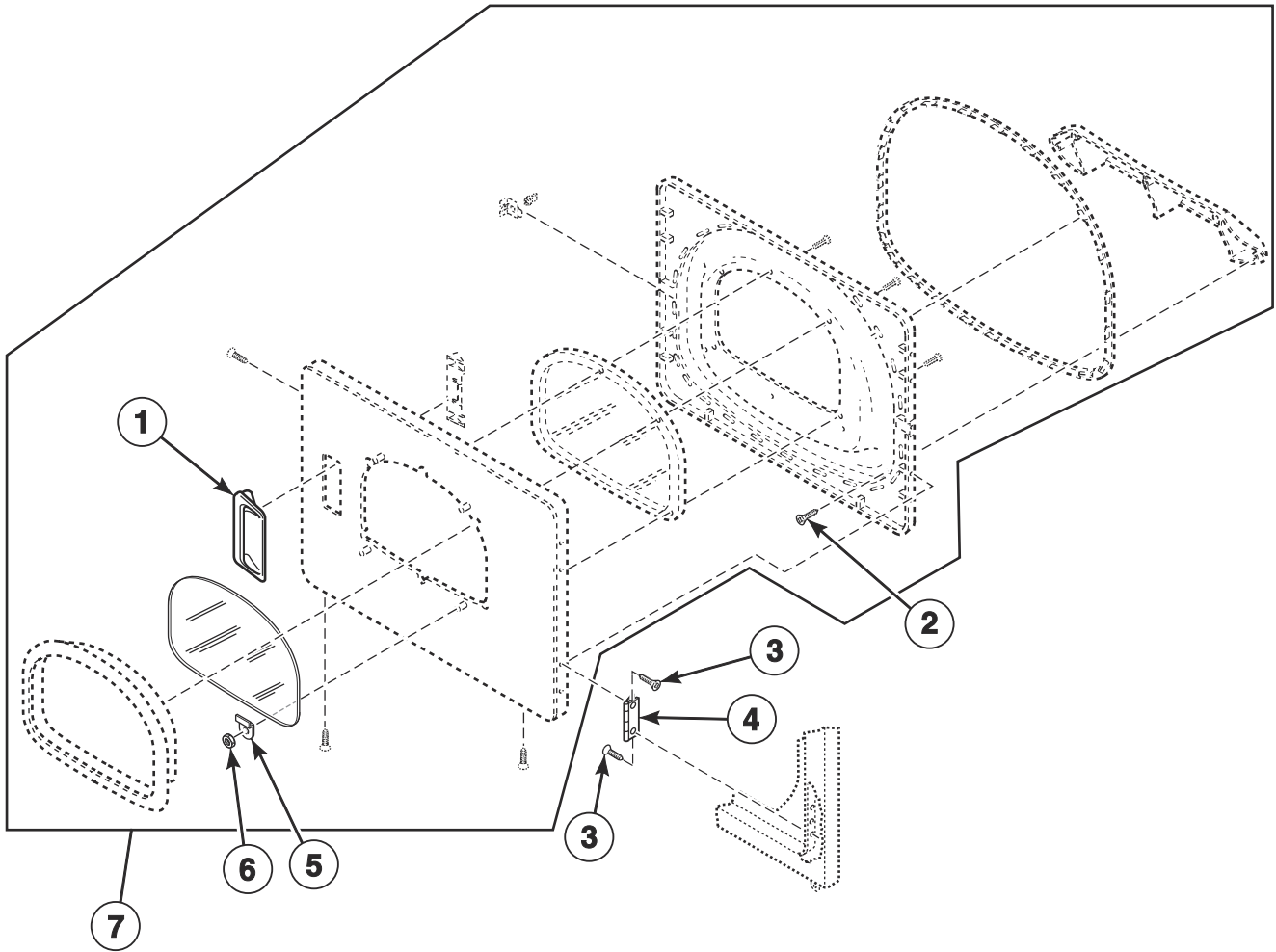
DRY2296P_802747

Dryer Loading Door with Window (Drawing 1 of 3)

REF	PART NO.	DESCRIPTION	COMMENTS
1	D510082WP	Dryer Door	White; Models BTEBCFSP172TW01, BTEBEFSP282CW01, HTEBCFSP172TW01, HTEBDFSP282CW01, HTEBXFSP172FW28, HTEBXFSP282CW01, HTEBXFSP292CW01, HTEBYFSP282CW01, STEBCFSP172TQ01, STEBCFSP172TW01, STEBXFSP172TQ01, STEBXFSP172TW01 and STEBYFSP172TW01 through Serial No. 1303025314; All other models
	D510082QP	Dryer Door	Bisque; Models BTEBCFSP172TW01, BTEBEFSP282CW01, HTEBCFSP172TW01, HTEBDFSP282CW01, HTEBXFSP172FW28, HTEBXFSP282CW01, HTEBXFSP292CW01, HTEBYFSP282CW01, STEBCFSP172TQ01, STEBCFSP172TW01, STEBXFSP172TQ01, STEBXFSP172TW01 and STEBYFSP172TW01 through Serial No. 1303025314; All other models
	D514114Q	Dryer Door Assembly	Bisque; Models BTEBCFSP172TW01, BTEBEFSP282CW01, HTEBCFSP172TW01, HTEBDFSP282CW01, HTEBXFSP172FW28, HTEBXFSP282CW01, HTEBXFSP292CW01, HTEBYFSP282CW01, STEBCFSP172TQ01, STEBCFSP172TW01, STEBXFSP172TQ01, STEBXFSP172TW01 and STEBYFSP172TW01 starting Serial No. 1303025315
2	D510129W	Door Handle Wedge	
3	D503982P	Dryer Door Window	
4	D510127	Door Strike Mount	
5	D510181	Door Strike	
6	D505870	Screw	
7	D510147P	Liner Door Seal	
8	D503870W	Door Liner Grill	Models BTEBCFSP172TW01, BTEBEFSP282CW01, HTEBCFSP172TW01, HTEBDFSP282CW01, HTEBXFSP172FW28, HTEBXFSP282CW01, HTEBXFSP292CW01, HTEBYFSP282CW01, STEBCFSP172TQ01, STEBCFSP172TW01, STEBXFSP172TQ01, STEBXFSP172TW01 and STEBYFSP172TW01 through Serial No. 1303025314; All other models
	D503870LG	Door Liner Grill	Models BTEBCFSP172TW01, BTEBEFSP282CW01, HTEBCFSP172TW01, HTEBDFSP282CW01, HTEBXFSP172FW28, HTEBXFSP282CW01, HTEBXFSP292CW01, HTEBYFSP282CW01, STEBCFSP172TQ01, STEBCFSP172TW01, STEBXFSP172TQ01, STEBXFSP172TW01 and STEBYFSP172TW01 starting Serial No. 1303025315
9	D516509	Liner and Seal Assembly	Includes item 7; Models BTEBCFSP172TW01, BTEBEFSP282CW01, HTEBCFSP172TW01, HTEBDFSP282CW01, HTEBXFSP172FW28, HTEBXFSP282CW01, HTEBXFSP292CW01, HTEBYFSP282CW01, STEBCFSP172TQ01, STEBCFSP172TW01, STEBXFSP172TQ01, STEBXFSP172TW01 and STEBYFSP172TW01 through Serial No. 1303025314; All other models
10	D500226	Screw	

* Add Letter To Designate Color. Q - Bisque W - White

Dryer Loading Door with Window (Drawing 2 of 3)



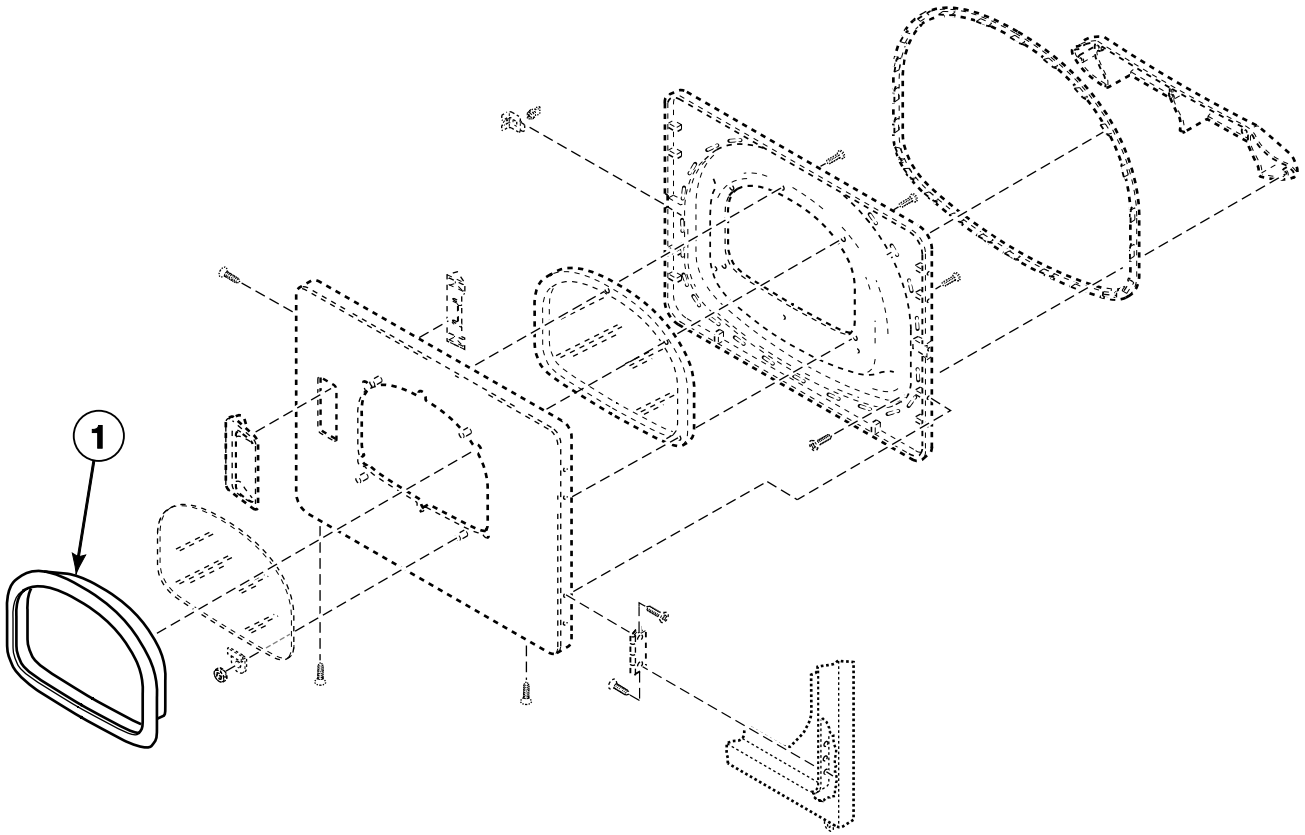
DRY2296PA

Dryer Loading Door with Window (Drawing 2 of 3)

REF	PART NO.	DESCRIPTION	COMMENTS
1	D510103WP	Door Pull and Wedge Kit	White; Includes D510129W Door Handle Wedge
	D510103QP	Door Pull and Wedge Kit	Bisque; Includes D510129W Door Handle Wedge
2	D505870	Screw	
3	D505295	Screw	
4	D511036	Hinge	
5	D513958	Window Clip	Models BTEBCFSP172TW01, BTEBEFSP282CW01, HTEBCFSP172TW01, HTEBDFSP282CW01, HTEBXFSP172FW28, HTEBXFSP282CW01, HTEBXFSP292CW01, HTEBYFSP282CW01, STEBCFSP172TQ01, STEBCFSP172TW01, STEBXFSP172TQ01, STEBXFSP172TW01 and STEBYFSP172TW01 starting Serial No. 1303025315
6	44071201	Nut	Models BTEBCFSP172TW01, BTEBEFSP282CW01, HTEBCFSP172TW01, HTEBDFSP282CW01, HTEBXFSP172FW28, HTEBXFSP282CW01, HTEBXFSP292CW01, HTEBYFSP282CW01, STEBCFSP172TQ01, STEBCFSP172TW01, STEBXFSP172TQ01, STEBXFSP172TW01 and STEBYFSP172TW01 starting Serial No. 1303025315
7	D516737W	Door Assembly	White; Includes window trim, items 2-3, and items 1-10 shown in <i>Dryer Loading Door with Window (Drawing 1 of 3)</i>
	D511636QP	Door and Liner Assembly	Bisque; Includes window trim, items 2-3, and items 1-10 shown in <i>Dryer Loading Door with Window (Drawing 1 of 3)</i> ; Models BTEBCFSP172TW01, BTEBEFSP282CW01, HTEBCFSP172TW01, HTEBDFSP282CW01, HTEBXFSP172FW28, HTEBXFSP282CW01, HTEBXFSP292CW01, HTEBYFSP282CW01, STEBCFSP172TQ01, STEBCFSP172TW01, STEBXFSP172TQ01, STEBXFSP172TW01 and STEBYFSP172TW01 through Serial No. 1303025314; All other models

* Add Letter To Designate Color. Q - Bisque W - White

Dryer Loading Door with Window (Drawing 3 of 3)



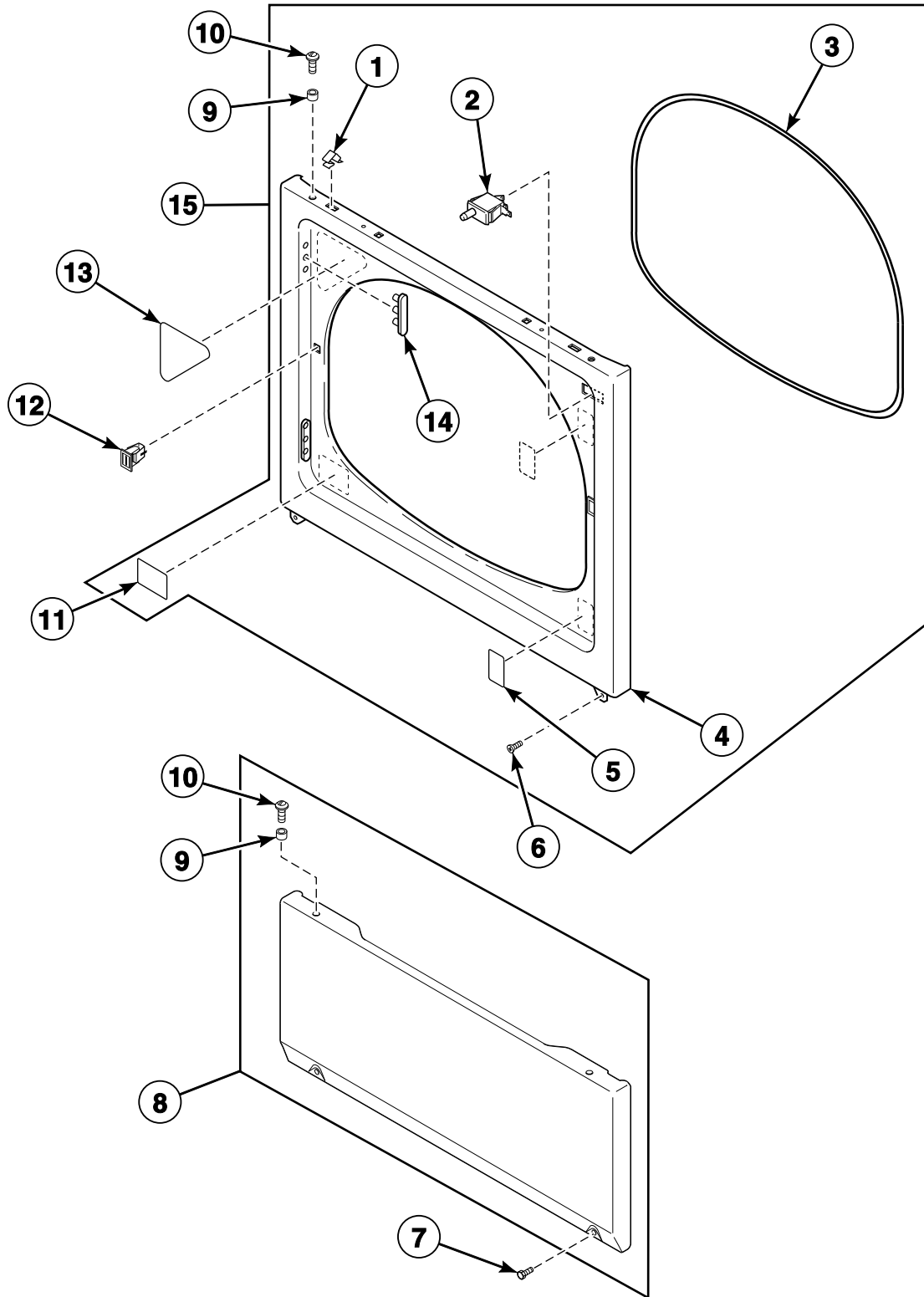
DRY2296PB_802747

Dryer Loading Door with Window (Drawing 3 of 3)

REF	PART NO.	DESCRIPTION	COMMENTS
1	D512633	Window Trim	Gray; Models BTEBCFSP172TW01 and BTEBEFSP282CW01 through Serial No. 1303025314; Models BTEBCFSP171TW01, BTEBEFSP171TW01, BTEBEFSP281CW01, BTEBLFSP431AW01, BTEBLFSP432AW01, BTEBXFSP172FW01, BTEBXFSP432AW01, BTEL75*N4065, BTEL77*N4065, BTEX75*N4065, BTEX77*N1727, BTEX77*N4065, BTEX77*N4350, BTGBCFSP111TW01, BTGBCFSP112TW01, BTGBEFSP091CW01, BTGBEFSP111TW01, BTGBLFSP301AW01, BTGBLFSP302AW01, BTGBXFSP112FW01, BTGBXFSP302AW01, BTGX79*N1127 and BTGX79*N3060
	D517041	Door Assembly	Models BTEBCFSP172TW01 and BTEBEFSP282CW01 starting Serial No. 1303025315
	D503981W	Window Trim	White; Models HTEBCFSP172TW01, HTEBDFSP282CW01, HTEBXFSP172FW28, HTEBXFSP282CW01, HTEBXFSP292CW01, HTEBYFSP282CW01, STEBCFSP172TQ01, STEBCFSP172TW01, STEBXFSP172TQ01, STEBXFSP172TW01 and STEBYFSP172TW01 through Serial No. 1303025314; All other models
	D503981Q	Window Trim	Bisque; Models HTEBCFSP172TW01, HTEBDFSP282CW01, HTEBXFSP172FW28, HTEBXFSP282CW01, HTEBXFSP292CW01, HTEBYFSP282CW01, STEBCFSP172TQ01, STEBCFSP172TW01, STEBXFSP172TQ01, STEBXFSP172TW01 and STEBYFSP172TW01 through Serial No. 1303025314; All other models
	D513960Q	Window Trim	Bisque; Models HTEBCFSP172TW01, HTEBDFSP282CW01, HTEBXFSP172FW28, HTEBXFSP282CW01, HTEBXFSP292CW01, HTEBYFSP282CW01, STEBCFSP172TQ01, STEBCFSP172TW01, STEBXFSP172TQ01, STEBXFSP172TW01 and STEBYFSP172TW01 starting Serial No. 1303025315

* Add Letter To Designate Color. Q - Bisque W - White

Dryer Access Panel, Front Panel and Seal



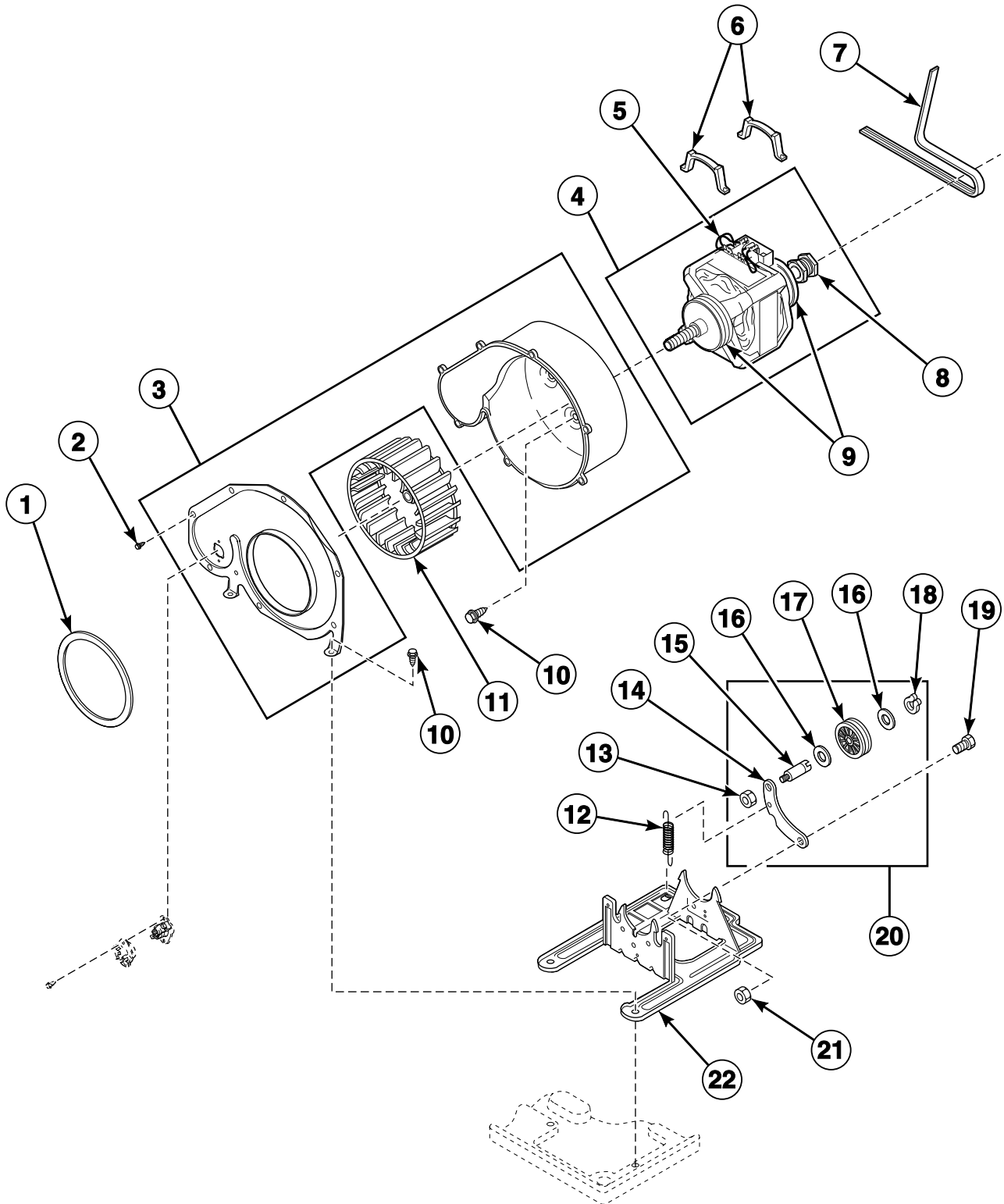
D400PE3A_802747

Dryer Access Panel, Front Panel and Seal

REF	PART NO.	DESCRIPTION	COMMENTS
1	28835	Speed Clip	
2	D512973	Switch	
3	D511056	Front Panel Seal	
4	D510066WP	Front Panel	White
	D510066QP	Front Panel	Bisque
5	D503688	Screw	
6	D512263	Warning Label	Models BTEBLFSP431AW01, BTEBLFSP432AW01, BTEBXFSP432AW01, BTEX77*N4350, BTGBLFSP301AW01, BTGBLFSP302AW01, BTGBXFSP302AW01, BTGX79*N3060, STEBXFSP432AW01, STEF77*N4350, STEX77*N4350, STEX77*N4351, STGBXFSP302AW01, STGX79*N3060 and STGX79*N3061
7	33562	Screw	Slotted hex head
	62853	Screw	Torx head; Optional for added security
8	D514250WP	Access Panel Assembly	White; All other models
	D514250Q	Access Panel Assembly	Bisque; Models BTEBCFSP172TW01, BTEBEFSP282CW01, HTEBCFSP172TW01, HTEBDFSP282CW01, HTEBXFSP172FW28, HTEBXFSP282CW01, HTEBXFSP292CW01, HTEBYFSP282CW01, STEBCFSP172TQ01, STEBCFSP172TW01, STEBXFSP172TQ01, STEBXFSP172TW01 and STEBYFSP172TW01 through Serial No. 1303025314; All other models
	D514252Q	Access Panel and Guard Assembly	Bisque; Models BTEBCFSP172TW01, BTEBEFSP282CW01, HTEBCFSP172TW01, HTEBDFSP282CW01, HTEBXFSP172FW28, HTEBXFSP282CW01, HTEBXFSP292CW01, HTEBYFSP282CW01, STEBCFSP172TQ01, STEBCFSP172TW01, STEBXFSP172TQ01, STEBXFSP172TW01 and STEBYFSP172TW01 starting Serial No. 1303025315
9	56079	Panel Locator	
10	39733	Screw	
11	D502804	Lint Filter Label	Models BTEBLFSP431AW01, BTEBLFSP432AW01, BTEBXFSP432AW01, BTEX77*N4350, BTGBLFSP301AW01, BTGBLFSP302AW01, BTGBXFSP302AW01, BTGX79*N3060, STEBXFSP432AW01, STEF77*N4350, STEX77*N4350, STEX77*N4351, STGBXFSP302AW01, STGX79*N3060 and STGX79*N3061
12	D510177	Door Catch Assembly	
13	D500253	Caution Label	Models BTEBEFSP281CW01, BTEBEFSP282CW01, BTGBEFSP091CW01, HTEB77*N2802, HTEBDFSP282CW01, HTEBXFSP282CW01, HTEBXFSP292CW01, HTEBYFSP282CW01, HTET77*N2802, HTEX77*N2802, HTEX77*N2902, HTEY77*N2802, HTGB79*N0902, HTGBDFSP092CW01, HTGBYFSP092CW01, HTGT79*N0902, HTGX79*N0902 and HTGY79*N0902
	D514226	Warning Label	Models HTEBXFSP132DW01, HTEBXFSP542DW01, HTGBXFSP122DW01, HTGBXFSP542DW01, STEBXFSP132DW01, STEBXFSP542DW01, STGBXFSP122DW01 and STGBXFSP542DW01
	D500281	Warning/Caution Label	All other models
14	D510186	Hinge Hole Plug	
15	D513781WP	Front Panel Assembly	Includes items 1-4, 9, 10, 12, 14, D516737W Door Assembly, (2) of D511036 Door Hinge and (8) of D500226 Screw

* Add Letter To Designate Color. Q - Bisque W - White

Dryer Motor, Blower Fan and Belt



SWD1175P_802747

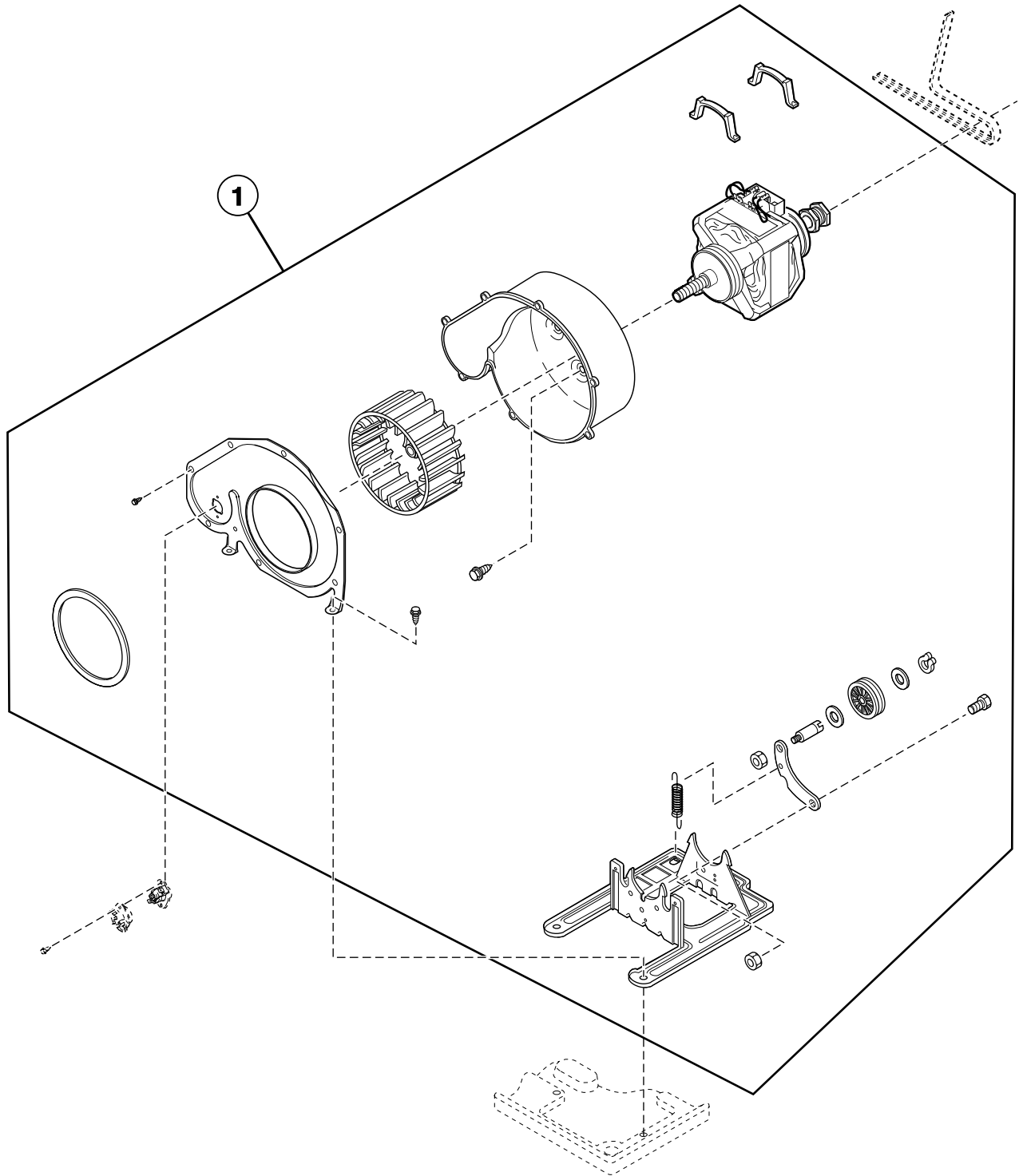
Dryer Motor, Blower Fan and Belt

REF	PART NO.	DESCRIPTION	COMMENTS
1	D510238P	Blower Housing Seal	
2	31260	Screw	
3	D511969WP	Blower Housing	
4	D505869P	Motor and Pulley Assembly	240 Volt/60 Hertz; Includes items 5 and 8; Models HTGBXFSP542DW01, NTEX77*N5400, STEBXFSP542NW01, STEX77*N5400, STEX77*N5754, STEY77*N5754 and STGBXFSP542DW01
	D505843P	Motor and Pulley Assembly	240 Volt/50 Hertz; Includes items 5 and 8; Models BTEBLFSP431AW01, BTEBLFSP432AW01, BTEBXFSP432AW01, BTEL75*N4065, BTEL77*N4065, BTEX75*N4065, BTEX77*N4065, BTEX77*N4350, BTGBLFSP301AW01, BTGBLFSP302AW01, BTGBXFSP302AW01, BTGX79*N3060, NTEBXFSP302NW01, NTEBXFSP302NW22, NTEL77*N4064, NTEX77*N3000, NTEX77*N4064, NTEX77*N4067, NTGBXFSP302NW01, NTGL79*N4067, NTGX79*N3000, NTGX79*N4067, STEA77*N3069, STEBXFSP301NW22, STEBXFSP302NW01, STEBXFSP302NW22, STEBXFSP432AW01, STEF77*N4350, STEX77*N3000, STEX77*N4064, STEX77*N4350, STEX77*N4351, STEY77*N4064, STGBXFSP301NW22, STGBXFSP302AW01, STGBXFSP302NW01, STGBXFSP302NW22, STGX79*N3000, STGX79*N3060 and STGX79*N3061
	D511629P	Motor and Pulley Assembly	120 Volt/60 Hertz; Includes items 5, 8 and 9; All other models
5	N/A	Motor Switch Kit	Does not include thermal protector
6	D510180	Motor Mount Clamp	
7	D511255P	Cylinder Belt	
8	D500011	Motor Pulley	60 Hertz
	D500222	Motor Pulley	50 Hertz
9	590P3	Motor Hub Ring Kit	
10	D503688	Screw	
11	D510139P	Blower Fan Assembly	
12	D510185	Idler Spring	
13	56156	Nut	
14	D516310	Idler Lever	
15	56461P	Shaft	
16	52549	Washer	
17	D510142P	Idler Wheel and Bearing Assembly	
18	23748	Retaining Ring	
19	D500824	Screw	
20	D516792	Idler Lever and Wheel Assembly	Includes items 13-18
21	52566	Nut	
22	D518517	Motor Mount	

* Add Letter To Designate Color. Q - Bisque W - White

N/A = Part no longer available

Blower and Fan Kit



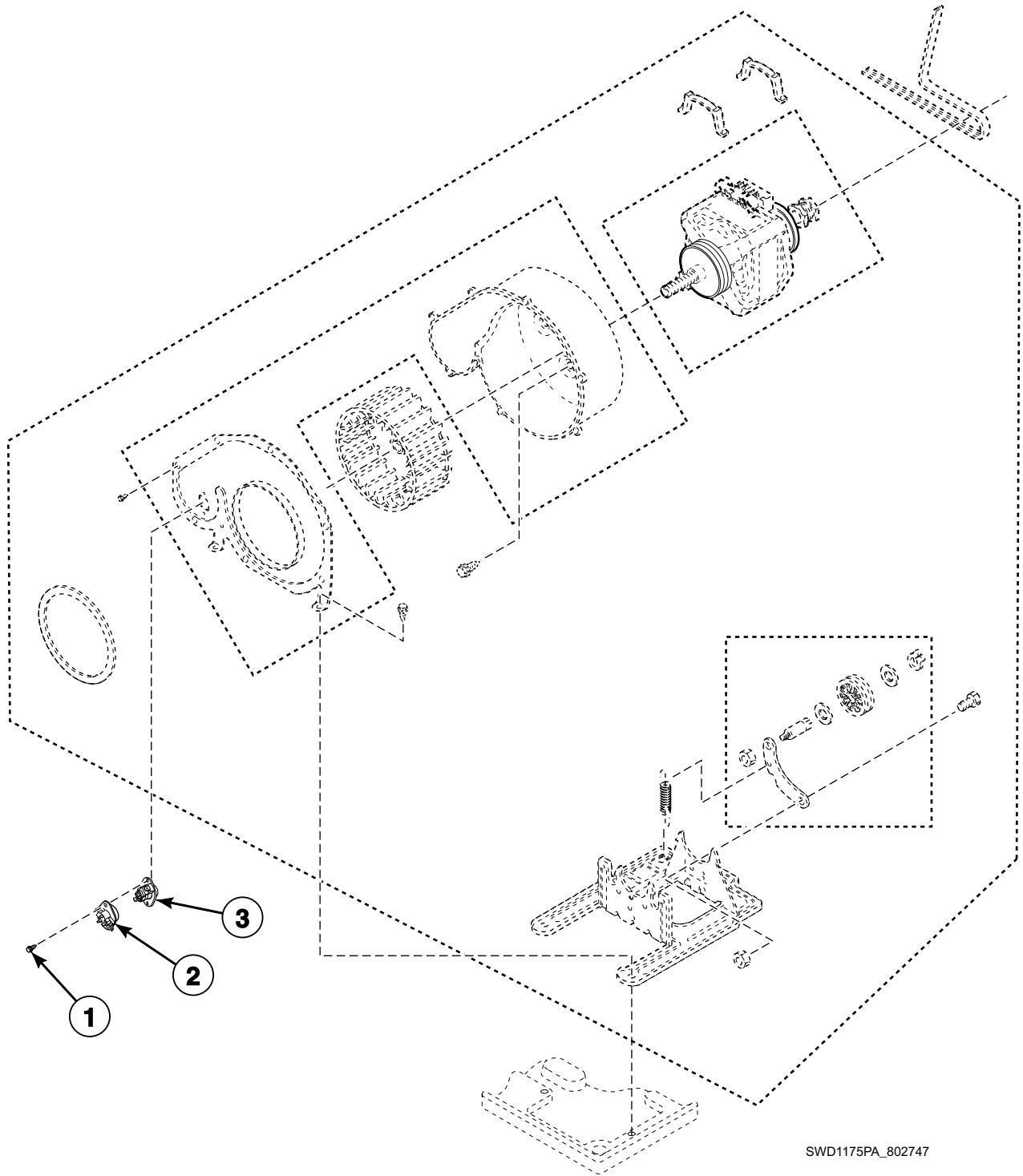
SWD1175PB_802747

Blower and Fan Kit

REF	PART NO.	DESCRIPTION	COMMENTS
1	D510717P	Blower and Fan Kit	120 Volt/60 Hertz; Includes items 1-6 and 8-22 shown in <i>Dryer Motor, Blower Fan and Belt</i> ; Models BTEBCFSP171TW01, BTEBCFSP172TW01, BTEBEFSP171TW01, BTEBEFSP281CW01, BTEBEFSP282CW01, BTEBXFSP172FW01, BTEBYFSP172TW01, BTEX77*N1727, BTGBCFSP111TW01, BTGBCFSP112TW01, BTGBEFSP091CW01, BTGBEFSP111TW01, BTGBXFSP112FW01, BTGBYFSP112TW01, BTGX79*N1127, HTEB77*N2802, HTEBCFSP172TW01, HTEBDFSP282CW01, HTEBXFSP172FW28, HTEBXFSP282CW01, HTEBXFSP292CW01, HTEBYFSP282CW01, HTET77*N, HTET77*N2802, HTEX77*N2802, HTEX77*N2902, HTEY77*N, HTEY77*N2802, HTGB79*N0902, HTGBCFSP112TW01, HTGBDFSP092CW01, HTGBXFSP112FW28, HTGBXFSP122DW01, HTGBYFSP092CW01, HTGBYFSP112TW01, HTGT79*N, HTGT79*N0902, HTGX79*N0902, HTGY79*N, HTGY79*N0902, STEA77*N, STEB77*N, STEBCFSP172TQ01, STEBCFSP172TW01, STEBXFSP172TQ01, STEBXFSP172TW01, STEBYFSP172TW01, STEF77*N, STET77*N, STEX77*N, STEX77*N2827, STEY77*N, STGA73*N, STGA79*N, STGB79*N, STGBCFSP112TW01, STGBXFSP112TW01, STGBXFSP122DW01, STGBYFSP112TW01, STGF79*N, STGT79*N, STGX73*N, STGX79*N and STGY79*N

* Add Letter To Designate Color. Q - Bisque W - White

Thermistor and Thermostat



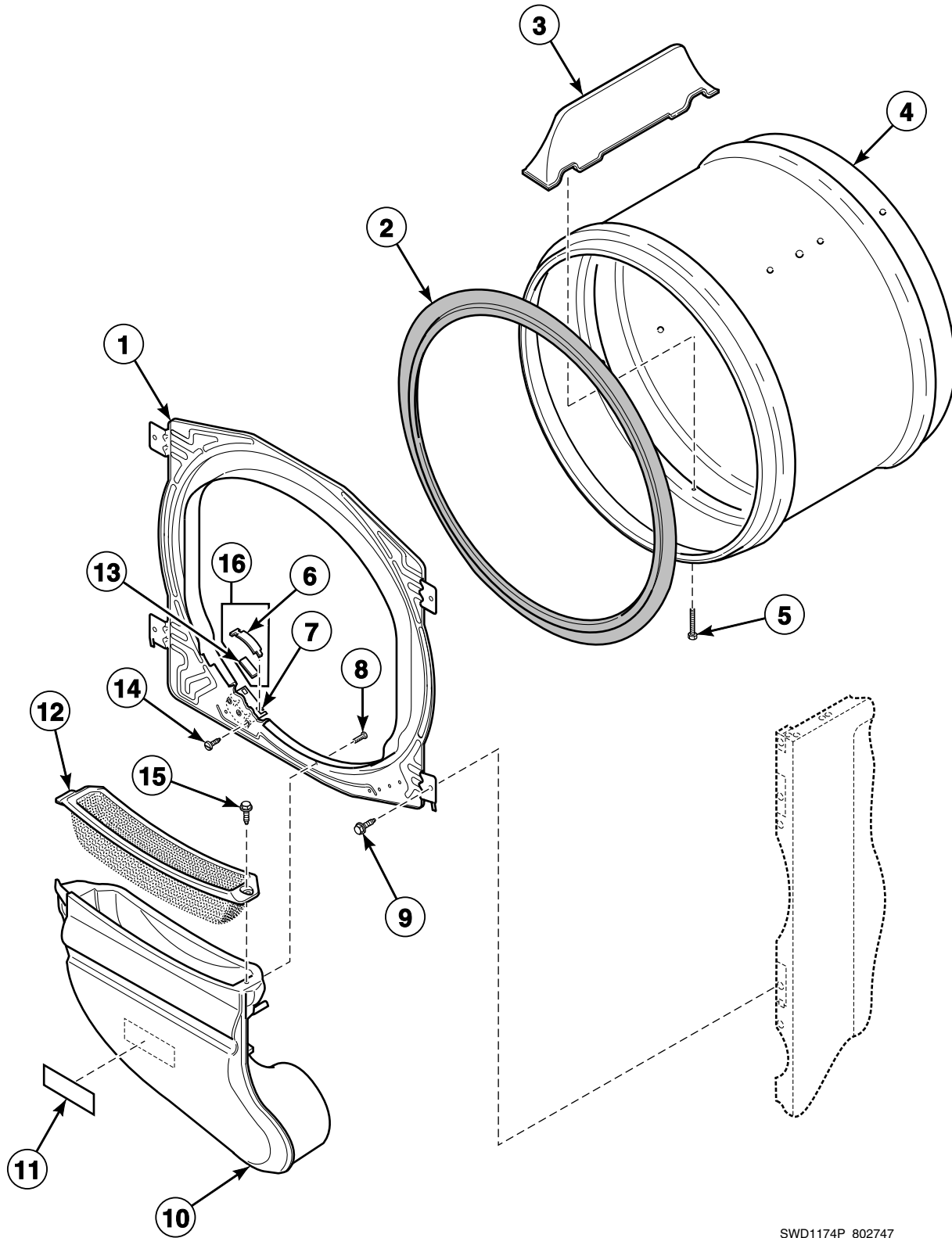
SWD1175PA_802747

Thermistor and Thermostat

REF	PART NO.	DESCRIPTION	COMMENTS
1	23222	Screw	
2	D502366	Thermistor Assembly	Models BTEBLFSP431AW01, BTEBLFSP432AW01, BTEBXFSP432AW01, BTEL75*N4065, BTEL77*N4065, BTEX75*N4065, BTEX77*N4065, BTEX77*N4350, BTGBLFSP301AW01, BTGBLFSP302AW01, BTGBXFSP302AW01, BTGX79*N3060, NTEBXFSP302NW01, NTEBXFSP302NW22, NTEL77*N4064, NTEX77*N3000, NTEX77*N4064, NTEX77*N4067, NTEX77*N5400, NTGBXFSP302NW01, NTGL79*N4067, NTGX79*N3000, NTGX79*N4067, STEA77*N3069, STEBXFSP301NW22, STEBXFSP302NW01, STEBXFSP302NW22, STEBXFSP432AW01, STEBXFSP542NW01, STEF77*N4350, STEX77*N3000, STEX77*N4064, STEX77*N4350, STEX77*N4351, STEX77*N5400, STEX77*N5754, STEY77*N4064, STEY77*N5754, STGBXFSP301NW22, STGBXFSP302AW01, STGBXFSP302NW01, STGBXFSP302NW22, STGX79*N3000, STGX79*N3060 and STGX79*N3061
	D510523	Thermistor Assembly	All other models
3	M411941	Manual Reset Thermostat	Models BTGBLFSP301AW01, BTGBLFSP302AW01, BTGBXFSP302AW01, BTGX79*N3060, STGBXFSP302AW01, STGX79*N3060 and STGX79*N3061
	D510703	Thermostat	Manual reset; Models HTGBXFSP542DW01 and STGBXFSP542DW01

* Add Letter To Designate Color. Q - Bisque W - White

Front Bulkhead, Air Duct, Felt Seal and Cylinder

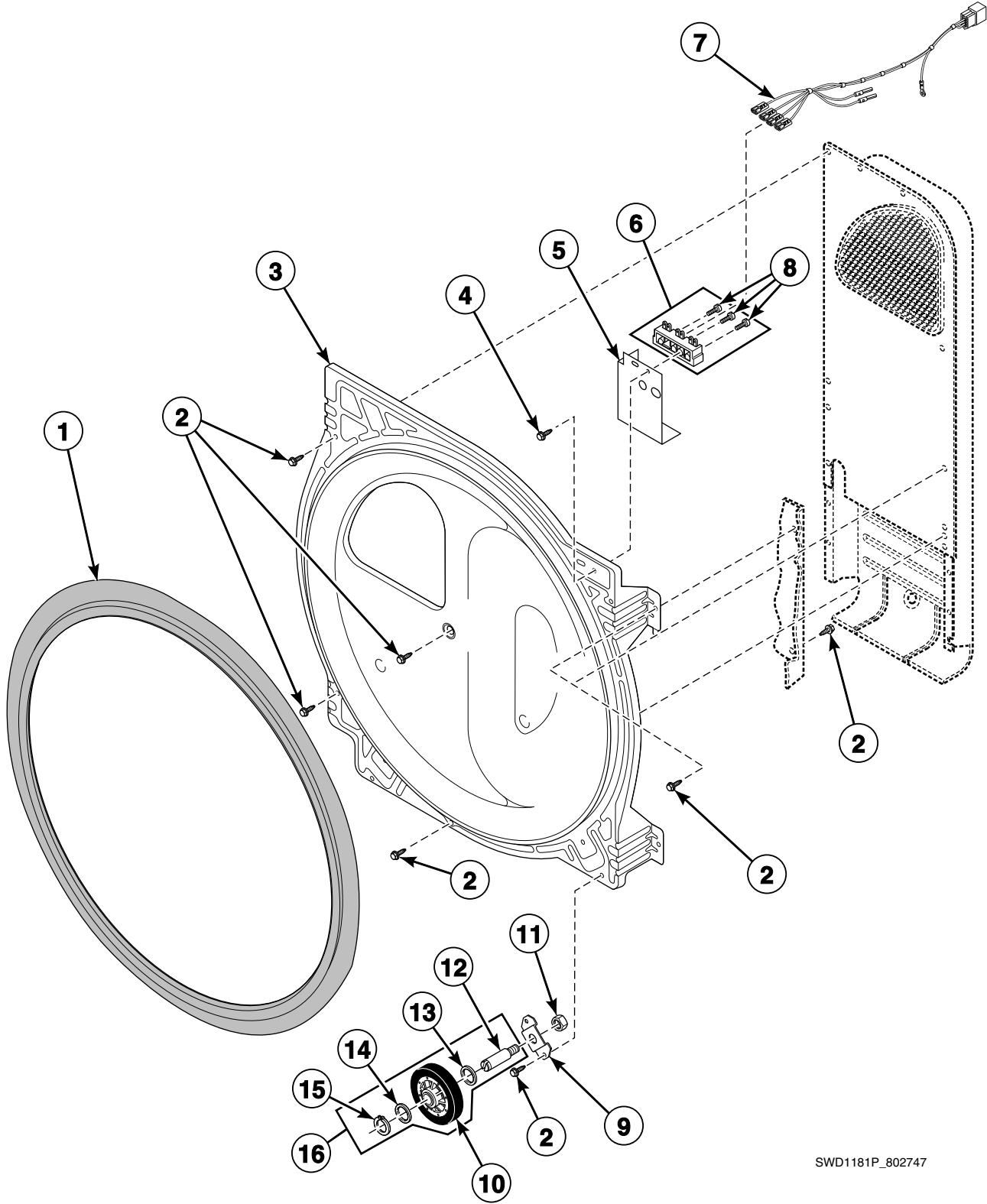


SWD1174P_802747

Front Bulkhead, Air Duct, Felt Seal and Cylinder

REF	PART NO.	DESCRIPTION	COMMENTS
1	D510266P	Front Bulkhead Assembly	Unpainted; Includes item 2
2	D510207P	Cylinder Seal Assembly	
	D511637P	Adhesive	For cylinder seal
	RB170001	Seal Kit	Includes 2 cylinder seals, D510238P Blower Housing Seal and D511637P Adhesive
3	D510102W	Cylinder Baffle	Models BTEBCFSP172TW01, BTEBEFSP282CW01, HTEBCFSP172TW01, HTEBDFSP282CW01, HTEBXFSP172FW28, HTEBXFSP282CW01, HTEBXFSP292CW01, HTEBYFSP282CW01, STEBCFSP172TQ01, STEBCFSP172TW01, STEBXFSP172TQ01, STEBXFSP172TW01 and STEBYFSP172TW01 through Serial No. 1303025314; All other models
	D510102LG	Cylinder Baffle	Models BTEBCFSP172TW01, BTEBEFSP282CW01, HTEBCFSP172TW01, HTEBDFSP282CW01, HTEBXFSP172FW28, HTEBXFSP282CW01, HTEBXFSP292CW01, HTEBYFSP282CW01, STEBCFSP172TQ01, STEBCFSP172TW01, STEBXFSP172TQ01, STEBXFSP172TW01 and STEBYFSP172TW01 starting Serial No. 1303025315
4	D510265WP	Cylinder Assembly	Galvanized; Includes item 3; Models BTEBCFSP172TW01, BTEBEFSP282CW01, HTEBCFSP172TW01, HTEBDFSP282CW01, HTEBXFSP172FW28, HTEBXFSP282CW01, HTEBXFSP292CW01, HTEBYFSP282CW01, STEBCFSP172TQ01, STEBCFSP172TW01, STEBXFSP172TQ01, STEBXFSP172TW01 and STEBYFSP172TW01 through Serial No. 1303025314; All other models
	D510265LGP	Cylinder Assembly	Galvanized; Includes item 3; Models BTEBCFSP172TW01, BTEBEFSP282CW01, HTEBCFSP172TW01, HTEBDFSP282CW01, HTEBXFSP172FW28, HTEBXFSP282CW01, HTEBXFSP292CW01, HTEBYFSP282CW01, STEBCFSP172TQ01, STEBCFSP172TW01, STEBXFSP172TQ01, STEBXFSP172TW01 and STEBYFSP172TW01 starting Serial No. 1303025315
5	62588	Screw	
6	D513710	Cylinder Glide	
7	D510145	Cylinder Glide Bracket	
8	52864	Screw	
9	D503688	Screw	
10	D518432	Air Duct Assembly	Models BTEBCFSP172TW01, BTEBEFSP282CW01, HTEBCFSP172TW01, HTEBDFSP282CW01, HTEBXFSP172FW28, HTEBXFSP282CW01, HTEBXFSP292CW01, HTEBYFSP282CW01, STEBCFSP172TQ01, STEBCFSP172TW01, STEBXFSP172TQ01, STEBXFSP172TW01 and STEBYFSP172TW01 through Serial No. 1303025314; All other models
	D518433	Air Duct Assembly	Models BTEBCFSP172TW01, BTEBEFSP282CW01, HTEBCFSP172TW01, HTEBDFSP282CW01, HTEBXFSP172FW28, HTEBXFSP282CW01, HTEBXFSP292CW01, HTEBYFSP282CW01, STEBCFSP172TQ01, STEBCFSP172TW01, STEBXFSP172TQ01, STEBXFSP172TW01 and STEBYFSP172TW01 starting Serial No. 1303025315
11	61294	Fuse Notice Label	Electric models
12	D503980W	Lint Filter	Models BTEBCFSP172TW01, BTEBEFSP282CW01, HTEBCFSP172TW01, HTEBDFSP282CW01, HTEBXFSP172FW28, HTEBXFSP282CW01, HTEBXFSP292CW01, HTEBYFSP282CW01, STEBCFSP172TQ01, STEBCFSP172TW01, STEBXFSP172TQ01, STEBXFSP172TW01 and STEBYFSP172TW01 through Serial No. 1303025314; All other models
	D503980LG	Lint Filter	Models BTEBCFSP172TW01, BTEBEFSP282CW01, HTEBCFSP172TW01, HTEBDFSP282CW01, HTEBXFSP172FW28, HTEBXFSP282CW01, HTEBXFSP292CW01, HTEBYFSP282CW01, STEBCFSP172TQ01, STEBCFSP172TW01, STEBXFSP172TQ01, STEBXFSP172TW01 and STEBYFSP172TW01 starting Serial No. 1303025315
13	D510189	Felt Pad	
14	D505295	Screw	
15	D501285	Screw	
16	RB170003	Glide Kit	Includes items 6 and 13

Rear Bulkhead, Felt Seal, Cylinder Roller and Terminal Block



SWD1181P_802747

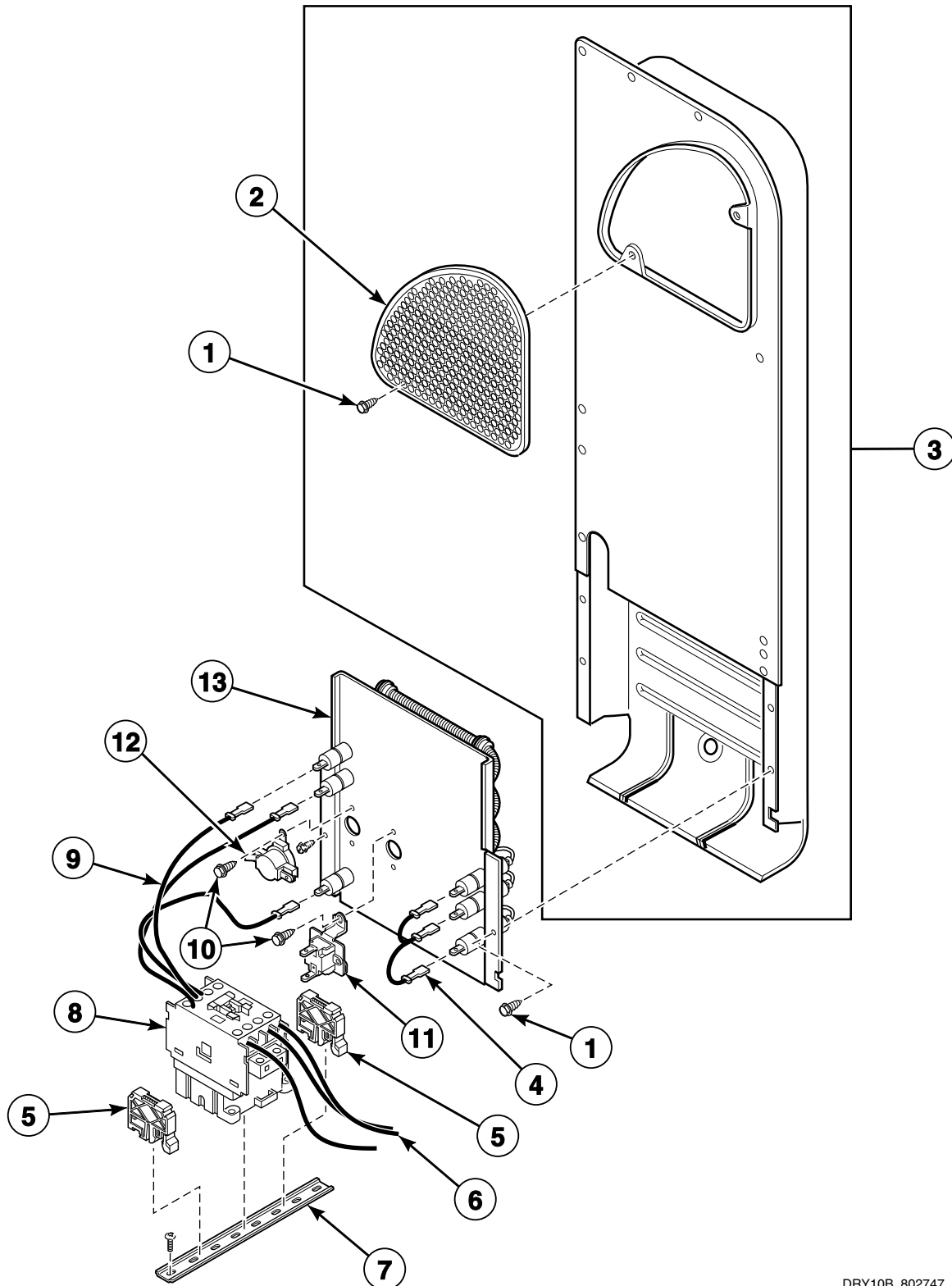
Rear Bulkhead, Felt Seal, Cylinder Roller and Terminal Block

REF	PART NO.	DESCRIPTION	COMMENTS
1	D510207P	Cylinder Seal Assembly	
	D511637P	Adhesive	For cylinder seal
	RB170001	Seal Kit	Includes 2 cylinder seals, D510238P Blower Housing Seal and 511637P Adhesive
2	D503688	Screw	
3	D511082P	Rear Bulkhead Assembly	Galvanized; Includes item 1
4	D501285	Screw	Electric models
5	D505875	Terminal Block Support Bracket	Models BTEL75*N4065, BTEL77*N4065, BTEX75*N4065, BTEX77*N4065, NTEL77*N4064, NTEX77*N4064, STEX77*N4064 and STEY77*N4064
	D510237	Terminal Block Shield	All other electric models
6	D505876	Terminal Block Assembly	Models BTEL75*N4065, BTEL77*N4065, BTEX75*N4065, BTEX77*N4065, NTEL77*N4064, NTEX77*N4064, STEX77*N4064 and STEY77*N4064
	D510190P	Terminal Block Assembly	Includes (3) of item 8; Models BTEBCFSP171TW01, BTEBCFSP172TW01, BTEBEFSP171TW01, BTEBEFSP281CW01, BTEBEFSP282CW01, BTEBLFSP431AW01, BTEBLFSP432AW01, BTEBXFSP432AW01, BTEBYFSP172TW01, BTEX77*N4350, BTGBEFSP091CW01, BTGBLFSP301AW01, BTGBLFSP302AW01, BTGBXFSP302AW01, BTGX79*N3060, HTEB77*N2802, HTEBCFSP172TW01, HTEBDFSP282CW01, HTEBXFSP132DW01, HTEBXFSP172FW28, HTEBXFSP282CW01, HTEBXFSP292CW01, HTEBXFSP542DW01, HTEBYFSP282CW01, HTET77*N, HTET77*N2802, HTEX77*N2802, HTEX77*N2902, HTEY77*N, HTEY77*N2802, HTGB79*N0902, HTGBDFSP092CW01, HTGBXFSP542DW01, HTGBYFSP092CW01, HTGT79*N0902, HTGX79*N0902, HTGY79*N0902, NTEBXFSP302NW01, NTEBXFSP302NW22, NTEX77*N3000, NTEX77*N4067, NTEX77*N5400, NTGBXFSP302NW01, NTGL79*N4067, NTGX79*N3000, NTGX79*N4067, STEA77*N, STEB77*N, STEBCFSP172TQ01, STEBCFSP172TW01, STEBXFSP132DW01, STEBXFSP172TQ01, STEBXFSP172TW01, STEBXFSP301NW22, STEBXFSP302NW01, STEBXFSP302NW22, STEBXFSP432AW01, STEBXFSP542DW01, STEBYFSP172TW01, STEF77*N, STEF77*N4350, STET77*N, STEX77*N, STEX77*N3000, STEX77*N4350, STEX77*N4351, STEX77*N5400, STEX77*N5754, STEY77*N, STEY77*N5754, STGBXFSP301NW22, STGBXFSP302AW01, STGBXFSP302NW01, STGBXFSP302NW22, STGBXFSP542DW01, STGX79*N3000, STGX79*N3060 and STGX79*N3061
7	D510622	Wire Harness Assembly	Power to washer; Models HTEB77*N2802, HTEBDFSP282CW01, HTEBXFSP282CW01, HTEBXFSP292CW01, HTEBYFSP282CW01, HTET77*N2802, HTEX77*N2802, HTEX77*N2902 and HTEY77*N2802; Models through Serial Nos. beginning 0904
	D510621P	Wire Harness Assembly	Power to washer; Models HTGB79*N0902, HTGBDFSP092CW01, HTGBYFSP092CW01, HTGT79*N0902, HTGX79*N0902 and HTGY79*N0902; Models through Serial Nos. beginning 0904
	803150P	Power Harness Assembly	Power to washer; Models BTEBEFSP281CW01, BTEBEFSP282CW01, BTGBEFSP091CW01, HTEBDFSP282CW01, HTEBXFSP282CW01, HTEBXFSP292CW01, HTEBYFSP282CW01, HTET77*N2802, HTEX77*N2802, HTEX77*N2902, HTEY77*N2802, HTGBDFSP092CW01, HTGBYFSP092CW01, HTGT79*N0902, HTGX79*N0902 and HTGY79*N0902; Models starting Serial Nos. beginning 0904
8	61199	Screw	
9	D510100	Cylinder Roller Bracket	
10	D510708P	Cylinder Roller	
11	56156	Nut	
12	56461P	Shaft	
13	D504082	Washer	
14	52549	Washer	
15	23748	Retaining Ring	
16	RB170002	Roller Kit	Includes items 10 and 12-15

* Add Letter To Designate Color. Q - Bisque W - White

Heater Duct and Element Assembly (Drawing 1 of 2)

Models BTEL75*N4065, BTEL77*N4065, BTEX75*N4065, BTEX77*N4065, NTEL77*N4064,
NTEX77*N4064, STEX77*N4064 and STEY77*N4064



DRY10B_802747

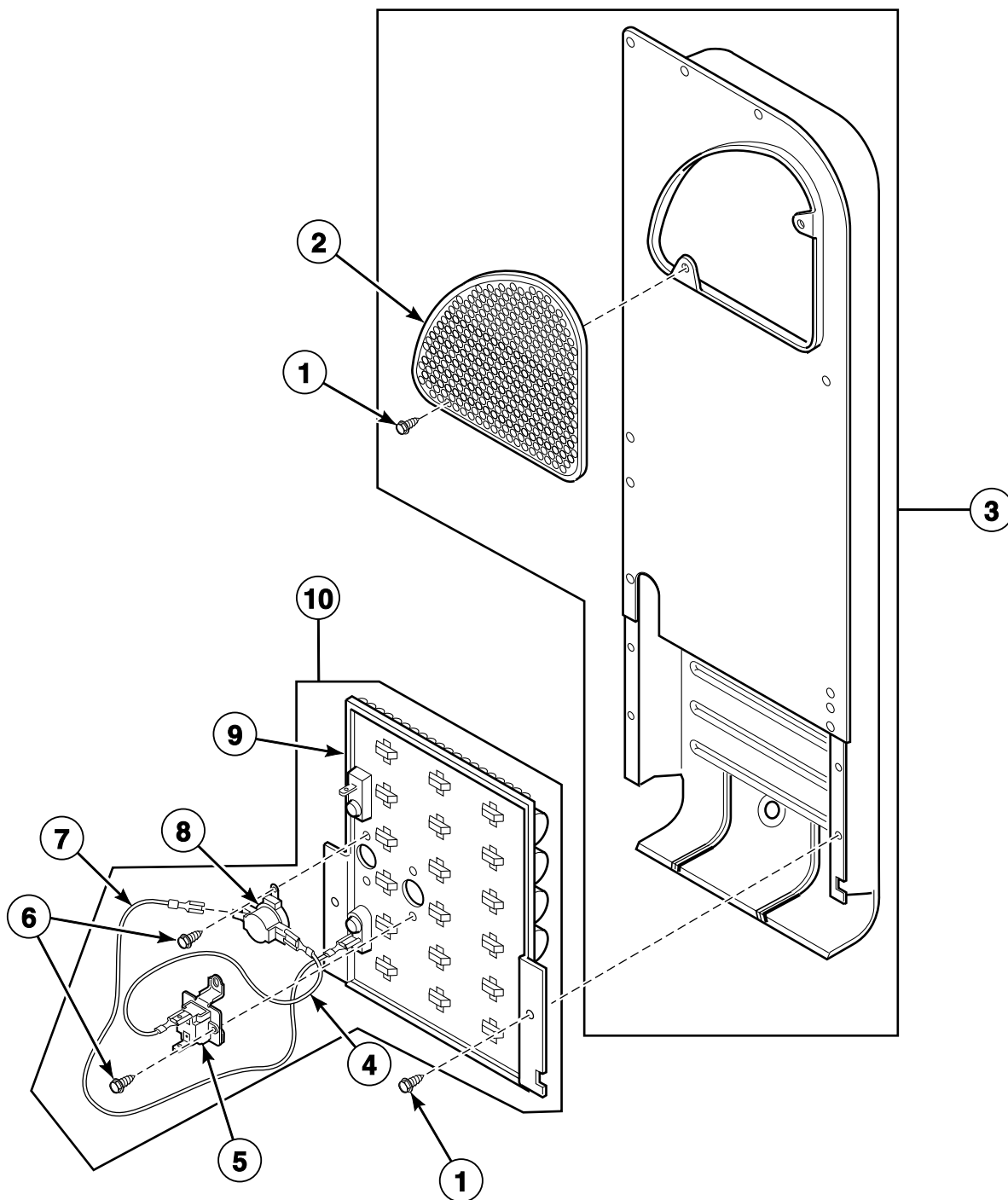
Heater Duct and Element Assembly (Drawing 1 of 2)

REF	PART NO.	DESCRIPTION	COMMENTS
	756P3	Conversion Kit	400 Volt, 4 wire WYE to 240 Volt, 3 wire Delta
1	D503688	Screw	
2	D500820	Outlet Cover	
3	D510025P	Heater Duct Assembly	Includes items 1 and 2
4	D518529	Jumper Wire Assembly	3 Phase
5	70121001	End Stop	
6	D511112P	Block to Relay Harness	Terminal block to contactor
7	M412693	Din Rail	
8	F330177P	Contactor	
9	D511114P	Relay to Heater Harness	Contactor to heater
10	23222	Screw	
11	D518542	Thermal Fuse Assembly	
12	D510701	Limit Thermostat	
13	D511014P	Heater	400 Volt/3 Phase

* Add Letter To Designate Color. Q - Bisque W - White

Heater Duct and Element Assembly (Drawing 2 of 2)

All Electric Model Dryers Except BTEL75*N4065, BTEL77*N4065, BTEX75*N4065, BTEX77*N4065, NTEL77*N4064, NTEX77*N4064, STEX77*N4064 and STEY77*N4064



DRY1789P_802747

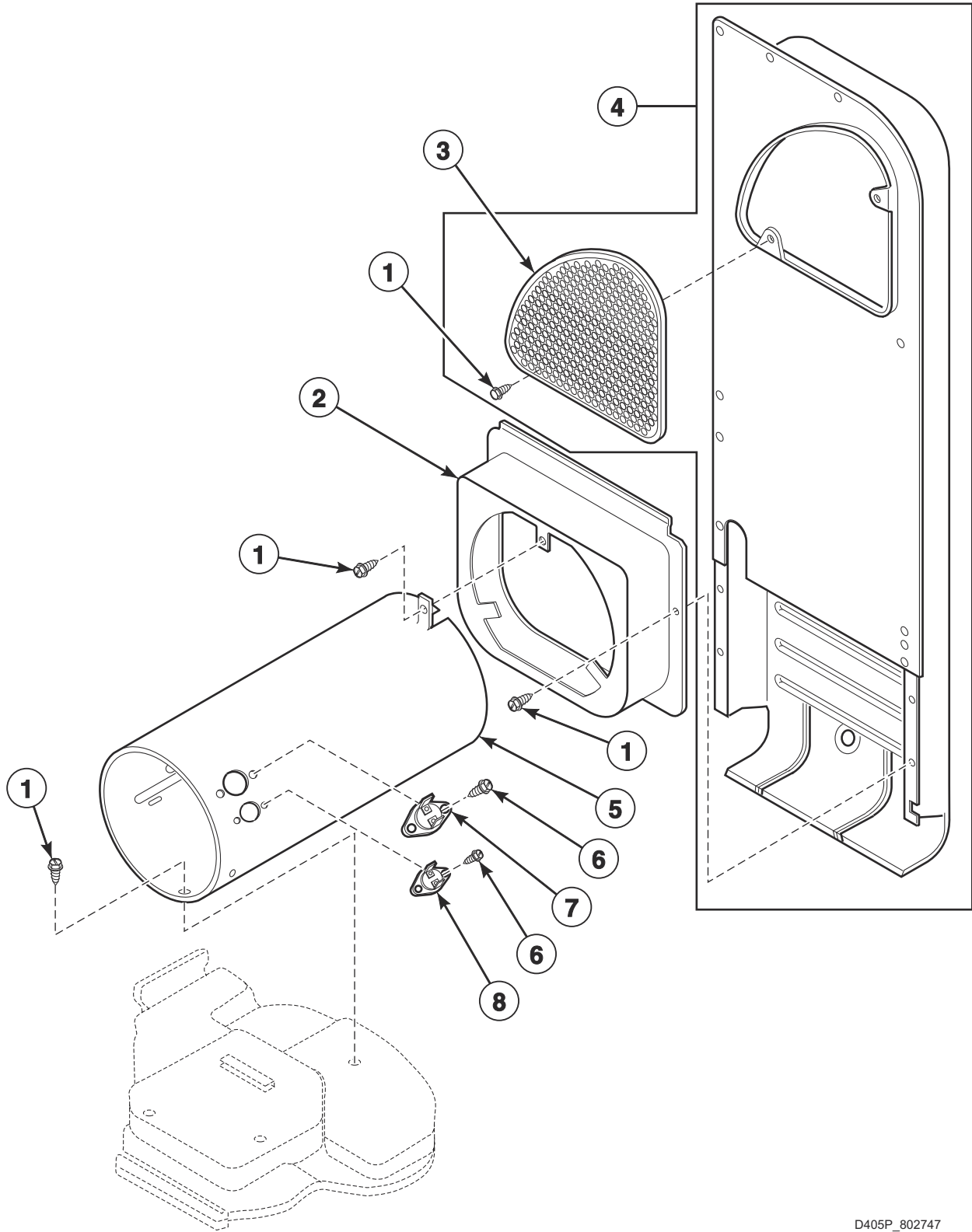
Heater Duct and Element Assembly (Drawing 2 of 2)

REF	PART NO.	DESCRIPTION	COMMENTS
1	D503688	Screw	
2	D500820	Outlet Cover	
3	D510025P	Heater Duct Assembly	Includes item 2
4	D518256	Wire Assembly	Orange; Thermostat jumper
5	D518542	Thermal Fuse Assembly	
6	23222	Screw	
7	D518255	Wire Assembly	Black; Fuse jumper
8	D510701	Limit Thermostat	
9	D510326P	Heater Assembly	Models NTEBXFSP302NW01, NTEBXFSP302NW22, NTEX77*N3000, NTEX77*N4067, STEA77*N3069, STEBXFSP301NW22, STEBXFSP302NW01, STEBXFSP302NW22 and STEX77*N3000; 4800 Watt; 240 Volt/50 Hertz
	D510324P	Heater Assembly	Models BTEBEFSP281CW01, BTEBEFSP282CW01, HTEB77*N2802, HTEBDFSP282CW01, HTEBXFSP282CW01, HTEBYFSP282CW01, HTET77*N2802, HTEX77*N2802, HTEY77*N2802, NTEX77*N5400, STEBXFSP542NW01, STEX77*N5400, STEX77*N5754 and STEY77*N5754; 5000 Watt; 240 Volt/60 Hertz
	D510327P	Heater Assembly	Models BTEBLFSP431AW01, BTEBLFSP432AW01, BTEBXFSP432AW01, BTEX77*N4350, STEBXFSP432AW01, STEF77*N4350, STEX77*N4350 and STEX77*N4351; 4000 Watt; 240 Volt/50 Hertz
	D510330P	Heater Assembly	Models HTEBXFSP292CW01 and HTEX77*N2902; 4250 Watt; 208 Volt/60 Hertz
	D510329P	Heater Assembly	Models BTEBCFSP171TW01, BTEBCFSP172TW01, BTEBEFSP171TW01, BTEBXFSP172FW01, BTEX77*N1727, HTEBCFSP172TW01, HTEBXFSP132DW01, HTEBXFSP172FW28, HTEBXFSP542DW01, HTET77*N, HTEY77*N, STEA77*N, STEB77*N, STEBCFSP172TQ01, STEBCFSP172TW01, STEBXFSP132DW01, STEBXFSP172TQ01, STEBXFSP172TW01, STEBXFSP542DW01, STEBYFSP172TW01, STEF77*N, STET77*N, STEX77*N, STEX77*N2827 and STEY77*N; 5350 Watt; 240 Volt/60 Hertz
10	61928	Heater Kit Assembly	Includes items 4-9; Models BTEBCFSP171TW01, BTEBCFSP172TW01, BTEBEFSP171TW01, BTEBXFSP172FW01, BTEX77*N1727, HTEBCFSP172TW01, HTEBXFSP172FW28, HTET77*N, HTEY77*N, STEA77*N, STEB77*N, STEBCFSP172TQ01, STEBCFSP172TW01, STEBXFSP172TQ01, STEBXFSP172TW01, STEBYFSP172TW01, STEF77*N, STET77*N, STEX77*N, STEX77*N2827 and STEY77*N; 4750 Watt; 208 Volt/60 Hertz
	61929	Heater Kit Assembly	Includes items 4-9; Models HTEBXFSP132DW01, NTEBXFSP302NW01, NTEBXFSP302NW22, NTEX77*N3000, NTEX77*N4067, STEA77*N3069, STEBXFSP132DW01, STEBXFSP301NW22, STEBXFSP302NW01, STEBXFSP302NW22 and STEX77*N3000; 4800 Watt; 240 Volt/50 Hertz
	61927	Heater Kit Assembly	Includes items 4-9; Models BTEBEFSP281CW01, BTEBEFSP282CW01, HTEB77*N2802, HTEBDFSP282CW01, HTEBXFSP282CW01, HTEBXFSP542DW01, HTEBYFSP282CW01, HTET77*N2802, HTEX77*N2802, HTEY77*N2802, NTEX77*N5400, STEBXFSP542DW01, STEBXFSP542NW01, STEX77*N5400, STEX77*N5754 and STEY77*N5754; 5000 Watt; 240 Volt/60 Hertz
	61930	Heater Kit Assembly	Includes items 4-9; Models BTEBLFSP431AW01, BTEBLFSP432AW01, BTEBXFSP432AW01, BTEX77*N4350, STEBXFSP432AW01, STEF77*N4350, STEX77*N4350 and STEX77*N4351; 4000 Watt; 240 Volt/50 Hertz
	965P3	Heater Kit	Includes items 4-9; Models HTEBXFSP292CW01 and HTEX77*N2902; 4250 Watt; 208 Volt/60 Hertz
	964P3	Heater Kit	Includes items 4-9; Models BTEBCFSP171TW01, BTEBCFSP172TW01, BTEBEFSP171TW01, BTEBXFSP172FW01, BTEX77*N1727, HTEBCFSP172TW01, HTEBXFSP172FW28, HTET77*N, HTEY77*N, STEA77*N, STEB77*N, STEBCFSP172TQ01, STEBCFSP172TW01, STEBXFSP172TQ01, STEBXFSP172TW01, STEBYFSP172TW01, STEF77*N, STET77*N, STEX77*N, STEX77*N2827 and STEY77*N; 5350 Watt; 240 Volt/60 Hertz

* Add Letter To Designate Color. Q - Bisque W - White

Heater Duct Assembly

Gas Model Dryers



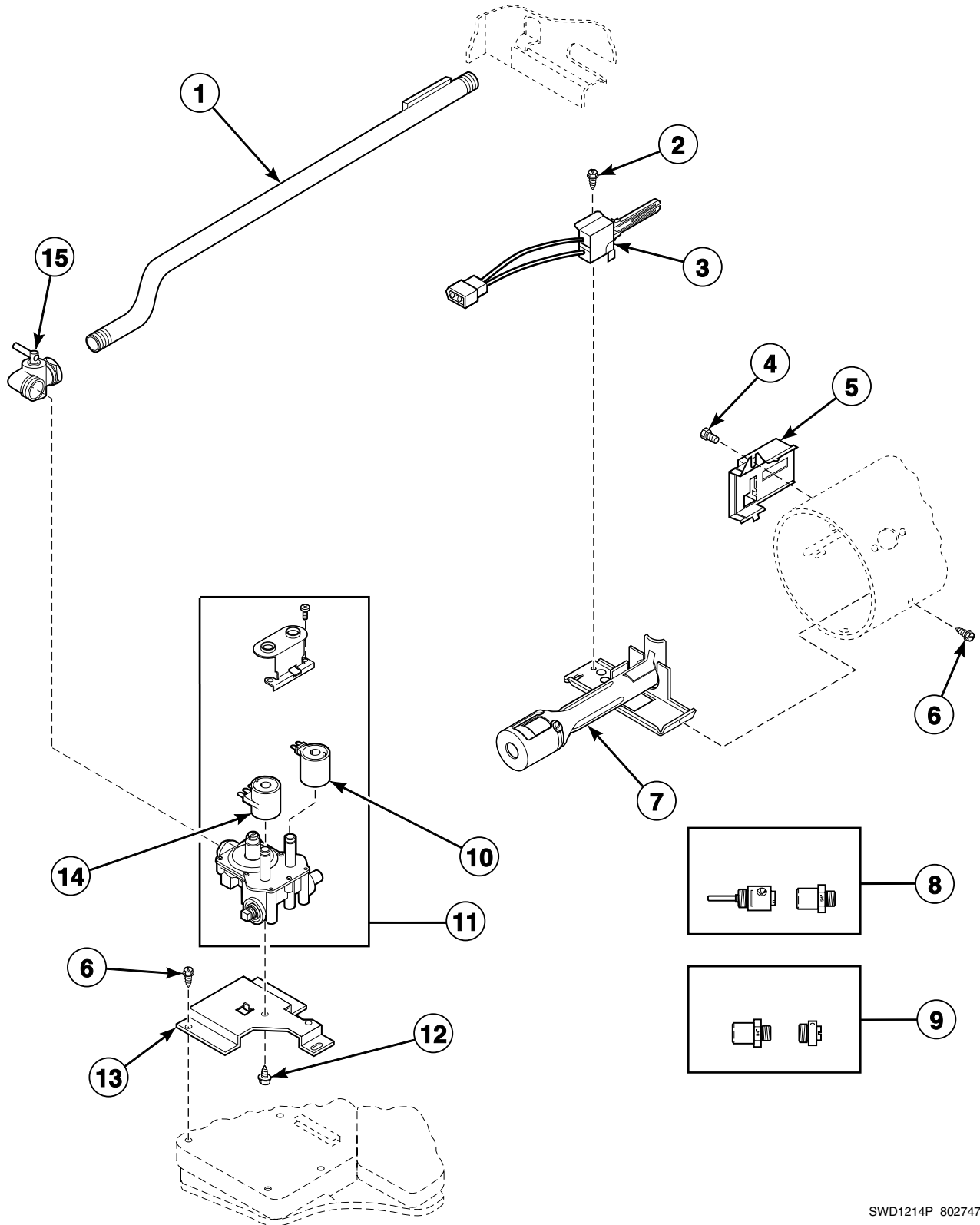
D405P_802747

Heater Duct Assembly

REF	PART NO.	DESCRIPTION	COMMENTS
1	D503688	Screw	
2	D510101	Heat Duct Shroud	
3	D500820	Outlet Cover	
4	D510025P	Heater Duct Assembly	Includes items 1 and 3
5	D510131	Combustion Duct	
6	51782	Screw	
7	D510703	Thermostat	Manual reset
8	D510702	Limit Thermostat	Color code "black"

Gas Valve, Igniter and Gas Conversion Kits

Gas Model Dryers



SWD1214P_802747

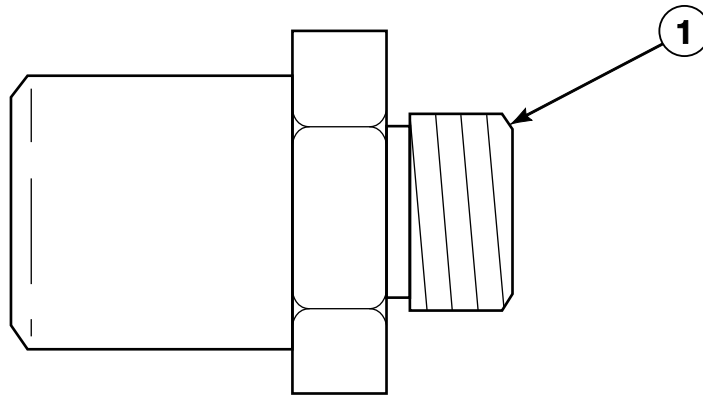
Gas Valve, Igniter and Gas Conversion Kits

REF	PART NO.	DESCRIPTION	COMMENTS
1	D510204	Lead-In Pipe Assembly	
2	51782	Screw	
3	D510184P	Igniter and Bracket Assembly	
4	23222	Screw	
5	D510213	Sensor	
6	D503688	Screw	
7	D510149P	Burner Assembly	
8	600P3	L.P. Conversion Kit	Models NTGL79*N4067 and NTGX79*N4067; Used to convert dryer from Natural Gas (N.G.) or Mixed Gas to Liquid Petroleum Gas (L.P.); 25,000 Btu
	458P3	L.P. Conversion Kit	All other models; Used to convert dryers from N.G. or Mixed Gas to L.P.; 25,000 Btu
9	459P3	N.G. Conversion Kit	Used to convert dryers from L.P. to N.G. or Mixed Gas; 25,000 Btu
10	58804B	Secondary Coil	
11	60443P	Valve Assembly	50 Hertz; 25,000 Btu; Models BTGBLFSP301AW01, BTGBLFSP302AW01, BTGBXFSP302AW01, BTGX79*N3060, NTGBXFSP302NW01, NTGL79*N4067, NTGX79*N3000, NTGX79*N4067, STGBXFSP301NW22, STGBXFSP302AW01, STGBXFSP302NW01, STGBXFSP302NW22, STGX79*N3000, STGX79*N3060 and STGX79*N3061
	D510506P	Gas Valve Assembly	Models HTGBXFSP122DW01, HTGBXFSP542DW01, STGBXFSP122DW01 and STGBXFSP542DW01
	60353P	Gas Valve Assembly	60 Hertz; 25,000 Btu; All other models
12	56124	Screw	
13	D510128	Gas Valve Mounting Bracket	
14	58804A	Booster and Holding Coil	
15	D510205	Elbow Shut-Off Valve	

* Add Letter To Designate Color. Q - Bisque W - White

Burner Orifice Spuds - For Higher Elevations

Gas Model Dryers

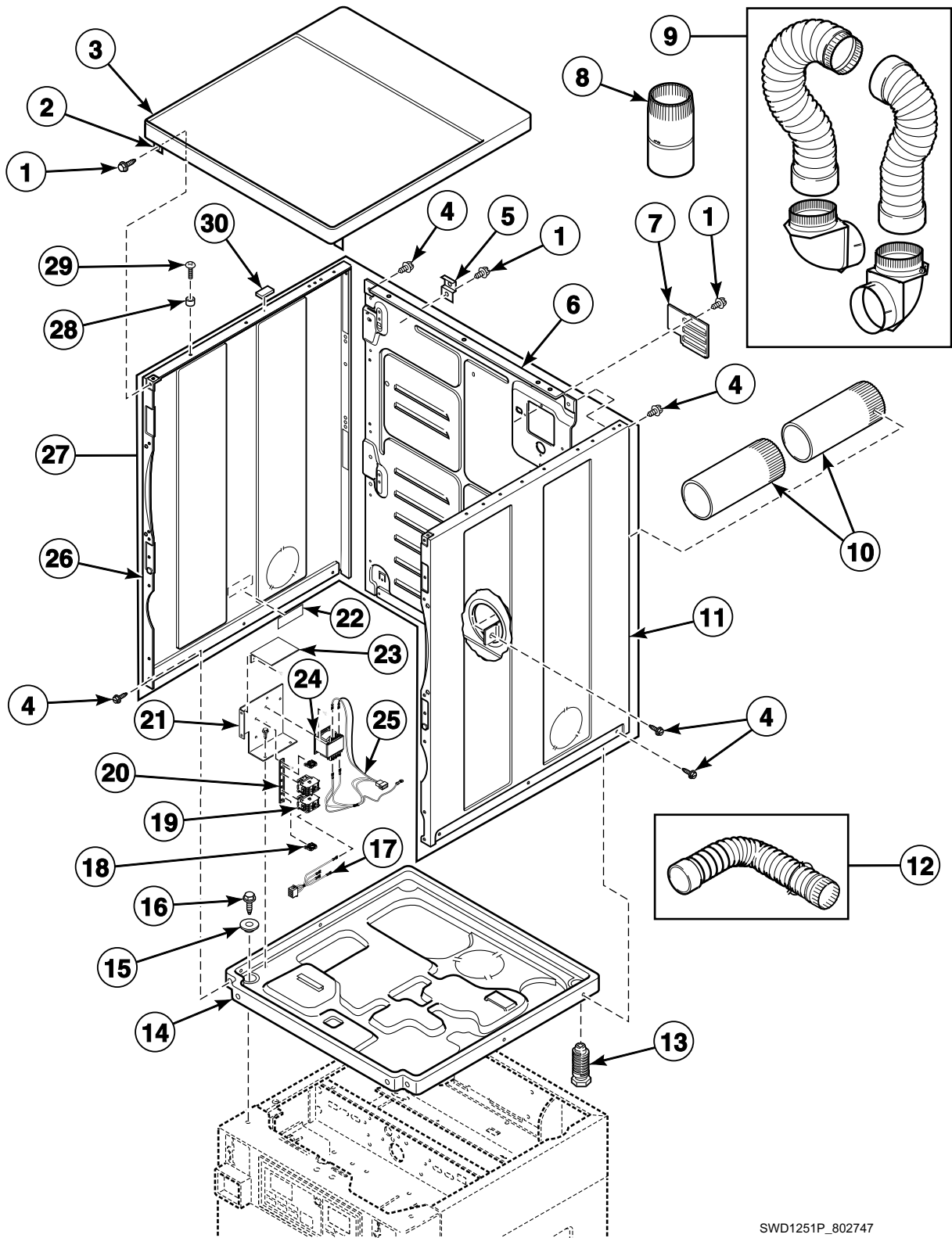


DRY2266P_802747

Burner Orifice Spuds - For Higher Elevations

REF	PART NO.	DESCRIPTION	COMMENTS
1	58755	L.P. Orifice	25,000 Btu; 7500-10,999 feet (2290-3354 m)
	D503786	L.P. Orifice	25,000 Btu; 11,000 feet (3355 m) and higher
	58719	Screw Orifice	Natural Gas (N.G.); 25,000 Btu; 7000-8999 feet (2135-2744 m)
	D503776	N.G. Orifice	25,000 Btu; 2000-2999 feet (610-914 m)
	D510517	N.G. Orifice	25,000 Btu; 3000-5499 feet (915-1679 m)
	D503778	N.G. Orifice	25,000 Btu; 5500-6999 feet (1680-2134 m)
	D503779	N.G. Orifice	25,000 Btu; 9000-10,499 feet (2745-3199 m)
	D503780	N.G. Orifice	25,000 Btu; 10,500 feet (3200 m) and higher

Dryer Cabinet, Exhaust Duct and Base



SWD1251P_802747

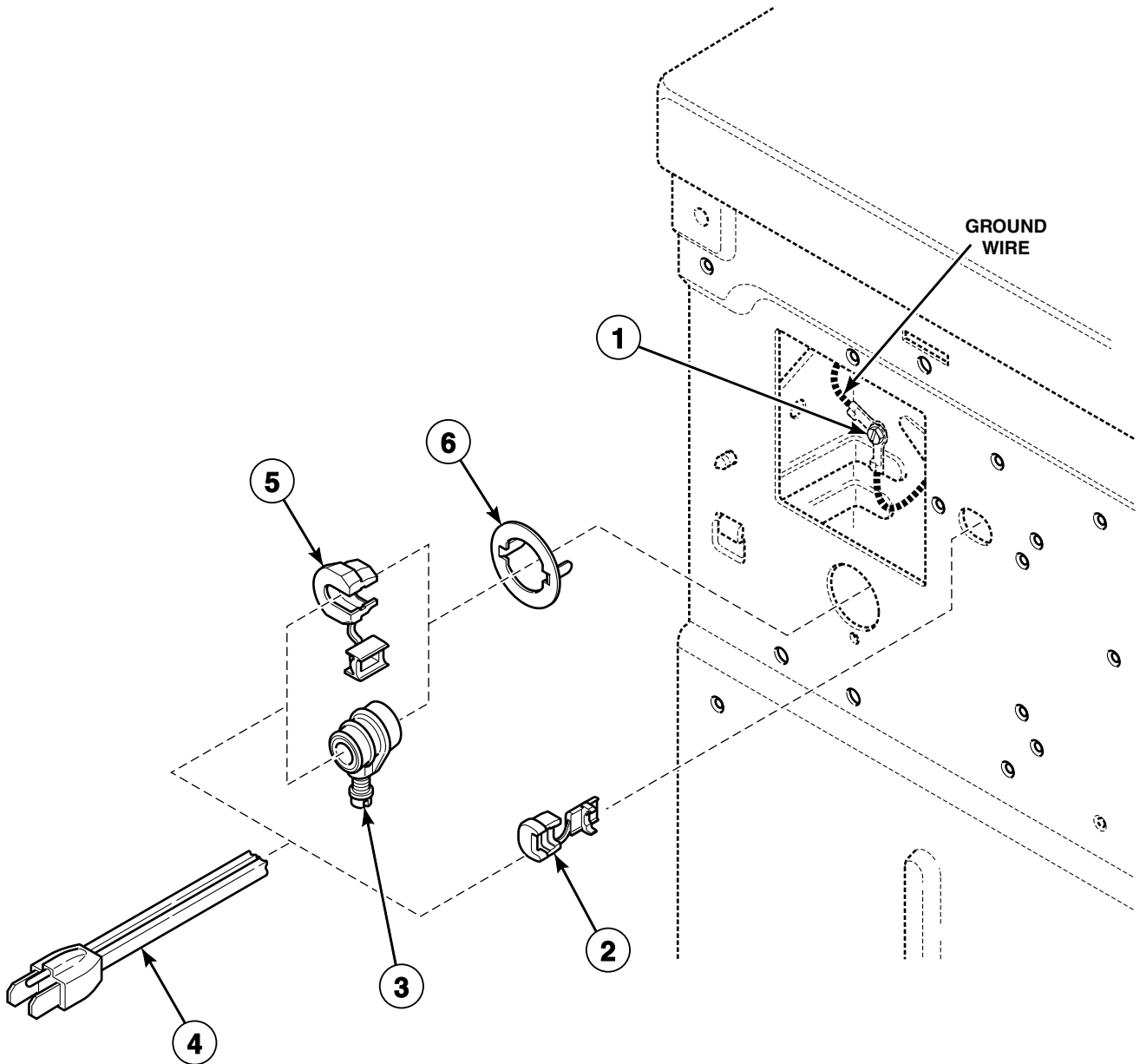
Dryer Cabinet, Exhaust Duct and Base

REF	PART NO.	DESCRIPTION	COMMENTS
1	D503661	Screw	
2	D510146	Bracket	
3	D510032WP	Top Kit	White
	D510032QP	Top Kit	Bisque
4	D503688	Screw	
5	D510136	Top Hinge	
6	D514632P	Cabinet Rear Panel	
7	D510903	Access Panel Plate	
8	58786	Damper	
9	521P3	Flexible Venting Kit	
10	D516196	Exhaust Duct	Each dryer requires 2 pieces
11	D510002WP	Cabinet Side Panel	White; Right side
	D510002QP	Cabinet Side Panel	Bisque; Right side
12	528P3	Directional Exhaust Kit	Used to vent dryer out the sides
13	D510135	Leveling Leg	
14	D514245	Dryer Base	
15	D501307	Washer	
16	36048	Screw	
17	D511327	Harness Assembly	Models NTGL79*N4067 and NTGX79*N4067
18	70121001	End Stop	Models NTGL79*N4067 and NTGX79*N4067
19	70323701P	Contactora	Models NTGL79*N4067 and NTGX79*N4067
20	M412693	Din Rail	Models NTGL79*N4067 and NTGX79*N4067
21	D511859	Contactora Bracket	Models BTGBLFSP301AW01, BTGBLFSP302AW01, BTGBXFSP302AW01, BTGX79*N3060, HTGBXFSP542DW01, NTGBXFSP302NW01, NTGL79*N4067, NTGX79*N3000, NTGX79*N4067, STGBXFSP301NW22, STGBXFSP302AW01, STGBXFSP302NW01, STGBXFSP302NW22, STGBXFSP542DW01, STGX79*N3000, STGX79*N3060 and STGX79*N3061
22	61294	Fuse Notice Label	Electric models
23	801101	Card Reader Shield	Models NTGL79*N4067 and NTGX79*N4067
24	D511658P	Transformer Kit	Includes item 23; Models BTGBLFSP301AW01, BTGBLFSP302AW01, BTGBXFSP302AW01, BTGX79*N3060, HTGBXFSP542DW01, NTGBXFSP302NW01, NTGL79*N4067, NTGX79*N3000, NTGX79*N4067, STGBXFSP301NW22, STGBXFSP302AW01, STGBXFSP302NW01, STGBXFSP302NW22, STGBXFSP542DW01, STGX79*N3000, STGX79*N3060 and STGX79*N3061
25	D511303	Wire Harness Assembly	Transformer adapter; Includes D502592 Fuse, 3.15 Amp, 250 Volt; Models BTGBLFSP301AW01, BTGBLFSP302AW01, BTGBXFSP302AW01, BTGX79*N3060, HTGBXFSP542DW01, NTGBXFSP302NW01, NTGL79*N4067, NTGX79*N3000, NTGX79*N4067, STGBXFSP301NW22, STGBXFSP302AW01, STGBXFSP302NW01, STGBXFSP302NW22, STGBXFSP542DW01, STGX79*N3000, STGX79*N3060 and STGX79*N3061
26	D510001WP	Cabinet Side Panel	White; Left side
	D510001QP	Cabinet Side Panel	Bisque; Left side
27	727P3W	Panel Kit	White; Includes items 6, 11, 26 and attaching hardware
	727P3Q	Panel Kit	Bisque; Includes items 6, 11, 26 and attaching hardware
28	56079	Panel Locator	
29	39733	Screw	
30	56128	Bumper Pad	

* Add Letter To Designate Color. Q - Bisque W - White

Dryer Power Cord

Models BTGBCFSP111TW01, BTGBCFSP112TW01, BTGBEFSP091CW01, BTGBEFSP111TW01, BTGBLFSP301AW01, BTGBLFSP302AW01, BTGBXFSP112FW01, BTGBXFSP302AW01, BTGBYFSP112TW01, BTGX79*N1127, BTGX79*N3060, HTGB79*N0902, HTGBCFSP112TW01, HTGBDFSP092CW01, HTGBXFSP112FW28, HTGBXFSP122DW01, HTGBXFSP542DW01, HTGBYFSP092CW01, HTGBYFSP112TW01, HTGT79*N, HTGT79*N0902, HTGX79*N0902, HTGY79*N, HTGY79*N0902, NTEX77*N4067, NTGL79*N4067, NTGX79*N4067, STGA73*N, STGA79*N, STGB79*N, STGBCFSP112TW01, STGBXFSP112TW01, STGBXFSP112TW01, STGBXFSP122DW01, STGBXFSP302AW01, STGBXFSP542DW01, STGBYFSP112TW01, STGF79*N, STGT79*N, STGX73*N, STGX79*N, STGX79*N3060, STGX79*N3061 and STGY79*N



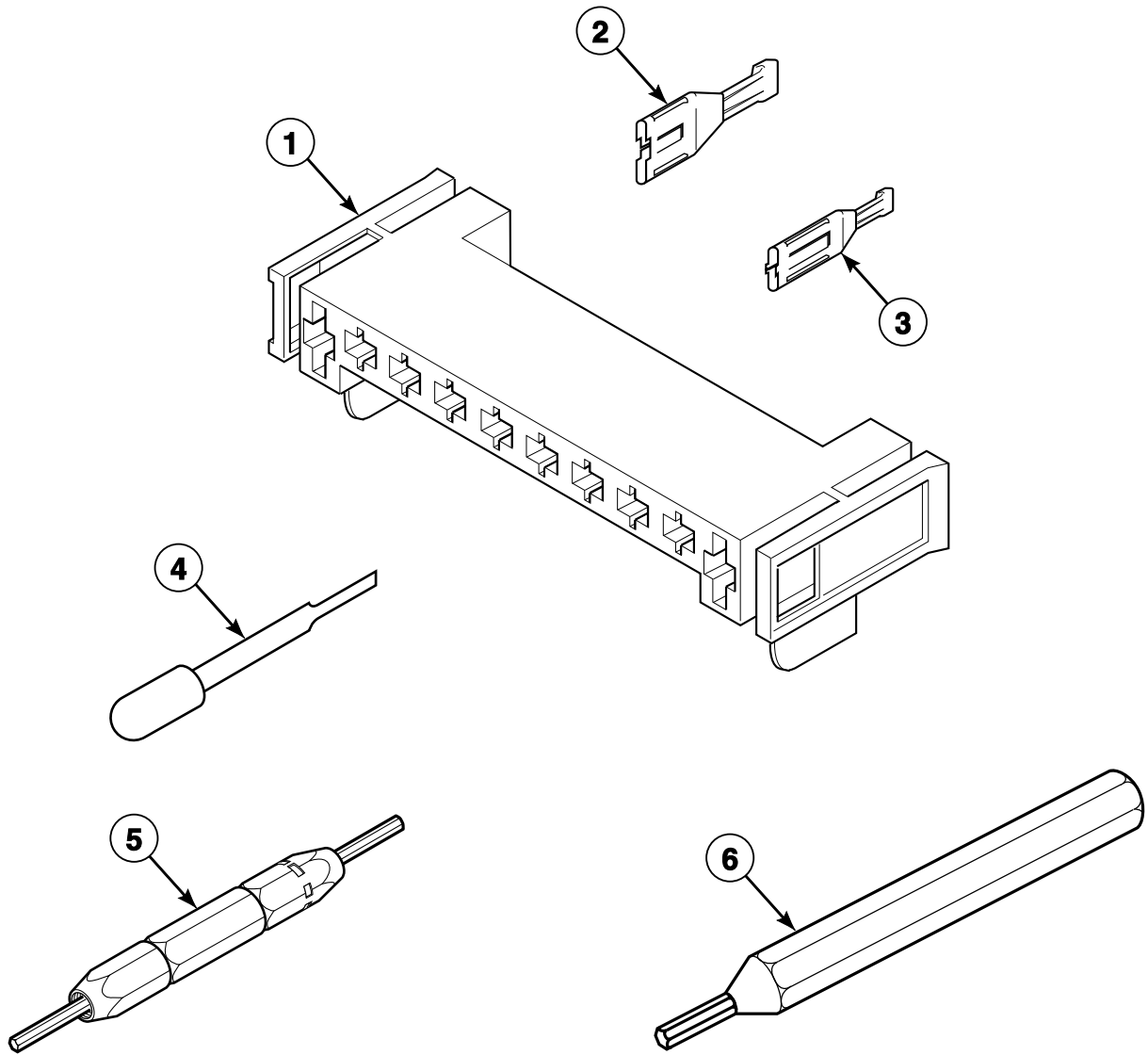
SWD1230P_802747

Dryer Power Cord

REF	PART NO.	DESCRIPTION	COMMENTS
1	20530	Screw	
2	38384	Strain Relief	Models BTGBCFSP111TW01, BTGBCFSP112TW01, BTGBEFSP111TW01, BTGBXFSP112FW01, BTGBYFSP112TW01, BTGX79*N1127, HTGBCFSP112TW01, HTGBXFSP112FW28, HTGBXFSP122DW01, HTGBYFSP112TW01, HTGT79*N, HTGY79*N, STGA73*N, STGA79*N, STGB79*N, STGBCFSP112TW01, STGBXFSP112TW01, STGBXFSP112TW01, STGBXFSP122DW01, STGBYFSP112TW01, STGF79*N, STGT79*N, STGX73*N, STGX79*N and STGY79*N
3	D502500	Strain Relief	Models NTGL79*N4067 and NTGX79*N4067
4	D506081	Power Cord Assembly	Models NTGL79*N4067 and NTGX79*N4067
	D516747	Lead-In Cord Assembly	Model NTEX77*N4067
	D512019	Lead-In Cord	Models BTGBLFSP301AW01, BTGBLFSP302AW01, BTGBXFSP302AW01, BTGX79*N3060, STGBXFSP302AW01, STGX79*N3060 and STGX79*N3061
	58992	Power Cord Assembly	Models BTGBEFSP091CW01, HTGB79*N0902, HTGBDFSP092CW01, HTGBYFSP092CW01, HTGT79*N0902, HTGX79*N0902 and HTGY79*N0902
	D514222	Lead-In Cord Assembly	Models HTGBXFSP122DW01 and STGBXFSP122DW01
	D514289	Lead-In Cord Assembly	Models HTGBXFSP542DW01 and STGBXFSP542DW01
	59308	Lead-In Cord	All other models
5	52113	Strain Relief	Model NTEX77*N4067
	52151	Strain Relief	Models BTGBEFSP091CW01, HTGB79*N0902, HTGBDFSP092CW01, HTGBYFSP092CW01, HTGT79*N0902, HTGX79*N0902 and HTGY79*N0902
	60298	Strain Relief	Models BTGBLFSP301AW01, BTGBLFSP302AW01, BTGBXFSP302AW01, BTGX79*N3060, STGBXFSP302AW01, STGX79*N3060 and STGX79*N3061
6	D502496	Strain Relief Adapter	Models BTGBEFSP091CW01, BTGBLFSP301AW01, BTGBLFSP302AW01, BTGBXFSP302AW01, BTGX79*N3060, HTGB79*N0902, HTGBDFSP092CW01, HTGBYFSP092CW01, HTGT79*N0902, HTGX79*N0902, HTGY79*N0902, NTEX77*N4067, NTGL79*N4067, NTGX79*N4067, STGBXFSP302AW01, STGX79*N3060 and STGX79*N3061

* Add Letter To Designate Color. Q - Bisque W - White

Dryer Motor Connection Block, Terminal Extractor Tools

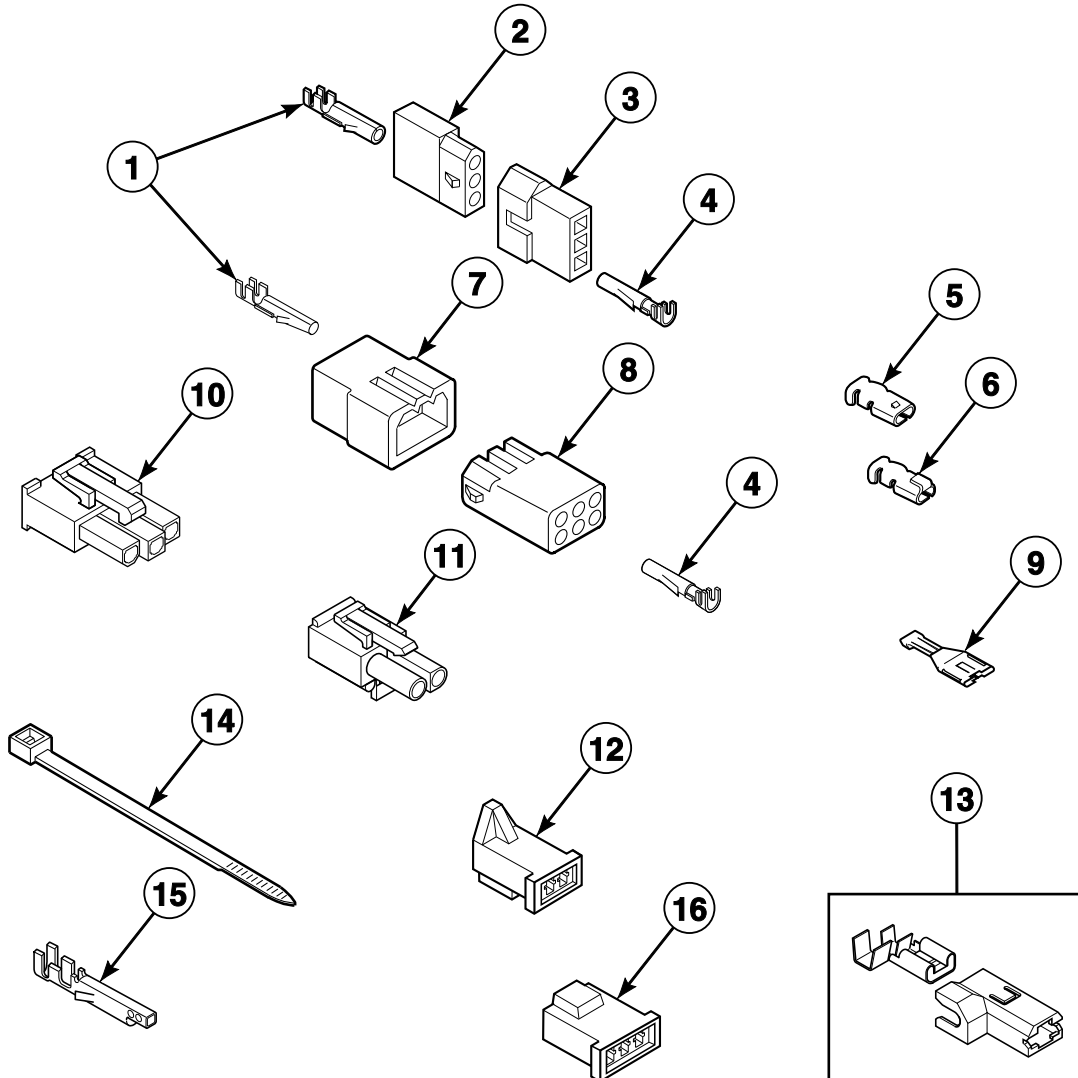


SWD1216P_802747

Dryer Motor Connection Block, Terminal Extractor Tools

REF	PART NO.	DESCRIPTION	COMMENTS
1	D500338	10 Position Housing	Molex; 10 circuit
2	00255	Female Terminal	1/4 inch; For (1) 12 gauge wire
	00256	Female Terminal	1/4 inch; For (1) or (2) 18 gauge wires
3	00188	Female Terminal	For 1 or 2 wire applications
4	283P4	Terminal Extractor Tool	For use on Molex connectors
5	190P4	Extractor Tool	For use on electric dryer terminals
6	128P4	Extractor Tool	For use on gas dryer terminals

Terminals

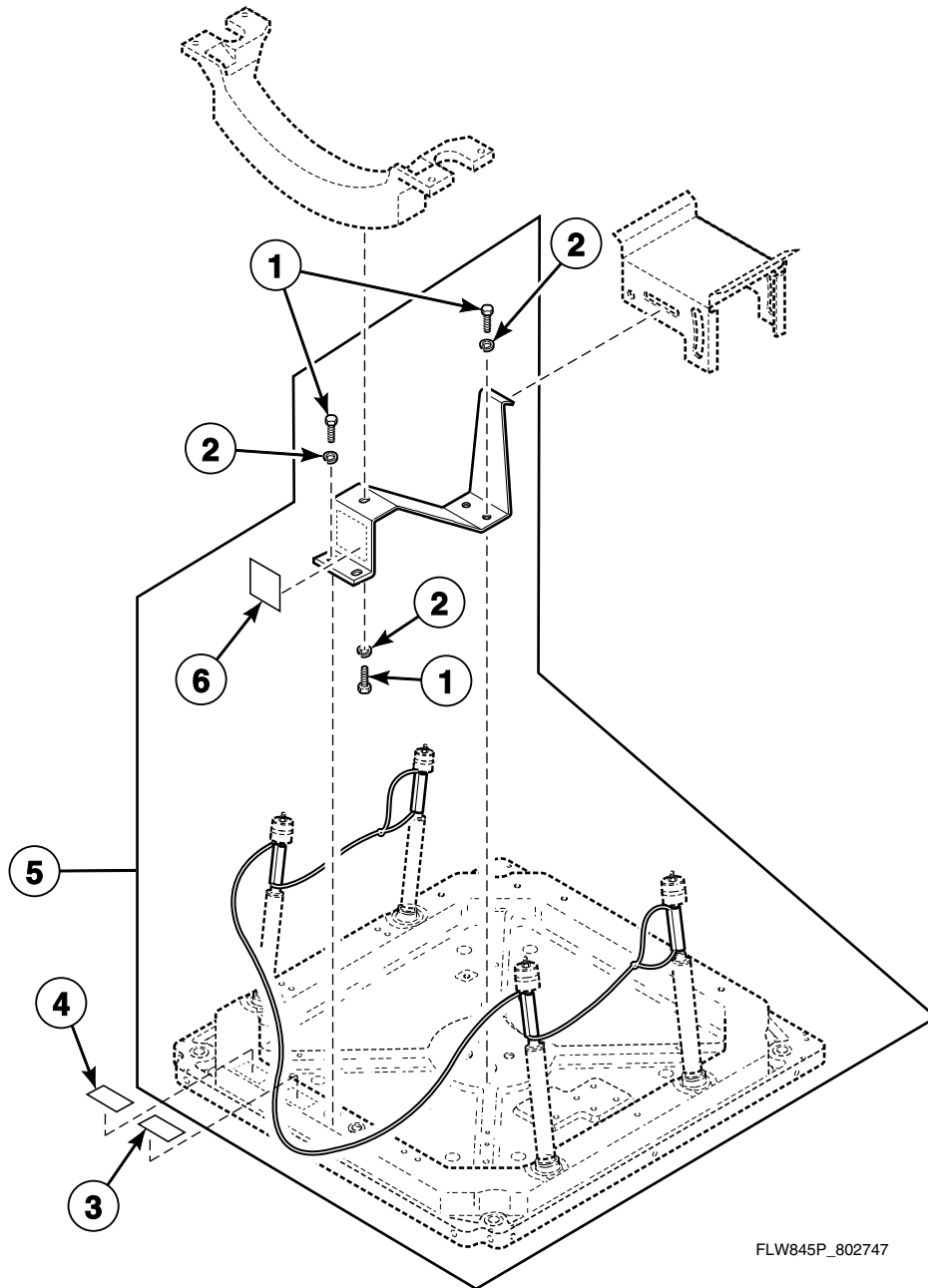


SWD1143P_802747

Terminals

REF	PART NO.	DESCRIPTION	COMMENTS
1	00117	Female Pin Terminal	
2	23039	3 Circuit Receptacle	
3	23040	Plug	
4	00116	Male Pin Terminal	
5	00189	Female Spade Terminal	Gas models
6	00361	Female Piggyback Terminal	Gas models
7	23033	9 Circuit Plug	
8	26708	6 Circuit Receptacle	
9	00256	Female Terminal	
10	36170	3 Circuit Receptacle	
11	D501223	2 Circuit Receptacle	
12	58799	2 Circuit Connector	Gas models
13	00221	Insulated Female Flag Terminal	
14	55881	Harness Strap	
15	00252	Terminal	
16	58800	3 Circuit Connector	Gas models

Shipping Materials



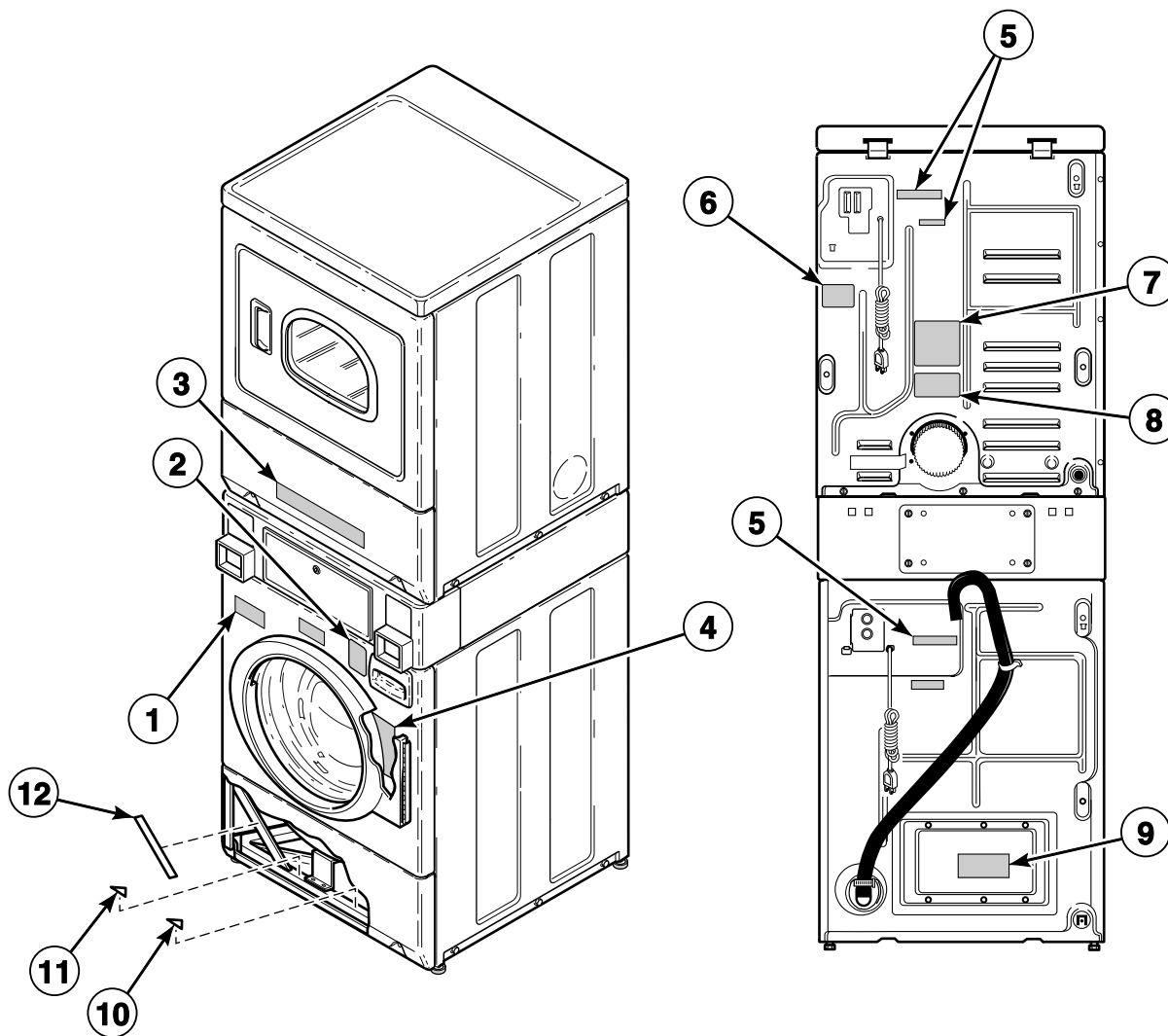
FLW845P_802747

Shipping Materials

REF	PART NO.	DESCRIPTION	COMMENTS
1	M400043	Screw	
2	M400014	Washer	
3	800632	Warning Label	Non-grounded
4	D500314	Warning Label	Models BTEBEFSP281CW01, BTEBEFSP282CW01, BTGBEFSP091CW01, HTEB77*N2802, HTEBDFSP282CW01, HTEBXFSP282CW01, HTEBXFSP292CW01, HTEBYFSP282CW01, HTET77*N2802, HTEX77*N2802, HTEX77*N2902, HTEY77*N2802, HTGB79*N0902, HTGBDFSP092CW01, HTGBYFSP092CW01, HTGT79*N0902, HTGX79*N0902 and HTGY79*N0902
	F8211201	Electrical Shock Label	Models BTEL75*N4065, BTEL77*N4065, BTEX75*N4065, BTEX77*N4065, HTEBXFSP132DW01, HTEBXFSP542DW01, HTGBXFSP122DW01, HTGBXFSP542DW01, NTEBXFSP302NW01, NTEBXFSP302NW22, NTEL77*N4064, NTEX77*N3000, NTEX77*N4064, NTEX77*N4067, NTEX77*N5400, NTGBXFSP302NW01, NTGL79*N4067, NTGX79*N3000, NTGX79*N4067, STEA77*N3069, STEBXFSP132DW01, STEBXFSP301NW22, STEBXFSP302NW01, STEBXFSP302NW22, STEBXFSP542DW01, STEBXFSP542NW01, STEX77*N3000, STEX77*N4064, STEX77*N5400, STEX77*N5754, STEY77*N4064, STEY77*N5754, STGBXFSP122DW01, STGBXFSP301NW22, STGBXFSP302NW01, STGBXFSP302NW22, STGBXFSP542DW01 and STGX79*N3000
	F8615701	Pinch Warning Label	Models BTEL75*N4065, BTEL77*N4065, BTEX75*N4065, BTEX77*N4065, HTEBXFSP132DW01, HTEBXFSP542DW01, HTGBXFSP122DW01, HTGBXFSP542DW01, NTEBXFSP302NW01, NTEBXFSP302NW22, NTEL77*N4064, NTEX77*N3000, NTEX77*N4064, NTEX77*N4067, NTEX77*N5400, NTGBXFSP302NW01, NTGL79*N4067, NTGX79*N3000, NTGX79*N4067, STEA77*N3069, STEBXFSP132DW01, STEBXFSP301NW22, STEBXFSP302NW01, STEBXFSP302NW22, STEBXFSP542DW01, STEBXFSP542NW01, STEX77*N3000, STEX77*N4064, STEX77*N5400, STEX77*N5754, STEY77*N4064, STEY77*N5754, STGBXFSP122DW01, STGBXFSP301NW22, STGBXFSP302NW01, STGBXFSP302NW22, STGBXFSP542DW01 and STGX79*N3000
	D500049	Warning Label	All other models
5	930P3	Shipping Materials Kit	Includes items 1, 2, 6, shipping bracket, and shipping cord and brace assembly
6	807552	Shipping Bracket Label	

* Add Letter To Designate Color. Q - Bisque W - White

Labels

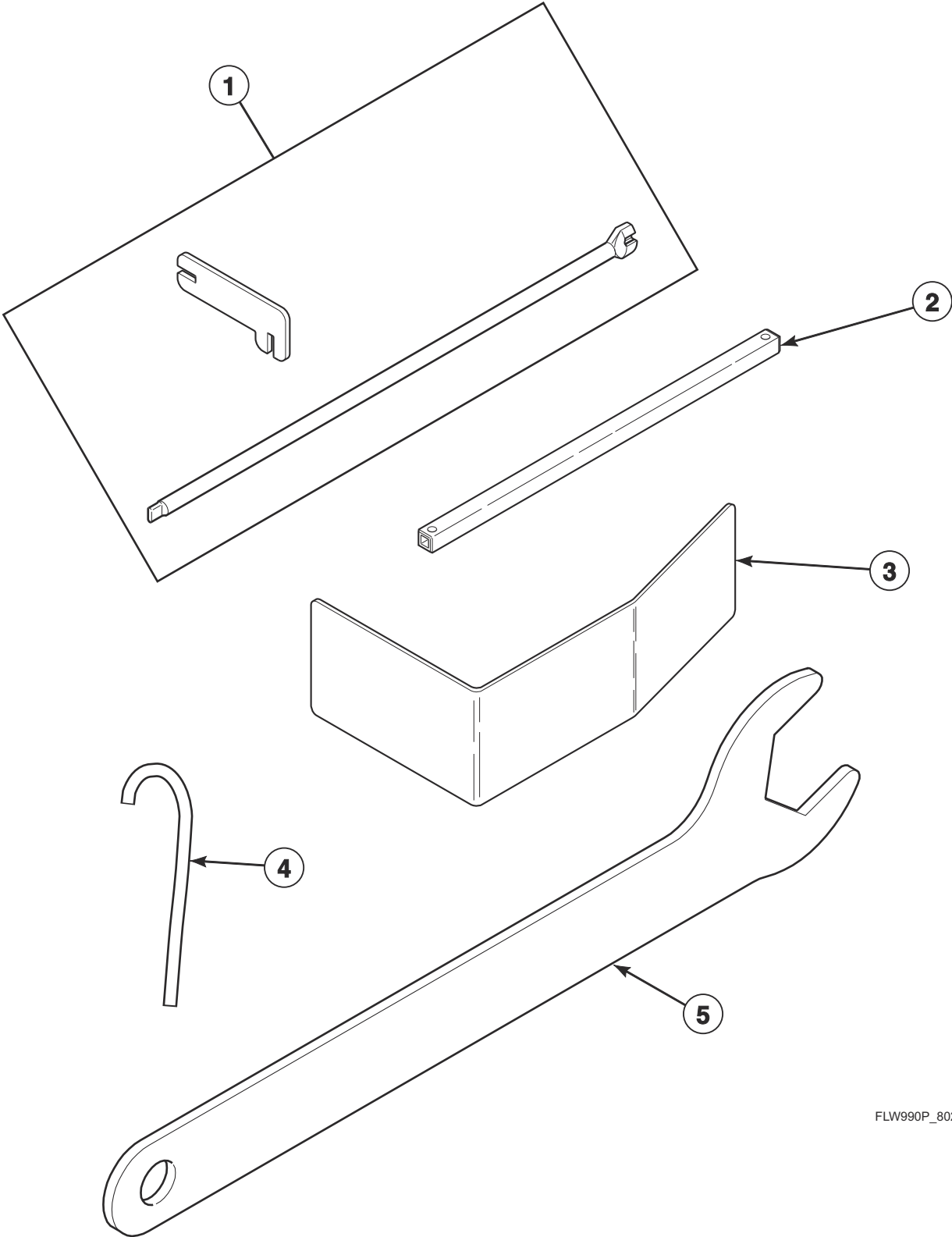


SWD1269P_802747

Labels

REF	PART NO.	DESCRIPTION	COMMENTS
1	803011	Notice Label	All models except BTEL75*N4065, BTEL77*N4065, BTEX75*N4065, BTEX77*N4065, NTEL77*N4064, NTEX77*N4064, NTEX77*N4067, NTGL79*N4067, NTGX79*N4067, STEA77*N3069, STEX77*N4064 and STEY77*N4064
2	802074	Oversudsing Label	English
	802838	Oversudsing Label	Spanish
	802839	Oversudsing Label	Quebec French
3	D505052	Instruction Label	English
	D513543	Instruction Label	French/English
4	804500	Warning Label	Models HTEBXFSP132DW01, HTEBXFSP542DW01, HTGBXFSP122DW01, HTGBXFSP542DW01, STEBXFSP132DW01, STEBXFSP542DW01, STGBXFSP122DW01 and STGBXFSP542DW01
	802367	Warning Label	All other models
5	D505281	Disconnect Power Warning Label	English
	D502511	Electrical Shock Label	Icon
	804582	Warning Label	Models HTEBXFSP132DW01, HTEBXFSP542DW01, HTGBXFSP122DW01, HTGBXFSP542DW01, STEBXFSP132DW01, STEBXFSP542DW01, STGBXFSP122DW01 and STGBXFSP542DW01
6	D500493	30 Amp Notice Label	Models HTEBXFSP132DW01, HTEBXFSP542DW01, NTEBXFSP302NW01, NTEBXFSP302NW22, NTEX77*N3000, NTEX77*N5400, STEA77*N3069, STEBXFSP132DW01, STEBXFSP301NW22, STEBXFSP302NW01, STEBXFSP302NW22, STEBXFSP542DW01, STEBXFSP542NW01, STEX77*N3000 and STEX77*N5400
7	D502791	Venting Instruction Label	
8	D500497	Exhaust Warning Label	
9	D500049	Warning Label	English
	D500314	Warning Label	Quebec French
	D502511	Electrical Shock Label	Icon
10	F8615701	Pinch Warning Label	
11	F8211201	Electrical Shock Label	
12	803522	Warning Label	

Special Tools



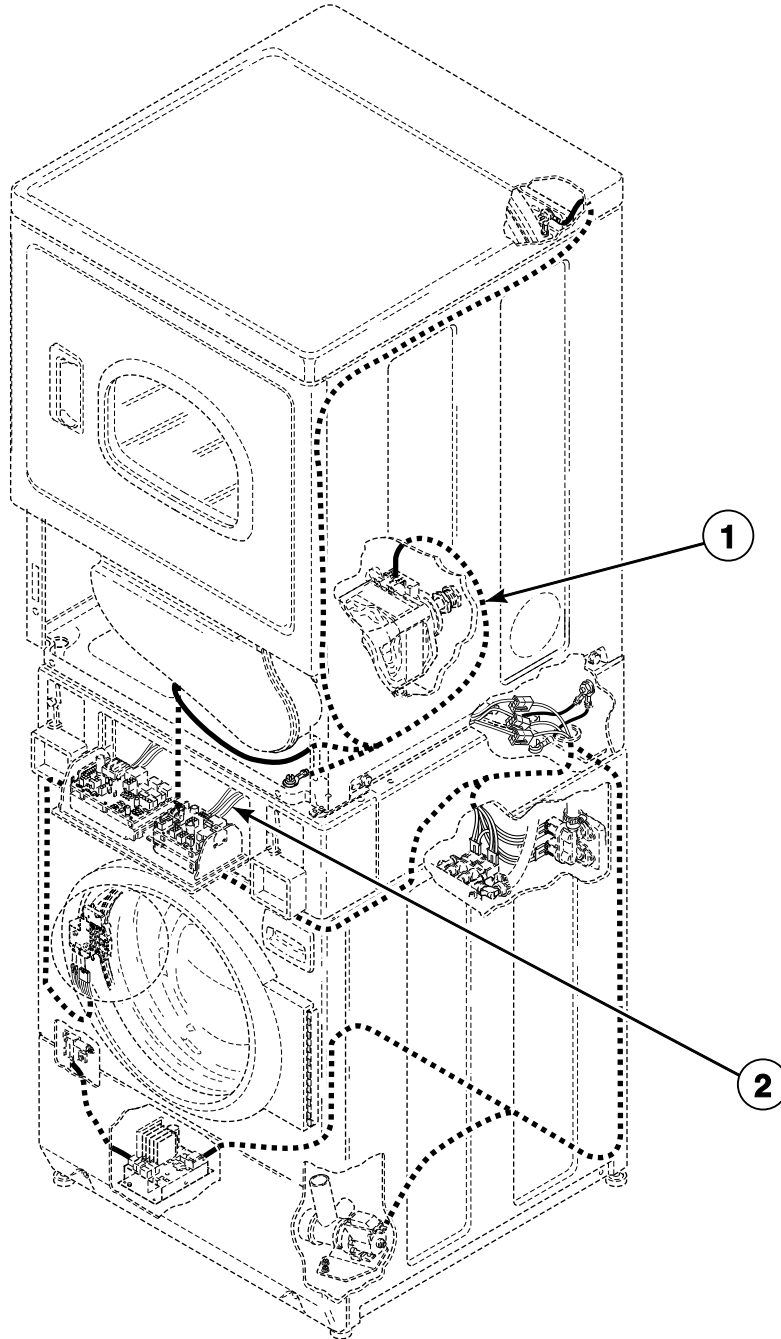
FLW990P_802747

Special Tools

REF	PART NO.	DESCRIPTION	COMMENTS
1	CK096	Mounting Tool Kit	Use to install and remove electronic coin drop kits
2	310P4	Ratchet Extension Tool	1/4 inch; Use to install and remove non-electronic coin drops
3	318P4	Dispenser Drawer Tool	Use to remove dispenser drawer
4	802336	Pulley Bolt Tightening Fixture	Use to install inner basket
5	392P4	Wrench	Use for adjusting leveling leg nuts

Dryer Wire Harnesses and Wires

Models HTEB77*N2802, HTGB79*N0902, NTGL79*N4067, NTGX79*N4067, STEA77*N, STEA77*N3069, STEB77*N, STEF77*N, STEF77*N4350, STGA73*N, STGA79*N, STGB79*N and STGF79*N



SWD1197P_802747

Dryer Wire Harnesses and Wires

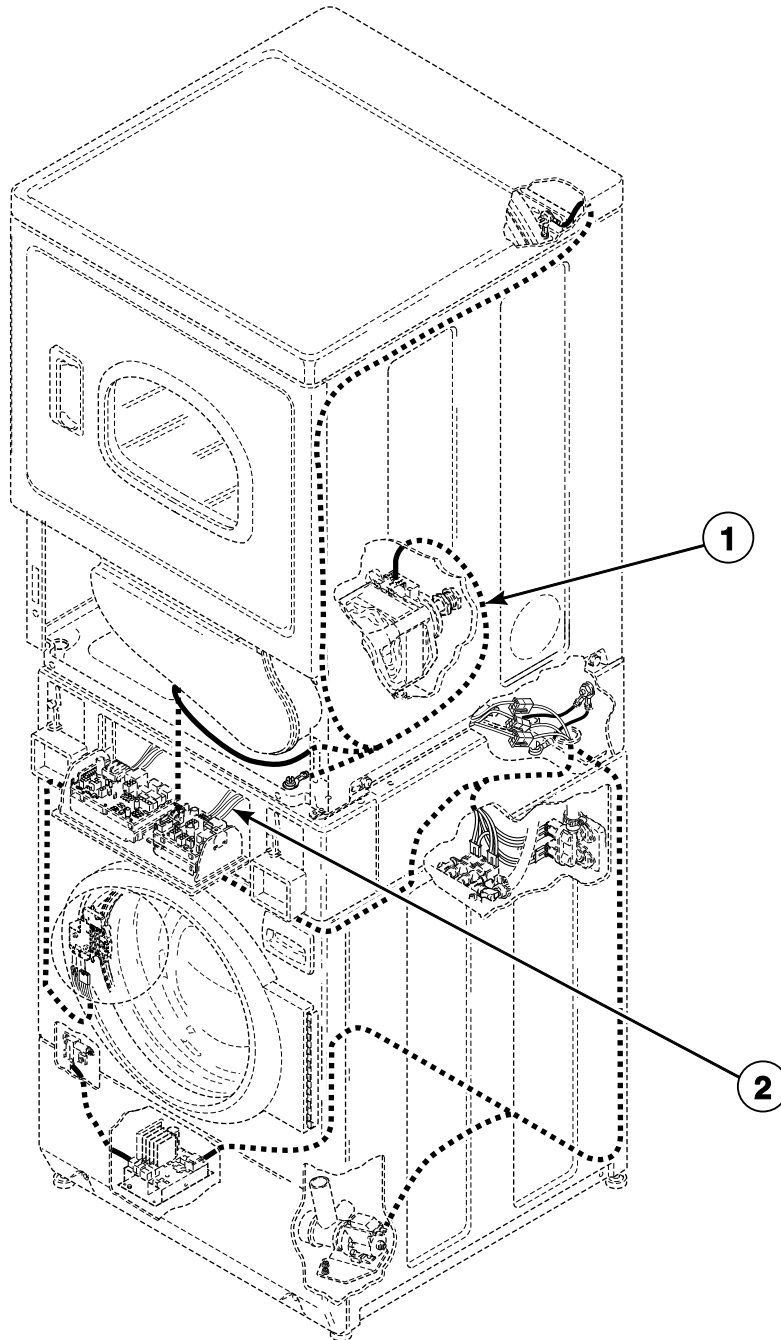
REF	PART NO.	DESCRIPTION	COMMENTS
	45001	18 Gauge Wire	Electric dryer; Black; Order wire by foot, terminals/connectors as required
	45380	12 Gauge Wire	Orange; Order wire by foot, terminals/connectors as required
1	D510434P	Wire Harness Assembly	Dryer; Model HTEB77*N2802
	D510408P	Upper Wire Harness Assembly	Dryer; Models STEA77*N, STEB77*N and STEF77*N
	D511753	Wire Harness Assembly	Dryer; Models NTGL79*N4067 and NTGX79*N4067
	D511314P	Wire Harness Assembly	Dryer; Models STEA77*N3069 and STEF77*N4350
	D510409P	Wire Harness Assembly	Dryer; All other models
2	D510496P	Wire Harness	Dryer security cabinet; Models HTEB77*N2802, STEA77*N, STEB77*N and STEF77*N
	D511757	Wire Harness Assembly	Dryer security cabinet; Models NTGL79*N4067 and NTGX79*N4067
	D511318P	Wire Harness Assembly	Dryer security cabinet; Models STEA77*N3069 and STEF77*N4350
	D510497P	Security Cabinet Wire Harness Assembly	Dryer security cabinet; All other models

* Add Letter To Designate Color. **Q** - Bisque **W** - White

NOTE: Individual wires are not available separately. Order complete harness, or order wire by the foot. When applying terminals to wires, it is recommended that the terminals be soldered to the wires.

Dryer Wire Harnesses and Wires - Models Through Serial Nos. Beginning 0904

All Models Except HTEB77*N2802, HTGB79*N0902, NTGL79*N4067, NTGX79*N4067, STEA77*N, STEA77*N3069,
STEB77*N, STEF77*N, STEF77*N4350, STGA73*N, STGA79*N, STGB79*N and STGF79*N



SWD1197P_802747

Dryer Wire Harnesses and Wires - Models Through Serial Nos. Beginning 0904

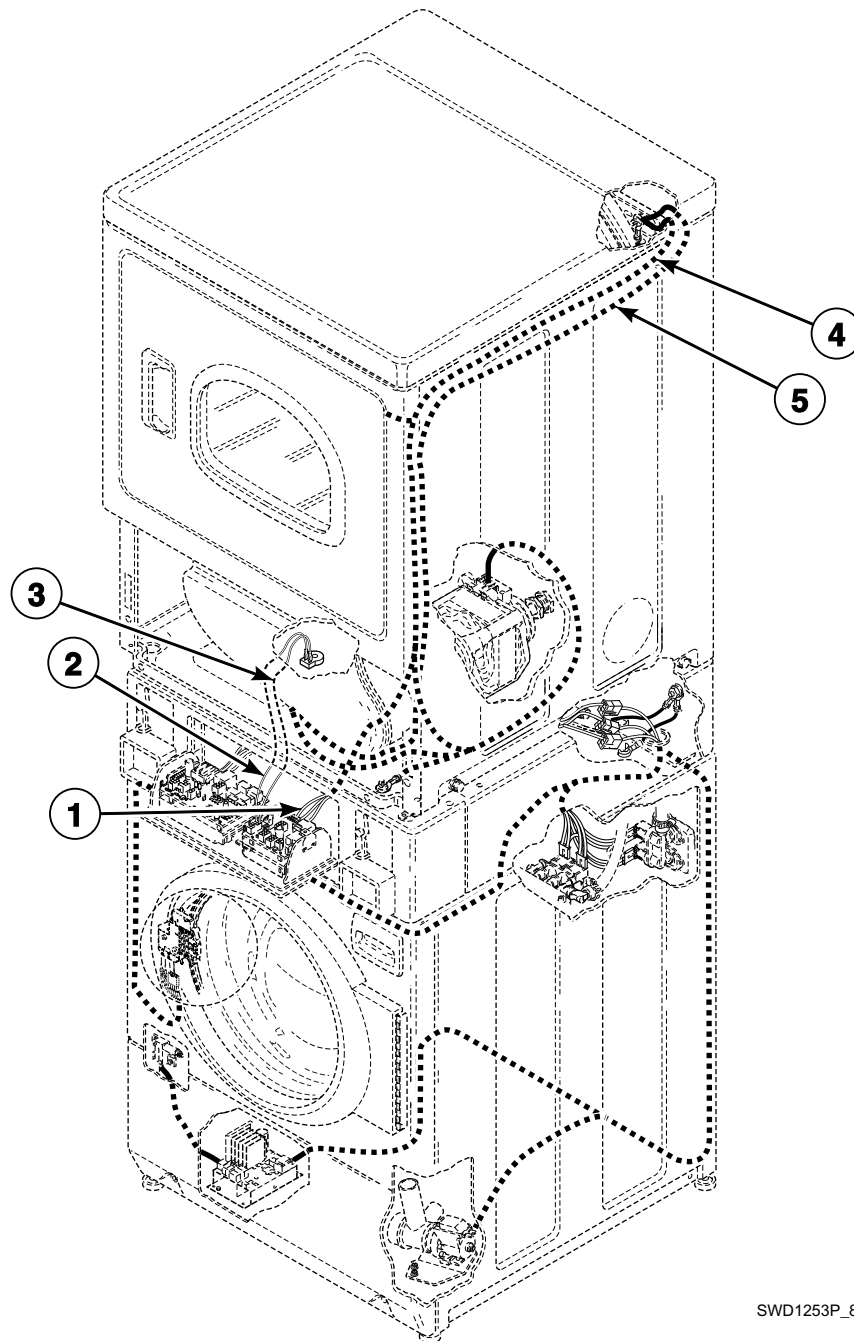
REF	PART NO.	DESCRIPTION	COMMENTS
	45001	18 Gauge Wire	Electric dryer; Black; Order wire by foot, terminals/connectors as required
	45380	12 Gauge Wire	Orange; Order wire by foot, terminals/connectors as required
1	D510434P	Wire Harness Assembly	Dryer; Models HTEBDFSP282CW01, HTEBXFSP282CW01, HTEBXFSP292CW01, HTEBYFSP282CW01, HTET77*N2802, HTEX77*N2802, HTEX77*N2902 and HTEY77*N2802
	D511336P	Wire Harness Assembly	Dryer; Models BTEL75*N4065, BTEL77*N4065, BTEX75*N4065, BTEX77*N4065, NTEL77*N4064, NTEX77*N4064, STEX77*N4064 and STEY77*N4064
	D510408P	Upper Wire Harness Assembly	Dryer; Models HTEBCFSP172TW01, HTEBXFSP172FW28, HTET77*N, HTEY77*N, STEBCFSP172TQ01, STEBCFSP172TW01, STEBXFSP172TQ01, STEBXFSP172TW01, STEBYFSP172TW01, STET77*N, STEX77*N, STEX77*N2827 and STEY77*N
	D511317	Wire Harness Assembly	Dryer; Models NTGBXFSP302NW01, NTGX79*N3000, STGBXFSP301NW22, STGBXFSP302AW01, STGBXFSP302NW01, STGBXFSP302NW22 and STGX79*N3000
	D511347	Wire Harness Assembly	Dryer; Models STGX79*N3060 and STGX79*N3061
	D511314P	Wire Harness Assembly	Dryer; Models NTEBXFSP302NW01, NTEBXFSP302NW22, NTEX77*N3000, NTEX77*N4067, STEBXFSP301NW22, STEBXFSP302NW01, STEBXFSP302NW22, STEBXFSP432AW01, STEBXFSP542NW01, STEX77*N3000, STEX77*N4350, STEX77*N4351, STEX77*N5400, STEX77*N5754 and STEY77*N5754
	D510409P	Wire Harness Assembly	Dryer; All other models
2	D510496P	Wire Harness	Dryer security cabinet; Models HTEBCFSP172TW01, HTEBDFSP282CW01, HTEBXFSP172FW28, HTEBXFSP282CW01, HTEBXFSP292CW01, HTEBYFSP282CW01, HTET77*N, HTET77*N2802, HTEX77*N2802, HTEX77*N2902, HTEY77*N, HTEY77*N2802, STEBCFSP172TQ01, STEBCFSP172TW01, STEBXFSP172TQ01, STEBXFSP172TW01, STEBYFSP172TW01, STET77*N, STEX77*N, STEX77*N2827 and STEY77*N
	D511338P	Wire Harness Assembly	Dryer security cabinet; Models BTEL75*N4065, BTEL77*N4065, BTEX75*N4065, BTEX77*N4065, NTEL77*N4064, NTEX77*N4064, STEX77*N4064 and STEY77*N4064
	D511321P	Wire Harness Assembly	Dryer security cabinet; Models NTGBXFSP302NW01, NTGX79*N3000, STGBXFSP301NW22, STGBXFSP302AW01, STGBXFSP302NW01, STGBXFSP302NW22, STGX79*N3000, STGX79*N3060 and STGX79*N3061
	D511318P	Wire Harness Assembly	Dryer security cabinet; Models NTEBXFSP302NW01, NTEBXFSP302NW22, NTEX77*N3000, NTEX77*N4067, STEBXFSP301NW22, STEBXFSP302NW01, STEBXFSP302NW22, STEBXFSP432AW01, STEBXFSP542NW01, STEX77*N3000, STEX77*N4350, STEX77*N4351, STEX77*N5400, STEX77*N5754 and STEY77*N5754
	D510497P	Security Cabinet Wire Harness Assembly	Dryer security cabinet; All other models

* Add Letter To Designate Color. Q - Bisque W - White

NOTE: Individual wires are not available separately. Order complete harness, or order wire by the foot. When applying terminals to wires, it is recommended that the terminals be soldered to the wires.

Dryer Wire Harnesses and Wires - Models Starting Serial Nos. Beginning 0904

All Models Except BTEBCFSP172TW01, BTEBEFSP282CW01, BTEBYFSP172TW01, HTEB77*N2802, HTEBCFSP172TW01, HTEBDFSP282CW01, HTEBXFSP172FW28, HTEBXFSP282CW01, HTEBXFSP292CW01, HTEBYFSP282CW01, HTGB79*N0902, NTGL79*N4067, NTGX79*N4067, STEA77*N, STEA77*N3069, STEB77*N, STEBCFSP172TQ01, STEBCFSP172TW01, STEBXFSP172TQ01, STEBXFSP172TW01, STEBYFSP172TW01, STEF77*N, STEF77*N4350, STGA73*N, STGA79*N, STGB79*N and STGF79*N



SWD1253P_802747

Dryer Wire Harnesses and Wires - Models Starting Serial Nos. Beginning 0904

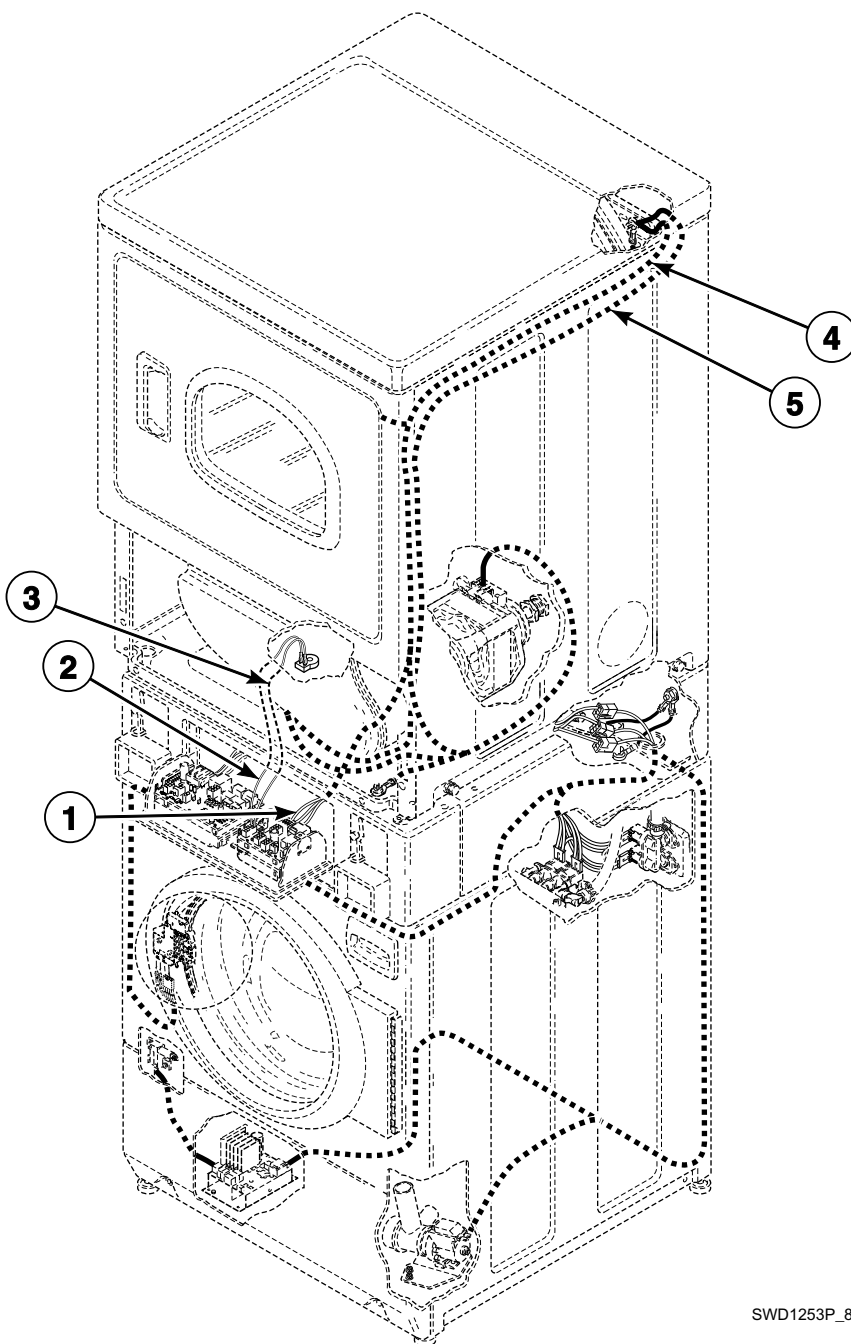
REF	PART NO.	DESCRIPTION	COMMENTS
	45001	18 Gauge Wire	Electric dryer; Black; Order wire by foot, terminals/connectors as required
	45380	12 Gauge Wire	Orange; Order wire by the foot; Order terminals and connectors as required
	D513246P	Jumper Assembly	For models with two resistors, connect jumper wire to each resistor; Models BTEBLFSP431AW01, BTEBLFSP432AW01, BTEBXFSP432AW01, BTEL75*N4065, BTEL77*N4065, BTEX75*N4065, BTEX77*N4065, BTEX77*N4350, BTGBLFSP301AW01, BTGBLFSP302AW01, BTGBXFSP302AW01, BTGX79*N3060, HTGBXFSP542DW01, NTEBXFSP302NW01, NTEBXFSP302NW22, NTEL77*N4064, NTEX77*N3000, NTEX77*N4064, NTEX77*N4067, NTEX77*N5400, NTGBXFSP302NW01, NTGX79*N3000, STEBXFSP301NW22, STEBXFSP302NW01, STEBXFSP302NW22, STEBXFSP432AW01, STEBXFSP542NW01, STEX77*N3000, STEX77*N4064, STEX77*N4350, STEX77*N4351, STEX77*N5400, STEX77*N5754, STEY77*N4064, STEY77*N5754, STGBXFSP301NW22, STGBXFSP302AW01, STGBXFSP302NW01, STGBXFSP302NW22, STGBXFSP542DW01, STGX79*N3000, STGX79*N3060 and STGX79*N3061
1	D512422P	Wire Harness Assembly	
2	D512273P	Wire Configuration Assembly	
3	D512275P	Wire Configuration Assembly	
4	D511793P	Electronic Harness	Upper; Models BTGBCFSP111TW01, BTGBCFSP112TW01, BTGBEFSP091CW01, BTGBEFSP111TW01, BTGBXFSP112FW01, BTGBYFSP112TW01, BTGX79*N1127, HTGBCFSP112TW01, HTGBDFSP092CW01, HTGBXFSP112FW28, HTGBXFSP122DW01, HTGBYFSP092CW01, HTGBYFSP112TW01, HTGT79*N, HTGT79*N0902, HTGX79*N0902, HTGY79*N, HTGY79*N0902, STGBCFSP112TW01, STGBXFSP112TW01, STGBXFSP122DW01, STGBYFSP112TW01, STGT79*N, STGX73*N, STGX79*N and STGY79*N
	D512434P	Wire Harness Assembly	Upper; Models BTEL75*N4065, BTEL77*N4065, BTEX75*N4065, BTEX77*N4065, NTEL77*N4064, NTEX77*N4064, STEX77*N4064 and STEY77*N4064
	D512644	Wire Harness Assembly	Upper; Models BTEBEFSP281CW01, HTET77*N2802, HTEX77*N2802, HTEX77*N2902 and HTEY77*N2802
	D512415	Wire Harness Assembly	Upper; Models HTGBXFSP542DW01, NTGBXFSP302NW01, NTGX79*N3000, STGBXFSP301NW22, STGBXFSP302AW01, STGBXFSP302NW01, STGBXFSP302NW22, STGBXFSP542DW01 and STGX79*N3000
	D512285	Wire Harness Assembly	Upper; Models BTGBLFSP301AW01, BTGBLFSP302AW01, BTGBXFSP302AW01, BTGX79*N3060, STGX79*N3060 and STGX79*N3061
	D511792P	Electronic Harness	Upper; All other models
5	D512890P	Power Wire Harness Assembly	Models BTEBEFSP281CW01, HTET77*N2802, HTEX77*N2802, HTEX77*N2902 and HTEY77*N2802
	D512643P	Wire Harness Assembly	Models BTGBEFSP091CW01, HTGBDFSP092CW01, HTGBYFSP092CW01, HTGT79*N0902, HTGX79*N0902 and HTGY79*N0902

* Add Letter To Designate Color. Q - Bisque W - White

NOTE: Individual wires are not available separately. Order complete harness, or order wire by the foot. When applying terminals to wires, it is recommended that the terminals be soldered to the wires.

Dryer Wire Harnesses and Wires - Models Starting Serial Nos. Beginning 0904 and Continuing Through Serial Nos. Beginning 1303

Models BTEBCFSP172TW01, BTEBEFSP282CW01, BTEBYFSP172TW01, HTEBCFSP172TW01, HTEBDFSP282CW01, HTEBXFSP172FW28, HTEBXFSP282CW01, HTEBXFSP292CW01, HTEBYFSP282CW01, STEBCFSP172TQ01, STEBCFSP172TW01, STEBXFSP172TQ01, STEBXFSP172TW01 and STEBYFSP172TW01



SWD1253P_802747

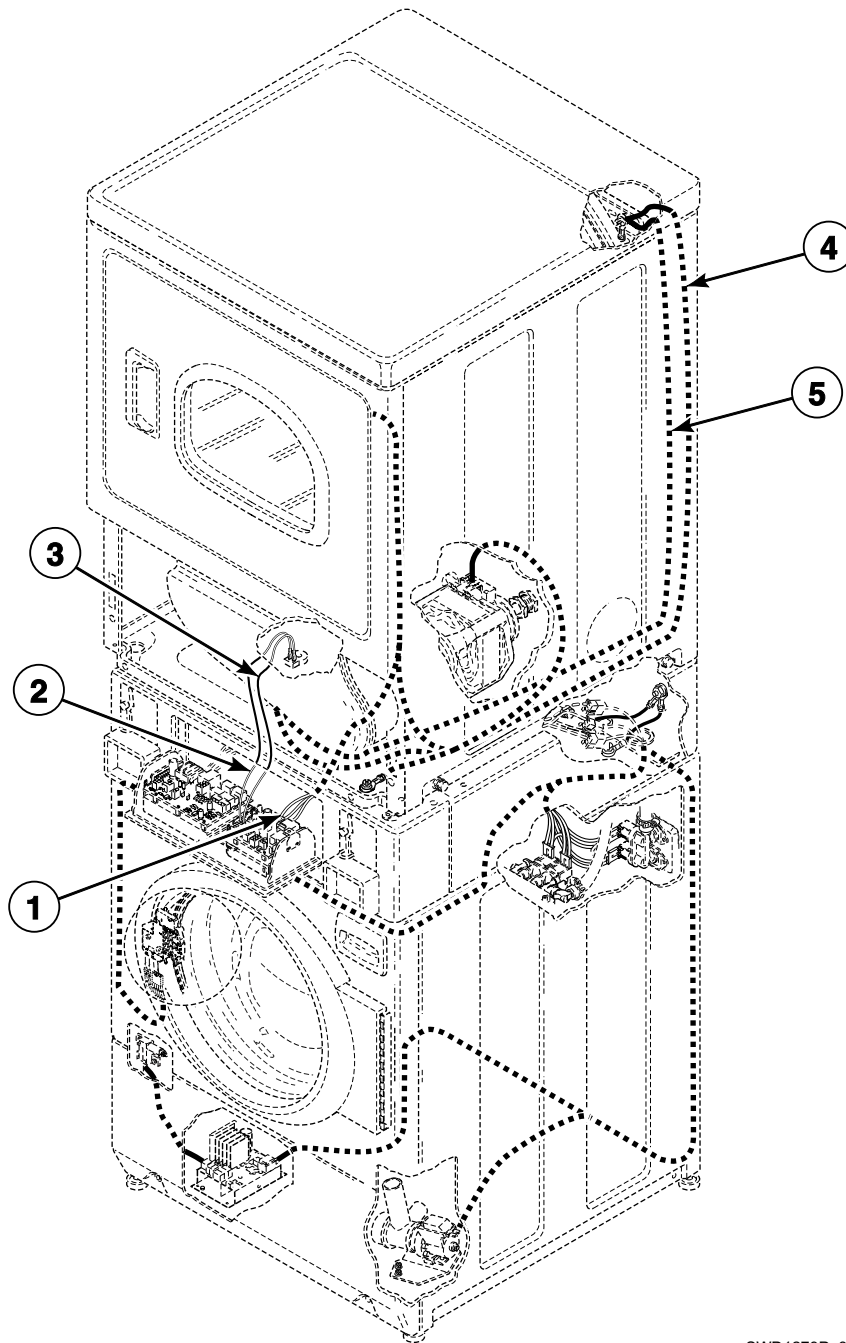
Dryer Wire Harnesses and Wires - Models Starting Serial Nos. Beginning 0904 and Continuing Through Serial Nos. Beginning 1303

REF	PART NO.	DESCRIPTION	COMMENTS
	45001	18 Gauge Wire	Electric dryer; Black; Order wire by foot, terminals/connectors as required
	45380	12 Gauge Wire	Orange; Order wire by the foot; Order terminals and connectors as required
1	D512422P	Wire Harness Assembly	
2	D512273P	Wire Configuration Assembly	
3	D512275P	Wire Configuration Assembly	
4	D512644	Wire Harness Assembly	Upper; Models HTEBDFSP282CW01, HTEBXFSP282CW01, HTEBXFSP292CW01 and HTEBYFSP282CW01
	D511792P	Electronic Harness	Upper; All other models
5	D512890P	Power Wire Harness Assembly	Models BTEBEFSP282CW01, HTEBDFSP282CW01, HTEBXFSP282CW01, HTEBXFSP292CW01 and HTEBYFSP282CW01

NOTE: Individual wires are not available separately. Order complete harness, or order wire by the foot. When applying terminals to wires, it is recommended that the terminals be soldered to the wires.

Dryer Wire Harnesses and Wires - Models Starting Serial Nos. Beginning 1303

Models BTEBCFSP172TW01, BTEBEFSP282CW01, BTEBYFSP172TW01, HTEBCFSP172TW01, HTEBDFSP282CW01, HTEBXFSP132DW01, HTEBXFSP172FW28, HTEBXFSP282CW01, HTEBXFSP292CW01, HTEBXFSP542DW01, HTEBYFSP282CW01, STEBCFSP172TQ01, STEBCFSP172TW01, STEBXFSP132DW01, STEBXFSP172TQ01, STEBXFSP172TW01, STEBXFSP542DW01 and STEBYFSP172TW01



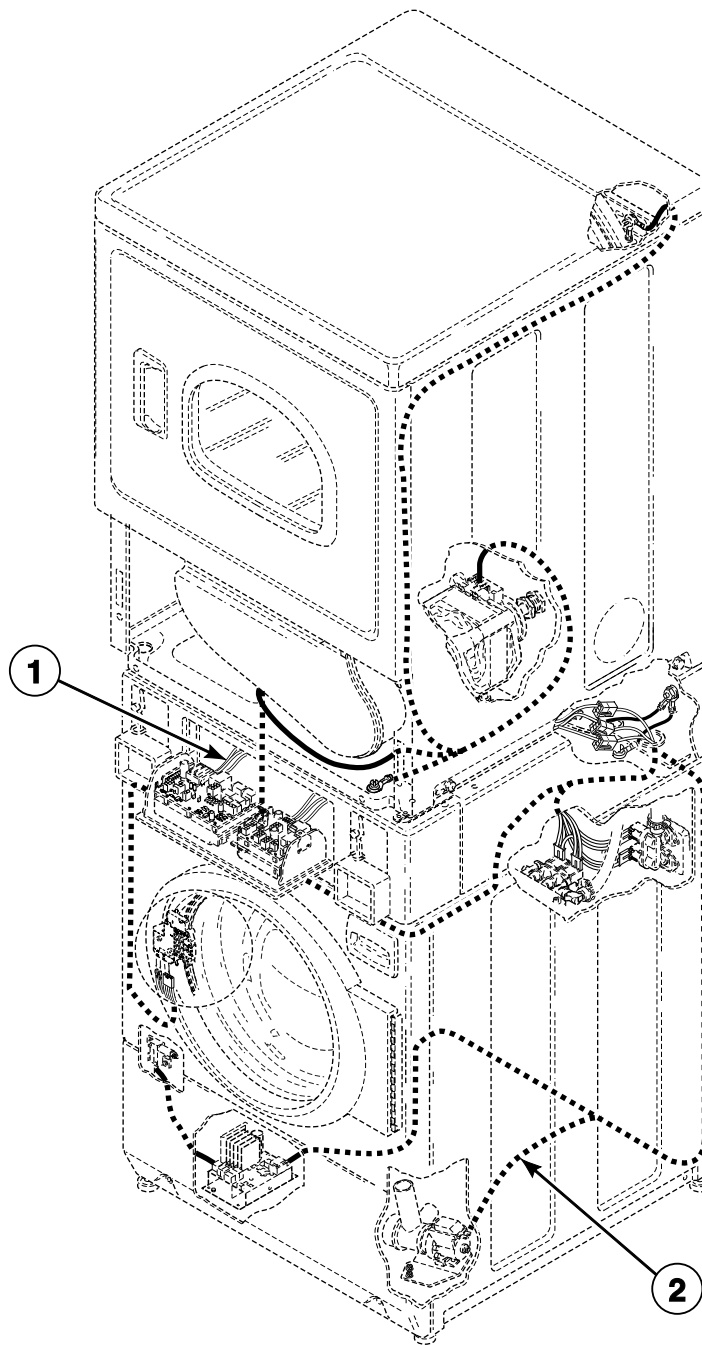
SWD1279P_802747

Dryer Wire Harnesses and Wires - Models Starting Serial Nos. Beginning 1303

REF	PART NO.	DESCRIPTION	COMMENTS
	45001	18 Gauge Wire	Electric dryer; Black; Order wire by foot, terminals/connectors as required
	45380	12 Gauge Wire	Orange; Order wire by the foot; Order terminals and connectors as required
1	D512422P	Wire Harness Assembly	
2	D512273P	Wire Configuration Assembly	
3	D512275P	Wire Configuration Assembly	
4	D514094	Electronic Harness	Upper
5	D512890P	Power Wire Harness Assembly	Models BTEBEFSP282CW01, HTEBDFSP282CW01, HTEBXFSP282CW01, HTEBXFSP292CW01 and HTEBYFSP282CW01

NOTE: Individual wires are not available separately. Order complete harness, or order wire by the foot. When applying terminals to wires, it is recommended that the terminals be soldered to the wires.

Washer Wire Harnesses and Wires (Drawing 1 of 2)



SWD1197PA_802747

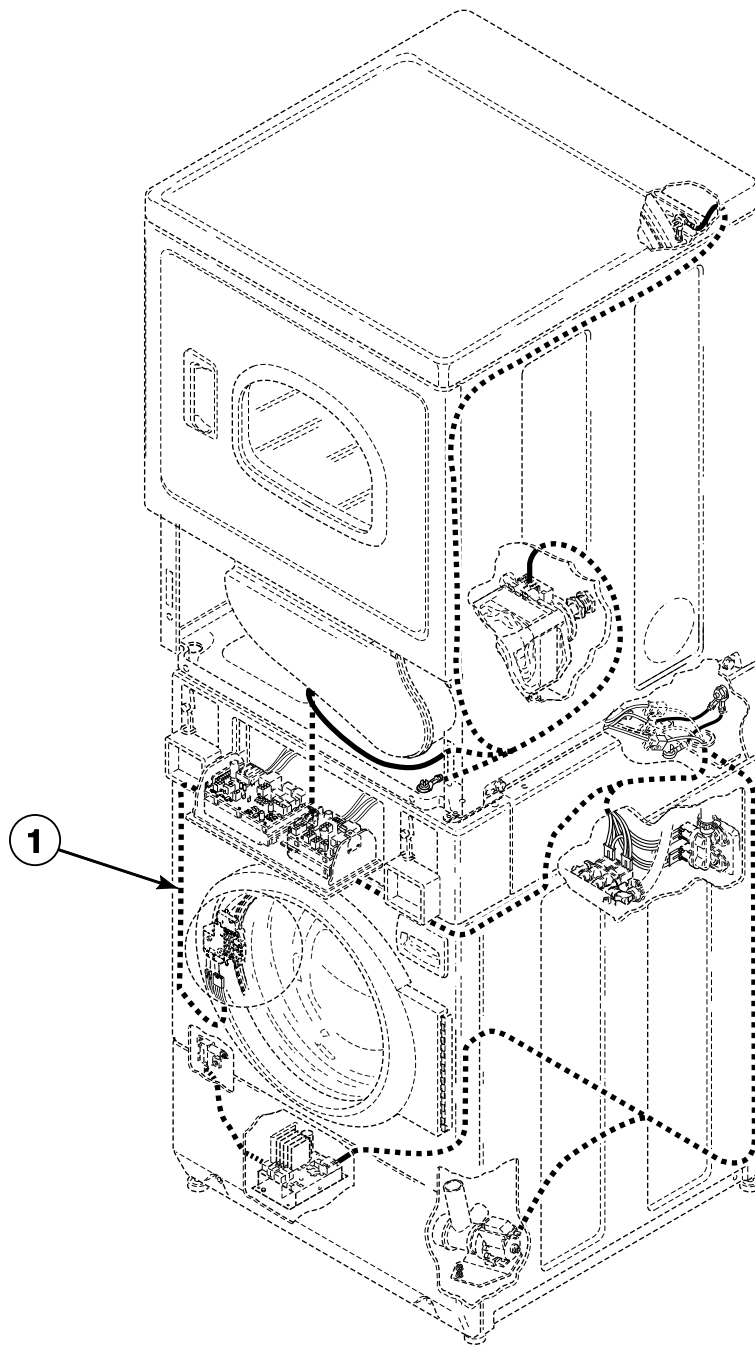
Washer Wire Harnesses and Wires (Drawing 1 of 2)

REF	PART NO.	DESCRIPTION	COMMENTS
	45001	18 Gauge Wire	Black; Order wire by foot, terminals/connectors as required
	45380	12 Gauge Wire	Orange; Order wire by foot, terminals/connectors as required
1	803313	Control Harness Assembly	Models BTEBLFSP431AW01, BTEBLFSP432AW01, BTEBXFSP432AW01, BTEX77*N4350, BTGBLFSP301AW01, BTGBLFSP302AW01, BTGBXFSP302AW01, BTGX79*N3060, HTEBXFSP542DW01, HTGBXFSP542DW01, NTEBXFSP302NW01, NTEBXFSP302NW22, NTEX77*N3000, NTEX77*N5400, NTGBXFSP302NW01, NTGX79*N3000, STEBXFSP301NW22, STEBXFSP302NW01, STEBXFSP302NW22, STEBXFSP432AW01, STEBXFSP542DW01, STEBXFSP542NW01, STEX77*N3000, STEX77*N4350, STEX77*N4351, STEX77*N5400, STGBXFSP301NW22, STGBXFSP302AW01, STGBXFSP302NW01, STGBXFSP302NW22, STGBXFSP542DW01, STGX79*N3000, STGX79*N3060 and STGX79*N3061
	801335	Control Harness Assembly	Models STEA77*N3069 and STEF77*N4350
	801117	Control Harness Assembly	Models BTEL75*N4065, BTEL77*N4065, BTEX75*N4065, BTEX77*N4065, NTEL77*N4064, NTEX77*N4064, NTEX77*N4067, NTGL79*N4067, NTGX79*N4067, STEX77*N4064, STEX77*N5754, STEY77*N4064 and STEY77*N5754
	801064P	Front Control Harness Assembly	Models HTEB77*N2802, HTGB79*N0902, STEA77*N, STEB77*N, STEF77*N, STGA73*N, STGA79*N, STGB79*N and STGF79*N
	803107	Harness Assembly	All other models
2	802274P	Motor Harness Assembly	Models through Serial No. 1201004551
	803581	Motor Harness Assembly	Model starting Serial No. 1201004552

* Add Letter To Designate Color. **Q** - Bisque **W** - White

NOTE: Individual wires are not available separately. Order complete harness, or order wire by the foot. When applying terminals to wires, it is recommended that the terminals be soldered to the wires.

Washer Wire Harnesses and Wires (Drawing 2 of 2)



SWD1197PB_802747

Washer Wire Harnesses and Wires (Drawing 2 of 2)

REF	PART NO.	DESCRIPTION	COMMENTS
	45001	18 Gauge Wire	Black; Order wire by foot, terminals/connectors as required
	45380	12 Gauge Wire	Orange; Order wire by foot, terminals/connectors as required
1	802349P	Base Harness Assembly	Models BTEL75*N4065, BTEL77*N4065, BTEX75*N4065, BTEX77*N4065, NTEL77*N4064, NTEX77*N4064, NTEX77*N4067, NTGL79*N4067, NTGX79*N4067, STEX77*N4064, STEX77*N5754, STEY77*N4064 and STEY77*N5754; Models through Serial No. 0704007393
	802834P	Base Harness Assembly	Models BTEL75*N4065, BTEL77*N4065, BTEX75*N4065, BTEX77*N4065, NTEL77*N4064, NTEX77*N4064, NTEX77*N4067, NTGL79*N4067, NTGX79*N4067, STEX77*N4064, STEX77*N5754, STEY77*N4064 and STEY77*N5754; Models starting Serial No. 0704007394 and continuing through Serial No. 1001000989
	803470	Base Harness Assembly	Models BTEL75*N4065, BTEL77*N4065, BTEX75*N4065, BTEX77*N4065, NTEL77*N4064, NTEX77*N4064, NTEX77*N4067, NTGL79*N4067, NTGX79*N4067, STEX77*N4064, STEX77*N5754, STEY77*N4064 and STEY77*N5754; Models starting Serial No. 1001000990
	802350P	Base Harness Assembly	Models HTGBXFSP542DW01, NTEBXFSP302NW01, NTEX77*N3000, NTGBXFSP302NW01, NTGX79*N3000, STEA77*N3069, STEBXFSP302NW01, STEBXFSP432AW01, STEBXFSP542NW01, STEF77*N4350, STEX77*N3000, STEX77*N4350, STEX77*N4351, STEX77*N5400, STGBXFSP302AW01, STGBXFSP302NW01, STGBXFSP542DW01, STGX79*N3000, STGX79*N3060 and STGX79*N3061; Models through Serial No. 0705003456
	802833P	Base Harness Assembly	Models BTEBLFSP431AW01, BTEBLFSP432AW01, BTEBXFSP432AW01, BTEX77*N4350, BTGBLFSP301AW01, BTGBLFSP302AW01, BTGBXFSP302AW01, BTGX79*N3060, HTEBXFSP542DW01, HTGBXFSP542DW01, NTEBXFSP302NW01, NTEBXFSP302NW22, NTEX77*N3000, NTEX77*N5400, NTGBXFSP302NW01, NTGX79*N3000, STEA77*N3069, STEBXFSP301NW22, STEBXFSP302NW01, STEBXFSP302NW22, STEBXFSP432AW01, STEBXFSP542DW01, STEBXFSP542NW01, STEF77*N4350, STEX77*N3000, STEX77*N4350, STEX77*N4351, STEX77*N5400, STGBXFSP301NW22, STGBXFSP302AW01, STGBXFSP302NW01, STGBXFSP302NW22, STGBXFSP542DW01, STGX79*N3000, STGX79*N3060 and STGX79*N3061; Models starting Serial No. 0705003457
	802351P	Base Harness Assembly	All other models; Models through Serial No. 0709009264
	802831P	Base Harness Assembly	All other models; Models starting Serial No. 0709009265

* Add Letter To Designate Color. Q - Bisque W - White

NOTE: Individual wires are not available separately. Order complete harness, or order wire by the foot. When applying terminals to wires, it is recommended that the terminals be soldered to the wires.

Parts Index

A

Access Panel and Guard Assembly D514252Q.....	59
Access Panel Assembly D514250Q.....	27, 59
D514250WP.....	27, 59
Access Panel Plate D510903.....	81
Adhesive D511637P.....	67, 69
Air Duct Assembly D518432.....	67
D518433.....	67
Anchor Floor Mount Assembly 802844P.....	47
Anti-Seize Compound 27604P.....	39
Audit Switch Bracket 800379.....	11
800380.....	11

B

Backflow Preventer 34500.....	29, 31
800310.....	45
Ballast Weight 800205.....	37
Base Assembly 803876.....	47
Base Harness Assembly 802349P.....	107
802350P.....	107
802351P.....	107
802831P.....	107
802833P.....	107
802834P.....	107
803470.....	107
Base Shock Absorber Kit 807875.....	37
Bearing Housing Kit 800428P.....	39
Bearing Kit RB160001.....	39
Block to Relay Harness D511112P.....	71
Blower and Fan Kit D510717P.....	63
Blower Fan Assembly D510139P.....	61
Blower Housing D511969WP.....	61
Blower Housing Seal D510238P.....	61
Booster and Holding Coil 58804A.....	77
Boot Nozzle 802291.....	27, 29

Brace Kit 918P3.....	47
Bracket D510146.....	81
Bumper Pad 36226.....	47
56128.....	81
Burner Assembly D510149P.....	77

C

Cabinet Brace 801491.....	47
801492.....	47
Cabinet Panel Kit 800004QP.....	47
800004WP.....	47
Cabinet Rear Panel D514632P.....	81
Cabinet Side Panel D510001QP.....	81
D510001WP.....	81
D510002QP.....	81
D510002WP.....	81
Cable Connection Box 39922.....	49
Cable Tie M405829.....	51
39037.....	29
Cap 801746.....	29
Card Insert Overlay D511544.....	21
D511548.....	21
Card Reader and Bracket Assembly D510068P.....	21
Card Reader Overlay 800230.....	21
Card Reader Shield 801101.....	81
Card Reader Wire Harness Assembly 800125P.....	21
Caution Label D500253.....	59
Central Pay Harness D511478.....	7, 23
Clamp Ring 800312.....	33
Clip 201572.....	19
Clothes Guard 803537.....	33
Clothes Guard and Deflector Kit 804560P.....	33
Clothes Guard Deflector 804174P.....	33
804482.....	33
Coin Drop 38963P.....	17

N/A items do not appear in index.

70441601P.....	17
Coin Drop Assembly	
CK114.....	17
38462P.....	17
38463.....	17
38464P.....	17
38467.....	17
38472.....	17
38519.....	17
38521.....	17
70441602.....	17
70447301.....	17
70482401.....	19
Coin Drop Kit	
CK122.....	19
CK123.....	17
Coin Drop Wire Harness	
201104.....	19
Coin Identification Paper	
38725.....	17, 19
Combustion Duct	
D510131.....	75
Connector, 2 Circuit	
58799.....	87
Connector, 3 Circuit	
58800.....	87
Contactora	
F330177P.....	11, 23, 71
70323701P.....	81
Contactora Bracket	
D511859.....	81
Contactora Wire Harness Assembly	
801120P.....	11, 23
Control Assembly	
D511867P.....	7, 23
802400P.....	7, 23
803146P.....	7
Control Cabinet Bottom	
801777.....	23
Control Harness Assembly	
801117.....	105
801335.....	105
803313.....	105
Control Kit	
D505905P.....	7
800772P.....	7
802076P.....	7
Control Panel	
801778W.....	23
Control Panel and Bracket Assembly	
800034W.....	7
Control Shield	
801061.....	41
801371.....	11, 23
804738.....	41
Conversion Kit	
756P3.....	71
Cylinder Assembly	
D510265LGP.....	67
D510265WP.....	67
Cylinder Baffle	
D510102LG.....	67
D510102W.....	67
Cylinder Belt	
D511255P.....	61

Cylinder Glide	
D513710.....	67
Cylinder Glide Bracket	
D510145.....	67
Cylinder Roller	
D510708P.....	69
Cylinder Roller Bracket	
D510100.....	69
Cylinder Seal Assembly	
D510207P.....	67, 69

D

Damper	
58786.....	81
Detergent Cover	
800899.....	29
Diagnostic Wire Harness Assembly	
800374.....	7
Din Rail	
M412693.....	71, 81
Directional Exhaust Kit	
528P3.....	81
Disconnect Power Warning Label	
D505281.....	91
Dispenser	
685756P.....	29
801090P.....	29
Dispenser Assembly	
801476P.....	29
Dispenser Drawer	
685757P.....	29
Dispenser Drawer Front	
685715QP.....	29
685715WP.....	29
Dispenser Drawer Tool	
318P4.....	93
Dispenser Plate	
801024.....	29
Dispenser-to-Door Seal Hose	
802256.....	27, 29
Dispenser-to-Tub Hose	
800331.....	29
Door and Liner Assembly	
D511636QP.....	55
Door Assembly	
D516737W.....	55
D517041.....	57
802872P.....	27
804914QP.....	27
804914WP.....	27
Door Catch Assembly	
D510177.....	59
802803.....	27
Door Glass	
802695P.....	27
Door Handle Wedge	
D510129W.....	53
Door Hinge	
802934.....	27
Door Latch/Switch Assembly	
802317P.....	27

N/A items do not appear in index.

Door Liner Grill	
D503870LG.....	53
D503870W.....	53
Door Pull and Wedge Kit	
D510103QP.....	55
D510103WP.....	55
Door Seal Assembly	
802866P.....	27, 29
Door Seal Kit	
802830P.....	27, 29
Door Strike	
D510181.....	53
Door Strike Mount	
D510127.....	53
Drain Hose	
27154.....	45
Drain Hose Elbow	
35766.....	45
Drain Kit	
985P3.....	45
Drain Pump	
802623P.....	45
802624P.....	45
802625P.....	45
Drain Valve	
803293P.....	43
Drain Valve Kit	
F975P3.....	43
F976P3.....	43
Drain-to-Cabinet Hose	
800903.....	43
Drive Belt	
800319P.....	41
Driven Pulley	
800866.....	39
Dryer Base	
D514245.....	81
Dryer Door	
D510082QP.....	53
D510082WP.....	53
Dryer Door Assembly	
D514114Q.....	53
Dryer Door Window	
D503982P.....	53
Dual Overlay	
39073.....	17

E

Elbow Shut-Off Valve	
D510205.....	77
Electric Access Panel	
801134.....	15
Electrical Shock Label	
D502511.....	91
F8211201.....	37, 89, 91
Electronic Coin Drop Assembly	
70294104.....	19
70294107.....	19
70294110.....	19
70294111.....	19
70294117.....	19
70294120.....	19

70294121.....	19
70294122.....	19
70513302.....	19
70513306.....	19
70513311.....	19
Electronic Coin Drop Kit	
CK099.....	19
CK100.....	19
CK101.....	19
CK103.....	19
CK108.....	19
CK109.....	19
CK110.....	19
CK113.....	19
CK115.....	19
CK116.....	19
CK117.....	19
CK118.....	19
CK120.....	19
CK121.....	19
Electronic Harness	
D511792P.....	99, 101
D511793P.....	99
D514094.....	103
End Stop	
70121001.....	71, 81
Exhaust Duct	
D516196.....	81
Exhaust Warning Label	
D500497.....	91
Expansion Clip	
70030501.....	23, 25
Extractor Tool	
128P4.....	85
190P4.....	85

F

Felt Pad	
D510189.....	67
Female Piggyback Terminal	
00361.....	87
Female Pin Terminal	
00117.....	87
Female Spade Terminal	
00189.....	87
Female Terminal	
00188.....	85
00255.....	85
00256.....	85, 87
Fill Hose	
202799.....	31
202800.....	31
202931.....	31
20617.....	31
20618.....	31
37380.....	31
Fill Hose Kit	
38349P.....	31
Filter	
801255P.....	15, 25
Filter Jumper Harness	
808048.....	49

N/A items do not appear in index.

Fitting	801792P.....	15, 25
Flexible Venting Kit	521P3.....	81
Front Bulkhead Assembly	D510266P.....	67
Front Control Harness Assembly	801064P.....	105
Front Overlay	801874.....	9
Front Panel	D510066QP.....	59
	D510066WP.....	59
	802277QP.....	27
	802277WP.....	27
Front Panel Assembly	D513781WP.....	59
Front Panel Pad	36204.....	27
Front Panel Seal	D511056.....	59
Fuse	801755.....	41
Fuse Notice Label	61294.....	67, 81

G

Gas Valve Assembly	D510506P.....	77
	60353P.....	77
Gas Valve Mounting Bracket	D510128.....	77
Gasket	802427.....	45
Glass Mounting Clip	802700.....	27
Glide Kit	RB170003.....	67
Graphic Overlay	801984.....	23
	802289.....	23
Gravity Drain Bracket	803291.....	43
Gravity Drain Valve	803292P.....	43
Grommet	29175.....	37
Grounding Clip	00161.....	37

H

Hardware Kit	838P3.....	39
Harness Assembly	D511327.....	81
	802904P.....	17
	802905.....	17, 19
	803107.....	105
Harness Strap	55881.....	27, 51, 87

N/A items do not appear in index.

Heat Duct Shroud	D510101.....	75
Heater	D511014P.....	71
Heater Assembly	D510324P.....	73
	D510326P.....	73
	D510327P.....	73
	D510329P.....	73
	D510330P.....	73
Heater Duct Assembly	D510025P.....	71, 73, 75
Heater Harness	802323P.....	35
	803492.....	35
Heater Kit	964P3.....	73
	965P3.....	73
Heater Kit Assembly	61927.....	73
	61928.....	73
	61929.....	73
	61930.....	73
Heating Element	804777P.....	35
	804778P.....	35
Hinge	D511036.....	55
Hinge Hole Plug	D510186.....	59
Hinge Plate	802206.....	27
Hole Plug	M412154.....	47
Hose Clamp	F200204.....	45
	F200206.....	29
	20211.....	45
	20391.....	45
	39282.....	37
	685725.....	29, 43
	802164.....	27, 29, 31
	802281.....	27
	802698.....	27, 29
Hose Clip	36985.....	13, 23, 51
	800553.....	39
Hose Mounting Plate	800552.....	39
Housing, 10 Position	D500338.....	85

I

Idler Lever	D516310.....	61
Idler Lever and Wheel Assembly	D516792.....	61
Idler Spring	D510185.....	61
Idler Wheel and Bearing Assembly	D510142P.....	61
Igniter and Bracket Assembly	D510184P.....	77

Inner Basket Assembly	
802365P	39
803008P	39
804322	39
Inner Door Bezel Kit	
808095	27
808096	27
Insert	
685716	29
Instruction Label	
D505052	91
D513543	91
Insulated Female Flag Terminal	
00221	87
Inverter Control Assembly	
803254P	41
803255P	41

J

Jumper Assembly	
D513246P	99
Jumper Configuration Assembly	
M413507	13, 23
Jumper Harness	
D513268	41
D513316	41
Jumper Harness Assembly	
M413505	13
Jumper Wire Assembly	
D518529	71
Junction Box	
801403	49
Junction Box Cover	
801404	49
Junction Box Seal	
801425P	49

K

Key	
54612	7

L

Lead-In Cord	
D512019	83
34458	51
59308	83
Lead-In Cord Assembly	
D514222	83
D514289	83
D516747	83
804556	49
Lead-In Pipe Assembly	
D510204	77
Lead-In Wire Harness Assembly	
201405P	49
804680	49
Left Control Cabinet Side	
801738W	23

Left Hand Thread Label	
685928	47
804949	47
Leveling Leg	
D510135	81
34319	47
Lid Assembly	
802426P	45
Limit Thermostat	
D510701	71, 73
D510702	75
Line Filter	
201058	15, 25, 49
Liner and Seal Assembly	
D516509	53
Liner Door Seal	
D510147P	53
Lint Filter	
D503980LG	67
D503980W	67
Lint Filter Label	
D502804	59
Lock Cam	
27261	7
Lock Kit	
27260P	7
Lower Junction Box	
801433	49
L.P. Conversion Kit	
458P3	77
600P3	77
L.P. Orifice	
D503786	79
58755	79

M

Male Pin Terminal	
00116	87
Manual Reset Thermostat	
M411941	65
Membrane Switch	
D510036P	7, 23
210010P	7, 23
Mixing Valve	
802220P	31
802222P	31
Mixing Valve Plate	
800323	31
Mixing Valve Screen	
802926	31
Motor Access Hole Edging	
801702	47
Motor and Pulley Assembly	
D505843P	61
D505869P	61
D511629P	61
Motor and Rod Assembly Kit	
801684P	41
Motor Harness Assembly	
802274P	105
803581	105

N/A items do not appear in index.

Motor Hub Ring Kit 590P3	61
Motor Mount D518517	61
Motor Mount Clamp D510180	61
Motor Mount Rod 801062	41
Motor Pulley D500011	61
D500222	61
Mounting Tool Kit CK096	93

N

Nameplate 39564	21
Network Varistor Assembly 801311	15, 25
Notice Label 803011	91
Notice Label, 30 Amp D500493	91
Nut F430218	33, 39
03673	51
201216	19
21899	47
23951	27
29786	17, 43
29787	15, 25
36020	27
44071201	55
52566	61
56156	61, 69
685846	27
70054	21
800452	37, 39
802292	27, 29
802343	33
803017	39
N.G. Conversion Kit 459P3	77
N.G. Orifice D503776	79
D503778	79
D503779	79
D503780	79
D510517	79

O

Opto Coupler 200674P	17
O-Ring 802429P	45
Outer Door Bezel Kit 802313QP	27
802313WP	27
802314P	27
Outer Tub Assembly 801081P	37

801291	37
Outlet Cover D500820	71, 73, 75
Out-of-Balance Switch Assembly 803415	37
Out-of-Balance Switch Assembly Kit 806512	37
Overlay D513546	9
201091	19
800026	9
800027	9
800894	9
801051	9
801054	9
801415	9
802078	9
803157	9
803435	9
803536	23
803597	9
Overlay Kit 38676	17
Oversudsing Label 802074	91
802838	91
802839	91

P

Panel Kit 727P3Q	81
727P3W	81
Panel Locator 56079	17, 21, 27, 47, 59, 81
Pinch Warning Label F8615701	89, 91
8615701	37
Plug 23040	87
Plug, 9 Circuit 23033	87
Pop Rivet 685847	39
Porcelain Touch-Up Paint 122P4P	47
370P4P	47
Power Cord Assembly D506081	83
58992	83
801450	49
802012	49
808045	49
808047	49
Power Harness Assembly 803150P	69
Power Wire Harness Assembly D512890P	99, 101, 103
Pressure Bulb 205241	37
Pressure Switch 802299P	11, 23
Pulley Bolt Tightening Fixture 802336	93

N/A items do not appear in index.

Pump Housing 802428	45
Pump Housing Assembly 802434P	45
Pump Mount Bracket 802626	45
Pump-to-Elbow Hose 685737	45

R

Ratchet Extension Tool 310P4	93
Rear Access Panel 800011	47
Rear Bulkhead Assembly D511082P	69
Rear Control Cabinet 801058	23, 25
Rear Panel 800010P	47
801216	47
Receptacle, 2 Circuit D501223	87
Receptacle, 3 Circuit 23039	87
36170	87
Receptacle, 6 Circuit 26708	87
Relay to Heater Harness D511114P	71
Resistor 210100	13, 23
Retaining Ring 23748	41, 61, 69
Right Control Cabinet Side 800915Q	23
800915W	23
Roller Kit RB170002	69
Rubber Foot 34318	47

S

Screw	
D500226	53
D500824	61
D501086	31
D501285	67, 69
D501524	7, 23, 41
D503661	11, 15, 17, 21, 23, 25, 27, 31, 37, 41, 43, 45, 47, 49, 81
D503688	11, 15, 17, 21, 23, 25, 59, 61, 67, 69, 71, 73, 75, 77, 81
D505295	55, 67
D505870	53, 55
M400043	39, 89
M400057	41
M405188	47
02916	43
20530	51, 83
23222	65, 71, 73, 77

31260	61
31645	47
33562	59
36048	17, 21, 81
39733	17, 21, 27, 47, 59, 81
430497	47
51782	75, 77
52864	67
52909	45
56124	77
61199	69
62588	67
62853	59
685831	39
70240301	23, 25
800461	37
800462	33, 39
800548	27, 29
800930	23
801001	29
801019	27
801045	27
801993	27
802430	45
802431	45
802596	33
Screw Orifice 58719	79
Seal Kit RB170001	67, 69
Sealant 27615P	45
Secondary Coil 58804B	77
Security Cabinet Front Assembly D511208Q	21
D511208W	21
D511632Q	17
D511632WP	17
Security Cabinet Rear Service Panel 800177	11
Security Cabinet Wire Harness Assembly D510497P	95, 97
Security Cabinet Wrapper Assembly 800231Q	17, 21
801235Q	17, 21
801235W	17, 21
Sensor D510213	77
Shaft 56461P	61, 69
Shipping Bracket Label 807552	89
Shipping Materials Kit 930P3	89
Side Panel Kit 800005QP	47
806492	47
Single Overlay 38717	17
Snap Bushing D503235	43
M402542	11, 15, 23, 25, 49
Speed Clip 28835	59

N/A items do not appear in index.

Spring	
F8504601	43
Standpipe Strap	
33489	45
Strain Relief	
D502500	83
38384	51, 83
52113	83
52151	83
60298	83
Strain Relief Adapter	
D502496	83
Switch	
D512973	11, 59
Switch Mounting Bracket	
800663	37
803388	37

T

Tension Rod Assembly	
800666	39
Terminal	
00252	87
Terminal Block Assembly	
D505876	15, 25, 69
D510190P	69
801250	15
801756	25
Terminal Block Shield	
D510237	69
Terminal Block Support Bracket	
D505875	69
Terminal Extractor Tool	
283P4	85
Thermal Fuse Assembly	
D518542	71, 73
Thermistor	
803256	35
Thermistor Assembly	
D502366	65
D510523	65
Thermostat	
D510703	65, 75
Thermostat Opening Cover	
61203	47
Top Hinge	
D510136	81
Top Kit	
D510032QP	81
D510032WP	81
Transformer	
201375P	13, 19
210018P	13
803527P	13, 23
Transformer Kit	
D511658P	81
Trunnion Shaft and Hardware Kit	
800749P	39
Tub Front Assembly	
802258	33
802260	33
803494	33

Tub Front Seal	
800432P	33, 39
Tub Shock Absorber Kit	
800622P	37
Tubing	
800648P	37
Tub-to-Drain Hose	
800902	43
Tub-to-Pump Hose	
800317	45

U

Upper Wire Harness Assembly	
D510408P	95, 97

V

Valve Assembly	
60443P	77
Valve Kit	
685766P	29
801836P	29
Valve-to-Dispenser Inlet Hose	
801464	29, 31
Venting Instruction Label	
D502791	91

W

Warning Label	
D500049	37, 89, 91
D500314	89, 91
D512263	59
D514226	59
500314	37
800632	89
802367	91
803522	91
804500	91
804582	91
Warning/Caution Label	
D500281	59
Washer	
D501307	81
D504082	69
M400014	89
M400017	43
M400080	41
M400081	37
M403958	39
02834	41
03815	51
20290	31
26509	17, 21
52549	41, 61, 69
800457	33, 39
802254	31
802293	27, 29
803615	31
807679	39

N/A items do not appear in index.

Water Hose	
F200116	31
Window Clip	
D513958	55
Window Trim	
D503981Q	57
D503981W	57
D512633	57
D513960Q	57
Wire Assembly	
D518255	73
D518256	73
Wire Clamp	
800811	37
Wire Clip	
D504034	51
687500	27, 29, 51
Wire Configuration Assembly	
D512273P	99, 101, 103
D512275P	99, 101, 103
Wire Guard	
201595P	17
Wire Harness	
D510496P	95, 97
Wire Harness Assembly	
D510409P	95, 97
D510434P	95, 97
D510621P	69
D510622	69
D511303	81
D511314P	95, 97
D511317	97
D511318P	95, 97
D511321P	97
D511336P	97
D511338P	97
D511347	97
D511753	95
D511757	95
D512285	99
D512415	99
D512422P	99, 101, 103
D512434P	99
D512643P	99
D512644	99, 101
801421	49
802013	49
Wire Ring and Spring	
806466	27
Wire Tie	
38663	51
Wire, 12 Gauge	
45380	95, 97, 99, 101, 103, 105, 107
Wire, 18 Gauge	
45001	95, 97, 99, 101, 103, 105, 107
Wiring Harness Assembly	
202869	23
Wrench	
392P4	93
