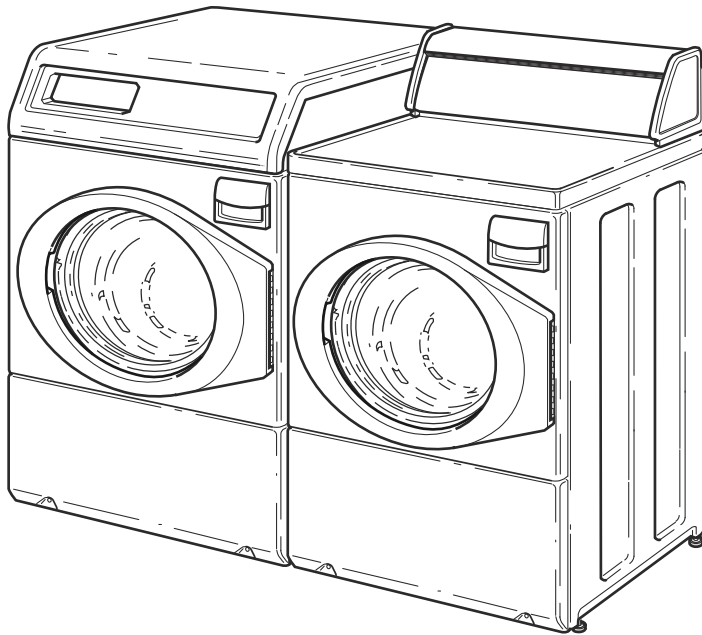


# Homestyle Frontload Washers

Refer to Page 3 for Model Numbers



FLW2406N\_805862



# Table of Contents

Title	Page
Parts Ordering Information.....	2
Serial Plate Location .....	2
Model Identification .....	3
Control Cabinet, Top and Controls (Drawing 1 of 3).....	4
Control Cabinet, Top and Controls (Drawing 2 of 3).....	6
Control Cabinet, Top and Controls (Drawing 3 of 3).....	8
Control Cabinet Top.....	10
Control Overlay .....	12
Control Cabinet Line Filter .....	14
Graphic Panel, Control Support Panel and Controls (Drawing 1 of 2).....	16
Graphic Panel, Control Support Panel and Controls (Drawing 2 of 2).....	18
Control Panel and Control.....	20
Top and Hood Back Panel .....	22
Front Panel and Door Seal .....	24
Door Assembly.....	26
Front Panel Assembly .....	28
Dispenser Assembly .....	30
Chemical Injection Conversion Kits .....	32
Mixing Valve and Valve-to-Dispenser Hose.....	34
Fill Hose .....	36
Outer Tub, Front and Clamp Ring (Drawing 1 of 2) .....	38
Outer Tub, Front and Clamp Ring (Drawing 2 of 2) .....	40
Inner Basket, Trunnion, Bearing Housing and Pulley .....	42
Motor and Belt.....	44
Drain Hose and Pump (Drawing 1 of 2) .....	46
Drain Hose and Pump (Drawing 2 of 2) .....	48
Drain Hose and Valve .....	50
Washer Base, Side Panels and Rear Panel .....	52
Junction Box and Power Cord (Drawing 1 of 2).....	54
Junction Box and Power Cord (Drawing 2 of 2).....	56
Junction Box .....	58
Special Tools .....	60
Washer Labels .....	62
Shipping Materials .....	64
Wire Ties, Clips and Lead-In Cord.....	66
Wire Harnesses and Wires .....	68
Parts Index.....	71

© Copyright 2023, Alliance Laundry Systems LLC

All rights reserved. No part of the contents of this book may be reproduced or transmitted in any form or by any means without the expressed written consent of the publisher.

## Parts Ordering Information

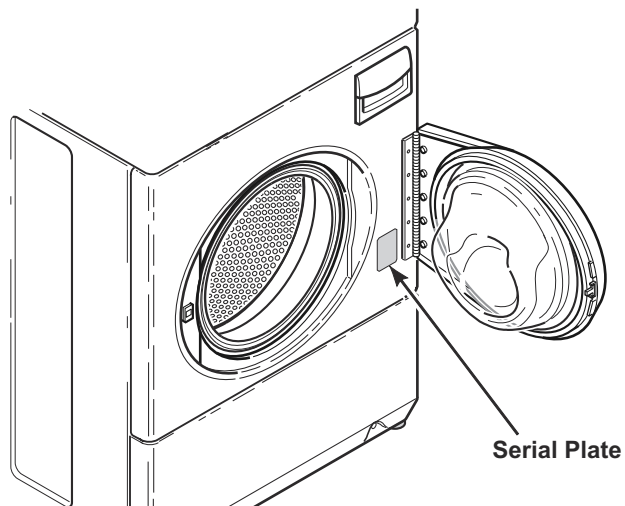
If literature or replacement parts are required, contact the source from whom the machine was purchased or contact Alliance Laundry Systems at (920) 748-3950 for the name and address of the nearest authorized parts distributor.

For technical assistance, call the number listed below:

(920) 748-3121 Ripon, Wisconsin

## Serial Plate Location

When calling or writing about your product, be sure to mention model and serial numbers. Model and serial numbers are located on serial plate(s) as shown.



FLW2407N\_805862

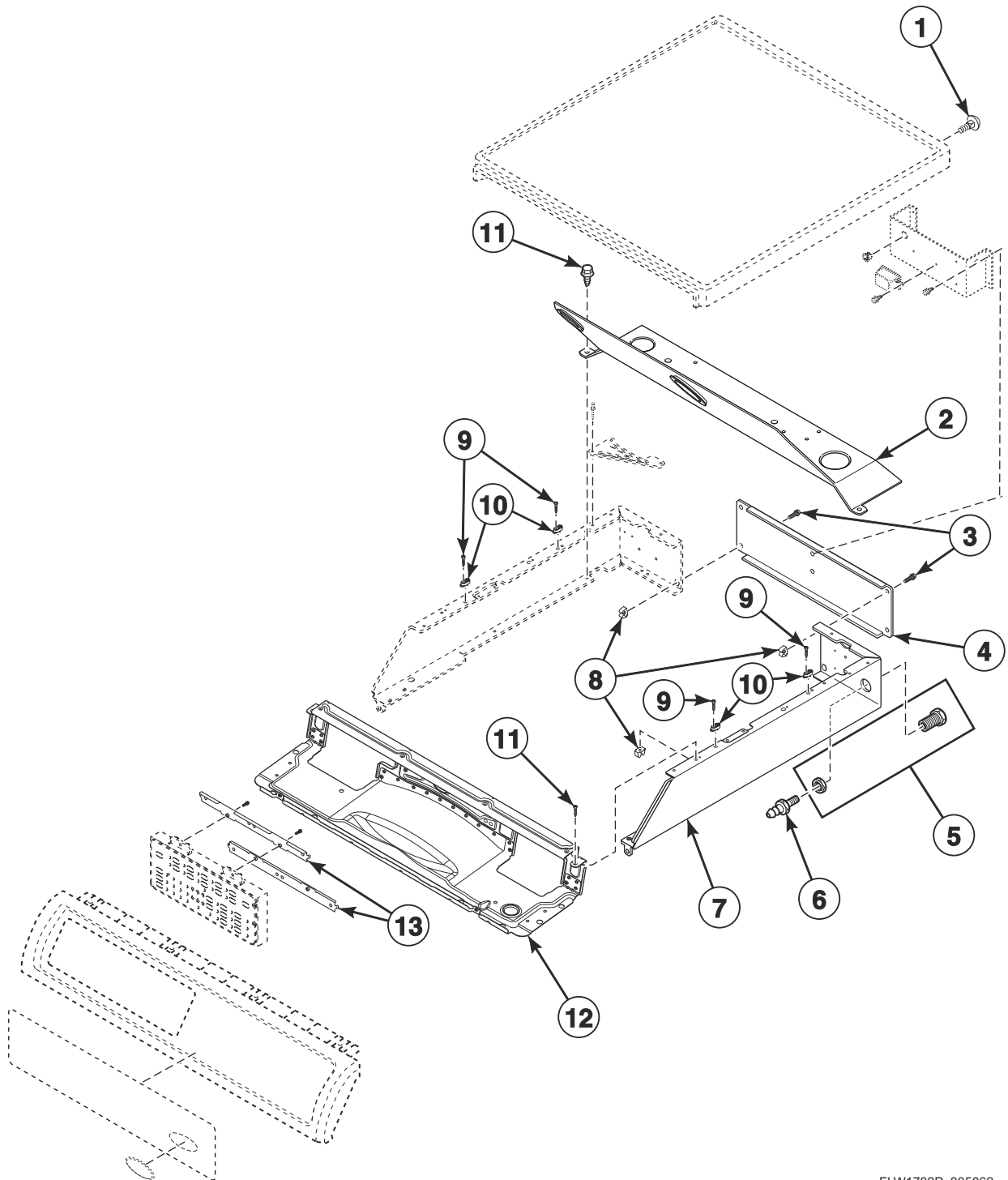
## Model Identification

Information in this manual is applicable to these washer models:

AFBE9BSP303NN29	BFNE6BJP113CW01	PFNE3BJP113CG01
AFBE9BSP303NW29	BFNE6BJP113TW01	PFNE3BJP113TG01
AFBE9BSP305AN01	FFNE5BSP115MW01	PFNE3BJP115CG01
AFBE9BSP305AW01	FFNE5BSP125MW01	PFNE3BJP115CW01
AFBE9BSP305NW29	FFNE5BSP303LW01	PFNE3BJP115TG01
AFN50RSP113FW01	FFNE5BSP303ZW01	PFNE3BJP115TW01
AFN50RSP115FW01	FFNE5RSP303NW10	PFNE3RSP113TG01
AFNE9BSG303NW36	LFN50RSP113TW01	PFNE3RSP115TG01
AFNE9BSG305NW36	LFN50RSP115TW01	PFNE3RSP115TW01
AFNE9BSP113CN01	LFNE5BJP113CW01	PFNE3RSP303AG01
AFNE9BSP113CW01	LFNE5BJP113TW01	UFNE5BJP113TW01
AFNE9BSP113FN01	LFNE5BJP115CW01	UFNE5BJP113TW08
AFNE9BSP115CN01	LFNE5BJP115TW01	UFNE5BJP115TW01
AFNE9BSP115CN13	LFNE5BSP113CW01	UFNE5BJP115TW08
AFNE9BSP115CW01	LFNE5BSP113FW01	YFNE5BJP113CW01
AFNE9BSP115CW13	LFNE5BSP113JW01	YFNE5BJP113TW01
AFNE9BSP116CN13	LFNE5BSP113TW01	YFNE5BJP115CW01
AFNE9BSP116CW13	LFNE5BSP113ZW30	YFNE5BJP115TW01
AFNE9BSP123DN04	LFNE5BSP115CW01	YFNE5RSP113CW01
AFNE9BSP123DW04	LFNE5BSP115TW01	YFNE5RSP113TW01
AFNE9BSP125DW04	LFNE5BSP125MW01	YFNE5RSP115CW01
AFNE9BSP303AN01	LFNE5BSP303AW01	YFNE5RSP115TW01
AFNE9BSP303AW01	LFNE5BSP303AW12	ZFBE9BSP305NW29
AFNE9BSP303HN01	LFNE5BSP303NW35	ZFNE9BSP113CN01
AFNE9BSP303LN01	LFNE5BSP303VW26	ZFNE9BSP113CW01
AFNE9BSP303NN22	LFNE5BSP303WW37	ZFNE9BSP113FN01
AFNE9BSP303XN01	LFNE5BSP303ZW01	ZFNE9BSP113FW01
AFNE9BSP303XN26	LFNE5BSP543KN01	ZFNE9BSP115FW01
AFNE9BSP303XN34	LFNE5BSP543KW01	ZFNE9BSP116CN13
AFNE9BSP303XW01	LFNE5BSP543NW23	ZFNE9BSP116CW13
AFNE9BSP303XW26	LFNE5BSP543RW01	
AFNE9BSP303XW34	LFNE5BSP543ZW01	
AFNE9BSP305AW01	LFNE5FSP115TW01	
AFNE9BSP305LW01	LFNE5RSP113CW01	
AFNE9BSP305XW01	LFNE5RSP113FW01	
AFNE9BSP305XW34	LFNE5RSP113TW01	
AFNE9BSP543DN04	LFNE5RSP115CW01	
AFNE9BSP543DW04	LFNE5RSP115TW01	
AFNE9BSP545DW04	LFNE5RSP303NW22	
AFNE9BSP545RW01		
AFNE9BSP543ZN01		

# Control Cabinet, Top and Controls (Drawing 1 of 3)

Front Control Models



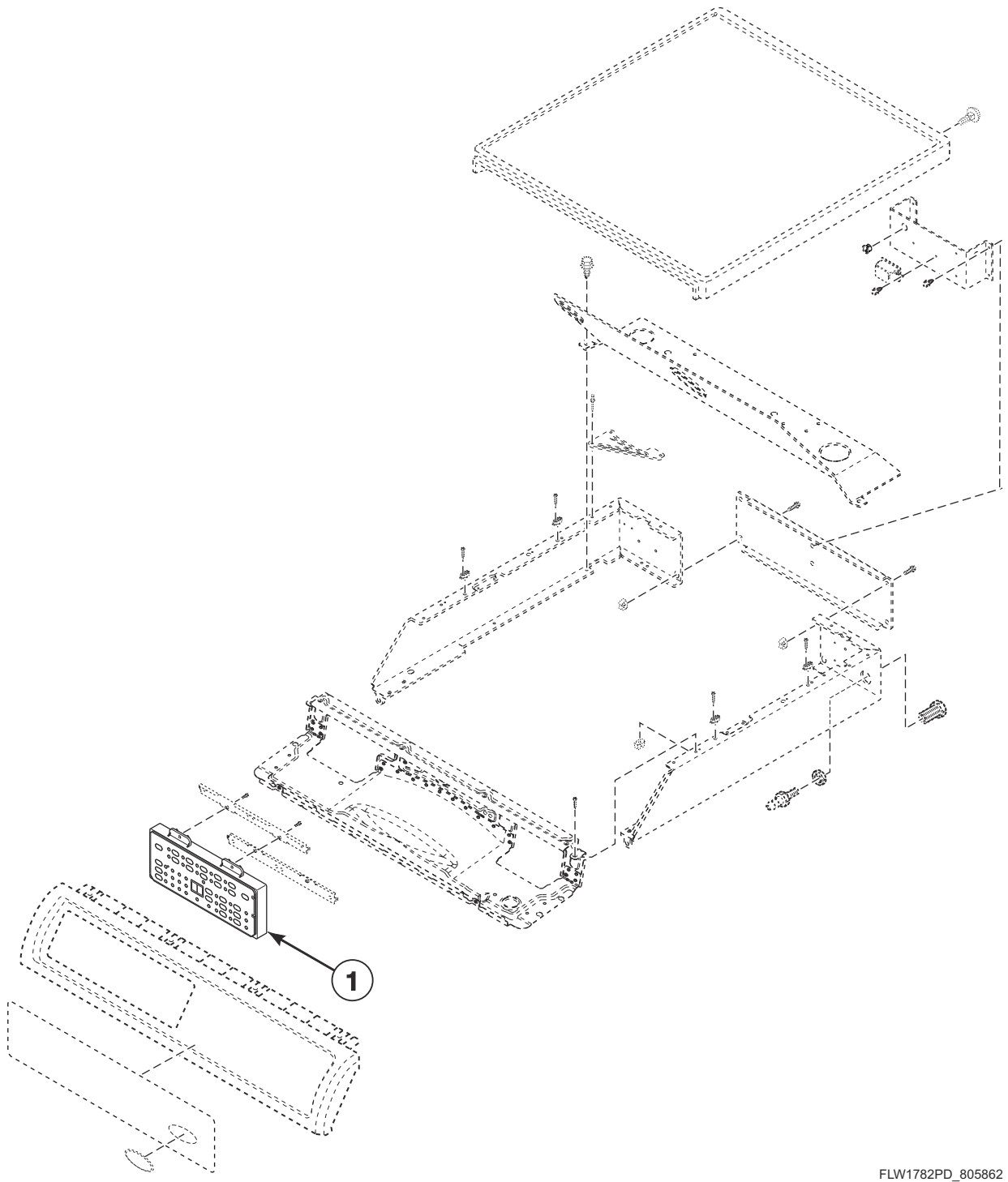
FLW1782P\_805862

## Control Cabinet, Top and Controls (Drawing 1 of 3)

REF	PART NO.	DESCRIPTION	COMMENTS
1	29651	Bolt	
2	804363	Control Shield	
3	D503688	Screw	
4	804859	Rear Control Cabinet	Model LFNE5FSP115TW01
	804614	Rear Access Panel	All other models
5	801788	Union	Models BFNE6BJP113CW01, BFNE6BJP113TW01, LFNE5BJP113CW01, LFNE5BJP113TW01, LFNE5BJP115CW01, LFNE5BJP115TW01, PFNE3BJP113TG01, PFNE3BJP115CG01, PFNE3BJP115CW01, PFNE3BJP115TG01, PFNE3BJP115TW01, UFNE5BJP113TW01, UFNE5BJP113TW08, UFNE5BJP115TW01, UFNE5BJP115TW08, YFNE5BJP113CW01, YFNE5BJP113TW01, YFNE5BJP115CW01 and YFNE5BJP115TW01
6	801789	Connector	Models BFNE6BJP113CW01, BFNE6BJP113TW01, LFNE5BJP113CW01, LFNE5BJP113TW01, LFNE5BJP115CW01, LFNE5BJP115TW01, PFNE3BJP113TG01, PFNE3BJP115CG01, PFNE3BJP115CW01, PFNE3BJP115TG01, PFNE3BJP115TW01, UFNE5BJP113TW01, UFNE5BJP113TW08, UFNE5BJP115TW01, UFNE5BJP115TW08, YFNE5BJP113CW01, YFNE5BJP113TW01, YFNE5BJP115CW01 and YFNE5BJP115TW01
7	804629W	Control Wrapper	Right; Models BFNE6BJP113CW01, BFNE6BJP113TW01, LFNE5BJP113CW01, LFNE5BJP113TW01, LFNE5BJP115CW01, LFNE5BJP115TW01, UFNE5BJP113TW01, UFNE5BJP113TW08, UFNE5BJP115TW01, UFNE5BJP115TW08, YFNE5BJP113CW01, YFNE5BJP113TW01, YFNE5BJP115CW01 and YFNE5BJP115TW01
	804629DG	Control Wrapper	Right; Models PFNE3BJP113TG01, PFNE3BJP115CG01, PFNE3BJP115CW01, PFNE3BJP115TG01 and PFNE3BJP115TW01
	800915W	Right Control Cabinet Side	Right; White; Model LFNE5FSP115TW01
	804630W	Control Wrapper	Right; White; All other models
	804630B	Control Wrapper	Right; Black; All other models
8	70030501	Expansion Clip	
9	39733	Screw	
10	803761	Top Panel Guide	
11	D503661	Screw	
12	804613	Top Panel Brace Assembly	
13	804611	Control Bracket	

# Control Cabinet, Top and Controls (Drawing 2 of 3)

Front Control Models



FLW1782PD\_805862

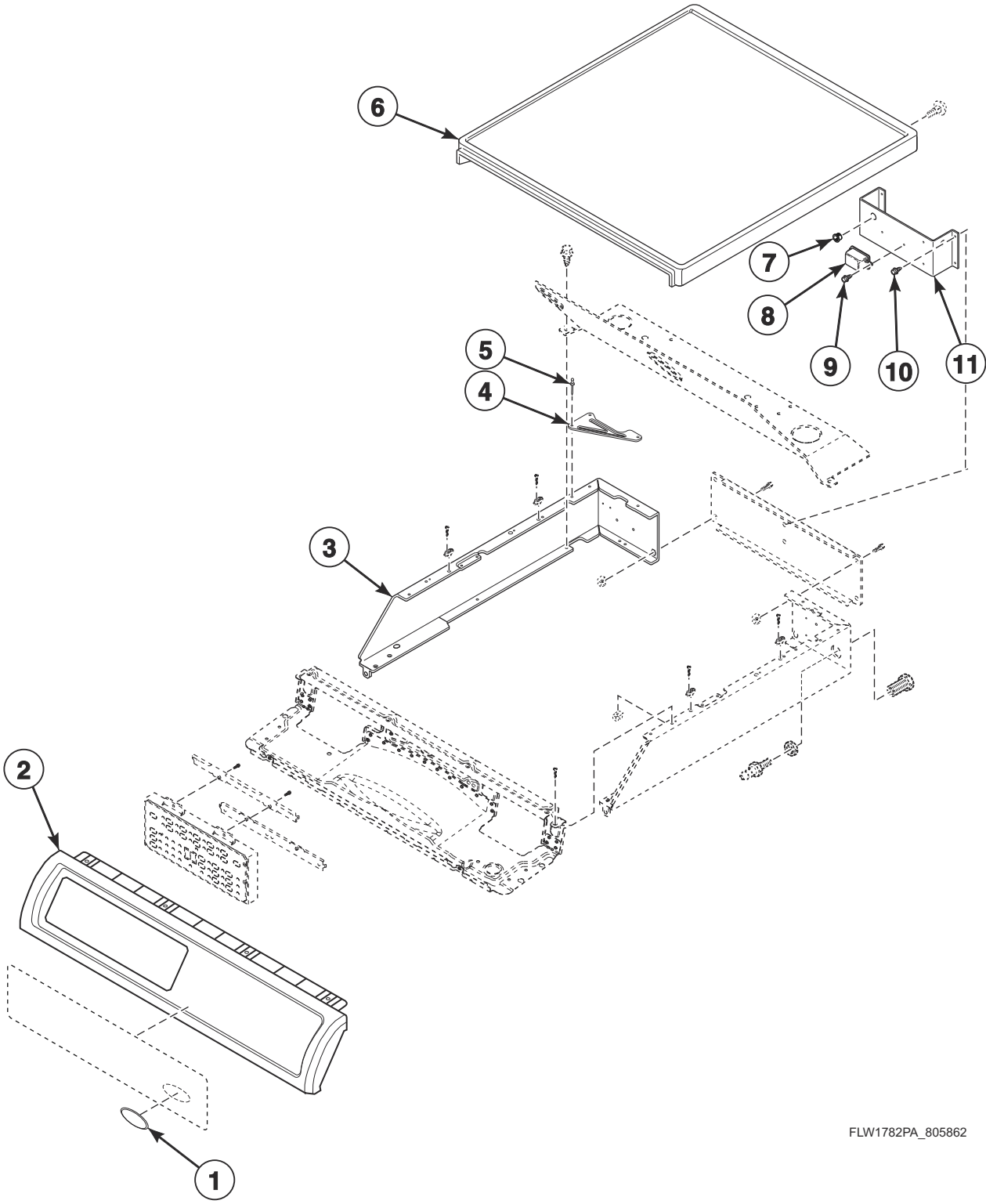


## Control Cabinet, Top and Controls (Drawing 2 of 3)

REF	PART NO.	DESCRIPTION	COMMENTS
1	805236P	Control Assembly	Models AFBE9BSP305AN01, AFBE9BSP305AW01, AFNE9BSP303AN01, AFNE9BSP303AW01, AFNE9BSP303XN01, AFNE9BSP303XN26, AFNE9BSP303XW01, AFNE9BSP303XW26, AFNE9BSP305AW01, AFNE9BSP305XW01 and AFNE9BSP305XW34 through Serial No. 2012999999
	807519	Control Assembly	Models AFBE9BSP305AN01, AFBE9BSP305AW01, AFNE9BSP303AN01, AFNE9BSP303AW01, AFNE9BSP303XN01, AFNE9BSP303XN26, AFNE9BSP303XW01, AFNE9BSP303XW26, AFNE9BSP305AW01, AFNE9BSP305XW01 and AFNE9BSP305XW34 starting Serial No. 2101000001
	805219P	Control Assembly	Models AFNE9BSG303NW36, AFNE9BSG305NW36, AFNE9BSP113CN01, AFNE9BSP113CW01, AFNE9BSP113FN01, AFNE9BSP115CN01, AFNE9BSP115CN13, AFNE9BSP115CW01, AFNE9BSP115CW13, AFNE9BSP123DN04, AFNE9BSP123DW04, AFNE9BSP303HN01, AFNE9BSP303LN01, AFNE9BSP303NN22, AFNE9BSP303XN34, AFNE9BSP303XW34, AFNE9BSP305LW01, AFNE9BSP543DN04, AFNE9BSP543DW04, AFNE9BSP543ZN01, ZFNE9BSP113CN01, ZFNE9BSP113CW01, ZFNE9BSP113FN01, ZFNE9BSP113FW01, ZFNE9BSP115FW01, ZFNE9BSP116CN13 and ZFNE9BSP116CW13 through Serial No. 2012999999
	807517	Control Assembly	Models AFNE9BSG303NW36, AFNE9BSG305NW36, AFNE9BSP113CN01, AFNE9BSP113CW01, AFNE9BSP113FN01, AFNE9BSP115CN01, AFNE9BSP115CN13, AFNE9BSP115CW01, AFNE9BSP115CW13, AFNE9BSP123DN04, AFNE9BSP123DW04, AFNE9BSP303HN01, AFNE9BSP303LN01, AFNE9BSP303NN22, AFNE9BSP303XN34, AFNE9BSP303XW34, AFNE9BSP305LW01, AFNE9BSP543DN04, AFNE9BSP543DW04, AFNE9BSP543ZN01, ZFNE9BSP113CN01, ZFNE9BSP113CW01, ZFNE9BSP113FN01, ZFNE9BSP113FW01, ZFNE9BSP115FW01, ZFNE9BSP116CN13 and ZFNE9BSP116CW13 starting Serial No. 2101000001
	806589	Control Assembly	Models AFBE9BSP303NN29, AFBE9BSP303NW29, AFBE9BSP305NW29 and ZFBE9BSP305NW29 through Serial No. 2012999999
	807521	Control Assembly	Models AFBE9BSP303NN29, AFBE9BSP303NW29, AFBE9BSP305NW29 and ZFBE9BSP305NW29 starting Serial No. 2101000001
	805218P	Control Assembly	Models BFNE6BJP113CW01 and BFNE6BJP113TW01
	805225P	Control Assembly	Models LFNE5BSP303AW01 and LFNE5BSP303AW12 through Serial No. 2012999999
	807518	Control Assembly	Models LFNE5BSP303AW01 and LFNE5BSP303AW12 starting Serial No. 2101000001
	806259P	Control Assembly	Models PFNE3BJP113CG01, PFNE3BJP113TG01, PFNE3BJP115CG01, PFNE3BJP115CW01, PFNE3BJP115TG01 and PFNE3BJP115TW01 through Serial No. 2012999999
	807520	Control Assembly	Models PFNE3BJP113CG01, PFNE3BJP113TG01, PFNE3BJP115CG01, PFNE3BJP115CW01, PFNE3BJP115TG01 and PFNE3BJP115TW01 starting Serial No. 2101000001
	807453	Control Assembly	Model AFNE9BSP545RW01 through Serial No. 2012999999
	807590	Control Assembly	Model AFNE9BSP545RW01 starting Serial No. 2101000001
	807489	Control Assembly	Models AFNE9BSP116CN13 and AFNE9BSP116CW13 through Serial No. 2012999999
	807530	Control Assembly	Models AFNE9BSP116CN13 and AFNE9BSP116CW13 starting Serial No. 2101000001
	806709	Control Assembly	Model AFNE9BSP545DW04 through Serial No. 2012999999
	807522	Control Assembly	Model AFNE9BSP545DW04 starting Serial No. 2101000001
	805217P	Control Assembly	All other models through Serial No. 2012999999
	807516	Control Assembly	All other models starting Serial No. 2101000001

# Control Cabinet, Top and Controls (Drawing 3 of 3)

Front Control Models



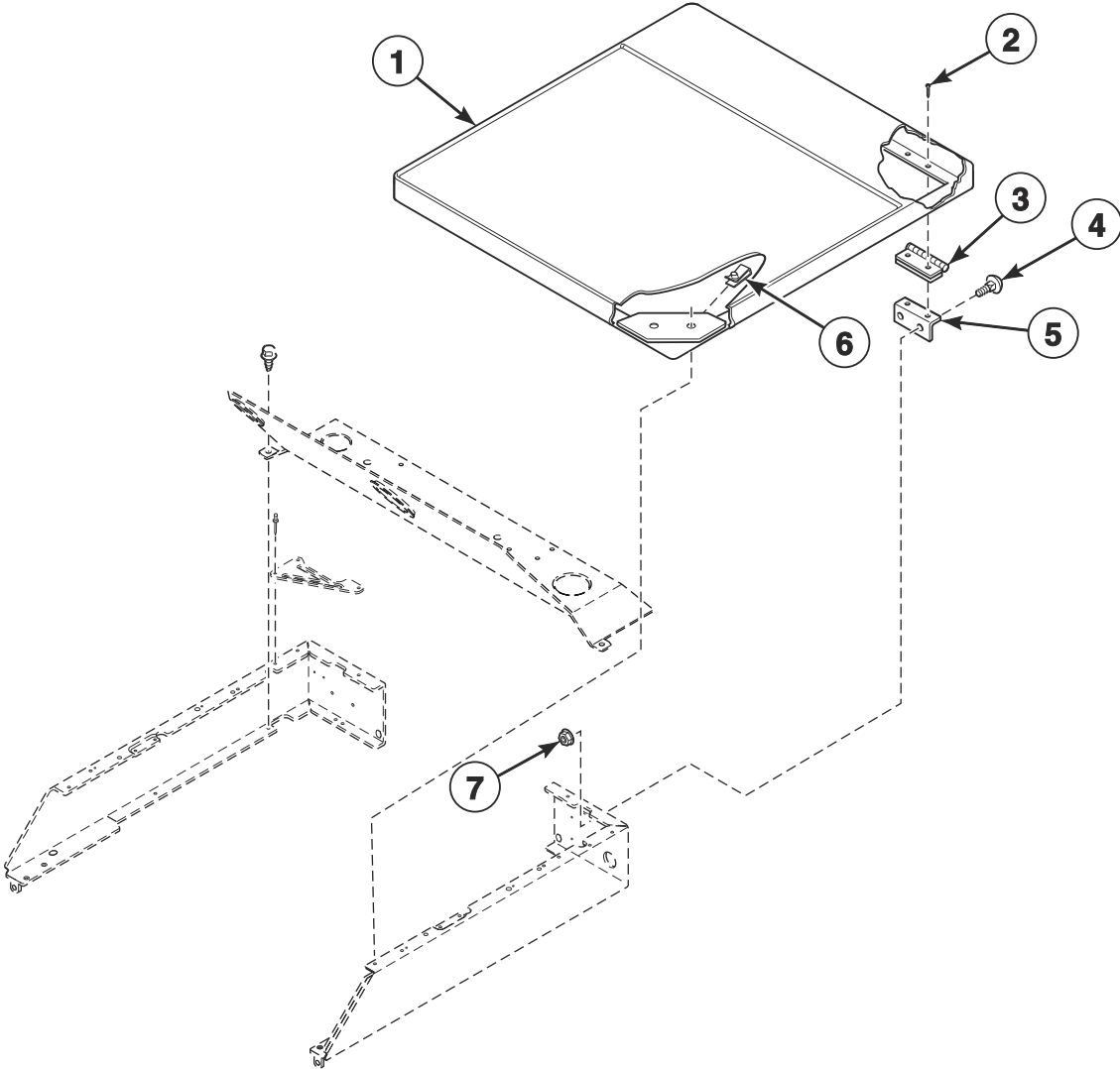
FLW1782PA\_805862

## Control Cabinet, Top and Controls (Drawing 3 of 3)

REF	PART NO.	DESCRIPTION	COMMENTS
	804797	Filter Harness	Filter to main harness; Models AFBE9BSP303NN29, AFBE9BSP303NW29, AFBE9BSP305AN01, AFBE9BSP305AW01, AFBE9BSP305NW29 and ZFBE9BSP305NW29
1	804969	Label	Models AFNE9BSP545DW04, AFNE9BSP545RW01, FFNE5BSP303LW01, FFNE5BSP303ZW01, LFNE5BJP113CW01, LFNE5BJP113TW01, LFNE5BJP115CW01, LFNE5BJP115TW01, LFNE5BSP113CW01, LFNE5BSP113FW01, LFNE5BSP113JW01, LFNE5BSP113TW01, LFNE5BSP113ZW30, LFNE5BSP115CW01, LFNE5BSP115TW01, LFNE5BSP125MW01, LFNE5BSP303AW01, LFNE5BSP303AW12, LFNE5BSP303NW35, LFNE5BSP303VW26, LFNE5BSP303WW37, LFNE5BSP303ZW01, LFNE5BSP543KN01, LFNE5BSP543KW01, LFNE5BSP543NW23, LFNE5BSP543RW01, LFNE5BSP543ZW01 and LFNE5FSP115TW01
	804970	Domed Label	Models YFNE5BJP113CW01, YFNE5BJP113TW01, YFNE5BJP115CW01 and YFNE5BJP115TW01
	800923	Domed Label	Models UFNE5BJP113TW01, UFNE5BJP113TW08, UFNE5BJP115TW01 and UFNE5BJP115TW08
	203173	Domed Label	Model BFNE6BJP113TW01
2	804660	Control Panel Assembly	Black; Models AFNE9BSP113CN01, AFNE9BSP115CN01, AFNE9BSP115CN13, AFNE9BSP115CW13, AFNE9BSP116CN13, AFNE9BSP116CW13, ZFNE9BSP116CN13 and ZFNE9BSP116CW13
	804961	Control Panel Assembly	Black; Models AFBE9BSP303NN29, AFBE9BSP305AN01, AFNE9BSP113FN01, AFNE9BSP123DN04, AFNE9BSP303AN01, AFNE9BSP303HN01, AFNE9BSP303LN01, AFNE9BSP303NN22, AFNE9BSP303XN01, AFNE9BSP303XN26, AFNE9BSP303XN34, AFNE9BSP543DN04, AFNE9BSP543ZN01 and LFNE5BSP543KN01
	807888W	Control Panel Assembly	White; Model LFNE5FSP115TW01
	804960	Control Panel Assembly	Models AFNE9BSP125DW04, FFNE5BSP125MW01 and LFNE5BSP125MW01
	804659W	Control Panel Assembly	White; All other models
	805005	Control Panel Assembly	Gray; All other models
3	800900WP	Left Control Cabinet Side	Left; White; Model LFNE5FSP115TW01
	804627W	Control Wrapper	Left; White; All other models
	804627B	Control Wrapper	Left; Black; All other models
	804627DG	Control Wrapper	Left; Gray; All other models
4	805345	Rear Wrapper Brace	
5	685847	Pop Rivet	
6	804684	Top Panel	Stainless steel
	804685WP	Top Panel	White
	804685DG	Top Panel	Gray
7	M400770	Snap Bushing	Models AFBE9BSP303NN29, AFBE9BSP303NW29, AFBE9BSP305AN01, AFBE9BSP305AW01, AFBE9BSP305NW29 and ZFBE9BSP305NW29
8	805633	Line Filter	Models AFBE9BSP303NN29, AFBE9BSP303NW29, AFBE9BSP305AN01, AFBE9BSP305AW01, AFBE9BSP305NW29 and ZFBE9BSP305NW29
9	D501086	Screw	Models AFBE9BSP303NN29, AFBE9BSP303NW29, AFBE9BSP305AN01, AFBE9BSP305AW01, AFBE9BSP305NW29 and ZFBE9BSP305NW29
10	D503661	Screw	Models AFBE9BSP303NN29, AFBE9BSP303NW29, AFBE9BSP305AN01, AFBE9BSP305AW01, AFBE9BSP305NW29 and ZFBE9BSP305NW29
11	804609	Terminal Block Panel	Models AFBE9BSP303NN29, AFBE9BSP303NW29, AFBE9BSP305AN01, AFBE9BSP305AW01, AFBE9BSP305NW29 and ZFBE9BSP305NW29

# Control Cabinet Top

Model LFNE5FSP115TW01



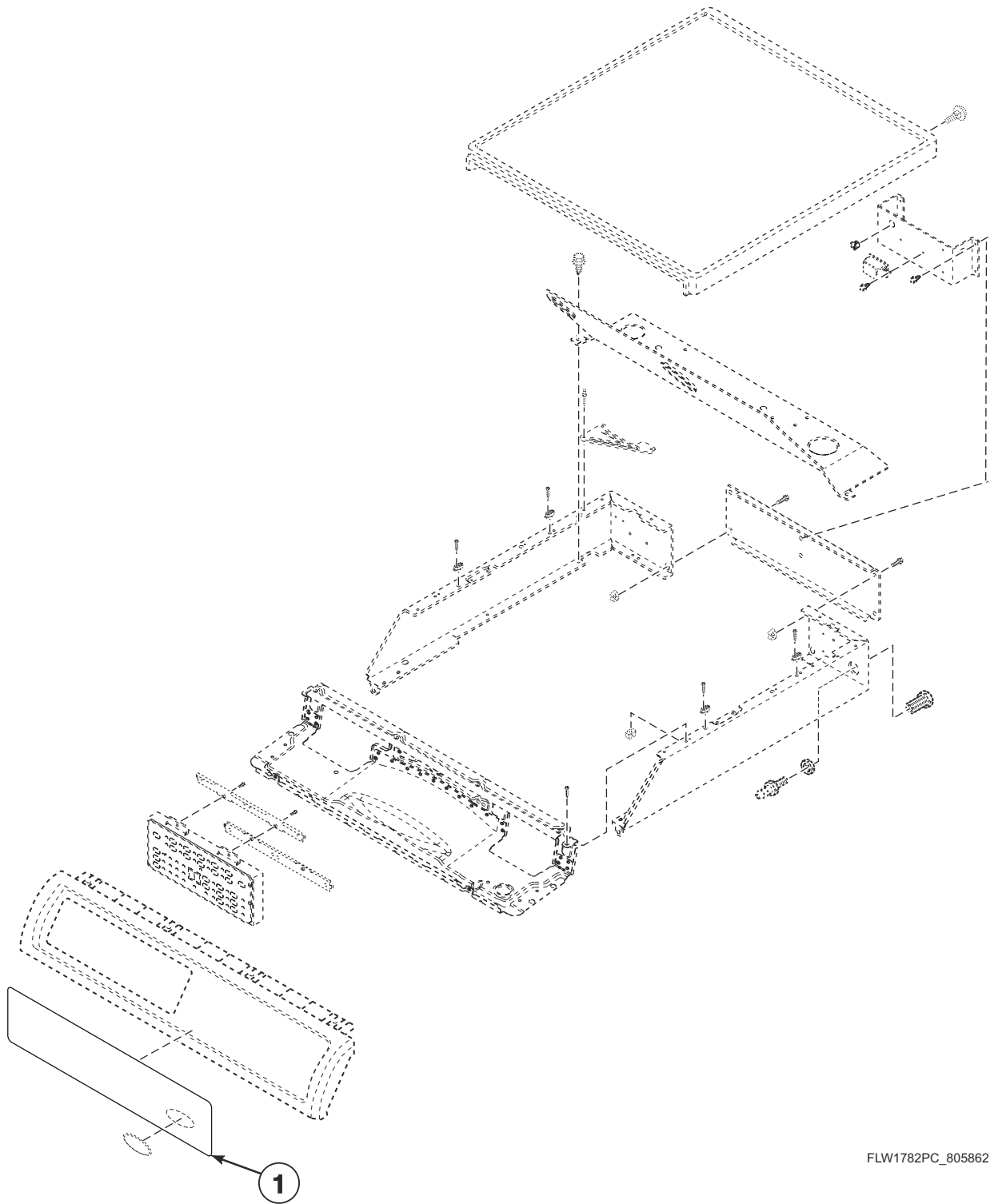
FLW1862P

# Control Cabinet Top

REF	PART NO.	DESCRIPTION	COMMENTS
1	D512878W	Top Panel	
2	685847	Pop Rivet	
3	D511036	Hinge	
4	29651	Bolt	
5	D504228	Top Mounting Bracket	
6	36020	Nut	
7	44087201	Nut	

# Control Overlay

Front Control Models



FLW1782PC\_805862

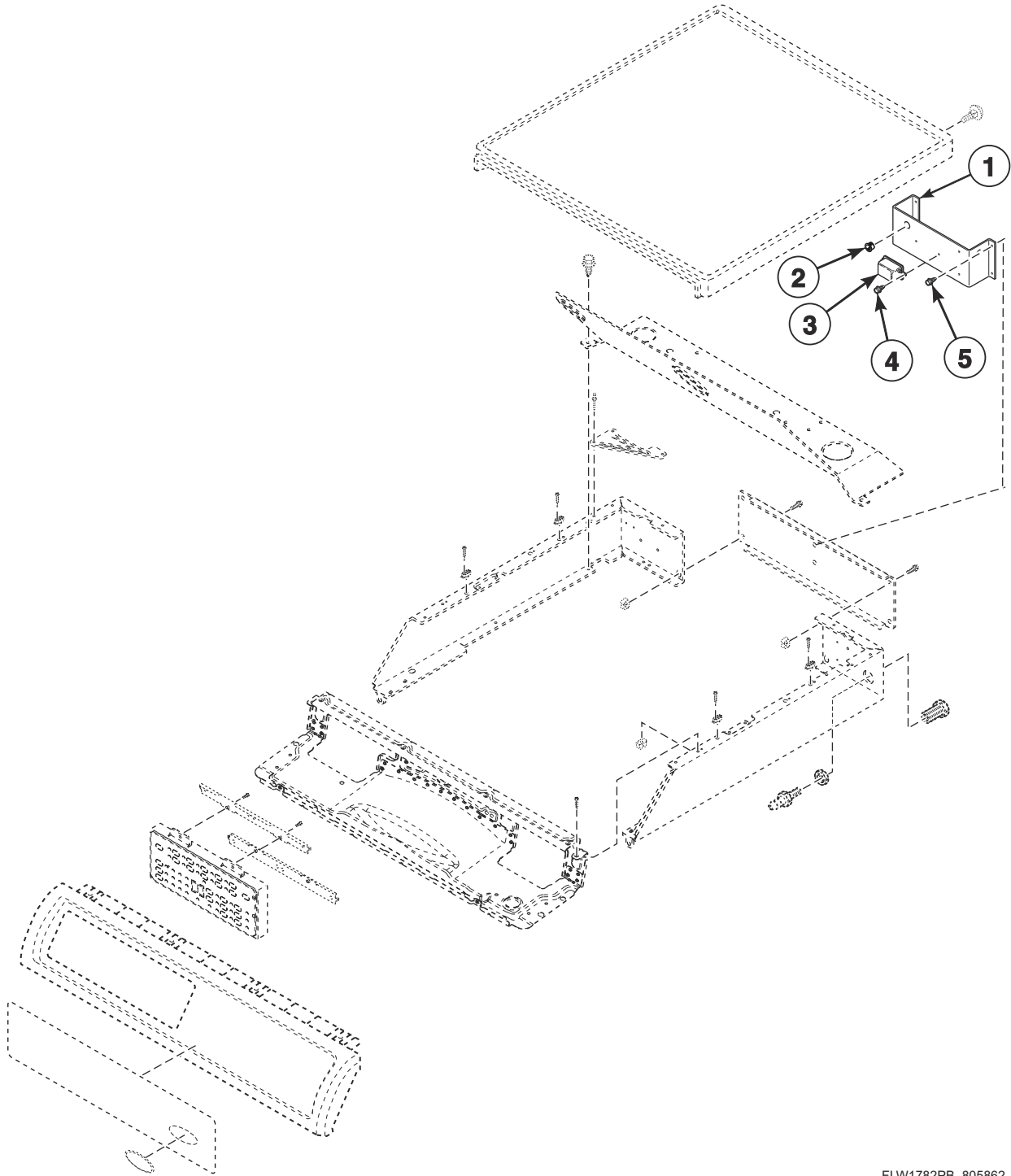
# Control Overlay

REF	PART NO.	DESCRIPTION	COMMENTS
1	804490	Control Overlay	Models AFNE9BSG303NW36, AFNE9BSP303AW01, AFNE9BSP303XW01, AFNE9BSP303XW26 and AFNE9BSP303XW34
	806451	Control Overlay	Model LFNE5BSP543KN01
	806450	Control Overlay	Model LFNE5BSP543KW01
	806107	Control Overlay	Model AFBE9BSP303NW29
	806968	Control Overlay	Models AFBE9BSP303NN29 and AFBE9BSP305NW29
	806169	Control Overlay	Models AFBE9BSP305AN01, AFBE9BSP305AW01, AFNE9BSG305NW36, AFNE9BSP113FN01, AFNE9BSP115CN01, AFNE9BSP115CN13, AFNE9BSP115CW01, AFNE9BSP115CW13, AFNE9BSP303AN01, AFNE9BSP303LN01, AFNE9BSP303XN01, AFNE9BSP303XN26, AFNE9BSP303XN34, AFNE9BSP305AW01, AFNE9BSP305LW01, AFNE9BSP305XW01 and AFNE9BSP305XW34
	806170	Control Overlay	Models ZFNE9BSP113CN01, ZFNE9BSP113FN01 and ZFNE9BSP115FW01
	806171	Control Overlay	Models AFNE9BSP113CN01, AFNE9BSP123DN04, AFNE9BSP125DW04, AFNE9BSP303HN01, AFNE9BSP303NN22, AFNE9BSP543DN04, AFNE9BSP543ZN01 and AFNE9BSP545RW01
	805696	Control Overlay	Models BFNE6BJP113CW01, FFNE5BSP115MW01, FFNE5BSP303ZW01, LFNE5BSP113JW01, LFNE5BSP125MW01, LFNE5BSP303VW26, LFNE5BSP303ZW01, LFNE5BSP543NW23, LFNE5BSP543ZW01, YFNE5BJP113CW01 and YFNE5BJP115CW01
	805699	Control Overlay	Models ZFNE9BSP113CW01 and ZFNE9BSP113FW01
	804733	Control Overlay	Models AFNE9BSP113CW01, AFNE9BSP123DW04 and AFNE9BSP543DW04
	806192	Control Overlay	Models PFNE3BJP113CG01, PFNE3BJP113TG01, PFNE3BJP115CG01, PFNE3BJP115CW01, PFNE3BJP115TG01 and PFNE3BJP115TW01
	807485	Control Overlay	Models AFNE9BSP116CN13 and AFNE9BSP116CW13
	807707	Control Overlay	Model ZFBE9BSP305NW29
	807655	Control Overlay	Models ZFNE9BSP116CN13 and ZFNE9BSP116CW13
	807188	Control Overlay	Model AFNE9BSP545DW04
	807885	Control Overlay	Model LFNE5FSP115TW01
	808132	Control Overlay	Model FFNE5BSP125MW01
	805695	Control Overlay	All other models

# Control Cabinet Line Filter

Models AFNE9BSP113FN01, AFNE9BSP123DN04, AFNE9BSP123DW04, AFNE9BSP303AN01, AFNE9BSP303AW01, AFNE9BSP303HN01, AFNE9BSP303NN22, AFNE9BSP303XN26, AFNE9BSP303XN34, AFNE9BSP303XW26, AFNE9BSP303XW34, AFNE9BSP543DN04, AFNE9BSP543DW04, AFNE9BSP543ZN01, AFNE9BSP545DW04, LFNE5BSP113FW01, LFNE5BSP303AW01, LFNE5BSP303AW12, LFNE5BSP303NW35, LFNE5BSP303ZW01, LFNE5BSP543NW23, LFNE5BSP543ZW01, ZFNE9BSP113FN01 and ZFNE9BSP113FW01

Models Through Serial Nos. Beginning 1610



FLW1782PB\_805862

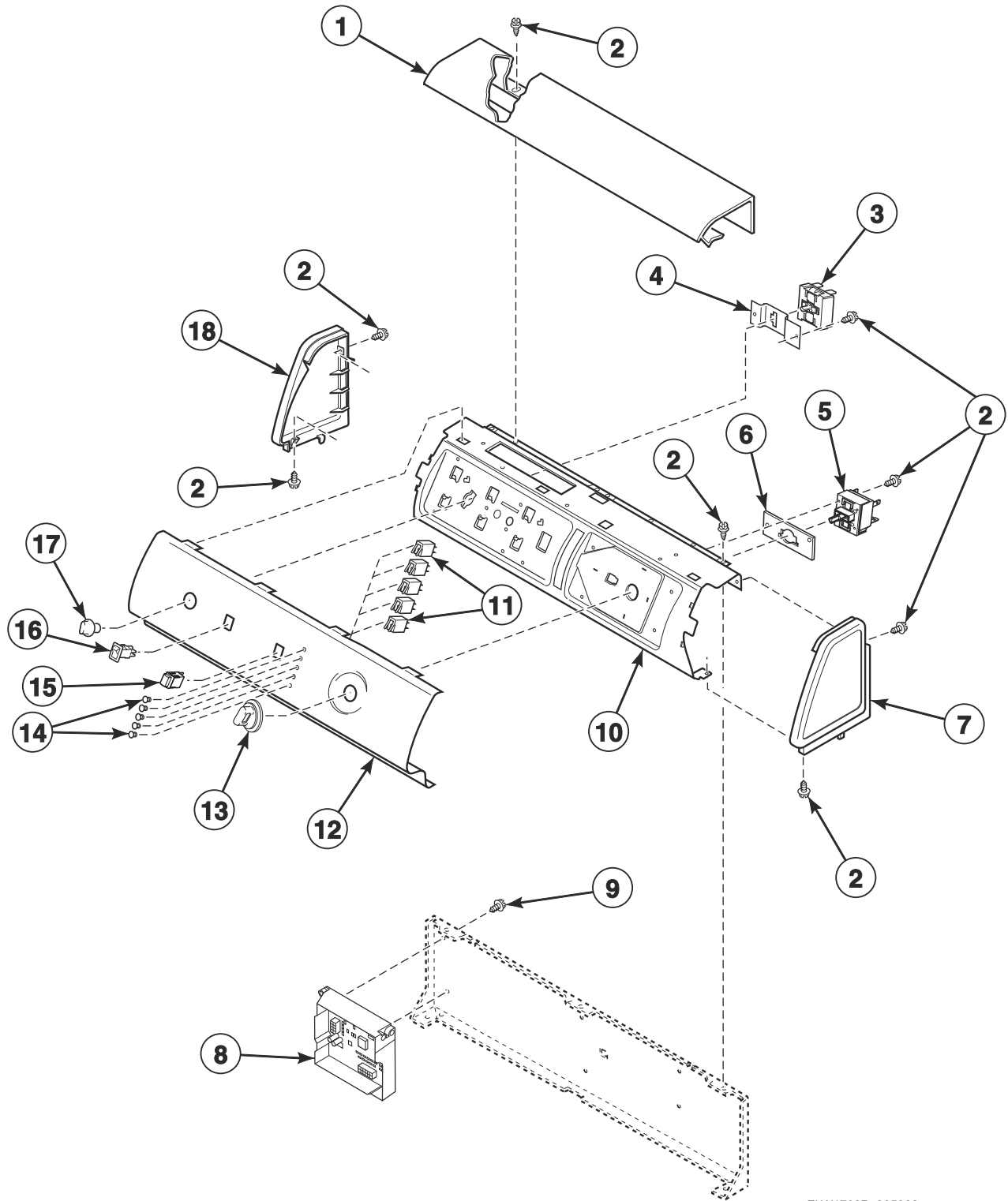


## Control Cabinet Line Filter

REF	PART NO.	DESCRIPTION	COMMENTS
1	804609	Terminal Block Panel	
2	M400770	Snap Bushing	
3	805633	Line Filter	
4	D501086	Screw	
5	D503661	Screw	

# Graphic Panel, Control Support Panel and Controls (Drawing 1 of 2)

Models AFN50RSP113FW01, LFN50RSP113TW01 and LFN50RSP115TW01



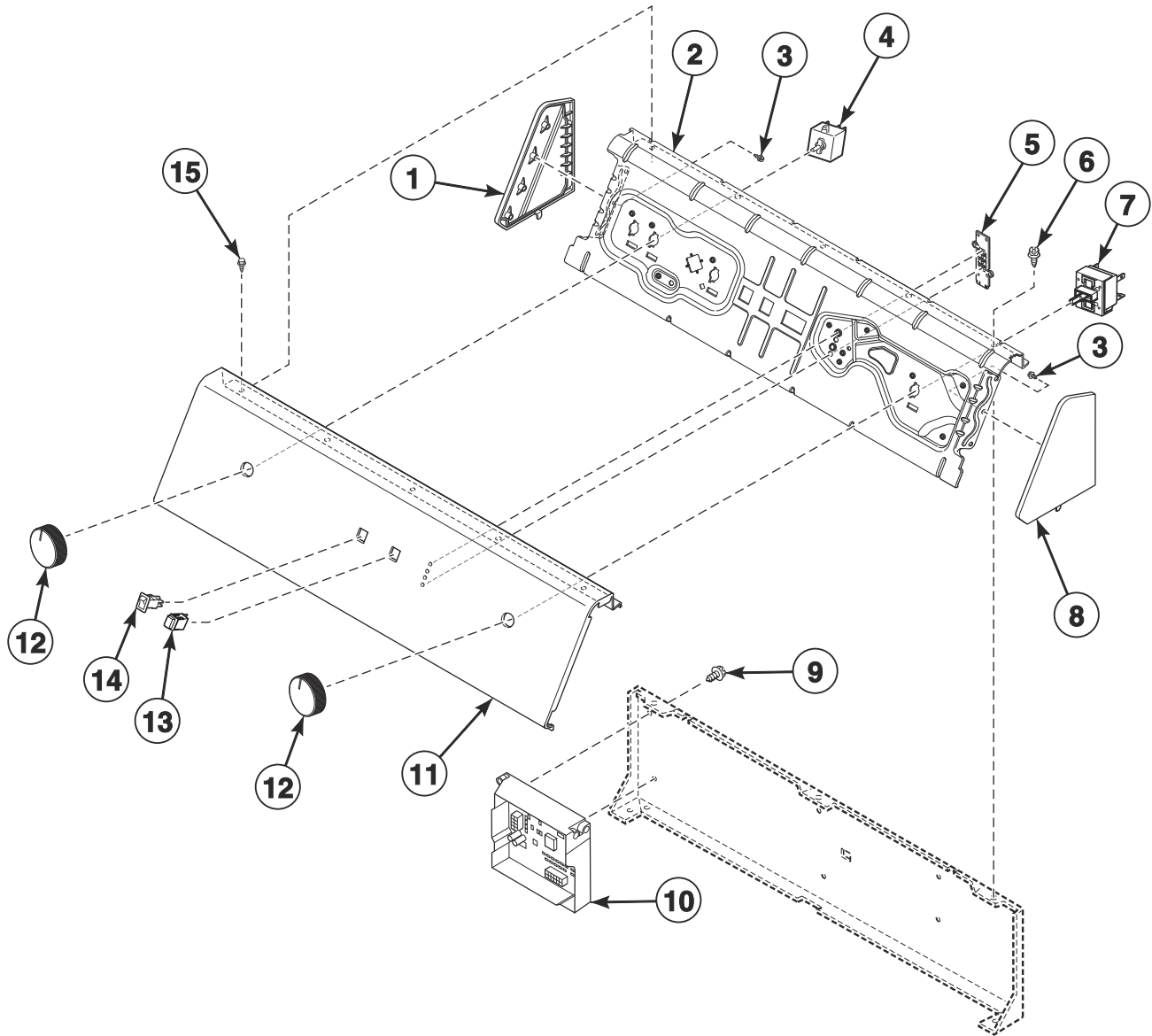
FLW1760P\_805862

## Graphic Panel, Control Support Panel and Controls (Drawing 1 of 2)

REF	PART NO.	DESCRIPTION	COMMENTS
1	D505808W	Top Cover	
2	D501086	Screw	
3	35115	Temperature Switch	
4	800669	Temperature Switch Bracket	
5	801240	Cycle Switch	
6	801390	Cycle Switch Bracket	
7	D504008WP	End Panel	Right
8	804474P	Control Assembly	
9	685837	Screw	
10	801388	Control Support Panel	
11	801356	Indicator Light	Green
12	805109W	Graphic Panel	Model AFN50RSP113FW01
	805714W	Graphic Panel	Models LFN50RSP113TW01 and LFN50RSP115TW01
13	803168P	Knob Assembly	Model AFN50RSP113FW01
	D512117W	Timer Knob Assembly	Models LFN50RSP113TW01 and LFN50RSP115TW01
14	801435	Indicator Light Lens	
15	801434W	Push-to-Start Switch	
16	38424W	Rocker Switch	Extra rinse
17	803119P	Control Knob Assembly	Model AFN50RSP113FW01
	36701W	Knob Assembly	Models LFN50RSP113TW01 and LFN50RSP115TW01
18	D504009WP	End Panel	Left

# Graphic Panel, Control Support Panel and Controls (Drawing 2 of 2)

Model AFN50RSP115FW01



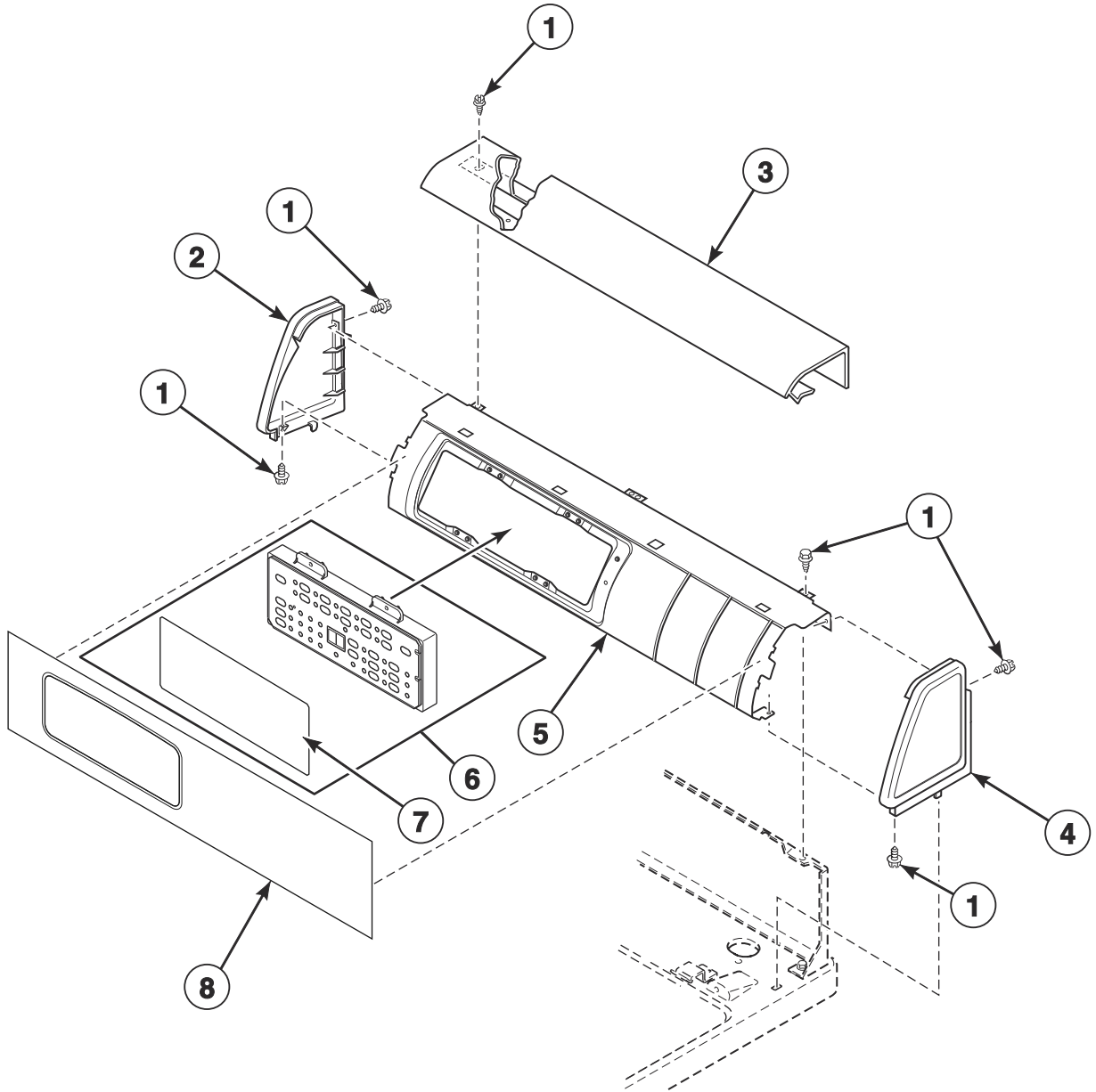
FLW1857P\_805862

## Graphic Panel, Control Support Panel and Controls (Drawing 2 of 2)

REF	PART NO.	DESCRIPTION	COMMENTS
1	203730W	End Cap	Left
2	806547	Control Support Panel	
3	203799	Screw	
4	35115	Temperature Switch	
5	203849	LED Display Assembly	
6	D501086	Screw	
7	203976	Cycle Selector Switch	
8	203729W	End Cap	Right
9	804608	Screw	
10	804474P	Control Assembly	
11	806708	Graphic Panel	
12	204046	Knob Assembly	
13	203935	Push Button Switch	
14	203934	Rocker Switch	
15	807075	Screw	

# Control Panel and Control

Models FFNE5RSP303NW10, LFNE5RSP113CW01, LFNE5RSP113FW01, LFNE5RSP113TW01, LFNE5RSP115CW01, LFNE5RSP115TW01, LFNE5RSP303NW22, PFNE3RSP113TG01, PFNE3RSP115TG01, PFNE3RSP115TW01, PFNE3RSP303AG01, YFNE5RSP113CW01, YFNE5RSP113TW01, YFNE5RSP115CW01 and YFNE5RSP115TW01



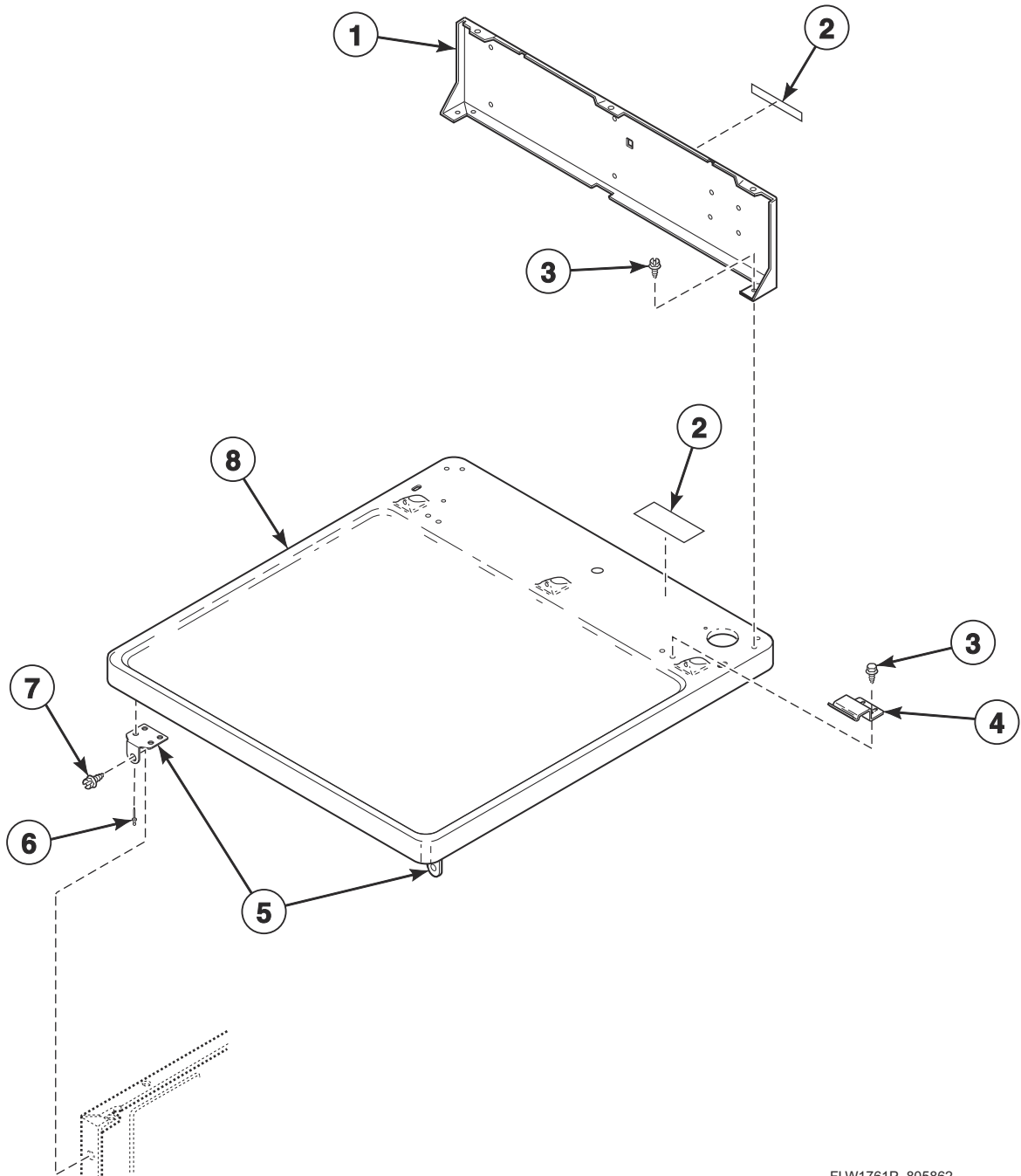
FLW1762P\_805862

## Control Panel and Control

REF	PART NO.	DESCRIPTION	COMMENTS
1	D501086	Screw	
2	D504007P	End Panel	Left; Models PFNE3RSP113TG01, PFNE3RSP115TG01, PFNE3RSP115TW01 and PFNE3RSP303AG01
	D504009WP	End Panel	Left; All other models
3	D505808DG	Top Cover	Models PFNE3RSP113TG01, PFNE3RSP115TG01, PFNE3RSP115TW01 and PFNE3RSP303AG01
	D505808W	Top Cover	All other models
4	D504006P	End Panel	Right; Models PFNE3RSP113TG01, PFNE3RSP115TG01, PFNE3RSP115TW01 and PFNE3RSP303AG01
	D504008WP	End Panel	Right; All other models
5	804836	Control Support Panel	
6	804517P	Control Assembly	Includes item 7; Models FFNE5RSP303NW10, LFNE5RSP113CW01, LFNE5RSP113FW01, LFNE5RSP113TW01, LFNE5RSP115CW01, LFNE5RSP115TW01, LFNE5RSP303NW22, YFNE5RSP113TW01 and YFNE5RSP115TW01
	806255P	Control Assembly	Includes item 7; Models PFNE3RSP113TG01, PFNE3RSP115TG01, PFNE3RSP115TW01 and PFNE3RSP303AG01
	804789P	Control Assembly	Includes item 7; Models YFNE5RSP113CW01 and YFNE5RSP115CW01
7	804492	Overlay	Models FFNE5RSP303NW10, LFNE5RSP113CW01, LFNE5RSP113FW01, LFNE5RSP113TW01, LFNE5RSP115CW01, LFNE5RSP115TW01, LFNE5RSP303NW22, YFNE5RSP113TW01 and YFNE5RSP115TW01
	806191	Overlay	Models PFNE3RSP113TG01, PFNE3RSP115TG01, PFNE3RSP115TW01 and PFNE3RSP303AG01
	804493	Overlay	Models YFNE5RSP113CW01 and YFNE5RSP115CW01
8	805449	Graphic Panel	Model FFNE5RSP303NW10
	805448	Graphic Panel	Models YFNE5RSP113CW01, YFNE5RSP113TW01, YFNE5RSP115CW01 and YFNE5RSP115TW01
	805608	Graphic Panel	Models PFNE3RSP113TG01, PFNE3RSP115TG01, PFNE3RSP115TW01 and PFNE3RSP303AG01
	805406	Graphic Panel	All other models

# Top and Hood Back Panel

Rear Control Models



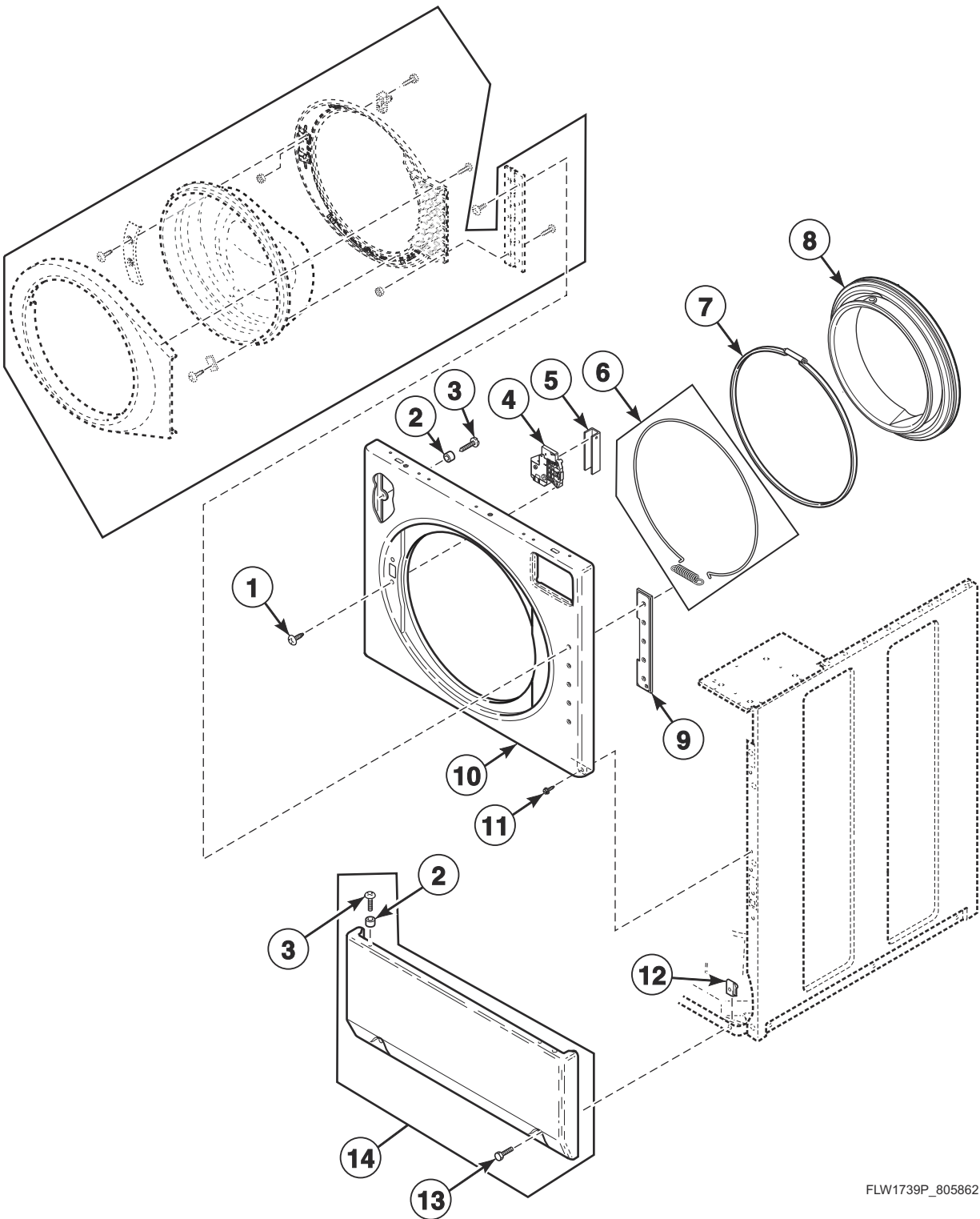
FLW1761P\_805862



## Top and Hood Back Panel

REF	PART NO.	DESCRIPTION	COMMENTS
1	804845	Hood Back Panel	Models AFN50RSP113FW01, LFN50RSP113TW01 and LFN50RSP115TW01
	806593	Hood Back Panel	Model AFN50RSP115FW01
	804169	Hood Back Panel	All other models
2	D500316R6	Warning Label	
	F8211201	Electrical Shock Label	
	D505281R3	Disconnect Power Warning Label	
3	D501086	Screw	
4	35358	Hold-Down Clip	Through Serial Nos. beginning with 1412
	205340	Hold-Down Clip	Starting Serial Nos. beginning with 1501
5	D510146	Bracket	
6	70058501	Pop Rivet	
7	D503661	Screw	
8	D510029DG	Top Panel	Models PFNE3RSP113TG01, PFNE3RSP115TG01, PFNE3RSP115TW01 and PFNE3RSP303AG01
	D510029WP	Top Panel Kit	All other models

# Front Panel and Door Seal

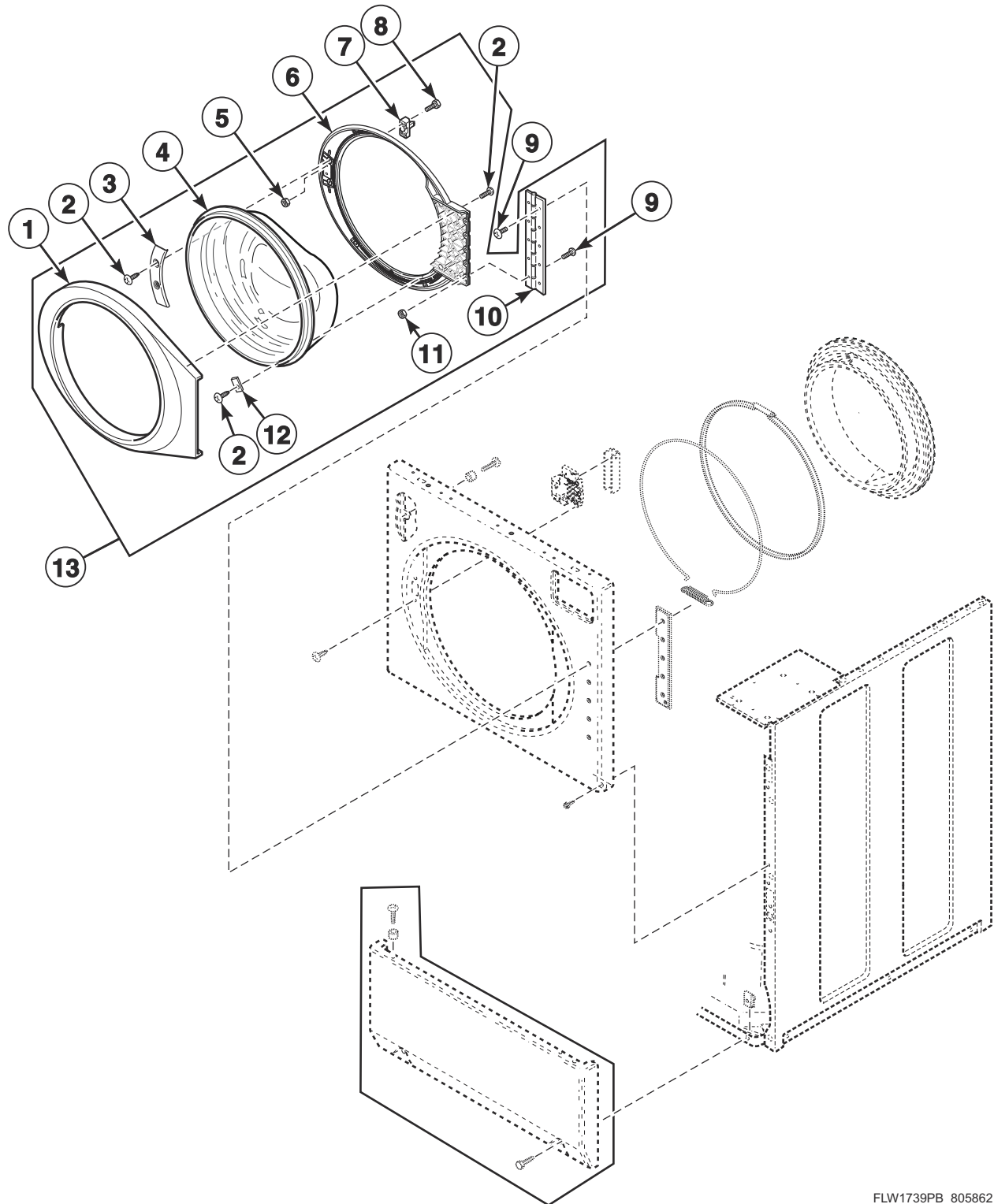


FLW1739P\_805862

## Front Panel and Door Seal

REF	PART NO.	DESCRIPTION	COMMENTS
1	800548	Screw	
2	56079	Panel Locator	
3	806086	Screw	Use with stainless steel panels
	39733	Screw	Use with painted panels
4	803920	Door Latch Assembly	
5	804784	Door Lock Drip Shield	Models AFBE9BSP303NN29, AFBE9BSP303NW29, AFBE9BSP305AN01, AFBE9BSP305AW01, AFBE9BSP305NW29, AFN50RSP113FW01, AFN50RSP115FW01, AFNE9BSG303NW36, AFNE9BSG305NW36, AFNE9BSP113FN01, AFNE9BSP123DN04, AFNE9BSP123DW04, AFNE9BSP125DW04, AFNE9BSP303AN01, AFNE9BSP303AW01, AFNE9BSP303HN01, AFNE9BSP303LN01, AFNE9BSP303XN01, AFNE9BSP303XN26, AFNE9BSP303XN34, AFNE9BSP303XW01, AFNE9BSP303XW26, AFNE9BSP303XW34, AFNE9BSP305AW01, AFNE9BSP305LW01, AFNE9BSP305XW01, AFNE9BSP305XW34, AFNE9BSP543DN04, AFNE9BSP543DW04, AFNE9BSP543ZN01, AFNE9BSP545DW04, AFNE9BSP545RW01, FFNE5BSP125MW01, FFNE5BSP303LW01, FFNE5BSP303ZW01, LFNE5BSP113FW01, LFNE5BSP113JW01, LFNE5BSP113ZW30, LFNE5BSP125MW01, LFNE5BSP303AW01, LFNE5BSP303AW12, LFNE5BSP303VW26, LFNE5BSP303WW37, LFNE5BSP303ZW01, LFNE5BSP543KN01, LFNE5BSP543KW01, LFNE5BSP543RW01, LFNE5BSP543ZW01, LFNE5RSP113FW01, PFNE3RSP303AG01, ZFBE9BSP305NW29, ZFNE9BSP113FN01, ZFNE9BSP113FW01 and ZFNE9BSP115FW01
	806713	Door Lock Shield	Models AFNE9BSP115CN13, AFNE9BSP115CW13, AFNE9BSP116CN13, AFNE9BSP116CW13, ZFNE9BSP116CN13 and ZFNE9BSP116CW13
6	806466	Wire Ring and Spring	
7	802281	Hose Clamp	Seal to outer tub front
8	804428P	Door Seal	Black
	804429P	Door Seal Assembly	Gray
9	802206	Hinge Plate	
10	802278W	Front Panel	White; Models AFNE9BSP115CN13, AFNE9BSP115CW13, AFNE9BSP116CN13, AFNE9BSP116CW13, ZFNE9BSP116CN13 and ZFNE9BSP116CW13
	802288P	Front Panel	Stainless steel; All other models
	802277WP	Front Panel	White; All other models
	802277DG	Front Panel	Gray; All other models
11	D503661	Screw	
12	36020	Nut	
13	801045	Screw	
14	804618	Access Panel Assembly	Stainless steel
	804617W	Access Panel Assembly	White
	804617DGP	Access Panel Assembly	Gray

# Door Assembly



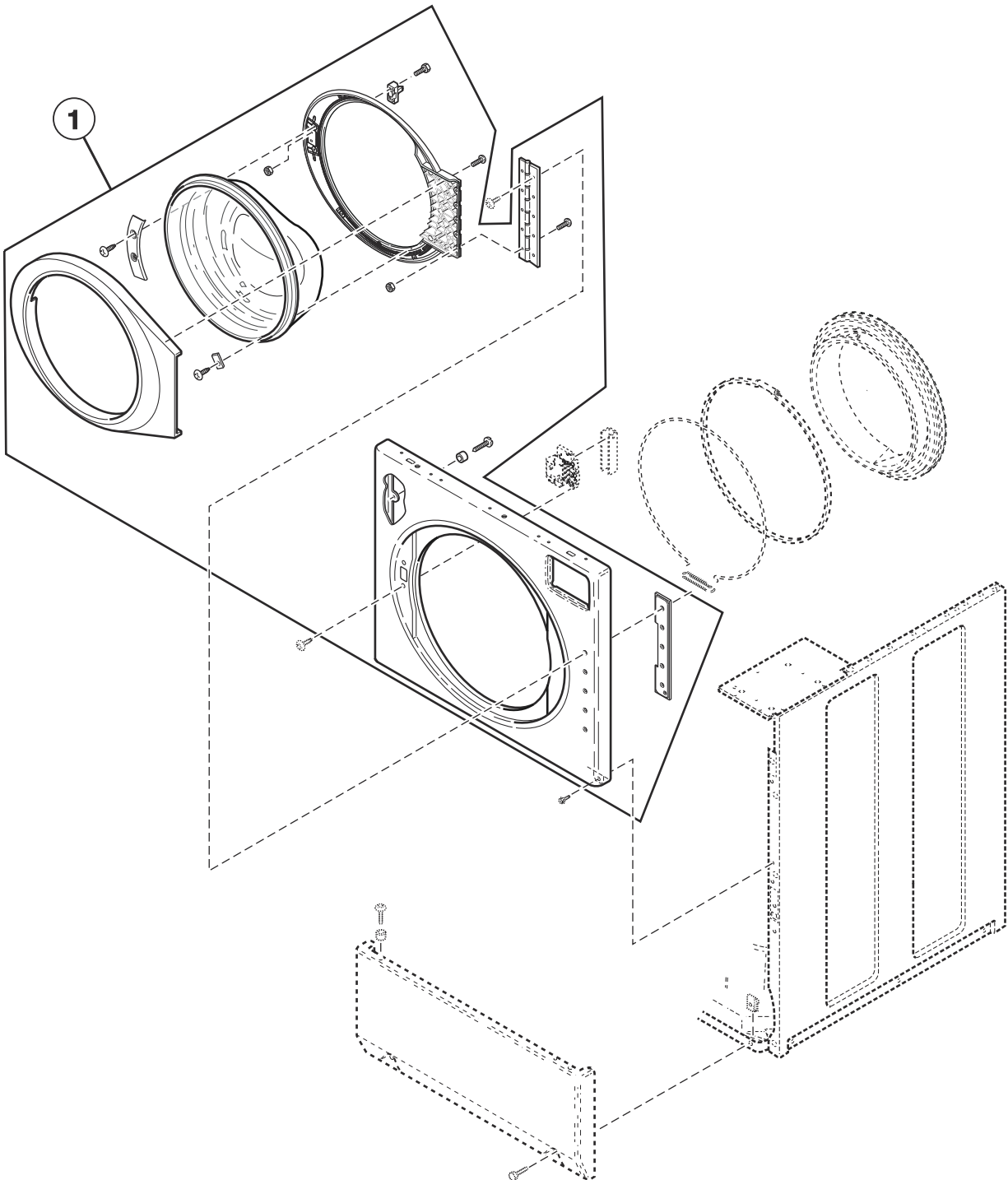
FLW1739PB\_805862

# Door Assembly

REF	PART NO.	DESCRIPTION	COMMENTS
1	808091	Outer Door Bezel	Models PFNE3BJP113CG01, PFNE3BJP113TG01, PFNE3RSP113TG01 and PFNE3RSP303AG01
	808092	Outer Door Bezel	Black; Models AFBE9BSP303NN29, AFBE9BSP305AN01, AFNE9BSP113CN01, AFNE9BSP113FN01, AFNE9BSP115CN01, AFNE9BSP115CN13, AFNE9BSP115CW13, AFNE9BSP116CN13, AFNE9BSP116CW13, AFNE9BSP123DN04, AFNE9BSP303AN01, AFNE9BSP303HN01, AFNE9BSP303LN01, AFNE9BSP303NN22, AFNE9BSP303XN01, AFNE9BSP303XN26, AFNE9BSP303XN34, AFNE9BSP543DN04, AFNE9BSP543ZN01, LFNE5BSP543KN01, ZFNE9BSP113CN01, ZFNE9BSP113FN01, ZFNE9BSP116CN13 and ZFNE9BSP116CW13
	808094	Outer Door Bezel	White; All other models
2	800548	Screw	
3	806354	Door Glass Mounting Plate	
4	802695P	Door Glass	
5	685846	Nut	
6	808097	Inner Door Bezel	Glass filled polypropylene upgrade
	808096	Inner Door Bezel Kit	Models AFBE9BSP303NN29, AFBE9BSP305AN01, AFNE9BSP113CN01, AFNE9BSP113FN01, AFNE9BSP115CN01, AFNE9BSP115CN13, AFNE9BSP115CW13, AFNE9BSP116CN13, AFNE9BSP116CW13, AFNE9BSP123DN04, AFNE9BSP303AN01, AFNE9BSP303HN01, AFNE9BSP303LN01, AFNE9BSP303NN22, AFNE9BSP303XN01, AFNE9BSP303XN26, AFNE9BSP303XN34, AFNE9BSP543DN04, AFNE9BSP543ZN01, LFNE5BSP543KN01, PFNE3BJP113CG01, PFNE3BJP113TG01, PFNE3RSP113TG01, PFNE3RSP303AG01, ZFNE9BSP113CN01, ZFNE9BSP113FN01, ZFNE9BSP116CN13 and ZFNE9BSP116CW13
	808095	Inner Door Bezel Kit	All other models
7	802803	Door Catch Assembly	
8	801993	Screw	
9	807678	Screw	
10	802934	Door Hinge	
11	23951	Nut	
12	802700	Glass Mounting Clip	7 required
13	805550P	Door Assembly	Black; Includes items 1-12
	804083WP	Door Assembly	White; Includes items 1-12
	804210P	Door Assembly	Gray; Includes items 1-12

# Front Panel Assembly

Models BFNE6BJP113TW01, LFN50RSP113TW01, LFNE5BJP113TW01, LFNE5BSP113TW01, LFNE5RSP113TW01, UFNE5BJP113TW01, UFNE5BJP113TW08, YFNE5BJP113TW01 and YFNE5RSP113TW01

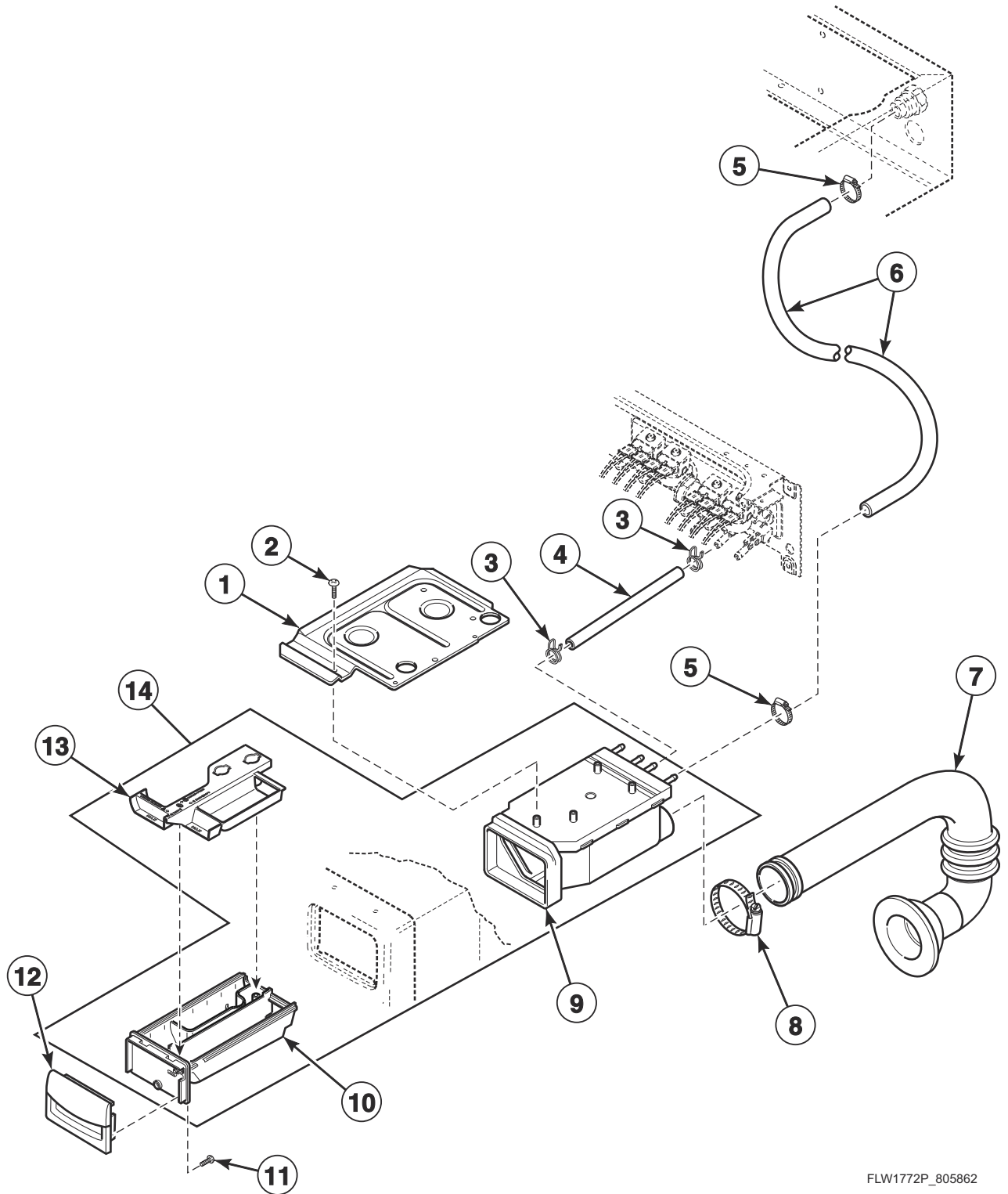


FLW1739PA\_805862

# Front Panel Assembly

REF	PART NO.	DESCRIPTION	COMMENTS
1	806505W	Front Panel Assembly Kit	White
	806560	Front Panel Assembly Kit	Stainless steel

# Dispenser Assembly



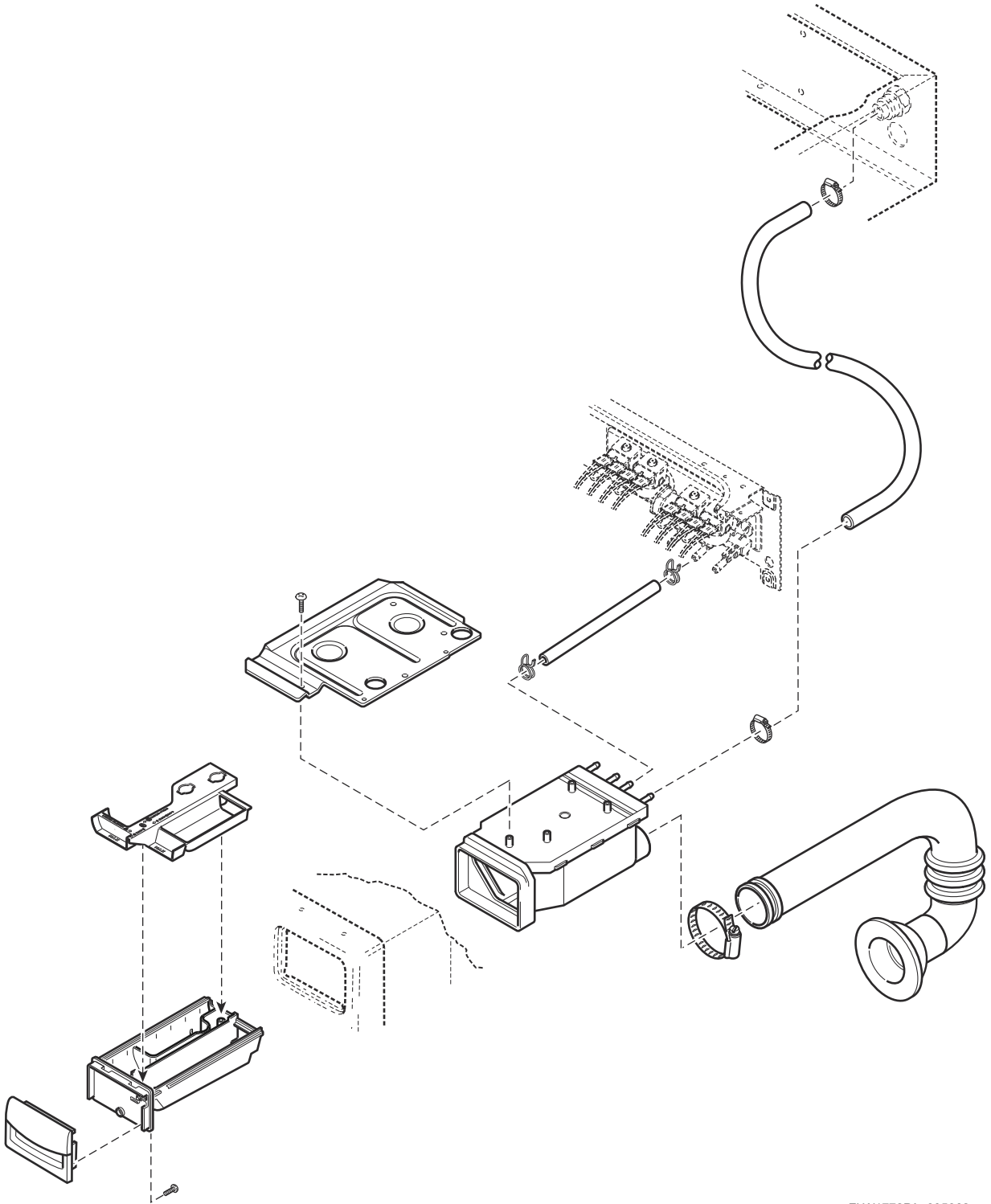
FLW1772P\_805862



# Dispenser Assembly

REF	PART NO.	DESCRIPTION	COMMENTS
	804875	Foam Pad	
1	803843	Dispenser Plate	
2	801001	Screw	
3	807386	Hose Clamp	
4	807364	Dispenser Inlet Hose	Starting Serial No. 1810000001; Models FFNE5BSP303ZW01, LFNE5BSP303AW01, LFNE5BSP303AW12 and PFNE3RSP303AG01 continuing through Serial No.1905000001
	803849	Dispenser Inlet Hose	Through Serial No. 1810000001
	806718	Dispenser Inlet Hose	Models LFNE5BSP303AW01, LFNE5BSP303AW12 and PFNE3RSP303AG01 starting Serial No.1905000001
5	F200206	Hose Clamp	Models BFNE6BJP113CW01, BFNE6BJP113TW01, LFNE5BJP113CW01, LFNE5BJP113TW01, LFNE5BJP115CW01, LFNE5BJP115TW01, PFNE3BJP113TG01, PFNE3BJP115CG01, PFNE3BJP115CW01, PFNE3BJP115TG01, PFNE3BJP115TW01, UFNE5BJP113TW01, UFNE5BJP113TW08, UFNE5BJP115TW01, UFNE5BJP115TW08, YFNE5BJP113CW01, YFNE5BJP115CW01 and YFNE5BJP115TW01
6	801635	Tubing	Models BFNE6BJP113CW01, BFNE6BJP113TW01, LFNE5BJP113CW01, LFNE5BJP113TW01, LFNE5BJP115CW01, LFNE5BJP115TW01, PFNE3BJP113TG01, PFNE3BJP115CG01, PFNE3BJP115CW01, PFNE3BJP115TG01, PFNE3BJP115TW01, UFNE5BJP113TW01, UFNE5BJP113TW08, UFNE5BJP115TW01, UFNE5BJP115TW08, YFNE5BJP113CW01, YFNE5BJP115CW01 and YFNE5BJP115TW01
7	804717	Detergent Hose	
8	685725	Hose Clamp	
9	803698	Dispenser Assembly	
10	803667	Dispenser Drawer	
11	800548	Screw	
12	804227WP	Dispenser Handle	White
	804227B	Dispenser Handle	Black
	804228	Dispenser Handle	Gray
13	803670	Compartment Cover	Models LFN50RSP113TW01 and LFN50RSP115TW01
	803669	Compartment Cover	All other models
14	805495P	Dispenser Assembly	Models LFN50RSP113TW01 and LFN50RSP115TW01; Includes items 9, 10 and 13
	805494P	Dispenser Assembly	All other models; Includes items 9, 10 and 13

# Chemical Injection Conversion Kits

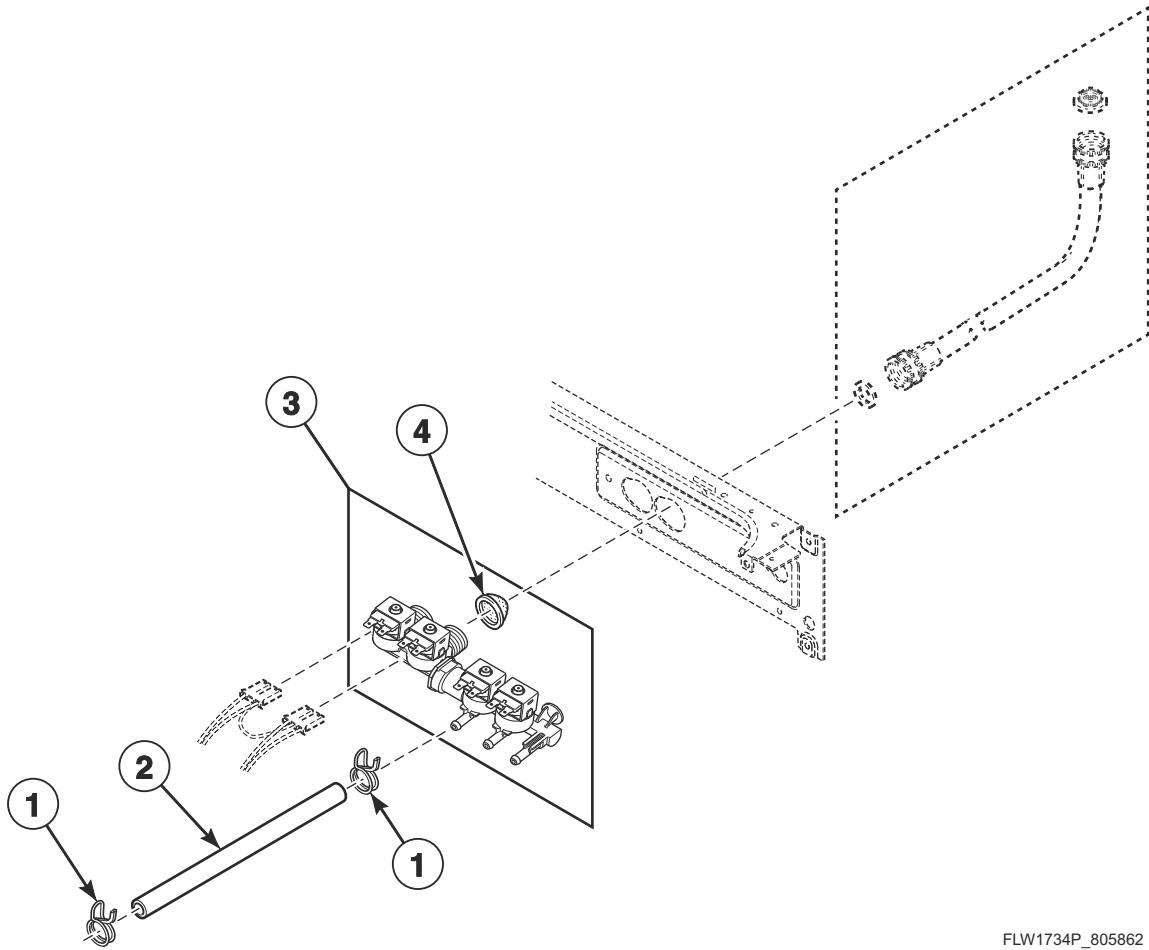


FLW1772PA\_805862

## Chemical Injection Conversion Kits

REF	PART NO.	DESCRIPTION	COMMENTS
805938		Chemical Injection Conversion Kit	Includes 110 Volt/24 Volt transformer; Models AFNE9BSP113CN01, AFNE9BSP113CW01, AFNE9BSP113FN01, AFNE9BSP115CN01, AFNE9BSP115CN13, AFNE9BSP115CW01, AFNE9BSP115CW13, AFNE9BSP116CN13, AFNE9BSP116CW13, AFNE9BSP123DN04, AFNE9BSP123DW04, AFNE9BSP545DW04, FFNE5BSP115MW01, LFNE5BSP113CW01, LFNE5BSP113FW01, LFNE5BSP113JW01, LFNE5BSP113TW01, LFNE5BSP113ZW30, LFNE5BSP115CW01, LFNE5BSP115TW01, ZFNE9BSP113CN01, ZFNE9BSP113CW01, ZFNE9BSP113FN01, ZFNE9BSP113FW01, ZFNE9BSP115FW01, ZFNE9BSP116CN13 and ZFNE9BSP116CW13 through Serial No. 2012999999
808076		Chemical Injection Conversion Kit	Includes 110 Volt/24 Volt transformer; Models AFNE9BSP113CN01, AFNE9BSP113CW01, AFNE9BSP113FN01, AFNE9BSP115CN01, AFNE9BSP115CN13, AFNE9BSP115CW01, AFNE9BSP115CW13, AFNE9BSP116CN13, AFNE9BSP116CW13, AFNE9BSP123DN04, AFNE9BSP123DW04, AFNE9BSP545DW04, FFNE5BSP115MW01, FFNE5BSP125MW01, LFNE5BSP113CW01, LFNE5BSP113FW01, LFNE5BSP113JW01, LFNE5BSP113TW01, LFNE5BSP113ZW30, LFNE5BSP115CW01, LFNE5BSP115TW01, LFNE5BSP125MW01, LFNE5BSP115TW01, ZFNE9BSP113CN01, ZFNE9BSP113CW01, ZFNE9BSP113FN01, ZFNE9BSP113FW01, ZFNE9BSP115FW01, ZFNE9BSP116CN13 and ZFNE9BSP116CW13 starting Serial No. 2101000001
805939		Chemical Injection Conversion Kit	Includes 220 Volt/24 Volt transformer; Models AFBE9BSP303NN29, AFBE9BSP303NW29, AFBE9BSP305AN01, AFBE9BSP305AW01, AFBE9BSP305NW29, AFNE9BSG303NW36, AFNE9BSG305NW36, AFNE9BSP125DW04, AFNE9BSP303AN01, AFNE9BSP303AW01, AFNE9BSP303HN01, AFNE9BSP303LN01, AFNE9BSP303NN22, AFNE9BSP303XN01, AFNE9BSP303XN26, AFNE9BSP303XN34, AFNE9BSP303XW01, AFNE9BSP303XW26, AFNE9BSP303XW34, AFNE9BSP305AW01, AFNE9BSP305LW01, AFNE9BSP305XW01, AFNE9BSP305XW34, AFNE9BSP543DN04, AFNE9BSP543DW04, AFNE9BSP543ZN01, AFNE9BSP545RW01, FFNE5BSP303LW01, FFNE5BSP303ZW01, LFNE5BSP303AW01, LFNE5BSP303AW12, LFNE5BSP303NW35, LFNE5BSP303VW26, LFNE5BSP303VW37, LFNE5BSP303ZW01, LFNE5BSP543KN01, LFNE5BSP543KW01, LFNE5BSP543NW23, LFNE5BSP543RW01, LFNE5BSP543ZW01 and ZFBE9BSP305NW29 through Serial No. 2012999999
808077		Chemical Injection Conversion Kit	Includes 220 Volt/24 Volt transformer; Models AFBE9BSP303NN29, AFBE9BSP303NW29, AFBE9BSP305AN01, AFBE9BSP305AW01, AFBE9BSP305NW29, AFNE9BSG303NW36, AFNE9BSG305NW36, AFNE9BSP125DW04, AFNE9BSP303AN01, AFNE9BSP303AW01, AFNE9BSP303HN01, AFNE9BSP303LN01, AFNE9BSP303NN22, AFNE9BSP303XN01, AFNE9BSP303XN26, AFNE9BSP303XN34, AFNE9BSP303XW01, AFNE9BSP303XW26, AFNE9BSP303XW34, AFNE9BSP305AW01, AFNE9BSP305LW01, AFNE9BSP305XW01, AFNE9BSP305XW34, AFNE9BSP543DN04, AFNE9BSP543DW04, AFNE9BSP543ZN01, AFNE9BSP545RW01, FFNE5BSP303LW01, FFNE5BSP303ZW01, LFNE5BSP303AW01, LFNE5BSP303AW12, LFNE5BSP303NW35, LFNE5BSP303VW26, LFNE5BSP303VW37, LFNE5BSP303ZW01, LFNE5BSP543KN01, LFNE5BSP543KW01, LFNE5BSP543NW23, LFNE5BSP543RW01, LFNE5BSP543ZW01 and ZFBE9BSP305NW29 starting Serial No. 2101000001

# Mixing Valve and Valve-to-Dispenser Hose

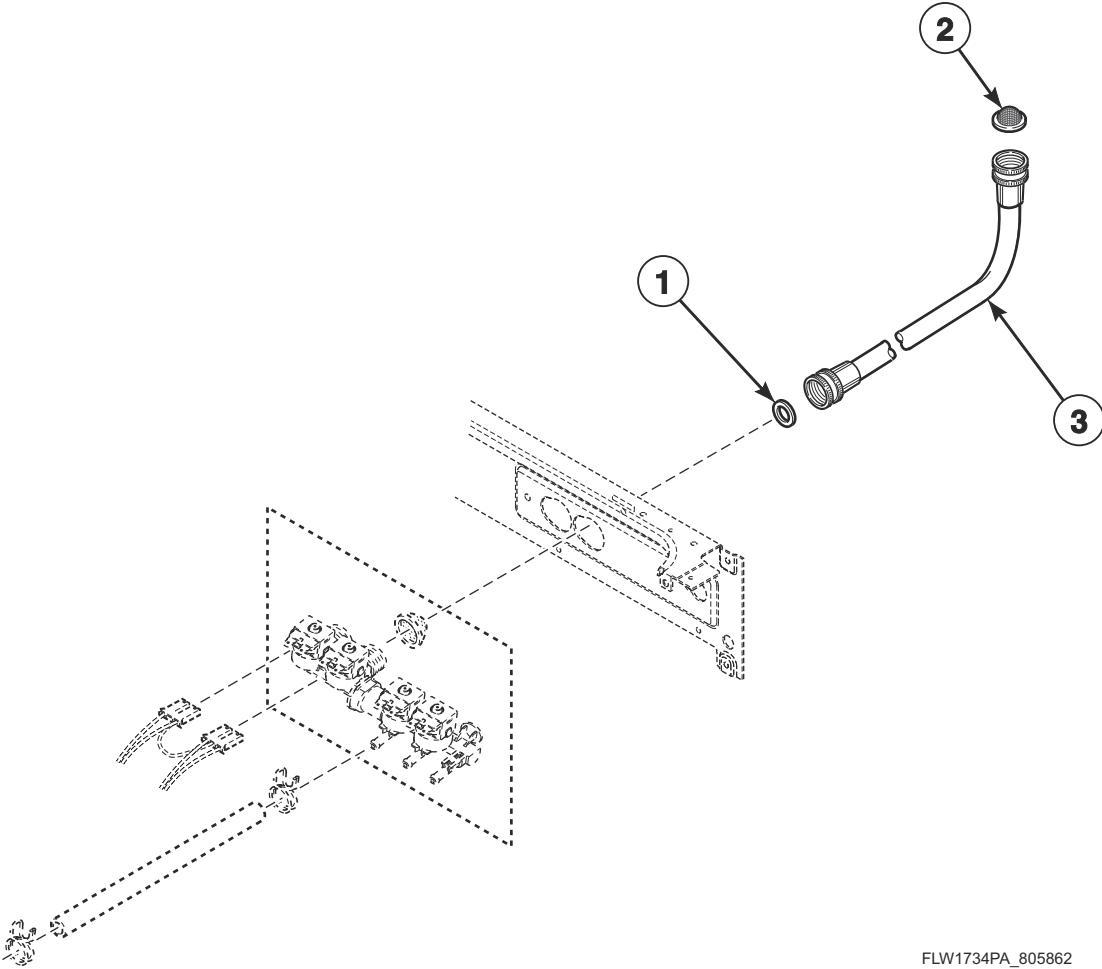


FLW1734P\_805862

## Mixing Valve and Valve-to-Dispenser Hose

REF	PART NO.	DESCRIPTION	COMMENTS
	804783	Mixing Valve Shield	Models AFBE9BSP303NN29, AFBE9BSP303NW29, AFBE9BSP305AN01, AFBE9BSP305AW01, AFBE9BSP305NW29, AFN50RSP113FW01, AFN50RSP115FW01, AFNE9BSP113FN01, AFNE9BSP123DN04, AFNE9BSP123DW04, AFNE9BSP125DW04, AFNE9BSP303AN01, AFNE9BSP303AW01, AFNE9BSP303HN01, AFNE9BSP303LN01, AFNE9BSP303XN01, AFNE9BSP303XN26, AFNE9BSP303XN34, AFNE9BSP303XW01, AFNE9BSP303XW26, AFNE9BSP303XW34, AFNE9BSP305AW01, AFNE9BSP305LW01, AFNE9BSP305XW01, AFNE9BSP305XW34, AFNE9BSP543DN04, AFNE9BSP543DW04, AFNE9BSP543ZN01, AFNE9BSP545DW04, AFNE9BSP545RW01, FFNE5BSP125MW01, FFNE5BSP303LW01, FFNE5BSP303ZW01, LFNE5BSP113FW01, LFNE5BSP113JW01, LFNE5BSP113ZW30, LFNE5BSP125MW01, LFNE5BSP303AW01, LFNE5BSP303AW12, LFNE5BSP303VW26, LFNE5BSP303WW37, LFNE5BSP303ZW01, LFNE5BSP543KN01, LFNE5BSP543KW01, LFNE5BSP543RW01, LFNE5BSP543ZW01, LFNE5RSP113FW01, PFNE3RSP303AG01, ZFBE9BSP305NW29, ZFNE9BSP113FN01, ZFNE9BSP113FW01 and ZFNE9BSP115FW01
1	807386	Hose Clamp	
2	803849	Dispenser Inlet Hose	Through Serial No. 1810000001
	807364	Dispenser Inlet Hose	Starting Serial No. 1810000001; Models LFNE5BSP303AW01, LFNE5BSP303AW12 and PFNE3RSP303AG01 continuing through Serial No.1905000001
	806718	Dispenser Inlet Hose	Models LFNE5BSP303AW01, LFNE5BSP303AW12 and PFNE3RSP303AG01 starting Serial No.1905000001
3	807497P	Mixing Valve	220-240 Volt; BSPP thread; Models AFBE9BSP303NN29, AFBE9BSP303NW29, AFBE9BSP305AN01, AFBE9BSP305AW01, AFBE9BSP305NW29, AFNE9BSG303NW36, AFNE9BSP303AN01, AFNE9BSP303AW01, AFNE9BSP303HN01, AFNE9BSP303LN01, AFNE9BSP303NN22, AFNE9BSP303XN01, AFNE9BSP303XN26, AFNE9BSP303XN34, AFNE9BSP303XW01, AFNE9BSP303XW26, AFNE9BSP303XW34, AFNE9BSP305AW01, AFNE9BSP305LW01, AFNE9BSP305XW01, AFNE9BSP305XW34, AFNE9BSP543DN04, AFNE9BSP543DW04, AFNE9BSP543ZN01, AFNE9BSP545RW01, FFNE5BSP303LW01, FFNE5BSP303ZW01, FFNE5RSP303NW10, LFNE5BSP303AW01, LFNE5BSP303AW12, LFNE5BSP303NW35, LFNE5BSP303VW26, LFNE5BSP303WW37, LFNE5BSP303ZW01, LFNE5BSP543KN01, LFNE5BSP543KW01, LFNE5BSP543NW23, LFNE5BSP543RW01, LFNE5BSP543ZW01, LFNE5RSP303NW22, PFNE3RSP303AG01 and ZFBE9BSP305NW29
	807838	Mixing Valve	220-240 Volt; GHT thread; Models AFNE9BSP543DN04 and AFNE9BSP543DW04 starting Serial No. 1810000001; Model AFNE9BSP545DW04
	806611P	Mixing Valve	100-127 Volt; BSPP thread; Models LFNE5BSP113JW01 and LFNE5BSP113ZW30 starting Serial No. 1810000001
	807837P	Mixing Valve	100-127 Volt; GHT thread; All other models
4	24122	Mixing Valve Screen	Steel mesh
	F8161201	Mixing Valve Screen	Plastic

# Fill Hose

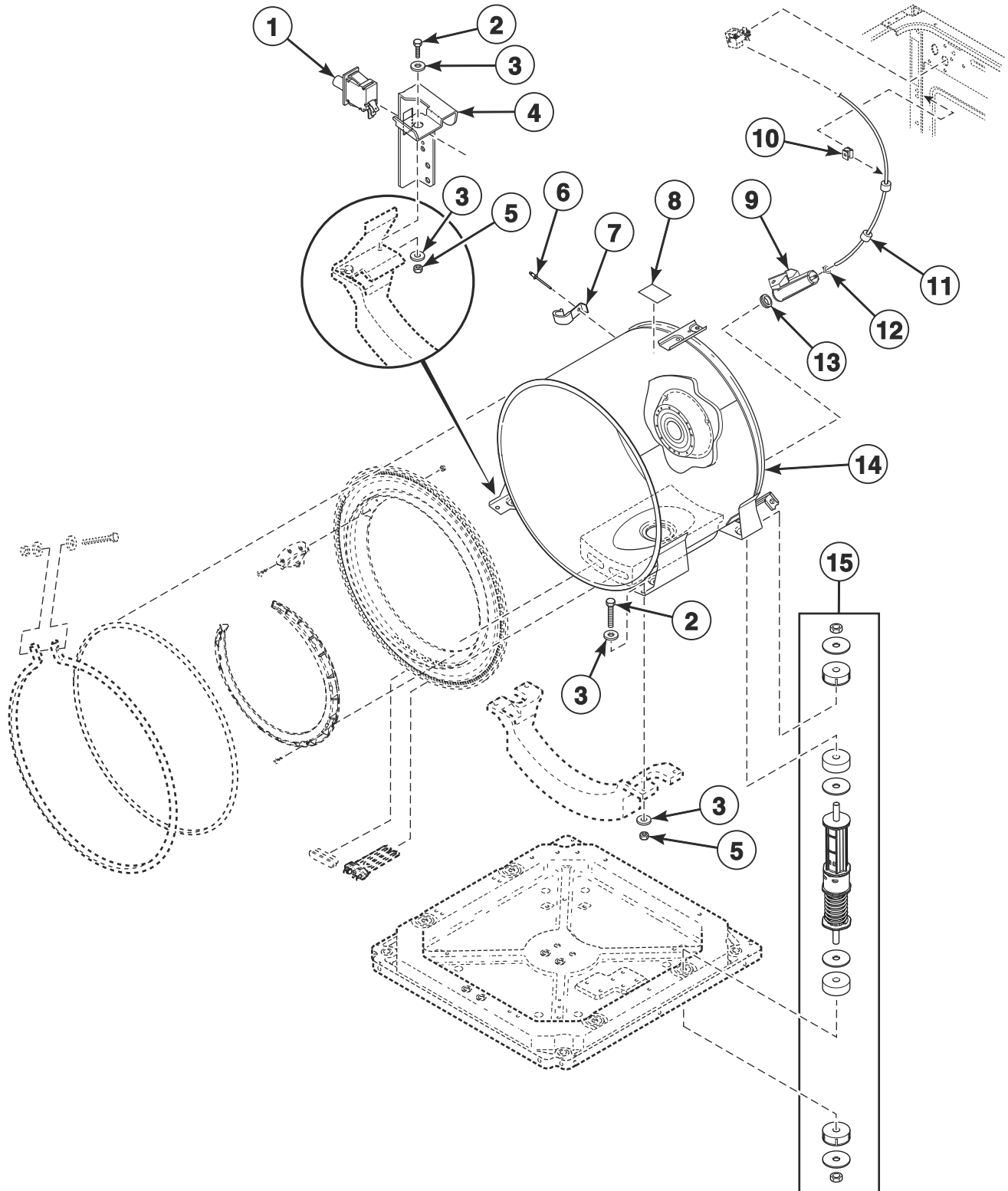


FLW1734PA\_805862

## Fill Hose

REF	PART NO.	DESCRIPTION	COMMENTS
1	20290	Washer	
2	803615	Washer	Filter screen
	802254	Washer	Flow restrictor; Water pressure reducer; Available for water pressure up to but not exceeding 120 psi
3	203720	Fill Hose	Marked for cold water; 4 feet; 2 GHT thread hose couplings
	203719	Fill Hose	Marked for hot water; 4 feet; 2 GHT thread hose couplings
	203750	Fill Hose	Marked for cold water; 4 feet; 1 GHT thread and 1 BSPP thread hose coupling
	203718	Fill Hose	Marked for hot water; 4 feet; 1 GHT thread and 1 BSPP thread hose coupling
	204103	Fill Hose	Marked for cold water; 4 feet; 2 BSPP thread hose couplings
	204102	Fill Hose	Marked for hot water; 4 feet; 2 BSPP thread hose couplings

# Outer Tub, Front and Clamp Ring (Drawing 1 of 2)



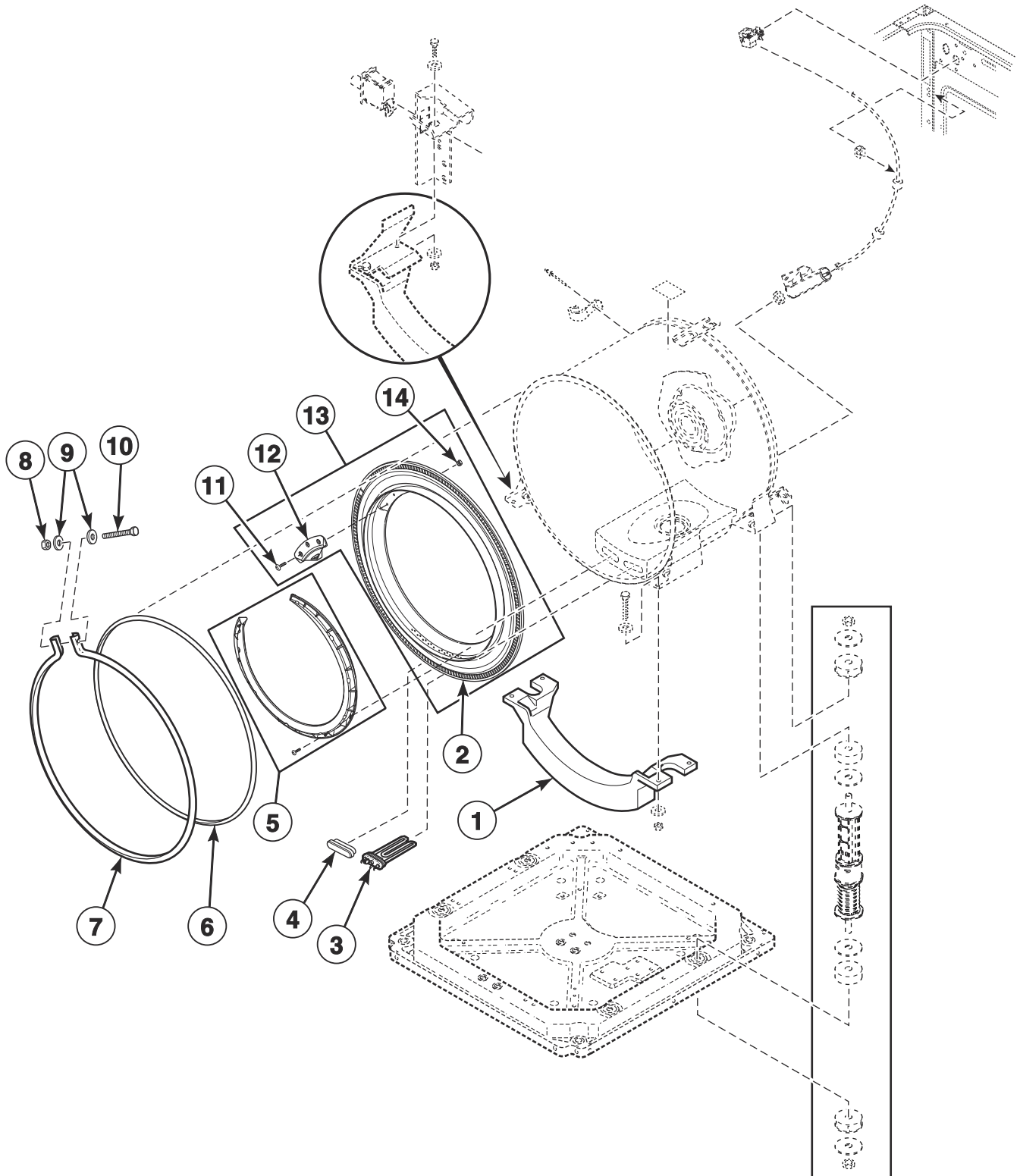
FLW1806P\_805862



## Outer Tub, Front and Clamp Ring (Drawing 1 of 2)

REF	PART NO.	DESCRIPTION	COMMENTS
1	803415	Out-of-Balance Switch Assembly	Through Serial No. 2012999999
	807384	Out-of-Balance Switch Assembly	Starting Serial No. 2101000001
2	800461	Screw	
3	804458	Washer	
4	804457	Out-of-Balance Switch Bracket	Through Serial No. 2012999999
	807280	Out-of-Balance Switch Bracket	Starting Serial No. 2101000001
5	800452	Nut	
6	685847	Pop Rivet	
7	800553	Hose Clip	
8	D500049R4	Warning Label	
9	808013	Pressure Bulb	
10	36985	Hose Clip	
11	804483	Pressure Sensor Tube Assembly	
12	803891	Hose Clamp	
13	29175	Grommet	
14	803865	Outer Tub Assembly	Models AFBE9BSP303NN29, AFBE9BSP303NW29, AFBE9BSP305AN01, AFBE9BSP305AW01, AFBE9BSP305NW29 and ZFBE9BSP305NW29; Through Serial No. 1910999999 except Serial Nos. 1908066087 to 1909000879
	807619	Outer Tub Assembly	Models AFBE9BSP303NN29, AFBE9BSP303NW29, AFBE9BSP305AN01, AFBE9BSP305AW01, AFBE9BSP305NW29 and ZFBE9BSP305NW29; Serial Nos. 1908066087 to 1909000879 and starting Serial No. 1911000001 to 2010999999
	807480	Outer Tub Assembly	Models AFBE9BSP303NN29, AFBE9BSP303NW29, AFBE9BSP305AN01, AFBE9BSP305AW01, AFBE9BSP305NW29 and ZFBE9BSP305NW29 starting Serial No. 2011000001
	803864	Outer Tub Assembly	All other models; Through Serial No. 1910999999 except Serial Nos. 1908066087 to 1909000879
	807618	Outer Tub Assembly	All other models; Serial Nos. 1908066087 to 1909000879 and starting Serial No. 1911000001 to 2010999999
	807479	Outer Tub Assembly	All other models starting Serial No. 2011000001
15	803777P	Shock Assembly	Must replace all four

# Outer Tub, Front and Clamp Ring (Drawing 2 of 2)

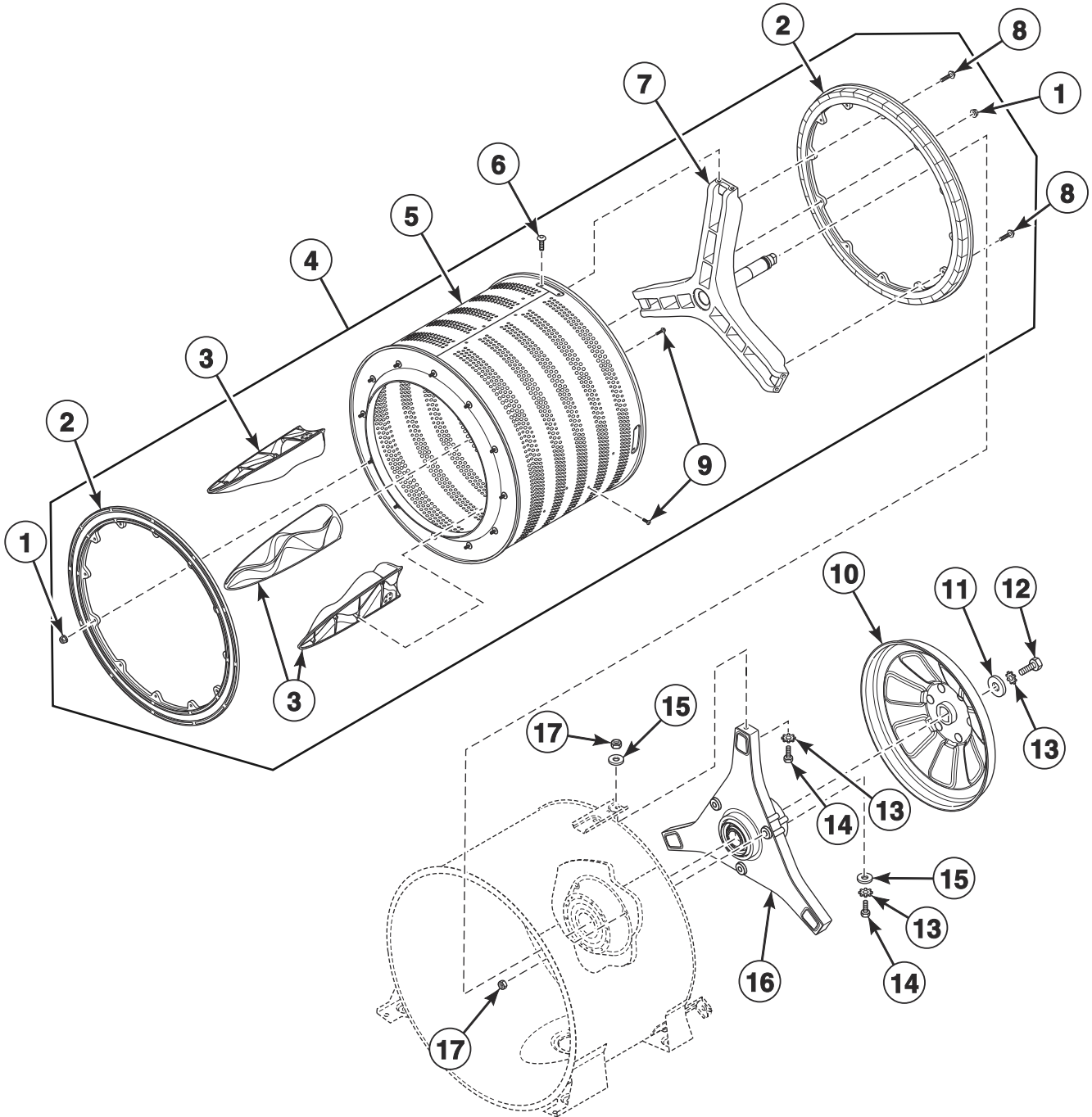


FLW1806PA\_805862

## Outer Tub, Front and Clamp Ring (Drawing 2 of 2)

REF	PART NO.	DESCRIPTION	COMMENTS
1	807476	Counterweight	
2	803770	Tub Front	
3	806090	Heating Element	Includes thermistor; Models AFBE9BSP303NN29, AFBE9BSP303NW29, AFBE9BSP305AN01, AFBE9BSP305AW01, AFBE9BSP305NW29 and ZFBE9BSP305NW29
4	F360202	Heating Element Plug	Models AFBE9BSP303NN29, AFBE9BSP303NW29, AFBE9BSP305AN01, AFBE9BSP305AW01, AFBE9BSP305NW29 and ZFBE9BSP305NW29
5	806308	Foreign Object Deflector	Black; Includes screws
	806313	Foreign Object Deflector	Gray; Includes screws
	806361	Foreign Object Deflector	Tall; Gray; Includes screws
6	803801	Tub Front Seal	
7	803802	Clamp Ring	
8	F430218	Nut	
9	M400081	Washer	
10	800462	Screw	
11	802596	Screw	
12	804467	Clothes Guard Deflector	
	805548	Clothes Guard Deflector	Heavy duty
13	803879	Tub Front Assembly	Includes items 2 and 11, 12 and 14
14	802343	Nut	

# Inner Basket, Trunnion, Bearing Housing and Pulley

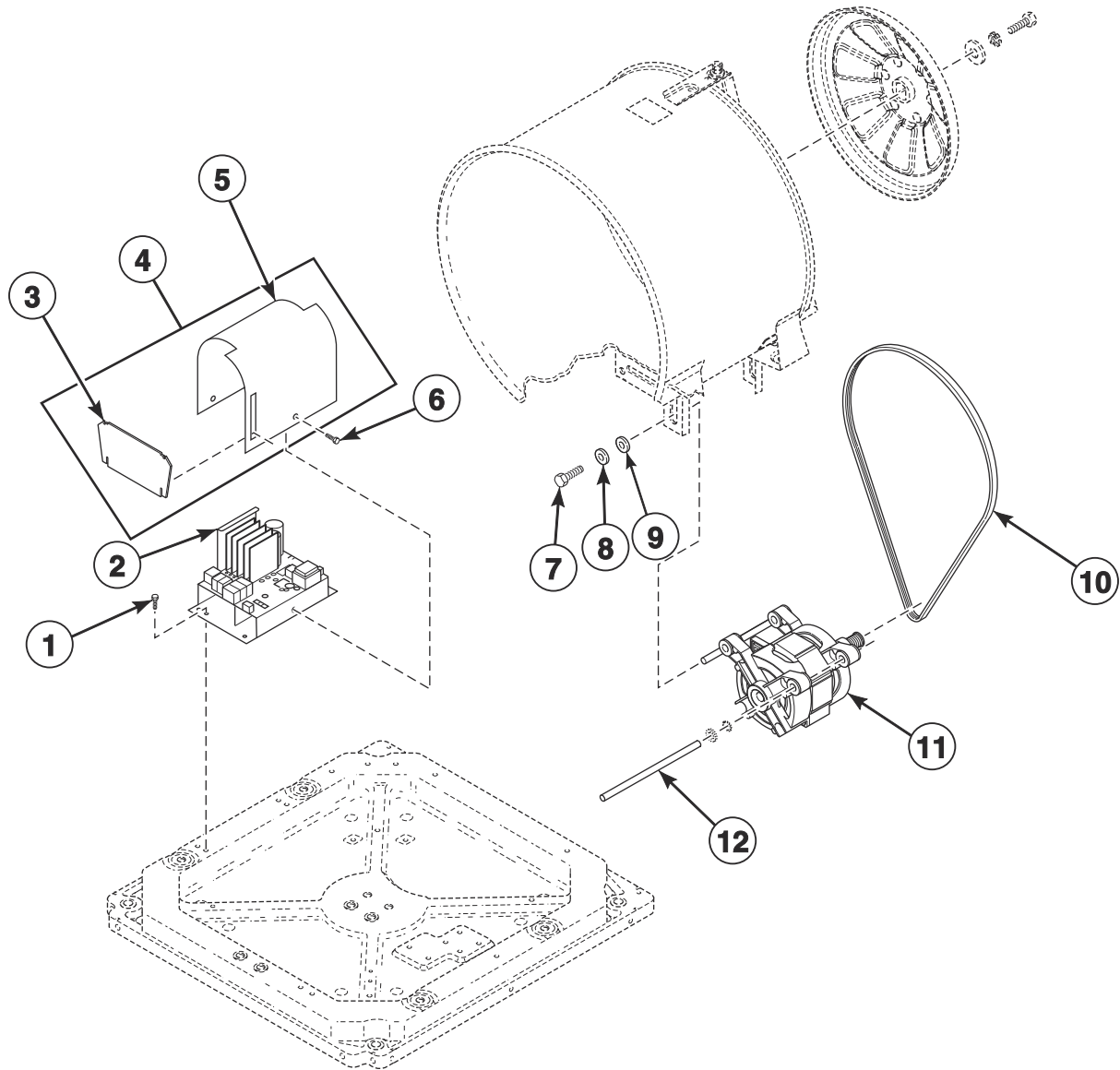


FLW1803P\_805862

## Inner Basket, Trunnion, Bearing Housing and Pulley

REF	PART NO.	DESCRIPTION	COMMENTS
	27604P	Anti-Seize Compound	Pulley to inner basket shaft
	805730	Bearing Kit	
1	804418	Nut	
2	804393	Balance Ring Assembly	
3	804382	Lifter	
4	805485	Inner Basket Assembly	Model LFNE5BSP303AW12
	804376P	Inner Basket Assembly Kit	All other models
5	804374P	Inner Basket Assembly	
6	804699	Screw	
7	806831	Trunnion Kit	Includes hardware; Model LFNE5BSP303AW12
	808043	Trunnion Shaft Kit	Includes hardware and tool; All other models
8	804399	Screw	
9	800548	Screw	
10	808197	Pulley Assembly	
11	807679	Washer	
12	685831	Screw	Left hand thread
13	M403958	Washer	Used on models through Serial No. 1609046805
14	M400043	Screw	
15	M400081	Washer	
16	805525	Bearing Housing Kit	Includes hardware and tool
17	800452	Nut	

# Motor and Belt



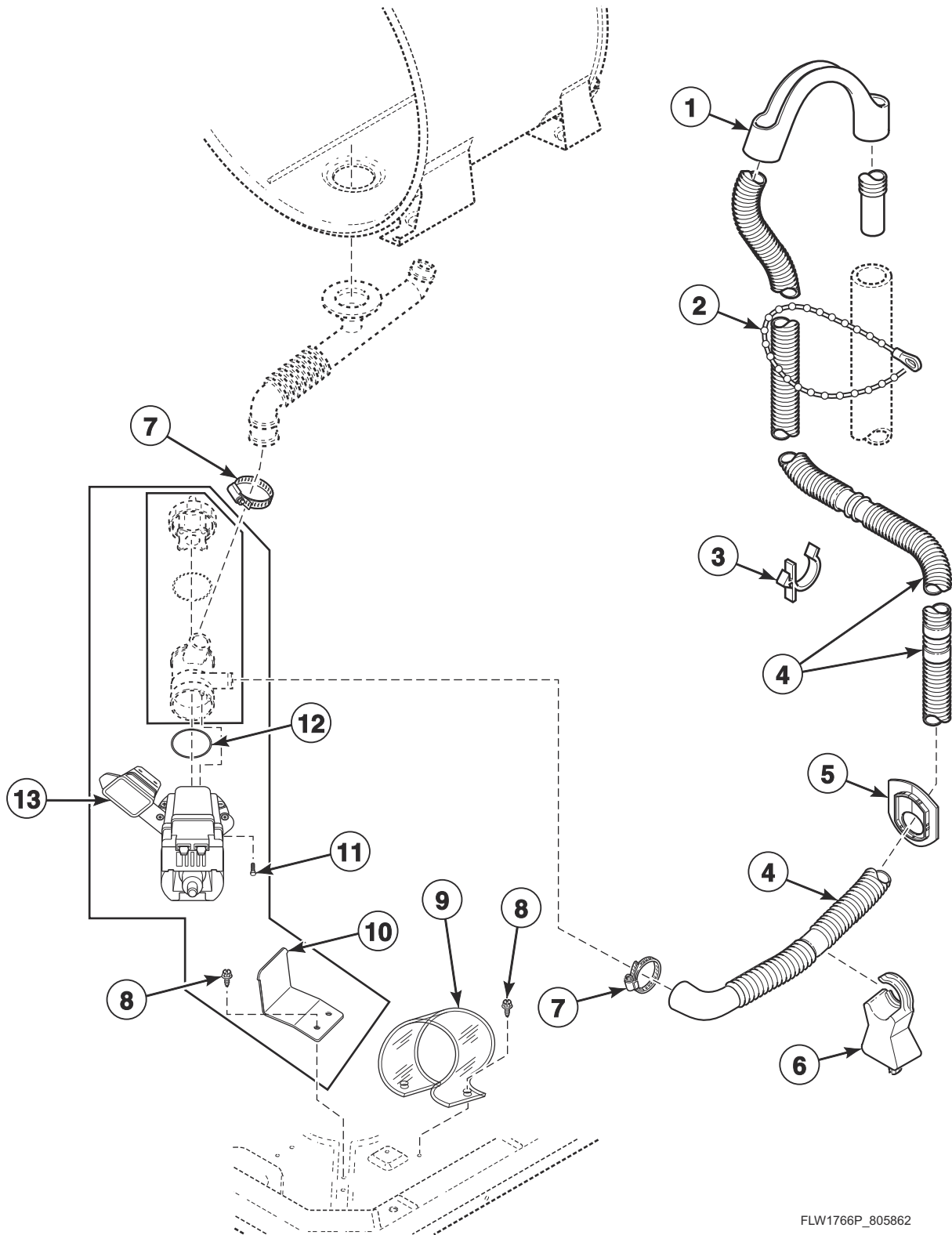
FLW1794P\_805862

## Motor and Belt

REF	PART NO.	DESCRIPTION	COMMENTS
	807441	Control Bracket	Starting Serial No. 2101000001
	807623	Belt Install Tool	
1	D503661	Screw	Through Serial No. 2012999999
	F8206901	Screw	Starting Serial No. 2101000001
2	807175P	Inverter Control Assembly	Through Serial No. 2012999999
	808149	Output Control Assembly	120 Volt; Without filter; Starting Serial No. 2101000001
	808150	Output Control Assembly	240 Volt; With filter; Starting Serial No. 2101000001
3	806258	End Shield	Models AFBE9BSP303NN29, AFBE9BSP303NW29, AFBE9BSP305AN01, AFBE9BSP305AW01, AFBE9BSP305NW29, AFN50RSP113FW01, AFN50RSP115FW01, AFNE9BSP113FN01, AFNE9BSP123DN04, AFNE9BSP123DW04, AFNE9BSP125DW04, AFNE9BSP303AN01, AFNE9BSP303AW01, AFNE9BSP303HN01, AFNE9BSP303LN01, AFNE9BSP303XN01, AFNE9BSP303XN26, AFNE9BSP303XN34, AFNE9BSP303XW01, AFNE9BSP303XW26, AFNE9BSP303XW34, AFNE9BSP305AW01, AFNE9BSP305LW01, AFNE9BSP305XW01, AFNE9BSP305XW34, AFNE9BSP543DN04, AFNE9BSP543DW04, AFNE9BSP543ZN01, AFNE9BSP545DW04, AFNE9BSP545RW01, FFNE5BSP303LW01, FFNE5BSP303ZW01, LFNE5BSP113FW01, LFNE5BSP113JW01, LFNE5BSP113ZW30, LFNE5BSP303AW01, LFNE5BSP303AW12, LFNE5BSP303VW26, LFNE5BSP303WW37, LFNE5BSP303ZW01, LFNE5BSP543KN01, LFNE5BSP543KW01, LFNE5BSP543RW01, LFNE5BSP543ZW01, LFNE5RSP113FW01, PFNE3RSP303AG01, ZFBE9BSP305NW29, ZFNE9BSP113FN01, ZFNE9BSP113FW01 and ZFNE9BSP115FW01
4	806498	Motor Control Shield	Includes items 3 and 5; Models AFBE9BSP303NN29, AFBE9BSP303NW29, AFBE9BSP305AN01, AFBE9BSP305AW01, AFBE9BSP305NW29, AFN50RSP113FW01, AFN50RSP115FW01, AFNE9BSP113FN01, AFNE9BSP123DN04, AFNE9BSP123DW04, AFNE9BSP125DW04, AFNE9BSP303AN01, AFNE9BSP303AW01, AFNE9BSP303HN01, AFNE9BSP303LN01, AFNE9BSP303XN01, AFNE9BSP303XN26, AFNE9BSP303XN34, AFNE9BSP303XW01, AFNE9BSP303XW26, AFNE9BSP303XW34, AFNE9BSP305AW01, AFNE9BSP305LW01, AFNE9BSP305XW01, AFNE9BSP305XW34, AFNE9BSP543DN04, AFNE9BSP543DW04, AFNE9BSP543ZN01, AFNE9BSP545DW04, AFNE9BSP545RW01, FFNE5BSP303LW01, FFNE5BSP303ZW01, LFNE5BSP113FW01, LFNE5BSP113JW01, LFNE5BSP113ZW30, LFNE5BSP303AW01, LFNE5BSP303AW12, LFNE5BSP303VW26, LFNE5BSP303WW37, LFNE5BSP303ZW01, LFNE5BSP543KN01, LFNE5BSP543KW01, LFNE5BSP543RW01, LFNE5BSP543ZW01, LFNE5RSP113FW01, PFNE3RSP303AG01, ZFBE9BSP305NW29, ZFNE9BSP113FN01, ZFNE9BSP113FW01 and ZFNE9BSP115FW01
5	804878	Motor Control Shield	Through Serial No. 2012999999
6	D501524	Screw	
7	M400057	Screw	Through Serial No. 2010999999
	02916	Screw	Starting Serial No. 2011000001
8	02834	Washer	Through Serial No. 2010999999
9	M400080	Washer	Through Serial No. 2010999999
10	804985	Drive Belt	Through Serial No. 1910999999 except Serial Nos. 1908066087 to 1909000879
	807429P	Belt Kit	Serial Nos. 1908066087 to 1909000879 and starting Serial No. 1911000001
11	805726P	Motor and Rod Assembly Kit	Includes item 12; Through Serial No. 2010071306
	808034P	Motor and Rod Assembly Kit	Includes item 12; Starting Serial No. 2010071307 through Serial No. 2012999999
	808067P	Motor and Rod Assembly Kit	Includes item 12; Starting Serial No. 2101000001
12	803861	Motor Rod	Through Serial No. 2010999999
	807739	Motor Rod	Starting Serial No. 2011000001

# Drain Hose and Pump (Drawing 1 of 2)

All Models Except AFNE9BSG303NW36 and AFNE9BSG305NW36



FLW1766P\_805862

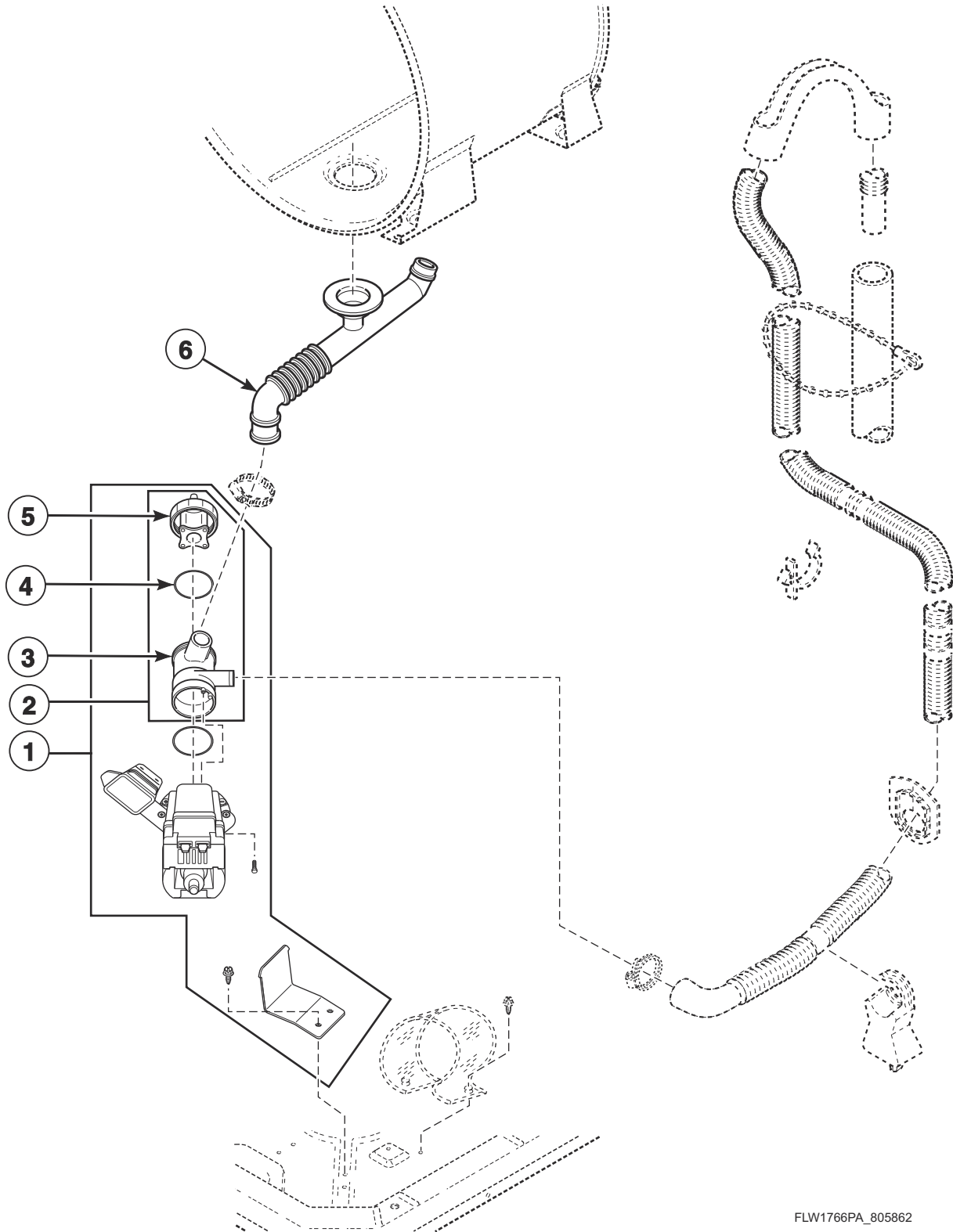


## Drain Hose and Pump (Drawing 1 of 2)

REF	PART NO.	DESCRIPTION	COMMENTS
	805769	Pump-to-Gravity Drain Kit	220 Volt; Models AFBE9BSP303NN29, AFBE9BSP303NW29, AFBE9BSP305AN01, AFBE9BSP305AW01, AFBE9BSP305NW29 and ZFBE9BSP305NW29
	805770	Pump-to-Gravity Drain Kit	220 Volt; Models AFNE9BSP303AN01, AFNE9BSP303AW01, AFNE9BSP303HN01, AFNE9BSP303LN01, AFNE9BSP303NN22, AFNE9BSP303XN01, AFNE9BSP303XN26, AFNE9BSP303XN34, AFNE9BSP303XW01, AFNE9BSP303XW26, AFNE9BSP303XW34, AFNE9BSP305AW01, AFNE9BSP305LW01, AFNE9BSP305XW01, AFNE9BSP305XW34, AFNE9BSP543DN04, AFNE9BSP543DW04, AFNE9BSP543ZN01, AFNE9BSP545DW04, AFNE9BSP545RW01, FFNE5BSP303LW01, FFNE5BSP303ZW01, FFNE5RSP303NW10, LFNE5BSP303AW01, LFNE5BSP303AW12, LFNE5BSP303NW35, LFNE5BSP303VW26, LFNE5BSP303WW37, LFNE5BSP303ZW01, LFNE5BSP543KN01, LFNE5BSP543KW01, LFNE5BSP543NW23, LFNE5BSP543RW01, LFNE5BSP543ZW01, LFNE5RSP303NW22 and PFNE3RSP303AG01
	805771	Pump-to-Gravity Drain Kit	120 Volt; All other models
<b>1</b>	33615	Drain Hose Sleeve	
<b>2</b>	33489	Standpipe Strap	
<b>3</b>	36014	Retainer Clip	
<b>4</b>	803976	Drain Hose	
<b>5</b>	32219	Strain Relief	
<b>6</b>	38732	Hose Stand	
<b>7</b>	F200204	Hose Clamp	
<b>8</b>	D503661	Screw	
<b>9</b>	805561	Drain Pump Drip Shield	Models AFBE9BSP303NN29, AFBE9BSP303NW29, AFBE9BSP305AN01, AFBE9BSP305AW01, AFBE9BSP305NW29, AFN50RSP113FW01, AFN50RSP115FW01, AFNE9BSP113FN01, AFNE9BSP123DN04, AFNE9BSP123DW04, AFNE9BSP125DW04, AFNE9BSP303AN01, AFNE9BSP303AW01, AFNE9BSP303HN01, AFNE9BSP303LN01, AFNE9BSP303XN01, AFNE9BSP303XN26, AFNE9BSP303XN34, AFNE9BSP303XW01, AFNE9BSP303XW26, AFNE9BSP303XW34, AFNE9BSP305AW01, AFNE9BSP305LW01, AFNE9BSP305XW01, AFNE9BSP305XW34, AFNE9BSP543DN04, AFNE9BSP543DW04, AFNE9BSP543ZN01, AFNE9BSP545DW04, AFNE9BSP545RW01, FFNE5BSP125MW01, FFNE5BSP303LW01, FFNE5BSP303ZW01, LFNE5BSP113FW01, LFNE5BSP113JW01, LFNE5BSP113ZW30, LFNE5BSP125MW01, LFNE5BSP303AW01, LFNE5BSP303AW12, LFNE5BSP303VW26, LFNE5BSP303WW37, LFNE5BSP303ZW01, LFNE5BSP543KN01, LFNE5BSP543KW01, LFNE5BSP543RW01, LFNE5BSP543ZW01, LFNE5RSP113FW01, PFNE3RSP303AG01, ZFBE9BSP305NW29, ZFNE9BSP113FN01, ZFNE9BSP113FW01 and ZFNE9BSP115FW01
<b>10</b>	803814	Drain Base Bracket	
<b>11</b>	802431	Screw	
<b>12</b>	802429P	O-Ring	
<b>13</b>	803815	Drain Pump Isolator	

# Drain Hose and Pump (Drawing 2 of 2)

All Models Except AFNE9BSG303NW36 and AFNE9BSG305NW36



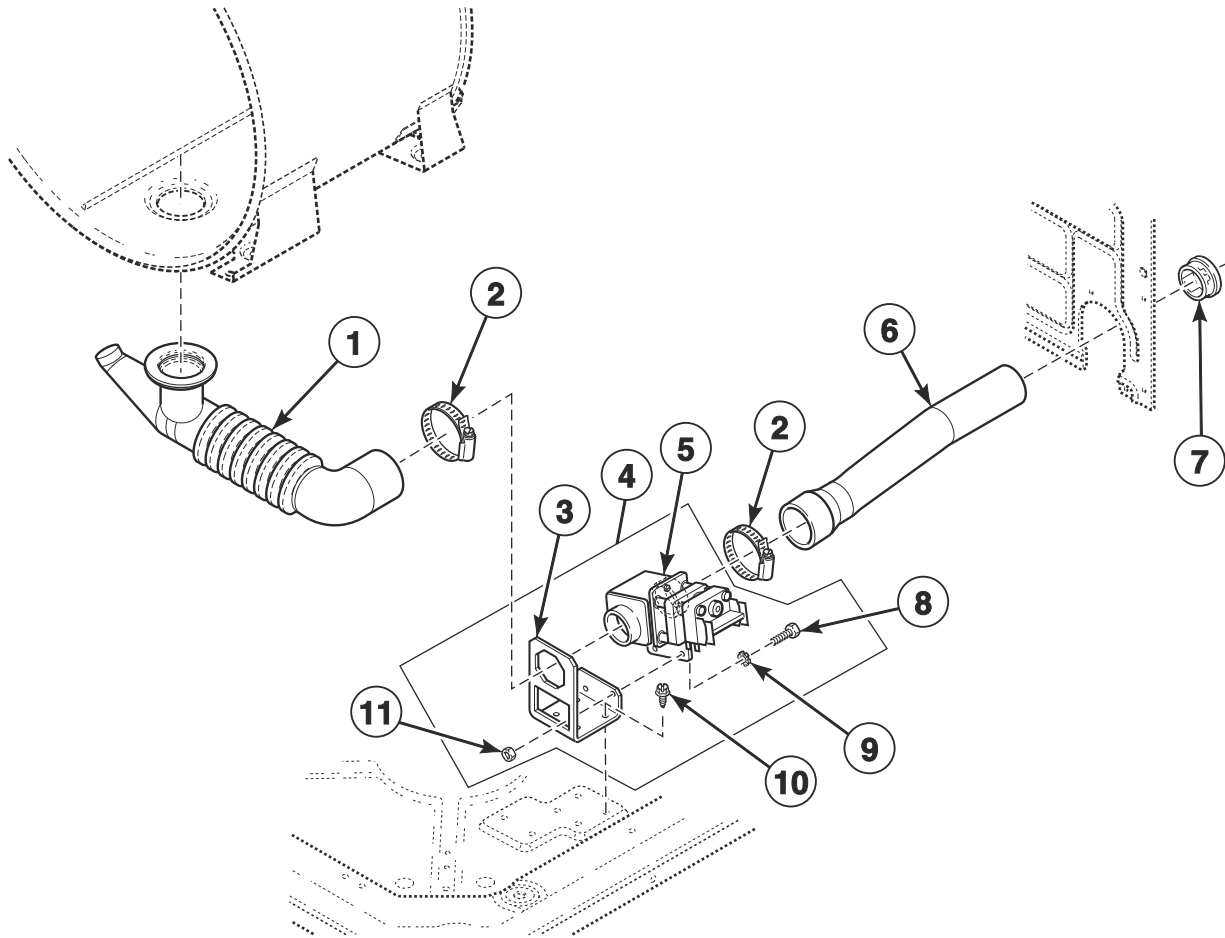
FLW1766PA\_805862

## Drain Hose and Pump (Drawing 2 of 2)

REF	PART NO.	DESCRIPTION	COMMENTS
1	808195P	Drain Pump Assembly	208-240 Volt; 60 Hertz; Includes items 2-5, bracket and hardware; Models AFNE9BSP543DN04, AFNE9BSP543DW04, AFNE9BSP543ZN01, LFNE5BSP543KN01, LFNE5BSP543KW01, LFNE5BSP543NW23 and LFNE5BSP543ZW01
	805724P	Drain Pump Assembly	100-127 Volt; 60 Hertz; Includes items 2-5, bracket and hardware; Models AFN50RSP113FW01, AFN50RSP115FW01, AFNE9BSP113CN01, AFNE9BSP113CW01, AFNE9BSP113FN01, AFNE9BSP115CN01, AFNE9BSP115CN13, AFNE9BSP115CW01, AFNE9BSP115CW13, AFNE9BSP116CN13, AFNE9BSP116CW13, AFNE9BSP123DN04, AFNE9BSP123DW04, AFNE9BSP125DW04, BFNE6BJP113CW01, BFNE6BJP113TW01, FFNE5BSP115MW01, FFNE5BSP125MW01, LFN50RSP113TW01, LFN50RSP115TW01, LFNE5BJP113CW01, LFNE5BJP113TW01, LFNE5BJP115CW01, LFNE5BJP115TW01, LFNE5BSP113CW01, LFNE5BSP113FW01, LFNE5BSP113JW01, LFNE5BSP113TW01, LFNE5BSP113ZW30, LFNE5BSP115CW01, LFNE5BSP115TW01, LFNE5BSP125MW01, LFNE5FSP115TW01, LFNE5RSP113CW01, LFNE5RSP113FW01, LFNE5RSP113TW01, LFNE5RSP115CW01, LFNE5RSP115TW01, PFNE3BJP113CG01, PFNE3BJP113TG01, PFNE3BJP115CG01, PFNE3BJP115CW01, PFNE3BJP115TG01, PFNE3BJP115TW01, PFNE3RSP113TG01, PFNE3RSP115TG01, PFNE3RSP115TW01, UFNE5BJP113TW01, UFNE5BJP113TW08, UFNE5BJP115TW01, UFNE5BJP115TW08, YFNE5BJP113CW01, YFNE5BJP113TW01, YFNE5BJP115CW01, YFNE5BJP115TW01, YFNE5RSP113CW01, YFNE5RSP113TW01, YFNE5RSP115CW01, YFNE5RSP115TW01, ZFNE9BSP113CN01, ZFNE9BSP113CW01, ZFNE9BSP113FN01, ZFNE9BSP113FW01, ZFNE9BSP115FW01, ZFNE9BSP116CN13 and ZFNE9BSP116CW13
	803922	Drain Pump Assembly	220-240 Volt; 50 Hertz; Includes items 2-5, bracket and hardware; All other models
2	802434P	Pump Housing Assembly	Includes items 3-5
3	802428	Pump Housing	
4	802427	Gasket	
5	802426P	Lid Assembly	Includes filter
6	803816	Tub-to-Pump Hose	Models AFBE9BSP303NN29, AFBE9BSP303NW29, AFBE9BSP305AN01, AFBE9BSP305AW01, AFBE9BSP305NW29 and ZFBE9BSP305NW29
	803829	Tub-to-Pump Hose	All other models
	27615P	Sealant	Tub-to-pump hose to outer tub

# Drain Hose and Valve

Models AFNE9BSG303NW36 and AFNE9BSG305NW36

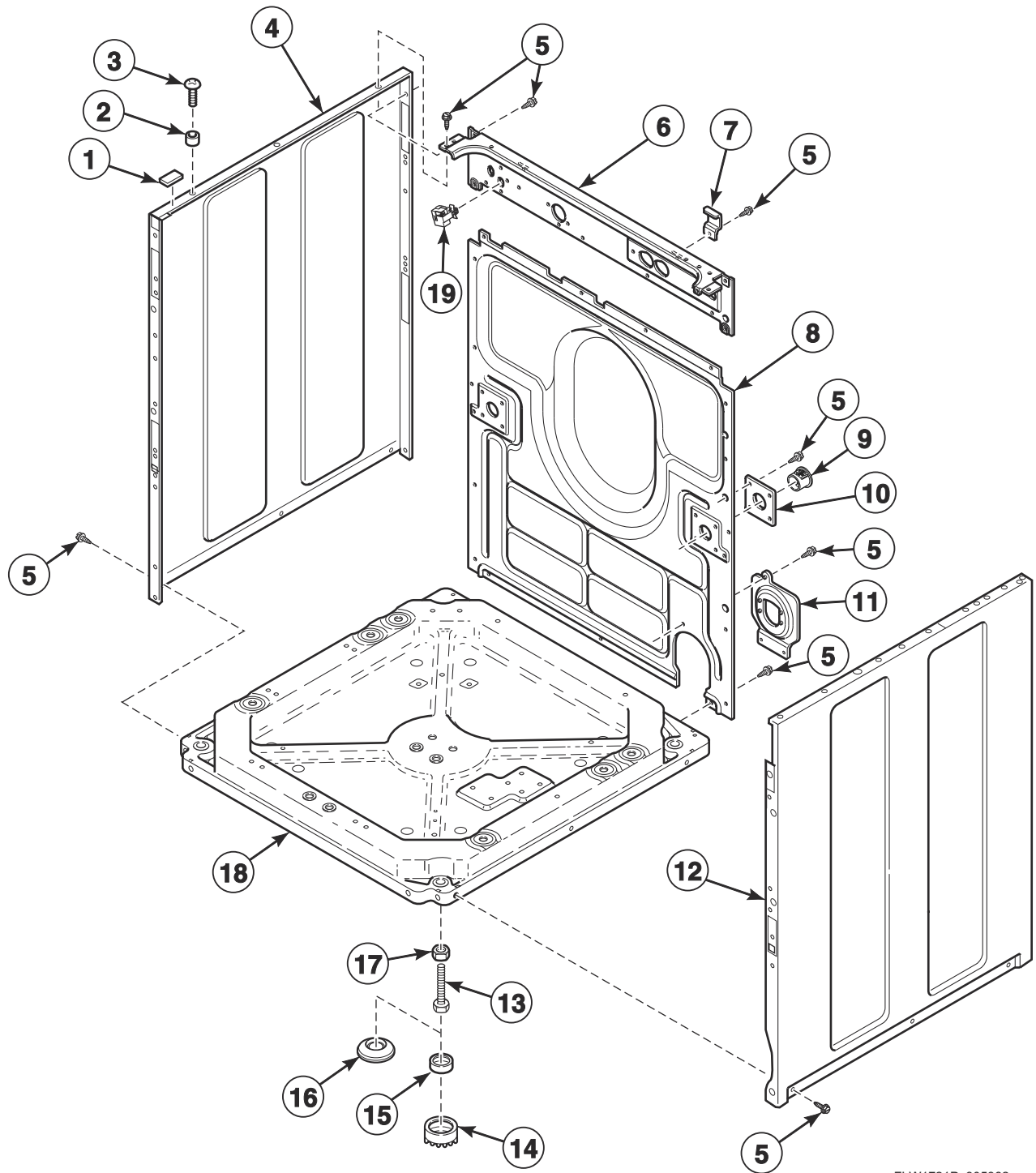


FLW1745P\_805862

## Drain Hose and Valve

REF	PART NO.	DESCRIPTION	COMMENTS
1	803874	Tub-to-Gravity Drain Hose	
2	685725	Hose Clamp	
3	803291	Gravity Drain Bracket	
4	F976P3	Drain Valve Kit	
5	803292P	Gravity Drain Valve	
6	800903	Drain-to-Cabinet Hose	
7	D503235	Snap Bushing	
8	02916	Screw	
9	M400017	Washer	
10	D503661	Screw	
11	29786	Nut	

# Washer Base, Side Panels and Rear Panel



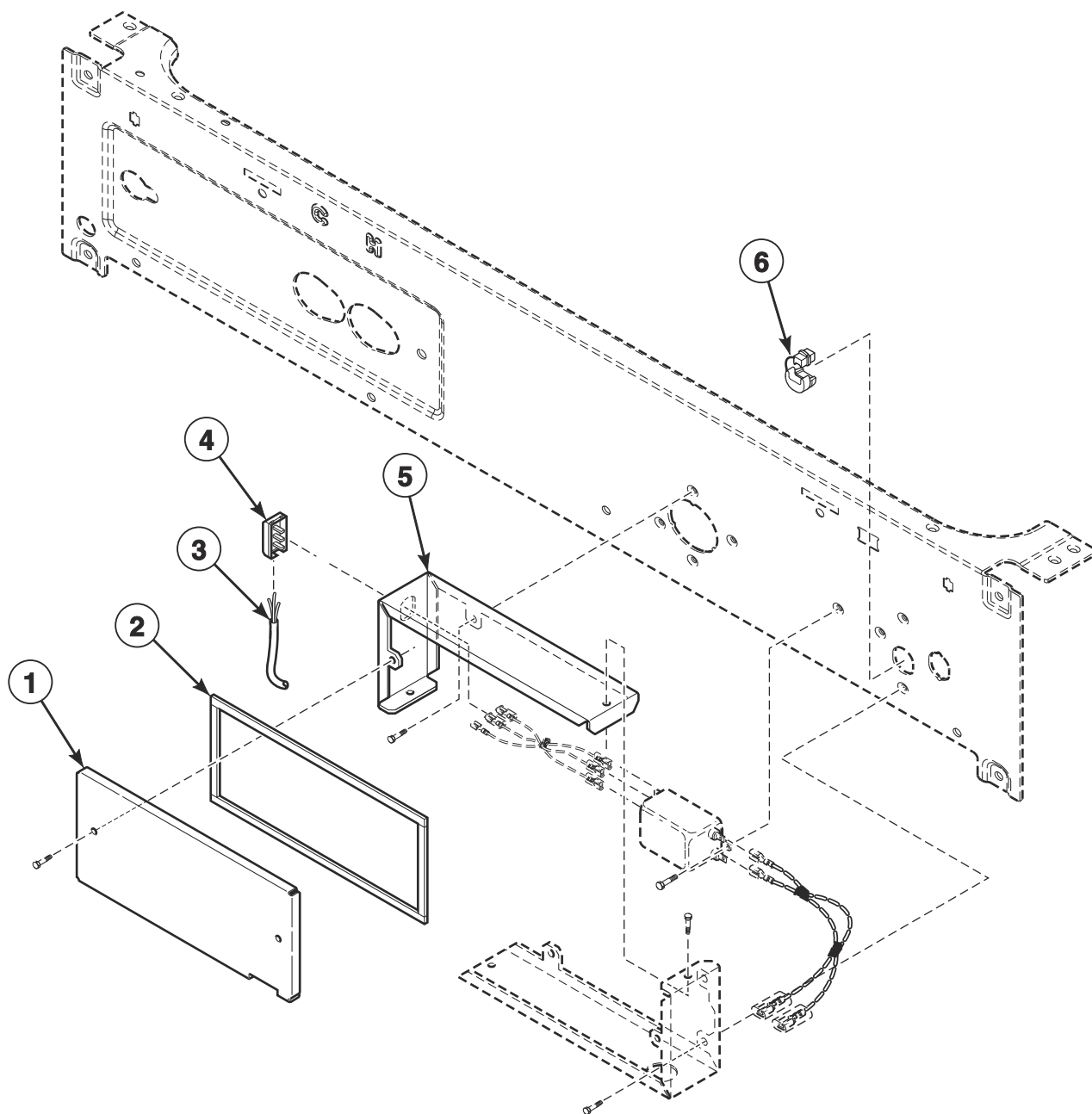
FLW1721P\_805862

## Washer Base, Side Panels and Rear Panel

REF	PART NO.	DESCRIPTION	COMMENTS
	122P4P	Porcelain Touch-Up Paint	White
	806436P	Paint	Gray
	807156	Foam Gasket	Models LFNE5BSP543KN01 and LFNE5BSP543KW01
<b>1</b>	36226	Bumper Pad	
<b>2</b>	56079	Panel Locator	
<b>3</b>	806276	Screw	Use with stainless steel panels
	39733	Screw	Use with painted panels
<b>4</b>	802525P	Cabinet Side Panel	Left; Stainless steel
	800004DG	Cabinet Side Panel	Left; Gray
	800004WP	Cabinet Panel Kit	Left; White; Includes corner gusset with hardware
<b>5</b>	D503661	Screw	
<b>6</b>	803790	Rear Panel	Fixed; Through Serial No. 1810000001
	806716	Rear Panel	Fixed; Starting Serial No. 1810000001
<b>7</b>	D510136	Top Hinge	Rear control models
<b>8</b>	803789	Rear Panel	Removable
<b>9</b>	803859	Shipping Plug	
<b>10</b>	803851	Shipping Plate	
<b>11</b>	803833	Gravity Drain Bracket	Models AFNE9BSG303NW36 and AFNE9BSG305NW36
	803828	Drain Hose Bracket	All other models
<b>12</b>	802526P	Cabinet Side Panel	Right; Stainless steel
	800005DG	Cabinet Side Panel	Right; Gray
	806492	Side Panel Kit	Right; White
<b>13</b>	34319	Leveling Leg	
<b>14</b>	D501855	Rubber Foot	Use to prevent movement on smooth surface floor coverings; Install over two existing front rubber feet (item 15)
<b>15</b>	34318	Rubber Foot	
<b>16</b>	155P3	Anchor	Includes 4 rubber discs with adhesive backing
	802844P	Anchor Floor Mount Assembly	Includes 2 rubber discs with adhesive backing
<b>17</b>	21899	Nut	
<b>18</b>	803876	Base Assembly	
<b>19</b>	203843	Pressure Sensor	

## Junction Box and Power Cord (Drawing 1 of 2)

Models AFN50RSP113FW01, AFN50RSP115FW01, AFNE9BSG303NW36, AFNE9BSG305NW36, AFNE9BSP113FN01, AFNE9BSP123DN04, AFNE9BSP123DW04, AFNE9BSP125DW04, AFNE9BSP303AN01, AFNE9BSP303AW01, AFNE9BSP303HN01, AFNE9BSP303LN01, AFNE9BSP303NN22, AFNE9BSP303XN01, AFNE9BSP303XN26, AFNE9BSP303XN34, AFNE9BSP303XW01, AFNE9BSP303XW26, AFNE9BSP303XW34, AFNE9BSP305AW01, AFNE9BSP305LW01, AFNE9BSP305XW01, AFNE9BSP305XW34, AFNE9BSP543DN04, AFNE9BSP543DW04, AFNE9BSP543ZN01, AFNE9BSP545DW04, AFNE9BSP545RW01, FFNE5BSP125MW01, FFNE5BSP303LW01, FFNE5BSP303ZW01, FFNE5RSP303NW10, LFNE5BSP113FW01, LFNE5BSP113JW01, LFNE5BSP113ZW30, LFNE5BSP125MW01, LFNE5BSP303AW01, LFNE5BSP303AW12, LFNE5BSP303NW35, LFNE5BSP303VW26, LFNE5BSP303WW37, LFNE5BSP303ZW01, LFNE5BSP543KN01, LFNE5BSP543KW01, LFNE5BSP543NW23, LFNE5BSP543RW01, LFNE5BSP543ZW01, LFNE5RSP113FW01, LFNE5RSP303NW22, PFNE3RSP303AG01, ZFNE9BSP113FN01, ZFNE9BSP113FW01 and ZFNE9BSP115FW01



FLW1859P

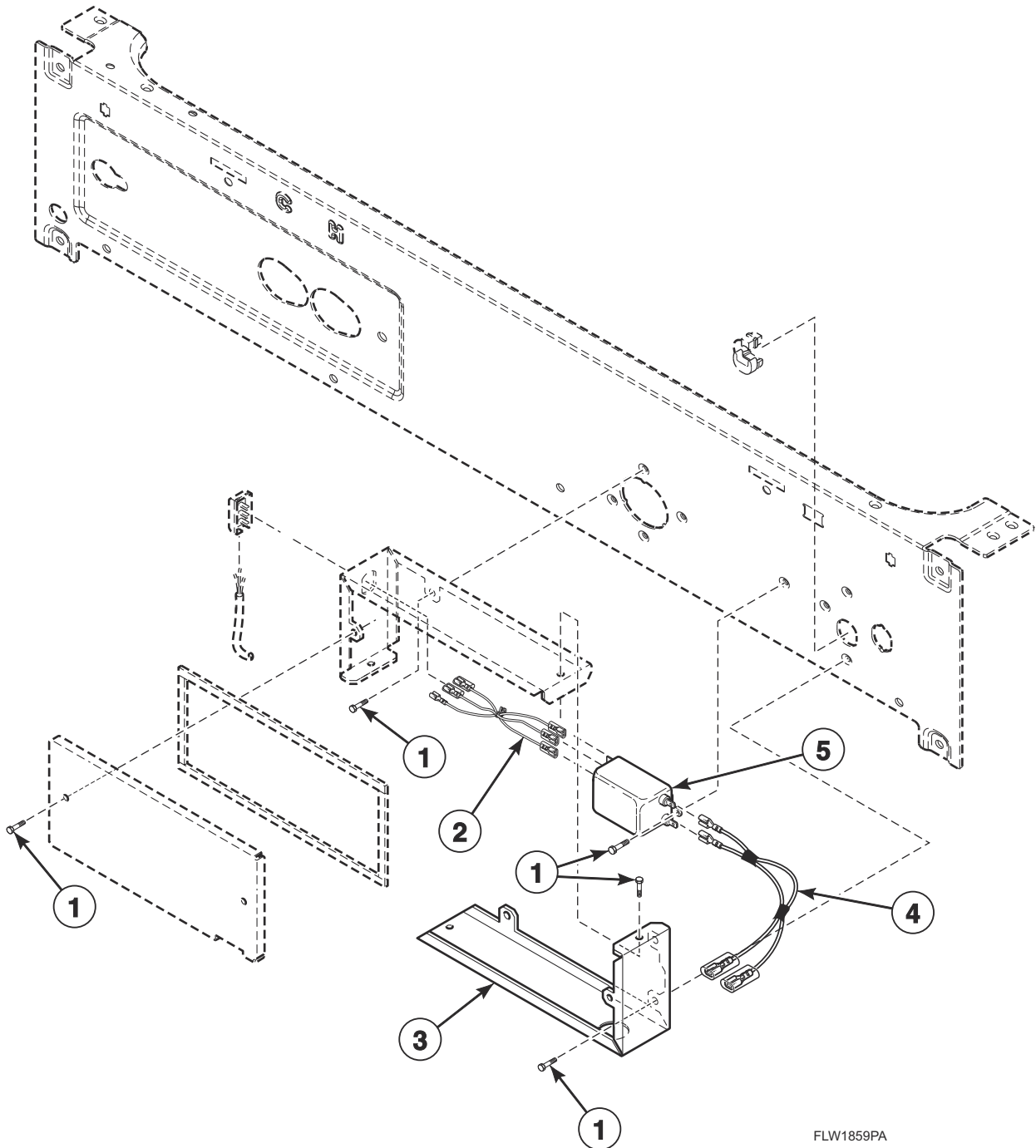


## Junction Box and Power Cord (Drawing 1 of 2)

REF	PART NO.	DESCRIPTION	COMMENTS
1	803820	Junction Box Cover	
2	803832P	Junction Box Seal	
3	808047	Power Cord Assembly	Models AFNE9BSP303AN01, AFNE9BSP303AW01, AFNE9BSP305AW01, LFNE5BSP303AW01, LFNE5BSP303AW12, LFNE5RSP303NW22 and PFNE3RSP303AG01
	801450	Power Cord Assembly	Models AFNE9BSP303NN22, AFNE9BSP543ZN01, FFNE5RSP303NW10, LFNE5BSP303ZW01, LFNE5BSP543ZW01 and LFNE5RSP303NW22
	204061	Power Cord Assembly	Models LFNE5BSP113JW01 and LFNE5BSP113ZW30
	805732	Power Cord Assembly	Model AFNE9BSP303HN01
	804556	Lead-In Cord Assembly	Models AFNE9BSP123DN04, AFNE9BSP123DW04, AFNE9BSP125DW04, AFNE9BSP543DN04, AFNE9BSP543DW04 and AFNE9BSP545DW04
	808131	Lead-In Cord	Models FFNE5BSP303ZW01, LFNE5BSP303VW26 and LFNE5BSP543NW23
	808045	Power Cord Assembly	Models AFNE9BSP303XN01, AFNE9BSP303XN26, AFNE9BSP303XN34, AFNE9BSP303XW01, AFNE9BSP303XW26, AFNE9BSP303XW34, AFNE9BSP305XW01, AFNE9BSP305XW34, AFNE9BSP545RW01, LFNE5BSP303NW35, LFNE5BSP303WW37 and LFNE5BSP543RW01
	808046	Power Cord Assembly	Models AFNE9BSG303NW36 and AFNE9BSG305NW36
	805974	Lead-In Cord	Models AFNE9BSP303LN01, AFNE9BSP305LW01 and FFNE5BSP303LW01
	805844	Lead-In Cord	Models LFNE5BSP543KN01 and LFNE5BSP543KW01
	808050	Lead-In Cord	Models FFNE5BSP125MW01 and LFNE5BSP125MW01
	802012	Power Cord Assembly	All other models
	4	39922	Cable Connection Box
5	804559	Junction Box	Upper; Models LFNE5BSP113JW01 and LFNE5BSP113ZW30
	803818	Junction Box	Upper; All other models
6	38384	Strain Relief	

## Junction Box and Power Cord (Drawing 2 of 2)

Models AFN50RSP113FW01, AFN50RSP115FW01, AFNE9BSG303NW36, AFNE9BSG305NW36, AFNE9BSP113FN01, AFNE9BSP123DN04, AFNE9BSP123DW04, AFNE9BSP125DW04, AFNE9BSP303AN01, AFNE9BSP303AW01, AFNE9BSP303HN01, AFNE9BSP303LN01, AFNE9BSP303NN22, AFNE9BSP303XN01, AFNE9BSP303XN26, AFNE9BSP303XN34, AFNE9BSP303XW01, AFNE9BSP303XW26, AFNE9BSP303XW34, AFNE9BSP305AW01, AFNE9BSP305LW01, AFNE9BSP305XW01, AFNE9BSP305XW34, AFNE9BSP543DN04, AFNE9BSP543DW04, AFNE9BSP543ZN01, AFNE9BSP545DW04, AFNE9BSP545RW01, FFNE5BSP125MW01, FFNE5BSP303LW01, FFNE5BSP303ZW01, FFNE5RSP303NW10, LFNE5BSP113FW01, LFNE5BSP113JW01, LFNE5BSP113ZW30, LFNE5BSP125MW01, LFNE5BSP303AW01, LFNE5BSP303AW12, LFNE5BSP303NW35, LFNE5BSP303VW26, LFNE5BSP303WW37, LFNE5BSP303ZW01, LFNE5BSP543KN01, LFNE5BSP543KW01, LFNE5BSP543NW23, LFNE5BSP543RW01, LFNE5BSP543ZW01, LFNE5RSP113FW01, LFNE5RSP303NW22, PFNE3RSP303AG01, ZFNE9BSP113FN01, ZFNE9BSP113FW01 and ZFNE9BSP115FW01



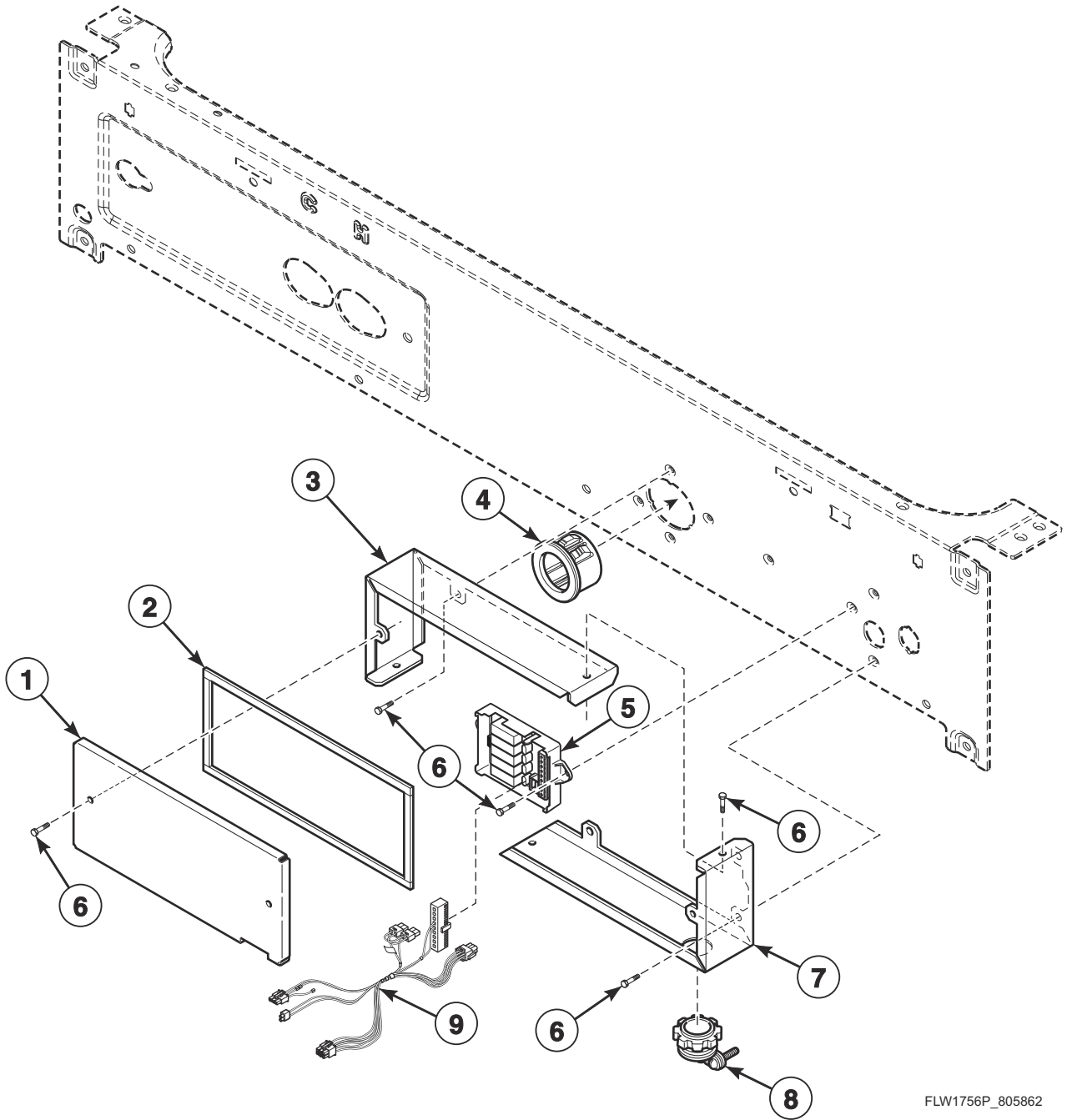
FLW1859PA

## Junction Box and Power Cord (Drawing 2 of 2)

REF	PART NO.	DESCRIPTION	COMMENTS
1	D503661	Screw	
2	804805	Filter Jumper Harness	Filter to terminal block; Through Serial Nos. beginning 1610; All models except AFN50RSP113FW01, AFN50RSP115FW01, FFNE5RSP303NW10, LFNE5BSP113JW01, LFNE5BSP113ZW30, LFNE5RSP113FW01 and LFNE5RSP303NW22
	808048	Filter Jumper Harness	Filter to terminal block; Starting Serial Nos. beginning 1610; All models except AFN50RSP113FW01, AFN50RSP115FW01, FFNE5BSP125MW01, FFNE5RSP303NW10, LFNE5BSP113JW01, LFNE5BSP113ZW30, LFNE5BSP125MW01, LFNE5RSP113FW01 and LFNE5RSP303NW22
3	803819	Junction Box	Lower
4	804396	Filter Harness	Filter to main harness; Models AFN50RSP113FW01, AFN50RSP115FW01, AFNE9BSG305NW36, AFNE9BSP305AW01, AFNE9BSP305LW01, AFNE9BSP305XW01, AFNE9BSP305XW34, FFNE5RSP303NW10, LFNE5BSP113JW01, LFNE5BSP113ZW30, LFNE5BSP543KN01, LFNE5BSP543KW01, LFNE5RSP113FW01, LFNE5RSP303NW22 and ZFNE9BSP115FW01
	804797	Filter Harness	Filter to main harness; Models AFNE9BSG303NW36, AFNE9BSG305NW36, AFNE9BSP113FN01, AFNE9BSP123DN04, AFNE9BSP123DW04, AFNE9BSP125DW04, AFNE9BSP303AN01, AFNE9BSP303AW01, AFNE9BSP303HN01, AFNE9BSP303LN01, AFNE9BSP303NN22, AFNE9BSP303XN01, AFNE9BSP303XN26, AFNE9BSP303XN34, AFNE9BSP303XW01, AFNE9BSP303XW26, AFNE9BSP303XW34, AFNE9BSP305AW01, AFNE9BSP305LW01, AFNE9BSP305XW01, AFNE9BSP305XW34, AFNE9BSP543DN04, AFNE9BSP543DW04, AFNE9BSP543ZN01, AFNE9BSP545DW04, AFNE9BSP545RW01, FFNE5BSP125MW01, FFNE5BSP303LW01, FFNE5BSP303ZW01, LFNE5BSP113FW01, LFNE5BSP125MW01, LFNE5BSP303AW01, LFNE5BSP303AW12, LFNE5BSP303NW35, LFNE5BSP303VW26, LFNE5BSP303WW37, LFNE5BSP303ZW01, LFNE5BSP543KN01, LFNE5BSP543KW01, LFNE5BSP543NW23, LFNE5BSP543RW01, LFNE5BSP543ZW01, ZFNE9BSP113FN01, ZFNE9BSP113FW01 and ZFNE9BSP115FW01
5	805633	Line Filter	Models AFNE9BSP123DN04 and AFNE9BSP125DW04
	807473	Line Filter	All other models

# Junction Box

Models BFNE6BJP113CW01, BFNE6BJP113TW01, LFNE5BJP113CW01, LFNE5BJP113TW01, LFNE5BJP115CW01, LFNE5BJP115TW01, LFNE5RSP303NW22, PFNE3BJP113CG01, PFNE3BJP113TG01, PFNE3BJP115CG01, PFNE3BJP115CW01, PFNE3BJP115TG01, PFNE3BJP115TW01, UFNE5BJP113TW01, UFNE5BJP113TW08, UFNE5BJP115TW01, UFNE5BJP115TW08, YFNE5BJP113CW01, YFNE5BJP113TW01, YFNE5BJP115CW01 and YFNE5BJP115TW01

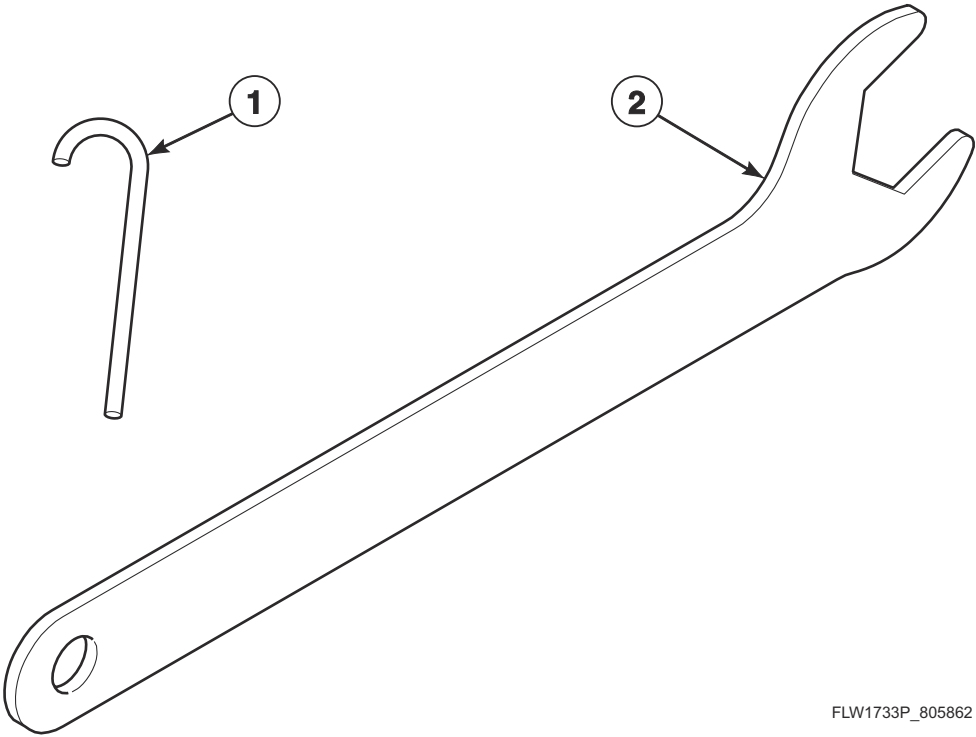


FLW1756P\_805862

# Junction Box

REF	PART NO.	DESCRIPTION	COMMENTS
1	803820	Junction Box Cover	
2	803832P	Junction Box Seal	
3	803827	Junction Box	Upper
4	M402542	Snap Bushing	
5	804528	Chemical Injection Control	
6	D503661	Screw	
7	804561	Junction Box	Lower
8	M400149	Connector	
9	804799	Supply Injection Wire Harness Assembly	Through Serial No. 2012999999
	807645	Supply Injection Wire Harness Assembly	Starting Serial No. 2101000001

# Special Tools

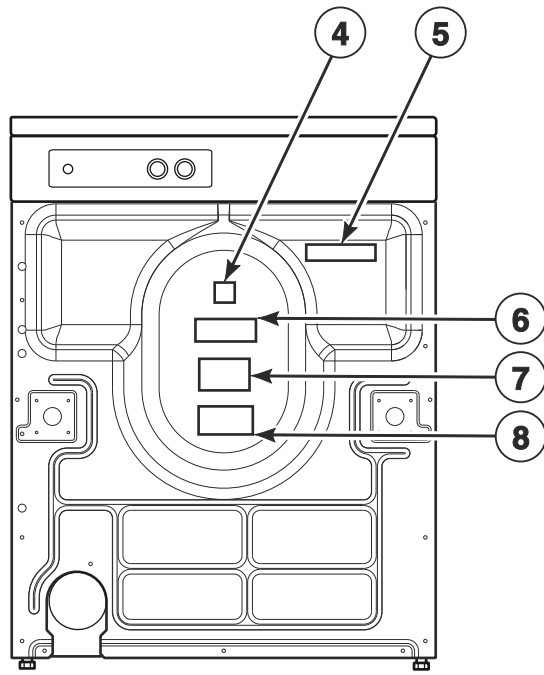
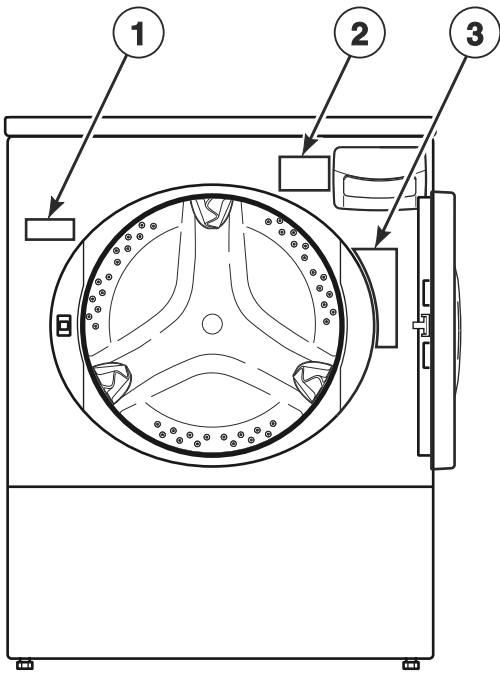


FLW1733P\_805862

# Special Tools

REF	PART NO.	DESCRIPTION	COMMENTS
	807623	Belt Install Tool	
1	802336	Pulley Bolt Tightening Fixture	Use to install inner basket
2	392P4	Wrench	Use for adjusting leveling leg nuts

# Washer Labels



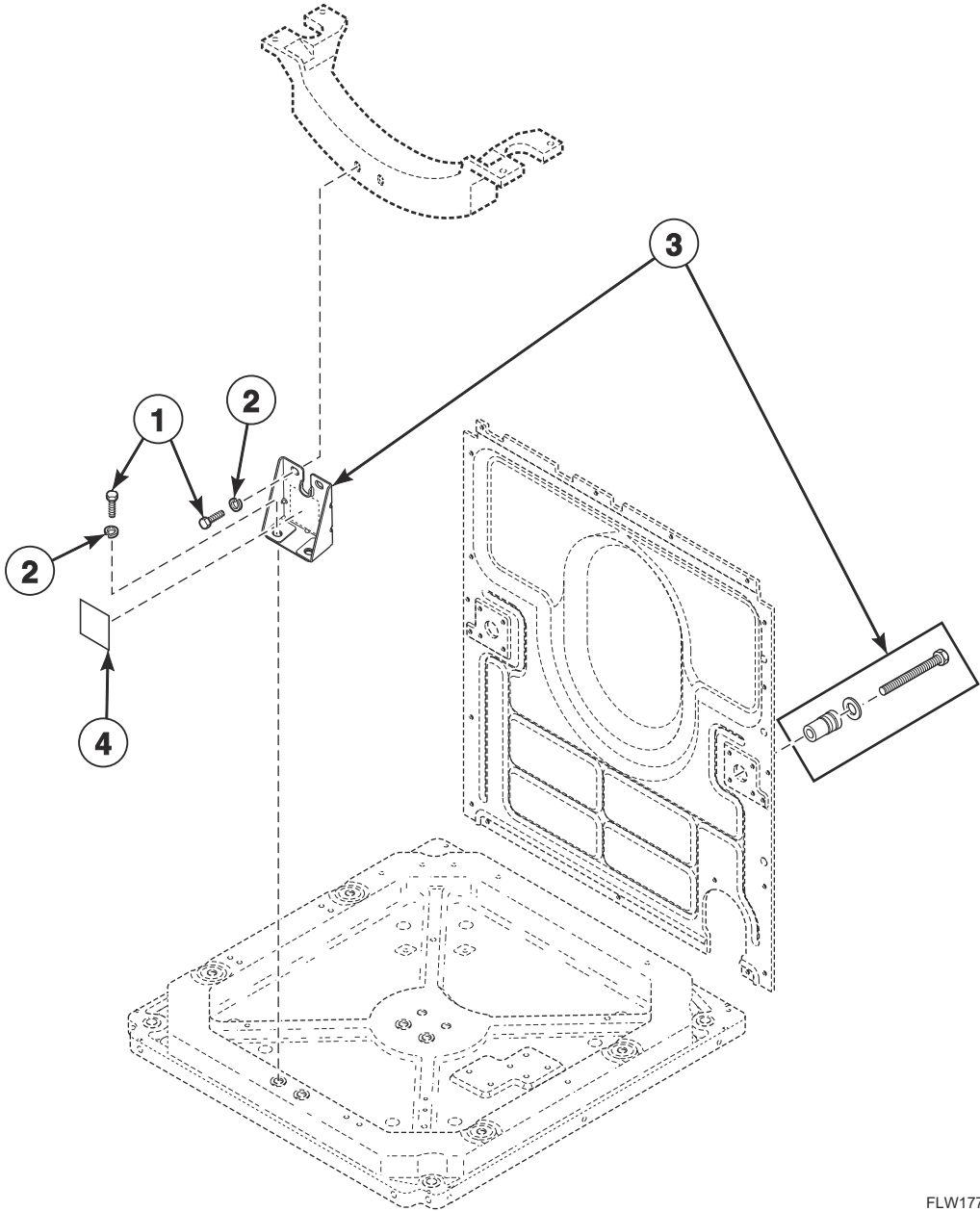
FLW1722P\_805862



# Washer Labels

REF	PART NO.	DESCRIPTION	COMMENTS
1	803011R1	Notice Label	
2	802074R3	Oversudsing Label	English
	802838	Oversudsing Label	Spanish
3	802367	Warning Label	English; Reduce fire risk; Door locked
	806714	Warning Label	English/French; Reduce fire risk; Door locked
	804928	Warning Label	French; Reduce fire risk; Door locked
	804932	Warning Label	Portuguese; Reduce fire risk; Door locked
	804933	Warning Label	Spanish; Reduce fire risk; Door locked
	804500	Warning Label	Brazilian Portuguese; Reduce fire risk; Door locked
	805966	Warning Label	Thai; Reduce fire risk; Door locked
	804924	Warning Label	Arabic; Reduce fire risk; Door locked
	805962	Warning Label	Japanese; Reduce fire risk; Door locked
	805964	Warning Label	Chinese; Reduce fire risk; Door locked
	806550	Warning Label	Vietnamese; Reduce fire risk; Door locked
	805965	Warning Label	Korean; Reduce fire risk; Door locked
4	D516073	Notice Label	
5	D505281R3	Disconnect Power Warning Label	English
	801706	Caution Label	Icon; Ground machine
	D500316R6	Warning Label	English/French; Disconnect power
	804582	Warning Label	Brazilian Portuguese; Electric shock
6	685928	Left Hand Thread Label	Text; Left hand thread
	804949	Left Hand Thread Label	Icon; Left hand thread
7	803260R1	Warning Label	Text; Disconnect power
	F8211201	Electrical Shock Label	Icon; Electric shock
8	D500049R4	Warning Label	English
	D500314R7	Warning Label	English/French
	F8615701	Pinch Warning Label	Icon; Crush hazard

# Shipping Materials

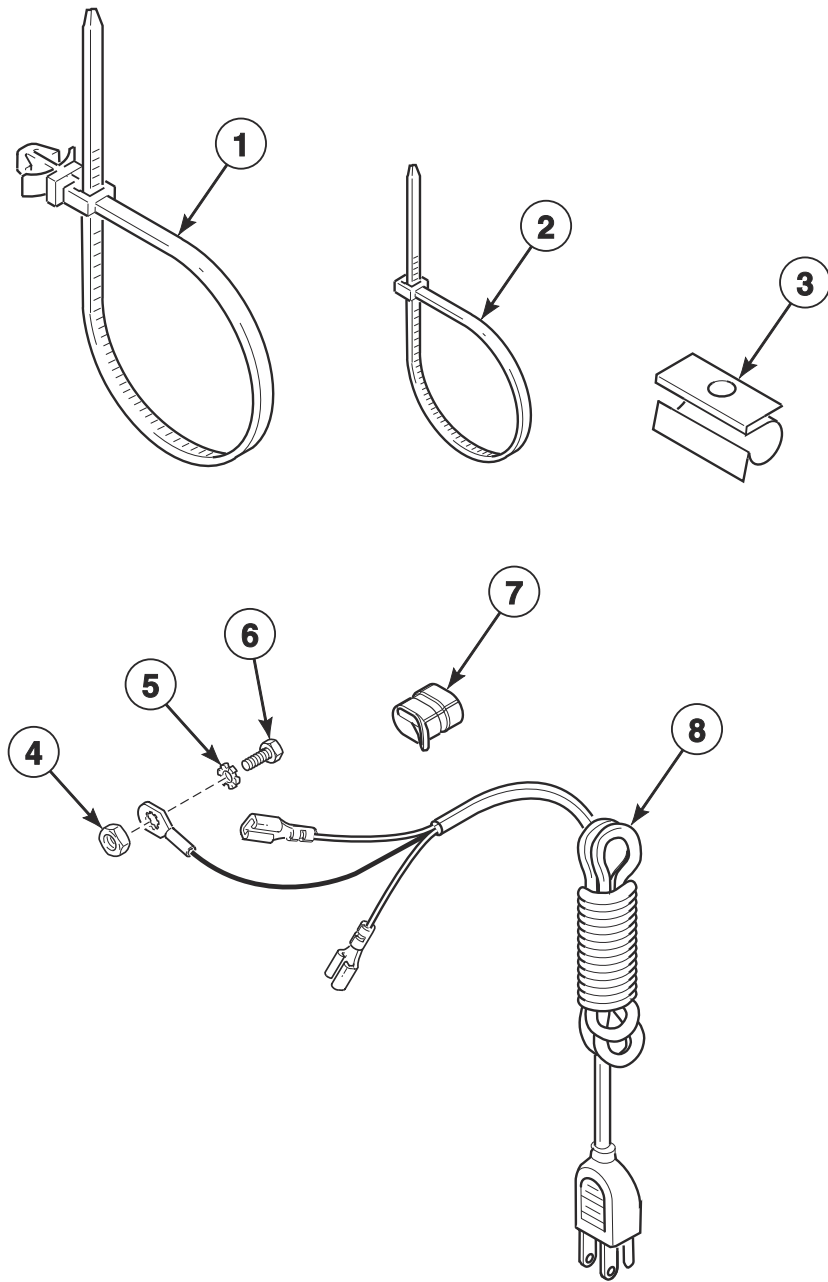


FLW1779P\_805862

# Shipping Materials

REF	PART NO.	DESCRIPTION	COMMENTS
1	M400043	Screw	4 required
2	M400014	Washer	4 required
3	805729	Shipping Materials Kit	Includes shipping brace, shipping spacer assembly and labels
4	804488R1	Label	Shipping brace

# Wire Ties, Clips and Lead-In Cord

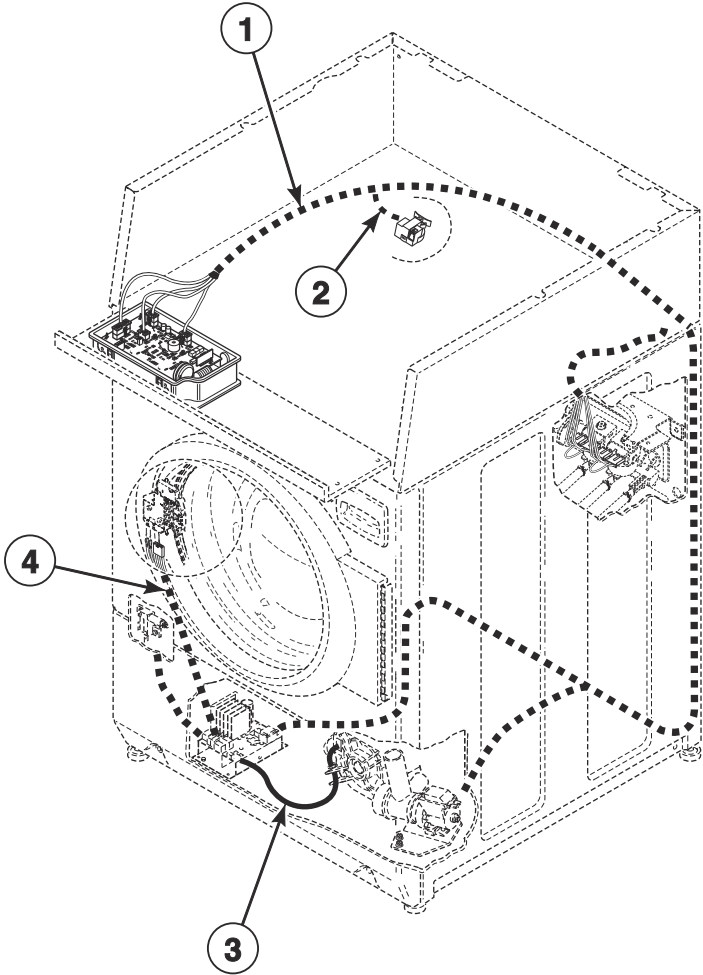


FLW1771P\_805862

## Wire Ties, Clips and Lead-In Cord

REF	PART NO.	DESCRIPTION	COMMENTS
1	38663	Wire Tie	
2	55881	Harness Strap	
3	36985	Hose Clip	
4	03673	Nut	
5	03815	Washer	
6	20530	Screw	
7	806511	Strain Relief	Models AFBE9BSP303NN29, AFBE9BSP303NW29, AFBE9BSP305NW29 and ZFBE9BSP305NW29
	806508	Strain Relief Plate	Models AFBE9BSP303NN29, AFBE9BSP303NW29, AFBE9BSP305NW29 and ZFBE9BSP305NW29
	38384	Strain Relief	All other models
8	806179	Power Cord Assembly	Models AFBE9BSP303NN29, AFBE9BSP303NW29, AFBE9BSP305NW29 and ZFBE9BSP305NW29
	202777	Lead-In Cord	Models AFNE9BSP113CN01, AFNE9BSP113CW01, BFNE6BJP113CW01, BFNE6BJP113TW01, LFN50RSP113TW01, LFNE5BJP113CW01, LFNE5BJP113TW01, LFNE5BJP115TW01, LFNE5BSP113CW01, LFNE5BSP113TW01, LFNE5RSP113CW01, LFNE5RSP113TW01, PFNE3BJP113CG01, PFNE3BJP113TG01, PFNE3RSP113TG01, UFNE5BJP113TW01, UFNE5BJP113TW08, YFNE5BJP113CW01, YFNE5BJP113TW01, YFNE5RSP113CW01, YFNE5RSP113TW01, ZFNE9BSP113CN01 and ZFNE9BSP113CW01
	806824	Lead-In Cord	Models AFBE9BSP305AN01 and AFBE9BSP305AW01

# Wire Harnesses and Wires



FLW1780P\_805862

## Wire Harnesses and Wires

REF	PART NO.	DESCRIPTION	COMMENTS
	45001	18 Gauge Wire	Black; Order wire by foot and terminals as required
	45380	12 Gauge Wire	Orange; Order wire by foot and terminals as required
	807298	Power Harness	Starting Serial No. 2101000001
1	806030	Rear Control Harness	Models AFN50RSP113FW01, AFN50RSP115FW01, FFNE5RSP303NW10, LFN50RSP113TW01, LFNE5RSP113CW01, LFNE5RSP113FW01, LFNE5RSP113TW01, LFNE5RSP303NW22, PFNE3RSP113TG01, PFNE3RSP303AG01, YFNE5RSP113CW01 and YFNE5RSP113TW01 through Serial No. 2012999999
	807375	Rear Control Harness	Models AFN50RSP113FW01, AFN50RSP115FW01, FFNE5RSP303NW10, LFN50RSP113TW01, LFNE5RSP113CW01, LFNE5RSP113FW01, LFNE5RSP113TW01, LFNE5RSP303NW22, PFNE3RSP113TG01, PFNE3RSP303AG01, YFNE5RSP113CW01 and YFNE5RSP113TW01 starting Serial No. 2101000001
	806009	Control Harness	Models AFBE9BSP303NN29, AFBE9BSP303NW29, AFBE9BSP305AN01, AFBE9BSP305AW01, AFBE9BSP305NW29 and ZFBE9BSP305NW29
	806031	Front Control Harness	All other models through Serial No. 2012999999
	807346	Front Control Harness	All other models starting Serial No. 2101000001
2	804432	Pressure Sensor Harness	Models AFN50RSP113FW01, AFN50RSP115FW01, FFNE5RSP303NW10, LFN50RSP113TW01, LFNE5RSP113CW01, LFNE5RSP113FW01, LFNE5RSP113TW01, LFNE5RSP303NW22, PFNE3RSP113TG01, PFNE3RSP303AG01, YFNE5RSP113CW01 and YFNE5RSP113TW01
	804433	Pressure Sensor Harness	All other models
3	806962	Motor Harness	Models LFNE5BSP543KN01 and LFNE5BSP543KW01 through Serial No. 2012999999
	807612	Motor Harness	Models FFNE5BSP125MW01, LFNE5BSP125MW01, LFNE5BSP543KN01 and LFNE5BSP543KW01 starting Serial No. 2101000001
	806029	Motor Harness	All other models through Serial No. 2012999999
	807294	Motor Harness	All other models starting Serial No. 2101000001
4	806513	Door Lock Harness Assembly	Models AFNE9BSP115CN13, AFNE9BSP115CW13, AFNE9BSP116CN13, AFNE9BSP116CW13, ZFNE9BSP116CN13 and ZFNE9BSP116CW13 through Serial No. 2012999999
	807514	Door Lock Harness Assembly	Models AFNE9BSP115CN13, AFNE9BSP115CW13, AFNE9BSP116CN13, AFNE9BSP116CW13, ZFNE9BSP116CN13 and ZFNE9BSP116CW13 starting Serial No. 2101000001
	806028	Door Lock Harness Assembly	All other models through Serial No. 2012999999
	807293	Door Lock Harness Assembly	All other models starting Serial No. 2101000001

**NOTE: Individual wires are not available separately. Order complete harness, or order wire by the foot. When applying terminals to wires, it is recommended that the terminals be soldered to the wires.**





# Parts Index

## A

Access Panel Assembly	
804617DGP .....	25
804617W .....	25
804618 .....	25
Anchor	
155P3 .....	53
Anchor Floor Mount Assembly	
802844P .....	53
Anti-Seize Compound	
27604P .....	43

## B

Balance Ring Assembly	
804393 .....	43
Base Assembly	
803876 .....	53
Bearing Housing Kit	
805525 .....	43
Bearing Kit	
805730 .....	43
Belt Install Tool	
807623 .....	45, 61
Belt Kit	
807429P .....	45
Bolt	
29651 .....	5, 11
Bracket	
D510146 .....	23
Bumper Pad	
36226 .....	53

## C

Cabinet Panel Kit	
800004WP .....	53
Cabinet Side Panel	
800004DG .....	53
800005DG .....	53
802525P .....	53
802526P .....	53
Cable Connection Box	
39922 .....	55
Caution Label	
801706 .....	63
Chemical Injection Control	
804528 .....	59
Chemical Injection Conversion Kit	
805938 .....	33
805939 .....	33
808076 .....	33
808077 .....	33
Clamp Ring	
803802 .....	41
Clothes Guard Deflector	
804467 .....	41

805548 .....	41
Compartment Cover	
803670 .....	31
Connector	
M400149 .....	59
801789 .....	5
Control Assembly	
804474P .....	17, 19
804517P .....	21
804789P .....	21
805217P .....	7
805218P .....	7
805219P .....	7
805225P .....	7
805236P .....	7
806255P .....	21
806259P .....	7
806589 .....	7
806709 .....	7
807453 .....	7
807489 .....	7
807516 .....	7
807517 .....	7
807518 .....	7
807519 .....	7
807520 .....	7
807521 .....	7
807522 .....	7
807530 .....	7
807590 .....	7
Control Bracket	
804611 .....	5
807441 .....	45
Control Harness	
806009 .....	69
Control Knob Assembly	
803119P .....	17
Control Overlay	
804490 .....	13
804733 .....	13
805695 .....	13
805696 .....	13
805699 .....	13
806107 .....	13
806169 .....	13
806170 .....	13
806171 .....	13
806192 .....	13
806450 .....	13
806451 .....	13
806968 .....	13
807188 .....	13
807485 .....	13
807655 .....	13
807707 .....	13
807885 .....	13
808132 .....	13
Control Panel Assembly	
804659W .....	9
804660 .....	9
804960 .....	9
804961 .....	9
805005 .....	9
807888W .....	9

N/A items do not appear in index.

Control Shield 804363 .....	5
Control Support Panel 801388 .....	17
804836 .....	21
806547 .....	19
Control Wrapper 804627B .....	9
804627DG .....	9
804627W .....	9
804629DG .....	5
804629W .....	5
804630B .....	5
804630W .....	5
Counterweight 807476 .....	41
Cycle Selector Switch 203976 .....	19
Cycle Switch 801240 .....	17
Cycle Switch Bracket 801390 .....	17

## D

Detergent Hose 804717 .....	31
Disconnect Power Warning Label D505281R3 .....	23, 63
Dispenser Assembly 803698 .....	31
805494P .....	31
805495P .....	31
Dispenser Drawer 803667 .....	31
Dispenser Handle 804227W .....	31
804227WP .....	31
804228 .....	31
Dispenser Inlet Hose 803849 .....	31, 35
806718 .....	31, 35
807364 .....	31, 35
Dispenser Plate 803843 .....	31
Domed Label 203173 .....	9
800923 .....	9
804970 .....	9
Door Assembly 804083WP .....	27
804210P .....	27
805550P .....	27
Door Catch Assembly 802803 .....	27
Door Glass 802695P .....	27
Door Glass Mounting Plate 806354 .....	27
Door Hinge 802934 .....	27
Door Latch Assembly 803920 .....	25

Door Lock Drip Shield 804784 .....	25
Door Lock Harness Assembly 806028 .....	69
806513 .....	69
807293 .....	69
807514 .....	69
Door Lock Shield 806713 .....	25
Door Seal 804428P .....	25
Door Seal Assembly 804429P .....	25
Drain Base Bracket 803814 .....	47
Drain Hose 803976 .....	47
Drain Hose Bracket 803828 .....	53
Drain Hose Sleeve 33615 .....	47
Drain Pump Assembly 803922 .....	49
805724P .....	49
808195P .....	49
Drain Pump Drip Shield 805561 .....	47
Drain Pump Isolator 803815 .....	47
Drain Valve Kit F976P3 .....	51
Drain-to-Cabinet Hose 800903 .....	51
Drive Belt 804985 .....	45

## E

Electrical Shock Label F8211201 .....	23, 63
End Cap 203729W .....	19
203730W .....	19
End Panel D504006P .....	21
D504007P .....	21
D504008W .....	21
D504008WP .....	17
D504009WP .....	17, 21
End Shield 806258 .....	45
Expansion Clip 70030501 .....	5

## F

Fill Hose 203718 .....	37
203719 .....	37
203720 .....	37
203750 .....	37
204102 .....	37

N/A items do not appear in index.

204103	37
Filter Harness	
804396	57
804797	9, 57
Filter Jumper Harness	
804805	57
808048	57
Foam Gasket	
807156	53
Foam Pad	
804875	31
Foreign Object Deflector	
806308	41
806313	41
806361	41
Front Control Harness	
806031	69
807346	69
Front Panel	
802277DG	25
802277WP	25
802278W	25
802288P	25
Front Panel Assembly Kit	
806505W	29
806560	29

## G

Gasket	
802427	49
Glass Mounting Clip	
802700	27
Graphic Panel	
805109W	17
805406	21
805448	21
805449	21
805608	21
805714W	17
806708	19
Gravity Drain Bracket	
803291	51
803833	53
Gravity Drain Valve	
803292P	51
Grommet	
29175	39

## H

Harness Strap	
55881	67
Heating Element	
806090	41
Heating Element Plug	
F360202	41
Hinge	
D511036	11
Hinge Plate	
802206	25

Hold-Down Clip	
205340	23
35358	23
Hood Back Panel	
804169	23
804845	23
806593	23
Hose Clamp	
F200204	47
F200206	31
685725	31, 51
802281	25
803891	39
807386	31, 35
Hose Clip	
36985	39, 67
800553	39
Hose Stand	
38732	47

## I

Indicator Light	
801356	17
Indicator Light Lens	
801435	17
Inner Basket Assembly	
804374P	43
805485	43
Inner Basket Assembly Kit	
804376P	43
Inner Door Bezel	
808097	27
Inner Door Bezel Kit	
808095	27
808096	27
Insert	
685716	31
Inverter Control Assembly	
807175P	45

## J

Junction Box	
803818	55
803819	57
803827	59
804559	55
804561	59
Junction Box Cover	
803820	55, 59
Junction Box Seal	
803832P	55, 59

## K

Knob Assembly	
204046	19
36701W	17
803168P	17

N/A items do not appear in index.

---

**L**

Label	
804488R1 .....	65
804969 .....	9
Lead-In Cord	
202777 .....	67
805844 .....	55
805974 .....	55
806824 .....	67
808050 .....	55
808131 .....	55
Lead-In Cord Assembly	
804556 .....	55
LED Display Assembly	
203849 .....	19
Left Control Cabinet Side	
800900WP .....	9
Left Hand Thread Label	
685928 .....	63
804949 .....	63
Leveling Leg	
34319 .....	53
Lid Assembly	
802426P .....	49
Lifter	
804382 .....	43
Line Filter	
805633 .....	9, 15, 57
807473 .....	57

---

**M**

Mixing Valve	
806611P .....	35
807497P .....	35
807837P .....	35
807838 .....	35
Mixing Valve Screen	
F8161201 .....	35
24122 .....	35
Mixing Valve Shield	
804783 .....	35
Motor and Rod Assembly Kit	
805726P .....	45
808034P .....	45
808067P .....	45
Motor Control Shield	
804878 .....	45
806498 .....	45
Motor Harness	
806029 .....	69
806962 .....	69
807294 .....	69
807612 .....	69
Motor Rod	
803861 .....	45
807739 .....	45

---

**N**

Notice Label	
D516073 .....	63
803011R1 .....	63
Nut	
F430218 .....	41
03673 .....	67
21899 .....	53
23951 .....	27
29786 .....	51
36020 .....	11, 25
44087201 .....	11
685846 .....	27
800452 .....	39, 43
802343 .....	41
804418 .....	43

---

**O**

O-Ring	
802429P .....	47
Outer Door Bezel	
808091 .....	27
808092 .....	27
808094 .....	27
Outer Tub Assembly	
803864 .....	39
803865 .....	39
807479 .....	39
807480 .....	39
807618 .....	39
807619 .....	39
Out-of-Balance Switch Assembly	
803415 .....	39
807384 .....	39
Out-of-Balance Switch Bracket	
804457 .....	39
807280 .....	39
Output Control Assembly	
808149 .....	45
808150 .....	45
Overlay	
804492 .....	21
804493 .....	21
806191 .....	21
Oversuding Label	
802074R3 .....	63
802838 .....	63

---

**P**

Paint	
806436P .....	53
Panel Locator	
56079 .....	25, 53
Pinch Warning Label	
F8615701 .....	63
Pop Rivet	
685847 .....	9, 11, 39
70058501 .....	23

N/A items do not appear in index.

Porcelain Touch-Up Paint 122P4P .....	53
Power Cord Assembly	
204061 .....	55
801450 .....	55
802012 .....	55
805732 .....	55
806179 .....	67
808045 .....	55
808046 .....	55
808047 .....	55
Power Harness	
807298 .....	69
Pressure Bulb	
808013 .....	39
Pressure Sensor	
203843 .....	53
Pressure Sensor Harness	
804432 .....	69
804433 .....	69
Pressure Sensor Tube Assembly	
804483 .....	39
Pulley Assembly	
808197 .....	43
Pulley Bolt Tightening Fixture	
802336 .....	61
Pump Housing	
802428 .....	49
Pump Housing Assembly	
802434P .....	49
Pump-to-Gravity Drain Kit	
805769 .....	47
805770 .....	47
805771 .....	47
Push Button Switch	
203935 .....	19
Push-to-Start Switch	
801434W .....	17

## R

Rear Access Panel	
804614 .....	5
Rear Control Cabinet	
804859 .....	5
Rear Control Harness	
806030 .....	69
807375 .....	69
Rear Panel	
803789 .....	53
803790 .....	53
806716 .....	53
Rear Wrapper Brace	
805345 .....	9
Retainer Clip	
36014 .....	47
Right Control Cabinet Side	
800915W .....	5
Rocker Switch	
203934 .....	19
38424W .....	17
Rubber Foot	
D501855 .....	53

34318 .....	53
-------------	----

## S

### Screw

D501086 .....	9, 15, 17, 19, 21, 23
D501524 .....	45
D503661 .....	5, 9, 15, 23, 25, 45, 47, 51, 53, 57, 59
D503688 .....	5
F8206901 .....	45
M400043 .....	43, 65
M400057 .....	45
02916 .....	45, 51
203799 .....	19
20530 .....	67
39733 .....	5, 25, 53
685831 .....	43
685837 .....	17
800461 .....	39
800462 .....	41
800548 .....	25, 27, 31, 43
801001 .....	31
801045 .....	25
801993 .....	27
802431 .....	47
802596 .....	41
804399 .....	43
804608 .....	19
804699 .....	43
806086 .....	25
806276 .....	53
807075 .....	19
807678 .....	27

### Sealant

27615P .....	49
--------------	----

### Shipping Materials Kit

805729 .....	65
--------------	----

### Shipping Plate

803851 .....	53
--------------	----

### Shipping Plug

803859 .....	53
--------------	----

### Shock Assembly

803777P .....	39
---------------	----

### Side Panel Kit

806492 .....	53
--------------	----

### Snap Bushing

D503235 .....	51
---------------	----

M400770 .....	9, 15
---------------	-------

M402542 .....	59
---------------	----

### Standpipe Strap

33489 .....	47
-------------	----

### Strain Relief

32219 .....	47
-------------	----

38384 .....	55, 67
-------------	--------

806511 .....	67
--------------	----

### Strain Relief Plate

806508 .....	67
--------------	----

### Supply Injection Wire Harness Assembly

804799 .....	59
--------------	----

807645 .....	59
--------------	----

N/A items do not appear in index.

---

## T

Temperature Switch	
35115 .....	17, 19
Temperature Switch Bracket	
800669 .....	17
Terminal Block Panel	
804609 .....	9, 15
Timer Knob Assembly	
D512117W .....	17
Top Cover	
D505808DG .....	21
D505808W .....	17, 21
Top Hinge	
D510136 .....	53
Top Mounting Bracket	
D504228 .....	11
Top Panel	
D510029DG .....	23
D512878W .....	11
804684 .....	9
804685DG .....	9
804685WP .....	9
Top Panel Brace Assembly	
804613 .....	5
Top Panel Guide	
803761 .....	5
Top Panel Kit	
D510029WP .....	23
Trunnion Kit	
806831 .....	43
Trunnion Shaft Kit	
808043P .....	43
Tub Front	
803770 .....	41
Tub Front Assembly	
803879 .....	41
Tub Front Seal	
803801 .....	41
Tubing	
801635 .....	31
Tub-to-Gravity Drain Hose	
803874 .....	51
Tub-to-Pump Hose	
803816 .....	49
803829 .....	49

---

## U

Union	
801788 .....	5

---

## W

Warning Label	
D500049 .....	63
D500049R4 .....	39
D500314R7 .....	63
D500316R6 .....	23, 63
802367 .....	63
803260R1 .....	63

804500 .....	63
804582 .....	63
804924 .....	63
804928 .....	63
804932 .....	63
804933 .....	63
805962 .....	63
805964 .....	63
805965 .....	63
805966 .....	63
806550 .....	63
806714 .....	63
Washer	
M400014 .....	65
M400017 .....	51
M400080 .....	45
M400081 .....	41, 43
M403958 .....	43
02834 .....	45
03815 .....	67
20290 .....	37
802254 .....	37
803615 .....	37
804458 .....	39
807679 .....	43
Wire Ring and Spring	
806466 .....	25
Wire Tie	
38663 .....	67
Wire, 12 Gauge	
45380 .....	69
Wire, 18 Gauge	
45001 .....	69
Wrench	
392P4 .....	61

N/A items do not appear in index.