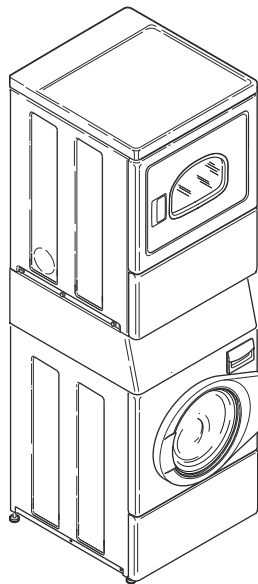


Home Stack Washer/Dryers

Refer to Page 3 for Model Numbers



SWD456C_806093

Parts

Alliance[™]
Laundry Systems

www.alliancelaundry.com

Part No. 806093R9
July 2023

Table of Contents

Title	Page
Parts Ordering Information.....	2
Serial Plate Location	2
Model Identification	3
Control Cabinet and Controls.....	4
Front Panel, Door Assembly and Door Seal	6
Dispenser Assembly	8
Mixing Valve, Fill Hose and Valve-to-Dispenser Hose.....	10
Outer Tub, Front and Clamp Ring.....	12
Inner Basket, Trunnion, Bearing Housing and Pulley	14
Motor and Belt.....	16
Drain Hose and Pump.....	18
Base, Side Panels and Rear Panel.....	20
Special Tools	22
Washer Lead-In Cord, Wire Ties and Harness Clips	24
Dryer Loading Door (Drawing 1 of 2).....	26
Dryer Loading Door (Drawing 2 of 2).....	28
Access Panel, Front Panel and Seal	30
Motor, Exhaust Fan and Belt	32
Front Bulkhead, Air Duct, Felt Seal and Cylinder	34
Rear Bulkhead, Felt Seal, Cylinder Roller and Terminal Block.....	36
Heater Duct and Element Assembly	38
Heater Duct Assembly	40
Gas Valve, Igniter and Gas Conversion Kits Through Serial No. 1908000001.....	42
Gas Valve, Igniter and Gas Conversion Kits Starting Serial No. 1908000001.....	44
Burner Orifice Spuds - For Higher Elevations.....	46
Dryer Cabinet, Exhaust Duct and Base	48
Dryer Lead-In Cord	50
Dryer Terminals and Terminal Extractor Tools	52
Dryer Labels.....	54
Washer Labels	56
Shipping Materials	58
Wire Harnesses and Wires	60
Parts Index.....	63

© Copyright 2023, Alliance Laundry Systems LLC

All rights reserved. No part of the contents of this book may be reproduced or transmitted in any form or by any means without the expressed written consent of the publisher.

Parts Ordering Information

If literature or replacement parts are required, contact the source from whom the machine was purchased or contact Alliance Laundry Systems at (920) 748-3950 for the name and address of the nearest authorized parts distributor.

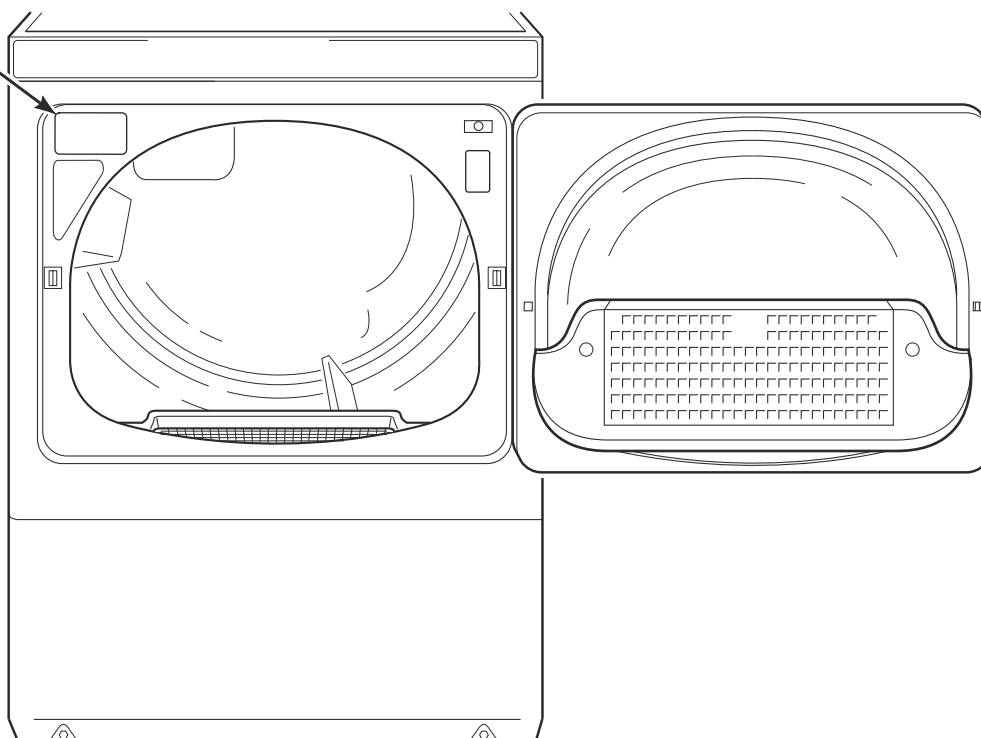
For technical assistance, call the number listed below:

(920) 748-3121 Ripon, Wisconsin

Serial Plate Location

When calling or writing about your product, be sure to mention model and serial numbers. Model and serial numbers are located on serial plate(s) as shown.

SERIAL PLATE



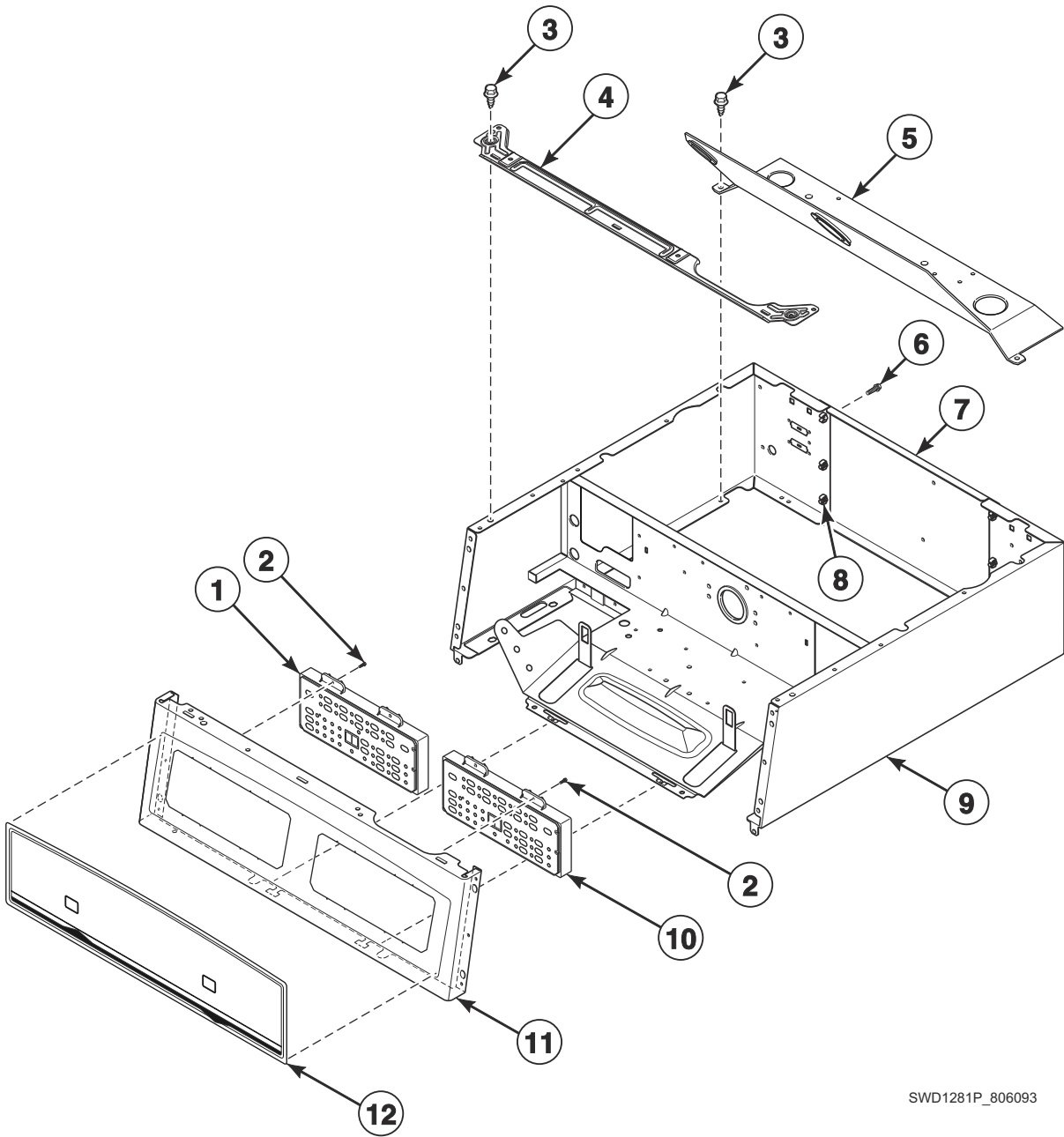
DRY2283P_806093

Model Identification

Information in this manual is applicable to these dryer models:

ATEE9AGP173TW01
ATEE9ASP175TW01
ATEE9ASP176TW01
ATEE9ASP177TW01
ATEE9ASP178TW01
ATGE9AGP113TW01
ATGE9ASP115TW01
ATGE9ASP116TW01
ATGE9ASP117TW01
ATGE9ASP118TW01

Control Cabinet and Controls

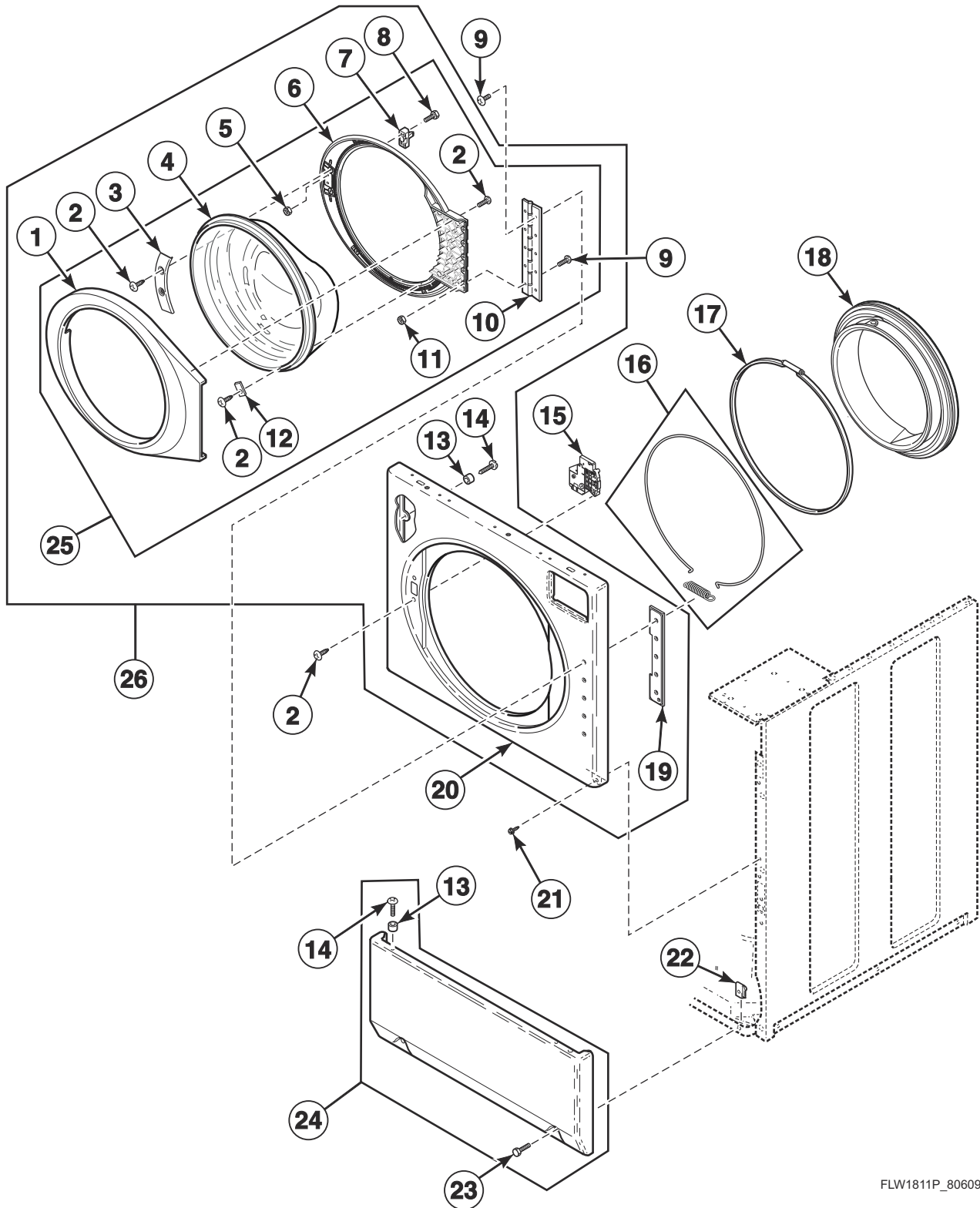


SWD1281P_806093

Control Cabinet and Controls

REF	PART NO.	DESCRIPTION	COMMENTS
1	807489	Control Assembly	Washer; Models ATEE9ASP176TW01 and ATGE9ASP116TW01 through Serial No. 2012999999
	805219P	Control Assembly	Washer; All other models through Serial No. 2012999999
	807530	Control Assembly	Washer; Models ATEE9ASP176TW01 and ATGE9ASP116TW01 starting Serial No. 2101000001
	807517	Control Assembly	Washer; All other models starting Serial No. 2101000001
	808160	Control Assembly	Washer; Models ATEE9ASP177TW01, ATEE9ASP178TW01, ATGE9ASP117TW01 and ATGE9ASP118TW01
2	804667	Screw	
3	D503688	Screw	
4	804018	Shield Bracket	
5	804363	Control Shield	
6	70240301	Screw	
7	803998	Rear Access Panel	Through Serial No. 1912999999
	807646	Rear Access Panel	Starting Serial No. 2001000001
8	70030501	Expansion Clip	
9	804112W	Wrapper Assembly	
10	D518225	Control Assembly	Models ATEE9ASP177TW01, ATEE9ASP178TW01, ATGE9ASP117TW01 and ATGE9ASP118TW01
	D514567P	Control	Dryer; Through Serial No. 1912999999; All other models
	D517585	Control Assembly	Dryer; Starting Serial No. 2001000001; All other models
11	803960WP	Control Panel	
12	806701	Control Overlay	Models ATEE9ASP175TW01 and ATGE9ASP115TW01
	807494	Control Overlay	Models ATEE9ASP176TW01 and ATGE9ASP116TW01
	808154	Control Overlay	Models ATEE9ASP177TW01, ATEE9ASP178TW01, ATGE9ASP117TW01 and ATGE9ASP118TW01
	804491	Control Overlay	All other models

Front Panel, Door Assembly and Door Seal

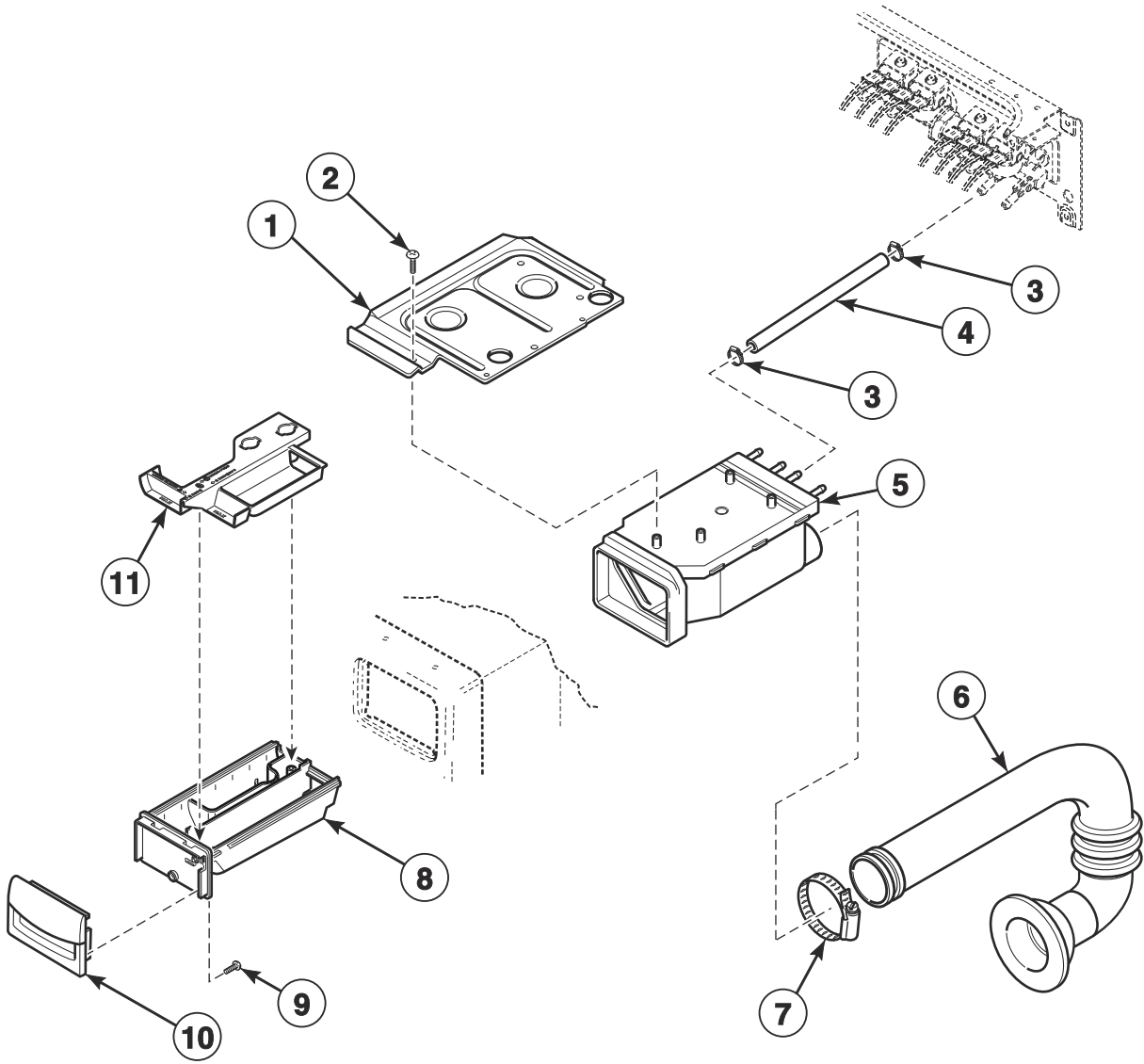


FLW1811P_806093

Front Panel, Door Assembly and Door Seal

REF	PART NO.	DESCRIPTION	COMMENTS
1	808094	Outer Door Bezel	White
2	800548	Screw	
3	806354	Door Glass Mounting Plate	
4	802695P	Door Glass	
5	685846	Nut	
6	808095	Inner Door Bezel Kit	
	808097	Inner Door Bezel	White glass-filled
7	802803	Door Catch Assembly	
8	801993	Screw	
9	801019	Screw	
10	802934	Door Hinge	
11	23951	Nut	
12	802700	Glass Mounting Clip	7 required
13	56079	Panel Locator	
14	39733	Screw	
15	803920	Door Latch Assembly	
16	806466	Wire Ring and Spring	
17	802281	Hose Clamp	Seal to outer tub front
18	804428P	Door Seal	Black
	804429P	Door Seal Assembly	Gray
19	802206	Hinge Plate	
20	802277WP	Front Panel	
21	D503661	Screw	
22	36020	Nut	
23	801045	Screw	
24	D514250WP	Access Panel Assembly	
25	804083WP	Door Assembly	White; Includes items 1-12
26	806505W	Front Panel Assembly Kit	Includes items 1-14, 19 and 20

Dispenser Assembly

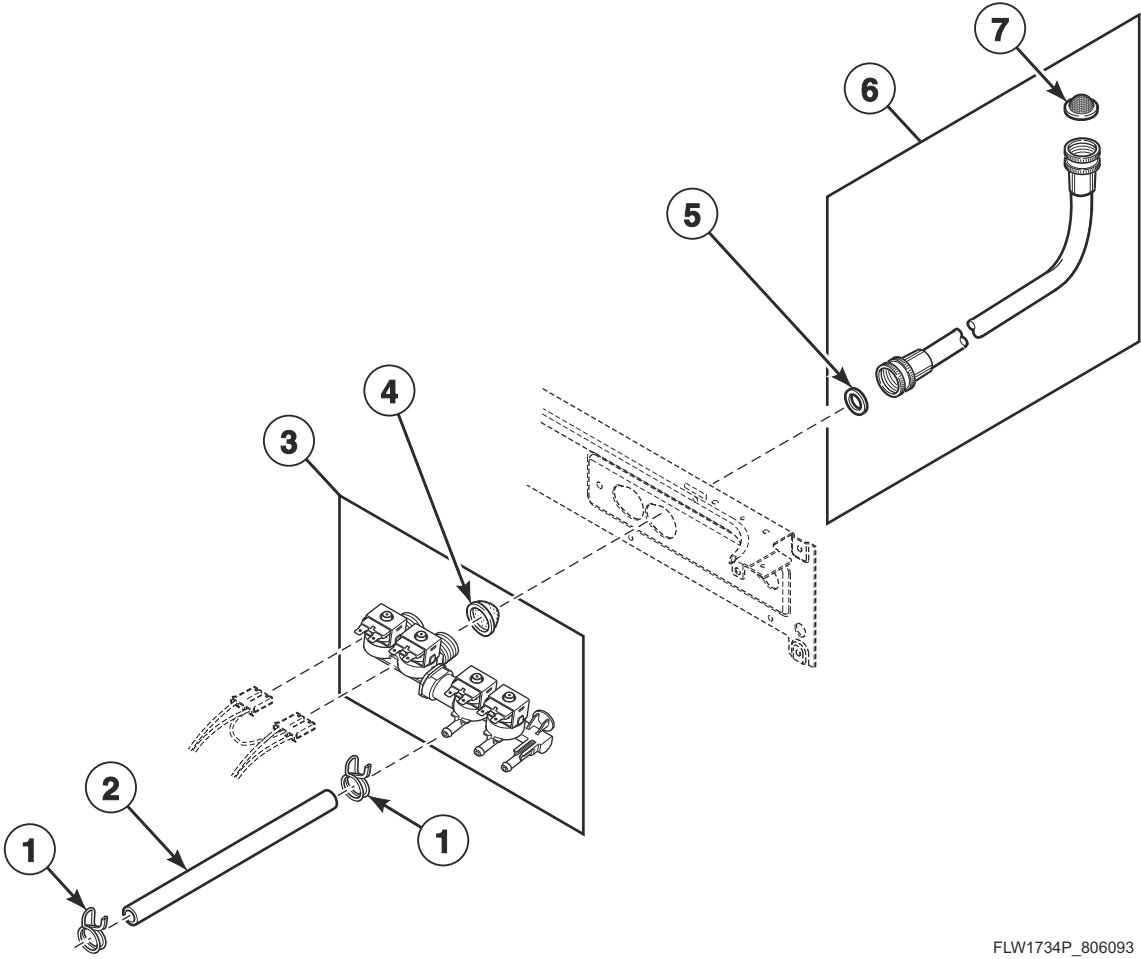


FLW1717P_806093

Dispenser Assembly

REF	PART NO.	DESCRIPTION	COMMENTS
	804875	Foam Pad	
1	803843	Dispenser Plate	
2	801001	Screw	
3	807386	Hose Clamp	
4	803849	Dispenser Inlet Hose	Through Serial No. 1810000001
	807364	Dispenser Inlet Hose	Starting Serial No. 1810000001
5	803698	Dispenser Assembly	
6	804717	Detergent Hose	
7	685725	Hose Clamp	
8	803667	Dispenser Drawer	
9	800548	Screw	
10	804227WP	Dispenser Handle	
11	803669	Compartment Cover	

Mixing Valve, Fill Hose and Valve-to-Dispenser Hose

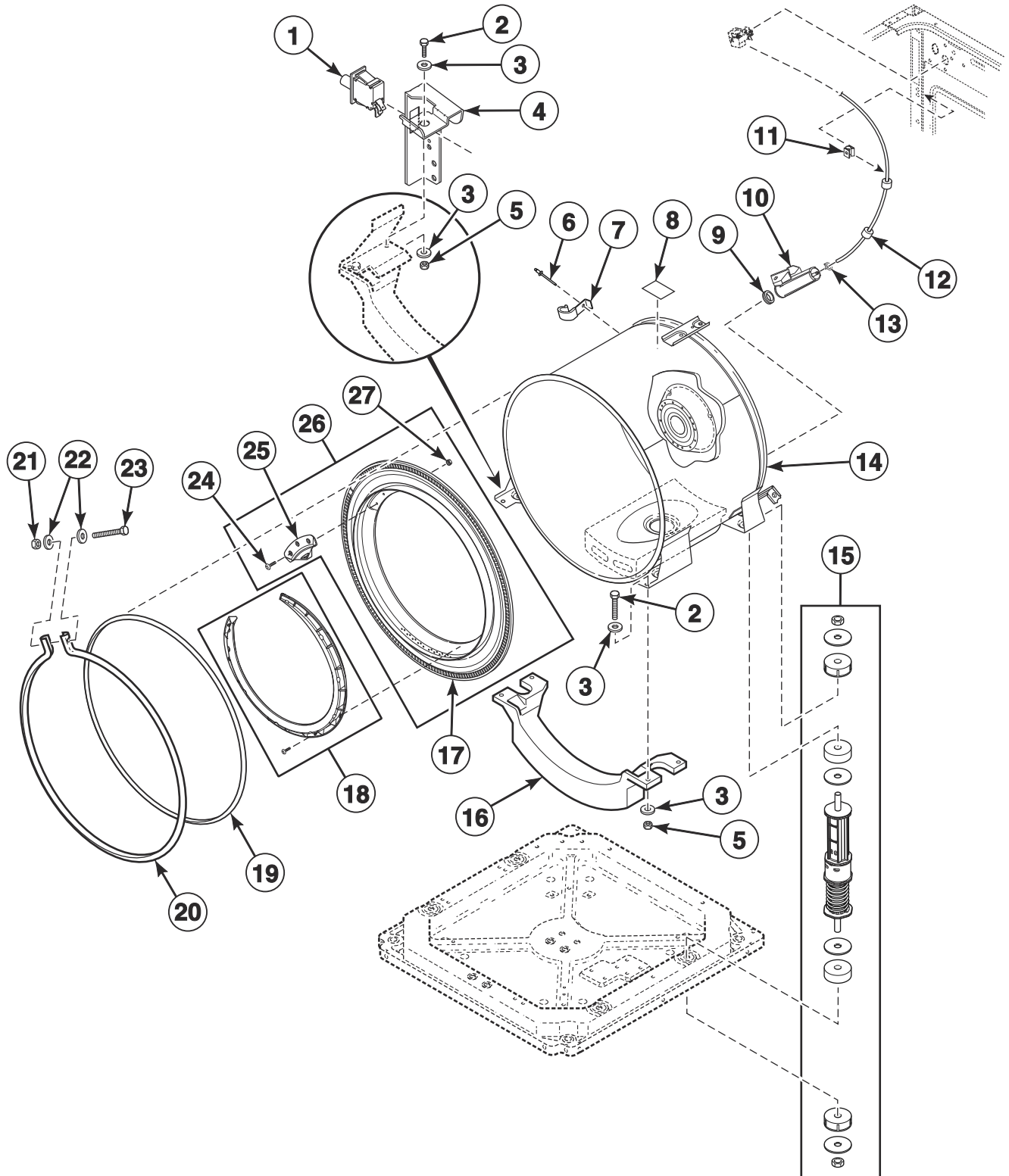


FLW1734P_806093

Mixing Valve, Fill Hose and Valve-to-Dispenser Hose

REF	PART NO.	DESCRIPTION	COMMENTS
1	807386	Hose Clamp	
2	803849	Dispenser Inlet Hose	Through Serial No. 1810000001
	807364	Dispenser Inlet Hose	Starting Serial No. 1810000001
3	807837P	Mixing Valve	Yellow
	803809	Mixing Valve	Blue
4	24122	Mixing Valve Screen	Steel mesh
	F8611201	Valve Filter	Plastic
5	20290	Washer	
6	F200116	Water Hose	Includes items 5 and 7; Use with mixing valve 807837P
	803849	Water Hose	Includes items 5 and 7; Use with mixing valve 803809
7	803615	Washer	Filter screen
	802254	Washer	Flow restrictor; Water pressure reducer; Available for water pressure up to but not exceeding 120 psi

Outer Tub, Front and Clamp Ring

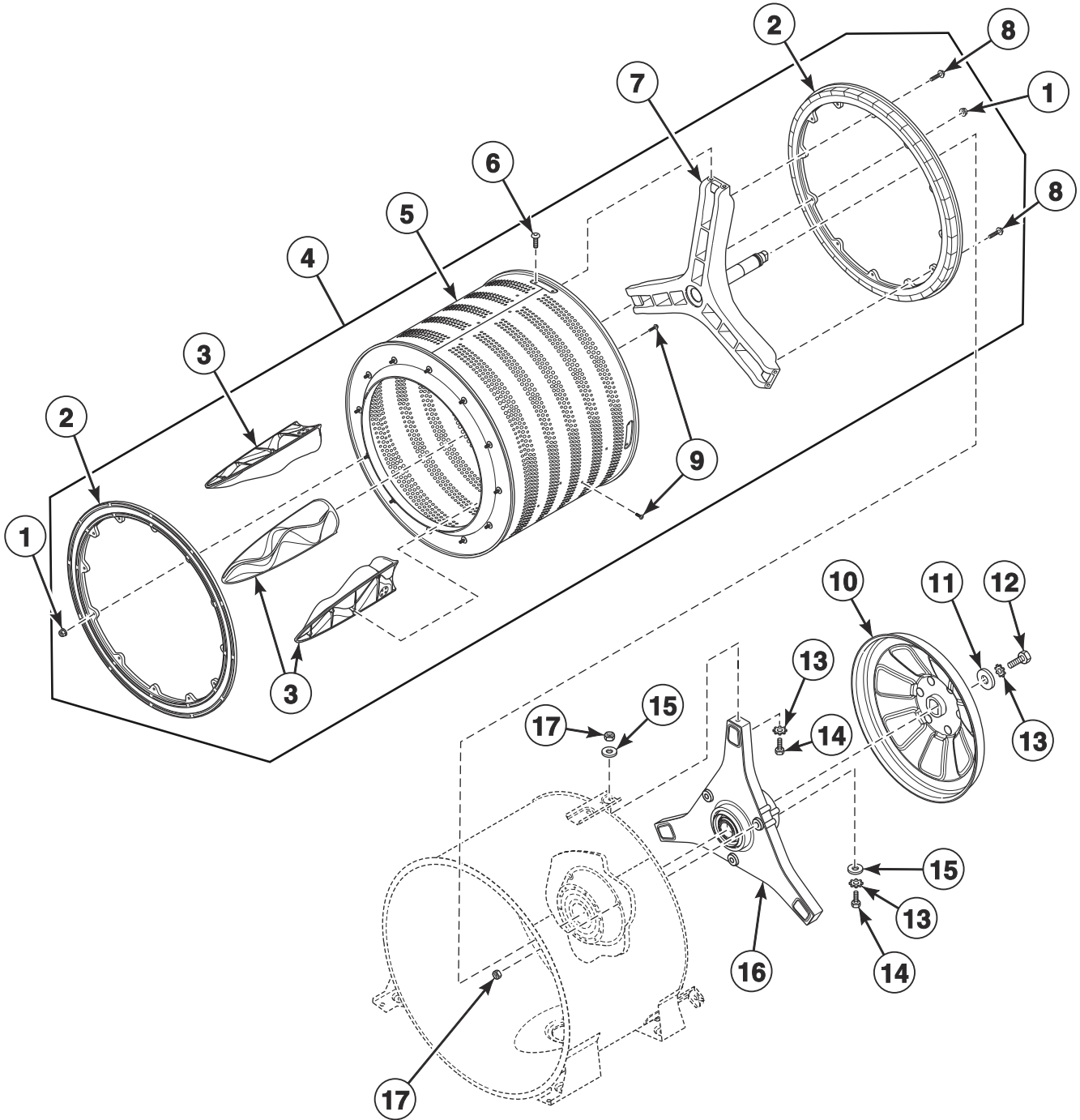


FLW1809P_806093

Outer Tub, Front and Clamp Ring

REF	PART NO.	DESCRIPTION	COMMENTS
1	803415	Out-of-Balance Switch Assembly	Through Serial No. 2012999999
	807384	Out-of-Balance Switch Assembly	Starting Serial No. 2101000001
2	800461	Screw	
3	804458	Washer	
4	804457	Out-of-Balance Switch Bracket	Through Serial No. 2012999999
	807280	Out-of-Balance Switch Bracket	Starting Serial No. 2101000001
5	800452	Nut	
6	685847	Pop Rivet	
7	800553	Hose Clip	
8	D500049	Warning Label	
9	29175	Grommet	
10	808013	Pressure Bulb	
11	36985	Hose Clip	
12	804483	Pressure Sensor Tube Assembly	
13	803891	Hose Clamp	
14	803864	Outer Tub Assembly	Models through Serial No. 1910999999 except Serial Nos. 1908066087 to 1909000879
	807618	Outer Tub Assembly	Models Serial Nos. 1908066087 to 1909000879 and starting Serial Nos. 1911000001 to 2010999999
	807479	Outer Tub Assembly	Starting Serial No. 2011000001
15	803777P	Shock Assembly	Must replace all four
16	807476	Counterweight	Starting Serial No. 2101000001
17	803770	Tub Front	
18	806308	Foreign Object Deflector	Black; Includes screws
	806313	Foreign Object Deflector	Gray; Includes screws
	806361	Foreign Object Deflector	Tall; Gray; Includes screws
19	803801	Tub Front Seal	
20	803802	Clamp Ring	
21	F430218	Nut	
22	M400081	Washer	
23	800462	Screw	
24	802596	Screw	
25	804467	Clothes Guard Deflector	
	805548	Clothes Guard Deflector	Heavy duty
26	803879	Tub Front Assembly	Includes items 17, 24, 25 and 27
27	802343	Nut	

Inner Basket, Trunnion, Bearing Housing and Pulley

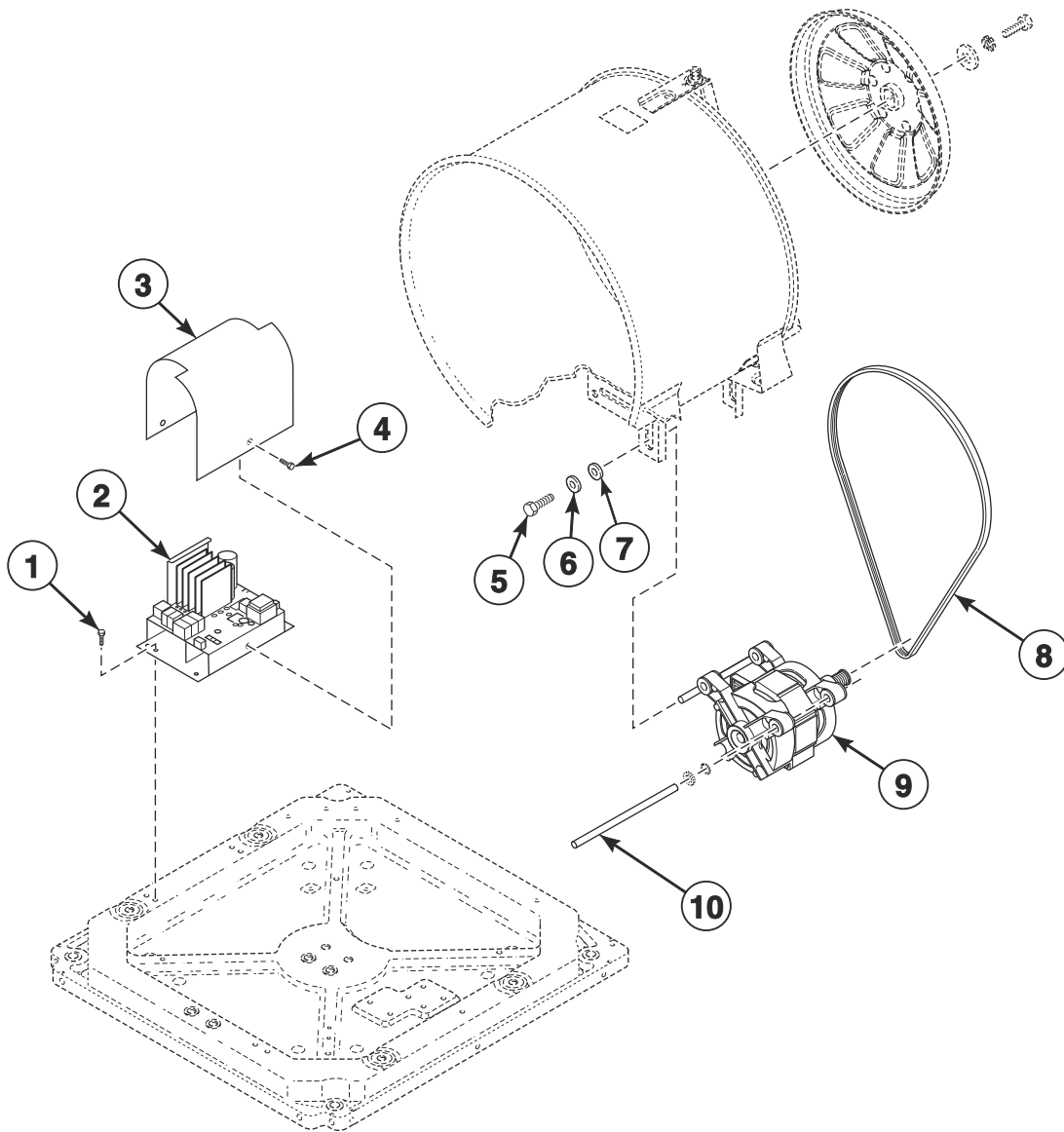


FLW1803P_806093

Inner Basket, Trunnion, Bearing Housing and Pulley

REF	PART NO.	DESCRIPTION	COMMENTS
	27604P	Anti-Seize Compound	Pulley to inner basket shaft
1	804418	Nut	
2	804393	Balance Ring Assembly	
3	804382	Lifter	
4	804376P	Inner Basket Assembly Kit	Includes items 1-3 and 5-9
5	804374P	Inner Basket Assembly	
6	804699	Screw	
7	808043P	Trunnion Shaft Kit	Includes hardware and tool
8	804399	Screw	
9	800548	Screw	
10	808197	Pulley Assembly	
11	807679	Washer	
12	685831	Screw	Left hand thread
13	M403958	Washer	Used on models through Serial No. 1609046804
14	M400043	Screw	
15	800457	Washer	
16	805525	Bearing Housing Kit	Includes hardware and tool
17	800452	Nut	

Motor and Belt

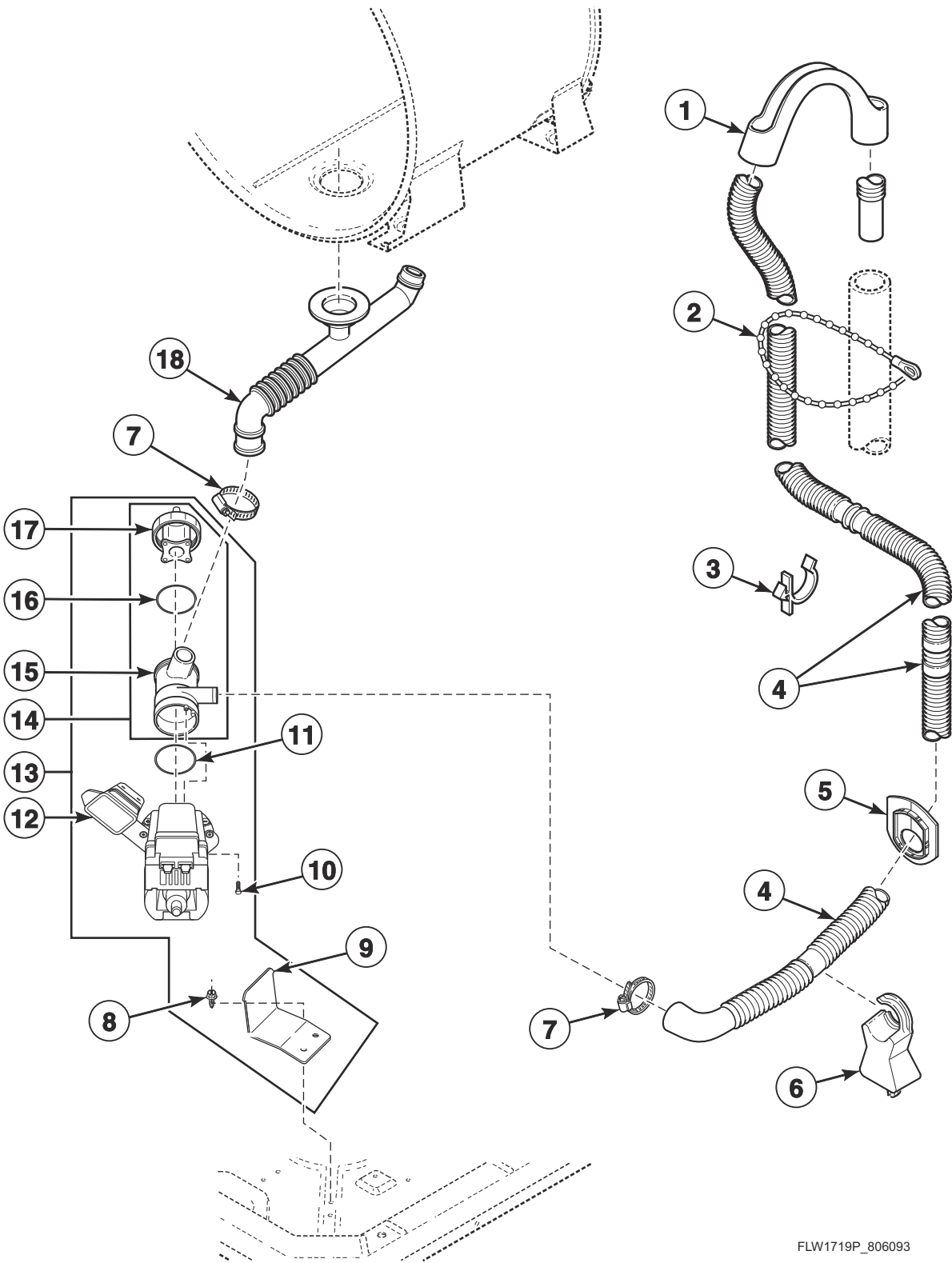


FLW1735P_806093

Motor and Belt

REF	PART NO.	DESCRIPTION	COMMENTS
	807441	Control Bracket	Starting Serial No. 2101000001
1	D503661	Screw	Through Serial No. 2012999999
	F8206901	Screw	Starting Serial No. 2101000001
2	807175P	Inverter Control Assembly	Through Serial No. 2012999999
	807240	Output Control Assembly	120 Volt; Without filter; Starting Serial No. 2101000001
	807243	Output Control Assembly	240 Volt; With filter; Starting Serial No. 2101000001
3	804878	Motor Control Shield	Through Serial No. 2012999999
4	D501524	Screw	
5	M400057	Screw	Through Serial No. 2010999999
	02916	Screw	Starting Serial No. 2011000001
6	02834	Washer	Through Serial No. 2010999999
7	M400080	Washer	Through Serial No. 2010999999
8	804985	Drive Belt	Models through Serial No. 1910999999 except Serial Nos. 1908066087 to 1909000879
	807429P	Belt Kit	Models Serial Nos. 1908066087 to 1909000879 and starting Serial No. 1911000001; Requires Belt Install Tool 807623
9	805726P	Motor and Rod Assembly Kit	Includes item 10; Through Serial No. 2012999999
	808067P	Motor and Rod Assembly Kit	Includes item 10; Starting Serial No. 2101000001
10	803861	Motor Rod	Through Serial No. 2010999999
	807739	Motor Rod	Starting Serial No. 2011000001

Drain Hose and Pump

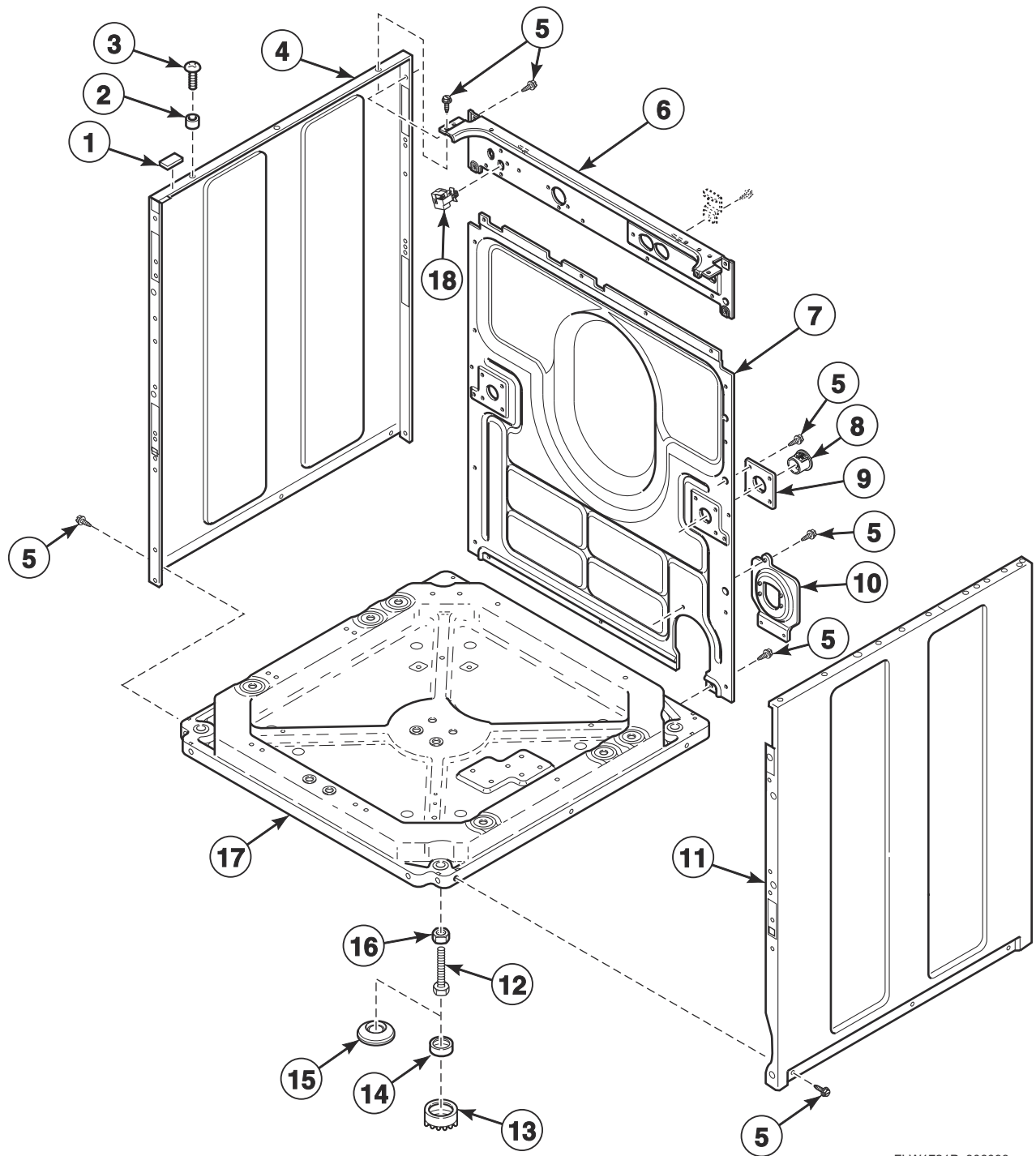


FLW1719P_806093

Drain Hose and Pump

REF	PART NO.	DESCRIPTION	COMMENTS
1	33615	Drain Hose Sleeve	
2	33489	Standpipe Strap	
3	36014	Retainer Clip	
4	803976	Drain Hose	
5	32219	Strain Relief	
6	38732	Hose Stand	
7	F200204	Hose Clamp	
8	D503661	Screw	
9	803814	Drain Base Bracket	
10	802431	Screw	
11	802429P	O-Ring	
12	803815	Drain Pump Isolator	
13	805724P	Drain Pump Assembly	Includes items 8-12 and 14-17
14	802434P	Pump Housing Assembly	Includes items 15-17
15	802428	Pump Housing	
16	802427	Gasket	
17	802426P	Lid Assembly	Includes filter
18	803829	Tub-to-Pump Hose	
	27615P	Sealant	Tub-to-pump hose to outer tub

Base, Side Panels and Rear Panel

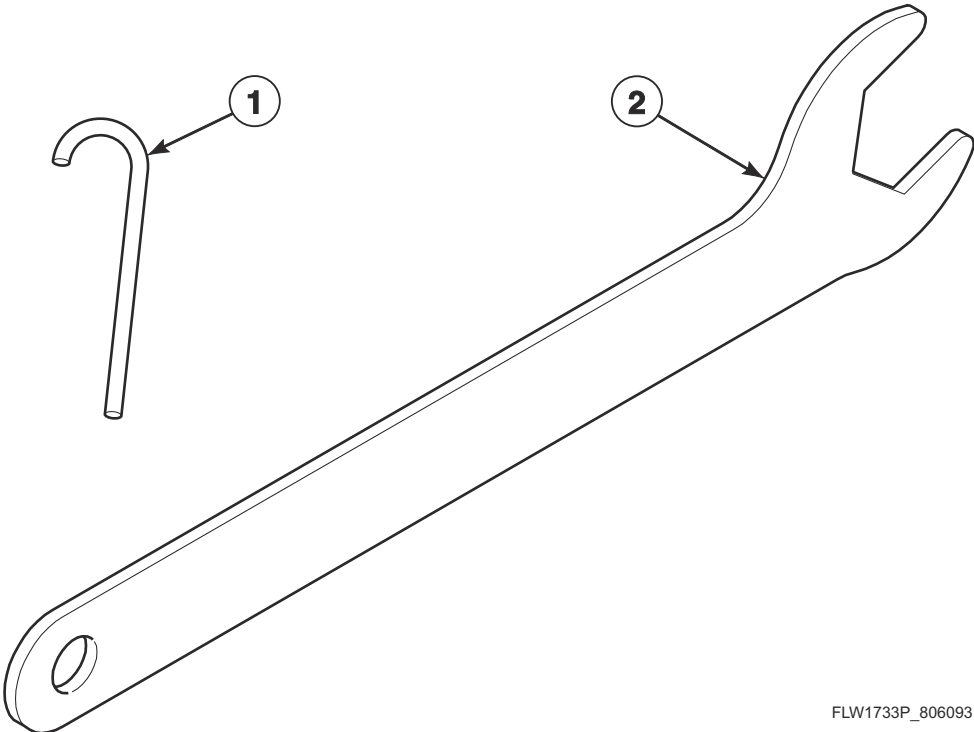


FLW1721P_806093

Base, Side Panels and Rear Panel

REF	PART NO.	DESCRIPTION	COMMENTS
	122P4P	Porcelain Touch-Up Paint	White
1	36226	Bumper Pad	
2	56079	Panel Locator	
3	39733	Screw	
4	800004WP	Cabinet Panel Kit	Left; White; Includes corner gusset with hardware
5	D503661	Screw	
6	803790	Rear Panel	Fixed; Through Serial No. 1810000001
	806716	Rear Panel	Fixed; Starting Serial No. 1810000001
7	803789	Rear Panel	Removable
8	M412154	Shipping Plug	
9	803851	Shipping Plate	
10	803828	Drain Hose Bracket	
11	806492	Side Panel Kit	Right; White
12	34319	Leveling Leg	
13	D501855	Rubber Foot	Use to prevent movement on smooth surface floor coverings; Install over two existing front rubber feet (item 14)
14	34318	Rubber Foot	
15	155P3	Anchor	Includes 4 rubber discs with adhesive backing
	802844P	Anchor Floor Mount Assembly	Includes 2 rubber discs with adhesive backing
16	21899	Nut	
17	803876	Base Assembly	
18	203843	Pressure Sensor	

Special Tools

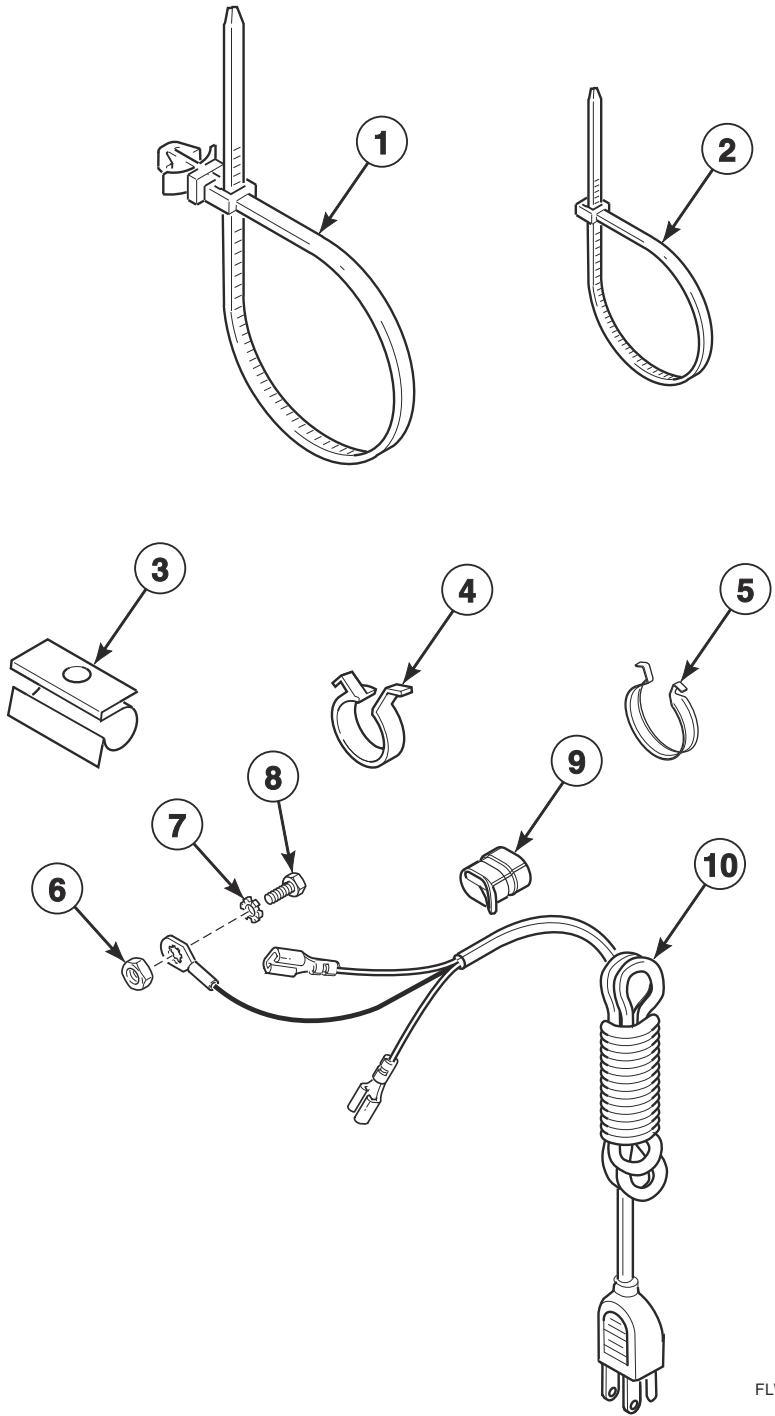


FLW1733P_806093

Special Tools

REF	PART NO.	DESCRIPTION	COMMENTS
	807623	Belt Install Tool	
1	802336	Pulley Bolt Tightening Fixture	Use to install inner basket
2	392P4	Wrench	Use for adjusting leveling leg nuts

Washer Lead-In Cord, Wire Ties and Harness Clips



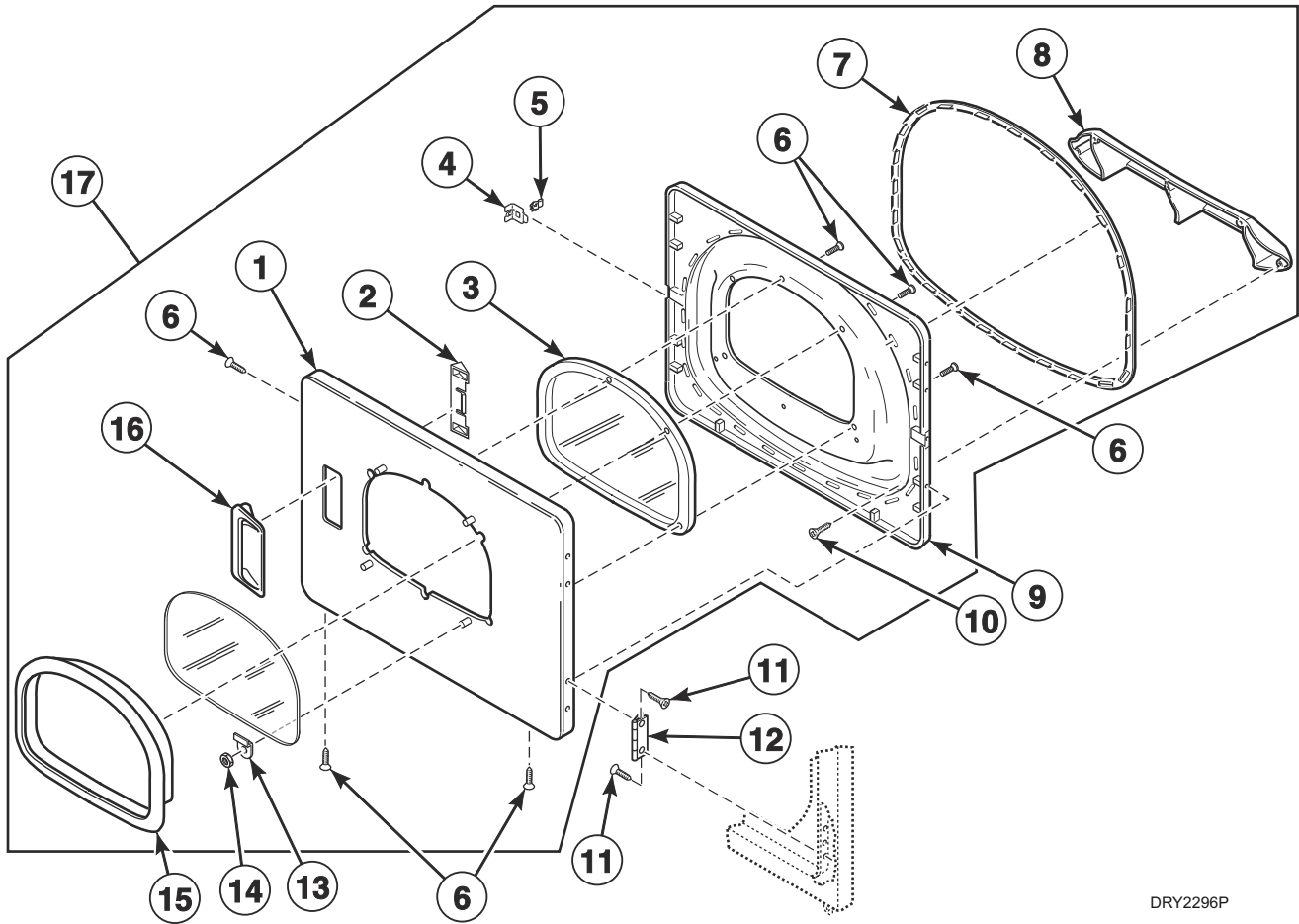
FLW823P_806093

Washer Lead-In Cord, Wire Ties and Harness Clips

REF	PART NO.	DESCRIPTION	COMMENTS
1	38663	Wire Tie	
2	55881	Harness Strap	
3	36985	Hose Clip	
4	D504034	Wire Clip	Small
5	687500	Wire Clip	Large
6	03673	Nut	
7	03815	Washer	
8	20530	Screw	
9	38384	Strain Relief	
10	202777	Lead-In Cord	

Dryer Loading Door (Drawing 1 of 2)

Models ATEE9AGP173TW01 and ATGE9AGP113TW01



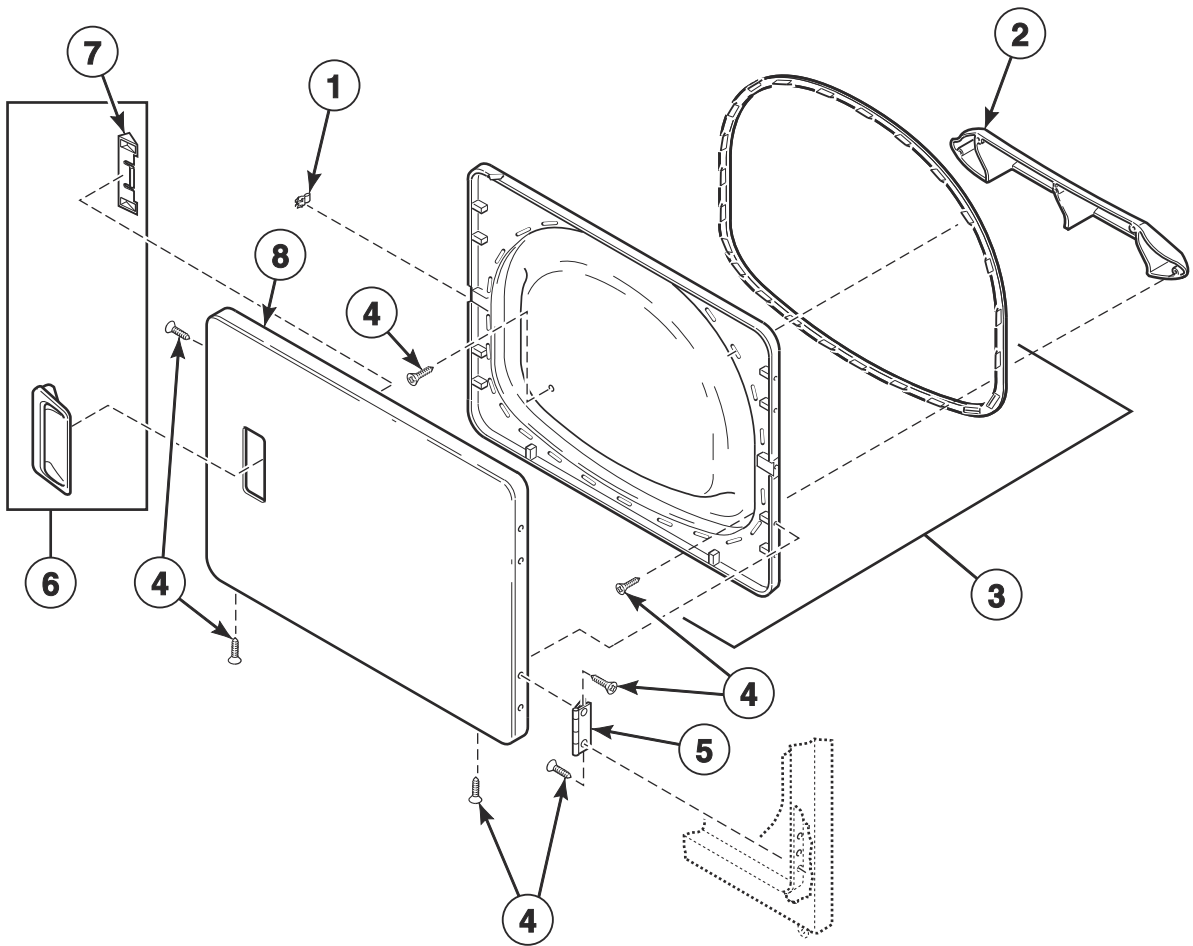
DRY2296P

Dryer Loading Door (Drawing 1 of 2)

REF	PART NO.	DESCRIPTION	COMMENTS
1	D516737W	Door Assembly	Model ATEE9AGP173TW01 through Serial Nos. beginning 1707; Model ATGE9AGP113TW01 starting Serial No. 1606000839 and continuing through Serial Nos. beginning 1707
	D510082WP	Dryer Door	Model ATGE9AGP113TW01 through Serial No. 1606000838
	D515961W	Dryer Door	Starting Serial Nos. beginning 1707
2	D510129W	Door Handle Wedge	
3	D503982P	Dryer Door Window	Through Serial Nos. beginning 1707
	D515681	Dryer Door Window	Glass; Starting Serial Nos. beginning 1707
4	D510127	Door Strike Mount	Through Serial Nos. beginning 1707
5	D510181	Door Strike	
6	D500226	Screw	Model ATGE9AGP113TW01 through Serial No. 1606000838
	D515597	Screw	Model ATEE9AGP173TW01 through Serial Nos. beginning 1707; Model ATGE9AGP113TW01 starting Serial No. 1606000839 and continuing through Serial Nos. beginning 1707
	D515967	Screw	Starting Serial Nos. beginning 1707
7	D510147P	Liner Door Seal	Through Serial Nos. beginning 1707
8	D503870LG	Door Liner Grill	Model ATEE9AGP173TW01 through Serial Nos. beginning 1707; Model ATGE9AGP113TW01 starting Serial No. 1606000839 and continuing through Serial Nos. beginning 1707
	D503870W	Door Liner Grill	Model ATEE9AGP173TW01 starting Serial Nos. beginning 1707; Model ATGE9AGP113TW01 through Serial No. 1606000838 and starting again with Serial Nos. beginning 1707
9	D516737W	Door Assembly	Includes item 7; Model ATEE9AGP173TW01 through Serial Nos. beginning 1707; Model ATGE9AGP113TW01 starting Serial No. 1606000839 and continuing through Serial Nos. beginning 1707
	D516509	Liner and Seal Assembly	Includes seal; Starting Serial Nos. beginning 1707
10	D505870	Screw	
11	D505295	Screw	
12	D511036	Hinge	
13	D513958	Window Clip	Model ATEE9AGP173TW01 through Serial Nos. beginning 1707; Model ATGE9AGP113TW01 starting Serial No. 1606000839 and continuing through Serial Nos. beginning 1707
14	44071201	Nut	Model ATEE9AGP173TW01 through Serial Nos. beginning 1707; Model ATGE9AGP113TW01 starting Serial No. 1606000839 and continuing through Serial Nos. beginning 1707
15	D516737W	Door Assembly	Model ATEE9AGP173TW01 through Serial Nos. beginning 1707; Model ATGE9AGP113TW01 starting Serial No. 1606000839 and continuing through Serial Nos. beginning 1707
	D503981W	Window Trim	Model ATGE9AGP113TW01 through Serial No. 1606000838
	D515956W	Window Trim	Starting Serial Nos. beginning 1707
16	D510103WP	Door Pull and Wedge Kit	
17	D516737W	Door Assembly	White; Includes items 1-10, 15 and 17; Model ATGE9AGP113TW01 through Serial No. 1606000838
	D516737W	Door Assembly	Model ATEE9AGP173TW01 through Serial Nos. beginning 1707; Model ATGE9AGP113TW01 starting Serial No. 1606000839 and continuing through Serial Nos. beginning 1707

Dryer Loading Door (Drawing 2 of 2)

Models ATEE9ASP175TW01, ATEE9ASP176TW01, ATEE9ASP177TW01, ATEE9ASP178TW01,
ATGE9ASP115TW01, ATGE9ASP116TW01, ATGE9ASP117TW01 and ATGE9ASP118TW01

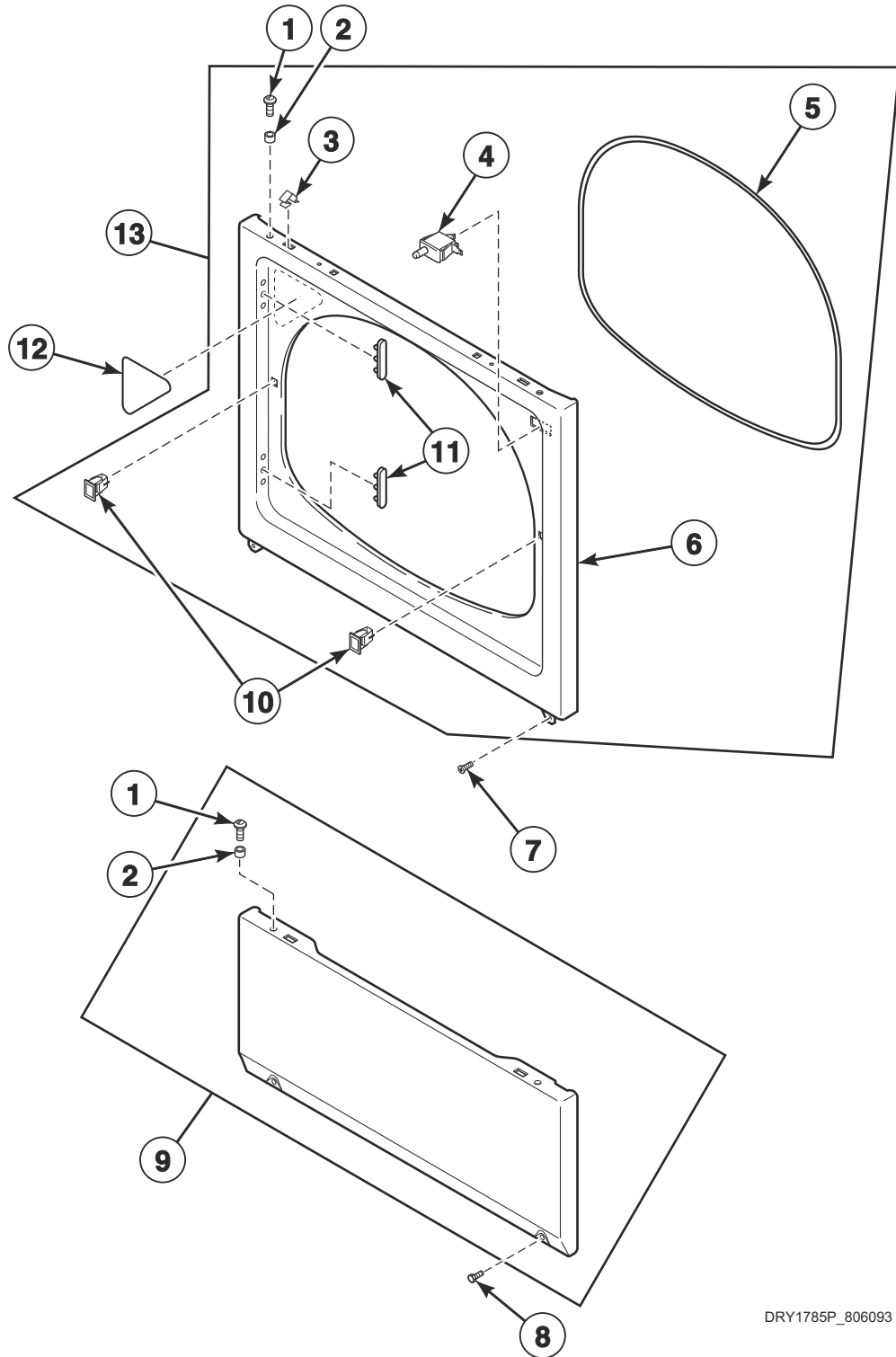


DRY2500P_806093

Dryer Loading Door (Drawing 2 of 2)

REF	PART NO.	DESCRIPTION	COMMENTS
1	D510181	Door Strike	
2	D503870W	Door Liner Grill	
3	D516508	Door Liner Assembly	Includes door seal
4	D500226	Screw	
5	D511036	Hinge	
6	D510103WP	Door Pull and Wedge Kit	Includes item 7
7	D510129W	Door Handle Wedge	
8	D515960W	Dryer Door	

Access Panel, Front Panel and Seal

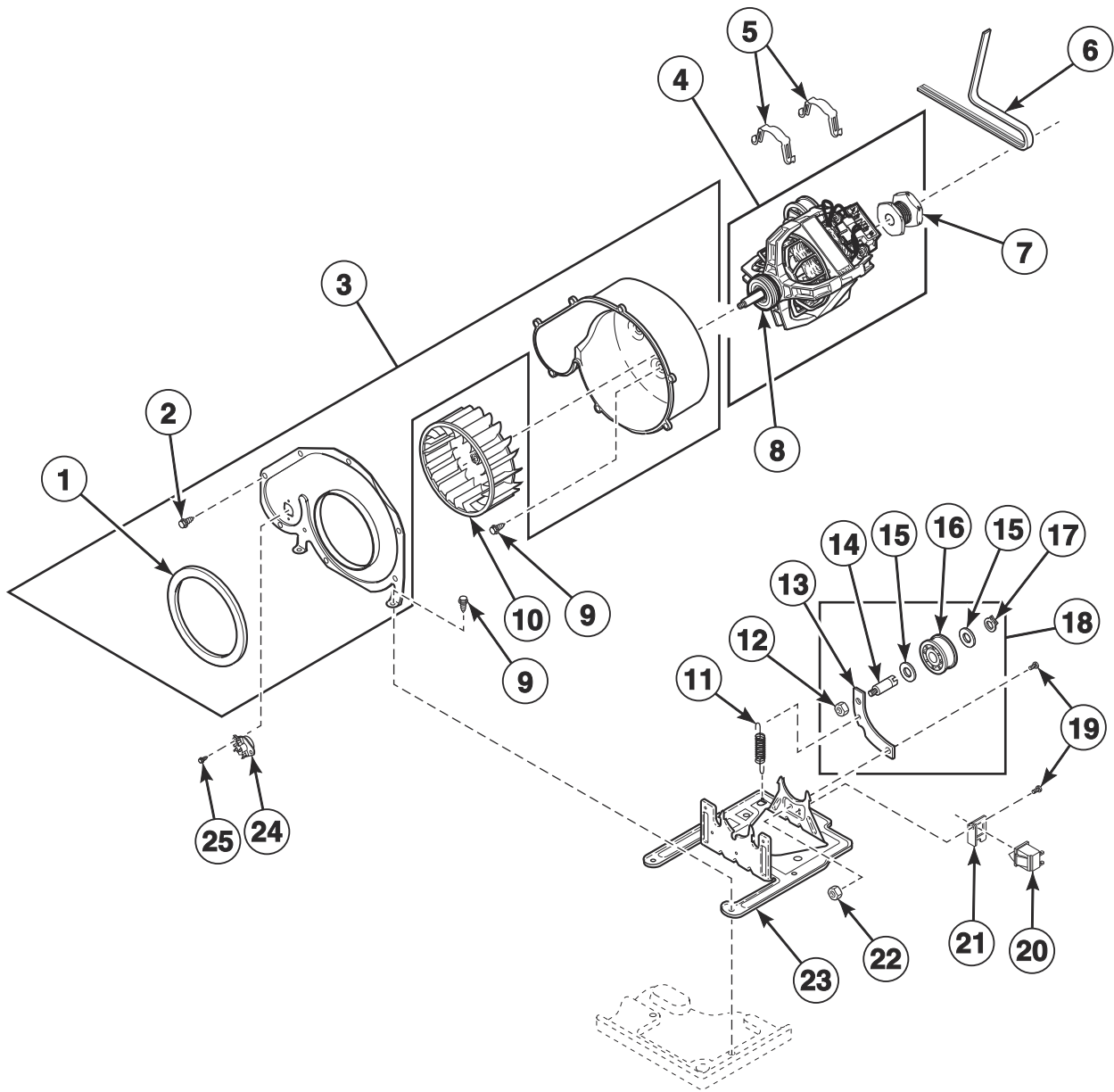


DRY1785P_806093

Access Panel, Front Panel and Seal

REF	PART NO.	DESCRIPTION	COMMENTS
1	39733	Screw	
2	56079	Panel Locator	
3	28835	Speed Clip	
4	D512973	Switch	
5	D511056	Front Panel Seal	
6	D510066WP	Front Panel	
7	D503688	Screw	
8	33562	Screw	
9	D514250WP	Access Panel Assembly	
10	D510177	Door Catch Assembly	
11	D510186	Hinge Hole Plug	
12	D500281	Warning/Caution Label	
13	D513781WP	Front Panel Assembly	Includes items 1-6, 10, 11, door assembly, hinge and screws; Model ATGE9AGP113TW01 through Serial No. 1606000838

Motor, Exhaust Fan and Belt

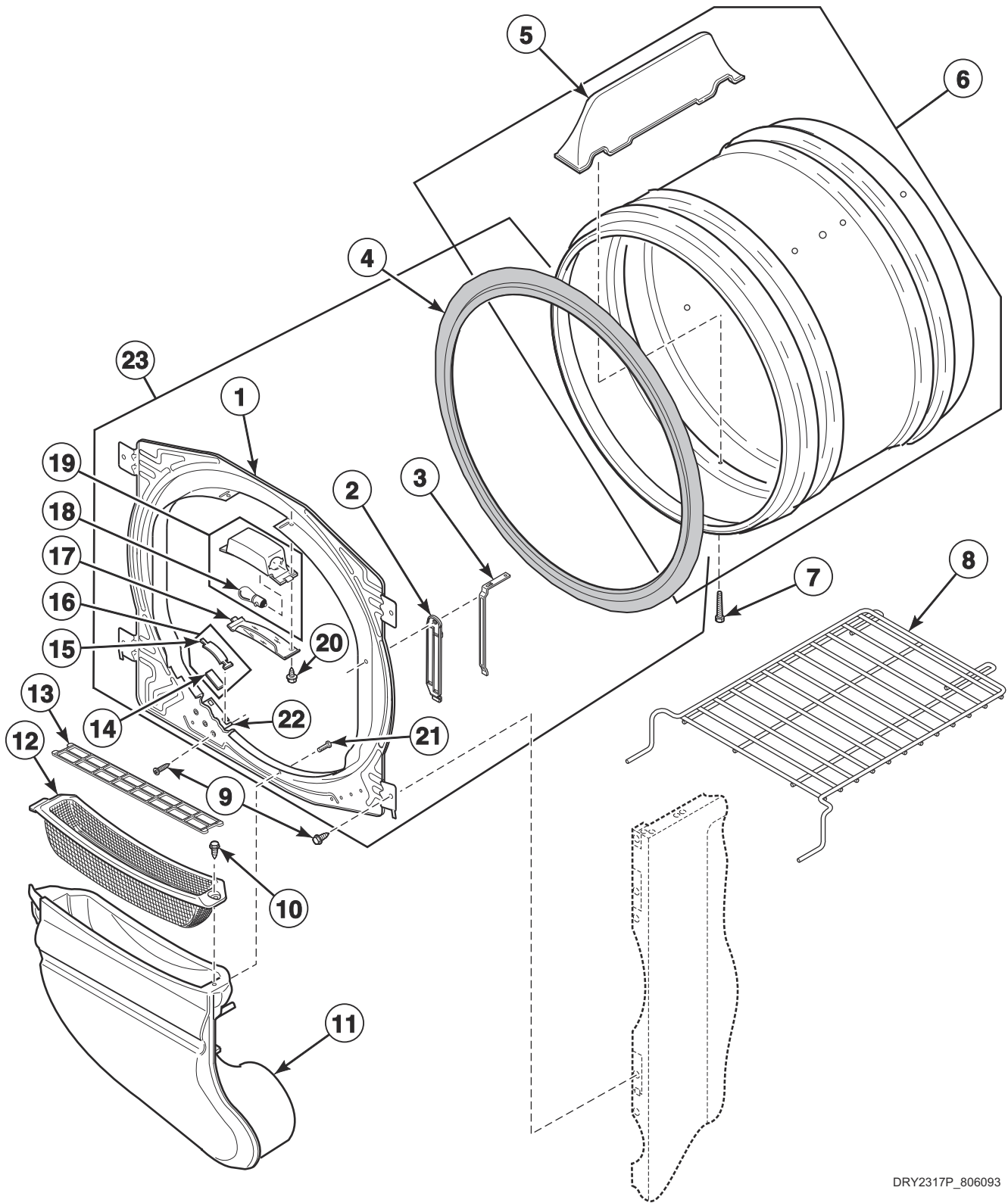


DRY2523P_806093

Motor, Exhaust Fan and Belt

REF	PART NO.	DESCRIPTION	COMMENTS
	27604P	Anti-Seize Compound	Apply to motor shaft when installing blower fan assembly
1	D510238P	Blower Housing Seal	
2	31260	Screw	
3	D511969WP	Blower Housing	Includes items 1 and 2
4	D511629P	Motor and Pulley Assembly	120 Volt/60 Hertz; Includes items 5, 7 and 8; Apply anti-seize compound to motor shaft when installing blower fan assembly
5	D510180	Motor Mount Clamp	
6	D511255P	Cylinder Belt	
7	D500011	Motor Pulley	60 Hertz
8	590P3	Motor Hub Ring Kit	
9	D503688	Screw	
10	D510139P	Blower Fan Assembly	
11	D510185	Idler Spring	
12	56156	Nut	
13	D516310	Idler Lever	
14	56461P	Shaft	
15	52549	Washer	
16	D510142P	Idler Wheel and Bearing Assembly	
17	23748	Retaining Ring	
18	D516792	Idler Lever and Wheel Assembly	Includes items 12-17
19	D500824	Screw	
20	D516391	Switch	Starting Serial No. 1903000001
21	D516311	Motor Switch Bracket	Starting Serial No. 1903000001
22	52566	Nut	
23	D518517	Motor Mount	
24	D510523	Thermistor Assembly	Black
25	D502535	Screw	

Front Bulkhead, Air Duct, Felt Seal and Cylinder

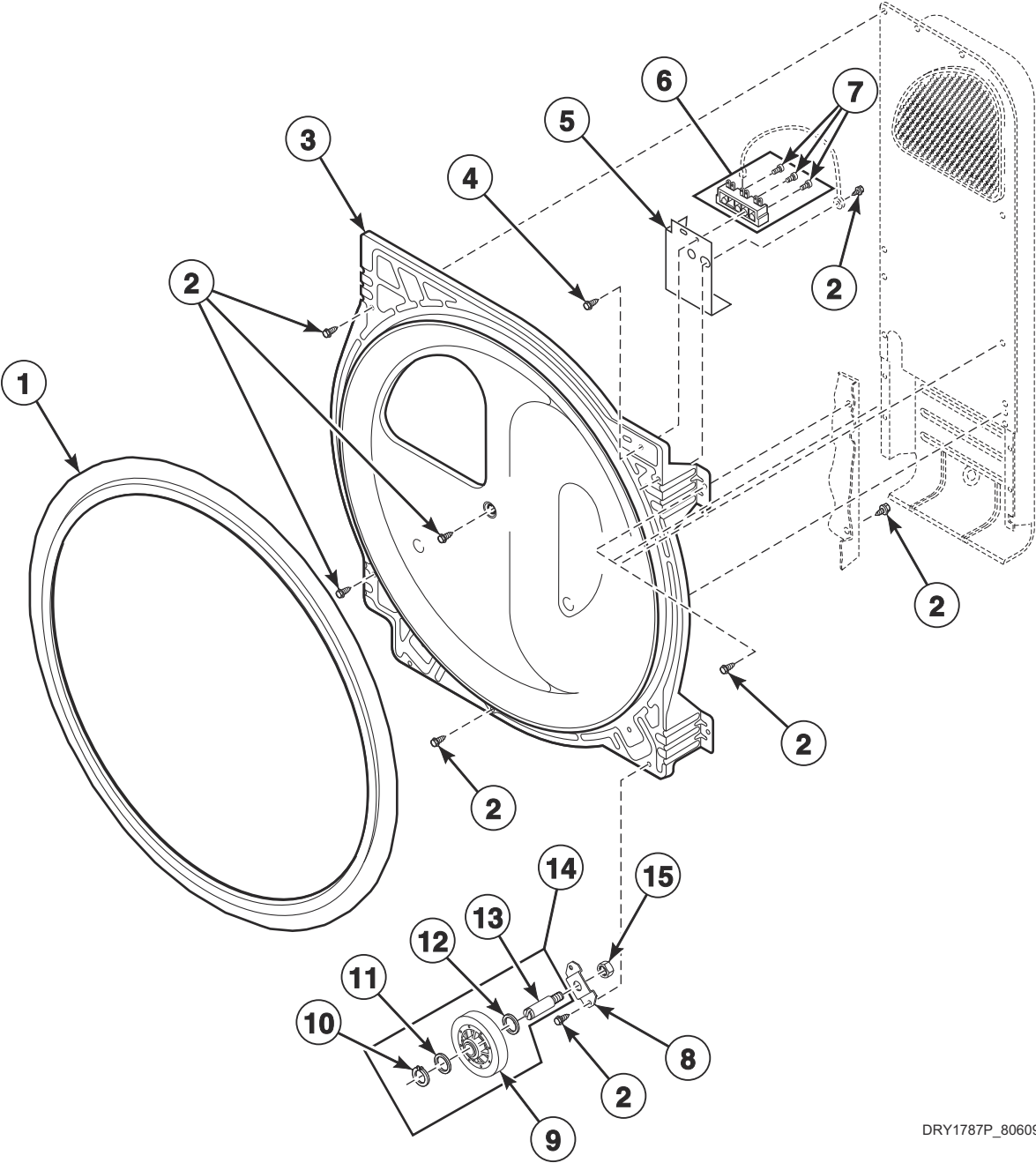


DRY2317P_806093

Front Bulkhead, Air Duct, Felt Seal and Cylinder

REF	PART NO.	DESCRIPTION	COMMENTS
1	D515533P	Front Bulkhead Assembly	Galvanized
	D513640W	Front Bulkhead	White
2	D518154	Moisture Sensor Base	Models ATEE9ASP177TW01 and ATEE9ASP178TW01
	D513738	Moisture Sensor Base	All other models
3	D518565	Moisture Bar Assembly	Models ATEE9ASP177TW01 and ATEE9ASP178TW01
	D513737	Bar Sensor	2 required; All other models
4	D510207P	Cylinder Seal Assembly	
	D511637P	Adhesive	Apply to cylinder seal
	RB170001	Seal Kit	Includes 2 cylinder seals, D510238P Blower Housing Seal and Adhesive
5	D510102W	Cylinder Baffle	3 required
6	D510265WP	Cylinder Assembly	Includes item 5
	D510159WP	Cylinder Assembly	White; If black marks appear on clothes, replace cylinder with this part, front bulkhead with Front Bulkhead and rear bulkhead with D510905WP Rear Bulkhead Assembly
7	62588	Screw	
8	D512082P	Drying Rack	
9	D503688	Screw	
10	D501285	Screw	
11	D518432	Air Duct Assembly	Model ATGE9AGP113TW01 through Serial No. 1606000838
	D518433	Air Duct Assembly	Model ATGE9AGP113TW01 starting Serial No. 1606000839; Models ATEE9AGP173TW01, ATEE9ASP175TW01 and ATGE9ASP115TW01
	D518429	Air Duct Assembly	All other models
12	D503980LG	Lint Filter	Light gray; Model ATGE9AGP113TW01 starting Serial no. 1606000839; Models ATEE9AGP173TW01, ATEE9ASP175TW01 and ATGE9ASP115TW01
	D503980W	Lint Filter	Model ATGE9AGP113TW01 through Serial No. 16000838; All other models
13	D510502LG	Lint Filter Cover	Model ATGE9AGP113TW01 starting Serial No. 1606000839; Models ATEE9AGP173TW01, ATEE9ASP175TW01 and ATGE9ASP115TW01
	D510502W	Lint Filter Cover	Model ATGE9AGP113TW01 through Serial No. 1606000838; All other models
14	D510189	Felt Pad	2 required
15	D513710	Cylinder Glide	2 required
16	RB170003	Glide Kit	Includes items 14 and 15
17	D512106	Cylinder Light Lens	
18	60954	Drum Light Lamp	
19	D517574	LED Light Assembly	Models ATEE9ASP176TW01 and ATGE9ASP116TW01 starting Serial no. 2008035762; Models ATEE9ASP177TW01 and ATGE9ASP117TW01
	D512108	Light Housing Assembly	120 Volt; Includes item 18; All other models
20	D500227	Screw	
21	D501086	Screw	
22	D510145	Cylinder Glide Bracket	2 required
23	D515533P	Front Bulkhead Assembly	Galvanized; Includes items 1-4, 14-20 and 22
	D515544WP	Bulkhead Assembly	White; Includes items 1-4, 9, 14, 15, 17, 19, 20 and 22

Rear Bulkhead, Felt Seal, Cylinder Roller and Terminal Block



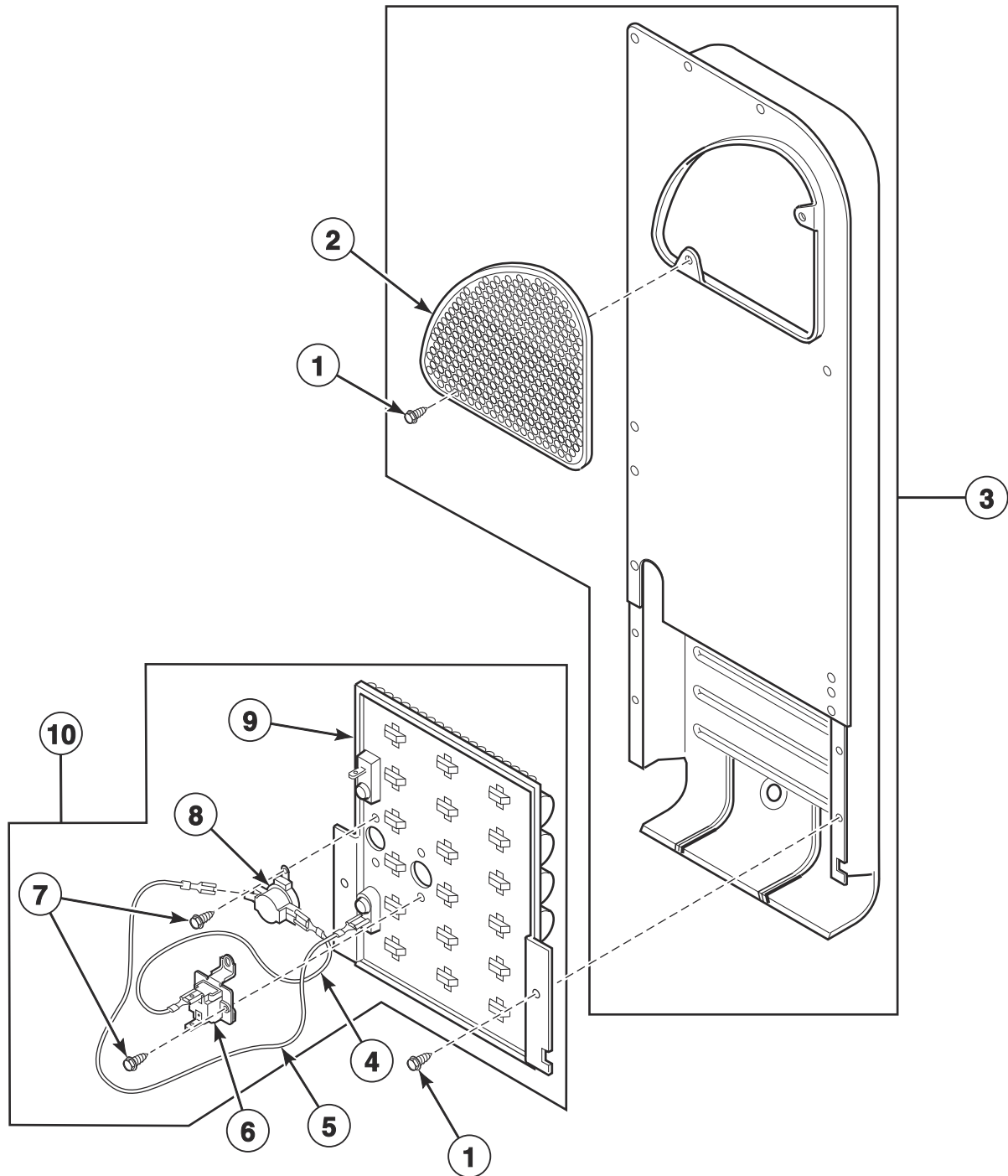
DRY1787P_806093

Rear Bulkhead, Felt Seal, Cylinder Roller and Terminal Block

REF	PART NO.	DESCRIPTION	COMMENTS
1	D510207P	Cylinder Seal Assembly	
	D511637P	Adhesive	Apply to cylinder seal
	RB170001	Seal Kit	Includes 2 cylinder seals, D510238P Blower Housing Seal and Adhesive
2	D503688	Screw	
3	D511082P	Rear Bulkhead Assembly	Galvanized; Includes item 1
	D518212	Rear Bulkhead	Models ATEE9ASP177TW01, ATEE9ASP178TW01, ATGE9ASP117TW01 and ATGE9ASP118TW01
4	D501285	Screw	Electric models
5	D510237	Terminal Block Shield	Electric models; Through Serial No. 1903000001
6	D510190P	Terminal Block Assembly	Includes 3 of item 7; Electric models
7	61199	Screw	
8	D510100	Cylinder Roller Bracket	
9	D510708P	Cylinder Roller	
10	23748	Retaining Ring	
11	52549	Washer	
12	D504082	Washer	
13	56461P	Shaft	
14	RB170002	Roller Kit	Includes 2 each of items 9-13
15	56156	Nut	

Heater Duct and Element Assembly

Electric Models



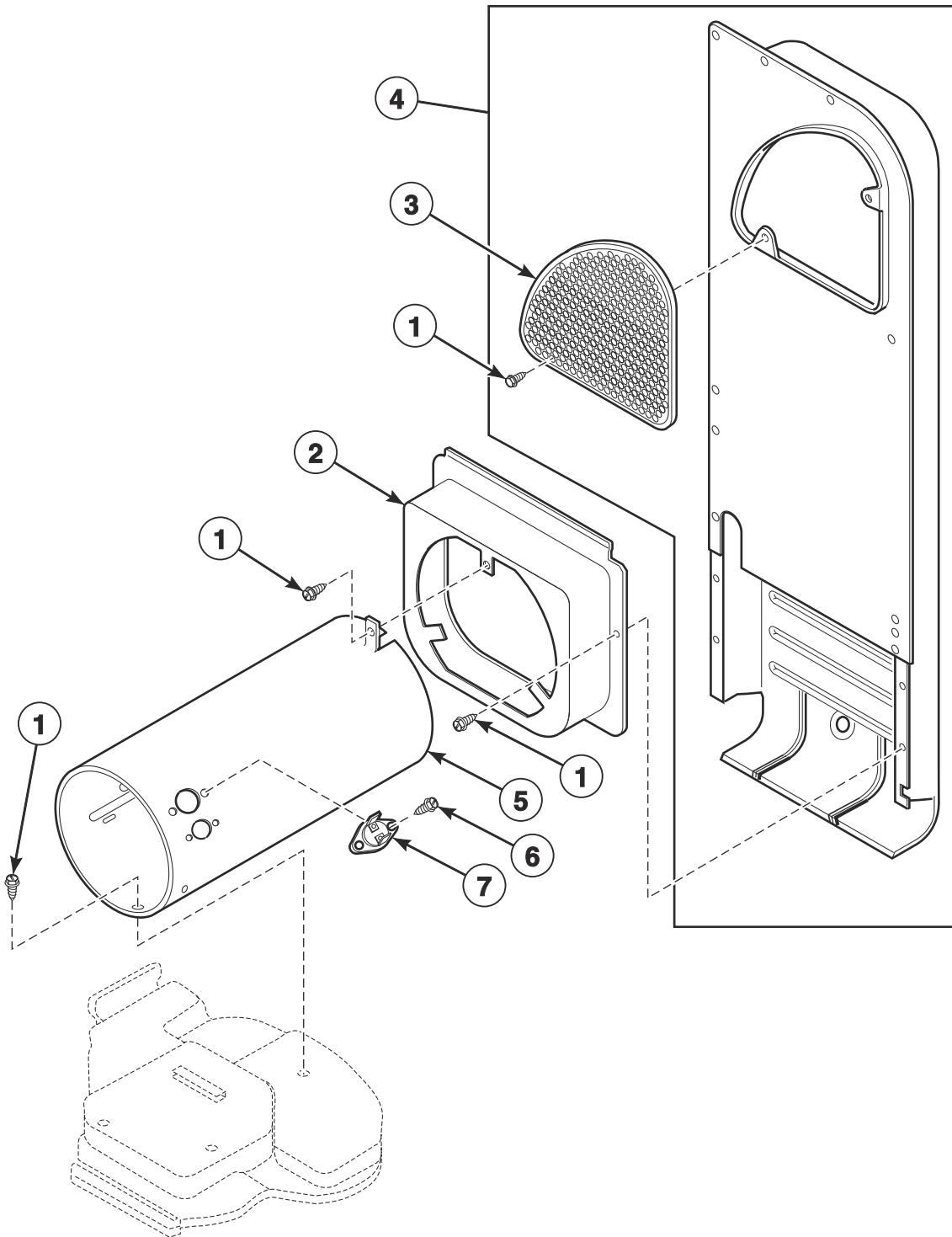
DRY1789P_806093

Heater Duct and Element Assembly

REF	PART NO.	DESCRIPTION	COMMENTS
1	D503688	Screw	
2	D500820	Outlet Cover	Aluminized steel
	D518524	Outlet Cover	Black; Nitrocarburized
3	D510025P	Heater Duct Assembly	Includes items 1 and 2
4	D518256	Wire Assembly	Orange; Thermostat jumper; Attaches to heater assembly
5	D518307	Wire Jumper	Model ATEE9ASP177TW01
	D518255	Wire Assembly	Black; Fuse jumper; Attaches to heater assembly; All other models
6	D518542	Thermal Fuse Assembly	
7	23222	Screw	
8	D515873	Limit Thermostat	Models ATEE9ASP177TW01 and ATEE9ASP178TW01
	D510701	Limit Thermostat	All other models
9	D518838	Heater Assembly	Model ATEE9ASP177TW01
	D510329P	Heater Assembly	5.35 kW; 240 Volt; All other models
10	61927	Heater Kit Assembly	Optional conversion; 5 kW; 240 Volt/60 Hertz; Includes items 4-9
	964P3	Heater Kit	Includes factory-installed heater; 5.35 kW; 240 Volt; Includes items 4-9

Heater Duct Assembly

Gas Models



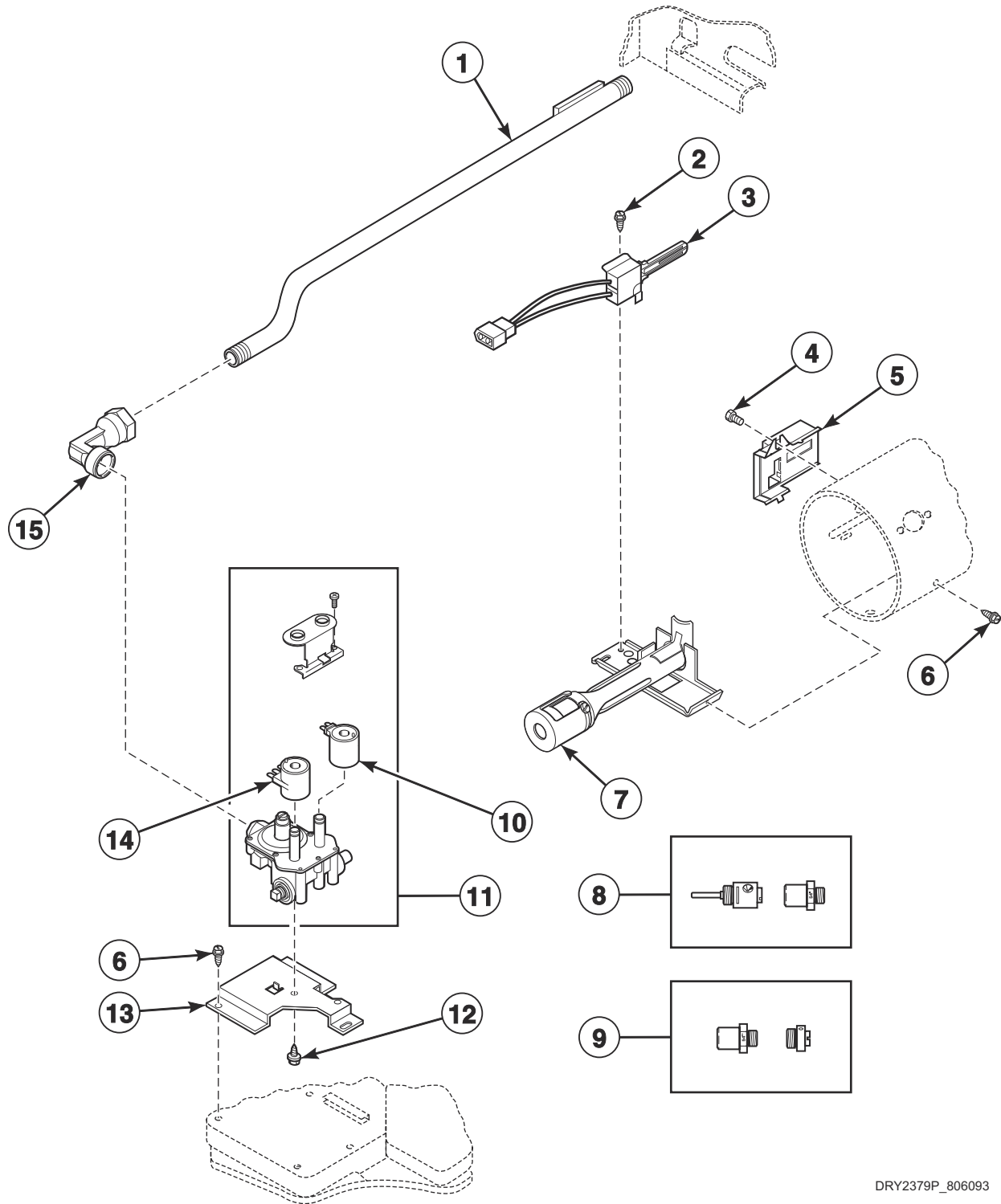
DRY2145P_806093

Heater Duct Assembly

REF	PART NO.	DESCRIPTION	COMMENTS
1	D503688	Screw	
2	D510101	Heat Duct Shroud	
3	D500820	Outlet Cover	Aluminized steel
	D518524	Outlet Cover	Black; Nitrocarburized
4	D510025P	Heater Duct Assembly	Includes items 1 and 3
5	D510131	Combustion Duct	
6	51782	Screw	
7	D510702	Limit Thermostat	Black; Auto reset

Gas Valve, Igniter and Gas Conversion Kits Through Serial No. 190800001

Gas Models



DRY2379P_806093

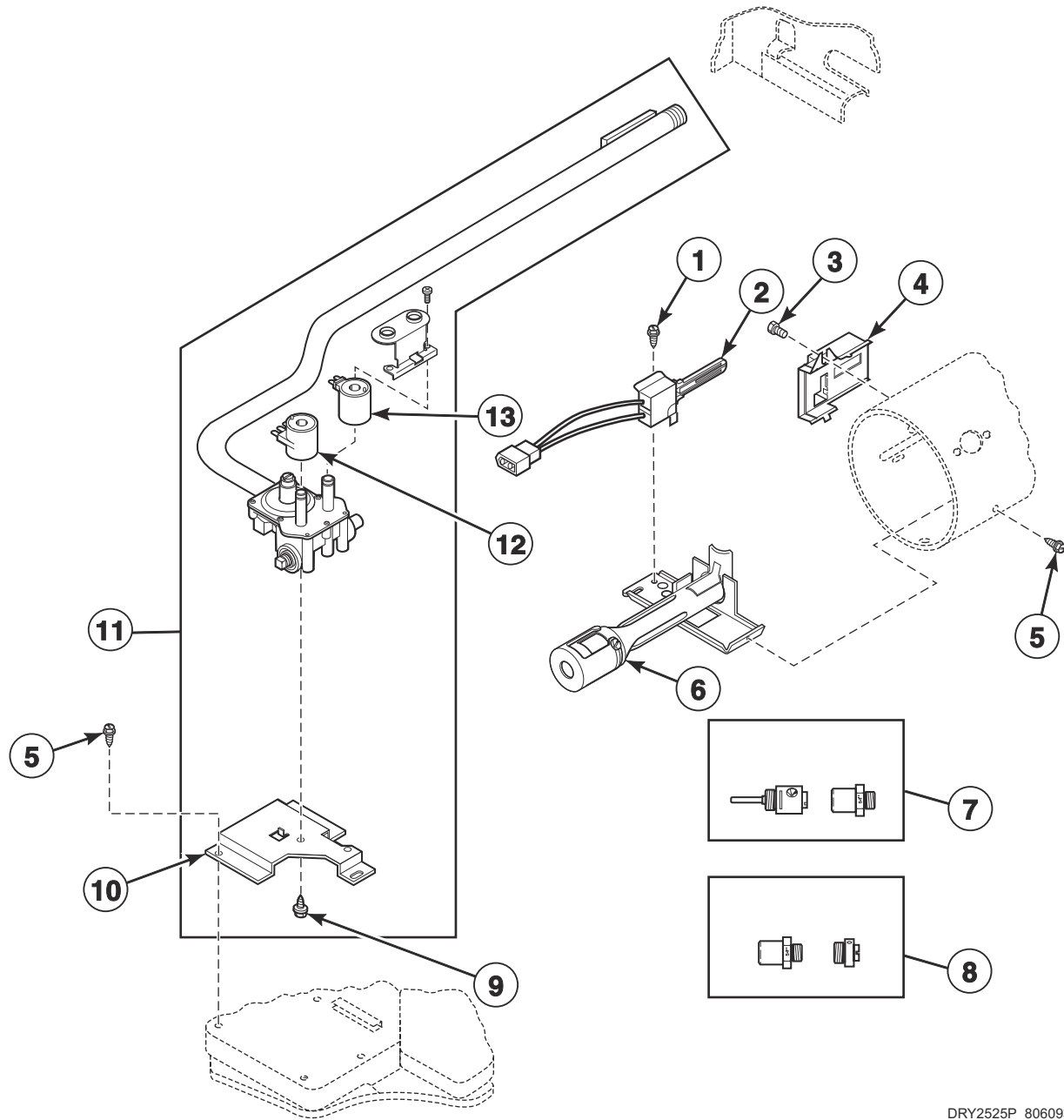
Gas Valve, Igniter and Gas Conversion Kits Through Serial No. 1908000001

REF	PART NO.	DESCRIPTION	COMMENTS
1	D510204	Lead-In Pipe Assembly	
2	51782	Screw	
3	D510184P	Igniter and Bracket Assembly	
4	23222	Screw	
5	D510213	Sensor	
6	D503688	Screw	
7	D510149P	Burner Assembly	
8	649P3	L.P. Conversion Kit	Used to convert dryers from Natural Gas (N.G.) or Mixed Gas to Liquid Petroleum Gas (L.P.); 22,500 Btu
9	650P3	N.G. Conversion Kit	Used to convert dryers from L.P. to N.G. or Mixed Gas; 22,500 Btu
10	58804B	Secondary Coil	
11	D510506P	Gas Valve Assembly	60 Hertz; 22,500 Btu; N.G.; Includes items 10 and 14
12	56124	Screw	
13	D510128	Gas Valve Mounting Bracket	
14	58804A	Booster and Holding Coil	
15	D513072	Elbow	

Gas Valve, Igniter and Gas Conversion Kits

Starting Serial No. 1908000001

Gas Models



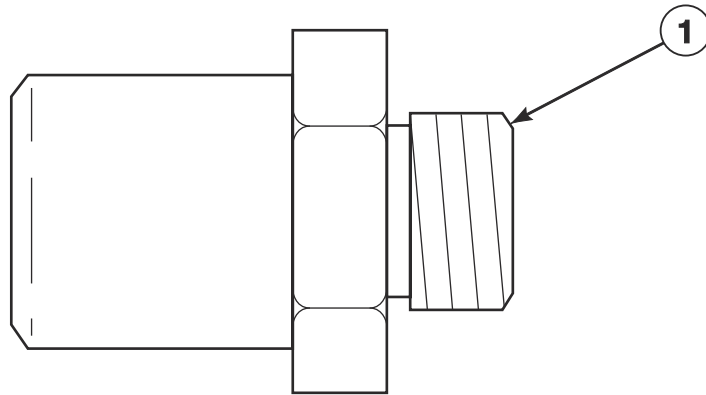
DRY2525P_806093

Gas Valve, Igniter and Gas Conversion Kits Starting Serial No. 1908000001

REF	PART NO.	DESCRIPTION	COMMENTS
1	51782	Screw	
2	D510184P	Igniter and Bracket Assembly	
3	23222	Screw	
4	D510213	Sensor	
5	D503688	Screw	
6	D510149P	Burner Assembly	
7	649P3	L.P. Conversion Kit	Used to convert dryers from Natural Gas (N.G.) or Mixed Gas to Liquid Petroleum Gas (L.P.); 22,500 Btu
8	650P3	N.G. Conversion Kit	Used to convert dryers from L.P. to N.G. or Mixed Gas; 22,500 Btu
9	56124	Screw	
10	D510128	Gas Valve Mounting Bracket	
11	D517609	Gas Valve, Bracket and Pipe Assembly	60 Hertz; 22,500 Btu; N.G.; Includes items 9-13
12	58804A	Booster and Holding Coil	
13	58804B	Secondary Coil	

Burner Orifice Spuds - For Higher Elevations

Gas Models

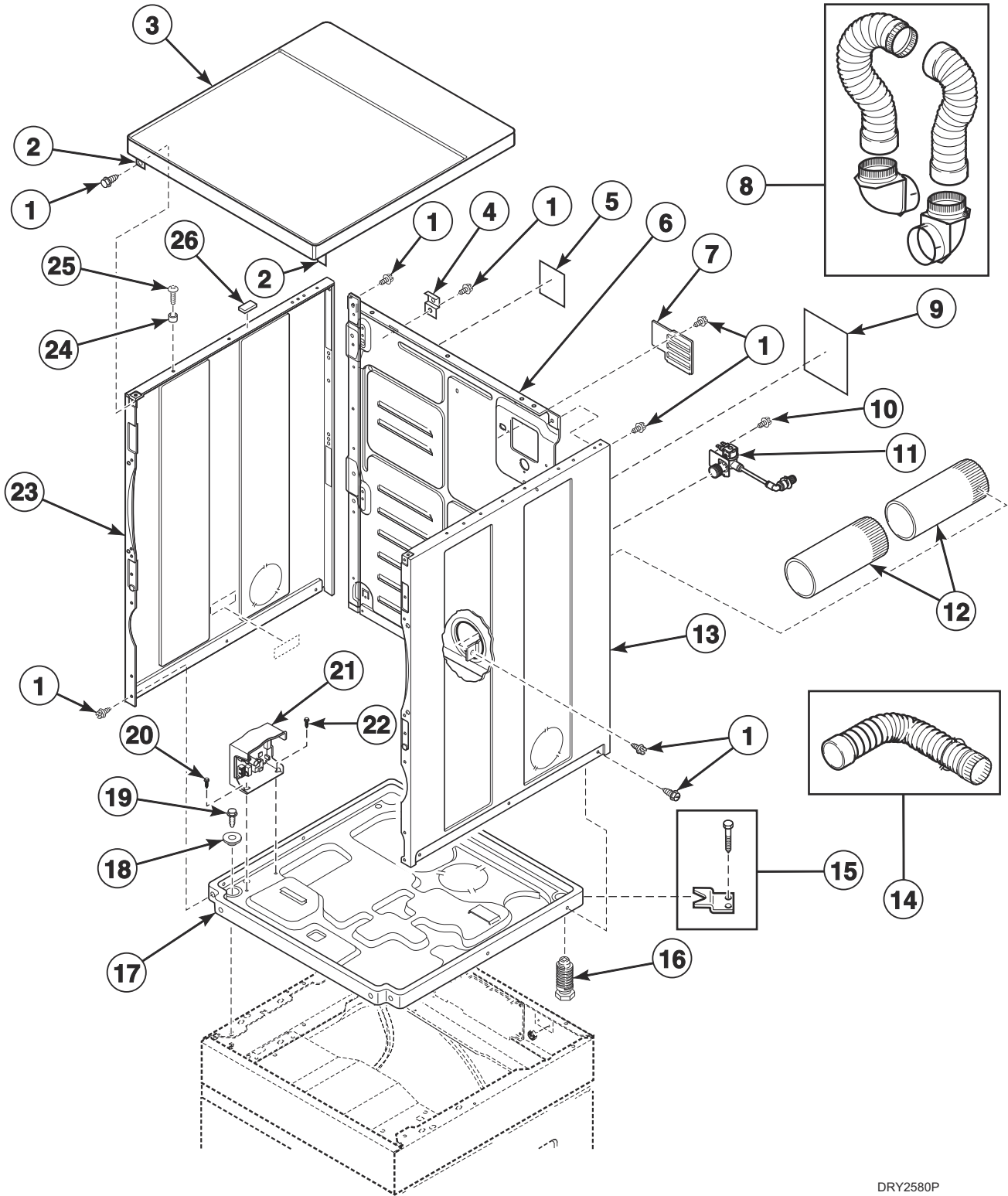


DRY2266P_806093

Burner Orifice Spuds - For Higher Elevations

REF	PART NO.	DESCRIPTION	COMMENTS
1	58755	L.P. Orifice	22,500 Btu; 3000-7999 feet (915-2439 m)
	D503786	L.P. Orifice	22,500 Btu; 8000 feet (2440 m) and higher
	D503778	N.G. Orifice	22,500 Btu; 3000-5999 feet (915-1829 m)
	58719	Screw Orifice	N.G.; 22,500 Btu; 6000-7999 feet (1830-2439 m)
	D503779	N.G. Orifice	22,500 Btu; 8000-8999 feet (2440-2739 m)
	D503780	N.G. Orifice	22,500 Btu; 9000-9999 feet (2740-3049 m)
	D503781	N.G. Orifice	22,500 Btu; 10,000 feet (3050 m) and higher

Dryer Cabinet, Exhaust Duct and Base



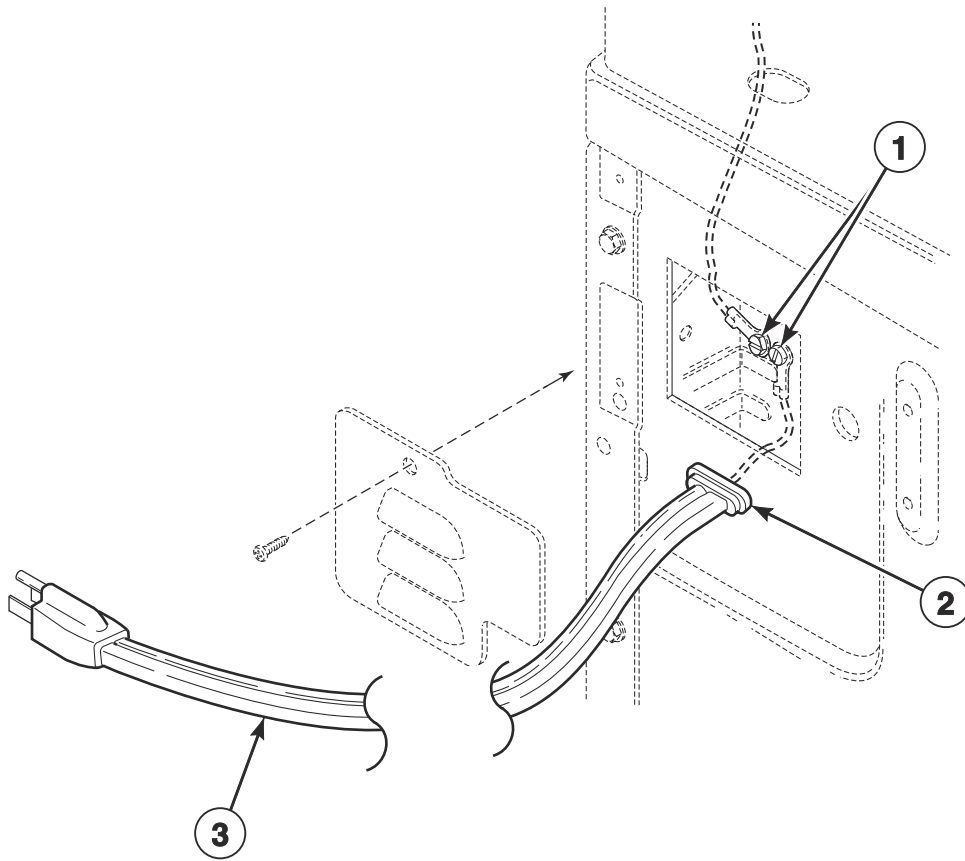
DRY2580P

Dryer Cabinet, Exhaust Duct and Base

REF	PART NO.	DESCRIPTION	COMMENTS
	122P4P	Porcelain Touch-Up Paint	White
1	D503688	Screw	
2	D510146	Bracket	
3	D510032WP	Top Kit	
4	D510136	Top Hinge	
5	D511004	Gas Clearance Label	Models ATGE9AGP113TW01, ATGE9ASP115TW01, ATGE9ASP116TW01, ATGE9ASP117TW01 and ATGE9ASP118TW01
6	D518204	Cabinet Rear Panel	Models ATEE9ASP177TW01, ATEE9ASP178TW01, ATGE9ASP117TW01 and ATGE9ASP118TW01
	D514632P	Cabinet Rear Panel	Through Serial No. 1912999999; All other models
	D517566	Cabinet Rear Panel	Starting Serial No. 2001000001; All other models
7	D510903	Access Panel Plate	
8	521P3	Flexible Venting Kit	
9	D511005	Electric Clearance Label	Models ATEE9AGP173TW01, ATEE9ASP175TW01, ATEE9ASP176TW01, ATEE9ASP177TW01 and ATEE9ASP178TW01
10	39397	Screw	Models ATEE9ASP177TW01, ATEE9ASP178TW01, ATGE9ASP117TW01 and ATGE9ASP118TW01
11	D518230	Dryer Steam Assembly	Models ATEE9ASP177TW01, ATEE9ASP178TW01, ATGE9ASP117TW01 and ATGE9ASP118TW01
12	D516196	Exhaust Duct	
13	D510002WP	Cabinet Side Panel	Right
14	528P3	Directional Exhaust Kit	Used to vent dryer out the sides
15	526P3	Hold Down Kit	For mobile home installations
16	D510135	Leveling Leg	
17	D514245	Dryer Base	
18	26509	Washer	
19	36048	Screw	
20	D514428	Screw	
21	D518191	Output Control Assembly	Models ATEE9ASP177TW01 and ATGE9ASP117TW01
	D518862	Output Control Assembly	Models ATEE9ASP178TW01 and ATGE9ASP118TW01
	D513797P	Output Control Assembly	Through Serial No. 1912999999; All other models
	D517191P	Output Control Assembly	Starting Serial No. 2001000001; All other models
22	804667	Screw	
23	D510001WP	Cabinet Side Panel	Left
24	56079	Panel Locator	
25	39733	Screw	
26	56128	Bumper Pad	

Dryer Lead-In Cord

Gas Models

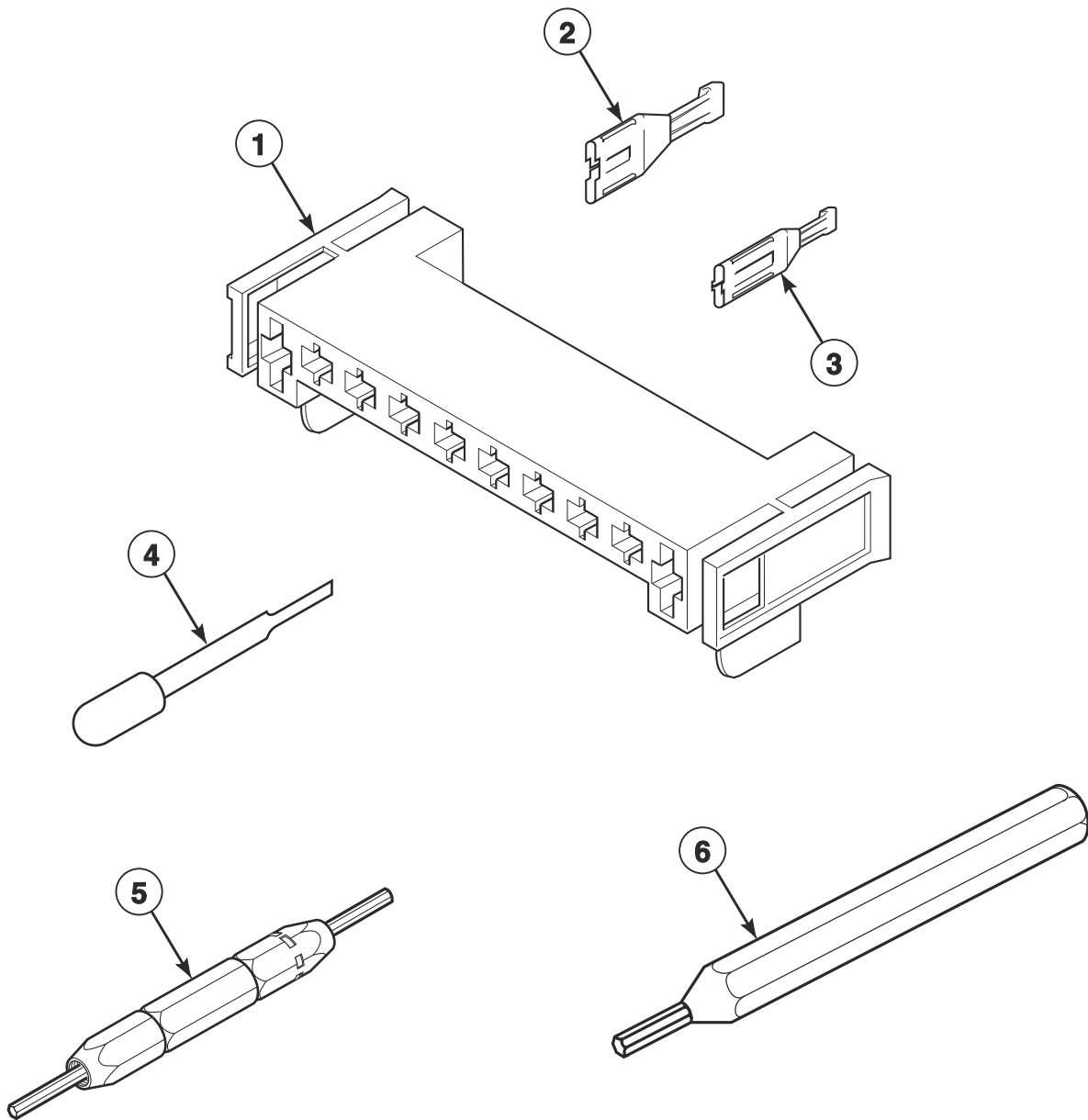


DRY1790P_806093

Dryer Lead-In Cord

REF	PART NO.	DESCRIPTION	COMMENTS
1	20530	Screw	
2	38384	Strain Relief	
3	202777	Lead-In Cord	

Dryer Terminals and Terminal Extractor Tools

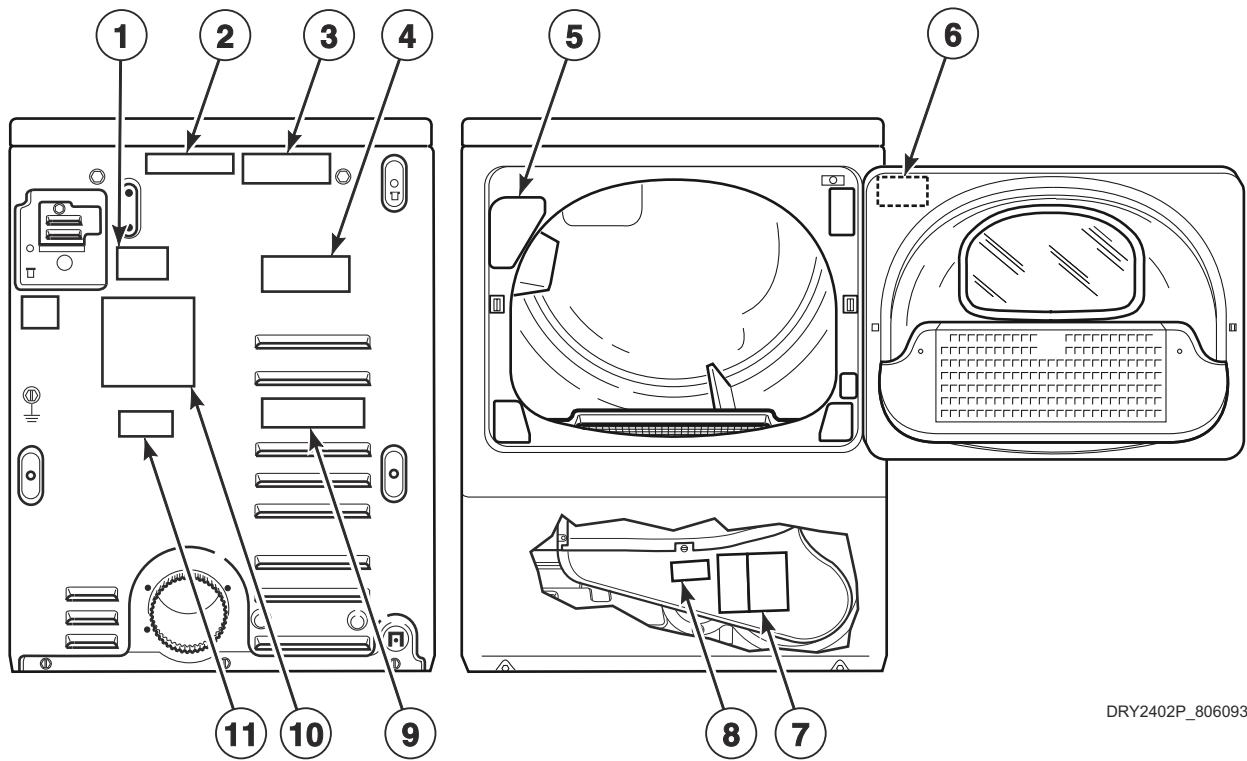


DRY1767P_806093

Dryer Terminals and Terminal Extractor Tools

REF	PART NO.	DESCRIPTION	COMMENTS
1	D500338	10 Position Housing	
2	00255	Female Terminal	1/4 inch; (1) 12 gauge wire; Electric models
	00256	Female Terminal	1/4 inch; (1) or (2) 18 gauge wires; Gas models
3	00188	Female Terminal	For 1 or 2 wire application
4	283P4	Terminal Extractor Tool	For use on Molex connectors
5	190P4	Extractor Tool	For use on electric dryer terminals
6	128P4	Extractor Tool	For use on gas dryer terminals

Dryer Labels

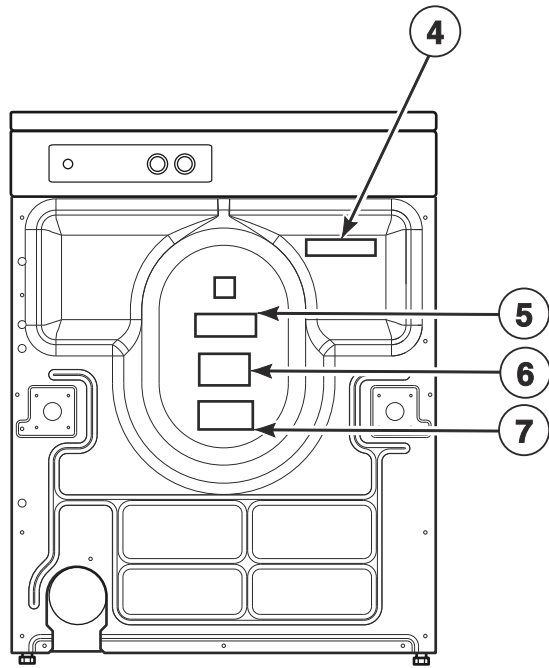
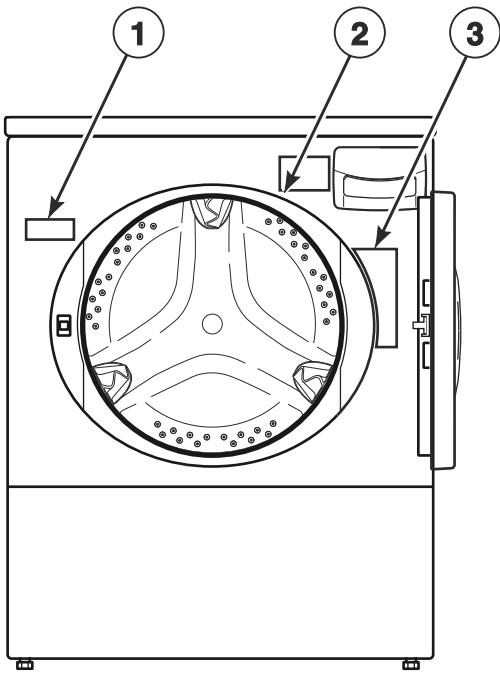


DRY2402P_806093

Dryer Labels

REF	PART NO.	DESCRIPTION	COMMENTS
1	803260	Warning Label	Turn off controls
2	D505281	Disconnect Power Warning Label	
3	44324001	Warning Label	Electric shock
4	D502791	Venting Instruction Label	
5	D500281	Warning/Caution Label	
6	59414	Remove Door Label	
7	D511004	Gas Clearance Label	Models ATGE9AGP113TW01, ATGE9ASP115TW01, ATGE9ASP116TW01, ATGE9ASP117TW01 and ATGE9ASP118TW01
8	D500049	Warning Label	Electric shock, rotating parts
9	D505215	Gas Label	Stainless steel flexible gas line; Models ATGE9AGP113TW01, ATGE9ASP115TW01, ATGE9ASP116TW01, ATGE9ASP117TW01 and ATGE9ASP118TW01
10	D511005	Electric Clearance Label	Models ATEE9AGP173TW01, ATEE9ASP175TW01, ATEE9ASP176TW01, ATEE9ASP177TW01 and ATEE9ASP178TW01
11	D500497	Exhaust Warning Label	

Washer Labels

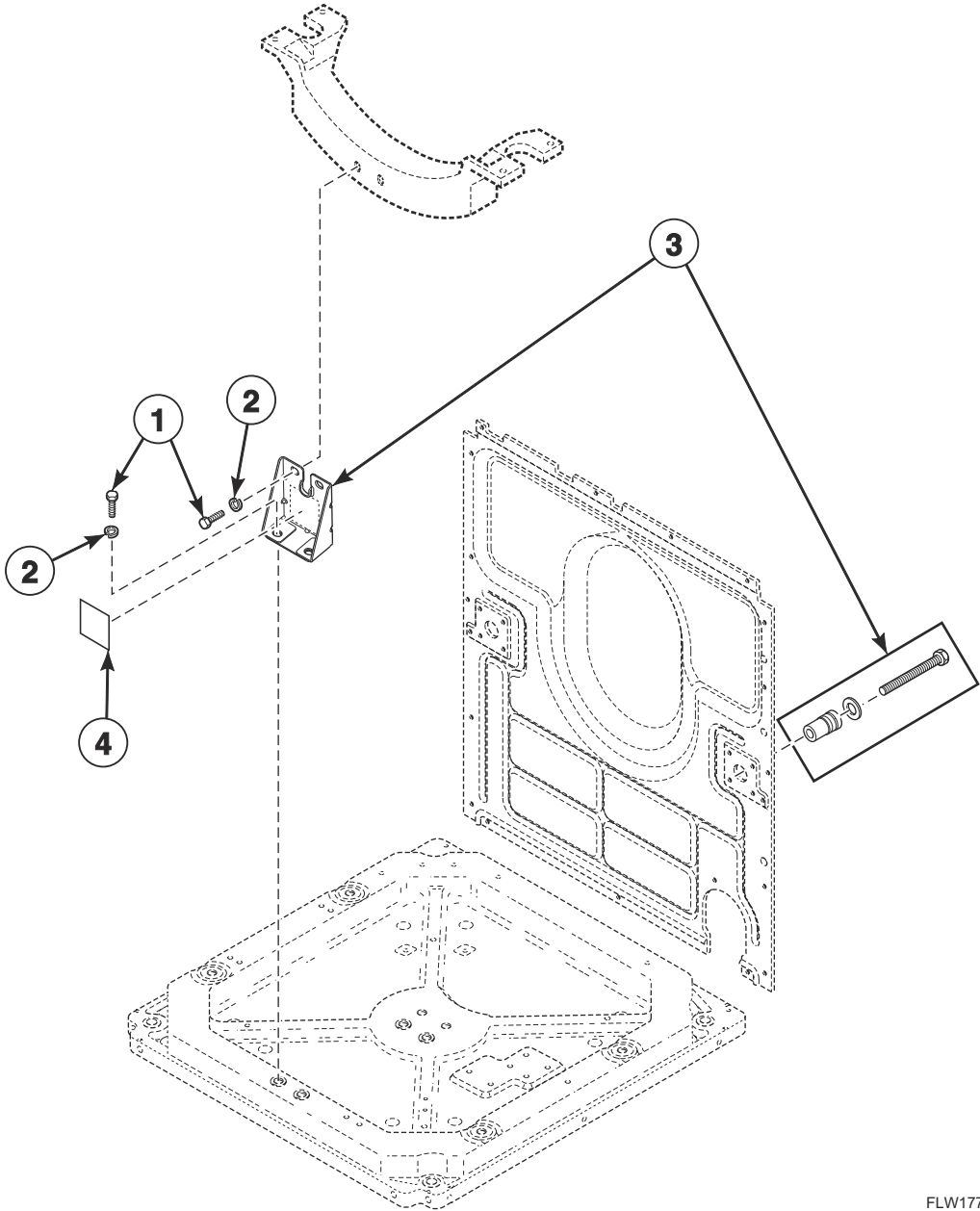


FLW1722P

Washer Labels

REF	PART NO.	DESCRIPTION	COMMENTS
1	807222	Notice Label	
2	802074	Oversudsing Label	English
	802838	Oversudsing Label	Spanish
3	802367	Warning Label	Reduce fire risk; Door locked
4	D505281	Disconnect Power Warning Label	
5	685928	Left Hand Thread Label	
6	803260	Warning Label	Disconnect power
7	D500314	Warning Label	

Shipping Materials

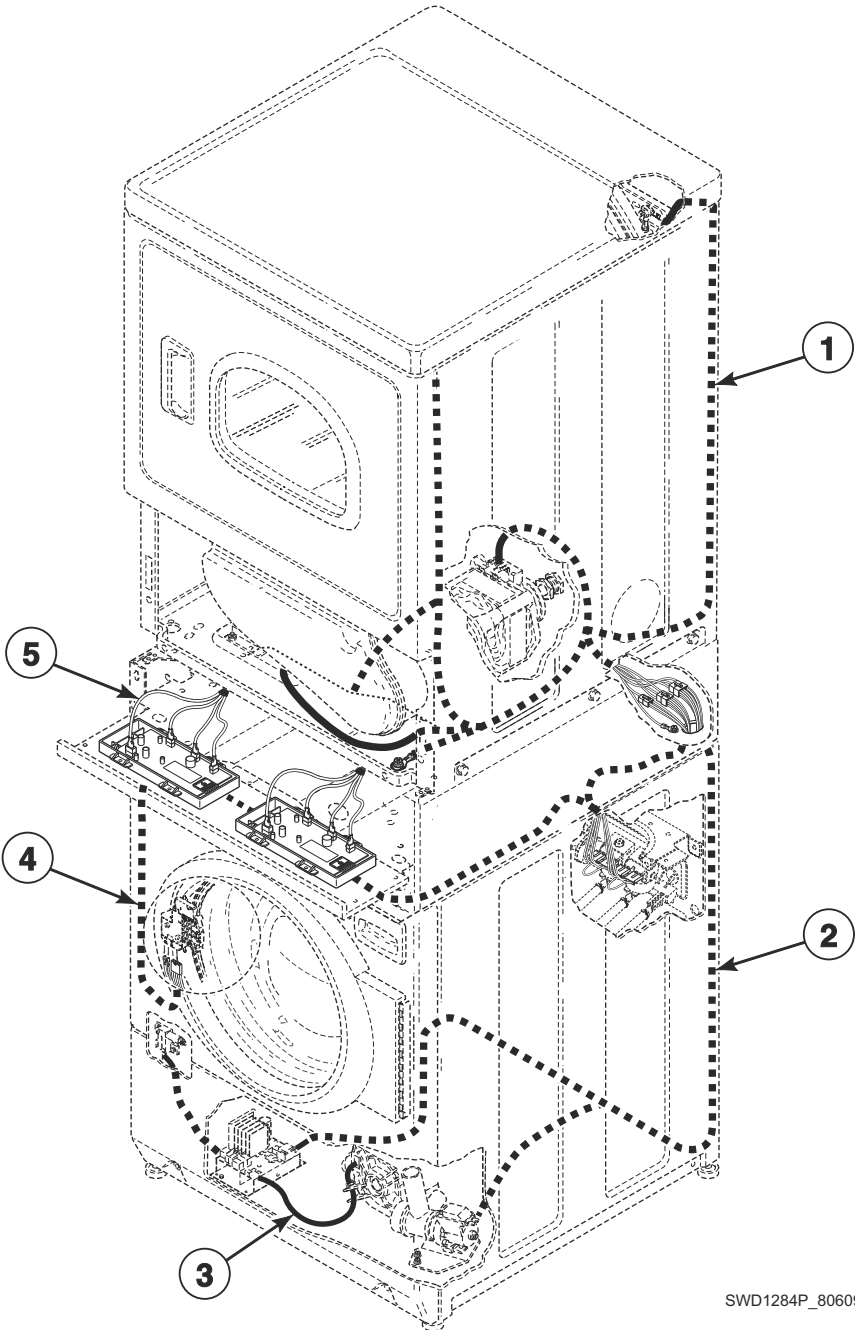


FLW1779P_806093

Shipping Materials

REF	PART NO.	DESCRIPTION	COMMENTS
1	M400043	Screw	4 required
2	M400014	Washer	4 required
3	805729	Shipping Materials Kit	Includes shipping brace, shipping spacer assembly and labels
4	686901	Shipping Bracket Label	

Wire Harnesses and Wires



SWD1284P_806093

Wire Harnesses and Wires

REF	PART NO.	DESCRIPTION	COMMENTS
	45001	18 Gauge Wire	Black; Order wire by the foot and terminals as required
	45380	12 Gauge Wire	Orange; Order wire by the foot and terminals as required
	804433	Pressure Sensor Harness	
	D517236	Broken Belt Harness	Starting Serial No. 1903000001 and continuing through Serial No. 1912999999
	807298	Power Harness	Starting Serial No. 2101000001
1	D517242	Upper Electric Harness	Dryer; Models ATEE9AGP173TW01, ATEE9ASP175TW01 and ATEE9ASP176TW01 through Serial No. 1912999999
	D517476	Upper Electric Harness	Dryer; Models ATEE9AGP173TW01, ATEE9ASP175TW01 and ATEE9ASP176TW01 starting Serial No. 2001000001
	D518172	Upper Electric Harness	Model ATEE9ASP177TW01
	D518854	Upper Electric Harness	Model ATEE9ASP178TW01
	D517096	Gas Harness	Dryer; Models ATGE9AGP113TW01, ATGE9ASP115TW01 and ATGE9ASP116TW01 through Serial No. 1912999999
	D517477	Gas Harness	Dryer; Models ATGE9AGP113TW01, ATGE9ASP115TW01 and ATGE9ASP116TW01 starting Serial No. 2001000001
	D518171	Gas Harness	Model ATGE9ASP117TW01
	D518853	Gas Harness	Model ATGE9ASP118TW01
2	806031	Front Control Harness	Washer; Through Serial No. 2012999999
	807346	Front Control Harness	Washer; Starting Serial No. 2101000001
3	806029	Motor Harness	Through Serial No. 2012999999
	807294	Motor Harness	Starting Serial No. 2101000001
4	806028	Door Lock Harness Assembly	Through Serial No. 2012999999
	807293	Door Lock Harness Assembly	Starting Serial No. 2101000001
5	D513991	Security Cabinet Harness	

NOTE: Individual wires are not available separately. Order complete wire harness, or order wire by the foot. When applying terminals to wires, it is recommended that the terminals be soldered to the wires.

Parts Index

A

Access Panel Assembly	
D514250WP	7, 31
Access Panel Plate	
D510903	49
Adhesive	
D511637P	35, 37
Air Duct Assembly	
D518429	35
D518432	35
D518433	35
Anchor	
155P3	21
Anchor Floor Mount Assembly	
802844P	21
Anti-Seize Compound	
27604P	15, 33

B

Balance Ring Assembly	
804393	15
Ballast Weight	
807476	13
Bar Sensor	
D513737	35
Base Assembly	
803876	21
Bearing Housing Kit	
805525	15
Belt Install Tool	
807623	23
Belt Kit	
807429	17
Blower Fan Assembly	
D510139P	33
Blower Housing	
D511969WP	33
Blower Housing Seal	
D510238P	33
Booster and Holding Coil	
58804A	43, 45
Bracket	
D510146	49
Broken Belt Harness	
D517236	61
Bulkhead Assembly	
D515544WP	35
Bumper Pad	
36226	21
56128	49
Burner Assembly	
D510149P	43, 45

C

Cabinet Panel Kit	
800004WP	21
Cabinet Rear Panel	
D514632P	49
D517566	49
D518204	49
Cabinet Side Panel	
D510001WP	49
D510002WP	49
Clamp Ring	
803802	13
Clothes Guard Deflector	
804467	13
805548	13
Combustion Duct	
D510131	41
Compartment Cover	
803669	9
Control	
D514567P	5
Control Assembly	
D517585	5
D518225	5
805219P	5
807489	5
807517	5
807530	5
808160	5
Control Bracket	
807441	17
Control Overlay	
804491	5
806701	5
807494	5
808154	5
Control Panel	
803960WP	5
Control Shield	
804363	5
Cylinder Assembly	
D510159WP	35
D510265WP	35
Cylinder Baffle	
D510102W	35
Cylinder Belt	
D511255P	33
Cylinder Glide	
D513710	35
Cylinder Glide Bracket	
D510145	35
Cylinder Light Lens	
D512106	35
Cylinder Roller	
D510708P	37
Cylinder Roller Bracket	
D510100	37
Cylinder Seal Assembly	
D510207P	35, 37

N/A items do not appear in index.

D

Detergent Hose	
804717	9
Directional Exhaust Kit	
528P3	49
Disconnect Power Warning Label	
D505281	55, 57
Dispenser Assembly	
803698	9
Dispenser Drawer	
803667	9
Dispenser Handle	
804227WP	9
Dispenser Inlet Hose	
803849	9, 11
807364	9, 11
Dispenser Plate	
803843	9
Door Assembly	
D516737W	27
804083WP	7
Door Catch Assembly	
D510177	31
802803	7
Door Glass	
802695P	7
Door Glass Mounting Plate	
806354	7
Door Handle Wedge	
D510129W	27, 29
Door Hinge	
802934	7
Door Latch Assembly	
802317P	7
Door Liner Assembly	
D516508	29
Door Liner Grill	
D503870LG	27
D503870W	27, 29
Door Lock Harness Assembly	
806028	61
807293	61
Door Pull and Wedge Kit	
D510103WP	27, 29
Door Seal	
804428P	7
Door Seal Assembly	
804429P	7
Door Strike	
D510181	27, 29
Door Strike Mount	
D510127	27
Drain Base Bracket	
803814	19
Drain Hose	
803976	19
Drain Hose Bracket	
803828	21
Drain Hose Sleeve	
33615	19
Drain Pump Assembly	
805724P	19

N/A items do not appear in index.

Drain Pump Isolator	
803815	19
Drive Belt	
804985	17
Drum Light Lamp	
60954	35
Dryer Base	
D514245	49
Dryer Door	
D510082WP	27
D515960W	29
D515961W	27
Dryer Door Window	
D503982P	27
D515681	27
Dryer Steam Assembly	
D518230	49
Drying Rack	
D512082P	35

E

Elbow	
D513072	43
Electric Clearance Label	
D511005	49, 55
Exhaust Duct	
D516196	49
Exhaust Warning Label	
D500497	55
Expansion Clip	
70030501	5
Extractor Tool	
128P4	53
190P4	53

F

Felt Pad	
D510189	35
Female Terminal	
00188	53
00255	53
00256	53
Flexible Venting Kit	
521P3	49
Foam Pad	
804875	9
Foreign Object Deflector	
806308	13
806313	13
806361	13
Front Bulkhead	
D513640W	35
Front Bulkhead Assembly	
D515533P	35
Front Control Harness	
806031	61
807346	61
Front Panel	
D510066WP	31
802277WP	7

Front Panel Assembly D513781WP	31
Front Panel Assembly Kit 806505W	7
Front Panel Seal D511056	31

G

Gas Clearance Label D511004	49, 55
Gas Harness D517096	61
D517477	61
D518171	61
D518853	61
Gas Label D505215	55
Gas Valve Assembly D510506P	43
Gas Valve Mounting Bracket D510128	43, 45
Gas Valve, Bracket and Pipe Assembly D517609	45
Gasket 802427	19
Glass Mounting Clip 802700	7
Glide Kit RB170003	35
Grommet 29175	13

H

Harness Strap 55881	25
Heat Duct Shroud D510101	41
Heater Assembly D510329P	39
D518838	39
Heater Duct Assembly D510025P	39, 41
Heater Kit 964P3	39
Heater Kit Assembly 61927	39
Hinge D511036	27, 29
Hinge Hole Plug D510186	31
Hinge Plate 802206	7
Hold Down Kit 526P3	49
Hose Clamp F200204	19
685725	9
802281	7
803891	13
807386	9, 11

Hose Clip 36985	13, 25
800553	13
Hose Stand 38732	19
Housing, 10 Position D500338	53

I

Idler Lever D516310	33
Idler Lever and Wheel Assembly D516792	33
Idler Spring D510185	33
Idler Wheel and Bearing Assembly D510142P	33
Igniter and Bracket Assembly D510184P	43, 45
Inner Basket Assembly 804374P	15
Inner Basket Assembly Kit 804376P	15
Inner Door Bezel 808097	7
Inner Door Bezel Kit 808095	7
Inverter Control Assembly 807175P	17

L

Lead-In Cord 202777	25, 51
Lead-In Pipe Assembly D510204	43
LED Light Assembly D517574	35
Left Hand Thread Label 685928	57
Leveling Leg D510135	49
34319	21
Lid Assembly 802426P	19
Lifter 804382	15
Light Housing Assembly D512108	35
Limit Thermostat D510701	39
D510702	41
D515873	39
Liner and Seal Assembly D516509	27
Liner Door Seal D510147P	27
Lint Filter D503980LG	35
D503980W	35

N/A items do not appear in index.

Lint Filter Cover	
D510502LG.....	35
D510502W.....	35
L.P. Conversion Kit	
649P3.....	43, 45
L.P. Orifice	
D503786.....	47
58755.....	47

M

Mixing Valve	
807837P.....	11
Mixing Valve Screen	
24122.....	11
Moisture Bar Assembly	
D518565.....	35
Moisture Sensor Base	
D513738.....	35
D518154.....	35
Motor and Pulley Assembly	
D511629P.....	33
Motor and Rod Assembly Kit	
805726P.....	17
808067P.....	17
Motor Control Shield	
804878.....	17
Motor Harness	
806029.....	61
807294.....	61
Motor Hub Ring Kit	
590P3.....	33
Motor Mount	
D518517.....	33
Motor Mount Clamp	
D510180.....	33
Motor Pulley	
D500011.....	33
Motor Rod	
803861.....	17
807739.....	17
Motor Switch Bracket	
D516311.....	33

N

Notice Label	
807222.....	57
Nut	
F430218.....	13
03673.....	25
21899.....	21
23951.....	7
36020.....	7
44071201.....	27
52566.....	33
56156.....	33, 37
685846.....	7
800452.....	13, 15
802343.....	13
804418.....	15
N.G. Conversion Kit	
650P3.....	43, 45

N/A items do not appear in index.

N.G. Orifice	
D503778.....	47
D503779.....	47
D503780.....	47
D503781.....	47

O

O-Ring	
802429P.....	19
Outer Door Bezel	
808094.....	7
Outer Tub Assembly	
803864.....	13
807479.....	13
807618.....	13
Outlet Cover	
D500820.....	39, 41
D518524.....	39, 41
Out-of-Balance Switch Assembly	
803415.....	13
807384.....	13
Out-of-Balance Switch Bracket	
804457.....	13
807280.....	13
Output Control Assembly	
D513797P.....	49
D517191P.....	49
D518191.....	49
D518862.....	49
807240.....	17
807243.....	17
Oversudsing Label	
802074.....	57
802838.....	57

P

Panel Locator	
56079.....	7, 21, 31, 49
Pop Rivet	
685847.....	13
Porcelain Touch-Up Paint	
122P4P.....	21, 49
Power Harness	
807298.....	61
Pressure Bulb	
808013.....	13
Pressure Sensor	
203843.....	21
Pressure Sensor Harness	
804433.....	61
Pressure Sensor Tube Assembly	
804483.....	13
Pulley Assembly	
808197.....	15
Pulley Bolt Tightening Fixture	
802336.....	23
Pump Housing	
802428.....	19
Pump Housing Assembly	
802434P.....	19

R

Rear Access Panel	
803998	5
807646	5
Rear Bulkhead	
D518212	37
Rear Bulkhead Assembly	
D511082P	37
Rear Panel	
803789	21
803790	21
806716	21
Remove Door Label	
59414	55
Retainer Clip	
36014	19
Retaining Ring	
23748	33, 37
Roller Kit	
RB170002	37
Rubber Foot	
D501855	21
34318	21

S

Screw	
D500226	27, 29
D500227	35
D500824	33
D501086	35
D501285	35, 37
D501524	17
D502535	33
D503661	7, 17, 19, 21
D503688	5, 31, 33, 35, 37, 39, 41, 43, 45, 49
D505295	27
D505870	27
D514428	49
D515597	27
D515967	27
F8206901	17
M400043	15, 59
M400057	17
02916	17
20530	25, 51
23222	39, 43, 45
31260	33
33562	31
36048	49
39397	49
39733	7, 21, 31, 49
51782	41, 43, 45
56124	43, 45
61199	37
62588	35
685831	15
70240301	5
800461	13
800462	13
800548	7, 9, 15
801001	9
801019	7
801045	7

801993	7
802431	19
802596	13
804399	15
804667	5, 49
804699	15
Screw Orifice	
58719	47
Seal Kit	
RB170001	35, 37
Sealant	
27615P	19
Secondary Coil	
58804B	43, 45
Security Cabinet Harness	
D513991	61
Sensor	
D510213	43, 45
Shaft	
56461P	33, 37
Shield Bracket	
804018	5
Shipping Bracket Label	
686901	59
Shipping Materials Kit	
805729	59
Shipping Plate	
803851	21
Shipping Plug	
M412154	21
Shock Assembly	
803777P	13
Side Panel Kit	
806492	21
Speed Clip	
28835	31
Standpipe Strap	
33489	19
Strain Relief	
32219	19
38384	25, 51
Switch	
D512973	31
D516391	33

T

Terminal Block Assembly	
D510190P	37
Terminal Block Shield	
D510237	37
Terminal Extractor Tool	
283P4	53
Thermal Fuse Assembly	
D518542	39
Thermistor Assembly	
D510523	33
Top Hinge	
D510136	49
Top Kit	
D510032WP	49

N/A items do not appear in index.

Trunnion Shaft Kit 808043P	15
Tub Front 803770	13
Tub Front Assembly 803879	13
Tub Front Seal 803801	13
Tub-to-Pump Hose 803829	19

U

Upper Electric Harness D517242	61
D517476	61
D518172	61
D518854	61

V

Valve Filter F8611201	11
Venting Instruction Label D502791	55

W

Warning Label D500049	13, 55
D500314	57
D803260	55
44324001	55
802367	57
803260	57
Warning/Caution Label D500281	31, 55
Washer D504082	37
M400014	59
M400080	17
M400081	13
M403958	15
02834	17
03815	25
20290	11
26509	49
52549	33, 37
800457	15
802254	11
803615	11
804458	13
807679	15
Water Hose F200116	11
803849	11
Window Clip D513958	27
Window Trim D503981W	27
D515956W	27

Wire Assembly D518255	39
D518256	39
Wire Clip D504034	25
687500	25
Wire Jumper D518307	39
Wire Ring and Spring 806466	7
Wire Tie 38663	25
Wire, 12 Gauge 45380	61
Wire, 18 Gauge 45001	61
Wrapper Assembly 804112W	5
Wrench 392P4	23

N/A items do not appear in index.