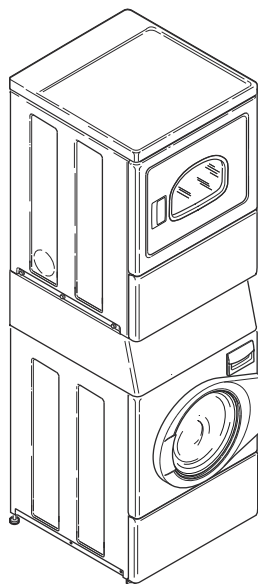


Homestyle Stack Washer/Dryers

Refer to Page 5 for Model Numbers



SWD456C_806105

Table of Contents

Title	Page
Parts Ordering Information.....	3
Serial Plate Location	3
Model Identification	5
Control Cabinet	6
Control Cabinet Line Filter (Drawing 1 of 2).....	8
Control Cabinet Line Filter (Drawing 2 of 2).....	10
Controls - Washers	12
Controls - Dryers.....	14
Overlay.....	16
Control Cabinet and Controls.....	18
Electrical Access Panel, Filters and Terminal Block	20
Door Assembly and Door Seal.....	22
Front Panel	24
Front Panel Assembly	26
Dispenser Assembly	28
Mixing Valve.....	30
Fill Hose.....	32
Outer Tub, Front and Clamp Ring (Drawing 1 of 2).....	34
Outer Tub, Front and Clamp Ring (Drawing 2 of 2).....	36
Inner Basket, Trunnion, Bearing Housing and Pulley	38
Motor and Belt (Drawing 1 of 2).....	40
Motor and Belt (Drawing 2 of 2).....	42
Drain Hose and Valve	44
Drain Hose and Pump (Drawing 1 of 2).....	46
Drain Hose and Pump (Drawing 2 of 2).....	48
Base, Side Panels and Rear Panel.....	50
Washer Junction Box	52
Special Tools	54
Washer Lead-In Cord, Wire Ties and Harness Clips	56
Dryer Door Without Window (Drawing 1 of 2).....	58
Dryer Door Without Window (Drawing 2 of 2).....	60
Dryer Door With Window (Drawing 1 of 2).....	62
Dryer Door With Window (Drawing 2 of 2).....	64
Dryer Door With Window - Through Serial Nos. Beginning 1707	66
Dryer Door With Window - Starting Serial Nos. Beginning 1707	68
Access Panel, Front Panel and Seal (Drawing 1 of 5).....	70
Access Panel, Front Panel and Seal (Drawing 2 of 5).....	72
Access Panel, Front Panel and Seal (Drawing 3 of 5).....	74
Access Panel, Front Panel and Seal (Drawing 4 of 5).....	76
Access Panel, Front Panel and Seal (Drawing 5 of 5).....	78
Blower Housing and Shields (Drawing 1 of 2)	80

© Copyright 2023, Alliance Laundry Systems LLC

All rights reserved. No part of the contents of this book may be reproduced or transmitted in any form or by any means without the expressed written consent of the publisher.

Blower Housing and Shields (Drawing 2 of 2)	82
Motor, Exhaust Fan and Belt (Drawing 1 of 2).....	84
Motor, Exhaust Fan and Belt (Drawing 2 of 2).....	86
Idler Assembly	88
Front Bulkhead, Felt Seal and Cylinder	90
Cylinder Light (Drawing 1 of 2)	92
Cylinder Light (Drawing 2 of 2)	94
Air Duct (Drawing 1 of 3).....	96
Air Duct (Drawing 2 of 3).....	98
Air Duct (Drawing 3 of 3).....	100
Rear Bulkhead, Felt Seal, Cylinder Roller and Terminal Block.....	102
Heater Duct and Element Assembly	104
Heater Kit Assembly	106
Heater Duct Assembly	108
Gas Valve, Igniter and Gas Conversion Kits Through Serial No. 1908000001.....	110
Gas Valve, Igniter and Gas Conversion Kits Starting Serial No. 1908000001.....	112
Gas Valve Through Serial No. 1908000001	114
Gas Valve Starting Serial No. 1908000001	116
Burner Orifice Spuds - For Higher Elevations.....	118
Dryer Cabinet, Exhaust Duct and Base (Drawing 1 of 2).....	120
Dryer Cabinet, Exhaust Duct and Base (Drawing 2 of 2).....	122
Output Control Assembly Through Serial No. 1912999999	124
Output Control Assembly Starting Serial No. 2001000001	126
Ignition Control Module	128
Dryer Lead-In Cord	130
Dryer Junction Box (Drawing 1 of 3).....	132
Dryer Junction Box (Drawing 2 of 3).....	134
Dryer Junction Box (Drawing 3 of 3).....	136
Dryer Junction Box - Through Serial No. 1912999999 (Drawing 1 of 3).....	138
Dryer Junction Box - Through Serial No. 1912999999 (Drawing 2 of 3).....	140
Dryer Junction Box - Through Serial No. 1912999999 (Drawing 3 of 3).....	142
Dryer Lead-In Cord - Starting Serial No. 2001000001	144
Dryer Labels.....	146
Washer Labels	148
Shipping Materials	150
Miscellaneous Wire Harnesses and Wires.....	152
Dryer Wire Harnesses - Through Serial No. 1912999999	154
Dryer Wire Harnesses - Starting Serial No. 2001000001	156
Washer and Control Wire Harnesses	158
Parts Index.....	161

Parts Ordering Information

If literature or replacement parts are required, contact the source from whom the machine was purchased or contact Alliance Laundry Systems at (920) 748-3950 for the name and address of the nearest authorized parts distributor.

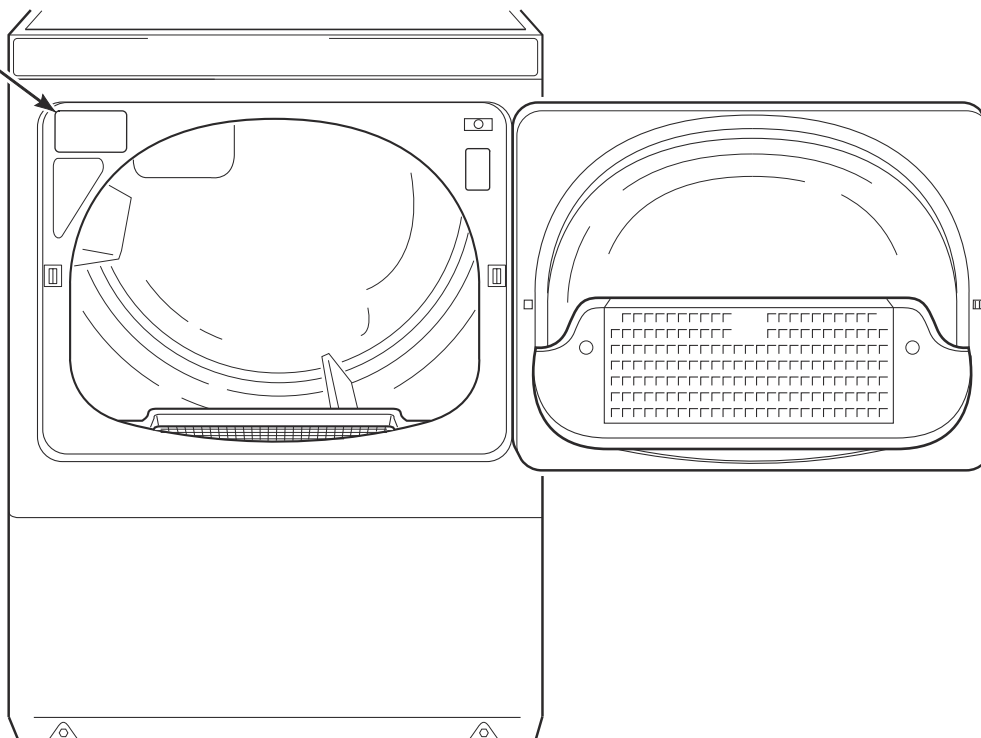
For technical assistance, call the number listed below:

(920) 748-3121 Ripon, Wisconsin

Serial Plate Location

When calling or writing about your product, be sure to mention model and serial numbers. Model and serial numbers are located on serial plate(s) as shown.

SERIAL PLATE



DRY2283P_806105

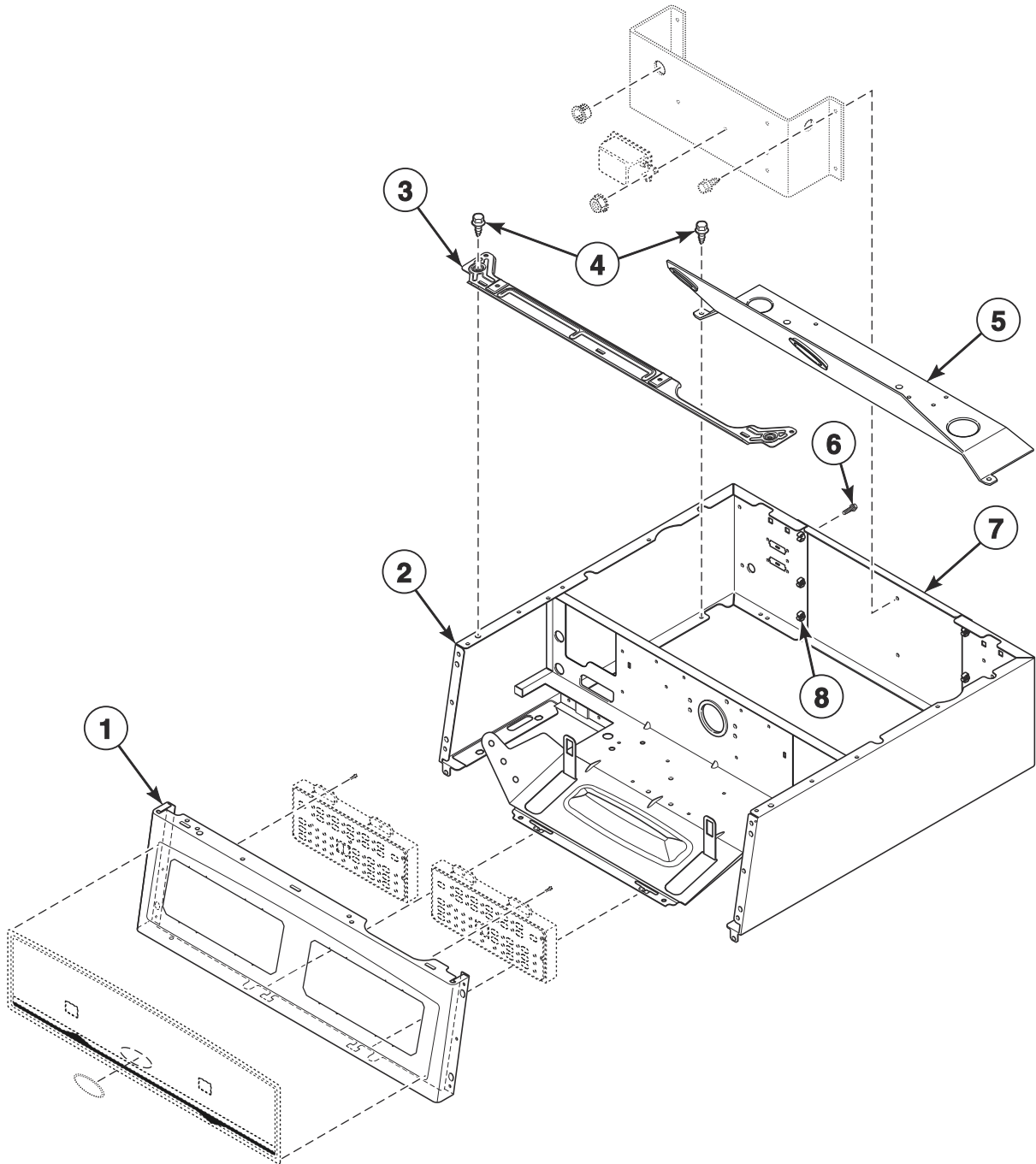
Model Identification

Information in this manual is applicable to these washer/dryer models:

ATEE9AGP435AW01	LTEA5FSP153TW01	PTEE3FSP173TG01
ATEE9ASG453NW36	LTEA5FSP153TW04	PTEE3FSP175TG01
ATEE9ASG455NW36	LTEA5FSP173TW01	PTEE3FSP175TW01
ATEE9ASP133DN04	LTEA5FSP173TW04	PTEE3FSP283CG01
ATEE9ASP133DW04	LTEE5AGP133ZW30	PTEE3FSP285CG01
ATEE9ASP283CW01	LTEE5ASP133FW01	PTEE3FSP433AG01
ATEE9ASP285CW01	LTEE5ASP135MW01	PTGE3FSP093CG01
ATEE9ASP285CW14	LTEE5ASP153TW01	PTGE3FSP095CG01
ATEE9ASP286CW01	LTEE5ASP155TW01	PTGE3FSP113TG01
ATEE9ASP433XW34	LTEE5ASP173TW01	PTGE3FSP115TG01
ATEE9ASP453LW26	LTEE5ASP175TW01	PTGE3FSP115TW01
ATEE9ASP435XW34	LTEE5ASP283CW01	PTGE3FSP303AG01
ATEE9ASP455LN01	LTEE5ASP285CW01	TTHE5ASP303NW36
ATEE9ASP455LW01	LTEE5ASP293CW01	TTPE5ASP303NW36
ATEE9ASP543DN04	LTEE5ASP295CW01	UTEE5ASP173TW01
ATEE9ASP543DW04	LTEE5ASP303WW01	UTEE5ASP173TW08
ATEE9ASP545DW04	LTEE5ASP303WW37	UTEE5ASP175TW01
ATEE9ASP565XW01	LTEE5ASP303ZW01	UTEE5ASP175TW08
ATEE9AWP433AW01	LTEE5ASP333NW01	UTEE5ASP283CW01
ATEE9AWP435AW01	LTEE5ASP433AW01	UTEE5ASP285CW01
ATGE9AGP305AW01	LTEE5ASP433AW12	UTGE5ASP113TW01
ATGE9ASP093CW01	LTEE5ASP453VW26	UTGE5ASP113TW08
ATGE9ASP095CW01	LTEE5ASP543NW01	UTGE5ASP115TW01
ATGE9ASP095CW14	LTEE5ASP543NW23	UTGE5ASP115TW08
ATGE9ASP123DN04	LTEE5ASP543RW01	YTEE5ASP133FW01
ATGE9ASP123DW04	LTEE5ASP553KW01	YTEE5ASP173TW01
ATGE9ASP125DW04	LTEE5FSP175TW01	YTEE5ASP175TW01
ATGE9ASP303XW01	LTEE5FSP275TW01	YTEE5ASP283CW01
ATGE9ASP303XW26	LTGA5FSP113TW01	YTEE5ASP285CW01
ATGE9ASP305XW01	LTGE5ASP093CW01	YTEE5ASP303NW10
ATGE9ASP543DN04	LTGE5ASP095CW01	YTGE5ASP093CW01
ATGE9ASP543DW04	LTGE5ASP113FW01	YTGE5ASP095CW01
ATGE9ASP545DW04	LTGE5ASP113JW01	YTGE5ASP113FW01
ATGE9AWP303AW01	LTGE5ASP113TW01	YTGE5ASP113TW01
ATGE9AWP305AW01	LTGE5ASP115TW01	YTGE5ASP115TW01
ATHE9ASP453NW29	LTGE5ASP125MW01	YTGE5ASP303NW21
ATHE9ASP455NN29	LTGE5ASP303AW01	ZTEE9ASP286CW01
ATHE9ASP455NW29	LTGE5ASP303AW12	ZTGE9ASP096CW01
ATLE9ASP305LW01	LTGE5FSP115TW01	ZTHE9ASP455NN29
BTEE6ASP173TW01	LTLE5ASP303LW01	ZTHE9ASP455NW29
BTEE6ASP283CW01	LTLE5ASP303NW35	
BTGE6ASP093CW01	LTLE5ASP543NW23	
BTGE6ASP113TW01	LTME5ASP543KW01	
FTEE5ASP303NW10		
FTEE5ASP303ZW01		
FTEE5ASP433LW01		
FTGE5ASP303NW10		

Control Cabinet

10 Degree Front Models



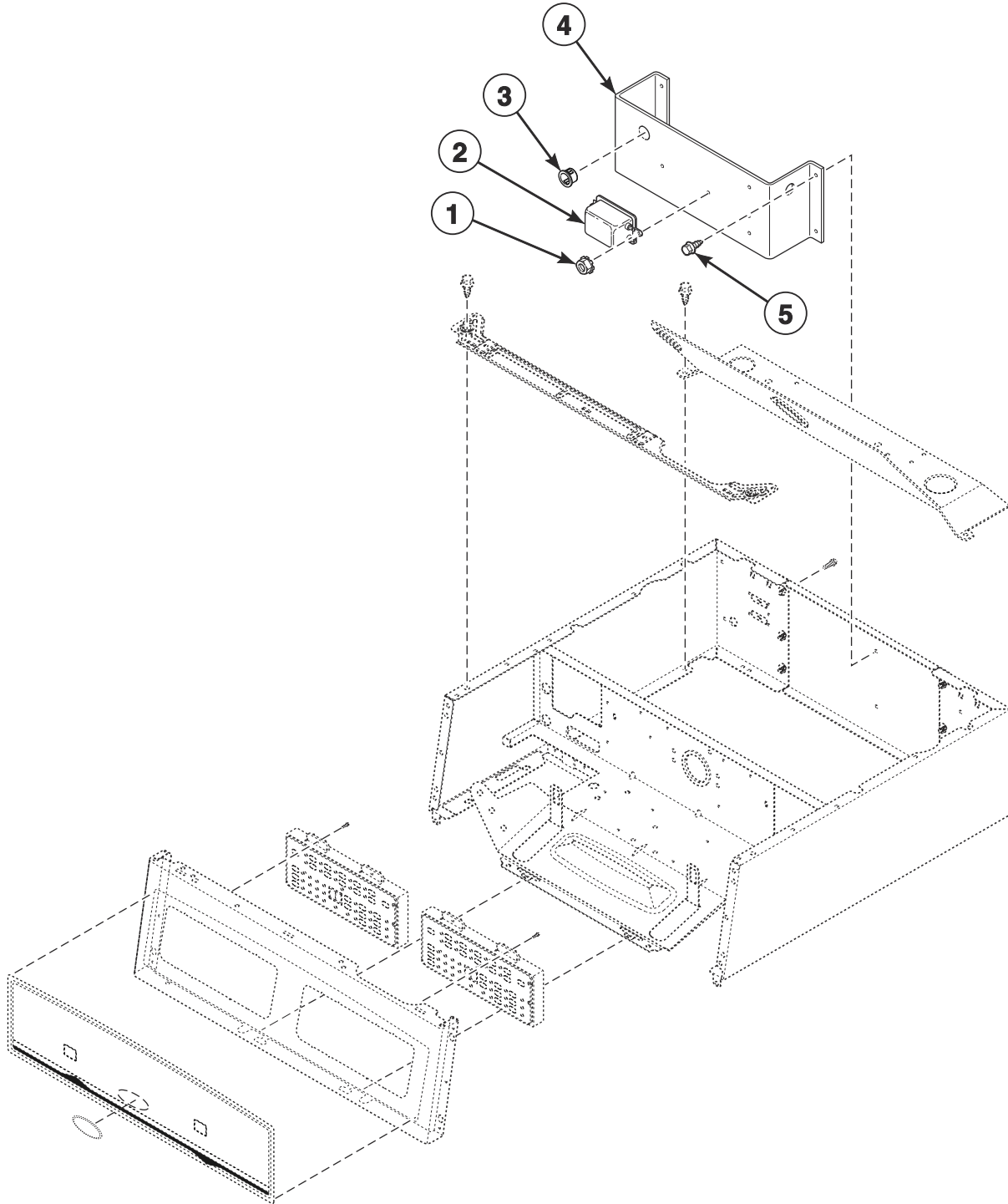
SWD1298P_806105

Control Cabinet

REF	PART NO.	DESCRIPTION	COMMENTS
1	803960WP	Control Panel	White
	803960B	Control Panel	Black
2	804112W	Wrapper Assembly	White
	804112B	Wrapper Assembly	Black
3	804018	Shield Bracket	
4	D503688	Screw	
5	804363	Control Shield	
6	70240301	Screw	
7	803998	Rear Access Panel	Through Serial No. 1912999999
	807646	Rear Access Panel	Starting Serial No. 2001000001
8	70030501	Expansion Clip	

Control Cabinet Line Filter (Drawing 1 of 2)

Models ATEE9ASG453NW36, ATEE9ASP133DN04, ATEE9ASP133DW04, ATEE9ASP433XW34, ATEE9ASP453LW26, ATEE9ASP543DN04, ATEE9ASP543DW04, ATEE9AWP433AW01, ATGE9ASP123DN04, ATGE9ASP123DW04, ATGE9ASP303XW01, ATGE9ASP303XW26, ATGE9ASP543DN04, ATGE9ASP543DW04, ATGE9AWP303AW01, FTEE5ASP303NW10, FTEE5ASP303ZW01, FTGE5ASP303NW10, LTEE5AGP133ZW30, LTEE5ASP133FW01, LTEE5ASP303WW01, LTEE5ASP303WW37, LTEE5ASP303ZW01, LTEE5ASP333NW01, LTEE5ASP433AW01, LTEE5ASP433AW12, LTEE5ASP453VW26, LTEE5ASP543NW01, LTEE5ASP543NW23, LTEE5ASP543RW01, LTGE5ASP113FW01, LTGE5ASP303AW01, LTGE5ASP303AW12, LTLE5ASP303NW35, LTLE5ASP543NW23, YTEE5ASP133FW01, YTEE5ASP303NW10 and YTEE5ASP113FW01 Through Serial Nos. beginning 1610



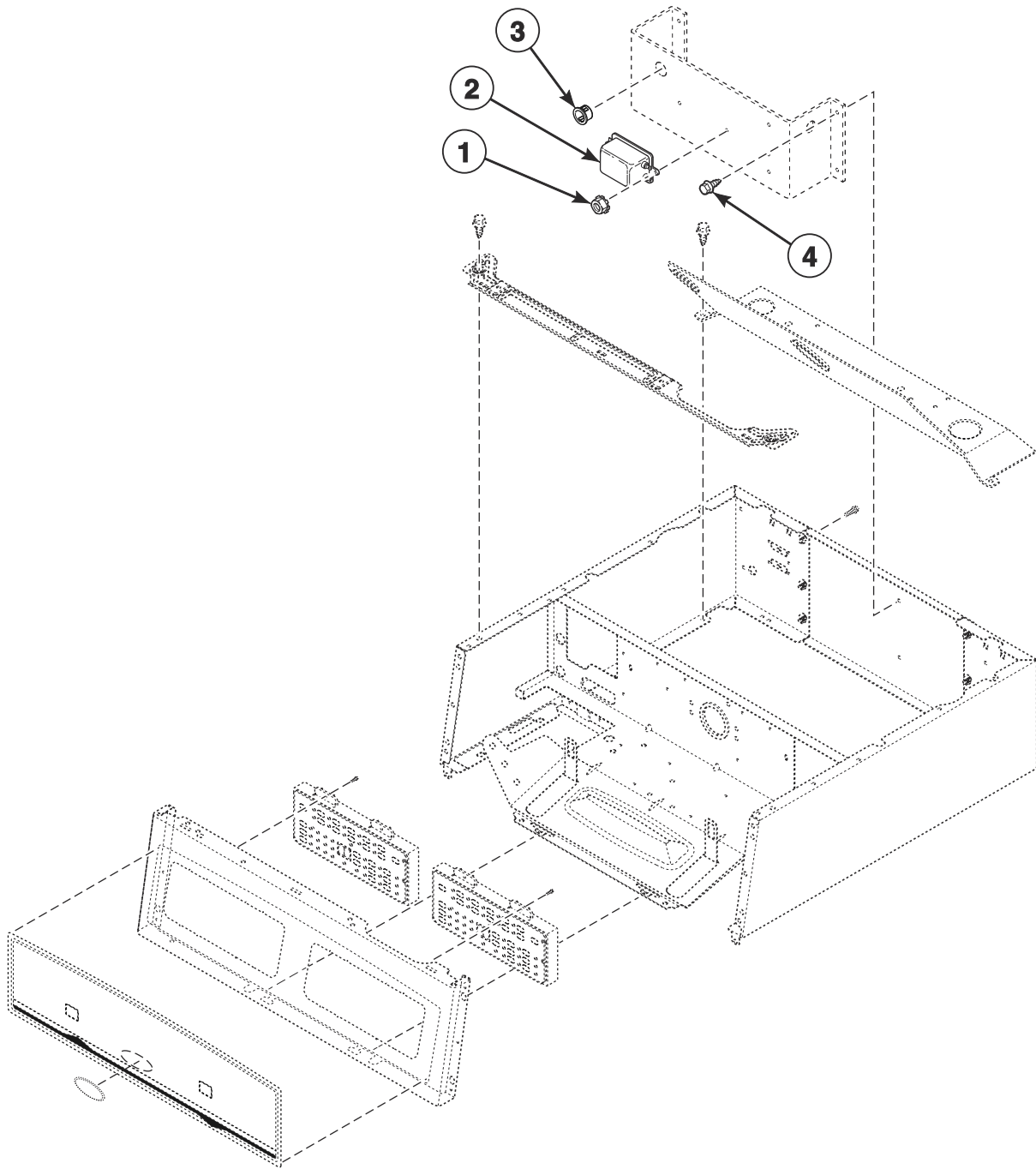
SWD1298PB_806105

Control Cabinet Line Filter (Drawing 1 of 2)

REF	PART NO.	DESCRIPTION	COMMENTS
	804396	Filter Harness	Filter to main harness; Model LTEE5AGP133ZW30
	804797	Filter Harness	Filter to main harness; All other models
1	29787	Nut	
2	805633	Line Filter	Models ATEE9ASP133DN04, ATEE9ASP133DW04, ATEE9ASP543DN04, ATEE9ASP543DW04, ATGE9ASP123DN04, ATGE9ASP123DW04, ATGE9ASP543DN04, ATGE9ASP543DW04, LTEE5ASP133FW01, LTGE5ASP113FW01, YTEE5ASP133FW01 and YTGE5ASP113FW01
	807473	Line Filter	All other models
3	M402542	Snap Bushing	
4	803988	Terminal Block Assembly	
5	D503661	Screw	

Control Cabinet Line Filter (Drawing 2 of 2)

Models LTEE5FSP275TW01



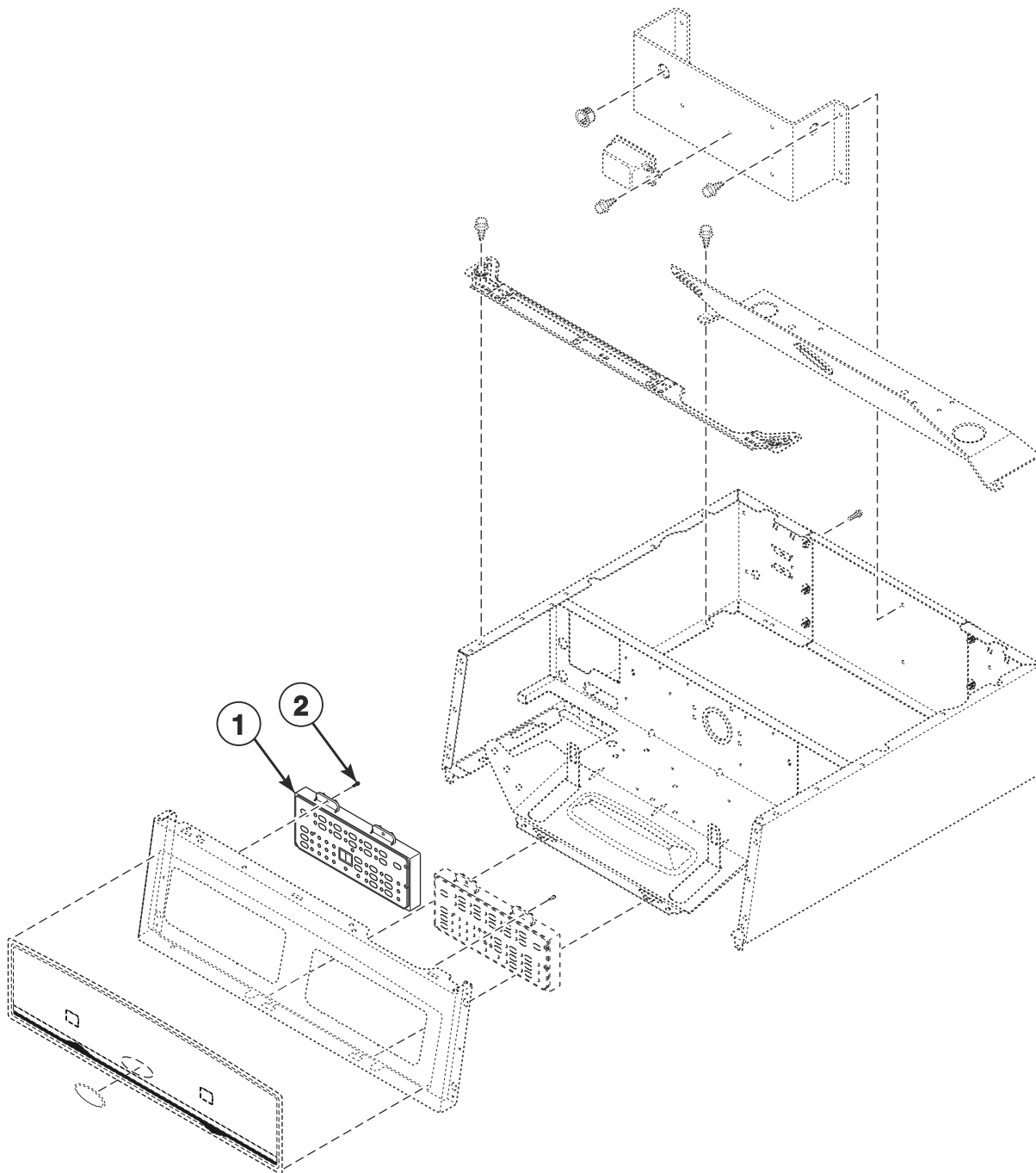
SWD1298PD_806105

Control Cabinet Line Filter (Drawing 2 of 2)

REF	PART NO.	DESCRIPTION	COMMENTS
	61203	Thermostat Opening Cover	
	202917	Power Jumper Harness	
	804797	Filter Harness	Filter to main harness
1	29787	Nut	
2	807473	Line Filter	
3	M402542	Snap Bushing	
4	D503661	Screw	

Controls - Washers

10 Degree Front Models



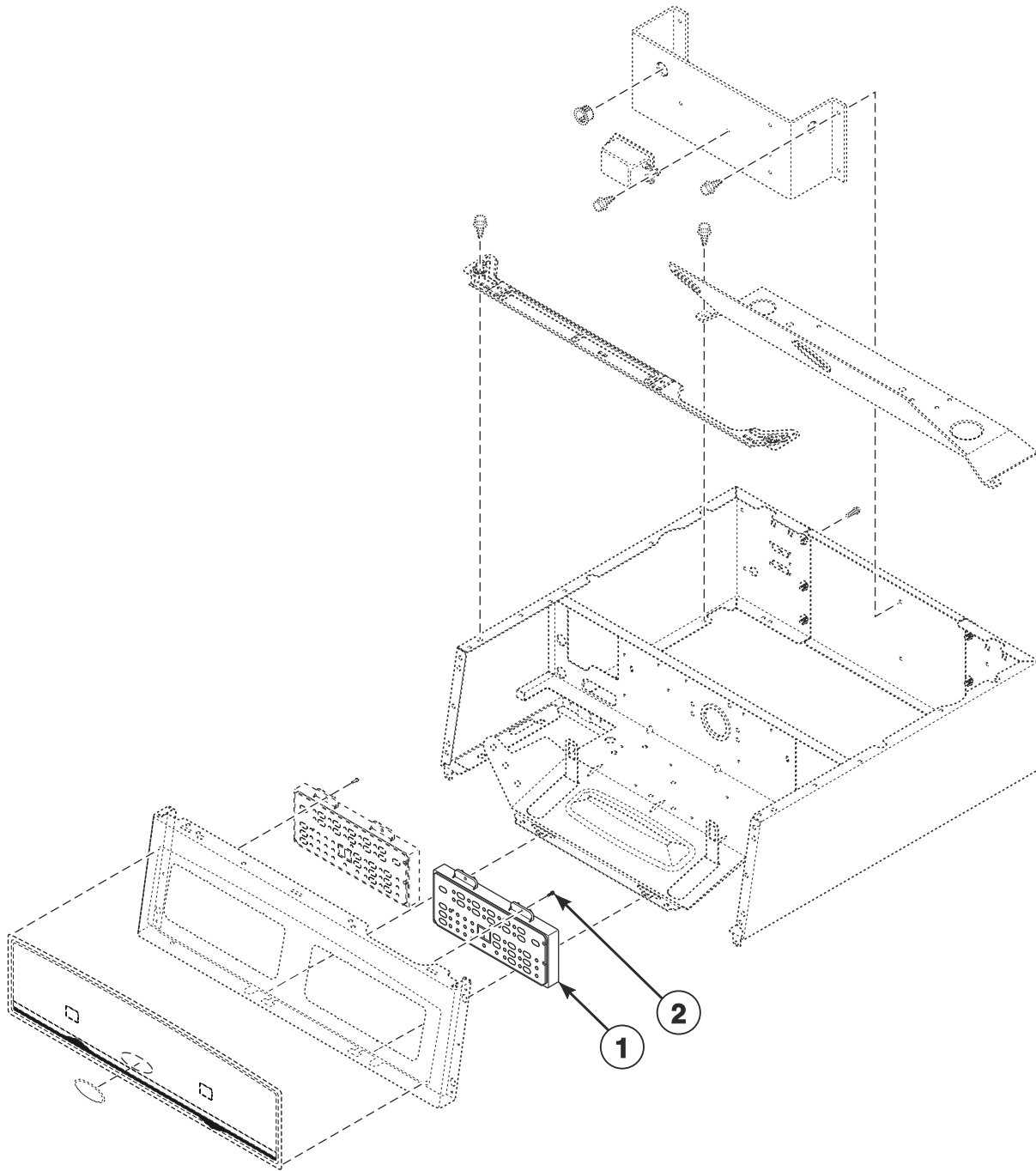
SWD1298PA_806105

Controls - Washers

REF	PART NO.	DESCRIPTION	COMMENTS
1	805236P	Control Assembly	Washer; Models ATEE9AGP435AW01, ATEE9AWP433AW01, ATEE9AWP435AW01, ATGE9AGP305AW01, ATGE9ASP303XW01, ATGE9ASP303XW26, ATGE9ASP305XW01, ATGE9AWP303AW01 and ATGE9AWP305AW01 through Serial No. 2012999999
	807519	Control Assembly	Washer; Models ATEE9AGP435AW01, ATEE9AWP433AW01, ATEE9AWP435AW01, ATGE9AGP305AW01, ATGE9ASP303XW01, ATGE9ASP303XW26, ATGE9ASP305XW01, ATGE9AWP303AW01 and ATGE9AWP305AW01 starting Serial No. 2101000001
	805218P	Control Assembly	Washer; Models BTEE6ASP173TW01, BTEE6ASP283CW01, BTGE6ASP093CW01 and BTGE6ASP113TW01
	805225P	Control Assembly	Models LTEE5ASP433AW01, LTEE5ASP433AW12, LTGE5ASP303AW01 and LTGE5ASP303AW12 through Serial No. 2012999999
	807518	Control Assembly	Models LTEE5ASP433AW01, LTEE5ASP433AW12, LTGE5ASP303AW01 and LTGE5ASP303AW12 starting Serial No. 2101000001
	805219P	Control Assembly	Washer; Models ATEE9ASG453NW36, ATEE9ASG455NW36, ATEE9ASP133DN04, ATEE9ASP133DW04, ATEE9ASP283CW01, ATEE9ASP285CW01, ATEE9ASP285CW14, ATEE9ASP433XW34, ATEE9ASP435XW34, ATEE9ASP453LW26, ATEE9ASP455LN01, ATEE9ASP455LW01, ATEE9ASP543DN04, ATEE9ASP543DW04, ATEE9ASP545DW04, ATEE9ASP565XW01, ATGE9ASP093CW01, ATGE9ASP095CW01, ATGE9ASP095CW14, ATGE9ASP123DN04, ATGE9ASP123DW04, ATGE9ASP125DW04, ATGE9ASP543DN04, ATGE9ASP543DW04, ATGE9ASP545DW04 and ATLE9ASP305LW01 through Serial No. 2012999999
	807517	Control Assembly	Washer; Models ATEE9ASG453NW36, ATEE9ASG455NW36, ATEE9ASP133DN04, ATEE9ASP133DW04, ATEE9ASP283CW01, ATEE9ASP285CW01, ATEE9ASP285CW14, ATEE9ASP433XW34, ATEE9ASP435XW34, ATEE9ASP453LW26, ATEE9ASP455LN01, ATEE9ASP455LW01, ATEE9ASP543DN04, ATEE9ASP543DW04, ATEE9ASP545DW04, ATEE9ASP565XW01, ATGE9ASP093CW01, ATGE9ASP095CW01, ATGE9ASP095CW14, ATGE9ASP123DN04, ATGE9ASP123DW04, ATGE9ASP125DW04, ATGE9ASP543DN04, ATGE9ASP543DW04, ATGE9ASP545DW04 and ATLE9ASP305LW01 starting Serial No. 2101000001
	806589	Control Assembly	Washer; Models ATHE9ASP453NW29, ATHE9ASP455NN29 and ZTHE9ASP455NN29 through Serial No. 2012999999
	807521	Control Assembly	Washer; Models ATHE9ASP453NW29, ATHE9ASP455NN29 and ZTHE9ASP455NN29 starting Serial No. 2101000001
	807530	Control Assembly	Model ATEE9ASP286CW01
	805217P	Control Assembly	Washer; All other models through Serial No. 2012999999
	807516	Control Assembly	Washer; All other models starting Serial No. 2101000001
2	804667	Screw	

Controls - Dryers

10 Degree Front Models



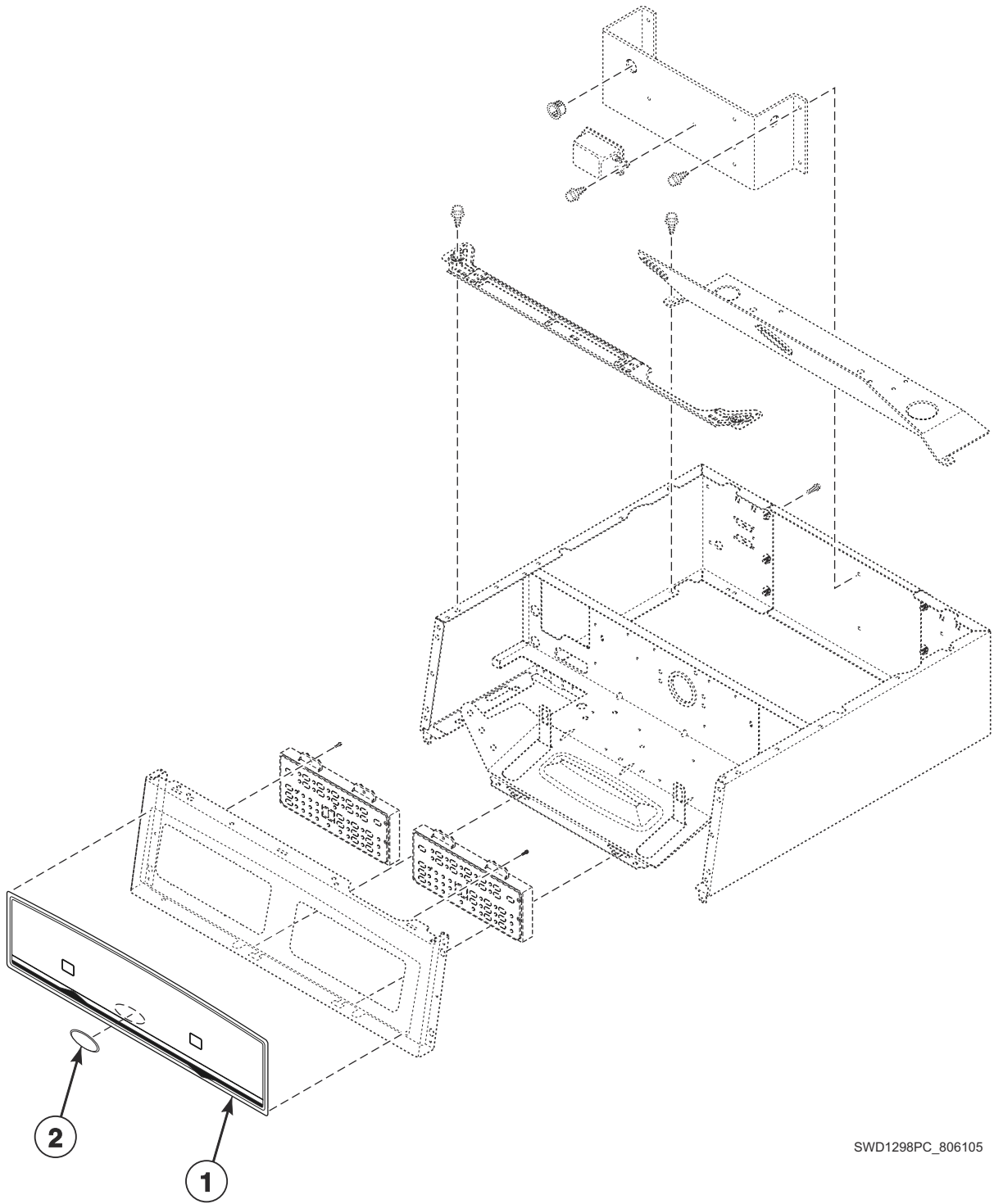
SWD1298PE_806105

Controls - Dryers

REF	PART NO.	DESCRIPTION	COMMENTS
1	D514567P	Control	Dryer; Models ATEE9AGP435AW01, ATEE9ASG453NW36, ATEE9ASG455NW36, ATEE9ASP133DN04, ATEE9ASP133DW04, ATEE9ASP283CW01, ATEE9ASP285CW01, ATEE9ASP285CW14, ATEE9ASP453LW26, ATEE9ASP455LN01, ATEE9ASP455LW01, ATEE9ASP543DN04, ATEE9ASP543DW04, ATEE9ASP545DW04, ATEE9ASP565XW01, ATEE9AWP433AW01, ATEE9AWP435AW01, ATGE9AGP305AW01, ATGE9ASP093CW01, ATGE9ASP095CW01, ATGE9ASP095CW14, ATGE9ASP123DN04, ATGE9ASP123DW04, ATGE9ASP125DW04, ATGE9ASP303XW01, ATGE9ASP303XW26, ATGE9ASP305XW01, ATGE9ASP543DN04, ATGE9ASP543DW04, ATGE9ASP545DW04, ATGE9AWP303AW01, ATGE9AWP305AW01, ATHE9ASP453NW29, ATHE9ASP455NN29, ATHE9ASP455NW29, ATLE9ASP305LW01, ZTHE9ASP455NN29 and ZTHE9ASP455NW29; Through Serial No. 1912999999
	D517585	Control Assembly	Dryer; Models ATEE9AGP435AW01, ATEE9ASG453NW36, ATEE9ASG455NW36, ATEE9ASP133DN04, ATEE9ASP133DW04, ATEE9ASP283CW01, ATEE9ASP285CW01, ATEE9ASP285CW14, ATEE9ASP286CW01, ATEE9ASP453LW26, ATEE9ASP455LN01, ATEE9ASP455LW01, ATEE9ASP543DN04, ATEE9ASP543DW04, ATEE9ASP545DW04, ATEE9ASP565XW01, ATEE9AWP433AW01, ATEE9AWP435AW01, ATGE9AGP305AW01, ATGE9ASP093CW01, ATGE9ASP095CW01, ATGE9ASP095CW14, ATGE9ASP123DN04, ATGE9ASP123DW04, ATGE9ASP125DW04, ATGE9ASP303XW01, ATGE9ASP303XW26, ATGE9ASP305XW01, ATGE9ASP543DN04, ATGE9ASP543DW04, ATGE9ASP545DW04, ATGE9AWP303AW01, ATGE9AWP305AW01, ATHE9ASP453NW29, ATHE9ASP455NN29, ATHE9ASP455NW29, ATLE9ASP305LW01, ZTHE9ASP455NN29 and ZTHE9ASP455NW29; Starting Serial No. 2001000001
	D514566P	Control	Dryer; Models BTEE6ASP173TW01, BTEE6ASP283CW01, BTGE6ASP093CW01 and BTGE6ASP113TW01
	D514565P	Control Assembly	Dryer; All other models; Through Serial No. 1912999999
	D517584	Control Assembly	Dryer; All other models; Starting Serial No. 2001000001
2	804667	Screw	

Overlay

10 Degree Front Models



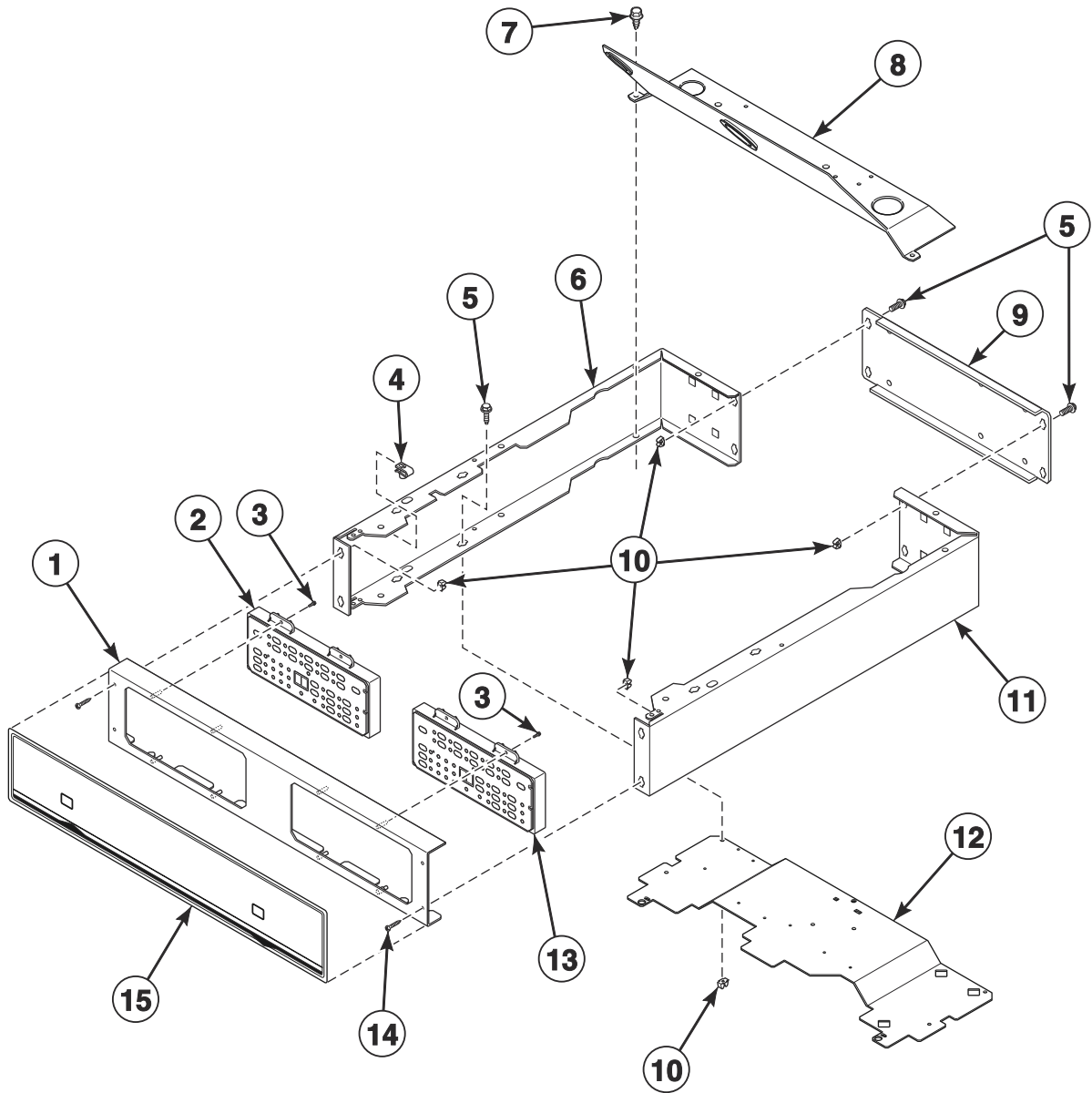
SWD1298PC_806105

Overlay

REF	PART NO.	DESCRIPTION	COMMENTS
1	804491	Control Overlay	Models ATEE9ASG453NW36, ATEE9ASP433XW34, ATEE9ASP453LW26, ATEE9AWP433AW01, ATGE9ASP303XW01, ATGE9ASP303XW26 and ATGE9AWP303AW01
	805651	Control Overlay	Models BTEE6ASP283CW01, BTGE6ASP093CW01, FTEE5ASP303ZW01, LTEE5ASP135MW01, LTEE5ASP293CW01, LTEE5ASP295CW01, LTEE5ASP303ZW01, LTEE5ASP333NW01, LTEE5ASP543NW01, LTGE5ASP113JW01, LTGE5ASP125MW01, UTEE5ASP283CW01, UTEE5ASP285CW01, YTEE5ASP283CW01, YTEE5ASP285CW01, YTGE5ASP093CW01 and YTGE5ASP095CW01
	807494	Control Overlay	Model ATEE9ASP286CW01
	806309	Control Overlay	Models ATEE9ASP133DN04, ATEE9ASP133DW04, ATEE9ASP543DN04, ATEE9ASP543DW04, ATGE9ASP123DN04, ATGE9ASP123DW04, ATGE9ASP543DN04 and ATGE9ASP543DW04
	804734	Control Overlay	Models ATEE9ASP283CW01 and ATGE9ASP093CW01
	806446	Control Overlay	Model ATHE9ASP453NW29
	806807	Control Overlay	Models LTEE5ASP553KW01 and LTME5ASP543KW01
	806745	Control Overlay	Models ATHE9ASP455NN29 and ATHE9ASP455NW29
	806701	Control Overlay	Models ATEE9AGP435AW01, ATEE9ASG455NW36, ATEE9ASP285CW01, ATEE9ASP435XW34, ATEE9ASP455LN01, ATEE9ASP455LW01, ATEE9ASP565XW01, ATEE9AWP435AW01, ATGE9AGP305AW01, ATGE9ASP095CW01, ATGE9ASP305XW01, ATGE9AWP305AW01 and ATLE9ASP305LW01
	806309	Control Overlay	Models ATEE9ASP285CW14 and ATGE9ASP095CW14
	807189	Control Overlay	Models ATEE9ASP545DW04, ATGE9ASP125DW04 and ATGE9ASP545DW04
	807466	Control Overlay	Model YTGE5ASP303NW21
	807654	Control Overlay	Models ZTEE9ASP286CW01 and ZTGE9ASP096CW01
	807708	Control Overlay	Models ZTHE9ASP455NN29 and ZTHE9ASP455NW29
	805650	Control Overlay	All other models
2	804969	Label	Models ATLE9ASP305LW01, FTEE5ASP433LW01, LTEE5AGP133ZW30, LTEE5ASP133FW01, LTEE5ASP135MW01, LTEE5ASP153TW01, LTEE5ASP155TW01, LTEE5ASP173TW01, LTEE5ASP175TW01, LTEE5ASP283CW01, LTEE5ASP285CW01, LTEE5ASP293CW01, LTEE5ASP295CW01, LTEE5ASP303WW01, LTEE5ASP303WW37, LTEE5ASP303ZW01, LTEE5ASP333NW01, LTEE5ASP433AW01, LTEE5ASP433AW12, LTEE5ASP453VW26, LTEE5ASP543NW01, LTEE5ASP543NW23, LTEE5ASP543RW01, LTEE5ASP553KW01, LTGE5ASP093CW01, LTGE5ASP095CW01, LTGE5ASP113JW01, LTGE5ASP113TW01, LTGE5ASP115TW01, LTGE5ASP125MW01, LTGE5ASP303AW01, LTGE5ASP303AW12, LTLE5ASP303LW01, LTLE5ASP303NW35, LTLE5ASP543NW23, LTME5ASP543KW01 and YTGE5ASP303NW21
	804970	Domed Label	Models YTEE5ASP133FW01, YTEE5ASP173TW01, YTEE5ASP175TW01, YTEE5ASP283CW01, YTEE5ASP285CW01, YTEE5ASP303NW10, YTGE5ASP093CW01, YTGE5ASP095CW01, YTGE5ASP113FW01, YTGE5ASP113TW01 and YTGE5ASP115TW01
	800923	Domed Label	Models UTEE5ASP173TW01, UTEE5ASP173TW08, UTEE5ASP175TW01, UTEE5ASP175TW08, UTEE5ASP283CW01, UTEE5ASP285CW01, UTGE5ASP113TW01, UTGE5ASP113TW08, UTGE5ASP115TW01 and UTGE5ASP115TW08
	203173	Domed Label	Models BTEE6ASP173TW01, BTEE6ASP283CW01, BTGE6ASP093CW01 and BTGE6ASP113TW01
	805914	Label	Domed; Models TTEE5ASP303NW36 and TTPE5ASP303NW36

Control Cabinet and Controls

Flat Front Models



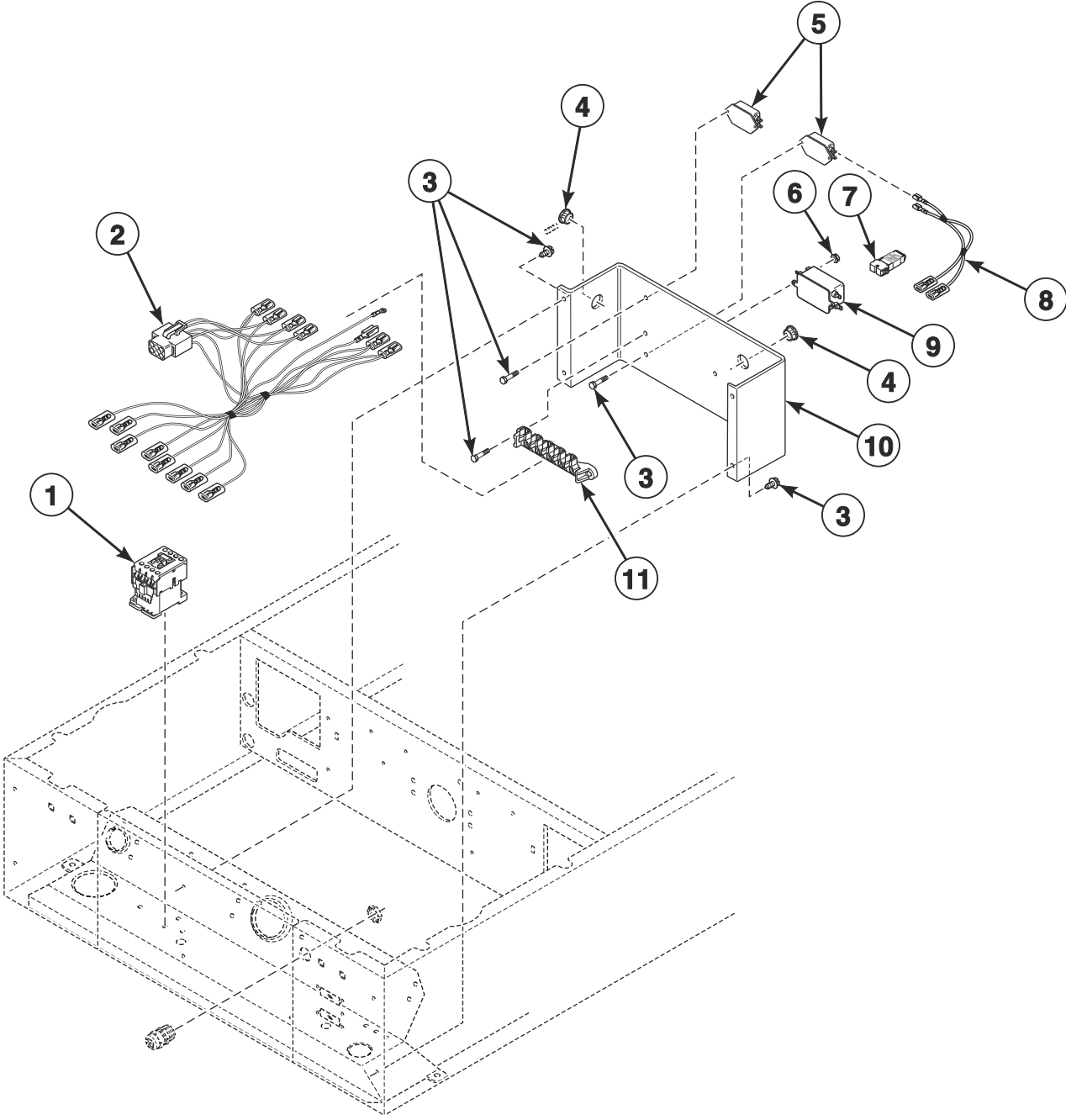
SWD1296P_806105

Control Cabinet and Controls

REF	PART NO.	DESCRIPTION	COMMENTS
1	806586W	Control Panel	White
	806135DG	Control Panel	Gray
2	805217P	Control Assembly	Washer; Models LTEA5FSP153TW01, LTEA5FSP153TW04, LTEA5FSP173TW01, LTEA5FSP173TW04, LTEE5FSP175TW01, LTEE5FSP275TW01, LTGA5FSP113TW01 and LTGE5FSP115TW01
	806259P	Control Assembly	Washer; Models PTEE3FSP173TG01, PTEE3FSP175TG01, PTEE3FSP175TW01, PTEE3FSP283CG01, PTEE3FSP285CG01, PTEE3FSP433AG01, PTGE3FSP093CG01, PTGE3FSP095CG01, PTGE3FSP113TG01, PTGE3FSP115TG01, PTGE3FSP115TW01 and PTGE3FSP303AG01
3	804667	Screw	
4	800931	Nut	
5	430497	Screw	
6	804640W	Control Cabinet	Left; White
	804640DG	Control Cabinet	Left; Gray
7	D503688	Screw	
8	804363	Control Shield	
9	804859	Rear Control Cabinet	
10	70030501	Expansion Clip	
11	804639W	Control Cabinet	Right; White
	804639DG	Control Cabinet	Right; Gray
12	804642	Control Cabinet Base	
13	D515430P	Control Assembly	Dryer; Models LTEA5FSP153TW01, LTEA5FSP153TW04, LTEA5FSP173TW01, LTEA5FSP173TW04 and LTGA5FSP113TW01
	D515798P	Control	Dryer; Models PTEE3FSP173TG01, PTEE3FSP175TG01, PTEE3FSP175TW01, PTEE3FSP283CG01, PTEE3FSP285CG01, PTEE3FSP433AG01, PTGE3FSP093CG01, PTGE3FSP095CG01, PTGE3FSP113TG01, PTGE3FSP115TG01, PTGE3FSP115TW01 and PTGE3FSP303AG01
	D514565P	Control Assembly	Dryer; Models LTEE5FSP175TW01, LTEE5FSP275TW01 and LTGE5FSP115TW01
14	800930	Screw	
15	806121	Overlay	Models LTEA5FSP153TW01, LTEA5FSP153TW04, LTEA5FSP173TW01, LTEA5FSP173TW04 and LTGA5FSP113TW01
	806193	Overlay	Models PTEE3FSP173TG01, PTEE3FSP175TG01, PTEE3FSP175TW01, PTEE3FSP283CG01, PTEE3FSP285CG01, PTEE3FSP433AG01, PTGE3FSP093CG01, PTGE3FSP095CG01, PTGE3FSP113TG01, PTGE3FSP115TG01, PTGE3FSP115TW01 and PTGE3FSP303AG01
	806060	Overlay	Models LTEE5FSP175TW01, LTEE5FSP275TW01 and LTGE5FSP115TW01

Electrical Access Panel, Filters and Terminal Block

Models ATHE9ASP453NW29, ATHE9ASP455NN29, ATHE9ASP455NW29, TTHE5ASP303NW36, TTPE5ASP303NW36, ZTHE9ASP455NN29 and ZTHE9ASP455NW29

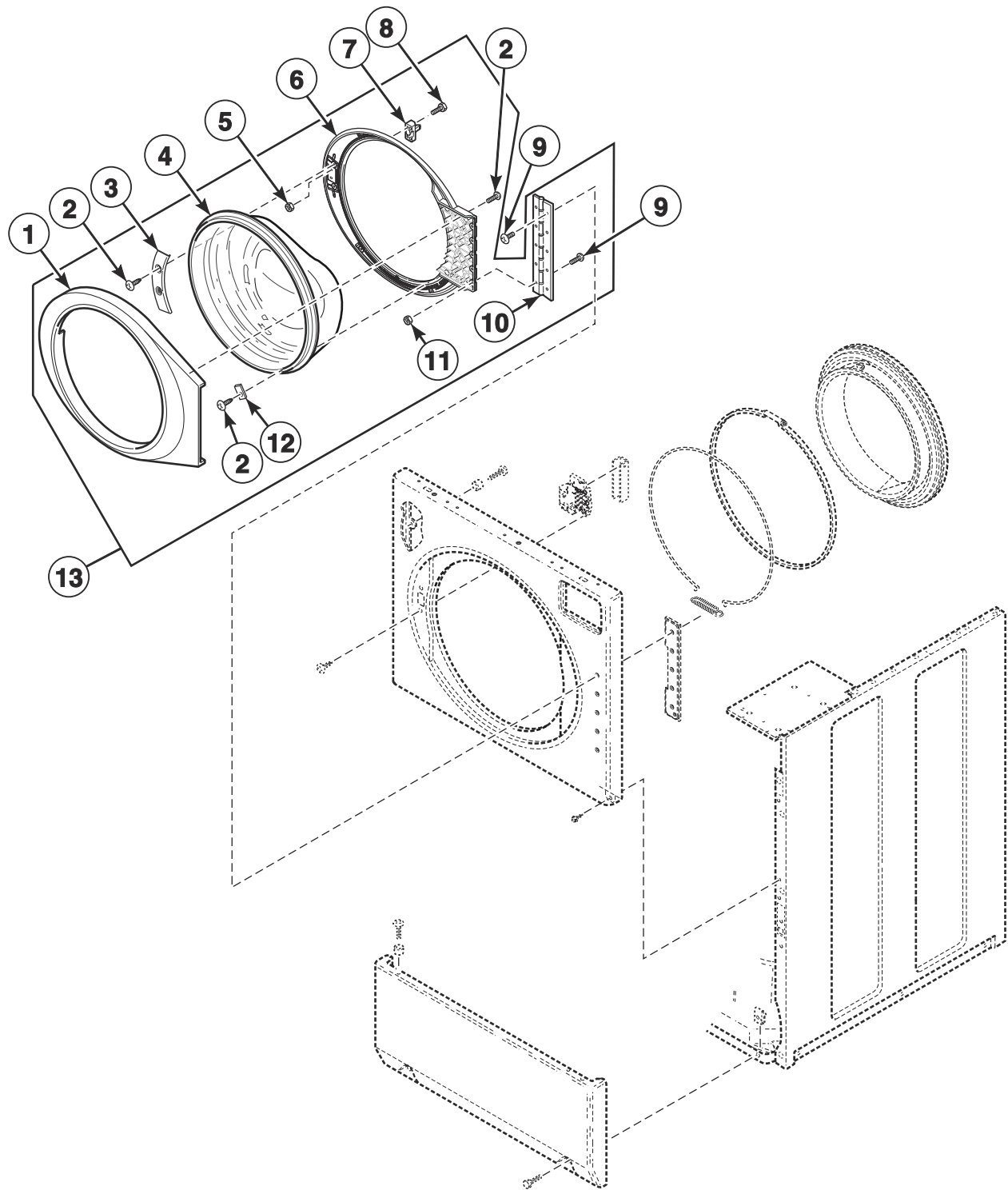


FLW1747P_806105

Electrical Access Panel, Filters and Terminal Block

REF	PART NO.	DESCRIPTION	COMMENTS
	804737	Terminal Block Harness	
	805356	Heater Contactor Drip Shield	
	805344	Terminal Block Drip Shield	
1	806428	Contactor	Through Serial No. 2012999999
	807472	Contactor	Starting Serial No. 2101000001
2	806431	Heat Contactor Harness	Through Serial No. 2012999999
	807474	Heat Contactor Harness	Starting Serial No. 2101000001
3	D503661	Screw	
4	M402542	Snap Bushing	
5	805634	Filter	
6	29787	Nut	
7	804651	Network Varistor Assembly	
8	804797	Filter Harness	Filter to main harness
9	807473	Line Filter	
10	804609	Terminal Block Panel	
11	D505876	Terminal Block Assembly	

Door Assembly and Door Seal

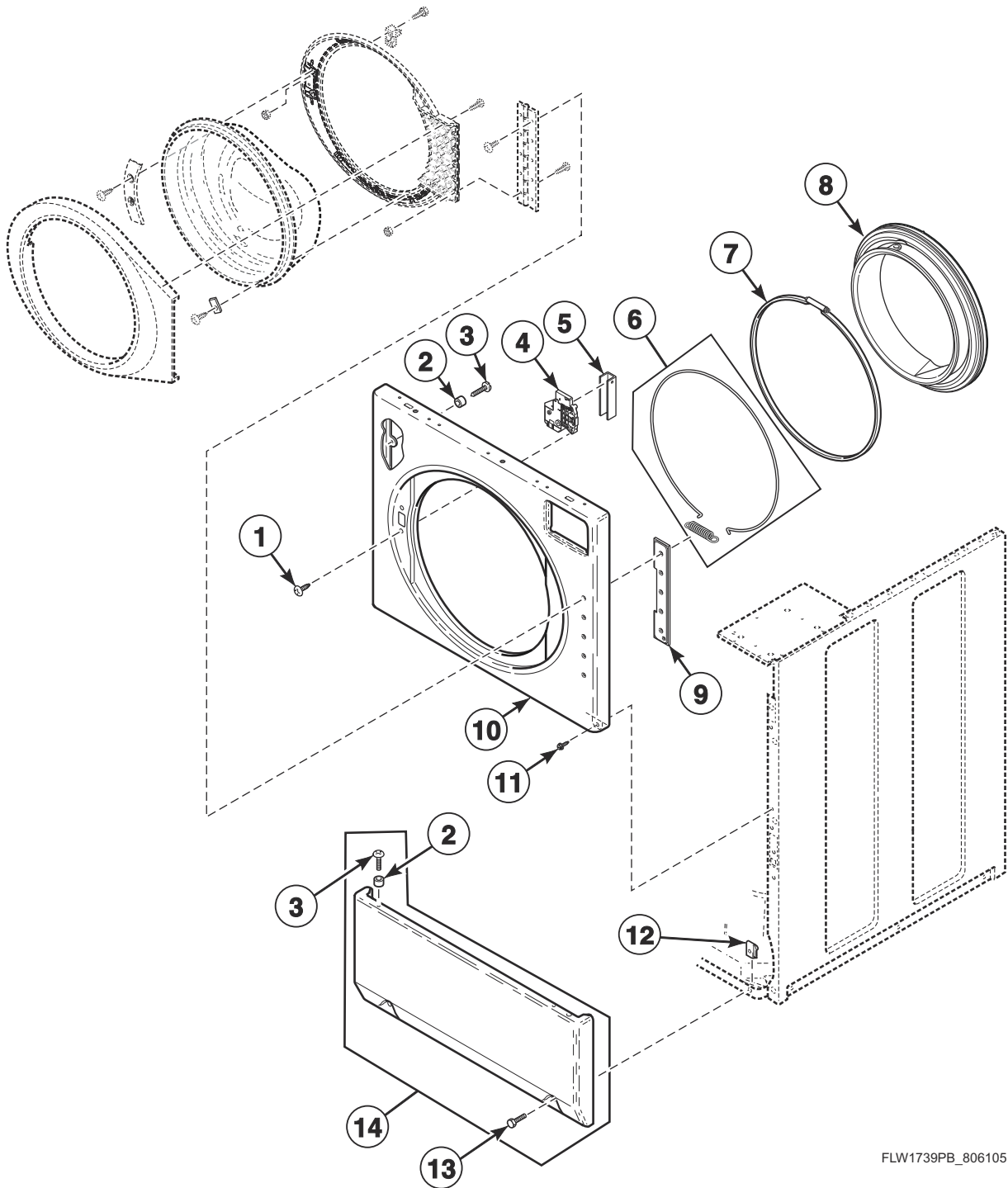


FLW1739P_806105

Door Assembly and Door Seal

REF	PART NO.	DESCRIPTION	COMMENTS
1	808094	Outer Door Bezel	White
	808092	Outer Door Bezel	Black
	808091	Outer Door Bezel	Gray
2	800548	Screw	
3	806354	Door Glass Mounting Plate	
4	802695P	Door Glass	
5	685846	Nut	
6	808095	Inner Door Bezel Kit	White
	808096	Inner Door Bezel Kit	Gray
	808097	Inner Door Bezel	Glass-filled polypropylene upgrade
7	802803	Door Catch Assembly	
8	801993	Screw	
9	801019	Screw	
10	802934	Door Hinge	
11	23951	Nut	
12	802700	Glass Mounting Clip	7 required
13	804083WP	Door Assembly	White; Includes items 1-12
	804210P	Door Assembly	Gray; Includes items 1-12
	805550P	Door Assembly	Black; Includes items 1-12

Front Panel



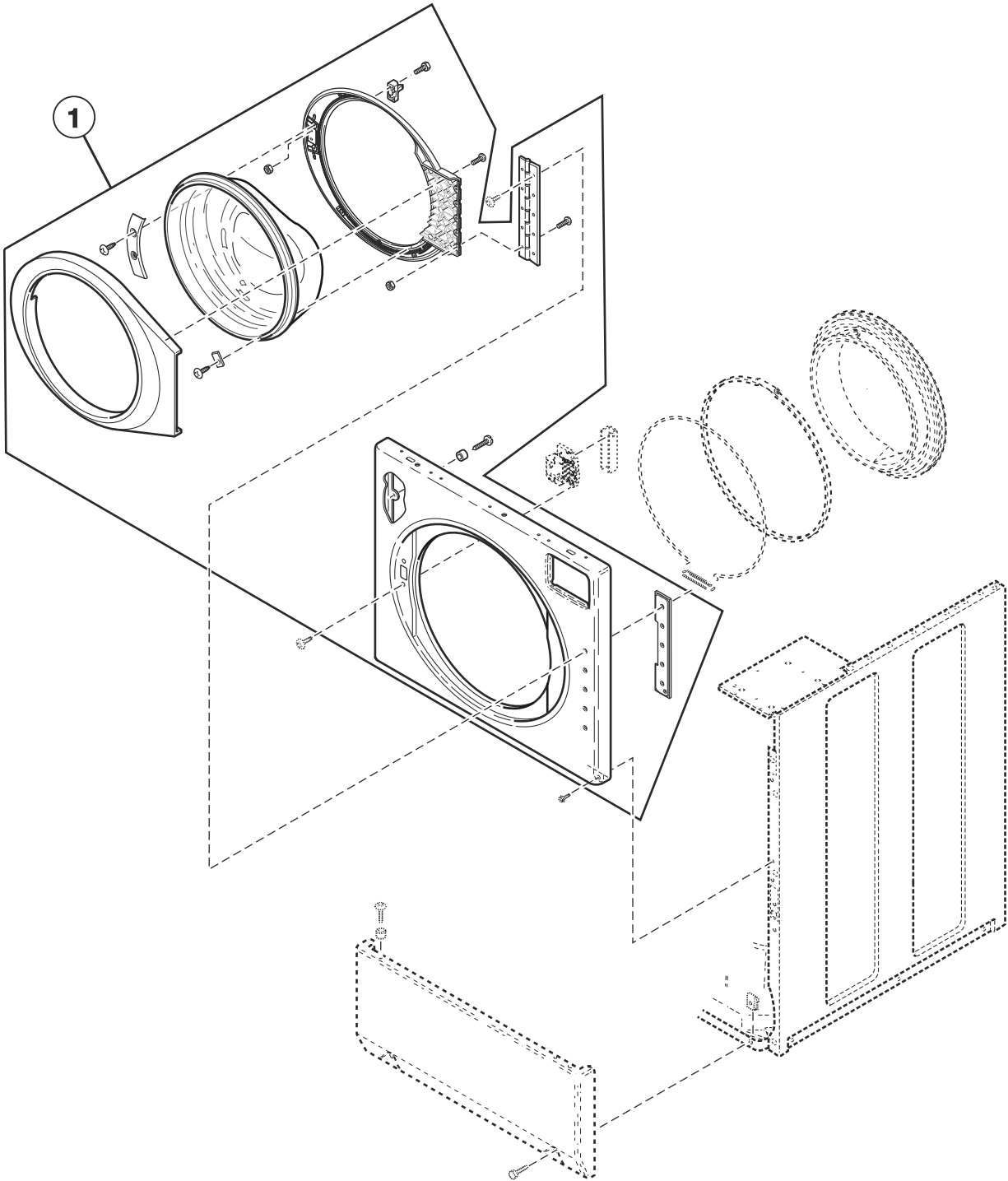
FLW1739PB_806105

Front Panel

REF	PART NO.	DESCRIPTION	COMMENTS
1	800548	Screw	
2	56079	Panel Locator	
3	39733	Screw	Use with painted panels
	806276	Screw	Use with stainless steel panels
4	803920	Door Latch Assembly	
5	804784	Door Lock Drip Shield	Models ATEE9AGP435AW01, ATEE9ASP133DN04, ATEE9ASP133DW04, ATEE9ASP433XW34, ATEE9ASP435XW34, ATEE9ASP453LW26, ATEE9ASP455LN01, ATEE9ASP455LW01, ATEE9ASP543DN04, ATEE9ASP543DW04, ATEE9ASP545DW04, ATEE9ASP565XW01, ATEE9AWP433AW01, ATEE9AWP435AW01, ATGE9AGP305AW01, ATGE9ASP123DN04, ATGE9ASP123DW04, ATGE9ASP125DW04, ATGE9ASP303XW01, ATGE9ASP303XW26, ATGE9ASP305XW01, ATGE9ASP543DN04, ATGE9ASP543DW04, ATGE9ASP545DW04, ATGE9AWP303AW01, ATGE9AWP305AW01, ATHE9ASP453NW29, ATHE9ASP455NN29, ATHE9ASP455NW29, ATLE9ASP305LW01, FTEE5ASP303NW10, FTEE5ASP303ZW01, FTEE5ASP433LW01, LTEE5AGP133ZW30, LTEE5ASP133FW01, LTEE5ASP135MW01, LTEE5ASP303WW01, LTEE5ASP303WW37, LTEE5ASP303ZW01, LTEE5ASP433AW01, LTEE5ASP433AW12, LTEE5ASP453VW26, LTEE5ASP543NW23, LTEE5ASP543RW01, LTEE5ASP553KW01, LTGE5ASP113FW01, LTGE5ASP113JW01, LTGE5ASP125MW01, LTGE5ASP303AW01, LTGE5ASP303AW12, LTLE5ASP303LW01, LTME5ASP543KW01, PTEE3FSP433AG01, PTGE3FSP303AG01, YTEE5ASP133FW01, YTEE5ASP303NW10, YTGE5ASP113FW01, ZTHE9ASP455NN29 and ZTHE9ASP455NW29
6	806466	Wire Ring and Spring	
7	802281	Hose Clamp	Seal to outer tub front
8	804428P	Door Seal	Black
	804429P	Door Seal Assembly	Gray
9	802206	Hinge Plate	
10	802277WP	Front Panel	White
	802277DG	Front Panel	Gray
	802288P	Front Panel	Stainless steel
11	D503661	Screw	
12	36020	Nut	
13	801045	Screw	Use with painted panels
	D512921	Screw	Use with stainless steel panels
14	D514250WP	Access Panel Assembly	White
	D514250DG	Access Panel Assembly	Gray
	806528	Access Panel Assembly	Stainless steel; Model ATEE9ASP455LN01
	D514251	Access Panel Assembly	Stainless steel; All other models

Front Panel Assembly

Models BTEE6ASP173TW01, BTGE6ASP113TW01, LTEA5FSP153TW01, LTEA5FSP153TW04, LTEA5FSP173TW01, LTEA5FSP173TW04, LTEE5ASP135MW01, LTEE5ASP153TW01, LTEE5ASP155TW01, LTEE5ASP173TW01, LTEE5ASP175TW01, LTEE5FSP175TW01, LTEE5FSP275TW01, LTGA5FSP113TW01, LTGE5ASP113TW01, LTGE5ASP115TW01, LTGE5ASP125MW01, LTGE5FSP115TW01, PTEE3FSP173TG01, PTEE3FSP175TG01, PTEE3FSP175TW01, PTGE3FSP113TG01, PTGE3FSP115TG01, PTGE3FSP115TW01, UTEE5ASP173TW01, UTEE5ASP173TW08, UTEE5ASP175TW01, UTEE5ASP175TW08, UTGE5ASP113TW01, UTGE5ASP113TW08, UTGE5ASP115TW01, UTGE5ASP115TW08, YTEE5ASP173TW01, YTEE5ASP175TW01, YTGE5ASP113TW01 and YTGE5ASP115TW01

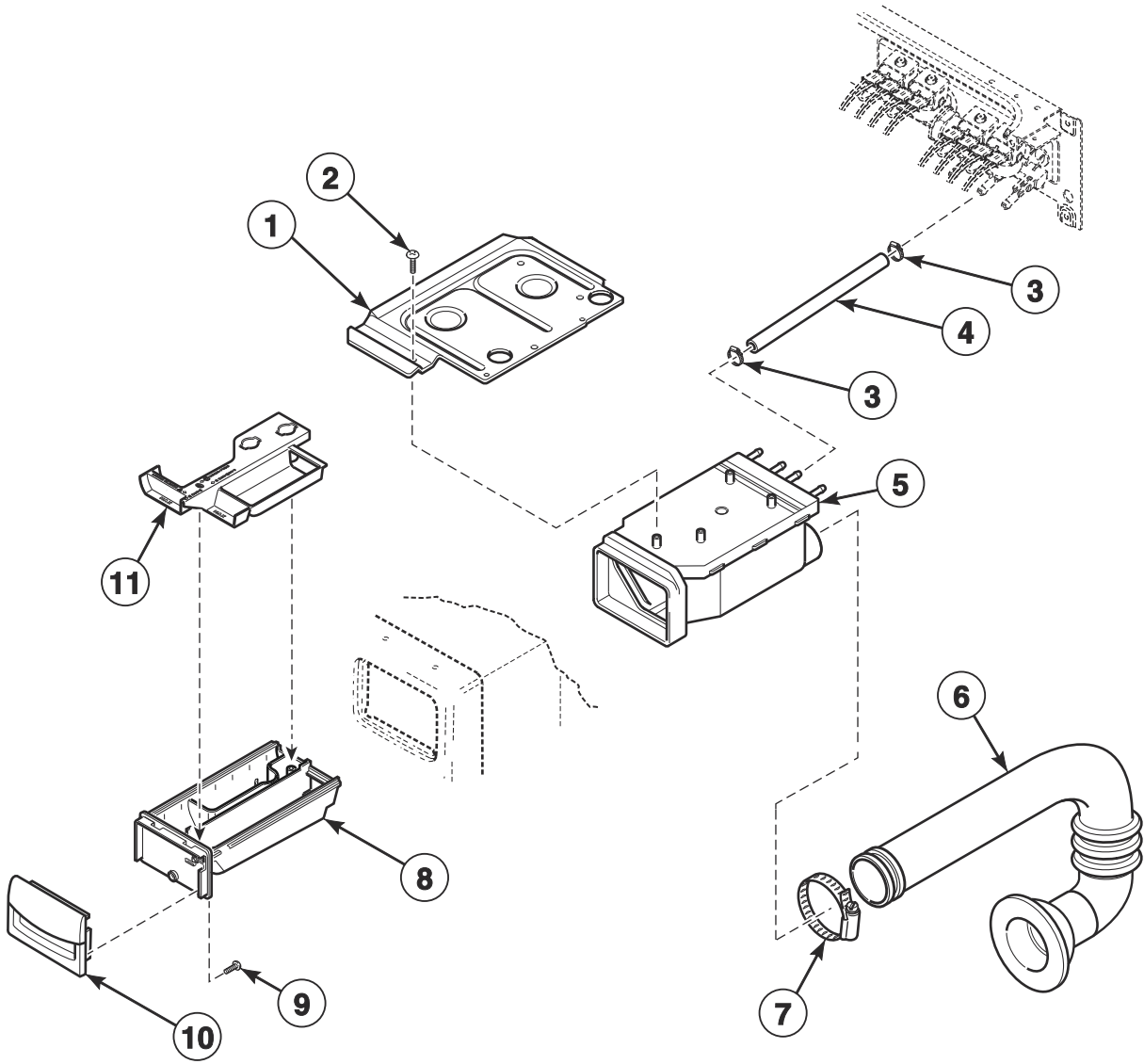


FLW1739PA_806105

Front Panel Assembly

REF	PART NO.	DESCRIPTION	COMMENTS
1	806505W	Front Panel Assembly Kit	White
	806560	Front Panel Assembly Kit	Stainless steel

Dispenser Assembly

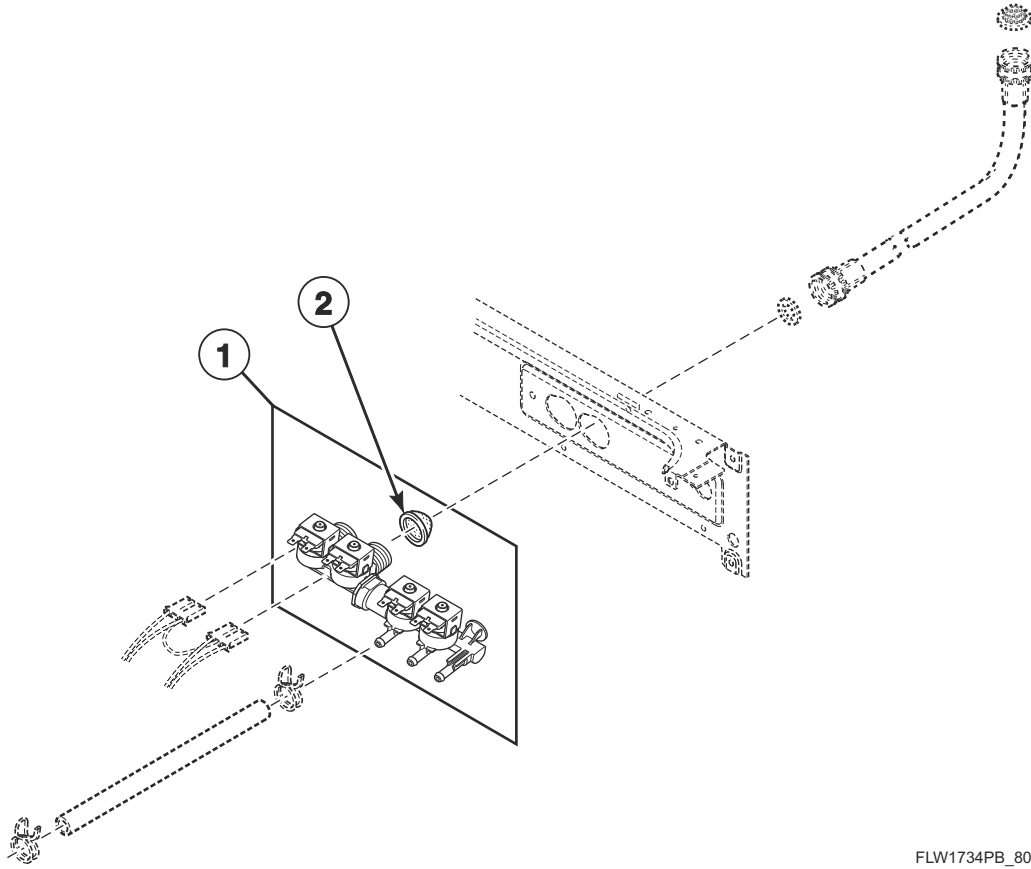


FLW1717P_806105

Dispenser Assembly

REF	PART NO.	DESCRIPTION	COMMENTS
	804875	Foam Pad	
	805938	Chemical Injection Conversion Kit	Includes 110 Volt/24 Volt transformer; Through Serial No. 2012999999
	808076	Chemical Injection Conversion Kit	Includes 110 Volt/24 Volt transformer; Starting Serial No. 2101000001
	805939	Chemical Injection Conversion Kit	Includes 220 Volt/24 Volt transformer; Through Serial No. 2012999999
	808077	Chemical Injection Conversion Kit	Includes 220 Volt/24 Volt transformer; Starting Serial No. 2101000001
1	803843	Dispenser Plate	
2	801001	Screw	
3	807386	Hose Clamp	
4	807364	Dispenser Inlet Hose	Models LTEE5ASP433AW01, LTEE5ASP433AW12, LTGE5ASP303AW01, LTGE5ASP303AW12, PTEE3FSP433AG01 and PTGE3FSP303AG01 starting Serial No.1810000001 and continuing through Serial No. 1905000001; All other models starting Serial No.1810000001
	806718	Dispenser Inlet Hose	Models LTEE5ASP433AW01, LTEE5ASP433AW12, LTGE5ASP303AW01, LTGE5ASP303AW12, PTEE3FSP433AG01 and PTGE3FSP303AG01 starting Serial No.1905000001
	803849	Dispenser Inlet Hose	Through Serial No.1810000001
5	803698	Dispenser Assembly	
6	804717	Detergent Hose	
7	685725	Hose Clamp	
8	803667	Dispenser Drawer	
9	800548	Screw	
10	804227WP	Dispenser Handle	White
	804227B	Dispenser Handle	Black
	804228	Dispenser Handle	Gray
11	803669	Compartment Cover	

Mixing Valve

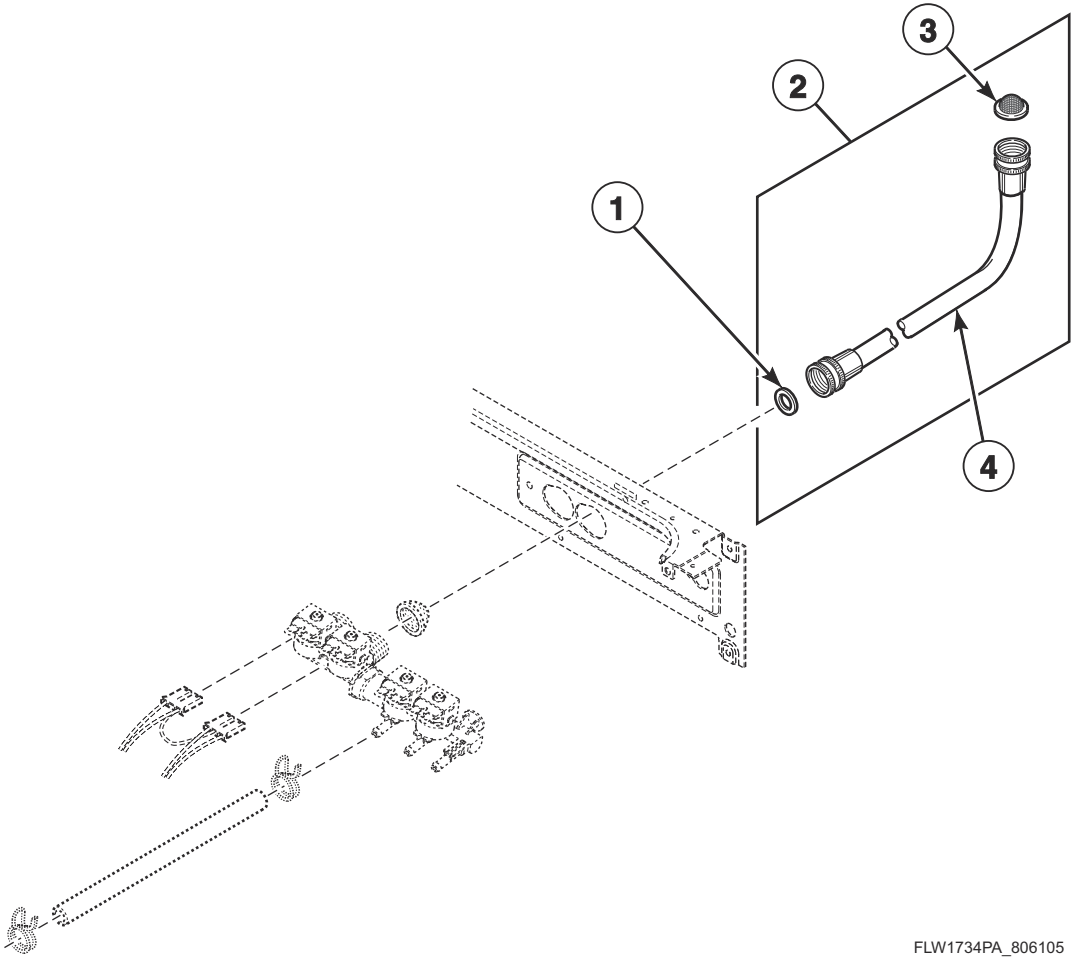


FLW1734PB_806105

Mixing Valve

REF	PART NO.	DESCRIPTION	COMMENTS
1	806510P	Mixing Valve	Models ATEE9AGP435AW01, ATEE9ASG453NW36, ATEE9ASG455NW36, ATEE9ASP433XW34, ATEE9ASP435XW34, ATEE9ASP453LW26, ATEE9ASP455LN01, ATEE9ASP455LW01, ATEE9ASP543DN04, ATEE9ASP543DW04, ATEE9ASP545DW04, ATEE9ASP565XW01, ATEE9AWP433AW01, ATEE9AWP435AW01, ATGE9AGP305AW01, ATGE9ASP303XW01, ATGE9ASP303XW26, ATGE9ASP305XW01, ATGE9ASP543DN04, ATGE9ASP543DW04, ATGE9ASP545DW04, ATGE9AWP303AW01, ATGE9AWP305AW01, ATHE9ASP453NW29, ATHE9ASP455NN29, ATHE9ASP455NW29, ATLE9ASP305LW01, FTEE5ASP303NW10, FTEE5ASP303ZW01, FTEE5ASP433LW01, FTGE5ASP303NW10, LTEE5ASP303WW01, LTEE5ASP303WW37, LTEE5ASP303ZW01, LTEE5ASP333NW01, LTEE5ASP433AW01, LTEE5ASP433AW12, LTEE5ASP453VW26, LTEE5ASP543NW01, LTEE5ASP543NW23, LTEE5ASP543RW01, LTEE5ASP553KW01, LTGE5ASP303AW01, LTGE5ASP303AW12, LTLE5ASP303LW01, LTLE5ASP303NW35, LTLE5ASP543NW23, LTME5ASP543KW01, PTEE3FSP433AG01, PTGE3FSP303AG01, TTHE5ASP303NW36, TTPE5ASP303NW36, YTEE5ASP303NW10, YTGE5ASP303NW21, ZTHE9ASP455NN29 and ZTHE9ASP455NW29 through Serial No. 1810000001; GHT connection
	807497P	Mixing Valve	Models ATEE9AGP435AW01, ATEE9ASG453NW36, ATEE9ASG455NW36, ATEE9ASP433XW34, ATEE9ASP435XW34, ATEE9ASP453LW26, ATEE9ASP455LN01, ATEE9ASP455LW01, ATEE9ASP543DN04, ATEE9ASP543DW04, ATEE9ASP545DW04, ATEE9ASP565XW01, ATEE9AWP433AW01, ATEE9AWP435AW01, ATGE9AGP305AW01, ATGE9ASP303XW01, ATGE9ASP303XW26, ATGE9ASP305XW01, ATGE9ASP543DN04, ATGE9ASP543DW04, ATGE9ASP545DW04, ATGE9AWP303AW01, ATGE9AWP305AW01, ATHE9ASP453NW29, ATHE9ASP455NN29, ATHE9ASP455NW29, ATLE9ASP305LW01, FTEE5ASP303NW10, FTEE5ASP303ZW01, FTEE5ASP433LW01, FTGE5ASP303NW10, LTEE5ASP303WW01, LTEE5ASP303WW37, LTEE5ASP303ZW01, LTEE5ASP333NW01, LTEE5ASP433AW01, LTEE5ASP433AW12, LTEE5ASP453VW26, LTEE5ASP543NW01, LTEE5ASP543NW23, LTEE5ASP543RW01, LTEE5ASP553KW01, LTGE5ASP303AW01, LTGE5ASP303AW12, LTLE5ASP303LW01, LTLE5ASP303NW35, LTLE5ASP543NW23, LTME5ASP543KW01, PTEE3FSP433AG01, PTGE3FSP303AG01, TTHE5ASP303NW36, TTPE5ASP303NW36, YTEE5ASP303NW10, YTGE5ASP303NW21, ZTHE9ASP455NN29 and ZTHE9ASP455NW29 starting Serial No. 1810000001; BSPP connection
	806611P	Mixing Valve	Models LTEE5AGP133ZW30 and LTGE5ASP113JW01; BSPP connection
	807837P	Mixing Valve	All other models; GHT connection
2	24122	Mixing Valve Screen	Steel mesh
	F8161201	Mixing Valve Screen	Plastic

Fill Hose

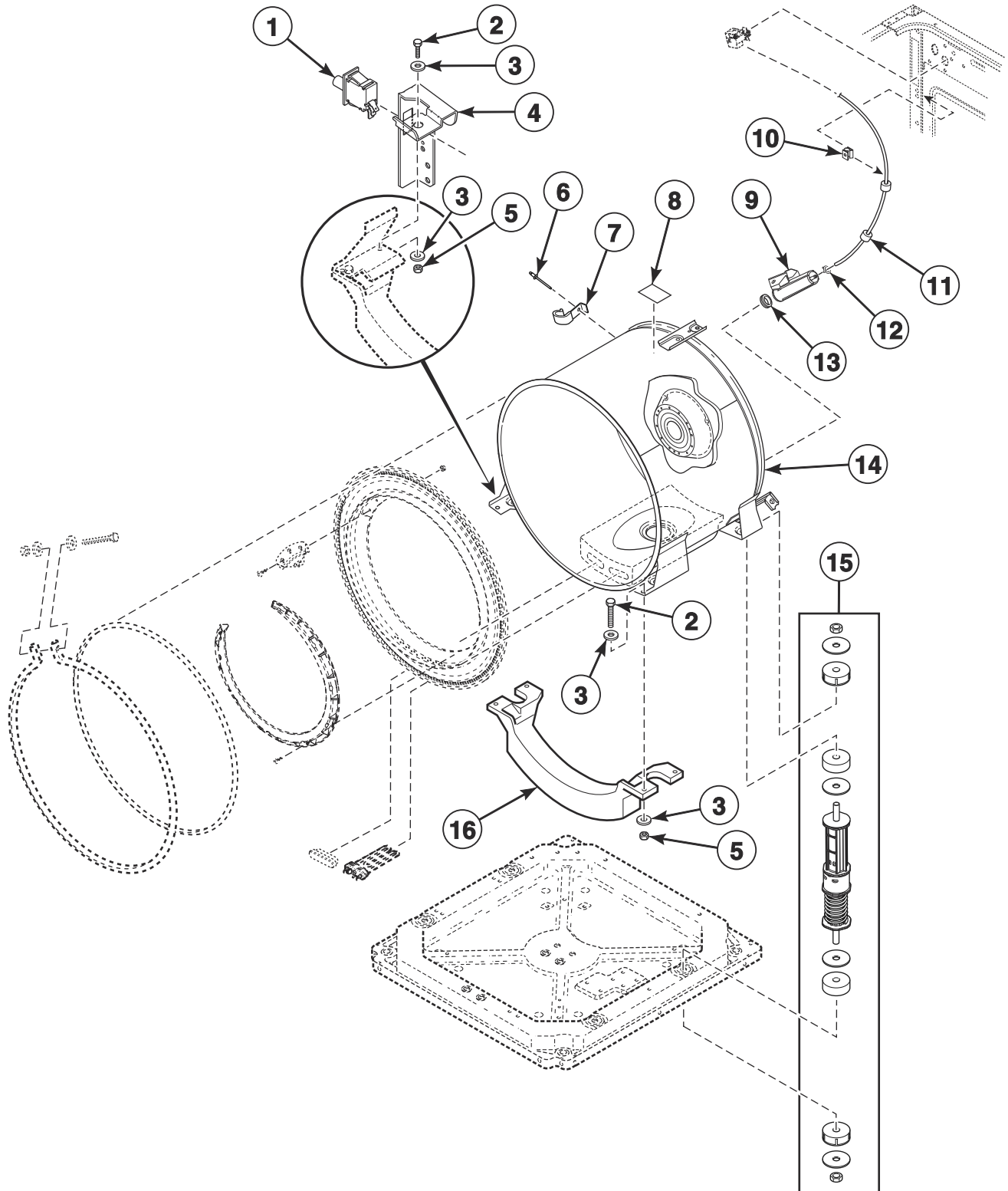


FLW1734PA_806105

Fill Hose

REF	PART NO.	DESCRIPTION	COMMENTS
	804783	Mixing Valve Shield	Models ATEE9AGP435AW01, ATEE9ASP133DN04, ATEE9ASP133DW04, ATEE9ASP433XW34, ATEE9ASP435XW34, ATEE9ASP453LW26, ATEE9ASP455LN01, ATEE9ASP455LW01, ATEE9ASP543DN04, ATEE9ASP543DW04, ATEE9ASP545DW04, ATEE9ASP565XW01, ATEE9AWP433AW01, ATEE9AWP435AW01, ATGE9AGP305AW01, ATGE9ASP123DN04, ATGE9ASP123DW04, ATGE9ASP125DW04, ATGE9ASP303XW01, ATGE9ASP303XW26, ATGE9ASP305XW01, ATGE9ASP543DN04, ATGE9ASP543DW04, ATGE9ASP545DW04, ATGE9AWP303AW01, ATGE9AWP305AW01, ATHE9ASP453NW29, ATHE9ASP455NN29, ATHE9ASP455NW29, ATLE9ASP305LW01, FTEE5ASP303ZW01, FTEE5ASP433LW01, LTEE5AGP133ZW30, LTEE5ASP133FW01, LTEE5ASP135MW01, LTEE5ASP303WW01, LTEE5ASP303WW37, LTEE5ASP303ZW01, LTEE5ASP433AW01, LTEE5ASP433AW12, LTEE5ASP453VW26, LTEE5ASP543RW01, LTEE5ASP553KW01, LTGE5ASP113FW01, LTGE5ASP113JW01, LTGE5ASP125MW01, LTGE5ASP303AW01, LTGE5ASP303AW12, LTLE5ASP303LW01, LTME5ASP543KW01, PTEE3FSP433AG01, PTGE3FSP303AG01, TTPE5ASP303NW36, YTEE5ASP133FW01, YTGE5ASP113FW01, YTGE5ASP303NW21, ZTHE9ASP455NN29 and ZTHE9ASP455NW29
1	803615	Washer	Filter screen
	802254	Washer	Flow restrictor; Water pressure reducer; Available for water pressure up to but not exceeding 120 psi
2	203720	Fill Hose	Marked for cold water; 4 feet; 2 GHT hose couplings
	203719	Fill Hose	Marked for hot water; 4 feet; 2 GHT hose couplings
	203750	Fill Hose	Marked for cold water; 4 feet; 1 BSPP thread hose coupling and 1 GHT hose coupling
	203718	Fill Hose	Marked for hot water; 4 feet; 1 BSPP thread hose coupling and 1 GHT hose coupling
	204103	Fill Hose	Marked for cold water; 4 feet; 2 BSPP thread hose couplings
	204102	Fill Hose	Marked for hot water; 4 feet; 2 BSPP thread hose couplings
	204108	Fill Hose	Marked for hot water; 10 feet; 2 BSPP thread hose coupling
3	20290	Washer	

Outer Tub, Front and Clamp Ring (Drawing 1 of 2)

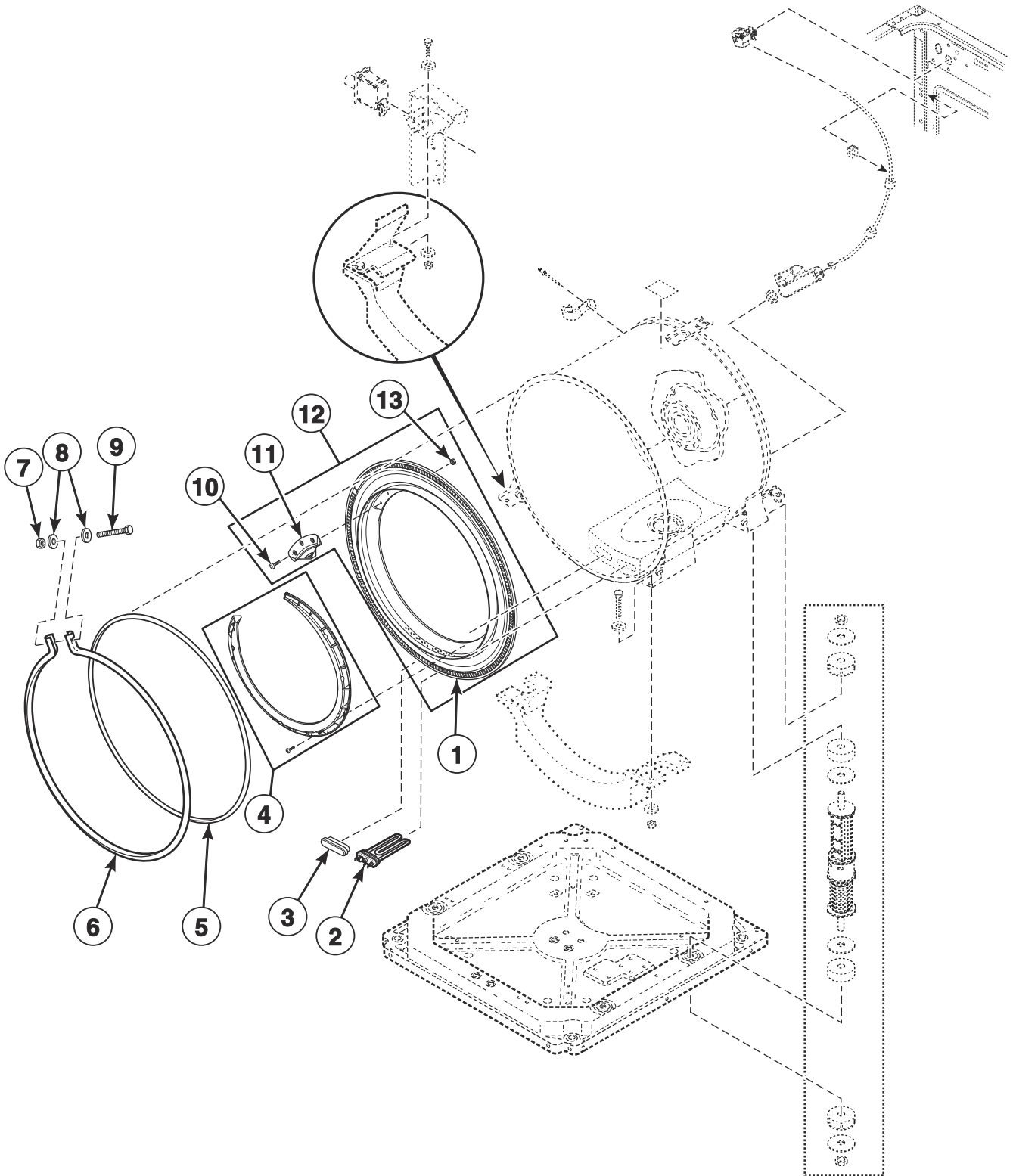


FLW1806P_806105

Outer Tub, Front and Clamp Ring (Drawing 1 of 2)

REF	PART NO.	DESCRIPTION	COMMENTS
1	803415	Out-of-Balance Switch Assembly	Through Serial No. 2012999999
	807384	Out-of-Balance Switch Assembly	Starting Serial No. 2101000001
2	800461	Screw	
3	804458	Washer	
4	804457	Out-of-Balance Switch Bracket	Through Serial No. 2012999999
	807280	Out-of-Balance Switch Bracket	Starting Serial No. 2101000001
5	800452	Nut	
6	685847	Pop Rivet	
7	800553	Hose Clip	
8	D500049	Warning Label	
9	808013	Pressure Bulb	
10	36985	Hose Clip	
11	804769	Pressure Sensor Tube Assembly	Models ATHE9ASP453NW29, ATHE9ASP455NN29, ATHE9ASP455NW29, TTHE5ASP303NW36, TTPE5ASP303NW36, ZTHE9ASP455NN29 and ZTHE9ASP455NW29
	804483	Pressure Sensor Tube Assembly	All other models
12	803891	Hose Clamp	
13	29175	Grommet	
14	803865	Outer Tub Assembly	Models ATHE9ASP453NW29, ATHE9ASP455NN29, ATHE9ASP455NW29, TTHE5ASP303NW36, TTPE5ASP303NW36, ZTHE9ASP455NN29 and ZTHE9ASP455NW29; Through Serial No. 1910999999 except Serial Nos. 1908066087 to 1909000879
	803864	Outer Tub Assembly	All other models; Through Serial No. 1910999999 except Serial Nos. 1908066087 to 1909000879
	807619	Outer Tub Assembly	Models ATHE9ASP453NW29, ATHE9ASP455NN29, ATHE9ASP455NW29, TTHE5ASP303NW36, TTPE5ASP303NW36, ZTHE9ASP455NN29 and ZTHE9ASP455NW29; Serial Nos. 1908066087 to 1909000879 and starting Serial No. 1911000001 to 2010999999
	807618	Outer Tub Assembly	All other models; Serial Nos. 1908066087 to 1909000879 and starting Serial No. 1911000001 to 2010999999
	807480	Outer Tub Assembly	Models ATHE9ASP453NW29, ATHE9ASP455NN29, ATHE9ASP455NW29, TTHE5ASP303NW36, TTPE5ASP303NW36, ZTHE9ASP455NN29 and ZTHE9ASP455NW29; Starting Serial No. 2011000001
	807479	Outer Tub Assembly	All other models; Starting Serial No. 2011000001
15	803777P	Shock Assembly	Must replace all 4
16	807476	Counterweight	

Outer Tub, Front and Clamp Ring (Drawing 2 of 2)

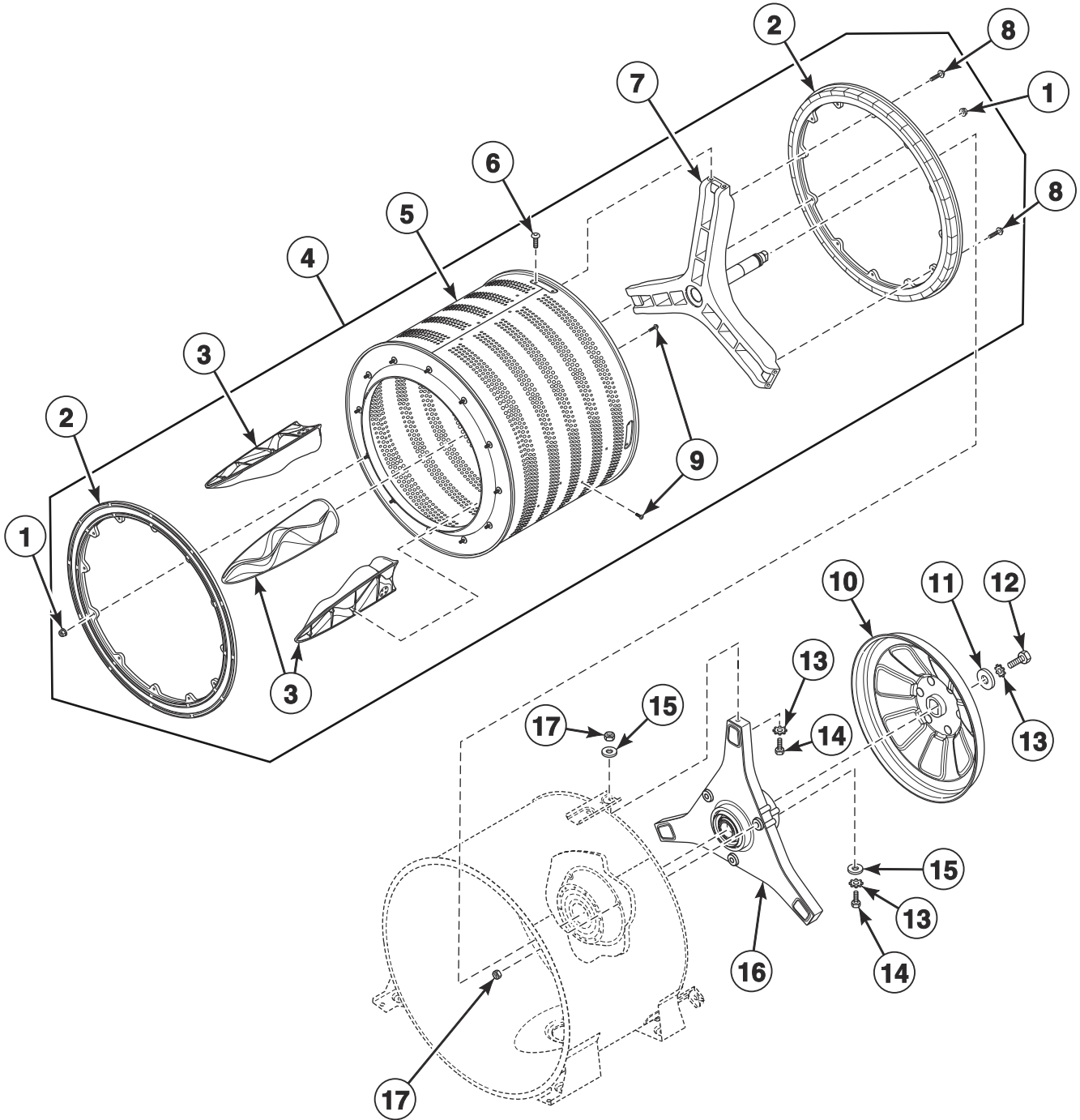


FLW1806PA_806105

Outer Tub, Front and Clamp Ring (Drawing 2 of 2)

REF	PART NO.	DESCRIPTION	COMMENTS
1	803770	Tub Front	
2	806090	Heating Element	Includes thermistor; Models ATHE9ASP453NW29, ATHE9ASP455NN29, ATHE9ASP455NW29, TTHE5ASP303NW36, TTPE5ASP303NW36, ZTHE9ASP455NN29 and ZTHE9ASP455NW29
3	F360202	Heating Element Plug	Models ATHE9ASP453NW29, ATHE9ASP455NN29, ATHE9ASP455NW29, TTHE5ASP303NW36, TTPE5ASP303NW36, ZTHE9ASP455NN29 and ZTHE9ASP455NW29
4	806308	Foreign Object Deflector	Black; Includes screws
	806313	Foreign Object Deflector	Gray; Includes screws
	806361	Foreign Object Deflector	Tall; Gray; Includes screws
5	803801	Tub Front Seal	
6	803802	Clamp Ring	
7	F430218	Nut	
8	M400081	Washer	
9	800462	Screw	
10	802596	Screw	
11	804467	Clothes Guard Deflector	
	805548	Clothes Guard Deflector	Heavy duty
12	803879	Tub Front Assembly	Includes items 1, 8, 9 and 11
13	802343	Nut	

Inner Basket, Trunnion, Bearing Housing and Pulley

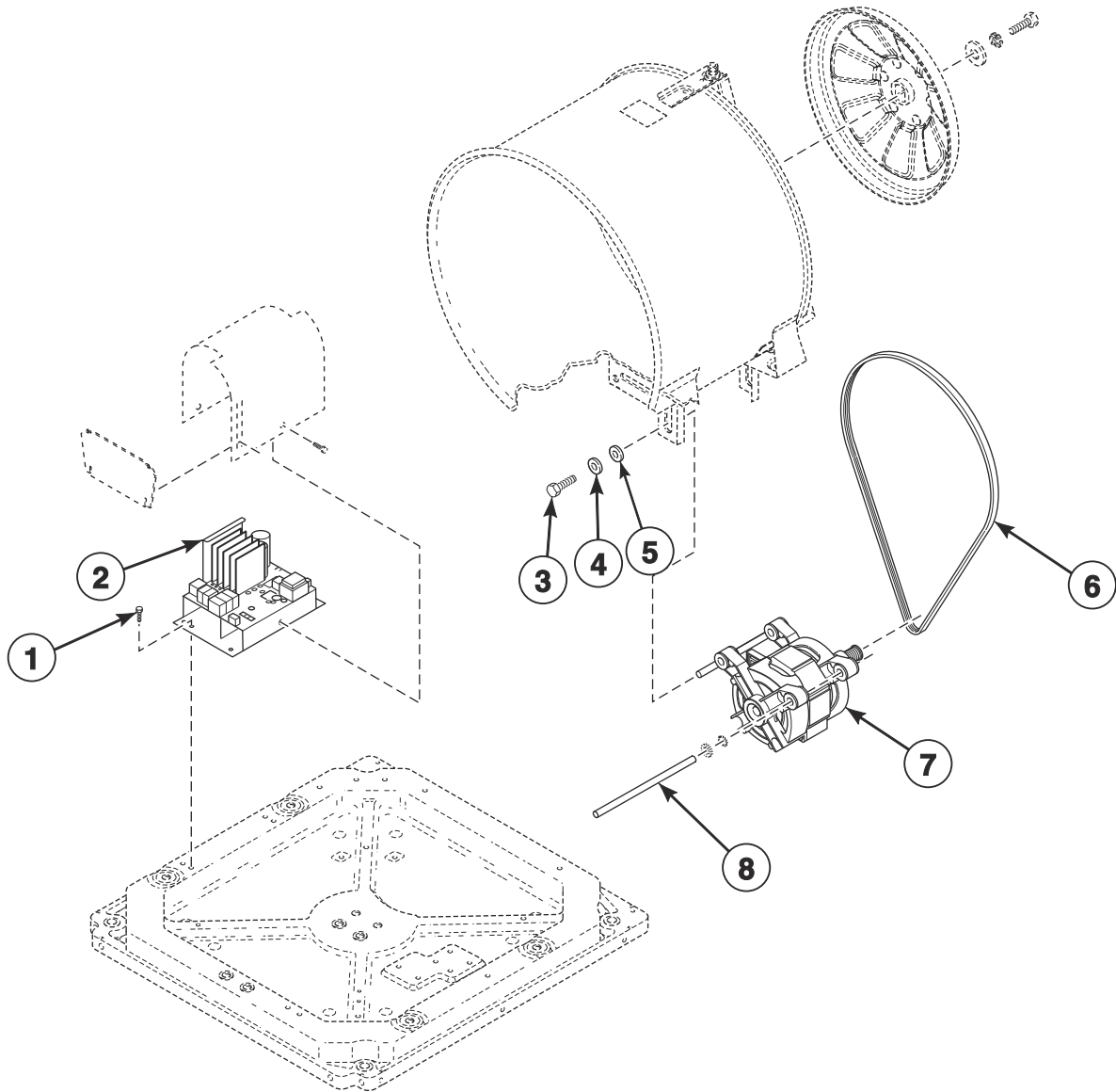


FLW1803P_806105

Inner Basket, Trunnion, Bearing Housing and Pulley

REF	PART NO.	DESCRIPTION	COMMENTS
	27604P	Anti-Seize Compound	Pulley to inner basket shaft
	805730	Bearing Kit	
1	804418	Nut	
2	804393	Balance Ring Assembly	
3	804382	Lifter	
4	805485	Inner Basket Assembly	Includes items 1-3 and 5-9; Models LTEE5ASP433AW12 and LTGE5ASP303AW12
	804376P	Inner Basket Assembly Kit	Includes items 1-3 and 5-9; All other models
5	804374P	Inner Basket Assembly	
6	804699	Screw	
7	806831	Trunnion Kit	Models LTEE5ASP433AW12 and LTGE5ASP303AW12; Includes hardware and tool
	808043	Trunnion Shaft Kit	All other models; Includes hardware and tool
8	804399	Screw	
9	800548	Screw	
10	808197	Pulley Assembly	
11	807679	Washer	
12	685831	Screw	Left hand thread
13	M403958	Washer	Used through Serial No. 1609046805
14	M400043	Screw	
15	800457	Washer	
16	805525	Bearing Housing Kit	Includes hardware and tool
17	800452	Nut	

Motor and Belt (Drawing 1 of 2)

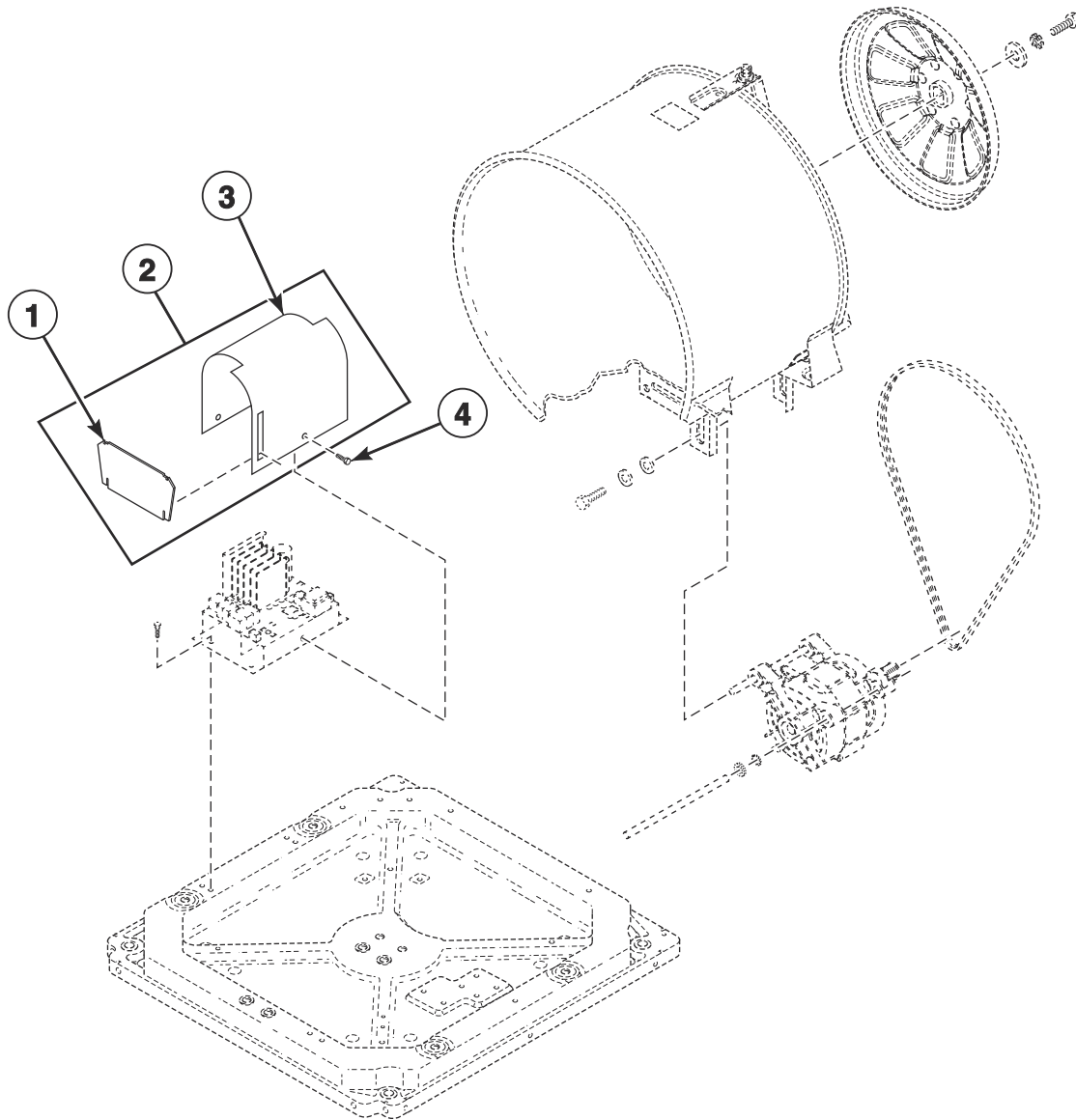


FLW1794PA_806105

Motor and Belt (Drawing 1 of 2)

REF	PART NO.	DESCRIPTION	COMMENTS
	807441	Control Bracket	Starting Serial No. 2101000001
	F8206901	Screw	Starting Serial No. 2101000001; Use with 807441 Control Bracket
1	D503661	Screw	Through Serial No. 2012999999
2	807175P	Inverter Control Assembly	Through Serial No. 2012999999
	808149	Output Control Assembly	120 Volt; Without filter; Starting Serial No. 2101000001
	807243	Output Control Assembly	240 Volt; With filter; Starting Serial No. 2101000001
3	M400057	Screw	Through Serial No. 2010999999
	02916	Screw	Starting Serial No. 2011000001
4	02834	Washer	Through Serial No. 2010999999
5	M400080	Washer	Through Serial No. 2010999999
6	804985	Drive Belt Kit	Through Serial No. 1910999999 except Serial Nos. 1908066087 to 1909000879
	807429P	Belt	Serial Nos. 1908066087 to 1909000879 and starting Serial No. 1911000001; Requires 807623 Belt Install Tool
7	805726P	Motor and Rod Assembly Kit	Includes item 8; Through Serial No. 2010071306
	808034P	Motor and Rod Assembly Kit	Includes item 8; Starting Serial No. 2010071307 through Serial No. 2012999999
	808067P	Motor and Rod Assembly Kit	Includes item 8; Starting Serial No. 2100000000
8	803861	Motor Rod	Through Serial No. 2010999999
	807739	Motor Rod	Starting Serial No. 2011000001

Motor and Belt (Drawing 2 of 2)



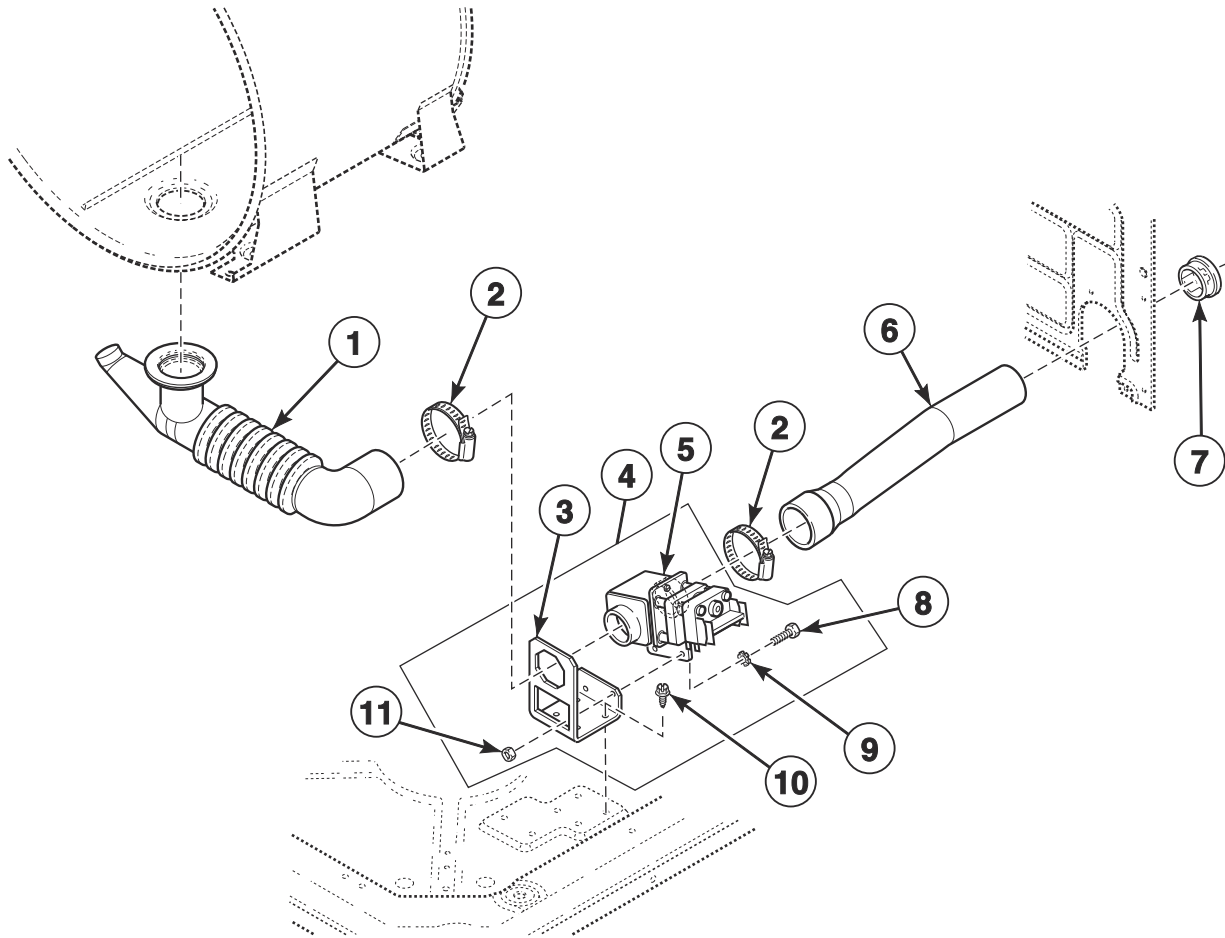
FLW1794P_806105

Motor and Belt (Drawing 2 of 2)

REF	PART NO.	DESCRIPTION	COMMENTS
1	806258	End Shield	Models ATEE9AGP435AW01, ATEE9ASP133DN04, ATEE9ASP133DW04, ATEE9ASP433XW34, ATEE9ASP435XW34, ATEE9ASP453LW26, ATEE9ASP455LN01, ATEE9ASP455LW01, ATEE9ASP543DN04, ATEE9ASP543DW04, ATEE9ASP545DW04, ATEE9ASP565XW01, ATEE9AWP433AW01, ATEE9AWP435AW01, ATGE9AGP305AW01, ATGE9ASP123DN04, ATGE9ASP123DW04, ATGE9ASP125DW04, ATGE9ASP303XW01, ATGE9ASP303XW26, ATGE9ASP305XW01, ATGE9ASP543DN04, ATGE9ASP543DW04, ATGE9ASP545DW04, ATGE9AWP303AW01, ATGE9AWP305AW01, ATHE9ASP453NW29, ATHE9ASP455NN29, ATHE9ASP455NW29, ATLE9ASP305LW01, FTEE5ASP303ZW01, FTEE5ASP433LW01, LTEE5AGP133ZW30, LTEE5ASP133FW01, LTEE5ASP303WW01, LTEE5ASP303ZW01, LTEE5ASP333NW01, LTEE5ASP433AW01, LTEE5ASP433AW12, LTEE5ASP453VW26, LTEE5ASP543RW01, LTEE5ASP553KW01, LTGE5ASP113FW01, LTGE5ASP113JW01, LTGE5ASP303AW01, LTGE5ASP303AW12, LTLE5ASP303LW01, LTME5ASP543KW01, PTEE3FSP433AG01, PTGE3FSP303AG01, TTPE5ASP303NW36, TTPE5ASP303NW36, YTEE5ASP133FW01, YTGE5ASP113FW01, ZTHE9ASP455NN29 and ZTHE9ASP455NW29 through Serial No. 2012999999
2	806498	Motor Control Shield	Includes items 3 and 5; Models ATEE9AGP435AW01, ATEE9ASP133DN04, ATEE9ASP133DW04, ATEE9ASP433XW34, ATEE9ASP435XW34, ATEE9ASP453LW26, ATEE9ASP455LN01, ATEE9ASP455LW01, ATEE9ASP543DN04, ATEE9ASP543DW04, ATEE9ASP545DW04, ATEE9ASP565XW01, ATEE9AWP433AW01, ATEE9AWP435AW01, ATGE9AGP305AW01, ATGE9ASP123DN04, ATGE9ASP123DW04, ATGE9ASP125DW04, ATGE9ASP303XW01, ATGE9ASP303XW26, ATGE9ASP305XW01, ATGE9ASP543DN04, ATGE9ASP543DW04, ATGE9ASP545DW04, ATGE9AWP303AW01, ATGE9AWP305AW01, ATHE9ASP453NW29, ATHE9ASP455NN29, ATHE9ASP455NW29, FTEE5ASP303ZW01, FTEE5ASP433LW01, LTEE5AGP133ZW30, LTEE5ASP133FW01, LTEE5ASP303WW01, LTEE5ASP303ZW01, LTEE5ASP333NW01, LTEE5ASP433AW01, LTEE5ASP433AW12, LTEE5ASP453VW26, LTEE5ASP543RW01, LTEE5ASP553KW01, LTGE5ASP113FW01, LTGE5ASP113JW01, LTGE5ASP303AW01, LTGE5ASP303AW12, LTME5ASP543KW01, PTEE3FSP433AG01, PTGE3FSP303AG01, TTPE5ASP303NW36, TTPE5ASP303NW36, YTEE5ASP133FW01, YTGE5ASP113FW01, YTGE5ASP303NW21, ZTHE9ASP455NN29 and ZTHE9ASP455NW29
3	804878	Motor Control Shield	Through Serial No. 2012999999
4	D501524	Screw	

Drain Hose and Valve

Models ATEE9ASG453NW36 and ATEE9ASG455NW36



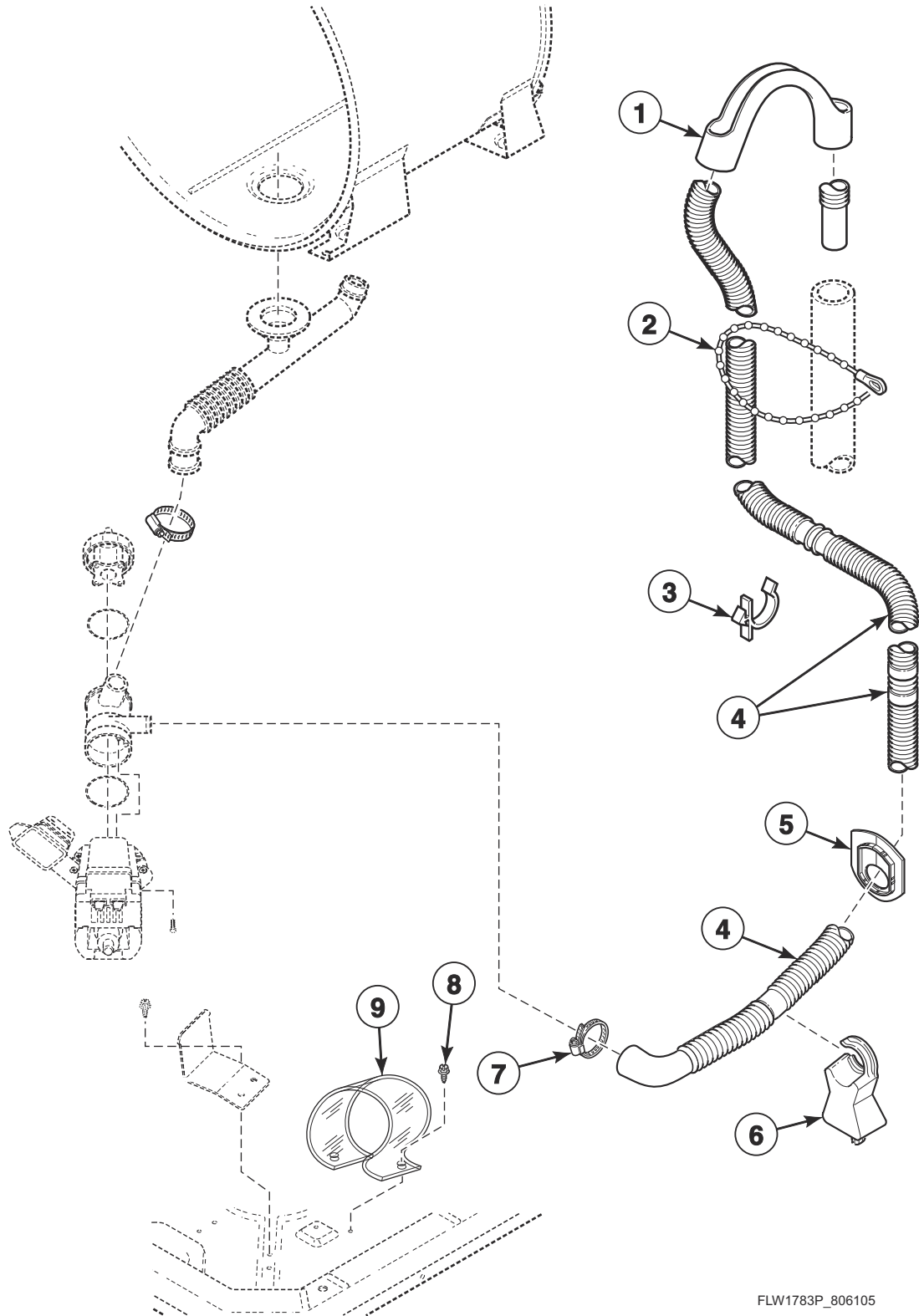
FLW1745P_806105

Drain Hose and Valve

REF	PART NO.	DESCRIPTION	COMMENTS
1	803874	Tub-to-Gravity Drain Hose	
2	685725	Hose Clamp	
3	803291	Gravity Drain Bracket	
4	F976P3	Drain Valve Kit	
5	803292P	Gravity Drain Valve	
6	800903	Drain-to-Cabinet Hose	
7	D503235	Snap Bushing	
8	02916	Screw	
9	M400017	Washer	
10	D503661	Screw	
11	29786	Nut	

Drain Hose and Pump (Drawing 1 of 2)

All Models Except ATEE9ASG453NW36 and ATEE9ASG455NW36



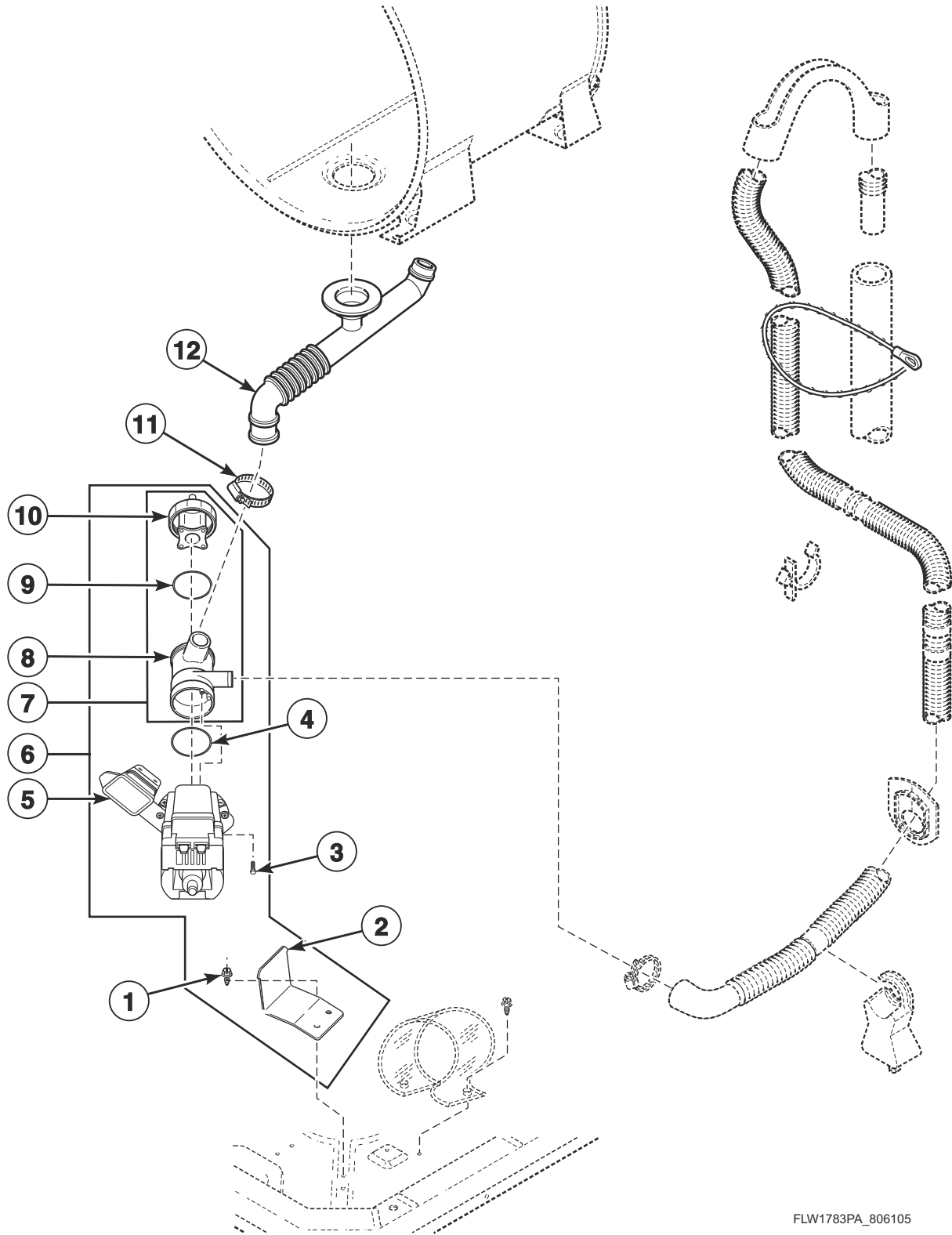
FLW1783P_806105

Drain Hose and Pump (Drawing 1 of 2)

REF	PART NO.	DESCRIPTION	COMMENTS
	805770	Pump-to-Gravity Drain Kit	Models ATEE9AGP435AW01, ATEE9ASP433XW34, ATEE9ASP435XW34, ATEE9ASP453LW26, ATEE9ASP455LN01, ATEE9ASP455LW01, ATEE9ASP543DN04, ATEE9ASP543DW04, ATEE9ASP545DW04, ATEE9ASP565XW01, ATEE9AWP433AW01, ATEE9AWP435AW01, ATGE9AGP305AW01, ATGE9ASP303XW01, ATGE9ASP303XW26, ATGE9ASP305XW01, ATGE9ASP543DN04, ATGE9ASP543DW04, ATGE9ASP545DW04, ATGE9AWP303AW01, ATGE9AWP305AW01, ATHE9ASP453NW29, ATHE9ASP455NN29, ATHE9ASP455NW29, FTEE5ASP303NW10, FTEE5ASP303ZW01, FTEE5ASP433LW01, FTGE5ASP303NW10, LTEE5ASP303WW01, LTEE5ASP303WW37, LTEE5ASP303ZW01, LTEE5ASP333NW01, LTEE5ASP433AW01, LTEE5ASP433AW12, LTEE5ASP453VW26, LTEE5ASP543NW01, LTEE5ASP543NW23, LTEE5ASP543RW01, LTEE5ASP553KW01, LTGE5ASP303AW01, LTGE5ASP303AW12, LTLE5ASP543NW23, LTME5ASP543KW01, PTEE3FSP433AG01, PTGE3FSP303AG01, TTHE5ASP303NW36, TTPE5ASP303NW36, YTEE5ASP303NW10, YTGE5ASP303NW21, ZTHE9ASP455NN29 and ZTHE9ASP455NW29
	805771	Pump-to-Gravity Drain Kit	All other models
1	33615	Drain Hose Sleeve	
2	33489	Standpipe Strap	
3	36014	Retainer Clip	
4	803976	Drain Hose	
5	32219	Strain Relief	
6	38732	Hose Stand	
7	F200204	Hose Clamp	
8	D503661	Screw	
9	805561	Drain Pump Drip Shield	Models ATEE9AGP435AW01, ATEE9ASP133DN04, ATEE9ASP133DW04, ATEE9ASP433XW34, ATEE9ASP435XW34, ATEE9ASP453LW26, ATEE9ASP455LN01, ATEE9ASP455LW01, ATEE9ASP543DN04, ATEE9ASP543DW04, ATEE9ASP545DW04, ATEE9ASP565XW01, ATEE9AWP433AW01, ATEE9AWP435AW01, ATGE9AGP305AW01, ATGE9ASP123DN04, ATGE9ASP123DW04, ATGE9ASP125DW04, ATGE9ASP303XW01, ATGE9ASP303XW26, ATGE9ASP305XW01, ATGE9ASP543DN04, ATGE9ASP543DW04, ATGE9ASP545DW04, ATGE9AWP303AW01, ATGE9AWP305AW01, ATHE9ASP453NW29, ATHE9ASP455NN29, ATHE9ASP455NW29, ATLE9ASP305LW01, FTEE5ASP303ZW01, FTEE5ASP433LW01, LTEE5AGP133ZW30, LTEE5ASP133FW01, LTEE5ASP135MW01, LTEE5ASP303WW01, LTEE5ASP303WW37, LTEE5ASP303ZW01, LTEE5ASP433AW01, LTEE5ASP433AW12, LTEE5ASP453VW26, LTEE5ASP543NW23, LTEE5ASP543RW01, LTEE5ASP553KW01, LTGE5ASP113FW01, LTGE5ASP113JW01, LTGE5ASP125MW01, LTGE5ASP303AW01, LTGE5ASP303AW12, LTLE5ASP303LW01, LTME5ASP543KW01, PTEE3FSP433AG01, PTGE3FSP303AG01, TTHE5ASP303NW36, TTPE5ASP303NW36, YTEE5ASP133FW01, YTGE5ASP113FW01, ZTHE9ASP455NN29 and ZTHE9ASP455NW29

Drain Hose and Pump (Drawing 2 of 2)

All Models Except ATEE9ASG453NW36 and ATEE9ASG455NW36

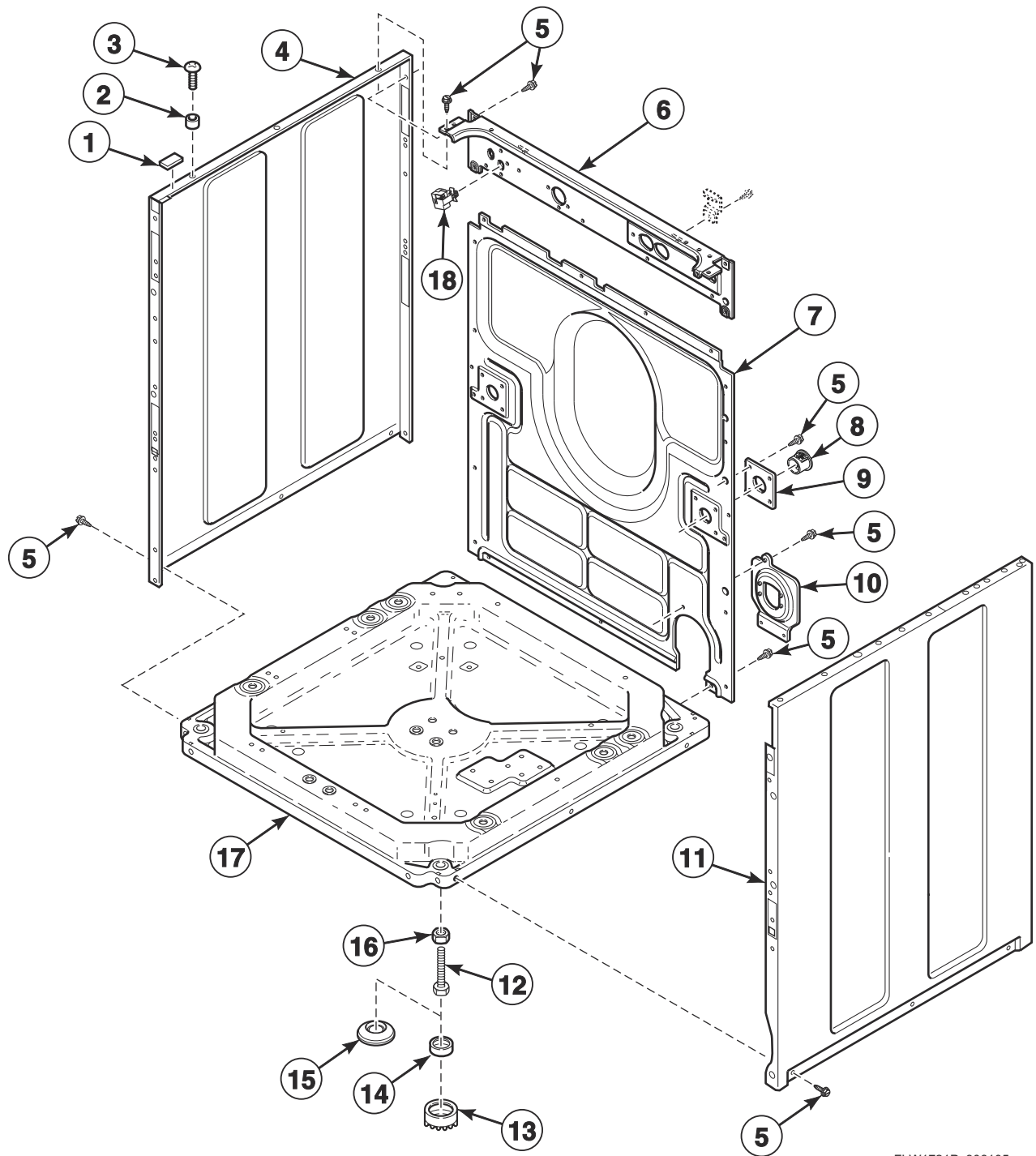


FLW1783PA_806105

Drain Hose and Pump (Drawing 2 of 2)

REF	PART NO.	DESCRIPTION	COMMENTS
1	D503661	Screw	
2	803814	Drain Base Bracket	
3	802431	Screw	
4	802429P	O-Ring	
5	803815	Drain Pump Isolator	
6	808195P	Drain Pump Assembly	Models ATEE9ASP543DN04, ATEE9ASP543DW04, ATEE9ASP545DW04, ATGE9ASP543DN04, ATGE9ASP543DW04, ATGE9ASP545DW04, LTEE5ASP333NW01, LTEE5ASP543NW01, LTEE5ASP543NW23, LTEE5ASP543RW01, LTLE5ASP543NW23 and LTME5ASP543KW01
	808194P	Drain Pump Assembly	Models ATEE9AGP435AW01, ATEE9ASP433XW34, ATEE9ASP435XW34, ATEE9ASP453LW26, ATEE9ASP455LN01, ATEE9ASP455LW01, ATEE9ASP565XW01, ATEE9AWP433AW01, ATEE9AWP435AW01, ATGE9AGP305AW01, ATGE9ASP303XW26, ATGE9AWP303AW01, ATGE9AWP305AW01, ATHE9ASP453NW29, ATHE9ASP455NN29, ATHE9ASP455NW29, ATLE9ASP305LW01, FTEE5ASP303NW10, FTEE5ASP303ZW01, FTEE5ASP433LW01, FTGE5ASP303NW10, LTEE5ASP303WW01, LTEE5ASP303WW37, LTEE5ASP303ZW01, LTEE5ASP433AW01, LTEE5ASP433AW12, LTEE5ASP453VW26, LTEE5ASP543RW01, LTEE5ASP553KW01, LTGE5ASP303AW01, LTGE5ASP303AW12, LTLE5ASP303LW01, LTLE5ASP303NW35, PTEE3FSP433AG01, PTGE3FSP303AG01, TTHE5ASP303NW36, TTPE5ASP303NW36, YTEE5ASP303NW10, YTGE5ASP303NW21, ZTHE9ASP455NN29 and ZTHE9ASP455NW29
	808196P	Drain Pump Assembly	All other models
7	802434P	Pump Housing Assembly	Includes items 8-10
8	802428	Pump Housing	
9	802427	Gasket	
10	802426P	Lid Assembly	Includes filter
11	F200204	Hose Clamp	
12	803816	Tub-to-Pump Hose	Models ATHE9ASP453NW29, ATHE9ASP455NN29, ATHE9ASP455NW29, TTHE5ASP303NW36, TTPE5ASP303NW36, ZTHE9ASP455NN29 and ZTHE9ASP455NW29
	27615P	Sealant	Tub-to-pump hose to outer tub; Model ATEE9ASP286CW01
	803829	Tub-to-Pump Hose	All other models

Base, Side Panels and Rear Panel



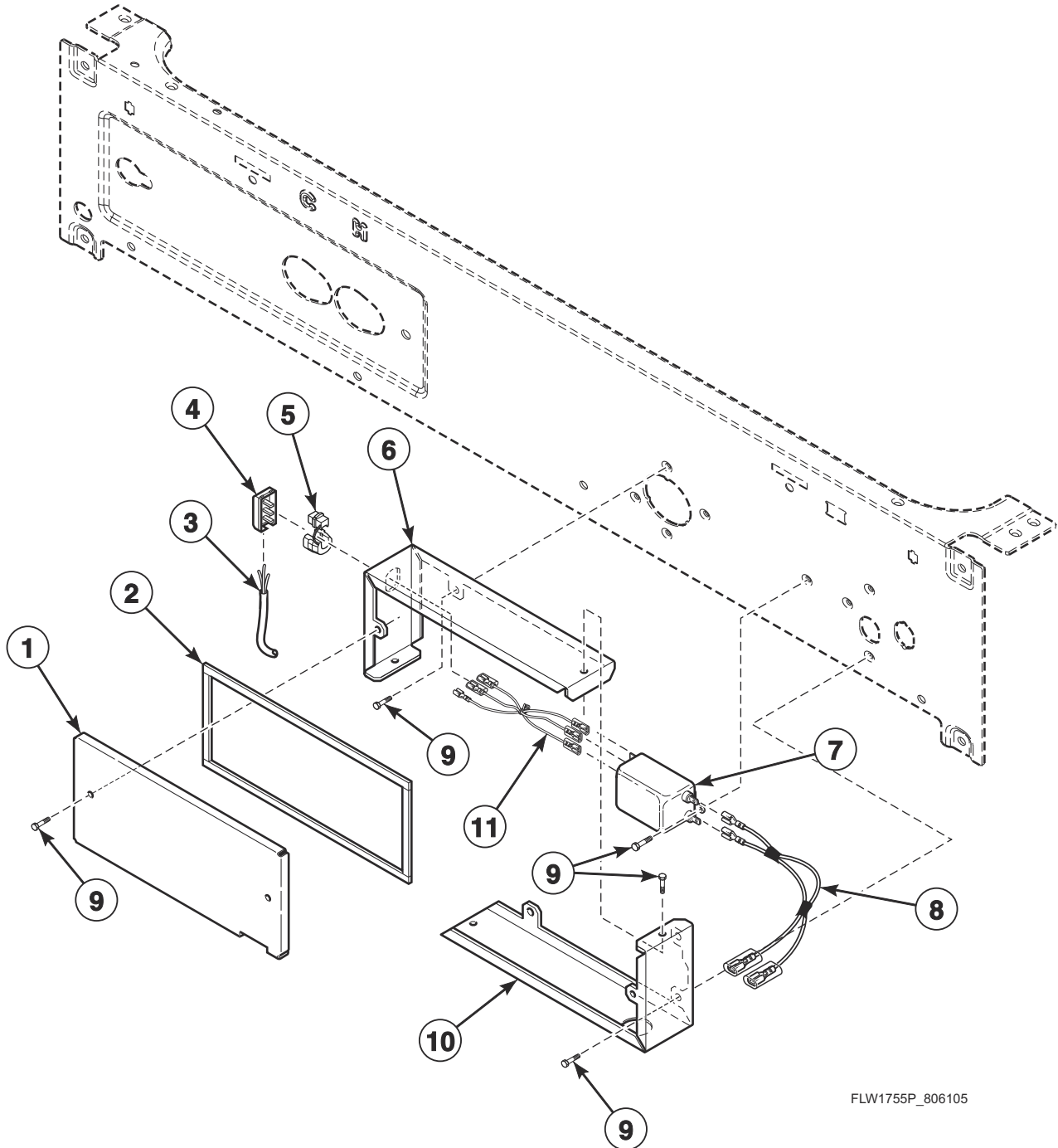
FLW1721P_806105

Base, Side Panels and Rear Panel

REF	PART NO.	DESCRIPTION	COMMENTS
	122P4P	Porcelain Touch-Up Paint	White
	806436P	Paint	Gray
1	36226	Bumper Pad	
2	56079	Panel Locator	
3	39733	Screw	Use with painted panels
	806276	Screw	Use with stainless steel panels
4	800004WP	Cabinet Panel Kit	Left; White; Includes corner gusset with hardware
	800004DG	Cabinet Side Panel	Left; Dark gray
	802525P	Cabinet Side Panel	Left; Stainless steel
5	D503661	Screw	Use with painted panels
	D512921	Screw	Use with stainless steel panels
6	803790	Rear Panel	Fixed; Through Serial No. 1810000001
	806716	Rear Panel	Fixed; Starting Serial No. 1810000001
7	803789	Rear Panel	Removable
8	803859	Shipping Plug	
9	803851	Shipping Plate	
10	803833	Gravity Drain Bracket	Models ATEE9ASG453NW36 and ATEE9ASG455NW36
	803828	Drain Hose Bracket	All other models
11	806492	Side Panel Kit	Right; White
	800005DG	Cabinet Side Panel	Right; Dark gray
	802526P	Cabinet Side Panel	Right; Stainless steel
12	34319	Leveling Leg	
13	D501855	Rubber Foot	Use to prevent movement on smooth surface floor coverings; Install over 2 existing front rubber feet (item 14)
14	34318	Rubber Foot	
15	155P3	Anchor	Includes 4 rubber discs with adhesive backing
	802844P	Anchor Floor Mount Assembly	Includes 2 rubber discs with adhesive backing
16	21899	Nut	
17	803876	Base Assembly	
18	203843	Pressure Sensor	

Washer Junction Box

Models ATEE9AGP435AW01, ATEE9ASG453NW36, ATEE9ASG455NW36, ATEE9ASP133DN04, ATEE9ASP133DW04, ATEE9ASP433XW34, ATEE9ASP435XW34, ATEE9ASP453LW26, ATEE9ASP455LN01, ATEE9ASP455LW01, ATEE9ASP543DN04, ATEE9ASP543DW04, ATEE9ASP545DW04, ATEE9ASP565XW01, ATEE9AWP433AW01, ATEE9AWP435AW01, ATGE9AGP305AW01, ATGE9ASP123DN04, ATGE9ASP123DW04, ATGE9ASP125DW04, ATGE9ASP303XW01, ATGE9ASP303XW26, ATGE9ASP305XW01, ATGE9ASP543DN04, ATGE9ASP543DW04, ATGE9ASP545DW04, ATGE9AWP303AW01, ATGE9AWP305AW01, ATLE9ASP305LW01, FTEE5ASP303NW10, FTEE5ASP303ZW01, FTEE5ASP433LW01, FTGE5ASP303NW10, LTEE5AGP133ZW30, LTEE5ASP133FW01, LTEE5ASP135MW01, LTEE5ASP303WW01, LTEE5ASP303WW37, LTEE5ASP303ZW01, LTEE5ASP333NW01, LTEE5ASP433AW01, LTEE5ASP433AW12, LTEE5ASP453VW26, LTEE5ASP543NW01, LTEE5ASP543NW23, LTEE5ASP543RW01, LTEE5ASP553KW01, LTGE5ASP113FW01, LTGE5ASP113JW01, LTGE5ASP125MW01, LTGE5ASP303AW01, LTGE5ASP303AW12, LTLE5ASP303LW01, LTLE5ASP303NW35, LTLE5ASP543NW23, LTME5ASP543KW01, PTEE3FSP433AG01, PTGE3FSP303AG01, YTEE5ASP133FW01, YTEE5ASP303NW10, YTGE5ASP113FW01 and YTGE5ASP303NW21

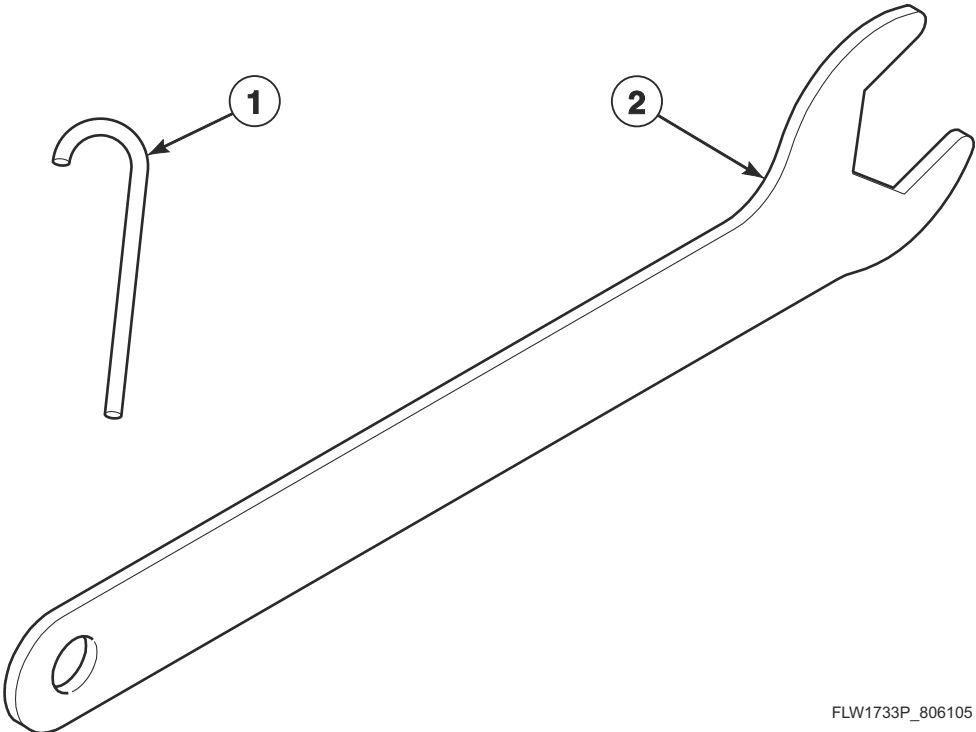


FLW1755P_806105

Washer Junction Box

REF	PART NO.	DESCRIPTION	COMMENTS
1	803820	Junction Box Cover	
2	803832P	Junction Box Seal	
3	801450	Power Cord Assembly	Models FTEE5ASP303NW10, FTEE5ASP303ZW01, FTGE5ASP303NW10, LTEE5ASP303ZW01, LTEE5ASP333NW01, LTEE5ASP543NW01 and YTEE5ASP303NW10
	808131	Lead-In Cord	Models LTEE5ASP453VW26, LTEE5ASP543NW23 and LTLE5ASP543NW23
	204061	Power Cord Assembly	Models LTEE5AGP133ZW30 and LTGE5ASP113JW01
	808047	Power Cord Assembly	Models ATEE9AGP435AW01, ATEE9AWP433AW01, ATEE9AWP435AW01, ATGE9AGP305AW01, ATGE9AWP303AW01, ATGE9AWP305AW01, LTEE5ASP433AW01, LTEE5ASP433AW12, LTGE5ASP303AW01, LTGE5ASP303AW12, PTEE3FSP433AG01 and PTGE3FSP303AG01
	802012	Power Cord Assembly	Models LTEE5ASP133FW01, LTGE5ASP113FW01, YTEE5ASP133FW01 and YTGE5ASP113FW01
	808045	Power Cord Assembly	Models ATEE9ASP433XW34, ATEE9ASP435XW34, ATEE9ASP565XW01, ATGE9ASP303XW01, ATGE9ASP303XW26, ATGE9ASP305XW01, LTEE5ASP543RW01 and LTLE5ASP303NW35
	804556	Lead-In Cord Assembly	Models ATEE9ASP133DN04, ATEE9ASP133DW04, ATEE9ASP543DN04, ATEE9ASP543DW04, ATEE9ASP545DW04, ATGE9ASP123DN04, ATGE9ASP123DW04, ATGE9ASP125DW04, ATGE9ASP543DN04, ATGE9ASP543DW04 and ATGE9ASP545DW04
	808046	Power Cord Assembly	Models ATEE9ASG453NW36 and ATEE9ASG455NW36
	202405	Lead-In Cord	Models LTEE5ASP303WW01 and LTEE5ASP303WW37
	805974	Lead-In Cord	Models ATEE9ASP453LW26, ATEE9ASP455LN01, ATEE9ASP455LW01, ATLE9ASP305LW01, FTEE5ASP433LW01 and LTLE5ASP303LW01
	805844	Lead-In Cord	Models LTEE5ASP553KW01 and LTME5ASP543KW01
	805732	Power Cord Assembly	Model YTGE5ASP303NW21
4	39922	Cable Connection Box	All models except LTEE5AGP133ZW30 and LTGE5ASP113JW01
5	60298	Strain Relief	Models LTEE5AGP133ZW30 and LTGE5ASP113JW01
	38384	Strain Relief	All other models
6	804559	Junction Box	Upper; Models LTEE5AGP133ZW30 and LTGE5ASP113JW01
	803818	Junction Box	Upper; All other models
7	805633	Line Filter	Models ATEE9ASP133DN04, ATEE9ASP133DW04, ATEE9ASP543DN04, ATEE9ASP543DW04, ATEE9ASP545DW04, ATGE9ASP123DN04, ATGE9ASP123DW04, ATGE9ASP125DW04, ATGE9ASP543DN04, ATGE9ASP543DW04, ATGE9ASP545DW04, LTEE5ASP133FW01, LTGE5ASP113FW01, LTGE5ASP113JW01, YTEE5ASP133FW01 and YTGE5ASP113FW01
	807473	Line Filter	All other models
8	804396	Filter Harness	Filter to main harness; Models ATGE9ASP303XW01, ATGE9ASP303XW26, ATGE9ASP305XW01, ATLE9ASP305LW01, LTEE5AGP133ZW30, LTGE5ASP113JW01, LTLE5ASP303LW01, PTEE3FSP433AG01 and PTGE3FSP303AG01; All other models starting Serial Nos. beginning 1610
	804797	Filter Harness	Filter to main harness; Models LTEE5ASP135MW01 and LTGE5ASP125MW01; All other models through Serial Nos. beginning 1610
9	D503661	Screw	
10	803819	Junction Box	Lower
11	808048	Filter Jumper Harness	Filter to terminal block; All models except LTEE5AGP133ZW30, LTGE5ASP113JW01, PTEE3FSP433AG01 and PTGE3FSP303AG01

Special Tools

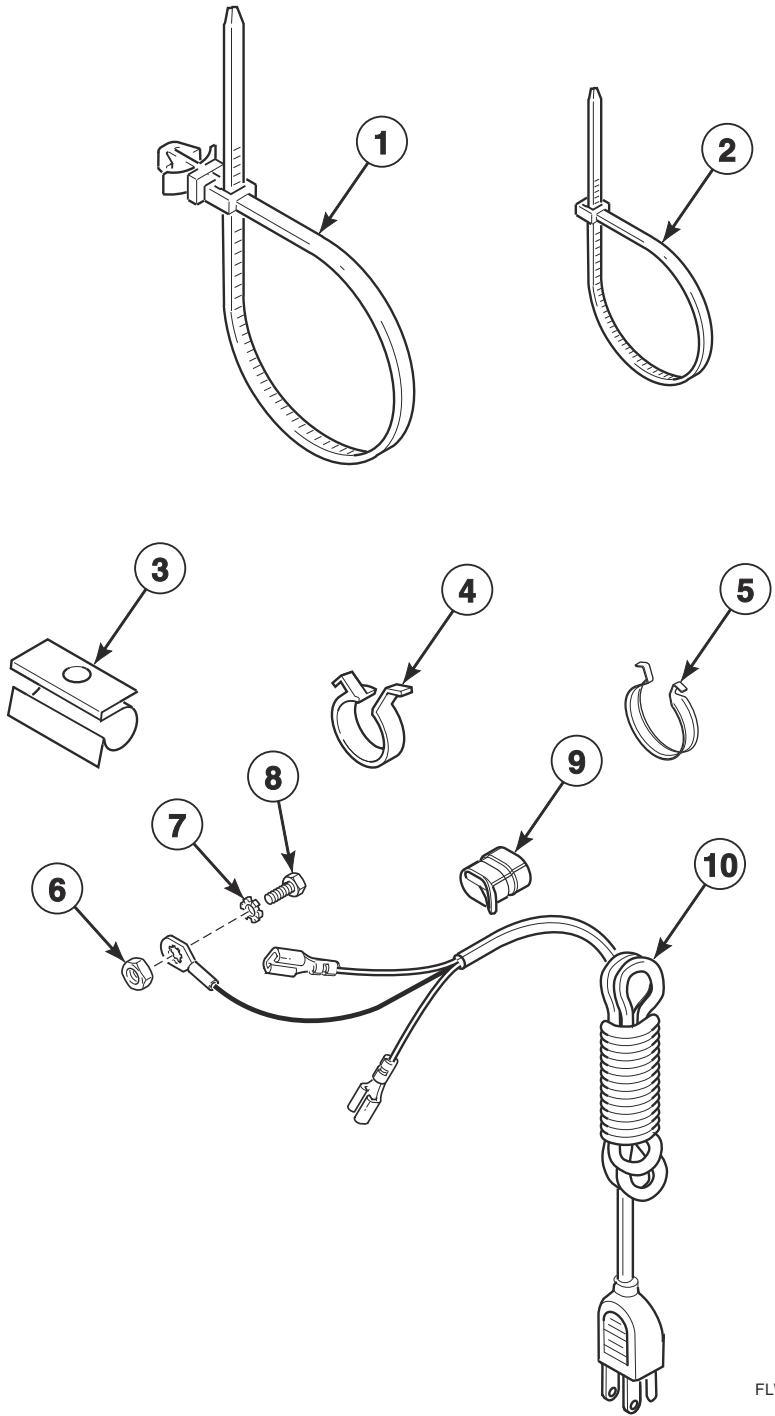


FLW1733P_806105

Special Tools

REF	PART NO.	DESCRIPTION	COMMENTS
	807623	Belt Install Tool	Used with 807429P Belt
1	802336	Pulley Bolt Tightening Fixture	Use to install inner basket
2	392P4	Wrench	Use for adjusting leveling leg nuts

Washer Lead-In Cord, Wire Ties and Harness Clips



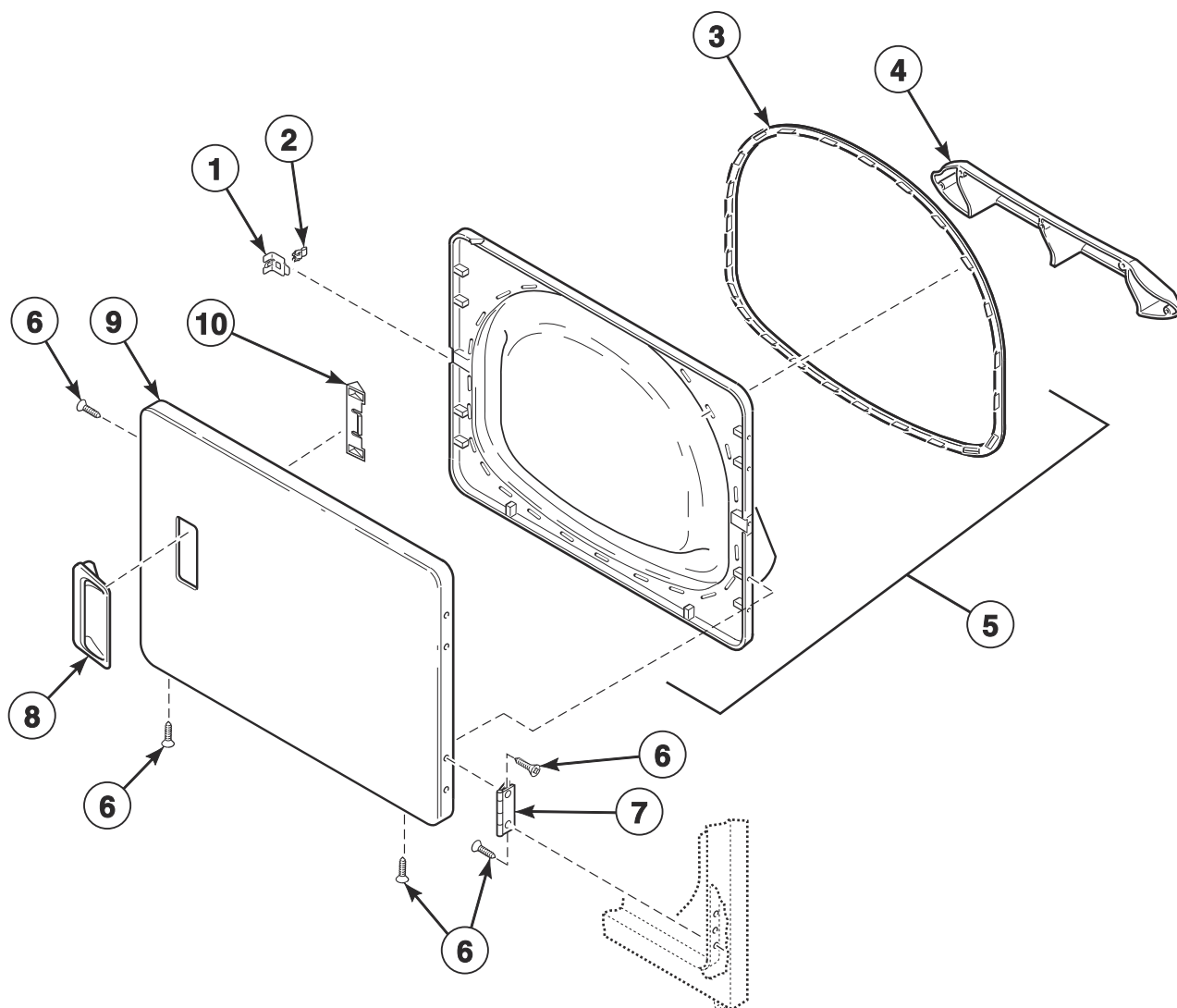
FLW823P_806105

Washer Lead-In Cord, Wire Ties and Harness Clips

REF	PART NO.	DESCRIPTION	COMMENTS		
1	38663	Wire Tie			
2	55881	Harness Strap			
3	36985	Hose Clip			
4	D504034	Wire Clip	Small		
5	687500	Wire Clip	Large		
6	03673	Nut			
7	03815	Washer			
8	20530	Screw			
9	806511	Strain Relief	Models ATHE9ASP453NW29, TTHE5ASP303NW36 and TTPE5ASP303NW36		
	806508	Strain Relief Plate	Models ATHE9ASP453NW29, TTHE5ASP303NW36 and TTPE5ASP303NW36		
	38384	Strain Relief	All other models		
10	202777	Lead-In Cord	Models BTEE6ASP173TW01, BTGE6ASP113TW01, LTEA5FSP153TW01, LTEA5FSP153TW04, LTEA5FSP173TW01, LTEA5FSP173TW04, LTEE5ASP153TW01, LTEE5ASP155TW01, LTEE5ASP173TW01, LTEE5ASP175TW01, LTEE5FSP175TW01, LTEE5FSP275TW01, LTGA5FSP113TW01, LTGE5ASP113TW01, LTGE5ASP115TW01, LTGE5FSP115TW01, PTEE3FSP173TG01, PTEE3FSP175TG01, PTEE3FSP175TW01, PTEE3FSP283CG01, PTEE3FSP285CG01, PTGE3FSP093CG01, PTGE3FSP095CG01, PTGE3FSP113TG01, PTGE3FSP115TG01, PTGE3FSP115TW01, UTEE5ASP173TW01, UTEE5ASP173TW08, UTEE5ASP175TW01, UTEE5ASP175TW08, UTGE5ASP113TW01, UTGE5ASP113TW08, UTGE5ASP115TW01, UTGE5ASP115TW08, YTEE5ASP173TW01, YTEE5ASP175TW01, YTGE5ASP113TW01 and YTGE5ASP115TW01		
			806179	Power Cord Assembly	Models ATEE9ASG455NW36 and ATHE9ASP453NW29
			807034	Lead-In Cord	Models TTHE5ASP303NW36 and TTPE5ASP303NW36
			808050	Lead-In Cord	Models LTEE5ASP135MW01 and LTGE5ASP125MW01

Dryer Door Without Window (Drawing 1 of 2)

Models ATEE9ASP133DN04, ATEE9ASP285CW01, ATEE9ASP285CW14, ATEE9ASP286CW01, ATEE9ASP455LN01, ATEE9ASP543DN04, ATGE9ASP095CW01, ATGE9ASP095CW14, ATGE9ASP123DN04, ATGE9ASP543DN04, LTEE5AGP133ZW30, PTEE3FSP173TG01, PTEE3FSP175TG01, PTEE3FSP175TW01, PTEE3FSP283CG01, PTEE3FSP285CG01, PTEE3FSP433AG01, PTGE3FSP093CG01, PTGE3FSP095CG01, PTGE3FSP113TG01, PTGE3FSP115TG01, PTGE3FSP115TW01, PTGE3FSP303AG01, ZTEE9ASP286CW01 and ZTGE9ASP096CW01



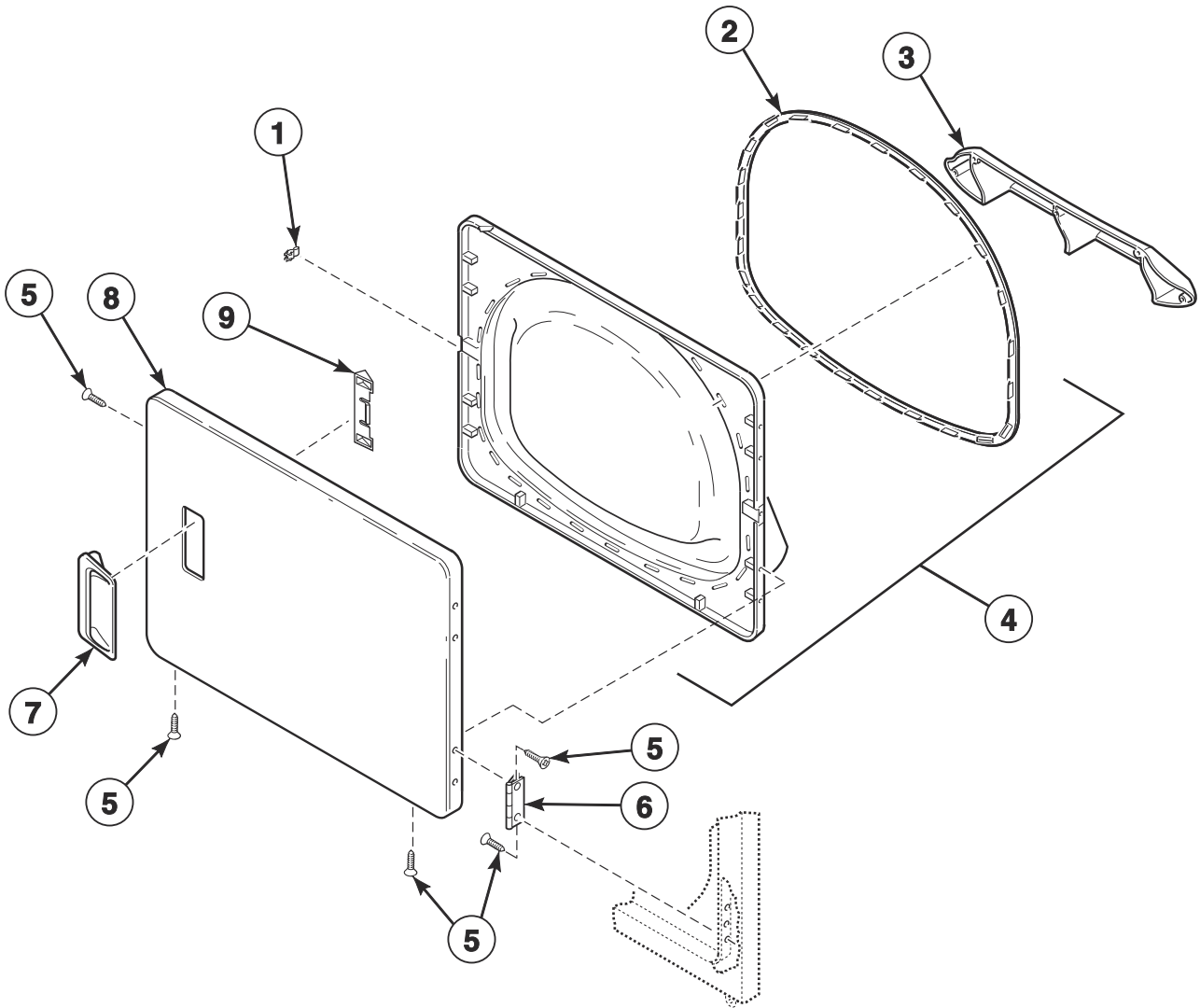
DRY2468P_806105

Dryer Door Without Window (Drawing 1 of 2)

REF	PART NO.	DESCRIPTION	COMMENTS
1	D510127	Door Strike Mount	All models except ATEE9ASP285CW01, ATEE9ASP285CW14, ATGE9ASP095CW01, ATGE9ASP095CW14, ZTEE9ASP286CW01 and ZTGE9ASP096CW01
2	D510181	Door Strike	
3	D510147P	Liner Door Seal	All models except ATEE9ASP285CW01, ATEE9ASP285CW14, ATGE9ASP095CW01, ATGE9ASP095CW14, ZTEE9ASP286CW01 and ZTGE9ASP096CW01
4	D503870W	Door Liner Grill	Models ATEE9ASP285CW01, ATEE9ASP285CW14, ATEE9ASP286CW01, ATGE9ASP095CW01, ATGE9ASP095CW14, ZTEE9ASP286CW01 and ZTGE9ASP096CW01
	D503870LG	Door Liner Grill	Model ATEE9ASP455LN01
5	D510163WP	Liner, Seal and Grill Assembly	Includes item 3 and grill; Models LTEE5AGP133ZW30, PTEE3FSP433AG01 and PTGE3FSP303AG01 ATEE9ASP285CW01, ATEE9ASP285CW14, ATGE9ASP095CW01, ATGE9ASP095CW14, LTEE5AGP133ZW30, PTEE3FSP433AG01, PTGE3FSP303AG01, ZTEE9ASP286CW01 and ZTGE9ASP096CW01; Model PTGE3FSP113TG01 through Serial No. 1606000838
	D516510WP	Door Assembly	Includes item 3 and grill; Models ATEE9ASP133DN04, ATEE9ASP543DN04, ATGE9ASP123DN04, ATGE9ASP543DN04, PTEE3FSP173TG01, PTEE3FSP175TG01, PTEE3FSP175TW01, PTEE3FSP283CG01, PTEE3FSP285CG01, PTGE3FSP093CG01, PTGE3FSP095CG01, PTGE3FSP115TG01 and PTGE3FSP115TW01; Model PTGE3FSP113TG01 starting Serial No. 1606000839
	D516508	Door Liner Assembly	Includes seal; Models ATEE9ASP285CW01, ATEE9ASP285CW14, ATEE9ASP286CW01, ATEE9ASP455LN01, ATGE9ASP095CW01, ATGE9ASP095CW14, ZTEE9ASP286CW01 and ZTGE9ASP096CW01
6	D500226	Screw	
7	D511036	Hinge	
8	D512947	Door Pull	Light gray
	D511213P	Door Pull and Wedge Kit	Black; Includes item 10
	D510103WP	Door Pull and Wedge Kit	Models ATEE9ASP285CW01, ATEE9ASP285CW14, ATGE9ASP095CW01, ATGE9ASP095CW14, ZTEE9ASP286CW01 and ZTGE9ASP096CW01; Includes item 10
9	D515960W	Dryer Door	Models ATEE9ASP285CW01, ATEE9ASP285CW14, ATEE9ASP286CW01, ATGE9ASP095CW01, ATGE9ASP095CW14, ZTEE9ASP286CW01 and ZTGE9ASP096CW01
	D515963	Dryer Door	Stainless steel; Model ATEE9ASP455LN01
	D510013DG	Dryer Door	Dark gray; All other models
	D510013WP	Dryer Door	White; All other models
	D512969	Dryer Door	Stainless steel; All other models
10	D510129W	Door Handle Wedge	Models LTEE5AGP133ZW30, PTEE3FSP433AG01 and PTGE3FSP303AG01 ATEE9ASP285CW01, ATEE9ASP285CW14, ATEE9ASP286CW01, ATGE9ASP095CW01, LTEE5AGP133ZW30, PTEE3FSP433AG01, PTGE3FSP303AG01, ZTEE9ASP286CW01 and ZTGE9ASP096CW01; Model PTGE3FSP113TG01 through Serial No. 1606000838
	D510103WP	Door Pull and Wedge Kit	Models ATEE9ASP133DN04, ATEE9ASP543DN04, ATGE9ASP123DN04, ATGE9ASP543DN04, PTEE3FSP173TG01, PTEE3FSP175TG01, PTEE3FSP175TW01, PTEE3FSP283CG01, PTEE3FSP285CG01, PTGE3FSP093CG01, PTGE3FSP095CG01, PTGE3FSP115TG01 and PTGE3FSP115TW01; Model PTGE3FSP113TG01 starting Serial No. 1606000839

Dryer Door Without Window (Drawing 2 of 2)

Models ATEE9AGP435AW01, ATEE9ASP435XW34, ATEE9ASP545DW04, ATEE9ASP565XW01, ATGE9AGP305AW01, ATGE9ASP125DW04, ATGE9ASP545DW04, ATHE9ASP455NW29, FTEE5ASP303NW10, FTGE5ASP303NW10, LTEE5ASP135MW01, LTEE5ASP175TW01, LTEE5ASP303WW01, LTEE5ASP303WW37, LTEE5ASP303ZW01, LTEE5ASP433AW12, LTEE5ASP543NW01, LTEE5FSP175TW01, LTEE5FSP275TW01, LTGE5ASP115TW01, LTGE5ASP125MW01, LTGE5ASP303AW12, LTGE5FSP115TW01, LTLE5ASP303NW35, LTLE5ASP543NW23, UTEE5ASP175TW01, UTEE5ASP285CW01, UTGE5ASP115TW01, YTEE5ASP175TW01, YTEE5ASP285CW01, YTGE5ASP095CW01, YTGE5ASP115TW01 and ZTHE9ASP455NW29 starting Serial No. 2110000001; Models LTEE5ASP133FW01, LTGE5ASP113FW01, YTEE5ASP133FW01 and YTGE5ASP113FW01 starting Serial No. 2206000001



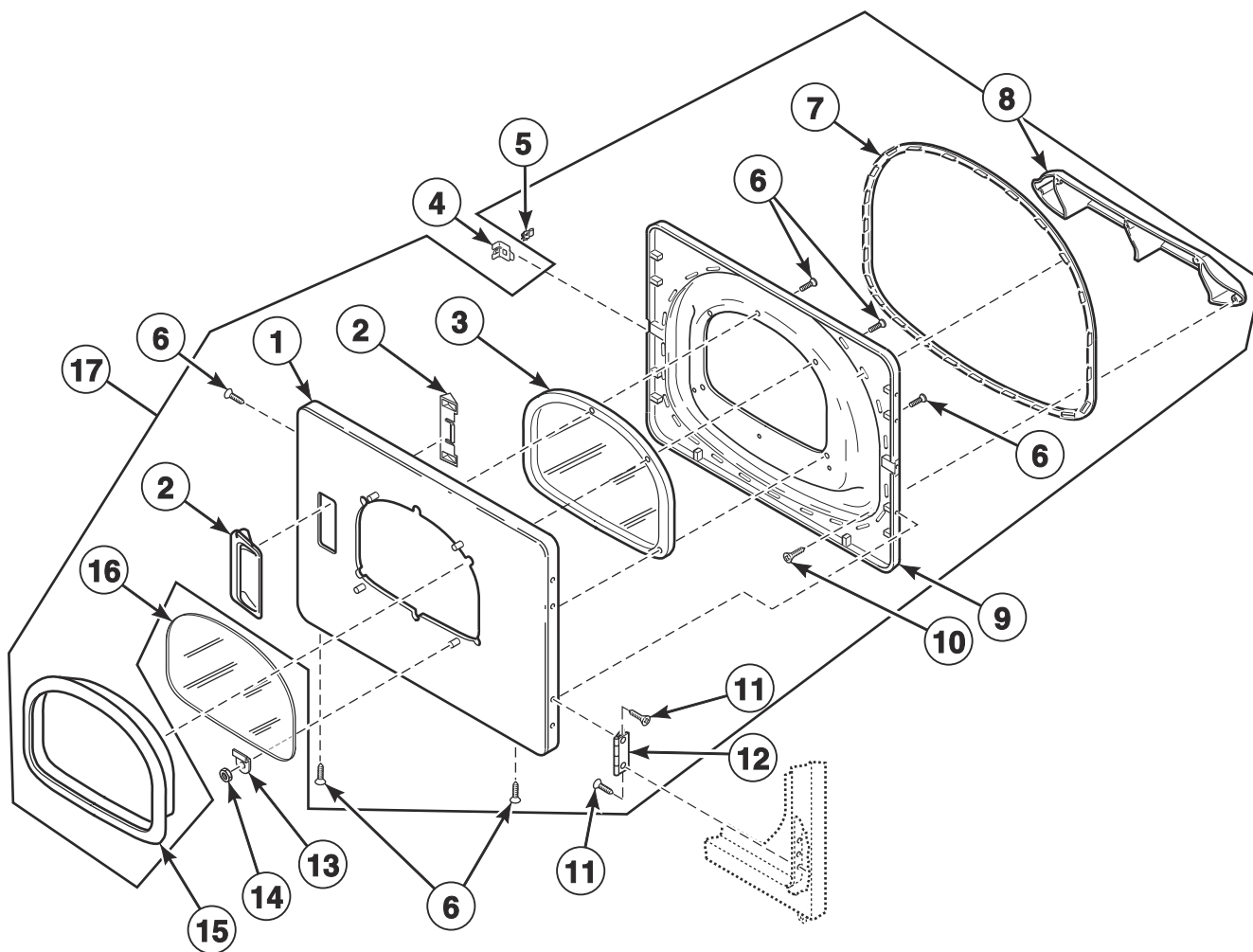
DRY2560P

Dryer Door Without Window (Drawing 2 of 2)

REF	PART NO.	DESCRIPTION	COMMENTS
1	D510181	Door Strike	
2	D515709	Liner Door Seal	
3	D503870W	Door Liner Grill	
4	D516510WP	Door Assembly	Includes item 3 and grill
5	D500226	Screw	
6	D511036	Hinge	
7	D510103WP	Door Pull and Wedge Kit	
8	D515960W	Dryer Door	
9	D510129W	Door Handle Wedge	

Dryer Door With Window (Drawing 1 of 2)

Models ATEE9ASP283CW01, ATGE9ASP093CW01, BTEE6ASP173TW01, BTEE6ASP283CW01, LTEA5FSP153TW01, LTEA5FSP153TW04, LTEA5FSP173TW01, LTEA5FSP173TW04, LTEE5ASP135MW01, LTEE5ASP153TW01, LTEE5ASP155TW01, LTEE5ASP173TW01, LTEE5ASP175TW01, LTEE5ASP283CW01, LTEE5ASP285CW01, LTEE5ASP293CW01, LTEE5ASP295CW01, LTEE5FSP175TW01, LTEE5FSP275TW01, LTGE5ASP093CW01, LTGE5ASP095CW01, LTGE5FSP115TW01, UTEE5ASP173TW01, UTEE5ASP173TW08, UTEE5ASP175TW01, UTEE5ASP175TW08, UTEE5ASP283CW01, UTEE5ASP285CW01, YTEE5ASP173TW01, YTEE5ASP175TW01, YTEE5ASP283CW01 and YTEE5ASP285CW01



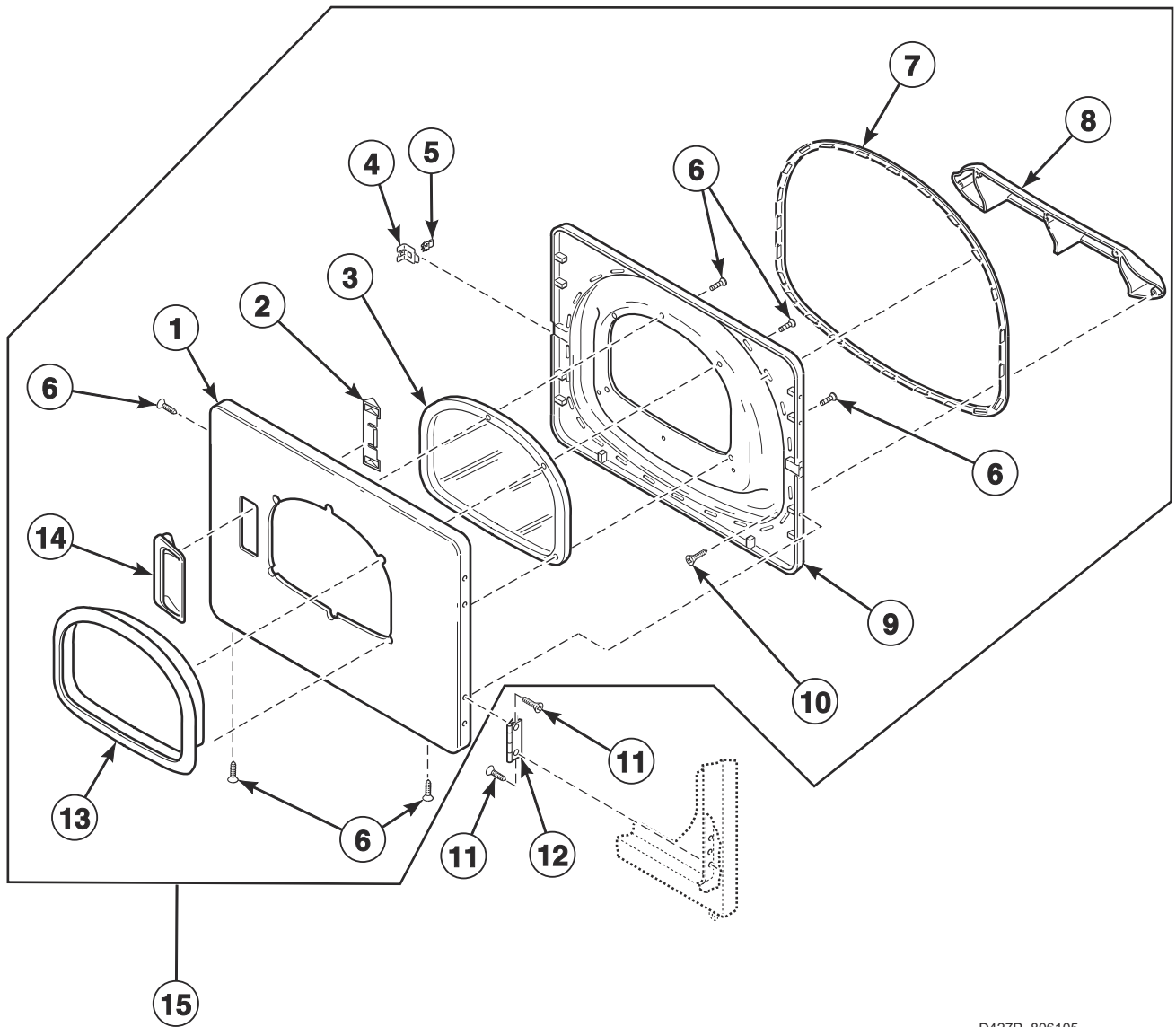
DRY2296P_806105

Dryer Door With Window (Drawing 1 of 2)

REF	PART NO.	DESCRIPTION	COMMENTS
1	D516737W	Door Assembly	Through Serial Nos. beginning 1707
	D515961W	Dryer Door	Starting Serial Nos. beginning 1707
2	D510103WP	Door Pull and Wedge Kit	
3	D503982P	Dryer Door Window	Through Serial Nos. beginning 1707
	D515681	Dryer Door Window	Glass; Starting Serial Nos. beginning 1707
4	D510127	Door Strike Mount	Through Serial Nos. beginning 1707
5	D510181	Door Strike	
6	D515597	Screw	Through Serial Nos. beginning 1707
	D515967	Screw	Starting Serial Nos. beginning 1707
7	D510147P	Liner Door Seal	Through Serial Nos. beginning 1707
	D515709	Liner Door Seal	Starting Serial Nos. beginning 1707
8	D503870LG	Door Liner Grill	Through Serial Nos. beginning 1707
	D503870W	Door Liner Grill	Starting Serial Nos. beginning 1707
9	D516737W	Door Assembly	Includes item 7; Through Serial Nos. beginning 1707
	D516509	Liner and Seal Assembly	Includes item 7; Starting Serial Nos. beginning 1707
10	D505870	Screw	
11	D505295	Screw	
12	D511036	Hinge	
13	D513958	Window Clip	Through Serial Nos. beginning 1707
14	44071201	Nut	Through Serial Nos. beginning 1707
15	D516737W	Door Assembly	Through Serial Nos. beginning 1707
	D515956W	Window Trim	Starting Serial Nos. beginning 1707
16	D515681	Dryer Door Window	
17	D516737W	Door Assembly	Includes items 1-3, 5-12, 15 and 16

Dryer Door With Window (Drawing 2 of 2)

Models ATEE9AGP435AW01, ATEE9ASG453NW36, ATEE9ASG455NW36, ATEE9ASP133DW04, ATEE9ASP433XW34, ATEE9ASP435XW34, ATEE9ASP453LW26, ATEE9ASP455LW01, ATEE9ASP543DW04, ATEE9ASP545DW04, ATEE9ASP565XW01, ATEE9AWP433AW01, ATEE9AWP435AW01, ATGE9AGP305AW01, ATGE9ASP123DW04, ATGE9ASP125DW04, ATGE9ASP303XW01, ATGE9ASP303XW26, ATGE9ASP305XW01, ATGE9ASP543DW04, ATGE9ASP545DW04, ATGE9AWP303AW01, ATGE9AWP305AW01, ATHE9ASP453NW29, ATHE9ASP455NN29, ATHE9ASP455NW29, ATLE9ASP305LW01, FTEE5ASP303NW10, FTEE5ASP303ZW01, FTEE5ASP433LW01, FTGE5ASP303NW10, LTEE5ASP133FW01, LTEE5ASP303WW01, LTEE5ASP303WW37, LTEE5ASP303ZW01, LTEE5ASP333NW01, LTEE5ASP433AW01, LTEE5ASP433AW12, LTEE5ASP453VW26, LTEE5ASP543NW01, LTEE5ASP543NW23, LTEE5ASP543RW01, LTEE5ASP553KW01, LTGE5ASP113FW01, LTGE5ASP113JW01, LTGE5ASP303AW01, LTGE5ASP303AW12, LTLE5ASP303LW01, LTLE5ASP303NW35, LTLE5ASP543NW23, LTME5ASP543KW01, TTLE5ASP303NW36, TTPE5ASP303NW36, YTEE5ASP133FW01, YTEE5ASP303NW10, YTGE5ASP113FW01, YTGE5ASP303NW21, ZTHE9ASP455NN29 and ZTHE9ASP455NW29



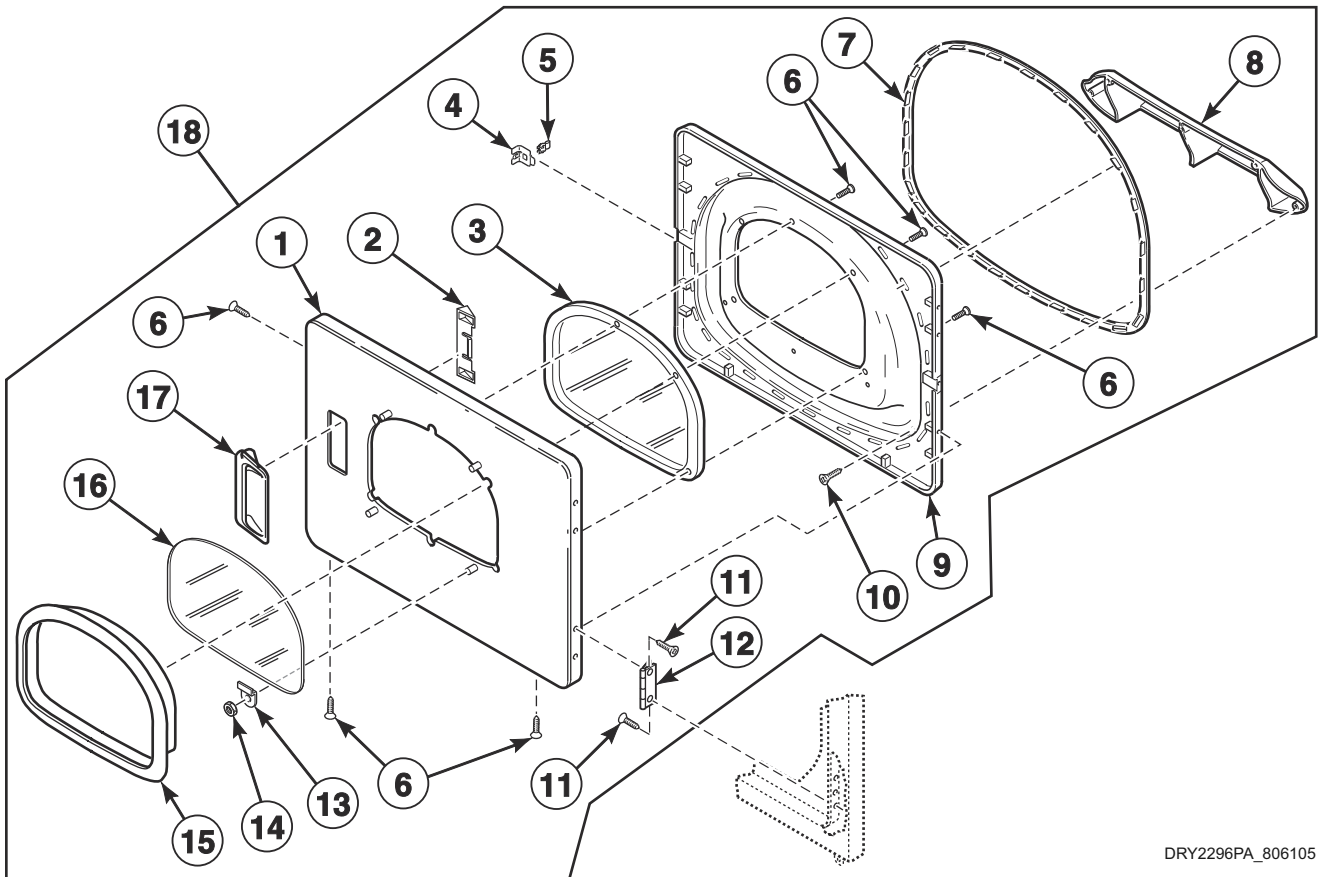
D427P_806105

Dryer Door With Window (Drawing 2 of 2)

REF	PART NO.	DESCRIPTION	COMMENTS
1	D510082WP	Dryer Door	Through Serial No.1706999999
	D515961W	Dryer Door	Starting Serial No.1707000001
2	D510129W	Door Handle Wedge	
3	D503982P	Dryer Door Window	Through Serial No.1706999999
	D515681	Dryer Door Window	Starting Serial No.1707000001
4	D510127	Door Strike Mount	Through Serial No.1706999999
5	D510181	Door Strike	
6	D500226	Screw	Through Serial No.1706999999
	D515967	Screw	Starting Serial No.1707000001
7	D510147P	Liner Door Seal	Through Serial No.1706999999
8	D503870W	Door Liner Grill	
9	D516509	Liner and Seal Assembly	
10	D505870	Screw	
11	D505295	Screw	
12	D511036	Hinge	
13	D503981W	Window Trim	Through Serial No.1706999999
14	D510103WP	Door Pull and Wedge Kit	White; Includes item 2
15	D516737W	Door Assembly	White; Includes items 1-10, 13, and 14

Dryer Door With Window - Through Serial Nos. Beginning 1707

Models BTGE6ASP093CW01, BTGE6ASP113TW01, LTGA5FSP113TW01, LTGE5ASP113TW01, LTGE5ASP115TW01, UTGE5ASP113TW01, UTGE5ASP113TW08, UTGE5ASP115TW01, UTGE5ASP115TW08, YTGE5ASP093CW01, YTGE5ASP095CW01, YTGE5ASP113TW01 and YTGE5ASP115TW01



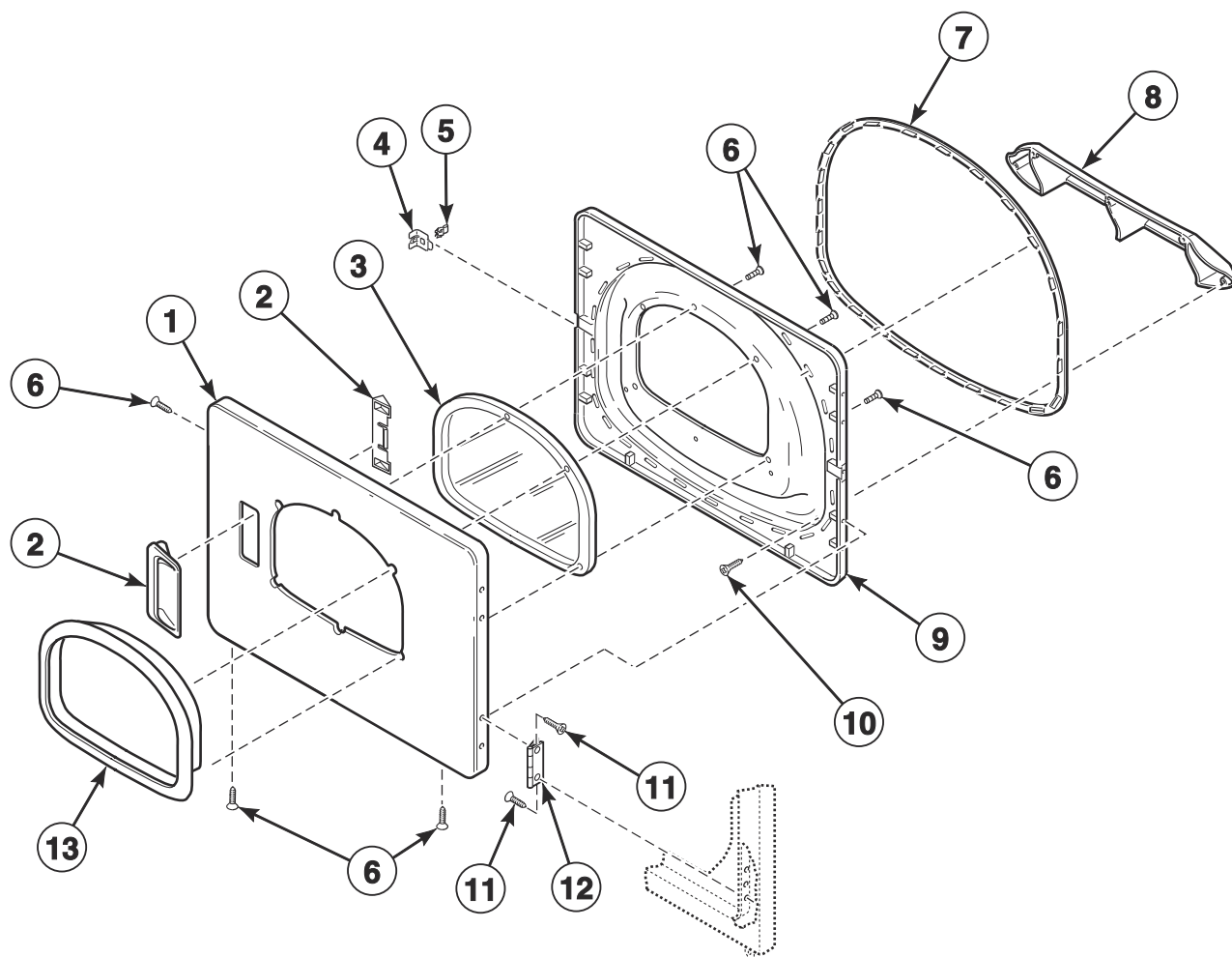
DRY2296PA_806105

Dryer Door With Window - Through Serial Nos. Beginning 1707

REF	PART NO.	DESCRIPTION	COMMENTS
1	D516737W	Door Assembly	Starting Serial No. 1606000839
	D510082WP	Dryer Door	Through Serial No. 1606000838
2	D510129W	Door Handle Wedge	
3	D503982P	Dryer Door Window	
4	D510127	Door Strike Mount	
5	D510181	Door Strike	
6	D515597	Screw	Starting Serial No. 1606000839
	D500226	Screw	Through Serial No. 1606000838
7	D510147P	Liner Door Seal	
8	D503870LG	Door Liner Grill	Starting Serial No. 1606000839
	D503870W	Door Liner Grill	Through Serial No. 1606000838
9	D516737W	Door Assembly	Includes item 7; Starting Serial No. 1606000839
	D516509	Liner and Seal Assembly	Includes item 7; Through Serial No. 1606000838
10	D505870	Screw	
11	D505295	Screw	
12	D511036	Hinge	
13	D513958	Window Clip	Starting Serial No. 1606000839
14	44071201	Nut	Starting Serial No. 1606000839
15	D516737W	Door Assembly	Starting Serial No. 1606000839
	D503981W	Window Trim	Through Serial No. 1606000838
16	D516737W	Door Assembly	Starting Serial No. 1606000839
17	D510103WP	Door Pull and Wedge Kit	White; Includes item 2
18	D516737W	Door Assembly	White; Includes items 1-10 and 17; Through Serial No. 1606000838

Dryer Door With Window - Starting Serial Nos. Beginning 1707

Models BTGE6ASP093CW01, BTGE6ASP113TW01, LTGA5FSP113TW01, LTGE5ASP113TW01, LTGE5ASP115TW01, LTGE5ASP125MW01, UTGE5ASP113TW01, UTGE5ASP113TW08, UTGE5ASP115TW01, UTGE5ASP115TW08, YTGE5ASP093CW01, YTGE5ASP095CW01, YTGE5ASP113TW01 and YTGE5ASP115TW01



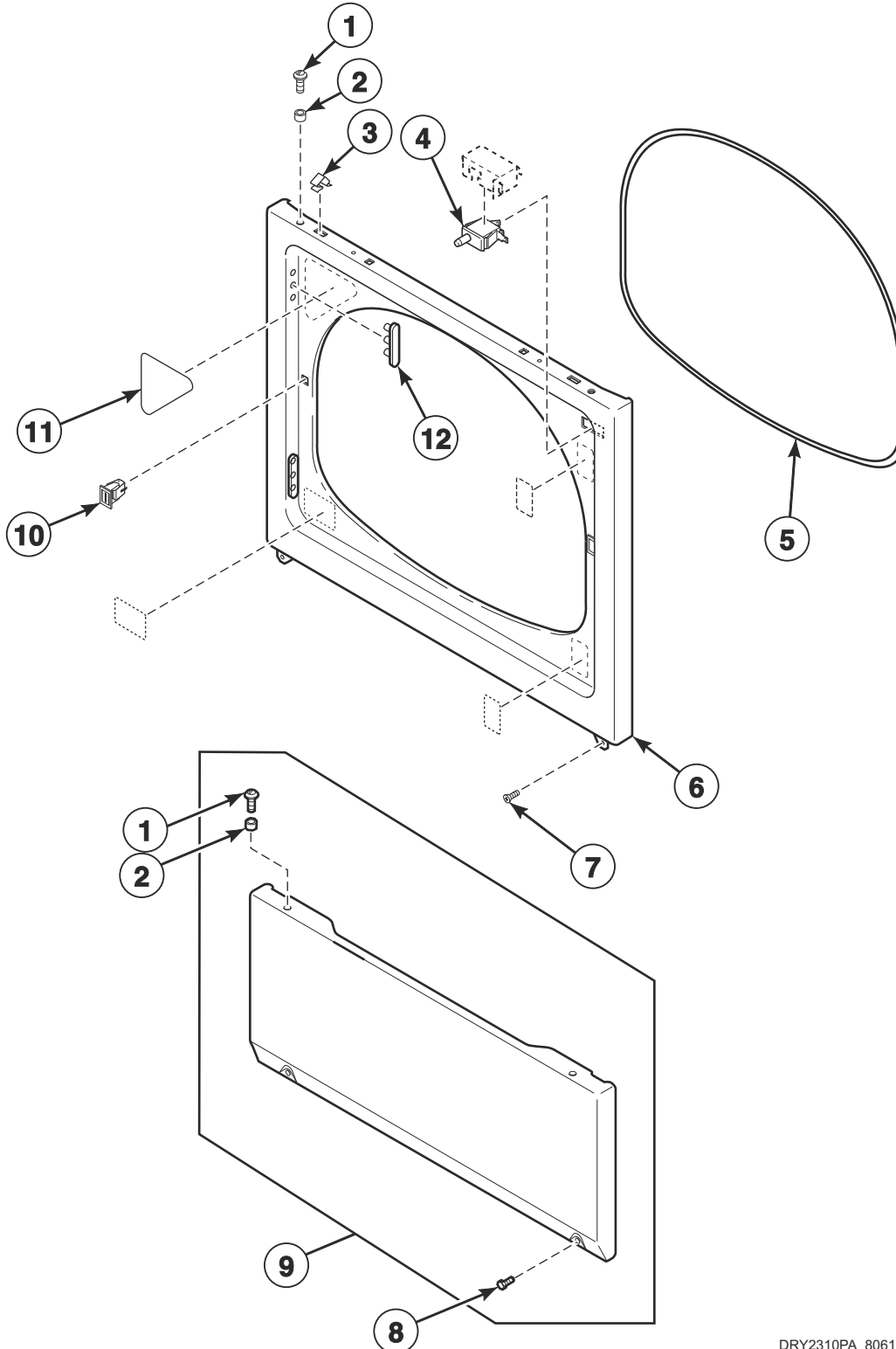
D427PA_806105

Dryer Door With Window - Starting Serial Nos. Beginning 1707

REF	PART NO.	DESCRIPTION	COMMENTS
1	D515961W	Dryer Door	
2	D510103WP	Door Pull and Wedge Kit	
3	D515681	Dryer Door Window	
4	D510127	Door Strike Mount	
5	D510181	Door Strike	
6	D515967	Screw	
7	D515709	Liner Door Seal	
8	D503870W	Door Liner Grill	
9	D516509	Liner and Seal Assembly	Includes item 7
10	D505870	Screw	
11	D505295	Screw	
12	D511036	Hinge	
13	D515956W	Window Trim	

Access Panel, Front Panel and Seal (Drawing 1 of 5)

Models ATEE9ASP283CW01, ATGE9ASP093CW01, BTEE6ASP173TW01, BTEE6ASP283CW01, BTGE6ASP093CW01, BTGE6ASP113TW01, LTEA5FSP153TW01, LTEA5FSP153TW04, LTEA5FSP173TW01, LTEA5FSP173TW04, LTEE5ASP153TW01, LTEE5ASP173TW01, LTEE5ASP283CW01, LTEE5ASP293CW01, LTGA5FSP113TW01, LTGE5ASP093CW01, LTGE5ASP113TW01, PTEE3FSP173TG01, PTEE3FSP283CG01, PTGE3FSP093CG01, PTGE3FSP113TG01, UTEE5ASP173TW01, UTEE5ASP173TW08, UTEE5ASP283CW01, UTGE5ASP113TW01, UTGE5ASP113TW08, YTEE5ASP173TW01, YTEE5ASP283CW01, YTGE5ASP093CW01 and YTGE5ASP113TW01



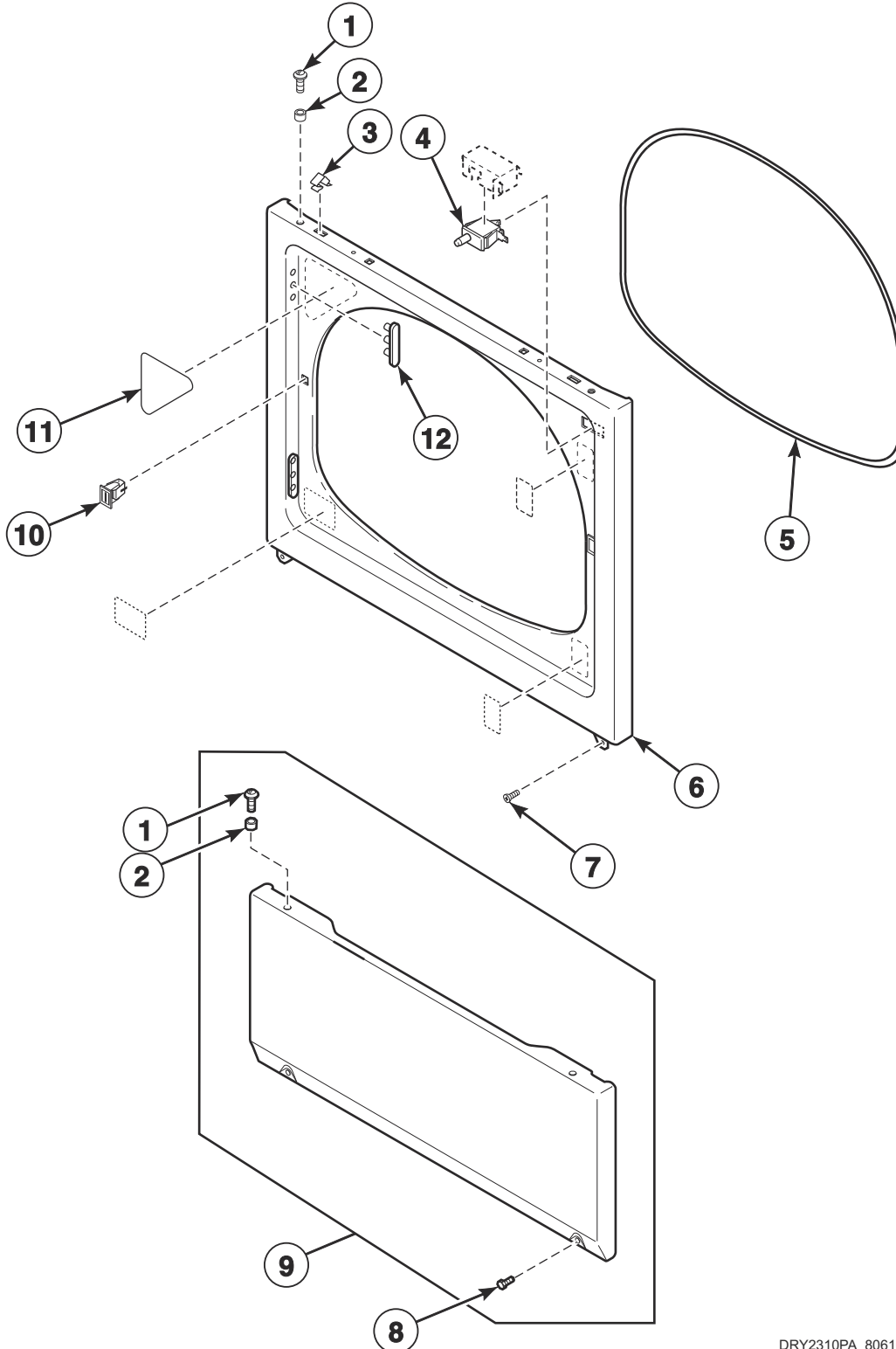
DRY2310PA_806105

Access Panel, Front Panel and Seal (Drawing 1 of 5)

REF	PART NO.	DESCRIPTION	COMMENTS
1	39733	Screw	
2	56079	Panel Locator	
3	28835	Speed Clip	
4	D512973	Switch	
5	D511056	Front Panel Seal	
6	D510066WP	Front Panel	White
	D510066DG	Front Panel	Gray
7	D503688	Screw	
8	33562	Screw	
9	D514250WP	Access Panel Assembly	White; Models ATEE9ASP283CW01, ATGE9ASP093CW01, BTEE6ASP173TW01, BTEE6ASP283CW01, BTGE6ASP093CW01, BTGE6ASP113TW01, LTEA5FSP153TW01, LTEA5FSP153TW04, LTEA5FSP173TW01, LTEA5FSP173TW04, LTEE5ASP153TW01, LTEE5ASP173TW01, LTEE5ASP283CW01, LTEE5ASP293CW01, LTGA5FSP113TW01, LTGE5ASP093CW01, LTGE5ASP113TW01, UTEE5ASP173TW01, UTEE5ASP173TW08, UTEE5ASP283CW01, UTGE5ASP113TW01, UTGE5ASP113TW08, YTEE5ASP173TW01, YTEE5ASP283CW01, YTGE5ASP093CW01 and YTGE5ASP113TW01
	D514252DG	Access Panel and Guard Assembly	Gray; Models PTEE3FSP173TG01, PTEE3FSP283CG01 and PTGE3FSP093CG01 through Serial Nos. beginning 1711; Model PTGE3FSP113TG01 starting Serial No. 1606000839 and continuing through Serial Nos. beginning 1711
	D514250DG	Access Panel Assembly	Models PTEE3FSP173TG01, PTEE3FSP283CG01 and PTGE3FSP093CG01 starting Serial Nos. beginning 1711; Model PTGE3FSP113TG01 through Serial No. 1606000838 and starting again with Serial Nos. beginning 1711
10	D510177	Door Catch Assembly	
11	D500281	Warning/Caution Label	English
12	D510186	Hinge Hole Plug	

Access Panel, Front Panel and Seal (Drawing 2 of 5)

Models ATEE9ASP285CW01, ATEE9ASP285CW14, ATEE9ASP286CW01, ATGE9ASP095CW01, ATGE9ASP095CW14, LTEE5ASP155TW01, LTEE5ASP175TW01, LTEE5ASP285CW01, LTEE5ASP295CW01, LTEE5FSP175TW01, LTEE5FSP275TW01, LTGE5ASP095CW01, LTGE5ASP115TW01, LTGE5FSP115TW01, PTEE3FSP175TG01, PTEE3FSP175TW01, PTEE3FSP285CG01, PTGE3FSP095CG01, PTGE3FSP115TG01, PTGE3FSP115TW01, UTEE5ASP175TW01, UTEE5ASP175TW08, UTEE5ASP285CW01, UTGE5ASP115TW01, UTGE5ASP115TW08, YTEE5ASP175TW01, YTEE5ASP285CW01, YTGE5ASP095CW01, YTGE5ASP115TW01, ZTEE9ASP286CW01 and ZTGE9ASP096CW01



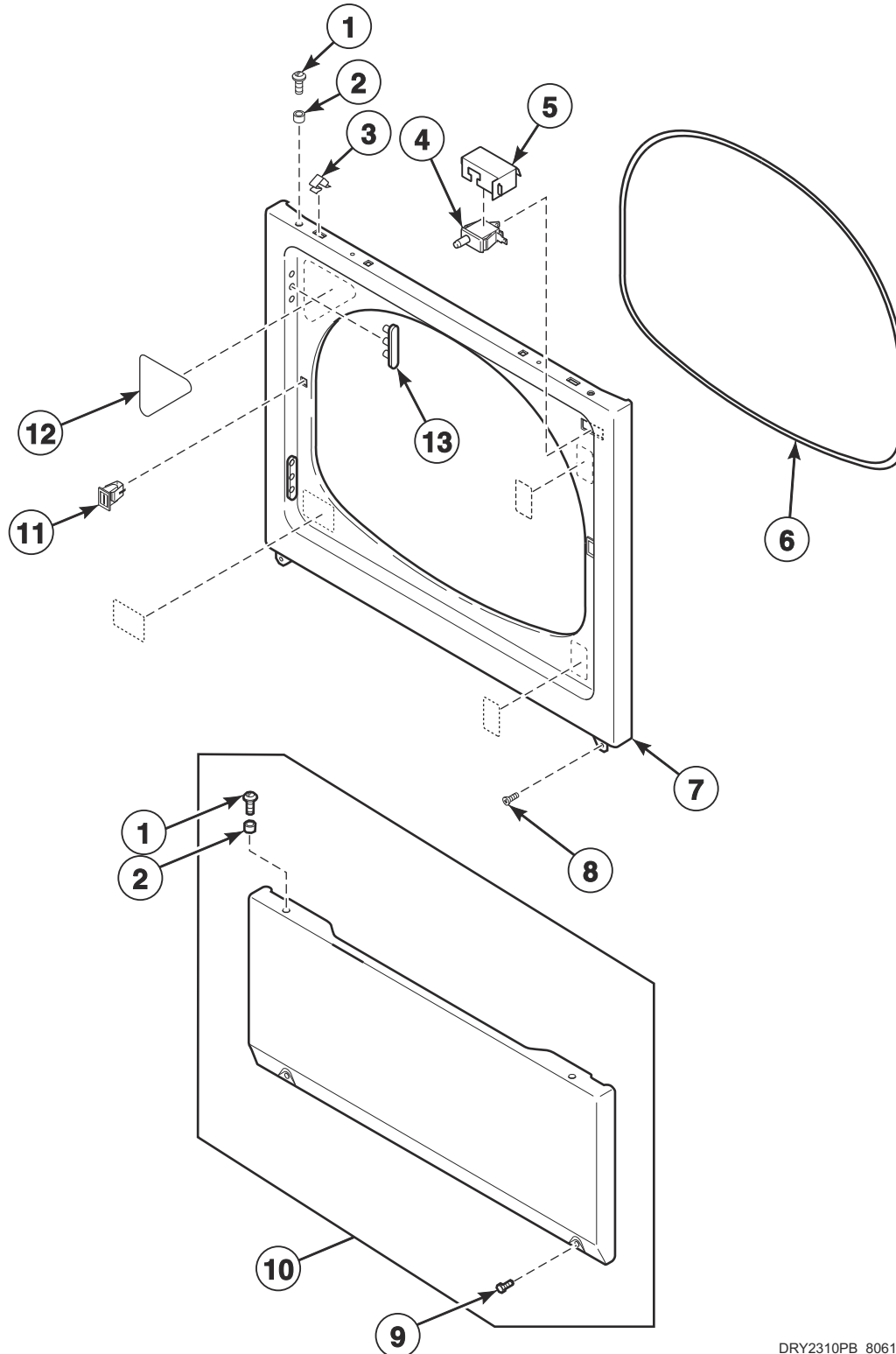
DRY2310PA_806105

Access Panel, Front Panel and Seal (Drawing 2 of 5)

REF	PART NO.	DESCRIPTION	COMMENTS
1	39733	Screw	
2	56079	Panel Locator	
3	28835	Speed Clip	
4	D512973	Switch	
5	D511056	Front Panel Seal	
6	D510066WP	Front Panel	White
	D510066DG	Front Panel	Gray
7	D503688	Screw	
8	33562	Screw	
9	D514250DG	Access Panel Assembly	Gray; Models PTEE3FSP175TG01, PTEE3FSP285CG01, PTGE3FSP095CG01 and PTGE3FSP115TG01
	D514250WP	Access Panel Assembly	White; All other models
10	D510177	Door Catch Assembly	
11	D500281	Warning/Caution Label	English
12	D510186	Hinge Hole Plug	

Access Panel, Front Panel and Seal (Drawing 3 of 5)

Models ATEE9ASG453NW36, ATEE9ASG455NW36, ATEE9ASP133DN04, ATEE9ASP133DW04, ATEE9ASP433XW34, ATEE9ASP435XW34, ATEE9ASP453LW26, ATEE9ASP455LN01, ATEE9ASP455LW01, ATEE9ASP543DN04, ATEE9ASP543DW04, ATEE9ASP545DW04, ATEE9ASP565XW01, ATGE9ASP123DN04, ATGE9ASP123DW04, ATGE9ASP125DW04, ATGE9ASP303XW01, ATGE9ASP303XW26, ATGE9ASP305XW01, ATGE9ASP543DN04, ATGE9ASP543DW04, ATGE9ASP545DW04, ATHE9ASP453NW29, ATHE9ASP455NN29, ATHE9ASP455NW29, LTEE5ASP135MW01, LTGE5ASP125MW01, ZTHE9ASP455NN29 and ZTHE9ASP455NW29



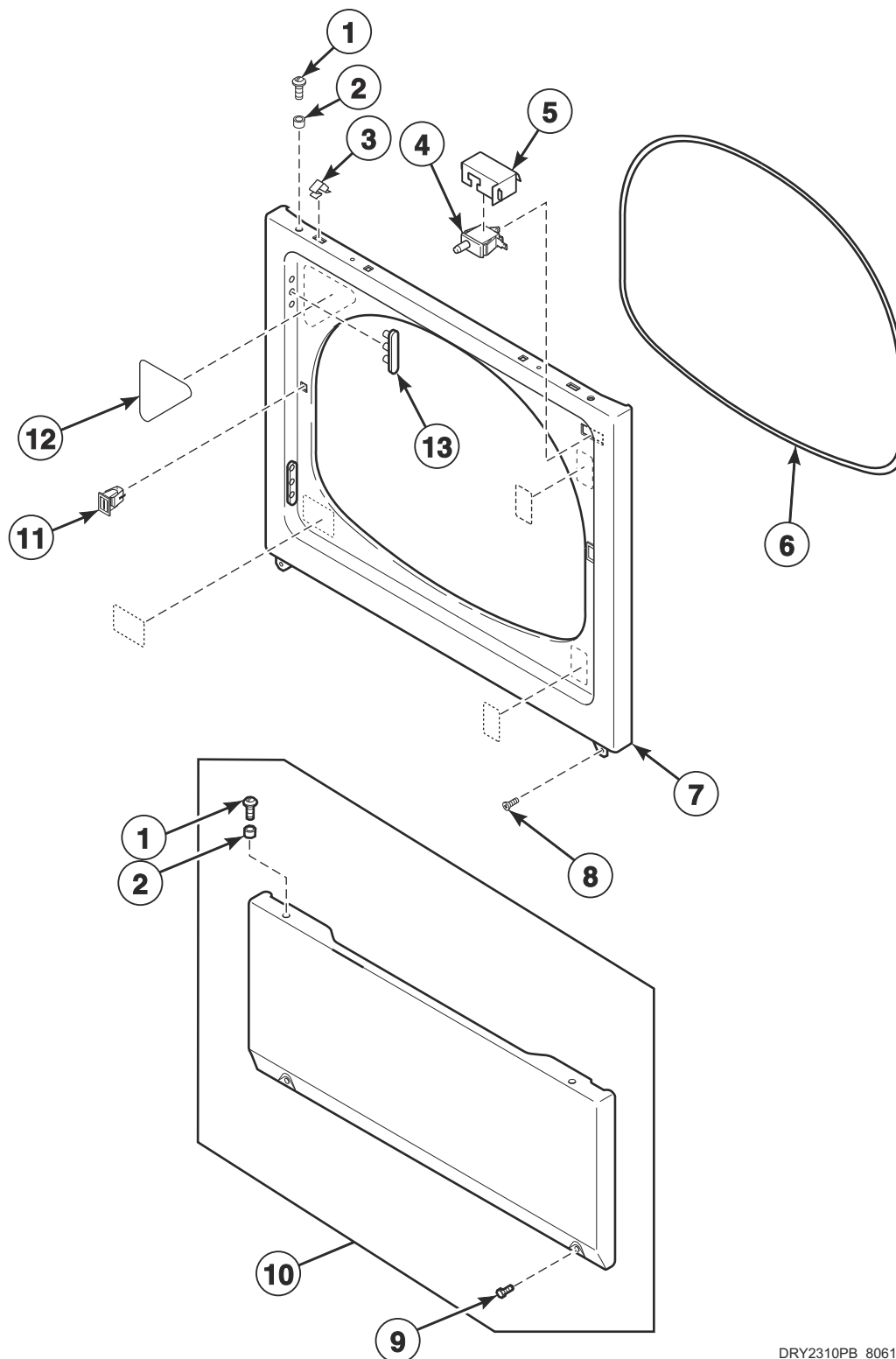
DRY2310PB_806105

Access Panel, Front Panel and Seal (Drawing 3 of 5)

REF	PART NO.	DESCRIPTION	COMMENTS
1	39733	Screw	Use with painted panels
	806276	Screw	Use with stainless steel panels
2	56079	Panel Locator	
3	28835	Speed Clip	
4	D512973	Switch	
5	D514327	Drip Shield	
6	D511056	Front Panel Seal	
7	D510066WP	Front Panel	White
	D510066DG	Front Panel	Gray
	D512542	Front Panel	Stainless steel
8	D503688	Screw	Use with painted panels
	D512921	Screw	Use with stainless steel panels
9	33562	Screw	Use with painted panels
	D512921	Screw	Use with stainless steel panels
10	D514251	Access Panel Assembly	Stainless steel; Models ATEE9ASP133DN04, ATEE9ASP455LN01, ATEE9ASP543DN04, ATGE9ASP123DN04, ATGE9ASP543DN04, ATHE9ASP455NN29 and ZTHE9ASP455NN29
	D514250WP	Access Panel Assembly	White; All other models
11	D510177	Door Catch Assembly	
12	D500281	Warning/Caution Label	English
	D514226	Warning Label	Brazilian Portuguese
	D514867	Warning Label	Thai
	D514866	Warning Label	Japanese
	D514410	Warning Label	Arabic
	D514863	Front Panel Label	Chinese
	D514864	Front Panel Label	Korean
13	D510186	Hinge Hole Plug	

Access Panel, Front Panel and Seal (Drawing 4 of 5)

Models ATLE9ASP305LW01, FTEE5ASP303NW10, FTEE5ASP303ZW01, FTGE5ASP303NW10, LTEE5AGP133ZW30, LTEE5ASP133FW01, LTEE5ASP303WW01, LTEE5ASP303WW37, LTEE5ASP303ZW01, LTEE5ASP333NW01, LTEE5ASP453VW26, LTEE5ASP543NW01, LTEE5ASP543NW23, LTEE5ASP543RW01, LTEE5ASP553KW01, LTGE5ASP113FW01, LTGE5ASP113JW01, LTLE5ASP303LW01, LTLE5ASP303NW35, LTLE5ASP543NW23, LTME5ASP543KW01, TTHE5ASP303NW36, TTPE5ASP303NW36, YTEE5ASP133FW01, YTEE5ASP303NW10 and YTGE5ASP113FW01



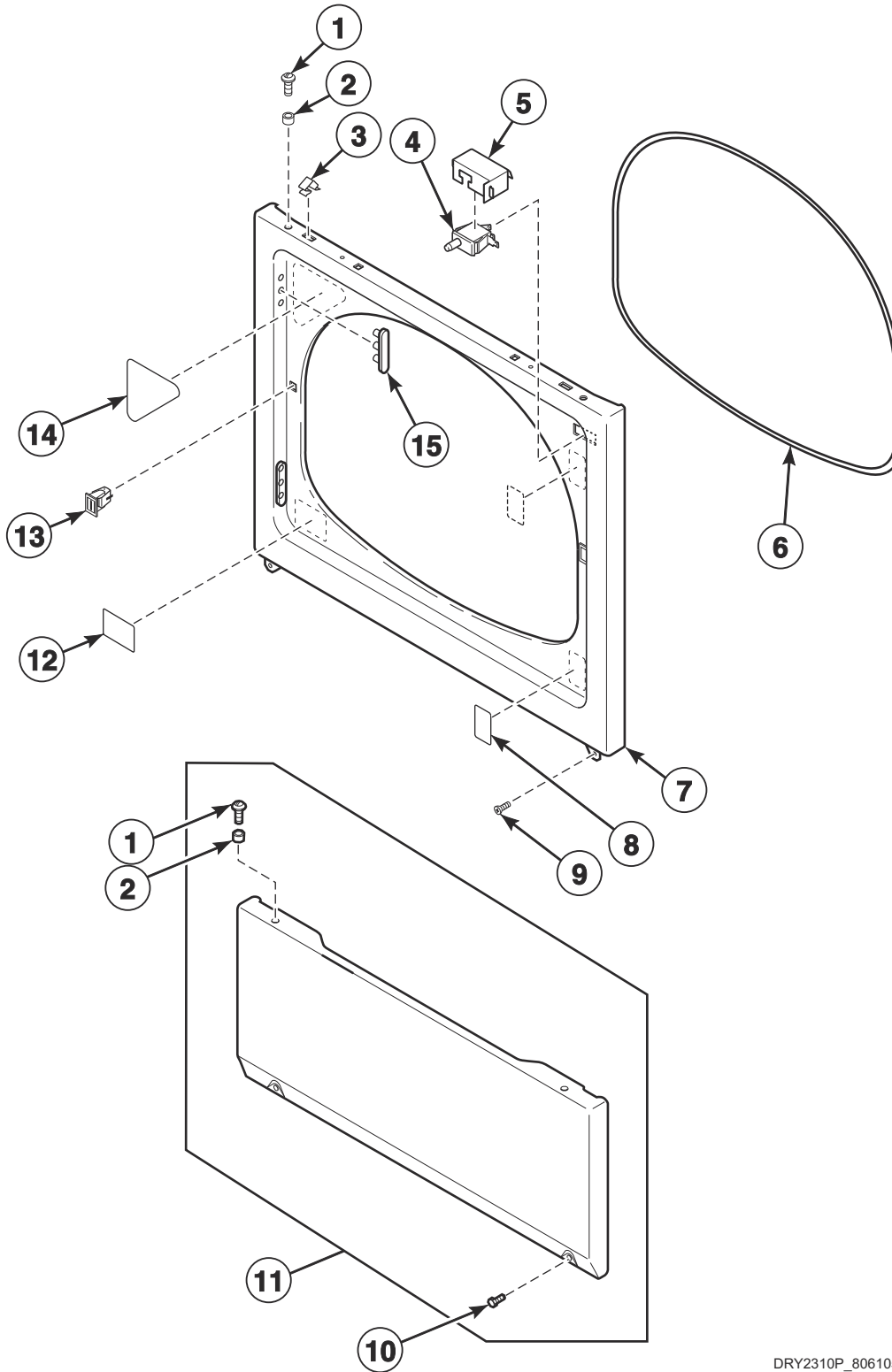
DRY2310PB_806105

Access Panel, Front Panel and Seal (Drawing 4 of 5)

REF	PART NO.	DESCRIPTION	COMMENTS
1	39733	Screw	Use with painted panels
	806276	Screw	Use with stainless steel panels
2	56079	Panel Locator	
3	28835	Speed Clip	
4	D512973	Switch	
5	D514327	Drip Shield	
6	D511056	Front Panel Seal	
7	D510066WP	Front Panel	White
	D510066DG	Front Panel	Gray
	D512542	Front Panel	Stainless steel
8	D503688	Screw	
9	33562	Screw	
10	D517012W	Access Panel Assembly	Model LTME5ASP543KW01
	D514250WP	Access Panel Assembly	White; All other models
11	D510177	Door Catch Assembly	
12	D500281	Warning/Caution Label	English
	D514226	Warning Label	Brazilian Portuguese
	D514867	Warning Label	Thai
	D514866	Warning Label	Japanese
	D514410	Warning Label	Arabic
	D514863	Front Panel Label	Chinese
	D514864	Front Panel Label	Korean
13	D510186	Hinge Hole Plug	

Access Panel, Front Panel and Seal (Drawing 5 of 5)

Models ATEE9AGP435AW01, ATEE9AWP433AW01, ATEE9AWP435AW01, ATGE9AGP305AW01, ATGE9AWP303AW01, ATGE9AWP305AW01, FTGE5ASP433LW01, LTEE5ASP433AW01, LTEE5ASP433AW12, LTGE5ASP303AW01, LTGE5ASP303AW12, PTEE3FSP433AG01, PTGE3FSP303AG01 and YTGE5ASP303NW21

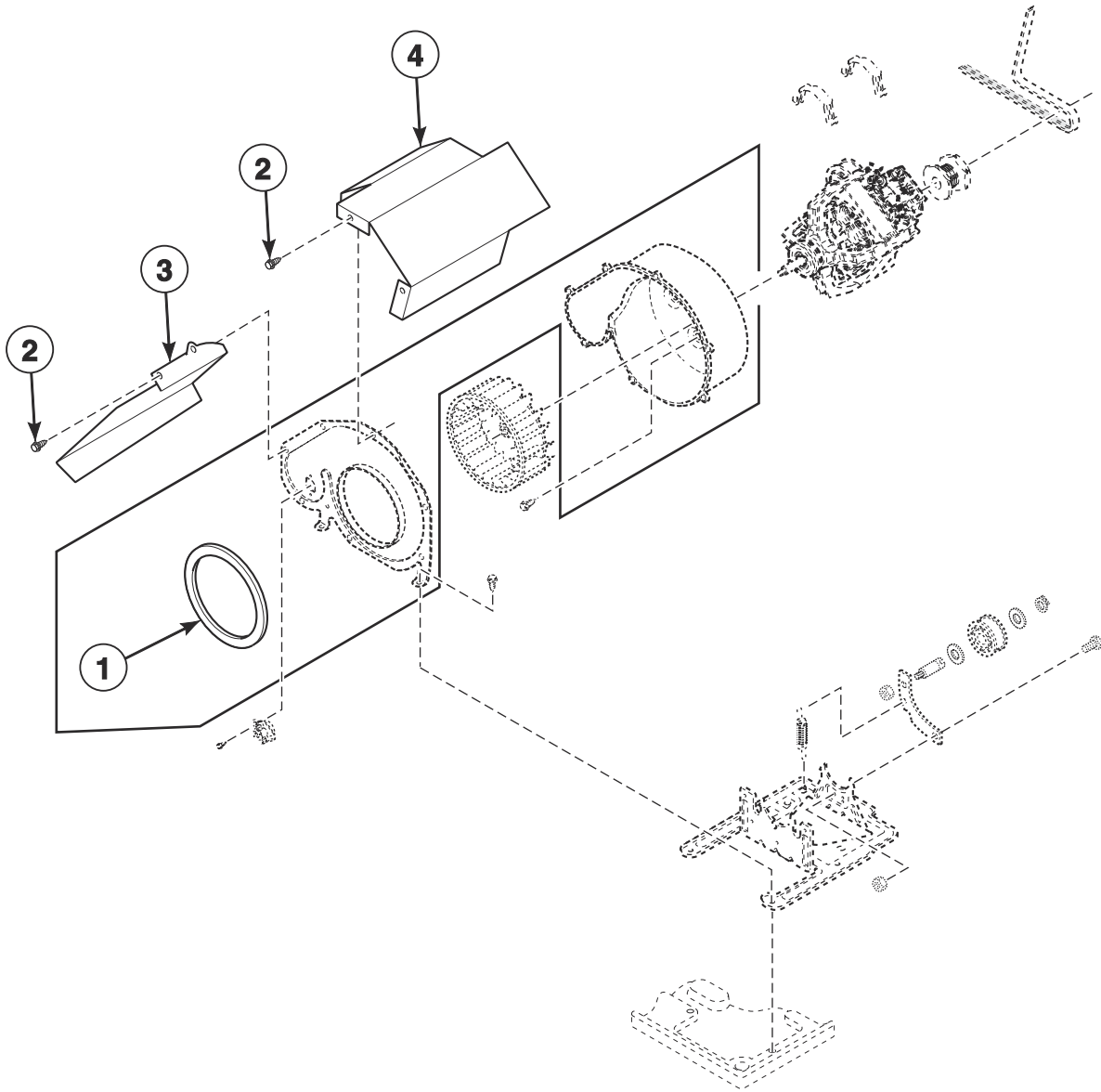


DRY2310P_806105

Access Panel, Front Panel and Seal (Drawing 5 of 5)

REF	PART NO.	DESCRIPTION	COMMENTS
1	39733	Screw	Use with painted panels
	806276	Screw	Use with stainless steel panels
2	56079	Panel Locator	
3	28835	Speed Clip	
4	D512973	Switch	
5	D514327	Drip Shield	All models except YTGE5ASP303NW21
6	D511056	Front Panel Seal	
7	D510066WP	Front Panel	White
	D510066DG	Front Panel	Gray
8	D512263	Warning Label	
9	D503688	Screw	
10	33562	Screw	
11	D514250DG	Access Panel Assembly	Models PTEE3FSP433AG01 and PTGE3FSP303AG01
	D514250WP	Access Panel Assembly	White; All other models
12	D502804	Lint Filter Label	
13	D510177	Door Catch Assembly	
14	D500281	Warning/Caution Label	English
	D514226	Warning Label	Brazilian Portuguese
	D514867	Warning Label	Thai
	D514866	Warning Label	Japanese
	D514410	Warning Label	Arabic
	D514863	Front Panel Label	Chinese
	D514864	Front Panel Label	Korean
15	D510186	Hinge Hole Plug	

Blower Housing and Shields (Drawing 1 of 2)

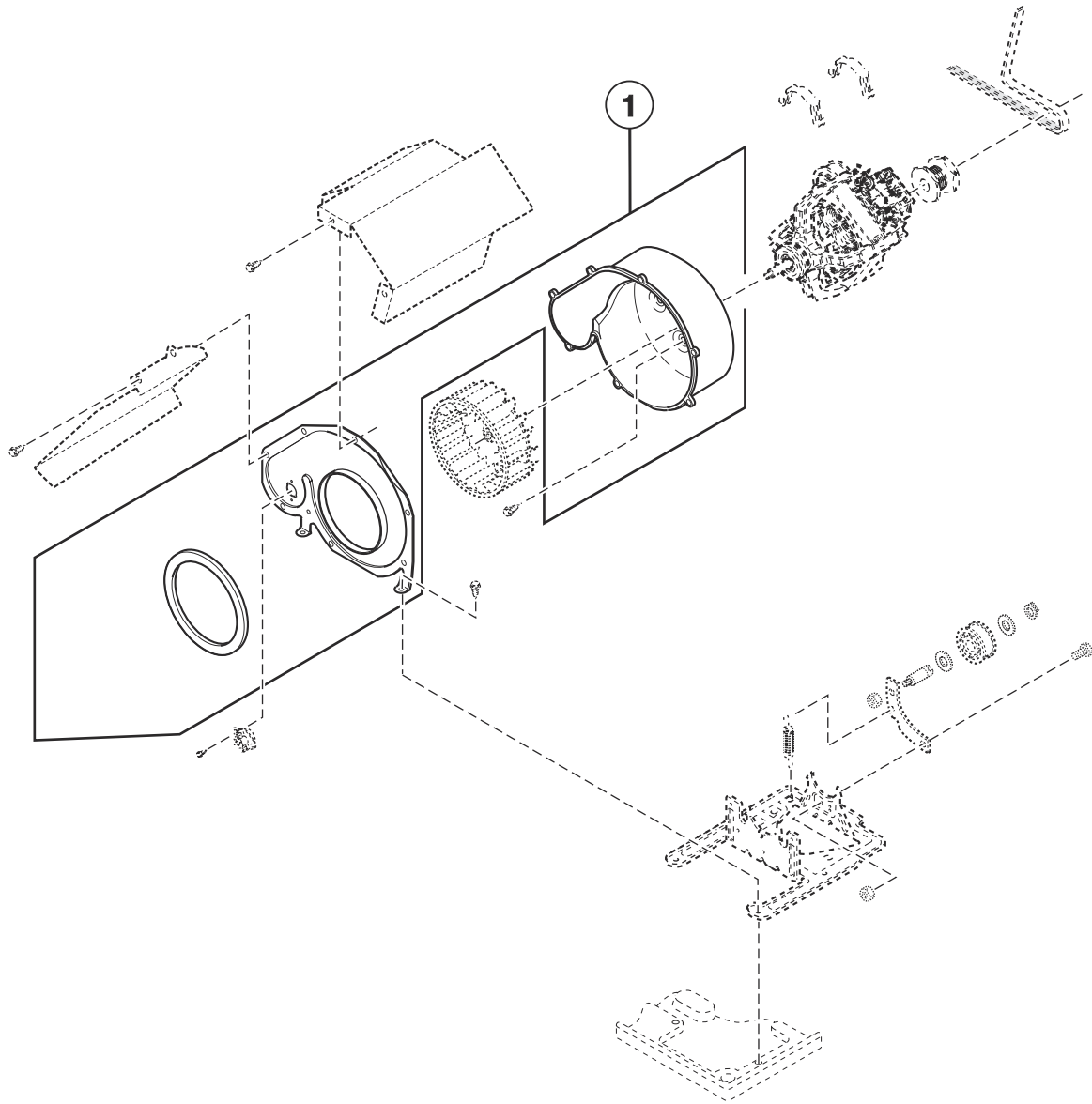


DRY2312P_806105

Blower Housing and Shields (Drawing 1 of 2)

REF	PART NO.	DESCRIPTION	COMMENTS
1	D510238P	Blower Housing Seal	
2	31260	Screw	
3	D514325	Thermostat Shield	Models ATEE9AGP435AW01, ATEE9ASP133DN04, ATEE9ASP133DW04, ATEE9ASP433XW34, ATEE9ASP435XW34, ATEE9ASP453LW26, ATEE9ASP455LN01, ATEE9ASP455LW01, ATEE9ASP543DN04, ATEE9ASP543DW04, ATEE9ASP545DW04, ATEE9ASP565XW01, ATEE9AWP433AW01, ATEE9AWP435AW01, ATGE9AGP305AW01, ATGE9ASP123DN04, ATGE9ASP123DW04, ATGE9ASP303XW01, ATGE9ASP303XW26, ATGE9ASP305XW01, ATGE9ASP543DN04, ATGE9ASP543DW04, ATGE9ASP545DW04, ATGE9AWP303AW01, ATGE9AWP305AW01, ATHE9ASP453NW29, ATHE9ASP455NN29, ATHE9ASP455NW29, ATLE9ASP305LW01, FTEE5ASP303ZW01, FTEE5ASP433LW01, LTEE5AGP133ZW30, LTEE5ASP133FW01, LTEE5ASP135MW01, LTEE5ASP303VW01, LTEE5ASP303VW37, LTEE5ASP303ZW01, LTEE5ASP433AW01, LTEE5ASP433AW12, LTEE5ASP453VW26, LTEE5ASP543RW01, LTEE5ASP553KW01, LTGE5ASP113FW01, LTGE5ASP113JW01, LTGE5ASP125MW01, LTGE5ASP303AW01, LTGE5ASP303AW12, LTLE5ASP303LW01, LTME5ASP543KW01, PTEE3FSP433AG01, PTGE3FSP303AG01, YTEE5ASP133FW01, YTGE5ASP113FW01, ZTHE9ASP455NN29 and ZTHE9ASP455NW29
4	D514602	Motor Shield	Models ATEE9AGP435AW01, ATEE9ASP133DN04, ATEE9ASP133DW04, ATEE9ASP433XW34, ATEE9ASP435XW34, ATEE9ASP453LW26, ATEE9ASP455LN01, ATEE9ASP455LW01, ATEE9ASP543DN04, ATEE9ASP543DW04, ATEE9ASP545DW04, ATEE9ASP565XW01, ATEE9AWP433AW01, ATEE9AWP435AW01, ATGE9AGP305AW01, ATGE9ASP123DN04, ATGE9ASP123DW04, ATGE9ASP303XW01, ATGE9ASP303XW26, ATGE9ASP305XW01, ATGE9ASP543DN04, ATGE9ASP543DW04, ATGE9ASP545DW04, ATGE9AWP303AW01, ATGE9AWP305AW01, ATHE9ASP453NW29, ATHE9ASP455NN29, ATHE9ASP455NW29, ATLE9ASP305LW01, FTEE5ASP303ZW01, FTEE5ASP433LW01, LTEE5AGP133ZW30, LTEE5ASP133FW01, LTEE5ASP135MW01, LTEE5ASP303VW01, LTEE5ASP303VW37, LTEE5ASP303ZW01, LTEE5ASP433AW01, LTEE5ASP433AW12, LTEE5ASP453VW26, LTEE5ASP543RW01, LTEE5ASP553KW01, LTGE5ASP113FW01, LTGE5ASP113JW01, LTGE5ASP125MW01, LTGE5ASP303AW01, LTGE5ASP303AW12, LTLE5ASP303LW01, LTME5ASP543KW01, PTEE3FSP433AG01, PTGE3FSP303AG01, YTEE5ASP133FW01, YTGE5ASP113FW01, ZTHE9ASP455NN29 and ZTHE9ASP455NW29

Blower Housing and Shields (Drawing 2 of 2)

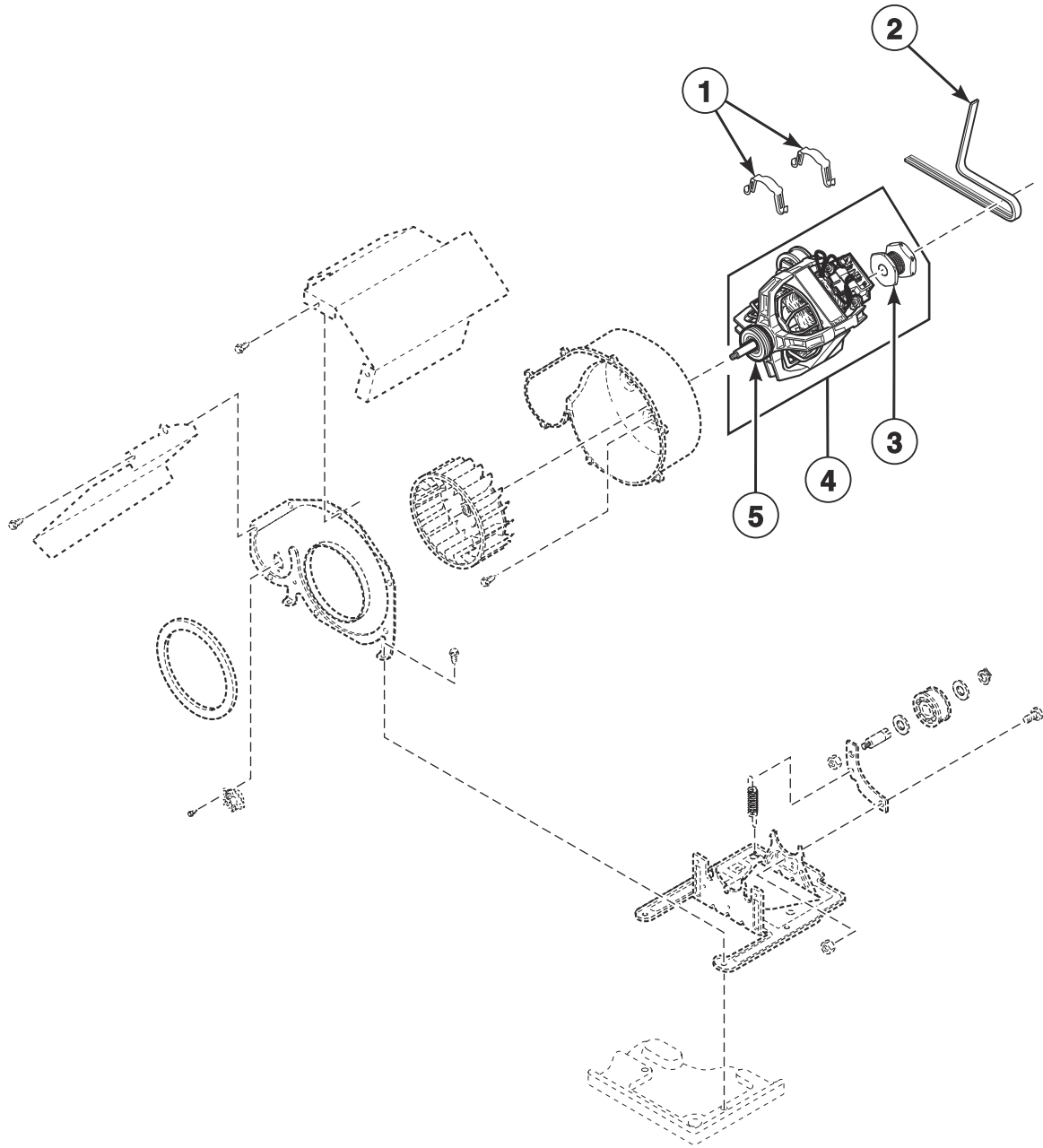


DRY2312PB_806105

Blower Housing and Shields (Drawing 2 of 2)

REF	PART NO.	DESCRIPTION	COMMENTS
1	D511969LG	Blower Housing	<p>Models ATEE9ASP283CW01, ATGE9ASP093CW01, BTEE6ASP173TW01, BTEE6ASP283CW01, LTEA5FSP153TW01, LTEA5FSP153TW04, LTEA5FSP173TW01, LTEA5FSP173TW04, LTEE5ASP153TW01, LTEE5ASP173TW01, LTEE5ASP283CW01, LTEE5ASP293CW01, LTGE5ASP093CW01, PTEE3FSP173TG01, PTEE3FSP283CG01, PTGE3FSP093CG01, PTGE3FSP113TG01, UTEE5ASP173TW01, UTEE5ASP173TW08, UTEE5ASP283CW01, YTEE5ASP173TW01 and YTEE5ASP283CW01 through Serial Nos. beginning 1711; Models BTGE6ASP093CW01, BTGE6ASP113TW01, LTGA5FSP113TW01, LTGE5ASP113TW01, UTGE5ASP113TW01, UTGE5ASP113TW08, YTGE5ASP093CW01 and YTGE5ASP113TW01 starting Serial No. 1606000839 and continuing through Serial Nos. beginning 1711</p>
	D511969WP	Blower Housing	<p>Models ATEE9ASP283CW01, ATGE9ASP093CW01, BTEE6ASP173TW01, BTEE6ASP283CW01, LTEA5FSP153TW01, LTEA5FSP153TW04, LTEA5FSP173TW01, LTEA5FSP173TW04, LTEE5ASP153TW01, LTEE5ASP173TW01, LTEE5ASP283CW01, LTEE5ASP293CW01, LTGE5ASP093CW01, PTEE3FSP173TG01, PTEE3FSP283CG01, PTGE3FSP093CG01, PTGE3FSP113TG01, UTEE5ASP173TW01, UTEE5ASP173TW08, UTEE5ASP283CW01, YTEE5ASP173TW01 and YTEE5ASP283CW01 starting Serial Nos. beginning 1711; Models BTGE6ASP093CW01, BTGE6ASP113TW01, LTGA5FSP113TW01, LTGE5ASP113TW01, UTGE5ASP113TW01, UTGE5ASP113TW08, YTGE5ASP093CW01 and YTGE5ASP113TW01 through Serial No. 1606000838 and starting again with Serial Nos. beginning 1711; All other models</p>

Motor, Exhaust Fan and Belt (Drawing 1 of 2)

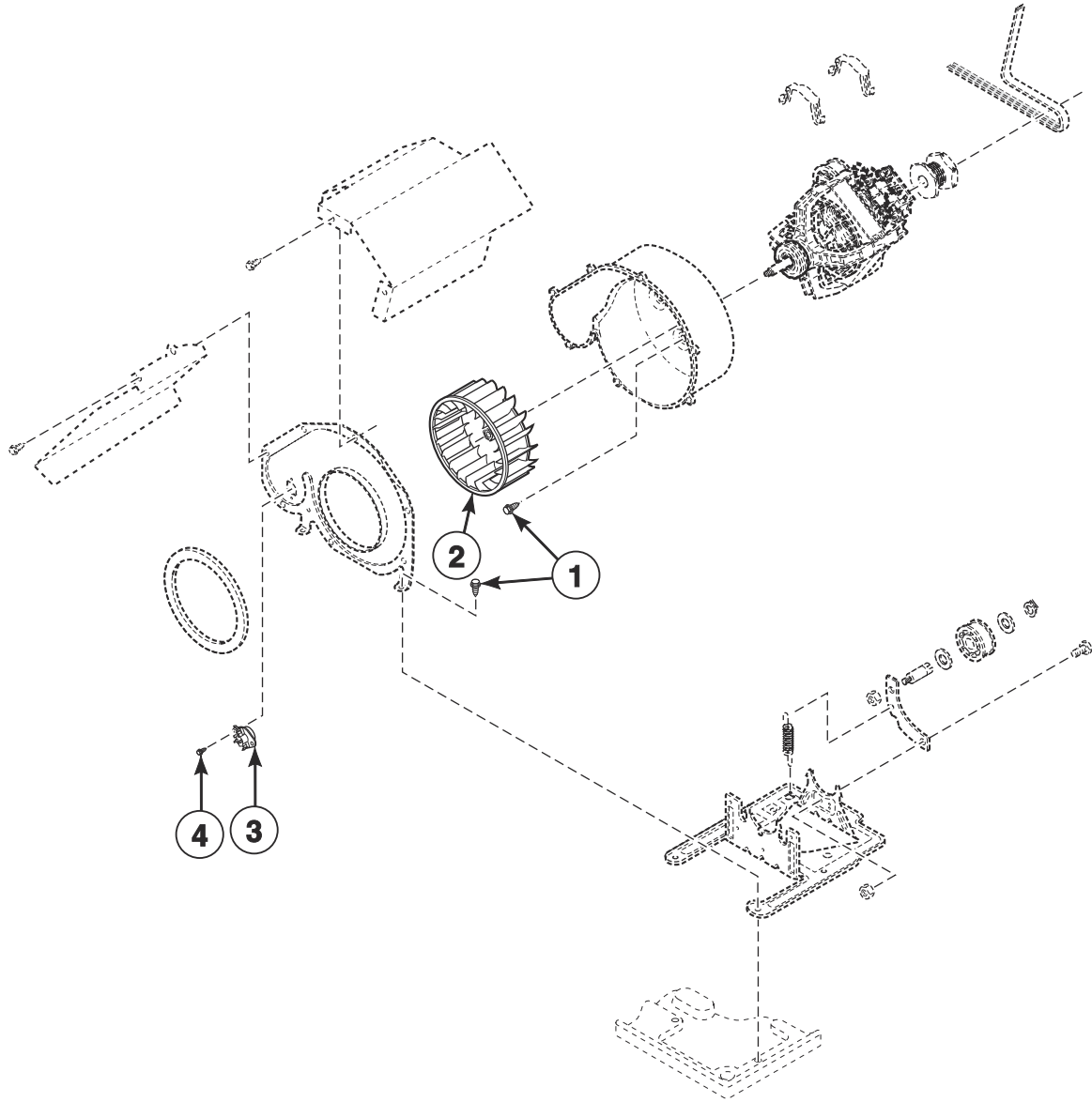


DRY2312PA_806105

Motor, Exhaust Fan and Belt (Drawing 1 of 2)

REF	PART NO.	DESCRIPTION	COMMENTS
	27604P	Anti-Seize Compound	Apply to motor shaft when installing blower fan assembly
1	D510180	Motor Mount Clamp	
2	D511255P	Cylinder Belt	
3	D500222	Motor Pulley	50 Hertz; Models ATEE9AGP435AW01, ATEE9ASG453NW36, ATEE9ASG455NW36, ATEE9ASP433XW34, ATEE9ASP435XW34, ATEE9ASP453LW26, ATEE9ASP455LN01, ATEE9ASP455LW01, ATEE9ASP565XW01, ATEE9AWP433AW01, ATEE9AWP435AW01, ATGE9AGP305AW01, ATGE9ASP303XW01, ATGE9ASP303XW26, ATGE9ASP305XW01, ATGE9AWP303AW01, ATGE9AWP305AW01, ATHE9ASP453NW29, ATHE9ASP455NN29, ATHE9ASP455NW29, FTEE5ASP303NW10, FTEE5ASP303ZW01, FTEE5ASP433LW01, FTGE5ASP303NW10, LTEE5ASP303WW01, LTEE5ASP303WW37, LTEE5ASP303ZW01, LTEE5ASP433AW01, LTEE5ASP433AW12, LTEE5ASP453VW26, LTGE5ASP303AW01, LTGE5ASP303AW12, PTEE3FSP433AG01, PTGE3FSP303AG01, TTEE5ASP303NW36, TTPE5ASP303NW36, YTEE5ASP303NW10, YTGE5ASP303NW21, ZTHE9ASP455NN29 and ZTHE9ASP455NW29
	D500011	Motor Pulley	60 Hertz; All other models
4	D505869P	Motor and Pulley Assembly	240 Volt/60 Hertz; Includes items 1, 3 and 5; Apply anti-seize compound to motor shaft when installing blower fan assembly; Models ATEE9ASP133DN04, ATEE9ASP133DW04, ATEE9ASP543DN04, ATEE9ASP543DW04, ATEE9ASP545DW04, ATGE9ASP543DN04, ATGE9ASP543DW04, ATGE9ASP545DW04, LTEE5ASP133FW01, LTEE5ASP135MW01, LTEE5ASP333NW01, LTEE5ASP543NW01, LTEE5ASP543NW23, LTEE5ASP543RW01, LTEE5ASP553KW01, LTLE5ASP543NW23 and YTEE5ASP133FW01
	D505843P	Motor and Pulley Assembly	240 Volt/50 Hertz; Includes items 1, 3 and 5; Apply anti-seize compound to motor shaft when installing blower fan assembly; Models ATEE9AGP435AW01, ATEE9ASG453NW36, ATEE9ASG455NW36, ATEE9ASP433XW34, ATEE9ASP435XW34, ATEE9ASP453LW26, ATEE9ASP455LN01, ATEE9ASP455LW01, ATEE9ASP565XW01, ATEE9AWP433AW01, ATEE9AWP435AW01, ATGE9AGP305AW01, ATGE9ASP303XW01, ATGE9ASP303XW26, ATGE9ASP305XW01, ATGE9AWP303AW01, ATGE9AWP305AW01, ATHE9ASP453NW29, ATHE9ASP455NN29, ATHE9ASP455NW29, ATLE9ASP305LW01, FTEE5ASP303NW10, FTEE5ASP303ZW01, FTEE5ASP433LW01, FTGE5ASP303NW10, LTEE5AGP133ZW30, LTEE5ASP303WW01, LTEE5ASP303WW37, LTEE5ASP303ZW01, LTEE5ASP433AW01, LTEE5ASP433AW12, LTEE5ASP453VW26, LTGE5ASP303AW01, LTGE5ASP303AW12, LTLE5ASP303LW01, LTLE5ASP303NW35, PTEE3FSP433AG01, PTGE3FSP303AG01, TTEE5ASP303NW36, TTPE5ASP303NW36, YTEE5ASP303NW10, YTGE5ASP303NW21, ZTHE9ASP455NN29 and ZTHE9ASP455NW29
	D511629P	Motor and Pulley Assembly	120 Volt/60 Hertz; Includes items 1, 3 and 5; Apply anti-seize compound to motor shaft when installing blower fan assembly; All other models
5	590P3	Motor Hub Ring Kit	

Motor, Exhaust Fan and Belt (Drawing 2 of 2)

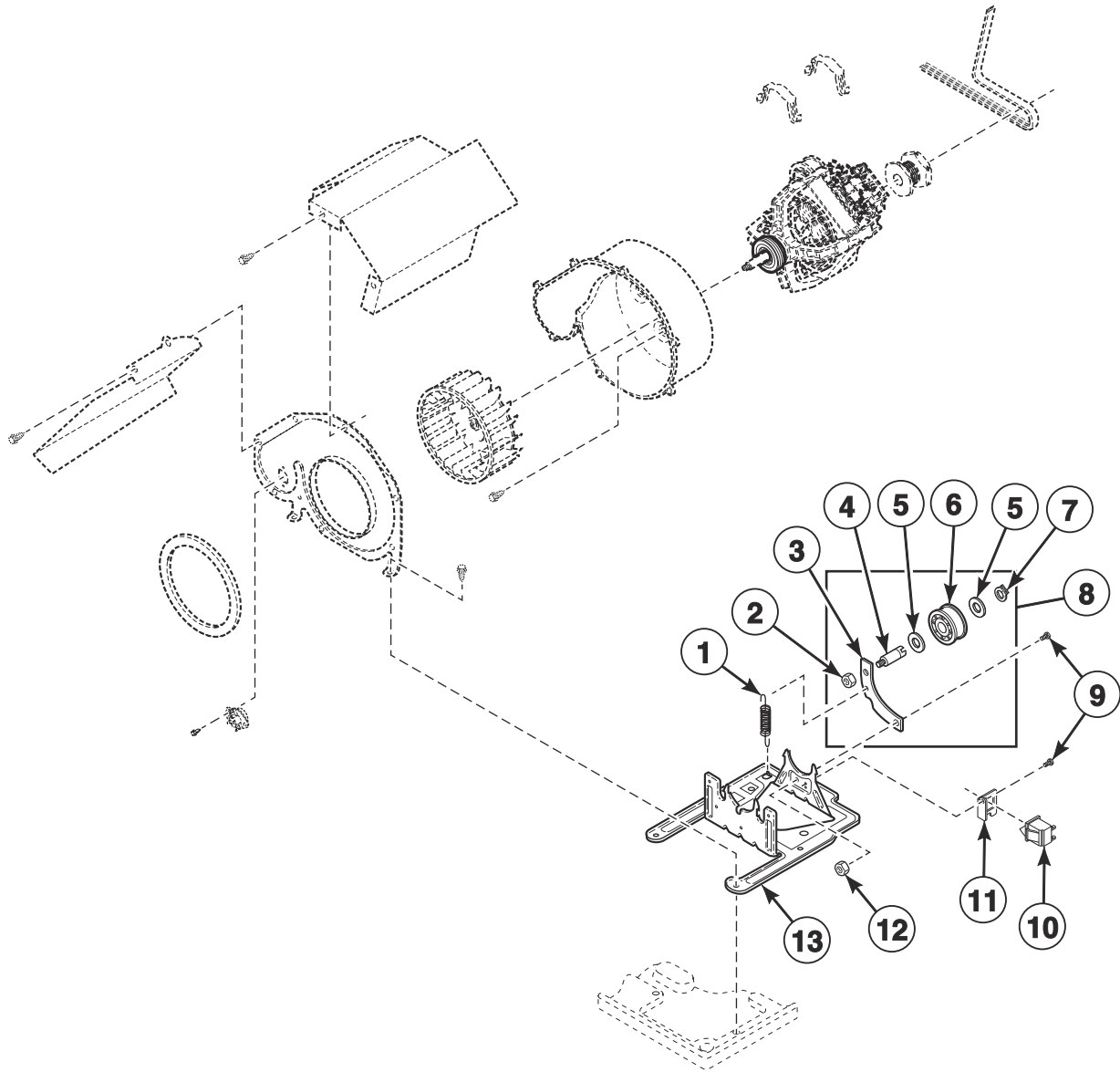


DRY2312PC_806105

Motor, Exhaust Fan and Belt (Drawing 2 of 2)

REF	PART NO.	DESCRIPTION	COMMENTS
1	D503688	Screw	
2	D510139P	Blower Fan Assembly	
3	D502366	Thermistor Assembly	Black; Models ATEE9AGP435AW01, ATEE9ASG453NW36, ATEE9ASG455NW36, ATEE9ASP433XW34, ATEE9ASP435XW34, ATEE9ASP453LW26, ATEE9ASP455LN01, ATEE9ASP455LW01, ATEE9ASP565XW01, ATEE9AWP433AW01, ATEE9AWP435AW01, ATGE9AGP305AW01, ATGE9ASP303XW01, ATGE9ASP303XW26, ATGE9ASP305XW01, ATGE9AWP303AW01, ATGE9AWP305AW01, ATHE9ASP453NW29, ATHE9ASP455NN29, ATHE9ASP455NW29, ATLE9ASP305LW01, FTEE5ASP303NW10, FTEE5ASP303ZW01, FTEE5ASP433LW01, FTGE5ASP303NW10, LTEE5AGP133ZW30, LTEE5ASP303WW01, LTEE5ASP303WW37, LTEE5ASP303ZW01, LTEE5ASP433AW01, LTEE5ASP433AW12, LTEE5ASP453VW26, LTGE5ASP303AW01, LTGE5ASP303AW12, LTLE5ASP303LW01, LTLE5ASP303NW35, PTEE3FSP433AG01, PTGE3FSP303AG01, TTHE5ASP303NW36, TTPE5ASP303NW36, YTEE5ASP303NW10, YTGE5ASP303NW21, ZTHE9ASP455NN29 and ZTHE9ASP455NW29
	D510523	Thermistor Assembly	Black; All other models
4	D502535	Screw	

Idler Assembly

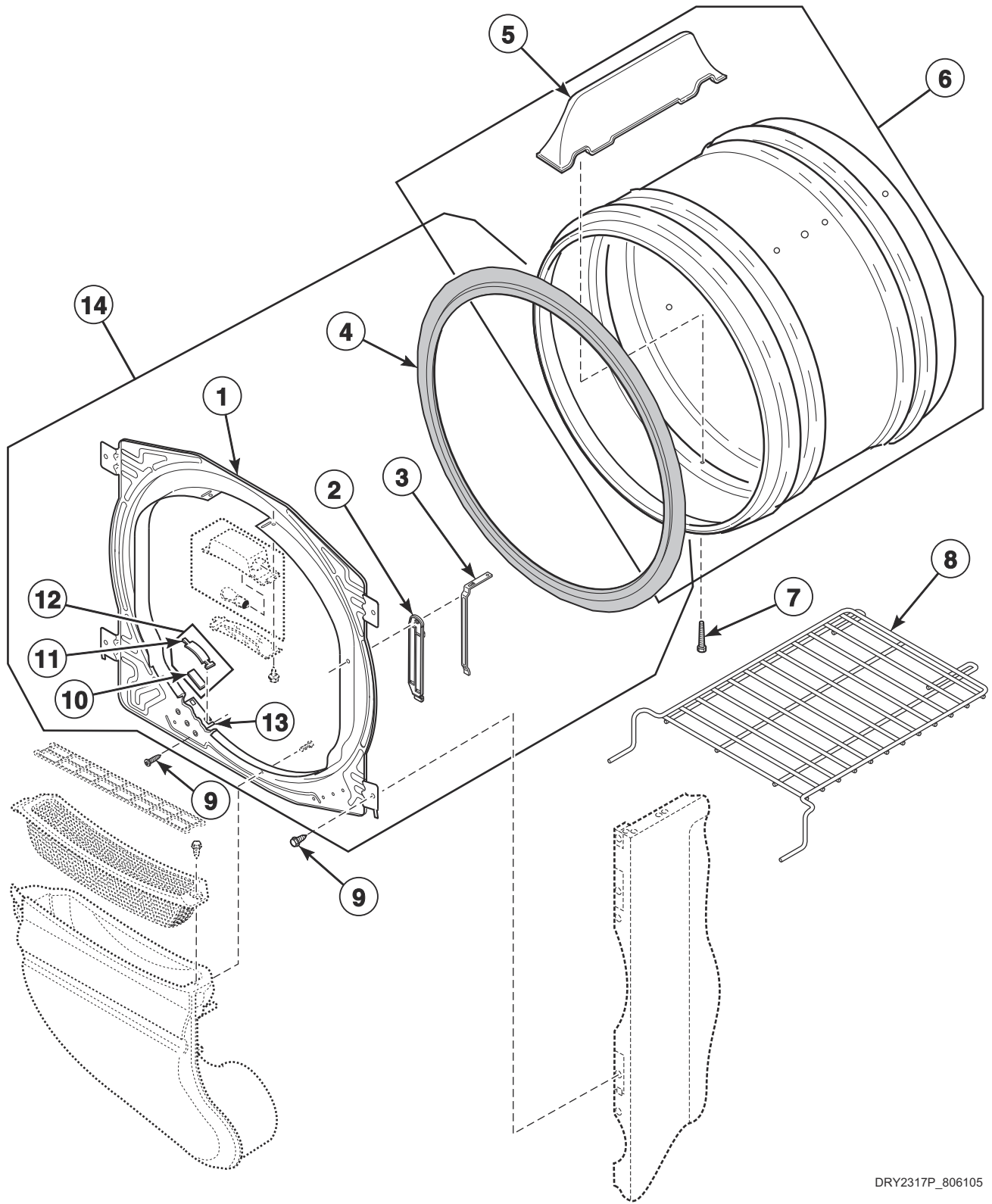


DRY2519P_806105

Idler Assembly

REF	PART NO.	DESCRIPTION	COMMENTS
1	D510185	Idler Spring	
2	56156	Nut	
3	D516310	Idler Lever	
4	56461P	Shaft	
5	52549	Washer	
6	D510142P	Idler Wheel and Bearing Assembly	
7	23748	Retaining Ring	
8	D516792	Idler Lever and Wheel Assembly	Includes items 2-7
9	D500824	Screw	
10	D516391	Switch	
11	D516311	Motor Switch Bracket	
12	52566	Nut	
13	D518517	Motor Mount	

Front Bulkhead, Felt Seal and Cylinder



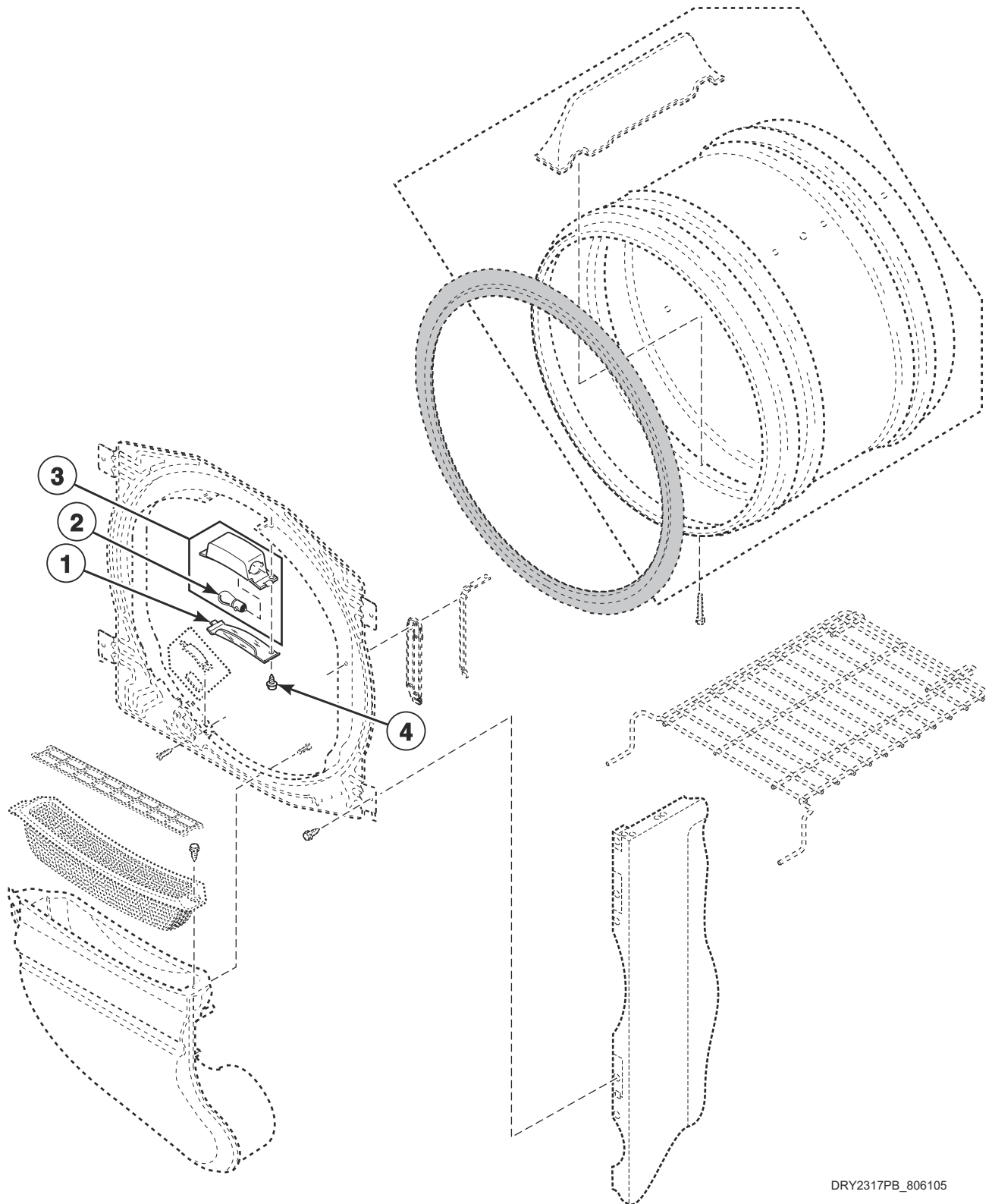
DRY2317P_806105

Front Bulkhead, Felt Seal and Cylinder

REF	PART NO.	DESCRIPTION	COMMENTS
1	D505899WP	Bulkhead Assembly	White; Includes items 4 and 10-13; Models ATEE9AGP435AW01, ATEE9AWP433AW01, ATEE9AWP435AW01, ATGE9AGP305AW01, ATGE9AWP303AW01 and ATGE9AWP305AW01
2	D513738	Moisture Sensor Base	
3	D513737	Bar Sensor	2 required
4	D510207P	Cylinder Seal Assembly	
	D511637P	Adhesive	Apply to cylinder seal
	RB170001	Seal Kit	Includes 2 cylinder seals, 510238P Blower Housing Seal and D511637P Adhesive
5	D510102LG	Cylinder Baffle	3 required; Light gray; Models ATEE9ASP133DN04, ATEE9ASP455LN01, ATEE9ASP543DN04, ATGE9ASP123DN04, ATGE9ASP543DN04, ATHE9ASP455NN29 and ZTHE9ASP455NN29
	D510102W	Cylinder Baffle	3 required; All other models
6	D510265LGP	Cylinder Assembly	Galvanized; Models ATEE9ASP133DN04, ATEE9ASP455LN01, ATEE9ASP543DN04, ATGE9ASP123DN04, ATGE9ASP543DN04, ATHE9ASP455NN29 and ZTHE9ASP455NN29
	D510265WP	Cylinder Assembly	Galvanized; Includes item 3; All other models
7	62588	Screw	
8	D512082P	Drying Rack	
9	D503688	Screw	
10	D510189	Felt Pad	2 required
11	D513710	Cylinder Glide	2 required
12	RB170003	Glide Kit	Includes items 10 and 11
13	D510145	Cylinder Glide Bracket	2 required
14	D515534P	Front Bulkhead Assembly	Galvanized; Includes items 1-4, and 10-13; Models ATEE9ASP433XW34, ATEE9ASP435XW34, ATEE9ASP453LW26, ATEE9ASP455LN01, ATEE9ASP455LW01, ATEE9ASP543DN04, ATEE9ASP543DW04, ATEE9ASP545DW04, ATEE9ASP565XW01, ATGE9ASP303XW01, ATGE9ASP303XW26, ATGE9ASP305XW01, ATGE9ASP543DN04, ATGE9ASP543DW04, ATGE9ASP545DW04, ATHE9ASP453NW29, ATHE9ASP455NN29, ATHE9ASP455NW29, ZTHE9ASP455NN29 and ZTHE9ASP455NW29
	D515533P	Front Bulkhead Assembly	Galvanized; Includes items 1-4, and 10-13; Models ATEE9ASP133DN04, ATEE9ASP133DW04, ATEE9ASP433XW34, ATEE9ASP435XW34, ATEE9ASP453LW26, ATEE9ASP455LN01, ATEE9ASP455LW01, ATEE9ASP543DN04, ATEE9ASP543DW04, ATEE9ASP545DW04, ATEE9ASP565XW01, ATGE9ASP123DN04, ATGE9ASP123DW04, ATGE9ASP125DW04, ATGE9ASP303XW01, ATGE9ASP303XW26, ATGE9ASP305XW01, ATGE9ASP543DN04, ATGE9ASP543DW04, ATGE9ASP545DW04, ATHE9ASP453NW29, ATHE9ASP455NN29, ATHE9ASP455NW29, ATLE9ASP305LW01, ZTHE9ASP455NN29 and ZTHE9ASP455NW29
	D515532	Front Bulkhead Assembly	Includes items 1-4 and 10-13; All other models

Cylinder Light (Drawing 1 of 2)

Models ATEE9AGP435AW01, ATEE9ASG453NW36, ATEE9ASG455NW36, ATEE9ASP133DN04, ATEE9ASP133DW04, ATEE9ASP283CW01, ATEE9ASP285CW01, ATEE9ASP285CW14, ATEE9ASP286CW01, ATEE9ASP433XW34, ATEE9ASP435XW34, ATEE9ASP453LW26, ATEE9ASP455LN01, ATEE9ASP455LW01, ATEE9ASP543DN04, ATEE9ASP543DW04, ATEE9ASP545DW04, ATEE9ASP565XW01, ATEE9AWP433AW01, ATEE9AWP435AW01, ATLE9ASP305LW01 and ZTEE9ASP286CW01



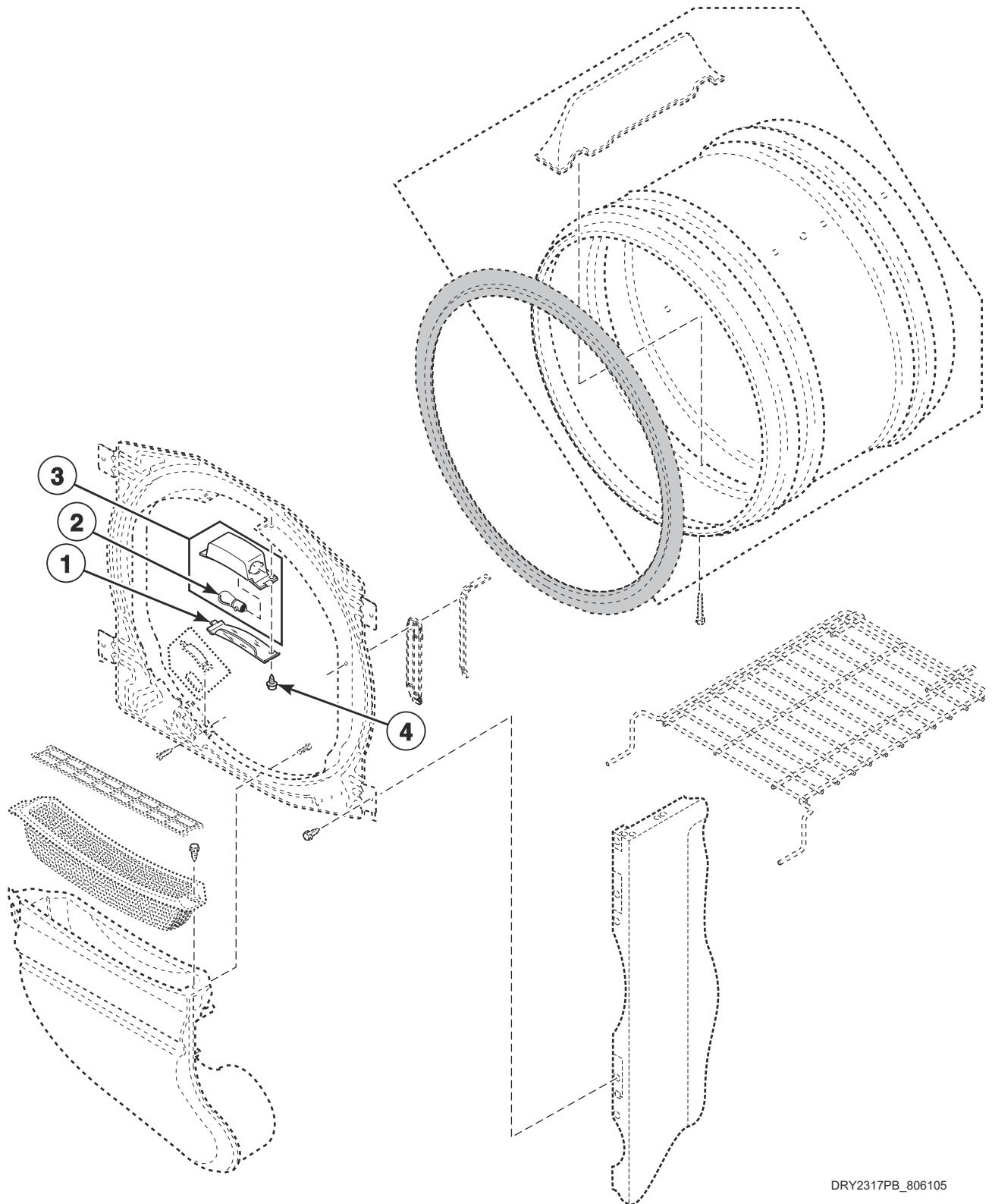
DRY2317PB_806105

Cylinder Light (Drawing 1 of 2)

REF	PART NO.	DESCRIPTION	COMMENTS
1	D512106	Cylinder Light Lens	
2	D503579	Drum Light Lamp	Models ATEE9AGP435AW01, ATEE9ASG453NW36, ATEE9ASG455NW36, ATEE9ASP433XW34, ATEE9ASP435XW34, ATEE9ASP453LW26, ATEE9ASP455LN01, ATEE9ASP455LW01, ATEE9ASP543DN04, ATEE9ASP543DW04, ATEE9ASP545DW04, ATEE9ASP565XW01, ATEE9AWP433AW01 and ATEE9AWP435AW01
	60954	Drum Light Lamp	Models ATEE9ASP133DN04, ATEE9ASP133DW04, ATEE9ASP283CW01, ATEE9ASP285CW01, ATEE9ASP285CW14, ATEE9ASP286CW01 and ZTEE9ASP286CW01
3	D512108	Light Housing Assembly	120 Volt; Includes item 2; Models ATEE9ASP133DN04, ATEE9ASP133DW04, ATEE9ASP283CW01, ATEE9ASP285CW01, ATEE9ASP285CW14, ATEE9ASP286CW01 and ZTEE9ASP286CW01
	D512109	Cylinder Light Assembly	240 Volt; Includes item 2; Models ATEE9AGP435AW01, ATEE9ASG453NW36, ATEE9ASG455NW36, ATEE9ASP433XW34, ATEE9ASP435XW34, ATEE9ASP453LW26, ATEE9ASP455LN01, ATEE9ASP455LW01, ATEE9ASP543DN04, ATEE9ASP543DW04, ATEE9ASP545DW04, ATEE9ASP565XW01, ATEE9AWP433AW01, ATEE9AWP435AW01 and ATLE9ASP305LW01
4	D500227	Screw	

Cylinder Light (Drawing 2 of 2)

Models ATGE9AGP305AW01, ATGE9ASP093CW01, ATGE9ASP095CW01, ATGE9ASP095CW14, ATGE9ASP123DN04, ATGE9ASP123DW04, ATGE9ASP125DW04, ATGE9ASP303XW01, ATGE9ASP303XW26, ATGE9ASP305XW01, ATGE9ASP543DN04, ATGE9ASP543DW04, ATGE9ASP545DW04, ATGE9AWP303AW01, ATGE9AWP305AW01, ATHE9ASP453NW29, ATHE9ASP455NN29, ATHE9ASP455NW29, ZTGE9ASP096CW01, ZTHE9ASP455NN29 and ZTHE9ASP455NW29



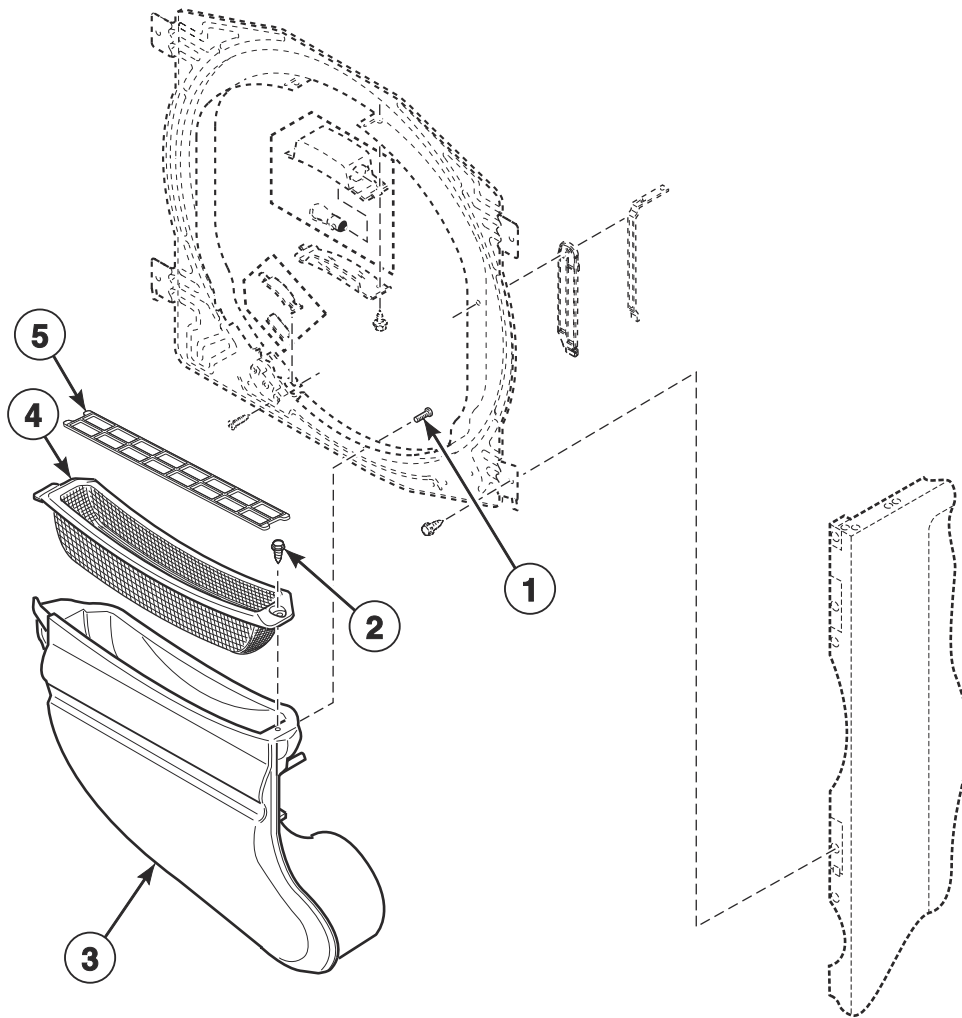
DRY2317PB_806105

Cylinder Light (Drawing 2 of 2)

REF	PART NO.	DESCRIPTION	COMMENTS
1	D512106	Cylinder Light Lens	
2	D503579	Drum Light Lamp	Models ATGE9AGP305AW01, ATGE9ASP303XW01, ATGE9ASP303XW26, ATGE9ASP305XW01, ATGE9ASP543DN04, ATGE9ASP543DW04, ATGE9ASP545DW04, ATGE9AWP303AW01, ATGE9AWP305AW01, ATHE9ASP453NW29, ATHE9ASP455NN29, ATHE9ASP455NW29, ZTHE9ASP455NN29 and ZTHE9ASP455NW29
	60954	Drum Light Lamp	Models ATGE9ASP093CW01, ATGE9ASP095CW01, ATGE9ASP095CW14, ATGE9ASP123DN04, ATGE9ASP123DW04, ATGE9ASP125DW04 and ZTGE9ASP096CW01
3	D512108	Light Housing Assembly	120 Volt; Includes item 2; Models ATGE9ASP093CW01, ATGE9ASP095CW01, ATGE9ASP095CW14, ATGE9ASP123DN04, ATGE9ASP123DW04, ATGE9ASP125DW04 and ZTGE9ASP096CW01
	D512109	Cylinder Light Assembly	240 Volt; Includes item 2; Models ATGE9AGP305AW01, ATGE9ASP303XW01, ATGE9ASP303XW26, ATGE9ASP305XW01, ATGE9ASP543DN04, ATGE9ASP543DW04, ATGE9ASP545DW04, ATGE9AWP303AW01, ATGE9AWP305AW01, ATHE9ASP453NW29, ATHE9ASP455NN29, ATHE9ASP455NW29, ZTHE9ASP455NN29 and ZTHE9ASP455NW29
4	D500227	Screw	

Air Duct (Drawing 1 of 3)

Models ATEE9ASP283CW01, ATEE9ASP285CW01, ATEE9ASP285CW14, ATEE9ASP286CW01, ATGE9ASP093CW01, ATGE9ASP095CW01, ATGE9ASP095CW14, BTEE6ASP173TW01, BTEE6ASP283CW01, LTEA5FSP153TW01, LTEA5FSP153TW04, LTEA5FSP173TW01, LTEA5FSP173TW04, LTEE5ASP135MW01, LTEE5ASP153TW01, LTEE5ASP155TW01, LTEE5ASP173TW01, LTEE5ASP175TW01, LTEE5ASP283CW01, LTEE5ASP285CW01, LTEE5ASP293CW01, LTEE5ASP295CW01, LTEE5FSP175TW01, LTEE5FSP275TW01, LTGE5ASP093CW01, LTGE5ASP095CW01, LTGE5ASP115TW01, LTGE5ASP125MW01, LTGE5FSP115TW01, PTEE3FSP173TG01, PTEE3FSP175TG01, PTEE3FSP175TW01, PTEE3FSP283CG01, PTEE3FSP285CG01, PTGE3FSP093CG01, PTGE3FSP095CG01, PTGE3FSP115TG01, PTGE3FSP115TW01, UTEE5ASP173TW01, UTEE5ASP173TW08, UTEE5ASP175TW01, UTEE5ASP175TW08, UTEE5ASP283CW01, UTEE5ASP285CW01, UTGE5ASP115TW01, UTGE5ASP115TW08, YTEE5ASP173TW01, YTEE5ASP175TW01, YTEE5ASP283CW01, YTEE5ASP285CW01, YTGE5ASP095CW01, YTGE5ASP115TW01, ZTEE9ASP286CW01 and ZTGE9ASP096CW01



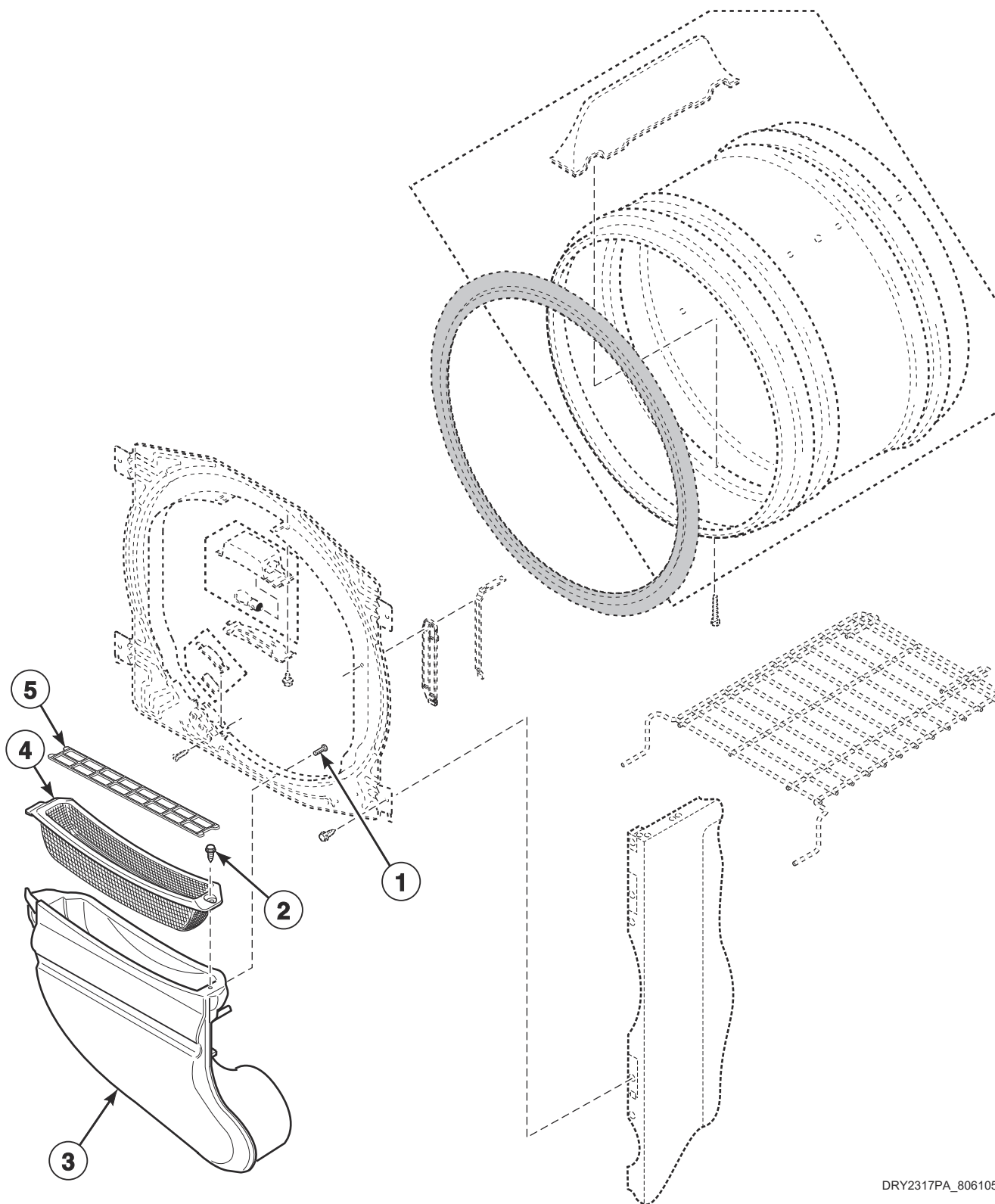
DRY2496P_806105

Air Duct (Drawing 1 of 3)

REF	PART NO.	DESCRIPTION	COMMENTS
1	D501086	Screw	
2	D501285	Screw	
3	D518431	Air Duct Assembly	Models LTEE5ASP135MW01 and LTGE5ASP125MW01
	D518433	Air Duct Assembly	All other models
4	D503980LG	Lint Filter	Light gray; Through Serial Nos. beginning 1711
	D503980W	Lint Filter	White; Starting Serial Nos. beginning 1711
5	D510502LG	Lint Filter Cover	

Air Duct (Drawing 2 of 3)

Models BTGE6ASP093CW01, BTGE6ASP113TW01, LTGA5FSP113TW01, LTGE5ASP113TW01, PTGE3FSP113TG01, UTGE5ASP113TW01, UTGE5ASP113TW08, YTGE5ASP093CW01 and YTGE5ASP113TW01



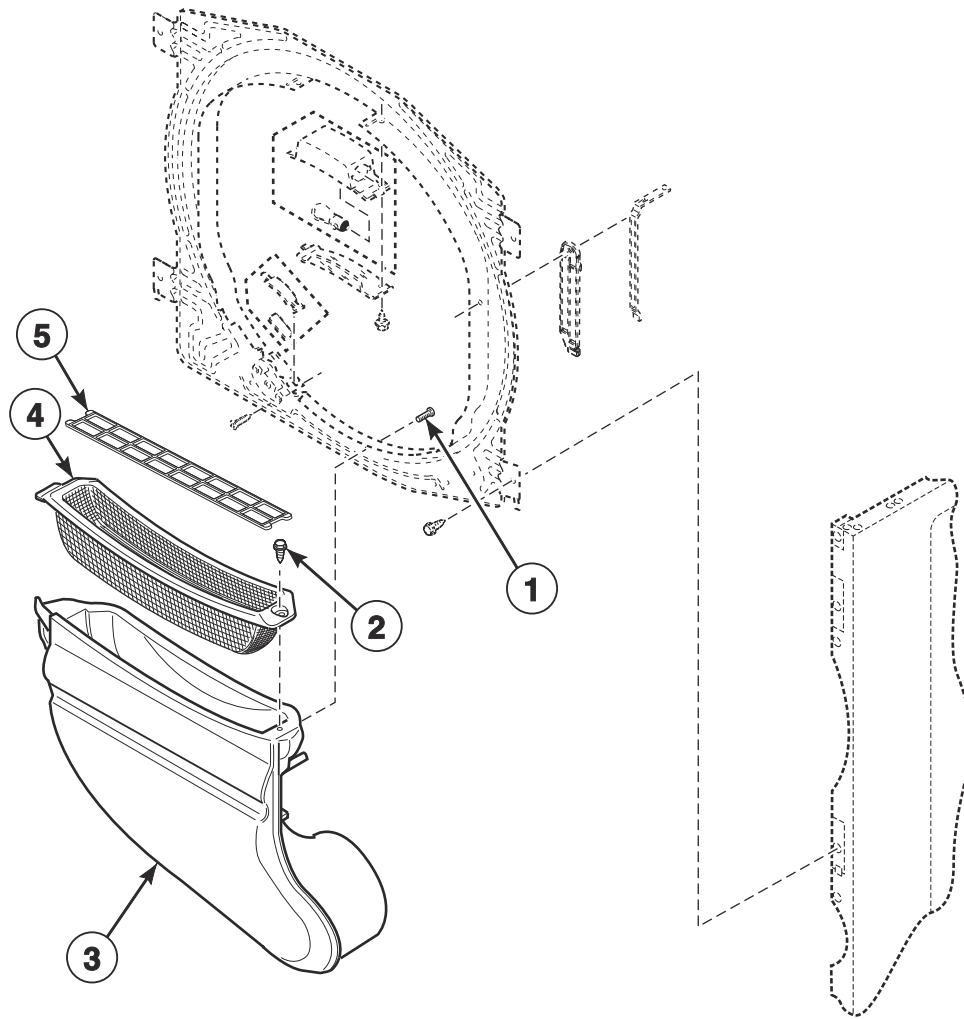
DRY2317PA_806105

Air Duct (Drawing 2 of 3)

REF	PART NO.	DESCRIPTION	COMMENTS
1	D501086	Screw	
2	D501285	Screw	
3	D518432	Air Duct Assembly	Through Serial No. 1606000838
	D518433	Air Duct Assembly	Starting Serial No. 1606000839
4	D503980LG	Lint Filter	Light gray; Starting Serial No. 1606000839 and continuing through Serial Nos. beginning 1711
	D503980W	Lint Filter	White; Through Serial No. 1606000838 and starting again with Serial Nos. beginning 1711
5	D510502W	Lint Filter Cover	Through Serial No. 1606000838
	D510502LG	Lint Filter Cover	Starting Serial No. 1606000839

Air Duct (Drawing 3 of 3)

Models ATEE9AGP435AW01, ATEE9ASG453NW36, ATEE9ASG455NW36, ATEE9ASP133DN04, ATEE9ASP133DW04, ATEE9ASP433XW34, ATEE9ASP435XW34, ATEE9ASP453LW26, ATEE9ASP455LN01, ATEE9ASP455LW01, ATEE9ASP543DN04, ATEE9ASP543DW04, ATEE9ASP545DW04, ATEE9ASP565XW01, ATEE9AWP433AW01, ATEE9AWP435AW01, ATGE9AGP305AW01, ATGE9ASP123DN04, ATGE9ASP123DW04, ATGE9ASP125DW04, ATGE9ASP303XW01, ATGE9ASP303XW26, ATGE9ASP305XW01, ATGE9ASP543DN04, ATGE9ASP543DW04, ATGE9ASP545DW04, ATGE9AWP303AW01, ATGE9AWP305AW01, ATHE9ASP453NW29, ATHE9ASP455NN29, ATHE9ASP455NW29, ATLE9ASP305LW01, FTEE5ASP303NW10, FTEE5ASP303ZW01, FTEE5ASP433LW01, FTGE5ASP303NW10, LTEE5AGP133ZW30, LTEE5ASP133FW01, LTEE5ASP303WW01, LTEE5ASP303WW37, LTEE5ASP303ZW01, LTEE5ASP333NW01, LTEE5ASP433AW01, LTEE5ASP433AW12, LTEE5ASP453VW26, LTEE5ASP543NW01, LTEE5ASP543NW23, LTEE5ASP543RW01, LTEE5ASP553KW01, LTGE5ASP113FW01, LTGE5ASP113JW01, LTGE5ASP303AW01, LTGE5ASP303AW12, LTLE5ASP303LW01, LTLE5ASP303NW35, LTLE5ASP543NW23, LTME5ASP543KW01, PTEE3FSP433AG01, PTGE3FSP303AG01, TTEE5ASP303NW36, TTPE5ASP303NW36, YTEE5ASP133FW01, YTEE5ASP303NW10, YTGE5ASP113FW01, YTGE5ASP303NW21, ZTHE9ASP455NN29 and ZTHE9ASP455NW29

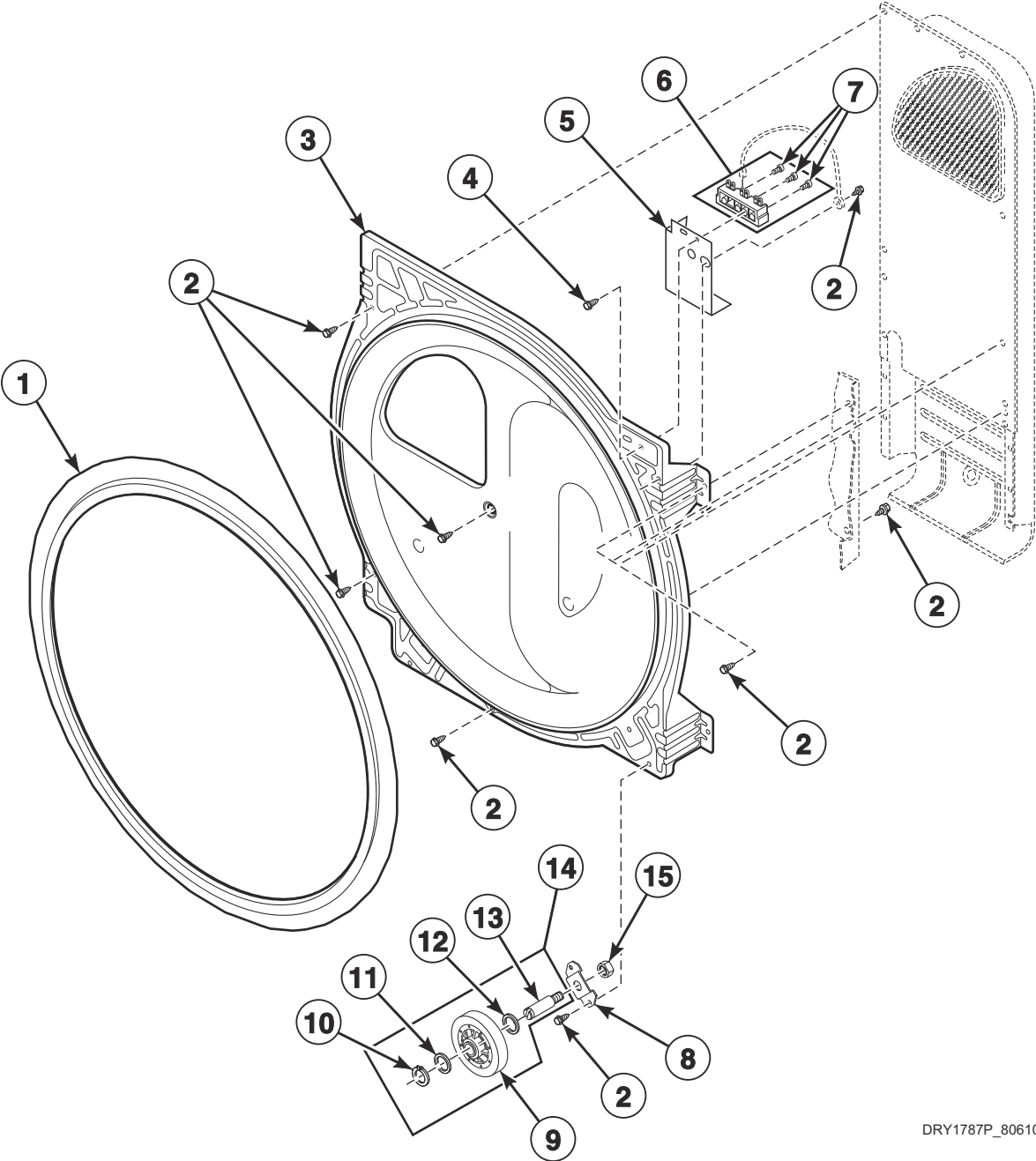


DRY2496P_806105

Air Duct (Drawing 3 of 3)

REF	PART NO.	DESCRIPTION	COMMENTS
1	D501086	Screw	
2	D501285	Screw	
3	D518433	Air Duct Assembly	Models ATEE9ASP133DN04, ATEE9ASP455LN01, ATEE9ASP543DN04, ATGE9ASP123DN04, ATGE9ASP543DN04, ATHE9ASP455NN29 and ZTHE9ASP455NN29
	D518432	Air Duct Assembly	All other models
4	D503980LG	Lint Filter	Light gray; Models ATEE9ASP133DN04, ATEE9ASP455LN01, ATEE9ASP543DN04, ATGE9ASP123DN04, ATGE9ASP543DN04, ATHE9ASP455NN29 and ZTHE9ASP455NN29
	D503980W	Lint Filter	White; All other models
5	D510502LG	Lint Filter Cover	Models ATEE9ASP133DN04, ATEE9ASP543DN04, ATGE9ASP123DN04, ATGE9ASP543DN04, ATHE9ASP455NN29 and ZTHE9ASP455NN29
	D510502W	Lint Filter Cover	All other models

Rear Bulkhead, Felt Seal, Cylinder Roller and Terminal Block



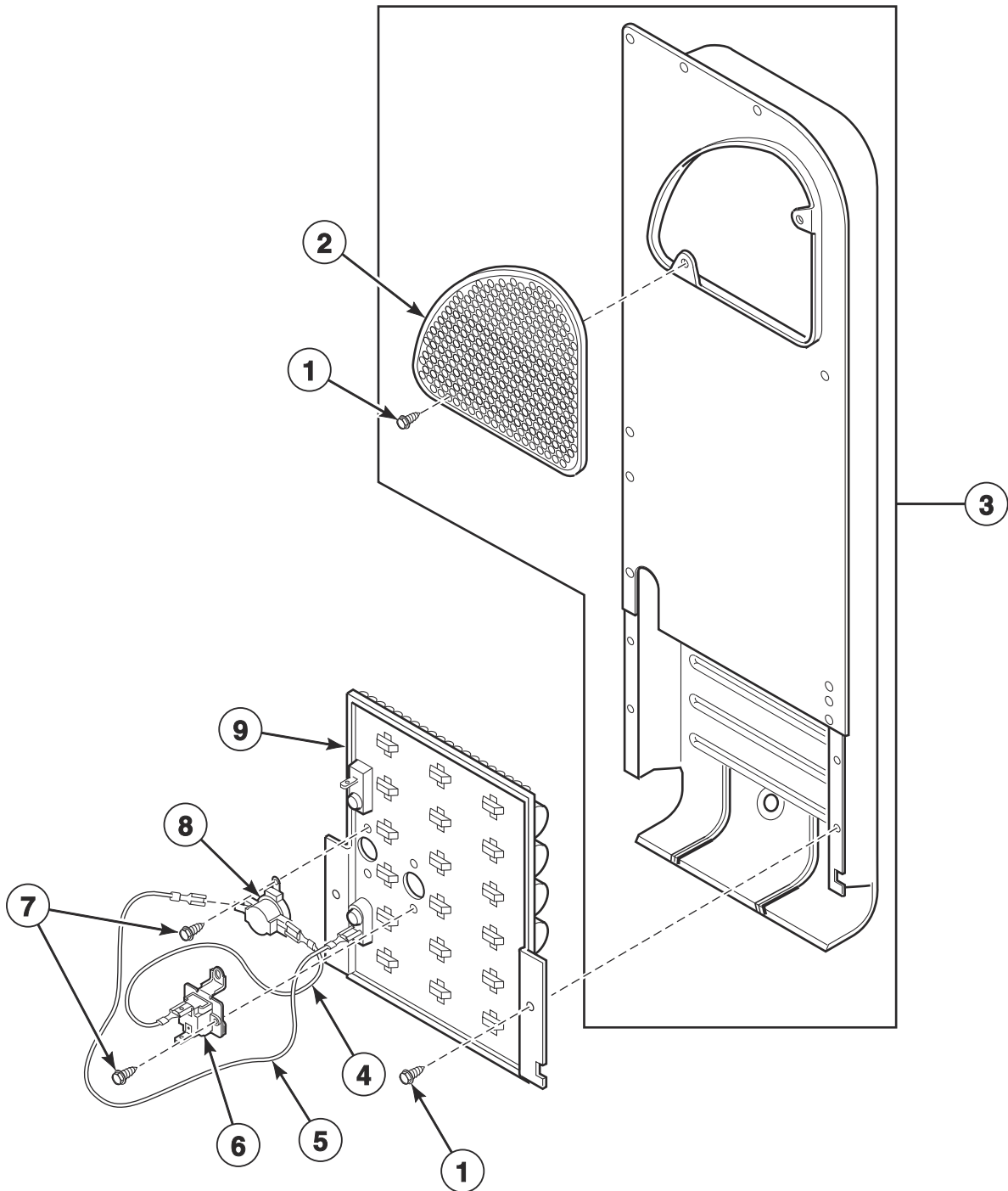
DRY1787P_806105

Rear Bulkhead, Felt Seal, Cylinder Roller and Terminal Block

REF	PART NO.	DESCRIPTION	COMMENTS
1	D510207P	Cylinder Seal Assembly	
	D511637P	Adhesive	Apply to cylinder seal
	RB170001	Seal Kit	Includes 2 cylinder seals, D510238P Blower Housing Seal and D511637P Adhesive
2	D503688	Screw	
3	D511082P	Rear Bulkhead Assembly	Galvanized; Includes item 1
	D510905WP	Rear Bulkhead Assembly	White; Includes item 1
4	D501285	Screw	Electric models; Models ATGE9ASP093CW01, ATGE9ASP095CW01, ATGE9ASP095CW14, BTGE6ASP093CW01, LTGE5ASP093CW01, LTGE5ASP095CW01, PTGE3FSP093CG01, PTGE3FSP095CG01, YTGE5ASP093CW01, YTGE5ASP095CW01 and ZTGE9ASP096CW01
5	D510237	Terminal Block Shield	Models ATEE9ASP283CW01, ATEE9ASP285CW01, ATEE9ASP285CW14, ATEE9ASP286CW01, BTEE6ASP173TW01, BTEE6ASP283CW01, LTEA5FSP153TW01, LTEA5FSP153TW04, LTEA5FSP173TW01, LTEA5FSP173TW04, LTEE5ASP153TW01, LTEE5ASP155TW01, LTEE5ASP173TW01, LTEE5ASP175TW01, LTEE5ASP283CW01, LTEE5ASP285CW01, LTEE5ASP293CW01, LTEE5ASP295CW01, LTEE5ASP333NW01, LTEE5ASP543NW01, LTEE5FSP175TW01, LTEE5FSP275TW01, PTEE3FSP173TG01, PTEE3FSP175TG01, PTEE3FSP175TW01, UTEE5ASP173TW01, UTEE5ASP173TW08, UTEE5ASP175TW01, UTEE5ASP175TW08, UTEE5ASP283CW01, UTEE5ASP285CW01, YTEE5ASP173TW01, YTEE5ASP175TW01, YTEE5ASP283CW01, YTEE5ASP285CW01 and ZTEE9ASP286CW01; Through Serial No. 1903000001
	D517715	Terminal Block Shield	Models ATEE9AGP435AW01, ATEE9ASG453NW36, ATEE9ASG455NW36, ATEE9ASP133DN04, ATEE9ASP133DW04, ATEE9ASP433XW34, ATEE9ASP435XW34, ATEE9ASP453LW26, ATEE9ASP455LN01, ATEE9ASP455LW01, ATEE9ASP543DN04, ATEE9ASP543DW04, ATEE9ASP545DW04, ATEE9ASP565XW01, ATEE9AWP433AW01, ATEE9AWP435AW01, ATHE9ASP453NW29, ATHE9ASP455NN29, ATHE9ASP455NW29, FTEE5ASP303ZW01, FTEE5ASP433LW01, FTGE5ASP303NW10, LTEE5AGP133ZW30, LTEE5ASP133FW01, LTEE5ASP135MW01, LTEE5ASP303WW01, LTEE5ASP303WW37, LTEE5ASP303ZW01, LTEE5ASP433AW01, LTEE5ASP433AW12, LTEE5ASP453VW26, LTEE5ASP543RW01, LTEE5ASP553KW01, LTLE5ASP543NW23, PTEE3FSP433AG01, TTHE5ASP303NW36, TTPE5ASP303NW36, YTEE5ASP133FW01, YTEE5ASP303NW10, ZTHE9ASP455NN29 and ZTHE9ASP455NW29
6	D510190P	Terminal Block Assembly	Includes 3 of item 7; Electric models; Models ATGE9ASP093CW01, ATGE9ASP095CW14, BTGE6ASP093CW01, LTGE5ASP093CW01, LTGE5ASP095CW01, PTGE3FSP093CG01, PTGE3FSP095CG01, YTGE5ASP093CW01 and YTGE5ASP095CW01
7	61199	Screw	
8	D510100	Cylinder Roller Bracket	
9	D510708P	Cylinder Roller	
10	23748	Retaining Ring	
11	52549	Washer	
12	D504082	Washer	
13	56461P	Shaft	
14	RB170002	Roller Kit	Includes 2 each of items 9-13
15	56156	Nut	

Heater Duct and Element Assembly

Electric Models



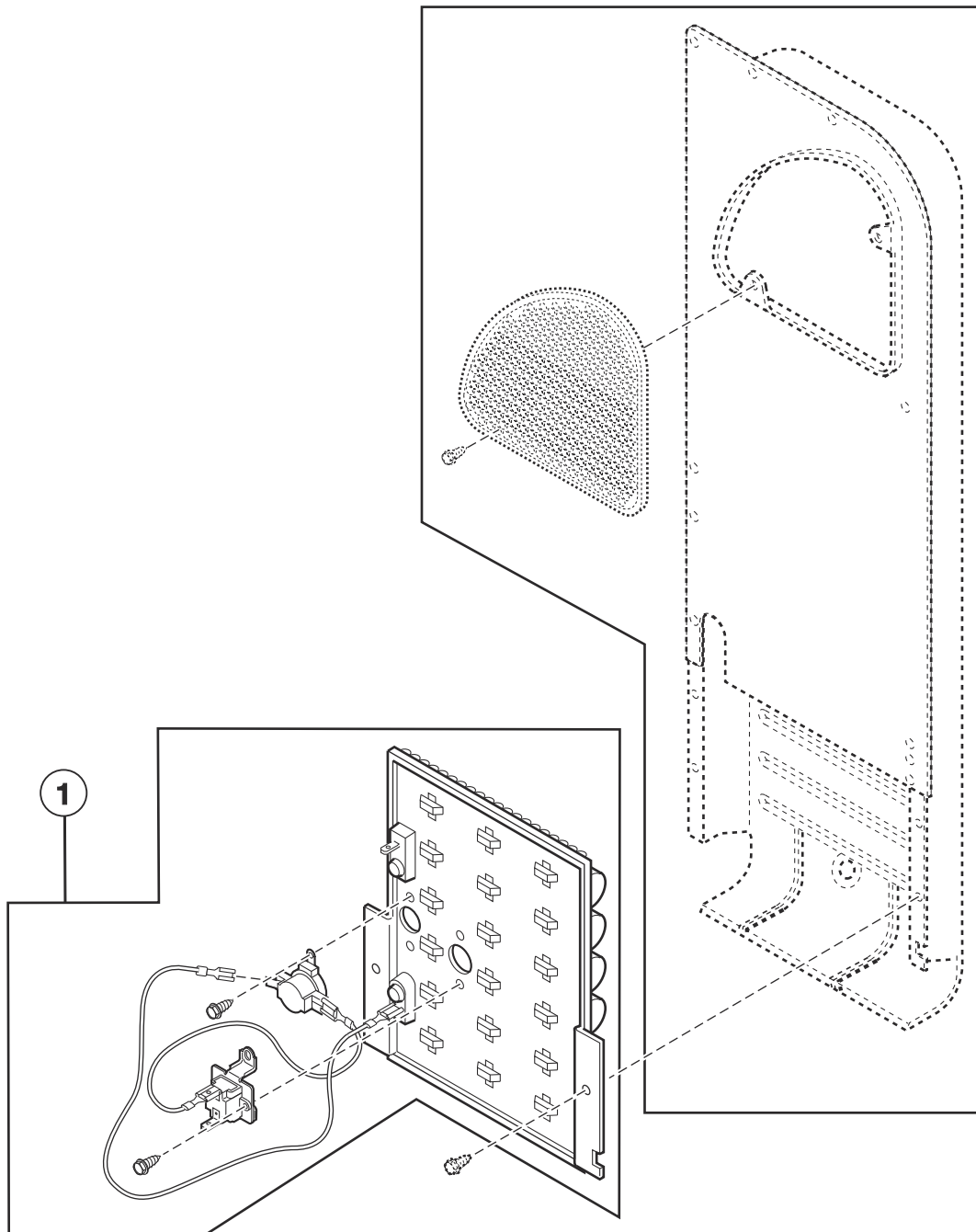
DRY1789P_806105

Heater Duct and Element Assembly

REF	PART NO.	DESCRIPTION	COMMENTS
1	D503688	Screw	
2	D518524	Outlet Cover	Black; Nitrocarburized
	D500820	Outlet Cover	Aluminized steel
3	D510025P	Heater Duct Assembly	Includes items 1 and 2
4	D518256	Wire Assembly	Orange; Thermostat jumper; Attaches to heater assembly
5	D518255	Wire Assembly	Black; Fuse jumper; Attaches to heater assembly
6	44253901	Manual Reset Thermostat	Model ATEE9ASP565XW01
	D518649	Thermal Fuse Assembly	All other models
7	23222	Screw	
8	D510700	Limit Thermostat	Models ATEE9ASG453NW36, ATEE9ASG455NW36, ATEE9ASP453LW26, ATEE9ASP455LN01, ATEE9ASP455LW01, ATEE9ASP565XW01, ATHE9ASP453NW29, ATHE9ASP455NN29, ATHE9ASP455NW29, LTEE5ASP453VW26, LTEE5ASP553KW01, ZTHE9ASP455NN29 and ZTHE9ASP455NW29
	D515873	Limit Thermostat	Models LTEE5ASP303WW01 and LTEE5ASP303WW37
	D510701	Limit Thermostat	All other models
9	D510329P	Heater Assembly	5.35 kW; 240 Volt; Models ATEE9ASP133DN04, ATEE9ASP133DW04, ATEE9ASP543DN04, ATEE9ASP543DW04, ATEE9ASP545DW04, BTEE6ASP173TW01, LTEA5FSP173TW01, LTEA5FSP173TW04, LTEE5ASP133FW01, LTEE5ASP135MW01, LTEE5ASP155TW01, LTEE5ASP173TW01, LTEE5ASP175TW01, LTEE5ASP333NW01, LTEE5ASP543NW01, LTEE5ASP543NW23, LTEE5ASP543RW01, LTEE5FSP175TW01, PTEE3FSP173TG01, PTEE3FSP175TG01, PTEE3FSP175TW01, UTEE5ASP173TW01, UTEE5ASP173TW08, UTEE5ASP175TW01, UTEE5ASP175TW08, YTEE5ASP133FW01, YTEE5ASP173TW01 and YTEE5ASP175TW01; Models LTEA5FSP153TW01, LTEA5FSP153TW04 and LTEE5ASP153TW01 starting Serial Nos. beginning 1601
	D510325P	Heater	4750 Watt; 208 Volt/60 Hertz; Models LTEA5FSP153TW01, LTEA5FSP153TW04 and LTEE5ASP153TW01 through Serial Nos. beginning 1512
	D510324P	Heater Assembly	5000 Watt; 240 Volt/60 Hertz; Models ATEE9ASP283CW01, ATEE9ASP285CW01, ATEE9ASP285CW14, ATEE9ASP286CW01, BTEE6ASP283CW01, LTEE5ASP283CW01, LTEE5ASP285CW01, LTEE5ASP293CW01, LTEE5ASP295CW01, PTEE3FSP283CG01, PTEE3FSP285CG01, UTEE5ASP283CW01, UTEE5ASP285CW01, YTEE5ASP283CW01, YTEE5ASP285CW01 and ZTEE9ASP286CW01
	D510327P	Heater Assembly	4000 Watt; 240 Volt/50 Hertz; Models ATEE9AGP435AW01, ATEE9ASP433XW34, ATEE9ASP435XW34, ATEE9AWP433AW01, ATEE9AWP435AW01, FTEE5ASP433LW01, LTEE5ASP433AW01, LTEE5ASP433AW12 and PTEE3FSP433AG01
	D510326P	Heater Assembly	4800 Watt; 240 Volt/50 Hertz; Models FTEE5ASP303NW10, FTEE5ASP303ZW01, LTEE5AGP133ZW30, LTEE5ASP303WW01, LTEE5ASP303WW37, LTEE5ASP303ZW01, LTEE5FSP275TW01, TTHE5ASP303NW36 and YTEE5ASP303NW10
	D510328P	Heater Assembly	3100 Watt; 240 Volt/50 Hertz; Models ATEE9ASG453NW36, ATEE9ASG455NW36, ATEE9ASP453LW26, ATEE9ASP455LN01, ATEE9ASP455LW01, ATHE9ASP453NW29, ATHE9ASP455NN29, ATHE9ASP455NW29, LTEE5ASP453VW26, LTEE5ASP553KW01, ZTHE9ASP455NN29 and ZTHE9ASP455NW29
	D511503P	Heater Assembly	2800 Watt; 240 Volt/50 Hertz; Model ATEE9ASP565XW01

Heater Kit Assembly

Electric Models



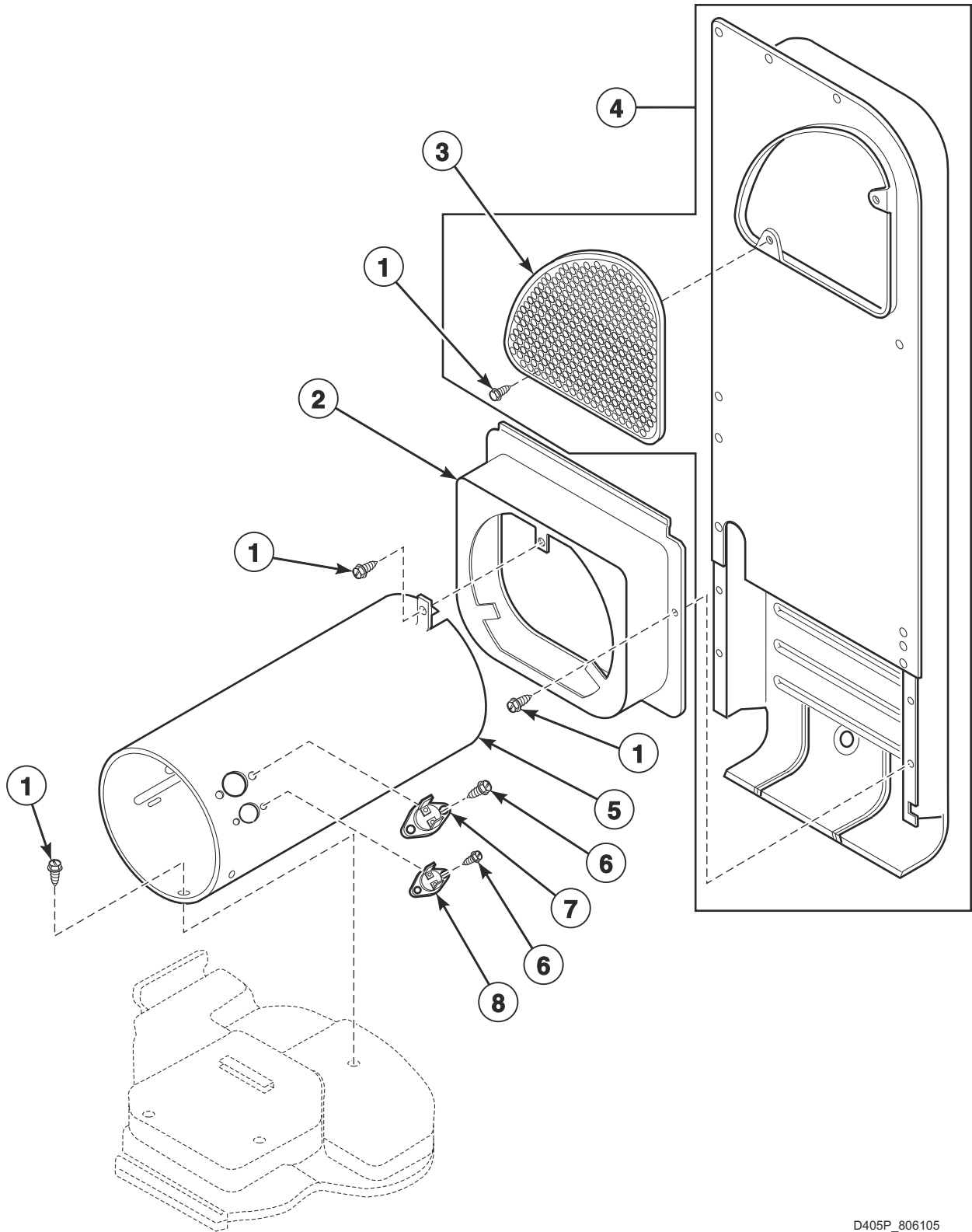
DRY1789PA_806105

Heater Kit Assembly

REF	PART NO.	DESCRIPTION	COMMENTS
1	61927	Heater Kit Assembly	5 kW; 240 Volt/60 Hertz; Includes wire assemblies, thermal fuse assembly and limit thermostat; Models ATEE9ASP283CW01, ATEE9ASP285CW01, ATEE9ASP285CW14, ATEE9ASP286CW01, BTEE6ASP283CW01, LTEE5ASP283CW01, LTEE5ASP285CW01, LTEE5ASP293CW01, LTEE5ASP295CW01, PTEE3FSP283CG01, PTEE3FSP285CG01, UTEE5ASP283CW01, UTEE5ASP285CW01, YTEE5ASP283CW01, YTEE5ASP285CW01 and ZTEE9ASP286CW01
	964P3	Heater Kit	Includes factory-installed heater; 5.35 kW; 240 Volt; Includes wire assemblies, thermal fuse assembly and limit thermostat; Models ATEE9ASP133DN04, ATEE9ASP133DW04, ATEE9ASP543DN04, ATEE9ASP543DW04, ATEE9ASP545DW04, BTEE6ASP173TW01, LTEA5FSP173TW01, LTEA5FSP173TW04, LTEE5ASP133FW01, LTEE5ASP135MW01, LTEE5ASP155TW01, LTEE5ASP173TW01, LTEE5ASP175TW01, LTEE5ASP333NW01, LTEE5ASP543NW01, LTEE5ASP543NW23, LTEE5ASP543RW01, LTEE5FSP175TW01, LTEE5FSP275TW01, PTEE3FSP173TG01, PTEE3FSP175TG01, PTEE3FSP175TW01, UTEE5ASP173TW01, UTEE5ASP173TW08, UTEE5ASP175TW01, UTEE5ASP175TW08, YTEE5ASP133FW01, YTEE5ASP173TW01 and YTEE5ASP175TW01
	61928	Heater Kit Assembly	Optional conversion; 4750 Watt; 208 Volt/60 Hertz; Models LTEA5FSP153TW01, LTEA5FSP153TW04, LTEE5ASP153TW01 and LTEE5ASP155TW01
	61930	Heater Kit Assembly	4000 Watt; 240 Volt/50 Hertz; Models ATEE9AGP435AW01, ATEE9ASP433XW34, ATEE9ASP435XW34, ATEE9AWP433AW01, ATEE9AWP435AW01, FTEE5ASP433LW01, LTEE5ASP433AW01, LTEE5ASP433AW12 and PTEE3FSP433AG01
	61929	Heater Kit Assembly	4800 Watt; 240 Volt/50 Hertz; Models FTEE5ASP303NW10, FTEE5ASP303ZW01, LTEE5AGP133ZW30, LTEE5ASP303WW01, LTEE5ASP303WW37, LTEE5ASP303ZW01, TTHE5ASP303NW36 and YTEE5ASP303NW10
	61931	Heater Kit Assembly	3100 Watt; 240 Volt/50 Hertz; Models ATEE9ASG453NW36, ATEE9ASG455NW36, ATEE9ASP453LW26, ATEE9ASP455LN01, ATEE9ASP455LW01, ATHE9ASP453NW29, ATHE9ASP455NN29, ATHE9ASP455NW29, LTEE5ASP453VW26, LTEE5ASP553KW01, ZTHE9ASP455NN29 and ZTHE9ASP455NW29

Heater Duct Assembly

Gas Models



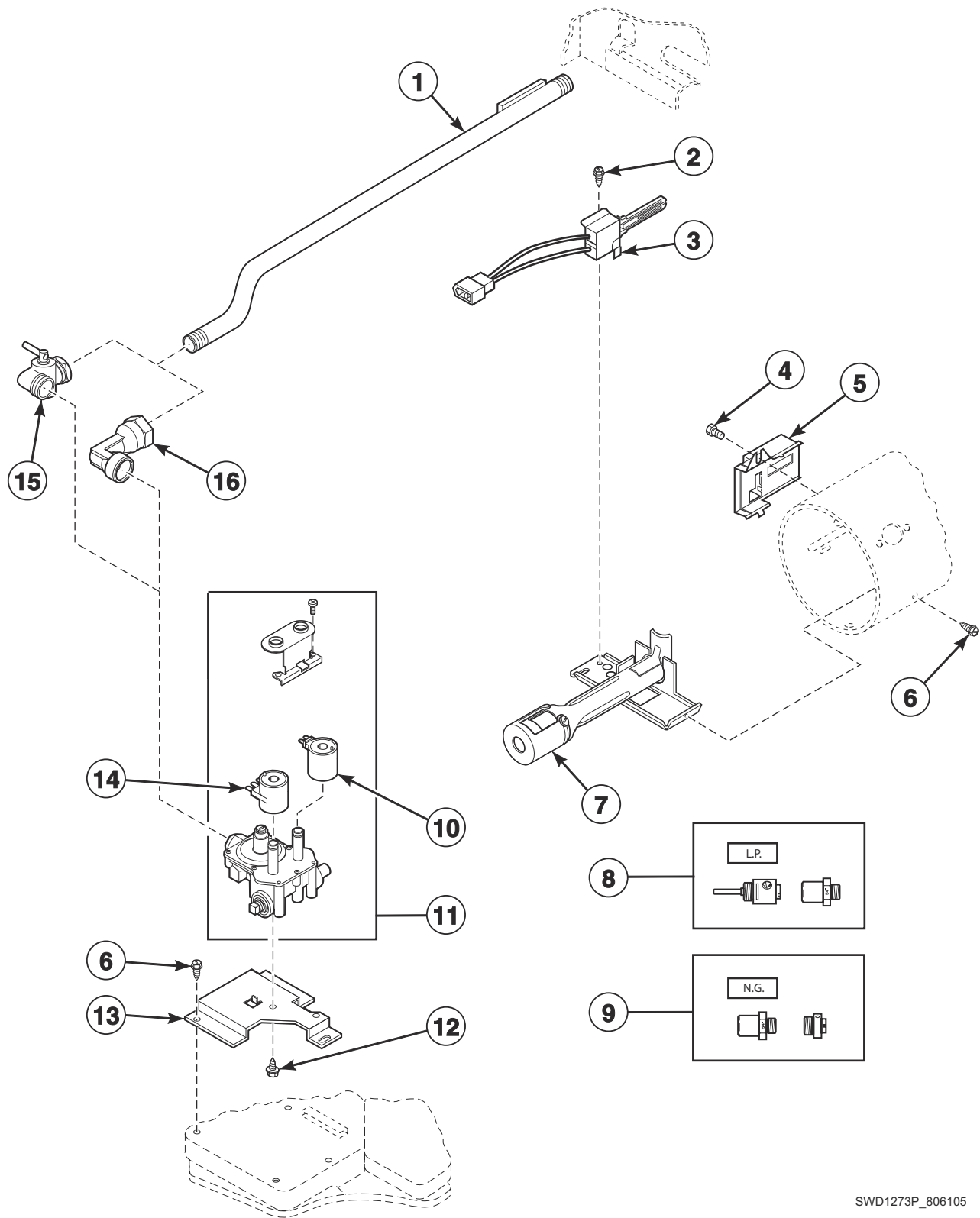
D405P_806105

Heater Duct Assembly

REF	PART NO.	DESCRIPTION	COMMENTS
1	D503688	Screw	
2	D510101	Heat Duct Shroud	
3	D518524	Outlet Cover	Black; Nitrocarburized
	D500820	Outlet Cover	Aluminized steel
4	D510025P	Heater Duct Assembly	Includes items 1 and 3
5	D510131	Combustion Duct	
6	51782	Screw	
7	D510702	Limit Thermostat	Black; Auto reset
8	D510703	Thermostat	Manual reset; Models ATGE9AGP305AW01, ATGE9ASP123DN04, ATGE9ASP123DW04, ATGE9ASP125DW04, ATGE9ASP303XW01, ATGE9ASP303XW26, ATGE9ASP305XW01, ATGE9ASP543DN04, ATGE9ASP543DW04, ATGE9ASP545DW04, ATGE9AWP303AW01, ATGE9AWP305AW01, ATLE9ASP305LW01, FTGE5ASP303NW10, LTGE5ASP113FW01, LTGE5ASP113JW01, LTGE5ASP303AW01, LTGE5ASP303AW12, LTLE5ASP303LW01, LTLE5ASP303NW35, LTLE5ASP543NW23, PTGE3FSP303AG01, YTGE5ASP113FW01 and YTGE5ASP303NW21

Gas Valve, Igniter and Gas Conversion Kits Through Serial No. 190800001

Gas Model Dryers except LTME5ASP543KW01



SWD1273P_806105

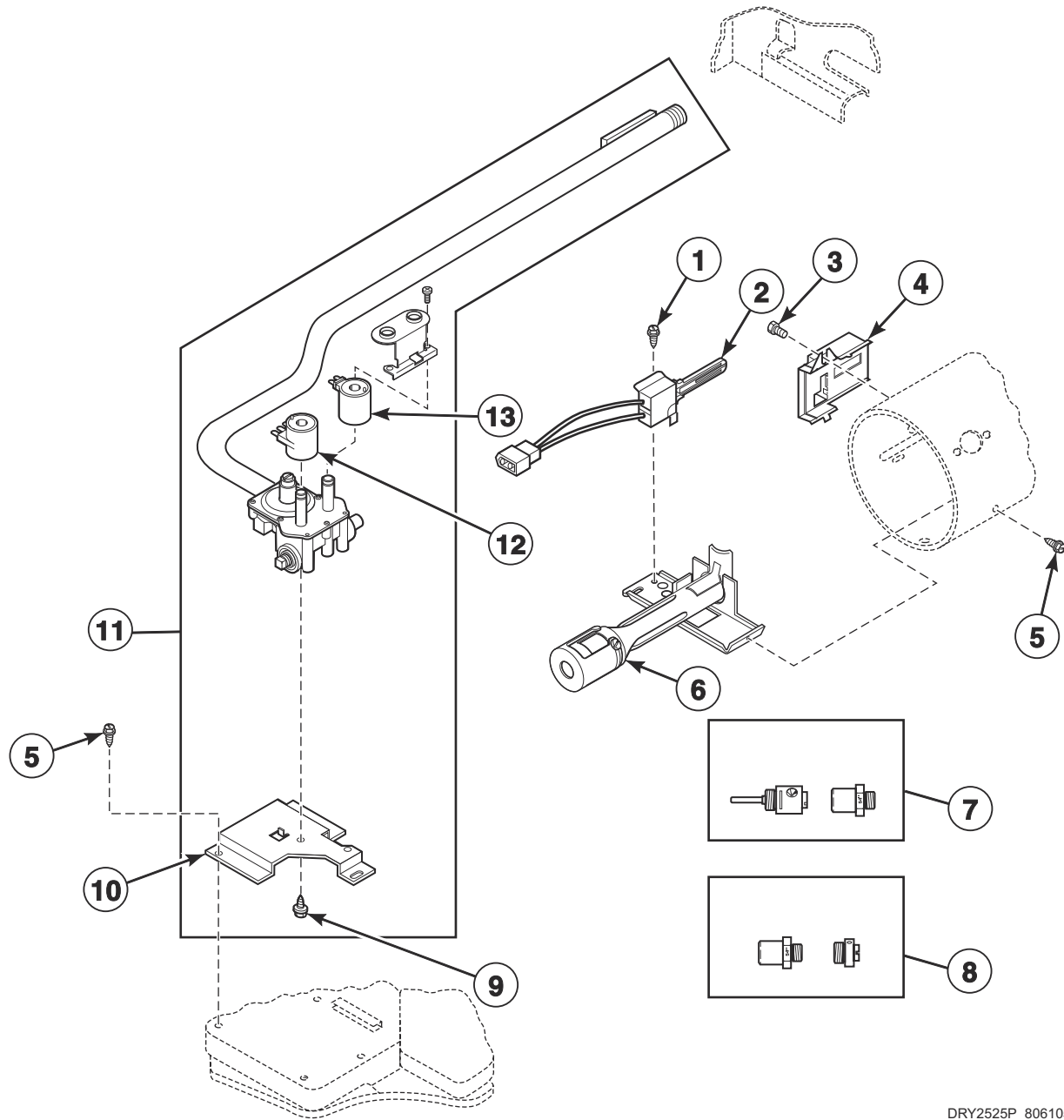
Gas Valve, Igniter and Gas Conversion Kits Through Serial No. 190800001

REF	PART NO.	DESCRIPTION	COMMENTS
	D516445	T.G. Conversion Kit	Used to convert dryers from Natural Gas (N.G.) to Town Gas (T.G.); Models ATGE9ASP303XW01, ATGE9ASP303XW26 and ATGE9ASP305XW01
1	D510204	Lead-In Pipe Assembly	
2	51782	Screw	
3	D510184P	Igniter and Bracket Assembly	
4	23222	Screw	
5	D510213	Sensor	
6	D503688	Screw	
7	D510149P	Burner Assembly	
8	401P3	L.P. Conversion Kit	Used to convert dryers from Natural Gas (N.G.) or Mixed Gas to Liquid Petroleum Gas (L.P.); 20,000 Btu; Models ATGE9AGP305AW01, ATGE9ASP303XW01, ATGE9ASP303XW26, ATGE9ASP305XW01, ATGE9AWP303AW01, ATGE9AWP305AW01, FTGE5ASP303NW10, LTGE5ASP303AW01, LTGE5ASP303AW12, PTGE3FSP303AG01 and YTGE5ASP303NW21
	649P3	L.P. Conversion Kit	Used to convert dryers from N.G. or Mixed Gas to L.P.; 22,500 Btu; All other models
9	402P3	N.G. Conversion Kit	Used to convert dryers from L.P. to N.G. or Mixed Gas; 20,000 Btu; Models ATGE9AGP305AW01, ATGE9ASP303XW01, ATGE9ASP303XW26, ATGE9ASP305XW01, ATGE9AWP303AW01, ATGE9AWP305AW01, FTGE5ASP303NW10, LTGE5ASP303AW01, LTGE5ASP303AW12, PTGE3FSP303AG01 and YTGE5ASP303NW21
	650P3	N.G. Conversion Kit	Used to convert dryers from L.P. to N.G. or Mixed Gas; 22,500 Btu; All other models
10	58804B	Secondary Coil	
11	D513630	Gas Valve Assembly	20,000 Btu; Includes items 10 and 14; Models ATLE9ASP305LW01, LTLE5ASP303LW01, LTLE5ASP303NW35 and TTPE5ASP303NW36
	D513631	Gas Valve Assembly	22,500 Btu; Includes items 10 and 14; Model LTLE5ASP543NW23
	59063P	Gas Valve Assembly	50 Hertz, 20,000 Btu; Models ATGE9AGP305AW01, ATGE9ASP303XW01, ATGE9ASP303XW26, ATGE9ASP305XW01, ATGE9AWP303AW01, ATGE9AWP305AW01, FTGE5ASP303NW10, LTGE5ASP303AW01, LTGE5ASP303AW12, PTGE3FSP303AG01 and YTGE5ASP303NW21
	D510506P	Gas Valve Assembly	60 Hertz, 22,500 Btu; All other models
12	56124	Screw	
13	D510128	Gas Valve Mounting Bracket	
14	58804A	Booster and Holding Coil	
15	D510205	Elbow Shut-Off Valve	Models ATGE9ASP303XW01, ATGE9ASP303XW26, ATGE9AWP303AW01, ATLE9ASP305LW01, FTGE5ASP303NW10, LTGE5ASP303AW01, LTGE5ASP303AW12, LTLE5ASP303LW01, LTLE5ASP303NW35, LTLE5ASP543NW23, PTGE3FSP303AG01 and YTGE5ASP303NW21 through Serial Nos. beginning 1707
16	D513072	Elbow	

Gas Valve, Igniter and Gas Conversion Kits

Starting Serial No. 1908000001

Gas Model Dryers except LTME5ASP543KW01



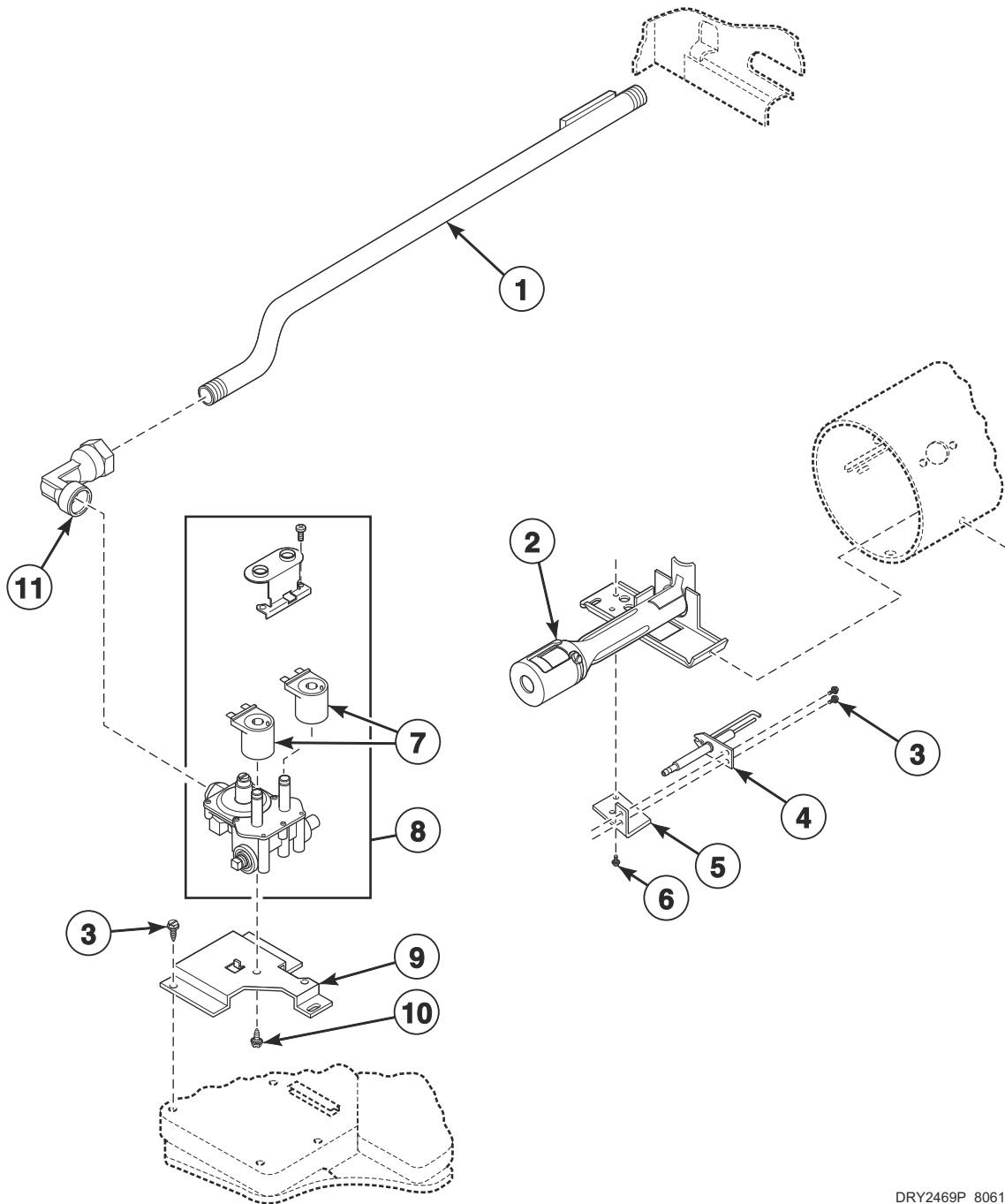
DRY2525P_806105

Gas Valve, Igniter and Gas Conversion Kits Starting Serial No. 1908000001

REF	PART NO.	DESCRIPTION	COMMENTS
	D516445	T.G. Conversion Kit	Used to convert dryers from Natural Gas (N.G.) to Town Gas (T.G.); Models ATGE9ASP303XW01, ATGE9ASP303XW26 and ATGE9ASP305XW01
1	51782	Screw	
2	D510184P	Igniter and Bracket Assembly	
3	23222	Screw	
4	D510213	Sensor	
5	D503688	Screw	
6	D510149P	Burner Assembly	
7	401P3	L.P. Conversion Kit	Used to convert dryers from Natural Gas (N.G.) or Mixed Gas to Liquid Petroleum Gas (L.P.); 20,000 Btu; Models ATGE9AGP305AW01, ATGE9ASP303XW01, ATGE9ASP303XW26, ATGE9ASP305XW01, ATGE9AWP303AW01, ATGE9AWP305AW01, FTGE5ASP303NW10, LTGE5ASP303AW01, LTGE5ASP303AW12, PTGE3FSP303AG01 and YTGE5ASP303NW21
	649P3	L.P. Conversion Kit	Used to convert dryers from N.G. or Mixed Gas to L.P.; 22,500 Btu; All other models
8	402P3	N.G. Conversion Kit	Used to convert dryers from L.P. to N.G. or Mixed Gas; 20,000 Btu; Models ATGE9AGP305AW01, ATGE9ASP303XW01, ATGE9ASP303XW26, ATGE9ASP305XW01, ATGE9AWP303AW01, ATGE9AWP305AW01, FTGE5ASP303NW10, LTGE5ASP303AW01, LTGE5ASP303AW12, PTGE3FSP303AG01 and YTGE5ASP303NW21
	650P3	N.G. Conversion Kit	Used to convert dryers from L.P. to N.G. or Mixed Gas; 22,500 Btu; All other models
9	56124	Screw	
10	D510128	Gas Valve Mounting Bracket	
11	D517611	Gas Valve, Bracket and Pipe Assembly	50 Hertz, 20,000 Btu; L.P.; Includes items 9-13; Models ATLE9ASP305LW01, LTLE5ASP303LW01, LTLE5ASP303NW35 and TTPE5ASP303NW36
	D517612	Gas Valve, Bracket and Pipe Assembly	60 Hertz, 22,500 Btu; L.P.; Includes items 9-13; Model LTLE5ASP543NW23
	D517607	Gas Valve, Bracket and Pipe Assembly	50 Hertz, 20,000 Btu; N.G.; Includes items 9-13; Models ATGE9AGP305AW01, ATGE9ASP303XW01, ATGE9ASP303XW26, ATGE9ASP305XW01, ATGE9AWP303AW01, ATGE9AWP305AW01, FTGE5ASP303NW10, LTGE5ASP303AW01, LTGE5ASP303AW12, PTGE3FSP303AG01 and YTGE5ASP303NW21
	D517609	Gas Valve, Bracket and Pipe Assembly	60 Hertz, 22,500 Btu; N.G.; Includes items 9-13; All other models
12	58804A	Booster and Holding Coil	
13	58804B	Secondary Coil	

Gas Valve Through Serial No. 1908000001

Model LTME5ASP543KW01



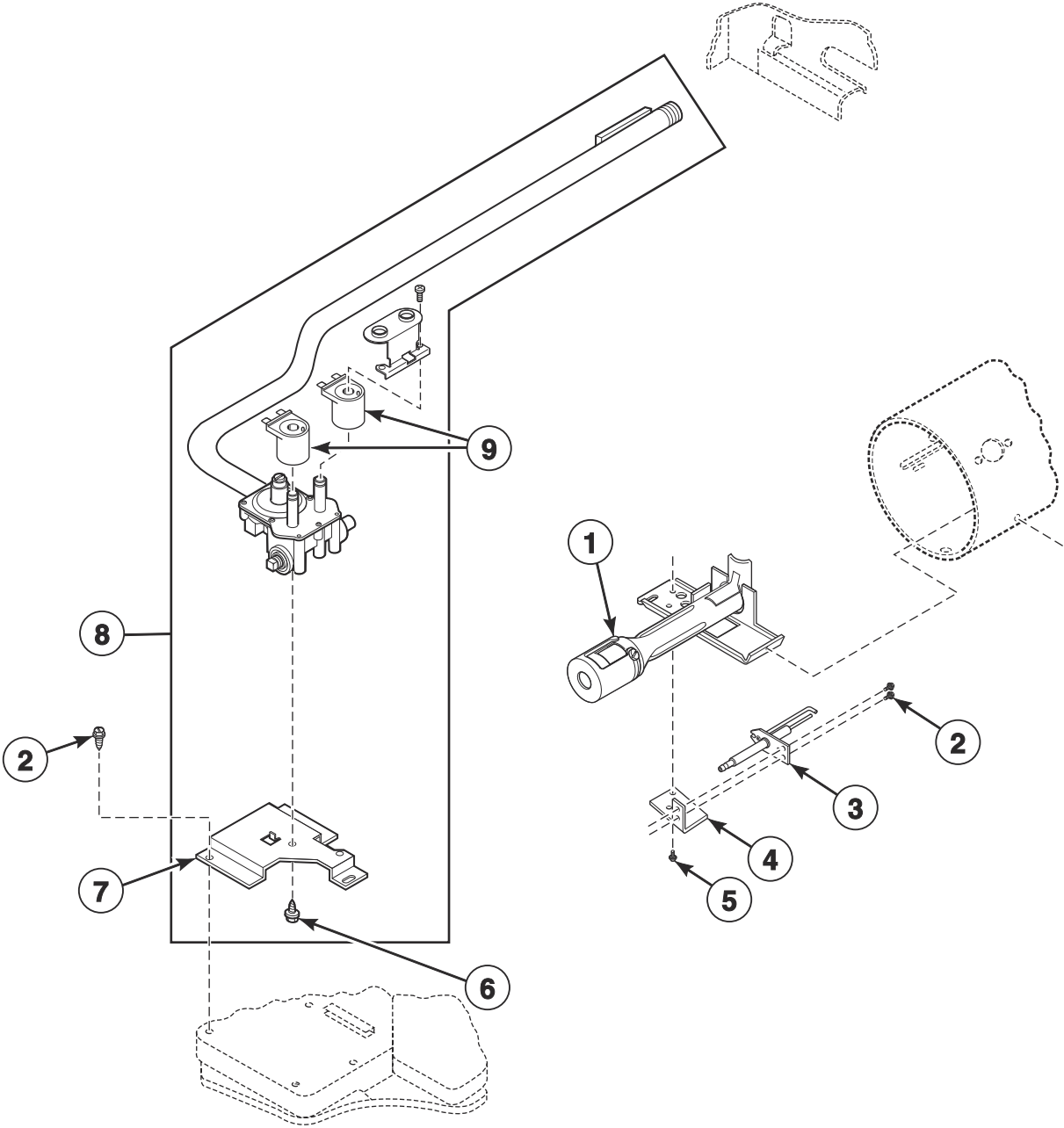
DRY2469P_806105

Gas Valve Through Serial No. 1908000001

REF	PART NO.	DESCRIPTION	COMMENTS
1	D510204	Lead-In Pipe Assembly	
2	D510149P	Burner Assembly	
3	D503688	Screw	
4	44328701P	Spark Electrode	
5	D516238	Bracket	
6	51782	Screw	
7	D516699	Gas Valve Coil	24 Vac; 50-60 Hertz
8	D516182	Gas Valve Assembly	50-60 Hertz, 22,500 Btu; Natural Gas (N.G.); Includes item 7
9	D510128	Gas Valve Mounting Bracket	
10	56124	Screw	
11	D513072	Elbow	

Gas Valve Starting Serial No. 1908000001

Model LTME5ASP543KW01



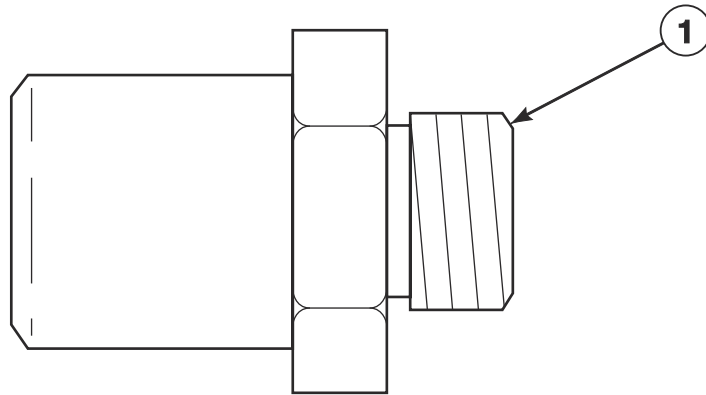
DRY2526P_806105

Gas Valve Starting Serial No. 1908000001

REF	PART NO.	DESCRIPTION	COMMENTS
1	D510149P	Burner Assembly	
2	D503688	Screw	
3	44328701P	Spark Electrode	
4	D516238	Bracket	
5	51782	Screw	
6	56124	Screw	
7	D510128	Gas Valve Mounting Bracket	
8	D517610	Gas Valve, Bracket and Pipe Assembly	50-60 Hertz, 22,500 Btu; Natural Gas (N.G.); Includes items6-9
9	D516699	Gas Valve Coil	24 Vac; 50-60 Hertz

Burner Orifice Spuds - For Higher Elevations

Gas Models

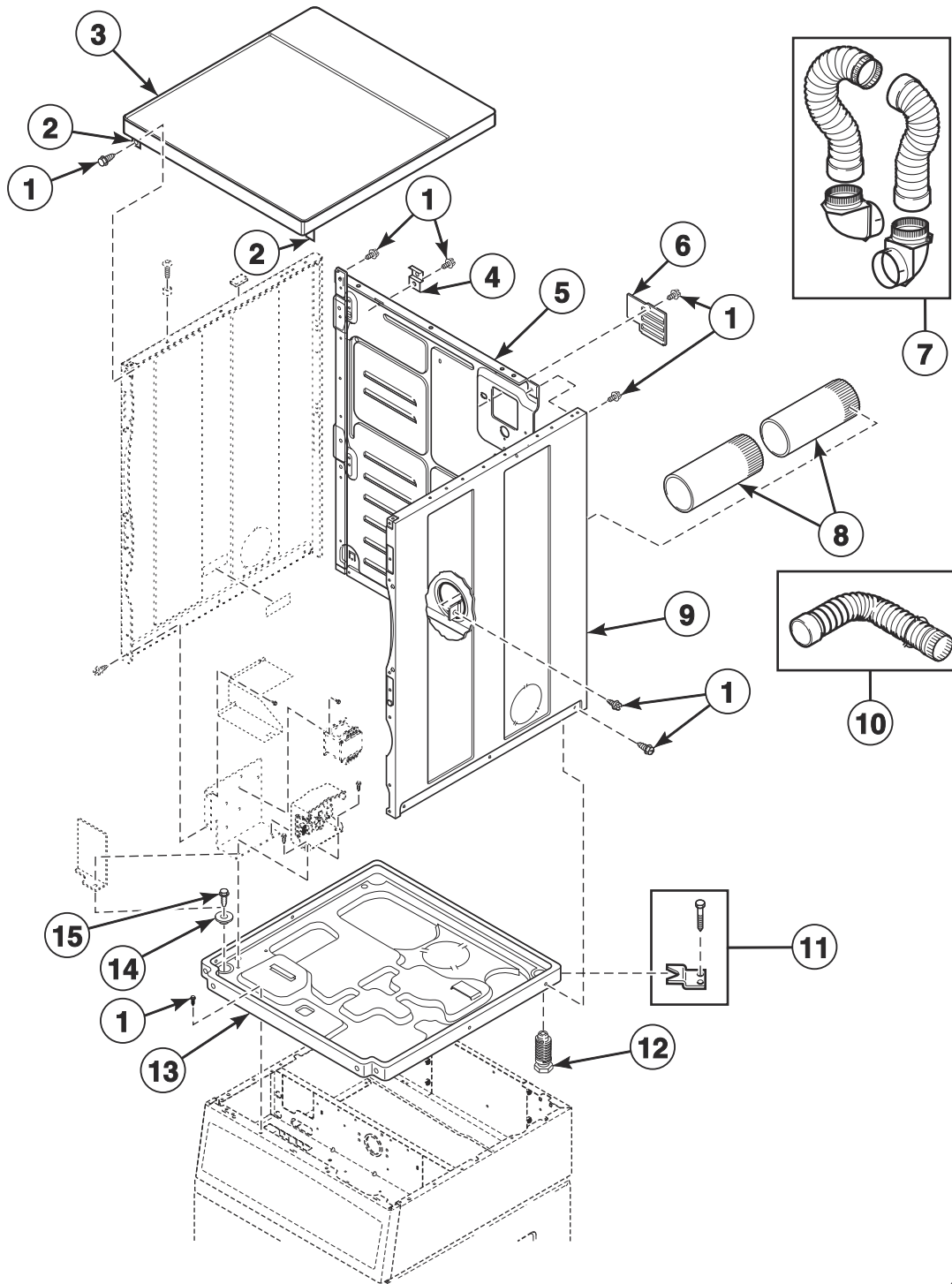


DRY2266P_806105

Burner Orifice Spuds - For Higher Elevations

REF	PART NO.	DESCRIPTION	COMMENTS
1	58755	L.P. Orifice	22,500 Btu; 3000-7999 feet (915-2439 m)
	D503786	L.P. Orifice	22,500 Btu; 8000 feet (2440 m) and higher
	D503778	N.G. Orifice	22,500 Btu; 3000-5999 feet (915-1829 m)
	58719	Screw Orifice	Natural Gas (N.G.); 22,500 Btu; 6000-7999 feet (1830-2439 m)
	D503779	N.G. Orifice	22,500 Btu; 8000-8999 feet (2440-2739 m)
	D503780	N.G. Orifice	22,500 Btu; 9000-9999 feet (2740-3049 m)
	D503781	N.G. Orifice	22,500 Btu; 10,000 feet (3050 m) and higher

Dryer Cabinet, Exhaust Duct and Base (Drawing 1 of 2)

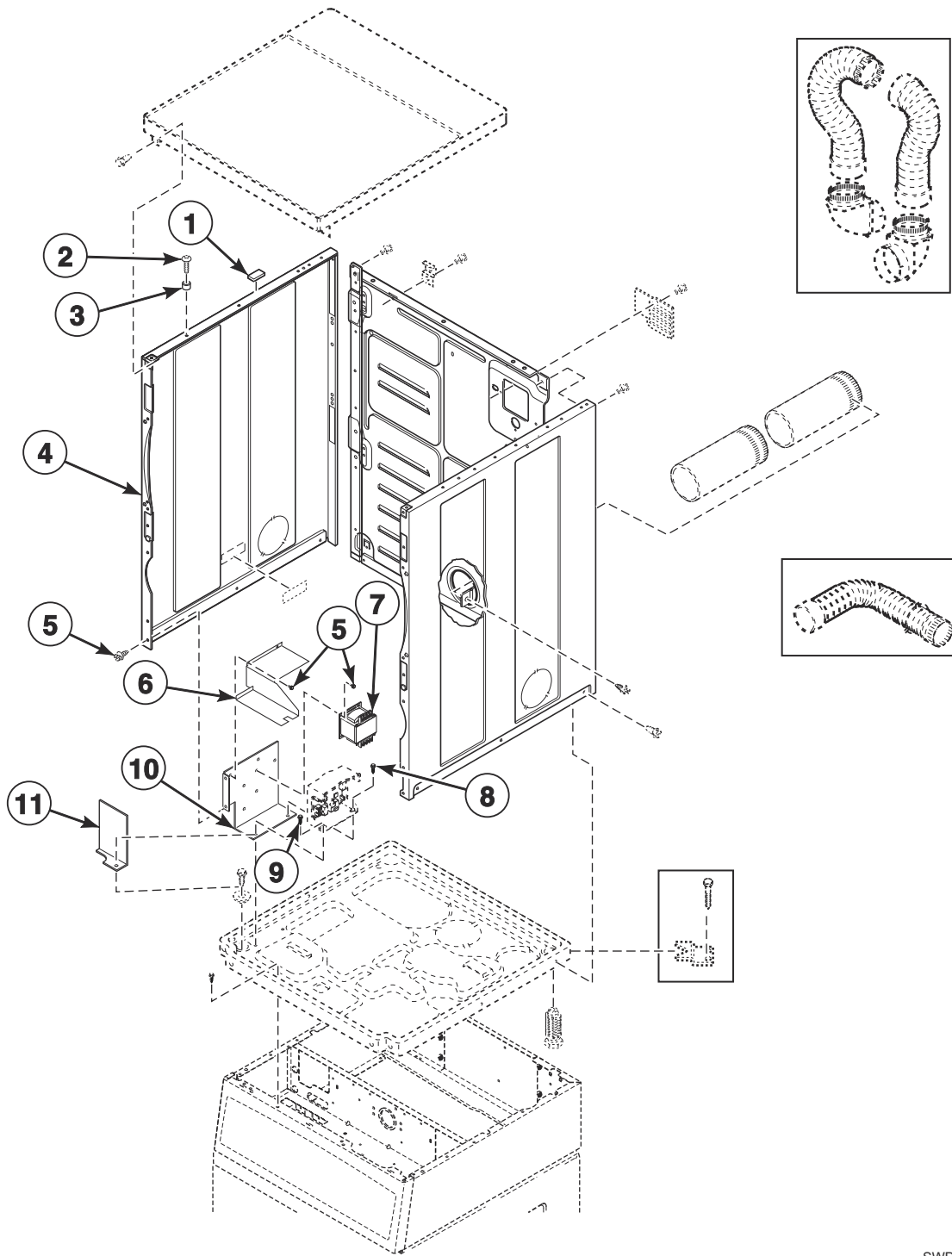


SWD1300P_806105

Dryer Cabinet, Exhaust Duct and Base (Drawing 1 of 2)

REF	PART NO.	DESCRIPTION	COMMENTS
	122P4P	Porcelain Touch-Up Paint	White
	806436P	Paint	Gray
1	D503688	Screw	Use with painted panels
	D512921	Screw	Use with stainless steel panels
2	D510146	Bracket	
3	D510032WP	Top Kit	White
	D510032DG	Top Panel	Gray
	D513224	Top and Bracket Assembly	Stainless steel
4	D510136	Top Hinge	
5	D514632P	Cabinet Rear Panel	Through Serial No. 1912999999
	D517566	Cabinet Rear Panel	Starting Serial No. 2001000001
6	D514356	Access Cover Plate	Without louvers
	D510903	Access Panel Plate	With louvers
7	521P3	Flexible Venting Kit	
8	D516196	Exhaust Duct	
9	D510002WP	Cabinet Side Panel	Right; White
	D510002DGP	Cabinet Side Panel	Right; Gray
	D512539	Cabinet Side Panel	Right; Stainless steel
10	528P3	Directional Exhaust Kit	Used to vent dryer out the sides
11	526P3	Hold Down Kit	For mobile home installations
12	D510135	Leveling Leg	
13	D514245	Dryer Base	
14	26509	Washer	
15	36048	Screw	

Dryer Cabinet, Exhaust Duct and Base (Drawing 2 of 2)

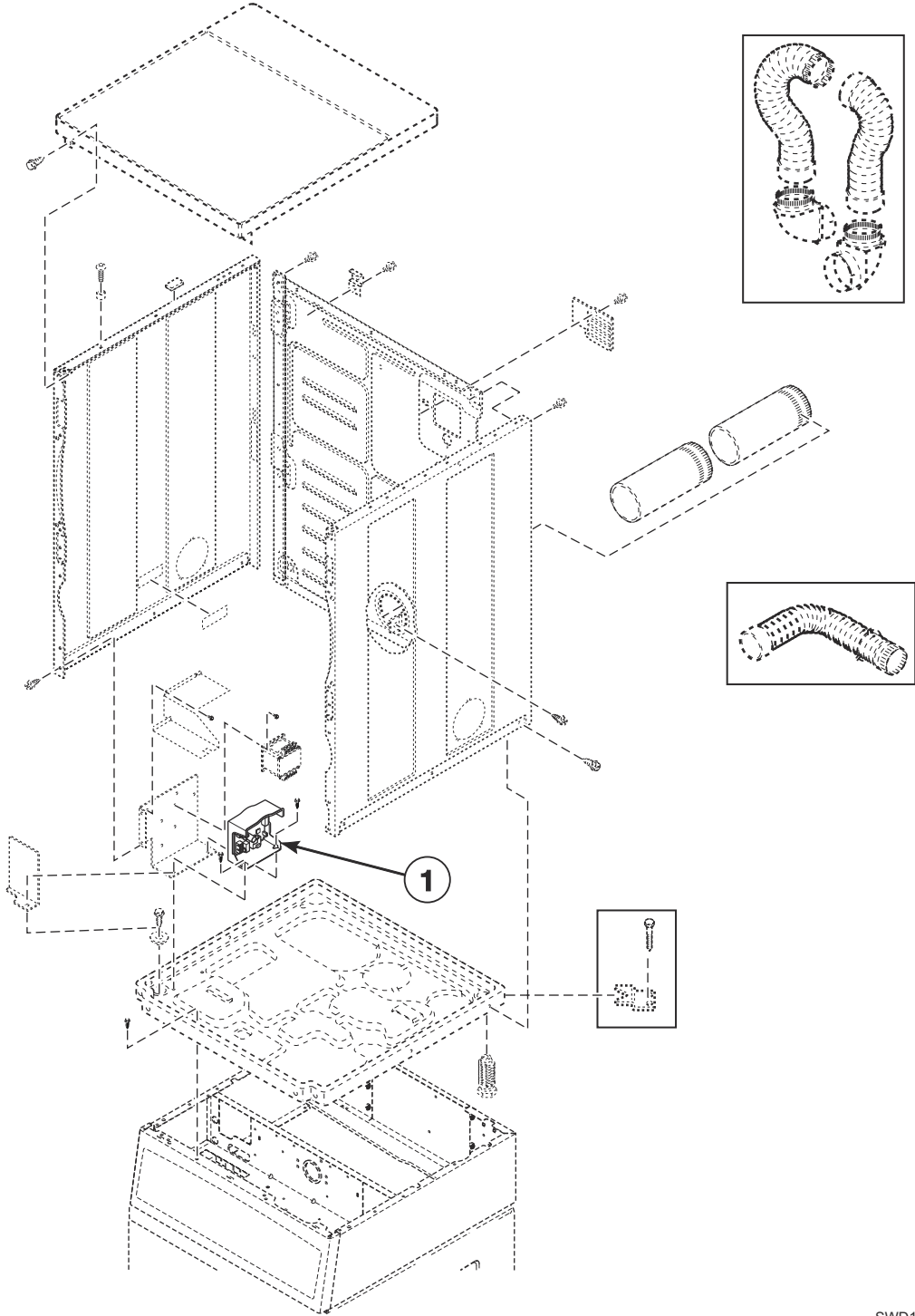


SWD1300PA_806105

Dryer Cabinet, Exhaust Duct and Base (Drawing 2 of 2)

REF	PART NO.	DESCRIPTION	COMMENTS
1	56128	Bumper Pad	
2	39733	Screw	Use with painted panels
	806276	Screw	Use with stainless steel panels
3	56079	Panel Locator	
4	D510001WP	Cabinet Side Panel	Left; White
	D510001DGP	Cabinet Side Panel	Left; Gray
	D512538	Cabinet Side Panel	Left; Stainless steel
5	D503688	Screw	
6	D514334	Transformer Shield	Models ATGE9AGP305AW01, ATGE9ASP303XW01, ATGE9ASP303XW26, ATGE9ASP305XW01, ATGE9ASP543DN04, ATGE9ASP543DW04, ATGE9ASP545DW04, ATGE9AWP303AW01, ATGE9AWP305AW01, ATLE9ASP305LW01, FTGE5ASP303NW10, LTGE5ASP303AW01, LTGE5ASP303AW12, LTLE5ASP303LW01, LTLE5ASP303NW35, LTLE5ASP543NW23, PTGE3FSP303AG01, TTPE5ASP303NW36 and YTGE5ASP303NW21
7	D513763P	Transformer	Models ATGE9AGP305AW01, ATGE9ASP303XW01, ATGE9ASP303XW26, ATGE9ASP305XW01, ATGE9ASP543DN04, ATGE9ASP543DW04, ATGE9ASP545DW04, ATGE9AWP303AW01, ATGE9AWP305AW01, ATLE9ASP305LW01, FTGE5ASP303NW10, LTGE5ASP303AW01, LTGE5ASP303AW12, LTLE5ASP303LW01, LTLE5ASP303NW35, LTLE5ASP543NW23, PTGE3FSP303AG01, TTPE5ASP303NW36 and YTGE5ASP303NW21
8	804667	Screw	
9	D514428	Screw	
10	D511859	Contacto Bracket	Models ATGE9AGP305AW01, ATGE9ASP303XW01, ATGE9ASP303XW26, ATGE9ASP305XW01, ATGE9ASP543DN04, ATGE9ASP543DW04, ATGE9ASP545DW04, ATGE9AWP303AW01, ATGE9AWP305AW01, ATLE9ASP305LW01, FTGE5ASP303NW10, LTGE5ASP303AW01, LTGE5ASP303AW12, LTLE5ASP303LW01, LTLE5ASP303NW35, LTLE5ASP543NW23, PTGE3FSP303AG01, TTPE5ASP303NW36 and YTGE5ASP303NW21
11	D514420	Output Board Shield	Models ATEE9AGP435AW01, ATEE9ASP133DN04, ATEE9ASP133DW04, ATEE9ASP433XW34, ATEE9ASP435XW34, ATEE9ASP453LW26, ATEE9ASP455LN01, ATEE9ASP455LW01, ATEE9ASP543DN04, ATEE9ASP543DW04, ATEE9ASP545DW04, ATEE9ASP565XW01, ATEE9AWP433AW01, ATEE9AWP435AW01, ATHE9ASP453NW29, FTEE5ASP303ZW01, FTEE5ASP433LW01, LTEE5AGP133ZW30, LTEE5ASP133FW01, LTEE5ASP135MW01, LTEE5ASP303WW01, LTEE5ASP303WW37, LTEE5ASP303ZW01, LTEE5ASP433AW01, LTEE5ASP433AW12, LTEE5ASP453VW26, LTEE5ASP543RW01, LTEE5ASP553KW01, LTME5ASP543KW01 and PTEE3FSP433AG01

Output Control Assembly Through Serial No. 1912999999

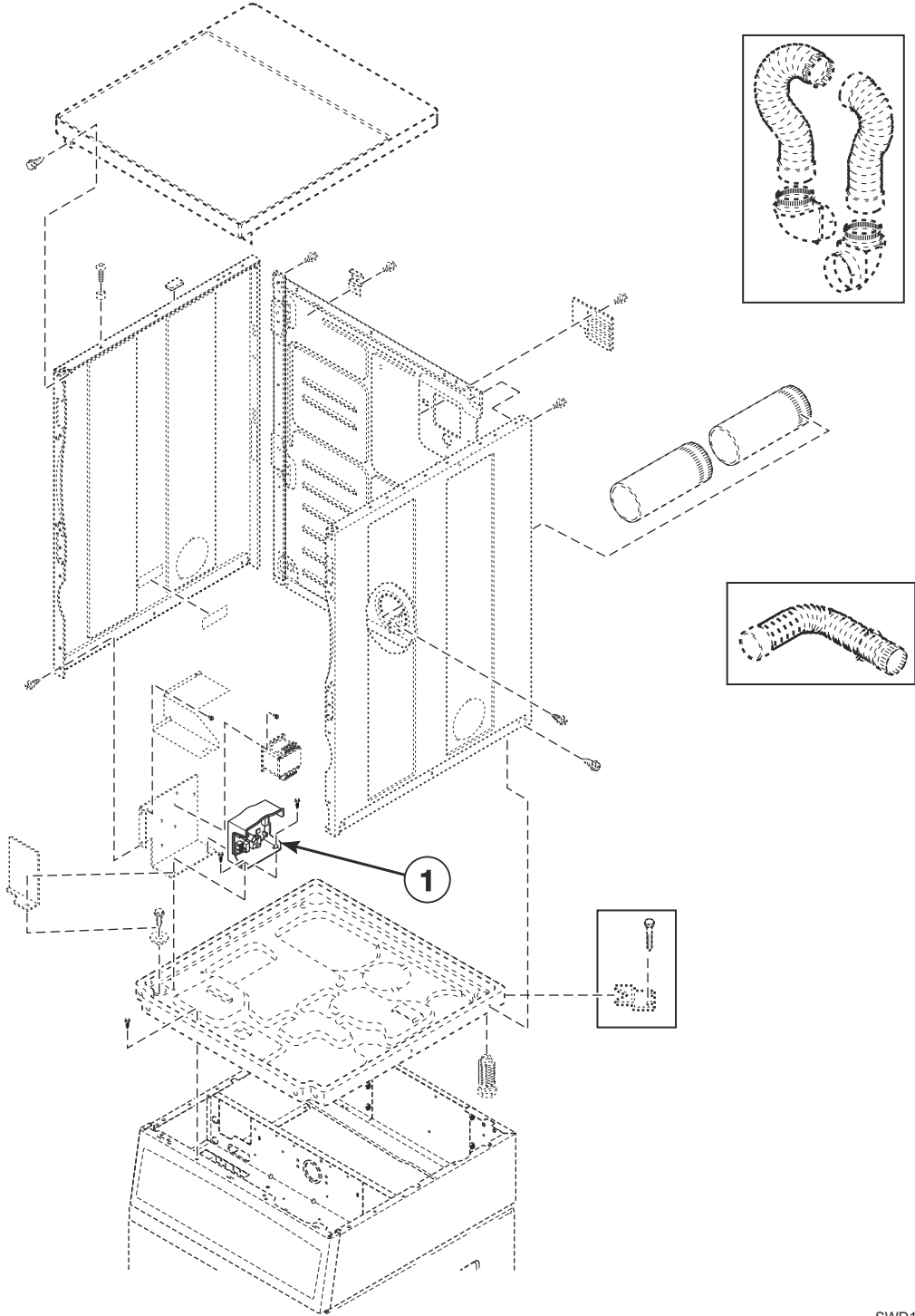


SWD1300PB_806105

Output Control Assembly Through Serial No. 1912999999

REF	PART NO.	DESCRIPTION	COMMENTS
1	D517269	Output Control Assembly	Models ATEE9ASG453NW36, ATEE9ASG455NW36, ATHE9ASP453NW29, ATHE9ASP455NN29, ATHE9ASP455NW29, FTEE5ASP303NW10, FTGE5ASP303NW10, LTEE5ASP333NW01, LTEE5ASP543NW01, LTEE5ASP543NW23, LTLE5ASP303NW35, LTLE5ASP543NW23, TTHE5ASP303NW36, TTPE5ASP303NW36, YTEE5ASP303NW10, YTGE5ASP303NW21, ZTHE9ASP455NN29 and ZTHE9ASP455NW29
	D513797P	Output Control Assembly	All other models

Output Control Assembly Starting Serial No. 2001000001



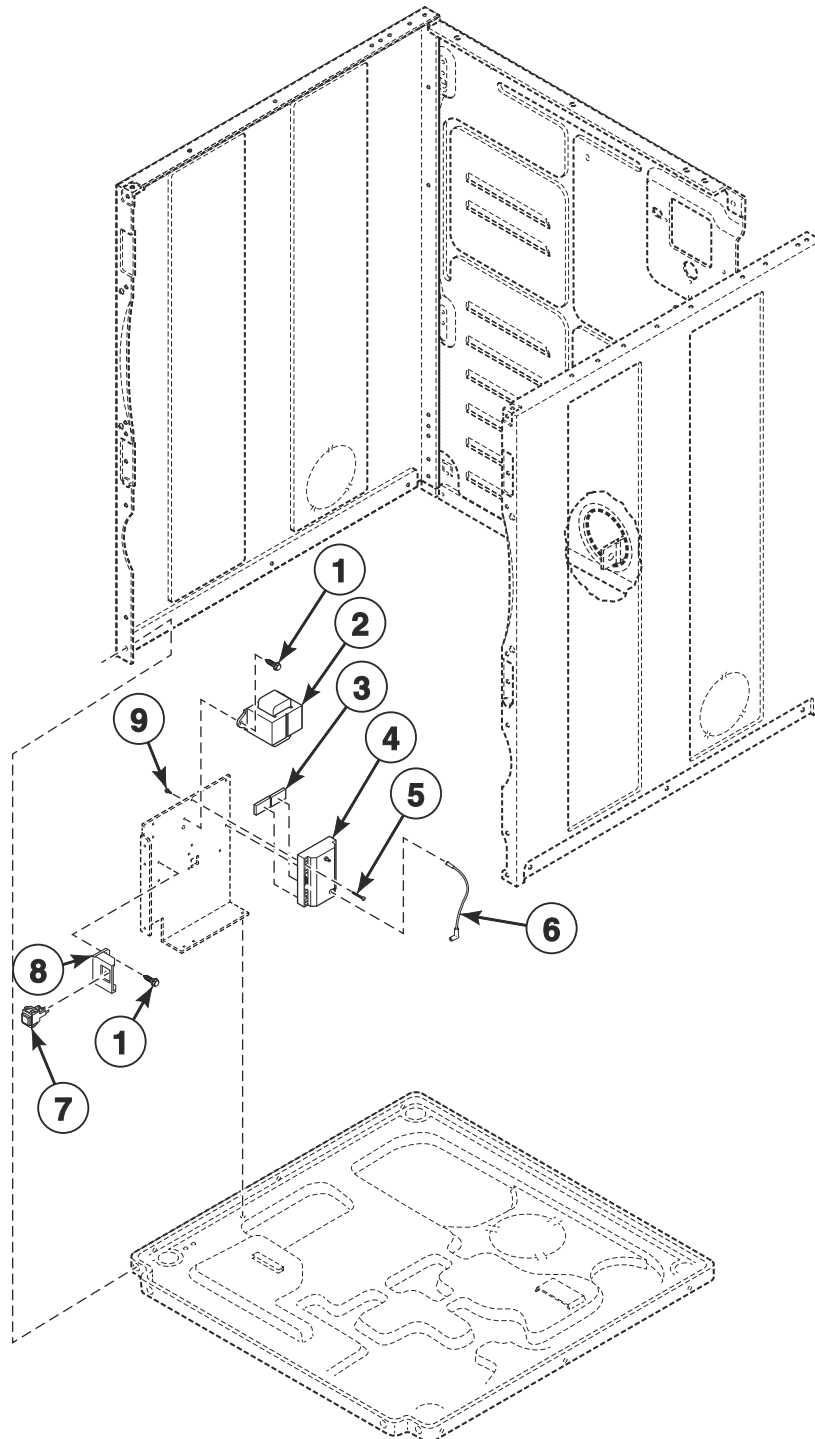
SWD1300PB_806105

Output Control Assembly Starting Serial No. 2001000001

REF	PART NO.	DESCRIPTION	COMMENTS
1	D517191P	Output Control Assembly	Models ATEE9ASG455NW36, ATHE9ASP455NN29, ATHE9ASP455NW29, FTEE5ASP303NW10, FTGE5ASP303NW10, LTEE5ASP155TW01, LTEE5ASP175TW01, LTEE5ASP543NW01, LTEE5ASP543NW23, LTEE5FSP175TW01, LTEE5FSP275TW01, LTGE5ASP115TW01, LTGE5FSP115TW01, LTLE5ASP303NW35, LTLE5ASP543NW23, TTHE5ASP303NW36, TTPE5ASP303NW36, UTEE5ASP175TW01, UTEE5ASP175TW08, UTEE5ASP285CW01, UTGE5ASP115TW01, UTGE5ASP115TW08, YTEE5ASP175TW01, YTEE5ASP285CW01, YTGE5ASP095CW01, YTGE5ASP115TW01, ZTEE9ASP286CW01 and ZTGE9ASP096CW01
	D517319	Output Control Assembly	All other models

Ignition Control Module

Model LTME5ASP543KW01



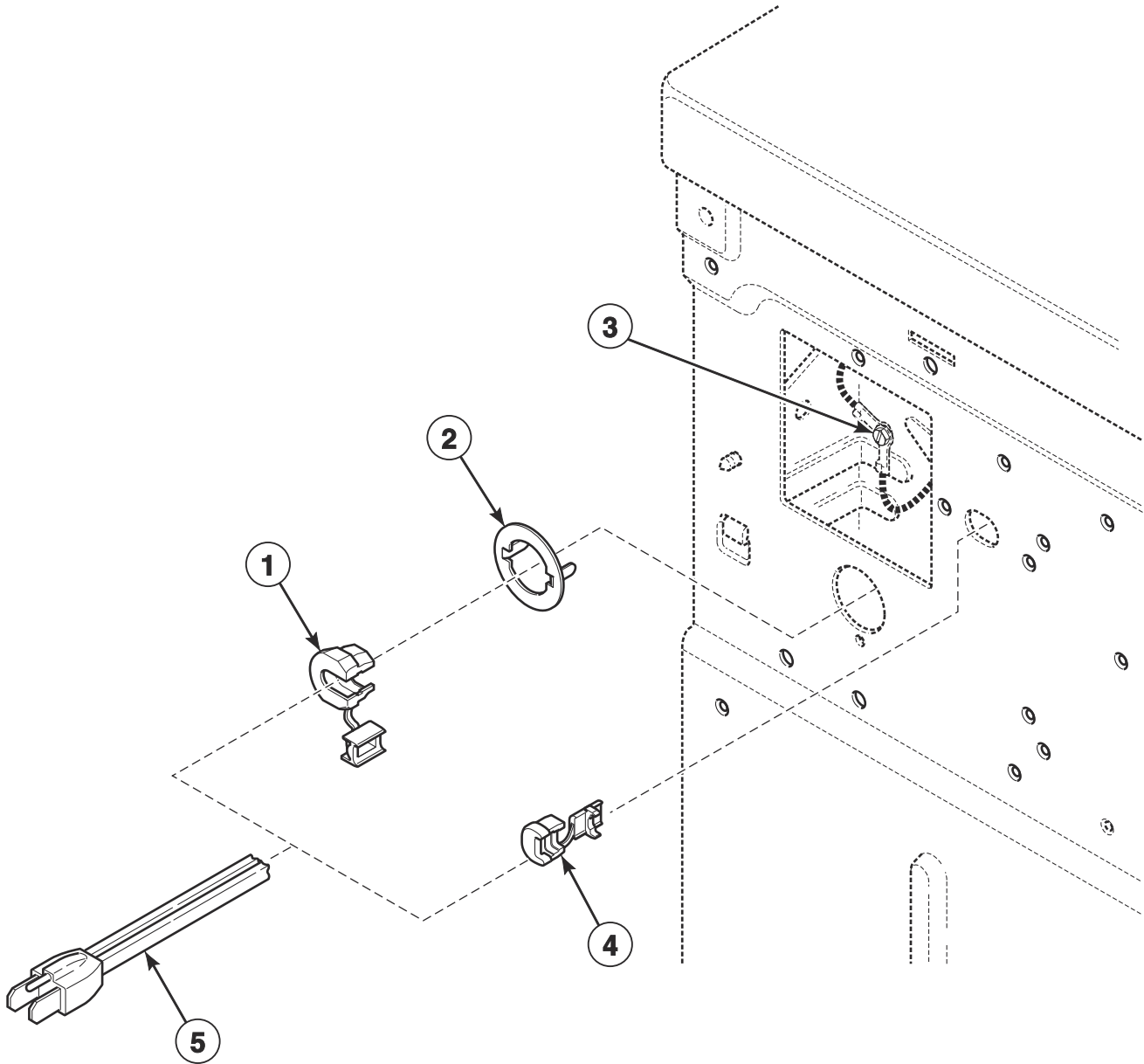
DRY2483P_806105

Ignition Control Module

REF	PART NO.	DESCRIPTION	COMMENTS
	D516881	ICM Gas Harness	
1	D503688	Screw	
2	202758	Transformer	
3	56128	Bumper Pad	
4	70483201P	Ignition Control	
5	D516261	Screw	
6	44239706	High Voltage Suppression Cable	
7	M413431	Pushbutton Switch	Lighted
8	D516237	Switch Bracket	
9	38272	Screw	

Dryer Lead-In Cord

Models ATEE9ASG453NW36, ATEE9ASG455NW36, ATGE9ASP093CW01, ATGE9ASP095CW01, ATGE9ASP095CW14, ATHE9ASP453NW29, ATHE9ASP455NN29, ATHE9ASP455NW29, BTGE6ASP093CW01, BTGE6ASP113TW01, LTEE5FSP275TW01, LTGA5FSP113TW01, LTGE5ASP093CW01, LTGE5ASP095CW01, LTGE5ASP113TW01, LTGE5ASP115TW01, LTGE5ASP125MW01, LTGE5FSP115TW01, LTLE5ASP303NW35, LTLE5ASP543NW23, PTGE3FSP093CG01, PTGE3FSP095CG01, PTGE3FSP113TG01, PTGE3FSP115TG01, PTGE3FSP115TW01, TTHE5ASP303NW36, TTPE5ASP303NW36, UTGE5ASP113TW01, UTGE5ASP113TW08, UTGE5ASP115TW01, UTGE5ASP115TW08, YTGE5ASP093CW01, YTGE5ASP095CW01, YTGE5ASP113TW01, YTGE5ASP115TW01, ZTGE9ASP096CW01, ZTHE9ASP455NN29 and ZTHE9ASP455NW29



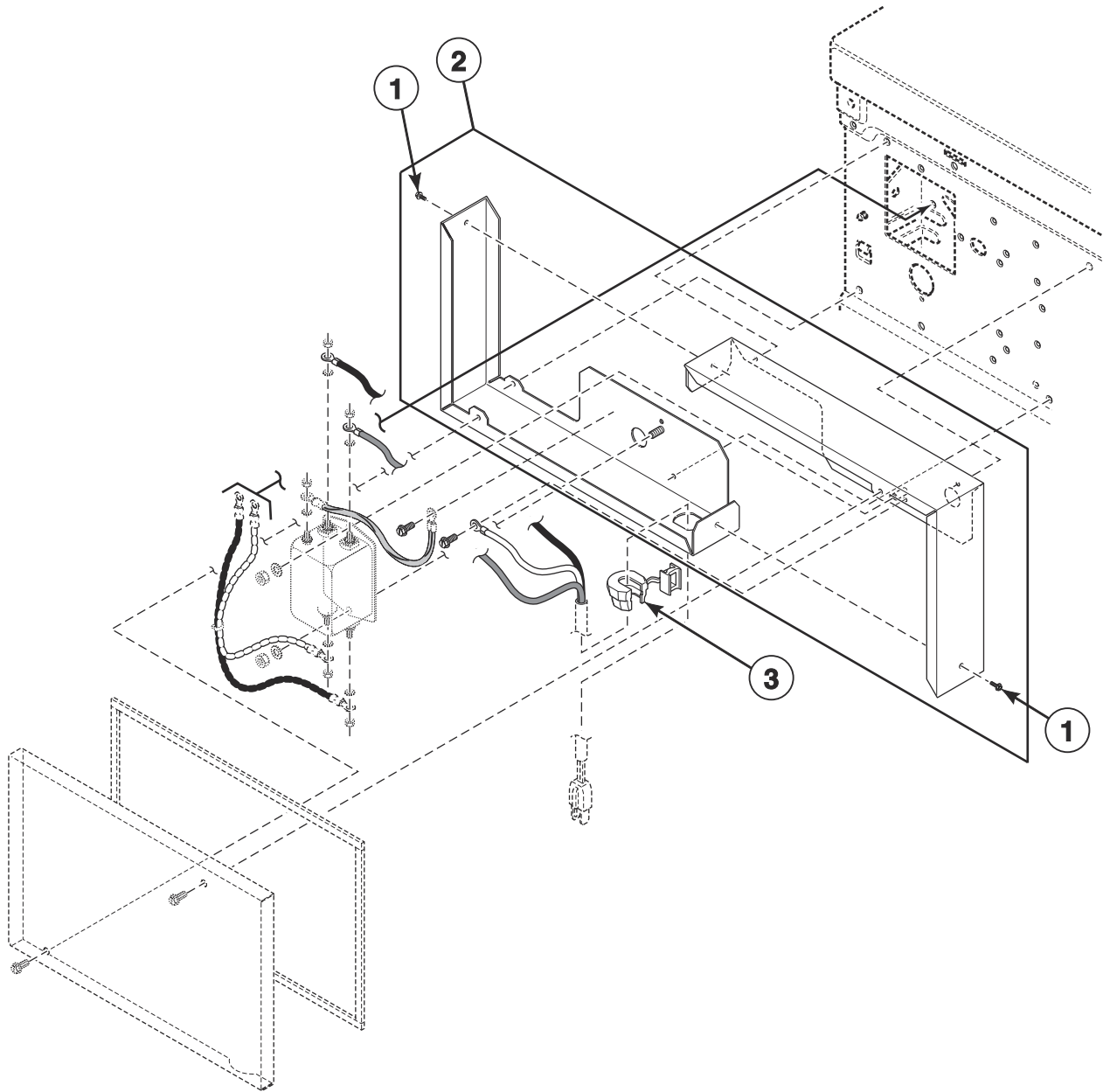
SWD1222P_806105

Dryer Lead-In Cord

REF	PART NO.	DESCRIPTION	COMMENTS
1	D511628	Strain Relief Connector	Models ATEE9ASG453NW36, ATEE9ASG455NW36, ATGE9ASP093CW01, ATGE9ASP095CW01, ATGE9ASP095CW14, BTGE6ASP093CW01, LTGE5ASP093CW01, LTGE5ASP095CW01, PTGE3FSP093CG01, PTGE3FSP095CG01, YTGE5ASP093CW01, YTGE5ASP095CW01 and ZTGE9ASP096CW01
2	D502496	Strain Relief Adapter	Models ATEE9ASG453NW36, ATEE9ASG455NW36, ATHE9ASP453NW29, ATHE9ASP455NN29, ATHE9ASP455NW29, TTHE5ASP303NW36, TTPE5ASP303NW36, ZTHE9ASP455NN29 and ZTHE9ASP455NW29
3	20530	Screw	
4	52113	Strain Relief	Models ATHE9ASP453NW29, ATHE9ASP455NN29, ATHE9ASP455NW29, TTHE5ASP303NW36, TTPE5ASP303NW36, ZTHE9ASP455NN29 and ZTHE9ASP455NW29
	38384	Strain Relief	Models ATHE9ASP453NW29, ATHE9ASP455NN29, ATHE9ASP455NW29, BTGE6ASP113TW01, LTGA5FSP113TW01, LTGE5ASP113TW01, LTGE5ASP115TW01, LTGE5ASP125MW01, LTGE5FSP115TW01, LTLE5ASP303NW35, LTLE5ASP543NW23, PTGE3FSP113TG01, PTGE3FSP115TG01, TTHE5ASP303NW36, TTPE5ASP303NW36, UTGE5ASP113TW01, UTGE5ASP113TW08, UTGE5ASP115TW01, UTGE5ASP115TW08, YTGE5ASP113TW01, YTGE5ASP115TW01, ZTHE9ASP455NN29 and ZTHE9ASP455NW29
5	58992	Power Cord Assembly	Models ATGE9ASP093CW01, ATGE9ASP095CW01, ATGE9ASP095CW14, BTGE6ASP093CW01, LTGE5ASP093CW01, LTGE5ASP095CW01, PTGE3FSP093CG01, PTGE3FSP095CG01, YTGE5ASP093CW01, YTGE5ASP095CW01 and ZTGE9ASP096CW01
	D506081	Power Cord Assembly	Model LTLE5ASP303NW35
	D515971	Lead-In Cord	Models ATHE9ASP453NW29, ATHE9ASP455NN29, ATHE9ASP455NW29, ZTHE9ASP455NN29 and ZTHE9ASP455NW29
	D516747	Lead-In Cord Assembly	Model TTHE5ASP303NW36
	D513632	Lead-In Cord	Models ATEE9ASG453NW36, ATEE9ASG455NW36 and TTPE5ASP303NW36
	203344	Lead-In Cord	Model LTLE5ASP543NW23
	D510505P	Lead-In Cord Assembly	Model LTEE5FSP275TW01
	202777	Lead-In Cord	All other models

Dryer Junction Box (Drawing 1 of 3)

Models LTEE5ASP133FW01, LTEE5ASP553KW01, LTGE5ASP113FW01, LTME5ASP543KW01, YTEE5ASP133FW01 and YTGE5ASP113FW01



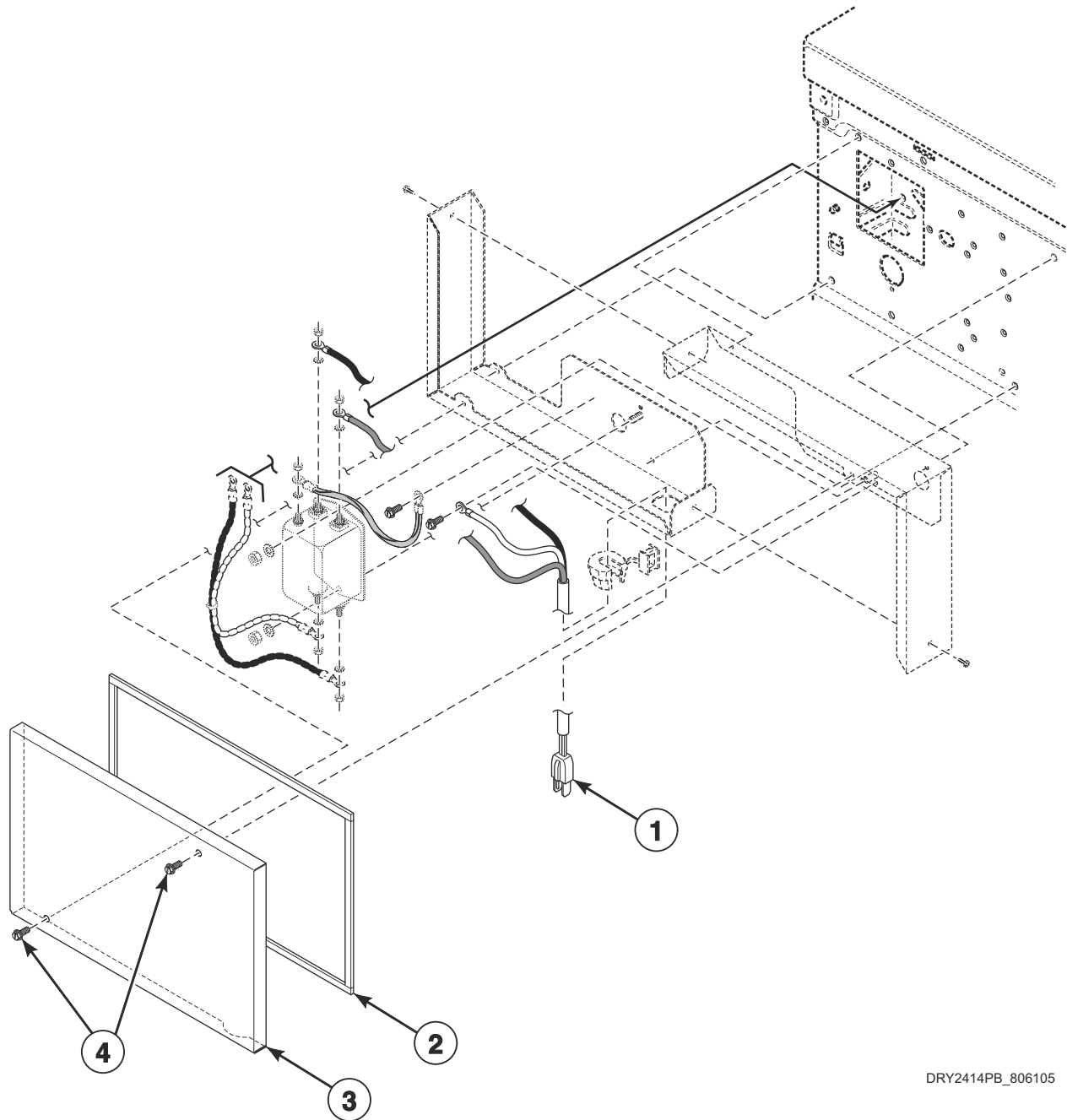
DRY2414P_806105

Dryer Junction Box (Drawing 1 of 3)

REF	PART NO.	DESCRIPTION	COMMENTS
	D502510	Ground Label	
1	D503688	Screw	
2	D516153	Junction Box Assembly	Includes items 1 and 5; Models LTEE5ASP133FW01, LTEE5ASP553KW01 and YTEE5ASP133FW01
	D516152	Junction Box Assembly	Includes items 1 and 5; Models LTGE5ASP113FW01, LTME5ASP543KW01 and YTGE5ASP113FW01
3	60298	Strain Relief	Models LTEE5ASP553KW01, LTGE5ASP113FW01, LTME5ASP543KW01 and YTGE5ASP113FW01
	52113	Strain Relief	Models LTEE5ASP133FW01 and YTEE5ASP133FW01

Dryer Junction Box (Drawing 2 of 3)

Models LTEE5ASP133FW01, LTEE5ASP553KW01, LTGE5ASP113FW01, LTME5ASP543KW01, YTEE5ASP133FW01 and YTGE5ASP113FW01



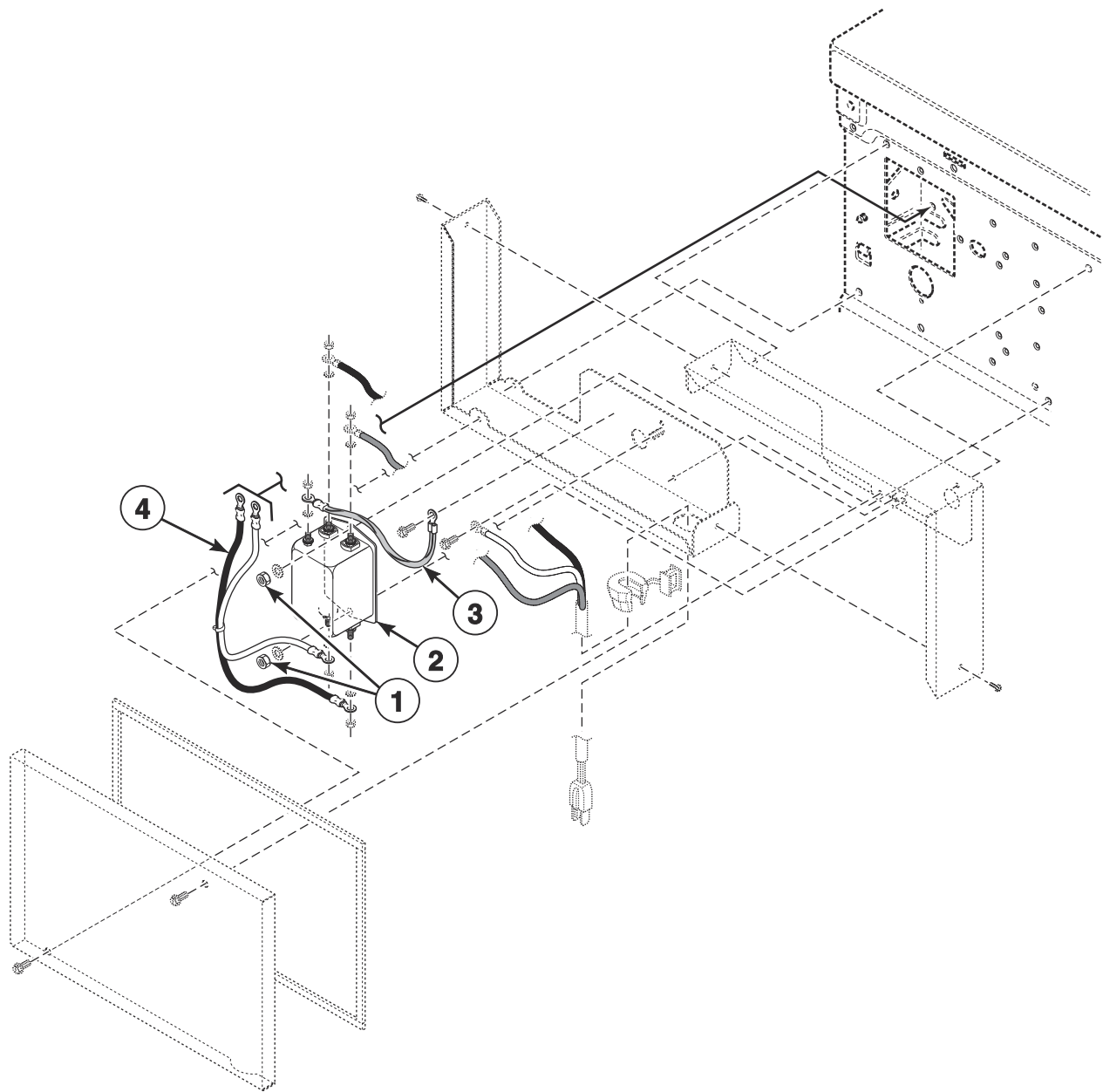
DRY2414PB_806105

Dryer Junction Box (Drawing 2 of 3)

REF	PART NO.	DESCRIPTION	COMMENTS
1	D516747	Lead-In Cord Assembly	Models LTEE5ASP133FW01 and YTEE5ASP133FW01
	D514953	Lead-In Cord	Models LTGE5ASP113FW01 and YTGE5ASP113FW01
	59373	Lead-In Cord	Model LTEE5ASP553KW01
	202925	Lead-In Cord	Model LTME5ASP543KW01
2	D514379P	Junction Box Seal	
3	D514363	Junction Box Cover	
4	D503661	Screw	

Dryer Junction Box (Drawing 3 of 3)

Models LTEE5ASP133FW01, LTEE5ASP553KW01, LTGE5ASP113FW01, LTME5ASP543KW01, YTEE5ASP133FW01 and YTGE5ASP113FW01



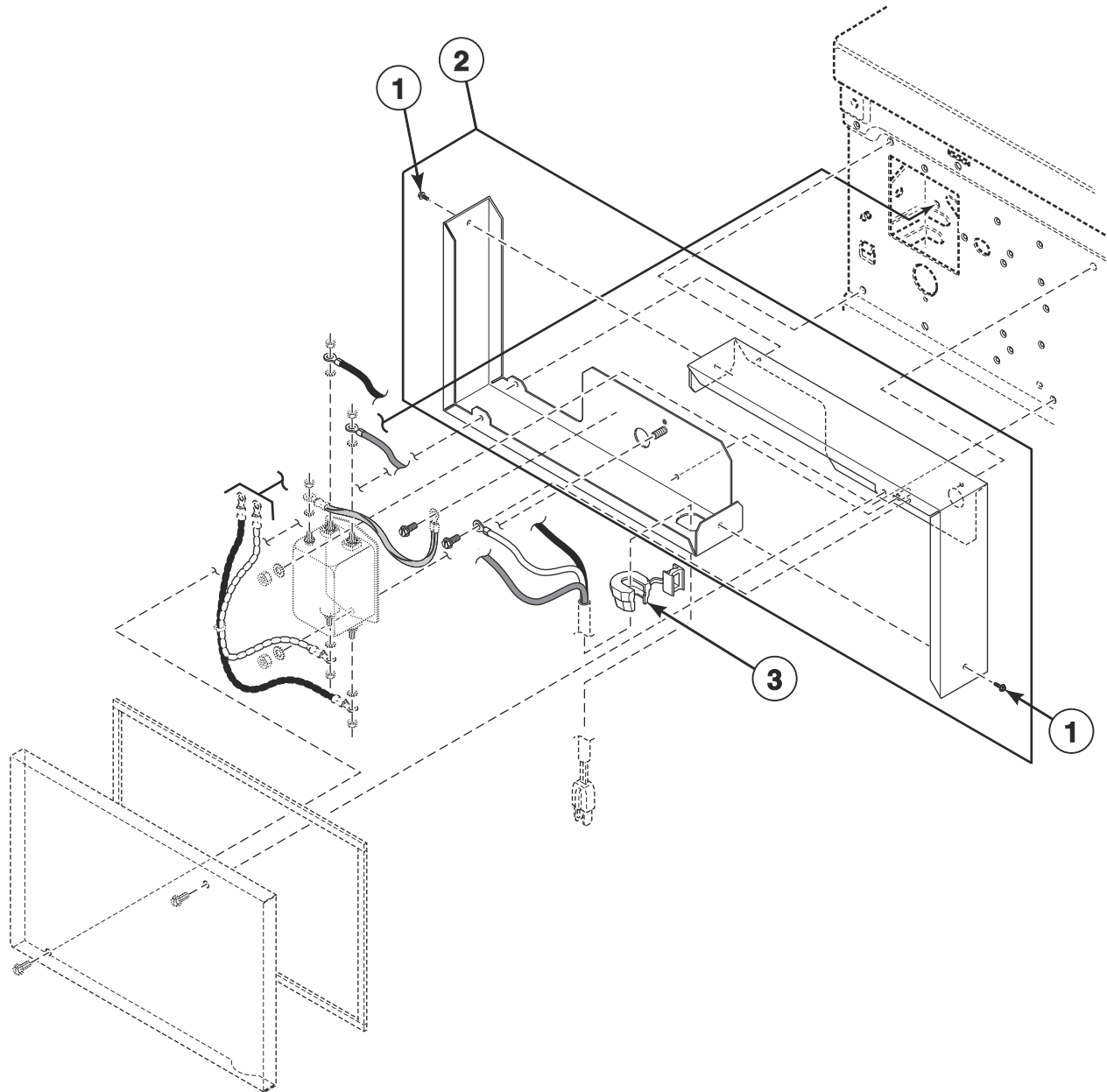
DRY2414PA_806105

Dryer Junction Box (Drawing 3 of 3)

REF	PART NO.	DESCRIPTION	COMMENTS
1	29787	Nut	
2	804844	Line Filter	30 Amp; 250 Volt/50 or 60 Hertz; Models LTEE5ASP133FW01, LTEE5ASP553KW01 and YTEE5ASP133FW01
	804864	Line Filter	10 Amp; 250 Volt/50 or 60 Hertz; Models LTGE5ASP113FW01, LTME5ASP543KW01 and YTGE5ASP113FW01
3	D518534	Ground Filter Harness	Filter to rear bulkhead (earth/ground); 30 Amp; Models LTEE5ASP133FW01, LTEE5ASP553KW01 and YTEE5ASP133FW01
	D514039	Ground Filter Harness	Earth/ground; Models LTGE5ASP113FW01, LTME5ASP543KW01 and YTGE5ASP113FW01
4	D518532	Filter Harness	Filter to terminal block; 30 Amp; Models LTEE5ASP133FW01, LTEE5ASP553KW01 and YTEE5ASP133FW01
	D518533	Filter Harness	Filter to rear bulkhead (earth/ground) and harness; 10 Amp; Models LTGE5ASP113FW01, LTME5ASP543KW01 and YTGE5ASP113FW01

Dryer Junction Box - Through Serial No. 1912999999 (Drawing 1 of 3)

Models ATEE9AGP435AW01, ATEE9ASP133DN04, ATEE9ASP133DW04, ATEE9ASP433XW34, ATEE9ASP435XW34, ATEE9ASP453LW26, ATEE9ASP455LN01, ATEE9ASP455LW01, ATEE9ASP543DN04, ATEE9ASP543DW04, ATEE9ASP545DW04, ATEE9ASP565XW01, ATEE9AWP433AW01, ATEE9AWP435AW01, ATGE9AGP305AW01, ATGE9ASP123DN04, ATGE9ASP123DW04, ATGE9ASP125DW04, ATGE9ASP303XW01, ATGE9ASP303XW26, ATGE9ASP305XW01, ATGE9ASP543DN04, ATGE9ASP543DW04, ATGE9ASP545DW04, ATGE9AWP303AW01, ATGE9AWP305AW01, ATLE9ASP305LW01, FTEE5ASP303ZW01, FTEE5ASP433LW01, LTEE5AGP133ZW30, LTEE5ASP303WW01, LTEE5ASP303WW37, LTEE5ASP303ZW01, LTEE5ASP433AW01, LTEE5ASP433AW12, LTEE5ASP453VW26, LTEE5ASP543RW01, LTGE5ASP113JW01, LTGE5ASP113TW01, LTGE5ASP303AW01, LTGE5ASP303AW12, LTLE5ASP303LW01, PTEE3FSP433AG01, PTGE3FSP303AG01, UTGE5ASP113TW01 and YTGE5ASP303NW21



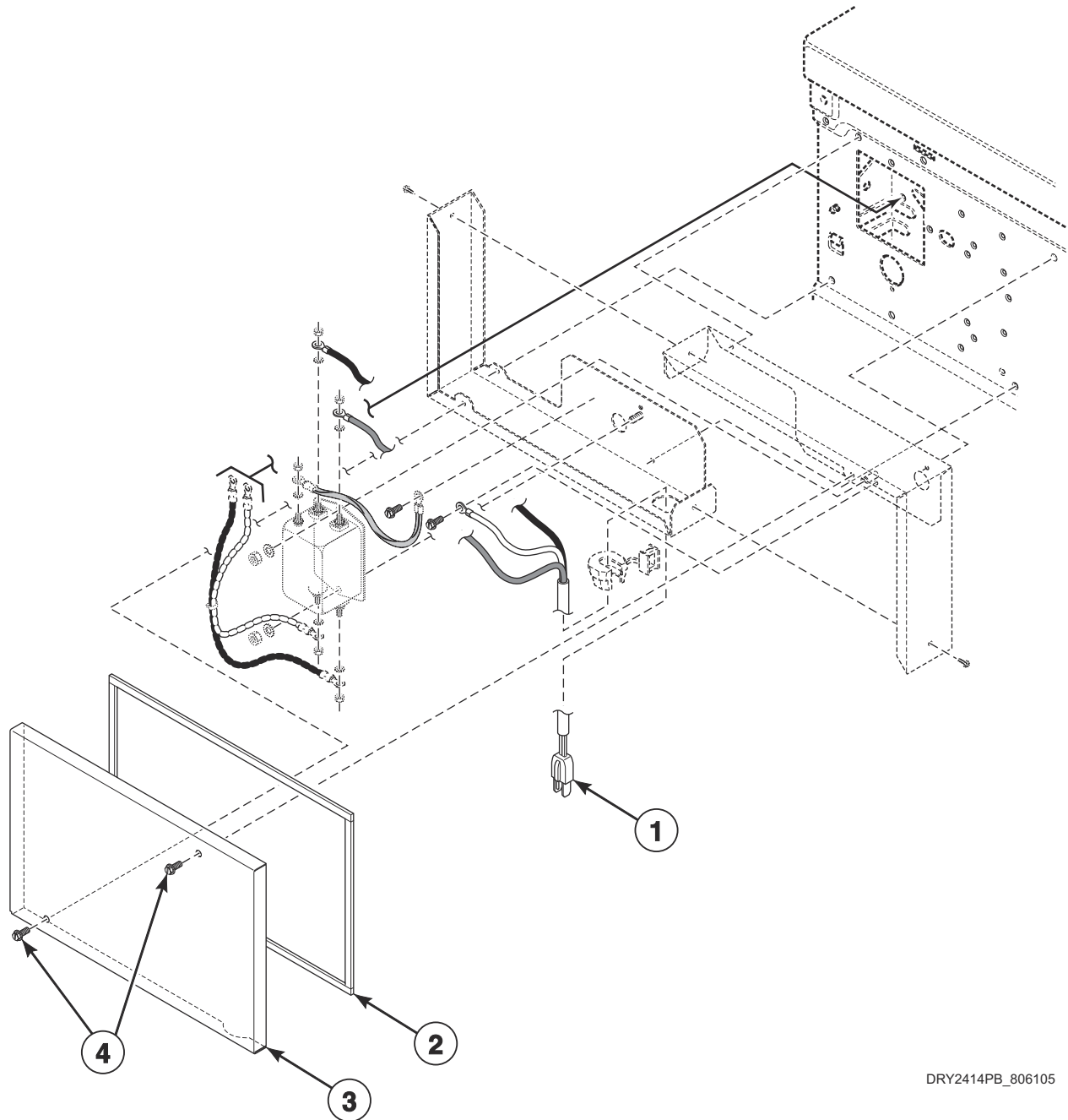
DRY2414P_806105

Dryer Junction Box - Through Serial No. 1912999999 (Drawing 1 of 3)

REF	PART NO.	DESCRIPTION	COMMENTS
	D502510	Ground Label	
	D514618	Terminal Block Label	L-N; Models ATGE9AGP305AW01, ATGE9AWP303AW01, ATGE9AWP305AW01, LTGE5ASP113JW01, LTGE5ASP303AW01, LTGE5ASP303AW12 and YTGE5ASP303NW21
1	D503688	Screw	
2	D516153	Junction Box Assembly	Includes items 1 and 5; Models ATEE9AGP435AW01, ATEE9ASP133DN04, ATEE9ASP133DW04, ATEE9ASP433XW34, ATEE9ASP435XW34, ATEE9ASP453LW26, ATEE9ASP455LN01, ATEE9ASP455LW01, ATEE9ASP543DN04, ATEE9ASP543DW04, ATEE9ASP545DW04, ATEE9ASP565XW01, ATEE9AWP433AW01, ATEE9AWP435AW01, FTEE5ASP303ZW01, FTEE5ASP433LW01, LTEE5AGP133ZW30, LTEE5ASP303WW01, LTEE5ASP303WW37, LTEE5ASP303ZW01, LTEE5ASP433AW01, LTEE5ASP433AW12, LTEE5ASP453VW26, LTEE5ASP543RW01 and PTEE3FSP433AG01
	D516152	Junction Box Assembly	Includes items 1 and 5; Models ATGE9AGP305AW01, ATGE9ASP123DN04, ATGE9ASP123DW04, ATGE9ASP303XW01, ATGE9ASP303XW26, ATGE9ASP305XW01, ATGE9ASP543DN04, ATGE9ASP543DW04, ATGE9ASP545DW04, ATGE9AWP303AW01, ATGE9AWP305AW01, ATLE9ASP305LW01, LTGE5ASP113JW01, LTGE5ASP303AW01, LTGE5ASP303AW12, LTLE5ASP303LW01, PTGE3FSP303AG01 and YTGE5ASP303NW21
3	60298	Strain Relief	Models ATGE9AGP305AW01, ATGE9ASP123DN04, ATGE9ASP123DW04, ATGE9ASP303XW01, ATGE9ASP303XW26, ATGE9ASP305XW01, ATGE9ASP543DN04, ATGE9ASP543DW04, ATGE9ASP545DW04, ATGE9AWP303AW01, ATGE9AWP305AW01, ATLE9ASP305LW01, LTGE5ASP113JW01, LTGE5ASP303AW01, LTGE5ASP303AW12, LTLE5ASP303LW01, PTGE3FSP303AG01 and YTGE5ASP303NW21
	52113	Strain Relief	Models ATEE9AGP435AW01, ATEE9ASP133DN04, ATEE9ASP133DW04, ATEE9ASP433XW34, ATEE9ASP435XW34, ATEE9ASP453LW26, ATEE9ASP455LN01, ATEE9ASP455LW01, ATEE9ASP543DN04, ATEE9ASP543DW04, ATEE9ASP545DW04, ATEE9ASP565XW01, ATEE9AWP433AW01, ATEE9AWP435AW01, FTEE5ASP303ZW01, FTEE5ASP433LW01, LTEE5AGP133ZW30, LTEE5ASP303WW01, LTEE5ASP303WW37, LTEE5ASP303ZW01, LTEE5ASP433AW01, LTEE5ASP433AW12, LTEE5ASP453VW26, LTEE5ASP543RW01 and PTEE3FSP433AG01

Dryer Junction Box - Through Serial No. 1912999999 (Drawing 2 of 3)

Models ATEE9AGP435AW01, ATEE9ASP133DN04, ATEE9ASP133DW04, ATEE9ASP433XW34, ATEE9ASP435XW34, ATEE9ASP453LW26, ATEE9ASP455LN01, ATEE9ASP455LW01, ATEE9ASP543DN04, ATEE9ASP543DW04, ATEE9ASP545DW04, ATEE9ASP565XW01, ATEE9AWP433AW01, ATEE9AWP435AW01, ATGE9AGP305AW01, ATGE9ASP123DN04, ATGE9ASP123DW04, ATGE9ASP125DW04, ATGE9ASP303XW01, ATGE9ASP303XW26, ATGE9ASP305XW01, ATGE9ASP543DN04, ATGE9ASP543DW04, ATGE9ASP545DW04, ATGE9AWP303AW01, ATGE9AWP305AW01, ATLE9ASP305LW01, FTEE5ASP303ZW01, FTEE5ASP433LW01, LTEE5AGP133ZW30, LTEE5ASP303WW01, LTEE5ASP303WW37, LTEE5ASP303ZW01, LTEE5ASP433AW01, LTEE5ASP433AW12, LTEE5ASP453VW26, LTEE5ASP543RW01, LTGE5ASP113JW01, LTGE5ASP113TW01, LTGE5ASP303AW01, LTGE5ASP303AW12, LTLE5ASP303LW01, PTEE3FSP433AG01, PTGE3FSP303AG01, UTGE5ASP113TW01 and YTGE5ASP303NW21



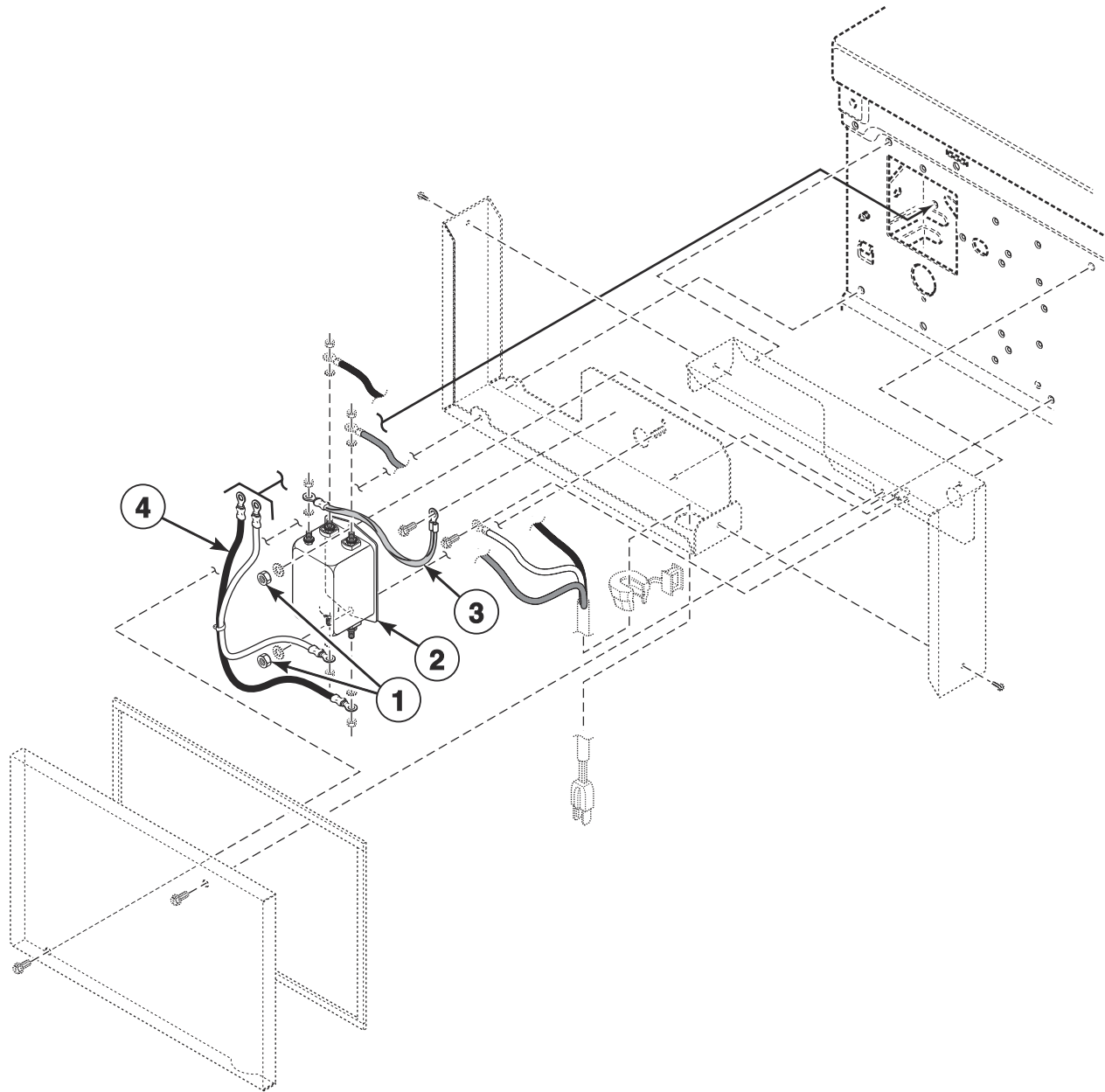
DRY2414PB_806105

Dryer Junction Box - Through Serial No. 1912999999 (Drawing 2 of 3)

REF	PART NO.	DESCRIPTION	COMMENTS
1	202926	Lead-In Cord	Models ATGE9AGP305AW01, ATGE9AWP303AW01, ATGE9AWP305AW01, LTGE5ASP303AW01, LTGE5ASP303AW12, PTGE3FSP303AG01 and YTGE5ASP303NW21
	D516747	Lead-In Cord Assembly	Models ATEE9ASP133DN04, ATEE9ASP133DW04, ATEE9ASP433XW34, ATEE9ASP435XW34, ATEE9ASP453LW26, ATEE9ASP543DN04, ATEE9ASP543DW04, ATEE9ASP545DW04, FTEE5ASP303ZW01, FTEE5ASP433LW01, LTEE5ASP303WW01, LTEE5ASP303WW37, LTEE5ASP303ZW01, LTEE5ASP453VW26 and LTEE5ASP543RW01
	61605P	Lead-In Cord Kit	Models ATEE9AGP435AW01, ATEE9AWP433AW01, ATEE9AWP435AW01, LTEE5ASP433AW01, LTEE5ASP433AW12 and PTEE3FSP433AG01
	D516611	Lead-In Cord	Model LTGE5ASP113JW01
	D514061	Lead-In Cord	Models ATGE9ASP123DN04, ATGE9ASP123DW04, ATGE9ASP125DW04, ATGE9ASP543DN04 and ATGE9ASP543DW04
	D516162	Lead-In Cord	Models ATEE9ASP453LW26, ATEE9ASP455LN01 and ATEE9ASP455LW01
	203119	Power Cord Assembly	Models ATGE9ASP303XW01, ATGE9ASP303XW26 and ATGE9ASP305XW01
	D516390	Lead-In Cord	Model ATEE9ASP565XW01
	203315	Lead-In Cord	Models ATLE9ASP305LW01 and LTLE5ASP303LW01
2	D514379P	Junction Box Seal	
3	D516186	Junction Box Cover	Models LTEE5ASP303WW01 and LTEE5ASP303WW37
	D514363	Junction Box Cover	All other models
4	D503661	Screw	

Dryer Junction Box - Through Serial No. 1912999999 (Drawing 3 of 3)

Models ATEE9AGP435AW01, ATEE9ASP133DN04, ATEE9ASP133DW04, ATEE9ASP433XW34, ATEE9ASP435XW34, ATEE9ASP453LW26, ATEE9ASP455LN01, ATEE9ASP455LW01, ATEE9ASP543DN04, ATEE9ASP543DW04, ATEE9ASP545DW04, ATEE9ASP565XW01, ATEE9AWP433AW01, ATEE9AWP435AW01, ATGE9AGP305AW01, ATGE9ASP123DN04, ATGE9ASP123DW04, ATGE9ASP125DW04, ATGE9ASP303XW01, ATGE9ASP303XW26, ATGE9ASP305XW01, ATGE9ASP543DN04, ATGE9ASP543DW04, ATGE9ASP545DW04, ATGE9AWP303AW01, ATGE9AWP305AW01, ATLE9ASP305LW01, FTEE5ASP303ZW01, FTEE5ASP433LW01, LTEE5AGP133ZW30, LTEE5ASP303WW01, LTEE5ASP303WW37, LTEE5ASP303ZW01, LTEE5ASP433AW01, LTEE5ASP433AW12, LTEE5ASP453VW26, LTEE5ASP543RW01, LTGE5ASP113JW01, LTGE5ASP113TW01, LTGE5ASP303AW01, LTGE5ASP303AW12, LTLE5ASP303LW01, PTEE3FSP433AG01, PTGE3FSP303AG01, UTGE5ASP113TW01 and YTGE5ASP303NW21



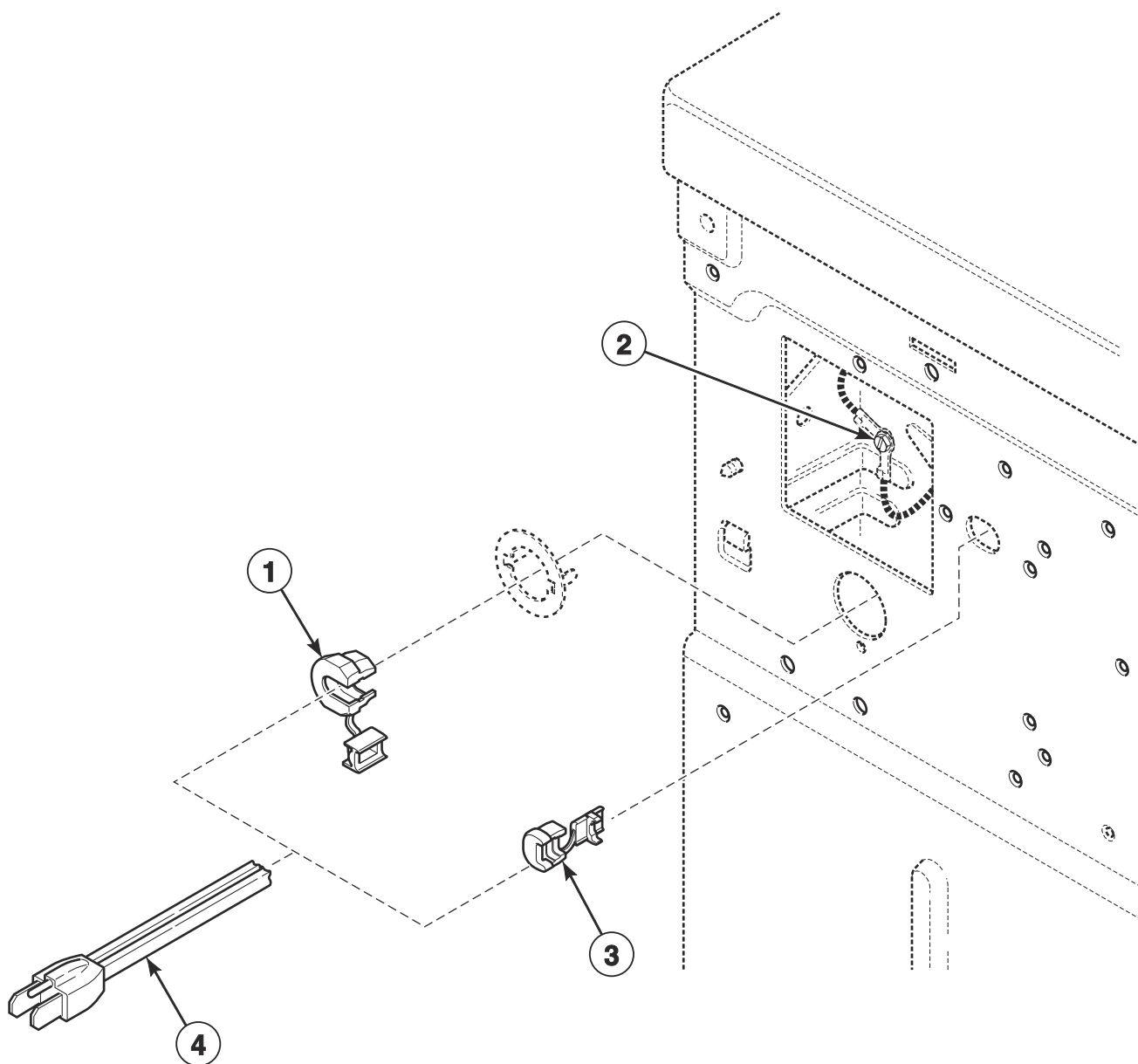
DRY2414PA_806105

Dryer Junction Box - Through Serial No. 1912999999 (Drawing 3 of 3)

REF	PART NO.	DESCRIPTION	COMMENTS
1	29787	Nut	
2	804844	Line Filter	30 Amp; 250 Volt/50 or 60 Hertz; Models ATEE9AGP435AW01, ATEE9ASP133DN04, ATEE9ASP133DW04, ATEE9ASP433XW34, ATEE9ASP435XW34, ATEE9ASP453LW26, ATEE9ASP455LN01, ATEE9ASP455LW01, ATEE9ASP543DN04, ATEE9ASP543DW04, ATEE9ASP545DW04, ATEE9ASP565XW01, ATEE9AWP433AW01, ATEE9AWP435AW01, FTEE5ASP303ZW01, FTEE5ASP433LW01, LTEE5AGP133ZW30, LTEE5ASP303WW01, LTEE5ASP303WW37, LTEE5ASP303ZW01, LTEE5ASP433AW01, LTEE5ASP433AW12, LTEE5ASP453VW26, LTEE5ASP543RW01 and PTEE3FSP433AG01
	804864	Line Filter	10 Amp; 250 Volt/50 or 60 Hertz; Models ATGE9AGP305AW01, ATGE9ASP123DN04, ATGE9ASP123DW04, ATGE9ASP125DW04, ATGE9ASP303XW01, ATGE9ASP303XW26, ATGE9ASP305XW01, ATGE9ASP543DN04, ATGE9ASP543DW04, ATGE9ASP545DW04, ATGE9AWP303AW01, ATGE9AWP305AW01, ATLE9ASP305LW01, LTGE5ASP113JW01, LTGE5ASP303AW01, LTGE5ASP303AW12, LTLE5ASP303LW01, PTGE3FSP303AG01 and YTGE5ASP303NW21
3	D518534	Ground Filter Harness	Filter to rear bulkhead (earth/ground); 30 Amp; Models ATEE9AGP435AW01, ATEE9ASP133DN04, ATEE9ASP133DW04, ATEE9ASP433XW34, ATEE9ASP435XW34, ATEE9ASP453LW26, ATEE9ASP455LN01, ATEE9ASP455LW01, ATEE9ASP543DN04, ATEE9ASP543DW04, ATEE9ASP545DW04, ATEE9ASP565XW01, ATEE9AWP433AW01, ATEE9AWP435AW01, FTEE5ASP303ZW01, FTEE5ASP433LW01, LTEE5AGP133ZW30, LTEE5ASP303WW01, LTEE5ASP303WW37, LTEE5ASP303ZW01, LTEE5ASP433AW01, LTEE5ASP433AW12, LTEE5ASP453VW26, LTEE5ASP543RW01 and PTEE3FSP433AG01
	D514039	Ground Filter Harness	Earth/ground; Models ATEE9AWP435AW01, ATGE9ASP123DN04, ATGE9ASP123DW04, ATGE9ASP125DW04, ATGE9ASP305XW01, ATGE9ASP543DN04, ATGE9ASP543DW04, ATGE9ASP545DW04, ATGE9AWP303AW01, ATGE9AWP305AW01, LTGE5ASP113JW01, LTGE5ASP303AW01, LTGE5ASP303AW12, PTGE3FSP303AG01 and YTGE5ASP303NW21
4	D518532	Filter Harness	Filter to terminal block; 30 Amp; Models ATEE9AGP435AW01, ATEE9ASP133DN04, ATEE9ASP133DW04, ATEE9ASP433XW34, ATEE9ASP435XW34, ATEE9ASP453LW26, ATEE9ASP455LN01, ATEE9ASP455LW01, ATEE9ASP543DN04, ATEE9ASP543DW04, ATEE9ASP545DW04, ATEE9ASP565XW01, ATEE9AWP433AW01, ATEE9AWP435AW01, FTEE5ASP303ZW01, FTEE5ASP433LW01, LTEE5AGP133ZW30, LTEE5ASP303WW01, LTEE5ASP303WW37, LTEE5ASP303ZW01, LTEE5ASP433AW01, LTEE5ASP433AW12, LTEE5ASP453VW26, LTEE5ASP543RW01 and PTEE3FSP433AG01
	D518533	Filter Harness	Filter to rear bulkhead (earth/ground) and harness; 10 Amp; Models ATGE9AGP305AW01, ATGE9ASP123DN04, ATGE9ASP123DW04, ATGE9ASP125DW04, ATGE9ASP543DN04, ATGE9ASP543DW04, ATGE9ASP545DW04, ATGE9AWP303AW01, ATGE9AWP305AW01, LTGE5ASP113JW01, LTGE5ASP303AW01, LTGE5ASP303AW12, PTGE3FSP303AG01 and YTGE5ASP303NW21
	804396	Filter Harness	Filter to main harness; Models ATGE9ASP303XW01, ATGE9ASP303XW26 and ATGE9ASP305XW01

Dryer Lead-In Cord - Starting Serial No. 2001000001

Models ATEE9AGP435AW01, ATEE9ASP133DN04, ATEE9ASP133DW04, ATEE9ASP433XW34, ATEE9ASP435XW34, ATEE9ASP453LW26, ATEE9ASP455LN01, ATEE9ASP455LW01, ATEE9ASP543DN04, ATEE9ASP543DW04, ATEE9ASP545DW04, ATEE9ASP565XW01, ATEE9AWP433AW01, ATEE9AWP435AW01, ATGE9AGP305AW01, ATGE9ASP123DN04, ATGE9ASP123DW04, ATGE9ASP125DW04, ATGE9ASP303XW01, ATGE9ASP303XW26, ATGE9ASP305XW01, ATGE9ASP543DN04, ATGE9ASP543DW04, ATGE9ASP545DW04, ATGE9AWP303AW01, ATGE9AWP305AW01, ATLE9ASP305LW01, FTEE5ASP303ZW01, FTEE5ASP433LW01, LTEE5AGP133ZW30, LTEE5ASP135MW01, LTEE5ASP303VW01, LTEE5ASP303VW37, LTEE5ASP303ZW01, LTEE5ASP433AW01, LTEE5ASP433AW12, LTEE5ASP453VW26, LTEE5ASP543RW01, LTGE5ASP113JW01, LTGE5ASP303AW01, LTGE5ASP303AW12, LTLE5ASP303LW01, PTEE3FSP433AG01, PTGE3FSP303AG01 and YTGE5ASP303NW21

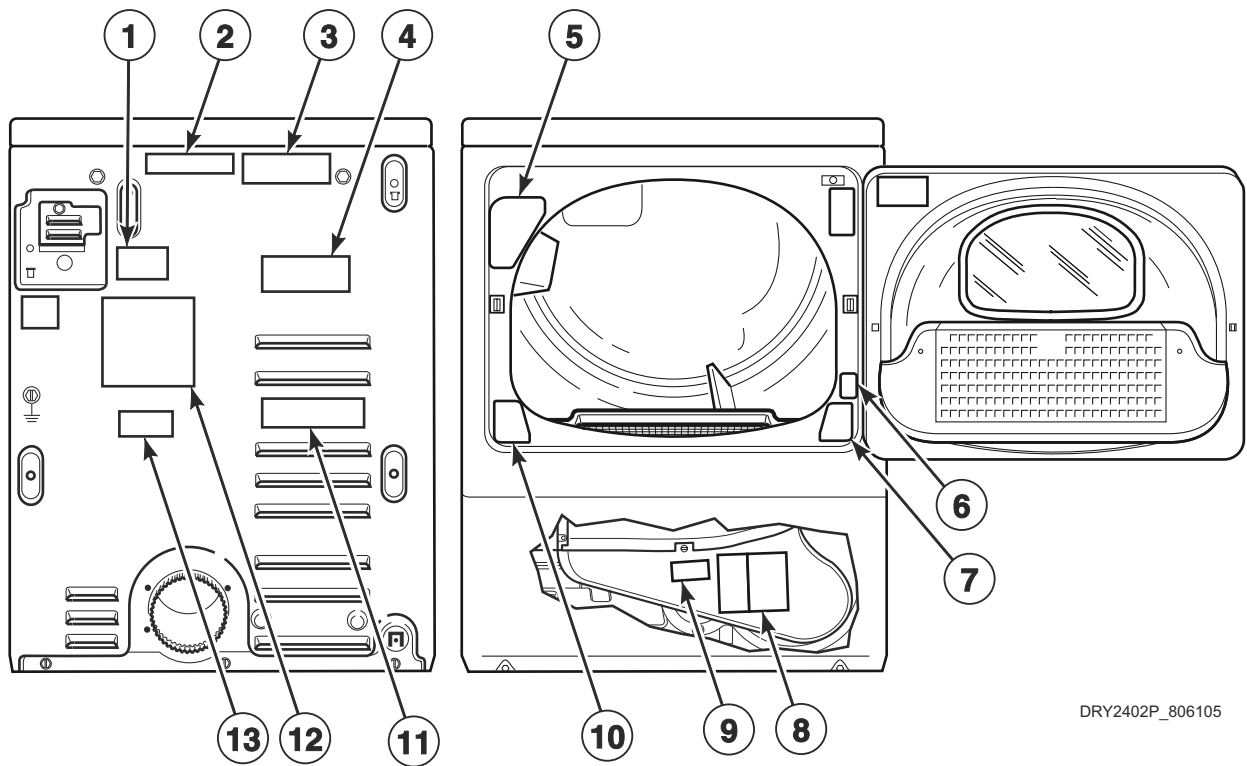


SWD1222PA_806105

Dryer Lead-In Cord - Starting Serial No. 2001000001

REF	PART NO.	DESCRIPTION	COMMENTS
	D506072	Terminal Block Label	L-N; Models ATEE9ASP435XW34, ATEE9ASP543DN04, ATEE9ASP545DW04, FTEE5ASP303ZW01, FTEE5ASP433LW01, LTEE5AGP133ZW30, LTEE5ASP135MW01, LTEE5ASP303WW01, LTEE5ASP303WW37 and LTEE5ASP303ZW01
1	D517492	Strain Relief	Models ATEE9AGP435AW01, ATEE9ASP133DN04, ATEE9ASP133DW04, ATEE9ASP433XW34, ATEE9ASP435XW34, ATEE9ASP453LW26, ATEE9ASP455LN01, ATEE9ASP455LW01, ATEE9ASP543DN04, ATEE9ASP543DW04, ATEE9ASP545DW04, ATEE9ASP565XW01, ATEE9AWP433AW01, ATEE9AWP435AW01, FTEE5ASP303ZW01, FTEE5ASP433LW01, LTEE5AGP133ZW30, LTEE5ASP135MW01, LTEE5ASP303WW01, LTEE5ASP303WW37, LTEE5ASP303ZW01, LTEE5ASP433AW01, LTEE5ASP433AW12, LTEE5ASP453VW26, LTEE5ASP543RW01, PTEE3FSP433AG01 and YTGE5ASP303NW21
2	20530	Screw	
3	D517491	Strain Relief	Models ATGE9AGP305AW01, ATGE9ASP123DN04, ATGE9ASP123DW04, ATGE9ASP125DW04, ATGE9ASP303XW01, ATGE9ASP303XW26, ATGE9ASP305XW01, ATGE9ASP543DN04, ATGE9ASP543DW04, ATGE9ASP545DW04, ATGE9AWP303AW01, ATGE9AWP305AW01, ATLE9ASP305LW01, LTGE5ASP113JW01, LTGE5ASP303AW01, LTGE5ASP303AW12, LTLE5ASP303LW01 and PTGE3FSP303AG01
4	202926	Lead-In Cord	Models ATGE9AGP305AW01, ATGE9AWP303AW01, ATGE9AWP305AW01, LTGE5ASP303AW01, LTGE5ASP303AW12, PTGE3FSP303AG01 and YTGE5ASP303NW21
	D516747	Lead-In Cord Assembly	Models ATEE9ASP133DN04, ATEE9ASP133DW04, ATEE9ASP433XW34, ATEE9ASP435XW34, ATEE9ASP453LW26, ATEE9ASP543DN04, ATEE9ASP543DW04, ATEE9ASP545DW04, FTEE5ASP303ZW01, FTEE5ASP433LW01, LTEE5ASP135MW01, LTEE5ASP303WW01, LTEE5ASP303WW37, LTEE5ASP303ZW01, LTEE5ASP453VW26 and LTEE5ASP543RW01
	61605P	Lead-In Cord Kit	Models ATEE9AGP435AW01, ATEE9AWP433AW01, ATEE9AWP435AW01, LTEE5ASP433AW01, LTEE5ASP433AW12 and PTEE3FSP433AG01
	D516611	Lead-In Cord	Model LTGE5ASP113JW01
	D514061	Lead-In Cord	Models ATGE9ASP123DN04, ATGE9ASP123DW04, ATGE9ASP125DW04, ATGE9ASP543DN04 and ATGE9ASP543DW04
	D516162	Lead-In Cord	Models ATEE9ASP453LW26, ATEE9ASP455LN01 and ATEE9ASP455LW01
	203119	Power Cord Assembly	Models ATGE9ASP303XW01, ATGE9ASP303XW26 and ATGE9ASP305XW01
	D516390	Lead-In Cord	Model ATEE9ASP565XW01
	203315	Lead-In Cord	Models ATLE9ASP305LW01 and LTLE5ASP303LW01

Dryer Labels

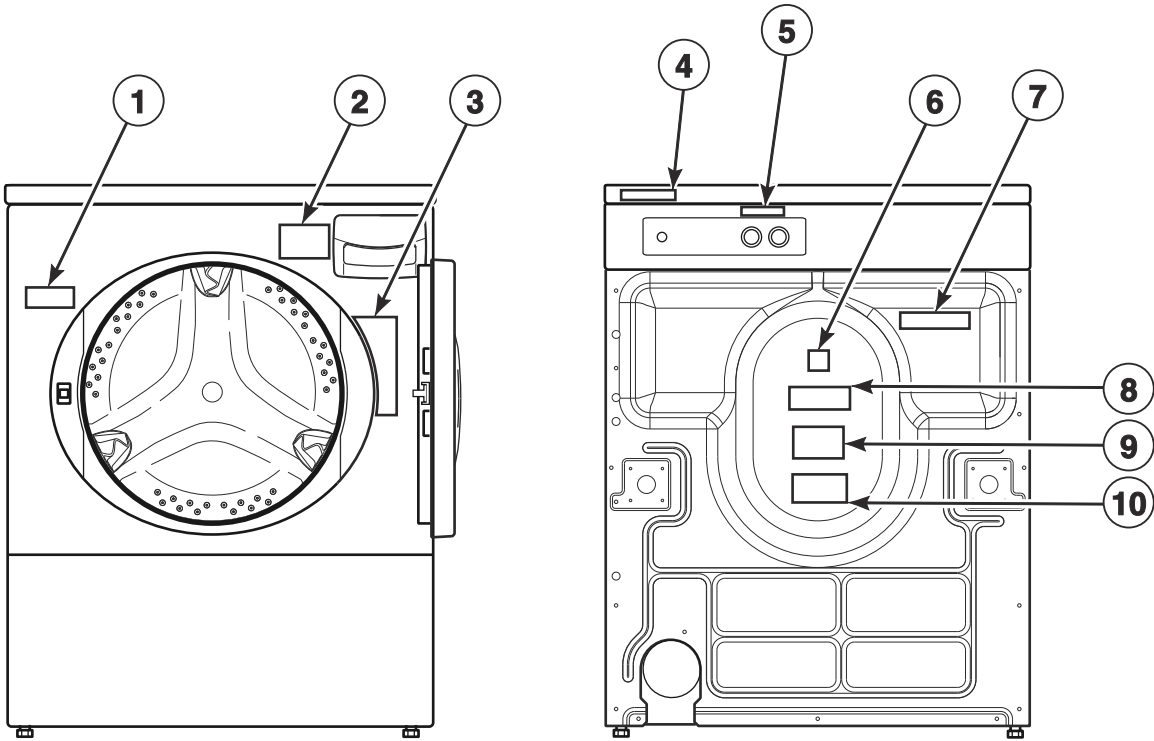


DRY2402P_806105

Dryer Labels

REF	PART NO.	DESCRIPTION	COMMENTS
1	803260	Warning Label	Turn off controls
2	D505281	Disconnect Power Warning Label	Text; English
	D500316	Warning Label	English/French; Disconnect power
3	44324001	Warning Label	Text; Electric shock
4	D502791	Venting Instruction Label	
5	D500281	Warning/Caution Label	English
	D514226	Warning Label	Brazilian Portuguese
	D514867	Warning Label	Thai
	D514866	Warning Label	Japanese
	D514410	Warning Label	Arabic; Right side of opening
	D516187	Warning Label	Vietnamese
	D516243	Warning Label	Quebec French; Right side of opening
	D514863	Front Panel Label	Chinese
	D514864	Front Panel Label	Korean
	D516514	Warning Label	Spanish
6	D503887	Label	Australian gas association
	D500240	Natural/L.P. Gas Label	English/Quebec French
7	D512263	Warning Label	
8	D511004	Gas Clearance Label	
	D513341	Clearance Label	Models ATEE9ASP283CW01, ATEE9ASP285CW01, ATEE9ASP285CW14, BTEE6ASP283CW01, LTEE5ASP283CW01, LTEE5ASP285CW01, PTEE3FSP283CG01, PTEE3FSP285CG01, UTEE5ASP283CW01, UTEE5ASP285CW01, YTEE5ASP283CW01, YTEE5ASP285CW01 and ZTEE9ASP286CW01
9	D500049	Warning Label	Text; Electric shock, rotating parts
	F8211201	Electrical Shock Label	Icon; Electric shock
	F8615701	Pinch Warning Label	Icon; Crush hazard
	F8614201	Shock Warning Label	Icon; Electric shock
10	D502781	Lint Filter Label	Icon
11	D505215	Gas Label	Text; Stainless steel flexible gas line
12	D511005	Electric Clearance Label	
13	D500497	Exhaust Warning Label	Text
	D502507	Exhaust Warning Label	Icon
	44321601	Warning Label	Icon; Fire

Washer Labels

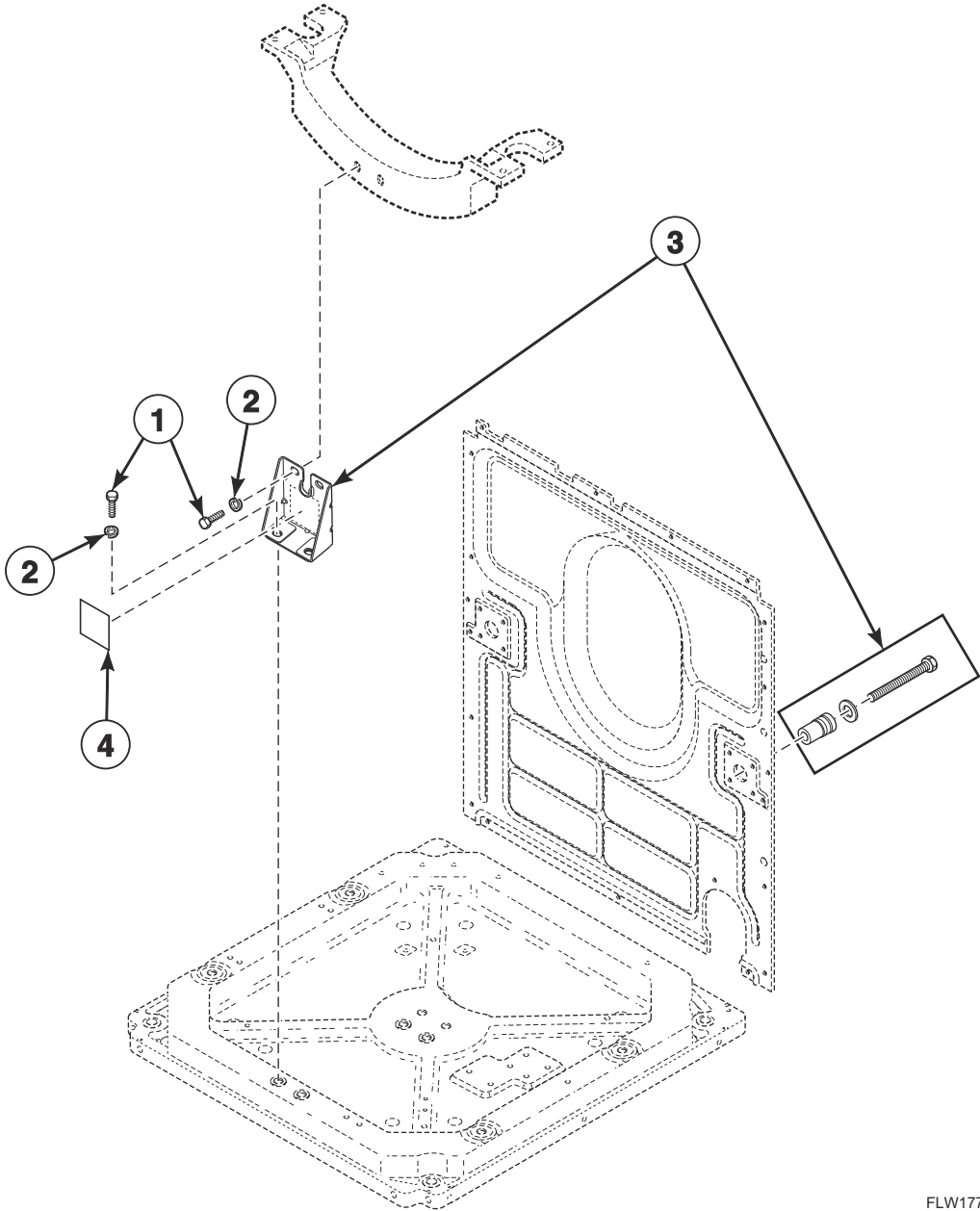


FLW1812P_806105

Washer Labels

REF	PART NO.	DESCRIPTION	COMMENTS
1	803011	Notice Label	
2	802074	Oversudsing Label	English
	802838	Oversudsing Label	Spanish
	802839	Oversudsing Label	Quebec French
3	802367	Warning Label	Reduce fire risk; Door locked; English
	806591	Warning Label	Reduce fire risk; Door locked; English/Quebec French
	805965	Warning Label	Reduce fire risk; Door locked; Korean
	805966	Warning Label	Reduce fire risk; Door locked; Thai
	804924	Warning Label	Reduce fire risk; Door locked; Arabic
	805962	Warning Label	Reduce fire risk; Door locked; Japanese
	805964	Warning Label	Reduce fire risk; Door locked; Chinese
	804933	Warning Label	Reduce fire risk; Door locked; Vietnamese
	805965	Warning Label	Reduce fire risk; Door locked; Spanish
	4	D515714	Warning Label
D515728		Warning Label	Dual supply; Korean; Models LTEE5ASP553KW01 and LTME5ASP543KW01
D515692		Warning Label	Dual supply; English; Model ATEE9ASP565XW01
D515740		Warning Label	Dual supply; Thai; Models ATLE9ASP305LW01, FTEE5ASP433LW01 and LTLE5ASP303LW01
D515738		Warning Label	Dual supply; Spanish; Models LTEE5ASP135MW01 and LTGE5ASP125MW01
5	806454	Hot/Cold Label	Chinese; Models ATHE9ASP453NW29, ATHE9ASP455NN29, ATHE9ASP455NW29, ZTHE9ASP455NN29 and ZTHE9ASP455NW29
6	D516073	Notice Label	
7	D505281	Disconnect Power Warning Label	English
	801706	Caution Label	Icon; Ground machine
	D500316	Warning Label	English/French; Disconnect power
	D516100	Label	Earth ground
8	685928	Left Hand Thread Label	Text; Left hand thread
	804949	Left Hand Thread Label	Icon; Left hand thread
9	803260	Warning Label	Text; Disconnect power
	F8211201	Electrical Shock Label	Icon; Electric shock
	F8614201	Shock Warning Label	Icon; Electric shock
10	D500049	Warning Label	English
	D500314	Warning Label	English/French
	F8615701	Pinch Warning Label	Icon; Crush hazard

Shipping Materials

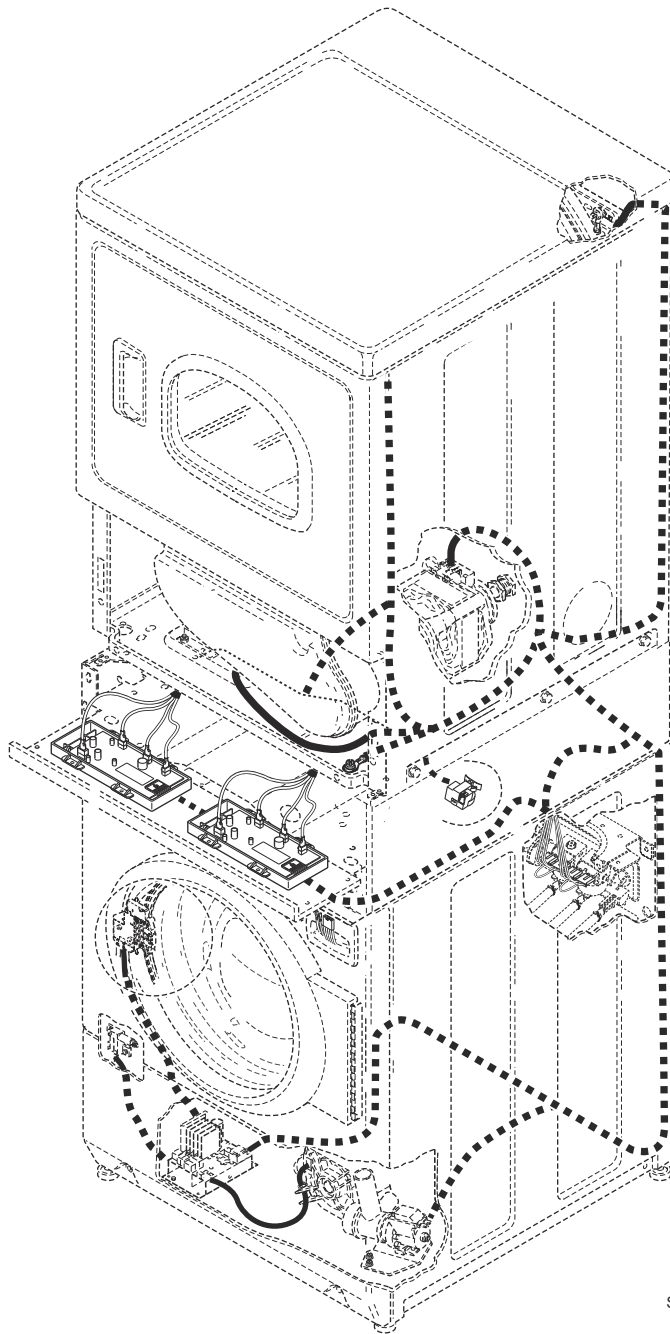


FLW1779P_806105

Shipping Materials

REF	PART NO.	DESCRIPTION	COMMENTS
1	M400043	Screw	
2	M400014	Washer	
3	805729	Shipping Materials Kit	Includes shipping brace, shipping spacer assembly and labels
4	686901	Shipping Bracket Label	

Miscellaneous Wire Harnesses and Wires



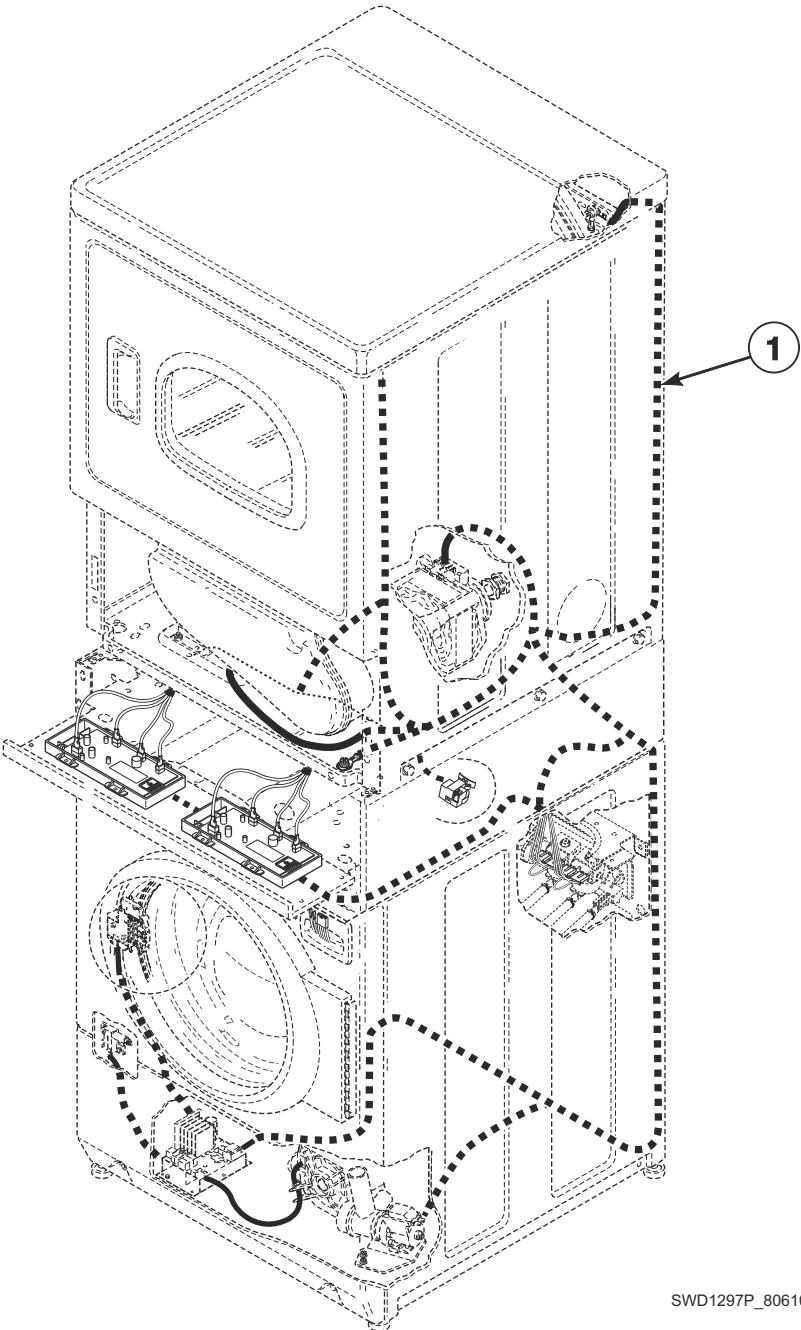
SWD1297PB_806105

Miscellaneous Wire Harnesses and Wires

REF	PART NO.	DESCRIPTION	COMMENTS
45001		18 Gauge Wire	Black; Order wire by the foot and terminals as required; Model ATEE9ASP286CW01
45380		12 Gauge Wire	Orange; Order wire by the foot and terminals as required; Model ATEE9ASP286CW01
D517236		Broken Belt Harness	Model ATEE9ASP286CW01
D516363		Cylinder Light Harness	Model ATEE9ASP286CW01
805684		Harness	Main harness to dryer base; Models ATEE9ASP283CW01, ATEE9ASP285CW01, ATEE9ASP285CW14, ATEE9ASP286CW01, ATGE9ASP093CW01, ATGE9ASP095CW01, ATGE9ASP095CW14, BTEE6ASP283CW01, BTGE6ASP093CW01, LTEE5ASP283CW01, LTEE5ASP285CW01, LTEE5ASP293CW01, LTEE5ASP295CW01, LTEE5FSP275TW01, LTGE5ASP093CW01, LTGE5ASP095CW01, UTEE5ASP283CW01, UTEE5ASP285CW01, YTEE5ASP283CW01, YTEE5ASP285CW01, YTGE5ASP093CW01, YTGE5ASP095CW01, ZTEE9ASP286CW01 and ZTGE9ASP096CW01; through 12/31/21
808123		Harness	Main harness to dryer base; Models ATEE9ASP283CW01, ATEE9ASP285CW01, ATEE9ASP285CW14, ATEE9ASP286CW01, ATGE9ASP093CW01, ATGE9ASP095CW01, ATGE9ASP095CW14, BTEE6ASP283CW01, BTGE6ASP093CW01, LTEE5ASP283CW01, LTEE5ASP285CW01, LTEE5ASP293CW01, LTEE5ASP295CW01, LTEE5FSP275TW01, LTGE5ASP093CW01, LTGE5ASP095CW01, UTEE5ASP283CW01, UTEE5ASP285CW01, YTEE5ASP283CW01, YTEE5ASP285CW01, YTGE5ASP093CW01, YTGE5ASP095CW01, ZTEE9ASP286CW01 and ZTGE9ASP096CW01; starting 1/1/22
D514044		Power Harness	Models ATEE9ASP283CW01, ATEE9ASP285CW01, ATEE9ASP285CW14, ATEE9ASP286CW01, BTEE6ASP283CW01, LTEE5ASP283CW01, LTEE5ASP285CW01, LTEE5FSP275TW01, PTEE3FSP283CG01, PTEE3FSP285CG01, UTEE5ASP283CW01, UTEE5ASP285CW01, YTEE5ASP283CW01, YTEE5ASP285CW01 and ZTEE9ASP286CW01; through 12/31/21
D518656		Power Harness	Models ATEE9ASP283CW01, ATEE9ASP285CW01, ATEE9ASP285CW14, ATEE9ASP286CW01, BTEE6ASP283CW01, LTEE5ASP283CW01, LTEE5ASP285CW01, LTEE5FSP275TW01, PTEE3FSP283CG01, PTEE3FSP285CG01, UTEE5ASP283CW01, UTEE5ASP285CW01, YTEE5ASP283CW01, YTEE5ASP285CW01 and ZTEE9ASP286CW01; starting 1/1/22
D518536		Gas Power Harness	Models ATGE9ASP093CW01, ATGE9ASP095CW01, ATGE9ASP095CW14, BTGE6ASP093CW01, LTGE5ASP093CW01, LTGE5ASP095CW01, PTGE3FSP093CG01, PTGE3FSP095CG01, YTGE5ASP093CW01, YTGE5ASP095CW01 and ZTGE9ASP096CW01
D518710		Power Harness	Models FTGE5ASP303NW10 and LTLE5ASP543NW23

NOTE: Individual wires are not available separately. Order complete wire harness, or order wire by the foot. When applying terminals to wires, it is recommended that the terminals be soldered to the wires.

Dryer Wire Harnesses - Through Serial No. 1912999999



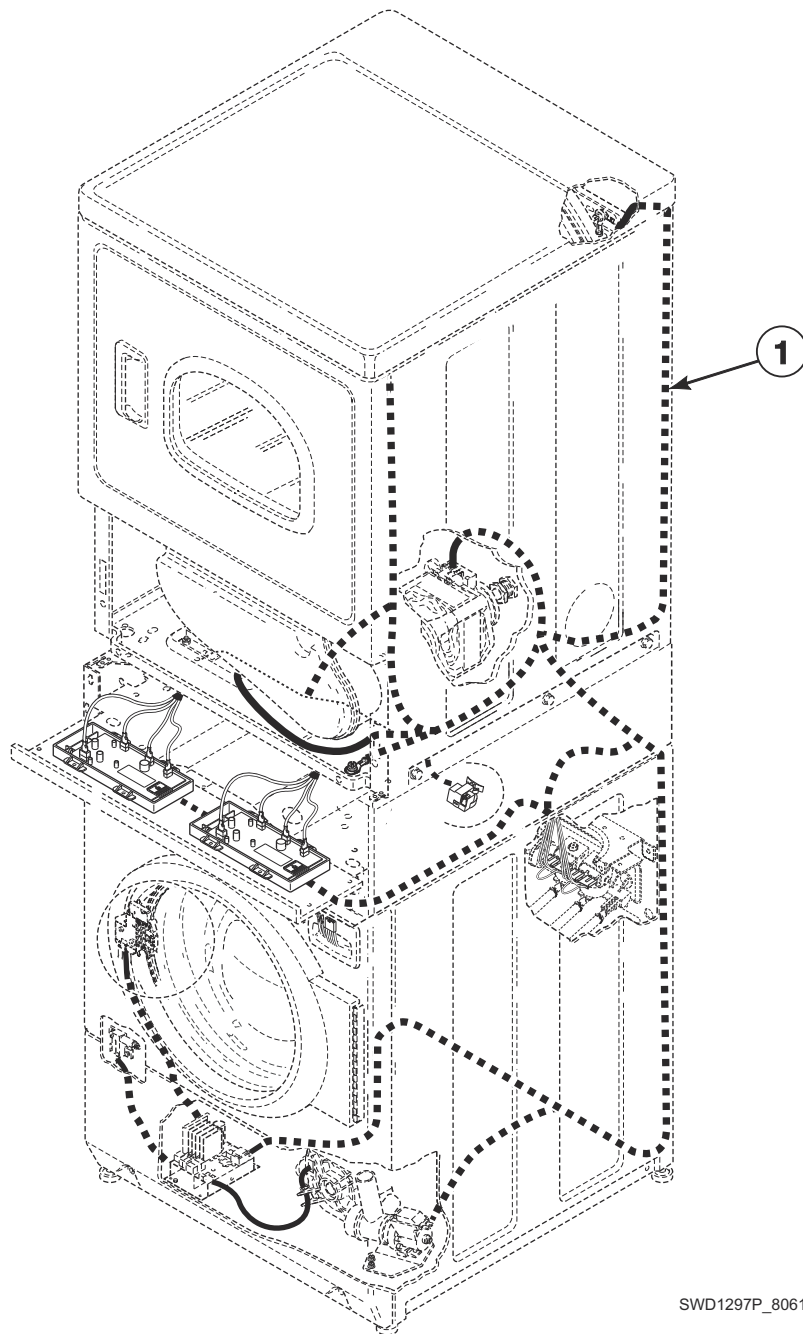
SWD1297P_806105

Dryer Wire Harnesses - Through Serial No. 1912999999

REF	PART NO.	DESCRIPTION	COMMENTS
1	D517094	Upper Gas Harness	Models ATGE9ASP093CW01, ATGE9ASP095CW01, ATGE9ASP095CW14, BTGE6ASP093CW01, BTGE6ASP113TW01, LTGA5FSP113TW01, LTGE5ASP093CW01, LTGE5ASP095CW01, LTGE5ASP113FW01, LTGE5ASP113JW01, LTGE5ASP113TW01, LTGE5ASP115TW01, LTGE5FSP115TW01, PTGE3FSP093CG01, PTGE3FSP095CG01, PTGE3FSP113TG01, PTGE3FSP115TG01, PTGE3FSP115TW01, UTGE5ASP113TW01, UTGE5ASP113TW08, UTGE5ASP115TW01, UTGE5ASP115TW08, YTGE5ASP093CW01, YTGE5ASP095CW01, YTGE5ASP113FW01, YTGE5ASP113TW01, YTGE5ASP115TW01 and ZTGE9ASP096CW01
	D517098	Upper Gas Harness	Models FTGE5ASP303NW10, LTGE5ASP303AW01, LTGE5ASP303AW12, LTLE5ASP303LW01, LTLE5ASP303NW35, LTLE5ASP543NW23, PTGE3FSP303AG01 and TTPE5ASP303NW36
	D517242	Upper Electric Harness	Models ATEE9ASP133DN04, ATEE9ASP133DW04, ATEE9ASP433XW34, ATEE9ASP453LW26, ATEE9ASP543DW04, ATEE9AWP433AW01 and ATHE9ASP453NW29; Model ATEE9ASP543DN04 through Serial Nos. beginning 1808
	D517100	Upper Gas Harness	Models ATGE9ASP303XW01, ATGE9ASP303XW26, ATGE9ASP543DW04, ATGE9AWP303AW01 and ATLE9ASP305LW01; Model ATGE9ASP543DN04 through Serial Nos. beginning 1808
	D516877	Main Harness	Model LTME5ASP543KW01
	D517096	Gas Harness	Model ATGE9ASP123DW04; Model ATGE9ASP123DN04 through Serial Nos. beginning 1808
	D516757	Upper Gas Harness	Model ATGE9ASP125DW04; Model ATGE9ASP123DN04 starting Serial Nos. beginning 1808
	D516758	Upper Electric Harness	Models ATEE9AGP435AW01, ATEE9ASG455NW36, ATEE9ASP435XW34, ATEE9ASP455LN01, ATEE9ASP455LW01, ATEE9ASP545DW04, ATEE9ASP565XW01, ATEE9AWP435AW01, ATHE9ASP455NN29, ATHE9ASP455NW29, ZTHE9ASP455NN29 and ZTHE9ASP455NW29; Model ATEE9ASP543DN04 starting Serial Nos. beginning 1808
	D516765	Upper Gas Harness	Models ATGE9AGP305AW01, ATGE9ASP305XW01, ATGE9ASP545DW04 and ATGE9AWP305AW01; Model ATGE9ASP543DN04 starting Serial Nos. beginning 1808
	D516756	Upper Electric Harness	Model UTEE5ASP173TW01
	D517211	Upper Gas Harness	Model YTGE5ASP303NW21
	D517204	Upper Harness	Model FTEE5ASP433LW01
	D517238	Upper Electric Harness	All other models

NOTE: Individual wires are not available separately. Order complete wire harness, or order wire by the foot. When applying terminals to wires, it is recommended that the terminals be soldered to the wires.

Dryer Wire Harnesses - Starting Serial No. 2001000001



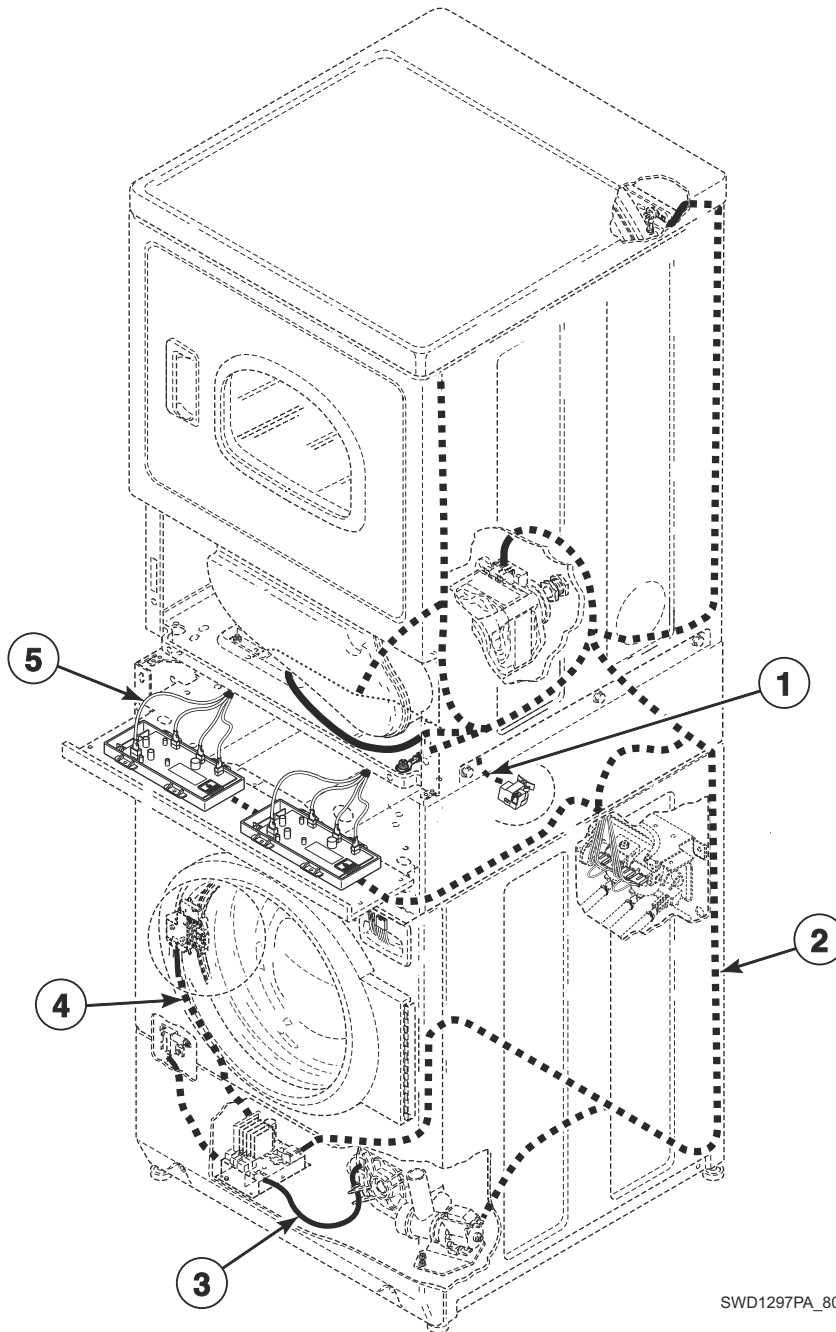
SWD1297P_806105

Dryer Wire Harnesses - Starting Serial No. 2001000001

REF	PART NO.	DESCRIPTION	COMMENTS
1	D517477	Gas Harness	Gas Models
	D517476	Upper Electric Harness	Electric Models

NOTE: Individual wires are not available separately. Order complete wire harness, or order wire by the foot. When applying terminals to wires, it is recommended that the terminals be soldered to the wires.

Washer and Control Wire Harnesses



SWD1297PA_806105

Washer and Control Wire Harnesses

REF	PART NO.	DESCRIPTION	COMMENTS
	807298	Power Harness	Starting Serial No. 2101000001
1	804433	Pressure Sensor Harness	
2	806277	Control Harness	Washer; Models ATHE9ASP453NW29, ATHE9ASP455NN29, ATHE9ASP455NW29, TTHE5ASP303NW36, TTPE5ASP303NW36, ZTHE9ASP455NN29 and ZTHE9ASP455NW29 through Serial No. 2012999999
	807348	Control Harness	Washer; Models ATHE9ASP453NW29, ATHE9ASP455NN29, ATHE9ASP455NW29, TTHE5ASP303NW36, TTPE5ASP303NW36, ZTHE9ASP455NN29 and ZTHE9ASP455NW29 starting Serial No. 2101000001
	806031	Front Control Harness	Washer; All other models through Serial No. 2012999999
	807346	Front Control Harness	Washer; All other models starting Serial No. 2101000001
3	806962	Motor Harness	Models LTEE5ASP553KW01 and LTME5ASP543KW01 through Serial No. 2012999999
	807612	Motor Harness	Models LTEE5ASP553KW01 and LTME5ASP543KW01 starting Serial No. 2101000001
	806029	Motor Harness	All other models through Serial No. 2012999999
	807294	Motor Harness	All other models starting Serial No. 2101000001
4	806028	Door Lock Harness Assembly	Through Serial No. 2012999999
	807293	Door Lock Harness Assembly	Starting Serial No. 2101000001
5	D513991	Security Cabinet Harness	

NOTE: Individual wires are not available separately. Order complete wire harness, or order wire by the foot. When applying terminals to wires, it is recommended that the terminals be soldered to the wires.

Parts Index

A

Access Cover Plate D514356	121
Access Panel and Guard Assembly D514252DG	71
Access Panel Assembly D514250DG	25, 71, 73, 79
D514250WP	25, 71, 73, 75, 77, 79
D514251	25, 75, 77
806528	25
Access Panel Plate D510903	121
Adhesive D511637P	91, 103
Air Duct Assembly D518431	97
D518432	99, 101
D518433	97, 99, 101
Anchor 155P3	51
Anchor Floor Mount Assembly 802844P	51
Anti-Seize Compound 27604P	39, 85

B

Balance Ring Assembly 804393	39
Bar Sensor D513737	91
Base Assembly 803876	51
Bearing Housing Kit 805525	39
Bearing Kit 805730	39
Belt 807429P	41
Belt Install Tool 807623	55
Blower Fan Assembly D510139P	87
Blower Housing D511969LG	83
D511969WP	83
Blower Housing Seal D510238P	81
Booster and Holding Coil 58804A	111, 113
Bracket D510146	121
D516238	115, 117
Broken Belt Harness D517236	153
Bulkhead Assembly D505899WP	91

Bumper Pad 36226	51
56128	123, 129
Burner Assembly D510149P	111, 113, 115, 117

C

Cabinet Panel Kit 800004WP	51
Cabinet Rear Panel D514632P	121
D517566	121
Cabinet Side Panel D510001DGP	123
D510001WP	123
D510002DGP	121
D510002WP	121
D512538	123
D512539	121
800004DG	51
800005DG	51
802525P	51
802526P	51
Cable Connection Box 39922	53
Caution Label 801706	149
Chemical Injection Conversion Kit 805938	29
805939	29
808076	29
808077	29
Clamp Ring 803802	37
Clearance Label D513341	147
Clothes Guard Deflector 804467	37
805548	37
Combustion Duct D510131	109
Compartment Cover 803669	29
Contactora 806428	21
807472	21
Contactora Bracket D511859	123
Control D514566P	15
D514567P	15
D515798P	19
Control Assembly D514565P	15
D514656P	19
D515430P	19
D517584	15
D517585	15
805217P	13, 19
805218P	13

N/A items do not appear in index.

805219P	13
805225P	13
805236P	13
806259P	19
806589	13
807516	13
807517	13
807518	13
807519	13
807521	13
807530	13
Control Bracket	
807441	41
Control Cabinet	
804639DG	19
804639W	19
804640DG	19
804640W	19
Control Cabinet Base	
804642	19
Control Harness	
806277	159
807348	159
Control Overlay	
804491	17
804734	17
805650	17
805651	17
806309	17
806446	17
806701	17
806745	17
806807	17
807189	17
807466	17
807494	17
807654	17
807708	17
Control Panel	
803960WP	7
806135DG	19
806586W	19
Control Shield	
804363	7, 19
Counterweight	
807476	35
Cylinder Assembly	
D510265LG	91
D510265WP	91
Cylinder Baffle	
D510102LG	91
D510102W	91
Cylinder Belt	
D511255P	85
Cylinder Glide	
D513710	91
Cylinder Glide Bracket	
D510145	91
Cylinder Light Assembly	
D512109	93, 95
Cylinder Light Harness	
D516363	153
Cylinder Light Lens	
D512106	93, 95
Cylinder Roller	
D510708P	103

Cylinder Roller Bracket	
D510100	103
Cylinder Seal Assembly	
D510207P	91, 103

D

Detergent Hose	
804717	29
Directional Exhaust Kit	
528P3	121
Disconnect Power Warning Label	
D505281	147, 149
Dispenser Assembly	
803698	29
Dispenser Drawer	
803667	29
Dispenser Handle	
804227B	29
804227WP	29
804228	29
Dispenser Inlet Hose	
803849	29
806718	29
807364	29
Dispenser Plate	
803843	29
Domed Label	
203173	17
800923	17
804970	17
Door Assembly	
D516510WP	59, 61
D516737W	63, 65, 67
804083WP	23
804210P	23
805550P	23
Door Catch Assembly	
D510177	71, 73, 75, 77, 79
802803	23
Door Glass	
802695P	23
Door Glass Mounting Plate	
806354	23
Door Handle Wedge	
D510129W	59, 61, 65, 67
Door Hinge	
802934	23
Door Latch Assembly	
803920	25
Door Liner Assembly	
D516508	59
Door Liner Grill	
D503870LG	59, 63, 67
D503870W	59, 61, 63, 65, 67, 69
Door Lock Drip Shield	
804784	25
Door Lock Harness Assembly	
806028	159
807293	159
Door Pull	
D512947	59

N/A items do not appear in index.

Door Pull and Wedge Kit	
D510103WP	59, 61, 63, 65, 67, 69
D511213P	59
Door Seal	
804428P	25
Door Seal Assembly	
804429P	25
Door Strike	
D510181	59, 61, 63, 65, 67, 69
Door Strike Mount	
D510127	59, 63, 65, 67, 69
Drain Base Bracket	
803814	49
Drain Hose	
803976	47
Drain Hose Bracket	
803828	51
Drain Hose Sleeve	
33615	47
Drain Pump Assembly	
808194P	49
808195P	49
808196P	49
Drain Pump Drip Shield	
805561	47
Drain Pump Isolator	
803815	49
Drain Valve Kit	
F976P3	45
Drain-to-Cabinet Hose	
800903	45
Drip Shield	
D514327	75, 77, 79
Drive Belt Kit	
804985	41
Drum Light Lamp	
D503579	93, 95
60954	93, 95
Dryer Base	
D514245	121
Dryer Door	
D510013DG	59
D510013WP	59
D510082WP	65, 67
D512969	59
D515960W	59, 61
D515961W	63, 65, 69
D515963	59
Dryer Door Window	
D503982P	63, 65, 67
D515681	63, 65, 69
Drying Rack	
D512082P	91

E

Elbow	
D513072	111, 115
Elbow Shut-Off Valve	
D510205	111
Electric Clearance Label	
D511005	147

Electrical Shock Label	
F8211201	147, 149
End Shield	
806258	43
Exhaust Duct	
D516196	121
Exhaust Warning Label	
D500497	147
D502507	147
Expansion Clip	
70030501	7, 19

F

Felt Pad	
D510189	91
Fill Hose	
203718	33
203719	33
203720	33
203750	33
204102	33
204103	33
204108	33
Filter	
805634	21
Filter Harness	
D518532	137, 143
D518533	137, 143
804396	9, 53, 143
804797	9, 11, 21, 53
Filter Jumper Harness	
808048	53
Flexible Venting Kit	
521P3	121
Foam Pad	
804875	29
Foreign Object Deflector	
806308	37
806313	37
806361	37
Front Bulkhead Assembly	
D515532	91
D515533P	91
D515534P	91
Front Control Harness	
806031	159
807346	159
Front Panel	
D510066DG	71, 73, 75, 77, 79
D510066WP	71, 73, 75, 77, 79
D512542	75, 77
802277DG	25
802277WP	25
802288P	25
Front Panel Assembly Kit	
806505W	27
806560	27
Front Panel Label	
D514863	75, 77, 79, 147
D514864	75, 77, 79, 147
Front Panel Seal	
D511056	71, 73, 75, 77, 79

N/A items do not appear in index.

G

Gas Clearance Label	
D511004	147
Gas Harness	
D517096	155
D517477	157
Gas Label	
D505215	147
Gas Power Harness	
D518536	153
Gas Valve Assembly	
D510506P	111
D513630	111
D513631	111
D516182	115
59063P	111
Gas Valve Coil	
D516699	115, 117
Gas Valve Mounting Bracket	
D510128	111, 113
510128	115, 117
Gas Valve, Bracket and Pipe Assembly	
D517607	113
D517609	113
D517610	117
D517611	113
D517612	113
Gasket	
802427	49
Glass Mounting Clip	
802700	23
Glide Kit	
RB170003	91
Gravity Drain Bracket	
803291	45
803833	51
Gravity Drain Valve	
803292P	45
Grommet	
29175	35
Ground Filter Harness	
D514039	137, 143
D518534	137, 143
Ground Label	
D502510	133, 139

H

Harness	
805684	153
808123	153
Harness Strap	
55881	57
Heat Contactor Harness	
806431	21
807474	21
Heat Duct Shroud	
D510101	109
Heater	
D510325P	105

Heater Assembly	
D510324P	105
D510326P	105
D510327P	105
D510328P	105
D510329P	105
D511503P	105
Heater Contactor Drip Shield	
805356	21
Heater Duct and Screw Assembly	
D510025P	105
Heater Duct Assembly	
D510025P	109
Heater Kit	
964P3	107
Heater Kit Assembly	
61927	107
61928	107
61929	107
61930	107
61931	107
Heating Element	
806090	37
Heating Element Plug	
F360202	37
High Voltage Suppression Cable	
44239706	129
Hinge	
D511036	59, 61, 63, 65, 67, 69
Hinge Hole Plug	
D510186	71, 73, 75, 77, 79
Hinge Plate	
802206	25
Hold Down Kit	
526P3	121
Hose Clamp	
F200204	47, 49
685725	29, 45
802281	25
803891	35
807386	29
Hose Clip	
36985	35, 57
800553	35
Hose Stand	
38732	47
Hot/Cold Label	
806454	149

I

ICM Gas Harness	
D516881	129
Idler Lever	
D516310	89
Idler Lever and Wheel Assembly	
D516792	89
Idler Spring	
D510185	89
Idler Wheel and Bearing Assembly	
D510142P	89
Igniter and Bracket Assembly	
D510184P	111, 113

N/A items do not appear in index.

Ignition Control 70483201P	129
Inner Basket Assembly 804374P	39
805485	39
Inner Basket Assembly Kit 804376P	39
Inner Door Bezel 808097	23
Inner Door Bezel Kit 808095	23
808096	23
Inverter Control Assembly 807175P	41

J

Junction Box 803818	53
803819	53
804559	53
Junction Box Assembly D516152	133, 139
D516153	133, 139
Junction Box Cover D514363	135, 141
D516186	141
803820	53
Junction Box Seal D514379P	135, 141
803832	53

L

Label D503887	147
D516100	149
804969	17
805914	17
Lead-In Cord D513632	131
D514061	141, 145
D514953	135
D515971	131
D516162	141, 145
D516390	141, 145
D516611	141, 145
202405	53
202777	57, 131
202925	135
202926	141, 145
203315	141, 145
203344	131
59373	135
805844	53
805974	53
807034	57
808050	57
808131	53
Lead-In Cord Assembly D510505P	131
D516747	131, 135, 141, 145
804556	53

Lead-In Cord Kit 61605P	141, 145
Lead-In Pipe Assembly D510204	111, 115
Left Hand Thread Label 685928	149
804949	149
Leveling Leg D510135	121
34319	51
Lid Assembly 802426P	49
Lifter 804382	39
Light Housing Assembly D512108	93, 95
Limit Thermostat D510700	105
D510701	105
D510702	109
D515873	105
Line Filter 804844	137, 143
804864	137, 143
805633	9, 53
807473	9, 11, 21, 53
Liner and Seal Assembly DD516509	69
D516509	63, 65, 67
Liner Door Seal D510147P	59, 63, 65, 67
D515709	61, 63, 69
Liner, Seal and Grill Assembly D510163WP	59
Lint Filter D503980LG	97, 99, 101
D503980W	97, 99, 101
Lint Filter Cover D510502LG	97, 99, 101
D510502W	99, 101
Lint Filter Label D502781	147
D502804	79
L.P. Conversion Kit 401P3	111, 113
649P3	111, 113
L.P. Orifice D503786	119
58755	119

M

Main Harness D516877	155
Manual Reset Thermostat 44253901	105
Mixing Valve 806510P	31
806611P	31
807497P	31
807837P	31
Mixing Valve Screen 24122	31

N/A items do not appear in index.

Mixing Valve Shield 804783	33
Moisture Sensor Base D513738	91
Motor and Pulley Assembly D505843P	85
D505869P	85
D511629P	85
Motor and Rod Assembly Kit 805726P	41
808034P	41
808067P	41
Motor Control Shield 804878	43
806498	43
Motor Harness 806029	159
806962	159
807294	159
807612	159
Motor Hub Ring Kit 590P3	85
Motor Mount D518517	89
Motor Mount Clamp D510180	85
Motor Pulley D500011	85
D500222	85
Motor Rod 803861	41
807739	41
Motor Shield D514602	81
Motor Switch Bracket D516311	89

N

Natural/L.P. Gas Label D500240	147
Network Varistor Assembly 804651	21
Notice Label D516073	149
803011	149
Nut F430218	37
03673	57
21899	51
23951	23
29786	45
29787	9, 11, 21, 137, 143
36020	25
44071201	63, 67
52566	89
56156	89, 103
685846	23
800452	35, 39
800931	19
802343	37
804418	39
N.G. Conversion Kit 402P3	111, 113

650P3	111, 113
N.G. Orifice D503778	119
D503779	119
D503780	119
D503781	119

O

O-Ring 802429P	49
Outer Door Bezel 808091	23
808092	23
808094	23
Outer Tub Assembly 803864	35
803865	35
807479	35
807480	35
807618	35
807619	35
Outlet Cover D500820	105, 109
D518524	105, 109
Out-of-Balance Switch Assembly 803415	35
807384	35
Out-of-Balance Switch Bracket 804457	35
807280	35
Output Board Shield D514420	123
Output Control Assembly D513797P	125
D517191P	127
D517269	125
D517319	127
807243	41
808149	41
Overlay 806060	19
806121	19
806193	19
Oversuding Label 802074	149
802838	149
802839	149

P

Paint 806436P	51, 121
Panel Locator 56079	25, 51, 71, 73, 75, 77, 79, 123
Pinch Warning Label F8615701	147, 149
Pop Rivet 685847	35
Porcelain Touch-Up Paint 122P4P	51, 121
Power Cord Assembly D506081	131

N/A items do not appear in index.

203119	141, 145
204061	53
58992	131
801450	53
802012	53
805732	53
806179	57
808045	53
808046	53
808047	53
Power Harness	
D514044	153
D518656	153
D518710	153
807298	159
Power Jumper Harness	
202917	11
Pressure Bulb	
808013	35
Pressure Sensor	
203843	51
Pressure Sensor Harness	
804433	159
Pressure Sensor Tube Assembly	
804483	35
804769	35
Pulley Assembly	
808197	39
Pulley Bolt Tightening Fixture	
802336	55
Pump Housing	
802428	49
Pump Housing Assembly	
802434P	49
Pump-to-Gravity Drain Kit	
805770	47
805771	47
Pushbutton Switch	
M413431	129

R

Rear Access Panel	
803998	7
807646	7
Rear Bulkhead Assembly	
D510905WP	103
D511082P	103
Rear Control Cabinet	
804859	19
Rear Panel	
803789	51
803790	51
806716	51
Retainer Clip	
36014	47
Retaining Ring	
23748	89, 103
Roller Kit	
RB170002	103
Rubber Foot	
D501855	51
34318	51

S

Screw	
D500226	59, 61, 65, 67
D500227	93, 95
D500824	89
D501086	97, 99, 101
D501285	97, 99, 101, 103
D501524	43
D502535	87
D503661	9, 11, 21, 25, 41, 45, 47, 49, 51, 53, 135, 141
D503688	7, 19, 71, 73, 75, 77, 79, 87, 91, 103, 105, 109, 111, 113, 115, 117, 121, 123, 129, 133, 139
D505295	63, 65, 67, 69
D505870	63, 65, 67, 69
D512921	25, 51, 75, 121
D514428	123
D515597	63, 67
D515967	63, 65, 69
D516261	129
F8206901	41
M400043	39, 151
M400057	41
02916	41, 45
20530	57, 131, 145
23222	105, 111, 113
31260	81
33562	71, 73, 75, 77, 79
36048	121
38272	129
39733	25, 51, 71, 73, 75, 77, 79, 123
430497	19
51782	109, 111, 113, 115, 117
56124	111, 113, 115, 117
61199	103
62588	91
685831	39
70240301	7
800461	35
800462	37
800548	23, 25, 29, 39
800930	19
801001	29
801019	23
801045	25
801993	23
802431	49
802596	37
804399	39
804667	13, 15, 19, 123
804699	39
806276	25, 51, 75, 77, 79, 123
Screw Orifice	
58719	119
Seal Kit	
RB170001	91, 103
Sealant	
27615P	49
Secondary Coil	
58804B	111, 113
Security Cabinet Harness	
D513991	159
Sensor	
D510213	111, 113

N/A items do not appear in index.

Shaft	56461P	89, 103
Shield Bracket	804018	7
Shipping Bracket Label	686901	151
Shipping Materials Kit	805729	151
Shipping Plate	803851	51
Shipping Plug	803859	51
Shock Assembly	803777P	35
Shock Warning Label	F8614201	147, 149
Side Panel Kit	806492	51
Snap Bushing	D503235	45
	M402542	9, 11, 21
Spark Electrode	44328701P	115, 117
Speed Clip	28835	71, 73, 75, 77, 79
Standpipe Strap	33489	47
Strain Relief	D517491	145
	D517492	145
	32219	47
	38384	53, 57, 131
	52113	131, 133, 139
	60298	53, 133, 139
	806511	57
Strain Relief Adapter	D502496	131
Strain Relief Connector	D511628	131
Strain Relief Plate	806508	57
Switch	D512973	71, 73, 75, 77, 79
	D516391	89
Switch Bracket	D516237	129

T

Terminal Block Assembly	D505876	21
	D510190P	103
	803988	9
Terminal Block Drip Shield	805344	21
Terminal Block Harness	804737	21
Terminal Block Label	D506072	145
	D514618	139
Terminal Block Panel	804609	21

Terminal Block Shield	D510237	103
	D517715	103
Thermal Fuse Assembly	D518649	105
Thermistor Assembly	D502366	87
	D510523	87
Thermostat	D510703	109
Thermostat Opening Cover	61203	11
Thermostat Shield	D514325	81
Top and Bracket Assembly	D513224	121
Top Hinge	D510136	121
Top Kit	D510032WP	121
Top Panel	D510032DG	121
Transformer	D513763P	123
	202758	129
Transformer Shield	D514334	123
Trunnion Kit	806831	39
Trunnion Shaft Kit	808043	39
Tub Front	803770	37
Tub Front Assembly	803879	37
Tub Front Seal	803801	37
Tub-to-Gravity Drain Hose	803874	45
Tub-to-Pump Hose	803816	49
	803829	49
T.G. Conversion Kit	D516445	111, 113

U

Upper Electric Harness	D516756	155
	D516758	155
	D517238	155
	D517242	155
	D517476	157
Upper Gas Harness	D516757	155
	D516765	155
	D517094	155
	D517098	155
	D517100	155
	D517211	155
Upper Harness	D517204	155

N/A items do not appear in index.

V

Valve Filter	
F8161201	31
Venting Instruction Label	
D502791	147

W

Warning Label	
D500049	35, 147, 149
D500314	149
D500316	147, 149
D512263	79, 147
D514226	75, 77, 79, 147
D514410	75, 77, 79, 147
D514866	75, 77, 79, 147
D514867	75, 77, 79, 147
D515692	149
D515714	149
D515728	149
D515738	149
D515740	149
D516187	147
D516243	147
44321601	147
44324001	147
802367	149
803260	147, 149
804924	149
804933	149
805962	149
805964	149
805965	149
805966	149
806591	149
Warning Label	
D516514	147
Warning/ Caution Label	
D500281	71, 73, 75, 77, 79, 147
Washer	
D504082	103
M400014	151
M400017	45
M400080	41
M400081	37
M403958	39
02834	41
03815	57
20290	33
26509	121
52549	89, 103
800457	39
802254	33
803615	33
804458	35
807679	39
Window Clip	
D513958	63, 67
Window Trim	
D503981W	65, 67
D515956W	63, 69
Wire Assembly	
D518255	105
D518256	105

Wire Clip	
D504034	57
687500	57
Wire Ring and Spring	
806466	25
Wire Tie	
38663	57
Wire, 12 Gauge	
45380	153
Wire, 18 Gauge	
45001	153
Wrapper Assembly	
804112W	7
Wrench	
392P4	55

N/A items do not appear in index.

