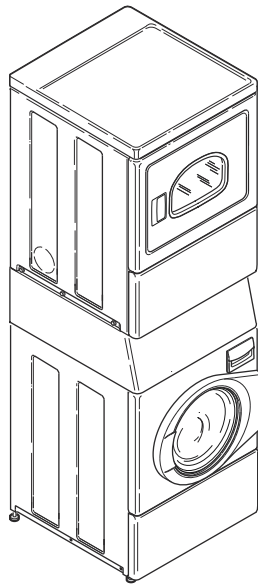


Commercial Stack Washer/Dryers

Refer to Page 5 for Model Numbers



SWD456C_806119

Table of Contents

Title	Page
Parts Ordering Information.....	3
Serial Plate Location	3
Model Identification	5
Control Panel	6
Payment Center Kits	8
Washer Control	10
Dryer Control.....	12
Control Panel Overlay	14
Control Panel Shields	16
Electrical Access Panel, Filters and Terminal Block (Drawing 1 of 3).....	18
Electrical Access Panel, Filters and Terminal Block (Drawing 2 of 3).....	20
Electrical Access Panel, Filters and Terminal Block (Drawing 3 of 3).....	22
Network Board Assembly.....	24
Control Panel and Cabinet Wrapper	26
Control Cabinet - Front Control Bill Acceptor Models	28
Control Cabinet Front and Wrapper.....	30
Non-Electronic Coin Drop	32
Electronic Coin Drop	34
Card Reader and Non-Vend Control Cabinet	36
Control Cabinet Front and Wrapper.....	38
Front Panel, Door Assembly and Door Seal	40
Front Panel Assembly	42
Door Lock Drip Shield	44
Dispenser Assembly	46
Mixing Valve.....	48
Fill Hose	50
Outer Tub, Front and Clamp Ring.....	52
Inner Basket, Trunnion, Bearing Housing and Pulley	54
Motor and Belt (Drawing 1 of 2)	56
Motor and Belt (Drawing 2 of 2).....	58
Drain Hose and Valve	60
Drain Hose and Pump.....	62
Drain Pump Shield	64
Washer Base, Side Panels and Rear Panel	66
Washer Junction Box	68
Supply Injection Junction Box	70
Washer Lead-In Cord, Wire Ties and Harness Clips	72
Dryer Door Without Window (Drawing 1 of 2).....	74
Dryer Door Without Window (Drawing 2 of 2).....	76
Dryer Door With Window (Drawing 1 of 2).....	78
Dryer Door With Window (Drawing 2 of 2).....	80

© Copyright 2023, Alliance Laundry Systems LLC

All rights reserved. No part of the contents of this book may be reproduced or transmitted in any form or by any means without the expressed written consent of the publisher.

Dryer Door With Window - Through Serial No. 1706999999	82
Dryer Door With Window - Starting Serial No. 1707000001	84
Front Panel and Seal	86
Access Panel	88
Blower Housing	90
Shields	92
Motor	94
Thermistor, Exhaust Fan and Belt	96
Idler Assembly	98
Front Bulkhead, Felt Seal and Cylinder	100
Air Duct Assembly (Drawing 1 of 2)	102
Air Duct Assembly (Drawing 2 of 2)	104
Rear Bulkhead, Felt Seal, Cylinder Roller and Terminal Block	106
Heater Duct and Element Assembly (Drawing 1 of 2)	108
Heater Duct and Element Assembly (Drawing 2 of 2)	110
Heater Duct Assembly	112
Gas Valve, Igniter and Gas Conversion Kits Through Serial No. 1908000001	114
Gas Valve, Igniter and Gas Conversion Kits Starting Serial No. 1908000001	116
Gas Valve Through Serial No. 1908000001	118
Gas Valve Starting Serial No. 1908000001	120
Burner Orifice Spuds - For Higher Elevations	122
Dryer Cabinet and Exhaust Duct	124
Output Control Assembly	126
Transformer	128
Dryer Base	130
Ignition Control Module	132
Dryer Lead-In Cord (Drawing 1 of 2)	134
Dryer Lead-In Cord (Drawing 2 of 2)	136
Junction Box (Drawing 1 of 2) - Through Serial No. 1912999999	138
Junction Box (Drawing 2 of 2) - Through Serial No. 1912999999	140
Junction Box (Drawing 1 of 2)	142
Junction Box (Drawing 2 of 2)	144
Dryer Terminals and Terminal Extractor Tools	146
Terminals	148
Dryer Labels	150
Washer Labels	152
Shipping Materials	154
Special Tools	156
Miscellaneous Wire Harnesses	158
Dryer Wire Harnesses and Wires - Through Serial No. 1912999999	160
Dryer Wire Harnesses and Wires - Starting Serial No. 2001000001	162
Washer Wire Harnesses and Wires (Drawing 1 of 2)	164
Washer Wire Harnesses and Wires (Drawing 2 of 2)	166
Parts Index	169

Parts Ordering Information

If literature or replacement parts are required, contact the source from whom the machine was purchased or contact Alliance Laundry Systems at (920) 748-3950 for the name and address of the nearest authorized parts distributor.

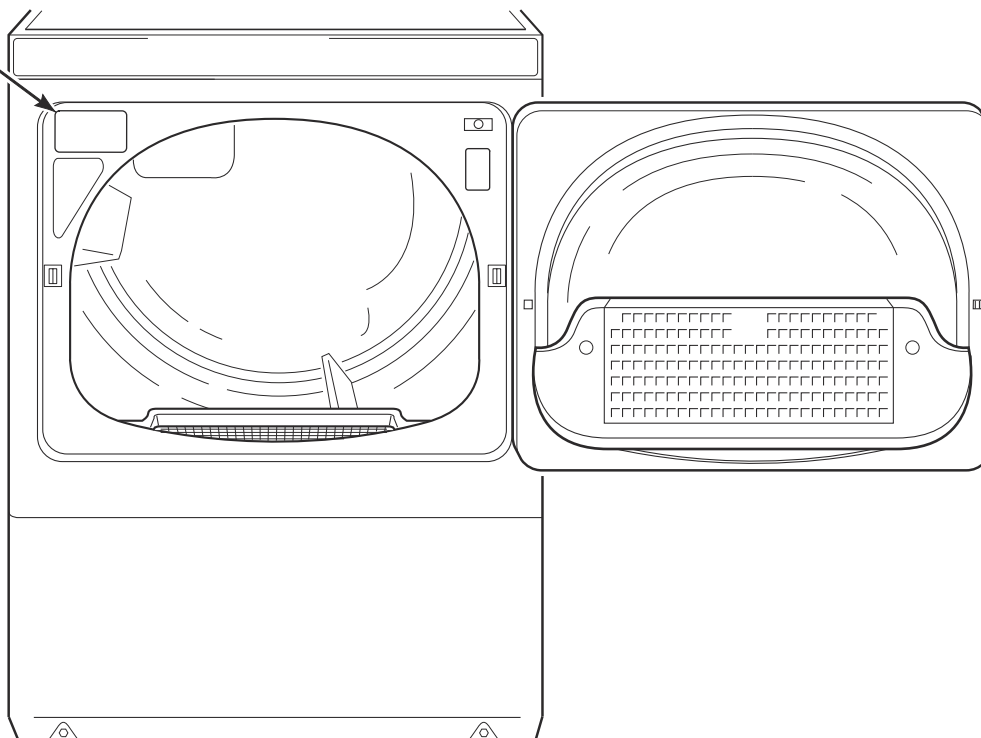
For technical assistance, call the number listed below:

(920) 748-3121 Ripon, Wisconsin

Serial Plate Location

When calling or writing about your product, be sure to mention model and serial numbers. Model and serial numbers are located on serial plate(s) as shown.

SERIAL PLATE



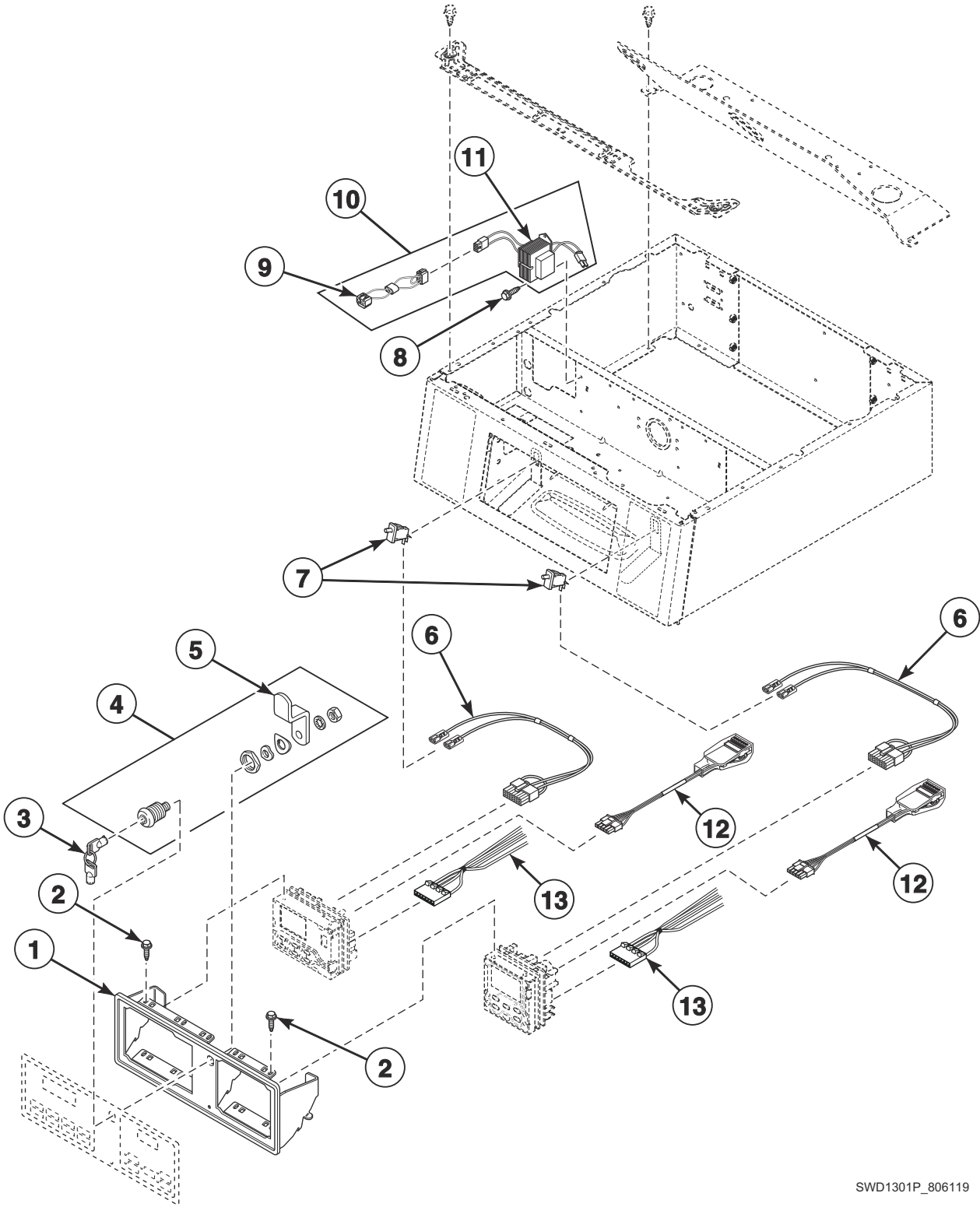
DRY2283P_806119

Model Identification

Information in this manual is applicable to these stack washer/dryer models:

BT3JGAJG403UW01	JTEJEASP303EW06	PTEJCASP174TG01	STENYASP173TN01
BT3JGAJG403UW06	JTEJRASP303EW06	PTEJEASP284CG01	STENYASP173TW01
BT3JGAJP403UN01	JTEJXASP303EW06	PTEJXASG303UG06	STENYASP283CW01
BT3JGAJP403UN06	JTGJEASP303EW06	PTEJXASG543ZG01	STENYASP293CW01
BT3JGAJP403UW01	JTGJRASP303EW06	PTEJXASP174TG01	STENYFSP173TW01
BT3JGAJP403UW06	JTGJXASP303EW06	PTEJXASP284CG01	STEWXASP173TW01
BT3JGASG403UW01	NT1JLASP413UW06	PTEJXASP303UG06	STEWXASP453NN22
BT3JGASG403UW06	NT1JXASP403UW06	PTEJXASP434AG01	STEWYAJP303NN22
BT3JGASP403UN01	NT2JLASP403UN01	PTEJXASP543NG23	STEWYAJP303NW22
BT3JGASP403UN06	NT2JLASP403UW01	PTEJXASP543ZG01	STEWYASP173TW01
BT3JGASP403UW01	NT2JLASP403UW06	PTGJCASP114TG01	STGNCASP113TW01
BT3JGASP403UW06	NT2JXASP403UN01	PTGJEASP094CG01	STGNCFSP113TW01
BT3JLASG403UW01	NT2JXASP403UW06	PTGJXASG303UG06	STGNEASP093CW01
BT3JLASG403UW06	NT3JLASG403UW01	PTGJXASG543ZG01	STGNXASG113JW01
BT3JLASP403UN01	NT3JLASP403NN22	PTGJXASP094CG01	STGNXASG113TW01
BT3JLASP403UN06	NT3JLASP403NW22	PTGJXASP114TG01	STGNXASP093CW01
BT3JLASP403UW01	NT3JLASP403UN01	PTGJXASP303UG06	STGNXASP113FW01
BT3JLASP403UW06	NT3JLASP403UW01	PTGJXASP304AG01	STGNXASP113TW01
BT3JXASG403UW01	NT3JXASG403UW01	PTGJXASP543ZG01	STGNXASP123DW01
BT3JXASG403UW06	NT3JXASP403NW22	PTLJXASP303NG22	STGNXASP303AW01
BT3JXASP403UN01	NT3JXASP403UN01	PTLJXASP543NG23	STGNXASP303AW12
BT3JXASP403UN06	NT3JXASP403UW01	ST1JXASP403EW06	STGNXASP543DN01
BT3JXASP403UW01	NTEXASP175MW01	ST2JXASP403EW06	STGNXASP543DW01
BT3JXASP403UW06	NTEXASP454ZW01	ST3JGASP403UW01	STGNXFSP113TW01
HTENXASP133DW01	NTEWXASP433LN01	ST3JXASP403NW22	STGNYASP093CW01
HTENXASP133FW01	NTGNXASP115MW01	STENCASP173TW01	STGNYASP113TN01
HTENXASP283CW01	NTGNXASP304ZW38	STENCFSP173TW01	STGNYASP113TW01
HTENXASP293CW01	NTHJXASP543NW01	STENEASP283CW01	STGNYFSP113TW01
HTENXASP543DW01	NTHJYASP543NW01	STENEASP293CW01	STGNZASP113NW22
HTENYASP283CW01	NTLJXASP543NN23	STENXASP133DW01	STGWXASP113TW01
HTENYASP293CW01	NTLJYASP543NN23	STENXASP133FW01	STGWYAJP303NN22
HTGNXASP093CW01	NTLNGASP543NW23	STENXASP173TW01	STGWYASP113TW01
HTGNXASP113FW01	NTLWXASP303LN01	STENXASP283CW01	STLNXASP303LW01
HTGNXASP123DW01	PT2JGAJG403UG06	STENXASP293CW01	STLNXASP543NW23
HTGNXASP543DW01	PT2JGAJP403UG06	STENXASP433AN12	STLNYASP543NW23
JT1JEASP413EW06	PT2JGASG403UG06	STENXASP433AW01	STLNYASP543PW01
JT1JGASP413EW06	PT2JGASP403UG06	STENXASP433AW12	STLWXASP303LN01
JT1JMASG413EN06	PT2JXASG403UG06	STENXASP433LN01	STLWXASP543NN22
JT1JRASP413EW06	PT2JXASP403UG06	STENXASP433LW01	STMNXASG103JW01
JT1JXASP413EW06	PT3JGAJG403UG06	STENXASP543DN01	STMNXASG113JW01
JT2JEASP413EW06	PT3JGAJP403UG06	STENXASP543DW01	TT3JGASP403NW36
JT2JGASP413EW06	PT3JGASG403UG06	STENXASP543RW01	TT3JXASP403NW22
JT2JMASG413EN06	PT3JGASP403UG06	STENXFSP173TW01	
JT2JRASP413EW06	PT3JXASG403UG06		
JT2JXASP413EW06	PT3JXASP403UG06		

Control Panel

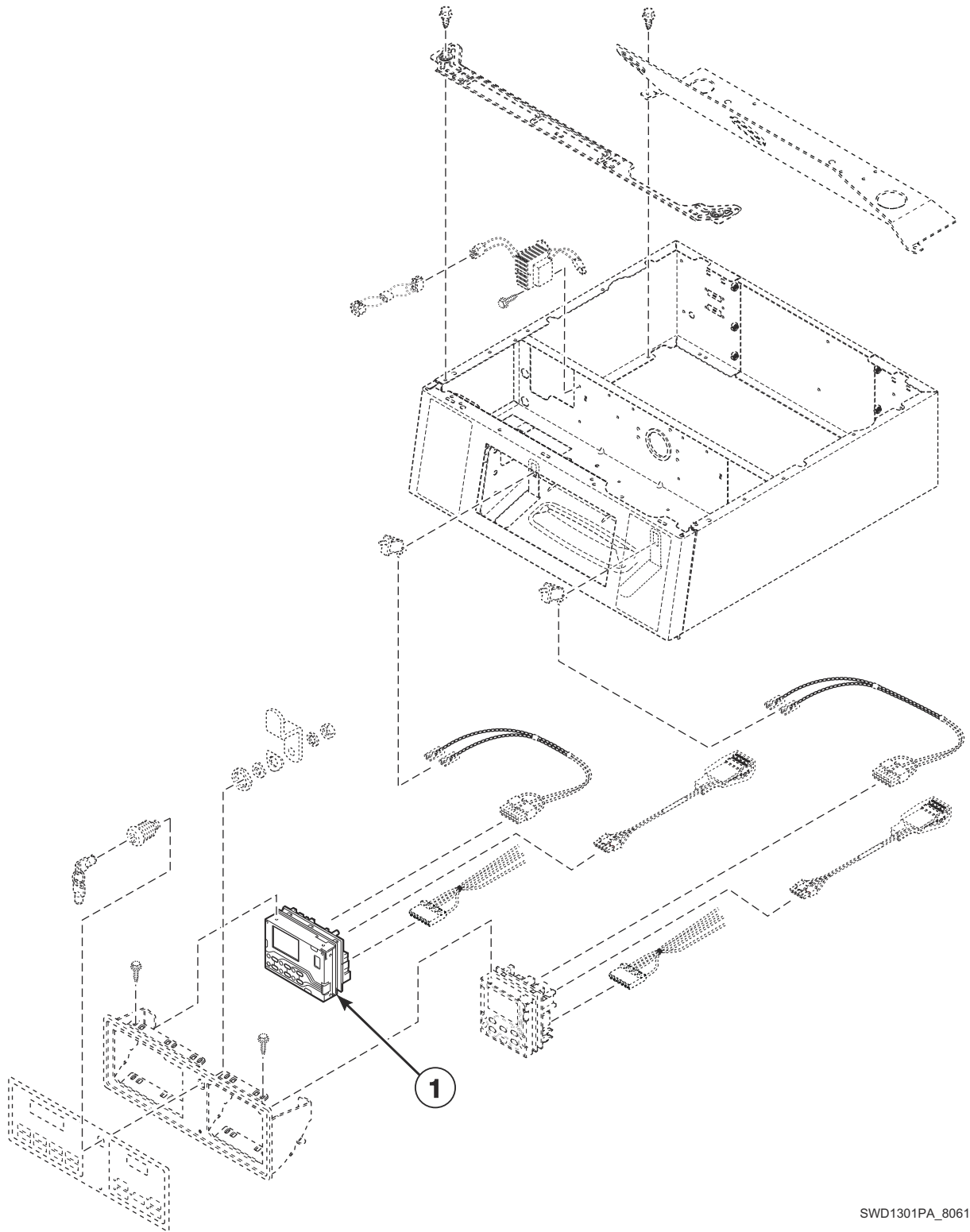


SWD1301P_806119

Control Panel

REF	PART NO.	DESCRIPTION	COMMENTS
	D517037	Laundry Harness	Models JT1JRASP413EW06, JT2JRASP413EW06, JTEJRASP303EW06 and JTGJRASP303EW06
1	800034W	Control Panel and Bracket Assembly	Models STENCFSP173TW01, STENXFSP173TW01, STENYFSP173TW01, STGNCFSP113TW01, STGNXFSP113TW01 and STGNYFSP113TW01
	804069DG	Control Panel Assembly	Dark gray; All other models
	804069W	Control Panel Assembly	White; All other models
	804069B	Control Panel Assembly	Black; All other models
2	D501524	Screw	Models STENCFSP173TW01, STENXFSP173TW01, STENYFSP173TW01, STGNCFSP113TW01, STGNXFSP113TW01 and STGNYFSP113TW01
	804608	Screw	All other models
3	54612	Key	GR800
4	804339P	Lock Assembly	
5	27261	Lock Cam	Models STENCFSP173TW01, STENXFSP173TW01, STENYFSP173TW01, STGNCFSP113TW01, STGNXFSP113TW01 and STGNYFSP113TW01
	804338	Lock Cam	All other models
6	202869	Wiring Harness Assembly	Diagnostic; Models JT1JRASP413EW06, JT2JRASP413EW06, JTEJRASP303EW06 and JTGJRASP303EW06
	202868	Wiring Harness Assembly	Diagnostic; All other models
7	D512973	Switch	
8	D503661	Screw	
9	804795	Transformer Harness	120V
	805428	Transformer Harness	240V
10	203423	Transformer Kit	120V; Includes items 9 and 11
	203424	Transformer Kit	240V; Includes items 9 and 11
11	202757	Transformer	120V
	202758	Transformer	240V
12	203361P	Machine ID Control Assembly	Model or serial number is required when ordering
13	805427	Central Pay Harness	

Washer Control

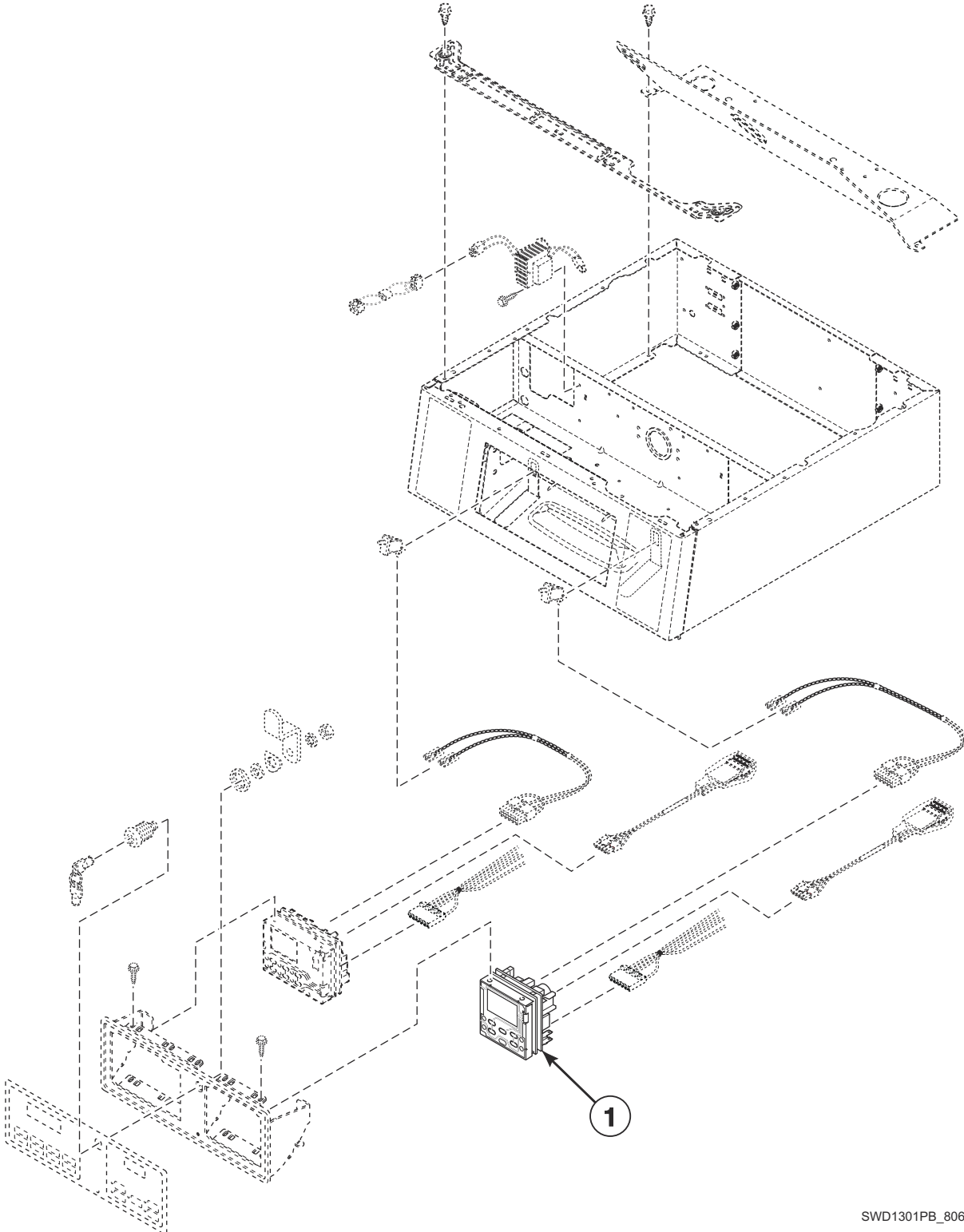


SWD1301PA_806119

Washer Control

REF	PART NO.	DESCRIPTION	COMMENTS
	807174	Central Pay Kit	
1	806269P	Control Assembly	Washer; Blue LEDs; Models PT2JGAJG403UG06, PT2JGAJP403UG06, PT2JGASG403UG06, PT2JGASP403UG06, PT2JXASG403UG06, PT2JXASP403UG06, PT3JGAJG403UG06, PT3JGAJP403UG06, PT3JGASG403UG06, PT3JGASP403UG06, PT3JXASG403UG06, PT3JXASP403UG06, PTEJCASP174TG01, PTEJEASP284CG01, PTEJXASG303UG06, PTEJXASG543ZG01, PTEJXASP174TG01, PTEJXASP284CG01, PTEJXASP303UG06, PTEJXASP434AG01, PTEJXASP543NG23, PTEJXASP543ZG01, PTGJCASP114TG01, PTGJEASP094CG01, PTGJXASG303UG06, PTGJXASG543ZG01, PTGJXASP094CG01, PTGJXASP114TG01, PTGJXASP303UG06, PTGJXASP304AG01, PTGJXASP543ZG01, PTLJXASP303NG22 and PTLJXASP543NG23 through Serial No. 2012999999
	807460	Control Assembly	Washer; Blue LEDs; Models PT2JGAJG403UG06, PT2JGAJP403UG06, PT2JGASG403UG06, PT2JGASP403UG06, PT2JXASG403UG06, PT2JXASP403UG06, PT3JGAJG403UG06, PT3JGAJP403UG06, PT3JGASG403UG06, PT3JGASP403UG06, PT3JXASG403UG06, PT3JXASP403UG06, PTEJCASP174TG01, PTEJEASP284CG01, PTEJXASG303UG06, PTEJXASG543ZG01, PTEJXASP174TG01, PTEJXASP284CG01, PTEJXASP303UG06, PTEJXASP434AG01, PTEJXASP543NG23, PTEJXASP543ZG01, PTGJCASP114TG01, PTGJEASP094CG01, PTGJXASG303UG06, PTGJXASG543ZG01, PTGJXASP094CG01, PTGJXASP114TG01, PTGJXASP303UG06, PTGJXASP304AG01, PTGJXASP543ZG01, PTLJXASP303NG22 and PTLJXASP543NG23 starting Serial No. 2101000001
	806268P	Control Assembly	Washer; Red LEDs; Models BT3JGAJG403UW01, BT3JGAJG403UW06, BT3JGAJP403UN01, BT3JGAJP403UN06, BT3JGAJP403UW01, BT3JGAJP403UW06, BT3JGASG403UW01, BT3JGASG403UW06, BT3JGASP403UN01, BT3JGASP403UN06, BT3JGASP403UW01, BT3JGASP403UW06, BT3JLASG403UW01, BT3JLASG403UW06, BT3JLASP403UN01, BT3JLASP403UN06, BT3JLASP403UW01, BT3JLASP403UW06, BT3JXASG403UW01, BT3JXASG403UW06, BT3JXASP403UN01, BT3JXASP403UN06, BT3JXASP403UW01 and BT3JXASP403UW06 through Serial No. 2012999999
	807459	Control Assembly	Washer; Red LEDs; Models BT3JGAJG403UW01, BT3JGAJG403UW06, BT3JGAJP403UN01, BT3JGAJP403UN06, BT3JGAJP403UW01, BT3JGAJP403UW06, BT3JGASG403UW01, BT3JGASG403UW06, BT3JGASP403UN01, BT3JGASP403UN06, BT3JGASP403UW01, BT3JGASP403UW06, BT3JLASG403UW01, BT3JLASG403UW06, BT3JLASP403UN01, BT3JLASP403UN06, BT3JLASP403UW01, BT3JLASP403UW06, BT3JXASG403UW01, BT3JXASG403UW06, BT3JXASP403UN01, BT3JXASP403UN06, BT3JXASP403UW01 and BT3JXASP403UW06 starting Serial No. 2101000001
	806267P	Control Assembly	Washer; Green LEDs; All other models through Serial No. 2012999999
	807458	Control Assembly	Washer; Green LEDs; All other models starting Serial No. 2101000001

Dryer Control

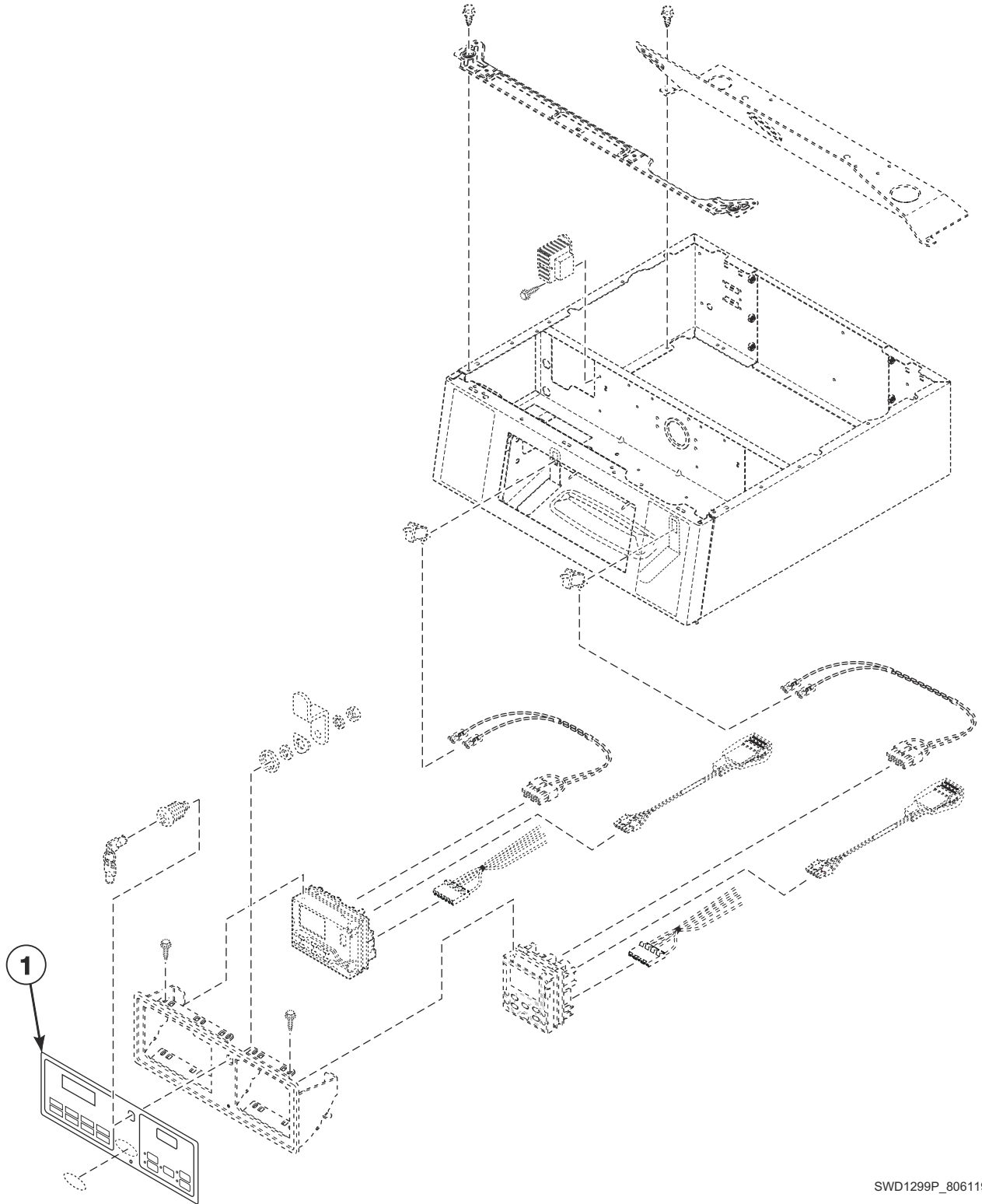


SWD1301PB_806119

Dryer Control

REF	PART NO.	DESCRIPTION	COMMENTS
	807174	Central Pay Kit	
1	D515809P	Control Assembly	Dryer; Blue LEDs; Models PT2JGAJG403UG06, PT2JGAJP403UG06, PT2JGASG403UG06, PT2JGASP403UG06, PT2JXASG403UG06, PT2JXASP403UG06, PT3JGAJG403UG06, PT3JGAJP403UG06, PT3JGASG403UG06, PT3JGASP403UG06, PT3JXASG403UG06, PT3JXASP403UG06, PTEJCASP174TG01, PTEJEASP284CG01, PTEJXASG303UG06, PTEJXASG543ZG01, PTEJXASP174TG01, PTEJXASP284CG01, PTEJXASP303UG06, PTEJXASP434AG01, PTEJXASP543NG23, PTEJXASP543ZG01, PTGJCASP114TG01, PTGJEASP094CG01, PTGJXASG303UG06, PTGJXASG543ZG01, PTGJXASP094CG01, PTGJXASP114TG01, PTGJXASP303UG06, PTGJXASP304AG01, PTGJXASP543ZG01, PTLJXASP303NG22 and PTLJXASP543NG23; Through Serial No. 1912999999
	D514139P	Control Assembly	Dryer; Red LEDs; Models BT3JGAJG403UW01, BT3JGAJG403UW06, BT3JGAJP403UN01, BT3JGAJP403UN06, BT3JGAJP403UW01, BT3JGAJP403UW06, BT3JGASG403UW01, BT3JGASG403UW06, BT3JGASP403UN01, BT3JGASP403UN06, BT3JGASP403UW01, BT3JGASP403UW06, BT3JLASG403UW01, BT3JLASG403UW06, BT3JLASP403UN01, BT3JLASP403UN06, BT3JLASP403UW01, BT3JLASP403UW06, BT3JXASG403UW01, BT3JXASG403UW06, BT3JXASP403UN01, BT3JXASP403UN06, BT3JXASP403UW01 and BT3JXASP403UW06; Through Serial No. 1912999999
	D515807P	Control Assembly	Dryer; Green LEDs; All other models; Through Serial No. 1912999999
	D517524	Control Assembly	Dryer; Blue LEDs; Models PT2JGAJG403UG06, PT2JGAJP403UG06, PT2JGASG403UG06, PT2JGASP403UG06, PT2JXASG403UG06, PT2JXASP403UG06, PT3JGAJG403UG06, PT3JGAJP403UG06, PT3JGASG403UG06, PT3JGASP403UG06, PT3JXASG403UG06, PT3JXASP403UG06, PTEJCASP174TG01, PTEJEASP284CG01, PTEJXASG303UG06, PTEJXASG543ZG01, PTEJXASP174TG01, PTEJXASP284CG01, PTEJXASP303UG06, PTEJXASP434AG01, PTEJXASP543NG23, PTEJXASP543ZG01, PTGJCASP114TG01, PTGJEASP094CG01, PTGJXASG303UG06, PTGJXASG543ZG01, PTGJXASP094CG01, PTGJXASP114TG01, PTGJXASP303UG06, PTGJXASP304AG01, PTGJXASP543ZG01, PTLJXASP303NG22 and PTLJXASP543NG23; Starting Serial No. 2001000001
	D517523	Control Assembly	Dryer; Red LEDs; Models BT3JGAJG403UW01, BT3JGAJG403UW06, BT3JGAJP403UN01, BT3JGAJP403UN06, BT3JGAJP403UW01, BT3JGAJP403UW06, BT3JGASG403UW01, BT3JGASG403UW06, BT3JGASP403UN01, BT3JGASP403UN06, BT3JGASP403UW01, BT3JGASP403UW06, BT3JLASG403UW01, BT3JLASG403UW06, BT3JLASP403UN01, BT3JLASP403UN06, BT3JLASP403UW01, BT3JLASP403UW06, BT3JXASG403UW01, BT3JXASG403UW06, BT3JXASP403UN01, BT3JXASP403UN06, BT3JXASP403UW01 and BT3JXASP403UW06; Starting Serial No. 2001000001
	D517522	Control Assembly	Dryer; Green LEDs; All other models; Starting Serial No. 2001000001

Control Panel Overlay

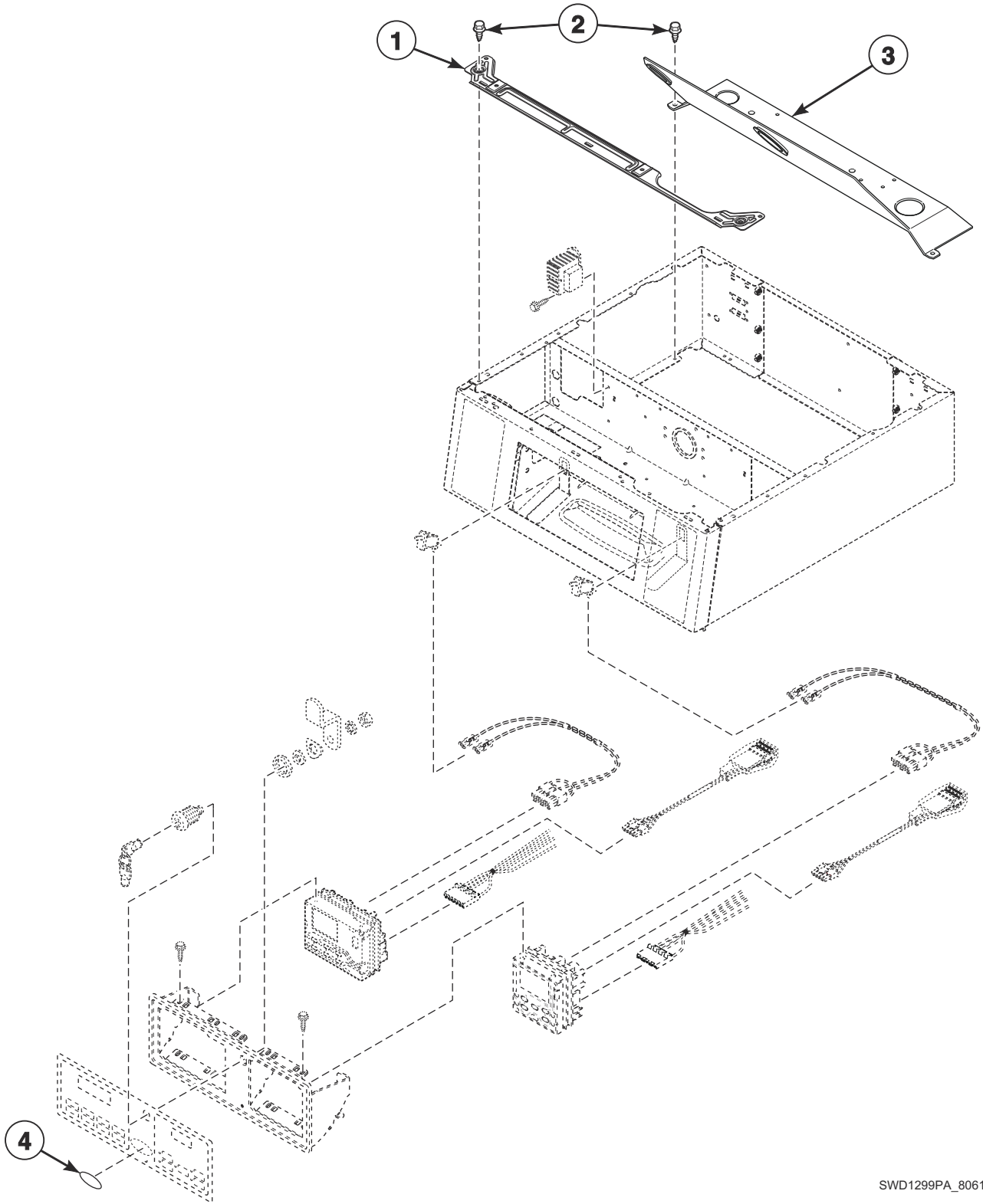


SWD1299P_806119

Control Panel Overlay

REF	PART NO.	DESCRIPTION	COMMENTS
1	805381	Control Overlay	Models BT3JXASG403UW01, BT3JXASG403UW06, BT3JXASP403UN01, BT3JXASP403UN06, BT3JXASP403UW01 and BT3JXASP403UW06
	805382	Control Overlay	Models BT3JGAJG403UW01, BT3JGAJG403UW06, BT3JGAJP403UN01, BT3JGAJP403UN06, BT3JGAJP403UW01, BT3JGAJP403UW06, BT3JGASG403UW01, BT3JGASG403UW06, BT3JGASP403UN01, BT3JGASP403UN06, BT3JGASP403UW01, BT3JGASP403UW06, BT3JLASG403UW01, BT3JLASG403UW06, BT3JLASP403UN01, BT3JLASP403UN06, BT3JLASP403UW01 and BT3JLASP403UW06
	805380	Overlay	Models HTENXASP133DW01, HTENXASP133FW01, HTENXASP283CW01, HTENXASP293CW01, HTENXASP543DW01, HTENYASP283CW01, HTENYASP293CW01, HTGNXASP093CW01, HTGNXASP113FW01, HTGNXASP123DW01 and HTGNXASP543DW01
	805386	Overlay	Models JT1JGASP413EW06 and JT2JGASP413EW06
	805387	Overlay	Models JT1JMASG413EN06 and JT2JMASG413EN06
	808116	Overlay	Models JT1JEASP413EW06, JT1JRASP413EW06, JT1JXASP413EW06, JT2JEASP413EW06, JT2JRASP413EW06, JT2JXASP413EW06, JTEJEASP303EW06, JTEJRASP303EW06, JTEJXASP303EW06, JTGJEASP303EW06, JTGJRASP303EW06 and JTGJXASP303EW06
	805384	Overlay	Models NT1JLASP413UW06, NT2JLASP403UN01, NT2JLASP403UW01, NT2JLASP403UW06, NT3JLASG403UW01, NT3JLASP403NN22, NT3JLASP403NW22, NT3JLASP403UN01, NT3JLASP403UW01 and TT3JGASP403NW36
	805383	Overlay	Models NT1JXASP403UW06, NT2JXASP403UN01, NT2JXASP403UW06, NT3JXASG403UW01, NT3JXASP403NW22, NT3JXASP403UN01, NT3JXASP403UW01, NTHJXASP543NW01, NTHJYASP543NW01, ST1JXASP403EW06, ST2JXASP403EW06, ST3JXASP403NW22 and TT3JXASP403NW22
	805765	Overlay	Models PT2JGAJG403UG06, PT2JGAJP403UG06, PT2JGASG403UG06, PT2JGASP403UG06, PT3JGAJG403UG06, PT3JGAJP403UG06, PT3JGASG403UG06 and PT3JGASP403UG06
	805767	Overlay	Models PT2JXASG403UG06, PT2JXASP403UG06, PT3JXASG403UG06, PT3JXASP403UG06, PTEJXASG303UG06, PTEJXASG543ZG01, PTEJXASP303UG06, PTEJXASP543ZG01, PTGJXASG303UG06, PTGJXASG543ZG01, PTGJXASP303UG06, PTGJXASP543ZG01 and PTLJXASP303NG22
	805970	Overlay	Models STENXASP133FW01, STGNXASP113FW01, STLNXASP543NW23, STLNYASP543NW23 and STLNYASP543PW01
	806174	Overlay	Models PTEJCASP174TG01, PTEJEASP284CG01, PTEJXASP174TG01, PTEJXASP284CG01, PTEJXASP434AG01, PTEJXASP543NG23, PTGJCASP114TG01, PTGJEASP094CG01, PTGJXASP094CG01, PTGJXASP114TG01, PTGJXASP304AG01 and PTLJXASP543NG23
	807391	Overlay	Models NTENXASP175MW01, NTENXASP454ZW01, NTEWXASP433LN01, NTGNXASP115MW01, NTGNXASP304ZW38, NTLJXASP543NN23, NTLJYASP543NN23 and NTLWXASP303LN01
	807629	Overlay	Model NTLNGASP543NW23
	804852	Overlay	Model STGNZASP113NW22
	807195	Overlay	Model ST3JGASP403UW01
	804852	Overlay	All other models

Control Panel Shields



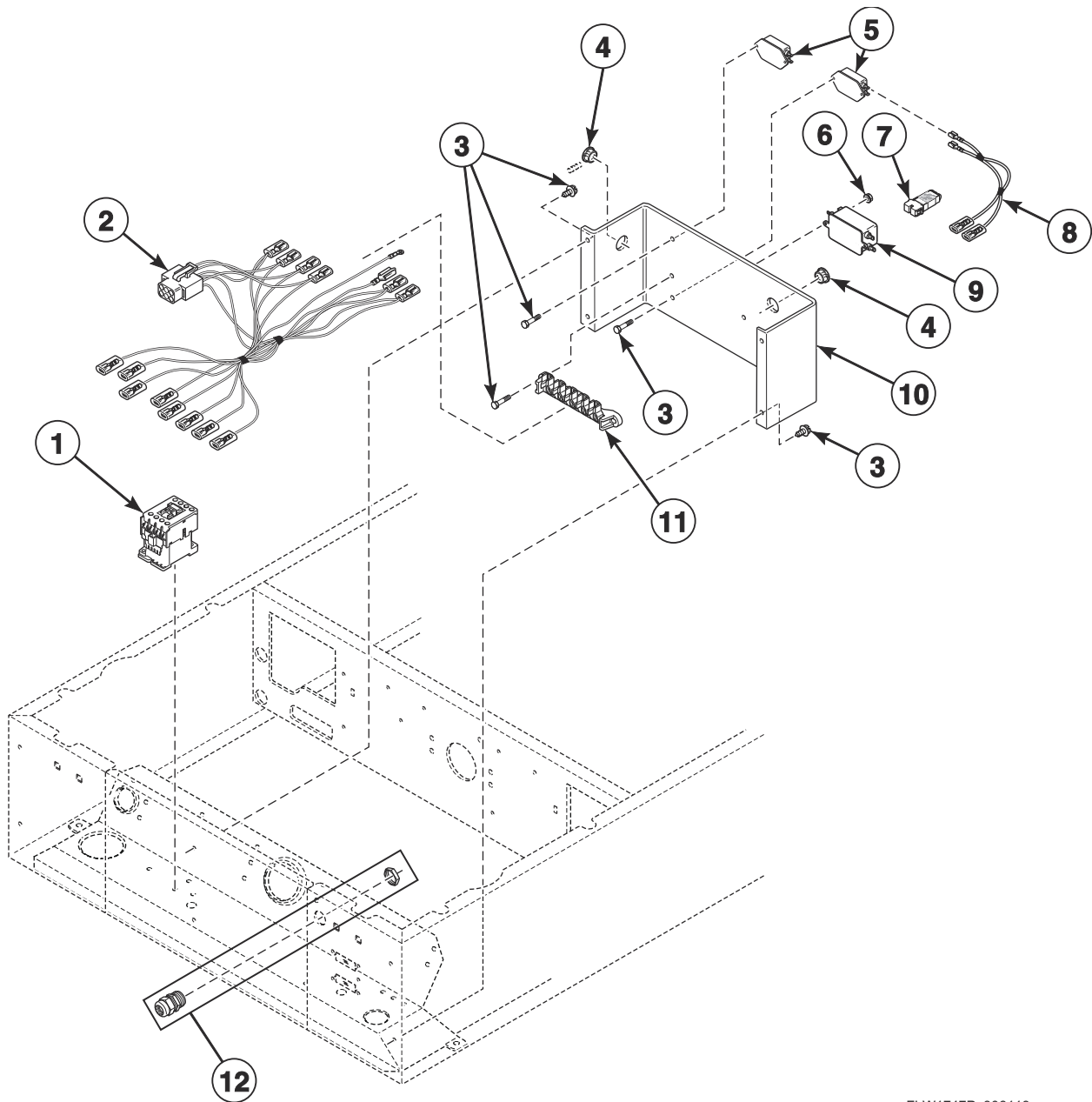
SWD1299PA_806119

Control Panel Shields

REF	PART NO.	DESCRIPTION	COMMENTS
1	804018	Shield Bracket	
2	D503688	Screw	
3	804363	Control Shield	
4	804969	Label	Models ST1JXASP403EW06, ST2JXASP403EW06 and ST3JXASP403NW22
	807246	Label	Model TT3JGASP403NW36
	805914	Label	Model TT3JXASP403NW22

Electrical Access Panel, Filters and Terminal Block (Drawing 1 of 3)

Models BT3JGAJG403UW01, BT3JGAJG403UW06, BT3JGAJP403UN01, BT3JGAJP403UN06, BT3JGAJP403UW01, BT3JGAJP403UW06, BT3JGASG403UW01, BT3JGASG403UW06, BT3JGASP403UN01, BT3JGASP403UN06, BT3JLASP403UW01, BT3JLASP403UW06, BT3JLASG403UW01, BT3JLASG403UW06, BT3JLASP403UN01, BT3JLASP403UN06, BT3JLASP403UW01, BT3JLASP403UW06, BT3JXASG403UW01, BT3JXASG403UW06, BT3JXASP403UN01, BT3JXASP403UN06, BT3JXASP403UW01, BT3JXASP403UW06, JT1JGASP413EW06, JT1JMASG413EN06, JT1JRASP413EW06, JT1JXASP413EW06, JT2JEASP413EW06, JT2JGASP413EW06, JT2JMASG413EN06, JT2JRASP413EW06, JT2JXASP413EW06, JTEJEASP303EW06, JTEJRASP303EW06, JTEJXASP303EW06, JTGJEASP303EW06, JTGJRASP303EW06, JTGJXASP303EW06, NT1JLASP413UW06, NT1JXASP403UW06, NT2JLASP403UN01, NT2JLASP403UW01, NT2JLASP403UW06, NT2JXASP403UN01, NT2JXASP403UW06, NT3JLASG403UW01, NT3JLASP403NN22, NT3JLASP403NW22, NT3JLASP403UN01, NT3JLASP403UW01, NT3JXASG403UW01, NT3JXASP403NW22, NT3JXASP403UN01, NT3JXASP403UW01, NTHJXASP543NW01, NTHJYASP543NW01, PT2JGAJG403UG06, PT2JGAJP403UG06, PT2JGASG403UG06, PT2JGASP403UG06, PT2JXASG403UG06, PT2JXASP403UG06, PT3JGAJG403UG06, PT3JGAJP403UG06, PT3JGASG403UG06, PT3JGASP403UG06, PT3JXASG403UG06, PT3JXASP403UG06, ST1JXASP403EW06, ST2JXASP403EW06, ST3JGASP403UW01, ST3JXASP403NW22, STEWYAJP303NN22, STEWYAJP303NW22, STGWYAJP303NN22, TT3JGASP403NW36 and TT3JXASP403NW22



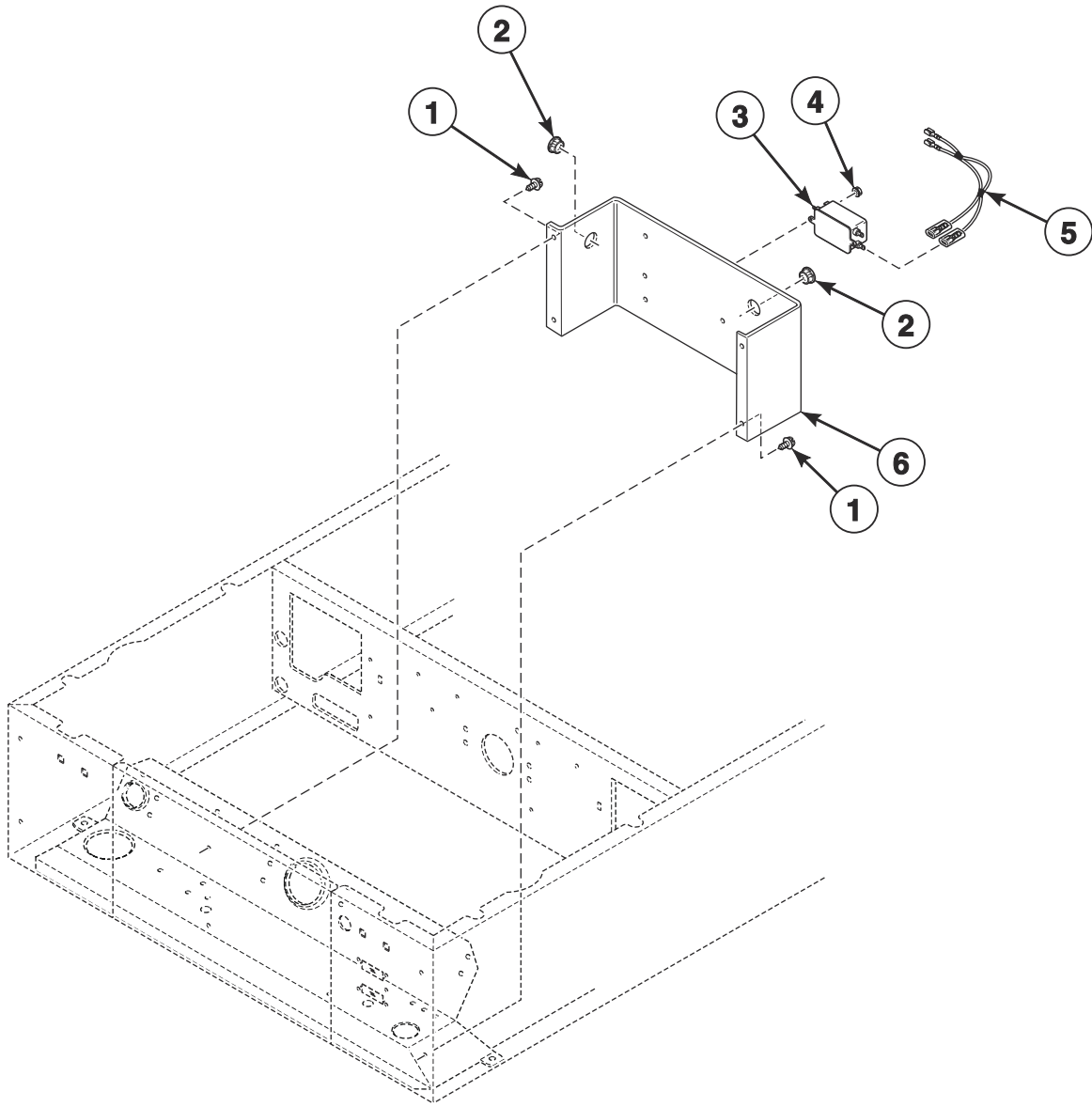
FLW1747P_806119

Electrical Access Panel, Filters and Terminal Block (Drawing 1 of 3)

REF	PART NO.	DESCRIPTION	COMMENTS
	804737	Terminal Block Harness	3 Phase models
	805356	Heater Contactor Drip Shield	3 Phase models
	805344	Terminal Block Drip Shield	All models except TT3JGASP403NW36
1	70482603	Contactor	Through Serial Nos. beginning 1604; 3 Phase models
	806428	Contactor	Starting Serial Nos. beginning 1605 through Serial No. 2012999999; 3 Phase models
	807472	Contactor	Starting Serial No. 2101000001
2	805544	Heat Contactor Harness	Through Serial Nos. beginning 1604; 3 Phase models
	806431	Heat Contactor Harness	Starting Serial Nos. beginning 1605 through Serial No. 2012999999; 3 Phase models
	807474	Heat Contactor Harness	Starting Serial No. 2101000001
3	D503661	Screw	
4	M402542	Snap Bushing	
5	805634	Filter	3 Phase models
6	29787	Nut	
7	804651	Network Varistor Assembly	3 Phase models
8	804396	Filter Harness	Filter to main harness; Models JT2JEASP413EW06, JT2JGASP413EW06, JTGJEASP303EW06, JTGJRASP303EW06, JTGJXASP303EW06, NT2JLASP403UW01, NT2JXASP403UN01, NT2JXASP403UW06, PT2JGAJP403UG06, PT2JGASG403UG06, PT2JGASP403UG06, PT2JXASG403UG06, PT2JXASP403UG06 and ST2JXASP403EW06
	804797	Filter Harness	Filter to main harness; All other models
9	807473	Line Filter	
10	803988	Terminal Block Assembly	
11	D505876	Terminal Block Assembly	
12	801792P	Fitting	

Electrical Access Panel, Filters and Terminal Block (Drawing 2 of 3)

Models HTENXASP133DW01, HTENXASP133FW01, HTENXASP543DW01, HTGNXASP113FW01, HTGNXASP123DW01, HTGNXASP543DW01, NTENXASP175MW01, NTENXASP454ZW01, NTGNXASP115MW01, NTGNXASP304ZW38, NTLNGASP543NW23, PTEJXASG303UG06, PTEJXASG543ZG01, PTEJXASP303UG06, PTEJXASP434AG01, PTEJXASP543ZG01, PTGJXASG303UG06, PTGJXASG543ZG01, PTGJXASP303UG06, PTGJXASP304AG01, PTGJXASP543ZG01, STENXASP133DW01, STENXASP133FW01, STENXASP433AW01, STENXASP433AW12, STENXASP543DN01, STENXASP543DW01, STGNXASG113JW01, STGNXASP113FW01, STGNXASP123DW01, STGNXASP303AW01, STGNXASP303AW12, STGNXASP543DN01, STGNXASP543DW01, STGNZASP113NW22, STLNXASP543NW23, STLNYASP543NW23, STLNYASP543PW01 and STLWXASP543NN22
Through Serial Nos. Beginning 1610



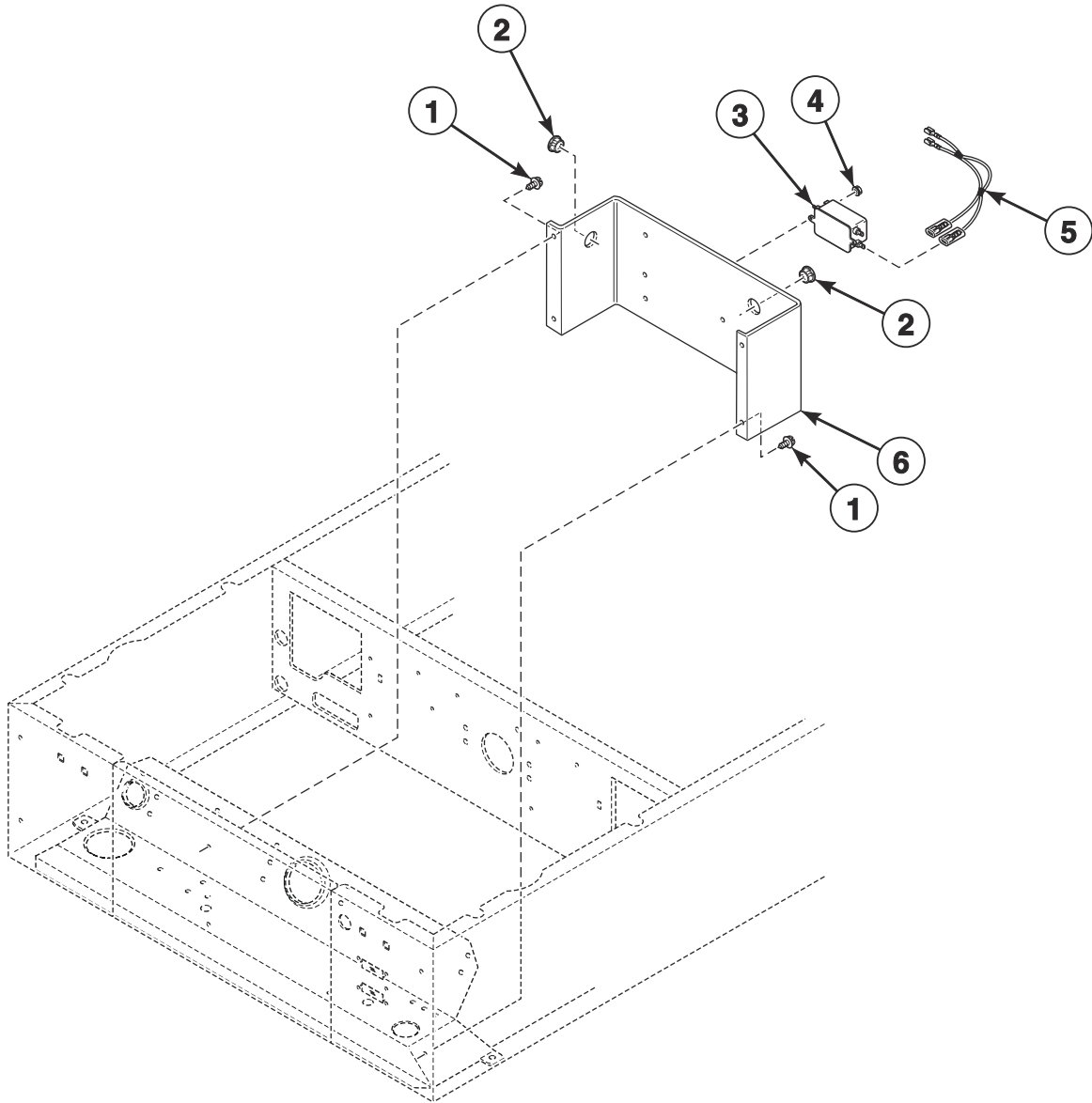
FLW1808P_806119

Electrical Access Panel, Filters and Terminal Block (Drawing 2 of 3)

REF	PART NO.	DESCRIPTION	COMMENTS
	805344	Terminal Block Drip Shield	All models except NTENXASP175MW01, NTGNXASP115MW01 and STGNZASP113NW22
1	D503661	Screw	
2	M402542	Snap Bushing	
3	805633	Line Filter	
4	29787	Nut	
5	804797	Filter Harness	Filter to main harness
6	803988	Terminal Block Assembly	

Electrical Access Panel, Filters and Terminal Block (Drawing 3 of 3)

Models NTEWXASP433LN01, NTLJXASP543NN23, NTLJYASP543NN23, NTLWXASP303LN01, PTEJXASP543NG23, PTLJXASP303NG22, PTLJXASP543NG23, STENXASP433LN01, STENXASP433LW01, STENXASP543RW01, STEWXASP453NN22, STLNXASP303LW01, STLWXASP303LN01, STMNXASG103JW01 and STMNXASG113JW01



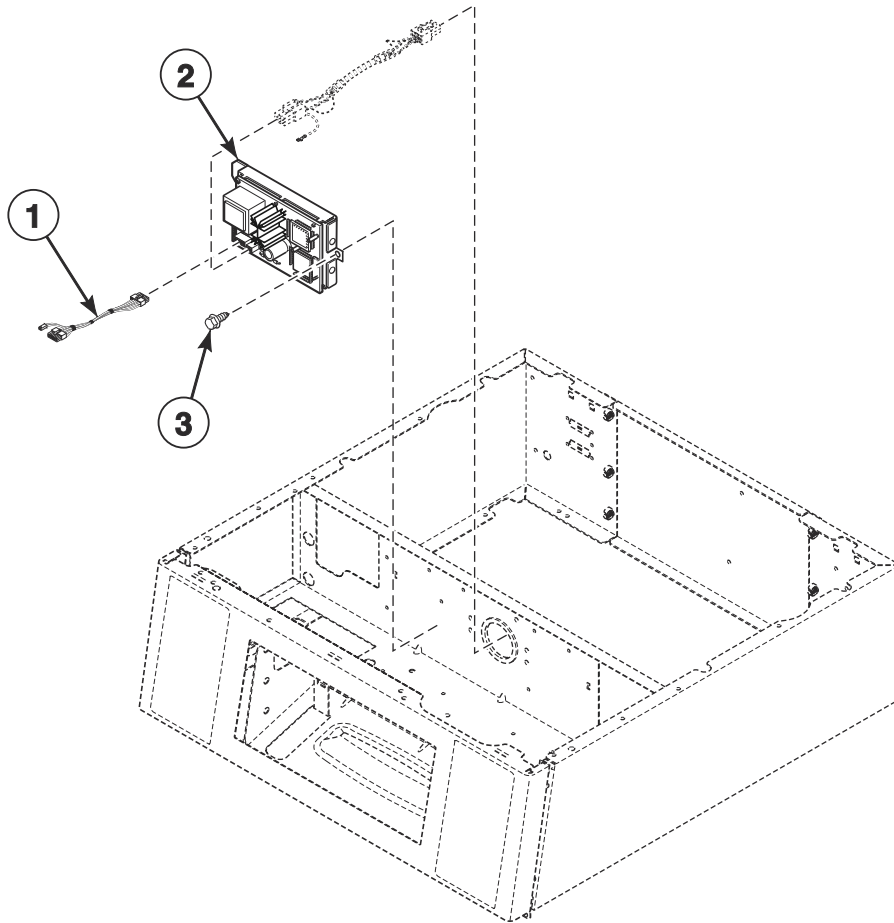
FLW1808P_806119

Electrical Access Panel, Filters and Terminal Block (Drawing 3 of 3)

REF	PART NO.	DESCRIPTION	COMMENTS
	805344	Terminal Block Drip Shield	
1	D503661	Screw	
2	M402542	Snap Bushing	
3	805633	Line Filter	
4	29787	Nut	
5	804797	Filter Harness	Filter to main harness
6	803988	Terminal Block Assembly	

Network Board Assembly

Models NTEWXASP433LN01, NTLWXASP303LN01, STEWXASP173TW01, STEWXASP453NN22, STEWYAJP303NN22, STEWYAJP303NW22, STEWYASP173TW01, STGWXASP113TW01, STGWYAJP303NN22, STGWYASP113TW01, STLWXASP303LN01 and STLWXASP543NN22



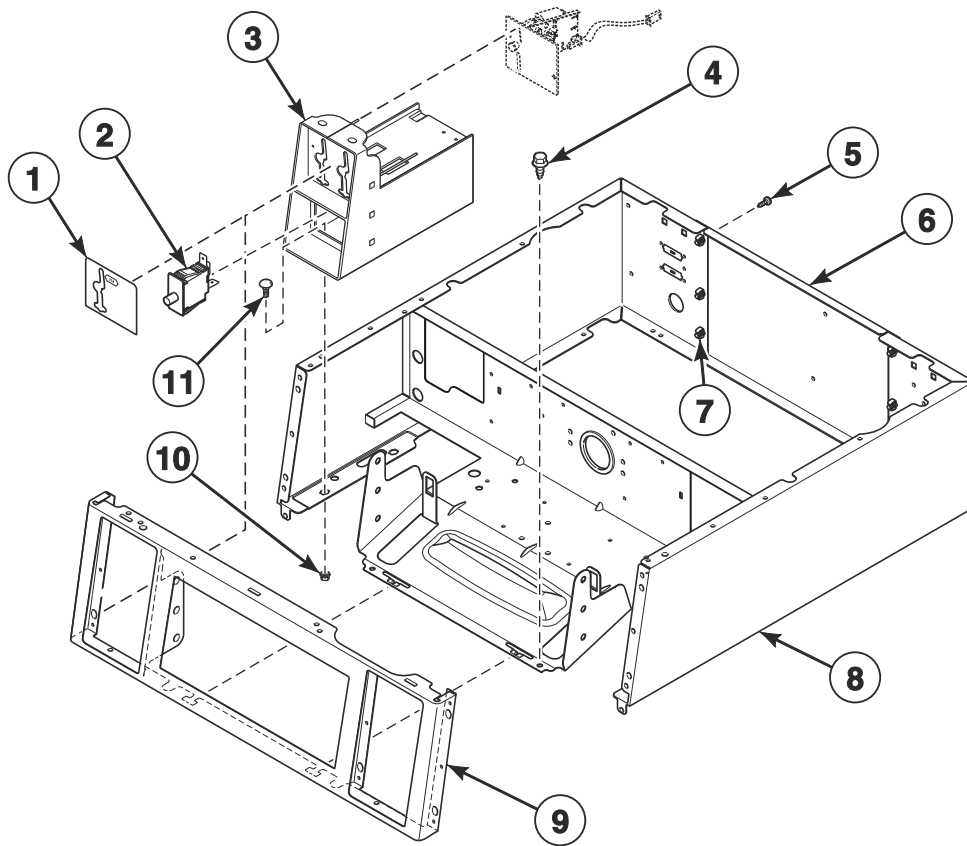
SWD1288P_806119

Network Board Assembly

REF	PART NO.	DESCRIPTION	COMMENTS
1	F8536002	Wireless Network Board Harness	Through Serial No. 1901999999
	F8674006	Wireless Network Harness	Starting Serial No. 1902000001
2	204689	Wireless Network Kit	Through Serial No. 1901999999
	807211	Wireless Network Control Assembly	Starting Serial No. 1902000001
3	D503661	Screw	

Control Panel and Cabinet Wrapper

10 Degree Front Coin Models



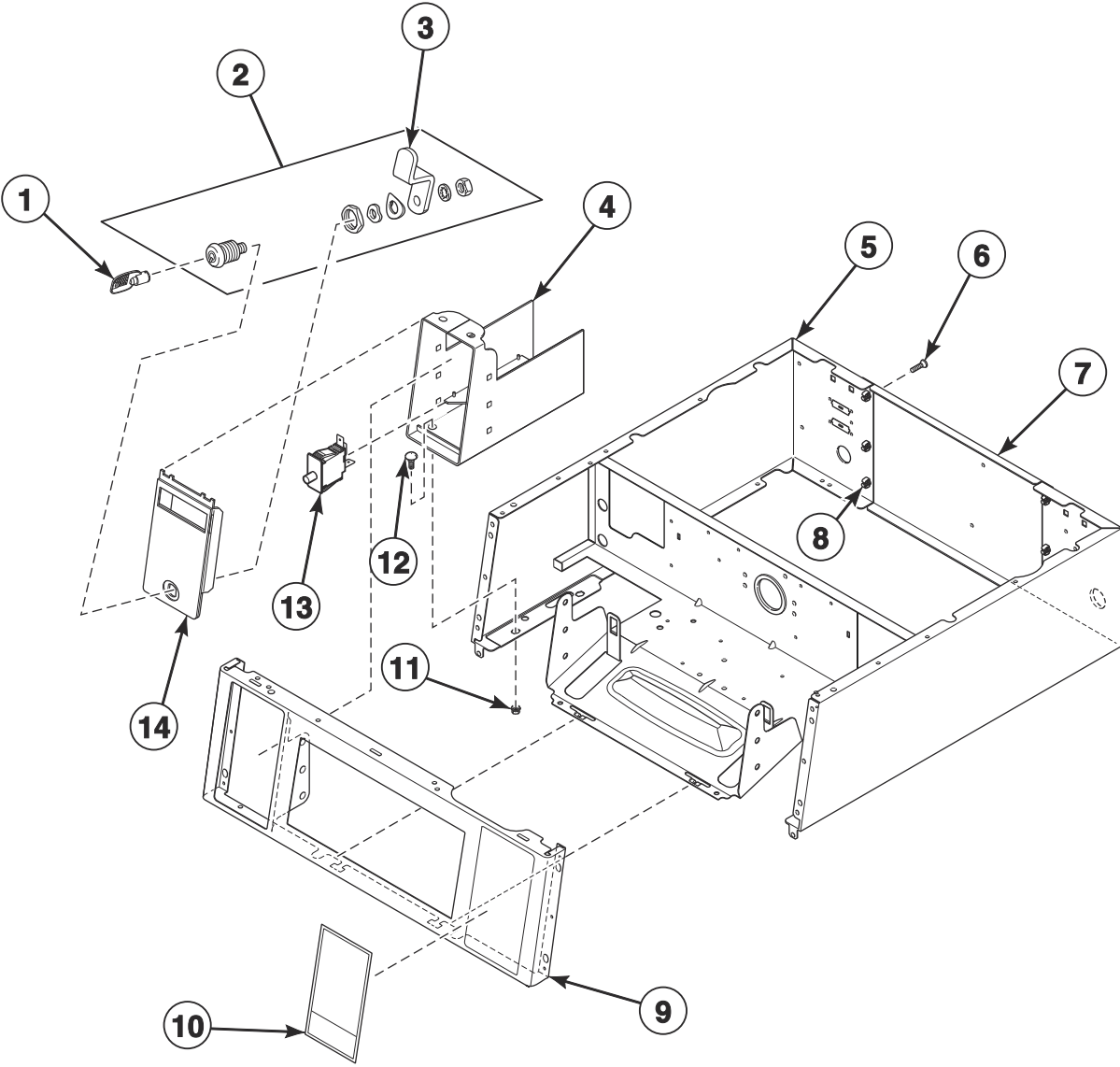
SWD1289P_806119

Control Panel and Cabinet Wrapper

REF	PART NO.	DESCRIPTION	COMMENTS
	806195	Instruction Label	Models PTEJCASP174TG01, PTEJEASP284CG01, PTEJXASP174TG01, PTEJXASP284CG01, PTEJXASP434AG01, PTGJCASP114TG01, PTGJEASP094CG01, PTGJXASP094CG01, PTGJXASP114TG01, PTGJXASP304AG01 and PTLJXASP303NG22
	805665	Instruction Label	Text; All other models
	805664	Instruction Label	Icon; All other models
1	38717	Single Overlay	
	39073	Dual Overlay	
	38676	Overlay Kit	Dual drop; Includes coin identification paper
	803476	Single Drop Overlay	Models JT1JEASP413EW06, JT1JXASP413EW06, JT2JEASP413EW06, JT2JXASP413EW06, JTEJEASP303EW06, JTEJXASP303EW06, JTGJEASP303EW06 and JTGJXASP303EW06
	201091	Overlay	For electronic coin drops
2	D512973	Switch	
3	807254DG	Meter Case Assembly	Dark gray
	807396B	Meter Case Assembly	Black
	807254B	Meter Case Assembly	Black; High capacity
	807396W	Meter Case Assembly	White
4	D503688	Screw	
5	70240301	Screw	
6	803998	Rear Access Panel	Through Serial No. 1912999999
	807646	Rear Access Panel	Starting Serial No. 2001000001
7	70030501	Expansion Clip	
8	804108DG	Wrapper Assembly	Dark gray; Models PT2JXASG403UG06, PT2JXASP403UG06, PT3JXASG403UG06 and PT3JXASP403UG06
	804108B	Wrapper Assembly	Black; Models BT3JXASP403UN01, BT3JXASP403UN06, NT2JXASP403UN01 and NT3JXASP403UN01
	804108W	Wrapper Assembly	White; Models BT3JXASG403UW01, BT3JXASG403UW06, BT3JXASP403UW01, BT3JXASP403UW06, JT1JEASP413EW06, JT1JXASP413EW06, JT2JEASP413EW06, JT2JXASP413EW06, NT1JXASP403UW06, NT2JXASP403UW06, NT3JXASG403UW01, NT3JXASP403NW22, NT3JXASP403UW01, NTHJXASP543NW01, ST1JXASP403EW06, ST2JXASP403EW06, ST3JXASP403NW22 and TT3JXASP403NW22
	804104DG	Wrapper Assembly	Dark gray; All other models
	804104W	Wrapper Assembly	White; All other models
	804104B	Wrapper Assembly	Black; All other models
9	803964DG	Control Panel	Dark gray
	803964B	Control Panel	Black
	803964W	Control Panel	White
10	44087201	Nut	
11	29651	Bolt	

Control Cabinet - Front Control Bill Acceptor Models

Model STGNZASP113NW22



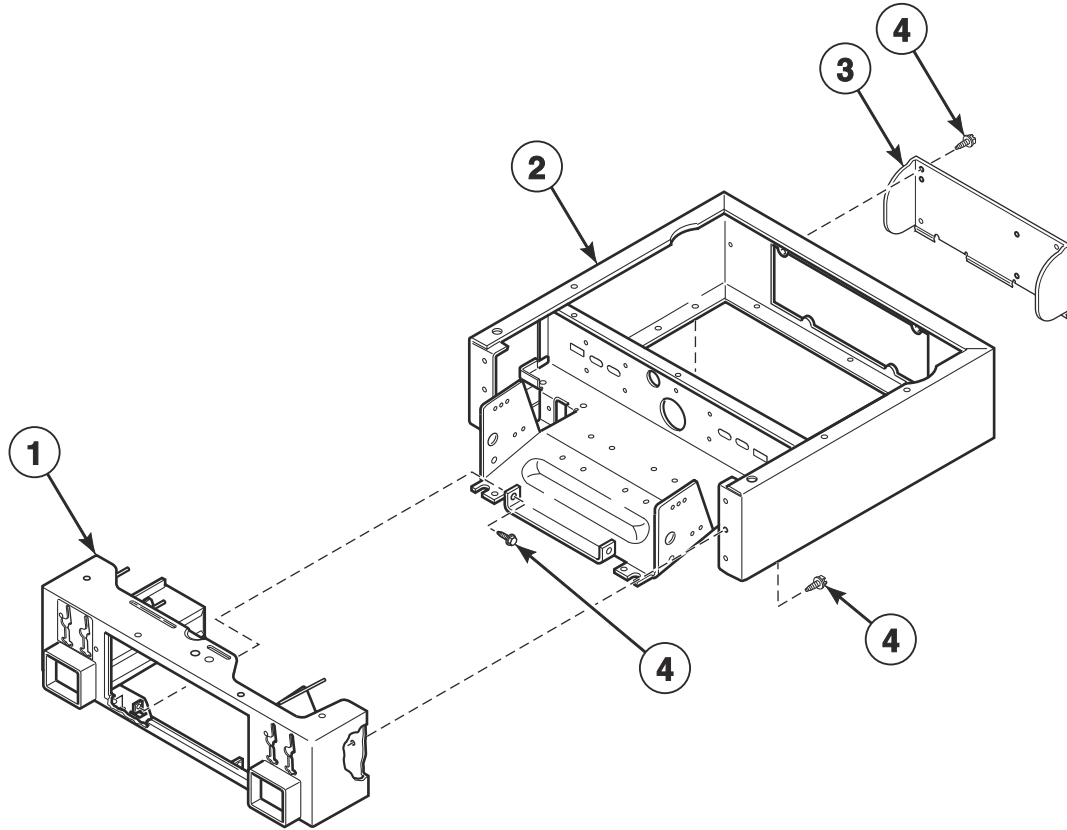
FLW1820P_806119

Control Cabinet - Front Control Bill Acceptor Models

REF	PART NO.	DESCRIPTION	COMMENTS
	202869	Wiring Harness Assembly	Diagnostic
	806963	Lock Extension	
1	54612	Key	GR800
2	804339P	Lock Assembly	
3	804338	Lock Cam	
4	806967W	Meter Case Assembly	
5	804104W	Wrapper Assembly	
6	70240301	Screw	6 required
7	803998	Rear Access Panel	Through Serial No. 1912999999
	807646	Rear Access Panel	Starting Serial No. 2001000001
8	70030501	Expansion Clip	6 required
9	803962WP	Control Panel	White
10	805665	Instruction Label	
11	44087201	Nut	
12	29651	Bolt	
13	D512973	Switch	
14	807151W	Front Panel	

Control Cabinet Front and Wrapper

Flat Front Coin Models



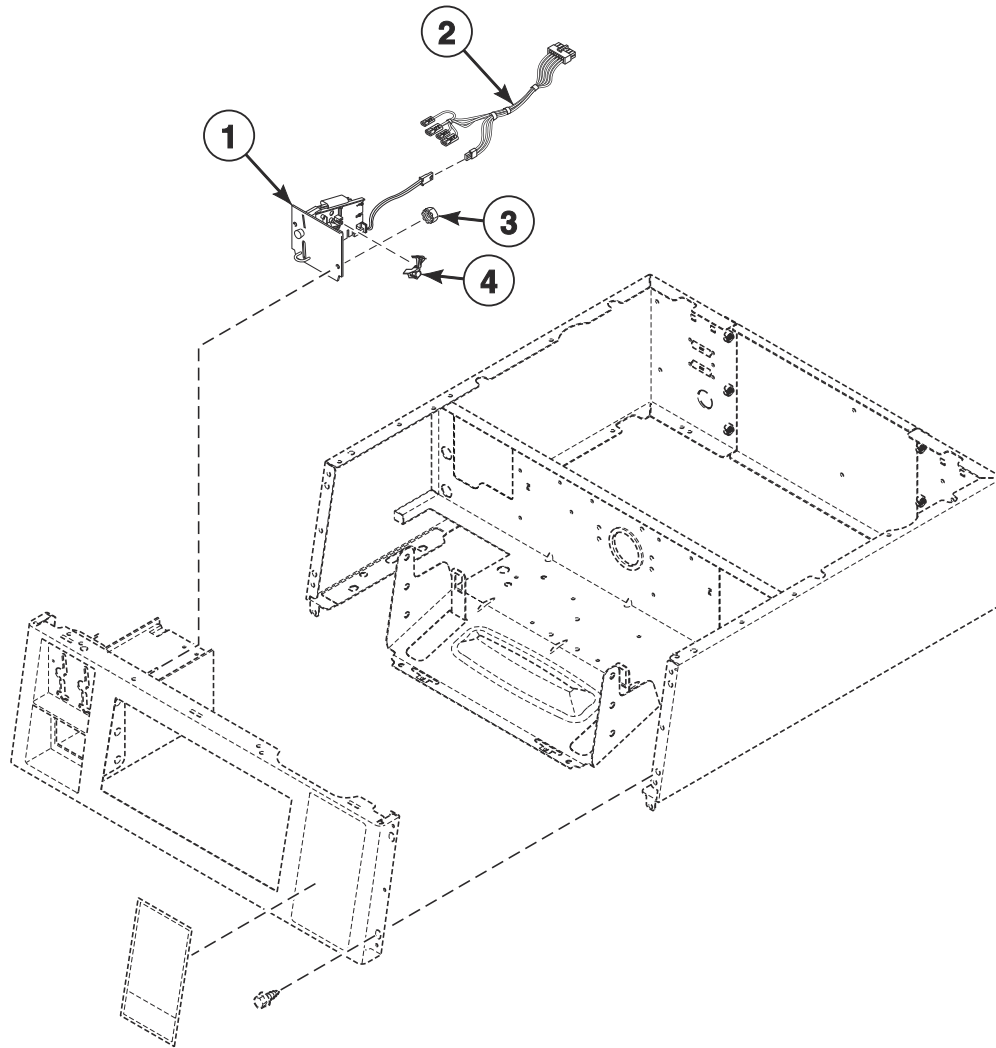
SWD1292P_806119

Control Cabinet Front and Wrapper

REF	PART NO.	DESCRIPTION	COMMENTS
1	D518305WP	Security Cabinet Front Assembly	
2	801235W	Security Cabinet Wrapper Assembly	
3	805834	Rear Service Panel	
4	D503688	Screw	

Non-Electronic Coin Drop

Coin Models



DRY2327P_806119

Non-Electronic Coin Drop

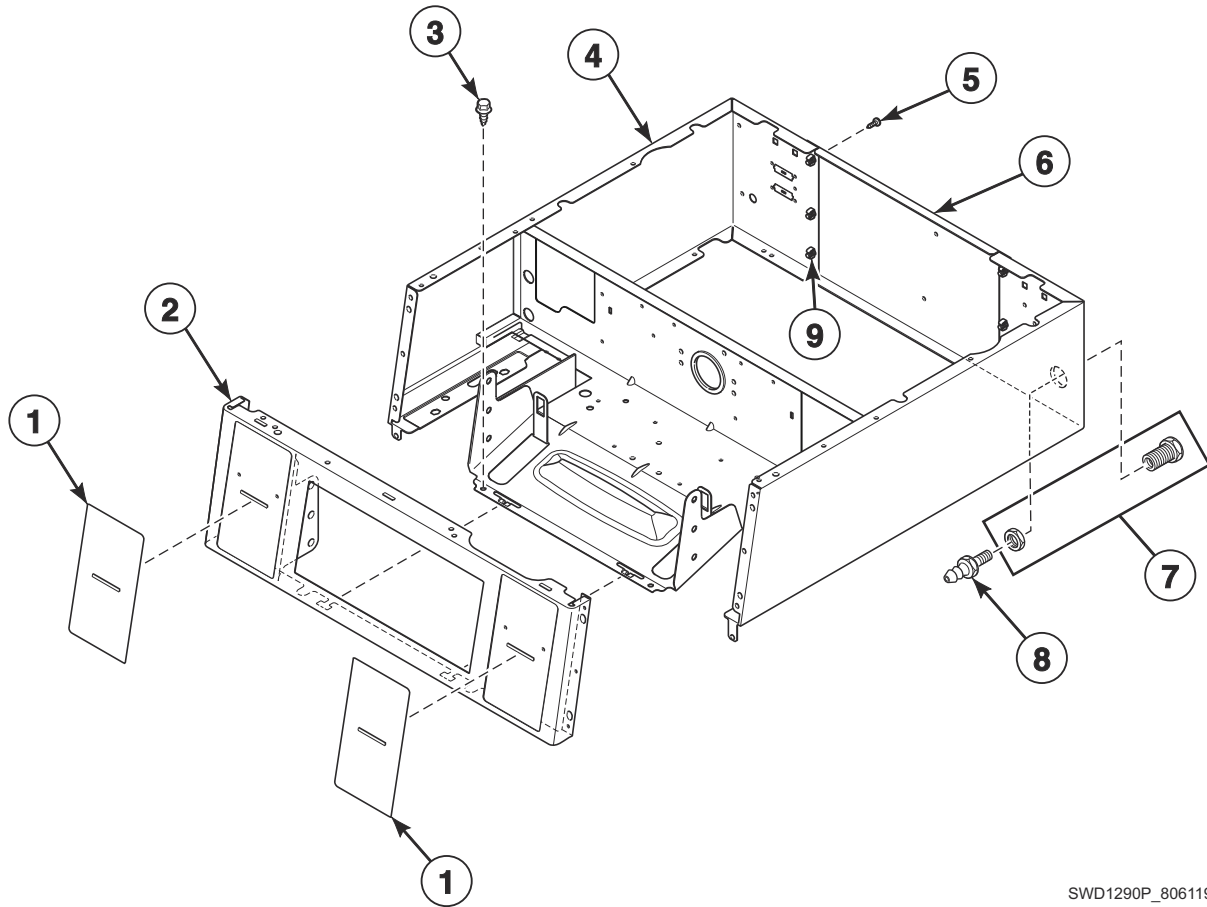
REF	PART NO.	DESCRIPTION	COMMENTS
1	38462P	Coin Drop Assembly	Token; 118-1 mzp; .880 diameter x .079 thick; Brass
	38463	Coin Drop Assembly	Token; 118-5 mzp; .990 diameter x .081 thick; Silver
	70441601P	Coin Drop	U.S.; \$.25
	38963P	Coin Drop	Token; 118-16 not available; Replacement for 38963P Coin Drop only
	70441602	Coin Drop Assembly	Canada; .25 and 1.00
	38464P	Coin Drop Assembly	Canada; .25
	38467	Coin Drop Assembly	Australia; .20 and 1.00
	70482401	Coin Drop Assembly	New Zealand; 1.00 and 2.00
	38472	Coin Drop Assembly	England; 20 pence and 1 pound
	38519	Coin Drop Assembly	Japan; 100 yen and 500 yen
	38521	Coin Drop Assembly	Korea; 100 won and 500 won
	CK114	Coin Drop Assembly	Singapore; Old 1.00
	CK123	Coin Drop Kit	Singapore; New 1.00
	2	202870	Single Coin Harness Assembly
202871		Dual Coin Harness Assembly	Dual drop
3	29786	Nut	
4	201595P	Wire Guard	Anti-stringing security device; Add to coin drops

Electronic Coin Drop

REF	PART NO.	DESCRIPTION	COMMENTS
	201091	Overlay	
1	38725	Coin Identification Paper	
2	CK115	Electronic Coin Drop Kit	Includes items 1, 3, 5, 7, 9; United States and Canada coins
	CK099	Electronic Coin Drop Kit	Includes items 1, 3, 5, 7, 9; Australia, New Zealand, Hong Kong and South Korea coins
	CK100	Electronic Coin Drop Kit	Includes items 1, 3, 5, 7, 9; Euro and Great Britain coins
	CK101	Electronic Coin Drop Kit	Includes items 1, 3, 5, 7, 9; Euro, Denmark and Norway coins
	CK103	Electronic Coin Drop Kit	Includes items 1, 3, 5, 7, 9; Euro, Lithuania and Latvia coins
	CK108	Electronic Coin Drop Kit	Includes items 1, 3, 5, 7, 9; South African 1, 2 and 5 rand coins
	CK109	Electronic Coin Drop Kit	Includes items 1, 3, 5, 7, 9; Euro coins
	CK110	Electronic Coin Drop Kit	Includes items 1, 3, 5, 7, 9; Mexico, Ecuador and United States coins
	CK113	Electronic Coin Drop Kit	Includes items 1, 3, 5, 7, 9; Japan and Taiwan coins
	CK116	Electronic Coin Drop Kit	Includes items 1, 3, 5, 7, 9; Malaysia and China coins
	CK117	Electronic Coin Drop Kit	Includes items 1, 3, 5, 7, 9; Russia coins
	CK118	Electronic Coin Drop Kit	Includes items 1, 3, 5, 7, 9; Philippine coins
	CK120	Electronic Coin Drop Kit	Includes items 1, 3, 5, 7, 9; Chile coins
	CK121	Electronic Coin Drop Kit	Includes items 1, 3, 5, 7, 9; Singapore coins
3	201104	Coin Drop Wire Harness	
4	202871	Dual Coin Harness Assembly	
5	201216	Nut	
6	CK096	Mounting Tool Kit	
7	201572	Clip	
8	201375P	Transformer	
9	70513302	Electronic Coin Drop Assembly	Euro and Great Britain coins
	70294104	Electronic Coin Drop Assembly	Euro, Denmark and Norway coins
	70513306	Electronic Coin Drop Assembly	Mexico, Ecuador and United States coins
	70294107	Electronic Coin Drop Assembly	Euro, Lithuania and Latvia coins
	70294110	Electronic Coin Drop Assembly	South African 1, 2 and 5 rand coins
	70294111	Electronic Coin Drop Assembly	Euro coins
	70294122	Electronic Coin Drop Assembly	Great Britain and token coins
	70513311	Electronic Coin Drop Assembly	Malaysia, China and Singapore coins
	70294117	Electronic Coin Drop Assembly	Russia coins
	70294120	Electronic Coin Drop Assembly	Chile coins
	70294121	Electronic Coin Drop Assembly	Singapore coins

Card Reader and Non-Vend Control Cabinet

10 Degree Front Card and Non-Vend Models



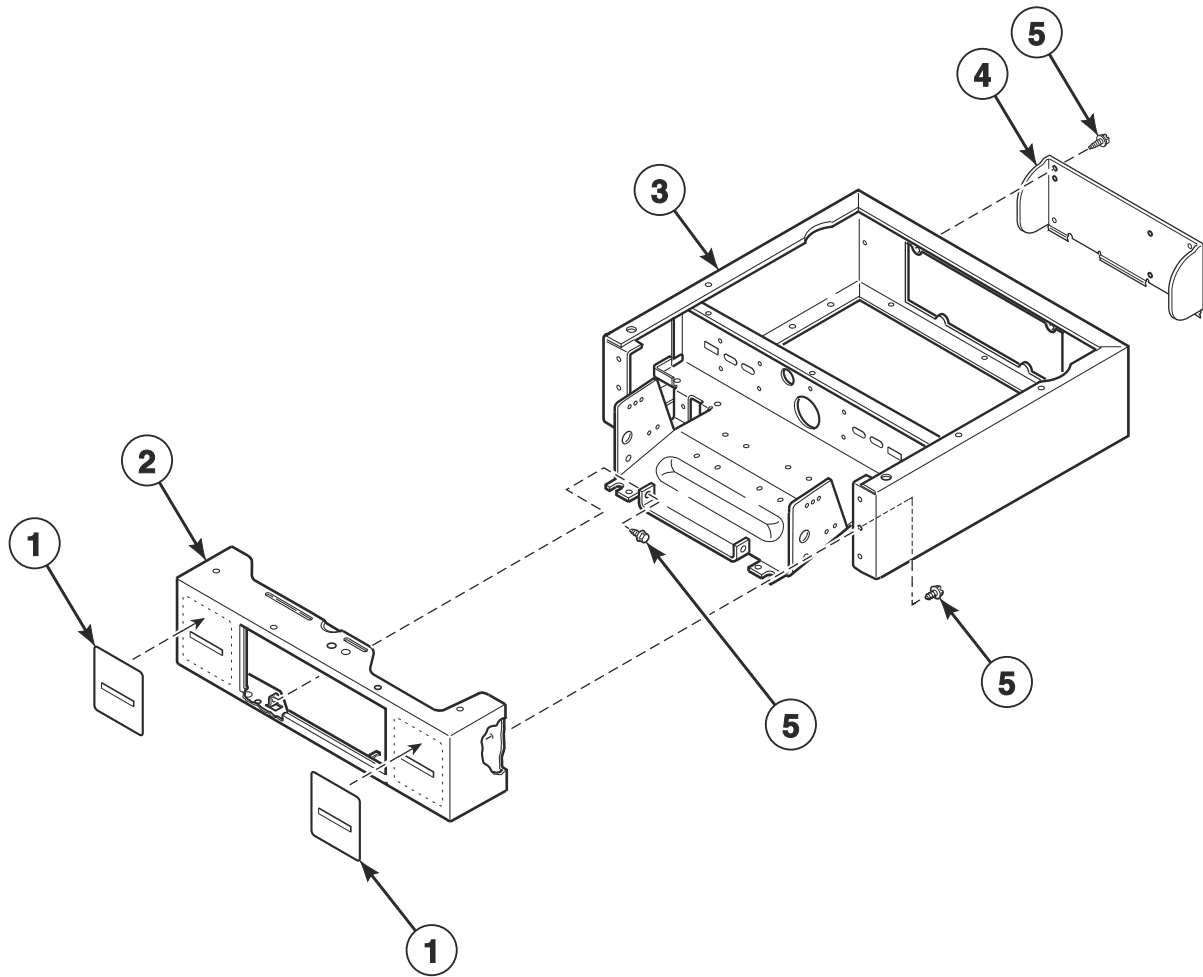
SWD1290P_806119

Card Reader and Non-Vend Control Cabinet

REF	PART NO.	DESCRIPTION	COMMENTS
	805667	Operation Instructions	Washer; Icon; Non-Vend
	D517764	Operating Instructions Label	Icon; Model NTLNGASP543NW23
1	D514391	Card Insert Overlay	Models STENYASP173TN01, STENYASP173TW01, STENYASP283CW01, STENYASP293CW01, STEWYAJP303NN22, STEWYAJP303NW22, STEWYASP173TW01, STGNYASP093CW01, STGNYASP113TN01, STGNYASP113TW01, STGWYAJP303NN22, STGWYASP113TW01, STLNYASP543NW23 and STLNYASP543PW01
	D514873	Overlay	Models HTENYASP283CW01 and HTENYASP293CW01
2	803972DG	Control Panel	Dark gray; Non-Vend
	803972W	Control Panel	White; Non-Vend
	803972B	Control Panel	Black; Non-Vend
	803968W	Control Panel	White; Card
	803968B	Control Panel	Black; Card
	805545B	Control Panel	Black; Models JT1JGASP413EW06, JT1JMASG413EN06, JT2JGASP413EW06 and JT2JMASG413EN06
3	806276	Screw	Use with stainless steel side panels
	D503688	Screw	Use with painted side panels
4	804108B	Wrapper Assembly	Black; Models BT3JGASP403UN01, BT3JGASP403UN06, BT3JLASP403UN01, BT3JLASP403UN06, JT1JMASG413EN06, JT2JMASG413EN06, NT2JLASP403UN01, NT3JLASP403NN22 and NT3JLASP403UN01
	804108W	Wrapper Assembly	White; Models BT3JGASG403UW01, BT3JGASG403UW06, BT3JGASP403UW01, BT3JGASP403UW06, BT3JLASG403UW01, BT3JLASG403UW06, BT3JLASP403UW01, BT3JLASP403UW06, JT1JGASP413EW06, JT2JGASP413EW06, NT1JLASP413UW06, NT2JLASP403UW01, NT2JLASP403UW06, NT3JLASG403UW01, NT3JLASP403NW22, NT3JLASP403UW01, ST3JGASP403UW01 and TT3JGASP403NW36
	804108DG	Wrapper Assembly	Dark gray; Models PT2JGASG403UG06, PT2JGASP403UG06, PT3JGASG403UG06 and PT3JGASP403UG06
	804112W	Wrapper Assembly	White; Models HTENYASP283CW01, HTENYASP293CW01, NTLNGASP543NW23, STENYASP173TN01, STENYASP173TW01, STENYASP283CW01, STENYASP293CW01, STEWYASP173TW01, STGNYASP093CW01, STGNYASP113TN01, STGNYASP113TW01, STGWYASP113TW01, STLNYASP543NW23 and STLNYASP543PW01
	804112B	Wrapper Assembly	Black; Model NTLJYASP543NN23
	804115DG	Wrapper Assembly	Dark gray; Models PT2JGAJG403UG06, PT2JGAJP403UG06, PT3JGAJG403UG06 and PT3JGAJP403UG06
	804115B	Wrapper Assembly	Black; Models BT3JGAJP403UN01 and BT3JGAJP403UN06
	804115W	Wrapper Assembly	White; Models BT3JGAJG403UW01, BT3JGAJG403UW06, BT3JGAJP403UW01 and BT3JGAJP403UW06
	804111B	Wrapper Assembly	Black; Models STEWYAJP303NN22 and STGWYAJP303NN22
	804111W	Wrapper Assembly	White; Model STEWYAJP303NW22
	804107W	Wrapper Assembly	White; Models JT1JRASP413EW06 and JT2JRASP413EW06
	804103W	Wrapper Assembly	White; Models JTEJRASP303EW06 and JTGJRASP303EW06
5	70240301	Screw	6 required
6	803998	Rear Access Panel	Through Serial No. 1912999999
	807646	Rear Access Panel	Starting Serial No. 2001000001
7	801788	Union	Models BT3JGAJG403UW01, BT3JGAJG403UW06, BT3JGAJP403UN01, BT3JGAJP403UN06, BT3JGAJP403UW01, BT3JGAJP403UW06, PT2JGAJG403UG06, PT2JGAJP403UG06, PT3JGAJG403UG06, PT3JGAJP403UG06, STEWYAJP303NN22, STEWYAJP303NW22 and STGWYAJP303NN22
8	801789	Connector	Models BT3JGAJG403UW01, BT3JGAJG403UW06, BT3JGAJP403UN01, BT3JGAJP403UN06, BT3JGAJP403UW01, BT3JGAJP403UW06, PT2JGAJG403UG06, PT2JGAJP403UG06, PT3JGAJG403UG06, PT3JGAJP403UG06, STEWYAJP303NN22, STEWYAJP303NW22 and STGWYAJP303NN22
9	70030501	Expansion Clip	6 required

Control Cabinet Front and Wrapper

Flat Front Card Models

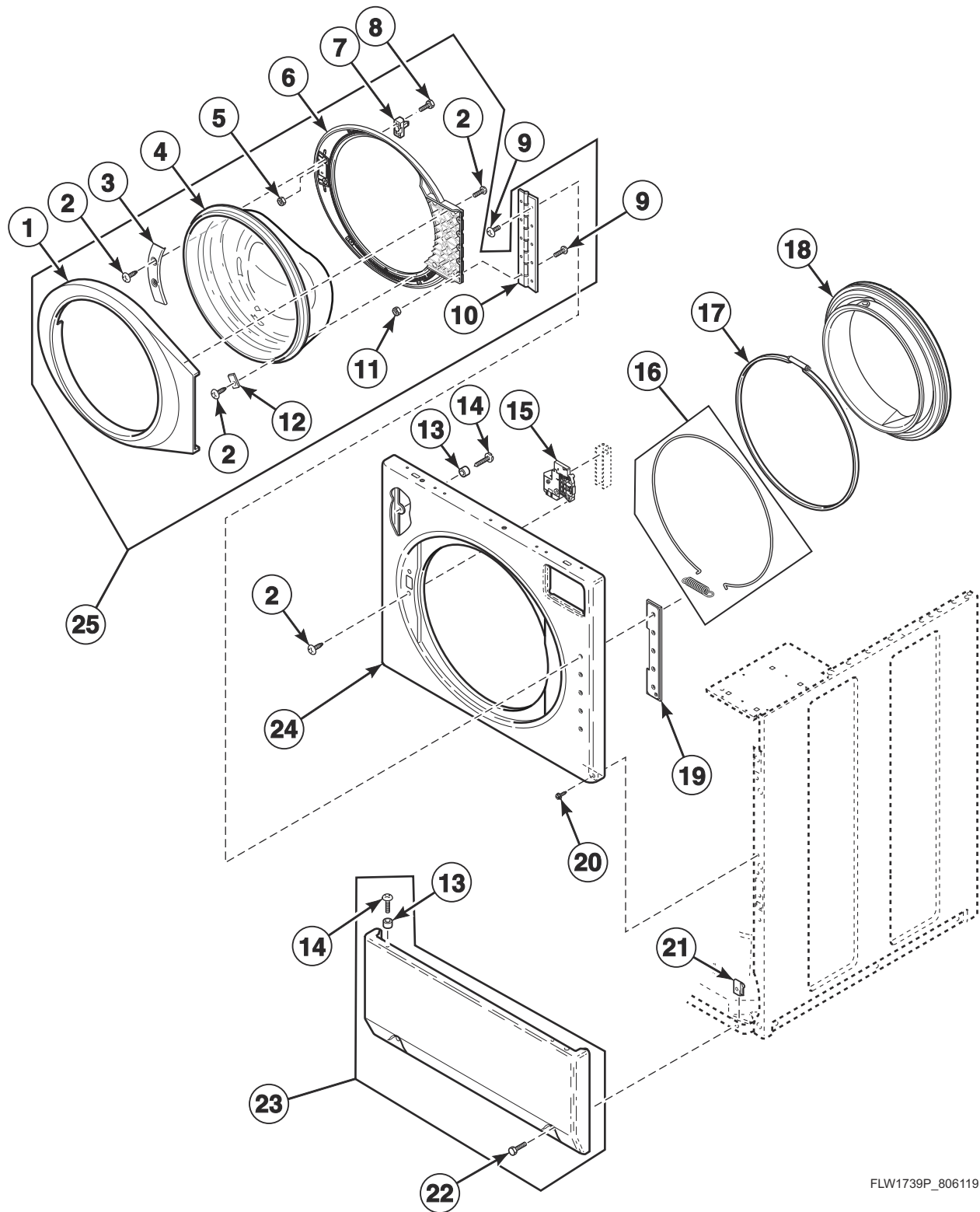


SWD1293P_806119

Control Cabinet Front and Wrapper

REF	PART NO.	DESCRIPTION	COMMENTS
1	D511544	Card Insert Overlay	
2	D511208W	Security Cabinet Front Assembly	
3	801235W	Security Cabinet Wrapper Assembly	
4	805834	Rear Service Panel	
5	D503688	Screw	

Front Panel, Door Assembly and Door Seal



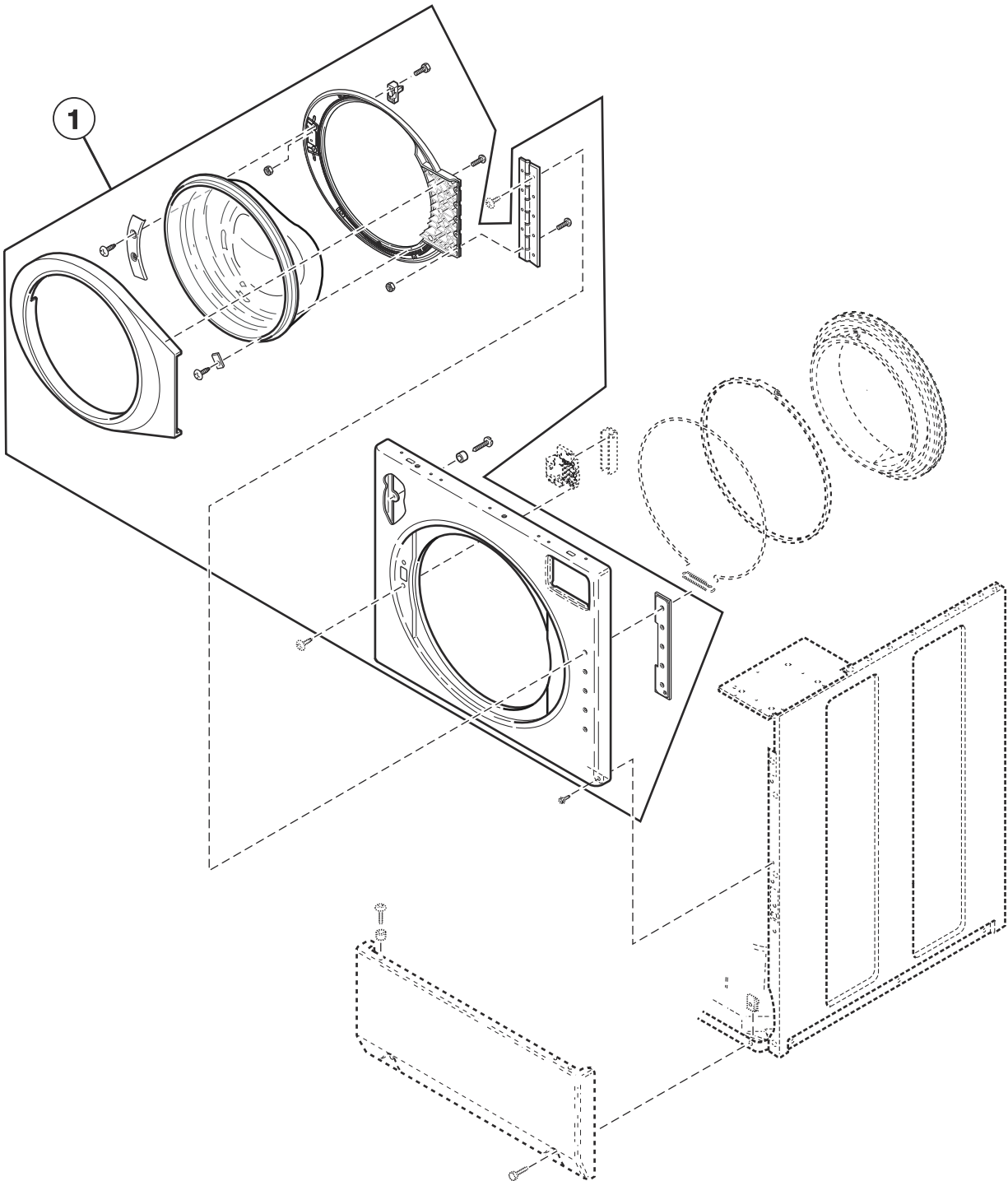
FLW1739P_806119

Front Panel, Door Assembly and Door Seal

REF	PART NO.	DESCRIPTION	COMMENTS
1	808094	Outer Door Bezel	White
	808091	Outer Door Bezel	Gray
	808092	Outer Door Bezel	Black
2	800548	Screw	
3	806354	Door Glass Mounting Plate	
4	802695P	Door Glass	
5	685846	Nut	
6	808095	Inner Door Bezel Kit	White
	808096	Inner Door Bezel Kit	Gray
	808097	Inner Door Bezel	Glass filled polypropylene upgrade
7	802803	Door Catch Assembly	
8	801993	Screw	
9	801019	Screw	
10	802934	Door Hinge	
11	23951	Nut	
12	802700	Glass Mounting Clip	7 required
13	56079	Panel Locator	
14	39733	Screw	Use with painted panels
	806086	Screw	Use with stainless steel panels
15	803920	Door Latch Assembly	
16	806466	Wire Ring and Spring	
17	802281	Hose Clamp	Seal to outer tub front
18	804428P	Door Seal	Black
	804429P	Door Seal Assembly	Gray
19	802206	Hinge Plate	
20	D503661	Screw	
21	36020	Nut	
22	801045	Screw	
23	806528	Access Panel Assembly	Stainless steel
	D514250WP	Access Panel Assembly	White
	D514250DG	Access Panel Assembly	Dark gray
24	802288P	Front Panel	Stainless steel
	802277WP	Front Panel	White
	802277DG	Front Panel	Dark gray
25	804083WP	Door Assembly	White
	804210P	Door Assembly	Gray
	805550P	Door Assembly	Black

Front Panel Assembly

Models STENCASP173TW01, STENCFSP173TW01, STENXASP173TW01, STENXFSP173TW01, STENYASP173TN01, STENYASP173TW01, STENYFSP173TW01, STEWXASP173TW01, STEWYASP173TW01, STGNCASP113TW01, STGNCFSP113TW01, STGNXASG113TW01, STGNXASP113TW01, STGNXFSP113TW01, STGNYASP113TN01, STGNYASP113TW01, STGNYFSP113TW01, STGWXASP113TW01 and STGWYASP113TW01



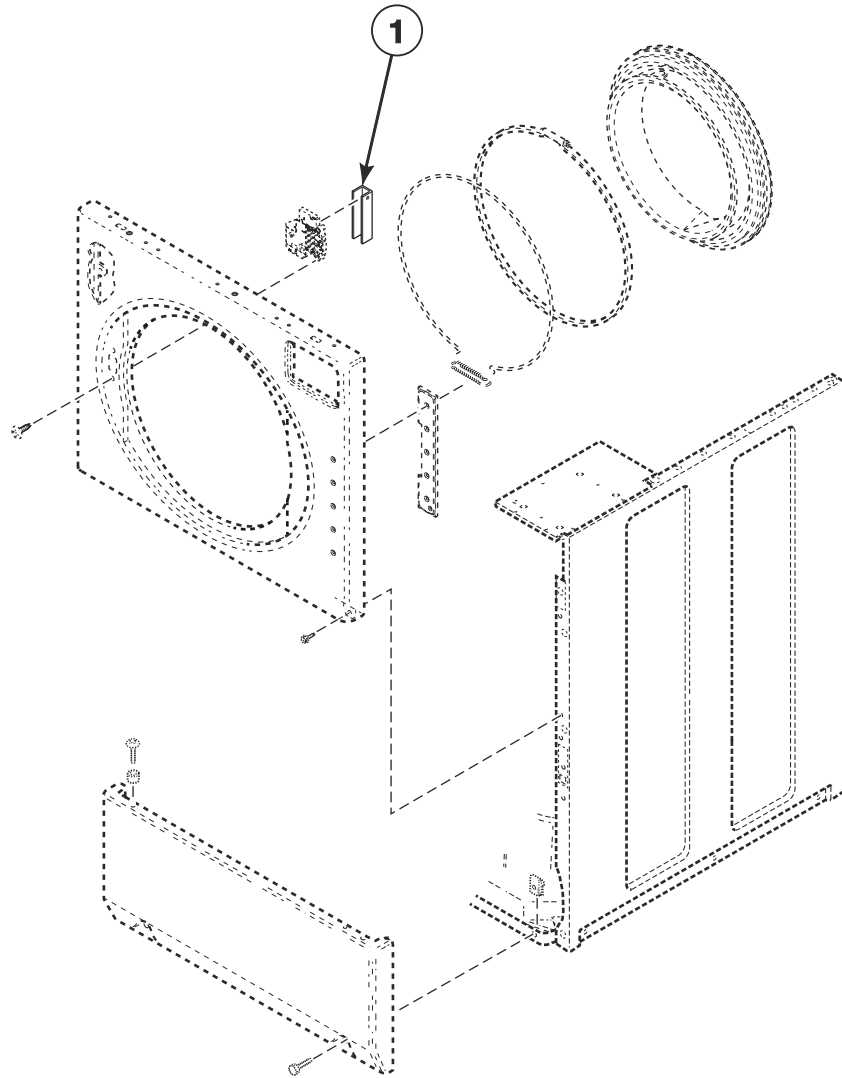
FLW1739PA_806119

Front Panel Assembly

REF	PART NO.	DESCRIPTION	COMMENTS
1	806505W	Front Panel Assembly Kit	White
	806560	Front Panel Assembly Kit	Stainless steel

Door Lock Drip Shield

Models BT3JGAJG403UW01, BT3JGAJG403UW06, BT3JGAJP403UN01, BT3JGAJP403UN06, BT3JGAJP403UW01, BT3JGAJP403UW06, BT3JGASG403UW01, BT3JGASG403UW06, BT3JGASP403UN01, BT3JGASP403UN06, BT3JGASP403UW01, BT3JGASP403UW06, BT3JLASG403UW01, BT3JLASG403UW06, BT3JLASP403UN01, BT3JLASP403UN06, BT3JLASP403UW01, BT3JLASP403UW06, BT3JXASG403UW01, BT3JXASG403UW06, BT3JXASP403UN01, BT3JXASP403UN06, BT3JXASP403UW01, BT3JXASP403UW06, HTENXASP133DW01, HTENXASP133FW01, HTENXASP543DW01, HTGNXASP113FW01, HTGNXASP123DW01, HTGNXASP543DW01, JT1JEASP413EW06, JT1JGASP413EW06, JT1JMASG413EN06, JT1JRASP413EW06, JT1JXASP413EW06, JT2JEASP413EW06, JT2JGASP413EW06, JT2JMASG413EN06, JT2JRASP413EW06, JT2JXASP413EW06, JTEJEASP303EW06, JTEJRASP303EW06, JTEJXASP303EW06, JTGJEASP303EW06, JTGJRASP303EW06, JTGJXASP303EW06, NT1JLASP413UW06, NT1JXASP403UW06, NT2JLASP403UN01, NT2JLASP403UW01, NT2JLASP403UW06, NT2JXASP403UN01, NT2JXASP403UW06, NT3JLASG403UW01, NT3JLASG403UN01, NT3JLASP403UW01, NT3JLASP403UW06, NT3JXASG403UW01, NT3JXASP403UN01, NT3JXASP403UW01, NT3JXASP403UW06, NTEWXASP433LN01, NTGNXASP304ZW38, NTLNGASP543NW23, PT2JGAJG403UG06, PT2JGAJP403UG06, PT2JGASG403UG06, PT2JGASP403UG06, PT2JXASG403UG06, PT2JXASP403UG06, PT3JGAJG403UG06, PT3JGAJP403UG06, PT3JGASG403UG06, PT3JGASP403UG06, PT3JXASG403UG06, PT3JXASP403UG06, PTEJXASG303UG06, PTEJXASG543ZG01, PTEJXASP303UG06, PTEJXASP434AG01, PTEJXASP543NG23, PTEJXASP543ZG01, PTGJXASG303UG06, PTGJXASG543ZG01, PTGJXASP303UG06, PTGJXASP304AG01, PTGJXASP543ZG01, PTLJXASP303NG22, PTLJXASP543NG23, ST1JXASP403EW06, ST2JXASP403EW06, ST3JGASP403UW01, STENXASP133DW01, STENXASP133FW01, STENXASP433AN12, STENXASP433AW01, STENXASP433AW12, STENXASP433LN01, STENXASP433LW01, STENXASP543DN01, STENXASP543DW01, STENXASP543RW01, STGNXASG113JW01, STGNXASP113FW01, STGNXASP123DW01, STGNXASP303AW01, STGNXASP303AW12, STGNXASP543DN01, STGNXASP543DW01, STLNXASP303LW01, STLNYASP543PW01, STLWXASP303LN01, STMNXASG103JW01 and STMNXASG113JW01

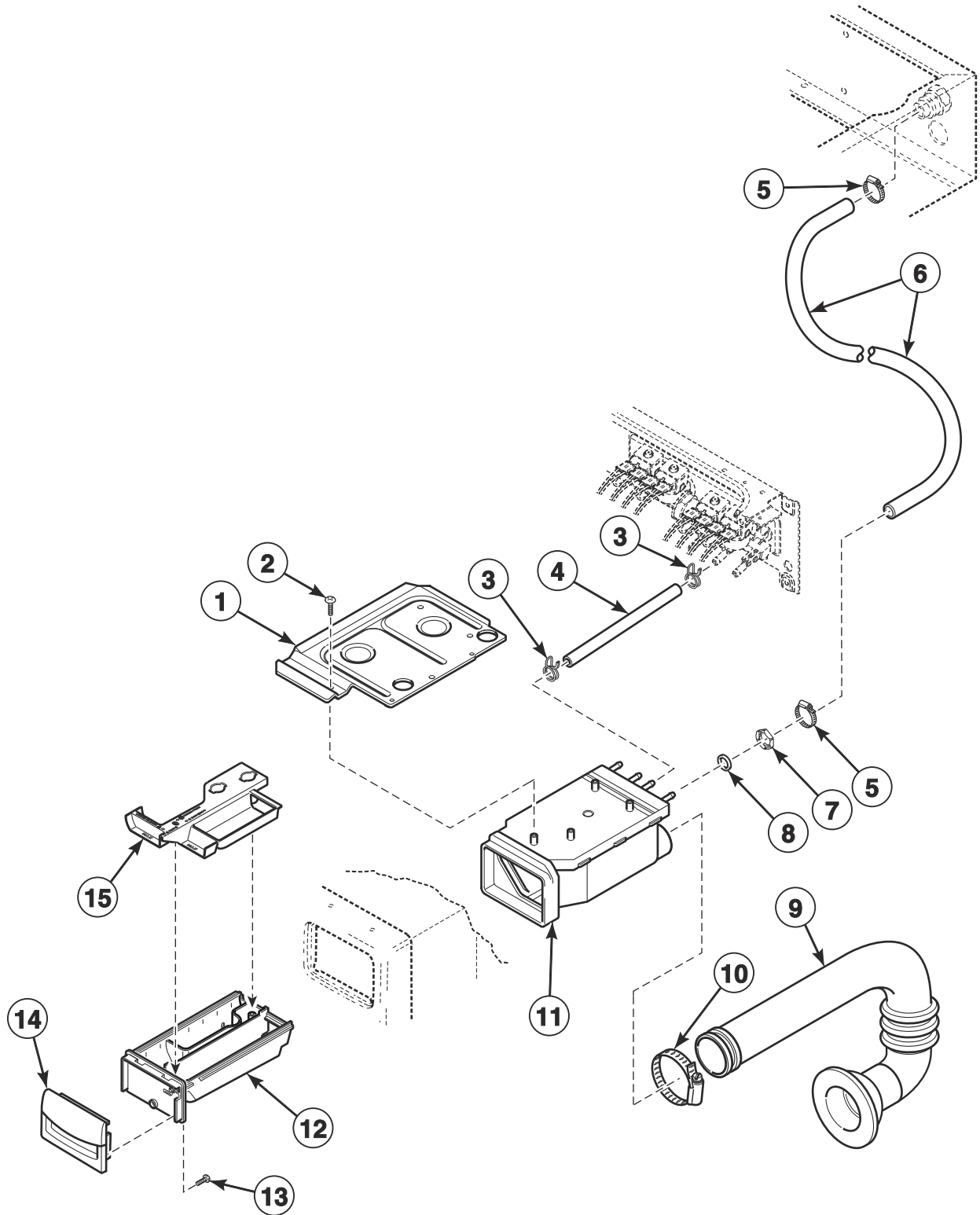


FLW1804P_806119

Door Lock Drip Shield

REF	PART NO.	DESCRIPTION	COMMENTS
1	804784	Door Lock Drip Shield	

Dispenser Assembly

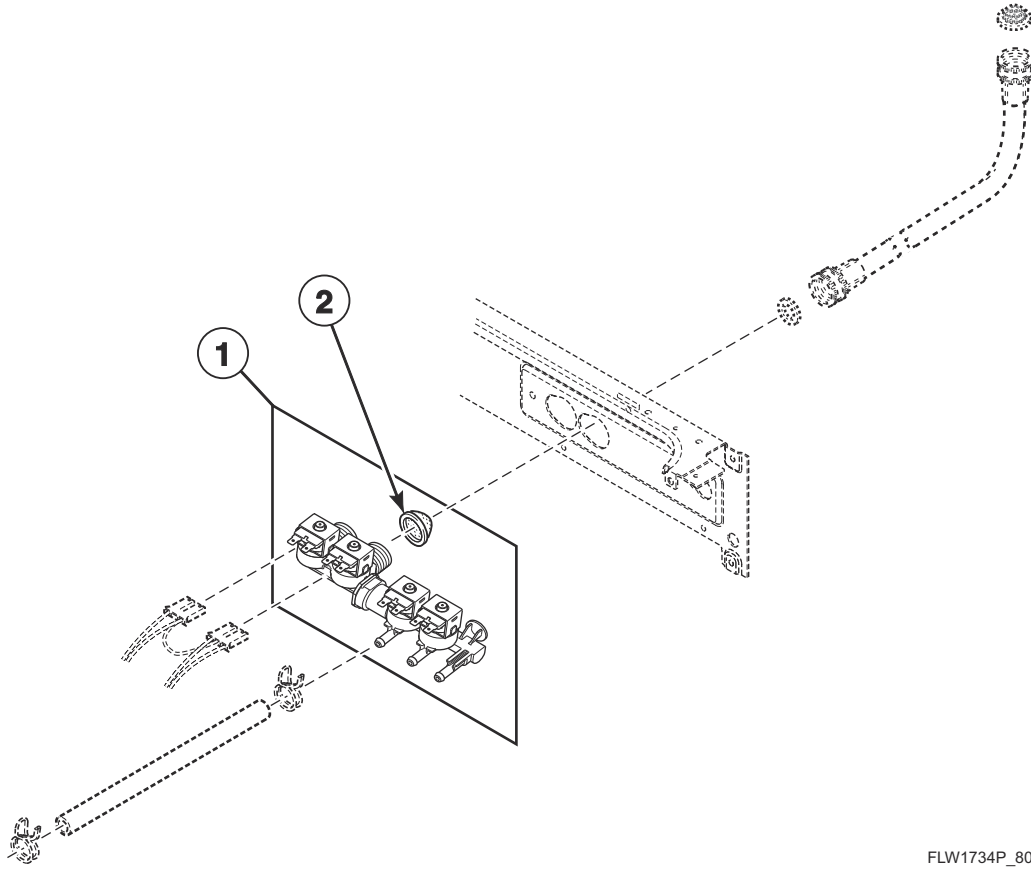


FLW1746P_806119

Dispenser Assembly

REF	PART NO.	DESCRIPTION	COMMENTS
	804875	Foam Pad	
1	803843	Dispenser Plate	
2	801001	Screw	
3	807386	Hose Clamp	
4	803849	Dispenser Inlet Hose	Through Serial No. 1809999999
	807364	Dispenser Inlet Hose	Starting Serial No. 1810000001
5	F200206	Hose Clamp	
6	801635	Tubing	
7	802292	Nut	
8	801632	O-Ring	
9	804717	Detergent Hose	
10	685725	Hose Clamp	
11	803698	Dispenser Assembly	
12	803667	Dispenser Drawer	
13	800548	Screw	
14	804415W	Dispenser Handle	White; Models BT3JGAJG403UW06, BT3JGAJP403UW06, BT3JGASG403UW06, BT3JGASP403UW06, BT3JLASG403UW06, BT3JLASP403UW06, BT3JXASG403UW06, BT3JXASP403UW06, JT1JEASP413EW06, JT1JGASP413EW06, JT1JMASG413EN06, JT2JEASP413EW06, JT2JGASP413EW06, JT2JMASG413EN06, JTEJEASP303EW06, JTGJEASP303EW06, NT1JLASP413UW06, NT1JXASP403UW06, NT2JLASP403UW06, NT2JXASP403UW06 and TT3JGASP403NW36
	804415B	Dispenser Handle	Black; Models BT3JGAJP403UN06, BT3JGASP403UN06, BT3JLASP403UN06, BT3JXASP403UN06, JT1JEASP413EW06, JT1JGASP413EW06, JT1JMASG413EN06, JT2JEASP413EW06, JT2JGASP413EW06, JT2JMASG413EN06, JTEJEASP303EW06, JTGJEASP303EW06, NT1JLASP413UW06, NT1JXASP403UW06, NT2JLASP403UW06 and NT2JXASP403UW06
	804526	Dispenser Handle	Light gray; Models PT2JGAJG403UG06, PT2JGAJP403UG06, PT2JGASG403UG06, PT2JGASP403UG06, PT2JXASG403UG06, PT2JXASP403UG06, PT3JGAJG403UG06, PT3JGAJP403UG06, PT3JGASG403UG06, PT3JGASP403UG06, PT3JXASG403UG06, PT3JXASP403UG06, PTEJXASG303UG06, PTEJXASP303UG06, PTGJXASG303UG06 and PTGJXASP303UG06
	804227WP	Dispenser Handle	White; All other models
	804227B	Dispenser Handle	Black; All other models
	804228	Dispenser Handle	Light gray; All other models
15	803669	Compartment Cover	

Mixing Valve

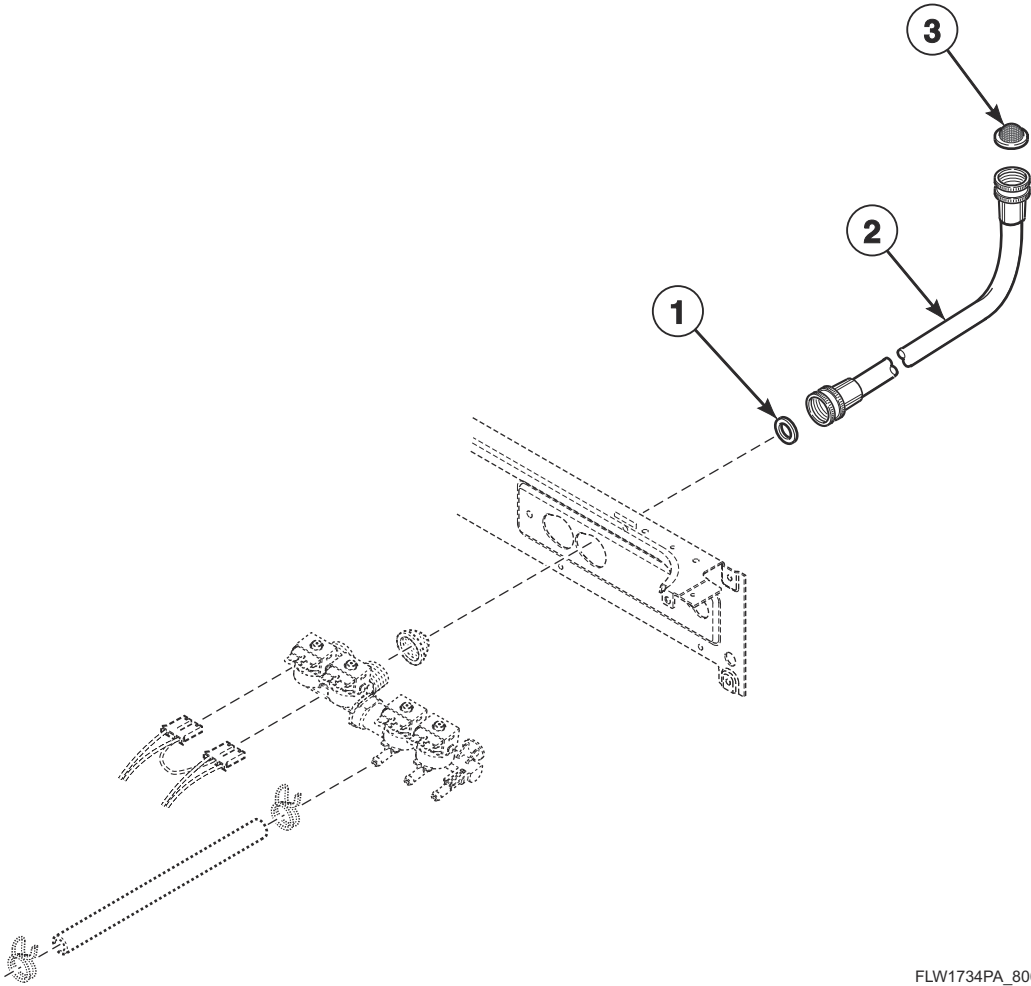


FLW1734P_806119

Mixing Valve

REF	PART NO.	DESCRIPTION	COMMENTS
1	807837P	Mixing Valve	100-127 Volt; GHT thread
	806611P	Mixing Valve	100-127 Volt; BSPP thread
	807838	Mixing Valve	220-240 Volt; GHT thread
	807497P	Mixing Valve	220-240 Volt; BSPP thread
2	24122	Mixing Valve Screen	Steel mesh
	F8161201	Mixing Valve Screen	Plastic

Fill Hose



FLW1734PA_806119

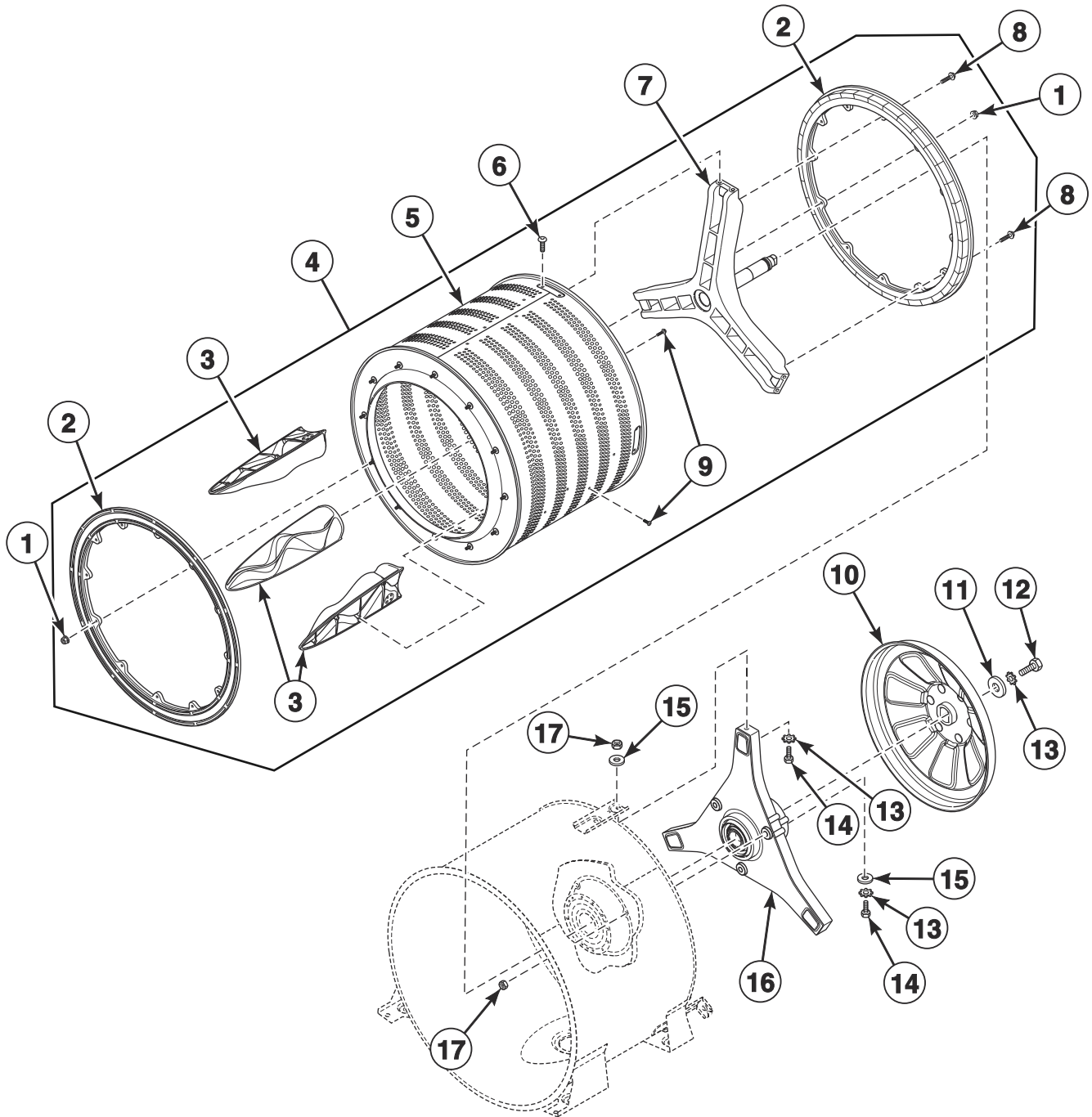
Fill Hose

REF	PART NO.	DESCRIPTION	COMMENTS
	804783	Mixing Valve Shield	All models except HTENXASP283CW01, HTENXASP293CW01, HTENYASP283CW01, HTENYASP293CW01, HTGNXASP093CW01, NT3JLASP403NN22, NT3JLASP403NW22, NT3JXASP403NW22, NTENXASP175MW01, NTGNXASP115MW01, NTHJXASP543NW01, NTHJYASP543NW01, NTLJXASP543NN23, NTLJYASP543NN23, NTLNGASP543NW23, NTLWXASP303LN01, PTEJCASP174TG01, PTEJEASP284CG01, PTEJXASP174TG01, PTEJXASP284CG01, PTGJCASP114TG01, PTGJEASP094CG01, PTGJXASP094CG01, PTGJXASP114TG01, ST3JXASP403NW22, STENCASP173TW01, STENCFSP173TW01, STENEASP283CW01, STENEASP293CW01, STENXASP173TW01, STENXASP283CW01, STENXASP293CW01, STENXFSP173TW01, STENYASP173TN01, STENYASP173TW01, STENYASP283CW01, STENYASP293CW01, STENYFSP173TW01, STEWXASP173TW01, STEWYAJP303NN22, STEWYAJP303NW22, STEWYASP173TW01, STGNCASP113TW01, STGNCFSP113TW01, STGNEASP093CW01, STGNXASG113TW01, STGNXASP093CW01, STGNXASP113TW01, STGNXFSP113TW01, STGNYASP093CW01, STGNYASP113TN01, STGNYASP113TW01, STGNYFSP113TW01, STGNZASP113NW22, STGWXASP113TW01, STGWYAJP303NN22, STGWYASP113TW01, STLNXASP543NW23, STLNYASP543NW23, STLWXASP543NN22, TT3JGASP403NW36 and TT3JXASP403NW22
1	20290	Washer	
2	203720	Fill Hose	Marked for cold water; 4 feet, 2 GHT thread hose couplings
	203719	Fill Hose	Marked for hot water; 4 feet, 2 GHT thread hose couplings
	203750	Fill Hose	Marked for cold water; 4 feet, 1 GHT thread and 1 BSPP thread hose couplings
	203718	Fill Hose	Marked for hot water; 4 feet, 1 GHT thread and 1 BSPP thread hose couplings
	204103	Fill Hose	Marked for cold water; 4 feet, 2 BSPP thread hose couplings
	204102	Fill Hose	Marked for hot water; 4 feet, 2 BSPP thread hose couplings
3	803615	Washer	Filter screen
	802254	Washer	Flow restrictor; Water pressure reducer; Available for water pressure up to but not exceeding 120 psi

Outer Tub, Front and Clamp Ring

REF	PART NO.	DESCRIPTION	COMMENTS
1	806512	Out-of-Balance Switch Assembly Kit	Through Serial No. 2012999999
	807384	Out-of-Balance Switch Assembly	Starting Serial No. 2101000001
2	800461	Screw	
3	804458	Washer	
4	804457	Out-of-Balance Switch Bracket	Through Serial No. 2012999999
	807280	Out-of-Balance Switch Bracket	Starting Serial No. 2101000001
5	800452	Nut	
6	685847	Pop Rivet	
7	800553	Hose Clip	
8	D500049	Warning Label	
9	808013	Pressure Bulb	
10	36985	Hose Clip	
11	804483	Pressure Sensor Tube Assembly	
12	803891	Hose Clamp	
13	29175	Grommet	
14	803865	Outer Tub Assembly	Models with heater; Through Serial No. 1910999999 except Serial Nos. 1908066087 to 1909000879
	807619	Outer Tub Assembly	Models with heater; Serial Nos. 1908066087 to 1909000879 and starting Serial No. 1911000001 to 2010999999
	807480	Outer Tub Assembly	Models with heater; Starting Serial No. 2011000001
	803864	Outer Tub Assembly	All other models; Through Serial No. 1910999999 except Serial Nos. 1908066087 to 1909000879
	807618	Outer Tub Assembly	All other models; Serial Nos. 1908066087 to 1909000879 and starting Serial No. 1911000001 to 2010999999
	807479	Outer Tub Assembly	All other models; Starting Serial No. 2011000001
15	803777P	Shock Assembly	Must replace all four
16	807476	Counterweight	
17	803770	Tub Front	
18	804777P	Heating Element	Includes thermistor; Models with heater
19	804778P	Heating Element	Models with heater
20	806308	Foreign Object Deflector	Black; Includes screws
	806313	Foreign Object Deflector	Gray; Includes screws
	806361	Foreign Object Deflector	Tall; Gray; Includes screws
21	803801	Tub Front Seal	
22	803802	Clamp Ring	
23	F430218	Nut	
24	M400081	Washer	
25	800462	Screw	
26	802596	Screw	
27	804467	Clothes Guard Deflector	
	805548	Clothes Guard Deflector	Heavy duty
28	803879	Tub Front Assembly	Includes items 17, 26, 27 and 29
29	802343	Nut	

Inner Basket, Trunnion, Bearing Housing and Pulley

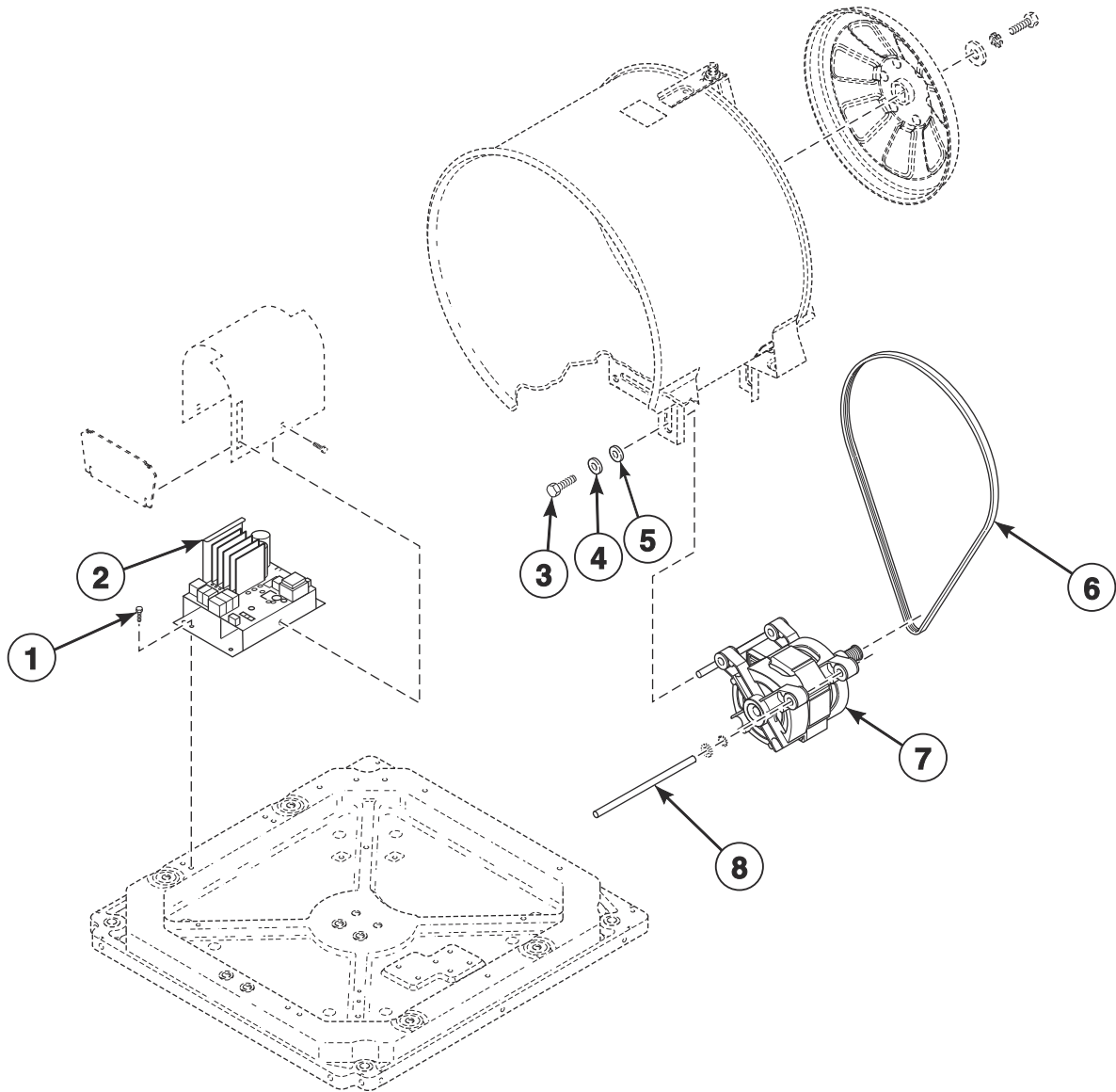


FLW1803P_806119

Inner Basket, Trunnion, Bearing Housing and Pulley

REF	PART NO.	DESCRIPTION	COMMENTS
	27604P	Anti-Seize Compound	Pulley to inner basket shaft
	805730	Bearing Kit	
1	804418	Nut	
2	804393	Balance Ring Assembly	
3	804382	Lifter	
4	805485	Inner Basket Assembly	Models STENXASP433AN12, STENXASP433AW12 and STGNXASP303AW12
	804376P	Inner Basket Assembly Kit	All other models
5	804374P	Inner Basket Assembly	
6	804699	Screw	
7	806831	Trunnion Kit	Includes hardware; Models STENXASP433AN12, STENXASP433AW12 and STGNXASP303AW12
	808043P	Trunnion Shaft Kit	Includes hardware and tool; All other models
8	804399	Screw	
9	800548	Screw	
10	808197	Pulley Assembly	
11	807679	Washer	
12	685831	Screw	Left hand thread
13	M403958	Washer	Used through Serial No. 1609046805
14	M400043	Screw	
15	800457	Washer	
16	805525	Bearing Housing Kit	Includes hardware and tool
17	800452	Nut	

Motor and Belt (Drawing 1 of 2)

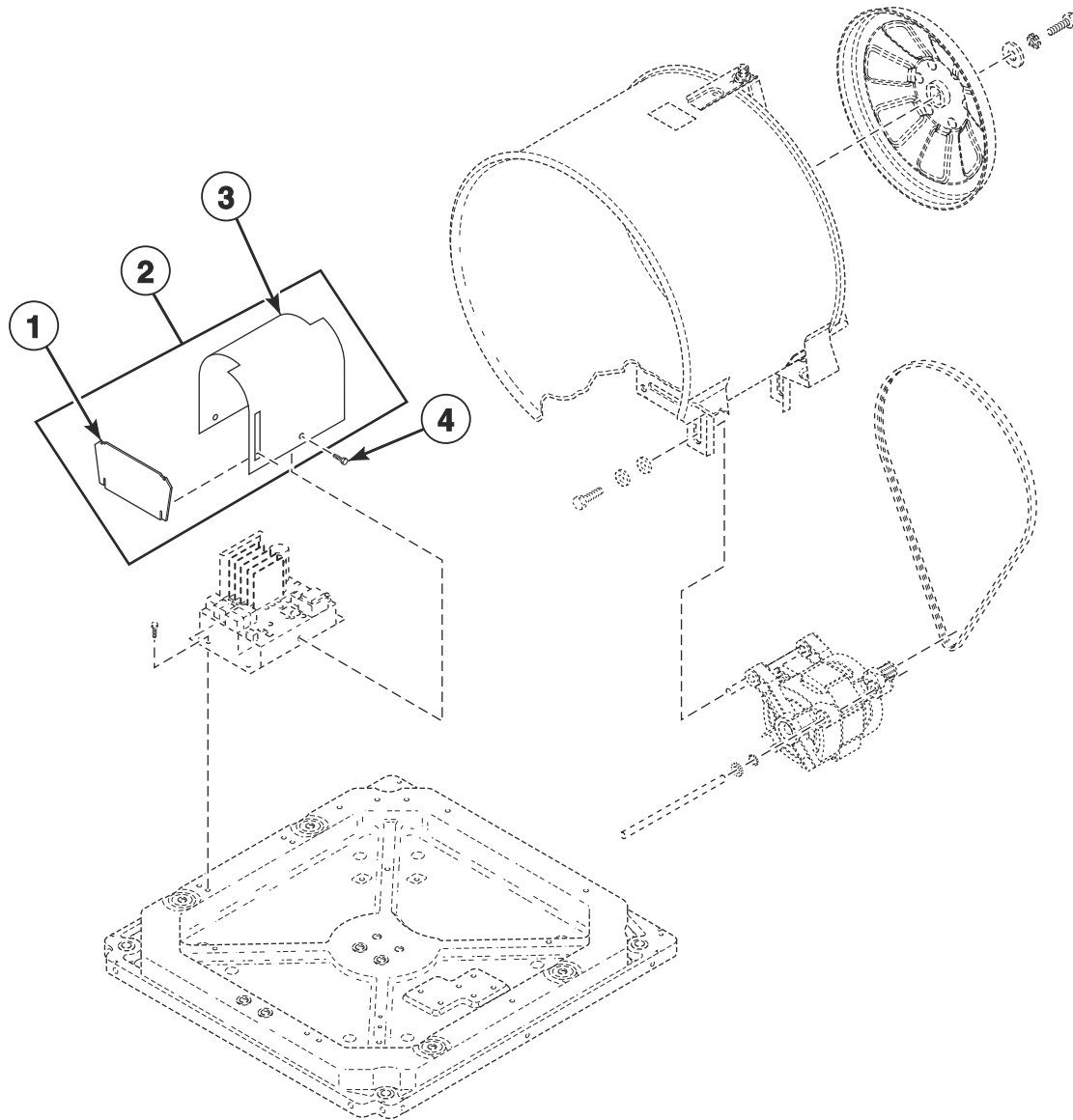


FLW1794P_806119

Motor and Belt (Drawing 1 of 2)

REF	PART NO.	DESCRIPTION	COMMENTS
	807441	Control Bracket	Starting Serial No. 2101000001
	F8206901	Screw	Starting Serial No. 2101000001; Used with 807441 Control Bracket
	807623	Belt Install Tool	
1	D503661	Screw	
2	807175P	Inverter Control Assembly	Through Serial No. 2012999999
	808149	Output Control Assembly	120 Volt; Without filter; Starting Serial No. 2101000001
	807243	Output Control Assembly	240 Volt; With filter; Starting Serial No. 2101000001
3	M400057	Screw	Through Serial No. 2010999999
	02916	Screw	Starting Serial No. 2011000001
4	02834	Washer	Through Serial No. 2010999999
5	M400080	Washer	Through Serial No. 2010999999
6	804985	Drive Belt	Through Serial No. 1910999999 except Serial Nos. 1908066087 to 1909000879
	807429P	Belt Kit	Use with 807623 Belt Install Tool; Serial Nos. 1908066087 to 1909000879 and starting Serial No. 1911000001
7	805726P	Motor and Rod Assembly Kit	Includes item 8; Through Serial No. 2010071306
	808034P	Motor and Rod Assembly Kit	Includes item 8; Starting Serial No. 2010071307 through Serial No. 2012999999
	808067P	Motor and Rod Assembly Kit	Includes item 8; Starting Serial No. 2101000001
8	803861	Motor Rod	Through Serial No. 2010999999
	807739	Motor Rod	Starting Serial No. 2011000001

Motor and Belt (Drawing 2 of 2)



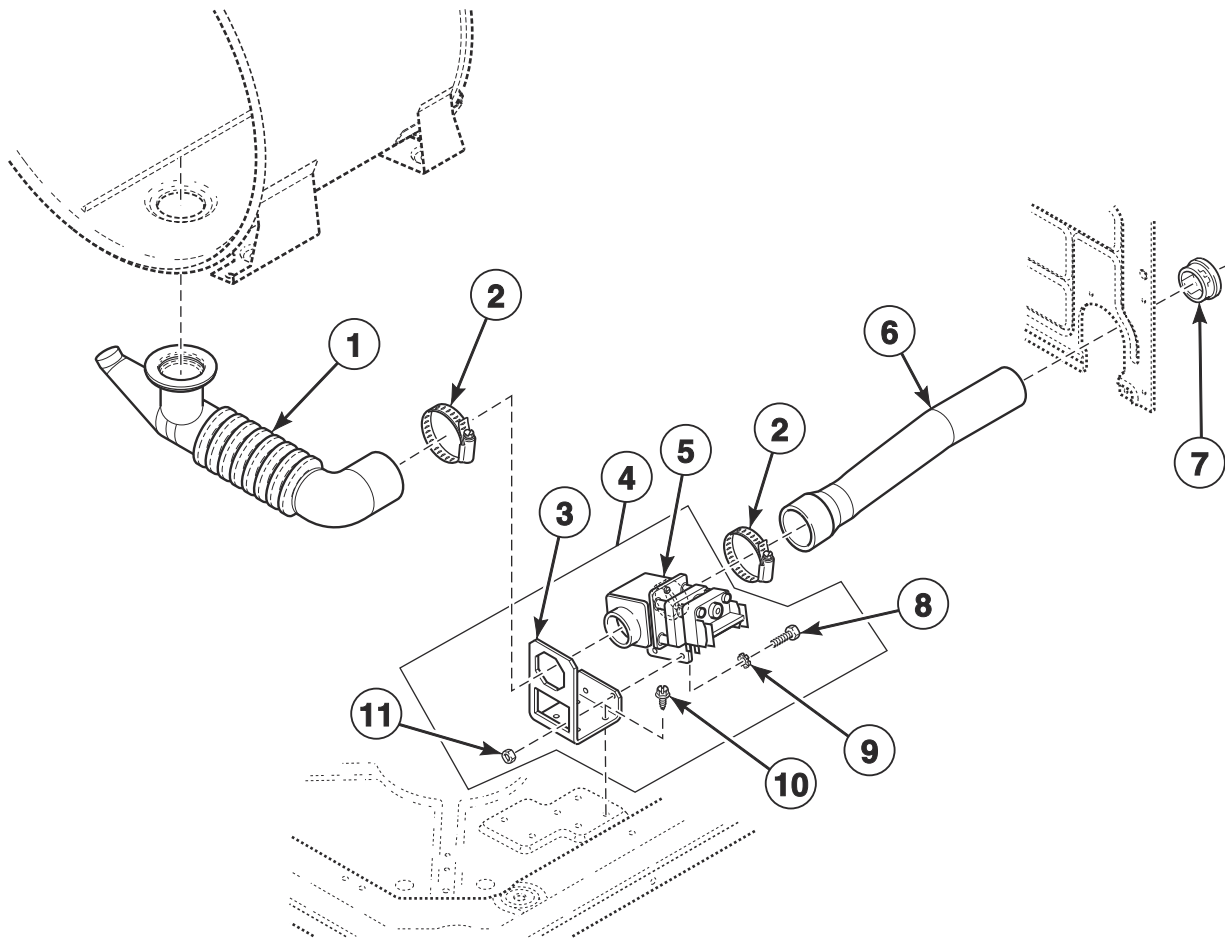
FLW1794PA_806119

Motor and Belt (Drawing 2 of 2)

REF	PART NO.	DESCRIPTION	COMMENTS
1	806258	End Shield	All models except HTENXASP283CW01, HTENXASP293CW01, HTENYASP283CW01, HTENYASP293CW01, HTGNXASP093CW01, NT3JLASP403NN22, NT3JLASP403NW22, NTENXASP175MW01, NTGNXASP115MW01, NTHJXASP543NW01, NTHJYASP543NW01, NTLJXASP543NN23, NTLJYASP543NN23, NTLNGASP543NW23, NTLWXASP303LN01, PTEJCASP174TG01, PTEJEASP284CG01, PTEJXASP174TG01, PTEJXASP284CG01, PTGJCASP114TG01, PTGJEASP094CG01, PTGJXASP094CG01, PTGJXASP114TG01, ST3JXASP403NW22, STENCASP173TW01, STENCFSP173TW01, STENEASP283CW01, STENEASP293CW01, STENXASP173TW01, STENXASP283CW01, STENXASP293CW01, STENXFSP173TW01, STENYASP173TN01, STENYASP173TW01, STENYASP283CW01, STENYASP293CW01, STENYFSP173TW01, STEWXASP173TW01, STEWYAJP303NN22, STEWYAJP303NW22, STEWYASP173TW01, STGNCASP113TW01, STGNCFSP113TW01, STGNEASP093CW01, STGNXASG113TW01, STGNXASP093CW01, STGNXASP113TW01, STGNXFSP113TW01, STGNYASP093CW01, STGNYASP113TN01, STGNYASP113TW01, STGNYFSP113TW01, STGNZASP113NW22, STGWXASP113TW01, STGWYAJP303NN22, STGWYASP113TW01, STLNXASP543NW23, STLNYASP543NW23, STLWXASP543NN22, TT3JGASP403NW36 and TT3JXASP403NW22 through Serial No. 2012999999
2	806498	Motor Control Shield	Includes items 1 and 3; All models except HTENXASP283CW01, HTENXASP293CW01, HTENYASP283CW01, HTENYASP293CW01, HTGNXASP093CW01, NT3JLASP403NN22, NT3JLASP403NW22, NTENXASP175MW01, NTGNXASP115MW01, NTHJXASP543NW01, NTHJYASP543NW01, NTLJXASP543NN23, NTLJYASP543NN23, NTLNGASP543NW23, NTLWXASP303LN01, PTEJCASP174TG01, PTEJEASP284CG01, PTEJXASP174TG01, PTEJXASP284CG01, PTGJCASP114TG01, PTGJEASP094CG01, PTGJXASP094CG01, PTGJXASP114TG01, ST3JXASP403NW22, STENCASP173TW01, STENCFSP173TW01, STENEASP283CW01, STENEASP293CW01, STENXASP173TW01, STENXASP283CW01, STENXASP293CW01, STENXFSP173TW01, STENYASP173TN01, STENYASP173TW01, STENYASP283CW01, STENYASP293CW01, STENYFSP173TW01, STEWXASP173TW01, STEWYAJP303NN22, STEWYAJP303NW22, STEWYASP173TW01, STGNCASP113TW01, STGNCFSP113TW01, STGNEASP093CW01, STGNXASG113TW01, STGNXASP093CW01, STGNXASP113TW01, STGNXFSP113TW01, STGNYASP093CW01, STGNYASP113TN01, STGNYASP113TW01, STGNYFSP113TW01, STGNZASP113NW22, STGWXASP113TW01, STGWYAJP303NN22, STGWYASP113TW01, STLNXASP543NW23, STLNYASP543NW23, STLWXASP543NN22, TT3JGASP403NW36 and TT3JXASP403NW22
3	804878	Motor Control Shield	Through Serial No. 2012999999
4	D501524	Screw	

Drain Hose and Valve

Gravity Drain Models



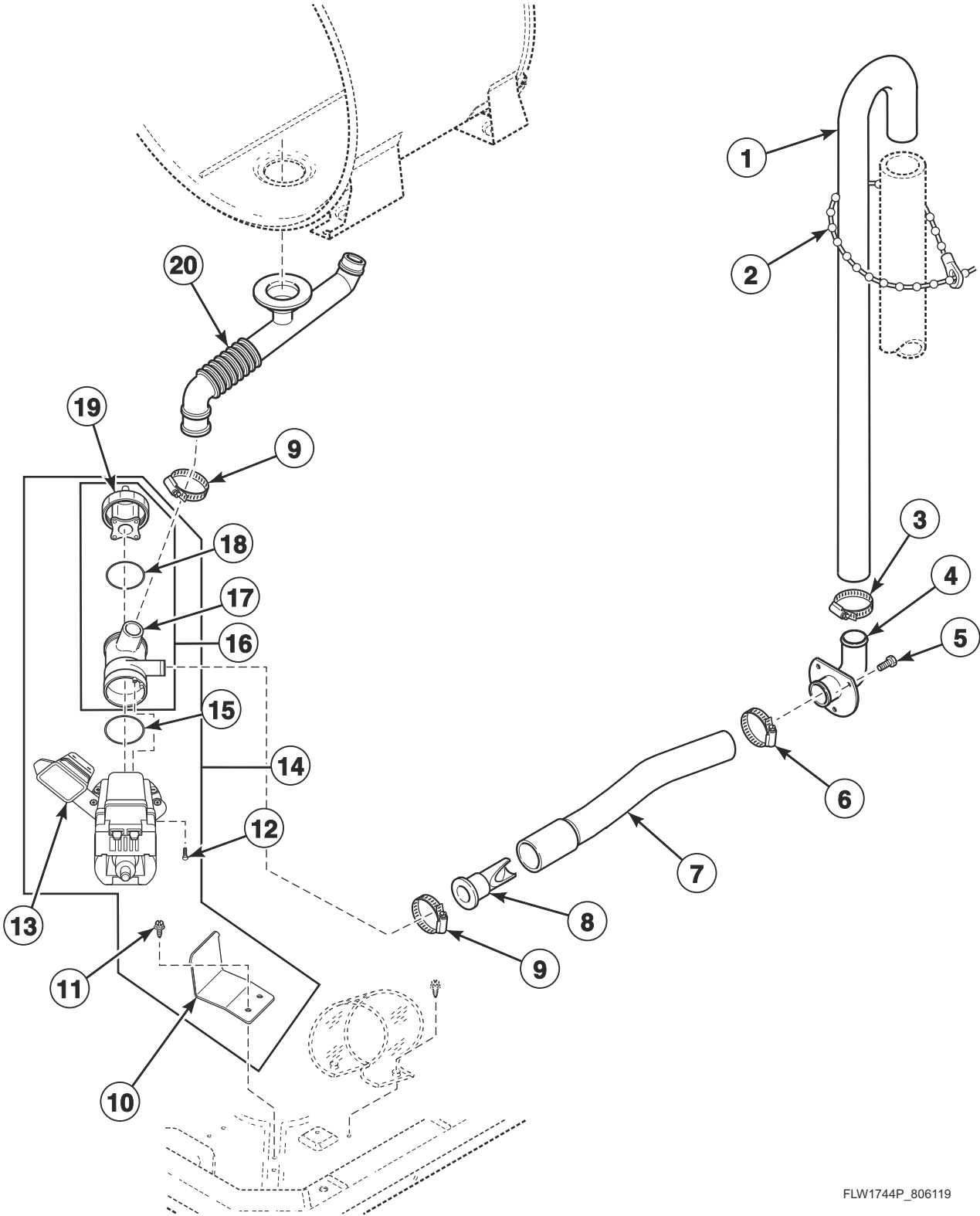
FLW1745P_806119

Drain Hose and Valve

REF	PART NO.	DESCRIPTION	COMMENTS
1	803873	Tub-to-Drain Hose	Models with heater
	803874	Tub-to-Gravity Drain Hose	Models without heater
2	685725	Hose Clamp	
3	803291	Gravity Drain Bracket	
4	F975P3	Drain Valve Kit	120 Volt; Models STGNXASG113JW01, STGNXASG113TW01, STMNXASG103JW01 and STMNXASG113JW01
	F976P3	Drain Valve Kit	220 Volt; All other models
5	803293P	Drain Valve	120 Volt; Models STGNXASG113JW01, STGNXASG113TW01, STMNXASG103JW01 and STMNXASG113JW01
	803292P	Gravity Drain Valve	220 Volt; All other models
6	800903	Drain-to-Cabinet Hose	
7	D503235	Snap Bushing	
8	02916	Screw	
9	M400017	Washer	
10	D503661	Screw	
11	29786	Nut	

Drain Hose and Pump

Pump Models



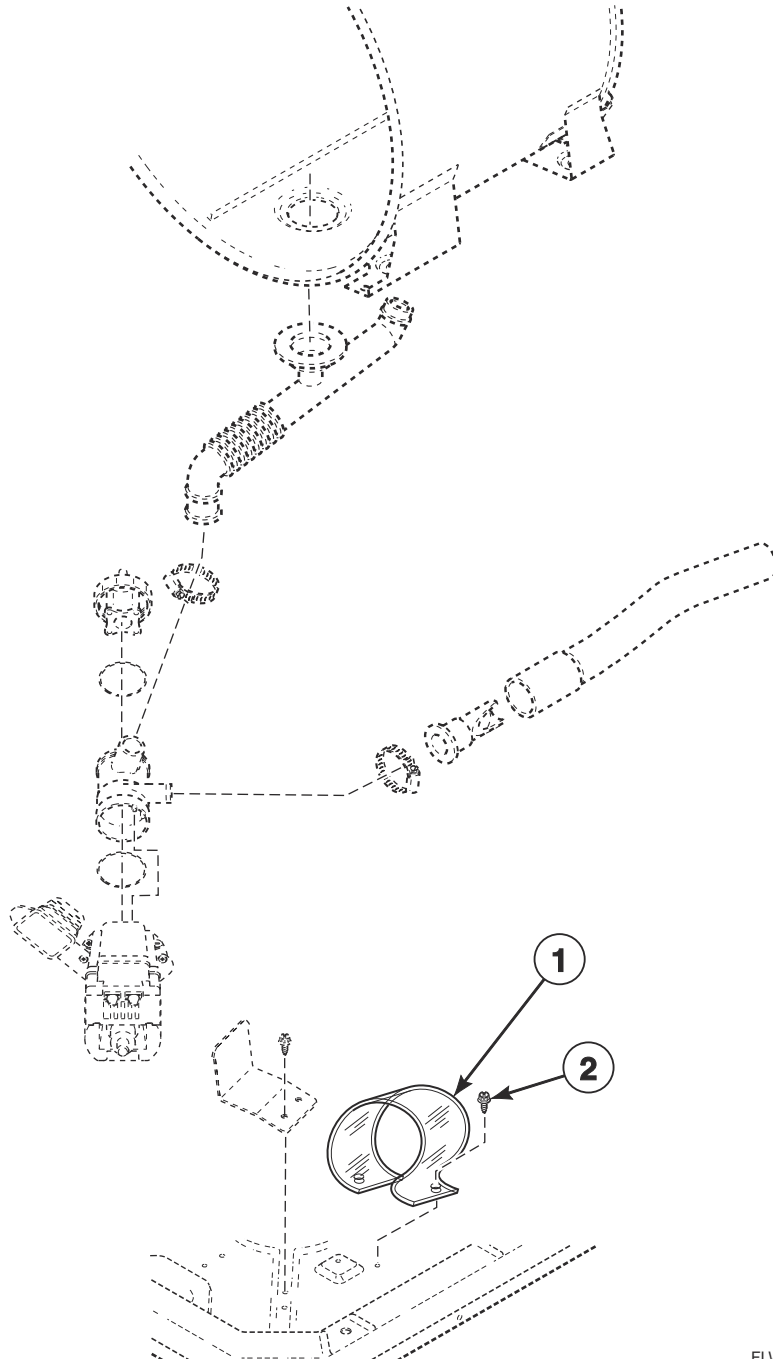
FLW1744P_806119

Drain Hose and Pump

REF	PART NO.	DESCRIPTION	COMMENTS
	805771	Pump-to-Gravity Drain Kit	100-127 Volt models
	805769	Pump-to-Gravity Drain Kit	220-240 Volt models with heater
	805770	Pump-to-Gravity Drain Kit	220-240 Volt models without heater
1	27154	Drain Hose	
2	33489	Standpipe Strap	
3	20211	Hose Clamp	
4	35766	Drain Hose Elbow	
5	52909	Screw	
6	20391	Hose Clamp	
7	803734	Pump-to-Elbow Hose	
8	800310	Backflow Preventer	
9	F200204	Hose Clamp	
10	803814	Drain Base Bracket	
11	D503661	Screw	
12	802431	Screw	
13	803815	Drain Pump Isolator	
14	808195P	Drain Pump Assembly	208-240 Volt; 60 Hertz; Includes items 10-13 and 15-19; Models HTENXASP543DW01, HTGNXASP543DW01, NTHJXASP543NW01, NTHJYASP543NW01, NTLJXASP543NN23, NTLJYASP543NN23, NTLNGASP543NW23, PTEJXASP543NG23, PTEJXASP543ZG01, PTGJXASP543ZG01, PTLJXASP303NG22, PTLJXASP543NG23, STENXASP543DN01, STENXASP543DW01, STENXASP543RW01, STGNXASP543DN01, STGNXASP543DW01, STLNXASP543NW23, STLNYASP543NW23, STLNYASP543PW01 and STLWXASP543NN22
	805724P	Drain Pump Assembly	100-127 Volt; 60 Hertz; Includes items 10-13 and 15-19; Models HTENXASP133DW01, HTENXASP283CW01, HTENXASP293CW01, HTENYASP283CW01, HTENYASP293CW01, HTGNXASP093CW01, HTGNXASP113FW01, HTGNXASP123DW01, NTENXASP175MW01, NTGNXASP115MW01, PTEJCASP174TG01, PTEJEASP284CG01, PTEJXASP174TG01, PTEJXASP284CG01, PTGJCASP114TG01, PTGJEASP094CG01, PTGJXASP094CG01, PTGJXASP114TG01, STENCASP173TW01, STENCFSP173TW01, STENEASP283CW01, STENEASP293CW01, STENXASP133DW01, STENXASP173TW01, STENXASP283CW01, STENXASP293CW01, STENXFSP173TW01, STENYASP173TN01, STENYASP173TW01, STENYASP283CW01, STENYASP293CW01, STENYFSP173TW01, STEWXASP173TW01, STEWYASP173TW01, STGNCASP113TW01, STGNCFSP113TW01, STGNEASP093CW01, STGNXASP093CW01, STGNXASP113TW01, STGNXASP123DW01, STGNYASP093CW01, STGNYASP113TN01, STGNYASP113TW01, STGNYFSP113TW01, STGNZASP113NW22, STGWXASP113TW01 and STGWYASP113TW01
	803922	Drain Pump Assembly	220-240 Volt; 50 Hertz; Includes items 10-13 and 15-19; All other models
15	802429P	O-Ring	
16	802434P	Pump Housing Assembly	Includes items 17-19
17	802428	Pump Housing	
18	802427	Gasket	
19	802426P	Lid Assembly	Includes filter
20	803816	Tub-to-Pump Hose	Models with heater
	803829	Tub-to-Pump Hose	Models without heater

Drain Pump Shield

All Models Except HTENXASP283CW01, HTENXASP293CW01, HTENYASP283CW01, HTENYASP293CW01, HTGNXASP093CW01, NT3JLASP403NN22, NT3JLASP403NW22, NT3JXASP403NW22, NTENXASP175MW01, NTGNXASP115MW01, NTHJXASP543NW01, NTHJYASP543NW01, NTLJXASP543NN23, NTLJYASP543NN23, PTEJCASP174TG01, PTEJEASP284CG01, PTEJXASP174TG01, PTEJXASP284CG01, PTEJXASP543NG23, PTGJCASP114TG01, PTGJEASP094CG01, PTGJXASP094CG01, PTGJXASP114TG01, PTLJXASP303NG22, PTLJXASP543NG23, ST3JXASP403NW22, STENCASP173TW01, STENCFSP173TW01, STENEASP283CW01, STENEASP293CW01, STENXASP173TW01, STENXASP283CW01, STENXASP293CW01, STENXFSP173TW01, STENYASP173TN01, STENYASP173TW01, STENYASP283CW01, STENYASP293CW01, STENYFSP173TW01, STEWXASP173TW01, STEWXASP453NN22, STEWYAJP303NN22, STEWYAJP303NW22, STEWYASP173TW01, STGNCASP113TW01, STGNCFSP113TW01, STGNEASP093CW01, STGNXASP093CW01, STGNXASP113TW01, STGNXFSP113TW01, STGNYASP093CW01, STGNYASP113TN01, STGNYASP113TW01, STGNYFSP113TW01, STGNZASP113NW22, STGWXASP113TW01, STGWYAJP303NN22, STGWYASP113TW01, STLNXASP543NW23, STLNYASP543NW23, STLWXASP543NN22, TT3JGASP403NW36 and TT3JXASP403NW22

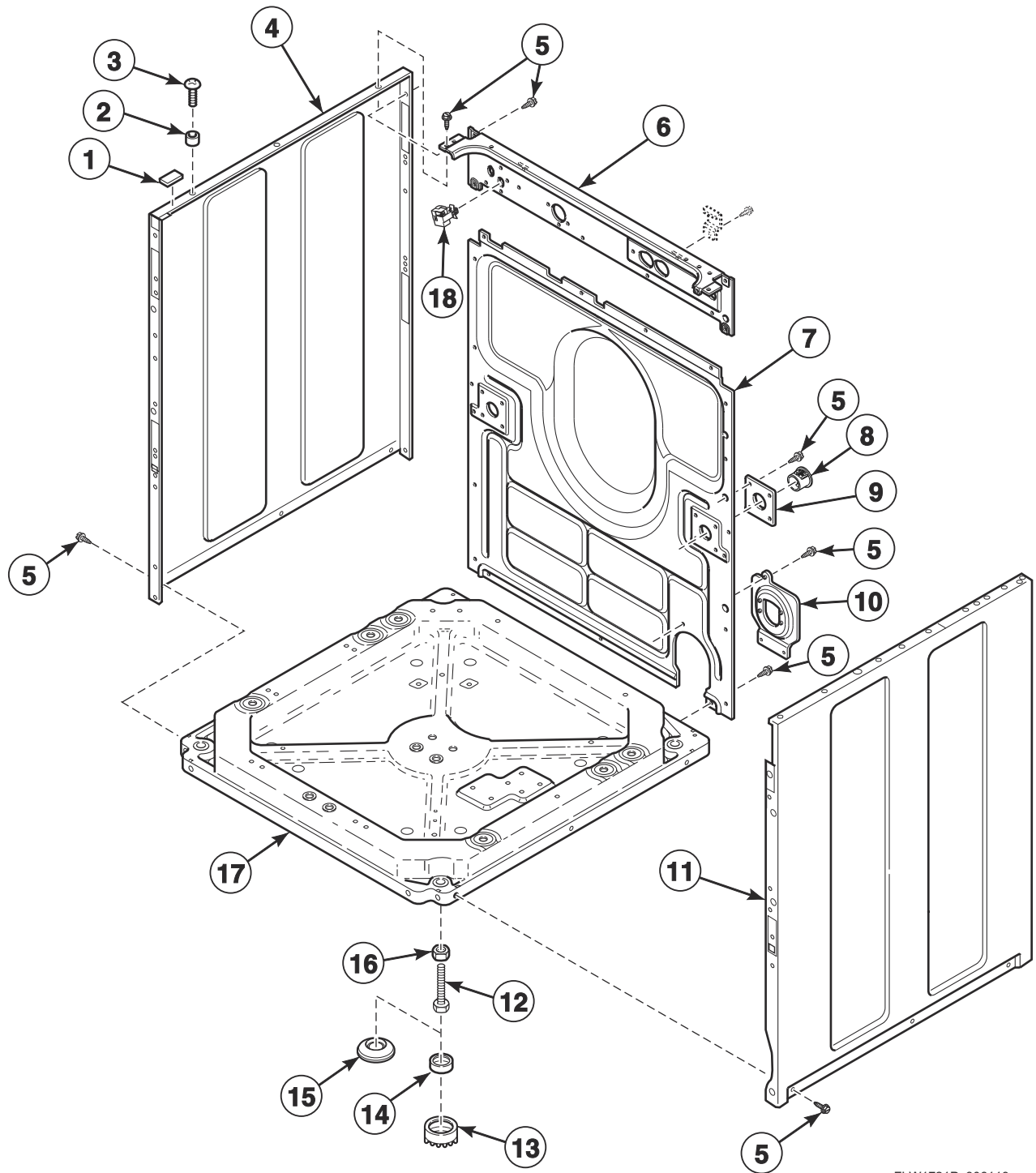


FLW1805P_806119

Drain Pump Shield

REF	PART NO.	DESCRIPTION	COMMENTS
2	D503661	Screw	
1	805561	Drain Pump Drip Shield	

Washer Base, Side Panels and Rear Panel



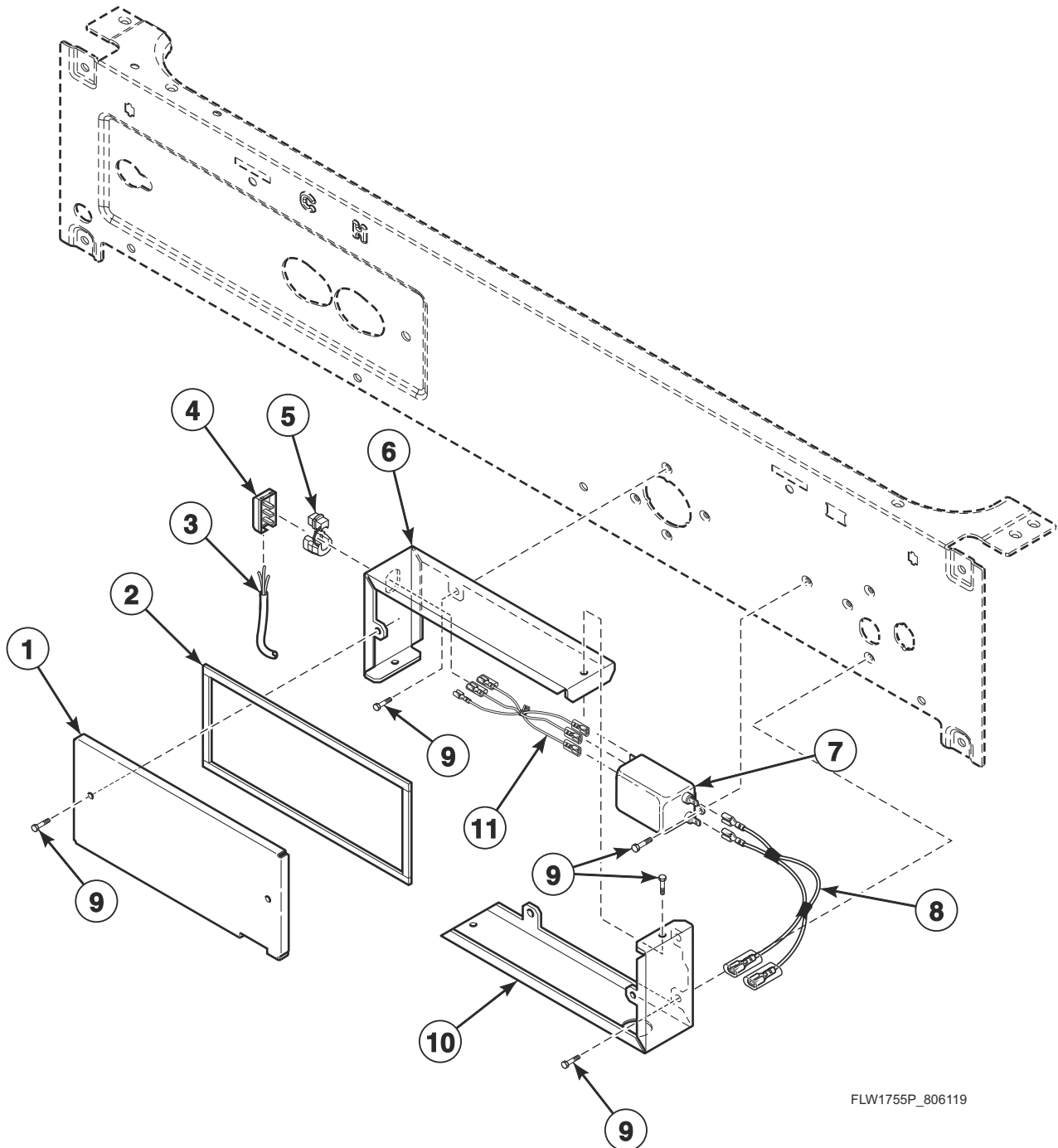
FLW1721P_806119

Washer Base, Side Panels and Rear Panel

REF	PART NO.	DESCRIPTION	COMMENTS
	122P4P	Porcelain Touch-Up Paint	White
	806436P	Paint	Dark gray
1	36226	Bumper Pad	
2	56079	Panel Locator	
3	806276	Screw	Use with stainless steel panels
	39733	Screw	Use with painted panels
4	802525P	Cabinet Side Panel	Left; Stainless steel
	800004WP	Cabinet Panel Kit	Left; White; Includes corner gusset with hardware
	800004DG	Cabinet Side Panel	Left; Dark gray
5	D503661	Screw	
6	803790	Rear Panel	Fixed; Through Serial No. 1810000001
	806716	Rear Panel	Fixed; Starting Serial No. 1810000001
7	803789	Rear Panel	Removable
8	803859	Shipping Plug	
9	803851	Shipping Plate	
10	803833	Gravity Drain Bracket	Models BT3JGAJG403UW01, BT3JGAJG403UW06, BT3JGASG403UW01, BT3JGASG403UW06, BT3JLASG403UW01, BT3JLASG403UW06, BT3JXASG403UW01, BT3JXASG403UW06, JT1JMASG413EN06, JT2JMASG413EN06, NT3JLASG403UW01, NT3JXASG403UW01, PT2JGAJG403UG06, PT2JGASG403UG06, PT2JXASG403UG06, PT3JGAJG403UG06, PT3JGASG403UG06, PT3JXASG403UG06, PTEJXASG303UG06, PTEJXASG543ZG01, PTGJXASG303UG06, PTGJXASG543ZG01, STGNXASG113JW01, STGNXASG113TW01, STMNXASG103JW01 and STMNXASG113JW01
	803828	Drain Hose Bracket	All other models
11	802526P	Cabinet Side Panel	Right; Stainless steel
	806492	Side Panel Kit	Right; White
	800005DG	Cabinet Side Panel	Right; Dark gray
12	D501855	Rubber Foot	Use to prevent movement on smooth surface floor coverings; Install over two existing front rubber feet (item 17)
13	34318	Rubber Foot	
14	155P3	Anchor	Includes 4 rubber discs with adhesive backing
	802844P	Anchor Floor Mount Assembly	Includes 2 rubber discs with adhesive backing
15	34319	Leveling Leg	
16	21899	Nut	
17	803876	Base Assembly	
18	203843	Pressure Sensor	

Washer Junction Box

Models HTENXASP133DW01, HTENXASP133FW01, HTENXASP543DW01, HTGNXASP113FW01, HTGNXASP123DW01, HTGNXASP543DW01, NTENXASP175MW01, NTENXASP454ZW01, NTEWXASP433LN01, NTGNXASP115MW01, NTGNXASP304ZW38, NTLJXASP543NN23, NTLJYASP543NN23, NTLNGASP543NW23, NTLWXASP303LN01, PTEJXASG303UG06, PTEJXASP543ZG01, PTEJXASP303UG06, PTEJXASP434AG01, PTEJXASP543NG23, PTEJXASP543ZG01, PTGJXASG303UG06, PTGJXASP543ZG01, PTGJXASP303UG06, PTGJXASP304AG01, PTGJXASP543ZG01, PTLJXASP303NG22, PTLJXASP543NG23, STENXASP133DW01, STENXASP133FW01, STENXASP433AN12, STENXASP433AW01, STENXASP433AW12, STENXASP433LN01, STENXASP433LW01, STENXASP543DN01, STENXASP543DW01, STENXASP543RW01, STEWXASP453NN22, STEWYAJP303NN22, STEWYAJP303NW22, STGNXASG113JW01, STGNXASP113FW01, STGNXASP123DW01, STGNXASP303AW01, STGNXASP303AW12, STGNXASP543DN01, STGNXASP543DW01, STGNZASP113NW22, STGWYAJP303NN22, STLNXASP303LW01, STLNXASP543NW23, STLNYASP543NW23, STLNYASP543PW01, STLWXASP303LN01, STLWXASP543NN22, STMNXASG103JW01 and STMNXASG113JW01



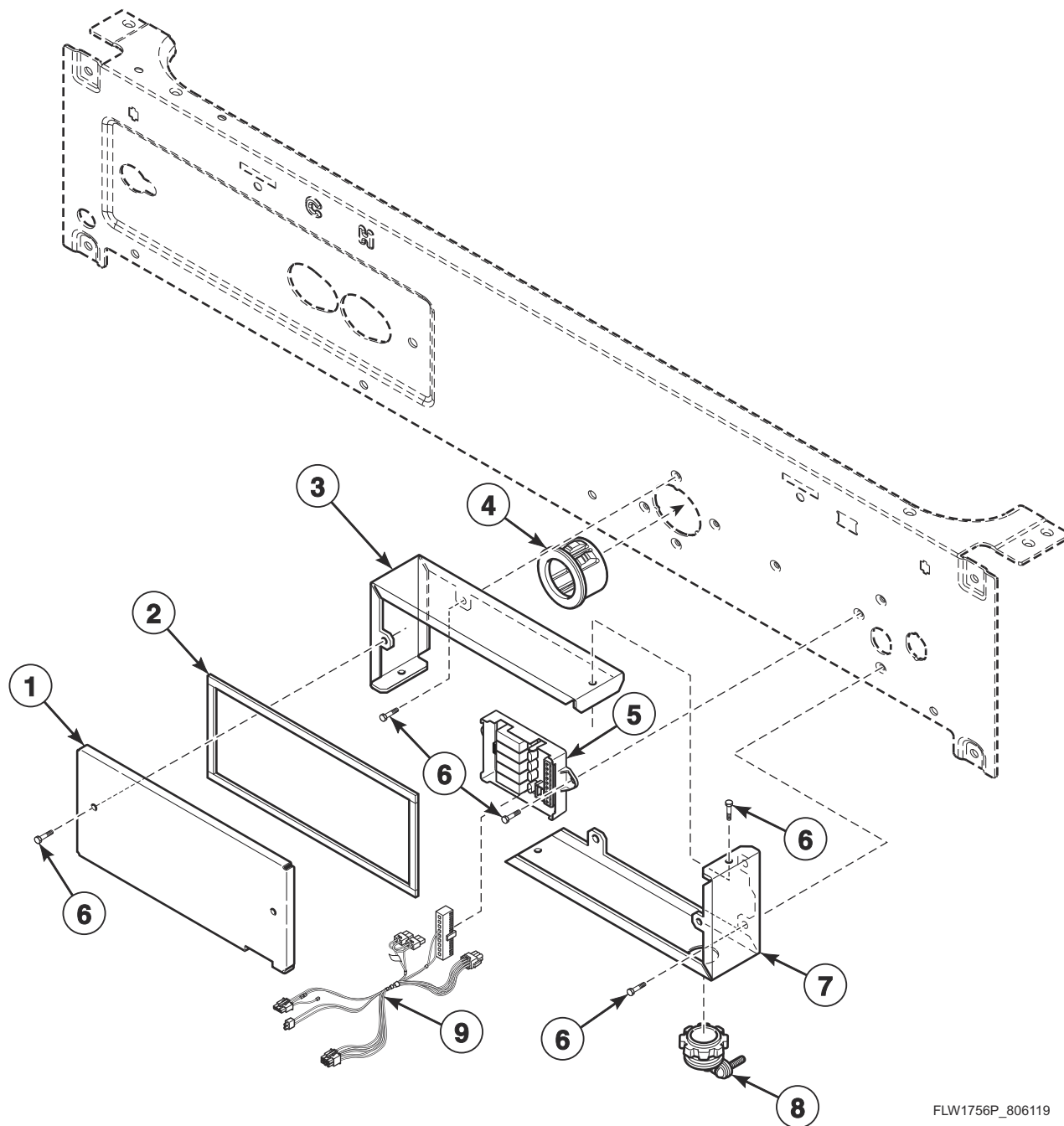
FLW1755P_806119

Washer Junction Box

REF	PART NO.	DESCRIPTION	COMMENTS
1	803820	Junction Box Cover	
2	803832P	Junction Box Seal	
3	808131	Lead-In Cord	Models NTENXASP454ZW01, NTGNXASP304ZW38, NTLJXASP543NN23, NTLJYASP543NN23, NTLNGASP543NW23, PTEJXASP543NG23, STLNXASP543NW23, STLNYASP543NW23, STLNYASP543PW01 and STLWXASP543NN22
	204061	Power Cord Assembly	Models STGNXASG113JW01, STMNXASG103JW01 and STMNXASG113JW01
	808047	Power Cord Assembly	Models PTEJXASP434AG01, PTGJXASP304AG01, STENXASP433AN12, STENXASP433AW01, STENXASP433AW12, STGNXASP303AW01 and STGNXASP303AW12
	804556	Lead-In Cord Assembly	Models HTENXASP133DW01, HTENXASP543DW01, HTGNXASP123DW01, HTGNXASP543DW01, STENXASP133DW01, STENXASP543DN01, STENXASP543DW01, STGNXASP123DW01, STGNXASP543DN01 and STGNXASP543DW01
	802012	Power Cord Assembly	Models HTENXASP133FW01, HTGNXASP113FW01, STENXASP133FW01 and STGNXASP113FW01
	805794	Lead-In Cord	Models NTEWXASP433LN01, NTLWXASP303LN01, STENXASP433LN01, STENXASP433LW01, STLNXASP303LW01 and STLWXASP303LN01
	202405	Lead-In Cord	Model STENXASP543RW01
	202777	Lead-In Cord	Models NTENXASP175MW01, NTGNXASP115MW01 and STGNZASP113NW22
	801450	Power Cord Assembly	All other models
4	39922	Cable Connection Box	All models except STGNXASG113JW01, STMNXASG103JW01 and STMNXASG113JW01
5	60298	Strain Relief	Models STGNXASG113JW01, STMNXASG103JW01 and STMNXASG113JW01
	38384	Strain Relief	All other models
6	804559	Junction Box	Upper; Models STGNXASG113JW01, STMNXASG103JW01 and STMNXASG113JW01
	803818	Junction Box	Upper; All other models
7	807473	Line Filter	All models except STEWYAJP303NN22, STEWYAJP303NW22 and STGWYAJP303NN22 starting Serial Nos. beginning 1610
8	804396	Filter Harness	All models except STEWYAJP303NN22, STEWYAJP303NW22 and STGWYAJP303NN22 starting Serial Nos. beginning 1610
9	D503661	Screw	
10	804561	Junction Box	Lower; Models STEWYAJP303NN22, STEWYAJP303NW22 and STGWYAJP303NN22
	803819	Junction Box	Lower; All other models
11	804805	Filter Jumper Harness	Filter to terminal block; Models STEWYAJP303NN22, STEWYAJP303NW22 and STGWYAJP303NN22; All other models except STGNXASG113JW01, STMNXASG103JW01 and STMNXASG113JW01 through Serial Nos. beginning 1610
	808048	Filter Jumper Harness	Filter to terminal block; All models except STEWYAJP303NN22, STEWYAJP303NW22 and STGWYAJP303NN22 starting Serial Nos. beginning 1610

Supply Injection Junction Box

Models BT3JGAJG403UW01, BT3JGAJG403UW06, BT3JGAJP403UN01, BT3JGAJP403UN06, BT3JGAJP403UW01, BT3JGAJP403UW06, PT2JGAJG403UG06, PT2JGAJP403UG06, PT3JGAJG403UG06, PT3JGAJP403UG06, STEWYAJP303NN22, STEWYAJP303NW22 and STGWYAJP303NN22

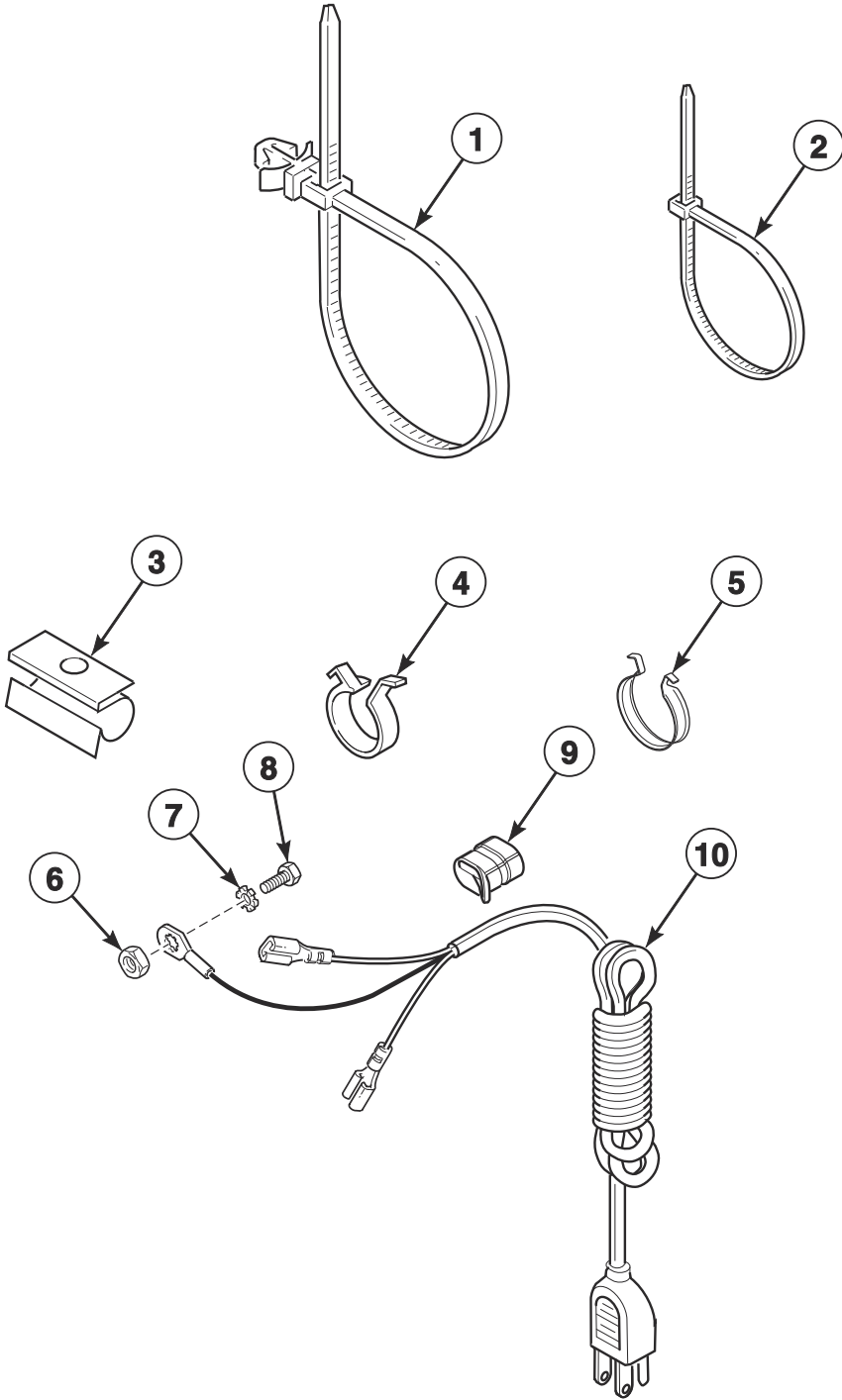


FLW1756P_806119

Supply Injection Junction Box

REF	PART NO.	DESCRIPTION	COMMENTS
	805772	Chemical Injection Conversion Kit	Through Serial No. 2012999999
	808078	Chemical Injection Conversion Kit	Starting Serial No. 2101000001
	804607	Chemical Injection Label	
1	803820	Junction Box Cover	
2	803832P	Junction Box Seal	
3	803818	Junction Box	Upper; Models STEWYAJP303NN22, STEWYAJP303NW22 and STGWYAJP303NN22
	803827	Junction Box	All other models
4	M402542	Snap Bushing	
5	804528	Chemical Injection Control	
6	D503661	Screw	Upper
7	804561	Junction Box	Lower
8	M400149	Connector	
9	804799	Supply Injection Wire Harness Assembly	Through Serial No. 2012999999
	807645	Supply Injection Wire Harness Assembly	Starting Serial No. 2101000001

Washer Lead-In Cord, Wire Ties and Harness Clips



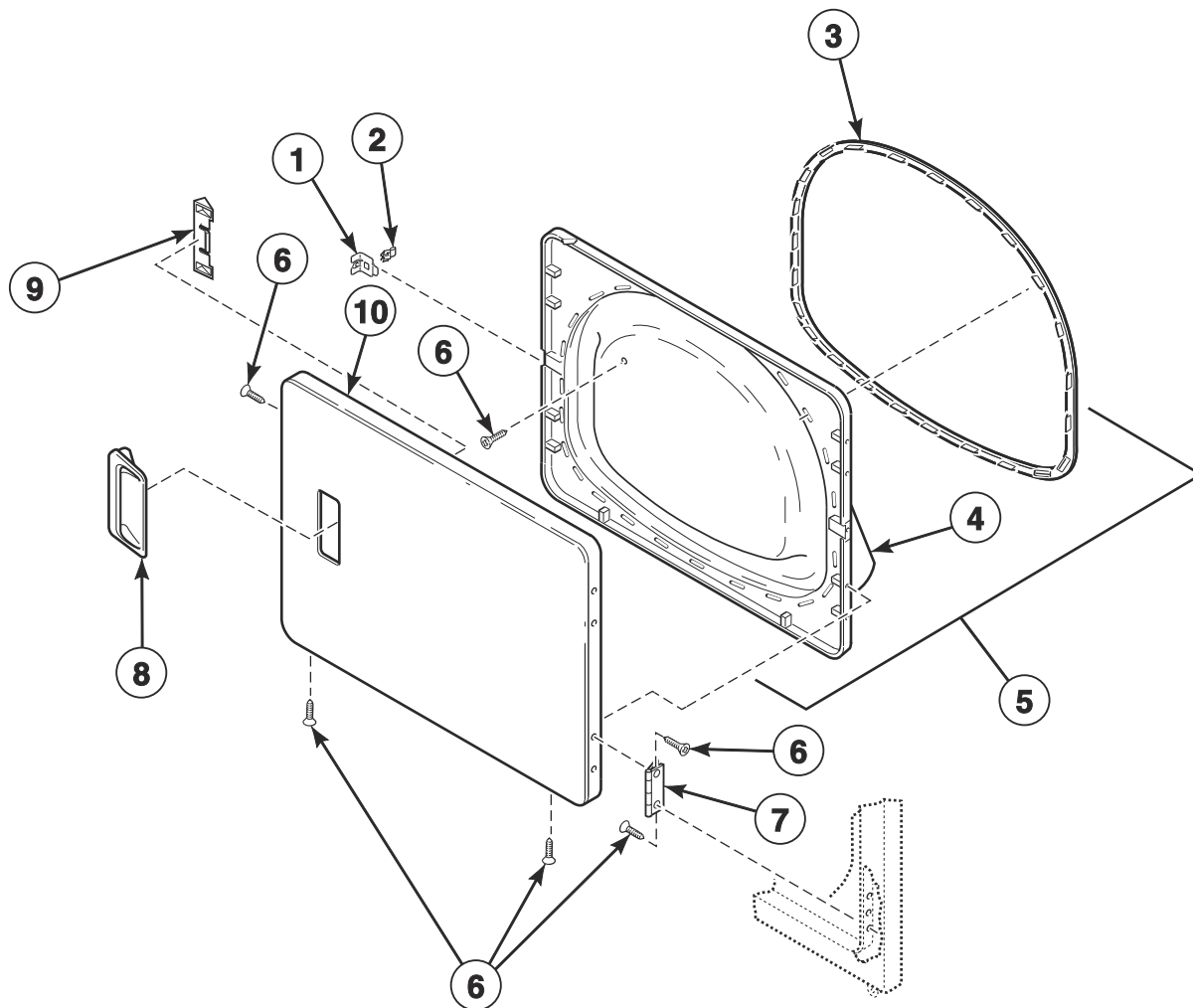
FLW823P_806119

Washer Lead-In Cord, Wire Ties and Harness Clips

REF	PART NO.	DESCRIPTION	COMMENTS
	805832	Conversion Kit	Use to convert from 400 Volt, 50 Hertz 3-Phase to 230 Volt, 50 Hertz, single phase
1	38663	Wire Tie	
2	55881	Harness Strap	
3	36985	Hose Clip	
4	D504034	Wire Clip	Small
5	687500	Wire Clip	Large
6	03673	Nut	
7	03815	Washer	
8	20530	Screw	
9	38384	Strain Relief	
10	202777	Lead-In Cord	Models NTENXASP175MW01, PTEJCASP174TG01, PTEJEASP284CG01, PTEJXASP174TG01, PTEJXASP284CG01, PTGJCASP114TG01, PTGJEASP094CG01, PTGJXASP094CG01, PTGJXASP114TG01, STENCASP173TW01, STENCFSP173TW01, STENXASP173TW01, STENXFSP173TW01, STENYASP173TN01, STENYASP173TW01, STENYFSP173TW01, STEWXASP173TW01, STEWYASP173TW01, STGNCASP113TW01, STGNCFSP113TW01, STGNXASG113TW01, STGNXASP113TW01, STGNXFSP113TW01, STGNYASP113TN01, STGNYASP113TW01, STGNYFSP113TW01, STGWXASP113TW01 and STGWYASP113TW01
	805762	Power Cord Assembly	Models JT1JEASP413EW06, JT1JGASP413EW06, JT1JRASP413EW06, JT1JXASP413EW06, JT2JEASP413EW06, JT2JGASP413EW06, JT2JRASP413EW06, JT2JXASP413EW06, NT1JLASP413UW06, NTHJXASP543NW01 and NTHJYASP543NW01
	805761	Power Cord Assembly	Models BT3JGAJG403UW01, BT3JGAJG403UW06, BT3JGAJP403UN01, BT3JGAJP403UN06, BT3JGAJP403UW01, BT3JGAJP403UW06, BT3JGASG403UW01, BT3JGASG403UW06, BT3JGASP403UN01, BT3JGASP403UN06, BT3JGASP403UW01, BT3JGASP403UW06, BT3JLASG403UW01, BT3JLASG403UW06, BT3JLASP403UN01, BT3JLASP403UN06, BT3JLASP403UW01, BT3JLASP403UW06, BT3JXASG403UW01, BT3JXASG403UW06, BT3JXASP403UN01, BT3JXASP403UN06, BT3JXASP403UW01, BT3JXASP403UW06, JT1JMASG413EN06, JT2JMASG413EN06, NT1JXASP403UW06, NT2JLASP403UN01, NT2JLASP403UW01, NT2JLASP403UW06, NT2JXASP403UN01, NT2JXASP403UW06, NT3JLASG403UW01, NT3JLASP403NN22, NT3JLASP403NW22, NT3JLASP403UN01, NT3JLASP403UW01, NT3JXASG403UW01, NT3JXASP403NW22, NT3JXASP403UN01, NT3JXASP403UW01, PT2JGAJG403UG06, PT2JGAJP403UG06, PT2JGASG403UG06, PT2JGASP403UG06, PT2JXASG403UG06, PT2JXASP403UG06, PT3JGAJG403UG06, PT3JGAJP403UG06, PT3JGASG403UG06, PT3JGASP403UG06, PT3JXASG403UG06, PT3JXASP403UG06, ST1JXASP403EW06, ST2JXASP403EW06, ST3JGASP403UW01, ST3JXASP403NW22, TT3JGASP403NW36 and TT3JXASP403NW22

Dryer Door Without Window (Drawing 1 of 2)

Models BT3JGAJP403UN01, BT3JGAJP403UN06, BT3JGASP403UN01, BT3JGASP403UN06, BT3JLASP403UN01, BT3JLASP403UN06, BT3JXASP403UN01, BT3JXASP403UN06, JT1JMASG413EN06, JT2JMASG413EN06, NT2JLASP403UN01, NT2JXASP403UN01, NT3JLASP403NN22, NT3JLASP403UN01, NT3JXASP403UN01, NTEWXASP433LN01, NTLJXASP543NN23, NTLJYASP543NN23, NTLWXASP303LN01, PT2JGAJG403UG06, PT2JGAJP403UG06, PT2JGASG403UG06, PT2JGASP403UG06, PT2JXASG403UG06, PT2JXASP403UG06, PT3JGAJG403UG06, PT3JGAJP403UG06, PT3JGASG403UG06, PT3JGASP403UG06, PT3JXASG403UG06, PT3JXASP403UG06, PTEJXASG303UG06, PTEJXASG543ZG01, PTEJXASP303UG06, PTEJXASP434AG01, PTEJXASP543ZG01, PTGJXASG303UG06, PTGJXASG543ZG01, PTGJXASP303UG06, PTGJXASP304AG01, PTGJXASP543ZG01, STENXASP433AN12, STENXASP543DN01, STENYASP173TN01, STEWXASP453NN22, STEWYAJP303NN22, STGNXASP543DN01, STGNYASP113TN01, STGWYAJP303NN22 and STLWXASP543NN22



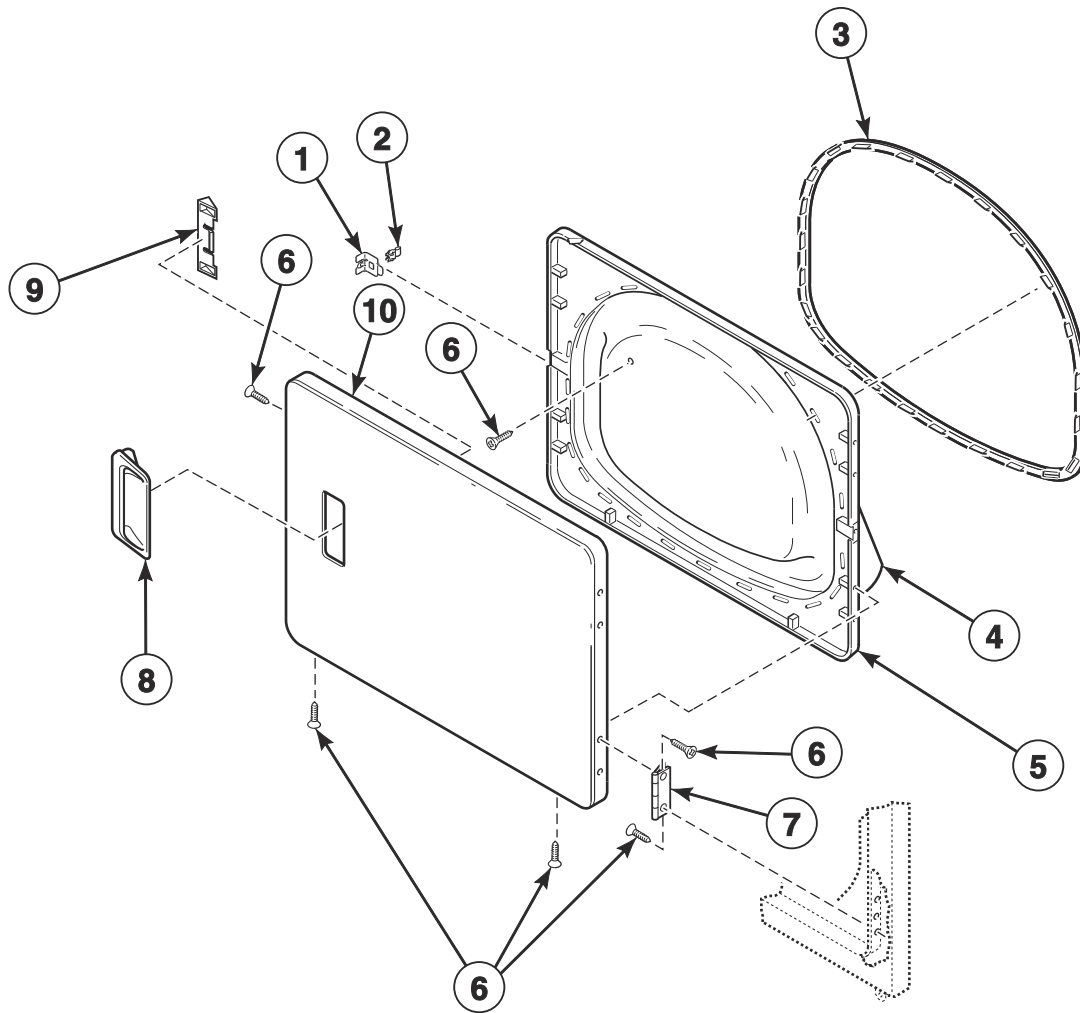
DRY1784P_806119

Dryer Door Without Window (Drawing 1 of 2)

REF	PART NO.	DESCRIPTION	COMMENTS
1	D510127	Door Strike Mount	Only use with plastic door liner
2	D510181	Door Strike	
3	D510147P	Liner Door Seal	Only use with plastic door liner
4	D503870LG	Door Liner Grill	
5	D516508	Door Liner Assembly	Includes seal
6	D505295	Screw	Use with plastic door liner
	D515967	Screw	Use with metal door liner
7	D511036	Hinge	
8	D511213P	Door Pull and Wedge Kit	Black; Models BT3JGAJP403UN01, BT3JGAJP403UN06, BT3JGASP403UN01, BT3JGASP403UN06, BT3JLASP403UN01, BT3JLASP403UN06, BT3JXASP403UN01, BT3JXASP403UN06, NT2JLASP403UN01, NT2JXASP403UN01, NT3JLASP403NN22, NT3JLASP403UN01, NT3JXASP403UN01, NTEWXASP433LN01, NTLJXASP543NN23, NTLJYASP543NN23, NTLWXASP303LN01, STENXASP433AN12, STENXASP543DN01, STENYASP173TN01, STEWXASP453NN22, STEWYAJP303NN22, STGNXASP543DN01, STGNYASP113TN01, STGWYAJP303NN22 and STLWXASP543NN22
	D512947	Door Pull	Light gray; All other models
9	D510129W	Door Handle Wedge	
10	D515963	Dryer Door	Stainless steel; Models NTEWXASP433LN01 and STENXASP433AN12
	D512969	Dryer Door	Stainless steel; All other models
	D510013DG	Dryer Door	Dark gray; All other models

Dryer Door Without Window (Drawing 2 of 2)

Models PTEJCASP174TG01, PTEJEASP284CG01, PTEJXASP174TG01, PTEJXASP284CG01, PTGJCASP114TG01, PTGJEASP094CG01, PTGJXASP094CG01, PTGJXASP114TG01, STEWXASP173TW01 and STGWXASP113TW01



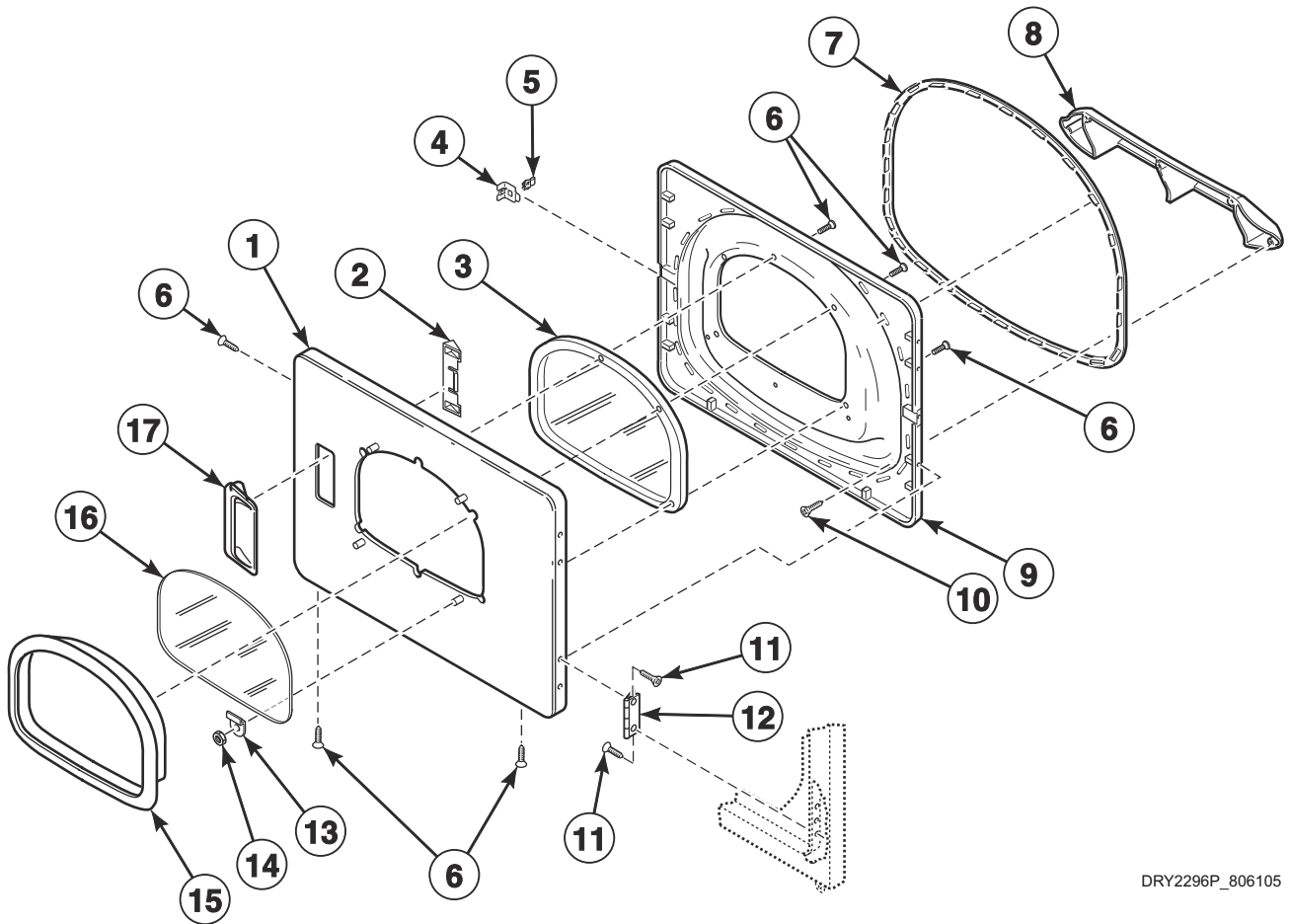
DRY1784PA_806119

Dryer Door Without Window (Drawing 2 of 2)

REF	PART NO.	DESCRIPTION	COMMENTS
1	D510127	Door Strike Mount	
2	D510181	Door Strike	
3	D510147P	Liner Door Seal	Through Serial No. 1706999999
4	D503870LG	Door Liner Grill	Light gray; Through Serial No. 1706999999
	D503870W	Door Liner Grill	White; Starting Serial No. 1707000001
5	D516508	Door Liner Assembly	Includes seal
6	D500226	Screw	Through Serial No. 1706999999
	D516706	Screw	Starting Serial No. 1707000001
7	D511036	Hinge	
8	D511213P	Door Pull and Wedge Kit	Black; Includes D510129W Door Handle Wedge
	D512947	Door Pull	Light gray
9	D510103WP	Door Pull and Wedge Kit	
10	D515963	Dryer Door	Stainless steel
	D510013DG	Dryer Door	Dark gray; Through Serial No. 1706999999
	D515960DG	Dryer Door	Dark gray; Starting Serial No. 1707000001

Dryer Door With Window (Drawing 1 of 2)

Models HTENXASP283CW01, HTENXASP293CW01, HTENYASP283CW01, HTENYASP293CW01, PTEJXASP543NG23, PTLJXASP303NG22, PTLJXASP543NG23, STENCASP173TW01, STENCFSP173TW01, STENEASP283CW01, STENEASP293CW01, STENXASP173TW01, STENXASP283CW01, STENXASP293CW01, STENXFSP173TW01, STENYASP173TW01, STENYASP283CW01, STENYASP293CW01, STENYFSP173TW01, STEWXASP173TW01 and STEWYASP173TW01



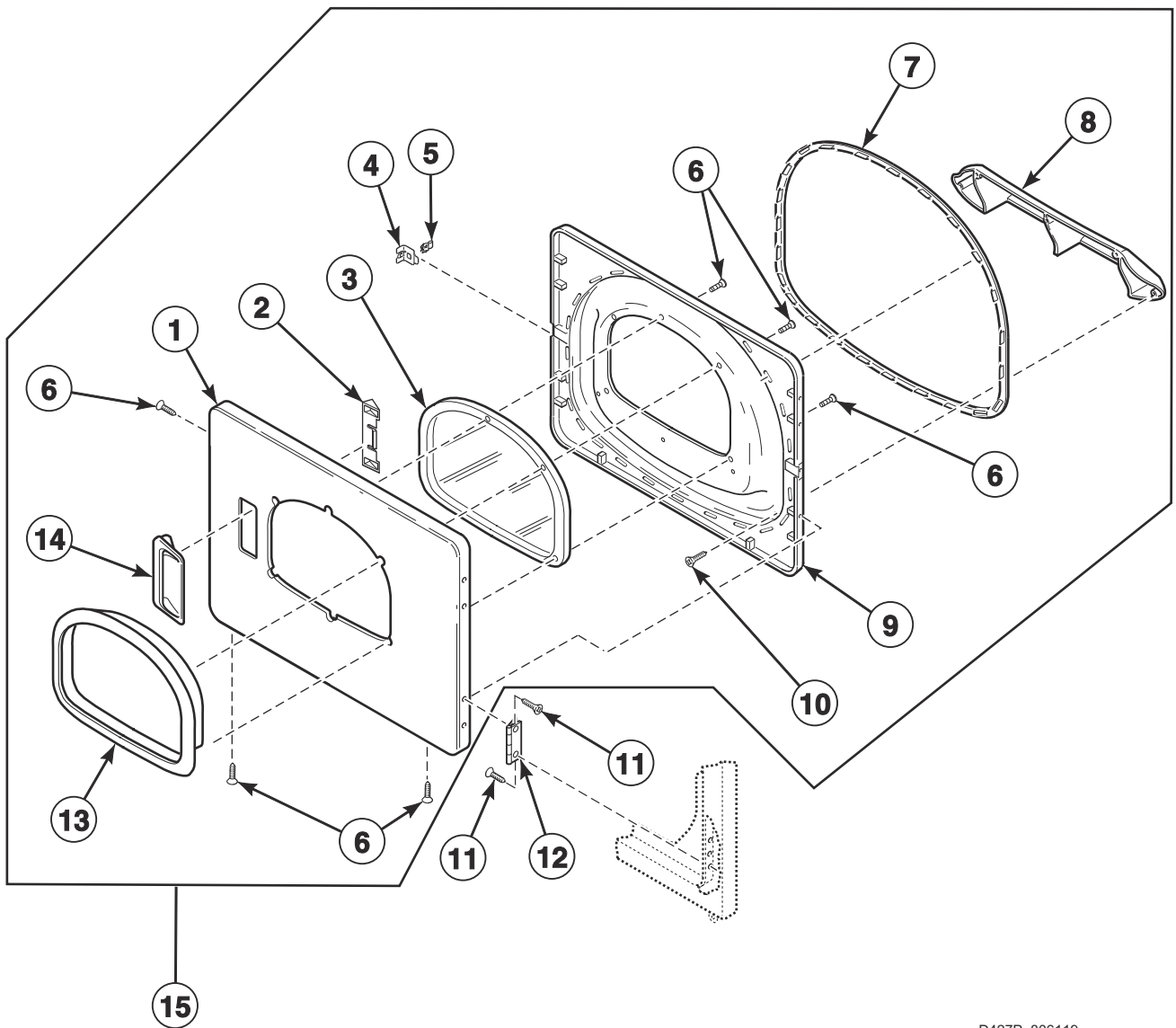
DRY2296P_806105

Dryer Door With Window (Drawing 1 of 2)

REF	PART NO.	DESCRIPTION	COMMENTS
1	D515961DG	Dryer Door	Models PTEJXASP543NG23, PTLJXASP303NG22 and PTLJXASP543NG23
	D516737W	Door Assembly	Through Serial No. 1706999999; All other models
	D515961W	Dryer Door	Starting Serial No. 1707000001; All other models
2	D510103WP	Door Pull and Wedge Kit	
3	D503982P	Dryer Door Window	Through Serial No. 1706999999
	D515681	Dryer Door Window	Glass; Starting Serial No. 1707000001
4	D510127	Door Strike Mount	
5	D510181	Door Strike	
6	D515597	Screw	Through Serial No. 1706999999
	D515967	Screw	Starting Serial No. 1707000001
7	D510147P	Liner Door Seal	Through Serial No. 1706999999
8	D503870LG	Door Liner Grill	Model PTLJXASP303NG22; All other models through Serial Nos. beginning 1707
	D503870W	Door Liner Grill	Starting Serial No. 1707000001
9	D516509	Liner and Seal Assembly	Includes seal
10	D505870	Screw	
11	D505295	Screw	
12	D511036	Hinge	
13	D513958	Window Clip	Through Serial No. 1706999999
14	44071201	Nut	Through Serial No. 1706999999
15	D515955	Window Trim	Models PTEJXASP543NG23, PTLJXASP303NG22 and PTLJXASP543NG23
	D516737W	Door Assembly	Through Serial No. 1706999999; All other models
	D515956W	Window Trim	Starting Serial No. 1707000001; All other models
16	D516737W	Door Assembly	
17	D510103WP	Door Pull and Wedge Kit	

Dryer Door With Window (Drawing 2 of 2)

Models BT3JGAJG403UW01, BT3JGAJG403UW06, BT3JGAJP403UW01, BT3JGAJP403UW06, BT3JGASG403UW01, BT3JGASG403UW06, BT3JGASP403UW01, BT3JGASP403UW06, BT3JLASG403UW01, BT3JLASG403UW06, BT3JLASP403UW01, BT3JLASP403UW06, BT3JXASG403UW01, BT3JXASG403UW06, BT3JXASP403UW01, BT3JXASP403UW06, HTENXASP133DW01, HTENXASP133FW01, HTENXASP543DW01, HTGNXASP113FW01, HTGNXASP123DW01, HTGNXASP543DW01, JT1JEASP413EW06, JT1JGASP413EW06, JT1JRASP413EW06, JT1JXASP413EW06, JT2JEASP413EW06, JT2JGASP413EW06, JT2JRASP413EW06, JT2JXASP413EW06, JTEJEASP303EW06, JTEJRASP303EW06, JTEJXASP303EW06, JTGJEASP303EW06, JTGJRASP303EW06, JTGJXASP303EW06, NT1JLASP413UW06, NT1JXASP403UW06, NT2JLASP403UW01, NT2JLASP403UW06, NT2JXASP403UW06, NT3JLASG403UW01, NT3JLASP403NW22, NT3JLASP403UW01, NT3JXASG403UW01, NT3JXASP403NW22, NT3JXASP403UW01, NTENXASP175MW01, NTENXASP454ZW01, NTGNXASP115MW01, NTGNXASP304ZW38, NTHJXASP543NW01, NTHJYASP543NW01, NTLNGASP543NW23, ST1JXASP403EW06, ST2JXASP403EW06, ST3JGASP403UW01, ST3JXASP403NW22, STENXASP133DW01, STENXASP133FW01, STENXASP433AW01, STENXASP433AW12, STENXASP433LN01, STENXASP433LW01, STENXASP543DW01, STENXASP543RW01, STEWYAJP303NW22, STGNXASG113JW01, STGNXASP113FW01, STGNXASP123DW01, STGNXASP303AW01, STGNXASP303AW12, STGNXASP543DW01, STGNZASP113NW22, STLNXASP303LW01, STLNYASP543PW01, STLWXASP303LN01, STMNXASG103JW01, STMNXASG113JW01, TT3JGASP403NW36 and TT3JXASP403NW22



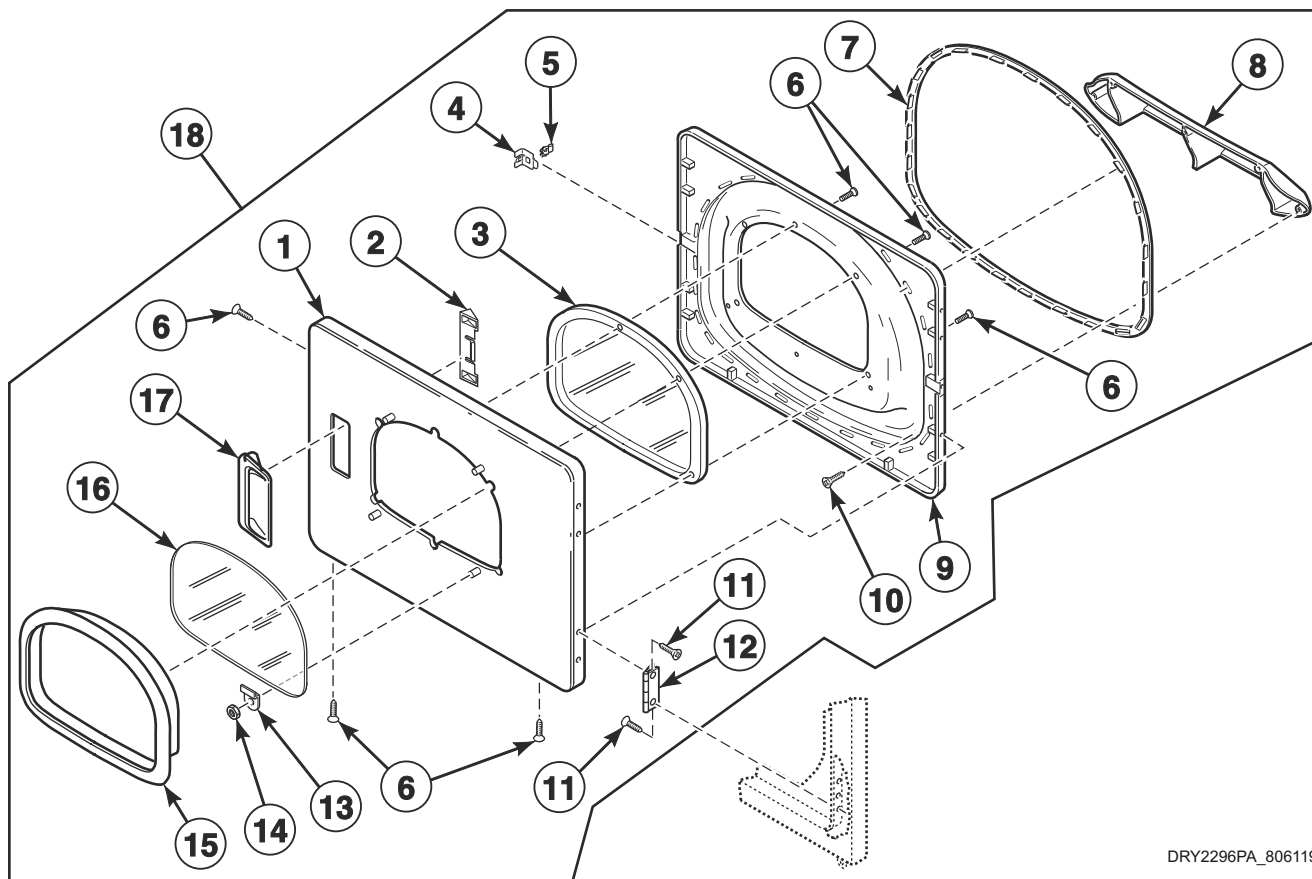
D427P_806119

Dryer Door With Window (Drawing 2 of 2)

REF	PART NO.	DESCRIPTION	COMMENTS
1	D510082WP	Dryer Door	Through Serial No. 1706999999
	D515961W	Dryer Door	Starting Serial No. 1707000001
2	D510129W	Door Handle Wedge	
3	D503982P	Dryer Door Window	Through Serial No. 1706999999
	D515681	Dryer Door Window	Starting Serial No. 1707000001
4	D510127	Door Strike Mount	Through Serial No. 1706999999
5	D510181	Door Strike	
6	D500226	Screw	Through Serial No. 1706999999
	D515967	Screw	Starting Serial No. 1707000001
7	D510147P	Liner Door Seal	Through Serial No. 1706999999
8	D503870W	Door Liner Grill	
9	D516509	Liner and Seal Assembly	
10	D505870	Screw	
11	D505295	Screw	
12	D511036	Hinge	
13	D515956W	Window Trim	Starting Serial No. 1707000001
	D503981W	Window Trim	Through Serial No. 1706999999
14	D510103WP	Door Pull and Wedge Kit	Includes item 2
15	D516737W	Door Assembly	White; Includes items 1-14

Dryer Door With Window - Through Serial No. 1706999999

Models HTGNXASP093CW01, STGNCASP113TW01, STGNCFSP113TW01, STGNEASP093CW01, STGNXASG113TW01, STGNXASP093CW01, STGNXASP113TW01, STGNXFSP113TW01, STGNYASP093CW01, STGNYASP113TW01, STGNYFSP113TW01, STGWXASP113TW01 and STGWYASP113TW01



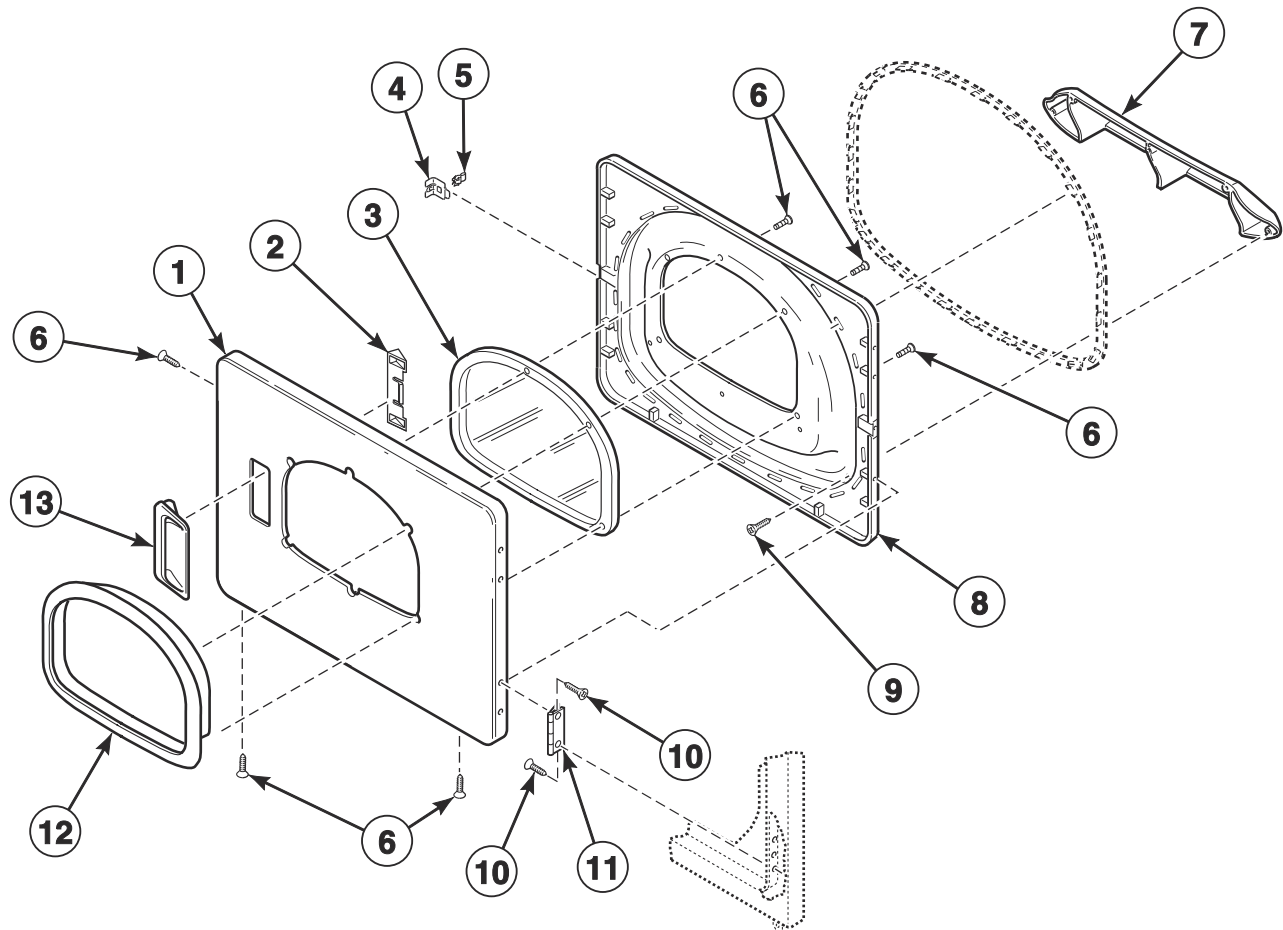
DRY2296PA_806119

Dryer Door With Window - Through Serial No. 1706999999

REF	PART NO.	DESCRIPTION	COMMENTS
1	D516737W	Door Assembly	Starting Serial No. 1606000839
	D510082WP	Dryer Door	Through Serial No. 1606000838
2	D510103WP	Door Pull and Wedge Kit	Starting Serial No. 1606000839
	D510129W	Door Handle Wedge	Through Serial No. 1606000838
3	D503982P	Dryer Door Window	
4	D510127	Door Strike Mount	
5	D510181	Door Strike	
6	D515597	Screw	Starting Serial No. 1606000839
	D500226	Screw	Through Serial No. 1606000838
7	D510147P	Liner Door Seal	Through Serial No. 1606000838
8	D503870LG	Door Liner Grill	Starting Serial No. 1606000839
	D503870W	Door Liner Grill	Through Serial No. 1606000838
9	D516509	Liner and Seal Assembly	Includes seal
10	D505870	Screw	
11	D505295	Screw	
12	D511036	Hinge	
13	D513958	Window Clip	Starting Serial No. 1606000839
14	44071201	Nut	Starting Serial No. 1606000839
15	D516737W	Door Assembly	Starting Serial No. 1606000839
	D503981W	Window Trim	Through Serial No. 1606000838
16	D516737W	Door Assembly	Starting Serial No. 1606000839
17	D510103WP	Door Pull and Wedge Kit	Includes item 2
18	D516737W	Door Assembly	Includes items 1-12, 15 and 17; White; Through Serial No. 1606000838

Dryer Door With Window - Starting Serial No. 1707000001

Models HTGNXASP093CW01, STGNCASP113TW01, STGNCFSP113TW01, STGNEASP093CW01, STGNXASG113TW01, STGNXASP093CW01, STGNXASP113TW01, STGNXFSP113TW01, STGNYASP093CW01, STGNYASP113TW01, STGNYFSP113TW01, STGWXASP113TW01 and STGWYASP113TW01

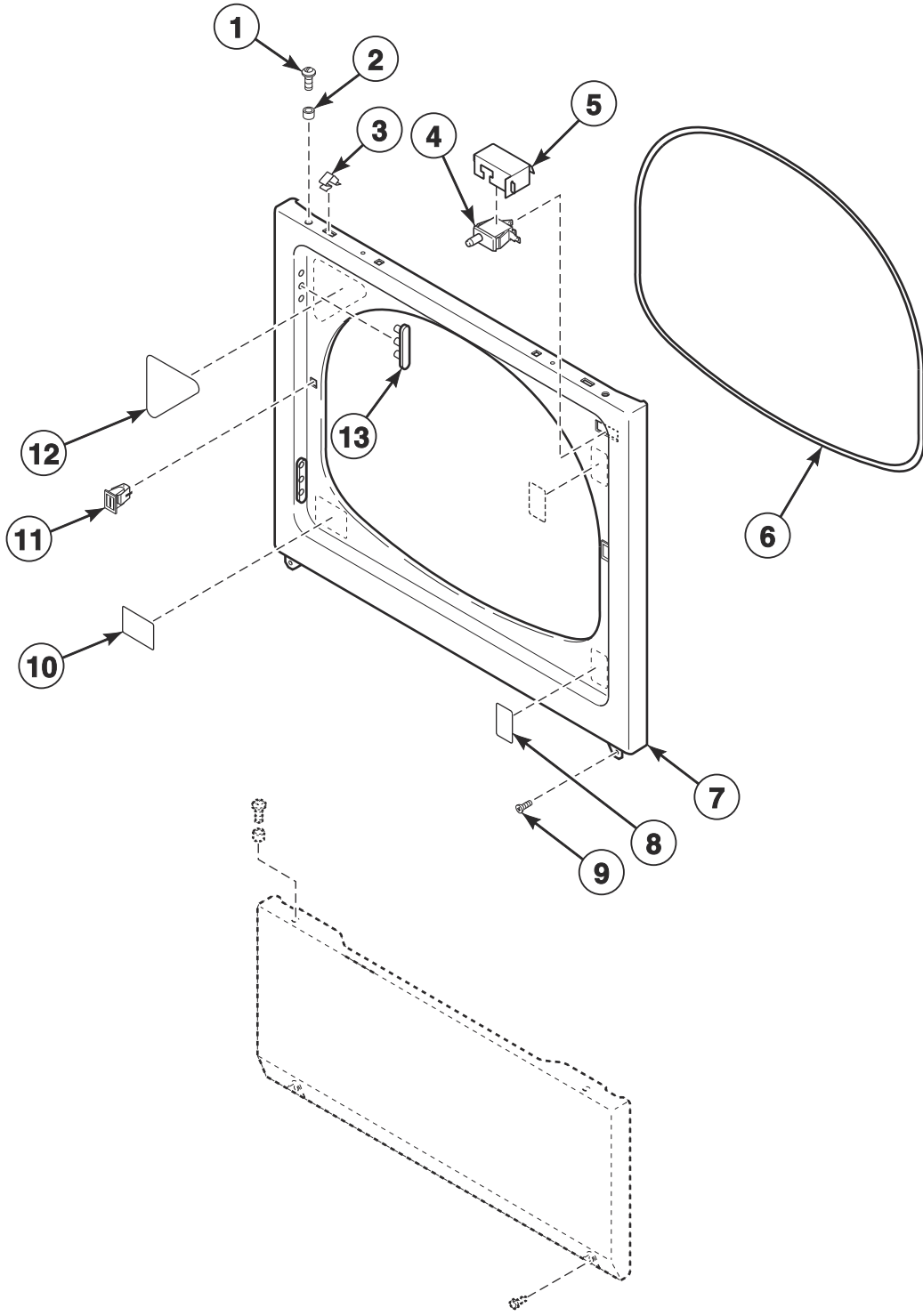


D427PA_806119

Dryer Door With Window - Starting Serial No. 1707000001

REF	PART NO.	DESCRIPTION	COMMENTS
1	D515961W	Dryer Door	
2	D510103WP	Door Pull and Wedge Kit	
3	D515681	Dryer Door Window	
4	D510127	Door Strike Mount	
5	D510181	Door Strike	
6	D515967	Screw	
7	D503870W	Door Liner Grill	
8	D516509	Liner and Seal Assembly	Includes seal
9	D505870	Screw	
10	D505295	Screw	
11	D511036	Hinge	
12	D515956W	Window Trim	
13	D510103WP	Door Pull and Wedge Kit	Includes item 2

Front Panel and Seal

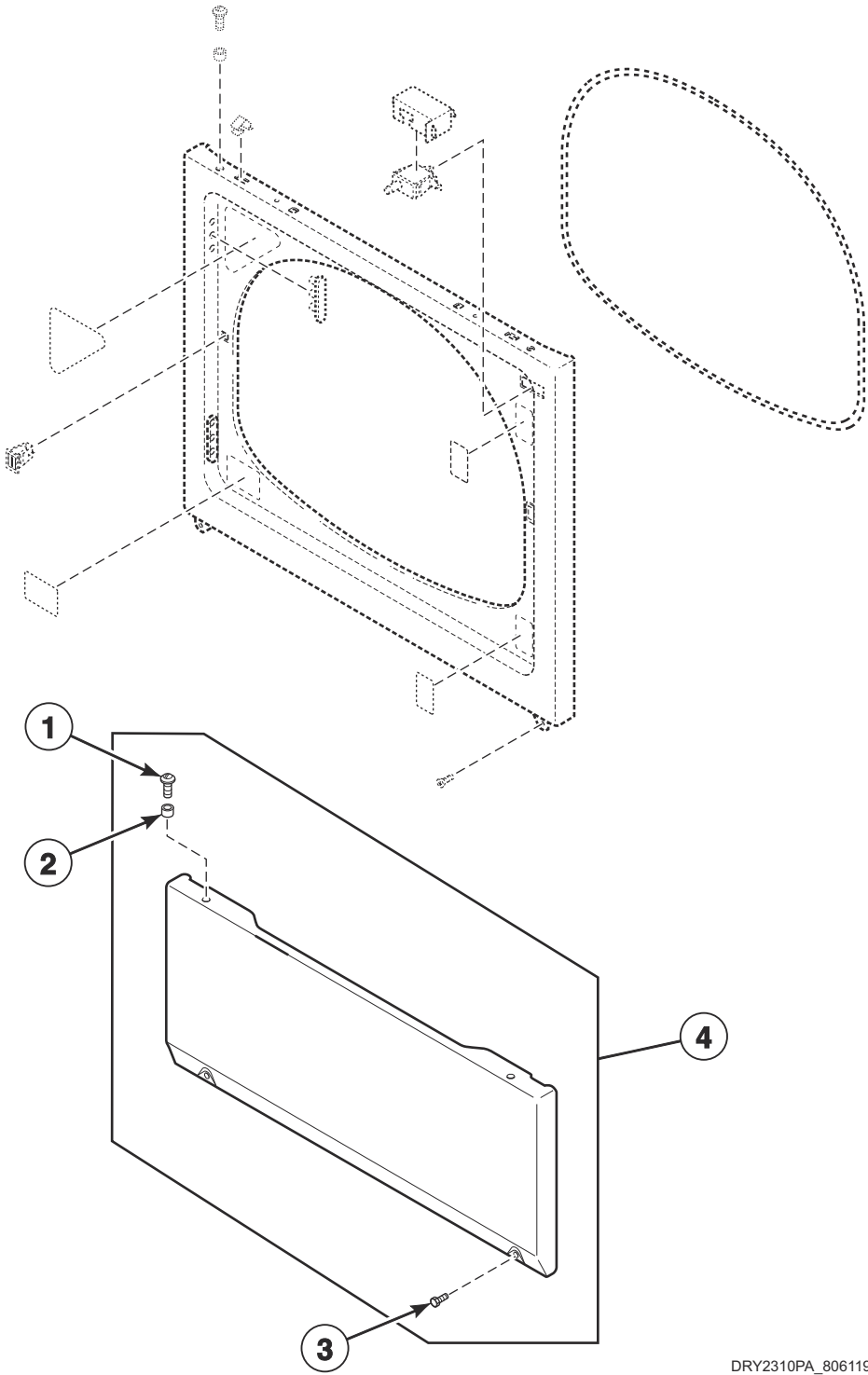


DRY2310P_806119

Front Panel and Seal

REF	PART NO.	DESCRIPTION	COMMENTS
1	39733	Screw	Use with painted panels
	D512921	Screw	Use with stainless steel panels
2	56079	Panel Locator	
3	28835	Speed Clip	
4	D512973	Switch	
5	D514327	Drip Shield	Models BT3JGAJG403UW01, BT3JGAJG403UW06, BT3JGAJP403UN01, BT3JGAJP403UN06, BT3JGAJP403UW01, BT3JGAJP403UW06, BT3JGASG403UW01, BT3JGASG403UW06, BT3JGASP403UN01, BT3JGASP403UN06, BT3JGASP403UW01, BT3JGASP403UW06, BT3JLASG403UW01, BT3JLASG403UW06, BT3JLASP403UN01, BT3JLASP403UN06, BT3JLASP403UW01, BT3JLASP403UW06, BT3JXASG403UW01, BT3JXASG403UW06, BT3JXASP403UN01, BT3JXASP403UN06, BT3JXASP403UW01, BT3JXASP403UW06, HTENXASP133DW01, HTENXASP133FW01, HTENXASP543DW01, HTGNXASP113FW01, HTGNXASP123DW01, HTGNXASP543DW01, JT1JEASP413EW06, JT1JGASP413EW06, JT1JMASG413EN06, JT1JRASP413EW06, JT1JXASP413EW06, JT2JEASP413EW06, JT2JGASP413EW06, JT2JMASG413EN06, JT2JRASP413EW06, JT2JXASP413EW06, JTEJEASP303EW06, JTEJRASP303EW06, JTEJXASP303EW06, JTGJEASP303EW06, JTGJRASP303EW06, JTGJXASP303EW06, NT1JLASP413UW06, NT1JXASP403UW06, NT2JLASP403UN01, NT2JLASP403UW01, NT2JLASP403UW06, NT2JXASP403UN01, NT2JXASP403UW06, NT3JLASG403UW01, NT3JLASP403UN01, NT3JLASP403UW01, NT3JXASG403UW01, NT3JXASP403UN01, NT3JXASP403UW01, NTENXASP454ZW01, NTEWXASP433LN01, NTGNXASP304ZW38, NTLWXASP303LN01, PT2JGAJG403UG06, PT2JGAJP403UG06, PT2JGASG403UG06, PT2JGASP403UG06, PT2JXASG403UG06, PT2JXASP403UG06, PT3JGAJG403UG06, PT3JGAJP403UG06, PT3JGASG403UG06, PT3JGASP403UG06, PT3JXASG403UG06, PT3JXASP403UG06, PTEJXASG303UG06, PTEJXASG543ZG01, PTEJXASP303UG06, PTEJXASP434AG01, PTEJXASP543ZG01, PTGJXASG303UG06, PTGJXASG543ZG01, PTGJXASP303UG06, PTGJXASP304AG01, PTGJXASP543ZG01, ST1JXASP403EW06, ST2JXASP403EW06, ST3JGASP403UW01, STENXASP133DW01, STENXASP133FW01, STENXASP433AN12, STENXASP433AW01, STENXASP433AW12, STENXASP433LN01, STENXASP433LW01, STENXASP543DN01, STENXASP543DW01, STENXASP543RW01, STGNXASG113JW01, STGNXASP113FW01, STGNXASP123DW01, STGNXASP303AW01, STGNXASP303AW12, STGNXASP543DN01, STGNXASP543DW01, STLNXASP303LW01, STLNYASP543PW01, STLWXASP303LN01, STMNXASG103JW01 and STMNXASG113JW01
6	D511056	Front Panel Seal	
7	D510066DG	Front Panel	Dark gray
	D512542	Front Panel	Stainless steel
	D510066WP	Front Panel	White
8	D512263	Warning Label	Models NTENXASP454ZW01, NTEWXASP433LN01, NTGNXASP304ZW38, PTEJXASP434AG01, PTGJXASP304AG01, PTLJXASP303NG22, STENXASP433AN12, STENXASP433AW01, STENXASP433AW12, STENXASP433LN01, STENXASP433LW01, STGNXASP303AW01, STGNXASP303AW12, STLNXASP303LW01 and STLWXASP303LN01
9	D503688	Screw	
10	D502804	Lint Filter Label	Models NTENXASP454ZW01, NTEWXASP433LN01, NTGNXASP304ZW38, PTEJXASP434AG01, PTGJXASP304AG01, PTLJXASP303NG22, STENXASP433AN12, STENXASP433AW01, STENXASP433AW12, STENXASP433LN01, STENXASP433LW01, STGNXASP303AW01, STGNXASP303AW12, STLNXASP303LW01 and STLWXASP303LN01
11	D510177	Door Catch Assembly	
12	D500281	Warning/Caution Label	
13	D510186	Hinge Hole Plug	

Access Panel

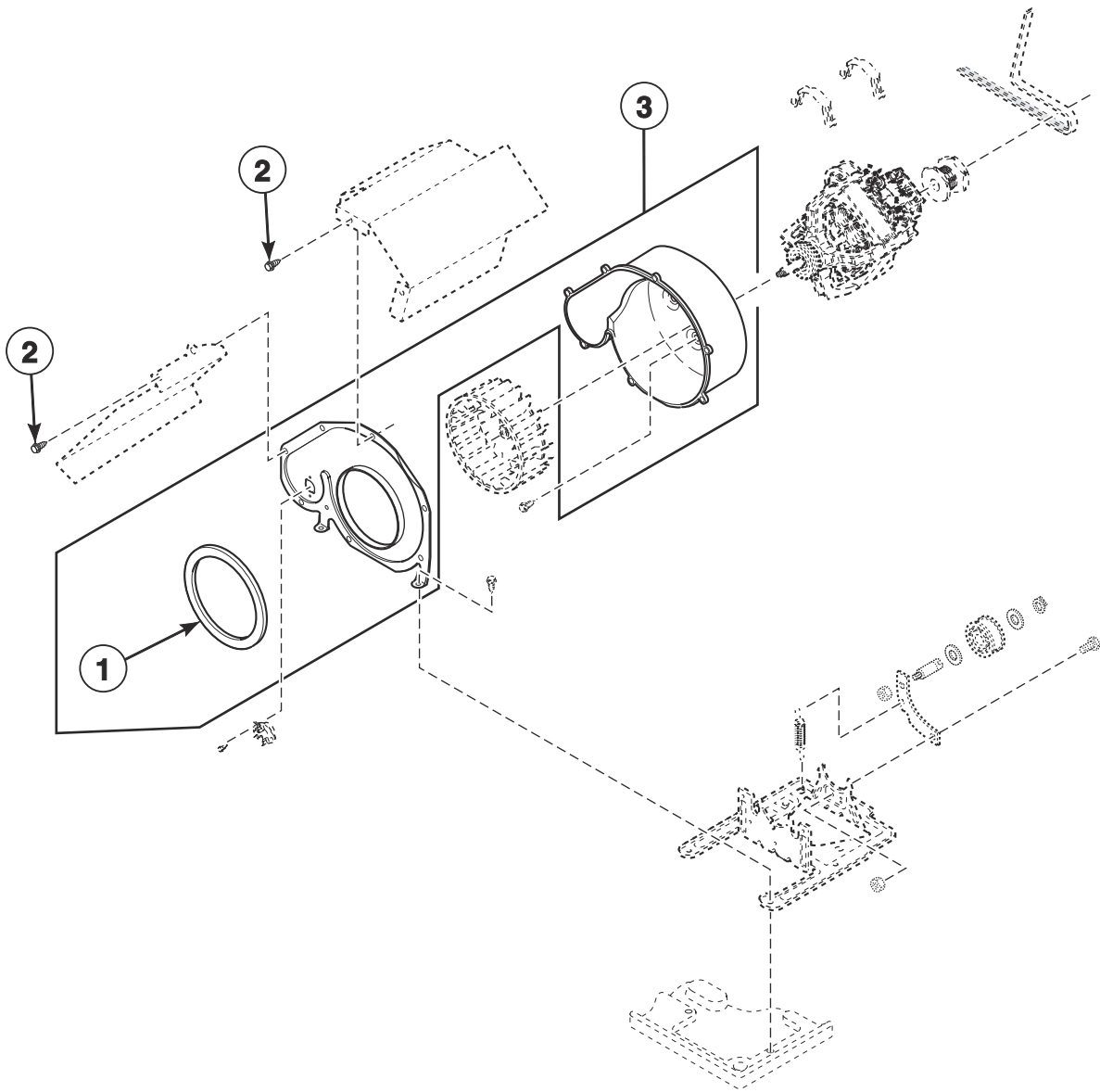


DRY2310PA_806119

Access Panel

REF	PART NO.	DESCRIPTION	COMMENTS
1	39733	Screw	Use with painted panels
	D512921	Screw	Use with stainless steel panels
2	56079	Panel Locator	
3	33562	Screw	
4	D514250WP	Access Panel Assembly	White; Models HTENXASP283CW01, HTENXASP293CW01, HTENYASP283CW01, HTENYASP293CW01, HTGNXASP093CW01, STENCASP173TW01, STENCFSP173TW01, STENEASP283CW01, STENEASP293CW01, STENXASP173TW01, STENXASP283CW01, STENXASP293CW01, STENXFSP173TW01, STENYASP173TW01, STENYASP283CW01, STENYASP293CW01, STENYFSP173TW01, STEWXASP173TW01, STEWYASP173TW01, STGNCASP113TW01, STGNCFSP113TW01, STGNEASP093CW01, STGNXASG113TW01, STGNXASP093CW01, STGNXASP113TW01, STGNXFSP113TW01, STGNYASP093CW01, STGNYASP113TN01, STGNYASP113TW01, STGNYFSP113TW01, STGWXASP113TW01 and STGWYASP113TW01
	D514252DG	Access Panel and Guard Assembly	Dark gray; Models PTEJCASP174TG01, PTEJEASP284CG01, PTEJXASP174TG01, PTEJXASP284CG01, PTGJEASP094CG01 and PTGJXASP094CG01; Models PTGJCASP114TG01 and PTGJXASP114TG01 starting Serial No.1606000839
	D514250DG	Access Panel Assembly	Dark gray; Models PT3JXASP403UG06, PTEJXASP434AG01 and PTGJXASP304AG01; Models PTGJCASP114TG01 and PTGJXASP114TG01 through Serial No. 1606000838
	D514251	Access Panel Assembly	Stainless steel; Models BT3JGAJP403UN01, BT3JGAJP403UN06, BT3JGASP403UN01, BT3JGASP403UN06, BT3JLASP403UN01, BT3JLASP403UN06, BT3JXASP403UN01, BT3JXASP403UN06, JT1JMASG413EN06, JT2JMASG413EN06, NT2JLASP403UN01, NT2JXASP403UN01, NT3JLASP403NN22, NT3JLASP403UN01, NT3JXASP403UN01, NTEWXASP433LN01, NTLJXASP543NN23, NTLJYASP543NN23, NTLWXASP303LN01, PTLJXASP303NG22, STENXASP433AN12, STENXASP543DN01, STENYASP173TN01, STEWXASP453NN22, STEWYAJP303NN22, STGNXASP543DN01, STGNYASP113TN01, STGWYAJP303NN22 and STLWXASP543NN22

Blower Housing

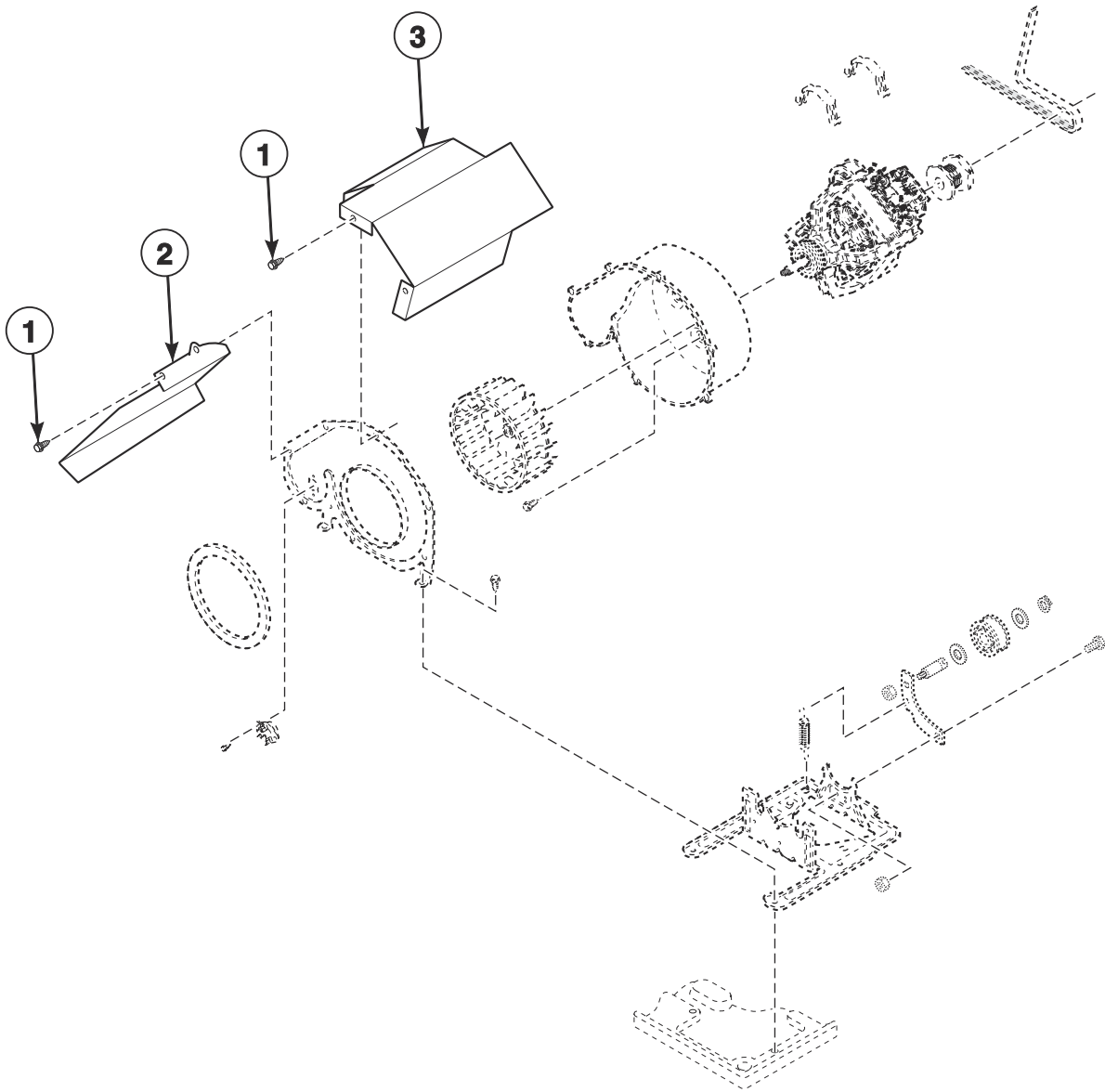


DRY2312P_806119

Blower Housing

REF	PART NO.	DESCRIPTION	COMMENTS
	27604P	Anti-Seize Compound	Apply to motor shaft when installing blower fan assembly
1	D510238P	Blower Housing Seal	
2	31260	Screw	
3	D511969LG	Blower Housing	Includes items 1 and 2; Models HTENXASP283CW01, HTENXASP293CW01, HTENYASP283CW01, HTENYASP293CW01, PTEJCASP174TG01, PTEJEASP284CG01, PTEJXASP174TG01, PTEJXASP284CG01, PTGJCASP114TG01, PTGJEASP094CG01, PTGJXASP094CG01, PTGJXASP114TG01, STENCASP173TW01, STENCFSP173TW01, STENEASP283CW01, STENEASP293CW01, STENXASP173TW01, STENXASP283CW01, STENXASP293CW01, STENXFSP173TW01, STENYASP173TN01, STENYASP173TW01, STENYASP283CW01, STENYASP293CW01, STENYFSP173TW01, STEWXASP173TW01, STEWYASP173TW01, STGNEASP093CW01, STGNXASP093CW01, STGNYASP093CW01 and STGWXASP113TW01; Models HTGNXASP093CW01, STGNCASP113TW01, STGNCFSP113TW01, STGNXASG113TW01, STGNXASP113TW01, STGNXFSP113TW01, STGNYASP113TN01, STGNYASP113TW01, STGNYFSP113TW01 and STGWYASP113TW01 starting Serial No. 1606000839
	D511969WP	Blower Housing	Includes items 1 and 2; Models HTGNXASP093CW01, STGNCASP113TW01, STGNCFSP113TW01, STGNXASG113TW01, STGNXASP113TW01, STGNXFSP113TW01, STGNYASP113TN01, STGNYASP113TW01, STGNYFSP113TW01 and STGWYASP113TW01 HTGNXASP093CW01, STGNCASP113TW01, STGNCFSP113TW01, STGNXASG113JW01, STGNXASG113TW01, STGNXFSP113TW01, STGNYASP113TN01, STGNYASP113TW01, STGNYFSP113TW01 and STGWYASP113TW01 through Serial No. 1606000838; All other models

Shields

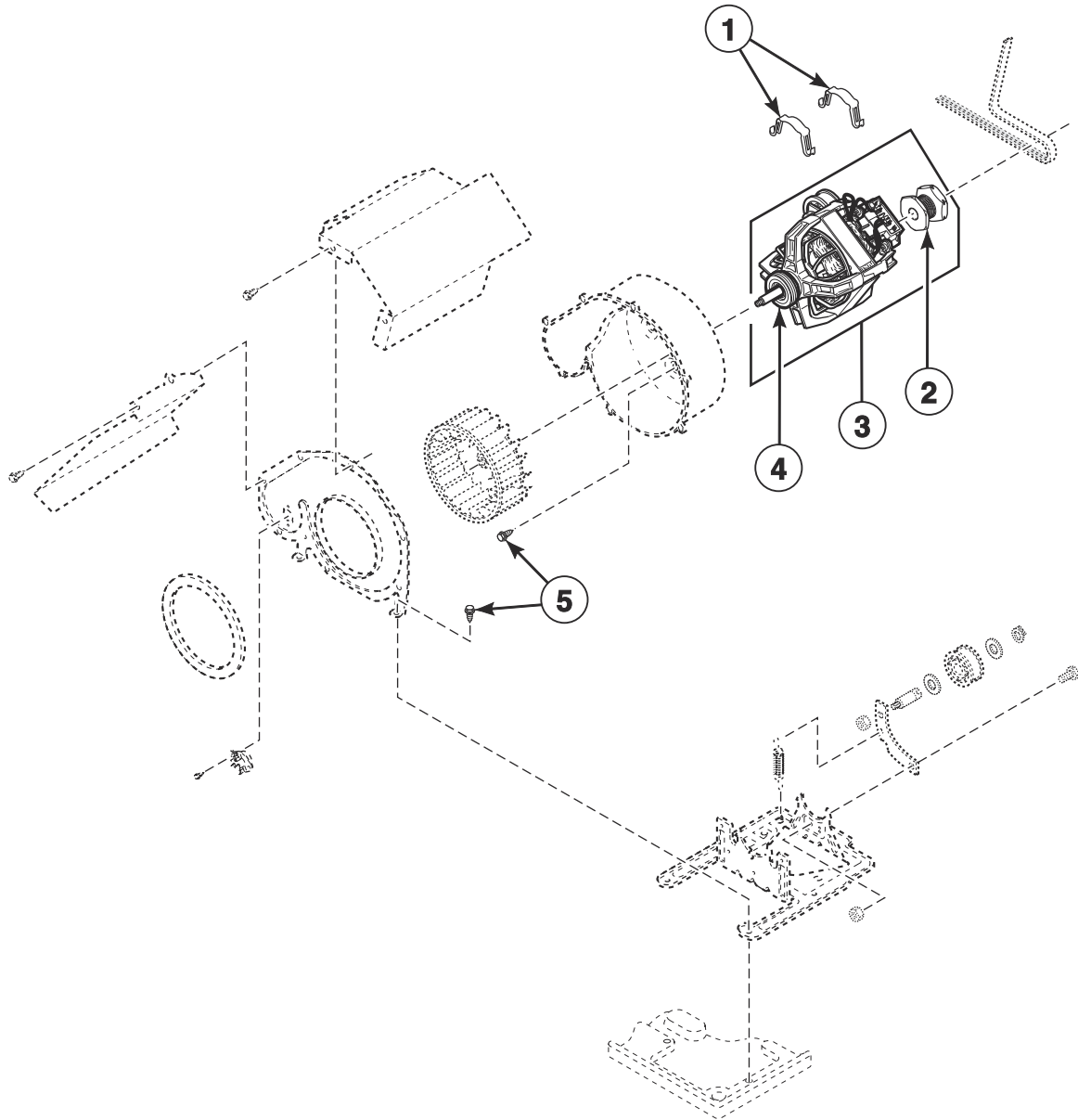


DRY2312PB_806119

Shields

REF	PART NO.	DESCRIPTION	COMMENTS
1	31260	Screw	
2	D514325	Thermostat Shield	All models except HTENXASP283CW01, HTENXASP293CW01, HTENYASP283CW01, HTENYASP293CW01, HTGNXASP093CW01, NT3JLASP403NN22, NT3JLASP403NW22, NT3JXASP403NW22, NTENXASP175MW01, NTEWXASP433LN01, NTGNXASP115MW01, NTHJXASP543NW01, NTHJYASP543NW01, NTLJXASP543NN23, NTLJYASP543NN23, NTLNGASP543NW23, NTLWXASP303LN01, PTEJCASP174TG01, PTEJEASP284CG01, PTEJXASP174TG01, PTEJXASP284CG01, PTGJCASP114TG01, PTGJEASP094CG01, PTGJXASP094CG01, PTGJXASP114TG01, ST3JXASP403NW22, STENCASP173TW01, STENCFSP173TW01, STENEASP283CW01, STENEASP293CW01, STENXASP173TW01, STENXASP283CW01, STENXASP293CW01, STENXFSP173TW01, STENYASP173TN01, STENYASP173TW01, STENYASP283CW01, STENYASP293CW01, STENYFSP173TW01, STEWXASP173TW01, STEWYAJP303NN22, STEWYAJP303NW22, STEWYASP173TW01, STGNCASP113TW01, STGNCFSP113TW01, STGNEASP093CW01, STGNXASG113TW01, STGNXASP093CW01, STGNXASP113TW01, STGNXFSP113TW01, STGNYASP093CW01, STGNYASP113TN01, STGNYASP113TW01, STGNYFSP113TW01, STGNZASP113NW22, STGWXASP113TW01, STGWYAJP303NN22, STGWYASP113TW01, STLNXASP543NW23, STLNYASP543NW23, STLWXASP543NN22 and TT3JXASP403NW22
3	D514602	Motor Shield	All models except HTENXASP283CW01, HTENXASP293CW01, HTENYASP283CW01, HTENYASP293CW01, HTGNXASP093CW01, NT3JLASP403NN22, NT3JLASP403NW22, NT3JXASP403NW22, NTENXASP175MW01, NTEWXASP433LN01, NTGNXASP115MW01, NTHJXASP543NW01, NTHJYASP543NW01, NTLJXASP543NN23, NTLJYASP543NN23, NTLNGASP543NW23, NTLWXASP303LN01, PTEJCASP174TG01, PTEJEASP284CG01, PTEJXASP174TG01, PTEJXASP284CG01, PTGJCASP114TG01, PTGJEASP094CG01, PTGJXASP094CG01, PTGJXASP114TG01, ST3JXASP403NW22, STENCASP173TW01, STENCFSP173TW01, STENEASP283CW01, STENEASP293CW01, STENXASP173TW01, STENXASP283CW01, STENXASP293CW01, STENXFSP173TW01, STENYASP173TN01, STENYASP173TW01, STENYASP283CW01, STENYASP293CW01, STENYFSP173TW01, STEWXASP173TW01, STEWYAJP303NN22, STEWYAJP303NW22, STEWYASP173TW01, STGNCASP113TW01, STGNCFSP113TW01, STGNEASP093CW01, STGNXASG113TW01, STGNXASP093CW01, STGNXASP113TW01, STGNXFSP113TW01, STGNYASP093CW01, STGNYASP113TN01, STGNYASP113TW01, STGNYFSP113TW01, STGNZASP113NW22, STGWXASP113TW01, STGWYAJP303NN22, STGWYASP113TW01, STLNXASP543NW23, STLNYASP543NW23, STLWXASP543NN22 and TT3JXASP403NW22

Motor

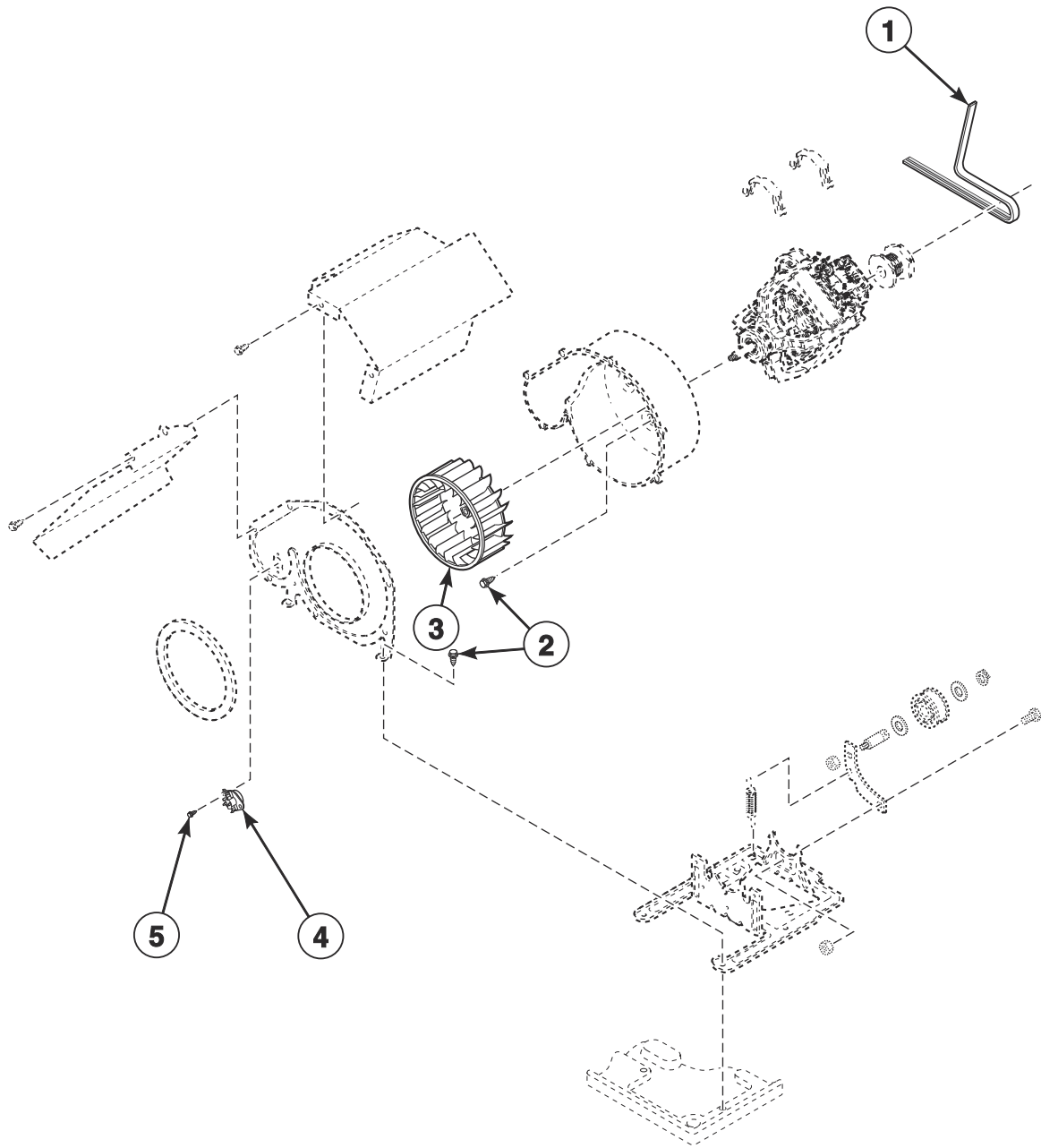


DRY2312PC_806119

Motor

REF	PART NO.	DESCRIPTION	COMMENTS
	27604P	Anti-Seize Compound	Apply to motor shaft when installing blower fan assembly
1	D510180	Motor Mount Clamp	
2	D500011	Motor Pulley	60 Hertz models
	D500222	Motor Pulley	50 Hertz models
3	D511629P	Motor and Pulley Assembly	120 Volt/60 Hertz; Includes items 1, 2 and 4; Apply anti-seize compound to motor shaft when installing blower fan assembly; Models HTENXASP133DW01, HTENXASP133FW01, HTENXASP283CW01, HTENXASP293CW01, HTENYASP283CW01, HTENYASP293CW01, HTGNXASP093CW01, HTGNXASP113FW01, HTGNXASP123DW01, NTENXASP175MW01, NTGNXASP115MW01, PTEJCASP174TG01, PTEJEASP284CG01, PTEJXASP174TG01, PTEJXASP284CG01, PTGJCASP114TG01, PTGJEASP094CG01, PTGJXASP094CG01, PTGJXASP114TG01, STENCASP173TW01, STENCFSP173TW01, STENEASP283CW01, STENEASP293CW01, STENXASP133DW01, STENXASP133FW01, STENXASP173TW01, STENXASP283CW01, STENXASP293CW01, STENXFSP173TW01, STENYASP173TN01, STENYASP173TW01, STENYASP283CW01, STENYASP293CW01, STENYFSP173TW01, STEWXASP173TW01, STEWYASP173TW01, STGNCASP113TW01, STGNCFSP113TW01, STGNEASP093CW01, STGNXASG113JW01, STGNXASG113TW01, STGNXASP093CW01, STGNXASP113FW01, STGNXASP113TW01, STGNXASP123DW01, STGNXFSP113TW01, STGNYASP093CW01, STGNYASP113TN01, STGNYASP113TW01, STGNYFSP113TW01, STGNZASP113NW22, STGWXASP113TW01, STGWYASP113TW01 and STMNXASG113JW01
	D505869P	Motor and Pulley Assembly	240 Volt/60 Hertz; Includes items 1, 2 and 4; Models HTENXASP543DW01, HTGNXASP543DW01, NTHJXASP543NW01, NTHJYASP543NW01, NTLJXASP543NN23, NTLJYASP543NN23, NTLNGASP543NW23, PTEJXASG543ZG01, PTEJXASP543NG23, PTEJXASP543ZG01, PTGJXASG543ZG01, PTGJXASP543ZG01, PTLJXASP543NG23, STENXASP543DN01, STENXASP543DW01, STENXASP543RW01, STGNXASP543DN01, STGNXASP543DW01, STLNXASP543NW23, STLNYASP543NW23, STLNYASP543PW01 and STLWXASP543NN22
	D516608P	Motor and Pulley Assembly	115 Volt/50 Hertz; Model STMNXASG103JW01
	D505843P	Motor and Pulley Assembly	240 Volt/50 Hertz; Includes items 1, 2 and 4; All other models
4	590P3	Motor Hub Ring Kit	
5	D503688	Screw	

Thermistor, Exhaust Fan and Belt

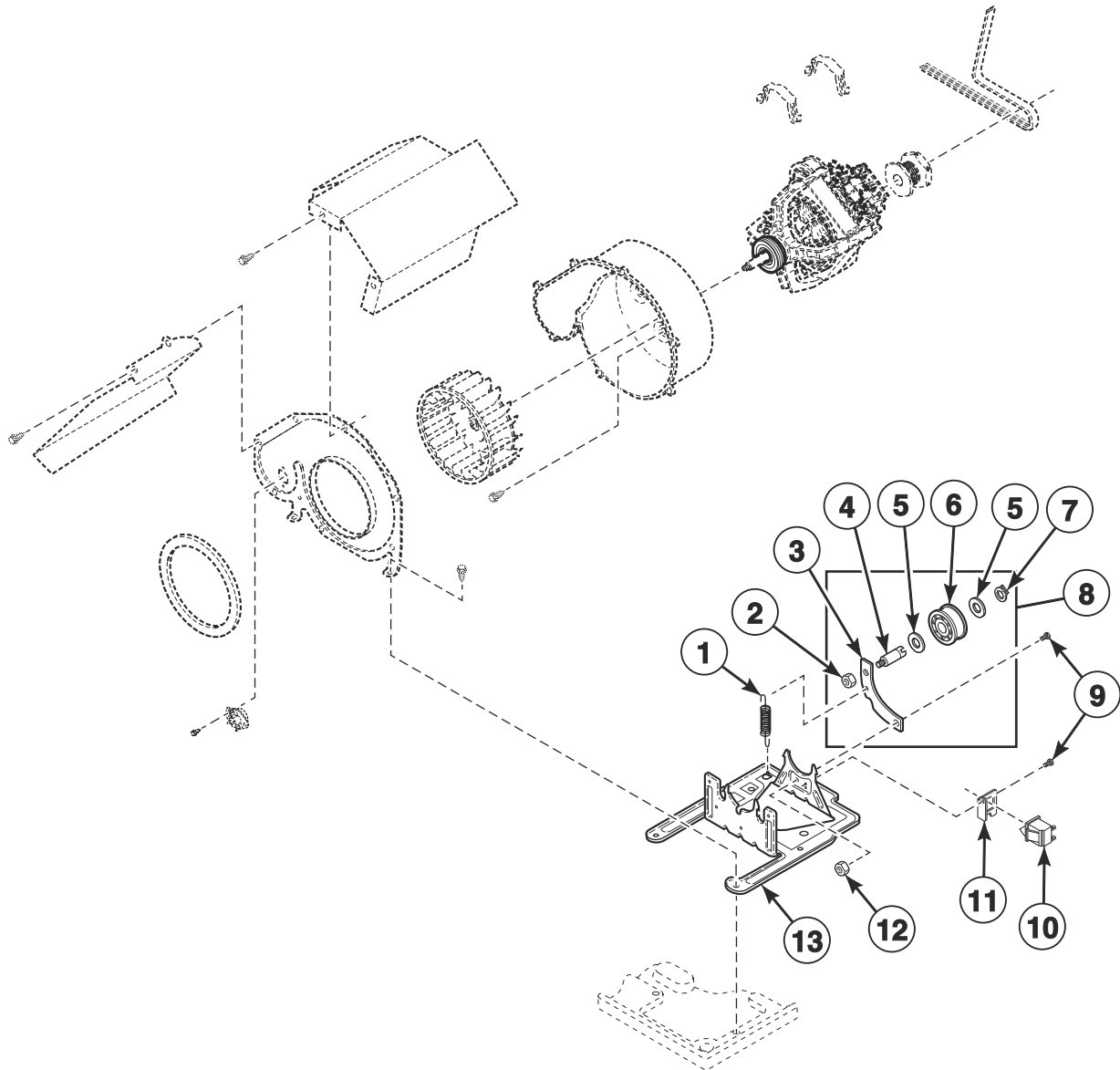


DRY2312PD_806119

Thermistor, Exhaust Fan and Belt

REF	PART NO.	DESCRIPTION	COMMENTS
	27604P	Anti-Seize Compound	Apply to motor shaft when installing blower fan assembly
1	D511255P	Cylinder Belt	
2	D503688	Screw	
3	D510139P	Blower Fan Assembly	
4	D510523	Thermistor Assembly	60 Hertz; Models HTENXASP133DW01, HTENXASP133FW01, HTENXASP283CW01, HTENXASP293CW01, HTENXASP543DW01, HTENYASP283CW01, HTENYASP293CW01, HTGNXASP093CW01, HTGNXASP113FW01, HTGNXASP123DW01, HTGNXASP543DW01, NTENXASP175MW01, NTGNXASP115MW01, NTHJXASP543NW01, NTHJYASP543NW01, NTLJXASP543NN23, NTLJYASP543NN23, NTLNGASP543NW23, PTEJCASP174TG01, PTEJEASP284CG01, PTEJXASP543ZG01, PTEJXASP174TG01, PTEJXASP284CG01, PTEJXASP543NG23, PTEJXASP543ZG01, PTGJCASP114TG01, PTGJEASP094CG01, PTGJXASP543ZG01, PTGJXASP094CG01, PTGJXASP114TG01, PTGJXASP543ZG01, PTLJXASP543NG23, STENCASP173TW01, STENCFSP173TW01, STENEASP283CW01, STENEASP293CW01, STENXASP133DW01, STENXASP133FW01, STENXASP173TW01, STENXASP283CW01, STENXASP293CW01, STENXASP543DN01, STENXASP543DW01, STENXASP543RW01, STENXFSP173TW01, STENYASP173TN01, STENYASP173TW01, STENYASP283CW01, STENYASP293CW01, STENYFSP173TW01, STEWXASP173TW01, STEWYASP173TW01, STGNCASP113TW01, STGNCFSP113TW01, STGNEASP093CW01, STGNXASG113JW01, STGNXASG113TW01, STGNXASP093CW01, STGNXASP113FW01, STGNXASP113TW01, STGNXASP123DW01, STGNXASP543DN01, STGNXASP543DW01, STGNXFSP113TW01, STGNYASP093CW01, STGNYASP113TN01, STGNYASP113TW01, STGNYFSP113TW01, STGNZASP113NW22, STGWXASP113TW01, STGWYASP113TW01, STLNXASP543NW23, STLNYASP543NW23, STLNYASP543PW01, STLWXASP543NN22 and STMNXASG113JW01
	D502366	Thermistor Assembly	50 Hertz; All other models
5	D502535	Screw	

Idler Assembly

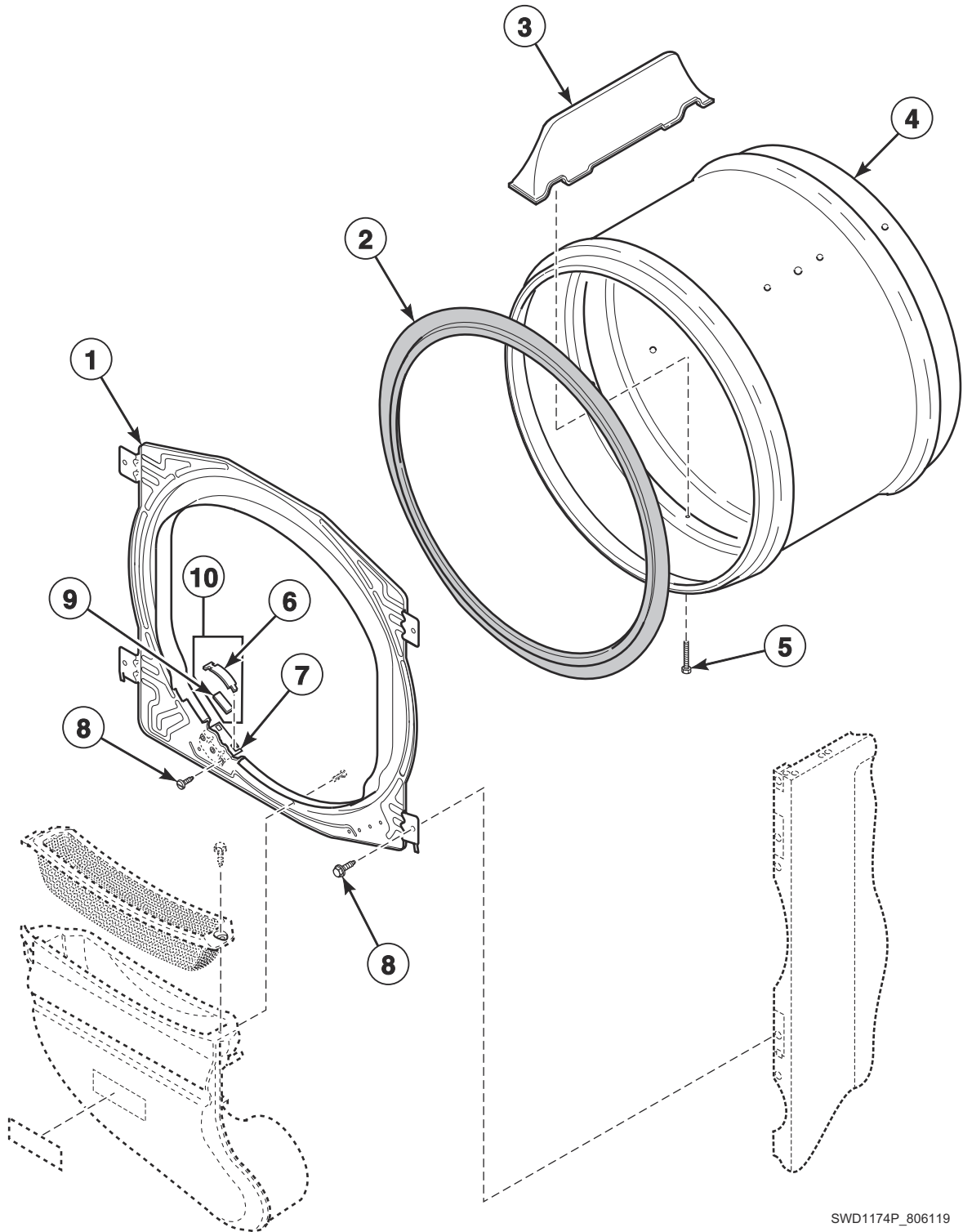


DRY2519P_806119

Idler Assembly

REF	PART NO.	DESCRIPTION	COMMENTS
1	D510185	Idler Spring	
2	56156	Nut	
3	D516310	Idler Lever	
4	56461P	Shaft	
5	52549	Washer	
6	D510142P	Idler Wheel and Bearing Assembly	
7	23748	Retaining Ring	
8	D516792	Idler Lever and Wheel Assembly	Includes items 2-7
9	D500824	Screw	
10	D516391	Switch	
11	D516311	Motor Switch Bracket	
12	52566	Nut	
13	D518517	Motor Mount	

Front Bulkhead, Felt Seal and Cylinder



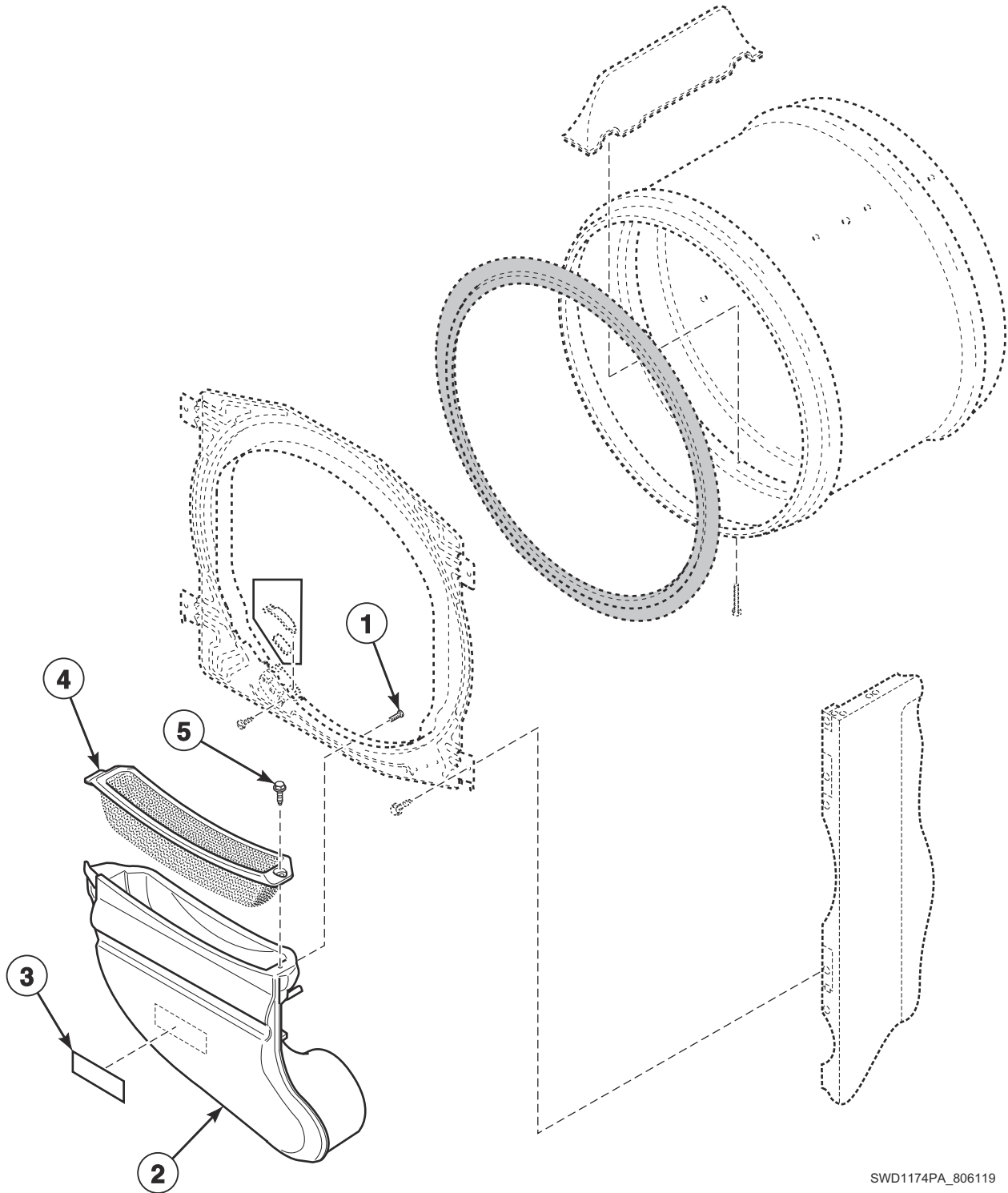
SWD1174P_806119

Front Bulkhead, Felt Seal and Cylinder

REF	PART NO.	DESCRIPTION	COMMENTS
1	D510266P	Front Bulkhead Assembly	Unpainted; Includes item 2
2	D510207P	Cylinder Seal Assembly	
	D511637P	Adhesive	For cylinder seal
	RB170001	Seal Kit	Includes 2 cylinder seals, D510238P Blower Housing Seal and Adhesive
3	D510102LG	Cylinder Baffle	Models BT3JGAJP403UN01, BT3JGAJP403UN06, BT3JGASP403UN01, BT3JGASP403UN06, BT3JLASP403UN01, BT3JLASP403UN06, BT3JXASP403UN01, BT3JXASP403UN06, JT1JMASG413EN06, JT2JMASG413EN06, NT2JLASP403UN01, NT2JXASP403UN01, NT3JLASP403NN22, NT3JLASP403UN01, NT3JXASP403UN01, NTEWXASP433LN01, NTLJXASP543NN23, NTLJYASP543NN23, NTLWXASP303LN01, PTLJXASP303NG22, STENXASP433AN12, STENXASP543DN01, STENYASP173TN01, STEWXASP453NN22, STEWYAJP303NN22, STGNXASP543DN01, STGWYAJP303NN22 and STLWXASP543NN22
	D510102W	Cylinder Baffle	All other models
4	D505929LGP	Cylinder Assembly	Models BT3JGAJP403UN01, BT3JGAJP403UN06, BT3JGASP403UN01, BT3JGASP403UN06, BT3JLASP403UN01, BT3JLASP403UN06, BT3JXASP403UN01, BT3JXASP403UN06, JT1JMASG413EN06, JT2JMASG413EN06, NT2JLASP403UN01, NT2JXASP403UN01, NT3JLASP403NN22, NT3JLASP403UN01, NT3JXASP403UN01, NTLJXASP543NN23, NTLJYASP543NN23, NTLWXASP303LN01, STENXASP543DN01, STENYASP173TN01, STEWXASP453NN22, STEWYAJP303NN22, STGNXASP543DN01, STGWYAJP303NN22 and STLWXASP543NN22; Stainless steel; Includes item 3
	D510265LGP	Cylinder Assembly	Models BT3JGAJP403UN01, BT3JGAJP403UN06, BT3JGASP403UN01, BT3JGASP403UN06, BT3JLASP403UN01, BT3JLASP403UN06, BT3JXASP403UN01, BT3JXASP403UN06, JT1JMASG413EN06, JT2JMASG413EN06, NT2JLASP403UN01, NT2JXASP403UN01, NT3JLASP403NN22, NT3JLASP403UN01, NT3JXASP403UN01, NTEWXASP433LN01, NTLJXASP543NN23, NTLJYASP543NN23, NTLWXASP303LN01, PTLJXASP303NG22, STENXASP433AN12, STENXASP543DN01, STENYASP173TN01, STEWXASP453NN22, STEWYAJP303NN22, STGNXASP543DN01, STGWYAJP303NN22 and STLWXASP543NN22; Galvanized; Includes item 3
	D510265WP	Cylinder Assembly	All other models; Galvanized; Includes item 3
5	62588	Screw	
6	D513710	Cylinder Glide	
7	D510145	Cylinder Glide Bracket	
8	D503688	Screw	
9	D510189	Felt Pad	
10	RB170003	Glide Kit	Includes items 6 and 7

Air Duct Assembly (Drawing 1 of 2)

Models HTENXASP283CW01, HTENXASP293CW01, HTENYASP283CW01, HTENYASP293CW01, HTGNXASP093CW01, PTEJCASP174TG01, PTEJEASP284CG01, PTEJXASP174TG01, PTEJXASP284CG01, PTGJCASP114TG01, PTGJEASP094CG01, PTGJXASP094CG01, PTGJXASP114TG01, STENCASP173TW01, STENCFSP173TW01, STENEASP283CW01, STENEASP293CW01, STENXASP173TW01, STENXASP283CW01, STENXASP293CW01, STENXFSP173TW01, STENYASP173TN01, STENYASP173TW01, STENYASP283CW01, STENYASP293CW01, STENYFSP173TW01, STEWXASP173TW01, STEWYASP173TW01, STGNCASP113TW01, STGNCFSP113TW01, STGNEASP093CW01, STGNXASG113TW01, STGNXASP093CW01, STGNXASP113TW01, STGNXFSP113TW01, STGNYASP093CW01, STGNYASP113TN01, STGNYASP113TW01, STGNYFSP113TW01, STGWXASP113TW01 and STGWYASP113TW01



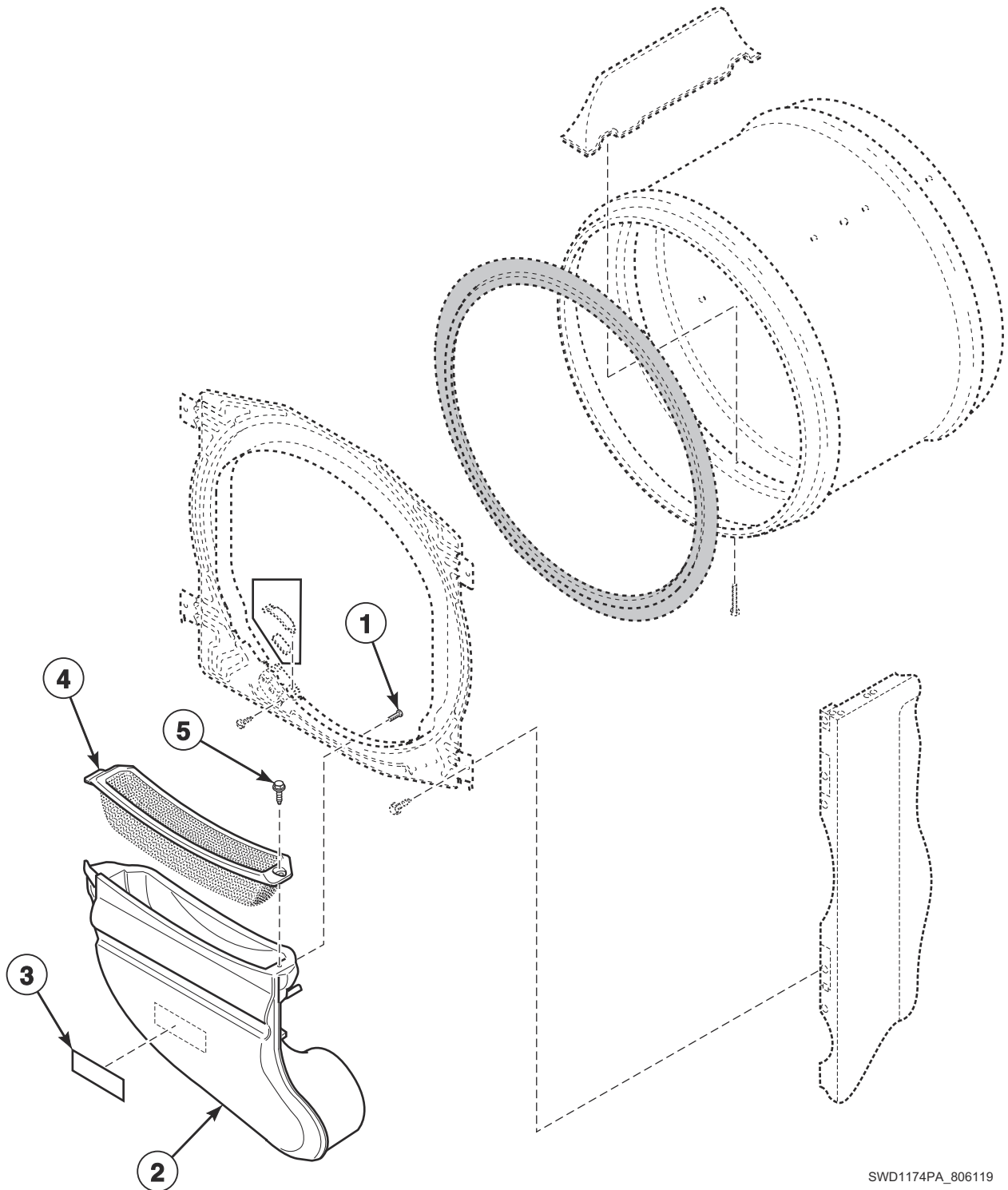
SWD1174PA_806119

Air Duct Assembly (Drawing 1 of 2)

REF	PART NO.	DESCRIPTION	COMMENTS
1	52864	Screw	
2	D518433	Air Duct Assembly	Models HTENXASP283CW01, HTENXASP293CW01, HTENYASP283CW01, HTENYASP293CW01, PTEJCASP174TG01, PTEJEASP284CG01, PTEJXASP174TG01, PTEJXASP284CG01, PTGJCASP114TG01, PTGJEASP094CG01, PTGJXASP094CG01, PTGJXASP114TG01, STENCASP173TW01, STENCFSP173TW01, STENEASP283CW01, STENEASP293CW01, STENXASP173TW01, STENXASP283CW01, STENXASP293CW01, STENXFSP173TW01, STENYASP173TN01, STENYASP173TW01, STENYASP283CW01, STENYASP293CW01, STENYFSP173TW01, STEWXASP173TW01, STEWYASP173TW01, STGNEASP093CW01, STGNXASP093CW01, STGNYASP093CW01 and STGWXASP113TW01 through Serial Nos. beginning 1707; Models HTGNXASP093CW01, STGNCASP113TW01, STGNCFSP113TW01, STGNXASG113TW01, STGNXASP113TW01, STGNXFSP113TW01, STGNYASP113TN01, STGNYASP113TW01, STGNYFSP113TW01 and STGWYASP113TW01 starting Serial No. 1606000839 and continuing through Serial Nos. beginning 1707
	D518432	Air Duct Assembly	Models HTGNXASP093CW01, STGNCASP113TW01, STGNCFSP113TW01, STGNXASG113TW01, STGNXFSP113TW01, STGNYASP113TN01, STGNYASP113TW01, STGNYFSP113TW01 and STGWYASP113TW01 through Serial No. 1606000838 and starting again with Serial Nos. beginning 1707
3	61294	Fuse Notice Label	Electric
4	D503980LG	Lint Filter	Models HTENXASP283CW01, HTENXASP293CW01, HTENYASP283CW01, HTENYASP293CW01, PTEJCASP174TG01, PTEJEASP284CG01, PTEJXASP174TG01, PTEJXASP284CG01, PTGJCASP114TG01, PTGJEASP094CG01, PTGJXASP094CG01, PTGJXASP114TG01, STENCASP173TW01, STENCFSP173TW01, STENEASP283CW01, STENEASP293CW01, STENXASP173TW01, STENXASP283CW01, STENXASP293CW01, STENXFSP173TW01, STENYASP173TN01, STENYASP173TW01, STENYASP283CW01, STENYASP293CW01, STENYFSP173TW01, STEWXASP173TW01, STEWYASP173TW01, STGNEASP093CW01, STGNXASP093CW01, STGNYASP093CW01 and STGWXASP113TW01 through Serial Nos. beginning 1707; Models HTGNXASP093CW01, STGNCASP113TW01, STGNCFSP113TW01, STGNXASG113TW01, STGNXASP113TW01, STGNXFSP113TW01, STGNYASP113TN01, STGNYASP113TW01, STGNYFSP113TW01 and STGWYASP113TW01 starting Serial No. 1606000839 and continuing through Serial Nos. beginning 1707
	D503980W	Lint Filter	Models HTGNXASP093CW01, STGNCASP113TW01, STGNCFSP113TW01, STGNXASG113TW01, STGNXFSP113TW01, STGNYASP113TN01, STGNYASP113TW01, STGNYFSP113TW01 and STGWYASP113TW01 through Serial No. 1606000838 and starting again with Serial Nos. beginning 1707
5	D501285	Screw	

Air Duct Assembly (Drawing 2 of 2)

All Models Except HTENXASP283CW01, HTENXASP293CW01, HTENYASP283CW01, HTENYASP293CW01, HTGNXASP093CW01, PTEJCASP174TG01, PTEJEASP284CG01, PTEJXASP174TG01, PTEJXASP284CG01, PTGJCASP114TG01, PTGJEASP094CG01, PTGJXASP094CG01, PTGJXASP114TG01, STENCASP173TW01, STENCFSP173TW01, STENEASP283CW01, STENEASP293CW01, STENXASP173TW01, STENXASP283CW01, STENXASP293CW01, STENXFSP173TW01, STENYASP173TN01, STENYASP173TW01, STENYASP283CW01, STENYASP293CW01, STENYFSP173TW01, STEWXASP173TW01, STEWYASP173TW01, STGNCASP113TW01, STGNCFSP113TW01, STGNEASP093CW01, STGNXASG113TW01, STGNXASP093CW01, STGNXASP113TW01, STGNXFSP113TW01, STGNYASP093CW01, STGNYASP113TN01, STGNYASP113TW01, STGNYFSP113TW01, STGWXASP113TW01 and STGWYASP113TW01

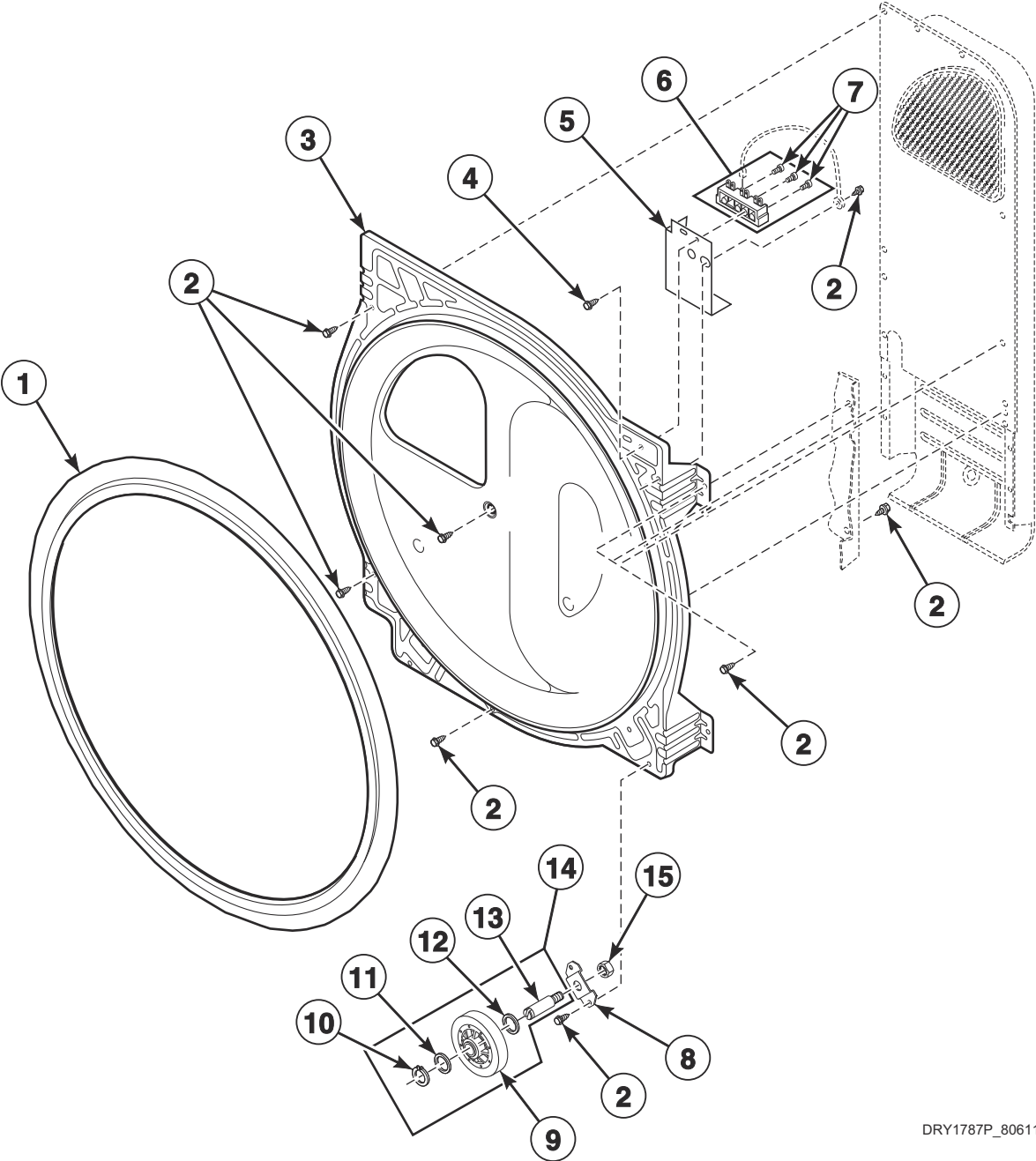


SWD1174PA_806119

Air Duct Assembly (Drawing 2 of 2)

REF	PART NO.	DESCRIPTION	COMMENTS
1	52864	Screw	
2	D518433	Air Duct Assembly	Models BT3JGAJP403UN01, BT3JGAJP403UN06, BT3JGASP403UN01, BT3JGASP403UN06, BT3JLASP403UN01, BT3JLASP403UN06, BT3JXASP403UN01, BT3JXASP403UN06, JT1JMASG413EN06, JT2JMASG413EN06, NT2JLASP403UN01, NT2JXASP403UN01, NT3JLASP403NN22, NT3JLASP403UN01, NT3JXASP403UN01, NTENXASP175MW01, NTEWXASP433LN01, NTGNXASP115MW01, NTLJXASP543NN23, NTLJYASP543NN23, NTLWXASP303LN01, PTLJXASP303NG22, STENXASP433AN12, STENXASP543DN01, STEWXASP453NN22, STEWYAJP303NN22, STGNXASP543DN01, STGWYAJP303NN22 and STLWXASP543NN22
	D518432	Air Duct Assembly	All other models
3	61294	Fuse Notice Label	Electric
4	D503980LG	Lint Filter	Models BT3JGAJP403UN01, BT3JGAJP403UN06, BT3JGASP403UN01, BT3JGASP403UN06, BT3JLASP403UN01, BT3JLASP403UN06, BT3JXASP403UN01, BT3JXASP403UN06, JT1JMASG413EN06, JT2JMASG413EN06, NT2JLASP403UN01, NT2JXASP403UN01, NT3JLASP403NN22, NT3JLASP403UN01, NT3JXASP403UN01, NTENXASP175MW01, NTEWXASP433LN01, NTLJXASP543NN23, NTLJYASP543NN23, NTLWXASP303LN01, PTLJXASP303NG22, STENXASP433AN12, STENXASP543DN01, STEWXASP453NN22, STEWYAJP303NN22, STGNXASP543DN01, STGWYAJP303NN22 and STLWXASP543NN22
	D503980W	Lint Filter	All other models
5	D501285	Screw	

Rear Bulkhead, Felt Seal, Cylinder Roller and Terminal Block



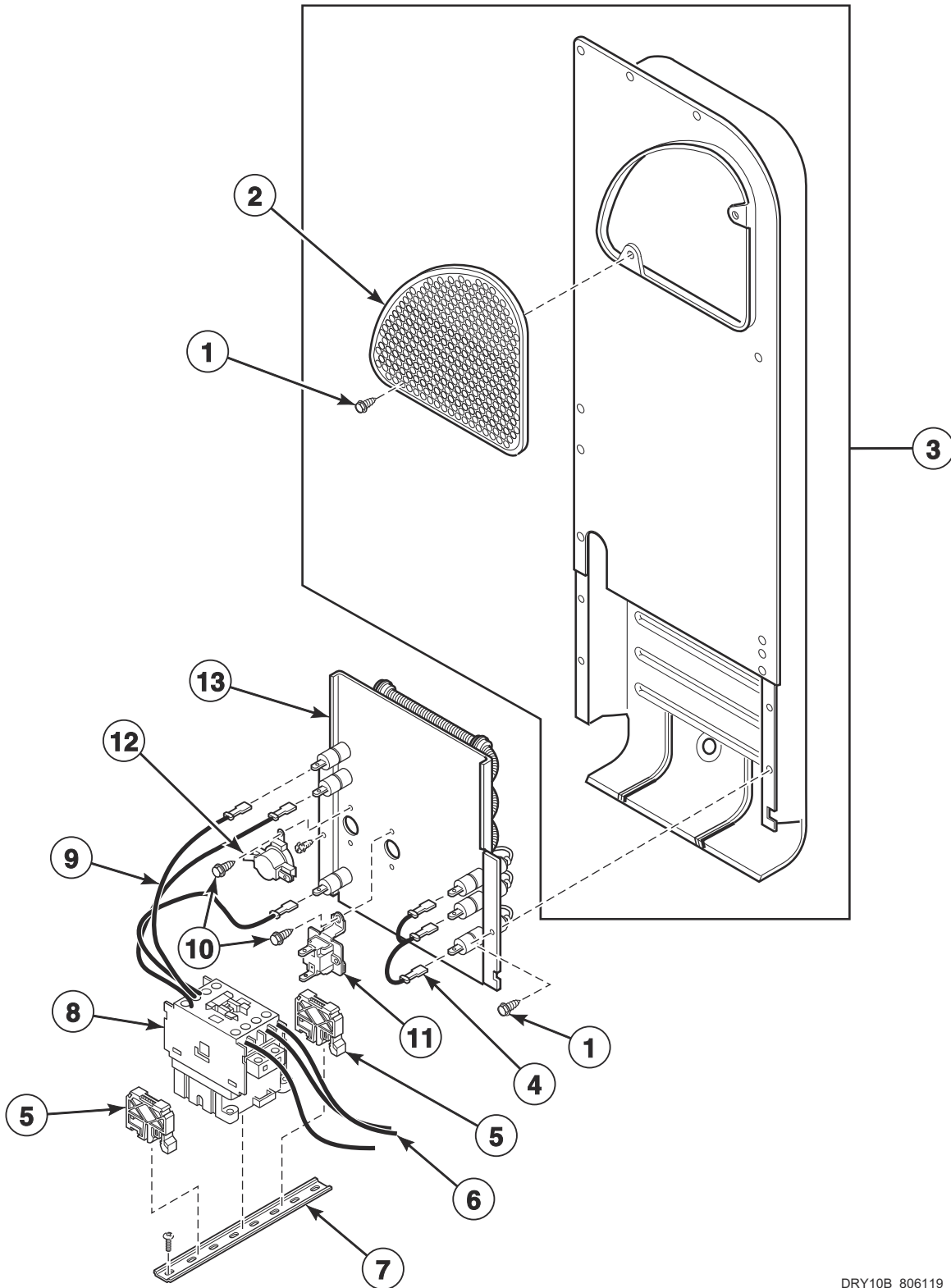
DRY1787P_806119

Rear Bulkhead, Felt Seal, Cylinder Roller and Terminal Block

REF	PART NO.	DESCRIPTION	COMMENTS
	D505875	Terminal Block Support Bracket	3 phase models starting Serial No. 2001000001
1	D510207P	Cylinder Seal Assembly	
	D511637P	Adhesive	Apply to cylinder seal
	RB170001	Seal Kit	Includes 2 cylinder seals, D510238P Blower Housing Seal and Adhesive
2	D503688	Screw	
3	D511082P	Rear Bulkhead Assembly	Includes item 1
	D510905WP	Rear Bulkhead Assembly	White; Includes item 1; If black marks appear on clothes, replace rear bulkhead with this part, cylinder with D510159WP Cylinder Assembly and front bulkhead with D505899WP Bulkhead Assembly
4	D501285	Screw	1 Phase electric models
5	D510237	Terminal Block Shield	Models HTENXASP283CW01, HTENXASP293CW01, PTEJXASP174TG01, STENCASP173TW01, STENCFSP173TW01, STENEASP283CW01, STENEASP293CW01, STENXASP173TW01, STENXASP283CW01, STENXASP293CW01, STENXFSP173TW01, STENYASP173TN01, STENYASP173TW01, STENYASP283CW01, STENYASP293CW01, STENYFSP173TW01, STEWXASP173TW01 and STEWYASP173TW01; Through Serial No. 1903000001
	D517715	Terminal Block Shield	Models HTENXASP133DW01, HTENXASP133FW01, HTENXASP543DW01, JT1JEASP413EW06, JT1JGASP413EW06, JT1JMASG413EN06, JT1JRASP413EW06, JT1JXASP413EW06, JTEJEASP303EW06, JTEJRASP303EW06, JTEJXASP303EW06, NT1JLASP413UW06, NT1JXASP403UW06, NT3JLASP403NN22, NT3JLASP403NW22, NT3JXASP403NW22, NTENXASP454ZW01, NTEWXASP433LN01, PTEJXASG303UG06, PTEJXASP303UG06, PTEJXASP434AG01, PTEJXASP543ZG01, PTLJXASP303NG22, ST1JXASP403EW06, ST3JXASP403NW22, STENXASP133DW01, STENXASP133FW01, STENXASP433AN12, STENXASP433AW01, STENXASP433AW12, STENXASP433LN01, STENXASP433LW01, STENXASP543DN01, STENXASP543DW01, STENXASP543RW01, TT3JGASP403NW36 and TT3JXASP403NW22
6	D510190P	Terminal Block Assembly	Includes 3 of item 7; 1 Phase electric models; Model PTLJXASP303NG22
	D505876	Terminal Block Assembly	3 phase models starting Serial No. 2001000001
7	61199	Screw	1 Phase electric models
8	D510100	Cylinder Roller Bracket	
9	D510708P	Cylinder Roller	
10	23748	Retaining Ring	
11	52549	Washer	
12	D504082	Washer	
13	56461P	Shaft	
14	RB170002	Roller Kit	Includes 2 each of items 9-13
15	56156	Nut	

Heater Duct and Element Assembly (Drawing 1 of 2)

3 Phase Models



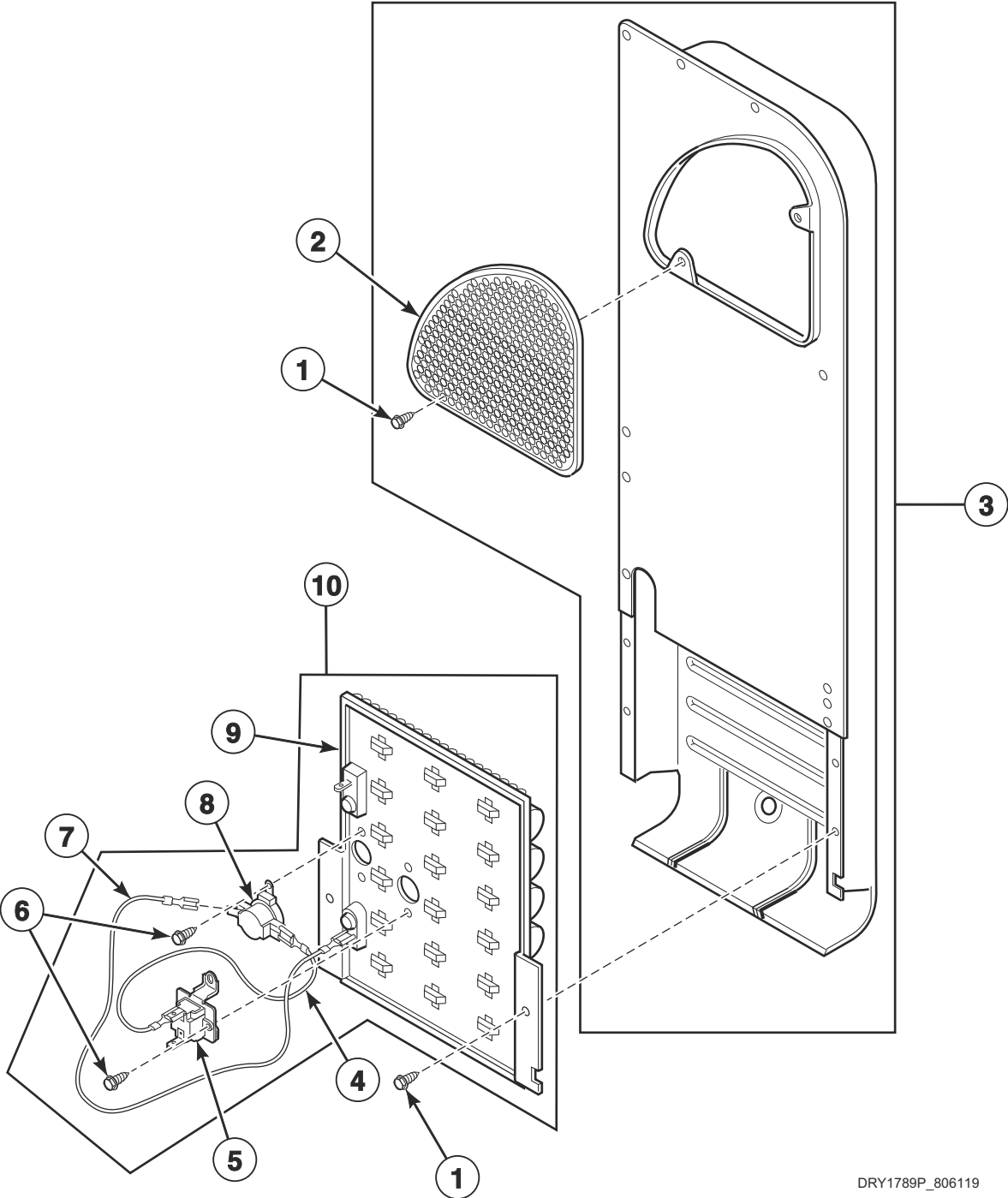
DRY10B_806119

Heater Duct and Element Assembly (Drawing 1 of 2)

REF	PART NO.	DESCRIPTION	COMMENTS
	756P3	Conversion Kit	400 Volt, 4 wire WYE to 240 Volt, 3 wire Delta
1	D503688	Screw	
2	D500820	Outlet Cover	
3	D510025P	Heater Duct Assembly	Includes items 1 and 2
4	D518529	Jumper Wire Assembly	3 Phase
5	70121001	End Stop	
6	D511112P	Block to Relay Harness	Terminal block to contactor
7	M412693	Din Rail	
8	F330177P	Contactor	
9	D511114P	Relay to Heater Harness	Contactor to heater
10	23222	Screw	
11	D518649	Thermal Fuse Assembly	
12	D510701	Limit Thermostat	
13	D511014P	Heater	400 Volt/3 Phase

Heater Duct and Element Assembly (Drawing 2 of 2)

Single Phase Electric Models



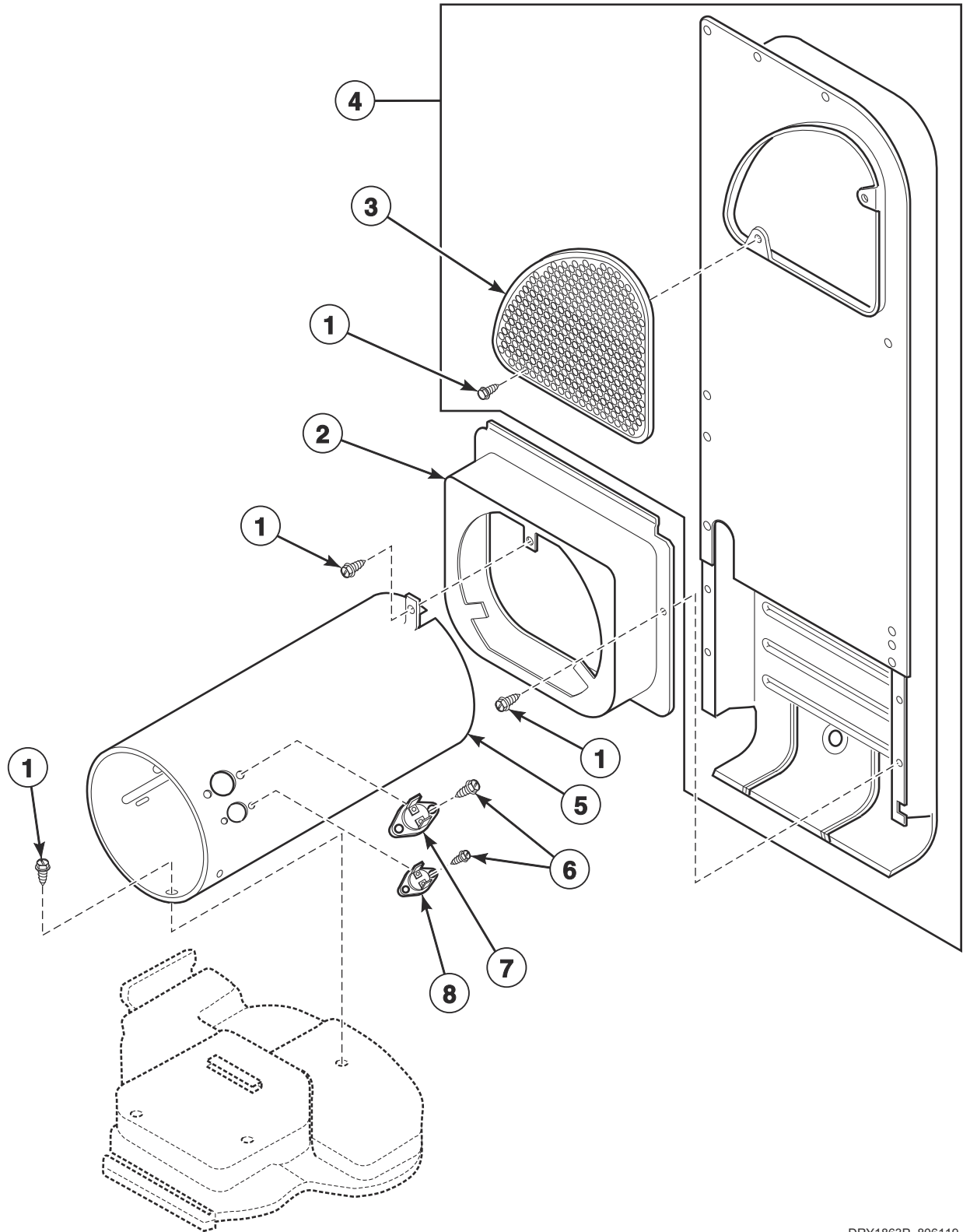
DRY1789P_806119

Heater Duct and Element Assembly (Drawing 2 of 2)

REF	PART NO.	DESCRIPTION	COMMENTS
1	D503688	Screw	
2	D500820	Outlet Cover	
3	D510025P	Heater Duct Assembly	Includes item 2
4	D518256	Wire Assembly	Orange; Thermostat jumper
5	D518649	Thermal Fuse Assembly	
6	23222	Screw	
7	D518255	Wire Assembly	Black; Fuse jumper
8	D510700	Limit Thermostat	Models NTENXASP454ZW01 and STEWXASP453NN22
	D510701	Limit Thermostat	All other models
9	D510326P	Heater Assembly	4800 Watt; 240 Volt/50 Hertz; Models JT1JEASP413EW06, JT1JGASP413EW06, JT1JMASG413EN06, JT1JRASP413EW06, JT1JXASP413EW06, JTEJEASP303EW06, JTEJRASP303EW06, JTEJXASP303EW06, NT1JLASP413UW06, NT1JXASP403UW06, PTEJXASG303UG06, PTEJXASP303UG06, ST1JXASP403EW06, STEWYAJP303NN22 and STEWYAJP303NW22
	D510324P	Heater Assembly	5000 Watt; 240 Volt/60 Hertz; Models HTENXASP283CW01, HTENYASP283CW01, PTEJEASP284CG01, PTEJXASP284CG01, STENEASP283CW01, STENXASP283CW01 and STENYASP283CW01
	D510330P	Heater Assembly	4250 Watt; 208 Volt/60 Hertz; Models HTENXASP283CW01, HTENXASP293CW01, HTENYASP283CW01, HTENYASP293CW01, PTEJEASP284CG01, PTEJXASP284CG01, STENEASP283CW01, STENEASP293CW01, STENXASP283CW01, STENXASP293CW01, STENYASP283CW01 and STENYASP293CW01
	D510327P	Heater Assembly	4000 Watt; 240 Volt/50 Hertz; Models NTEWXASP433LN01, PTEJXASP434AG01, STENXASP433AN12, STENXASP433AW01, STENXASP433AW12, STENXASP433LN01 and STENXASP433LW01
	D510328P	Heater Assembly	3100 Watt; 240 Volt/50 Hertz; Models NTENXASP454ZW01 and STEWXASP453NN22
	D510329P	Heater Assembly	5350 Watt; 240 Volt/60 Hertz; All other models
10	965P3	Heater Kit	Includes items 4-9; 4250 Watt; 208 Volt/60 Hertz; Models HTENXASP283CW01, HTENXASP293CW01, HTENYASP283CW01, HTENYASP293CW01, PTEJEASP284CG01, PTEJXASP284CG01, STENEASP283CW01, STENEASP293CW01, STENXASP283CW01, STENXASP293CW01, STENYASP283CW01 and STENYASP293CW01
	61929	Heater Kit Assembly	Includes items 4-9; 4800 Watt; 240 Volt/50 Hertz; Models JT1JEASP413EW06, JT1JGASP413EW06, JT1JMASG413EN06, JT1JRASP413EW06, JT1JXASP413EW06, JTEJEASP303EW06, JTEJRASP303EW06, JTEJXASP303EW06, NT1JLASP413UW06, NT1JXASP403UW06, PTEJXASG303UG06, PTEJXASP303UG06, ST1JXASP403EW06, STEWYAJP303NN22 and STEWYAJP303NW22
	61927	Heater Kit Assembly	Includes items 4-9; 5000 Watt; 240 Volt/60 Hertz; Models HTENXASP283CW01, HTENYASP283CW01, PTEJEASP284CG01, PTEJXASP284CG01, STENEASP283CW01, STENXASP283CW01 and STENYASP283CW01
	61930	Heater Kit Assembly	Includes items 4-9; 4000 Watt; 240 Volt/50 Hertz; Models NTEWXASP433LN01, PTEJXASP434AG01, STENXASP433AN12, STENXASP433AW01, STENXASP433AW12, STENXASP433LN01 and STENXASP433LW01
	61928	Heater Kit Assembly	Includes items 4-9; 4750 Watt; 208 Volt/60 Hertz; All other models
	964P3	Heater Kit	Includes items 4-9; 5350 Watt; 240 Volt/60 Hertz; All other models

Heater Duct Assembly

Gas Models



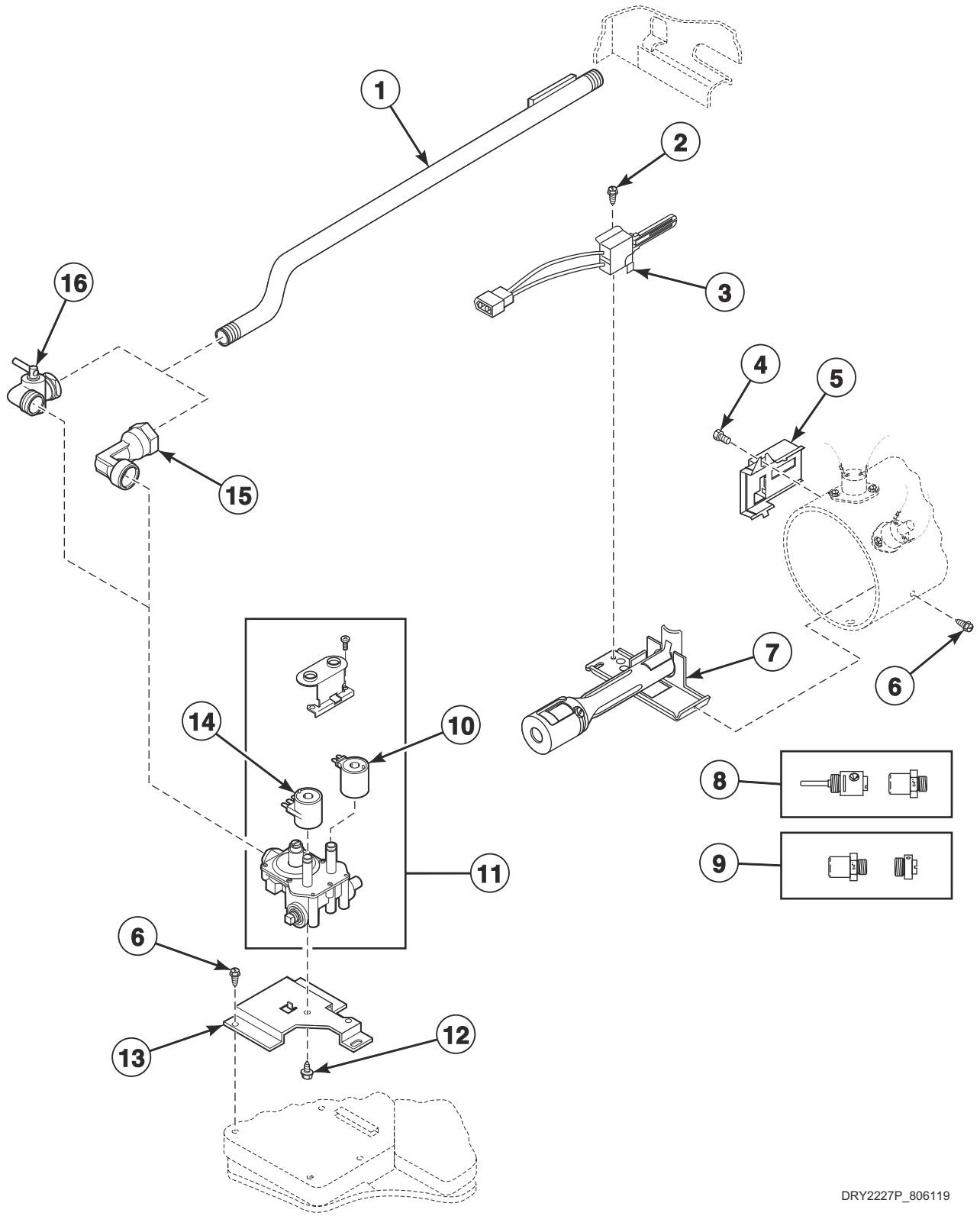
DRY1863P_806119

Heater Duct Assembly

REF	PART NO.	DESCRIPTION	COMMENTS
1	D503688	Screw	
2	D510101	Heat Duct Shroud	
3	D500820	Outlet Cover	Aluminized steel
	D518524	Outlet Cover	Black; Nitrocarburized
4	D510025P	Heater Duct Assembly	Includes items 1 and 3
5	D510132	Combustion Duct	Double thermostat; Models HTGNXASP123DW01, HTGNXASP543DW01, JT2JEASP413EW06, JT2JGASP413EW06, JT2JMASG413EN06, JT2JRASP413EW06, JT2JXASP413EW06, JTGJEASP303EW06, JTGJRASP303EW06, JTGJXASP303EW06, NT2JLASP403UN01, NT2JLASP403UW01, NT2JLASP403UW06, NT2JXASP403UN01, NT2JXASP403UW06, NTGNXASP115MW01, NTGNXASP304ZW38, PT2JGAJG403UG06, PT2JGAJP403UG06, PT2JGASG403UG06, PT2JGASP403UG06, PT2JXASG403UG06, PT2JXASP403UG06, PTGJXASG303UG06, PTGJXASG543ZG01, PTGJXASP303UG06, PTGJXASP304AG01, PTGJXASP543ZG01, PTLJXASP303NG22, PTLJXASP543NG23, STGNXASG113JW01, STGNXASP123DW01, STGNXASP303AW01, STGNXASP303AW12, STGNXASP543DN01, STGNXASP543DW01, STGNZASP113NW22, STGWYAJP303NN22, STLNXASP303LW01, STLNYASP543PW01, STLWXASP303LN01, STMNXASG103JW01 and STMNXASG113JW01
	D510131	Combustion Duct	Single thermostat; All other models
6	51782	Screw	
7	D510702	Limit Thermostat	Black; Auto reset
8	D510703	Thermostat	Manual reset; Models HTGNXASP123DW01, HTGNXASP543DW01, JT2JEASP413EW06, JT2JGASP413EW06, JT2JMASG413EN06, JT2JRASP413EW06, JT2JXASP413EW06, JTGJEASP303EW06, JTGJRASP303EW06, JTGJXASP303EW06, NT2JLASP403UN01, NT2JLASP403UW01, NT2JLASP403UW06, NT2JXASP403UN01, NT2JXASP403UW06, NTGNXASP115MW01, NTGNXASP304ZW38, PT2JGAJG403UG06, PT2JGAJP403UG06, PT2JGASG403UG06, PT2JGASP403UG06, PT2JXASG403UG06, PT2JXASP403UG06, PTGJXASG303UG06, PTGJXASG543ZG01, PTGJXASP303UG06, PTGJXASP304AG01, PTGJXASP543ZG01, PTLJXASP303NG22, PTLJXASP543NG23, STGNXASG113JW01, STGNXASP123DW01, STGNXASP303AW01, STGNXASP303AW12, STGNXASP543DN01, STGNXASP543DW01, STGNZASP113NW22, STGWYAJP303NN22, STLNXASP303LW01, STLNYASP543PW01, STLWXASP303LN01, STMNXASG103JW01 and STMNXASG113JW01

Gas Valve, Igniter and Gas Conversion Kits Through Serial No. 1908000001

Gas Model Dryers except STMNXASG103JW01 and STMNXASG113JW01



DRY2227P_806119

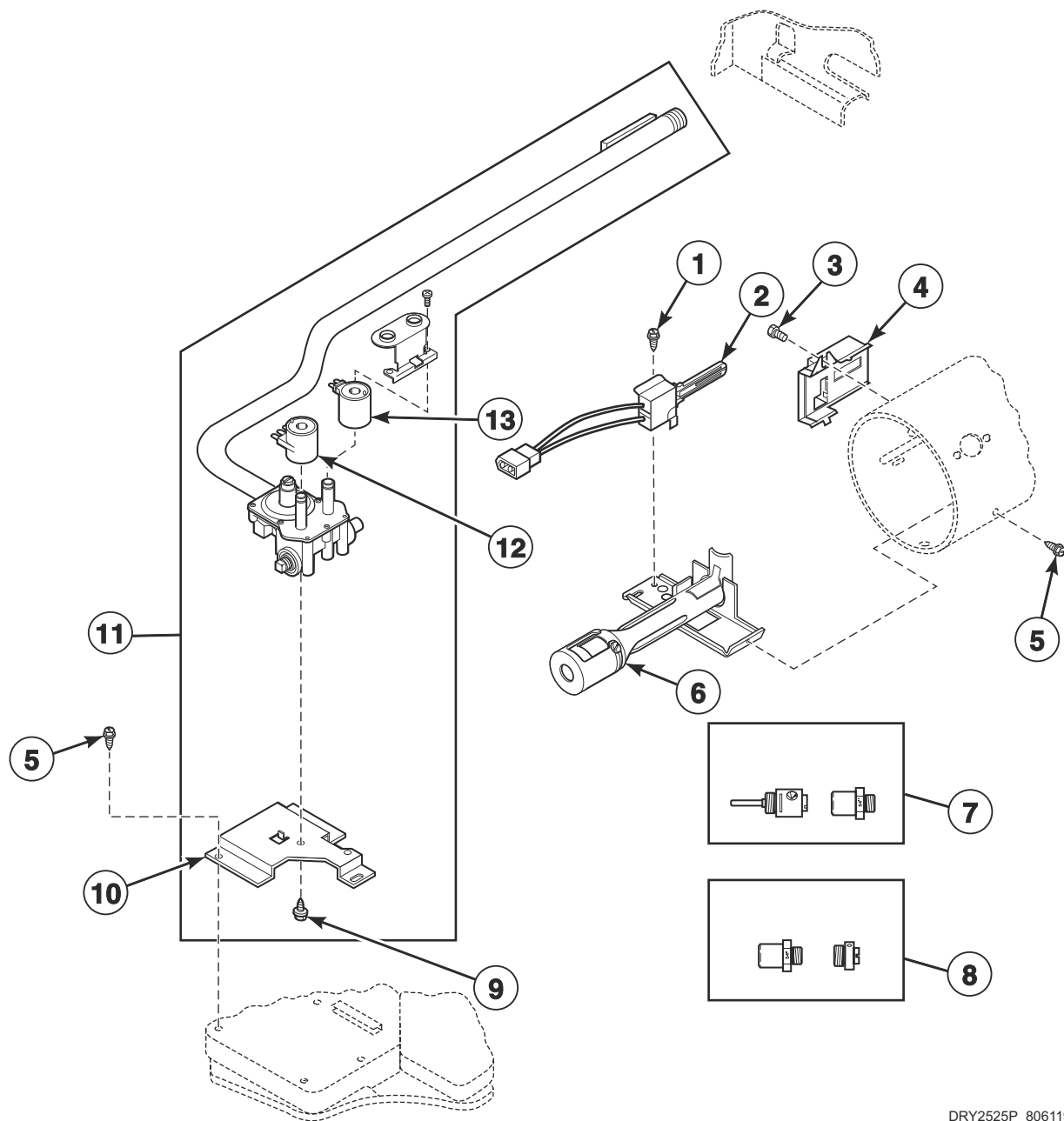
Gas Valve, Igniter and Gas Conversion Kits Through Serial No. 190800001

REF	PART NO.	DESCRIPTION	COMMENTS
1	D510204	Lead-In Pipe Assembly	
2	51782	Screw	
3	D510184P	Igniter and Bracket Assembly	
4	23222	Screw	
5	D510213	Sensor	
6	D503688	Screw	
7	D510149P	Burner Assembly	
8	458P3	L.P. Conversion Kit	Used to convert dryers from N.G. or Mixed Gas to L.P.; 25,000 Btu; Models HTGNXASP093CW01, HTGNXASP113FW01, HTGNXASP123DW01, HTGNXASP543DW01, NTLJXASP543NN23, NTLJYASP543NN23, PTGJCASP114TG01, PTGJEASP094CG01, PTGJXASG543ZG01, PTGJXASP094CG01, PTGJXASP114TG01, PTGJXASP304AG01, PTGJXASP543ZG01, STGNXCASP113TW01, STGNCFSP113TW01, STGNEASP093CW01, STGNXASG113JW01, STGNXASG113TW01, STGNXASP093CW01, STGNXASP113FW01, STGNXASP113TW01, STGNXASP123DW01, STGNXASP303AW01, STGNXASP303AW12, STGNXASP543DN01, STGNXASP543DW01, STGNXFSP113TW01, STGNYASP093CW01, STGNYASP113TN01, STGNYASP113TW01, STGNYFSP113TW01, STGWXASP113TW01, STGWYAJP303NN22, STGWYASP113TW01, STLNXASP543NW23, STLNYASP543NW23, STLNYASP543PW01 and STLWXASP543NN22
	599P3	L.P. Conversion Kit	Used to convert dryer from Natural Gas (N.G.) or Mixed Gas to Liquid Petroleum Gas (L.P.); 20,000 Btu; All other models
9	459P3	N.G. Conversion Kit	Used to convert dryers from L.P. to N.G. or Mixed Gas; 25,000 Btu
10	58804B	Secondary Coil	
11	60353P	Gas Valve Assembly	60 Hertz; 25,000 Btu; N.G.; Includes items 10 and 14; Models HTGNXASP093CW01, HTGNXASP113FW01, HTGNXASP123DW01, HTGNXASP543DW01, PTGJCASP114TG01, PTGJEASP094CG01, PTGJXASG543ZG01, PTGJXASP094CG01, PTGJXASP114TG01, PTGJXASP543ZG01, STGNXCASP113TW01, STGNCFSP113TW01, STGNEASP093CW01, STGNXASG113JW01, STGNXASG113TW01, STGNXASP093CW01, STGNXASP113FW01, STGNXASP113TW01, STGNXASP123DW01, STGNXASP543DN01, STGNXASP543DW01, STGNXFSP113TW01, STGNYASP093CW01, STGNYASP113TN01, STGNYASP113TW01, STGNYFSP113TW01, STGWXASP113TW01 and STGWYASP113TW01
	60443P	Valve Assembly	50 Hertz; 25,000 Btu; N.G.; Includes items 10 and 14; Models PTGJXASP304AG01, STGNXASP303AW01, STGNXASP303AW12 and STGWYAJP303NN22
	D515490	Gas Valve Assembly	50 Hertz; 25,000 Btu; L.P.; Includes items 10 and 14; Models NTLWXASP303LN01, PTLJXASP303NG22 and STLNXASP303LW01
	D513631	Gas Valve Assembly	60 Hertz; 22,500 Btu; L.P.; Includes items 10 and 14; Models NTLJXASP543NN23, NTLJYASP543NN23, PTLJXASP543NG23, STLNXASP543NW23, STLNYASP543NW23, STLNYASP543PW01 and STLWXASP543NN22
	59063P	Gas Valve Assembly	50 Hertz; 20,000 Btu; N.G.; Includes items 10 and 14; All other models
12	56124	Screw	
13	D510128	Gas Valve Mounting Bracket	
14	58804A	Booster and Holding Coil	
15	D513072	Elbow	Models NTLJXASP543NN23, NTLJYASP543NN23, STLNXASP543NW23, STLNYASP543NW23, STLNYASP543PW01 and STLWXASP543NN22
16	D510205	Elbow Shut-Off Valve	All models except NTLJXASP543NN23, NTLJYASP543NN23, NTLWXASP303LN01, STLNXASP543NW23, STLNYASP543NW23, STLNYASP543PW01 and STLWXASP543NN22

Gas Valve, Igniter and Gas Conversion Kits

Starting Serial No. 1908000001

Gas Model Dryers except STMNXASG103JW01 and STMNXASG113JW01



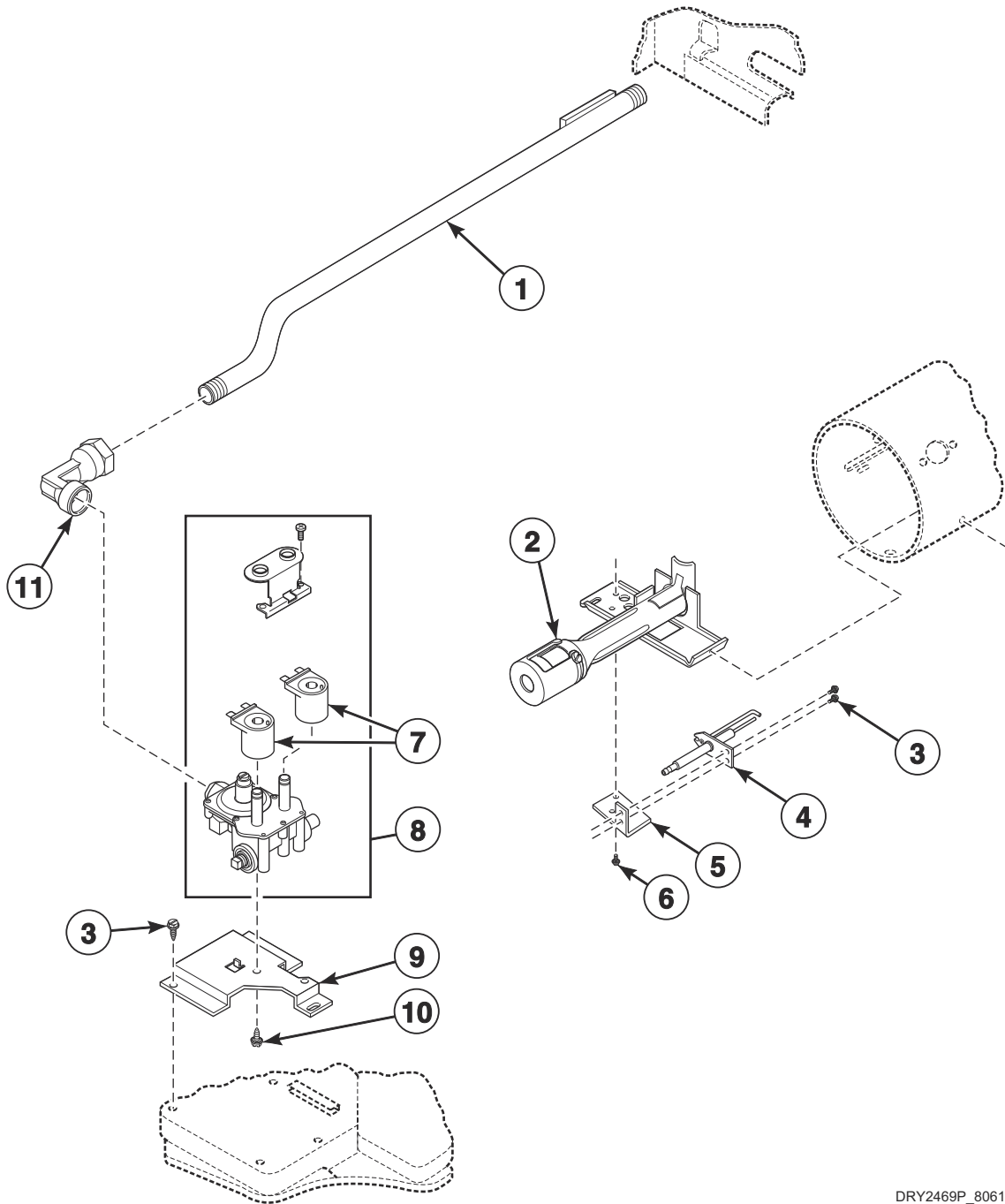
DRY2525P_806119

Gas Valve, Igniter and Gas Conversion Kits Starting Serial No. 1908000001

REF	PART NO.	DESCRIPTION	COMMENTS
1	51782	Screw	
2	D510184P	Igniter and Bracket Assembly	
3	23222	Screw	
4	D510213	Sensor	
5	D503688	Screw	
6	D510149P	Burner Assembly	
7	458P3	L.P. Conversion Kit	Used to convert dryers from N.G. or Mixed Gas to L.P.; 25,000 Btu; Models HTGNXASP093CW01, HTGNXASP113FW01, HTGNXASP123DW01, HTGNXASP543DW01, NTGNXASP115MW01, NTGNXASP304ZW38, NTLJXASP543NN23, NTLJYASP543NN23, NTLNGASP543NW23, PTGJCASP114TG01, PTGJEASP094CG01, PTGJXASG543ZG01, PTGJXASP094CG01, PTGJXASP114TG01, PTGJXASP304AG01, PTGJXASP543ZG01, STGNXCASP113TW01, STGNCFSP113TW01, STGNEASP093CW01, STGNXASG113JW01, STGNXASG113TW01, STGNXASP093CW01, STGNXASP113FW01, STGNXASP113TW01, STGNXASP123DW01, STGNXASP303AW01, STGNXASP303AW12, STGNXASP543DN01, STGNXASP543DW01, STGNXFSP113TW01, STGNYASP093CW01, STGNYASP113TN01, STGNYASP113TW01, STGNYFSP113TW01, STGNZASP113NW22, STGWXASP113TW01, STGWYAJP303NN22, STGWYASP113TW01, STLNXASP543NW23, STLNYASP543NW23, STLNYASP543PW01 and STLWXASP543NN22
	599P3	L.P. Conversion Kit	Used to convert dryer from Natural Gas (N.G.) or Mixed Gas to Liquid Petroleum Gas (L.P.); 20,000 Btu; All other models
8	459P3	N.G. Conversion Kit	Used to convert dryers from L.P. to N.G. or Mixed Gas; 25,000 Btu
9	56124	Screw	
10	D510128	Gas Valve Mounting Bracket	
11	D517606	Gas Valve, Bracket and Pipe Assembly	60 Hertz; 25,000 Btu; N.G.; Includes items 10 and 14; Models HTGNXASP093CW01, HTGNXASP113FW01, HTGNXASP123DW01, HTGNXASP543DW01, NTGNXASP115MW01, PTGJCASP114TG01, PTGJEASP094CG01, PTGJXASG543ZG01, PTGJXASP094CG01, PTGJXASP114TG01, PTGJXASP543ZG01, STGNXCASP113TW01, STGNCFSP113TW01, STGNEASP093CW01, STGNXASG113JW01, STGNXASG113TW01, STGNXASP093CW01, STGNXASP113FW01, STGNXASP113TW01, STGNXASP123DW01, STGNXASP543DN01, STGNXASP543DW01, STGNXFSP113TW01, STGNYASP093CW01, STGNYASP113TN01, STGNYASP113TW01, STGNYFSP113TW01, STGNZASP113NW22, STGWXASP113TW01 and STGWYASP113TW01
	D517608	Gas Valve, Bracket and Pipe Assembly	50 Hertz; 25,000 Btu; N.G.; Includes items 10 and 14; Models NTGNXASP304ZW38, PTGJXASP304AG01, STGNXASP303AW01, STGNXASP303AW12 and STGWYAJP303NN22
	D517613	Gas Valve, Bracket and Pipe Assembly	50 Hertz; 25,000 Btu; L.P.; Includes items 10 and 14; Models NTLWXASP303LN01, PTLJXASP303NG22, STLNXASP303LW01 and STLWXASP303LN01
	D517612	Gas Valve, Bracket and Pipe Assembly	60 Hertz; 22,500 Btu; L.P.; Includes items 10 and 14; Models NTLJXASP543NN23, NTLJYASP543NN23, NTLNGASP543NW23, PTLJXASP543NG23, STLNXASP543NW23, STLNYASP543NW23, STLNYASP543PW01 and STLWXASP543NN22
	D517607	Gas Valve, Bracket and Pipe Assembly	50 Hertz; 20,000 Btu; N.G.; Includes items 10 and 14; All other models
12	58804A	Booster and Holding Coil	
13	58804B	Secondary Coil	

Gas Valve Through Serial No. 1908000001

Models STMNXASG103JW01 and STMNXASG113JW01



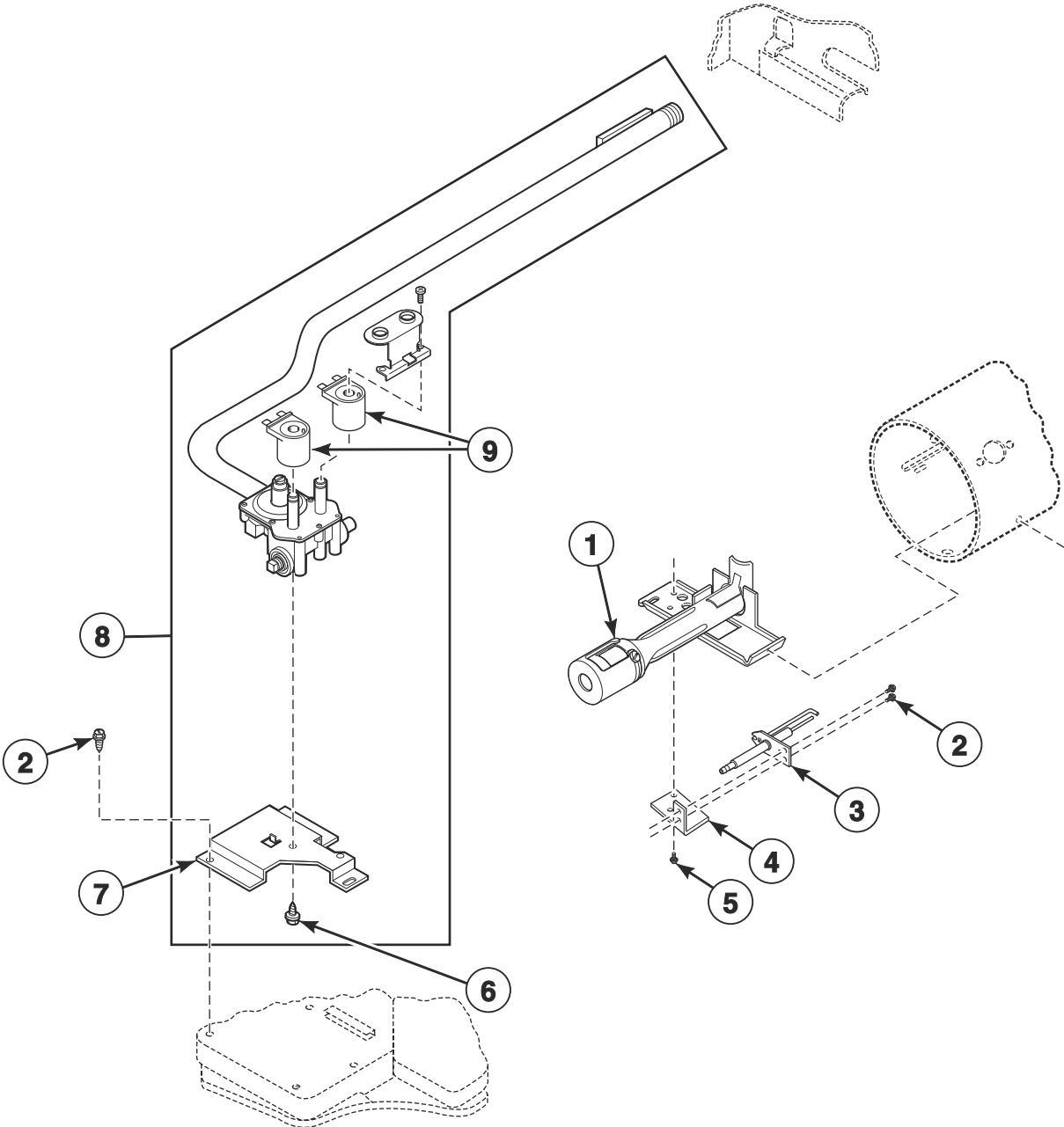
DRY2469P_806119

Gas Valve Through Serial No. 1908000001

REF	PART NO.	DESCRIPTION	COMMENTS
1	D510204	Lead-In Pipe Assembly	
2	D510149P	Burner Assembly	
3	D503688	Screw	
4	44328701P	Spark Electrode	
5	D516238	Bracket	
6	51782	Screw	
7	D516699	Gas Valve Coil	24 Vac; 50-60 Hertz
8	D516182	Gas Valve Assembly	50-60 Hertz; 22,500 Btu; N.G.; Includes item 7
9	D510128	Gas Valve Mounting Bracket	
10	56124	Screw	
11	D513072	Elbow	

Gas Valve Starting Serial No. 1908000001

Models STMNXASG103JW01 and STMNXASG113JW01



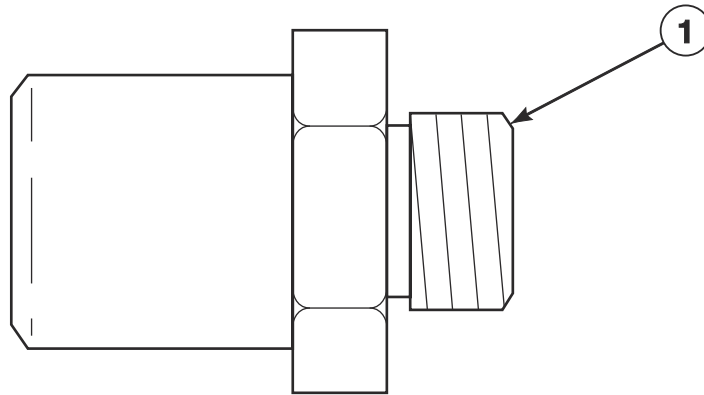
DRY2526P_806119

Gas Valve Starting Serial No. 1908000001

REF	PART NO.	DESCRIPTION	COMMENTS
1	D510149P	Burner Assembly	
2	D503688	Screw	
3	44328701P	Spark Electrode	
4	D516238	Bracket	
5	51782	Screw	
6	56124	Screw	
7	D510128	Gas Valve Mounting Bracket	
8	D517610	Gas Valve, Bracket and Pipe Assembly	50-60 Hertz; 22,500 Btu; N.G.; Includes items 6-9
9	D516699	Gas Valve Coil	24 Vac; 50-60 Hertz

Burner Orifice Spuds - For Higher Elevations

Gas Models

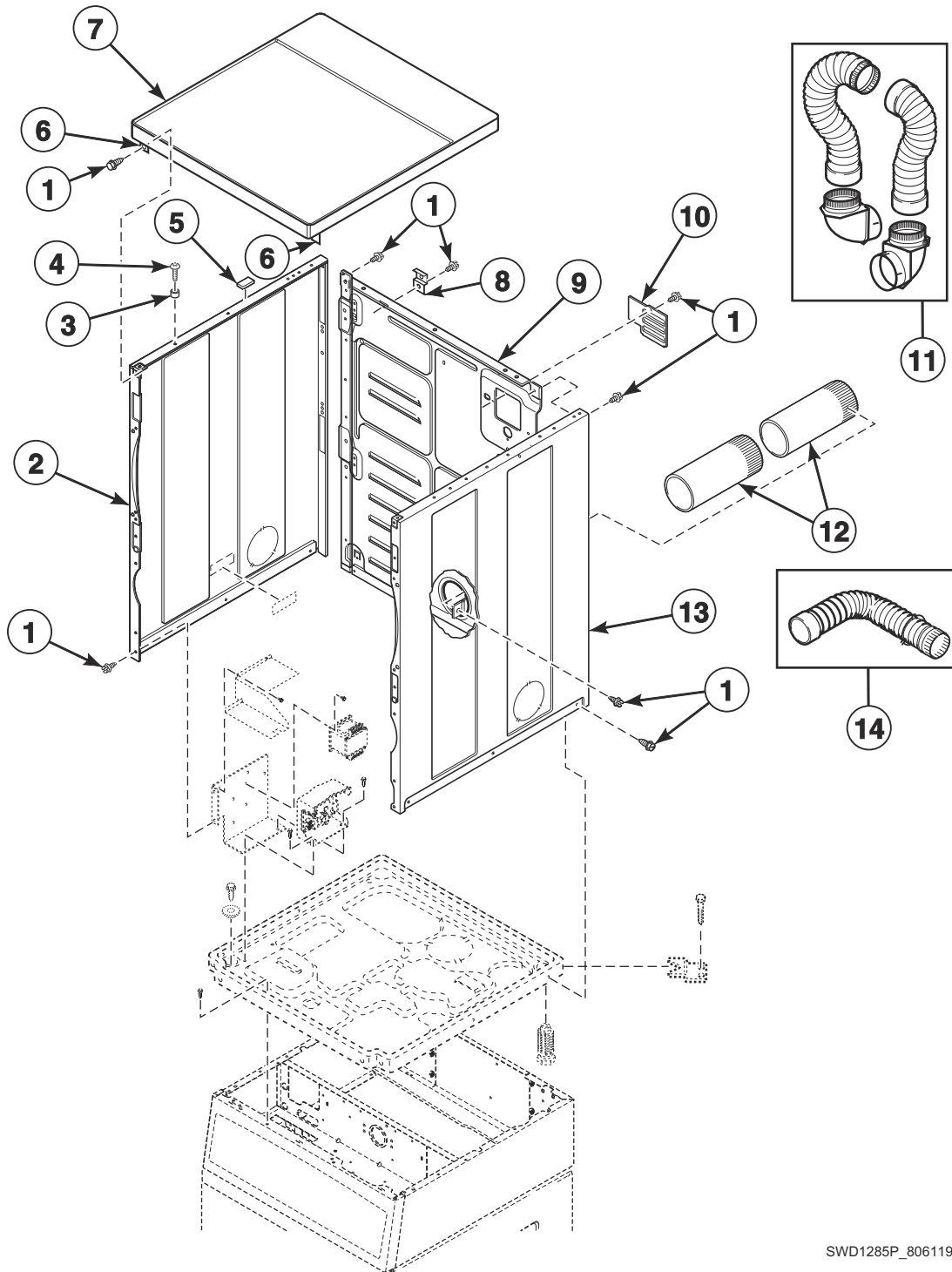


DRY2266P_806119

Burner Orifice Spuds - For Higher Elevations

REF	PART NO.	DESCRIPTION	COMMENTS
1	58755	L.P. Orifice	25,000 Btu; 7500-10,999 feet (2290-3354 m)
	D503786	L.P. Orifice	25,000 Btu; 11,000 feet (3355 m) and higher
	58719	Screw Orifice	Natural Gas (N.G.); 25,000 Btu; 7000-8999 feet (2135-2744 m)
	D503776	N.G. Orifice	25,000 Btu; 2000-2999 feet (610-914 m)
	D510517	N.G. Orifice	25,000 Btu; 3000-5499 feet (915-1679 m)
	D503778	N.G. Orifice	25,000 Btu; 5500-6999 feet (1680-2134 m)
	D503779	N.G. Orifice	25,000 Btu; 9000-10,499 feet (2745-3199 m)
	D503780	N.G. Orifice	25,000 Btu; 10,500 feet (3200 m) and higher

Dryer Cabinet and Exhaust Duct

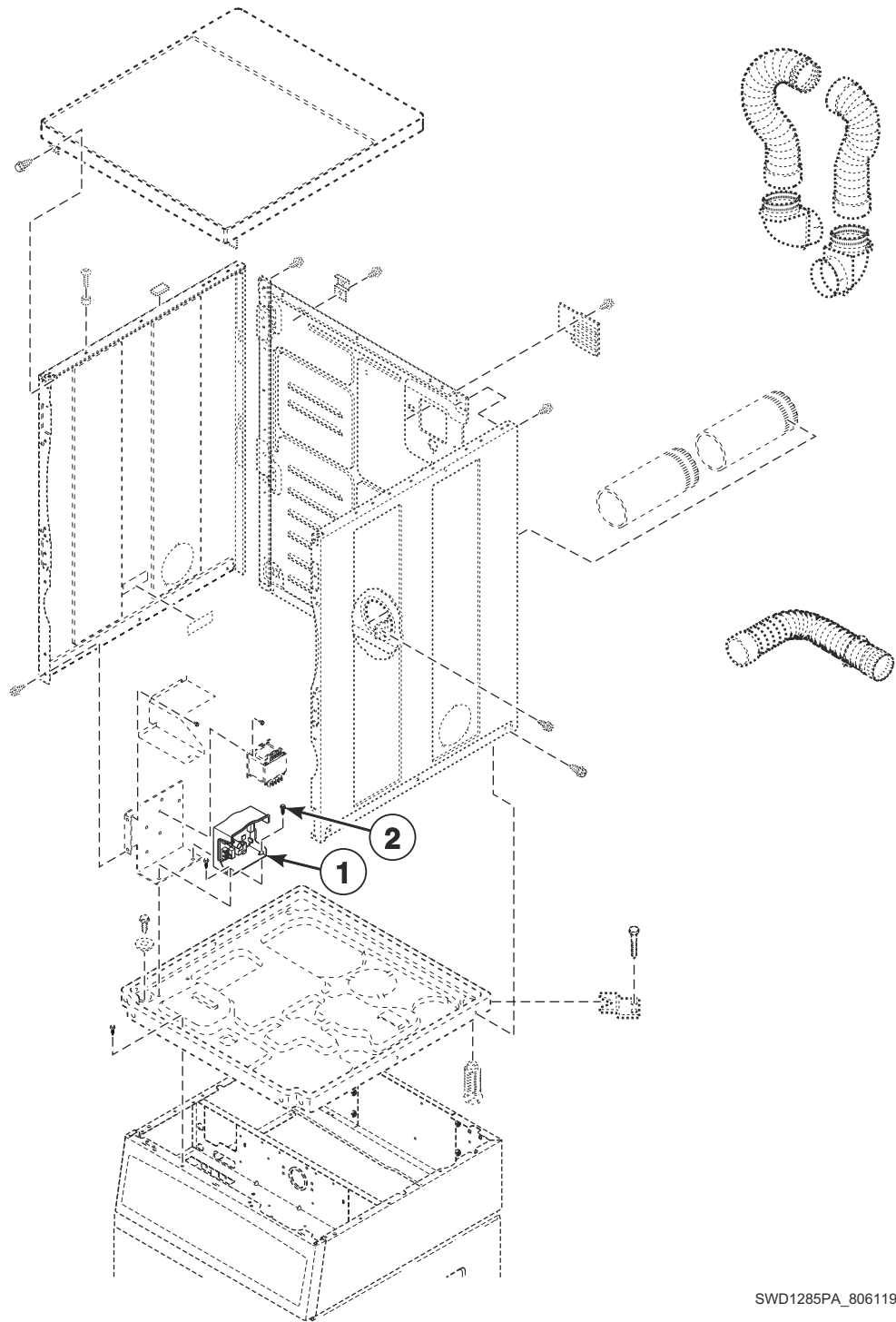


SWD1285P_806119

Dryer Cabinet and Exhaust Duct

REF	PART NO.	DESCRIPTION	COMMENTS
	122P4P	Porcelain Touch-Up Paint	White
	806436P	Paint	Dark gray
1	D503688	Screw	
2	D510001WP	Cabinet Side Panel	Left; White
	D510001DGP	Cabinet Side Panel	Left; Dark gray
3	56079	Panel Locator	
4	39733	Screw	
5	56128	Bumper Pad	
6	D510146	Bracket	
7	D510032WP	Top Kit	White
	D510032DG	Top Panel	Dark gray
	803144P	Top Kit	Stainless steel
8	D510136	Top Hinge	
9	D514632P	Cabinet Rear Panel	Through Serial No. 1912999999
	D517566	Cabinet Rear Panel	Starting Serial No. 2001000001
10	D510903	Access Panel Plate	With louvers
	D514356	Access Cover Plate	Without louvers
11	521P3	Flexible Venting Kit	
12	D516196	Exhaust Duct	Each dryer requires 2 pieces
13	D510002WP	Cabinet Side Panel	Right; White
	D510002DGP	Cabinet Side Panel	Right; Dark gray
14	528P3	Directional Exhaust Kit	Used to vent dryer out the sides

Output Control Assembly

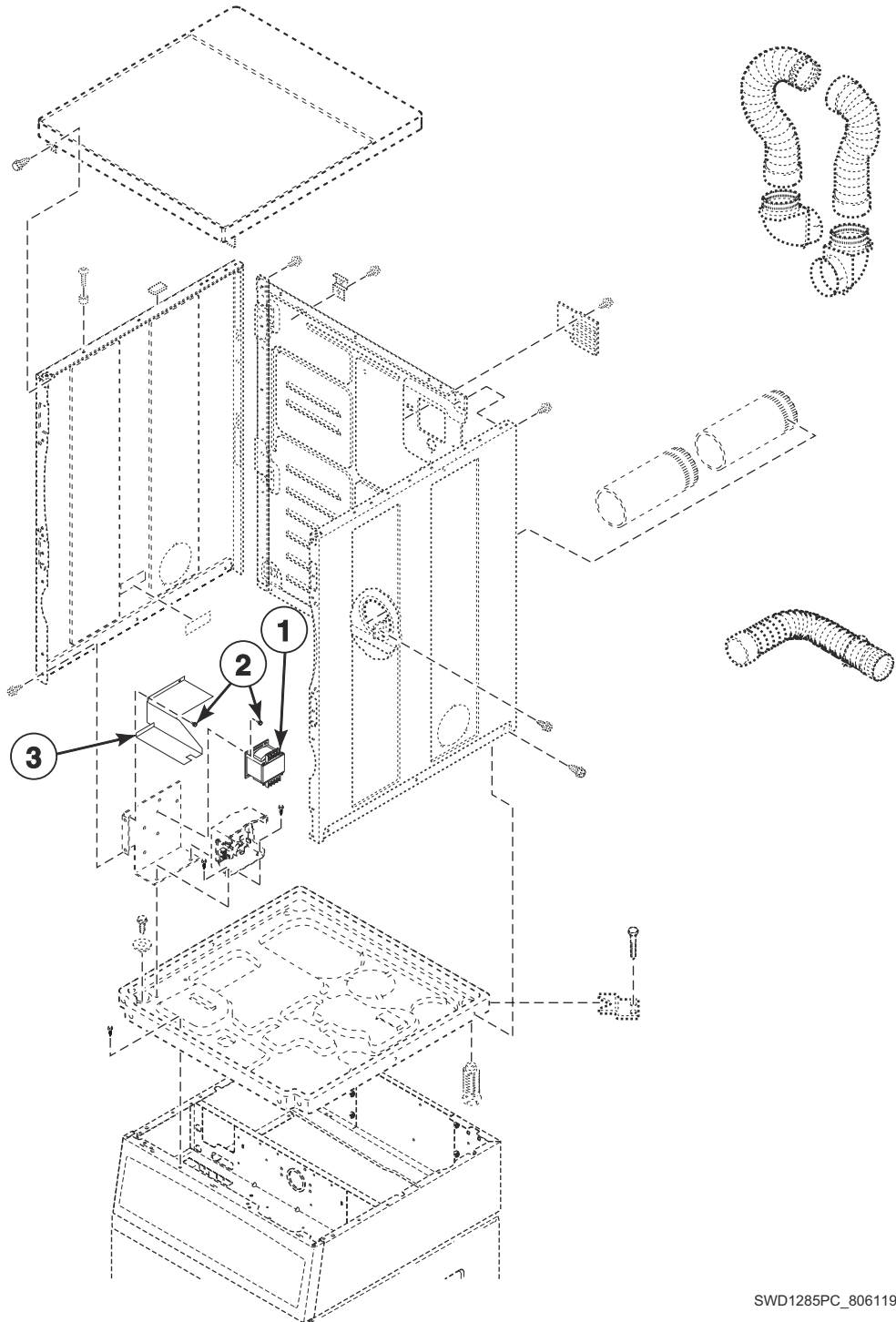


Output Control Assembly

REF	PART NO.	DESCRIPTION	COMMENTS
1	D517269	Output Control Assembly	Models PTEJXASP543NG23, PTLJXASP543NG23, STEWXASP453NN22, STGNZASP113NW22 and TT3JGASP403NW36 through Serial No. 1912999999
	D513797P	Output Control Assembly	All other models through Serial No. 1912999999
	D517191P	Output Control Assembly	Models NTLJXASP543NN23, NTLJYASP543NN23, NTLNGASP543NW23, NTLWXASP303LN01, PTEJXASP543NG23, PTLJXASP303NG22, PTLJXASP543NG23, STEWXASP453NN22, STEWYAJP303NN22, STEWYAJP303NW22, STGWYAJP303NN22, STLNXASP543NW23, STLNYASP543NW23, STLWXASP303LN01, STLWXASP543NN22, TT3JGASP403NW36 and TT3JXASP403NW22 starting Serial No. 2001000001
	D517319	Output Control Assembly	All other models starting Serial No. 2001000001
	D514420	Output Board Shield	All models except HTENXASP283CW01, HTENXASP293CW01, HTENYASP283CW01, HTENYASP293CW01, HTGNXASP093CW01, NT3JLASP403NN22, NT3JLASP403NW22, NT3JXASP403NW22, NTENXASP175MW01, NTGNXASP115MW01, NTHJXASP543NW01, NTHJYASP543NW01, NTLJXASP543NN23, NTLJYASP543NN23, NTLNGASP543NW23, NTLWXASP303LN01, PTEJCASP174TG01, PTEJEASP284CG01, PTEJXASP174TG01, PTEJXASP284CG01, PTGJCASP114TG01, PTGJEASP094CG01, PTGJXASP094CG01, PTGJXASP114TG01, ST3JXASP403NW22, STENCASP173TW01, STENCFSP173TW01, STENEASP283CW01, STENEASP293CW01, STENXASP173TW01, STENXASP283CW01, STENXASP293CW01, STENXFSP173TW01, STENYASP173TN01, STENYASP173TW01, STENYASP283CW01, STENYASP293CW01, STENYFSP173TW01, STEWXASP173TW01, STEWYAJP303NN22, STEWYAJP303NW22, STEWYASP173TW01, STGNCASP113TW01, STGNCFSP113TW01, STGNEASP093CW01, STGNXASG113TW01, STGNXASP093CW01, STGNXASP113TW01, STGNXFSP113TW01, STGNYASP093CW01, STGNYASP113TN01, STGNYASP113TW01, STGNYFSP113TW01, STGWXASP113TW01, STGWYAJP303NN22, STGWYASP113TW01, STLNXASP543NW23, STLNYASP543NW23, STLWXASP543NN22 and TT3JXASP403NW22
2	804667	Screw	

Transformer

Models JT2JEASP413EW06, JT2JGASP413EW06, JT2JMASG413EN06, JT2JRASP413EW06, JT2JXASP413EW06, JT2JEASP303EW06, JT2JRASP303EW06, JT2JXASP303EW06, NT2JLASP403UN01, NT2JLASP403UW01, NT2JLASP403UW06, NT2JXASP403UN01, NT2JXASP403UW06, NTGNXASP304ZW38, NTLJXASP543NN23, NTLJYASP543NN23, NTLNGASP543NW23, NTLWXASP303LN01, PT2JGAJG403UG06, PT2JGAJP403UG06, PT2JGASG403UG06, PT2JGASP403UG06, PT2JXASG403UG06, PT2JXASP403UG06, PTGJXASG303UG06, PTGJXASG543ZG01, PTGJXASP303UG06, PTGJXASP304AG01, PTGJXASP543ZG01, PTLJXASP303NG22, PTLJXASP543NG23, ST2JXASP403EW06, STGNXASP303AW01, STGNXASP303AW12, STGNXASP543DN01, STGNXASP543DW01, STGWYAJP303NN22, STLNXASP303LW01, STLNXASP543NW23, STLNYASP543NW23, STLNYASP543PW01, STLWXASP303LN01 and STLWXASP543NN22

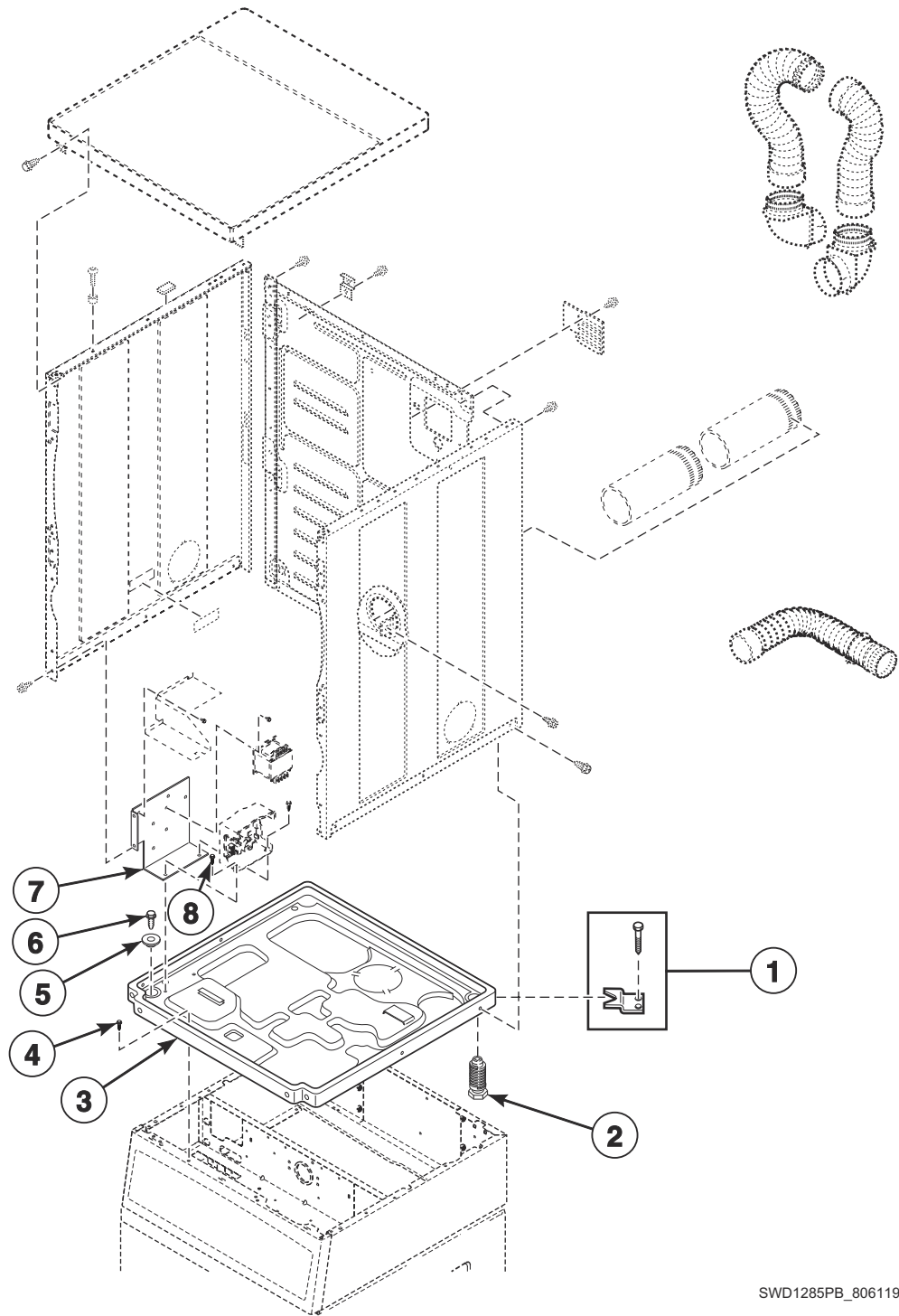


SWD1285PC_806119

Transformer

REF	PART NO.	DESCRIPTION	COMMENTS
	D518061	Transformer Harness	
1	D513763P	Transformer	
2	D503688	Screw	
3	D514334	Transformer Shield	

Dryer Base



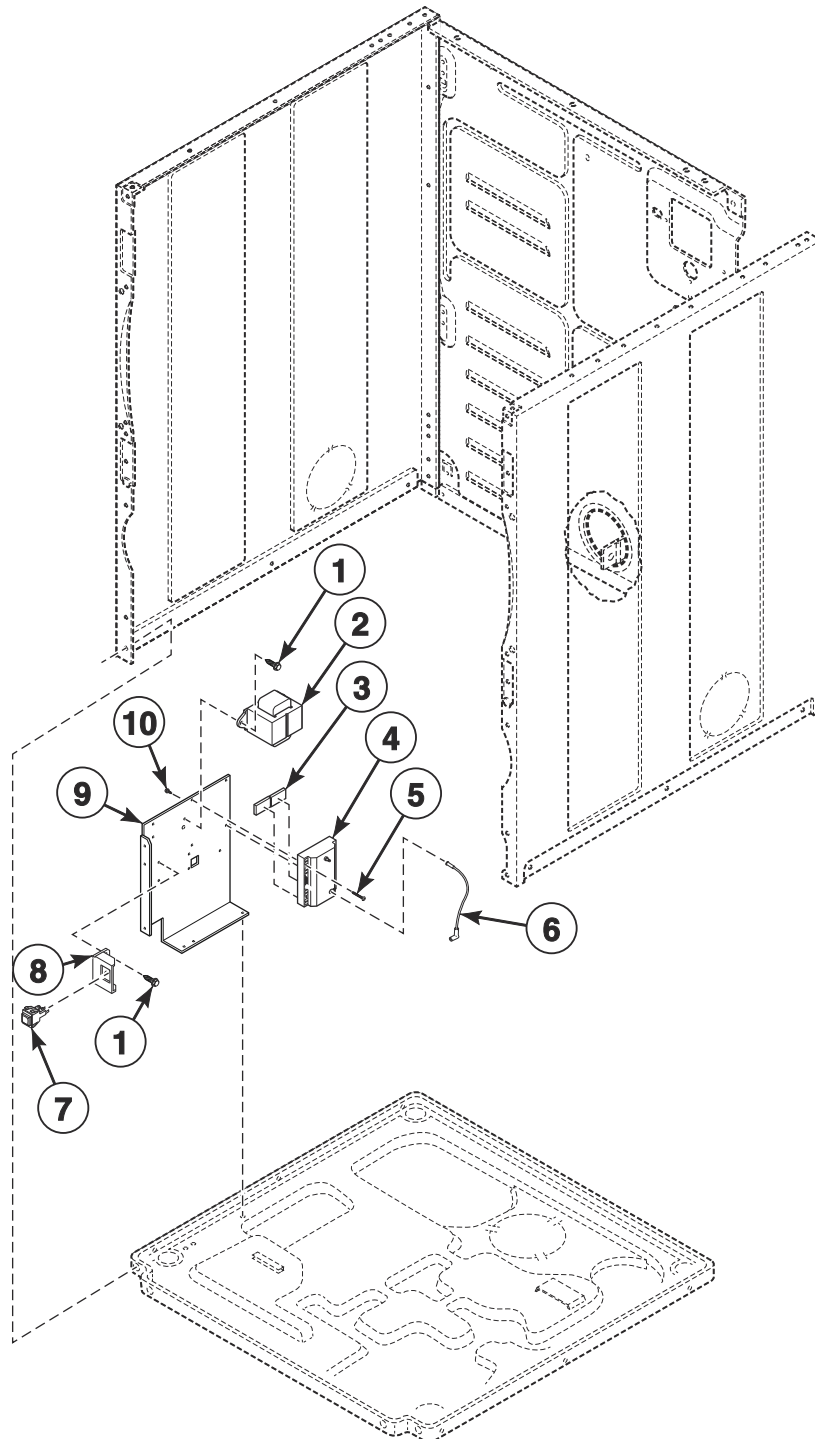
SWD1285PB_806119

Dryer Base

REF	PART NO.	DESCRIPTION	COMMENTS
1	526P3	Hold Down Kit	For mobile home installations
2	D510135	Leveling Leg	
3	D514245	Dryer Base	
4	D503688	Screw	
5	26509	Washer	
6	36048	Screw	
7	D518062	Bracket Assembly	Models JT2JEASP413EW06, JT2JGASP413EW06, JT2JMASG413EN06, JT2JRASP413EW06, JT2JXASP413EW06, JTGJEASP303EW06, JTGJRASP303EW06, JTGJXASP303EW06, NT2JLASP403UN01, NT2JLASP403UW01, NT2JLASP403UW06, NT2JXASP403UN01, NT2JXASP403UW06, NTGNXASP304ZW38, NTLJXASP543NN23, NTLJYASP543NN23, NTLNGASP543NW23, NTLWXASP303LN01, PT2JGAJG403UG06, PT2JGAJP403UG06, PT2JGASG403UG06, PT2JGASP403UG06, PT2JXASG403UG06, PT2JXASP403UG06, PTGJXASG303UG06, PTGJXASG543ZG01, PTGJXASP303UG06, PTGJXASP304AG01, PTGJXASP543ZG01, PTLJXASP303NG22, PTLJXASP543NG23, ST2JXASP403EW06, STGNXASP303AW01, STGNXASP303AW12, STGNXASP543DN01, STGNXASP543DW01, STGWYAJP303NN22, STLNXASP303LW01, STLNXASP543NW23, STLNYASP543NW23, STLNYASP543PW01, STLWXASP303LN01 and STLWXASP543NN22
8	D514428	Screw	

Ignition Control Module

Models STMNXASG103JW01 and STMNXASG113JW01



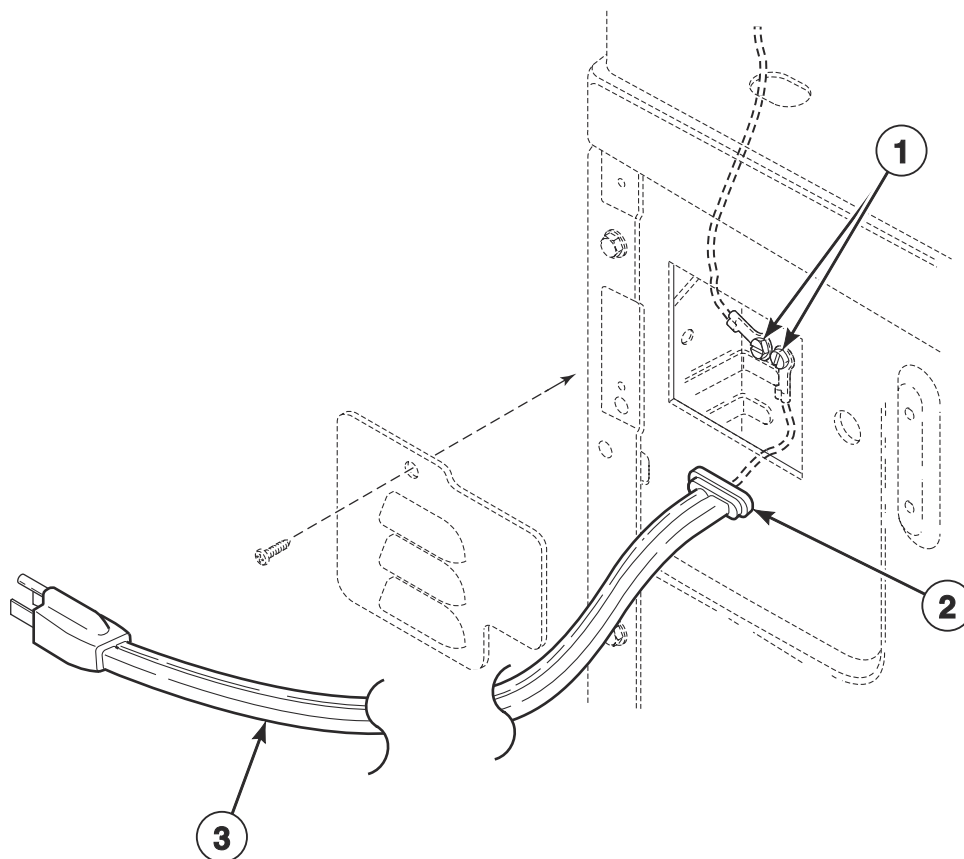
DRY2483P_806119

Ignition Control Module

REF	PART NO.	DESCRIPTION	COMMENTS
	D516881	ICM Gas Harness	
	D517459	Jumper	
1	D503688	Screw	
2	202757	Transformer	
3	56128	Bumper Pad	
4	70483201P	Ignition Control	
5	D516261	Screw	
6	44239706	High Voltage Suppression Cable	
7	M413431	Pushbutton Switch	Lighted
8	D516237	Switch Bracket	
9	D511859	Contacto Bracket	
10	38272	Screw	

Dryer Lead-In Cord (Drawing 1 of 2)

Models HTGNXASP093CW01, NTEWXASP433LN01, NTGNXASP115MW01, NTLJXASP543NN23, NTLJYASP543NN23, NTLNGASP543NW23, NTLWXASP303LN01, PTEJXASP543NG23, PTGJCASP114TG01, PTGJEASP094CG01, PTGJXASP094CG01, PTGJXASP114TG01, PTLJXASP303NG22, PTLJXASP543NG23, STEWXASP453NN22, STGNCASP113TW01, STGNCFSP113TW01, STGNEASP093CW01, STGNXASG113TW01, STGNXASP093CW01, STGNXASP113TW01, STGNXFSP113TW01, STGNYASP093CW01, STGNYASP113TN01, STGNYASP113TW01, STGNYFSP113TW01, STGNZASP113NW22, STGWXASP113TW01, STGWYASP113TW01, STLNXASP543NW23, STLNYASP543NW23, STLWXASP543NN22 and TT3JGASP403NW36



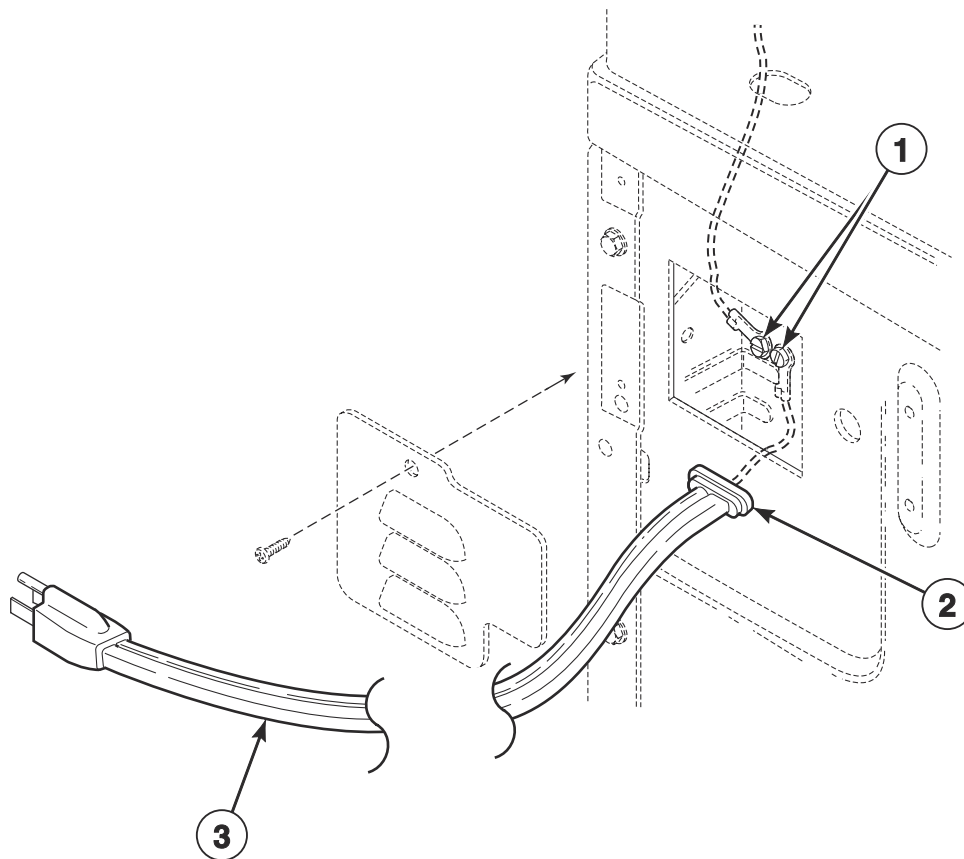
DRY1790P_806119

Dryer Lead-In Cord (Drawing 1 of 2)

REF	PART NO.	DESCRIPTION	COMMENTS
1	20530	Screw	
2	F140312	Connector	Models HTGNXASP093CW01, PTGJEASP094CG01, PTGJXASP094CG01, STGNEASP093CW01, STGNXASP093CW01 and STGNYASP093CW01
	D502496	Strain Relief Adapter	Models NTEWXASP433LN01, PTEJXASP543NG23 and STEWXASP453NN22
	52113	Strain Relief	Models NTEWXASP433LN01 and PTEJXASP543NG23
	D511628	Strain Relief Connector	Model TT3JGASP403NW36
	38384	Strain Relief	All other models
3	203344	Lead-In Cord	Models NTLJXASP543NN23, NTLJYASP543NN23, NTLNGASP543NW23, PTLJXASP543NG23, STLNXASP543NW23, STLNYASP543NW23 and STLWXASP543NN22
	58992	Power Cord Assembly	Models HTGNXASP093CW01, PTGJEASP094CG01, PTGJXASP094CG01, STGNEASP093CW01, STGNXASP093CW01 and STGNYASP093CW01
	202777	Lead-In Cord	Models NTGNXASP115MW01, NTLNGASP543NW23, PTGJCASP114TG01, PTGJXASP114TG01, STGNCASP113TW01, STGNCFSP113TW01, STGNXASG113TW01, STGNXASP113TW01, STGNXFSP113TW01, STGNYASP113TN01, STGNYASP113TW01, STGNYFSP113TW01, STGWXASP113TW01 and STGWYASP113TW01
	D516747	Lead-In Cord Assembly	Models NTEWXASP433LN01, PTEJXASP543NG23 and STEWXASP453NN22
	801450	Power Cord Assembly	Model PTLJXASP303NG22
	D515441	Lead-In Cord	Model TT3JGASP403NW36
	203315	Lead-In Cord	Model NTLWXASP303LN01

Dryer Lead-In Cord (Drawing 2 of 2)

Models BT3JGAJG403UW01, BT3JGAJG403UW06, BT3JGAJP403UN01, BT3JGAJP403UN06, BT3JGAJP403UW01, BT3JGAJP403UW06, BT3JGASG403UW01, BT3JGASG403UW06, BT3JGASP403UN01, BT3JGASP403UN06, BT3JGASP403UW01, BT3JGASP403UW06, BT3JLASG403UW01, BT3JLASG403UW06, BT3JLASP403UN01, BT3JLASP403UN06, BT3JLASP403UW01, BT3JLASP403UW06, BT3JXASG403UW01, BT3JXASG403UW06, BT3JXASP403UN01, BT3JXASP403UN06, BT3JXASP403UW01, BT3JXASP403UW06, JT1JEASP413EW06, JT1JGASP413EW06, JT1JMASG413EN06, JT1JRASP413EW06, JT1JXASP413EW06, JT2JEASP413EW06, JT2JGASP413EW06, JT2JMASG413EN06, JT2JRASP413EW06, JT2JXASP413EW06, JTEJEASP303EW06, JTEJRASP303EW06, JTEJXASP303EW06, JTGJEASP303EW06, JTGRASP303EW06, JTGJXASP303EW06, NT1JLASP413UW06, NT1JXASP403UW06, NT2JLASP403UN01, NT2JLASP403UW01, NT2JLASP403UW06, NT2JXASP403UN01, NT2JXASP403UW06, NT3JLASG403UW01, NT3JLASP403NN22, NT3JLASP403NW22, NT3JLASP403UN01, NT3JLASP403UW01, NT3JXASG403UW01, NT3JXASP403NW22, NT3JXASP403UN01, NT3JXASP403UW01, NTENXASP454ZW01, NTGNXASP304ZW38, PT2JGAJG403UG06, PT2JGAJP403UG06, PT2JGASG403UG06, PT2JGASP403UG06, PT2JXASG403UG06, PT2JXASP403UG06, PT3JGAJG403UG06, PT3JGAJP403UG06, PT3JGASG403UG06, PT3JGASP403UG06, PT3JXASG403UG06, PT3JXASP403UG06, PTEJXASG303UG06, PTEJXASG543ZG01, PTEJXASP303UG06, PTEJXASP434AG01, PTEJXASP543ZG01, PTGJXASG303UG06, PTGJXASG543ZG01, PTGJXASP303UG06, PTGJXASP304AG01, PTGJXASP543ZG01, ST1JXASP403EW06, ST2JXASP403EW06, ST3JGASP403UW01, ST3JXASP403NW22, STENXASP433AN12, STENXASP433AW01, STENXASP433AW12, STENXASP433LN01, STENXASP433LW01, STENXASP543RW01, STGNXASG113JW01, STGNXASP303AW01, STGNXASP303AW12, STLNXASP303LW01, STLNYASP543PW01, STLWXASP303LN01, STMNXASG103JW01, STMNXASG113JW01, TT3JGASP403NW36 and TT3JXASP403NW22 starting Serial No. 2001000001



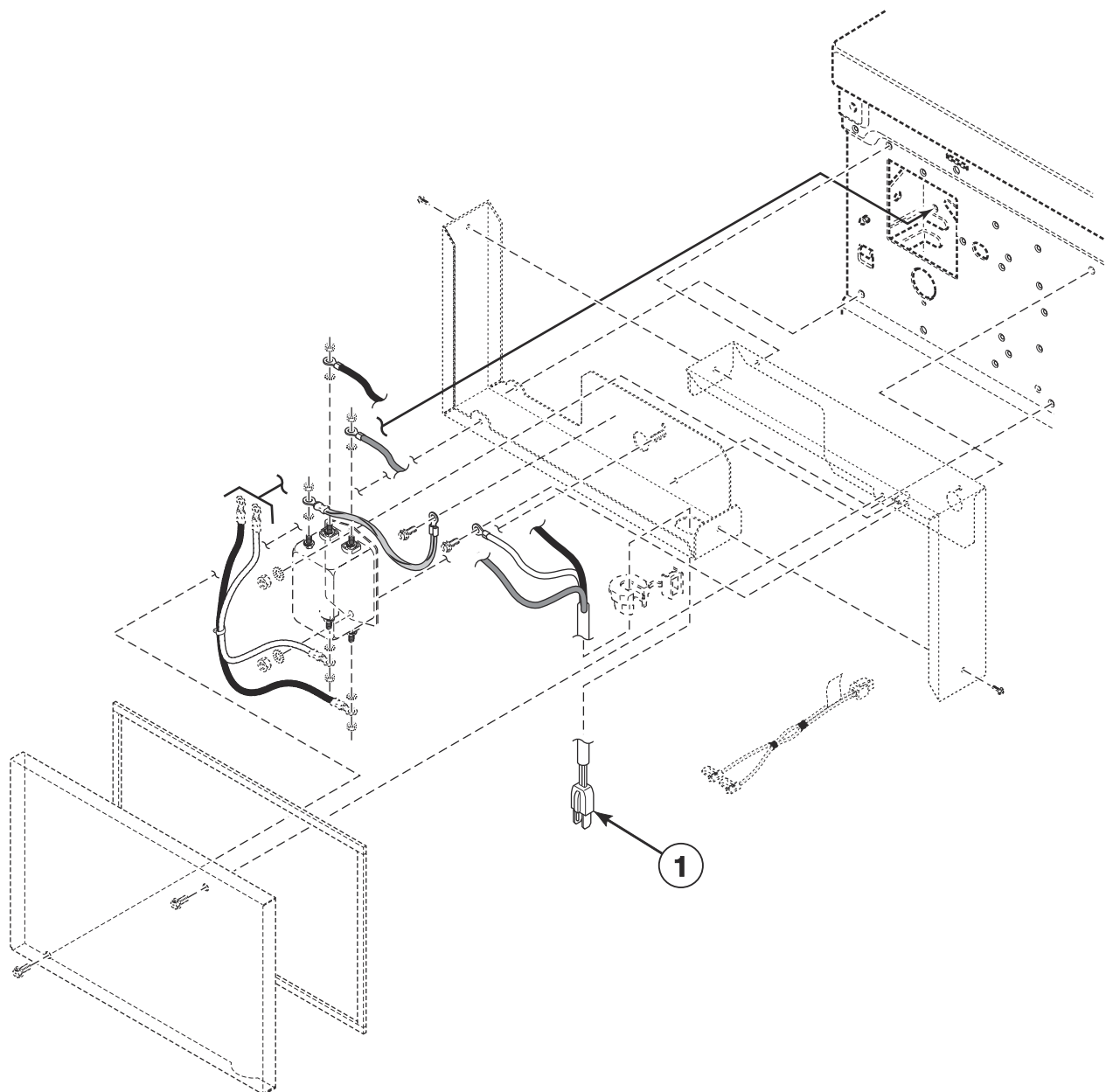
DRY1790P_806119

Dryer Lead-In Cord (Drawing 2 of 2)

REF	PART NO.	DESCRIPTION	COMMENTS
1	20530	Screw	
2	D517492	Strain Relief	Models JT1JEASP413EW06, JT1JGASP413EW06, JT1JMASG413EN06, JT1JRASP413EW06, JT1JXASP413EW06, JTEJEASP303EW06, JTEJRASP303EW06, JTEJXASP303EW06, NT1JLASP413UW06, NT1JXASP403UW06, NTENXASP454ZW01, PTEJXASG303UG06, PTEJXASG543ZG01, PTEJXASP303UG06, PTEJXASP434AG01, PTEJXASP543ZG01, ST1JXASP403EW06, STENXASP433AN12, STENXASP433AW01, STENXASP433AW12, STENXASP433LN01, STENXASP433LW01 and STENXASP543RW01
	D517491	Strain Relief	Models JT2JEASP413EW06, JT2JGASP413EW06, JT2JMASG413EN06, JT2JRASP413EW06, JT2JXASP413EW06, JTGJEASP303EW06, JTGJRASP303EW06, JTGJXASP303EW06, NT2JLASP403UN01, NT2JLASP403UW01, NT2JLASP403UW06, NT2JXASP403UN01, NT2JXASP403UW06, NTGNXASP304ZW38, PT2JGAJG403UG06, PT2JGAJP403UG06, PT2JGASG403UG06, PT2JGASP403UG06, PT2JXASG403UG06, PT2JXASP403UG06, PTGJXASG303UG06, PTGJXASG543ZG01, PTGJXASP303UG06, PTGJXASP304AG01, PTGJXASP543ZG01, ST2JXASP403EW06, STGNXASG113JW01, STGNXASP303AW01, STGNXASP303AW12, STLNXASP303LW01, STLNYASP543PW01, STLWXASP303LN01, STMNXASG103JW01 and STMNXASG113JW01
3	203344	Lead-In Cord	Models NTGNXASP304ZW38 and STLNYASP543PW01
	D517578	Lead-In Cord	Models NT2JLASP403UN01, NT2JLASP403UW01, NT2JLASP403UW06, NT2JXASP403UN01, NT2JXASP403UW06, PT2JGAJG403UG06, PT2JGAJP403UG06, PT2JGASG403UG06, PT2JGASP403UG06, PT2JXASG403UG06, PT2JXASP403UG06, PTGJXASG303UG06, PTGJXASG543ZG01, PTGJXASP303UG06, PTGJXASP543ZG01 and ST2JXASP403EW06
	D516705	Lead-In Cord	Models PTGJXASP304AG01, STGNXASP303AW01 and STGNXASP303AW12
	D516747	Lead-In Cord Assembly	Models JT1JEASP413EW06, JT1JGASP413EW06, JT1JMASG413EN06, JT1JRASP413EW06, JT1JXASP413EW06, JTEJEASP303EW06, JTEJRASP303EW06, JTEJXASP303EW06, NT1JLASP413UW06, NT1JXASP403UW06, NTENXASP454ZW01, PTEJXASG303UG06, PTEJXASG543ZG01, PTEJXASP303UG06, ST1JXASP403EW06, STENXASP433LN01, STENXASP433LW01 and STENXASP543RW01
	D517577	Lead-In Cord	Models JT2JEASP413EW06, JT2JGASP413EW06, JT2JMASG413EN06, JT2JRASP413EW06, JT2JXASP413EW06, JTGJEASP303EW06, JTGJRASP303EW06 and JTGJXASP303EW06
	D515467	Lead-In Cord Assembly	Model STLNXASP303LW01
	D517699	Lead-In Cord	3 Phase models
	61605P	Lead-In Cord Kit	Models PTEJXASP434AG01, STENXASP433AN12, STENXASP433AW01 and STENXASP433AW12
	D517581	Lead-In Cord	Models STGNXASG113JW01, STMNXASG103JW01 and STMNXASG113JW01

Junction Box (Drawing 1 of 2) - Through Serial No. 1912999999

All Models Except HTENXASP133DW01, HTENXASP133FW01, HTENXASP283CW01, HTENXASP293CW01, HTENXASP543DW01, HTENYASP283CW01, HTENYASP293CW01, HTGNXASP093CW01, HTGNXASP113FW01, HTGNXASP123DW01, HTGNXASP543DW01, NT3JLASP403NN22, NT3JLASP403NW22, NT3JXASP403NW22, NTENXASP175MW01, NTEWXASP433LN01, NTGNXASP115MW01, NTHJXASP543NW01, NTHJYASP543NW01, NTLJXASP543NN23, NTLJYASP543NN23, NTLNGASP543NW23, NTLWXASP303LN01, PTEJCASP174TG01, PTEJEASP284CG01, PTEJXASP174TG01, PTEJXASP284CG01, PTEJXASP543NG23, PTGJCASP114TG01, PTGJEASP094CG01, PTGJXASP094CG01, PTGJXASP114TG01, PTLJXASP303NG22, PTLJXASP543NG23, ST3JXASP403NW22, STENCASP173TW01, STENCFSP173TW01, STENEASP283CW01, STENEASP293CW01, STENXASP133DW01, STENXASP133FW01, STENXASP173TW01, STENXASP283CW01, STENXASP293CW01, STENXASP543DN01, STENXASP543DW01, STENXFSP173TW01, STENYASP173TN01, STENYASP173TW01, STENYASP283CW01, STENYASP293CW01, STENYFSP173TW01, STEWXASP173TW01, STEWXASP453NN22, STEWYAJP303NN22, STEWYAJP303NW22, STEWYASP173TW01, STGNCASP113TW01, STGNCFSP113TW01, STGNEASP093CW01, STGNXASG113TW01, STGNXASP093CW01, STGNXASP113FW01, STGNXASP113TW01, STGNXASP123DW01, STGNXASP543DN01, STGNXASP543DW01, STGNXFSP113TW01, STGNYASP093CW01, STGNYASP113TN01, STGNYASP113TW01, STGNYFSP113TW01, STGWXASP113TW01, STGWYAJP303NN22, STGWYASP113TW01, STLNXASP543NW23, STLNYASP543NW23, STLWXASP543NN22, TT3JGASP403NW36 and TT3JXASP403NW22



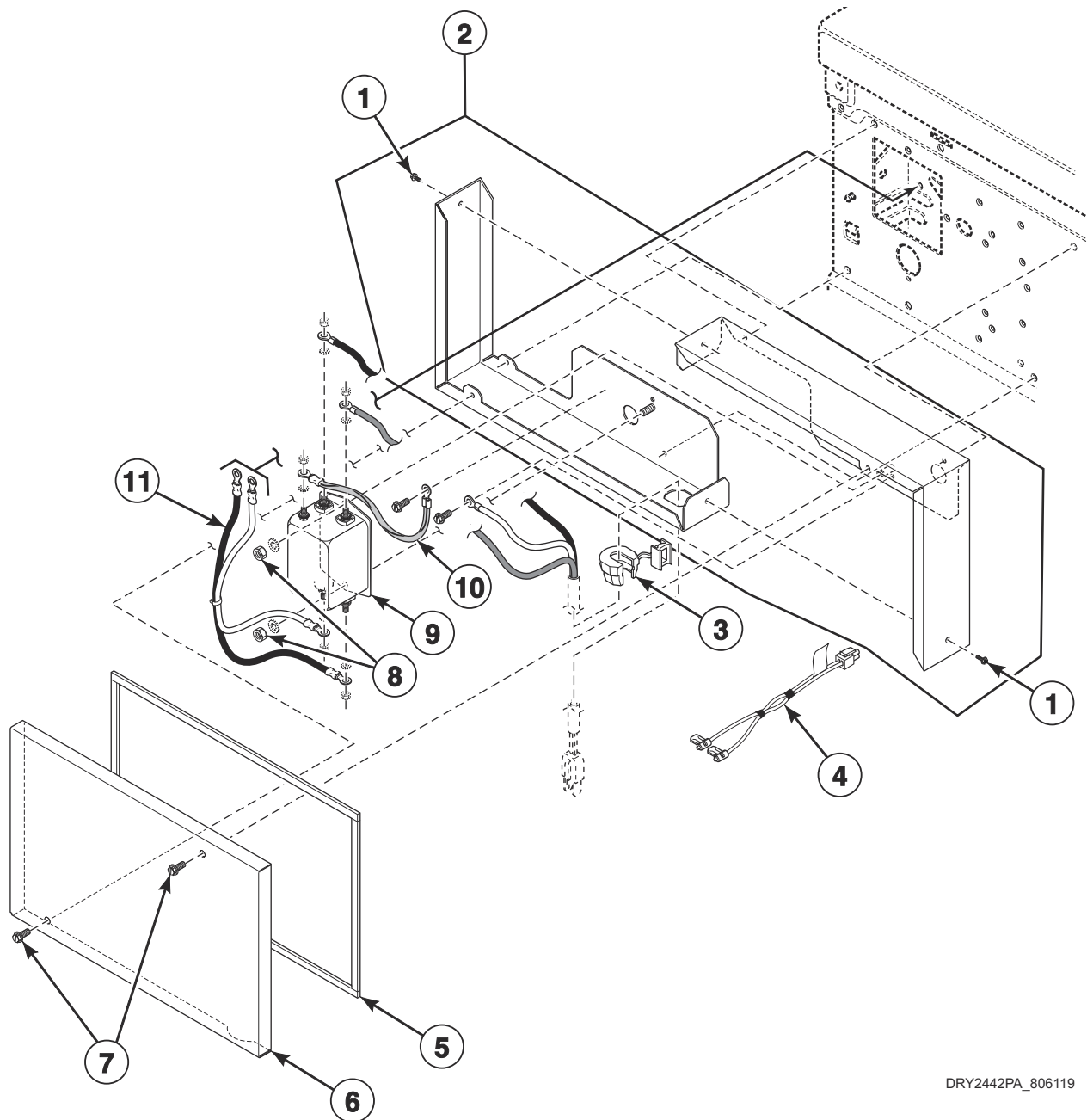
DRY2442P_806119

Junction Box (Drawing 1 of 2) - Through Serial No. 1912999999

REF	PART NO.	DESCRIPTION	COMMENTS
1	D516611	Lead-In Cord	Models STGNXASG113JW01 and STMNXASG103JW01
	203208	Lead-In Cord	Models JT2JEASP413EW06, JT2JGASP413EW06, JT2JRASP413EW06, JT2JXASP413EW06, JTGJEASP303EW06, JTGJRASP303EW06, JTGJXASP303EW06, NT2JLASP403UN01, NT2JLASP403UW01, NT2JLASP403UW06, NT2JXASP403UN01, NT2JXASP403UW06, PT2JGAJG403UG06, PT2JGAJP403UG06, PT2JGASG403UG06, PT2JGASP403UG06, PT2JXASG403UG06, PT2JXASP403UG06, PTGJXASG303UG06, PTGJXASG543ZG01, PTGJXASP303UG06, PTGJXASP543ZG01 and ST2JXASP403EW06
	202926	Lead-In Cord	Models PTGJXASP304AG01, STGNXASP303AW01 and STGNXASP303AW12
	D506106	Lead-In Cord Assembly	3 Phase models
	203315	Lead-In Cord	Models STLNXASP303LW01 and STLWXASP303LN01
	D516747	Lead-In Cord Assembly	Models JT1JEASP413EW06, JT1JGASP413EW06, JT1JMASG413EN06, JT1JRASP413EW06, JT1JXASP413EW06, JTEJEASP303EW06, JTEJRASP303EW06, JTEJXASP303EW06, NT1JLASP413UW06, NT1JXASP403UW06, NTENXASP454ZW01, PTEJXASG303UG06, PTEJXASG543ZG01, PTEJXASP303UG06, PTEJXASP543ZG01, ST1JXASP403EW06, STENXASP433LN01, STENXASP433LW01 and STENXASP543RW01
	61605P	Lead-In Cord Kit	Models PTEJXASP434AG01, STENXASP433AW01 and STENXASP433AW12
	202925	Lead-In Cord	Models NTGNXASP304ZW38 and STLNYASP543PW01

Junction Box (Drawing 2 of 2) - Through Serial No. 1912999999

All Models Except HTENXASP133DW01, HTENXASP133FW01, HTENXASP283CW01, HTENXASP293CW01, HTENXASP543DW01, HTENYASP283CW01, HTENYASP293CW01, HTGNXASP093CW01, HTGNXASP113FW01, HTGNXASP123DW01, HTGNXASP543DW01, NT3JLASP403NN22, NT3JLASP403NW22, NT3JXASP403NW22, NTENXASP175MW01, NTEWXASP433LN01, NTGNXASP115MW01, NTHJXASP543NW01, NTHJYASP543NW01, NTLJXASP543NN23, NTLJYASP543NN23, NTLNGASP543NW23, NTLWXASP303LN01, PTEJCASP174TG01, PTEJEASP284CG01, PTEJXASP174TG01, PTEJXASP284CG01, PTEJXASP543NG23, PTGJCASP114TG01, PTGJEASP094CG01, PTGJXASP094CG01, PTGJXASP114TG01, PTLJXASP303NG22, PTLJXASP543NG23, ST3JXASP403NW22, STENCASP173TW01, STENCFSP173TW01, STENEASP283CW01, STENEASP293CW01, STENXASP133DW01, STENXASP133FW01, STENXASP173TW01, STENXASP283CW01, STENXASP293CW01, STENXASP543DN01, STENXASP543DW01, STENXFSP173TW01, STENYASP173TN01, STENYASP173TW01, STENYASP283CW01, STENYASP293CW01, STENYFSP173TW01, STEWXASP173TW01, STEWXASP453NN22, STEWYAJP303NN22, STEWYAJP303NW22, STEWYASP173TW01, STGNCASP113TW01, STGNCFSP113TW01, STGNEASP093CW01, STGNXASG113TW01, STGNXASP093CW01, STGNXASP113FW01, STGNXASP113TW01, STGNXASP123DW01, STGNXASP543DN01, STGNXASP543DW01, STGNXFSP113TW01, STGNYASP093CW01, STGNYASP113TN01, STGNYASP113TW01, STGNYFSP113TW01, STGWXASP113TW01, STGWYAJP303NN22, STGWYASP113TW01, STLNXASP543NW23, STLNYASP543NW23, STLWXASP543NN22, TT3JGASP403NW36 and TT3JXASP403NW22



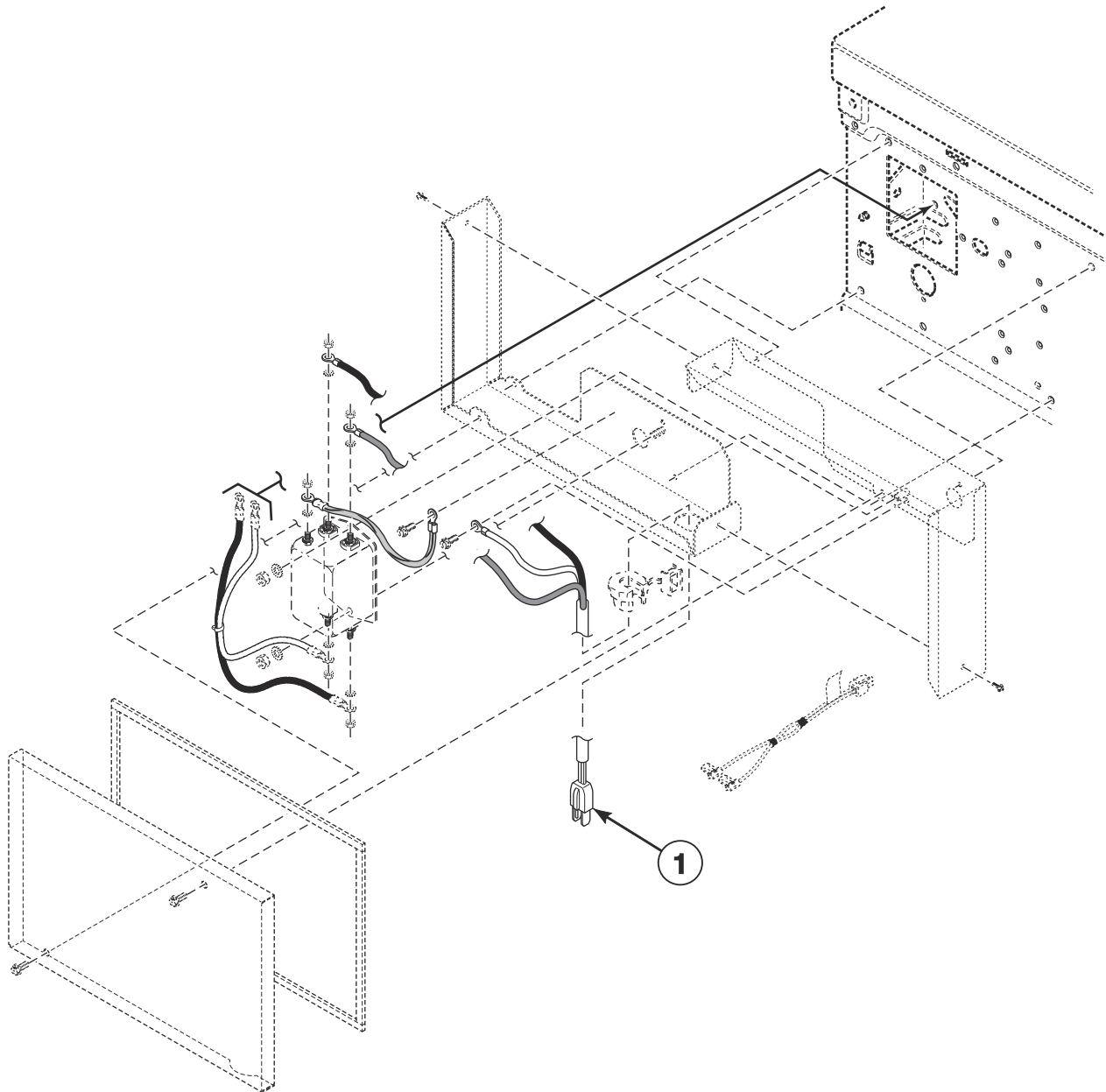
DRY2442PA_806119

Junction Box (Drawing 2 of 2) - Through Serial No. 1912999999

REF	PART NO.	DESCRIPTION	COMMENTS
1	D503688	Screw	4 required
2	D516154	Junction Box Assembly	3 Phase models; Includes items 1 and 5
	D516153	Junction Box Assembly	1 Phase Electric models; Includes items 1 and 5
	D516152	Junction Box Assembly	1 Phase Gas models; Includes items 1 and 5
3	60298	Strain Relief	
4	804396	Filter Harness	Filter to main harness; Models JT2JEASP413EW06, JT2JGASP413EW06, JT2JMASG413EN06, JT2JRASP413EW06, JT2JXASP413EW06, JTGJEASP303EW06, JTGJRASP303EW06, JTGJXASP303EW06, NT2JLASP403UN01, NT2JLASP403UW01, NT2JLASP403UW06, NT2JXASP403UN01, NT2JXASP403UW06, PT2JGAJG403UG06, PT2JGAJP403UG06, PT2JGASG403UG06, PT2JGASP403UG06, PT2JXASG403UG06, PT2JXASP403UG06, PTGJXASG303UG06, PTGJXASG543ZG01, PTGJXASP303UG06, PTGJXASP543ZG01, ST2JXASP403EW06, STGNXASG113JW01, STLNYASP543PW01 and STMNXASG103JW01
5	D514379P	Junction Box Seal	4 required
6	D514363	Junction Box Cover	
7	D503661	Screw	2 required
8	51236	Nut	3 Phase models; 4 required
	29787	Nut	1 Phase models; 2 required
9	804844	Line Filter	1 Phase Electric models; 30 Amp
	804864	Line Filter	1 Phase Gas models; 10 Amp
	D514384P	Filter	3 Phase models
10	D518534	Ground Filter Harness	30 Amp; Electric models
	D514039	Ground Filter Harness	10 Amp; Gas models
11	D518533	Filter Harness	10 Amp; 1 Phase Gas models
	D518532	Filter Harness	30 Amp; 1 Phase Electric models
	D514040	Filter Harness	3 Phase models

Junction Box (Drawing 1 of 2)

Models HTENXASP133DW01, HTENXASP133FW01, HTENXASP543DW01, HTGNXASP113FW01, HTGNXASP123DW01, HTGNXASP543DW01, NTENXASP175MW01, NTGNXASP115MW01, STENXASP133DW01, STENXASP133FW01, STENXASP543DN01, STENXASP543DW01, STGNXASP113FW01, STGNXASP123DW01, STGNXASP543DN01 and STGNXASP543DW01



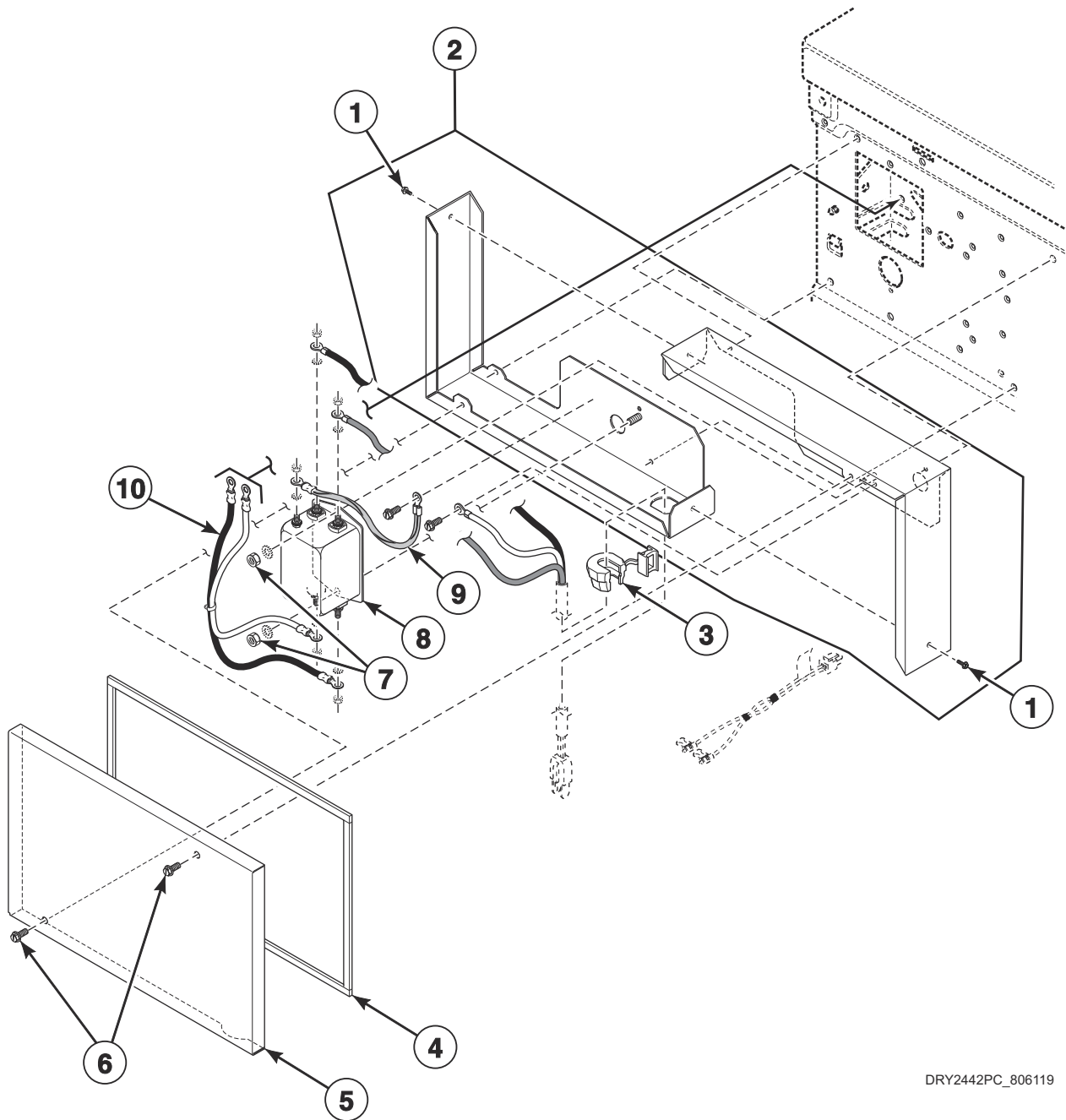
DRY2442P_806119

Junction Box (Drawing 1 of 2)

REF	PART NO.	DESCRIPTION	COMMENTS
	D516747	Lead-In Cord Assembly	Models HTENXASP133DW01, HTENXASP133FW01, HTENXASP543DW01, STENXASP133DW01, STENXASP133FW01, STENXASP543DN01 and STENXASP543DW01
	D514061	Lead-In Cord	Models HTGNXASP123DW01, HTGNXASP543DW01, STGNXASP123DW01, STGNXASP543DN01 and STGNXASP543DW01
	D514953	Lead-In Cord	Models HTGNXASP113FW01 and STGNXASP113FW01

Junction Box (Drawing 2 of 2)

Models HTENXASP133DW01, HTENXASP133FW01, HTENXASP543DW01, HTGNXASP113FW01, HTGNXASP123DW01, HTGNXASP543DW01, NTENXASP175MW01, NTGNXASP115MW01, STENXASP133DW01, STENXASP133FW01, STENXASP543DN01, STENXASP543DW01, STGNXASP113FW01, STGNXASP123DW01, STGNXASP543DN01 and STGNXASP543DW01

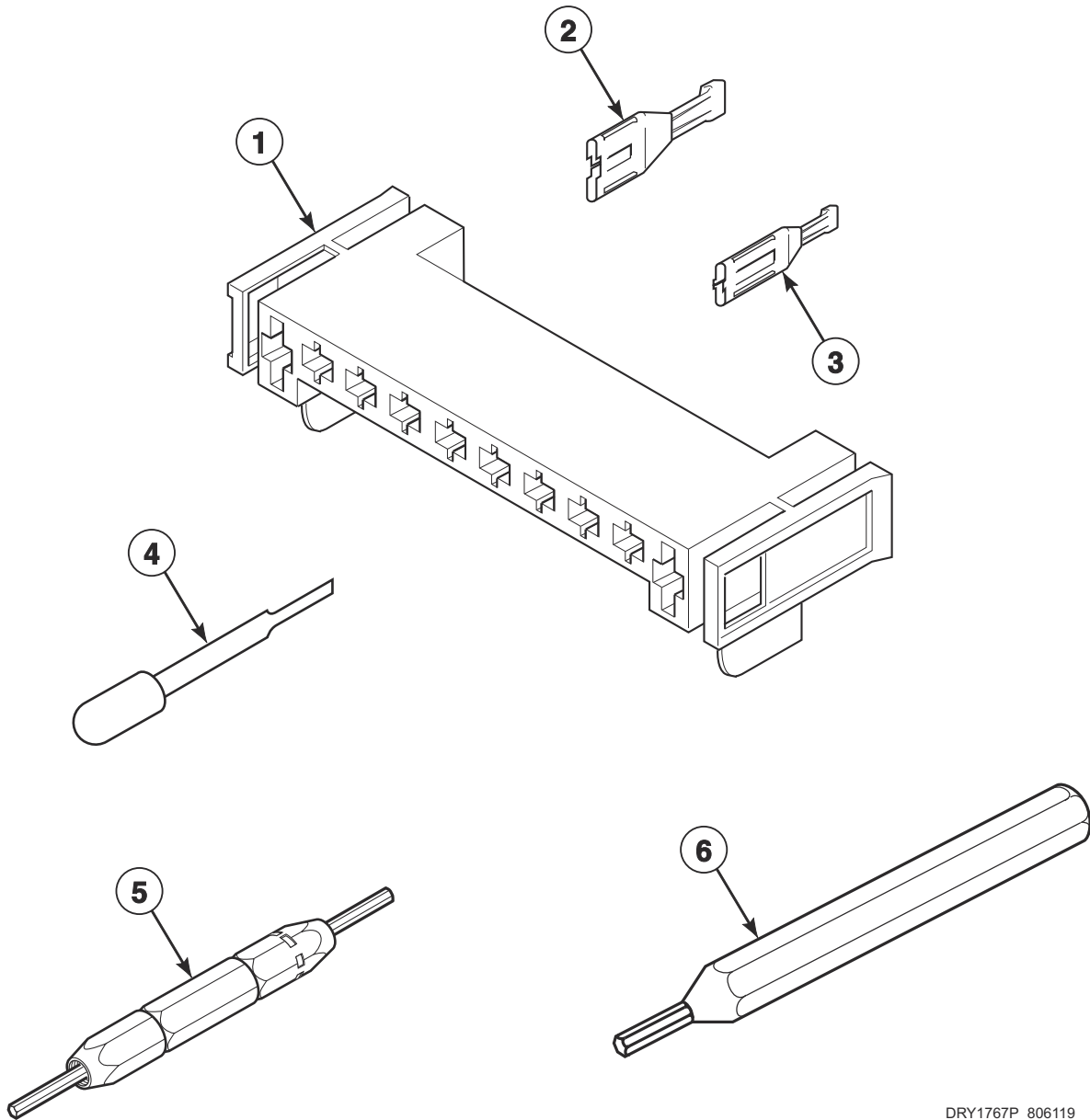


DRY2442PC_806119

Junction Box (Drawing 2 of 2)

REF	PART NO.	DESCRIPTION	COMMENTS
1	D503688	Screw	4 required
2	D516153	Junction Box Assembly	Electric models; Includes items 1
	D516152	Junction Box Assembly	Gas models; Includes items 1
3	60298	Strain Relief	
4	D514379P	Junction Box Seal	4 required
5	D514363	Junction Box Cover	
6	D503661	Screw	2 required
7	29787	Nut	2 required
8	804844	Line Filter	30 Amp; Electric models
	804864	Line Filter	10 Amp; Gas models
9	D518534	Ground Filter Harness	30 Amp; Electric models
	D514039	Ground Filter Harness	10 Amp; Gas models
10	D518532	Filter Harness	30 Amp; Electric models
	D518533	Filter Harness	10 Amp; Gas models

Dryer Terminals and Terminal Extractor Tools

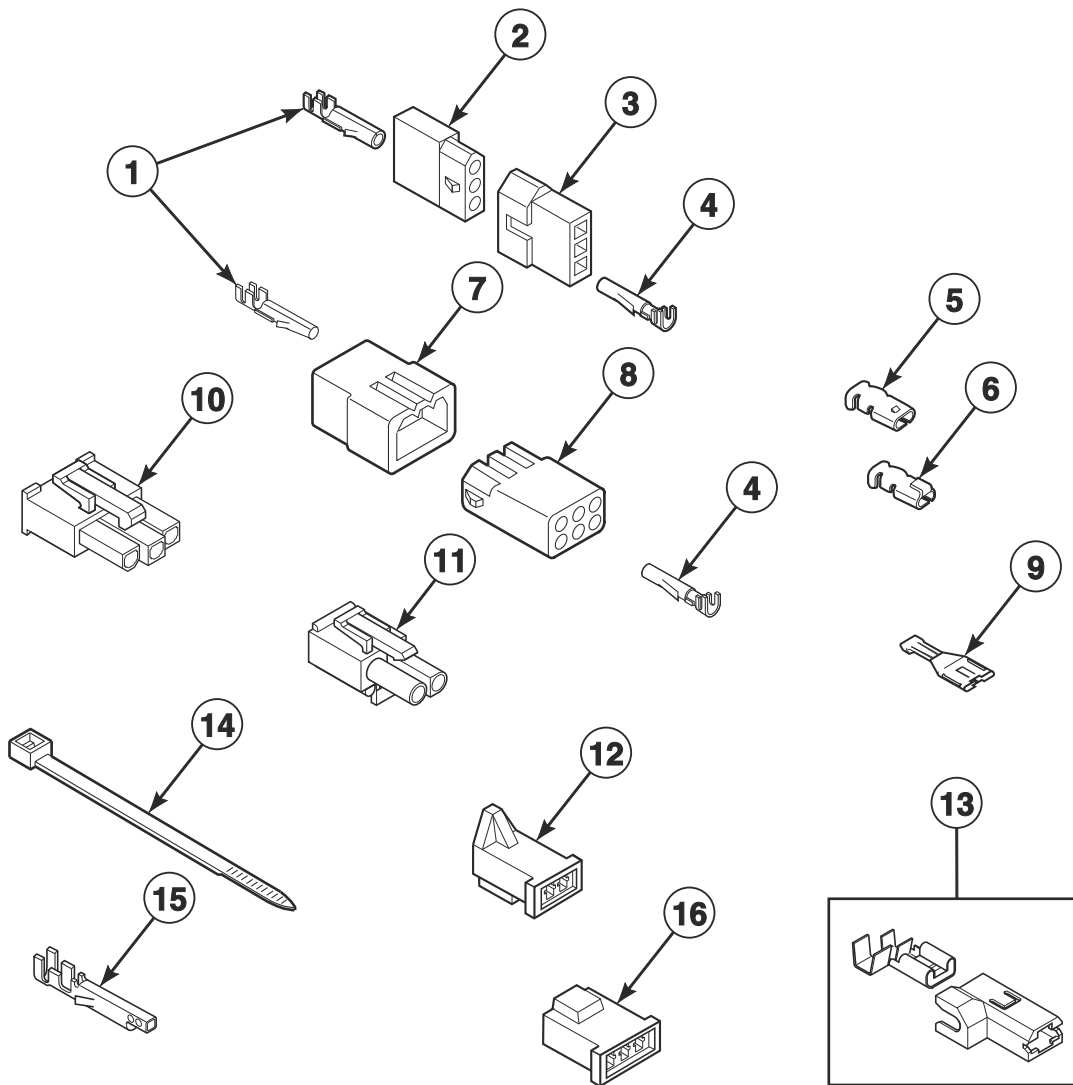


DRY1767P_806119

Dryer Terminals and Terminal Extractor Tools

REF	PART NO.	DESCRIPTION	COMMENTS
1	D500338	10 Position Housing	
2	00255	Female Terminal	1/4 inch; (1) 12 gauge wire; Electric models
	00256	Female Terminal	1/4 inch; (1) or (2) 18 gauge wires; Gas models
3	00188	Female Terminal	For 1 or 2 wire application
4	283P4	Terminal Extractor Tool	For use on Molex connectors
5	190P4	Extractor Tool	For use on electric dryer terminals; Electric models
6	128P4	Extractor Tool	For use on gas dryer terminals; Gas models

Terminals

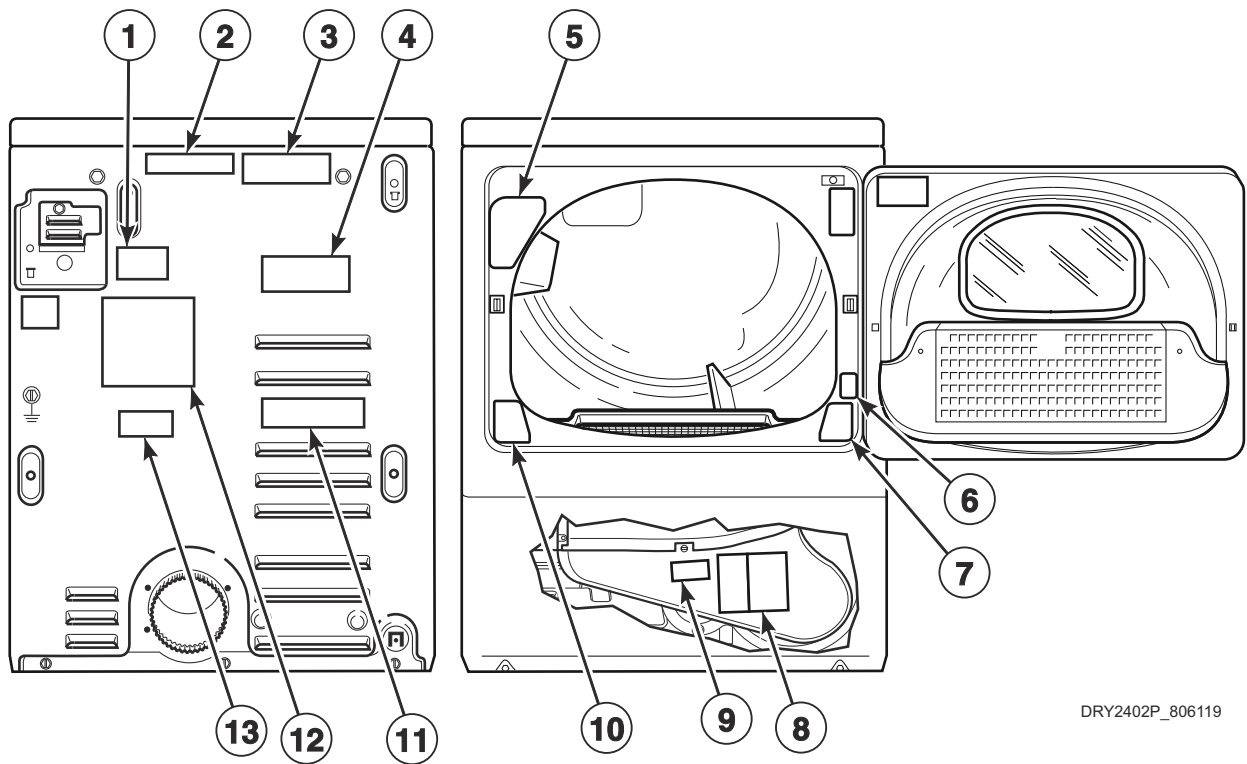


SWD1143P_806119

Terminals

REF	PART NO.	DESCRIPTION	COMMENTS
1	00117	Female Pin Terminal	
2	23039	3 Circuit Receptacle	
3	23040	Plug	
4	00116	Male Pin Terminal	
5	00189	Female Spade Terminal	Gas models
6	00361	Female Piggyback Terminal	Gas models
7	23033	9 Circuit Plug	
8	26708	6 Circuit Receptacle	
9	00256	Female Terminal	
10	36170	3 Circuit Receptacle	
11	D501223	2 Circuit Receptacle	
12	58799	2 Circuit Connector	Gas models
13	00221	Insulated Female Flag Terminal	
14	55881	Harness Strap	
15	00252	Terminal	
16	58800	3 Circuit Connector	Gas models

Dryer Labels

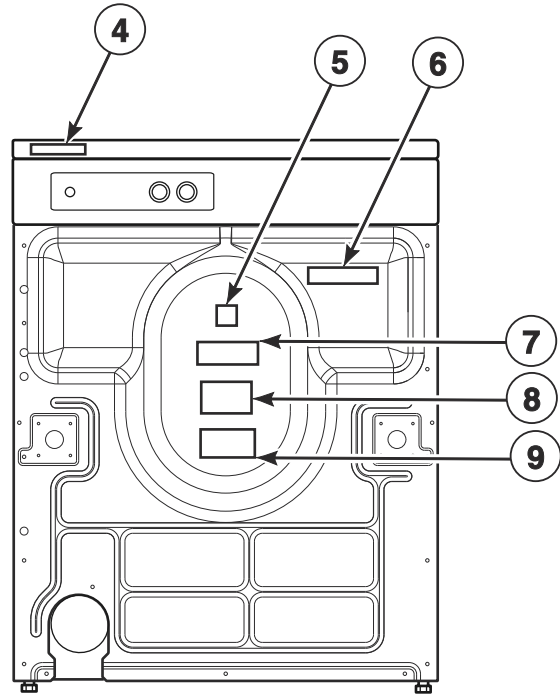
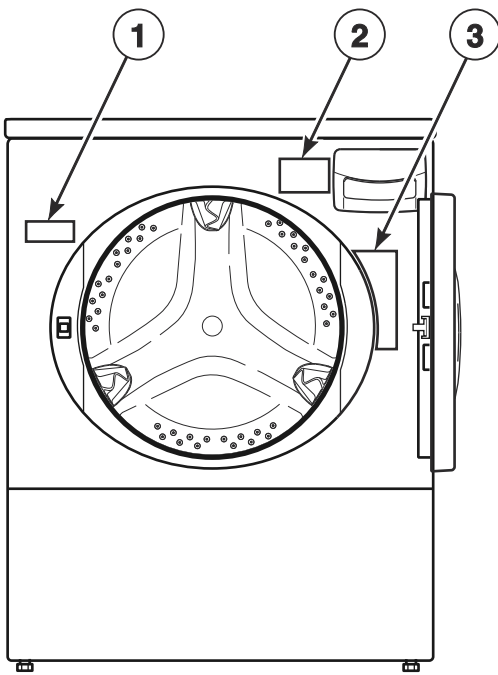


DRY2402P_806119

Dryer Labels

REF	PART NO.	DESCRIPTION	COMMENTS
1	803260	Warning Label	Turn off controls
2	D505281	Disconnect Power Warning Label	Text; English
	D500316	Warning Label	English/French; Disconnect power
3	44324001	Warning Label	Text; Electric shock
4	D502791	Venting Instruction Label	
5	D500281	Warning/Caution Label	
	D516243	Warning Label	Quebec French
	D514867	Warning Label	Thai
	D514410	Warning Label	Arabic; Right side of opening
6	D503887	Label	Australian gas association
	D500240	Natural/L.P. Gas Label	English/Quebec French; Natural gas
7	D512263	Warning Label	
8	D511004	Gas Clearance Label	
	D513341	Clearance Label	
9	D500049	Warning Label	Text; Electric shock, rotating parts
	F8211201	Electrical Shock Label	Icon; Electric shock
	F8615701	Pinch Warning Label	Icon; Crush hazard
10	D502781	Lint Filter Label	Icon
11	D505215	Gas Label	Text; Stainless steel flexible gas line
12	D511005	Electric Clearance Label	
13	D500497	Exhaust Warning Label	Text
	D502507	Exhaust Warning Label	Icon
	D502508	Warning Label	Icon; Fire

Washer Labels

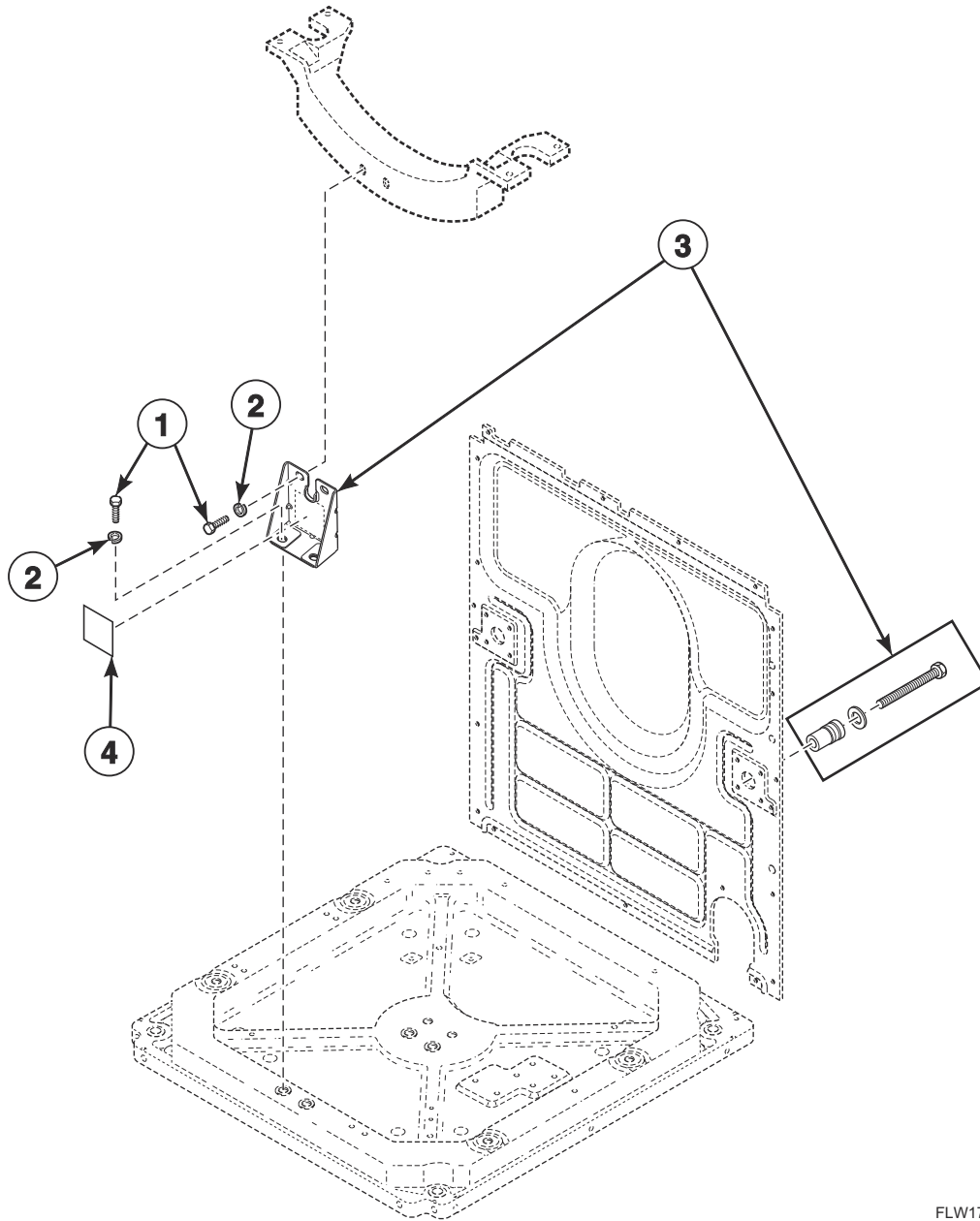


FLW1858P_806119

Washer Labels

REF	PART NO.	DESCRIPTION	COMMENTS
1	803011	Notice Label	
2	802074	Oversudsing Label	English
	802838	Oversudsing Label	Spanish
	802839	Oversudsing Label	Quebec French
3	802367	Warning Label	English; Reduce fire risk; Door locked
	806591	Warning Label	English/Quebec French; Reduce fire risk; Door locked
	805966	Warning Label	Thai; Reduce fire risk; Door locked
	804924	Warning Label	Arabic; Reduce fire risk; Door locked
4	D515740	Warning Label	Dual supply; Thai; Models NTEWXASP433LN01, NTLWXASP303LN01, STLNXASP303LW01 and STLWXASP303LN01
	D515712	Warning Label	Dual supply; Arabic; Model STENXASP543RW01
	D515692	Warning Label	Dual supply; English; Model STEWXASP453NN22
5	D516073	Notice Label	
6	D505281	Disconnect Power Warning Label	English
	801706	Caution Label	Icon; Ground machine
	D500316	Warning Label	English/French; Disconnect power
7	685928	Left Hand Thread Label	Text; Left hand thread
	804949	Left Hand Thread Label	Icon; Left hand thread
8	803260	Warning Label	Disconnect power
	F8211201	Electrical Shock Label	Icon; Electric shock
9	D500314	Warning Label	English/French
	F8615701	Pinch Warning Label	Icon; Crush hazard

Shipping Materials

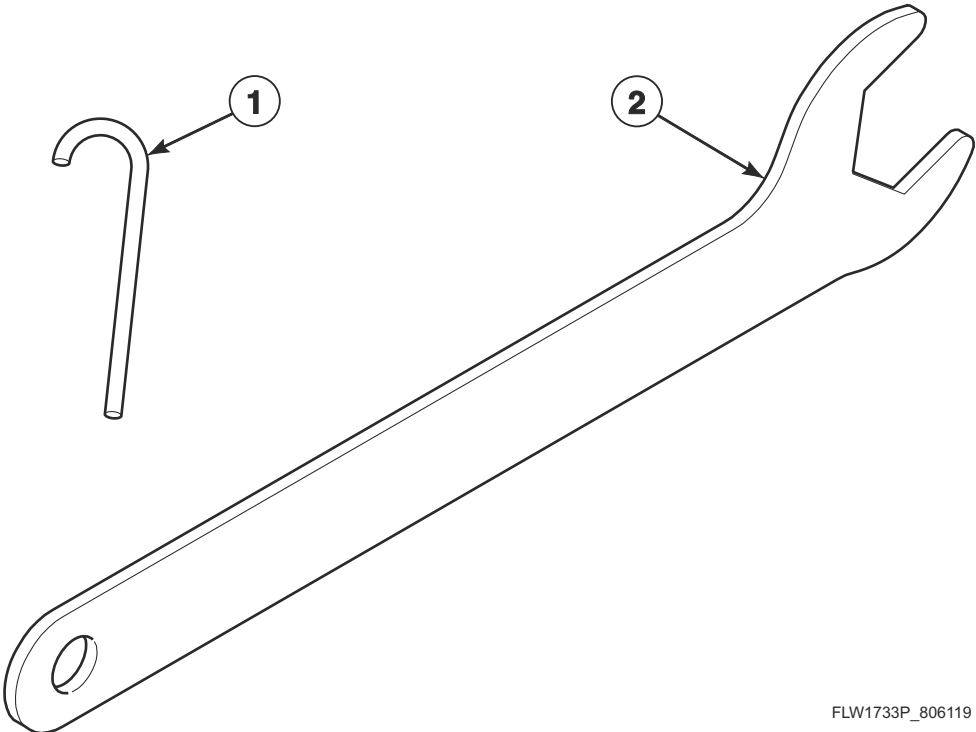


FLW1779P_806119

Shipping Materials

REF	PART NO.	DESCRIPTION	COMMENTS
1	M400043	Screw	
2	M400014	Washer	
3	805729	Shipping Materials Kit	Includes shipping brace, shipping spacer assembly and labels
4	686901	Shipping Bracket Label	

Special Tools

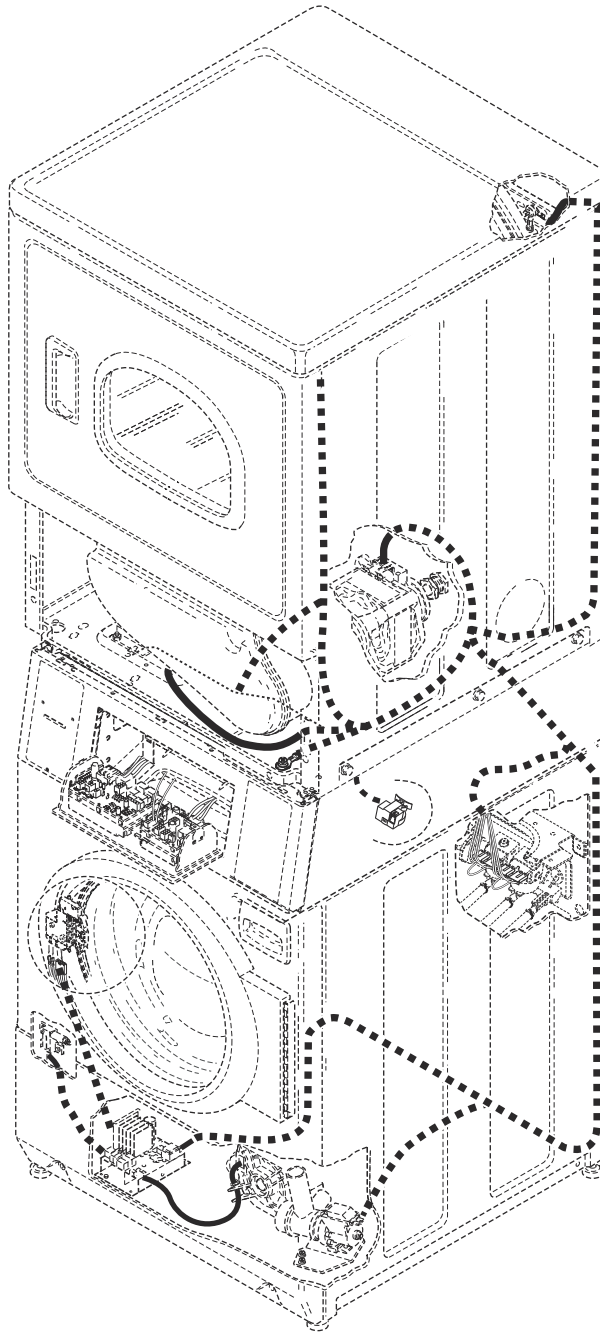


FLW1733P_806119

Special Tools

REF	PART NO.	DESCRIPTION	COMMENTS
	807623	Belt Install Tool	
1	802336	Pulley Bolt Tightening Fixture	Use to install inner basket
2	392P4	Wrench	Use for adjusting leveling leg nuts

Miscellaneous Wire Harnesses



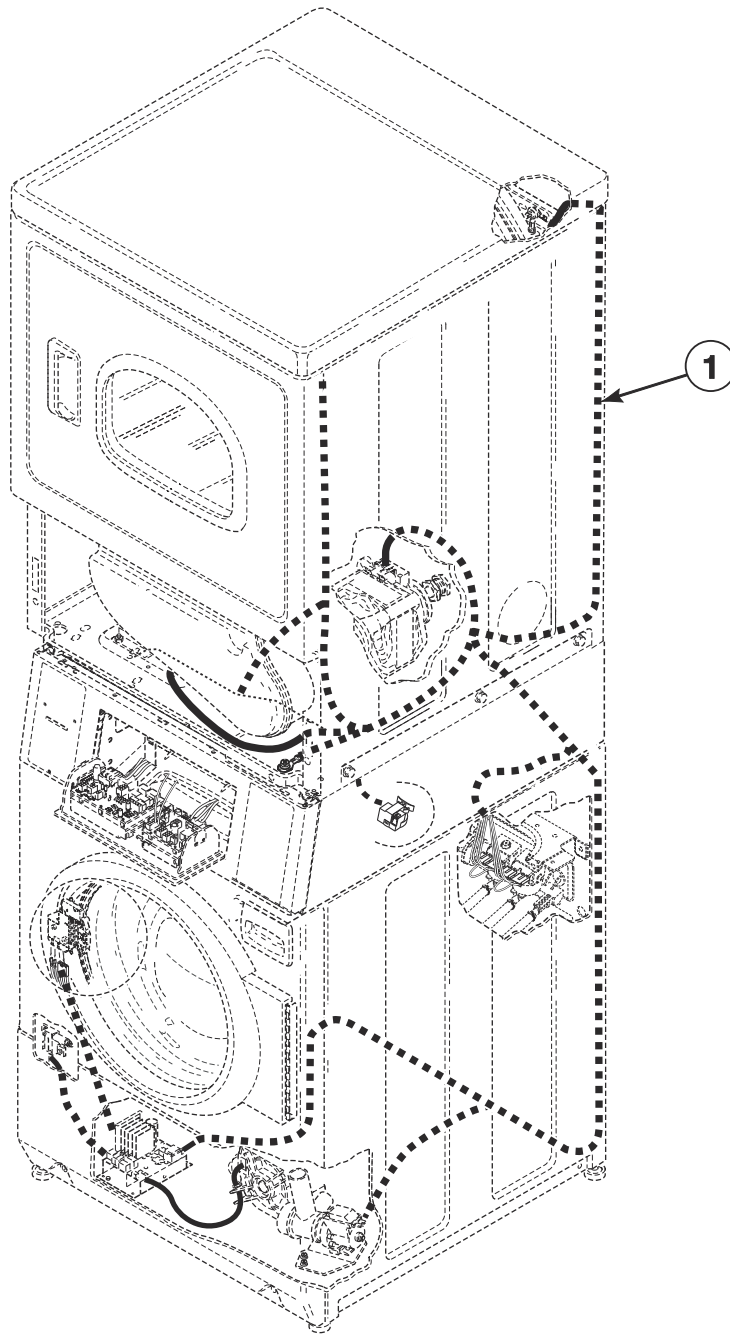
SWD1295PB_806119

Miscellaneous Wire Harnesses

REF	PART NO.	DESCRIPTION	COMMENTS
45001		18 Gauge Wire	Black; Order wire by foot and terminals as required
45380		12 Gauge Wire	Orange; Order wire by foot and terminals as required
805684		Harness	Main harness to dryer base; Models HTENXASP283CW01, HTENXASP293CW01, HTENYASP283CW01, HTENYASP293CW01, HTGNXASP093CW01, STENEASP283CW01, STENEASP293CW01, STENXASP283CW01, STENXASP293CW01, STENYASP283CW01, STENYASP293CW01, STGNEASP093CW01, STGNXASP093CW01 and STGNYASP093CW01 through 12/31/21
808123		Harness	Main harness to dryer base; Models HTENXASP283CW01, HTENXASP293CW01, HTENYASP283CW01, HTENYASP293CW01, HTGNXASP093CW01, STENEASP283CW01, STENEASP293CW01, STENXASP283CW01, STENXASP293CW01, STENYASP283CW01, STENYASP293CW01, STGNEASP093CW01, STGNXASP093CW01 and STGNYASP093CW01 starting 1/1/22
D514044		Power Harness	Models HTENXASP283CW01, HTENXASP293CW01, HTENYASP283CW01, HTENYASP293CW01, PTEJEASP284CG01, PTEJXASP284CG01, STENEASP283CW01, STENEASP293CW01, STENXASP283CW01, STENXASP293CW01, STENYASP283CW01 and STENYASP293CW01 through 12/31/21
D518656		Power Harness	Models HTENXASP283CW01, HTENXASP293CW01, HTENYASP283CW01, HTENYASP293CW01, PTEJEASP284CG01, PTEJXASP284CG01, STENEASP283CW01, STENEASP293CW01, STENXASP283CW01, STENXASP293CW01, STENYASP283CW01 and STENYASP293CW01 starting 1/1/22
D518710		Power Harness	Model PTLJXASP303NG22
D514000		Power Harness	3 Phase models through Serial No. 1912999999
D517689		Power Harness	3 Phase models starting Serial No. 2001000001
D518536		Gas Power Harness	Models HTGNXASP093CW01, PTGJEASP094CG01, PTGJXASP094CG01, STGNEASP093CW01, STGNXASP093CW01 and STGNYASP093CW01
D516367		Gas Valve Harness	120 Volt
D516365		Gas Valve Harness	240 Volt
D517702		Gas Valve Harness	240 Volt; Without fuse

NOTE: Individual wires are not available separately. Order complete harness, or order wire by the foot. When applying terminals to wires, it is recommended that the terminals be soldered to the wires.

Dryer Wire Harnesses and Wires - Through Serial No. 1912999999



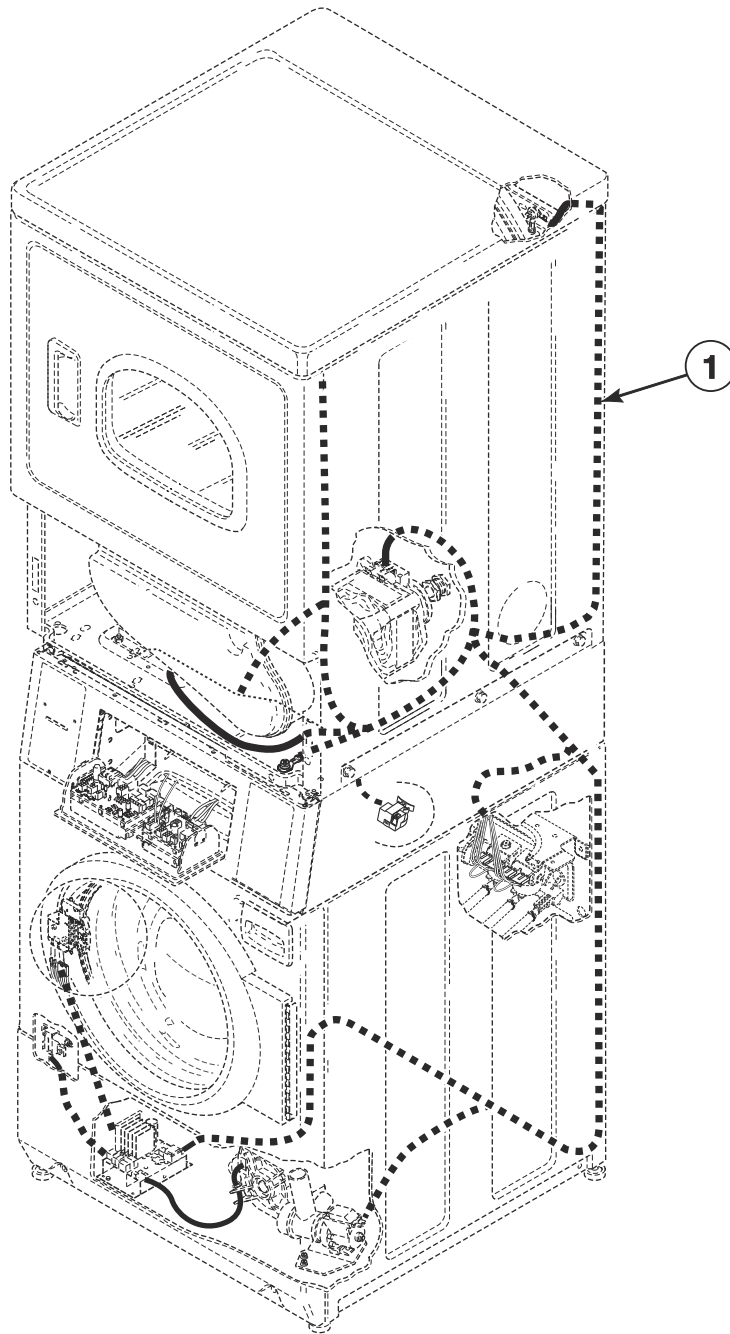
SWD1295P_806119

Dryer Wire Harnesses and Wires - Through Serial No. 1912999999

REF	PART NO.	DESCRIPTION	COMMENTS
1	D517238	Upper Electric Harness	Models HTENXASP133DW01, HTENXASP133FW01, HTENXASP283CW01, HTENXASP293CW01, HTENXASP543DW01, HTENYASP283CW01, HTENYASP293CW01, JT1JEASP413EW06, JT1JGASP413EW06, JT1JMASG413EN06, JT1JRASP413EW06, JT1JXASP413EW06, JTEJEASP303EW06, JTEJRASP303EW06, JTEJXASP303EW06, NT1JLASP413UW06, NT1JXASP403UW06, NTENXASP175MW01, NTHJXASP543NW01, NTHJYASP543NW01, PTEJCASP174TG01, PTEJEASP284CG01, PTEJXASG303UG06, PTEJXASG543ZG01, PTEJXASP174TG01, PTEJXASP284CG01, PTEJXASP303UG06, PTEJXASP434AG01, PTEJXASP543NG23, PTEJXASP543ZG01, ST1JXASP403EW06, STENCASP173TW01, STENCFSP173TW01, STENEASP283CW01, STENEASP293CW01, STENXASP133DW01, STENXASP133FW01, STENXASP173TW01, STENXASP283CW01, STENXASP293CW01, STENXASP433AN12, STENXASP433AW01, STENXASP433AW12, STENXASP433LN01, STENXASP433LW01, STENXASP543DN01, STENXASP543DW01, STENXFSP173TW01, STENYASP173TN01, STENYASP173TW01, STENYASP283CW01, STENYASP293CW01, STENYFSP173TW01, STEWXASP173TW01, STEWXASP453NN22, STEWYAJP303NW22 and STEWYASP173TW01
	D517094	Upper Gas Harness	Models HTGNXASP093CW01, HTGNXASP113FW01, HTGNXASP123DW01, HTGNXASP543DW01, PTGJCASP114TG01, PTGJEASP094CG01, PTGJXASP094CG01, PTGJXASP114TG01, STGNCAASP113TW01, STGNCFSP113TW01, STGNEASP093CW01, STGNXASG113JW01, STGNXASG113TW01, STGNXASP093CW01, STGNXASP113FW01, STGNXASP113TW01, STGNXASP123DW01, STGNXFSP113TW01, STGNYASP093CW01, STGNYASP113TN01, STGNYASP113TW01, STGNYFSP113TW01, STGNZASP113NW22, STGWXASP113TW01 and STGWYASP113TW01
	D517098	Upper Gas Harness	Models JT2JEASP413EW06, JT2JGASP413EW06, JT2JMASG413EN06, JT2JRASP413EW06, JT2JXASP413EW06, JTGJEASP303EW06, JTGJRASP303EW06, JTGJXASP303EW06, NT2JLASP403UN01, NT2JLASP403UW01, NT2JLASP403UW06, NT2JXASP403UN01, NT2JXASP403UW06, NTLJXASP543NN23, NTLJYASP543NN23, NTLNGASP543NW23, PT2JGAJG403UG06, PT2JGAJP403UG06, PT2JGASG403UG06, PT2JGASP403UG06, PT2JXASG403UG06, PT2JXASP403UG06, PTGJXASG303UG06, PTGJXASG543ZG01, PTGJXASP303UG06, PTGJXASP304AG01, PTGJXASP543ZG01, PTLJXASP543NG23, ST2JXASP403EW06, STGNXASP303AW01, STGNXASP303AW12, STGNXASP543DN01, STGNXASP543DW01, STGWYAJP303NN22, STLNXASP303LW01, STLNXASP543NW23, STLNYASP543NW23, STLNYASP543PW01, STLWXASP303LN01 and STLWXASP543NN22
	D517211	Upper Gas Harness	Models NTGNXASP304ZW38 and NTLWXASP303LN01
	D517238	Upper Electric Harness	Models STENXASP543RW01 and STEWXASP453NN22
	D517204	Upper Harness	Models NTENXASP454ZW01 and NTEWXASP433LN01
	D516877	Main Harness	Models STMNXASG103JW01 and STMNXASG113JW01
	D517203	Upper Harness	Model NTGNXASP115MW01
	D517246	Upper Electric Harness	3 Phase models

NOTE: Individual wires are not available separately. Order complete harness, or order wire by the foot. When applying terminals to wires, it is recommended that the terminals be soldered to the wires.

Dryer Wire Harnesses and Wires - Starting Serial No. 2001000001



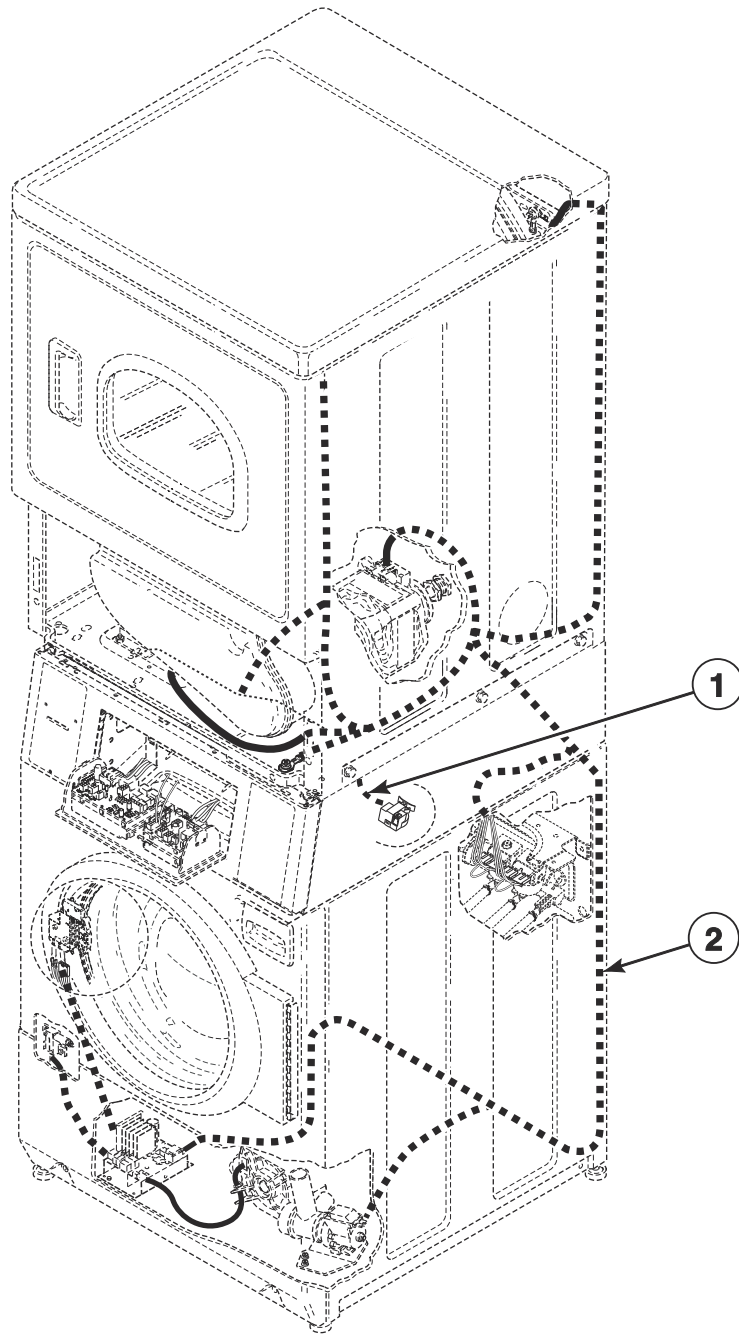
SWD1295P_806119

Dryer Wire Harnesses and Wires - Starting Serial No. 2001000001

REF	PART NO.	DESCRIPTION	COMMENTS
1	D517476	Upper Electric Harness	Models HTENXASP133DW01, HTENXASP133FW01, HTENXASP283CW01, HTENXASP293CW01, HTENXASP543DW01, HTENYASP283CW01, HTENYASP293CW01, JT1JEASP413EW06, JT1JGASP413EW06, JT1JMASG413EN06, JT1JRASP413EW06, JT1JXASP413EW06, JTEJEASP303EW06, JTEJRASP303EW06, JTEJXASP303EW06, NT1JLASP413UW06, NT1JXASP403UW06, NTENXASP175MW01, NTENXASP454ZW01, NTEWXASP433LN01, NTHJXASP543NW01, NTHJYASP543NW01, PTEJCASP174TG01, PTEJEASP284CG01, PTEJXASG303UG06, PTEJXASG543ZG01, PTEJXASP174TG01, PTEJXASP284CG01, PTEJXASP303UG06, PTEJXASP434AG01, PTEJXASP543NG23, PTEJXASP543ZG01, ST1JXASP403EW06, STENCASP173TW01, STENCFSP173TW01, STENEASP283CW01, STENEASP293CW01, STENXASP133DW01, STENXASP133FW01, STENXASP173TW01, STENXASP283CW01, STENXASP293CW01, STENXASP433AN12, STENXASP433AW01, STENXASP433AW12, STENXASP433LN01, STENXASP433LW01, STENXASP543DN01, STENXASP543DW01, STENXASP543RW01, STENXFSP173TW01, STENYASP173TN01, STENYASP173TW01, STENYASP283CW01, STENYASP293CW01, STENYFSP173TW01, STEWXASP173TW01, STEWXASP453NN22, STEWYAJP303NN22, STEWYAJP303NW22 and STEWYASP173TW01
	D517477	Gas Harness	Models HTGNXASP093CW01, HTGNXASP113FW01, HTGNXASP123DW01, HTGNXASP543DW01, JT2JEASP413EW06, JT2JGASP413EW06, JT2JMASG413EN06, JT2JRASP413EW06, JT2JXASP413EW06, JTGJEASP303EW06, JTGJRASP303EW06, JTGJXASP303EW06, NT2JLASP403UN01, NT2JLASP403UW01, NT2JLASP403UW06, NT2JXASP403UN01, NT2JXASP403UW06, NTGNXASP115MW01, NTGNXASP304ZW38, NTLJXASP543NN23, NTLJYASP543NN23, NTLNGASP543NW23, NTLWXASP303LN01, PT2JGAJG403UG06, PT2JGAJP403UG06, PT2JGASG403UG06, PT2JGASP403UG06, PT2JXASG403UG06, PT2JXASP403UG06, PTGJCASP114TG01, PTGJEASP094CG01, PTGJXASG303UG06, PTGJXASG543ZG01, PTGJXASP094CG01, PTGJXASP114TG01, PTGJXASP303UG06, PTGJXASP304AG01, PTGJXASP543ZG01, PTLJXASP543NG23, ST2JXASP403EW06, STGNXCASP113TW01, STGNCFSP113TW01, STGNEASP093CW01, STGNXASG113JW01, STGNXASG113TW01, STGNXASP093CW01, STGNXASP113FW01, STGNXASP113TW01, STGNXASP123DW01, STGNXASP303AW01, STGNXASP303AW12, STGNXASP543DN01, STGNXASP543DW01, STGNXFSP113TW01, STGNYASP093CW01, STGNYASP113TN01, STGNYASP113TW01, STGNYFSP113TW01, STGNZASP113NW22, STGWXASP113TW01, STGWYAJP303NN22, STGWYASP113TW01, STLNXASP303LW01, STLNXASP543NW23, STLNYASP543NW23, STLNYASP543PW01, STLWXASP303LN01 and STLWXASP543NN22
	D517483	Main Harness	Models STMNXASG103JW01 and STMNXASG113JW01
	D517482	Upper Harness	3 Phase models

NOTE: Individual wires are not available separately. Order complete harness, or order wire by the foot. When applying terminals to wires, it is recommended that the terminals be soldered to the wires.

Washer Wire Harnesses and Wires (Drawing 1 of 2)



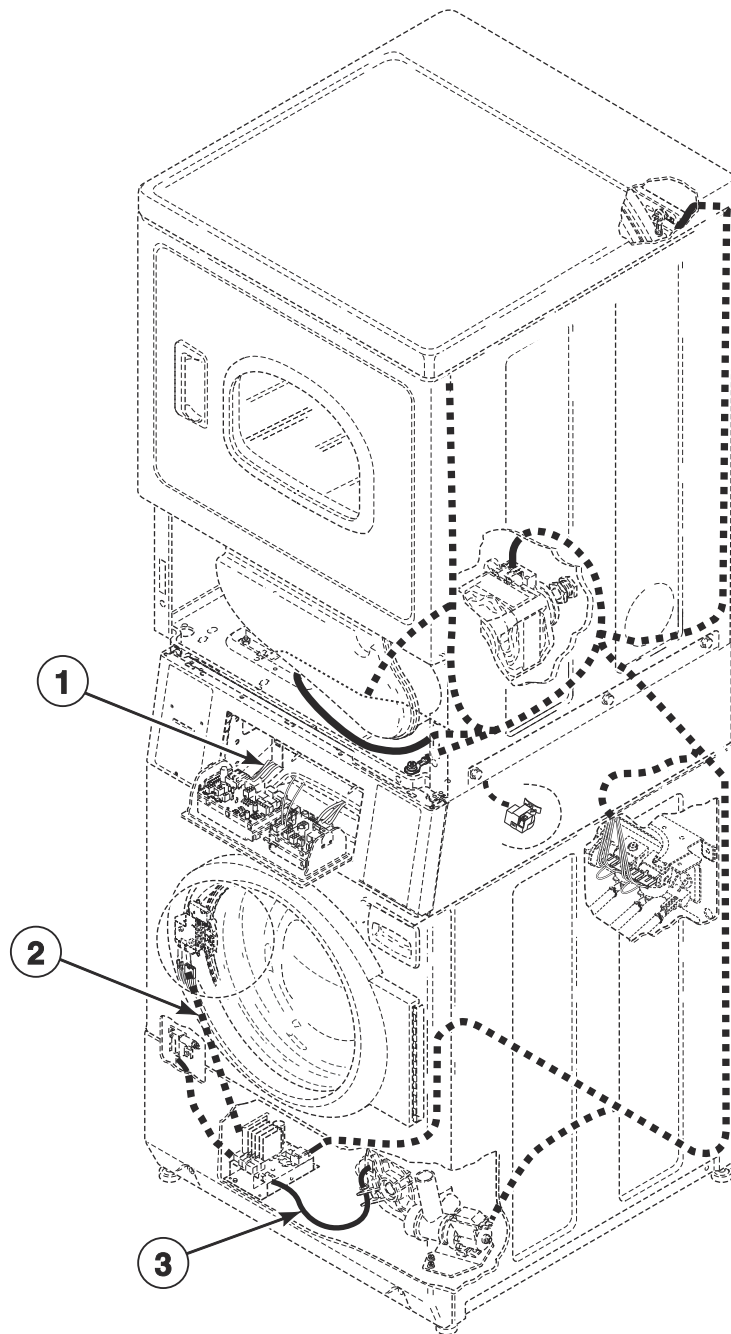
SWD1295PA_806119

Washer Wire Harnesses and Wires (Drawing 1 of 2)

REF	PART NO.	DESCRIPTION	COMMENTS
	D517236	Broken Belt Harness	Models NTENXASP454ZW01, NTEWXASP433LN01, NTGNXASP304ZW38 and NTLWXASP303LN01
	D517261	Broken Belt Harness	Models STENXASP543RW01, STEWXASP453NN22 and STGNZASP113NW22
	D515040	Jumper Harness	Model TT3JGASP403NW36
	807298	Power Harness	Starting Serial No. 2101000001
1	804433	Pressure Sensor Harness	
2	806032	Front Control Harness	Models BT3JGAJG403UW01, BT3JGAJG403UW06, BT3JGAJP403UN01, BT3JGAJP403UN06, BT3JGAJP403UW01, BT3JGAJP403UW06, BT3JGASG403UW01, BT3JGASG403UW06, BT3JGASP403UN01, BT3JGASP403UN06, BT3JGASP403UW01, BT3JGASP403UW06, BT3JLASG403UW01, BT3JLASG403UW06, BT3JLASP403UN01, BT3JLASP403UN06, BT3JLASP403UW01, BT3JLASP403UW06, BT3JXASG403UW01, BT3JXASG403UW06, BT3JXASP403UN01, BT3JXASP403UN06, BT3JXASP403UW01, BT3JXASP403UW06, JT1JEASP413EW06, JT1JGASP413EW06, JT1JMASG413EN06, JT1JRASP413EW06, JT1JXASP413EW06, JT2JEASP413EW06, JT2JGASP413EW06, JT2JMASG413EN06, JT2JRASP413EW06, JT2JXASP413EW06, NT1JLASP413UW06, NT1JXASP403UW06, NT2JLASP403UN01, NT2JLASP403UW01, NT2JLASP403UW06, NT2JXASP403UN01, NT2JXASP403UW06, NT3JLASG403UW01, NT3JLASP403NN22, NT3JLASP403NW22, NT3JLASP403UN01, NT3JLASP403UW01, NT3JXASG403UW01, NT3JXASP403NW22, NT3JXASP403UN01, NT3JXASP403UW01, NTHJXASP543NW01, NTHJYASP543NW01, PT2JGAJG403UG06, PT2JGAJP403UG06, PT2JGASG403UG06, PT2JGASP403UG06, PT2JXASG403UG06, PT2JXASP403UG06, PT3JGAJG403UG06, PT3JGAJP403UG06, PT3JGASG403UG06, PT3JGASP403UG06, PT3JXASG403UG06, PT3JXASP403UG06, ST1JXASP403EW06, ST2JXASP403EW06, ST3JGASP403UW01, ST3JXASP403NW22 and TT3JXASP403NW22 through Serial No. 2012999999
	807347	Front Control Harness	Models BT3JGAJG403UW01, BT3JGAJG403UW06, BT3JGAJP403UN01, BT3JGAJP403UN06, BT3JGAJP403UW01, BT3JGAJP403UW06, BT3JGASG403UW01, BT3JGASG403UW06, BT3JGASP403UN01, BT3JGASP403UN06, BT3JGASP403UW01, BT3JGASP403UW06, BT3JLASG403UW01, BT3JLASG403UW06, BT3JLASP403UN01, BT3JLASP403UN06, BT3JLASP403UW01, BT3JLASP403UW06, BT3JXASG403UW01, BT3JXASG403UW06, BT3JXASP403UN01, BT3JXASP403UN06, BT3JXASP403UW01, BT3JXASP403UW06, JT1JEASP413EW06, JT1JGASP413EW06, JT1JMASG413EN06, JT1JRASP413EW06, JT1JXASP413EW06, JT2JEASP413EW06, JT2JGASP413EW06, JT2JMASG413EN06, JT2JRASP413EW06, JT2JXASP413EW06, NT1JLASP413UW06, NT1JXASP403UW06, NT2JLASP403UN01, NT2JLASP403UW01, NT2JLASP403UW06, NT2JXASP403UN01, NT2JXASP403UW06, NT3JLASG403UW01, NT3JLASP403NN22, NT3JLASP403NW22, NT3JLASP403UN01, NT3JLASP403UW01, NT3JXASG403UW01, NT3JXASP403NW22, NT3JXASP403UN01, NT3JXASP403UW01, NTHJXASP543NW01, NTHJYASP543NW01, PT2JGAJG403UG06, PT2JGAJP403UG06, PT2JGASG403UG06, PT2JGASP403UG06, PT2JXASG403UG06, PT2JXASP403UG06, PT3JGAJG403UG06, PT3JGAJP403UG06, PT3JGASG403UG06, PT3JGASP403UG06, PT3JXASG403UG06, PT3JXASP403UG06, ST1JXASP403EW06, ST2JXASP403EW06, ST3JGASP403UW01, ST3JXASP403NW22 and TT3JXASP403NW22 starting Serial No. 2101000001
	806031	Front Control Harness	All other models through Serial No. 2012999999
	807346	Front Control Harness	All other models starting Serial No. 2101000001

NOTE: Individual wires are not available separately. Order complete harness, or order wire by the foot. When applying terminals to wires, it is recommended that the terminals be soldered to the wires.

Washer Wire Harnesses and Wires (Drawing 2 of 2)



SWD1295PC_806119

Washer Wire Harnesses and Wires (Drawing 2 of 2)

REF	PART NO.	DESCRIPTION	COMMENTS
	D517236	Broken Belt Harness	Models NTENXASP454ZW01, NTEWXASP433LN01, NTGNXASP304ZW38 and NTLWXASP303LN01
	D517261	Broken Belt Harness	Models STENXASP543RW01, STEWXASP453NN22 and STGNZASP113NW22
	D515040	Jumper Harness	Model TT3JGASP403NW36
	807298	Power Harness	Starting Serial No. 2101000001
1	D513991	Security Cabinet Harness	
2	806028	Door Lock Harness Assembly	Through Serial No. 2012999999
	807293	Door Lock Harness Assembly	Starting Serial No. 2101000001
3	806029	Motor Harness	Through Serial No. 2012999999
	807294	Motor Harness	Starting Serial No. 2101000001

NOTE: Individual wires are not available separately. Order complete harness, or order wire by the foot. When applying terminals to wires, it is recommended that the terminals be soldered to the wires.

Parts Index

A

Access Cover Plate D514356	125
Access Panel and Guard Assembly D514252DG	89
Access Panel Assembly D514250DG	41, 89
D514250WP	41, 89
D514251	89
806528	41
Access Panel Plate D510903	125
Adhesive D511637P	101, 107
Air Duct Assembly D518432	103, 105
D518433	103, 105
Anchor 155P3	67
Anchor Floor Mount Assembly 802844P	67
Anti-Seize Compound 27604P	55, 91, 95, 97

B

Backflow Preventer 800310	63
Balance Ring Assembly 804393	55
Base Assembly 803876	67
Bearing Housing Kit 805525	55
Bearing Kit 805730	55
Belt Install Tool 807623	57, 157
Belt Kit 807429P	57
Block to Relay Harness D511112P	109
Blower Fan Assembly D510139P	97
Blower Housing D511969LG	91
D511969WP	91
Blower Housing Seal D510238P	91
Bolt 29651	27, 29
Booster and Holding Coil 58804A	115, 117
Bracket D510146	125
D516238	119, 121
Bracket Transformer D518062	131

Broken Belt Harness D517236	165, 167
D517261	165, 167
Bumper Pad 36226	67
56128	125, 133
Burner Assembly D510149P	115, 117, 119, 121

C

Cabinet Panel Kit 800004WP	67
Cabinet Rear Panel D514632P	125
D517566	125
Cabinet Side Panel D510001DGP	125
D510001WP	125
D510002DGP	125
D510002WP	125
800004DG	67
800005DG	67
802525P	67
802526P	67
Cable Connection Box 39922	69
Card Insert Overlay D511544	39
D514391	37
Caution Label 801706	153
Central Pay Harness 805427	7
Central Pay Kit 807174	11, 13
Chemical Injection Control 804528	71
Chemical Injection Conversion Kit 805772	71
808078	71
Chemical Injection Label 804607	71
Clamp Ring 803802	53
Clearance Label D513341	151
Clip 201572	35
Clothes Guard Deflector 804467	53
805548	53
Coin Drop 38963P	33
70441601P	33
Coin Drop Assembly CK114	33
38462P	33
38463	33
38464P	33
38467	33

N/A items do not appear in index.

38472	33
38519	33
38521	33
70441602	33
70482401	33
Coin Drop Kit	
CK123	33
Coin Drop Wire Harness	
201104	35
Coin Identification Paper	
38725	35
Combustion Duct	
D510131	113
D510132	113
Connector	
M400149	71
801789	37
Connector, 2 Circuit	
58799	149
Connector, 3 Circuit	
58800	149
Contactora	
F330177P	109
70482603	19
806428	19
807472	19
Contactora Bracket	
D511859	133
Control Assembly	
D514139P	13
D515807P	13
D515809P	13
D517522	13
D517523	13
D517524	13
806267P	11
806268P	11
806269P	11
807458	11
807459	11
807460	11
Control Bracket	
807441	57
Control Overlay	
805381	15
805382	15
Control Panel	
803962WP	29
803964B	27
803964DG	27
803964W	27
803968B	37
803968W	37
803972B	37
803972DG	37
803972W	37
805545B	37
Control Panel and Bracket Assembly	
800034W	7
Control Panel Assembly	
804069B	7
804069DG	7
804069W	7
Control Shield	
804363	17

Conversion Kit	
756P3	109
805832	73
Counterweight	
807476	53
Cylinder Assembly	
D505929LGP	101
D510265LGP	101
D510265WP	101
Cylinder Baffle	
D510102LG	101
D510102W	101
Cylinder Belt	
D511255P	97
Cylinder Glide	
D513710	101
Cylinder Glide Bracket	
D510145	101
Cylinder Roller	
D510708P	107
Cylinder Roller Bracket	
D510100	107
Cylinder Seal Assembly	
D510207P	101, 107

D

Detergent Hose	
804717	47
Din Rail	
M412693	109
Directional Exhaust Kit	
528P3	125
Disconnect Power Warning Label	
D505281	151, 153
Dispenser Assembly	
803698	47
Dispenser Drawer	
803667	47
Dispenser Handle	
804227B	47
804227WP	47
804228	47
804415B	47
804415W	47
804526	47
Dispenser Inlet Hose	
803849	47
807364	47
Dispenser Plate	
803843	47
Door Assembly	
D516737W	79, 81, 83
804083WP	41
804210P	41
805550P	41
Door Catch Assembly	
D510177	87
802803	41
Door Glass	
802695P	41
Door Glass Mounting Plate	
806354	41

N/A items do not appear in index.

Door Handle Wedge D510129W	75, 81, 83	D515961W	79, 81, 85
Door Hinge 802934	41	D515963	75, 77
Door Latch Assembly 803920	41	Dryer Door Window D503982P	79, 81, 83
Door Liner Assembly D510289LG	77	D515681	79, 81, 85
Door Liner Grill D503870LG	75, 79, 81, 83	Dual Coin Harness Assembly 202871	33, 35
D503870W	85	Dual Overlay 39073	27
Door Lock Drip Shield 804784	45		
Door Lock Harness Assembly 806028	167	E	
807293	167	Elbow D513072	115, 119
Door Pull D512947	75, 77	Elbow Shut-Off Valve D510205	115
Door Pull and Wedge Kit D510103WP	77, 79, 81, 83, 85	Electric Clearance Label D511005	151
D511213P	75, 77	Electrical Shock Label F8211201	151, 153
Door Seal 804428P	41	Electronic Coin Drop Assembly 70294104	35
Door Seal Assembly 804429P	41	70294107	35
Door Strike D510181	75, 77, 79, 81, 83, 85	70294110	35
Door Strike Mount D510127	75, 77, 79, 81, 83, 85	70294111	35
Drain Base Bracket 803814	63	70294117	35
Drain Hose 27154	63	70294120	35
Drain Hose Bracket 803828	67	70294121	35
Drain Hose Elbow 35766	63	70294122	35
Drain Pump Assembly 803922	63	70513302	35
805724P	63	70513306	35
808195P	63	70513311	35
Drain Pump Drip Shield 805561	65	Electronic Coin Drop Kit CK099	35
Drain Pump Isolator 803815	63	CK100	35
Drain Valve 803293P	61	CK101	35
Drain Valve Kit F975P3	61	CK103	35
F976P3	61	CK108	35
Drain-to-Cabinet Hose 800903	61	CK109	35
Drip Shield D514327	87	CK110	35
Drive Belt 804985	57	CK113	35
Dryer Base D514245	131	CK115	35
Dryer Door D510013DG	75, 77	CK116	35
D510082WP	81, 83	CK117	35
D512969	75	CK118	35
D515960DG	77	CK120	35
D515961DG	79	CK121	35
		End Stop 70121001	109
		Ens Shield 806258	59
		Exhaust Duct D516196	125
		Exhaust Warning Label D500497	151
		D502507	151
		Expansion Clip 70030501	27, 29, 37
		Extractor Tool 128P4	147
		190P4	147

N/A items do not appear in index.

F

Felt Pad	
D510189	101
Female Piggyback Terminal	
00361	149
Female Pin Terminal	
00117	149
Female Spade Terminal	
00189	149
Female Terminal	
00188	147
00255	147
00256	147, 149
Fill Hose	
203718	51
203719	51
203720	51
203750	51
204102	51
204103	51
Filter	
D514384P	141
805634	19
Filter Harness	
D514040	141
D518532	141, 145
D518533	141, 145
804396	19, 21, 23, 69, 141
804797	19
Filter Jumper Harness	
804805	69
808048	69
Fitting	
801792P	19
Flexible Venting Kit	
521P3	125
Foam Pad	
804875	47
Foreign Object Deflector	
806308	53
806313	53
806361	53
Front Bulkhead Assembly	
D510266P	101
Front Control Harness	
806031	165
806032	165
807346	165
807347	165
Front Panel	
D510066DG	87
D510066WP	87
D512542	87
802277DG	41
802277WP	41
802288P	41
807151W	29
Front Panel Assembly Kit	
806505W	43
806560	43
Front Panel Seal	
D511056	87

Fuse Notice Label	
61294	103, 105

G

Gas Clearance Label	
D511004	151
Gas Harness	
D517477	163
Gas Label	
D505215	151
Gas Power Harness	
D518536	159
Gas Valve Assembly	
D513631	115
D515490	115
D516182	119
59063P	115
60353P	115
Gas Valve Coil	
D516699	119, 121
Gas Valve Harness	
D516365	159
D516367	159
D517702	159
Gas Valve Mounting Bracket	
D510128	115, 117
510128	119, 121
Gas Valve, Bracket and Pipe Assembly	
D517606	117
D517607	117
D517608	117
D517610	121
D517612	117
D517613	117
Gasket	
802427	63
Glass Mounting Clip	
802700	41
Glide Kit	
RB170003	101
Gravity Drain Bracket	
803291	61
803833	67
Gravity Drain Valve	
803292P	61
Grommet	
29175	53
Ground Filter Harness	
D514039	141, 145
D518534	141, 145

H

Harness	
805684	159
Harness Strap	
55881	73, 149
Heat Contactor Harness	
805544	19
806431	19
807474	19

N/A items do not appear in index.

Heat Duct Shroud D510101	113
Heater D511014P	109
Heater Assembly D510324P	111
D510326P	111
D510327P	111
D510328P	111
D510329P	111
D510330P	111
Heater Contactor Drip Shield 805356	19
Heater Duct and Screw Assembly D510025P	111
Heater Duct Assembly D510025P	109, 113
Heater Kit 964P3	111
965P3	111
Heater Kit Assembly 61927	111
61928	111
61929	111
61930	111
Heating Element 804777P	53
804778P	53
High Voltage Suppression Cable 44239706	133
Hinge D511036	75, 77, 79, 81, 83, 85
Hinge Hole Plug D510186	87
Hinge Plate 802206	41
Hold Down Kit 526P3	131
Hose Clamp F200204	63
F200206	47
20211	63
20391	63
685725	47, 61
802281	41
803891	53
807386	47
Hose Clip 36985	53, 73
800553	53
Housing, 10 Position D500338	147

I

ICM Gas Harness D516881	133
Idler Lever D516310	99
Idler Lever and Wheel Assembly D516792	99
Idler Spring D510185	99

Idler Wheel and Bearing Assembly D510142P	99
Igniter and Bracket Assembly D510184P	115, 117
Ignition Control 70483201P	133
Inner Basket Assembly 804374P	55
805485	55
Inner Basket Assembly Kit 804376P	55
Inner Door Bezel 808097	41
Inner Door Bezel Kit 808095	41
808096	41
Insert 685716	47
Instruction Label 805664	27
805665	27, 29
806195	27
Insulated Female Flag Terminal 00221	149
Inverter Control Assembly 807175P	57

J

Jumper D517459	133
Jumper Harness D515040	165, 167
Jumper Wire Assembly D518529	109
Junction Box 803818	69, 71
803819	69
803827	71
804559	69
804561	69, 71
Junction Box Assembly D516152	141, 145
D516153	141, 145
D516154	141
Junction Box Cover D514363	141, 145
803820	69, 71
Junction Box Seal D514379P	141, 145
803832P	69, 71

K

Key 54612	7, 29
--------------------	-------

L

Label D503887	151
------------------------	-----

N/A items do not appear in index.

804969	17
805914	17
807246	17
Laundry Harness	
D517037	7
Lead-In Cord	
D514061	143
D514953	143
D515441	135
D516611	139
D516705	137
D516747	135, 137, 139, 143
D517577	137
D517578	137
D517581	137
D517699	137
202405	69
202777	69, 73, 135
202925	139
202926	139
203208	139
203315	135, 139
203344	135, 137
805794	69
808131	69
Lead-In Cord Assembly	
D506106	139
D515467	137
804556	69
Lead-In Cord Kit	
61605P	137, 139
Lead-In Pipe Assembly	
D510204	115, 119
Left Hand Thread Label	
685928	153
804949	153
Leveling Leg	
D510135	131
34319	67
Lid Assembly	
802426P	63
Lifter	
804382	55
Limit Thermostat	
D510700	111
D510701	109, 111
D510702	113
Line Filter	
804844	141, 145
804864	141, 145
805633	21, 23
807473	19, 69
Liner and Seal Assembly	
D516508	75, 77
D516509	79, 81, 83, 85
Liner Door Seal	
D510147P	75, 77, 79, 81, 83
Lint Filter	
D503980LG	103, 105
D503980W	103, 105
Lint Filter Label	
D502781	151
D502804	87
Lock Assembly	
804339P	7, 29

Lock Cam	
27261	7
804338	7, 29
Lock Extension	
806963	29
L.P. Conversion Kit	
458P3	115, 117
599P3	115, 117
L.P. Orifice	
D503786	123
58755	123

M

Machine ID Control Assembly	
203361P	7
Main Harness	
D516877	161
D517483	163
Male Pin Terminal	
00116	149
Meter Case Assembly	
806967W	29
807254B	27
807254DG	27
807396B	27
807396W	27
Mixing Valve	
806510P	49
806611P	49
807497P	49
807837P	49
Mixing Valve Screen	
24122	49
Mixing Valve Shield	
804783	51
Motor and Pulley Assembly	
D505843P	95
D505869P	95
D511629P	95
D516608P	95
Motor and Rod Assembly Kit	
805726P	57
808034P	57
808067P	57
Motor Control Shield	
804878	59
806498	59
Motor Harness	
806029	167
807294	167
Motor Hub Ring Kit	
590P3	95
Motor Mount	
D518517	99
Motor Mount Clamp	
D510180	95
Motor Pulley	
D500011	95
D500222	95
Motor Rod	
803861	57
807739	57

N/A items do not appear in index.

Motor Shield	
D514602	93
Motor Switch Bracket	
D516311	99
Mounting Tool Kit	
CK096	35

N

Natural/L.P. Gas Label	
D500240	151
Network Varistor Assembly	
804651	19
Notice Label	
D516073	153
803011	153
Nut	
F430218	53
03673	73
201216	35
21899	67
23951	41
29786	33, 61
29787	19, 21, 23, 141, 145
36020	41
44071201	79, 83
44087201	27, 29
51236	141
52566	99
56156	99, 107
685846	41
800452	53, 55
802292	47
802343	53
804418	55
N.G. Conversion Kit	
459P3	115, 117
N.G. Orifice	
D503776	123
D503778	123
D503779	123
D503780	123
D510517	123

O

Operating Instructions Label	
D517764	37
Operation Instructions	
805667	37
O-Ring	
801632	47
802429P	63
Outer Door Bezel	
808091	41
808092	41
808094	41
Outer Tub Assembly	
803864	53
803865	53
807479	53
807480	53
807618	53
807619	53

Outlet Cover	
D500820	109, 111, 113
D518524	113
Out-of-Balance Switch Assembly	
807384	53
Out-of-Balance Switch Assembly Kit	
806512	53
Out-of-Balance Switch Bracket	
804457	53
807280	53
Output Board Shield	
D514420	127
Output Control Assembly	
D513797P	127
D517191P	127
D517269	127
D517319	127
807243	57
808149	57
Overlay	
D514873	37
201091	27, 35
804852	15
805380	15
805383	15
805384	15
805386	15
805387	15
805765	15
805767	15
805970	15
806174	15
807195	15
807391	15
807629	15
808116	15
Overlay Kit	
38676	27
Oversuding Label	
802074	153
802838	153

P

Paint	
806436P	67, 125
Panel Locator	
56079	41, 67, 87, 89, 125
Payment Center Kit	
205067	9
205068	9
205069	9
205070	9
Pinch Warning Label	
F8615701	151
Pinched Fingers Label	
F8615701	153
Plug	
23040	149
Plug, 9 Circuit	
23033	149
Pop Rivet	
685847	53

N/A items do not appear in index.

Porcelain Touch-Up Paint 122P4P	67, 125
Power Cord Assembly	
204061	69
58992	135
801450	69, 135
802012	69
805761	73
805762	73
808047	69
Power Harness	
D514000	159
D514044	159
D517689	159
D518710	159
807298	165, 167
Pressure Bulb	
808013	53
Pressure Sensor	
203843	67
Pressure Sensor Harness	
804433	165
Pressure Sensor Tube Assembly	
804483	53
Pulley Assembly	
808197	55
Pulley Bolt Tightening Fixture	
802336	157
Pump Housing	
802428	63
Pump Housing Assembly	
802434P	63
Pump-to-Elbow Hose	
803734	63
Pump-to-Gravity Drain Kit	
805769	63
805770	63
805771	63
Pushbutton Switch	
M413431	133

R

Rear Access Panel	
803998	27, 29, 37
807646	27, 29, 37
Rear Bulkhead Assembly	
D510905WP	107
D511082P	107
Rear Panel	
803789	67
803790	67
806716	67
Rear Service Panel	
805834	31, 39
Receptacle, 2 Circuit	
D501223	149
Receptacle, 3 Circuit	
23039	149
36170	149
Receptacle, 6 Circuit	
26708	149
Relay to Heater Harness	
D511114P	109

N/A items do not appear in index.

Retaining Ring	
23748	99, 107
Roller Kit	
RB170002	107
Rubber Foot	
D501855	67
34318	67

S

Screw	
D500226	77, 81, 83
D500824	99
D501285	103, 105, 107
D501524	7, 59
D502535	97
D503661	7, 19, 21, 23, 25, 41, 57, 61, 63, 65, 67, 69, 71, 141, 145
D503688	17, 27, 31, 37, 39, 87, 95, 97, 101, 107, 109, 111, 113, 115, 117, 119, 121, 125, 129, 131, 133, 141, 145
D505295	75, 79, 81, 83, 85
D505870	79, 81, 83, 85
D512921	87, 89
D514428	131
D515597	79, 83
D515967	75, 79, 81, 85
D516261	133
D516706	77
F8206901	57
M400043	55, 155
M400057	57
02916	57, 61
20530	73, 135, 137
23222	109, 111, 115, 117
31260	91, 93
33562	89
36048	131
38272	133
39733	41, 67, 87, 89, 125
51782	113, 115, 117, 119, 121
52864	103, 105
52909	63
56124	115, 117, 119, 121
61199	107
62588	101
685831	55
70240301	27, 29, 37
800461	53
800462	53
800548	41, 47, 55
801001	47
801019	41
801045	41
801993	41
802431	63
802596	53
804399	55
804608	7
804667	127
804699	55
806086	41
806276	37, 67
Screw Orifice	
58719	123
Seal Kit	
RB170001	101, 107

Secondary Coil	
58804B.....	115, 117
Security Cabinet Front Assembly	
D511208W	39
D518305WP.....	31
Security Cabinet Harness	
D513991	167
Security Cabinet Warpper Assembly	
801235W.....	39
Security Cabinet Wrapper Assembly	
801235W.....	31
Sensor	
D510213	115, 117
Shaft	
56461P.....	99, 107
Shield Bracket	
804018	17
Shipping Bracket Label	
686901	155
Shipping Materials Kit	
807529	155
Shipping Plate	
803851	67
Shipping Plug	
8038589	67
Shock Assembly	
803777P.....	53
Side Panel Kit	
806492	67
Single Coin Harness Assembly	
202870	33
Single Drop Overlay	
803476	27
Single Overlay	
38717	27
Snap Bushing	
D503235	61
M402542	19, 21, 23, 71
Spark Electrode	
44328701P.....	119, 121
Speed Clip	
28835	87
Standpipe Strap	
33489	63
Strain Relief	
D517491	137
D517492	137
38384	69, 73, 135
52113	135
60298	69, 141, 145
Strain Relief Adapter	
D502496	135
Strain Relief Connector	
D511628.....	135
F140312.....	135
Supply Injection Wire Harness Assembly	
804799	71
807645	71
Switch	
D512973	7, 27, 29, 87
D516391	99
Switch Bracket	
D516237	133

T

Terminal	
00252	149
Terminal Block Assembly	
D505876.....	19, 107
D510190P	107
803988	19, 21, 23
Terminal Block Drip Shield	
805344	19, 21, 23
Terminal Block Harness	
804737	19
Terminal Block Shield	
D510237	107
D517715.....	107
Terminal Block Support Bracket	
D505875.....	107
Terminal Extractor Tool	
283P4	147
Thermal Fuse Assembly	
D518649.....	109, 111
Thermistor Assembly	
D502366.....	97
D510523	97
Thermostat	
D510703.....	113
Thermostat Shield	
D514325.....	93
Top Hinge	
D510136.....	125
Top Kit	
D510032WP	125
Top Panel	
D510032DG	125
803144P	125
Transformer	
D513763P	129
201375P.....	35
202757	7, 133
202758	7
Transformer Harness	
D518061.....	129
804795	7
805428	7
Transformer Kit	
203423	7
203424	7
Transformer Shield	
D514334.....	129
Trunnion Kit	
806831	55
Trunnion Shaft Kit	
808043P	55
Tub Front	
803770	53
Tub Front Assembly	
803879	53
Tub Front Seal	
803801	53
Tubing	
801635	47
Tub-to-Drain Hose	
803873	61

N/A items do not appear in index.

Tub-to-Gravity Drain Hose	
803874	61
Tub-to-Pump Hose	
803816	63
803829	63

U

Union	
801788	37
Upper Electric Harness	
D513968	163
D517238	161
Upper Gas Harness	
D517094	161
D517098	161
D517211	161
Upper Harness	
D517203	161
D517204	161
D517246	161
D517482	163

V

Valve Assembly	
60443P	115
Valve Filter	
F8161201	49
Venting Instruction Label	
D502791	151

W

Warning Label	
D500049	53, 151
D500314	153
D500316	151, 153
D502508	151
D512263	87, 151
D514410	151
D514867	151
D515692	153
D515712	153
D515740	153
D516243	151
44324001	151
802367	153
803260	151, 153
804924	153
805966	153
806591	153
Warning/Caution Label	
D500281	87, 151
Washer	
D504082	107
M400014	155
M400017	61
M400080	57
M400081	53
M403958	55
02834	57
03815	73

20290	51
26509	131
52549	99, 107
800457	55
802254	51
803615	51
804458	53
807679	55
Window Clip	
D513958	79, 83
Window Trim	
D503981W	81, 83
D515955	79
D515956W	79, 81, 85
Wire Assembly	
D518255	111
D518256	111
Wire Clip	
D504034	73
687500	73
Wire Guard	
201595P	33
Wire Ring and Spring	
806466	41
Wire Tie	
38663	73
Wireless Network Board Harness	
F8536002	25
Wireless Network Control Assembly	
807211	25
Wireless Network Harness	
F8674006	25
Wireless Network Kit	
204689	25
Wire, 12 Gauge	
45380	159
Wire, 18 Gauge	
45001	159
Wiring Harness Assembly	
202868	7
202869	7, 29
Wrapper Assembly	
804103W	37
804104B	27
804104DG	27
804104W	27, 29
804107W	37
804108B	27, 37
804108DG	27, 37
804108W	27, 37
804111B	37
804111W	37
804112B	37
804112W	37
804115B	37
804115DG	37
804115W	37
Wrench	
392P4	157

N/A items do not appear in index.