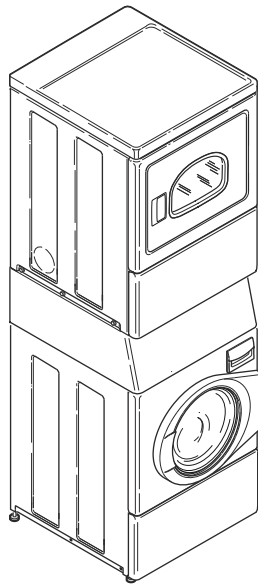


# Commercial Stack Washer/Dryers

Refer to Page 3 for Model Numbers



SWD456C\_807267



# Table of Contents

Title	Page
Parts Ordering Information.....	2
Serial Plate Location .....	2
Model Identification .....	3
Control Panel and Controls.....	4
Control Shield and Bracket .....	6
Network Board Assembly.....	8
Control Panel and Cabinet Wrapper .....	10
Non-Electronic Coin Drop .....	12
Electronic Coin Drop .....	14
Card Reader Control Cabinet .....	16
Front Panel, Door Assembly and Door Seal .....	18
Dispenser Assembly .....	20
Mixing Valve and Valve-to-Dispenser Hose.....	22
Outer Tub, Front and Clamp Ring.....	24
Inner Basket, Trunnion, Bearing Housing and Pulley .....	26
Motor and Belt.....	28
Drain Hose and Pump.....	30
Base, Side Panels and Rear Panel.....	32
Washer Lead-In Cord, Wire Ties and Harness Clips .....	34
Dryer Loading Door.....	36
Access Panel, Front Panel and Seal .....	38
Motor, Exhaust Fan, Belt and Idler Assembly.....	40
Front Bulkhead, Air Duct and Felt Seal.....	42
Rear Bulkhead, Felt Seal, Cylinder Roller and Terminal Block.....	44
Heater Duct and Element Assembly .....	46
Heater Duct Assembly .....	48
Gas Valve, Igniter and Gas Conversion Kits - Gas Model Dryers Through Serial No. 1908000001 .....	50
Gas Valve, Igniter and Gas Conversion Kits - Gas Model Dryers Starting Serial No. 1908000001 .....	52
Burner Orifice Spuds - For Higher Elevations.....	54
Dryer Cabinet, Exhaust Duct and Base .....	56
Dryer Power Cord .....	58
Dryer Labels.....	60
Washer Labels .....	62
Shipping Materials .....	64
Special Tools .....	66
Wire Harnesses and Wires .....	68
Parts Index.....	71

© Copyright 2023, Alliance Laundry Systems LLC

All rights reserved. No part of the contents of this book may be reproduced or transmitted in any form or by any means without the expressed written consent of the publisher.

## Parts Ordering Information

If literature or replacement parts are required, contact the source from whom the machine was purchased or contact Alliance Laundry Systems at (920) 748-3950 for the name and address of the nearest authorized parts distributor.

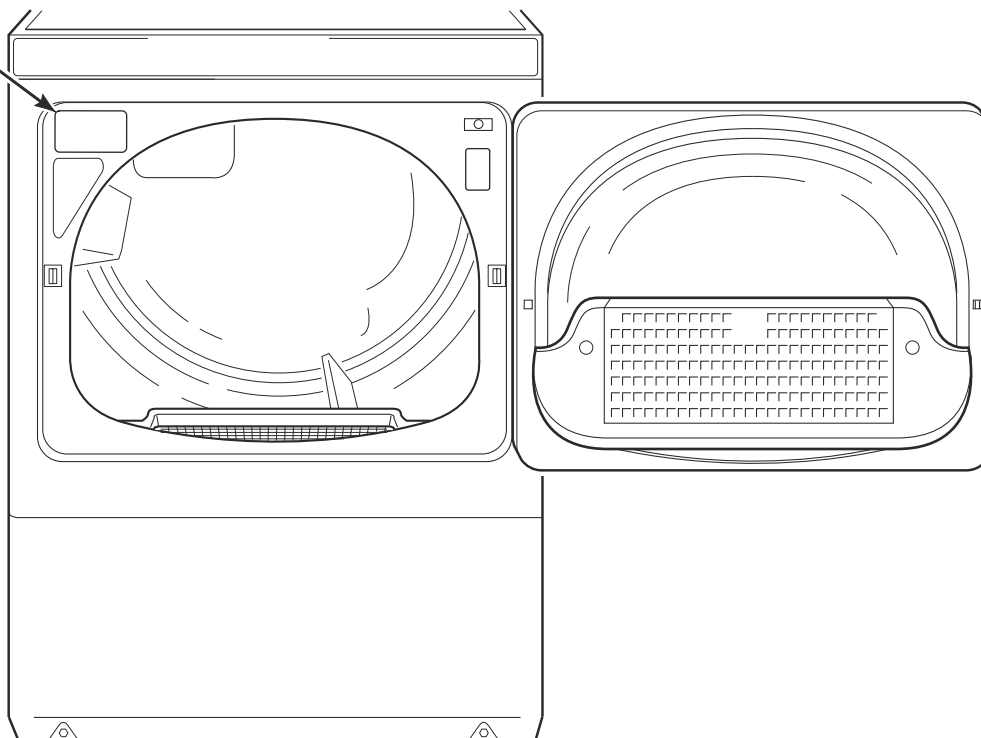
For technical assistance, call the number listed below:

(920) 748-3121 Ripon, Wisconsin

## Serial Plate Location

When calling or writing about your product, be sure to mention model and serial numbers. Model and serial numbers are located on serial plate(s) as shown.

SERIAL PLATE



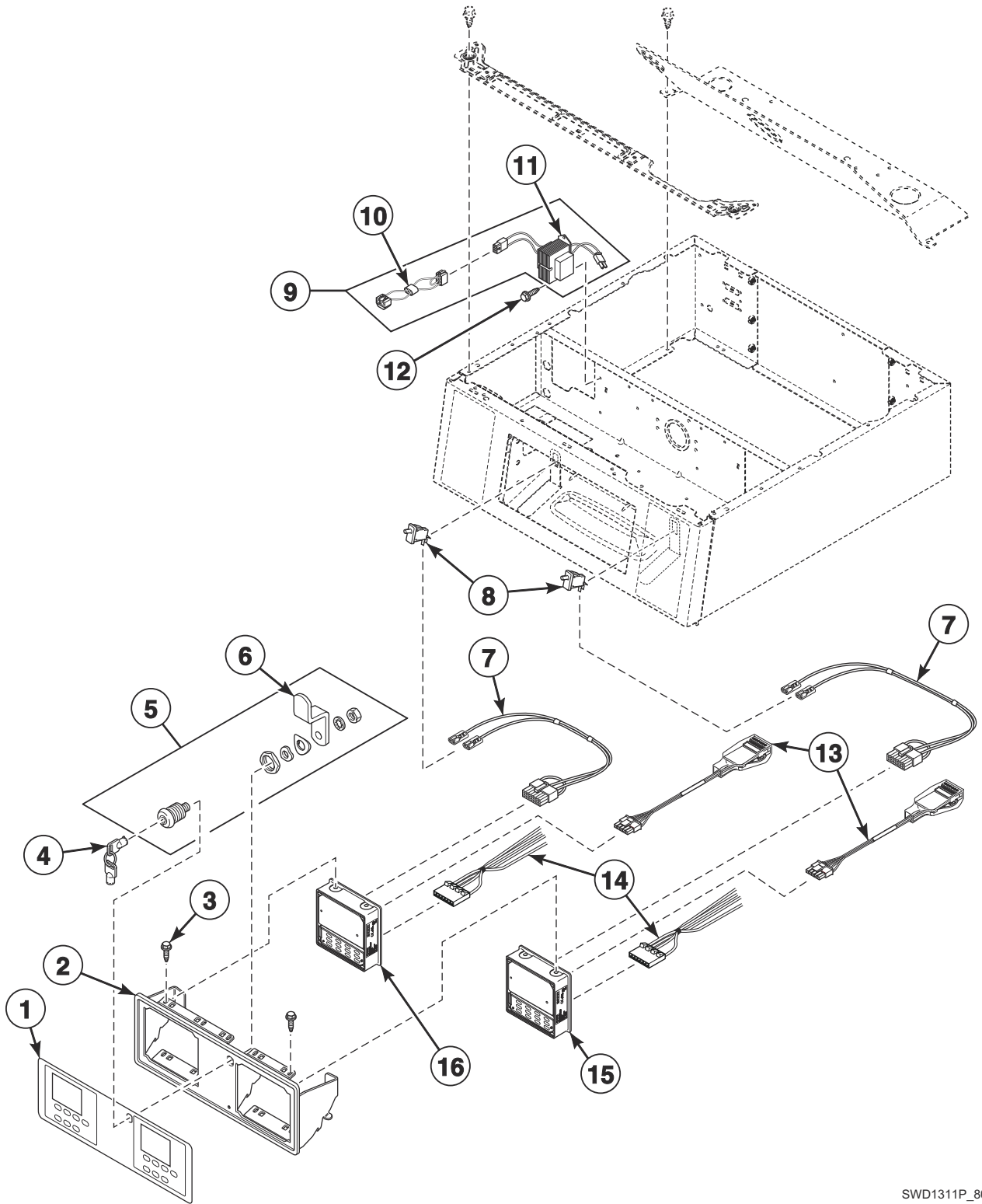
DRY2283P\_807267

## Model Identification

Information in this manual is applicable to these washer/dryer models:

STEDCASP175TW01  
STEDEASP285CW01  
STEDEASP295CW01  
STEDXASP175TW01  
STEDXASP285CW01  
STEDXASP295CW01  
STEDYASP175TW01  
STEDYASP285CW01  
STEDYASP295CW01  
STEYXASP175TW01  
STEYXASP285CW01  
STEYXASP295CW01  
STGDCASP115TW01  
STGDEASP095CW01  
STGDXASP095CW01  
STGDXASP115TW01  
STGDYASP095CW01  
STGDYASP115TW01  
STGYXASP095CW01  
STGYXASP115TW01

# Control Panel and Controls

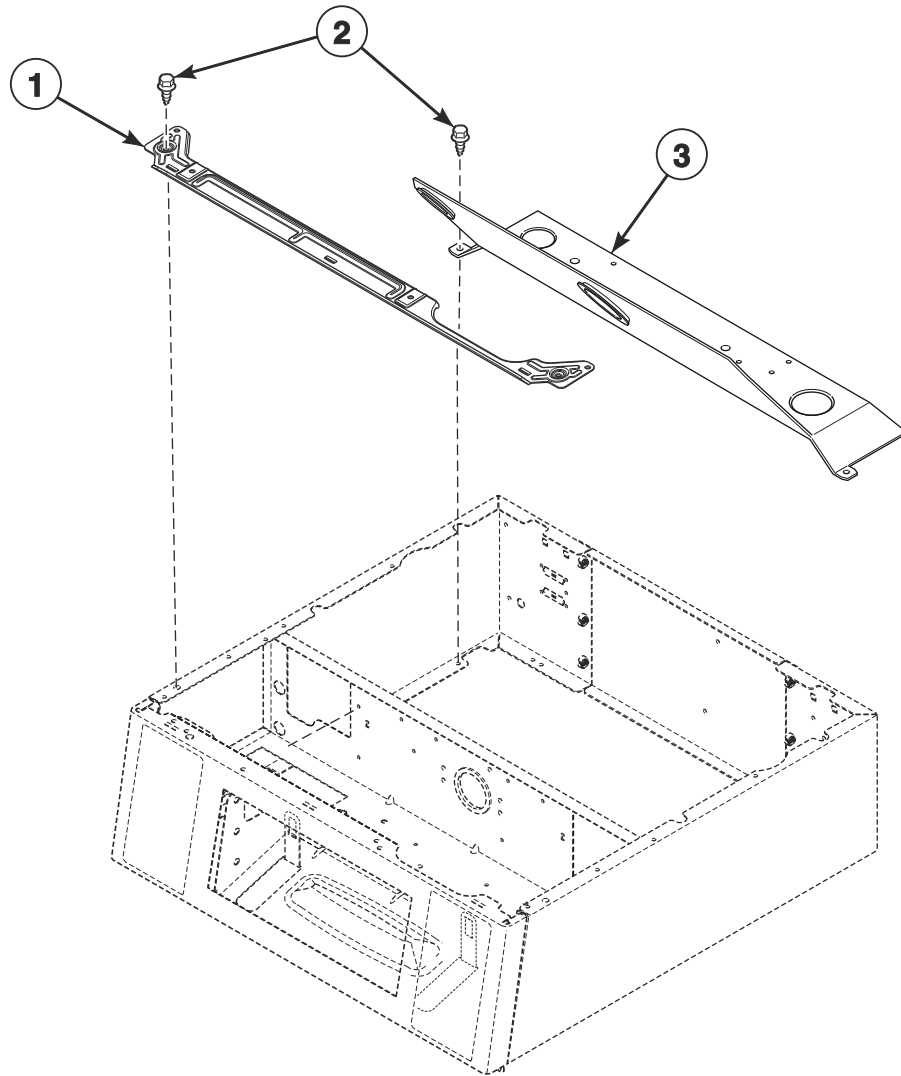


SWD1311P\_807267

## Control Panel and Controls

REF	PART NO.	DESCRIPTION	COMMENTS
	203328	Network Retrofit Kit	Wired
	NK220	Network Controller Kit	Wired
	204689	Wireless Network Kit	
	NK320	Ethernet Gateway Kit	Wireless
	203346	USB IR Interface Kit	
	NK330	USB Gateway Kit	Wireless
<b>1</b>	807206	Overlay	
<b>2</b>	D513778W	Control Panel and Bracket Assembly	
<b>3</b>	804608	Screw	
<b>4</b>	54612	Key	GR800
<b>5</b>	804339P	Lock Assembly	
<b>6</b>	804338	Lock Cam	
<b>7</b>	202868	Wiring Harness Assembly	Diagnostic
<b>8</b>	D512973	Switch	
<b>9</b>	203423	Transformer Kit	
<b>10</b>	804795	Transformer Harness	
<b>11</b>	202757	Transformer	
<b>12</b>	D503661	Screw	
<b>13</b>	203361P	Machine ID Control Assembly	Model or serial number is required when ordering
<b>14</b>	805427	Central Pay Harness	
<b>15</b>	D516096	Control Assembly	Dryer
<b>16</b>	806456	Control Assembly	Washer

# Control Shield and Bracket



SWD1306P\_807267

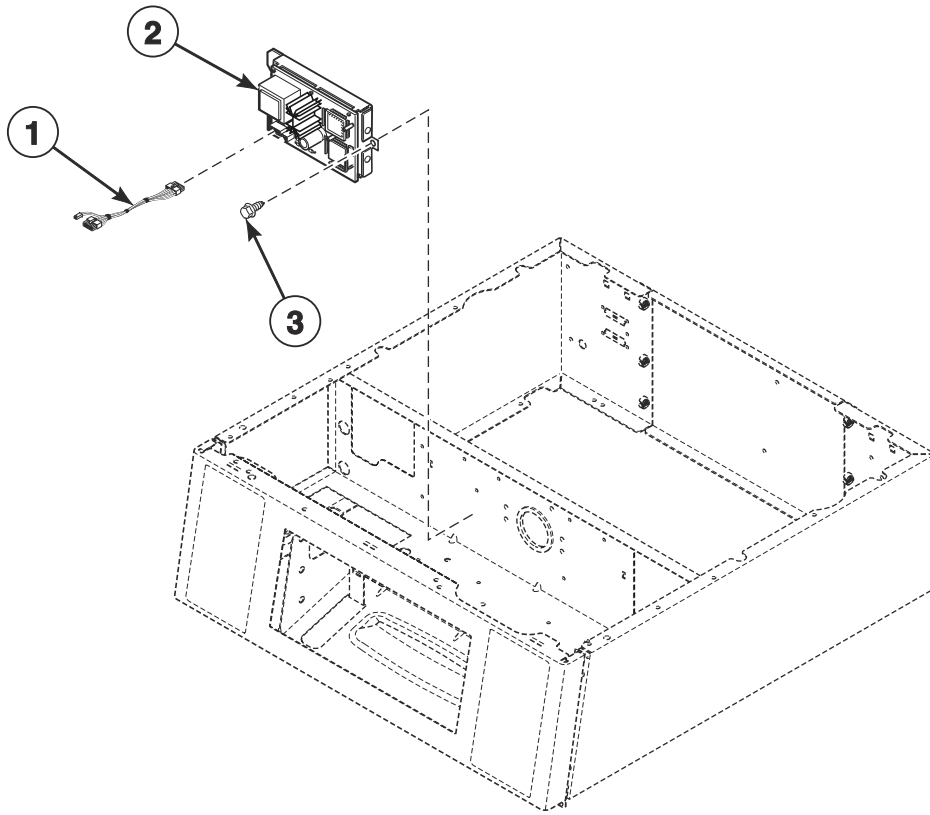


# Control Shield and Bracket

REF	PART NO.	DESCRIPTION	COMMENTS
1	804018	Shield Bracket	
2	D503688	Screw	
3	804363	Control Shield	

# Network Board Assembly

Models STEYXASP175TW01, STEYXASP285CW01, STEYXASP295CW01, STGYXASP095CW01 and STGYXASP115TW01



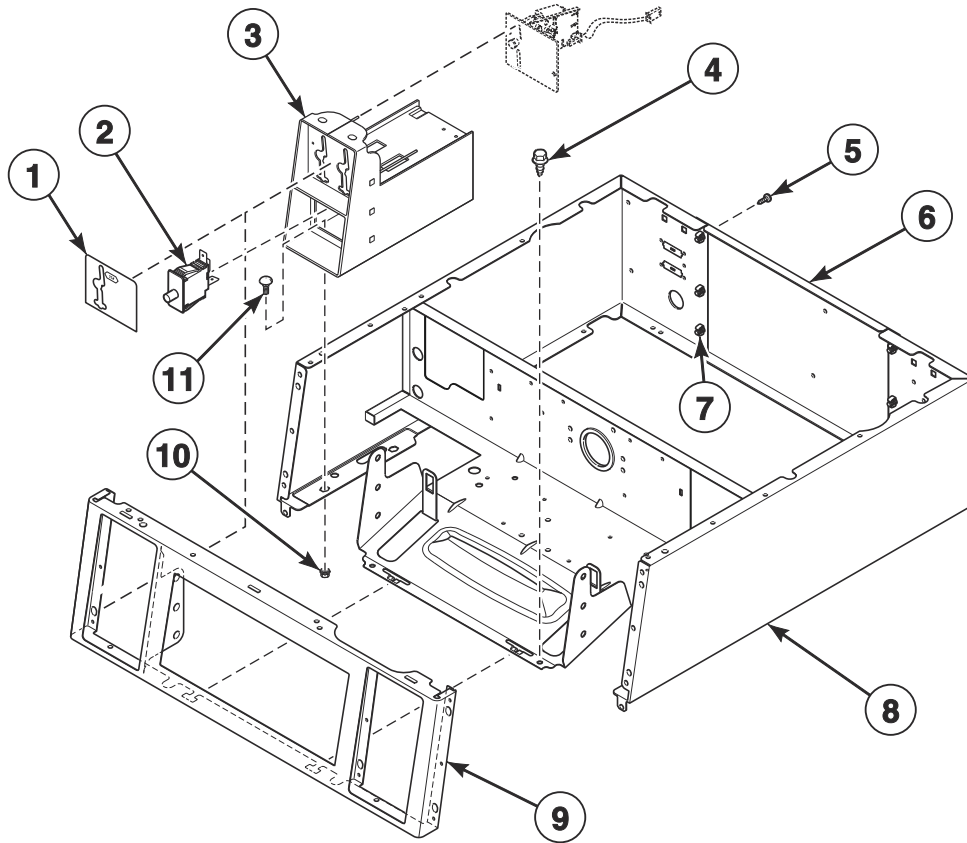
FLW1813P\_807267

# Network Board Assembly

REF	PART NO.	DESCRIPTION	COMMENTS
1	F8536002	Wireless Network Board Harness	Through Serial No. 1902000001
	F8674006	Wireless Network Harness	Starting Serial No. 1902000001
2	203532	Wireless Network Control Assembly	Through Serial No. 1902000001
	807211	Wireless Network Control Assembly	Starting Serial No. 1902000001
3	D503661	Screw	

# Control Panel and Cabinet Wrapper

Coin Models



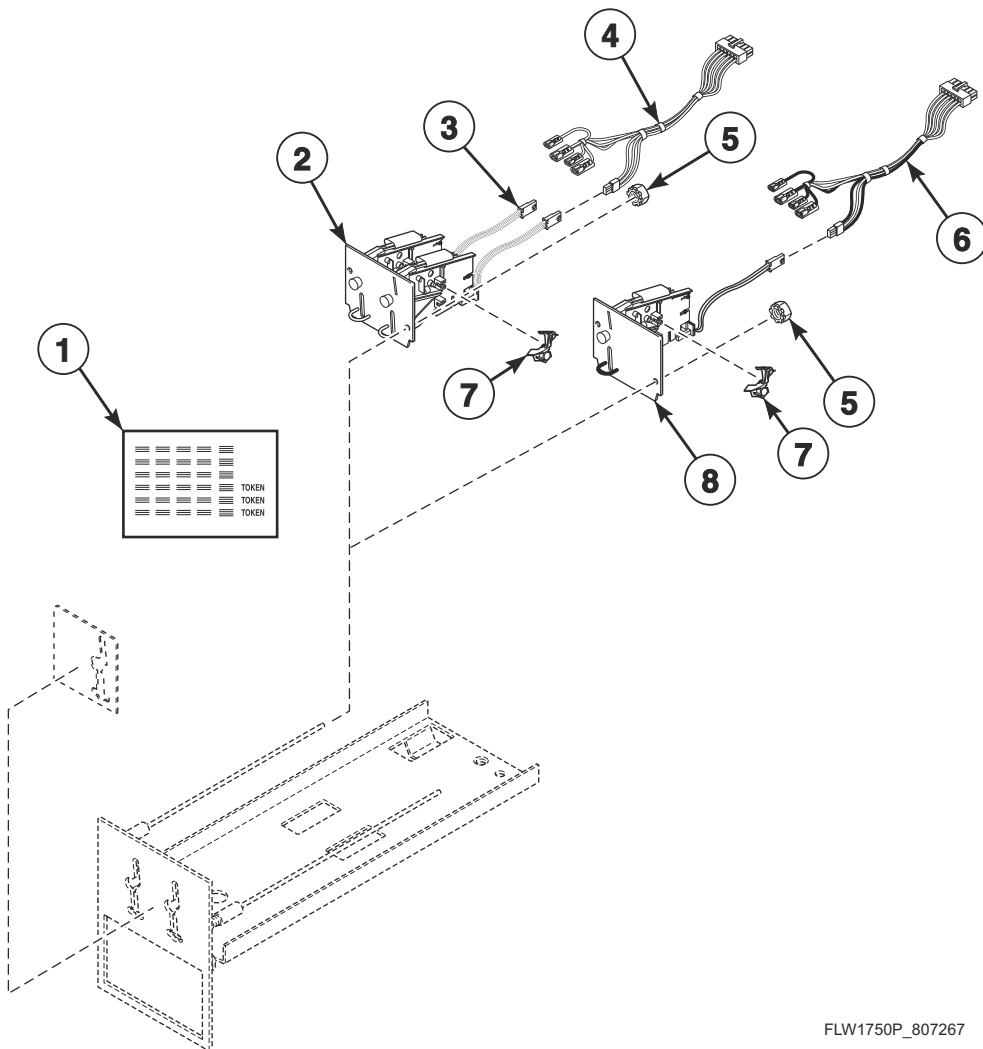
SWD1289P\_807267

## Control Panel and Cabinet Wrapper

REF	PART NO.	DESCRIPTION	COMMENTS
1	38717	Single Overlay	
	39073	Dual Overlay	
	38676	Overlay Kit	Dual drop; Includes coin identification paper
	201091	Overlay	For electronic coin drops
2	D512973	Switch	
3	807396W	Meter Case Assembly	
4	D503688	Screw	
5	70240301	Screw	
6	803998	Rear Access Panel	
7	70030501	Expansion Clip	
8	804104W	Wrapper Assembly	
9	803964W	Control Panel	
10	44087201	Nut	
11	29651	Bolt	

# Non-Electronic Coin Drop

Coin Models



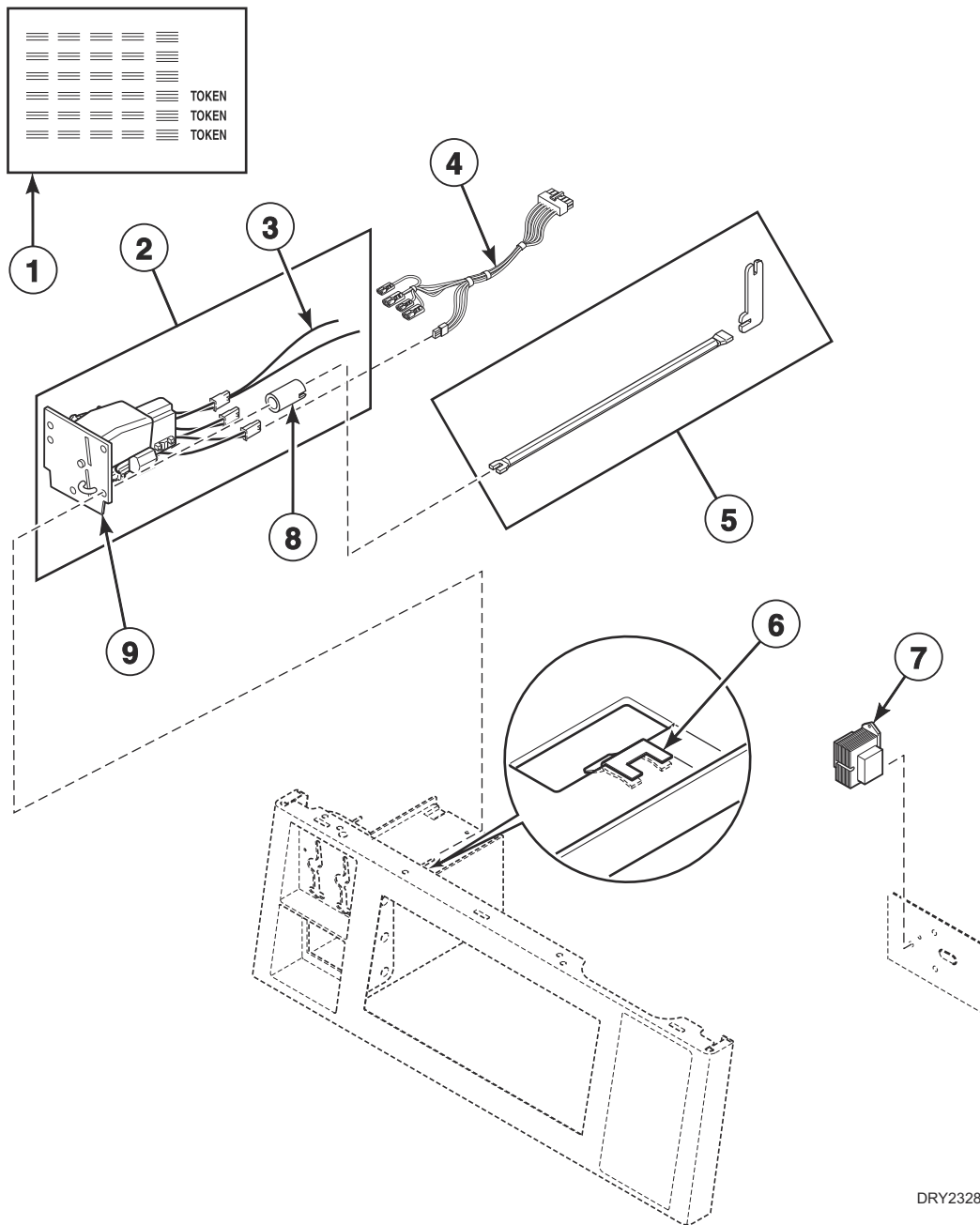
FLW1750P\_807267

## Non-Electronic Coin Drop

REF	PART NO.	DESCRIPTION	COMMENTS
1	38725	Coin Identification Paper	
2	70441603	Coin Drop	U.S.A.; \$0.25 and \$1.00
	70441602	Coin Drop Assembly	Canada; 0.25 and 1.00
	CK058	Coin Drop Kit	Canada; \$0.25 and \$1.00
3	200674P	Opto Coupler	
4	202871	Dual Coin Harness Assembly	
5	29786	Nut	
6	202870	Single Coin Harness Assembly	
7	201595P	Wire Guard	Anti-stringing security device; Add to coin drops
8	70441601P	Coin Drop	U.S.A.; \$0.25
	200731	Coin Drop	U.S.A.; \$1.00
	38464P	Coin Drop Assembly	Canada; 0.25
	38462P	Coin Drop Assembly	Token; STD 118-1
	38463	Coin Drop Assembly	Token; STD 118-5
	38963P	Coin Drop	Token STD 118-16
	39748	Coin Drop	Jeton 08MS
	201141	Coin Drop Assembly	Token; Jeton wh121
	CK055	Coin Drop Kit	Token STD 118-1
	CK056	Coin Drop Kit	Token STD 118-5
	CK057	Coin Drop Kit	Canada; \$0.25
	CK078	Coin Drop Kit	U.S.A.; \$0.25
	CK085	Coin Drop Kit	Token STD 118-16
	CK090	Coin Drop Kit	U.S.A.; \$1.00
	CK097	Coin Drop Kit	Token; Jeton 08MS
	CK098	Coin Drop Kit	Token; Jeton wh121

# Electronic Coin Drop

Coin Models



DRY2328P\_807267

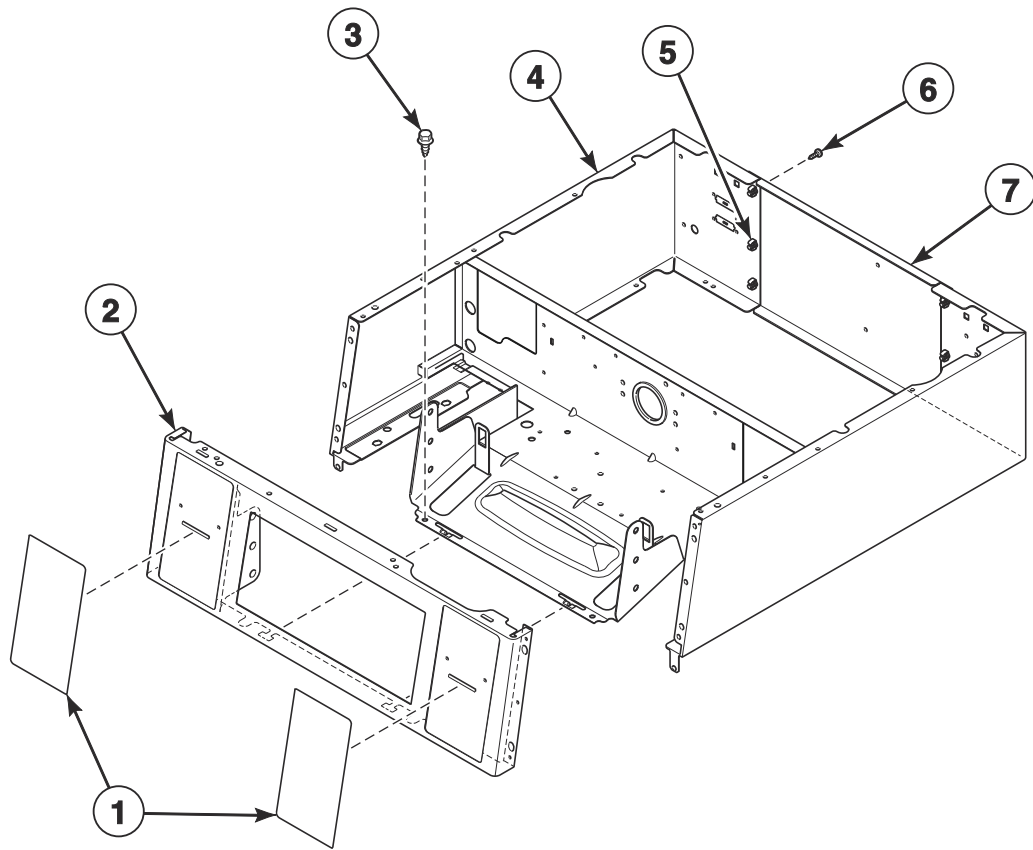


# Electronic Coin Drop

REF	PART NO.	DESCRIPTION	COMMENTS
1	38725	Coin Identification Paper	
2	CK110	Electronic Coin Drop Kit	Mexico, Ecuador and United States; Includes items 1, 3, 6, 8 and 9
	CK115	Electronic Coin Drop Kit	United States and Canada; Includes items 1, 3, 6, 8 and 9
3	201104	Coin Drop Wire Harness	
4	202871	Dual Coin Harness Assembly	
5	CK096	Mounting Tool Kit	
6	201572	Clip	
7	201375P	Transformer	
8	201216	Nut	
9	70513306	Electronic Coin Drop Assembly	Mexico, Ecuador and United States

# Card Reader Control Cabinet

Card Models

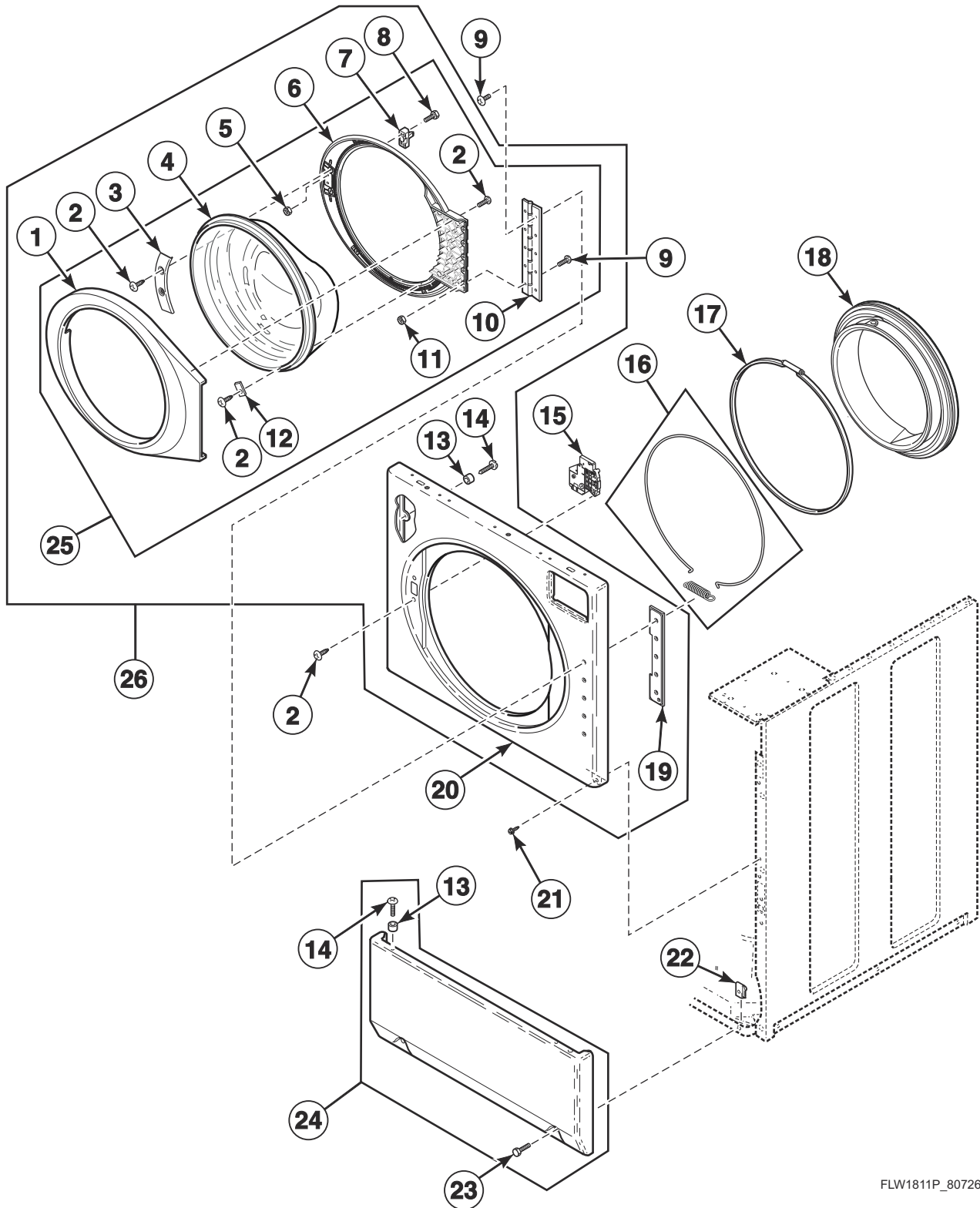


SWD1307P\_807267

# Card Reader Control Cabinet

REF	PART NO.	DESCRIPTION	COMMENTS
1	D514391	Card Insert Overlay	
2	803968W	Control Panel	
3	D503688	Screw	
4	804112W	Wrapper Assembly	
5	70030501	Expansion Clip	
6	70240301	Screw	
7	803998	Rear Access Panel	

# Front Panel, Door Assembly and Door Seal

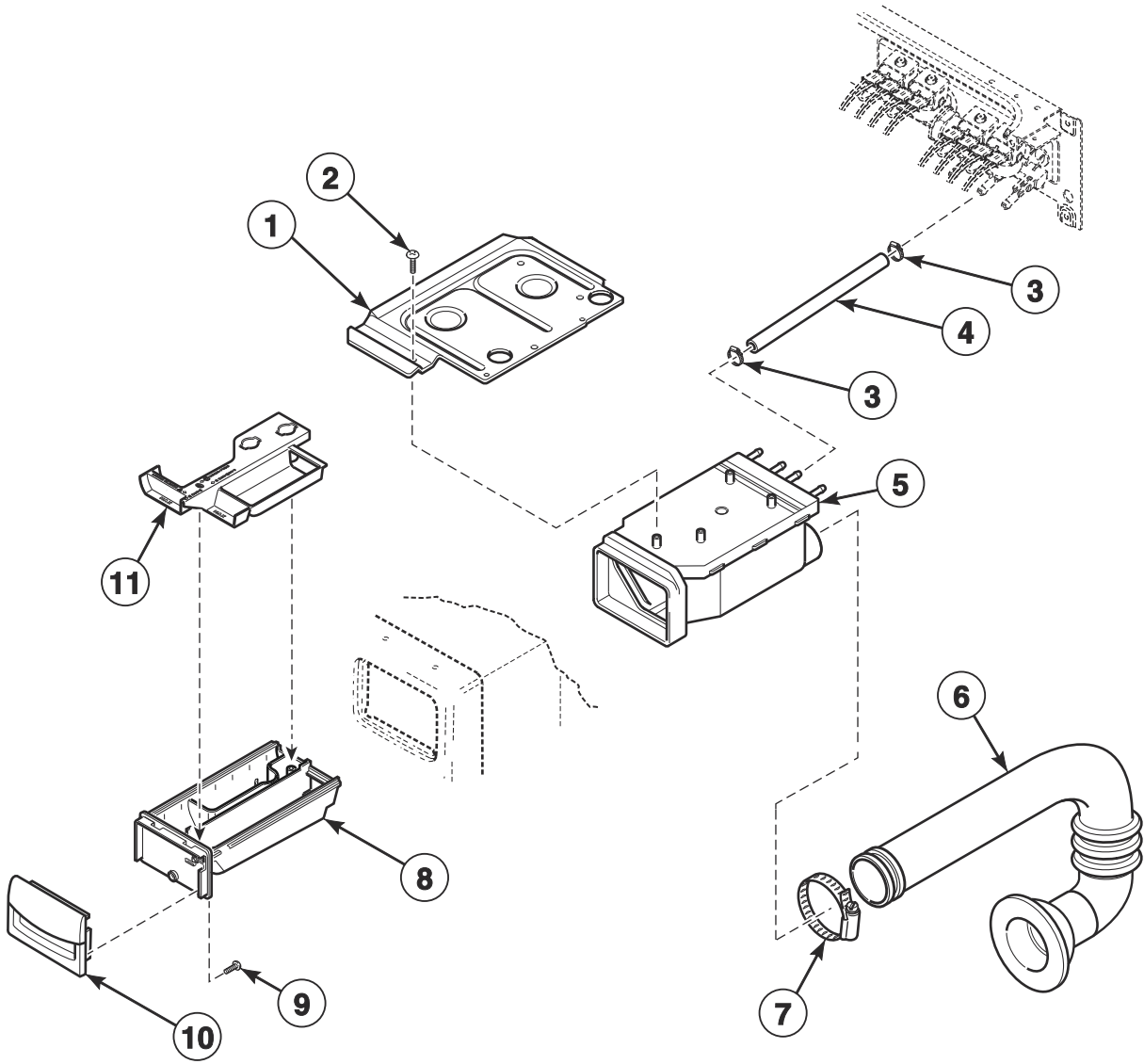


FLW1811P\_807267

## Front Panel, Door Assembly and Door Seal

REF	PART NO.	DESCRIPTION	COMMENTS
1	808094	Outer Door Bezel	
2	800548	Screw	
3	806354	Door Glass Mounting Plate	
4	802695P	Door Glass	
5	685846	Nut	
6	808095	Inner Door Bezel Kit	
	808097	Inner Door Bezel	Glass-filled polypropylene upgrade
7	802803	Door Catch Assembly	
8	801993	Screw	
9	801019	Screw	
10	802934	Door Hinge	
11	23951	Nut	
12	802700	Glass Mounting Clip	7 required
13	56079	Panel Locator	
14	39733	Screw	
15	803920	Door Latch Assembly	
16	806466	Wire Ring and Spring	
17	802281	Hose Clamp	Seal to outer tub front
18	804428P	Door Seal	Black
	804429P	Door Seal Assembly	Gray
19	802206	Hinge Plate	
20	802277WP	Front Panel	
21	D503661	Screw	
22	36020	Nut	
23	801045	Screw	
24	804617W	Access Panel Assembly	
25	804083WP	Door Assembly	Includes items 1-12
26	806505W	Front Panel Assembly Kit	Includes items 1-14, 19 and 20

# Dispenser Assembly

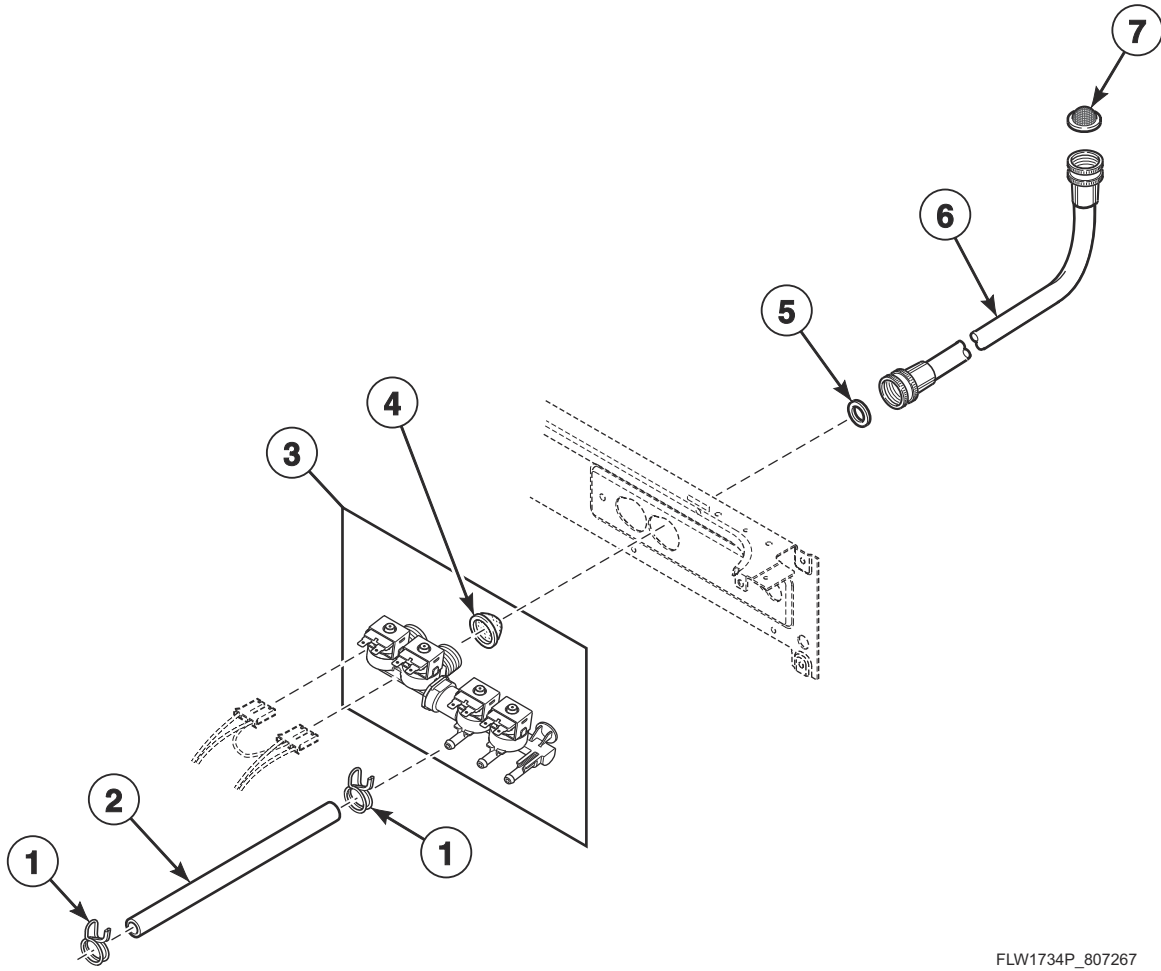


FLW1717P\_807267

# Dispenser Assembly

REF	PART NO.	DESCRIPTION	COMMENTS
	804875	Foam Pad	
1	803843	Dispenser Plate	
2	801001	Screw	
3	807386	Hose Clamp	
4	803849	Dispenser Inlet Hose	Through Serial No. 1810000001
	807364	Dispenser Inlet Hose	Starting Serial No. 1810000001
5	803698	Dispenser Assembly	
6	804717	Detergent Hose	
7	685725	Hose Clamp	
8	803667	Dispenser Drawer	
9	800548	Screw	
10	804227WP	Dispenser Handle	
11	803669	Compartment Cover	

# Mixing Valve and Valve-to-Dispenser Hose



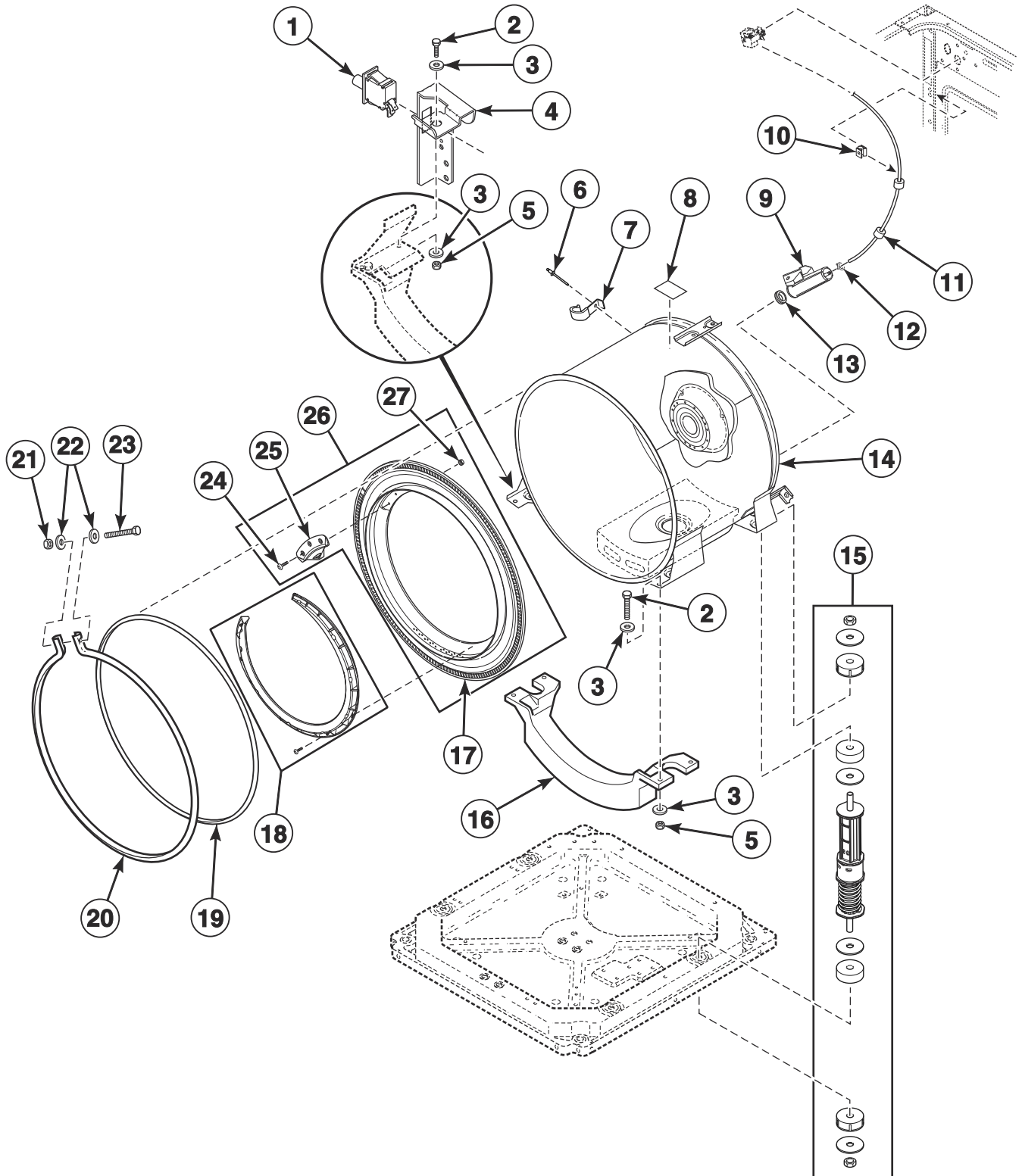
FLW1734P\_807267



## Mixing Valve and Valve-to-Dispenser Hose

REF	PART NO.	DESCRIPTION	COMMENTS
1	807386	Hose Clamp	6 required
2	803849	Dispenser Inlet Hose	Through Serial No. 1810000001
	807364	Dispenser Inlet Hose	Starting Serial No. 1810000001
3	807837P	Mixing Valve	
4	24122	Mixing Valve Screen	Steel mesh
	F8161201	Mixing Valve Screen	Plastic
5	20290	Washer	
6	203720	Fill Hose	Marked for cold water; 4 feet; 2 standard thread hose couplings
	203719	Fill Hose	Marked for hot water; 4 feet; 2 standard thread hose couplings
	203750	Fill Hose	Marked for cold water; 4 feet; 1 standard thread and 1 BSPP thread hose coupling
	203718	Fill Hose	Marked for hot water; 4 feet; 1 standard thread and 1 BSPP thread hose coupling
7	803615	Washer	Filter screen
	802254	Washer	Flow restrictor; Water pressure reducer; Available for water pressure up to but not exceeding 120 psi

# Outer Tub, Front and Clamp Ring

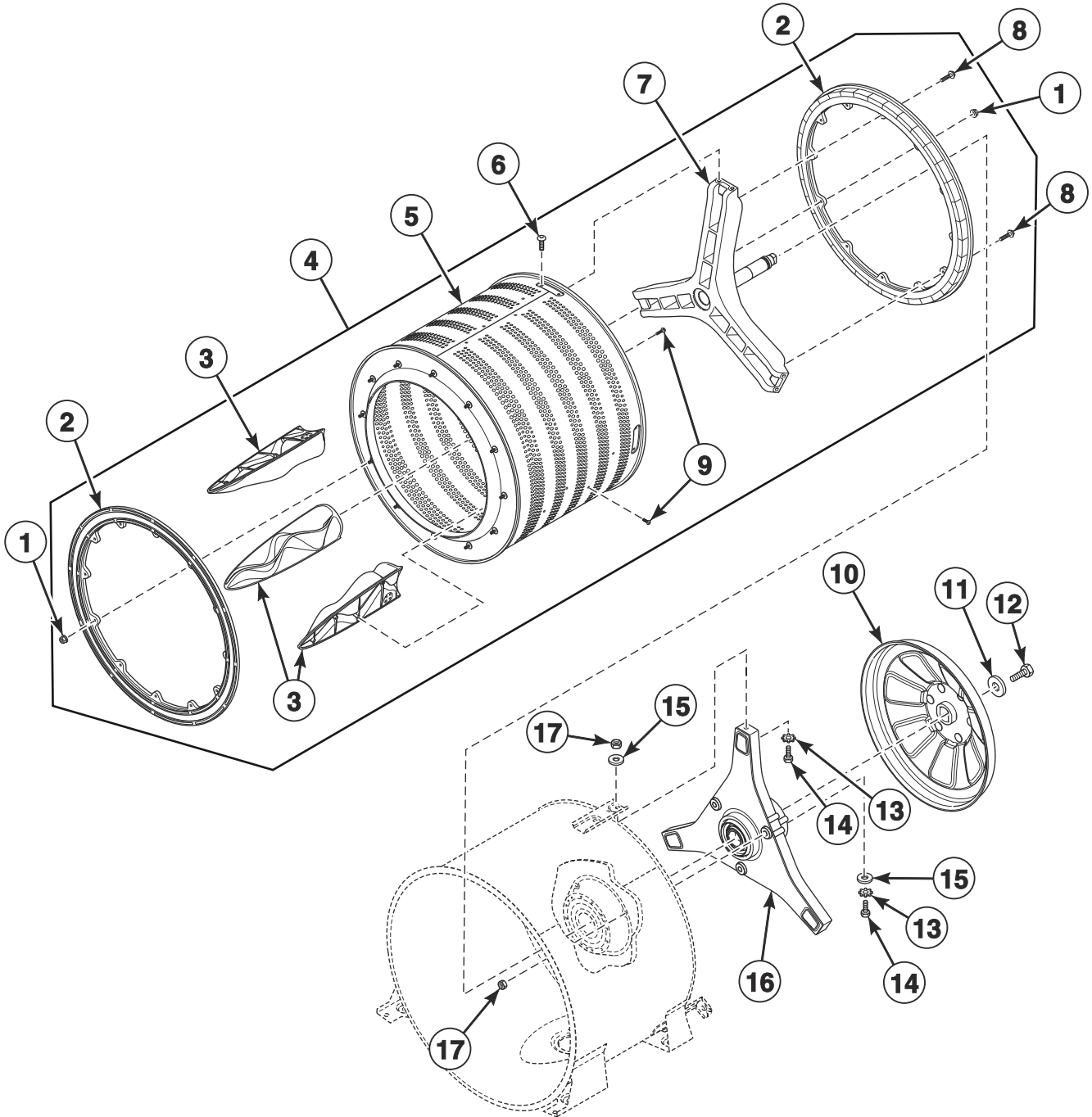


FLW1809P\_807267

## Outer Tub, Front and Clamp Ring

REF	PART NO.	DESCRIPTION	COMMENTS
1	803415	Out-of-Balance Switch Assembly	
2	800461	Screw	
3	804458	Washer	
4	804457	Out-of-Balance Switch Bracket	
5	800452	Nut	
6	685847	Pop Rivet	
7	800553	Hose Clip	
8	D500049	Warning Label	
9	808013	Pressure Bulb	
10	36985	Hose Clip	
11	804483	Pressure Sensor Tube Assembly	
12	803891	Hose Clamp	
13	29175	Grommet	
14	803864	Outer Tub Assembly	
15	803777P	Shock Assembly	Must replace all four
16	807476	Counterweight	
17	803770	Tub Front	
18	806308	Foreign Object Deflector	Black; Includes screws
	806313	Foreign Object Deflector	Gray; Includes screws
	806361	Foreign Object Deflector	Tall; Gray; Includes screws
19	803801	Tub Front Seal	
20	803802	Clamp Ring	
21	F430218	Nut	
22	M400081	Washer	
23	800462	Screw	
24	802596	Screw	
25	804467	Clothes Guard Deflector	
	805548	Clothes Guard Deflector	Heavy duty
26	803879	Tub Front Assembly	Includes items 17, 24, 25 and 27
27	802343	Nut	

# Inner Basket, Trunnion, Bearing Housing and Pulley

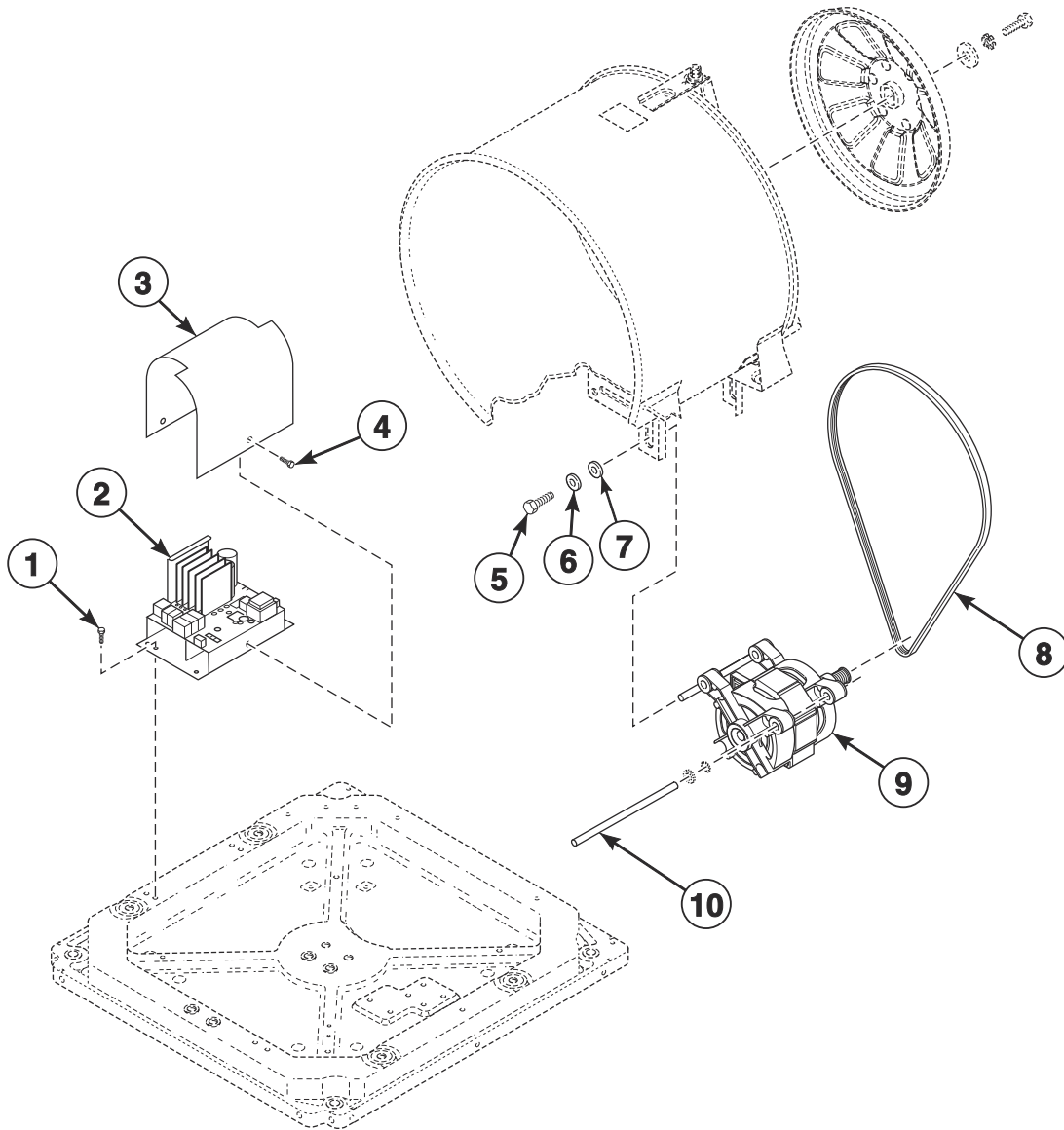


FLW1818P\_807267

## Inner Basket, Trunnion, Bearing Housing and Pulley

REF	PART NO.	DESCRIPTION	COMMENTS
	27604P	Anti-Seize Compound	Pulley to inner basket shaft
1	804418	Nut	
2	804393	Balance Ring Assembly	
3	804382	Lifter	
4	804376P	Inner Basket Assembly Kit	Includes items 1-3 and 5-9
5	804374P	Inner Basket Assembly	
6	804699	Screw	
7	808043P	Trunnion Shaft Kit	Includes hardware and tool
8	804399	Screw	
9	800548	Screw	
10	808197	Pulley Assembly	
11	807679	Washer	
12	685831	Screw	Left hand thread
13	M403958	Washer	
14	M400043	Screw	
15	800457	Washer	
16	805525	Bearing Housing Kit	Includes hardware and tool
17	800452	Nut	

# Motor and Belt

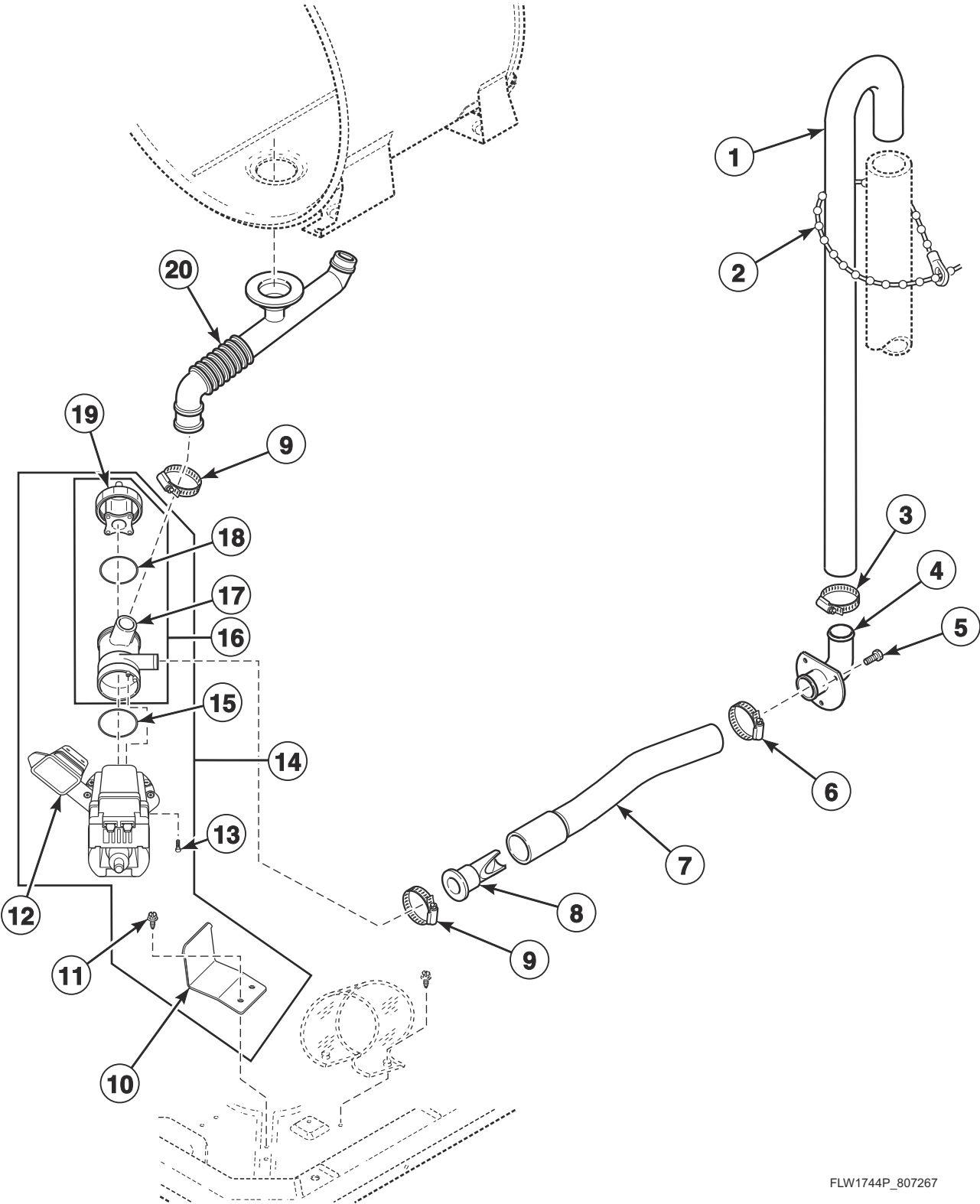


FLW1735P\_807267

## Motor and Belt

REF	PART NO.	DESCRIPTION	COMMENTS
1	D503661	Screw	
2	807175P	Inverter Control Assembly	
3	804878	Motor Control Shield	
4	D501524	Screw	
5	M400057	Screw	
6	02834	Washer	
7	M400080	Washer	
8	804985	Drive Belt	
9	805726P	Motor and Rod Assembly Kit	Includes item 10
10	803861	Motor Rod	

# Drain Hose and Pump



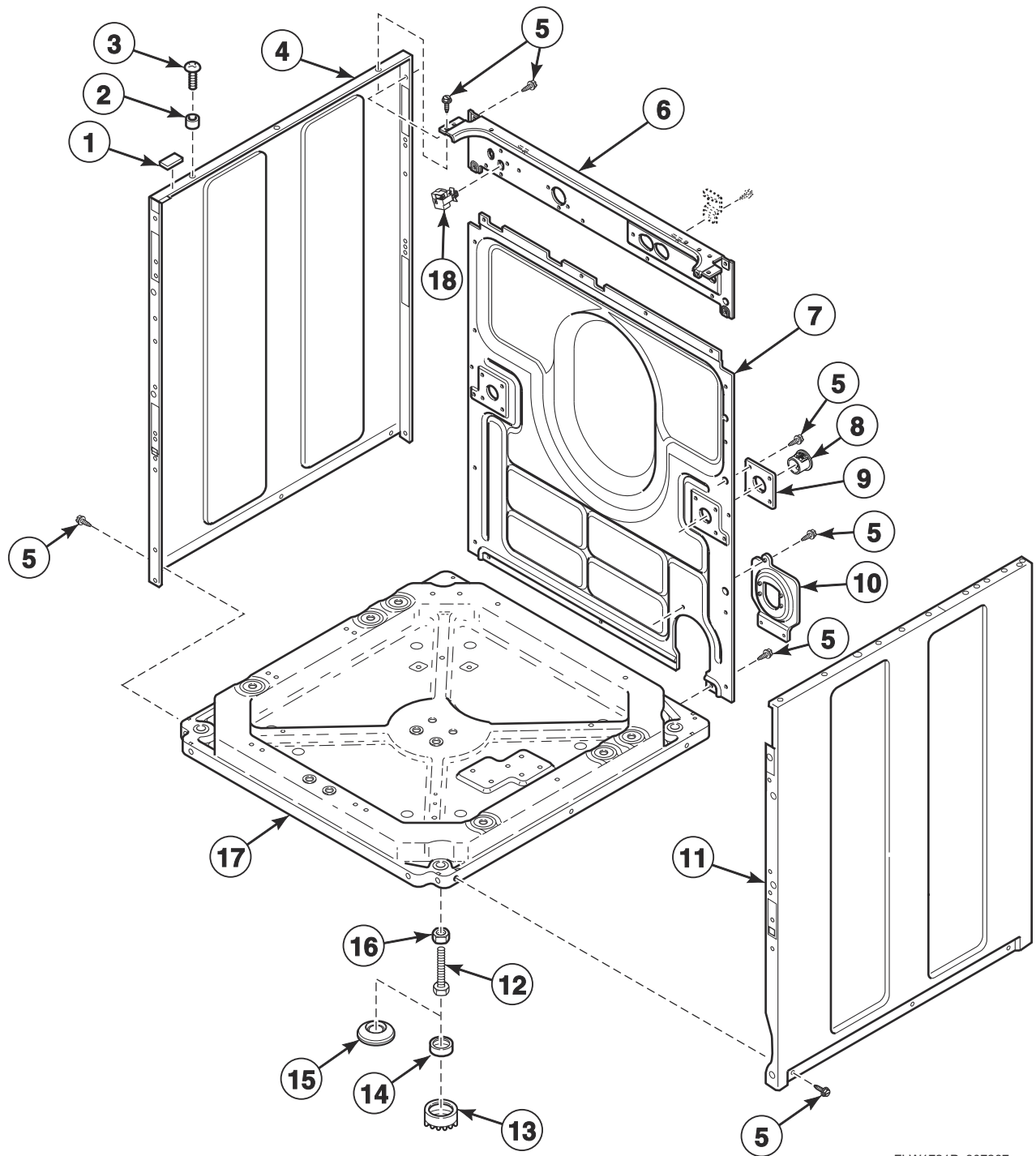
FLW1744P\_807267



## Drain Hose and Pump

REF	PART NO.	DESCRIPTION	COMMENTS
1	27154	Drain Hose	
2	33489	Standpipe Strap	
3	20211	Hose Clamp	
4	35766	Drain Hose Elbow	
5	52909	Screw	
6	20391	Hose Clamp	
7	803734	Pump-to-Elbow Hose	
8	800310	Backflow Preventer	
9	F200204	Hose Clamp	
10	803814	Drain Base Bracket	
11	D503661	Screw	
12	803815	Drain Pump Isolator	
13	802431	Screw	
14	808196P	Drain Pump Assembly	100-127 Volt; 60 Hertz; Includes items 10-13 and 15-19
15	802429P	O-Ring	
16	802434P	Pump Housing Assembly	Includes items 17-19
17	802428	Pump Housing	
18	802427	Gasket	
19	802426P	Lid Assembly	Includes filter
20	803829	Tub-to-Pump Hose	
	27615P	Sealant	Tub-to-pump hose to outer tub

# Base, Side Panels and Rear Panel

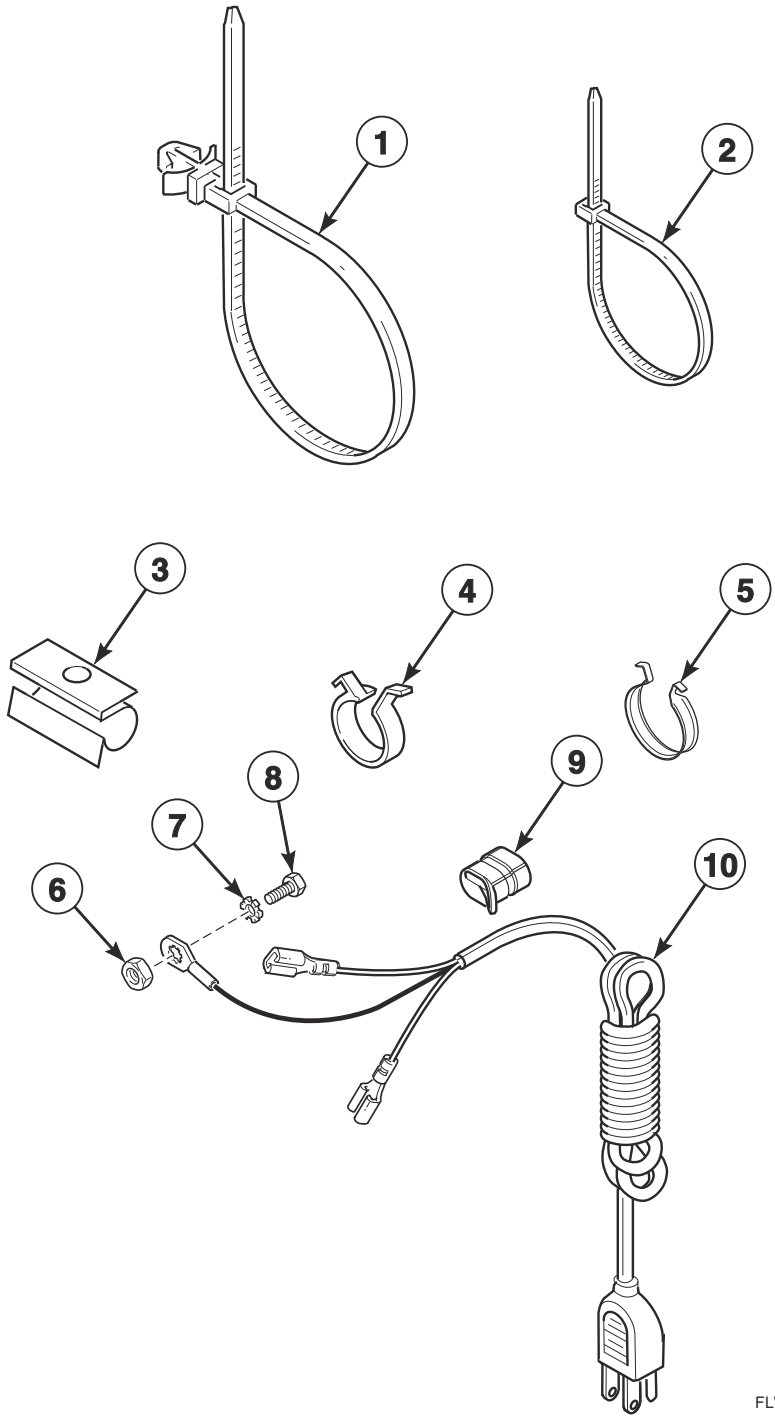


FLW1721P\_807267

## Base, Side Panels and Rear Panel

REF	PART NO.	DESCRIPTION	COMMENTS
	122P4P	Porcelain Touch-Up Paint	White
1	36226	Bumper Pad	
2	56079	Panel Locator	
3	39733	Screw	
4	800004WP	Cabinet Panel Kit	Left; Includes corner gusset with hardware
5	D503661	Screw	
6	803790	Rear Panel	Fixed; Through Serial No. 1810000001
	806716	Rear Panel	Fixed; Starting Serial No. 1810000001
7	803789	Rear Panel	Removable
8	803859	Shipping Plug	
9	803851	Shipping Plate	
10	803828	Drain Hose Bracket	
11	806492	Side Panel Kit	Right
12	34319	Leveling Leg	
13	D501855	Rubber Foot	Use to prevent movement on smooth surface floor coverings; Install over two existing front rubber feet (item 14)
14	34318	Rubber Foot	
15	155P3	Anchor	Includes 4 rubber discs with adhesive backing
	802844P	Anchor Floor Mount Assembly	Includes 2 rubber discs with adhesive backing
16	21899	Nut	
17	803876	Base Assembly	
18	203843	Pressure Sensor	

# Washer Lead-In Cord, Wire Ties and Harness Clips

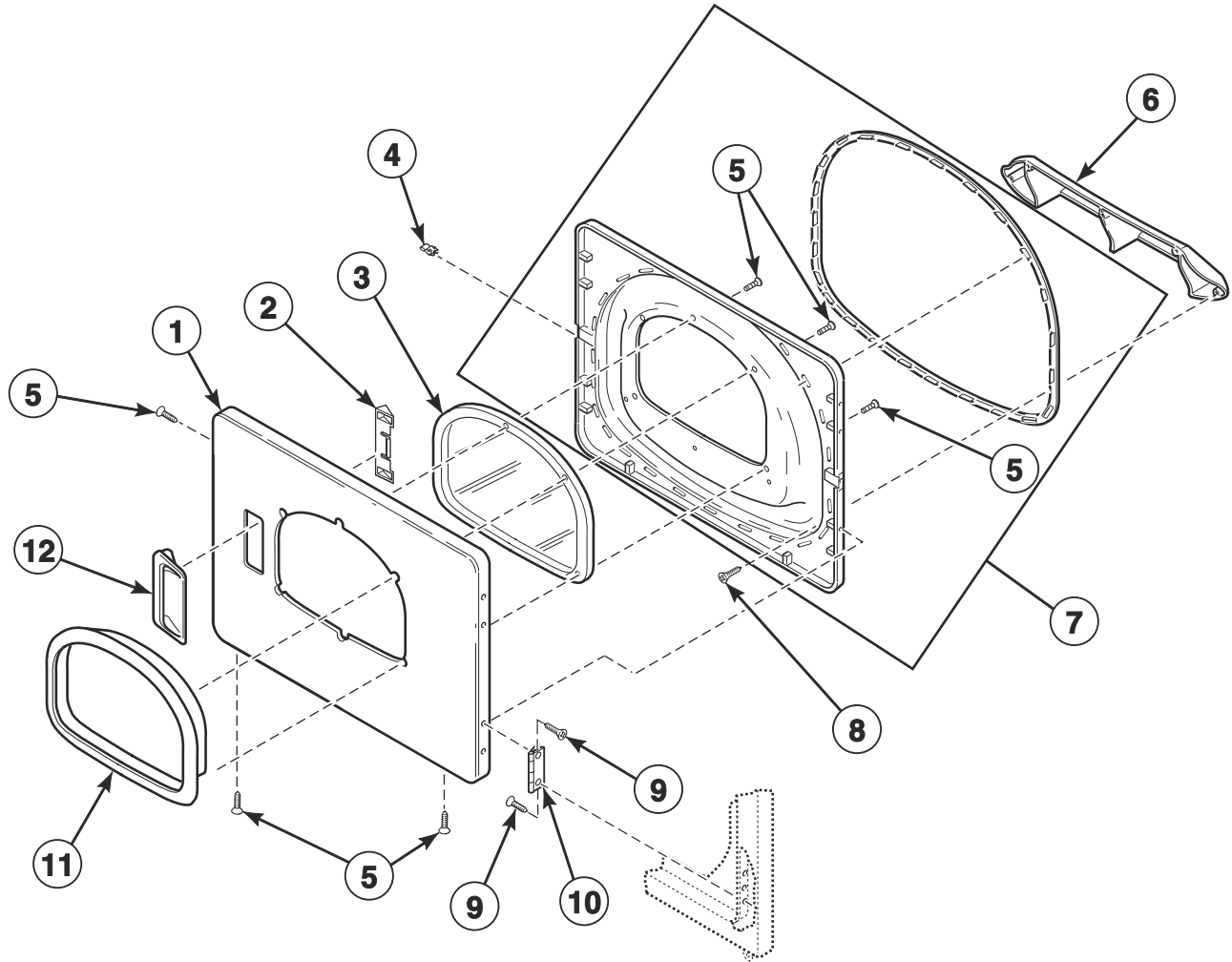


FLW823P\_807267

## Washer Lead-In Cord, Wire Ties and Harness Clips

REF	PART NO.	DESCRIPTION	COMMENTS
1	38663	Wire Tie	
2	55881	Harness Strap	
3	36985	Hose Clip	
4	D504034	Wire Clip	Small
5	687500	Wire Clip	Large
6	03673	Nut	
7	03815	Washer	
8	20530	Screw	
9	38384	Strain Relief	
10	202777	Lead-In Cord	

# Dryer Loading Door

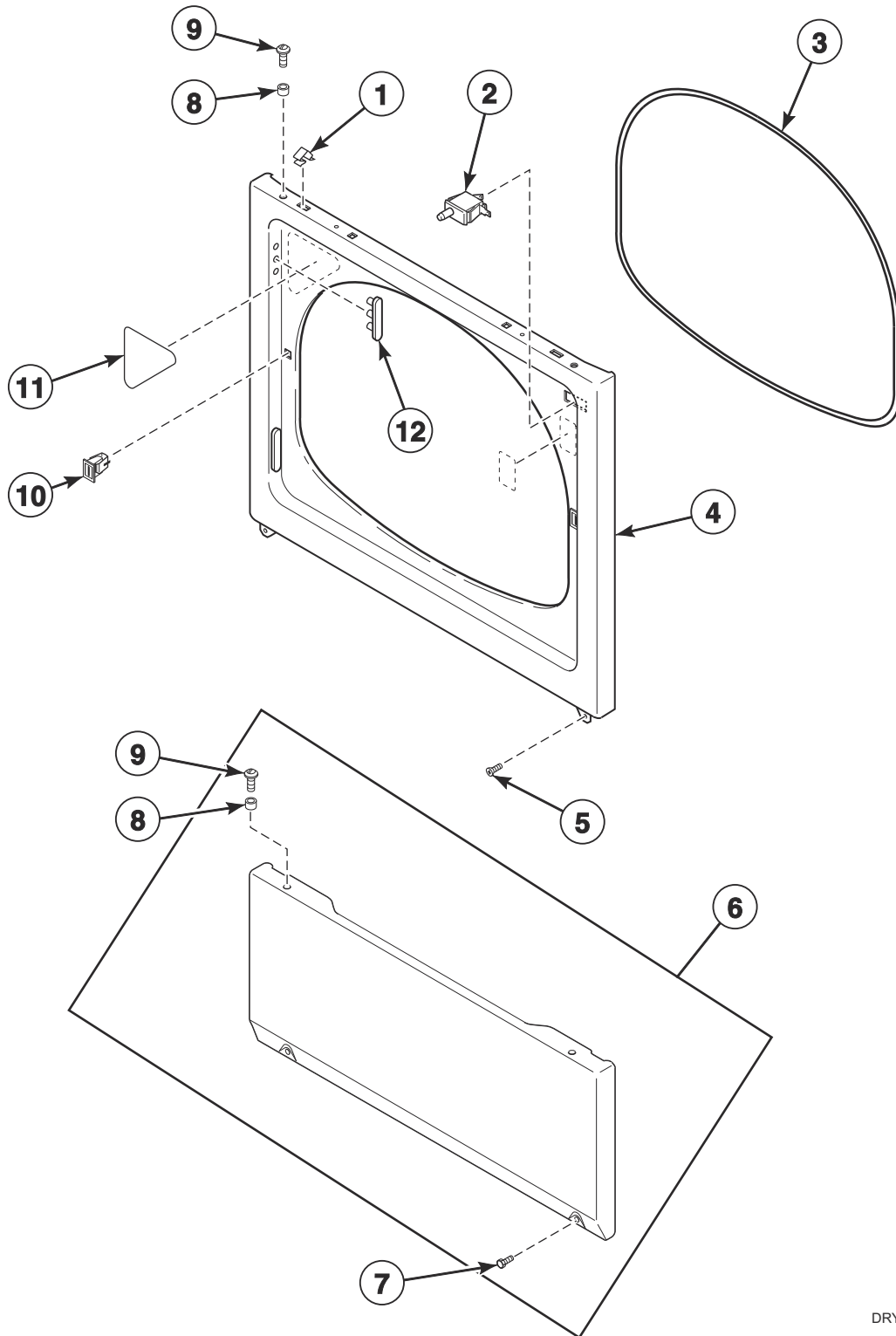


SWD1308P\_807267

# Dryer Loading Door

REF	PART NO.	DESCRIPTION	COMMENTS
1	D515961W	Dryer Door	
2	D510129W	Door Handle Wedge	
3	D515681	Dryer Door Window	
4	D510181	Door Strike	
5	D515967	Screw	
6	D503870W	Door Liner Grill	
7	D516509	Liner and Seal Assembly	Includes seal
8	D505870	Screw	
9	D505295	Screw	
10	D511036	Hinge	
11	D515956W	Window Trim	White
12	D510103WP	Door Pull and Wedge Kit	Includes item 2

# Access Panel, Front Panel and Seal



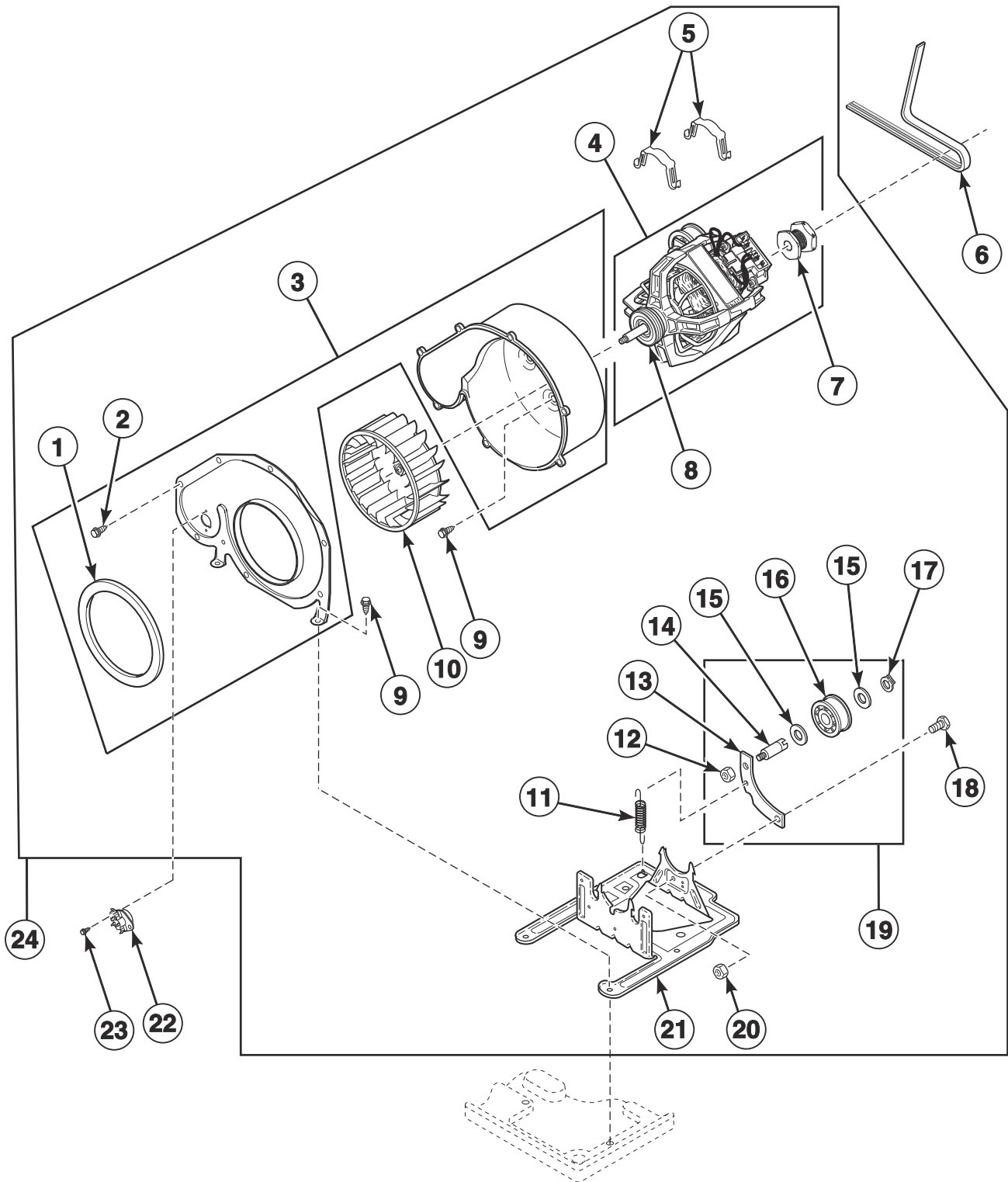
DRY1824P\_807267



## Access Panel, Front Panel and Seal

REF	PART NO.	DESCRIPTION	COMMENTS
1	28835	Speed Clip	
2	D512973	Switch	
3	D511056	Front Panel Seal	
4	D510066WP	Front Panel	
5	D503688	Screw	
6	D514250WP	Access Panel Assembly	
7	33562	Screw	
8	56079	Panel Locator	
9	39733	Screw	
10	D510177	Door Catch Assembly	
11	D500281	Warning/Caution Label	
12	D510186	Hinge Hole Plug	

# Motor, Exhaust Fan, Belt and Idler Assembly

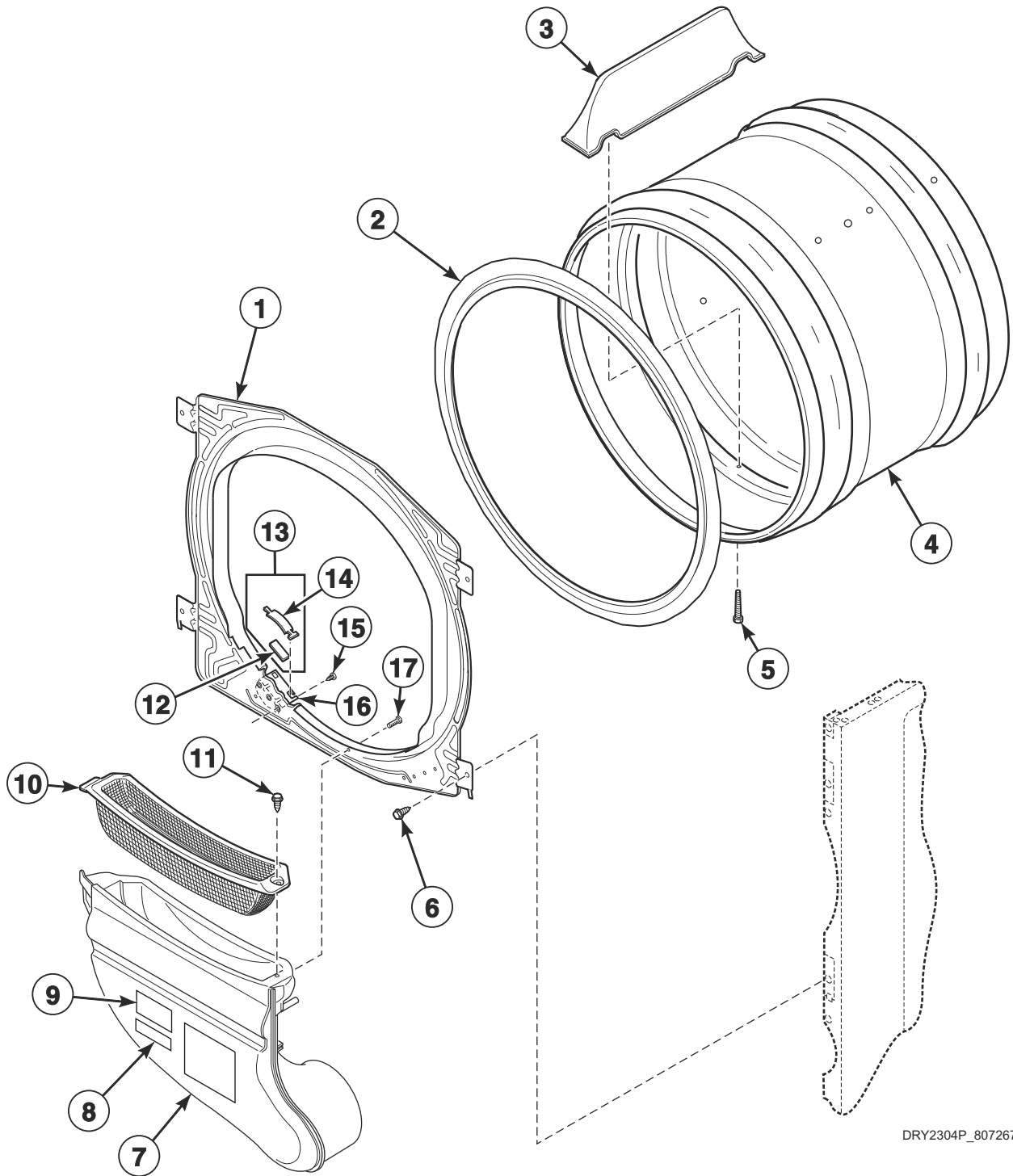


DRY2084P\_807267

## Motor, Exhaust Fan, Belt and Idler Assembly

REF	PART NO.	DESCRIPTION	COMMENTS
	27604P	Anti-Seize Compound	Apply to motor shaft when installing blower fan assembly
1	D510238P	Blower Housing Seal	
2	31260	Screw	
3	D511969WP	Blower Housing	Includes items 1 and 2; White
4	D511629P	Motor and Pulley Assembly	120 Volt/60 Hertz; Apply anti-seize compound to motor shaft when installing blower fan assembly; Includes items 7 and 8
5	D510180	Motor Mount Clamp	
6	D511255P	Cylinder Belt	
7	D500011	Motor Pulley	
8	590P3	Motor Hub Ring Kit	
9	D503688	Screw	
10	D510139P	Blower Fan Assembly	Apply anti-seize compound to motor shaft when installing blower fan assembly
11	D510185	Idler Spring	
12	56156	Nut	
13	D516310	Idler Lever	
14	56461P	Shaft	
15	52549	Washer	
16	D510142P	Idler Wheel and Bearing Assembly	
17	23748	Retaining Ring	
18	D500824	Screw	
19	D516792	Idler Lever and Wheel Assembly	Includes items 12-17
20	52566	Nut	
21	D518517	Motor Mount	
22	D510523	Thermistor Assembly	Black
23	D502535	Screw	
24	D510717P	Blower and Fan Kit	Includes items 1-5 and 7-21

# Front Bulkhead, Air Duct and Felt Seal

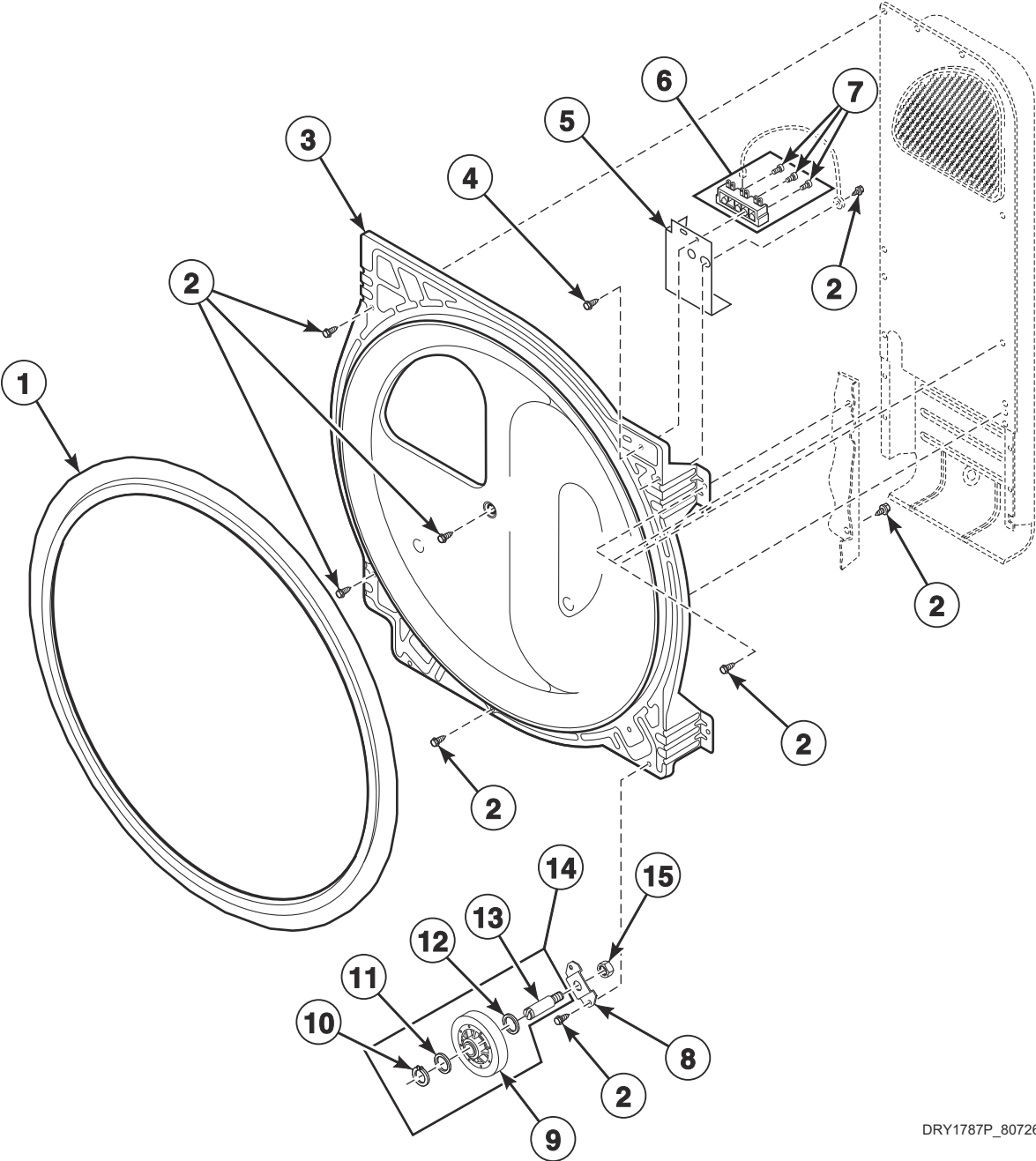


DRY2304P\_807267

## Front Bulkhead, Air Duct and Felt Seal

REF	PART NO.	DESCRIPTION	COMMENTS
1	D510266P	Front Bulkhead Assembly	Unpainted; Includes item 2 and 12-16
2	D510207P	Cylinder Seal Assembly	
	D511637P	Adhesive	Apply to cylinder seal
	RB170001	Seal Kit	Includes 2 cylinder seals, blower housing seal and adhesive
3	D510102W	Cylinder Baffle	
4	D510265WP	Cylinder Assembly	Galvanized; Includes item 3
5	62588	Screw	
6	M405188	Screw	Use with stainless steel side panels
	D503688	Screw	Use with painted side panels
7	D518433	Air Duct Assembly	
8	61294	Fuse Notice Label	Electric models
9	D500049	Warning Label	
10	D503980W	Lint Filter	
11	D501285	Screw	
12	D510189	Felt Pad	1 per side
13	RB170003	Glide Kit	Includes items 12 and 14; Quantity: 2 of each item
14	D513710	Cylinder Glide	1 per side
15	52864	Screw	2 per side
16	D510145	Cylinder Glide Bracket	1 per side
17	D505295	Screw	1 per side

# Rear Bulkhead, Felt Seal, Cylinder Roller and Terminal Block



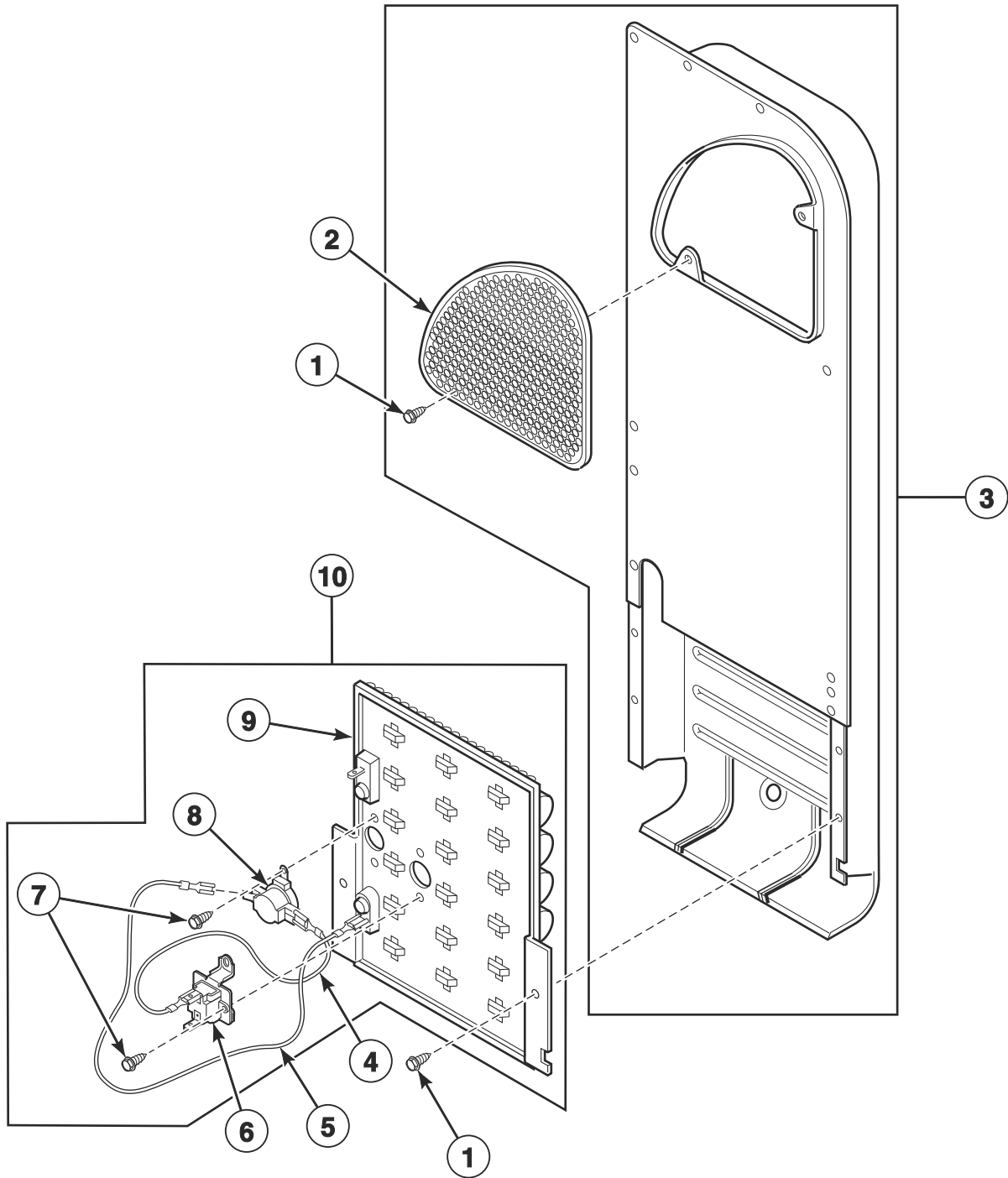
DRY1787P\_807267

## Rear Bulkhead, Felt Seal, Cylinder Roller and Terminal Block

REF	PART NO.	DESCRIPTION	COMMENTS
1	D510207P	Cylinder Seal Assembly	
	D511637P	Adhesive	Apply to cylinder seal
	RB170001	Seal Kit	Includes 2 cylinder seals, D510238P Blower Housing Seal and Adhesive
2	D503688	Screw	
3	D511082P	Rear Bulkhead Assembly	Includes item 1
	D510905WP	Rear Bulkhead Assembly	White; Includes item 1; If black marks appear on clothes, replace rear bulkhead with this part, cylinder with D510159WP Cylinder Assembly and front bulkhead with D505899WP Bulkhead Assembly
4	D501285	Screw	Used with item 6
5	D510237	Terminal Block Shield	Electric models; Through Serial No. 1903000001
6	D510190P	Terminal Block Assembly	Includes 3 of item 7; Electric models
7	61199	Screw	Used with item 6
8	D510100	Cylinder Roller Bracket	
9	D510708P	Cylinder Roller	
10	23748	Retaining Ring	
11	52549	Washer	
12	D504082	Washer	
13	56461P	Shaft	
14	RB170002	Roller Kit	Includes 2 each of items 9-13
15	56156	Nut	

# Heater Duct and Element Assembly

Electric Models



DRY1789P\_807267

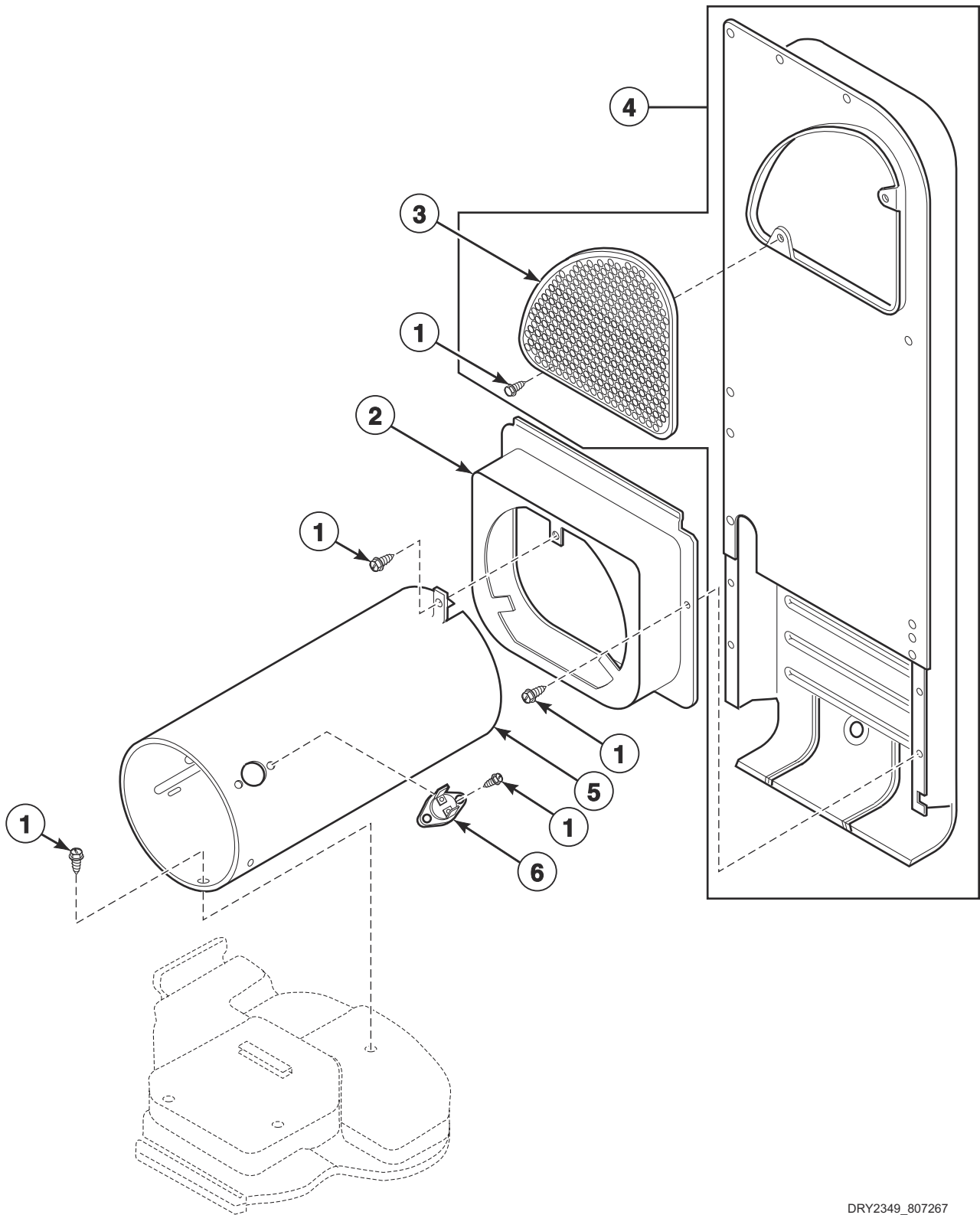


## Heater Duct and Element Assembly

REF	PART NO.	DESCRIPTION	COMMENTS
1	D503688	Screw	
2	D500820	Outlet Cover	Aluminized steel
	D518524	Outlet Cover	Black; Nitrocarburized
3	D510025P	Heater Duct Assembly	Includes items 1 and 2
4	D518256	Wire Assembly	Orange; Thermostat jumper
5	D518255	Wire Assembly	Black; Fuse jumper
6	D518649	Thermal Fuse Assembly	
7	23222	Screw	
8	D510701	Limit Thermostat	
9	D510324P	Heater Assembly	5000 Watt; 240 Volt/60 Hertz; Models STEDEASP285CW01, STEDXASP285CW01, STEDYASP285CW01 and STEYXASP285CW01
	D510330P	Heater Assembly	4250 Watt; 208 Volt/60 Hertz; Models STEDEASP295CW01, STEDXASP295CW01, STEDYASP295CW01 and STEYXASP295CW01
	D510329P	Heater Assembly	5350 Watt; 240 Volt/60 Hertz; All other models
10	61927	Heater Kit Assembly	Includes items 4-9; 5000 Watt; 240 Volt/60 Hertz; Models STEDEASP285CW01, STEDXASP285CW01, STEDYASP285CW01 and STEYXASP285CW01
	61928	Heater Kit Assembly	Optional conversion; Includes items 4-9; 4750 Watt; 208 Volt/60 Hertz; Models STEDCASP175TW01, STEDXASP175TW01, STEDYASP175TW01 and STEYXASP175TW01
	964P3	Heater Kit	Includes factory-installed heater; Includes items 4-9; 5350 Watt; 240 Volt/60 Hertz; Models STEDCASP175TW01, STEDXASP175TW01, STEDYASP175TW01 and STEYXASP175TW01
	965P3	Heater Kit	Includes items 4-9; 4250 Watt; 208 Volt/60 Hertz; Models STEDEASP295CW01, STEDXASP295CW01, STEDYASP295CW01 and STEYXASP295CW01

# Heater Duct Assembly

Gas Models

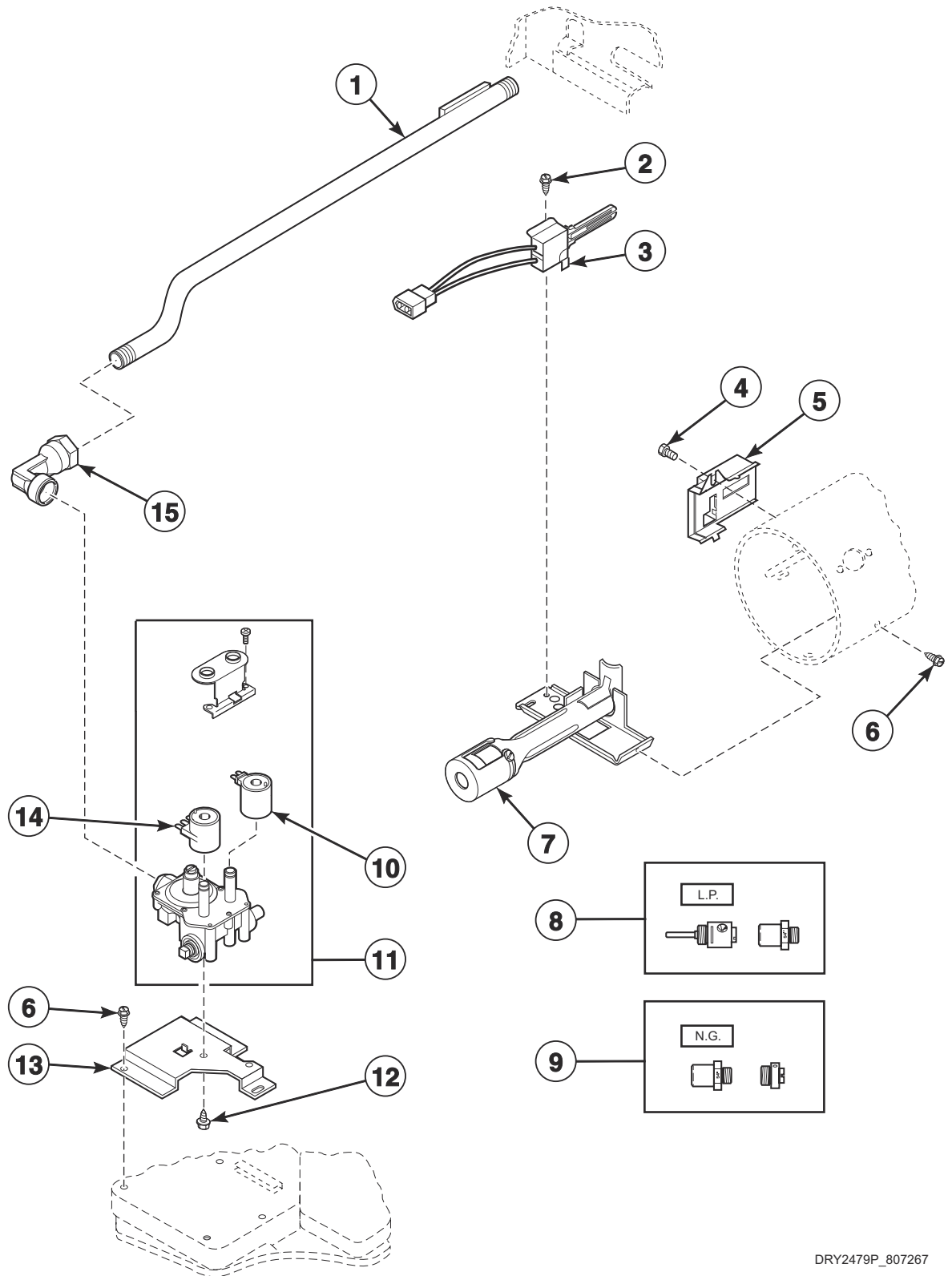


DRY2349\_807267

# Heater Duct Assembly

REF	PART NO.	DESCRIPTION	COMMENTS
1	D503688	Screw	
2	D510101	Heat Duct Shroud	
3	D500820	Outlet Cover	
4	D510025P	Heater Duct Assembly	Includes items 1 and 3
5	D510131	Combustion Duct	
6	D510702	Limit Thermostat	Black; Auto reset

# Gas Valve, Igniter and Gas Conversion Kits - Gas Model Dryers Through Serial No. 190800001



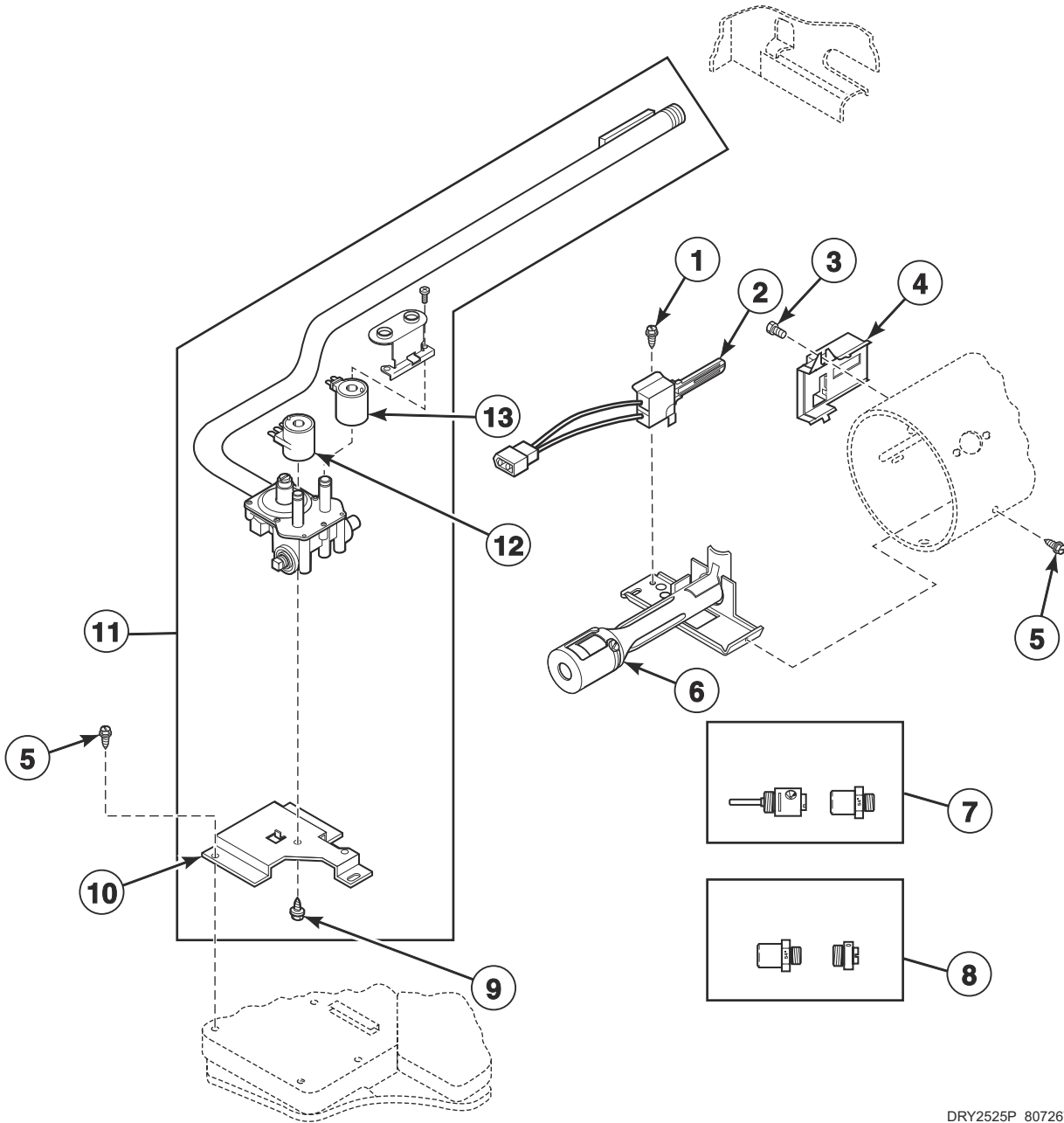
DRY2479P\_807267

## Gas Valve, Igniter and Gas Conversion Kits - Gas Model Dryers Through Serial No. 1908000001

REF	PART NO.	DESCRIPTION	COMMENTS
1	D510204	Lead-In Pipe Assembly	
2	51782	Screw	
3	D510184P	Igniter and Bracket Assembly	
4	23222	Screw	
5	D510213	Sensor	
6	D503688	Screw	
7	D510149P	Burner Assembly	
8	458P3	L.P. Conversion Kit	Used to convert dryers from Natural Gas (N.G.) or Mixed Gas to Liquid Petroleum Gas (L.P.); 25,000 Btu
9	459P3	N.G. Conversion Kit	Used to convert dryers from L.P. to N.G. or Mixed Gas; 25,000 Btu
10	58804B	Secondary Coil	60 Hertz
11	60353P	Gas Valve Assembly	60 Hertz; 25,000 Btu; N.G.; Includes items 10 and 14
12	56124	Screw	
13	D510128	Gas Valve Mounting Bracket	
14	58804A	Booster and Holding Coil	
15	D513072	Elbow	

# Gas Valve, Igniter and Gas Conversion Kits - Gas Model Dryers

## Starting Serial No. 1908000001



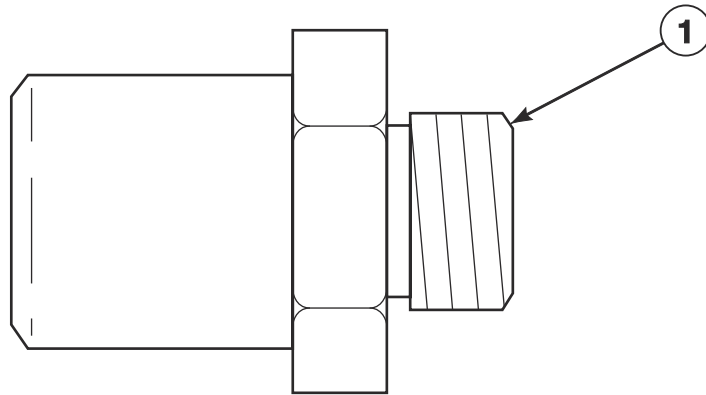
DRY2525P\_807267

## Gas Valve, Igniter and Gas Conversion Kits - Gas Model Dryers Starting Serial No. 1908000001

REF	PART NO.	DESCRIPTION	COMMENTS
1	51782	Screw	
2	D510184P	Igniter and Bracket Assembly	
3	23222	Screw	
4	D510213	Sensor	
5	D503688	Screw	
6	D510149P	Burner Assembly	
7	458P3	L.P. Conversion Kit	Used to convert dryers from Natural Gas (N.G.) or Mixed Gas to Liquid Petroleum Gas (L.P.); 25,000 Btu
8	459P3	N.G. Conversion Kit	Used to convert dryers from L.P. to N.G. or Mixed Gas; 25,000 Btu
9	56124	Screw	
10	D510128	Gas Valve Mounting Bracket	
11	60353P	Gas Valve Assembly	60 Hertz; 25,000 Btu; N.G.; Includes items 9, 10, 12 and 13
12	58804A	Booster and Holding Coil	
13	58804B	Secondary Coil	60 Hertz

# Burner Orifice Spuds - For Higher Elevations

Gas Models



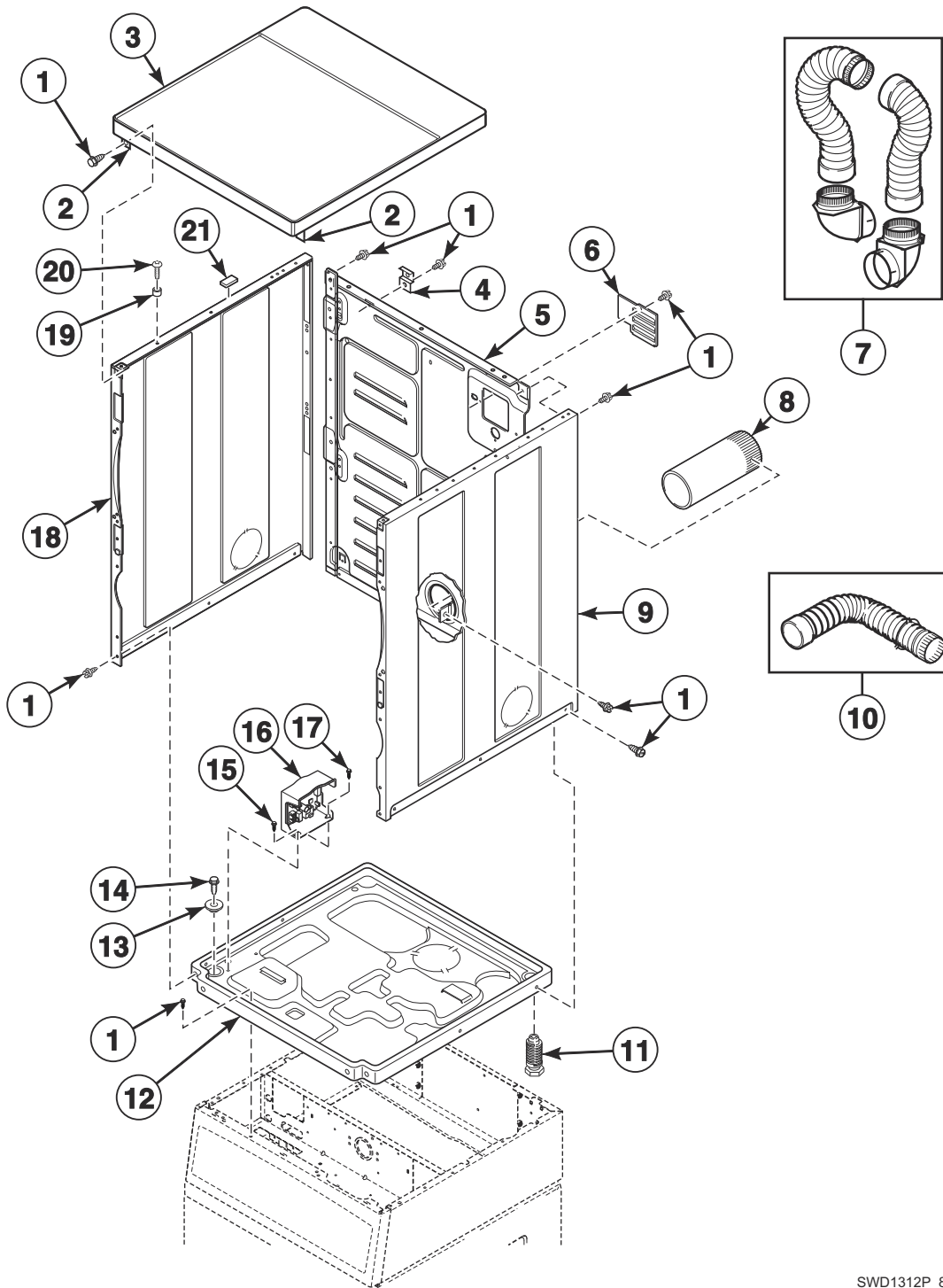
DRY2266P\_807267



## Burner Orifice Spuds - For Higher Elevations

REF	PART NO.	DESCRIPTION	COMMENTS
1	58755	L.P. Orifice	25,000 Btu; 7500-10,999 feet (2290-3354 m)
	D503786	L.P. Orifice	25,000 Btu; 11,000 feet (3355 m) and higher
	58719	Screw Orifice	Natural Gas (N.G.); 25,000 Btu; 7000-8999 feet (2135-2744 m)
	D503776	N.G. Orifice	25,000 Btu; 2000-2999 feet (610-914 m)
	D510517	N.G. Orifice	25,000 Btu; 3000-5499 feet (915-1678 m)
	D503778	N.G. Orifice	25,000 Btu; 5500-6999 feet (1680-2134 m)
	D503779	N.G. Orifice	25,000 Btu; 9000-10,499 feet (2745-3199 m)
	D503780	N.G. Orifice	25,000 Btu; 10,500 feet (3200 m) and higher

# Dryer Cabinet, Exhaust Duct and Base



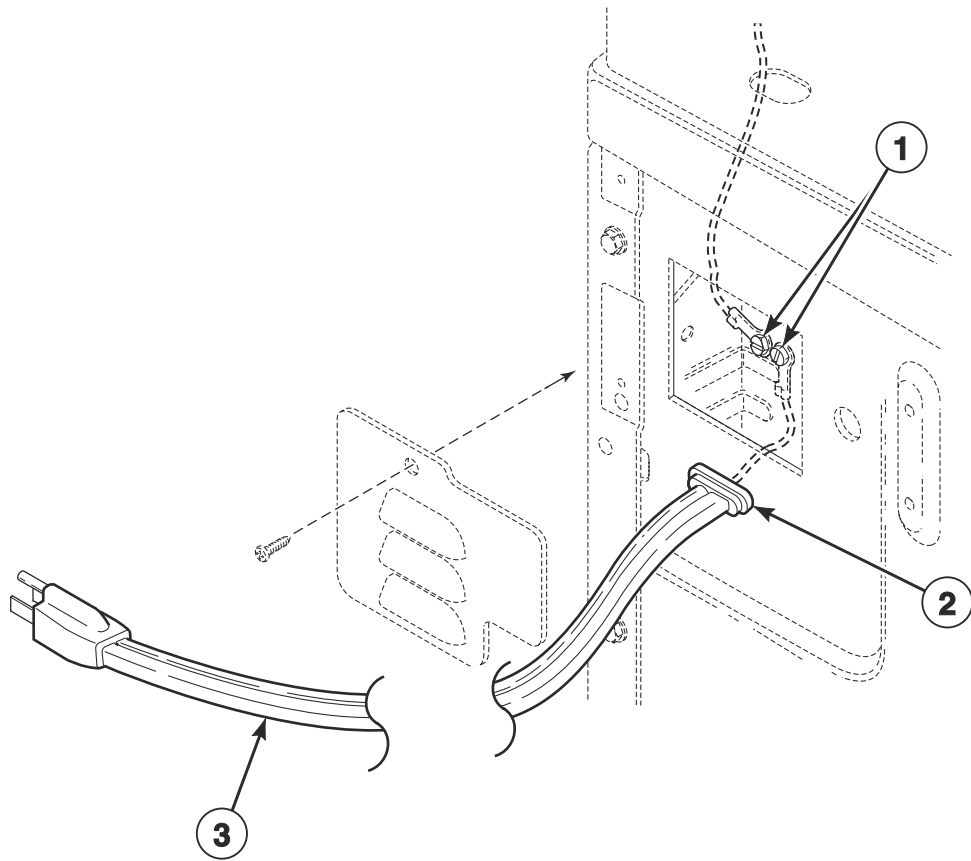
SWD1312P\_807267

## Dryer Cabinet, Exhaust Duct and Base

REF	PART NO.	DESCRIPTION	COMMENTS
	122P4P	Porcelain Touch-Up Paint	White
1	D503688	Screw	
2	D510146	Bracket	
3	D510032WP	Top Kit	
4	D510136	Top Hinge	
5	D514632P	Cabinet Rear Panel	
6	D510903	Access Panel Plate	
7	521P3	Flexible Venting Kit	
8	D516196	Exhaust Duct	
9	D510002WP	Cabinet Side Panel	Right
10	528P3	Directional Exhaust Kit	Used to vent dryer out the sides
11	D510135	Leveling Leg	
12	D514245	Dryer Base	
13	26509	Washer	
14	36048	Screw	
15	D514428	Screw	
16	D513797P	Output Control Assembly	
17	804667	Screw	
18	D510001WP	Cabinet Side Panel	Left
19	56079	Panel Locator	
20	39733	Screw	
21	56128	Bumper Pad	

# Dryer Power Cord

Gas Models

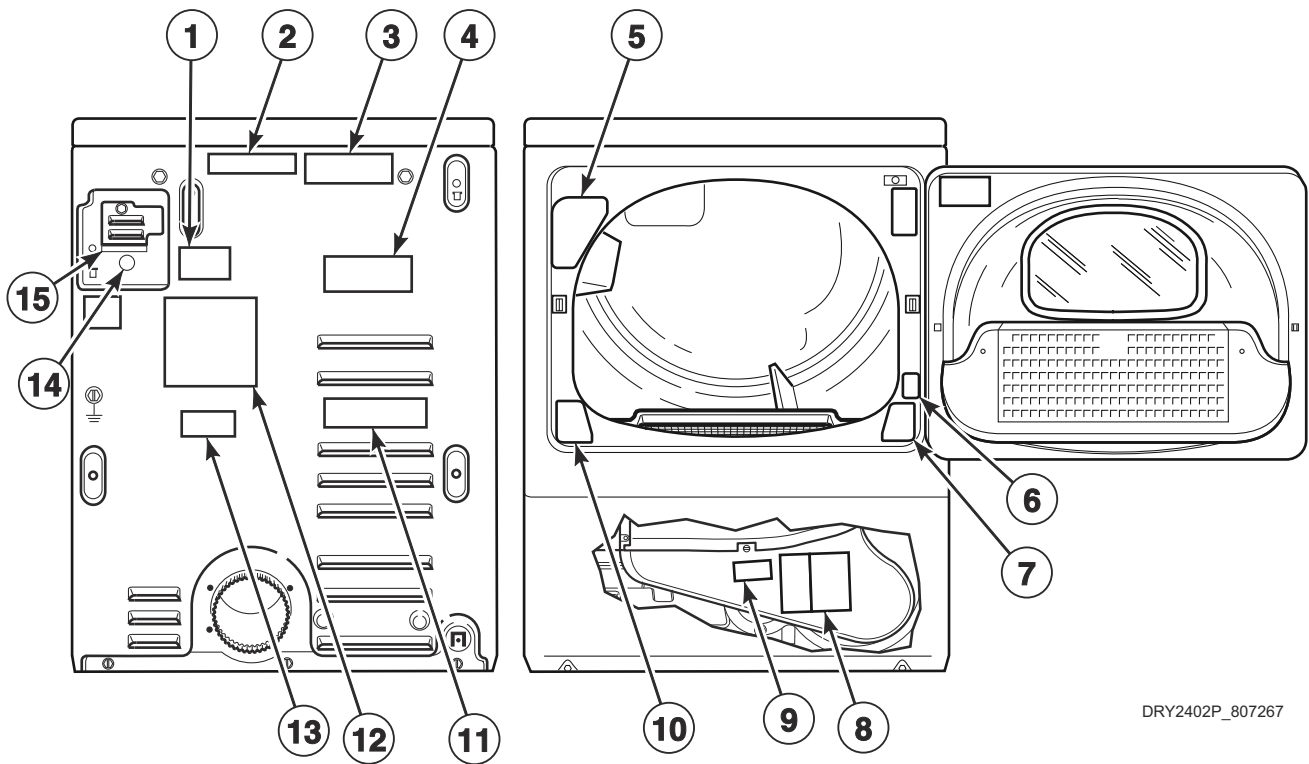


DRY1790P\_807267

# Dryer Power Cord

REF	PART NO.	DESCRIPTION	COMMENTS
1	20530	Screw	
2	F140312	Connector	Models STGDEASP095CW01, STGDXASP095CW01, STGDYASP095CW01 and STGYXASP095CW01
	38384	Strain Relief	All other models
3	58992	Power Cord Assembly	Models STGDEASP095CW01, STGDXASP095CW01, STGDYASP095CW01 and STGYXASP095CW01
	202777	Lead-In Cord	All other models

# Dryer Labels

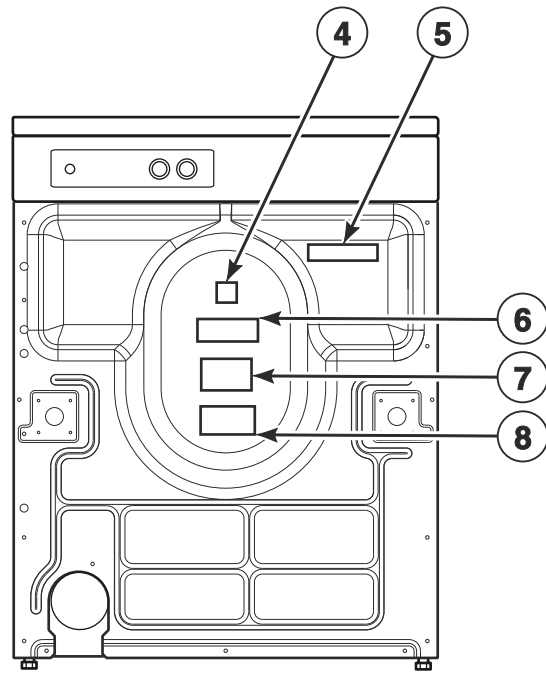
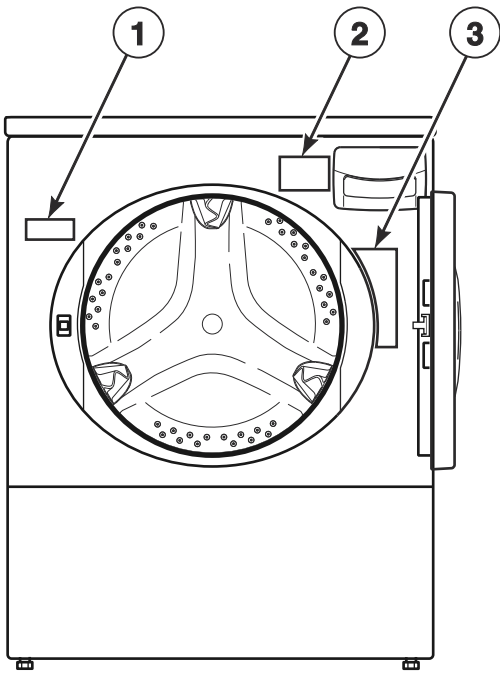


DRY2402P\_807267

# Dryer Labels

REF	PART NO.	DESCRIPTION	COMMENTS
1	803260	Warning Label	Turn off controls
2	D505281	Disconnect Power Warning Label	Text; English; Disconnect power
	D500316	Warning Label	English/French; Disconnect power
3	44324001	Warning Label	Text; Electric shock
4	D502791	Venting Instruction Label	
5	D500281	Warning/Caution Label	English
	D516243	Warning Label	Quebec French
6	D500240	Natural/L.P. Gas Label	English/Quebec French
7	D512263	Warning Label	
8	D511004	Gas Clearance Label	
	D513341	Clearance Label	Models STEDEASP285CW01, STEDEASP295CW01, STEDXASP285CW01, STEDXASP295CW01, STEDYASP285CW01, STEDYASP295CW01, STEYXASP285CW01 and STEYXASP295CW01
9	D500049	Warning Label	English; Electric shock
10	D502781	Lint Filter Label	Icon
11	D505215	Gas Label	English; Stainless steel flexible gas line
12	D511005	Electric Clearance Label	
13	D500497	Exhaust Warning Label	English

# Washer Labels



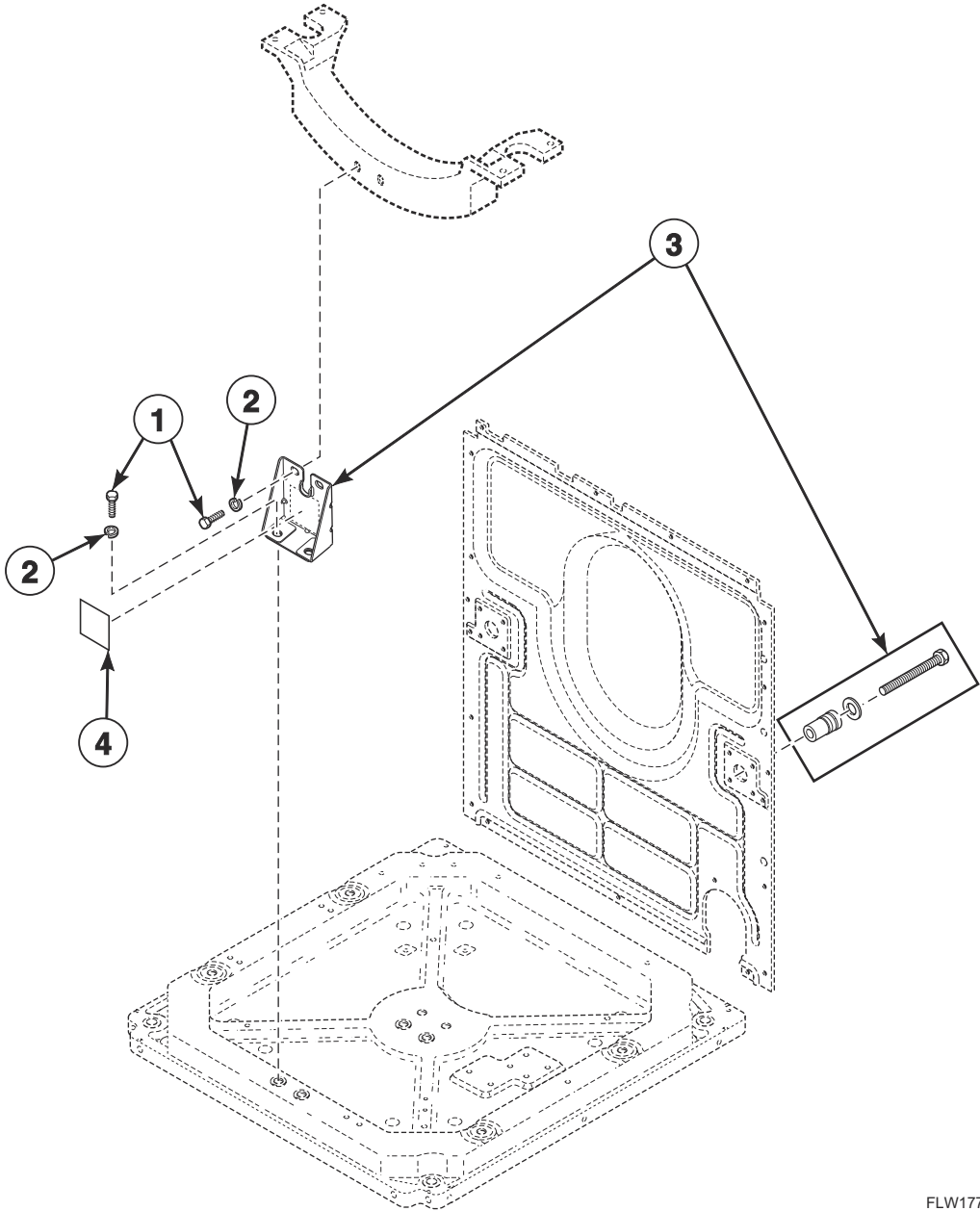
FLW1722P\_807267



## Washer Labels

REF	PART NO.	DESCRIPTION	COMMENTS
1	803011	Notice Label	
2	802074	Oversudsing Label	English
	802838	Oversudsing Label	Spanish
	802839	Oversudsing Label	Quebec French
3	802367	Warning Label	English; Reduce fire risk; Door locked
	806591	Warning Label	English/Quebec French; Reduce fire risk; Door locked
4	D513371	Read Instructions Label	
5	D505281	Disconnect Power Warning Label	English
	D500316	Warning Label	English/French; Disconnect Power
6	685928	Left Hand Thread Label	English
7	803260	Warning Label	Disconnect power
8	D500049	Warning Label	English
	D500314	Warning Label	English/French

# Shipping Materials

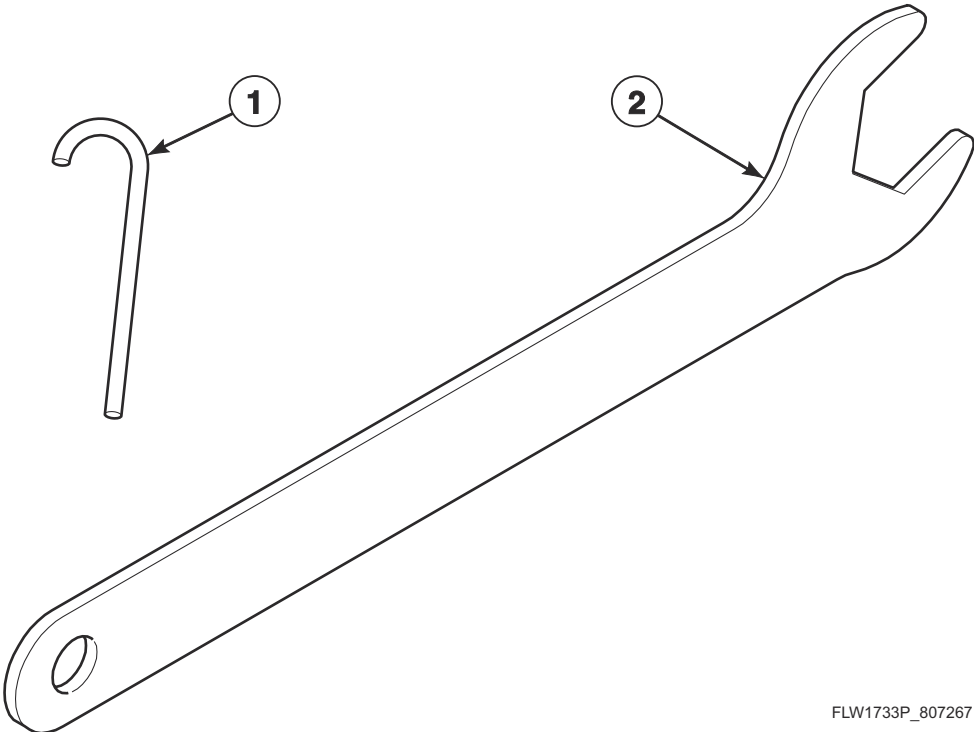


FLW1779P\_807267

# Shipping Materials

REF	PART NO.	DESCRIPTION	COMMENTS
1	M400043	Screw	
2	M400014	Washer	
3	805729	Shipping Materials Kit	Includes shipping brace, shipping spacer assembly and labels
4	804488	Label	Remove shipping brace

# Special Tools

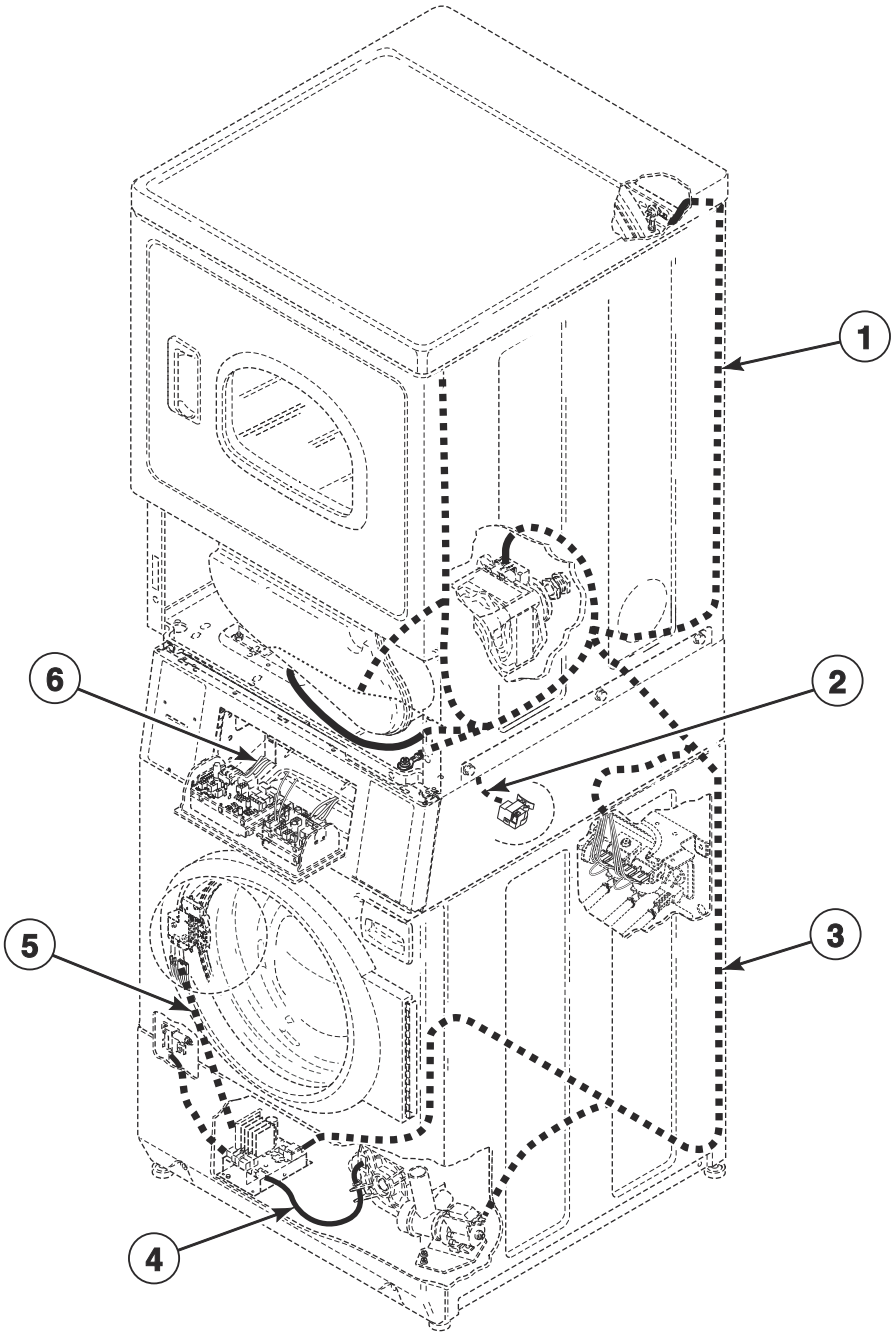


FLW1733P\_807267

# Special Tools

REF	PART NO.	DESCRIPTION	COMMENTS
1	802336	Pulley Bolt Tightening Fixture	Use to install inner basket
2	392P4	Wrench	Use for adjusting leveling leg nuts

# Wire Harnesses and Wires



SWD1295PA\_807267

## Wire Harnesses and Wires

REF	PART NO.	DESCRIPTION	COMMENTS
	45001	18 Gauge Wire	Black; Order wire by the foot and terminals as required
	45380	12 Gauge Wire	Orange; Order wire by the foot and terminals as required
	D518536	Gas Power Harness	Models STGDEASP095CW01, STGDXASP095CW01, STGDYASP095CW01 and STGYXASP095CW01
	D514044	Power Harness	Models STEDEASP285CW01, STEDEASP295CW01, STEDXASP285CW01, STEDXASP295CW01, STEDYASP285CW01, STEDYASP295CW01, STEYXASP285CW01 and STEYXASP295CW01 through 12/31/21
	D518656	Power Harness	Models STEDEASP285CW01, STEDEASP295CW01, STEDXASP285CW01, STEDXASP295CW01, STEDYASP285CW01, STEDYASP295CW01, STEYXASP285CW01 and STEYXASP295CW01 starting 1/1/22
	805684	Harness	Main harness to dryer base; Models STEDEASP285CW01, STEDEASP295CW01, STEDXASP285CW01, STEDXASP295CW01, STEDYASP285CW01, STEDYASP295CW01, STEYXASP285CW01, STEYXASP295CW01, STGDEASP095CW01, STGDXASP095CW01, STGDYASP095CW01 and STGYXASP095CW01 through 12/31/21
	808123	Harness	Main harness to dryer base; Models STEDEASP285CW01, STEDEASP295CW01, STEDXASP285CW01, STEDXASP295CW01, STEDYASP285CW01, STEDYASP295CW01, STEYXASP285CW01, STEYXASP295CW01, STGDEASP095CW01, STGDXASP095CW01, STGDYASP095CW01 and STGYXASP095CW01 starting 1/1/22
1	D517238	Upper Electric Harness	Models STEDCASP175TW01, STEDEASP285CW01, STEDEASP295CW01, STEDXASP175TW01, STEDXASP285CW01, STEDXASP295CW01, STEDYASP175TW01, STEDYASP285CW01, STEDYASP295CW01, STEYXASP175TW01, STEYXASP285CW01 and STEYXASP295CW01
	D517094	Upper Gas Harness	Models STGDCASP115TW01, STGDEASP095CW01, STGDXASP095CW01, STGDXASP115TW01, STGDYASP095CW01, STGDYASP115TW01, STGYXASP095CW01 and STGYXASP115TW01
2	804433	Pressure Sensor Harness	
3	806031	Front Control Harness	
4	806029	Motor Harness	
5	806028	Door Lock Harness Assembly	
6	D513991	Security Cabinet Harness	

**NOTE: Individual wires are not available separately. Order complete wire harness, or order wire by the foot. When applying terminals to wires, it is recommended that the terminals be soldered to the wires.**





# Parts Index

## A

Access Panel Assembly	
D514250WP .....	39
804617W .....	19
Access Panel Plate	
D510903 .....	57
Adhesive	
D511637P .....	43, 45
Air Duct Assembly	
D518433 .....	43
Anchor	
155P3 .....	33
Anchor Floor Mount Assembly	
802844P .....	33
Anti-Seize Compound	
27604P .....	27, 41

## B

Backflow Preventer	
800310 .....	31
Balance Ring Assembly	
804393 .....	27
Base Assembly	
803876 .....	33
Bearing Housing Kit	
805525 .....	27
Blower and Fan Kit	
D510717P .....	41
Blower Fan Assembly	
D510139P .....	41
Blower Housing	
D511969WP .....	41
Blower Housing Seal	
D510238P .....	41
Bolt	
29651 .....	11
Booster and Holding Coil	
58804A .....	51, 53
Bracket	
D510146 .....	57
Bumper Pad	
36226 .....	33
56128 .....	57
Burner Assembly	
D510149P .....	51, 53

## C

Cabinet Panel Kit	
800004WP .....	33
Cabinet Rear Panel	
D514632P .....	57
Cabinet Side Panel	
D510001WP .....	57
D510002WP .....	57

Card Insert Overlay	
D514391 .....	17
Central Pay Harness	
805427 .....	5
Clamp Ring	
803802 .....	25
Clearance Label	
D513341 .....	61
Clip	
201572 .....	15
Clothes Guard Deflector	
804467 .....	25
805548 .....	25
Coin Drop	
200731 .....	13
38963P .....	13
39748 .....	13
70441601P .....	13
70441603 .....	13
Coin Drop Assembly	
201141 .....	13
38462P .....	13
38463 .....	13
38464P .....	13
70441602 .....	13
Coin Drop Kit	
CK055 .....	13
CK056 .....	13
CK057 .....	13
CK058 .....	13
CK078 .....	13
CK085 .....	13
CK090 .....	13
CK097 .....	13
CK098 .....	13
Coin Drop Wire Harness	
201104 .....	15
Coin Identification Paper	
38725 .....	13, 15
Combustion Duct	
D510131 .....	49
Compartment Cover	
803669 .....	21
Connector	
F140312 .....	59
Control Assembly	
D516096 .....	5
806456 .....	5
Control Panel	
803964W .....	11
803968W .....	17
Control Panel and Bracket Assembly	
D513778W .....	5
Control Shield	
804363 .....	7
Counterweight	
807476 .....	25
Cylinder Assembly	
D510265WP .....	43
Cylinder Baffle	
D510102W .....	43

N/A items do not appear in index.

Cylinder Belt D511255P .....	41
Cylinder Glide D513710 .....	43
Cylinder Glide Bracket D510145 .....	43
Cylinder Roller D510708P .....	45
Cylinder Roller Bracket D510100 .....	45
Cylinder Seal Assembly D510207P .....	43, 45

## D

Detergent Hose 804717 .....	21
Directional Exhaust Kit 528P3 .....	57
Disconnect Power Warning Label D505281 .....	61, 63
Dispenser Assembly 803698 .....	21
Dispenser Drawer 803667 .....	21
Dispenser Handle 804227WP .....	21
Dispenser Inlet Hose 803849 .....	21, 23
807364 .....	21, 23
Dispenser Plate 803843 .....	21
Door Assembly 804083WP .....	19
Door Catch Assembly D510177 .....	39
802803 .....	19
Door Glass 802695P .....	19
Door Glass Mounting Plate 806354 .....	19
Door Handle Wedge D510129W .....	37
Door Hinge 802934 .....	19
Door Latch Assembly 803920 .....	19
Door Liner Grill D503870W .....	37
Door Lock Harness Assembly 806028 .....	69
Door Pull and Wedge Kit D510103WP .....	37
Door Seal 804428P .....	19
Door Seal Assembly 804429P .....	19
Door Strike D510181 .....	37
Drain Base Bracket 803814 .....	31

Drain Hose 27154 .....	31
Drain Hose Bracket 803828 .....	33
Drain Hose Elbow 35766 .....	31
Drain Pump Assembly 808196P .....	31
Drain Pump Isolator 803815 .....	31
Drive Belt 804985 .....	29
Dryer Base D514245 .....	57
Dryer Door D515961W .....	37
Dryer Door Window D515681 .....	37
Dual Coin Harness Assembly 202871 .....	13, 15
Dual Overlay 39073 .....	11

## E

Elbow D513072 .....	51
Electric Clearance Label D511005 .....	61
Electronic Coin Drop Assembly 70513306 .....	15
Electronic Coin Drop Kit CK110 .....	15
CK115 .....	15
Ethernet Gateway Kit NK320 .....	5
Exhaust Duct D516196 .....	57
Exhaust Warning Label D500497 .....	61
Expansion Clip 70030501 .....	11, 17

## F

Felt Pad D510189 .....	43
Fill Hose 203718 .....	23
203719 .....	23
203720 .....	23
203750 .....	23
Flexible Venting Kit 521P3 .....	57
Foam Pad 804875 .....	21
Foreign Object Deflector 806308 .....	25
806313 .....	25
806361 .....	25
Front Bulkhead Assembly D510266P .....	43

N/A items do not appear in index.

Front Control Harness	
806031 .....	69
Front Panel	
D510066WP .....	39
802277WP .....	19
Front Panel Assembly Kit	
806505W .....	19
Front Panel Seal	
D511056 .....	39
Fuse Notice Label	
61294 .....	43

## G

Gas Clearance Label	
D511004 .....	61
Gas Label	
D505215 .....	61
Gas Power Harness	
D518536 .....	69
Gas Valve Assembly	
60353P .....	51, 53
Gas Valve Mounting Bracket	
D510128 .....	51, 53
Gasket	
802427 .....	31
Glass Mounting Clip	
802700 .....	19
Glide Kit	
RB170003 .....	43
Grommet	
29175 .....	25

## H

Harness	
805684 .....	69
808123 .....	69
Harness Strap	
55881 .....	35
Heat Duct Shroud	
D510101 .....	49
Heater Assembly	
D510324P .....	47
D510329P .....	47
D510330P .....	47
Heater Duct Assembly	
D510025P .....	47, 49
Heater Kit	
964P3 .....	47
965P3 .....	47
Heater Kit Assembly	
61927 .....	47
61928 .....	47
Hinge	
D511036 .....	37
Hinge Hole Plug	
D510186 .....	39
Hinge Plate	
802206 .....	19

Hose Clamp	
F200204 .....	31
20211 .....	31
20391 .....	31
685725 .....	21
802281 .....	19
803891 .....	25
807386 .....	21, 23
Hose Clip	
36985 .....	25, 35
800553 .....	25

## I

Idler Lever	
D516310 .....	41
Idler Lever and Wheel Assembly	
D516792 .....	41
Idler Spring	
D510185 .....	41
Idler Wheel and Bearing Assembly	
D510142P .....	41
Igniter and Bracket Assembly	
D510184P .....	51, 53
Inner Basket Assembly	
804374P .....	27
Inner Basket Assembly Kit	
804376P .....	27
Inner Door Bezel	
808097 .....	19
Inner Door Bezel Kit	
808095 .....	19
Inverter Control Assembly	
807175P .....	29

## K

Key	
54612 .....	5

## L

Label	
804488 .....	65
Lead-In Cord	
202777 .....	35, 59
Lead-In Pipe Assembly	
D510204 .....	51
Left Hand Thread Label	
685928 .....	63
Leveling Leg	
D510135 .....	57
34319 .....	33
Lid Assembly	
802426P .....	31
Lifter	
804382 .....	27
Limit Thermostat	
D510701 .....	47
D510702 .....	49

N/A items do not appear in index.

Liner and Seal Assembly	
D516509 .....	37
Lint Filter	
D503980W .....	43
Lint Filter Label	
D502781 .....	61
Lock Assembly	
804339P .....	5
Lock Cam	
804338 .....	5
L.P. Conversion Kit	
458P3 .....	51, 53
L.P. Orifice	
D503786 .....	55
58755 .....	55

## M

Machine ID Control Assembly	
203361P .....	5
Meter Case Assembly	
807396W .....	11
Mixing Valve	
807837P .....	23
Mixing Valve Screen	
F8161201 .....	23
24122 .....	23
Motor and Pulley Assembly	
D511629P .....	41
Motor and Rod Assembly Kit	
805726P .....	29
Motor Control Shield	
804878 .....	29
Motor Harness	
806029 .....	69
Motor Hub Ring Kit	
590P3 .....	41
Motor Mount	
D518517 .....	41
Motor Mount Clamp	
D510180 .....	41
Motor Pulley	
D500011 .....	41
Motor Rod	
803861 .....	29
Mounting Tool Kit	
CK096 .....	15

## N

Natural/L.P. Gas Label	
D500240 .....	61
Network Controller Kit	
NK220 .....	5
Network Retrofit Kit	
203328 .....	5
Notice Label	
803011 .....	63
Nut	
F430218 .....	25
03673 .....	35

201216 .....	15
21899 .....	33
23951 .....	19
29786 .....	13
36020 .....	19
44087201 .....	11
52566 .....	41
56156 .....	41, 45
685846 .....	19
800452 .....	25, 27
802343 .....	25
804418 .....	27
N.G. Conversion Kit	
459P3 .....	51, 53
N.G. Orifice	
D503776 .....	55
D503778 .....	55
D503779 .....	55
D503780 .....	55
D510517 .....	55

## O

Opto Coupler	
200674P .....	13
O-Ring	
802429P .....	31
Outer Door Bezel	
808094 .....	19
Outer Tub Assembly	
803864 .....	25
Outlet Cover	
D500820 .....	47, 49
D518524 .....	47
Out-of-Balance Switch Assembly	
803415 .....	25
Out-of-Balance Switch Bracket	
804457 .....	25
Output Control Assembly	
D513797P .....	57
Overlay	
201091 .....	11
807206 .....	5
Overlay Kit	
38676 .....	11
Oversuding Label	
802074 .....	63
802838 .....	63
802839 .....	63

## P

Panel Locator	
56079 .....	19, 33, 39, 57
Pop Rivet	
685847 .....	25
Porcelain Touch-Up Paint	
122P4P .....	33, 57
Power Cord Assembly	
58992 .....	59
Power Harness	
D514044 .....	69
D518656 .....	69

N/A items do not appear in index.

Pressure Bulb 808013 .....	25
Pressure Sensor 203843 .....	33
Pressure Sensor Harness 804433 .....	69
Pressure Sensor Tube Assembly 804483 .....	25
Pulley Assembly 808197 .....	27
Pulley Bolt Tightening Fixture 802336 .....	67
Pump Housing 802428 .....	31
Pump Housing Assembly 802434P .....	31
Pump-to-Elbow Hose 803734 .....	31

## R

Read Instructions Label D513371 .....	63
Rear Access Panel 803998 .....	11, 17
Rear Bulkhead Assembly D510905WP .....	45
D511082P .....	45
Rear Panel 803789 .....	33
803790 .....	33
806716 .....	33
Retaining Ring 23748 .....	41, 45
Roller Kit RB170002 .....	45
Rubber Foot D501855 .....	33
34318 .....	33

## S

Screw	
D500824 .....	41
D501285 .....	43, 45
D501524 .....	29
D502535 .....	41
D503661 .....	5, 9, 19, 29, 31, 33
D503688 .....	7, 11, 17, 39, 41, 43, 45, 47, 49, 51, 53, 57
D505295 .....	37, 43
D505870 .....	37
D514428 .....	57
D515967 .....	37
M400043 .....	27, 65
M400057 .....	29
M405188 .....	43
20530 .....	35, 59
23222 .....	47, 51, 53
31260 .....	41
33562 .....	39
36048 .....	57
39733 .....	19, 33, 39, 57

51782 .....	51, 53
52864 .....	43
52909 .....	31
56124 .....	51, 53
61199 .....	45
62588 .....	43
685831 .....	27
70240301 .....	11, 17
800461 .....	25
800462 .....	25
800548 .....	19, 21, 27
801001 .....	21
801019 .....	19
801045 .....	19
801993 .....	19
802431 .....	31
802596 .....	25
804399 .....	27
804608 .....	5
804667 .....	57
804699 .....	27

Screw Orifice 58719 .....	55
Seal Kit RB170001 .....	43, 45
Sealant 27615P .....	31
Secondary Coil 58804B .....	51, 53
Security Cabinet Harness D513991 .....	69
Sensor D510213 .....	51, 53
Shaft 56461P .....	41, 45
Shield Bracket 804018 .....	7
Shipping Materials Kit 805729 .....	65
Shipping Plate 803851 .....	33
Shipping Plug 803859 .....	33
Shock Assembly 803777P .....	25
Side Panel Kit 806492 .....	33
Single Coin Harness Assembly 202870 .....	13
Single Overlay 38717 .....	11
Speed Clip 28835 .....	39
Standpipe Strap 33489 .....	31
Strain Relief 38384 .....	35, 59
Switch D512973 .....	5, 11, 39

## T

Terminal Block Assembly D510190P .....	45
-------------------------------------------	----

N/A items do not appear in index.

Terminal Block Shield	
D510237 .....	45
Thermal Fuse Assembly	
D518649 .....	47
Thermistor Assembly	
D510523 .....	41
Top Hinge	
D510136 .....	57
Top Kit	
D510032WP .....	57
Transformer	
201375P .....	15
202757 .....	5
Transformer Harness	
804795 .....	5
Transformer Kit	
203423 .....	5
Trunnion Shaft Kit	
808043P .....	27
Tub Front	
803770 .....	25
Tub Front Assembly	
803879 .....	25
Tub Front Seal	
803801 .....	25
Tub-to-Pump Hose	
803829 .....	31

## U

Upper Electric Harness	
D517238 .....	69
Upper Gas Harness	
D517094 .....	69
USB Gateway Kit	
NK330 .....	5
USB IR Interface Kit	
203346 .....	5

## V

Venting Instruction Label	
D502791 .....	61

## W

Warning Label	
D500049 .....	25, 43, 61, 63
D500314 .....	63
D500316 .....	61, 63
D512263 .....	61
D516243 .....	61
44324001 .....	61
802367 .....	63
803260 .....	61, 63
806591 .....	63
Warning/Caution Label	
D500281 .....	39, 61
Washer	
D504082 .....	45
M400014 .....	65

M400080 .....	29
M400081 .....	25
M403958 .....	27
02834 .....	29
03815 .....	35
20290 .....	23
26509 .....	57
52549 .....	41, 45
800457 .....	27
802254 .....	23
803615 .....	23
804458 .....	25
807679 .....	27
Window Trim	
D515956W .....	37
Wire Assembly	
D518255 .....	47
D518256 .....	47
Wire Clip	
D504034 .....	35
687500 .....	35
Wire Guard	
201595P .....	13
Wire Ring and Spring	
806466 .....	19
Wire Tie	
38663 .....	35
Wireless Network Board Harness	
F8536002 .....	9
Wireless Network Control Assembly	
203532 .....	9
807211 .....	9
Wireless Network Harness	
F8674006 .....	9
Wireless Network Kit	
204689 .....	5
Wire, 12 Gauge	
45380 .....	69
Wire, 18 Gauge	
45001 .....	69
Wiring Harness Assembly	
202868 .....	5
Wrapper Assembly	
804104W .....	11
804112W .....	17
Wrench	
392P4 .....	67

N/A items do not appear in index.