

Washer-Extractor

Superload

Refer to Page 3 for Model Numbers



Table of Contents

Title	Page
Parts Ordering Information.....	2
Nameplate Location	2
Model Identification	3
Accumulator Coin Drop	4
Control Panel, Controls and Operating Instructions.....	6
Cabinet Top and Dispenser Door	8
Front Panel, Door Assembly and Door Seal	10
Door Lock Assembly	12
Air Intake Grille and Panels	14
Coin Vault, Drawer and Mixing Valve Assembly	16
Timers and Terminal Block	18
Cross Channel, Capacitors and Switches.....	20
Water Inlet and Hoses	22
Drain Valve Assembly	24
Drain - Models CL8861 and CL8871	26
Drain - Models CL8863 and CL8873	28
Outer Tub and Cylinder.....	30
Rear Tub Head, Cylinder Pulley and Belt	32
Bearing Housing Assembly	34
Base and Front Legs.....	36
Drive Motor, Blower Assembly and Motor Shield.....	38
Wire, Terminals and Installation Kit Material.....	40
Parts Index.....	43

© Copyright 2006, Alliance Laundry Systems LLC

All rights reserved. No part of the contents of this book may be reproduced or transmitted in any form or by any means without the expressed written consent of the publisher.

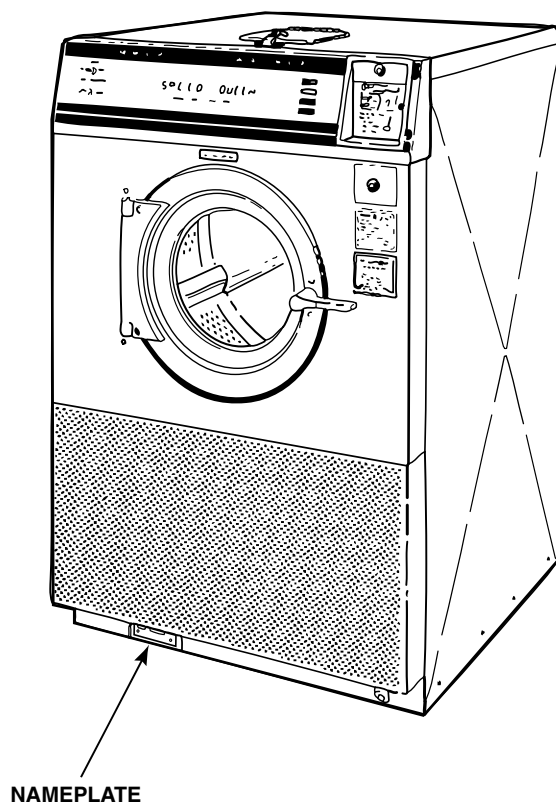
Parts Ordering Information

If literature or replacement parts are required, contact the source from whom the machine was purchased or contact Alliance Laundry Systems at (920) 748-3950 for the name and address of the nearest authorized parts distributor.

For technical assistance, call (920) 748-3121.

Nameplate Location

When calling or writing about your product, be sure to mention model and serial numbers. Model and serial numbers are located on nameplate(s) as shown.



SPR25P_81516

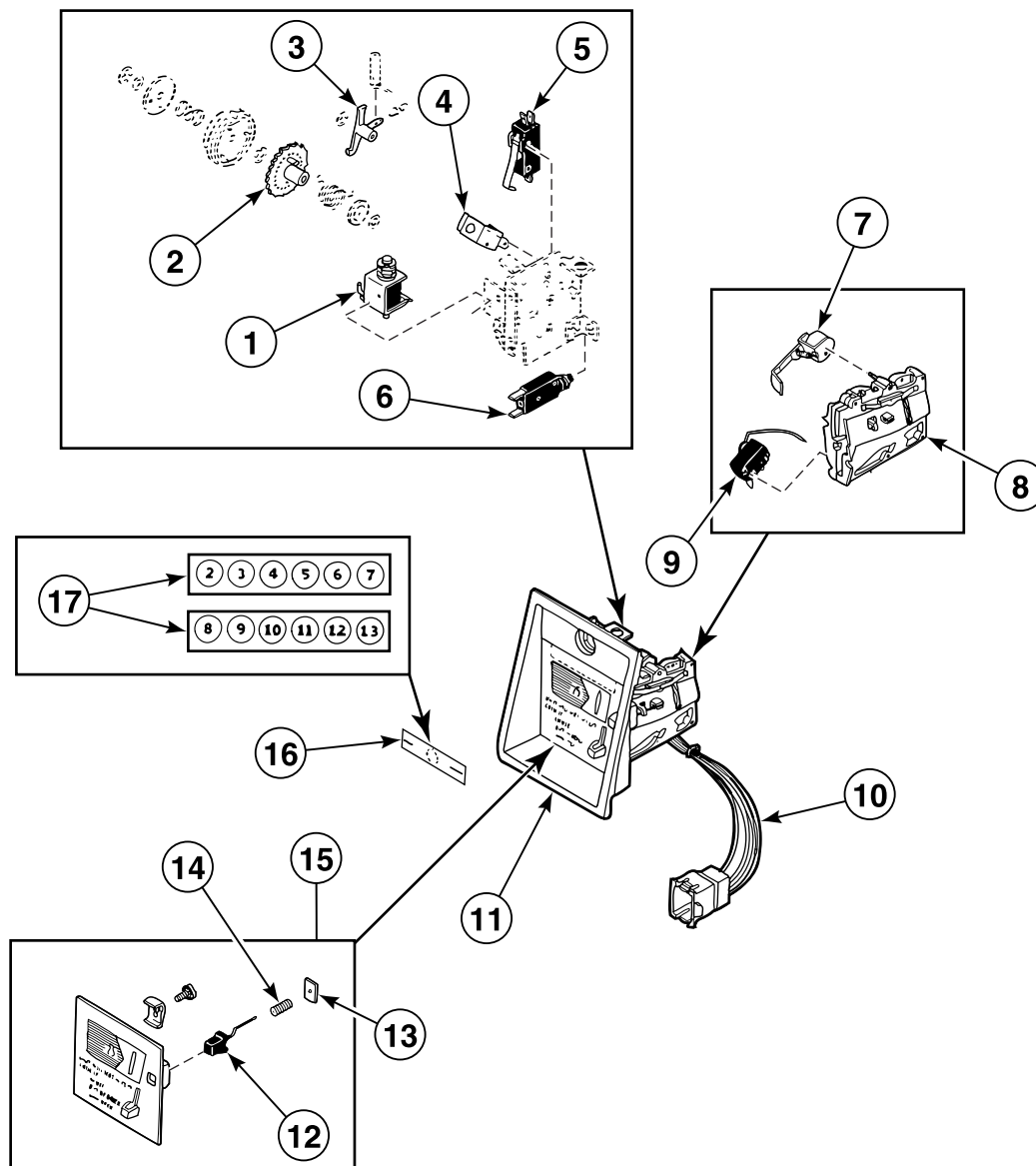
Model Identification

Information in this manual is applicable to these washer models:

CL8861
CL8863
CL8871
CL8873

Accumulator Coin Drop

Models CL8861 and CL8863



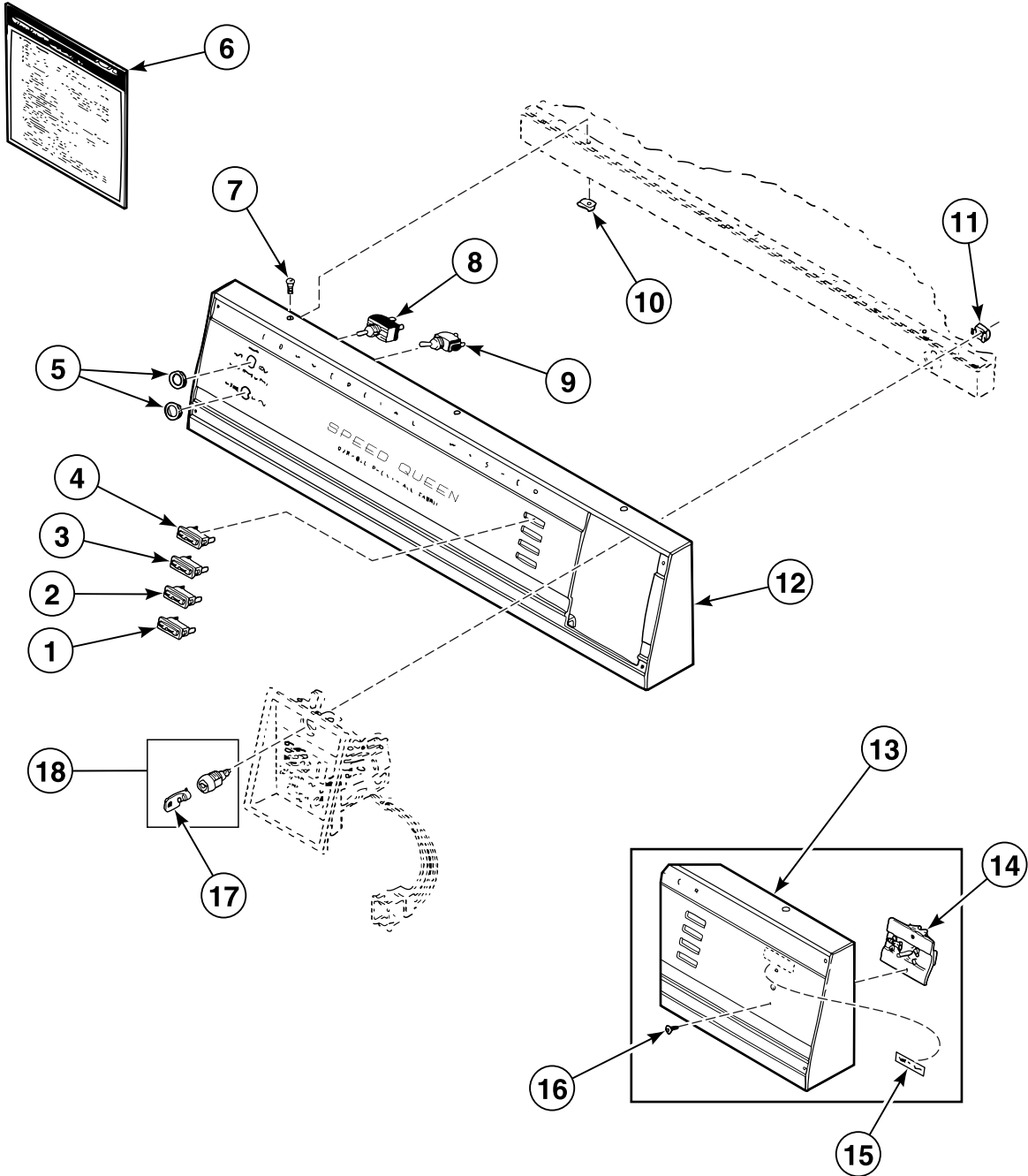
SPR26P_81516

Accumulator Coin Drop

REF	PART NO.	DESCRIPTION	COMMENTS
	433P3	Coin Meter Kit	
1	N/A	Advance Solenoid	
2	N/A	Ratchet Wheel	
3	N/A	Pawl	
4	N/A	Release Solenoid	
5	N/A	Cam Switch	
6	N/A	Circuit Breaker	
7	81312B	Blocking Solenoid	
8	81312F	Rejector	
9	N/A	Coin Switch	
10	N/A	Wire Harness	
11	81186	Coin Drop Door	
12	81312J	Reject Button	
13	N/A	Reject Button Cover Plate	
14	N/A	Reject Button Spring	
15	N/A	Front Plate	\$.25
16	81574	Insert Coins Sticker	
17	81806	Numbered Sticker	

N/A = Part no longer available

Control Panel, Controls and Operating Instructions



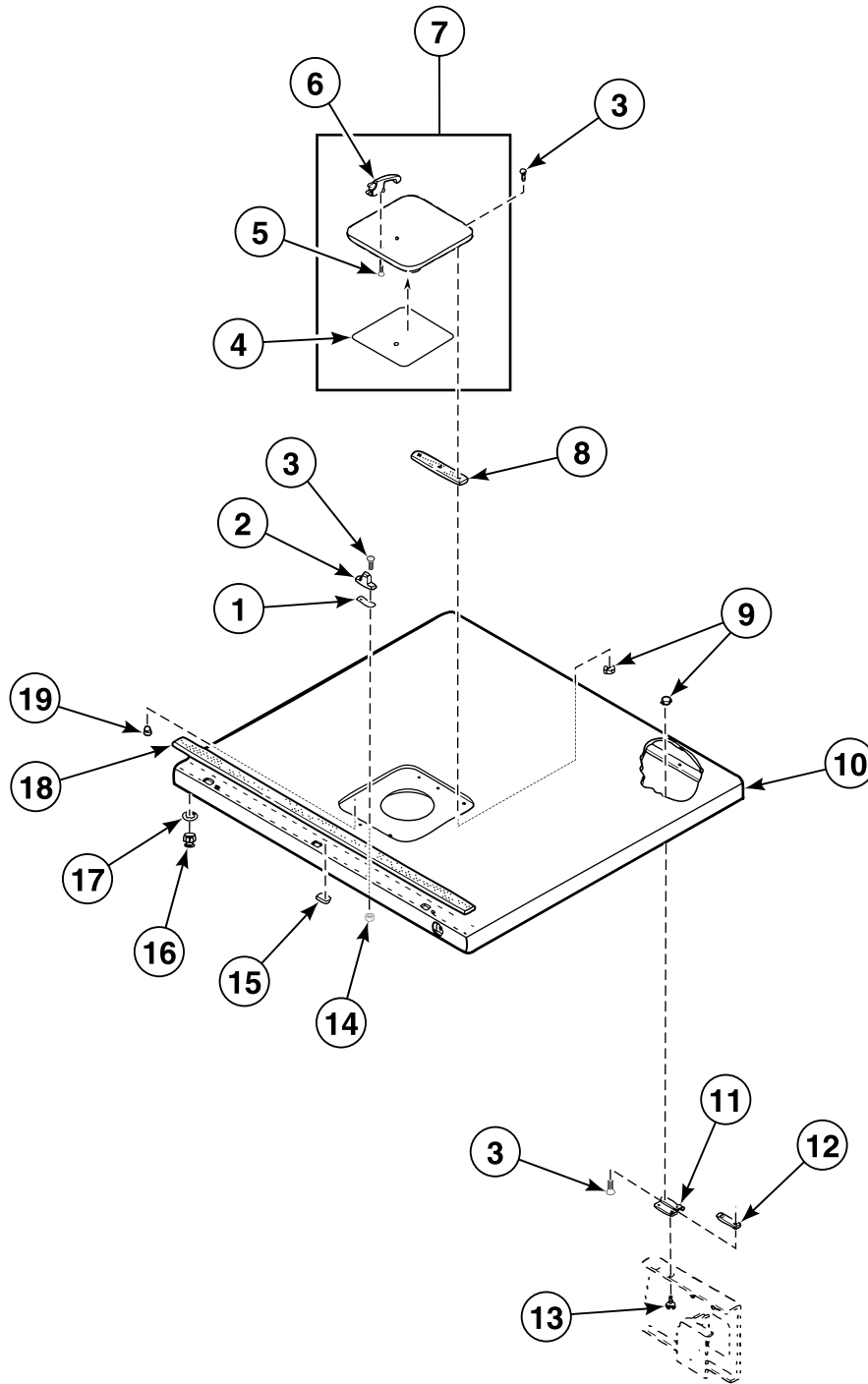
SPR27P_81516

Control Panel, Controls and Operating Instructions

REF	PART NO.	DESCRIPTION	COMMENTS
1	N/A	Softener Indicator Light	60 Hertz
	81079	Softener Indicator Light	230 Volt/50 Hertz
2	81074	Bleach Indicator Light	60 Hertz
	81078	Bleach Indicator Light	230 Volt/50 Hertz
3	N/A	Detergent Indicator Light	60 Hertz
	81077	Detergent Indicator Light	230 Volt/50 Hertz
4	N/A	On Indicator Light	60 Hertz
	81076	On Indicator Light	230 Volt/50 Hertz
5	N/A	Nut	
6	N/A	Operating Instructions Sign	
7	52864	Screw	
8	N/A	Wash Temperature Switch	
9	N/A	Switch	
10	81207	Nut	
11	81178	Nut	Models CL8861 and CL8863
12	N/A	Control Panel	Models CL8861 and CL8863
13	N/A	Control Panel	Models CL8871 and CL8873
14	90709P	Relay	Models CL8871 and CL8873; 60 Hertz
	91257	Switch	Models CL8871 and CL8873; 230 Volt/50 Hertz
15	53738	Push-to-Start Sticker	Models CL8871 and CL8873
16	03950	Screw	Models CL8871 and CL8873
17	N/A	Key	Models CL8861 and CL8863
18	N/A	Key and Lock Assembly	Models CL8861 and CL8863; Includes item 17

N/A = Part no longer available

Cabinet Top and Dispenser Door



SPR28P_81516

Cabinet Top and Dispenser Door

REF	PART NO.	DESCRIPTION	COMMENTS
1	81366	Spacer	
2	81365P	Strike	Includes item 9
3	22649	Screw	
4	81286	Bleach Door Sticker	
5	80399	Screw	
6	N/A	Door Catch	
7	N/A	Bleach Door Assembly	Includes items 3-6
8	80457	Gasket	
9	51236	Nut	
10	N/A	Cabinet Top	Apple Green
	N/A	Cabinet Top	Harvest Gold
	N/A	Top Assembly	White
11	81058	Top Hinge	
12	N/A	Nut	
13	33561	Screw	
14	21752	Nut	
15	81207	Nut	
16	N/A	Nut	
17	N/A	Washer	
18	81924	Seal	
19	80498	Bumper	

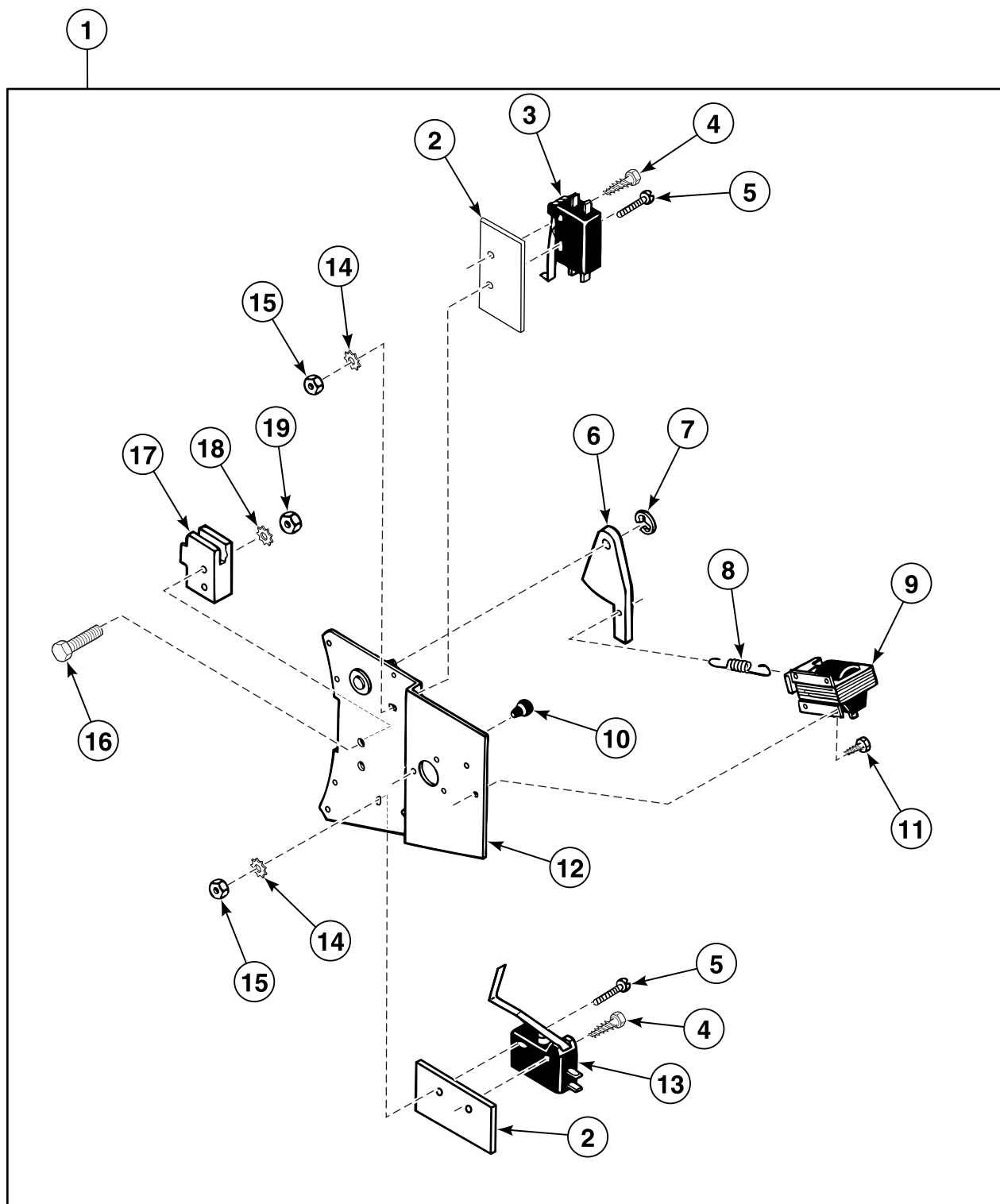
N/A = Part no longer available

Front Panel, Door Assembly and Door Seal

REF	PART NO.	DESCRIPTION	COMMENTS
1	81399	Screw	
2	23960	Screw	
3	81392	Washer	
4	81959	Hinge	
5	81391	Hinge Pin	
6	20253	Screw	
7	80090	Washer	
8	23225	Washer	
9	03189	Washer	
10	20275	Nut	
11	81326	Door Lock Sticker	
12	81061	Nut	
13	81468P	Door Seal Kit	Includes item 7
14	N/A	Spring	
15	81298P	Seal Strap	
16	81504	Door Lock Sticker	
17	81547	Door Warning Sticker	
18	81491P	Door Lock Assembly	60 Hertz
	N/A	Door Lock Assembly	230 Volt/50 Hertz
19	81498	Door Release Wire	
20	20430	Grommet	
21	N/A	Door Glass Bracket	
22	518P3	Door Kit	Includes items 4 and 5, 81958 Door Seal and 81960 Door Assembly
23	N/A	Door Glass Gasket	
24	532P3	Bushing and Pivot Kit	Includes items 25, 26, 28 and 29, 81985 Pivot Arm and 82035 Bushing and Plate Assembly
25	81119	Pivot Arm Spring	
26	52549	Washer	
27	81408	Washer	
28	81398	Screw	
29	81310	Screw	
30	81035P	Handle	Includes item 29
31	N/A	Screw	
32	N/A	Bumper	
33	22001	Nut	
34	33561	Screw	
35	21081	Screw	
36	81404	Front Panel Assembly	Models CL8861 and CL8863
	N/A	Front Panel Assembly	Models CL8871 and CL8873

N/A = Part no longer available

Door Lock Assembly



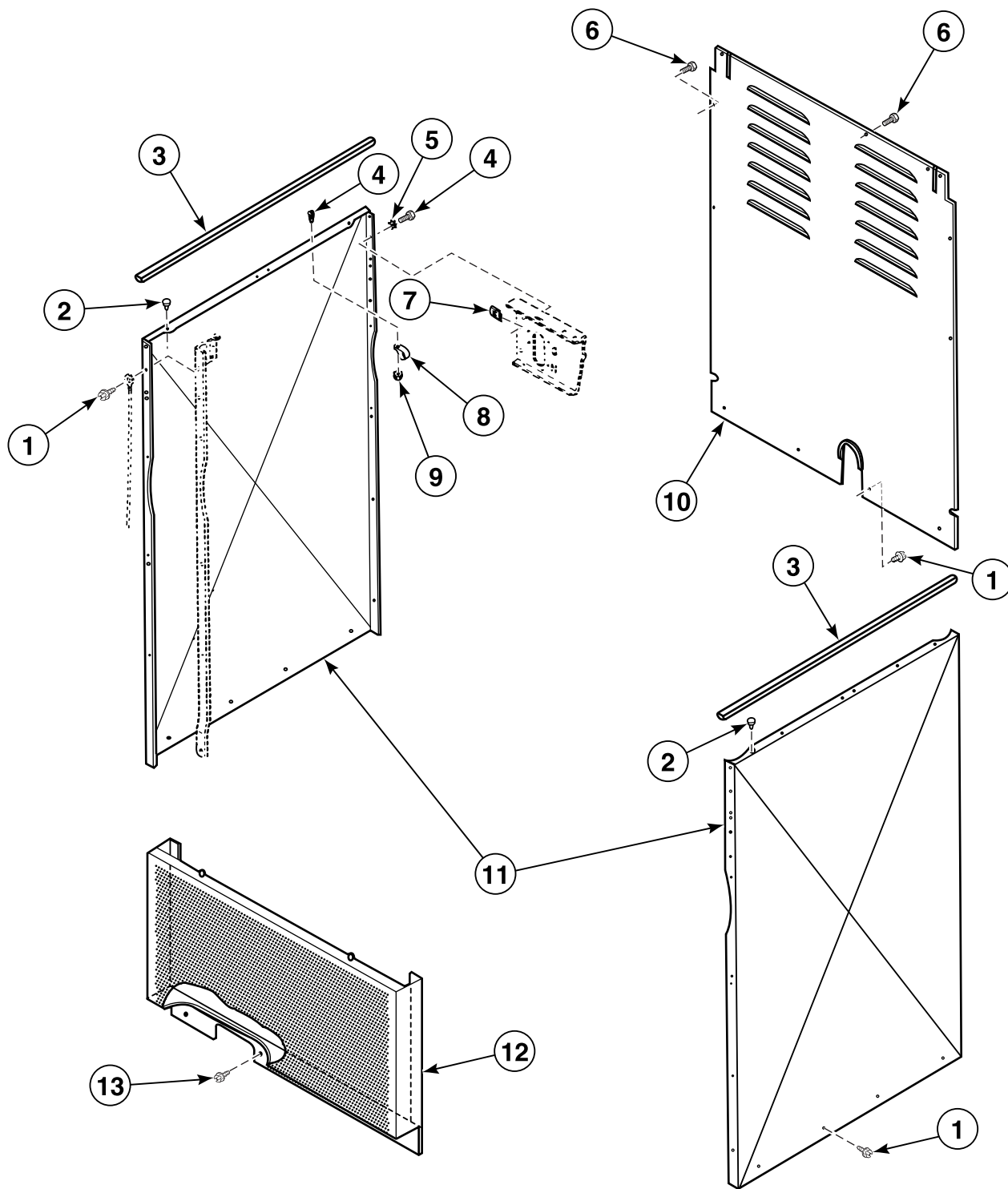
SPR30P_81516

Door Lock Assembly

REF	PART NO.	DESCRIPTION	COMMENTS
1	81491P	Door Lock Assembly	Includes items 2-19
2	N/A	Door Switch Guard	
3	81492	Door Lock Switch	
4	N/A	Screw	
5	Q6516	Screw	
6	81488	Latch	
7	N/A	Retaining Ring	
8	N/A	Spring	
9	81493P	Solenoid	60 Hertz
	81540	Solenoid	20 Volt/50 Hertz
10	52552	Bumper	
11	M405936	Screw	
12	81490	Door Lock Bracket Assembly	
13	81359	Door Switch	
14	51345	Washer	
15	02788	Nut	
16	20253	Screw	
17	81487	Door Latch Block	
18	02431	Washer	
19	20275	Nut	

N/A = Part no longer available

Air Intake Grille and Panels



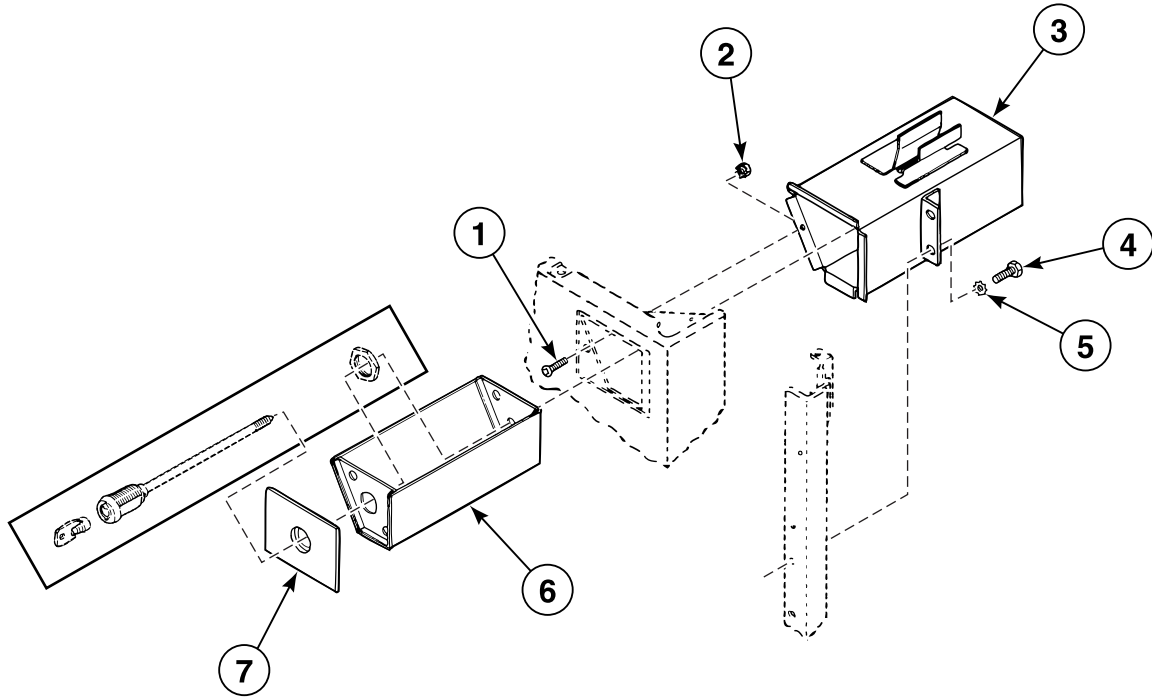
SPR31P_81516

Air Intake Grille and Panels

REF	PART NO.	DESCRIPTION	COMMENTS
1	33562	Screw	
2	N/A	Bumper	
3	81924	Seal	
4	03814	Screw	
5	03815	Washer	
6	52909	Screw	
7	36020	Nut	
8	N/A	Cable Screw Clamp	
9	23951	Nut	
10	81016	Back Panel	
11	N/A	Side Panel	Apple Green
	N/A	Side Panel	Harvest Gold
	81512WP	Side Panel	White
12	81969	Lower Front Panel Assembly	
13	20530	Screw	

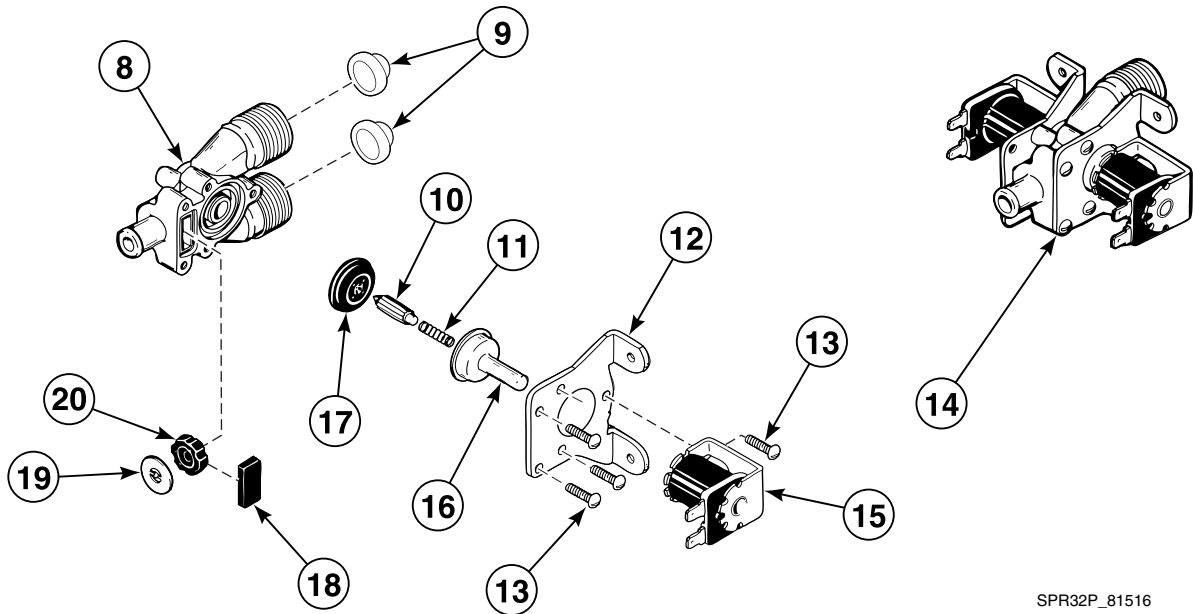
N/A = Part no longer available

Coin Vault, Drawer and Mixing Valve Assembly



Coin Vault and Drawer

Mixing Valve Assembly



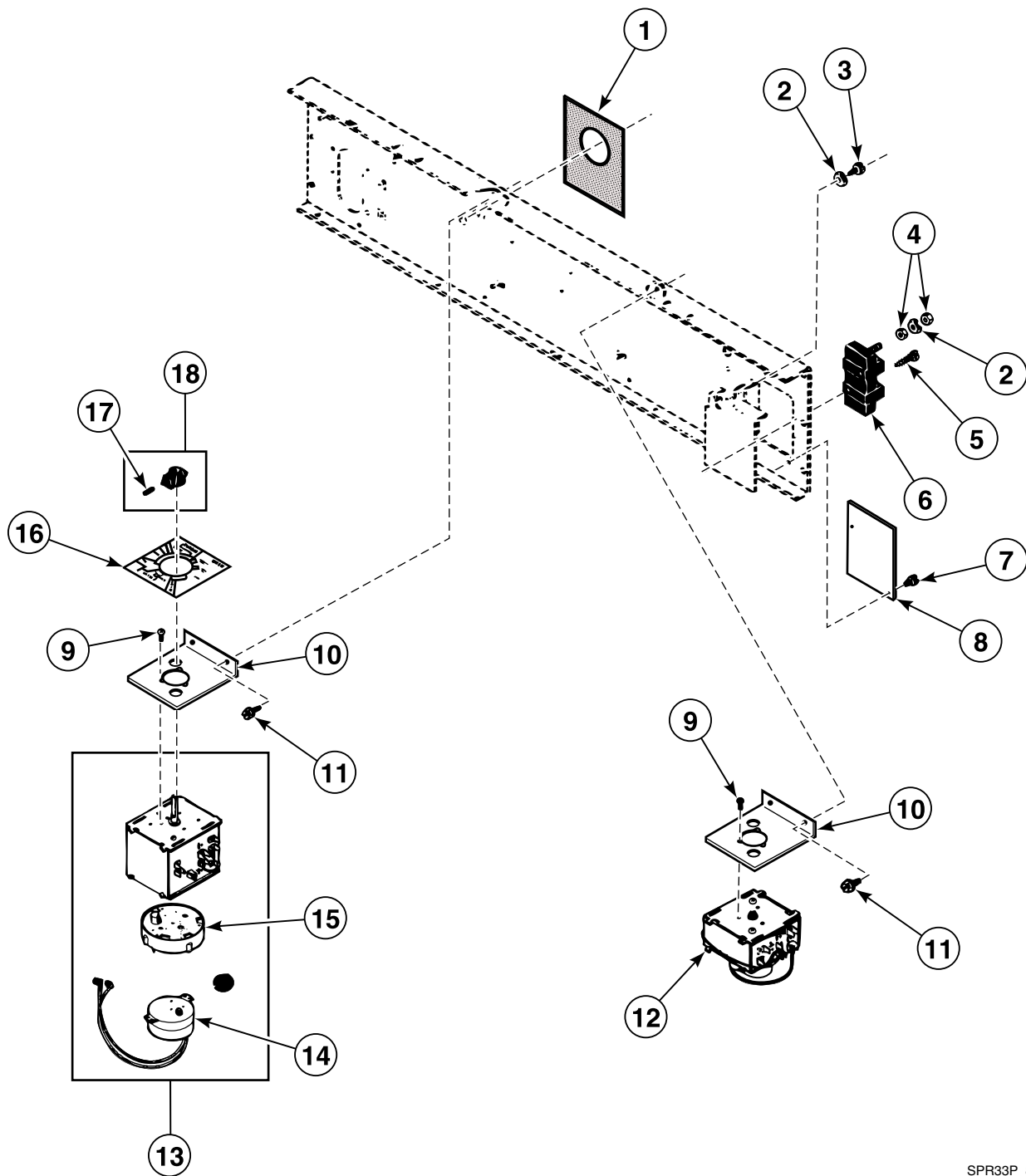
SPR32P_81516

Coin Vault, Drawer and Mixing Valve Assembly

REF	PART NO.	DESCRIPTION	COMMENTS
1	22649	Screw	Models CL8861 and CL8863
2	51236	Nut	Models CL8861 and CL8863
3	81302	Coin Vault Assembly	Models CL8861 and CL8863
4	02916	Screw	Models CL8861 and CL8863
5	02431	Washer	Models CL8861 and CL8863
6	N/A	Coin Drawer Assembly	Models CL8861 and CL8863
7	N/A	Coin Drawer Plate	Models CL8861 and CL8863
8	N/A	Valve Body	
9	N/A	Inlet Screen	
10	N/A	Armature	
11	N/A	Spring	
12	N/A	Mounting Bracket	
13	N/A	Screw	
14	N/A	Mixing Valve	Includes items 8-13 and 15-20
15	N/A	Solenoid	
16	N/A	Guide	
17	N/A	Diaphragm	
18	N/A	Plug	
19	N/A	Diffuser	
20	N/A	Flow Regulator	

N/A = Part no longer available

Timers and Terminal Block



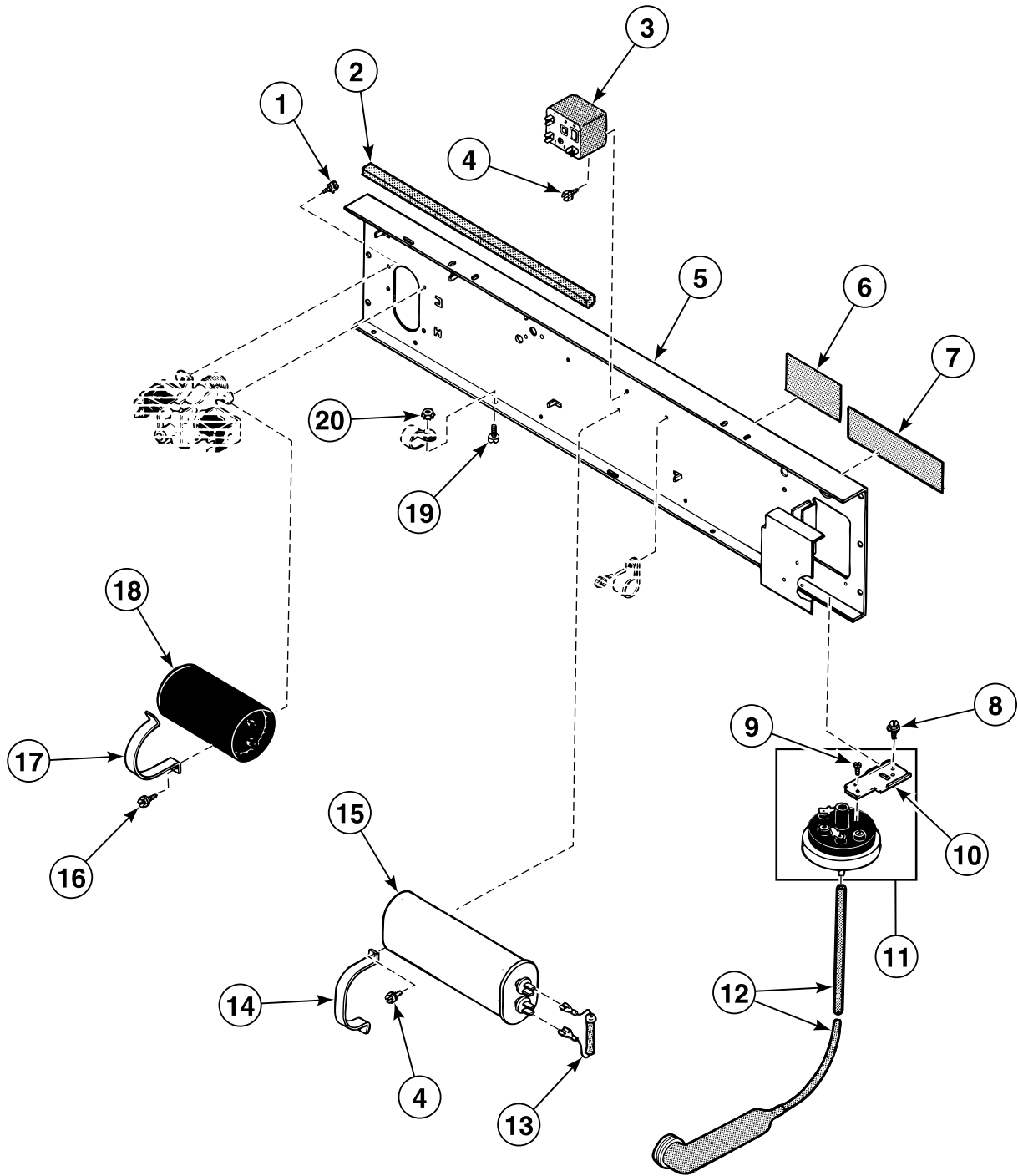
SPR33P_81516

Timers and Terminal Block

REF	PART NO.	DESCRIPTION	COMMENTS
1	N/A	Timer Cycle Sticker	Models CL8871 and CL8873; Models with rear-mounted timers
2	51474	Washer	
3	52909	Screw	
4	Q6163	Nut	
5	Q6535	Screw	
6	50854	Terminal Block	
7	23222	Screw	
8	N/A	Cross Channel Cover	
9	22649	Screw	
10	81097	Timer Bracket	
11	51780	Screw	
12	81615P	Reversing Timer	60 Hertz
	81616	Reversing Timer	230 Volt/50 Hertz
13	81485	Timer	Includes items 14 and 15; 60 Hertz
	N/A	Timer	Includes items 14 and 15; 230 Volt/50 Hertz
14	N/A	Timer Motor	
15	N/A	Escapement	
16	N/A	Timer Cycle Sticker	
17	N/A	Screw	
18	N/A	Knob	

N/A = Part no longer available

Cross Channel, Capacitors and Switches



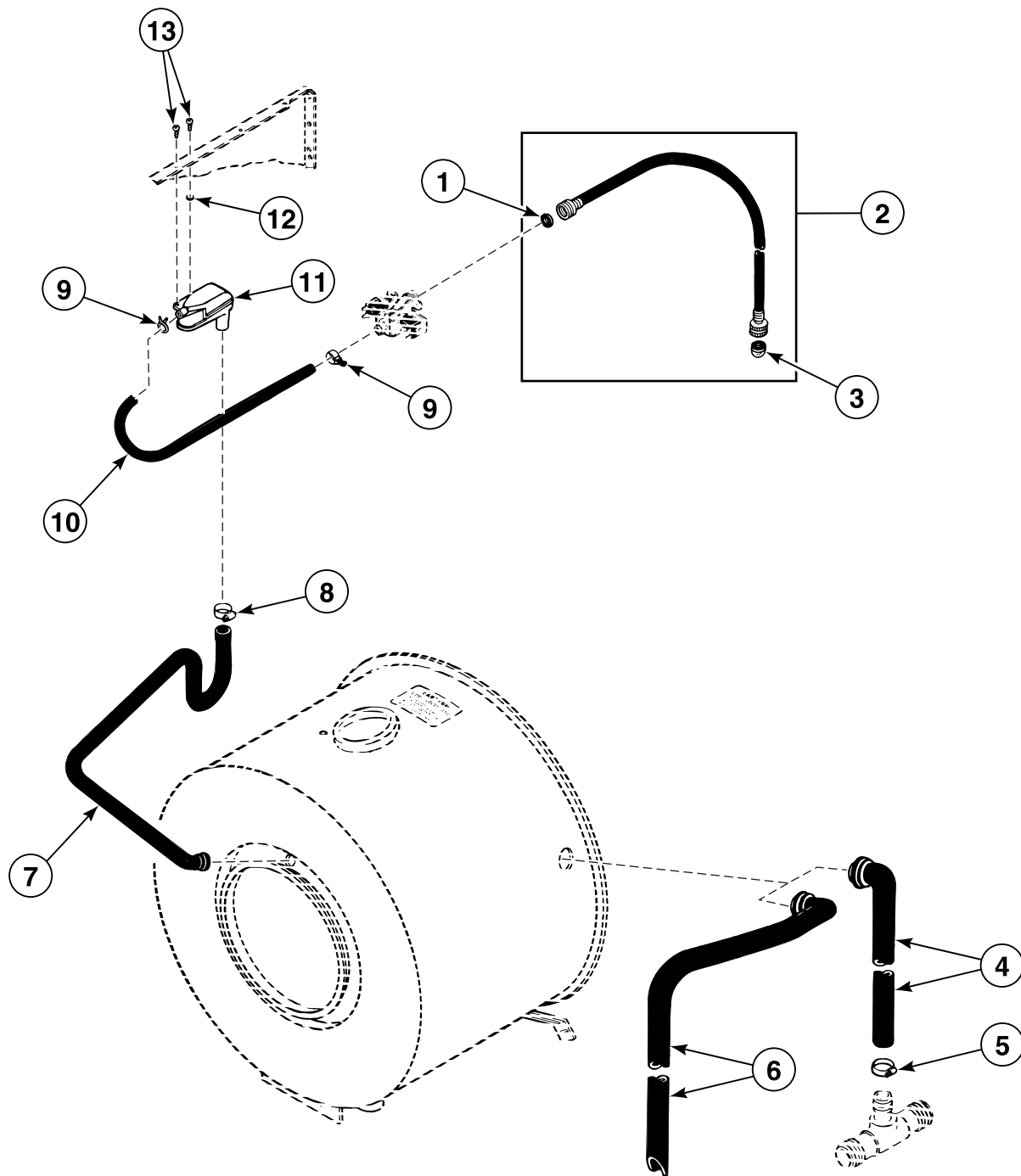
SPR34P_81516

Cross Channel, Capacitors and Switches

REF	PART NO.	DESCRIPTION	COMMENTS
1	33562	Screw	
2	81924	Seal	
3	81333	Motor Switch	240 Volt
	N/A	Motor Switch	208 Volt
	N/A	Motor Switch	230 Volt/50 Hertz
4	23222	Screw	
5	N/A	Cross Channel	
6	82087	Warning Label	
7	N/A	Fuse Instructions	
8	51780	Screw	
9	N/A	Screw	
10	N/A	Bracket	
11	81068P	Pressure Switch	Includes items 9 and 10
12	22822	Pressure Hose	
13	81642	Resistor Assembly	
14	N/A	Capacitor Clamp	
15	81063P	Capacitor Kit	240 Volt
	81320P	Capacitor Kit	208 Volt/50 Hertz
16	23962	Screw	
17	N/A	Capacitor Clamp	
18	81062	Capacitor	240 Volt
	81319	Capacitor	208 Volt; 230 Volt/50 Hertz
19	03814	Screw	
20	23951	Nut	

N/A = Part no longer available

Water Inlet and Hoses



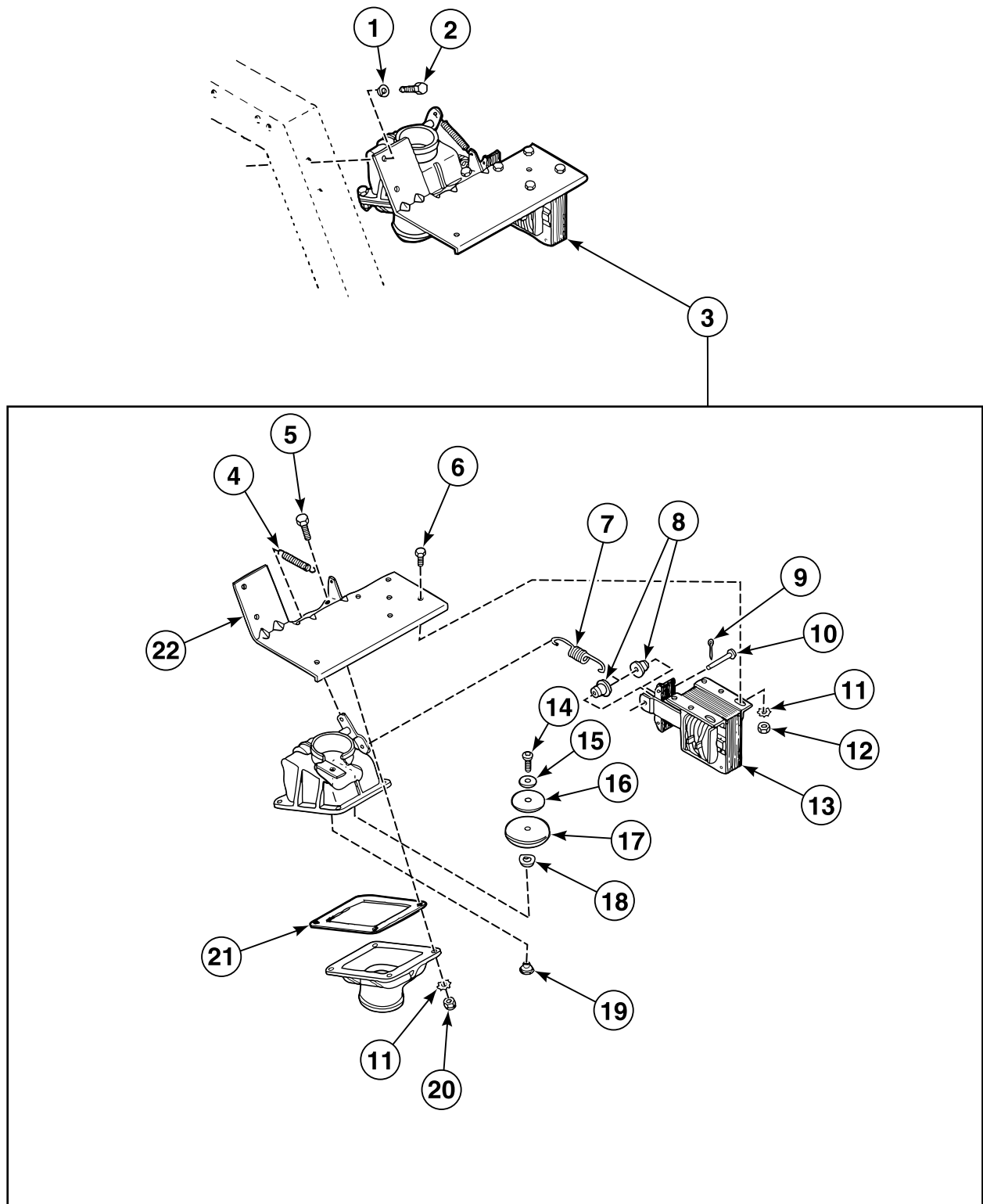
SPR35P_81516

Water Inlet and Hoses

REF	PART NO.	DESCRIPTION	COMMENTS
1	20290	Washer	
2	28330P	Fill Hose Kit	Includes items 1 and 3
3	F270300	Filter Screen	
4	N/A	Overflow Hose	Models CL8861 and CL8871
5	90554	Hose Clamp	
6	81082	Overflow Hose	Models CL8863 and CL8873
7	81080	Water Inlet Hose	
8	20391	Hose Clamp	
9	36801	Hose Clamp	
10	N/A	Water Inlet Hose	
11	80600	Water Inlet	
12	N/A	Washer	
13	51778	Screw	

N/A = Part no longer available

Drain Valve Assembly



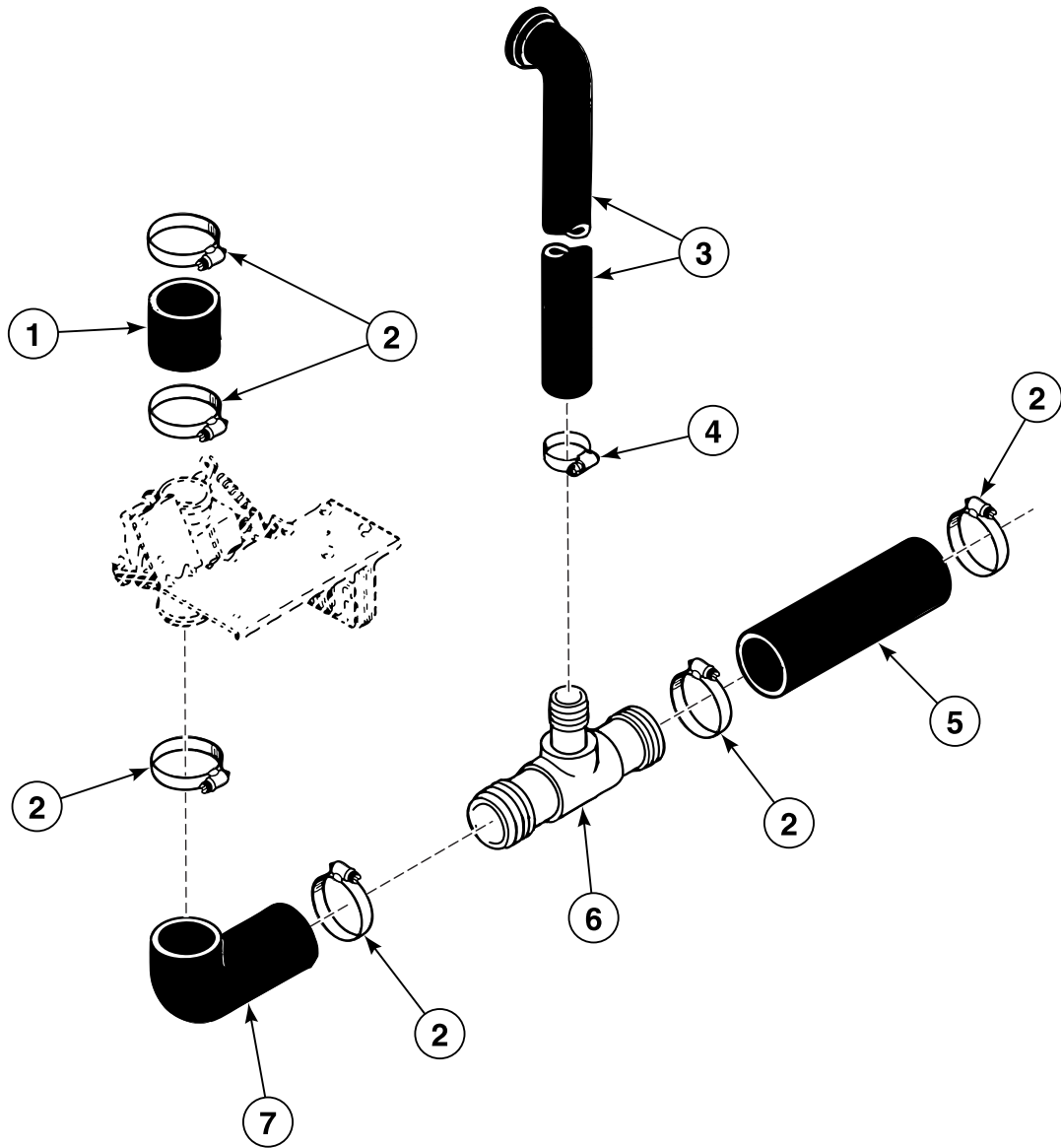
SPR36P_81516

Drain Valve Assembly

REF	PART NO.	DESCRIPTION	COMMENTS
	N/A	Drain Valve Repair Kit	Used with 81149 Drain Valve and 81449 Drain Valve
1	03189	Washer	
2	02916	Screw	
3	505P3	Ball Valve Retrofit Kit	
4	N/A	Spring	
5	20253	Screw	
6	N/A	Screw	
7	81109	Spring	
8	N/A	Panel Mount	
9	N/A	Cotter Pin	
10	N/A	Rivet	
11	02431	Washer	
12	20275	Nut	
13	20058P	Solenoid	60 Hertz
	N/A	Solenoid	230 Volt/50 Hertz
14	F430976	Screw	
15	N/A	Washer	
16	N/A	Valve Flapper Disc	
17	N/A	Plate and Gasket Assembly	
18	N/A	Washer	
19	N/A	Nut	
20	52566	Nut	
21	N/A	Valve Housing Gasket	
22	N/A	Valve Mounting Plate	

N/A = Part no longer available

Drain - Models CL8861 and CL8871



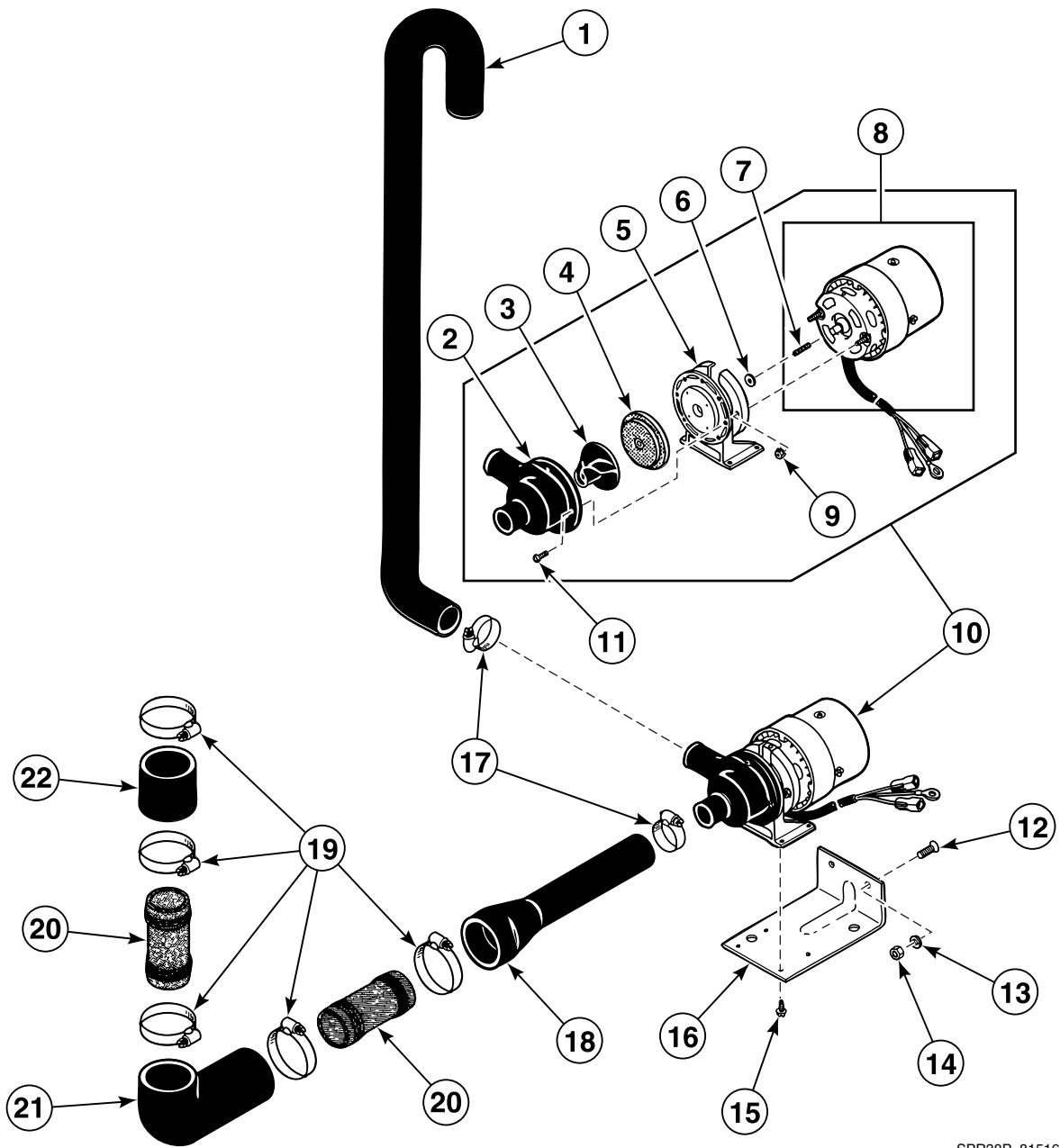
SPR37P_81516

Drain - Models CL8861 and CL8871

REF	PART NO.	DESCRIPTION	COMMENTS
1	81056	Drain Hose	
2	80707	Clamp	
3	N/A	Overflow Hose	
4	90554	Hose Clamp	
5	N/A	Drain Hose	
6	N/A	Drain Tee	
7	N/A	Hose	

N/A = Part no longer available

Drain - Models CL8863 and CL8873



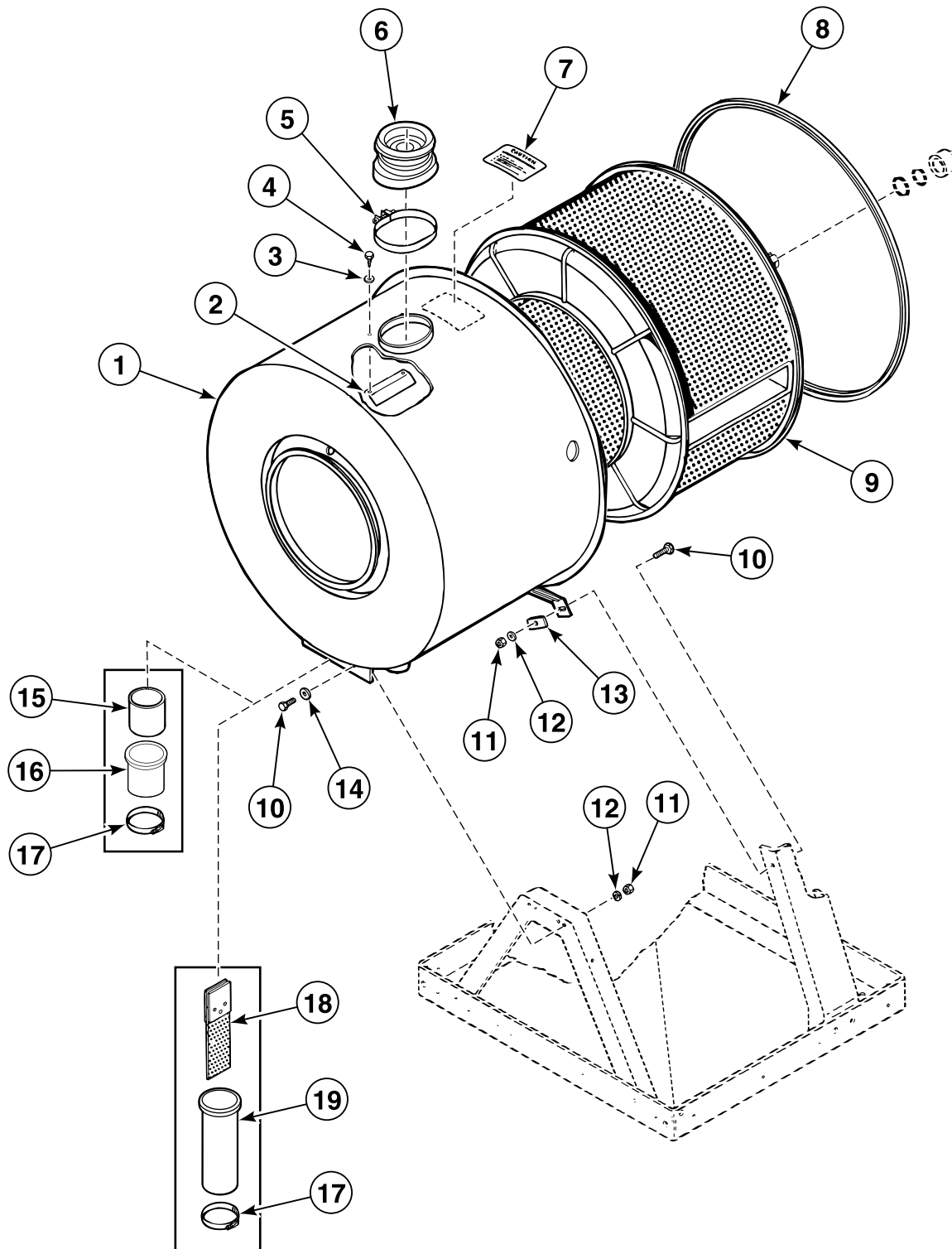
SPR38P_81516

Drain - Models CL8863 and CL8873

REF	PART NO.	DESCRIPTION	COMMENTS
1	81069	Drain Hose	
2	81115D	Pump Body Kit	
3	81115E	Impeller	
4	81115C	Shaft Seal and Liner Assembly	
5	N/A	Mounting Bracket	
6	N/A	Washer	
7	81115G	Screw	
8	81115AP	Pump Motor Assembly	
9	51236	Nut	
10	81185P	Pump and Bracket Assembly	
11	N/A	Screw	
12	91226	Screw	
13	M400013	Washer	
14	70142	Nut	
15	33561	Screw	
16	81181	Pump Mount Bracket	
17	90554	Hose Clamp	
18	82082	Drain Hose	
19	80707	Clamp	
20	81210	Hose Coupling	
21	80265	Hose	
22	81056	Drain Hose	

N/A = Part no longer available

Outer Tub and Cylinder



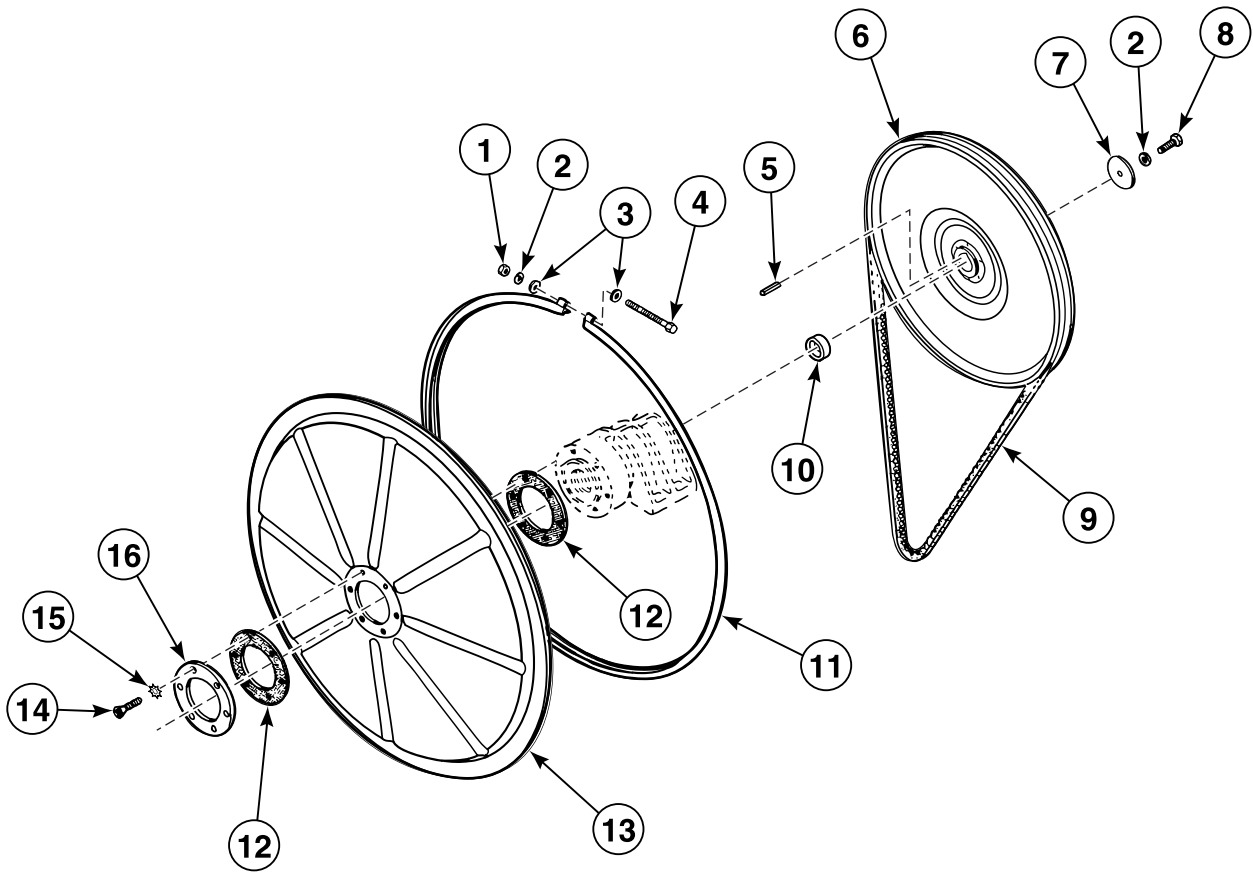
SPR39P_81516

Outer Tub and Cylinder

REF	PART NO.	DESCRIPTION	COMMENTS
1	N/A	Tub Assembly	
2	81376	Deflector	
3	81380	Washer	
4	M405936	Screw	
5	81294	Hose Clamp	
6	81194	Dispenser Boot	
7	81375	Caution Sticker	
8	81052	Tub Head Gasket	
9	81170P	Cylinder Assembly	
10	27202	Screw	
11	80116	Nut	
12	M400013	Washer	
13	81345	Washer	
14	Q6066	Washer	
15	N/A	Frame	Models CL8861 and CL8871
16	N/A	Trap	Models CL8861 and CL8871
17	80043	Hose Clamp	
18	N/A	Filter Plate Assembly	Models CL8863 and CL8873
19	N/A	Button Trap	Models CL8863 and CL8873

N/A = Part no longer available

Rear Tub Head, Cylinder Pulley and Belt



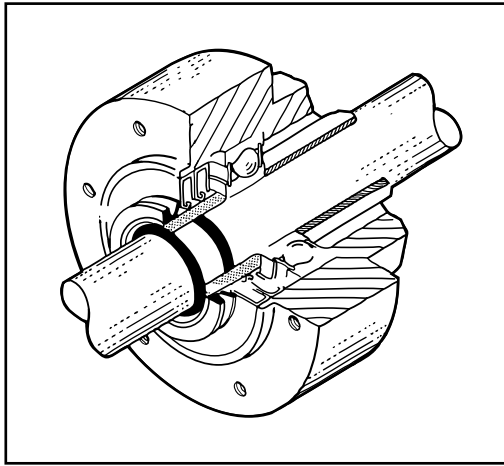
SPR40P_81516

Rear Tub Head, Cylinder Pulley and Belt

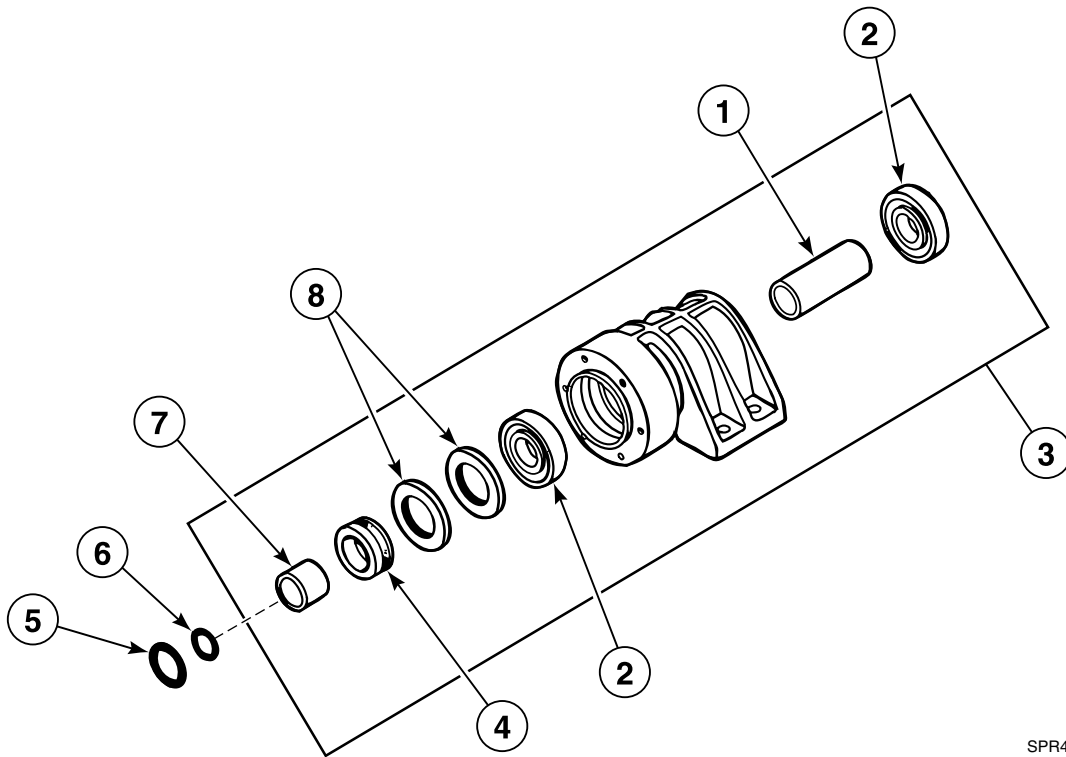
REF	PART NO.	DESCRIPTION	COMMENTS
1	80116	Nut	
2	M400013	Washer	
3	Q6066	Washer	
4	M413565	Screw	
5	81085	Key	
6	81728	Pulley and Hub Assembly	
7	81352	Washer	
8	91202	Screw	
9	81459	Belt	60 Hertz
	81064	Belt	230 Volt/50 Hertz
10	81461	Spacer	
11	N/A	Clamp Ring Assembly	
12	81049	Gasket	
13	81015P	Bulkhead	
14	81057	Screw	
15	24475	Washer	
16	81050	Reinforcing Ring	

N/A = Part no longer available

Bearing Housing Assembly



Assembled View

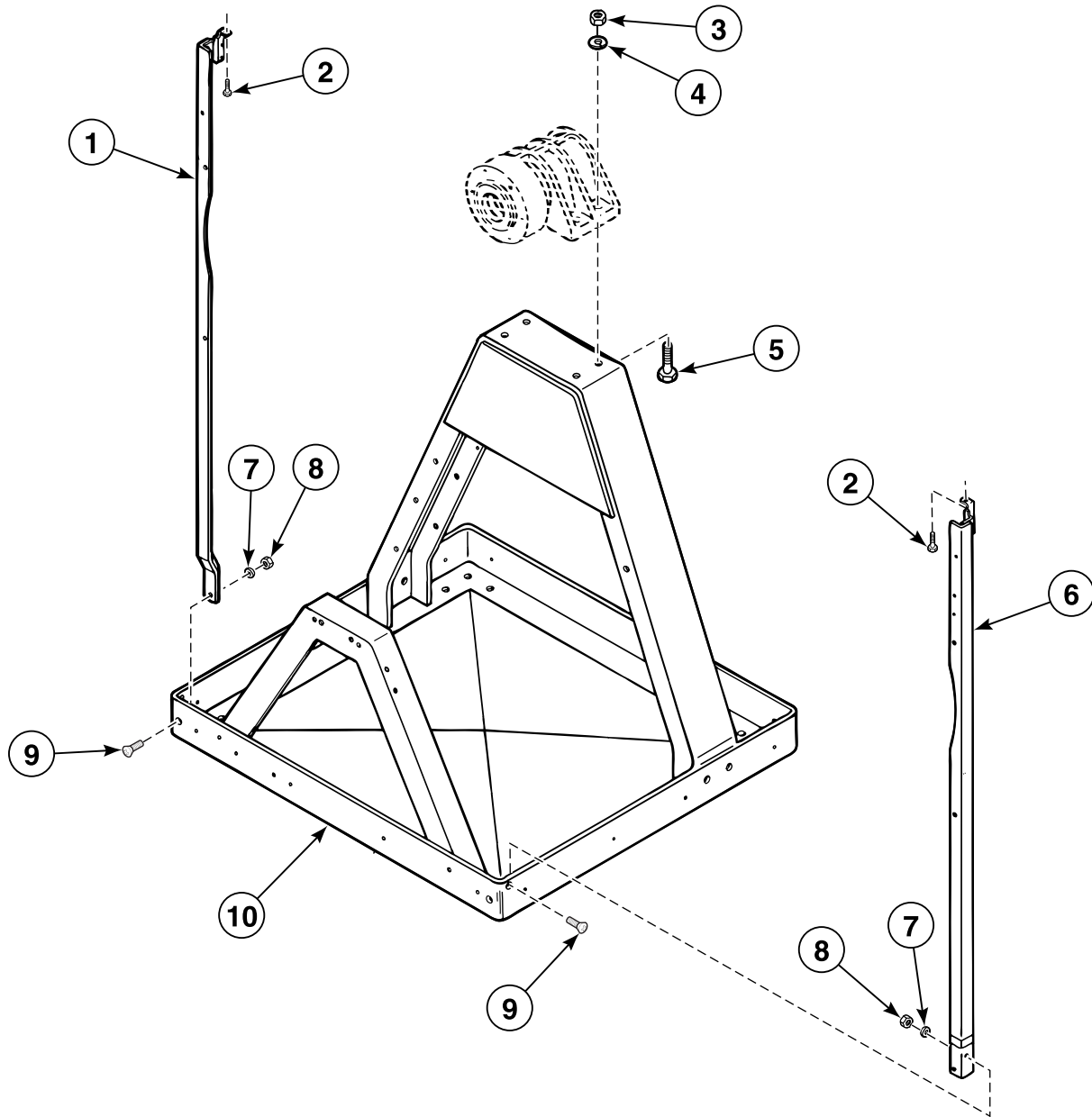


SPR41P_81516

Bearing Housing Assembly

REF	PART NO.	DESCRIPTION	COMMENTS
1	81472	Bearing Housing Spacer	
2	80430P	Bearing	
3	81476P	Bearing Housing Assembly	Includes items 1, 2 and 4-8
4	81470	V-Ring Seal	
5	80100	O-Ring	
6	81191	O-Ring	
7	81471	O-Ring Gland	
8	81482	Seal	

Base and Front Legs



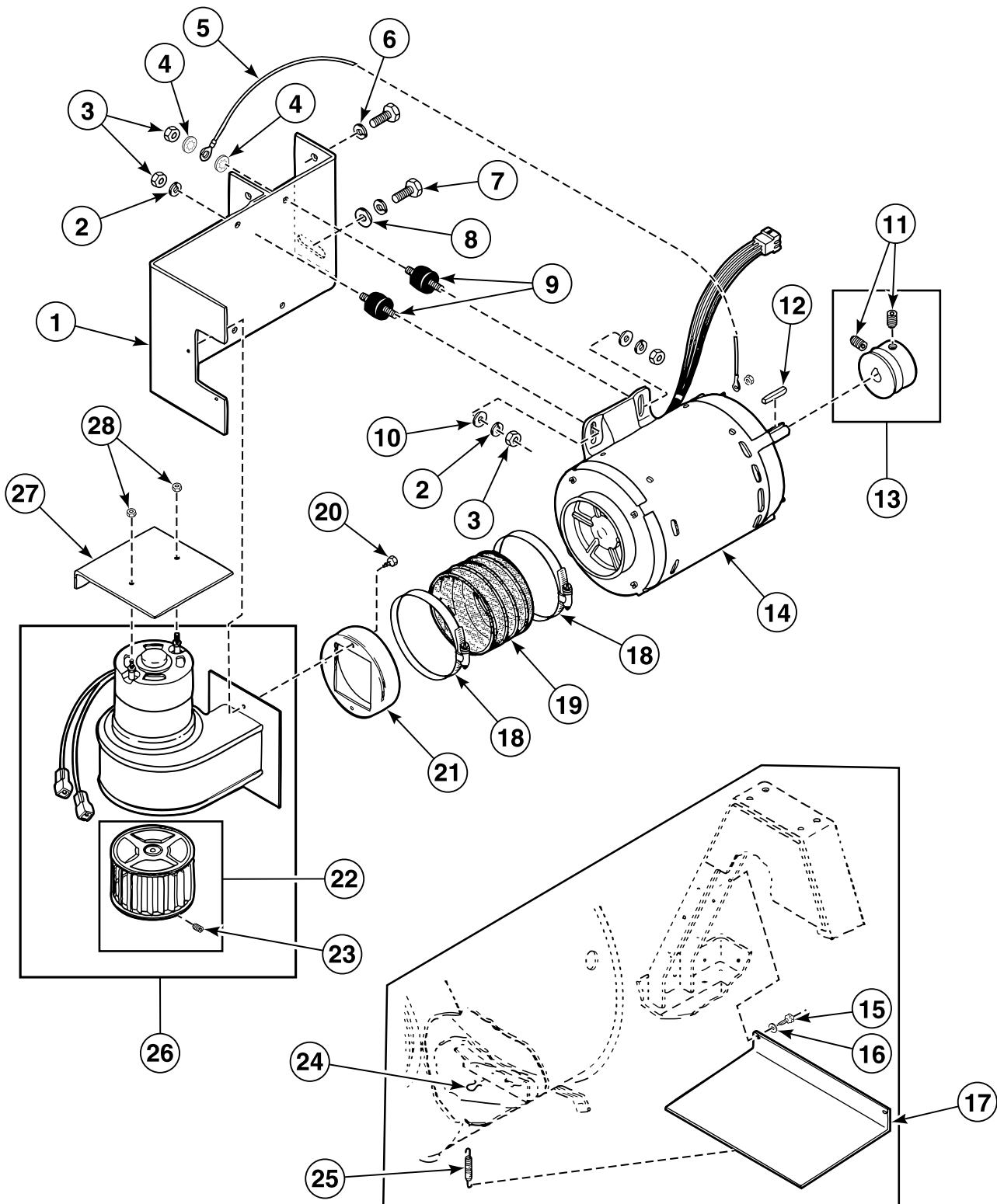
SPR42P_81516

Base and Front Legs

REF	PART NO.	DESCRIPTION	COMMENTS
1	81042	Left Leg Assembly	
2	23008	Screw	
3	N/A	Nut	
4	91200	Washer	
5	81086	Screw	
6	N/A	Right Leg Assembly	
7	03189	Washer	
8	20275	Nut	
9	81057	Screw	
10	N/A	Frame Assembly	

N/A = Part no longer available

Drive Motor, Blower Assembly and Motor Shield



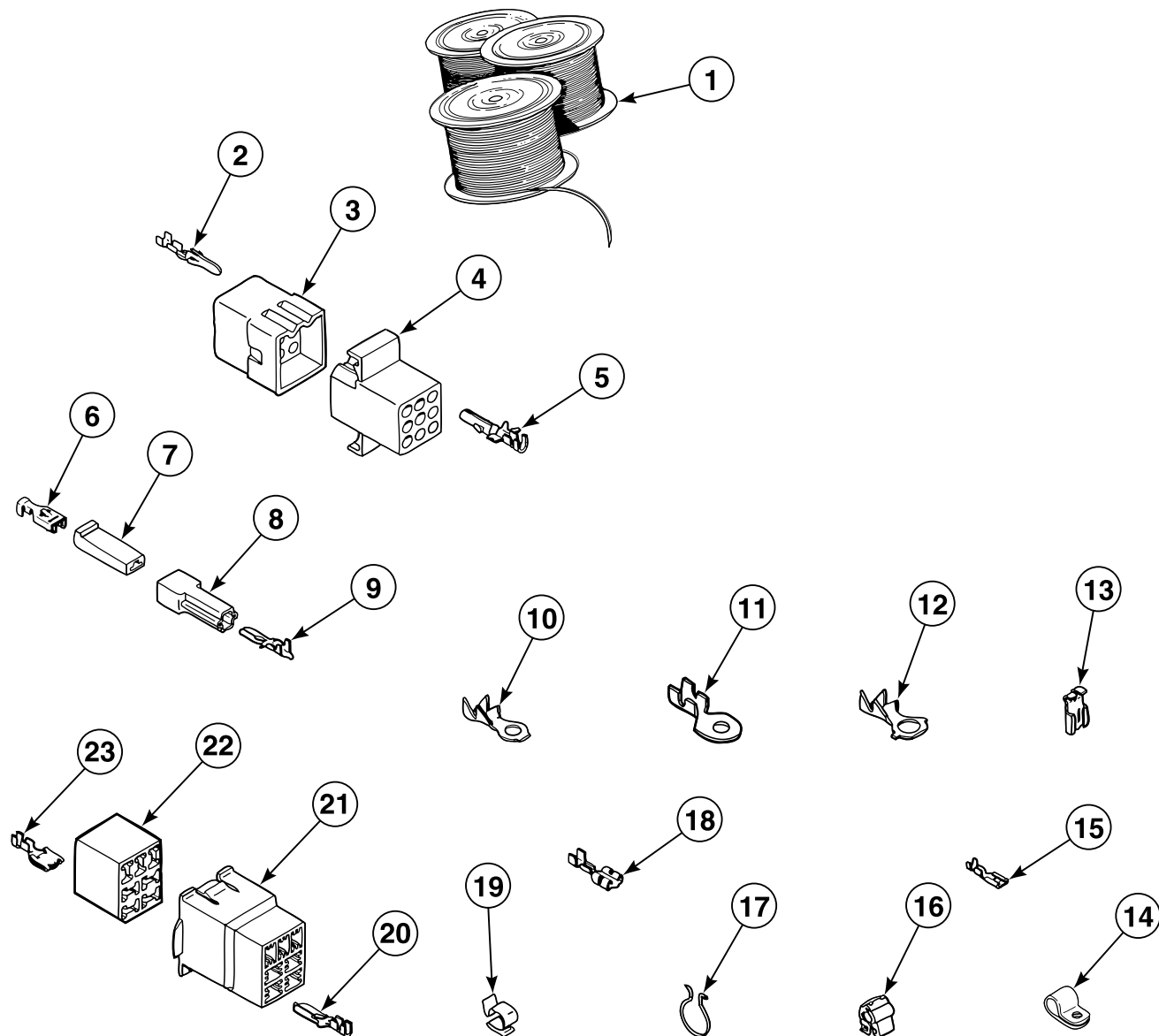
SPR43P_81516

Drive Motor, Blower Assembly and Motor Shield

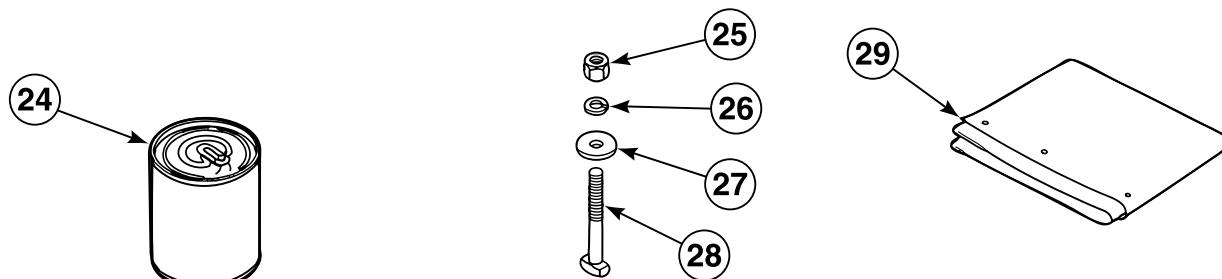
REF	PART NO.	DESCRIPTION	COMMENTS
	N/A	Motor Drive Kit	60 Hertz
	N/A	Motor Drive Kit	50 Hertz
1	N/A	Mounting Bracket	
2	M400013	Washer	
3	70142	Nut	
4	04366	Washer	
5	N/A	Ground Wire Assembly	
6	N/A	Washer	
7	M400043	Screw	
8	20279	Washer	
9	81055	Shock Mounting	
10	Q6066	Washer	
11	81087	Screw	
12	N/A	Key	
13	N/A	Pulley Assembly	Includes item 11
14	N/A	Motor	230 Volt
	N/A	Motor	208 Volt
15	33562	Screw	
16	20103	Washer	
17	81802	Motor Shield Assembly	
18	N/A	Clamp	
19	N/A	Flexible Duct	
20	20852	Screw	
21	N/A	Vent Adapter	
22	N/A	Impeller	Includes item 23
23	N/A	Screw	
24	51291	Wire Clip	
25	N/A	Spring	
26	N/A	Motor and Blower Assembly	Includes item 22
27	N/A	Shield	
28	21752	Nut	

N/A = Part no longer available

Wire, Terminals and Installation Kit Material



Wire and Terminals



Installation Kit Material

SPR44P_81516

Wire, Terminals and Installation Kit Material

REF	PART NO.	DESCRIPTION	COMMENTS
	N/A	Drain Valve and Blower Wire Harness	Models CL8861 and CL8871
	N/A	Blower Wire Harness	Models CL8863 and CL8873
	N/A	Start Switch Wire Harness	Models CL8871 and CL8873; Models through Serial No. 247M9
	N/A	Start Switch Wire Harness	Models CL8871 and CL8873; Models starting Serial No. 24710
	N/A	Door Lock Wire Harness	
	N/A	Control Panel Wire Harness	Models through Serial No. 247M9
	81767P	Wire Harness Assembly	Models starting Serial No. 247M10
	N/A	Main Wire Harness	
1	N/A	Wire	12 gauge; Sold per foot; Specify color
	N/A	Wire	14 gauge; Sold per foot; Specify color
	N/A	Wire	18 gauge; Sold per foot; Specify color
2	00116	Male Pin Terminal	
3	23040	Plug	3 circuit
	23041	6 Circuit Plug	
	23033	9 Circuit Plug	
	23037	15 Circuit Plug	
4	23039	3 Circuit Receptacle	
	26708	6 Circuit Receptacle	
	26163	9 Circuit Receptacle	
	431396	15 Circuit Receptacle	
5	00117	Female Pin Terminal	
6	00115	Female Spade Terminal	
7	90789	Receptacle Housing	
8	90788	Tab Housing	
9	00133	Male Tab Terminal	
10	00110	Ring Terminal	
11	00111	Ring Terminal	
12	00113	Ring Terminal	
13	00120	Female Flag Terminal	
14	N/A	Cable Screw Clamp	
15	00112	Female Spade Terminal	
16	81469	Terminal Insulator	
17	51291	Wire Clip	
18	00223	Female Spade Terminal	
19	21036	Cable Clip	
20	00133	Male Tab Terminal	
21	N/A	Terminal Block	7 circuit
22	N/A	Receptacle Housing	
23	N/A	Female Terminal	
24	N/A	Anchoring Cement	
25	N/A	Nut	
26	91200	Washer	
27	N/A	Spacer	
28	N/A	Screw	
29	N/A	Mounting Bolt Template	

N/A = Part no longer available

Parts Index

B

Back Panel	
81016	15
Ball Valve Retrofit Kit	
505P3	25
Bearing	
80430P	35
Bearing Housing Assembly	
81476P	35
Bearing Housing Spacer	
81472	35
Belt	
81064	33
81459	33
Bleach Door Sticker	
81286	9
Bleach Indicator Light	
81074	7
81078	7
Blocking Solenoid	
81312B	5
Bulkhead	
81015P	33
Bumper	
52552	13
80498	9
Bushing and Pivot Kit	
532P3	11

C

Cable Clip	
21036	41
Capacitor	
81062	21
81319	21
Capacitor Kit	
81063P	21
81320P	21
Caution Sticker	
81375	31
Clamp	
80707	27, 29
Coin Drop Door	
81186	5
Coin Meter Kit	
433P3	5
Coin Vault Assembly	
81302	17
Cylinder Assembly	
81170P	31

D

Deflector	
81376	31

Detergent Indicator Light	
81077	7
Dispenser Boot	
81194	31
Door Kit	
518P3	11
Door Latch Block	
81487	13
Door Lock Assembly	
81491P	11, 13
Door Lock Bracket Assembly	
81490	13
Door Lock Sticker	
81326	11
81504	11
Door Lock Switch	
81492	13
Door Release Wire	
81498	11
Door Seal Kit	
81468P	11
Door Switch	
81359	13
Door Warning Sticker	
81547	11
Drain Hose	
81056	27, 29
81069	29
82082	29

F

Female Flag Terminal	
00120	41
Female Pin Terminal	
00117	41
Female Spade Terminal	
00112	41
00115	41
00223	41
Fill Hose Kit	
28330P	23
Filter Screen	
F270300	23
Front Panel Assembly	
81404	11

G

Gasket	
80457	9
81049	33
Grommet	
20430	11

N/A items do not appear in index.

H

Handle	
81035P	11
Hinge	
81959	11
Hinge Pin	
81391	11
Hose	
80265	29
Hose Clamp	
20391	23
36801	23
80043	31
81294	31
90554	23, 27, 29
Hose Coupling	
81210	29

I

Impeller	
81115E	29
Insert Coins Sticker	
81574	5

K

Key	
81085	33

L

Latch	
81488	13
Left Leg Assembly	
81042	37
Lower Front Panel Assembly	
81969	15

M

Male Pin Terminal	
00116	41
Male Tab Terminal	
00133	41
Motor Shield Assembly	
81802	39
Motor Switch	
81333	21

N

Numbered Sticker	
81806	5
Nut	
Q6163	19

N/A items do not appear in index.

02788	13
20275	11, 13, 25, 37
21752	9, 39
22001	11
23951	15, 21
36020	15
51236	9, 17, 29
52566	25
70142	29, 39
80116	31, 33
81061	11
81178	7
81207	7, 9

O

On Indicator Light	
81076	7
O-Ring	
80100	35
81191	35
O-Ring Gland	
81471	35
Overflow Hose	
81082	23

P

Pivot Arm Spring	
81119	11
Plug	
23040	41
Plug, 15 Circuit	
23037	41
Plug, 6 Circuit	
23041	41
Plug, 9 Circuit	
23033	41
Pressure Hose	
22822	21
Pressure Switch	
81068P	21
Pulley and Hub Assembly	
81728	33
Pump and Bracket Assembly	
81185P	29
Pump Body Kit	
81115D	29
Pump Motor Assembly	
81115AP	29
Pump Mount Bracket	
81181	29
Push-to-Start Sticker	
53738	7

R

Receptacle Housing	
90789	41
Receptacle, 15 Circuit	
431396	41

Receptacle, 3 Circuit 23039	41
Receptacle, 6 Circuit 26708	41
Receptacle, 9 Circuit 26163	41
Reinforcing Ring 81050	33
Reject Button 81312J	5
Rejector 81312F	5
Relay 90709P	7
Resistor Assembly 81642	21
Reversing Timer 81615P	19
81616	19
Ring Terminal 00110	41
00111	41
00113	41

S

Screw	
F430976	25
M400043	39
M405936	13, 31
M413565	33
Q6516	13
Q6535	19
02916	17, 25
03814	15, 21
03950	7
20253	11, 13, 25
20530	15
20852	39
21081	11
22649	9, 17, 19
23008	37
23222	19, 21
23960	11
23962	21
27202	31
33561	9, 11, 29
33562	15, 21, 39
51778	23
51780	19, 21
52864	7
52909	15, 19
80399	9
81057	33, 37
81086	37
81087	39
81115G	29
81310	11
81398	11
81399	11
91202	33
91226	29
Seal	
81482	35
81924	9, 15, 21

Seal Strap 81298P	11
Shaft Seal and Liner Assembly 81115C	29
Shock Mounting 81055	39
Side Panel 81512WP	15
Softener Indicator Light 81079	7
Solenoid 20058P	25
81493P	13
81540	13
Spacer 81366	9
81461	33
Spring 81109	25
Strike 81365P	9
Switch 91257	7

T

Tab Housing 90788	41
Terminal Block 50854	19
Terminal Insulator 81469	41
Timer 81485	19
Timer Bracket 81097	19
Top Hinge 81058	9
Tub Head Gasket 81052	31

V

V-Ring Seal 81470	35
----------------------------	----

W

Warning Label 82087	21
Washer	
M400013	29, 31, 33, 39
Q6066	31, 33, 39
02431	13, 17, 25
03189	11, 25, 37
03815	15
04366	39
20103	39
20279	39
20290	23
23225	11

N/A items do not appear in index.

24475	33
51345	13
51474	19
52549	11
80090	11
81345	31
81352	33
81380	31
81392	11
81408	11
91200	37, 41
Water Inlet	
80600	23
Water Inlet Hose	
81080	23
Wire Clip	
51291	39, 41
Wire Harness Assembly	
81767P	41
