

Huebsch Originators

**Parts Manual for
Commercial
Superload II
Washer-
Extractors**

(Metered and Nonmetered Models)

See Page 1 for Model Numbers

Huebsch Originators
P.O. Box 990
Hall Street
Ripon, Wisconsin 54971-0990

Part No. 82092
3/95

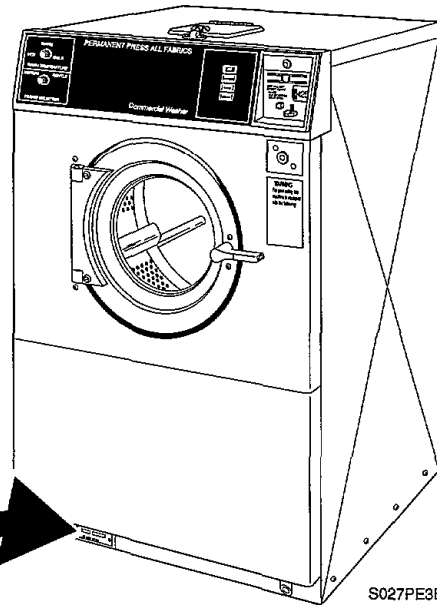
Model Identification

Information in this manual is applicable to the following Superload II Washer-Extractor Models.

MODELS		DRAIN	
Metered	Nonmetered	Pump	Nonpump
HL9151 or HL9161	HL9171		X
HL9153 or HL9163	HL9173	X	

Nameplate Location

When writing for information on the Superload II Washer-Extractor, be sure to mention model and serial numbers. The model and serial numbers will be found on the nameplate as shown.



IMPORTANT: When checking clutch operation, a momentary slipping noise may be heard when the motor drive goes into the spin mode. This is normal operation caused by the drive clutch pads engaging against the clutch drum.

To avoid serious damage to motor drive or timers, **DO NOT** advance either timer with power on, or with the wash cylinder moving.

It is very important to keep timers synchronized. Timers automatically synchronize themselves (if needed) during each spin cycle.

If timers are advanced or changed in any way to service, the service man (with power off and clothes cylinder stopped) should put the washer into the final spin cycle and allow the washer to complete the cycle by itself. This will get the timers synchronized and the washer set for proper operation.

If the washer timers advance from tumble into spin in the wrong rotation, the clothes cylinder will also spin in the wrong rotation, but the timers will automatically synchronize during that spin cycle. Correct rotation viewing clothes cylinder from the front of washer is clockwise; **BOTH FOR LAST TUMBLE MODE BEFORE SPIN AND SPIN.**

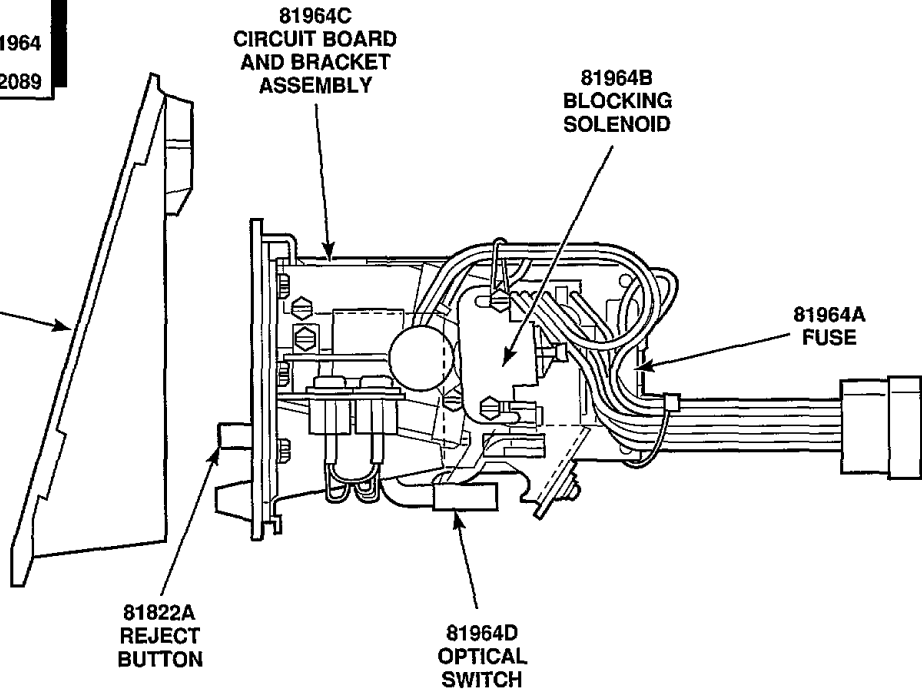
© Copyright 1995 Huebsch Originators.
All Rights Reserved.

Table of Contents

Coin Drop	3
Control Panel, Controls and Operating Instruction Sign	4
Cabinet Top and Dispenser Door	5
Front Panel, Door Assembly and Door Seal	6
Door Lock Assembly	7
Panels	8
Coin Vault and Drawer	9
Timers and Terminal Block	10
Cross Channel, Capacitor, Relay and Pressure Switch	11
Mixing Valve Assembly	12
Water Inlet and Hoses	13
Drive Motor and Shield	14
82084 Drive Motor	15
Dispenser Boot, Outer Tub, Cylinder and Button Trap	16
Rear Tub Head, Clamp Ring, Cylinder Pulley and Belt	17
Base and Front Legs	18
Bearing Housing Assembly	19
Drain (Non-Pump Models)	20
Drain (Pump Models)	21
Drain Valve Assembly (Non-Pump Models)	22
Wire Harnesses	23
294P3 Installation Kit Material	24
Terminals	25

COIN DROP ASSEMBLY
 60 Hertz Except Canadian 81964
 Canadian 60 Hertz 82089

81186
FRAME
 (Not included with coin drop)

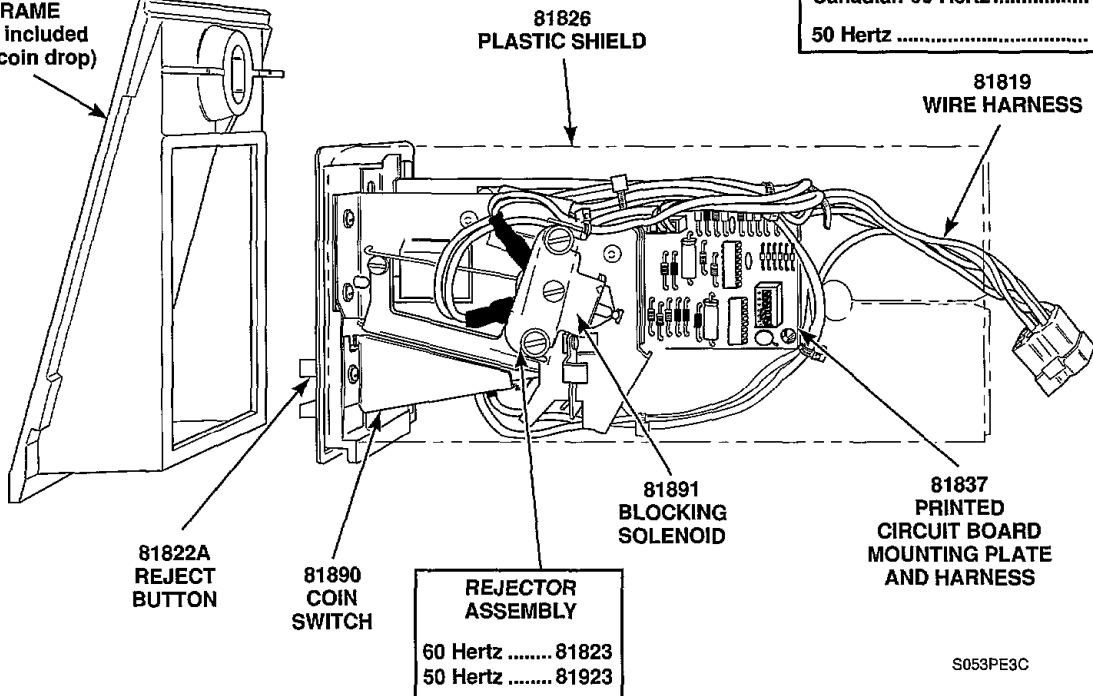


S028PE3B

ACCUMULATOR COIN DROP (Digital)
(Models HL9151 and HL9153)

COIN DROP ASSEMBLY
 60 Hertz Except Canadian 81822
 Canadian 60 Hertz 81829
 50 Hertz 81922

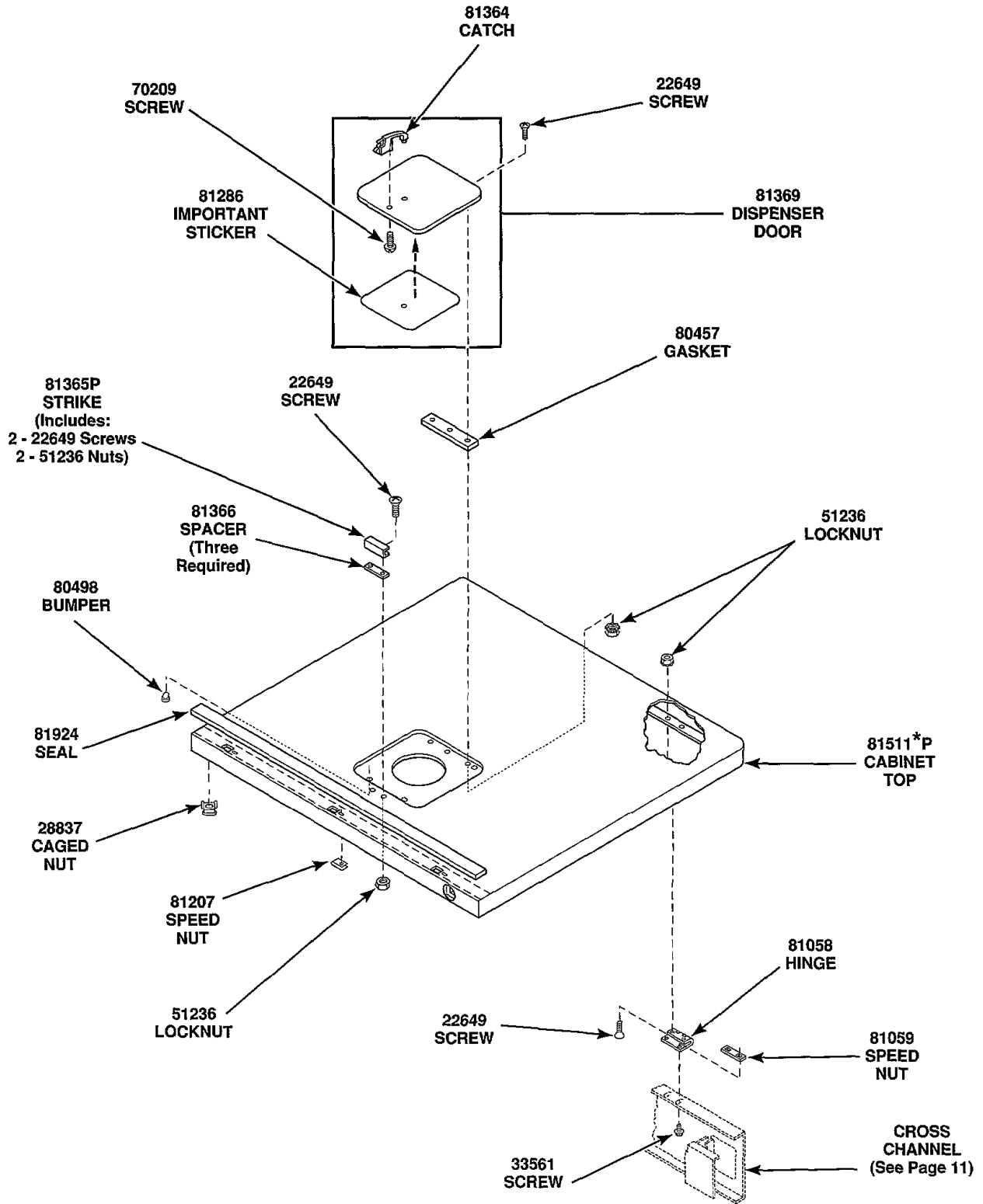
81186
FRAME
 (Not included with coin drop)



S053PE3C

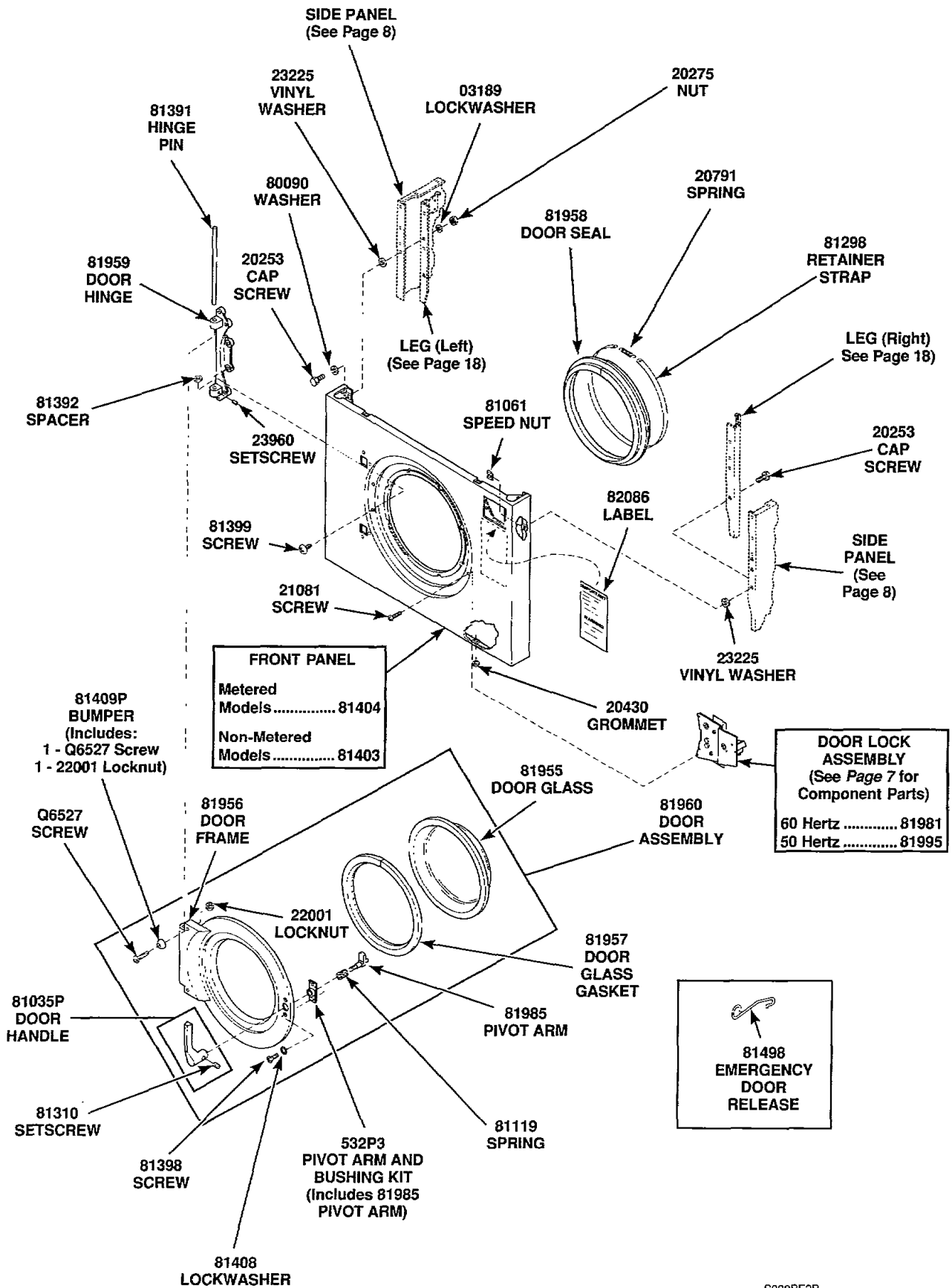
ACCUMULATOR COIN DROP (Non-Digital)
(Models HL9161 and HL9163)

* ADD SUFFIX LETTER TO PART NUMBER TO DESIGNATE COLOR.
 H Harvest Gold L Almond W White



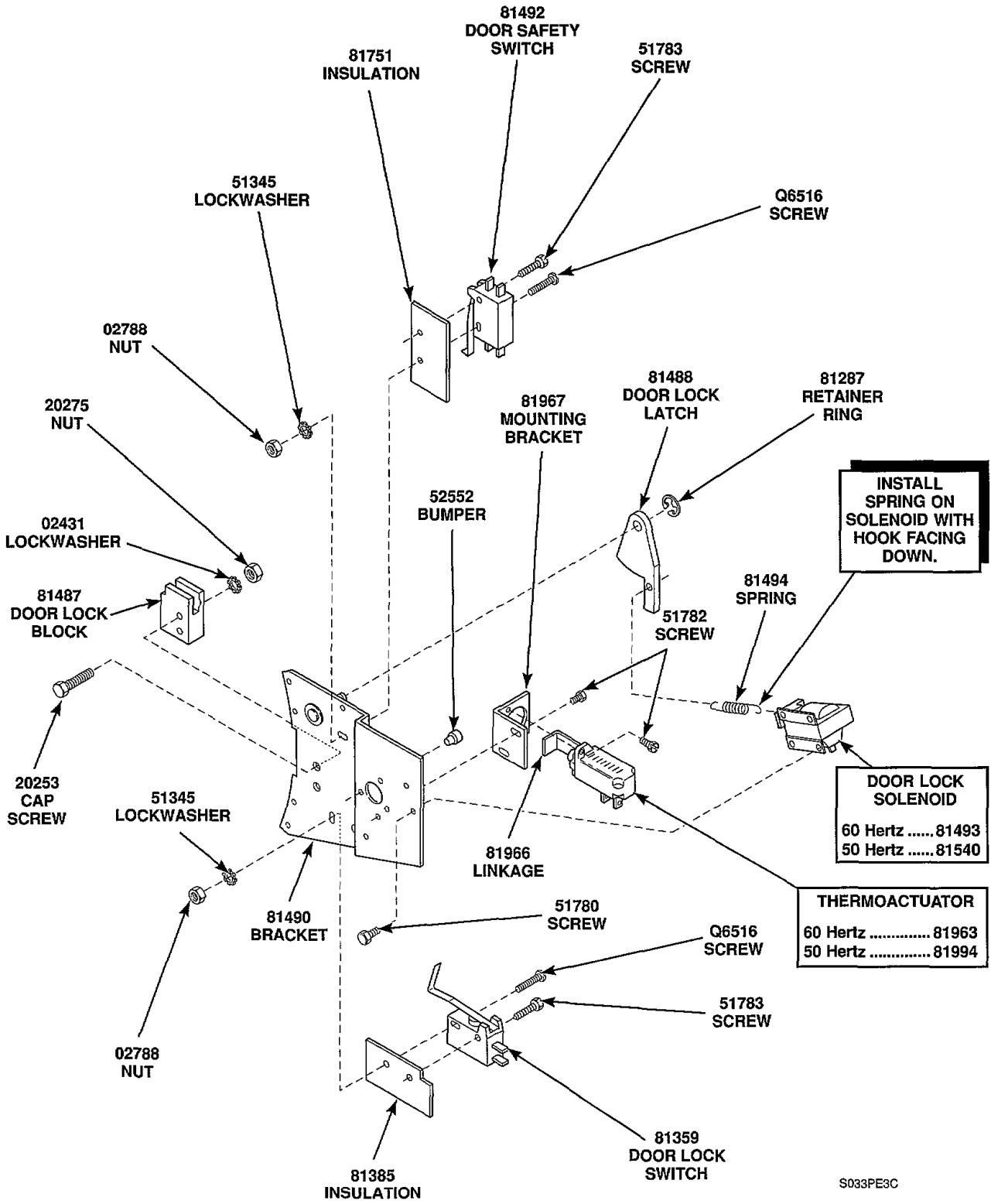
S031PE3A

CABINET TOP AND DISPENSER DOOR



S032PE3B

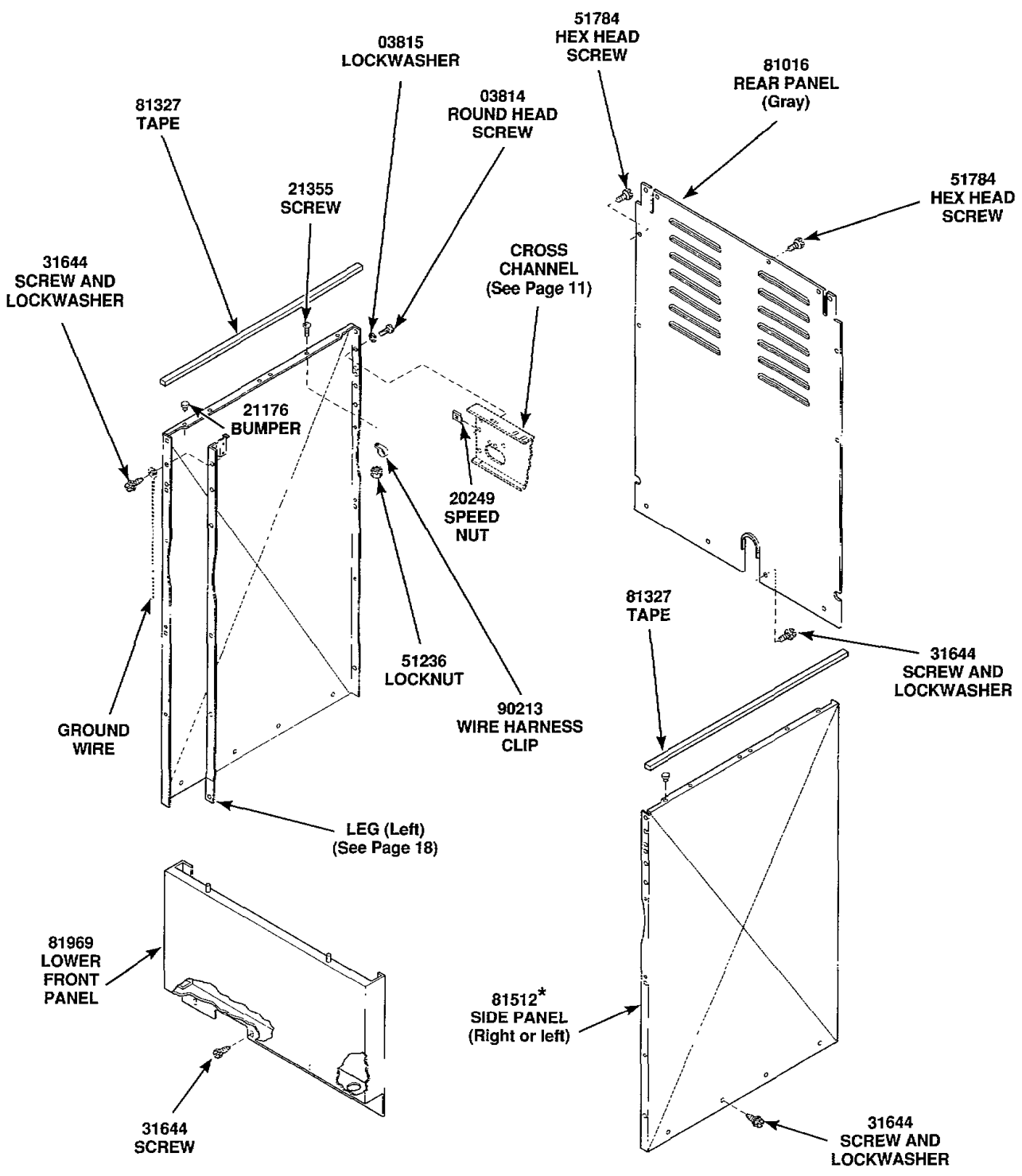
FRONT PANEL, DOOR ASSEMBLY AND DOOR SEAL



DOOR LOCK ASSEMBLY

S033PE3C

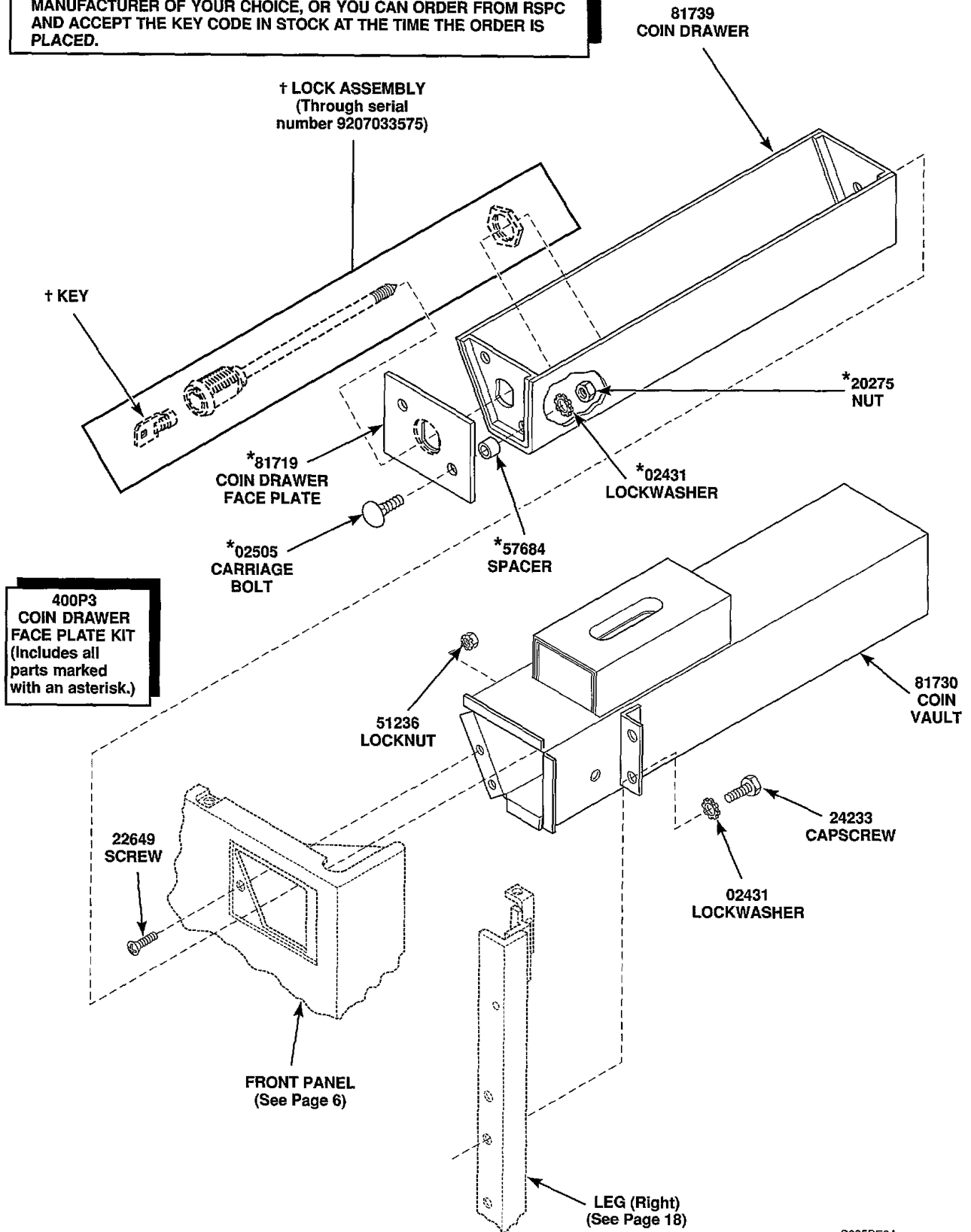
* ADD SUFFIX LETTER TO PART NUMBER TO DESIGNATE COLOR.
 H Harvest Gold L Almond W White



S034PE3A

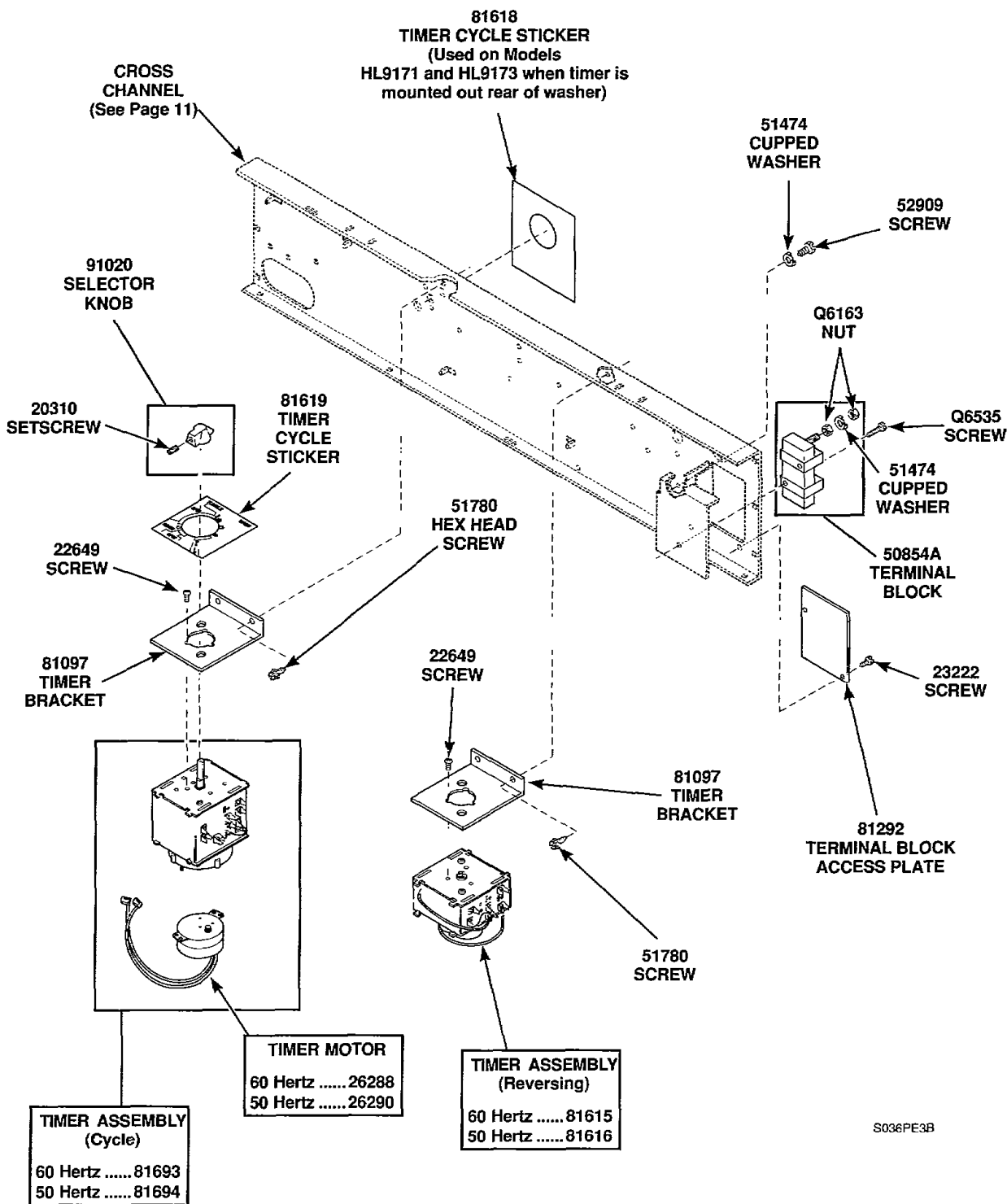
PANELS

† The WASHER-EXTRACTOR, WHEN SHIPPED FROM THE FACTORY, DOES NOT INCLUDE THE COIN DRAWER LOCK OR KEY. THE LOCK OR KEYS MUST BE ORDERED (at extra cost) ACCORDING TO THE PURCHASER'S REQUIREMENTS DIRECT FROM THE COIN KIT MANUFACTURER OF YOUR CHOICE, OR YOU CAN ORDER FROM RSPC AND ACCEPT THE KEY CODE IN STOCK AT THE TIME THE ORDER IS PLACED.

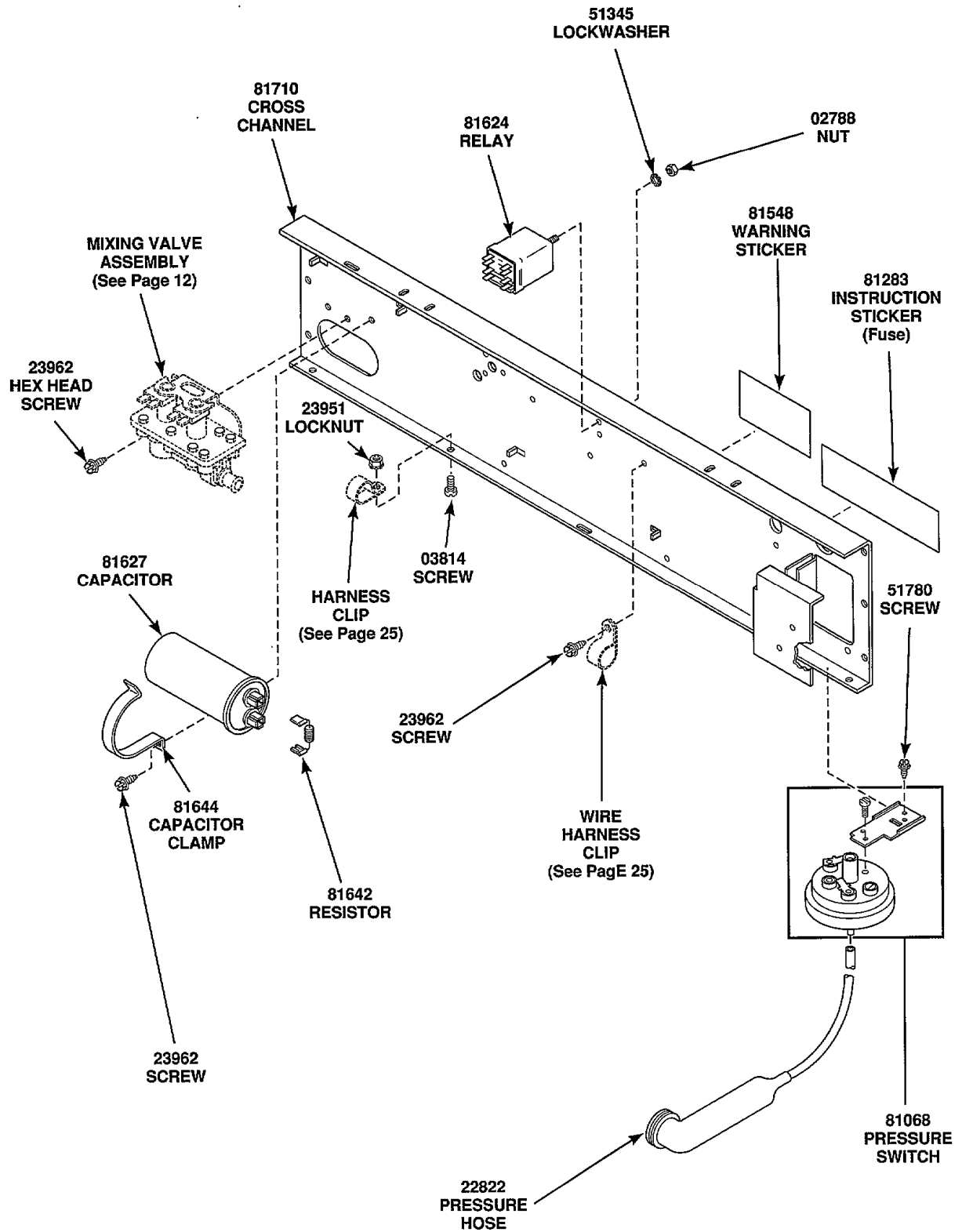


COIN VAULT AND DRAWER

S035PE3A



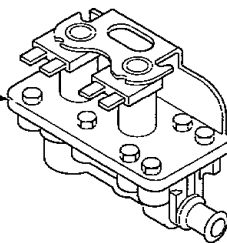
TIMERS AND TERMINAL BLOCK



S037PE3A

CROSS CHANNEL, CAPACITOR, RELAY AND PRESSURE SWITCH

MIXING VALVE ASSEMBLY
 60 Hertz25832
 50 Hertz25964



SOLENOID
 60 Hertz 24126
 50 Hertz 24136

24128
 SLEEVE
 (Long)

25817C
 SCREW

24130
 ARMATURE
 GUIDE

24129
 SLEEVE
 (Short)

24132
 ARMATURE

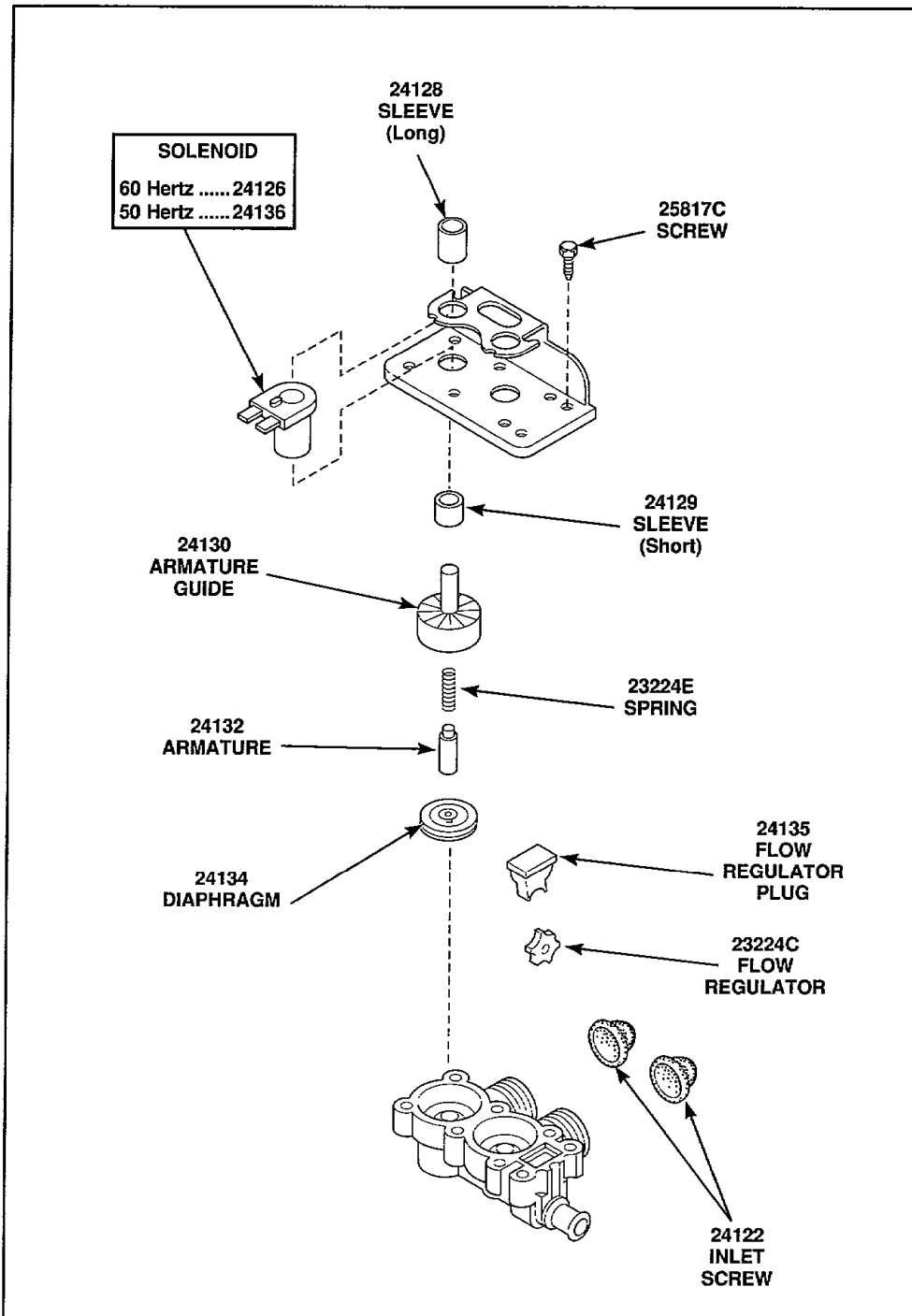
23224E
 SPRING

24134
 DIAPHRAGM

24135
 FLOW
 REGULATOR
 PLUG

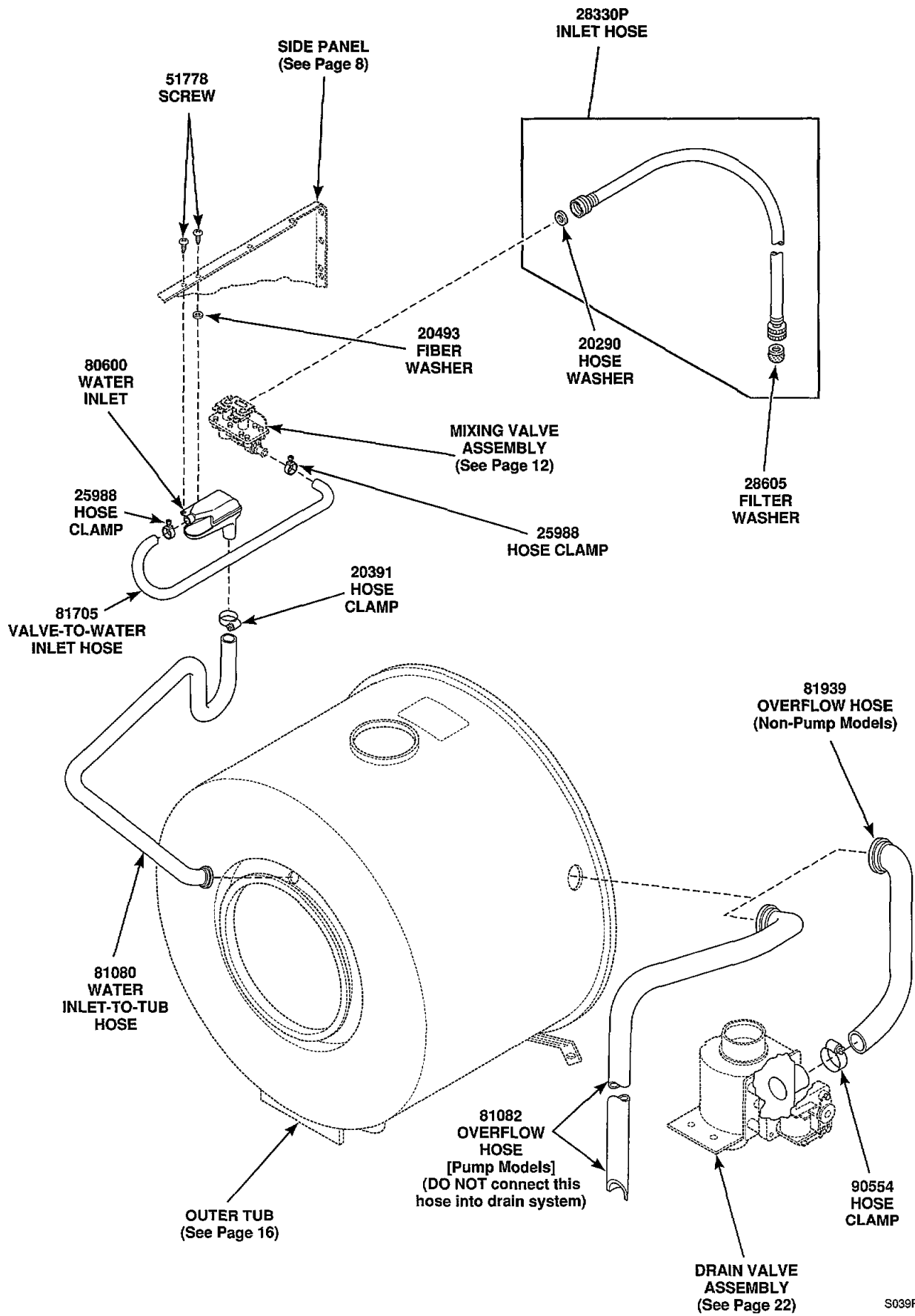
23224C
 FLOW
 REGULATOR

24122
 INLET
 SCREW



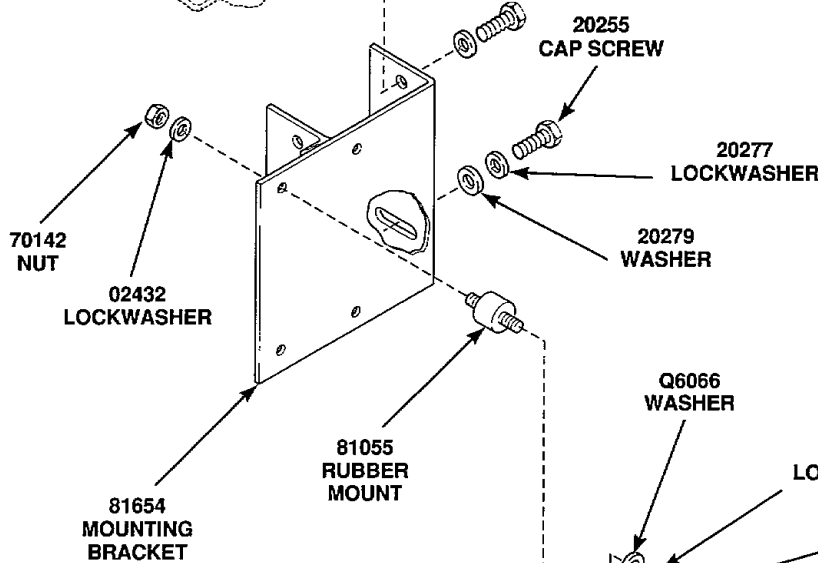
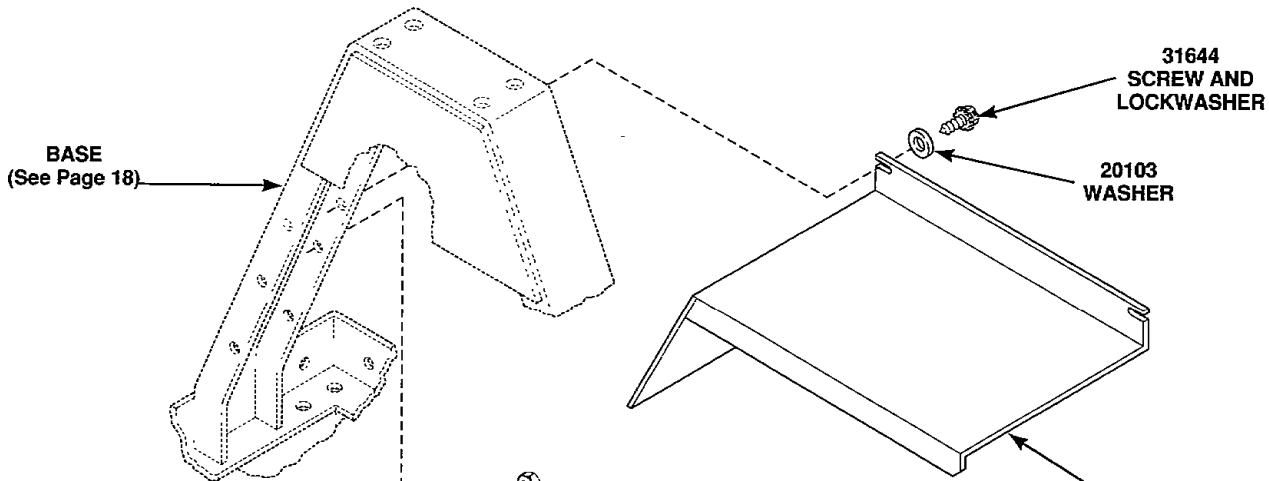
S038PE3C

MIXING VALVE ASSEMBLY

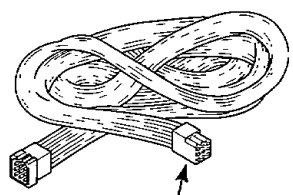


S039PE3A

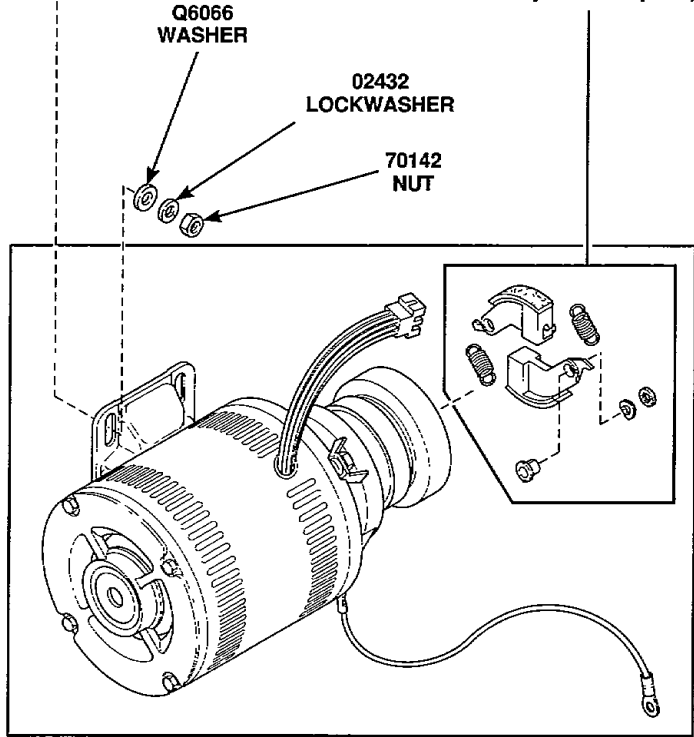
WATER INLET AND HOSES



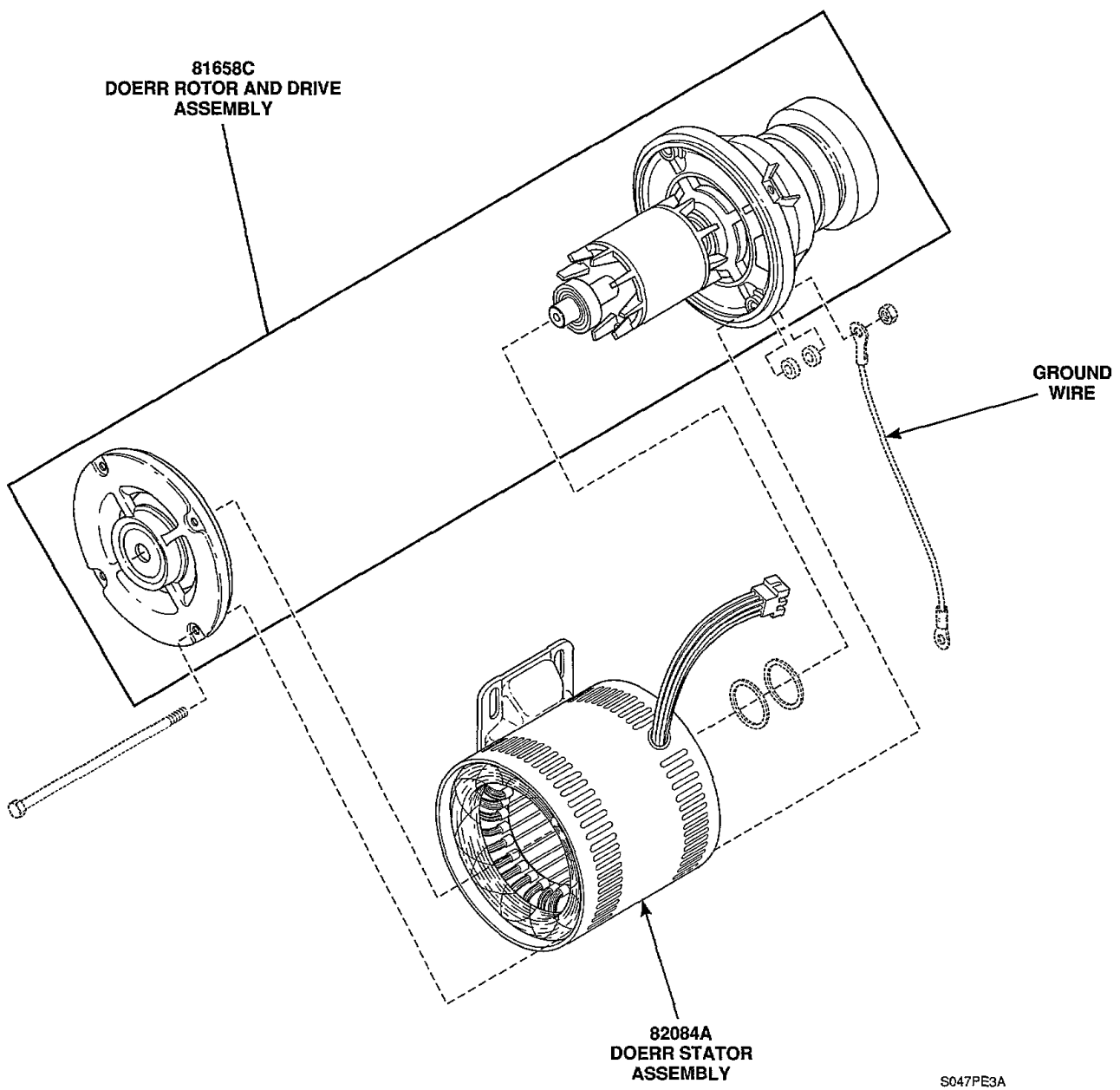
355P3
CLUTCH REPAIR KIT
(All parts in this kit must be
replaced as an assembly
DO NOT replace
only the worn parts)



81691
SERVICE HARNESS
(For checking the motor
by using it in conjunction
with an adjacent Superload II
Washer-Extractor)

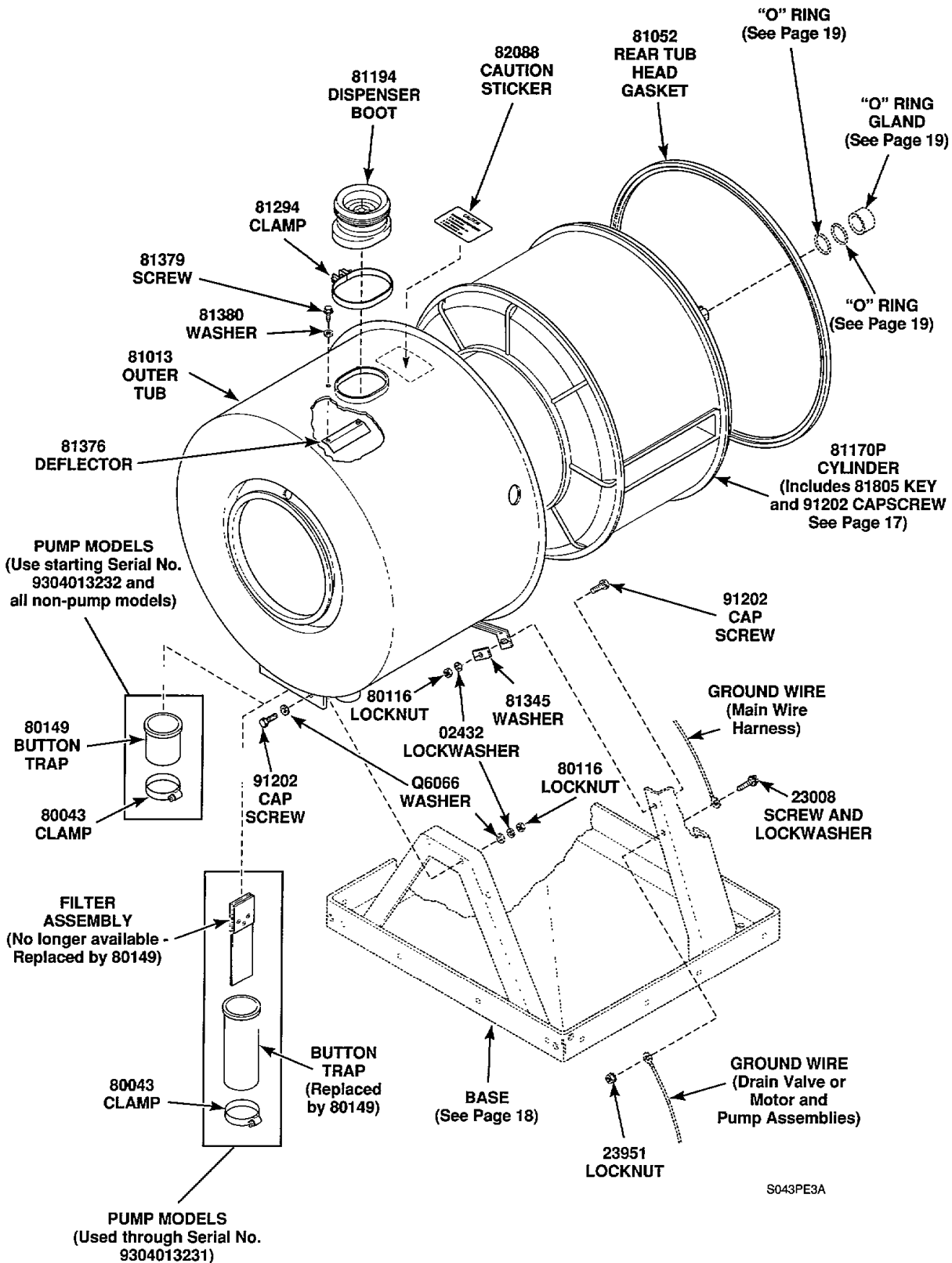


DRIVE MOTOR AND SHIELD

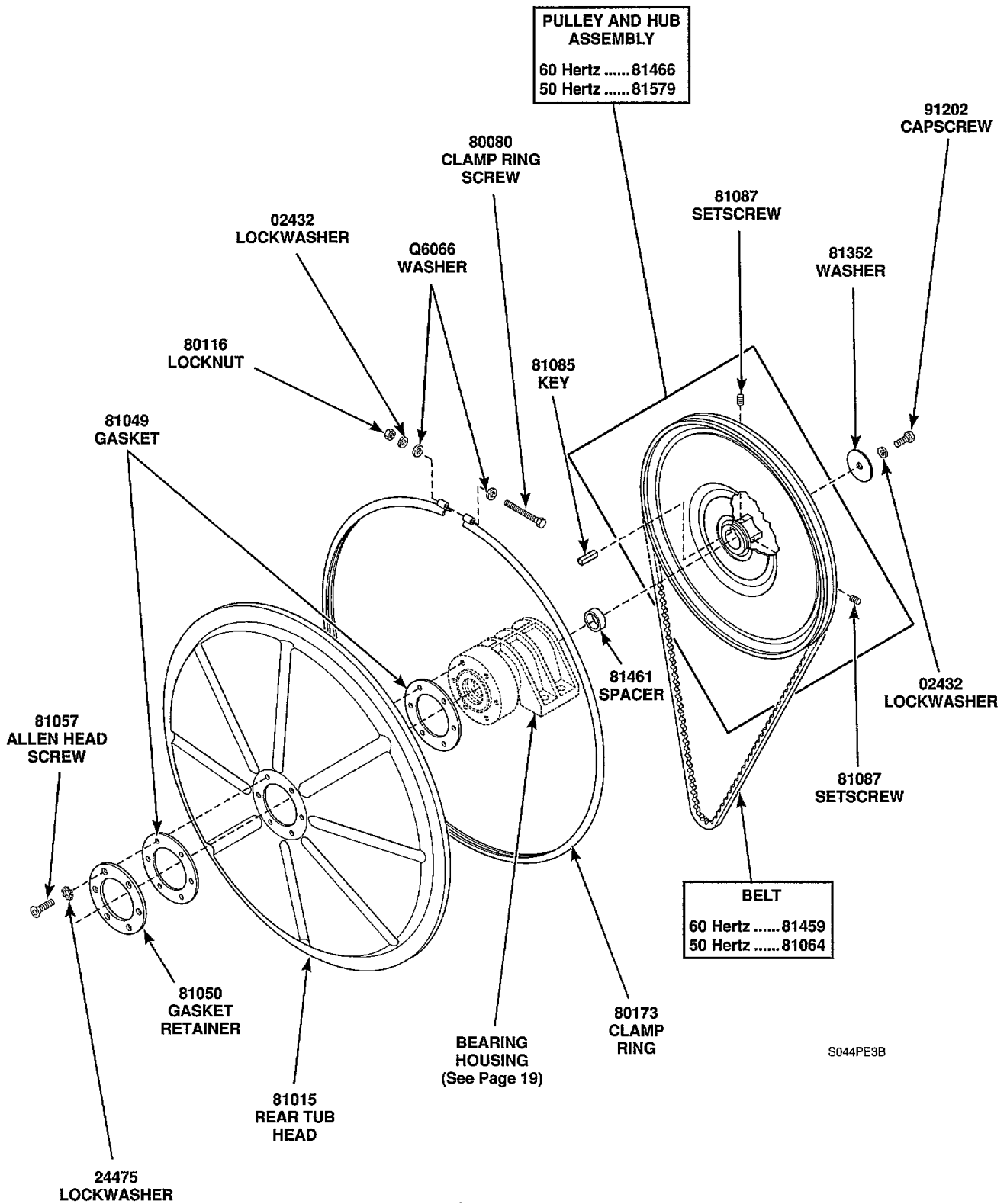


S047PE3A

82084 DRIVE MOTOR

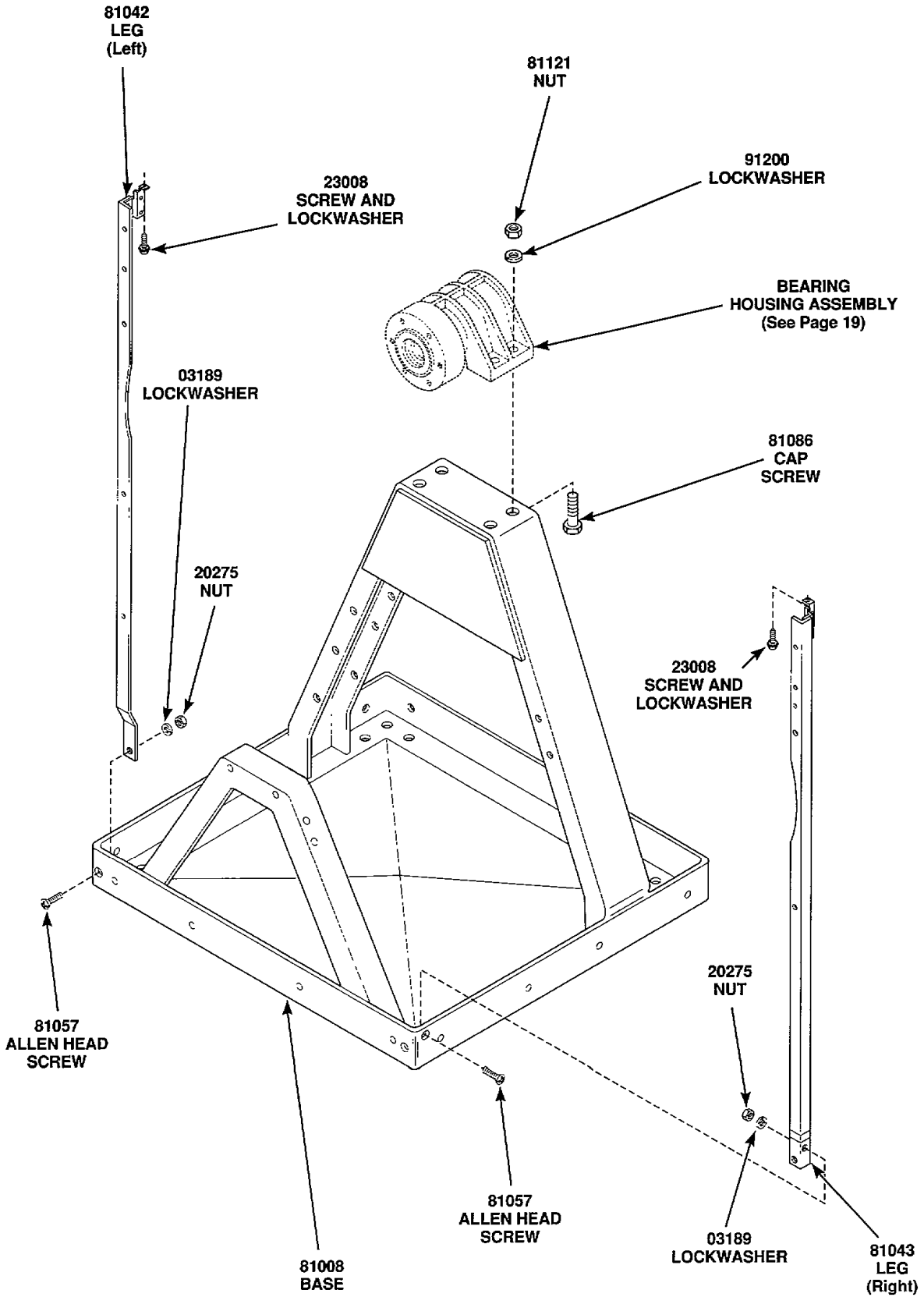


DISPENSER BOOT, OUTER TUB, CYLINDER AND BUTTON TRAP



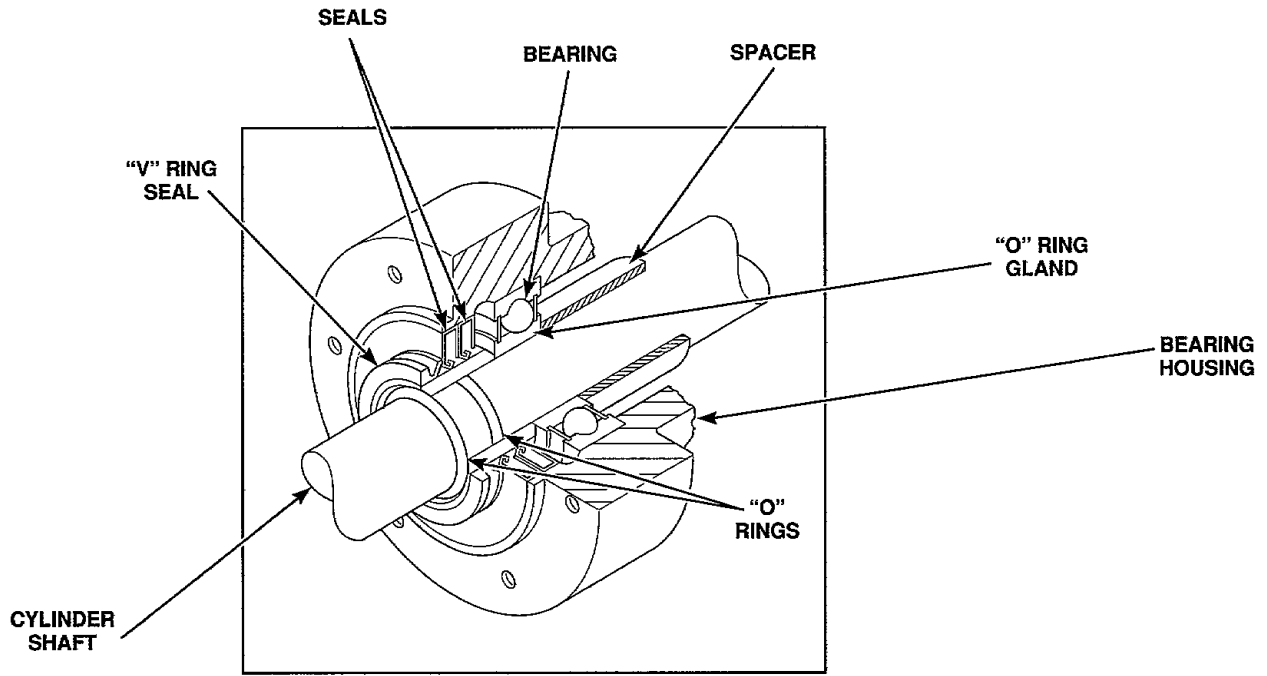
S044PE3B

REAR TUB HEAD, CLAMP RING, CYLINDER PULLEY AND BELT

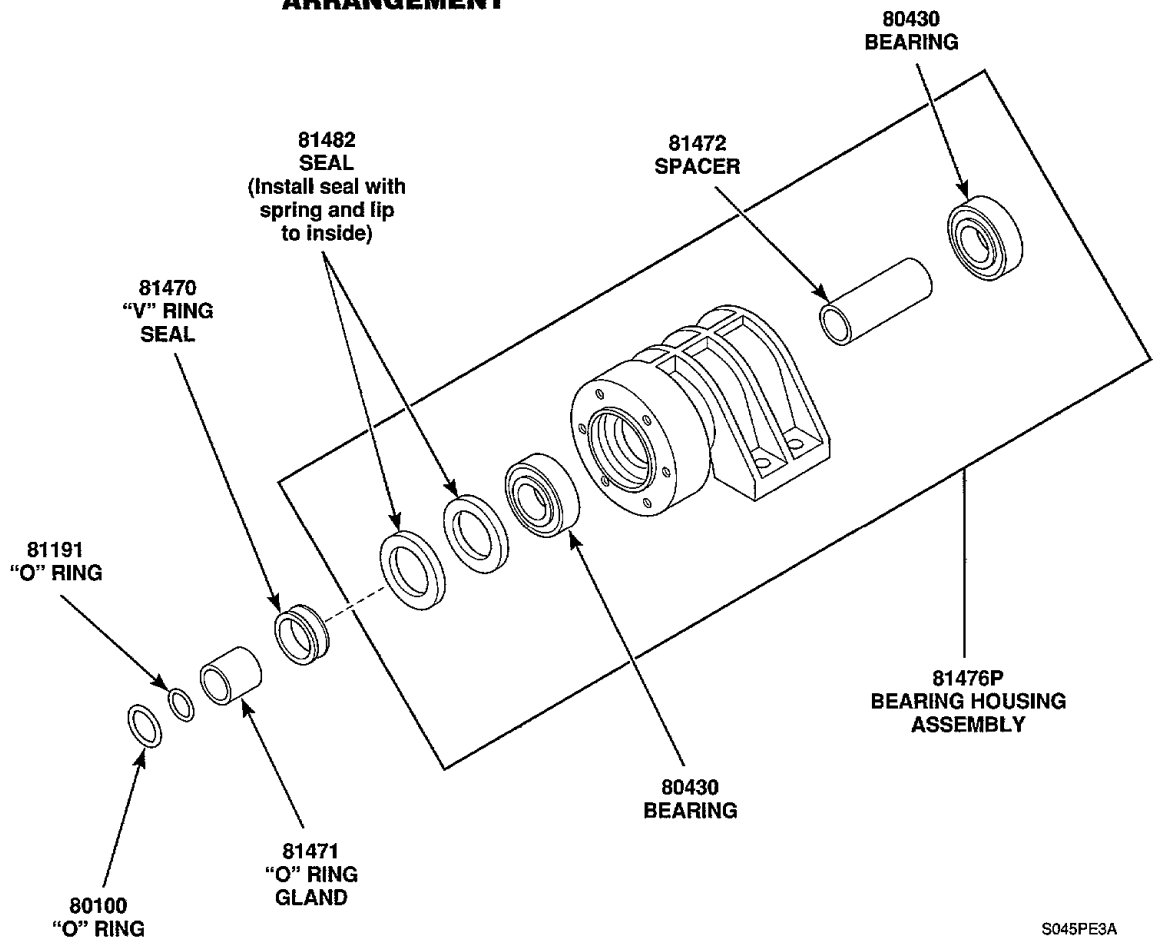


BASE AND FRONT LEGS

S048PE3A

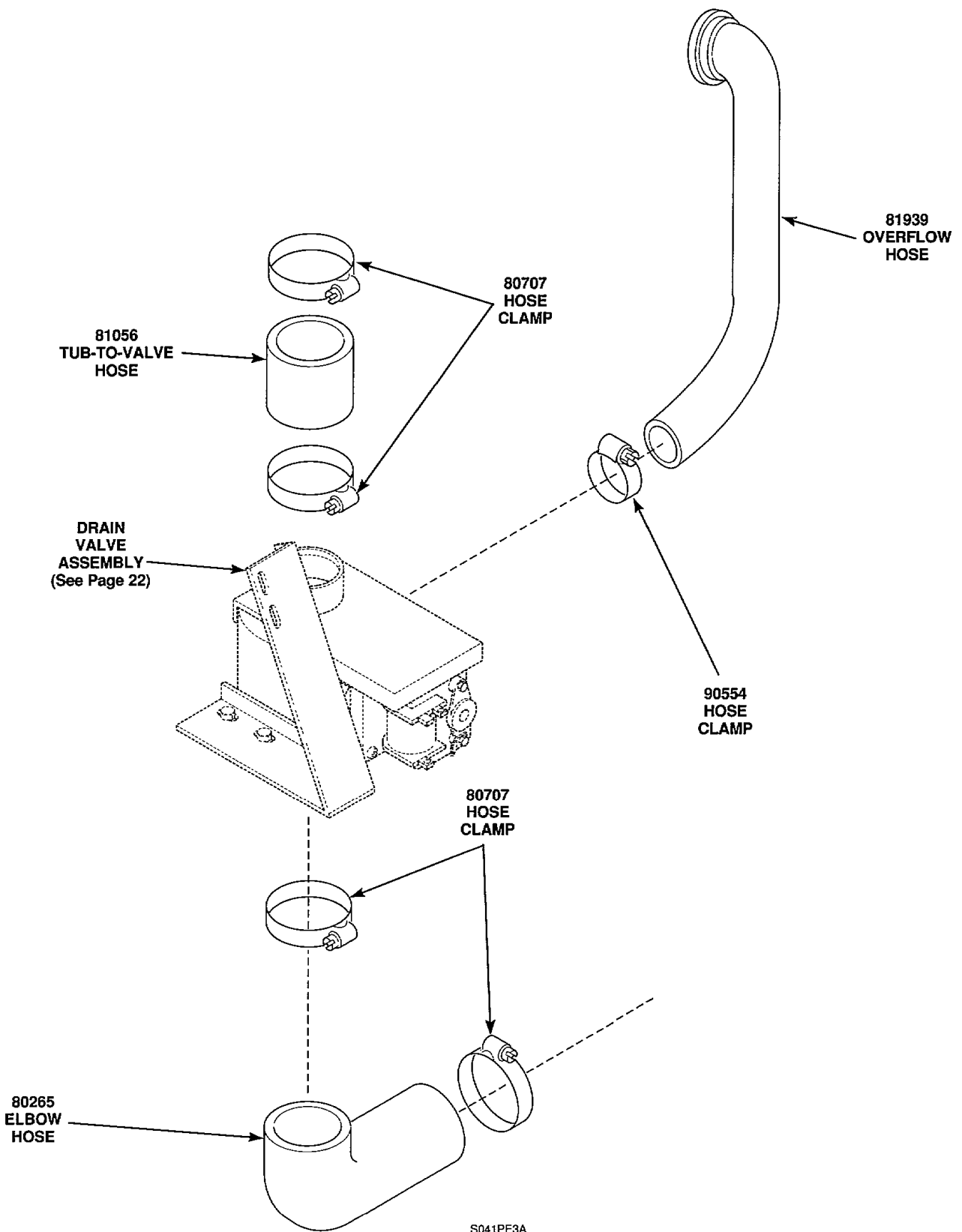


BEARING AND SEAL ARRANGEMENT

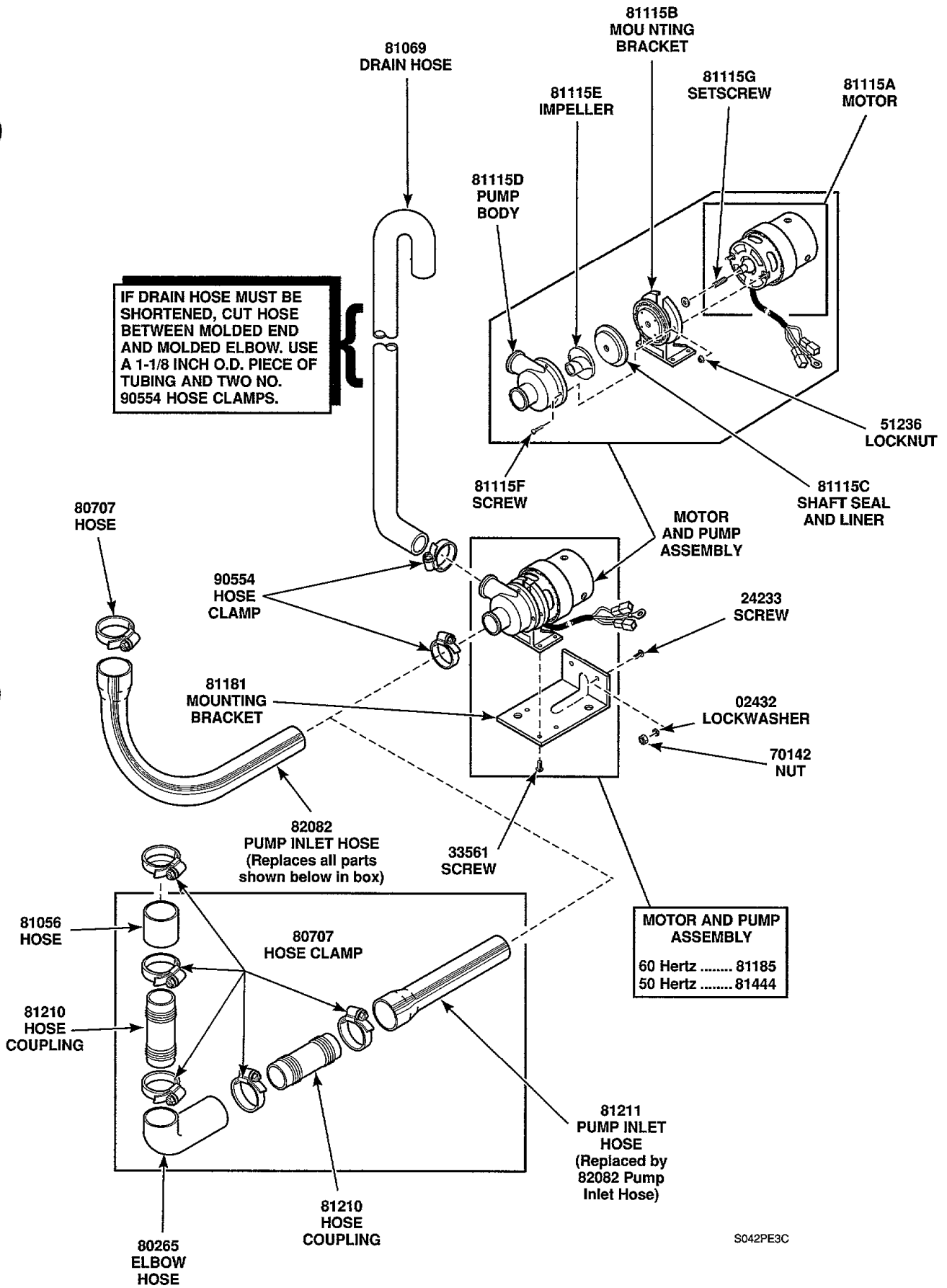


BEARING HOUSING ASSEMBLY

S045PE3A

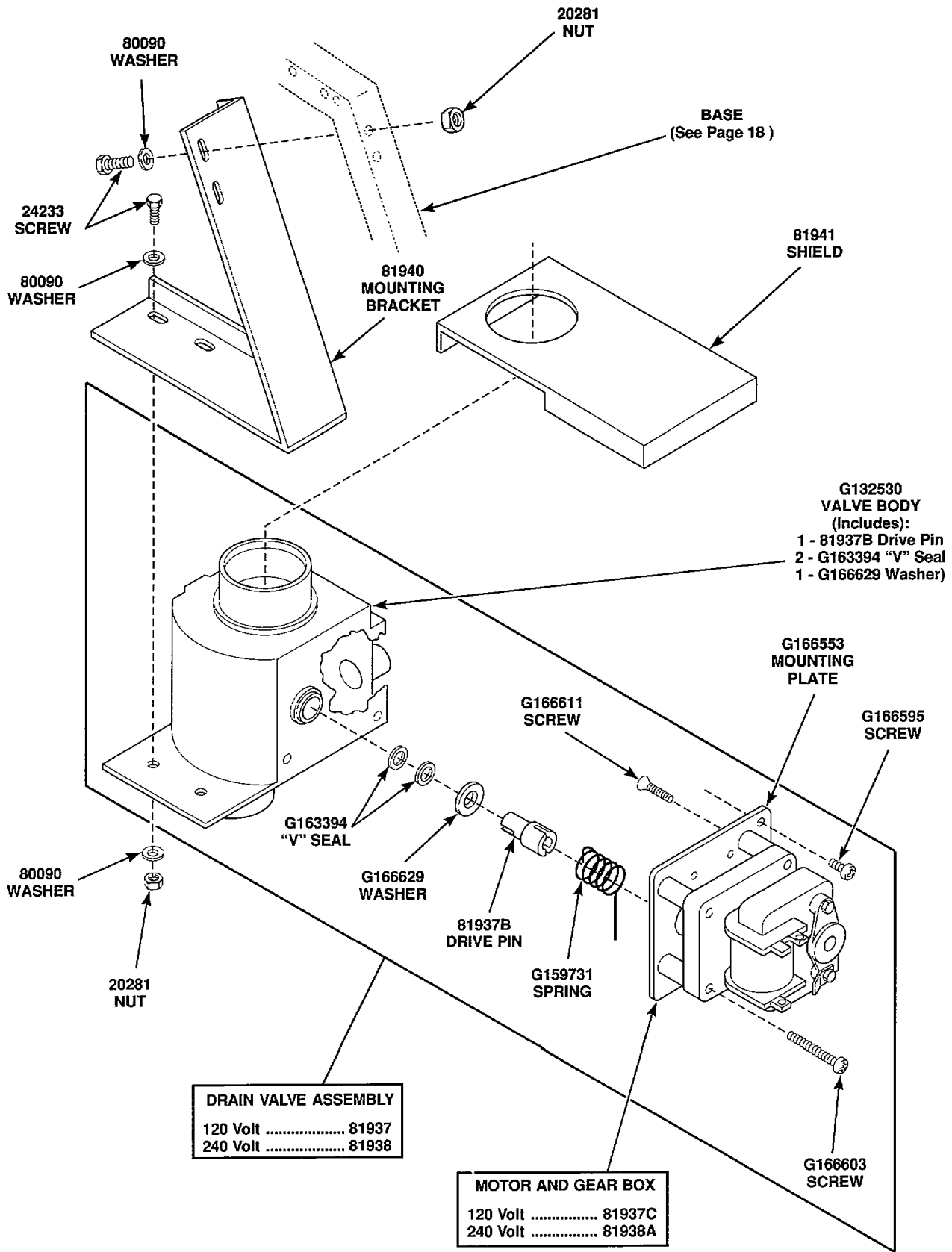


**DRAIN
(Non-Pump Models)**



S042PE3C

**DRAIN
(Pump Models)**



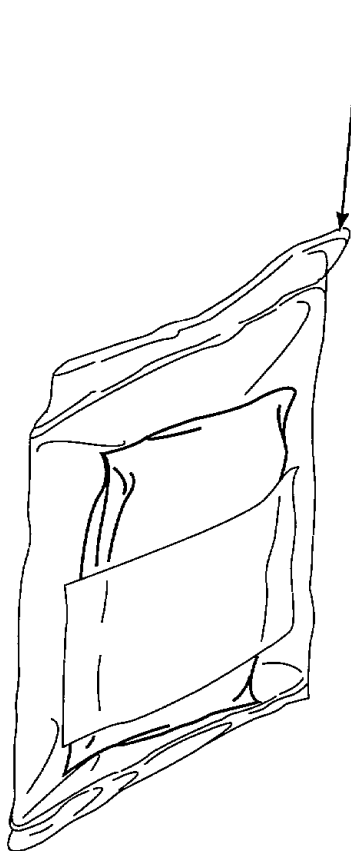
S040PE3A

**DRAIN VALVE ASSEMBLY
(Non-Pump Models)**

INDIVIDUAL WIRES NOT AVAILABLE SEPARATELY. ORDER COMPLETE WIRE HARNESSES LISTED BELOW.	
Drain Valve Wire Harness — Models HL9151, HL9161 and HL9171	81945
Start Switch Wire Harness — Models HL9171 and HL9173	81584
Door Lock Wire Harness	81971
Control Panel Wire Harness	81767
Main Wire Harness	81711

WIRE HARNESSSES

81250
ANCHORING
CEMENT
(Two Pounds -
Sufficient for single
washer installation)



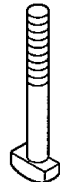
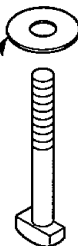
81121
NUT
(12 Required)



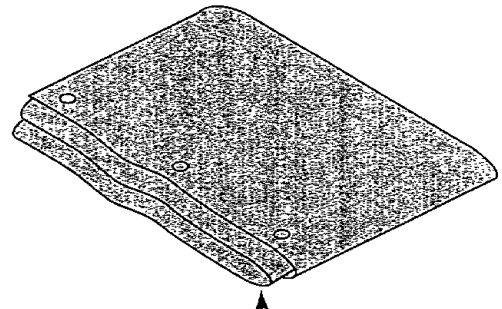
91200
LOCKWASHER
(Six Required)



20162
WASHER
(Six Required)



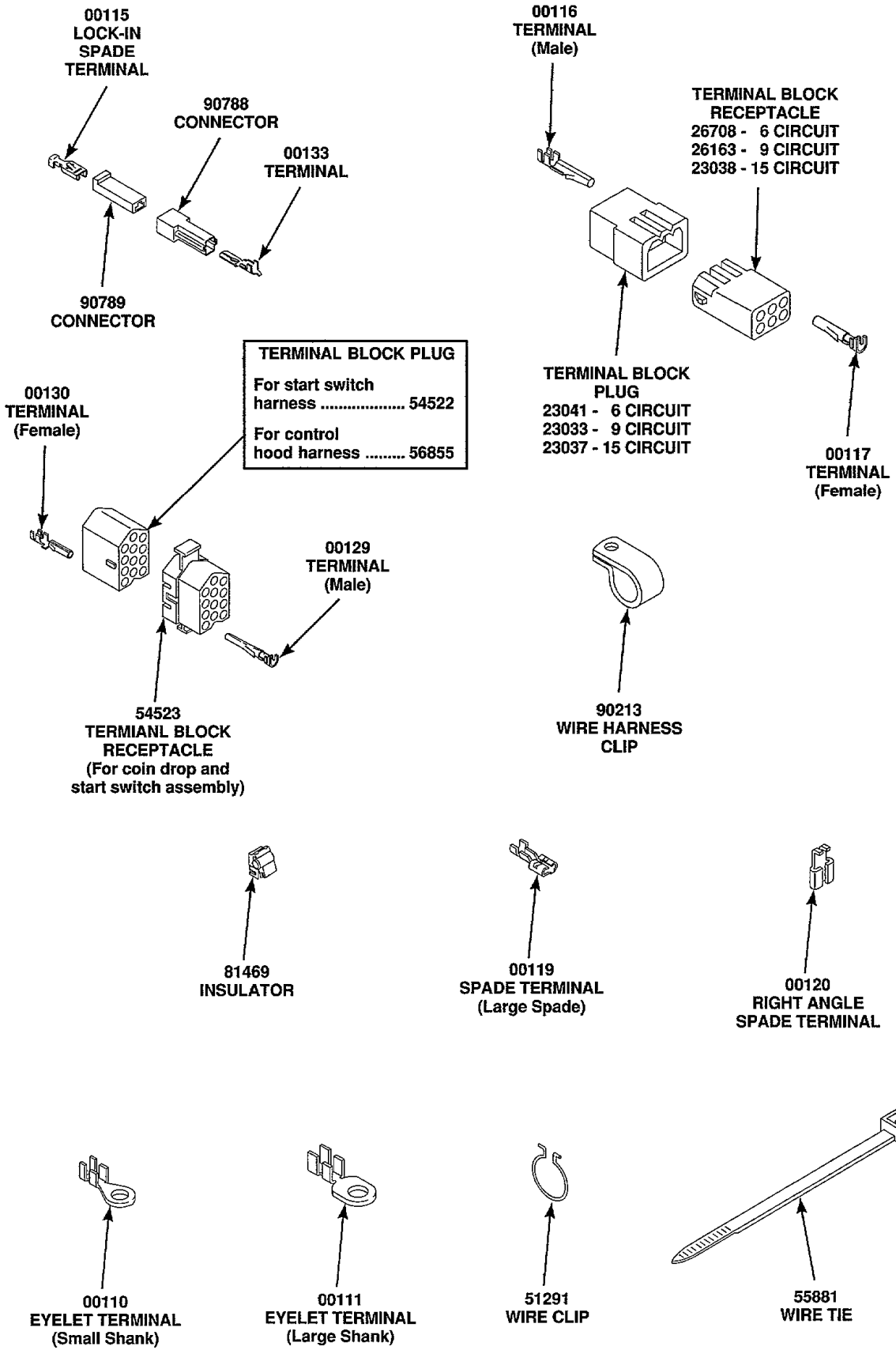
81225
BOLT
(Six Required)



81903
TEMPLATE

S049PE3A

294P3 INSTALLATION KIT MATERIAL
(Available as optional equipment at extra cost)



TERMINALS

S050PE3A