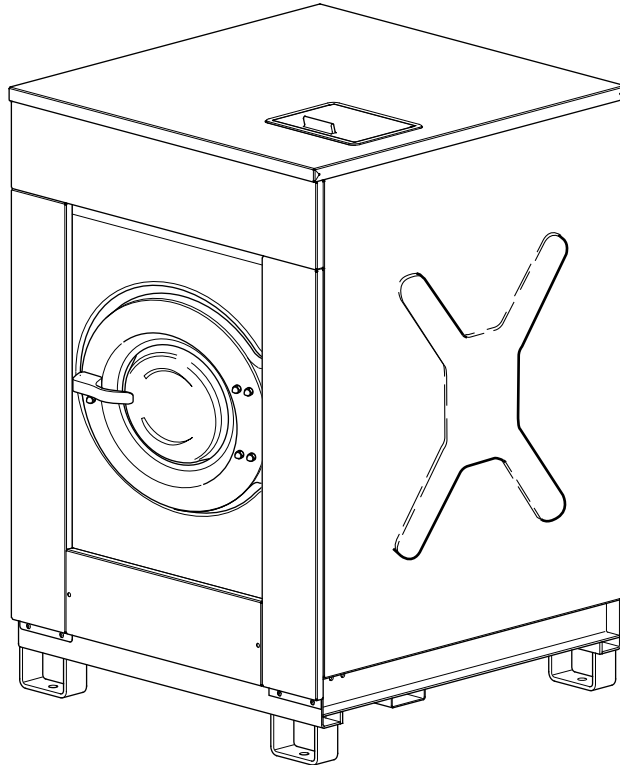


Washer-Extractor

Cabinet Freestanding
Refer to Page 3 for Model Numbers



CFD22C_D0045

Table of Contents

Title	Page
Parts Ordering Information.....	2
Nameplate Location.....	2
Model Identification.....	3
Cabinet Freestanding Washer-Extractor Product Overview.....	4
Drain Plumbing.....	6
Drain Plumbing with Pump.....	8
Drain Valve - Normally Open.....	10
Drain Valve - Normally Closed.....	12
Capacitor and Terminal Strip.....	14
Control, Water Level Switch, Balance Switch and Contactor.....	16
Motor Regulation Board.....	18
Water Inlet Valves - US Models with Doxon Valves.....	20
Water Inlet Valves - US Models with Invensys Valves.....	22
Water Inlet Valves - Non-US Models.....	24
Supply Dispenser.....	26
Basket, Shell and Heating Elements.....	28
Steam Heating Option.....	30
Door.....	32
Door Handle (Drawing 1 of 2).....	34
Door Handle (Drawing 2 of 2).....	36
Door Lock.....	38
Bearing Housing.....	40
Pulley and Belt.....	42
Frame and Shock Absorbers.....	44
Base, Panels and Shock Absorbers.....	46
Front Panels (Drawing 1 of 2).....	48
Front Panels (Drawing 2 of 2).....	50
Coin Vault - US Models.....	52
Coin Vault - Non-US Models.....	54
Control Panel and Control Panel Decals.....	56
Motor.....	58
Transformer, Coin Meter and Heating Element Plug.....	60
Liquid Supply Pump.....	62
Parts Index.....	65

© Copyright 2013, Alliance Laundry Systems LLC

All rights reserved. No part of the contents of this book may be reproduced or transmitted in any form or by any means without the expressed written consent of the publisher.

Parts Ordering Information

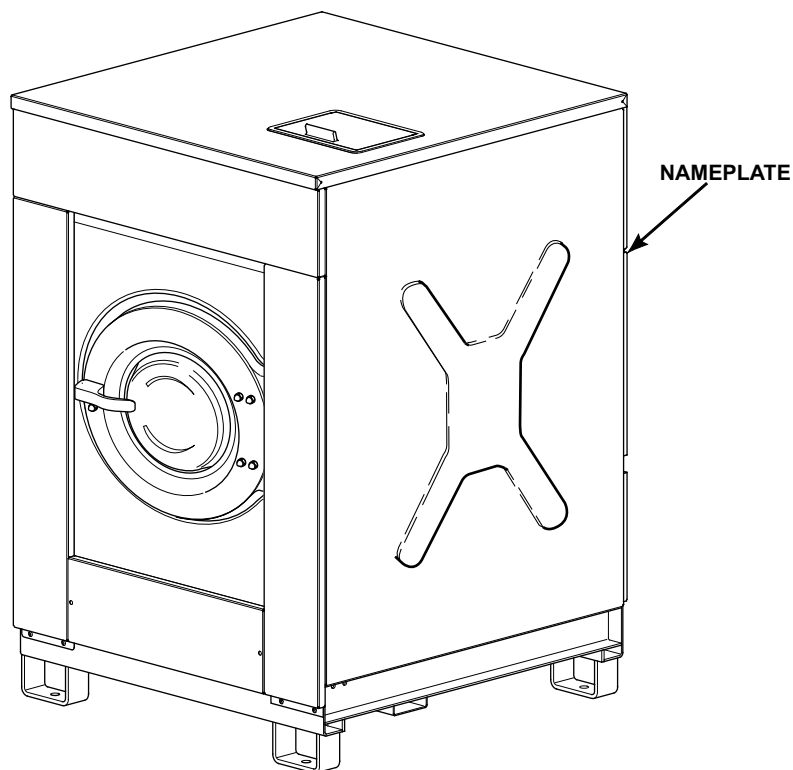
If literature or replacement parts are required, contact the source from whom the machine was purchased or contact Alliance Laundry Systems at (920) 748-3950 for the name and address of the nearest authorized parts distributor.

For technical assistance, call either of the numbers listed below:

(920) 748-3121 Ripon, Wisconsin
+32 56 41 20 54 Wevelgem, Belgium

Nameplate Location

When calling or writing about your product, be sure to mention model and serial numbers. Model and serial numbers are located on nameplate(s) as shown.



CFD22CA_D0045



Model Identification

Information in this manual is applicable to these washer-extractor models:

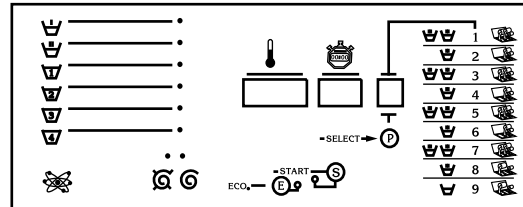
HF55_MICRO-9

Cabinet Freestanding Washer-Extractor Product Overview

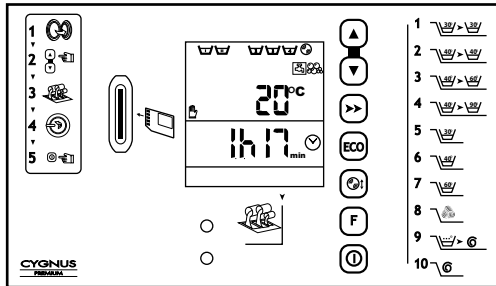
1 2

Type:	HF575P	Nr:	07110580147
Voltage:	3 ~ 380V 50Hz	Weight:	1787 kg
Motor:	7.5 kW 20 A	Capacity:	575 L
Heating:	36 kW 60 A	Dry Load:	57 kg
Total:	43.50 kW	Drum:	980 mm
Kinetic energy:	23257N/M	Speed:	800 rpm
Manufactured in:	2007		
Water Pressure: min. 2.07 max. 5.86 Kg/cm ² IPX4 min. 20.7 max. 58.6 N/cm ²			
sfc 741295			
Alliance International BVBA Nieuwstraat 146 8560 Wevelgem Belgium Tel: +32 56 41 20 54 Fax: +32 56 41 86 74 www.ipso.be			
			

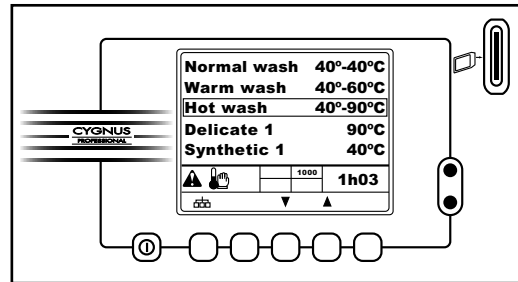
Label 1



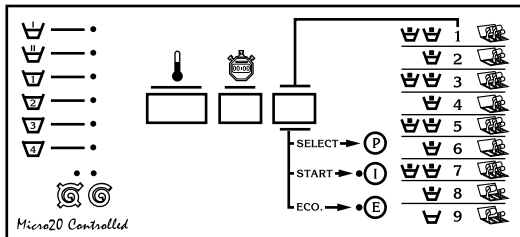
Micro 9



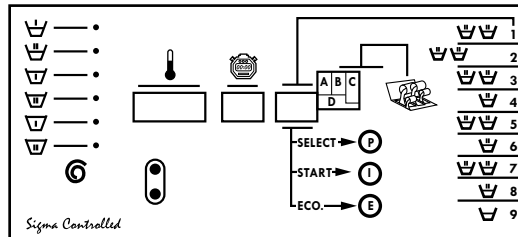
Cygnus Premium



Cygnus Professional



Micro 20



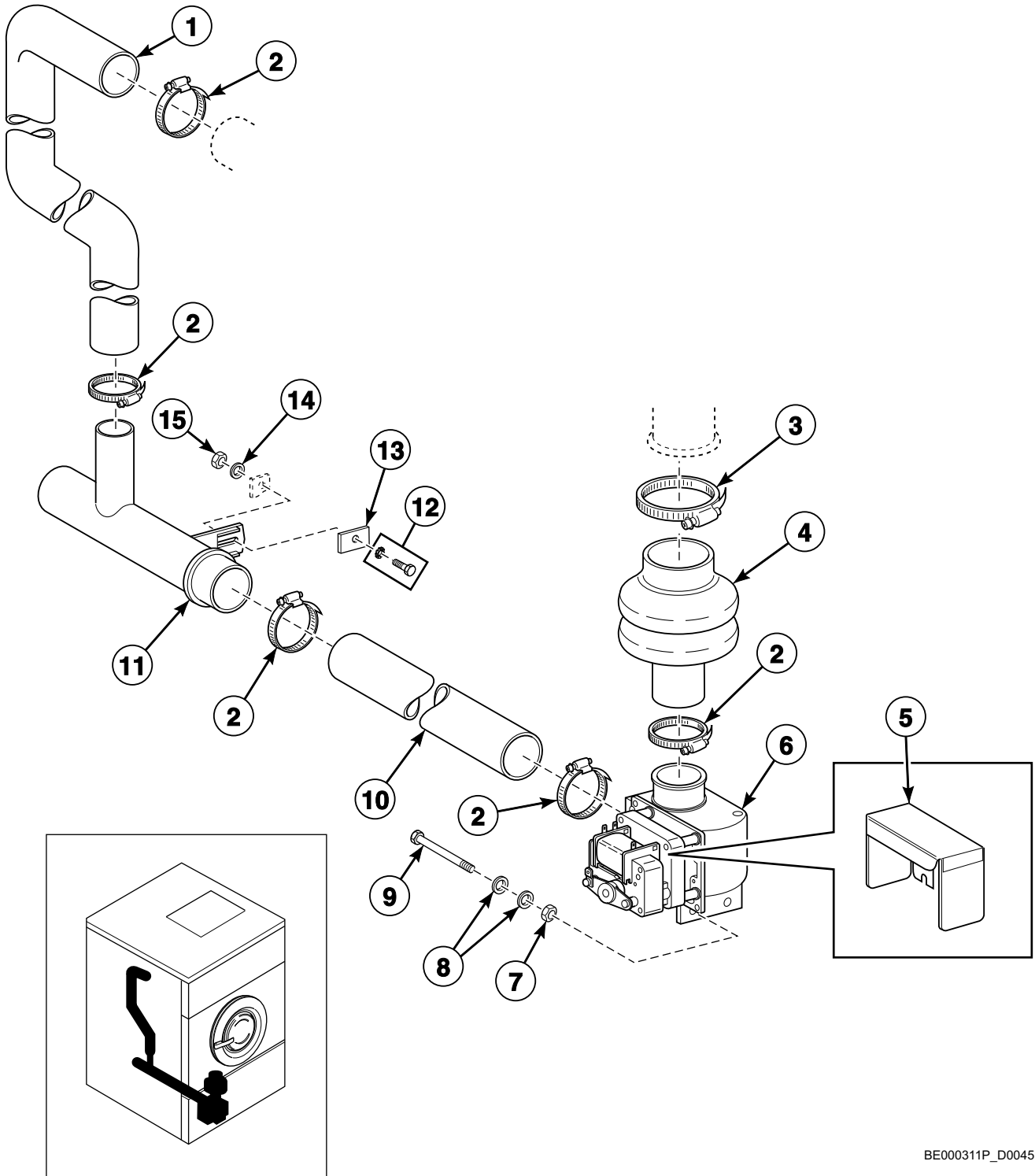
Sigma

CFD298P_D0045

Cabinet Freestanding Washer-Extractor Product Overview

REF	PART NO.	DESCRIPTION	COMMENTS
1	-	Product Family	HF
2	-	Capacity	55

Drain Plumbing

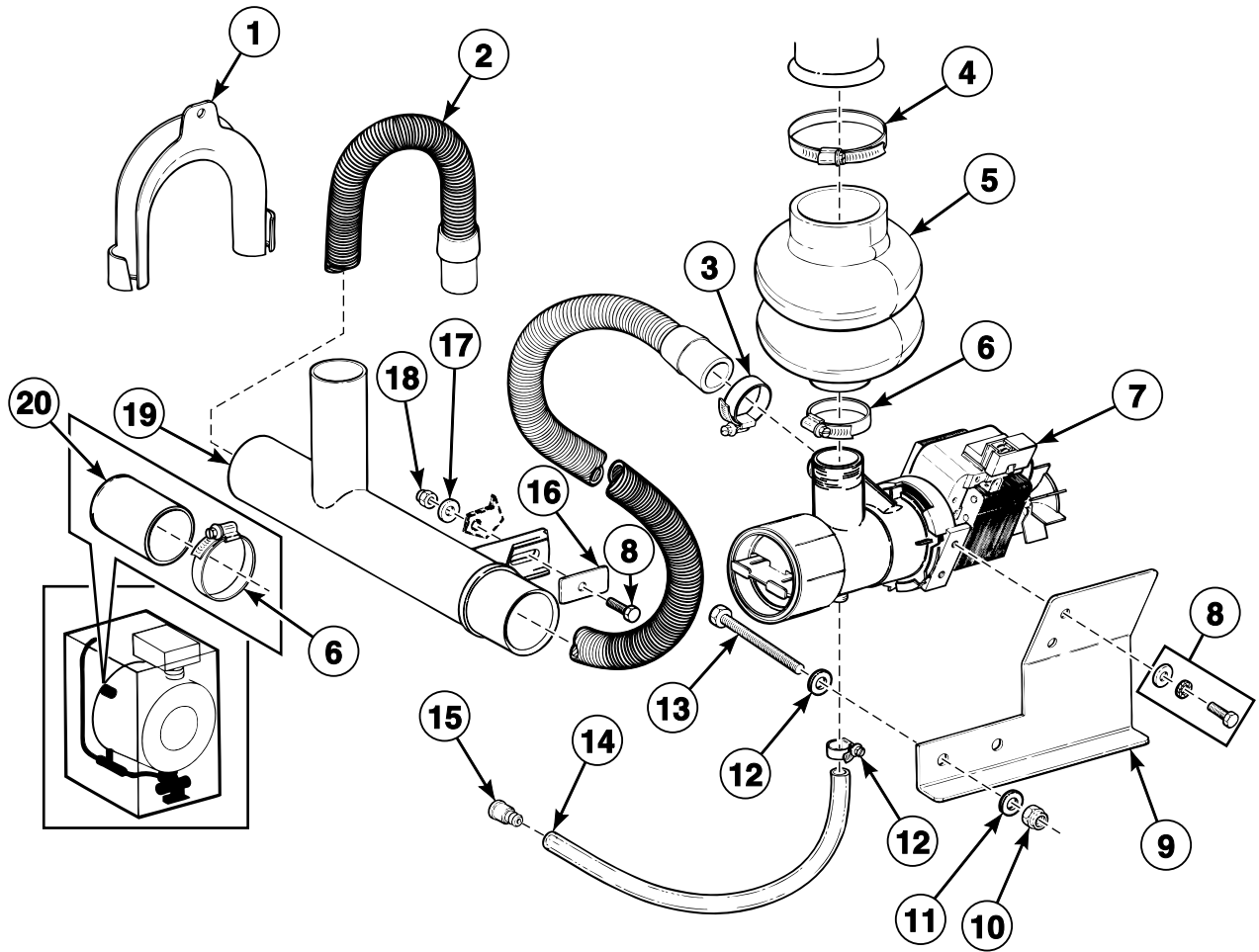


BE000311P_D0045

Drain Plumbing

REF	PART NO.	DESCRIPTION	COMMENTS
1	223/00084/00	Overflow Pipe	
2	223/00013/00	Hose Clamp	
3	223/00014/00	Hose Clamp	
4	223/00129/00	Tub Drain Valve	
5	152/00013/00	Valve Drain Cover	
6	209/00256/00	Drain Valve	NO
	209/00292/00	Exhaust Valve	NC
7	204/00109/00	Nut	
8	202/00002/00	Washer	
9	206/00068/00	Bolt	
10	223/00152/00	Valve Exhaust	
11	223/00105/00	Drain Pipe	
12	206/00099/00	Bolt	
13	101/00007/00	Outlet Pipe Plate Assembly	
14	201/00007/00	Washer	
15	204/00009/00	Nut	

Drain Plumbing with Pump

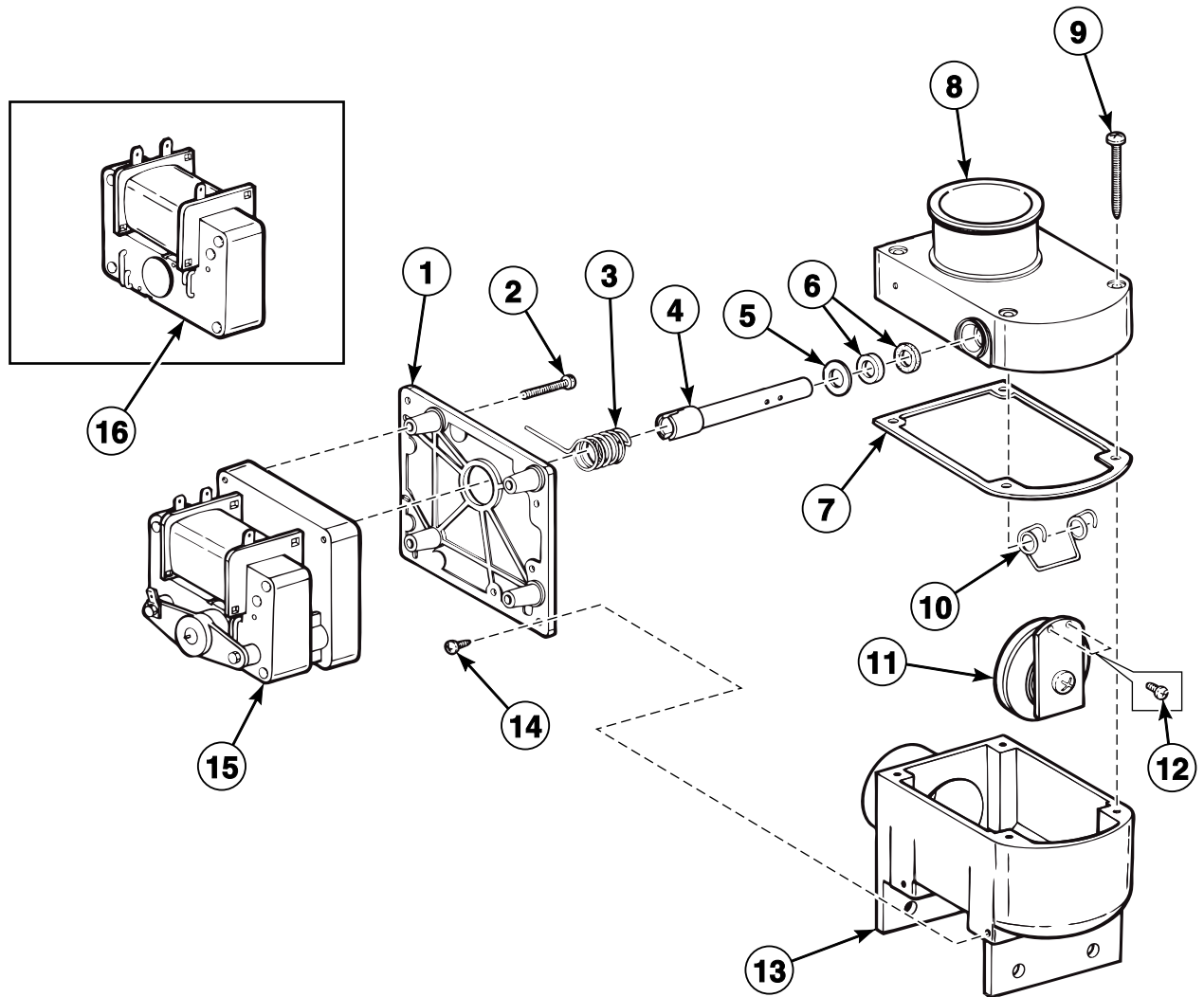


BE000312P_D0045

Drain Plumbing with Pump

REF	PART NO.	DESCRIPTION	COMMENTS
1	223/00157/02	Drain Pipe Kit	
2	223/00157/01	Drain Pipe Kit	
3	223/00011/00	Hose Clamp	
4	223/00014/00	Hose Clamp	
5	223/00156/00	Tub Drain Pump	
6	223/00012/00	Hose Clamp	
7	209/00473/00	Drain Pump	230 Volt/50 Hertz
	209/00560/00	Hanging Drain Pump	240 Volt/60 Hertz
8	206/00099/00	Bolt	
9	152/00019/00	Plate Pump Assembly	
10	204/00109/00	Nut	
11	202/00002/00	Washer	
12	223/00009/00	Clamp	
13	206/00068/00	Bolt	
14	223/00159/00	Pipe	
15	223/00162/00	Stopper	
16	101/00007/00	Outlet Pipe Plate Assembly	
17	201/00007/00	Washer	
18	204/00009/00	Nut	
19	223/00105/00	Drain Pipe	
20	223/00158/00	Overflow Cap	

Drain Valve - Normally Open

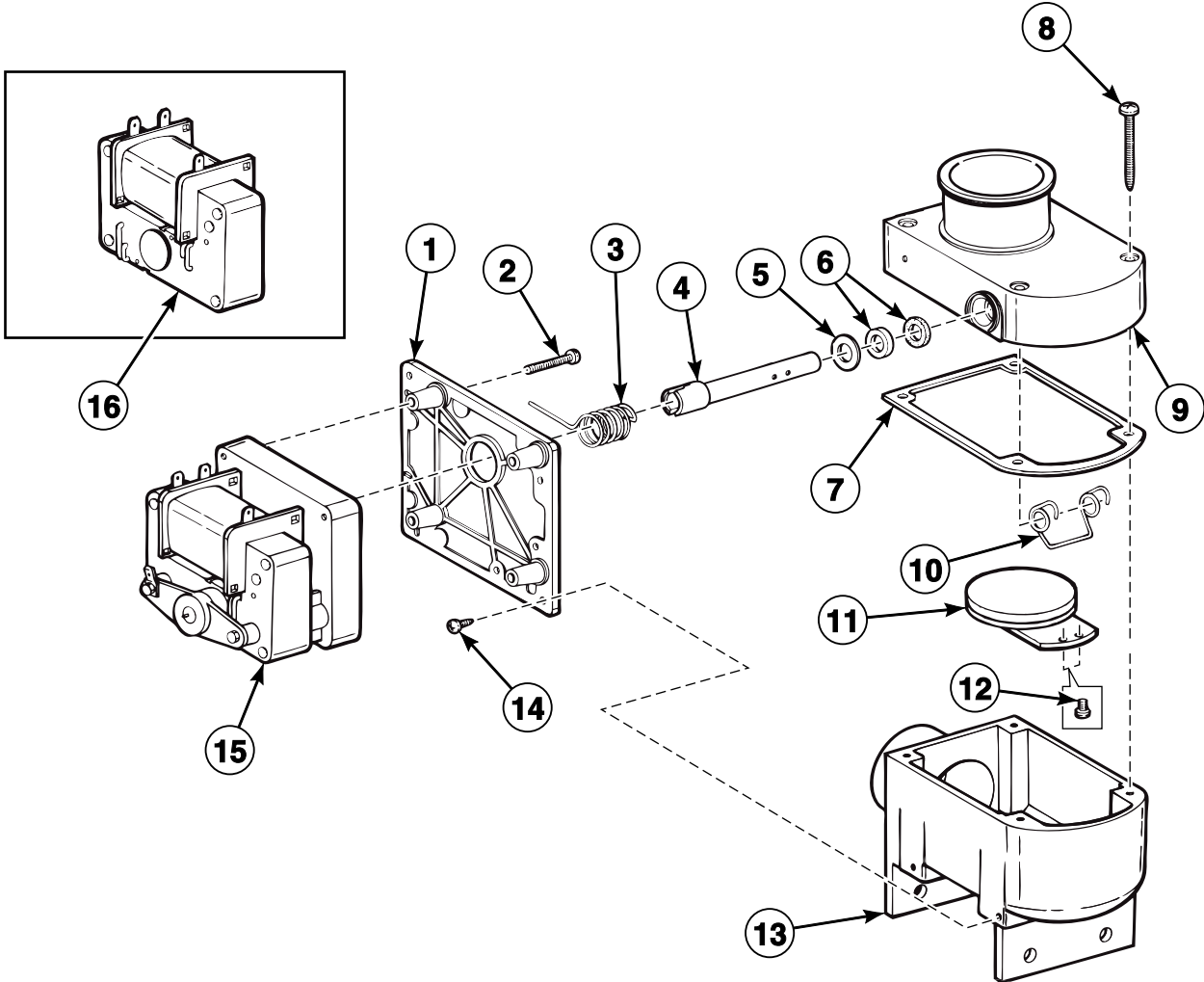


BE000030P_D0045

Drain Valve - Normally Open

REF	PART NO.	DESCRIPTION	COMMENTS
1	209/00025/07	Drain Valve Motor Mounting Plate	
2	209/00025/08	Screw	
3	209/00025/13	Drain Valve Spring	
4	209/00025/15	Valve Axle	
5	209/00025/12	Washer	
6	209/00025/10	Drain Valve Shaft Seal	
7	209/00025/02	Drain Housing Gasket	
8	209/00256/05	Valve	
9	209/00025/06	Screw	
10	209/00025/03	Drain Valve Spring	
11	209/00025/16	Sealing Plate Assembly	
12	209/00025/09	Screw	
13	209/00256/01	Valve	
14	209/00170/05	Screw	
15	209/00051/11	Drain Valve Motor	220 Volt/50 or 60 Hertz
	209/00052/11	Drain Valve Motor	110 Volt/60 Hertz
	209/00203/11	Drain Valve Motor	24 Volt
16	209/00203/21	Coil	24 Volt
	209/00052/21	Coil	115 Volt/60 Hertz
	209/00051/21	Coil	220 Volt/50 or 60 Hertz

Drain Valve - Normally Closed

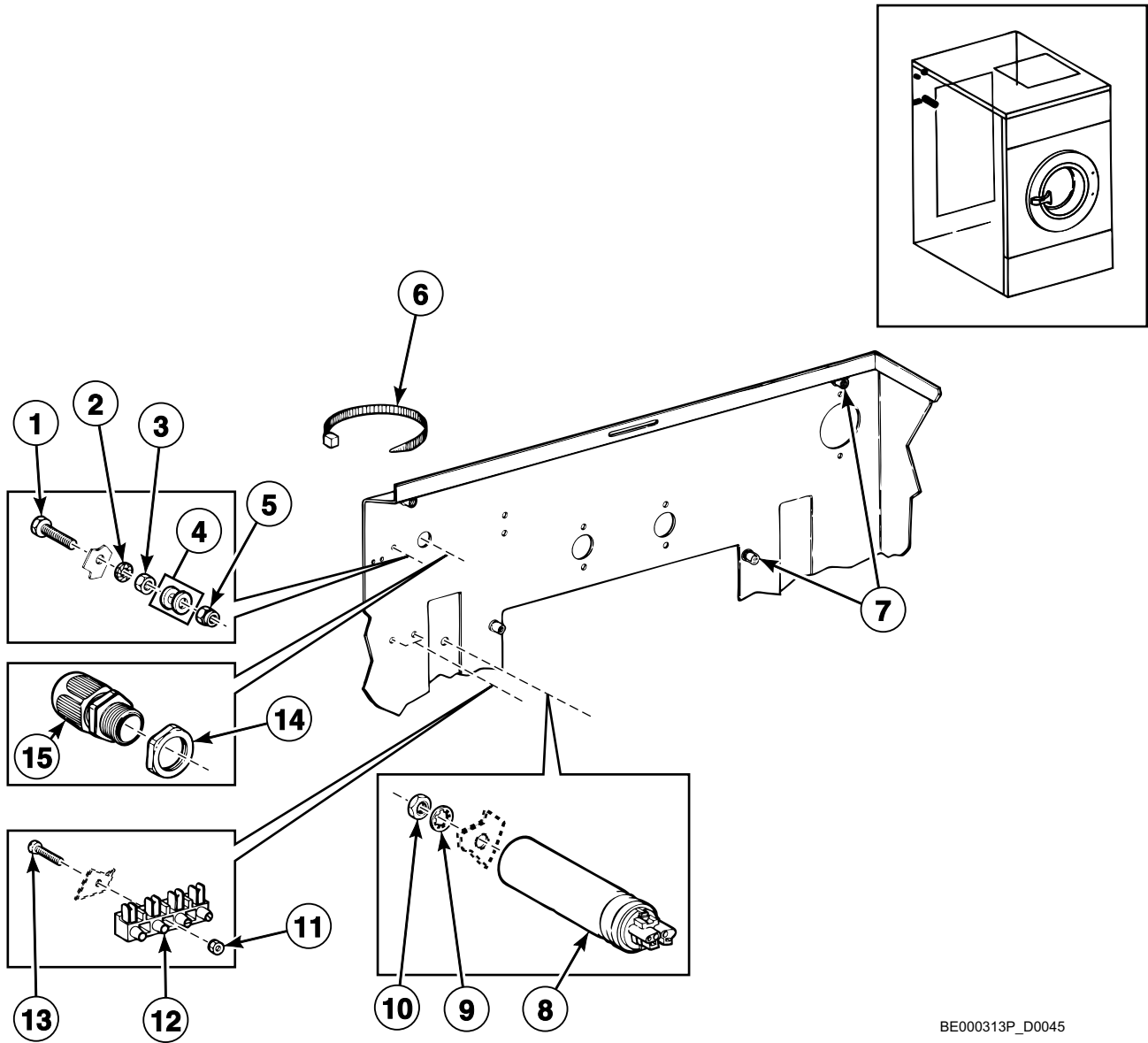


BE000031AP_D0045

Drain Valve - Normally Closed

REF	PART NO.	DESCRIPTION	COMMENTS
1	209/00025/07	Drain Valve Motor Mounting Plate	
2	209/00025/08	Screw	
3	209/00170/02	Drain Valve Spring	
4	209/00025/15	Valve Axle	
5	209/00025/12	Washer	
6	209/00025/10	Drain Valve Shaft Seal	
7	209/00025/02	Drain Housing Gasket	
8	209/00025/06	Screw	
9	209/00256/05	Valve	
10	209/00025/03	Drain Valve Spring	
11	209/00025/16	Sealing Plate Assembly	
12	209/00025/09	Screw	
13	209/00256/01	Valve	
14	209/00170/05	Screw	
15	209/00170/06	Drain Valve Motor Assembly	220 Volt/50 or 60 Hertz
	209/00052/12	Drain Valve Motor	110 Volt/60 Hertz
	209/00203/12	Drain Valve Motor	24 Volt
16	209/00203/21	Coil	24 Volt
	209/00052/21	Coil	115 Volt/60 Hertz
	209/00051/21	Coil	220 Volt/50 or 60 Hertz

Capacitor and Terminal Strip

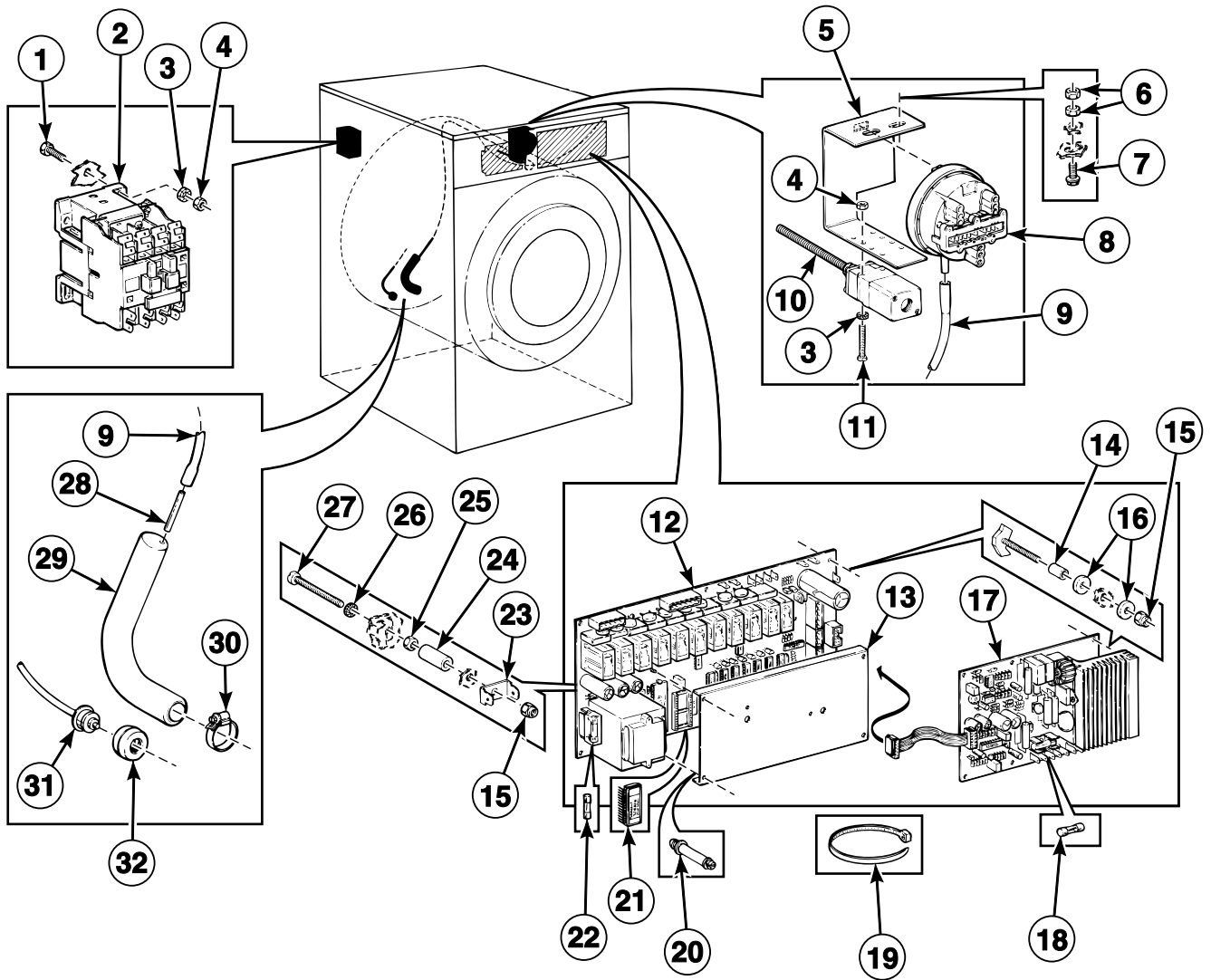


BE000313P_D0045

Capacitor and Terminal Strip

REF	PART NO.	DESCRIPTION	COMMENTS
1	206/00086/00	Screw	
2	203/00004/00	Washer	
3	204/00005/00	Nut	
4	202/00003/00	Washer	
5	204/00009/00	Nut	
6	211/00088/00	Cable Tie	
7	204/00011/00	Nut	
8	252/00017/00	Capacitor	Models through 7/31/99
	252/00032/00	Filter	Models starting 8/1/99
9	203/00003/00	Washer	
10	204/00004/00	Nut	
11	204/00007/00	Nut	
12	209/00005/00	Terminal Block	
13	206/00088/00	Bolt	
14	211/00118/00	Cordlock	
15	211/00117/00	Cordlock	

Control, Water Level Switch, Balance Switch and Contactor

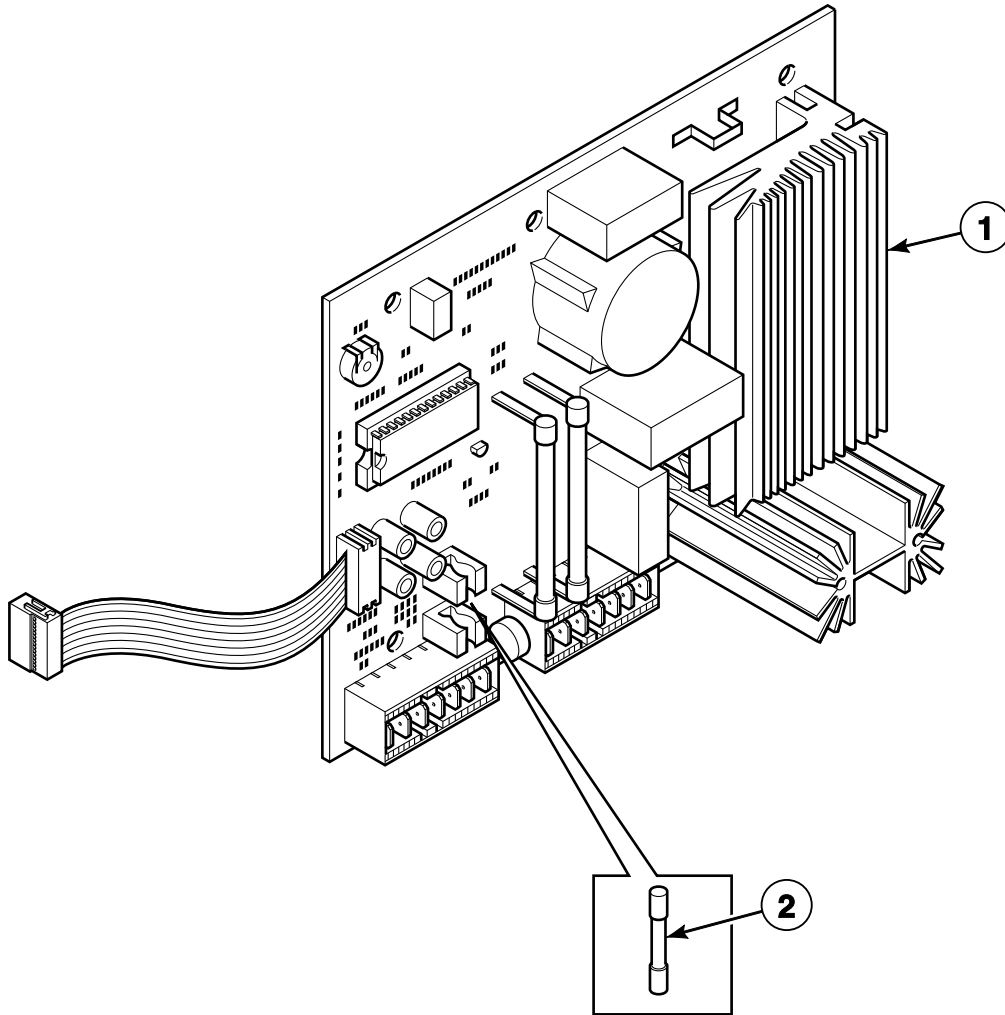


BE000314P_D0045

Control, Water Level Switch, Balance Switch and Contactor

REF	PART NO.	DESCRIPTION	COMMENTS
1	206/00088/00	Bolt	
2	209/00041/03	Contactor	220 Volt
3	203/00006/00	Washer	
4	204/00007/00	Nut	
5	152/00036/00	Switch Support	
6	204/00005/00	Nut	
7	206/00013/00	Bolt	
8	209/00007/30	Pressure Switch	3 levels
9	223/00172/00	Hose	
10	209/00255/00	Out-of-Balance Switch	
11	207/00018/00	Screw	
12	209/00372/00	Printboard	115 Volt
	209/00405/00	Microprocessor	230 Volt
	209/00405/02	Microprocessor	200 Volt
13	152/00011/00	Protection Plate	
14	211/00107/00	Spacer	
15	204/00116/00	Nut	
16	223/00123/00	Washer	
17	252/00036/00	Motor Control Printboard	
18	209/00336/02	Fuse	16 Amp
19	211/00088/00	Cable Tie	
20	252/00025/00	Printhead	
21	209/00266/01	Eprom	International software
	209/00266/02	Eprom	Domestic software
22	209/00372/01	Fuse	125 mA
23	252/00024/00	Clamp	
24	252/00026/00	Pipe	
25	204/00008/00	Nut	
26	203/00007/00	Washer	
27	207/00014/00	Screw	
28	223/00016/00	Hose Barb	
29	223/00015/00	Level Switch Elbow	
30	223/00011/00	Hose Clamp	
31	209/00405/01	Temperature Sensor	
32	225/10004/00	Thermostat Seal	

Motor Regulation Board

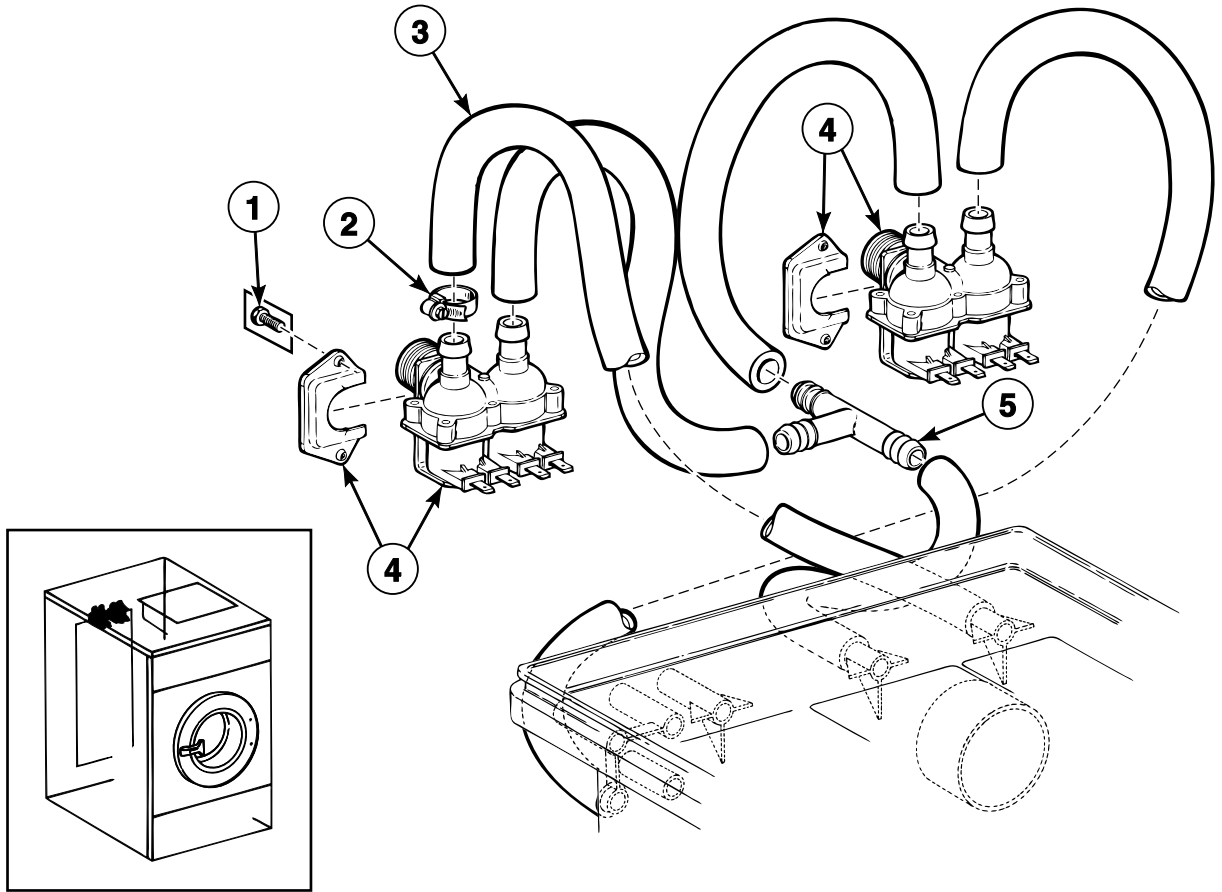


BE000329AP_D0045

Motor Regulation Board

REF	PART NO.	DESCRIPTION	COMMENTS
1	252/00036/00	Motor Control Printboard	
2	209/00412/00	Fuse	6.3 Amp

Water Inlet Valves - US Models with Doxon Valves

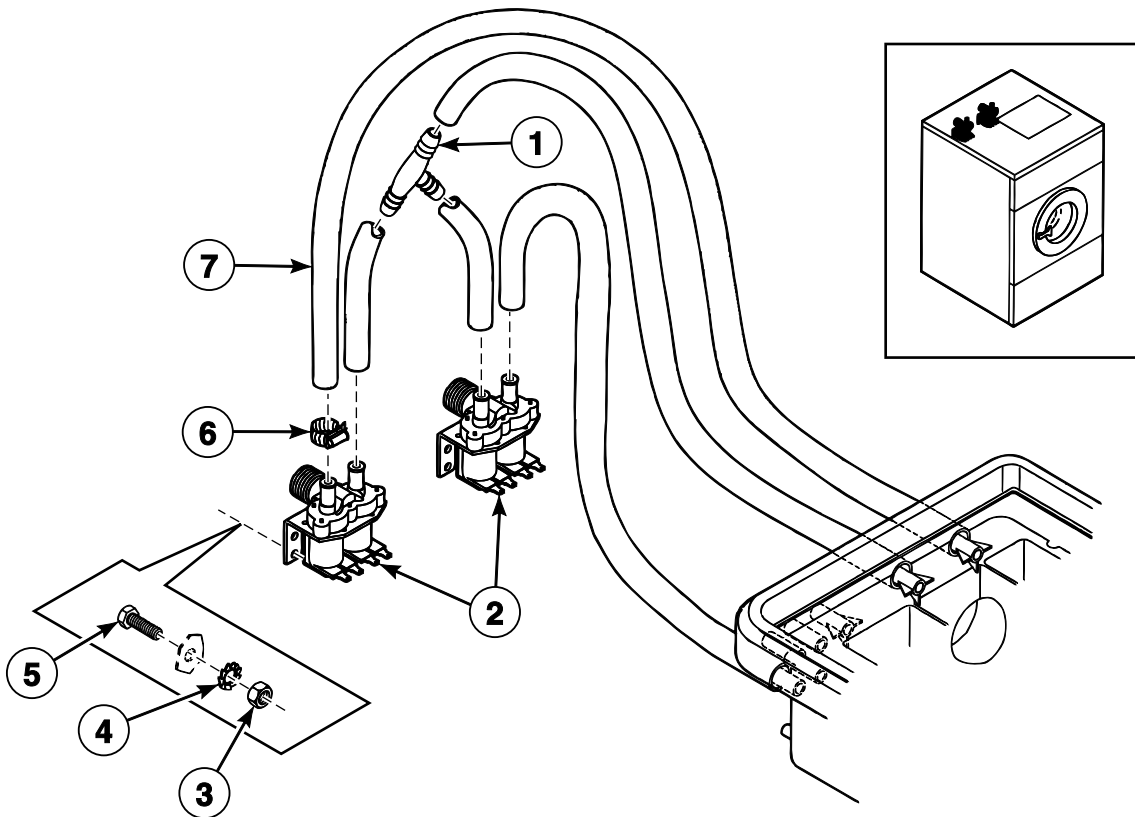


BE000315P_D0045

Water Inlet Valves - US Models with Doxon Valves

REF	PART NO.	DESCRIPTION	COMMENTS
1	206/00027/00	Bolt	
2	223/00010/00	Hose Clamp	
3	223/00044/00	Water Hose	13 mm diameter; Sold per meter
4	209/00398/00	Valve	
5	223/00041/00	Water Inlet Tee	

Water Inlet Valves - US Models with Invensys Valves

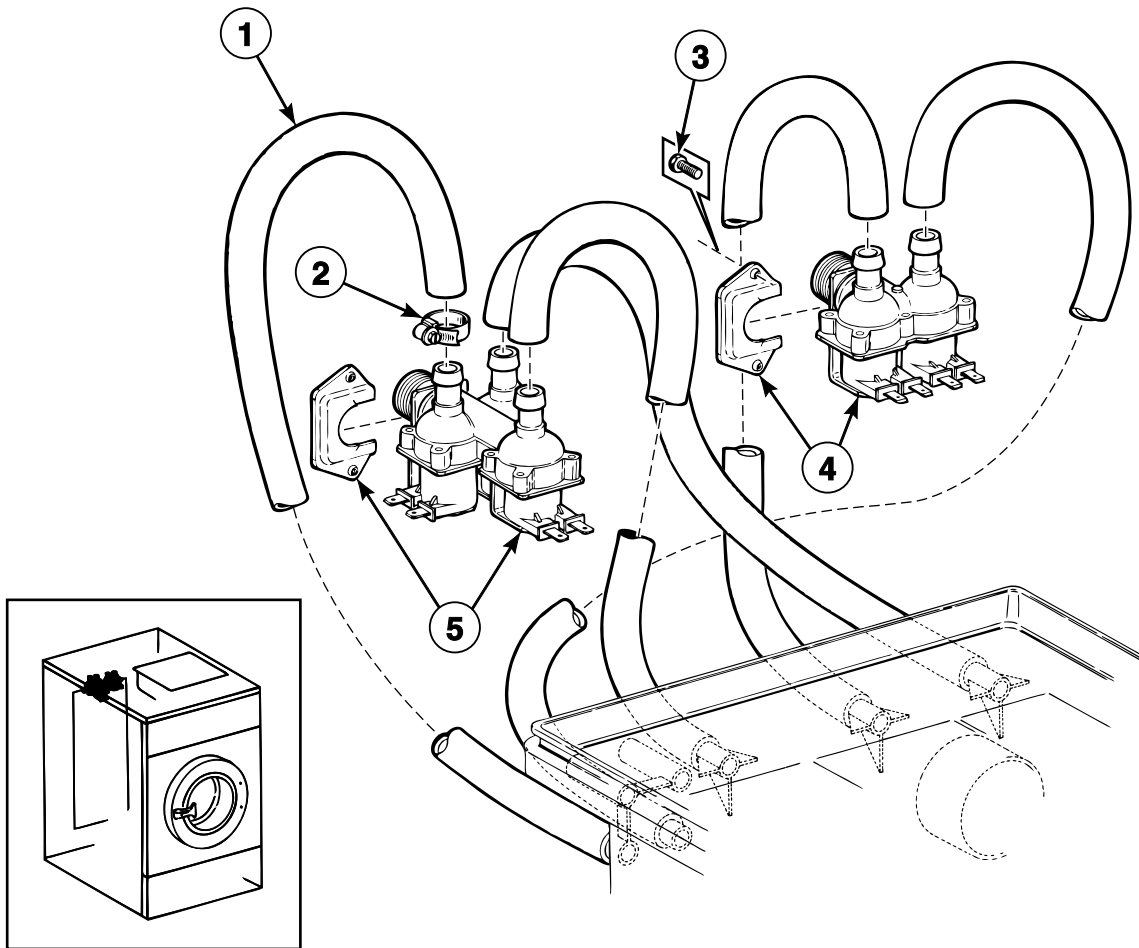


BE000331P_D0045

Water Inlet Valves - US Models with Invensys Valves

REF	PART NO.	DESCRIPTION	COMMENTS
1	223/00041/00	Water Inlet Tee	
2	B12519501	2-Way Inlet Valve	G581P3 Diaphragm and Guide Kit
3	204/00006/00	Nut	
4	203/00005/00	Washer	
5	206/00016/00	Bolt	
6	223/00010/00	Hose Clamp	
7	223/00044/00	Water Hose	13 mm diameter; Sold per meter

Water Inlet Valves - Non-US Models

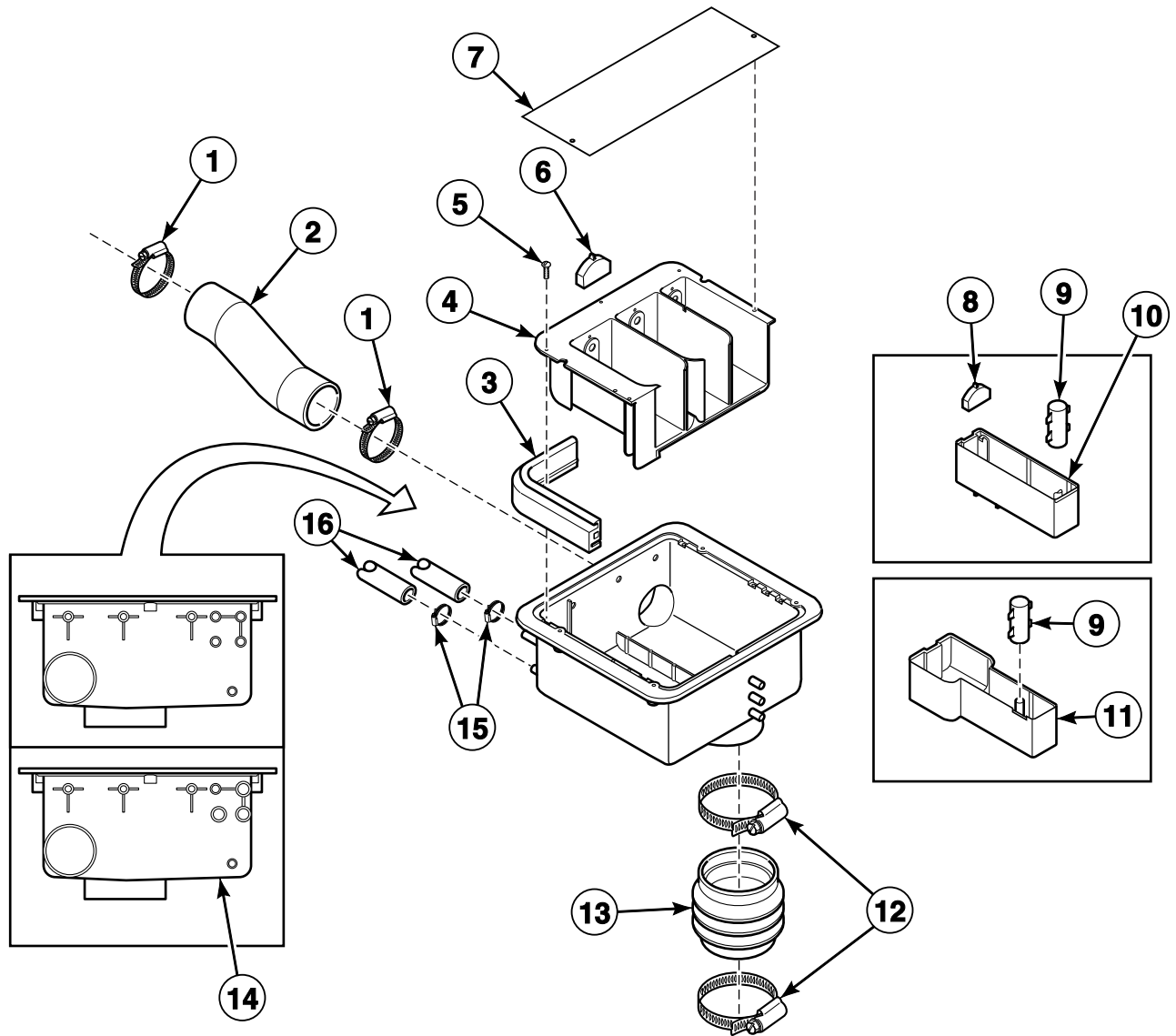


BE000316P_D0045

Water Inlet Valves - Non-US Models

REF	PART NO.	DESCRIPTION	COMMENTS
1	223/00044/00	Water Hose	13 mm diameter; Sold per meter
2	223/00010/00	Hose Clamp	
3	206/00027/00	Bolt	
4	209/00110/00	2-Way Inlet Valve	
5	209/00277/00	3-Way Inlet Valve	

Supply Dispenser

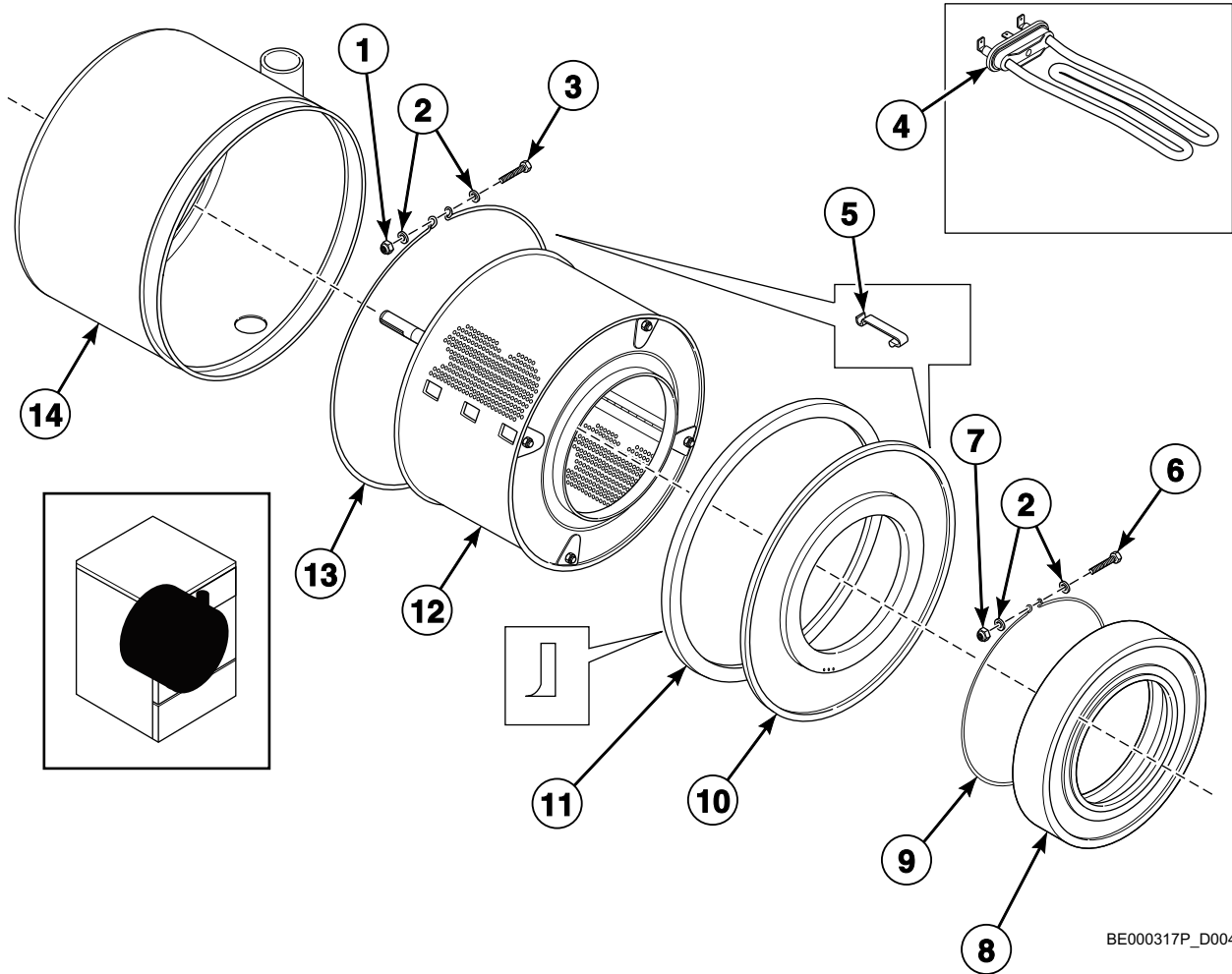


CFD466P_D0045

Supply Dispenser

REF	PART NO.	DESCRIPTION	COMMENTS
1	223/00014/00	Hose Clamp	
2	223/00107/02	Vent Hose	
	223/00107/03	Vent Hose	
3	223/00109/00	Soap Dispenser Gasket	
4	223/00102/30	Soap Dispenser Assembly	
5	B12347501	Screw	
6	223/00102/06	Soap Spray Nozzle	Soap
7	123/00103/06	Soap Box Assembly Plate	
8	223/00102/05	Softener Spray Nozzle	Softener
9	223/00102/04	Soap Dispenser Rinse Siphon	
10	223/00102/03	Rinse Insert	
11	223/00102/08	Liquid Soap Dispenser Insert	
12	223/00023/00	Hose Clamp	
13	223/00115/00	Hose	
14	223/00102/30	Soap Dispenser Assembly	
15	223/00010/00	Hose Clamp	
16	223/00044/01	Water Hose	13 mm diameter; Sold per meter

Basket, Shell and Heating Elements

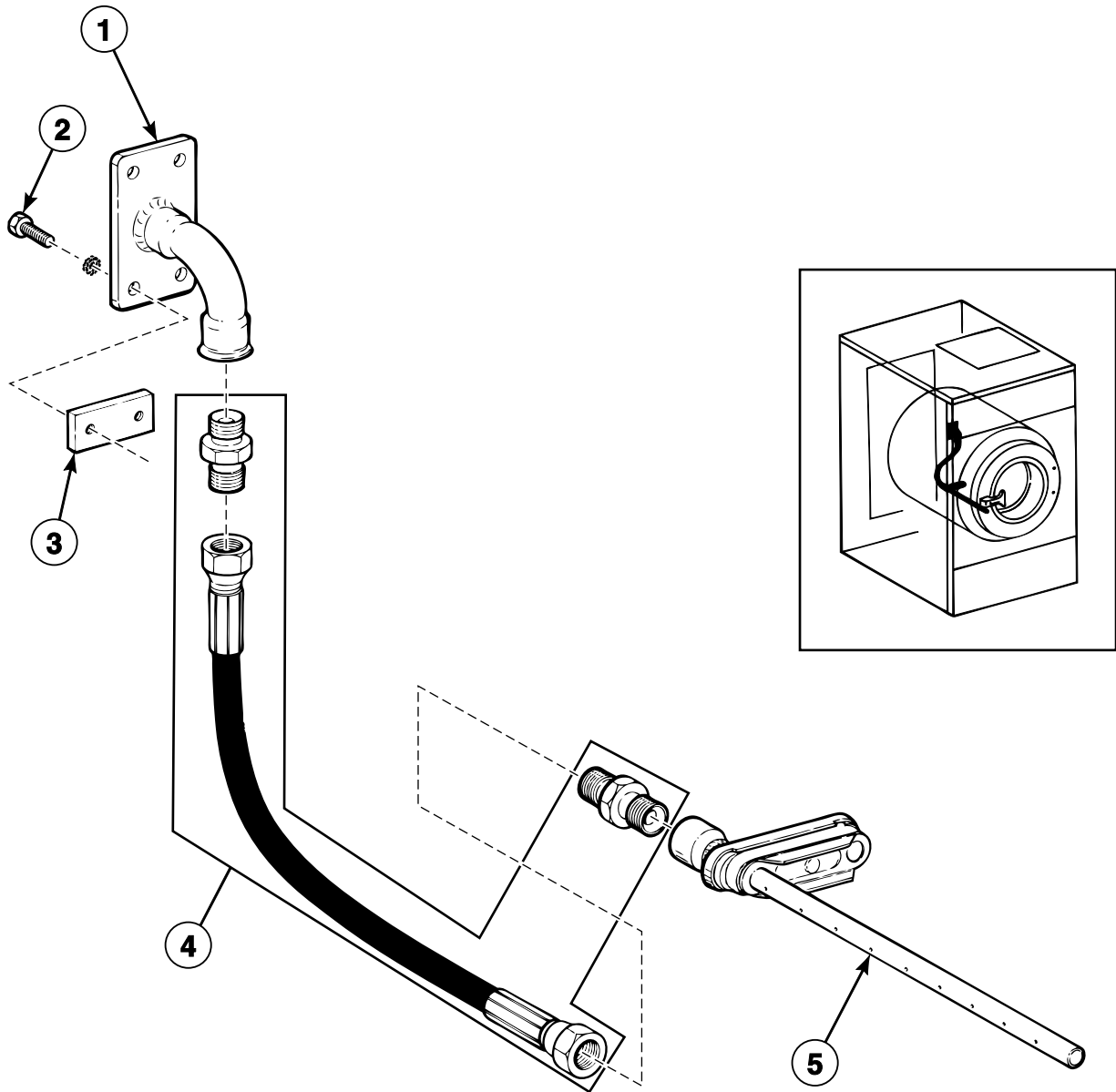


BE000317P_D0045

Basket, Shell and Heating Elements

REF	PART NO.	DESCRIPTION	COMMENTS
1	204/00009/00	Nut	
2	202/00003/00	Washer	
3	206/00011/00	Bolt	
4	209/00024/01	Heating Element	2000W
	209/00049/01	Heating Element	3000W
	209/00116/01	Heating Element	1400W
5	217/00008/00	Tub Front Panel Clip	
6	206/00032/00	Bolt	
7	204/00009/00	Nut	
8	223/00122/00	Door Boot	
9	238/00017/00	Clamp	
10	118/00054/03	Tub Front Panel	
11	217/00006/00	Front Panel Gasket Kit	
12	121/10027/00	Cylinder and Trunnion Assembly	
13	217/00007/00	Tub Front Ring Clamp	
14	118/00111/00	Tub	Electric and steam heat
	118/00112/00	Tub	International; Boiler fed
	118/00114/00	Tub	Electric heat with 3 heating elements
	118/00116/00	Tub	Domestic; Boiler fed

Steam Heating Option

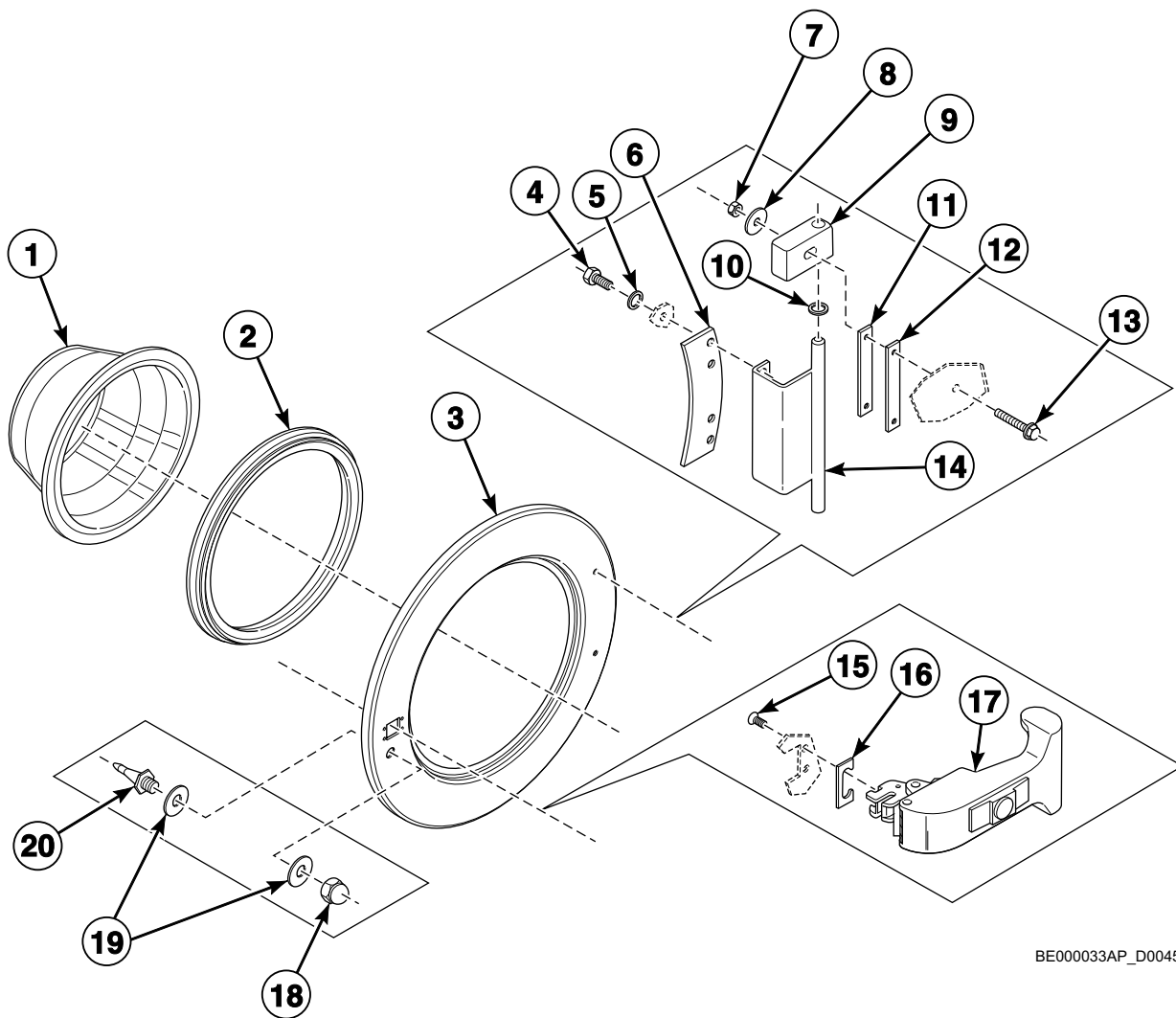


BE000318P_D0045

Steam Heating Option

REF	PART NO.	DESCRIPTION	COMMENTS
1	118/00063/00	Steam Hose Connector	
2	206/00099/00	Bolt	
3	118/00063/01	Steam Connection Plate	
4	217/00025/00	Steam Hose	
5	118/00105/06	Steam Injector	

Door

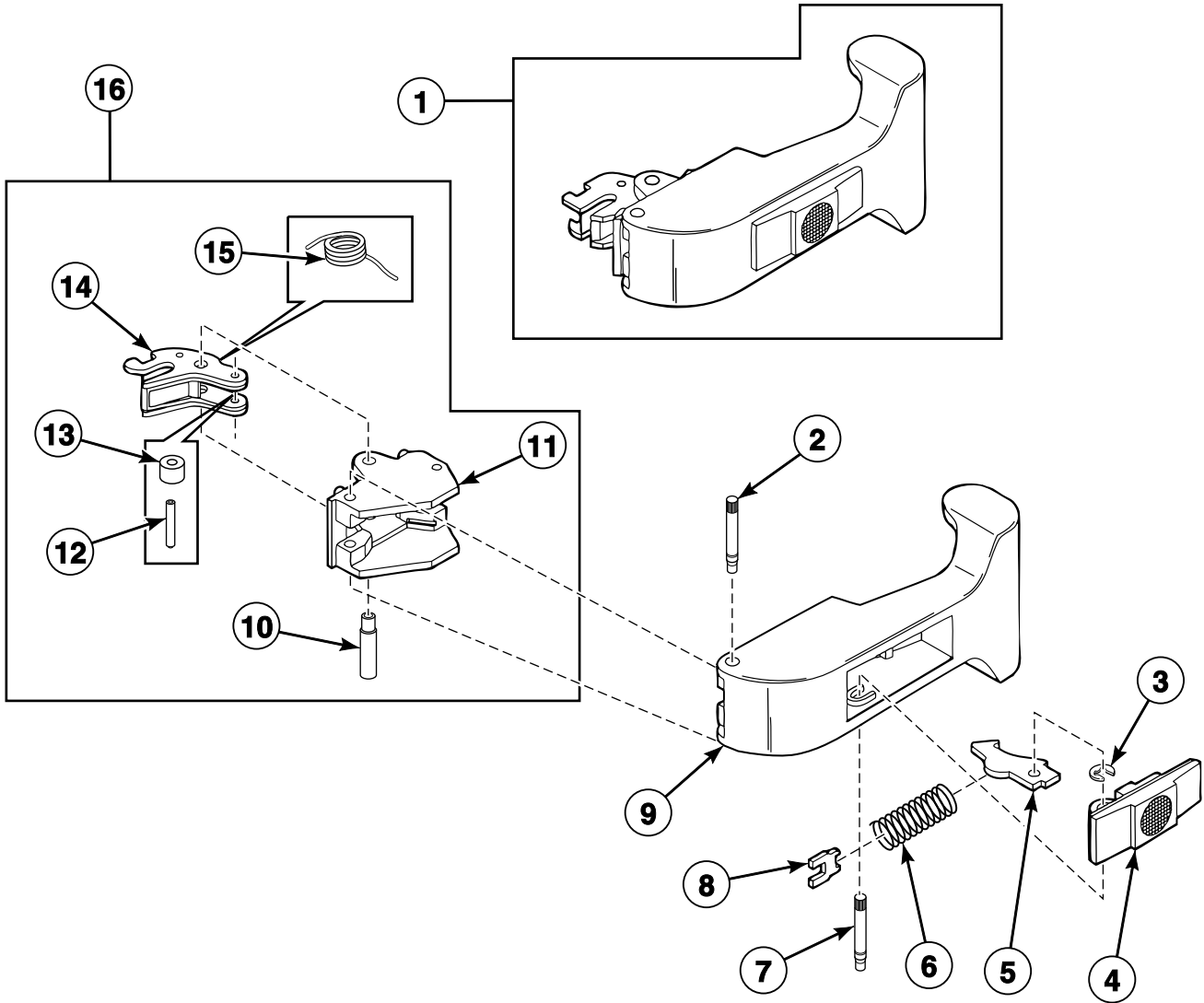


BE000033AP_D0045

Door

REF	PART NO.	DESCRIPTION	COMMENTS
1	217/00022/00	Door Glass	
2	217/00015/00	Door Glass Seal	
3	118/00046/10	Door Frame	
4	205/00107/00	Bolt	
5	202/00101/00	Washer	
6	118/00065/00	Door Hinge Plate Assembly	
7	204/00106/00	Nut	
8	202/00108/00	Washer	
9	217/00009/02	Door Hinge Assembly	
10	202/00104/00	Washer	
11	117/00011/00	Door Hinge Spacer	
12	117/00010/00	Door Hinge Spacer	
13	207/00126/00	Screw	
	207/00125/00	Bolt	
14	221/00005/00	Door Hinge	
15	B12500801	Screw	
16	217/00016/00	Door Handle Stop	
17	217/00051/00	Door Handle	
18	204/00103/00	Nut	
19	202/00111/00	Washer	
20	211/00109/01	Door Lock Pin Kit	

Door Handle (Drawing 1 of 2)

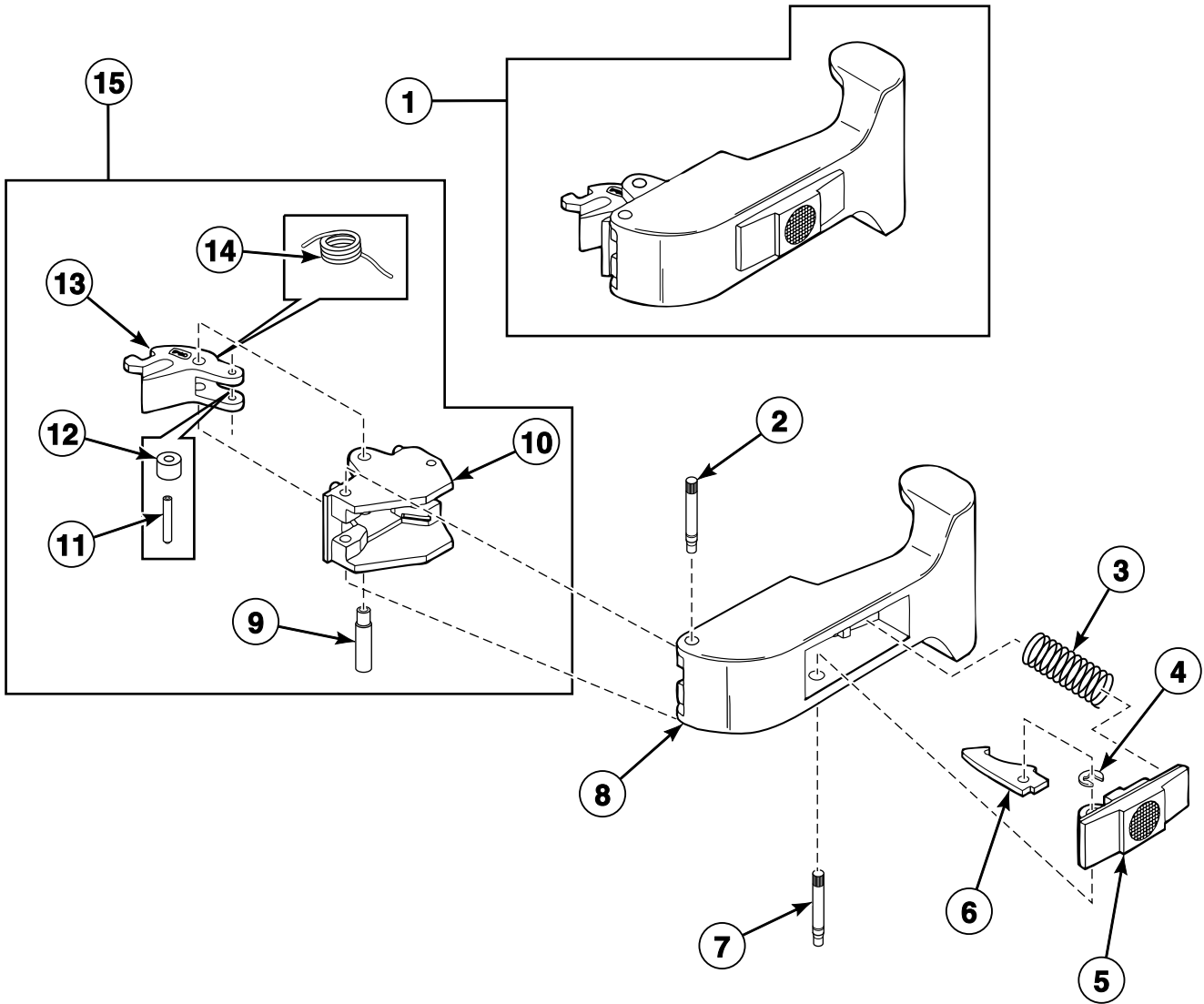


BE000034AP_D0045

Door Handle (Drawing 1 of 2)

REF	PART NO.	DESCRIPTION	COMMENTS
1	217/00051/00	Door Handle	
2	217/00013/09	Door Mounting Pin	
3	217/00013/11	Door Circlip	
4	217/00013/12	Door Handle	
5	217/00013/13	Door Handle Hook	
6	217/00013/14	Door Handle Spring	
7	217/00013/15	Door Handle Locking Pin	
8	217/00013/16	Door Handle Assembly Plate	
9	217/00051/00	Door Handle	
10	217/00013/08	Door Locking Pin	
11	217/00013/07	Door Locking Grip	
12	217/00013/05	Door Axle Roller	
13	217/00013/06	Door Roller	
14	217/00013/04	Door Handle Latch	
15	217/00013/03	Door Lock Spring	
16	217/00051/14	Door Handle Latch	

Door Handle (Drawing 2 of 2)

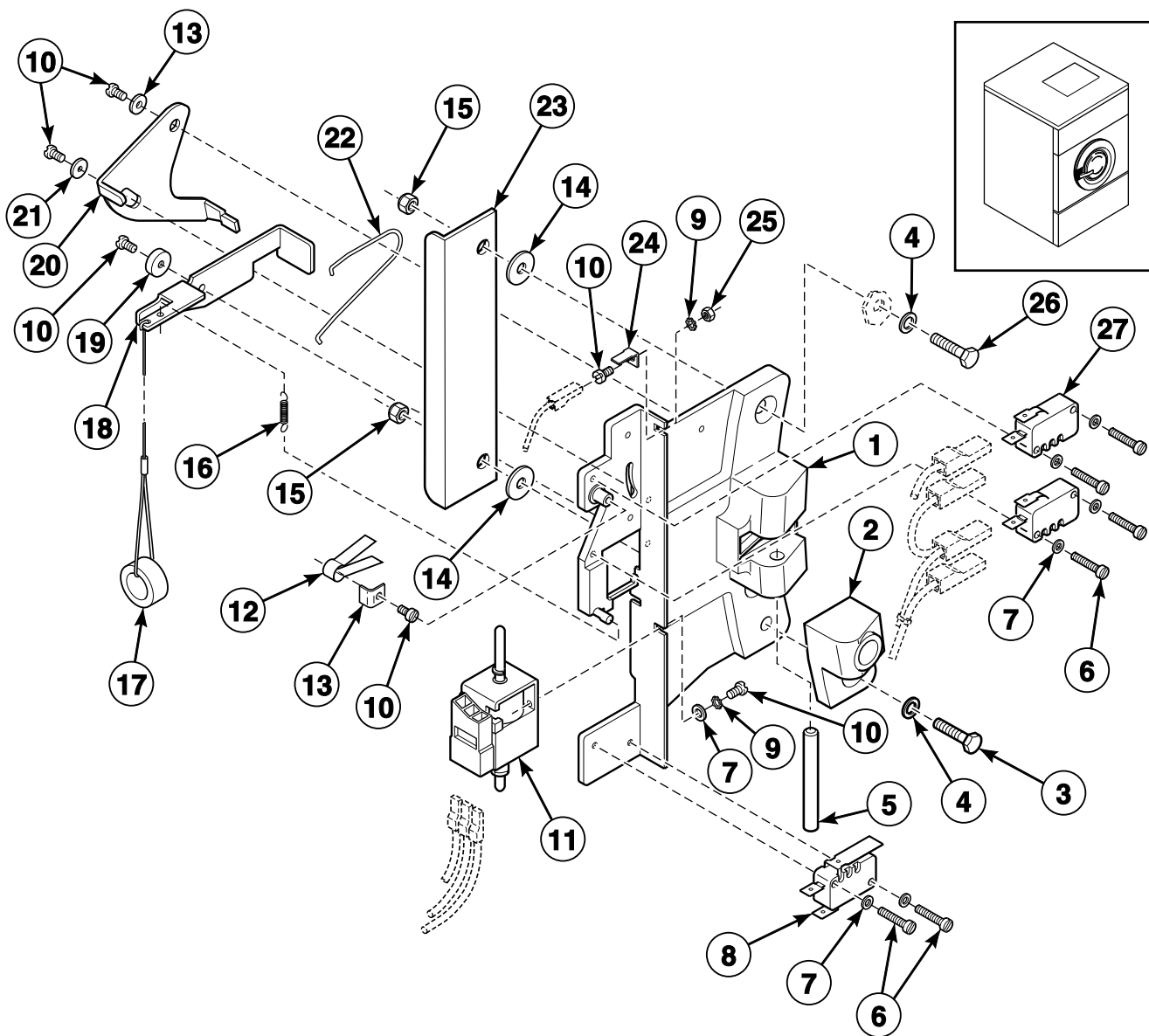


BE000034BP_D0045

Door Handle (Drawing 2 of 2)

REF	PART NO.	DESCRIPTION	COMMENTS
1	217/00051/00	Door Handle	
2	217/00013/09	Door Mounting Pin	
3	217/00013/14	Door Handle Spring	
4	217/00013/11	Door Circlip	
5	217/00013/12	Door Handle	
6	217/00051/13	Door Handle Catch	
7	217/00051/15	Door Locking Pin	
8	217/00051/00	Door Handle	
9	217/00013/08	Door Locking Pin	
10	217/00013/07	Door Locking Grip	
11	217/00013/05	Door Axle Roller	
12	217/00013/06	Door Roller	
13	217/00056/04	Locking Grip	
14	217/00013/03	Door Lock Spring	
15	217/00056/14	Door Handle	

Door Lock

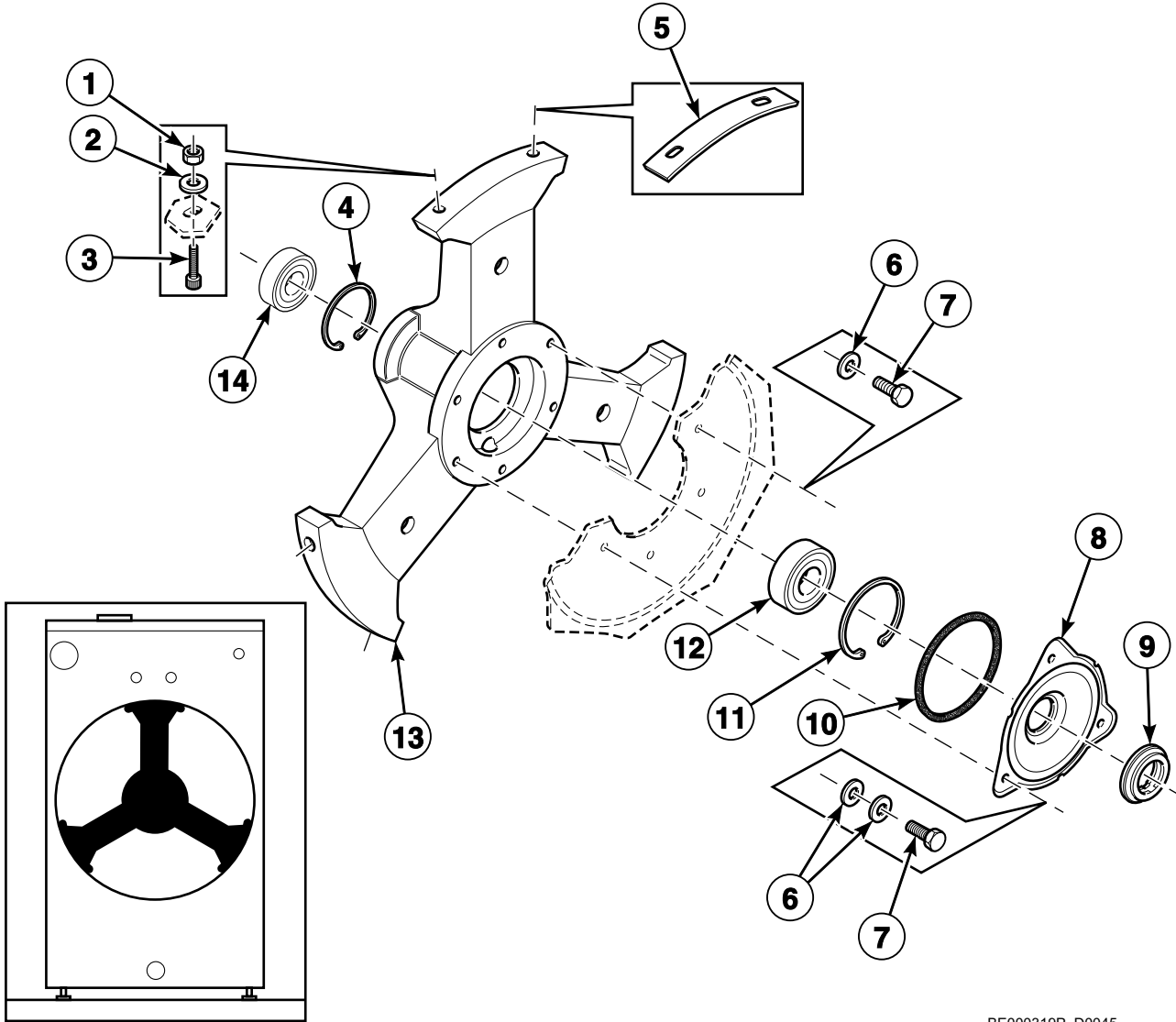


BE000112BP_D0045

Door Lock

REF	PART NO.	DESCRIPTION	COMMENTS
1	217/00052/01A	Door Lock Assembly	
	217/00052/00A	Door Lock Assembly	
2	217/00052/11	Door Lock Bracket	
3	205/00115/00	Bolt	
4	202/00101/00	Washer	
5	217/00017/03	Lock Shaft	
6	207/00009/00	Screw	
7	201/00018/00	Washer	
8	209/00273/00	Light Microswitch	
9	203/00007/00	Washer	
10	207/00135/00	Screw	
11	B12495102	Door Solenoid Assembly	
12	224/00049/00	Door Lock Spring	
13	201/00017/00	Washer	
14	201/00006/00	Washer	
15	204/00009/00	Nut	
16	224/00043/00	Interlock Coil Spring	
17	224/00015/00	Door Latch Cord	
18	217/00052/04	Interlock Lever	
19	217/00052/03	Door Lock Spacer	
20	217/00052/05	Switch Lever	
21	202/00124/00	Washer	
22	224/00040/00	Lever Spring	
23	117/00052/08	Lock Protection Plate	
24	210/10015/00	Ground Terminal	
25	204/00008/00	Nut	
26	205/00103/00	Bolt	
27	209/00272/00	Door Lock Microswitch	

Bearing Housing

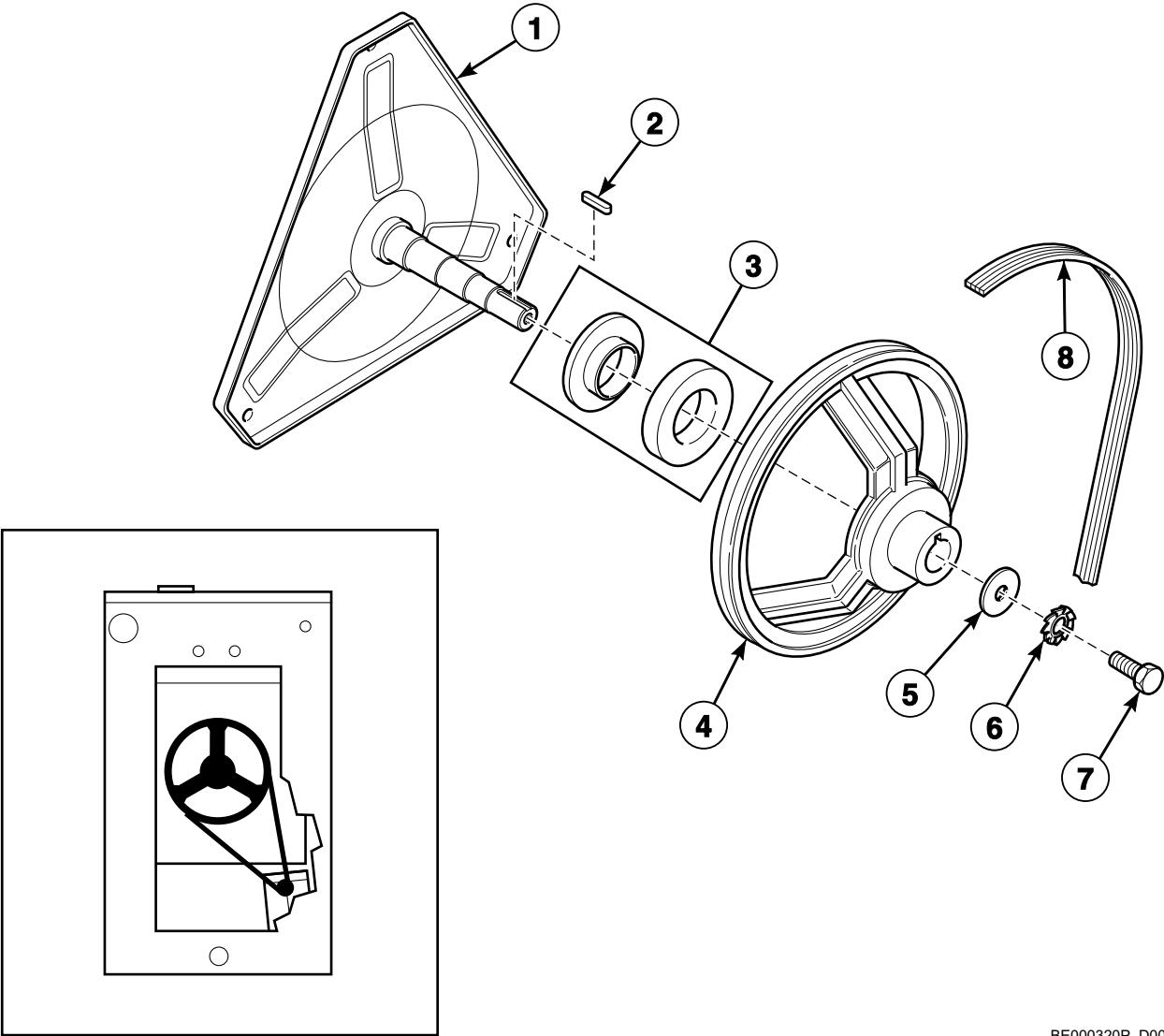


BE000319P_D0045

Bearing Housing

REF	PART NO.	DESCRIPTION	COMMENTS
1	204/00111/00	Nut	
2	201/00009/00	Washer	
3	206/00053/00	Screw	
4	252/00027/00	Retaining Ring	
5	117/00106/00	Bearing Housing Plate	
6	201/00201/00	Washer	
7	205/00102/00	Bolt	
8	117/00001/00	Seal Cover	
9	217/00003/00	Shaft Seal	
10	217/00002/00	O-Ring	
11	212/00028/00	Retaining Ring	
12	215/00001/03	Ball Bearing	
13	252/00021/00	Bearing Housing	
14	215/00001/12	Ball Bearing	

Pulley and Belt

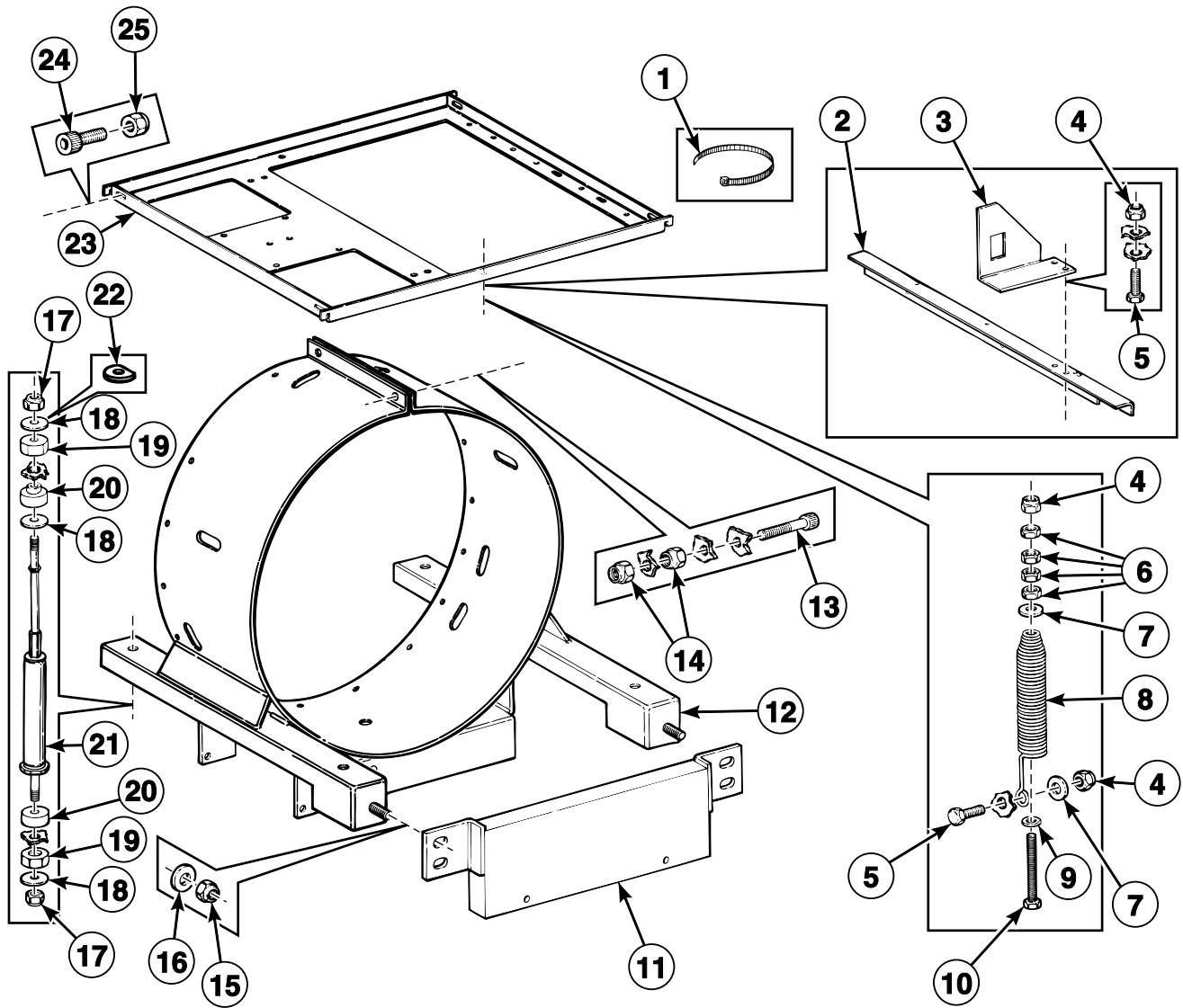


BE000320P_D0045

Pulley and Belt

REF	PART NO.	DESCRIPTION	COMMENTS
1	120/00017/20	Drum	
2	216/00007/00	Cylinder Shaft Key	
3	217/00004/00	Counter Ring	
4	252/00001/00	Pulley	
5	201/00003/00	Washer	
6	203/00001/00	Washer	
7	206/00003/00	Bolt	
8	252/00004/00	Belt	

Frame and Shock Absorbers

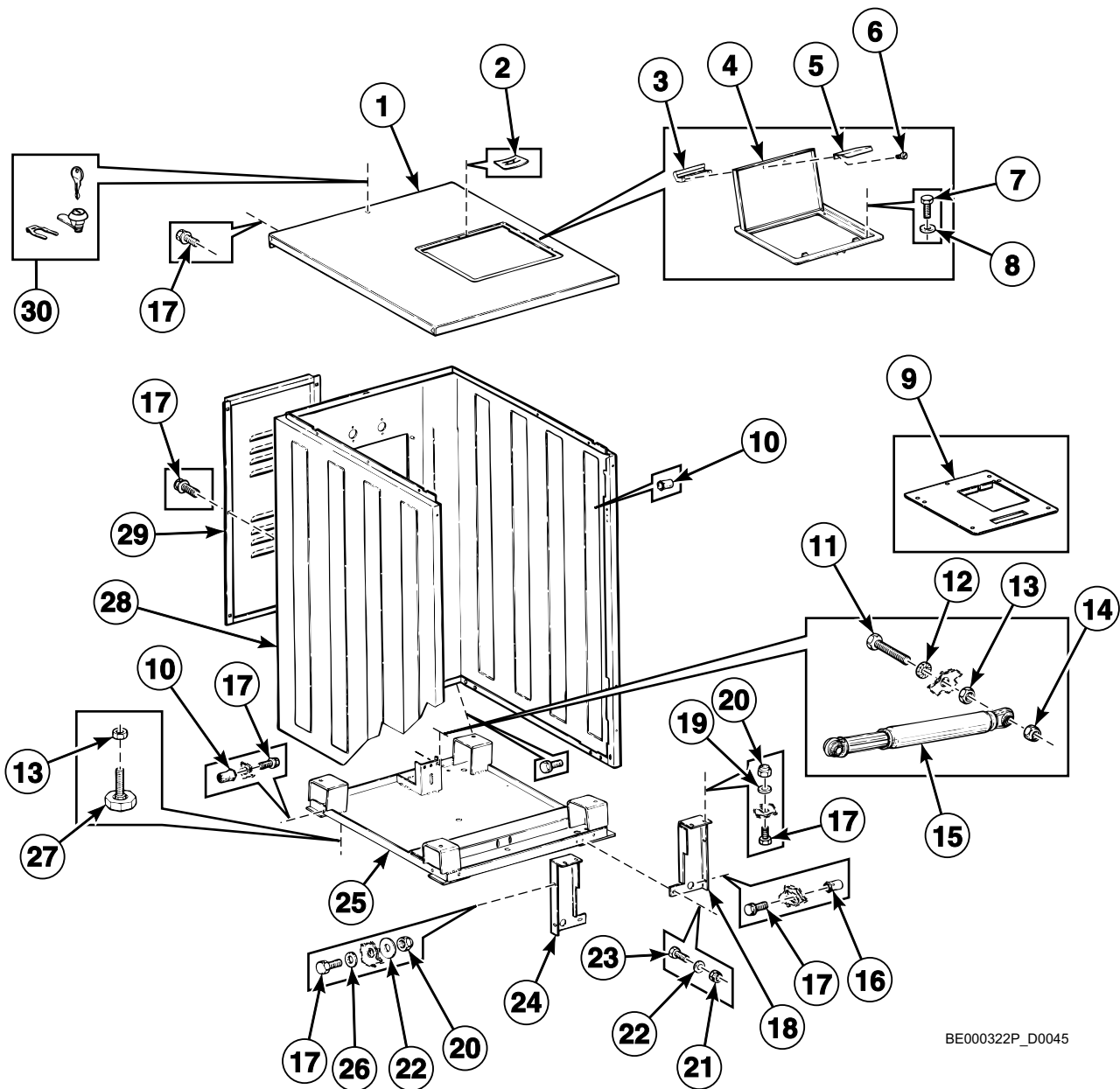


BE000321P_D0045

Frame and Shock Absorbers

REF	PART NO.	DESCRIPTION	COMMENTS
1	211/00088/00	Cable Tie	
2	152/00035/00	Bracket	
3	152/00034/00	Switch Frame	
4	204/00009/00	Nut	
5	206/00014/00	Bolt	
6	204/00005/00	Nut	
7	201/00007/00	Washer	
8	252/00022/00	Spring	
9	202/00003/00	Washer	
10	206/00011/00	Bolt	
11	152/00023/00	Counterweight	
12	152/00032/00	Bearing	
13	206/00111/00	Screw	
14	204/00111/00	Nut	
15	204/00112/00	Nut	
16	201/00012/00	Washer	
17	204/00110/00	Nut	
18	201/00015/00	Washer	
19	247/00007/00	Fastening Rubber	
20	247/00006/00	Fastening Rubber	
21	252/00019/00	Shock Absorber	
22	201/00020/00	Washer	
23	152/00002/00	Shell	
24	206/00081/00	Screw	
25	204/00109/00	Nut	

Base, Panels and Shock Absorbers

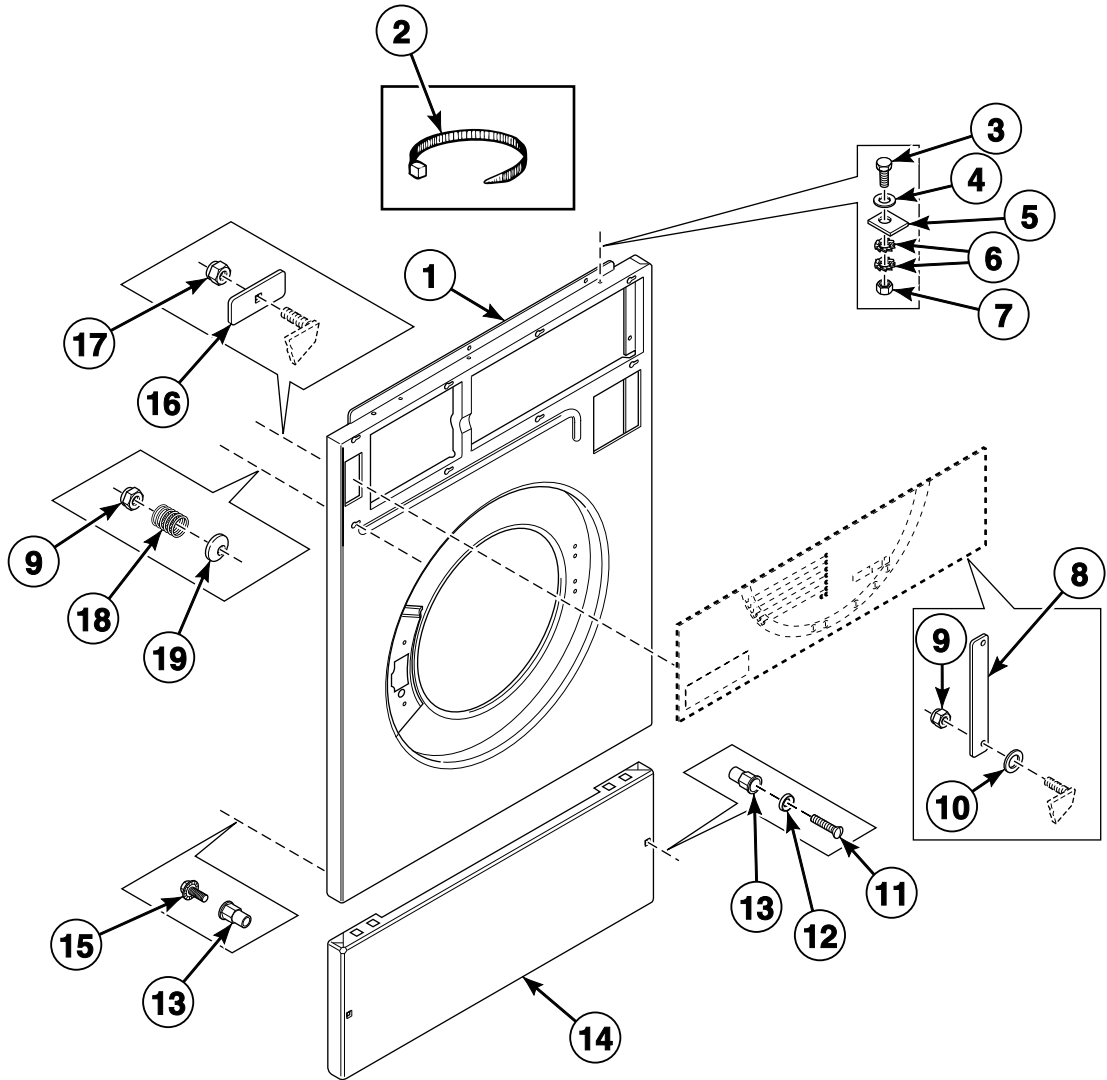


BE000322P_D0045

Base, Panels and Shock Absorbers

REF	PART NO.	DESCRIPTION	COMMENTS
1	111/55041/00	Top Panel	International
	111/55041/01	Top Panel	Domestic
2	208/00104/00	Nut	
3	223/00008/05	Soap Dispenser Cover Handle	
4	223/00103/01	Soap Dispenser Cover	
	123/00103/03	Soap Dispenser Cover Hinge	
	223/00103/03	Soap Dispenser Frame	
5	123/00103/04	Soap Box Assembly Plate	
6	207/00110/00	Screw	
7	205/00108/00	Bolt	
8	202/00101/00	Washer	
9	123/00103/02	Cover Plate	International
	123/00103/05	Soap Box Cover Plate	Domestic
10	204/00011/00	Nut	
11	206/00110/00	Bolt	
12	203/00002/00	Washer	
13	204/00003/00	Nut	
14	204/00110/00	Nut	
15	247/00005/00	Shock Absorber	
16	206/00011/00	Bolt	
17	206/00099/00	Bolt	
18	152/00015/00	Triangle Support	
19	201/00007/00	Washer	
20	204/00009/00	Nut	
21	204/00109/00	Nut	
22	202/00002/00	Washer	
23	206/00010/00	Bolt	
24	152/00014/00	Triangle Support	
25	152/00003/00	Base	
26	202/00003/00	Washer	
27	252/00006/00	Leveling Leg	
28	111/55051/00	Shell	
29	111/55021/01	Rear Panel	
30	211/10129/00	Top Panel Lock	

Front Panels (Drawing 1 of 2)

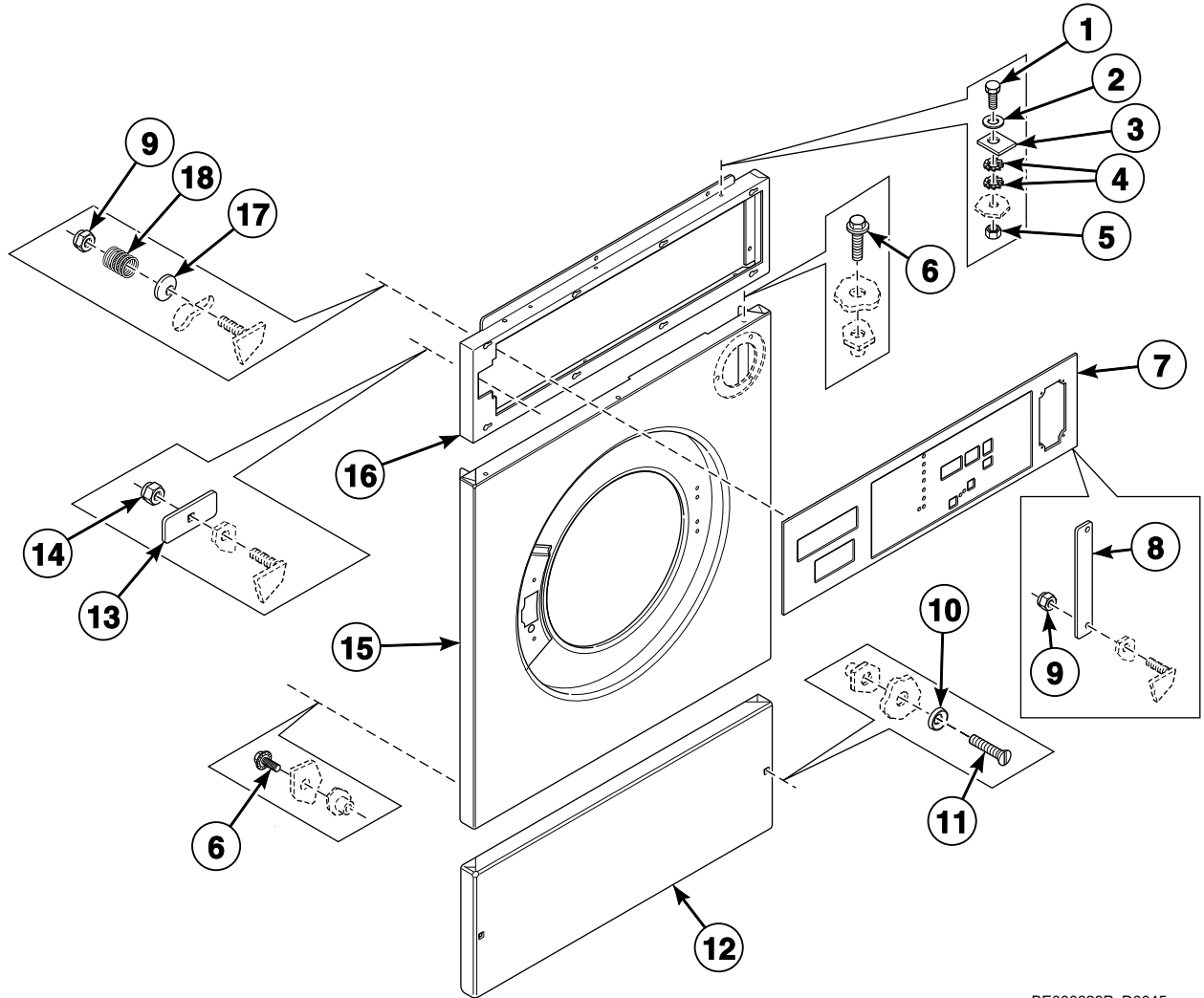


BE000323P_D0045

Front Panels (Drawing 1 of 2)

REF	PART NO.	DESCRIPTION	COMMENTS
1	111/55063/00	Front Panel	OPL
	111/55064/00	Front Panel	Coin
2	211/00088/00	Cable Tie	
3	205/00106/00	Bolt	
4	202/00103/00	Washer	
5	117/00042/00	Retaining Ring	
6	203/00005/00	Washer	
7	204/00115/00	Nut	
8	111/00208/00	Lock Plate	
9	204/00114/00	Nut	
10	202/00004/00	Washer	
11	207/00119/00	Screw	
12	208/00009/00	Washer	
13	204/00011/00	Nut	
14	111/55031/00	Lower Front Panel	
15	206/00099/00	Bolt	
16	111/00209/00	Locking Piece	
17	204/00009/00	Nut	
18	224/00047/00	Spring	
19	211/05101/00	Washer	

Front Panels (Drawing 2 of 2)

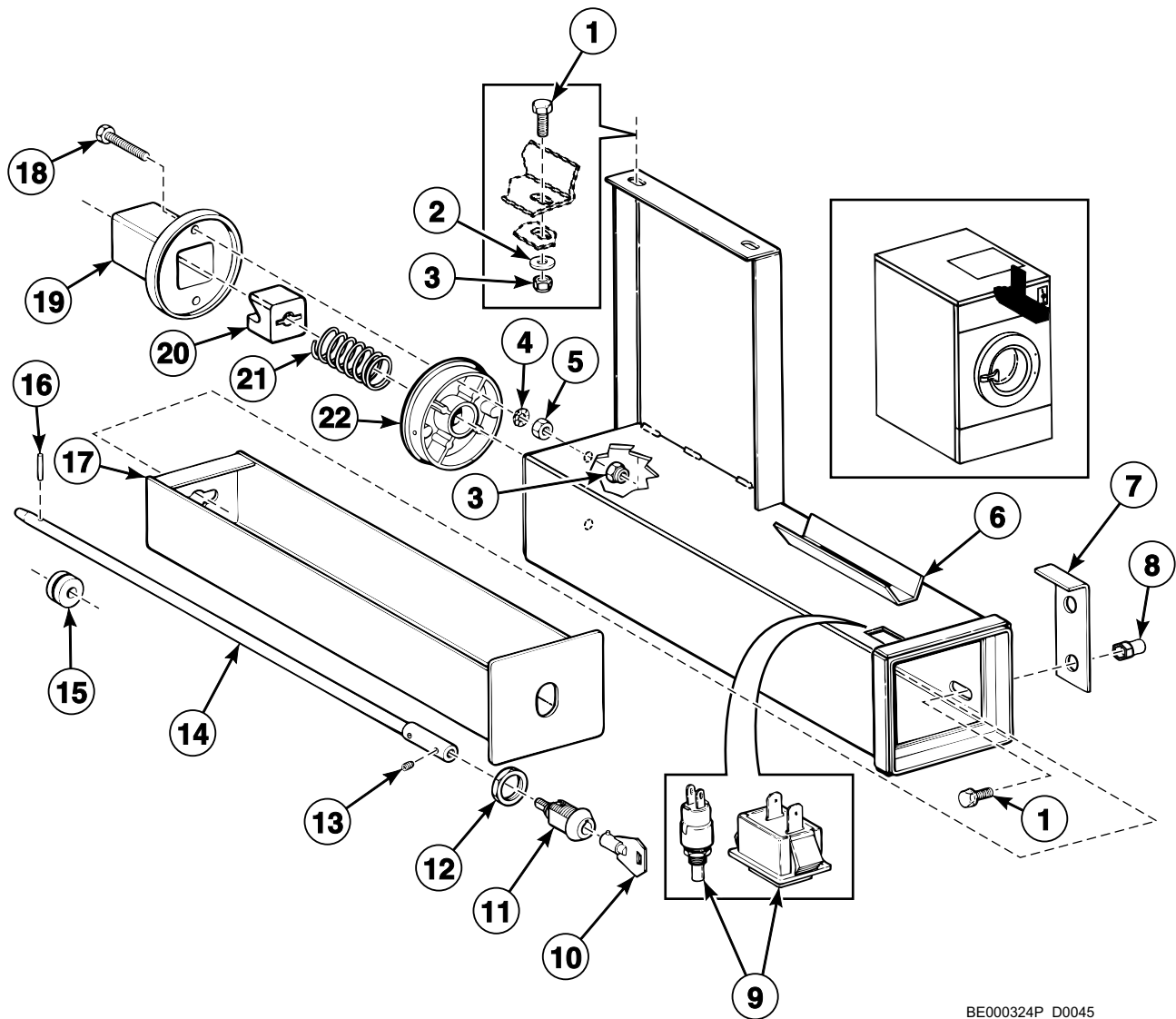


BE000328P_D0045

Front Panels (Drawing 2 of 2)

REF	PART NO.	DESCRIPTION	COMMENTS
1	205/00106/00	Bolt	
2	202/00103/00	Washer	
3	117/00042/00	Retaining Ring	
4	203/00005/00	Washer	
5	204/00115/00	Nut	
6	206/00099/00	Bolt	
7	225/00316/AOL	Front Panel	Coin
	225/00317/AOL	Front Panel	OPL
8	111/00208/00	Lock Plate	
9	204/00114/00	Nut	
10	208/00009/00	Washer	
11	207/00119/00	Screw	
12	111/55031/00	Lower Front Panel	Stainless steel
	111/55031/02	Panel	Epoxy
13	111/00209/00	Locking Piece	
14	204/00009/00	Nut	
15	111/55067/00	Lower Front Panel	Stainless steel; OPL
	111/55068/00	Lower Front Panel	Stainless steel; Coin
	111/55367/00	Lower Front Panel	Epoxy; OPL
	111/55368/00	Lower Front Panel	Epoxy; Coin
16	111/55066/00	Upper Front Panel	
17	211/05101/00	Washer	
18	224/00047/00	Spring	

Coin Vault - US Models

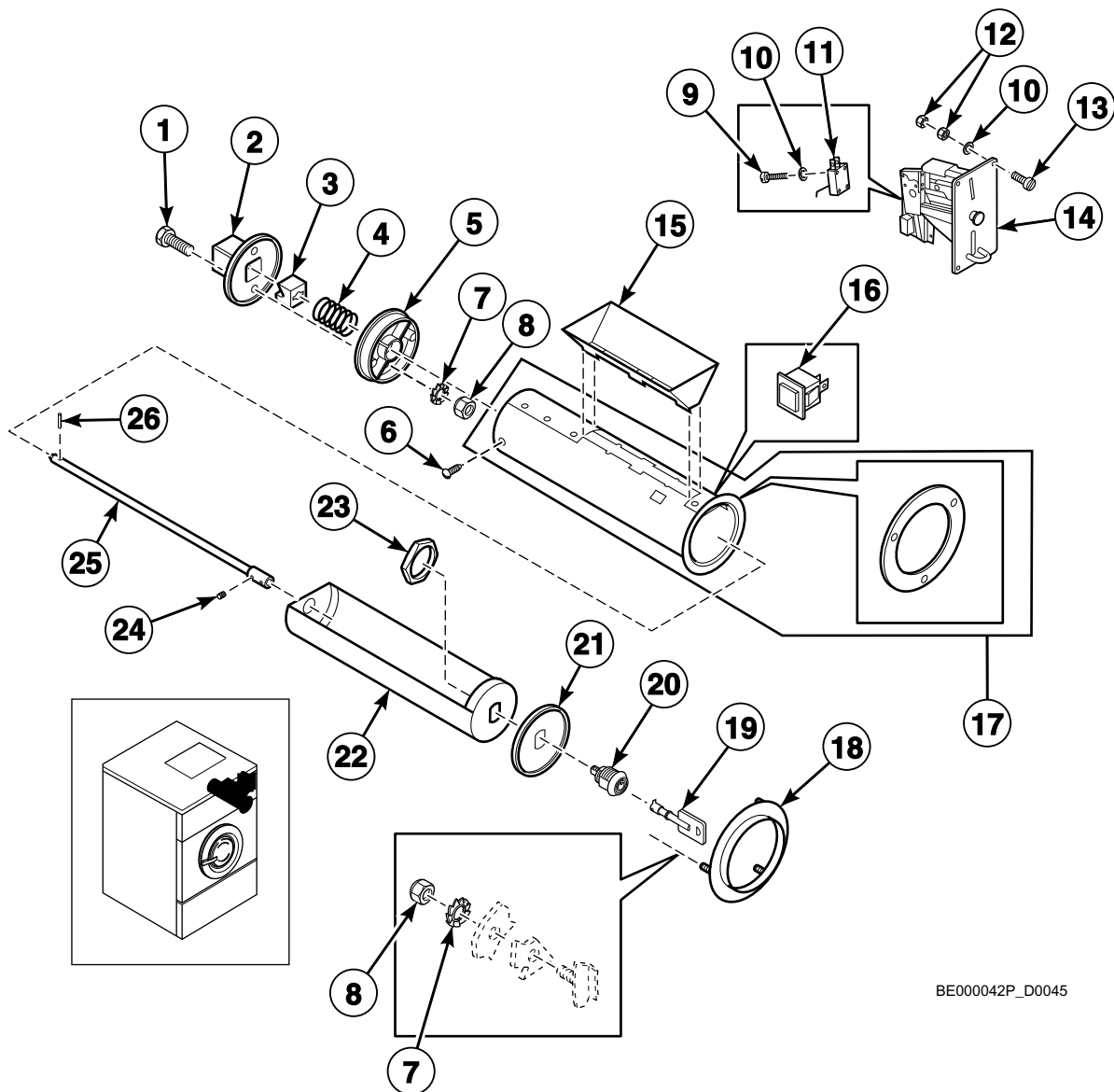


BE000324P_D0045

Coin Vault - US Models

REF	PART NO.	DESCRIPTION	COMMENTS
1	206/00099/00	Bolt	
2	201/00007/00	Washer	
3	204/00009/00	Nut	
4	203/00004/00	Washer	
5	204/00005/00	Nut	
6	152/00020/00	Outer Coin Box	1 coin
	152/00028/00	Outer Coin Box	2 coins
7	152/00027/00	Bolt	
8	204/00011/00	Nut	
9	209/00396/00	Pushbutton	
10	211/00065/02	Coin Box Key	
11	211/00065/00	Coin Box Lock	
12	211/00065/01	Nut	
13	206/00038/00	Screw	
14	111/00069/00	Spindle	
15	223/00163/00	Grommet	
16	208/00013/00	Roll Pin	
17	152/00008/00	Coin Box	
18	206/00086/00	Screw	
19	211/00070/01	Outer Cabinet Lock	
20	211/00070/02	Washer	
21	211/00070/04	Spring	
22	211/00070/03	Inner Coin Box	

Coin Vault - Non-US Models

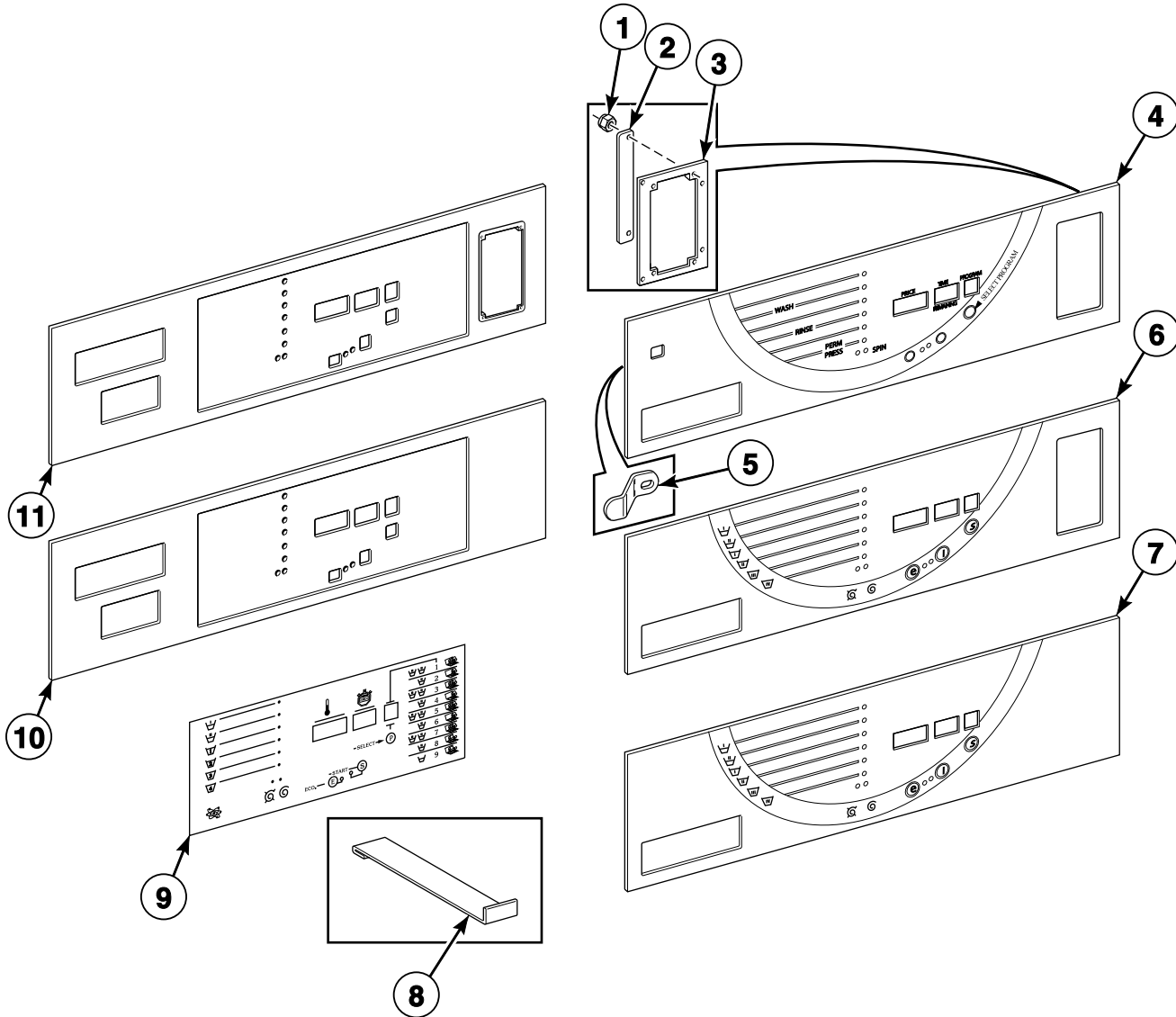


BE000042P_D0045

Coin Vault - Non-US Models

REF	PART NO.	DESCRIPTION	COMMENTS
1	206/00033/00	Bolt	
2	211/00070/01	Outer Cabinet Lock	
3	211/00070/02	Washer	
4	211/00070/04	Spring	
5	211/00070/03	Inner Coin Box	
6	208/00007/00	Screw	
7	203/00004/00	Washer	
8	204/00005/00	Nut	
9	207/00009/00	Screw	
10	203/00007/00	Washer	
11	209/00060/00	Coin Drop	
12	204/00008/00	Nut	
13	207/00108/00	Screw	
14	209/00305/00	Coin Meter	
15	211/00071/00	Coin Box	
16	209/00396/00	Pushbutton	
17	211/00100/00	Outer Coin Box	
18	111/00068/00	Front Plate	
19	211/00065/00	Coin Box Lock	
20	211/00065/02	Coin Box Key	
21	111/00066/00	Coin Box Ring	
22	211/00101/00	Coin Box	
23	211/00065/01	Nut	
24	111/00069/00	Spindle	
25	206/00038/00	Screw	
26	208/00013/00	Roll Pin	

Control Panel and Control Panel Decals

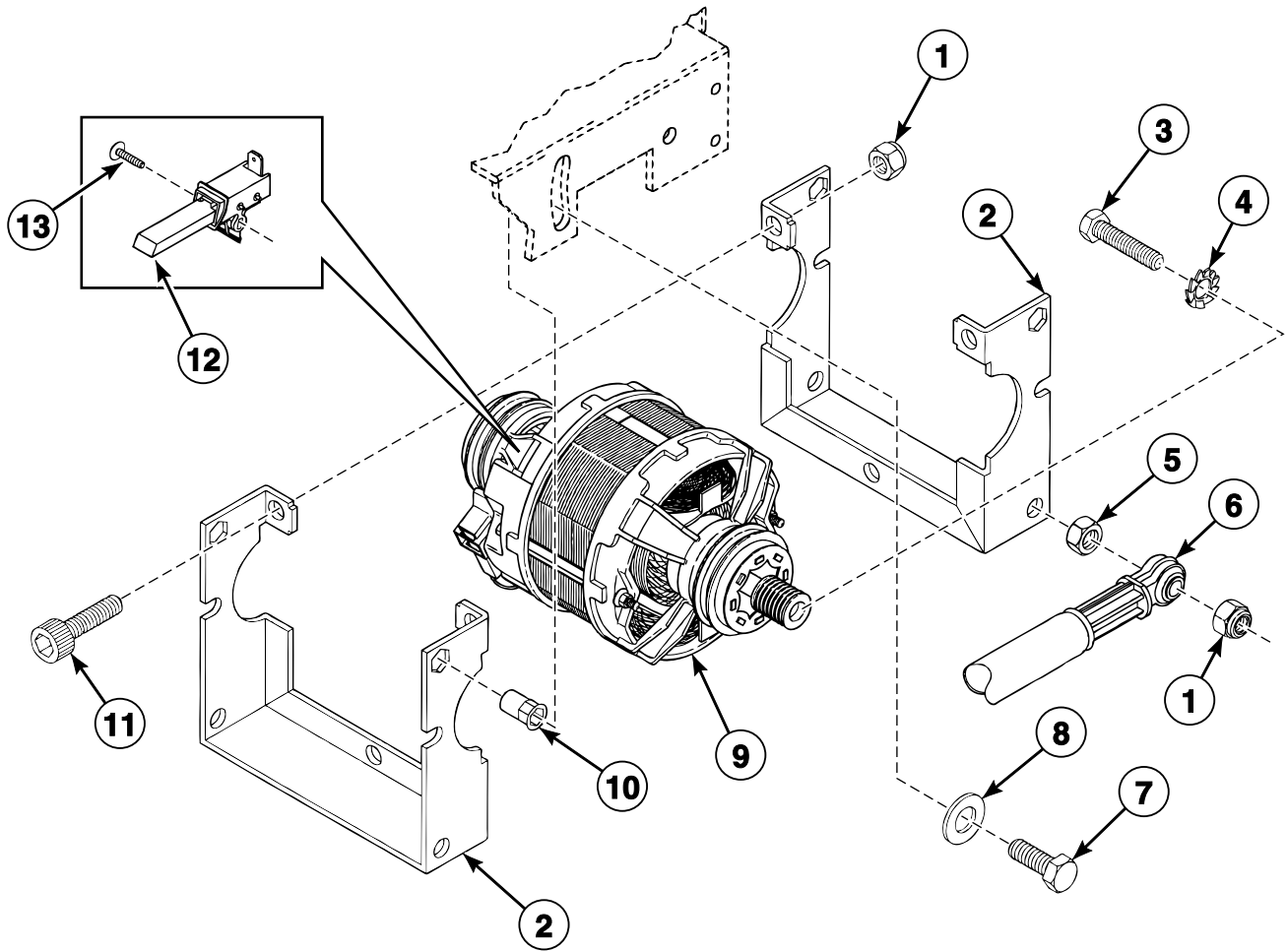


BE000325P_D0045

Control Panel and Control Panel Decals

REF	PART NO.	DESCRIPTION	COMMENTS
1	204/00114/00	Nut	
2	111/00208/00	Lock Plate	
3	111/00205/00	Coin Meter	
4	225/00383/00	Facia Panel	Home
5	111/05011/00	Lock Plate	
6	225/00281/00	Facia Panel	US coin
7	225/00282/00	Facia Panel	US OPL
8	152/00038/00	Panel Holder	
9	225/00312/00	Front Label	Non-US coin
	225/00313/00	Front Label	Non-US OPL
10	225/00317/AOL	Front Panel	Non-US OPL
11	225/00316/AOL	Front Panel	Non-US coin

Motor

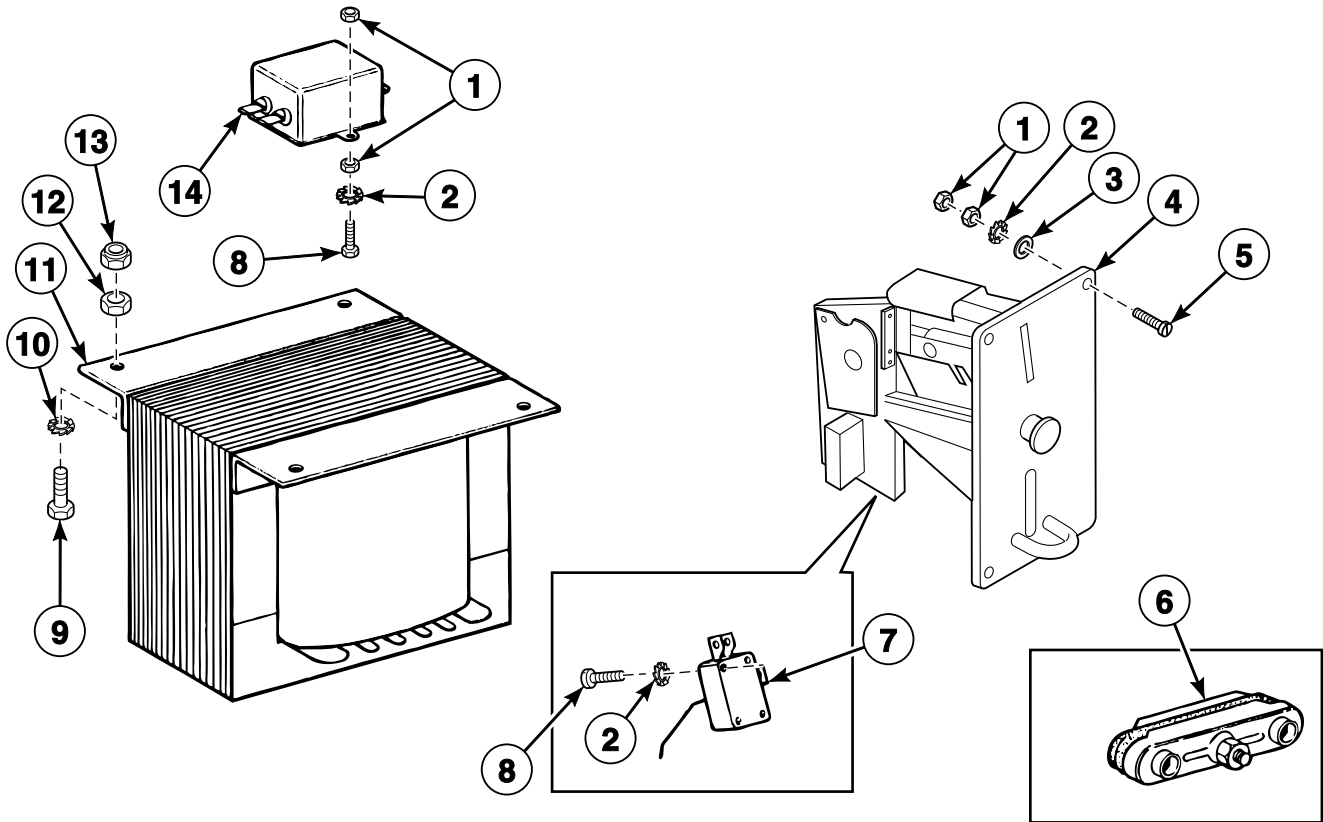


BE000330P_D0045

Motor

REF	PART NO.	DESCRIPTION	COMMENTS
1	204/00110/00	Nut	
2	152/00006/00	Clamp	
3	206/00110/00	Bolt	
4	203/00002/00	Washer	
5	204/00003/00	Nut	
6	247/00005/00	Shock Absorber	
7	206/00006/00	Bolt	
8	201/00010/00	Washer	
9	252/00002/00	Motor	
10	204/00120/00	Nut	
11	206/00085/00	Screw	
12	252/00002/01	Motor Block	
13	252/00002/02	Bolt	

Transformer, Coin Meter and Heating Element Plug

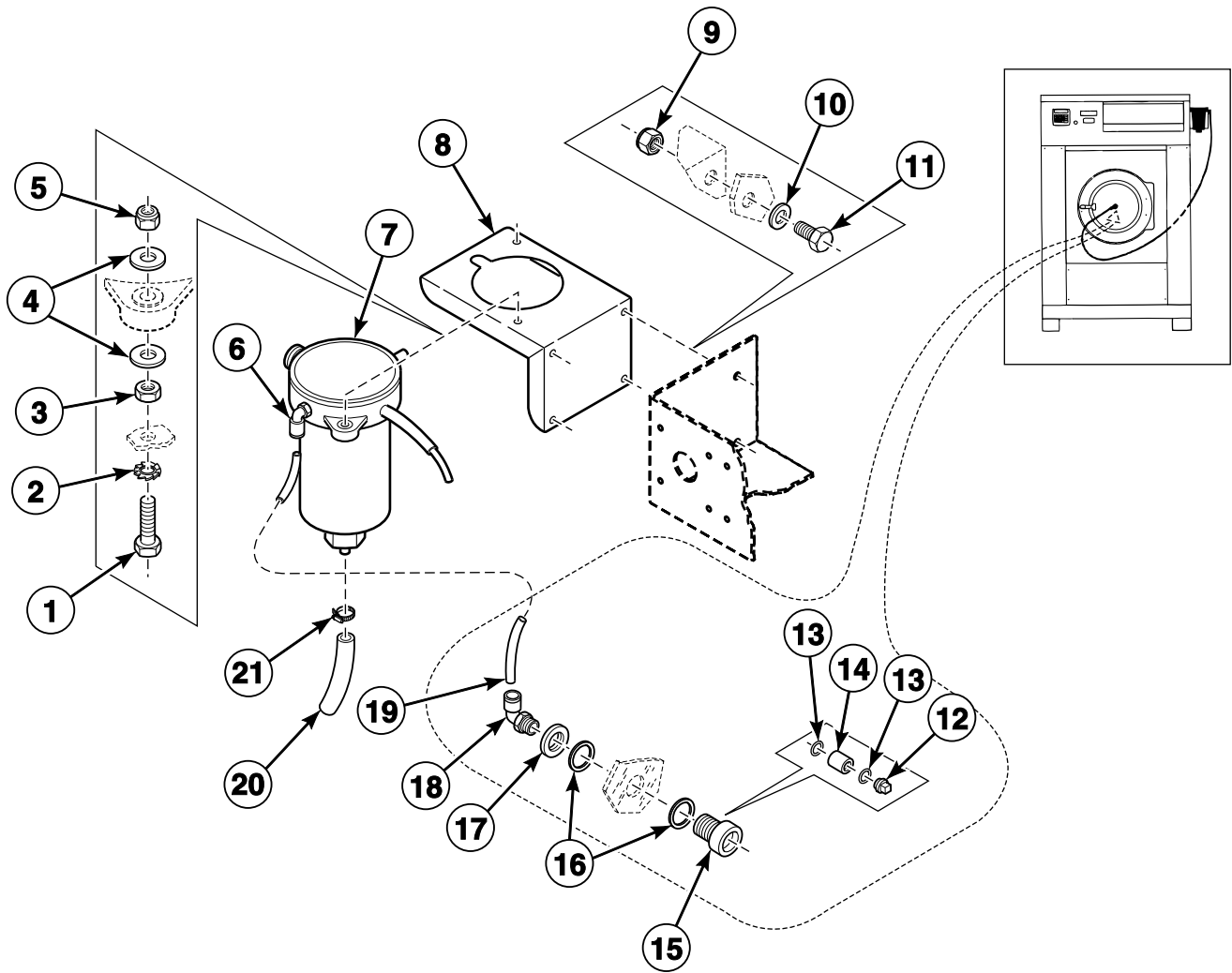


BE000327P_D0045

Transformer, Coin Meter and Heating Element Plug

REF	PART NO.	DESCRIPTION	COMMENTS
1	204/00008/00	Nut	
2	203/00007/00	Washer	
3	201/00018/00	Washer	
4	209/00060/00	Coin Drop	Token; 5K
	209/00061/00	Coin Meter	Token; 7K
	209/00068/00	Coin Meter	Token; 10K
	209/00069/00	Coin Meter	Token; 12K
	209/00070/00	Coin Meter	Token; 15K
	209/00063/00	Coin Meter	5 Bef or 1 FF Belgium: 5 franc; France: 1 franc
	209/00064/00	Coin Meter	Australia; .20
	209/00111/00	Coin Meter	USA; \$.25
	209/00117/00	Coin Meter	Belgium; 20 franc and 5 franc
	209/00156/00	Coin Meter	Token; Gettone
	209/00216/00	Coin Meter	Japan; 100 yen
	209/00237/00	Coin Meter	France; 10 new franc and 2 franc
	209/00238/00	Coin Meter	France; 5 franc and 2 franc
	209/00270/00	Coin Meter	France; 10 new franc and 1 franc
	209/00278/00	Coin Meter	Japan; 100 yen and 500 yen
	209/00289/00	Coin Meter	France; 10 new franc and 5 franc
	209/00305/00	Coin Meter	Belgium; 20 franc and 50 franc
	209/00364/00	Coin Meter	England; 1 pound and 20 pence
5	207/00109/00	Screw	
6	209/00196/00	Heating Element Plug	
7	209/00060/12	Coin Drop Microswitch	
8	207/00009/00	Screw	
9	206/00013/00	Bolt	
10	203/00004/00	Washer	
11	209/00325/00	Transformer	115 Volt/sec; 220 Volt
	209/00365/00	Transformer	200 Volt/sec; 230 Volt
	209/00366/00	Transformer	380-440 Volt/sec; 230 Volt
12	204/00005/00	Nut	
13	204/00009/00	Nut	
14	209/00367/00	Filter	

Liquid Supply Pump



BE000068P_D0045

Liquid Supply Pump

REF	PART NO.	DESCRIPTION	COMMENTS
1	205/00103/00	Bolt	
2	203/00004/00	Washer	
3	204/00106/00	Nut	
4	202/00101/00	Washer	
5	204/00009/00	Nut	
6	223/00181/00	Soap Injector Elbow Coupling	
7	209/00369/00	Liquid Soap Spray Pump	
8	111/10179/00	Spray Pump Mounting Plate	
9	204/00009/00	Nut	
10	201/00007/00	Washer	
11	205/00107/00	Bolt	
12	223/00178/00	Soap Injector Orifice	
13	223/00177/00	O-Ring	
14	211/00126/00	Soap Injector Orifice Nipple	
15	211/00127/00	Soap Injector Connector	
16	223/00176/00	O-Ring	
17	211/10106/00	Nut	
18	223/00182/00	Soap Injector Coupling	
19	223/00180/00	Soap Injector Hose	
20	223/00179/10	Pressure Hose	
21	211/00088/00	Cable Tie	

Parts Index

B

Ball Bearing	
215/00001/03	41
215/00001/12	41
Base	
152/00003/00	47
Bearing	
152/00032/00	45
Bearing Housing	
252/00021/00	41
Bearing Housing Plate	
117/00106/00	41
Belt	
252/00004/00	43
Bolt	
152/00027/00	53
205/00102/00	41
205/00103/00	39, 63
205/00106/00	49, 51
205/00107/00	33, 63
205/00108/00	47
205/00115/00	39
206/00003/00	43
206/00006/00	59
206/00010/00	47
206/00011/00	29, 45, 47
206/00013/00	17, 61
206/00014/00	45
206/00016/00	23
206/00027/00	21, 25
206/00032/00	29
206/00033/00	55
206/00068/00	7, 9
206/00088/00	15, 17
206/00099/00	7, 9, 31, 47, 49, 51, 53
206/00110/00	47, 59
207/00125/00	33
252/00002/02	59
Bracket	
152/00035/00	45

C

Cable Tie	
211/00088/00	15, 17, 45, 49, 63
Capacitor	
252/00017/00	15
Clamp	
152/00006/00	59
223/00009/00	9
238/00017/00	29
252/00024/00	17
Coil	
209/00051/21	11, 13
209/00052/21	11, 13
209/00203/21	11, 13
Coin Box	
152/00008/00	53
211/00071/00	55
211/00101/00	55

Coin Box Key	
211/00065/02	53, 55
Coin Box Lock	
211/00065/00	53, 55
Coin Box Ring	
111/00066/00	55
Coin Drop	
209/00060/00	55, 61
Coin Drop Microswitch	
209/00060/12	61
Coin Meter	
111/00205/00	57
209/00061/00	61
209/00063/00	61
209/00064/00	61
209/00068/00	61
209/00069/00	61
209/00070/00	61
209/00111/00	61
209/00117/00	61
209/00156/00	61
209/00216/00	61
209/00237/00	61
209/00238/00	61
209/00270/00	61
209/00278/00	61
209/00289/00	61
209/00305/00	55, 61
209/00364/00	61
Contactactor	
209/00041/03	17
Cordlock	
211/00117/00	15
211/00118/00	15
Counter Ring	
217/00004/00	43
Counterweight	
152/00023/00	45
Cover Plate	
123/00103/02	47
Cylinder and Trunnion Assembly	
121/10027/00	29
Cylinder Shaft Key	
216/00007/00	43

D

Door Axle Roller	
217/00013/05	35, 37
Door Boot	
223/00122/00	29
Door Circlip	
217/00013/11	35, 37
Door Frame	
118/00046/10	33
Door Glass	
217/00022/00	33
Door Glass Seal	
217/00015/00	33
Door Handle	
217/00013/12	35, 37

N/A items do not appear in index.

217/00051/00	33, 35, 37
217/00056/14	37
Door Handle Assembly Plate	
217/00013/16	35
Door Handle Catch	
217/00051/13	37
Door Handle Hook	
217/00013/13	35
Door Handle Latch	
217/00013/04	35
217/00051/14	35
Door Handle Locking Pin	
217/00013/15	35
Door Handle Spring	
217/00013/14	35, 37
Door Handle Stop	
217/00016/00	33
Door Hinge	
221/00005/00	33
Door Hinge Assembly	
217/00009/02	33
Door Hinge Plate Assembly	
118/00065/00	33
Door Hinge Spacer	
117/00010/00	33
117/00011/00	33
Door Latch Cord	
224/00015/00	39
Door Lock Assembly	
217/00052/00A.....	39
217/00052/01A.....	39
Door Lock Bracket	
217/00052/11	39
Door Lock Microswitch	
209/00272/00	39
Door Lock Pin Kit	
211/00109/01	33
Door Lock Spacer	
217/00052/03	39
Door Lock Spring	
217/00013/03	35, 37
224/00049/00	39
Door Locking Grip	
217/00013/07	35, 37
Door Locking Pin	
217/00013/08	35, 37
217/00051/15	37
Door Mounting Pin	
217/00013/09	35, 37
Door Roller	
217/00013/06	35, 37
Door Solenoid Assembly	
B12495102.....	39
Drain Housing Gasket	
209/00025/02	11, 13
Drain Pipe	
223/00105/00	7, 9
Drain Pipe Kit	
223/00157/01	9
223/00157/02	9
Drain Pump	
209/00473/00	9
Drain Valve	
209/00256/00	7

N/A items do not appear in index.

Drain Valve Motor	
209/00051/11	11
209/00052/11	11
209/00052/12	13
209/00203/11	11
209/00203/12	13
Drain Valve Motor Assembly	
209/00170/06	13
Drain Valve Motor Mounting Plate	
209/00025/07	11, 13
Drain Valve Shaft Seal	
209/00025/10	11, 13
Drain Valve Spring	
209/00025/03	11, 13
209/00025/13	11
209/00170/02	13
Drum	
120/00017/20	43

E

Eprom	
209/00266/01	17
209/00266/02	17
Exhaust Valve	
209/00292/00	7

F

Facia Panel	
225/00281/00	57
225/00282/00	57
225/00383/00	57
Fastening Rubber	
247/00006/00	45
247/00007/00	45
Filter	
209/00367/00	61
252/00032/00	15
Front Label	
225/00312/00	57
225/00313/00	57
Front Panel	
111/55063/00	49
111/55064/00	49
225/00316/AOL	51, 57
225/00317/AOL	51, 57
Front Panel Gasket Kit	
217/00006/00	29
Front Plate	
111/00068/00	55
Fuse	
209/00336/02	17
209/00372/01	17
209/00412/00	19

G

Grommet	
223/00163/00	53

Ground Terminal	
210/10015/00	39

H

Hanging Drain Pump	
209/00560/00	9
Heating Element	
209/00024/01	29
209/00049/01	29
209/00116/01	29
Heating Element Plug	
209/00196/00	61
Hose	
223/00115/00	27
223/00172/00	17
Hose Barb	
223/00016/00	17
Hose Clamp	
223/00010/00	21, 23, 25, 27
223/00011/00	9, 17
223/00012/00	9
223/00013/00	7
223/00014/00	7, 9, 27
223/00023/00	27

I

Inlet Valve, 2-Way	
B12519501	23
209/00110/00	25
Inlet Valve, 3-Way	
209/00277/00	25
Inner Coin Box	
211/00070/03	53, 55
Interlock Coil Spring	
224/00043/00	39
Interlock Lever	
217/00052/04	39

L

Level Switch Elbow	
223/00015/00	17
Leveling Leg	
252/00006/00	47
Lever Spring	
224/00040/00	39
Light Microswitch	
209/00273/00	39
Liquid Soap Dispenser Insert	
223/00102/08	27
Liquid Soap Spray Pump	
209/00369/00	63
Lock Plate	
111/00208/00	49, 51, 57
111/05011/00	57
Lock Protection Plate	
117/00052/08	39
Lock Shaft	
217/00017/03	39

Locking Grip	
217/00056/04	37
Locking Piece	
111/00209/00	49, 51
Lower Front Panel	
111/55031/00	49, 51
111/55067/00	51
111/55068/00	51
111/55367/00	51
111/55368/00	51

M

Microprocessor	
209/00405/00	17
209/00405/02	17
Motor	
252/00002/00	59
Motor Block	
252/00002/01	59
Motor Control Printboard	
252/00036/00	17, 19

N

Nut	
204/00003/00	47, 59
204/00004/00	15
204/00005/00	15, 17, 45, 53, 55, 61
204/00006/00	23
204/00007/00	15, 17
204/00008/00	17, 39, 55, 61
204/00009/00	7, 9, 15, 29, 39, 45, 47, 49, 51, 53, 61, 63
204/00011/00	15, 47, 49, 53
204/00103/00	33
204/00106/00	33, 63
204/00109/00	7, 9, 45, 47
204/00110/00	45, 47, 59
204/00111/00	41, 45
204/00112/00	45
204/00114/00	49, 51, 57
204/00115/00	49, 51
204/00116/00	17
204/00120/00	59
208/00104/00	47
211/00065/01	53, 55
211/10106/00	63

O

O-Ring	
217/00002/00	41
223/00176/00	63
223/00177/00	63
Outer Cabinet Lock	
211/00070/01	53, 55
Outer Coin Box	
152/00020/00	53
152/00028/00	53
211/00100/00	55
Outlet Pipe Plate Assembly	
101/00007/00	7, 9

N/A items do not appear in index.

Out-of-Balance Switch	
209/00255/00	17
Overflow Cap	
223/00158/00	9
Overflow Pipe	
223/00084/00	7

P

Panel	
111/55031/02	51
Panel Holder	
152/00038/00	57
Pipe	
223/00159/00	9
252/00026/00	17
Plate Pump Assembly	
152/00019/00	9
Pressure Hose	
223/00179/10	63
Pressure Switch	
209/00007/30	17
Printboard	
209/00372/00	17
Printhead	
252/00025/00	17
Protection Plate	
152/00011/00	17
Pulley	
252/00001/00	43
Pushbutton	
209/00396/00	53, 55

R

Rear Panel	
111/55021/01	47
Retaining Ring	
117/00042/00	49, 51
212/00028/00	41
252/00027/00	41
Rinse Insert	
223/00102/03	27
Roll Pin	
208/00013/00	53, 55

S

Screw	
B12347501	27
B12500801	33
206/00038/00	53, 55
206/00053/00	41
206/00081/00	45
206/00085/00	59
206/00086/00	15, 53
206/00111/00	45
207/00009/00	39, 55, 61
207/00014/00	17
207/00018/00	17
207/00108/00	55

207/00109/00	61
207/00110/00	47
207/00119/00	49, 51
207/00126/00	33
207/00135/00	39
208/00007/00	55
209/00025/06	11, 13
209/00025/08	11, 13
209/00025/09	11, 13
209/00170/05	11, 13
Seal Cover	
117/00001/00	41
Sealing Plate Assembly	
209/00025/16	11, 13
Shaft Seal	
217/00003/00	41
Shell	
111/55051/00	47
152/00002/00	45
Shock Absorber	
247/00005/00	47, 59
252/00019/00	45
Soap Box Assembly Plate	
123/00103/04	47
123/00103/06	27
Soap Box Cover Plate	
123/00103/05	47
Soap Dispenser Assembly	
223/00102/	27
223/00102/30	27
Soap Dispenser Cover	
223/00103/01	47
Soap Dispenser Cover Handle	
223/00008/05	47
Soap Dispenser Cover Hinge	
123/00103/03	47
Soap Dispenser Frame	
223/00103/03	47
Soap Dispenser Gasket	
223/00109/00	27
Soap Dispenser Rinse Siphon	
223/00102/04	27
Soap Injector Connector	
211/00127/00	63
Soap Injector Coupling	
223/00182/00	63
Soap Injector Elbow Coupling	
223/00181/00	63
Soap Injector Hose	
223/00180/00	63
Soap Injector Orifice	
223/00178/00	63
Soap Injector Orifice Nipple	
211/00126/00	63
Soap Spray Nozzle	
223/00102/06	27
Softener Spray Nozzle	
223/00102/05	27
Spacer	
211/00107/00	17
Spindle	
111/00069/00	53, 55
Spray Pump Mounting Plate	
111/10179/00	63

N/A items do not appear in index.

Spring	
211/00070/04	53, 55
224/00047/00	49, 51
252/00022/00	45
Steam Connection Plate	
118/00063/01	31
Steam Hose	
217/00025/00	31
Steam Hose Connector	
118/00063/00	31
Steam Injector	
118/00105/06	31
Stopper	
223/00162/00	9
Switch Frame	
152/00034/00	45
Switch Lever	
217/00052/05	39
Switch Support	
152/00036/00	17

T

Temperature Sensor	
209/00405/01	17
Terminal Block	
209/00005/00	15
Thermostat Seal	
225/10004/00	17
Top Panel	
111/55041/00	47
111/55041/01	47
Top Panel Lock	
211/10129/00	47
Transformer	
209/00325/00	61
209/00365/00	61
209/00366/00	61
Triangle Support	
152/00014/00	47
152/00015/00	47
Tub	
118/00111/00	29
118/00112/00	29
118/00114/00	29
118/00116/00	29
Tub Drain Pump	
223/00156/00	9
Tub Drain Valve	
223/00129/00	7
Tub Front Panel	
118/00054/03	29
Tub Front Panel Clip	
217/00008/00	29
Tub Front Ring Clamp	
217/00007/00	29

U

Upper Front Panel	
111/55066/00	51

V

Valve	
209/00256/01	11, 13
209/00256/05	11, 13
209/00398/00	21
Valve Axle	
209/00025/15	11, 13
Valve Drain Cover	
152/00013/00	7
Valve Exhaust	
223/00152/00	7
Vent Hose	
223/00107/02	27
223/00107/03	27

W

Washer	
201/00003/00	43
201/00006/00	39
201/00007/00	7, 9, 45, 47, 53, 63
201/00009/00	41
201/00010/00	59
201/00012/00	45
201/00015/00	45
201/00017/00	39
201/00018/00	39, 61
201/00020/00	45
201/00201/00	41
202/00002/00	7, 9, 47
202/00003/00	15, 29, 45, 47
202/00004/00	49
202/00101/00	33, 39, 47, 63
202/00103/00	49, 51
202/00104/00	33
202/00108/00	33
202/00111/00	33
202/00124/00	39
203/00001/00	43
203/00002/00	47, 59
203/00003/00	15
203/00004/00	15, 53, 55, 61, 63
203/00005/00	23, 49, 51
203/00006/00	17
203/00007/00	17, 39, 55, 61
208/00009/00	49, 51
209/00025/12	11, 13
211/00070/02	53, 55
211/05101/00	49, 51
223/00123/00	17
Water Hose	
223/00044/00	21, 23, 25
223/00044/01	27
Water Inlet Tee	
223/00041/00	21, 23

N/A items do not appear in index.

