

Drying Tumblers

Stacked 75 Pound Capacity

Refer to Page 3 for Model Numbers

Parts



www.alliancelaundry.com

Part No. D0896R3
January 2014

Table of Contents

Title	Page
Parts Ordering Information.....	2
Serial Plate Location	2
Model Identification	3
Timer Control Panel Assembly	4
DMPC Control Panel Assembly	6
DMP Control Panel Assembly.....	8
DX3C Control Panel Assembly	10
Front Panel and Door Assembly - OPL.....	12
Front Panel Assembly with Reed Switch - OPL.....	14
Front Panel Assembly with Reed Switch - Coin.....	16
Front View - Upper.....	18
Front View - Lower.....	20
Rear View - Top	22
Rear View - Bottom.....	24
Exhaust Duct Assembly	26
Air Switch Assembly	28
Small Gear Reducer	30
Thermostat Assembly	32
Thermostat Assembly - ESA-00961-0	34
Motor Control Box Assembly	36
Gas Heating Assembly	38
Parts Index.....	41

© Copyright 2014, Alliance Laundry Systems LLC

All rights reserved. No part of the contents of this book may be reproduced or transmitted in any form or by any means without the expressed written consent of the publisher.

Parts Ordering Information

If literature or replacement parts are required, contact the source from whom the machine was purchased or contact Alliance Laundry Systems at (920) 748-3950 for the name and address of the nearest authorized parts distributor.

For technical assistance, call either of the numbers listed below:

(920) 748-3121 Ripon, Wisconsin

+32 56 41 20 54 Wevelgem, Belgium

Serial Plate Location

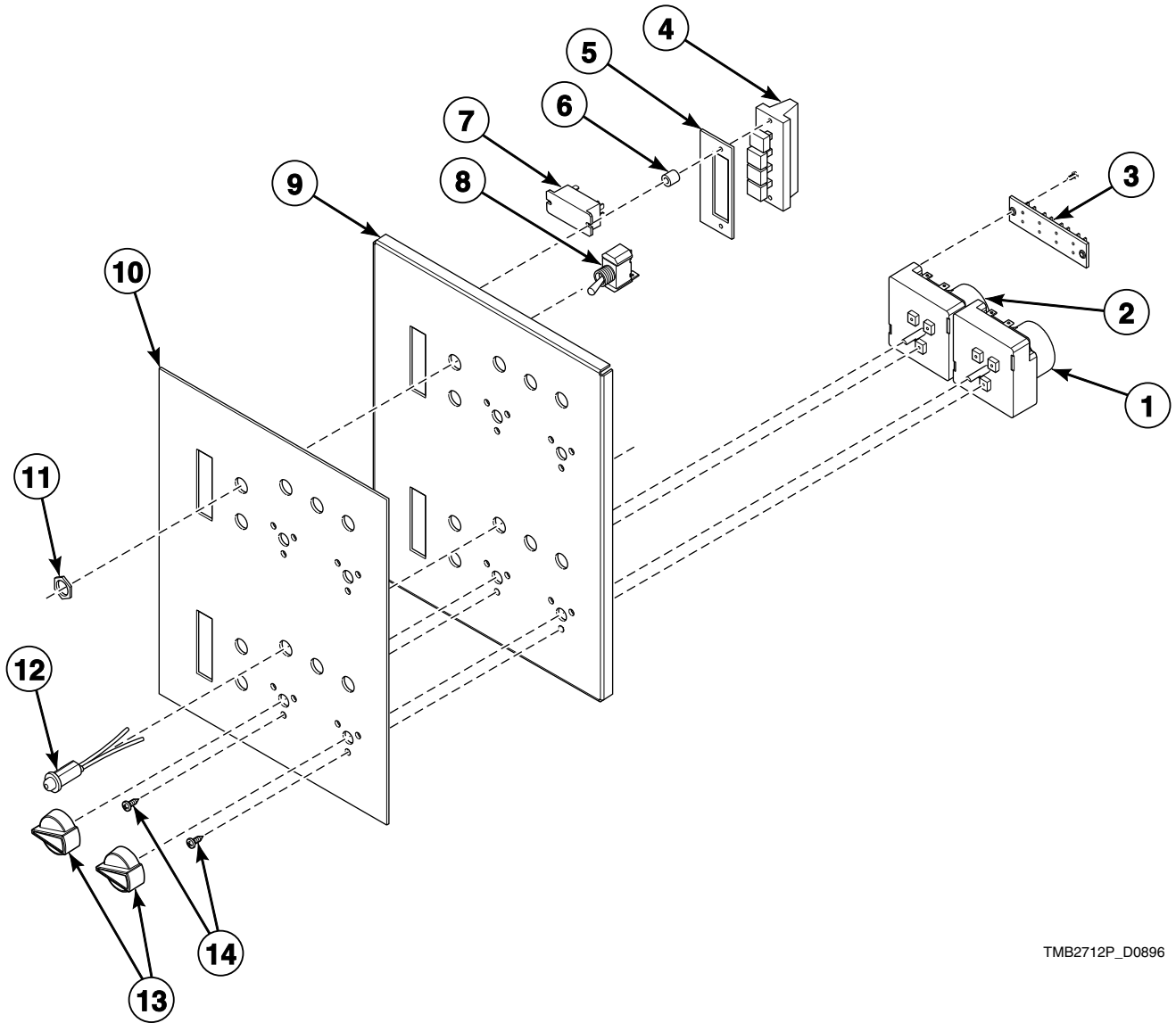
When calling or writing about your product, be sure to mention model and serial numbers. Model and serial numbers are located on nameplate(s).

Model Identification

Information in this manual is applicable to these tumbler models:

HD75ST

Timer Control Panel Assembly



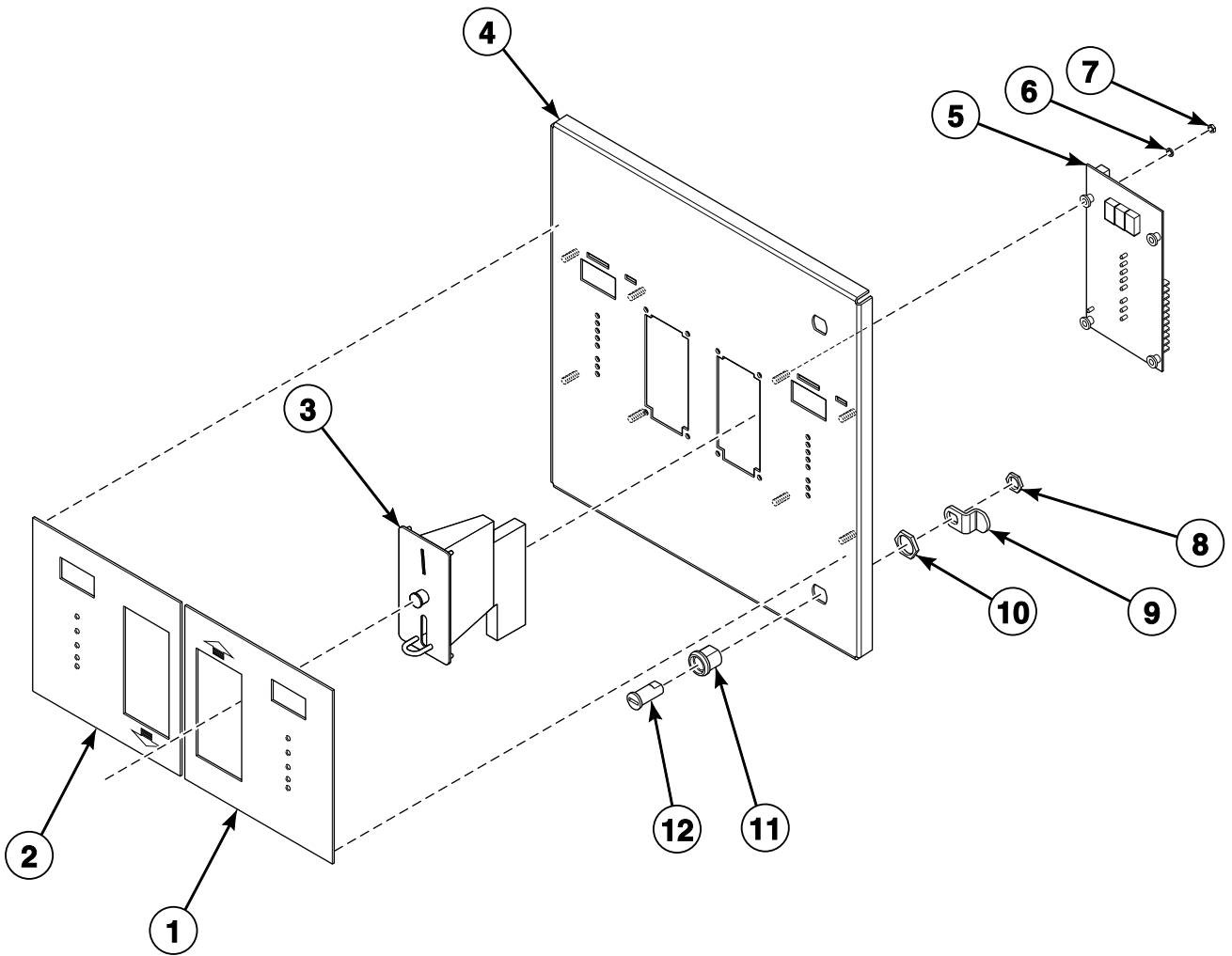
TMB2712P_D0896

Timer Control Panel Assembly

REF	PART NO.	DESCRIPTION	COMMENTS
	SV136	Screw	No. 6-32 x 15/16 inch round head
	TU3400	Nut	No. 6-32; Hex
1	TU12933P	Timer	15 minute; 24 Volt
2	TU12932P	Timer	60 minute; 24 Volt
3	TU8629	Terminal Board	
4	N/A	Push Button Switch	4-Pole
5	TUT191A	Pushbutton Switch Plate	
6	F943	Spacer	
7	F1300P	Relay	
8	FG147P	Toggle Switch	
9	N/A	Control Panel	Complete
10	N/A	Name Plate	
11	TU3805	Nut	Lock ring
12	TUT316	LED Light Assembly	24 Volt; Red
13	N/A	Knob	
14	TU7733	Screw	No. 8-18 x 1/2 inch self-drill S.M.S.; Package of 6

N/A = Part no longer available

DMPC Control Panel Assembly



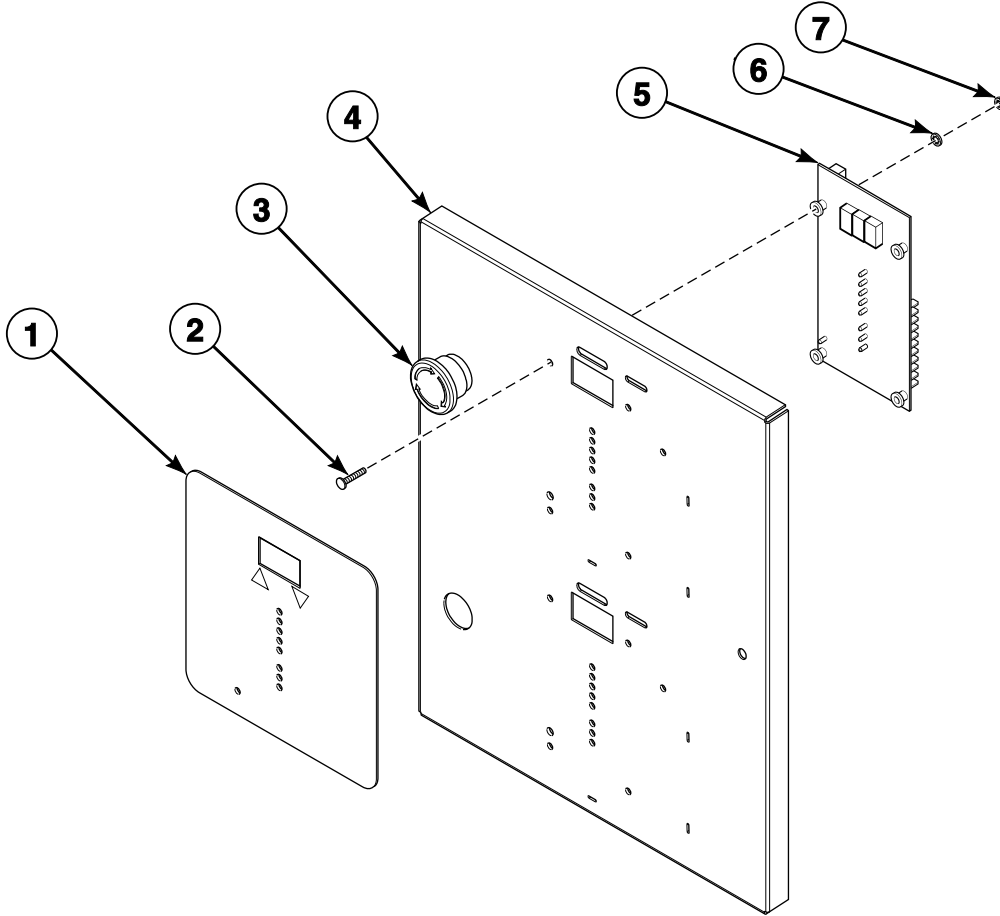
TMB2713P_D0896

DMPC Control Panel Assembly

REF	PART NO.	DESCRIPTION	COMMENTS
1	TU14451	Overlay	DMP; Coin; Right; Upper
2	44039401	Membrane Switch	DMP; Coin; Left; Lower
3	44039701P	Coin Drop Assembly	Hanke
4	TU14800	Control Box Door	
5	TU14404P	Controller	OPL; Coin
6	M270	Washer	No. 6; Internal tooth
7	TU3400	Nut	No. 6-32; Hex
8	N/A	Nut	3186; Lock cylinder
9	N/A	Lock Cam	3186
10	N/A	Nut	Body; 3186; Lock
11	N/A	Lock Body	3186
12	N/A	Lock Cylinder	3186

N/A = Part no longer available

DMP Control Panel Assembly



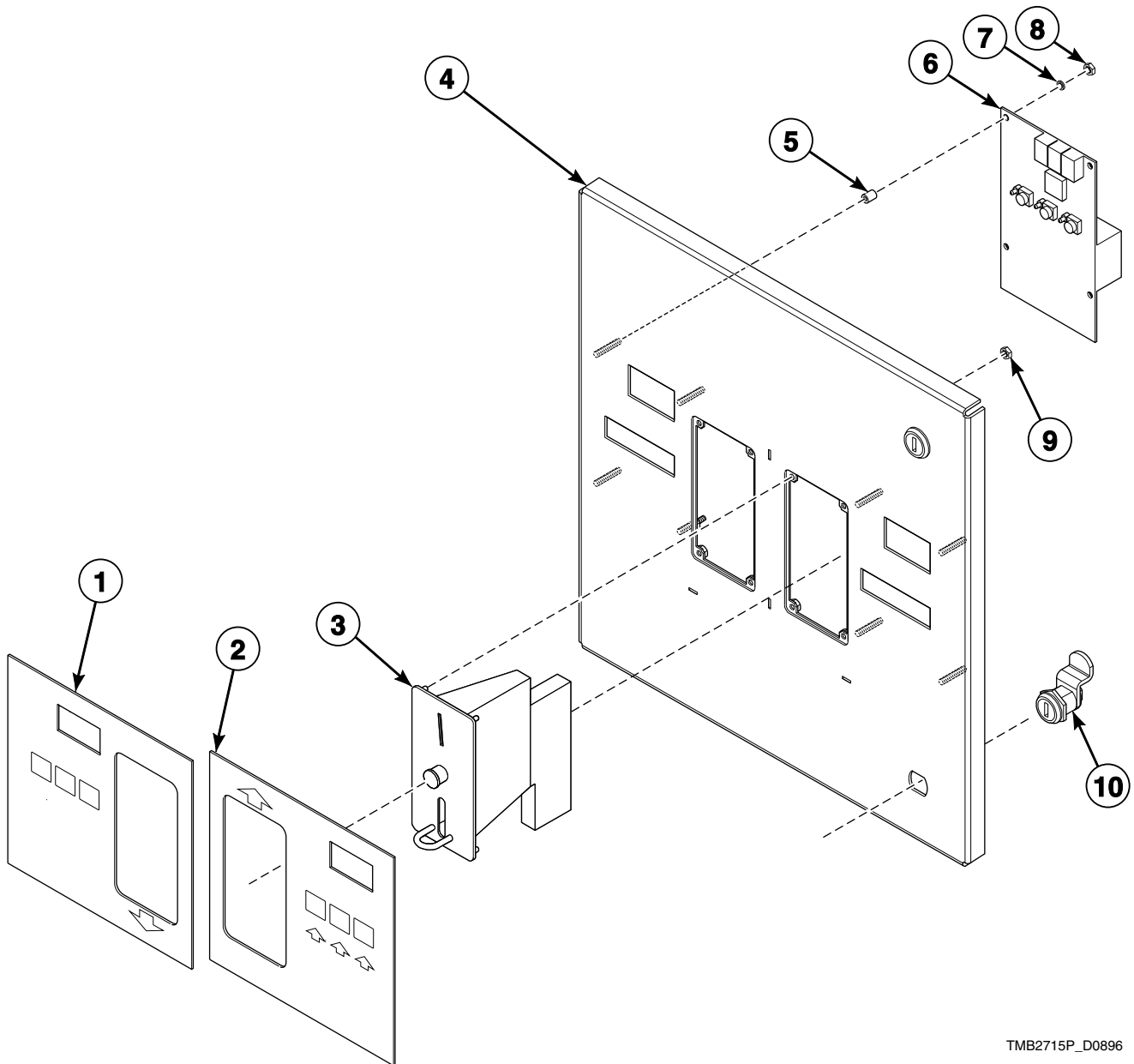
TMB2714P_D0896

DMP Control Panel Assembly

REF	PART NO.	DESCRIPTION	COMMENTS
1	N/A	DMP Overlay	
2	TU12253	Stud	No. 6-32
3	TU14435	Emergency Stop Button Kit	
4	N/A	DMP Panel	Weld assembly
5	TU14404P	Controller	
6	M270	Washer	No. 6
7	TU3400	Nut	No. 6-32

N/A = Part no longer available

DX3C Control Panel Assembly



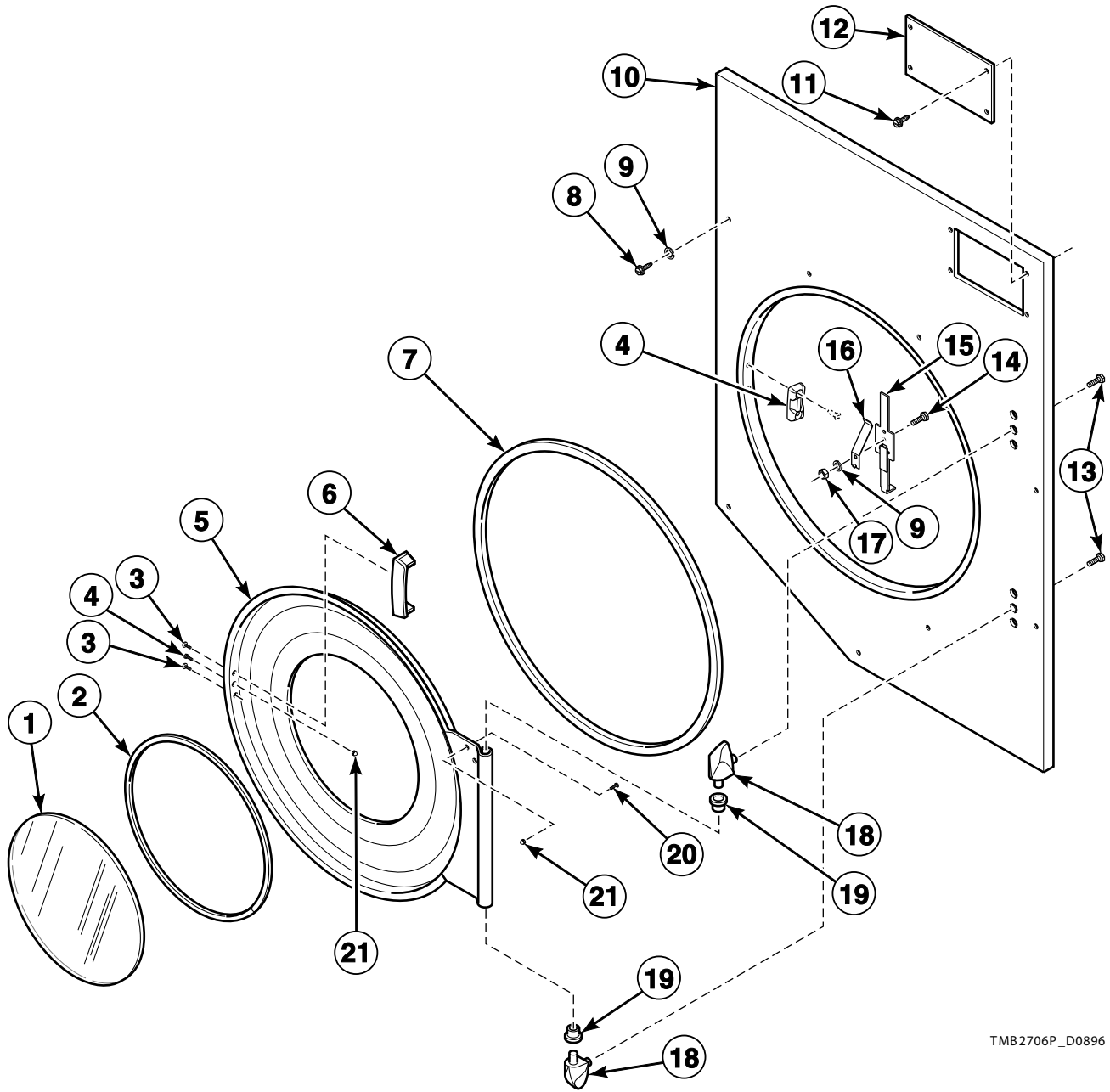
TMB2715P_D0896

DX3C Control Panel Assembly

REF	PART NO.	DESCRIPTION	COMMENTS
1	254/00033/00	Keypad Label	Right
2	254/00032/00	Keypad Label	Left
3	44039701P	Coin Drop Assembly	USA .25; DMP
4	TU15178	Control Panel Assembly	
5	N/A	Spacer	
6	254/00024/00	Control Board	OPL; Coin
7	M270	Washer	No. 6; Internal tooth; Lock
8	TU3400	Nut	No. 6-32; Hex
9	TUD0367	Nut	No. 5-40; Hex
10	TU4822	Lock	With key

N/A = Part no longer available

Front Panel and Door Assembly - OPL



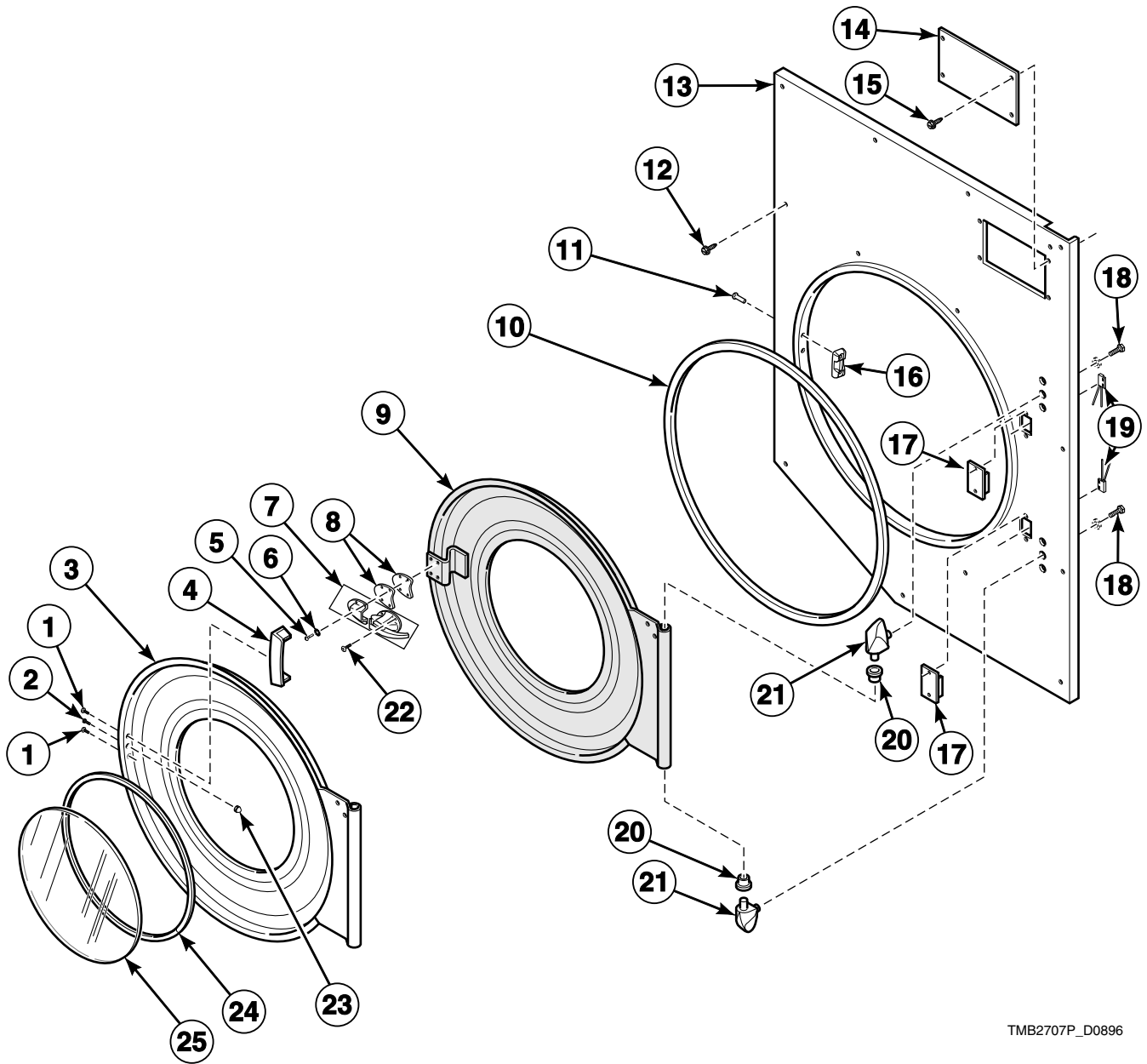
TMB2706P_D0896

Front Panel and Door Assembly - OPL

REF	PART NO.	DESCRIPTION	COMMENTS
	TUA2319H	Door Latch	
1	TU15107P	Door Glass	20-1/4
2	TU15966	Door Gasket	20-1/4; Rubber
3	TU3215	Screw	No. 10-32 x 3/8 inch; Tap-tite
4	70482901	Door Catch Kit	Includes rivet
5	N/A	Basket Door	
	TU14467WHT	Door Basket	20 inches
6	TU2874	Basket Door Handle	
7	TU5288P	Door Seal	
8	TU2878	Screw	No. 10 x 5/8 inch S.M.S.
9	56552	Washer	No. 10
10	TUT149WH	Front Panel	Weldment assembly
11	TU7733	Screw	No. 8 x 1/2 inch; Self-drill
12	N/A	Front Panel Access Cover	
13	TU2836	Screw	5/16-18 x 1/2 inch; Hex head cap
14	M262	Screw	No. 8-32; Truss head
15	TU2194	Door Switch Actuator	
16	TU2105	Door Switch Spring	
17	TU3266	Nut	No. 8-32; Hex
18	TU2236	Hinge Post	
19	PIF172	Hinge Bushing	Delrin; Bearing
20	TU4839	Screw	No. 10-32 x 3/8 inch; Package of 6
21	TU4840	Nut	No. 10-33; Package of 6; Hex crown

N/A = Part no longer available

Front Panel Assembly with Reed Switch - OPL



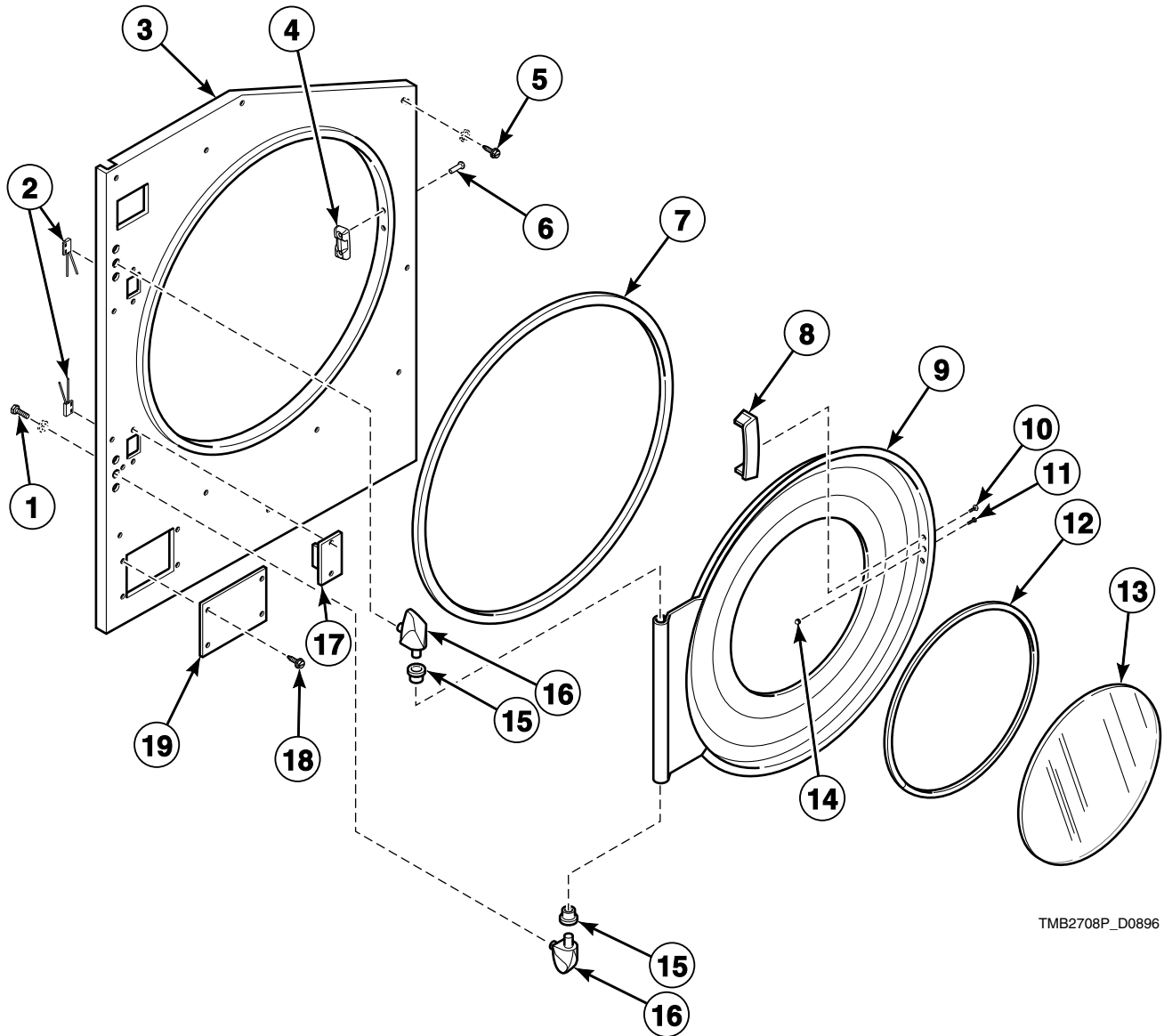
TMB2707P_D0896

Front Panel Assembly with Reed Switch - OPL

REF	PART NO.	DESCRIPTION	COMMENTS
	TUT458	Panel Assembly	With door latch; Complete
1	TU3215	Screw	No. 10-32
2	70482901	Door Catch Kit	
3	N/A	Basket Door	Standard
	TU14467WHT	Door Basket	20 inches
4	TU2874	Basket Door Handle	
5	JA-51604	Screw	No. 8-32; Pan head; Required for freezer type door latch
6	F431106	Washer	No. 8 external tooth; Lock; Required for freezer type door latch
7	TUA2319H	Door Latch	Required for freezer type door latch
8	TU5503	Door Latch Spacer	Required for freezer type door latch
9	TU14467WHT	Door Basket	Optional; Required for freezer type door latch
10	TU5288P	Door Seal	
11	TU3213	Rivet	
12	TU3209	Screw	No. 14; Sheet metal
13	TUT451WHT	Front Panel Assembly	OPL
14	N/A	Front Panel Access Cover	
15	TU7733	Screw	No. 8 x 1/2 inch; Sheet metal
16	M401223	Door Latch	Delrin friction
17	EA-00827-0	Reed Switch Mounting Plate	
18	TU2836	Screw	5/16-18; Hex head
19	ESA-00862-0P	Reed Switch Assembly	Includes items 17 and EA-00653-0 Bullet Connector
20	PIF172	Hinge Bushing	Delrin; Bearing
21	TU2236	Hinge Post	Cast post
22	TU2687	Screw	No. 8 pan head; Required for freezer type door latch
23	TU4840	Nut	No. 10-32; Hex crown
24	TU15966	Door Gasket	20-1/4
25	TU15107P	Door Glass	20-1/4

N/A = Part no longer available

Front Panel Assembly with Reed Switch - Coin



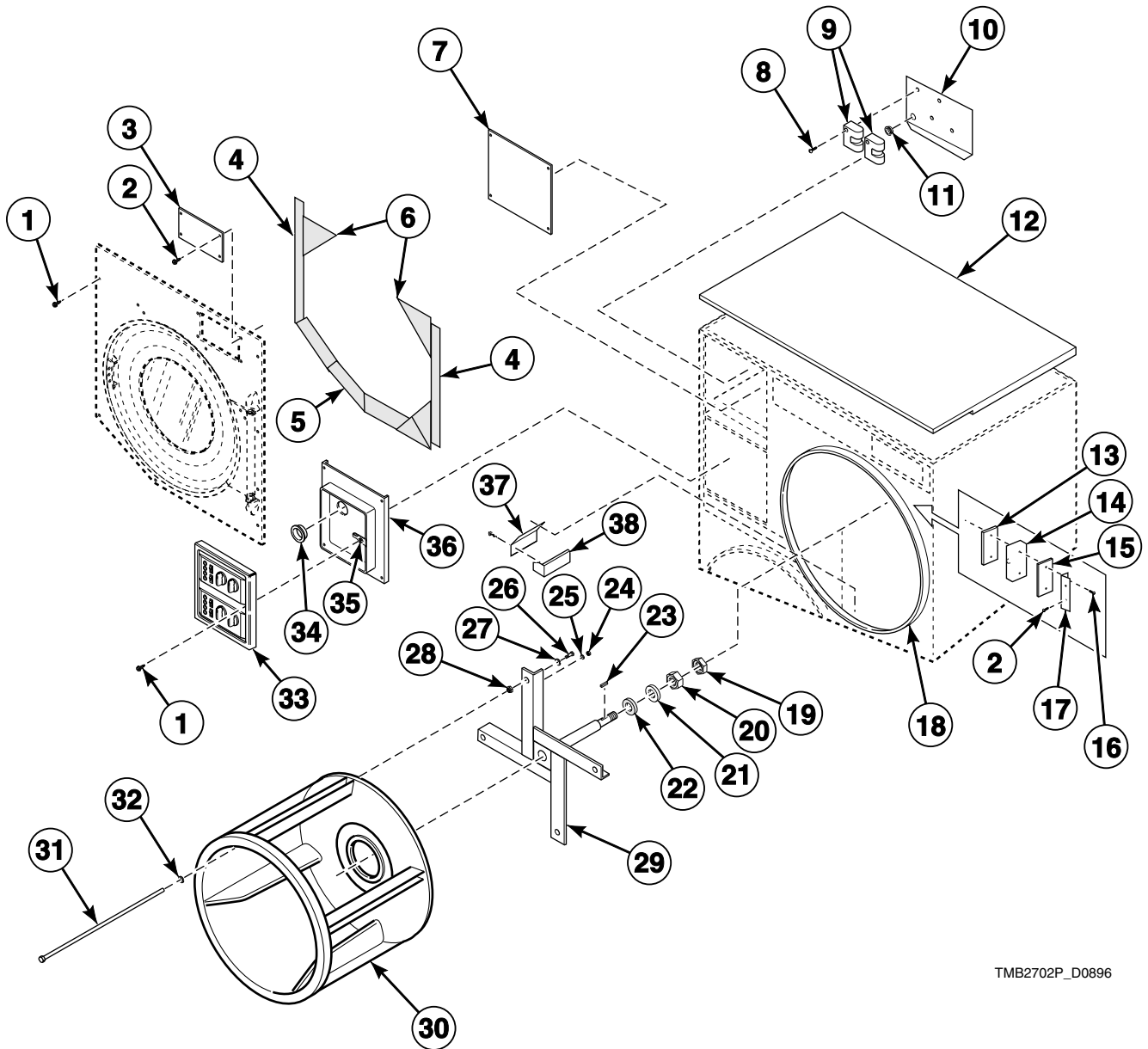
TMB2708P_D0896

Front Panel Assembly with Reed Switch - Coin

REF	PART NO.	DESCRIPTION	COMMENTS
	TUA2319H	Door Latch	
1	TU2836	Screw	5/16-18; Hex head
2	ESA-00862-0P	Reed Switch Assembly	Includes items 17 and EA-00653-0 Bullet Connector
3	TUT454WHT	Front Panel Assembly	Coin; Bottom unit
4	M401223	Door Latch	Delrin friction
5	TU3209	Screw	No. 14; Sheet metal
6	TU3213	Rivet	
7	TU5288P	Door Seal	
8	TU2874	Basket Door Handle	
9	N/A	Basket Door	Standard
	TU14467WHT	Door Basket	20 inches
10	TU3215	Screw	No. 10-32
11	70482901	Door Catch Kit	
12	TU15966	Door Gasket	20-1/4; Rubber
13	TU15107P	Door Glass	20-1/4
14	TU4840	Nut	No. 10-32; Hex crown
15	PIF172	Hinge Bushing	Delrin; Bearing
16	TU2236	Hinge Post	Cast post
17	EA-00827-0	Reed Switch Mounting Plate	
18	TU7733	Screw	No. 8 x 1/2 inch; Sheet metal
19	N/A	Front Panel Access Cover	

N/A = Part no longer available

Front View - Upper



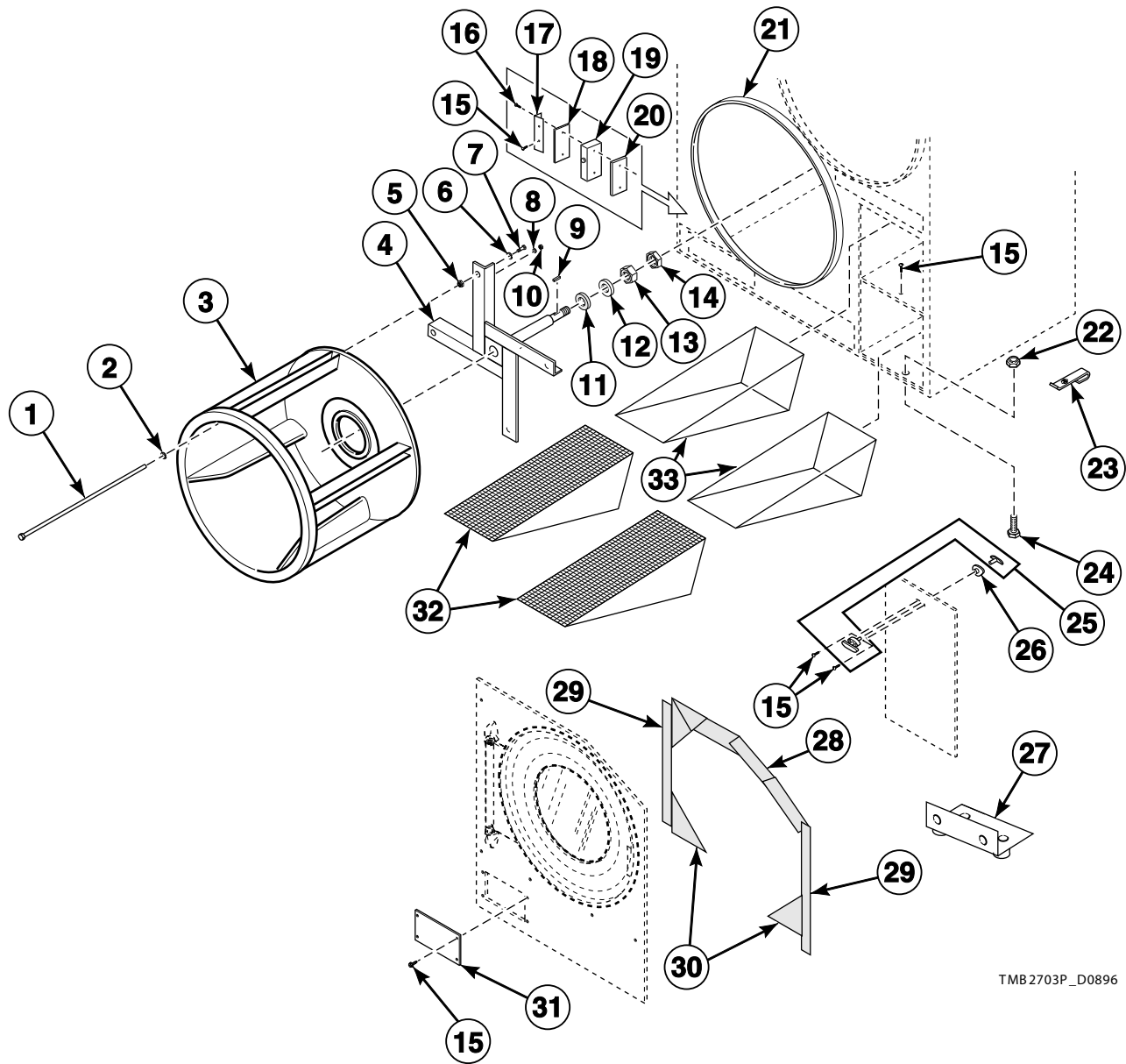
TMB2702P_D0896

Front View - Upper

REF	PART NO.	DESCRIPTION	COMMENTS
1	TU6854	Screw	No. 14-3/4 inch
2	TU7733	Screw	No. 8 x 1/2 inch; Self-drill
3	N/A	Front Panel Access Cover	
4	TU8107	Insulation	2-1/4 x 32 2 MIL aluminum
5	TU8108	Insulation	2-1/4 x 9 1/2 2 MIL aluminum
6	TU7735	Front Panel Insulation	Front panel triangle
7	N/A	Upper Panel	Left
8	TU3219	Screw	No. 6 x 1 inch; Sheet metal
9	TUT206	Ignition Control	Hot surface
10	N/A	Ignition Module Panel	
11	TU5958	Snap Bushing	1 1/2 inch
12	N/A	Jacket Top	
13	TU1771	Nut	No. 6; Tinnerman
14	TU1979H	Door Switch	
15	TU1770	Air Switch Insulator	
16	TU3219	Screw	No. 6 x 1 inch; Sheet metal
17	TU2373	Door Switch Bracket	
18	N/A	Gasket Set	
19	TU3536	Nut	Jam
20	TU3537	Nut	Full
21	TU2493	Washer Kit	Shaft retainer
22	TU108	Gasket	Felt seal
23	TU5240	Worm Gear Key	8 inch; Large shaft
24	TU2882	Nut	1/2 inch - 20; Hex
25	TU2831	Washer	1/2 inch; Split lock
26	TU3210	Screw	5/16-18 x 5/8 inch; Hex head cap
27	M400013	Washer	5/16 inch
28	TU8365	Speed Clip	Tinnerman nut
29	K108	Spider	Replacement
30	K632P	Basket Kit	
31	N/A	Tie Rod	
32	N/A	Washer	1/2 inch; Cut
33	N/A	Control Panel Assembly	2-timer
	N/A	Control Panel Assembly	Electronic C/M
34	TU9693	Snap Bushing	2 1/2 inch
35	LB74	Nut	No. 14; Speed
36	N/A	Control Panel Mounting	Plate weld assembly; 2-timer
	N/A	Control Panel Mounting	Plate weld assembly; Electronic C/M
37	TU8117	Thermostat Assembly	
38	N/A	Thermostat Cover	Weld assembly

N/A = Part no longer available

Front View - Lower



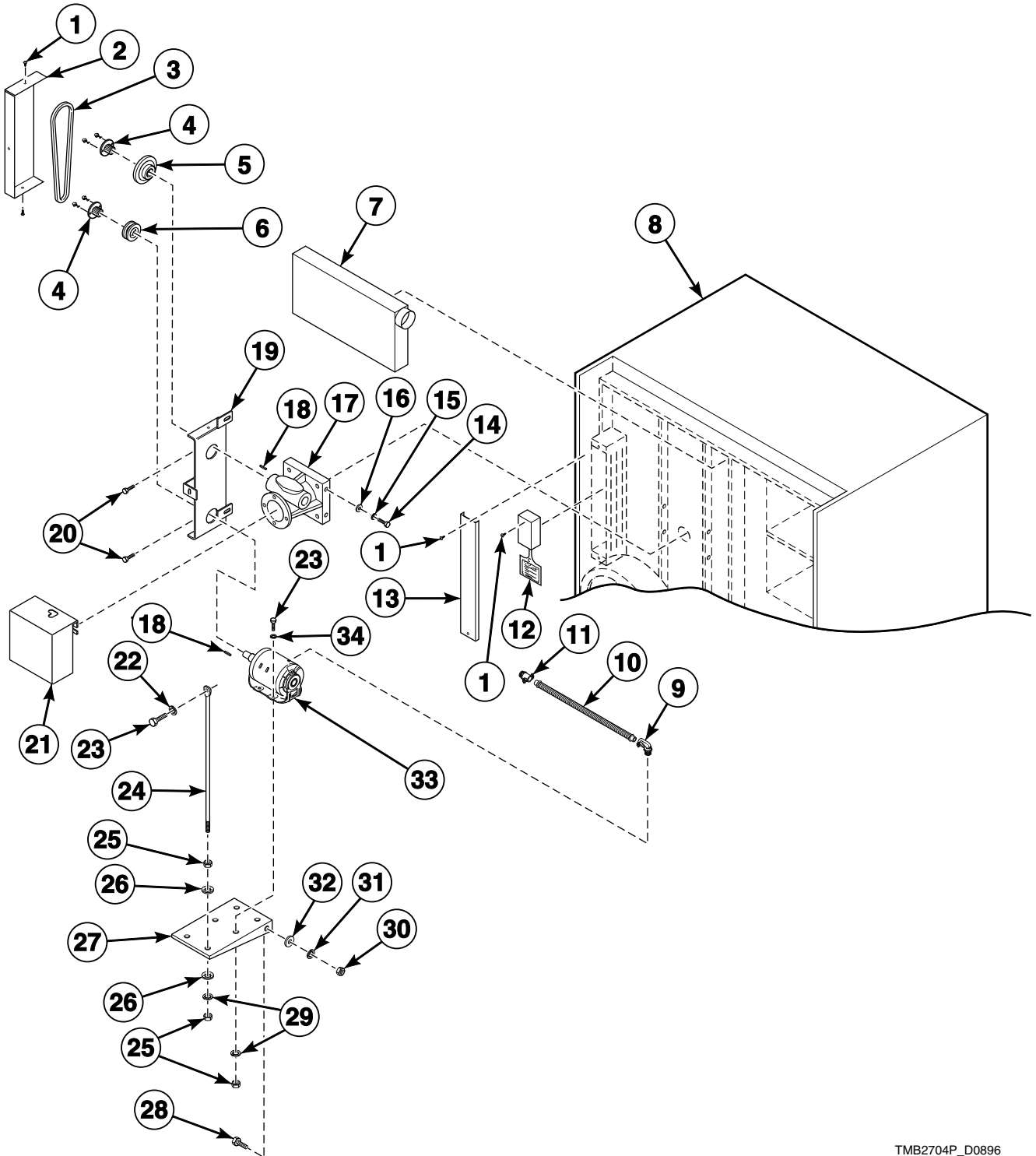
TMB2703P_D0896

Front View - Lower

REF	PART NO.	DESCRIPTION	COMMENTS
	EA-11621-0	Lint Door Switch	
	TUT155WH	Lint Door T-Handle	
	TU8296	Basket Assembly	With spider
1	N/A	Tie Rod	
2	N/A	Washer	1/2 inch; Cut
3	K632P	Basket Kit	
4	K108	Spider	Double motor; Replacement
5	TU8365	Speed Clip	Tinnerman nut
6	M400013	Washer	5/16 inch
7	TU3210	Screw	5/16-18 x 5/8 inch; Hex head cap
8	TU2831	Washer	1/2 inch; Split lock
9	TU5240	Worm Gear Key	8 inch; Large shaft
10	TU2882	Nut	1/2 inch - 20; Hex
11	TU108	Gasket	Felt seal
12	TU2493	Washer Kit	Shaft retainer
13	TU3537	Nut	Full
14	TU3536	Nut	Jam
15	TU7733	Screw	No. 8 x 1/2 inch; Self-drill
16	TU3219	Screw	No. 6 x 1 inch; Sheet metal
17	TU2373	Door Switch Bracket	
18	TU1770	Air Switch Insulator	
19	TU1979H	Door Switch	
20	TU1771	Nut	No. 6; Tinnerman
21	N/A	Gasket Set	
22	TU4937	Nut	3/8-16; Jam
23	TUT299C	Lint Clip	Trap
24	TU3211	Bolt	3/8-16 x 2 1/2 inch; Leveling
25	K169	Door Latch Install Kit	Includes cam
26	TU6025	Cam Stop	
27	TUT338D	Lint Door Support	Weld assembly
28	TU8108	Insulation	2-1/4 x 9 1/2 2 MIL aluminum
29	TU8107	Insulation	2-1/4 x 32 2 MIL aluminum
30	TU7735	Front Panel Insulation	Triangle
31	N/A	Front Panel Access Cover	
32	TUT279	Lint Screen Assembly	Trap net
33	N/A	Lint Trap Frame	

N/A = Part no longer available

Rear View - Top



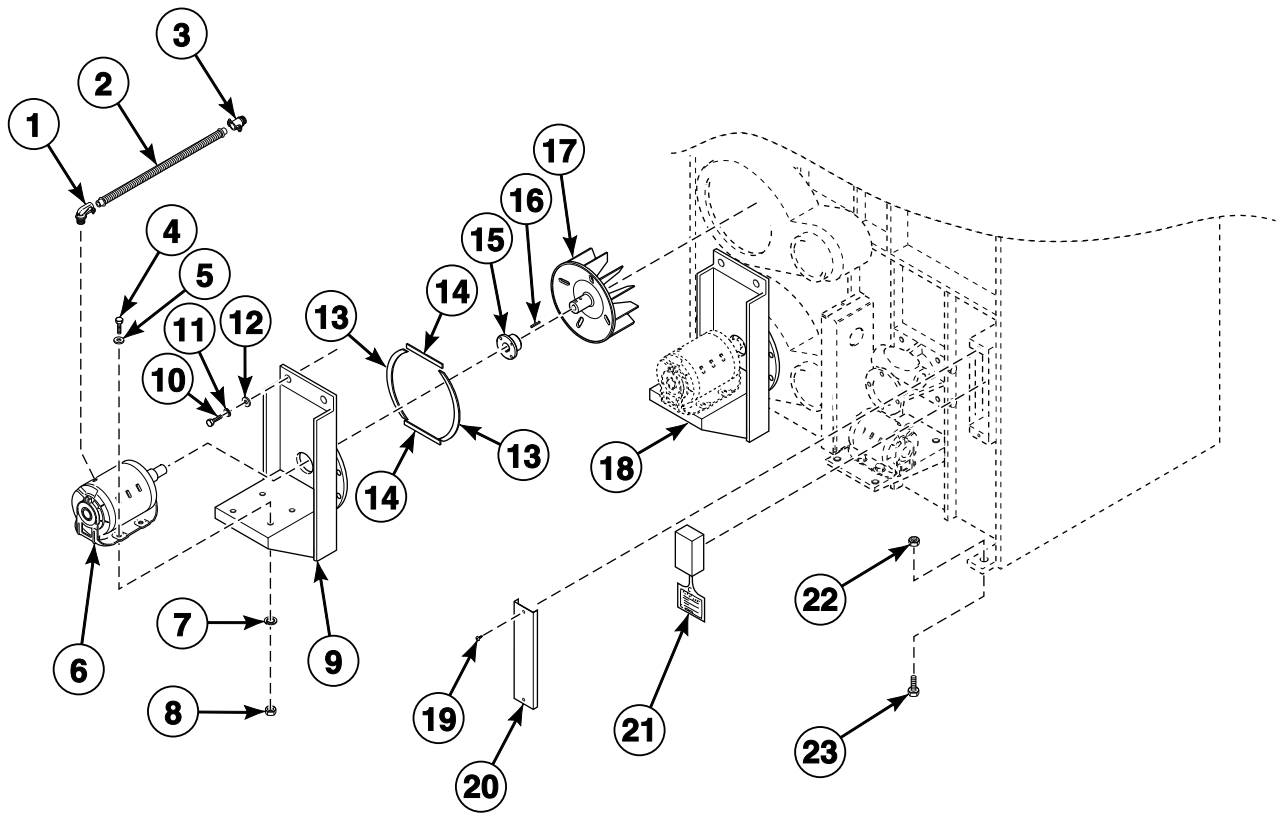
TMB2704P_D0896

Rear View - Top

REF	PART NO.	DESCRIPTION	COMMENTS
1	TU7733	Screw	No. 8 x 1/2 inch; Package of 6; Self-drill
2	TU11804P	Belt Guard	
3	PT87	Belt	4L - 360
4	TU2833	Bushing	For sheave
5	TU6722	Sheave	Gear; 60 cycle (AK51H) with bushing
6	TU7334	Sheave	Motor; 60 cycle (AK34H) with bushing
7	N/A	Motor Control Box	Weld assembly
8	N/A	Jacket Welded Assembly	
9	504641292	Cable	1/2 inch; Greenfield
10	TU4791	Angle Connector	Right
11	TU4790	Connector	Straight
12	TU8206	Air Switch Kit	
13	N/A	Air Switch Cover	Left
14	H88012034	Screw	1/2-13 x 1 1/2 inch; Cap
15	TU2831	Washer	1/2 inch; Lock; Package of 6
16	TU1851	Washer	1/2 inch; Cut
17	TM100P	Gear Reducer	Metric small
18	TU5241	Key	
19	TUT394C	Belt Guard Cover	
20	FB189	Screw	1/4-20 x 1 1/4 inch; Cap
21	N/A	Cover	
22	03189	Washer	1/2 inch; Package of 6
23	RC344	Screw	1/2-20 x 3/4; Cap
24	TU8608	Belt Adjusting Rod	
25	70142	Nut	5/16 inch - 18; Package of 6; Hex
26	M400080	Washer	5/16 inch; Package of 6; Cut
27	TU33	Motor Drive Bracket	
28	TU3124	Screw	3/8-16 x 3/4 inch; Cap
29	M400013	Washer	5/16 inch; Package of 6; Split lock
30	TU4787	Nut	3/8 inch; Package of 6; Hex
31	VSB134	Washer	3/8 inch; Lock
32	M400081	Washer	3/8 inch; Cut
33	MTR303P	Motor	Basket; 1 Hp; 3.2/1.6 Amp; 200-240, 460 Volt/60 Hertz/3 Phase with 1725 RPM; 220, 380 Volt/60 Hertz/3 Phase with 1725 RPM; 200, 346 Volt/50 Hertz/3 Phase with 1425 RPM; 220, 380 Volt/50 Hertz/3 Phase with 1425 RPM; 240, 415 Volt/50 Hertz/3 Phase with 1425 RPM
	MTR301P	Motor	Basket; 1 Hp; 9.0/4.9 Amp; 115, 200-240 Volt/50 Hertz/1 Phase with 1425 RPM; 60 Hertz
	MTR101	Motor	Basket; 1 Hp; 1.7 Amp; 575 Volt/60 Hertz/3 Phase with 1725 RPM
34	TU2847	Washer	1/2 inch; Package of 6; Cut

N/A = Part no longer available

Rear View - Bottom



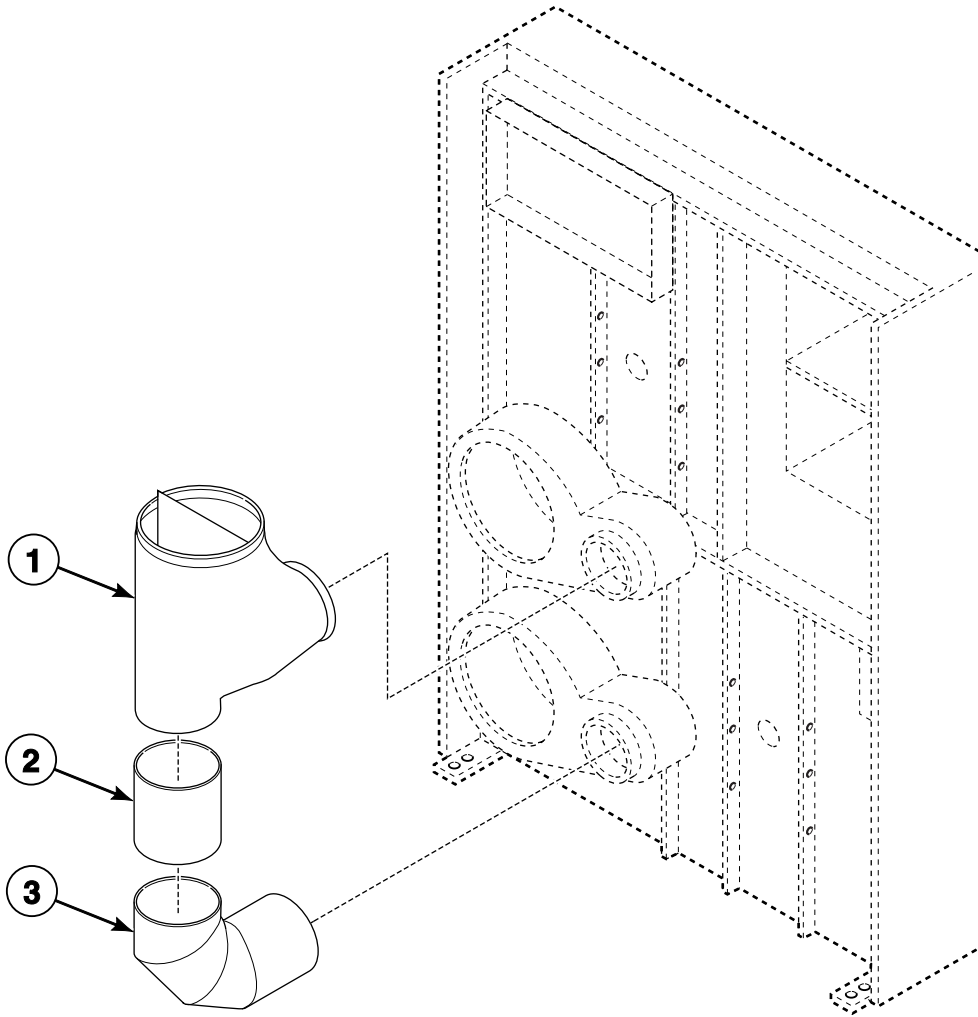
TMB2805P_D0896

Rear View - Bottom

REF	PART NO.	DESCRIPTION	COMMENTS
1	504641292	Cable	1/2 inch; Greenfield
2	TU4791	Angle Connector	Right
3	TU4790	Connector	Straight
4	M400057	Screw	5/16-18 x 3/4 inch; Cap
5	M400080	Washer	5/16 inch; Package of 6; Cut
6	MTR300P	Motor	Fan; 1/2 Hp; 6.2/3.1 Amps; 115, 200-240 Volt/60 Hertz/1 Phase with 1725 RPM; 115, 200-240 Volt/50 Hertz/1 Phase with 1425 RPM
	MTR302P	Motor	Fan; 1/2 Hp; 1.8/0.9 Amps; 200-240, 460 Volt/60 Hertz/3 Phase with 1725 RPM; 220, 380 Volt/60 Hertz/3 Phase with 1725 RPM; 200-220, 380 Volt/50 Hertz/3 Phase with 1425 RPM
	MTR184	Motor	Fan; 1/3 Hp; 1.6/.90 Amps; 240, 415 Volt/50 Hertz/3 Phase with 1425 RPM
	MTR101	Motor	Fan; 1 Hp; 1.7 Amps; 575 Volt/60 Hertz/3 Phase with 1725 RPM
7	M400013	Washer	5/16 inch; Package of 6; Split lock
8	70142	Nut	5/16-18 inch; Package of 6; Hex
9	N/A	Upper Blower Mount	Weld assembly
10	TU4787	Nut	3/8 inch; Package of 6; Hex
11	VSB134	Washer	3/8 inch; Lock
12	M400081	Washer	3/8 inch; Cut
13	TU2473P	Motor Mount Gasket	Side
14	TU2474	Motor Mount Gasket	Top and bottom
15	TU2476	Fan Hub Gasket	Felt seal
16	TU4684	Key	
17	TU8740	Fan	With set screws; Wheel
18	N/A	Bottom Blower Mount	Weld assembly
19	TU7733	Screw	No. 8 x 1/2 inch; Package of 6; Self-drill
20	TUT176B	Air Switch Cover	Right
21	TU8206	Air Switch Kit	Complete
22	TU4937	Nut	3/8-16; Jam
23	TU3211	Bolt	3/8-16 x 2 1/2 inch; Leveling

N/A = Part no longer available

Exhaust Duct Assembly



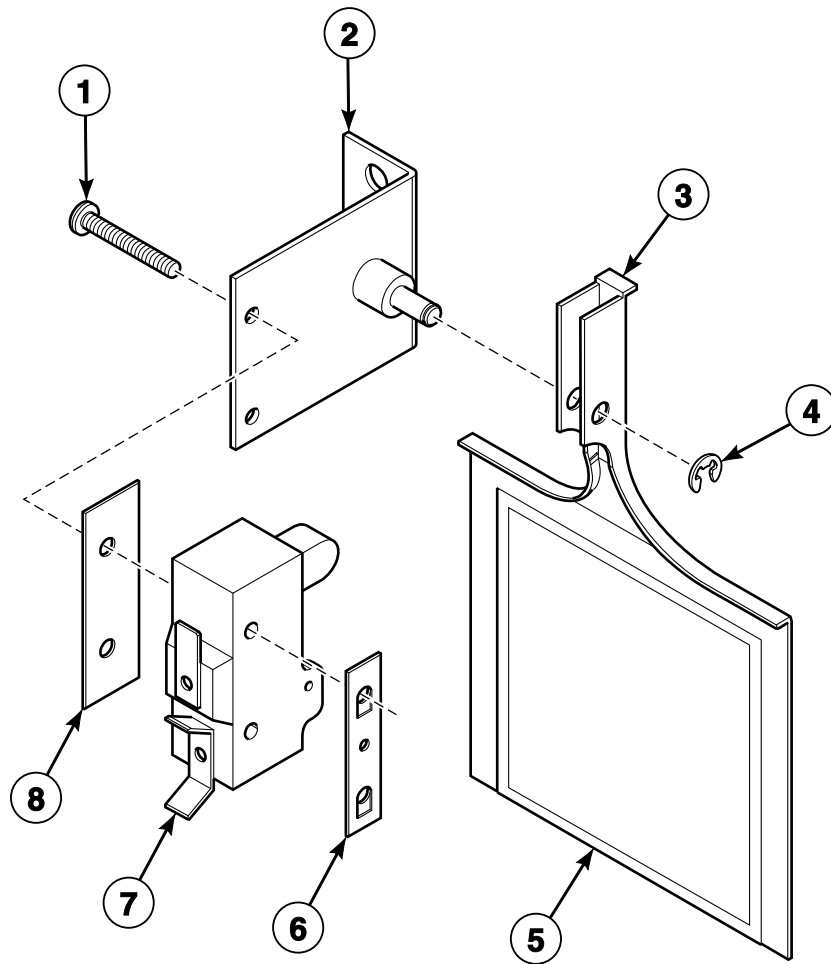
TMB2710P_D0896

Exhaust Duct Assembly

REF	PART NO.	DESCRIPTION	COMMENTS
1	N/A	Exhaust Duct Tee	With divider
2	N/A	Exhaust Duct Connector	
3	N/A	Elbow	8 inch

N/A = Part no longer available

Air Switch Assembly

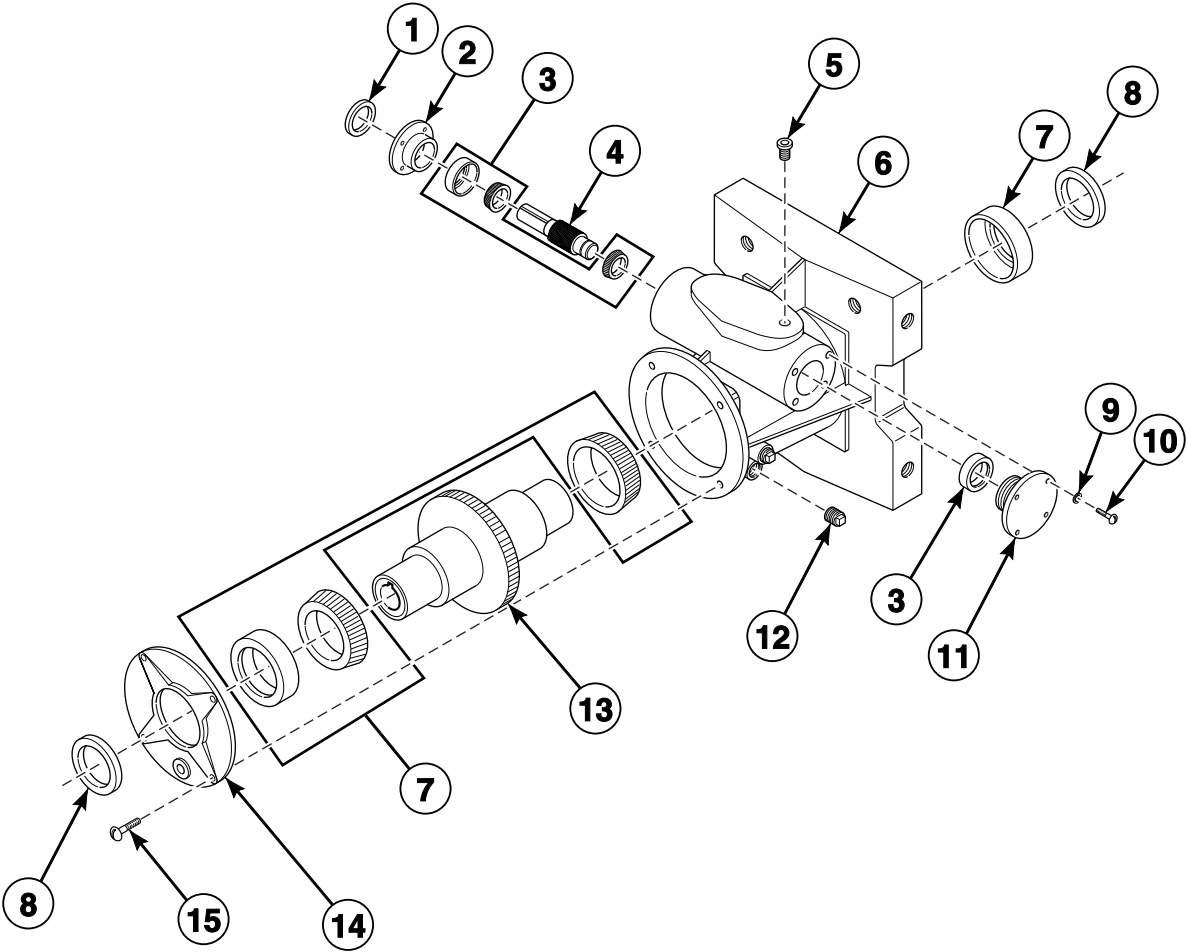


TMB2433P_D0896

Air Switch Assembly

REF	PART NO.	DESCRIPTION	COMMENTS
	TU7733	Screw	No. 8 x 1/2 inch; Sheet metal
1	TU3219	Screw	No. 6 x 1 inch; Sheet metal
2	TU8171	Air Switch Mounting Bracket	
3	TU2463	Actuator Arm	
4	F888	E-Ring	
5	TU3476	Label	
6	TU1771	Nut	No. 6; Tinnerman
7	TU14482	Microswitch	
8	TU1770	Air Switch Insulator	

Small Gear Reducer



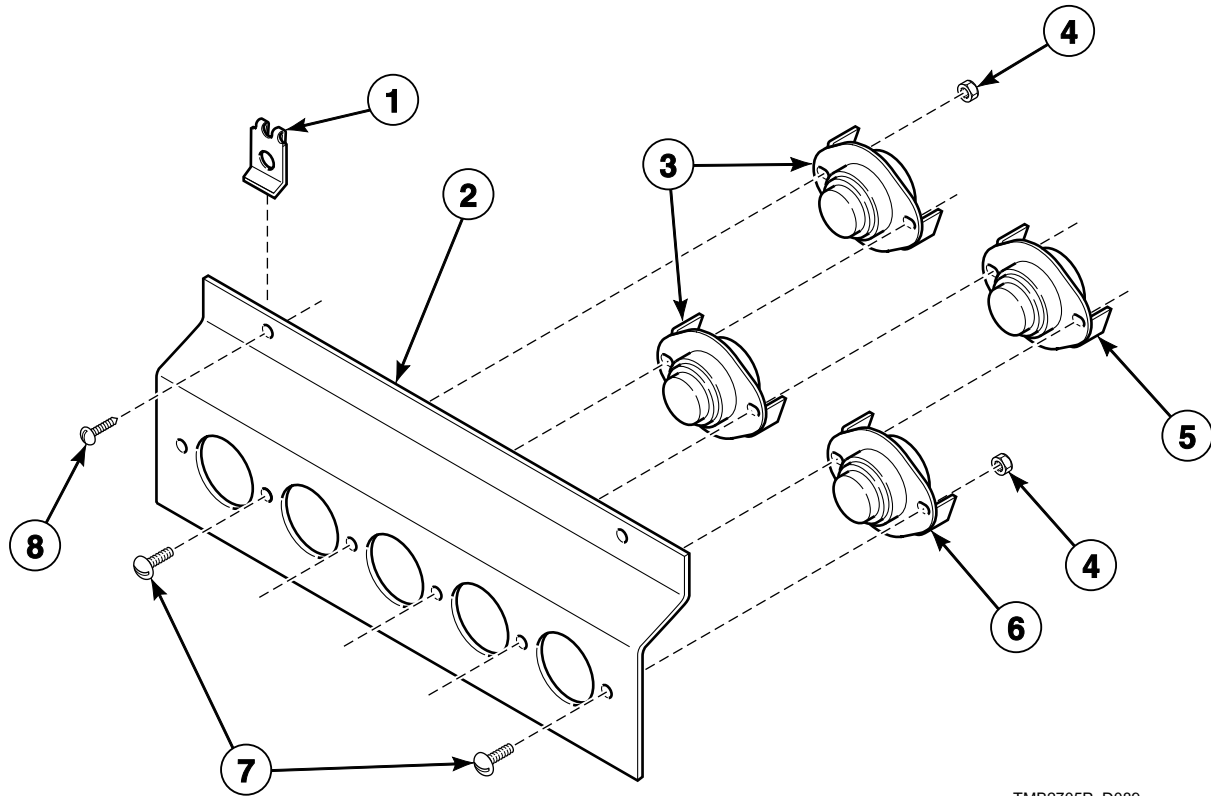
TMB2716P_D0896

Small Gear Reducer

REF	PART NO.	DESCRIPTION	COMMENTS
1	N/A	Seal	
2	TM105	Open End Cap	
3	TM108	Bearing Cup Assembly	2 required; Small cone
4	N/A	Worm Gear	1-1/2 inch x 7-1/8 inch
5	N/A	Vent Plug	1/4 inch NPT
6	N/A	Housing	
7	TM110	Large Bearing Cup and Cone	2 required
8	TM120	Seal	2 required; Oil
9	RC349	Washer	1/4 inch; 8 required
10	FB138	Screw	1/4-20 x 7/8 inch; 8 required; Cap
11	TM118	Closed End Cap	
12	TM221	Pipe Plug	1/4 inch; 2 required
13	TM102	Worm Gear	
14	TM112	End Cap	Large
15	N/A	Screw	3/8-16 x 1-1/2 inch; 4 required; Cap

N/A = Part no longer available

Thermostat Assembly

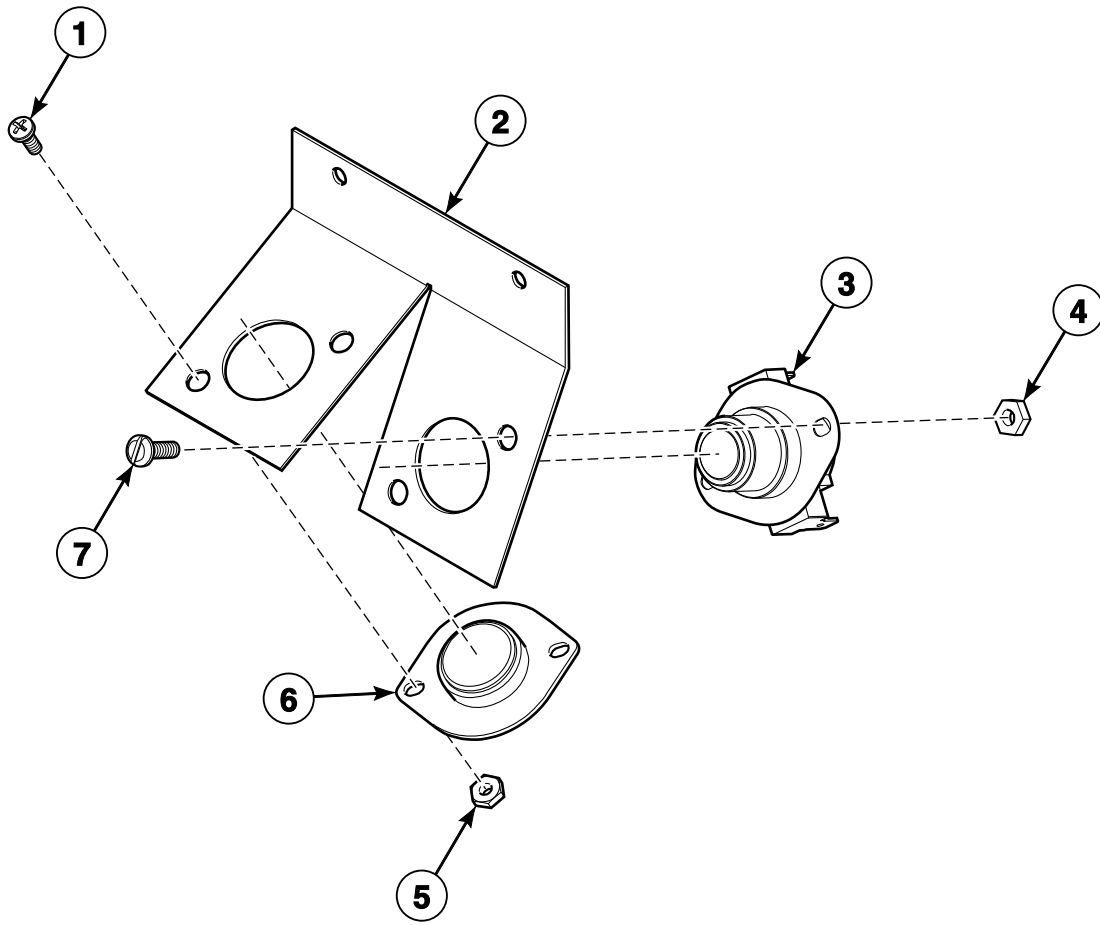


TMB2705P_D089

Thermostat Assembly

REF	PART NO.	DESCRIPTION	COMMENTS
	TU8117	Thermostat Assembly	
1	TU6067	Nut	No. 8; 2 required; Speed clip
2	TU5143	Thermostat Mounting Bracket	
3	TU3240H	Thermostat	185 degrees Fahrenheit; Hi and Safety; 2-timer
4	TU3400	Nut	No. 6-32; Package of 6; Hex
5	TU5150H	Thermostat	150 degrees Fahrenheit; Medium; 2-timer
6	TU7244H	Thermostat	135 degrees Fahrenheit; Low; 2-timer
7	M400072	Screw	No. 6-32 x 1/4 inch; 6 required; Round head
8	TU7733	Screw	No. 8 x 1/2 inch; Package of 6; Self-drill

Thermostat Assembly - ESA-00961-0



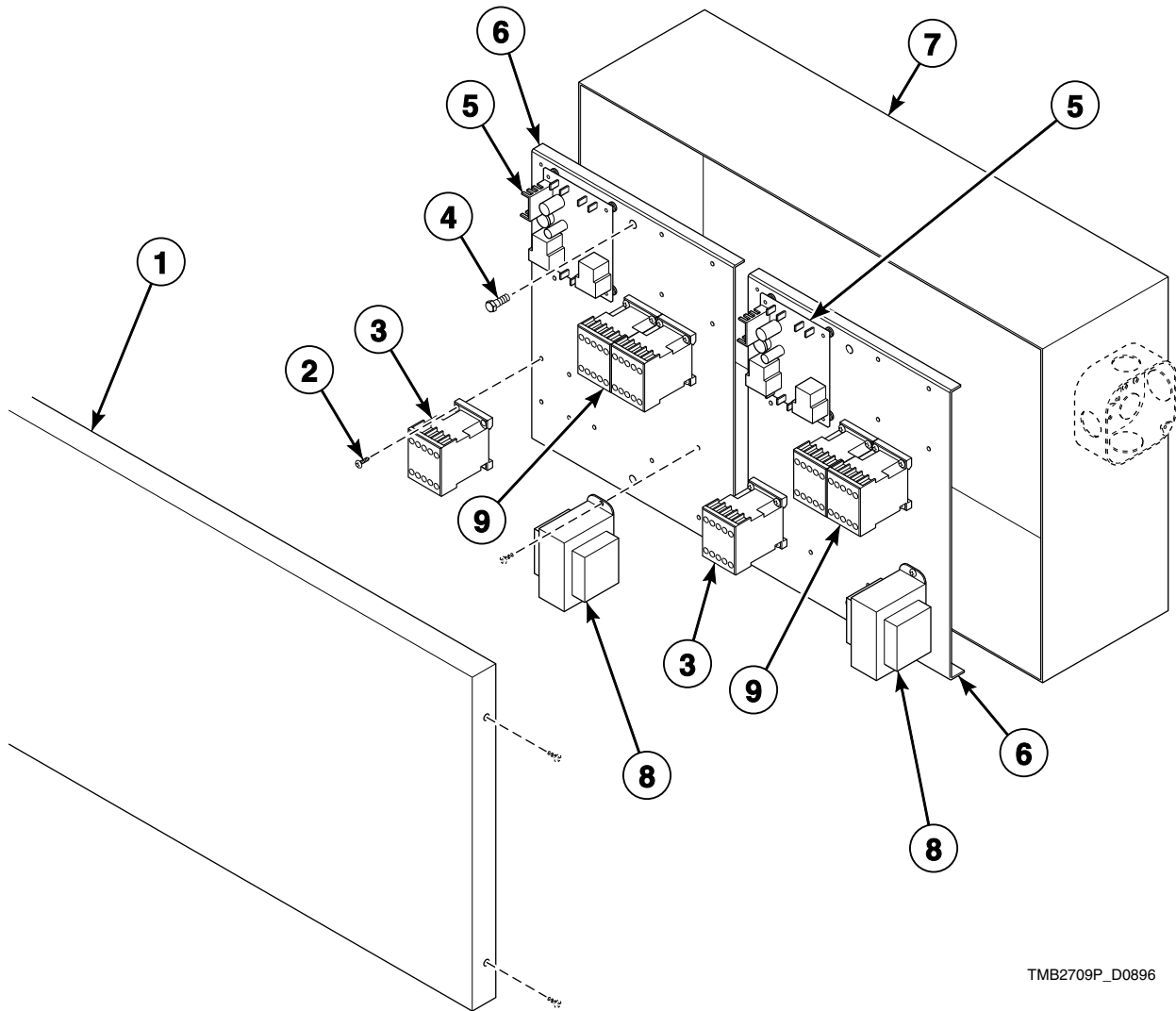
TMB2666P_D0896

Thermostat Assembly - ESA-00961-0

REF	PART NO.	DESCRIPTION	COMMENTS
	ESA-00961-0	Switch Assembly	
1	N/A	Screw	No. 6-32 x 3/8 inch
2	N/A	Mounting Bracket	
3	EA-00411-0	Temperature Switch	220 degree; Hi limit
4	TU3266	Nut	No. 8-32; Hex
5	TU3400	Nut	No. 6-32; Hex
6	TU11991K	Thermistor Kit	DMP models
7	N/A	Screw	No. 8-32 x 1/2 inch

N/A = Part no longer available

Motor Control Box Assembly



TMB2709P_D0896

Motor Control Box Assembly

REF	PART NO.	DESCRIPTION	COMMENTS
1	N/A	Motor Control Box Cover	
2	TU7733	Screw	8-18 x 1/2 inch; Self-drill
3	TU13516P	Contactator	24VAC
4	RC344	Screw	1/4-20; Hex head
5	TU12874P	Reversing Timer	
6	N/A	Control Panel	
7	N/A	Motor Control Box	Weld assembly
8	TU13802P	Transformer	
9	EA-00685-0P	Reversing Contactator	24 Volt

N/A = Part no longer available

Gas Heating Assembly

REF	PART NO.	DESCRIPTION	COMMENTS
	TU13678	Thermostat	
	TU14178P	Gas Valve	Natural Gas (N.G.); 24 Volts
	TU14177	Gas Valve	Liquid Petroleum Gas (L.P.); 24 Volts
	GA-00765-0P	Ignition Module	Ram
	GA-11007-0P	Ignition Module	Ram; CE models; 50 Hertz
1	OP308	Nipple	1/2 x 4 inch long
2	N/A	Pipe Tee	1/2 x 1/2 x 1 inch
3	70263701	Pipe Nipple	1/2 x 6 inch long
4	390501053	Elbow	1/2 inch
5	N/A	Nipple	1/2 x 2 1/2 inch long
6	OP267	Bushing	3/4 x 1/2 inch
7	TUX352P	Gas Valve	N.G. control
	TUX435	Gas Valve	L.P. control
8	N/A	Manifold Assembly	
9	TU7733	Screw	No. 8 x 1/2 inch; Self-drill
10	N/A	Burner Assembly	
11	N/A	Manifold Support Left	
12	TUT237D	Bonnet Sub-Assembly	
13	TU13678	Thermostat	
14	N/A	Burner Retainer	
15	TUT239D	Ignitor Mounting Plate	Bracket
16	GA-00764-0P	Electrode	Spark ignitor
17	GA-00803-0	Suppression Lead	Spark cable
18	N/A	Manifold Support Right	
19	TU4602	Street Elbow	3/4 inch
20	M411418	Pipe Nipple	3/4 x 2 1/2 inch long
21	N/A	Bottom Bonnet Duct	Weld assembly
22	N/A	Union	1/2 inch
23	390401013	Nipple	1/2 x 7 inch long
24	TUT234A	Intake Deflector Bracket	
25	N/A	Bottom Intake Deflector	
26	N/A	Top Front Intake Deflector	
27	N/A	Top Rear Intake Deflector	

N/A = Part no longer available

Parts Index

A

Actuator Arm TU2463	29
Air Switch Cover TUT176B	25
Air Switch Insulator TU1770	19, 21, 29
Air Switch Kit TU8206	23, 25
Air Switch Mounting Bracket TU8171	29
Angle Connector TU4791	23, 25

B

Basket Assembly TU8296	21
Basket Door Handle TU2874	13, 15, 17
Basket Kit K632P	19, 21
Bearing Cup Assembly TM108	31
Belt PT87	23
Belt Adjusting Rod TU8608	23
Belt Guard TU11804P	23
Belt Guard Cover TUT394C	23
Bolt TU3211	21, 25
Bonnet Sub-Assembly TUT237D	39
Bushing OP267	39
TU2833	23

C

Cable 504641292	23, 25
Cam Stop TU6025	21
Closed End Cap TM118	31
Coin Drop Assembly 44039701P	7, 11
Connector TU4790	23, 25
Contacto TU13516P	37
Control Board 254/00024/00	11

Control Box Door TU14800	7
Control Panel Assembly TU15178	11
Controller TU14404P	7, 9

D

Door Basket TU14467WHT	13, 15, 17
Door Catch Kit 70482901	13, 15, 17
Door Gasket TU15966	13, 15, 17
Door Glass TU15107P	13, 15, 17
Door Latch M401223	15, 17
TUA2319H	13, 15, 17
Door Latch Install Kit K169	21
Door Latch Spacer TU5503	15
Door Seal TU5288P	13, 15, 17
Door Switch TU1979H	19, 21
Door Switch Actuator TU2194	13
Door Switch Bracket TU2373	19, 21
Door Switch Spring TU2105	13

E

Elbow 390501053	39
Electrode GA-00764-0P	39
Emergency Stop Button Kit TU14435	9
End Cap TM112	31
E-Ring F888	29

F

Fan TU8740	25
Fan Hub Gasket TU2476	25
Front Panel Assembly TUT451WHT	15
TUT454WHT	17

N/A items do not appear in index.

Front Panel Insulation	
TU7735	19, 21
Front Panel Weldment Assembly	
TUT149WH	13

G

Gas Valve	
TUX352P	39
TUX435	39
TU14177	39
TU14178P	39
Gasket	
TU108	19, 21
Gear Reducer	
TM100P	23

H

Hinge Bushing	
PIF172	13, 15, 17
Hinge Post	
TU2236	13, 15, 17

I

Ignition Control	
TUT206	19
Ignition Module	
GA-00765-0P	39
GA-11007-0P	39
Ignitor Mounting Plate	
TUT239D	39
Insulation	
TU8107	19, 21
TU8108	19, 21
Intake Deflector Bracket	
TUT234A	39

K

Key	
TU4684	25
TU5241	23
Keypad Label	
254/00032/00	11
254/00033/00	11
Knob	
TU2555	5

L

Label	
TU3476	29
Large Bearing Cup and Cone	
TM110	31
LED Light Assembly	
TUT316	5

Lint Clip	
TUT299C	21
Lint Door Support	
TUT338D	21
Lint Door Switch	
EA-11621-0	21
Lint Door T-Handle	
TUT155WH	21
Lint Screen Assembly	
TUT279	21
Lock	
TU4822	11

M

Membrane Switch	
44039401	7
Microswitch	
TU14482	29
Motor	
MTR101	23, 25
MTR184	25
MTR300P	25
MTR301P	23
MTR302P	25
MTR303P	23
Motor Drive Bracket	
TU33	23
Motor Mount Gasket	
TU2473P	25
TU2474	25

N

Nipple	
OP308	39
390401013	39
Nut	
LB74	19
TUD0367	11
TU1771	19, 21, 29
TU2882	19, 21
TU3266	13, 35
TU3400	5, 7, 9, 11, 33, 35
TU3536	19, 21
TU3537	19, 21
TU3805	5
TU4787	23, 25
TU4840	13, 15, 17
TU4937	21, 25
TU6067	33
70142	23, 25

O

Open End Cap	
TM105	31
Overlay	
TU14451	7

N/A items do not appear in index.

P

Panel Assembly	
TUT458	15
Pipe Nipple	
M411418	39
70263701	39
Pipe Plug	
TM221	31
Pushbutton Switch Plate	
TUT191A	5

R

Reed Switch Assembly	
ESA-00862-0P	15, 17
Reed Switch Mounting Plate	
EA-00827-0	15, 17
Relay	
F1300P	5
Reversing Contactor	
EA-00685-0P	37
Reversing Timer	
TU12874P	37
Rivet	
TU3213	15, 17

S

Screw	
FB138	31
FB189	23
H88012034	23
JA-51604	15
M262	13
M400057	25
M400072	33
RC344	23, 37
SV136	5
TU2687	15
TU2836	13, 15, 17
TU2878	13
TU3124	23
TU3209	15, 17
TU3210	19, 21
TU3215	13, 15, 17
TU3219	19, 21, 29
TU4839	13
TU6854	19
TU7733 ...	5, 13, 15, 17, 19, 21, 23, 25, 29, 33, 37, 39
Seal	
TM120	31
Sheave	
TU6722	23
TU7334	23
Snap Bushing	
TU5958	19
TU9693	19
Spacer	
F943	5
Speed Clip	
TU8365	19, 21

Spider	
K108	19, 21
Street Elbow	
TU4602	39
Stud	
TU12253	9
Suppression Lead	
GA-00803-0	39
Switch Assembly	
ESA-00961-0	35

T

Temperature Switch	
EA-00411-0	35
Terminal Board	
TU8629	5
Thermistor Kit	
TU11991K	35
Thermostat	
TU13678	39
TU3240H	33
TU5150H	33
TU7244H	33
Thermostat Assembly	
TU8117	19, 33
Thermostat Mounting Bracket	
TU5143	33
Timer	
TU12932P	5
TU12933P	5
Toggle Switch	
FG147P	5
Transformer	
TU13802P	37

W

Washer	
F431106	15
M270	7, 9, 11
M400013	19, 21, 23, 25
M400080	23, 25
M400081	23, 25
RC349	31
TU1851	23
TU2831	19, 21, 23
TU2847	23
VSB134	23, 25
03189	23
56552	13
Washer Kit	
TU2493	19, 21
Worm Gear	
TM102	31
Worm Gear Key	
TU5240	19, 21

N/A items do not appear in index.

