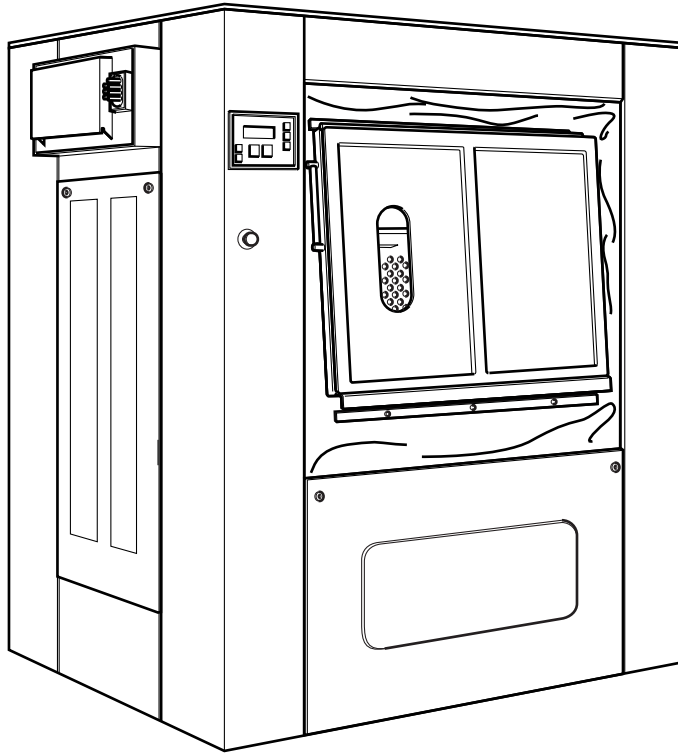


Barrier Washer

Refer to Page 3 for Model Numbers



BAR36C_D1336

Parts

Table of Contents

Title	Page
Parts Ordering Information.....	2
Serial Plate Location	2
Model Identification	3
Electric Diagram (Drawing 1 of 2)	4
Electric Diagram (Drawing 2 of 2)	6
Electrical Box	8
Pneumatic	10
Panels	12
Left Side Components	14
Dirty Side Components	16
Right Side Components	18
Clean Side Components	20
Drum	22
Soap Dispenser	24
Parts Index.....	27

© Copyright 2012, Alliance Laundry Systems LLC

All rights reserved. No part of the contents of this book may be reproduced or transmitted in any form or by any means without the expressed written consent of the publisher.

Parts Ordering Information

If literature or replacement parts are required, contact the source from whom the machine was purchased or contact Alliance Laundry Systems at (920) 748-3950 for the name and address of the nearest authorized parts distributor.

For technical assistance, call either of the numbers listed below:

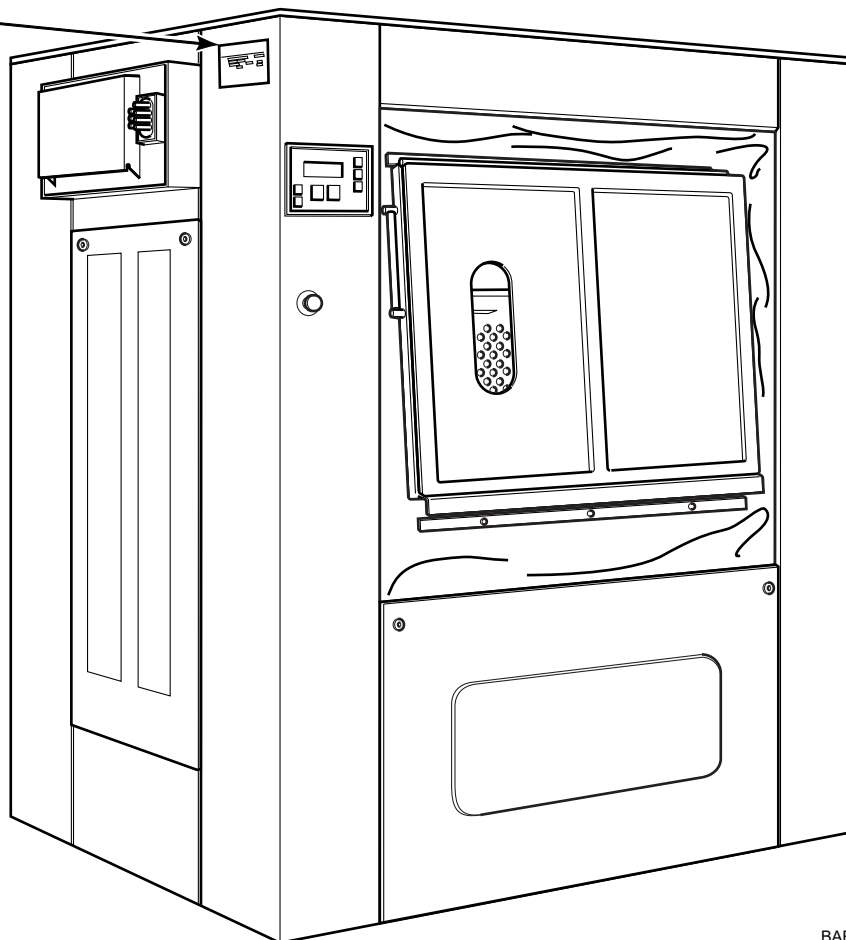
(920) 748-3121 Ripon, Wisconsin

+32 56 41 20 54 Wevelgem, Belgium

Serial Plate Location

When calling or writing about your product, be sure to mention model and serial numbers. Model and serial numbers are located on serial plate(s) as shown.

SERIAL PLATE
LOCATION



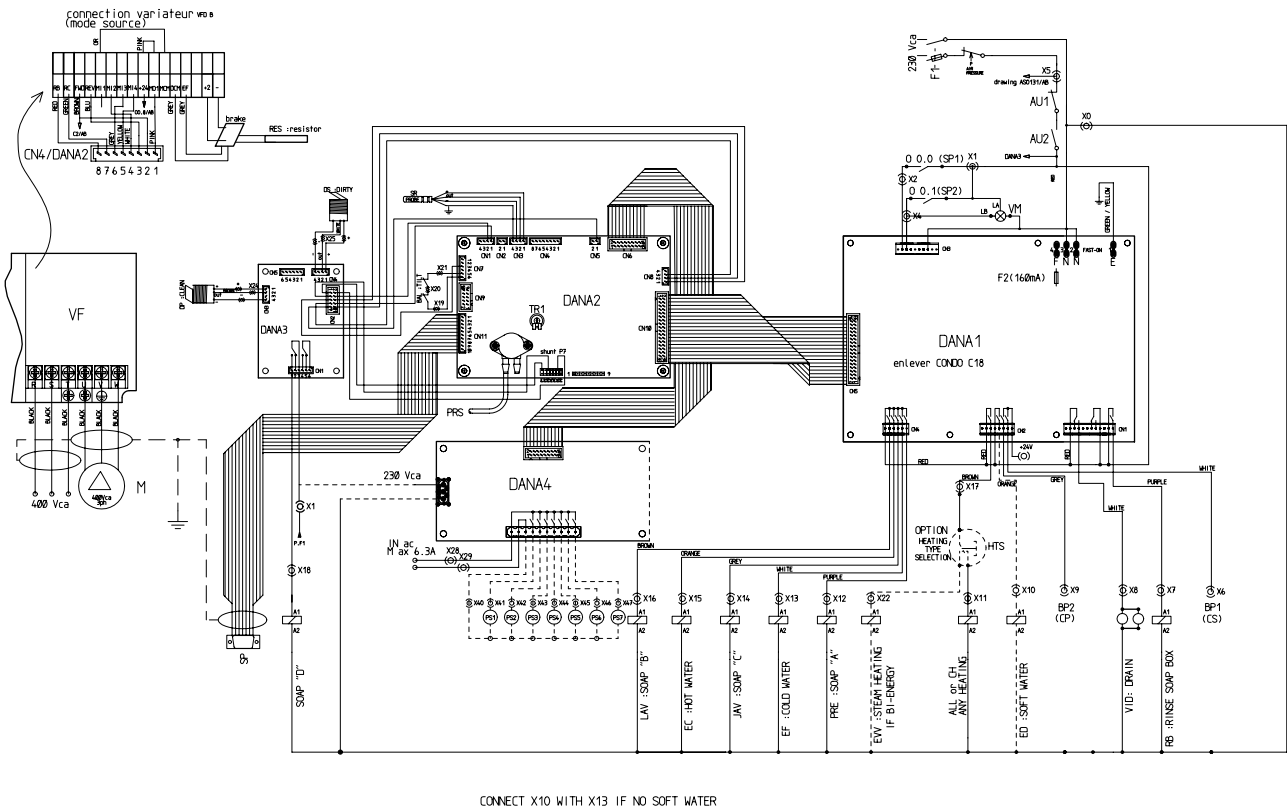
BAR43P_D1336

Model Identification

Information in this manual is applicable to these barrier washer models:

HM900
IHM900
UHM090D
UHM900

Electric Diagram (Drawing 1 of 2)



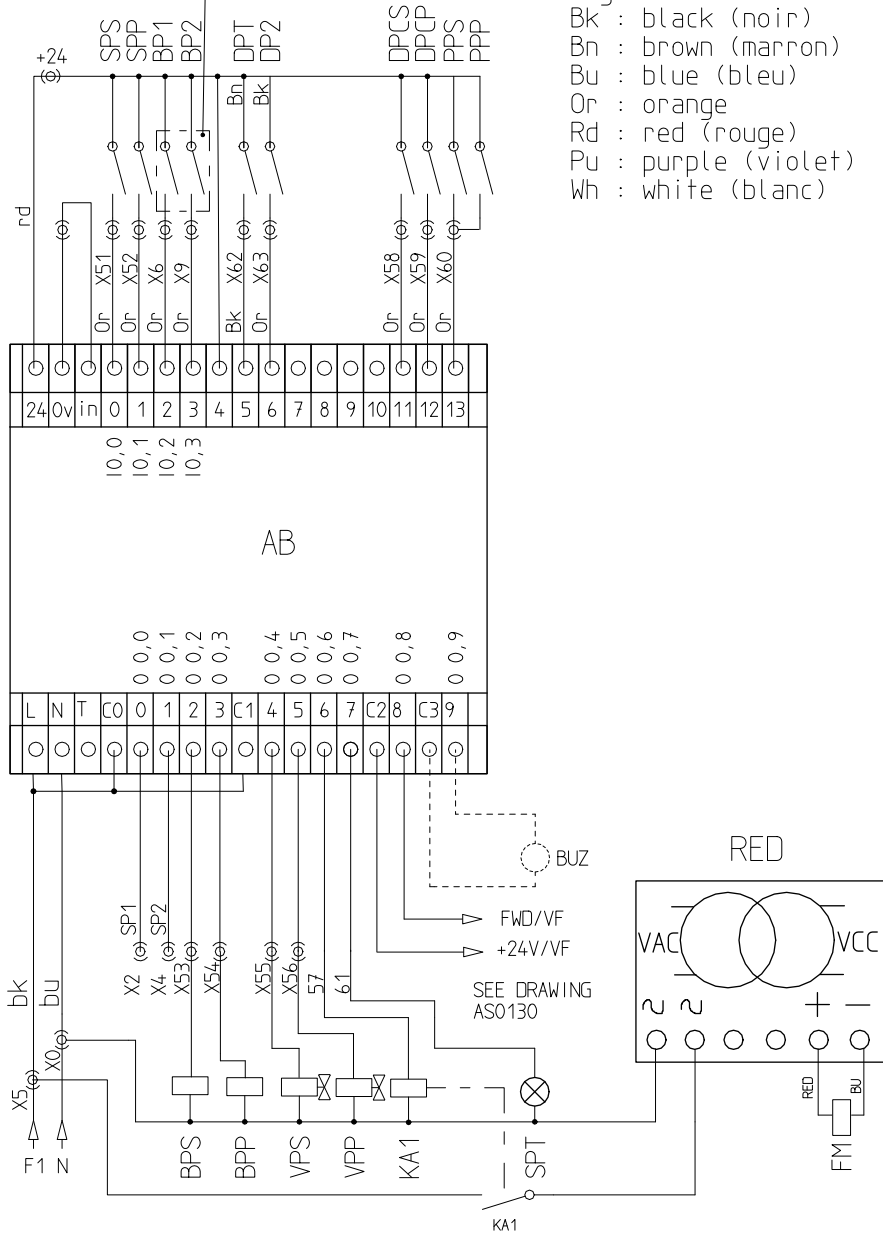
BAR32P_D1336

Electric Diagram (Drawing 1 of 2)

REF	PART NO.	DESCRIPTION	COMMENTS
-		Gas Lighting Device	ALL
-		Emergency Stop	AU
-		Unbalance	Bal
-		Clean Side Opening Door Coil	BP1/BPP
-		Dirty Side Opening Door Coil	BP2/BPS
-		Buzzer	BUZ
-		Electric Heating Contactor	CH
-		Relay Card	DANA1
-		Microprocessor Card	DANA2
-		Door Relay Card	DANA3
-		Liquid Soap Card	DANA4
-		Clean Side Detector	DP
-		Outer Door Detector	DPCP; Clean side
-		Outer Door Detector	DPCS; Dirty side
-		Inner Door Drum Detector	DPT
-		Dirty Side Detector	DS
-		Hot Water	EC
-		Soft Water	ED
-		Cold Water	EF
-		Pneumatic Valve for VPS	EV1
-		Pneumatic Valve for VPP	EV2
-		Pneumatic Valve for Cold Water	EV3
-		Pneumatic Valve for Hot Water	EV4
-		Steam Valve	EVV
-		Fuse	F1, 2...
-		Motor Brake	FM
-		Javel Product	JAV; Bac 3
-		Motor Brake Relay	KAI
-		Wash Product	LAV; Bac 2
-		Motor 1	M1
-		Prewash Product	PRE; Bac 1
-		Pushbutton for Inner Drum Rotation	PPP; Clean side
-		Pushbutton for Inner Drum Rotation	PPS; Dirty side
-		Main Switch	QS1
-		Rinsing Bac	RB; Bac 7
-		Resistor	RES
-		Door Safety Switch	SP1; Dirty side
-		Door Safety Switch	SP2; Clean side
-		Door Safety Switch	SPS; Dirty side
-		Door Safety Switch	SPP; Clean side
-		Inner Door Safety	SPT
-		Regulation Sensor	SR
-		Frequency Drive	VF
-		Drain Valve	VID
-		Run Pilot Lamp	VM
-		Outer Door Piston	VPP; Clean side

Electric Diagram (Drawing 2 of 2)

DANA1 drawing AS0130

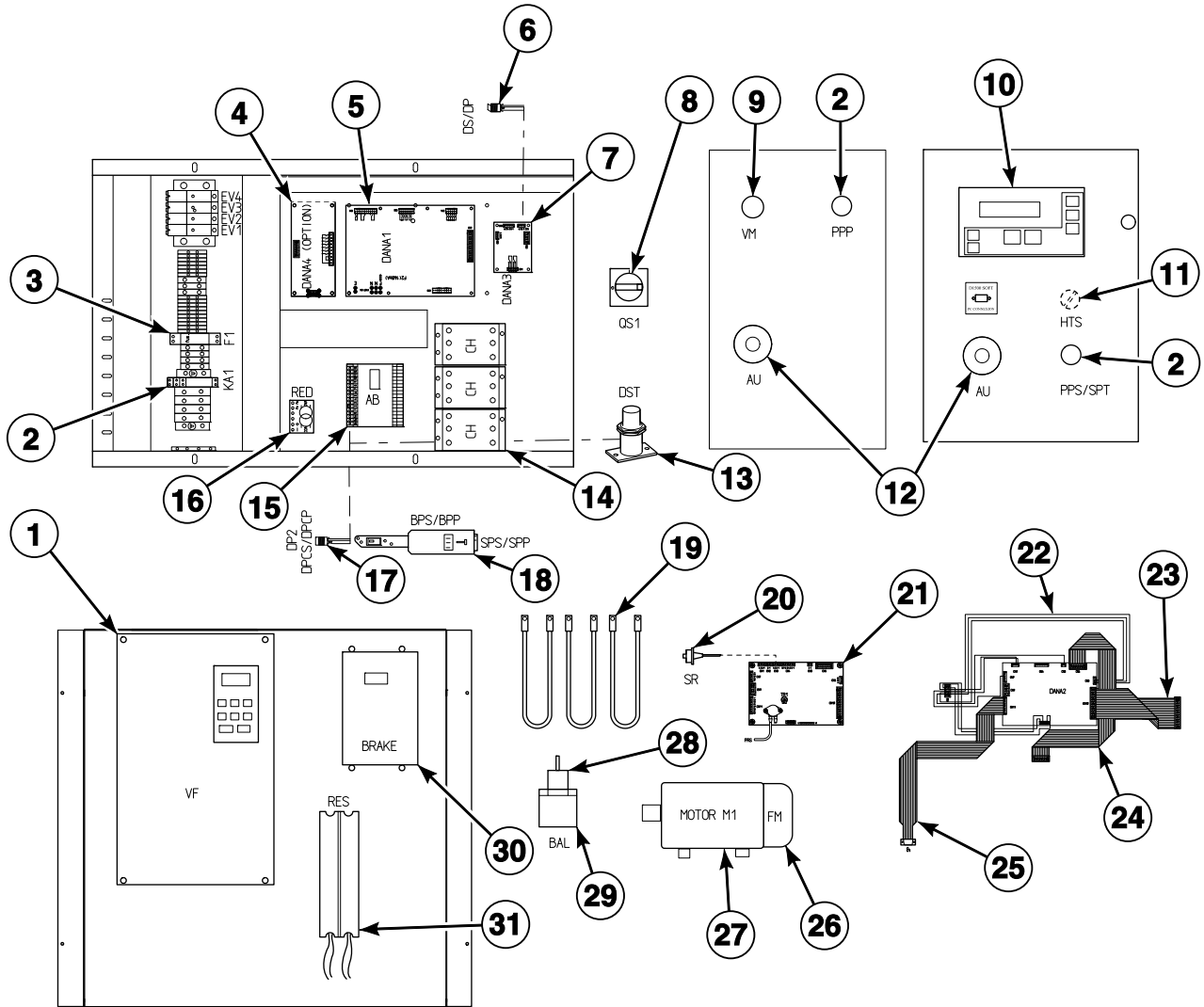


BAR33P_D1336

Electric Diagram (Drawing 2 of 2)

REF	PART NO.	DESCRIPTION	COMMENTS
-		Gas Lighting Device	ALL
-		Emergency Stop	AU
-		Unbalance	Bal
-		Clean Side Opening Door Coil	BP1/BPP
-		Dirty Side Opening Door Coil	BP2/BPS
-		Buzzer	BUZ
-		Electric Heating Contactor	CH
-		Relay Card	DANA1
-		Microprocessor Card	DANA2
-		Door Relay Card	DANA3
-		Liquid Soap Card	DANA4
-		Clean Side Detector	DP
-		Outer Door Detector	DPCP; Clean side
-		Outer Door Detector	DPCS; Dirty side
-		Inner Door Drum Detector	DPT
-		Dirty Side Detector	DS
-		Hot Water	EC
-		Soft Water	ED
-		Cold Water	EF
-		Pneumatic Valve for VPS	EV1
-		Pneumatic Valve for VPP	EV2
-		Pneumatic Valve for Cold Water	EV3
-		Pneumatic Valve for Hot Water	EV4
-		Steam Valve	EVV
-		Fuse	F1, 2...
-		Motor Brake	FM
-		Javel Product	JAV; Bac 3
-		Motor Brake Relay	KAI
-		Wash Product	LAV; Bac 2
-		Motor 1	M1
-		Prewash Product	PRE; Bac 1
-		Pushbutton for Inner Drum Rotation	PPP; Clean side
-		Pushbutton for Inner Drum Rotation	PPS; Dirty side
-		Main Switch	QS1
-		Rinsing Bac	RB; Bac 7
-		Resistor	RES
-		Door Safety Switch	SP1; Dirty side
-		Door Safety Switch	SP2; Clean side
-		Door Safety Switch	SPS; Dirty side
-		Door Safety Switch	SPP; Clean side
-		Inner Door Safety	SPT
-		Regulation Sensor	SR
-		Frequency Drive	VF
-		Drain Valve	VID
-		Run Pilot Lamp	VM
-		Outer Door Piston	VPP; Clean side
-		Outer Door Piston	VPS; Dirty side

Electrical Box



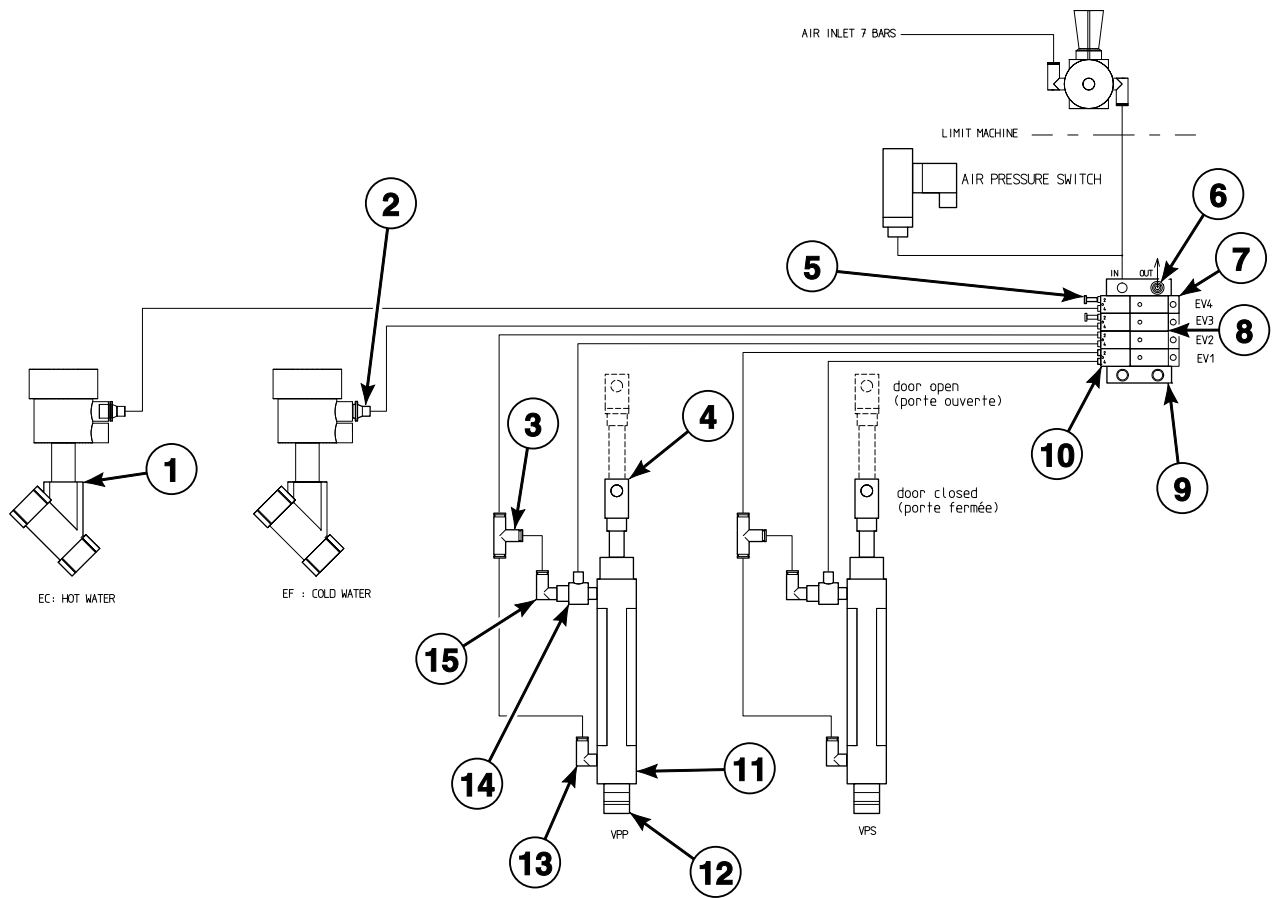
BAR34P_D1336

Electrical Box

REF	PART NO.	DESCRIPTION	COMMENTS
	1300021	Terminal Block	
	1300029	Ground Terminal	
	1300517	Ground Terminal Block	
	1300556	Terminal Block	
	1300641P	Limit Connector Block	
1	1300978	Speed Variator	
2	1300982	Inner Drum Pushbutton	2 required
3	1300028	Fuse Holder	
4	1300644	Liquid Soap Card	
5	1300646P	Relay Card	
6	1300634P	Door Sensor	
7	1300645	Door Relay Card	
8	1300052	Main Switch	
	1300053	Main Switch Handle	
	1300054	Auxiliary Main Switch	
	1300055	Main Switch	
	1300057	Auxiliary Main Switch	
	1300058	Switch Body	
	1300965	Plastic Protection	
	1300967	Plastic Protection	
	1300969	Plastic Protection	
	1300970	Plastic Protection	
9	1300025	Heat Pilot Light	
	1300633	Lamp	
	1300976	Heat Pilot Light	
10	1300643	Keyboard	
11	1300040	Switch Head	
	1300042	Pushbutton Body	
12	44018701P	Emergency Stop Kit	2 required
	1300560P	Emergency Switch Kit	
13	1300977	Door Sensor	
14	1300012	Heat Contactor	3 required
15	1300980	PLC	
16	N/A	Transformer	
17	1300030	Folding Detector	3 required
18	1300610	Door Lock	2 required
19	1301025	Heating Element	15 required
20	1300981	Probe	
21	1300647	Microprocessor Card	
22	1300638	Flat Ribbon Cable	
23	1300640	Flat Ribbon Cable	
24	1300639P	Flat Ribbon Cable	
25	1300637	Serial Port Cable	
26	1300983	Motor Brake	
27	1300984	Motor	15 kW
28	1300047	Finger Guard Head Switch	
29	1300043	Position Switch Body	
30	1300979	Brake Unit	
31	1300632P	Break Element	

N/A = Part no longer available

Pneumatic

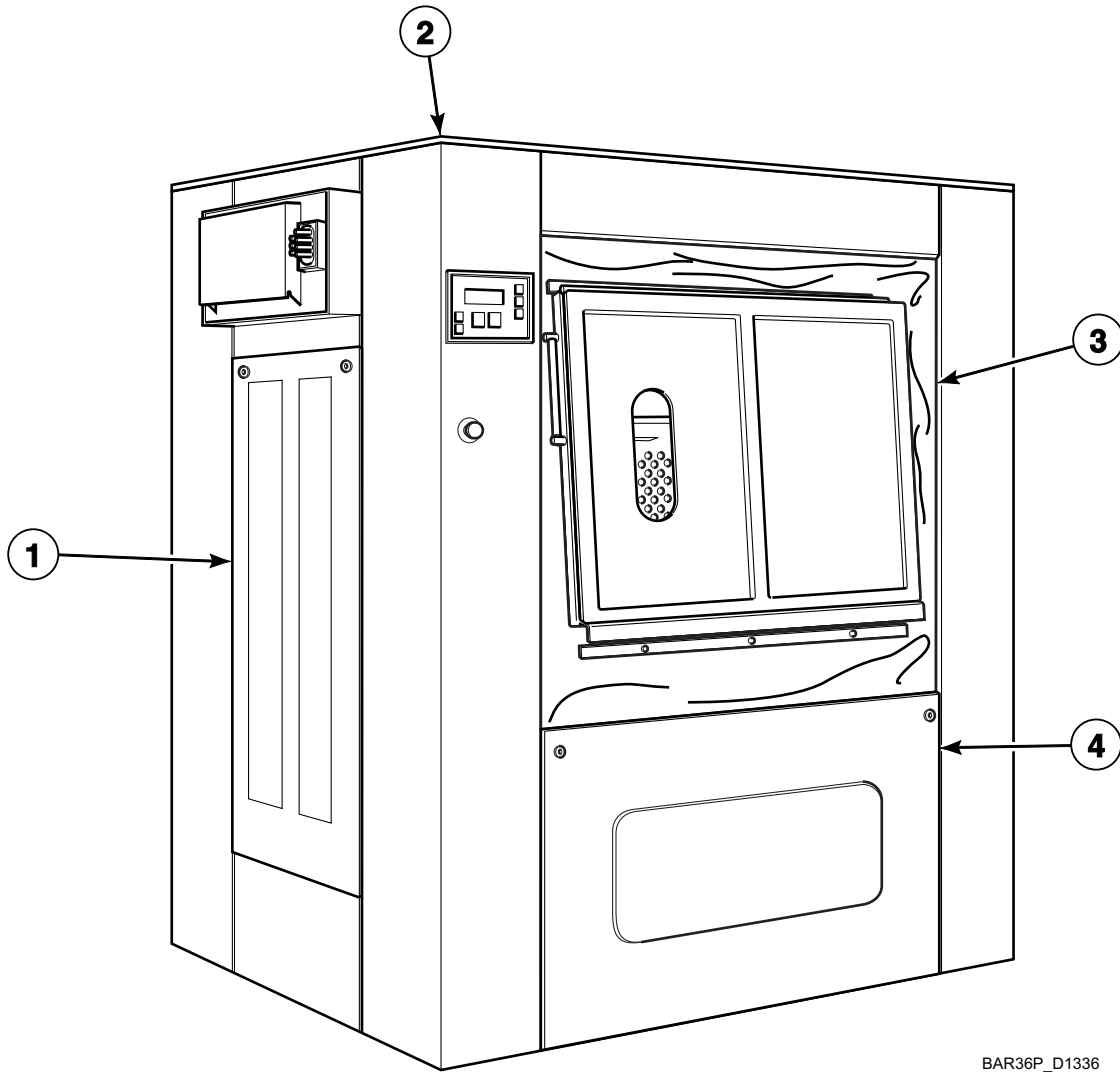


BAR35P_D1336

Pneumatic

REF	PART NO.	DESCRIPTION	COMMENTS
1	1301005	Water Valve	2 required
2	1300997	T Connection	2 required
3	N/A	Straight Connection	2 required
4	1301003	Front Fixture	2 required
5	1301022	Plug	4 required
6	N/A	Output Filter	
7	N/A	Pneumatic Base	4 required
8	1300996	Coil	4 required
9	1300995	Pneumatic Kit	
10	1300170	Valve	4 required
11	1301001	Piston	2 required
12	1301002	Rear Fixture	2 required
13	N/A	Elbow Connection	2 required
14	1301004	Banjo Connection	2 required
15	N/A	Elbow Connection	6 required

Panels

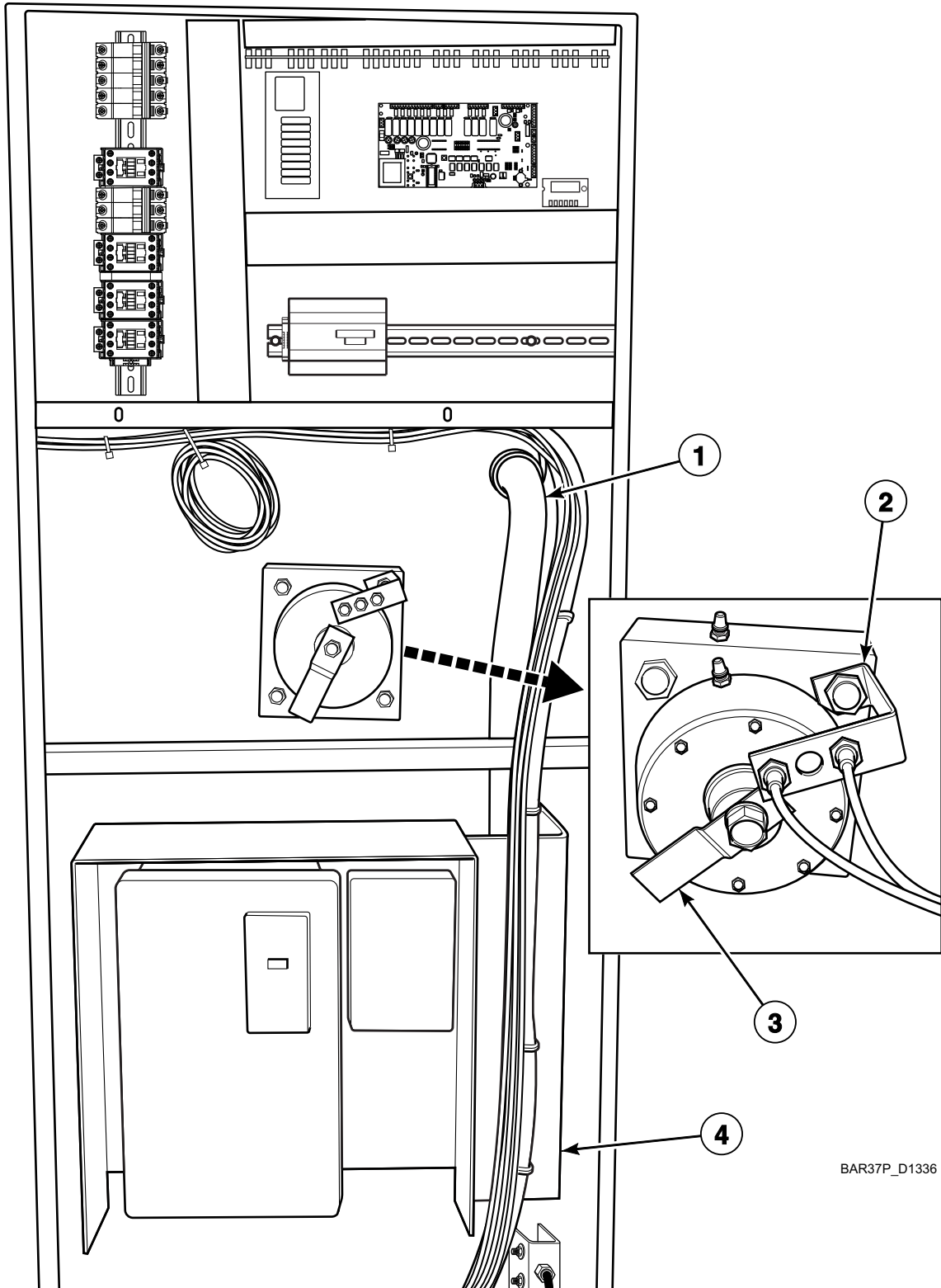


BAR36P_D1336

Panels

REF	PART NO.	DESCRIPTION	COMMENTS
1	1300844	Panel	2 required
2	1301034	Small Top Panel	
	1301036	Top Panel	Left
	1301035	Top Panel	Right
	1301033	Center Top Panel	
3	1301021	Body Seal	2 required
4	1301030	Front Panel	2 required

Left Side Components

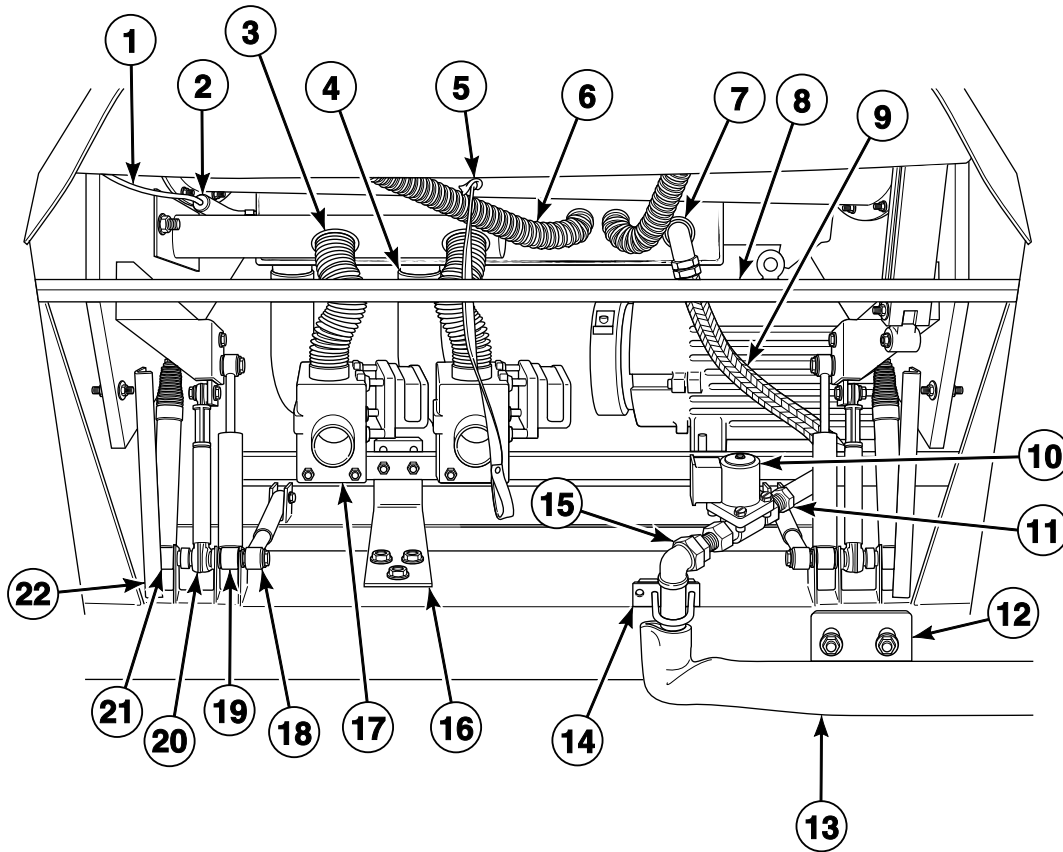


BAR37P_D1336

Left Side Components

REF	PART NO.	DESCRIPTION	COMMENTS
1	1301013	Overflow Drain	2 required
2	1301044	Sensor Plate	
3	1300678	Reflector	
4	1301038	Inverter Support	
	1301039	Extension Support	

Dirty Side Components

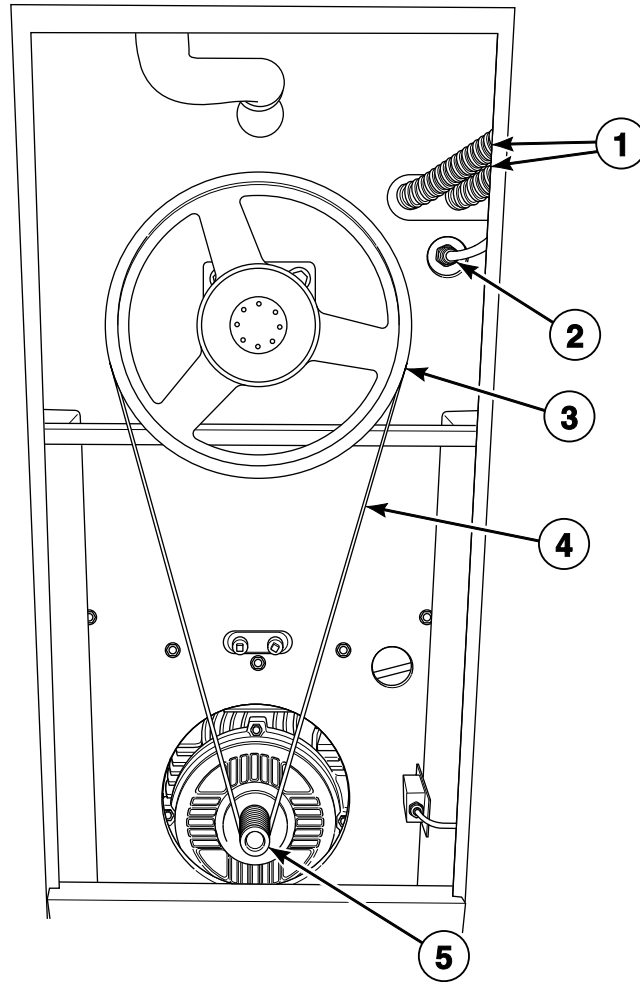


BAR38P_D1336

Dirty Side Components

REF	PART NO.	DESCRIPTION	COMMENTS
1	1301007	Air Tub	
2	1300760	Compression Tank	
3	1301023	Overflow Piping	2 required
4	1300758	Tank to Drain Valve Hose	2 required
5	1301024	Door Pull	2 required
6	1300800	Pipe	2 required
7	1300809	Union Elbow	
8	1301040	Upper Panel	2 required
9	1301016	Steam Hose	
10	1300805	Steam Solenoid Valve	
11	1300174	Fitting	
12	1301043	Plate	4 required
13	1301017	Insulation	
14	1301046	Steam Pipe Plate	
15	1301000	Union	
16	1301042	Drain Valve Support	
17	1300620	Drain Valve	2 required
18	1300933	Shock Absorber	120N; 4 required
19	1301012	Shock Absorber	4 required
20	1301026	Shock Absorber	250N; 4 required
21	1301011	Shock Absorber	4 required
22	1301041	Bracket	4 required

Right Side Components

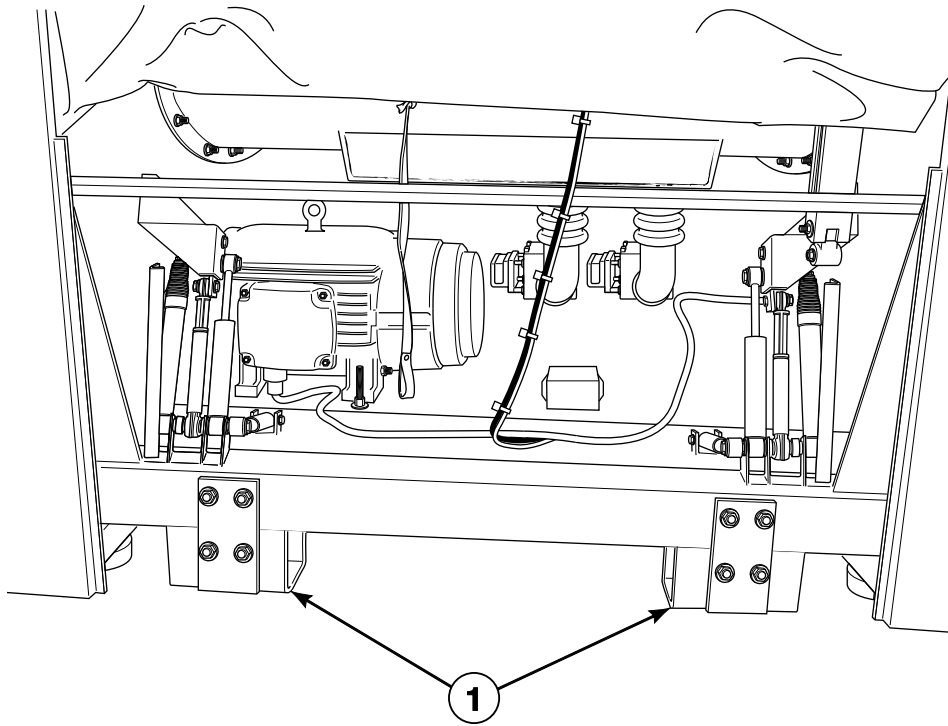


BAR42P_D1336

Right Side Components

REF	PART NO.	DESCRIPTION	COMMENTS
1	1300764	Valve to Tank Hose	2 required
2	1300761	Connector Hose	
3	1300986	Drum Pulley	
4	1301008	Belt	
5	1300985	Motor Pulley	

Clean Side Components

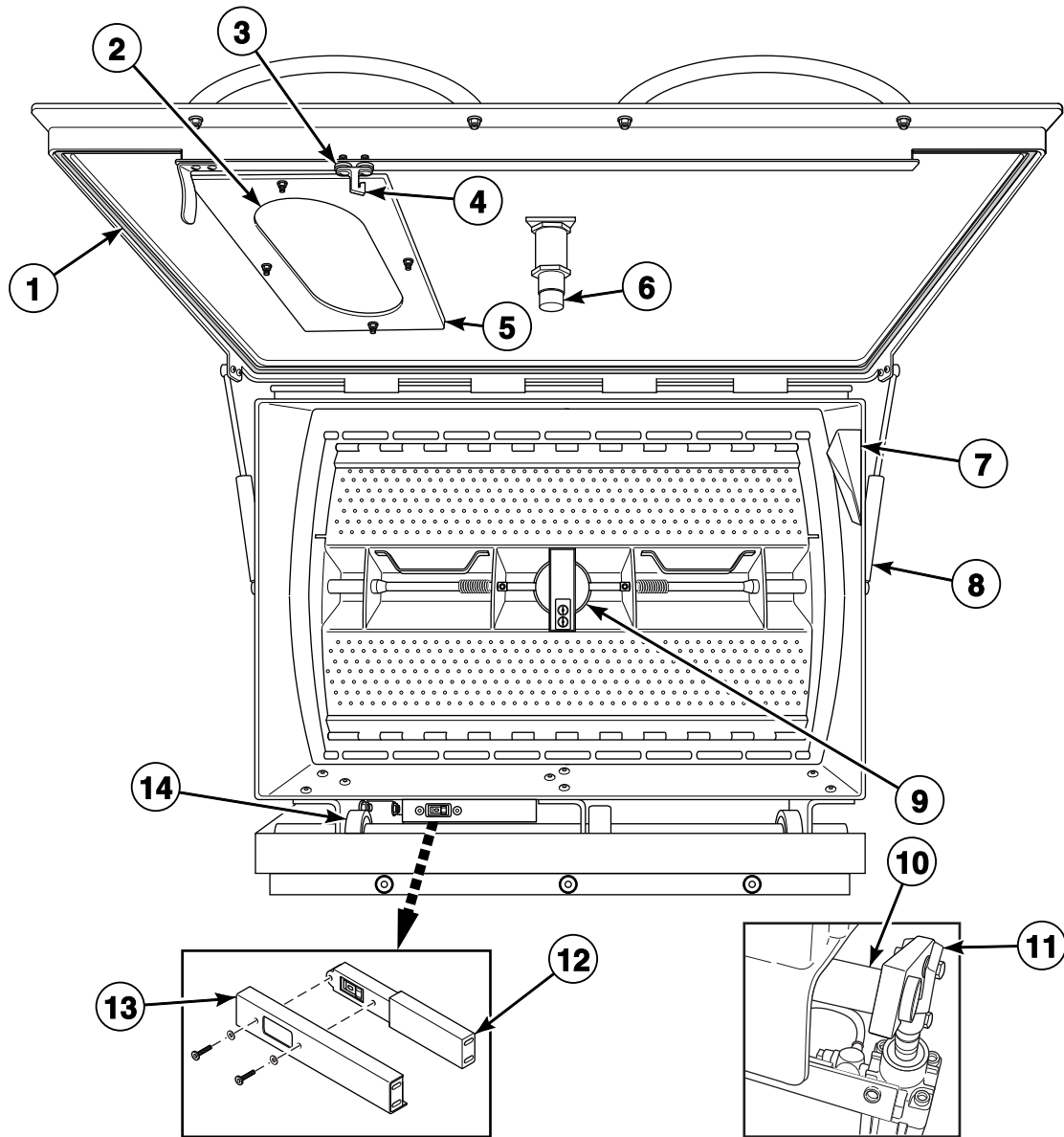


BAR39P_D1336

Clean Side Components

REF	PART NO.	DESCRIPTION	COMMENTS
1	1300988	Feet	4 required

Drum

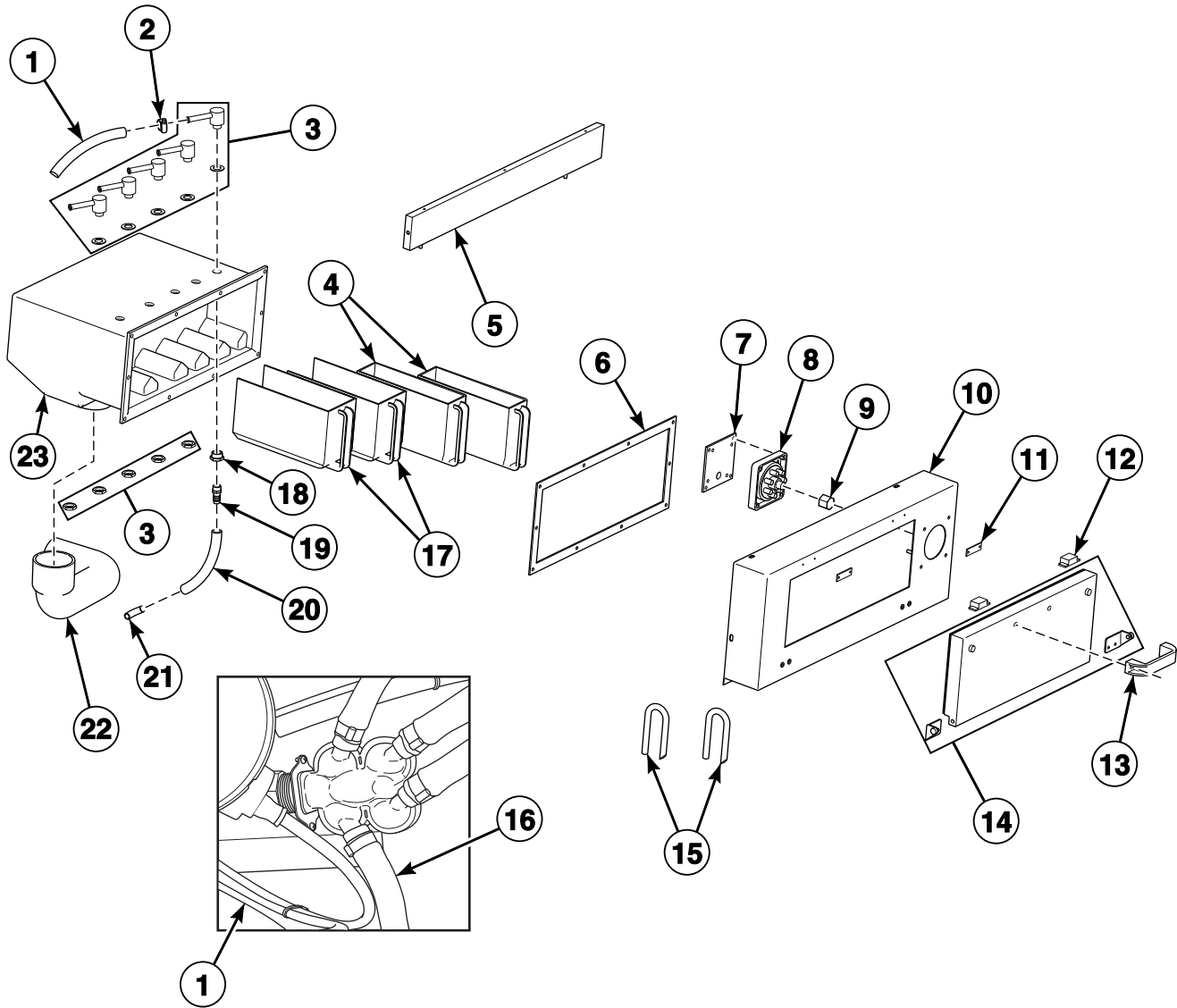


BAR40P_D1336

Drum

REF	PART NO.	DESCRIPTION	COMMENTS
	1300030	Folding Detector	2 required
1	1300999	Door Seal	2 required
2	1300987	Door Glass	2 required
3	1300974	Rubber Hook	2 required
4	N/A	Hook	2 required
5	1301031	Glass Support	2 required
6	1300977	Door Sensor	2 required
7	1300696	Drum Door Prop	Clean side
	1300697	Drum Door Prop	Dirty side
8	1301020	Door Plunger Cylinder	4 required
9	1301028	Door Handle	2 required
10	1301029	Door Lock Axle	2 required
11	1301027	Rod	2 required
12	1300975	Door Lock	2 required
13	1301037	Door Lock Cover	2 required
14	1300096P	Roll Bearing	2 required

Soap Dispenser



BAR41P_D1336

Soap Dispenser

REF	PART NO.	DESCRIPTION	COMMENTS
1	1300754	Valve to Tray Hose	5 required
2	1300993	Collar	5 required
3	1301006	Water Injector	5 required
4	1301015	Liquid Soap Box	2 required
5	1300839	Supply Dispenser Box Lid	
6	1300998	Seal	
7	1301032	Liquid Soap Output	
8	1300994	Liquid Soap Collector	
9	1300904	Soap Collector Cork	
10	1301045	Soap Dispenser Panel	
11	1300990	Metallic Plate	2 required
12	1300989	Magnet	2 required
13	1300991	Door Handle	
14	1301047	Soap Dispenser Door Kit	
15	1301009	Siphon	2 required
16	1300612	Water Inlet Pipe	
17	1301019	Powder Soap Box	2 required
18	N/A	Nut	
19	1301010	Adapter	
20	1300188	Drain Tube	
21	1300992	Elbow	
22	1301014	Pipe	
23	1301018	Soap Dispenser	

Parts Index

A

Adapter	
1301010	25
Air Tub	
1301007	17
Auxiliary Main Switch	
1300054	9
1300057	9

B

Banjo Connection	
1301004	11
Belt	
1301008	19
Body Seal	
1301021	13
Bracket	
1301041	17
Brake Unit	
1300979	9
Break Element	
1300632P	9

C

Center Top Panel	
1301033	13
Coil	
1300996	11
Collar	
1300993	25
Compression Tank	
1300760	17
Connector Hose	
1300761	19

D

Door Glass	
1300987	23
Door Handle	
1300991	25
1301028	23
Door Lock	
1300610	9
1300975	23
Door Lock Axle	
1301029	23
Door Lock Cover	
1301037	23
Door Plunger Cylinder	
1301020	23
Door Pull	
1301024	17

Door Relay Card	
1300645	9
Door Seal	
1300999	23
Door Sensor	
1300634P	9
1300977	9, 23
Drain Tube	
1300188	25
Drain Valve	
1300620	17
Drain Valve Support	
1301042	17
Drum Door Prop	
1300696	23
1300697	23
Drum Pulley	
1300986	19

E

Elbow	
1300992	25
Emergency Stop Kit	
44018701P	9
Emergency Switch Kit	
1300560P	9
Extension Support	
1301039	15

F

Feet	
1300988	21
Finger Guard Head Switch	
1300047	9
Fitting	
1300174	17
Flat Ribbon Cable	
1300638	9
1300639P	9
1300640	9
Folding Detector	
1300030	9, 23
Front Fixture	
1301003	11
Front Panel	
1301030	13
Fuse Holder	
1300028	9

G

Glass Support	
1301031	23
Ground Terminal	
1300029	9

N/A items do not appear in index.

Ground Terminal Block 1300517	9
--	---

H

Heat Contactor 1300012	9
Heat Pilot Light 1300025	9
1300976	9
Heating Element 1301025	9

I

Inner Drum Pushbutton 1300982	9
Insulation 1301017	17
Inverter Support 1301038	15

K

Keyboard 1300643	9
---------------------------	---

L

Lamp 1300633	9
Limit Connector Block 1300641P	9
Liquid Soap Box 1301015	25
Liquid Soap Card 1300644	9
Liquid Soap Collector 1300994	25
Liquid Soap Output 1301032	25

M

Magnet 1300989	25
Main Switch 1300052	9
1300055	9
Main Switch Handle 1300053	9
Metallic Plate 1300990	25
Microprocessor Card 1300647	9
Motor 1300984	9

Motor Brake 1300983	9
Motor Pulley 1300985	19

O

Overflow Drain 1301013	15
Overflow Piping 1301023	17

P

Panel 1300844	13
Pipe 1300800	17
1301014	25
Piston 1301001	11
Plastic Protection 1300965	9
1300967	9
1300969	9
1300970	9
Plate 1301043	17
PLC 1300980	9
Plug 1301022	11
Pneumatic Kit 1300995	11
Position Switch Body 1300043	9
Powder Soap Box 1301019	25
Probe 1300981	9
Pushbutton Body 1300042	9

R

Rear Fixture 1301002	11
Reflector 1300678	15
Relay Card 1300646P	9
Rod 1301027	23
Roll Bearing 1300096P	23
Rubber Hook 1300974	23

N/A items do not appear in index.

S

Seal	
1300998	25
Sensor Plate	
1301044	15
Serial Port Cable	
1300637	9
Shock Absorber	
1300933	17
1301011	17
1301012	17
1301026	17
Siphon	
1301009	25
Small Top Panel	
1301034	13
Soap Collector Cork	
1300904	25
Soap Dispenser	
1301018	25
Soap Dispenser Door Kit	
1301047	25
Soap Dispenser Panel	
1301045	25
Speed Variator	
1300978	9
Steam Hose	
1301016	17
Steam Pipe Plate	
1301046	17
Steam Solenoid Valve	
1300805	17
Supply Dispenser Box Lid	
1300839	25
Switch Body	
1300058	9
Switch Head	
1300040	9

T

T Connection	
1300997	11
Tank to Drain Valve Hose	
1300758	17
Terminal Block	
1300021	9
1300556	9
Top Panel	
1301035	13
1301036	13

U

Union	
1301000	17
Union Elbow	
1300809	17

Upper Panel	
1301040	17

V

Valve	
1300170	11
Valve to Tank Hose	
1300764	19
Valve to Tray Hose	
1300754	25

W

Water Injector	
1301006	25
Water Inlet Pipe	
1300612	25
Water Valve	
1301005	11
