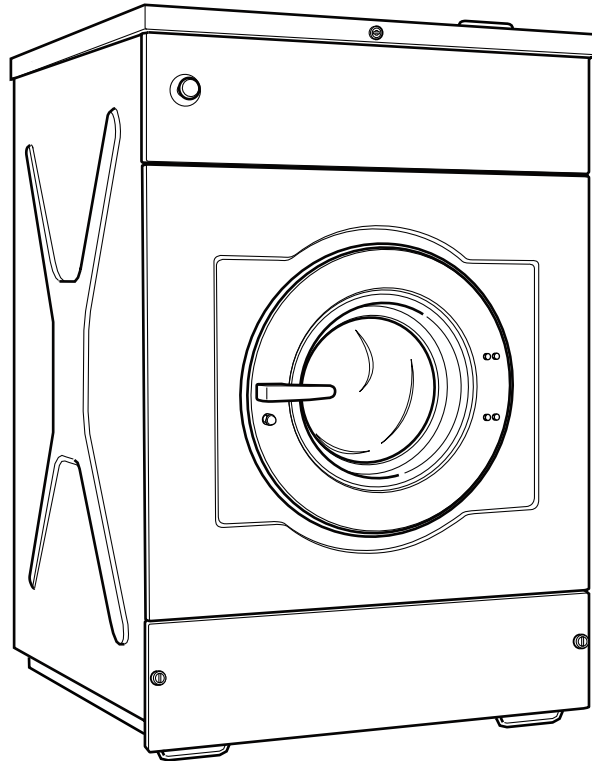


Washer-Extractor

Cabinet Hardmount

Refer to Page 3 for Model Numbers



CFD651N_D1361

Table of Contents

Title	Page
Parts Ordering Information.....	2
Serial Plate Location	2
Model Identification	3
Cabinet Hardmount Washer-Extractor Product Overview.....	4
Frame.....	6
Bearing Housing	8
Basket, Pulley and Belt	10
Shell and Basket.....	12
Motor and Belt.....	14
Drain Plumbing	16
Drain Plumbing - Models with Pump Drain	18
Door Lock.....	20
Door	22
Control Panel - Cygnus Professional	24
Control Panel - Cygnus Ultra Pro.....	26
Control Panel - Cygnus Premium OPL and Ultra.....	28
Control Panel - Cygnus Premium Coin	30
Control Panel - Cygnus Standard/Commercial OPL and Select.....	32
Control Panel - Standard	34
Control Panel - Cygnus Standard/Commercial Coin and Vended	36
Coin Drop - Mechanical Coin Meter.....	38
Coin Drop - Electronic Coin Meter	40
Left Side, Lower Front and Upper Rear Panels	42
Right Side, Front, Lower Rear and Top Panels	44
Inverter Drive	46
Printboard Support Panel and Soap Injection Printboards	48
Electrical Component Mounting Plate.....	50
Fill Plumbing Assembly.....	52
Steam and Electric Heating Options	54
Parts Index.....	57

© Copyright 2017, Alliance Laundry Systems LLC

All rights reserved. No part of the contents of this book may be reproduced or transmitted in any form or by any means without the expressed written consent of the publisher.

Parts Ordering Information

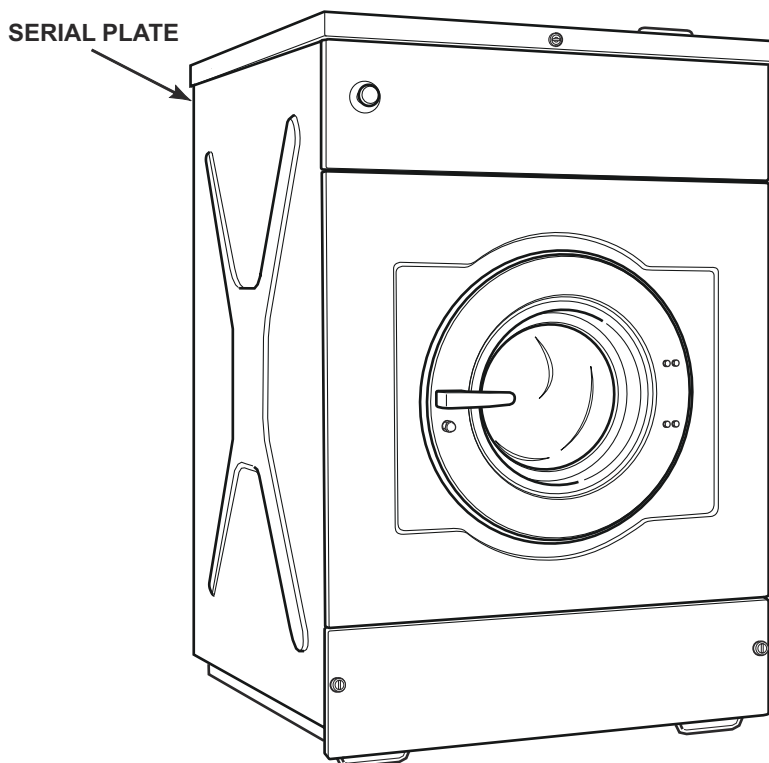
If literature or replacement parts are required, contact the source from whom the machine was purchased or contact Alliance Laundry Systems at (920) 748-3950 for the name and address of the nearest authorized parts distributor.

For technical assistance, call the number listed below:

(920) 748-3121 Ripon, Wisconsin

Serial Plate Location

When calling or writing about your product, be sure to mention model and serial numbers. Model and serial numbers are located on serial plate(s) as shown.



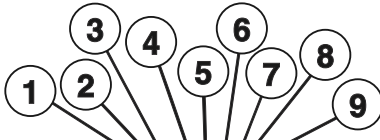
CFD651NA_D1361

Model Identification

Information in this manual is applicable to these washer-extractor models:

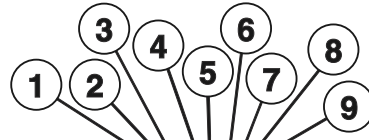
CH018_CYGNUS-SELECT	CHN065X	IHA065C	IHR014R	IHZ065C
CH025_CYGNUS-SELECT	CHN065Z	IHA065X	IHR014S	IHZ065X
IH014_CYGNUS-SELECT	CHN075S	IHA065Y	IHR014U	IHZ065Y
IH014_CYGNUS-ULTRA	CHN075X	IHA065Z	IHR014V	IHZ065Z
IH014_CYGNUS-VENDED	CHN075Z	IHA075C	IHR018R	IHZ075C
IH014_ULTRA-PRO	CHN100S	IHA075X	IHR018S	IHZ075X
IH018_CYGNUS-SELECT	CHN100X	IHA075Y	IHR018U	IHZ075Y
IH018_CYGNUS-ULTRA	CHN100Z	IHA075Z	IHR018V	IHZ075Z
IH018_CYGNUS-VENDED	CHR014X	IHA100C	IHR025R	IHZ100C
IH018_ULTRA-PRO	CHR014Z	IHA100X	IHR025S	IHZ100X
IH025_CYGNUS-SELECT	CHR018S	IHA100Y	IHR025U	IHZ100Y
IH025_CYGNUS-ULTRA	CHR018X	IHA100Z	IHR025V	IHZ100Z
IH025_CYGNUS-VENDED	CHR018Z	IHG065C	IHU065C	JHW065C
IH025_ULTRA-PRO	CHR025S	IHG065X	IHU065X	JHW065Y
WD65_CYGNUS-COMM	CHR025X	IHG065Y	IHU065Y	JHW065Z
WD65_CYGNUS-PREM	CHR025Z	IHG065Z	IHU065Z	JHW075C
WD65_CYGNUS-PRO	CHU065X	IHG075C	IHU075C	JHW075Y
WD65_CYGNUS-STANDARD	CHU065Z	IHG075X	IHU075X	JHW075Z
WD75_CYGNUS-COMM	CHU075X	IHG075Y	IHU075Y	JHW100C
WD75_CYGNUS-PREM	CHU075Z	IHG075Z	IHU075Z	JHW100Y
WD75_CYGNUS-PRO	CHU100X	IHG100C	IHU100C	JHW100Z
WD75_CYGNUS-STANDARD	CHU100Z	IHG100X	IHU100X	PHU065Y
WD100_CYGNUS-COMM	CHW065X	IHG100Y	IHU100Y	PHU075Y
WD100_CYGNUS-PREM	CHW065Z	IHG100Z	IHU100Z	PHU100Y
WD100_CYGNUS-PRO	CHW075X	IHN065C	IHW065C	SHE018C
WD100_CYGNUS-STANDARD	CHW075Z	IHN065S	IHW065X	SHE025C
SH018_STANDARD	CHW100X	IHN065U	IHW065Y	WHU065C
SH025_STANDARD	CHW100Z	IHN065V	IHW065Z	WHU075C
CHE014X	CHY018X	IHN065X	IHW075C	WHU100C
CHE014Z	CHY018Z	IHN065Y	IHW075X	YHG065C
CHE018X	CHY025X	IHN065Z	IHW075Y	YHG075C
CHE018Z	CHY025Z	IHN075C	IHW075Z	YHG100C
CHE025X	CHZ065X	IHN075S	IHW100C	
CHE025Z	CHZ065Z	IHN075U	IHW100X	
CHG065X	CHZ075X	IHN075V	IHW100Y	
CHG065Z	CHZ075Z	IHN075X	IHW100Z	
CHG075X	CHZ100X	IHN075Y	IHY014C	
CHG075Z	CHZ100Z	IHN075Z	IHY014X	
CHG100X	DHU065X	IHN100C	IHY014Y	
CHG100Z	DHU075X	IHN100S	IHY014Z	
	DHU100X	IHN100U	IHY018C	
	EHU065X	IHN100V	IHY018X	
	EHU075X	IHN100X	IHY018Y	
	EHU100X	IHN100Y	IHY018Z	
		IHN100Z	IHY025C	
			IHY025X	
			IHY025Y	
			IHY025Z	

Cabinet Hardmount Washer-Extractor Product Overview



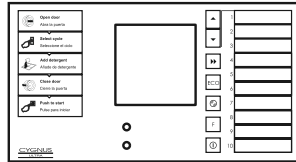
Model No: IXU135XNCU0E	Serial No: 12090AE0036
Volts: 380-415V	Type: HD135
Hertz: 50(60)Hz	1 3
Phase: 3+N	Capacity: 30/13.2 lbs/kg
Amps: 24.3 amps	Water Pressure: 28-85 psi / 2-6 bar
Recommended Circuit Breaker: 25 amps	Max Speed: 1000 rpm
Electrical Heating: 12-14. kW	Net Weight: 788 lbs / 358 kg
Steam Heat: N/A psi / N/A bar	IPX4
Sound Level: 62/73 dBA	sfc 807393

Alliance International BVBA
 Nieuwstraat 146
 8560 Wevelgem
 Belgium
 Tel: +32 56 41 20 54
 Fax: +32 56 41 86 74
 www.ipso.be
 Country of origin: Belgium

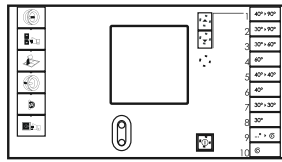


Model No: IHM185SNLXUOP	Serial No: 1209BG0043
Volts: 200-240V	Type: WD185
Hertz: 60(50)Hz	1 3
Phase: 1	Capacity: 40/18.2 lbs/kg
Amps: 3.5 amps	Water Pressure: 28-85 psi / 2-6 bar
Recommended Circuit Breaker: 15 amps	Max Speed: 470 rpm
Electrical Heating: N/A kW	Net Weight: 618 lbs / 281 kg
Steam Heat: N/A psi / N/A bar	IPX4
Sound Level: 62/73 dBA	sfc 807410

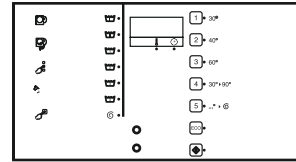
Alliance International BVBA
 Nieuwstraat 146
 8560 Wevelgem
 Belgium
 Tel: +32 56 41 20 54
 Fax: +32 56 41 86 74
 www.ipso.be
 Country of origin: Belgium



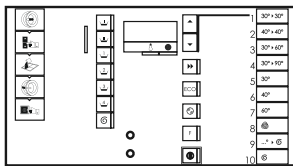
Cygnus Ultra



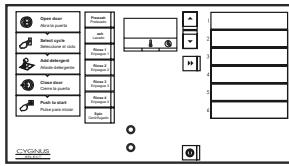
Cygnus Premium Coin



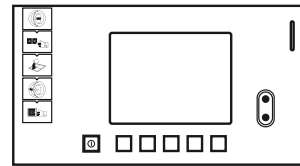
Standard



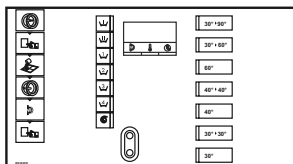
Cygnus Commercial



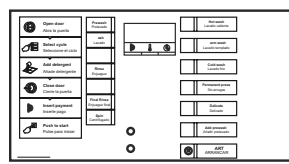
Cygnus Select



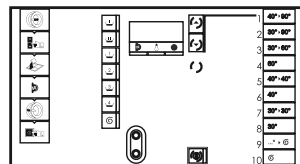
Cygnus Professional



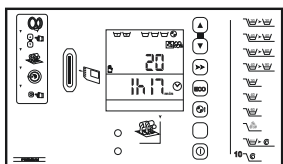
Cygnus Standard Vended



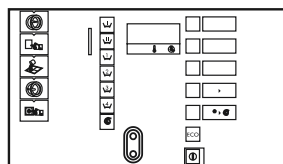
Cygnus Vended



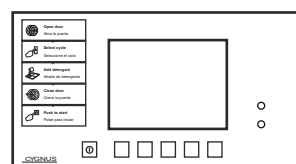
Cygnus Commercial Vended



Cygnus Premium OPL



Cygnus Standard OPL



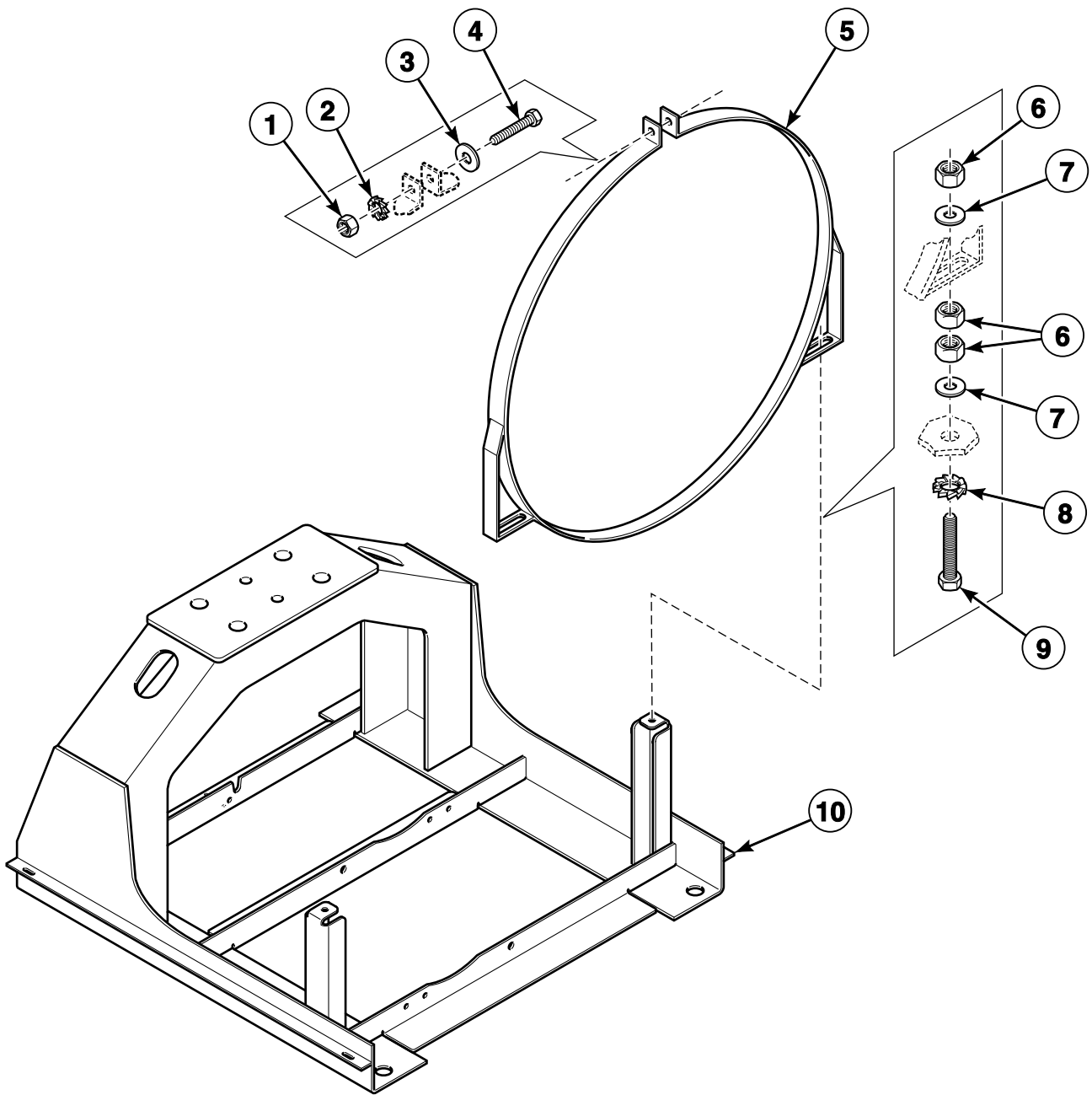
Cygnus Ultra Pro

CFD2507P_D1361

Cabinet Hardmount Washer-Extractor Product Overview

REF	PART NO.	DESCRIPTION	COMMENTS
1	-	Product Family	CH DH EH IH JH PH WD WH YH
2	-	Market	E (EU [CE] Pounds) G (GOS) N (US ETL/ETL [C]) R (US ETL/ETL [C]) U (EU [CE]) W (EU [CE] WRAS) Z (No Agency Int.)
3	-	Capacity	014 018 025 065 075 100
4	-	Control	C (Cygnus Standard or STANDARD) R (Cygnus Ultra Pro) S (Cygnus Select) U (Cygnus Ultra) V (Cygnus Vended) X (Cygnus Commercial) Y (Cygnus Premium) Z (Cygnus Professional)
5	-	Actuation	C (Single Coin Drop) D (Dual Coin Drop) E (Electronic Coin Drop) L (Central Pay Pulses) N (OPL) S (Central Pay Serial Comm)
6	-	Speed	L (Normal Speed) M (High Speed)
7	-	Voltage	C (380-415V/50/60 Hertz/3Ph-4W [L1, L2, L3, N]) N (440-480V/50/60 Hertz/3Ph-3W [L1, L2, L3]) P (380-415V/50/60 Hertz/3Ph-3W [L1, L2, L3]) Q (200-208/220-240V/50/60 Hertz/3Ph-3W [L1, L2, L3]) X (200-208/220-240V/50/60 Hertz/1Ph-2W [L1, N] or 2W [L1, L2])
8	-	Cabinet	U (Standard) 1 (Stainless Steel Side Panels)
9	-	Design	1

Frame

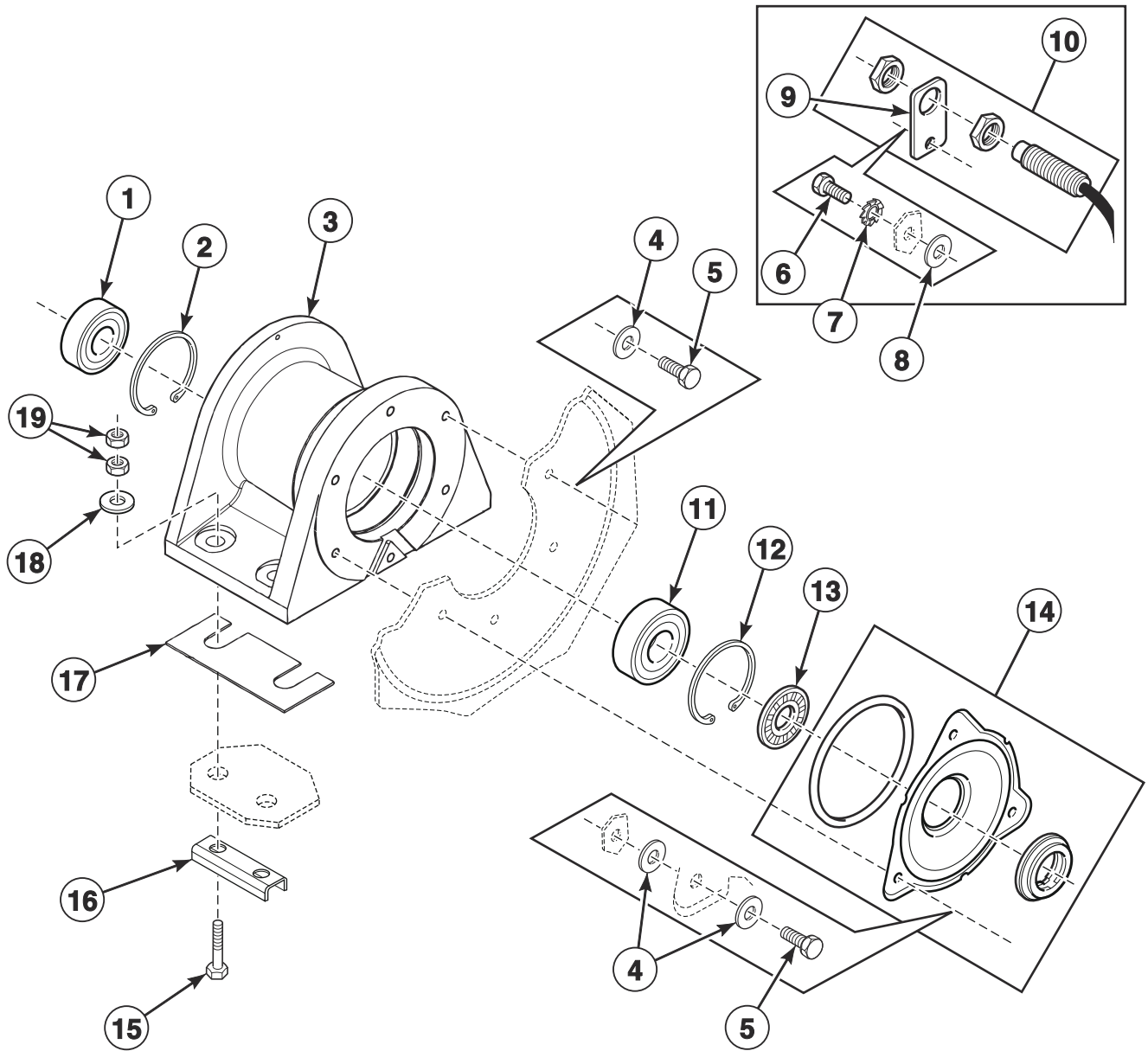


CHM3252P_D1361

Frame

REF	PART NO.	DESCRIPTION	COMMENTS
	B12349904	Out-of-Balance Bypass Harness	
1	204/00003/00	Nut	
2	203/00002/00	Washer	
3	201/00010/00	Washer	
4	206/00052/00	Bolt	
5	212/00114/00	Tub Fastening Ring	
6	204/00002/00	Nut	
7	201/00005/00	Washer	
8	203/00001/00	Washer	
9	206/00079/00	Bolt	
10	B12395601	Frame	*14 and *65 models
	B12395701	Frame	*18 and *75 models
	B12394301	Frame	*25 and *100 models

Bearing Housing

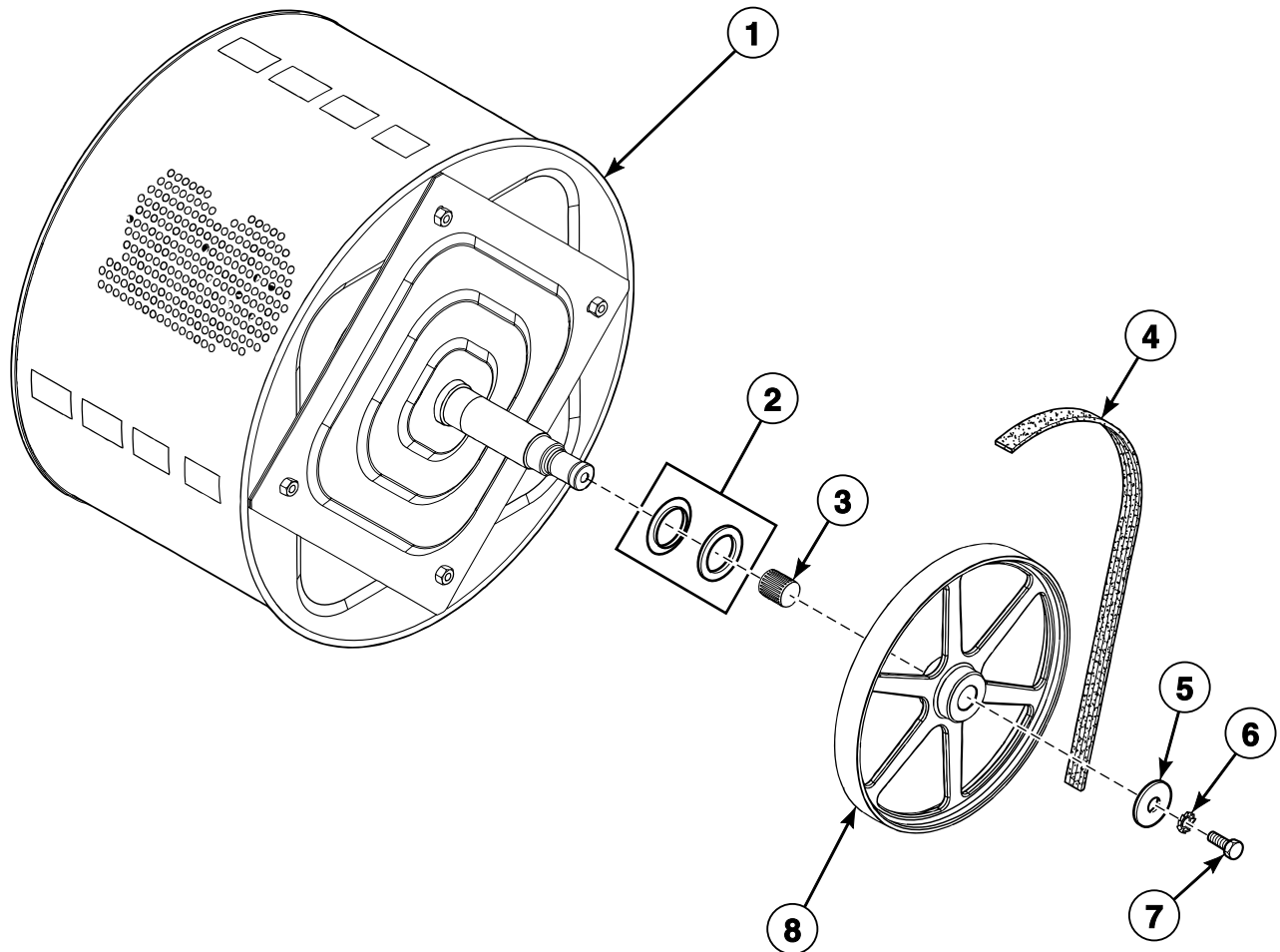


CHM3210P_D1361

Bearing Housing

REF	PART NO.	DESCRIPTION	COMMENTS
	3881P	Bearing Kit	Includes items 1, 4, 5, 11, 13, 14, 217/00004/00 Counter Ring and 223/00242/10 Tub Front Gasket
	380P3P	Bearing Replacement Tool Kit	Purchase
	380P3-1	Bearing Replacement Tool Kit	Rental; Requires F407P4 Hardware Kit
	F407P4	Hardware Kit	
1	F100136P	Bearing	6307
2	212/00028/00	Retaining Ring	J80
3	212/00100/00	Bearing Housing Assembly	Includes items 1-3, 11 and 12
	212/00100/01	Bearing Housing	
4	201/00201/00	Washer	
5	205/00102/00	Bolt	
6	203/00004/00	Washer	
7	206/00014/00	Bolt	
8	202/00003/00	Washer	
9	152/00055/00	Speed Detector Bracket	
10	210/00074/00	Speed Detector	Includes item 9
11	F100137P	Bearing	6308
12	212/00038/00	Retaining Ring	J90
13	B12332201	Lip Seal	
14	B12333601	Seal Plate Assembly	
15	206/00093/00	Bolt	
16	113/00065/00	U-Piece Assembly	
17	113/00020/02	Bearing Housing Plate	1 mm
	113/00020/01	Bearing Housing Plate	2 mm
18	201/00001/00	Washer	
19	206/00094/00	Nut	

Basket, Pulley and Belt

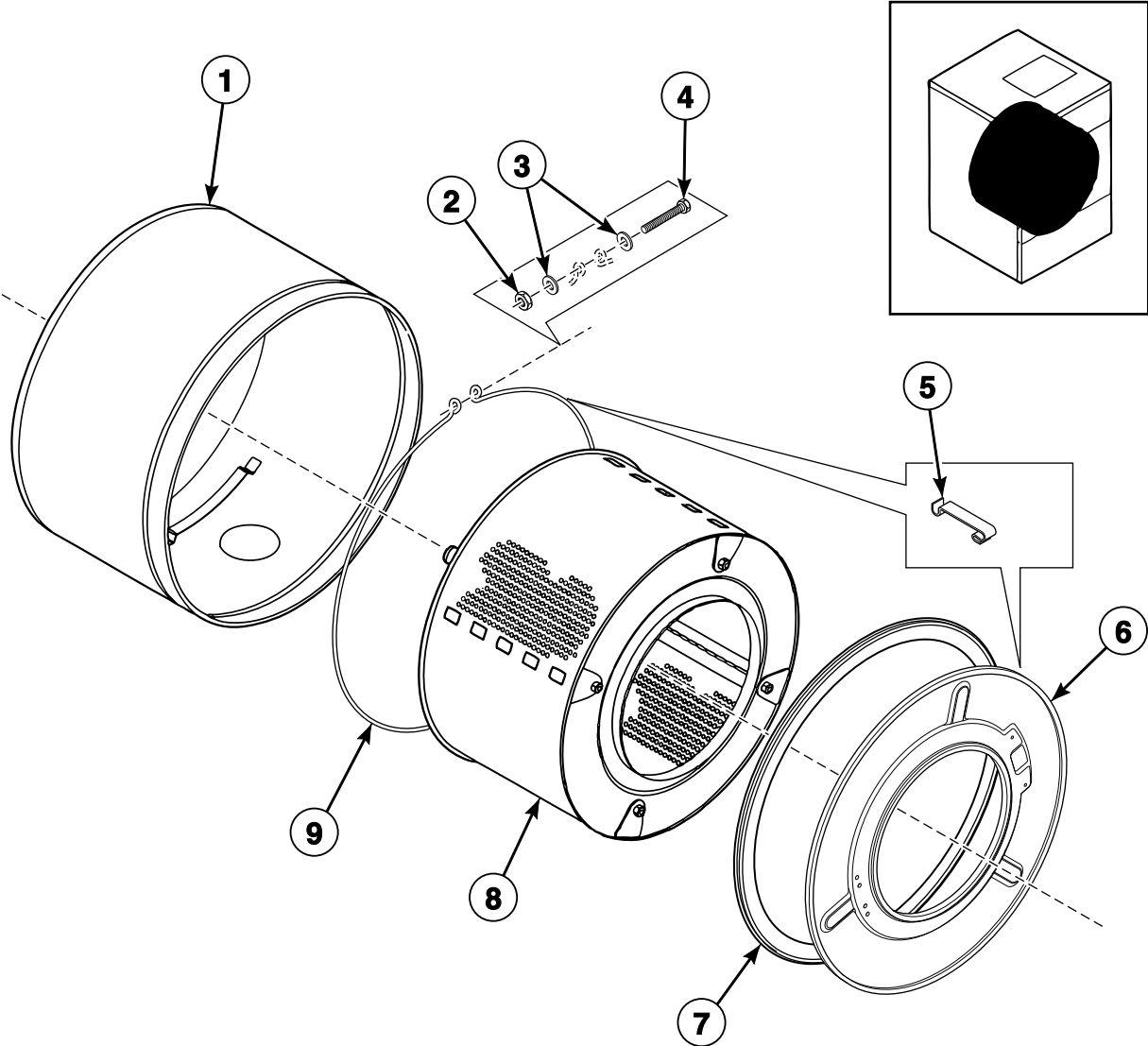


BE000840P_D1361

Basket, Pulley and Belt

REF	PART NO.	DESCRIPTION	COMMENTS
1	B12542601	Basket Kit	*14 and *65 models; 3 mm
	B12379601	Basket and Shaft Assembly	*14 and *65 models; 9 mm
	B12542701	Basket Kit	*18 and *75 models; 3 mm
	B12379801	Basket and Shaft Assembly	*18 and *75 models; 9 mm
	B12542801	Basket Kit	*25 and *100 models; 3 mm
	B12380001	Basket and Shaft Assembly	*25 and *100 models; 9 mm
2	217/00004/00	Counter Ring	
3	215/00004/00	Tolerance Ring	
4	255/00013/00	Belt	
5	201/00003/00	Washer	
6	203/00001/00	Washer	
7	206/00004/00	Bolt	
8	226/00141/00	Drum Pulley	

Shell and Basket

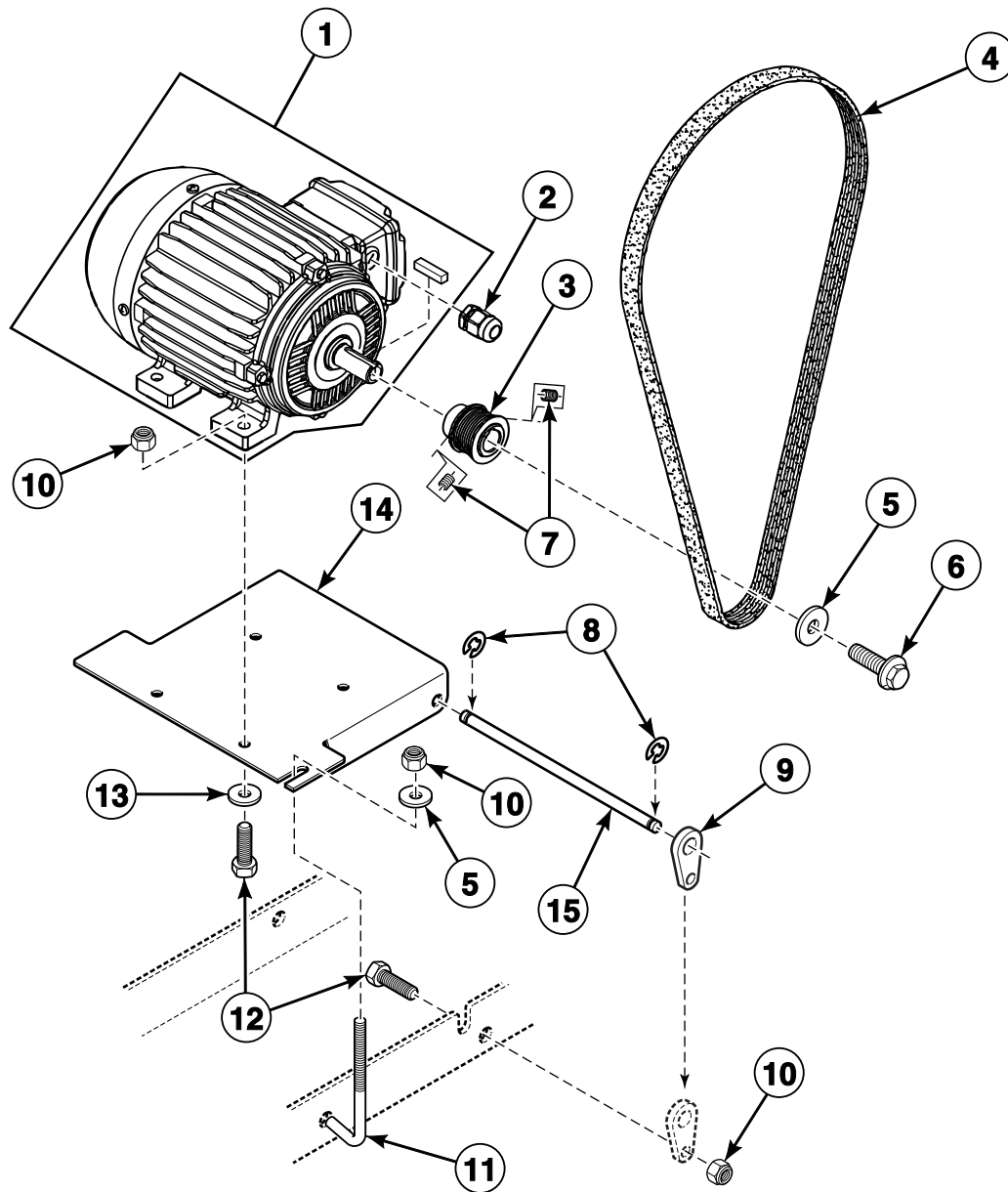


CHM3207P_D1361

Shell and Basket

REF	PART NO.	DESCRIPTION	COMMENTS
1	B12328101	Outer Tub	*14 and *65 models; Standard
	B12328001	Outer Tub	*14 and *65 models; Electric heat
	B12328401	Outer Tub	*18 and *75 models; Standard
	B12328301	Outer Tub	*18 and *75 models; Electric heat
	B12328701	Outer Tub	*25 and *100 models; Standard
	B12328601	Outer Tub	*25 and *100 models; Electric heat
2	204/00009/00	Nut	
3	201/00007/00	Washer	
4	206/00032/00	Bolt	
5	217/00008/00	Tub Front Panel Clip	
6	B12339601	Tub Front Panel	
7	B12351601	Tub Front Gasket	
8	B12542601	Basket Kit	*14 and *65 models; 3 mm
	B12379601	Basket and Shaft Assembly	*14 and *65 models; 9 mm
	B12542701	Basket Kit	*18 and *75 models; 3 mm
	B12379801	Basket and Shaft Assembly	*18 and *75 models; 9 mm
	B12542801	Basket Kit	*25 and *100 models; 3 mm
	B12380001	Basket and Shaft Assembly	*25 and *100 models; 9 mm
9	219/00007/00	Tub Front Ring Clamp	

Motor and Belt

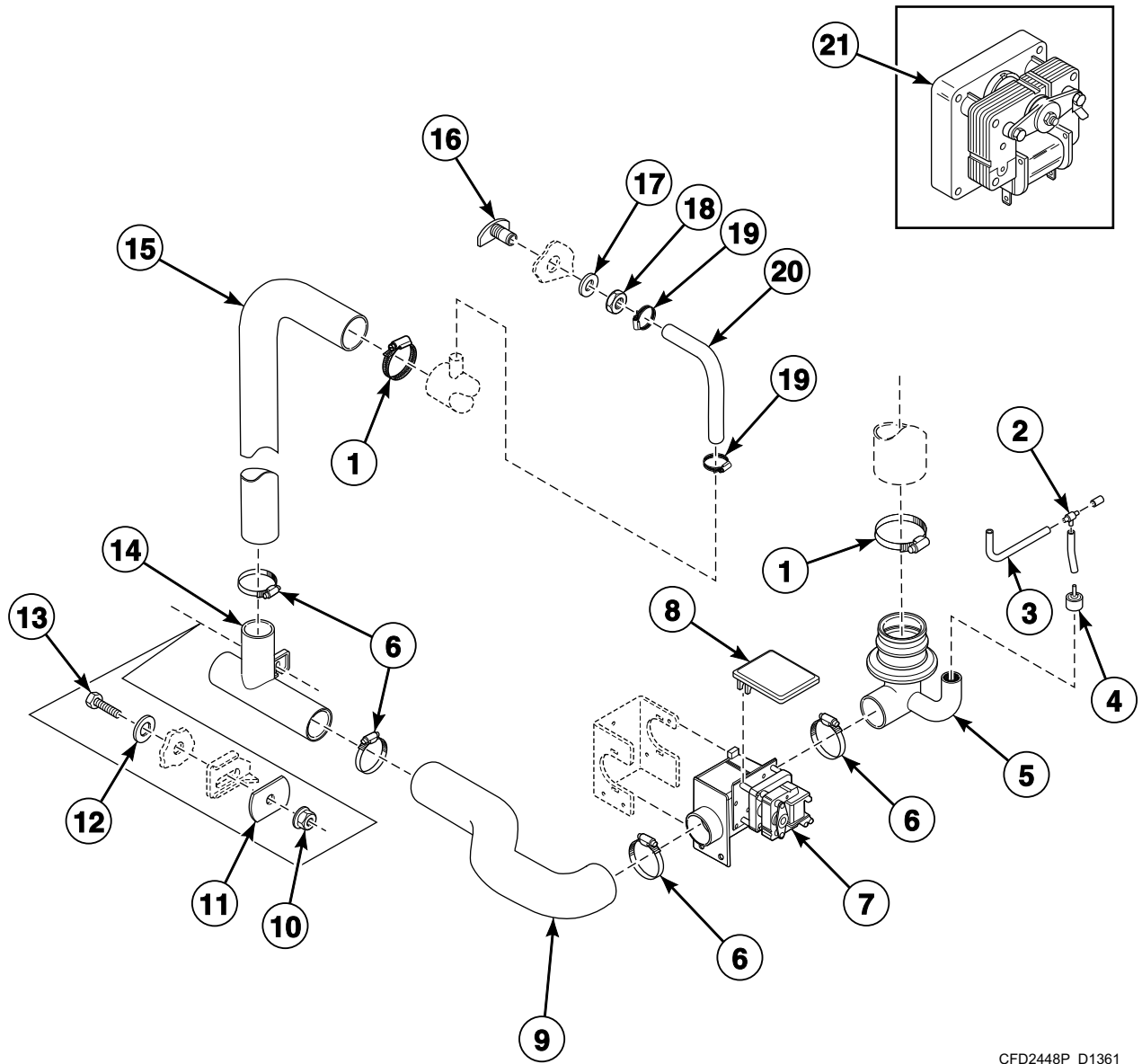


CHM3263P_D1361

Motor and Belt

REF	PART NO.	DESCRIPTION	COMMENTS
	B12382102	Motor Harness	
1	B12510501	Motor	
2	211/00181/00	Strain Relief Connector	
3	226/00154/00	Motor Pulley	
4	255/00013/00	Belt	
5	201/00015/00	Washer	
6	206/00006/00	Bolt	
7	206/00058/00	Screw	
8	B12463401	Spacer	
9	B12371401	Motor Clip	
10	204/00110/00	Nut	
11	B12444801	Bolt	
12	206/00119/00	Bolt	
13	202/00002/00	Washer	
14	B12363002	Motor Plate	
15	B12363001	Motor Mounting Rod	

Drain Plumbing

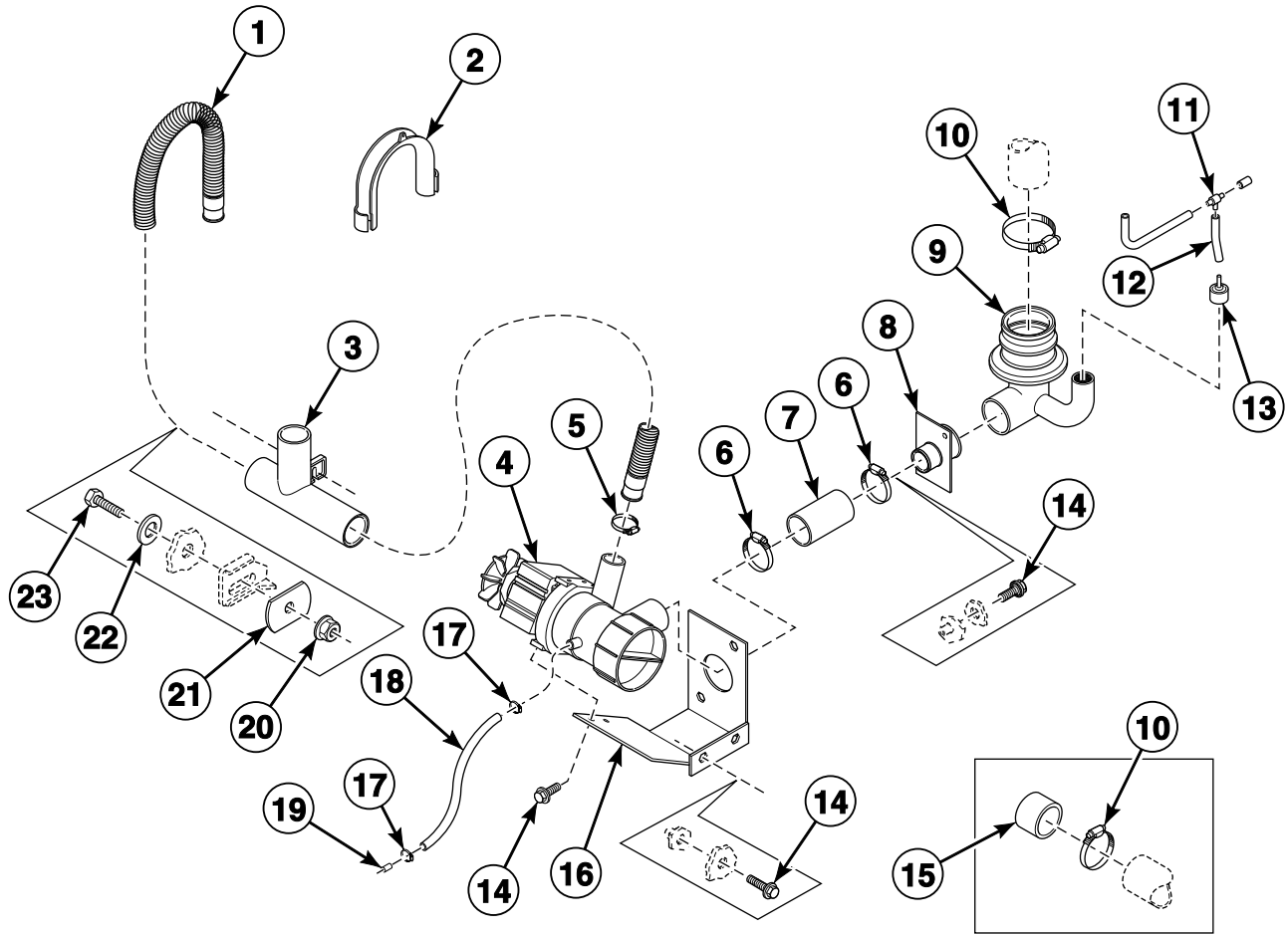


CFD2448P_D1361

Drain Plumbing

REF	PART NO.	DESCRIPTION	COMMENTS
	B12349401	Drain Valve Harness	
	B12428201	Dual Drain Kit	
1	223/00014/00	Hose Clamp	
2	223/00173/10	Pressure Switch Hose Tee	
3	B12700018	Pressure Hose	
4	223/00035/02	Pressure Switch Cap	
5	255/00010/00	Tub to Drain Valve Hose	
6	223/00013/00	Hose Clamp	
7	209/00463/00	Drain Valve	
8	F200133600	Drain Valve Cover	
9	223/00190/00	Drain Valve Hose	*14, *18, *65 and *75 models
	223/00328/00	Drain Valve to Drain Tube Hose	*25 and *100 models
10	206/00101/00	Nut	
11	101/00007/00	Outlet Pipe Plate Assembly	
12	201/00007/00	Washer	
13	206/00033/00	Bolt	
14	223/00146/00	Drain Piece	
15	223/00150/00	Overflow Hose	
16	223/00001/04	Prewash and Mainwash Nozzle	
17	201/00002/00	Washer	
18	204/00201/00	Nut	
19	223/00010/00	Hose Clamp	
20	223/00044/00	Water Hose	
21	209/00051/11	Drain Valve Motor	

Drain Plumbing - Models with Pump Drain

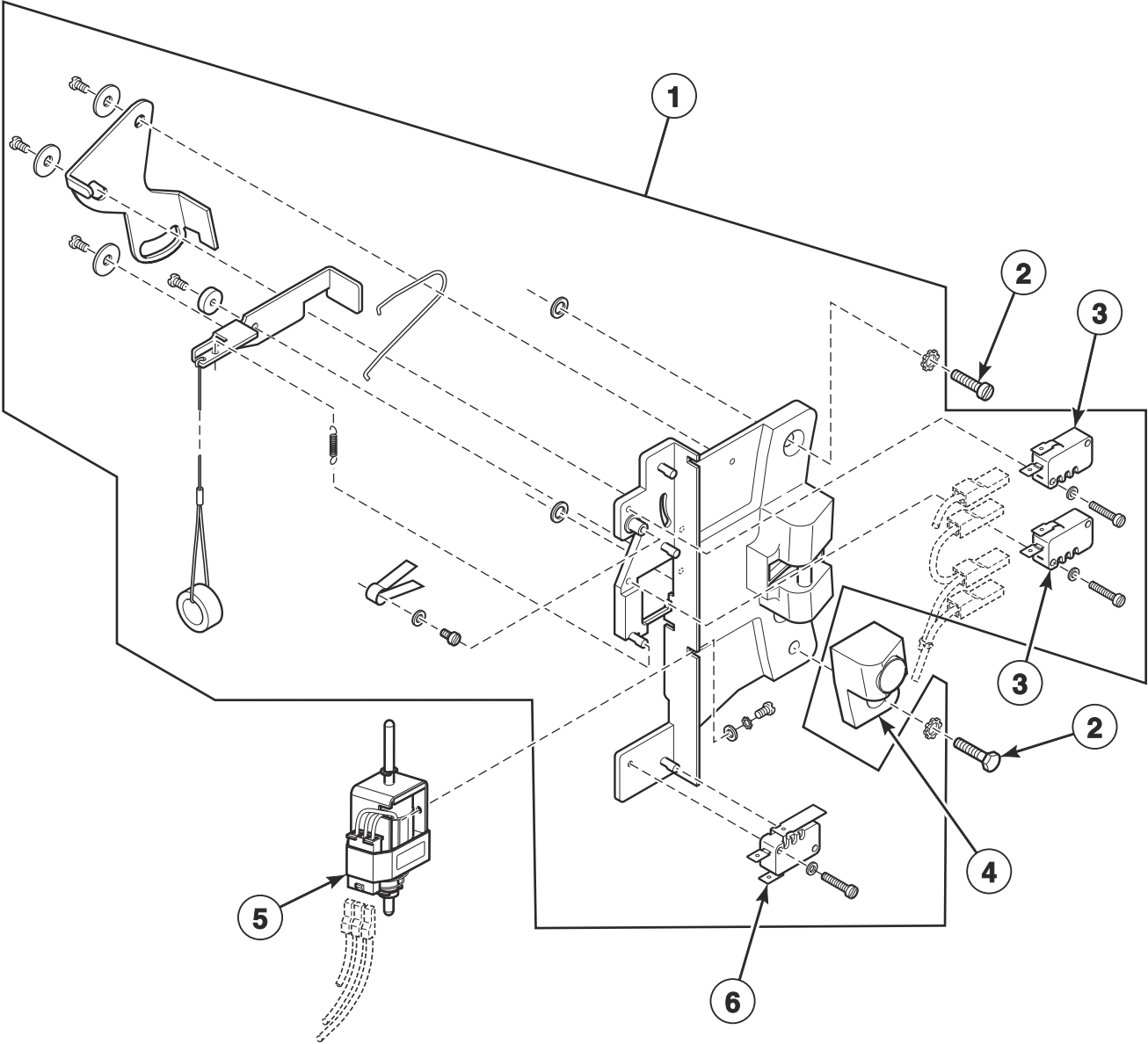


CHM3265P_D1361

Drain Plumbing - Models with Pump Drain

REF	PART NO.	DESCRIPTION	COMMENTS
1	223/00157/01	Drain Pipe Kit	
2	223/00157/02	Drain Pipe Kit	
3	223/00146/00	Drain Piece	
4	209/00646/00	Pump	50 Hertz
	209/00647/00	Pump	60 Hertz
5	223/00011/00	Hose Clamp	
6	223/00012/00	Hose Clamp	
7	255/00017/00	Connecting Piece	
8	155/00155/00	Drain Piece	
9	255/00010/00	Tub to Drain Valve Hose	
10	223/00014/00	Hose Clamp	
11	223/00173/10	Pressure Switch Hose Tee	
12	B12700018	Pressure Hose	
13	223/00035/02	Pressure Switch Cap	
14	206/00105/00	Nut	
15	223/00294/00	Drain Pipe Cap	
16	111/00298/00	Exhaust Pump Support	
17	223/00009/00	Clamp	
18	223/00159/00	Pipe	
19	223/00162/00	Stopper	
20	206/00101/00	Nut	
21	101/00007/00	Outlet Pipe Plate Assembly	
22	201/00007/00	Washer	
23	206/00033/00	Bolt	

Door Lock

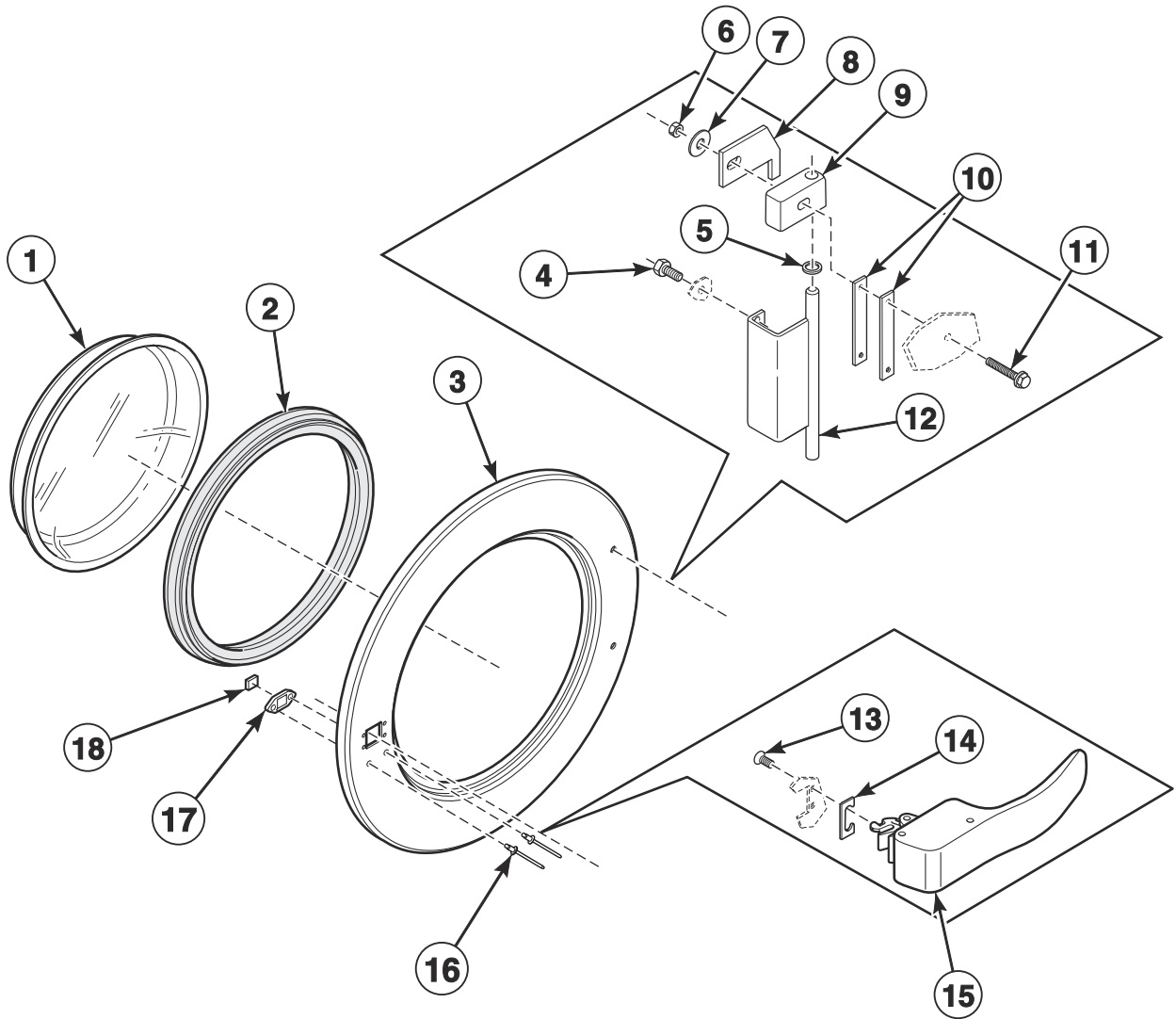


CHM3240P_D1361

Door Lock

REF	PART NO.	DESCRIPTION	COMMENTS
	B12495001	Door Lock Harness	
1	B12517701	Door Lock Assembly	Includes item 3
2	207/00102/00	Screw	
3	209/00272/00	Door Lock Microswitch	Normally open
4	B12517601	Reed Switch Holder	Includes F8080405 Reed Switch Harness and B12502001 Reed Switch
5	B12518101	Door Solenoid Assembly	
6	B12625101	Microswitch	Normally closed

Door

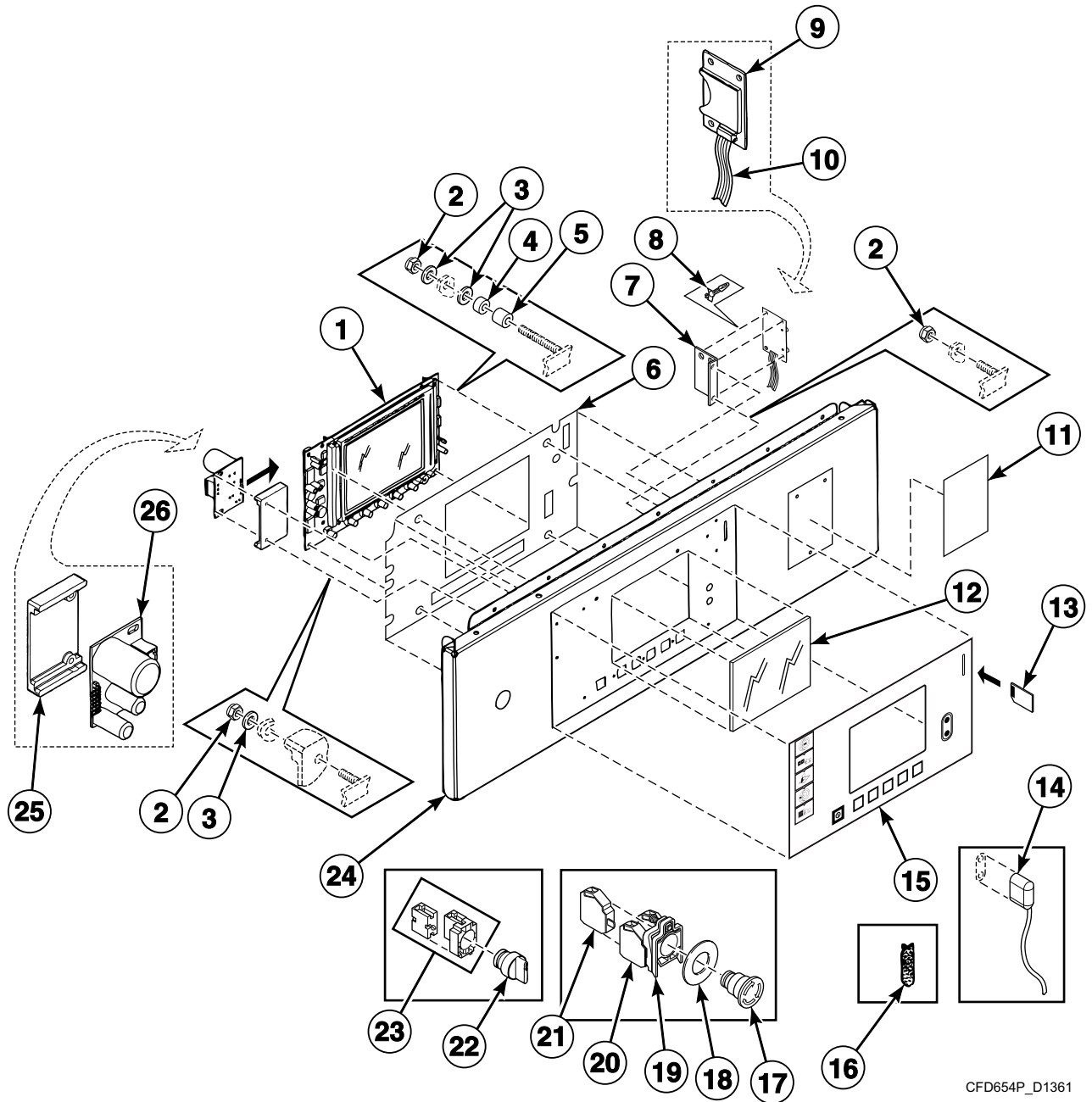


CFD3214P_D1361

Door

REF	PART NO.	DESCRIPTION	COMMENTS
1	B12449701	Door Glass	
2	217/00015/00	Door Glass Seal	
3	B12314901	Door Frame	
4	205/00106/00	Bolt	
5	202/00104/00	Washer	
6	204/00106/00	Nut	
7	202/00110/00	Washer	
8	118/00128/00	Hinge Plate	
9	217/00009/00	Door Hinge Assembly	
10	117/00010/00	Door Hinge Spacer	
11	207/00126/00	Screw	
12	221/00003/00	Hinge	
13	B12500801	Screw	
14	217/00016/00	Door Handle Stop	
15	B12336301	Door Handle	Black
16	B12500301	Rivet	
17	B12389701	Magnet Holder	
18	B12363301	Magnet	

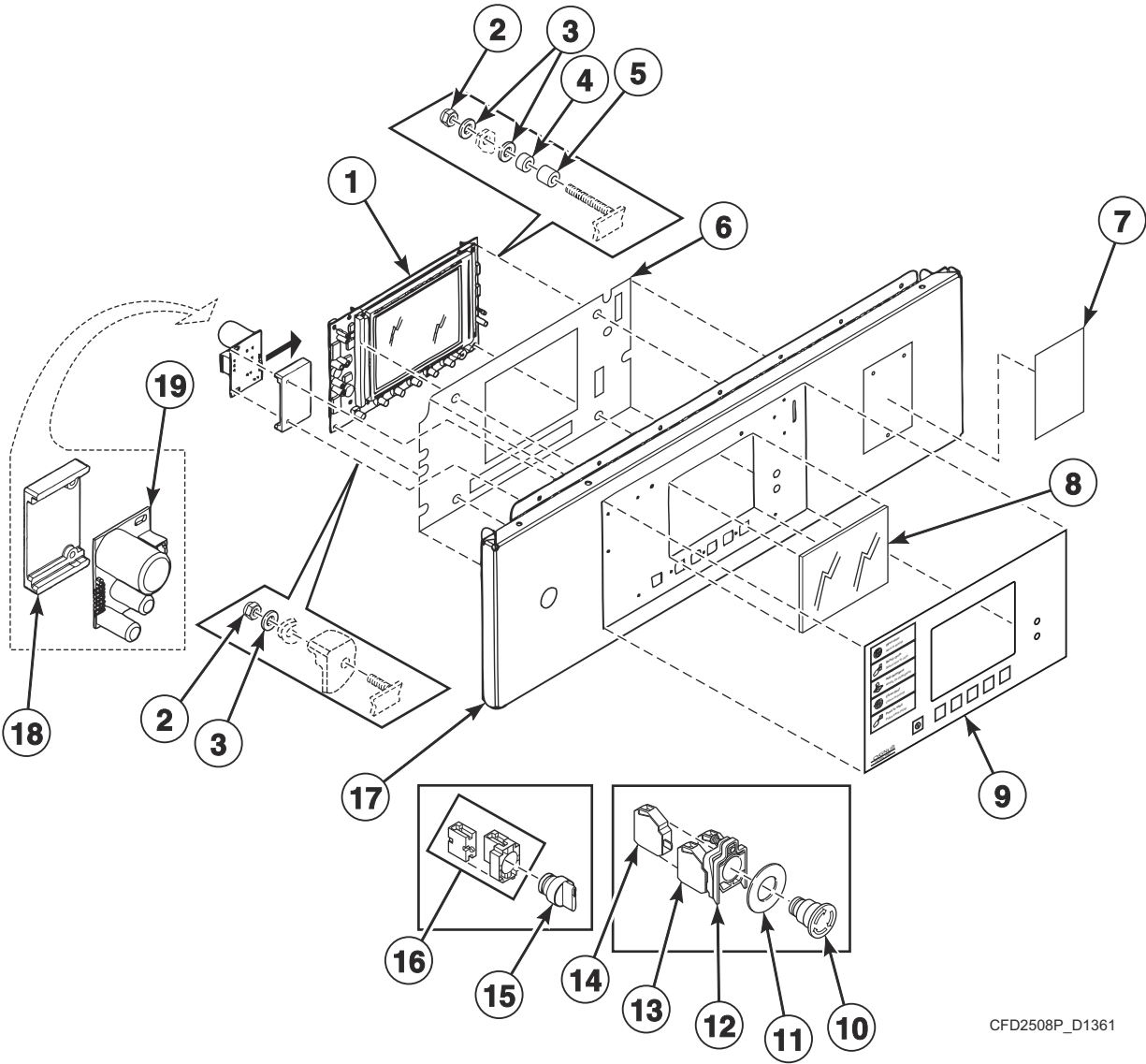
Control Panel - Cygnus Professional



Control Panel - Cygnus Professional

REF	PART NO.	DESCRIPTION	COMMENTS
	B12348901	E-Stop Harness	
1	209/02002/ZB2	Display PC-Board	
2	204/00116/00	Nut	
3	223/00123/00	Washer	
4	211/00128/00	Printboard Separator	
5	211/00122/00	Standoff	
6	229/00268/00	Insulating Sticker	
7	111/01893/00	Printboard Support Card	Optional
8	211/00145/00	Standoff	
9	B12305201	Memory Card PC-Board	Optional
10	B12538301	Data Card Ribbon Assembly	Optional
11	B12389801	Nameplate	Models WD65_CYGNUS-PRO, WD75_CYGNUS-PRO, WD100_CYGNUS-PRO, IHA065Z, IHA075Z, IHA100Z, IHG065Z, IHG075Z, IHG100Z, IHN065Z, IHN075Z, IHN100Z, IHU065Z, IHU075Z, IHU100Z, IHW065Z, IHW075Z, IHW100Z, IHY014Z, IHY018Z, IHY025Z, IHZ065Z, IHZ075Z and IHZ100Z
	B12389802	Nameplate	Models CHE014Z, CHE018Z, CHE025Z, CHG065Z, CHG075Z, CHG100Z, CHN065Z, CHN075Z, CHN100Z, CHR014Z, CHR018Z, CHR025Z, CHU065Z, CHU075Z, CHU100Z, CHW065Z, CHW075Z, CHW100Z, CHY018Z, CHY025Z, CHZ065Z, CHZ075Z and CHZ100Z
	B12530801	Nameplate	Model JHW075Z
	B12530802	Nameplate	Model JHW100Z
12	225/00321/00	Plexi Frame	
13	209/02024/00	Datacard	
14	210/00902/00	Infrared Cable	
15	B12383601	Operating Sticker	Cygnus Professional models without datacard opening
	B12383701	Operating Sticker	Cygnus Professional models with datacard opening
	B12583501	Operating Sticker	
	B12532001	Operating Sticker	Models JHW075Z and JHW100Z
16	223/00348/00	Datacard Cover	
17	44018801	Pushbutton	
18	209/00520/00	Telem Sticker	
19	B12491801	Contact Harness	
20	209/00029/26	Contact Switch	NC
21	44018901	Contact Block	NO
22	209/00099/29	Switch Knob	Dual heat
	B12523901	Dual Heat Sticker	Dual heat
23	B12491701	Contact Harness	Dual heat
24	B12384801	Operating Panel	
25	223/00374/00	Mounting Plate	
26	B12388201	Door Lock PC-Board	

Control Panel - Cygnus Ultra Pro

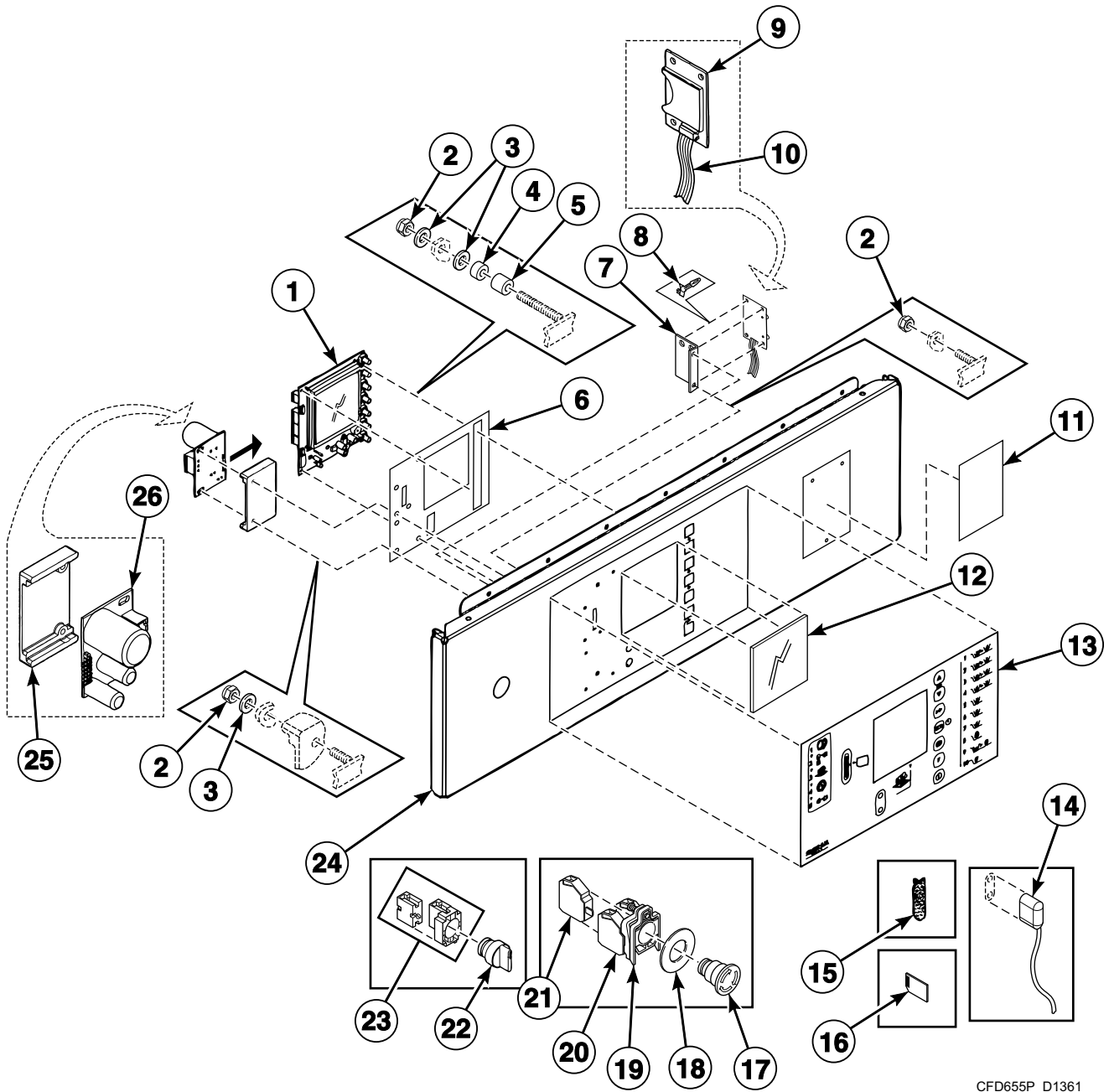


CFD2508P_D1361

Control Panel - Cygnus Ultra Pro

REF	PART NO.	DESCRIPTION	COMMENTS
	B12348901	E-Stop Harness	
1	209/02002/ZB2	Display PC-Board	
2	204/00116/00	Nut	
3	223/00123/00	Washer	
4	211/00128/00	Printboard Separator	
5	211/00122/00	Standoff	
6	229/00268/00	Insulating Sticker	
7	B12389801	Nameplate	
8	225/00321/00	Plexi Frame	
9	B12583801	Overlay	
10	44018801	Pushbutton	
11	209/00520/00	Telem Sticker	
12	B12491801	Contact Harness	
13	209/00029/26	Contact Switch	NC
14	44018901	Contact Block	NO
15	209/00099/29	Switch Knob	Dual heat
	B12523901	Dual Heat Sticker	Dual heat
16	B12491701	Contact Harness	Dual heat
17	B12384801	Operating Panel	
18	223/00374/00	Mounting Plate	
19	B12388201	Door Lock PC-Board	

Control Panel - Cygnus Premium OPL and Ultra

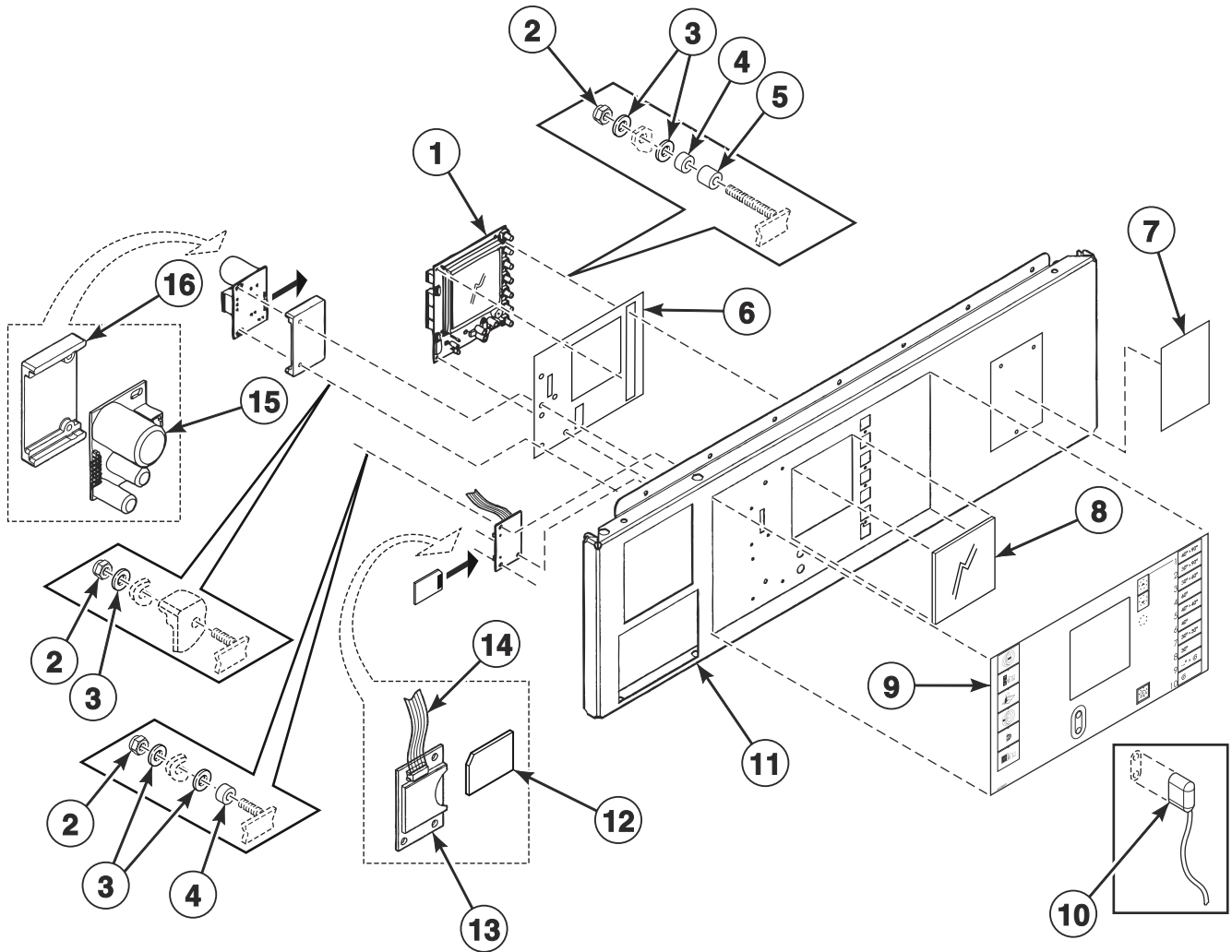


CFD655P_D1361

Control Panel - Cygnus Premium OPL and Ultra

REF	PART NO.	DESCRIPTION	COMMENTS
	B12348901	E-Stop Harness	
1	209/02015/02	Printboard	
2	204/00116/00	Nut	
3	223/00123/00	Washer	
4	211/00128/00	Printboard Separator	
5	211/00122/00	Standoff	
6	229/00291/00	Insulating Sticker	
7	111/01893/00	Printboard Support Card	Optional
8	211/00145/00	Standoff	
9	B12305201	Memory Card PC-Board	Optional
10	B12538301	Data Card Ribbon Assembly	Optional
11	B12389801	Nameplate	Models IH014_CYGNUS-ULTRA, IH018_CYGNUS-ULTRA, IH025_CYGNUS-ULTRA, WD65_CYGNUS-PREM, WD75_CYGNUS-PREM, WD100_CYGNUS-PREM, IHA065Y, IHA075Y, IHA100Y, IHG065Y, IHG075Y, IHG100Y, IHN065U, IHN065Y, IHN075U, IHN075Y, IHN100U, IHN100Y, IHR014U, IHR018U, IHR025U, IHU065Y, IHU075Y, IHU100Y, IHW065Y, IHW075Y, IHW100Y, IHY014Y, IHY018Y, IHY025Y, IHZ065Y, IHZ075Y and IHZ100Y
	B12530801	Nameplate	Model JHW075Y
	B12530802	Nameplate	Model JHW100Y
12	225/00323/00	Plexi Frame	
13	B12456701	Operating Sticker	Cygnus Ultra models
	B12383401	Operating Sticker	Cygnus Premium OPL models with datacard opening
	B12383301	Operating Sticker	Cygnus Premium OPL models without datacard opening
	B12531901	Operating Sticker	Models JHW065Y, JHW075Y and JHW100Y; Non-ozone
	B12534801	Operating Sticker	Models JHW065Y, JHW075Y and JHW100Y; Ozone
14	210/00902/00	Infrared Cable	
15	223/00348/00	Datacard Cover	Cygnus Premium OPL models
16	209/02024/00	Datacard	Cygnus Premium OPL models
17	44018801	Pushbutton	
18	209/00520/00	Telem Sticker	
19	B12491801	Contact Harness	
20	209/00029/26	Contact Switch	NC
21	44018901	Contact Block	NO
22	209/00099/29	Switch Knob	Dual heat
	B12523901	Dual Heat Sticker	Dual heat
23	B12491701	Contact Harness	Dual heat
24	B12384901	Operating Panel	
25	223/00374/00	Mounting Plate	
26	B12388201	Door Lock PC-Board	

Control Panel - Cygnus Premium Coin

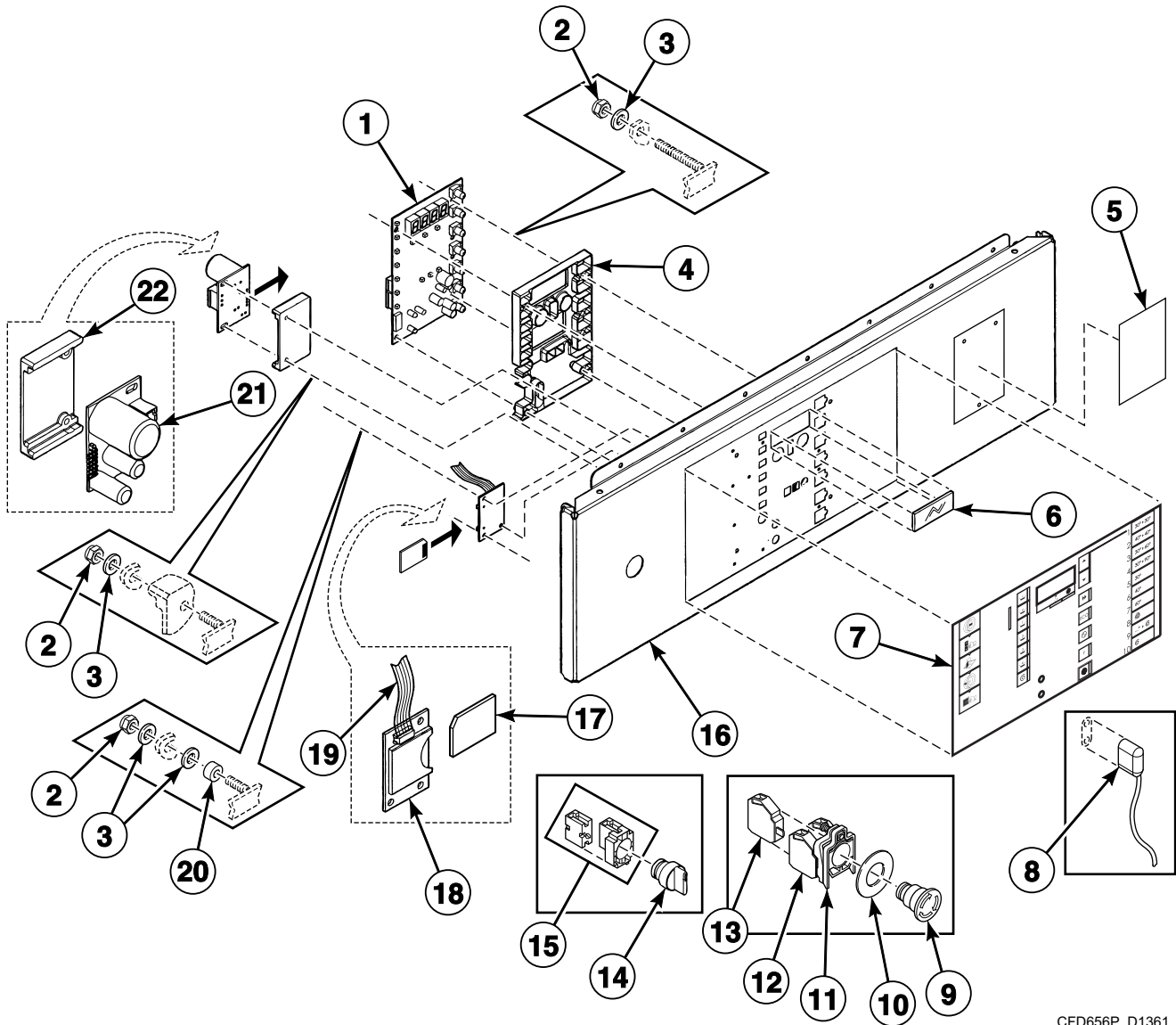


CFD621P_D1361

Control Panel - Cygnus Premium Coin

REF	PART NO.	DESCRIPTION	COMMENTS
	B12349001	E-Stop Bypass Harness	
1	209/02015/02	Printboard	
2	204/00116/00	Nut	
3	223/00123/00	Washer	
4	211/00128/00	Printboard Separator	
5	211/00122/00	Standoff	
6	229/00291/00	Insulating Sticker	
7	B12389801	Nameplate	Models WD65_CYGNUS-PREM, WD75_CYGNUS-PREM, WD100_CYGNUS-PREM, IHA065Y, IHA075Y, IHA100Y, IHG065Y, IHG075Y, IHG100Y, IHN065Y, IHN075Y, IHN100Y, IHU065Y, IHU075Y, IHU100Y, IHW065Y, IHW075Y, IHW100Y, IHY014Y, IHY018Y, IHY025Y, IHZ065Y, IHZ075Y and IHZ100Y
	B12530801	Nameplate	Model JHW075Y
	B12530802	Nameplate	Model JHW100Y
	B12389805	Nameplate	Models PHU065Y, PHU075Y and PHU100Y
8	225/00323/00	Plexi Frame	
9	B12383501	Operating Sticker	
10	210/00902/00	Infrared Cable	
11	B12385001	Operating Panel	
12	209/02024/00	Datacard	
13	B12305201	Memory Card PC-Board	
14	B12538301	Data Card Ribbon Assembly	
15	B12388201	Door Lock PC-Board	
16	223/00374/00	Mounting Plate	

Control Panel - Cygnus Standard/Commercial OPL and Select

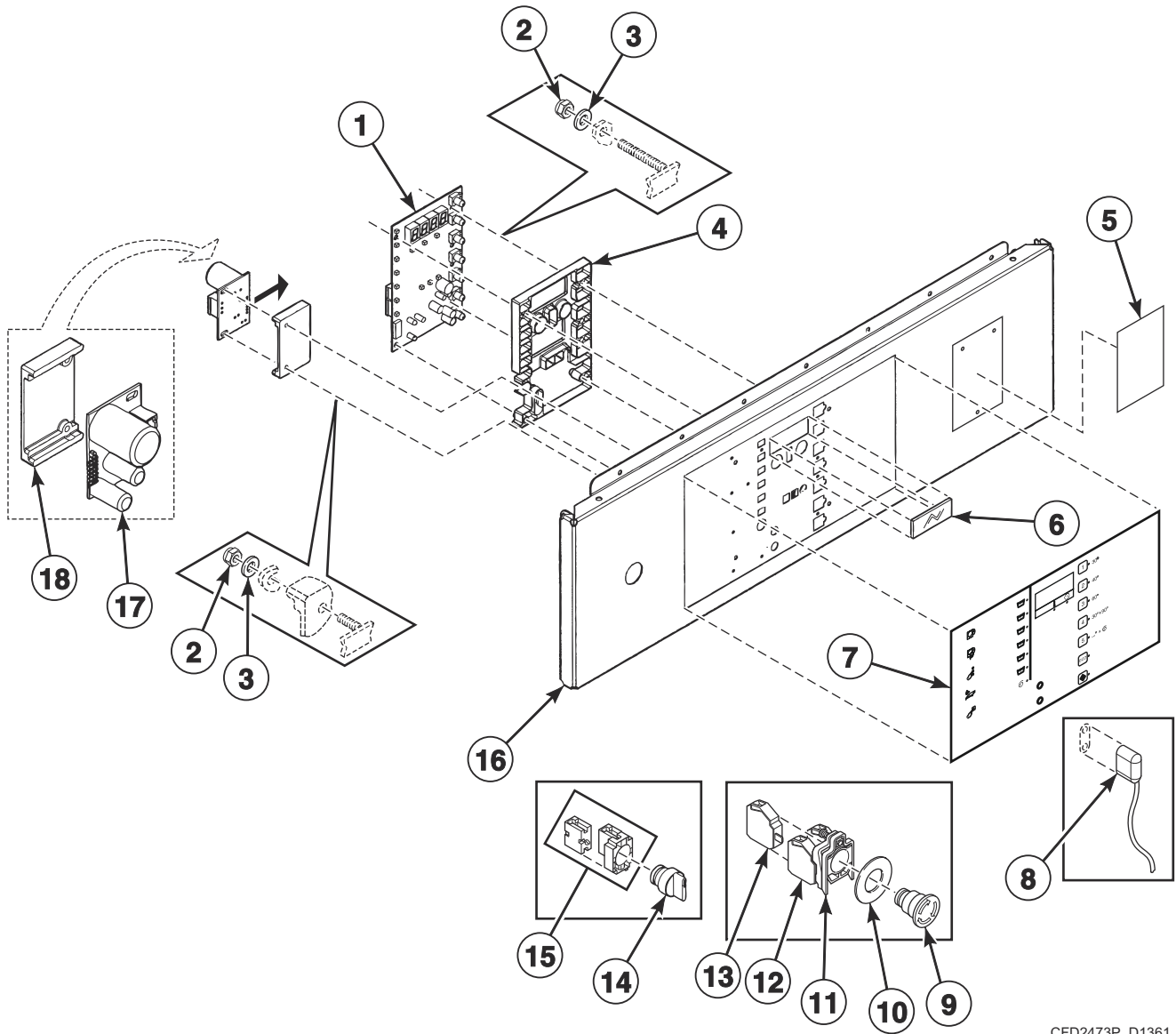


CFD656P_D1361

Control Panel - Cygnus Standard/Commercial OPL and Select

REF	PART NO.	DESCRIPTION	COMMENTS
	B12348901	E-Stop Harness	
1	209/02001/02	Printboard	
2	204/00116/00	Nut	
3	223/00123/00	Washer	
4	223/00330/00	Protection LED	
5	B12389801	Nameplate	Models IH014_CYGNUS-SELECT, IH018_CYGNUS-SELECT, IH025_CYGNUS-SELECT, WD65_CYGNUS-COMM, WD65_CYGNUS-STANDARD, WD75_CYGNUS-COMM, WD75_CYGNUS-STANDARD, WD100_CYGNUS-COMM, WD100_CYGNUS-STANDARD, CHY018X, CHY025X, IHA065C, IHA065X, IHA075C, IHA075X, IHA100C, IHA100X, IHG065C, IHG065X, IHG075C, IHG075X, IHG100C, IHG100X, IHN065C, IHN065S, IHN065X, IHN075C, IHN075S, IHN075X, IHN100C, IHN100S, IHN100X, IHR014S, IHR018S, IHR025S, IHU065C, IHU065X, IHU075C, IHU075X, IHU100C, IHU100X, IHW065C, IHW075C, IHW075X, IHW100C, IHW100X, IHY014C, IHY014X, IHY018C, IHY018X, IHY025C, IHY025X, IHZ065C, IHZ065X, IHZ075C, IHZ075X, IHZ100C, IHZ100X, YHG065C, YHG075C and YHG100C
	B12389802	Nameplate	Models CH018_CYGNUS-SELECT, CH025_CYGNUS-SELECT, CHE014X, CHE018X, CHE025X, CHG065X, CHG075X, CHG100X, CHN065X, CHN075S, CHN075X, CHN100S, CHN100X, CHR014X, CHR018S, CHR018X, CHR025S, CHR025X, CHU065X, CHU075X, CHU100X, CHW065X, CHW075X, CHW100X, CHZ065X, CHZ075X and CHZ100X
	B12389803	Nameplate	Models DHU065X, DHU075X and DHU100X
	B12389809	Nameplate	Models EHU065X, EHU075X and EHU100X
	B12530801	Nameplate	Model JHW075C
	B12530802	Nameplate	Model JHW100C
	B12389810	Nameplate	Models WHU065C, WHU075C and WHU100C
6	225/00322/00	Plexi Frame	
7	B12382701	Operating Sticker	Cygnus Standard OPL models without datacard opening
	B12382801	Operating Sticker	Cygnus Standard OPL models with datacard opening
	B12383001	Operating Sticker	Cygnus Commercial OPL models without datacard opening
	B12383101	Operating Sticker	Cygnus Commercial OPL models with datacard opening
	B12456601	Operating Sticker	Cygnus Select models
	B12531801	Operating Sticker	Models JHW065C, JHW075C and JHW100C
8	210/00902/00	Infrared Cable	
9	44018801	Pushbutton	
10	209/00520/00	Telem Sticker	
11	B12491801	Contact Harness	
12	209/00029/26	Contact Switch	NC
13	44018901	Contact Block	NO
14	209/00099/29	Switch Knob	Dual heat
	B12523901	Dual Heat Sticker	Dual heat
15	B12491701	Contact Harness	Dual heat
16	B12384601	Operating Panel	
17	209/02024/00	Datacard	Optional
18	B12305201	Memory Card PC-Board	Optional
19	B12538301	Data Card Ribbon Assembly	Optional
20	211/00128/00	Printboard Separator	
21	B12388201	Door Lock PC-Board	
22	223/00374/00	Mounting Plate	

Control Panel - Standard

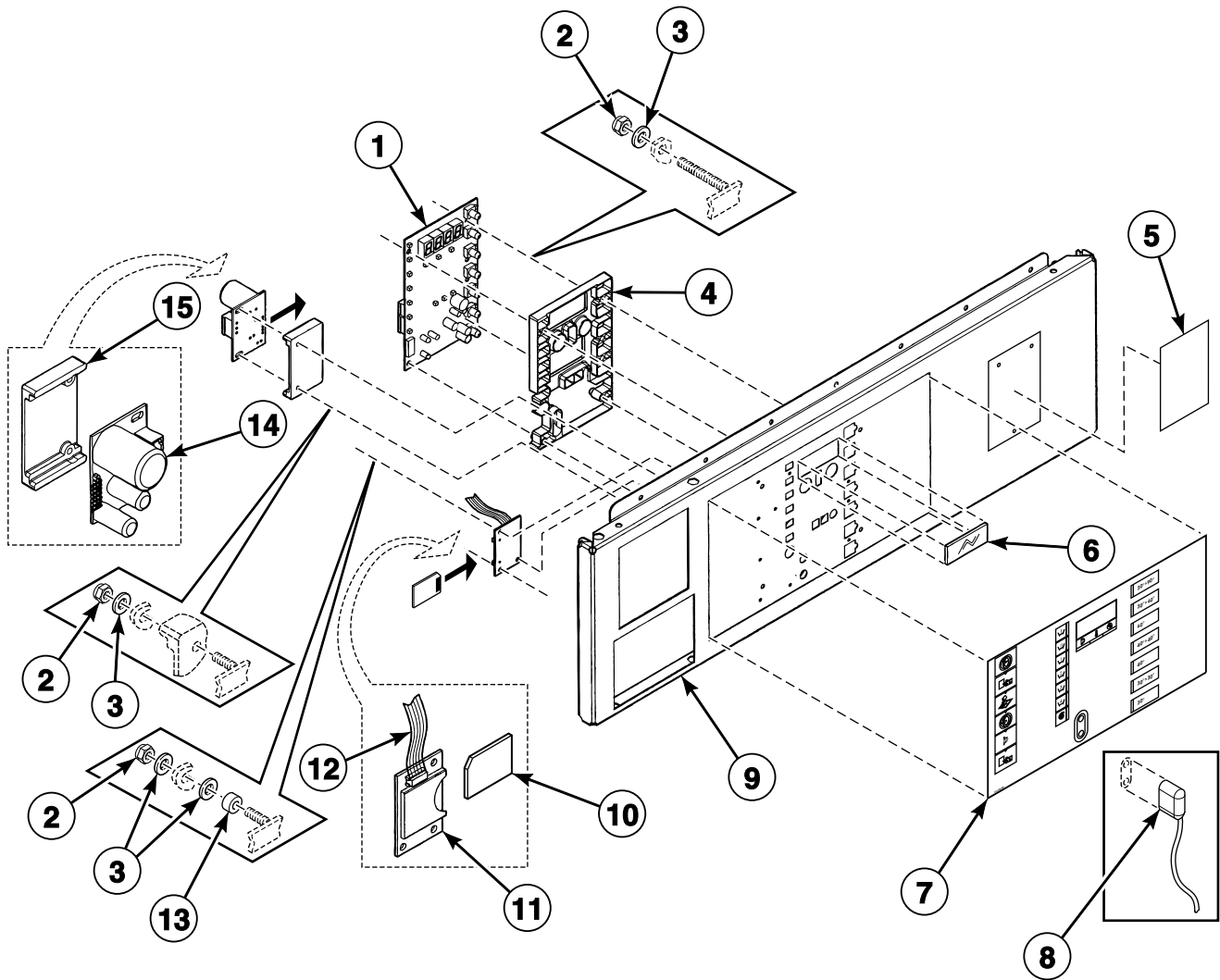


CFD2473P_D1361

Control Panel - Standard

REF	PART NO.	DESCRIPTION	COMMENTS
	B12348901	E-Stop Harness	
1	209/02001/02	Printboard	
2	204/00116/00	Nut	
3	223/00123/00	Washer	
4	223/00330/00	Protection LED	
5	B12389801	Nameplate	
6	225/00322/00	Plexi Frame	
7	B12574901	Overlay	
8	210/00902/00	Infrared Cable	
9	44018801	Pushbutton	
10	209/00520/00	Telem Sticker	
11	B12491801	Contact Harness	
12	209/00029/26	Contact Switch	NC
13	44018901	Contact Block	NO
14	209/00099/29	Switch Knob	Dual heat
	B12523901	Dual Heat Sticker	Dual heat
15	B12491701	Contact Harness	Dual heat
16	B12572601	Control Panel	
17	B12388201	Door Lock PC-Board	
18	223/00374/00	Mounting Plate	

Control Panel - Cygnus Standard/Commercial Coin and Vended



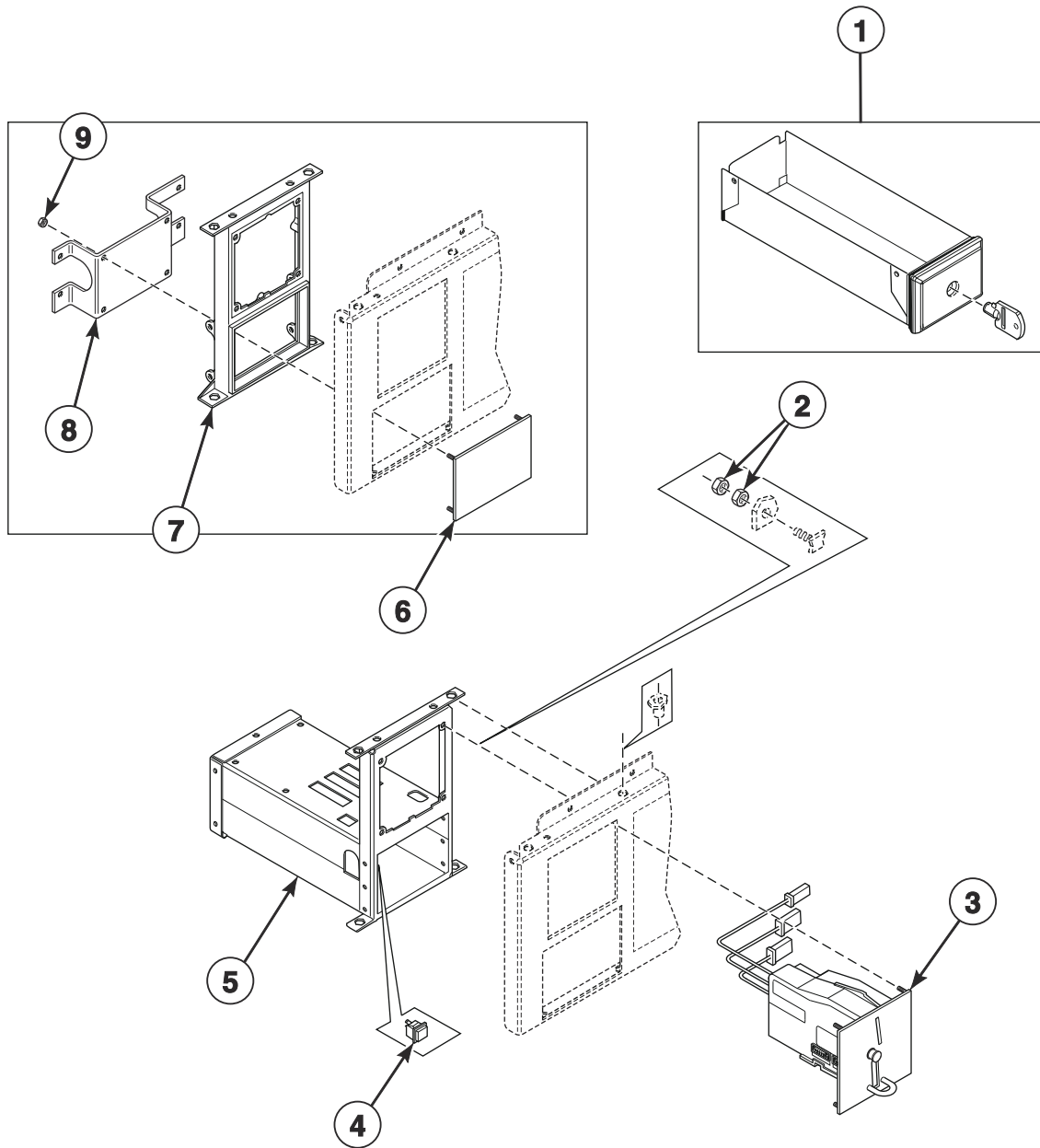
CFD611P_D1361

Control Panel - Cygnus Standard/Commercial Coin and Vended

REF	PART NO.	DESCRIPTION	COMMENTS
	B12349001	E-Stop Bypass Harness	
1	209/02001/02	Printboard	
2	204/00116/00	Nut	
3	223/00123/00	Washer	
4	223/00330/00	Protection LED	
5	B12389801	Nameplate	Models IH014_CYGNUS-VENDED, IH018_CYGNUS-VENDED, IH025_CYGNUS-VENDED, WD65_CYGNUS-COMM, WD65_CYGNUS-STANDARD, WD75_CYGNUS-COMM, WD75_CYGNUS-STANDARD, WD100_CYGNUS-COMM, WD100_CYGNUS-STANDARD, IHA065C, IHA065X, IHA075C, IHA075X, IHA100C, IHA100X, IHG065C, IHG065X, IHG075C, IHG075X, IHG100C, IHG100X, IHN065C, IHN065V, IHN065X, IHN075C, IHN075V, IHN075X, IHN100C, IHN100V, IHN100X, IHR014V, IHR018V, IHR025V, IHU065C, IHU065X, IHU075C, IHU075X, IHU100C, IHU100X, IHW065C, IHW075C, IHW075X, IHW100C, IHW100X, IHY014C, IHY014X, IHY018C, IHY018X, IHY025C, IHY025X, IHZ065C, IHZ065X, IHZ075C, IHZ075X, IHZ100C, IHZ100X, YHG065C, YHG075C and YHG100C
	B12389802	Nameplate	Models CHE014X, CHE018X, CHE025X, CHG065X, CHG075X, CHG100X, CHN065X, CHN075X, CHN100X, CHR014X, CHR018X, CHR025X, CHU065X, CHU075X, CHU100X, CHW065X, CHW075X, CHW100X, CHY018X, CHY025X, CHZ065X, CHZ075X and CHZ100X
	B12389803	Nameplate	Models DHU065X, DHU075X and DHU100X
	B12389809	Nameplate	Models EHU065X, EHU075X and EHU100X
	B12389810	Nameplate	Models WHU065C, WHU075C and WHU100C
6	225/00322/00	Plexi Frame	
7	B12382901	Operating Sticker	Cygnus Standard coin models
	B12383201	Operating Sticker	Cygnus Commercial coin models
	B12456501	Operating Sticker	Cygnus Vended models
	B12531701	Operating Sticker	Models JHW065C, JHW075C and JHW100C
8	210/00902/00	Infrared Cable	
9	B12384701	Operating Panel	
10	209/02024/00	Datacard	Cygnus Standard/Commercial coin models
11	B12305201	Memory Card PC-Board	Cygnus Standard/Commercial coin models
12	B12538301	Data Card Ribbon Assembly	Cygnus Standard/Commercial coin models
13	211/00128/00	Printboard Separator	
14	B12388201	Door Lock PC-Board	
15	223/00374/00	Mounting Plate	

Coin Drop - Mechanical Coin Meter

Cygnus Commercial, Premium, Standard and Vended Models



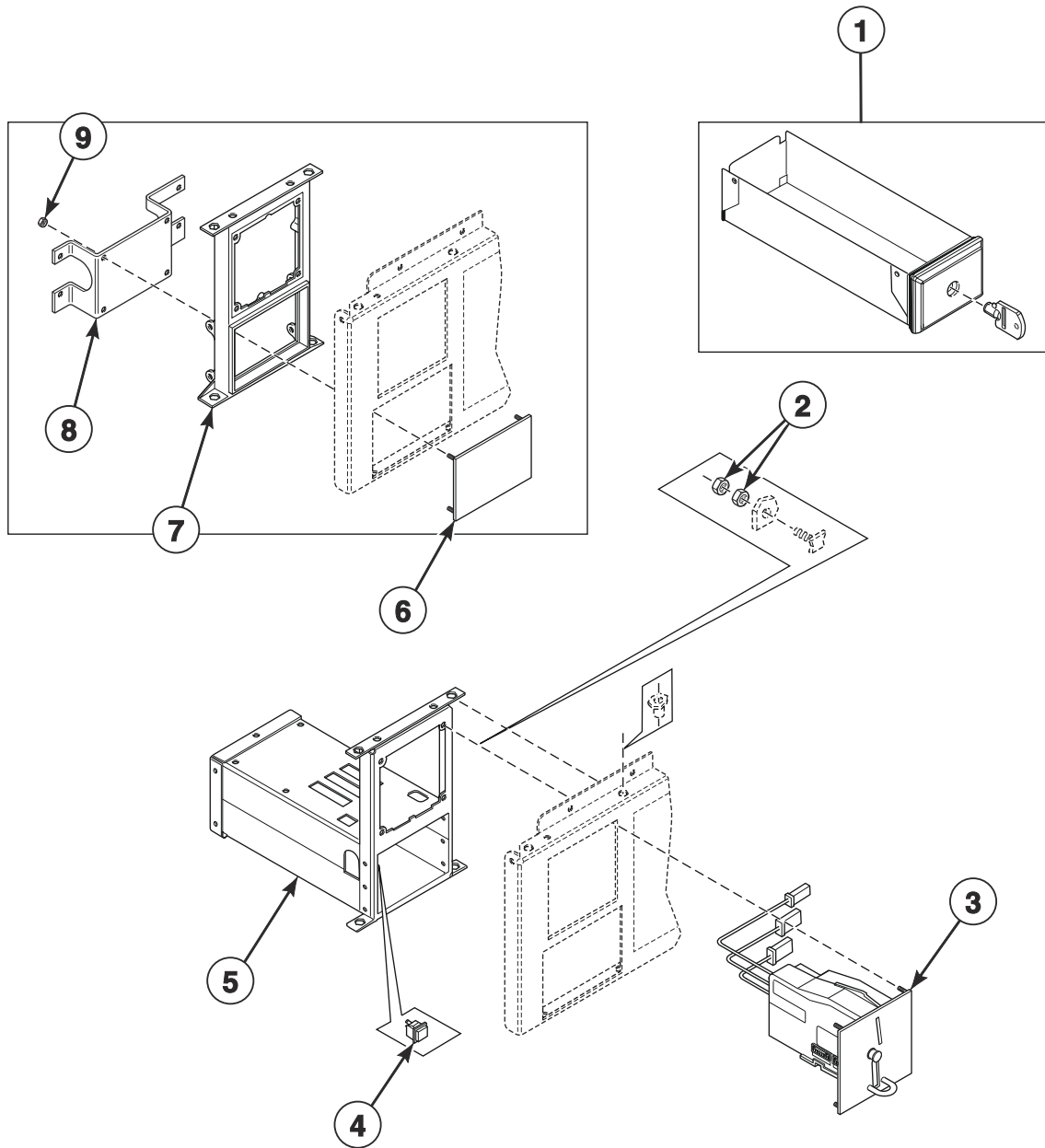
CFD617P_D1361

Coin Drop - Mechanical Coin Meter

REF	PART NO.	DESCRIPTION	COMMENTS
	B12309901	Wire Harness Assembly	Single/dual drop
	B12310001	Wire Harness Assembly	Dual drop
1	254/00077/00	Coin Box	
	254/00077/02	Key	
2	204/00116/00	Nut	
3	B12311224	Coin Drop	Jeton 5K
	B12311206	Coin Drop	Jeton 7K
	B12311201	Coin Drop	Jeton 10K
	B12311210	Coin Drop	Jeton 12K
	B12311252	Coin Drop	Jeton 10K and .5 euro
	B12311211	Coin Drop	Jeton 7K and 1 euro
	B12323901	Coin Drop	Jeton 15K and 7K
	B12311204	Coin Drop	Jeton gettone
	B12311234	Coin Drop	Jeton crouzet
	B12311247	Coin Drop	Jeton 118-1
	B12311248	Coin Drop	Jeton 118-5
	B12311222	Coin Drop	1 euro
	B12311214	Coin Drop	.5 euro
	B12311202	Coin Drop	.5 and 1 euro
	B12311239	Coin Drop	.5 and 2 euro
	B12311205	Coin Drop	.2 and 1 euro
	B11211209	Coin Drop	.2 and .5 euro
	B12311218	Coin Drop	1 and 1 euro
	B12311219	Coin Drop	1 and 2 euro
	B12311203	Coin Drop	1 and 2 frank
	B12311207	Coin Drop	1 Deense kroon
	B12311225	Coin Drop	10 Deense kronen
	B12311235	Coin Drop	10 Tsjechische kronen
	B12311244	Coin Drop	10 Noorse kronen
	B12311208	Coin Drop	100 and 500 yen
	B12311212	Coin Drop	15K
	B12311215	Coin Drop	1 kro
	B12311226	Coin Drop	Australia 1.00
	B12311216	Coin Drop	Australia .2 and 1.00
	B12311220	Coin Drop	New Zeland 1.00
	B12311221	Coin Drop	.5 and 2 zwitsers
	B12311241	Coin Drop	Hong Kong 1.00
	B12311249	Coin Drop	Hong Kong 5.00
	B12311301	Coin Drop	U.S. \$.25
	B12311302	Coin Drop	U.S. \$.25 and 1.00
	B12311304	Coin Drop	Canada .25 and 1.00
	B12323401	Coin Drop	Singapore 1.00
	209/00781/00	Optical Switch	
4	209/00396/00	Pushbutton	
5	152/00112/00	Mechanical Coin Meter Housing	
6	111/01003/00	Top Panel	Black; Central pay option
7	217/00060/00	Fastening Piece	Central pay option
8	111/01005/00	Backplate	Central pay option
9	204/00116/00	Nut	Central pay option

Coin Drop - Electronic Coin Meter

Cygnus Commercial, Premium, Standard and Vended Models

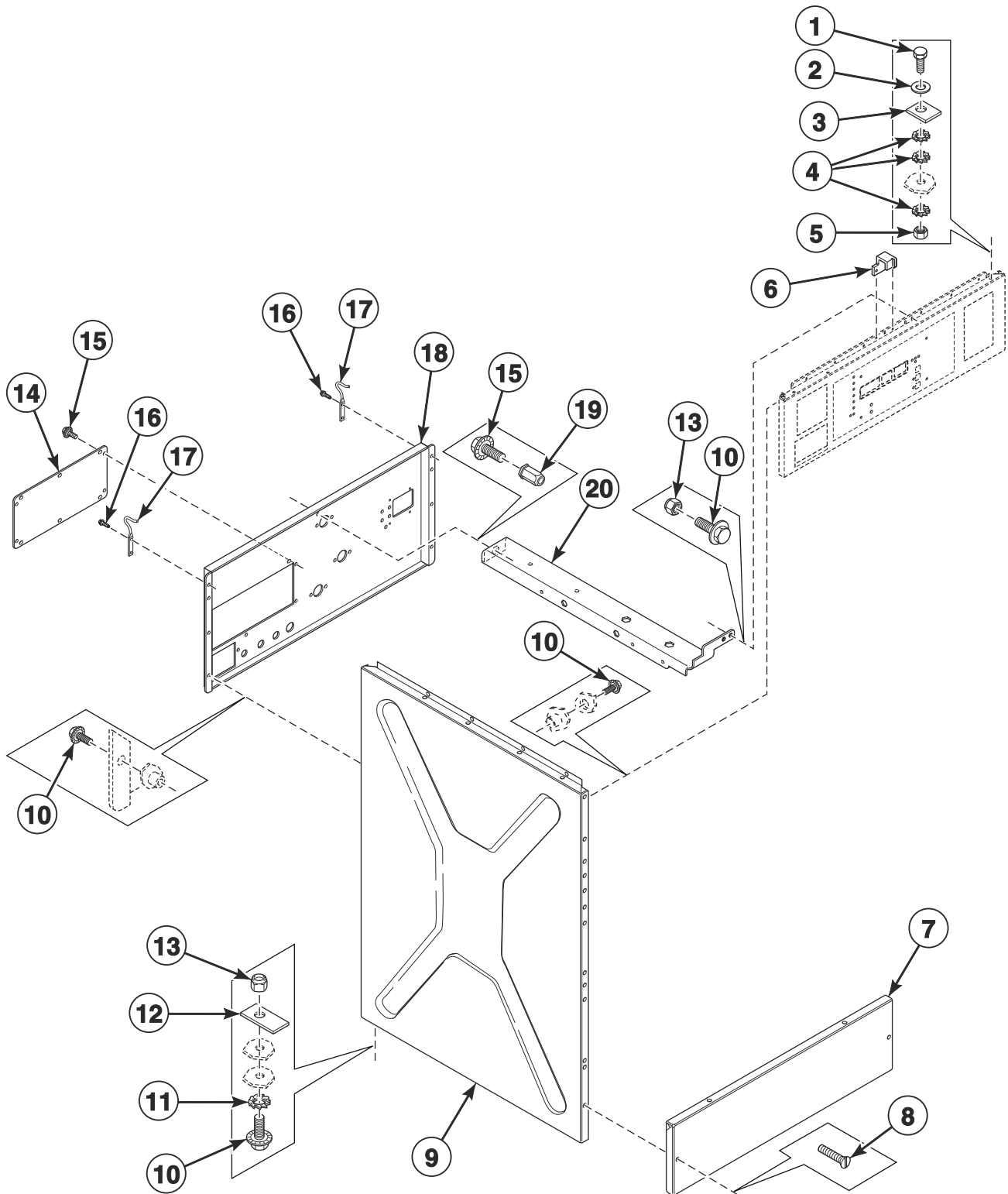


CFD617P_D1361

Coin Drop - Electronic Coin Meter

REF	PART NO.	DESCRIPTION	COMMENTS
	B12309901	Wire Harness Assembly	Single/dual drop
	B12310001	Wire Harness Assembly	Dual drop
1	254/00077/00	Coin Box	
	254/00077/02	Key	
2	204/00116/00	Nut	
3	B12311401	Coin Drop	
4	209/00396/00	Pushbutton	
5	152/00112/50	Electronic Coin Meter Housing	
6	111/01003/00	Top Panel	Black; Central pay option
7	217/00060/00	Fastening Piece	Central pay option
8	111/01005/00	Backplate	Central pay option
9	204/00116/00	Nut	Central pay option

Left Side, Lower Front and Upper Rear Panels

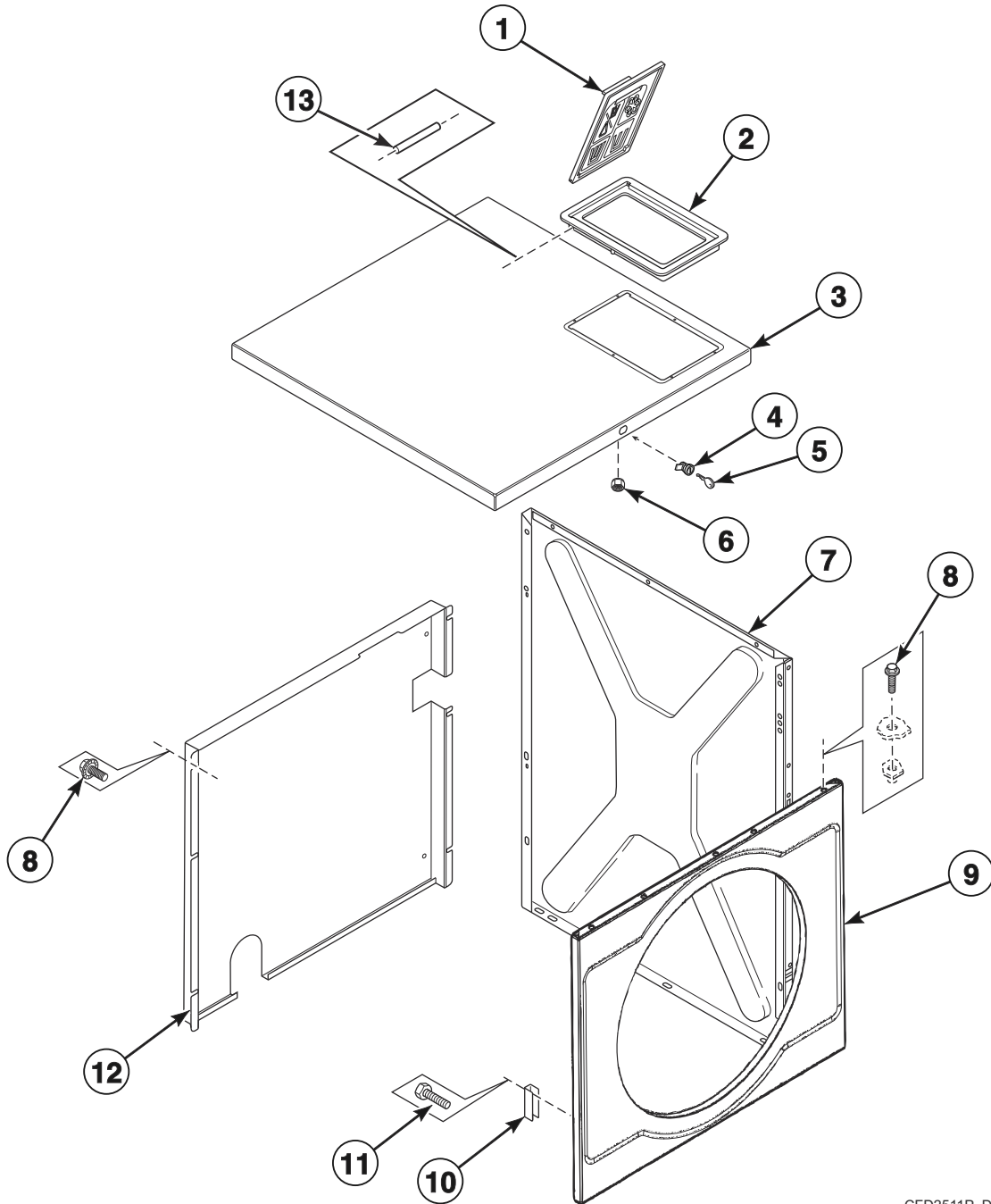


CHM3209P_D1361

Left Side, Lower Front and Upper Rear Panels

REF	PART NO.	DESCRIPTION	COMMENTS
1	205/00106/00	Bolt	
2	202/00003/00	Washer	
3	117/00042/00	Retaining Ring	
4	203/00005/00	Washer	
5	204/00107/00	Nut	
6	F8201001	Top Cover Latch	
7	111/01803/00	Lower Front Panel	
8	B12500601	Screw	
9	111/10089/00	Side Panel	*14, *18, *65 and *75 models; Stainless steel
	111/10097/00	Side Panel	*25 and *100 models; Stainless steel
	111/60031/00	Side Panel	*14, *18, *65 and *75 models; Black
	111/60034/00	Side Panel	*25 and *100 models; Black
10	205/00105/00	Bolt	
11	203/00004/00	Washer	
12	101/00007/00	Outlet Pipe Plate Assembly	
13	204/00009/00	Nut	
14	B12312501	Main Switch Cover	
15	206/00104/00	Screw	
16	B12462901	Screw	
17	F8258601	Top Cover Hinge	
18	B12312301	Backbridge	
19	204/00011/00	Nut	
20	B12324101	Supply Dispenser Crossbar	*14, *18, *65 and *75 models
	B12324601	Supply Dispenser Crossbar	*25 and *100 models

Right Side, Front, Lower Rear and Top Panels

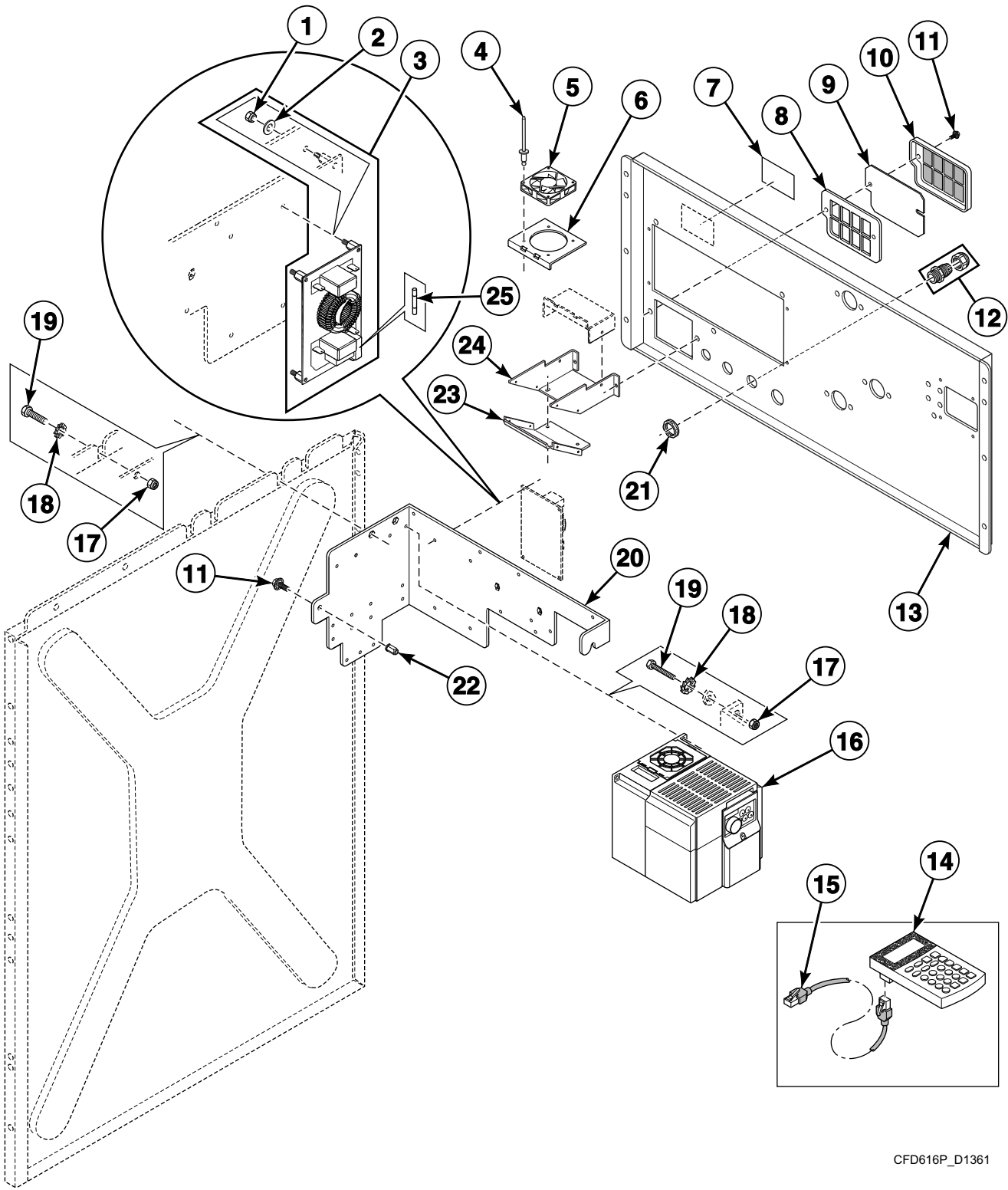


CFD2511P_D1361

Right Side, Front, Lower Rear and Top Panels

REF	PART NO.	DESCRIPTION	COMMENTS
1	B12319101	Supply Dispenser Cover	U.S. models
	B12356701	Supply Dispenser Cover	International models
2	B12597501	Supply Dispenser Cover Frame	
3	B12324301	Top Panel	*14, *18, *65 and *75 models
	B12325401	Top Panel	*25 and *100 models
4	44089303P	Panel Lock	Includes item 5
5	70155603	Key	
6	B12509101	Nut	
7	111/10089/00	Side Panel	*14, *18, *65 and *75 models; Stainless steel
	111/10097/00	Side Panel	*25 and *100 models; Stainless steel
	111/60031/00	Side Panel	*14, *18, *65 and *75 models; Black
	111/60034/00	Side Panel	*25 and *100 models; Black
8	206/00104/00	Screw	
9	111/00290/00	Front Panel	
10	111/10089/01	Reinforcement Plate	
11	206/00114/00	Bolt	
12	B12312601	Lower Rear Panel	
13	223/00103/04	Soap Dispenser Cover Hinge Rod	2 used

Inverter Drive

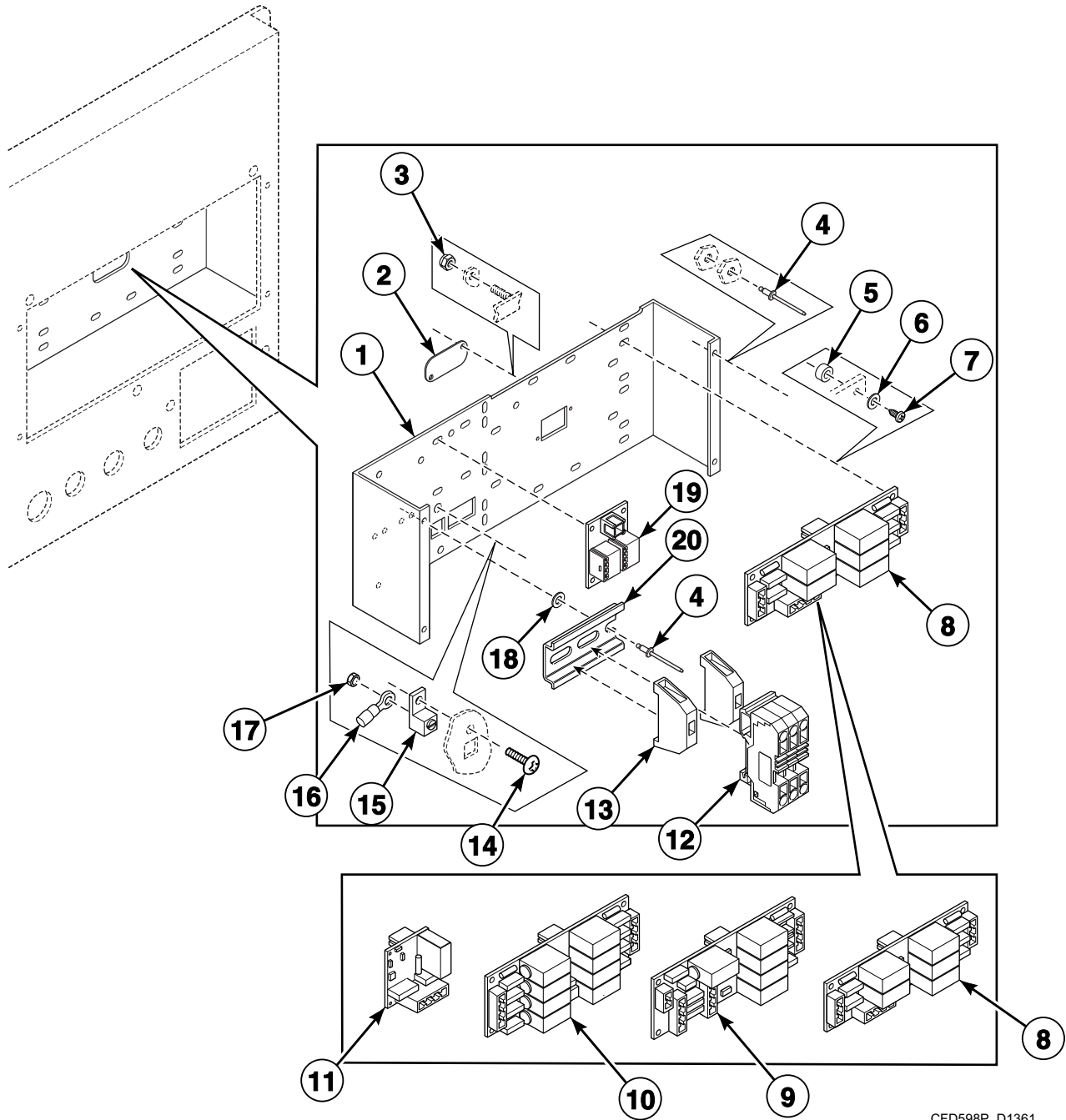


CFD616P_D1361

Inverter Drive

REF	PART NO.	DESCRIPTION	COMMENTS
	B12501501	E-Stop Drive Fan Harness	
	B12350101	Ethernet Cable	
1	204/00014/00	Nut	
2	202/00004/00	Washer	
3	B12339301	Noise Filter	15A1; 1x230 Volt; C, Q and X-voltage
	227/00242/00	Noise Filter	8A3; 3x400 Volt; N and P-voltage
4	208/00017/00	Rivet	
5	209/00465/00	Fan	
6	B12357201	Fan Mounting Plate	
7	B12355001	Voltage Discharge Decal	
8	B12551301	Air Duct	Inside
9	B12382401	Inverter Air Inlet Filter Grill	
10	B12346701	Inverter Air Inlet Filter Frame	Outside
11	206/00104/00	Screw	
12	211/00181/00	Strain Relief Connector	
13	B12312301	Backbridge	
14	227/00171/00	Parameter Unit Assembly	Hand held
15	227/00171/10	Parameter Unit Program Cable	
16	F8644901P	Inverter Drive	FR-D7205-042-NA series; 1x230 Volt; C, Q and X-voltage
	F8645001P	Inverter Drive	FR-D740-022-NA series; 3x400 Volt; N and P-voltage
17	204/00114/00	Nut	
18	203/00006/00	Washer	
19	206/00088/00	Bolt	
20	B12313101	Inverter Drive Box	
21	211/00170/00	Nut	
22	204/00011/00	Nut	
23	B12342701	Air Inlet Bottom	
24	B12342501	Air Inlet	
25	B12389501	Fuse	3.15 A; 500 Volt; Used with 227/00242/00 Filter; N and P-voltage
	209/00468/00	Fuse	3.15 A; Used with B12339401 Noise Filter; C, Q and X-voltage

Printboard Support Panel and Soap Injection Printboards

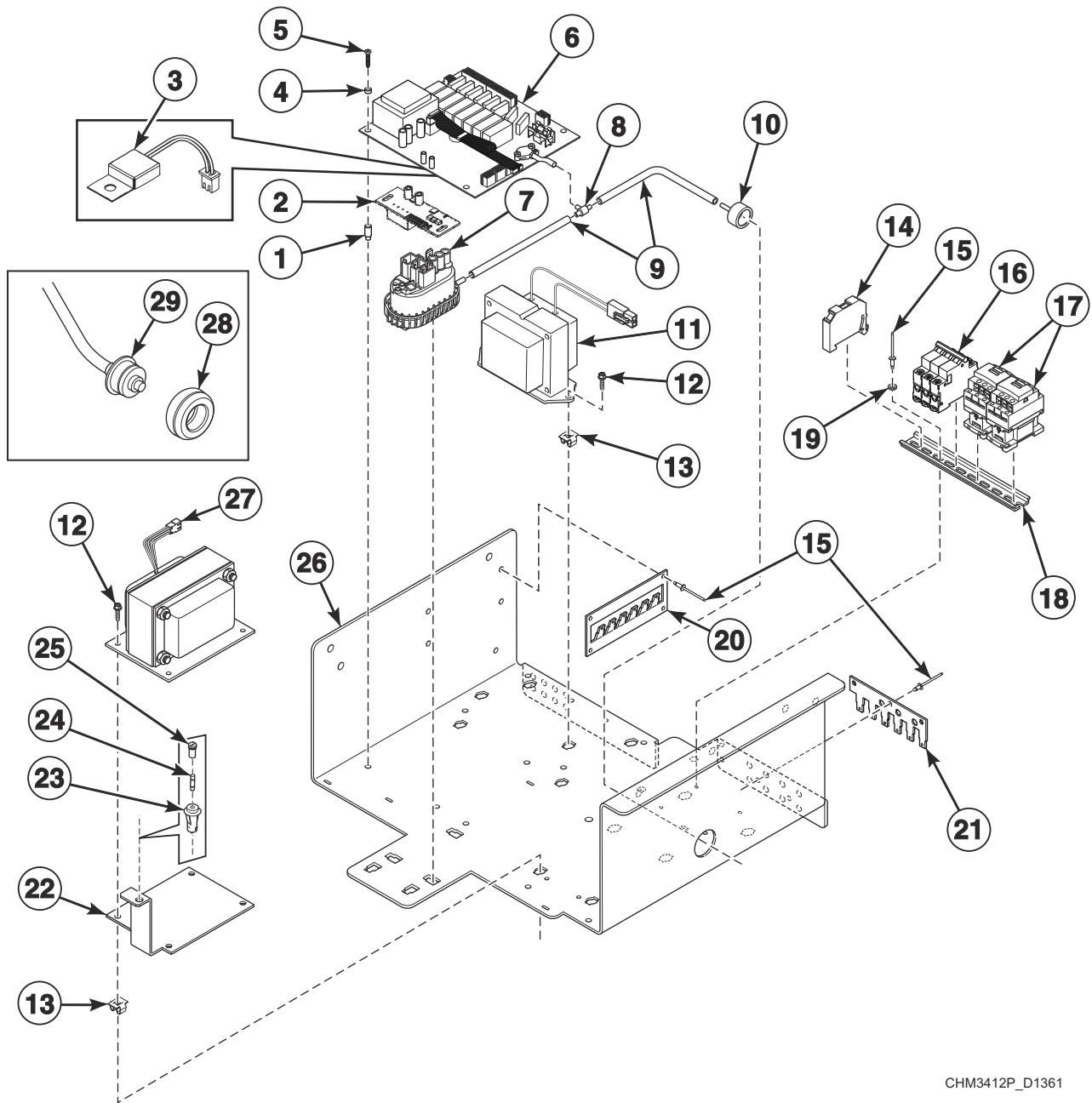


CFD598P_D1361

Printboard Support Panel and Soap Injection Printboards

REF	PART NO.	DESCRIPTION	COMMENTS
	B12388301	Ribbon Assembly	Used with items 8-11
	B12529201	Extension Board Kit	Used with items 8-11; Includes items 2-7, 18, B12381402 Control Supply Harness, B12388301 Ribbon Assembly, 201616 Transformer, 70030501 Expansion Clip, B12462901 Screw and B12319608 Diagram; Does not include extension board
	B12529301	Network Kit	Includes items 3, 5-7, 19, 211/00128/00 Printboard Separator, B12341801 Printboard and B12390201 Network Connection Wiring
1	B12312401	Printboard Support	
2	B12382501	Flat Cable Plate	
3	204/00116/00	Nut	
4	208/00017/00	Rivet	
5	B12390301	Standoff	
6	223/00123/00	Washer	
7	B12393801	Screw	
8	209/02005/00	Detergent PC-Board	1-5
9	209/02014/00	Relay PC-Board	5-5
10	209/02008/00	Detergent PC-Board	1-8
11	209/02016/00	Relay PC-Board	1-1
12	209/01625/00	Terminal Block	Grey; 3 on C, N, P and Q-voltage; 1 on X-voltage
	209/01624/00	Terminal Block	Blue; 1 on C and X-voltage
	209/01625/01	Terminal End	
13	209/00633/02	End Stop	
14	206/00104/00	Screw	
15	M411283	Ground Lug Connector	
16	B12456001	Wiring Earth for Inverter	
17	206/00101/00	Nut	
18	202/00004/00	Washer	
19	B12344201	Network Board	Network models
20	B12315401	DIN Rail	60 mm

Electrical Component Mounting Plate

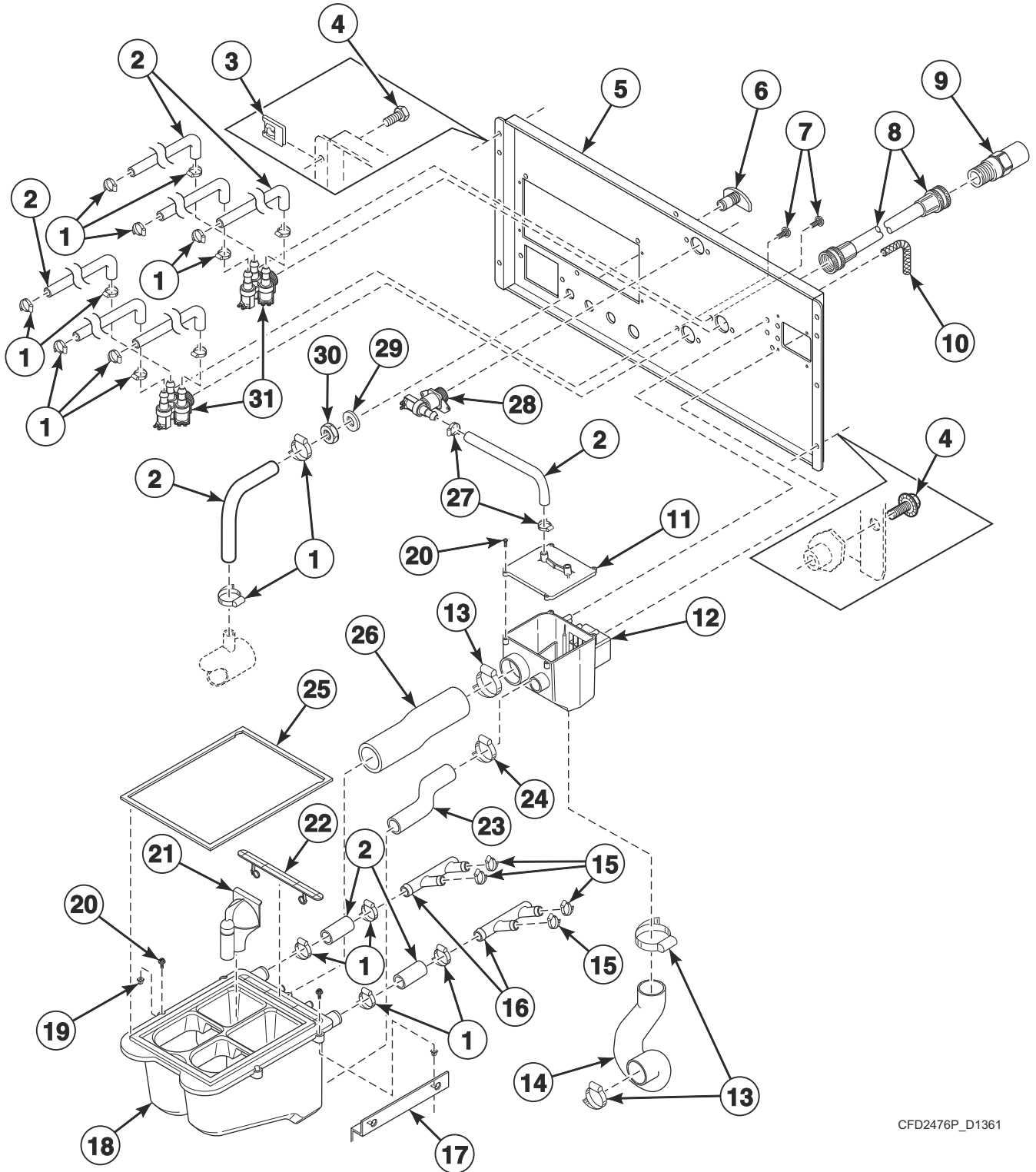


CHM3412P_D1361

Electrical Component Mounting Plate

REF	PART NO.	DESCRIPTION	COMMENTS
	B12392701	Direct Fill Harness	
	B12381101	Main Control Tray Harness	
	B12348801	Control Communication Harness	
	B12348301	Control Supply Harness	N and P-voltage
	B12348101	Control Supply Harness	C, Q and X-voltage
	B12381402	Control Supply Harness	24 VAC; Direct fill
	B12390201	Network Connection Wiring	
1	B12390301	Standoff	
2	B12341801	Printboard	Network models
3	209/02020/00	ID Chip	
4	223/00123/00	Washer	
5	B12393801	Screw	
6	B12355701	Control Board	
	B12360001	Fuse	1.25A
7	209/00027/10B	Water Level Switch	Single lever; 200/160; Electric, steam and dual heat
8	223/00173/10	Pressure Switch Hose Tee	
9	B12700018	Pressure Hose	
10	223/00035/02	Pressure Switch Cap	
11	201616P	Transformer	Models with extension boards
12	B12462901	Screw	
13	70030501	Expansion Clip	N and P-voltage
14	209/00633/02	End Stop	Electric, steam or dual heat
15	208/00017/00	Rivet	
16	B12487101	Circuit Breaker	C and Q-voltage; Electric heat
	B12474601	Circuit Breaker	N and P-voltage; Electric heat
17	209/06148/02	Heating Contactor	1 on C, P and N-voltage; 2 on Q-voltage; Electric heat
	B12381301	Heating Harness	
18	B12315301	DIN Rail	200 mm
19	202/00004/00	Washer	
20	B12395201	Earth Plate Side	
21	B12395301	Earth Plate Bottom	
22	B12439601	Transformer Fuse Mounting Plate	N and P-voltage
23	70329401P	Fuse Holder Body	N and P-voltage
24	802492	Fuse	N and P-voltage
25	70329501	Fuse Holder Cap	N and P-voltage
26	B12313001	Electrical Component Mounting Plate	
27	F8401301	Transformer	N and P-voltage
28	225/10004/00	Thermostat Grommet	
29	210/01064/00	Thermostat	

Fill Plumbing Assembly

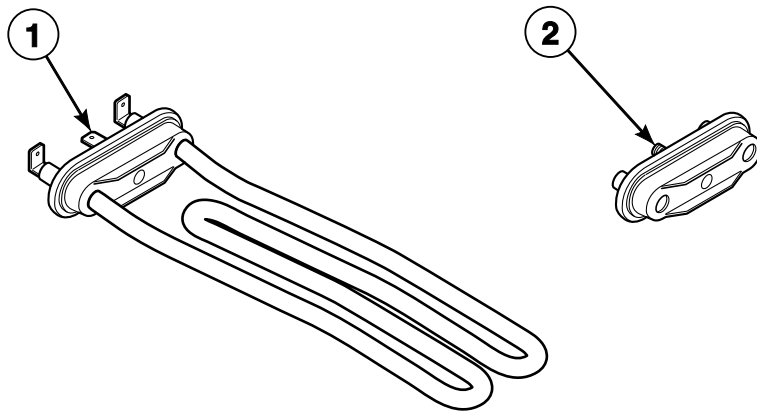


CFD2476P_D1361

Fill Plumbing Assembly

REF	PART NO.	DESCRIPTION	COMMENTS
	B12349201	Inlet Valve Harness	
1	223/00010/00	Hose Clamp	
2	223/00044/00	Water Hose	
3	B12469601	Clip	
4	B12462901	Screw	
5	B12312301	Backbridge	
6	223/00001/04	Prewash and Mainwash Nozzle	
7	206/00027/00	Bolt	
8	F200164	Water Hose	Standard thread
	F200166	Water Hose	Metric thread
	B8498901	Fill Hose	A and Y Market Models
9	B12543901	Check Valve	A and Y Market Models
10	223/00179/10	Pressure Hose	
11	F8439301	Vacuum Breaker Cover	
12	F8048601	Vacuum Breaker Assembly	Includes item 10
13	223/00014/00	Hose Clamp	
14	B12324506	Siphon Break Hose	
15	223/00011/00	Hose Clamp	
16	F8333201	Manifold	
17	B12316401	Supply Dispenser Support	
18	F8047401	Dispenser Assembly	
19	B12463001	Insert	
20	B12462801	Screw	
21	F8047901	Siphon Cover	
22	F8047801	Access Cover	
23	B12313303	Dispenser Overflow Hose	
24	223/00223/00	Hose Clamp	
25	F8308301	Dispenser Gasket	
26	B12390004	Vacuum Supply Hose	
27	223/00013/00	Hose Clamp	
28	209/00276/00	Inlet Valve	1-way; Metric thread; Hard water rinse optional
	223/00050/01	Water Valve Adapter	Standard thread
29	201/00002/00	Washer	
30	204/00201/00	Nut	
31	B12463101	Inlet Valve	3-way; Standard thread
	F8286402P	3-Way Valve	3-way; Metric thread

Steam and Electric Heating Options



CFD601P_D1361

Steam and Electric Heating Options

REF	PART NO.	DESCRIPTION	COMMENTS
	B12308001	Relay	Steam heat
	209/06148/02	Heating Contactor	Steam heat
	B12349603	Electric Heat Harness	
	B12349703	Steam Heat Harness	
	B12349803	Dual Heat Harness	
	B12348502	Branch Harness	Electric heat; Q-voltage; *18, *25, *75 and *100 models
	B12348504	Branch Harness	Electric heat; C, N and P-voltage; *14 and *65 models with Q-voltage
	B12381202	Power Jumper Harness	Electric heat; Q-voltage
	B12381204	Power Jumper Harness	Electric heat; Q-voltage
	B12382302	Steam Valve Harness	
	B12455801	Heat Harness	Electric heat; Q-voltage
	B12455901	Heat Harness	Electric heat; C, N and P-voltage
1	209/00562/20	Heating Element	3 kW; 240 Volt; C, P and Q-voltage
	209/00201/00	Heating Element	3 kW; 275 Volt; N-voltage
2	F360202	Heating Element Plug	

Parts Index

A

Access Cover	
F8047801	53
Air Duct	
B12551301	47
Air Inlet	
B12342501	47
Air Inlet Bottom	
B12342701	47

B

Backbridge	
B12312301	43, 47, 53
Backplate	
111/01005/00	39, 41
Basket and Shaft Assembly	
B12379601	11, 13
B12379801	11, 13
B12380001	11, 13
Basket Kit	
B12542601	11, 13
B12542701	11, 13
B12542801	11, 13
Bearing	
F100136P	9
F100137P	9
Bearing Housing	
212/00100/01	9
Bearing Housing Assembly	
212/00100/00	9
Bearing Housing Plate	
113/00020/01	9
113/00020/02	9
Bearing Kit	
3881P	9
Bearing Replacement Tool Kit	
380P3P	9
380P3-1	9
Belt	
255/00013/00	11, 15
Bolt	
B12444801	15
205/00102/00	9
205/00105/00	43
205/00106/00	23, 43
206/00004/00	11
206/00006/00	15
206/00014/00	9
206/00027/00	53
206/00032/00	13
206/00033/00	17, 19
206/00052/00	7
206/00079/00	7
206/00088/00	47
206/00093/00	9
206/00114/00	45
206/00119/00	15

Branch Harness	
B12348502	55
B12348504	55

C

Check Valve	
B12543901	53
Circuit Breaker	
B12474601	51
B12487101	51
Clamp	
223/00009/00	19
Clip	
B12469601	53
Coin Box	
254/00077/00	39, 41
Coin Drop	
B11211209	39
B12311201	39
B12311202	39
B12311203	39
B12311204	39
B12311205	39
B12311206	39
B12311207	39
B12311208	39
B12311210	39
B12311211	39
B12311212	39
B12311214	39
B12311215	39
B12311216	39
B12311218	39
B12311219	39
B12311220	39
B12311221	39
B12311222	39
B12311224	39
B12311225	39
B12311226	39
B12311234	39
B12311235	39
B12311239	39
B12311241	39
B12311244	39
B12311247	39
B12311248	39
B12311249	39
B12311252	39
B12311301	39
B12311302	39
B12311304	39
B12311401	41
B12323401	39
B12323901	39
Connecting Piece	
255/00017/00	19
Contact Block	
44018901	25, 27, 29, 33, 35
Contact Harness	
B12491701	25, 27, 29, 33, 35
B12491801	25, 27, 29, 33, 35

N/A items do not appear in index.

Contact Switch	
209/00029/26	25, 27, 29, 33, 35
Control Board	
B12355701	51
Control Communication Harness	
B12348801	51
Control Panel	
B12572601	35
Control Supply Harness	
B12348101	51
B12348301	51
B12381402	51
Counter Ring	
217/00004/00	11

D

Data Card Ribbon Assembly	
B12538301	25, 29, 31, 33, 37
Datacard	
209/02024/00	25, 29, 31, 33, 37
Datacard Cover	
223/00348/00	25, 29
Detergent PC-Board	
209/02005/00	49
209/02008/00	49
DIN Rail	
B12315301	51
B12315401	49
Direct Fill Harness	
B12392701	51
Dispenser Assembly	
F8047401	53
Dispenser Gasket	
F8308301	53
Dispenser Overflow Hose	
B12313303	53
Display PC-Board	
209/02002/ZB2	25, 27
Door Frame	
B12314901	23
Door Glass	
B12449701	23
Door Glass Seal	
217/00015/00	23
Door Handle	
217/00059/00	23
Door Handle Stop	
217/00016/00	23
Door Hinge Assembly	
217/00009/00	23
Door Hinge Spacer	
117/00010/00	23
Door Lock Assembly	
B12517701	21
Door Lock Harness	
B12495001	21
Door Lock Microswitch	
209/00272/00	21
Door Lock PC-Board	
B12388201	25, 27, 29, 31, 33, 35, 37

Door Solenoid Assembly	
B12518101	21
Drain Piece	
155/00155/00	19
223/00146/00	17, 19
Drain Pipe Cap	
223/00294/00	19
Drain Pipe Kit	
223/00157/01	19
223/00157/02	19
Drain Valve	
209/00463/00	17
Drain Valve Cover	
F200133600	17
Drain Valve Harness	
B12349401	17
Drain Valve Hose	
223/00190/00	17
Drain Valve Motor	
209/00051/11	17
Drain Valve to Drain Tube Hose	
223/00328/00	17
Drum Pulley	
226/00141/00	11
Dual Drain Kit	
B12428201	17
Dual Heat Harness	
B12349803	55
Dual Heat Sticker	
B12523901	25, 27, 29, 33, 35

E

Earth Plate Bottom	
B12395301	51
Earth Plate Side	
B12395201	51
Electric Heat Harness	
B12349603	55
Electrical Component Mounting Plate	
B12313001	51
Electronic Coin Meter Housing	
152/00112/50	41
End Stop	
209/00633/02	49, 51
E-Stop Bypass Harness	
B12349001	31, 37
E-Stop Drive Fan Harness	
B12501501	47
E-Stop Harness	
B12348901	25, 27, 29, 33, 35
Ethernet Cable	
B12350101	47
Exhaust Pump Support	
111/00298/00	19
Expansion Clip	
70030501	51
Extension Board Kit	
B12529201	49

N/A items do not appear in index.

F

Fan	209/00465/00	47
Fan Mounting Plate	B12357201	47
Fastening Piece	217/00060/00	39, 41
Fill Hose	B8498901	53
Flat Cable Plate	B12382501	49
Frame	B12394301	7
	B12395601	7
	B12395701	7
Front Panel	111/00290/00	45
Fuse	B12360001	51
	B12389501	47
	209/00468/00	47
	802492	51
Fuse Holder Body	70329401P	51
Fuse Holder Cap	70329501	51

G

Ground Lug Connector	M411283	49
----------------------	---------	----

H

Hardware Kit	F407P4	9
Heat Harness	B12455801	55
	B12455901	55
Heating Contactor	209/06148/02	51, 55
Heating Element	209/00201/00	55
	209/00562/20	55
Heating Element Plug	F360202	55
Heating Harness	B12381301	51
Hinge	221/00003/00	23
Hinge Plate	118/00128/00	23
Hose Clamp	223/00010/00	17, 53
	223/00011/00	19, 53
	223/00012/00	19
	223/00013/00	17, 53
	223/00014/00	17, 19, 53
	223/00223/00	53

I

ID Chip	209/02020/00	51
Infrared Cable	210/00902/00	25, 29, 31, 33, 35, 37
Inlet Valve	B12463101	53
	209/00276/00	53
Inlet Valve Harness	B12349201	53
Insert	B12463001	53
Insulating Sticker	229/00268/00	25, 27
	229/00291/00	29, 31
Inverter Air Inlet Filter Frame	B12346701	47
Inverter Air Inlet Filter Grill	B12382401	47
Inverter Drive	F8644901P	47
	F8645001P	47
Inverter Drive Box	B12313101	47

K

Key	254/00077/02	39, 41
	70155603	45

L

Lip Seal	B12332201	9
Lower Front Panel	111/01803/00	43
Lower Rear Panel	B12312601	45

M

Magnet	B12363301	23
Magnet Holder	B12389701	23
Main Control Tray Harness	B12381101	51
Main Switch Cover	B12312501	43
Manifold	F8333201	53
Mechanical Coin Meter Housing	152/00112/00	39
Memory Card PC Board	B12305201	31
Memory Card PC-Board	B12305201	25, 29, 33, 37

N/A items do not appear in index.

Microswitch	
B12625101	21
Motor	
B12510501	15
Motor Clip	
B12371401	15
Motor Harness	
B12382102	15
Motor Mounting Rod	
B12363001	15
Motor Plate	
B12363002	15
Motor Pulley	
226/00154/00	15
Mounting Plate	
223/00374/00	25, 27, 29, 31, 33, 35, 37

N

Nameplate	
B12389801	25, 27, 29, 31, 33, 35, 37
B12389802	25, 33, 37
B12389803	33, 37
B12389805	31
B12389809	33, 37
B12389810	33, 37
B12530801	25, 29, 31, 33
B12530802	25, 29, 31, 33
Network Board	
B12344201	49
Network Connection Wiring	
B12390201	51
Network Kit	
B12529301	49
Noise Filter	
B12339301	47
227/00242/00	47
Nut	
B12509101	45
204/00002/00	7
204/00003/00	7
204/00009/00	13, 43
204/00011/00	43, 47
204/00014/00	47
204/00106/00	23
204/00107/00	43
204/00110/00	15
204/00114/00	47
204/00116/00	25, 27, 29, 31, 33, 35, 37, 39, 41, 49
204/00201/00	17, 53
206/00094/00	9
206/00101/00	17, 19, 49
206/00105/00	19
211/00170/00	47

O

Operating Panel	
B12384601	33
B12384701	37
B12384801	25, 27
B12384901	29
B12385001	31

Operating Sticker	
B12382701	33
B12382801	33
B12382901	37
B12383001	33
B12383101	33
B12383201	37
B12383301	29
B12383401	29
B12383501	31
B12383601	25
B12383701	25
B12456501	37
B12456601	33
B12456701	29
B12531701	37
B12531801	33
B12531901	29
B12532001	25
B12534801	29
B12583501	25

Optical Switch	
209/00781/00	39
Outer Tub	
B12328001	13
B12328101	13
B12328301	13
B12328401	13
B12328601	13
B12328701	13
Outlet Pipe Plate Assembly	
101/00007/00	17, 19, 43
Out-of-Balance Bypass Harness	
B12349904	7
Overflow Hose	
223/00150/00	17
Overlay	
B12574901	35
B12583801	27

P

Panel Lock	
44089303P	45
Parameter Unit Assembly	
227/00171/00	47
Parameter Unit Program Cable	
227/00171/10	47
Pipe	
223/00159/00	19
Plexi Frame	
225/00321/00	25, 27
225/00322/00	33, 35, 37
225/00323/00	29, 31
Power Jumper Harness	
B12381202	55
B12381204	55
Pressure Hose	
B12700018	17, 19, 51
223/00179/10	53
Pressure Switch Cap	
223/00035/02	17, 19, 51
Pressure Switch Hose Tee	
223/00173/10	17, 19, 51

N/A items do not appear in index.

Prewash and Mainwash Nozzle	
223/00001/04	17, 53
Printboard	
B12341801	51
209/02001/02	33, 35, 37
209/02015/02	29, 31
Printboard Separator	
211/00128/00	25, 27, 29, 31, 33, 37
Printboard Support	
B12312401	49
Printboard Support Card	
111/01893/00	25, 29
Protection LED	
223/00330/00	33, 35, 37
Pump	
209/00646/00	19
209/00647/00	19
Pushbutton	
209/00396/00	39, 41
44018801	25, 27, 29, 33, 35

R

Reed Switch Holder	
B12517601	21
Reinforcement Plate	
111/10089/01	45
Relay	
B12308001	55
Relay PC-Board	
209/02014/00	49
209/02016/00	49
Retaining Ring	
117/00042/00	43
212/00028/00	9
212/00038/00	9
Ribbon Assembly	
B12388301	49
Rivet	
B12500301	23
208/00017/00	47, 49, 51

S

Screw	
B12393801	49, 51
B12462801	53
B12462901	43, 51, 53
B12500601	43
B12500801	23
206/00058/00	15
206/00104/00	43, 45, 47, 49
207/00102/00	21
207/00126/00	23
Seal Plate Assembly	
B12333601	9
Side Panel	
111/10089/00	43, 45
111/10097/00	43, 45
111/60031/00	43, 45
111/60034/00	43, 45
Siphon Break Hose	
B12324506	53

Siphon Cover	
F8047901	53
Soap Dispenser Cover Hinge Rod	
223/00103/04	45
Spacer	
B12463401	15
Speed Detector	
210/00074/00	9
Speed Detector Bracket	
152/00055/00	9
Standoff	
B12390301	49, 51
211/00122/00	25, 27, 29, 31
211/00145/00	25, 29
Steam Heat Harness	
B12349703	55
Steam Valve Harness	
B12382302	55
Stopper	
223/00162/00	19
Strain Relief Connector	
211/00181/00	15, 47
Supply Dispenser Cover	
B12319101	45
B12356701	45
Supply Dispenser Cover Frame	
B12597501	45
Supply Dispenser Crossbar	
B12324101	43
B12324601	43
Supply Dispenser Support	
B12316401	53
Switch Knob	
209/00099/29	25, 27, 29, 33, 35

T

Telem Sticker	
209/00520/00	25, 27, 29, 33, 35
Terminal Block	
209/01624/00	49
209/01625/00	49
Terminal End	
209/01625/01	49
Thermostat	
210/01064/00	51
Thermostat Grommet	
225/10004/00	51
Tolerance Ring	
215/00004/00	11
Top Cover Hinge	
F8258601	43
Top Cover Latch	
F8201001	43
Top Panel	
B12324301	45
B12325401	45
111/01003/00	39, 41
Transformer	
F8401301	51
201616P	51
Transformer Fuse Mounting Plate	
B12439601	51

N/A items do not appear in index.

Tub Fastening Ring 212/00114/00	7
Tub Front Gasket B12351601	13
Tub Front Panel B12339601	13
Tub Front Panel Clip 217/00008/00	13
Tub Front Ring Clamp 219/00007/00	13
Tub to Drain Valve Hose 255/00010/00	17, 19

Wire Harness Assembly B12309901	39, 41
B12310001	39, 41
Wiring Earth for Inverter B12456001	49

U

U-Piece Assembly 113/00065/00	9
----------------------------------------	---

V

Vacuum Breaker Assembly F8048601	53
Vacuum Breaker Cover F8439301	53
Vacuum Supply Hose B12390004	53
Valve 3-way B12496201P	53
Voltage Discharge Decal B12355001	47

W

Washer	
201/00001/00	9
201/00002/00	17, 53
201/00003/00	11
201/00005/00	7
201/00007/00	13, 17, 19
201/00010/00	7
201/00015/00	15
201/00201/00	9
202/00002/00	15
202/00003/00	9, 43
202/00004/00	47, 49, 51
202/00104/00	23
202/00110/00	23
203/00001/00	7, 11
203/00002/00	7
203/00004/00	9, 43
203/00005/00	43
203/00006/00	47
223/00123/00	25, 27, 29, 31, 33, 35, 37, 49, 51
Water Hose	
F200164	53
F200166	53
223/00044/00	17, 53
Water Level Switch 209/00027/10B	51
Water Valve Adapter 223/00050/01	53

N/A items do not appear in index.